



YAMAHA

SERIES

PARTS LIST

COVERING

125-175 ENDUROS

(1969-1971)

-INCLUDES-

AT1E

AT1-MX

CT1A

AT1B

AT1B-MX

CT1B

AT1C

AT1C-MX

CT1C

INTRODUCTION

THE PARTS LISTED WITHIN THIS MANUAL COVER THE AT1 - CT1 SERIES PRODUCED FROM 1969 THROUGH 1971.

THE CT1 SERIES IS SHOWN AS A SUPPLEMENT IN THE BACK. CONSULT THE SUPPLEMENT FIRST WHEN ORDERING CT1 PARTS. AS BOTH SERIES ARE SIMILARLY DESIGNED, SHOULD A PART NOT BE LISTED IN THE SUPPLEMENT, ORDER FROM THE APPROPRIATE AT1 MODEL LIST (e.g. CT1B = AT1B).

SHOULD ANY QUESTIONS ARISE REGARDING PARTS LISTED WITHIN THIS MANUAL, CONSULT THE APPROPRIATE PARTS AND SERVICE NEWS BULLETINS OR THE DISTRIBUTOR.

PARTS DEPT.
YAMAHA INTERNATIONAL CORP.
P. O. BOX 6600
BUENA PARK, CALIF. (90620)

IDENTIFICATION

THE 125 ENDURO SERIES INCLUDES SIX MODELS (THRU 1971). THE CHART BELOW WILL AID IN IDENTIFYING THEM.

MODEL	YEAR	COLOR	START E/N	END E/N
AT1E	1969	Pearl White	100101	119606
AT1MX	1969	Pearl White	300101	N/A
AT1B	1970	Competition Yellow	120101	N/A
AT1B-MX	1970	Competition Yellow	310101	N/A
AT1C	1971	Brilliant Red	139101	162879
AT1C-MX	1971	Brilliant Red	313101	317191

BEGINNING WITH 1972 PRODUCTION, THE SERIES IS IDENTIFIED AS AT2 AND COVERED BY ANOTHER PARTS BOOK.

IDENTIFICATION

THE 175 ENDURO SERIES INCLUDES THREE MODELS (THRU 1971). THE CHART BELOW WILL AID IN IDENTIFYING THEM.

MODEL	YEAR	COLOR	START E/N	END E/N
CT1A	1969	California Orange	000101	009741
CT1B	1970	Candy Green	010101	N/A
CT1C	1971	Candy Orange	<u>032101</u> *200101	N/A

BEGINNING WITH 1972 PRODUCTION, THE SERIES IS IDENTIFIED AS CT2 AND COVERED BY ANOTHER PARTS BOOK.

*Close-Ratio Transmission Model.

TABLE OF CONTENTS

ENGINE

Figure		Page
1	CRANKCASE	2
2	CRANKCASE COVERS	4
3	CRANKSHAFT & PISTON	6
4	CLUTCH	10
5	TRANSMISSION	14
6	SHIFTER "A"	18
7	SHIFTER "B"	20
8	KICK	22
9	TACHOMETER GEAR	24
10	AIR CLEANER	26
11	CARBURETOR	28
12	MUFFLER	32
13	OIL PUMP	34
14	STARTER GENERATOR – ENDUROS	38
15	FLYWHEEL MAGNETO MOTOCROSS	40

CHASSIS

16	FRAME & REAR FENDER	44
17	REAR SWING ARM & CHAIN CASE	48
18	SIDE STAND, FOOT REST & BRAKE PEDAL	50
19	FRONT FORK & FENDER	52
20	"MX" FRONT FENDER & BRACKET	60
21	HANDLE & WIRE	62
22	FUEL TANK	66
23	OIL TANK	68
24	SEAT & CARRIER	70
25	FRONT WHEEL	72
26	REAR WHEEL	76
27	HEAD LAMP, SPEEDOMETER & TACHOMETER	80
28	TAIL LAMP (AT1A – AT1B)	84
29	TAIL LAMP (AT1C)	86
30	FLASHER LAMP (AT1C)	88
31	ELECTRICAL	90

TABLE OF CONTENTS

CT1 SUPPLEMENT

Figure	1	ENGINE (Miscellaneous)	Page	96
	2	CHASSIS (Miscellaneous)		98
	3	HEAD & TAIL LAMPS, SPEEDOMETER & TACHOMETER (CT1A & CT1B)		100
	4	SPEEDOMETER, TACHOMETER, SWITCH & LAMPS (CT1B & CT1C)		102
	5	FLYWHEEL MAGNETO		104
	6	ELECTRICAL		106

The following information is provided to aid you in understanding the IBM parts numbering system. The system consists of four groups of numbers totalling 12 digits in all (the dashes – or hyphens – are not counted). Should any questions arise regarding the part numbers listed within this manual you are kindly requested to review the appropriate Parts and Service News Bulletins for the model involved and/or to contact the U. S. Distributor, Yamaha International Corp.

IBM PARTS ORDER SYSTEM

In order to help our dealers to understand how our IBM system works, we are providing these hints:

1. Basic composition: 000-00000-00-00 (for standard parts)
2. Basic composition: 900-00000-00-00 (for changeable parts)

1. STANDARD PART: 10 digits divided in three (3) sections: a-b-c

A. These first three digits represent the original model in which this part first was used.

164	-00000-00)	Identifies the YL2/YL2C model (100cc)
165	-00000-00)	
166	-00000-00)	
167	-00000-00)	
168	-00000-00)	Identifies the YR1 model (350cc)
169	-00000-00)	Identifies the YDS5E model (250cc)
170	-00000-00)	
171	-00000-00)	Identifies the YM2C model (350cc)
172	-00000-00)	
173	-00000-00)	Identifies the YCS1E model (180cc)
174	-00000-00)	
177	-00000-00)	Identifies the TD1C model (250cc Racer)

You will also find that some of these "three-digit" numbers will interchange with, or are used for other models. This is due to the use of these parts on later releases.

In addition to the various "three digits" that we mentioned above and which are assigned originally for those models, we also have quite a few "three digit" models that, although not sold in this country, use interchangeable parts.

B. The next FIVE DIGITS represent the Section and Actual Part No.

The FIRST DIGIT of this "five digit section" represents the section of the machine to which the part belongs, i.e.

000-	1	0000-00	(1) represents the ENGINE section
000-	2	0000-00	(2) represents the FRAME section
000-	8	0000-00	(8) represents the ELECTRIC or wiring section

The SECOND & THIRD digits represent the location of the part within the sections (Engine-Frame-Electric).

EXAMPLES: (ENGINE SECTION)

000-1	13	11-00	Cylinder	(13) Identifies the Crankcase area.
000-1	16	01-00	Ring set Std.	(16) Identifies the Piston area.
000-1	74	01-00	Main Axle ass'y	(74) Identifies the Transmission area.
000-1	41	01-00	Carburetor ass'y	(41) Identifies the Carburetor area.

EXAMPLES: (FRAME SECTION)

000-2	22	10-00	Rear Cushion	(22)	Identifies the Rear Fender area.
000-2	31	36-00	Outer tube R	(31)	Identifies the Front Fork area.
000-2	41	71-00	Knee grip L	(41)	Identifies the Tank/SEAT area.
000-2	53	86-00	Collar, sprocket shaft	(53)	Identifies the Rear Wheel area.

EXAMPLES: (ELECTRIC/WIRING SECTION)

Any part number that you find within this "five-digit" section which starts with the number 8 is a component of the ELECTRIC/WIRING section, i.e.:

000-9	1910-20	Regulator
000-8	2510-10	Main switch assembly
000-8	2590-10	Wire harness assembly
000-8	2116-00	Lead wire (-)
000-8	2540-00	Neutral switch assembly

The FOURTH and FIFTH digits ARE the ACTUAL PART NUMBER.

000-141	01	-00	Carburetor (L)	(01)	Identifies the Carburetor (L)
000-141	02	-00	Carburetor (R)	(02)	Identifies the Carburetor (R)
000-113	11	-01	Cylinder (L)	(11)	Identifies the Cylinder (L)
000-113	21	-01	Cylinder (R)	(21)	Identifies the Cylinder (R)
000-241	71	-00	Knee grip (L)	(71)	Identifies the Knee Grip (L)
000-241	72	-00	Knee grip (R)	(72)	Identifies the Knee Grip (R)

C. The TWO DIGITS (9th & 10th) in the series advise you of any changes, corrections or modifications to the original part, or the size.

EXAMPLES: (YCS1) 174-18511-00 FORK, shift (1) - This gear was modified for better performance and therefore the number was changed to read:

174-18511-01

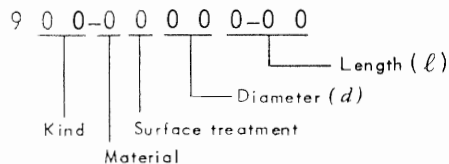
If we get a further modification of this part, and we hope not, the number will then read: 174-18511-02 or 03

2. INTERCHANGEABLE PARTS:

These series ALWAYS start with the number "9" followed by Nos. 1, 2, 3 or 4.

- 910 number is used for Bolts, Cotter-Pins, etc.
- 920 number is used for Screws, Nuts, etc.
- 930 number is used for Oil-Seals, O-Rings, Bearings, etc.
- 940 number is used for Tires, Rims, Spark-Plugs, etc.

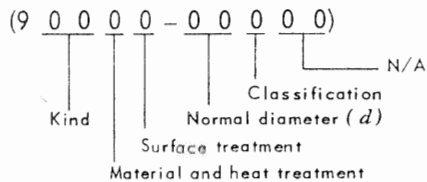
2A) BOLT, PIN AND SCREW



KIND	PARTS	SHAPE
11	Bolt	
12	Bolt	
13	Bolt	
14	Pin, cotter	
15	Pin, crevis	
16	Pin, spring	
18	Pin, dowel	

KIND	PARTS	SHAPE
21	Screw, oval head	
22	Screw, flat head	
23	Screw, cylinder head	
24	Screw, crown head	
25	Screw, pan head	
26	Screw, oval head	
27	Screw, flat head	

2B) NUT AND WASHERS



KIND	CLASS	PARTS	SHAPE
28	1	Nut	
28	2	Nut	
28	3	Nut	
28	5	Nut, slotted	
28	7	Nut, crown	

KIND	CLASS	PARTS	SHAPE
29	1	Washer, spring	
29	2	Washer, plain	
29	3	Washer, tooth	
29	4	Washer, tooth	

2C) OTHERS

(9 0 0 0 0 - 0 0 0 0 0)

Oil seal	93100-00000	Tire	94100-00000
"O" ring	93200-00000	Tube	94200-00000
Bearing	93300-00000	Band, rim	94300-00000
Circlip	93400-00000	Rim	94400-00000
Ball	93500-00000	Chain	94500-00000
Pin, dowel B	93600-00000	Joint, chain	94600-00000
Grease nipple	93700-00000	Spark plug	94700-00000

*In addition to the "10 digits" that we have mentioned above, we have 2 more digits that must be included in the part number. The IBM COLOR CHART consists of the following numbers:

00-00000-00- 22	Candy Red	00-00000-00- 24	Light Vermillion (Red)
00-00000-00- 24	Yamaha Yellow	00-00000-00- 33	Deep Black
00-00000-00- 34	Super Black	00-00000-00- 35	Silver
00-00000-00- 44	Candy Blue (new)	00-00000-00- 81	Primer

**PLEASE do not fail to include all 12 digits when ordering parts. Also, the color list is not complete and should be considered as examples only.

3. **DIMENSIONS:** All dimensions are given in millimeters with the exception of steel balls which are given in inches.

4. **KEY TO SYMBOLS:**

- R.H. Right hand side (viewed from the rider's seat facing forward)
- L.H. Left hand side (viewed from the rider's seat facing forward)
- S.R. Suggested retail price
- U.R. Use size (thickness) and/or numbers as required
- ☉ Painted parts
- ☆ Government inspected parts
- △ Not supplied as a single part
- S Indicates "S" shaped circlip
- E Indicates "E" shaped circlip
- R Indicates "R" shaped circlip
- T Number of teeth in a gear
- V Voltage for lightbulbs
- W Wattage for lightbulbs
- L Length
- S "S" type oil seal
- SD "SD" type oil seal
- SO "SO" type oil seal
- SW "SW" type oil seal

5. **COMPONENT PARTS:** Component parts of an assembly are preceded by a dot (.) such as:

- KICK CRANK ASSEMBLY
- Washer, spring
 - Lever, kick
 - Pin
- } Component parts

Component parts which are mounted on either side of the motorcycle are listed in the following sequence:

1. Parts mounted on "LEFT SIDE" are listed first.
2. Parts mounted on "RIGHT SIDE" are listed second.
3. Parts mounted on "EITHER SIDE" are listed next to the above parts.
4. Parts which are mounted ONLY on one side of the motorcycle will be so indicated under the "REMARKS" column.

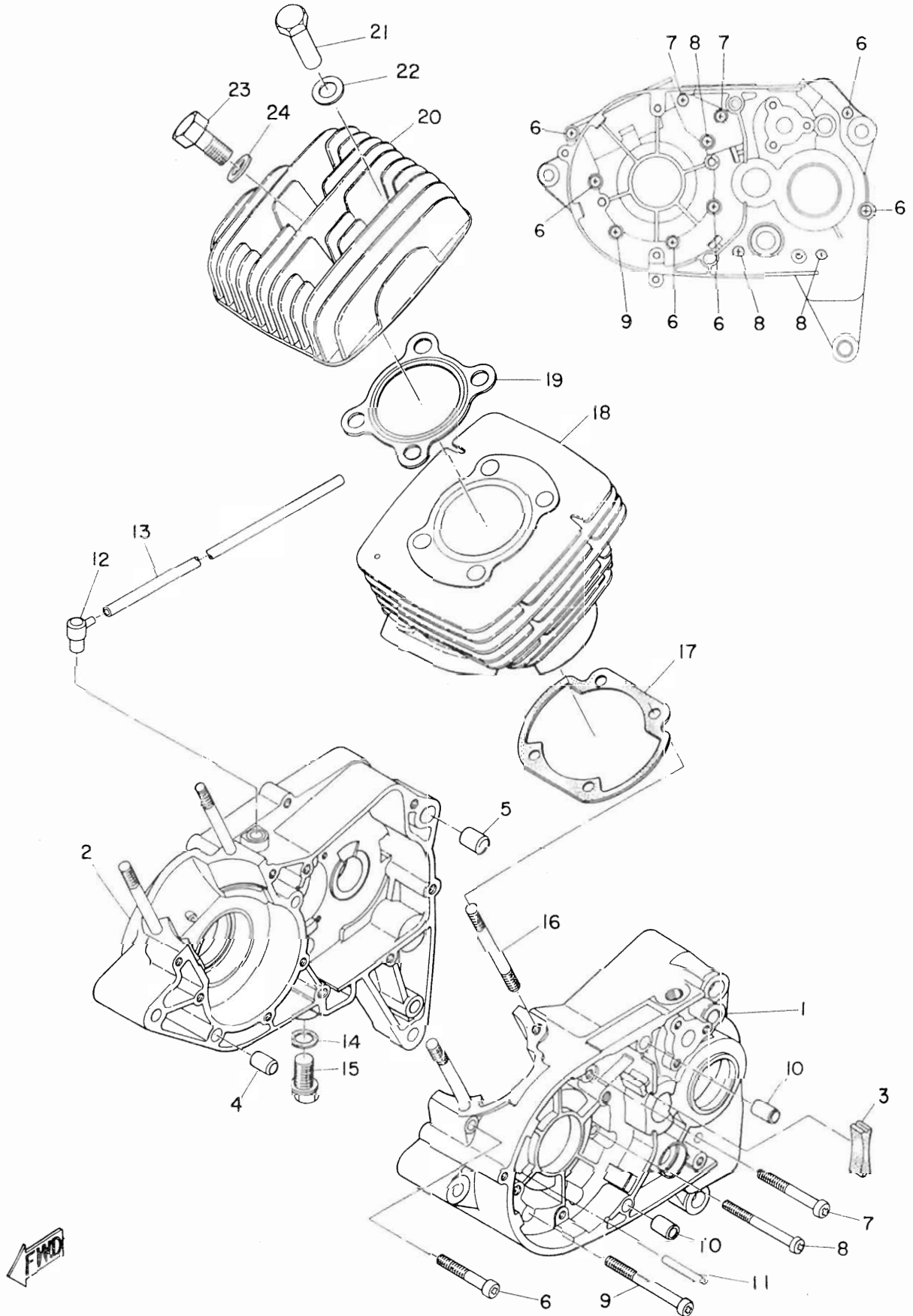
We urge all our dealers to please be careful when ordering parts that have the "12 digit" system, since the misprinting of just one number will most certainly change the whole part number and consequently the dealer will receive the wrong part.

We will do our very best to avoid any possible mis-shipments, and your cooperation in this matter will be greatly appreciated.

ENGINE



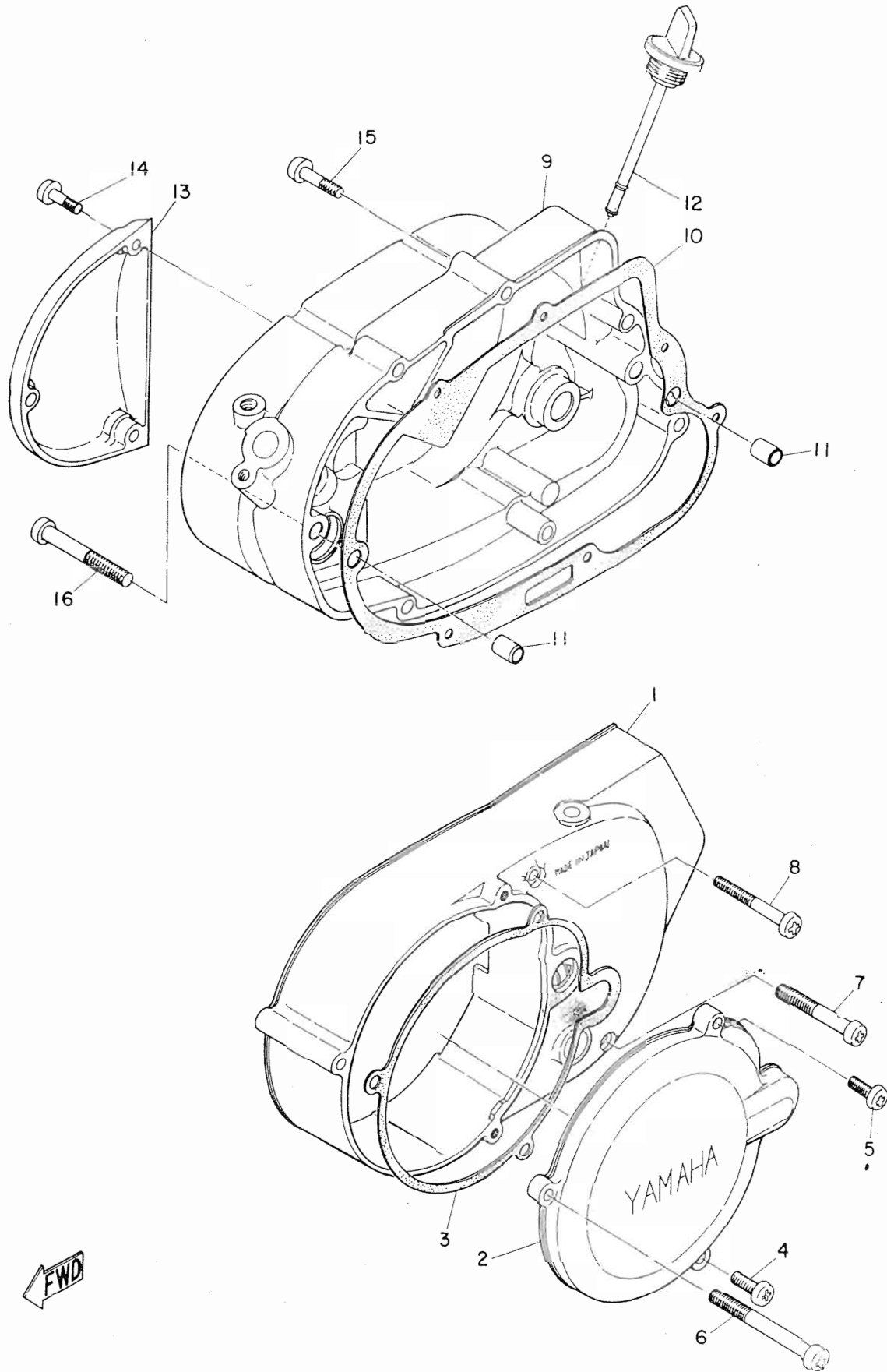
Fig. 1 CRANKCASE



CRANK CASE

Ref. No.	Part No.	Part Name	Remarks	69	70	71	MX	MX	MX
				AT1A	AT1B	AT1C	AT1A	AT1B	AT1C
1- 1	248-15111-00-00	CASE, crank (L.H)	(ISO)	1	1	1	1	1	1
1- 2	248-15121-00-00	CASE, crank (R.H)	(ISO)	1	-	-	1	-	-
1- 2-1	248-15121-01-00	CASE, crank (R.H)	Eng. No. 119607~ (ISO)	-	1	1	-	1	1
1- 3	248-15357-00-00	GROMMET		1	1	1	1	1	1
1- 4	918-10030-16-00	PIN, dowel	8.5-10-16	1	1	1	1	1	1
1- 5	918-00160-16-00	PIN, dowel	10.5-14-16	1	1	1	1	1	1
1- 6	925-03060-45-00	SCREW, pan head		6	6	6	6	6	6
1- 7	925-03060-55-00	SCREW, pan head		2	2	2	2	2	2
1- 8	925-01060-65-00	SCREW, pan head		3	3	3	3	3	3
1- 9	925-01060-70-00	SCREW, pan head		1	1	1	1	1	1
1-10	918-10030-14-00	PIN, dowel	8.5-10-14	2	2	2	2	2	2
1-11	936-03140-26-00	PIN, dowel	3-14	1	1	1	1	1	1
1-12	120-15371-00-00	BREATHER		1	1	1	1	1	1
1-13	248-15373-00-00	PIPE, breather		1	1	1	1	1	1
1-14	132-15353-00-00	GASKET, drain plug		1	1	1	1	1	1
1-15	132-15351-00-00	PLUG, drain		1	1	1	1	1	1
1-16	248-11361-00-00	BOLT, cylinder holding		4	4	4	4	4	4
1-17	248-11351-00-00	GASKET, cylinder		1	1	1	1	1	1
1-18	248-11311-00-00	CYLINDER		1	1	1	-	-	1
1-18-1	248-11311-70-00	CYLINDER		-	-	-	1	1	-
1-19	248-11181-00-00	GASKET, cylinder head		1	1	1	1	1	1
1-20	248-11111-00-00	HEAD, cylinder		1	1	1	-	-	1
1-20-1	248-11111-70-00	HEAD, cylinder		-	-	-	1	1	-
1-21	248-11171-00-00	NUT, cylinder holding		4	4	4	4	4	4
1-22	248-11175-00-00	WASHER, plain	12.3-20-1.2	4	4	4	4	4	4
1-23	214-11196-00-00	PLUG, blind		-	1	-	-	-	-
1-24	214-11198-00-00	GASKET		-	1	-	-	-	-

Fig. 2 CRANKCASE COVER

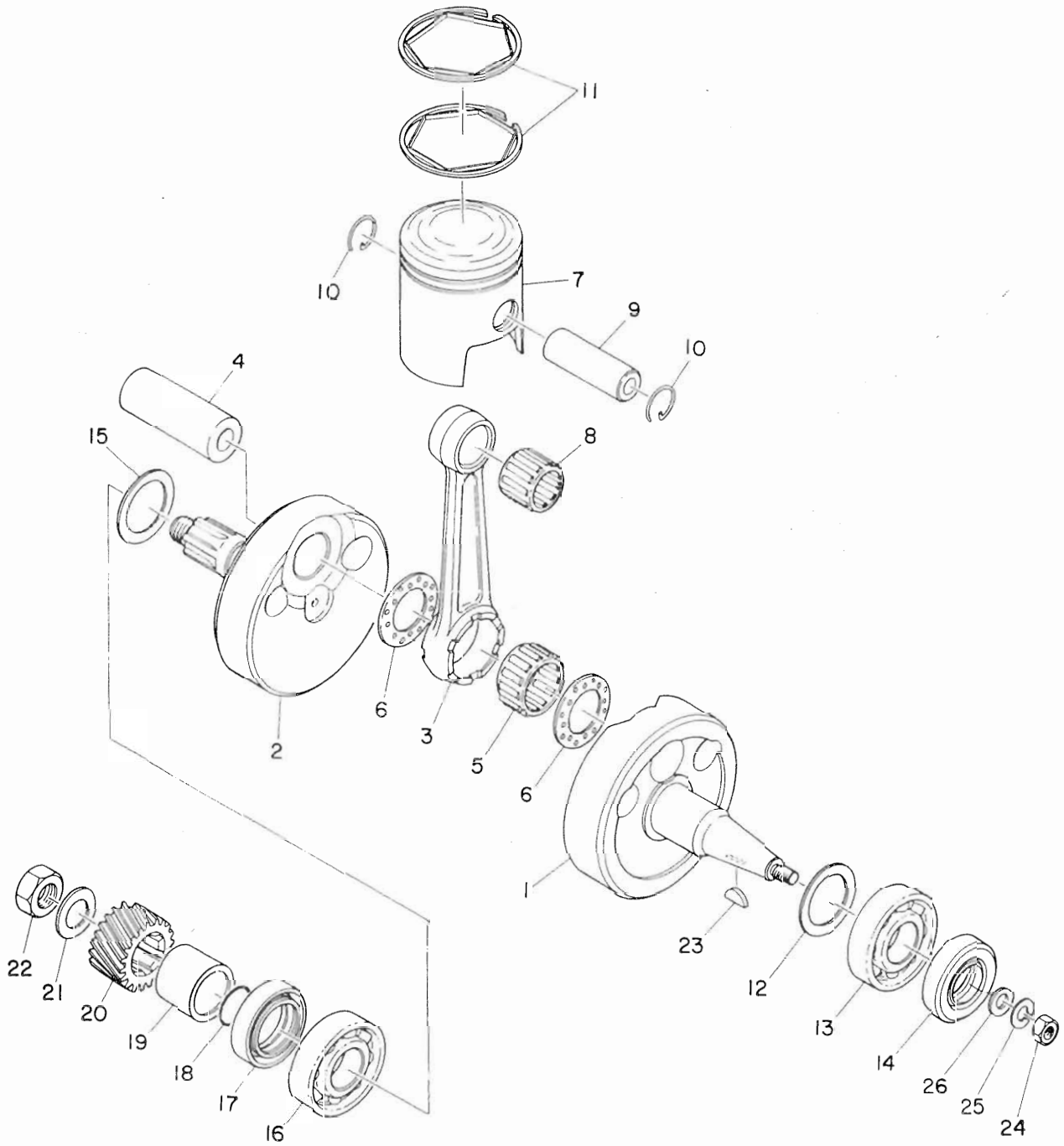


CRANKCASE COVER

Ref. No.	Part No.	Part Name	Remarks	69	70	71	MX	MX	MX
				AT1A	AT1B	AT1C	AT1A	AT1B	AT1C
2- 1	248-15410-00-00	CRANK CASE COVER ASS'Y (L.H)	(ISO)	1	1	-	1	1	-
2- 1-1	248-15411-01-00	CRANK CASE COVER ASS'Y (L.H)		-	-	1	-	-	1
2- 2	261-15415-60-00	COVER, generator		1	-	-	-	-	-
2- 2-1	261-15415-00-00	COVER, generator		-	1	-	-	-	-
2- 2-2	261-15415-61-00	COVER, generator		-	-	1	-	-	-
2- 2-3	248-15415-00-00	COVER, generator		-	-	-	1	1	-
2- 2-4	251-15415-01-00	COVER, generator		-	-	-	-	-	1
2- 3	248-15455-00-00	GASKET, generator cover		1	1	1	1	1	1
2- 4	925-01060-38-00	SCREW, pan head		1	1	1	1	1	1
2- 5	925-01060-38-00	SCREW, pan head		1	1	1	1	1	1
2- 6	925-01060-70-00	SCREW, pan head		1	1	1	1	1	1
2- 7	925-01060-50-00	SCREW, pan head		2	2	2	2	2	2
2- 8	925-01060-60-00	SCREW, pan head		1	1	1	1	1	1
2- 9	248-15421-00-00	COVER, crank case (R.H)	(ISO)	1	1	-	1	1	1
2- 9-1	248-15421-01-00	COVER, crank case (R.H)		-	-	1	-	-	-
2-10	248-15451-00-00	GASKET, Crank case cover		1	1	1	1	1	1
2-11	918-10030-14-00	PIN, dowel	8.5-10-14	2	2	2	2	2	2
2-12	180-15361-00-00	PLUG, oil level		1	1	1	1	1	1
2-13	248-15416-00-00	COVER, oil pump		1	1	-	1	1	-
2-13-1	248-15416-01-00	COVER, oil pump		-	-	1	-	-	1
2-14	925-01060-18-00	SCREW, pan head		3	3	3	3	3	3
2-15	925-01060-35-00	SCREW, pan head		6	6	6	6	6	6
2-16	925-03060-55-00	SCREW, pan head		1	1	1	1	1	1



Fig. 3 CRANK & PISTON



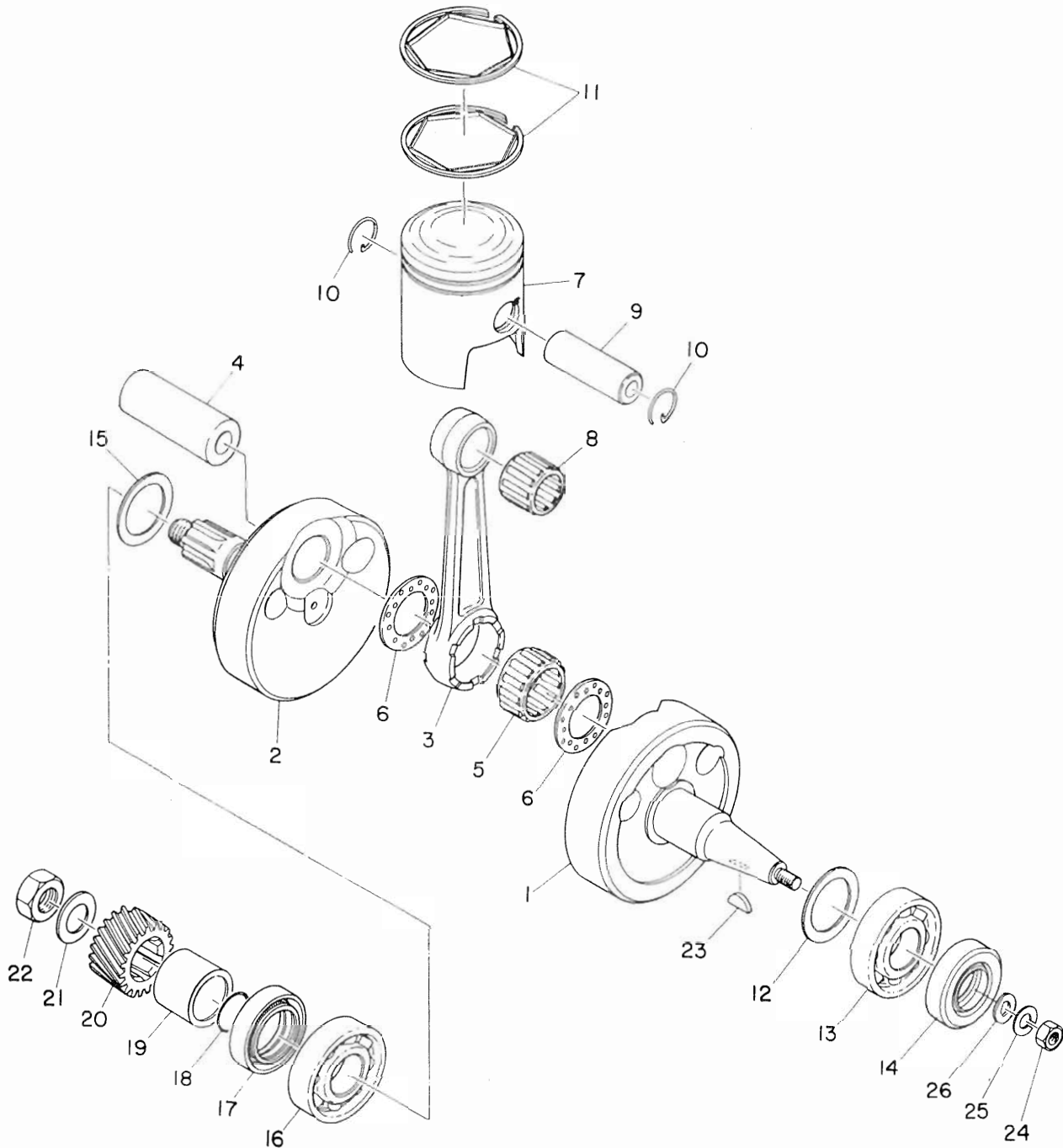
FWD

CRANK AND PISTON

Ref. No.	Part No.	Part Name	Remarks	69	70	71	MX	MX	MX
				AT1A	AT1B	AT1C	AT1A	AT1B	AT1C
3- 0-1	261-11400-60-00	CRANK ASS'Y		1	1	1	-	-	-
3- 0-2	248-11400-00-00	CRANK ASS'Y		-	-	-	1	1	1
3- 1	261-11412-60-00	. CRANK (L.H.)		1	1	1	-	-	-
3- 1-1	248-11412-00-00	. CRANK (L.H.)		-	-	-	1	1	1
3- 2	248-11422-00-00	. CRANK (R.H.)		1	1	1	1	1	1
3- 3	248-11651-00-00	. ROD, connecting		1	1	1	1	1	1
3- 4	248-11681-00-00	. PIN, crank		1	1	1	1	1	1
3- 5	933-10422-31-00	. BEARING, big end		1	1	1	1	1	1
3- 6	164-11685-00-00	. WASHER, crank pin		2	2	2	2	2	2
3- 7	248-11631-00-96	PISTON (STD)		1	1	1	-	-	-
	248-11631-70-00	PISTON (STD)	Single Ring	-	-	-	1	1	1
3- 7-1	248-11635-00-00	PISTON (1st o.s)	0.25mm	1	1	1	-	-	-
	248-11635-70-00	PISTON (1st o.s)	0.25mm	-	-	-	1	1	1
3- 7-2	248-11636-00-00	PISTON (2nd o.s)	0.5mm	1	1	1	-	-	-
	248-11636-70-00	PISTON (2nd o.s)	0.5mm	-	-	-	1	1	1
3- 7-3	248-11637-00-00	PISTON (3rd o.s)	0.75mm	1	1	1	-	-	-
	248-11637-70-00	PISTON (3rd o.s)	0.75mm	-	-	-	1	1	1
3- 7-4	248-11633-00-00	PISTON (4th o.s)	1.00mm	1	1	1	-	-	-
	248-11633-70-00	PISTON (4th o.s)	1.00mm	-	-	-	1	1	1
3- 8	933-10216-36-00	BEARING, small end		1	1	1	1	1	1
3- 9	137-11633-00-00	PIN, piston		1	1	1	1	1	1
3-10	137-11634-00-00	CLIP, piston pin		2	2	2	2	2	2
3-11	248-11601-00-00	PISTON RING SET (STD)		1s	1s	1s	-	-	-
	248-11611-70-00	PISTON RING (STD)		-	-	-	1	1	1
3-11-1	248-11601-10-00	PISTON RING SET (1st o.s)	0.25mm	1s	1s	1s	-	-	-
	248-11611-80-00	PISTON RING (1st o.s)	0.25mm	-	-	-	1	1	1
3-11-2	248-11601-20-00	PISTON RING SET (2nd o.s)	0.5mm	1s	1s	1s	-	-	-
	248-11611-90-00	PISTON RING (2nd o.s)	0.5mm	-	-	-	1	1	1
3-11-3	248-11601-30-00	PISTON RING SET (3rd o.s)	0.75mm	1s	1s	1s	-	-	-
	248-11611-50-00	PISTON RING (3rd o.s)	0.75mm	-	-	-	1	1	1

(Cont'd)

Fig. 3. CRANK & PISTON

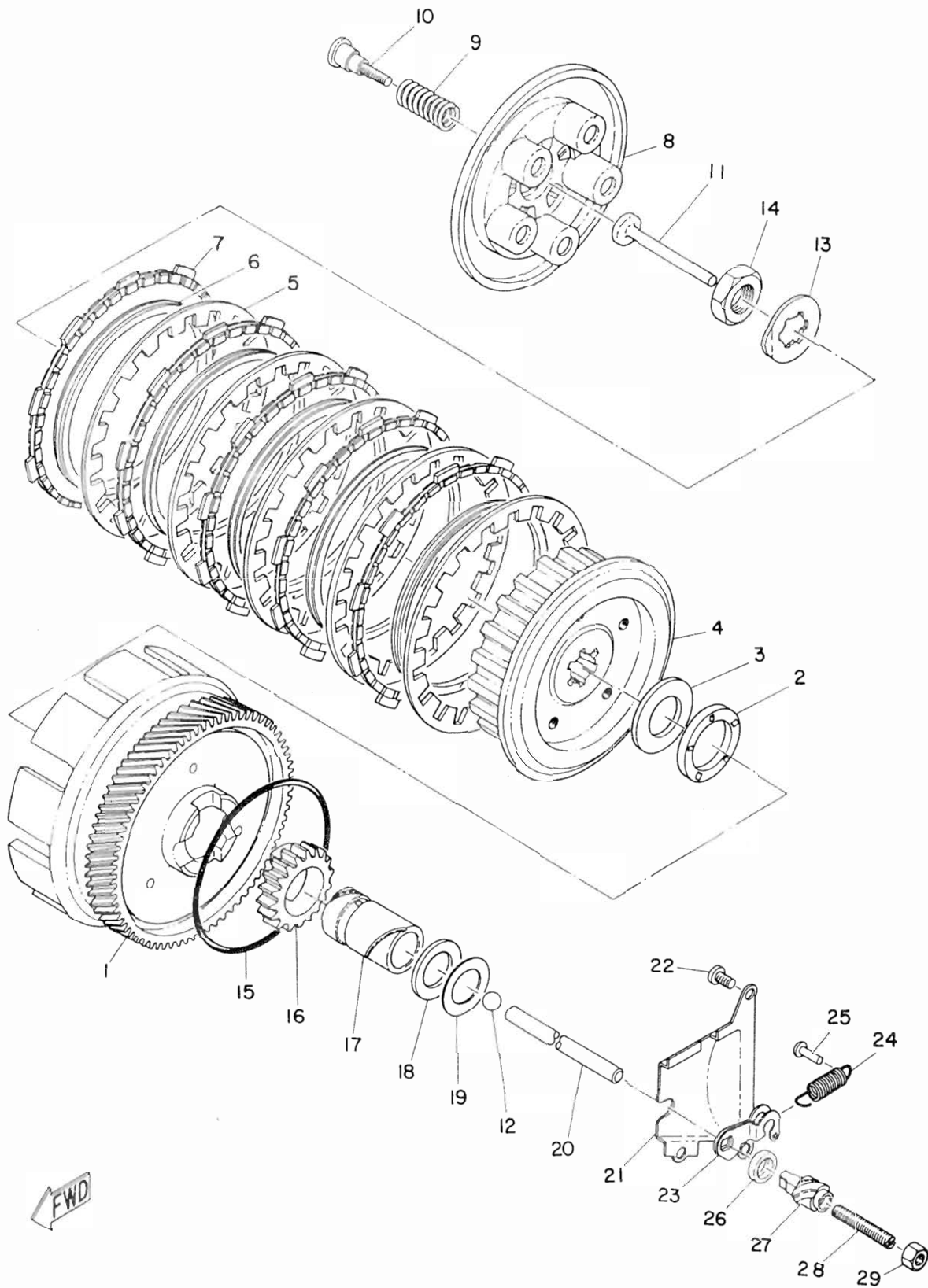


FWD

CRANK AND PISTON

Ref. No.	Part No.	Part Name	Remarks	69	70	71	MX	MX	MX
				AT1A	AT1B	AT1C	AT1A	AT1B	AT1C
3-11-4	248-11601-50-00	PISTON RING SET (4th o.s)	1.00mm	1s	1s	1s	-	-	-
	248-11611-60-00	PISTON RING (4th o.s)	1.00mm	-	-	-	1	1	1
3-12	132-11561-00-00	SHIM, crank	25-35-0.3	1	1	1	1	1	1
3-13	933-06205-13-00	BEARING	6205C3	1	1	1	1	1	1
3-14	931- 01150-61-00 02250-61	OIL SEAL	SD25-40-8	1	1	1	1	1	1
3-15	136-11561-00-00	SHIM, crank	20-30-0.3	U.R 1	1	1	1	1	1
	136-11561-00-04	SHIM, crank	20-30-0.4						
	136-11561-00-05	SHIM, crank	20-30-0.5						
		SHIM, crank	20-30-0.6						
		SHIM, crank	20-30-0.7						
		SHIM, crank	20-30-0.8						
3-16	933-96394-95-00	BEARING	6304C3	1	1	1	1	1	1
3-17	931-03280-11-00	OIL SEAL	SW28-40-8	1	1	1	1	1	1
3-18	932-10180-23-00	O-RING	1.2-17.6	1	1	1	1	1	1
3-19	248-16136-00-00	COLLAR, distance		1	1	1	1	1	1
3-20	248-16111-00-00	GEAR, primary drive	19T	1	1	1	1	1	1
3-21	164-16119-00-00	SPRING, bellevile		1	1	1	1	1	1
3-22	137-16377-00-00	NUT, lock		1	1	1	1	1	1
3-23	146-11545-00-00	KEY, woodruff		1	1	1	1	1	1

Fig. 4 CLUTCH

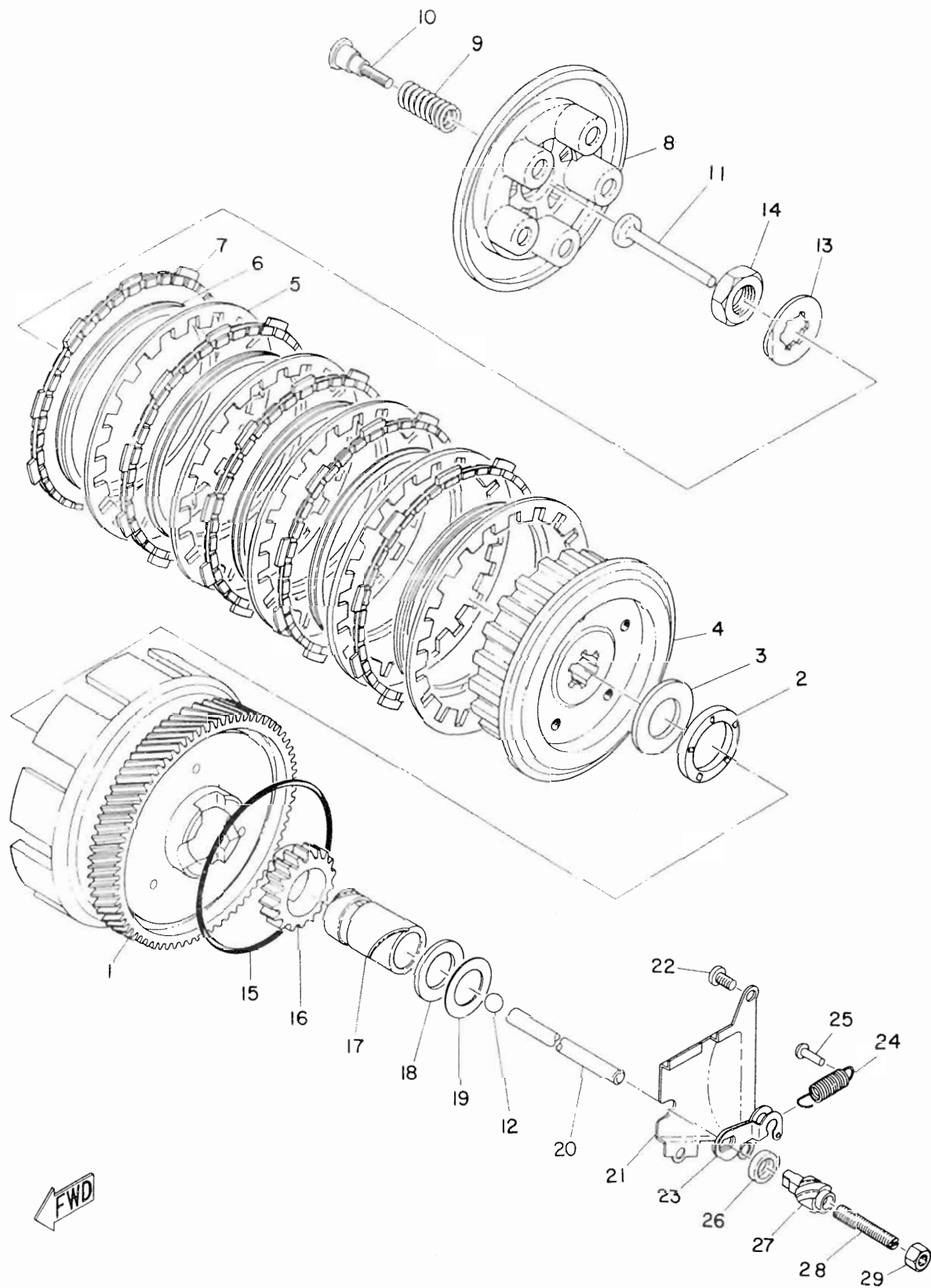


CLUTCH

Ref. No.	Part No.	Part Name	Remarks	69	70	71	MX	MX	MX
				AT1A	AT1B	AT1C	AT1A	AT1B	AT1C
4- 0-1	248-16301-01-00	CLUTCH ASS'Y	(ISO)	1	1	1	1	1	1
4- 1	248-16150-02-00	. PRIMARY DRIVEN GEAR ASS'Y	74T	1	1	1	1	1	1
4- 2	933-41226-03-00	. BEARING, thrust		1	1	1	1	1	1
4- 3	174-16154-00-00	. PLATE, thrust (R.H)	20-38-2	1	1	1	1	1	1
4- 4	174-16371-01-00	. BOSS, clutch	(ISO)	1	1	1	1	1	1
4- 5	137-16324-00-00	. PLATE, clutch		5	5	5	5	5	5
4- 6	137-16367-00-00	. RING, cushion		5	5	5	5	5	5
4- 7	132-16321-00-00	. PLATE, friction		5	5	5	5	5	5
4- 8	132-16351-00-00	. PLATE, pressure		1	1	1	1	1	1
4- 9	132-16333-00-00	. SPRING, clutch		5	5	5	5	5	5
4-10	137-16337-01-00	. SCREW, spring	(ISO)	5	5	5	5	5	5
4-11	137-16356-00-00	ROD, push 1		1	1	1	1	1	1
4-12	935-01040-11-00	BALL	¼"	1	1	1	1	1	1
4-13	102-17464-00-00	WASHER, look		1	1	1	1	1	1
4-14	102-17463-00-00	NUT, look		1	1	1	1	1	1
4-15	932-10850-75-00	O-RING	3.1-84.4	1	1	1	1	1	1
4-16	174-15631-00-00	GEAR, kick pinion		1	-	-	-	-	-
4-16-1	251-15631-00-00	GEAR, kick pinion		-	1	-	1	1	-
4-16-2	261-15631-00-00	GEAR, kick pinion		-	-	1	-	-	1
4-17	174-16176-01-00	COLLAR, distance		1	1	1	1	1	1
4-18	174-16164-00-00	PLATE, thrust (L.H)	20.2-31-2	1	1	1	1	1	1
4-19	248-16164-01-00	PLATE, thrust (L.H)	20.2-31-1	1	1	1	1	1	1
4-20	248-16357-00-00	ROD, push 2		1	1	1	1	1	1
4-21	248-18428-00-00	SEAL, dust		1	1	1	1	1	1
4-22	985-03050-08-00	SCREW, pan head	(ISO)	3	3	3	3	3	3
4-23	241-16342-00-00	LEVER, push		1	1	1	1	1	1
4-24	132-16345-00-00	SPRING, lever return		1	1	1	1	1	1
4-25	132-16346-00-00	HOOK, spring		1	1	1	1	1	1
4-26	931-04090-25-00	OIL SEAL	SO-9-15-4	1	-	-	-	-	-
4-26-1	931-04110-28-00	OIL SEAL	SO-11- -	-	1	1	1	1	1

(Cont'd)

Fig. 4 CLUTCH

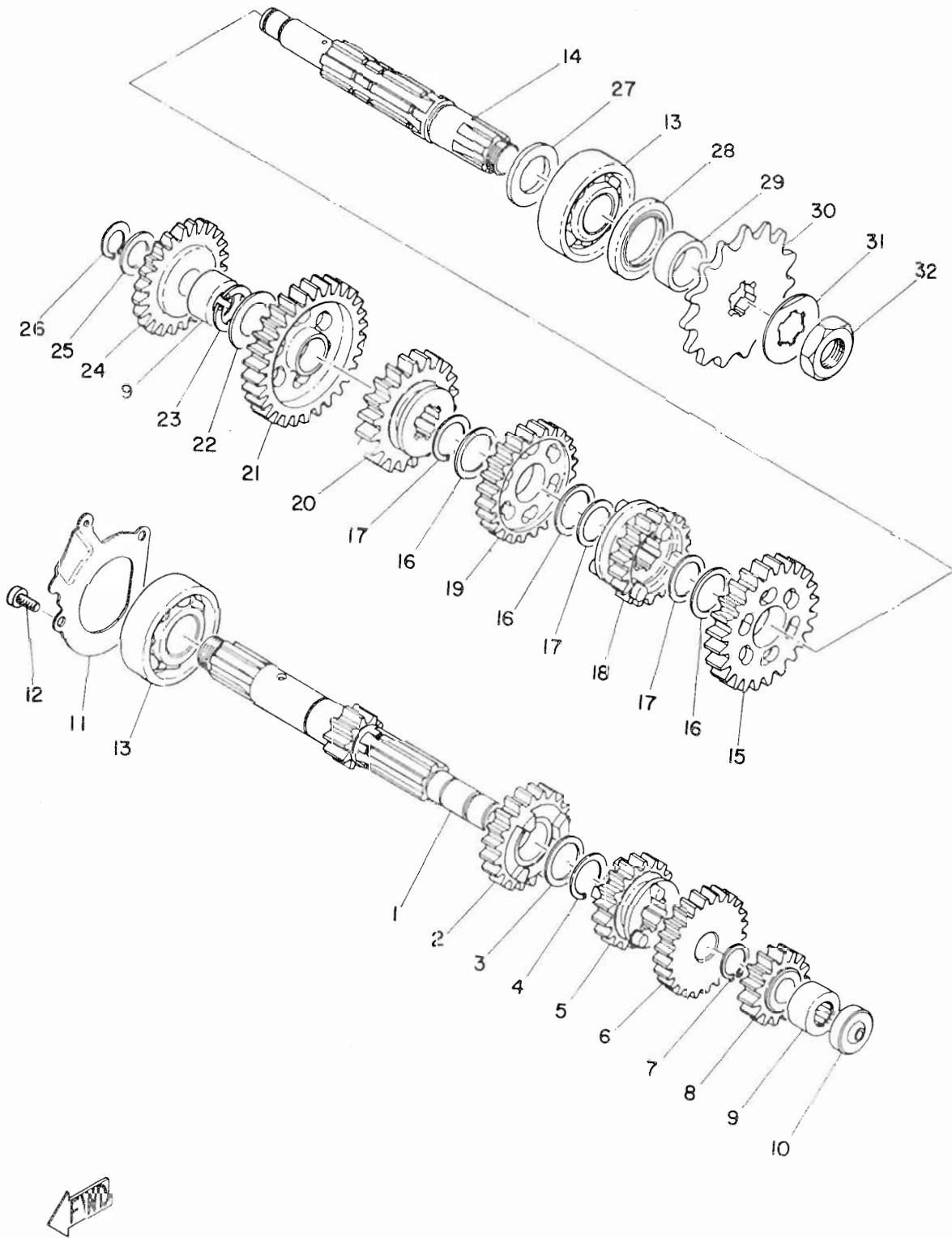


CLUTCH

Ref. No.	Part No.	Part Name	Remarks	69	70	71	MX	MX	MX
				AT1A	AT1B	AT1C	AT1A	AT1B	AT1C
4-27	241-16341-00-00	SCREW, push		1	-	-	-	-	-
4-27-1	241-16341-01-00	SCREW, push		-	1	1	1	1	1
4-28	241-16343-00-00	SCREW, adjusting		1	1	1	1	1	1
4-29	928-03063-00-00	NUT		1	1	1	1	1	1



Fig. 5 TRANSMISSION

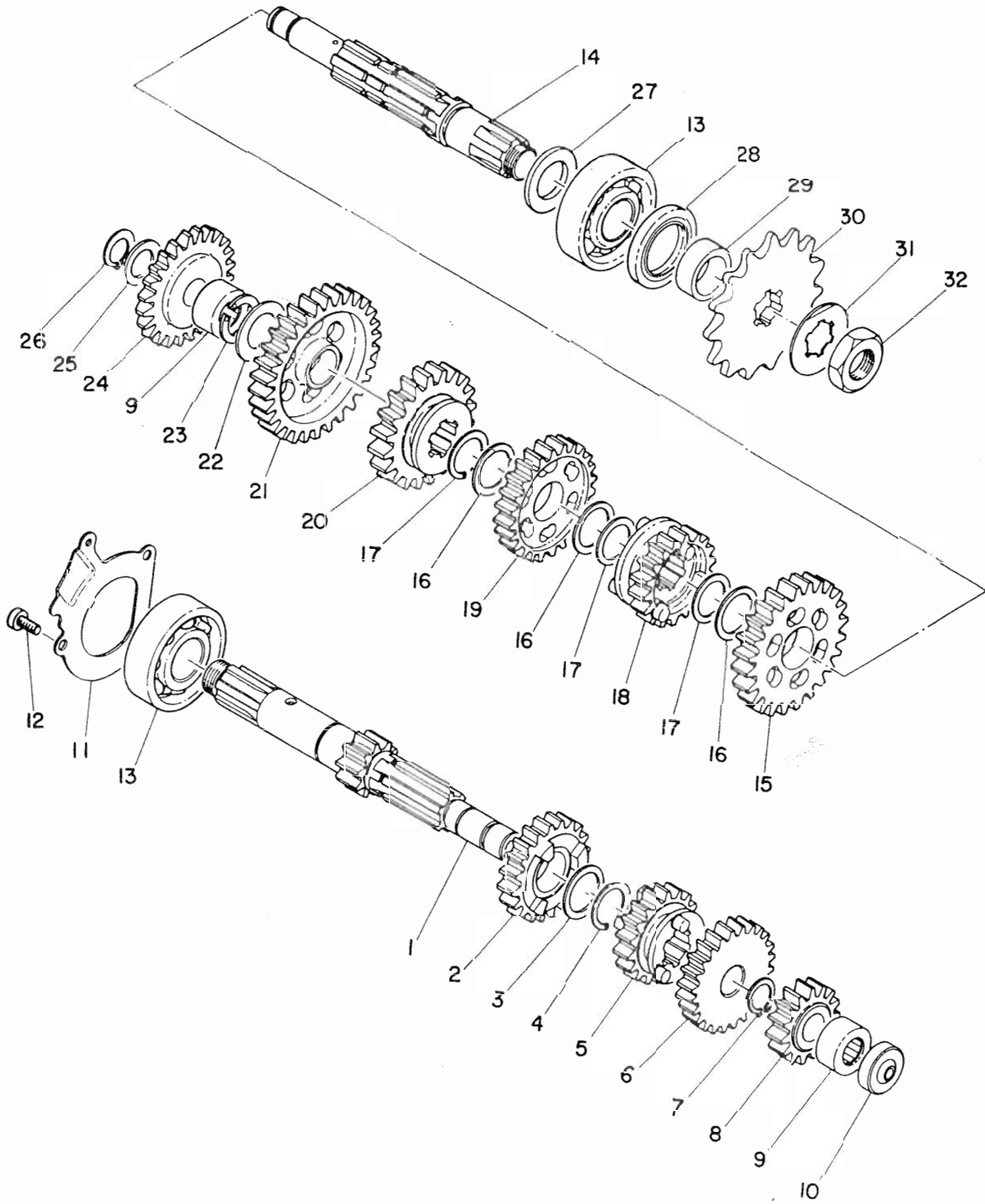


TRANSMISSION

Ref. No.	Part No.	Part Name	Remarks	69	70	71	MX	MX	MX
				AT1A	AT1B	AT1C	AT1A	AT1B	AT1C
5- 0-1	248-17401-00-00	MAIN AXLE ASS'Y		1	1	1	-	-	-
5- 1	248-17411-00-00	. AXLE, main	11T Low	1	1	1	-	-	-
5- 1-1	265-17411-00-00	. AXLE, main	12T Low	-	-	-	1	1	1
5- 2	248-17141-00-00	. GEAR, 4th pinion	23T	1	1	1	-	-	-
5- 2-1	265-17141-00-00	. GEAR, 4th pinion	22T	-	-	-	1	1	1
5- 3	132-17216-00-00	. WASHER, gear hold	20-25-1	1	1	1	1	1	1
5- 4	132-17414-00-00	. CLIP		1	1	1	1	1	1
5- 5	248-17131-00-00	. GEAR, 3rd pinion	19T	1	1	1	1	1	1
5- 6	248-17151-00-00	. GEAR, 5th pinion	25T	1	1	1	-	-	-
5- 6-1	265-17151-00-00	. GEAR, 5th pinion	23T	-	-	-	1	1	1
5- 7	934-10150-05-00	. CIRCLIP		1	-	-	1	-	-
5- 8	248-17121-00-00	. GEAR, 2nd pinion	15T	1	1	1	-	-	-
5- 8-1	265-17121-00-00	. GEAR, 2nd pinion	16T	-	-	-	1	1	1
5- 9	933-15315-02-00	BEARING		2	2	2	2	2	2
5-10	132-15389-00-00	SEAL, push rod		1	1	1	1	1	1
5-11	248-17471-01-00	PLATE, cover		1	1	1	1	1	1
5-12	985-03050-12-00	SCREW, pan head	(ISO)	3	3	3	3	3	3
5-13	933-06304-15-00	BEARING	6303	2	2	2	2	2	2
5- 0-2	248-17402-00-00	DRIVE AXLE ASS'Y		1	1	1	1	1	1
5- 14	248-17421-00-00	. AXLE, drive		1	1	1	1	1	1
5-15	248-17221-00-00	. GEAR, 2nd wheel	20T	1	1	1	1	1	1
5-16	132-17216-00-00	. WASHER, gear hold	20-25-1	3	3	3	3	3	3
5-17	132-17414-00-00	. CLIP		3	3	3	3	3	3
5-18	248-17251-00-00	. GEAR, 5th wheel	20T	1	1	1	-	-	-
5-18-1	265-17251-00-00	. GEAR, 5th wheel	22T	-	-	-	1	1	1
5-19	248-17231-00-00	. GEAR, 3rd wheel	26T	1	1	1	1	1	1
5-20	248-17241-00-00	. GEAR, 4th wheel	23T	1	1	1	-	-	-
5-20-1	265-17241-00-00	. GEAR, 4th wheel	24T	-	-	-	1	1	1
5-21	248-17211-00-00	. GEAR, 1st wheel	35T	1	1	1	-	-	-
5-21-1	265-17211-00-00	. GEAR, 1st wheel	34T	-	-	-	1	1	1

(Cont'd)

Fig. 5 TRANSMISSION

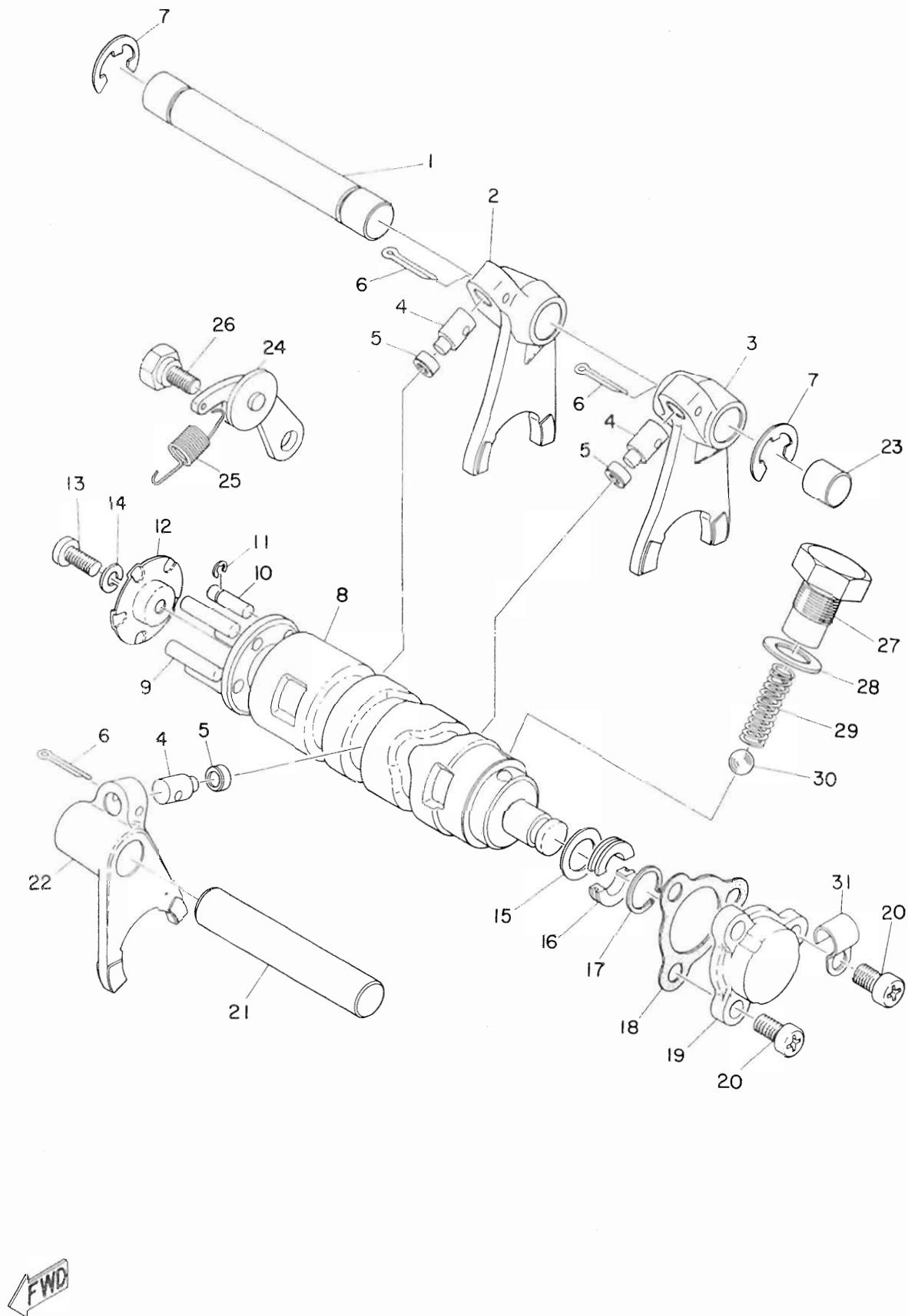


FWD

TRANSMISSION

Ref. No.	Part No.	Part Name	Remarks	69	70	71	MX	MX	MX
				AT1A	AT1B	AT1C	AT1A	AT1B	AT1C
5-22	164-17427-00-06	. SHIM, drive axle	15.2-30-0.6	1	1	1	1	1	1
5-23	934-40150-12-00	. CIRCLIP		1	1	1	1	1	1
5-24	180-15651-01-00	GEAR, kick idle	28T	1	-	-	-	-	-
5-24-1	251-15651-01-00	GEAR, kick idle	26T	-	1	-	1	1	-
5-24-2	261-15651-00-00	GEAR, kick idle	25T	-	-	1	-	-	1
5-25	132-15653-00-12	WASHER, thrust	13.3-22-1.2	} U.R.	1	1	1	1	1
	132-15653-00-14	WASHER, thrust	13.3-22-1.4		1	1	1	1	1
5-26	934-10130-04-00	CIRCLIP		1	1	1	1	1	1
5-27	248-17429-00-00	SPACER	20-30-3	1	1	1	1	1	1
5-28	931-02260-42-00	OIL SEAL	SD-26-38-5	1	1	1	1	1	1
5-29	164-17462-00-00	COLLAR, distance	10.1-16-9.3	1	1	1	1	1	1
5-30	174-17461-30-00	SPROCKET, drive	13T	} U.R.	1	1	1	1	1
	174-17461-40-00	SPROCKET, drive (STD-ENDURO)	14T						
	174-17461-50-00	SPROCKET, drive (STD-MX)	15T						
	174-17461-60-00	SPROCKET, drive	16T						
5-31	102-17464-00-00	WASHER, lock		1	1	1	1	1	1
5-32	102-17463-00-00	NUT, lock		1	1	1	1	1	1
NOTE:									
CT1's with E/N's 200101 - Use AT1-MX close-ratio transmission.									

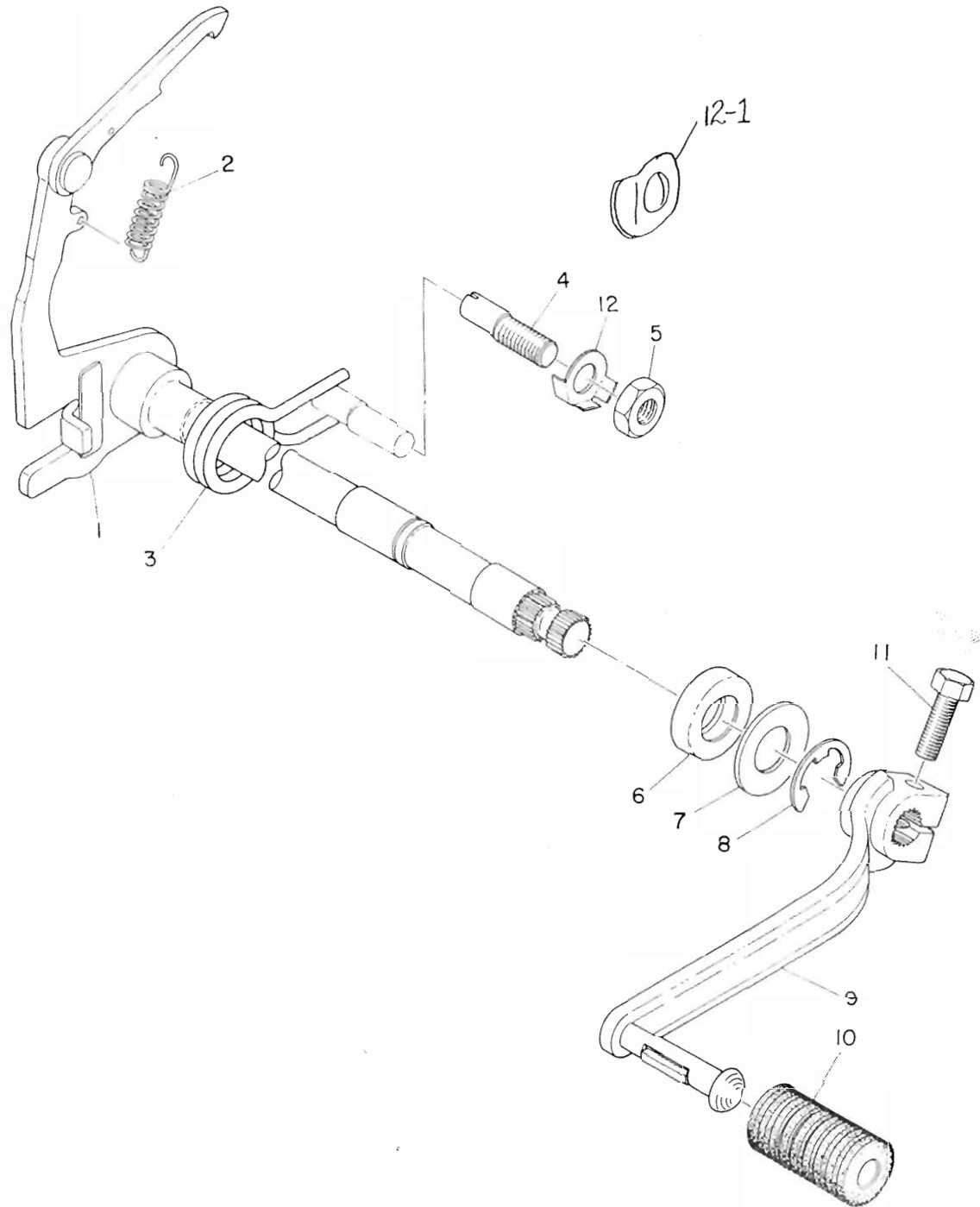
Fig. 6 SHIFTER A



SHIFTER (A)

Ref. No.	Part No.	Part Name	Remarks	69	70	71	MX	MX	MX
				AT1A	AT1B	AT1C	AT1A	AT1B	AT1C
6- 1	214-18531-00-00	BAR, shift fork guide		1	1	1	1	1	1
6- 2	248-18513-00-00	FORK, shift 3		1	1	1	1	1	1
6- 3	248-18511-00-00	FORK, shift 1		1	1	1	1	1	1
6- 4	137-18552-00-00	PIN, cam follower		3	3	3	3	3	3
6- 5	136-18551-00-00	ROLLER, cam follower		3	3	3	3	3	3
6- 6	914-01250-17-00	PIN, cotter		3	3	3	3	3	3
6- 7	934-30100-17-00	CIRCLIP		2	2	2	2	2	2
6- 8	248-18541-00-00	CAM, shift		1	1	1	1	1	1
6- 9	936-04220-50-00	PIN, dowel	4-21.8	4	4	4	4	4	4
6-10	174-18544-00-00	PIN, locating		1	1	1	1	1	1
6-11	934-30030-14-00	CLIP, locating pin		1	1	1	1	1	1
6-12	164-18561-00-00	PLATE, side		1	1	1	1	1	1
6-13	985-03050-12-00	SCREW, pan head		1	1	1	1	1	1
6-14	929-03051-00-00	WASHER, spring		1	1	1	1	1	1
6-15	164-18572-00-00	WASHER, plain	12.1-18-1.0	1	1	1	1	1	1
6-16	164-18571-00-00	HOLDER, shift cam		2	2	2	2	2	2
	164-18571-01-00	HOLDER, shift cam		1	1	1	1	1	1
6-17	934-40150-12-00	CIRCLIP		1	1	1	1	1	1
6-18	164-18579-00-00	GASKET, plug blind		1	1	1	1	1	1
6-19	164-18589-00-00	PLUG, blind shift cam		1	1	1	1	1	1
6-20	925-03060-12-00	SCREW, pan head		3	3	3	3	3	3
6-21	248-18531-00-00	BAR, shift fork guide		1	1	1	1	1	1
6-22	248-18512-00-00	FORK, shift 2		1	1	1	1	1	1
6-23	214-15385-00-00	PLUG, blind		1	1	1	1	1	1
6-24	132-18148-01-00	LEVER, stopper		1	1	1	1	1	1
6-25	132-18143-00-00	SPRING, stopper		1	1	1	1	1	1
6-16	132-18177-00-00	BOLT, stopper		1	1	1	1	1	1
6-27	174-18578-00-00	SCREW, spring	14.5-21-1.5	1	1	1	1	1	1
6-28	137-15353-00-00	GASKET		1	1	1	1	1	1
6-29	174-18558-00-00	SPRING, neutral		1	1	1	1	1	1
6-30	935-05160-06-00	BALL	5/16"	1	1	1	1	1	1
6-31	164-82594-00-00	CLAMP		1	1	1	1	1	1

Fig. 7 SHIFTER B

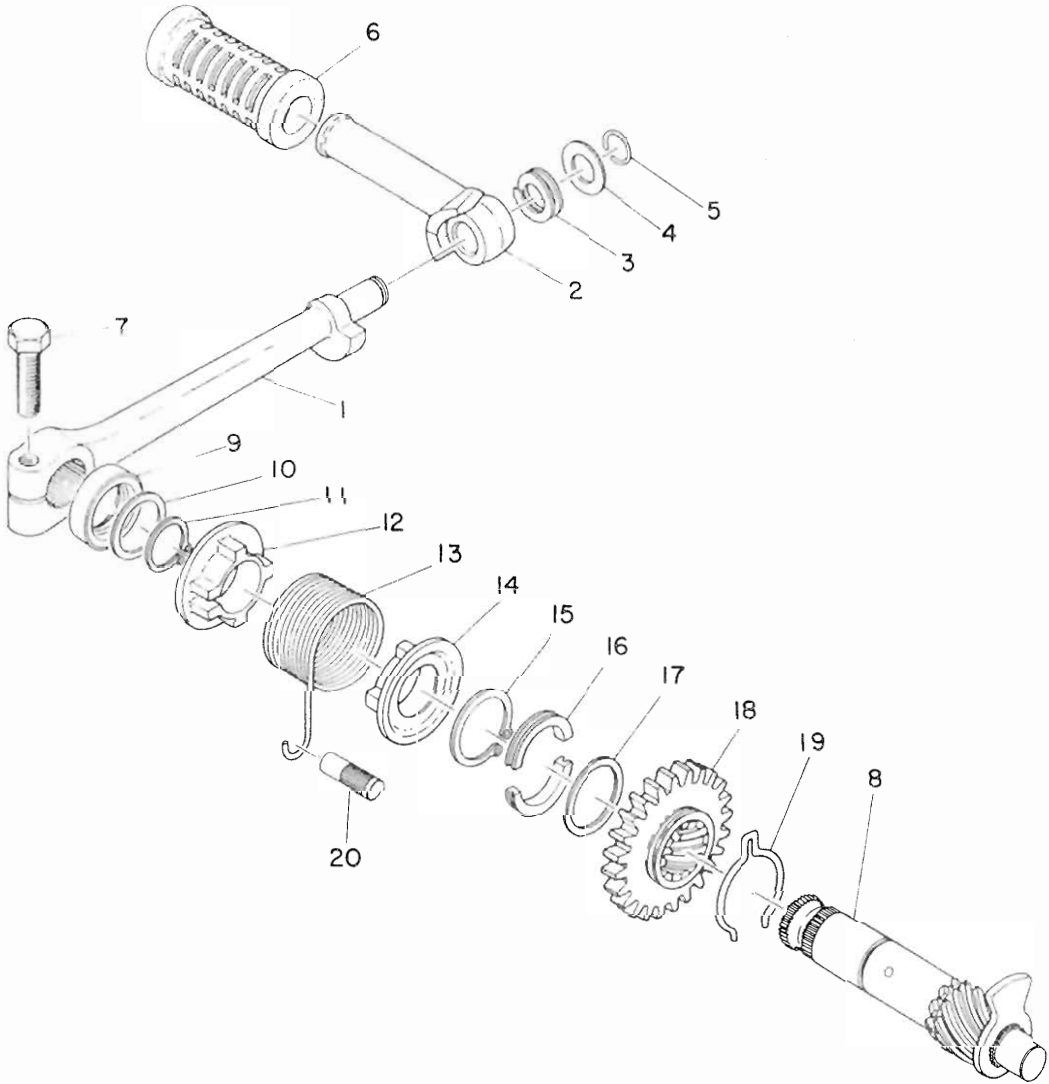


FWD

SHIFTER (B)

Ref. No.	Part No.	Part Name	Remarks	69	70	71	MX	MX	MX
				AT1A	AT1B	AT1C	AT1A	AT1B	AT1C
7- 1	248-18101-00-00	CHANGE SHAFT ASS'Y		1	1	1	1	1	1
7- 2	132-18123-00-00	SPRING, shift arm		1	1	1	1	1	1
7- 3	132-18124-00-00	SPRING, shaft return		1	1	1	1	1	1
7- 4	132-18133-00-00	SCREW, adjusting		1	1	1	1	1	1
7- 5	988-01091-00-00	NUT	(ISO)	1	-	-	1	-	-
7- 5-1	248-18134-00-00	NUT (Eng. No. 119607~)	(17mm) (ISO)	-	1	1	-	1	1
7- 6	931-09140-05-00	OIL SEAL	SDO-14-24-6	1	1	1	1	1	1
7- 7	248-18137-00-00	WASHER, change axle	14.1-28-1.6	1	1	1	1	1	1
7- 8	934-30120-09-00	CIRCLIP		1	1	1	1	1	1
7- 9	173-18111-01-00	PEDAL, change		1	1	1	-	-	-
7- 9-1	248-18111-00-00	PEDAL, change		-	-	-	1	1	1
7-10	132-18113-01-00	COVER, change pedal		1	1	1	1	1	1
7-11	912-03060-20-00	BOLT		1	1	1	1	1	1
7-12	248-18139-09-00	LOCK WASHER		1	-	-	1	-	-
7-12-1	248-18139-00-00	LOCK WASHER	(Eng.No.119607~)	-	1	1	-	1	1

Fig. 8 KICK

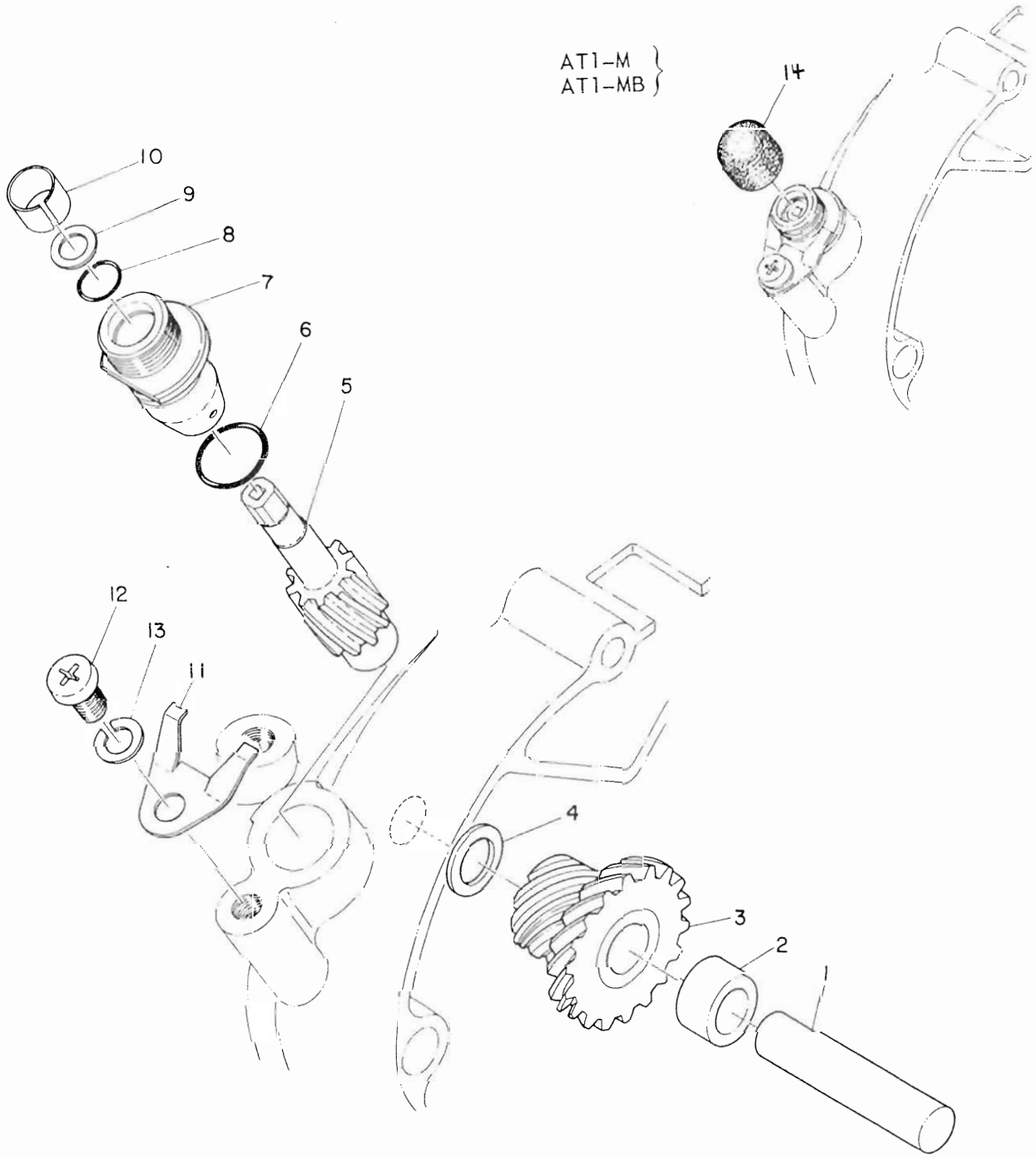


FWD

KICK

Ref. No.	Part No.	Part Name	Remarks	69	70	71	MX	MX	MX
				AT1A	AT1B	AT1C	AT1A	AT1B	AT1C
8- 0-1	248-15610-00-00	KICK CRANK ASS'Y		1	1	1	1	1	1
8- 1	248-15611-00-00	. CRANK, kick		1	1	1	1	1	1
8- 2	214-15612-01-00	. LEVER, kick		1	1	1	1	1	1
8- 3	214-15625-01-00	. SPRING, kick crank		1	1	1	1	1	1
8- 4	214-15616-00-00	. WASHER, kick lever		1	1	1	1	1	1
8- 5	214-15617-00-00	. CLIP, kick lever		1	1	1	1	1	1
8- 6	214-15618-00-00	COVER, kick lever		1	1	1	1	1	1
8- 7	972-03080-30-00	BOLT	(ISO)	1	1	1	1	1	1
8- 8	248-15661-00-00	AXLE, kick		1	-	-	-	-	-
8- 8-1	251-15660-00-00	AXLE, kick		-	1	1	1	1	1
8- 9	931-04200-07-00	OIL SEAL	S20-30-7	1	1	1	1	1	1
8-10	150-17219-00-00	SHIM (2)	20.2-28-1	1	-	-	-	-	-
8-11	934-10200-09-00	CIRCLIP		1	1	1	1	1	1
8-12	214-15676-00-00	COVER, spring		1	1	1	1	1	1
8-13	132-15665-00-00	SPRING, kick		1	-	-	-	-	-
8-13-1	248-15665-00-00	SPRING, kick		1	1	1	1	1	1
8-14	214-15664-00-00	GUIDE, spring		1	1	1	1	1	1
8-15	934-10300-12-00	CIRCLIP		1	1	1	1	1	1
8-16	248-15654-00-00	HOLDER, kick gear		2	2	2	2	2	2
8-17	117-15644-00-00	SHIM	25.1-32-1	1	-	-	-	-	-
8-18	180-15641-00-00	GEAR, kick		1	-	-	-	-	-
8-18-1	251-15641-01-00	GEAR, kick	26T	-	1	-	1	1	-
8-18-2	261-15641-00-00	GEAR, kick	27T	-	-	1	-	1	-
8-19	251-15687-00-00	CLIP, kick		1	1	1	1	1	1
8-20	248-15668-00-00	STOPPER, kick spring		1	1	1	1	1	1

Fig. 9 TACHOMETER GEAR

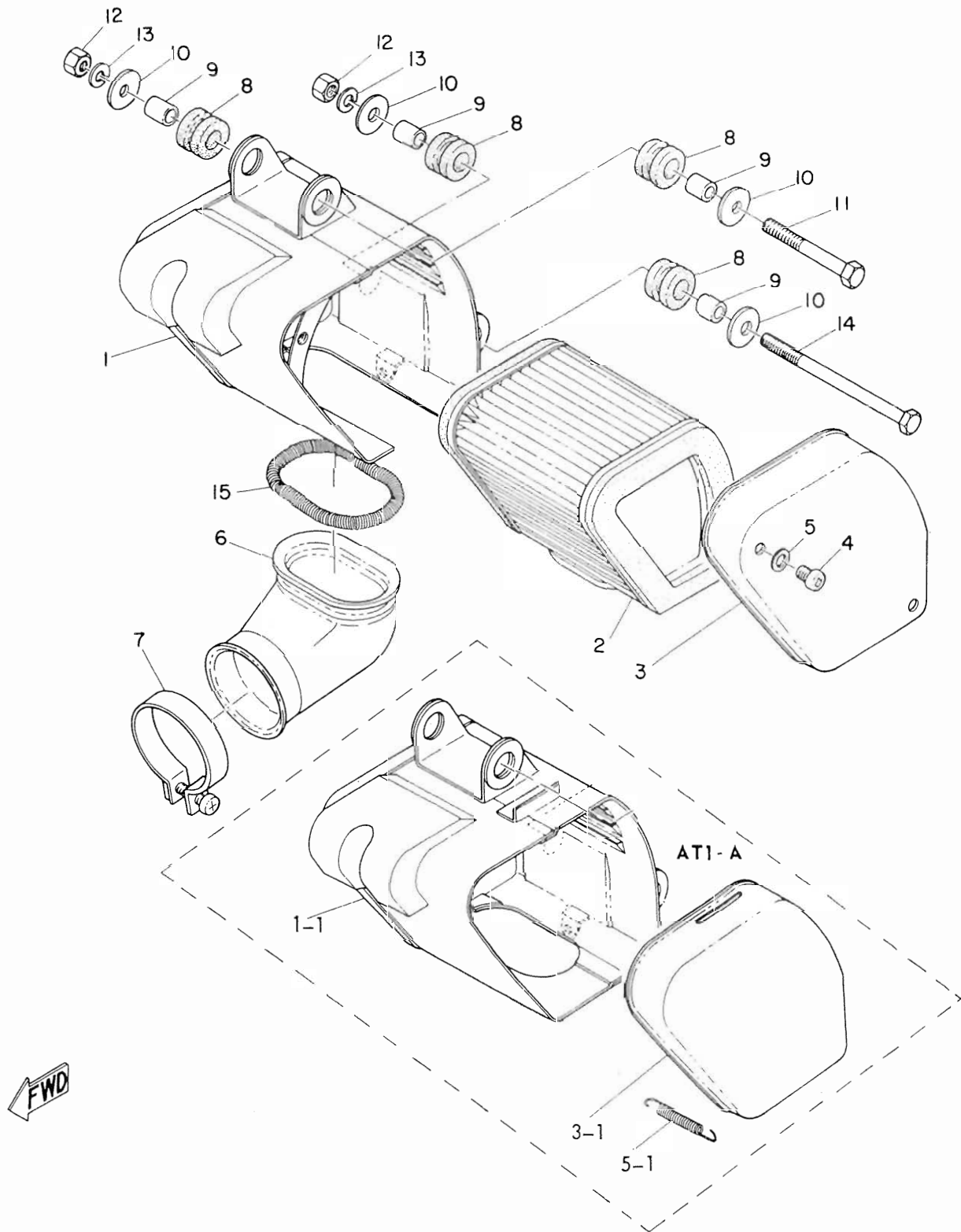


TACHOMETER GEAR

Ref. No.	Part No.	Part Name	Remarks	69	70	71	MX	MX	MX
				AT1A	AT1B	AT1C	AT1A	AT1B	AT1C
9- 1	248-17861-00-00	AXLE, drive gear		1	1	1	1	1	1
9- 2	248-17839-01-00	COLLAR, distance		1	1	1	1	1	1
9- 3	248-17831-01-00	GEAR, drive		1	1	1	1	1	1
9- 4	248-17837-00-00	SHIM	10.2-16-1	1	1	1	1	1	1
9- 5	248-17841-00-00	GEAR, driven		1	1	1	1	1	1
9- 6	931-10130-16-00	O-RING	1.8-13	1	1	1	1	1	1
9- 7	214-17811-01-00	HOUSING		1	1	1	1	1	1
9- 8	932-10071-00-00	O-RING	2.2-7.2	1	1	1	1	1	1
9- 9	214-17847-00-00	SHIM	7.5-10.8-0.4	1	1	1	1	1	1
9-10	214-17815-00-00	BUSHING		1	1	1	1	1	1
9-11	214-17812-00-00	STOPPER		1	1	1	1	1	1
9-12	925-03060-10-00	SCREW, pan head		1	1	1	1	1	1
9-13	929-03061-00-00	WASHER, spring		1	1	1	1	1	1
9-14	214-17819-00-00	CAP, housing		-	-	-	1	1	-



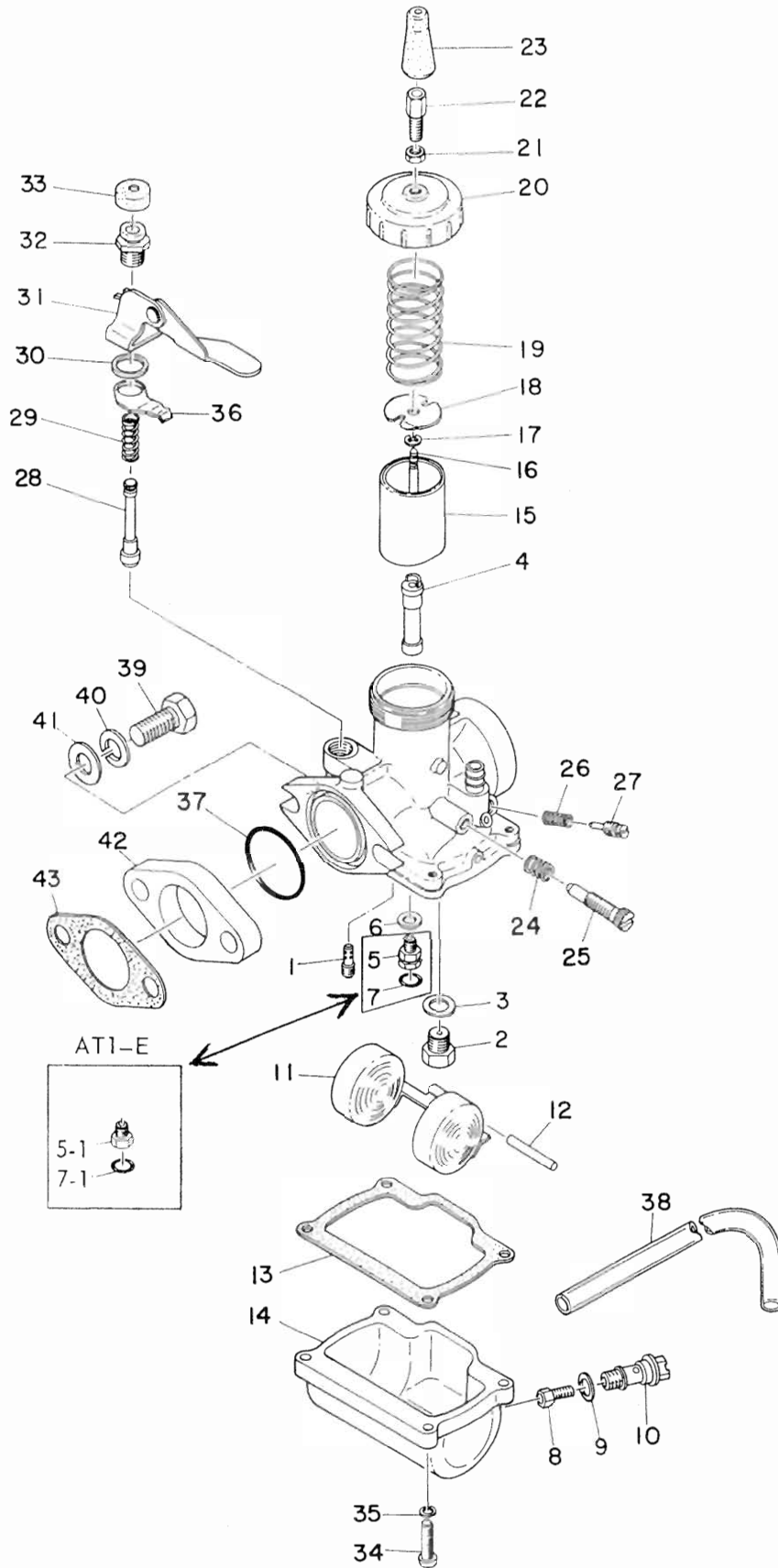
Fig. 10 AIR CLEANER



AIR CLEANER

Ref. No.	Part No.	Part Name	Remarks	69	70	71	MX	MX	MX
				AT1A	AT1B	AT1C	AT1A	AT1B	AT1C
10- 1	248-14411-01-33	CASE, air cleaner	(ISO)	-	1	1	1	1	1
10- 1-1	248-14411-00-33	CASE, air cleaner		1	-	-	-	-	-
10- 2	248-14451-00-00	ELEMENT, air cleaner		1	1	1	1	1	1
10- 3	248-14412-01-33	CAP, cleaner case		-	1	1	1	1	1
10- 3-1	248-14412-00-33	CAP, cleaner case		1	-	-	-	-	-
10- 4	985-01050-08-00	SCREW, pan head	(ISO)	-	2	2	2	2	2
10- 5	929-01052-00-00	WASHER, plain		-	2	2	2	2	2
10- 5-1	248-14415-00-00	HOLDER		1	-	-	-	-	-
10- 6	248-14453-00-00	JOINT, air cleaner		1	1	1	1	1	1
10- 7	170-14455-00-00	BAND	(ISO)	1	4	4	4	4	4
10- 8	214-21717-00-00	DAMPER, battery box		4	4	4	4	4	4
10- 9	214-21633-00-00	COLLAR, fender mount		4	4	4	4	4	4
10-10	116-28324-00-00	WASHER, leg shield	6.5-20-1.6	4	1	1	1	1	1
10-11	911-01060-70-00	BOLT		1	2	2	2	2	2
10-12	928-03061-00-00	NUT		2	2	2	2	2	2
10-13	929-03061-00-00	WASHER, spring		2	1	1	1	1	1
10-14	911-01060-90-00	BOLT		1	1	1	1	1	1
10-15	220-14455-00-00	BAND		1	1	1	1	1	1

Fig. 11 CARBURETOR

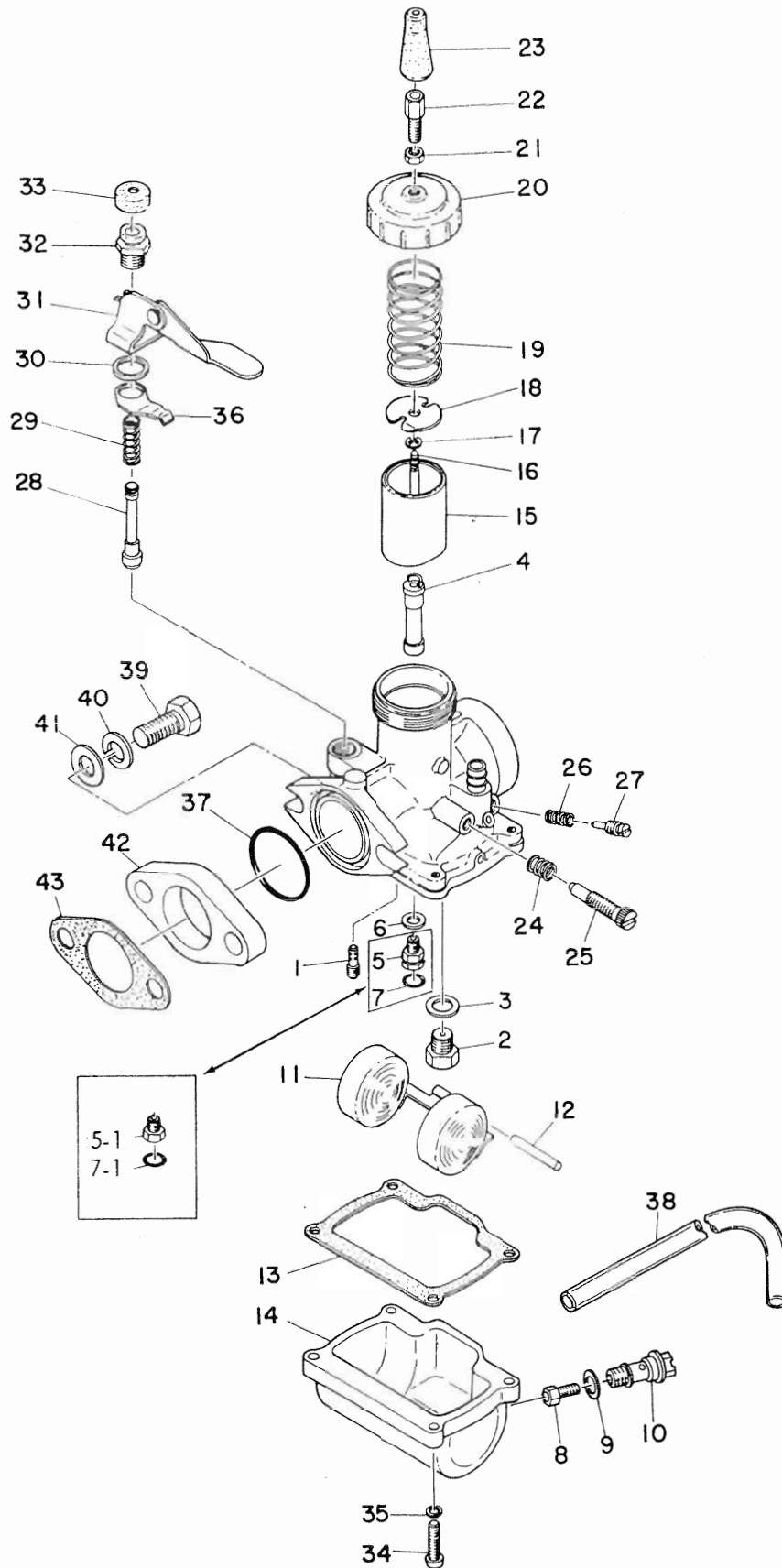


CARBURETOR

Ref. No.	Part No.	Part Name	Remarks	69	70	71	MX	MX	MX
				AT1A	AT1B	AT1C	AT1A	AT1B	AT1C
11- 0-0	248-14101-00-00	CARBURETOR ASS'Y (Early AT1A)	N/A	-	-	-	-	-	-
11- 0-1	248-14101-01-00	CARBURETOR ASS'Y (END-24mm)	(ISO)	1	1	1	-	-	-
11- 0-2	248-14101-70-00	CARBURETOR ASS'Y (MX-26mm)	(ISO)	-	-	-	1	1	1
11- 1	193-14142-30-00	. JET, pilot	#30 (ISO)	1	1	1	1	1	1
11- 2	168-14190-20-00	. VALVE SEAT ASS'Y	#2.0	1	1	1	-	-	-
11- 2-1	168-14190-25-00	. VALVE SEAT ASS'Y	#2.5	-	-	-	1	1	1
11- 3	214-14195-00-00	. WASHER, valve seat		1	1	1	1	1	1
11- 4	248-14141-28-00	. NOZZLE, main	N-8	1	1	1	-	-	-
11- 4-1	248-14141-32-90	. NOZZLE, main	O-2	-	-	-	1	1	1
11- 5	248-14145-01-00	. SETTER, needle jet		1	1	1	1	1	1
11- 5-1	248-14145-00-00	. SETTER, needle jet (Early AT1A)		1	-	-	-	-	-
11- 6	137-14153-00-00	. WASHER, needle jet		1	1	1	1	1	1
11- 7	932-10041-21-00	. O-RING	1.78-4.47	1	1	1	1	1	1
11- 7-1	932-10031-19-00	. O-RING (Early AT1E)		1	-	-	-	-	-
11- 8	137-14143-28-00	. JET, main	#140	U.R	1	1	1	1	1
11- 8-1	137-14143-30-00	. JET, main (STD-ENDURO)	#150						
11- 8-2	137-14143-32-00	. JET, main	#160						
11- 8-3	137-14143-34-00	. JET, main	#170						
11- 8-4	137-14143-36-00	. JET, main	#180						
11- 8-5	137-14143-38-00	. JET, main (STD-MX)	#190						
11- 9	248-14198-00-00	. GASKET		1	1	1	1	1	1
11-10	248-14166-00-00	. BOLT, banjo		1	1	1	1	1	1
11-11	156-14185-00-00	. FLOAT		1	1	1	1	1	1
11-12	137-14186-00-00	. PIN, float		1	1	1	1	1	1
11-13	156-14184-00-00	. GASKET, float chamber		1	1	1	1	1	1
11-14	248-14181-00-00	. BODY, float chamber (Early AT1A)	N/A	1	-	-	-	-	-
11-14-1	248-14181-01-00	. BODY, float chamber		1	1	1	1	1	1
11-15	204-14112-20-00	. VALVE, throttle	#2.0	1	1	1	-	-	-
11-15-1	204-14112-15-00	. VALVE, throttle	#1.5	-	-	-	1	1	1
11-16	156-14116-03-00	. NEEDLE	4D3-3	1	1	1	-	-	-
11-16-1	152-14116-15-00	. NEEDLE	4F15-2	-	-	-	1	1	1

(Cont'd)

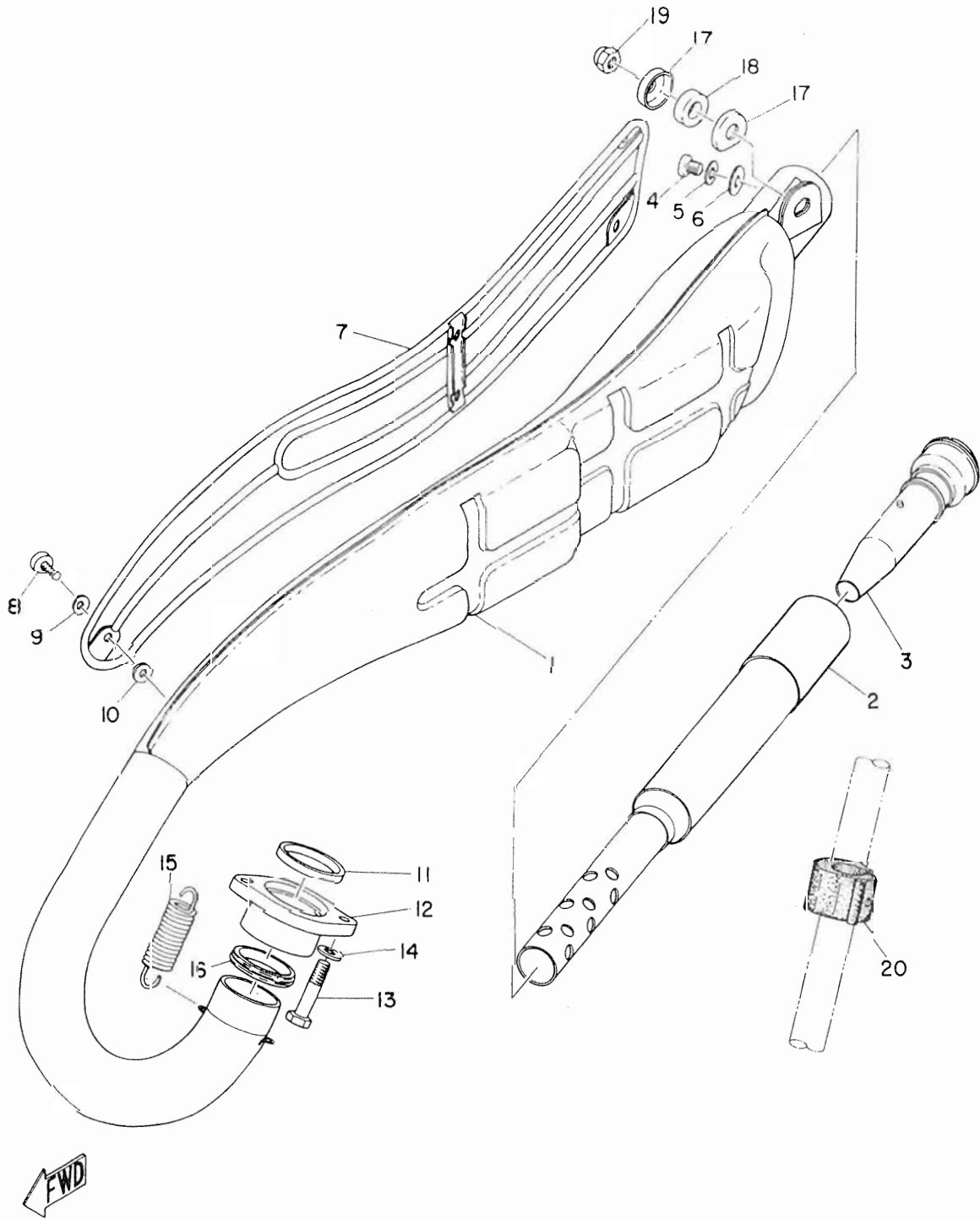
Fig. 11 CARBURETOR



CARBURETOR

Ref. No.	Part No.	Part Name	Remarks	69	70	71	MX	MX	MX
				ATIA	ATIB	ATIC	ATIA	ATIB	ATIC
11-17	137-14137-00-00	. CLIP		1	1	1	1	1	1
11-18	246-14132-00-00	. STOPPER, cable		1	1	1	1	1	1
11-19	248-14131-00-00	. SPRING, throttle valve		1	1	1	1	1	1
11-20	802-14158-00-00	. TOP, mixing chamber		1	1	1	1	1	1
11-21	802-14161-00-00	. NUT, wire adjusting		1	1	1	1	1	1
11-22	127-14124-20-00	. SCREW, wire adjusting	20ℓ	1	1	1	1	1	1
11-23	802-14169-00-00	. CAP		1	1	1	1	1	1
11-24	137-14133-00-00	. SPRING, throttle stop		1	1	1	1	1	1
11-25	204-14122-00-00	. SCREW, throttle		1	1	1	1	1	1
11-26	127-14134-00-00	. SPRING, air adjusting		1	1	1	1	1	1
11-27	152-14123-00-00	. SCREW, air adjusting		1	1	1	1	1	1
11-28	132-14171-00-00	. PLUNGER, starter		1	1	1	1	1	1
11-29	156-14135-00-00	. SPRING, plunger		1	1	1	1	1	1
11-30	132-14179-00-00	. WASHER, starter lever		1	1	1	1	1	1
11-31	214-14175-00-00	. LEVER, starter		1	1	1	1	1	1
11-32	132-14174-00-00	. CAP, plunger		1	1	1	1	1	1
11-33	132-14173-00-00	. COVER, plunger cap		1	1	1	1	1	1
11-34	985-03040-15-00	. SCREW, pan head		4	4	4	4	4	4
11-35	939-03041-00-00	. WASHER, spring		4	4	4	4	4	4
11-36	170-14178-00-00	. PLATE, starter lever		1	1	1	1	1	1
11-37	248-14147-00-00	. O-RING		1	1	1	1	1	1
11-38	137-14196-00-00	PIPE, overflow		1	1	1	1	1	1
11-39	972-01080-30-00	BOLT		2	2	2	2	2	2
11-40	929-03081-00-00	WASHER, spring		2	2	2	2	2	2
11-41	929-03082-00-00	WASHER, plain		2	2	2	2	2	2
11-42	248-13555-00-00	JOINT		1	1	1	1	1	1
11-43	248-13556-70-00	GASKET		1	1	1	1	1	1

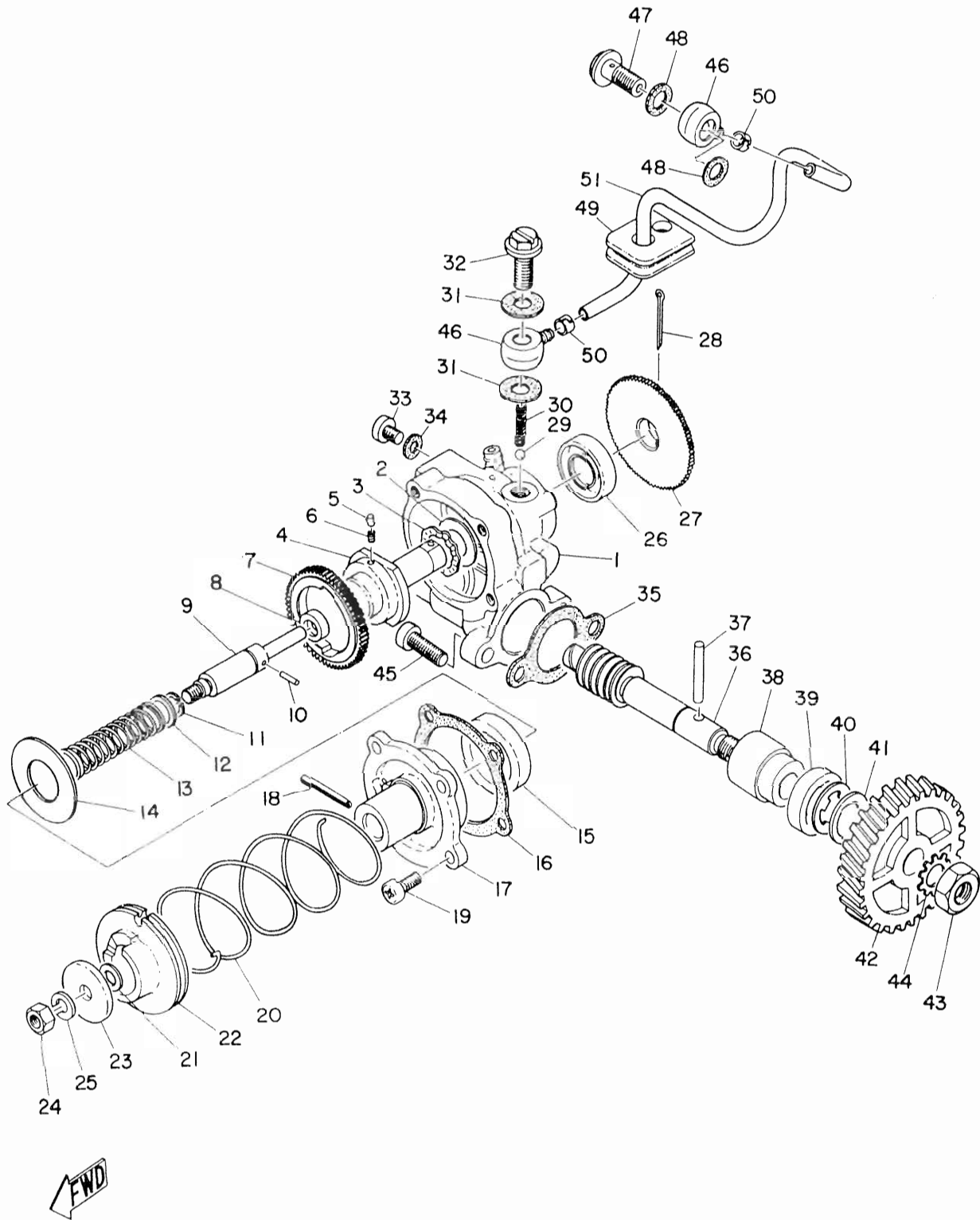
Fig. 12 MUFFLER



MUFFLER

Ref. No.	Part No.	Part Name	Remarks	69	70	71	MX	MX	MX
				ATIA	ATIB	ATIC	ATIA	ATIB	ATIC
12- 1	261-14610-30-00	EXHAUST PIPE ASS'Y		1	1	1	-	-	-
12- 1-1	248-14610-70-00	EXHAUST PIPE ASS'Y (MX EXP. CHMBR)	(Not shown)	-	-	-	1	1	1
12- 2	214-14753-01-00	. SILENCER		1	1	1	-	-	-
12- 3	261-14752-30-00	. PIPE, outlet		1	1	1	-	-	-
12- 4	925-03060-10-00	. SCREW, pan head		1	-	-	-	-	-
12- 4-1	911-01060-10-00	. SCREW, pan head		-	1	1	-	-	-
12- 5	929-03061-00-00	. WASHER, spring		1	1	1	-	-	-
12- 6	929-03062-00-00	. WASHER, plain		1	1	1	-	-	-
12- 7	248-14718-30-00	PROTECTOR		1	-	-	-	-	-
12- 7-1	248-14766-00-00	PROTECTOR		-	1	1	-	-	-
12- 8	919-03060-12-00	SCREW, bind		5	5	5	-	-	-
12- 9	178-14766-00-00	WASHER, protector		5	5	5	-	-	-
12-10	214-14766-00-00	WASHER, protector		5	5	5	-	-	-
12-11	152-14613-00-00	GASKET, exhaust pipe		1	1	1	1	1	1
12-12	248-14612-30-00	NUT, ring		1	1	1	1	1	1
12-13	912-03060-20-00	BOLT		2	2	2	2	2	2
12-14	929-03061-00-00	WASHER, spring		2	2	2	2	2	2
12-15	214-14683-01-00	SPRING, hook		2	2	2	2	2	2
12-16	214-14623-00-00	GASKET		1	-	-	-	-	-
12-16-1	248-14623-00-00	GASKET		-	1	1	1	1	1
12-17	248-14794-00-00	PLATE, muffler		2	2	2	2	2	2
12-18	214-14763-02-00	SPACER		1	1	1	1	1	1
12-19	988-03087-00-00	NUT, crown		1	1	1	1	1	1
12-20	248-14747-01-00	DAMPER, muffler		1	1	1	1	1	1

Fig. 13 OIL PUMP



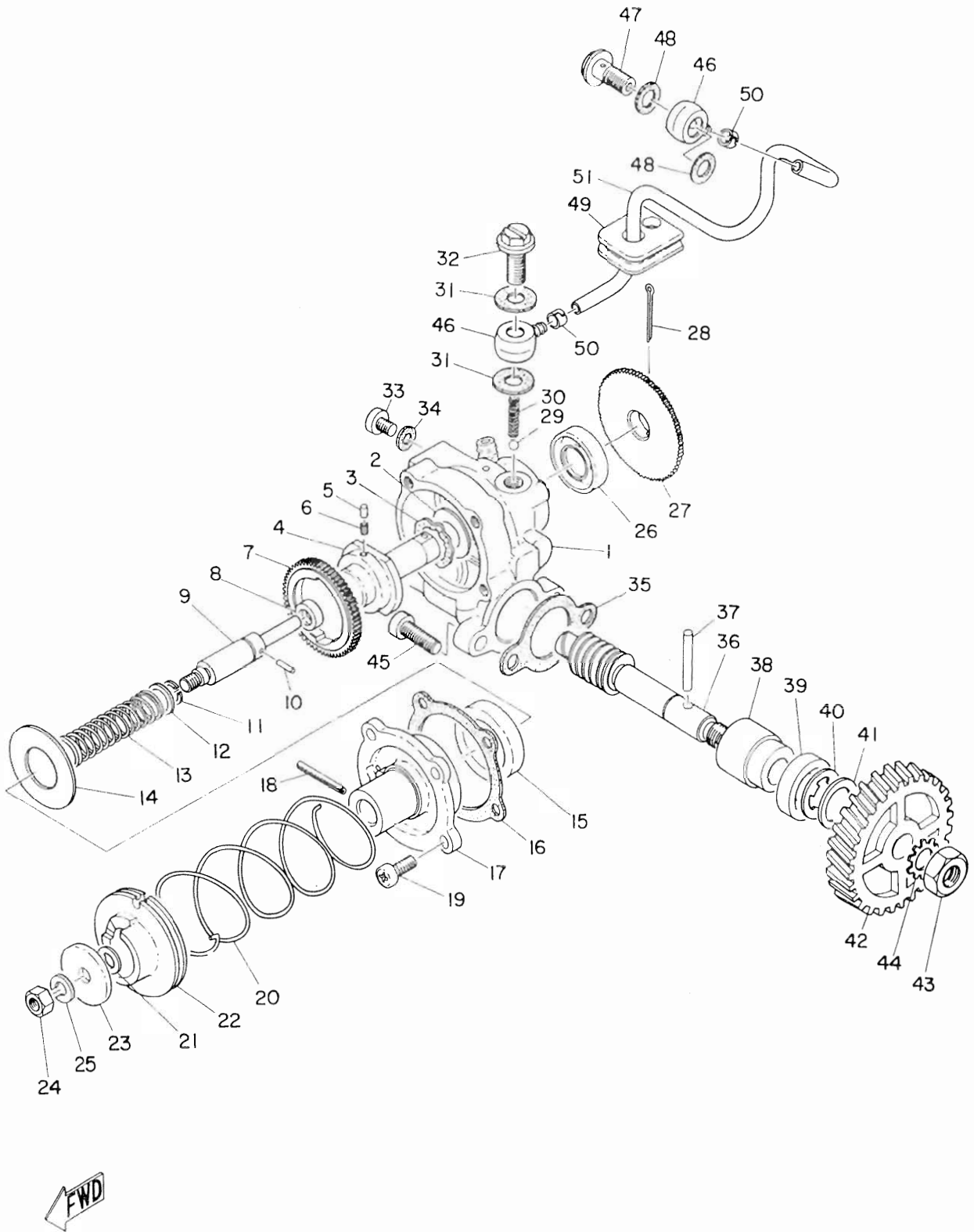
OIL PUMP

Ref. No.	Part No.	Part Name	Remarks	69	70	71	MX	MX	MX
				AT1A	AT1B	AT1C	AT1A	AT1B	AT1C
13- 0-1	214-13101-02-00	OIL PUMP ASS'Y	(ISO)	1	1	1	1	1	1
13- 1	214-13110-01-00	. PUMP CASE ASS'Y	(ISO)	1	1	1	1	1	1
13- 2	137-13148-00-00	. PLATE, cam thrust	10.2-16.5-0.3	1	1	1	1	1	1
13- 3	137-13129-00-00	. WASHER, wave		1	1	1	1	1	1
13- 4	214-13120-00-00	. DISTRIBUTOR ASS'Y		1	1	1	1	1	1
13- 5	936-01040-29-00	. PIN, dowel	2-3.5	2	2	2	2	2	2
13- 6	137-13125-00-00	. SPRING, pin return		2	2	2	2	2	2
13- 7	115-13124-60-00	. GEAR, worm wheel	55T	1	1	1	1	1	1
13- 8	931-04060-21-00	. OIL SEAL	SO-5.5-9-3	1	1	1	1	1	1
13- 9	214-13131-02-00	. PLUNGER	(ISO)	1	1	1	1	1	1
13-10	936-03120-30-00	. PIN, plunger	2.5-11.5	1	1	1	1	1	1
13-11	934-40080-01-00	. CIRCLIP	8φ	1	1	1	1	1	1
13-12	137-13134-00-00	. SEAT, spring	8.2-10.5-0.5	1	1	1	1	1	1
13-13	137-13135-00-00	. SPRING, plunger return		1	1	1	1	1	1
13-14	137-13127-00-00	. PLATE, worm wheel	14.5-28.5-0.5	1	1	1	1	1	1
13-15	931-04140-04-00	. OIL SEAL	SO14-25-5	1	1	1	1	1	1
13-16	137-13142-00-00	. GASKET, pump case cover		1	1	1	1	1	1
13-17	137-13141-00-00	. COVER, pump case		1	1	1	1	1	1
13-18	916-08200-10-00	. PIN, spring		1	1	1	1	1	1
13-19	985-03040-10-00	. SCREW, pan head	(ISO)	4	4	4	4	4	4
13-20	156-13145-00-00	. SPRING, adjust pulley		1	1	1	1	1	1
13-21	137-13137-00-00	. SHIM, plunger	5.8-10-0.1	UR	UR	UR	UR	UR	UR
13-22	168-13144-00-00	. PULLEY, adjusting		1	1	1	1	1	1
13-23	137-13138-01-00	. PLATE, adjusting		1	1	1	1	1	1
13-24	988-01051-00-00	. NUT	(ISO)	1	1	1	1	1	1
13-25	929-03051-00-00	. WASHER, spring		1	1	1	1	1	1
13-26	931-01100-01-00	. OIL SEAL	S-10-21-5	1	1	1	1	1	1
13-27	137-13128-00-00	. PLATE, starter		1	1	1	1	1	1
13-28	914-01120-18-00	. PIN, cotter		1	1	1	1	1	1
13-29	935-05320-02-00	. BALL	5/32''	1	1	1	1	1	1

(Cont'd)



Fig. 13 OIL PUMP



OIL PUMP

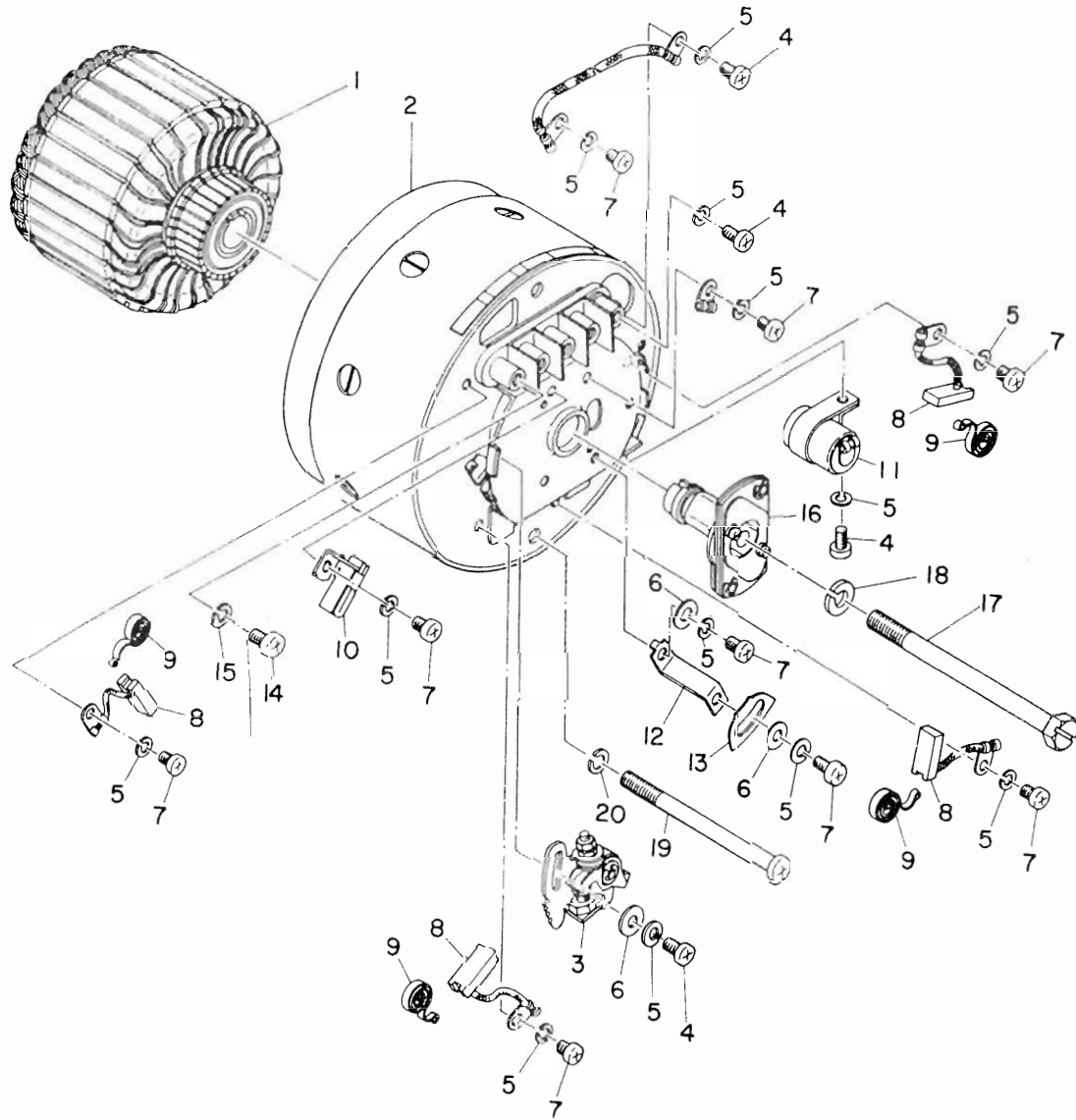
Ref. No.	Part No.	Part Name	Remarks	69	70	71	MX	MX	MX
				AT1A	AT1B	AT1C	AT1A	AT1B	AT1C
13-30	137-13169-00-00	. SPRING, check ball		1	1	1	1	1	1
13-31	137-13167-00-00	. GASKET, banjo bolt	6-13-0.5	2	2	2	2	2	2
13-32	137-13165-00-00	. BOLT, banjo		1	1	1	1	1	1
13-33	985-01040-05-00	. SCREW, pan head	(ISO)	1	1	1	1	1	1
13-34	137-13187-00-00	. GASKET, breather	4.2-8.5-0.5	1	1	1	1	1	1
13-35	126-13116-00-00	GASKET, pump case		1	1	1	1	1	1
13-36	214-13175-01-00	SHAFT, worm		1	1	1	1	1	1
13-37	936-03220-28-00	PIN, dowel	3-22	1	1	1	1	1	1
13-38	137-13176-00-00	METAL, worm shaft outer		1	1	1	1	1	1
13-39	931-01100-02-00	OIL SEAL	S10-22-7	1	1	1	1	1	1
13-40	934-30080-06-00	CIRCLIP	E-8	1	-	-	-	-	-
13-40-1	934-30080-07-00	CIRCLIP		-	1	1	1	1	1
13-41	102-18138-00-00	WASHER	10.2-24-1	1	1	1	1	1	1
13-42	248-13178-00-00	GEAR, pump drive		1	1	1	1	1	1
13-43	988-03083-00-00	NUT	(ISO)	1	1	1	1	1	1
13-44	929-01084-00-00	WASHER, tooth		1	1	1	1	1	1
13-45	985-03050-15-00	SCREW, pan head	(ISO)	2	2	2	2	2	2
13-46	214-13162-00-00	BANJO		2	2	2	2	2	2
13-47	137-13165-00-00	BOLT, banjo 2		1	1	1	1	1	1
13-48	137-13167-00-00	GASKET, banjo bolt	6-13-0.5	2	2	2	2	2	2
13-49	248-13174-00-00	HOLDER, oil pipe		1	1	1	1	1	1
13-50	214-13164-00-00	CLIP, delivery pipe		2	2	2	2	2	2
13-51	214-13161-01-00	PIPE, delivery		1	1	1	1	1	1

NOTE:

Most internal pump parts N/A in U.S.A. shown for information only.



Fig. 14 STARTER GENERATOR - ENDUROS



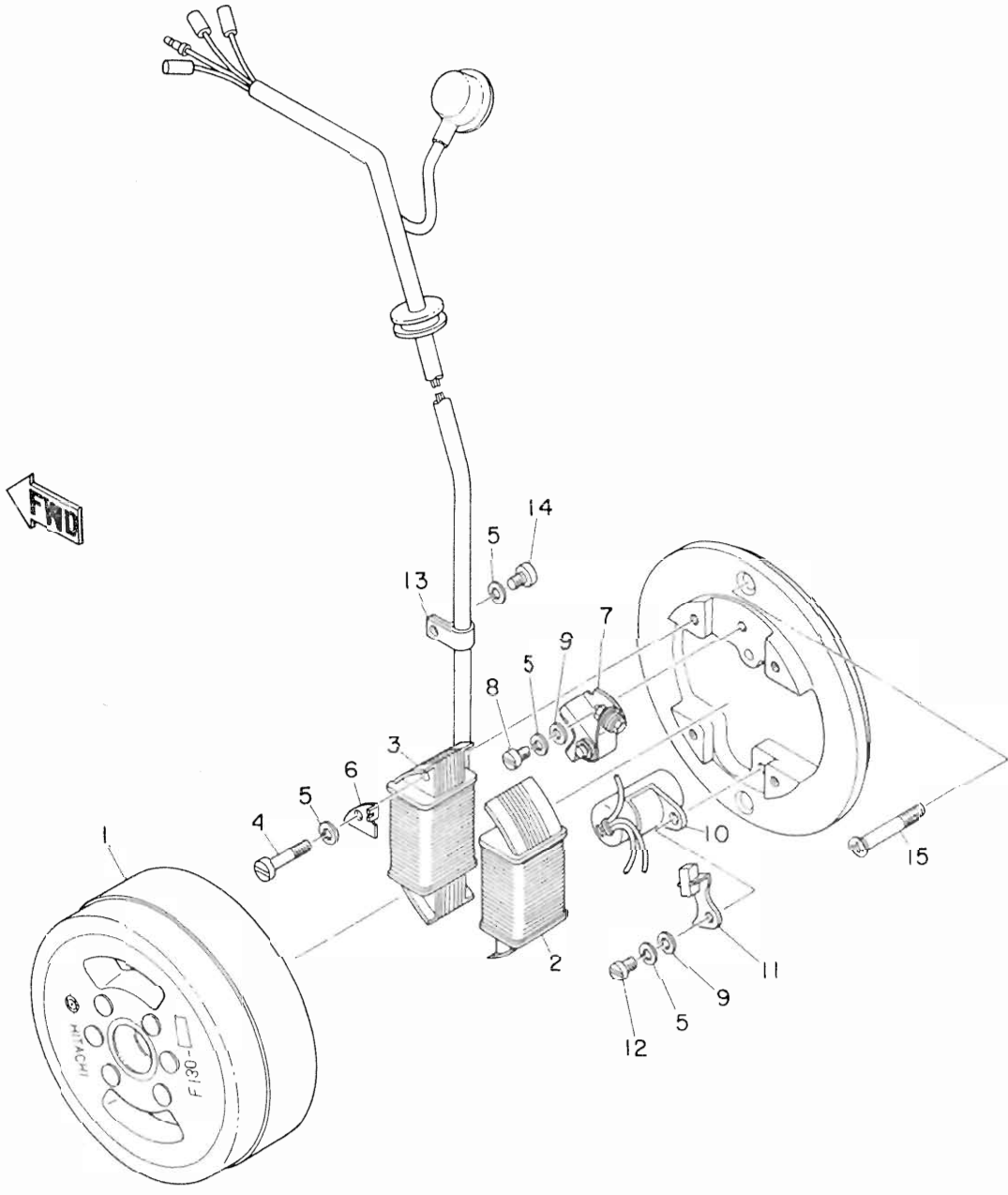
FWD

STARTER GENERATOR

Ref. No.	Part No.	Part Name	Remarks	69	70	71	MX	MX	MX
				ATIA	ATIB	ATIC	ATIA	ATIB	ATIC
14- 0-1	261-81100-00-00	STARTER GENERATOR ASS'Y	(ISO)	1	1	1			
14- 1	261-81155-10-00	. ARMATURE		1	1	1			
14- 2	261-81110-10-00	. STATOR ASS'Y	(ISO)	1	1	1			
14- 3	132-81221-10-00	. . CONTACT BREAKER ASS'Y	(ISO)	1	1	1			
14- 4	985-01040-08-00	. . SCREW, pan head	(ISO)	7	7	7			
14- 5	929-03041-00-00	. . WASHER, spring		15	15	15			
14- 6	929-01042-00-00	. . WASHER, plain		3	3	3			
14- 7	985-01040-05-00	. . SCREW, pan head	(ISO)	8	8	8			
14- 8	101-81111-10-00	. . BRUSH		4	4	4			
14- 9	141-81113-10-00	. . SPRING, brush		4	4	4			
14-10	132-81231-10-00	. . LUBRICATOR		1	1	1			
14-11	148-81126-10-00	. . CONDENSER		1	1	1			
14-12	199-81133-10-00	. . FIXTURE, timing plate	(ISO)	1	1	1			
14-13	133-81132-10-00	. . PLATE, timing		1	1	1			
14-14	985-03050-08-00	. . SCREW, pan head	(ISO)	1	1	1			
14-15	929-03051-00-00	. . WASHER, spring		1	1	1			
14-16	173-81153-10-00	. GOVERNOR ASS'Y	(ISO)	1	1	1			
14-17	148-81152-10-00	. BOLT		1	1	1			
14-18	929-03081-00-00	. WASHER, spring		1	1	1			
14-19	261-81135-10-00	. SCREW, stator	(ISO)	2	2	2			
14-20	929-03051-00-00	. WASHER, spring		2	2	2			



Fig. 15 FLYWHEEL MAGNETO
MOTOCROSS



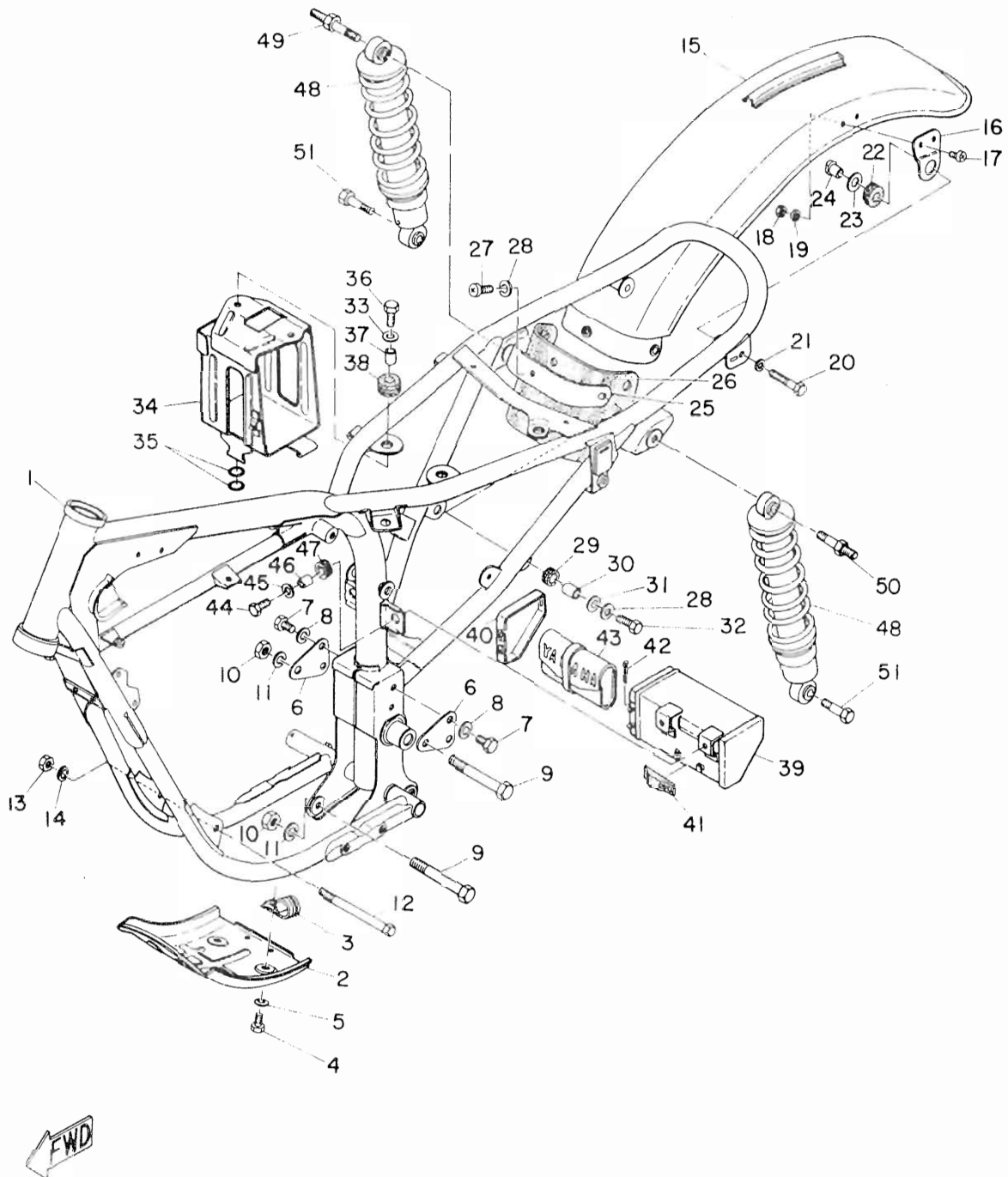
FLYWHEEL MAGNETO

Ref. No.	Part No.	Part Name	Remarks	69	70	71	MX	MX	MX
				ATIA	ATIB	ATIC	ATIA	ATIB	ATIC
15- 0-1	248-81300-10-00	FLYWHEEL MAGNETO ASS'Y	(ISO)				1	1	1
15- 1	248-81350-10-00	. ROTOR ASS'Y					1	1	1
15- 2	185-81312-10-00	. COIL, source					1	1	1
15- 3	248-81313-10-00	. COIL, lighting					1	1	1
15- 4	110-81348-20-00	. SCREW, pan head	4-25 (ISO)				-	4	-
15- 4-1	985-01040-25-00	. SCREW, pan head					4	-	4
15- 5	929-03041-00-00	. WASHER, spring					7	7	7
15- 6	185-81332-10-00	. PLATE, timing					1	1	1
15- 7	207-81321-10-00	. CONTACT BREAKER ASS'Y					1	1	1
15- 8	110-81347-20-00	. SCREW, cylinder head	4-12 (ISO)				-	1	-
15- 8-1	985-01040-12-00	. SCREW, cylinder head					1	-	1
15- 9	929-01041-00-00	. WASHER, plain					1	1	1
15-10	207-81326-10-00	. CONDENSER					1	1	1
15-11	207-81331-10-00	. LUBRICATOR					1	1	1
15-12	985-03040-10-00	. SCREW, pan head	(ISO)				1	1	1
15-13	109-81328-10-00	. CLAMP, lead					1	1	1
15-14	985-01040-08-00	. SCREW, pan head	(ISO)				1	1	1
15-15	926-03060-12-00	SCREW, flat head					2	2	2

CHASSIS



Fig. 16 FRAME & REAR FENDER



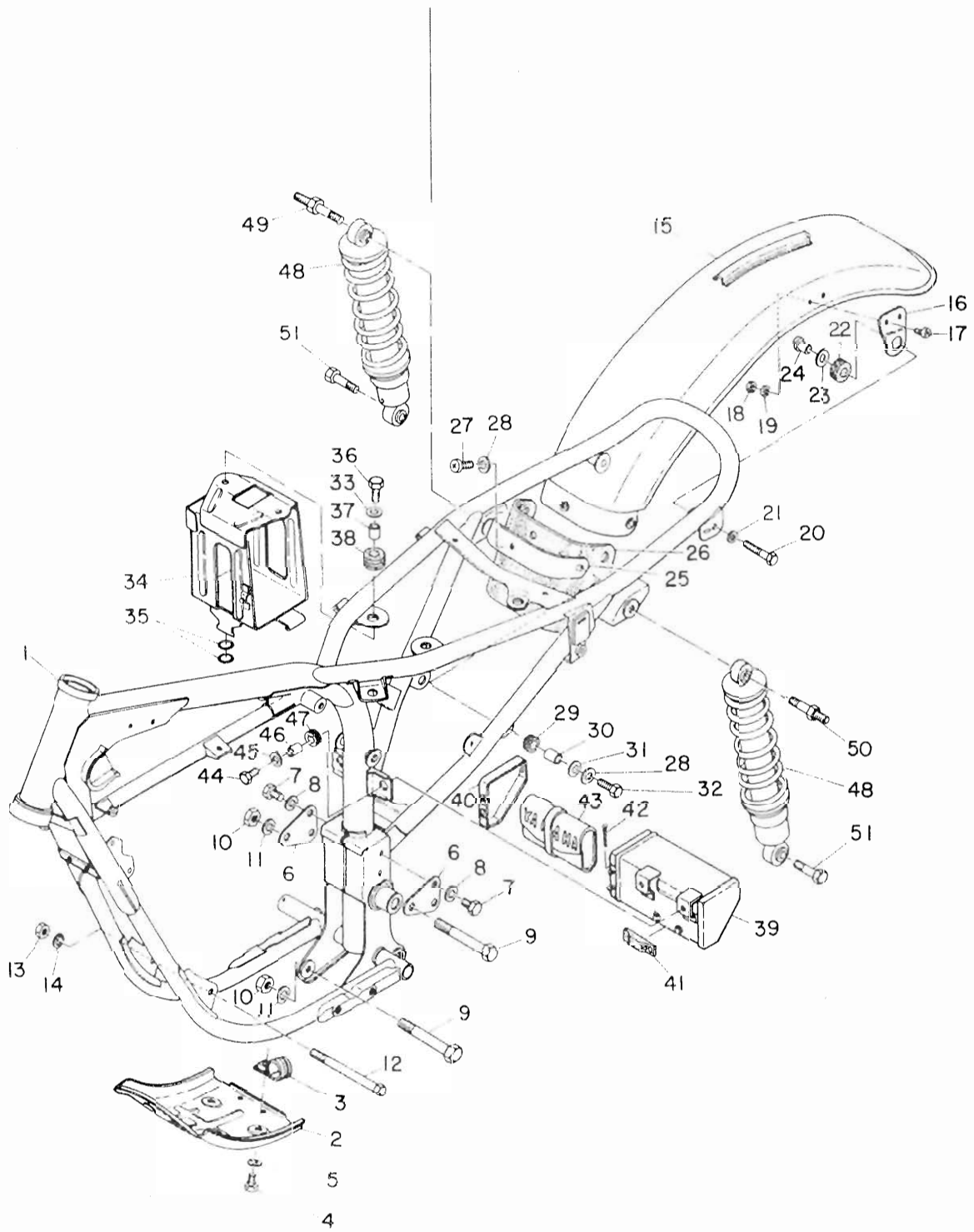
FRAME & REAR FENDER

Ref. No.	Part No.	Part Name	Remarks	69	70	71	MX	MX	MX
				AT1A	AT1B	AT1C	AT1A	AT1B	AT1C
16- 1	261-21110-00-33	FRAME COMP.	(ISO)	1	1	-	1	1	-
16- 1-1	261-21110-01-35	FRAME COMP.		-	1	1	-	1	1
16- 2	248-21471-00-33	PROTECTOR, engine		1	1	1	1	1	1
16- 3	248-21433-00-33	BRACKET, protector		4	4	4	4	4	4
16- 4	912-04060-12-00	BOLT		4	4	4	4	4	4
16- 5	929-03061-00-00	WASHER, spring		4	4	4	4	4	4
16- 6	248-21315-00-33	STAY, engine rear upper		2	2	2	2	2	2
16- 7	971-03080-15-00	BOLT	(ISO)	4	4	4	4	4	4
16- 8	929-03081-00-00	WASHER, spring		4	4	4	4	4	4
16- 9	911-01100-90-00	BOLT		2	2	2	2	2	2
16-10	928-03102-00-00	NUT		2	2	2	2	2	2
16-11	929-03101-00-00	WASHER, spring		2	2	2	2	2	2
16-12	971-01081-10-00	BOLT	(ISO)	1	1	1	1	1	1
16-13	988-03081-00-00	NUT	(ISO)	1	1	1	1	1	1
16-14	929-03081-00-00	WASHER, spring		1	1	1	1	1	1
16-15	248-21610-00-35	REAR FENDER COMP.		1	1	-	1	1	-
16-15-1	261-21610-00-35	REAR FENDER COMP.		-	-	1	-	-	1
16-16	248-21613-00-35	STAY, fender 1		2	2	2	2	2	2
16-17	925-03060-12-00	SCREW, pan head		4	4	4	4	4	4
16-18	928-03061-00-00	NUT		4	4	4	4	4	4
16-19	929-03061-00-00	WASHER, spring		4	4	4	4	4	4
16-20	972-03080-45-00	BOLT	(ISO)	2	2	2	2	2	2
16-21	929-03081-00-00	WASHER, spring		2	2	2	2	2	2
16-22	168-21638-00-00	DAMPER, front		2	2	2	2	2	2
16-23	122-24746-00-00	WASHER, special	12.5-27-3.2	2	2	2	2	2	2
16-24	248-21635-00-00	NUT, rear fender		2	2	2	2	2	2
16-25	248-21622-00-35	BAND, guard		1	1	1	1	1	1
16-26	248-21629-00-00	GUARD, mad front		1	1	1	1	1	1
16-27	925-03060-12-00	SCREW, pan head		1	1	1	1	1	1
16-28	929-03061-00-00	WASHER, spring		3	-	-	-	-	-

(Cont'd)



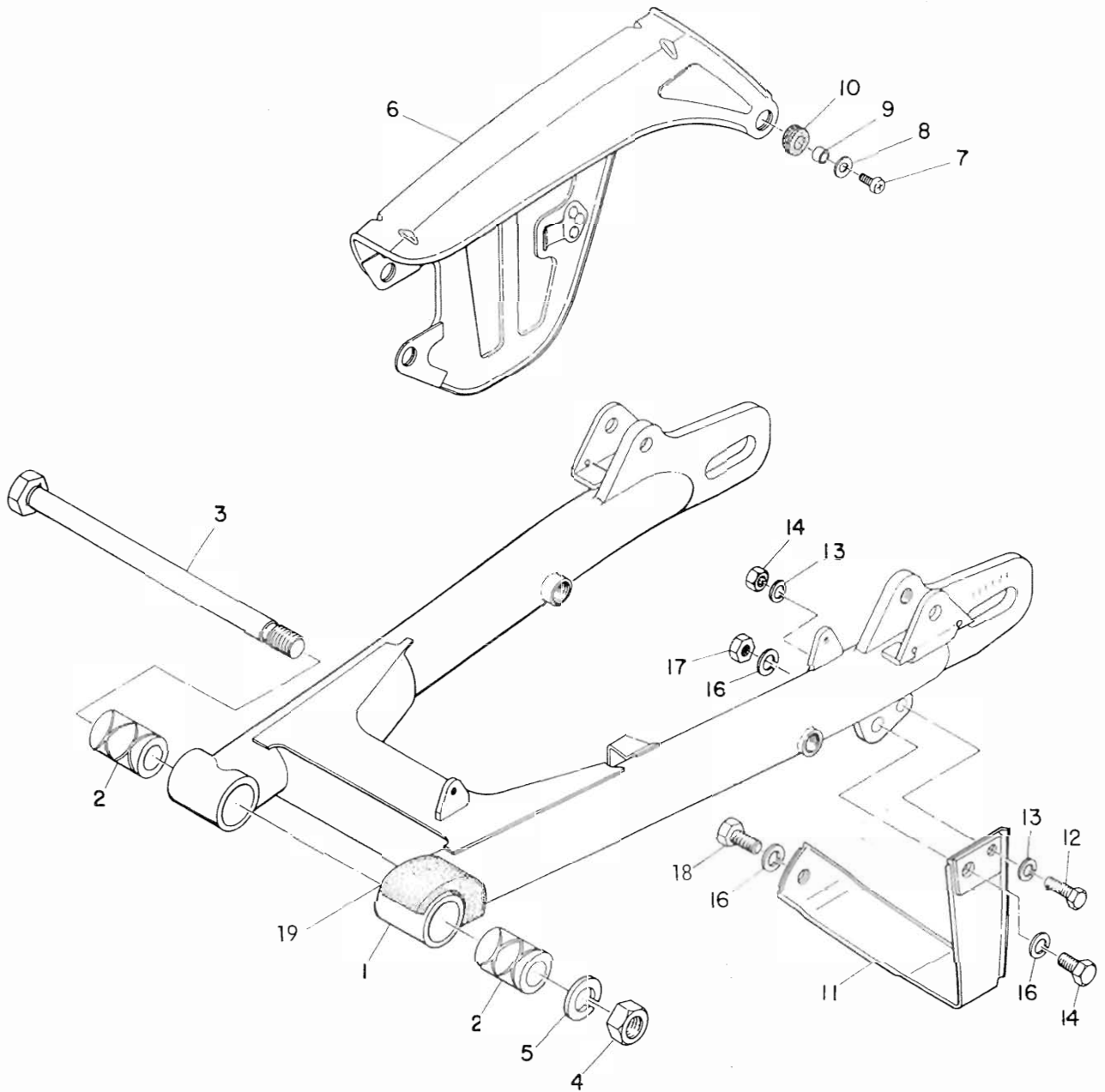
Fig. 16 FRAME & REAR FENDER



No.	Part No.	Part Name	Remarks	AT1A	AT1B	AT1C	AT1A	AT1B	AT1C
16-28-1	929-03062-00-00	WASHER, spring		-	3	3	3	3	3
16-29	214-21717-00-00	DAMPER, battery box		2	2	2	2	2	2
16-30	214-21633-00-00	COLLAR, fender mount		2	2	2	2	2	2
16-31	116-28324-00-00	WASHER, leg shield	6.5-20-1.6	2	2	2	2	2	2
16-32	911-01060-25-00	BOLT		2	2	2	2	2	2
16-33-1	929-03061-00-00	WASHER, spring		2	-	-	-	-	-
16-33-2	929-03062-00-00	WASHER, spring		-	2	2	-	-	-
16-34	261-21240-00-33	BATTERY BOX COMP.		1	1	1	-	-	-
16-35	932-10120-14-00	O-RING	2.4-11.4	2	2	2	-	-	-
16-36	911-01060-25-00	BOLT		2	2	2	-	-	-
16-37	214-21633-00-00	COLLAR, fender mount 1		2	2	2	-	-	-
16-38	248-21717-00-00	DAMPER, battery box 1		2	2	2	-	-	-
16-39	248-21170-00-33	TOOL BOX COMP.		1	1	1	-	-	-
16-40	248-21399-00-33	CAP, tool box		1	1	1	-	-	-
16-41	248-21746-00-00	DAMPER, tool box		1	1	1	-	-	-
16-42	914-02250-30-00	PIN, cotter		1	1	1	-	-	-
16-43	248-28100-00-00	TOOL ASS'Y		1	1	1	1	1	1
16-44	912-03060-20-00	BOLT		2	2	2	-	-	-
16-45	116-28324-00-00	WASHER, leg shield	6.5-20-1.6	2	2	2	-	-	-
16-46	214-21633-00-00	COLLAR, fender mount 1		2	2	2	-	-	-
16-47	214-21717-00-00	DAMPER, battery box		2	2	2	-	-	-
16-48	214-22210-90-00	REAR CUSHION ASS'Y		2	2	-	2	-	-
16-48-1	248-22210-20-00	REAR CUSHION ASS'Y		-	-	-	-	2	-
16-48-2	291-22210-70-00	REAR CUSHION ASS'Y		-	-	2	-	-	2
16-49	248-22241-00-00	BOLT, rear cushion		1	1	1	-	1	1
16-50	261-22242-00-00	BOLT, rear cushion		1	1	1	-	-	-
16-50-1	214-22241-00-00	BOLT, rear cushion		-	-	-	1	1	1
16-51	214-22242-00-00	BOLT, rear cushion		2	2	2	2	2	2



Fig. 17 REAR ARM & CHAIN CASE

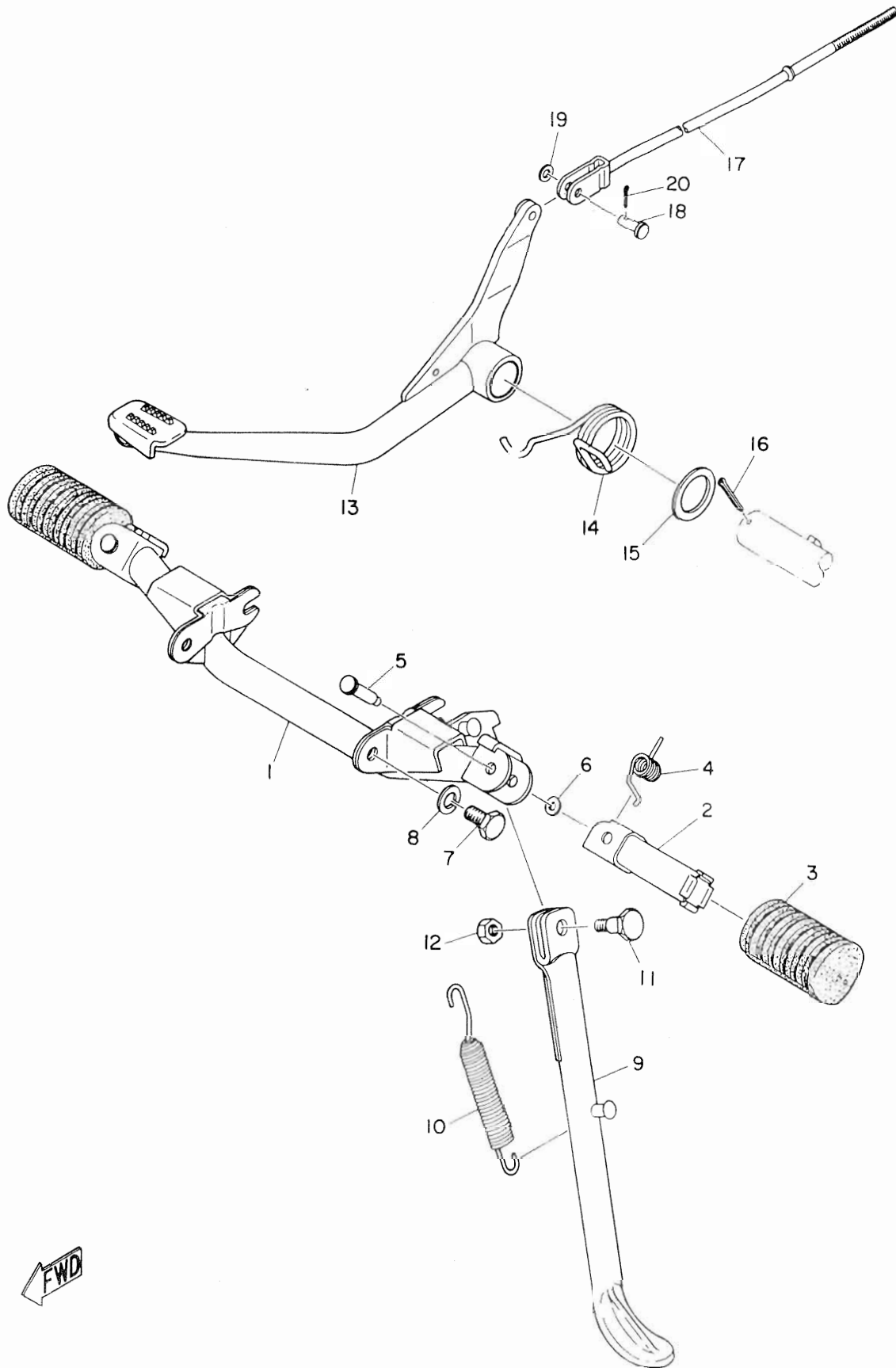


FWD

REAR ARM & CHAIN CASE

Ref. No.	Part No.	Part Name	Remarks	69	70	71	MX	MX	MX
				AT1A	AT1B	AT1C	AT1A	AT1B	AT1C
17- 1	248-22110-00-33	REAR ARM COMP.	(ISO)	1	1	1	1	1	1
17- 2	174-22123-00-00	BUSHING, rear arm		2	2	2	2	2	2
17- 3	248-22141-00-00	SHAFT, pivot		1	1	1	1	1	1
17- 4	988-01141-00-00	NUT	(ISO)	1	1	1	1	1	1
17- 5	929-01141-00-00	WASHER, spring		1	1	1	1	1	1
17- 6	248-22311-00-33	CHAIN CASE		1	1	1	1	1	1
17- 7	985-01050-10-00	SCREW, pan head	(ISO)	3	3	3	3	3	3
17- 8	136-22316-00-00	WASHER, chain case		3	3	3	3	3	3
17- 9	214-22317-00-00	SPACER, chain case		3	3	3	3	3	3
17-10	141-82596-00-00	GROMMET		3	3	3	3	3	3
17-11	248-22318-00-33	GUARD, chain		1	1	1	1	1	1
17-12	912-03060-20-00	BOLT		1	1	1	1	1	1
17-13	929-03061-00-00	WASHER, spring		1	1	1	1	1	1
17-14	928-03061-00-00	NUT		1	-	-	-	-	-
17-15	972-03080-15-00	BOLT	(ISO)	1	1	1	1	1	1
17-16	929-03081-00-00	WASHER, spring		2	2	2	2	2	2
17-17	988-03081-00-00	NUT	(ISO)	1	-	-	-	-	-
17-18	972-03080-20-00	BOLT	(ISO)	1	1	1	1	1	1
17-19	248-22151-00-00	SEAL, guard		1	1	1	1	1	1

Fig. 18 STAND, FOOT REST & REAR BRAKE PEDAL

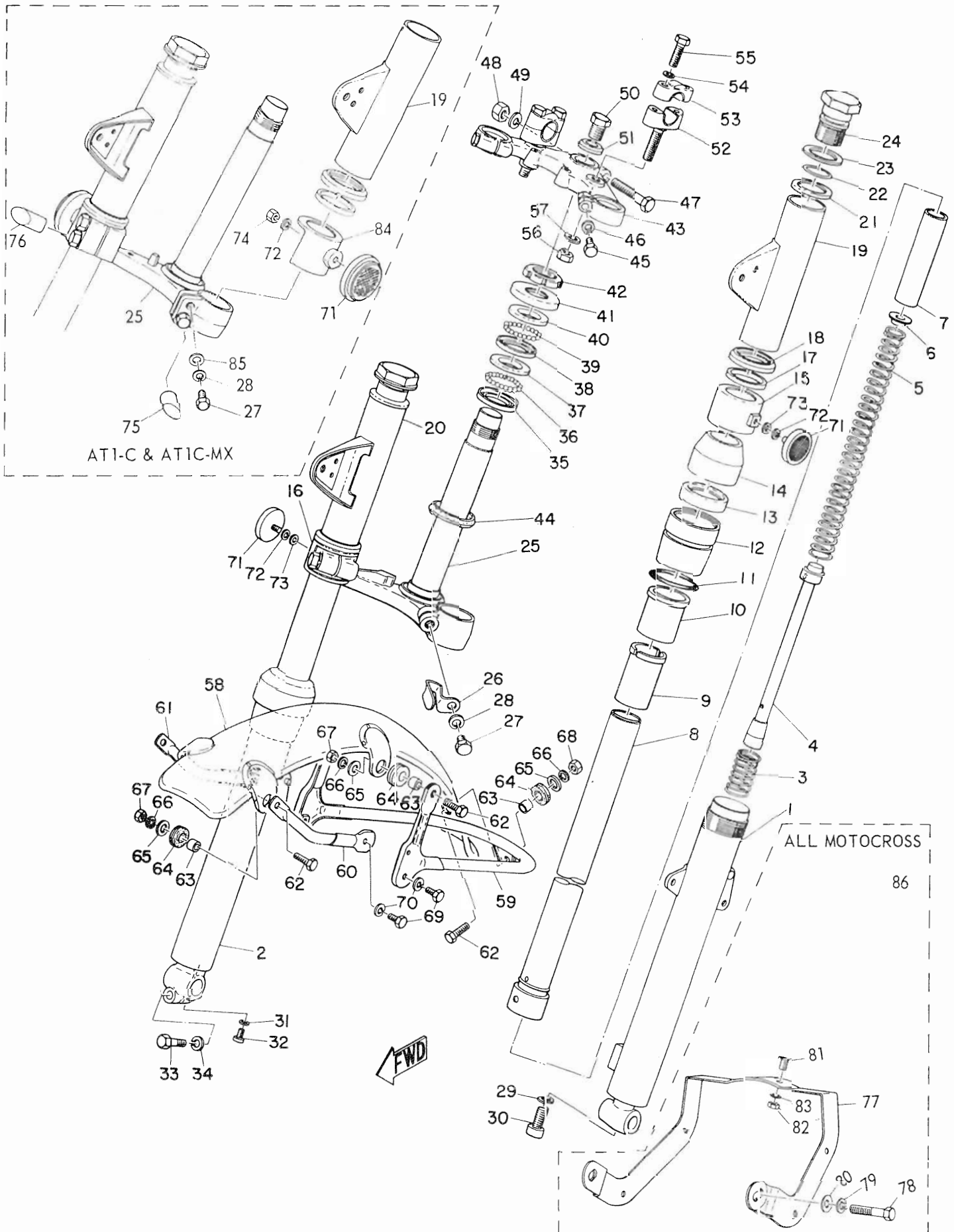


STAND, FOOT REST & REAR BRAKE PEDAL

Ref. No.	Part No.	Part Name	Remarks	69	70	71	MX	MX	MX
				ATIA	ATIB	ATIC	ATIA	ATIB	ATIC
18- 1	261-27411-00-33	FOOT REST		1	1	1	1	1	1
18- 2	214-27421-00-00	FOOT REST		2	2	2	2	2	2
18- 3	214-27413-00-00	COVER, foot rest		2	2	2	2	2	2
18- 4	214-27426-00-00	SPRING, return		2	2	2	2	2	2
18- 5	214-27418-00-00	PIN, clevis		2	2	2	2	2	2
18- 6	214-27417-00-00	WASHER, special	6.5-12-2	2	2	2	2	2	2
18- 7	912-02200-18-00	BOLT		2	2	2	2	2	2
18- 8	929-03101-00-00	WASHER, spring		2	2	2	2	2	2
18- 9	248-27311-00-33	STAND, side		1	1	1	1	1	1
18-10	214-27316-00-00	SPRING		1	1	1	1	1	1
18-11	137-27317-00-00	BOLT		1	1	1	1	1	1
18-12	988-03083-00-00	NUT	(ISO)	1	1	1	1	1	1
18-13	248-27211-00-33	PEDAL, brake		1	1	1	1	1	1
18-14	248-27216-00-00	SPRING, brake pedal		1	1	1	1	1	1
18-15	248-27226-00-00	WASHER, brake shaft	25-34-1.6	1	1	1	1	1	1
18-16	914-01400-35-00	PIN, cotter		1	1	1	1	1	1
18-17	248-27231-00-00	ROD, brake		1	1	1	1	1	1
18-18	248-27228-00-00	PIN, link joint		1	1	1	1	1	1
18-19	929-03062-00-00	WASHER, plain		1	1	1	1	1	1
18-20	914-01250-15-00	PIN, cotter		1	1	1	1	1	1



Fig. 19 FRONT FORK & FRONT FENDER



FRONT FORK & FRONT FENDER

Ref. No.	Part No.	Part Name	Remarks	69	70	71	MX	MX	MX
				AT1A	AT1B	AT1C	AT1A	AT1B	AT1C
19- 0	261-23100-60-46	FRONT FORK ASS'Y		1	-	-	-	-	-
19- 0-1	261-23100-60-03	FRONT FORK ASS'Y		-	1	-	-	-	-
19- 0-2	261-23100-61-04	FRONT FORK ASS'Y		-	-	1	-	-	-
19- 0-3	263-23100-00-35	FRONT FORK ASS'Y		-	-	-	1	1	-
19- 0-4	263-23100-01-35	FRONT FORK ASS'Y		-	-	-	-	-	1
19- 1	248-23126-00-35	. TUBE, outer (L.H)		1	1	1	1	1	1
19- 2	248-23136-00-35	. TUBE, outer (R.H)		1	1	1	1	1	1
19- 3	248-23152-00-00	. SPRING, sub		2	2	2	2	2	2
19- 4	248-23170-00-00	. CYLINDER COMP.		2	2	2	2	2	2
19- 5	248-23141-00-00	. SPRING, fork		2	2	2	2	2	2
19- 6	248-23142-00-00	. SEAT, spring upper		2	2	2	2	2	2
19- 7	248-23118-00-00	. SPACER		2	2	2	2	2	2
19- 8	248-23124-00-00	. TUBE, inner		2	2	-	2	2	-
19- 8-1	248-23124-01-00	. TUBE, inner		-	-	2	-	-	2
19- 9	248-23166-00-00	. SPACER		2	2	2	2	2	2
19-10	137-23125-00-00	. METAL, slide		2	2	2	2	2	2
19-11	137-23147-00-00	. O-RING		2	2	2	2	2	2
19-12	193-23127-40-00	. NUT, outer		2	-	-	-	-	-
19-12-1	193-23150-40-00	. NUT, outer		-	2	2	2	2	2
19-13	137-23145-00-00	. . OIL SEAL		2	2	2	2	2	2
19-14	248-23144-00-00	. SEAL, dust		2	2	2	2	2	2
19-15	261-23122-60-00	. COVER, outer (L.H)		1	1	-	-	-	-
19-16	261-23132-60-00	. COVER, outer (R.H)		1	1	-	1	1	-
19-17	248-23163-00-00	. PACKING (lamp stay)		2	-	-	-	-	-
19-17-1	214-23163-00-00	. PACKING (lamp stay)		-	2	2	2	2	2
19-18	248-23116-00-00	. GUIDE, cover under		2	2	2	2	2	2
19-19	248-23121-00-46	. COVER, upper (L.H)		1	-	-	-	-	-
19-19-1	248-23121-00-26	. COVER, upper (L.H)		-	1	-	-	-	-
19-19-2	248-23121-01-63	. COVER, upper (L.H)		-	-	1	-	-	-
19-20	248-23131-00-46	. COVER, upper (R.H)		1	-	-	-	-	-

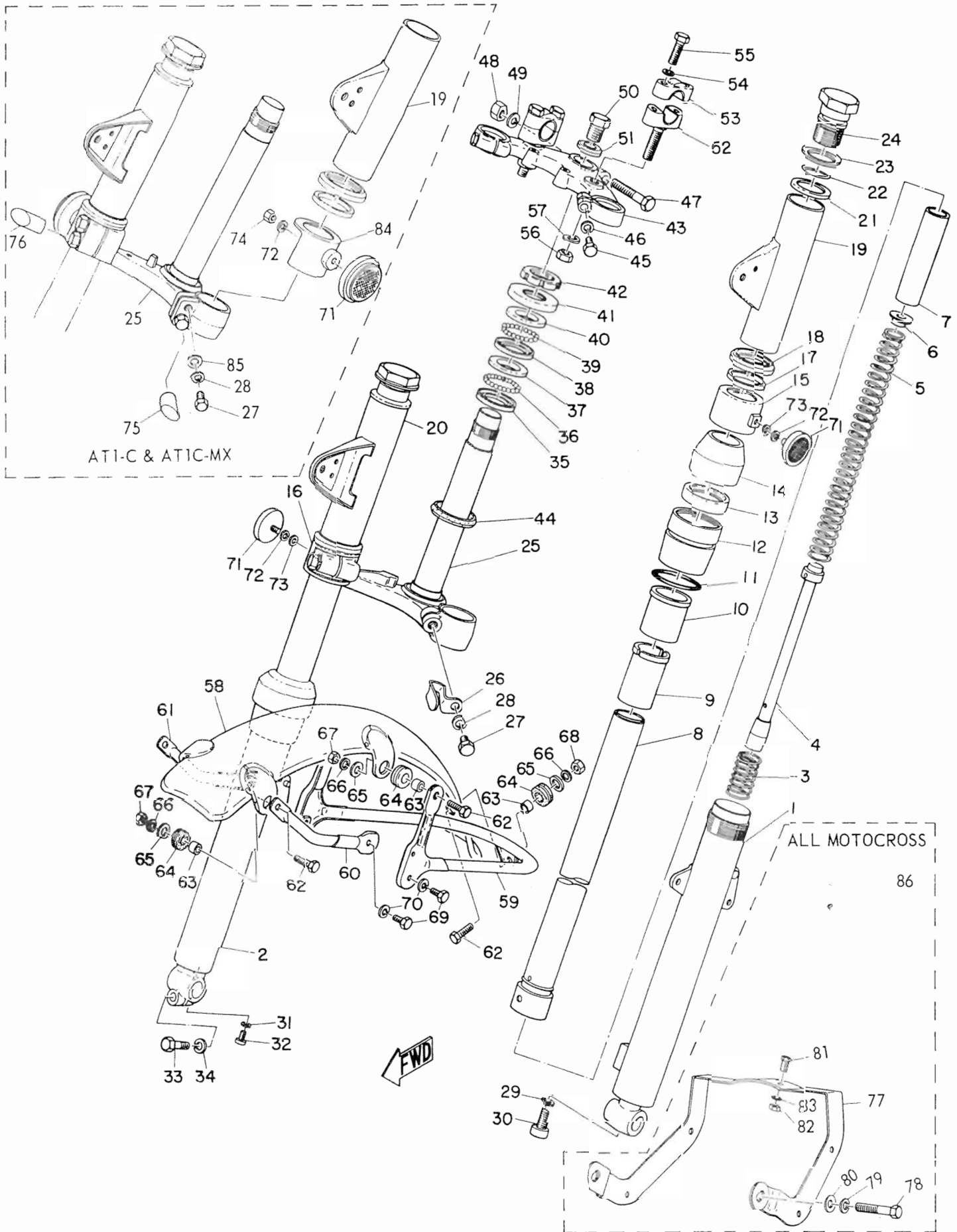
(Cont'd)

FRONT FORK & FRONT FENDER

Ref. No.	Part No.	Part Name	Remarks	69	70	71	MX	MX	MX
				AT1A	AT1B	AT1C	AT1A	AT1B	AT1C
19-20-1	248-23131-00-26	. COVER, upper (R.H)		-	1	-	-	-	-
19-20-2	248-23131-01-63	. COVER, upper (R.H)		-	-	1	-	-	-
19-21	248-23115-00-00	. GUIDE, cover upper		2	2	2	2	2	2
19-22	146-23114-00-00	. PACKING (o-ring)		2	2	2	2	2	2
19-23	177-23112-00-00	. WASHER, cap		2	2	2	2	2	2
19-24	248-23111-00-00	. BOLT, cap		2	2	2	2	2	2
19-25	248-23340-00-33	. UNDER BRACKET COMP.		1	1	-	1	1	-
19-25-1	248-23340-01-33	. UNDER BRACKET COMP.		-	-	1	-	-	1
19-26	214-23318-00-00	. HOLDER, wire		1	1	1	1	1	1
19-27	122-23346-00-00	. BOLT, under bracket		2	2	-	2	2	-
19-27-1	275-23346-60-00	. BOLT, under bracket		-	-	4	-	-	4
19-28	929-03101-00-00	. WASHER, spring		2	2	-	2	2	-
19-28-1	929-03081-00-00	. WASHER, spring		-	-	2	-	-	2
19-29	214-23158-00-00	. PACKING		2	2	2	2	2	2
19-30	913-11080-20-00	. BOLT		2	2	2	2	2	2
19-31	122-23129-00-00	. GASKET, drain plug		2	2	2	2	2	2
19-32	985-02040-08-00	. SCREW, pan head		2	-	-	-	-	-
19-32-1	122-23119-00-00	. SCREW, pan head		-	2	2	2	2	2
19-33	972-03080-25-00	. BOLT		1	1	1	1	1	1
19-34	929-03081-00-00	. WASHER, spring		1	1	1	1	1	1
19-35	156-23411-00-00	. RACE, ball (1)		1	1	1	1	1	1
19-36	935-01040-04-00	BALL	1/4"	19	-	-	-	-	-
19-36-1	935-01040-11-00	BALL	1/4" (treated)	-	19	19	19	19	19
19-37	156-23412-00-00	RACE, ball (2)		1	1	1	1	1	1
19-38	122-23412-00-00	RACE, ball (2)		1	1	1	1	1	1
19-39	935-03160-03-00	BALL	3/16"	22	-	-	-	-	-
19-39-1	935-03160-10-00	BALL	3/16" (treated)	-	22	22	22	22	22
19-40	122-23411-00-00	RACE, ball (1)		1	1	1	1	1	1
19-41	122-23416-00-00	COVER, ball race		1	1	1	1	1	1
19-42	137-23454-00-00	NUT, fitting		1	1	1	1	1	1

(Cont'd)

Fig. 19 FRONT FORK & FRONT FENDER

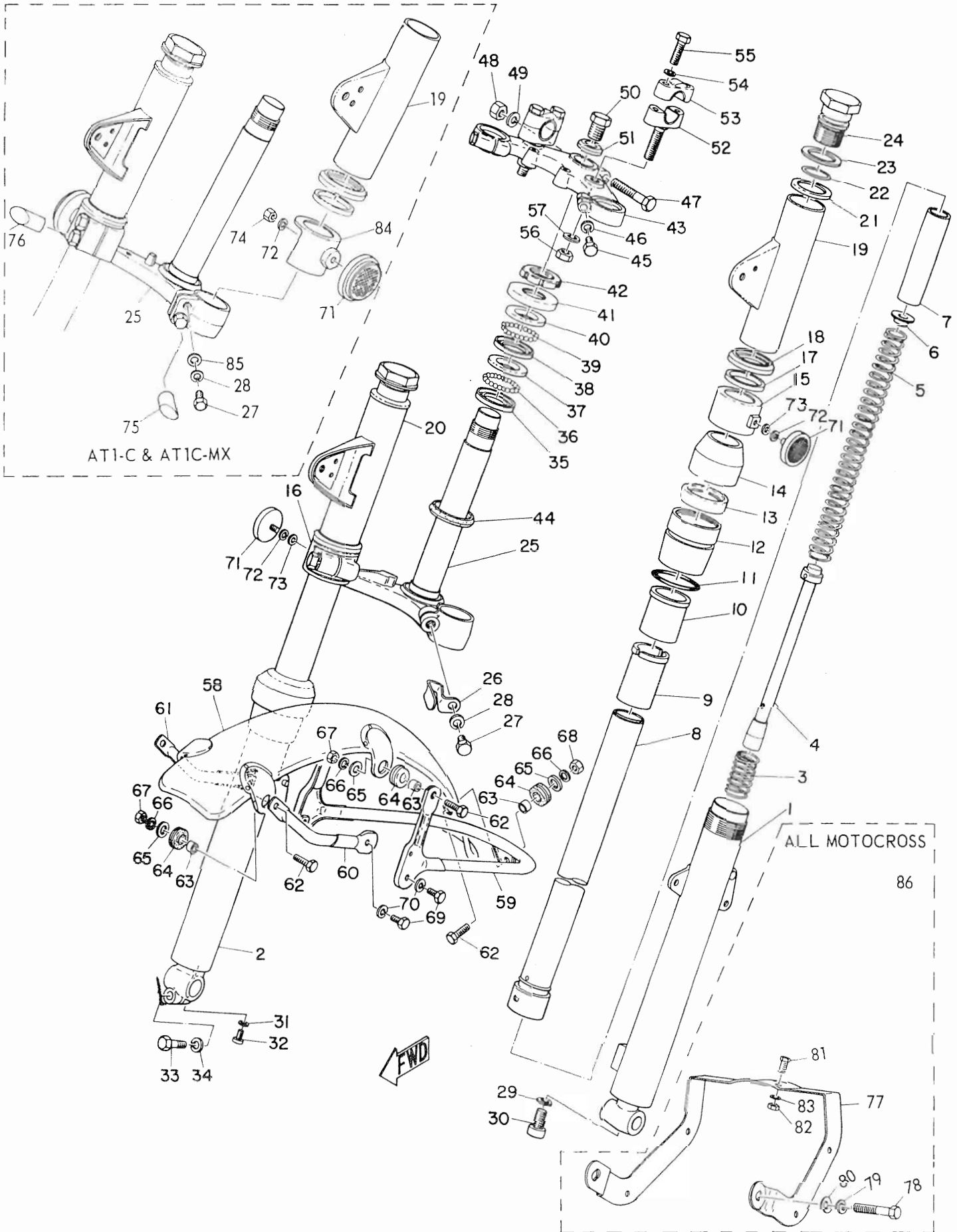


FRONT FORK & FRONT FENDER

Ref. No.	Part No.	Part Name	Remarks	69	70	71	MX	MX	MX
				AT1A	AT1B	AT1C	AT1A	AT1B	AT1C
19-43	248-23435-00-00	CROWN, handle		1	-	-	-	-	-
19-43-1	248-23435-01-00	CROWN, handle		-	1	-	1	1	-
19-43-2	248-23435-02-00	CROWN, handle		-	-	1	-	-	1
19-44	164-23462-00-00	SEAL, dust		1	1	1	1	1	1
19-45	971-03080-30-00	BOLT	X	2	2	2	2	2	2
19-46	929-03081-00-00	WASHER, spring		2	2	2	2	2	2
19-47	971-03080-50-00	BOLT	X	1	1	1	1	1	1
19-48	988-03087-00-00	NUT, crown	X	1	1	1	1	1	1
19-49	929-03081-00-00	WASHER, spring		1	1	1	1	1	1
19-50	214-23451-10-00	BOLT, steering fitting		1	1	1	1	1	1
19-51	214-23443-00-00	WASHER, crown		1	1	1	1	1	1
19-52	214-23442-02-00	HOLDER, handle under		2	2	2	2	2	2
19-53	214-23441-00-00	HOLDER, handle upper		2	2	2	2	2	2
19-54	929-03081-00-00	WASHER, spring		4	4	4	4	4	4
19-55	971-03080-30-00	BOLT	X	4	4	4	4	4	4
19-56	928-03102-00-00	NUT		2	2	2	2	2	2
19-57	929-03101-00-00	WASHER, spring		2	2	2	2	2	2
19-58	248-21510-00-35	FRONT FENDER COMP.		1	1	1	-	-	-
19-58-1	214-21510-00-35	FRONT FENDER COMP.		-	-	-	1	1	-
19-59	248-21512-00-00	BRACKET, fender		1	1	1	-	-	-
19-59-1	214-21512-00-00	BRACKET, fender		-	-	-	1	1	-
19-60	248-21513-00-00	STAY, fender (L.H)		1	1	1	-	-	-
19-60-1	214-21513-00-00	STAY, fender (L.H)		-	-	-	1	1	-
19-61	248-21514-00-00	STAY, fender (R.H)		1	1	1	-	-	-
19-61-1	214-21514-00-00	STAY, fender (R.H)		-	-	-	1	1	-
19-62	912-03060-20-00	BOLT		5	5	5	5	5	5
19-63	214-21633-00-00	COLLAR, fender mount (1)		5	5	5	5	5	-
19-64	214-21717-00-00	DAMPER, battery box		5	5	5	5	5	-
19-65	116-28324-00-00	WASHER, leg shield (2)	6.5-20-1.6	5	5	5	5	5	-
19-66	929-03061-00-00	WASHER, spring		5	5	5	5	5	-

(Cont'd)

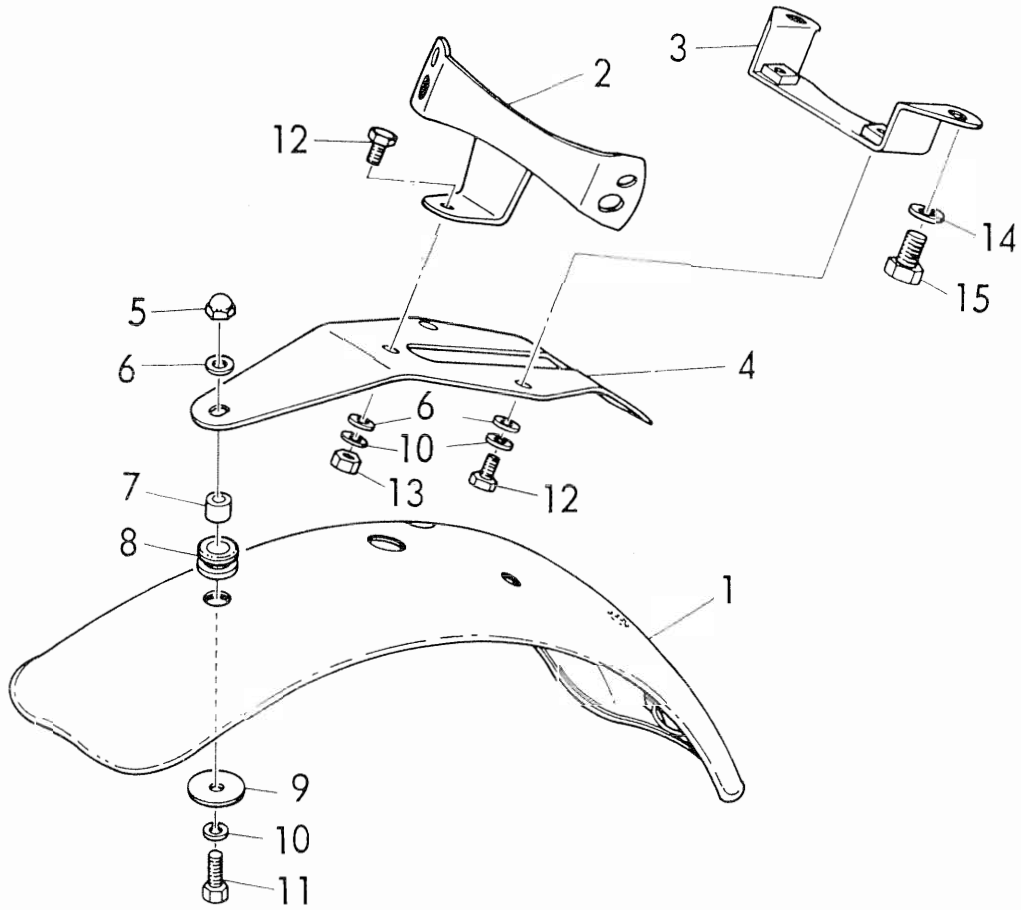
Fig. 19 FRONT FORK & FRONT FENDER



FRONT FORK & FRONT FENDER

Ref. No.	Part No.	Part Name	Remarks	69	70	71	MX	MX	MX
				AT1A	AT1B	AT1C	AT1A	AT1B	AT1C
19-67	928-03061-00-00	NUT		4	4	4	4	4	-
19-68	928-03067-00-00	NUT, crown		1	1	1	1	1	-
19-69	912-04060-12-00	BOLT		4	4	4	4	4	-
19-70	929-03061-00-00	WASHER, spring		4	4	4	4	4	-
19-71	233-85111-00-00	REFLECTOR	(ISO)	2	2	-	-	-	-
19-71-1	256-85111-00-00	REFLECTOR		-	-	2	-	-	-
19-72	929-03051-00-00	WASHER, spring		2	2	2	-	-	-
19-73	929-02052-00-00	WASHER, plain		2	2	-	-	-	-
19-74	988-01051-00-00	NUT		-	-	2	-	-	-
19-75	263-21581-00-00	STAY, plate fitting (L.)		-	-	-	-	-	1
19-76	263-21591-00-00	STAY, plate fitting (R.)		-	-	-	-	-	1
19-77	263-21685-00-35	BRACKET, number		-	-	-	1	1	1
19-78	972-03080-50-00	BOLT		-	-	-	2	2	2
19-79	929-03081-00-00	WASHER, spring		-	-	-	2	2	2
19-90	929-03082-00-00	WASHER, plain		-	-	-	2	2	2
19-81	912-04060-12-00	BOLT		-	-	-	2	2	2
19-82	918-03061-00-00	NUT		-	-	-	2	2	2
19-83	929-03061-00-00	WASHER, spring		-	-	-	2	2	2
19-84	261-23122-01-00	COVER, outer		-	-	2	-	-	-
19-85	929-03082-00-00	WASHER, plain		-	-	1	-	-	1
19-86	263-23485-00-00	PLATE, number	Not Shown	-	-	-	1	1	1

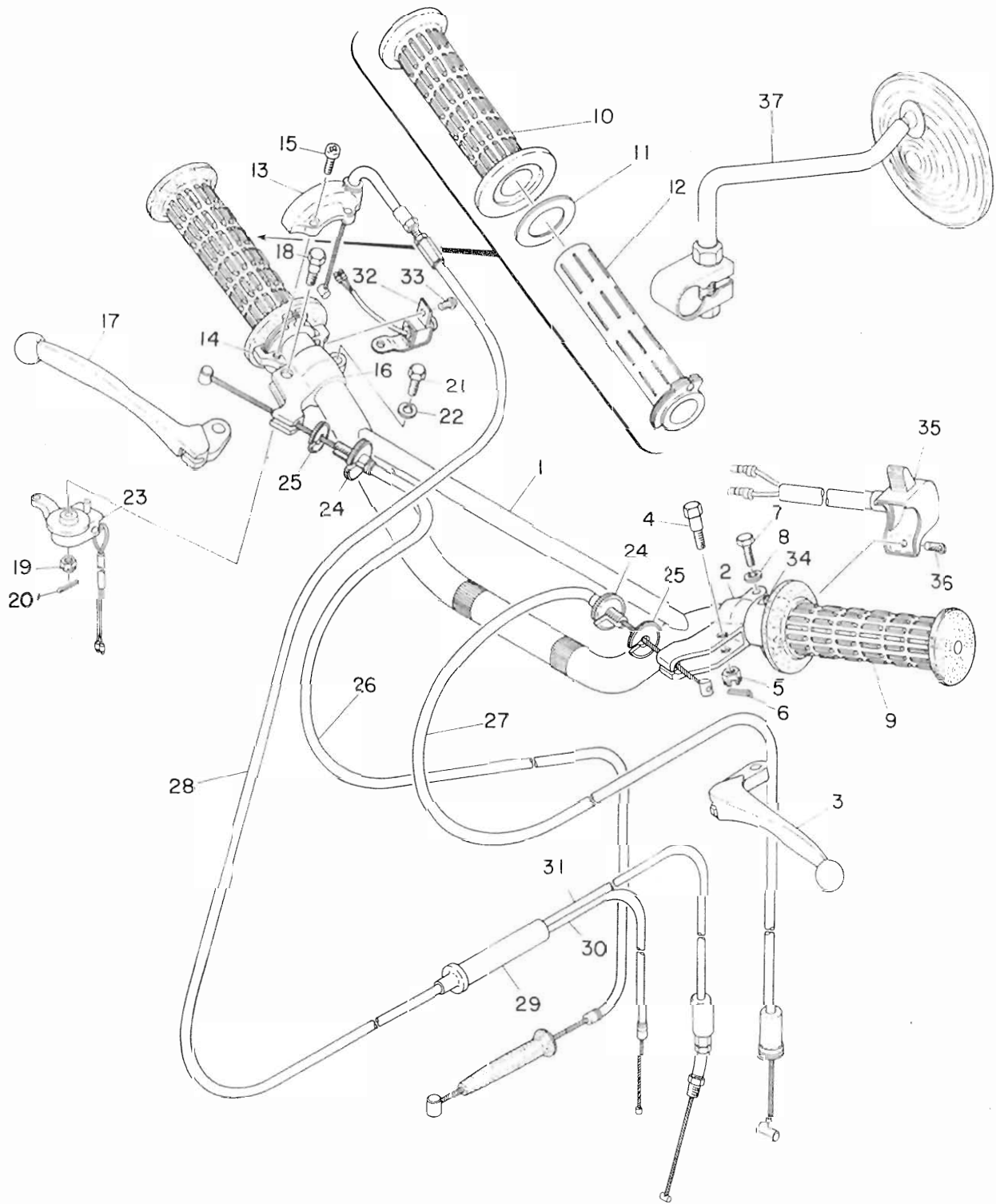
Fig. 20 MX FRONT FENDER & BRACKET (AT1C-MX)



MX FRONT FENDER & BRACKET (AT1C-MX)

Ref. No.	Part No.	Description	Q'ty	Applicable Machine No.	Remarks
20- 1	284-21510-00-35	FRONT FENDER COMP.	1		
20- 2	284-21513-00-35	STAY, fender 1	1		
20- 3	284-21514-00-35	STAY, fender	1		
20- 4	284-21512-00-35	BRACKET, fender	1		
20- 5	928-03067-00-00	NUT, crown	2		
20- 6	929-93062-00-00	WASHER, plain	5		
20- 7	256-21544-00-00	COLLAR, fender mount	2		
20- 8	256-21541-00-00	DAMPER, fender mount	2		
20- 9	116-28324-00-00	WASHER, leg shield	2		
20-10	929-03061-00-00	WASHER, spring	5		
20-11	912-03060-18-00	BOLT	2		
20-12	912-04060-12-00	BOLT	3		
20-13	928-03061-00-00	NUT	1		
20-14	929-03081-00-00	WASHER, spring	2		
20-15	972-03080-15-00	BOLT	2		
<p>NOTE:</p> <p style="margin-left: 40px;">AT1-MX, AT1B-MX, used low, standard type F. Fender. AT1C-MX can be used if installed as an assembly.</p> <p style="margin-left: 80px;">See Ref. # 19-86 for Number Plate</p>					

Fig. 21 HANDLE & WIRE



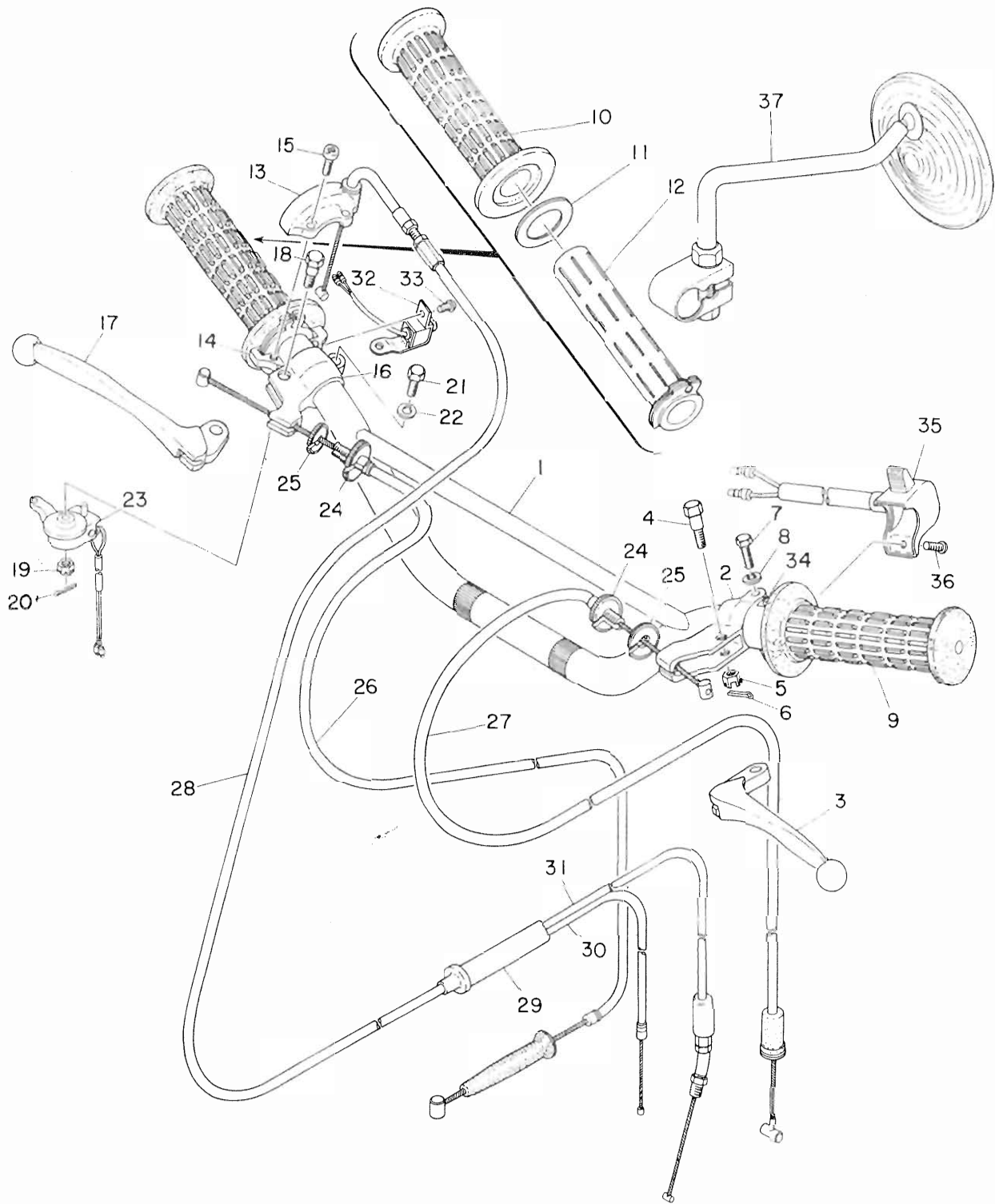
FWD

HANDLE & WIRE

Ref. No.	Part No.	Part Name	Remarks	69	70	71	MX	MX	MX
				AT1A	AT1B	AT1C	AT1A	AT1B	AT1C
21- 1	248-26111-01-00	HANDLE		1	1	1	1	1	1
21- 0-1	214-82910-00-00	LEVER HOLDER ASS'Y (L.H.)		1	1	1	1	1	1
21- 2	214-82911-00-00	. HOLDER, lever		1	1	1	1	1	1
21- 3	214-83912-00-00	. LEVER (L.H.)		1	1	1	1	1	1
21- 4	214-83915-00-00	. SCREW, lever fitting		1	1	1	1	1	1
21- 5	928-02065-00-00	. NUT		1	1	1	1	1	1
21- 6	914-02120-15-00	. PIN, cotter		1	1	1	1	1	1
21- 7	912-03060-20-00	. BOLT		1	1	1	1	1	1
21- 8	929-03061-00-00	. WASHER, spring		1	1	1	1	1	1
21- 9	214-26241-00-00	GRIP (L.H.)		1	1	1	1	1	1
21-10	214-26242-00-00	GRIP (R.H.)		1	1	1	1	1	1
21-11	150-26249-00-00	RING, leaf		1	1	1	1	1	1
21-12	214-26243-00-00	TUBE, guide		1	1	1	1	1	1
21-13	214-26281-00-00	CAP, grip upper		1	1	1	1	1	1
21-14	248-26282-00-00	CAP, grip under	(ISO)	1	1	1	1	1	1
21-15	985-03050-20-00	SCREW, pan head	(ISO)	1	1	1	1	1	1
21- 0-2	233-82920-30-00	LEVER HOLDER ASS'Y (R.H.)		1	1	1	1	1	1
21-16	233-82921-30-00	. HOLDER, lever		1	1	1	1	1	1
21-17	233-83922-31-00	. LEVER (R.H.)		1	1	1	1	1	1
21-18	233-83915-00-00	. SCREW, lever fitting	(ISO)	1	1	1	1	1	1
21-19	988-02055-00-00	. NUT, slotted	(ISO)	1	1	1	1	1	1
21-20	914-02120-15-00	. PIN, cotter		1	1	1	1	1	1
21-21	912-03060-20-00	. BOLT		1	1	1	1	1	1
21-22	929-03061-00-00	. WASHER, spring		1	1	1	1	1	1
21-23	233-83980-30-00	FRONT STOP SWTCH ASS'Y		1	1	1	-	-	-
21-24	214-26346-00-00	BOLT, adjusting		2	2	2	2	2	2
21-25	168-26344-00-00	NUT, adjusting		2	2	2	2	2	2
21-26	248-26341-00-00	WIRE, brake		1	1	1	1	1	1
21-27	248-26335-00-00	WIRE, clutch		1	1	1	1	1	1

(Cont'd)

Fig. 21 HANDLE & WIRE



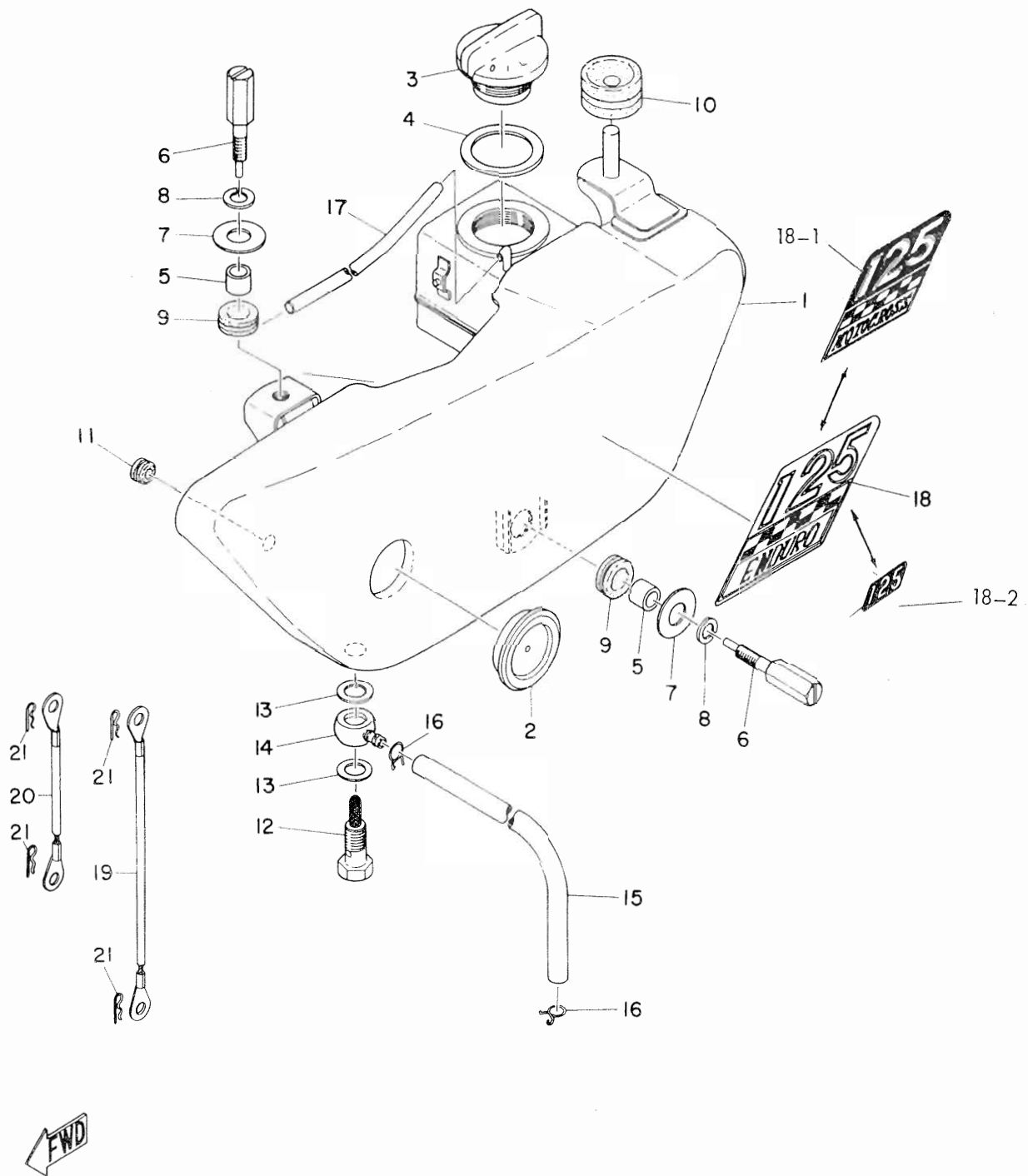
HANDLE & WIRE

Ref. No.	Part No.	Part Name	Remarks	69	70	71	MX	MX	MX
				ATIA	ATIB	ATIC	ATIA	ATIB	ATIC
21-28	248-26311-00-00	WIRE, throttle 1		1	1	1	1	1	1
21-29	214-26261-00-00	CYLINDER, wire		1	1	1	1	1	1
21-30	248-26312-00-00	WIRE, throttle 2		1	1	1	1	1	1
21-31	248-26321-00-00	WIRE, pump		1	1	1	1	1	1
21-32	261-83976-00-00	SWITCH, handle 1		1	1	1	1	1	1
21-33	985-02040-05-00	SCREW, pan head	(ISO)	2	-	-	-	-	-
21-33-1	985-03030-05-00	SCREW, pan head		-	2	2	2	2	2
21-34	214-83974-00-00	HOLDER, handle switch	(ISO)	1	1	1	1	1	1
21-35	214-83975-00-00	SWITCH, handle 2		1	1	1	1	1	1
21-36	985-03050-15-00	SCREW, pan head	(ISO)	1	1	1	1	1	1
21-37	253-26290-00-10	BACK MIRROR ASS'Y		-	1	-	-	-	-

FUEL TANK

Ref. No.	Part No.	Part Name	Remarks	69	70	71	MX	MX	MX
				ATIA	ATIB	ATIC	ATIA	ATIB	ATIC
22- 1	248-24110-00-01	FUEL TANK COMP.	(ISO)	1	-	-	-	-	-
22- 1-1	248-24110-00-04	FUEL TANK COMP.		-	1	-	1	1	-
22- 1-2	248-24110-00-07	FUEL TANK COMP.		-	-	1	-	-	1
22- 2	122-24610-01-00	CAP ASS'Y		1	1	1	1	1	1
22- 3	214-24500-00-00	FUEL COCK ASS'Y	(ISO)	1	1	1	1	1	1
22- 4	214-24523-00-00	. VALVE		1	1	1	1	1	1
22- 5	214-24515-00-00	. NET, filter		1	1	1	1	1	1
22- 6	214-24522-00-00	. GASKET, filter		1	1	1	1	1	1
22- 7	214-24521-00-00	. CUP, filter		1	1	1	1	1	1
22- 8	214-24542-00-00	. NUT, ring		1	1	1	1	1	1
22- 9	214-24512-00-00	. GASKET, body		1	1	1	1	1	1
22-10	214-24524-00-00	. LEVER, cock		1	1	1	1	1	1
22-11	137-24518-00-00	. WASHER, wave		1	1	1	1	1	1
22-12	214-24525-00-00	. PLATE, lever fitting		1	1	1	1	1	1
22-13	214-24535-00-00	. SCREW, lever fitting	(ISO)	2	2	2	2	2	2
22-14	214-24143-00-00	BOLT, cock fitting		2	2	2	2	2	2
22-15	137-24513-00-00	GASKET, cock fitting		2	-	-	-	-	-
22-15-1	178-14766-00-00	GASKET, cock fitting		-	2	2	2	2	2
22-16	214-24311-00-00	PIPE, fuel		1	1	1	1	1	1
22-17	143-24356-00-00	CLIP, pipe		2	2	2	2	2	2
22-18	248-24183-00-00	DAMPER, locating 3		1	1	1	1	1	1
22-19	156-24181-00-00	DAMPER, locating 1		2	2	2	2	2	2
22-20	261-24161-00-00	EMBLEM, fuel tank		2	-	-	-	-	-
22-20-1	227-24161-00-00	EMBLEM, fuel tank		-	2	2	2	2	2
22-21	985-02040-08-00	SCREW, pan head	(ISO)	4	4	4	4	4	4
22-22	214-24173-00-00	BAND, tank fitting		1	1	1	1	1	1
22-23	248-24173-00-00	BAND, tank fitting		1	1	1	1	1	1

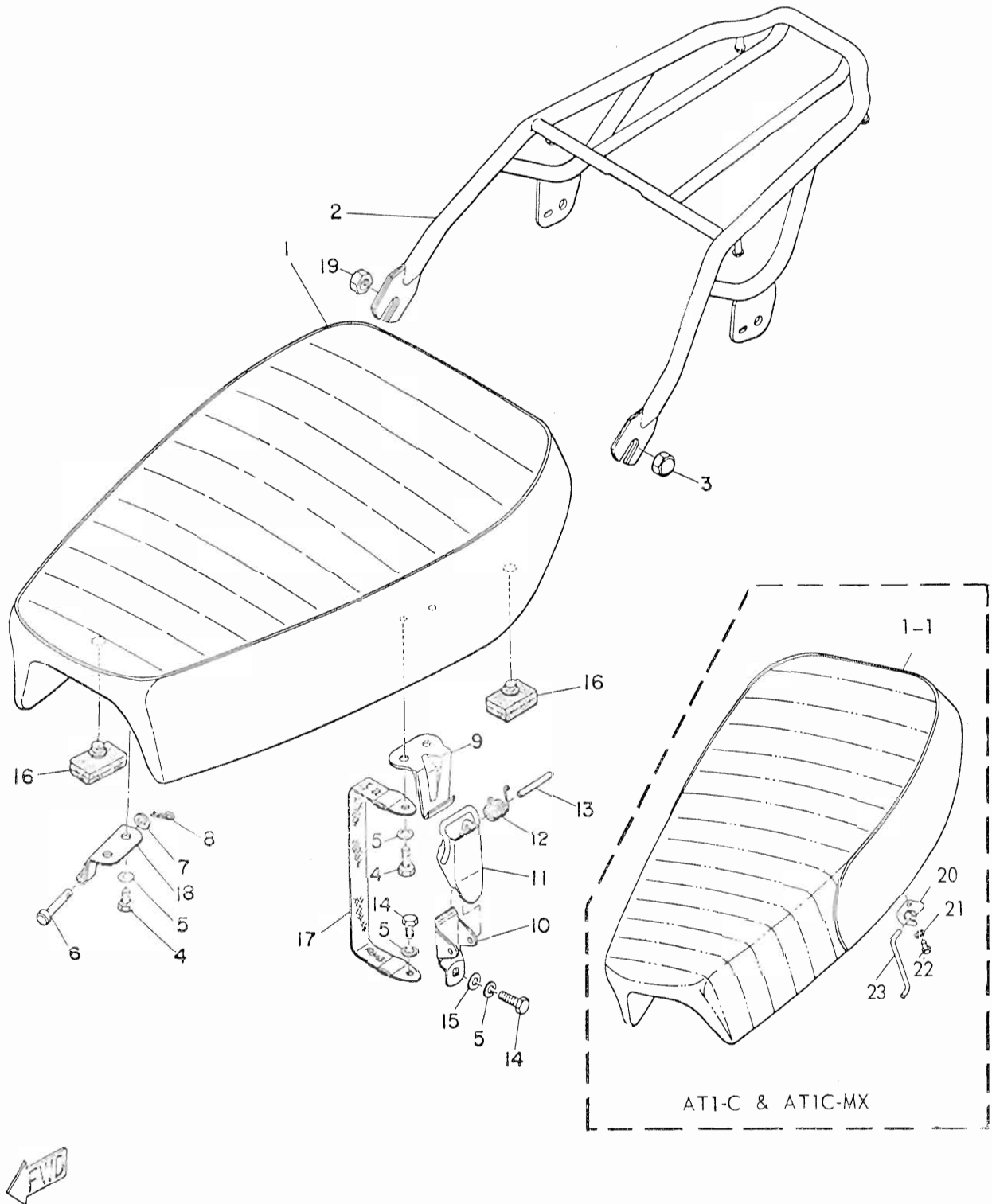
Fig. 23 OIL TANK



OIL TANK

Ref. No.	Part No.	Part Name	Remarks	69	70	71	MX	MX	MX
				AT1A	AT1B	AT1C	AT1A	AT1B	AT1C
23- 1	248-21705-00-01	OIL TANK ASS'Y		1	-	-	-	-	-
23- 1-1	248-21705-00-04	OIL TANK ASS'Y		-	1	-	1	1	-
23- 1-2	248-21705-00-06	OIL TANK ASS'Y		-	-	1	-	-	1
23- 2	214-21761-00-00	. GAUGE, level		1	1	1	1	1	1
23- 3	214-21771-00-00	CAP, oil tank		1	1	1	1	1	1
23- 4	214-21772-00-00	GASKET, cap		1	1	1	1	1	1
23- 5	214-21633-00-00	COLLAR, fender mount	7-10-7	2	2	2	2	2	2
23- 6	248-21712-00-00	BOLT, special		2	2	2	2	2	2
23- 7	116-28324-00-00	WASHER, leg shield	6.5-20-1.6	2	2	2	2	2	2
23- 8	929-03061-00-00	WASHER, spring		2	2	2	2	2	2
23- 9	214-21717-00-00	DAMPER, battery box		2	2	2	2	2	2
23-10	248-21747-00-00	DAMPER, oil tank		1	1	1	1	1	1
23-11	137-21778-00-00	DAMPER, oil tank		1	1	1	1	1	1
23-12	214-21768-00-00	SCREW, union		1	1	-	1	1	-
23-13	137-21767-00-00	GASKET, union	10.5-15-1.5	2	2	-	2	2	-
23-14	214-21769-00-00	COLLAR, union screw		1	-	-	-	-	-
23-14-1	248-21769-00-00	COLLAR, union screw		-	1	-	1	1	-
23-15	248-24315-00-00	PIPE, oil		1	-	-	-	-	-
23-15-1	248-21766-00-00	PIPE, oil		-	1	1	1	1	1
23-16	101-24356-00-00	CLIP, pipe		2	2	2	2	2	2
23-17	214-21745-00-00	PIPE, oil tank breather		1	1	1	1	1	1
23-18	261-21786-00-00	EMBLEM (125 Enduro)		1	1	-	-	-	-
23-18-1	263-21786-00-00	EMBLEM (125 Motocross)		-	-	-	1	1	-
23-18-2	261-21787-01-00	EMBLEM (125)		-	-	1	-	-	1
23-19	248-21775-00-00	BAND, tank fitting		1	1	1	1	1	1
23-20	261-21775-00-00	BAND, tank fitting		1	1	1	1	1	1
23-21	156-83525-00-00	CLIP		4	4	4	4	4	4
NOTE:									
Mid-1971 Ref. #'s 23-12, 23-13, 23-14 changed to Press/welded outlet pipe.									

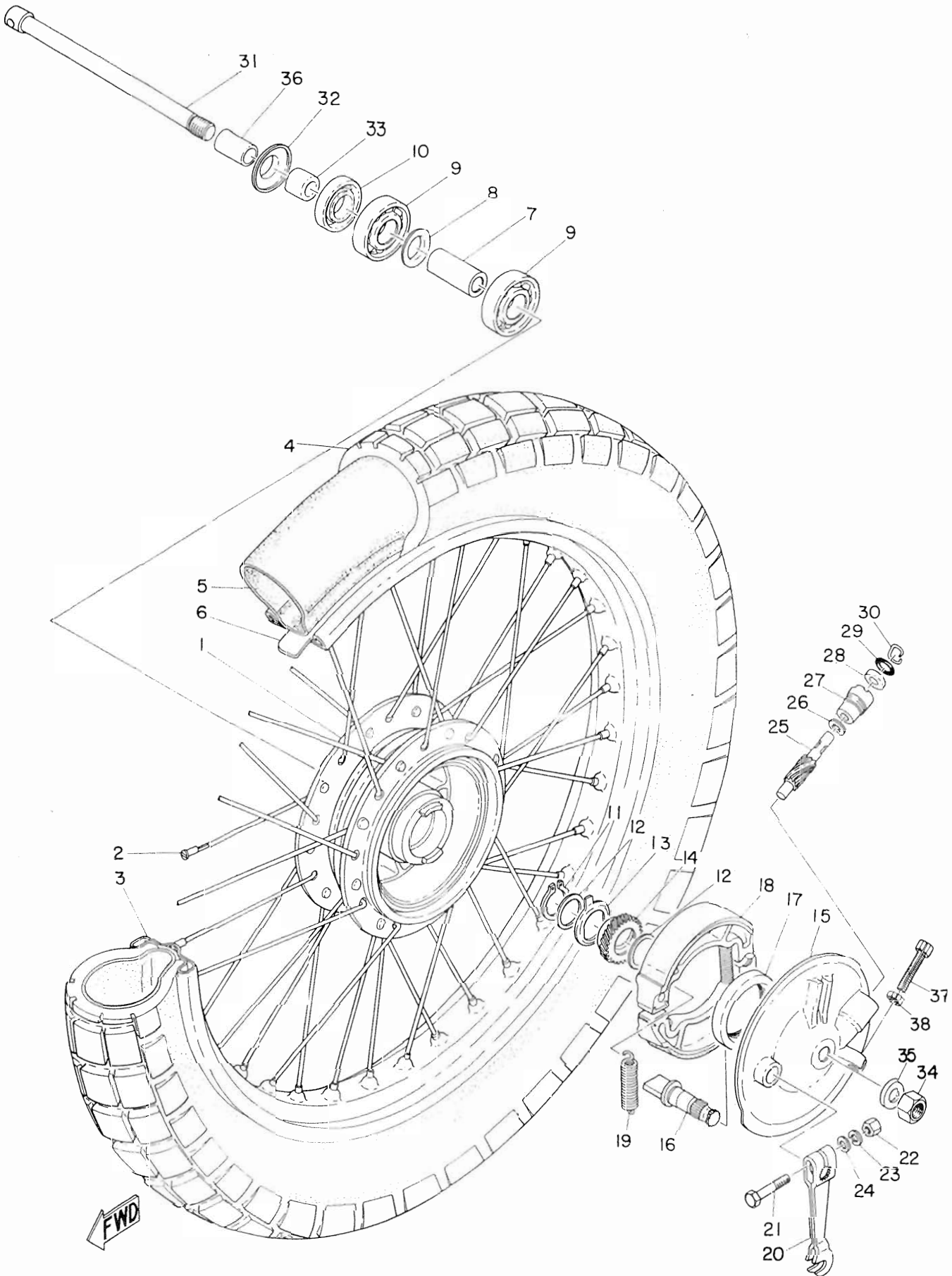
Fig. 24 SEAT & CARRIER



SEAT & CARRIER

Ref. No.	Part No.	Part Name	Remarks	69	70	71	MX	MX	MX
				AT1A	AT1B	AT1C	AT1A	AT1B	AT1C
24- 1	261-24710-00-00	SINGLE SEAT ASS'Y		1	1	-	1	1	-
24- 1-1	261-24710-01-00	SINGLE SEAT ASS'Y		-	-	1	-	-	1
24- 1-2	261-24711-00-00	. COVER, single seat		1	1	-	1	1	-
24- 2	261-24810-00-00	SUB CARRIER ASS'Y		1	1	1	1	1	1
24- 3	928-04107-00-00	NUT, crown		1	1	1	1	1	1
24- 4	912-04060-12-00	BOLT		6	6	5	6	6	5
24- 5	929-03061-00-00	WASHER, spring		7	7	7	7	7	7
24- 6	915-02050-55-00	PIN, clevis		2	2	2	2	2	2
24- 7	929-02052-00-00	WASHER, plain		2	2	2	2	2	2
24- 8	156-83525-00-00	CLIP		2	2	2	2	2	2
24- 9	214-24728-00-00	BRACKET, seat		1	-	-	-	-	-
24- 9-1	214-24728-00-33	BRACKET, seat		-	1	1	1	1	1
24-10	214-24718-00-00	BRACKET, seat		1	1	1	1	1	1
24-11	214-24776-00-00	LEVER, seat		1	-	-	-	-	-
24-11-1	214-24776-00-33	LEVER, seat		-	1	1	1	1	1
24-12	214-24758-00-00	SPRING, seat		1	1	1	1	1	1
24-13	214-24727-00-00	PIN, seat fitting		1	1	1	1	1	1
24-14	911-01060-10-00	BOLT		2	2	2	2	2	2
24-15	929-03062-00-00	WASHER, plain		1	1	1	1	1	1
24-16	214-24724-00-00	DAMPER, seat		4	4	4	4	4	4
24-17	214-24778-00-00	BAND, seat fitting		1	1	-	1	1	-
24-18	248-24726-00-00	HINGE, seat		2	2	2	2	2	2
24-19	928-03103-00-00	NUT		1	1	1	1	1	1
24-20	276-24748-00-00	BRACKET, seat stopper		-	-	1	-	-	1
24-21	278-24768-00-00	STOPPER, seat		-	-	1	-	-	1
24-22	921-01060-12-00	BOLT		-	-	1	-	-	1
24-23	929-01060-12-00	WASHER, spring		-	-	1	-	-	1

Fig. 25 FRONT WHEEL



FRONT WHEEL

Ref. No.	Part No.	Part Name	Remarks	69	70	71	MX	MX	MX
				ATIA	ATIB	ATIC	ATIA	ATIB	ATIC
25- 1	248-25111-00-00	HUB		1	1	1	1	1	1
25- 2	248-25104-00-00	SPOKE SET		1s.	1	1	1	1	1
25- 3	944-14180-07-00	RIM	1.40-18	1	1	1	-	-	-
25- 3-1	944-16180-46-00	RIM	1.60A-18	-	-	-	1	1	1
25- 4	941-30180-73-00	TIRE, front	3.00-18-4PR	1	1	1	-	-	-
25- 4-1	941-32180-74-00	TIRE, front	3.25-18-4PR	-	-	-	1	1	1
25- 5	942-30810-12-00	TUBE	3.00-18	1	1	1	-	-	-
25- 5-1	942-32180-20-00	TUBE	3.25-18-4PR	-	-	-	1	1	1
25- 6	943-30180-10-00	BAND, rim	3.00-18	1	1	1	-	-	-
25- 6-1	943-32180-16-00	BAND, rim	3.25-18	-	-	-	1	1	1
25- 7	183-25117-00-00	SPACER, bearing		1	1	1	1	1	1
25- 8	102-25315-00-00	FLANGE, spacer		1	1	1	1	1	1
25- 9	933-06301-03-00	BEARING	6301 Z	2	2	2	2	2	2
25-10	931-02180-08-00	OIL SEAL	SD-18-37-8	1	1	1	1	1	1
25-11	934-10200-09-00	CIRCLIP		1	1	1	1	1	1
25-12	183-25147-00-00	WASHER, thrust 2	20.5-26-1	2	2	2	2	2	2
25-13	183-25149-00-00	CLUTCH, meter		1	1	1	1	1	1
25-14	248-25135-00-00	GEAR, drive		1	1	1	1	1	1
25-15	248-25121-00-00	PLATE, brake shoe		1	1	1	1	1	1
25-16	122-25351-01-00	CAM, shaft		1	1	1	1	1	1
25-17	931-05470-07-00	OIL SEAL	SDD-47-58-7	1	1	1	1	1	1
25-18	122-25330-00-00	BRAKE SHOE COMP.		2	2	2	2	2	2
25-19	102-25333-00-00	SPRING, return		2	2	2	2	2	2
25-20	157-25155-00-00	LEVER, cam shaft		1	1	1	1	1	1
25-21	911-03060-30-00	BOLT		1	1	1	1	1	1
25-22	928-03061-00-00	NUT		1	1	1	1	1	1
25-23	929-03061-00-00	WASHER, spring		1	1	1	1	1	1
25-24	929-03062-00-00	WASHER, plain		1	1	1	1	1	1
25-25	214-25138-00-00	GEAR, meter		1	1	1	1	1	1
25-26	183-25146-00-00	WASHER, thrust (1)	7-12-0.8	1	1	1	1	1	1

(Cont'd)

FRONT WHEEL

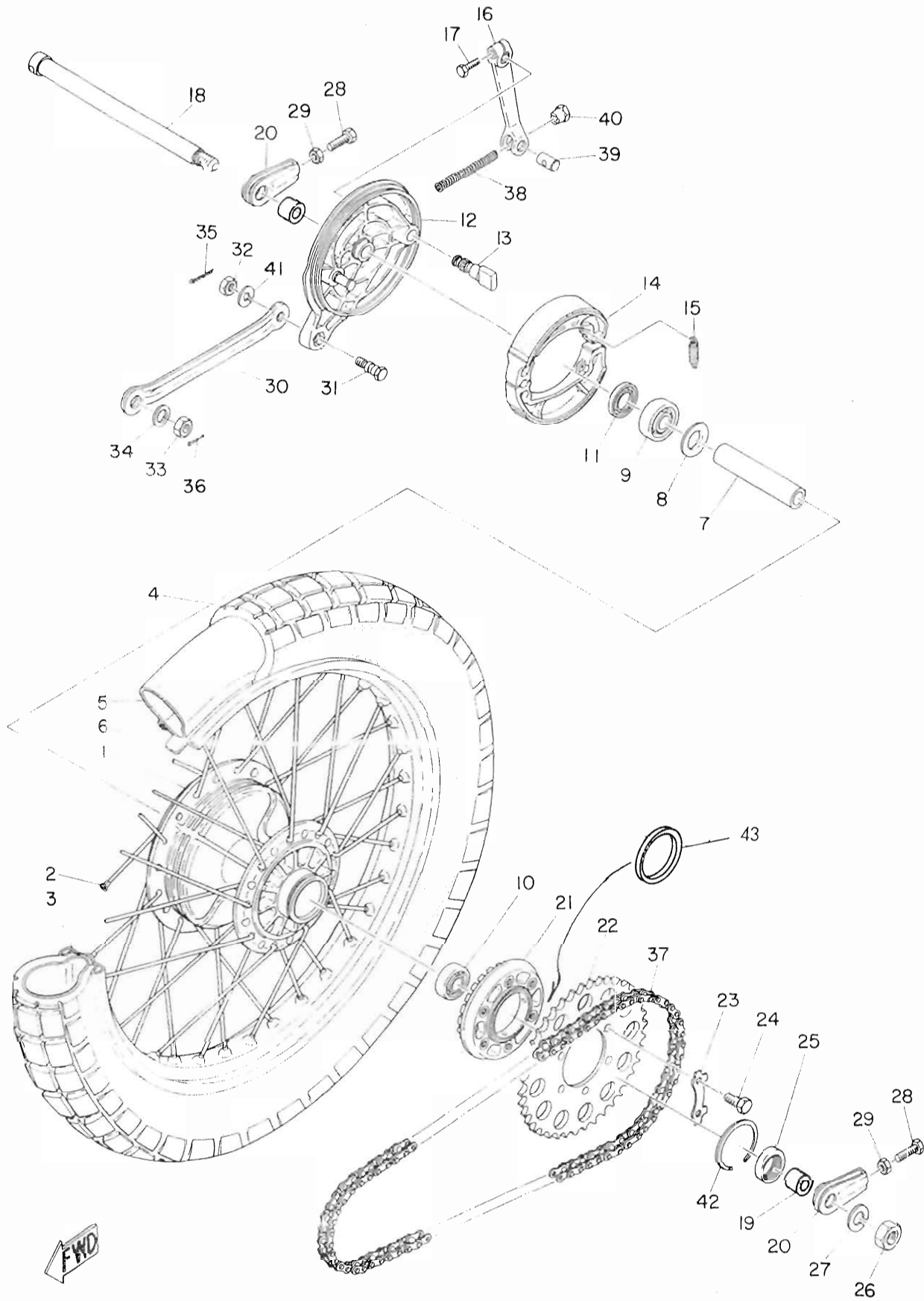
Ref. No.	Part No.	Part Name	Remarks	69	70	71	MX	MX	MX
				ATIA	ATIB	ATIC	ATIA	ATIB	ATIC
25-27	109-25136-00-00	BUSHING		1	1	1	1	1	1
25-28	931-04070-03-00	OIL SEAL	SO-7-14-4	1	1	1	1	1	1
25-29	932-10141-04-00	O-RING	2.4-13.8	1	1	1	1	1	1
25-30	102-25137-00-00	RING, stop	18 ϕ	1	1	1	1	1	1
25-31	248-25181-00-00	SHAFT, wheel	(ISO)	1	-	-	1	-	-
25-31-1	251-25181-00-00	SHAFT, wheel		-	1	1	-	1	1
25-32	183-25118-00-00	COVER, hub dust		1	1	1	1	1	1
25-33	183-25183-00-00	COLLAR, wheel shaft		1	-	-	-	-	-
25-24	988-01122-00-00	NUT	(ISO)	1	1	1	1	1	1
25-35	929-01121-00-00	WASHER, spring		1	1	1	1	1	1
25-36	251-25185-00-00	COLLAR		-	1	1	-	1	1
25-37	109-26345-00-00	BOLT, wire adj.		1	1	1	1	1	1
25-38	109-26344-00-00	NUT, wire adj.		1	1	1	1	1	1

REAR WHEEL

Ref. No.	Part No.	Part Name	Remarks	69	70	71	MX	MX	MX
				AT1A	AT1B	AT1C	AT1A	AT1B	AT1C
26- 1	248-25311-00-00	HUB		1	1	1	1	1	1
26- 2	248-25304-00-00	SPOKE SET		1s	1	1	1	1	1
26- 3	944-16180-40-00	RIM	1.60A-18	1	1	1	-	-	-
26- 3-1	944-18180-45-00	RIM	1.85B-18	-	-	-	1	1	1
26- 4	941-32180-74-00	TIRE, rear	3.25-18-4PR	1	1	1	-	-	-
26- 4-1	941-35180-79-00	TIRE, rear	3.50-18-4PR	-	-	-	1	1	1
26- 5	942-32180-20-00	TUBE	3.25-18	1	1	1	-	-	-
26- 5-1	942-35180-22-00	TUBE	3.50-18	-	-	-	1	1	1
26- 6	943-32180-16-00	BAND, rim	3.25-18	1	1	1	-	-	-
26- 6-1	943-35180-18-00	BAND, rim	3.50-18	-	-	-	1	1	1
26- 7	248-25317-00-00	SPACER, bearing		1	1	1	1	1	1
26- 8	148-25115-00-00	FLANGE, spacer		1	1	1	1	1	1
26- 9	933-06202-01-00	BEARING	6202	1	1	1	1	1	1
26-10	933-06302-01-00	BEARING	6302	1	1	1	1	1	1
26-11	931-06260-05-00	OIL SEAL	DD-26-42-8	1	1	1	1	1	1
26-12	248-25321-00-00	PLATE, brake shoe		1	1	1	1	1	1
26-13	248-25351-00-00	CAM, shaft		1	1	1	1	1	1
26-14	183-25330-00-00	BRAKE SHOE COMP.		2	2	2	2	2	2
26-15	183-25333-00-00	SPRING, return		2	2	2	2	2	2
26-16	214-25355-00-00	LEVER, cam shaft		1	1	1	1	1	1
26-17	912-03060-20-00	BOLT		1	1	1	1	1	1
26-18	248-25381-00-00	SHAFT, wheel		1	1	1	1	1	1
26-19	248-25377-00-00	COLLAR, shaft		2	2	2	2	2	2
26-20	248-25388-00-00	PULLER, chain		2	2	2	2	2	2
26-21	258-25366-00-00	CLUTCH, hub		1	1	1	1	1	1
26-22	248-25443-10-00	GEAR, sprocket wheel	43-T	}	}	}	}	}	}
	248-25445-10-00	GEAR, sprocket wheel	45-T STD						
	248-25447-10-00	GEAR, sprocket wheel	47-T						
26-23	214-25412-00-00	WASHER, lock		3	3	3	3	3	3
26-26	971-01080-12-00	BOLT	(ISO)	6	6	6	6	6	6

(Cont'd)

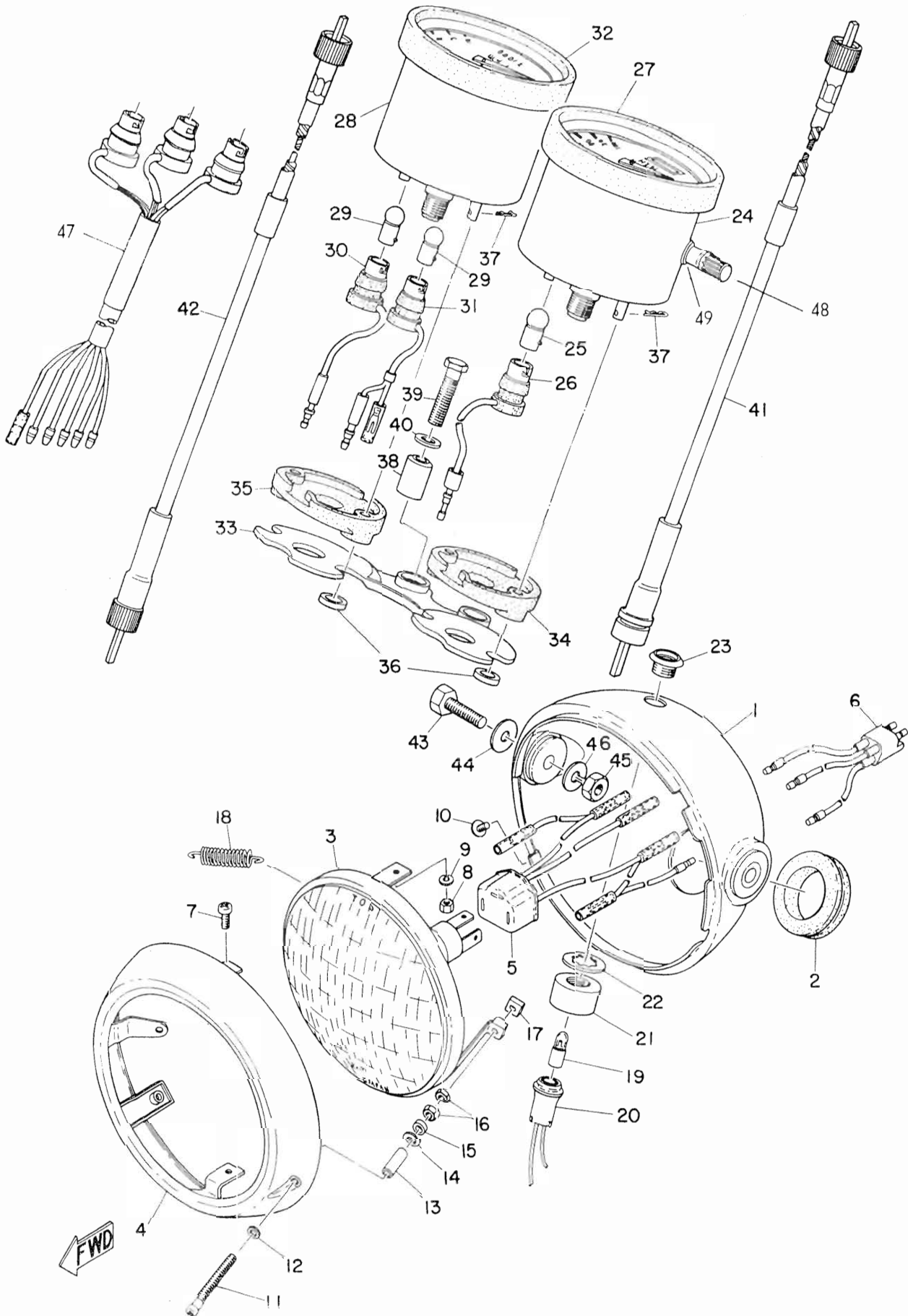
Fig. 26 REAR WHEEL



REAR WHEEL

Ref. No.	Part No.	Part Name	Remarks	69	70	71	MX	MX	MX
				AT1A	AT1B	AT1C	AT1A	AT1B	AT1C
26-25	931-04220-18-00	OIL SEAL	SO-22-35-5	1	1	1	1	1	1
26-26	988-01141-00-00	NUT, shaft	(ISO)	1	1	1	1	1	1
26-27	929-01141-00-00	WASHER, spring		1	1	1	1	1	1
26-28	168-25379-00-00	BOLT, chain puller		2	2	2	2	2	2
26-29	988-03083-00-00	NUT	(ISO)	2	2	2	2	2	2
26-30	248-25371-00-00	BAR, tension		1	1	1	1	1	1
26-31	109-25373-00-00	BOLT, tension bar		1	1	1	1	1	1
26-32	988-03083-00-00	NUT	(ISO)	1	1	1	1	1	1
26-33	928-03103-00-00	NUT		1	1	1	1	1	1
26-34	929-03102-00-00	WASHER, plain		1	1	1	1	1	1
26-35	914-01200-15-00	PIN, cotter		1	1	1	1	1	1
26-36	914-01250-20-00	PIN, cotter		1	1	1	1	1	1
26-37	945-24281-12-00	CHAIN	428H-112	1	1	1	1	1	1
26-37-1	946-24280-01-00	. JOINT, chain		1	1	1	1	1	1
26-38	180-27236-00-00	SPRING, rod		1	1	1	1	1	1
26-39	156-27237-00-00	PIN, clevis		1	1	1	1	1	1
26-40	206-27238-00-00	NUT, adjusting	(ISO)	1	1	1	1	1	1
26-41	929-03081-00-00	WASHER, spring		1	1	1	1	1	1
26-42	934-10510-22-00	CIRCLIP		1	1	1	1	1	1
26-43	156-11563-00-00	SHIM (52-62-0.3)	U.R.	-	-	-	-	-	-

Fig. 27 HEAD LAMP , SPEEDOMETER & TACHOMETER

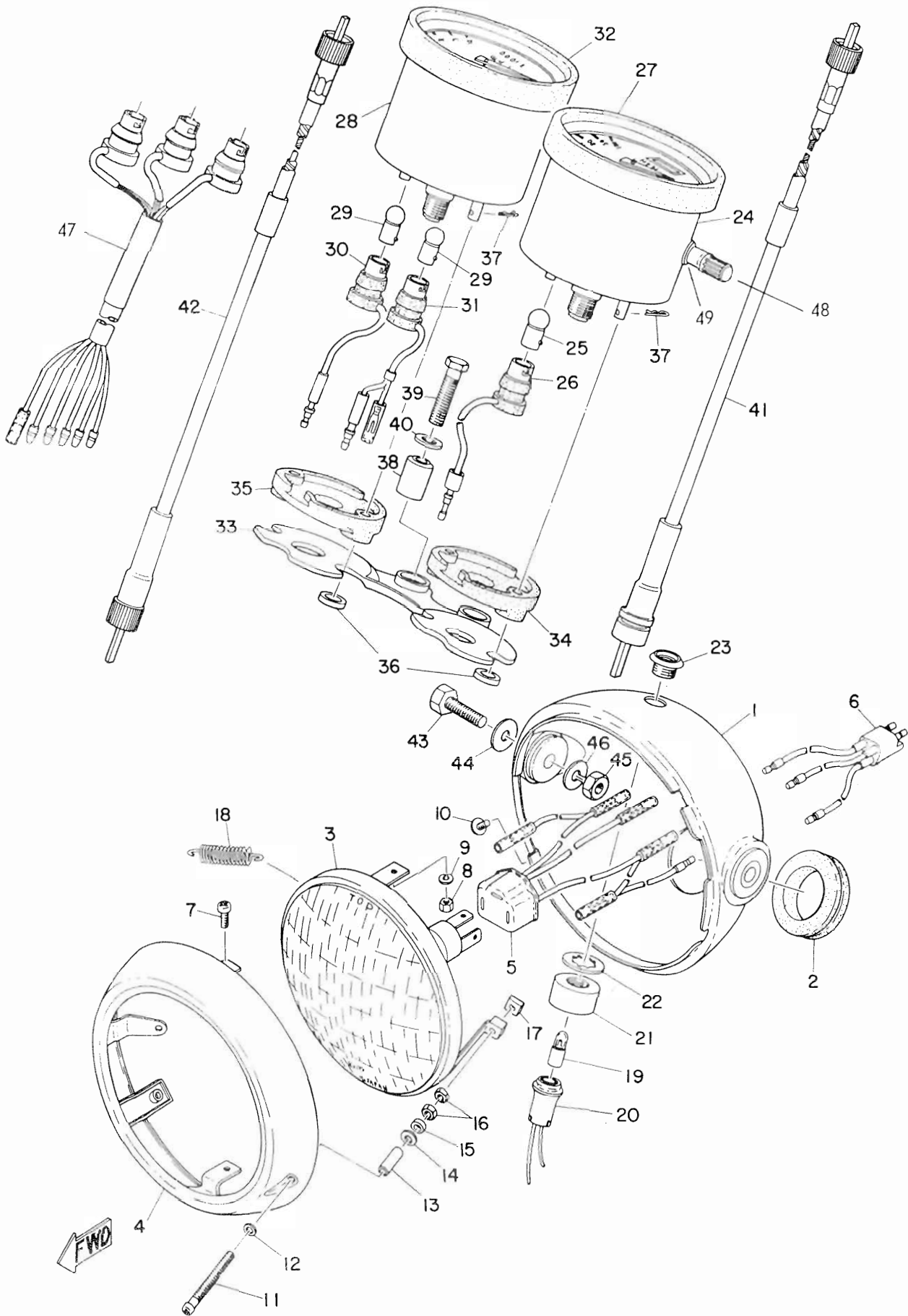


HEAD LAMP, SPEEDOMETER & TACHOMETER

Ref. No.	Part No.	Part Name	Remarks	69	70	71	MX	MX	MX
				AT1A	AT1B	AT1C	AT1A	AT1B	AT1C
27- 1	261-84330-60-46	BODY ASS'Y	White	1	-	-			
27- 1-1	261-84330-60-26	BODY ASS'Y	Comp. Yellow	-	1	-			
27- 1-2	261-84330-60-63	BODY ASS'Y	Brilliant Red	-	-	1			
27- 2	214-84153-60-00	. GROMMET		1	1	1			
27- 3	261-84320-60-00	. LENS ASS'Y (not shown)	Non-Sealed	1	-	-			
27- 3-0	132-84314-60-00	. BULB, head lamp (not shown)	12V 25/25W	1	-	-			
27- 3-1	261-84320-61-00	. LENS ASS'Y	Sealed Beam	-	1	1			
27- 4	261-84315-60-00	. RIM, head lamp (not shown)		1	-	-			
27- 4-1	261-84315-61-00	. RIM, head lamp		-	1	1			
27- 5	261-84312-60-00	. SOCKET (Bulb Type - not shown)		1	-	-			
27- 5-1	261-84312-61-00	. SOCKET (Sealed Beam)		-	1	1			
27- 6	214-84159-61-00	. CORD, head lamp		1	1	1			
27- 7	985-03040-10-00	. SCREW, pan head	(ISO)	2	2	2			
27- 8	802-84126-00-00	. NUT	(ISO)	4	2	2			
27- 9	929-03041-00-00	. WASHER, spring		-	2	2			
27-10	195-84325-00-00	. SCREW, rim fitting	(ISO)	1	1	1			
27-11	198-84331-60-00	. SCREW, rim adjuster	(ISO)	1	1	1			
27-12	233-84127-60-00	. WASHER, special		1	1	1			
27-13	233-84133-60-00	. COLLAR, adjust. screw		1	1	1			
27-14	929-01042-00-00	. WASHER, plain		1	1	1			
27-15	132-84328-60-00	. SPACER		1	1	1			
27-16	802-84126-00-00	. NUT	(ISO)	2	2	2			
27-17	198-84334-60-00	. NUT, adjust	(ISO)	1	1	1			
27-18	132-84335-60-00	. SPRING, lens adjust		1	1	1			
27-19	235-84346-00-00	. BULB, pilot	12V 1.5W	1	-	-			
27-19-1	235-84347-00-00	. BULB, pilot	12V 1.5W	-	1	1			
27-20	214-84150-60-00	. SOCKET CORD ASS'Y		1	1	1			
27-21	214-84158-60-00	. NUT, pilot lamp		1	1	1			
27-22	929-01123-00-00	. WASHER, tooth		1	1	1			
27-23	214-84157-60-00	. BODY, high beam		1	1	1			

(Cont'd)

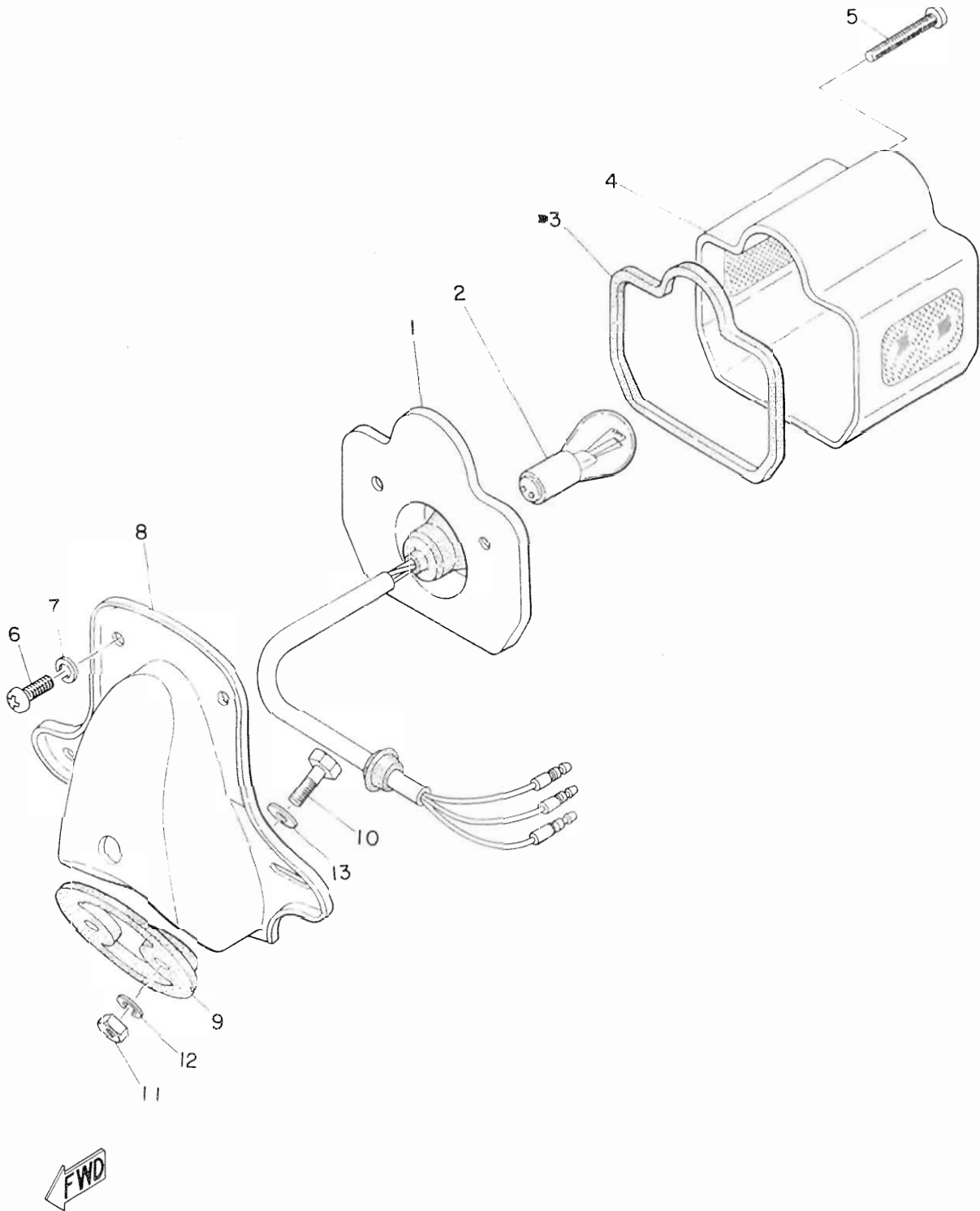
Fig. 27 HEAD LAMP , SPEEDOMETER & TACHOMETER



HEAD LAMP, SPEEDOMETER & TACHOMETER

Ref. No.	Part No.	Part Name	Remarks	69	70	71	MX	MX	MX
				AT1A	AT1B	AT1C	AT1A	AT1B	AT1C
27-24	261-83510-40-00	SPEEDOMETER ASS'Y		1	1	1			
27-25	123-83516-20-00	. BULB	12V-3W	1	1	1			
27-26	214-83536-30-00	. SOCKET, meter		1	1	1			
27-27	214-83513-00-00	. DAMPER		1	1	1			
27-28	261-83540-20-00	TACHOMETER ASS'Y		1	1	-			
27-28-1	261-83540-02-00	TACHOMETER ASS'Y		-	-	1			
27-29	123-83516-20-00	. BULB	12V 3W	2	2	3			
27-30	214-83536-30-00	. SOCKET, meter		1	1	-			
27-31	261-83537-20-00	. SOCKET, neutral		1	1	-			
27-32	214-83513-00-00	. SOCKET, damper		1	1	1			
27-33	214-83519-00-33	BRACKET, meter		1	1	-			
27-33-1	295-83519-00-00	BRACKET, meter	Not shown	-	-	1			
27-34	214-83523-00-00	DAMPER		2	1	1			
27-35	237-83523-00-00	DAMPER		-	1	1			
27-36	214-83524-00-00	WASHER, special		4	4	4			
27-37	156-83525-00-00	CLIP		4	4	4			
27-38	214-83528-00-00	BUSHING, meter		2	2	2			
27-39	911-03060-30-00	BOLT		2	2	2			
27-40	929-03062-00-00	WASHER, plain		2	2	2			
27-41	248-83550-00-00	SPEEDOMETER CABLE ASS'Y		1	1	1			
27-42	248-83560-00-00	TACHOMETER CABLE ASS'Y		1	1	1			
27-43	971-03080-25-00	BOLT	(ISO)	2	2	2			
27-44	929-03082-00-00	WASHER, plain		2	2	2			
27-45	988-03082-00-00	NUT	(ISO)	2	2	2			
27-46	929-03081-00-00	WASHER, spring		2	2	2			
27-47	261-83520-01-00	. SOCKET ASS'Y (tach. - 3 bulb)		-	-	1			
27-48	233-83578-00-00	. KNOB, reset (includes screw)		1	1	1			
27-49	ACC-01100-03-00	. COVER, dust		1	1	1			

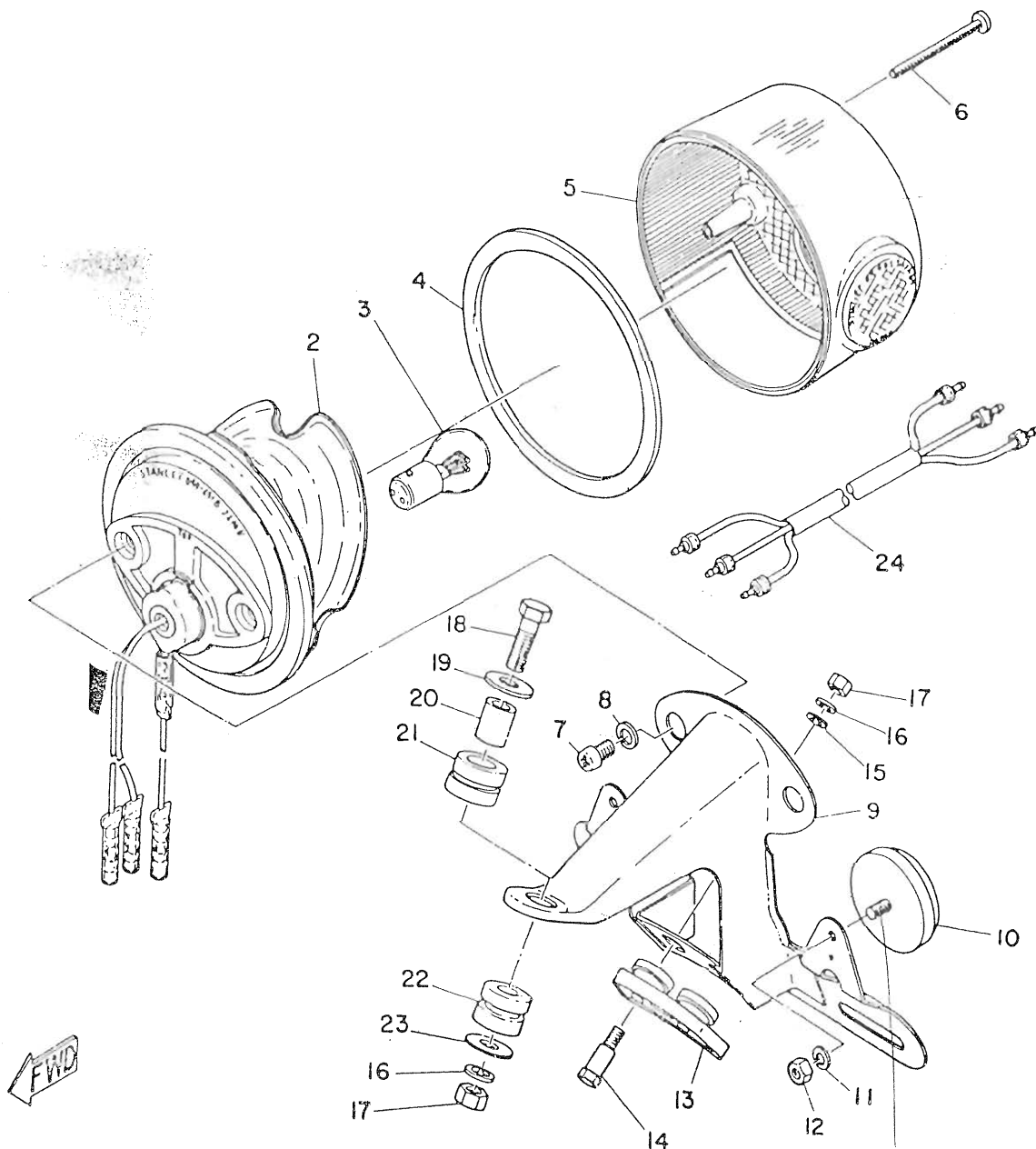
Fig. 28 TAIL LAMP



TAIL LAMP

Ref. No.	Part No.	Part Name	Remarks	69	70	71	MX	MX	MX
				ATIA	ATIB	ATIC	ATIA	ATIB	ATIC
28- 0-1	261-84710-60-00	TAIL LAMP UNIT ASS'Y	(ISO)	1	1				
28- 1	261-84711-60-00	. BASE, tail lamp	(ISO)	1	1				
28- 2	168-84714-00-00	. BULB, tail lamp	12V 23/7W	1	1				
28- 3	168-84712-60-00	. SEAT, base		1	1				
28- 4	168-84721-60-00	. LENS, tail lamp		1	1				
28- 5	193-84724-00-00	. SCREW, lens fitting	(ISO)	2	2				
28- 6	925-03060-12-00	. SCREW, pan head		2	2				
28- 7	929-03061-00-00	. WASHER, spring		2	2				
28- 8	164-84751-60-35	BRACKET, license		1	1				
28- 9	248-84753-00-00	DAMPER		1	1				
28-10	248-84752-00-00	BOLT, fitting		2	2				
28-11	928-03061-00-00	NUT		2	2				
28-12	929-03061-00-00	WASHER, spring		2	2				
28-13	156-24186-00-00	WASHER, special		2	2				

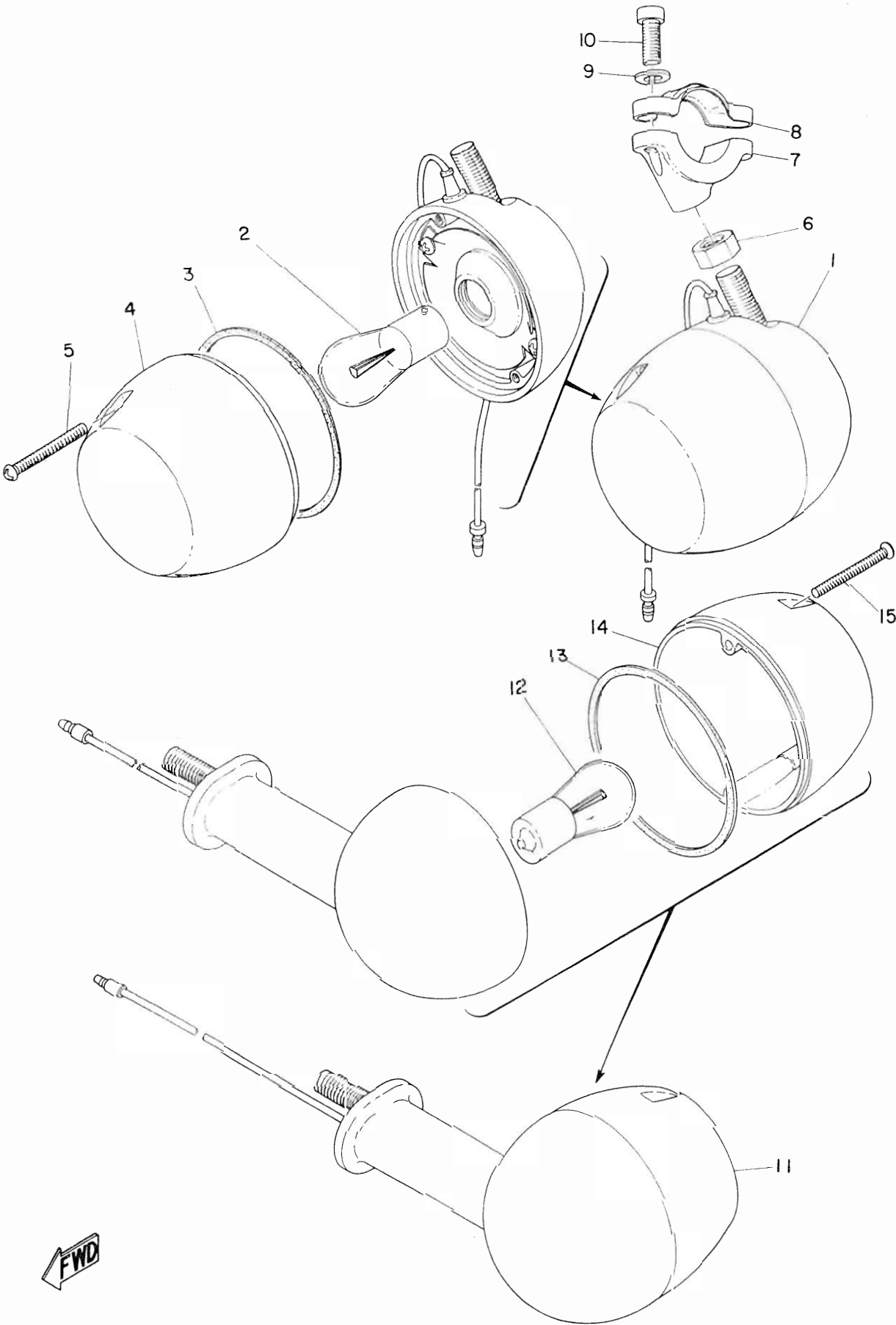
Fig.29 TAIL LAMP (AT1-C)



TAIL LAMP AT1C

Ref. No.	Part No.	Description	Q'ty	Applicable Machine No.	Remarks
29- 0-1	256-84710-61-00	TAIL LAMP UNIT ASS'Y	1		
29- 2	256-84711-61-00	. BASE, tail lamp	1		
29- 3	256-84714-60-00	. BULB, tail lamp (12V 32/3CP)	1		
29- 4	275-84523-60-00	. GASKET, tail lens	1		
29- 5	275-84521-60-00	. LENS, tail lamp	1		
29- 6	275-84524-60-00	. SCREW, lens fitting	3		
29- 7	925-03060-10-00	SCREW, pan head	2		
29- 8	929-03061-00-00	WASHER, spring	2		
29- 9	275-84551-60-93	BRACKET, license	1		
29-10	278-85111-00-00	REFLECTOR	2		
29-11	929-03051-00-00	WASHER, spring	2		
29-12	988-03051-00-00	NUT	2		
29-13	214-84553-01-00	DAMPER	1		
29-14	168-21738-00-00	BOLT	2		
29-15	929-03062-00-00	WASHER, plain	2		
29-16	929-03061-00-00	WASHER, spring	3		
29-17	928-03061-00-00	NUT	3		
29-18	911-04060-35-00	BOLT	1		
29-19	102-28323-00-00	WASHER, leg shield	1		
29-20	275&84557-00-00	COLLAR	1		
29-21	214-21717-00-00	DAMPER, battery box	1		
29-22	275-84559-00-00	DAMPER	1		
29-23	116-28324-00-00	WASHER, leg shield	1		
29-24	251-84717-60-00	CORD, tail lamp	1		

Fig.30 FLASHER LAMP (AT1C)



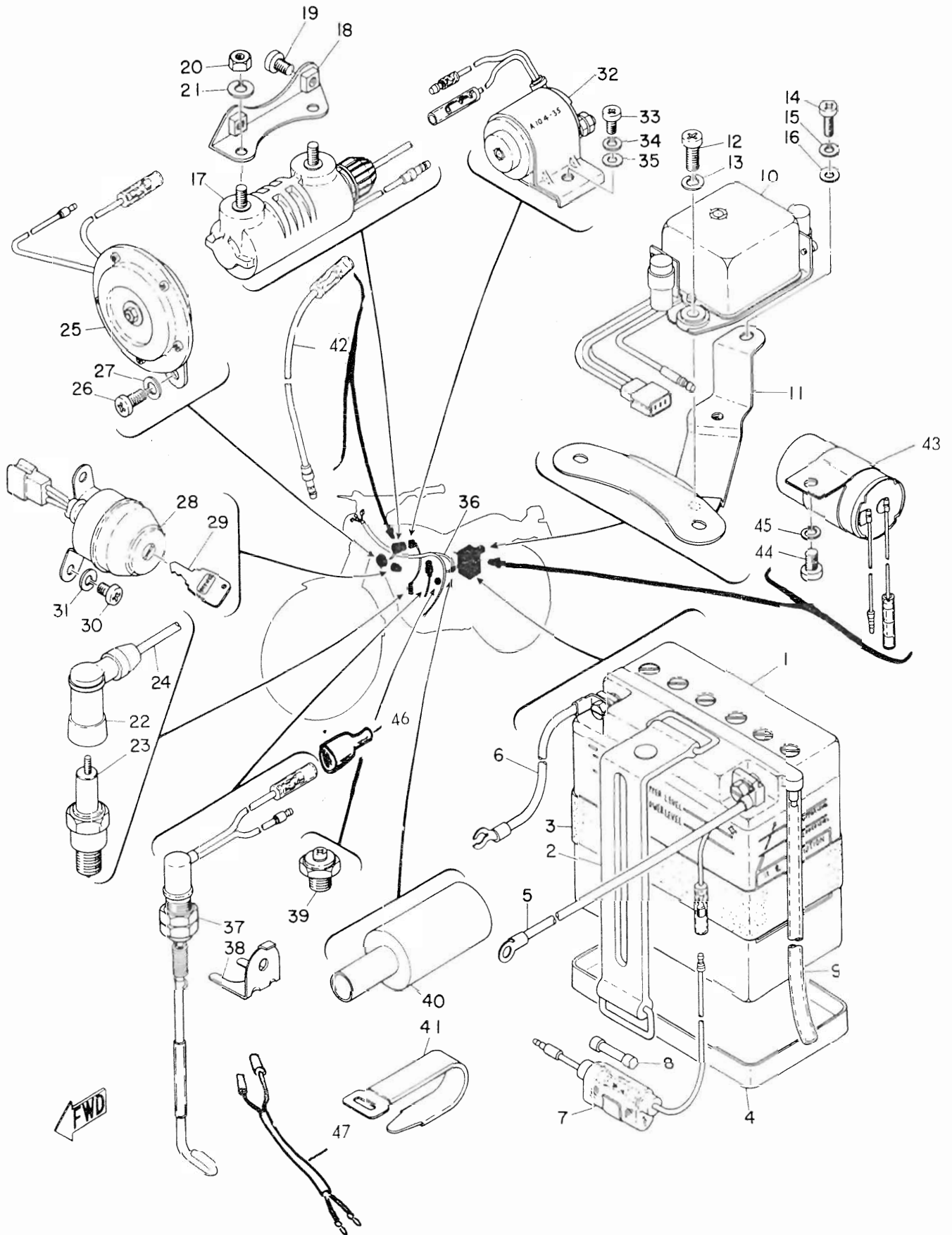
FWD

FLASHER LAMP AT1C

Ref. No.	Part No.	Description	Q'ty	Applicable Machine No.	Remarks
30- 1	261-83310-71-00	FRONT FLASHER LAMP ASS'Y, left	1		Amber
	261-83320-71-00	FRONT FLASHER LAMP ASS'Y, right	1		Amber
30- 2	256-83311-70-00	. BULB, flasher (12V 32CP)	2		
30- 3	183-83313-70-00	. GASKET, flasher lens	2		Amber
30- 4	183-83312-70-00	. LENS, flasher	2		
30- 5	183-83333-71-00	. SCREW, lens fitting	4		
30- 6	988-03081-00-00	NUT	2		
30- 7	275-83318-00-00	STAY, flasher 1	2		
30- 8	275-83328-00-00	STAY, flasher 2	2		
30- 9	929-03061-00-00	WASHER, spring	4		
30-10	925-03060-15-00	SCREW, pan head	4		
30-11	261-83330-76-00	REAR FLASHER LAMP ASS'Y, left	1		Red
	261-83340-76-00	REAR FLASHER LAMP ASS'Y, right	1		Red
30-12	256-83311-70-00	. BULB, flasher (12V 32CP)	2		
30-13	183-83313-70-00	. GASKET, flasher lens	2		
30-14	211-83332-75-00	. LENS, flasher	2		Red
30-15	183-83333-71-00	. SCREW, lens fitting	4		



Fig. 31 ELECTRICAL



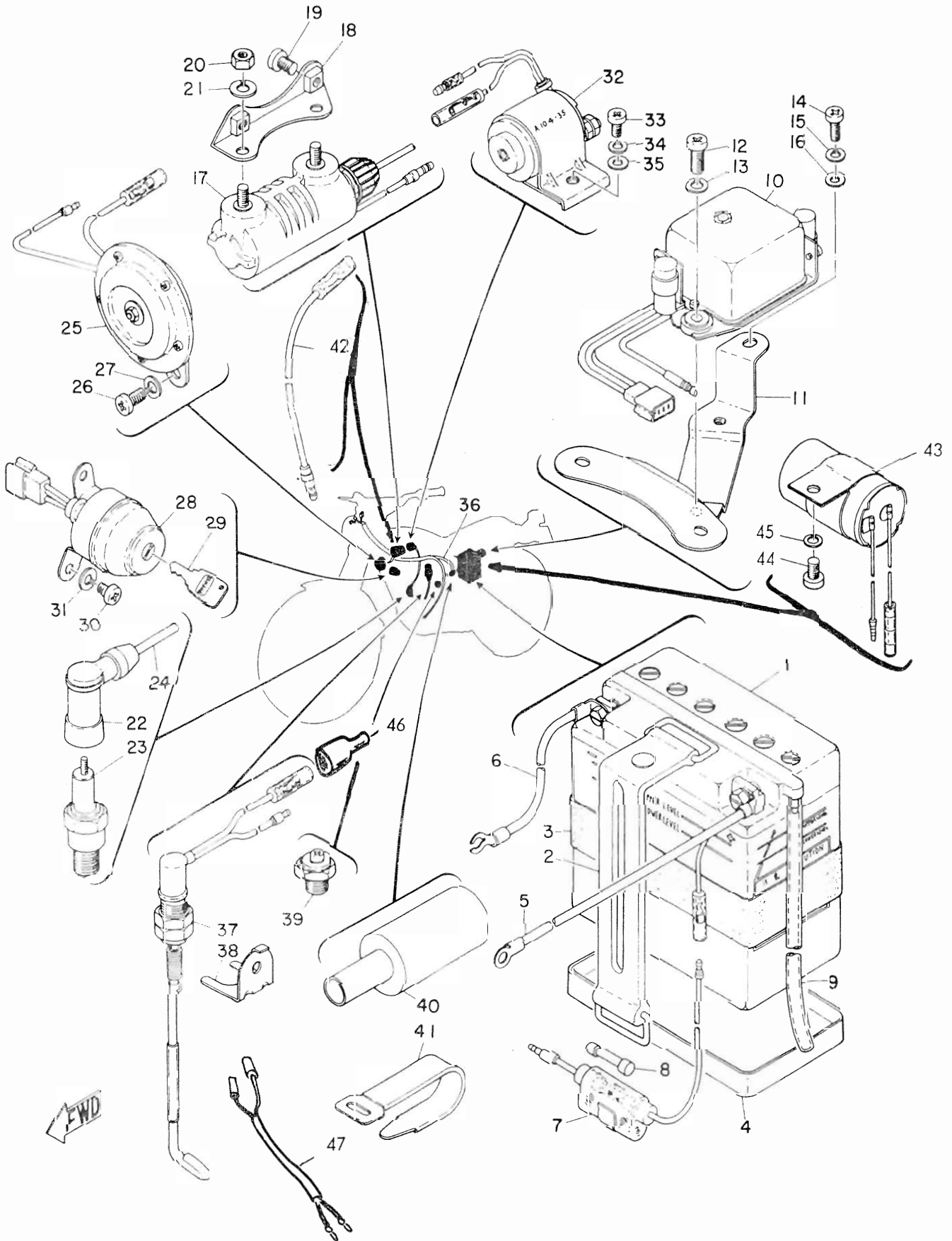
ELECTRICAL

Ref. No.	Part No.	Part Name	Remarks	69	70	71	MX	MX	MX
				AT1A	AT1B	AT1C	AT1A	AT1B	AT1C
31- 1	165-82110-70-00	BATTERY ASS'Y		1	1	1			
31- 1-1	131-82111-70-00	. CAP, battery		6	-	-			
31- 1-2	104-82111-20-00	. CAP, battery		-	6	6			
31- 2	261-82131-00-00	BAND, battery		1	1	1			
31- 3	235-82124-00-00	BAND, battery		1	-	-			
31- 3-1	165-82124-00-00	BAND, battery		-	1	1			
31- 4	173-82122-00-00	SEAT, battery		1	1	1			
31- 5	261-82115-00-00	WIRE, plus lead		1	1	1			
31- 6	261-82116-00-00	WIRE, minus lead		1	1	1			
31- 7	164-82150-00-00	FUSE HOLDER ASS'Y		1	1	1			
31- 8	148-82151-00-00	. FUSE		2	2	2			
31- 9	123-82112-00-00	PIPE, breather		1	1	1			
31-10	261-81910-10-00	VOLTAGE REGULATOR ASS'Y		1	1	1			
31-11	261-81915-00-33	PLATE, regulator fitting		1	-	-			
31-11-1	261-81915-00-35	PLATE, regulator fitting		-	1	1			
31-12	925-03060-15-00	SCREW, pan head		2	2	2			
31-13	929-03061-00-00	WASHER, spring		2	2	2			
31-14	985-03050-15-00	SCREW, pan head	(ISO)	1	1	1			
31-15	929-03051-00-00	WASHER, spring		1	1	1			
31-16	929-01052-00-00	WASHER, plain		1	1	1			
31-17	227-82310-60-00	IGNITION COIL ASS'Y		1	1	1	-	-	-
31-17-1	248-82310-10-00	IGNITION COIL ASS'Y		-	-	-	1	1	1
31-18	248-82316-00-00	BRACKET, ignition coil		1	1	1	1	1	1
31-19	925-03060-10-00	SCREW, pan head		2	2	2	2	2	2
31-20	928-03061-00-00	NUT		2	2	2	2	2	2
31-21	929-03061-00-00	WASHER, spring		2	2	2	2	2	2
31-22	166-82370-20-00	PLUG CAP ASS'Y		1	1	1	-	-	-
31-22-1	117-82370-20-00	PLUG CAP ASS'Y		-	-	-	1	1	1
31-23	947-00000-13-00	PLUG, spark	B-8E	1	1	1	-	-	-
31-23-1	847-00000-35-00	PLUG, spark	B-9E	-	-	-	1	1	1

(Cont'd)



Fig. 31 ELECTRICAL



ELECTRICAL

Ref. No.	Part No.	Part Name	Remarks	69	70	71	MX	MX	MX
				AT1A	AT1B	AT1C	AT1A	AT1B	AT1C
31-24	183-82341-00-00	CORD, high tension		1	1	1	1	1	1
31-25	261-83371-20-00	HORN		1	1	1	-	-	-
31-26	925-03060-12-00	SCREW, pan head		2	2	2	-	-	-
31-27	929-03061-00-00	WASHER, spring		2	2	2	-	-	-
31-28	261-82506-10-00	MAIN SWITCH ASS'Y		1	1	-	-	-	-
31-28-1	261-82510-11-00	MAIN SWITCH ASS'Y		-	-	1	-	-	-
31-28-2	256-82525-00-00	DAMPER, main switch (not shown)		-	-	1	-	-	-
31-28-3	256-82516-00-00	COLLAR, main switch (not shown)		-	-	2	-	-	-
31-28-4	256-82517-00-00	WASHER, special - main switch (not shown)		-	-	2	-	-	-
31-28-5	982-03050-12-00	SCREW, flat head (not shown)		-	-	2	-	-	-
31-29	116-82511-00-00	. KEY, main switch		4	4	-	-	-	-
31-30	985-03050-08-00	SCREW, pan head	(ISO)	2	-	-	-	-	-
31-30-1	985-01050-10-00	SCREW, pan head	(ISO)	-	2	-	-	-	-
31-31	929-03051-00-00	WASHER, spring		2	2	-	-	-	-
31-32	261-81940-10-00	STARTER SWITCH ASS'Y		1	1	1	-	-	-
31-33	925-03060-10-00	SCREW, pan head		1	1	1	-	-	-
31-34	929-03061-00-00	WASHER, spring		1	1	1	-	-	-
31-35	929-02062-00-00	WASHER, plain		1	1	1	-	-	-
31-36	261-82590-10-00	WIRE HARNESS ASS'Y		1	-	-	-	-	-
31-36-1	261-82590-11-00	WIRE HARNESS ASS'Y		-	1	-	-	-	-
31-36-2	261-82590-13-00	WIRE HARNESS ASS'Y		-	-	1	-	-	-
31-37	248-82530-00-00	STOP SWITCH ASS'Y		1	1	1	-	-	-
31-38	248-82539-00-33	STAY, stop switch		1	1	1	-	-	-
31-39	132-82540-00-00	NEUTRAL SWITCH ASS'Y		1	1	1	-	-	-
31-40	214-82599-00-00	COVER, connector		1	1	1	-	-	-
31-41	168-83936-01-00	BAND, switch cord		5	5	5	-	-	-
31-42	263-82319-00-00	WIRE, sub-lead		-	-	-	1	1	1
31-43	278-83350-70-00	FLASHER RELAY ASS'Y		-	-	1	-	-	-
31-44	925-03060-10-00	SCREW, pan head		-	-	1	-	-	-
31-45	929-03061-00-00	WASHER, spring		-	-	1	-	-	-
31-46	248-82599-00-00	COVER, connector		-	1	1	-	-	-
31-47	261-82117-00-00	WIRE, lead		-	1	1	-	-	-



SUPPLEMENT

MODELS

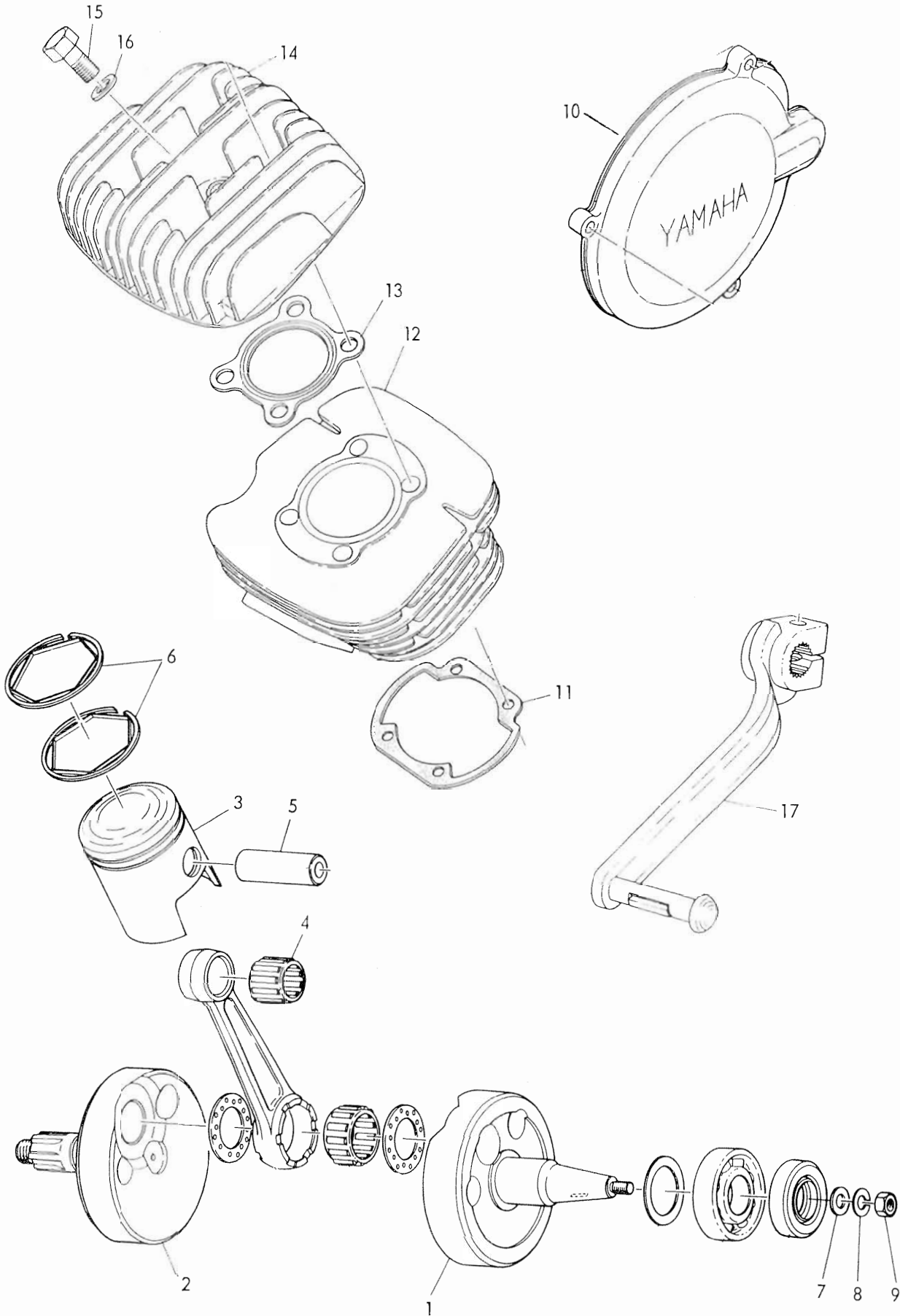
CT1A

CT1B

CT1C

THIS PARTS LIST IS FOR THE EXCLUSIVE PARTS FOR THE CT1A, CT1B, AND CT1C.
PLEASE REFER TO AT1 SERIES PARTS LIST FOR THE PARTS NOT LISTED IN THIS
PUBLICATION.

Fig. 1 ENGINE
(Miscellaneous)



ENGINE

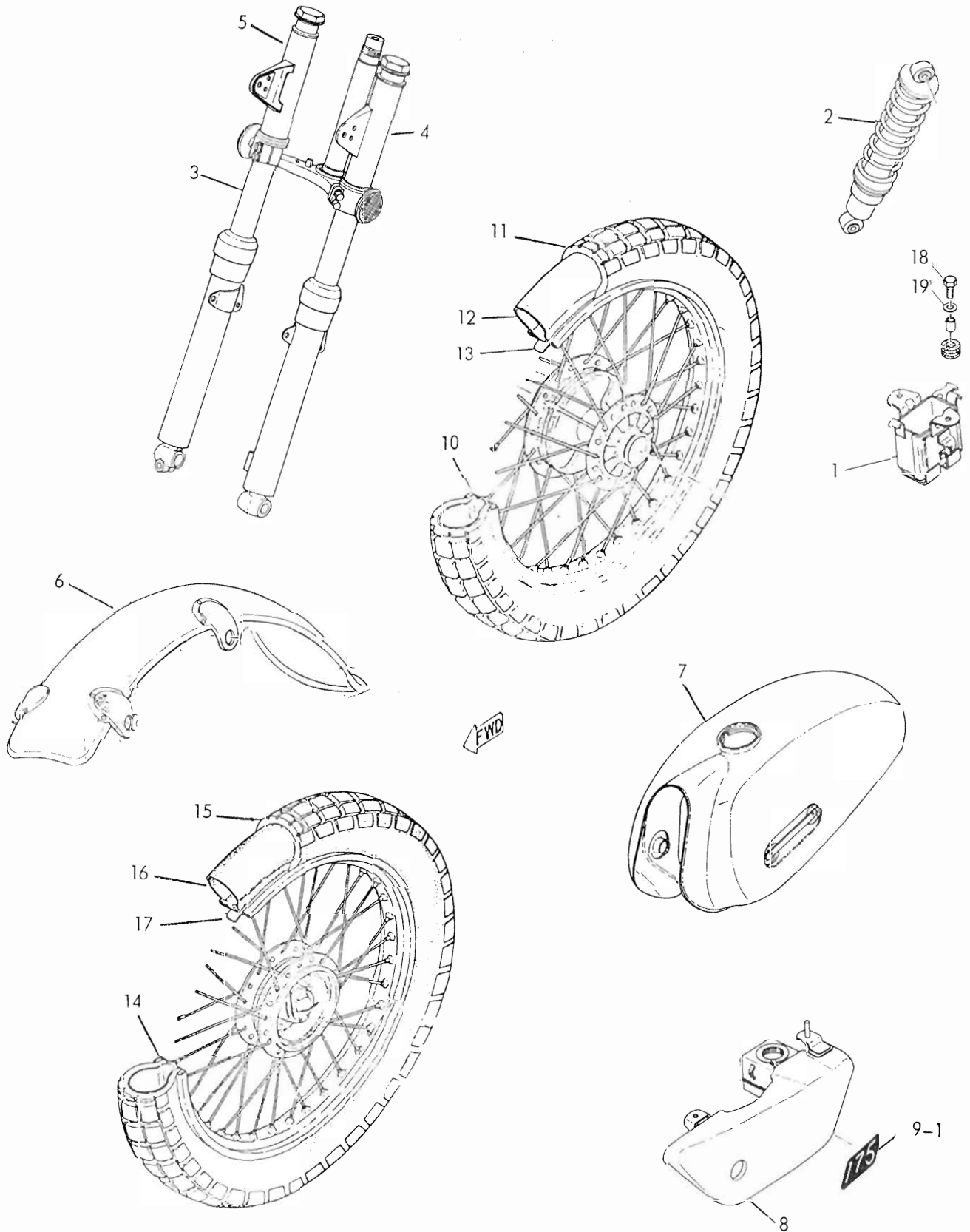
(Miscellaneous)

Ref. No.	Part No.	Description	Remarks	69	70	71
				CT1A	CT1B	CT1C
1- 0-1	248-11400-00-00	CRANK ASS'Y.		1	1	1
1- 1	248-11412-00-00	. CRANK (L.H.)		1	1	1
1- 2	248-11422-00-00	. CRANK (R.H.)		1	1	1
1- 3	251-11631-00-96	PISTON (Std.) 0.96		1	1	1
	251-11635-00-00	PISTON (1st O.S.)	0.25mm	1	1	1
	251-11636-00-00	PISTON (2nd O.S.)	0.50mm	1	1	1
	251-11637-00-00	PISTON (3rd O.S.)	0.75mm	1	1	1
	251-11638-00-00	PISTON (4th O.S.)	1.0mm	1	1	1
1- 4	933-10216-32-00	BEARING, Small End		1	1	1
1- 5	251-11633-00-00	PIN, Piston		1	1	1
1- 6	251-11601-00-00	PISTON RING SET (Std.)		1s	1s	1s
	251-11601-10-00	PISTON RING SET (1st O.S.)	0.25mm	1s	1s	1s
	251-11601-20-00	PISTON RING SET (2nd O.S.)	0.50	1s	1s	1s
	251-11601-30-00	PISTON RING SET (3rd O.S.)	0.75mm	1s	1s	1s
	251-11601-40-00	PISTON RING SET (4th O.S.)	1.00mm	1s	1s	1s
1- 7	214-11557-01-00	WASHER		1	1	1
1- 8	929-01121-00-00	WASHER, Spring		1	1	1
1- 9	214-11555-01-00	NUT, Crankshaft		1	1	1
1-10	248-15415-00-00	COVER, Generator		1	1	-
1-10-1	251-15415-01-00	COVER, Generator		-	-	1
1-11	248-11351-00-00	GASKET, Cylinder		1	1	1
1-12	251-11351-00-00	CYLINDER		1	1	1
1-13	251-11181-00-00	GASKET, Cylinder Head		1	1	1
1-14	251-11111-00-00	HEAD, Cylinder		1	1	1
1-15	214-11197-00-00	PLUG, Blind		1	1	1
1-16	214-11198-01-00	GASKET		1	1	1
1-17	248-18111-00-00	PEDAL, Change		1	1	1



Fig. 2 CHASSIS

(Miscellaneous)

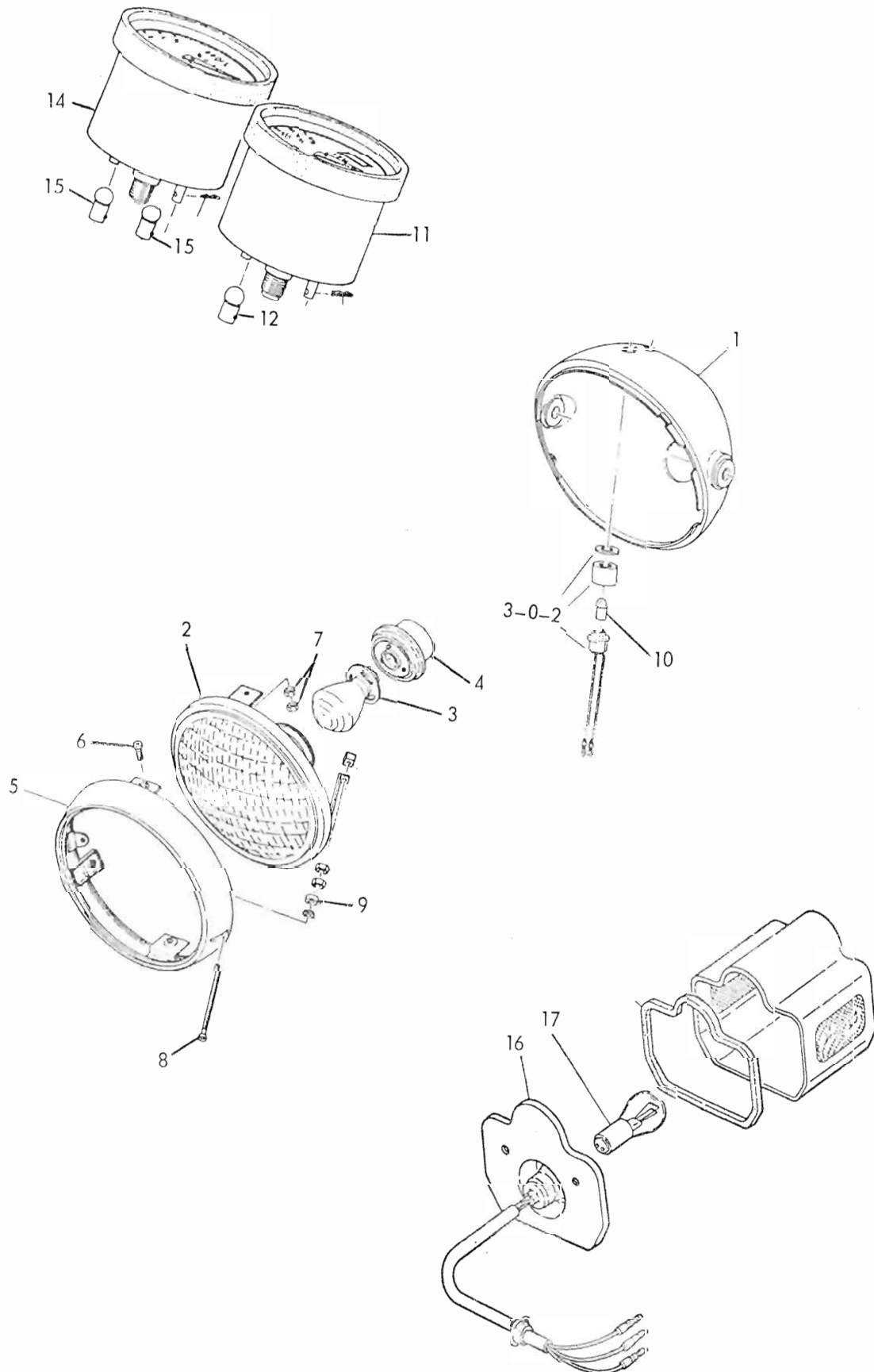


CHASSIS

(Miscellaneous)

Ref. No.	Part No.	Description	Remarks	69	70	71
				CTIA	CTIB	CTIC
2- 1	248-21240-00-33	BATTERY BOX COMP.		1	1	1
2- 2	291-22210-70-00	REAR CUSHION ASS'Y.		2	2	2
2-3	251-23100-60-65	FRONT FORK ASS'Y	Calif. Orange	1	-	-
2-3-1	251-23100-60-02	FRONT FORK ASS'Y	Candy Green	-	1	-
2-3-2	251-23100-61-03	FRONT FORK ASS'Y.	Candy Orange	-	-	1
2- 4	214-23121-01-65	COVER, Upper (L.H.)	Cal. Orange	1	-	-
2- 4-1	214-23121-01-64	COVER, Upper (L.H.)	Candy Green	-	1	-
2- 4-2	214-23121-60-52	COVER, Upper (L.H.)	Candy Orange	-	-	1
2- 5	214-23131-01-65	COVER, Upper (R.H.)	Cal. Orange	1	-	-
2- 5-1	214-23131-01-64	COVER, Upper (R.H.)	Candy Green	-	1	-
2- 5-2	214-23131-60-52	COVER, Upper (R.H.)	Candy Orange	-	-	1
2- 6	214-21510-00-35	FRONT FENDER COMP.		1	-	-
2- 7	248-24110-00-03	FUEL TANK COMP.	Cal. Orange	1	-	-
2- 7-1	248-24110-00-05	FUEL TANK COMP.	Candy Green	-	1	-
2- 7-2	248-24110-00-06	FUEL TANK COMP.	Candy Orange	-	-	1
2- 8	248-21705-00-02	OIL TANK ASS'Y.	Cal. Orange	1	-	-
2- 8-1	248-21705-00-05	OIL TANK ASS'Y	Candy Green	-	1	-
2- 8-2	248-21705-02-00	OIL TANK ASS'Y.	Candy Orange	-	-	1
2- 9	251-21787-00-00	EMBLEM, Enduro	(Not Shown)	1	1	-
2- 9-1	251-21787-01-00	EMBLEM, 175		-	-	1
2-10	944-18180-45-00	RIM	1.85B-18	1	1	1
2-11	941-35180-79-00	TIRE, Rear	3.50-18-4PR	1	1	1
2-12	942-35180-22-00	TUBE	3.50-18	1	1	1
2-13	943-35180-18-00	BAND, Rim	3.50-18	1	1	1
2-14	944-16180-46-00	RIM	1.60A-18	1	1	1
2-15	941-32180-74-00	TIRE, Front	3.25-18-4PR	1	1	1
2-16	942-32180-20-00	TUBE	3.25-18	1	1	1
2-17	943-32180-16-00	BAND, Rim	3.25-18	1	1	1
2-18	911-01060-25-00	BOLT		2	2	2
2-19	248-21757-00-00	WASHER, Special		2	2	2

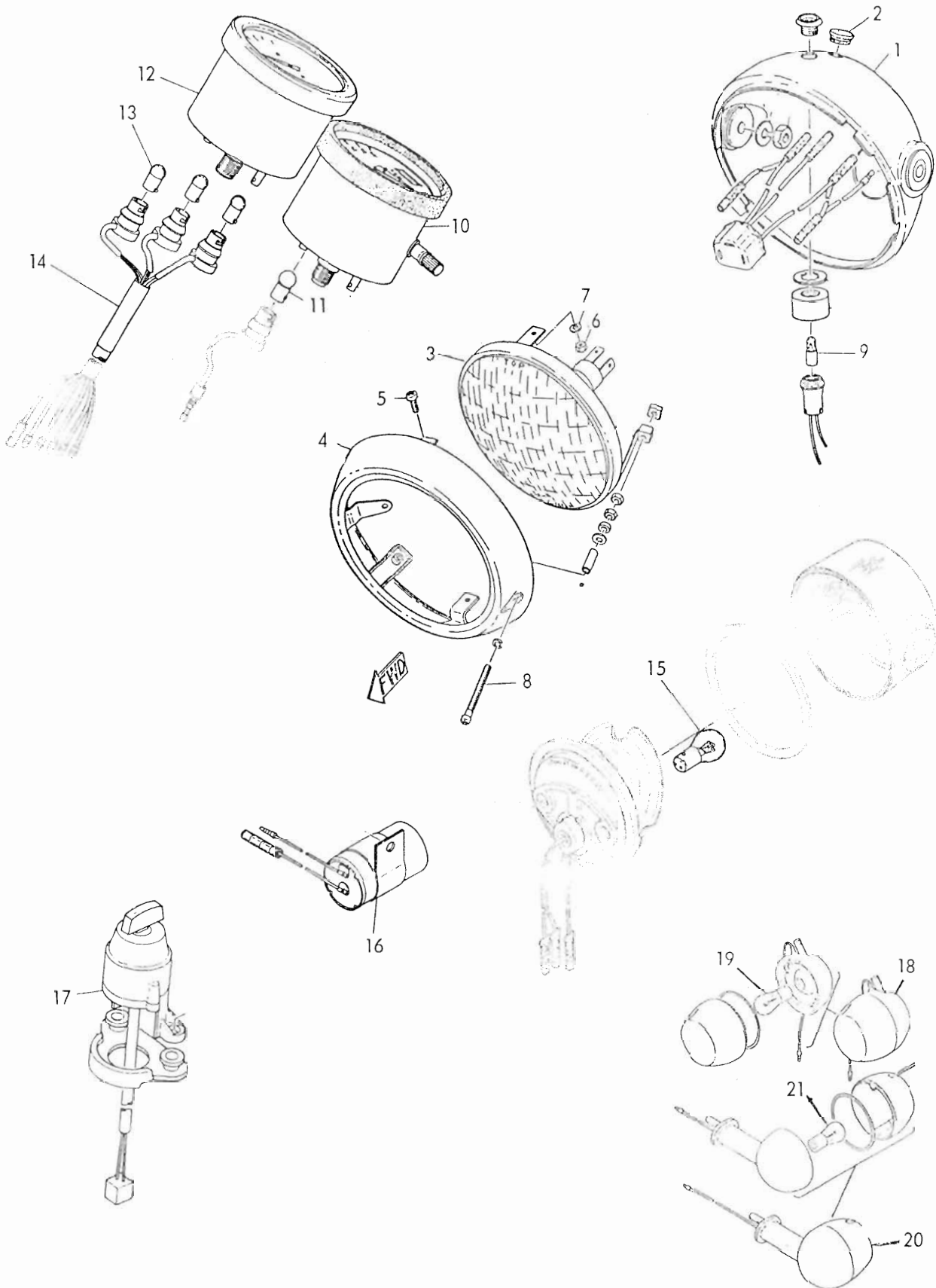
Fig. 3 HEAD & TAIL LAMPS, SPEEDOMETER & TACHOMETER (CT1A & CT1B)



HEAD & TAIL LAMPS, SPEEDOMETER & TACHOMETER (CT1A & CT1B)

Ref. No.	Part No.	Description	Remarks	69	70
				CT1A	CT1B
3- 0-1	251-84110-60-00	HEAD LAMP UNIT ASS'Y.		1	
3- 1	214-84130-61-65	BODY ASS'Y.	Col. Orange	1	
3- 2	251-84120-60-00	. LENS ASS'Y.		1	
3- 3	251-84114-00-00	. BULB, Head Lamp	6V 25/25W	1	
3- 4	214-84112-61-00	. SOCKET		1	
3- 5	214-84115-61-00	. RIM		1	
3- 6	984-03050-12-00	. SCREW, Round Head	(ISO)	2	
3- 7	988-01053-00-00	. NUT	(ISO)	4	
3- 8	214-84131-61-00	. SCREW, Rim Adjuster	(ISO)	1	
3- 9	168-84328-60-00	. SPACER		1	
3- 0-2	214-84101-60-00	PILOT LAMP ASS'Y.		1	
3-10	104-83517-10-00	. BULB, Pilot	6V 1.5W	1	
3-11	214-83570-30-00	SPEEDOMETER ASS'Y.		1	
3-12	122-83516-10-00	. BULB	6V 3W	1	
3-14	251-83540-00-00	TACHOMETER ASS'Y.		1	
3-15	122-83516-10-00	. BULB	6V 3W	2	
3- 0-3	251-84510-60-00	TAIL LAMP UNIT ASS'Y.		1	1
3-16	251-84511-60-00	. BASE, Tail Lamp		1	1
3-17	124-84514-60-00	. BULB, Tail Lamp	6V 20/5W	1	1

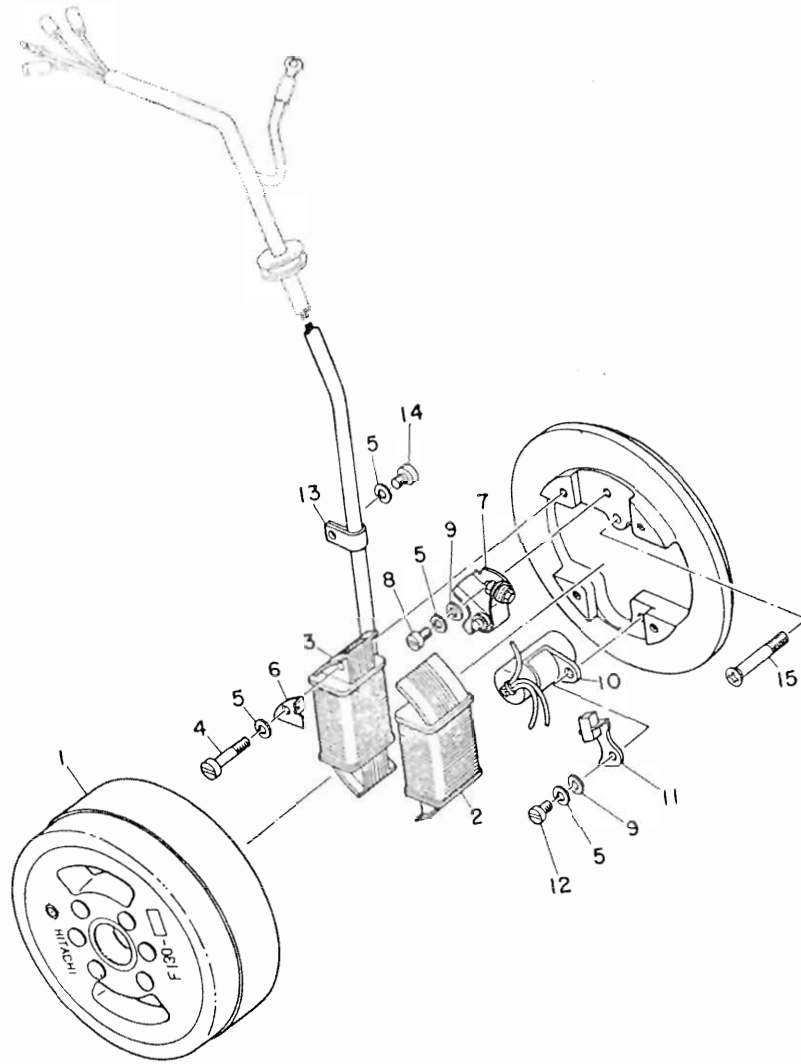
Fig. 4 **SPEEDOMETER, TACHOMETER,
SWITCH & LAMPS (CT1B & CT1C)**



SPEEDOMETER, TACHOMETER, SWITCH & LAMPS (CT1B & CT1C)

Ref. No.	Part No.	Description	Remarks	70	71
				CT1B	CT1C
4- 1	214-84130-61-64	BODY ASS'Y.	Candy Green	1	-
4- 1-1	214-84130-61-52	BODY ASS'Y.	Candy Orange	-	1
4- 2	214-84154-60-00	. GROMMET		1	1
4- 0-1	N.A.	HEAD LAMP UNIT ASS'Y.	N.A.	1	1
4- 3	251-84120-60-00	. LENS ASS'Y.		1	1
4- 4	233-84115-60-00	. RIM, Head Lamp		1	1
4- 5	985-03050-12-00	. SCREW, Pan Head	ISO	2	2
4- 6	988-01051-00-00	. NUT	ISO	2	2
4- 7	929-03051-00-00	. WASHER, Spring		2	2
4- 8	214-84131-61-00	. SCREW, Rim Adjuster	ISO	1	1
4- 0-2	214-84101-60-00	PILOT LAMP ASS'Y.		1	1
4- 9	104-83517-10-00	. BULB, Pilot	6V 1.5W	1	1
4-10	214-83570-30-00	SPEEDOMETER ASS'Y.		1	1
4-11	122-83516-10-00	. BULB	6V 3W	1	1
4-12	251-83540-00-00	TACHOMETER ASS'Y.		1	-
4-12-1	248-83540-02-00	TACHOMETER ASS'Y.		-	1
4-13	122-83516-10-00	. BULB	6V 3W	2	3
4-14	261-83520-01-00	. SOCKET ASS'Y.		-	1
4- 0-3	275-84510-60-00	TAIL LAMP UNIT ASS'Y.		-	1
4-15	122-84514-30-00	. BULB, Tail Lamp	6V 17/5.3W	-	1
4-16	115-83350-60-00	FLASHER RELAY ASS'Y.		-	1
4-17	251-82508-20-00	MAIN SWITCH ASS'Y.		-	1
4-17-1	233-82508-20-00	MAIN SWITCH ASS'Y.		1	-
4-18	275-83310-60-00	FRONT FLASHER LAMP ASS'Y.			
		Left . . .		-	1
	275-83320-60-00	FRONT FLASHER LAMP ASS'Y.			
		Right . . .		-	1
4-19	115-83311-60-00	. BULB, Flasher	6V 21CP	-	2
4-20	251-83330-65-00	REAR FLASHER LAMP ASS'Y., Left		-	1
	251-83340-65-00	REAR FLASHER LAMP ASS'Y., Right		-	1
4-21	115-83311-60-00	. BULB, Flasher	6V 21CP	-	2

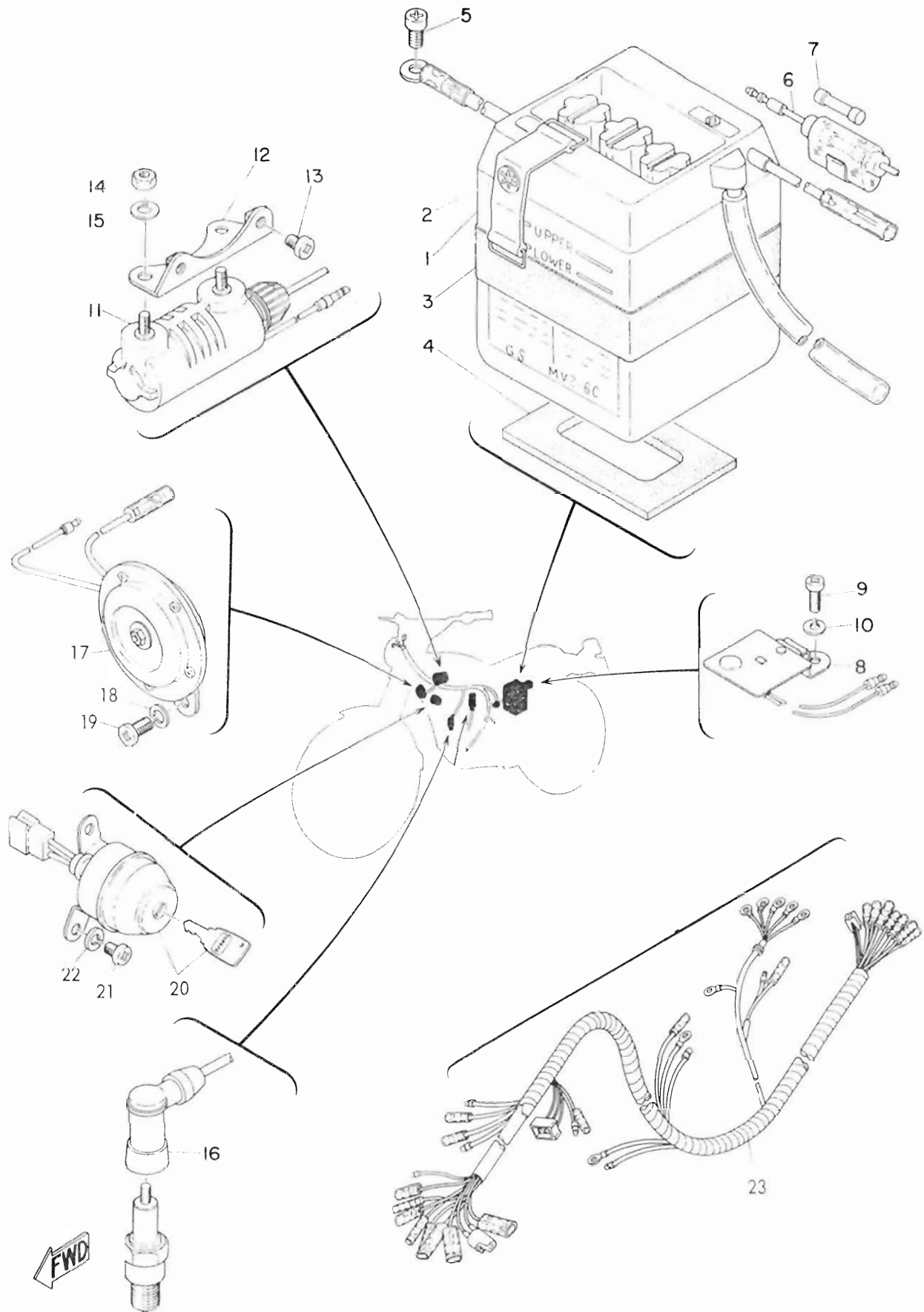
Fig. 5 FLYWHEEL MAGNETO



FLYWHEEL MAGNETO

Ref. No.	Part No.	Description	Remarks	69	70	71
				CT1A	CT1B	CT1C
5- 0-1	248-81300-10-00	FLYWHEEL MAGNETO ASS'Y.	(ISO)	1	-	-
5-0-1-1	251-81300-10-00	FLYWHEEL MAGNETO ASS'Y.		-	1	1
5- 1	248-81350-10-00	. ROTOR ASS'Y.		1	-	-
5- 1-1	251-81350-10-00	. ROTOR ASS'Y.		-	1	1
5- 2	185-81312-10-00	. COIL, Source		1	1	1
5- 3	248-81313-10-00	. COIL, Lighting		1	-	-
5- 3-1	251-81313-10-00	. COIL, Lighting		-	1	1
5- 4	98501-04025-00	. SCREW, Pan Head	(ISO)	4	-	-
5- 4-1	110-81348-20-00	. SCREW, Pan Head		-	4	4
5- 5	92903-04100-00	. WASHER, Spring		7	7	7
5- 6	185-81332-10-00	. PLATE, Timing		1	1	1
5- 7	207-81321-10-00	. CONTACT BREAKER ASS'Y.		1	1	1
5- 8	98302-04012-00	. SCREW, Cylinder Head	(ISO)	1	-	-
5- 8-1	110-81347-20-00	. SCREW, Cylinder Head		-	1	1
5- 9	92903-04200-00	. WASHER, Plain		1	1	1
5-10	207-81326-10-00	. CONDENSER		1	1	1
5-11	207-81331-10-00	. LUBRICATOR		1	1	1
5-12	98503-04010-00	. SCREW, Pan Head	(ISO)	1	1	1
5-13	109-81328-10-00	. CLAMP, Lead		1	1	1
5-14	98503-04008-00	. SCREW, Pan Head	(ISO)	1	1	1
5-15	92603-06012-00	SCREW, Flat Head		2	2	2

Fig. 6 ELECTRICAL



ELECTRICAL

Ref. No.	Part No.	Description	Remarks	69	70	71
				CTIA	CTIB	CTIC
6- 1	214-82110-10-00	BATTERY ASS'Y.		1	1	1
6- 1-1	104-82111-10-00	. CAP, Battery		3	3	3
6- 2	122-82131-00-00	BAND, Battery		1	1	1
6- 3	214-82124-00-00	BAND, Battery		1	1	1
6- 4	214-82122-00-00	SEAT, Battery		1	1	1
6- 5	98501-05008-00	SCREW, Pan Head	(ISO)	1	1	1
6- 6	116-82150-00-00	FUSE HOLDER ASS'Y.		1	1	1
6- 7	116-82151-00-00	. FUSE		2	2	2
6- 8	214-81970-20-00	RECTIFIER ASS'Y.		1	1	1
6- 9	98503-05015-00	SCREW, Pan Head	(ISO)	1	1	1
6-10	92903-05100-00	WASHER, Spring		1	1	1
6-11	248-82310-10-00	IGNITION COIL ASS'Y.		1	1	1
6-12	248-82316-00-00	BRACKET, Ignition Coil		1	1	1
6-13	92503-06100-00	NUT		2	2	2
6-14	92803-06100-00	NUT		2	2	2
6-15	92903-06100-00	WASHER, Spring		2	2	2
6-16	117-82370-20-00	PLUG CAP ASS'Y.		1	1	1
6-17	214-83371-10-00	HORN		1	1	1
6-18	92503-06012-00	SCREW, Pan Head		2	2	2
6-19	92903-06100-00	WASHER, Spring		2	2	2
6-20	214-82506-20-00	MAIN SWITCH ASS'Y.		1	-	-
6-21	98503-05008-00	SCREW, Pan Head	(ISO)	2	-	-
6-21-1	98501-05010-00	SCREW, Pan Head		-	2	-
6-22	92903-05100-00	WASHER, Spring		2	2	-
6-23	251-82590-20-00	WIRE HARNESS ASS'Y.		1	-	-
6-23-1	251-82590-21-00	WIRE HARNESS ASS'Y.		-	1	-
6-23-2	251-82590-23-00	WIRE HARNESS ASS'Y.		-	-	1



