



MODEL RD200 ('78)

(TYPE 2R7)

FOR EUROPE

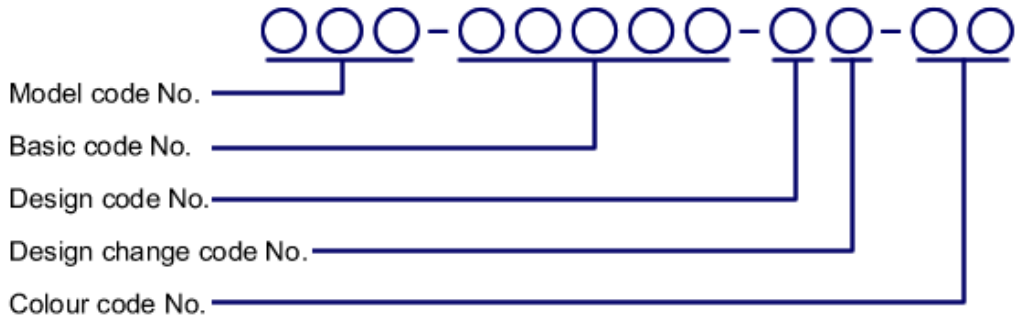
FOREWORD

This Parts List relates to the parts in use for the YAMAHA RD200 ('78). When ordering replacement parts for the RD200 ('78), refer to this Parts List and write/quote both part numbers and part names correctly.

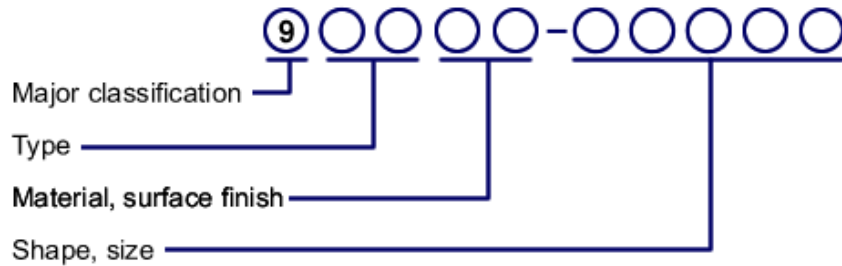
1 Structure of Part No.

Yamaha parts are divided largely into two categories: general parts and standard parts, each Part Number has the following structure:

GENERAL PARTS:



STANDARD PARTS:



NOTE: Every standard part number begins with 9.

2 How to Use this Parts List

- (1) Except for steel balls (whose size is indicated in inches), the size of all parts is indicated in millimetres in the following manner:
 - Hose (rubber or vinyl).....*inside diameter – length*
 - O-Ring.....*section area – inside diameter*
 - Washer, shim, collar.....*inside diameter – outside diameter – thickness (length)*
- (2) Parts, which are to be supplied in the form of assemblies, are listed with an indentation of one letters space and a dot (.) is put against the name of each part. If any two different assemblies (e.g. right and left side components) consist of almost the same type of components, these two assemblies are listed in two lines, and then the names of the component parts are listed in the subsequent lines with an indentation as mentioned earlier. The quantity of parts is given in the following manner; that is, in the case of parts being the same in type between the right and left, a total quantity of parts is given. On the other hand, if the right and left side parts are different in type, the quantity of part(s) on each side is given.

EXAMPLE

Description	Q'ty
CARBURETOR ASS'Y, left	1
CARBURETOR ASS'Y, right.....	1
. JET, pilot.....	2
. NOZZLE, main.....	2
"	
"	
"	
. LEVER, starter, left.....	1
. LEVER, starter, right.....	1

(3) Key to Symbols:

U.R.....	Use size (thickness) and/or number as required
U.N.....	Use as many as you need
T.....	Number of teeth in a gear
V	Voltage for light bulbs
S	"S" type oil seal or "S" type circlip
SD.....	"SD" type oil seal
SO.....	"SO" type oil seal
SW.....	"SW" type oil seal
E	"E" type circlip
R	"R" type circlip
F/No.....	Frame No. (Applicable machine No.)

- (4) Parts are common for all European countries unless indicated otherwise in the Remarks column or Fig title.
- (5) The parts marked with * in the Part No. column of this list are not supplied by Yamaha, those have to be found locally.
- (6) Please be advised that we supply you with Head Lamp Unit Ass'y, Tail Lamp Unit Ass'y and Flasher Lamp Ass'y without bulbs.
- (7) The Right and Left in relation to parts are determined on the basis of the rider facing towards the front.
- (8) This parts list is based on the model on the production line on **Nov. 30, 1977**. Accordingly, if any modifications which have been made to parts will be announced in the Yamaha Parts News. It is advisable that according to the Yamaha Parts News. You will make the necessary corrections to the Parts List on hand to keep it up-to-dated.

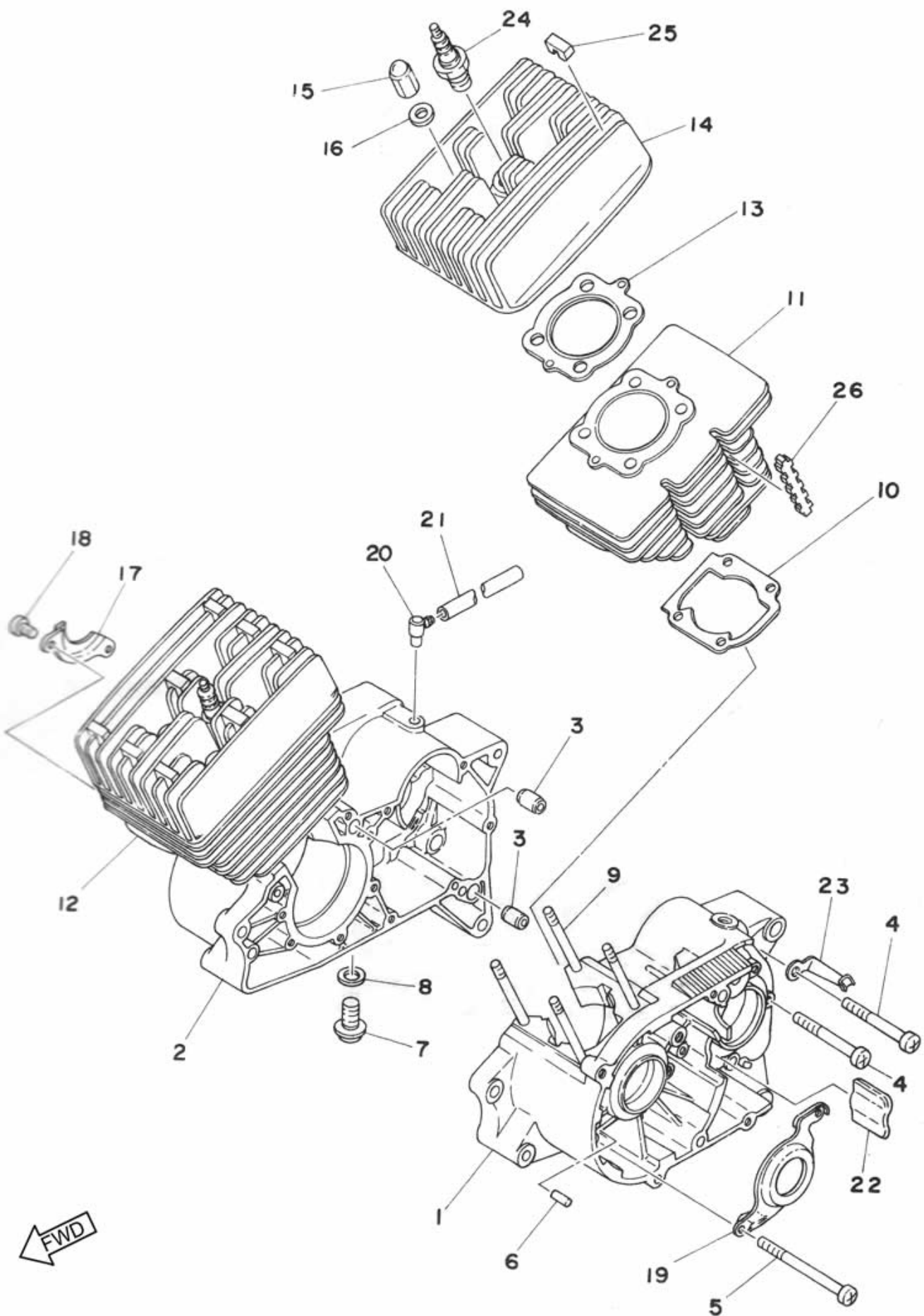
CONTENTS

FOREWORD	i
ENGINE	1
Fig. 1 Crankcase – Cylinder	2
Fig. 2 Crankcase Cover	4
Fig. 3 Crank – Piston	6
Fig. 4 Clutch.....	8
Fig. 5 Transmission	10
Fig. 6 Shifter 1	12
Fig. 7 Shifter 2	14
Fig. 8 Kick Starter	16
Fig. 9 Tachometer Gear.....	18
Fig. 10 Intake	20
Fig. 11 Carburetor.....	22
Fig. 12 Exhaust.....	24
Fig. 13 Oil Pump	26
Fig. 14 Starter – Generator.....	28
CHASSIS	31
Fig. 15 Frame.....	32
Fig. 16 Side Cover – Box.....	34
Fig. 17 Rear Arm – Rear Cushion – Chain Case	36
Fig. 18 Stand – Footrest – Brake Pedal	38
Fig. 19 Front Fender – Rear Fender.....	40
Fig. 20 Front Fork	42
Fig. 21 Steering	44
Fig. 22 Handle – Wire	46
Fig. 23 Master Cylinder – Brake Hose.....	48
Fig. 24 Fuel Tank.....	50
Fig. 25 Oil Tank.....	52
Fig. 26 Seat.....	54
Fig. 27 Front Wheel (Casting Wheel Type)	56
Fig. 28 Front Wheel (Spoke Wheel Type – England Only)	58
Fig. 29 Disk Brake – Caliper	60
Fig. 30 Rear Wheel (Casting Wheel Type).....	62
Fig. 31 Rear Wheel (Spoke Wheel Type – England Only)	64
LIGHTS - ELECTRICAL	67
Fig. 32 Head Lamp 1	68
Fig. 33 Head Lamp 2	70
Fig. 34 Speedometer – Tachometer	72
Fig. 35 Tail Lamp 1	74
Fig. 36 Tail Lamp 2	76
Fig. 37 Flasher Lamp 1	78
Fig. 38 Flasher Lamp 2.....	80
Fig. 39 Electrical	82
REPAIR KIT (Fig. 40)	85
NUMERICAL INDEX	89
General Part Prefixes	100
MODEL DATA	101



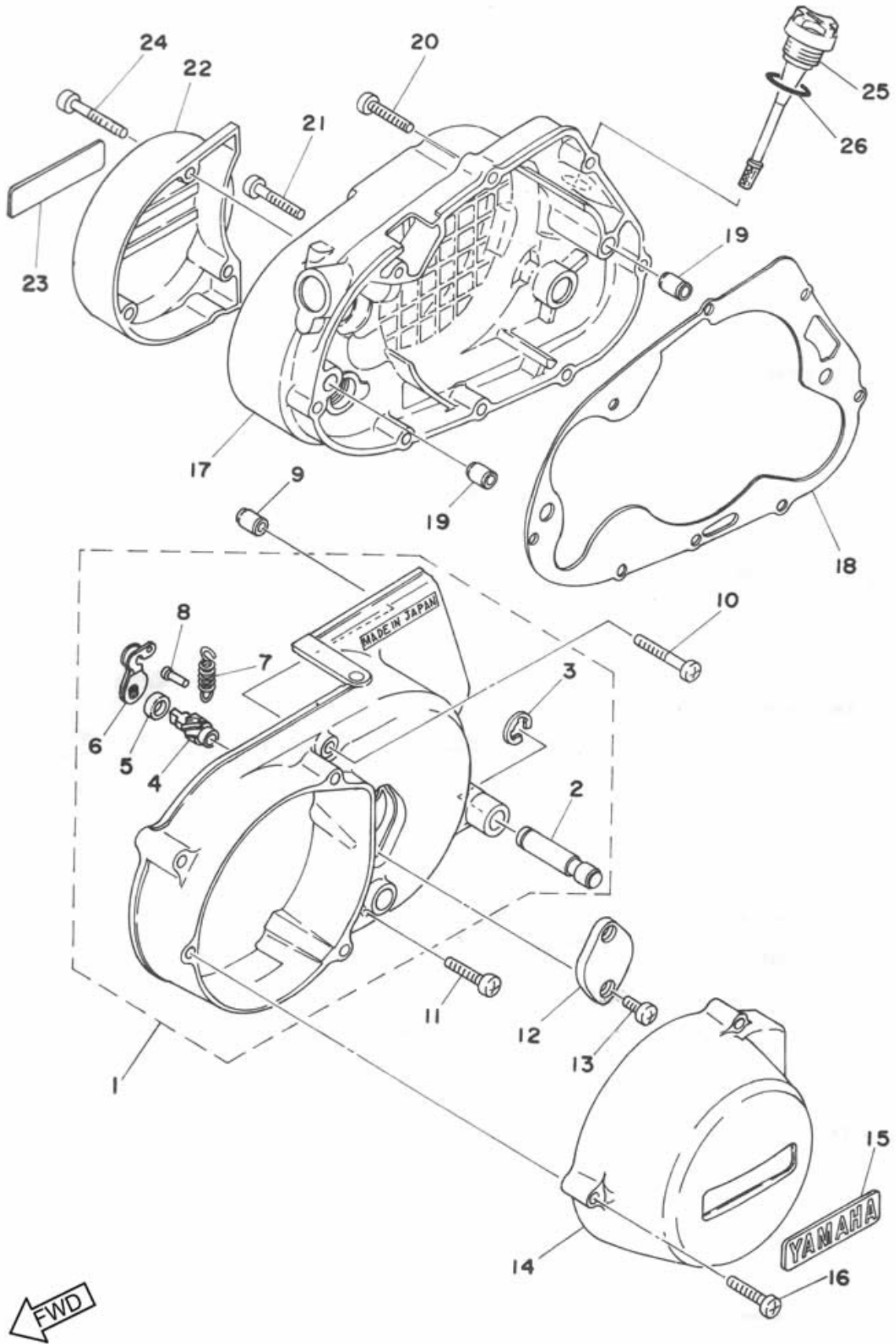
ENGINE

Fig. 1: CRANKCASE - CYLINDER



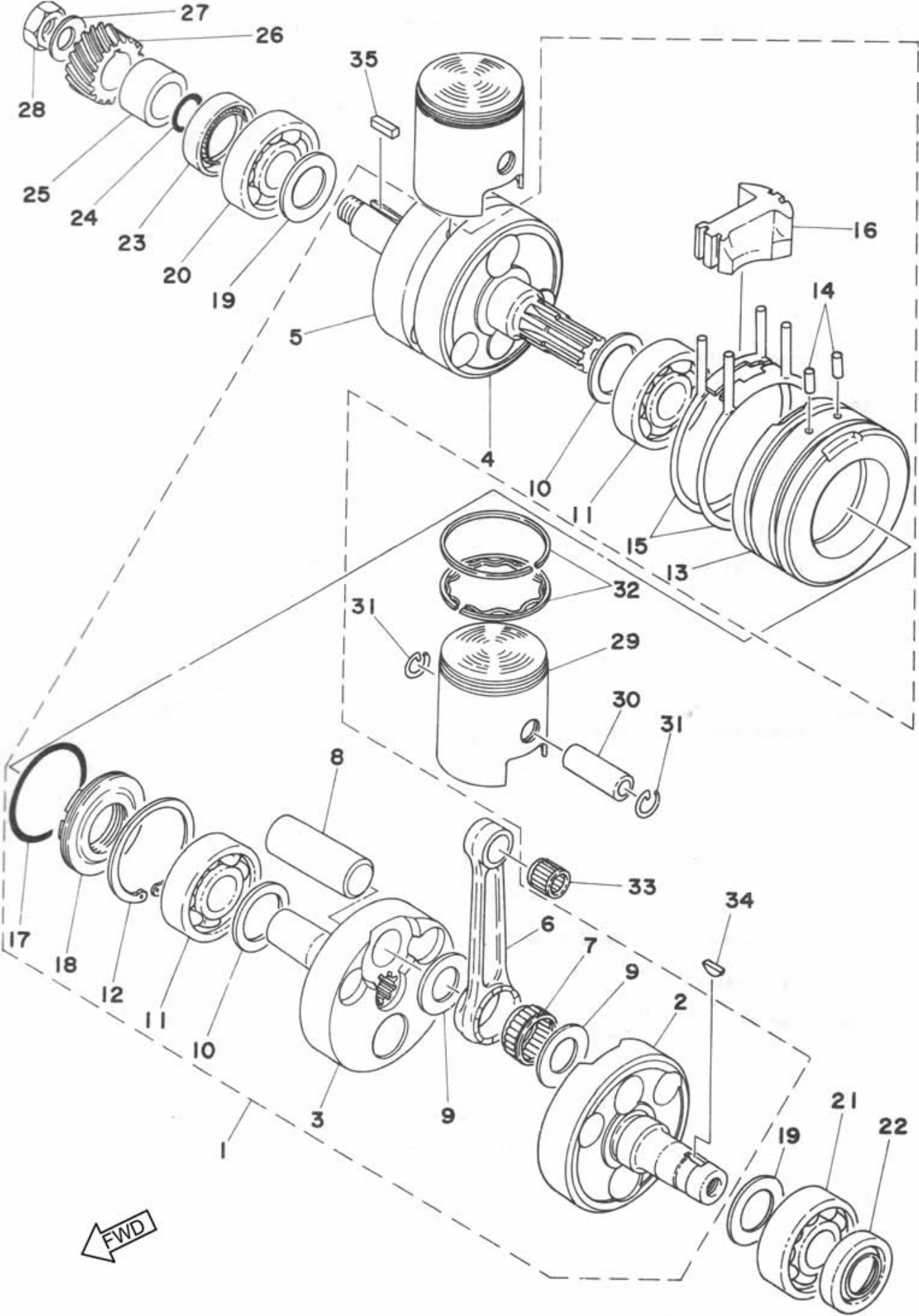
Ref No.	Part No.	Description	Q'ty	Remarks
1-1.....	1E8-15111-00.....	CASE, crank left	1	
1-2.....	1E8-15121-00.....	CASE, crank right.....	1	
1-3.....	91810-05016	PIN, dowel (8.4-12-16)	2	
1-4.....	92501-06065	SCREW, panhead	7	
1-5.....	92501-06090	SCREW, panhead	5	
1-6.....	93603-14026	PIN, dowel (3-17.8).....	1	
1-7.....	90340-12005	PLUG, straight (132-15351-00).....	1	
1-8.....	90430-12038	GASKET (132-15353-00)	1	
1-9.....	90116-07227	BOLT, stud	8	
1-10.....	1E8-11351-01.....	GASKET, cylinder.....	2	
1-11.....	2R7-11311-00	CYLINDER, left.....	1	
1-12.....	2R7-11321-00	CYLINDER, right	1	
1-13.....	1E8-11181-00.....	GASKET, cylinder head	2	
1-14.....	2R7-11111-00	HEAD, cylinder	2	
1-15.....	90179-07203	NUT, cap	8	
1-16.....	92901-10200	WASHER, plain	8	
1-17.....	397-15118-00	HOLDER.....	1	
1-18.....	92501-06012	SCREW, panhead	2	
1-19.....	389-15128-00	HOLDER.....	1	
1-20.....	498-15371-00	BREATHER	1	
1-21.....	90446-07112	HOSE (7-110).....	1	
1-22.....	241-15357-01	GROMMET	1	
1-23.....	90465-08046	CLAMP (337-812328-00)	1	
1-24.....	94701-00045	PLUG, spark (B-8ES)	2	
1-25.....	521-11161-01	ABSORBER 1.....	16	
1-26.....	1E7-11162.....	ABSORBER 2.....	4	

Fig. 2: CRANKCASE COVER



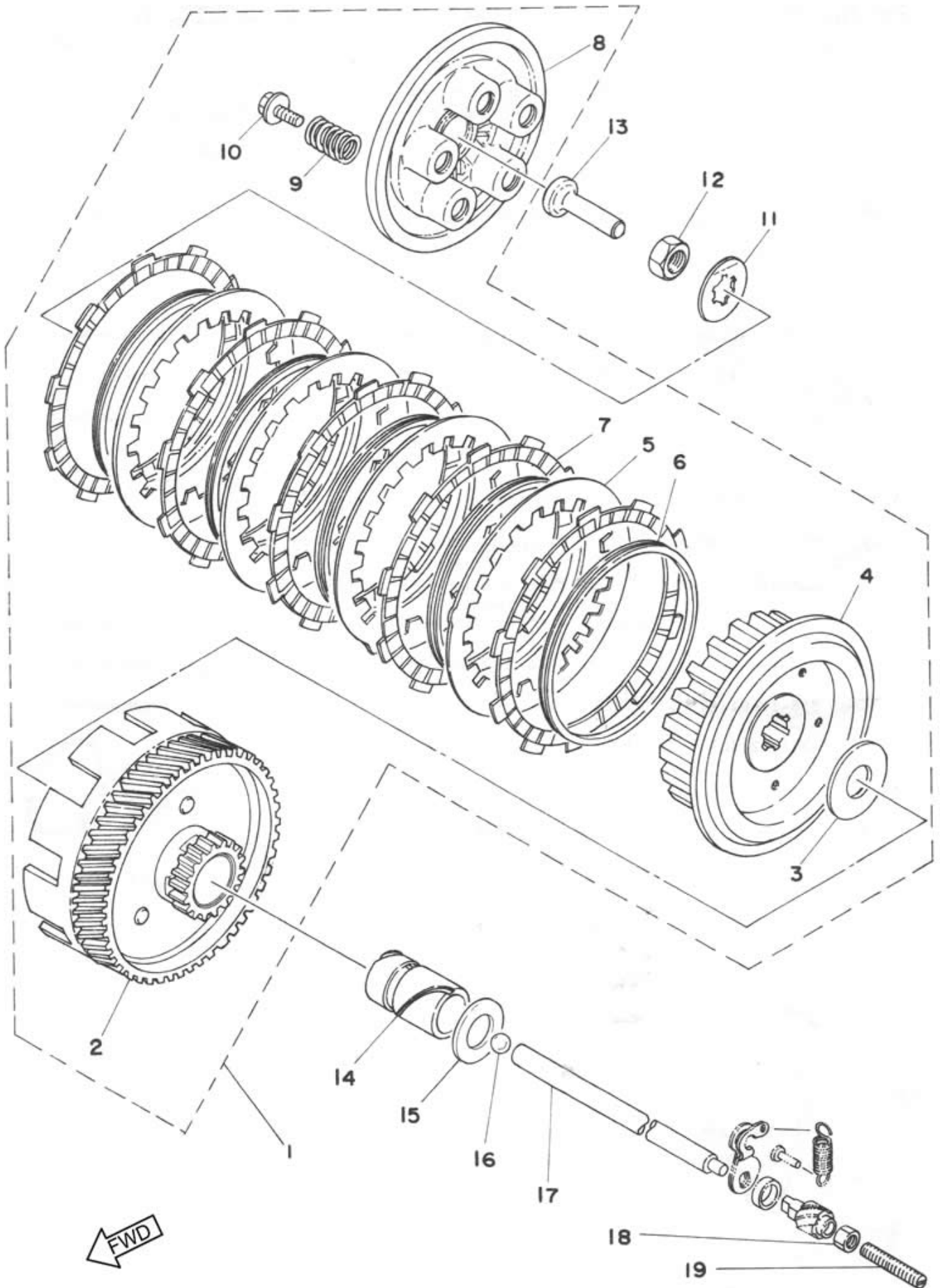
Ref No.	Part No.	Description	Q'ty	Remarks
2-1.....	1E8-15410-00.....	CRANKCASE COVER ASS'Y,left	1	
2-2.....	307-18188-01 SHAFT	1	
2-3.....	93440-11029 CIRCLIP 9214-15617-00).....	1	
2-4.....	241-16341-01 SCREW, push	1	
2-5.....	93104-11028 OIL SEAL (SO-10.5-15-3)	1	
2-6.....	241-16342-00 LEVER, push	1	
2-7.....	90506-10019 SPRING (132-16345-00).....	1	
2-8.....	132-16346-00 HOOK, spring	1	
2-9.....	91830-21014 PIN, dowel (6.4-10-14)	2	
2-10.....	92506-06030 SCREW, panhead	3	
2-11.....	92506-06040 SCREW, panhead	1	
2-12.....	1e7-15417-00 COVER, cap	1	
2-13.....	98506-05012 SCREW, panhead	2	
2-14.....	1E8-15415-00.....	. COVER, generator	1	
2-15.....	360-15435-00 EMBLEM	1	
2-16.....	92506-06030 SCREW, panhead	3	
2-17.....	1E8-15421-00.....	. COVER, crankcase right	1	
2-18.....	1E8-15461-01.....	. GASKET, crankcase cover right.....	1	
2-19.....	91830-21014 PIN, dowel (6.4-10-14)	2	
2-20.....	92506-06030 SCREW, panhead	7	
2-21.....	92501-06035 SCREW, panhead	1	
2-22.....	1E7-15416-00.....	. COVER, oil pump	1	
2-23.....	360-15435-00 EMBLEM	1	
2-24.....	92506-06040 SCREW, panhead	3	
2-25.....	520-15362-01 PLUG, oil level.....	1	
2-26.....	93210-19123 O-RING (2.4-19.0).....	1	

Fig. 3: CRANK - PISTON



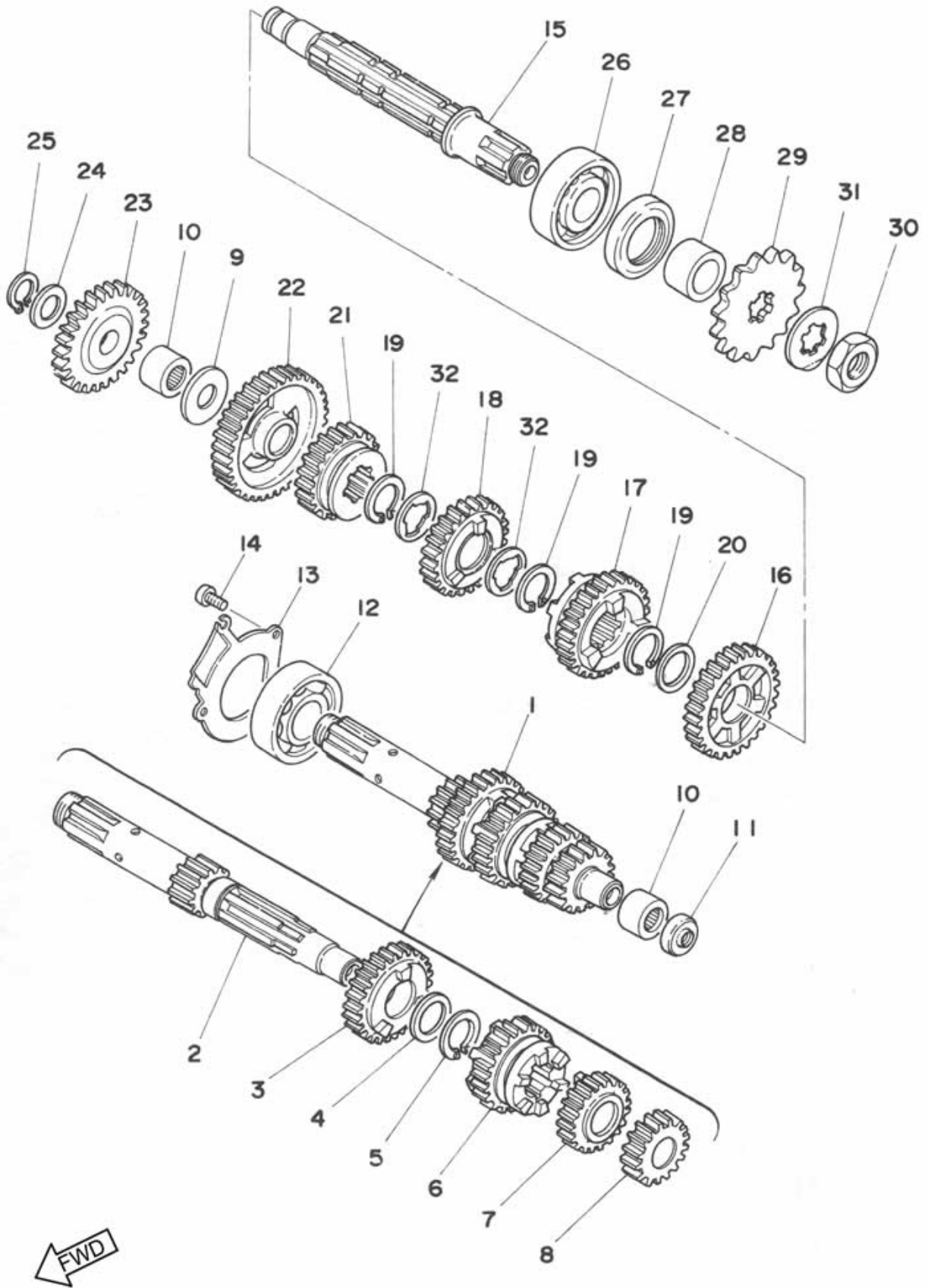
Ref No.	Part No.	Description	Q'ty	Remarks
3-1.....	1E8-11400-00.....	CRANK ASS'Y	1	
3-2.....	1E8-11412-01.....	CRANK 1, left	1	
3-3.....	174-11422-02.....	CRANK 1, right.....	1	
3-4.....	174-11432-02.....	CRANK 2, left	1	
3-5.....	397-11442-01.....	CRANK 2, right.....	1	
3-6.....	397-11651-00.....	ROD, connecting.....	2	
3-7.....	93310-42012.....	BEARING, con-rod big end	2	
3-8.....	174-11681-00.....	PIN, crank.....	2	
3-9.....	90209-20159.....	WASHER.....	4	
3-10.....	132-11561-00-03... ..	WASHER, crank inside (25. 5-35-0.3).....	2	U.R.
 132-11561-00-05... ..	WASHER, crank inside (25. 5-35-0.5).....	2	U.R.
3-11.....	93306-20526.....	BEARING (6205C3)	2	
3-12.....	93450-52010.....	CIRCLIP (52dia)	1	
3-13.....	174-11511-01.....	COVER, crankcase right	1	
3-14.....	93604-18058.....	PIN, dowel (4-17.8).....	2	
3-15.....	1E8-11512-00.....	SEAL, crank cover.....	2	
3-16.....	1E8-11541-00.....	METAL, filler.....	1	
3-17.....	93210-46044.....	O-RING (3-46.2).....	1	
3-18.....	174-11515-00.....	SEAL, labyrinth.....	1	
3-19.....	132-11561-00-03... ..	SHIM, crank outside (25.5-35-0.3)	1	U.R.
 132-11561-00-05... ..	SHIM, crank outside (25.5-35-0.5)	1	U.R.
3-20.....	93306-30509.....	BEARING (6305C3)	1	
3-21.....	93306-20526.....	BEARING (6205C3)	1	
3-22.....	93102-20117.....	OIL SEAL (SD-20-40-8)	1	
3-23.....	93103-32031.....	OIL SEAL (SW-32-48-8).....	1	
3-24.....	93210-18023.....	O-RING (1.2-17.6).....	1	
3-25.....	90387-20499.....	COLLAR	1	
3-26.....	397-16111-00.....	GEAR, primary drive (16T).....	1	
3-27.....	90208-12015.....	WASHER (164-16119-00).....	1	
3-28.....	90179-12244.....	NUT, hexagon	1	
3-29.....	1E8-11631-00-96 ..	PISTON (51.96mm STD)	2	U.R.
 1E8-11631-00-97 ..	PISTON (51.97mm STD)	2	U.R.
 1E8-11635-00.....	PISTON (52.25mm 1st O.S.).....	2	Alternate parts
 1E8-11636-00.....	PISTON (52.50mm 2nd O.S.)	2	Alternate parts
 1E8-11637-00.....	PISTON (52.75mm 3rd O.S.)	2	Alternate parts
 1E8-11638-00.....	PISTON (53.00mm 4th O.S.)	2	Alternate parts
3-30.....	131-11633-00.....	PIN, piston.....	2	
3-31.....	93450-15023.....	CIRCLIP, (131-11634-00)	4	
3-32.....	558-11601-00.....	PISTON RING SET (STD)	2s	
 558-11601-10.....	PISTON RING SET (1st O.S.).....	2s	Alternate parts
 558-11601-20.....	PISTON RING SET (2nd O.S.)	2s	Alternate parts
 558-11601-30.....	PISTON RING SET (3rd O.S.)	2s	Alternate parts
 558-11601-40.....	PISTON RING SET (4th O.S.)	2s	Alternate parts
3-33.....	93310-21403.....	BEARING, con-rod small end.....	2	
3-34.....	90280-03017.....	KEY, woodruff (146-11545-00).....	1	
3-35.....	90282-05005.....	KEY, straight (353-11546-00).....	1	

Fig. 4: CLUTCH



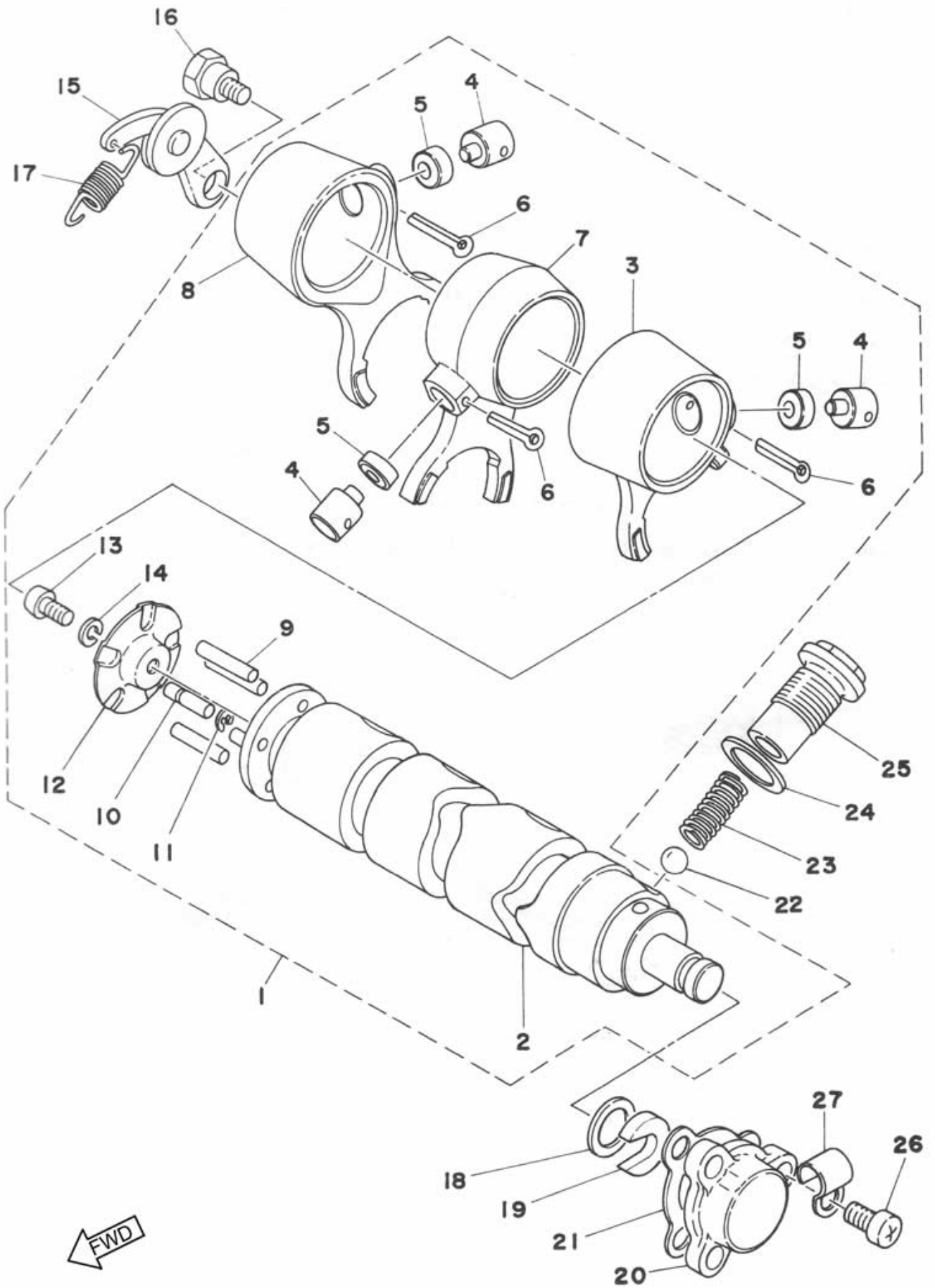
Ref No.	Part No.	Description	Q'ty	Remarks
4-1.....	2R7-16301-00	CLUTCH ASS'Y.....	1	
4-2.....	2R7-16150-00	PRIMARY DRIVEN GEAR COMP (53T).	1	
4-3.....	174-16154-00	PLATE, thrust (20-38-2.0)	1	
4-4.....	1E8-16371-00.....	BOSS, Clutch	1	
4-5.....	336-16324-00	PLATE, clutch.....	4	
4-6.....	137-16367-00	RING, cushion	5	
4-7.....	132-16321-00	PLATE, friction.....	5	
4-8.....	1E7-16351-00.....	PLATE, pressure	1	
4-9.....	90501-20122	SPRING (137-16333-00).....	5	
4-10.....	90119-05001	BOLT, hexagon	5	
4-11.....	90215-16020	WASHER (102-17464-00).....	1	
4-12.....	90179-16018	NUT (102-17463-00)	1	
4-13.....	174-16356-00	ROD, push 1	1	
4-14.....	90387-20439	COLLAR (443-16176-01)	1	
4-15.....	90201-20611	WASHER, plate	1	
4-16.....	93505-16006	BALL (5/16 inch).....	1	
4-17.....	237-16357-01	ROD, push 2.....	1	
4-18.....	95301-06700	NUT, hexagon	1	
4-19.....	90113-06013	BOLT, set (241-16343-00)	1	

Fig. 5: TRANSMISSION



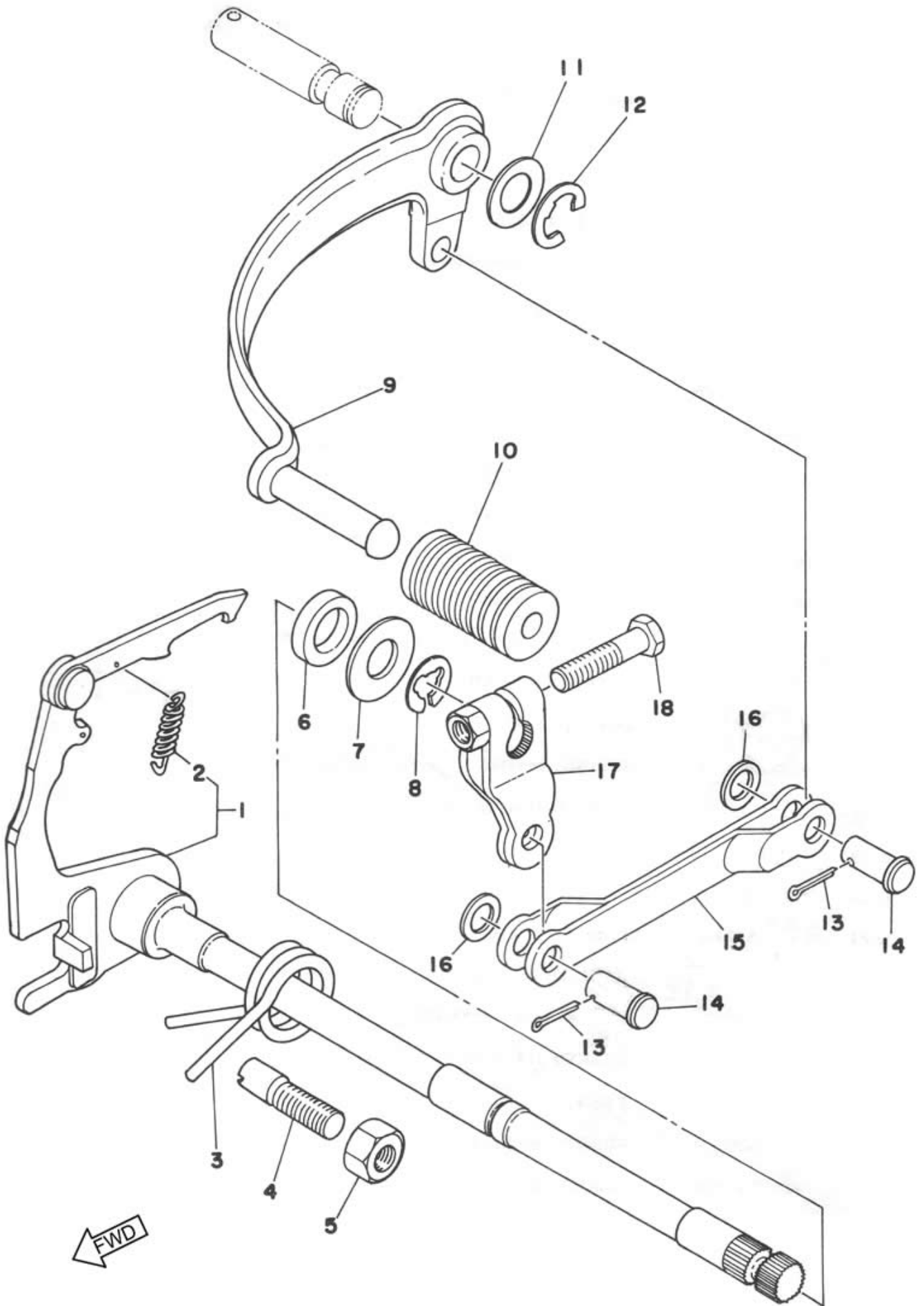
Ref No.	Part No.	Description	Q'ty	Remarks
5-1	1E8-17410-00	MAIN AXLE COMP	1	
5-2	397-17411-00	AXLE, MAIN (12T)	1	
5-3	1E8-17151-00	GEAR, 5th pinion (24T)	1	
5-4	90201-20266	WASHER (132-17216-00)	1	
5-5	93440-20043	CIRCLIP (132-17414-00)	1	
5-6	1E8-17141-00	GEAR, 4th pinion (22T)	1	
5-7	1E8-17131-00	GEAR, 3rd pinion (20T)	1	
5-8	397-17121-00	GEAR, 2nd pinion (16T)	1	
5-9	164-17427-00-04	SHIM, drive axle 915.2-30-0.4)	2	U.R.
	164-17427-00-06	SHIM, drive axle 915.2-30-0.6)	2	U.R.
	164-17427-00-08	SHIM, drive axle 915.2-30-0.8)	2	U.R.
	164-17427-00-10	SHIM, drive axle 915.2-30-1.0)	2	U.R.
	164-17427-00-12	SHIM, drive axle 915.2-30-1.2)	2	U.R.
5-10	93315-31502	BEARING	2	
5-11	237-15389-00	SEAL, push rod	1	
5-12	93306-30408	BEARING (6304Z)	1	
5-13	1E8-17471-01	PLATE, bearing cover	1	
5-14	98501-05010	SCREW, panhead	3	
5-15	397-17421-00	AXLE, drive gear	1	
5-16	1E8-17221-00	GEAR, 2nd wheel (29T)	1	
5-17	1E8-17231-00	GEAR, 3rd wheel (25T)	1	
5-18	1E8-17241-01	GEAR, 4th wheel (23T)	1	
5-19	93440-20043	CIRCLIP (132-17414-00)	1	
5-20	90201-20266	WASHER (132-17216-00)	1	
5-21	1E8-17251-00	GEAR, 5th wheel (21T)	1	
5-22	1E8-17211-00	GEAR, 1ST wheel 341T)	1	
5-23	1E8-15651-00	GEAR, kick idle (26T)	1	
5-24	132-15653-00-10	WASHER, thrust (13.3-22-1.0)	1	U.R.
	132-15653-00-12	WASHER, thrust (13.3-22-1.2)	1	U.R.
	132-15653-00-14	WASHER, thrust (13.3-22-1.4)	1	U.R.
5-25	93410-13004	CIRCLIP (S-13)	1	
5-26	93306-30401	BEARING (6304)	1	
5-27	93102-28021	OIL SEAL (SD-28-44-7)	1	
5-28	90387-20346	COLLAR (102-17462-00)	1	
5-29	174-17461-40	SPROCKET, drive (14T)	1	U.R.
	174-17461-50	SPROCKET, drive (15T)	1	U.R. std
	174-17461-60	SPROCKET, drive (16T)	1	U.R. std Belgium
	174-17461-70	SPROCKET, drive (17T)	1	U.R.
5-30	90179-16018	NUT (102-17463-00)	1	
5-31	90215-16020	WASHER, lock (102-17464-00)	1	
5-32	90209-16133	WASHER	2	

Fig. 6: SHIFTER 1



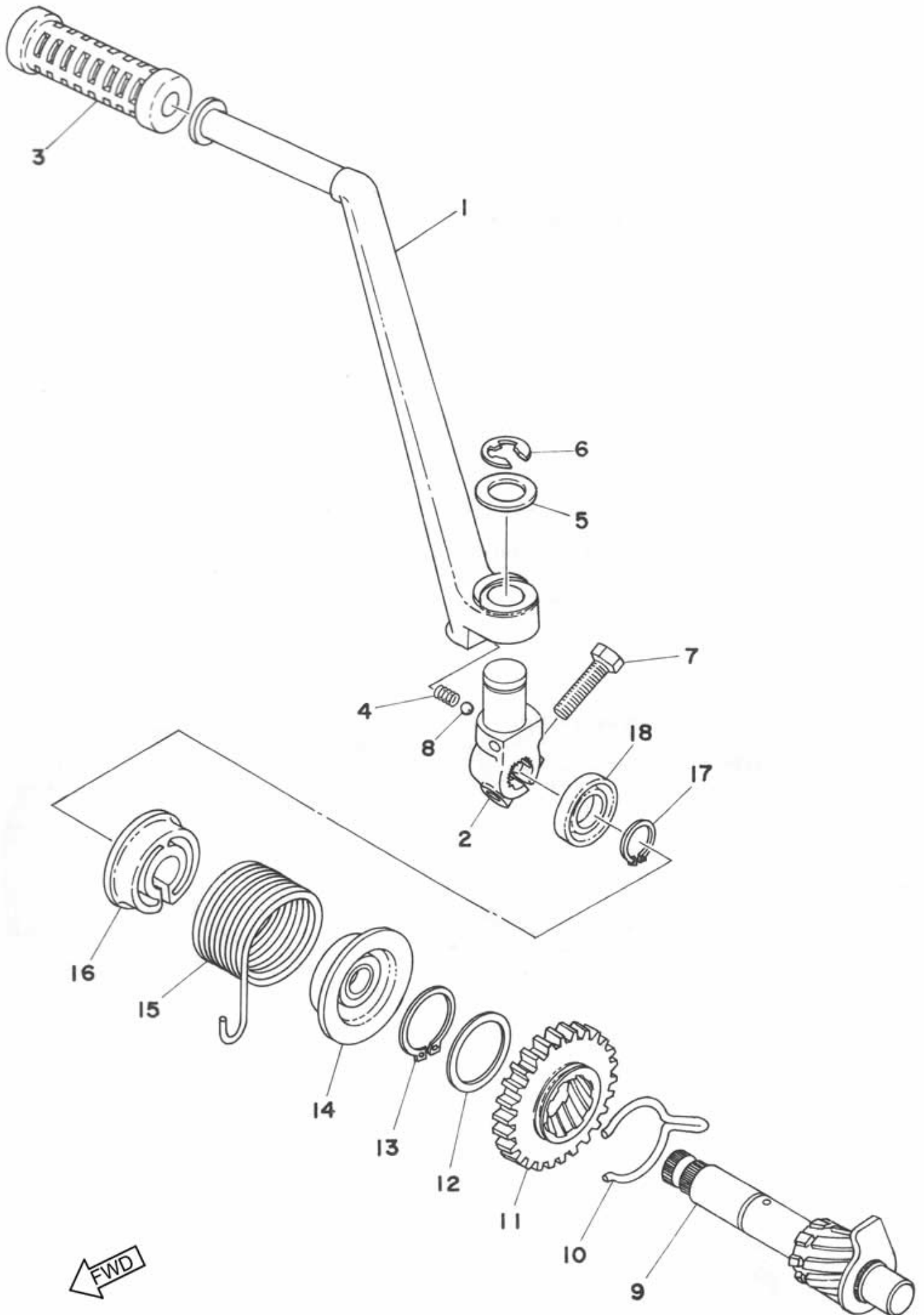
Ref No.	Part No.	Description	Q'ty	Remarks
6-1.....	174-18500-03	SHIFTER ASS'Y	1 ...	
6-2.....	174-18541-03 CAM, shift	1	
6-3.....	174-18511-00 FORK, shift 1	1	
6-4.....	90250-10020 PIN (164-18552-01)	3	
6-5.....	164-18551-00 ROLLER, cam follower	3	
6-6.....	91401-25020 PIN, cotter	3	
6-7.....	174-18512-00 FORK, shift 2	1	
6-8.....	174-18513-00 FORK, shift 3	1	
6-9.....	93604-22050 PIN, dowel (4-21-8)	4	
6-10.....	90249-04039 PIN (174-18544-00)	1	
6-11.....	93430-03014 CIRCLIP, (E-2.5)	1	
6-12.....	164-18561-00 PLATE, side	1	
6-13.....	98501-05012	, SCREW, panhead	1	
6-14.....	92901-05100 WASHER, spring	1	
6-15.....	132-18140-01	STOPPER LEVER ASS'Y	1	
6-16.....	90109-06001	BOLT (132-18177-00)	1	
6-17.....	90506-09112	SPRING, tension	1	
6-18.....	90201-12166	WASHER (164-18572-00)	1	
6-19.....	164-18571-01	HOLDER, shift cam	1	
6-20.....	164-18589-00	PLUG, blind	1	
6-21.....	164-18579-00	GASKET	1	
6-22.....	93505-16006	BALL (5/16 inch)	1	
6-23.....	90501-12083	SPRING (174-18558-00)	1	
6-24.....	137-15353-00	GASKET (14.5-21-1.5)	1	
6-25.....	90109-14385	BOLT	1	
6-26.....	92501-06010	SCREW, panhead	3	
6-27.....	90462-05004	CLAMP (278-15485-00)	1	

Fig. 7: SHIFTER 2



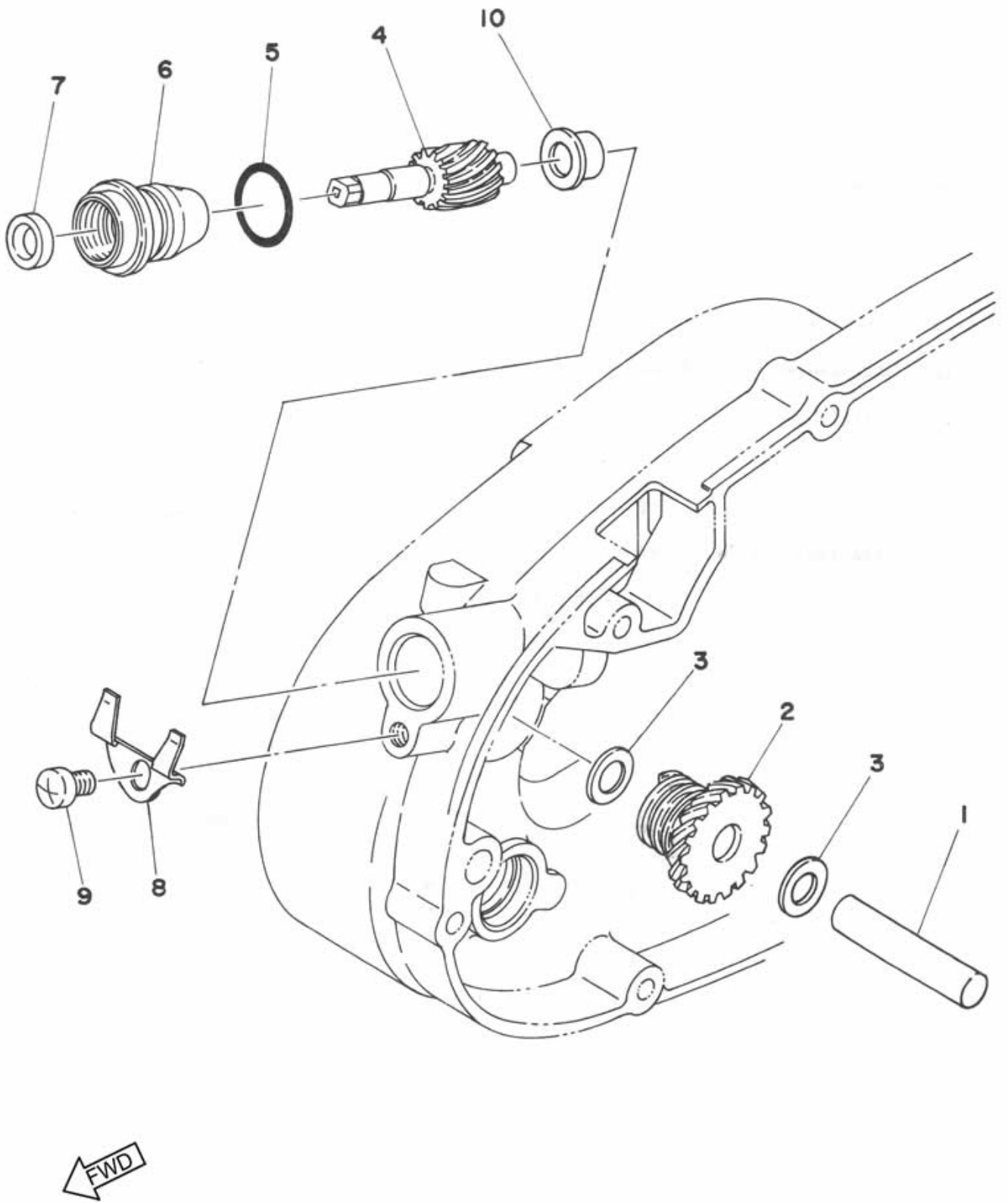
Ref No.	Part No.	Description	Q'ty	Remarks
7-1.....	174-18101-02	CHANGE SHAFT ASS'Y	1	
7-2.....	90506-09009 SPRING (132-18123-00).....	1	
7-3.....	90508-32207	SPRING (132-18124-00).....	1	
7-4.....	90149-08094	SCREW, adjusting.....	1	
7-5.....	95301-08600	NUT, hexagon	1	
7-6.....	93101-12004	OIL SEAL (S-12-22-5)	1	93102-12321
7-7.....	90201-12575	WASHER (132-18137-00).....	1	
7-8.....	93430-10016	CIRCLIP (E-10)	1	99006-10600
7-9.....	2R7-18111-00-93 ..	PEDAL, change	1	
7-10.....	132-18113-01	COVER, change pedal	1	
7-11.....	90201-12174	WASHER (183-22142-10).....	1	
7-12.....	93430-10016	CIRCLIP (E-10)	1	99006-10600
7-13.....	91401-16012	PIN, cotter.....	2	
7-14.....	90240-08053	PIN, with hole	2	
7-15.....	1E7-18115-00.....	ROD, change.....	1	
7-16.....	90201-08085	WASHER (141-18139-00).....	2	
7-17.....	301-18112-00-93...	ARM, change.....	1	
7-18.....	97321-06030	BOLT, hexagon	1	

Fig. 8: KICK STARTER



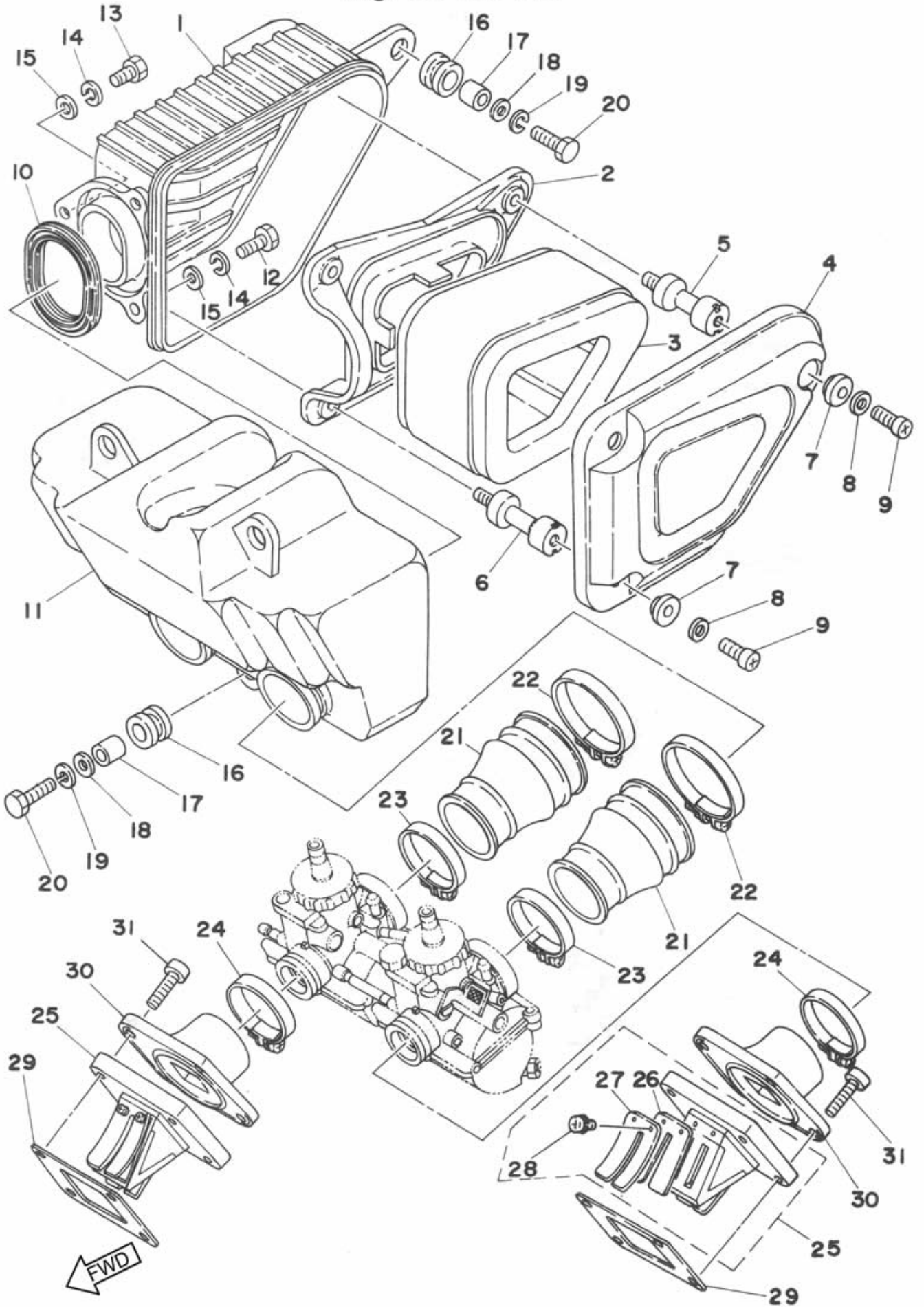
Ref No.	Part No.	Description	Q'ty	Remarks
8-1.....	2F3-15611-00-93...	CRANK, kick.....	1	
8-2.....	337-15621-01-09...	BOSS, kick crank.....	1	
8-3.....	156-15618-01	COVER, kick lever.....	1	
8-4.....	90501-12081	SPRING (278-15622-00).....	1	
8-5.....	90201-15340	WASHER, plate (278-15613-00).....	1	
8-6.....	93430-10016	CIRCLIP (E-10)	1	99006-10600
8-7.....	97311-06025	BOLT, hexagon	1	
8-8.....	93501-32009	BALL (7/32 inch).....	1	
8-9.....	337-15660-00	KICK AXLE ASS'Y.....	1	
8-10.....	251-15687-00	CLIP, kick	1	
8-11.....	1E8-15641-00.....	GEAR, kick (27T).....	1	
8-12.....	117-15644-00	SHIM (25.1-32-1.0).....	1	
8-13.....	93410-25017	CIRCLIP (S-25)	1	
8-14.....	132-15664-01	GUIDE, kick spring	1	
8-15.....	90508-26136	SPRING (304-15665-00).....	1	
8-16.....	132-15676-01	COVER, kick spring.....	1	
8-17.....	93410-15005	CIRCLIP (S-15)	1	
8-18.....	93109-15001	OIL SEAL (SDO-15-26-6).....	1	

Fig. 9: TACHOMETER GEAR



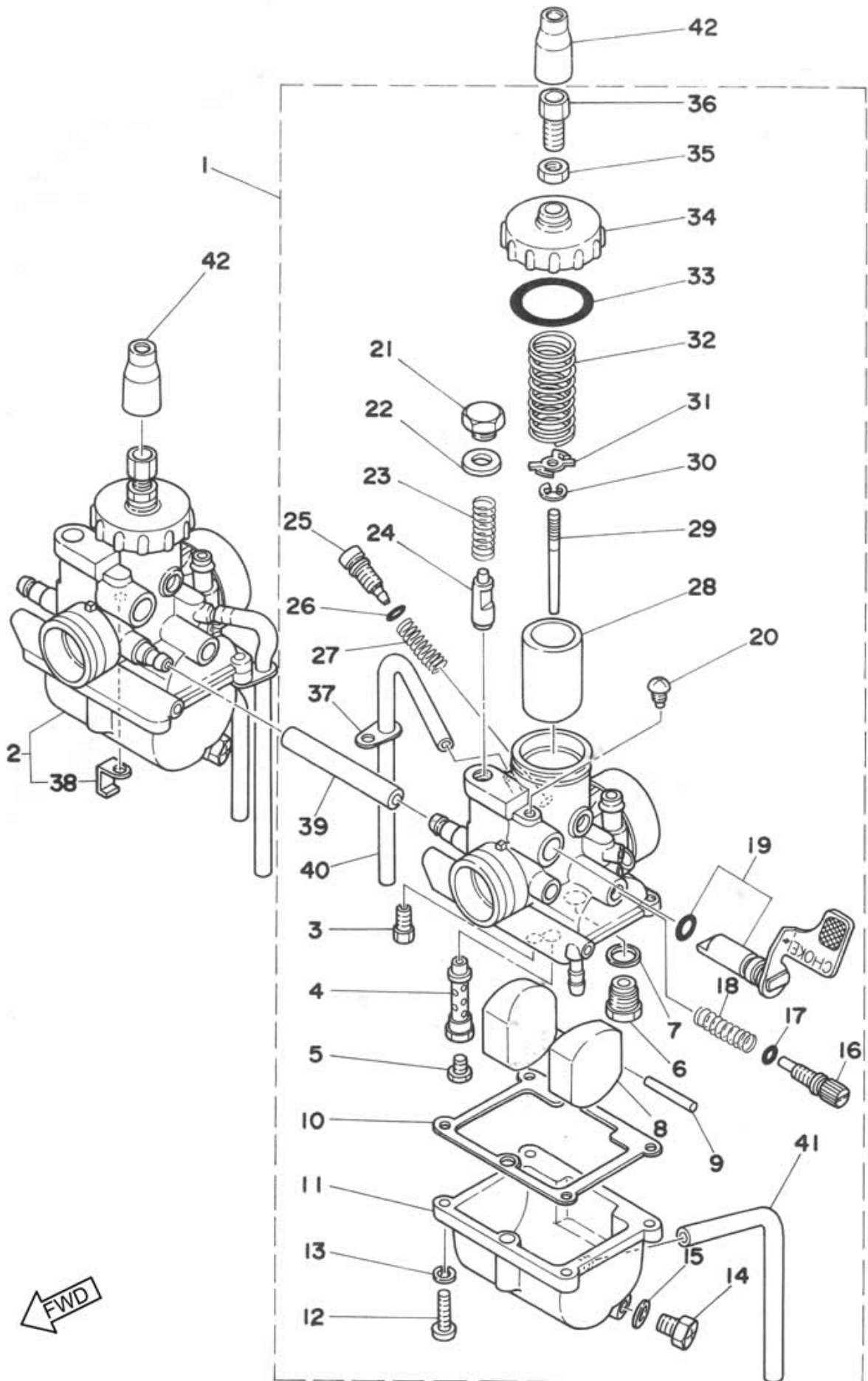
Ref No.	Part No.	Description	Q'ty	Remarks
9-1.....	237-17861-00	AXLE, drive gear	1	
9-2.....	1E8-17831-00.....	GEAR, drive.....	1	
9-3.....	248-17837-00	SHIM (10.2-16-1.0).....	2	
9-4.....	443-17841-00	GEAR, driven.....	1	
9-5.....	93210-17239	O-RING (2.0-16.5).....	1	
9-6.....	438-17811-01	HOUSING	1	
9-7.....	93104-07036	OIL SEAL (SO-7-13-4)	1	
9-8.....	438-17812-00	STOPPER	1	
9-9.....	92501-06010	SCREW, panhead	1	
9-10.....	90381-08002	BUSHING, solid (214-17843-00).....	1	

Fig. 10: INTAKE



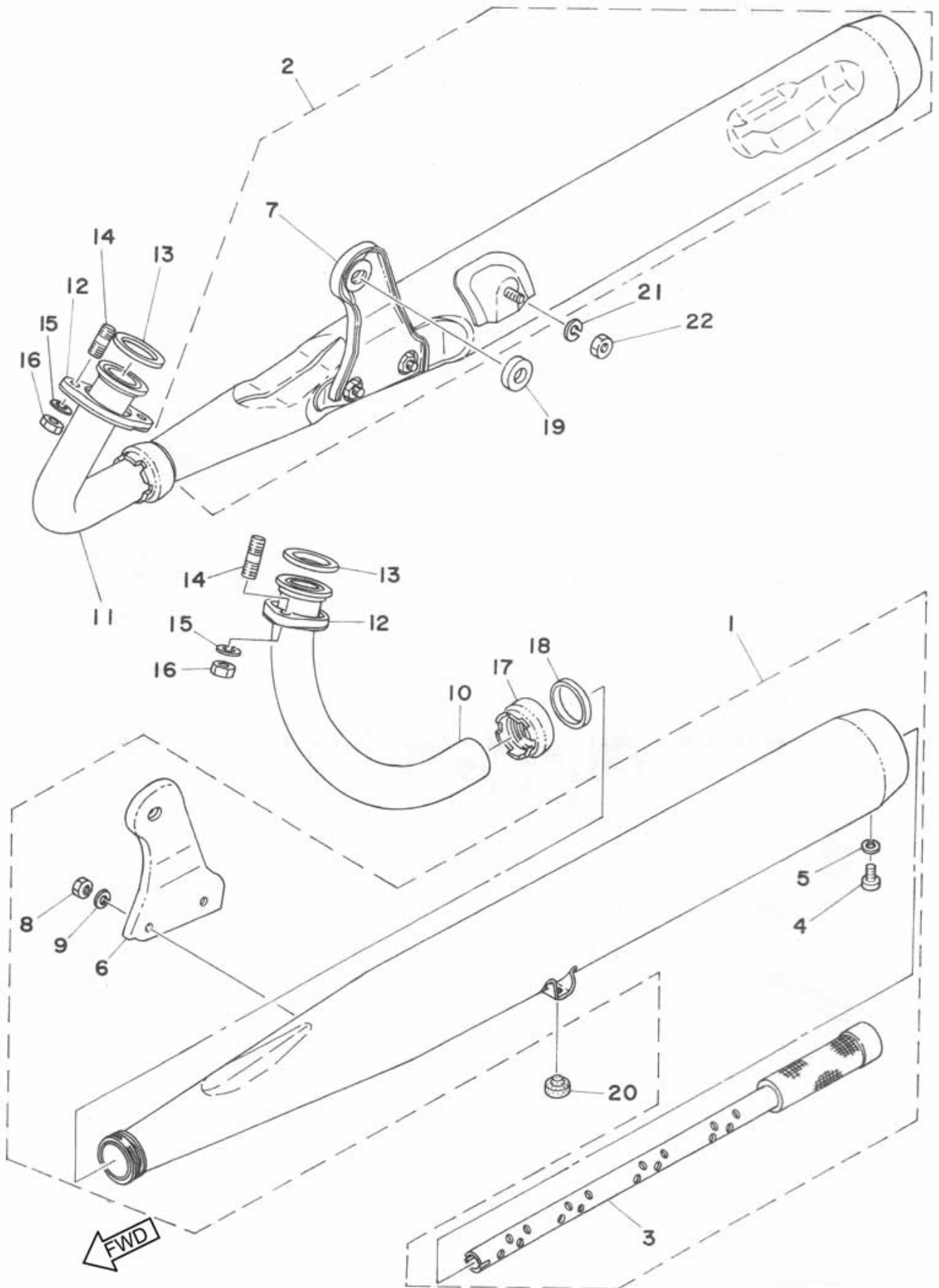
Ref No.	Part No.	Description	Q'ty	Remarks
10-1	1E7-14411-00	CASE, air filter 1	1	
10-2	1E7-14421-00	CASE, air filter 2	1	
10-3	1E7-14450-00	ELEMENT ASS'Y	1	
10-4	1E7-14422-00	CAP, case	1	
10-5	1E7-14428-00	BOLT	1	
10-6	1E7-14446-00	BOLT	2	
10-7	90480-10190	GROMMET	3	
10-8	90201-06055	WASHER, plate	3	
10-9	92501-06018	SCREW, panhead	3	
10-10	1E7-14416-00	GASKET, Air filter	1	
10-11	1E7-14431-00	BOX, silencer	1	
10-12	97301-06018	BOLT, hexagon	2	
10-13	97301-06014	BOLT, hexagon	1	
10-14	92901-06100	WASHER, spring	3	
10-15	92901-06600	WASHER, plate	3	
10-16	90480-14102	GROMMET (214-21717-00)	4	
10-17	90387-07390	COLLAR (214-21633-00)	4	
10-18	90201-06067	WASHER, plate	4	
10-19	92901-06100	WASHER, spring	4	
10-20	97301-06025	BOLT, hexagon	4	
10-21	1E7-14453-00	JOINT, air filter	2	
10-22	90460-51059	CLAMP, hose	2	
10-23	90460-43053	CLAMP, hose	2	
10-24	90460-37026	CLAMP, hose	2	90460-37130
10-25	314-13610-01	REED VALVE ASS'Y	2	
10-26	314-13613-00	REED VALVE	4	
10-27	324-13616-01	STOPPER, reed valve	4	
10-28	97602-03108	SCREW, panhead	8	
10-29	314-13621-02	PACKING, valve seat	2	
10-30	1E7-13565-01	JOINT, carburetor	2	
10-31	92506-06025	SCREW, panhead	8	

Fig. 11: CARBURETOR



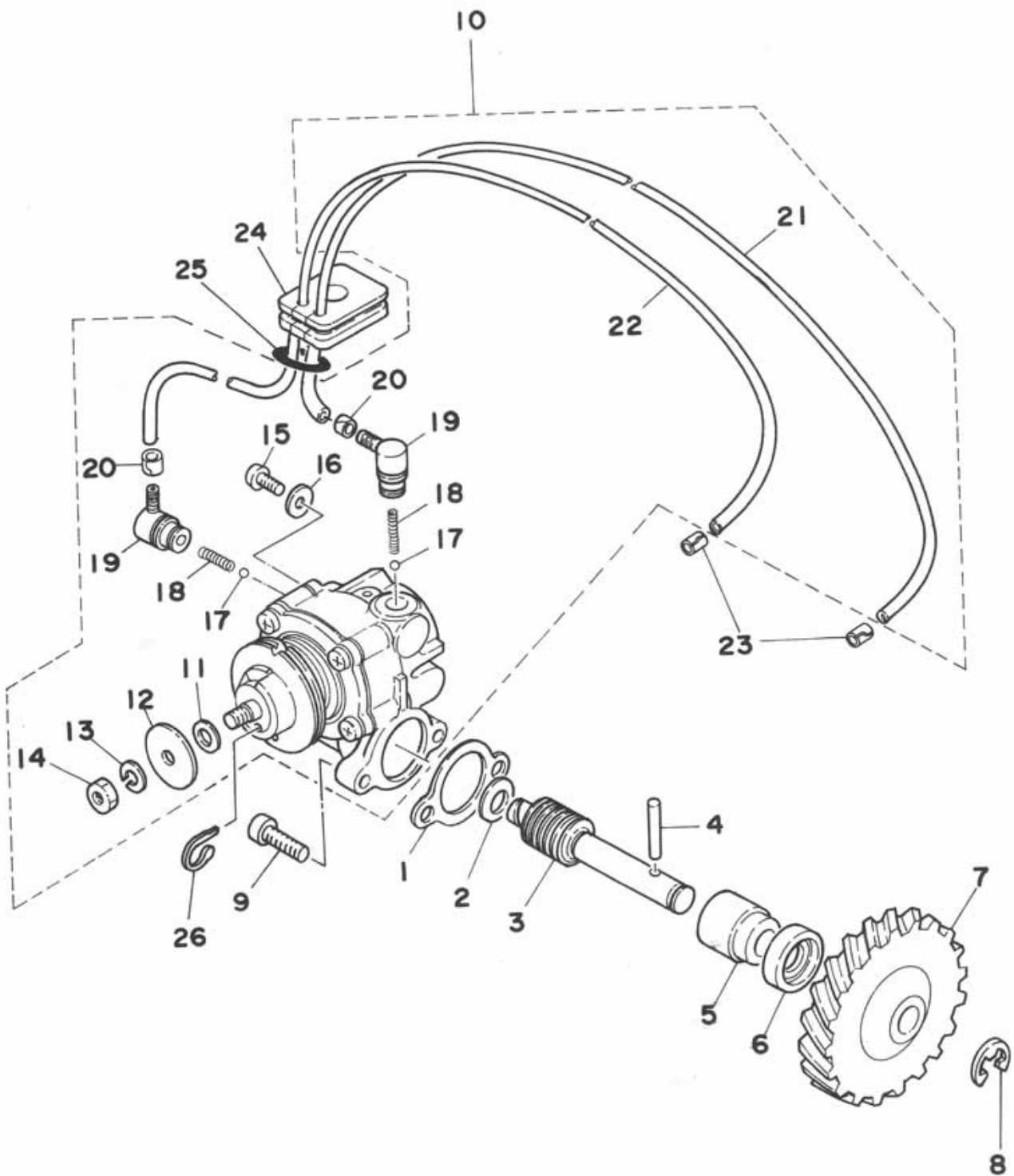
Ref No.	Part No.	Description	Q'ty	Remarks
11-1	1E8-14301-90	CARBURETOR ASS'Y, left	1	
11-2	1E8-14302-90	CARBURETOR ASS'Y, right	1	
11-3	367-14342-22	JET, pilot (# 44)	2	
11-4	396-14341-00	NOZZLE, main (N-80)	2	
11-5	396-14343-39	JET, main (# 78)	2	U.R.
	396-14343-40	JET, main (# 80)	2	U.R. Std
	396-14343-41	JET, main (# 84)	2	U.R.
11-6	654-14390-20	VALVE SEAT ASS'Y	2	
11-7	367-14195-00	WASHER, valve seat	2	
11-8	367-14385-00	FLOAT	2	
11-9	626-14386-00	PIN, float	2	
11-10	1E7-14384-00	GASKET, float chamber	2	
11-11	1E7-14181-35	BODY, float chamber, left	1	
	1E7-14183-00	BODY, float chamber, right	1	
11-12	98501-04014	SCREW, panhead	8	
11-13	92901-04100	WASHER, spring	8	
11-14	1E7-14191-00	SCREW, drain	2	
11-15	1E8-14126-00	GASKET	2	
11-16	1E7-14211-00	SCREW, pilot adjusting	2	
11-17	1E7-14147-00	O-RING, pilot adjusting	2	
11-18	288-14334-00	SPRING, pilot adjusting	2	
11-19	1E7-14175-00	STARTER LEVER ASS'Y	1	
11-20	619-24535-00	SCREW	1	
11-21	1E7-14174-00	CAP, plunger	1	
11-22	1J2-14398-00	GASKET	1	
11-23	647-14335-00	SPRING, plunger	1	
11-24	1E7-14371-00	PLUNGER STARTER ASS'Y	1	
11-25	1E7-14323-00	SCREW, air adjusting	2	
11-26	1E7-14147-00	O-RING, air adjusting	2	
11-27	288-14334-00	SPRING, air adjusting	2	
11-28	1E8-14312-25	VALVE, throttle left	1	
	1E8-14313-25	VALVE, throttle right	1	
11-29	1E8-14336-00	NEEDLE (4F51-2/5)	2	
11-30	389-14137-00	CLIP, needle	2	
11-31	396-14316-02	SEAT, spring	2	
11-32	396-14331-00	SPRING, throttle valve	2	
11-33	1E7-14126-00	O-RING	2	
11-34	1E7-14168-00	CAP, mixing chamber	2	
11-35	288-14161-00	NUT, wire adjusting	2	
11-36	396-14124-00	SCREW, wire adjusting	2	
11-37	434-14146-00	STAY	2	
11-38	1E7-14346-00	STAY	1	
11-39	389-14349-00	PIPE (5-47)	1	
11-40	1E7-14348-00	PIPE (3-220)	2	
11-41	1E7-14349-00	PIPE (3-160)	2	
11-42	1A0-14169-00	CAP	2	

Fig. 12: EXHAUST



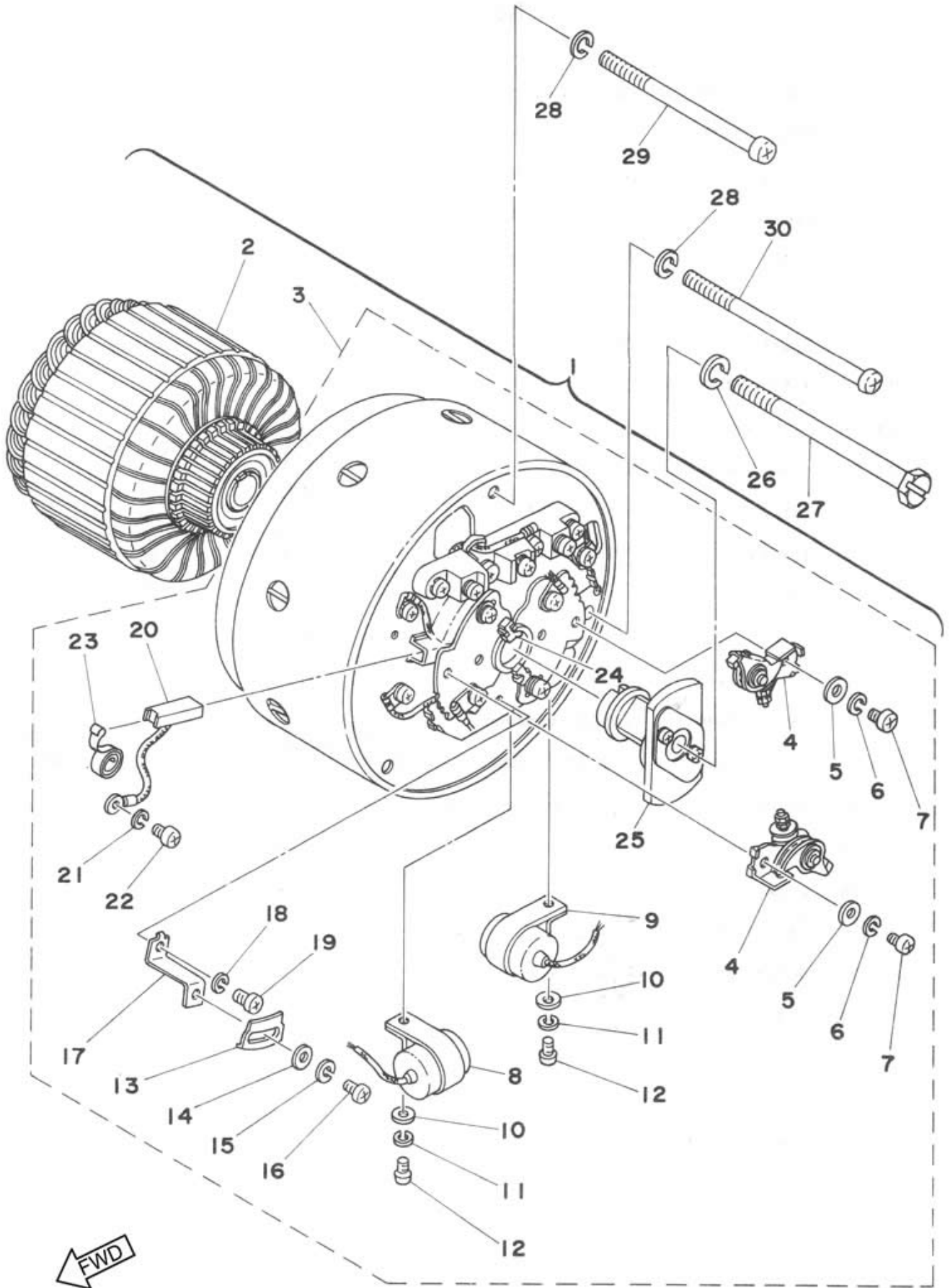
Ref No.	Part No.	Description	Q'ty	Remarks
12-1	1E8-14710-00	MUFFLER ASS'Y, left	1	
12-2	1E8-14720-00	MUFFLER ASS'Y, right	1	
12-3	1E8-14753-00	SILENCER	2	
12-4	98501-05010	SCREW, panhead	2	
12-5	92901-05100	WASHER, spring	2	
12-6	397-14771-00-33	STAY, muffler left	1	
12-7	397-14781-00-33	STAY, muffler right	1	
12-8	95301-08600	NUT, hexagon	4	
12-9	92901-08100	WASHER, spring	4	
12-10	1E8-14611-00	PIPE, exhaust left	1	Except Germany
	1E8-14611-10	PIPE, exhaust left	1	Germany
12-11	1E8-14621-00	PIPE, exhaust right	1	Except Germany
	1E8-14621-10	PIPE, exhaust right	1	Germany
12-12	307-14612-00	NUT, ring	2	
12-13	132-14613-00	GASKET, exhaust	2	
12-14	90116-08166	BOLT, stud	4	
12-15	92901-08100	WASHER, spring	4	
12-16	95301-08600	NUT, hexagon	4	
12-17	132-14713-00	NUT, muffler joint	2	
12-18	132-14714-01	GASKET, muffler joint	2	
12-19	337-14779-00	COLLAR, distance (15-30-6.5)	1	
12-20	1M3-27114-00-00	STOPPER, main stand	1	
12-21	92901-08100	WASHER, spring	2	
12-22	95301-08600	NUT, hexagon	2	

Fig. 13: OIL PUMP



Ref No.	Part No.	Description	Q'ty	Remarks
13-1	126-13116-00	GASKET, pump case	1	
13-2	90201-08624	WASHER, plate	1	
13-3	1E7-13175-01	SHAFT, worm	1	
13-4	93603-22028	PIN, dowel (3-21.8)	1	
13-5	1E7-13176-00-00	METAL worm shaft outer (137-13176-00)	1	
13-6	93101-10002	OIL SEAL (S-10-22-7)	1	
13-7	174-13178-00	GEAR, drive (20T)	1	
13-8	93430-08006	CIRCLIP (E-8)	1	
13-9	98501-05016	SCREW, panhead	1	
13-10	1E8-13101-01	OIL PUMP ASS'Y	1	
13-11	137-13137-00-03	SHIM (5.8-10-0.3)	1	U.R.
	137-13137-00-05	SHIM (5.8-10-0.5)	1	U.R.
	137-13137-00-10	SHIM (5.8-10-1.0)	1	U.R.
13-12	137-13138-01	PLATE, adjusting	1	
13-13	92901-05100	WASHER, spring	1	
13-14	95301-05600	NUT, hexagon	1	
13-15	98901-04008	SCREW, bind	1	
13-16	90430-04004	GASKET (137-13187-00)	1	
13-17	93505-32002	BALL (5/32 inch)	2	
13-18	278-13169-00	SPRING	2	
13-19	353-13552-01	NOZZLE	2	
13-20	90468-02033	CLIP (214-13164-00)	2	
13-21	90445-05302	HOSE (3-420)	1	
13-22	90445-05301	HOSE (3-240)	1	
13-23	90468-02033	CLIP (214-13164-00)	2	
13-24	293-13174-00	HOLDER, oil pipe	1	
13-25	93210-11073	O-RING (2.0-16.5)	1	
13-26	367-13146-01	COVER, adjust pulley	1	

Fig. 14: STARTER - GENERATOR



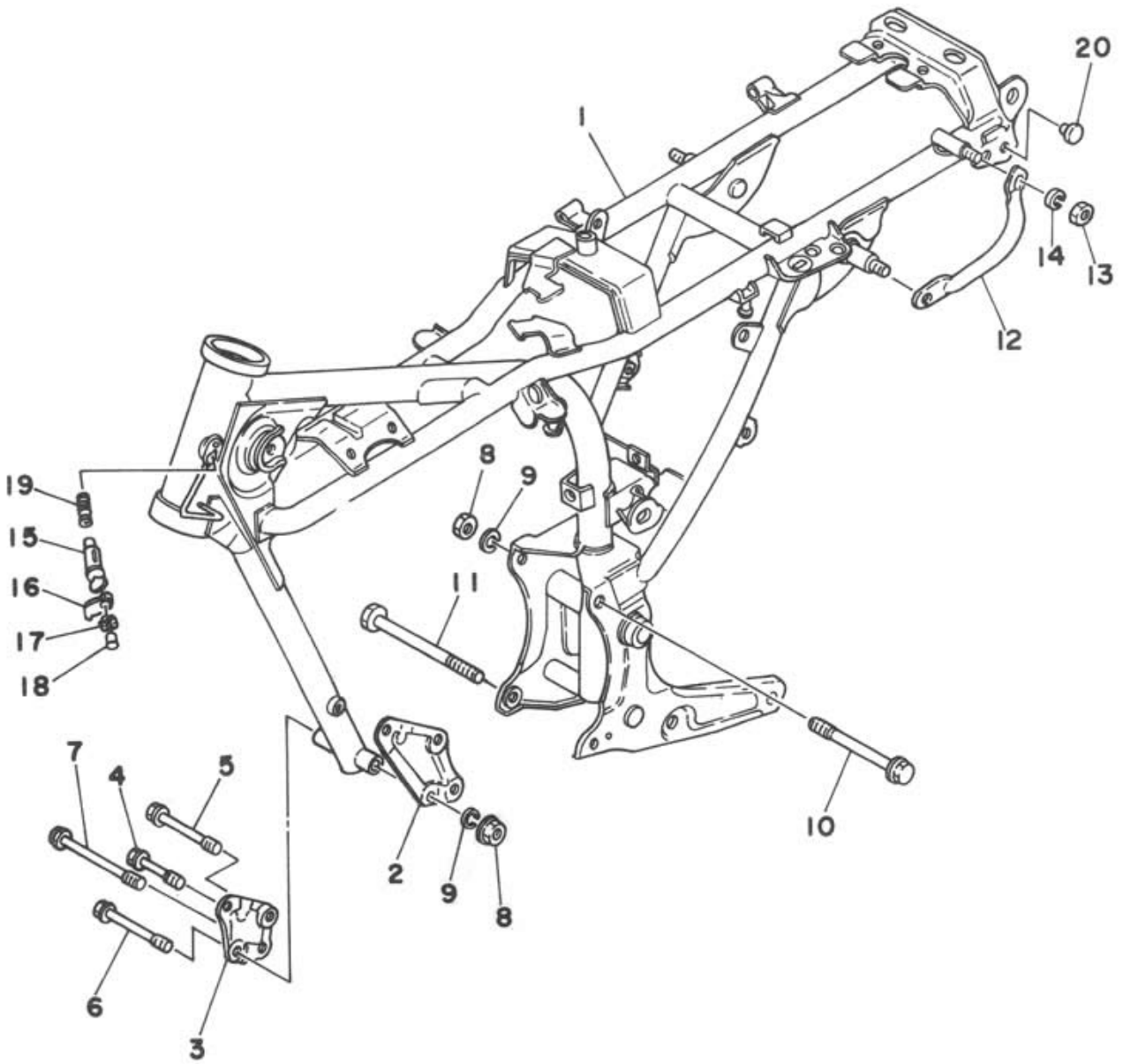
Ref No.	Part No.	Description	Q'ty	Remarks
14-1	397-81100-11	STARTER GENERATOR ASS'Y	1	
14-2	397-81155-11	ARAMATURE	1	
14-3	397-81110-10	STATOR ASS'Y	1	
14-4	183-81421-10	CONTACT BREAKER ASS'Y	2	
14-5	92901-04200	WASHER, plain	2	
14-6	92901-04100	WASHER, spring	2	
14-7	164-81246-21	SCREW, cylinderhead (4-8)	2	
14-8	132-81226-11	CONDENSER, left	1	
14-9	132-81225-11	CONDENSER, right	1	
14-10	92901-04200	WASHER, plain	2	
14-11	92901-04100	WASHER, spring	2	
14-12	164-81246-21	SCREW, panhead	2	
14-13	133-81132-10	PLATE, timing	1	
14-14	92901-04200	WASHER, plain	1	
14-15	92901-04100	WASHER, spring	1	
14-16	110-81345-21	SCREW, cylinderhead (4-6)	1	
14-17	299-81133-10	FIXTURE, timing plate	1	
14-18	92901-04100	WASHER, spring	1	
14-19	110-81345-21	SCREW, panhead	1	
14-20	101-81111-10-00	BRUSH	4	
14-21	92901-04100	WASHER, spring	4	
14-22	98501-04008	SCREW, panhead	4	
14-23	141-81113-10	SPRING, brush	4	
14-24	207-81331-10	LUBRICATOR	2	
14-25	337-81153-10	GOVERNOR ASS'Y	1	
14-26	92901-08100	WASHER, spring	1	
14-27	90143-07016	SCREW (372-81152-00)	1	
14-28	92901-06100	WASHER, spring	3	
14-29	92501-06085	SCREW, panhead	1	
14-30	93501-06105	SCREW, panhead	2	

This page is intentionally blank



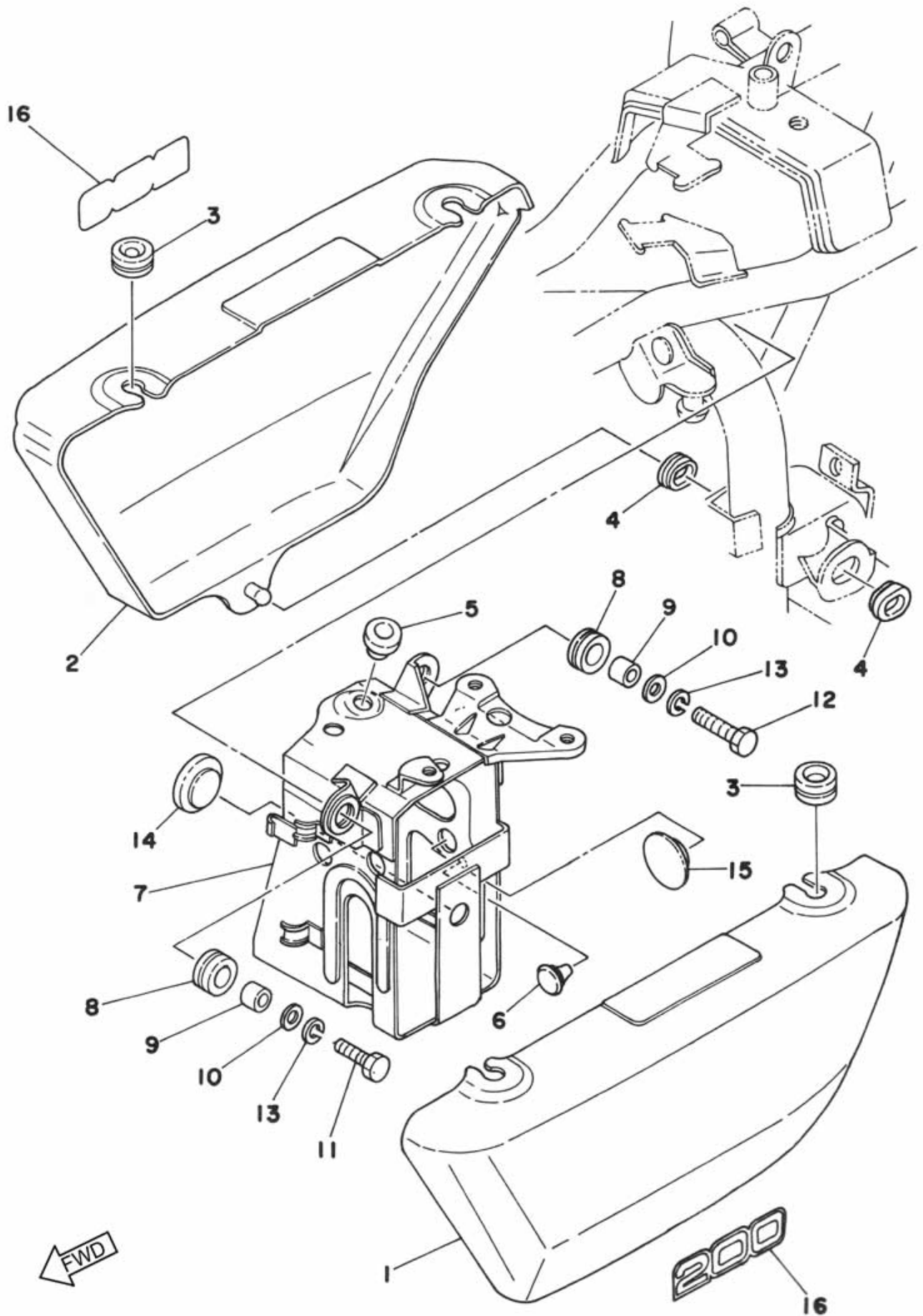
CHASSIS

Fig. 15: FRAME



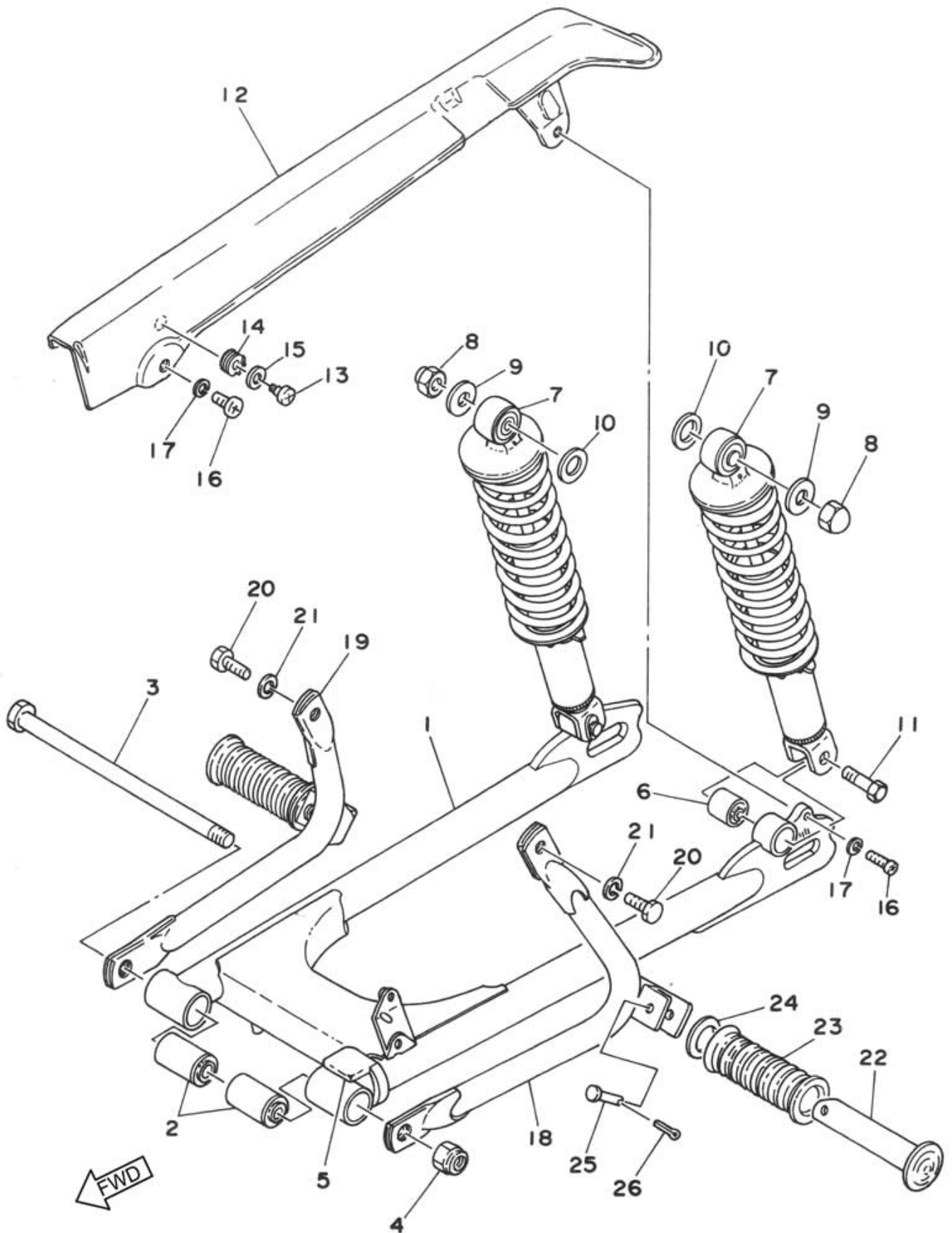
Ref No.	Part No.	Description	Q'ty	Remarks
15-1	2R7-21110-00-33	FRAME COMP	1	UK/Holland
	2R7-21110-40-33	FRAME COMP	1	Germany
	2R7-21110-70-33	FRAME COMP	1	Belgium
15-2	1E7-21315-01-33	STAY, engine front left	1	
15-3	1E7-21316-01-33	STAY, engine front right	1	
15-4	95821-08055	BOLT, flange	1	
15-5	95821-08070	BOLT, flange	1	
15-6	95821-08080	BOLT, flange	1	
15-7	95821-08100	BOLT, flange	1	
15-8	95701-08100	NUT, flange	5	
15-9	92901-08100	WASHER, spring	5	
15-10	95821-08115	BOLT, flange	1	
15-11	90101-08286	BOLT, hexagon	1	
15-12	337-21165-00-93	HANDLE, standing	1	
15-13	95301-06600	NUT, hexagon	1	
15-14	92901-06100	WASHER, spring	1	
15-15	*****	STEERING LOCK ASS'Y	1	Germany
	1E7-23480-00	STEERING LOCK ASS'Y	1	Except Germany
15-16	584-23484-01	CAP, handle lock	1	
15-17	90206-04003	WASHER, wave (214-23488-00)	1	
15-18	90269-04003	RIVET (214-23485-00)	1	
15-19	90502-09024	SPRING, conical (214-23485-00)	1	
15-20	90338-09060	PLUG	2	

Fig. 16: SIDE COVER - BOX



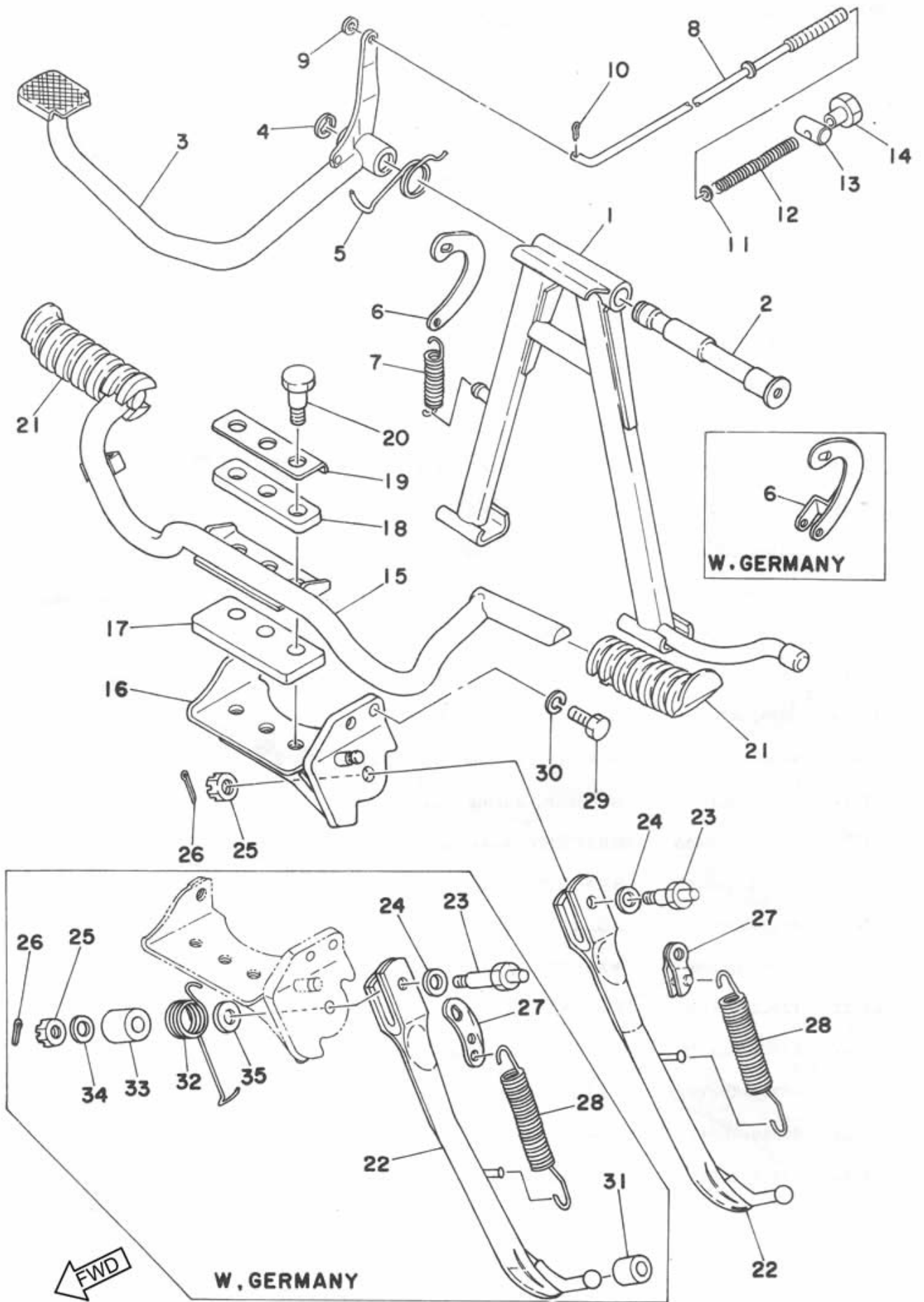
Ref No.	Part No.	Description	Q'ty	Remarks
16-1.....	1E7-21711-00-20 ..	COVER, side left	1	Crystal Silver
.....	1E7-21711-00-27 ..	COVER, side left	1	Candy Blue
.....	1E7-21711-00-36 ..	COVER, side left	1	Clean White
.....	1E7-21711-00-T5 ..	COVER, side left	1	Maxim Red
16-2.....	1E7-21721-00-20 ..	COVER, side right	1	Crystal Silver
.....	1E7-21721-00-27 ..	COVER, side right	1	Candy Blue
.....	1E7-21721-00-36 ..	COVER, side right	1	Clean White
.....	1E7-21721-00-T5 ..	COVER, side right	1	Maxim Red
16-3.....	90480-12053	GROMMET	4	
16-4.....	90480-01141	GROMMET (371-21747-00).....	2	
16-5.....	90480-12013	GROMMET (152-84518-00).....	1	
16-6.....	141-21717-00-00...	DAMPER.side cover.....	2	
16-7.....	1E8-21170-01-03 ..	BOX COMP	1	
16-8.....	90480-14102	GROMMET (214-21717-00).....	3	
16-9.....	90387-07390	COLLAR (214-21633-00)	3	
16-10...	90201-06067	WASHER, plate	3	
16-11...	97301-06025	BOLT, hexagon	2	
16-12...	97301-06030	BOLT, hexagon	1	
16-13...	92901-06100	WASHER, spring	3	
16-14...	371-82121-00	PAD, battery 1	1	
16-15...	371-82126-00	PAD, battery 2	2	
16-16...	2R7-21781-00	EMBLEM, side cover	2	

Fig. 17: REAR ARM - REAR CUSHION - CHAIN CASE



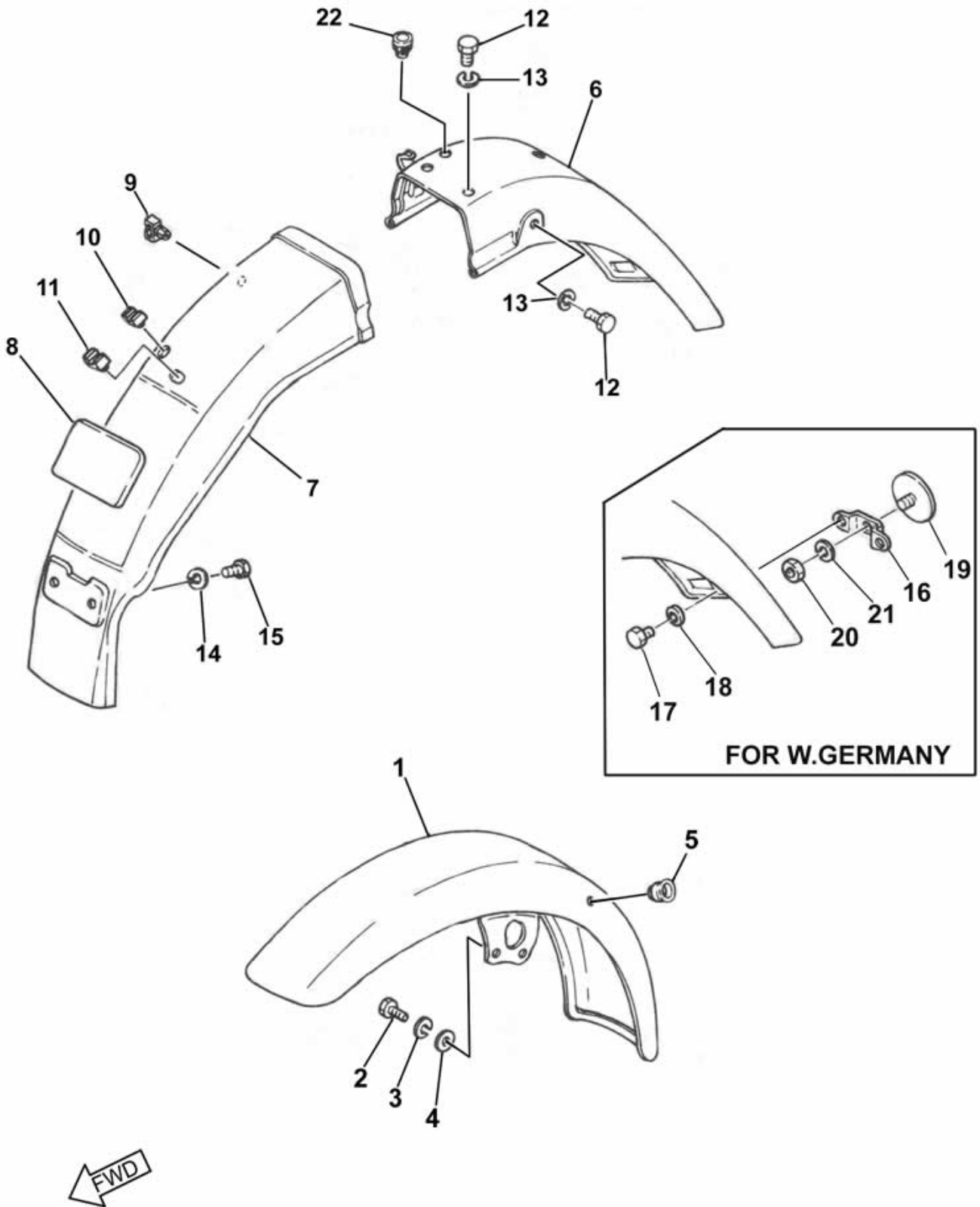
Ref No.	Part No.	Description	Q'ty	Remarks
17-1	2R7-22110-00-33	REAR ARM COMP.....	1	Yamaha Black
	2R7-22110-10-33	.. REAR ARM COMP.....	1	UK Spoke Wheel
17-2	174-22123-00 BUSHING, rear arm.....	2	
17-3	2R7-22141-00 SHAFT, pivot	1	
17-4	95601-14100 NUT, U.....	1	
17-5	173-22151-00 SEAL, guard	1	
17-6	164-22216-00 BUSHING, rear cushion	2	
17-7	1E8-22210-00 REAR CUSHION ASS'Y.....	2	
17-8	90176-10013 NUT, cap	2	
17-9	90201-10140 WASHER, plate (102-22243-00)	2	
17-10	90201-14218 WASHER, plate (135-22243-00)	2	
17-11	90106-08027 BOLT, round hexagon	2	
17-12	1E8-22311-01-33	.. CHAIN CASE, half.....	1	Yamaha Black
17-13	90149-06012 SCREW (183-22331-01)	1	
17-14	183-22332-01 DAMPER, chain case.....	1	
17-15	90201-07079 WASHER (182-22316-01).....	1	
17-16	92501-06012 SCREW, panhead.....	2	
17-17	92901-06100 WASHER, spring.....	2	
17-18	2R7-27432-00 BRACKET, rear footrest left	1	
17-19	2R7-27442-00 BRACKET, rear footrest right	1	
17-20	97321-08020 BOLT, hexagon	2	
17-21	92901-08100 WASHER, spring.....	2	
17-22	120-27431-00 FOOTREST, rear.....	2	2GV-27431-00
17-23	120-27433-00 COVER, rear footrest	2	
17-24	90201-20279 WASHER, special.....	2	
17-25	90240-06042 PIN, with hole	2	
17-26	91401-16012 PIN, cotter.....	2	

Fig. 18: STAND - FOOTREST - BRAKE PEDAL



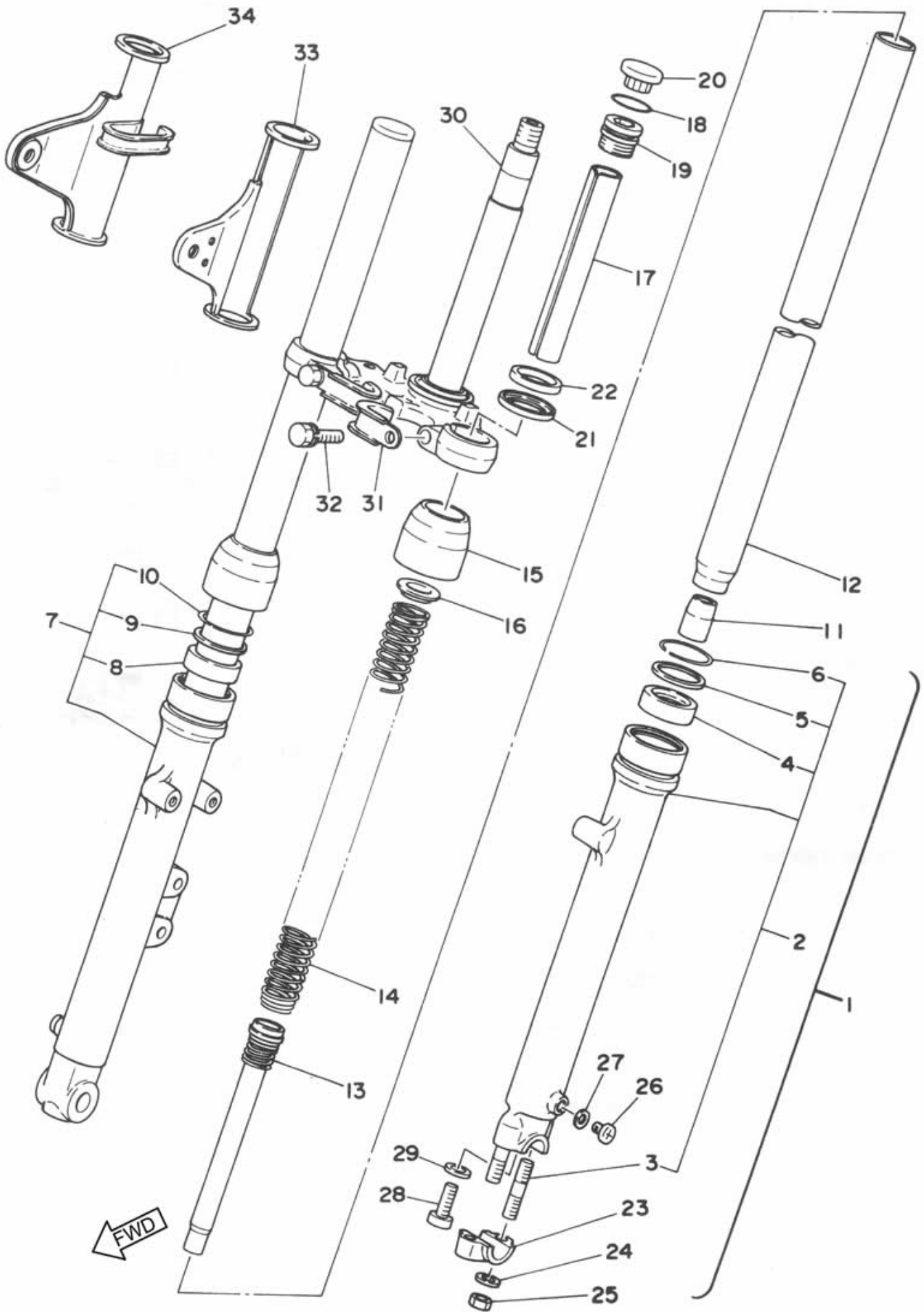
Ref No.	Part No.	Description	Q'ty	Remarks
18-1	1E8-27111-00	STAND, main	1	Germany
	337-27111-00	STAND, main	1	Except Germany
18-2	122-27112-00	SHAFT, main stand	1	
18-3	1E8-27211-00-93	PEDAL, brake	1	
18-4	93430-12008	CIRCLIP (E-12)	1	
18-5	90508-32056	SPRING (183-27216-00)	1	
18-6	174-27115-00	LINK	1	Except Germany
	1E8-27115-00	LINK	1	Germany
18-7	90506-26134	SPRING, tension	2	Germany
	90506-32056	SPRING, tension (174-27116-00)	1	Except Germany
18-8	337-27231-00	ROD, brake	1	
18-9	92901-06600	WASHER, plate	1	
18-10	91401-20012	PIN, cotter	1	
18-11	92901-06600	WASHER, plate	1	
18-12	90501-10245	SPRING (180-27236-00)	1	
18-13	90249-12008	PIN (156-27237-00)	1	
18-14	90179-06176	NUT, hexagon	1	
18-15	2R7-27411-00	FOOTREST	1	
18-16	2R7-27412-00	BRACKET, footrest	1	
18-17	2R6-27424-00	DAMPER, rubber 2	1	
18-18	2R6-27414-00	DAMPER, rubber 1	1	
18-19	2R6-27417-00	WASHER, special	1	
18-20	90109-10474	BOLT (132-27416-00)	3	90109-104E6-00
18-21	2R6-27413-00	COVER, footrest	2	
18-22	417-27311-00	STAND, side	1	Germany
	507-27311-00	STAND, side	1	Except Germany
18-23	90109-08417	BOLT	1	Except Germany
	90109-08438	BOLT	1	Germany
18-24	92901-08600	WASHER, plate	1	
18-25	95301-08900	NUT, slotted	1	
18-26	91401-20020	PIN, cotter	1	
18-27	1E7-27315-00	LINK, side stand	1	Germany
	507-27315-01	LINK, side stand	1	Except Germany
18-28	90507-29022	SPRING, tension	1	Except Germany
	90507-29026	SPRING, tension	1	Germany
18-29	97321-08020	BOLT, hexagon	1	
18-30	92901-08100	WASHER, spring	1	
18-31	278-27314-00	STOPPER, side stand	1	Germany
18-32	90508-29307	SPRING, Torsion	1	Germany
18-33	90387-10537	COLLAR	1	Germany
18-34	90201-08310	WASHER (190-23456-00)	1	Germany
18-35	90201-10146	WASHER, plate	1	Germany

Fig. 19: FRONT FENDER - REAR FENDER



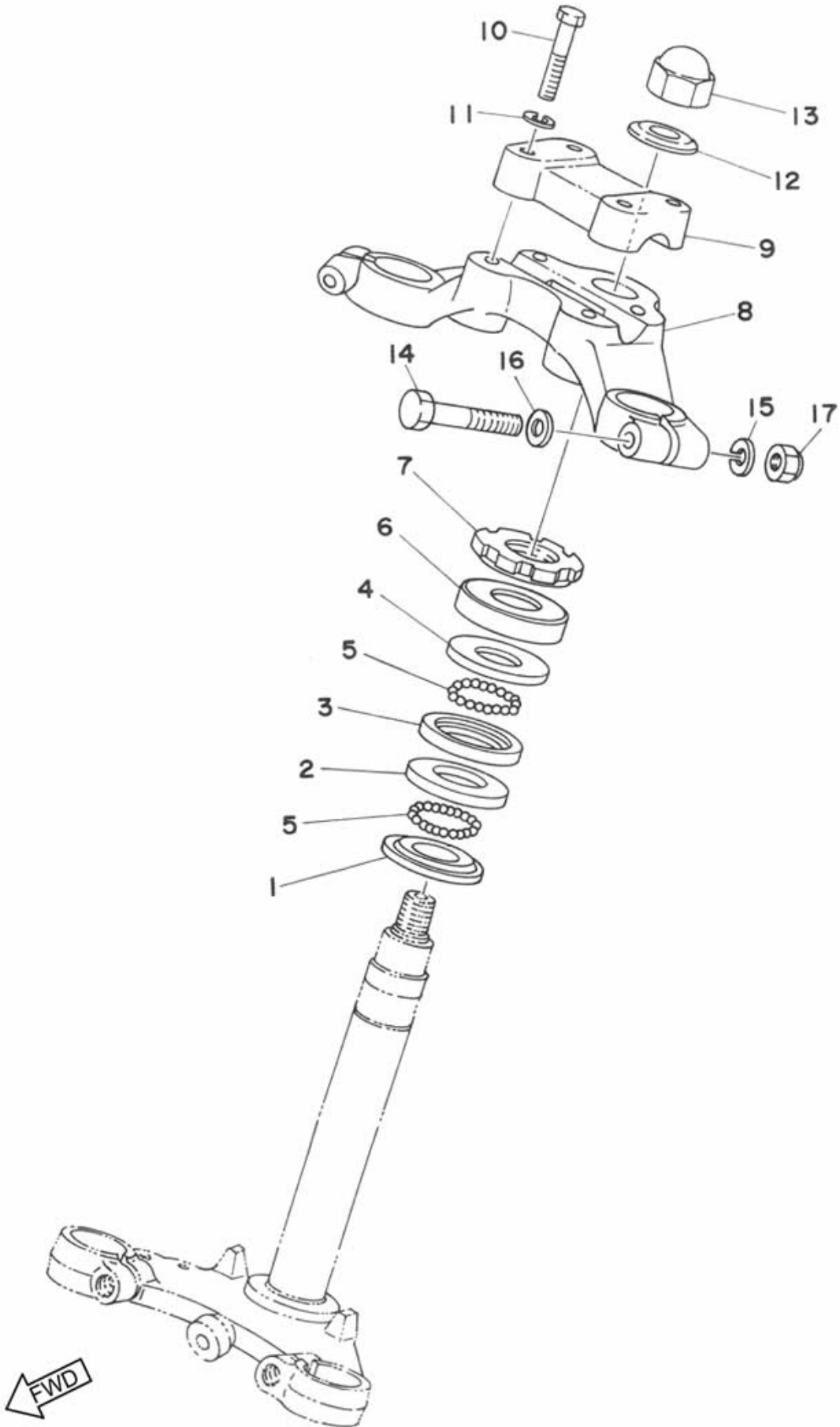
Ref No.	Part No.	Description	Q'ty	Remarks
19-1	2R6-21510-00-93	FRONT FENDER COMP.	1	
19-2	97301-08020	BOLT, hexagon	4	
19-3	92901-08100	WASHER, spring	4	
19-4	92901-08600	WASHER, plate	4	
19-5	1A0-21518-00	HOLDER, wire	1	
19-6	1E7-21610-00-93	REAR FENDER COMP.	1	Except UK & Germany
	1E7-21610-31-93	REAR FENDER COMP.	1	UK
	1E7-21610-40-93	REAR FENDER COMP.	1	Germany
19-7	1E7-21629-00	GUARD, mud	1	
19-8	1E7-21638-00	DAMPER, front	1	
19-9	90464-08020	CLAMP	1	
19-10	90464-10022	CLAMP	1	
19-11	90464-15023	CLAMP	1	
19-12	97321-06016	BOLT, hexagon	4	
19-13	92901-06100	WASHER, spring	4	
19-14	92901-06600	WASHER, plate	2	
19-15	97301-06016	BOLT, hexagon	2	
19-16	1E7-21641-00	BRACKET, reflector	1	Germany
19-17	97301-06012	BOLT, hexagon	2	Germany
19-18	92901-06100	WASHER, spring	2	Germany
19-19	449-85131-01	REFLECTOR	1	Germany
19-20	95301-05600	NUT, hexagon	1	Germany
19-21	92903-05100	WASHER, spring	1	Germany
19-22	90480-12013	GROMMET (152-84518-00)	2	Germany

Fig. 20: FRONT FORK



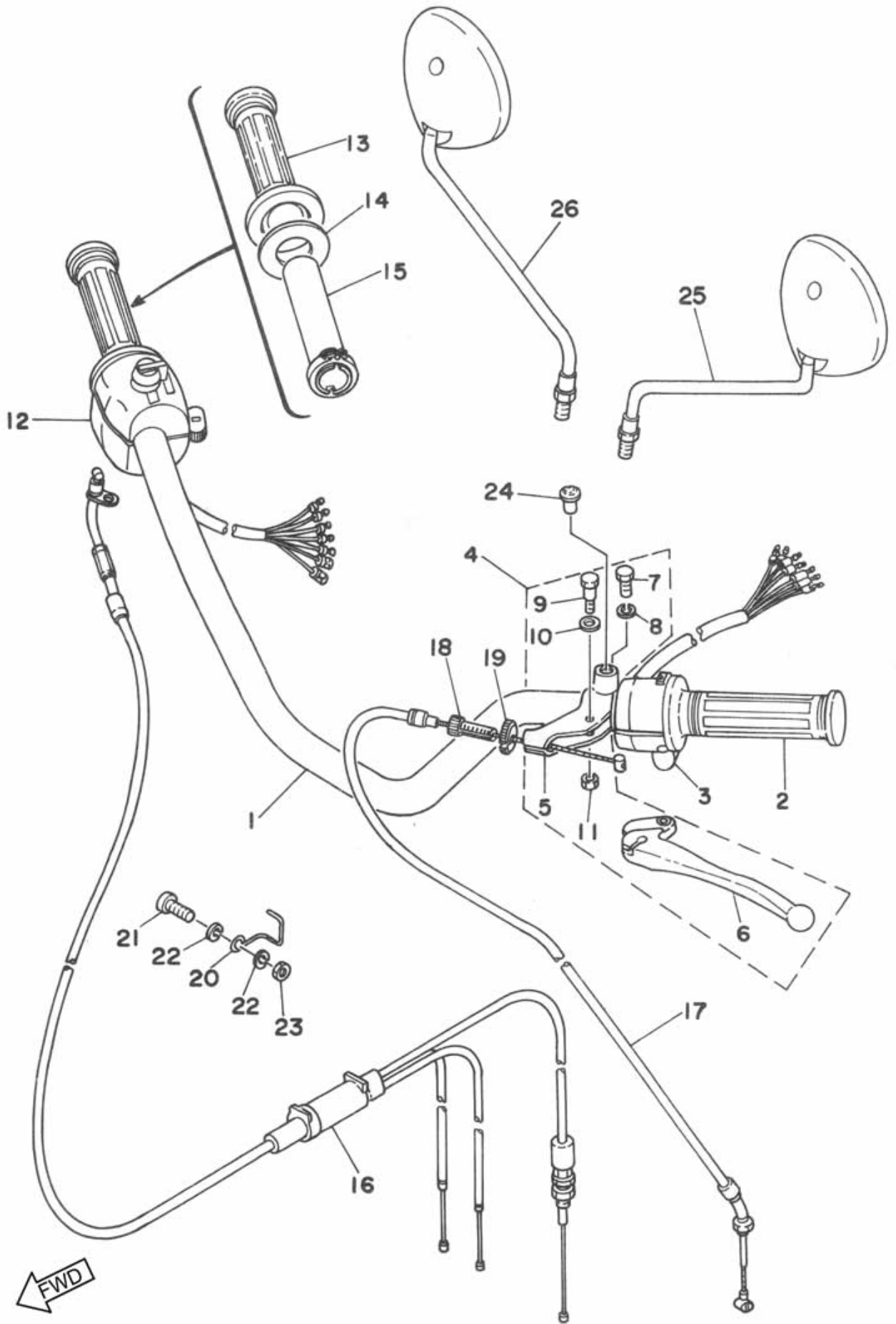
Ref No.	Part No.	Description	Q'ty	Remarks
20-1	2R6-23101-00	FRONT FORK ASS'Y	1	Except Germany
	2R6-23101-30	FRONT FORK ASS'Y	1	Germany
	2R7-23101-00	FRONT FORK ASS'Y	1	UK Spoke Wheel
20-2	2R6-23126-00-38	TUBE, outer left	1	
20-3	90116-08261	BOLT, stud	2	
20-4	2R6-23145-00	OIL SEAL	1	
20-5	315-23146-50	WASHER, oil seal	1	
20-6	315-23156-50	CLIP, oil seal	1	
20-7	2R6-23136-00-38	TUBE, outer right	1	
20-8	2R6-23145-00	OIL SEAL	1	
20-9	315-23146-50	WASHER, oil seal	1	
20-10	315-23156-50	CLIP, oil seal	1	
20-11	2K5-23173-00	SPINDLE	2	
20-12	2R6-23110-00	INNER TUBE COMP.	2	
	2R7-23110-00	INNER TUBE COMP.	2	UK Spoke Wheel
20-13	2R6-23170-00	CYLINDER COMP., front fork	2	
20-14	2R6-23141-00	SPRING, front fork	2	
20-15	535-23144-00	SEAL, DUST	2	
20-16	256-23142-60	SEAT, spring upper	2	
20-17	2R6-23118-00	SPACER	2	
20-18	146-23114-00	PACKING	2	
20-19	1X0-23111-00	BOLT, cap	2	
20-20	1X0-23168-00-00	CAP		
20-20	1X0-23168-00-00	CAP	2	
20-21	248-23115-01	GUIDE, cover under	2	
20-22	437-23163-00	PACKING	2	
20-23	291-23167-61	HOLDER, axle	1	
20-24	92901-08100	WASHER, spring	2	
20-25	90170-08176	NUT	2	
20-26	122-23119-01	PLUG, drain	2	
20-27	122-23129-00	GASKET, drain plug	2	
20-28	278-23181-50	BOLT	2	
20-29	509-23158-L0	PACKING	2	
20-30	2R6-23340-00-33	UNDER BRACKET COMP.	1	Except Germany
	2R6-23340-30-33	UNDER BRACKET COMP.	1	Germany
20-31	260-23318040	HOLDER, wire	2	
20-32	122-23346-01	BOLT	2	
20-33	2R6-23121-00-98	COVER, upper left	1	Low Gloss Black
20-34	2R6-23131-00-98	COVER, upper right	1	Low Gloss Black

Fig. 21: STEERING



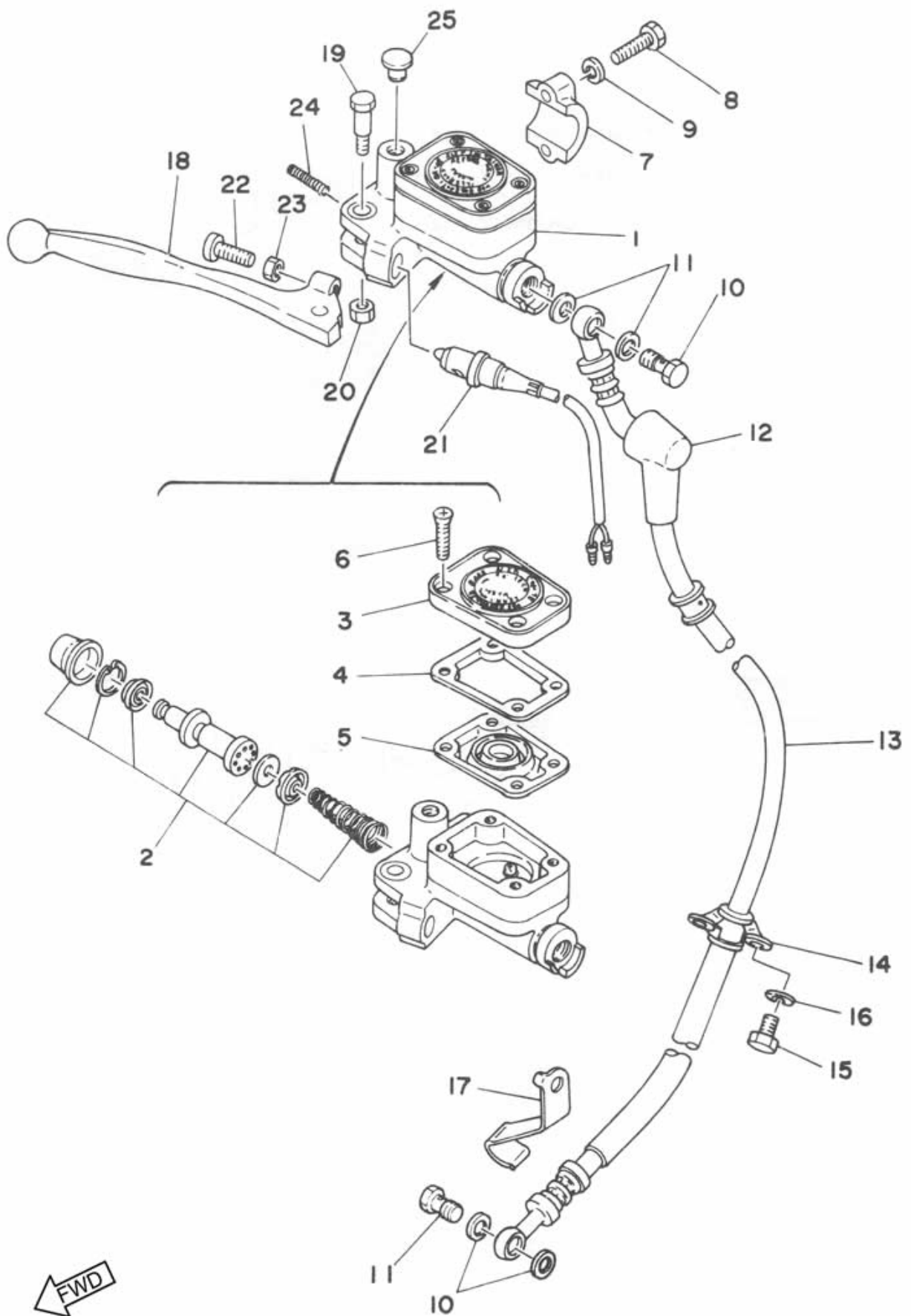
Ref No.	Part No.	Description	Q'ty	Remarks
21-1.....	156-23411-00	RACE, ball 1	1	
21-2.....	156-23412-00	RACE, ball 2	1	
21-3.....	183-23412-00	RACE, ball 1	1	
21-4.....	183-23411-00	RACE, ball 2	1	
21-5.....	93501-04011	BALL (1/4 inch).....	38	
21-6.....	136-23415-00	COVER, ball race	1	
21-7.....	90179-25033	NUT (137-23454-00)	1	
21-8.....	535-23435-00-98...	CROWN, handle.....	1	Low Gloss Black
21-9.....	154-23441-00-98...	HOLDER, handle upper	1	Low Gloss Black
21-10...	97323-08035	BOLT, hexagon	4	
21-11...	92901-08100	WASHER, spring.....	4	
21-12...	90209-17057	WASHER, plate.....	1	
21-13...	90176-16016	NUT, cap	1	
21-14...	97323-08050	BOLT, hexagon	2	
21-15...	92901-08100	WASHER, spring.....	2	
21-16...	90201-08083	WASHER (156-27226-00).....	2	
21-17...	95303-08800	NUT, hexagon	2	

Fig. 22: HANDLE - WIRE



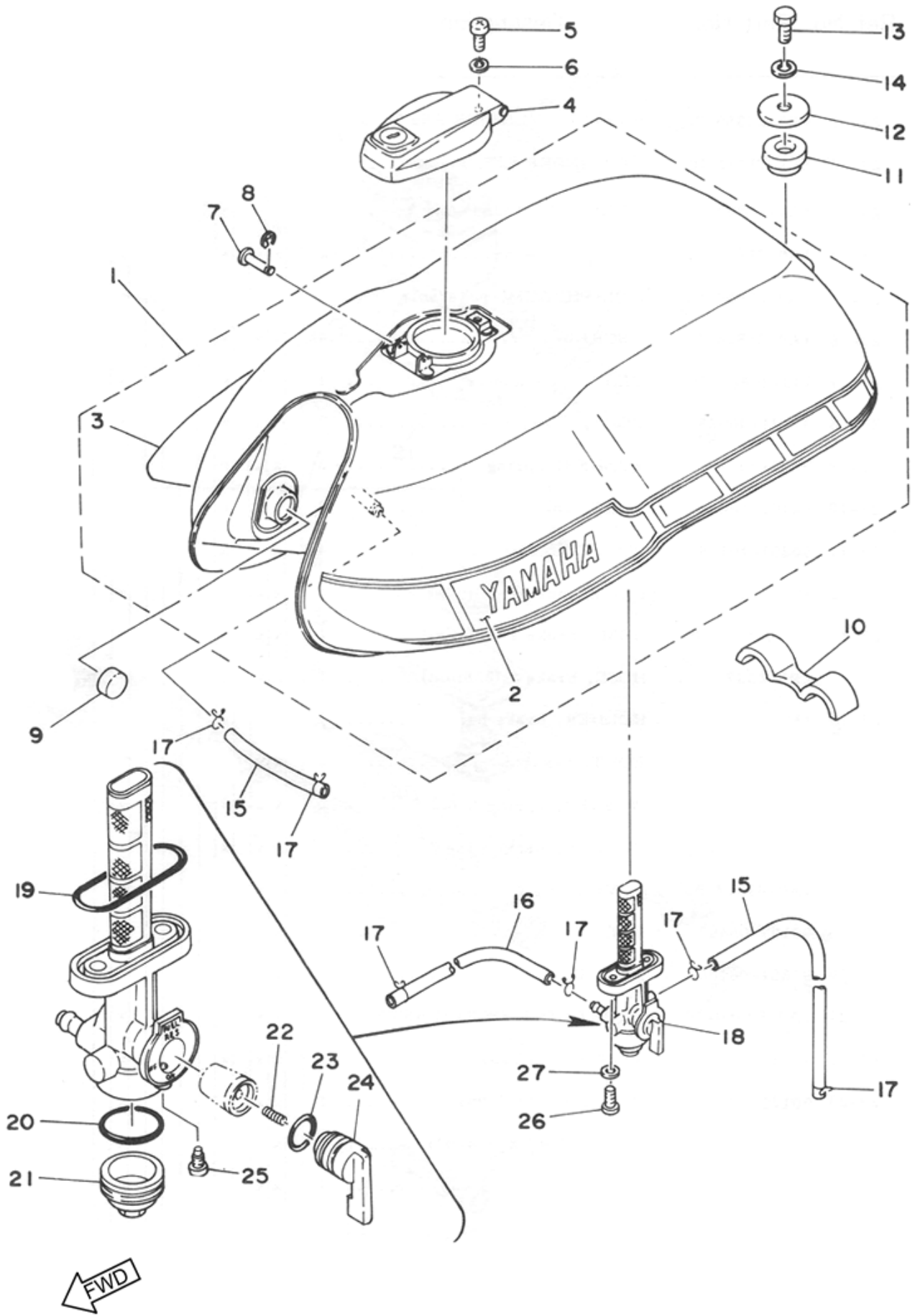
Ref No.	Part No.	Description	Q'ty	Remarks
22-1	2R6-26111-29	HANDLE	1	
	337-26111-00	HANDLE	1	Alternate Up Handle
22-2	1E6-26421-00	GRIP, left	1	
22-3	1A0-83973-02-98	SWITCH, handle 3 left	1	Low Gloss Black
	2R6-83973-10-98	SWITCH, handle 3 left	1	Alternate Up Handle
22-4	498-82910-11	LEVER HOLDER ASS'Y, left	1	
22-5	498-82911-00	HOLDER, levr left	1	
22-6	214-83912-00	LEVER, left	1	
22-7	97301-06022	BOLT, hexagon	1	
22-8	92901-06100	WASHER, spring	1	
22-9	90109-06410	BOLT	1	
22-10	90201-08083	WASHER, plate (156-27226-00)	1	
22-11	95601-06100	NUT U	1	
22-12	2R7-83963-00-98	SWITCH, handle 3 right	1	Low Gloss Black
22-13	1A0-26242-01-00	GRIP RH		
22-13	1A0-26242-01-00	GRIP, right	1	
22-14	278-26249-00	RING, leaf	1	
22-15	1A0-26243-01-00	1GU-26243-00-00		
22-15	1A0-26243-01-00	TUBE, guide	1	
22-16	1E8-26260-00	WIRE CYLINDER ASS'Y	1	
22-16	1E8-26260-10	WIRE CYLINDER ASS'Y	1	Alternate Up Handle
22-17	1E7-26335-01	WIRE, clutch (835mm)	1	
22-17	1E7-26335-11	WIRE, clutch (980mm)	1	Alternate Up Handle
22-18	90123-08046	BOLT, wire adjusting	1	
22-19	90179-08148	NUT (168-26344-00)	1	
22-20	326-26328-00	GUIDE, wire	1	
22-21	92501-06020	SCREW, panhead	1	
22-22	92901-06100	WASHER, spring	2	
22-23	95301-06600	NUT, hexagon	1	
22-24	90338-09012	PLUG	1	
22-25	1Y1-26290-10	BACK MIRROR ASS'Y, left	1	Optional UK
	1Y1-26290-50	BACK MIRROR ASS'Y, left	1	Germany
22-26	1Y1-26290-00	BACK MIRROR ASS'Y, right	1	Optional (Std UK)
	1Y1-26290-60	BACK MIRROR ASS'Y, right	1	Germany

Fig. 23: MASTER CYLINDER - BRAKE HOSE



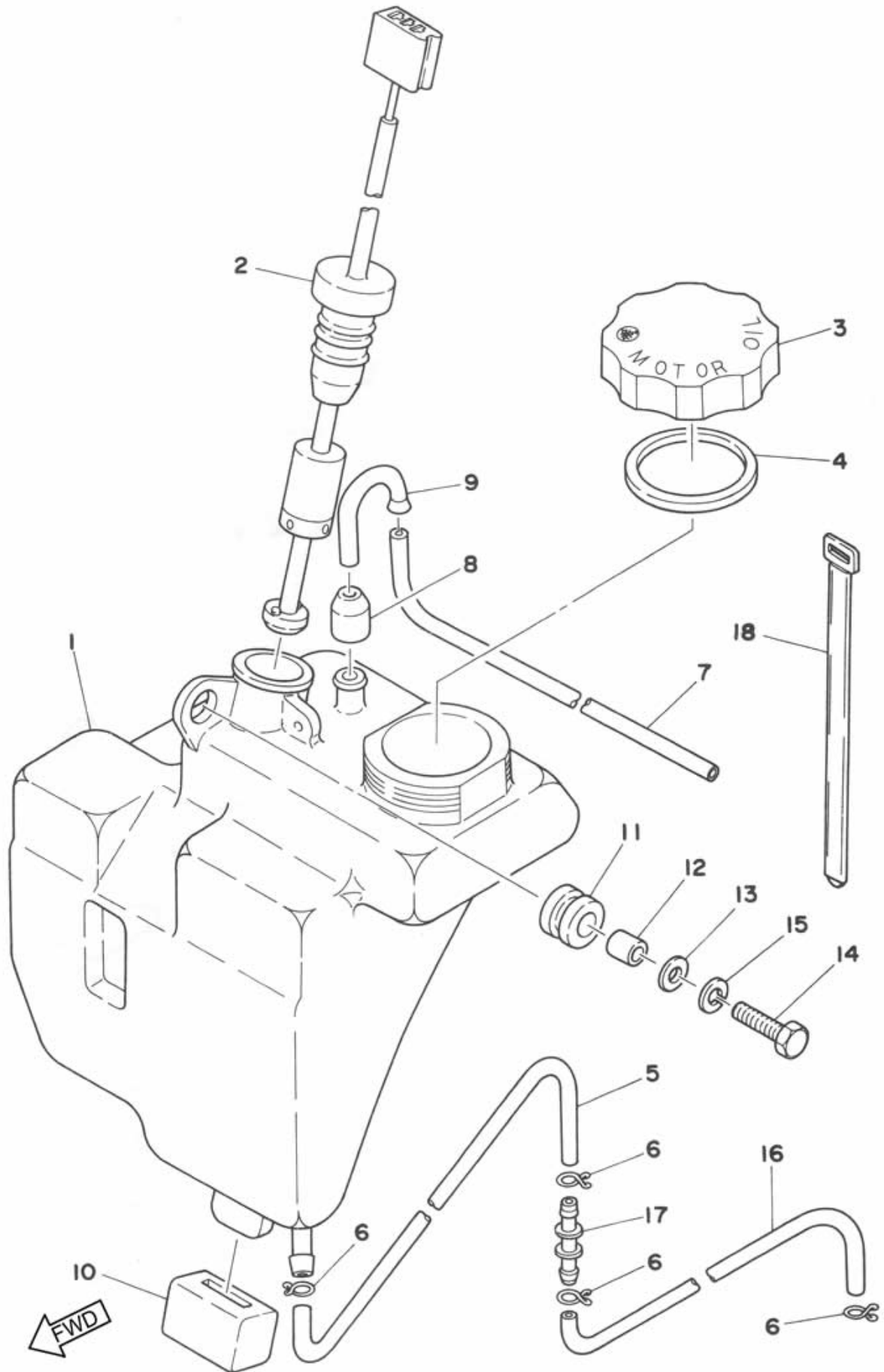
Ref No.	Part No.	Description	Q'ty	Remarks
23-1	1E7-25850-02	MASTER CYLINDER ASS'Y	1	
23-2	535-20000-10	CYLINDER KIT, master	1	
23-3	1A0-25893-01	RESERVOIR CAP ASS'Y	1	
23-4	1A0-25855-01	GASKET	1	
23-5	1A0-25854-01	DIAPHRAGM, reservoir	1	
23-6	1A0-25824-01	SCREW, bind	4	
23-7	1J3-25867-00	BRACKET, master	1	
23-8	97321-06025	BOLT, hexagon	2	
23-9	92901-06100	WASHER, spring	2	
23-10	90401-10034	BOLT, union	2	
23-11	90201-10118	WASHER, plate	4	
23-12	360-25862-00	BOOT, master cylinder	1	
23-13	2R6-25872-00	HOSE, brake 1 (765mm)	1	
	2R6-25872-00	HOSE, brake 1 (828mm)	1	Alternate Up Handle
23-14	1M7-25875-00	HOLDER, brake hose 1	1	
23-15	97301-06016	BOLT, hexagon	2	
23-16	92901-06100	WASHER, spring	2	
23-17	2R6-25876-00	HOLDER, brake hose 2	1	
23-18	1A0-83922-00	LEVER, right	1	
23-19	90109-06465	BOLT	1	
23-20	94601-06100	NUT U	1	
23-21	1A0-83980-30	FRONT STOP SWITCH ASS'Y	1	
23-22	90146-06008	SCREW, panhead	1	
23-23	90170-06010	NUT (306-83972-00)	1	
23-24	90501-10312	SPRING (306-83924-00)	1	
23-25	90338-09012	PLUG	1	Not UK

Fig. 24: FUEL TANK



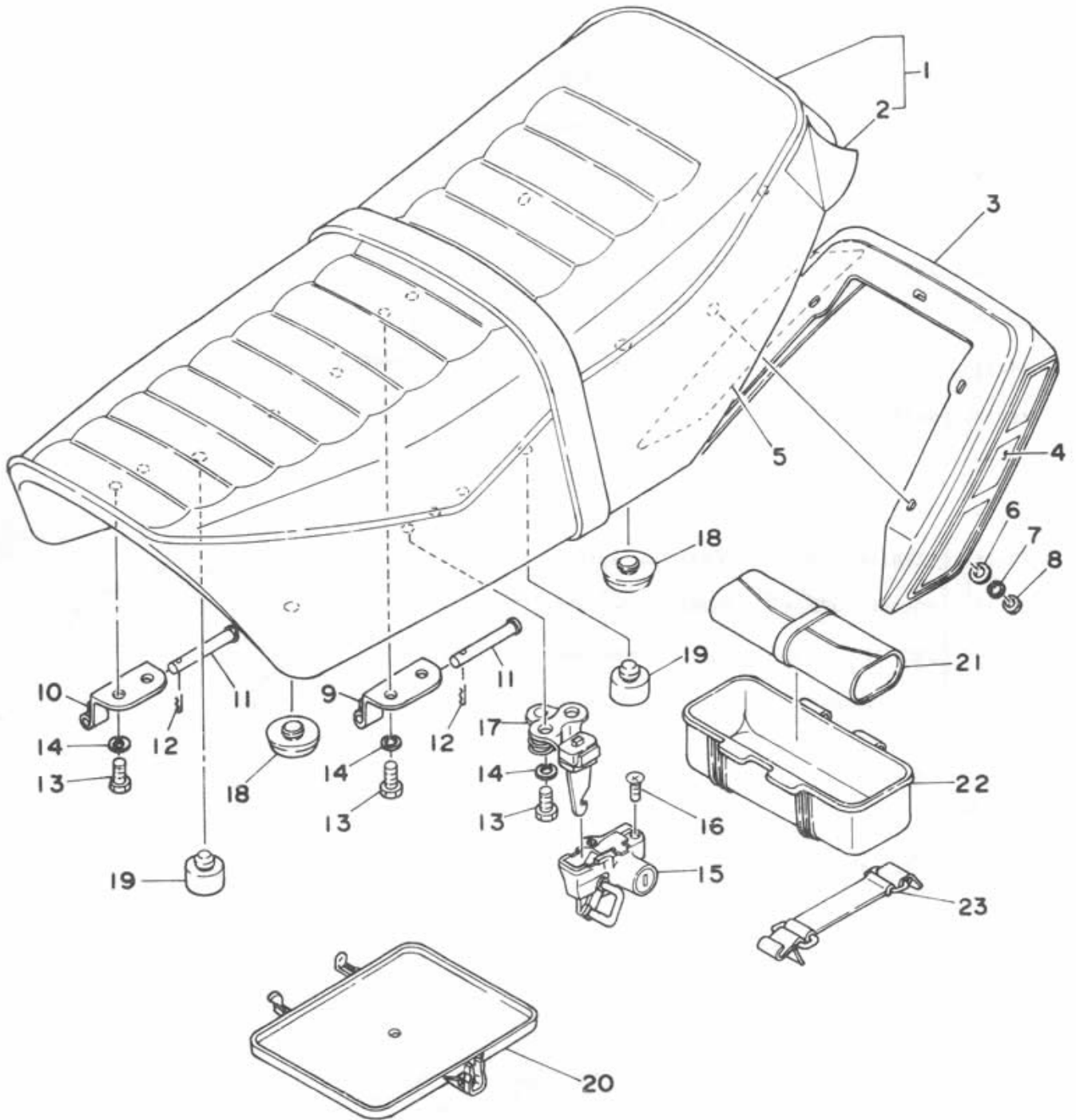
Ref No.	Part No.	Description	Q'ty	Remarks
24-1	1E7-24110-00-W8	FUEL TANK COMP	1	Crystal Silver
	1E7-24110-00-W9	FUEL TANK COMP	1	Candy Blue
	1E7-24110-Y0-01	FUEL TANK COMP	1	Clean White
	1E7-24110-Y0-02	FUEL TANK COMP	1	Maxim Red
24-2	2R6-24244-00	GRAPHIC, fuel tank left	1	
	2R6-24244-10	GRAPHIC, fuel tank left	1	For Clean White
24-3	2R6-24245-00	GRAPHIC, fuel tank right	1	
	2R6-24245-10	GRAPHIC, fuel tank right	1	For Clean White
24-4	1E7-24602-00	CAP ASS'Y	1	
24-5	98501-05008	SCREW, panhead	1	
24-6	92901-05100	WASHER, spring	1	
24-7	90249-03123	PIN	1	
24-8	93430-02001	CIRCLIP (E-1.9)	1	
24-9	122-24181-00	DAMPER, locating	2	
24-10	1E7-24182-00	DAMPER, locating	1	
24-11	90480-25135	GROMMET (322-24182-00)	1	
24-12	90209-08098	WASHER (341-83348-00)	1	
24-13	97301-08016	BOLT, hexagon	1	
24-14	92901-08100	WASHER, spring	1	
24-15	90445-09083	HOSE (137-24331-00, 5-155)	2	
24-16	90445-09078	HOSE (137-24311-00, 5-190)	1	
24-17	90467-08003	CLIP (101-24356-00)	6	
24-18	1A0-24500-00	FUEL COCK ASS'Y	1	
24-19	214-24512-00	GASKET, body	1	
24-20	498-24522-00	O-RING	1	
24-21	1A0-24521-00	CUP, filter	1	
24-22	1A0-24529-01	SPRING	1	
24-23	1A0-24512-00	O-RING	1	
24-24	1A0-24524-01	LEVER, cock	1	
24-25	619-24535-00	SCREW	1	
24-26	90149-06011	SCREW (256-24143-00)	2	
24-27	90202-06010	WASHER, plate (178-14766-00)	2	

Fig. 25: OIL TANK



Ref No.	Part No.	Description	Q'ty	Remarks
25-1	1J2-21751-00	TANK, oil	1	
25-2	1E7-85720-03	OIL LEVEL GAUGE ASS'Y	1	
25-3	517-21771-00	CAP, oil tank	1	
25-4	90430-38053	GASKET	1	
25-5	1E7-24319-00	PIPE, oil (5-500)	1	
25-6	90467-08003	CLIP (101-24356-00)	4	
25-7	90446-09131	HOSE (5-160)	1	
25-8	439-21759-01	GROMMET (322-24182-00)	1	
25-9	439-24119-00	TUBE, connecting	1	
25-10	1E7-21778-00	DAMPER, locating 1	1	
25-11	90480-14102	GROMMET (214-21717-00)	1	
25-12	90387-07390	COLLAR (214-21633-00)	1	
25-13	90201-06067	WASHER, plate	1	
25-14	97301-06025	BOLT, hexagon	1	
25-15	92901-06100	WASHER, spring	1	
25-16	90445-09070	HOSE (174-24331-00)	1	
25-17	1E7-21753-00	BOSS, connector	1	
25-18	437-83936-00	BAND, switch cord	1	

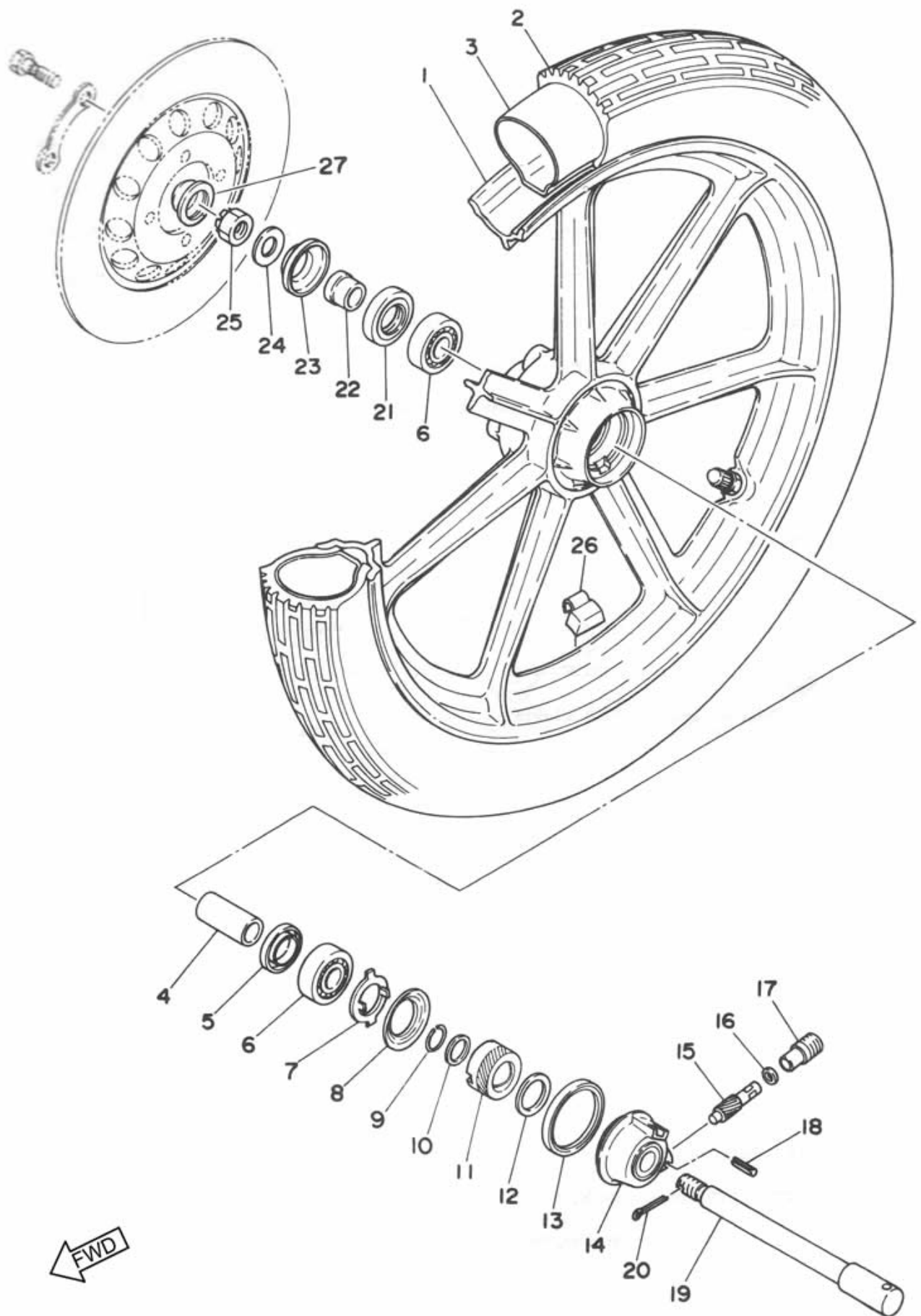
Fig. 26: SEAT



FWD

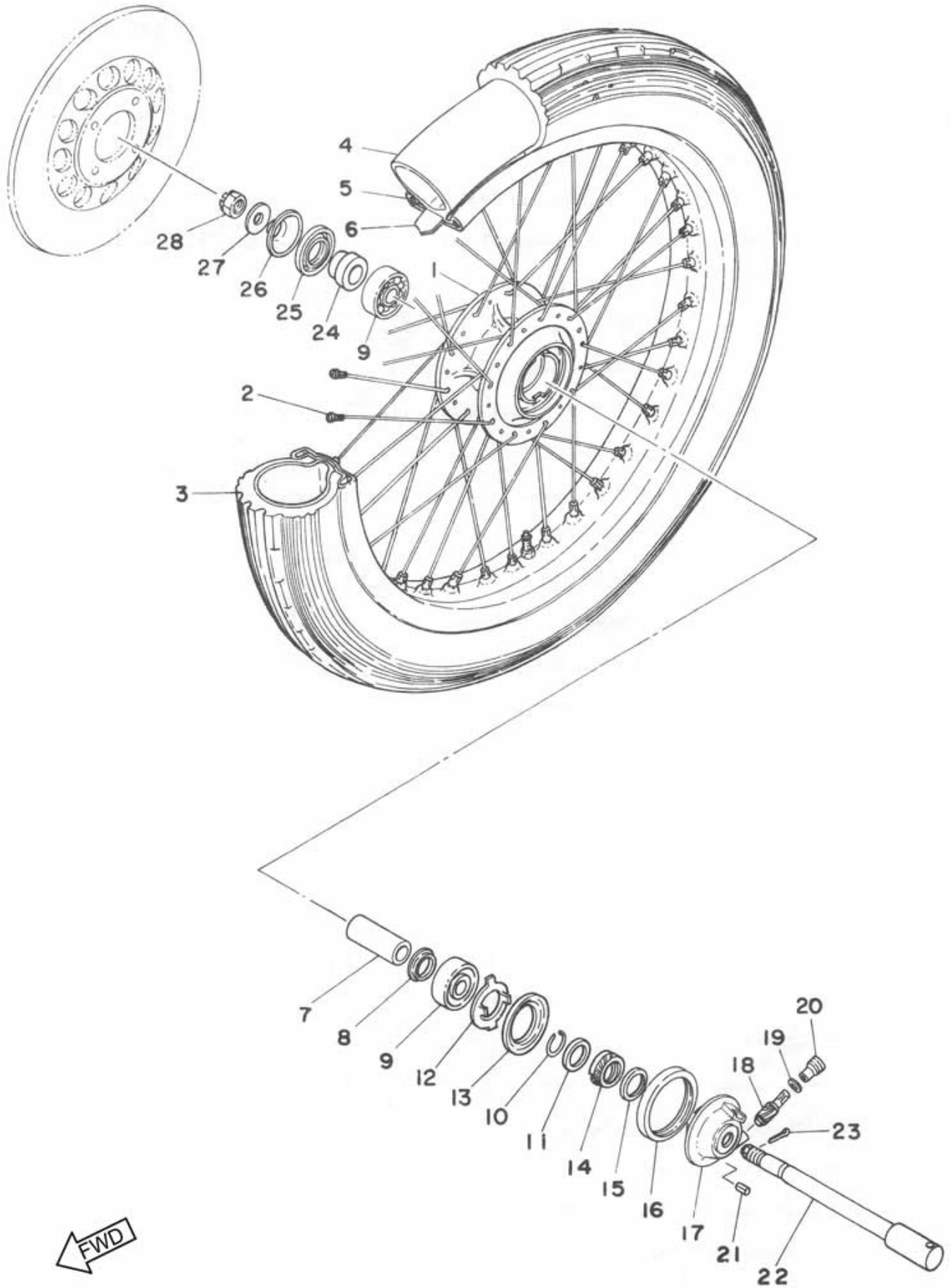
Ref No.	Part No.	Description	Q'ty	Remarks
26-1	1E7-24730-91	DOUBLE SEAT ASS'Y	1	
26-2	1E7-24731-00	COVER, double seat	1	
26-3	1E7-24756-00-20	COVER, tail	1	Crystal Silver
	1E7-24756-00-29	COVER, tail	1	Candy Blue
	1E7-24756-00-36	COVER, tail	1	Clean White
	1E7-24756-00-T5	COVER, tail	1	Maxim Red
26-4	2R6-24757-00	GRAPHIC, tail cover left	1	
	2R6-24757-10	GRAPHIC, tail cover left	1	for Clean White
26-5	2R6-24767-00	GRAPHIC, tail cover right	1	
	2R6-24767-10	GRAPHIC, tail cover right	1	for Clean White
26-6	90201-05031	WASHER, plate (256-82517-00)	4	
26-7	92901-05100	WASHER, spring	5	
26-8	95301-05600	NUT, hexagon	5	
26-9	1A0-24726-00-33	HINGE, seat	1	Yamaha Black
26-10	248-24726-00-33	HINGE, seat	1	Yamaha Black
26-11	91702-05055	PIN, clevis	2	
26-12	90468-10050	CLIP (156-83525-00)	2	
26-13	97301-06016	BOLT, hexagon	6	
26-14	92901-06100	WASHER, spring	6	
26-15	1E7-24705-00	SEAT LOCK ASS'Y	1	
26-16	92706-06012	SCREW, flathead	2	
26-17	371-24728-00	BRACKET, seat	1	
26-18	174-24741-00	PAD, seat	2	
26-19	278-27114-00	STOPPER	2	
26-20	2R6-28185-00	LID	1	
26-21	1E7-28100-10	TOOL ASS'Y	1	
26-22	1E7-21171-00	BOX, tool	1	
26-23	1E7-21376-00	BAND, tool	1	

Fig. 27: FRONT WHEEL (Casting Wheel Type)



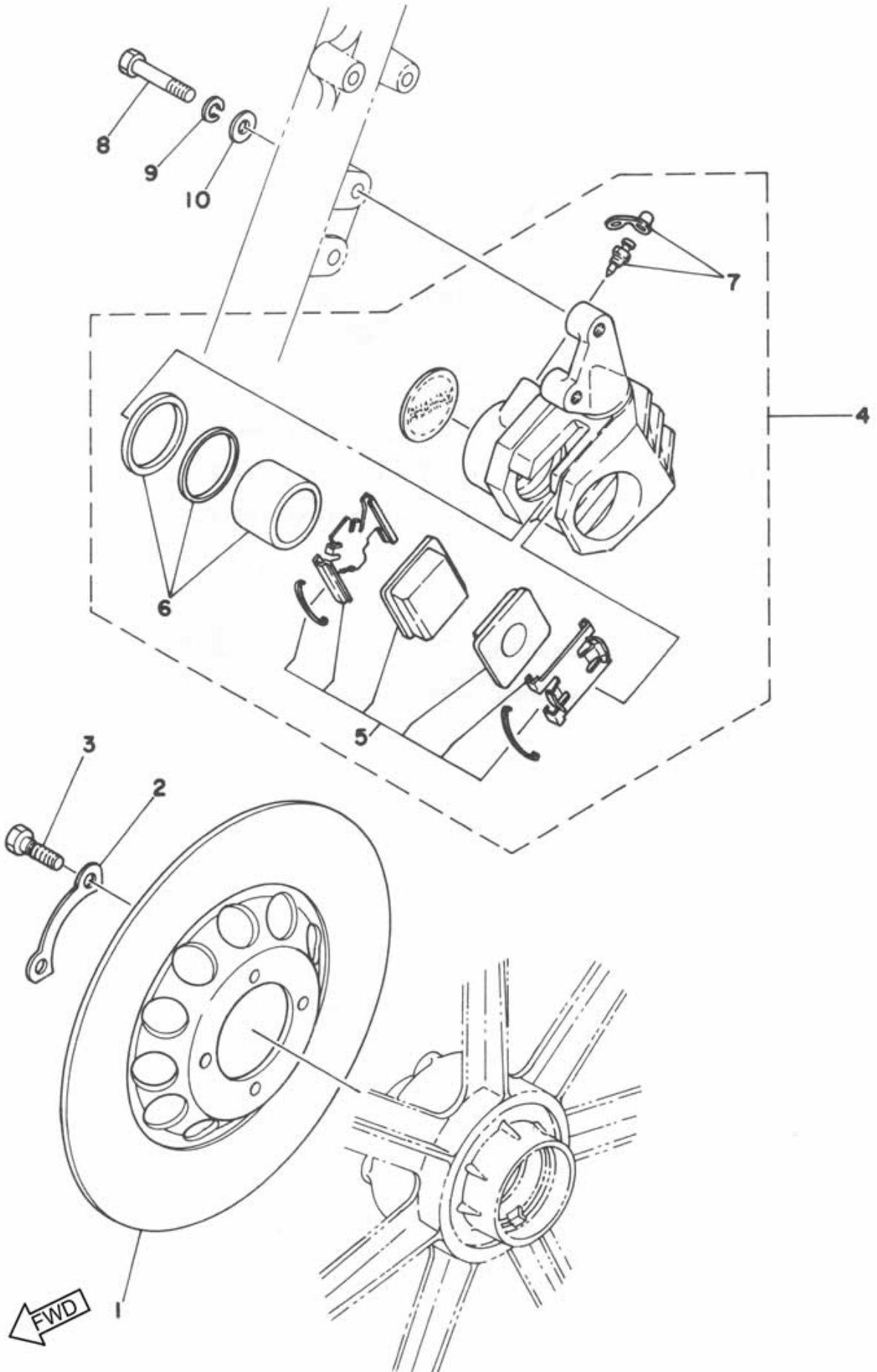
Ref No.	Part No.	Description	Q'ty	Remarks
27-1	2R6-25168-20	WHEEL, cast front	1	
27-2	94127-18202	TIRE, front (2.75-18-4PR)	1	
27-3	94227-18010	TUBE, front (2.75-18)	1	
27-4	90560-15136	SPACER (136-25317-00)	1	
27-5	2R6-25115-00	FLANGE, spacer	1	
27-6	93306-30206	BEARING (6302ZZ)	2	
27-7	341-25149-00	CLUTCH, meter	1	
27-8	341-25846-00	RETAINER, clutch meter	1	
27-9	341-25137-00	RING, stop	1	
27-10	90201-25286	WASHER, plate	1	
27-11	351-25135-00	GEAR, drive	1	
27-12	90201-25490	WASHER, plate (152-17226-00)	1	
27-13	93105-45017	OIL SEAL (SDD-45-56-6)	1	
27-14	404-25191-00	HOUSING, gear unit	1	
27-15	351-25138-00	GEAR, meter	1	
27-16	102-18416-00	SHIM, rod	1	
27-17	306-25136-00	BUSHING	1	
27-18	91609-20014	PIN, spring	1	
27-19	404-25181-00	SHAFT, wheel	1	
27-20	91401-30030	PIN, cotter	1	
27-21	93102-22014	OIL SEAL (SD-22-42-7)	1	
27-22	90387-15671	COLLAR (404-25183-00)	1	
27-23	401-25367-00	COVER, hub dust	1	
27-24	92901-14200	WASHER, plain	1	Not Germany
	90209-14136	WASHER	1	Germany
27-25	90171-14020	NUT, castle	1	
27-26	1A1-25398-01	BALANCER, wheel (20g)	U.N.	
	1A1-25399-00	BALANCER, wheel (10g)	U.N.	
27-27	521-25188-00	CAP	1	

Fig. 28: FRONT WHEEL (Spoke Wheel Type)
Alternate Parts: UK Only



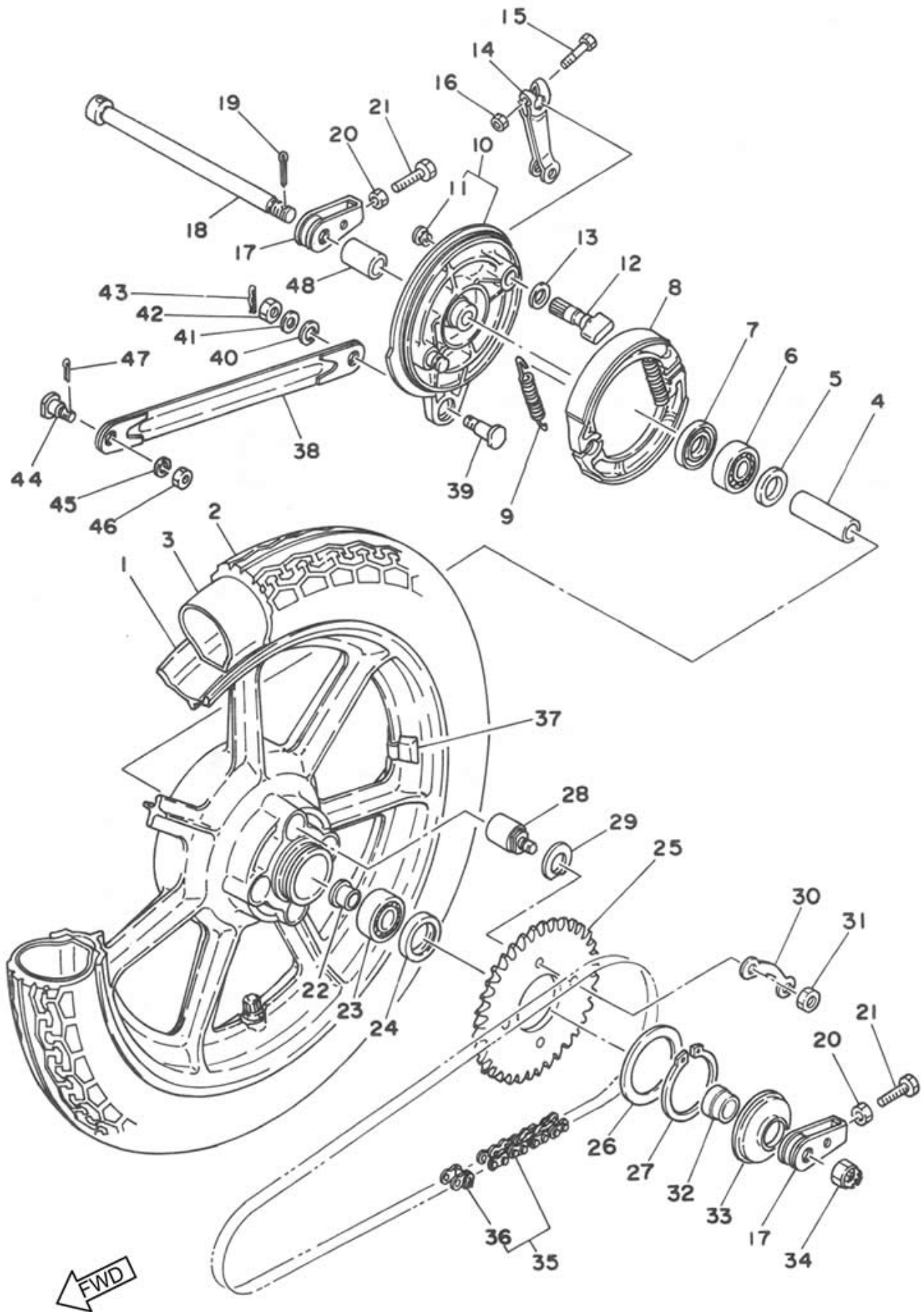
Ref No.	Part No.	Description	Q'ty	Remarks
28-1	404-25111-00	HUB, front	1	
28-2	404-25104-00	SPOKE SET	1s	
28-3	94127-18202	TIRE, front (2.75-18-4PR)	1	
28-4	94227-18010	TUBE, front (2.75-18)	1	
28-5	94416-18094	RIM (1.60A-18)	1	
28-6	94327-18007	BAND, rim (2.75-18)	1	
28-7	90560-15136	SPACER (136-25317-00)	1	
28-8	148-25115-00	FLANGE, spacer	1	
28-9	93306-30203	BEARING (6302Z)	2	
28-10	341-25137-00	RING, stop	1	
28-11	90201-25286	WASHER, plate (341-25147-00)	1	
28-12	341-25149-00	CLUTCH, meter	1	
28-13	341-25846-00	RETAINER, clutch meter	1	
28-14	351-25135-00	GEAR, drive	1	
28-15	90201-25490	WASHER, plate (152-17226-00)	1	
28-16	93105-45017	OIL SEAL (SDD-45-56-6)	1	
28-17	404-25191-00	HOUSING, gear unit	1	
28-18	351-25138-00	GEAR, meter	1	
28-19	102-18416-00	SHIM, rod	1	
28-20	306-25136-00	BUSHING	1	
28-21	91609-20014	PIN, spring	1	
28-22	404-25181-00	SHAFT, wheel	1	
28-23	91401-30030	PIN, cotter	1	
28-24	90387-15671	COLLAR (404-25183-00)	1	
28-25	93102-22014	OIL SEAL (SD-22-42-7)	1	
28-26	401-25367-00	COVER, hub dust	1	
28-27	92901-14200	WASHER, plain	1	
28-28	90171-14020	NUT, castle	1	

Fig. 29: DISK BRAKE - CALIPER



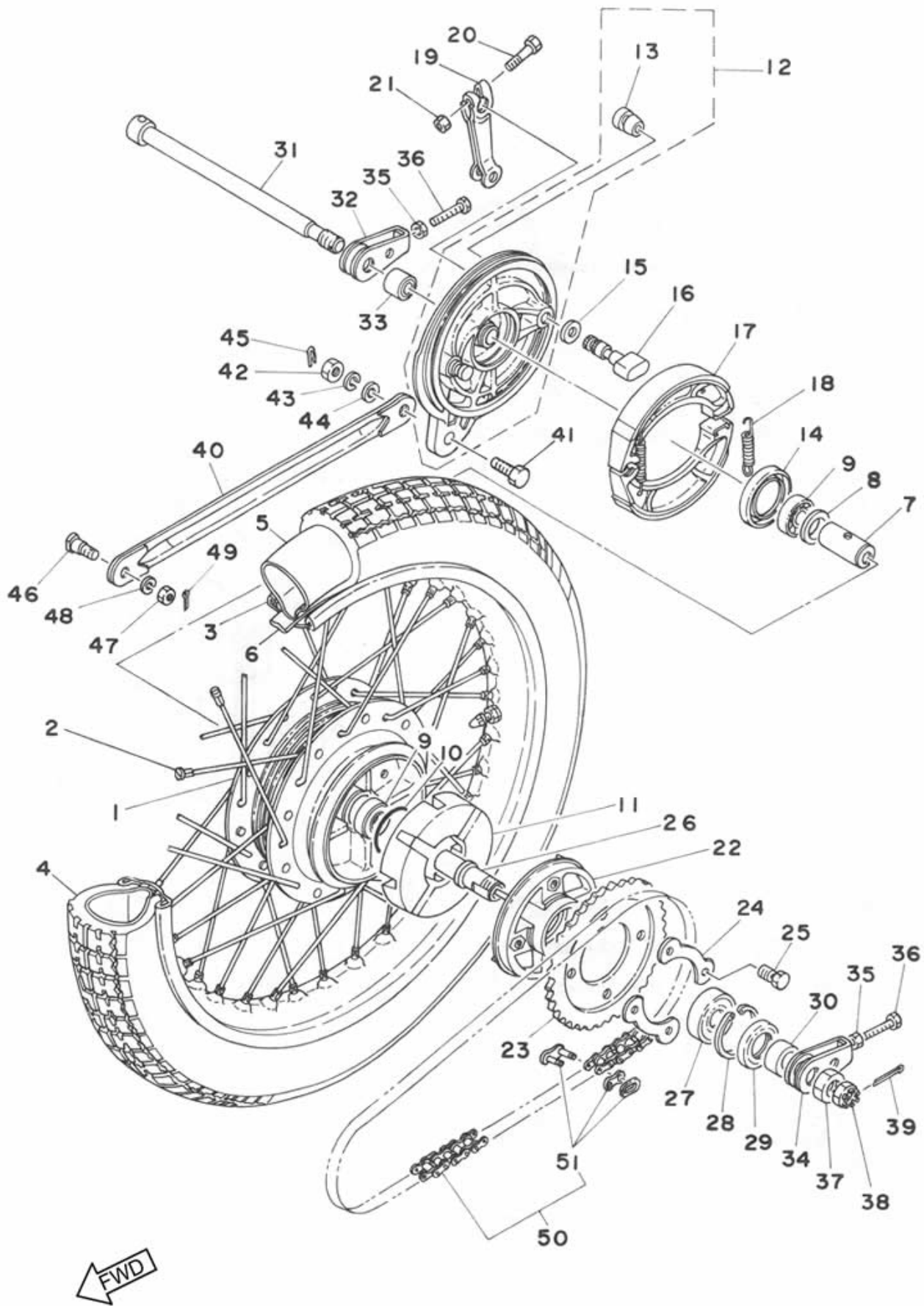
Ref No.	Part No.	Description	Q'ty	Remarks
29-1	404-25831-00	DISK, brake	1	
29-2	404-25412-00	WASHER, lock	2	
29-3	90109-08367	BOLT	4	
29-4	2R6-25810-00	CALIPER ASS'Y	1	
29-5	2R6-W0045-00	BRAKE PAD KIT	1S	
29-6	404-W0057-00	PISTON ASS'Y, caliper	1S	
29-7	404-20000-30	BLEED SCREW ASS'Y	1S	
29-8	90101-08244	BOLT, hexagon	2	
29-9	92901-08100	WASHER, spring	2	
29-10	92901-08200	WASHER, plain	2	

Fig. 30: REAR WHEEL (Casting Wheel Type)



Ref No.	Part No.	Description	Q'ty	Remarks
30-1	2R7-25338-20	WHEEL, cast rear	1	
30-2	94130-18200	TIRE, rear (3.00-18-4PR)	1	3.25 - Germany
30-3	94227-18012	TUBE, rear (2.75-18)	1	3.25 - Germany
30-4	90560-15116	SPACER	1	
30-5	2R6-25115-00	FLANGE, spacer	1	
30-6	93306-30206	BEARING (B6302 ZZ)	1	
30-7	93102-22014	OIL SEAL (SD-22-42-7)	1	
30-8	136-25130-00	BRAKE SHOE COMP.	1	
30-9	90506-18103	SPRING, tension	2	
30-10	2R6-25320-10-35	BRAKE SHOE PLATE ASS'Y	1	Silver
30-11	90480-10068	GROMMET	1	
30-12	1E6-25151-00	CAM SHAFT	1	
30-13	1E8-25353-00	SHIM, camshaft	1	
30-14	1E7-25355-00	LEVER, camshaft	1	
30-15	90101-06278	BOLT, hexagon	1	
30-16	95301-06600	NUT, hexagon	1	
30-17	537-25388-00	PULLER, chain	2	
30-18	2R7-25381-00	SHAFT, wheel	1	
30-19	91401-30030	PIN, cotter	1	
30-20	95301-08700	NUT, hexagon	2	
30-21	90101-08034	BOLT (168-25379-00)	2	
30-22	2R6-25377-00	COLLAR, shaft	1	
30-23	93306-20429	BEARING (B6204 ZZ)	1	
30-24	93102-28022	OIL SEAL (SD-28-47-7)	1	
30-25	2R7-25439-00-33	GEAR, sprocket wheel (39T)	1	Yamaha Black
30-26	90201-60686	WASHER, plate	1	
30-27	93410-60050	CIRCLIP	1	
30-28	2R7-25364-00	DAMPER. Sprocket	4	
30-29	2R7-25414-00	SPACER, sprocket	4	
30-30	148-25412-00	WASHER, lock	2	
30-31	90170-10219	NUT, hexagon	4	M8x1.25
30-32	90387-15667	COLLAR	1	
30-33	2R6-25367-00	COVER, dust	1	
30-34	90171-14020	NUT	1	
30-35	94580-22112	CHAIN (DK420M-112L)	1	
30-36	94680-22001	JOINT, chain	1	
30-37	1A1-25398-01	BALANCER, wheel (20g)	0	U.N.
 1A1-25399-02	BALANCER, wheel (10g)	0	U.N.
30-38	256-25371-00	BAR, tension	1	
30-39	90109-10327	BOLT	1	M8x1.25
30-40	92901-12100	WASHER, spring	1	
30-41	92901-10600	WASHER, plate	1	
30-42	95301-10700	NUT, hexagon	1	M8x1.25
30-43	90468-12006	CLIP	1	
30-44	90109-08375	BOLT	1	
30-45	92901-08100	WASHER, spring	1	
30-46	95301-08600	NUT, hexagon	1	
30-47	91401-20012	PIN, cotter	1	

Fig. 31: REAR WHEEL (Spoke Wheel Type)
Alternate Parts: UK Only



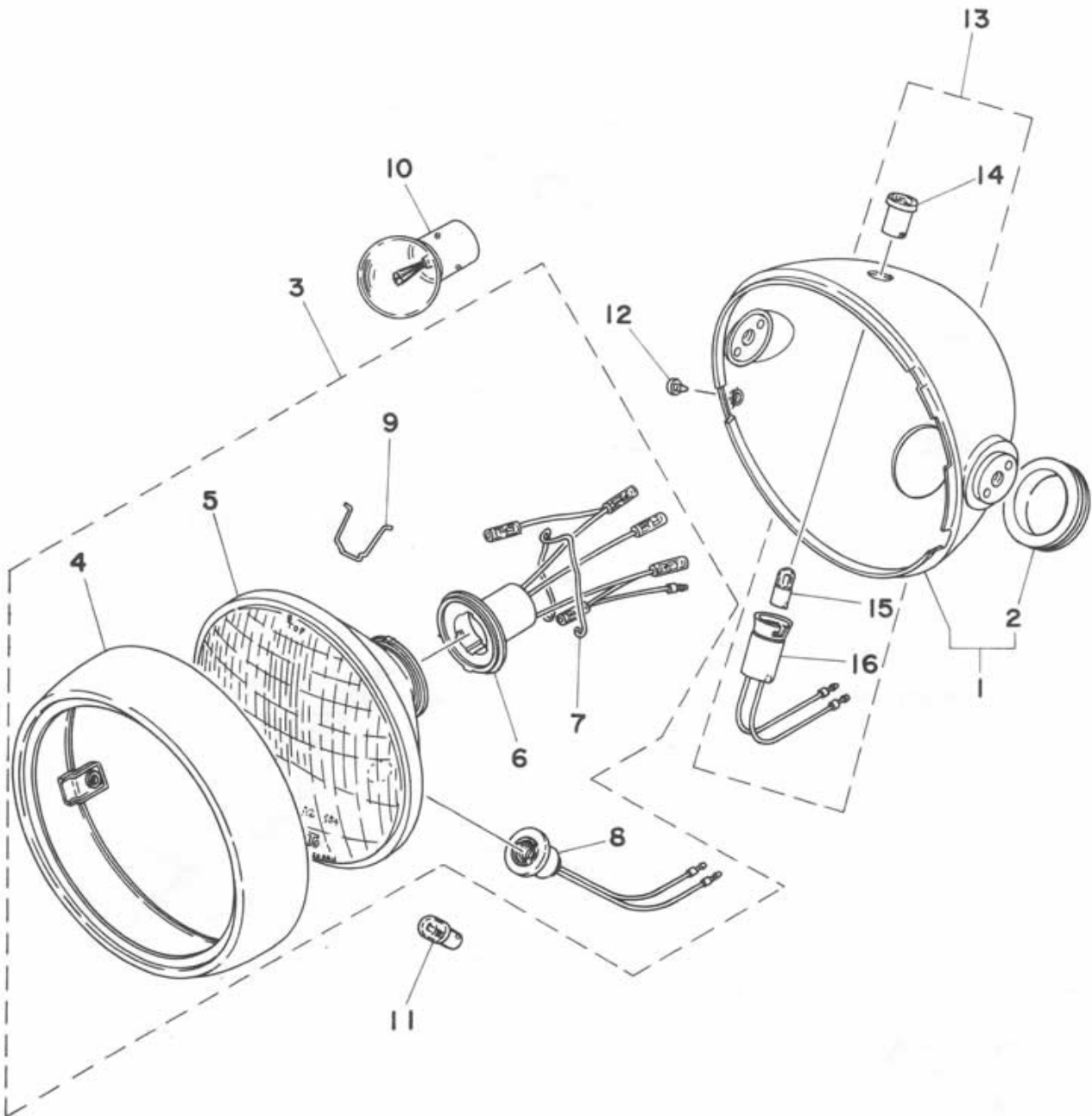
Ref No.	Part No.	Description	Q'ty	Remarks
31-1	174-25311-00	HUB, rear	1	
31-2	141-25304-00	SPOKE SET	1s	
31-3	94416-18016	RIM (1.60A-18)	1	
31-4	94130-18200	TIRE, rear (3.00-18-4PR)	1	
31-5	94230-18012	TUBE, rear (3.00-18)	1	
31-6	94325-18043	BAND, rim (2.50-18)	1	
31-7	90560-15136	SPACER (136-25317-00)	1	
31-8	136-25115-00	FLANGE, spacer	1	
31-9	93306-20204	BEARING (B6202 ZZ)	2	
31-10	93210-43043	O-RING (42.5-3.0)	1	
31-11	174-25364-00	DAMPER, clutch	1	
31-12	1E8-25320-01-35	BRAKE SHOE PLATE ASS'Y	1	
31-13	90480-10068	GROMMET	1	
31-14	93101-42018	OIL SEAL (S-42-56-6)	1	
31-15	1E8-25353-00	SHIM, camshaft	1	
31-16	1E6-25151-00	CAM SHAFT	1	
31-17	136-25130-00	BRAKE SHOE COMP.	2	
31-18	90506-18103	SPRING, tension (137-25133-00)	2	
31-19	1E7-25355-00	LEVER, camshaft	1	
31-20	90101-06291	BOLT, hexagon	1	
31-21	95301-06600	NUT, hexagon	1	
31-22	174-25366-01	CLUTCH, hub	1	
31-23	174-25438-20	GEAR, sprocket wheel (38T)	1	U.R.
	174-25439-20	GEAR, sprocket wheel (39T)	1	U.R. Std
	174-25440-20	GEAR, sprocket wheel (40T)	1	U.R.
31-24	148-25412-00	WASHER, lock	2	
31-25	90105-10005	BOLT (141-25411-00)	4	
31-26	174-25387-00	SHAFT, sprocket wheel	1	
31-27	93306-20404	BEARING (B6204 Z)	1	
31-28	93420-47008	CIRCLIP (R-47)	1	
31-29	93106-30008	OIL SEAL (DD-30-47-5)	1	
31-30	90387-20160	COLLAR (174-25386-01)	1	
31-31	397-25381-00	SHAFT, wheel	1	
31-32	537-25388-00	PULLER, chain right	1	
31-33	90387-26197	COLLAR (174-25383-00)	1	
31-34	1J2-25388-00	PULLER, chain left	1	
31-35	95301-08700	NUT, hexagon	2	
31-36	90101-08034	BOLT (168-25379-00)	2	
31-37	90170-20224	NUT, hexagon	1	
31-38	90171-20224	NUT, castle	1	
31-39	91401-30030	PIN, cotter	1	
31-40	256-25371-00	BAR, tension	1	
31-41	90109-10327	BOLT (148-25373-00)	1	M8x1.25
31-42	95301-10700	NUT, hexagon	1	M8x1.25
31-43	92901-12100	WASHER, spring	1	
31-44	92901-10600	WASHER, plate	1	
31-45	90468-12006	CLIP (136-25375-00)	1	
31-46	90109-08375	BOLT	1	
31-47	95301-08600	NUT, hexagon	1	
31-48	92901-08100	WASHER, spring	1	
31-49	91401-20012	PIN, cotter	1	
31-50	94580-22112	CHAIN (DK420M-112L)	1	
31-51	94680-22001	JOINT, chain	1	

This page is intentionally blank



LIGHTS - ELECTRICAL

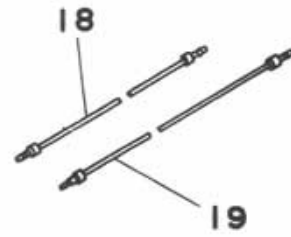
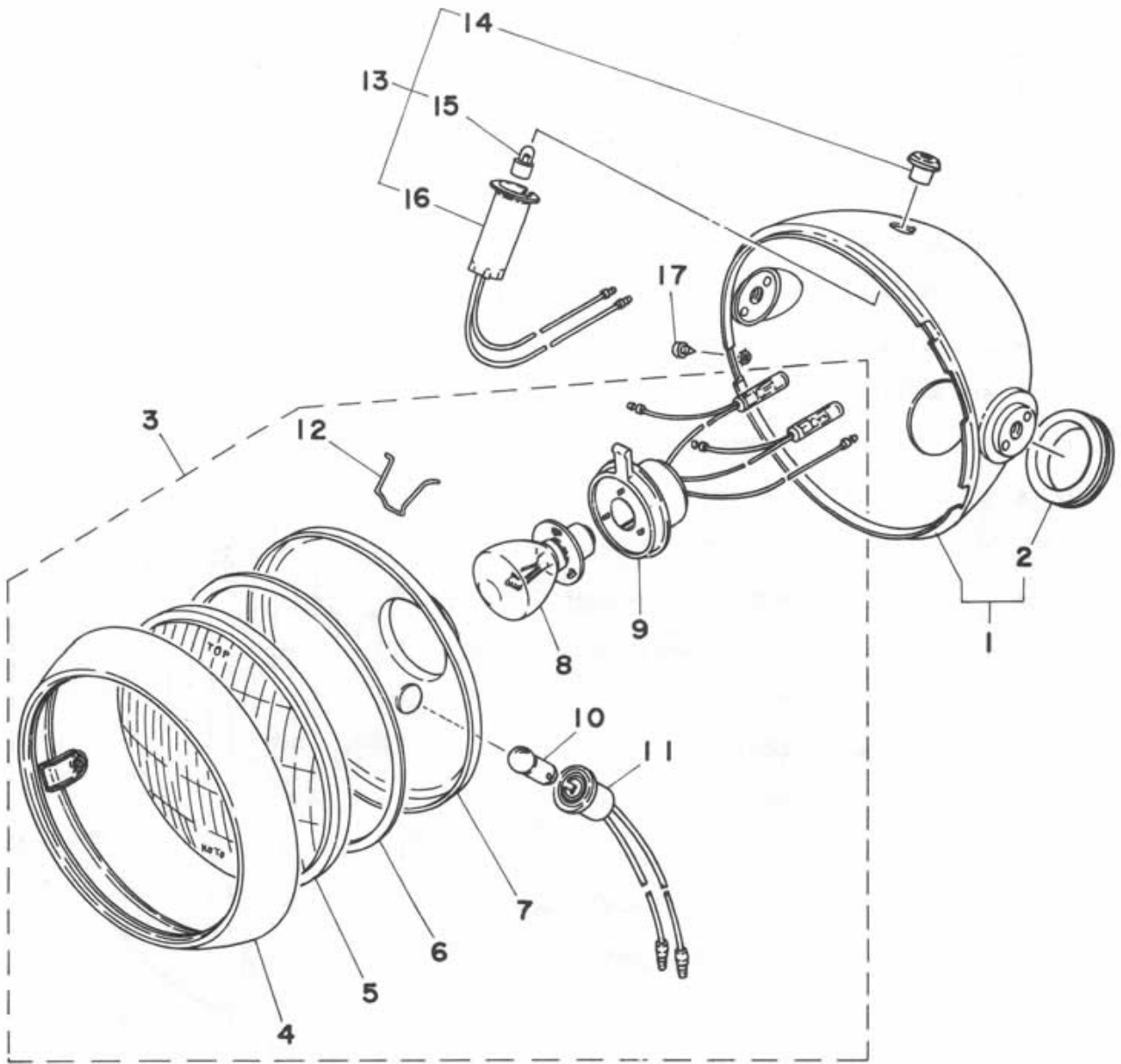
Fig. 32: HEAD LAMP 1
Holland, Germany, Belgium



FWD

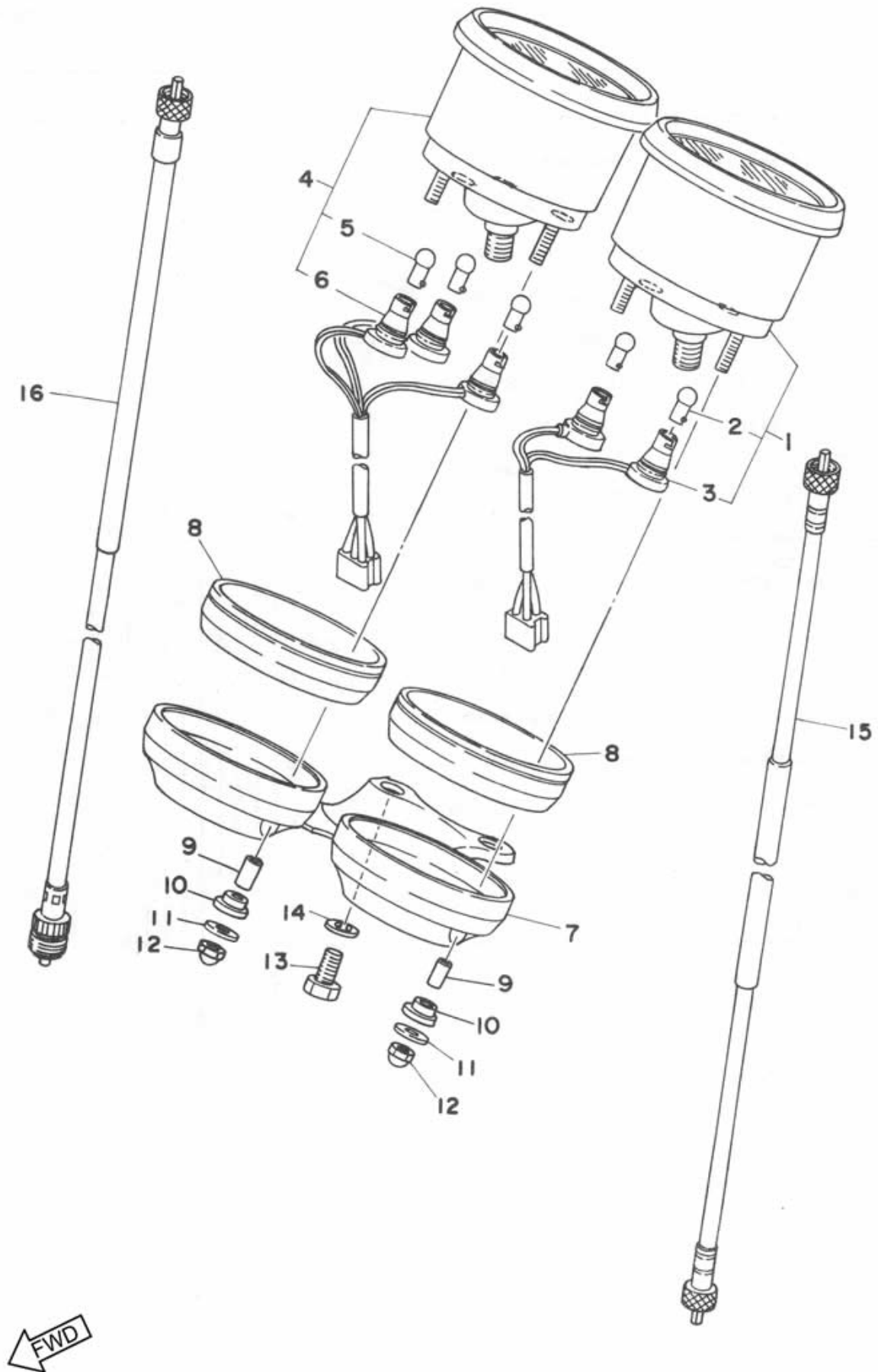
Ref No.	Part No.	Description	Q'ty	Remarks
32-1	237-84330-60-33	BODY ASS'Y	1	Yamaha Black
32-2	214-84153-60	GROMMET	1	
32-3	416-84303-40	HEAD LAMP UNIT ASS'Y	1	Holland, Belgium
	416-84303-45	HEAD LAMP UNIT ASS'Y	1	Germany
32-4	308-84115-21	RIM, head lamp	1	
32-5	460-84320-40	LENS ASS'Y	1	Holland, Belgium
	460-84320-45	LENS ASS'Y	1	Germany
32-6	308-84112-21	SOCKET	1	Holland, Belgium
	416-84312-40	SOCKET	1	Germany
32-7	308-84135-21	SPRING	1	
32-8	306-84346-40	SOCKET	1	
32-9	308-84124-20	SPRING, reflector set	4	
32-10	*	BULB, head lamp (12V-36/36W)	1	Holland
	*	BULB, head lamp (12V-35/35W)	1	Germany, Belgium
32-11	*	BULB (12V-4W)	1	
32-12	90152-05005	SCREW	1	
32-13	306-84301-40	PILOT LAMP ASS'Y	1	
32-14	306-84357-40	BODY, high beam	1	
32-15	256-84357-00	BULB (12V-2W)	1	
32-16	256-84350-61	SOCKET CORD ASS'Y	1	

Fig. 33: HEAD LAMP 2
Alternate Parts: UK Only



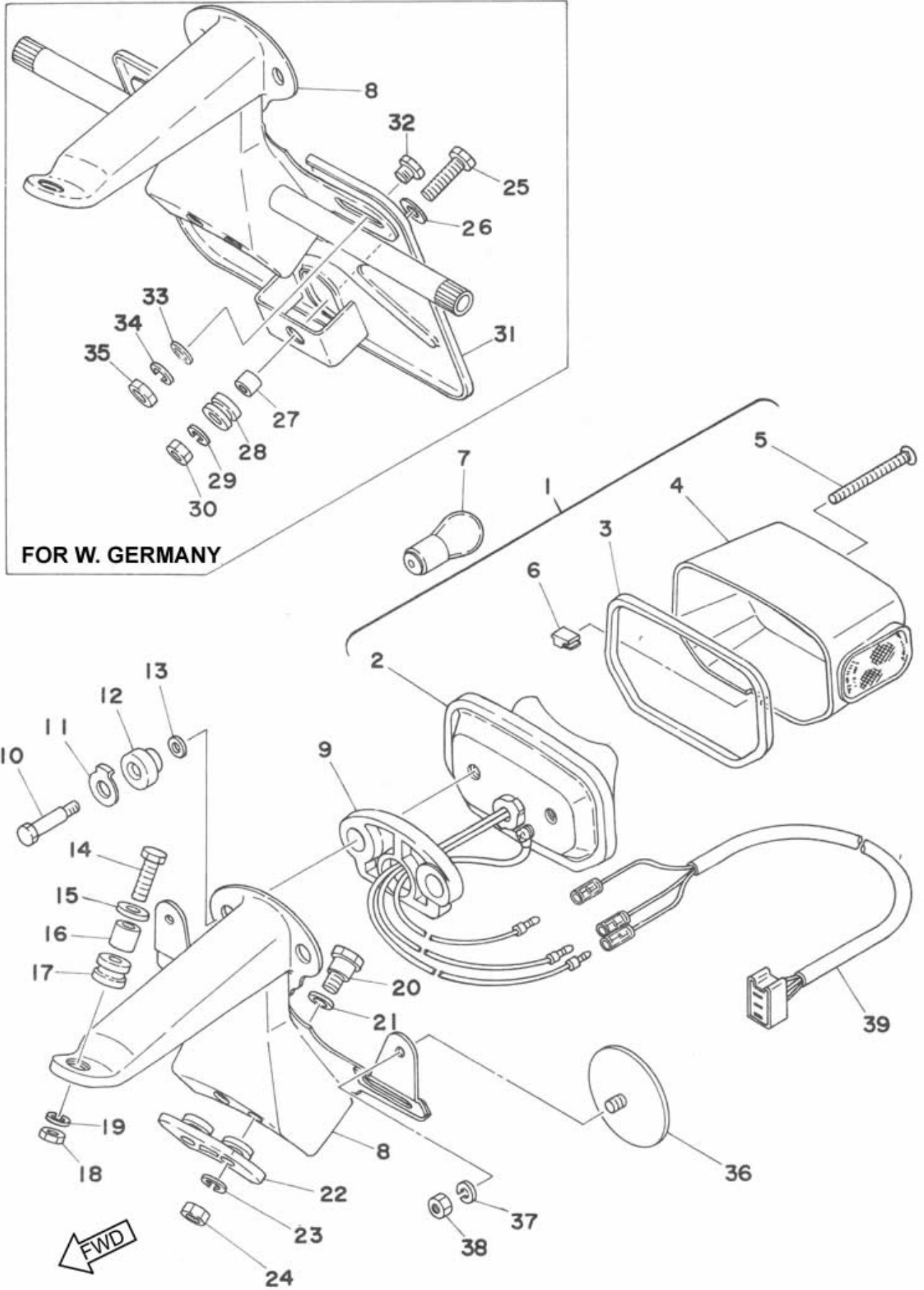
Ref No.	Part No.	Description	Q'ty	Remarks
33-1	237-84330-60-33	BODY ASS'Y	1	Yamaha Black
33-2	214-84153-60	GROMMET	1	
33-3	237-84310-30	HEAD LAMP UNIT ASS'Y	1	
33-4	237-84315-30	RIM, head lamp	1	
33-5	136-84321-00	LENS, head lamp	1	
33-6	136-84322-00	GASKET, lens	1	
33-7	137-84323-30	REFLECTOR	1	
33-8	235-84314-00	BULB, head lamp (12V-35/25W)	1	
33-9	237-84312-30	SOCKET	1	
33-10	123-83516-21	BULB (12V-3.4W)	1	
33-11	183-84345-30	SOCKET	1	
33-12	195-84324-00	SPRING, reflector set	4	
33-13	306-84301-40	PILOT LAMP ASS'Y	1	
33-14	306-84357-40	BODY, high beam	1	
33-15	256-84357-00	BULB (12V-2W)	1	
33-16	256-84350-61	SOCKET CORD ASS'Y	1	
33-17	90152-05005	SCREW	1	
33-18	307-84348-00	WIRE, lead 1	1	
33-19	307-84349-00	WIRE, lead 2	1	

Fig. 34: SPEEDOMETER - TACHOMETER



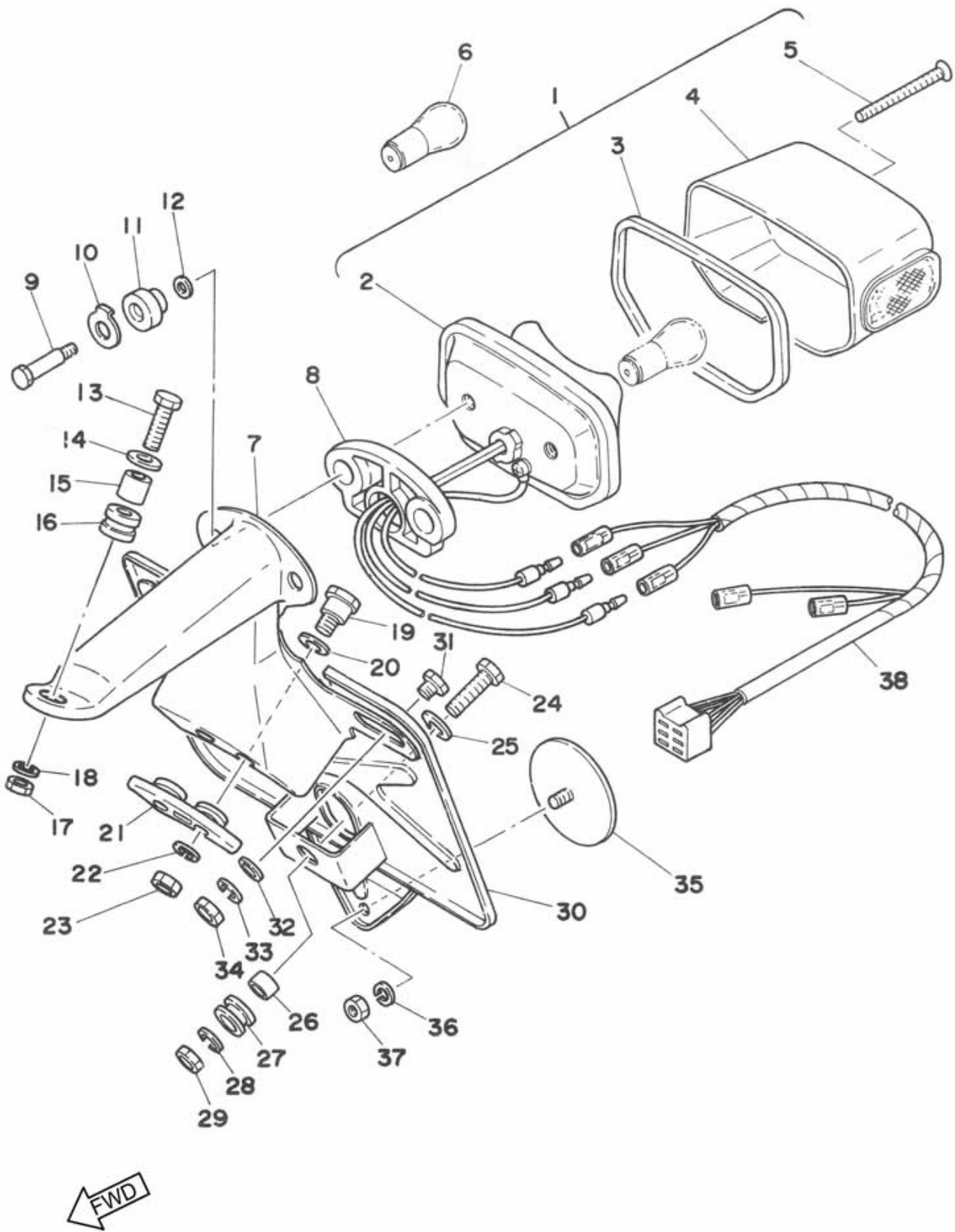
Ref No.	Part No.	Description	Q'ty	Remarks
34-1	1E7-83510-21	SPEEDOMETER ASS'Y	1	Km/H
	1E7-83510-41	SPEEDOMETER ASS'Y	1	MPH
34-2	123-83516-21	BULB (12V-3.4W)	2	
34-3	1E7-83536-00	SOCKET CORD ASS'Y	1	
34-4	1E8-83540-01	TACHOMETER ASS'Y	1	
34-5	123-83516-21	BULB (12V-3.4W)	4	
34-6	1E7-83520-00	SOCKET CORD ASS'Y	1	
34-7	1E7-83519-00-98	BRACKET, meter	1	Low Gloss Black
34-8	1E7-83513-00	DAMPER	2	
34-9	1E7-83522-00	COLLAR	4	
34-10	1E7-83543-00	DAMPER, bracket	4	
34-11	1E7-83524-00	WASHER, plate	4	
34-12	95303-05800	NUT, crown	4	
34-13	97301-08014	BOLT, hexagon	2	
34-14	92901-08100	WASHER, spring	2	
34-15	351-83550-01	SPEEDOMETER CABLE ASS'Y	1	
34-16	1E7-83560-01	TACHOMETER CABLE ASS'Y	1	

Fig. 35: Tail lamp 1
Germany, Belgium



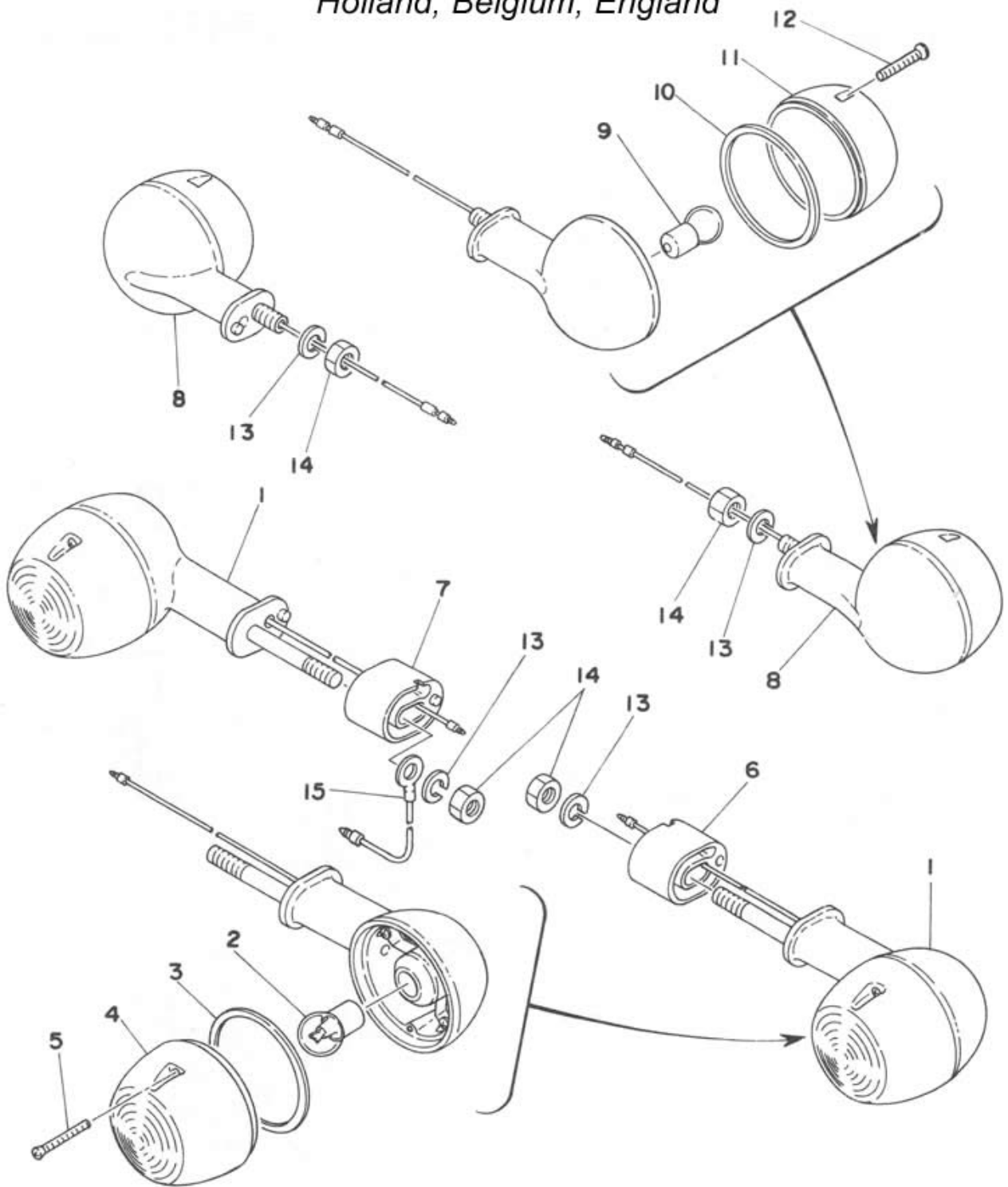
Ref No.	Part No.	Description	Q'ty	Remarks
35-1	1E7-84710-40	TAIL LAMP UNIT ASS'Y	1	
35-2	1E7-84711-40	BASE, tail lamp	1	
35-3	296-84523-00	GASKET, tail lens	1	
35-4	543-84521-41	LENS, tail lamp	1	
35-5	127-84524-30	SCREW, lens fitting	2	
35-6	278-84718-40	GROMMET	1	
35-7	*	BULB, tail lamp (12V-21/5W)	1	
35-8	1E7-84751-20-93	BRACKET, licence	1	Belgium
	2R7-84751-40-93	BRACKET, licence	1	Germany
35-9	1E7-84712-20	GASKET, base	1	
35-10	1E7-84726-40	BOLT, special	2	
35-11	533-84525-40	WASHER, special	2	
35-12	444-84753-60	DAMPER	2	
35-13	92903-06200	WASHER, plain	1	
35-14	97303-06025	BOLT, hexagon	1	
35-15	90209-06095	WASHER (102-28323-00)	1	
35-16	90387-07390	COLLAR	1	
35-17	90480-14102	GROMMET (214-21717-00)	1	
35-18	95301-06600	NUT, hexagon	1	
35-19	92901-06100	WASHER, spring	1	
35-20	90109-06022	BOLT (338-84552-00)	2	
35-21	92901-08200	WASHER, plain	2	
35-22	308-84553-00	DAMPER	1	
35-23	92901-06100	WASHER, spring	2	
35-24	95301-06600	NUT, hexagon	2	
35-25	97303-06025	BOLT, hexagon	1	Germany
35-26	90209-06095	WASHER (102-28323-00)	1	Germany
35-27	90387-07390	COLLAR	1	Germany
35-28	90480-14102	GROMMET (214-21717-00)	1	Germany
35-29	92901-06100	WASHER, spring	1	Germany
35-30	95301-06600	NUT, hexagon	1	Germany
35-31	1E7-28198-40	PLATE, number support	1	Germany
35-32	97301-06012	BOLT, hexagon	2	Germany
35-33	92901-06200	WASHER, plain	2	Germany
35-34	92901-06100	WASHER, spring	2	Germany
35-35	95301-06600	NUT, hexagon	2	Germany
35-36	449-85131-01	REFLECTOR	2	Belgium
35-37	92901-05100	WASHER, spring	2	Belgium
35-38	95301-05600	NUT, hexagon	2	Belgium
35-39	1E7-84717-20	CORD, tail lamp	1	

Fig. 36: TAIL LAMP 2
Holland, England



Ref No.	Part No.	Description	Q'ty	Remarks
36-1	1E7-84710-31	TAIL LAMP UNIT ASS'Y	1	
36-2	296-84511-00	BASE, tail lamp	1	
36-3	296-84523-00	GASKET, tail lens	1	
36-4	543-84521-41	LENS, tail lamp	1	
36-5	127-84524-30	SCREW, lens fitting	2	
36-6	*	BULB, tail lamp (12V-21/5W)	1	
36-7	1E7-84751-20-92	BRACKET, licence	1	
36-8	1E7-84712-20	GASKET, base	1	
36-9	1E7-84726-40	BOLT, special	2	
36-10	533-84525-40	WASHER, special	2	
36-11	444-84753-60	DAMPER	2	
36-12	92903-06200	WASHER, plain	1	
36-13	97301-06025	BOLT, hexagon	1	
36-14	90209-06095	WASHER (102-28323-00)	1	
36-15	90387-07390	COLLAR	1	
36-16	90480-14102	GROMMET (214-21717-00)	1	
36-17	95301-06600	NUT, hexagon	1	
36-18	92901-06100	WASHER, spring	1	
36-19	90109-06022	BOLT (338-84552-00)	2	
36-20	92901-08200	WASHER, plain	2	
36-21	308-84553-00	DAMPER	1	
36-22	92901-06100	WASHER, spring	2	
36-23	95301-06600	NUT, hexagon	2	
36-24	97303-06025	BOLT, hexagon	1	
36-25	90209-06095	WASHER (102-28323-00)	1	
36-26	90387-07390	COLLAR	1	
36-27	90480-14102	GROMMET (214-21717-00)	1	
36-28	92901-06100	WASHER, spring	1	
36-29	95301-06600	NUT, hexagon	1	
36-30	2R6-28198-30	PLATE, number support	1	UK Only
36-31	97301-06012	BOLT, hexagon	2	
36-32	92901-06200	WASHER, plain	2	
36-33	92901-06100	WASHER, spring	2	
36-34	95301-06600	NUT, hexagon	2	
36-35	449-85131-01	REFLECTOR	2	
36-36	92903-05100	WASHER, spring	2	
36-37	95301-05600	NUT, hexagon	2	
36-38	1E7-84717-20	CORD, tail lamp	1	

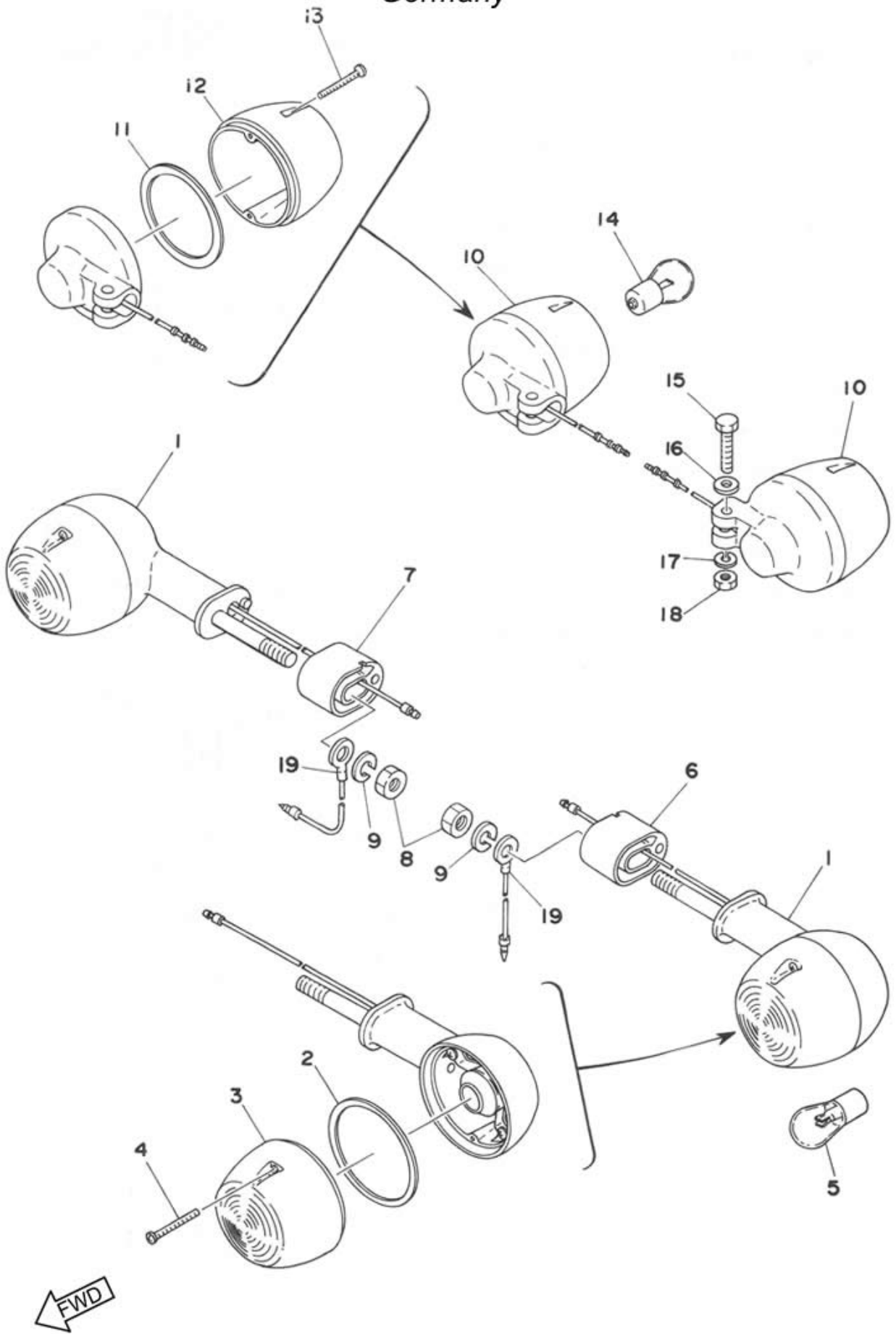
Fig. 37: FLASHER LAMP 1
Holland, Belgium, England



FWD

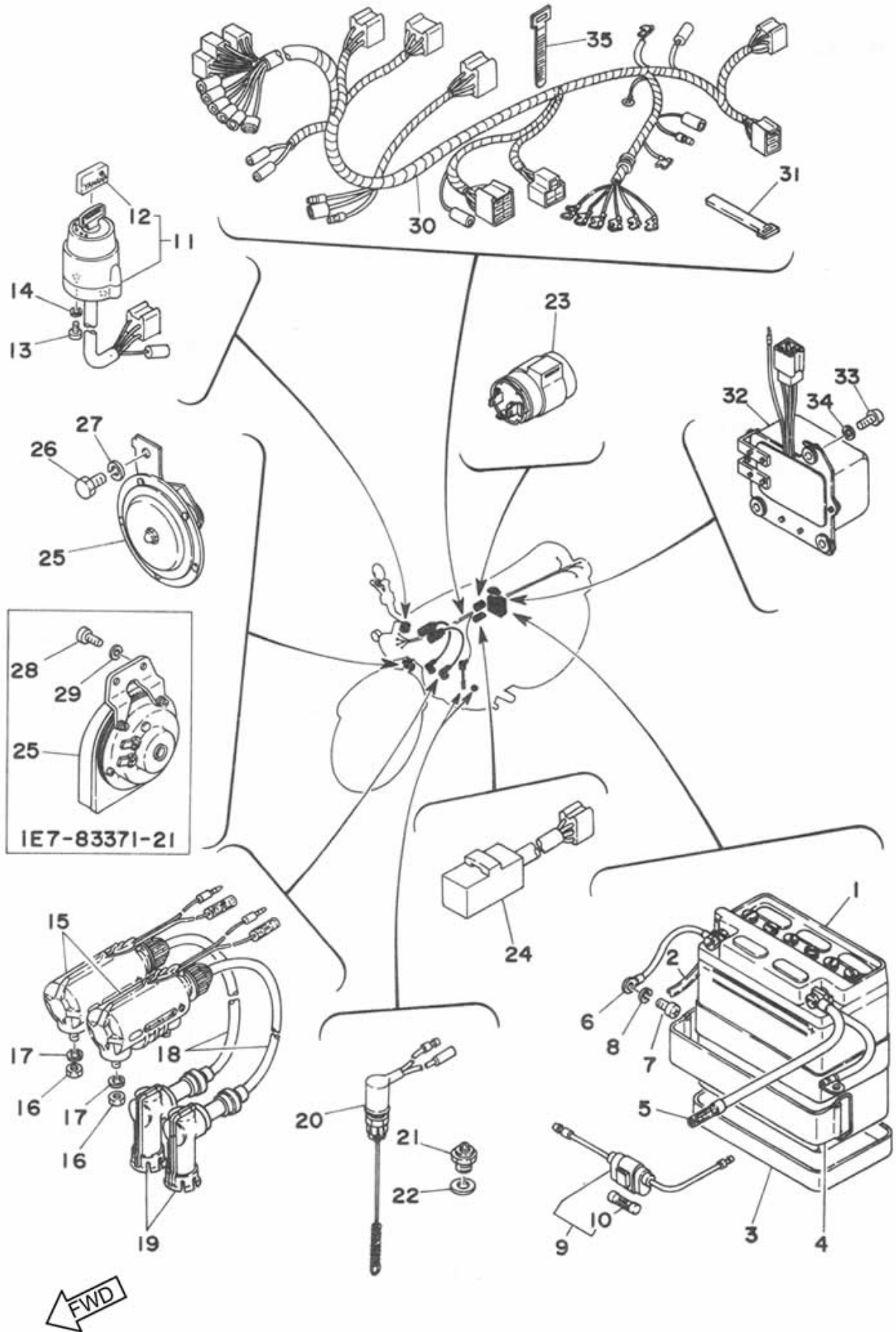
Ref No.	Part No.	Description	Q'ty	Remarks
37-1.....	254-83310-45-93...	FRONT FLASHER LAMP ASS'Y	2	
 416-83310-40-93...	FRONT FLASHER LAMP ASS'Y	2	
37-2.....	136-83311-20	BULB, flasher (12V-8W).....	2	
37-3.....	183-83313-70	GASKET, flasher lens	2	
37-4.....	183-83332-21	LENS, flasher	2	
37-5.....	183-83333-21	SCREW, lens fitting.....	4	
37-6.....	260-83316-30	COLLAR, flasher 1	1	Holland, Belgium
37-7.....	260-83326-30	COLLAR, flasher 2	1	Holland, Belgium
37-8.....	1N8-83330-20-93 ..	REAR FLASHER LAMP ASS'Y	2	UK Only
 235-83330-95-93...	REAR FLASHER LAMP ASS'Y	2	Holland, Belgium
37-9.....	136-83311-20	BULB, flasher (12V-8W).....	2	
37-10...	183-83313-70	GASKET, flasher lens	2	
37-11...	183-83332-21	LENS, flasher	2	
37-12...	183-83333-21	SCREW, lens fitting.....	4	
37-13...	92901-08100	WASHER, spring.....	4	
37-14...	95301-08600	NUT, hexagon	4	
37-15...	371-82519-00	WIRE, earth lead	1	

Fig. 38: FLASHER LAMP 2
Germany



Ref No.	Part No.	Description	Q'ty	Remarks
38-1	396-83310-40-93	FRONT FLASHER LAMP ASS'Y	2	
38-2	183-83313-70	GASKET, flasher lens	2	
38-3	183-83312-70	LENS, flasher	2	
38-4	183-83333-71	SCREW, lens fitting	4	
38-5	*	BULB, flasher (12V-21W)	2	
38-6	260-83316-30	COLLAR, flasher 1	1	
38-7	260-83326-30	COLLAR, flasher 2	1	
38-8	95301-08600	NUT, hexagon	4	
38-9	92901-08100	WASHER, spring	4	
38-10	278-83330-41-93	REAR FLASHER LAMP ASS'Y	2	
38-11	306-83313-40	GASKET, flasher lens	2	
38-12	306-83332-40	LENS, flasher	2	
38-13	183-83333-71	SCREW, lens fitting	4	
38-14	*	BULB, flasher (12V-21W)	2	
38-15	97303-06030	BOLT	2	
38-16	92903-06200	WASHER, plain	4	
38-17	92903-06100	WASHER, spring	2	
38-18	95303-06600	NUT, hexagon	2	
38-19	371-82519-00	WIRE, earth lead	1	

Fig. 39: ELECTRICAL



Ref No.	Part No.	Description	Q'ty	Remarks
39-1	1E8-82110-60	BATTERY ASS'Y	1	U.R.
	1E8-82110-70	BATTERY ASS'Y	1	U.R.
39-2	90445-08338	HOSE (5-500)	1	
39-3	173-82122-00	SEAT, battery	1	
39-4	1E6-82131-00	BAND, battery	1	
39-5	1E8-82115-02	WIRE, plus lead	1	
39-6	1E2-82116-00	WIRE, minus lead	11	
39-7	92501-06012	SCREW, panhead	1	
39-8	92901-06100	WASHER, spring	1	
39-9	1E2-82150-00	FUSE HOLDER ASS'Y	1	
39-10	148-82151-00	FUSE	1	
39-11	2R6-82508-10	MAIN SWITCH ASS'Y	1	Not Germany
	2R7-82508-45	MAIN SWITCH ASS'Y	1	Germany
39-12	526-82579-00	CAP, key	1	Germany
39-13	92501-05012	SCREW, panhead	2	
39-14	92901-05100	WASHER, spring	2	
39-15	254-82310-60	IGNITION COIL ASS'Y	2	
39-16	95301-06600	NUT, hexagon	4	
39-17	92901-06100	WASHER, spring	4	
39-18	183-82341-00	CORD, high tension	2	
39-19	512-82370-10	PLUG CAP ASS'Y	2	
39-20	1E2-82530-00	STOP SWITCH ASS'Y	1	
39-21	136-82540-00	NEUTRAL SWITCH ASS'Y	1	
39-22	90430-11034	GASKET (136-82543-00)	1	
39-23	1E7-83350-40	FLASHER RELAY ASS'Y	1	Germany
	1H7-83350-20	FLASHER RELAY ASS'Y	1	Not Germany
39-24	1A0-83395-02	FLASHER CANCELLING UNIT	1	Not Germany
39-25	1E7-83371-21	HORN	1	Not Holland
	1E7-83371-52	HORN	1	Holland
39-26	97301-08014	BOLT, hexagon	1	Holland
39-27	92901-08100	WASHER, spring	1	Holland
39-28	92501-06014	SCREW, panhead	2	Not Holland
39-29	92901-06100	WASHER, spring	2	Not Holland
39-30	2R7-82590-80	WIRE HARNESS ASS'Y	1	UK Only
39-31	168-83936-01	BAND, switch cord	2	Holland, Belgium
39-32	337-81910-10	VOLTAGE REGULATOR ASS'Y	1	
39-33	92501-06015	SCREW, panhead	3	
39-34	92901-06100	WASHER, spring	3	
39-35	256-83936-00	BAND, switch cord	2	

This page is intentionally blank



REPAIR KIT

(Fig. 40)

Ref No.	Part No.	Description	Q'ty	Remarks
40-1	1E8-11630-00	PISTON ASS'Y (STD)	2s	
	1E8-11630-10	PISTON ASS'Y (1st O.S.)	2s	
	1E8-11630-20	PISTON ASS'Y (2nd O.S.)	2s	
	1E8-11630-30	PISTON ASS'Y (3rd O.S.)	2s	
	1E8-11630-40	PISTON ASS'Y (4th O.S.)	2s	
40-2	1E8-11631-00-96	PISTON (51.96mm STD)	2	U.R. 3-29
	1E8-11631-00-97	PISTON (51.97mm STD)	2	U.R. 3-29
	1E8-11635-00	PISTON (52.25mm 1st O.S.)	2	3-29
	1E8-11636-00	PISTON (52.50mm 2nd O.S.)	2	3-29
	1E8-11637-01	PISTON (52.75mm 3rd O.S.)	2	3-29
	1E8-11638-01	PISTON (53.00mm 4th O.S.)	2	3-29
40-3	558-11601-00	PISTON RING SET (STD)	2s	3-32
	558-11601-10	PISTON RING SET (1st O.S.)	2s	3-32
	558-11601-20	PISTON RING SET (2nd O.S.)	2s	3-32
	558-11601-30	PISTON RING SET (3rd O.S.)	2s	3-32
	558-11601-40	PISTON RING SET (4th O.S.)	2s	3-32
40-4	131-11633-00	PIN, piston	2	3-30
40-5	93450-15023	CIRCLIP (131-11634-00)	4	3-31
40-6	398-11650-00	CONNECTING ROD ASS'Y	2	
40-7	397-11651-00	ROD, connecting	2	3-6
40-8	93310-42012	BEARING	2	3-7
40-9	174-11681-00	PIN, crank	2	3-8
40-10	90209-20159	WASHER	4	3-9
40-11	93310-21403	BEARING	2	3-33
40-12	1E8-W0001-00	GASKET KIT	1s	
40-13	90430-12038	GASKET (132-15353-00)	1	1-8
40-14	1E8-11351-01	GASKET, cylinder	2	1-10
40-15	1E8-11181-00	GASKET, cylinder head	2	1-13
40-16	1E8-15461-01	GASKET, crankcase cover right	1	2-18
40-17	93210-19123	O-RING (2.4-19.0)	1	2-26
40-18	93210-46044	O-RING (3-46.2)	1	3-17
40-19	93210-18023	O-RING (1.2-17.6)	1	3-24
40-20	164-18579-00	GASKET	1	6-21
40-21	137-15353-00	GASKET (14.5-21-1.5)	1	6-24
40-22	93210-17239	O-RING (2.0-16.5)	1	9-5
40-23	1E7-14416-00	GASKET, airfilter	1	10-10
40-24	314-13621-02	PACKING, valve seat	2	10-29
40-25	1E7-14384-00	GASKET, float chamber	2	11-10
40-26	132-14613-00	GASKET, exhaust	2	12-13
40-27	132-14714-01	GASKET, muffler joint	2	12-18
40-28	126-13116-00	GASKET, pump case	1	13-1
40-29	90430-04004	GASKET (137-13187-00)	1	13-6
40-30	2R7-W0003-00	OIL SEAL KIT	1s	
40-31	93104-11028	OIL SEAL (SO-10.5-15-3)	1	2-5
40-32	93102-20117	OIL SEAL (SD-20-40-8)	1	3-22
40-33	93103-32031	OIL SEAL (SW-32-48-8)	1	3-23
40-34	237-15389-00	SEAL, push rod	1	5-11
40-35	93102-28021	OIL SEAL (SD-28-44-7) (93102-12321)	1	5-27
40-36	93101-12004	OIL SEAL (S-12-22-5)	1	7-6

Ref No.	Part No.	Description	Q'ty	Remarks
40-37...	93109-15001	OIL SEAL (SDO-15-26-6).....	1	8-18
40-38...	93104-07036	OIL SEAL (SO-7-13-4)	1	9-7
40-39...	93101-10002	OIL SEAL (S-1-22-7)	1	13-6

This page is intentionally blank



NUMERICAL INDEX

Part No.	Ref No.	Part No.	Ref No.	Part No.	Ref No.
101-81111-10-00	14-20	132-81225-11	14-9	164-18579-00	40-20
102-18416-00	27-16	132-81226-11	14-8	164-18579-00	6-21
102-18416-00	28-19	133-81132-10	14-13	164-18589-00	6-20
110-81345-21	14-16	136-23415-00	21-6	164-22216-00	17-6
110-81345-21	14-19	136-25115-00	31-8	164-81246-21	14-12
117-15644-00	8-12	136-25130-00	30-8	164-81246-21	14-7
120-27431-00	17-22	136-25130-00	31-17	168-83936-01	39-31
120-27433-00	17-23	136-82540-00	39-21	173-22151-00	17-5
122-23119-01	20-26	136-83311-20	37-2	173-82122-00	39-3
122-23129-00	20-27	136-83311-20	37-9	174-11422-02	3-3
122-23346-01	20-32	136-84321-00	33-5	174-11432-02	3-4
122-24181-00	24-9	136-84322-00	33-6	174-11511-01	3-13
122-27112-00	18-2	137-13137-00-03	13-11	174-11515-00	3-18
123-83516-21	33-10	137-13137-00-05	13-11	174-11681-00	3-8
123-83516-21	34-2	137-13137-00-10	13-11	174-11681-00	40-9
123-83516-21	34-5	137-13138-01	13-12	174-13178-00	13-7
126-13116-00	13-1	137-15353-00	40-21	174-16154-00	4-3
126-13116-00	40-28	137-15353-00	6-24	174-16356-00	4-13
127-84524-30	35-5	137-16367-00	4-6	174-17461-40	5-29
127-84524-30	36-5	137-84323-30	33-7	174-17461-50	5-29
131-11633-00	3-30	141-21717-00-00	16-6	174-17461-60	5-29
131-11633-00	40-4	141-25304-00	31-2	174-17461-70	5-29
132-11561-00-03	3-10	141-81113-10	14-23	174-18101-02	7-1
132-11561-00-03	3-19	146-23114-00	20-18	174-18500-03	6-1
132-11561-00-05	3-10	148-25115-00	28-8	174-18511-00	6-3
132-11561-00-05	3-19	148-25412-00	30-30	174-18512-00	6-7
132-14613-00	12-13	148-25412-00	31-24	174-18513-00	6-8
132-14613-00	40-26	148-82151-00	39-10	174-18541-03	6-2
132-14713-00	12-17	154-23441-00-98	21-9	174-22123-00	17-2
132-14714-01	12-18	156-15618-01	8-3	174-24741-00	26-18
132-14714-01	40-27	156-23411-00	21-1	174-25311-00	31-1
132-15653-00-10	5-24	156-23412-00	21-2	174-25364-00	31-11
132-15653-00-12	5-24	164-17427-00-04	5-9	174-25366-01	31-22
132-15653-00-14	5-24	164-17427-00-06	5-9	174-25387-00	31-26
132-15664-01	8-14	164-17427-00-08	5-9	174-25438-20	31-23
132-15676-01	8-16	164-17427-00-10	5-9	174-25439-20	31-23
132-16321-00	4-7	164-17427-00-12	5-9	174-25440-20	31-23
132-16346-00	2-8	164-18551-00	6-5	174-27115-00	18-6
132-18113-01	7-10	164-18561-00	6-12	183-22332-01	17-14
132-18140-01	6-15	164-18571-01	6-19	183-23411-00	21-4

Part No.	Ref No.	Part No.	Ref No.	Part No.	Ref No.
183-23412-00	21-3	1E2-82150-00	39-9	1E7-18115-00	7-15
183-81421-10	14-4	1E2-82530-00	39-20	1E7-21171-00	26-22
183-82341-00	39-18	1E6-25151-00	30-12	1E7-21315-01-33	15-2
183-83312-70	38-3	1E6-25151-00	31-16	1E7-21316-01-33	15-3
183-83313-70	37-10	1E6-26421-00	22-2	1E7-21376-00	26-23
183-83313-70	37-3	1E6-82131-00	39-4	1E7-21610-00-93	19-6
183-83313-70	38-2	1E7-11162-00	1-26	1E7-21610-31-93	19-6
183-83332-21	37-11	1E7-13175-01	13-3	1E7-21610-40-93	19-6
183-83332-21	37-4	1E7-13176-00-00	13-5	1E7-21629-00	19-7
183-83333-21	37-12	1E7-13565-01	10-30	1E7-21638-00	19-8
183-83333-21	37-5	1E7-14126-00	11-33	1E7-21641-00	19-16
183-83333-71	38-13	1E7-14147-00	11-17	1E7-21711-00-20	16-1
183-83333-71	38-4	1E7-14147-00	11-26	1E7-21711-00-27	16-1
183-84345-30	33-11	1E7-14168-00	11-34	1E7-21711-00-36	16-1
195-84324-00	33-12	1E7-14174-00	11-21	1E7-21711-00-T5	16-1
1A0-14169-00	11-42	1E7-14175-00	11-19	1E7-21721-00-20	16-2
1A0-21518-00	19-5	1E7-14181-35	11-11	1E7-21721-00-27	16-2
1A0-24500-00	24-18	1E7-14183-00	11-11	1E7-21721-00-36	16-2
1A0-24512-00	24-23	1E7-14191-00	11-14	1E7-21721-00-T5	16-2
1A0-24521-00	24-21	1E7-14211-00	11-16	1E7-21753-00	25-17
1A0-24524-01	24-24	1E7-14323-00	11-25	1E7-21778-00	25-10
1A0-24529-01	24-22	1E7-14346-00	11-38	1E7-23480-00	15-15
1A0-24726-00-33	26-9	1E7-14348-00	11-40	1E7-24110-00-W8	24-1
1A0-25824-01	23-6	1E7-14349-00	11-41	1E7-24110-00-W9	24-1
1A0-25854-01	23-5	1E7-14371-00	11-24	1E7-24110-Y0-01	24-1
1A0-25855-01	23-4	1E7-14384-00	11-10	1E7-24110-Y0-02	24-1
1A0-25893-01	23-3	1E7-14384-00	40-25	1E7-24182-00	24-10
1A0-26242-01-00	22-13	1E7-14411-00	10-1	1E7-24319-00	25-5
1A0-26242-01-00	22-13	1E7-14416-00	10-10	1E7-24602-00	24-4
1A0-26243-01-00	22-15	1E7-14416-00	40-23	1E7-24705-00	26-15
1A0-26243-01-00	22-15	1E7-14421-00	10-2	1E7-24730-91	26-1
1A0-83395-02	39-24	1E7-14422-00	10-4	1E7-24731-00	26-2
1A0-83922-00	23-18	1E7-14428-00	10-5	1E7-24756-00-20	26-3
1A0-83973-02-98	22-3	1E7-14431-00	10-11	1E7-24756-00-29	26-3
1A0-83980-30	23-21	1E7-14446-00	10-6	1E7-24756-00-36	26-3
1A1-25398-01	27-26	1E7-14450-00	10-3	1E7-24756-00-T5	26-3
1A1-25398-01	30-37	1E7-14453-00	10-21	1E7-25355-00	30-14
1A1-25399-00	27-26	1E7-15416-00	2-22	1E7-25355-00	31-19
1A1-25399-02	30-37	1E7-15417-00	2-12	1E7-25850-02	23-1
1E2-82116-00	39-6	1E7-16351-00	4-8	1E7-26335-01	22-17

Part No.	Ref No.	Part No.	Ref No.	Part No.	Ref No.
1E7-26335-11	22-17	1E8-11630-30	40-1	1E8-17151-00	5-3
1e7-27315-00	18-27	1E8-11630-40	40-1	1E8-17211-00	5-22
1E7-28100-10	26-21	1E8-11631-00-96	3-29	1E8-17221-00	5-16
1E7-28198-40	35-31	1E8-11631-00-96	40-2	1E8-17231-00	5-17
1E7-83350-40	39-23	1E8-11631-00-97	3-29	1E8-17241-01	5-18
1E7-83371-21	39-25	1E8-11631-00-97	40-2	1E8-17251-00	5-21
1E7-83371-52	39-25	1E8-11635-00	3-29	1E8-17410-00	5-1
1E7-83510-21	34-1	1E8-11635-00	40-2	1E8-17471-01	5-13
1E7-83510-41	34-1	1E8-11636-00	3-29	1E8-17831-00	9-2
1E7-83513-00	34-8	1E8-11636-00	40-2	1E8-21170-01-03	16-7
1E7-83519-00-98	34-7	1E8-11637-00	3-29	1E8-22210-00	17-7
1E7-83520-00	34-6	1E8-11637-01	40-2	1E8-22311-01-33	17-12
1E7-83522-00	34-9	1E8-11638-00	3-29	1E8-25320-01-35	31-12
1E7-83524-00	34-11	1E8-11638-01	40-2	1E8-25353-00	30-13
1E7-83536-00	34-3	1E8-13101-01	13-10	1E8-25353-00	31-15
1E7-83543-00	34-10	1E8-14126-00	11-15	1E8-26260-00	22-16
1E7-83560-01	34-16	1E8-14301-90	11-1	1E8-26260-10	22-16
1E7-84710-31	36-1	1E8-14302-90	11-2	1E8-27111-00	18-1
1E7-84710-40	35-1	1E8-14312-25	11-28	1E8-27115-00	18-6
1E7-84711-40	35-2	1E8-14313-25	11-28	1E8-27211-00-93	18-3
1E7-84712-20	35-9	1E8-14336-00	11-29	1E8-82110-60	39-1
1E7-84712-20	36-8	1E8-14611-00	12-10	1E8-82110-70	39-1
1E7-84717-20	35-39	1E8-14611-10	12-10	1E8-82115-02	39-5
1E7-84717-20	36-38	1E8-14621-00	12-11	1E8-83540-01	34-4
1E7-84726-40	35-10	1E8-14621-10	12-11	1E8-W0001-00	40-12
1E7-84726-40	36-9	1E8-14710-00	12-1	1H7-83350-20	39-23
1E7-84751-20-92	36-7	1E8-14720-00	12-2	1J2-14398-00	11-22
1E7-84751-20-93	35-8	1E8-14753-00	12-3	1J2-21751-00	25-1
1E7-85720-03	25-2	1E8-15111-00	1-1	1J2-25388-00	31-34
1E8-11181-00	1-13	1E8-15121-00	1-2	1J3-25867-00	23-7
1E8-11181-00	40-15	1E8-15410-00	2-1	1M3-27114-00-00	12-20
1E8-11351-01	1-10	1E8-15415-00	2-14	1M7-25875-00	23-14
1E8-11351-01	40-14	1E8-15421-00	2-17	1N8-83330-20-93	37-8
1E8-11400-00	3-1	1E8-15461-01	2-18	1X0-23111-00	20-19
1E8-11412-01	3-2	1E8-15461-01	40-16	1X0-23168-00-00	20-20
1E8-11512-00	3-15	1E8-15641-00	8-11	1X0-23168-00-00	20-20
1E8-11541-00	3-16	1E8-15651-00	5-23	1Y1-26290-00	22-26
1E8-11630-00	40-1	1E8-16371-00	4-4	1Y1-26290-10	22-25
1E8-11630-10	40-1	1E8-17131-00	5-7	1Y1-26290-50	22-25
1E8-11630-20	40-1	1E8-17141-00	5-6	1Y1-26290-60	22-26

Part No.	Ref No.	Part No.	Ref No.	Part No.	Ref No.
207-81331-10	14-24	278-26249-00	22-14	2R6-25115-00	30-5
214-24512-00	24-19	278-27114-00	26-19	2R6-25168-20	27-1
214-83912-00	22-6	278-27314-00	18-31	2R6-25320-10-35	30-10
214-84153-60	32-2	278-83330-41-93	38-10	2R6-25367-00	30-33
214-84153-60	33-2	278-84718-40	35-6	2R6-25377-00	30-22
235-83330-95-93	37-8	288-14161-00	11-35	2R6-25810-00	29-4
235-84314-00	33-8	288-14334-00	11-18	2R6-25872-00	23-13
237-15389-00	40-34	288-14334-00	11-27	2R6-25872-00	23-13
237-15389-00	5-11	291-23167-61	20-23	2R6-25876-00	23-17
237-16357-01	4-17	293-13174-00	13-24	2R6-26111-29	22-1
237-17861-00	9-1	296-84511-00	36-2	2R6-27413-00	18-21
237-84310-30	33-3	296-84523-00	35-3	2R6-27414-00	18-18
237-84312-30	33-9	296-84523-00	36-3	2R6-27417-00	18-19
237-84315-30	33-4	299-81133-10	14-17	2R6-27424-00	18-17
237-84330-60-33	32-1	2F3-15611-00-93	8-1	2R6-28185-00	26-20
237-84330-60-33	33-1	2K5-23173-00	20-11	2R6-28198-30	36-30
241-15357-01	1-22	2R6-21510-00-93	19-1	2R6-82508-10	39-11
241-16341-01	2-4	2R6-23101-00	20-1	2R6-83973-10-98	22-3
241-16342-00	2-6	2R6-23101-30	20-1	2R6-W0045-00	29-5
248-17837-00	9-3	2R6-23110-00	20-12	2R7-11111-00	1-14
248-23115-01	20-21	2R6-23118-00	20-17	2R7-11311-00	1-11
248-24726-00-33	26-10	2R6-23121-00-98	20-33	2R7-11321-00	1-12
251-15687-00	8-10	2R6-23126-00-38	20-2	2R7-16150-00	4-2
254-82310-60	39-15	2R6-23131-00-98	20-34	2R7-16301-00	4-1
254-83310-45-93	37-1	2R6-23136-00-38	20-7	2R7-18111-00-93	7-9
256-23142-60	20-16	2R6-23141-00	20-14	2R7-21110-00-33	15-1
256-25371-00	30-38	2R6-23145-00	20-4	2R7-21110-40-33	15-1
256-25371-00	31-40	2R6-23145-00	20-8	2R7-21110-70-33	15-1
256-83936-00	39-35	2R6-23170-00	20-13	2R7-21781-00	16-16
256-84350-61	32-16	2R6-23340-00-33	20-30	2R7-22110-00-33	17-1
256-84350-61	33-16	2R6-23340-30-33	20-30	2R7-22110-10-33	17-1
256-84357-00	32-15	2R6-24244-00	24-2	2R7-22141-00	17-3
256-84357-00	33-15	2R6-24244-10	24-2	2R7-23101-00	20-1
260-23318040	20-31	2R6-24245-00	24-3	2R7-23110-00	20-12
260-83316-30	37-6	2R6-24245-10	24-3	2R7-25338-20	30-1
260-83316-30	38-6	2R6-24757-00	26-4	2R7-25364-00	30-28
260-83326-30	37-7	2R6-24757-10	26-4	2R7-25381-00	30-18
260-83326-30	38-7	2R6-24767-00	26-5	2R7-25414-00	30-29
278-13169-00	13-18	2R6-24767-10	26-5	2R7-25439-00-33	30-25
278-23181-50	20-28	2R6-25115-00	27-5	2R7-27411-00	18-15

Part No.	Ref No.	Part No.	Ref No.	Part No.	Ref No.
2R7-27412-00	18-16	337-15621-01-09	8-2	396-14343-40	11-5
2R7-27432-00	17-18	337-15660-00	8-9	396-14343-41	11-5
2R7-27442-00	17-19	337-21165-00-93	15-12	396-83310-40-93	38-1
2R7-82508-45	39-11	337-26111-00	22-1	397-11442-01	3-5
2R7-82590-80	39-30	337-27111-00	18-1	397-11651-00	3-6
2R7-83963-00-98	22-12	337-27231-00	18-8	397-11651-00	40-7
2R7-84751-40-93	35-8	337-81153-10	14-25	397-14771-00-33	12-6
2R7-W0003-00	40-30	337-81910-10	39-32	397-14781-00-33	12-7
301-18112-00-93	7-17	341-25137-00	27-9	397-15118-00	1-17
306-25136-00	27-17	341-25137-00	28-10	397-16111-00	3-26
306-25136-00	28-20	341-25149-00	27-7	397-17121-00	5-8
306-83313-40	38-11	341-25149-00	28-12	397-17411-00	5-2
306-83332-40	38-12	341-25846-00	27-8	397-17421-00	5-15
306-84301-40	32-13	341-25846-00	28-13	397-25381-00	31-31
306-84301-40	33-13	351-25135-00	27-11	397-81100-11	14-1
306-84346-40	32-8	351-25135-00	28-14	397-81110-10	14-3
306-84357-40	32-14	351-25138-00	27-15	397-81155-11	14-2
306-84357-40	33-14	351-25138-00	28-18	398-11650-00	40-6
307-14612-00	12-12	351-83550-01	34-15	401-25367-00	27-23
307-18188-01	2-2	353-13552-01	13-19	401-25367-00	28-26
307-84348-00	33-18	360-15435-00	2-15	404-20000-30	29-7
307-84349-00	33-19	360-15435-00	2-23	404-25104-00	28-2
308-84112-21	32-6	360-25862-00	23-12	404-25111-00	28-1
308-84115-21	32-4	367-13146-01	13-26	404-25181-00	27-19
308-84124-20	32-9	367-14195-00	11-7	404-25181-00	28-22
308-84135-21	32-7	367-14342-22	11-3	404-25191-00	27-14
308-84553-00	35-22	367-14385-00	11-8	404-25191-00	28-17
308-84553-00	36-21	371-24728-00	26-17	404-25412-00	29-2
314-13610-01	10-25	371-82121-00	16-14	404-25831-00	29-1
314-13613-00	10-26	371-82126-00	16-15	404-W0057-00	29-6
314-13621-02	10-29	371-82519-00	37-15	416-83310-40-93	37-1
314-13621-02	40-24	371-82519-00	38-19	416-84303-40	32-3
315-23146-50	20-5	389-14137-00	11-30	416-84303-45	32-3
315-23146-50	20-9	389-14349-00	11-39	416-84312-40	32-6
315-23156-50	20-10	389-15128-00	1-19	417-27311-00	18-22
315-23156-50	20-6	396-14124-00	11-36	434-14146-00	11-37
324-13616-01	10-27	396-14316-02	11-31	437-23163-00	20-22
326-26328-00	22-20	396-14331-00	11-32	437-83936-00	25-18
336-16324-00	4-5	396-14341-00	11-4	438-17811-01	9-6
337-14779-00	12-19	396-14343-39	11-5	438-17812-00	9-8

Part No.	Ref No.	Part No.	Ref No.	Part No.	Ref No.
439-21759-01	25-8	558-11601-40	3-32	90149-08094	7-4
439-24119-00	25-9	558-11601-40	40-3	90152-05005	32-12
443-17841-00	9-4	584-23484-01	15-16	90152-05005	33-17
444-84753-60	35-12	619-24535-00	11-20	90170-06010	23-23
444-84753-60	36-11	619-24535-00	24-25	90170-08176	20-25
449-85131-01	19-19	626-14386-00	11-9	90170-10219	30-31
449-85131-01	35-36	647-14335-00	11-23	90170-20224	31-37
449-85131-01	36-35	654-14390-20	11-6	90171-14020	27-25
460-84320-40	32-5	90101-06278	30-15	90171-14020	28-28
460-84320-45	32-5	90101-06291	31-20	90171-14020	30-34
498-15371-00	1-20	90101-08034	30-21	90171-20224	31-38
498-24522-00	24-20	90101-08034	31-36	90176-10013	17-8
498-82910-11	22-4	90101-08244	29-8	90176-16016	21-13
498-82911-00	22-5	90101-08286	15-11	90179-06176	18-14
507-27311-00	18-22	90105-10005	31-25	90179-07203	1-15
507-27315-01	18-27	90106-08027	17-11	90179-08148	22-19
509-23158-L0	20-29	90109-06001	6-16	90179-12244	3-28
512-82370-10	39-19	90109-06022	35-20	90179-16018	4-12
517-21771-00	25-3	90109-06022	36-19	90179-16018	5-30
520-15362-01	2-25	90109-06410	22-9	90179-25033	21-7
521-11161-01	1-25	90109-06465	23-19	90201-05031	26-6
521-25188-00	27-27	90109-08367	29-3	90201-06055	10-8
526-82579-00	39-12	90109-08375	30-44	90201-06067	10-18
533-84525-40	35-11	90109-08375	31-46	90201-06067	16-10
533-84525-40	36-10	90109-08417	18-23	90201-06067	25-13
535-20000-10	23-2	90109-08438	18-23	90201-07079	17-15
535-23144-00	20-15	90109-10327	30-39	90201-08083	21-16
535-23435-00-98	21-8	90109-10327	31-41	90201-08083	22-10
537-25388-00	30-17	90109-10474	18-20	90201-08085	7-16
537-25388-00	31-32	90109-14385	6-25	90201-08310	18-34
543-84521-41	35-4	90113-06013	4-19	90201-08624	13-2
543-84521-41	36-4	90116-07227	1-9	90201-10118	23-11
558-11601-00	3-32	90116-08166	12-14	90201-10140	17-9
558-11601-00	40-3	90116-08261	20-3	90201-10146	18-35
558-11601-10	3-32	90119-05001	4-10	90201-12166	6-18
558-11601-10	40-3	90123-08046	22-18	90201-12174	7-11
558-11601-20	3-32	90143-07016	14-27	90201-12575	7-7
558-11601-20	40-3	90146-06008	23-22	90201-14218	17-10
558-11601-30	3-32	90149-06011	24-26	90201-15340	8-5
558-11601-30	40-3	90149-06012	17-13	90201-20266	5-20

Part No.	Ref No.	Part No.	Ref No.	Part No.	Ref No.
90201-20266	5-4	90387-07390	35-16	90468-10050	26-12
90201-20279	17-24	90387-07390	35-27	90468-12006	30-43
90201-20611	4-15	90387-07390	36-15	90468-12006	31-45
90201-25286	27-10	90387-07390	36-26	90480-01141	16-4
90201-25286	28-11	90387-10537	18-33	90480-10068	30-11
90201-25490	27-12	90387-15667	30-32	90480-10068	31-13
90201-25490	28-15	90387-15671	27-22	90480-10190	10-7
90201-60686	30-26	90387-15671	28-24	90480-12013	16-5
90202-06010	24-27	90387-20160	31-30	90480-12013	19-22
90206-04003	15-17	90387-20346	5-28	90480-12053	16-3
90208-12015	3-27	90387-20439	4-14	90480-14102	10-16
90209-06095	35-15	90387-20499	3-25	90480-14102	16-8
90209-06095	35-26	90387-26197	31-33	90480-14102	25-11
90209-06095	36-14	90401-10034	23-10	90480-14102	35-17
90209-06095	36-25	90430-04004	13-16	90480-14102	35-28
90209-08098	24-12	90430-04004	40-29	90480-14102	36-16
90209-14136	27-24	90430-11034	39-22	90480-14102	36-27
90209-16133	5-32	90430-12038	1-8	90480-25135	24-11
90209-17057	21-12	90430-12038	40-13	90501-10245	18-12
90209-20159	3-9	90430-38053	25-4	90501-10312	23-24
90209-20159	40-10	90445-05301	13-22	90501-12081	8-4
90215-16020	4-11	90445-05302	13-21	90501-12083	6-23
90215-16020	5-31	90445-08338	39-2	90501-20122	4-9
90240-06042	17-25	90445-09070	25-16	90502-09024	15-19
90240-08053	7-14	90445-09078	24-16	90506-09009	7-2
90249-03123	24-7	90445-09083	24-15	90506-09112	6-17
90249-04039	6-10	90446-07112	1-21	90506-10019	2-7
90249-12008	18-13	90446-09131	25-7	90506-18103	30-9
90250-10020	6-4	90460-37026	10-24	90506-18103	31-18
90269-04003	15-18	90460-43053	10-23	90506-26134	18-7
90280-03017	3-34	90460-51059	10-22	90506-32056	18-7
90282-05005	3-35	90462-05004	6-27	90507-29022	18-28
90338-09012	22-24	90464-08020	19-9	90507-29026	18-28
90338-09012	23-25	90464-10022	19-10	90508-26136	8-15
90338-09060	15-20	90464-15023	19-11	90508-29307	18-32
90340-12005	1-7	90465-08046	1-23	90508-32056	18-5
90381-08002	9-10	90467-08003	24-17	90508-32207	7-3
90387-07390	10-17	90467-08003	25-6	90560-15116	30-4
90387-07390	16-9	90468-02033	13-20	90560-15136	27-4
90387-07390	25-12	90468-02033	13-23	90560-15136	28-7

Part No.	Ref No.	Part No.	Ref No.	Part No.	Ref No.
90560-15136	31-7	92901-04100	14-11	92901-06100	39-8
91401-16012	17-26	92901-04100	14-15	92901-06200	35-33
91401-16012	7-13	92901-04100	14-18	92901-06200	36-32
91401-20012	18-10	92901-04100	14-21	92901-06600	10-15
91401-20012	30-47	92901-04100	14-6	92901-06600	18-11
91401-20012	31-49	92901-04200	14-10	92901-06600	18-9
91401-20020	18-26	92901-04200	14-14	92901-06600	19-14
91401-25020	6-6	92901-04200	14-5	92901-08100	12-15
91401-30030	27-20	92901-05100	12-5	92901-08100	12-21
91401-30030	28-23	92901-05100	13-13	92901-08100	12-9
91401-30030	30-19	92901-05100	24-6	92901-08100	14-26
91401-30030	31-39	92901-05100	26-7	92901-08100	15-9
91609-20014	27-18	92901-05100	35-37	92901-08100	17-21
91609-20014	28-21	92901-05100	39-14	92901-08100	18-30
91702-05055	26-11	92901-05100	6-14	92901-08100	19-3
91810-05016	1-3	92901-06100	10-14	92901-08100	20-24
91830-21014	2-19	92901-06100	10-19	92901-08100	21-11
91830-21014	2-9	92901-06100	14-28	92901-08100	21-15
92501-05012	39-13	92901-06100	15-14	92901-08100	24-14
92501-06010	6-26	92901-06100	16-13	92901-08100	29-9
92501-06010	9-9	92901-06100	17-17	92901-08100	30-45
92501-06012	1-18	92901-06100	19-13	92901-08100	31-48
92501-06012	17-16	92901-06100	19-18	92901-08100	34-14
92501-06012	39-7	92901-06100	22-22	92901-08100	37-13
92501-06014	39-28	92901-06100	22-8	92901-08100	38-9
92501-06015	39-33	92901-06100	23-16	92901-08100	39-27
92501-06018	10-9	92901-06100	23-9	92901-08200	29-10
92501-06020	22-21	92901-06100	25-15	92901-08200	35-21
92501-06035	2-21	92901-06100	26-14	92901-08200	36-20
92501-06065	1-4	92901-06100	35-19	92901-08600	18-24
92501-06085	14-29	92901-06100	35-23	92901-08600	19-4
92501-06090	1-5	92901-06100	35-29	92901-10200	1-16
92506-06025	10-31	92901-06100	35-34	92901-10600	30-41
92506-06030	2-10	92901-06100	36-18	92901-10600	31-44
92506-06030	2-16	92901-06100	36-22	92901-12100	30-40
92506-06030	2-20	92901-06100	36-28	92901-12100	31-43
92506-06040	2-11	92901-06100	36-33	92901-14200	27-24
92506-06040	2-24	92901-06100	39-17	92901-14200	28-27
92706-06012	26-16	92901-06100	39-29	92903-05100	19-21
92901-04100	11-13	92901-06100	39-34	92903-05100	36-36

Part No.	Ref No.	Part No.	Ref No.	Part No.	Ref No.
92903-06100	38-17	93306-20429	30-23	93604-18058	3-14
92903-06200	35-13	93306-20526	3-11	93604-22050	6-9
92903-06200	36-12	93306-20526	3-21	94127-18202	27-2
92903-06200	38-16	93306-30203	28-9	94127-18202	28-3
93101-10002	13-6	93306-30206	27-6	94130-18200	30-2
93101-10002	40-39	93306-30206	30-6	94130-18200	31-4
93101-12004	40-36	93306-30401	5-26	94227-18010	27-3
93101-12004	7-6	93306-30408	5-12	94227-18010	28-4
93101-42018	31-14	93306-30509	3-20	94227-18012	30-3
93102-20117	3-22	93310-21403	3-33	94230-18012	31-5
93102-20117	40-32	93310-21403	40-11	94325-18043	31-6
93102-22014	27-21	93310-42012	3-7	94327-18007	28-6
93102-22014	28-25	93310-42012	40-8	94416-18016	31-3
93102-22014	30-7	93315-31502	5-10	94416-18094	28-5
93102-28021	40-35	93410-13004	5-25	94580-22112	30-35
93102-28021	5-27	93410-15005	8-17	94580-22112	31-50
93102-28022	30-24	93410-25017	8-13	94601-06100	23-20
93103-32031	3-23	93410-60050	30-27	94680-22001	30-36
93103-32031	40-33	93420-47008	31-28	94680-22001	31-51
93104-07036	40-38	93430-02001	24-8	94701-00045	1-24
93104-07036	9-7	93430-03014	6-11	95301-05600	13-14
93104-11028	2-5	93430-08006	13-8	95301-05600	19-20
93104-11028	40-31	93430-10016	7-12	95301-05600	26-8
93105-45017	27-13	93430-10016	7-8	95301-05600	35-38
93105-45017	28-16	93430-10016	8-6	95301-05600	36-37
93106-30008	31-29	93430-12008	18-4	95301-06600	15-13
93109-15001	40-37	93440-11029	2-3	95301-06600	22-23
93109-15001	8-18	93440-20043	5-19	95301-06600	30-16
93210-11073	13-25	93440-20043	5-5	95301-06600	31-21
93210-17239	40-22	93450-15023	3-31	95301-06600	35-18
93210-17239	9-5	93450-15023	40-5	95301-06600	35-24
93210-18023	3-24	93450-52010	3-12	95301-06600	35-30
93210-18023	40-19	93501-04011	21-5	95301-06600	35-35
93210-19123	2-26	93501-06105	14-30	95301-06600	36-17
93210-19123	40-17	93501-32009	8-8	95301-06600	36-23
93210-43043	31-10	93505-16006	4-16	95301-06600	36-29
93210-46044	3-17	93505-16006	6-22	95301-06600	36-34
93210-46044	40-18	93505-32002	13-17	95301-06600	39-16
93306-20204	31-9	93603-14026	1-6	95301-06700	4-18
93306-20404	31-27	93603-22028	13-4	95301-08600	12-16

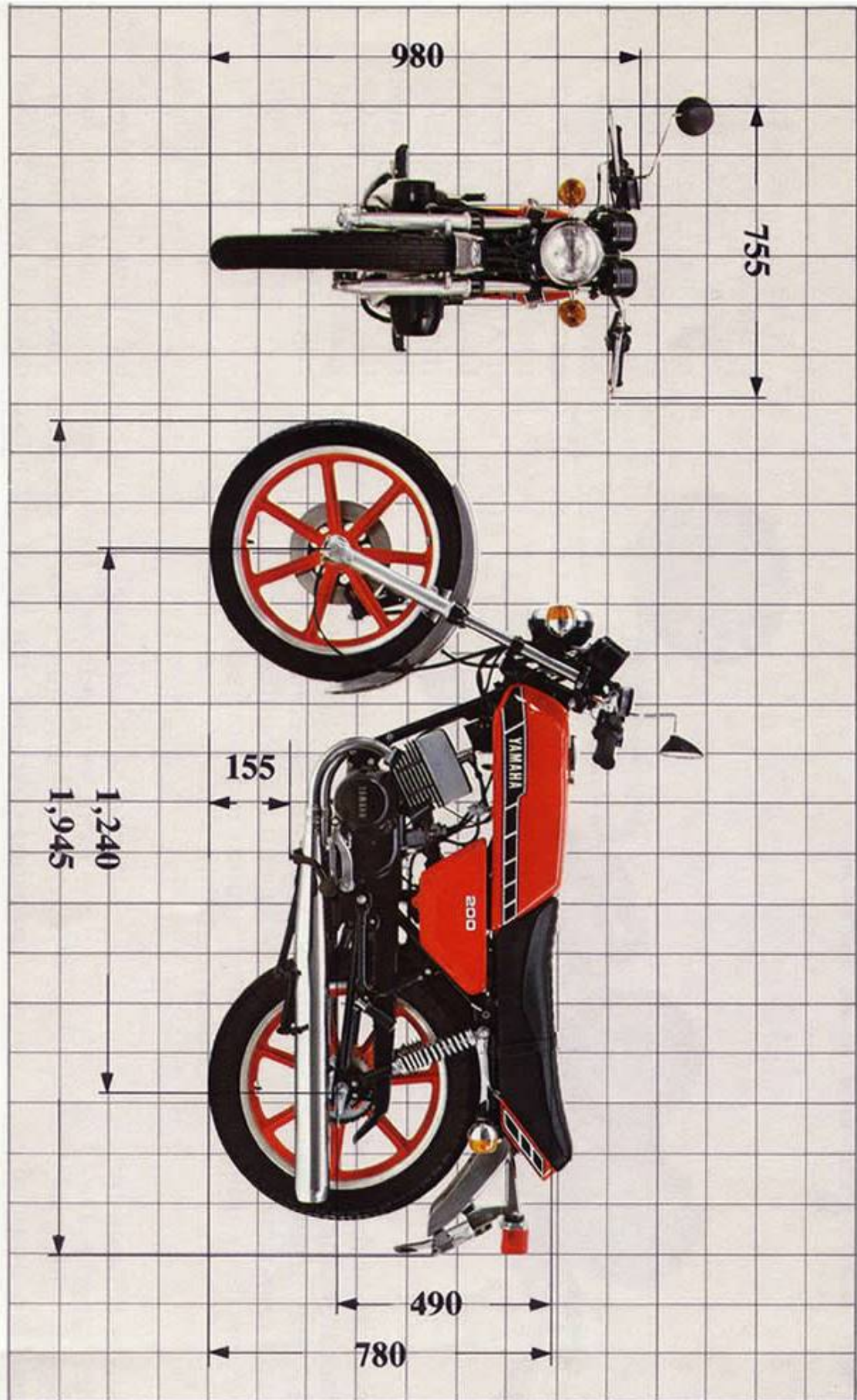
Part No.	Ref No.	Part No.	Ref No.	Part No.	Ref No.
95301-08600	12-22	97301-08020	19-2		
95301-08600	12-8	97303-06025	35-14		
95301-08600	30-46	97303-06025	35-25		
95301-08600	31-47	97303-06025	36-24		
95301-08600	37-14	97303-06030	38-15		
95301-08600	38-8	97311-06025	8-7		
95301-08600	7-5	97321-06016	19-12		
95301-08700	30-20	97321-06025	23-8		
95301-08700	31-35	97321-06030	7-18		
95301-08900	18-25	97321-08020	17-20		
95301-10700	30-42	97321-08020	18-29		
95301-10700	31-42	97323-08035	21-10		
95303-05800	34-12	97323-08050	21-14		
95303-06600	38-18	97602-03108	10-28		
95303-08800	21-17	98501-04008	14-22		
95601-06100	22-11	98501-04014	11-12		
95601-14100	17-4	98501-05008	24-5		
95701-08100	15-8	98501-05010	12-4		
95821-08055	15-4	98501-05010	5-14		
95821-08070	15-5	98501-05012	6-13		
95821-08080	15-6	98501-05016	13-9		
95821-08100	15-7	98506-05012	2-13		
95821-08115	15-10	98901-04008	13-15		
97301-06012	19-17				
97301-06012	35-32				
97301-06012	36-31				
97301-06014	10-13				
97301-06016	19-15				
97301-06016	23-15				
97301-06016	26-13				
97301-06018	10-12				
97301-06022	22-7				
97301-06025	10-20				
97301-06025	16-11				
97301-06025	25-14				
97301-06025	36-13				
97301-06030	16-12				
97301-08014	34-13				
97301-08014	39-26				
97301-08016	24-13				

General Part Prefixes

Prefix	Model	Prefix	Model	Prefix	Model
101	MF1.....1960	1M7	LS100.....1976(THAI./RS100 INDO)	351	RD350 PRO
102	MF2.....1962	1N8	NR200.....1976(NIGERIA)	353	FX50
110	YF1D.....1965	1X0	DT100X.....1977	360	RD350A
117	U5D.....1965	1Y1	FS1-DX.....1977(ENG.)	367	GT1MX
120	U7.....1965	207	F5	371	TX500, TX500A, XS500B
122	YG1.....1963	214	DT1	389	RD100
123	YG1A.....1963	235	R3	396	RD125
126	YG1D.....1964	237	CS2-E	397	RD200E.....(USA)
127	YG1K.....1965	241	HS1	398	RD200F
131	H1.....1965	248	AT1	401	MX125
132	H2.....1966	251	CT1	404	RD125
133	H2D.....1967	254	H3-D	416	RD125.....(EUR.)
136	YA5.....1961	256	XS1, XS1-B	417	RD200.....(EUR.)
137	YA6.....1964	260	FS1	434	TY250
141	YAT1.....1963	278	R5	437	DT100A
146	YD2.....1958	288	JT1	438	DT250A
148	YD3.....1961	291	DT1-F	439	LB502A
154	YDS2M.....1962	293	CS3-E	443	DT175A
156	YDS3.....1964	296	V50	444	DT125A
164	YH3.....1966	299	V70-E	449	LS3G
168	YR1	2F3	XS750E.....1978(USA)	460	DT125E.....1974(EUR.)
173	YCS1-E	2K5	YZ100E.....1978	498	DT250B.....(MINOR)
174	YCS1	2R6	RD125, RD125-DX.....1978	507	RD125B.....(USA)
183	AS1	2R7	RD200, RD200-DX.....1978	509	MX250B (YZ250B)
195	L3	301	CT1-F	512	DT250G
1A0	RD250	306	XS2	517	V50D
1A1	RD400	307	AS3	520	V50A
1E2	RS125E	308	RT2	521	RD350.....1975(EUR.)
1E6	XT500C	314	CT2	526	RD50DX
1E7	RD125DX	315	CT2-J	533	XS650.....1975(EUR.)
1E8	RD200DX	324	DT2-MR	535	RD200DX.....1975
1H7	RD125	326	HS2	537	YZ125C (MXS)
1J2	RD200IR.....1976(MID. EAST)	336	LS3	543	LB50-2H.....(SWIT.)
1J3	XS500C/D.....1976/1977	337	CS5E	558	DT100C.....(USA, CAN.)
1M3	LB50-3H	341	TX750, TX750A	584	XS650C.....1976



MODEL DATA



Cylinders and Pistons

Standard bore	52 mm
Stroke.....	46mm
Ports.....	7
Clearance in cylinder bore	0.040 to 0.045mm
Wear limit	0.050mm
Re-bore sizes	52.25 to 57.00 mm (0.25 steps)
Piston ring type	dykes
Number of rings.....	two
Ring end gaps	0.15 to 0.35 mm
Ring groove clearance	0.05 mm

Clutch

No of plain plates	5
No of inserted plates	5
Inserted plate thickness	4.0 mm
Inserted plate wear limit	3.7 mm
Spring length.....	34 mm
Spring wear limit.....	33 mm

Torque Settings

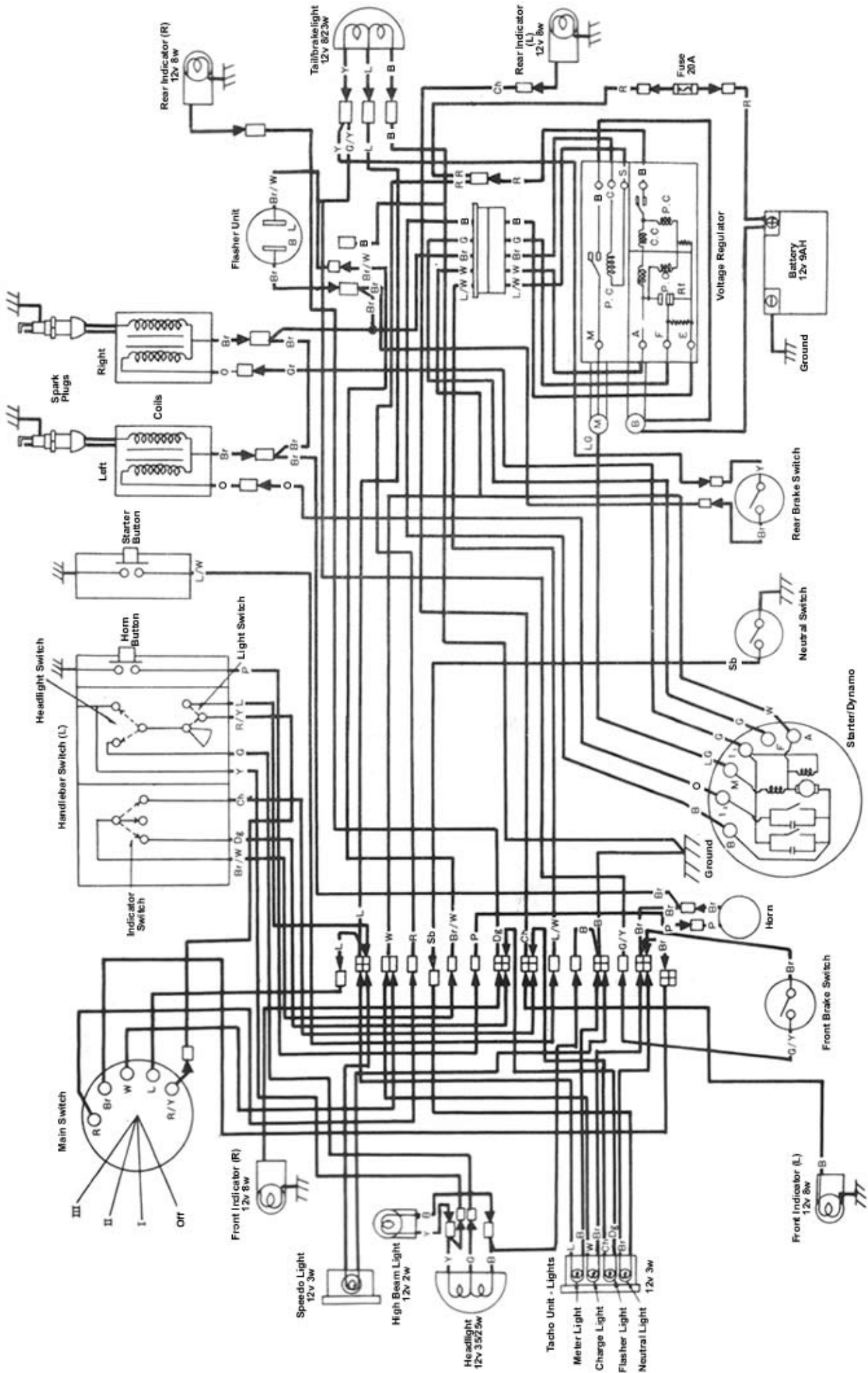
Cylinder heads	15 ft lb
Clutch centre nut.....	54 ft lb
Primary Drive pinion.....	46 ft lb
Final drive (front) sprocket	54 ft lb
Swing arm spindle	46 ft lb
Engine mounting bolts – 8mm.....	15ft lb
Engine mounting bolts – 10mm.....	25ft lb

Ignition

Plugs	B8ES
Plug gap	0.6 – 0.7 mm
Points gap	0.3 – 0.4 mm
Timing	1.8 mm BTDC

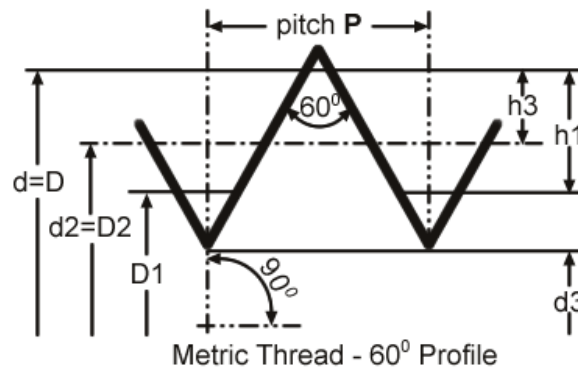
Lubrication

Pump stroke limit.....	0.15 mm
Minimum stroke tolerance	0.20 – 0.25 mm
Gearbox capacity	0.85 litres
Gearbox oil	10/30 multigrade



RD 200 Wiring Diagram
 (NOTE: does not show flasher cancel unit)

METRIC THREAD SPECIFICATIONS (M Thread Form 3 mm - 16 mm)



Nom. Size ISO M	Major Dia. mm d=D	Pitch mm p	Root Radius mm r	Pitch Dia. mm d2=D2	Minor Diameter		Thread Height		Tap Drill Dia. mm
					Male Thd. d3	Female Thd. D1	Male Thd. h3	Female Thd. H1	
3.0	3.0	0.50	0.072	2.675	2.387	2.459	0.307	0.271	2.50
4.0	4.0	0.70	0.101	3.545	3.141	3.242	0.429	0.379	3.30
5.0	5.0	0.80	0.115	4.480	4.019	4.134	0.491	0.433	4.20
6.0	6.0	1.00	0.144	5.350	4.773	4.917	0.613	0.541	5.00
8.0	8.0	1.25	0.180	7.188	6.466	6.647	0.767	0.677	6.80
10.0	10.0	1.50	0.217	9.026	8.160	8.376	0.920	0.812	8.50
12.0	12.0	1.75	0.253	10.863	9.853	10.106	1.074	0.947	10.20
14.0	14.0	2.00	0.289	12.701	11.546	11.835	1.227	1.083	12.00
16.0	16.0	2.00	0.289	14.701	13.546	13.835	1.227	1.083	14.00

Nom. Size ISO M	Major Dia. mm d=D	Pitch mm p	Root Radius mm r	Pitch Dia. mm d2=D2	Male Thd. d3	Female Thd. D1	Male Thd. h3	Female Thd. H1	Tap Drill Dia. mm
3x0.35	3.0	0.35	0.051	2.773	2.571	2.621	0.215	0.189	2.60
4x0.50	4.0	0.50	0.072	3.675	3.387	3.459	0.307	0.271	3.50
5x0.50	5.0	0.50	0.072	4.675	4.387	4.459	0.307	0.271	4.50
6x0.75	6.0	0.75	0.108	5.513	5.080	5.188	0.460	0.406	5.20
8x0.75	8.0	0.75	0.108	7.513	7.080	7.188	0.460	0.406	7.20
8x1.00	8.0	1.00	0.144	7.350	6.773	6.917	0.613	0.541	7.00
10x0.75	10.0	0.75	0.108	9.513	9.080	9.188	0.460	0.406	9.20
10x1.00	10.0	1.00	0.144	9.350	8.773	8.917	0.613	0.541	9.00
10x1.25	10.0	1.25	0.180	9.188	8.466	8.647	0.767	0.677	8.80
12x1.00	12.0	1.00	0.144	11.350	10.773	10.917	0.613	0.541	11.00
12x1.25	12.0	1.25	0.180	11.188	10.466	10.647	0.767	0.677	10.80
12x1.50	12.0	1.50	0.217	11.026	10.160	10.376	0.920	0.812	10.50
14x1.00	14.0	1.00	0.144	13.350	12.773	12.917	0.613	0.541	13.00
14x1.25	14.0	1.25	0.180	13.188	12.466	12.647	0.767	0.677	12.80
14x1.50	14.00	1.50	0.217	13.026	12.160	12.376	0.920	0.812	12.50
16x1.00	16.00	1.00	0.144	15.350	14.773	14.917	0.613	0.541	15.00
16x1.50	16.00	1.50	0.217	15.026	14.160	14.376	0.920	0.812	14.50