



YAMAHA

GT1 / GTMX

ASSEMBLY MANUAL

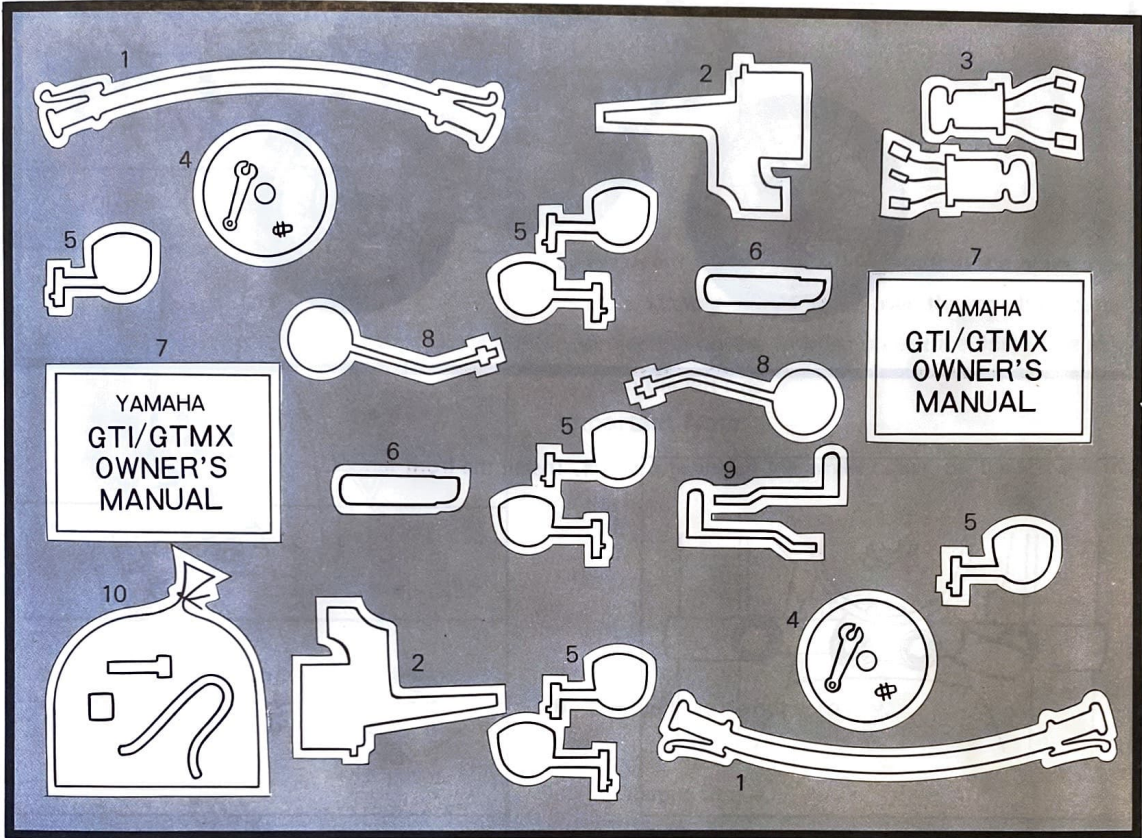
YAMAHA MOTOR CO., LTD.

www.legends-yamaha-enduros.com

UNPACKING

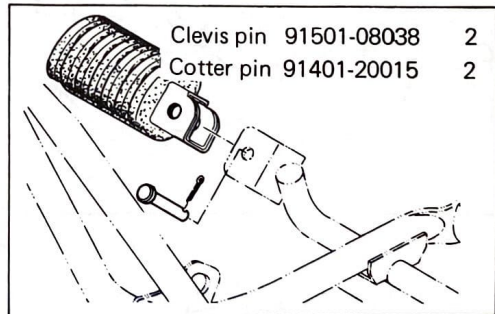
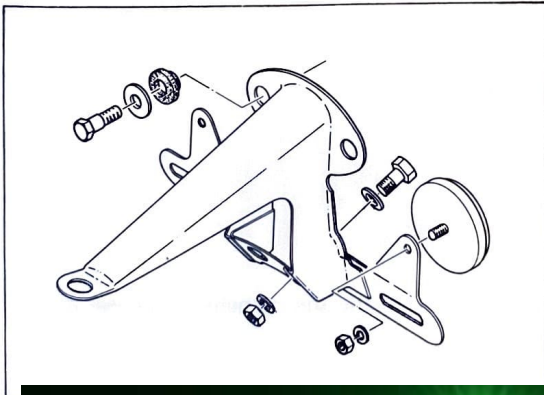
The GT1/GTMX comes in a cardboard crate.

Check the boxes per previous instruction and, if any items are damaged or missing, replace immediately.



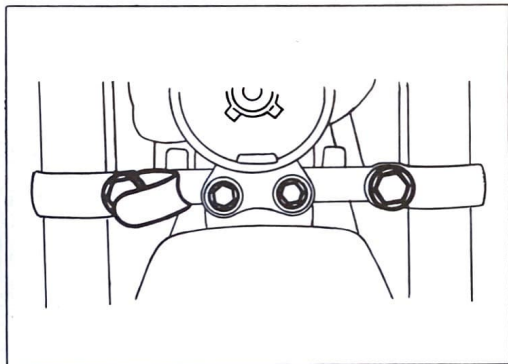
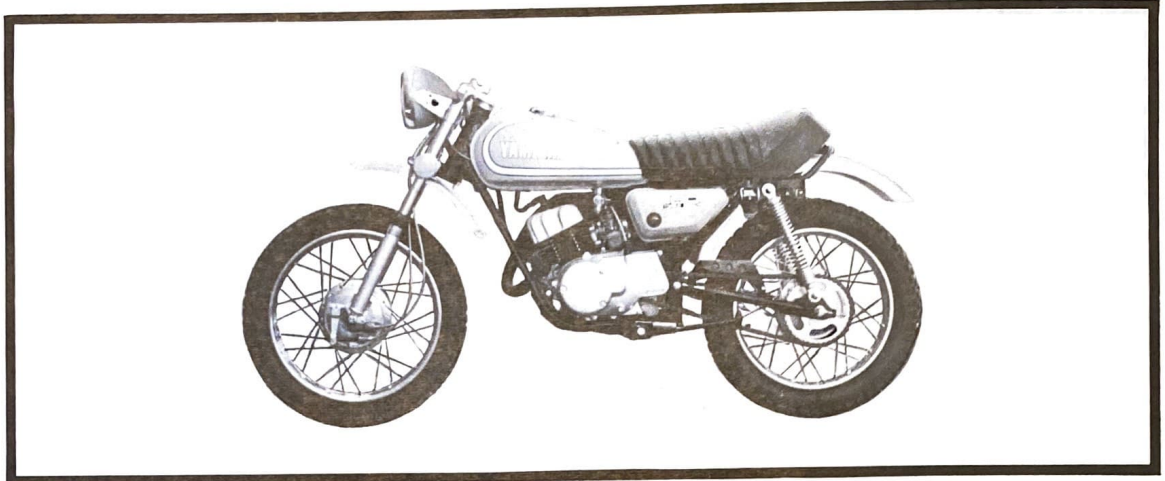
1. Handle bar ass'y
2. Tail lamp ass'y
3. Main switch ass'y
4. Shoe plate ass'y
5. Frasher lamp ass'y

6. Footrest cover ass'y
7. Owner's manual
8. Back mirror
9. Change pedal
10. Bolt, nuts and bleeder pipe, etc.

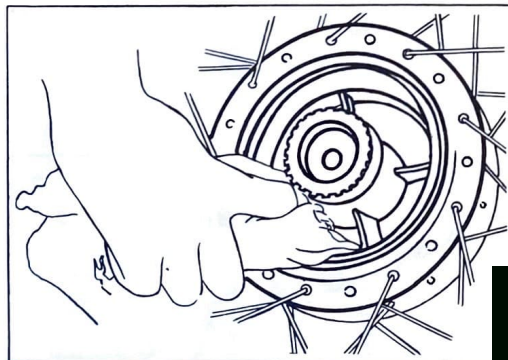
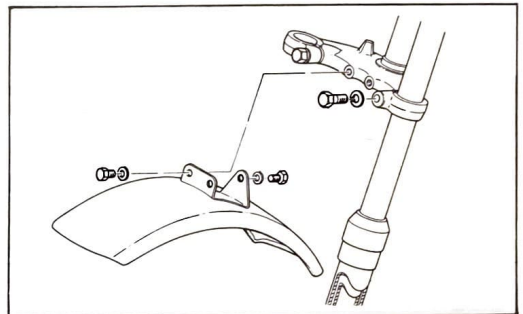


www.legends-yamaha-enduros.com

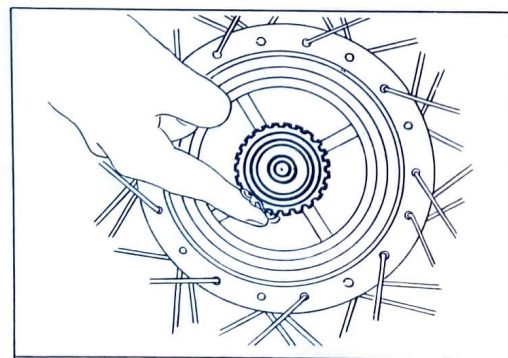
FRONT FENDER, FRONT WHEEL



1. Install the front fender.



2. Wipe off any dust on the brake shoe lining and drum with a clean cloth.

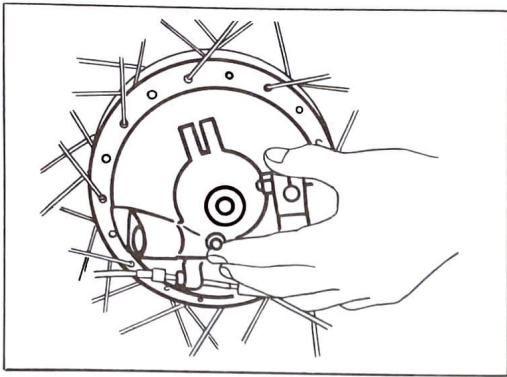


3. Lightly lubricate the speedometer drive gear and oil seal with grease.

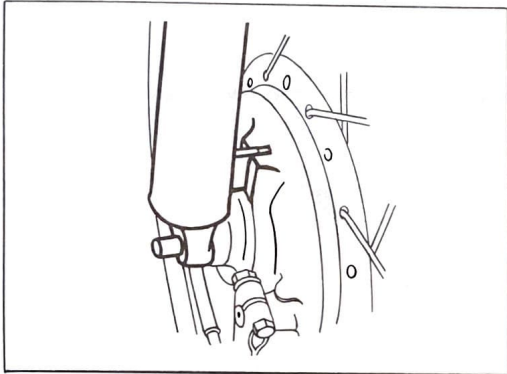
Note:

Take care not to allow any oil or grease to adhere to the brake shoe lining or drum.

www.legends-yamaha-enduros.com



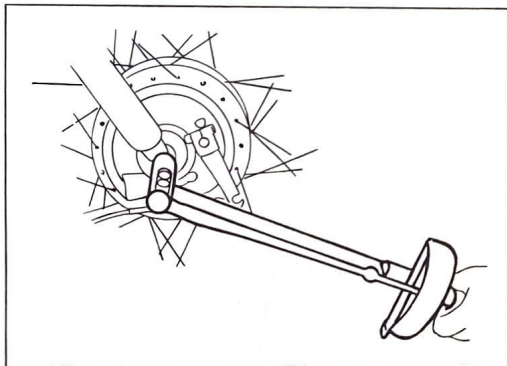
4. Insert the brake shoe backing plate into the hub.



5. For front wheel installation, position the brake shoe plate stopper groove (□) over the matching metal projection on the fork leg outer tube. Install the axle from the left side.

Important Note:

Be sure to install the wheel collar, on the left side of the hub.



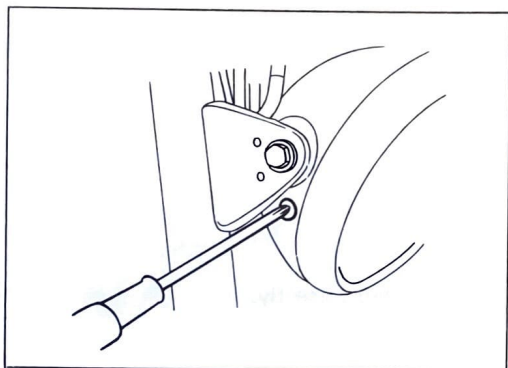
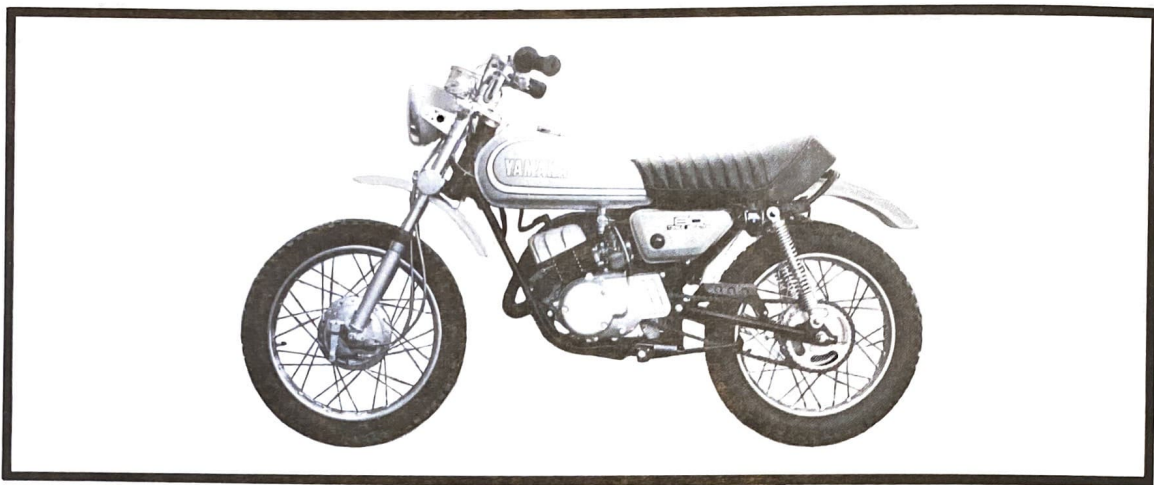
6. Tighten the axle nut correctly.

Tightening torque.

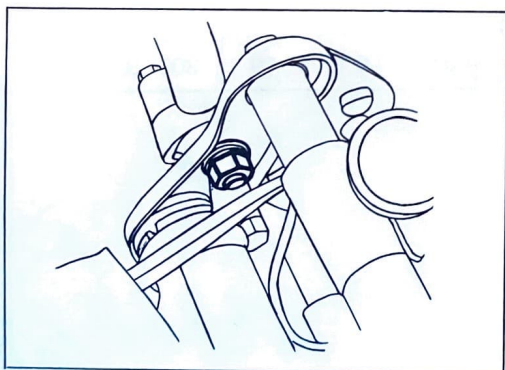
| Kg-m | ft - lbs | In - lbs |
|-----------|----------|-----------|
| 3.5 - 4.0 | 20 - 29 | 300 - 350 |



SPEEDOMETER, MAINSWITCH, HANDLEBAR



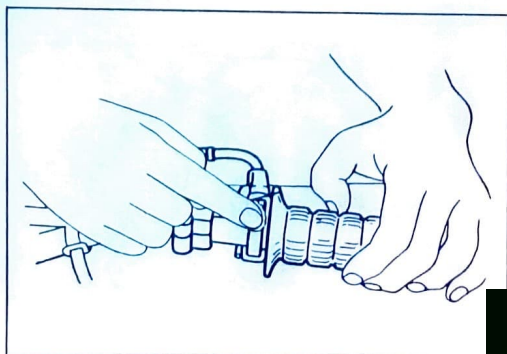
1. Remove the headlight lens.



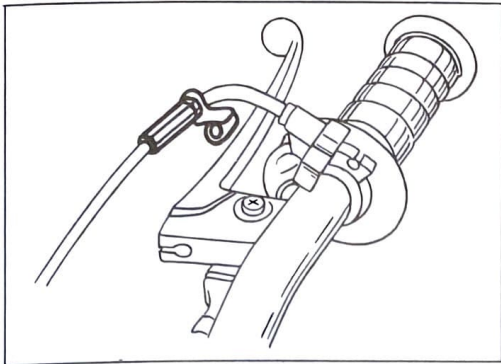
2. Install the handle bar ass'y.

CAUTION

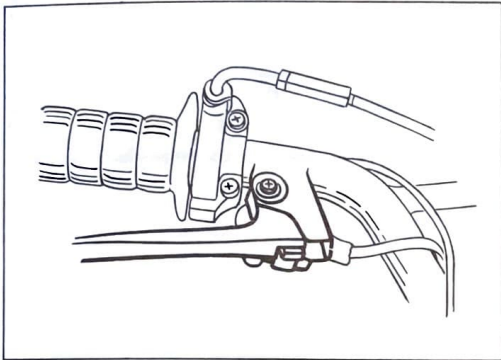
Make sure the lock washers on the securing bolts are in place and that the bolts are evenly torqued in gradual stages and in a cross-pattern.



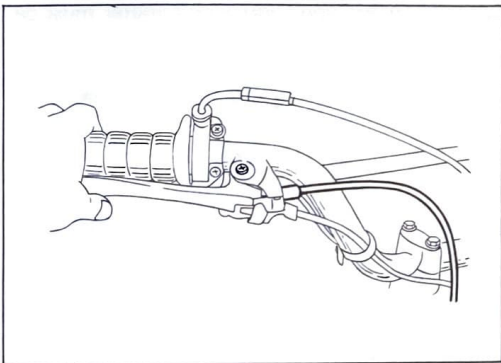
3. Apply a light coating of grease (such as Shell Lithall MDS) to the right handlebar end and throttle grip housing.



4. Push the grip onto the bar until the handlebar end butts against the throttle grip.



5. Install the accelerator wire with grip upper cap and Insert the wire end piece into its seat in the accelerator grip.



7. Install the brake cable.

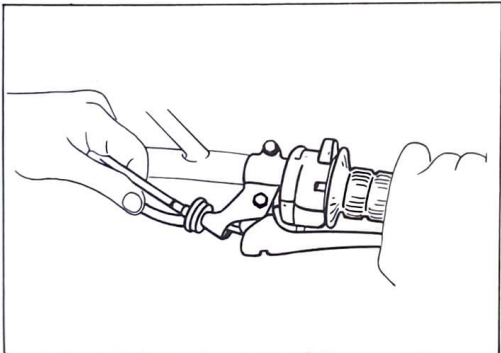
Turn the brake cable length adjuster on the brake shoe plate all the way in.

Insert the brake cable end piece into its seat in the brake lever.

Squeeze in on the brake lever while holding firmly onto the cable outer housing. (Actuates brake and lengthens inner cable)

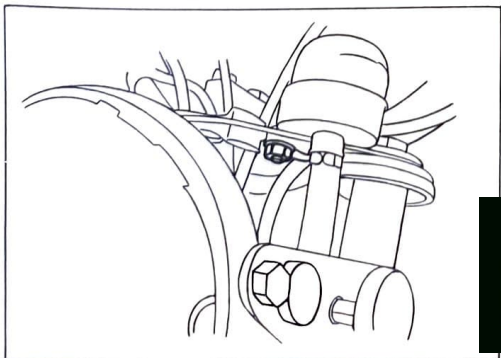
Release the brake lever while simultaneously pulling back on the outer cable housing. The cable ferrule will be pulled back and can now drop into its seat in the lever holder.

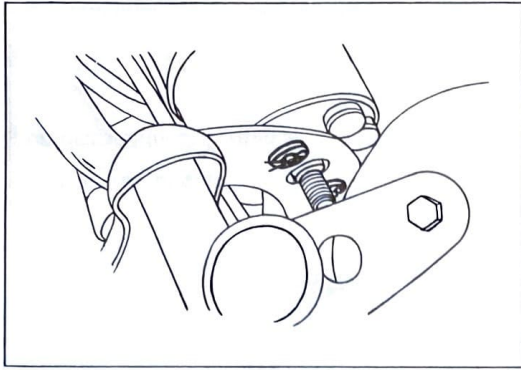
Adjust cable length according to the specifications in the model Service Manual.



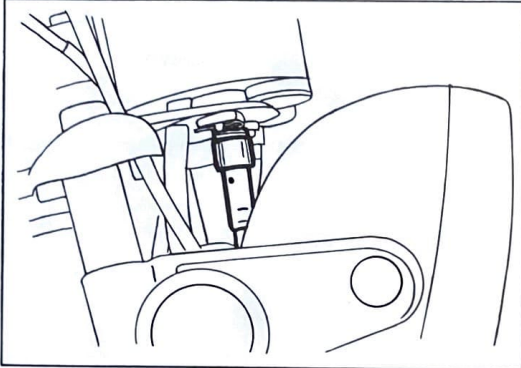
8. Repeat this procedure for the clutch cable.

9. Install the main switch ass'y.

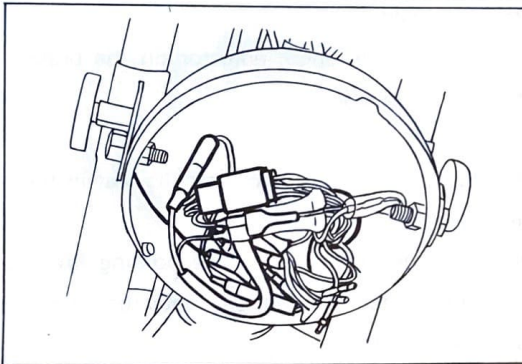




10. Install the speedometer.



11. Install the speedometer cable.

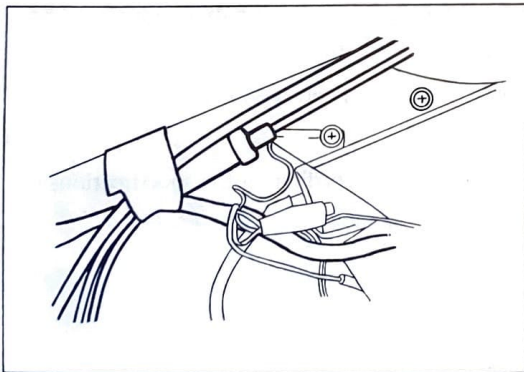


12. Lead wires from switches and speedometer must be run into the headlight thru the hole in back. Connect these lead wires to main wiring harness wires.

Note:

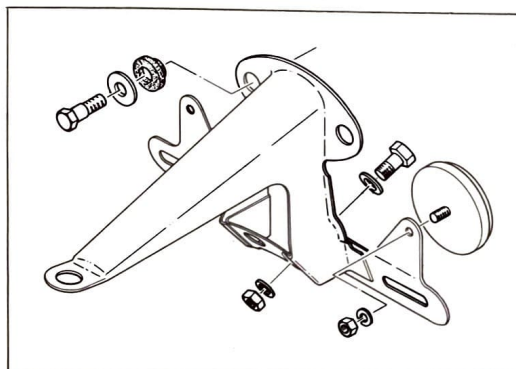
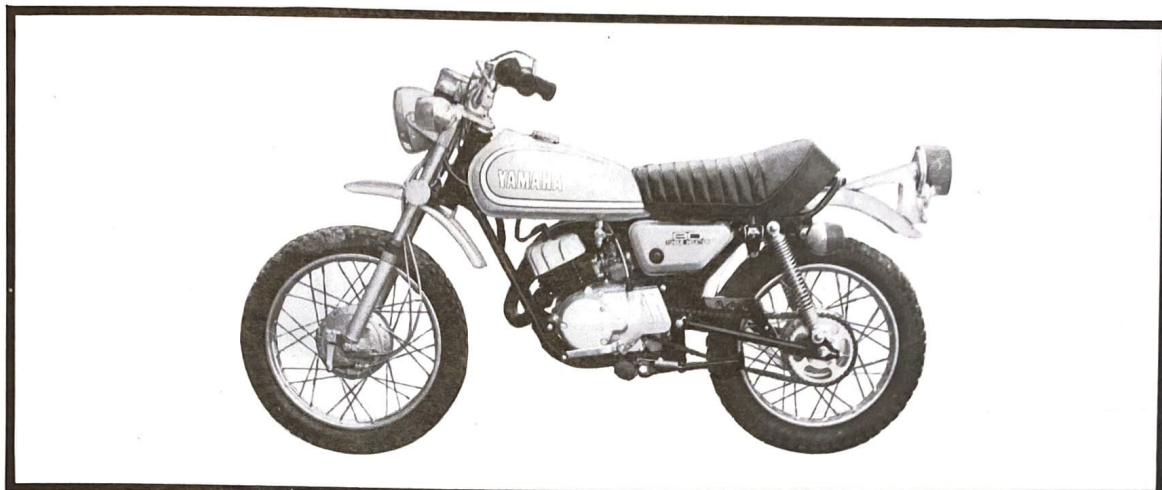
Lead wire from stop button inside must be connected at the bottom of the fuel tank.

- a. Remove the fuel pipe.
- b. The fuel tank can be removed to pulling back after lift up the fuel tank end.
- c. Connect the lead wire from its stop button.

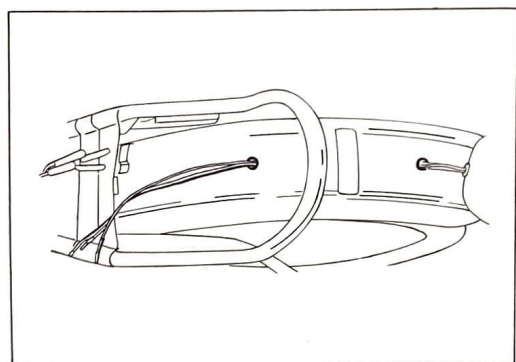


www.legends-yamaha-enduros.com

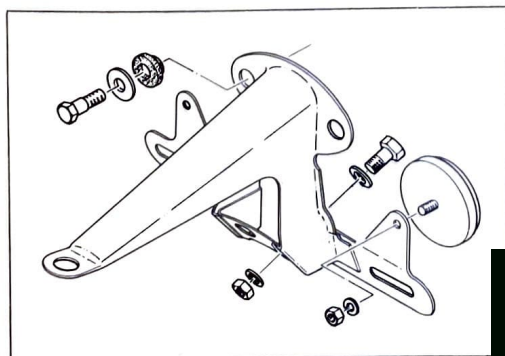
TAILLIGHT, BRAKE PEDAL, CHANGE PEDAL, FOOT REST, FRASHER LAMP.



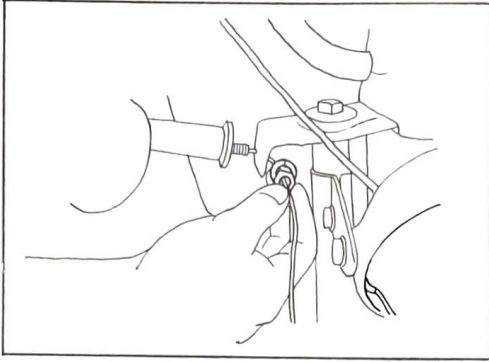
1. Install the damper rubber, and license bracket collar on the license bracket.



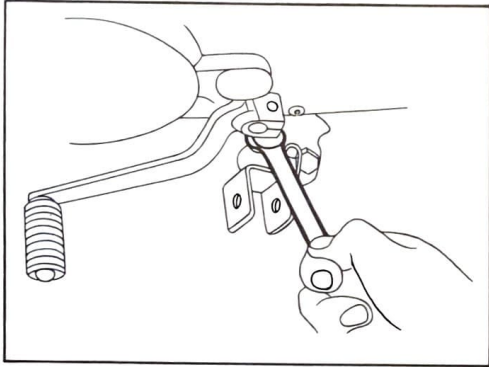
2. Connect the lead wires.



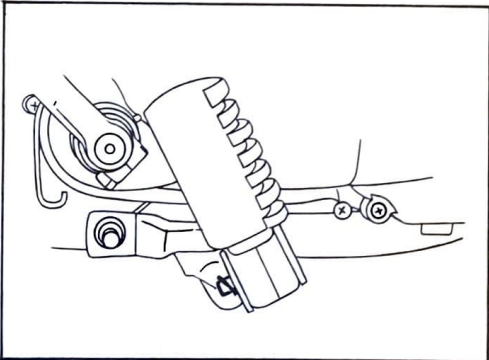
3. Install the taillight ass'y to the fender.



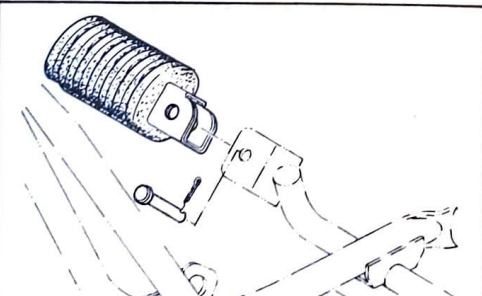
4. Install the frasher lamp ass'y.



5. Install the change pedal.

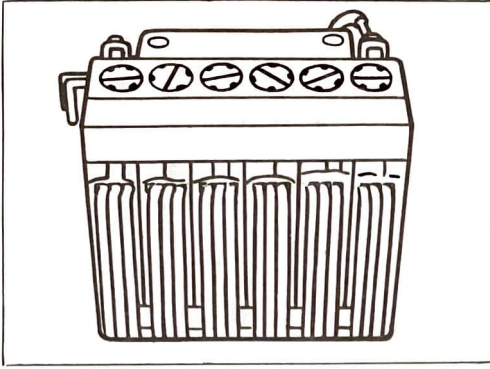


6. Install the foot rest.

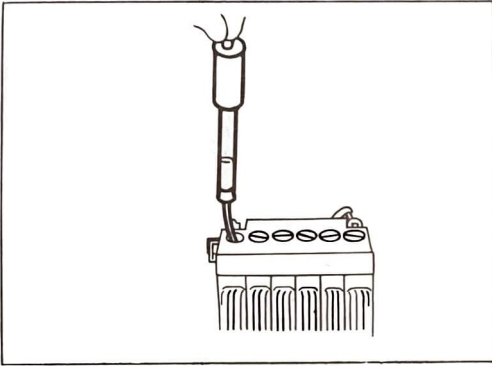


www.legends-yamaha-enduros.com

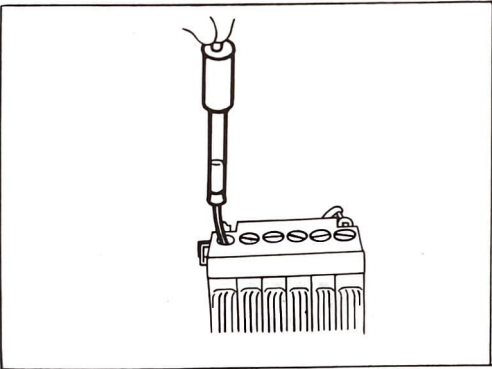
BATTERY



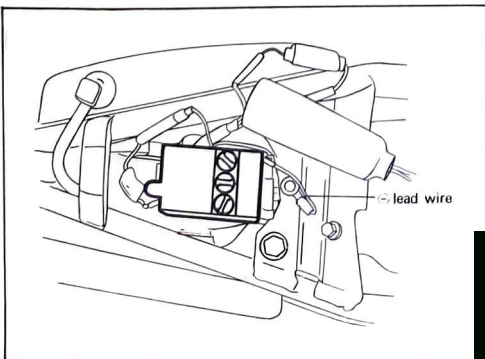
1. Remove the vent tube and filler caps.
Blow gently through the vent and vent tube to make sure proper venting is taking place.



2. Fill each cell to the top level line with fresh electrolyte.

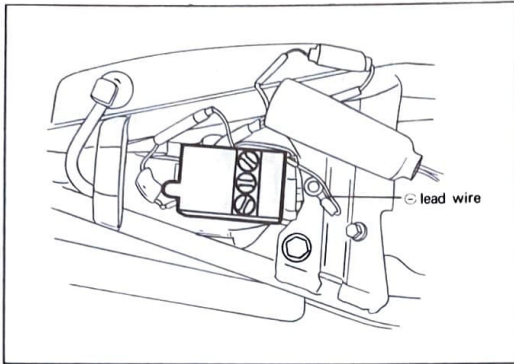


3. Charge the battery at – A (MAX.) until specific gravity is 1,260 ~ 1,280.



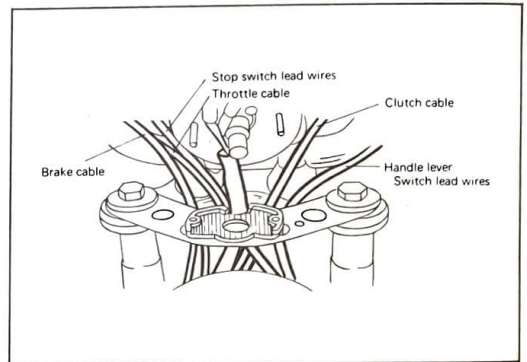
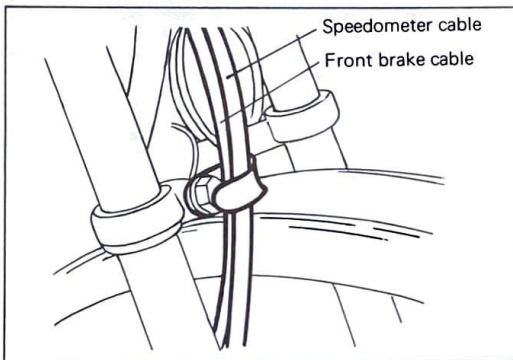
4. Install the battery in the frame, and connect the lead wires.

www.legends-yamaha-enduros.com



5. Make sure the battery ground (–).
Strap is contacting clean, low metal at the frame mounting point.

Cable routing section.





www.legends-yamaha-enduros.com



SINCE 1887

YAMAHA MOTOR CO.,LTD.

HAMAMATSU, JAPAN

Printed in Japan
72-10, 1.6×1