

YAMAHA

PARTS CATALOGUE

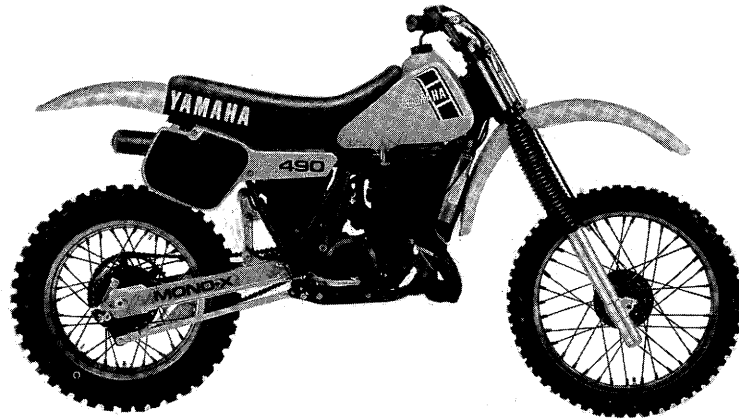
YZ490J'82 (5X6)

125X6-300E1





FOR EUROPE, OCEANIA, OTHERS



FOR CANADA

FOREWORD

This Parts Catalogue is related to the parts in use for the Yamaha YZ 490J '82 (5X6).
When you are ordering replacement parts for the YZ 490J '82 (5X6), refer to this Parts Catalogue and quote both part numbers and part names correctly.

1. Modifications or additions which have been made after issue of the Parts Catalogue will be announced in the Yamaha Parts News.
It is advisable that according to the Yamaha Parts News you make necessary corrections to the Parts Catalogue on hand to keep it up-to-date.

2. Abbreviations

The following abbreviations are used in this Parts Catalogue.

- U.R. Use size (thickness) and/or number as required.
- U.N. Use as many as you need.
- A.P. Alternate Parts
- L.M. Local Made
- F# Frame No. (Applicable machine No.)

3. The parts marked with (*) in the parts number column of this Catalogue are not supplied with by Yamaha, those have to be found locally.
4. Parts, which are to be supplied in the form of assemblies, are listed with an indentation of one letter's space, and a dot (.) is put against the name of each part.

EXAMPLE CARBURETOR ASS'Y
 . JET, pilot
 . NOZZLE, main

5. Indication of No. of constituent parts for assembly

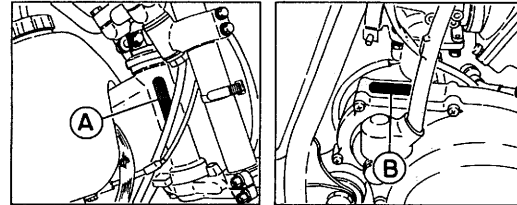
The numeral appearing to the right of each constituent part under the description indicates the quantity of such parts for each individual assembly unit.

EXAMPLE

| Part No. | Description | Q'ty | Remarks |
|--------------|---------------------------|------|---------|
| 2F5-83310-60 | FRONT FLASHER LIGHT ASS'Y | 2 | |
| 115-83311-60 | . BULB (6V-18W) | 1 | |
| 1M1-83309-60 | . REFLECTOR | 1 | |

6. Initial Serial No. and Color Code

| | |
|-----------------------|--------------------------|
| (A) Frame Serial No. | 5X6-000101 and following |
| (B) Engine Serial No. | 5X6-000101 and following |



| Color Code | Color Name | Abbreviate |
|------------|-------------|------------|
| | Clean White | |

7. Applicable colors of graphics are represented in the "Remarks" column by the letter(s) appropriately picked out of the full word(s) showing such colors.

EXAMPLE

| Part No. | Description | Q'ty | Remarks |
|-----------------|--------------------------|------|-----------|
| 2N4-24110-00-X5 | FUEL TANK COMP. | 1 | MAXIM RED |
| 3J1-24240-10 | . GRAPHIC, fuel tank set | 1 | for MXR |

CONTENTS

ENGINE

| | | |
|---------|---------------------------|----|
| Fig. 1 | Cylinder | 1 |
| Fig. 2 | Crankshaft - Piston | 2 |
| Fig. 3 | C.D.I Magneto | 3 |
| Fig. 4 | Intake | 4 |
| Fig. 5 | Carburetor | 6 |
| Fig. 6 | Exhaust | 7 |
| Fig. 7 | Crankcase | 8 |
| Fig. 8 | Crankcase Cover | 9 |
| Fig. 9 | Kick Starter | 10 |
| Fig. 10 | Clutch | 11 |
| Fig. 11 | Transmission | 13 |
| Fig. 12 | Shift Cam - Fork | 15 |
| Fig. 13 | Shift Shaft - Pedal | 16 |

CHASSIS

| | | |
|---------|----------------------------------|----|
| Fig. 14 | Frame - Tool | 17 |
| Fig. 15 | Front Fender - Rear Fender | 18 |
| Fig. 16 | Side Cover | 19 |
| Fig. 17 | Rear Arm | 20 |
| Fig. 18 | Rear Suspension | 22 |
| Fig. 19 | Steering | 24 |
| Fig. 20 | Front Fork | 25 |
| Fig. 21 | Fuel Tank | 28 |
| Fig. 22 | Seat | 30 |
| Fig. 23 | Front Wheel | 31 |
| Fig. 24 | Rear Wheel | 33 |
| Fig. 25 | Handlebar - Cable | 36 |
| Fig. 26 | Stand - Footrest | 38 |
| Fig. 27 | Electrical 1 | 39 |
| Fig. 28 | Handle Switch - Lever | 40 |

EXCLUSIVE FOR EUROPE

| | | |
|---------|------------------|----|
| Fig. 29 | Carburetor | 41 |
|---------|------------------|----|

EXCLUSIVE FOR CANADA

| | | |
|---------|-----------------------|----|
| Fig. 30 | Rear Suspension | 42 |
| Fig. 31 | Front Fork | 43 |

ALTERNATE PARTS

| | | |
|---------|---------------------------|----|
| Fig. 32 | Alternate (Chassis) | 46 |
|---------|---------------------------|----|

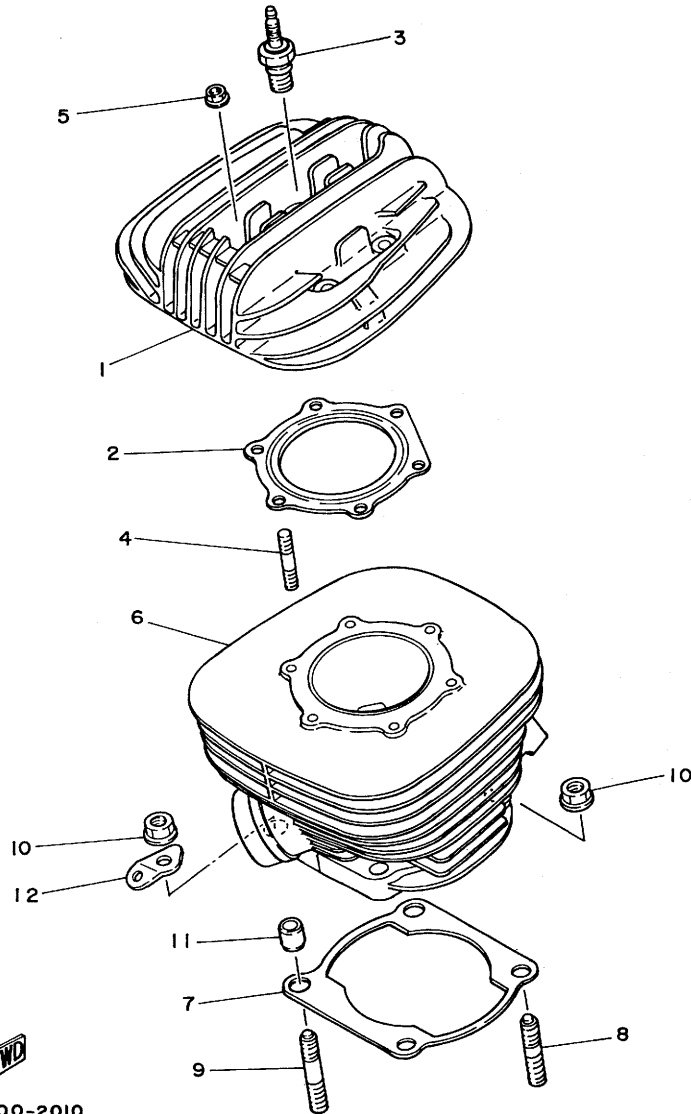
REPAIR KIT

| | | |
|---------|------------------|----|
| Fig. 33 | Repair Kit | 47 |
|---------|------------------|----|

INDEX

| |
|------------------|
| Numerical Index |
| Parts Name Index |

FIG. 1 CYLINDER



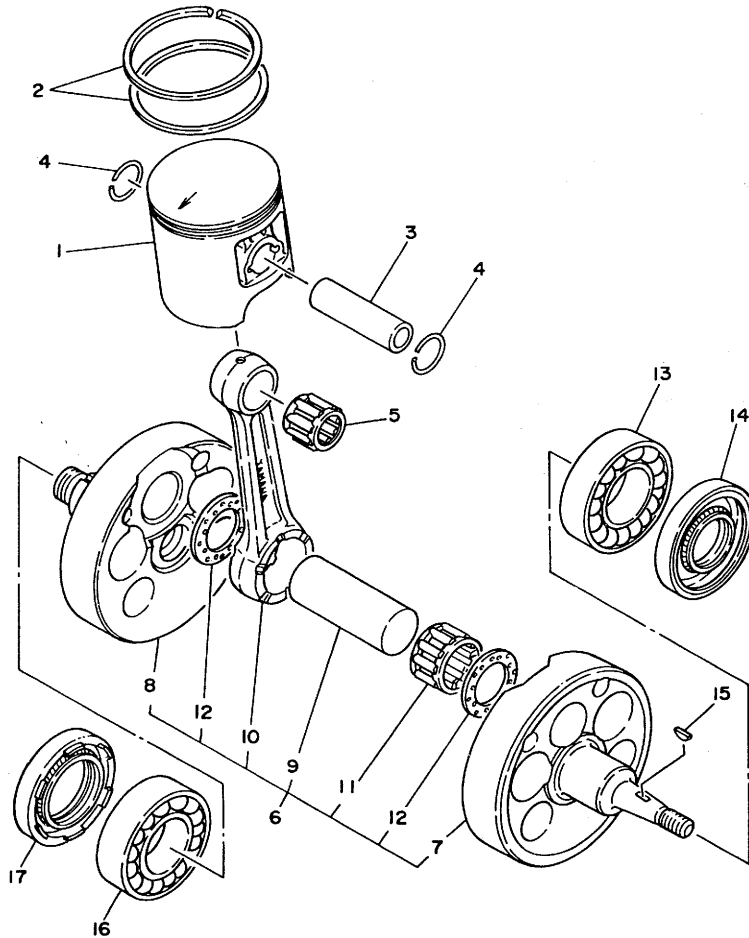
| REF. NO. | PART NO. | DESCRIPTION | Q'TY | REMARKS |
|----------|--------------|----------------------------|------|---------|
| 1 | 5X6-11111-00 | HEAD, cylinder 1 | 1 | |
| 2 | 5X6-11181-00 | GASKET, cylinder head 1 | 1 | |
| 3 | * | PLUG, sPark (CHAMPION N-3) | 1 | LM |
| 4 | 90116-08321 | BOLT, stud | 6 | |
| 5 | 90179-08299 | NUT | 6 | |
| 6 | 5X6-11311-00 | CYLINDER 1 | 1 | |
| 7 | 3R5-11351-00 | GASKET, cylinder | 1 | |
| 8 | 90116-12315 | BOLT, stud | 2 | |
| 9 | 90116-12316 | BOLT, stud | 2 | |
| 10 | 95701-12100 | NUT, flange | 4 | |
| 11 | 91810-17016 | PIN, dowel | 2 | |
| 12 | 3R5-14619-00 | HOOK, sPring | 1 | |



5X6100-2010

B2

FIG. 2 CRANKSHAFT·PISTON



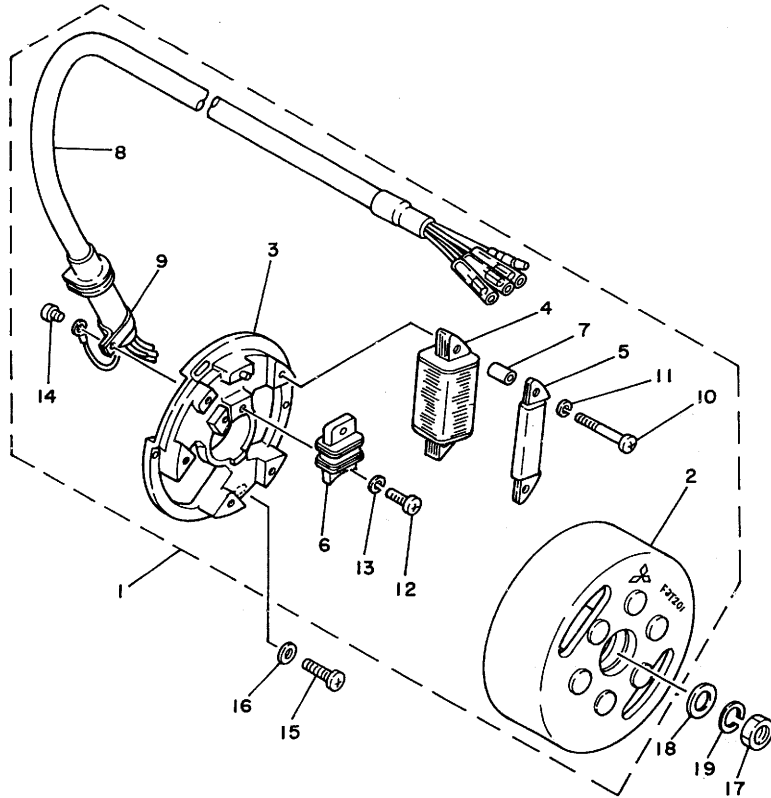
| REF. NO. | PART NO. | DESCRIPTION | Q'TY | REMARKS |
|----------|-----------------|---------------------------|------|---------|
| 1 | 5X6-11631-00-93 | PISTON (STD) | 1 | UR |
| | 5X6-11631-00-94 | PISTON (STD) | 1 | UR |
| | 5X6-11635-00 | PISTON (1ST O/S 0.25MM) | 1 | AP |
| | 5X6-11636-00 | PISTON (2ND O/S 0.50MM) | 1 | AP |
| | 5X6-11637-00 | PISTON (3RD O/S 0.75MM) | 1 | AP |
| | 5X6-11638-00 | PISTON (4TH O/S 1.00MM) | 1 | AP |
| 2 | 5X6-11601-00 | PISTON RING SET (STD) | 1 | |
| | 5X6-11601-10 | PISTON RING SET (1ST O/S) | 1 | AP |
| | 5X6-11601-20 | PISTON RING SET (2ND O/S) | 1 | AP |
| | 5X6-11601-30 | PISTON RING SET (3RD O/S) | 1 | AP |
| | 5X6-11601-40 | PISTON RING SET (4TH O/S) | 1 | AP |
| 3 | 275-11633-00 | PIN, Piston | 1 | |
| 4 | 93450-19052 | CIRCLIP | 2 | |
| 5 | 93310-418E9 | BEARING, cylindrical | 1 | |
| 6 | 3R5-11400-00 | CRANKSHAFT ASSY | 1 | |
| 7 | 3R5-11412-00 | •CRANK 1 | 1 | |
| 8 | 3R5-11422-00 | •CRANK 2 | 1 | |
| 9 | 3R5-11681-00 | •PIN, crank 1 | 1 | |
| 10 | 3R5-11651-00 | •ROD, connecting | 1 | |
| 11 | 93310-42541 | •BEARING, cylindrical | 1 | |
| 12 | 90209-25220 | •WASHER | 2 | |
| 13 | 93306-30615 | BEARING (B6306) | 1 | |
| 14 | 93103-30092 | OIL SEAL | 1 | |
| 15 | 90280-03017 | KEY, woodruff | 1 | |
| 16 | 93306-30615 | BEARING (B6306) | 1 | |
| 17 | 93103-40091 | OIL SEAL | 1 | |



5X6100-2020

B3

FIG. 3 C.D.I MAGNETO



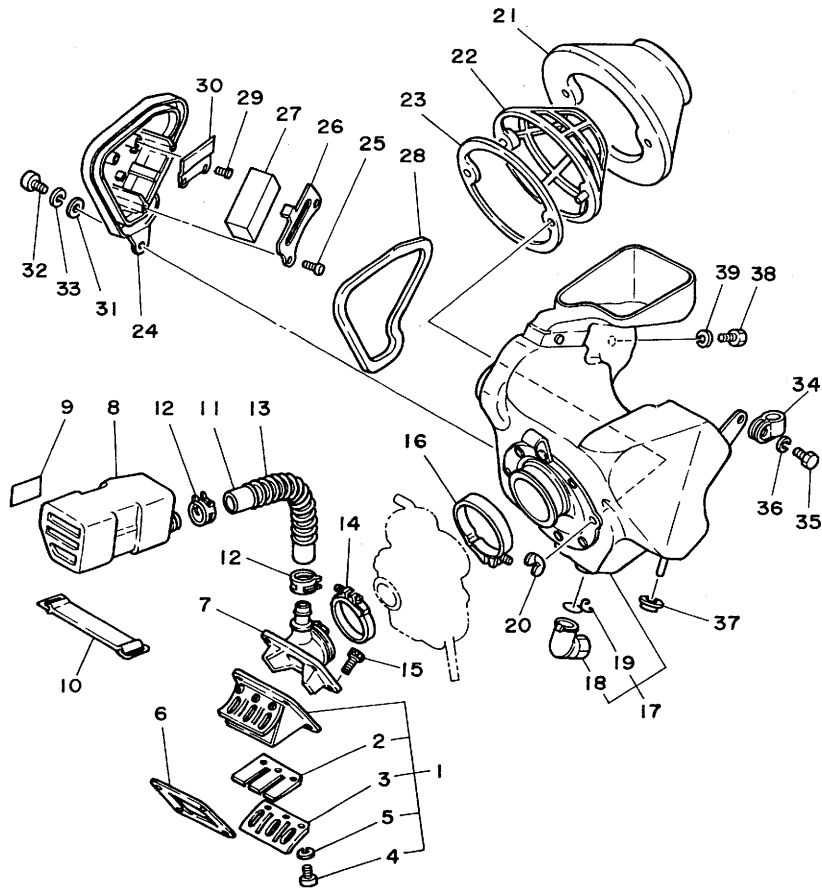
| REF. NO. | PART NO. | DESCRIPTION | Q'TY | REMARKS |
|----------|--------------|---------------------|------|---------|
| 1 | 3R5-85500-20 | C.D.I. MAGNETO ASSY | 1 | |
| 2 | 3R5-85550-20 | .ROTOR ASSY | 1 | |
| 3 | 3R5-85509-20 | .BASE, magneto | 1 | |
| 4 | 3R5-85511-20 | .COIL, source | 1 | |
| 5 | 3R5-85512-20 | .COIL, source | 1 | |
| 6 | 2W6-85580-20 | .COIL, Pulser | 1 | |
| 7 | 1W2-85516-20 | .SPACER | 2 | |
| 8 | 3R5-85515-20 | .LEAD WIRE ASSY | 1 | |
| 9 | 104-81328-20 | .CLAMP | 1 | |
| 10 | 98501-04035 | .SCREW, Pan head | 2 | |
| 11 | 92901-04100 | .WASHER, sPring | 2 | |
| 12 | 98501-04014 | .SCREW, Pan head | 1 | |
| 13 | 92901-04100 | .WASHER, sPring | 1 | |
| 14 | 110-81345-21 | .SCREW, Pan head | 1 | |
| 15 | 92501-06020 | SCREW, Pan head | 3 | |
| 16 | 92901-06600 | WASHER, Plate | 3 | |
| 17 | 90170-12067 | NUT | 1 | |
| 18 | 90201-12593 | WASHER, Plate | 1 | |
| 19 | 92901-12100 | WASHER, sPring | 1 | |



5X6100-2030

B4

FIG. 4 INTAKE



| REF. NO. | PART NO. | DESCRIPTION | Q'TY | REMARKS |
|----------|--------------|-----------------------|------|---------|
| 1 | 3R5-13610-00 | REED VALVE ASSY | 1 | |
| 2 | 3R5-13613-00 | •REED, valve | 2 | |
| 3 | 2X5-13616-00 | •STOPPER, reed valve | 2 | |
| 4 | 98501-03008 | •SCREW, Pan head | 6 | |
| 5 | 92903-03100 | •WASHER, sPring | 6 | |
| 6 | 2K7-13621-00 | GASKET, valve seat | 1 | |
| 7 | 5X6-13565-00 | JOINT, carburetor | 1 | |
| 8 | 4V6-13581-00 | CHAMBER, air | 1 | |
| 9 | 4V3-1441K-00 | EMBLEM | 1 | |
| 10 | 1E6-82131-00 | BAND, battery | 1 | |
| 11 | 90445-24610 | HOSE | 1 | |
| 12 | 90467-23059 | CLIP | 2 | |
| 13 | 90501-10658 | SPRING, compression | 1 | |
| 14 | 90460-51109 | CLAMP, hose | 1 | |
| 15 | 91316-06020 | BOLT | 4 | |
| 16 | 90460-68199 | CLAMP, hose | 1 | |
| 17 | 5X6-14401-00 | AIR CLEANER CASE ASSY | 1 | |
| 18 | 1W1-14457-01 | •SEAL | 1 | |
| 19 | 90467-20030 | •CLIP | 1 | |
| 20 | 90175-06012 | NUT, wing | 2 | |
| 21 | 3R4-W1442-01 | ELEMENT, air cleaner | 1 | |
| 22 | 3R4-14458-00 | GUIDE | 1 | |
| 23 | 4V4-14459-00 | HOLDER, Guide | 1 | |
| 24 | 5X5-14412-00 | CAP, cleaner case 1 | 1 | |
| 25 | 97702-40116 | SCREW, tapping | 2 | |
| 26 | 5X5-1441L-00 | PANEL 1 | 1 | |
| 27 | 3R4-21732-00 | SEAL 1 | 1 | |
| 28 | 5X5-14452-00 | SEAL | 1 | |

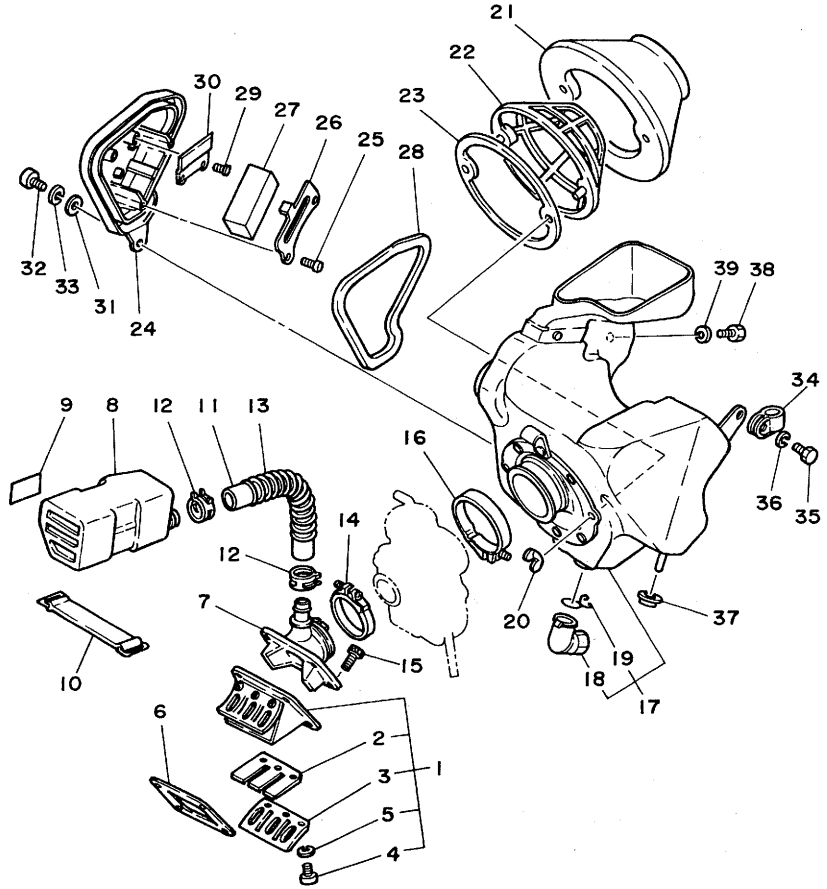


5X6100-2040

B5

FIG. 4 INTAKE

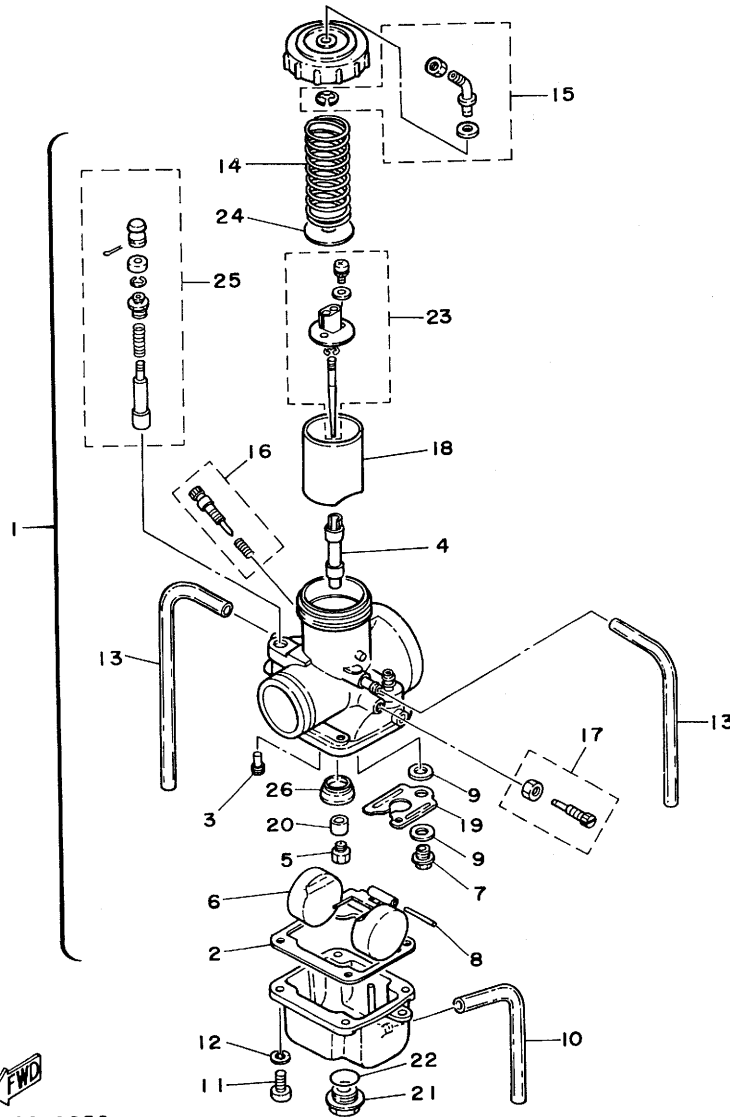
| REF. NO. | PART NO. | DESCRIPTION | Q'TY | REMARKS |
|----------|--------------|-----------------|------|---------|
| 29 | 97702-40112 | SCREW, tapping | 2 | |
| 30 | 5X5-14436-00 | HOOK | 1 | |
| 31 | 92906-06200 | WASHER, Plain | 1 | |
| 32 | 92506-06016 | SCREW, Pan head | 1 | |
| 33 | 92906-06100 | WASHER, sPring | 1 | |
| 34 | 4V4-14499-00 | STAY 2 | 1 | |
| 35 | 97301-06016 | BOLT | 1 | |
| 36 | 92901-06100 | WASHER, sPring | 1 | |
| 37 | 90480-13197 | GROMMET | 1 | |
| 38 | 97301-06012 | BOLT | 1 | |
| 39 | 92901-06100 | WASHER, sPring | 1 | |
| 40 | 90446-29188 | HOSE | 1 | |



5X6100-2040

B6

FIG. 5 CARBURETOR

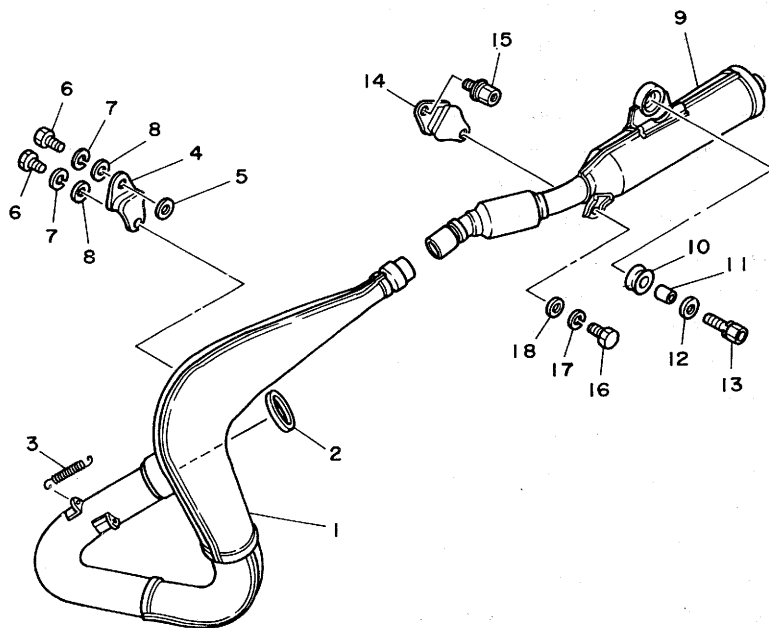


| REF. NO. | PART NO. | DESCRIPTION | Q'TY | REMARKS |
|----------|--------------|-------------------------|------|---------|
| 1 | 5X6-14101-00 | CARBURETOR ASSY 1 | 1 | |
| 2 | 363-14184-00 | •GASKET, float chamber | 1 | |
| 3 | 193-14142-50 | •JET, Pilot (#50.0) | 1 | |
| 4 | 510-14141-58 | •NOZZLE, main | 1 | |
| 5 | 137-14143-88 | •JET, main (#440) | 1 | UR STD |
| | 137-14143-86 | •JET, main (#430) | 1 | UR |
| | 137-14143-92 | •JET, main (#460) | 1 | UR |
| 6 | 2N7-14185-00 | •FLOAT | 1 | |
| 7 | 363-14190-35 | •NEEDLE VALVE ASSY | 1 | |
| 8 | 537-14186-00 | •PIN, float | 1 | |
| 9 | 239-14195-00 | •WASHER, needle valve | 2 | |
| 10 | 2K7-14197-00 | •PIPE | 1 | |
| 11 | 98501-05016 | •SCREW, Pan head | 4 | |
| 12 | 92902-05100 | •WASHER, sPring | 4 | |
| 13 | 310-14197-00 | •PIPE | 2 | |
| 14 | 431-14131-00 | •SPRING, throttle valve | 1 | |
| 15 | 3R4-W1415-00 | •ADJUSTER SET | 1 | |
| 16 | 152-W1412-00 | •AIR SCREW SET | 1 | |
| 17 | 2A0-W1411-00 | •THROTTLE SCREW SET | 1 | |
| 18 | 510-14112-30 | •VALVE, throttle 1 | 1 | |
| 19 | 3R4-14146-00 | •PLATE | 1 | |
| 20 | 509-14145-00 | •SETTER, needle Jet | 1 | |
| 21 | 510-14115-00 | •PLUG, screw | 1 | |
| 22 | 558-14147-00 | •O-RING | 1 | |
| 23 | 239-W1418-01 | •NEEDLE SET (6F16) | 1 | |
| 24 | 509-14136-00 | •SEAT, sPring | 1 | |
| 25 | 737-W1414-00 | •STARTER PLUNGER SET | 1 | |
| 26 | 5X5-14153-00 | •WASHER, main Jet | 1 | |

FWD
5X6100-2050

B7

FIG. 6 EXHAUST



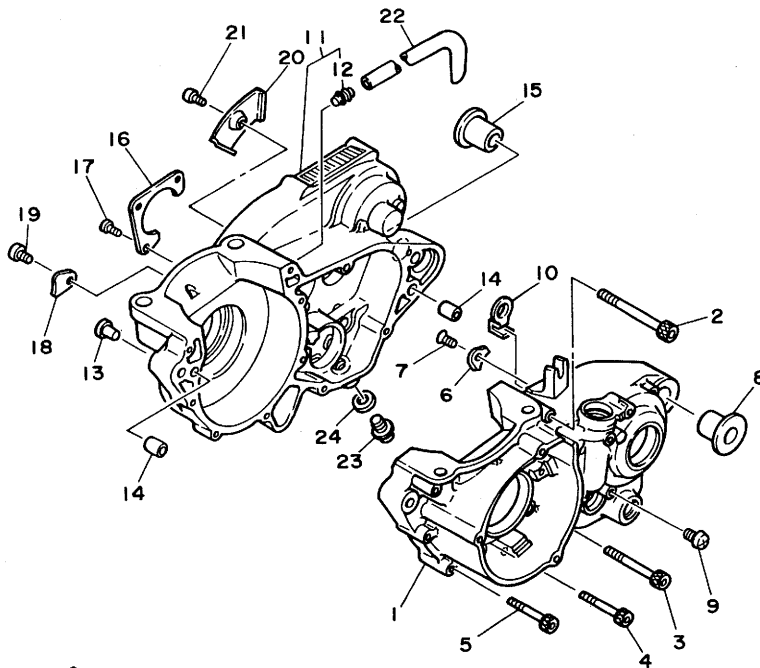
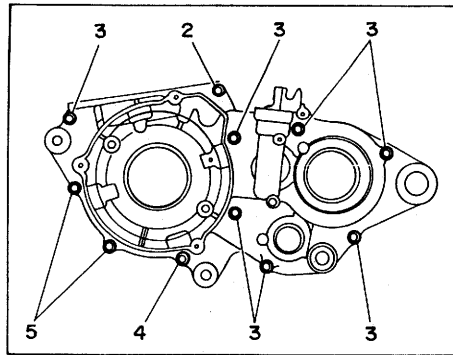
| REF. NO. | PART NO. | DESCRIPTION | Q'TY | REMARKS |
|----------|--------------|----------------------|------|--|
| 1 | 5X6-14610-00 | EXHAUST PIPE ASSY 1 | 1 | |
| 2 | 3R4-14613-00 | GASKET, exhaust Pipe | 1 | |
| 3 | 90507-20030 | SPRING, tension | 3 | |
| 4 | 3R4-14781-02 | STAY, muffler 2 | 1 | |
| 5 | 92901-08200 | WASHER, Plain | 1 | |
| 6 | 97301-08016 | BOLT | 2 | |
| 7 | 92901-08100 | WASHER, sPring | 2 | |
| 8 | 92901-08600 | WASHER, Plate | 2 | |
| 9 | 5X6-14753-10 | SILENCER, exhaust | 1 | UR for europe, others, oceania (except australia, n.s.w) |
| | 5X6-14753-00 | SILENCER, exhaust | 1 | UR for canada |
| | 5X6-14753-20 | SILENCER, exhaust | 1 | UR for australia, n.s.w |
| 10 | 565-14747-00 | DAMPER, muffler | 1 | |
| 11 | 90387-08258 | COLLAR | 1 | |
| 12 | 90201-08114 | WASHER, Plate | 1 | |
| 13 | 90109-08512 | BOLT | 1 | |
| 14 | 565-14771-00 | STAY, muffler 1 | 1 | |
| 15 | 90109-06551 | BOLT | 1 | |
| 16 | 97301-06016 | BOLT | 1 | |
| 17 | 92901-06100 | WASHER, sPring | 1 | |
| 18 | 92901-06600 | WASHER, Plate | 1 | |



5X6100-2060

B8

FIG. 7 CRANKCASE



| REF. NO. | PART NO. | DESCRIPTION | Q'TY | REMARKS |
|----------|--------------|-------------------------|------|---------|
| 1 | 3R5-15111-01 | CRANKCASE 1 | 1 | |
| 2 | 91316-06075 | BOLT | 1 | |
| 3 | 91316-06060 | BOLT | 7 | |
| 4 | 91316-06050 | BOLT | 1 | |
| 5 | 91316-06045 | BOLT | 2 | |
| 6 | 3R4-15383-01 | PLATE, bearing cover | 1 | |
| 7 | 92701-06012 | SCREW, flat head | 1 | |
| 8 | 90387-16776 | COLLAR | 1 | |
| 9 | 92506-06012 | SCREW, Pan head | 1 | |
| 10 | 3R4-26393-01 | HOLDER | 1 | |
| 11 | 3R5-W1512-01 | CRANKCASE 2 | 1 | |
| 12 | 137-13115-00 | CONNECTOR, suction Pipe | 1 | |
| 13 | 90338-07011 | PLUG | 1 | |
| 14 | 91810-05016 | PIN, dowel | 4 | |
| 15 | 90387-16776 | COLLAR | 1 | |
| 16 | 3R4-15381-00 | PLATE, bearing cover | 1 | |
| 17 | 92501-06012 | SCREW, Pan head | 3 | |
| 18 | 4V4-15118-00 | HOLDER | 1 | |
| 19 | 92501-06010 | SCREW, Pan head | 1 | |
| 20 | 3R4-15113-00 | PLATE | 1 | |
| 21 | 92501-06012 | SCREW, Pan head | 1 | |
| 22 | 90445-09270 | HOSE | 1 | |
| 23 | 90340-12059 | PLUG, straight screw | 1 | |
| 24 | 90430-12038 | GASKET | 1 | |

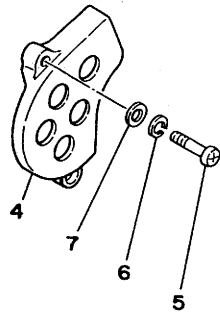
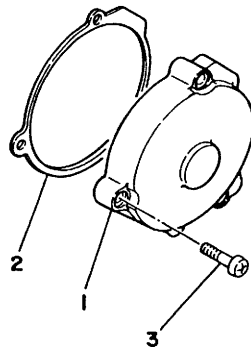
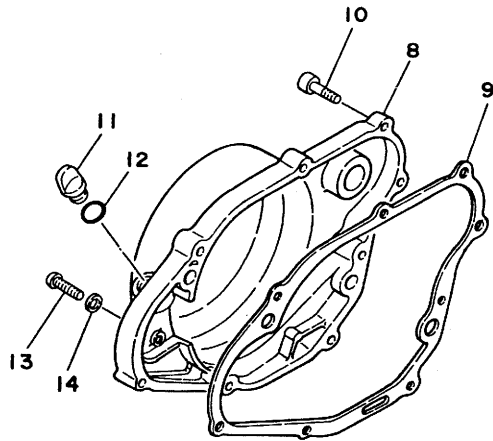


5X6100-2070

B9

FIG. 8 CRANKCASE COVER

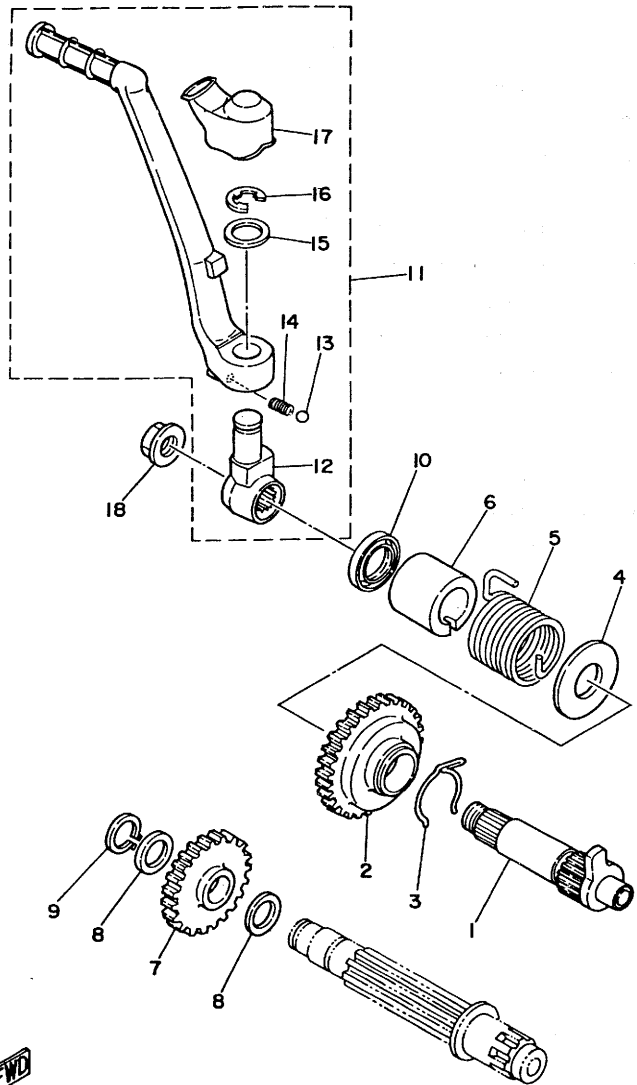
| REF. NO. | PART NO. | DESCRIPTION | Q'TY | REMARKS |
|----------|--------------|---------------------------|------|---------|
| 1 | 3R5-15411-00 | COVER, crankcase 1 | 1 | |
| 2 | 4V4-15451-00 | GASKET, crankcase cover | 1 | |
| 3 | 92506-06035 | SCREW, Pan head | 3 | |
| 4 | 3R4-15421-00 | COVER, crankcase 2 | 1 | |
| 5 | 92506-06025 | SCREW, Pan head | 1 | |
| 6 | 92906-06100 | WASHER, sPring | 1 | |
| 7 | 92906-06600 | WASHER, Plate | 1 | |
| 8 | 3R4-15431-02 | COVER, crankcase 3 | 1 | |
| 9 | 3R4-15462-00 | GASKET, crankcase cover 3 | 1 | |
| 10 | 91316-06025 | BOLT | 8 | |
| 11 | 1G8-15362-00 | PLUG, oil level | 1 | |
| 12 | 93210-14104 | O-RING | 1 | |
| 13 | 92506-06008 | SCREW, Pan head | 1 | |
| 14 | 90430-06016 | GASKET | 1 | |



5X6100-2080

B10

FIG. 9 KICK STARTER



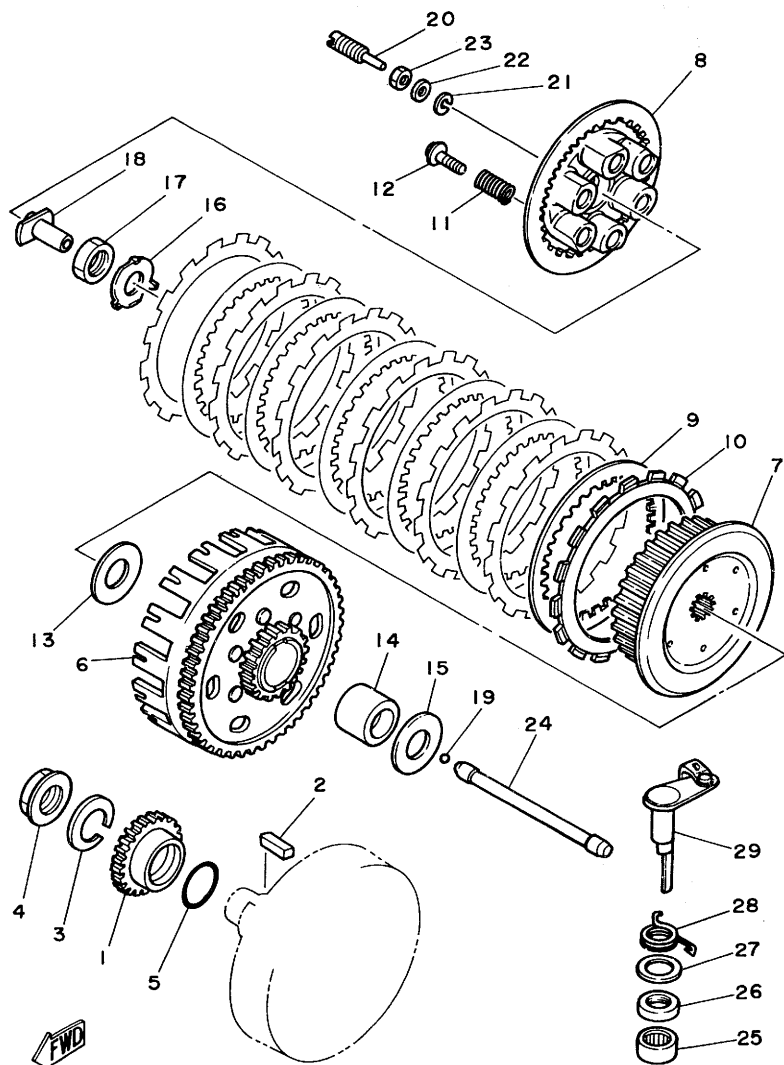
| REF. NO. | PART NO. | DESCRIPTION | Q'TY | REMARKS |
|----------|--------------|---------------------------|------|---------|
| 1 | 5X5-15660-00 | KICK AXLE ASSY | 1 | |
| 2 | 3R4-15641-00 | GEAR, kick (26T) | 1 | |
| 3 | 90468-26048 | CLIP | 1 | |
| 4 | 90201-20358 | WASHER, Plate | 1 | |
| 5 | 90508-30422 | SPRING, torsion | 1 | |
| 6 | 3R4-15664-00 | GUIDE, sPring | 1 | |
| 7 | 3R4-15651-00 | GEAR, sProcket idle (21T) | 1 | |
| 8 | 90201-17545 | WASHER, Plate | 2 | |
| 9 | 93410-17008 | CIRCLIP | 1 | |
| 10 | 93109-20014 | OIL SEAL | 1 | |
| 11 | 3R4-15620-00 | KICK CRANK ASSY | 1 | |
| 12 | 3R4-15621-01 | •BOSS, kick crank | 1 | |
| 13 | 93507-32009 | •BALL | 1 | |
| 14 | 90501-12081 | •SPRING, comPression | 1 | |
| 15 | 90201-15234 | •WASHER, Plate | 1 | |
| 16 | 93430-10016 | •CIRCLIP | 1 | |
| 17 | 2K7-15618-00 | •COVER, kick lever | 1 | |
| 18 | 90179-12244 | NUT | 1 | |



5X6100-2090

B11

FIG. 10 CLUTCH



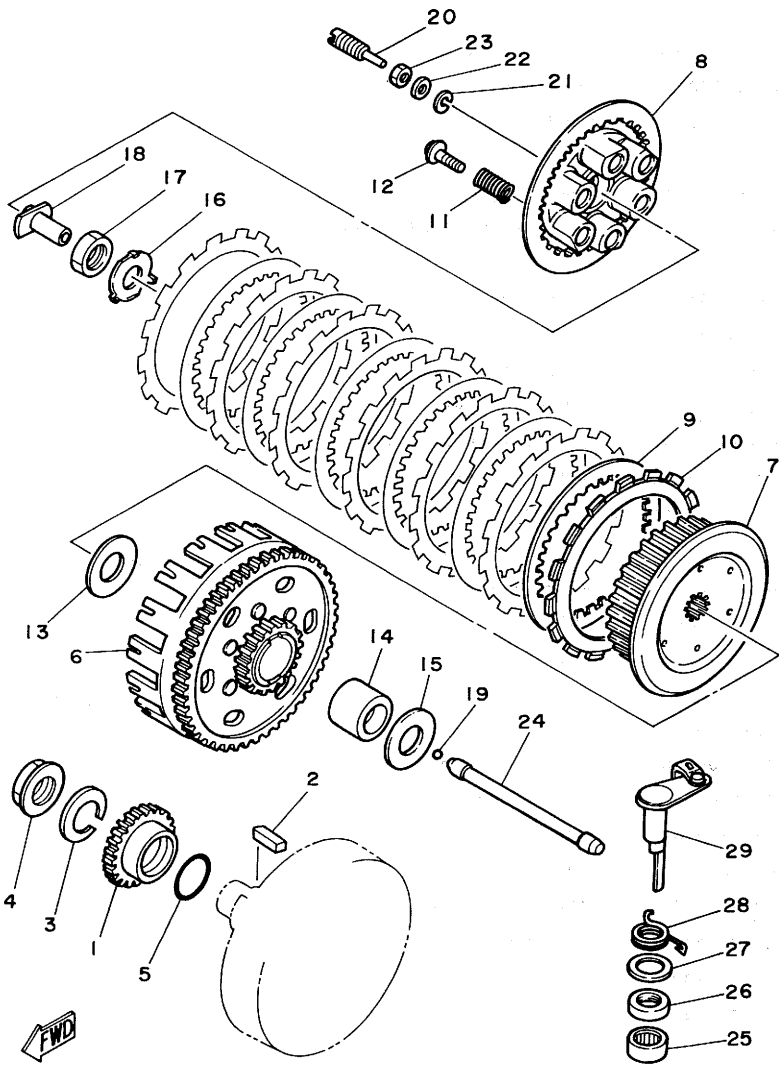
5X6100-2100

| REF. NO. | PART NO. | DESCRIPTION | Q'TY | REMARKS |
|----------|--------------|----------------------------|------|---------|
| 1 | 5X6-16111-00 | GEAR, Primary drive (24T) | 1 | |
| 2 | 90282-07019 | KEY, straight | 1 | |
| 3 | 92901-18100 | WASHER, sPring | 1 | |
| 4 | 90170-18089 | NUT | 1 | |
| 5 | 93210-29282 | O-RING | 1 | |
| 6 | 5X5-16150-00 | PRI. DRIVEN GEAR CMP.(63T) | 1 | |
| 7 | 3R4-16371-00 | BOSS, clutch | 1 | |
| 8 | 1M1-16351-00 | PLATE, Pressure 1 | 1 | |
| 9 | 5X5-16325-00 | PLATE, clutch 2 | 6 | |
| 10 | 5X5-16321-00 | PLATE, friction | 7 | |
| 11 | 90501-24408 | SPRING, comPression | 6 | |
| 12 | 90159-06016 | SCREW, with washer | 6 | |
| 13 | 2K7-16154-00 | PLATE, thrust 1 | 1 | |
| 14 | 2K7-16181-00 | SPACER 1 | 1 | |
| 15 | 2K7-16154-00 | PLATE, thrust 1 | 1 | |
| 16 | 90215-20125 | WASHER, lock | 1 | |
| 17 | 90170-20255 | NUT | 1 | |
| 18 | 3R4-16356-00 | ROD, Push 1 | 1 | |
| 19 | 93515-32029 | BALL | 1 | |
| 20 | 90149-08143 | SCREW | 1 | |
| 21 | 92901-08100 | WASHER, sPring | 1 | |
| 22 | 90201-08092 | WASHER, Plate | 1 | |
| 23 | 95311-08700 | NUT | 1 | |
| 24 | 3R5-16357-00 | ROD, Push 2 | 1 | |
| 25 | 93315-21721 | BEARING, cylindrical | 1 | |
| 26 | 93102-17004 | OIL SEAL | 1 | |
| 27 | 90201-17327 | WASHER, Plate | 1 | |
| 28 | 90508-14423 | SPRING, torsion | 1 | |

B12

FIG. 10 CLUTCH

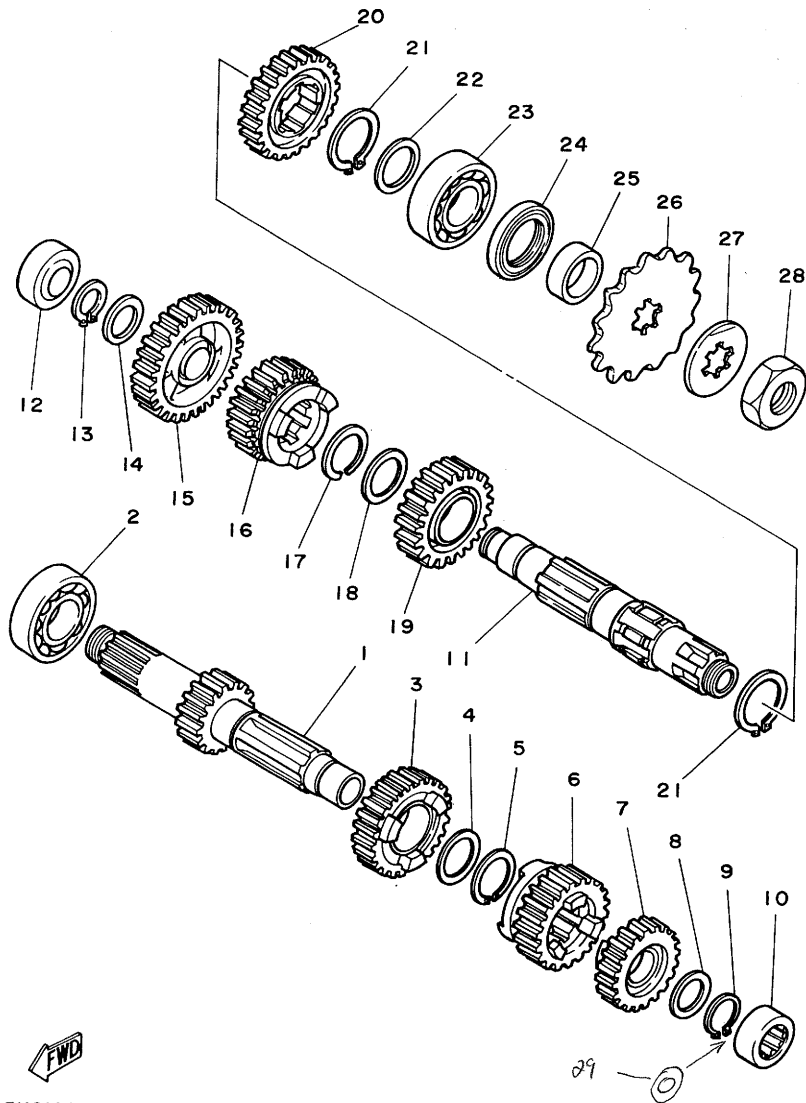
| REF. NO. | PART NO. | DESCRIPTION | Q'TY | REMARKS |
|----------|--------------|-----------------|------|---------|
| 29 | 4V4-16380-00 | PUSH LEVER ASSY | 1 | |



5X6100-2100

B13

FIG. 11 TRANSMISSION



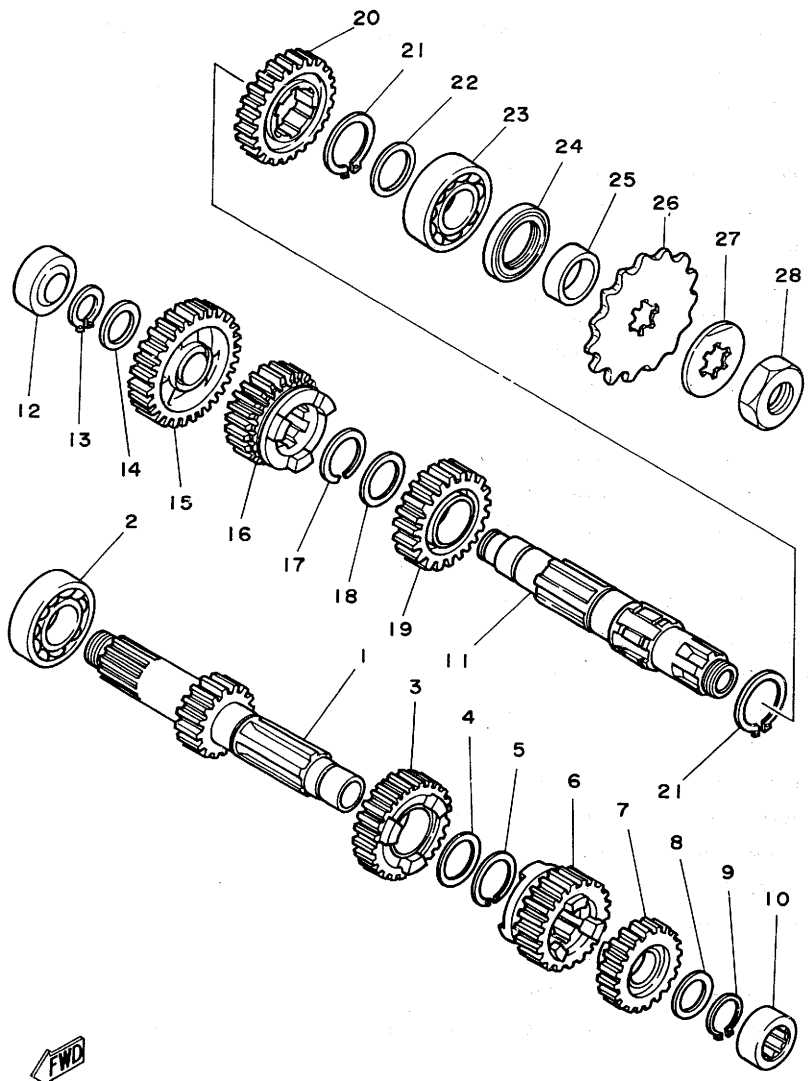
| REF. NO. | PART NO. | DESCRIPTION | Q'TY | REMARKS |
|----------|--|------------------------|------|---------|
| 1 | 5X6-17411-00 | AXLE, main (16T) | 1 | |
| 2 | 93306-20540 | BEARING | 1 | |
| 3 | 5X6-17141-00 | GEAR, 4th Pinion (24T) | 1 | |
| 4 | 90201-25287 | WASHER, Plate | 1 | |
| 5 | 93440-25084 | CIRCLIP | 1 | |
| 6 | 5X6-17131-00 | GEAR, 3rd Pinion (22T) | 1 | |
| 7 | 5X6-17121-00 | GEAR, 2nd Pinion (19T) | 1 | |
| 8 | 90201-203E7 | WASHER, Plate | 1 | |
| 9 | 93410-20038 | CIRCLIP | 1 | |
| 10 | 93311-62035 | BEARING, cylindrical | 1 | |
| 11 | 5X6-17421-00 | AXLE, drive | 1 | |
| 12 | 93311-62035 | BEARING, cylindrical | 1 | |
| 13 | 93410-20038 | CIRCLIP | 1 | |
| 14 | 90201-20278 | WASHER, Plate | 1 | |
| 15 | 5X6-17211-00 | GEAR, 1st wheel (28T) | 1 | |
| 16 | 5X6-17241-00 | GEAR, 4th wheel (20T) | 1 | |
| 17 | 93440-25084 | CIRCLIP | 1 | |
| 18 | 90201-25287 | WASHER, Plate | 1 | |
| 19 | 5X6-17231-00 | GEAR, 3rd wheel (23T) | 1 | |
| 20 | 5X6-17221-00 | GEAR, 2nd wheel (25T) | 1 | |
| 21 | 93410-30012 | CIRCLIP | 2 | |
| 22 | 90201-25290 | WASHER, Plate | 1 | |
| 23 | 93306- ²⁰⁵⁵² 20544 | BEARING | 1 | |
| 24 | 93102-32M07 | OIL SEAL | 1 | |
| 25 | 90387-25663 | COLLAR | 1 | |
| 26 | 1W4-17461-40 | SPROCKET, drive (14T) | 1 | STD |
| | 1W4-17461-30 | SPROCKET, drive (13T) | 1 | AP |
| | 1W4-17461-50 | SPROCKET, drive (15T) | 1 | AP |

FWD
5X6100-21 10

B14

FIG. 11 TRANSMISSION

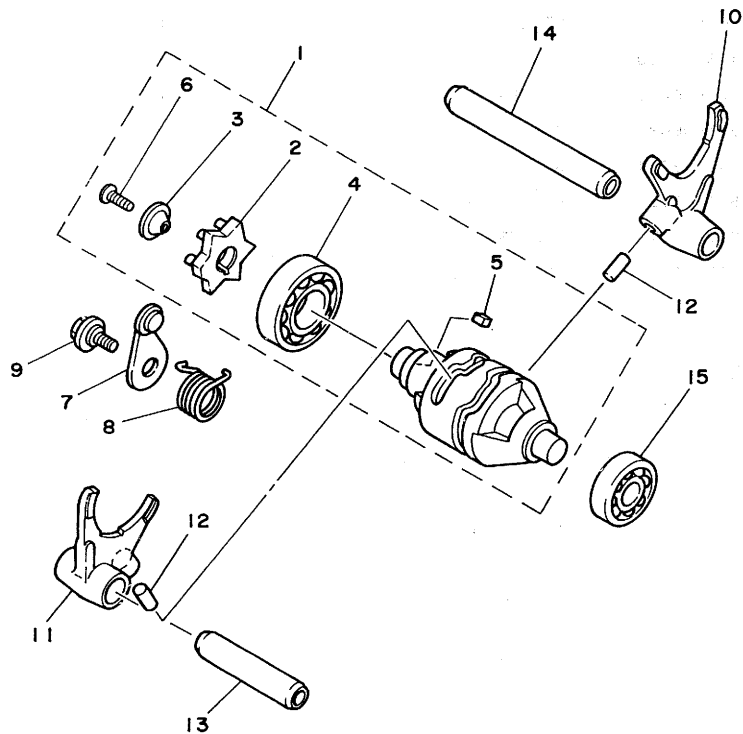
| REF. NO. | PART NO. | DESCRIPTION | Q'TY | REMARKS |
|----------|-------------|--------------|------|----------|
| 27 | 90215-21121 | WASHER, lock | 1 | |
| 28 | 90179-20255 | NUT | 1 | |
| 29 | 90201-20276 | WASHER PLATE | 1 | 004826 ~ |



5X6100-2110

B15

FIG. 12 SHIFT CAM•FORK



| REF. NO. | PART NO. | DESCRIPTION | Q'TY | REMARKS |
|----------|--------------|-------------------------|------|---------|
| 1 | 5X6-18540-00 | SHIFT CAM ASSY | 1 | |
| 2 | 3R4-18185-00 | •SEGMENT | 1 | |
| 3 | 3R4-18561-00 | •PLATE, side 1 | 1 | |
| 4 | 93306-00422 | •BEARING | 1 | |
| 5 | 90282-04036 | •KEY, straight | 1 | |
| 6 | 98701-05016 | •SCREW, flat head | 1 | |
| 7 | 3R4-18140-00 | STOPPER LEVER ASSY | 1 | |
| 8 | 90508-26421 | SPRING, torsion | 1 | |
| 9 | 1W1-18177-00 | BOLT, stopPer | 1 | |
| 10 | 5X6-18513-00 | FORK, shift 3 | 1 | |
| 11 | 5X6-18512-00 | FORK, shift 2 | 1 | |
| 12 | 93606-14154 | PIN, dowel | 2 | |
| 13 | 5X5-18531-00 | BAR, shift fork guide 1 | 1 | |
| 14 | 5X5-18535-00 | BAR, shift fork guide 2 | 1 | |
| 15 | 93306-20107 | BEARING (B6201) | 1 | |



5X6100-2120

C2

FIG. 13 SHIFT SHAFT•PEDAL

| REF. NO. | PART NO. | DESCRIPTION | Q'TY | REMARKS |
|----------|--|--------------------|------|---------|
| 1 | 5X5-18101-00 | SHIFT SHAFT ASSY | 1 | |
| 2 | 5X6-18111-00 | PEDAL, shift | 1 | |
| 3 | 5X4-18162-00 | PEDAL, shift | 1 | |
| 4 | 90508- 14518 ¹⁶⁵⁵⁸ | SPRING, torsion | 1 | |
| 5 | 90243-08020 | PIN | 1 | |
| 6 | 1W6-18113-00 | COVER, shift Pedal | 1 | |
| 7 | 90446-11180 | HOSE | 1 | |
| 8 | 90201-06042 | WASHER, Plate | 1 | |
| 9 | 97321-06020 | BOLT | 1 | |
| 10 | 93101-12004 | OIL SEAL | 1 | |
| 11 | 93608-25150 | PIN, dowel | 1 | |
| 12 | 90560-12171 | SPACER | 1 | |
| 13 | 90508-29361 | SPRING, torsion | 1 | |

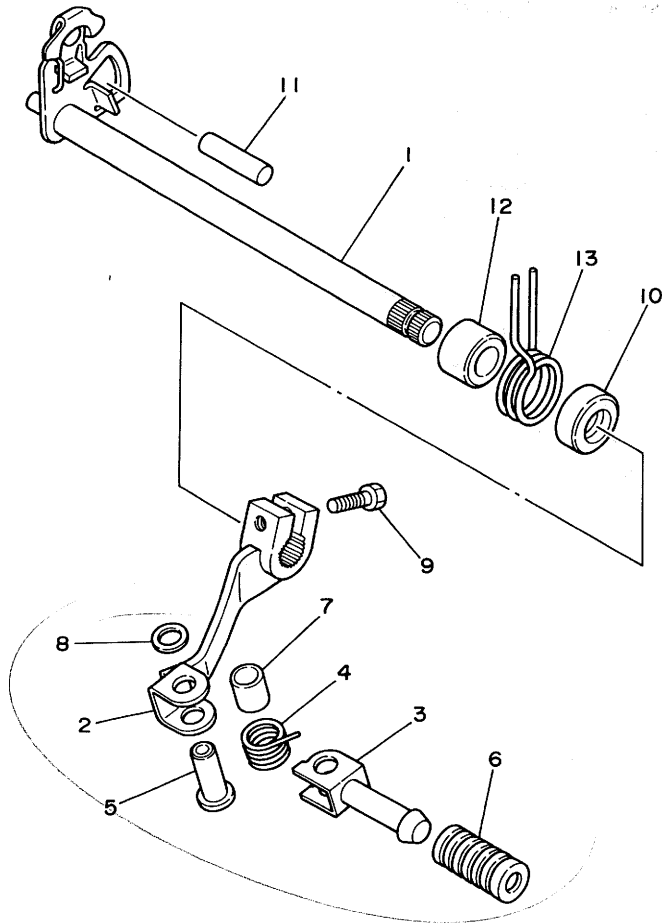
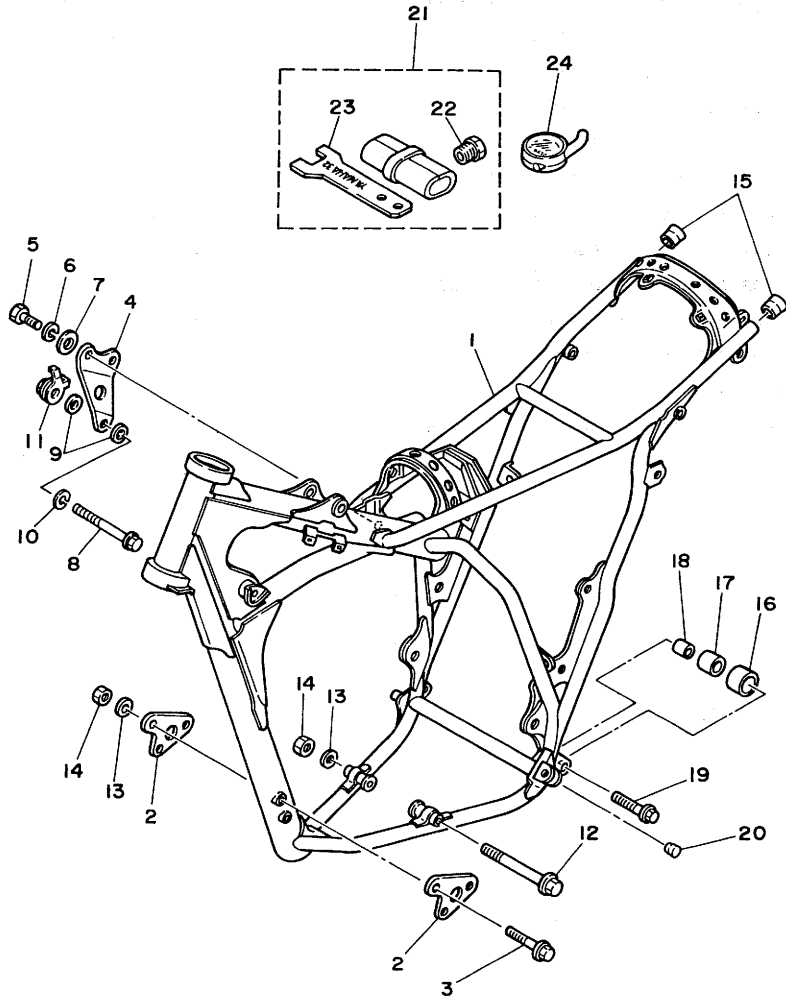


FIG. 14 FRAME. TOOL



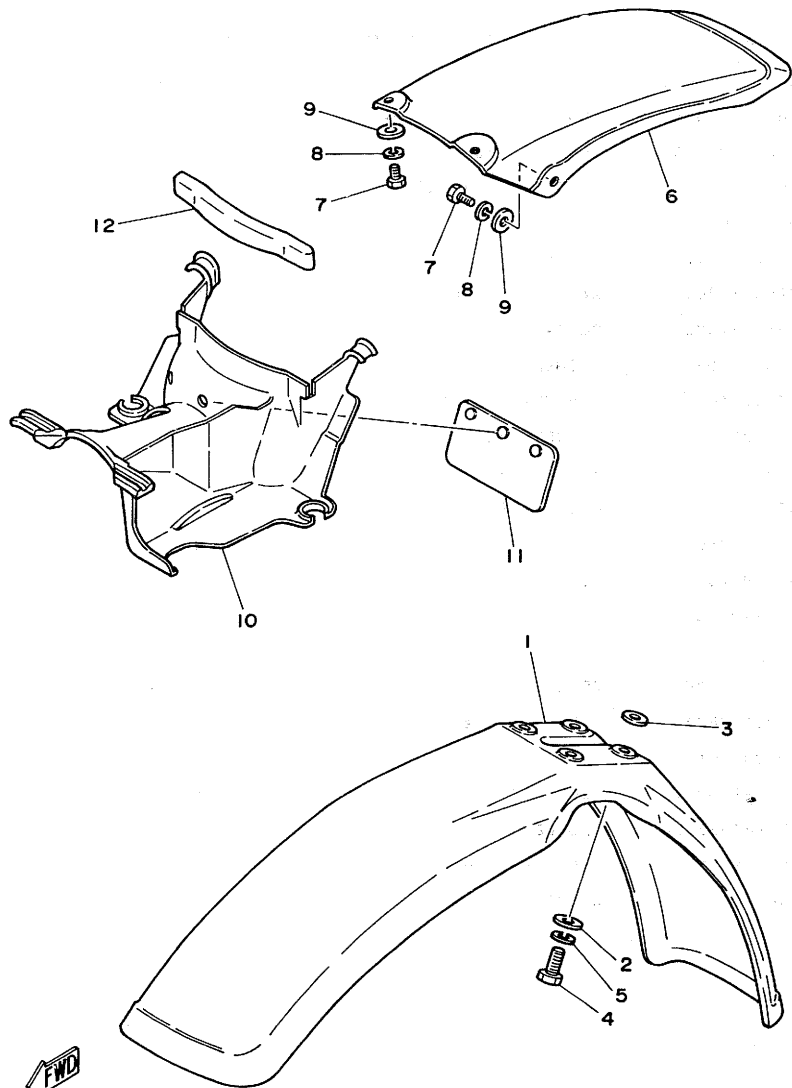
| REF. NO. | PART NO. | DESCRIPTION | Q'TY | REMARKS |
|----------|-------------------------|------------------------|------|--------------|
| 1 | 5X6-21110-00-33 | FRAME COMP | 1 | yamaha black |
| 2 | 3R4-21415-00 | BRACKET, front upper 1 | 2 | |
| 3 | 95811-08075 | BOLT, flange | 3 | |
| 4 | 3R5-21425-00 | BRACKET, rear upper 1 | 1 | |
| 5 | 97321-08025 | BOLT | 2 | |
| 6 | 92901-08100 | WASHER, sPring | 2 | |
| 7 | 92901-08600 | WASHER, Plate | 2 | |
| 8 | 95811-10055 | BOLT, flange | 1 | |
| 9 | 92901-10200 | WASHER, Plain | 2 | |
| 10 | 92901-10100 | WASHER, sPring | 1 | |
| 11 | 4V6-21167-00 | HOLDER, nut | 1 | |
| 12 | 95811-08165 | BOLT, flange | 1 | |
| 13 | 92901-08200 | WASHER, Plain | 4 | |
| 14 | 90185-08089 | NUT, self-locking | 4 | |
| 15 | 90339-13005 | PLUG | 2 | |
| 16 | 5X6-22178-00 | TENSIONER | 1 | |
| 17 | 4V4-22184-00 | BUSH | 1 | |
| 18 | 90387-083F3 | COLLAR | 1 | |
| 19 | 95801-08040 | BOLT, flange | 1 | |
| 20 | 90338-12131 | PLUG | 1 | |
| 21 | 1W4 5X6-28100-10 | TOOL KIT | 1 | |
| 22 | DISUSED 2K7-85555-00 | •PULLER, rotor | 1 | X |
| 23 | 1W1-28135-10 | •SPANNER, sPecial | 1 | |
| 24 | 2X4-2811A-00 | GAUGE, air | 1 | |



5X6100-2140

C4

FIG. 15 FRONT FENDER•REAR FENDER



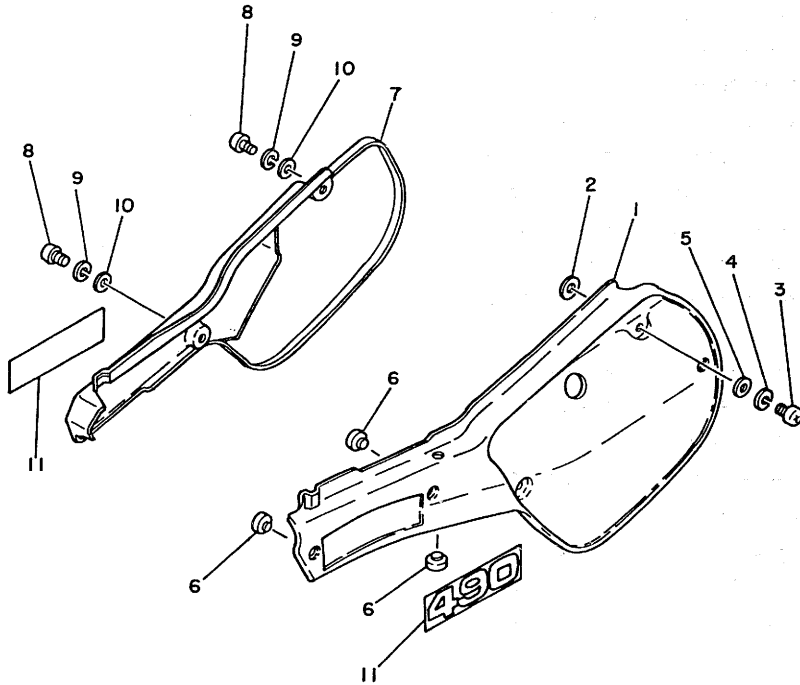
| REF. NO. | PART NO. | DESCRIPTION | Q'TY | REMARKS |
|----------|--------------|-----------------|------|---------|
| 1 | 5X6-21511-10 | FENDER, front | 1 | white |
| 2 | 90201-06571 | WASHER, Plate | 4 | |
| 3 | 90209-06187 | WASHER | 4 | |
| 4 | 97302-06020 | BOLT | 4 | |
| 5 | 92902-06100 | WASHER, sPring | 4 | |
| 6 | 3R4-21611-10 | FENDER, rear | 1 | white |
| 7 | 97301-06016 | BDLT | 4 | |
| 8 | 92902-06100 | WASHER, sPring | 4 | |
| 9 | 90201-06571 | WASHER, Plate | 4 | |
| 10 | 5X6-21629-00 | GUARD, mud | 1 | |
| 11 | 1M1-21621-00 | FLAP | 1 | |
| 12 | 565-21746-00 | SEAL, mud Guard | 1 | |

FWD
5X6100-2150

C5

FIG. 16 SIDE COVER

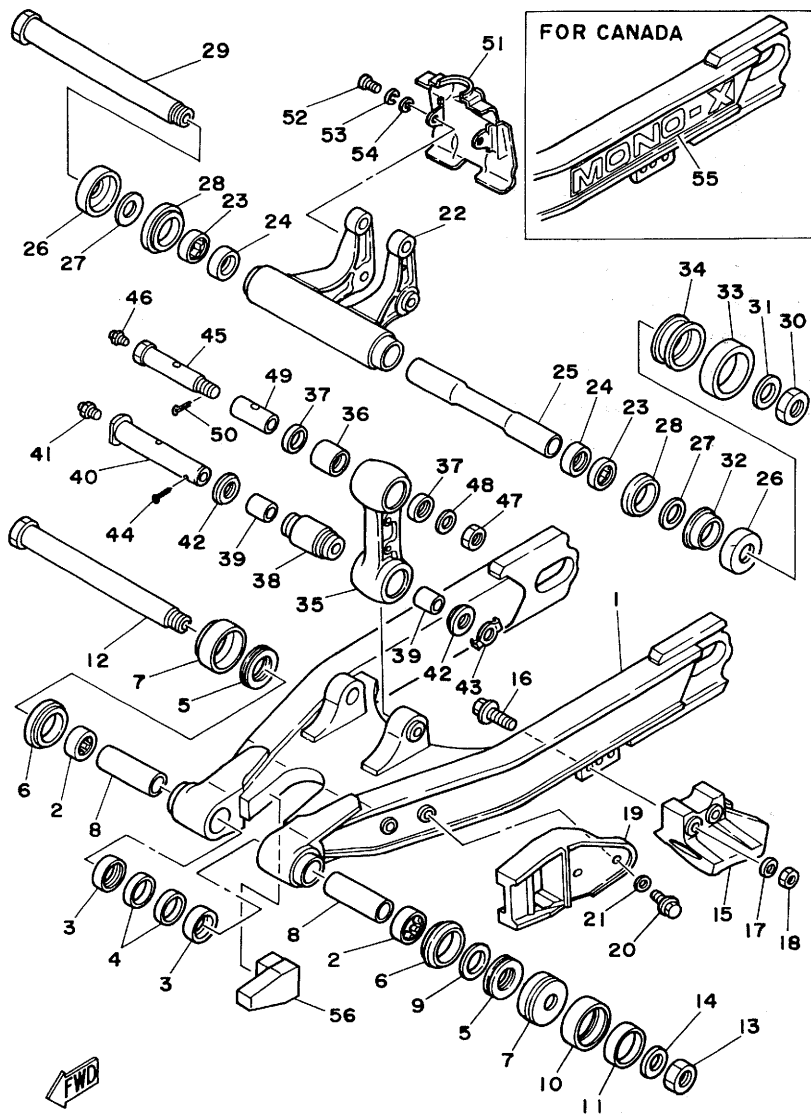
| REF. NO. | PART NO. | DESCRIPTION | Q'TY | REMARKS |
|----------|-----------------|--------------------|------|------------------------|
| 1 | 5X6-21711-10-98 | COVER, side 1 | 1 | low gloss black /white |
| 2 | 92902-08200 | WASHER | 2 | |
| 3 | 92501-06015 | SCREW, Pan head | 2 | |
| 4 | 92901-06100 | WASHER, sPring | 2 | |
| 5 | 90201-06571 | WASHER, Plate | 2 | |
| 6 | 431-24181-00 | DAMPER, locating 1 | 4 | |
| 7 | 5X6-21721-10-98 | COVER, side 2 | 1 | low gloss black /white |
| 8 | 92501-06015 | SCREW, Pan head | 2 | |
| 9 | 92901-06100 | WASHER, sPring | 2 | |
| 10 | 90201-06571 | WASHER, Plate | 2 | |
| 11 | 5X6-21737-11 | EMBLEM | 2 | |



5X6300-2160

C6

FIG. 17 REAR ARM



| REF. NO. | PART NO. | DESCRIPTION | Q'TY | REMARKS |
|----------|-----------------------------|----------------------|------|---------|
| 1 | 5X6-22110- 21 35 | REAR ARM COMP. | 1 | silver |
| 2 | 93317-22208 | BEARING, cylindrical | 2 | |
| 3 | 90386-22097 | BUSH | 2 | |
| 4 | 93109-22018 | OIL SEAL | 2 | |
| 5 | 93342-22208 | BEARING | 2 | |
| 6 | 93108-35004 | OIL SEAL | 2 | |
| 7 | 3R4-22129-00 | COVER, thrust 2 | 2 | |
| 8 | 90380-16077 | BUSH, solid | 2 | |
| 9 | 648-45533-00-03 | SHIM (0.3T) | 1 | UN |
| 10 | 5X6-22151-10 | SEAL, Guard | 1 | |
| 11 | 90387-440G3 | COLLAR | 1 | |
| 12 | 5X6-22141-00 | SHAFT, Pivot | 1 | |
| 13 | 90170-16111 | NUT | 1 | |
| 14 | 90201-160F6 | WASHER, Plate | 1 | |
| 15 | 5X6-22199-00 | SUPPORT, chain | 1 | |
| 16 | 95802-08055 | BOLT, flange | 2 | |
| 17 | 92902-08600 | WASHER, Plate | 2 | |
| 18 | 95602-08100 | NUT, u | 2 | |
| 19 | 5X6-22147-00 | PROTECTOR, chain | 1 | |
| 20 | 95801-06020 | BOLT, flange | 2 | |
| 21 | 90201-06067 | WASHER, Plate | 2 | |
| 22 | 5X6-2217A-00 | ARM, relay | 1 | |
| 23 | 93317-22208 | BEARING, cylindrical | 2 | |
| 24 | 90386-22097 | BUSH | 2 | |
| 25 | 90387-162F7 | COLLAR | 1 | |
| 26 | 2K6-22128-01 | COVER, thrust 1 | 2 | |
| 27 | 90201-22680 | WASHER, Plate | 2 | |
| 28 | 93108-35004 | OIL SEAL | 2 | |

5X6300-2170

C7

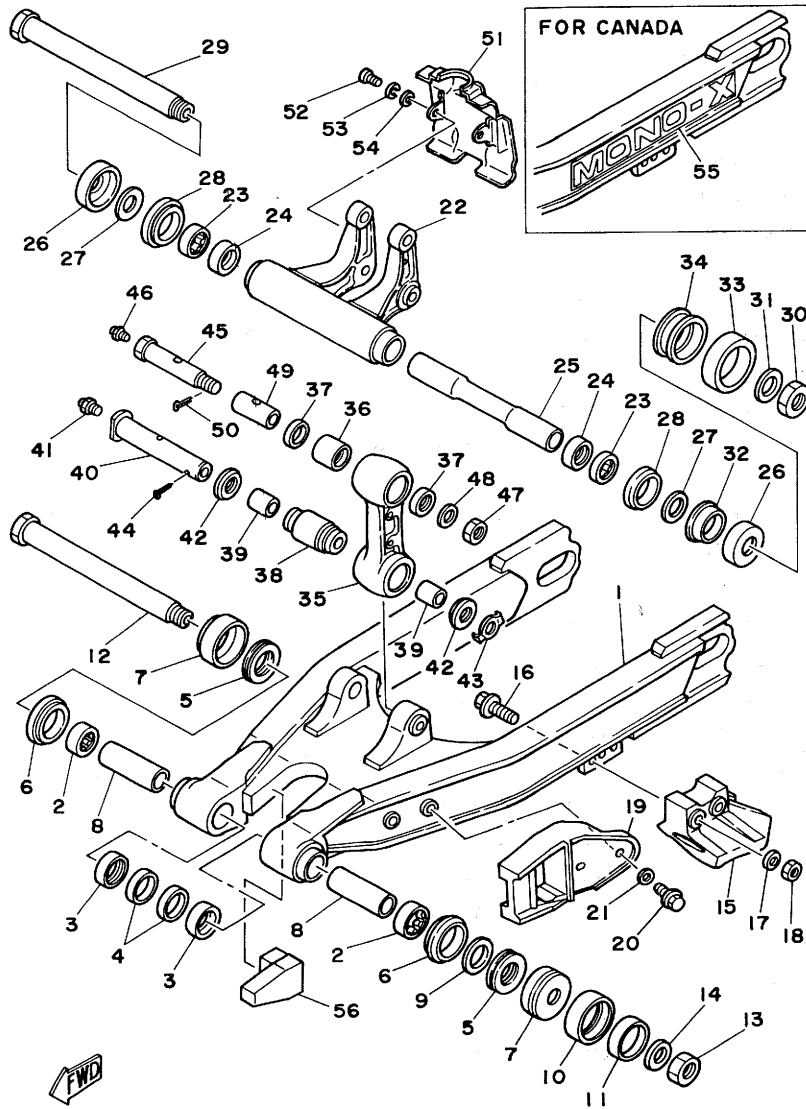
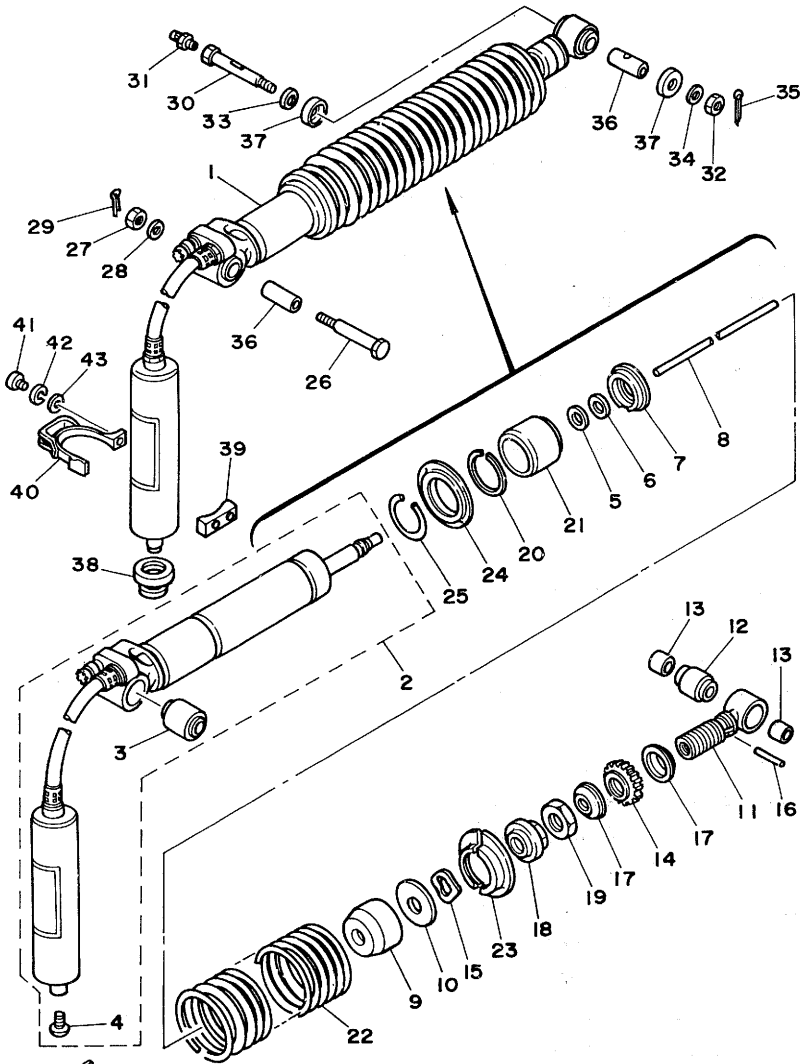


FIG. 17 REAR ARM

| REF. NO. | PART NO. | DESCRIPTION | Q'TY | REMARKS |
|----------|---------------------------------------|----------------------|------|------------------|
| 29 | 5X6-22141-00 | SHAFT, Pivot | 1 | |
| 30 | 90170-16111 | NUT | 1 | |
| 31 | 90201-160F6 | WASHER, Plate | 1 | |
| 32 | 5X6-22159-00 | WASHER, sPring lower | 1 | |
| 33 | 5X6-22151-00 | SEAL, Guard | 1 | |
| 34 | 5X6-22152-00 | SEAL, Guard | 1 | |
| 35 | 5X6-2217F-00 | ROD, connecting 1 | 1 | |
| 36 | 93317-22023 | BEARING, cylindrical | 1 | |
| 37 | 93109-20029 | OIL SEAL | 2 | |
| 38 | 5X6-22123-00 | BUSH 1 | 1 | |
| 39 | 90384-16156 | BUSH, bimetal formed | 2 | |
| 40 | 90249-16153 | PIN | 1 | |
| 41 | 93700-06004 | NIPPLE, Grease | 1 | |
| 42 | 5X6-2217H-00 | COVER, dust | 2 | |
| 43 | 90215-16198 | WASHER, lock | 1 | |
| 44 | 91401-40030 | PIN, cotter | 1 | |
| 45 | 90109-12646 | BOLT | 1 | |
| 46 | 93700-06004 | NIPPLE, Grease | 1 | |
| 47 | 90185-12061 | NUT, self-locking | 1 | |
| 48 | 90201-120E6 | WASHER, Plate | 1 | |
| 49 | 90380-14095 | BUSH, solid | 1 | |
| 50 | 91401-25020 | PIN, cotter | 1 | |
| 51 | 5X6-21652-00 | PROTECTOR | 1 | |
| 52 | 90159-05018 98501-05012 | SCREW, Pan head | 2 | |
| 53 | 92901-05100 | WASHER, sPring | 2 | (DISUSED, USING) |
| 54 | 92901-05200 | WASHER, Plain | 2 | |
| 55 | 5X6-2218A-00 | EMBLEM, rear arm | 2 | for canada |
| 56 | 5X6-2214F-00 | DAMPER 1 | 2 | |

FWD
5X6300-2170

FIG. 18 REAR SUSPENSION

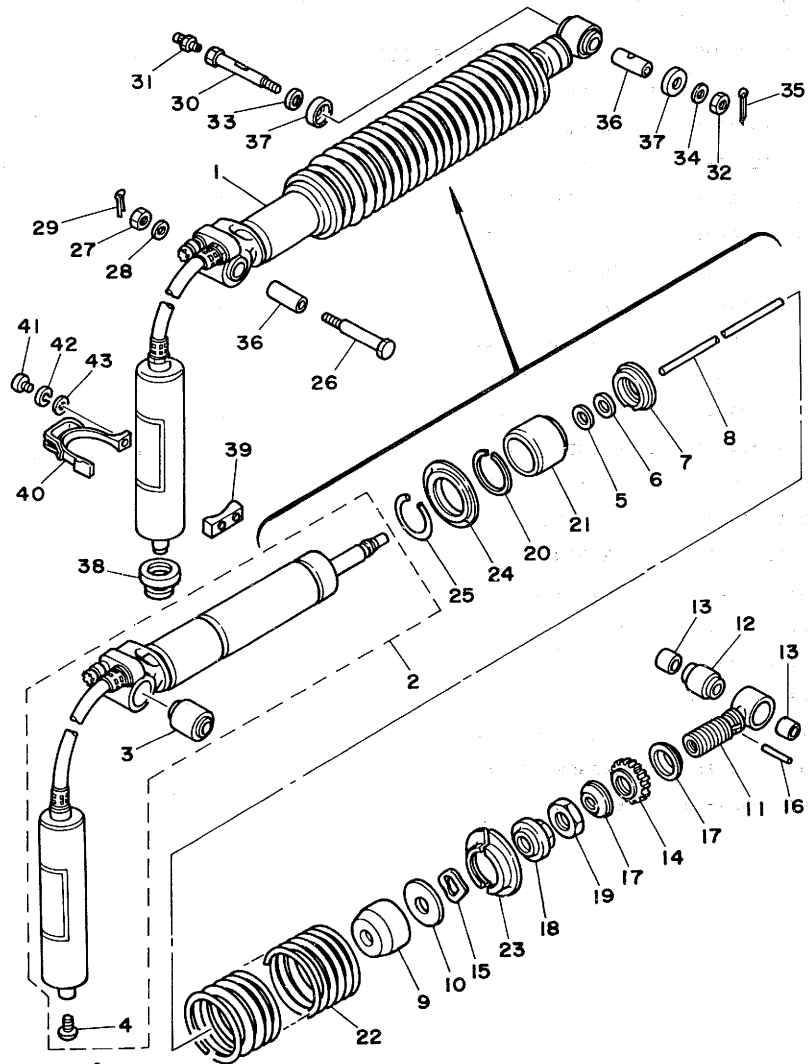


5X6100-2180

| REF. NO. | PART NO. | DESCRIPTION | Q'TY | REMARKS |
|----------|----------------------------|----------------------------|------|------------------|
| 1 | 5X6-22210-10 | SHOCK ABSORBER ASSY, rear | 1 | |
| 2 | 5X6-22401-10 | DUMPER SUB ASSY | 1 | |
| 3 | 5X6-22216-00 | BUSH, rear shock absorber | 1 | |
| 4 | 98501-04005 | SCREW, Pan head | 1 | |
| 5 | 5X6-22475-00 | SEAL, dust | 1 | |
| 6 | 5X6-22473-00 | HOUSING, seal ring | 1 | |
| 7 | 5X6-22472-00 | CAP, case | 1 | |
| 8 | 5X6-22489-00 | ROD, Push | 1 | |
| 9 | 5X6-22493-00 | BUMP, stop | 1 | |
| 10 | 5X6-22228-00 | SUPPORT, bump stop | 1 | |
| 11 | 5X6-22409-00 | UPPER BRACKET SUB ASSY | 1 | |
| 12 | 5X6-22226-00 | BUSH, shock absorber lower | 1 | |
| 13 | 90384-18157 | BUSH, bimetal formed | 2 | |
| 14 | 5X6-22497-00 | NUT, adjusting | 1 | |
| 15 | 90206-18072 | WASHER, wave | 1 | |
| 16 | 93604-30173 | PIN, dowel | 1 | |
| 17 | 4V4-22221-70 | COVER | 2 | |
| 18 | 5X6-22213-00 | SEAT, spring upper | 1 | |
| 19 | 90170-25294 | NUT | 1 | |
| 20 | 93440-52106 | CIRCLIP | 1 | |
| 21 | 5X6-22224-00 | GUIDE, spring 2 | 1 | |
| 22 | 5X5-22212-00 | SPRING (K=3.5) | 1 | (white / yellow) |
| 23 | 5X6-22214-00 | GUIDE, spring 1 | 2 | |
| 24 | 5X6-22223-00 | SEAT, spring lower | 1 | |
| 25 | 93440-51103 | CIRCLIP | 1 | |
| 26 | 90109-10550 | BOLT | 1 | |
| 27 | 95302-10700 | NUT | 1 | |
| 28 | 90201 10430 92902-10600 | WASHER, Plate | 1 | |

C9

FIG. 18 REAR SUSPENSION

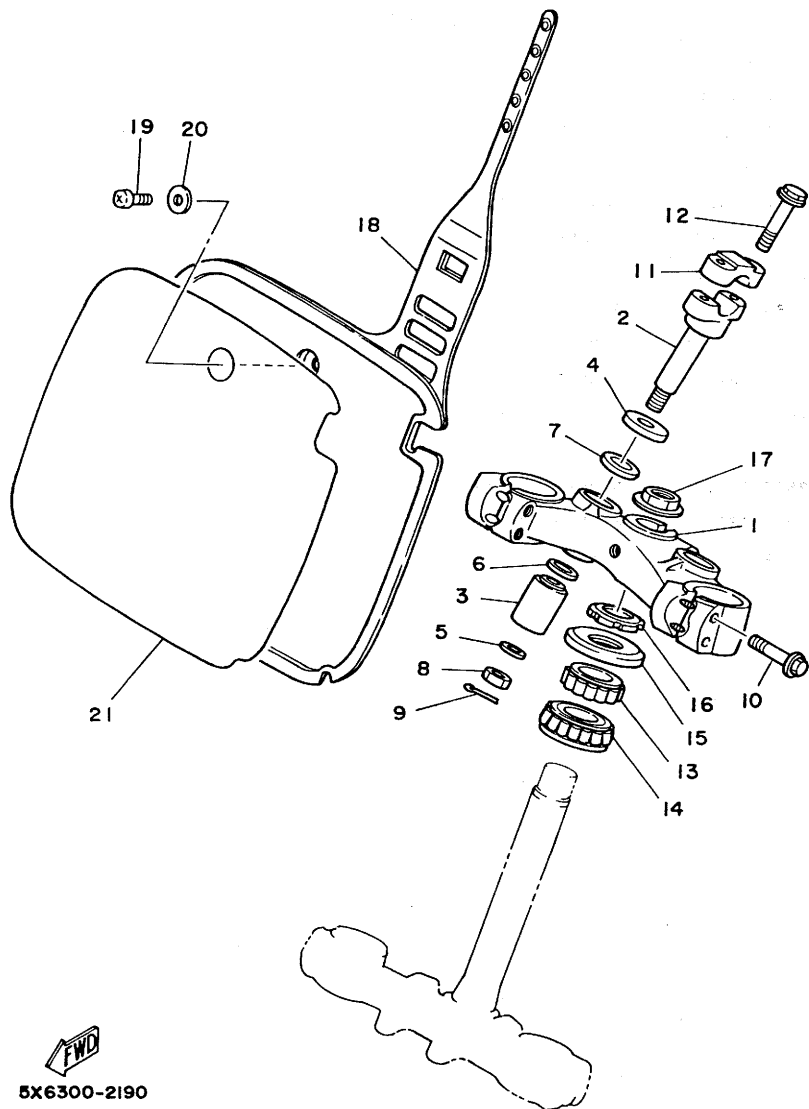


5X6100-2180

| REF. NO. | PART NO. | DESCRIPTION | Q'TY | REMARKS |
|----------|--------------|-------------------|------|---------|
| 29 | 91401-20025 | PIN, cotter | 1 | |
| 30 | 90109-10645 | BOLT | 1 | |
| 31 | 93700-06004 | NIPPLE, Grease | 1 | |
| 32 | 90185-10110 | NUT, self-locking | 1 | |
| 33 | 90201-120E6 | WASHER, Plate | 1 | |
| 34 | 90201-100E9 | WASHER, Plate | 1 | |
| 35 | 91401-25020 | PIN, cotter | 1 | |
| 36 | 90380-12094 | BUSH, solid | 2 | |
| 37 | 5X6-22129-00 | COVER, thrust 2 | 2 | |
| 38 | 90480-22263 | GROMMET | 1 | |
| 39 | 5X6-22261-00 | DAMPER, sub tank | 1 | |
| 40 | 5X6-22262-00 | HOLDER, sub tank | 1 | |
| 41 | 92502-06016 | SCREW, Pan head | 1 | |
| 42 | 92902-06100 | WASHER, sPring | 1 | |
| 43 | 92902-06600 | WASHER | 1 | |

FIG. 19 STEERING

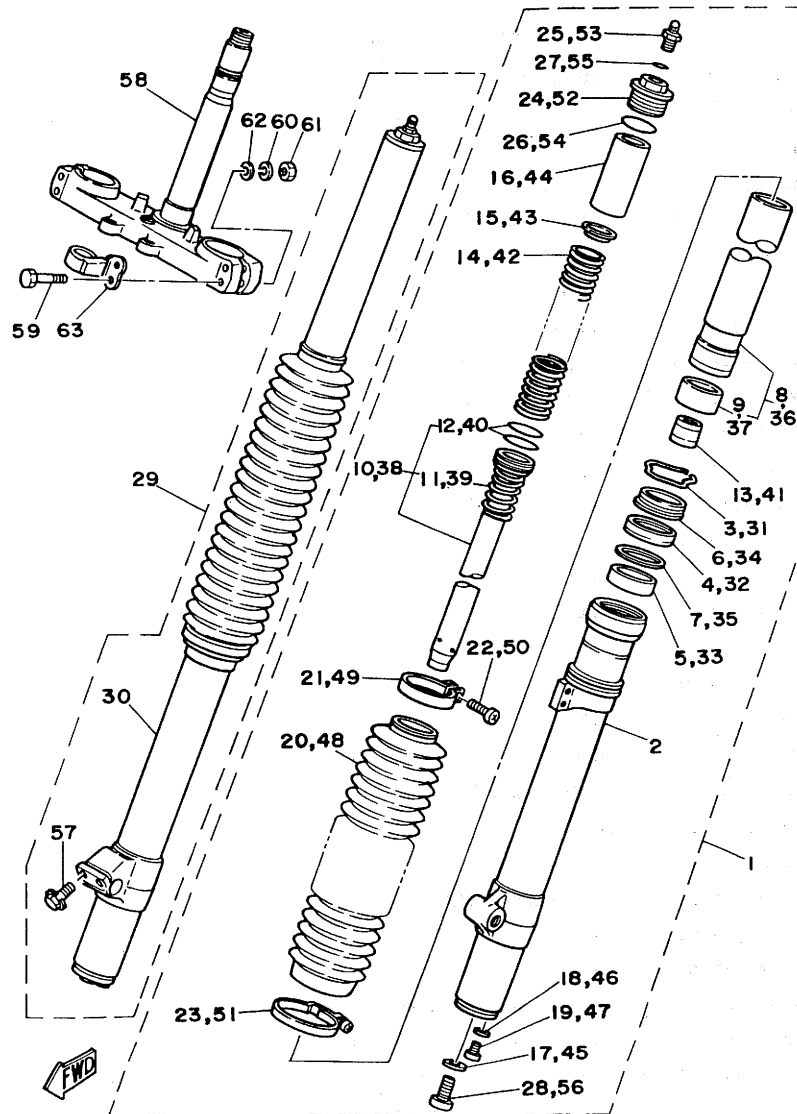
| REF. NO. | PART NO. | DESCRIPTION | Q'TY | REMARKS |
|----------|-----------------|----------------------|------|-----------------|
| 1 | 4V4-23435-00-98 | CROWN, handle | 1 | low gloss black |
| 2 | 1E6-23442-00 | HOLDER, handle lower | 2 | |
| 3 | 307-22123-00 | BUSH 1 | 2 | |
| 4 | 90201-123E8 | WASHER, Plate | 2 | |
| 5 | 90201-104A6 | WASHER, Plate | 2 | |
| 6 | 90387-121E8 | COLLAR | 2 | |
| 7 | 90202-14077 | WASHER, Plate | 2 | |
| 8 | 90185-10037 | NUT, self-locking | 2 | |
| 9 | 91401-20020 | PIN, cotter | 2 | |
| 10 | 95821-08040 | BOLT, flange | 4 | |
| 11 | 1E6-23441-00-98 | HOLDER, handle upper | 2 | low gloss black |
| 12 | 95821-08035 | BOLT, flange | 4 | |
| 13 | 93332-00023 | BEARING | 1 | |
| 14 | 93332-00008 | BEARING | 1 | |
| 15 | 1W1-23416-00 | COVER, ball race 2 | 1 | |
| 16 | 90179-25033 | NUT | 1 | |
| 17 | 90179-22330 | NUT | 1 | |
| 18 | 5X6-23485-10 | PLATE, number | 1 | white |
| 19 | 97801-06012 | SCREW, Pan head | 1 | |
| 20 | 90201-06571 | WASHER, Plate | 1 | |
| 21 | 5X6-23395-10 | EMBLEM | 1 | |




5X6300-2190

C11

FIG. 20 FRONT FORK

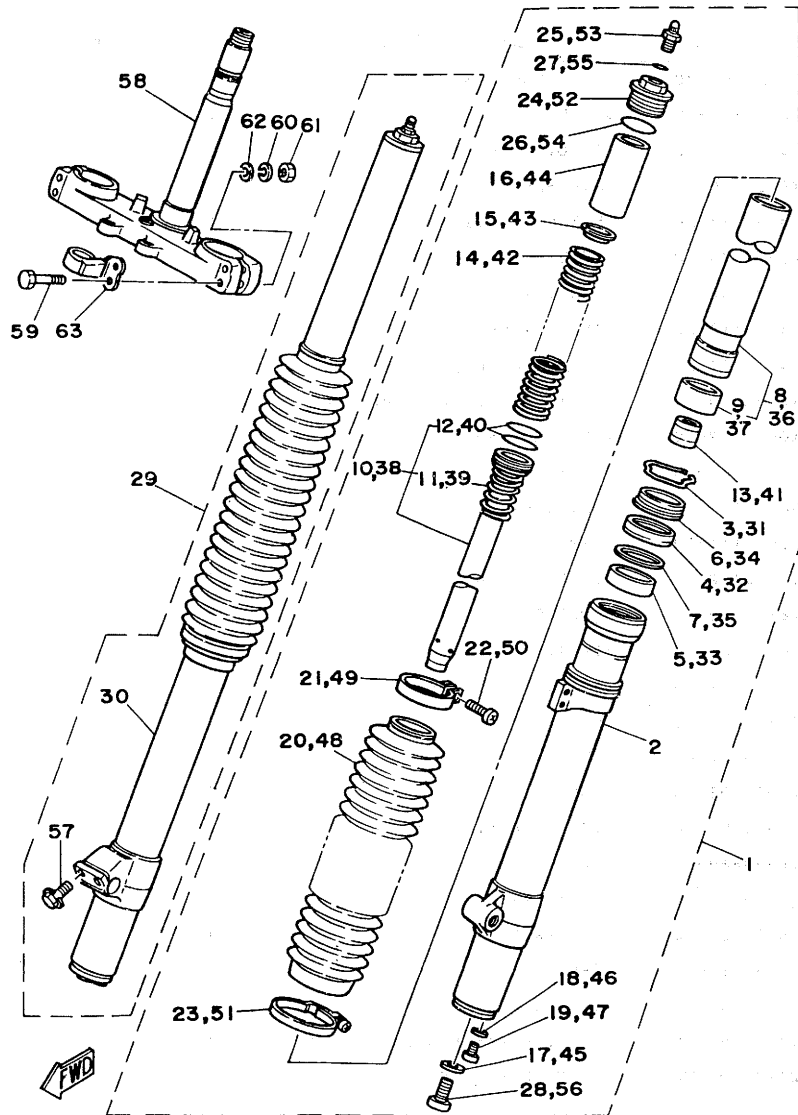


| REF. NO. | PART NO. | DESCRIPTION | Q'TY | REMARKS |
|----------|-------------------------|------------------------------|------|---------|
| 1 | 5X6-23102-M0 | FRONT FORK ASSY (L.H) | 1 | |
| 2 | 5X6-23126-L0 | .TUBE, outer 1 | 1 | |
| 3 | 4V4-23153-L0 | .RING, snap | 1 | |
| 4 | 5X6-23145-L0 | .OIL SEAL | 1 | |
| 5 | 4V4-23125-L0 | .METAL, slide 1 | 1 | |
| 6 | 5X6-23144-L0 | .SEAL, dust | 1 | |
| * 6-1 | 4V4-23148-L0 | COVER, DUST SEAL | 1 | |
| 7 | 4V4-23146-L0 | .WASHER, oil seal | 1 | |
| 8 | 4V4-23110-L0 | .INNER TUBE COMP.1 | 1 | |
| 9 | 4V4-23171-L0 | ..PISTON, front fork | 1 | |
| 10 | 5X6-23170-L0 | .CYLINDER COMP., front fork | 1 | |
| 11 | 5X6-23152-L0 | ..SPRING, sub | 1 | |
| 12 | 4V4-23188-L0 | ..O-RING | 2 | |
| 13 | 4V4-23173-L0 | .SPINDLE, taPer | 1 | |
| 14 | 5X6-23141-M0 | .SPRING, front fork (K=0.29) | 1 | |
| 15 | 4V4-23142-L0 | .SEAT, spring upper | 1 | |
| 16 | 5X6-23118-M0 | .SPACER (L=110) | 1 | |
| 17 | 4V4-23158-L0 | .GASKET | 1 | |
| 18 | 122-23129-00 | .GASKET, drain Plug | 1 | |
| 19 | 122-23119-01 | .PLUG, drain | 1 | |
| 20 | 5X6-23191-L0 | .BOOT | 1 | |
| 21 | 4V4-23192-L0 | .BAND | 1 | |
| 22 | 4V4-23194-L0 | .SCREW, boot band | 1 | |
| 23 | 4V4-23489-L0 | .BAND | 1 | |
| 24 | 5X6-23111-L0 | .BOLT, caP | 1 | |
| 25 | 4V4-23190-L0 | .AIR VALVE COMP. | 1 | |
| 26 | 4V4-23188-L0 | .O-RING | 1 | |
| 27 | 3J2-23147-00 | .O-RING | 1 | |
| 28 | 4V4-23181-L0 | .BOLT, hexagon socket head | 1 | |
| 29 | 5X6-23103-M0 | FRONT FORK ASSY (R.H) | 1 | |

5X6300-2200

C12

FIG. 20 FRONT FORK

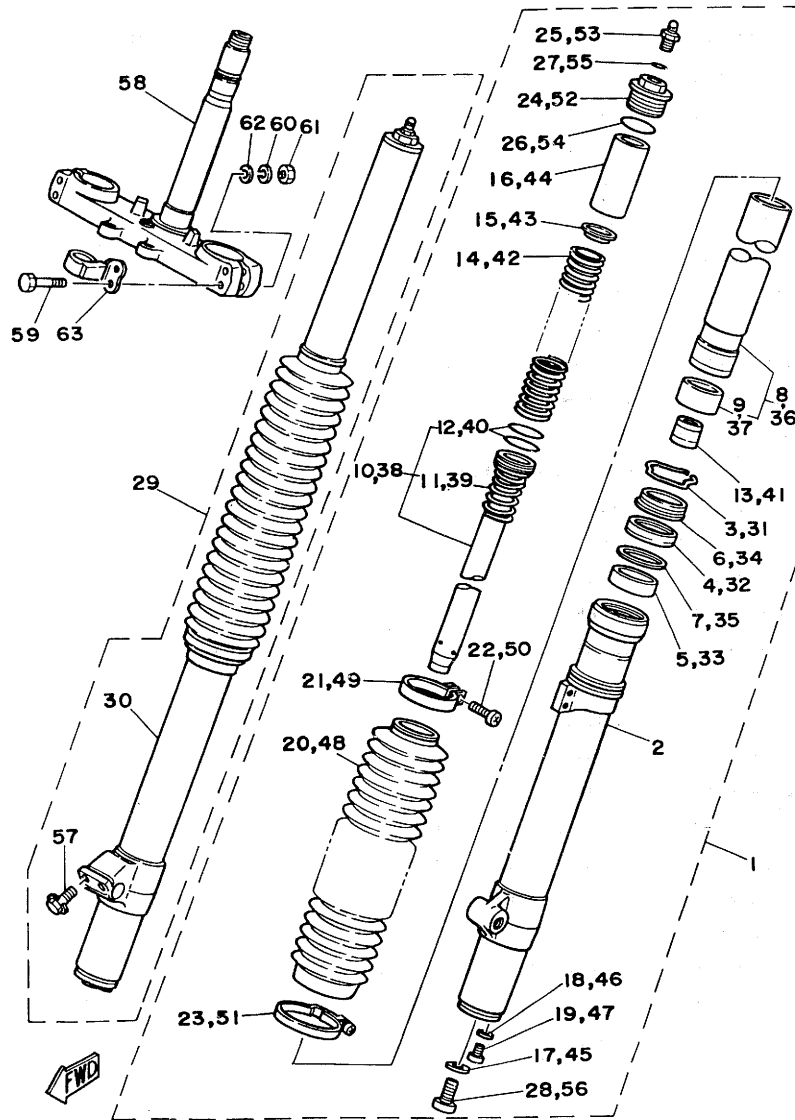


5X6300-2200

| REF. NO. | PART NO. | DESCRIPTION | Q'TY | REMARKS |
|----------|---|------------------------------|------|--------------|
| 30 | 5X6-23136-L0 | •TUBE, outer 2 | 1 | |
| 31 | 4V4-23153-L0 | •RING, snaP | 1 | |
| 32 | 5X6-23145-L0 4V4-23145-L0 | •OIL SEAL | 1 | |
| 33 | 4V4-23125-L0 | •METAL, slide 1 | 1 | |
| 34 | 5X6-23144-L0 | •SEAL, dust | 1 | |
| 35 | 4V4-23148-L0 4V4-23148-L0 | •COVER DUST SEAL | 1 | |
| 35 | 4V4-23146-L0 | •WASHER, oil seal | 1 | |
| 36 | 4V4-23110-L0 | •INNER TUBE COMP.1 | 1 | |
| 37 | 4V4-23171-L0 | •PISTON, front fork | 1 | |
| 38 | 5X6-23170-L0 | •CYLINDER COMP., front fork | 1 | |
| 39 | 5X6-23152-L0 | •SPRING, sub | 1 | |
| 40 | 4V4-23188-L0 | •D-RING | 2 | |
| 41 | 4V4-23173-L0 | •SPINDLE, taPer | 1 | |
| 42 | 5X6-23141-M0 | •SPRING, front fork (K=0.29) | 1 | |
| 43 | 4V4-23142-L0 | •SEAT, sPring upper | 1 | |
| 44 | 5X6-23118-M0 | •SPACER (L=110) | 1 | |
| 45 | 4V4-23158-L0 | •GASKET | 1 | |
| 46 | 122-23129-00 | •GASKET, drain Plug | 1 | |
| 47 | 122-23119-01 | •PLUG, drain | 1 | |
| 48 | 5X6-23191-L0 | •BOOT | 1 | |
| 49 | 4V4-23192-L0 | •BAND | 1 | |
| 50 | 4V4-23194-L0 | •SCREW, boot band | 1 | |
| 51 | 4V4-23489-L0 | •BAND | 1 | |
| 52 | 5X6-23111-L0 | •BOLT, caP | 1 | |
| 53 | 4V4-23190-L0 | •AIR VALVE COMP. | 1 | |
| 54 | 4V4-23188-L0 | •D-RING | 1 | |
| 55 | 3J2-23147-00 | •D-RING | 1 | |
| 56 | 4V4-23181-L0 | •BOLT, hexaBon socket head | 1 | |
| 57 | 5X6-23181-L0 | •BOLT, hexaBon socket head | 2 | |
| 58 | 5X6-23340-L0-33 | UNDER BRACKET COMP. | 1 | yamaha black |

C13

FIG. 20 FRONT FORK



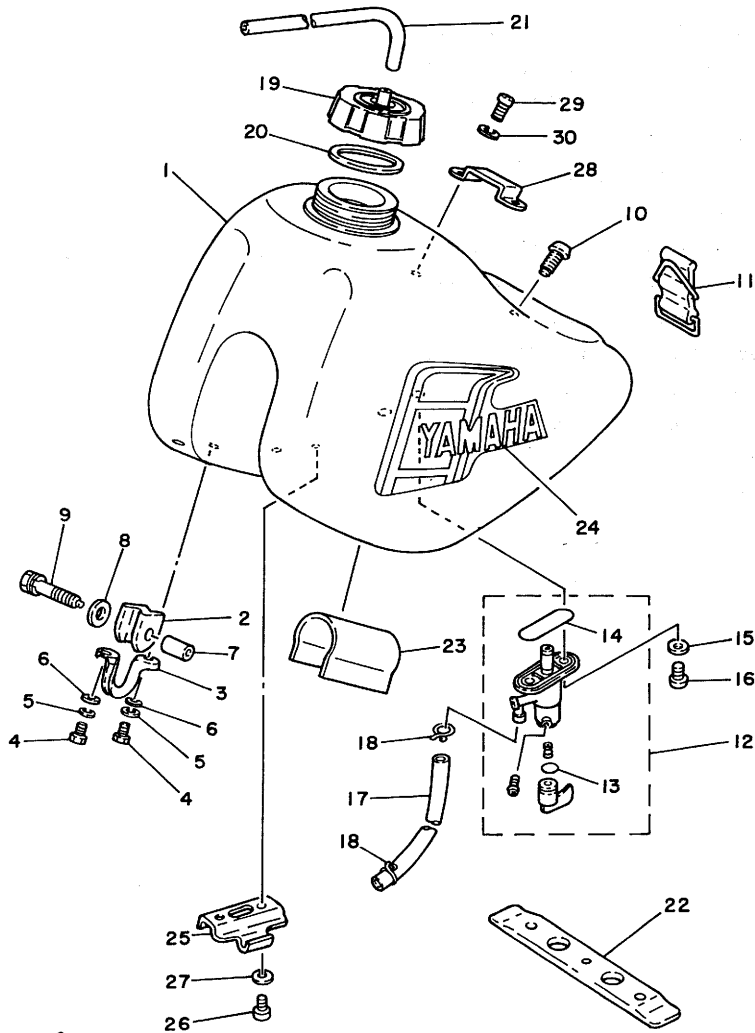
| REF. NO. | PART NO. | DESCRIPTION | Q'TY | REMARKS |
|----------|--------------|----------------|------|---------|
| 59 | 90109-08397 | BOLT 1 | 4 | |
| 60 | 92901-08100 | WASHER, sPring | 4 | |
| 61 | 95311-08600 | NUT | 4 | |
| 62 | 90201-08544 | WASHER, Plate | 4 | |
| 63 | 3R4-23389-00 | GUIDE, cable | 1 | |

5X6300-2200

C14

FIG. 21 FUEL TANK

| REF. NO. | PART NO. | DESCRIPTION | Q'TY | REMARKS |
|----------|-------------|-----------------|------|---------|
| 29 | 92501-06012 | SCREW, Pan head | 2 | |
| 30 | 92901-06100 | WASHER, sPrin8 | 2 | |

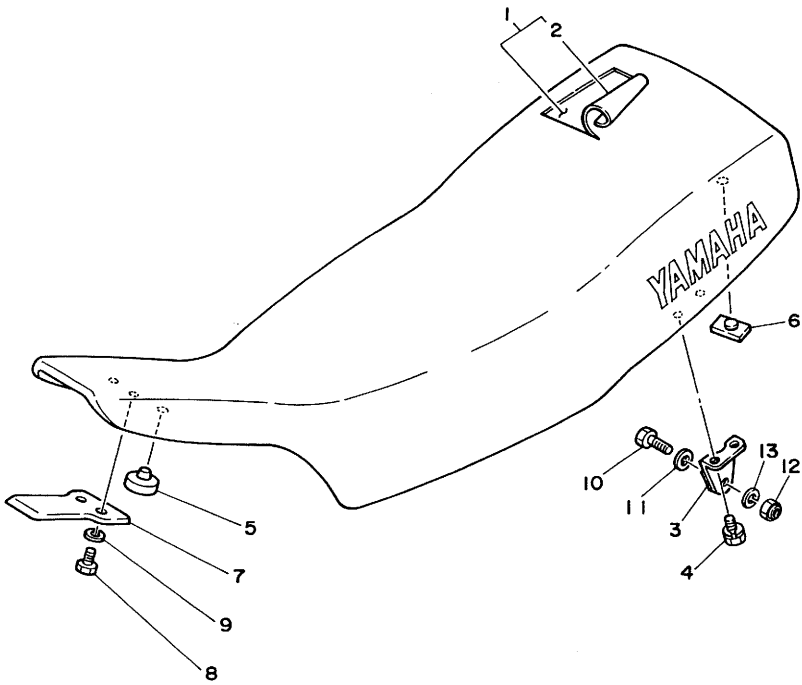


5X6100-2210

D2

FIG. 22 SEAT

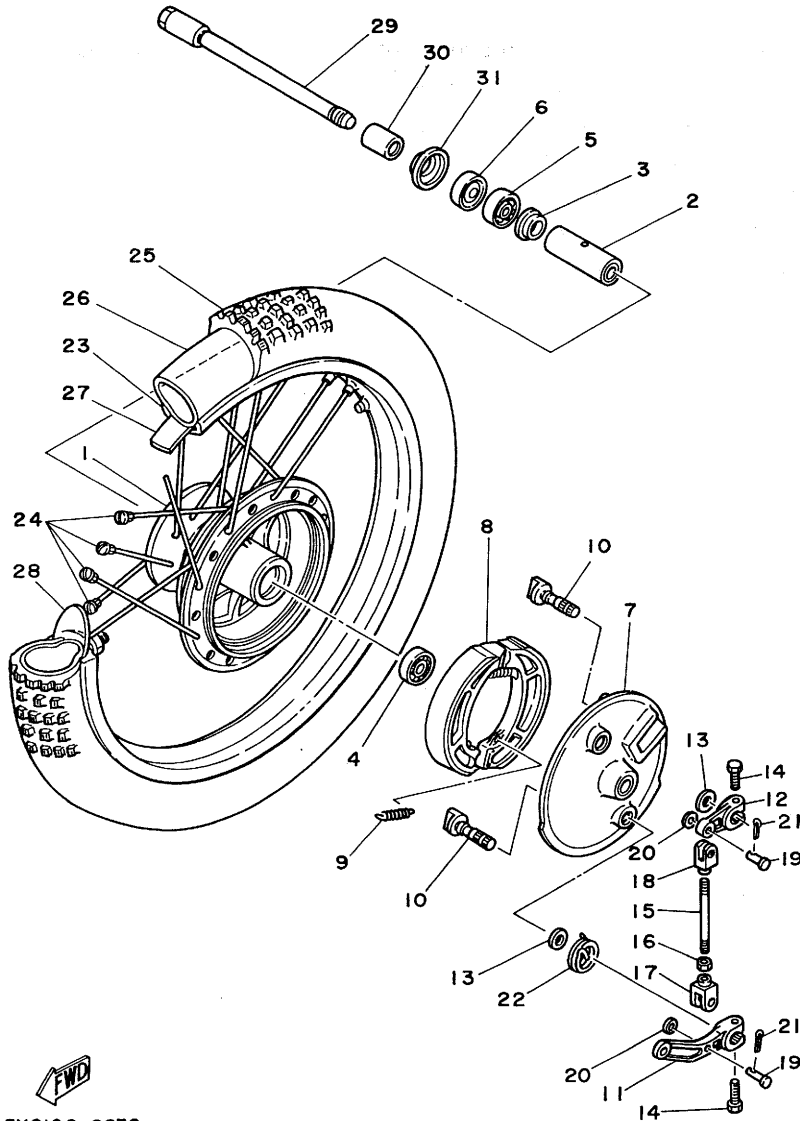
| REF. NO. | PART NO. | DESCRIPTION | Q'TY | REMARKS |
|----------|--------------|-------------------------|------|---------|
| 1 | 5X6-W2473-10 | SEMI-DOUBLE SEAT ASSY | 1 | |
| 2 | 5X6-24771-10 | COVER, semi-double seat | 1 | |
| 3 | 1W1-24738-00 | BRACKET, seat | 2 | |
| 4 | 90101-06304 | BOLT | 4 | |
| 5 | 116-24741-00 | PAD, seat | 2 | |
| 6 | 509-24724-00 | DAMPER, seat | 1 | |
| 7 | 5X6-24748-00 | BRACKET, seat | 1 | |
| 8 | 97301-06012 | BOLT | 2 | |
| 9 | 92901-06100 | WASHER, sPring | 2 | |
| 10 | 97302-06035 | BOLT | 2 | |
| 11 | 92902-06600 | WASHER | 2 | |
| 12 | 95602-06100 | NUT, u | 2 | |
| 13 | 92902-06100 | WASHER, sPring | 2 | |



5X6100-2220

D3

FIG. 23 FRONT WHEEL



| REF. NO. | PART NO. | DESCRIPTION | Q'TY | REMARKS |
|----------|-----------------|-------------------|------|-----------------|
| 1 | 1K7-25111-11-98 | HUB, front | 1 | low gloss black |
| 2 | 90560-15116 | SPACER | 1 | |
| 3 | 146-25116-00 | FLANGE, sPacer 2 | 1 | |
| 4 | 93306-20203 | BEARING (B6202RS) | 1 | |
| 5 | 93306-20205 | BEARING (B6202) | 1 | |
| 6 | 93102-20009 | OIL SEAL | 1 | |
| 7 | 5X6-25121-00-98 | PLATE, brake shoe | 1 | low gloss black |
| 8 | 3R5-25130-00 | BRAKE SHDE COMP. | 2 | |
| 9 | 90506-16036 | SPRING, tension | 2 | |
| 10 | 322-25151-00 | CAMSHAFT | 2 | |
| 11 | 5X6-25155-00 | LEVER, camshaft 1 | 1 | |
| 12 | 5X6-25156-00 | LEVER, camshaft 2 | 1 | |
| 13 | 137-25159-00 | SEAL, camshaft | 2 | |
| 14 | 90101-06291 | BOLT | 2 | |
| 15 | 3R5-25161-00 | ROD, connecting | 1 | |
| 16 | 95301-06700 | NUT | 1 | |
| 17 | 3R5-25163-00 | END, rod 1 | 1 | |
| 18 | 3R5-25164-00 | END, rod 2 | 1 | |
| 19 | 90240-06006 | PIN, clevis | 2 | |
| 20 | 92901-06200 | WASHER, Plain | 2 | |
| 21 | 91401-20015 | PIN, cotter | 2 | |
| 22 | 90508-20425 | SPRING, torsion | 1 | |
| 23 | 94416-21320 | RIM (1.60-21) | 1 | |
| 24 | 2W6-25104-02 | SPOKE SET, front | 1 | |
| 25 | 94130-21732 | TIRE (3.00-21) | 1 | UR bridgestone |
| | 94130-21731 | TIRE (3.00-21) | 1 | UR inoue |
| 26 | 94227-21123 | TUBE (2.75-21) | 1 | UR bridgestone |
| | 94230-21126 | TUBE (3.00-21) | 1 | UR inoue |



5X6100-2230

D4

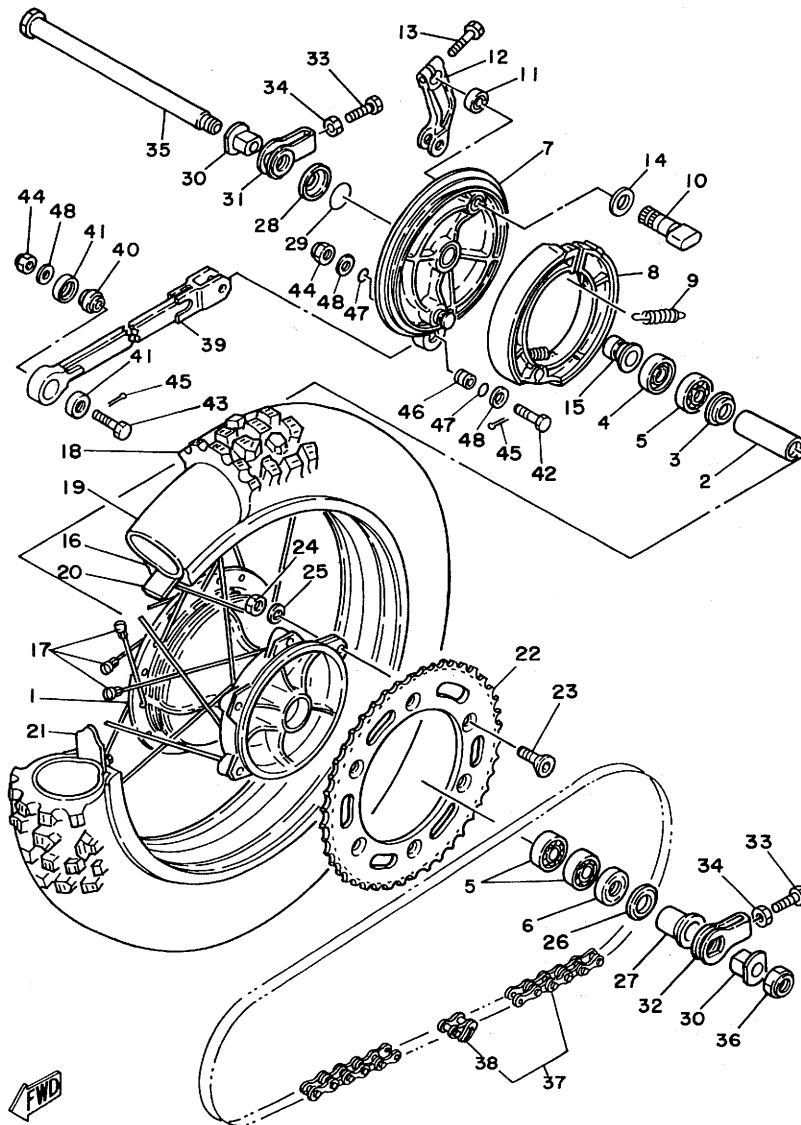


FIG. 24 REAR WHEEL

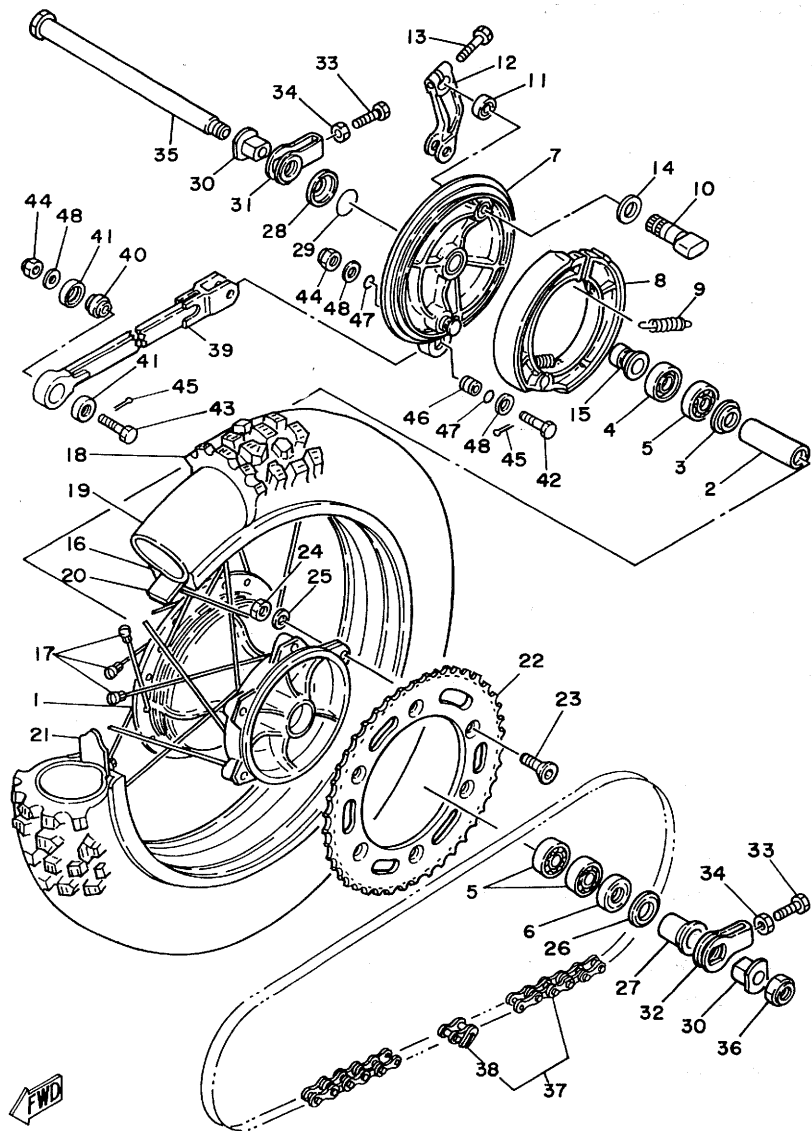
| REF. NO. | PART NO. | DESCRIPTION | Q'TY | REMARKS |
|----------|-----------------|------------------------|------|-------------------|
| 1 | 4V4-25311-00-98 | HUB, rear | 1 | low gloss black |
| 2 | 4V4-25317-00 | SPACER, bearing | 1 | |
| 3 | 4V4-25315-00 | FLANGE, spacer | 1 | |
| 4 | 93306-00418 | BEARING | 1 | |
| 5 | 93306-00406 | BEARING (B6004Z) | 3 | |
| 6 | 93102-33140 | OIL SEAL | 1 | |
| 7 | 5X6-25321-00-98 | PLATE, brake shoe | 1 | low gloss black |
| 8 | 4V4-25330-00 | BRAKE SHOE COMP. | 2 | |
| 9 | 90507-20002 | SPRING, tension | 2 | |
| 10 | 1E2-25151-00 | CAMSHAFT | 1 | |
| 11 | 148-25359-00 | SEAL, camshaft | 1 | |
| 12 | 5X6-25355-00 | LEVER, camshaft | 1 | |
| 13 | 90101-06291 | BOLT | 1 | |
| 14 | 148-25353-00 | SHIM, camshaft | 1 | |
| 15 | 90387-204F5 | COLLAR | 1 | |
| 16 | 94425-18321 | RIM (2.50-18) | 1 | |
| 17 | 4V4-25304-00 | SPOKE SET, rear | 1 | |
| 18 | 94151-18736 | TIRE (5.10-18) | 1 | UR bridgestone |
| | 94114-18738 | TIRE (140/90-18 73M) | 1 | UR inoue |
| 19 | 94251-18150 | TUBE (5.10-18) | 1 | UR bridgestone |
| | 94245-18125 | TUBE (4.50-18) | 1 | UR inoue |
| 20 | 94340-18086 | BAND, rim (4.00-18) | 1 | UR bridgestone |
| | 94345-18081 | BAND, rim (4.50-18) | 1 | UR inoue |
| 21 | 2X5-25394-00 | SPACER, bead | 2 | |
| 22 | 3R4-25450-00 | SPROCKET, driven (50T) | 1 | STD except canada |
| | 3R4-25444-01 | SPROCKET, driven (44T) | 1 | STD for canada |
| | 3R4-25446-00 | SPROCKET, driven (46T) | 1 | AP |
| | 3R4-25448-00 | SPROCKET, driven (48T) | 1 | AP |



5X6100-2240

D6

FIG. 24 REAR WHEEL

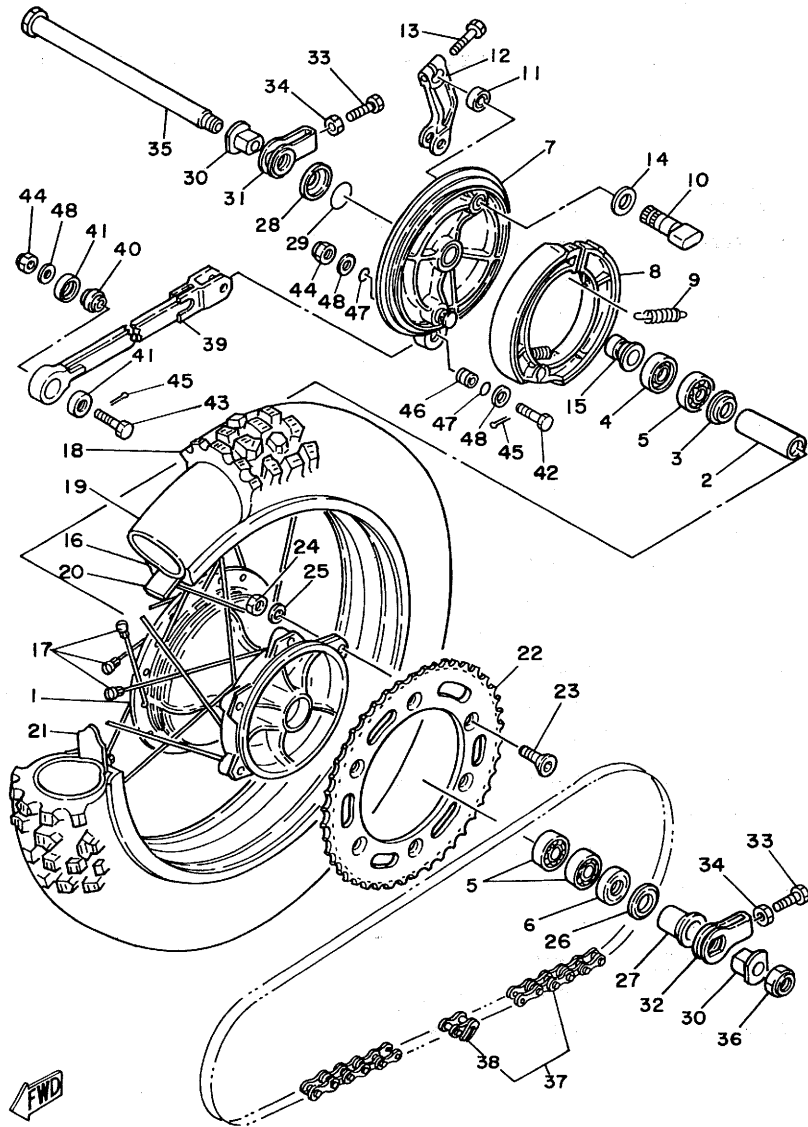


| REF. NO. | PART NO. | DESCRIPTION | Q'TY | REMARKS |
|----------|--------------------------------|------------------------------|------|---------------|
| 22 | 3R4-25452-00 | SPROCKET, driven (52T) | 1 | AP |
| 23 | 90110-08038 | BOLT, hexagon socket head | 6 | |
| 24 | 90185-08089 | NUT, self-locking | 6 | |
| 25 | 90201-081A6 | WASHER, Plate | 6 | |
| 26 | 4V4-25367-00 | COVER, hub dust | 1 | |
| 27 | 90387-206F5 | COLLAR | 1 | |
| 28 | 4V4-25327-00 | COVER, Plate | 1 | |
| 29 | 93210-33481 | O-RING | 1 | |
| 30 | 90381-20039 | BUSH, solid | 2 | |
| 31 | 5X6-25389-00 | PULLER, chain 2 | 1 | |
| 32 | 5X6-25388-00 | PULLER, chain 1 | 1 | |
| 33 | 90101-08475 | BOLT | 2 | |
| 34 | 95301-08700 | NUT | 2 | |
| 35 | 4V4-25381-01 | AXLE, wheel | 1 | |
| 36 | 90185-18104 | NUT, self-locking | 1 | |
| 37 | 94585-20114 | CHAIN, drive (DID520DS 114L) | 1 | except canada |
| | 94585-20110 | CHAIN, drive (DID520DS 110L) | 1 | for canada |
| 38 | 94685-20001 | •JOINT, chain | 1 | |
| 39 | 5X6-25371-00 5x5 | BAR, tension | 1 | |
| 40 | 93399-99905 | BEARING | 1 | UR |
| | 93399-99906 | BEARING | 1 | UR |
| 41 | 93108-23009 | OIL SEAL | 2 | |
| 42 | 90109-08370 | BOLT | 1 | |
| 43 | 90102-08034 | BOLT, with hole | 1 | |
| 44 | 95611-08100 | NUT, u | 2 | |
| 45 | 91401-20015 | PIN, cotter | 2 | |
| 46 | 90387-083F0 | COLLAR | 1 | |
| 47 | 93210-14167 | O-RING | 2 | |

5X6100-2240

D7

FIG. 24 REAR WHEEL



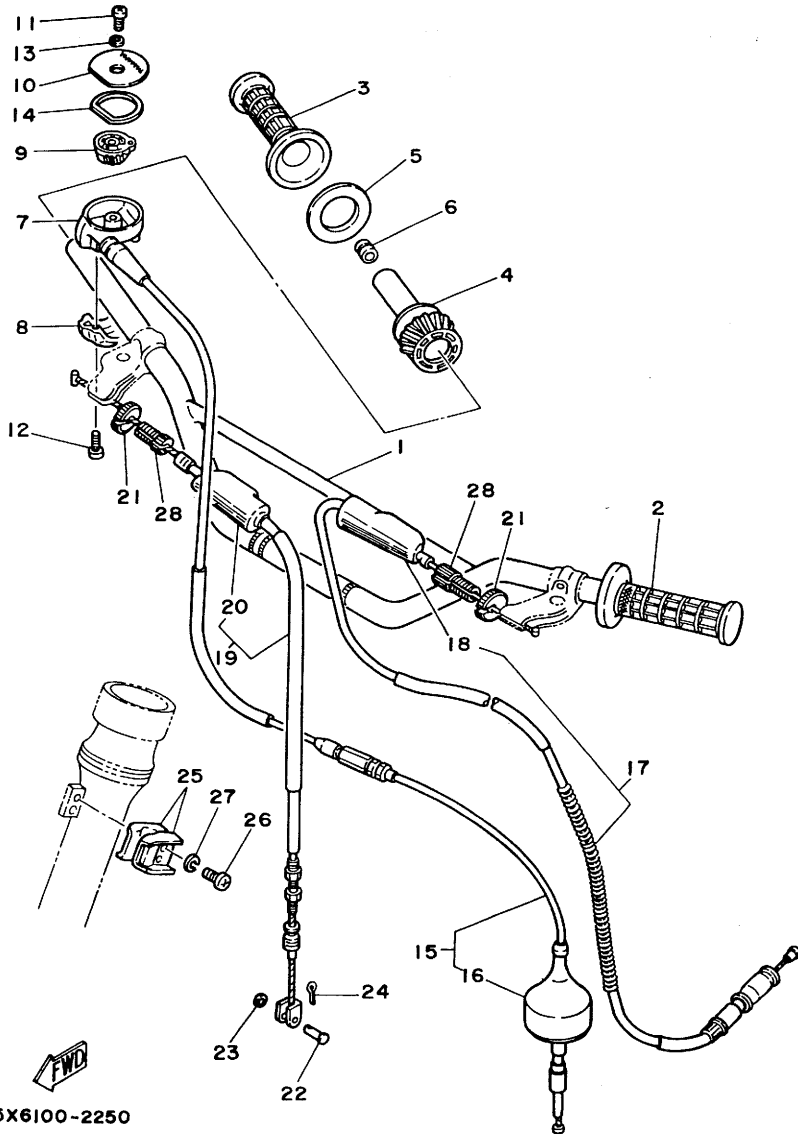
| REF. NO. | PART NO. | DESCRIPTION | Q'TY | REMARKS |
|----------|-------------|---------------|------|---------|
| 48 | 92901-08600 | WASHER, Plate | 3 | |


5X6100-2240

D8

FIG. 25 HANDLEBAR·CABLE

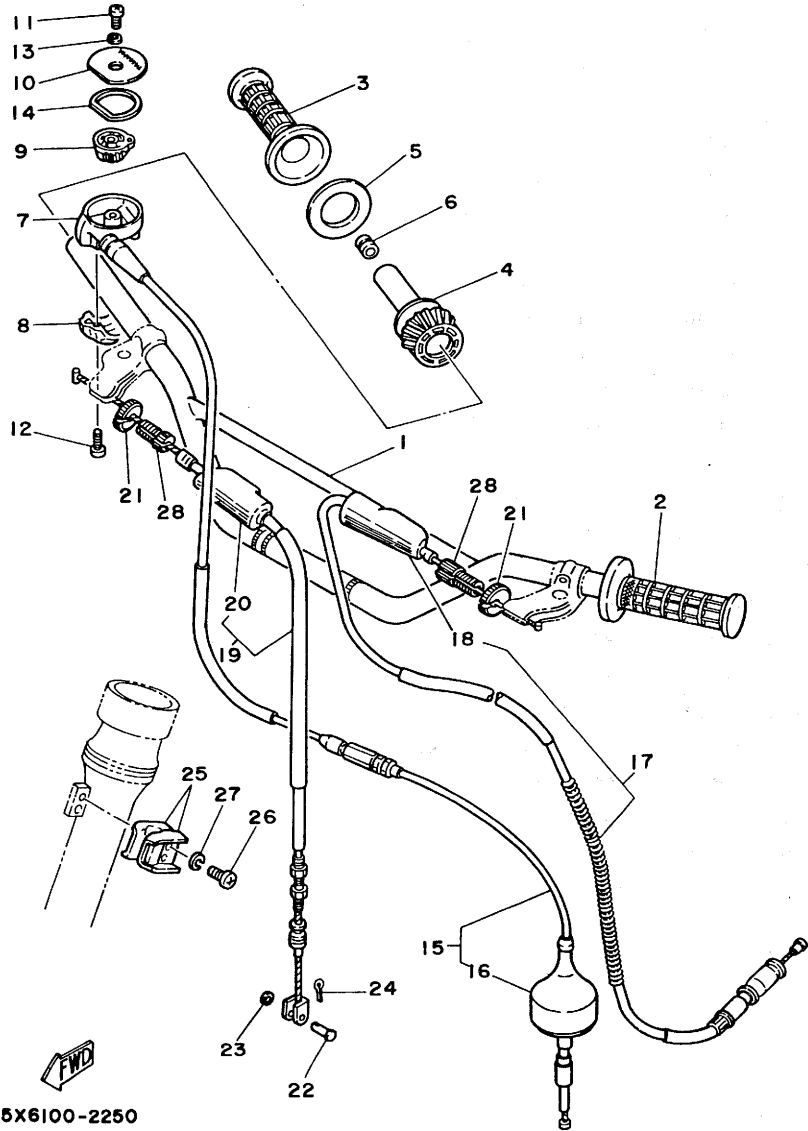
| REF. NO. | PART NO. | DESCRIPTION | Q'TY | REMARKS |
|----------|--------------|------------------------|------|---------|
| 1 | 4V2-26111-01 | HANDLEBAR | 1 | |
| 2 | 4V4-26241-00 | GRIP (L·H) | 1 | |
| 3 | 4V4-26242-00 | GRIP (R·H) | 1 | |
| 4 | 4V4-26243-00 | TUBE, throttle guide | 1 | |
| 5 | 4V4-26249-00 | RING, leaf | 1 | |
| 6 | 688-82535-00 | GROMMET | 1 | |
| 7 | 4V4-26281-00 | CAP, grip upper | 1 | |
| 8 | 4V4-26282-00 | CAP, grip lower | 1 | |
| 9 | 4V4-2628E-00 | GEAR, bevel | 1 | |
| 10 | 4V4-2628F-00 | CAP, gear | 1 | |
| 11 | 98906-05010 | SCREW, bind | 1 | |
| 12 | 98501-05016 | SCREW, Pan head | 2 | |
| 13 | 90430-05009 | GASKET | 1 | |
| 14 | 4V4-2628G-00 | PACKING | 1 | |
| 15 | 5X6-26311-00 | CABLE, throttle 1 | 1 | |
| 16 | 510-26329-00 | ·CAP, rubber | 1 | |
| 17 | 5X6-26335-01 | CABLE, clutch | 1 | |
| 18 | 382-26372-01 | ·COVER, handle lever 1 | 1 | |
| 19 | 5X6-26341-00 | CABLE, brake | 1 | |
| 20 | 382-26372-01 | ·COVER, handle lever 1 | 1 | |
| 21 | 90179-08148 | NUT | 2 | |
| 22 | 91701-06018 | PIN, clevis | 1 | |
| 23 | 92901-06200 | WASHER, Plain | 1 | |
| 24 | 91401-20015 | PIN, cotter | 1 | |
| 25 | 90465-14192 | CLAMP | 2 | |
| 26 | 92501-06015 | SCREW, Pan head | 2 | |
| 27 | 92901-06100 | WASHER, sPring | 2 | |



5X6100-2250

D9

FIG. 25 HANDLEBAR CABLE



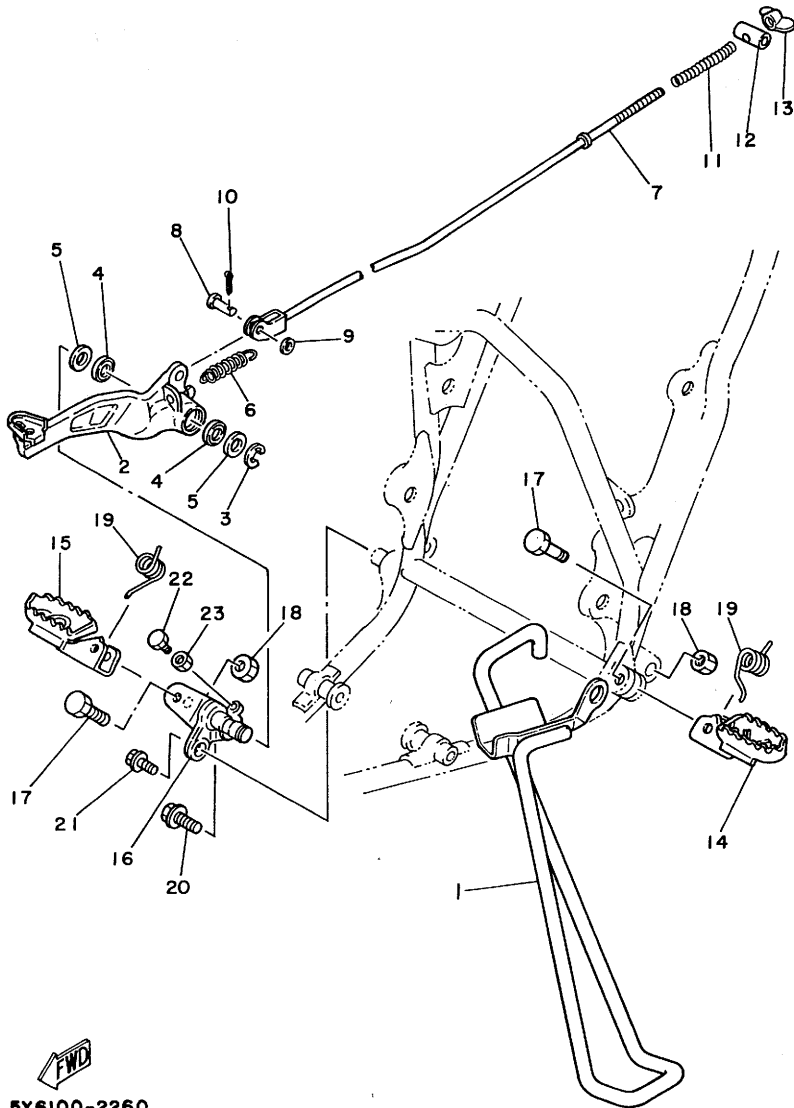
| REF. NO. | PART NO. | DESCRIPTION | Q'TY | REMARKS |
|----------|-------------|-------------|------|---------|
| 28 | 90123-08046 | BOLT | 2 | |

5X6100-2250

D10

FIG. 26 STAND-FOOTREST

| REF. NO. | PART NO. | DESCRIPTION | Q'TY | REMARKS |
|----------|--------------|---------------------|------|---------|
| 1 | 5X6-27311-01 | STAND, side | 1 | |
| 2 | 4V4-27200-00 | PEDAL, brake | 1 | |
| 3 | 93430-10015 | CIRCLIP | 1 | |
| 4 | 93109-14021 | OIL SEAL | 2 | |
| 5 | 90201-14536 | WASHER, Plate | 2 | |
| 6 | 90506-20192 | SPRING, tension | 1 | |
| 7 | 5X6-27231-00 | ROD, brake | 1 | |
| 8 | 90240-06040 | PIN, clevis | 1 | |
| 9 | 92901-06200 | WASHER, Plain | 1 | |
| 10 | 91401-20015 | PIN, cotter | 1 | |
| 11 | 90501-10245 | SPRING, compression | 1 | |
| 12 | 90249-12008 | PIN | 1 | |
| 13 | 90175-06013 | NUT, wing | 1 | |
| 14 | 5X6-27411-00 | FOOTREST 1 | 1 | |
| 15 | 5X6-27421-00 | FOOTREST 2 | 1 | |
| 16 | 5X6-27422-00 | BRACKET, footrest 2 | 1 | |
| 17 | 90101-08428 | BOLT | 2 | |
| 18 | 95601-08100 | NUT, u | 2 | |
| 19 | 90508-20023 | SPRING, torsion | 2 | |
| 20 | 90105-12096 | BOLT, washer based | 1 | |
| 21 | 95811-10020 | BOLT, flange | 1 | |
| 22 | 97301-06012 | BOLT | 1 | |
| 23 | 95301-06700 | NUT | 1 | |

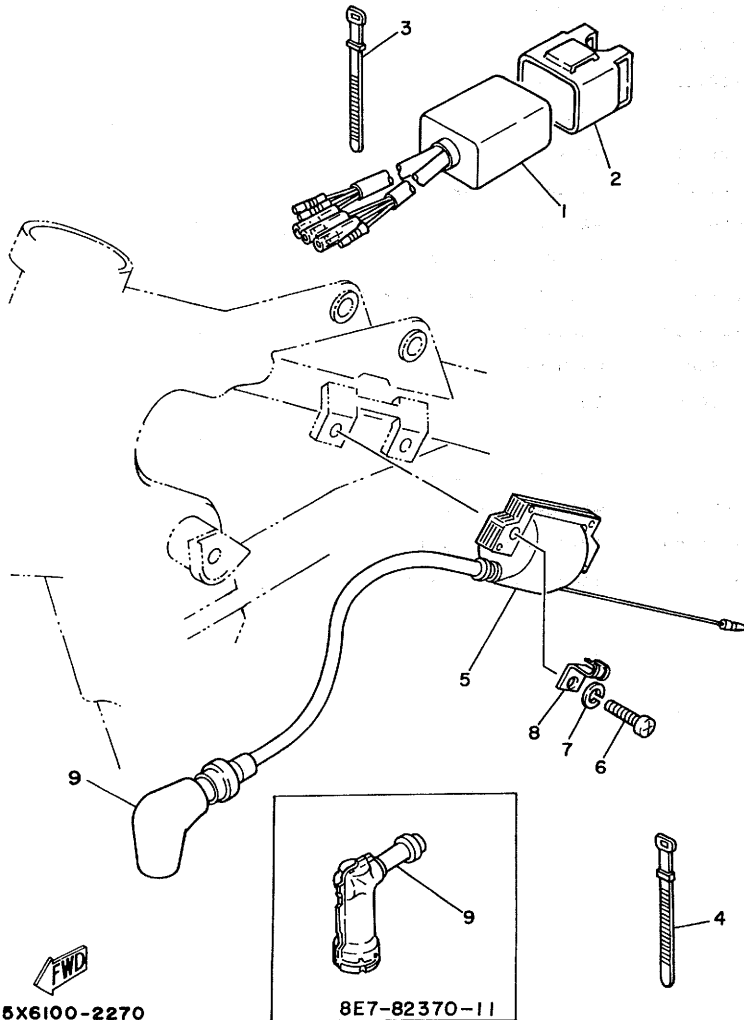


5X6100-2260

D11

FIG. 27 ELECTRICAL 1

| REF. NO. | PART NO. | DESCRIPTION | Q'TY | REMARKS |
|----------|--------------|--------------------|------|--------------------------|
| 1 | 3R5-85540-20 | C.D.I. UNIT ASSY | 1 | |
| 2 | 2A7-85546-00 | BAND | 1 | |
| 3 | 256-83936-00 | BAND, switch cord | 1 | |
| 4 | 437-83936-10 | BAND, switch cord | 2 | |
| 5 | 5X6-82310-40 | IGNITION COIL ASSY | 1 | |
| 6 | 92501-06025 | SCREW, Pan head | 2 | |
| 7 | 92901-06100 | WASHER, sPring | 2 | |
| 8 | 90462-05005 | CLAMP | 1 | |
| 9 | 3R0-82370-20 | PLUG CAP ASSY | 1 | UR |
| | 8E7-82370-11 | PLUG CAP ASSY | 1 | UR with noise suppressor |



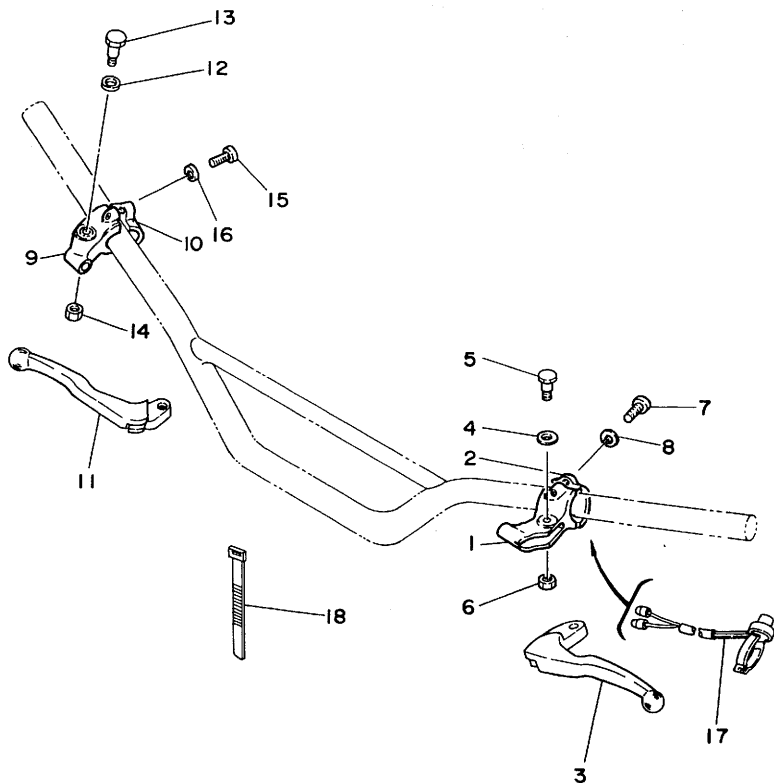
5X6100-2270

8E7-82370-11

D12

FIG. 28 HANDLE SWITCH•LEVER

| REF. NO. | PART NO. | DESCRIPTION | Q'TY | REMARKS |
|----------|--------------|-----------------------|------|---------|
| 1 | 4V4-82911-00 | HOLDER, lever 1 | 1 | |
| 2 | 4V4-82913-00 | HOLDER, lever lower 1 | 1 | |
| 3 | 3M2-83912-00 | LEVER 1 | 1 | |
| 4 | 90201-08083 | WASHER, Plate | 1 | |
| 5 | 90109-06410 | BOLT | 1 | |
| 6 | 95601-06100 | NUT, u | 1 | |
| 7 | 98506-05020 | SCREW, Pan head | 2 | |
| 8 | 92906-05100 | WASHER, sPring | 2 | |
| 9 | 4V4-82921-00 | HOLDER, lever 2 | 1 | |
| 10 | 4V4-82913-00 | HOLDER, lever lower 1 | 1 | |
| 11 | 3M2-83922-00 | LEVER 2 | 1 | |
| 12 | 90201-08083 | WASHER, Plate | 1 | |
| 13 | 90109-06410 | BOLT | 1 | |
| 14 | 95601-06100 | NUT, u | 1 | |
| 15 | 98506-05020 | SCREW, Pan head | 2 | |
| 16 | 92906-05100 | WASHER, sPring | 2 | |
| 17 | 5X6-83976-00 | SWITCH, handle 1 | 1 | |
| 18 | 437-83936-00 | BAND, switch cord | 2 | |



5X6100-2280

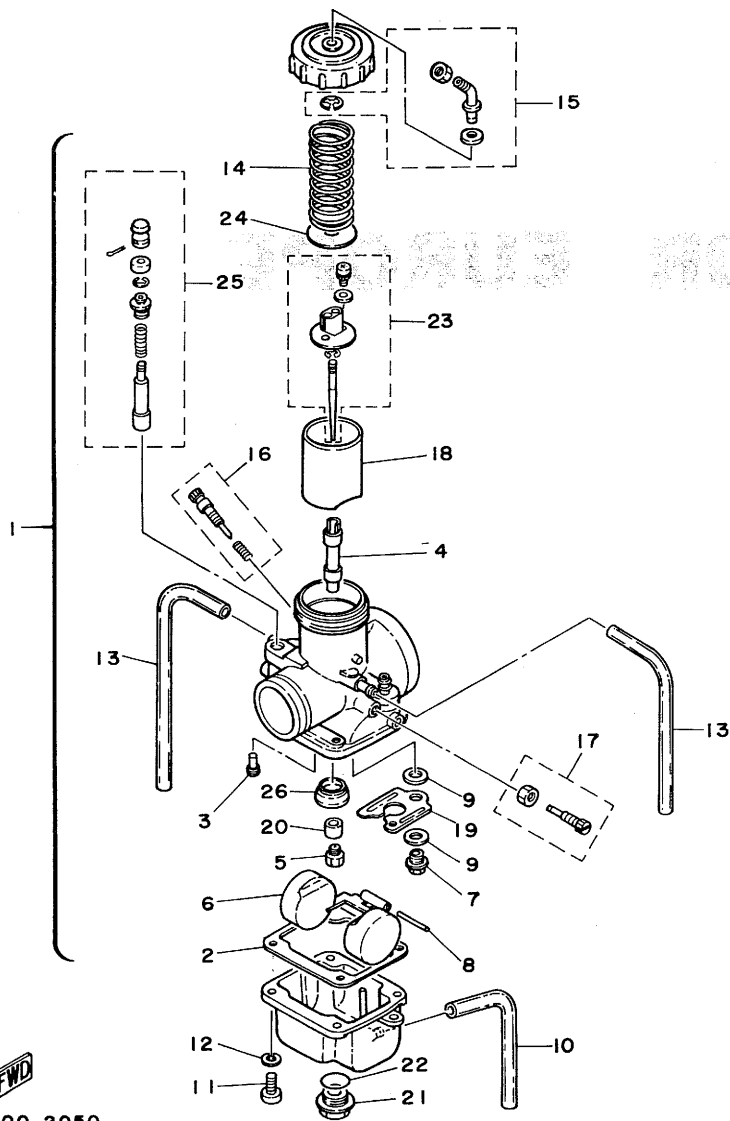
D13

EXCLUSIVE FOR EUROPE

EX-101

EX-101

FIG. 29 CARBURETOR



| REF. NO. | PART NO. | DESCRIPTION | Q'TY | REMARKS |
|----------|--------------|-------------------------|------|---------|
| 1 | 5X6-14101-10 | CARBURETOR ASSY 1 | 1 | |
| 2 | 363-14184-00 | •GASKET, float chamber | 1 | |
| 3 | 193-14142-50 | •JET, Pilot (#50.0) | 1 | |
| 4 | 510-14141-58 | •NOZZLE, main | 1 | |
| 5 | 137-14143-92 | •JET, main (#460) | 1 | UR STD |
| | 137-14143-88 | •JET, main (#440) | 1 | UR |
| | 137-14143-96 | •JET, main (#480) | 1 | UR |
| 6 | 2N7-14185-00 | •FLOAT | 1 | |
| 7 | 363-14190-35 | •NEEDLE VALVE ASSY | 1 | |
| 8 | 537-14186-00 | •PIN, float | 1 | |
| 9 | 239-14195-00 | •WASHER, needle valve | 2 | |
| 10 | 2K7-14197-00 | •PIPE | 1 | |
| 11 | 98501-05016 | •SCREW, Pan head | 4 | |
| 12 | 92902-05100 | •WASHER, sPring | 4 | |
| 13 | 310-14197-00 | •PIPE | 2 | |
| 14 | 431-14131-00 | •SPRING, throttle valve | 1 | |
| 15 | 3R4-W1415-00 | •ADJUSTER SET | 1 | |
| 16 | 152-W1412-00 | •AIR SCREW SET | 1 | |
| 17 | 2A0-W1411-00 | •THROTTLE SCREW SET | 1 | |
| 18 | 510-14112-30 | •VALVE, throttle 1 | 1 | |
| 19 | 3R4-14146-00 | •PLATE | 1 | |
| 20 | 509-14145-00 | •SETTER, needle Jet | 1 | |
| 21 | 510-14115-00 | •PLUG, screw | 1 | |
| 22 | 558-14147-00 | •O-RING | 1 | |
| 23 | 239-W1418-01 | •NEEDLE SET (6F16) | 1 | |
| 24 | 509-14136-00 | •SEAT, sPring | 1 | |
| 25 | 737-W1414-00 | •STARTER PLUNGER SET | 1 | |
| 26 | 5X5-14153-00 | •WASHER, main Jet | 1 | |

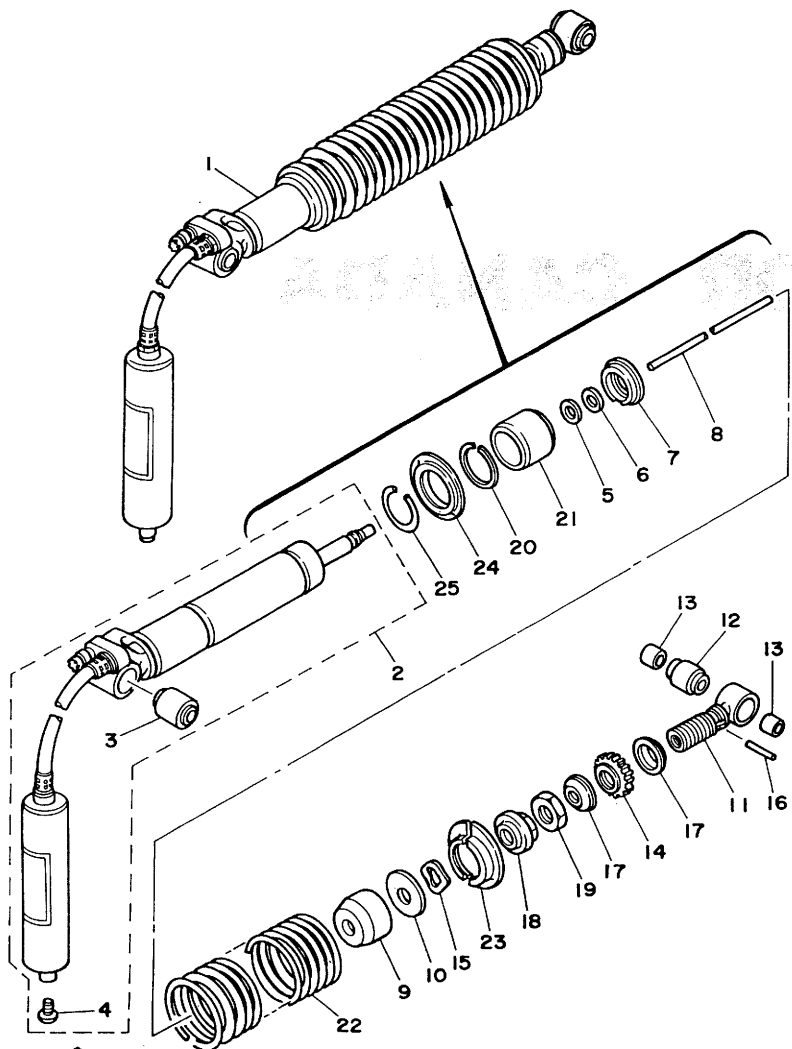

5X6100-2050

D14

EXCLUSIVE FOR CANADA

FIG. 30 REAR SUSPENSION

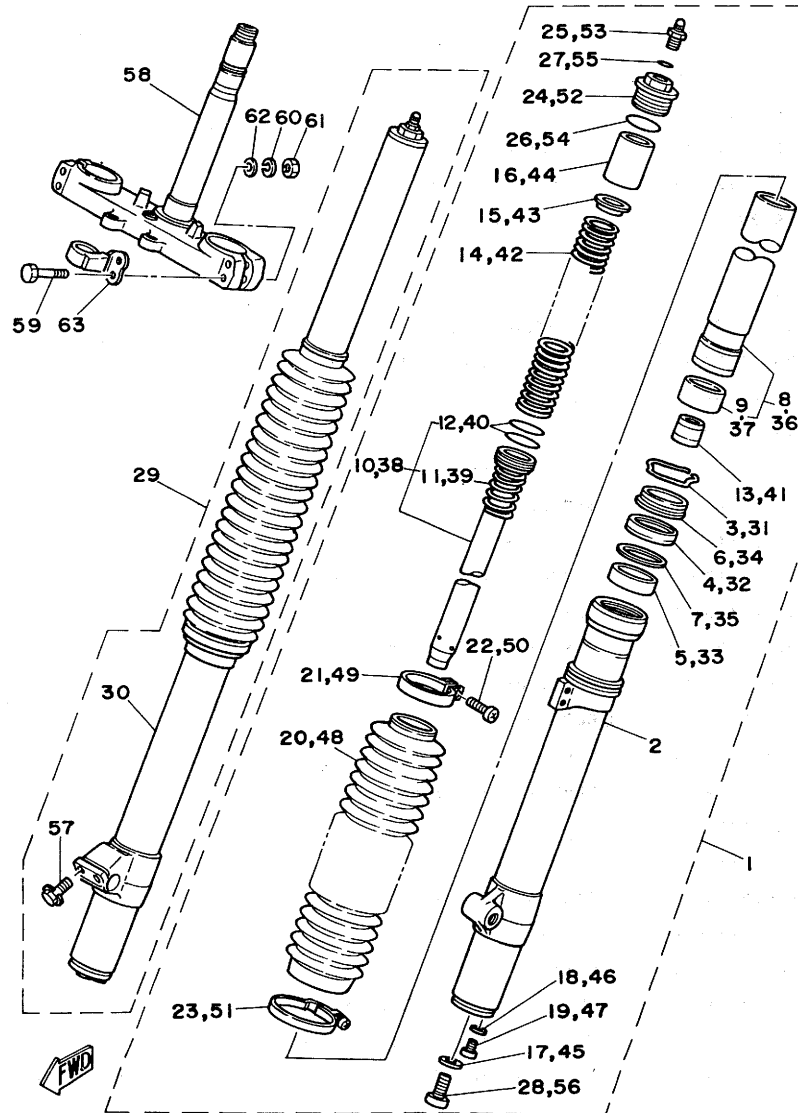
| REF. NO. | PART NO. | DESCRIPTION | Q'TY | REMARKS |
|----------|--------------|-----------------------------|------|--------------|
| 1 | 5X6-22210-00 | SHOCK ABSORBER ASSY, rear | 1 | |
| 2 | 5X6-22401-00 | •DUMPER SUB ASSY | 1 | |
| 3 | 5X6-22216-00 | ••BUSH, rear shock absorber | 1 | |
| 4 | 98501-04005 | ••SCREW, Pan head | 1 | |
| 5 | 5X6-22475-00 | •SEAL, dust | 1 | |
| 6 | 5X6-22473-00 | •HOUSING, seal ring | 1 | |
| 7 | 5X6-22472-00 | •CAP, case | 1 | |
| 8 | 5X6-22489-00 | •ROD, Push | 1 | |
| 9 | 5X6-22493-00 | •BUMP, stop | 1 | |
| 10 | 5X6-22228-00 | •SUPPORT, bump stop | 1 | |
| 11 | 5X6-22409-00 | •UPPER BRACKET SUB ASSY | 1 | |
| 12 | 5X6-22226-00 | •BUSH, shock absorber lower | 1 | |
| 13 | 90384-18157 | •BUSH, bimetal formed | 2 | |
| 14 | 5X6-22497-00 | •NUT, adjusting | 1 | |
| 15 | 90206-18072 | •WASHER, wave | 1 | |
| 16 | 93604-30173 | •PIN, dowel | 1 | |
| 17 | 4V4-22221-70 | •COVER | 2 | |
| 18 | 5X6-22213-00 | •SEAT, sPring upper | 1 | |
| 19 | 90170-25294 | •NUT | 1 | |
| 20 | 93440-52106 | •CIRCLIP | 1 | |
| 21 | 5X6-22224-00 | •GUIDE, sPring 2 | 1 | |
| 22 | 5X6-22212-00 | •SPRING (K=3.75) | 1 | white / blue |
| 23 | 5X6-22214-00 | •GUIDE, sPring 1 | 2 | |
| 24 | 5X6-22223-00 | •SEAT, sPring lower | 1 | |
| 25 | 93440-51103 | •CIRCLIP | 1 | |



5X6300-2300

D15

FIG. 31 FRONT FORK

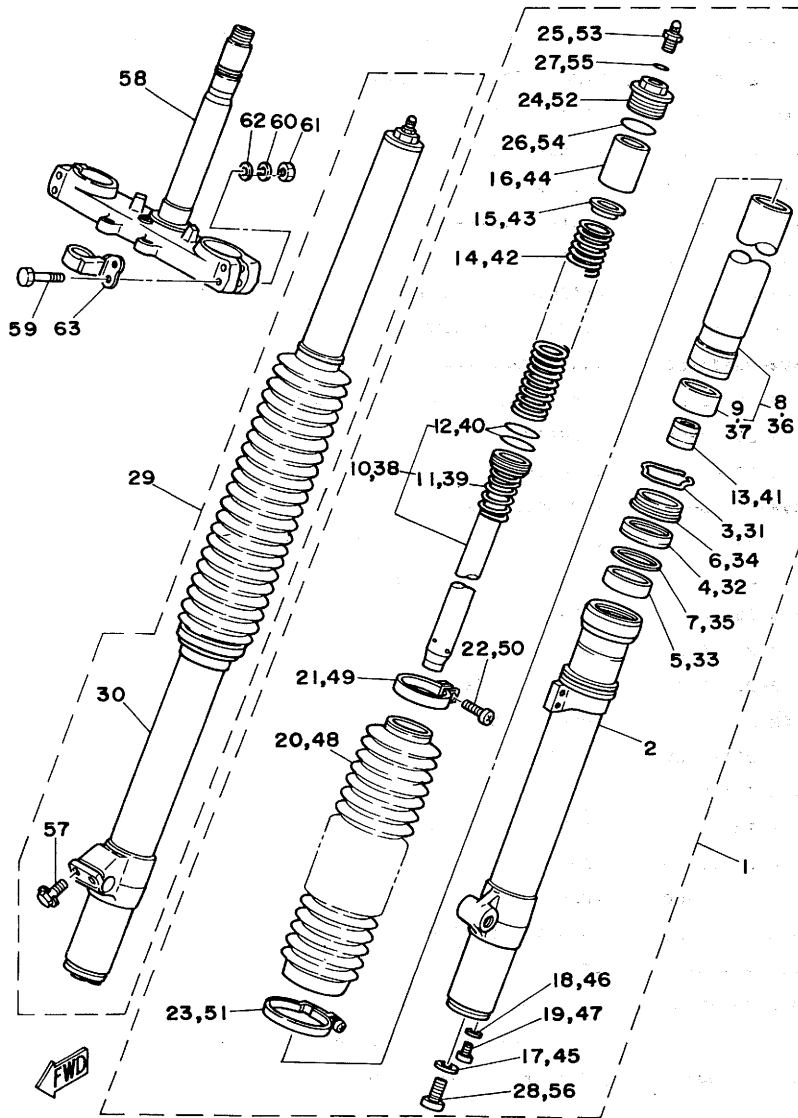


5X6100-2200

| REF. NO. | PART NO. | DESCRIPTION | Q'TY | REMARKS |
|----------|--------------|-------------------------------|------|---------|
| 1 | 5X6-23102-L0 | FRONT FORK ASSY (L.H) | 1 | |
| 2 | 5X6-23126-L0 | .TUBE, outer 1 | 1 | |
| 3 | 4V4-23153-L0 | .RING, snaP | 1 | |
| 4 | 5X6-23145-L0 | .OIL SEAL | 1 | |
| 5 | 4V4-23125-L0 | .METAL, slide 1 | 1 | |
| 6 | 5X6-23144-L0 | .SEAL, dust | 1 | |
| 7 | 4V4-23146-L0 | .WASHER, oil seal | 1 | |
| 8 | 4V4-23110-L0 | .INNER TUBE COMP.1 | 1 | |
| 9 | 4V4-23171-L0 | ..PISTON, front fork | 1 | |
| 10 | 5X6-23170-L0 | .CYLINDER COMP., front fork | 1 | |
| 11 | 5X6-23152-L0 | ..SPRING, sub | 1 | |
| 12 | 4V4-23188-L0 | ..O-RING | 2 | |
| 13 | 4V4-23173-L0 | .SPINDLE, taPer | 1 | |
| 14 | 5X6-23141-L0 | .SPRING, front fork (K=0.305) | 1 | |
| 15 | 4V4-23142-L0 | .SEAT, sPring uPper | 1 | |
| 16 | 5X6-23118-L0 | .SPACER (L=50) | 1 | |
| 17 | 4V4-23158-L0 | .GASKET | 1 | |
| 18 | 122-23129-00 | .GASKET, drain Plug | 1 | |
| 19 | 122-23119-01 | .PLUG, drain | 1 | |
| 20 | 5X6-23191-L0 | .BOOT | 1 | |
| 21 | 4V4-23192-L0 | .BAND | 1 | |
| 22 | 4V4-23194-L0 | .SCREW, boot band | 1 | |
| 23 | 4V4-23489-L0 | .BAND | 1 | |
| 24 | 5X6-23111-L0 | .BOLT, caP | 1 | |
| 25 | 4V4-23190-L0 | .AIR VALVE COMP. | 1 | |
| 26 | 4V4-23188-L0 | .O-RING | 1 | |
| 27 | 3J2-23147-00 | .O-RING | 1 | |
| 28 | 4V4-23181-L0 | .BOLT, hexa8on socket head | 1 | |
| 29 | 5X6-23103-L0 | FRONT FORK ASSY (R.H) | 1 | |

E2

FIG. 31 FRONT FORK

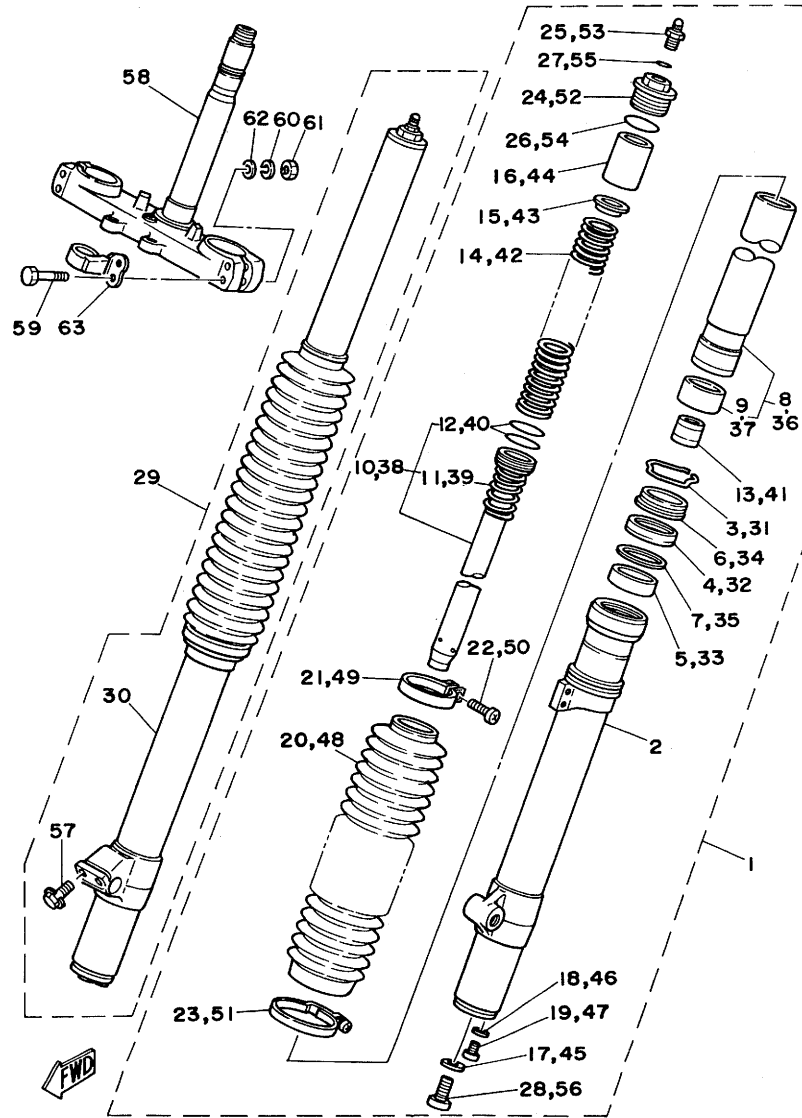


| REF. NO. | PART NO. | DESCRIPTION | Q'TY | REMARKS |
|----------|-----------------|-------------------------------|------|--------------|
| 30 | 5X6-23136-L0 | •TUBE, outer 2 | 1 | |
| 31 | 4V4-23153-L0 | •RING, snap | 1 | |
| 32 | 5X6-23145-L0 | •OIL SEAL | 1 | |
| 33 | 4V4-23125-L0 | •METAL, slide 1 | 1 | |
| 34 | 5X6-23144-L0 | •SEAL, dust | 1 | |
| 35 | 4V4-23146-L0 | •WASHER, oil seal | 1 | |
| 36 | 4V4-23110-L0 | •INNER TUBE COMP.1 | 1 | |
| 37 | 4V4-23171-L0 | •PISTON, front fork | 1 | |
| 38 | 5X6-23170-L0 | •CYLINDER COMP., front fork | 1 | |
| 39 | 5X6-23152-L0 | •SPRING, sub | 1 | |
| 40 | 4V4-23188-L0 | •O-RING | 2 | |
| 41 | 4V4-23173-L0 | •SPINDLE, taPer | 1 | |
| 42 | 5X6-23141-L0 | •SPRING, front fork (K=0.305) | 1 | |
| 43 | 4V4-23142-L0 | •SEAT, sPring uPPer | 1 | |
| 44 | 5X6-23118-L0 | •SPACER (L=50) | 1 | |
| 45 | 4V4-23158-L0 | •GASKET | 1 | |
| 46 | 122-23129-00 | •GASKET, drain Plug | 1 | |
| 47 | 122-23119-01 | •PLUG, drain | 1 | |
| 48 | 5X6-23191-L0 | •BOOT | 1 | |
| 49 | 4V4-23192-L0 | •BAND | 1 | |
| 50 | 4V4-23194-L0 | •SCREW, boot band | 1 | |
| 51 | 4V4-23489-L0 | •BAND | 1 | |
| 52 | 5X6-23111-L0 | •BDLT, cap | 1 | |
| 53 | 4V4-23190-L0 | •AIR VALVE COMP. | 1 | |
| 54 | 4V4-23188-L0 | •O-RING | 1 | |
| 55 | 3J2-23147-00 | •O-RING | 1 | |
| 56 | 4V4-23181-L0 | •BDLT, hexaGon socket head | 1 | |
| 57 | 5X6-23181-L0 | •BDLT, hexaGon socket head | 2 | |
| 58 | 5X6-23340-L0-33 | UNDER BRACKET COMP. | 1 | yamaha black |

5X6100-2200

E3

FIG. 31 FRONT FORK



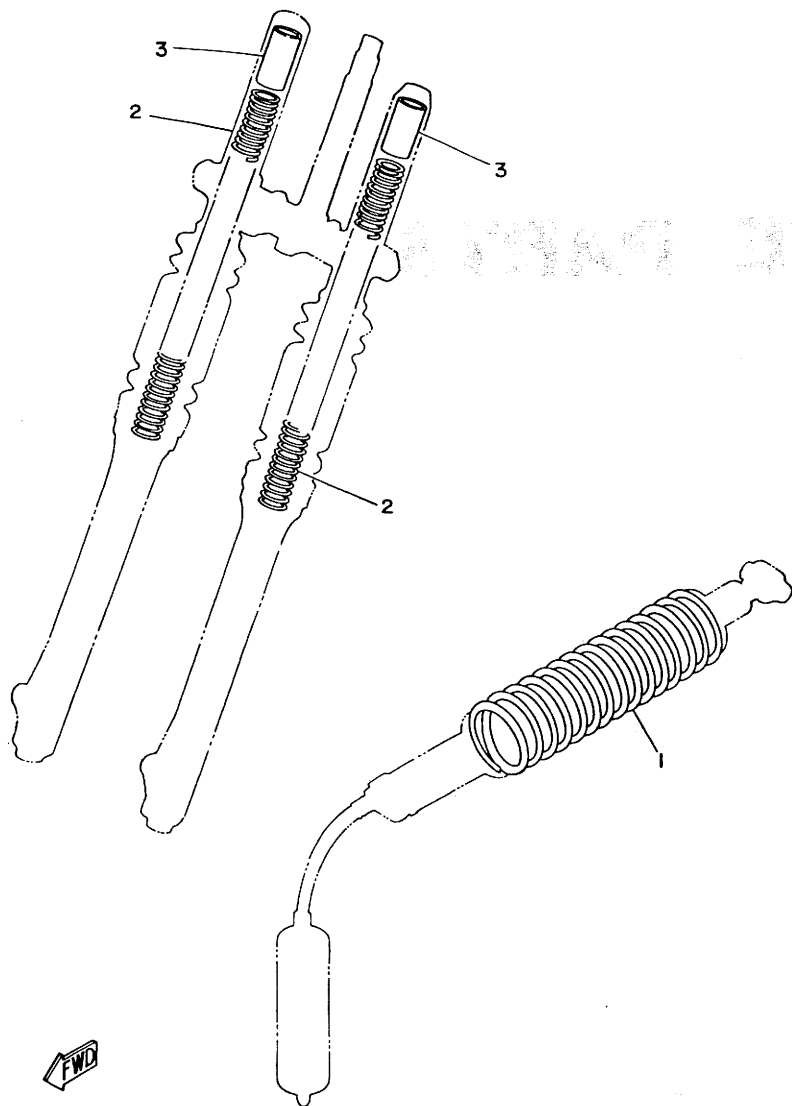
| REF. NO. | PART NO. | DESCRIPTION | Q'TY | REMARKS |
|----------|--------------|----------------|------|---------|
| 59 | 90109-08397 | BOLT 1 | 4 | |
| 60 | 92901-08100 | WASHER, sPring | 4 | |
| 61 | 95311-08600 | NUT | 4 | |
| 62 | 90201-08544 | WASHER, Plate | 4 | |
| 63 | 3R4-23389-00 | GUIDE, cable | 1 | |

5X6100-2200

E4

ALTERNATE PARTS

FIG. 32 ALTERNATE (CHASSIS)



| REF. NO. | PART NO. | DESCRIPTION | Q'TY | REMARKS |
|----------|----------------|------------------------------|------|--|
| 1 | 5X5-22212-10 ✓ | SPRING | 1 | UR (white / green) |
| | 5X5-22212-00 ✓ | SPRING STD. | 1 | UR (white / yellow) |
| | 5X6-22212-00 ✓ | SPRING | 1 | UR (white / blue) |
| | 5X6-22212-10 ✓ | SPRING | 1 | UR (white / red) |
| 2 | 5X6-23141-10 ✓ | SPRING, front fork (K=0.275) | 2 | UR soft (use sPacer 5X6-23118-10 with set) |
| | 5X6-23141-20 ✓ | SPRING, front fork (K=0.325) | 2 | UR hard (use sPacer 5X6-23118-10 with set) |
| 3 | 5X6-23118-10 ✓ | SPACER (L=80) | 2 | |



5L4700-2330

E5

REPAIR KIT



FIG. 33 REPAIR KIT

| REF. NO. | PART NO. | DESCRIPTION | Q'TY | REMARKS |
|----------|-----------------|----------------------------|------|---------|
| 1 | 5X6-11630-00 | PISTON ASSY (STD) | 1 | |
| 2 | 5X6-11631-00-93 | .PISTON (STD) | 1 | UR |
| | 5X6-11631-00-94 | .PISTON (STD) | 1 | UR |
| 3 | 5X6-11601-00 | .PISTON RING SET (STD) | 1 | |
| 4 | 275-11633-00 | .PIN, Piston | 1 | |
| 5 | 93450-19052 | .CIRCLIP | 2 | |
| 6 | 5X6-11630-10 | PISTON ASSY (1ST O/S) | 1 | |
| 7 | 5X6-11635-00 | .PISTON (1ST O/S 0.25MM) | 1 | |
| 8 | 5X6-11601-10 | .PISTON RING SET (1ST O/S) | 1 | |
| 9 | 275-11633-00 | .PIN, Piston | 1 | |
| 10 | 93450-19052 | .CIRCLIP | 2 | |
| 11 | 5X6-11630-20 | PISTON ASSY (2ND O/S) | 1 | |
| 12 | 5X6-11636-00 | .PISTON (2ND O/S 0.50MM) | 1 | |
| 13 | 5X6-11601-20 | .PISTON RING SET (2ND O/S) | 1 | |
| 14 | 275-11633-00 | .PIN, Piston | 1 | |
| 15 | 93450-19052 | .CIRCLIP | 2 | |
| 16 | 5X6-11630-30 | PISTON ASSY (3RD O/S) | 1 | |
| 17 | 5X6-11637-00 | .PISTON (3RD O/S 0.75MM) | 1 | |
| 18 | 5X6-11601-30 | .PISTON RING SET (3RD O/S) | 1 | |
| 19 | 275-11633-00 | .PIN, Piston | 1 | |
| 20 | 93450-19052 | .CIRCLIP | 2 | |
| 21 | 5X6-11630-40 | PISTON ASSY (4TH O/S) | 1 | |
| 22 | 5X6-11638-00 | .PISTON (4TH O/S 1.00MM) | 1 | |
| 23 | 5X6-11601-40 | .PISTON RING SET (4TH O/S) | 1 | |
| 24 | 275-11633-00 | .PIN, Piston | 1 | |
| 25 | 93450-19052 | .CIRCLIP | 2 | |
| 26 | 3R5-11650-00 | CONNECTING ROD ASSY | 1 | |
| 27 | 3R5-11651-00 | .ROD, connectin | 1 | |

E6

FIG. 33 REPAIR KIT

| REF. NO. | PART NO. | DESCRIPTION | Q'TY | REMARKS |
|-------------|--------------|----------------------------|------|---------|
| 28 | 3R5-11681-00 | .PIN, crank 1 | 1 | |
| 29 | 90209-25220 | .WASHER | 2 | |
| 30 | 93310-42541 | .BEARING, cylindrical | 1 | |
| 31 | 93310-418E9 | .BEARING, cylindrical | 1 | |
| 32 | 5X6-W0001-00 | GASKET KIT | 1 | |
| 33 | 5X6-11181-00 | .GASKET, cylinder head 1 | 1 | |
| 34 | 3R5-11351-00 | .GASKET, cylinder | 1 | |
| 35 | 2K7-13621-00 | .GASKET, valve seat | 1 | |
| 36 | 3R4-14613-00 | .GASKET, exhaust PiPe | 1 | |
| 37 | 93210-14104 | .O-RING | 1 | |
| 38 | 90430-12038 | .GASKET | 1 | |
| 39 | 4V4-15451-00 | .GASKET, crankcase cover | 1 | |
| 40 | 3R4-15462-00 | .GASKET, crankcase cover 3 | 1 | |

INDEX

NUMERICAL INDEX

| PART NO. | REF. NO. | PART NO. | REF. NO. | PART NO. | REF. NO. | PART NO. | REF. NO. | PART NO. | REF. NO. | PART NO. | REF. NO. | PART NO. | REF. NO. |
|-----------------|----------|--------------|----------|--------------|----------|-----------------|----------|-----------------|----------|--------------|----------|----------|----------|
| 5X6-W0001-00 | 33-32 | 5X6-11635-00 | 2- 1 | 5X5-14153-00 | 29-26 | 3R4-15620-00 | 9-11 | 3R4-21611-10 | 15- 6 | 5X6-22224-00 | 18-21 | | |
| 2A0-W1411-00 | 5-17 | | 33- 7 | 363-14184-00 | 5- 2 | 3R4-15621-01 | 9-12 | 1M1-21621-00 | 15-11 | | 30-21 | | |
| | 29-17 | 5X6-11636-00 | 2- 1 | | 29- 2 | 3R4-15641-00 | 9- 2 | 5X6-21629-00 | 15-10 | 5X6-22226-00 | 18-12 | | |
| 152-W1412-00 | 5-16 | | 33-12 | 2N7-14185-00 | 5- 6 | 3R4-15651-00 | 9- 7 | 5X6-21652-00 | 17-51 | | 30-12 | | |
| | 29-16 | 5X6-11637-00 | 2- 1 | | 29- 6 | 5X5-15660-00 | 9- 1 | 5X6-21711-10-98 | 16- 1 | 5X6-22228-00 | 18-10 | | |
| 737-W1414-00 | 5-25 | | 33-17 | 537-14186-00 | 5- 8 | 3R4-15664-00 | 9- 6 | 5X6-21721-10-98 | 16- 7 | | 30-10 | | |
| | 29-25 | 5X6-11638-00 | 2- 1 | | 29- 8 | 5X6-16111-00 | 10- 1 | 3R4-21732-00 | 4-27 | 5X6-22261-00 | 18-39 | | |
| 3R4-W1415-00 | 5-15 | | 33-22 | 363-14190-35 | 5- 7 | 5X5-16150-00 | 10- 6 | 5X6-21737-11 | 16-11 | 5X6-22262-00 | 18-40 | | |
| | 29-15 | 3R5-11650-00 | 33-26 | | 29- 7 | 2K7-16154-00 | 10-13 | 565-21746-00 | 15-12 | 5X6-22401-00 | 30- 2 | | |
| 239-W1418-01 | 5-23 | 3R5-11651-00 | 2-10 | 239-14195-00 | 5- 9 | | 10-15 | 5X6-22110-00-35 | 17- 1 | 5X6-22401-10 | 18- 2 | | |
| | 29-23 | | 33-27 | | 29- 9 | 2K7-16181-00 | 10-14 | 307-22123-00 | 19- 3 | 5X6-22409-00 | 18-11 | | |
| 3R4-W1442-01 | 4-21 | 3R5-11681-00 | 2- 9 | 2K7-14197-00 | 5-10 | 5X5-16321-00 | 10-10 | 5X6-22123-00 | 17-38 | | 30-11 | | |
| 3R5-W1512-01 | 7-11 | | 33-28 | | 29-10 | 5X5-16325-00 | 10- 9 | 2K6-22128-01 | 17-26 | 5X6-22472-00 | 18- 7 | | |
| 5X6-W2473-10 | 22- 1 | 137-13115-00 | 7-12 | 310-14197-00 | 5-13 | 1M1-16351-00 | 10- 8 | 3R4-22129-00 | 17- 7 | | 30- 7 | | |
| 5X6-11111-00 | 1- 1 | 5X6-13565-00 | 4- 7 | | 29-13 | 3R4-16356-00 | 10-18 | 5X6-22129-00 | 18-37 | 5X6-22473-00 | 18- 6 | | |
| 5X6-11181-00 | 1- 2 | 4V6-13581-00 | 4- 8 | 5X6-14401-00 | 4-17 | 3R5-16357-00 | 10-24 | 5X6-2214F-00 | 17-56 | | 30- 6 | | |
| | 33-33 | 3R5-13610-00 | 4- 1 | 4V3-1441K-00 | 4- 9 | 3R4-16371-00 | 10- 7 | 5X6-22141-00 | 17-12 | 5X6-22475-00 | 18- 5 | | |
| 5X6-11311-00 | 1- 6 | 3R5-13613-00 | 4- 2 | 5X5-1441L-00 | 4-26 | 4V4-16380-00 | 10-29 | | 17-29 | | 30- 5 | | |
| 3R5-11351-00 | 1- 7 | 2X5-13616-00 | 4- 3 | 5X5-14412-00 | 4-24 | 5X6-17121-00 | 11- 7 | 5X6-22147-00 | 17-19 | 5X6-22489-00 | 18- 8 | | |
| | 33-34 | 2K7-13621-00 | 4- 6 | 5X5-14436-00 | 4-30 | 5X6-17131-00 | 11- 6 | 5X6-22151-00 | 17-33 | | 30- 8 | | |
| 3R5-11400-00 | 2- 6 | | 33-35 | 5X5-14452-00 | 4-28 | 5X6-17141-00 | 11- 3 | 5X6-22151-10 | 17-10 | 5X6-22493-00 | 18- 9 | | |
| 3R5-11412-00 | 2- 7 | 5X6-14101-00 | 5- 1 | 1W1-14457-01 | 4-18 | 5X6-17211-00 | 11-15 | 5X6-22152-00 | 17-34 | | 30- 9 | | |
| 3R5-11422-00 | 2- 8 | 5X6-14101-10 | 29- 1 | 3R4-14458-00 | 4-22 | 5X6-17221-00 | 11-20 | 5X6-22159-00 | 17-32 | 5X6-22497-00 | 18-14 | | |
| 5X6-11601-00 | 2- 2 | 510-14112-30 | 5-18 | 4V4-14459-00 | 4-23 | 5X6-17231-00 | 11-19 | 5X6-2217A-00 | 17-22 | | 30-14 | | |
| | 33- 3 | | 29-18 | 4V4-14499-00 | 4-34 | 5X6-17241-00 | 11-16 | 5X6-2217F-00 | 17-35 | 5X6-23102-L0 | 31- 1 | | |
| 5X6-11601-10 | 2- 2 | 510-14115-00 | 5-21 | 5X6-14610-00 | 6- 1 | 5X6-17411-00 | 11- 1 | 5X6-2217H-00 | 17-42 | 5X6-23102-M0 | 20- 1 | | |
| | 33- 8 | | 29-21 | 3R4-14613-00 | 6- 2 | 5X6-17421-00 | 11-11 | 5X6-22178-00 | 14-16 | 5X6-23103-L0 | 31-29 | | |
| 5X6-11601-20 | 2- 2 | 431-14131-00 | 5-14 | | 33-36 | 1W4-17461-30 | 11-26 | 5X6-2218A-00 | 17-55 | 5X6-23103-M0 | 20-29 | | |
| | 33-13 | | 29-14 | 3R5-14619-00 | 1-12 | 1W4-17461-40 | 11-26 | 4V4-2218A-00 | 14-17 | 4V4-23110-L0 | 20- 8 | | |
| 5X6-11601-30 | 2- 2 | 509-14136-00 | 5-24 | 565-14747-00 | 6-10 | 1W4-17461-50 | 11-26 | 5X6-22199-00 | 17-15 | | 20-36 | | |
| | 33-18 | | 29-24 | 5X6-14753-00 | 6- 9 | 5X5-18101-00 | 13- 1 | 5X6-22210-00 | 30- 1 | | 31- 8 | | |
| 5X6-11601-40 | 2- 2 | 510-14141-58 | 5- 4 | 5X6-14753-10 | 6- 9 | 5X6-18111-00 | 13- 2 | 5X6-22210-10 | 18- 1 | | 31-36 | | |
| | 33-23 | | 29- 4 | 5X6-14753-20 | 6- 9 | 1W6-18113-00 | 13- 6 | 5X5-22212-00 | 18-22 | 5X6-23111-L0 | 20-24 | | |
| 5X6-11630-00 | 33- 1 | 193-14142-50 | 5- 3 | 565-14771-00 | 6-14 | 3R4-18140-00 | 12- 7 | | 32- 1 | | 20-52 | | |
| 5X6-11630-10 | 33- 6 | | 29- 3 | 3R4-14781-02 | 6- 4 | 5X4-18162-00 | 13- 3 | 5X5-22212-10 | 32- 1 | | 31-24 | | |
| 5X6-11630-20 | 33-11 | 137-14143-86 | 5- 5 | 3R5-15111-01 | 7- 1 | 1W1-18177-00 | 12- 9 | 5X6-22212-00 | 30-22 | | 31-52 | | |
| 5X6-11630-30 | 33-16 | 137-14143-88 | 5- 5 | 3R4-15113-00 | 7-20 | 3R4-18185-00 | 12- 2 | | 32- 1 | 5X6-23118-10 | 32- 3 | | |
| 5X6-11630-40 | 33-21 | | 29- 5 | 4V4-15118-00 | 7-18 | 5X6-18512-00 | 12-11 | 5X6-22212-10 | 32- 1 | 5X6-23118-L0 | 31-16 | | |
| 5X6-11631-00-93 | 2- 1 | 137-14143-92 | 5- 5 | 1G8-15362-00 | 8-11 | 5X6-18513-00 | 12-10 | 5X6-22213-00 | 18-18 | | 31-44 | | |
| | 33- 2 | | 29- 5 | 3R4-15381-00 | 7-16 | 5X5-18531-00 | 12-13 | | 30-18 | 5X6-23118-M0 | 20-16 | | |
| 5X6-11631-00-94 | 2- 1 | 137-14143-96 | 29- 5 | 3R4-15383-01 | 7- 6 | 5X5-18535-00 | 12-14 | 5X6-22214-00 | 18-23 | | 20-44 | | |
| | 33- 2 | 509-14145-00 | 5-20 | 3R5-15411-00 | 8- 1 | 5X6-18540-00 | 12- 1 | | 30-23 | 122-23119-01 | 20-19 | | |
| 275-11633-00 | 2- 3 | | 29-20 | 3R4-15421-00 | 8- 4 | 3R4-18561-00 | 12- 3 | 5X6-22216-00 | 18- 3 | | 20-47 | | |
| | 33- 4 | 3R4-14146-00 | 5-19 | 3R4-15431-02 | 8- 8 | 5X6-21110-00-33 | 14- 1 | | 30- 3 | | 31-19 | | |
| | 33- 9 | | 29-19 | 4V4-15451-00 | 8- 2 | 4V6-21167-00 | 14-11 | 4V4-22221-70 | 18-17 | | 31-47 | | |
| | 33-14 | 558-14147-00 | 5-22 | | 33-39 | 3R4-21415-00 | 14- 2 | | 30-17 | 4V4-23125-L0 | 20- 5 | | |
| | 33-19 | | 29-22 | 3R4-15462-00 | 8- 9 | 3R5-21425-00 | 14- 4 | 5X6-22223-00 | 18-24 | | 20-33 | | |
| | 33-24 | 5X5-14153-00 | 5-26 | | 33-40 | 5X6-21511-10 | 15- 1 | | 30-24 | | 31- 5 | | |
| | | | | 2K7-15618-00 | 9-17 | | | | | | 31-33 | | |

NUMERICAL INDEX

| PART NO. | REF. NO. | PART NO. | REF. NO. |
|--------------|----------|-----------------|----------|
| 5X6-23126-L0 | 20- 2 | 5X6-23170-L0 | 31-10 |
| | 31- 2 | | 31-38 |
| 122-23129-00 | 20-18 | 4V4-23171-L0 | 20- 9 |
| | 20-46 | | 20-37 |
| | 31-18 | | 31- 9 |
| | 31-46 | | 31-37 |
| 5X6-23136-L0 | 20-30 | 4V4-23173-L0 | 20-13 |
| | 31-30 | | 20-41 |
| 5X6-23141-L0 | 31-14 | | 31-13 |
| | 31-42 | | 31-41 |
| 5X6-23141-M0 | 20-14 | 4V4-23181-L0 | 20-28 |
| | 20-42 | | 20-56 |
| 5X6-23141-10 | 32- 2 | | 31-28 |
| 5X6-23141-20 | 32- 2 | | 31-56 |
| 4V4-23142-L0 | 20-15 | 5X6-23181-L0 | 20-57 |
| | 20-43 | | 31-57 |
| | 31-15 | 4V4-23188-L0 | 20-12 |
| | 31-43 | | 20-26 |
| 5X6-23144-L0 | 20- 6 | | 20-40 |
| | 20-34 | | 20-54 |
| | 31- 6 | | 31-12 |
| | 31-34 | | 31-26 |
| 5X6-23145-L0 | 20- 4 | | 31-40 |
| | 20-32 | | 31-54 |
| | 31- 4 | 4V4-23190-L0 | 20-25 |
| | 31-32 | | 20-53 |
| 4V4-23146-L0 | 20- 7 | | 31-25 |
| | 20-35 | | 31-53 |
| | 31- 7 | 5X6-23191-L0 | 20-20 |
| | 31-35 | | 20-48 |
| 3J2-23147-00 | 20-27 | | 31-20 |
| | 20-55 | | 31-48 |
| | 31-27 | 4V4-23192-L0 | 20-21 |
| | 31-55 | | 20-49 |
| 5X6-23152-L0 | 20-11 | | 31-21 |
| | 20-39 | | 31-49 |
| | 31-11 | 4V4-23194-L0 | 20-22 |
| | 31-39 | | 20-50 |
| 4V4-23153-L0 | 20- 3 | | 31-22 |
| | 20-31 | | 31-50 |
| | 31- 3 | 5X6-23340-L0-33 | 20-58 |
| | 31-31 | | 31-58 |
| 4V4-23158-L0 | 20-17 | 3R4-23389-00 | 20-63 |
| | 20-45 | | 31-63 |
| | 31-17 | 5X6-23395-10 | 19-21 |
| | 31-45 | 1W1-23416-00 | 19-15 |
| 5X6-23170-L0 | 20-10 | 4V4-23435-00-98 | 19- 1 |
| | 20-38 | 1E6-23441-00-98 | 19-11 |
| | | 1E6-23442-00 | 19- 2 |
| | | 5X6-23485-10 | 19-18 |

| PART NO. | REF. NO. | PART NO. | REF. NO. |
|--------------|----------|-----------------|----------|
| 4V4-23489-L0 | 20-23 | 5X6-24110-10 | 21- 1 |
| | 20-51 | 5X6-2412F-00 | 21-28 |
| | 31-23 | 1W1-24144-01 | 21- 3 |
| | 31-51 | 5X6-2415F-00 | 21-25 |
| | 21- 1 | 5X6-24173-00 | 21-11 |
| | 21-28 | 3R4-24181-00 | 21-22 |
| | 21- 3 | 431-24181-00 | 16- 6 |
| | 21-25 | 1W1-24182-01 | 21- 2 |
| | 21-11 | 5X4-24183-00 | 21-23 |
| | 24-22 | 5X6-24240-19 | 21-24 |
| | 24-22 | 5X6-24500-00 | 21-12 |
| | 24-22 | 1A0-24512-00 | 21-13 |
| | 24-22 | 214-24512-00 | 21-14 |
| | 24-22 | 5X7-24611-00 | 21-19 |
| | 24-22 | 5X7-24612-00 | 21-20 |
| | 24-22 | 509-24724-00 | 22- 6 |
| | 24-22 | 1W1-24738-00 | 22- 3 |
| | 24-22 | 116-24741-00 | 22- 5 |
| | 24-22 | 5X6-24748-00 | 22- 7 |
| | 24-22 | 5X6-24771-10 | 22- 2 |
| | 23-24 | 2W6-25104-02 | 23-24 |
| | 23- 1 | 1K7-25111-11-98 | 23- 1 |
| | 23- 3 | 146-25116-00 | 23- 3 |
| | 23-31 | 322-25118-00 | 23-31 |
| | 23- 7 | 5X6-25121-00-98 | 23- 7 |
| | 23- 8 | 3R5-25130-00 | 23- 8 |
| | 24-10 | 1E2-25151-00 | 24-10 |
| | 23-10 | 322-25151-00 | 23-10 |
| | 23-11 | 5X6-25155-00 | 23-11 |
| | 23-12 | 5X6-25156-00 | 23-12 |
| | 23-13 | 137-25159-00 | 23-13 |
| | 23-15 | 3R5-25161-00 | 23-15 |
| | 23-17 | 3R5-25163-00 | 23-17 |
| | 23-18 | 3R5-25164-00 | 23-18 |
| | 23-29 | 3R4-25181-01 | 23-29 |
| | 23-28 | 4V5-25194-00 | 23-28 |
| | 24-17 | 4V4-25304-00 | 24-17 |
| | 24- 1 | 4V4-25311-00-98 | 24- 1 |
| | 24- 3 | 4V4-25315-00 | 24- 3 |
| | 24- 2 | 4V4-25317-00 | 24- 2 |
| | 24- 7 | 5X6-25321-00-98 | 24- 7 |
| | 24-28 | 4V4-25327-00 | 24-28 |
| | 24- 8 | 4V4-25330-00 | 24- 8 |
| | 24-14 | 148-25353-00 | 24-14 |
| 5X6-25355-00 | 24-12 | 5X6-25367-00 | 24-26 |
| 148-25359-00 | 24-11 | 5X6-25371-00 | 24-39 |
| 4V4-25367-00 | 24-26 | 4V4-25381-01 | 24-35 |
| 5X6-25371-00 | 24-39 | 5X6-25388-00 | 24-32 |
| 4V4-25381-01 | 24-35 | 5X6-25389-00 | 24-31 |
| 5X6-25388-00 | 24-32 | 2X5-25394-00 | 24-21 |
| 5X6-25389-00 | 24-31 | 3R4-25444-01 | 24-22 |
| 2X5-25394-00 | 24-21 | 3R4-25446-00 | 24-22 |
| 3R4-25444-01 | 24-22 | 3R4-25448-00 | 24-22 |
| 3R4-25446-00 | 24-22 | 3R4-25450-00 | 24-22 |
| 3R4-25448-00 | 24-22 | 3R4-25452-00 | 24-22 |
| 3R4-25450-00 | 24-22 | 4V2-26111-01 | 25- 1 |
| 3R4-25452-00 | 24-22 | 4V4-26241-00 | 25- 2 |
| 4V2-26111-01 | 25- 1 | 4V4-26242-00 | 25- 3 |
| 4V4-26241-00 | 25- 2 | 4V4-26243-00 | 25- 4 |
| 4V4-26242-00 | 25- 3 | 4V4-26249-00 | 25- 5 |
| 4V4-26243-00 | 25- 4 | 4V4-2628E-00 | 25- 9 |
| 4V4-26249-00 | 25- 5 | 4V4-2628F-00 | 25-10 |
| 4V4-2628E-00 | 25- 9 | 4V4-2628G-00 | 25-14 |
| 4V4-2628F-00 | 25-10 | 4V4-26281-00 | 25- 7 |
| 4V4-2628G-00 | 25-14 | 4V4-26282-00 | 25- 8 |
| 4V4-26281-00 | 25- 7 | 5X6-26311-00 | 25-15 |
| 4V4-26282-00 | 25- 8 | 510-26329-00 | 25-16 |
| 5X6-26311-00 | 25-15 | 5X6-26335-01 | 25-17 |
| 510-26329-00 | 25-16 | 5X6-26341-00 | 25-19 |
| 5X6-26335-01 | 25-17 | 382-26372-01 | 25-18 |
| 5X6-26341-00 | 25-19 | | 25-20 |
| 382-26372-01 | 25-18 | | |
| | 25-20 | | |
| | | 3R4-26393-01 | 7-10 |
| | | 4V4-27200-00 | 26- 2 |
| | | 5X6-27231-00 | 26- 7 |
| | | 5X6-27311-01 | 26- 1 |
| | | 5X6-27411-00 | 26-14 |
| | | 5X6-27421-00 | 26-15 |
| | | 5X6-27422-00 | 26-16 |
| | | 5X5-28100-10 | 14-21 |
| | | 2X4-2811A-00 | 14-24 |
| | | 1W1-28135-10 | 14-23 |
| | | 648-45533-00-03 | 17- 9 |
| | | 104-81328-20 | 3- 9 |
| | | 110-81345-21 | 3-14 |
| | | 1E6-82131-00 | 4-10 |
| | | 5X6-82310-40 | 27- 5 |
| | | 3R0-82370-20 | 27- 9 |
| | | 8E7-82370-11 | 27- 9 |
| | | 688-82535-00 | 25- 6 |

NUMERICAL INDEX

| PART NO. | REF. NO. | PART NO. | REF. NO. |
|--------------|----------|-------------|----------|
| 4V4-82911-00 | 28- 1 | 90170-18089 | 10- 4 |
| 4V4-82913-00 | 28- 2 | 90170-20255 | 10-17 |
| | 28-10 | 90170-25294 | 18-19 |
| | 28- 9 | | 30-19 |
| 4V4-82921-00 | 28- 3 | 90175-06012 | 4-20 |
| 3M2-83912-00 | 28-11 | 90175-06013 | 26-13 |
| 3M2-83922-00 | 28-11 | 90179-08148 | 25-21 |
| 256-83936-00 | 27- 3 | 90179-08299 | 1- 5 |
| 437-83936-00 | 28-18 | 90179-12244 | 9-18 |
| 437-83936-10 | 27- 4 | 90179-20255 | 11-28 |
| 5X6-83976-00 | 28-17 | 90179-22330 | 19-17 |
| 3R5-85500-20 | 3- 1 | 90179-25033 | 19-16 |
| 3R5-85509-20 | 3- 3 | 90185-08089 | 14-14 |
| 3R5-85511-20 | 3- 4 | | 14-14 |
| 3R5-85512-20 | 3- 5 | | 24-24 |
| 3R5-85515-20 | 3- 8 | 90185-10037 | 19- 8 |
| 1W2-85516-20 | 3- 7 | 90185-10110 | 18-32 |
| 3R5-85540-20 | 27- 1 | 90185-12061 | 17-47 |
| 2A7-85546-00 | 27- 2 | 90185-18104 | 24-36 |
| 3R5-85550-20 | 3- 2 | 90201-06042 | 13- 8 |
| 2K7-85555-00 | 14-22 | 90201-06067 | 17-21 |
| 2W6-85580-20 | 3- 6 | 90201-06407 | 21- 8 |
| 90101-06291 | 23-14 | 90201-06571 | 15- 2 |
| | 24-13 | | 15- 9 |
| 90101-06304 | 22- 4 | | 16- 5 |
| 90101-08428 | 26-17 | | 16-10 |
| 90101-08475 | 24-33 | | 19-20 |
| 90102-08034 | 24-43 | 90201-08083 | 28- 4 |
| 90105-12096 | 26-20 | | 28-12 |
| 90109-06410 | 28- 5 | 90201-08092 | 10-22 |
| | 28-13 | 90201-081A6 | 24-25 |
| 90109-06551 | 6-15 | 90201-08114 | 6-12 |
| 90109-08370 | 24-42 | 90201-08544 | 20-62 |
| 90109-08397 | 20-59 | | 31-62 |
| | 31-59 | 90201-100E9 | 18-34 |
| 90109-08512 | 6-13 | 90201-104A6 | 19- 5 |
| 90109-10550 | 18-26 | 90201-120E6 | 17-48 |
| 90109-10645 | 18-30 | | 18-33 |
| 90109-12646 | 17-45 | 90201-123E8 | 19- 4 |
| 90110-08038 | 24-23 | 90201-12593 | 3-18 |
| 90116-08321 | 1- 4 | 90201-14536 | 26- 5 |
| 90116-12315 | 1- 8 | 90201-15234 | 9-15 |
| 90116-12316 | 1- 9 | 90201-160F6 | 17-14 |
| 90119-06022 | 21- 9 | | 17-31 |
| 90123-08046 | 25-28 | 90201-17327 | 10-27 |
| 90149-06011 | 21-16 | 90201-17545 | 9- 8 |
| 90149-08143 | 10-20 | 90201-20278 | 11-14 |
| 90159-06016 | 10-12 | 90201-203E7 | 11- 8 |
| 90170-12067 | 3-17 | 90201-20358 | 9- 4 |
| 90170-16111 | 17-13 | 90201-22680 | 17-27 |
| | 17-30 | 90201-25287 | 11- 4 |

NUMERICAL INDEX

| PART NO. | REF. NO. | PART NO. | REF. NO. | PART NO. | REF. NO. |
|-------------|----------|-------------|----------|-------------|----------|
| 90201-25287 | 11-18 | 90430-12038 | 7-24 | 91401-40030 | 17-44 |
| 90201-25290 | 11-22 | | 33-38 | 91701-06018 | 25-22 |
| 90202-06010 | 21-15 | 90445-09270 | 7-22 | 91810-05016 | 7-14 |
| 90202-14077 | 19- 7 | 90445-09300 | 21-21 | 91810-17016 | 1-11 |
| 90206-18C72 | 18-15 | 90445-11182 | 21-17 | 92501-06010 | 7-19 |
| | 30-15 | 90445-24610 | 4-11 | | 21-26 |
| 90209-06187 | 15- 3 | 90446-11180 | 13- 7 | 92501-06012 | 7-17 |
| 90209-25220 | 2-12 | 90460-51109 | 4-14 | | 7-21 |
| | 33-29 | 90460-68199 | 4-16 | | 21-29 |
| 90215-16198 | 17-43 | 90462-05005 | 27- 8 | 92501-06015 | 16- 3 |
| 90215-20125 | 10-16 | 90465-14192 | 25-25 | | 16- 8 |
| 90215-21121 | 11-27 | 90467-10008 | 21-18 | | 25-26 |
| 90240-06006 | 23-19 | 90467-20030 | 4-19 | 92501-06020 | 3-15 |
| 90240-06040 | 26- 8 | 90467-23059 | 4-12 | 92501-06025 | 27- 6 |
| 90243-08020 | 13- 5 | 90468-26048 | 9- 3 | 92502-06016 | 18-41 |
| 90249-12008 | 26-12 | 90480-13197 | 4-37 | 92506-06008 | 8-13 |
| 90249-16153 | 17-40 | 90480-22263 | 18-38 | 92506-06012 | 7- 9 |
| 90280-03017 | 2-15 | 90501-10245 | 26-11 | 92506-06016 | 4-32 |
| 90282-04036 | 12- 5 | 90501-10658 | 4-13 | 92506-06025 | 8- 5 |
| 90282-07019 | 10- 2 | 90501-12081 | 9-14 | 92506-06035 | 8- 3 |
| 90338-07011 | 7-13 | 90501-24408 | 10-11 | 92701-06012 | 7- 7 |
| 90338-12131 | 14-20 | 90506-16036 | 23- 9 | 92901-04100 | 3-11 |
| 90339-13005 | 14-15 | 90506-20192 | 26- 6 | | 3-13 |
| 90340-12059 | 7-23 | 90507-20002 | 24- 9 | 92901-05100 | 17-53 |
| 90380-12094 | 18-36 | 90507-20030 | 6- 3 | 92901-05200 | 17-54 |
| 90380-14095 | 17-49 | 90508-14423 | 10-28 | 92901-06100 | 4-36 |
| 90380-16077 | 17- 8 | 90508-14516 | 13- 4 | | 4-39 |
| 90381-20039 | 24-30 | 90508-20023 | 26-19 | | 6-17 |
| 90384-16156 | 17-39 | 90508-20425 | 23-22 | | 16- 4 |
| 90384-18157 | 18-13 | 90508-26421 | 12- 8 | | 16- 9 |
| | 30-13 | 90508-29361 | 13-13 | | 21- 5 |
| 90386-22097 | 17- 3 | 90508-30422 | 9- 5 | | 21-27 |
| | 17-24 | 90560-12171 | 13-12 | | 21-30 |
| 90387-07393 | 21- 7 | 90560-15116 | 23- 2 | | 22- 9 |
| 90387-08258 | 6-11 | 91316-06020 | 4-15 | | 25-27 |
| 90387-083F0 | 24-46 | 91316-06025 | 8-10 | | 27- 7 |
| 90387-083F3 | 14-18 | 91316-06045 | 7- 5 | 92901-06200 | 23-20 |
| 90387-121E8 | 19- 6 | 91316-06050 | 7- 4 | | 25-23 |
| 90387-15535 | 23-30 | 91316-06060 | 7- 3 | | 26- 9 |
| 90387-162F7 | 17-25 | 91316-06075 | 7- 2 | 92901-06600 | 3-16 |
| 90387-16776 | 7- 8 | 91401-20015 | 23-21 | | 6-18 |
| | 7-15 | | 24-45 | | 21- 6 |
| 90387-204F5 | 24-15 | | 25-24 | 92901-08100 | 6- 7 |
| 90387-206F5 | 24-27 | | 26-10 | | 10-21 |
| 90387-25663 | 11-25 | 91401-20020 | 19- 9 | | 14- 6 |
| 90387-440G3 | 17-11 | 91401-20025 | 18-29 | | 20-60 |
| 90430-05009 | 25-13 | 91401-25020 | 17-50 | | 31-60 |
| 90430-06016 | 8-14 | | 18-35 | 92901-08200 | 6- 5 |
| | | | | | 14-13 |
| | | | | 92901-08600 | 6- 8 |

NUMERICAL INDEX

| PART NO. | REF. NO. | PART NO. | REF. NO. | PART NO. | REF. NO. |
|-------------|----------|-------------|----------|-------------|----------|
| 92901-08600 | 14- 7 | 93306-20205 | 23- 5 | 94130-21731 | 23-25 |
| | 24-48 | 93306-20540 | 11- 2 | 94130-21732 | 23-25 |
| 92901-10100 | 14-10 | 93306-20544 | 11-23 | 94151-18736 | 24-18 |
| 92901-10200 | 14- 9 | 93306-30615 | 2-13 | 94227-21123 | 23-26 |
| 92901-12100 | 3-19 | | 2-16 | 94230-21126 | 23-26 |
| 92901-18100 | 10- 3 | 93310-418E9 | 2- 5 | 94245-18125 | 24-19 |
| 92902-05100 | 5-12 | | 33-31 | 94251-18150 | 24-19 |
| | 29-12 | 93310-42541 | 2-11 | 94330-21084 | 23-27 |
| 92902-06100 | 15- 5 | | 33-30 | 94330-21088 | 23-27 |
| | 15- 8 | 93311-62035 | 11-10 | 94340-18086 | 24-20 |
| | 18-42 | | 11-12 | 94345-18081 | 24-20 |
| | 22-13 | 93315-21721 | 10-25 | 94416-21320 | 23-23 |
| 92902-06600 | 18-43 | 93317-22023 | 17-36 | 94425-18321 | 24-16 |
| | 22-11 | 93317-22208 | 17- 2 | 94585-20110 | 24-37 |
| 92902-08200 | 16- 2 | | 17-23 | 94585-20114 | 24-37 |
| 92902-08600 | 17-17 | 93332-00008 | 19-14 | 94685-20001 | 24-38 |
| 92902-10600 | 18-28 | 93332-00023 | 19-13 | 95301-06700 | 23-16 |
| 92903-03100 | 4- 5 | 93342-22208 | 17- 5 | | 26-23 |
| 92906-05100 | 28- 8 | 93399-99905 | 24-40 | 95301-08700 | 24-34 |
| | 28-16 | 93399-99906 | 24-40 | 95302-10700 | 18-27 |
| 92906-06100 | 4-33 | 93410-17008 | 9- 9 | 95311-08600 | 20-61 |
| | 8- 6 | 93410-20038 | 11- 9 | | 31-61 |
| 92906-06200 | 4-31 | | 11-13 | 95311-08700 | 10-23 |
| 92906-06600 | 8- 7 | 93410-30012 | 11-21 | 95601-06100 | 28- 6 |
| 93101-12004 | 13-10 | 93430-10015 | 26- 3 | | 28-14 |
| 93102-17004 | 10-26 | 93430-10016 | 9-16 | 95601-08100 | 26-18 |
| 93102-20009 | 23- 6 | 93440-25084 | 11- 5 | 95602-06100 | 22-12 |
| 93102-32M07 | 11-24 | | 11-17 | 95602-08100 | 17-18 |
| 93102-33140 | 24- 6 | 93440-51103 | 18-25 | 95611-08100 | 24-44 |
| 93103-30092 | 2-14 | | 30-25 | 95701-12100 | 1-10 |
| 93103-40091 | 2-17 | 93440-52106 | 18-20 | 95801-06020 | 17-20 |
| 93108-23009 | 24-41 | | 30-20 | 95801-08040 | 14-19 |
| 93108-35004 | 17- 6 | 93450-19052 | 2- 4 | 95802-08055 | 17-16 |
| | 17-28 | | 33- 5 | 95811-08075 | 14- 3 |
| 93109-14021 | 26- 4 | | 33-10 | 95811-08165 | 14-12 |
| 93109-20014 | 9-10 | | 33-15 | 95811-10020 | 26-21 |
| 93109-20029 | 17-37 | | 33-20 | 95811-10055 | 14- 8 |
| 93109-22018 | 17- 4 | | 33-25 | 95821-08035 | 19-12 |
| 93210-14104 | 8-12 | 93507-32009 | 9-13 | 95821-08040 | 19-10 |
| | 33-37 | 93515-32029 | 10-19 | 97301-06012 | 4-38 |
| 93210-14167 | 24-47 | 93604-30173 | 18-16 | | 21- 4 |
| 93210-29282 | 10- 5 | | 30-16 | | 22- 8 |
| 93210-33481 | 24-29 | 93606-14154 | 12-12 | | 26-22 |
| 93306-00406 | 24- 5 | 93608-25150 | 13-11 | 97301-06016 | 4-35 |
| 93306-00418 | 24- 4 | 93700-06004 | 17-41 | | 6-16 |
| 93306-00422 | 12- 4 | | 17-46 | | 15- 7 |
| 93306-20107 | 12-15 | | 18-31 | 97301-08016 | 6- 6 |
| 93306-20203 | 23- 4 | 94114-18738 | 24-18 | 97302-06020 | 15- 4 |
| | | | | 97302-06035 | 22-10 |
| | | | | 97321-06020 | 13- 9 |

NUMERICAL INDEX

| PART NO. | REF. NO. | PART NO. | REF. NO. | PART NO. | REF. NO. |
|-------------|----------|----------|----------|----------|----------|
| 97321-08020 | 14- 5 | | | | |
| 97702-40112 | 4-29 | | | | |
| 97702-40116 | 4-25 | | | | |
| 97801-06012 | 19-19 | | | | |
| 98501-03008 | 4- 4 | | | | |
| 98501-04005 | 18- 4 | | | | |
| | 30- 4 | | | | |
| 98501-04014 | 3-12 | | | | |
| 98501-04035 | 3-10 | | | | |
| 98501-05012 | 17-52 | | | | |
| 98501-05016 | 5-11 | | | | |
| | 25-12 | | | | |
| | 29-11 | | | | |
| 98506-05020 | 28- 7 | | | | |
| | 28-15 | | | | |
| 98701-05016 | 12- 6 | | | | |
| 98902-06018 | 21-10 | | | | |
| 98906-05010 | 25-11 | | | | |
| * | 1- 3 | | | | |

PARTS NAME INDEX

| DESCRIPTION | REF. NO. |
|-------------------------|-------------|
| ADJUSTER SET | 5-15 |
| * | 29-15 |
| AIR CLEANER CASE ASSY | 4-17 |
| AIR SCREW SET | 5-16 |
| * | 29-16 |
| AIR VALVE COMP. | 20-25 |
| * | 20-53 |
| * | 31-25 |
| * | 31-53 |
| ARM, relay | 17-22 |
| AXLE, drive | 11-11 |
| AXLE, main (16T) | 11- 1 |
| AXLE, wheel | 23-29 |
| * | 24-35 |
| BALL | 9-13 |
| * | 10-19 |
| BAND | 20-21 |
| * | 20-23 |
| * | 20-49 |
| * | 20-51 |
| * | 27- 2 |
| * | 31-21 |
| * | 31-23 |
| * | 31-49 |
| * | 31-51 |
| BAND, battery | 4-10 |
| BAND, rim (3.00-21) | 23-27 |
| * | 23-27 |
| BAND, rim (4.00-18) | 24-20 |
| BAND, rim (4.50-18) | 24-20 |
| BAND, switch cord | 27- 3 |
| * | 27- 4 |
| * | 28-18 |
| BAND, tank fitting 1 | 21-11 |
| BAR, shift fork guide 1 | 12-13 |
| BAR, shift fork guide 2 | 12-14 |
| BAR, tension | 24-39 |
| BASE, magneto | 3- 3 |
| BEARING | 11- 2 |
| * | 11-23 |
| * | 12- 4 |
| * | 17- 5 |
| * | 19-13 |
| * | 19-14 |
| * | 24- 4 |
| * | 24-40 |
| * | 24-40 |

PARTS NAME INDEX

| DESCRIPTION | REF. NO. |
|----------------------|-------------|
| BEARING (B6004Z) | 24- 5 |
| BEARING (B6201) | 12-15 |
| BEARING (B6202) | 23- 5 |
| BEARING (B6202RS) | 23- 4 |
| BEARING (B6306) | 2-13 |
| * | 2-16 |
| BEARING, cylindrical | 2- 5 |
| * | 2-11 |
| * | 10-25 |
| * | 11-10 |
| * | 11-12 |
| * | 17- 2 |
| * | 17-23 |
| * | 17-36 |
| * | 33-30 |
| * | 33-31 |
| BODY, caP | 21-19 |
| BOLT | 4-15 |
| * | 4-35 |
| * | 4-38 |
| * | 6- 6 |
| * | 6-13 |
| * | 6-15 |
| * | 6-16 |
| * | 7- 2 |
| * | 7- 3 |
| * | 7- 4 |
| * | 7- 5 |
| * | 8-10 |
| * | 13- 9 |
| * | 14- 5 |
| * | 15- 4 |
| * | 15- 7 |
| * | 17-45 |
| * | 18-26 |
| * | 18-30 |
| * | 21- 4 |
| * | 22- 4 |
| * | 22- 8 |
| * | 22-10 |
| * | 23-14 |
| * | 24-13 |
| * | 24-33 |
| * | 24-42 |
| * | 25-28 |
| * | 26-17 |
| * | 26-22 |
| * | 28- 5 |

PARTS NAME INDEX

| DESCRIPTION | REF. NO. |
|---------------------------|-------------|
| BOLT | 28-13 |
| BOLT 1 | 20-59 |
| * | 31-59 |
| BOLT, caP | 20-23 |
| * | 20-50 |
| * | 31-23 |
| * | 31-50 |
| BOLT, flange | 14- 3 |
| * | 14- 8 |
| * | 14-12 |
| * | 14-19 |
| * | 17-16 |
| * | 17-20 |
| * | 19-10 |
| * | 19-12 |
| * | 26-21 |
| BOLT, hexagon socket head | 20-28 |
| * | 20-56 |
| * | 20-57 |
| * | |
| * | 24-23 |
| * | 31-28 |
| * | 31-56 |
| * | 31-57 |
| * | |
| BOLT, stopPer | 12- 9 |
| BOLT, stud | 1- 4 |
| * | 1- 8 |
| * | 1- 9 |
| BOLT, washer based | 26-20 |
| BOLT, with hole | 24-43 |
| BOLT, with washer | 21- 9 |
| BOOT | 20-20 |
| * | 20-48 |
| * | 31-20 |
| * | 31-48 |
| BOSS, clutch | 10- 7 |
| BOSS, kick crank | 9-12 |
| BRACKET, footrest 2 | 26-16 |
| BRACKET, front upper 1 | 14- 2 |
| BRACKET, rear upper 1 | 14- 4 |
| BRACKET, seat | 21-28 |
| * | 22- 3 |
| * | 22- 7 |
| BRAKE SHOE COMP. | 23- 8 |
| * | 24- 8 |
| BUMP, stoP | 18- 9 |
| * | 30- 9 |
| BUSH | 14-17 |
| * | 17- 3 |

PARTS NAME INDEX

| DESCRIPTION | REF. NO. |
|------------------------------|----------|
| BUSH | 17-24 |
| BUSH 1 | 17-38 |
| * | 19- 3 |
| BUSH, bimetal formed | 17-39 |
| * | 18-13 |
| * | 30-13 |
| BUSH, rear shock absorber | 18- 3 |
| * | 30- 3 |
| BUSH, shock absorber lower | 18-12 |
| * | 30-12 |
| BUSH, solid | 17- 8 |
| * | 17-49 |
| * | 18-36 |
| * | 24-30 |
| C.D.I. MAGNETD ASSY | 3- 1 |
| C.D.I. UNIT ASSY | 27- 1 |
| CABLE, brake | 25-19 |
| CABLE, clutch | 25-17 |
| CABLE, throttle 1 | 25-15 |
| CAMSHAFT | 23-10 |
| * | 24-10 |
| CAP, case | 18- 7 |
| * | 30- 7 |
| CAP, cleaner case 1 | 4-24 |
| CAP, gear | 25-10 |
| CAP, grip lower | 25- 8 |
| CAP, grip upper | 25- 7 |
| CAP, rubber | 25-16 |
| CARBURETOR ASSY 1 | 5- 1 |
| * | 29- 1 |
| CHAIN, drive (DID520DS 110L) | 24-37 |
| CHAIN, drive (DID520DS 114L) | 24-37 |
| CHAMBER, air | 4- 8 |
| CIRCLIP | 2- 4 |
| * | 9- 9 |
| * | 9-16 |
| * | 11- 5 |
| * | 11- 9 |
| * | 11-13 |
| * | 11-17 |
| * | 11-21 |
| * | 18-20 |
| * | 18-25 |
| * | 26- 3 |
| * | 30-20 |
| * | 30-25 |
| * | 33- 5 |
| * | 33-10 |

PARTS NAME INDEX

| DESCRIPTION | REF. NO. |
|-------------------------|----------|
| CIRCLIP | 33-15 |
| * | 33-20 |
| * | 33-25 |
| CLAMP | 3- 9 |
| * | 25-25 |
| * | 27- 8 |
| CLAMP, hose | 4-14 |
| * | 4-16 |
| CLIP | 4-12 |
| * | 4-19 |
| * | 9- 3 |
| * | 21-18 |
| COIL, Pulser | 3- 6 |
| COIL, source | 3- 4 |
| * | 3- 5 |
| COLLAR | 6-11 |
| * | 7- 8 |
| * | 7-15 |
| * | 11-25 |
| * | 14-18 |
| * | 17-11 |
| * | 17-25 |
| * | 19- 6 |
| * | 21- 7 |
| * | 23-30 |
| * | 24-15 |
| * | 24-27 |
| * | 24-46 |
| CONNECTING ROD ASSY | 33-26 |
| CONNECTOR, suction Pipe | 7-12 |
| COVER | 18-17 |
| * | 30-17 |
| COVER, ball race 2 | 19-15 |
| COVER, crankcase 1 | 8- 1 |
| COVER, crankcase 2 | 8- 4 |
| COVER, crankcase 3 | 8- 8 |
| COVER, dust | 17-42 |
| COVER, handle lever 1 | 25-18 |
| * | 25-20 |
| COVER, hub dust | 23-31 |
| * | 24-26 |
| COVER, kick lever | 9-17 |
| COVER, Plate | 24-28 |
| COVER, semi-double seat | 22- 2 |
| COVER, shift Pedal | 13- 6 |
| COVER, side 1 | 16- 1 |
| COVER, side 2 | 16- 7 |
| COVER, thrust 1 | 17-26 |

PARTS NAME INDEX

| DESCRIPTION | REF. NO. |
|----------------------------|----------|
| COVER, thrust 2 | 17-37 |
| * | 18-37 |
| CRANK 1 | 2- 7 |
| CRANK 2 | 2- 8 |
| CRANKCASE 1 | 7- 1 |
| CRANKCASE 2 | 7-11 |
| CRANKSHAFT ASSY | 2- 6 |
| CROWN, handle | 19- 1 |
| CYLINDER COMP., front fork | 20-10 |
| * | 20-38 |
| * | 31-10 |
| * | 31-38 |
| CYLINDER 1 | 1- 6 |
| DAMPER 1 | 17-56 |
| DAMPER, locating 1 | 16- 6 |
| * | 21-22 |
| DAMPER, locating 2 | 21- 2 |
| DAMPER, locating 3 | 21-23 |
| DAMPER, muffler | 6-10 |
| DAMPER, seat | 22- 6 |
| DAMPER, sub tank | 18-39 |
| DUMPER SUB ASSY | 18- 2 |
| * | 30- 2 |
| ELEMENT, air cleaner | 4-21 |
| EMBLEM | 4- 9 |
| * | 16-11 |
| * | 19-21 |
| EMBLEM, rear arm | 17-55 |
| END, rod 1 | 23-17 |
| END, rod 2 | 23-18 |
| EXHAUST PIPE ASSY 1 | 6- 1 |
| FENDER, front | 15- 1 |
| FENDER, rear | 15- 6 |
| FLANGE, spacer | 24- 3 |
| FLANGE, spacer 2 | 23- 3 |
| FLAP | 15-11 |
| FLOAT | 5- 6 |
| * | 29- 6 |
| FOOTREST 1 | 26-14 |
| FOOTREST 2 | 26-15 |
| FORK, shift 2 | 12-11 |
| FORK, shift 3 | 12-10 |
| FRAME COMP | 14- 1 |
| FRONT FORK ASSY (L.H) | 20- 1 |
| * | 31- 1 |
| FRONT FORK ASSY (R.H) | 20-29 |
| * | 31-29 |
| FUEL COCK ASSY 1 | 21-12 |

PARTS NAME INDEX

| DESCRIPTION | REF. NO. |
|---------------------------------|-------------|
| FUEL TANK COMP. | 21- 1 |
| GASKET | 7-24 |
| * | 8-14 |
| * | 20-17 |
| * | 20-45 |
| * | 21-14 |
| * | 25-13 |
| * | 31-17 |
| * | 31-45 |
| * | 33-38 |
| GASKET KIT | 33-32 |
| GASKET, caP | 21-20 |
| GASKET, crankcase cover | 8- 2 |
| * | 33-39 |
| GASKET, crankcase cover 3 | 8- 9 |
| * | 33-40 |
| GASKET, cylinder | 1- 7 |
| * | 33-34 |
| GASKET, cylinder head 1 | 1- 2 |
| * | 33-33 |
| GASKET, drain Plug | 20-18 |
| * | 20-46 |
| * | 31-18 |
| * | 31-46 |
| GASKET, exhaust PiPe | 6- 2 |
| * | 33-36 |
| GASKET, float chamber | 5- 2 |
| * | 29- 2 |
| GASKET, valve seat | 4- 6 |
| * | 33-35 |
| GAUGE, air | 14-24 |
| GEAR, bevel | 25- 9 |
| GEAR, Kick (26T) | 9- 2 |
| GEAR, Primary drive (24T) | 10- 1 |
| GEAR, sProcket idle (21T) | 9- 7 |
| GEAR, 1st wheel (28T) | 11-15 |
| GEAR, 2nd Pinion (19T) | 11- 7 |
| GEAR, 2nd wheel (25T) | 11-20 |
| GEAR, 3rd Pinion (22T) | 11- 6 |
| GEAR, 3rd wheel (23T) | 11-19 |
| GEAR, 4th Pinion (24T) | 11- 3 |
| GEAR, 4th wheel (20T) | 11-16 |
| GRAPHIC SET | 21-24 |
| GRIP (L.H) | 25- 2 |
| GRIP (R.H) | 25- 3 |
| GRIMMET | 4-37 |
| * | 18-38 |
| * | 25- 6 |

PARTS NAME INDEX

| DESCRIPTION | REF. NO. |
|-----------------------------|-------------|
| GUARD, mud | 15-10 |
| GUIDE | 4-22 |
| GUIDE, cable | 20-63 |
| * | 31-63 |
| GUIDE, sPring | 9- 6 |
| GUIDE, sPring 1 | 18-23 |
| * | 30-23 |
| GUIDE, sPring 2 | 18-21 |
| * | 30-21 |
| HANDLEBAR | 25- 1 |
| HEAD, cylinder 1 | 1- 1 |
| HOLDER | 7-10 |
| * | 7-18 |
| HOLDER, damPer | 21- 3 |
| HOLDER, Guide | 4-23 |
| HOLDER, handle lower | 19- 2 |
| HOLDER, handle upper | 19-11 |
| HOLDER, lever lower 1 | 28- 2 |
| * | 28-10 |
| HOLDER, lever 1 | 28- 1 |
| HOLDER, lever 2 | 28- 9 |
| HOLDER, nut | 14-11 |
| HOLDER, sub tank | 18-40 |
| HOOK | 4-30 |
| HOOK, sPring | 1-12 |
| HOSE | 4-11 |
| * | 7-22 |
| * | 13- 7 |
| * | 21-17 |
| * | 21-21 |
| HOUSING, seal ring | 18- 6 |
| * | 30- 6 |
| HUB, front | 23- 1 |
| HUB, rear | 24- 1 |
| IGNITION COIL ASSY | 27- 5 |
| INNER TUBE COMP.1 | 20- 8 |
| * | 20-36 |
| * | 31- 8 |
| * | 31-36 |
| JET, main (#430) | 5- 5 |
| JET, main (#440) | 5- 5 |
| * | 29- 5 |
| JET, main (#460) | 5- 5 |
| * | 29- 5 |
| JET, main (#480) | 29- 5 |
| JET, Pilot (#50.0) | 5- 3 |
| * | 29- 3 |

PARTS NAME INDEX

| DESCRIPTION | REF. NO. |
|-------------------------|-------------|
| JOINT, carburetor | 4- 7 |
| JOINT, chain | 24-38 |
| KEY, straight | 10- 2 |
| * | 12- 5 |
| KEY, woodruff | 2-15 |
| KICK AXLE ASSY | 9- 1 |
| KICK CRANK ASSY | 9-11 |
| LEAD WIRE ASSY | 3- 8 |
| LEVER 1 | 28- 3 |
| LEVER 2 | 28-11 |
| LEVER, camshaft | 24-12 |
| LEVER, camshaft 1 | 23-11 |
| LEVER, camshaft 2 | 23-12 |
| METAL, slide 1 | 20- 5 |
| * | 20-33 |
| * | 31- 5 |
| * | 31-33 |
| NEEDLE SET (6F16) | 5-23 |
| * | 29-23 |
| NEEDLE VALVE ASSY | 5- 7 |
| * | 29- 7 |
| NIPPLE, Grease | 17-41 |
| * | 17-46 |
| * | 18-31 |
| NOZZLE, main | 5- 4 |
| * | 29- 4 |
| NUT | 1- 5 |
| * | 3-17 |
| * | 9-18 |
| * | 10- 4 |
| * | 10-17 |
| * | 10-23 |
| * | 11-28 |
| * | 17-13 |
| * | 17-30 |
| * | 18-19 |
| * | 18-27 |
| * | 19-16 |
| * | 19-17 |
| * | 20-61 |
| * | 23-16 |
| * | 24-34 |
| * | 25-21 |
| * | 26-23 |
| * | 30-19 |
| * | 31-61 |
| NUT, adjusting | 18-14 |
| * | 30-14 |
| NUT, flange | 1-10 |
| NUT, self-locking | 14-14 |

PARTS NAME INDEX

| DESCRIPTION | REF. NO. |
|-------------------|-------------|
| NUT, self-locking | 17-47 |
| * | 18-32 |
| * | 19- 8 |
| * | 24-24 |
| * | 24-36 |
| NUT, u | 17-18 |
| * | 22-12 |
| * | 24-44 |
| * | 26-18 |
| * | 28- 6 |
| * | 28-14 |
| NUT, wing | 4-20 |
| * | 26-13 |
| O-RING | 5-22 |
| * | 8-12 |
| * | 10- 5 |
| * | 20-12 |
| * | 20-26 |
| * | 20-27 |
| * | 20-40 |
| * | 20-54 |
| * | 20-55 |
| * | 21-13 |
| * | 24-29 |
| * | 24-47 |
| * | 29-22 |
| * | 31-12 |
| * | 31-26 |
| * | 31-27 |
| * | 31-40 |
| * | 31-54 |
| * | 31-55 |
| * | 33-37 |
| OIL SEAL | 2-14 |
| * | 2-17 |
| * | 9-10 |
| * | 10-26 |
| * | 11-24 |
| * | 13-10 |
| * | 17- 4 |
| * | 17- 6 |
| * | 17-28 |
| * | 17-37 |
| * | 20- 4 |
| * | 20-32 |
| * | 23- 6 |
| * | 24- 6 |
| * | 24-41 |

PARTS NAME INDEX

| DESCRIPTION | REF. NO. |
|--------------|-------------|
| OIL SEAL | 26- 4 |
| * | 31- 4 |
| * | 31-32 |
| PACKING | 25-14 |
| PAD, seat | 22- 5 |
| PANEL 1 | 4-26 |
| PEDAL, brake | 26- 2 |
| PEDAL, shift | 13- 2 |
| * | 13- 3 |
| PIN | 13- 5 |
| * | 17-40 |
| * | 26-12 |
| PIN, clevis | 23-19 |
| * | 25-22 |
| * | 26- 8 |
| PIN, cotter | 17-44 |
| * | 17-50 |
| * | 18-29 |
| * | 18-35 |
| * | 19- 9 |
| * | 23-21 |
| * | 24-45 |
| * | 25-24 |
| * | 26-10 |
| PIN, crank 1 | 2- 9 |
| * | 33-28 |
| PIN, dowel | 1-11 |
| * | 7-14 |
| * | 12-12 |
| * | 13-11 |
| * | 18-16 |
| * | 30-16 |
| PIN, float | 5- 8 |
| * | 29- 8 |
| PIN, piston | 2- 3 |
| * | 33- 4 |
| * | 33- 9 |
| * | 33-14 |
| * | 33-19 |
| * | 33-24 |
| PIPE | 5-10 |
| * | 5-13 |
| * | 29-10 |
| * | 29-13 |
| PISTON (STD) | 2- 1 |
| * | 2- 1 |
| * | 33- 2 |
| * | 33- 2 |

PARTS NAME INDEX

| DESCRIPTION | REF. NO. |
|---------------------------|-------------|
| PISTON (1ST O/S 0.25MM) | 2- 1 |
| * | 33- 7 |
| PISTON (2ND O/S 0.50MM) | 2- 1 |
| * | 33-12 |
| PISTON (3RD O/S 0.75MM) | 2- 1 |
| * | 33-17 |
| PISTON (4TH O/S 1.00MM) | 2- 1 |
| * | 33-22 |
| PISTON, front fork | 20- 9 |
| * | 20-37 |
| * | 31- 9 |
| * | 31-37 |
| PISTON ASSY (STD) | 33- 1 |
| PISTON ASSY (1ST O/S) | 33- 6 |
| PISTON ASSY (2ND O/S) | 33-11 |
| PISTON ASSY (3RD O/S) | 33-16 |
| PISTON ASSY (4TH O/S) | 33-21 |
| PISTON RING SET (STD) | 2- 2 |
| * | 33- 3 |
| PISTON RING SET (1ST O/S) | 2- 2 |
| * | 33- 8 |
| PISTON RING SET (2ND O/S) | 2- 2 |
| * | 33-13 |
| PISTON RING SET (3RD O/S) | 2- 2 |
| * | 33-18 |
| PISTON RING SET (4TH O/S) | 2- 2 |
| * | 33-23 |
| PLATE | 5-19 |
| * | 7-20 |
| * | 29-19 |
| PLATE, bearing cover | 7- 6 |
| * | 7-16 |
| PLATE, brake shoe | 23- 7 |
| * | 24- 7 |
| PLATE, clutch 2 | 10- 9 |
| PLATE, friction | 10-10 |
| PLATE, number | 19-18 |
| PLATE, Pressure 1 | 10- 8 |
| PLATE, side 1 | 12- 3 |
| PLATE, thrust 1 | 10-13 |
| * | 10-15 |
| PLUG | 7-13 |
| * | 14-15 |
| * | 14-20 |
| PLUG CAP ASSY | 27- 9 |
| * | 27- 9 |
| PLUG, drain | 20-19 |
| * | 20-47 |
| * | 31-19 |
| * | 31-47 |
| PLUG, oil level | 8-11 |
| PLUG, screw | 5-21 |

PARTS NAME INDEX

| DESCRIPTION | REF. NO. |
|-----------------------------|-------------|
| PLUG, screw | 29-21 |
| PLUG, sPark (CHAMPION N-3) | 1-3 |
| PLUG, straight screw | 7-23 |
| PRI. DRIVEN GEAR COMP.(63T) | 10-6 |
| PROTECTOR | 17-51 |
| PROTECTOR, chain | 17-19 |
| PULLER, chain 1 | 24-32 |
| PULLER, chain 2 | 24-31 |
| PULLER, rotor | 14-22 |
| PUSH LEVER ASSY | 10-29 |
| REAR ARM COMP. | 17-1 |
| REED VALVE ASSY | 4-1 |
| REED, valve | 4-2 |
| RIM (1.60-21) | 23-23 |
| RIM (2.50-18) | 24-16 |
| RING, leaf | 25-5 |
| RING, snap | 20-3 |
| * | 20-31 |
| * | 31-3 |
| * | 31-31 |
| ROD, brake | 26-7 |
| ROD, connectinø | 2-10 |
| * | 23-15 |
| * | 33-27 |
| ROD, connectinø 1 | 17-35 |
| ROD, Push | 18-8 |
| * | 30-8 |
| ROD, Push 1 | 10-18 |
| ROD, Push 2 | 10-24 |
| ROTOR ASSY | 3-2 |
| SCREW | 10-20 |
| * | 21-16 |
| SCREW, bind | 21-10 |
| * | 25-11 |
| SCREW, boot band | 20-22 |
| * | 20-50 |
| * | 31-22 |
| * | 31-50 |
| SCREW, flat head | 7-7 |
| * | 12-6 |
| SCREW, Pan head | 3-10 |
| * | 3-12 |
| * | 3-14 |
| * | 3-15 |
| * | 4-4 |
| * | 4-32 |
| * | 5-11 |
| * | 7-9 |
| * | 7-17 |

PARTS NAME INDEX

| DESCRIPTION | REF. NO. |
|--------------------|-------------|
| SCREW, Pan head | 7-19 |
| * | 7-21 |
| * | 8-3 |
| * | 8-5 |
| * | 8-13 |
| * | 16-3 |
| * | 16-8 |
| * | 17-52 |
| * | 18-4 |
| * | 18-41 |
| * | 19-19 |
| * | 21-26 |
| * | 21-29 |
| * | 25-12 |
| * | 25-26 |
| * | 27-6 |
| * | 28-7 |
| * | 28-15 |
| * | 29-11 |
| * | 30-4 |
| SCREW, tapping | 4-25 |
| * | 4-29 |
| SCREW, with washer | 10-12 |
| SEAL | 4-18 |
| * | 4-28 |
| SEAL 1 | 4-27 |
| SEAL, camshaft | 23-13 |
| * | 24-11 |
| SEAL, dust | 18-5 |
| * | 20-6 |
| * | 20-34 |
| * | 30-5 |
| * | 31-6 |
| * | 31-34 |
| SEAL, guard | 17-10 |
| * | 17-33 |
| * | 17-34 |
| SEAL, mud guard | 15-12 |
| SEAT, sPring | 5-24 |
| * | 29-24 |
| SEAT, sPring lower | 18-24 |
| * | 30-24 |
| SEAT, sPring upper | 18-18 |
| * | 20-15 |
| * | 20-43 |
| * | 30-18 |
| * | 31-15 |
| * | 31-43 |

PARTS NAME INDEX

| DESCRIPTION | REF. NO. |
|---------------------------|-------------|
| SEGMENT | 12-2 |
| SEMI-DOUBLE SEAT ASSY | 22-1 |
| SETTER, needle Jet | 5-20 |
| * | 29-20 |
| SHAFT, Pivot | 17-12 |
| * | 17-29 |
| SHIFT CAM ASSY | 12-1 |
| SHIFT SHAFT ASSY | 13-1 |
| SHIM (0.3T) | 17-9 |
| SHIM, camshaft | 24-14 |
| SHOCK ABSORBER ASSY, rear | 18-1 |
| * | 30-1 |
| SILENCER, exhaust | 6-9 |
| * | 6-9 |
| SPACER | 3-7 |
| * | 13-12 |
| * | 20-16 |
| * | 20-44 |
| * | 23-2 |
| * | 31-16 |
| * | 31-44 |
| * | 32-3 |
| SPACER 1 | 10-14 |
| SPACER, bead | 23-28 |
| * | 24-21 |
| SPACER, bearing | 24-2 |
| SPANNER, sPecial | 14-23 |
| SPINDLE, taPer | 20-13 |
| * | 20-41 |
| * | 31-13 |
| * | 31-41 |
| SPOKE SET, front | 23-24 |
| SPOKE SET, rear | 24-17 |
| SPRING | 18-22 |
| * | 30-22 |
| * | 32-1 |
| * | 32-1 |
| * | 32-1 |
| * | 32-1 |
| SPRING, comPrission | 4-13 |
| * | 9-14 |
| * | 10-11 |
| * | 26-11 |
| SPRING, front fork | 20-14 |
| * | 20-42 |
| * | 31-14 |
| * | 31-42 |
| * | 32-2 |
| * | 32-2 |

PARTS NAME INDEX

| DESCRIPTION | REF. NO. |
|------------------------|-------------|
| SPRING, sub | 20-11 |
| * | 20-39 |
| * | 31-11 |
| * | 31-39 |
| SPRING, tension | 6- 3 |
| * | 23- 9 |
| * | 24- 9 |
| * | 26- 6 |
| SPRING, throttle valve | 5-14 |
| * | 29-14 |
| SPRING, torsion | 9- 5 |
| * | 10-28 |
| * | 12- 8 |
| * | 13- 4 |
| * | 13-13 |
| * | 23-22 |
| * | 26-19 |
| SPROCKET, drive (13T) | 11-26 |
| SPROCKET, drive (14T) | 11-26 |
| SPROCKET, drive (15T) | 11-26 |
| SPROCKET, driven (44T) | 24-22 |
| SPROCKET, driven (46T) | 24-22 |
| SPROCKET, driven (48T) | 24-22 |
| SPROCKET, driven (50T) | 24-22 |
| SPROCKET, driven (52T) | 24-22 |
| STAND, side | 26- 1 |
| STARTER PLUNGER SET | 5-25 |
| * | 29-25 |
| STAY 2 | 4-34 |
| STAY, chamber | 21-25 |
| STAY, muffler 1 | 6-14 |
| STAY, muffler 2 | 6- 4 |
| STOPPER LEVER ASSY | 12- 7 |
| STOPPER, reed valve | 4- 3 |
| SUPPORT, bump stop | 18-10 |
| * | 30-10 |
| SUPPORT, chain | 17-15 |
| SWITCH, handle 1 | 28-17 |
| TENSIONER | 14-16 |
| THROTTLE SCREW SET | 5-17 |
| * | 29-17 |
| TIRE (140/90-18 73M) | 24-18 |
| TIRE (3.00-21) | 23-25 |
| * | 23-25 |
| TIRE (5.10-18) | 24-18 |
| TOOL KIT | 14-21 |
| TUBE (2.75-21) | 23-26 |
| TUBE (3.00-21) | 23-26 |

PARTS NAME INDEX

| DESCRIPTION | REF. NO. |
|------------------------|-------------|
| TUBE (4.50-18) | 24-19 |
| TUBE (5.10-18) | 24-19 |
| TUBE, outer 1 | 20- 2 |
| * | 31- 2 |
| TUBE, outer 2 | 20-30 |
| * | 31-30 |
| TUBE, throttle guide | 25- 4 |
| UNDER BRACKET COMP. | 20-58 |
| * | 31-58 |
| UPPER BRACKET SUB ASSY | 18-11 |
| * | 30-11 |
| VALVE, throttle 1 | 5-18 |
| * | 29-18 |
| WASHER | 2-12 |
| * | 15- 3 |
| * | 16- 2 |
| * | 18-43 |
| * | 22-11 |
| * | 33-29 |
| WASHER, lock | 10-16 |
| * | 11-27 |
| * | 17-43 |
| WASHER, main Jet | 5-26 |
| * | 29-26 |
| WASHER, needle valve | 5- 9 |
| * | 29- 9 |
| WASHER, oil seal | 20- 7 |
| * | 20-35 |
| * | 31- 7 |
| * | 31-35 |
| WASHER, Plain | 4-31 |
| * | 6- 5 |
| * | 14- 9 |
| * | 14-13 |
| * | 17-54 |
| * | 23-20 |
| * | 25-23 |
| * | 26- 9 |
| WASHER, Plate | 3-16 |
| * | 3-18 |
| * | 6- 8 |
| * | 6-12 |
| * | 6-18 |
| * | 8- 7 |
| * | 9- 4 |
| * | 9- 8 |
| * | 9-15 |
| * | 10-22 |

PARTS NAME INDEX

| DESCRIPTION | REF. NO. |
|----------------|-------------|
| WASHER, Plate | 10-27 |
| * | 11- 4 |
| * | 11- 8 |
| * | 11-14 |
| * | 11-18 |
| * | 11-22 |
| * | 13- 8 |
| * | 14- 7 |
| * | 15- 2 |
| * | 15- 9 |
| * | 16- 5 |
| * | 16-10 |
| * | 17-14 |
| * | 17-17 |
| * | 17-21 |
| * | 17-27 |
| * | 17-31 |
| * | 17-48 |
| * | 18-28 |
| * | 18-33 |
| * | 18-34 |
| * | 19- 4 |
| * | 19- 5 |
| * | 19- 7 |
| * | 19-20 |
| * | 20-62 |
| * | 21- 6 |
| * | 21- 8 |
| * | 21-15 |
| * | 24-25 |
| * | 24-48 |
| * | 26- 5 |
| * | 28- 4 |
| * | 28-12 |
| * | 31-62 |
| WASHER, sPring | 3-11 |
| * | 3-13 |
| * | 3-19 |
| * | 4- 5 |
| * | 4-33 |
| * | 4-36 |
| * | 4-39 |
| * | 5-12 |
| * | 6- 7 |
| * | 6-17 |
| * | 8- 6 |
| * | 10- 3 |
| * | 10-21 |
| * | 14- 6 |
| * | 14-10 |

