

YAMAHA

GENUINE

PARTS CATALOGUE

MOTORCYCLE

CRANKCASE - CYLINDER

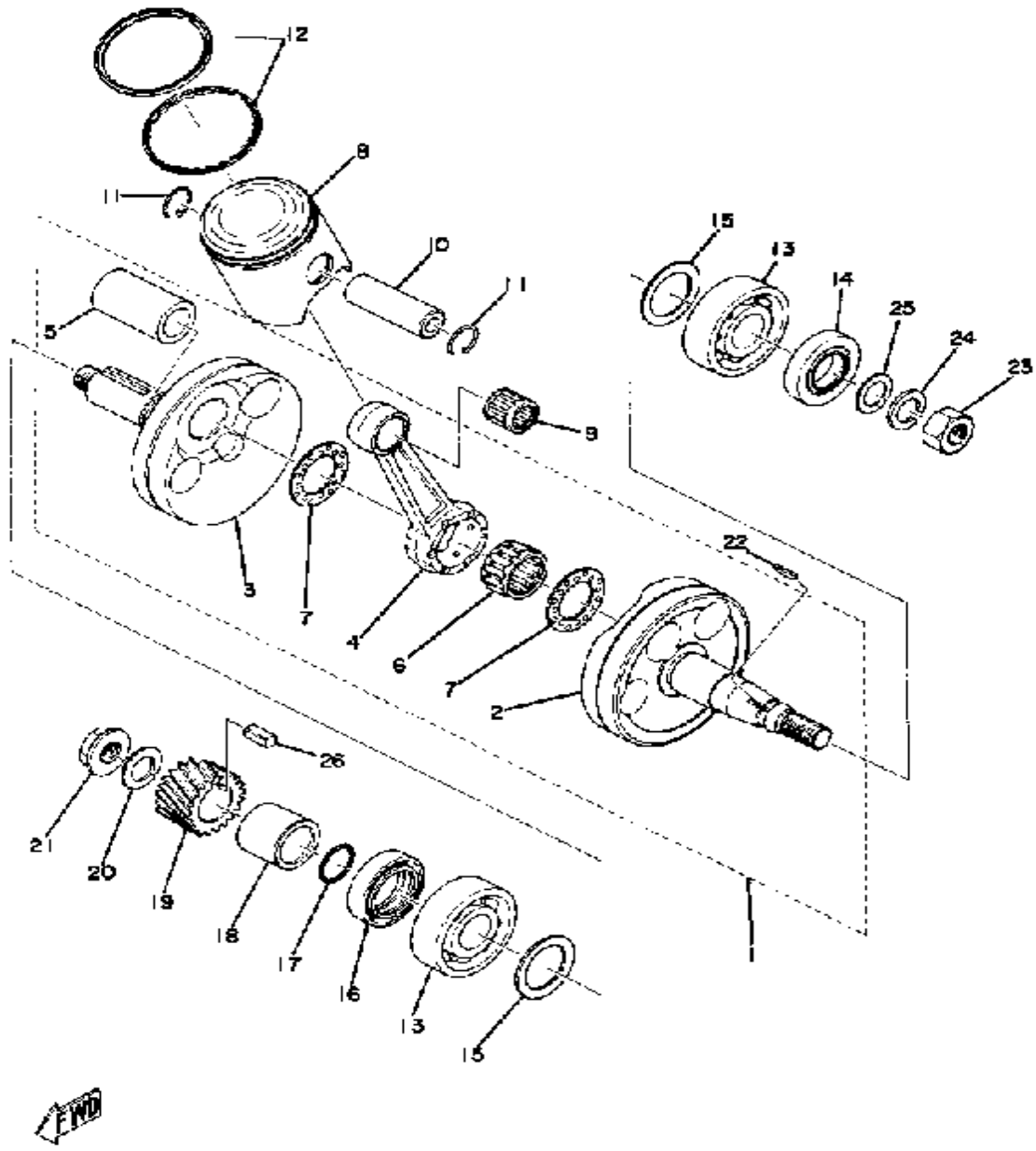
Ref. No.	Part Number	Description	Qty	Remarks
1	(437-15111-01-00)	CRANKCASE 1	1	
2	(437-15121-02-00)	CRANKCASE 2	1	
3	99510-20020-00	PIN, DOWEL	1	
4	99530-10014-00	PIN, DOWEL	1	
5	98580-06550-00	SCREW PAN HEAD (92503-06050)	7	
6	92580-06560-00	SCREW PAN HEAD	4	
7	98580-06040-00	SCREW, pan head (92501-06040-00)	1	
8	90430-12207-00	GASKET	1	
9	90340-12005-00	PLUG, DRAIN	1	
10	437-15419-01-00	COVER, SHIFTER 1	1	
11	401-15449-00-00	RING, RUBBER	1	
12	93603-12007-00	PIN, DOWEL	2	
13	98503-06014-00	SCREW, PAN HEAD (92502-06016)	4	
14	304-15128-00-00	HOLDER	1	
15	92990-08100-00	WASHER	1	
16	98501-08012-00	SCREW, PAN HEAD	1	
17	90116-08065-00	BOLT, STUD	4	
18	3UL-11351-00-00	GASKET, CYLINDER	1	
19	(437-11311-00-00)	CYLINDER 1	1	
20	276-11181-01-00	GASKET, CYLINDER HEAD 1 .	1	
	305-11181-00-00	GASKET, CYLINDER HEAD 1 .	1	
21	558-11111-01-00	HEAD, CYLINDER 1 (558-11111-00)	1	
22	90201-12362-00	WASHER, PLATE	4	
23	90179-08303-00	NUT	4	
24	214-11198-01-00	GASKET	1	
25	90340-14022-00	PLUG, STRAIGHT SCRW (214-11197-00)	1	

CONTINUED ON NEXT FRAME ►

CRANKCASE - CYLINDER

Ref. No.	Part Number	Description	Qty	Remarks
26	NGK-B8HS0-00-00	PLUG, SPARK	1	
27	583-15371-00-00	BREATHER	1	
28	(90446-07009-00)	HOSE	1	
29	401-15441-02-00	HOLDER, CLUTCH CABLE ...	1	
30	97013-06012-00	BOLT	1	
31	401-15317-00-00	SPACER, ENG MOUNT	1	
32	93210-11073-00	O-RING	2	
33	328-15316-00-00	DAMPER, ENG MOUNT 1 (328-15316-00)	2	
34	434-11161-00-00	ABSORBER 1	14	
35	(427-11161-00-00)	ABSORBER 1	3	

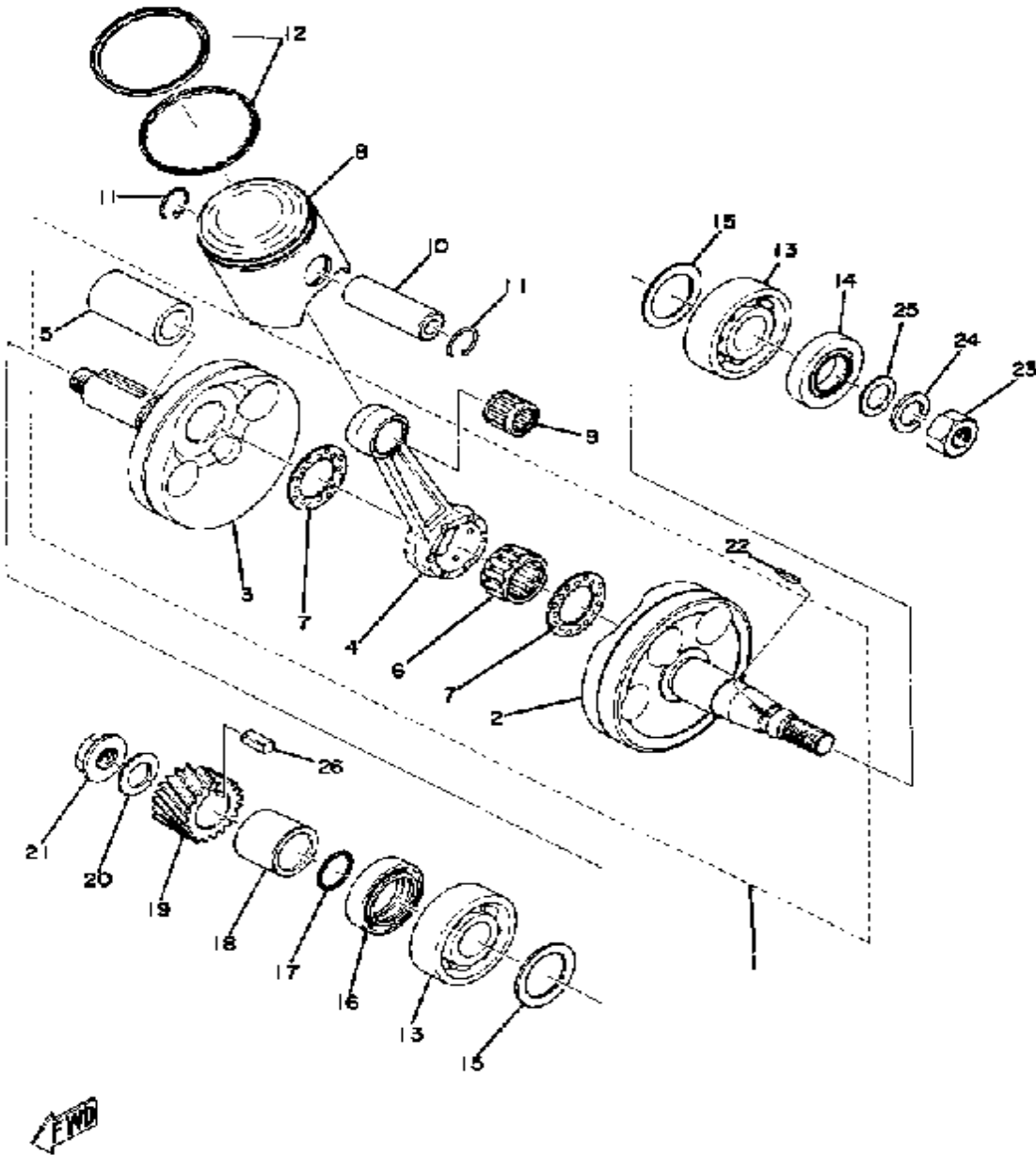
CRANK - PISTON



Ref. No.	Part Number	Description	Qty	Remarks
1	1M7-11400-00-00	CRANKSHAFT ASSEMBLY	1	
2	(427-11412-00-00)	CRANK 1	1	M4-027
3	(336-11422-01-00)	CRANK 2	1	
4	1M7-11651-00-00	. ROD, CONNECTING	1	
5	5E2-11681-00-00	. PIN, CRANK 1	1	
6	93310-422E7-00	. BEARING	1	
7	90209-22248-00	. WASHER	2	
8	437-11631-01-97	PISTON STD	1	M4-043
	437-11635-01-00	PISTON 1 O/S 0.5	1	ALT. PART
	437-11636-01-00	PISTON 2 O/S 0.0	1	ALT. PART
9	93310-21403-00	BEARING	1	
10	131-11633-00-00	PIN, PISTON	1	
11	93450-15023-00	CIRCLIP	2	
12	437-11610-00-00	PISTON RINGSET STD	1	
	437-11610-10-00	PISTON RINGSET 1ST	1	ALT. PART
	437-11610-20-00	PISTON RINGSET 2ND	1	ALT. PART
13	93306-30421-00	BEARING (B6304C3)	2	
14	93102-20447-00	OIL SEAL	1	
15	136-11561-00-03	SHIM, CRANK 1	1	U.R.
	136-11561-00-05	SHIM, CRANK 1	1	U.R.
16	93103-28011-00	OIL SEAL	1	
17	93210-180A6-00	O-RING	1	
18	90387-20175-00	COLLAR	1	
19	336-16111-00-00	GEAR, PRIMARY DRIVE (19T)	1	
20	90208-12015-00	WASHER, CONICAL SPRING	1	
21	90179-12244-00	NUT, SPEC'L SHAPE	1	
22	90280-03017-00	KEY, WOODRUFF	1	
23	95303-12600-00	NUT	1	
24	92901-12100-00	WASHER, SPRING	1	

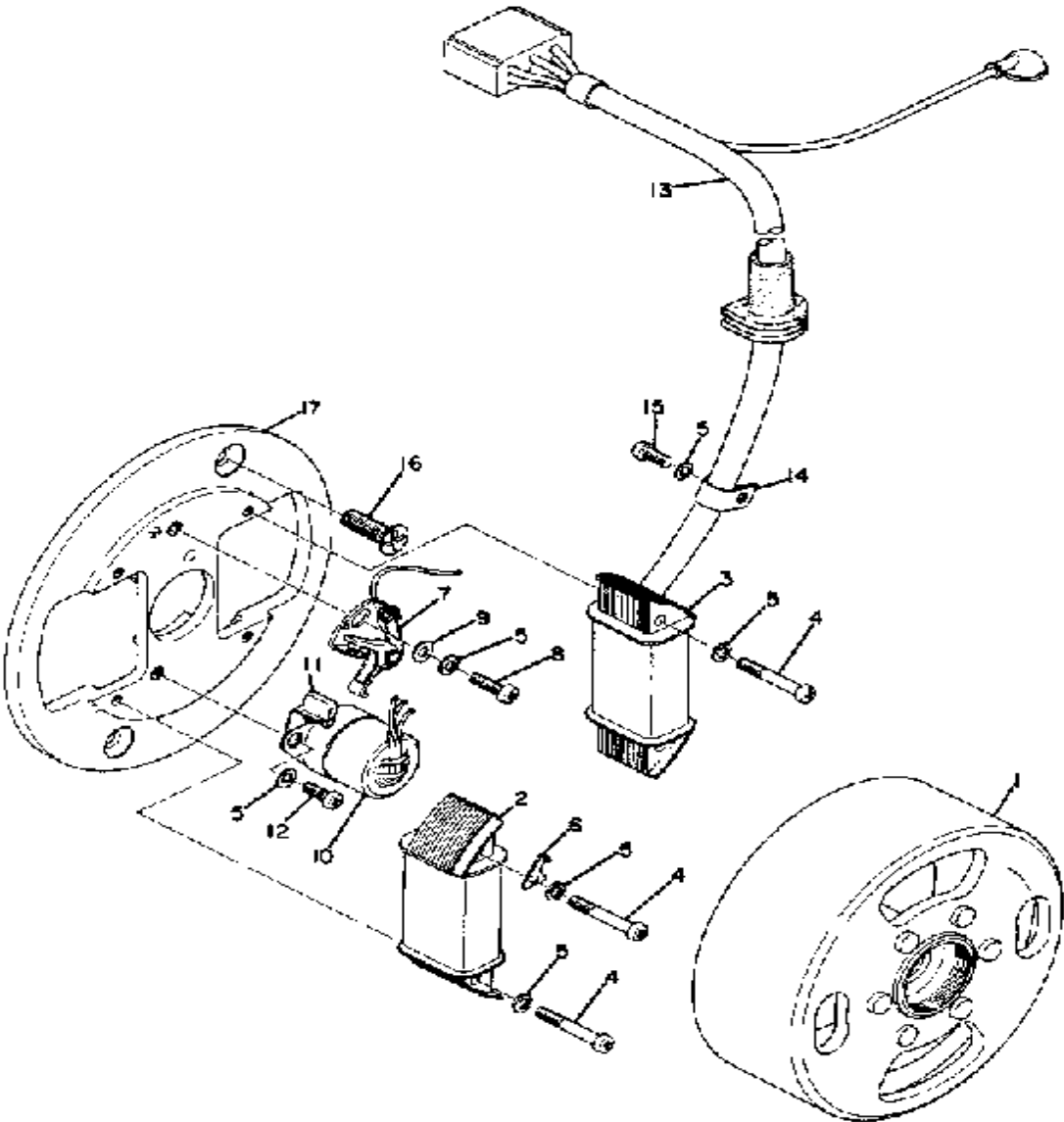
CONTINUED ON NEXT FRAME ➤

CRANK - PISTON



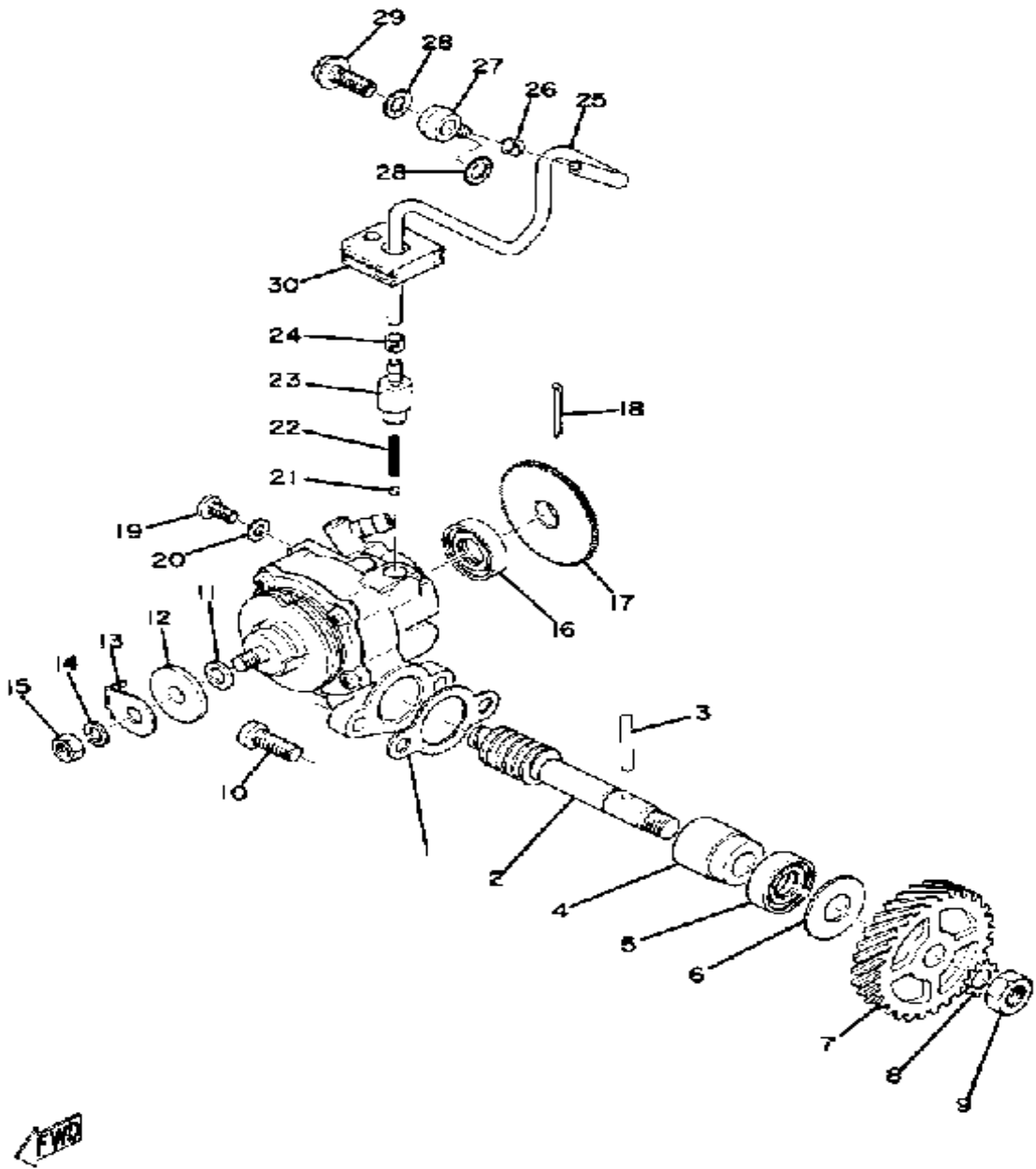
Ref. No.	Part Number	Description	Qty	Remarks
25	90201-14212-00	WASHER, PLATE	1	
26	90282-05005-00	KEY, STRAIGHT	1	

FLYWHEEL MAGNETO



Ref. No.	Part Number	Description	Qty	Remarks
1	(437-81350-20-00)	ROTOR ASSEMBLY	1	
2	375-81312-20-00	. COIL, SOURCE	1	
3	437-81313-20-00	. COIL, LIGHTING 1	1	
4	97602-04125-00	. SCREW, PN/HD.W/WSHR (4-25)	4	
5	92901-04100-00	. WASHER, SPRING	7	
6	296-81332-21-00	. UNAVAILABLE IN PRICE BOOK	1	M4-043
7	2A6-81321-20-00	. CONTACT BRKR ASSEMBLY	1	M4-043
8	110-81346-21-00	. SCREW, PAN HEAD	1	M4-043
9	92990-04200-00	. WASHER, PLAIN	1	
10	296-81325-90-00	. CONDENSER	1	
11	116-81331-20-00	. LUBRICATOR	1	
12	110-81346-21-00	. SCREW, PAN HEAD	1	
13	(437-81315-20-00)	LEAD WIRE ASSEMBLY	1	
14	109-81328-11-00	. CLAMP	1	
15	97601-04106-00	. SCREW, PN/HD.W/WSHR	1	
16	98603-06012-00	SCREW, OVAL HEAD (92701-06012)	2	
17	437-81309-20-00	BASE, MAGNETO	1	M6-026
-1	(437-81300-21-00)	FLYWHL MAGNETO ASSEMBLY	1	M4-043

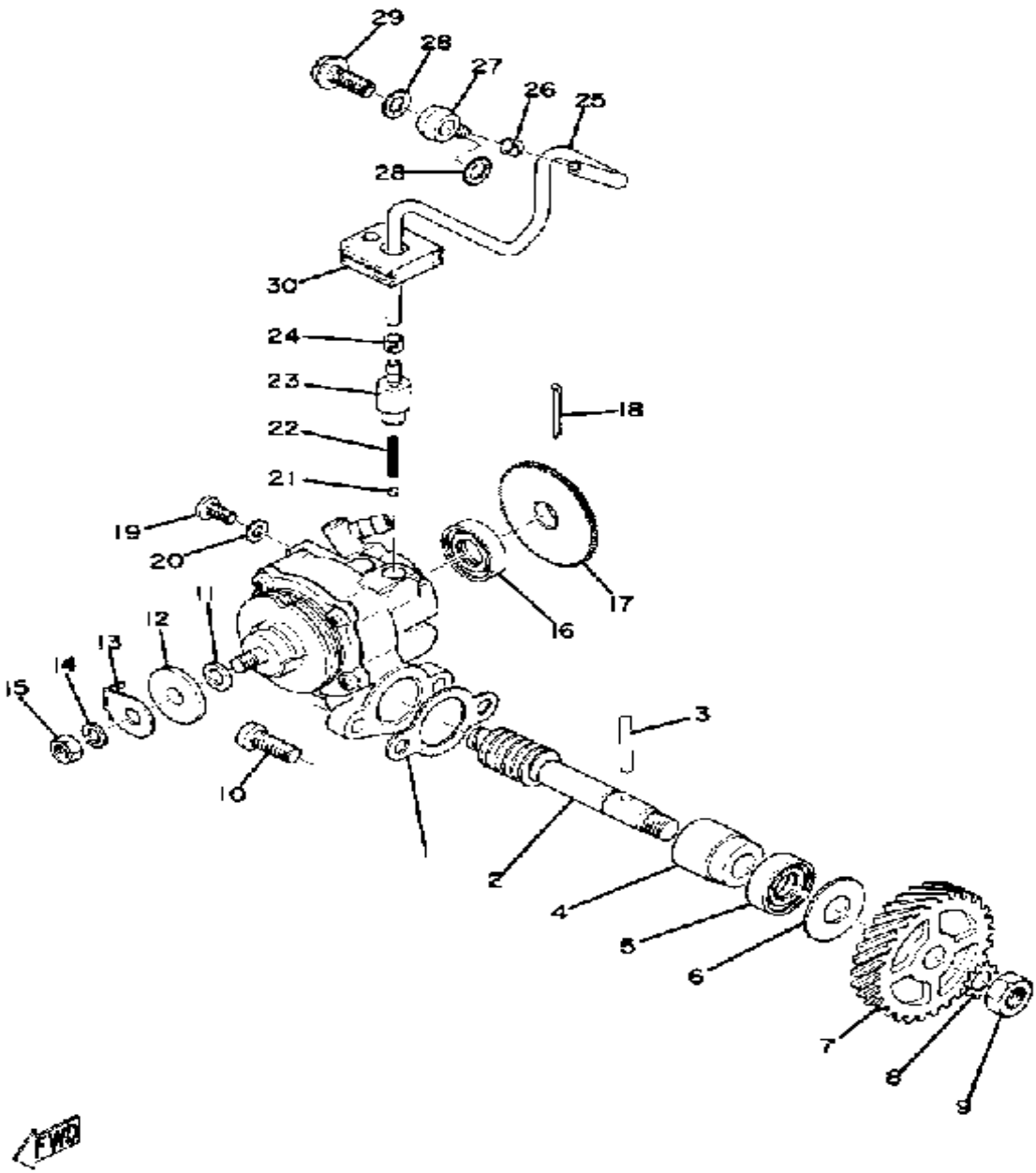
OIL PUMP



Ref. No.	Part Number	Description	Qty	Remarks
1	3MT-13116-00-00	GASKET, PUMP CASE (8Y0-13116-00)	1	
2	275-13175-01-00	SHAFT, WORM	1	
3	93603-22028-00	PIN, DOWEL	1	
4	1E7-13176-00-00	METAL, WRM SHAF OTR	1	
5	93101-10002-00	OIL SEAL	1	
6	90201-105J4-00	WASHER, PLATE (90201-106H1)	1	
7	248-13178-00-00	GEAR, DRIVE (28T)	1	
8	92901-08400-00	WASHER, EX.TOOTH	1	
9	95303-08700-00	NUT	1	
10	98580-05016-00	SCREW, PAN HEAD	2	
11	137-13137-00-10	. SHIM (1.0T)	1	
12	137-13138-01-00	. PLATE, ADJUSTING	1	
13	(402-13146-00-00)	COVER, AJST PULLEY	1	
14	92990-05100-00	. WASHER, SPRING	1	
15	95380-05600-00	. NUT	1	
16	93101-10090-00	. OIL SEAL	1	
17	(137-13128-00-00)	PLATE, STARTER	1	
18	91401-12018-00	. PIN, COTTER	1	
19	98901-04008-00	. SCREW, BIND	1	
20	90430-04004-00	. GASKET	1	
21	93505-32002-00	. BALL	1	
22	90501-02018-00	. SPRING, COMPRESSION	1	
23	402-13552-00-00	. NOZZLE	1	
24	90468-02033-00	. CLIP	1	
25	90445-05350-00	. HOSE (3-100)	1	
26	90468-02033-00	CLIP	1	
27	214-13162-01-00	BANJO, DLVRY PIPE	1	

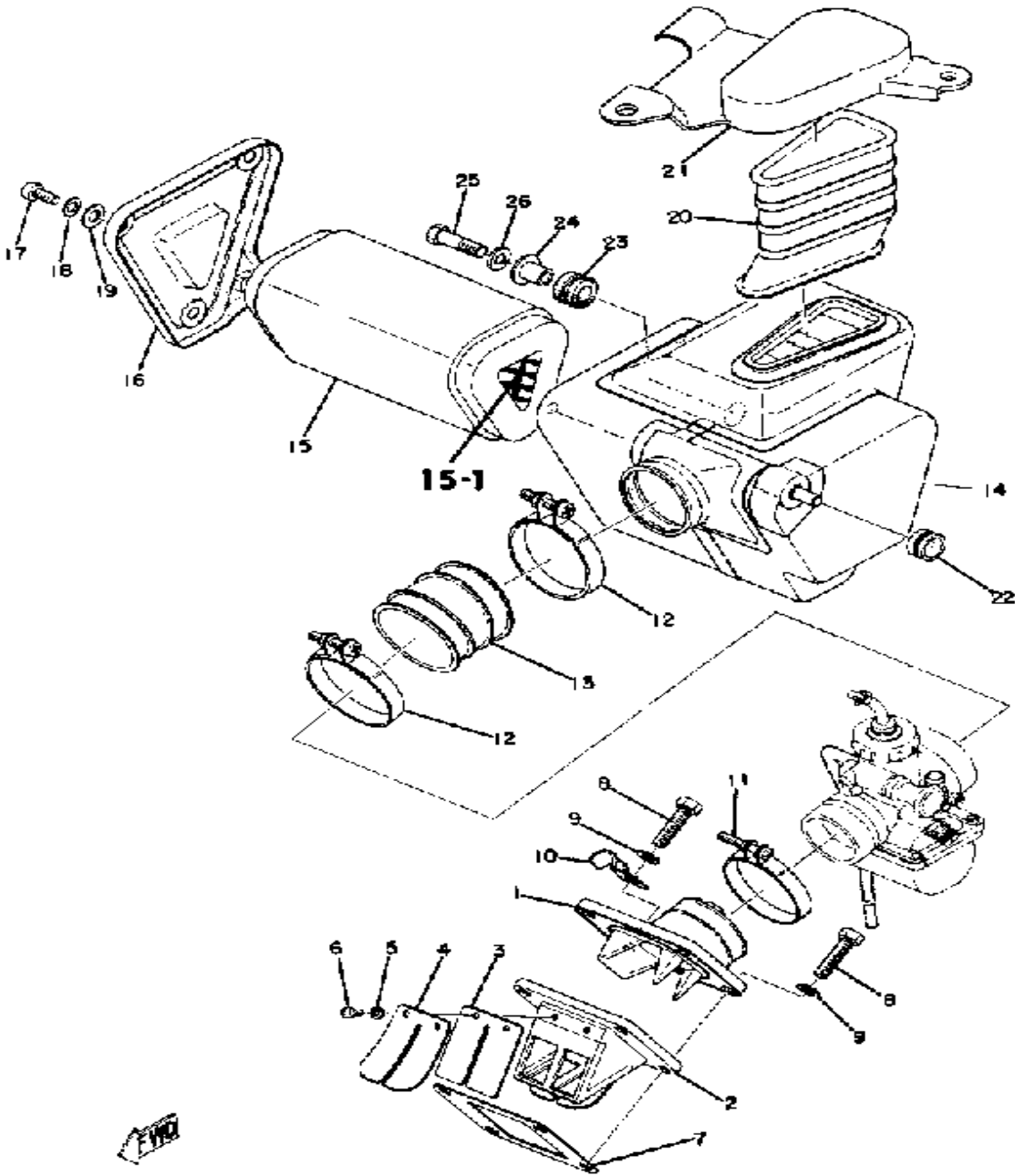
CONTINUED ON NEXT FRAME ►

OIL PUMP



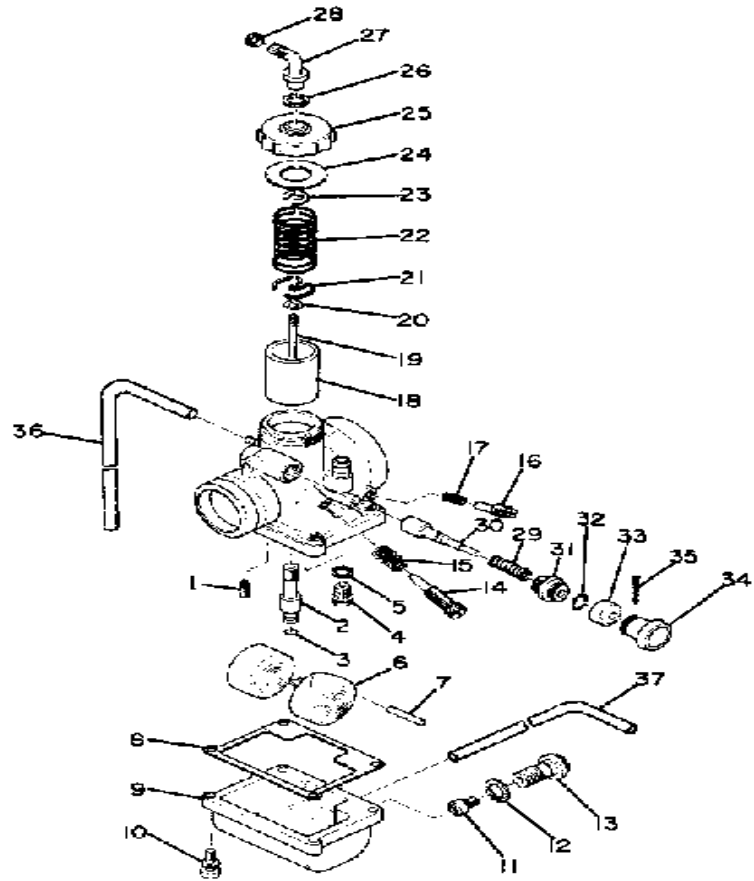
Ref. No.	Part Number	Description	Qty	Remarks
28	90430-06011-00	GASKET	2	
29	90401-06001-00	BOLT, UNION	1	
30	248-13174-00-00	HOLDER, OIL PIPE	1	
-1	427-13101-02-00	OIL PUMP ASSEMBLY (427-13101-02)	1	

INTAKE



Ref. No.	Part Number	Description	Qty	Remarks
1	401-13565-01-00	JOINT, CARBURETOR	1	
2	558-13610-00-00	REED VALVE ASSEMBLY	1	
3	345-13613-70-00	. REED, VALVE	2	
4	345-13616-70-00	. STOPPER, REED VALVE	2	
5	92990-03100-00	. WASHER, SPRING (92901-03100)	4	
6	98580-03008-00	. SCREW, PAN HEAD	4	
7	87A-13621-00-00	GASKET, VALVE SEAT	1	
8	97011-06025-00	BOLT (97001-06025)	4	
9	92995-06100-00	WASHER, SPRING	4	
10	90462-05005-00	CLAMP	1	
11	90460-43053-00	CLAMP, HOSE	1	
12	90460-51059-00	CLAMP, HOSE	2	
13	437-14453-00-00	JOINT, AIR CLNR 1	1	
14	(437-14411-01-00)	CASE, AIR CLEANER 1	1	
15	437-14451-09-00	ELEMENT, AIR CLNR	1	
16	437-14412-00-00	CAP, CLEANER CASE 1	1	
17	98580-06012-00	SCREW, PAN HEAD	3	
18	92995-06100-00	WASHER, SPRING	3	
19	92990-06200-00	WASHER	3	
20	(437-14437-01-00)	DUCT	1	
21	(437-14418-00-00)	COVER 2	1	
22	90480-10091-00	GROMMET (214-21746-00)	1	
23	90480-14023-00	GROMMET	1	
24	90387-07391-00	COLLAR	1	
25	97021-06030-00	BOLT	1	
26	92995-06100-00	WASHER, SPRING	1	

CARBURETOR



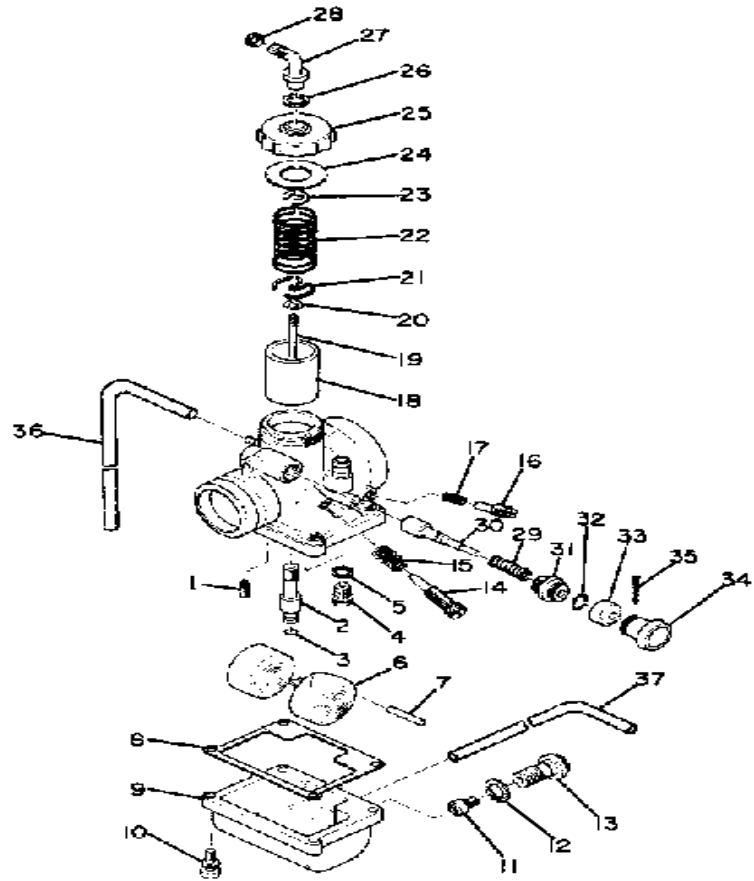
A

CARBURETOR (MFR) (TYPE) (I.D. NUMBER)	Mikuni VM22SS 43761
MAIN JET	No. 150
NEEDLE JET	N-4
JET NEEDLE/CLIP POSITION	4L6-2
CUT AWAY	No. 1.5
PILOT JET	No. 25
AIR JET	N/A
STARTER JET	No. 30
AIR SCREW (TURNS OUT)	1 1/4
FLOAT LEVEL	21 ± 2.5mm

Ref. No.	Part Number	Description	Qty	Remarks
1	260-14142-25-00	. JET, PILOT (# 25)	1	
2	(437-14141-24-00)	. NOZZLE, MAIN	1	
3	214-14147-00-00	. O-RING	1	
4	353-14190-15-00	. NEEDLE VALVE ASSEMBLY	1	
5	127-14195-00-00	. WASHER, NEEDLE VALVE	1	
6	304-14185-00-00	. FLOAT	1	
7	127-14186-00-00	. PIN, FLOAT	1	
8	304-14184-00-00	. GASKET, FLOAT CHAMBER	1	
9	(437-14181-00-33)	. BODY, FLOAT CHMBR 1	1	
10	98503-04014-00	. SCREW, PAN HEAD	4	M4-043
11	137-14143-28-A0	. JET, MAIN (#140)	1	U.R.
	137-14143-30-00	. JET, MAIN #1 0	1	U.R. STD
	137-14143-32-00	. JET, MAIN #1 0	1	U.R.
12	304-14198-00-00	. GASKET	1	
13	248-14166-00-00	. BOLT, BANJO	1	M4-043
14	23X-14103-00-00	. THROTTLE SCREW SET	1	M4-043
	493-14122-00-00	. SCREW, THROTTLE (443-14122-00)	1	FOR 5 H.P. ONLY
15	137-14133-00-00	. SPRING, THRTL STOP	1	M4-043
	493-14133-00-00	. SPRING, THRTL STOP	1	FOR 5 H.P. ONLY
16	22K-14104-00-00	. AIR SCREW SET	1	M4-043
17	174-14134-00-00	. SPRING, AIR ADJUSTING	1	
18	304-14112-15-00	. VALVE, THROTTLE 1	1	
	304-14112-15-00	. VALVE, THROTTLE 1	1	FOR 5 H.P. ONLY
19	18L-1490J-00-00	. NEEDLE	1	
20	164-14137-00-00	. CLIP	1	
21	137-14136-00-00	. SEAT, SPRING	1	
22	3X3-14131-00-00	. SPRING, THRTL VALVE	1	
23	363-14137-00-00	. CLIP	1	

CONTINUED ON NEXT FRAME ➤

CARBURETOR



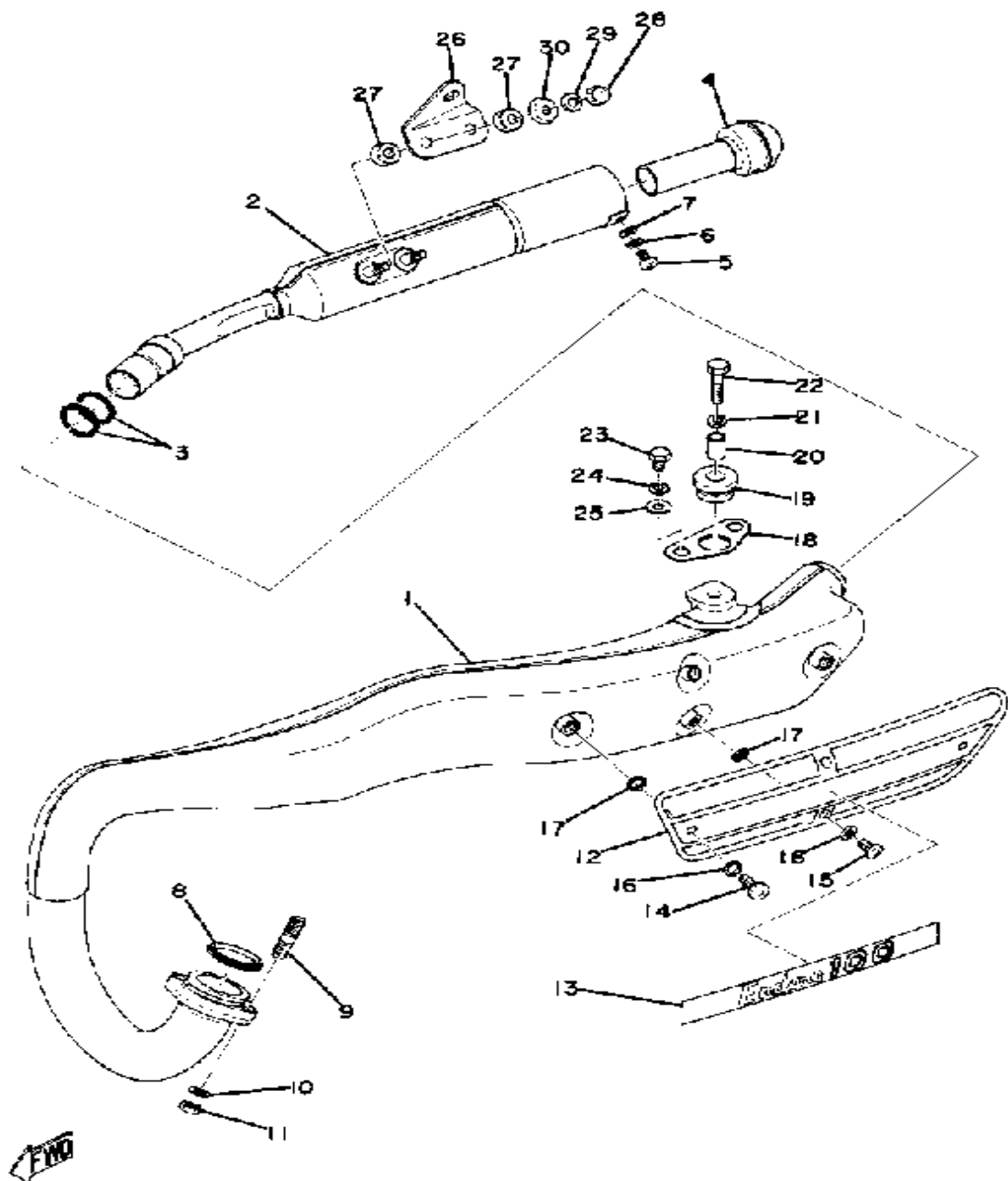
Ref. No.	Part Number	Description	Qty	Remarks
24	193-14126-00-00	. GASKET	1	
25	(437-14158-00-33)	. TOP, MIXING CHAMBER	1	
26	363-14198-00-00	. GASKET	1	
27	363-14155-00-00	. GUIDE, CABLE	1	
28	127-14161-00-00	. NUT, CABLE ADJUSTING ...	1	
29	156-14135-00-00	. SPRING, PLUNGER	1	
30	304-14171-00-00	. PLUNGER, STARTER	1	
31	152-14174-00-00	. CAP, PLUNGER	1	M4-043
32	152-14138-00-00	. CLIP, PLUNGER	1	
33	132-14173-00-00	. COVER, PLUNGER CAP	1	
34	304-14261-00-00	. HOLDER	1	
35	91490-16020-00	. PIN, COTTER	1	
36	183-14197-01-00	. PIPE, AIRVENT	1	
37	23F-14197-00-00	. PIPE, AIRVENT	1	
-1	(540-14101-60-00)	CARBURETOR ASSEMBLY 1	1	FOR 5 H.P. ONLY
	437-14101-62-00	CARBURETOR ASSEMBLY 1		
	(437-14101-61) 0 1	1	217~DT100B



A

CARBURETOR (MFR) (TYPE) (I.D. NUMBER)	Mikuni VM22SS 43761
MAIN JET	No. 150
NEEDLE JET	N-4
JET NEEDLE/CLIP POSITION	4L6-2
CUT AWAY	No. 1.5
PILOT JET	No. 25
AIR JET	N/A
STARTER JET	No. 30
AIR SCREW (TURNS OUT)	1 1/4
FLOAT LEVEL	21 ± 2.5mm

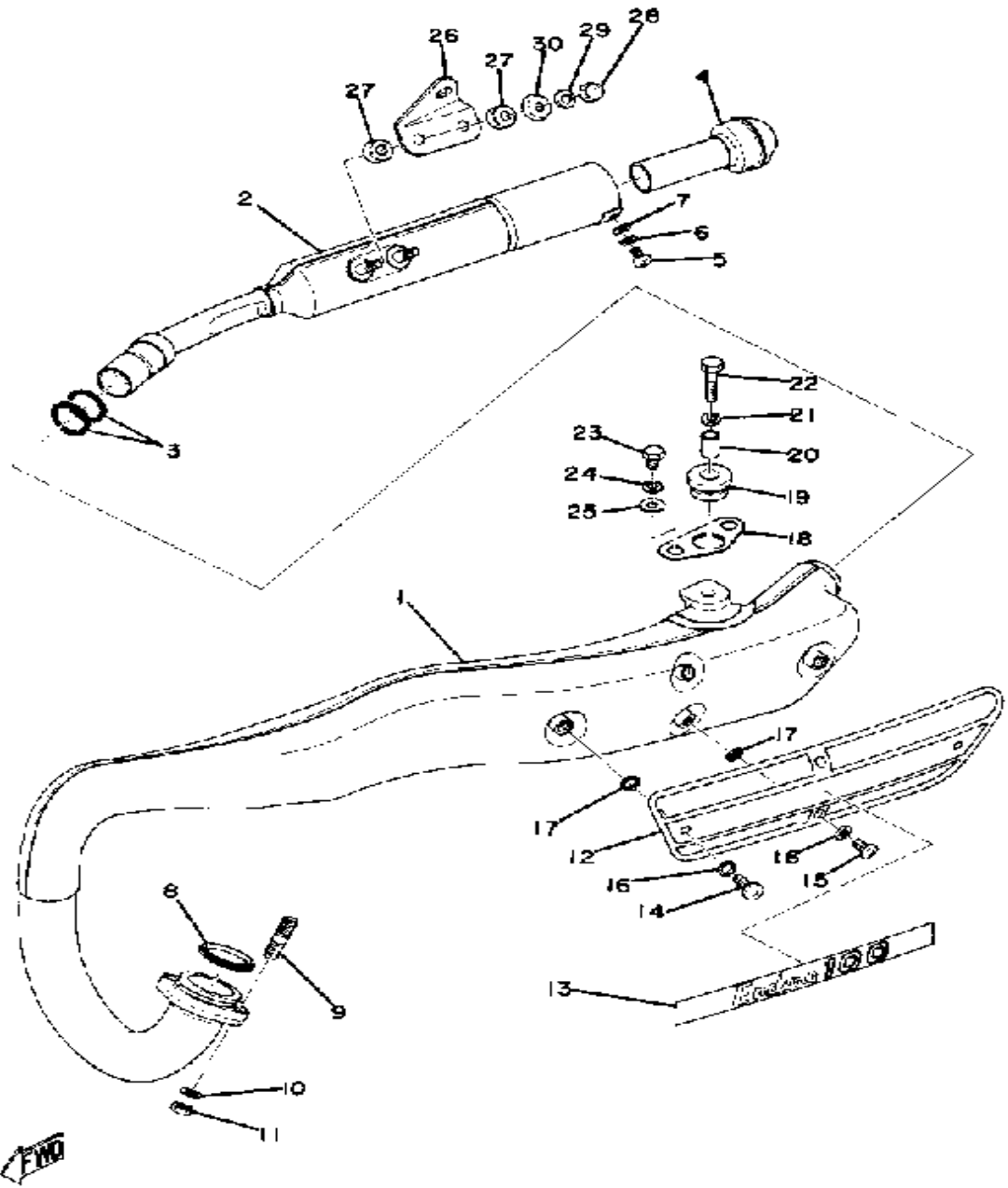
EXHAUST



Ref. No.	Part Number	Description	Qty	Remarks
1	(429-14610-00-00)	EXHAUST PIPE ASSEMBLY L	1	
2	(437-14753-02-00)	SILENCER, EXHAUST	1	
3	93210-24235-00	O-RING	2	
4	438-14752-00-00	PIPE, OUTLET	1	
5	98580-06012-00	SCREW, PAN HEAD	1	
6	92995-06100-00	WASHER, SPRING	1	
7	92990-06200-00	WASHER	1	
8	152-14613-00-00	GASKET, EXST PIPE	1	
9	90116-06146-00	BOLT, STUD (392-14651-00)	2	
10	92990-08100-00	WASHER	2	
11	95333-08600-00	NUT	2	
12	437-14718-00-00	PROTECTOR, MUFF 1	1	
13	(437-14729-00-00) (437-14729-01-00)	EMBLEM, PROTECTOR EMBLEM, PROTECTOR	1 1	
14	98980-06030-00	SCREW, BIND	1	
15	98903-06012-00	SCREW, BIND	3	
16	90202-05005-00	WASHER, PLATE (218-14766-10)	4	
17	90202-05187-00	WASHER, PLATE	4	
18	437-14771-00-00	STAY, MUFFLER 1	1	
19	90480-20132-00	GROMMET	1	
20	90387-08242-00	COLLAR	1	
21	92990-08100-00	WASHER	1	
22	97313-08035-00	BOLT, HEXAGON	1	
23	97313-06016-00	BOLT, HEXAGON	2	
24	92995-06100-00	WASHER, SPRING	2	
25	90201-06067-00	WASHER, PLATE	2	
26	(437-14781-00-00)	STAY, MUFFLER 2	1	
27	438-14757-00-00	DAMPER, MUFFLER 2	4	

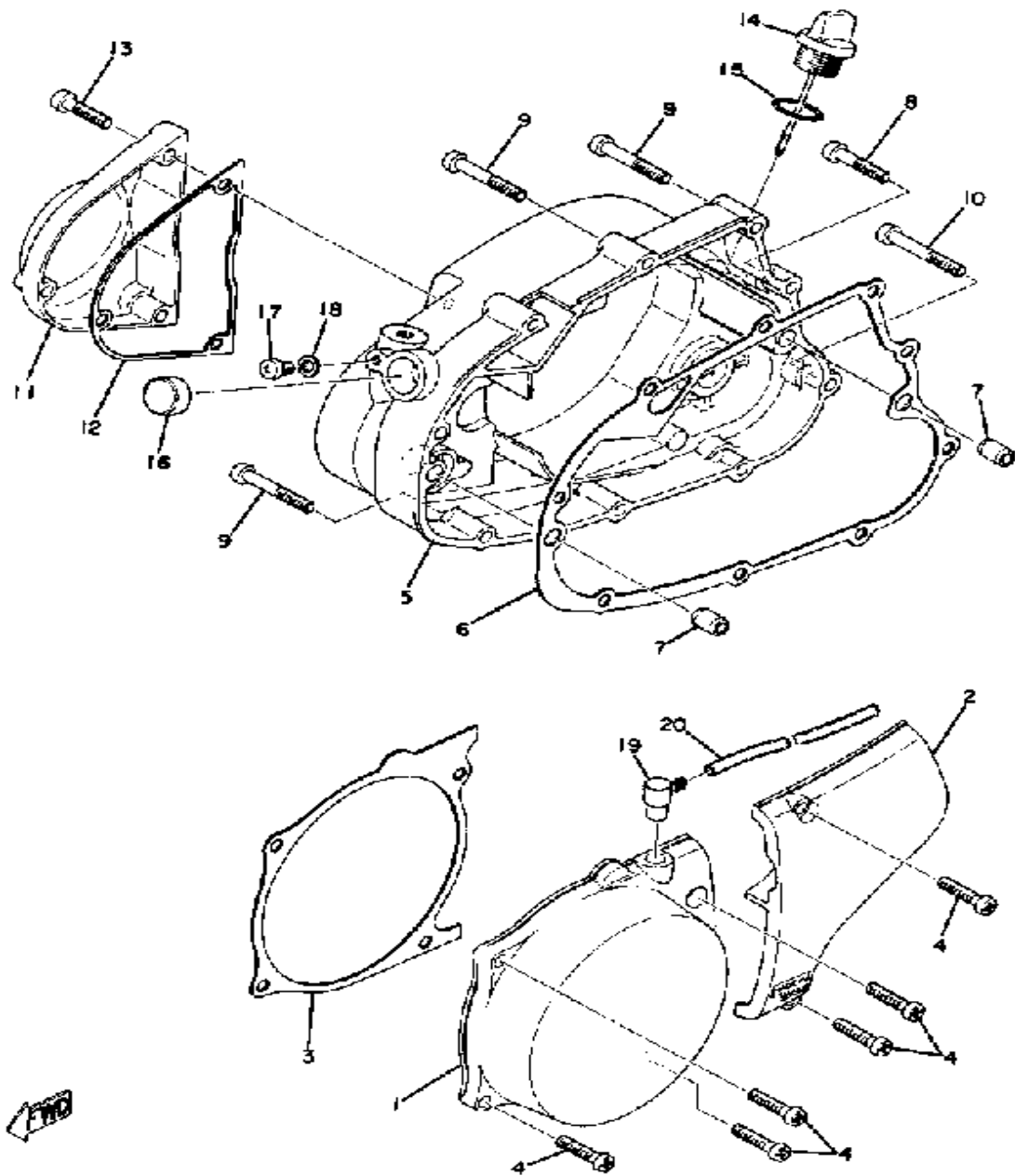
CONTINUED ON NEXT FRAME ►

EXHAUST



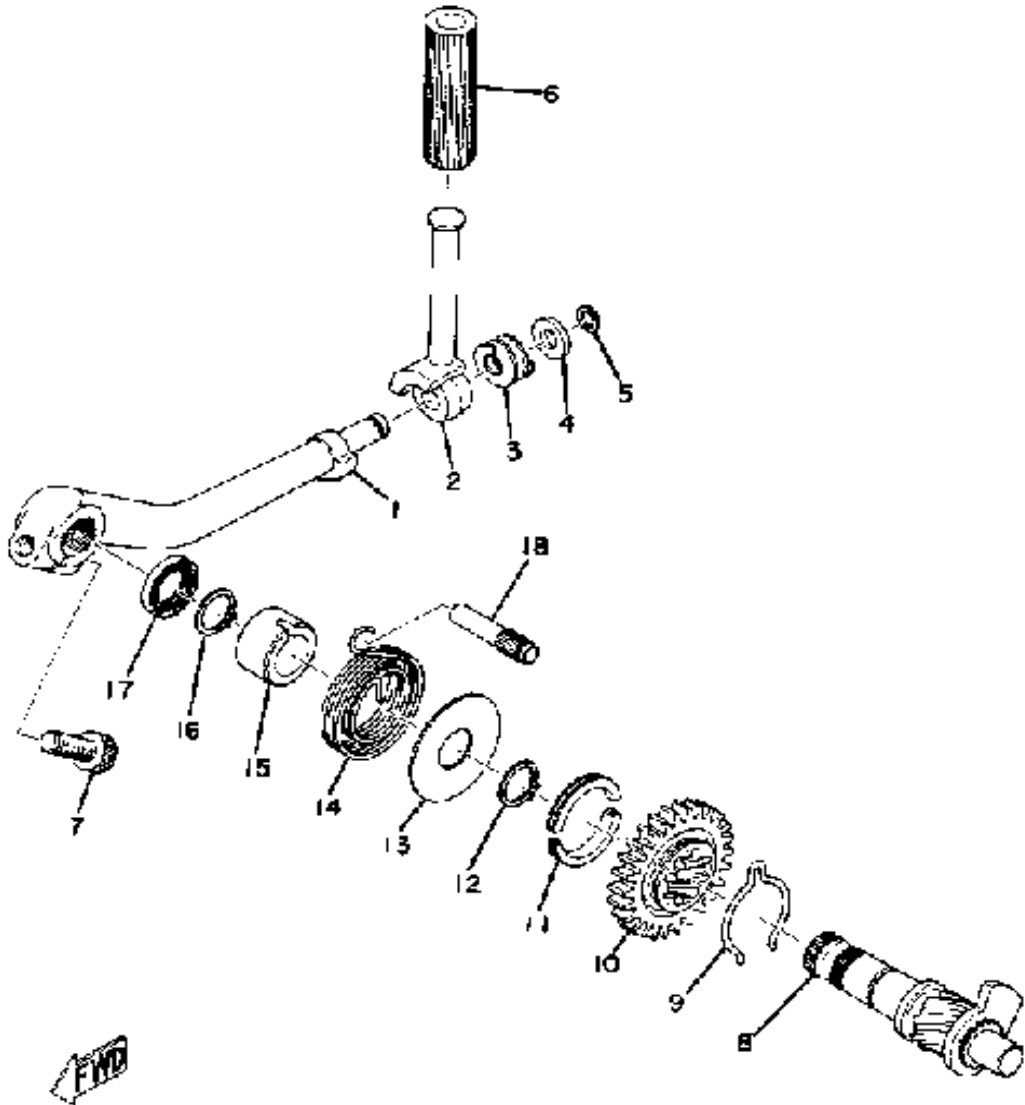
Ref. No.	Part Number	Description	Qty	Remarks
28	95303-06800-00	NUT (CROWN)	2	
29	92995-06100-00	WASHER, SPRING	2	
30	90209-06061-00	WASHER, SPEC'L SHAP	2	

CRANKCASE COVER



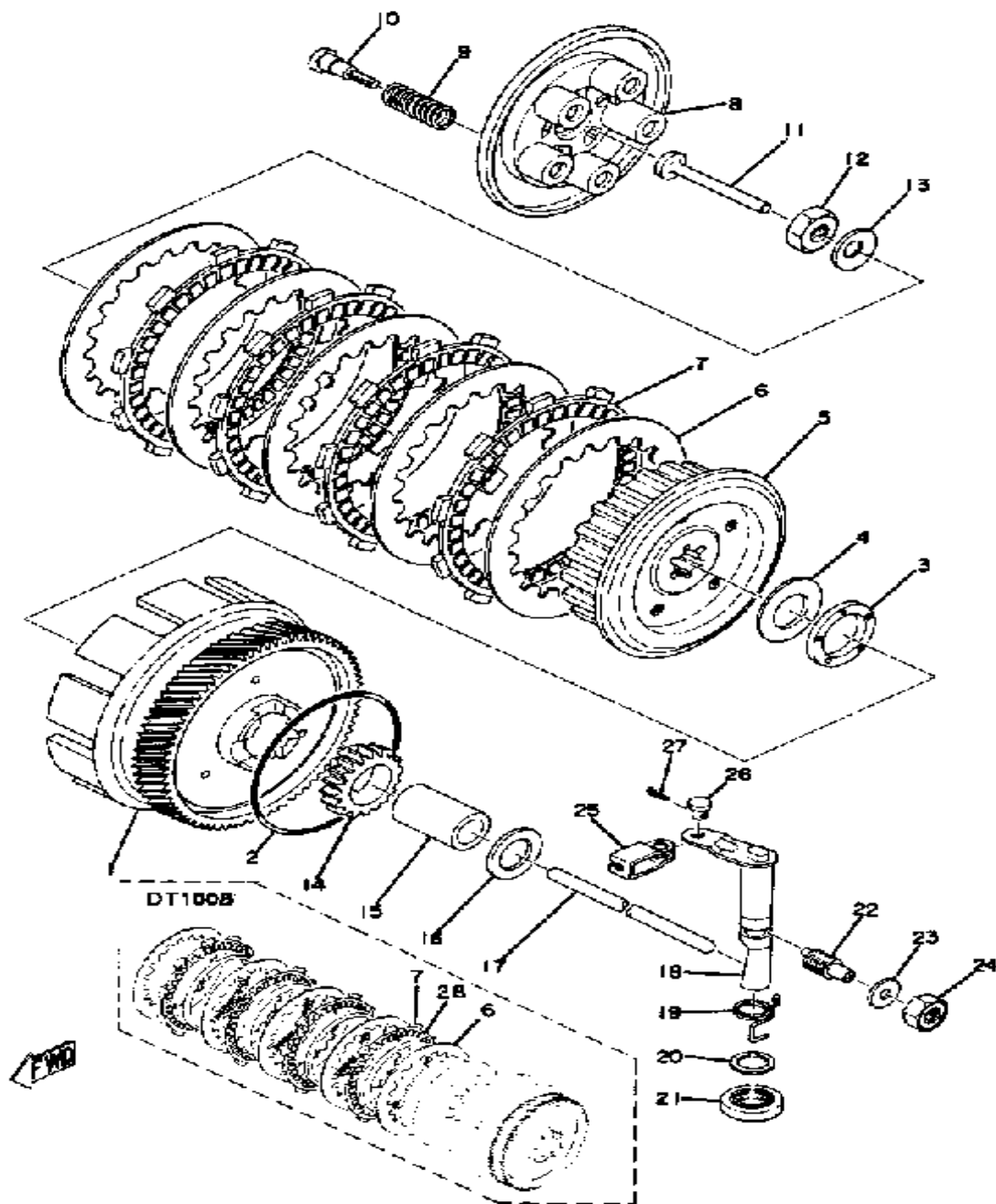
Ref. No.	Part Number	Description	Qty	Remarks
1	437-15411-01-00	COVER, CRANKCASE L	1	
2	437-15421-00-00	COVER, CRANKCASE R	1	
3	401-15455-00-00	GASKET 1COVER LEFT 1	1	
4	98511-06025-00	SCREW PAN HEAD (92501-06025)	6	
5	(437-15431-00-00)	COVER, CRANKCASE 3	1	
6	401-15451-00-00	GASKET, CRCS COVERCRANKCASE COVER 1	1	
7	99530-10014-00	PIN, DOWEL	2	
8	98580-06030-00	SCREW PAN HEAD	2	
9	98580-06040-00	SCREW, pan head (92501-06040-00)	6	
10	98580-06545-00	SCREW PAN HEAD (92503-06045)	1	
11	437-15416-01-00	COVER, OIL PUMP	1	
12	3UL-15456-00-00	GASKET, OIL PUMP COVER 1	1	
13	98511-06025-00	SCREW PAN HEAD (92501-06025)	3	
14	401-15362-00-00	PLUG, OIL LEVEL	1	
15	93210-19123-00	O-RING	1	
16	90338-20023-00	PLUG	1	
17	98580-06010-00	SCREW, PAN HEAD (92503-06010)	1	
18	92995-06100-00	WASHER, SPRING	1	
19	583-15371-00-00	BREATHER	1	
20	(90446-07009-00)	HOSE	1	

KICK - STARTER



Ref. No.	Part Number	Description	Qty	Remarks
2	(137-15612-01-00)	LEVER, KICK	1	
3	90504-18031-00	. SPRING, COMPRESSION (132-15625-01)	1	
4	90209-10108-00	. WASHER, SPEC'L SHAP ...	1	
5	93440-10028-00	. CIRCLIP, OUTER (132-15617-00)	1	
6	156-15618-01-00	COVER, KICK LEVER	1	
7	91316-08025-00	BOLT, SOCKET HEAD	1	
8	403-15660-01-00	KICK AXLE ASSEMBLY (403-15660-02-00)	1	
9	90468-26048-00	CLIP	1	
10	(305-15641-00-00)	GEAR, KICK	1	
11	248-15654-00-00	HOLDER, KICK GEAR	2	
12	99009-30400-00	CIRCLIP	1	
13	401-15676-00-00	COVER, SPRING	1	
14	90508-26041-00	SPRING, TORSION	1	
15	401-15666-00-00	SPACER	1	
16	99009-17400-00	CIRCLIP	1	
17	93101-17062-00	OIL SEAL	1	M4-043
18	257-15668-00-00	STOPPER	1	
-1	1X0-15620-00-00	KICK CRANK ASSEMBLY (437-15610-01-93)	1	

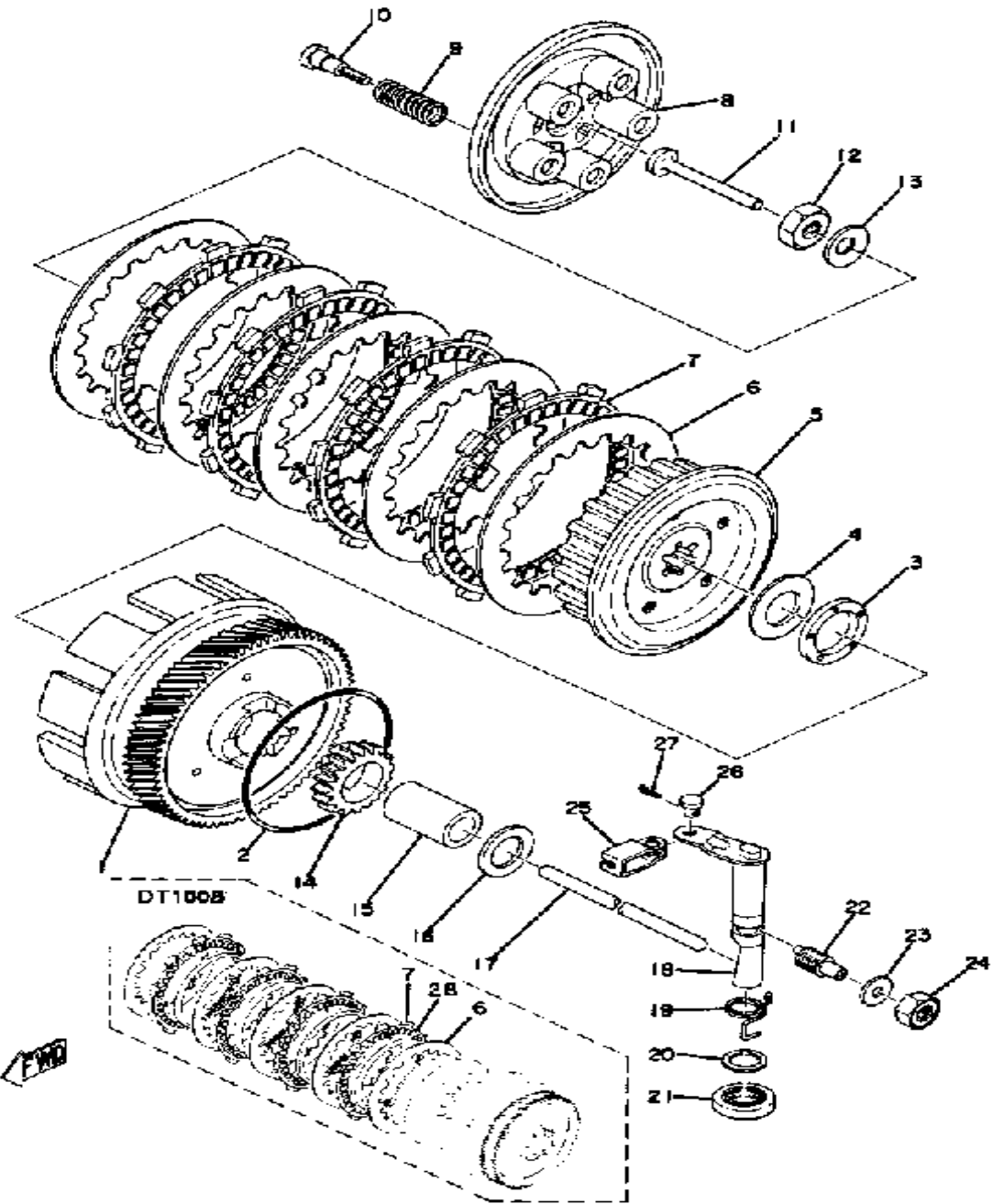
CLUTCH



Ref. No.	Part Number	Description	Qty	Remarks
1	(403-16150-00-00)	PRI DRVN GEAR	1	
2	132-16369-00-00	. RING, FRICTION	1	
3	93341-22302-00	. BEARING	1	
4	(276-16154-00-00)	PLATE, THRUST 1	1	
5	132-16371-02-00	. BOSS, CLUTCH	1	
6	137-16324-00-00	. PLATE, CLUTCH 1	5	
	336-16324-00-00	. PLATE, CLUTCH 1 (13716-32400-00)	5	
7	132-16321-01-00	. PLATE, FRICTION	4	
	401-16321-00-00	. PLATE, FRICTION	4	
8	132-16351-00-00	. PLATE, PRESSURE 1	1	
9	90501-20124-00	. SPRING, COMPRESSION (137-16333-00)	5	
10	(90149-05147-00)	SCREW, SPECL SHAPE	5	
11	137-16356-00-00	ROD, PUSH 1	1	
12	90170-12060-00	NUT	1	
13	90208-12015-00	WASHER, CONICAL SPRING	1	
14	(254-15631-00-00)	GEAR, KICK PINION	1	
15	90560-17146-00	SPACER	1	
16	122-16164-00-00	PLATE, THRUST 2	1	
17	(403-16357-00-00)	ROD, PUSH 2	1	
18	401-16382-02-00	AXLE, PUSH LEVER	1	
19	90508-14132-00	SPRING, TORSION	1	
20	90201-14217-00	WASHER, PLATE	1	
21	93104-14059-00	OIL SEAL, SO-TYPE	1	
22	364-16343-00-00	SCREW, ADJUSTING	1	
23	90430-12207-00	GASKET	1	
24	583-16344-00-00	NUT, ADJUSTING	1	
25	214-16389-00-00	JOINT	1	

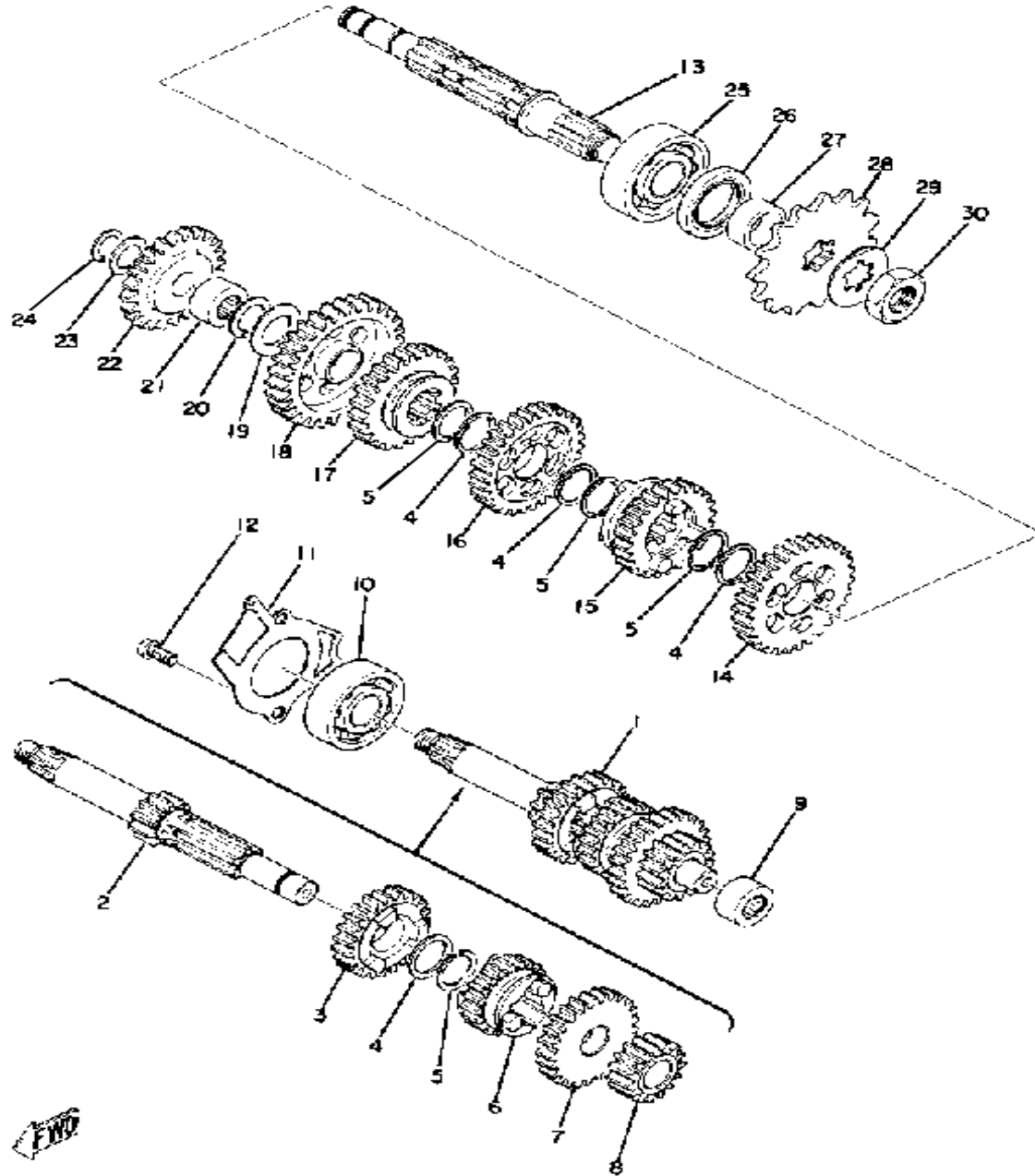
CONTINUED ON NEXT FRAME ►

CLUTCH



Ref. No.	Part Number	Description	Qty	Remarks
26	90240-06005-00	PIN, CLEVIS	1	
27	91401-10015-00	PIN, COTTER	1	
28	137-16367-00-00	RING, CUSHION	4	
-1	(403-16301-01-00)	CLUTCH ASSEMBLY	1	
	(437-16301-00-00)	CLUTCH ASSEMBLY	1	

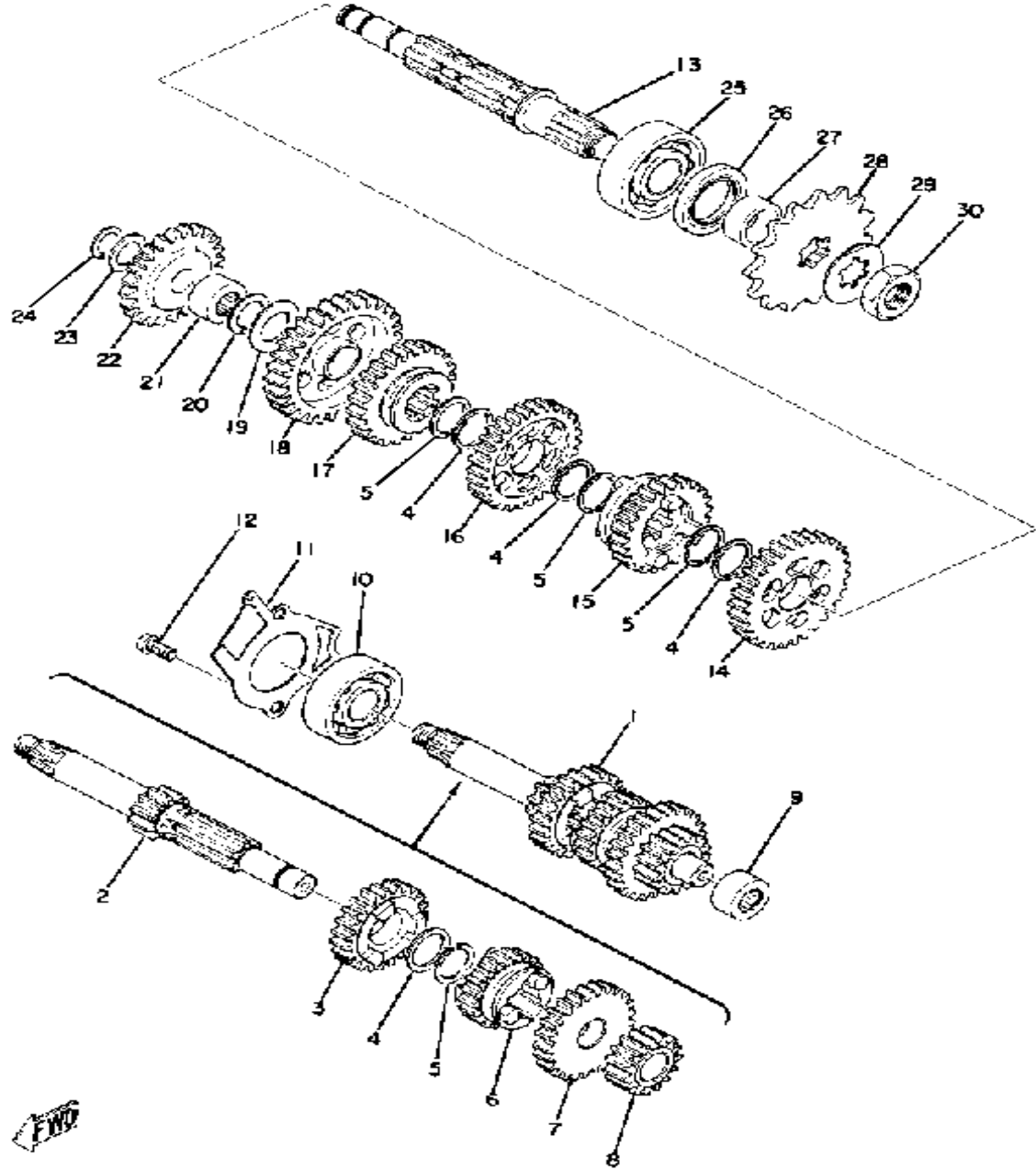
TRANSMISSION



Ref. No.	Part Number	Description	Qty	Remarks
1	(437-17410-00-00)	MAIN AXLE	1	
2	(437-17411-01-00)	AXLE, MAIN	1	
3	(437-17141-00-00)	GEAR, 4TH PINION	1	
4	90201-20266-00	. WASHER, PLATE (1.0T)	4	
5	93410-20038-00	. CIRCLIP	4	
6	427-17131-00-00	. GEAR, 3RD PINION (19T)	1	
7	437-17151-00-00	. GEAR, 5TH PINION (25T)	1	
8	437-17121-02-00	. GEAR, 2ND PINION	1	
9	93315-31502-00	BEARING	1	
10	93306-30309-00	BEARING	1	
11	1G8-17471-00-00	PLATE, COVER	1	
12	98580-06012-00	SCREW, PAN HEAD	2	
13	315-17421-01-00	AXLE, DRIVE	1	
14	427-17221-00-00	GEAR, 2ND WHEEL (30T)	1	
15	437-17251-00-00	GEAR, 5TH WHEEL (20T)	1	
16	427-17231-00-00	GEAR, 3RD WHEEL (26T)	1	
17	248-17241-00-00	GEAR, 4TH WHEEL (23T)	1	
18	248-17211-00-00	GEAR, 1ST WHEEL (35T)	1	
19	164-17427-00-06	SHIM 1 (0.6T)	1	
20	93440-15012-00	CIRCLIP	1	
21	93311-31567-00	BEARING, CYLINDRICAL	1	
22	403-15651-00-00	GEAR, KICK IDLE (28T)	1	
23	(132-15653-00-14)	WASHER	1	U.R.
	132-15653-00-12	WASHER (13.3-22-1.2)	1	U.R.
24	99009-13400-00	CIRCLIP (55X)	1	
25	93306-30421-00	BEARING (B6304C3)	1	
26	93102-26042-00	OIL SEAL	1	
27	90387-20491-00	COLLAR	1	
28	93822-13024-00	SPROCKET, DRIVE 13T (1741746130)	1	U.R.

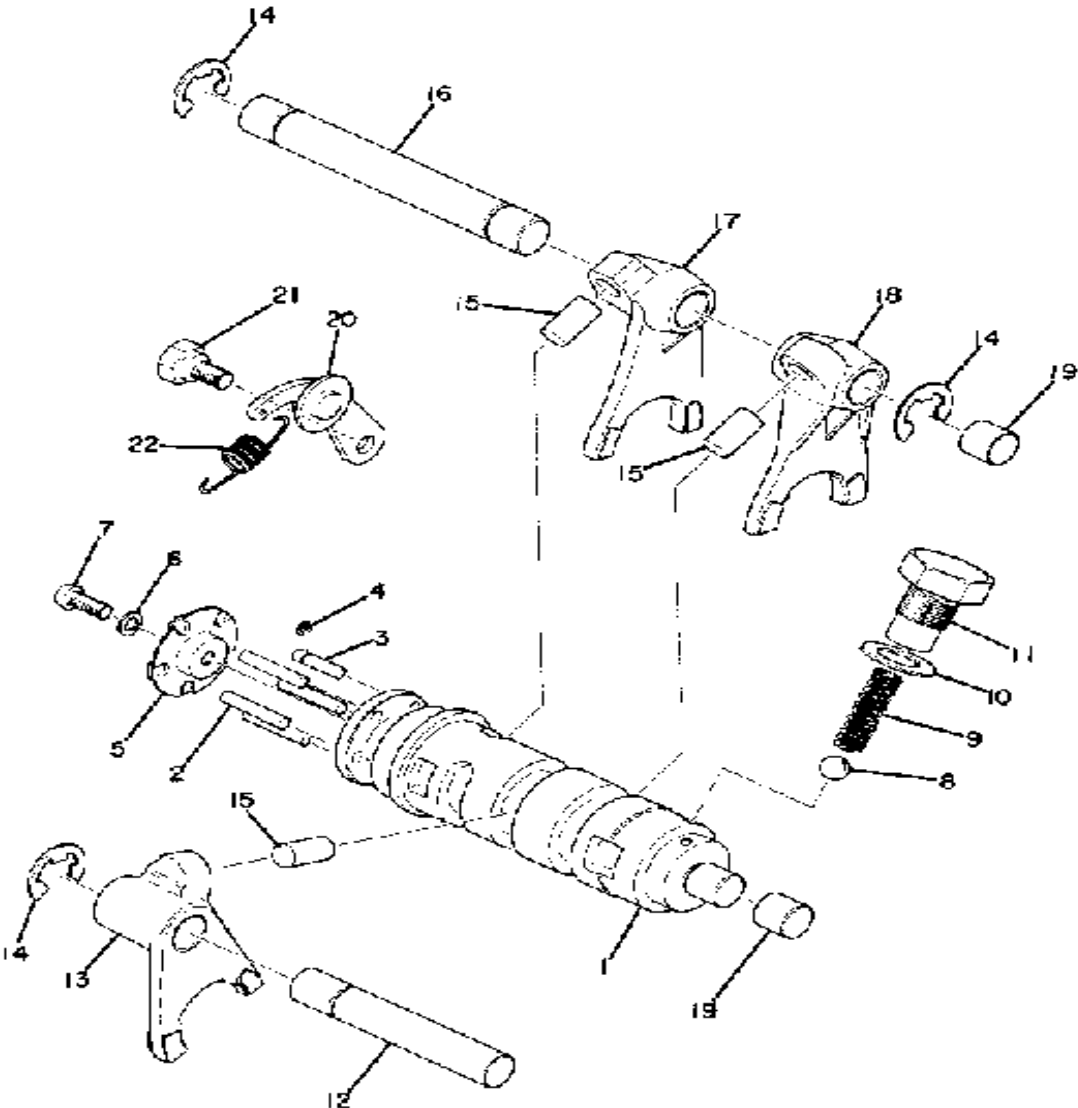
CONTINUED ON NEXT FRAME ➤

TRANSMISSION



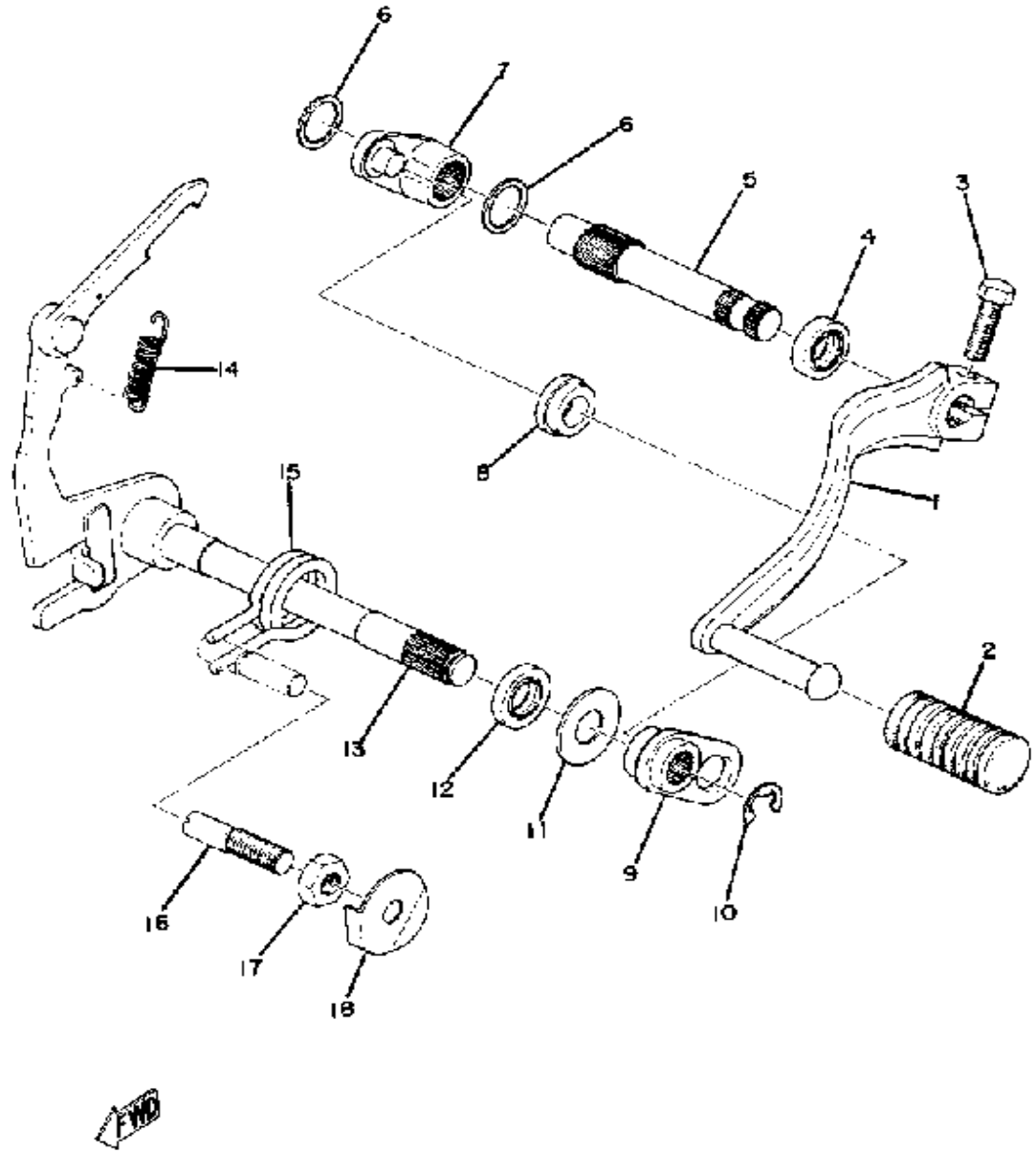
Ref. No.	Part Number	Description	Qty	Remarks
28	93822-14037-00	SPROCKET, DRIVE 14T (1741746140)	1	U.R. STD
	93822-15065-00	SPROCKET, DRIVE 15T (1741746150)	1	U.R.
29	90215-16020-00	WASHER, LOCK	1	
30	90179-16018-00	NUT	1	

SHIFTER 1



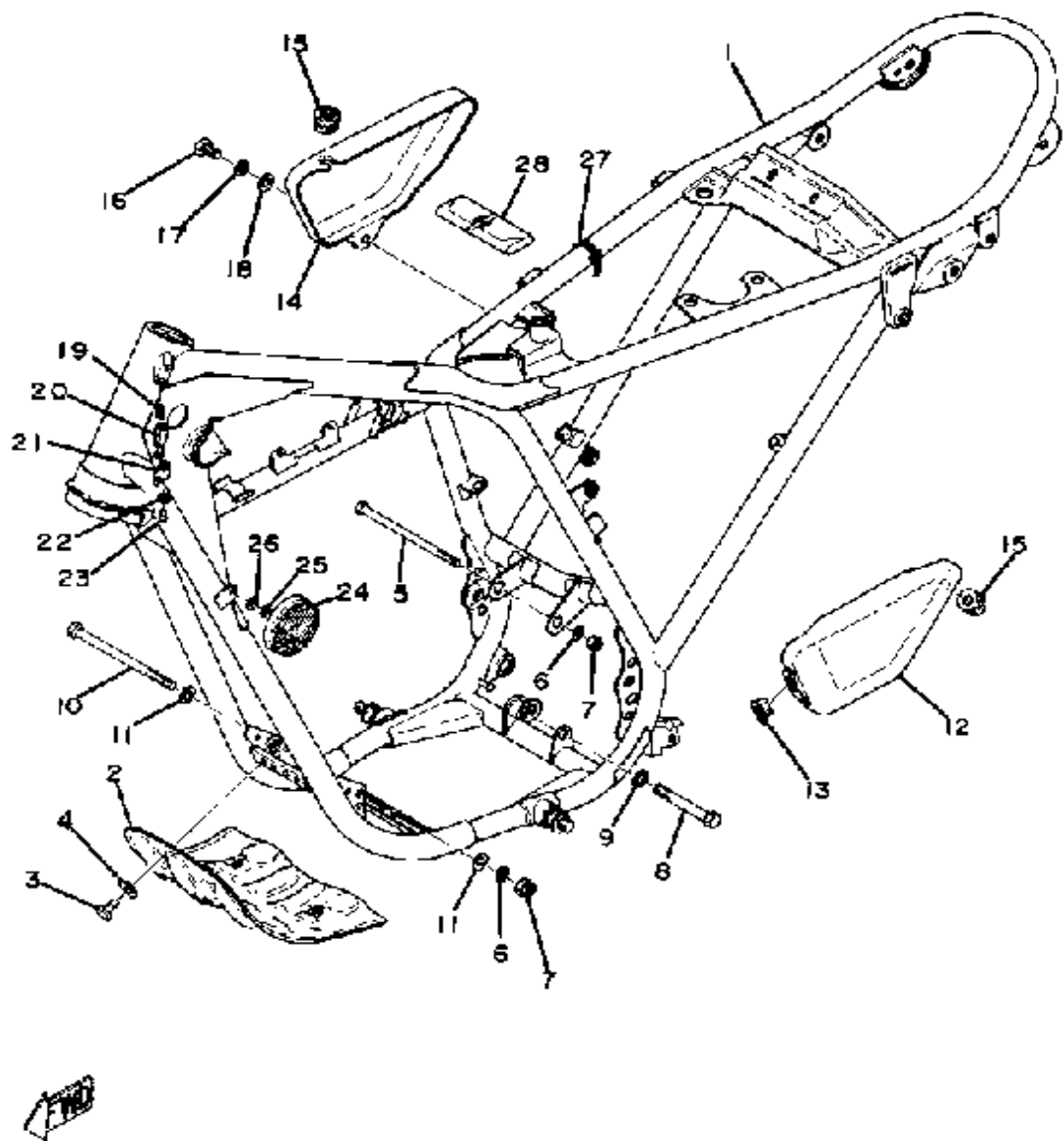
Ref. No.	Part Number	Description	Qty	Remarks
1	401-18540-00-00	SHIFT CAM ASSEMBLY	1	
2	93604-22050-00	PIN, DOWEL	4	
3	90249-04039-00	PIN, SPEC'L SHAPE (174-18544-00)	1	
4	93430-03014-00	CIRCLIP, E-TYPE	1	
5	164-18561-00-00	PLATE, SIDE 1	1	
6	92990-05100-00	WASHER, SPRING	1	
7	98580-05012-00	SCREW, PAN HEAD	1	
8	93505-16006-00	BALL	1	
9	90501-12083-00	SPRING, COMPRESSION (174-18558-00)	1	
10	137-15353-00-00	GASKET, DRAIN	1	
11	90109-14385-00	BOLT	1	
12	(248-18531-00-00)	BAR, SHIF FRK GDE 1	1	
13	463-18512-00-00	FORK, SHIFT 2	1	
14	93430-10017-00	CIRCLIP	3	
15	90250-08017-00	PIN, STRAIGHT	3	
16	214-18531-00-00	BAR, SHIFT FORK GUIDE 1	1	
17	463-18513-00-00	FORK, SHIFT 3	1	
18	463-18511-00-00	FORK, SHIFT 1	1	
19	214-15385-00-00	PLUG, BLIND	2	
20	132-18140-01-00	STOPPER LEVER ASSEMBLY	1	
21	90109-06001-00	BOLT	1	
22	90506-09112-00	SPRING, TENSION	1	

SHIFTER 2



Ref. No.	Part Number	Description	Qty	Remarks
1	1X0-18111-00-00	PEDAL, SHIFT	1	
2	132-18113-01-00	COVER, SHIFT PEDAL	1	
3	97011-06020-00	BOLT	1	
4	93109-12012-00	OIL SEAL	1	
5	401-18102-01-00	SHIFT SHAFT ASSEMBLY 2 ..	1	
	401-18155-00-00	SHAFT, SHIFT 2	1	
6	401-18334-00-00	SHIM	2	
7	401-18151-00-00	LEVER, SHIFT 3	1	
8	401-18178-00-00	ROLLER, SHIFT LEVER	1	
9	401-18152-01-00	LEVER, SHIFT 4	1	
10	99001-08600-00	CIRCLIP	1	
11	90201-12575-00	WASHER, PLATE	1	
12	93101-12060-00	OIL SEAL	1	
13	558-18101-00-00	SHIFT SHAFT ASSEMBLY	1	
14	90506-09009-00	. SPRING, TENSION	1	
15	90508-32207-00	SPRING, TORSION (132-18124-00)	1	
16	90149-08094-00	SCREW	1	
17	90170-08029-00	NUT	1	
18	90215-08014-00	WASHER, LOCK	1	

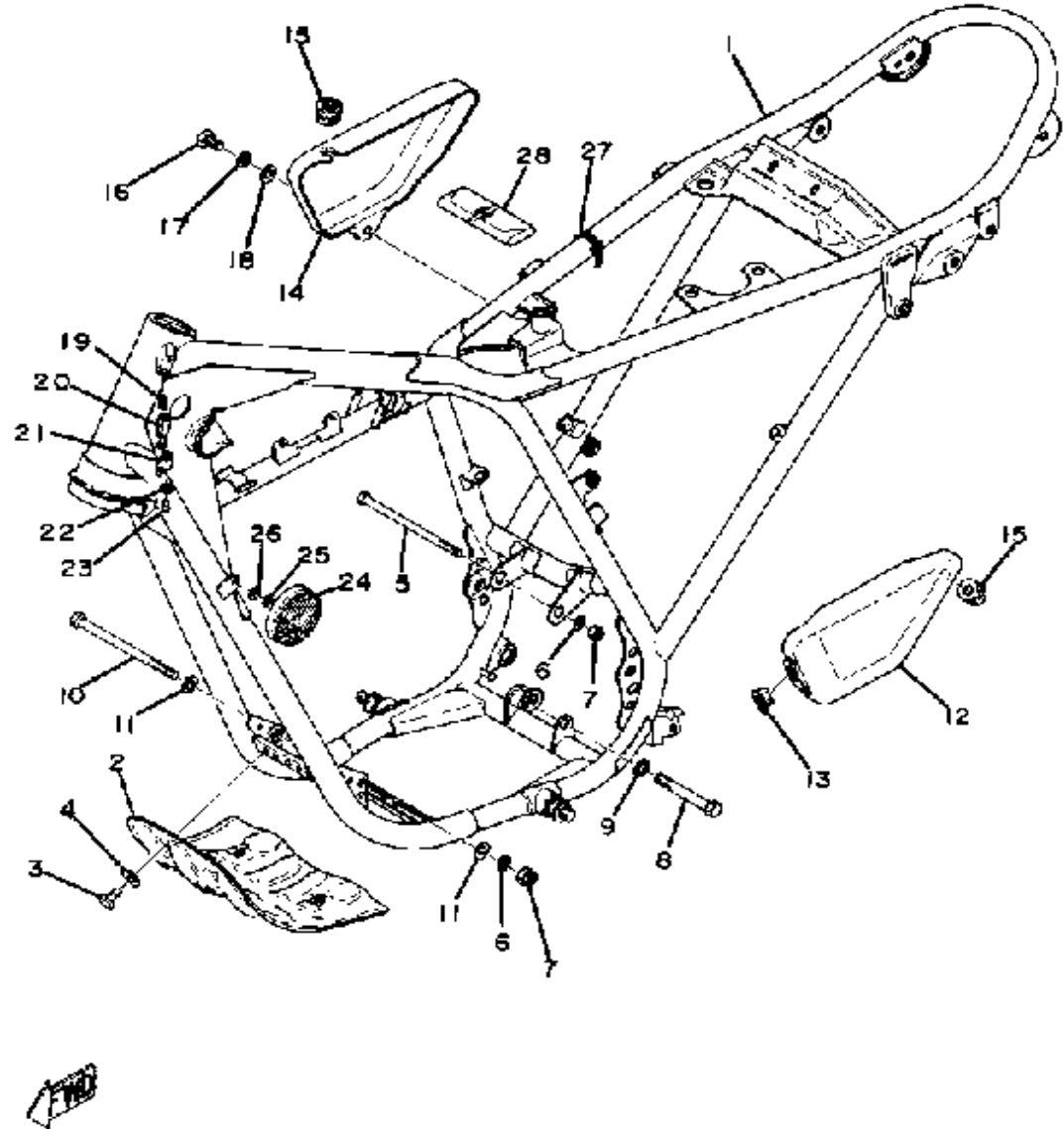
FRAME - SIDE COVER



Ref. No.	Part Number	Description	Qty	Remarks
1	(437-21110-20-33)	FRAME	1	YAMAHA BLK
2	(401-21471-00-90)	PROTECTOR, ENGINE	1	YAMAHA BLK
3	97013-06012-00	BOLT	4	
4	92990-06200-00	WASHER	4	
5	90105-08120-00	BOLT, WASHER BASED	1	
6	92990-08100-00	WASHER	2	
7	90185-08089-00	NUT, SELF-LOCKING	2	
8	90105-10037-00	BOLT, WASHER BASED	1	
9	92990-10100-00	WASHER, SPRING	1	
10	90105-08024-00	BOLT, WASHER BASED	1	
11	90209-08050-00	WASHER, SPEC'L SHAP	2	
12	437-21710-00-00	SIDE COVER ASSEMBLY 1 ...	1	
13	437-21717-10-00	DAMPER	1	
14	437-21721-00-00	COVER, SIDE 2	1	
15	90480-12053-00	GROMMET	2	
16	98503-06014-00	SCREW, PAN HEAD (92502-06016)	1	
17	92995-06100-00	WASHER, SPRING	1	
18	92990-06200-00	WASHER	1	
19	90502-08005-00	SPRING, CONICAL (214-23485-00)	1	
20	341-23408-01-00	STEERING LOCK ASSEMBLY (214-23480-00)	1	
21	(134-23484-10-00)	CAP, HANDLE LOCK	1	
22	90206-04003-00	WASHER, WAVE (214-23488-00)	1	
23	90269-04003-00	RIVET	1	
24	355-85111-01-00	REFLECTOR, FRONT 1	2	
25	92990-05100-00	WASHER, SPRING	2	
26	92990-05200-00	WASHER, PLAIN	2	
27	341-26397-01-00	BAND	2	

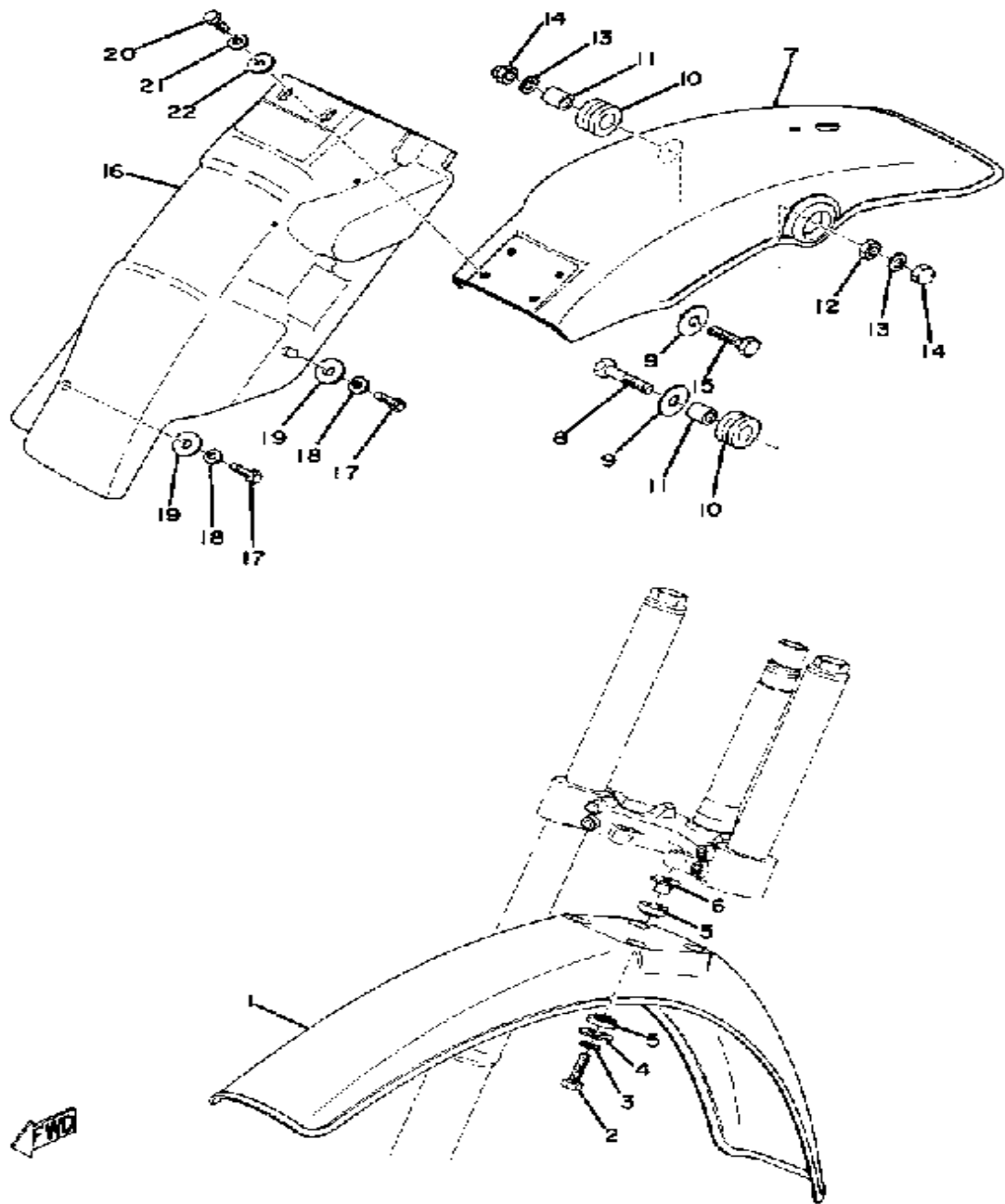
CONTINUED ON NEXT FRAME ➤

FRAME - SIDE COVER



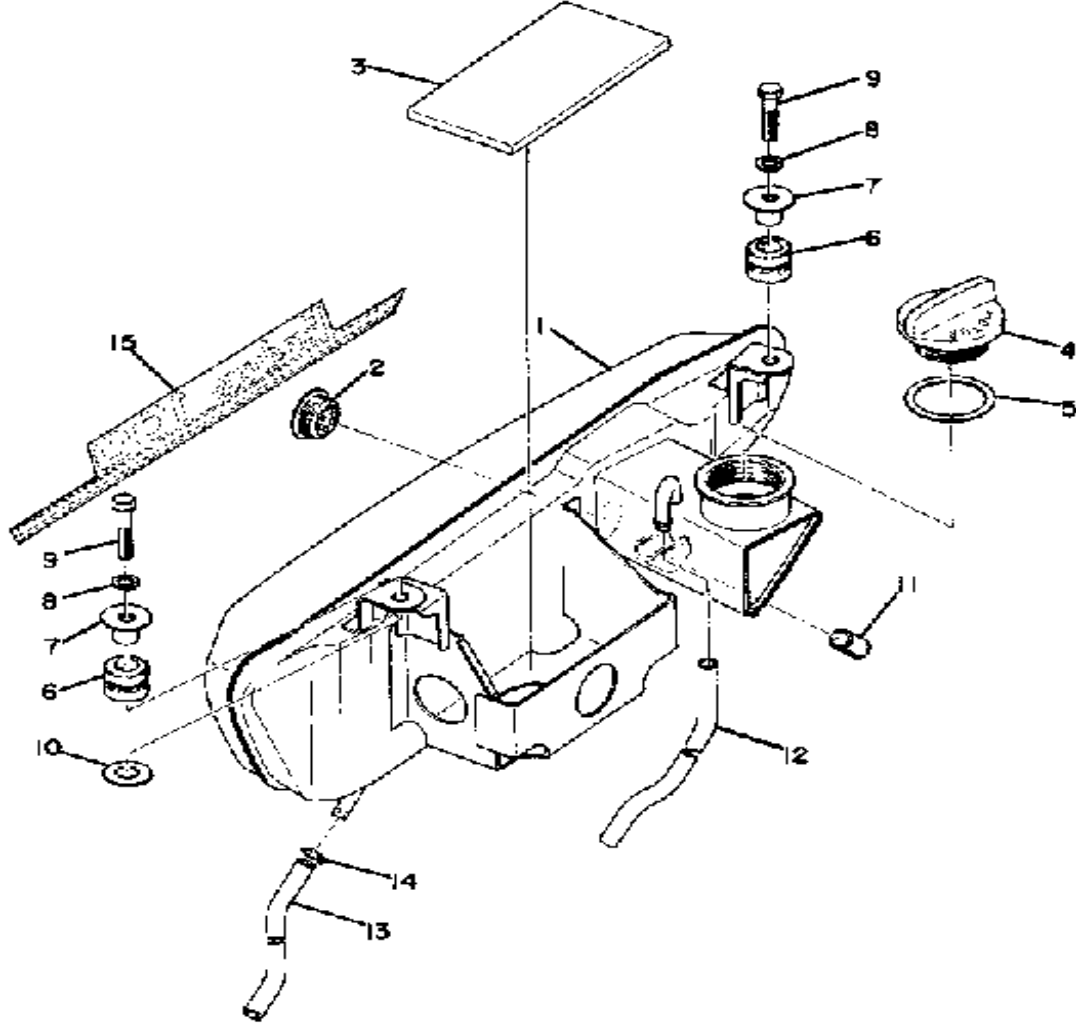
Ref. No.	Part Number	Description	Qty	Remarks
28	(315-W2810-10-00)	TOOL KIT	1	

FRONT FENDER - REAR FENDER



Ref. No.	Part Number	Description	Qty	Remarks
1	403-21511-01-20	FENDER, FRONT	1	CRYSTAL SILVER
2	97011-06025-00	BOLT (97001-06025)	4	
3	92995-06100-00	WASHER, SPRING	4	
4	90201-06067-00	WASHER, PLATE	4	
5	322-21541-00-00	DAMPER 1	8	
6	90387-06388-00	COLLAR	4	
7	(437-21610-00-20)	FENDER, REAR	1	CRYSTAL SILVER
8	97313-08045-00	BOLT	1	
9	90201-08753-00	WASHER, PLATE	2	
10	168-21639-00-00	DAMPER 2	2	
11	90387-08258-00	COLLAR	2	
12	95303-08700-00	NUT	1	
13	92990-08100-00	WASHER	2	
14	95303-08800-00	NUT (CROWN) (95301-08800)	2	
15	97313-08035-00	BOLT, HEXAGON	1	
16	(437-21620-00-00)	GUARD, MUD	1	
17	97313-06016-00	BOLT, HEXAGON	2	
18	92995-06100-00	WASHER, SPRING	2	
19	90201-06067-00	WASHER, PLATE	2	
20	97001-06018-00	BOLT	2	
21	92990-06200-00	WASHER	2	
22	92990-06200-00	WASHER	2	

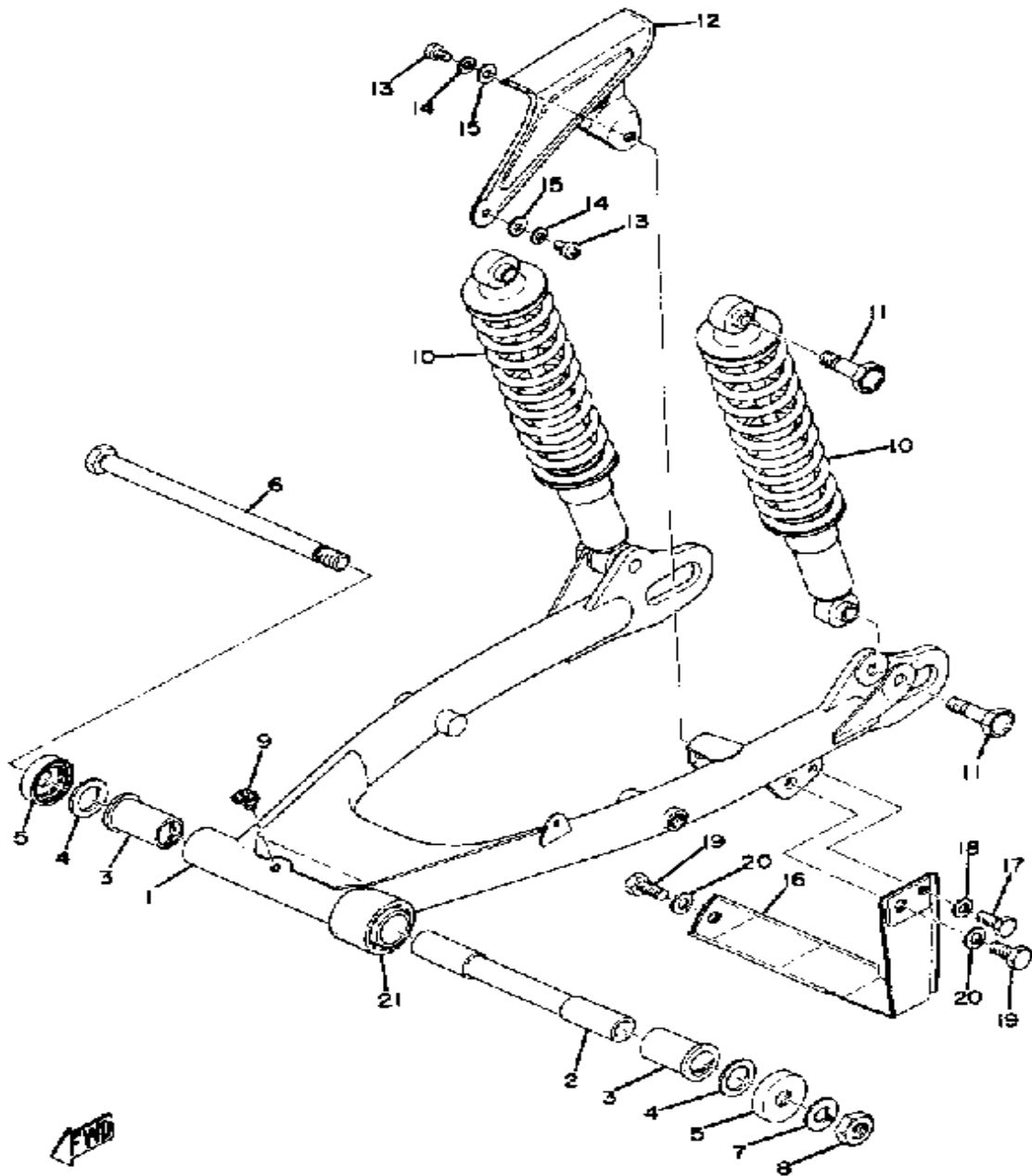
OIL TANK



Ref. No.	Part Number	Description	Qty	Remarks
1	(437-21705-00-N4)	OIL TANK ASSEMBLY	1	DESERT GOLD
	(437-21705-00-N6)	OIL TANK ASSEMBLY	1	EL TORO ORANGE
2	360-21761-00-00	. GAUGE, LEVEL	1	
3	(437-21732-00-00)	SEAL 1	1	
4	214-21771-00-00	BODY, CAP	1	
5	90430-29114-00	GASKET	1	
6	90480-14023-00	GROMMET	2	
7	90387-07391-00	COLLAR	2	
8	92995-06100-00	WASHER, SPRING	2	
9	(90157-06029-00)	SCREW, PAN HEAD	2	
10	90201-06067-00	WASHER, PLATE	1	
11	437-21779-00-00	DAMPER, LOCATING 2	1	
12	90446-09232-00	HOSE	1	
13	90445-09107-00	HOSE	1	
	90445-09304-00	HOSE	1	
14	90467-08003-00	CLIP	1	
15	(437-21787-00-00)	EMBLEM 7	1	
	(437-21787-20-00)	EMBLEM 7	1	

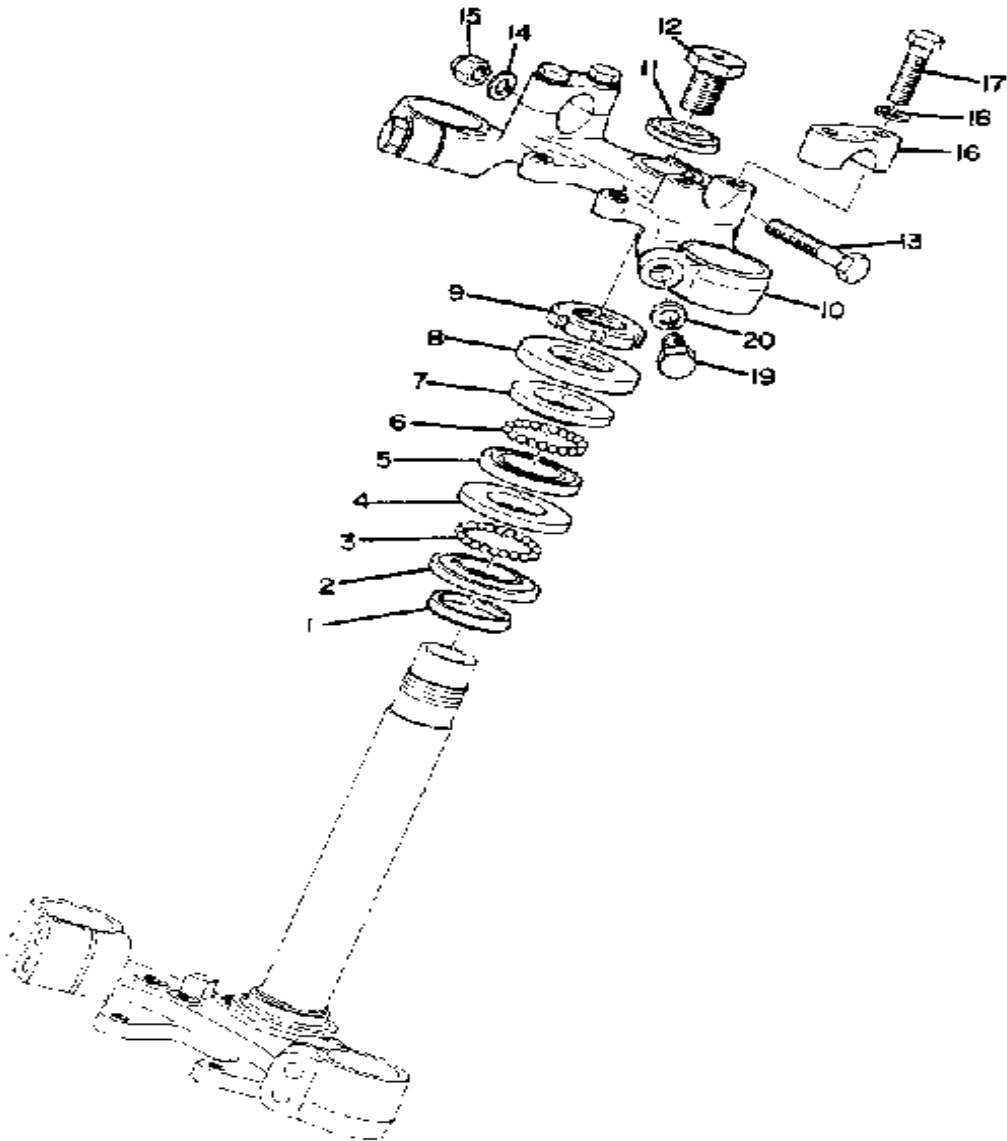


REAR ARM - REAR CUSHION - CHAIN C



Ref. No.	Part Number	Description	Qty	Remarks
1	(437-22110-00-33)	REAR ARM	1	YAMAHA BLK
2	18G-22124-00-00	BUSH 2	1	
3	90386-18028-00	BUSH	2	M4-043
4	401-22127-00-00	SHIM	1	
5	401-22128-01-00	SEAL, GUARD	2	
6	537-22141-01-00	SHAFT, PIVOT	1	
7	92901-12100-00	WASHER, SPRING	1	
8	95303-12600-00	NUT	1	
9	93700-06005-00	NIPPLE, GREASE	1	
10	305-22210-20-00	SHK/ABS ASSEMBLY, REAR	2	
11	90109-10195-00	BOLT	4	
12	(437-22311-02-33)	CASE, CHAIN	1	YAMAHA BLK
13	98580-05010-00	SCREW, PAN HEAD	2	
14	92990-05100-00	WASHER, SPRING	2	
15	92990-05200-00	WASHER, PLAIN	2	
16	(248-22318-00-33)	GUARD, CHAIN	1	YAMAHA BLK
17	97001-06018-00	BOLT	1	
18	92995-06100-00	WASHER, SPRING	1	
19	97313-08018-00	BOLT, HEXAGON (97301-08016)	2	
20	92990-08100-00	WASHER	2	
21	(437-22151-00-00)	SEAL, GUARD	1	

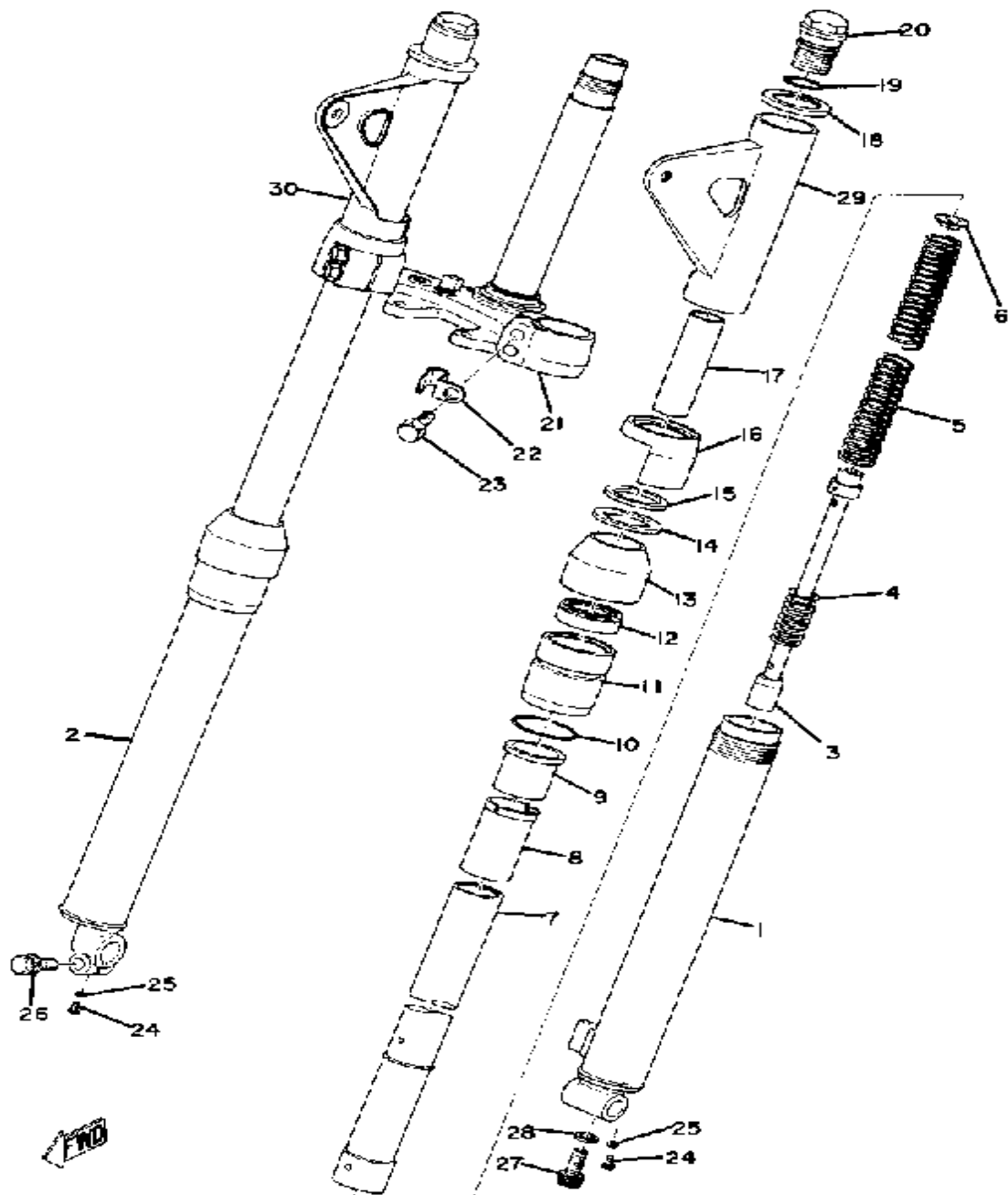
STEERING



Ref. No.	Part Number	Description	Qty	Remarks
1	164-23462-00-00	SEAL, STEERING	1	
2	156-23411-00-00	RACE, BALL 1	1	
3	93501-04011-00	BALL	19	
4	156-23412-00-00	RACE, BALL 2	1	
5	22F-23411-01-00	RACE, BALL 1	1	
6	93503-16010-00	BALL	22	
7	22F-23412-01-00	RACE, BALL 2	1	
8	122-23416-00-00	COVER, BALL RACE 2	1	
9	90179-25033-00	NUT	1	
10	(248-23435-03-33)	CROWN, HANDLE	1	YAMAHA BLK
11	90209-14022-00	WASHER, SPEC'L SHAP (214-23443-00)	1	
12	90101-14113-00	BOLT (214-23451-10)	1	
13	97313-08045-00	BOLT	1	
14	92990-08100-00	WASHER	1	
15	95303-08800-00	NUT (CROWN) (95301-08800)	1	
16	401-23441-00-98	HOLDER, HANDLE UPR	2	YAMAHA BLK
17	(97324-08035-00)	BOLT, HEXAGON	4	
18	92990-08100-00	WASHER	4	
19	97013-10030-00	BOLT (8J7) (97303-10030)	2	
20	92990-10100-00	WASHER, SPRING	2	



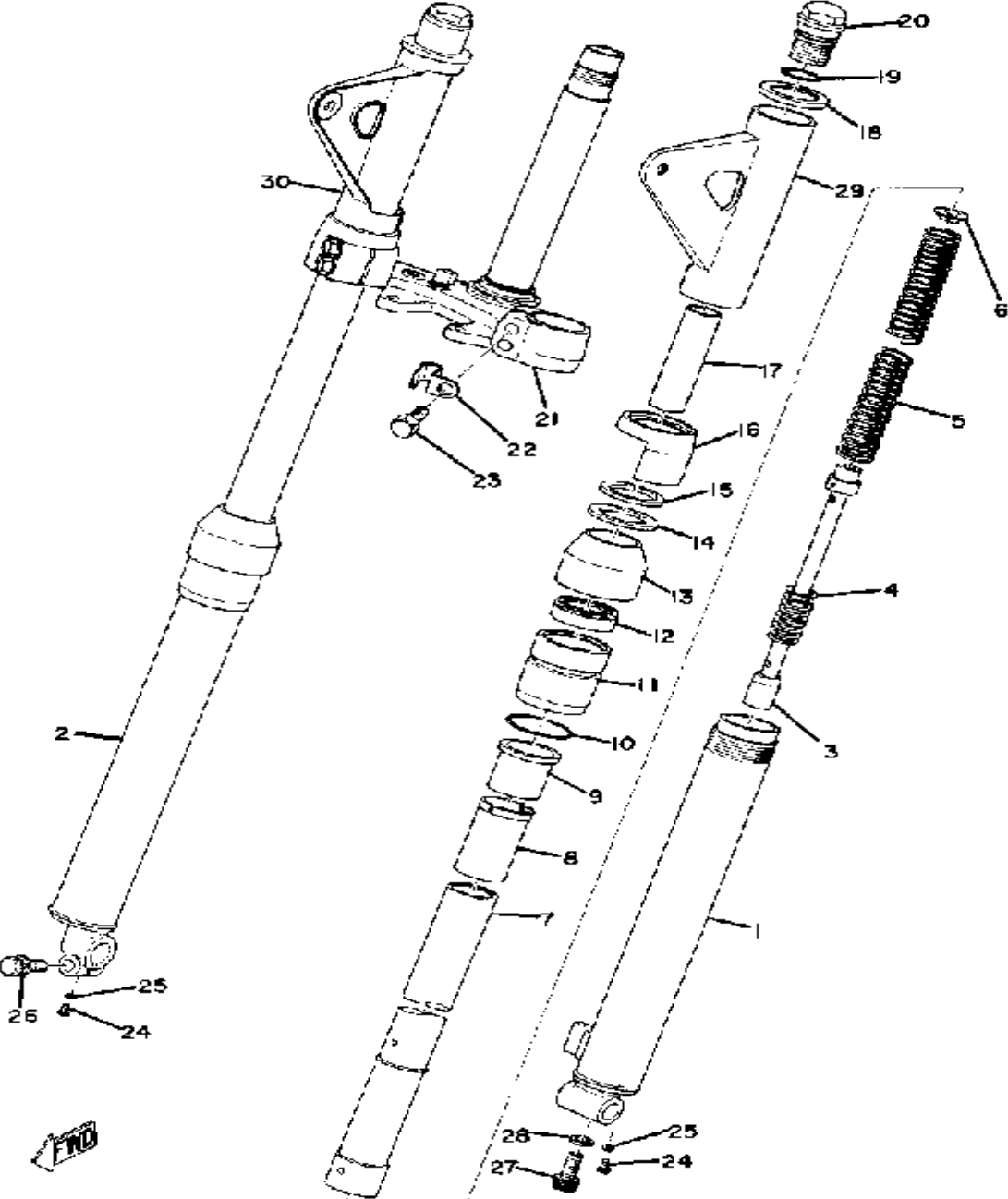
FRONT FORK



Ref. No.	Part Number	Description	Qty	Remarks
1	(437-23126-00-00)	TUBE, OUTER 1	1	
2	(437-23136-00-00)	TUBE, OUTER 2	1	
3	(248-23170-01-00)	CYLINDER, FRTFRK	2	
4	(248-23152-00-00)	SPRING, SUB	2	
5	318-23141-00-00	. SPRING, FRONT FORK	2	
6	(304-23142-50-00)	SEAT, SPRING UPPER	2	
7	(437-23124-00-00)	TUBE, INNER 1	2	
8	(248-23166-00-00)	SPACER, OIL LOCK	2	
9	(137-23125-01-00)	METAL, SLIDE 1	2	
10	137-23147-00-00	. O-RING	2	
11	(193-23150-40-00)	OUTER NUT	2	
12	137-23145-01-00	. OIL SEAL	2	
13	248-23144-00-00	. SEAL, DUST	2	
14	(437-23163-00-00)	GASKET	2	
15	(437-23161-00-00)	WASHER, LIGHT STAY	2	
16	(304-23122-50-00)	COVER, OUTER 1	2	
17	(248-23118-00-00)	SPACER	2	
18	(248-23115-01-00)	GUIDE, COVER UPPER	2	
19	146-23114-00-00	. GASKET	2	
20	(2K5-23111-00-00)	BOLT, CAP	2	
21	(437-23340-00-33)	UNDER BRACKET	1	YAMAHA BLK
22	(256-23318-60-00)	HOLDER, CABLE 1	1	
23	18G-23128-00-00	. BOLT, W/WASHER	4	
24	98580-04008-00	. SCREW, PAN HEAD	2	
25	122-23129-00-00	. GASKET, DRAIN PLUG	2	
26	(90119-08010-00)	BOLT, WITH WASHER	1	
27	91311-08020-00	. BOLT, SOCKET HEAD	2	
28	(214-23158-00-00)	GASKET	2	
29	(438-23121-00-20)	COVER, UPPER 1	1	CRYSTAL SILVER

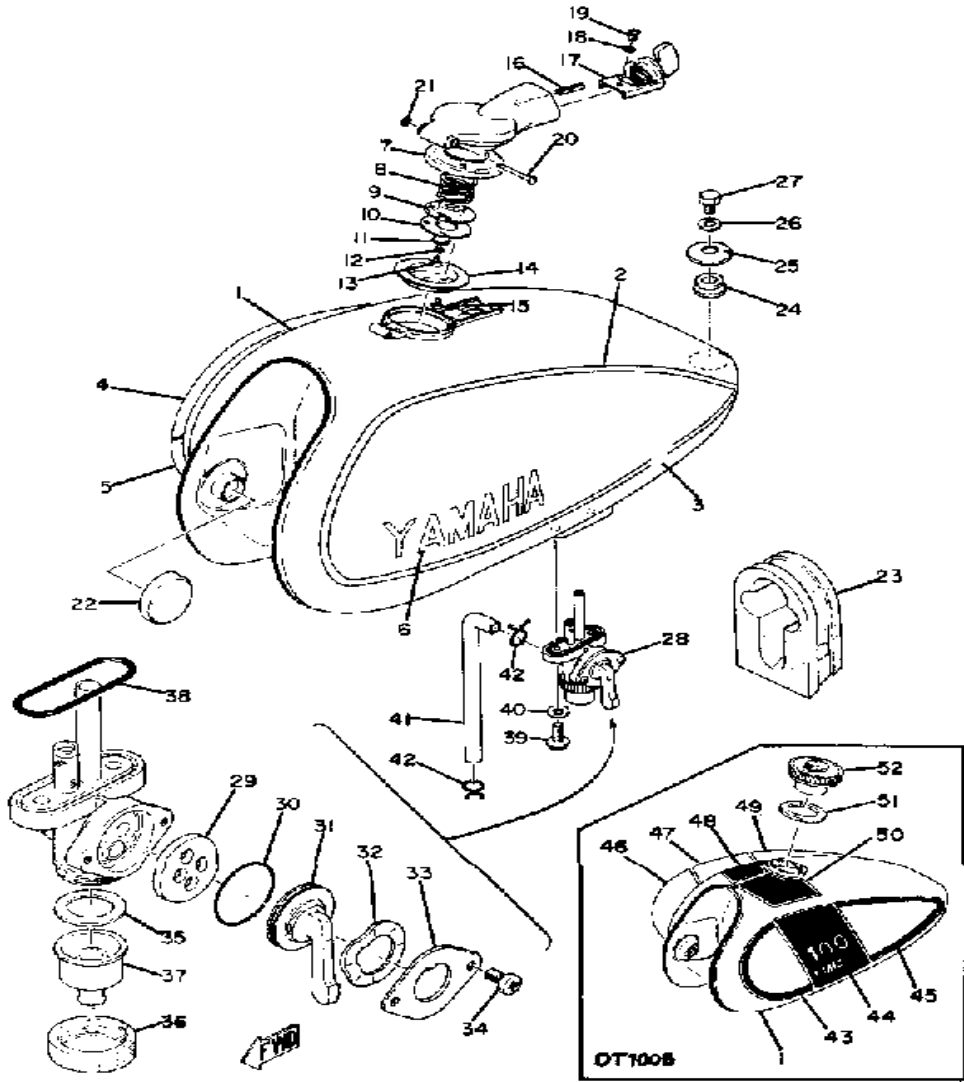
CONTINUED ON NEXT FRAME ►

FRONT FORK



Ref. No.	Part Number	Description	Qty	Remarks
30	(438-23131-00-20)	COVER, UPPER 2	1	CRYSTAL SILVER
-1	(437-23101-01-00)	FRONT FORK ASSEMBLY	1	

FUEL TANK

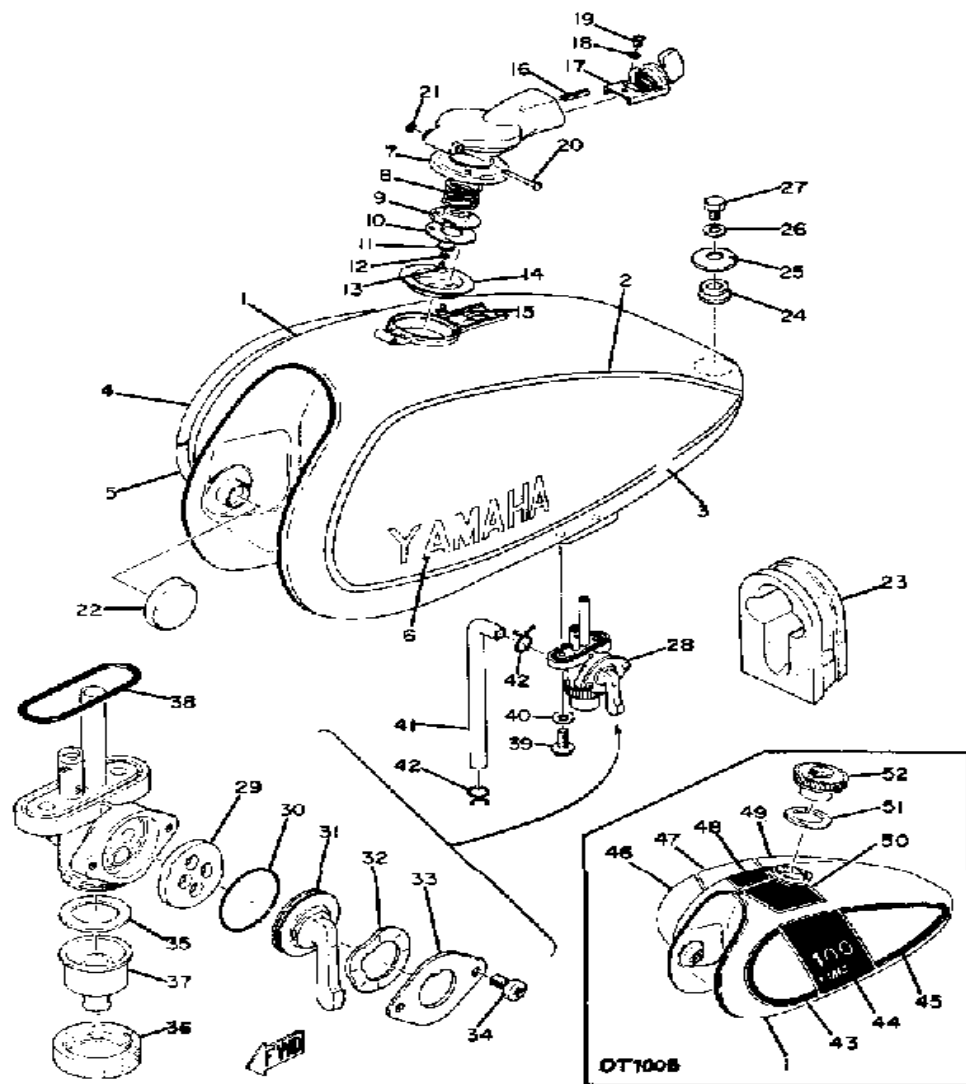


Ref. No.	Part Number	Description	Qty	Remarks
1	(437-24110-00-01)	FUEL TANK	1	DESERT GOLD
	(437-24110-10-01)	FUEL TANK	1	51 TORO ORANGE
2	(437-24244-00-00)	GRAPHIC, FUEL TNK 1	1	
3	(437-24246-00-00)	GRAPHIC, FUEL TNK 3	1	
4	(437-24245-00-00)	GRAPHIC, FUEL TNK 2	1	
5	(437-24247-00-00)	GRAPHIC, FUEL TNK 4	1	
6	322-24161-00-00	. EMBLEM 1	2	
7	437-24612-00-00	. GASKET, CAP	1	
8	437-24612-00-00	. GASKET, CAP	1	
9	(437-24616-00-00)	GASKET, PLATE 2	1	
10	(437-24639-00-00)	STOPPER, PLATE	1	
11	(437-24639-00-00)	STOPPER, PLATE	1	
12	92901-04100-00	. WASHER, SPRING	1	
13	98511-04006-00	. SCREW, PAN HEAD (98501-04005)	1	
14	437-24615-00-00	. GASKET, PLATE 1	1	
15	98580-03008-00	. SCREW, PAN HEAD	3	
16	91609-40018-00	. PIN, SPRING	1	
17	(437-24602-00-00)	CAP ASSEMBLY	1	
18	92990-05100-00	WASHER, SPRING	1	
19	98580-05010-00	SCREW, PAN HEAD	1	
20	90249-03087-00	PIN, SPEC'L SHAPE (308-24623-00)	1	
21	93430-02001-00	CIRCLIP	1	
22	278-24181-00-00	DAMPER, LOCATING 1	2	
23	(401-24183-00-00)	DAMPER, LOCATING 3	1	
24	(90480-25189-00)	GROMMET	1	
25	90209-08098-00	WASHER, SPEC'L SHAP	1	
26	92990-08100-00	WASHER	1	

A	FUEL TANK (QUANTITY) (MINIMUM OCTANE)	1.6 gals. Low Lead
B	Fuel Tank (quantity) (grade)	1.6 gals. Regular

CONTINUED ON NEXT FRAME ►

FUEL TANK

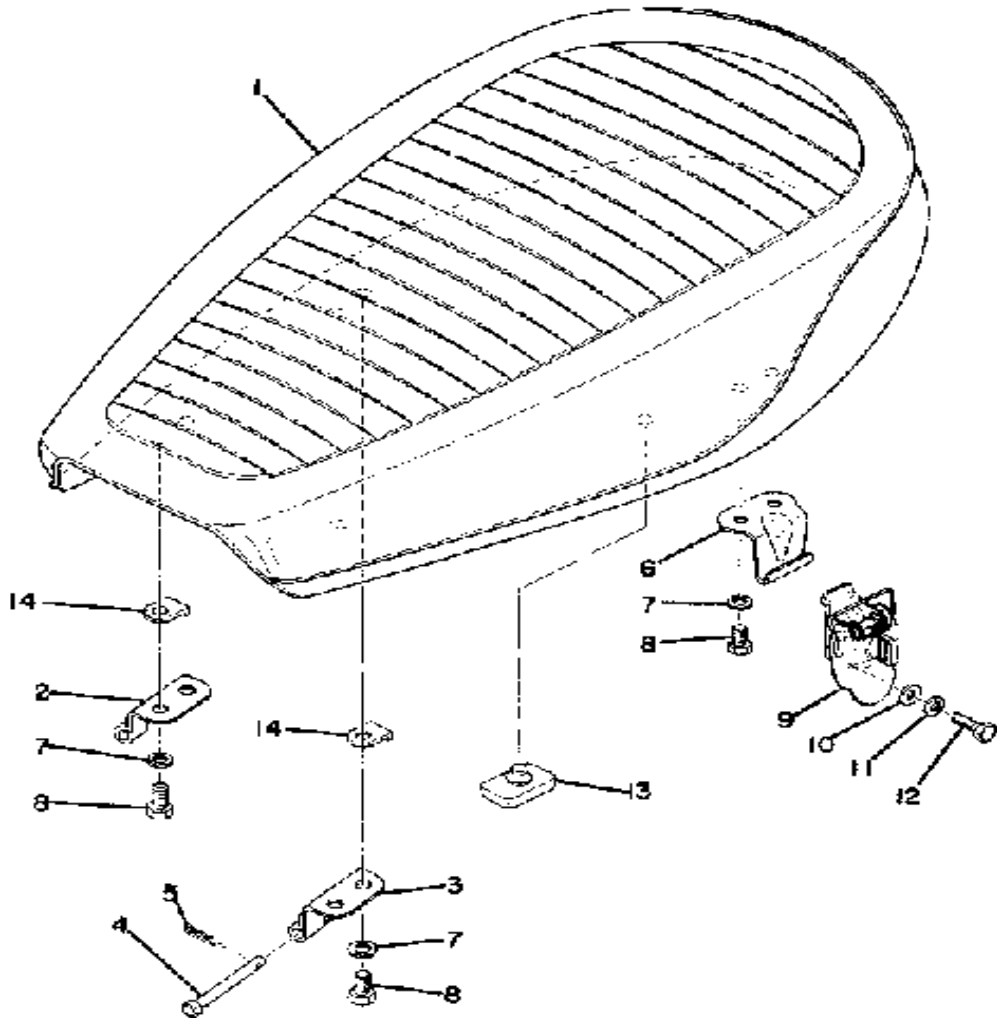


Ref. No.	Part Number	Description	Qty	Remarks
27	97313-08018-00	BOLT, HEXAGON (97301-08016)	1	
28	498-24500-01-00	FUEL COCK ASSEMBLY 1 (214-24500-02)	1	
29	498-24523-00-00	. VALVE	1	
30	214-24513-00-00	. GASKET	1	
31	(214-24524-01-00)	LEVER, COCK	1	
32	214-24518-00-00	. WASHER, WAVE	1	
33	(214-24525-00-00)	PLATE, LVR FITTING	1	
34	214-24535-00-00	. SCREW, PAN HEAD	2	
35	214-24522-00-00	. GASKET	1	
36	438-24531-00-00	. NUT	1	
37	438-24521-00-00	. CUP, FILTER	1	
38	214-24512-00-00	. GASKET	1	
39	90149-06011-00	SCREW	2	
40	90202-05187-00	WASHER, PLATE	2	
41	214-24311-00-00	PIPE, FUEL 1 (7-190)	1	
42	90467-08003-00	CLIP	2	
43	(437-24244-30-00)	GRAPHIC, FUEL TNK 1	1	
44	(437-24246-30-00)	GRAPHIC, FUEL TNK 3	1	
45	(437-24248-30-00)	GRAPHIC, FUEL TNK 5	1	
46	(437-24245-30-00)	GRAPHIC, FUEL TNK 2	1	
47	(437-24247-30-00)	GRAPHIC, FUEL TNK 4	1	
48	(437-24255-30-00)	GRAPHIC, FUEL TNK 8	1	
49	(437-24249-30-00)	GRAPHIC, FUEL TNK 6	1	
50	(437-24254-30-00)	GRAPHIC, FUEL TNK 7	1	
51	498-24612-00-00	. GASKET, CAP	1	
52	3FR-24602-00-00	CAP ASSEMBLY.	1	
-1	(437-24653-00-00)	CAP ASSEMBLY	1	

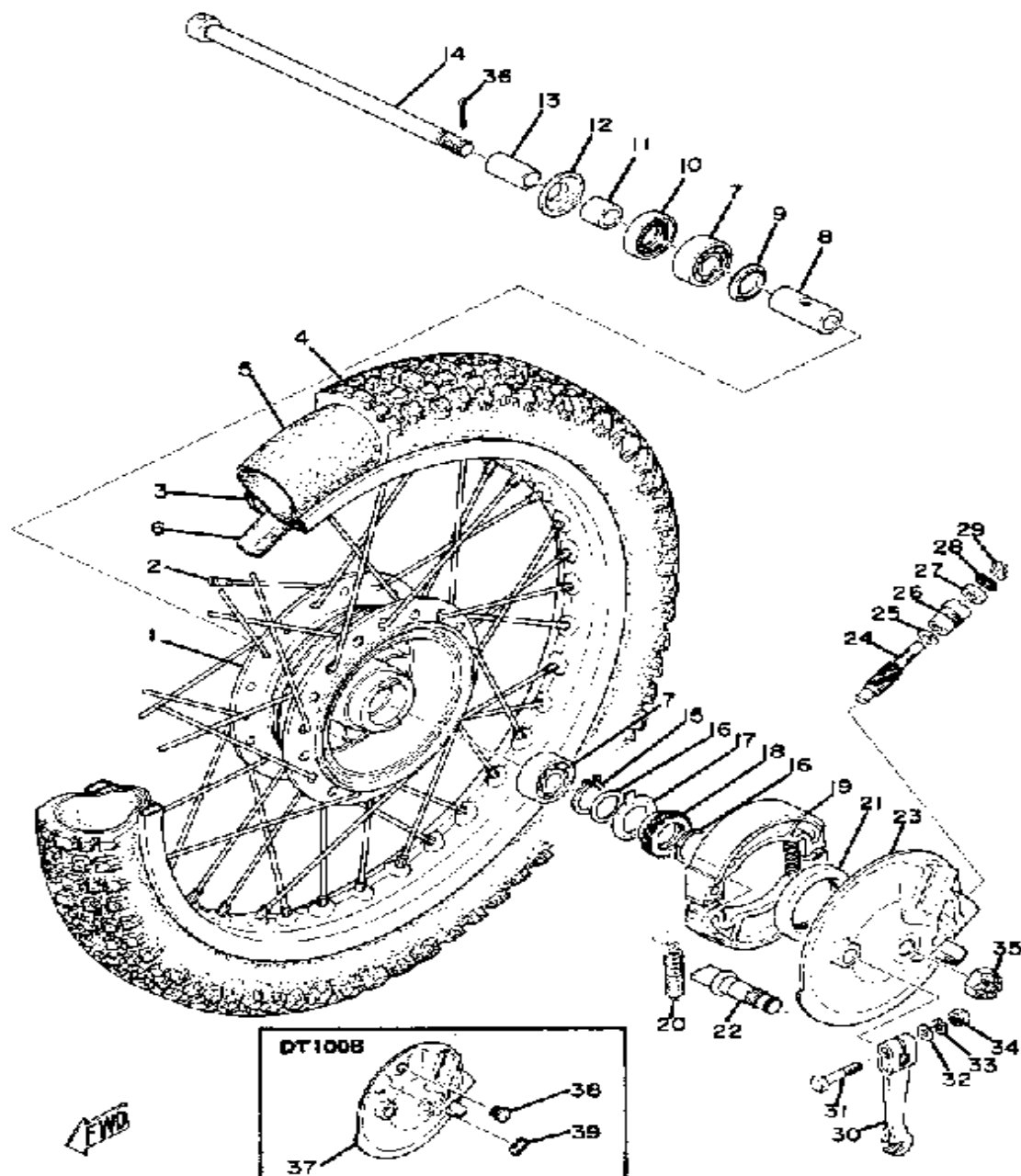
A	FUEL TANK (QUANTITY) (MINIMUM OCTANE)	1.6 gals. Low Lead
B	Fuel Tank (quantity) (grade)	1.6 gals. Regular

SEAT

Ref. No.	Part Number	Description	Qty	Remarks
1	452-24730-01-00	SINGLE SEAT ASSEMBLY	1	
2	248-24726-00-33	HINGE, SEAT	1	
3	(437-24726-00-00)	HINGE, SEAT	1	
4	91701-05055-00	PIN, CLEVIS	2	
5	90468-10050-00	CLIP	2	
6	(214-24728-00-33)	BRACKET, SEAT	1	
7	92995-06100-00	WASHER, SPRING	6	
8	97013-06012-00	BOLT	6	
9	1K8-24705-00-00	SEAT LOCK ASSEMBLY (2A3-24705-00)	1	
10	92990-06200-00	WASHER	1	
11	92995-06100-00	WASHER, SPRING	1	
12	97011-06025-00	BOLT (97001-06025)	1	
13	214-24724-00-00	DAMPER, SEAT	2	
14	(437-24768-00-00)	STOPPER	2	
-1	437-24711-01-00	. COVER, SINGLE SEAT	1	



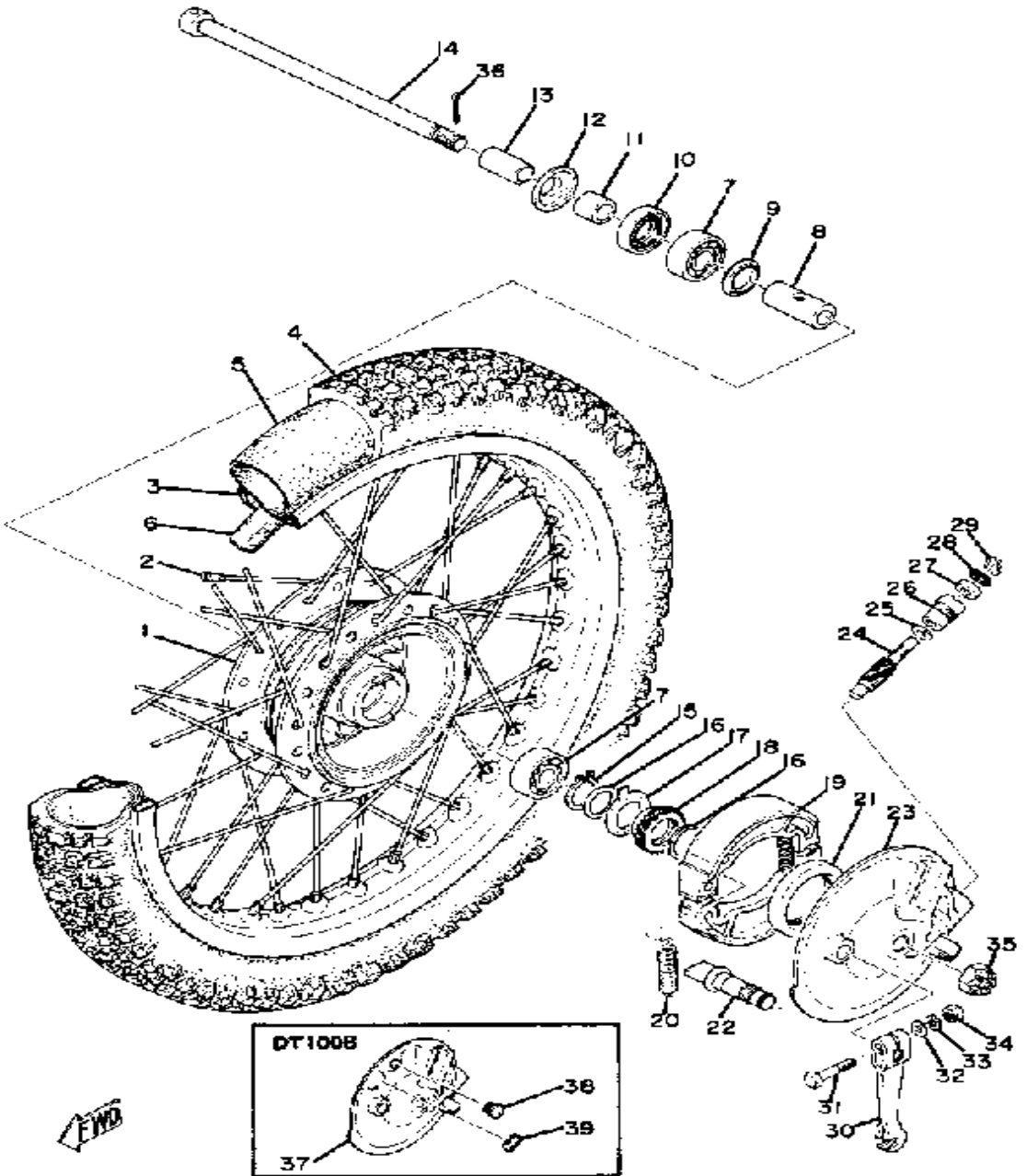
FRONT WHEEL



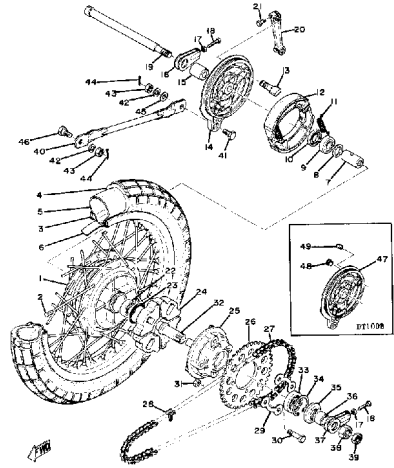
Ref. No.	Part Number	Description	Qty	Remarks
1	(248-25111-00-38)	HUB, FRONT	1	
2	(276-25104-10-00)	SPOKE SET, FRONT	1	
	(276-25196-80-00)	SPOKE SET, INNER 1	18	10 PCS.
	(276-25197-80-00)	SPOKE SET, OUTER 1	18	10 PCS.
3	94414-19056-00	RIM 1.40X 9	1	
4	(94127-19321-00)	275X19 YOKO Y6 0	1	
5	94227-19037-00	TUBE	1	
6	94325-19027-00	BAND, RIM (3.50-19)	1	
	(94335-19026-00)		1	
7	93306-30103-00	BEARING (B6301Z)	2	
8	90560-12261-00	SPACER	1	
9	109-25115-00-00	UNAVAILABLE IN PRICE BOOK	1	
10	93102-18008-00	OIL SEAL	1	
11	90387-12095-00	COLLAR	1	
12	2K5-25118-00-00	COVER, HUB DUST	1	
13	90387-12099-00	COLLAR	1	
14	427-25181-10-00	AXLE, WHEEL (427-25181-00)	1	
15	99009-20400-00	CIRCLIP	1	
16	90201-20269-00	WASHER, PLATE	2	
17	183-25149-00-00	CLUTCH, METER	1	
18	301-36246-00-00	UNAVAILABLE IN PRICE BOOK	1	
19	22F-W2534-00-00	BRAKESHOE SET	2	
	326-W2536-00-00	BRAKESHOE SET-2PCS (326-25330-10)	2	
20	90506-16150-00	SPRING, TENSION (102-25333-00)	2	
21	93105-47007-00	OIL SEAL	1	
22	122-25351-02-00	CAMSHAFT	1	
	437-25151-00-00	NO LONGER AVAILABLE	1	
23	(437-25120-10-00)	BRAKE SHOE PLT ASSEMBLY	1	

CONTINUED ON NEXT FRAME ►

FRONT WHEEL



Ref. No.	Part Number	Description	Qty	Remarks
24	301-25138-00-00	GEAR, METER	1	
25	90201-07076-00	WASHER, PLATE	1	
26	109-25136-00-00	BUSH	1	
27	93104-07003-00	OIL SEAL	1	
28	93210-14104-00	O-RING	1	
29	102-25137-00-00	RING, STOP	1	
30	137-25155-00-00	LEVER, CAMSHAFT 1	1	
31	97021-06030-00	BOLT	1	
32	92990-06200-00	WASHER	1	
33	92995-06100-00	WASHER, SPRING	1	
34	95380-06600-00	NUT	1	
35	90171-12005-00	NUT, CASTLE	1	
36	(91401-30075-00)	PIN, COTTER	1	
	91401-30030-00	PIN, COTTER	1	
37	(437-25120-10-00)	BRAKE SHOE PLT ASSEMBLY	1	
38	90480-10068-00	GROMMET	1	
39	(437-25134-00-00)	LABEL, INDICATOR	1	

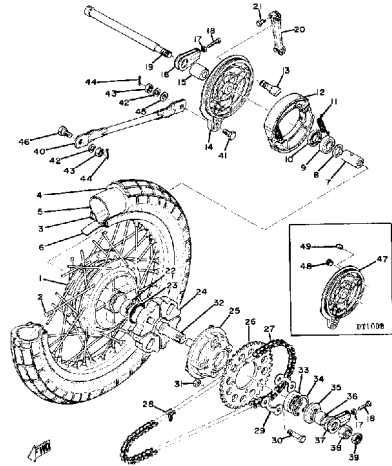


Tires Front/Rear (size) (nominal pressure) 2.75-19(2.4psi) 3.00-18(2.7psi)

REAR WHEEL

Ref. No.	Part Number	Description	Qty	Remarks
1	183-25311-00-38	HUB, REAR	1	
2	(183-25397-90-00)	SPOKE SET, OUTER 2	18	10 PCS.
	183-25304-01-00	SPOKE SET, REAR	1	
	183-25304-01-00	SPOKE SET, REAR	18	10 PCS.
3	94414-18007-00	RIM (1.40X18)	1	
4	(94130-18322-00)	300X18 YOKO Y6 0	1	
5	94230-18084-00	TUBE	1	
6	94325-18043-00	BAND, RIM	1	
7	90560-15136-00	SPACER (136-25317-00)	1	
8	146-25116-00-00	FLANGE, SPACER 2	1	
9	93306-20211-00	BEARING (6202SH2-C3)	1	
10	93104-22018-00	OIL SEAL	1	
11	90506-17328-00	SPRING, TENSION	2	
12	183-W2536-00-00	BRAKE SHOE SET	2	
	437-W2536-00-00	BRAKESHOE SET-2PCS	2	
13	2RH-25351-00-00	CAMSHAFT	1	
14	437-25026-10-35	BRAKE SHOE PLT ASSEMBLY ASSY (437-25320-10-38)	1	
15	90387-15425-00	COLLAR	1	
16	248-25388-00-00	PULLER, CHAIN 1	1	
17	95303-08700-00	NUT	2	
18	90101-08699-00	BOLT	2	
19	382-25381-00-00	AXLE, WHEEL	1	
20	214-25355-00-00	LEVER, CAMSHAFT	1	
21	97011-06020-00	BOLT	1	
22	93306-20204-00	BEARING (B6202Z)	1	
23	93210-42101-00	O-RING	1	
24	304-25364-01-00	DAMPER	4	

CONTINUED ON NEXT FRAME ►

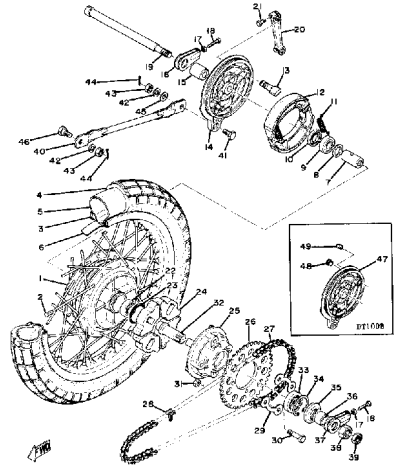


Tires Front/Rear (size) (nominal pressure) 2.75-19(2.4psi) 3.00-18(2.7psi)

REAR WHEEL

Ref. No.	Part Number	Description	Qty	Remarks
25	58K-25366-00-00	CLUTCH, HUB	1	
26	(276-25455-10-33)	SPROCKET, DRIVN 55T	1	U.R.
	183-25446-20-00	SPROCKET, DRVN45T (45T) ..	1	U.R.
	276-25449-10-00	SPROCKET, DRIVN 49T (49T) .	1	U.R. STD
	276-25452-10-00	STD (HT1BM) PN302SPROCKET, DRIVN 52T (52T)	1	U.R.
27	94580-24116-00	428 STD 116L	1	
28	94604-24001-00	. UNAVAILABLE IN PRICE BOOK	1	
29	102-25412-00-00	WASHER	2	
30	90101-08672-00	BOLT	4	
31	95333-08600-00	NUT	4	
32	183-25387-00-00	AXLE, SPROCKET	1	
33	93306-00406-00	BEARING (B6004Z)	1	
34	99009-42500-00	CIRCLIP	1	
35	93106-26005-00	OIL SEAL	1	
36	90387-20165-00	COLLAR	1	
37	214-25388-00-00	PULLER, CHAIN 1	1	
38	90170-20167-00	NUT, HEXAGON (137-25385-00)	1	
39	90171-14020-00	NUT, CASTLE	1	
40	(401-25371-01-00)	BAR, TENSION	1	
41	90109-08063-00	BOLT	1	
42	92990-08100-00	WASHER	2	
43	95303-08700-00	NUT	2	
44	91401-25020-00	PIN, COTTER	2	
45	92990-08200-00	WASHER, PLAIN	1	
46	90109-08368-00	BOLT	1	
47	437-25026-10-35	BRAKE SHOE PLT ASSEMBLYASSY (437-25320-10-38)	1	

CONTINUED ON NEXT FRAME ➤

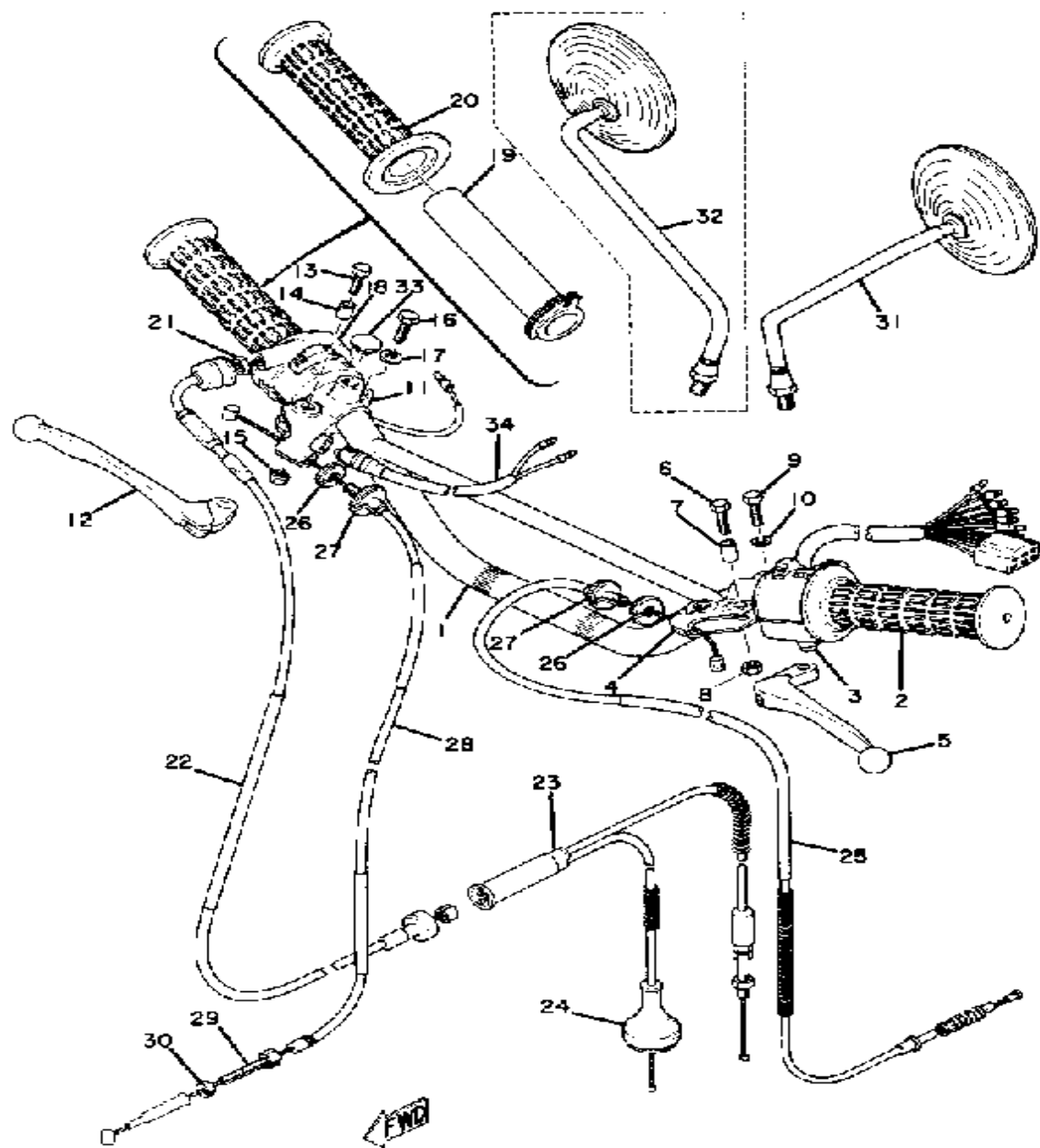


REAR WHEEL

Ref. No.	Part Number	Description	Qty	Remarks
48	90480-10068-00	. GROMMET	1	
49	(437-25134-00-00)	LABEL, INDICATOR	1	

Tires Front/Rear (size / nominal pressure) 2.75-19/24psi 3.00-18/27psi

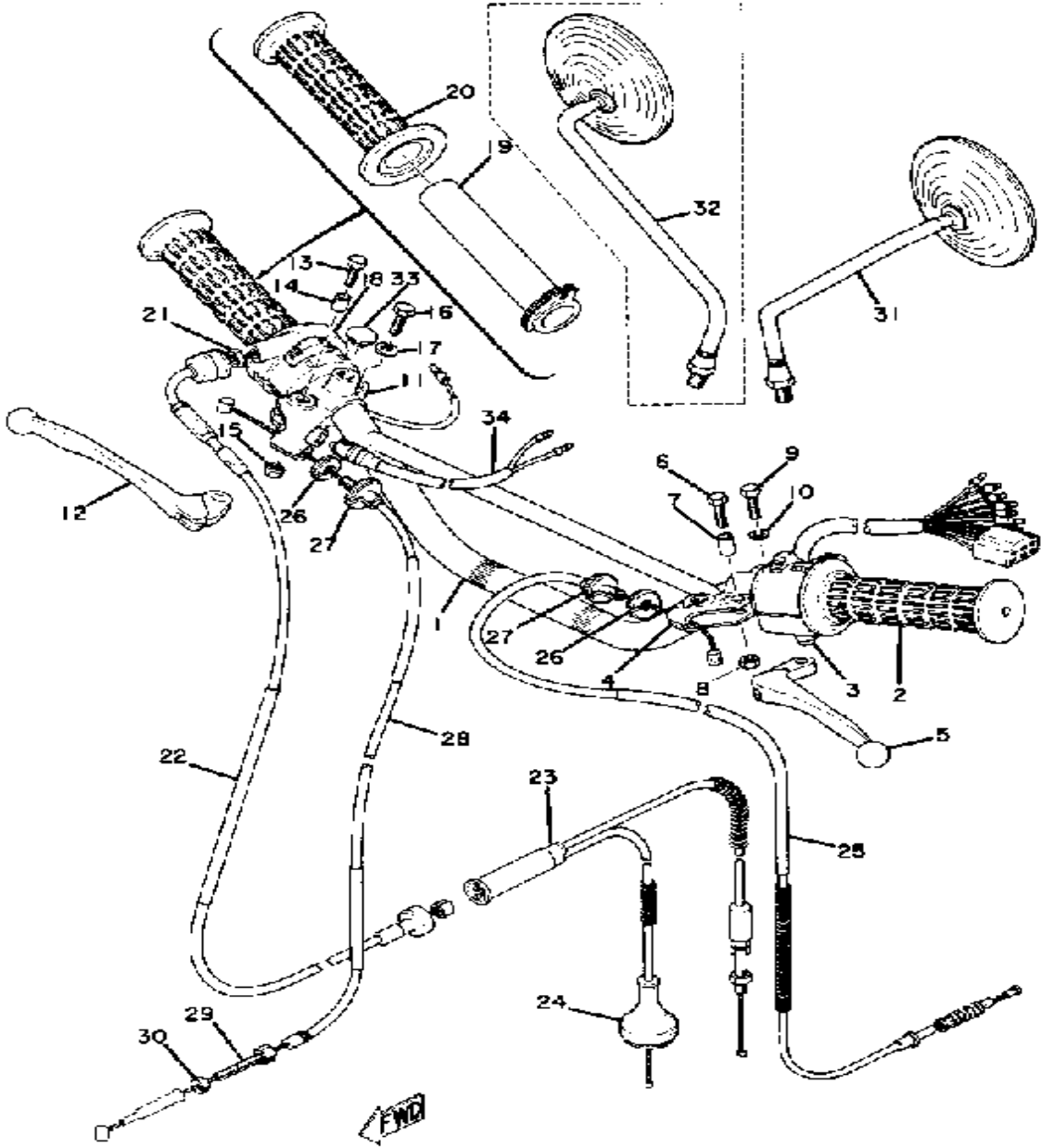
HANDLE - WIRE



Ref. No.	Part Number	Description	Qty	Remarks
1	438-26111-00-00	HANDLEBAR	1	
2	214-26241-00-00	GRIP LH	1	
3	438-83972-61-00	SWITCH, HANDLE 4	1	
4	341-82911-00-00	. HOLDER, LEVER 1	1	
5	214-83912-00-00	. LEVER 1	1	
6	97023-06020-00	. BOLT (3XF)	1	
7	214-83913-00-00	. COLLAR, LEVER 1	1	
8	95380-06700-00	. NUT	1	
9	97023-06020-00	. BOLT (3XF)	1	
10	92995-06100-00	. WASHER, SPRING	1	
11	361-82920-91-00	. HOLDER, LEVER 2 (36182-92131-00)	1	
	361-82920-93-00	. HOLDER, LEVER 2 (36182-92131-00)	1	
12	233-83922-30-00	. LEVER R	1	
13	97023-06020-00	. BOLT (3XF)	1	
14	214-83913-00-00	. COLLAR, LEVER 1	1	
15	95380-06700-00	. NUT	1	
16	97023-06020-00	. BOLT (3XF)	1	
17	92995-06100-00	. WASHER, SPRING	1	
18	1R6-83976-01-00	SWITCH, HANDLE 1	1	
19	434-26243-00-00	TUBE, THROTTLE GUIDE	1	M4-015
20	1A0-26242-01-00	GRIP (RIGHT)	1	
21	90170-10038-00	NUT, HEXAGON	1	
22	437-26311-02-00	CABLE, THROTTLE 1	1	
23	437-26312-01-00	CABLE, THROTTLE 2	1	
24	437-26329-00-00	. CAP, RUBBER	1	
25	437-26335-01-00	CABLE, CLUTCH	1	W/COVER
26	90179-08148-00	NUT	2	

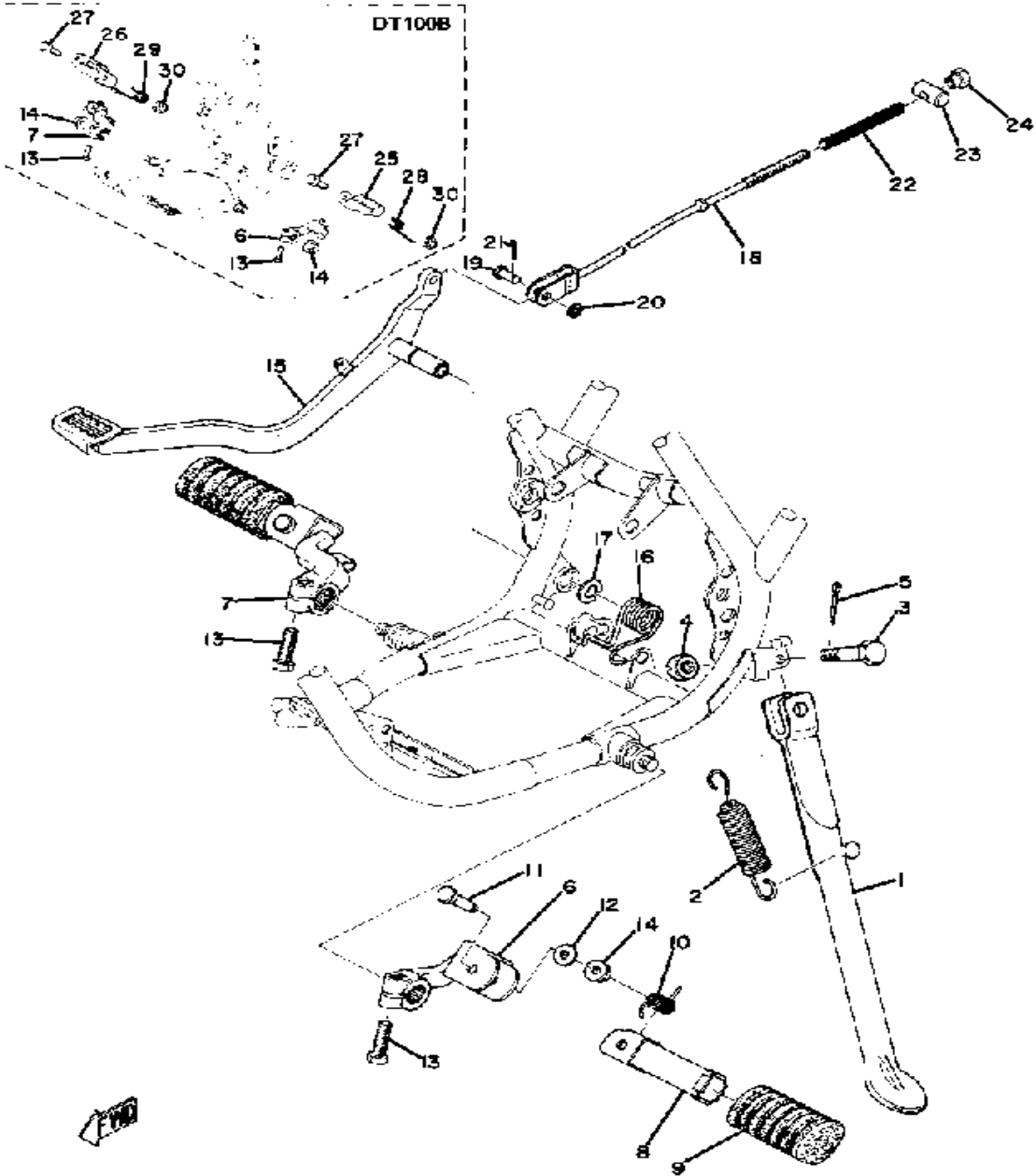
CONTINUED ON NEXT FRAME ►

HANDLE - WIRE



Ref. No.	Part Number	Description	Qty	Remarks
27	90123-08046-00	BOLT	1	
28	437-26341-01-00	CABLE, BRAKE	1	
	437-26341-02-00	CABLE, BRAKE	1	551~DT100B
29	90123-06011-00	BOLT	1	
30	90179-06143-00	NUT, SPEC'L SHAPE	1	
31	341-26290-10-00	MIRROR ASSEMBLY LH	1	
32	341-26290-01-00	BACK MIRROR RH (341-26290-01)	1	ALT. PART
33	90338-09012-00	PLUG	1	
34	395-83980-00-00	STOP SWITCH ASSEMBLY ...	1	
-1	360-82910-02-00	LEVER HOLDER ASSEMBLY 1 (360-82910-00)	1	
-2	361-82920-93-00	HOLDER, LEVER 2 (36182-92131-00)	1	

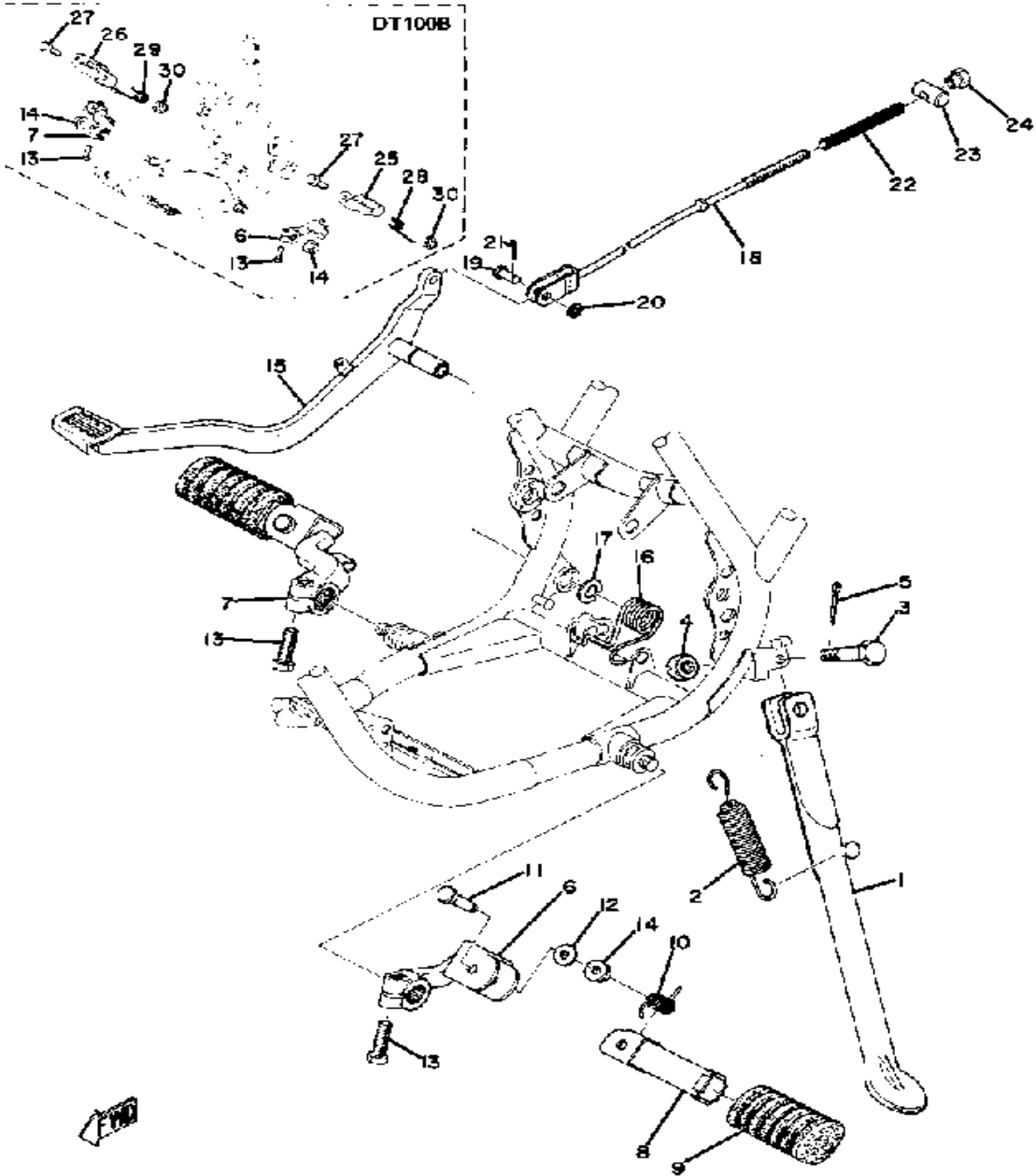
STAND - FOOTREST - BRAKE PEDAL



Ref. No.	Part Number	Description	Qty	Remarks
1	248-27311-01-00	STAND, SIDE	1	
2	90507-29004-00	SPRING, TENSION (214-27316-00)	1	
3	90102-10006-00	BOLT, WITH HOLE (278-27317-00)	1	
4	95303-10900-00	NUT, SLOTTED	1	
5	91490-20025-00	PIN, SPLIT	1	
6	(437-27412-00-00)	BRACKET, FOOTREST 1	1	
	(437-27412-10-00)	BRACKET, FOOTREST 1	1	
7	(437-27422-00-00)	BRACKET, FOOTREST 2	1	
	437-27422-10-00	BRACKET, FOOTREST 2	1	
8	214-27421-00-00	FOOTREST 2	2	
9	214-27413-00-00	COVER, FOOTREST	2	
10	90508-20023-00	SPRING, TORSION	2	
11	90243-08006-00	PIN	2	
12	90201-06042-00	WASHER, PLATE	2	
13	97013-08025-00	BOLT	2	
14	95701-12500-00	NUT, FLANGE	2	
	95701-12500-00	NUT, FLANGE	4	
15	437-27211-00-33	PEDAL, BRAKE	1	
16	90508-40165-00	SPRING, TORSION	1	
17	93430-10015-00	CIRCLIP, E-TYPE	1	
18	403-27231-01-00	ROD, BRAKE	1	
19	90240-06006-00	PIN, CLEVIS	1	
20	92990-06200-00	WASHER	1	
21	91401-25020-00	PIN, COTTER	1	
22	90501-10245-00	SPRING, COMPRESSION	1	
23	90249-12008-00	PIN	1	
24	90179-06411-00	NUT	1	

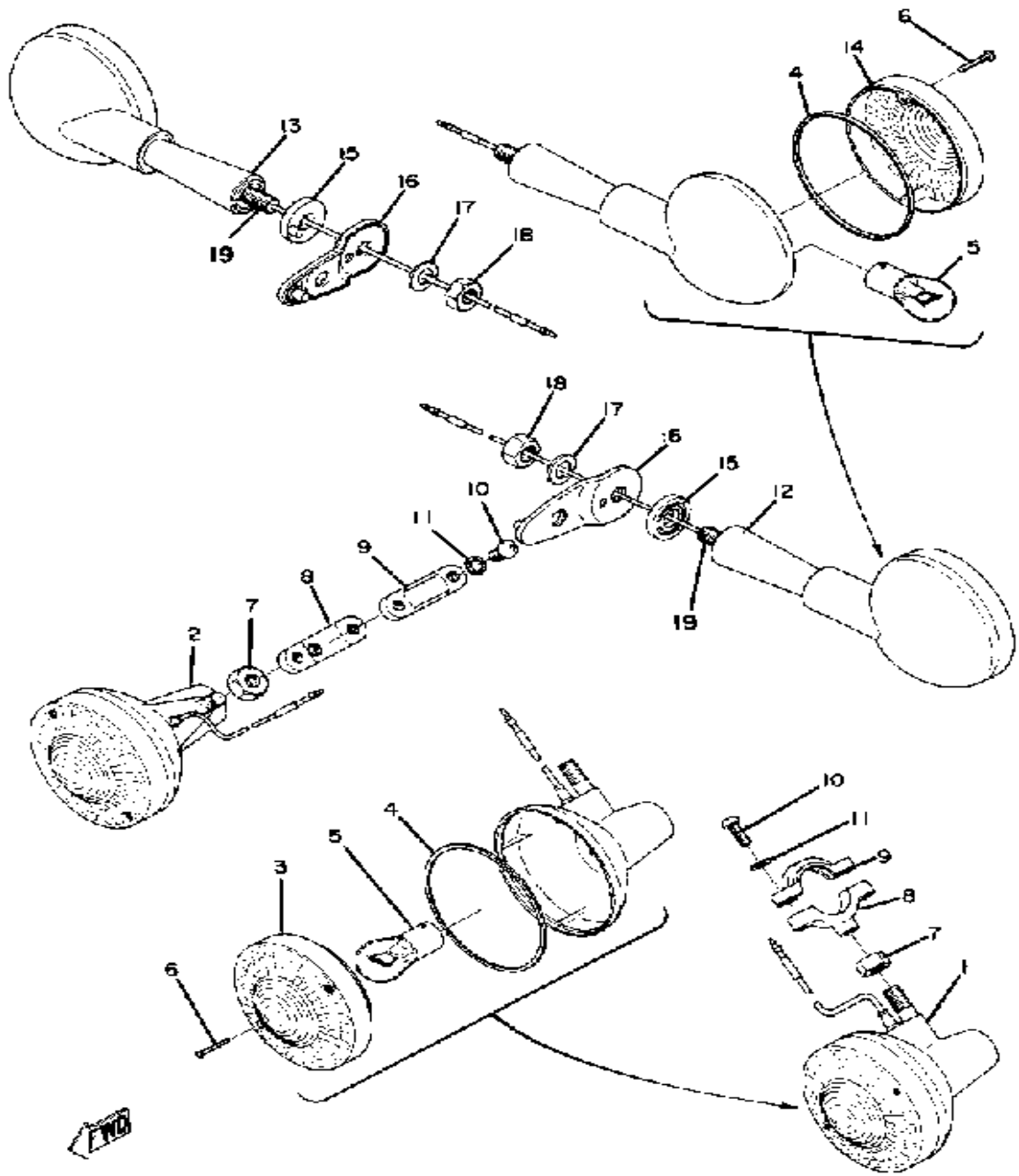
CONTINUED ON NEXT FRAME ►

STAND - FOOTREST - BRAKE PEDAL



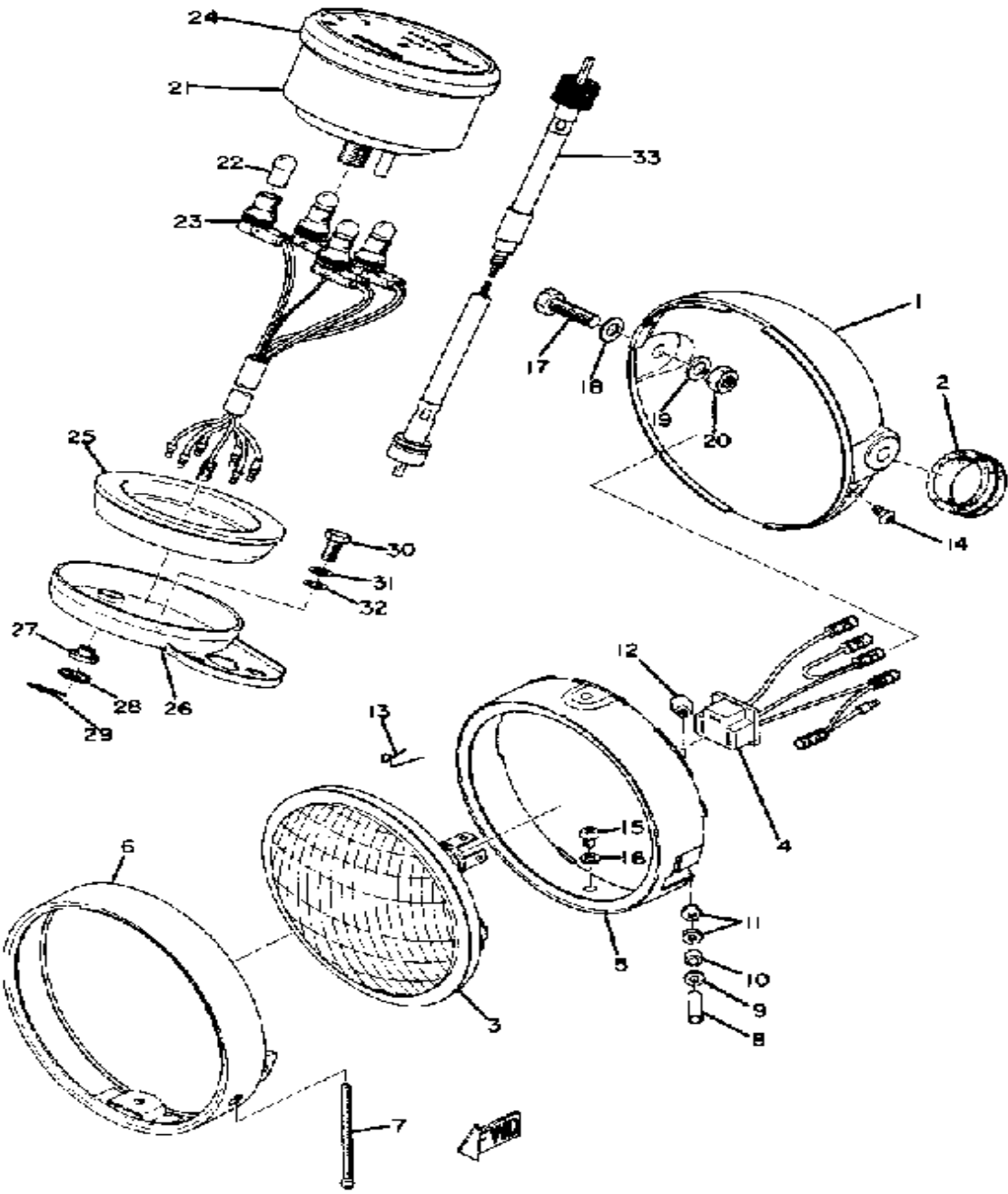
Ref. No.	Part Number	Description	Qty	Remarks
25	434-27411-00-35	FOOTREST 1	1	
26	434-27421-00-35	FOOTREST 2	1	
27	90101-08250-00	BOLT	2	
28	90508-26138-00	SPRING, TORSION	1	
29	90508-26139-00	SPRING, TORSION	1	
30	95611-08100-00	NUT, U	2	

FLASHER LIGHT



Ref. No.	Part Number	Description	Qty	Remarks
1	438-83310-62-93	FRT FLSHR LITE ASSEMBLY LAMP ASSEMBLY	1	
2	438-83310-62-93	FRT FLSHR LITE ASSEMBLY LAMP ASSEMBLY	1	
3	341-83312-70-00	. LENS, FLASHER	2	AMBER
4	3Y6-83313-00-00	. GASKET, FLSHR LENS	4	
5	115-83311-60-00	. BULB, FLASHER	4	
6	341-83333-70-00	. SCREW, LENS FITTING	8	
7	95333-08600-00	NUT	2	
8	437-83328-01-00	STAY, FLASHER 2	2	
9	275-83318-00-00	STAY, FLASHER 1	2	
10	98503-06014-00	SCREW, PAN HEAD (92502-06016)	4	
11	92901-06300-00	WASHER, IN.TOOTH	4	
12	(437-83330-61-93)	R FLSHR LITE ASSEMBLY	1	
13	437-83340-61-93	NO LONGER AVAILABLE	1	
14	341-83332-70-00	. LENS, FLASHER	2	RED
15	437-83326-00-00	COLLAR, FLASHER 2	2	
16	(437-83367-01-00)	STAY, FLASHE 3	2	
17	92990-08100-00	WASHER	2	
18	95333-08600-00	NUT	2	
19	360-83367-09-00	BOLT, STUD	2	M4-091

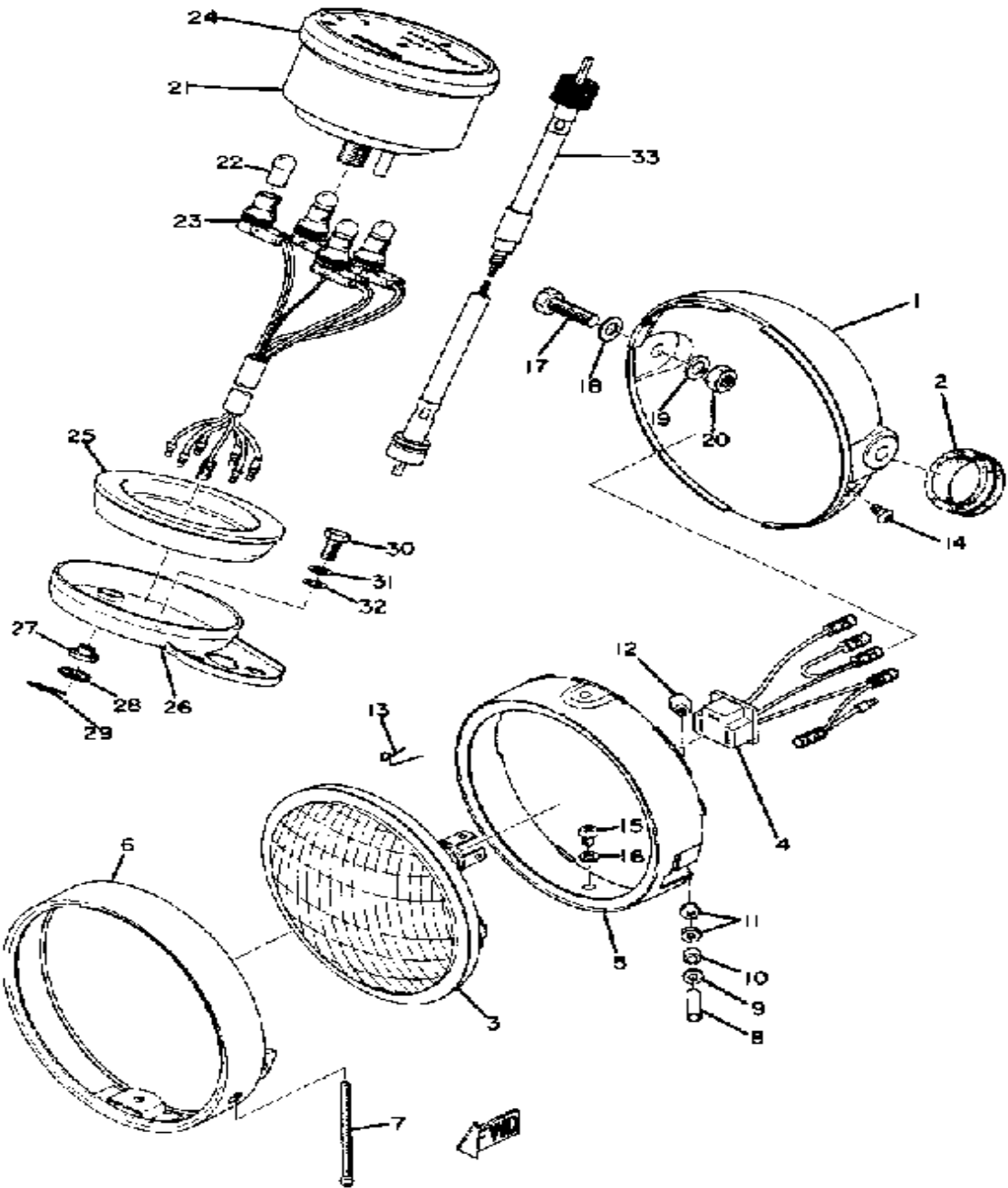
HEADLIGHT - METER



Ref. No.	Part Number	Description	Qty	Remarks
1	(437-84130-61-20)	BODY ASSEMBLY, HEADLIGHT	1	CRYSTAL SILVER
2	214-84153-60-00	. GROMMET, WIREHERNESS	1	
3	437-84120-62-00	LENS ASSEMBLY	1	
4	261-84312-61-00	SOCKET	1	
5	(437-84195-62-00)	RING, RETAINING	1	
6	(437-84115-62-00)	RIM, HEADLIGHT	1	
7	90157-04001-00	SCREW, PAN HEAD	1	
8	438-84133-60-00	COLLAR, SCREW	1	
9	92990-04200-00	WASHER, PLAIN	1	
10	168-84328-60-00	SPACER	1	
11	95301-04600-00	NUT	2	
12	198-84334-60-00	NUT, ADJUSTING	1	
13	148-84324-00-00	SPRING, REFLECTOR	3	
14	90152-05005-00	SCREW, COUNTERSUNK	1	
15	438-84194-60-00	RING, MOUNTING	2	
16	92990-05100-00	WASHER, SPRING	2	
17	97013-08025-00	BOLT	2	
18	92990-08200-00	WASHER, PLAIN	2	
19	92990-08100-00	WASHER	2	
20	95333-08600-00	NUT	2	
21	(437-83510-31-00)	SPEEDOMETER ASSEMBLY	1	
22	122-83516-10-00	. BULB (122-83516-10)	4	
23	(437-83520-30-00)	SOCKET CORD ASSEMBLY	1	
24	(437-83513-00-00)	DAMPER	1	
25	(438-83592-00-00)	DAMPER	1	M4-043
26	437-83523-00-00	DAMPER	1	
27	437-83523-00-00	DAMPER	2	
28	437-83524-00-00	WASHER, SPECIAL	2	
29	90468-10050-00	CLIP	2	

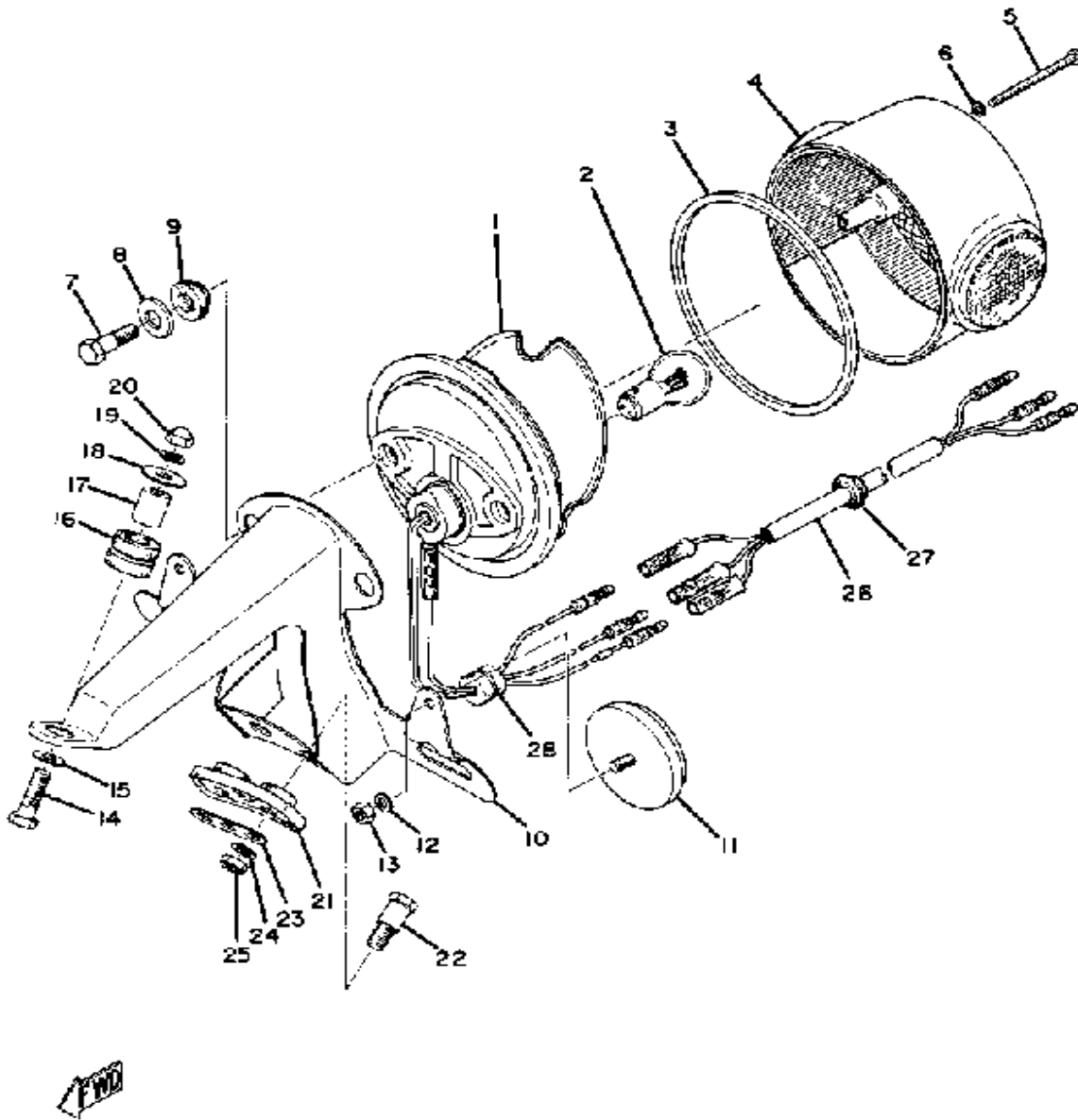
CONTINUED ON NEXT FRAME ➤

HEADLIGHT - METER



Ref. No.	Part Number	Description	Qty	Remarks
30	97313-06016-00	BOLT, HEXAGON	2	
31	92995-06100-00	WASHER, SPRING	2	
32	92990-06200-00	WASHER	2	
33	3J0-83550-00-00	SPEEDOMETER CABLEASSEMBLY	1	

TAILLIGHT

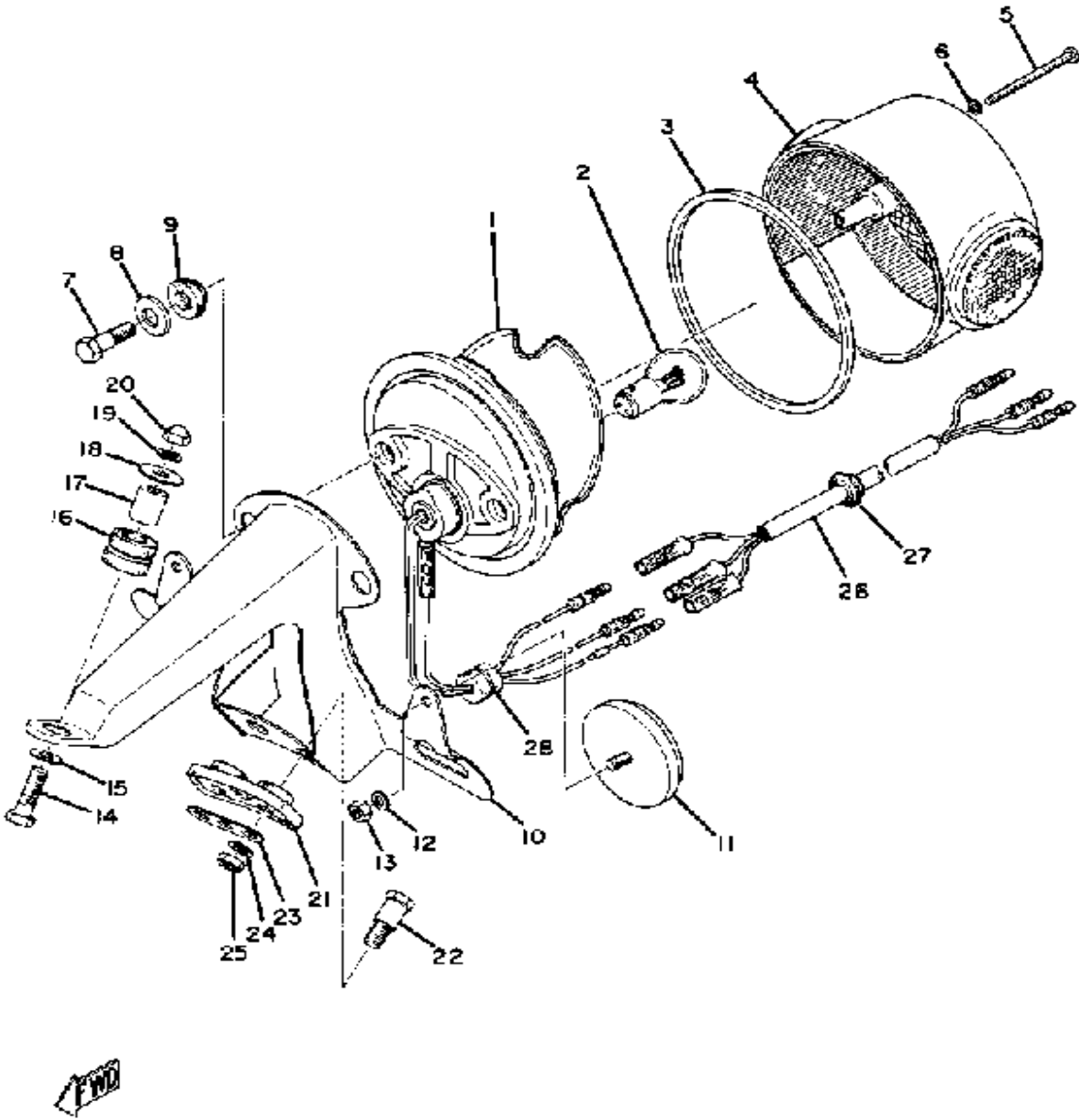


Ref. No.	Part Number	Description	Qty	Remarks
1	(444-84711-61-00)	BASE, TAILLIGHT	1	
2	1M1-84514-60-00	. BULB	1	
3	275-84523-60-00	. GASKET, LENS	1	
4	341-84721-60-00	. LENS, TAILLIGHT	1	
5	98580-04055-00	. SCREW, LENS FITTING	3	
6	341-84722-60-00	. WASHER	3	
7	(479-84526-00-00)	SCREW	2	
8	2H7-84754-00-00	WASHER, SPECIAL	2	
9	275-84527-60-00	DAMPER	2	
10	(437-84551-61-20)	BRACKET, LICENCE	1	CRYSTAL SILVER
11	449-85131-02-00	REFLECTOR, REAR 1	2	
12	92990-05100-00	WASHER, SPRING	2	
13	95380-05600-00	NUT	2	
14	97011-06025-00	BOLT (97001-06025)	1	
15	90201-06067-00	WASHER, PLATE	1	
16	90480-14023-00	GROMMET	1	
17	90387-065L7-00	COLLAR (51L) (214-21633-00)	1	
18	90209-06095-00	WASHER, SPEC'L SHAP (102-28323-00)	1	
19	92995-06100-00	WASHER, SPRING	1	
20	95303-06800-00	NUT (CROWN)	1	
21	214-84553-01-00	DAMPER	1	
22	90109-06017-00	BOLT	2	
23	90209-10114-00	WASHER, SPEC'L SHAP	1	
24	92990-06200-00	WASHER	2	
25	95380-06600-00	NUT	2	
26	(437-84517-00-00)	CORD, TAILLIGHT	1	
27	90480-12013-00	GROMMET	1	
28	90480-15061-00	GROMMET	1	

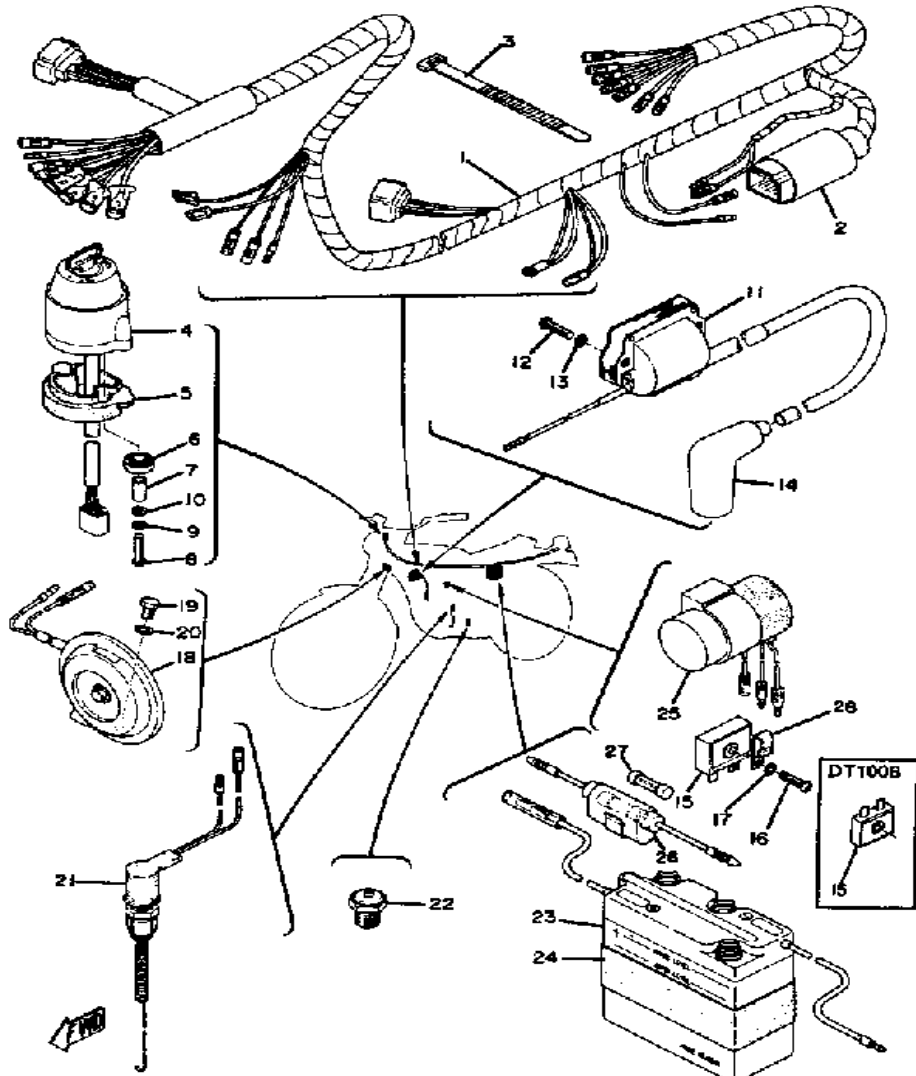
CONTINUED ON NEXT FRAME ►

TAILLIGHT

Ref. No.	Part Number	Description	Qty	Remarks
-1	437-84510-62-00	TAILLIGHT UNIT ASSEMBLY ..	1	



ELECTRICAL



A

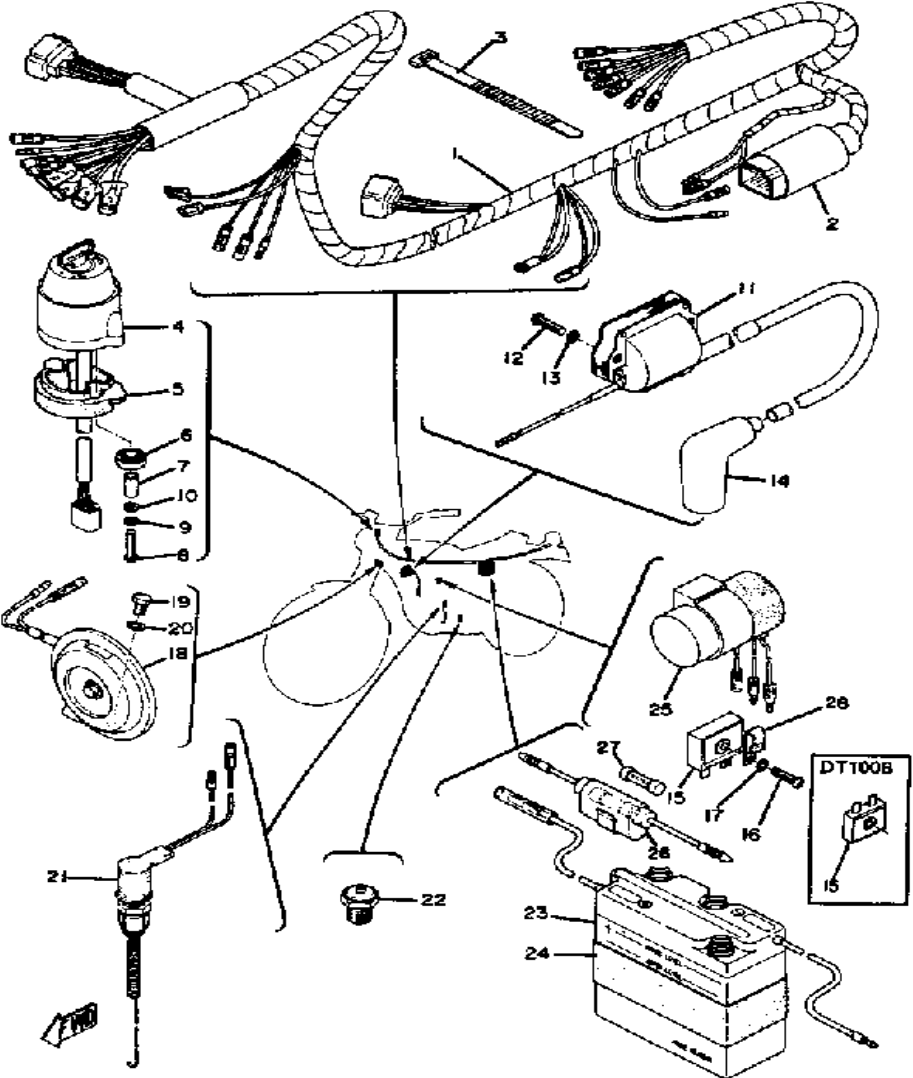
ELECTRICAL - Charging System (mfr) (type)	Mitsubishi		Flywheel Magneto
	Battery (mfr) (model) (rating)	FB or GS	GN4B-2A-3
Headlight/Tailight Ratings	6V25W/25W	6V5.3W/17W	
Ign. Coil Spark Gap (min)/Pri. Res./Sec. Res.	6mm	1.02Ω	6.0KΩ
Condenser Capacity	0.30 μf		
Point Gap (nominal)/Spark Plug (type) (gap)	0.3 ~ 0.4mm (.012 ~ .016")/NGK B-8HS/0.5 ~ 0.6mm		
Timing (advanced) (retarded)	1.8 ± 0.15mm BTDC/φ		

Ref. No.	Part Number	Description	Qty	Remarks
1	(437-82590-22-00)	WIRE HARNESS ASSEMBLY ..	1	
2	307-82599-01-00	NO LONGER AVAILABLE	1	M4-043
3	437-83936-01-00	BAND, SWITCH CORD	2	
4	443-82508-21-00	MAIN SWITCH ASSEMBLY ...	1	
5	437-82555-00-00	. DAMPER, MAIN SWCH 1SWITCH 1	1	
6	1M1-82556-00-00	DAMPER, STOPPER	2	
7	437-82516-00-00	COLLAR, MAIN SWITCH	2	
8	98580-05020-00	SCREW, PAN HEAD	2	
9	92990-05100-00	WASHER, SPRING	2	
10	92990-05200-00	WASHER, PLAIN	2	
11	5G4-82310-40-00	IGNITION COIL ASSEMBLY (J17-82310-21)	1	
12	98580-06020-00	SCREW	2	
13	92995-06100-00	WASHER, SPRING	2	
14	56J-82370-00-00	PLUG CAP ASSEMBLY	1	
15	353-81970-63-00	RECTIFIER ASSEMBLY	1	
16	98501-05018-00	SCREW, PAN HEAD	1	
17	92990-05100-00	WASHER, SPRING	1	
18	437-83371-13-00	HORN	1	
19	97013-06012-00	BOLT	2	
20	92995-06100-00	WASHER, SPRING	2	
21	437-82530-02-00	STOP SWITCH ASSEMBLY ...	1	
22	136-82540-00-00	NEUTRAL SWITCH ASSEMBLY	1	
23	BTY-6N4B2-A3-00	YUASA 6N4B-2A 3	1	M4-043
24	(437-82124-01-00)	BAND, BATTERY	1	
25	438-83350-62-00	FLASHER RELAY ASSEMBLY .	1	
26	55K-82150-01-00	FUSE HOLDER ASS"Y (55K-82150-00-00)	1	
27	116-82151-00-00	. FUSE (10A)	1	

CONTINUED ON NEXT FRAME ►

ELECTRICAL

Ref. No.	Part Number	Description	Qty	Remarks
28	90465-06038-00	CLAMP	1	



A

ELECTRICAL - Charging System (mfr) (type)	Mitsubishi		Flywheel Magneto
	Battery (mfr) (model) (rating)	FB or GS	GN4B-2A-3
Headlight/Tailight Ratings	6V25W/25W	6V5.3W/17W	
Ign. Coil Spark Gap (min)/Pri. Res./Sec. Res.	6mm	1.02Ω	6.0KΩ
Condenser Capacity	0.30 μf		
Point Gap (nominal)/Spark Plug (type) (gap)	0.3 ~ 0.4mm (.012 ~ .016")/NGK B-8HS/0.5 ~ 0.6mm		
Timing (advanced) (retarded)	1.8 ± 0.15mm BTDC/φ		

DT100B

MOTORCYCLE
M4-055

1975 SERVICE DATA

MODEL – IBM I.D. NUMBER	DT100B	437
Starting Engine/Frame Number	437-100101	
Basic Color (fuel tank)	El Toro Orange	
Net Weight	205 lbs.	
ENGINE (type) (induction system)	2-stroke, 7-port, Single, Reed Valve, Air-cooled	
Bore/Stroke/Cylinders/Displacement	52 x 45.6mm x 1	97cc (5.92 CID)
Compression Ratio	6.8:1	
Piston Skirt Clearance (new) (max.)	.040 ~ .045mm (.0016 ~ .0018")/0.1mm (.004")	
Ring End Gap (top) (2nd) (3rd)	0.15 ~ 0.35mm (.006 ~ .014")/Same/φ	
Ring Groove Clearance (top) (2nd) (3rd)	.03 ~ .08mm (.001 ~ .003")/Same/φ	
Valve Clearance (eng. cold) Intake/Exhaust	φ	
AUTOLUBE – Minimum Pump Stroke/Color Code	0.20 ~ 0.25mm (.008 ~ .010")	White
CARBURETOR (mfr) (type) (I.D. number)	Mikuni	VM22SS 43761
Main Jet	No. 150	
Needle Jet	N-4	
Jet Needle/Clip Position	4L6-2	
Cut Away	1.5	
Pilot Jet	No. 25	
Air Jet	2.5	
Starter Jet	No. 30	
Air Screw (turns out)	1¼	
Float Level	21 ± 1.0mm	
Air Filter (type) (quantity)	Wet Foam Rubber x 1	
DRIVE – Primary (type) (teeth) (ratio)	Helical Gear	74/19 3.894
Secondary (type) (teeth) (ratio)	DK428, 106L	49/14 3.500
Transmission Ratios 1st (teeth) (ratio) (O.A.)	35/11	3.181 43.373
2nd	30/15	2.000 31.807
3rd	26/19	1.368 18.653
4th	23/23	1.000 13.631
5th	20/25	0.800 10.950
6th	φ	
CAPACITIES – Transmission (quantity) (type)	650cc (22 oz.)/SAE10W30 Oil (Yamalube 4-cycle)	
Oil Tank or Engine Sump (quantity) (type)	1.3 qts. Yamalube 2-cycle	
Fuel Tank (quantity) (grade)	1.6 gals. Regular	
Front Forks (quantity) (type)	160cc (5.4 oz.) 10, 20 or 30 wt. Fork Oil*	
Rear Shocks (quantity) (type)	φ	
Tires Front/Rear (size) (nominal pressure)	2.75-19/14psi	3.00-18/17psi
ELECTRICAL – Charging System (mfr) (type)	Mitsubishi	Flywheel Magneto
No Load Voltage Adj. (AC & DC generators)	φ	
Max. Magneto Output (charging) (lighting)	N/A	
Field Coil (and/or) Charging Coil Resistance	φ	
Battery (mfr) (model) (rating)	FB or GS	GN4B-2A-3 6V4AH
Headlight/Taillight Ratings	6V25W/25W	6V5.3W/17W
Ign. Coil Spark Gap (min)/Pri. Res./Sec. Res.	6mm 1.02Ω	6.0KΩ
Condenser Capacity	0.30 μf	
Point Gap (nominal)/Spark Plug (type) (gap)	0.3 ~ 0.4mm (.012 ~ .016")/NGK B-8HS/0.5 ~ 0.6mm	
Timing (advanced) (retarded)	1.8 ± 0.15mm BTDC/φ	

N/A = Information Not Available
φ = Does Not Apply to This Model

*Available from Yamaha Parts Distributors, Inc.

©YAMAHA INTERNATIONAL CORPORATION, BUENA PARK, CALIFORNIA 7/5/74 Page 1 of 1

DT100B

MOTORCYCLE
M4-055

1975 SERVICE DATA

MODEL – IBM I.D. NUMBER	DT100B	437
Starting Engine/Frame Number	437-100101	
Basic Color (fuel tank)	El Toro Orange	
Net Weight	205 lbs.	
ENGINE (type) (induction system)	2-stroke, 7-port, Single, Reed Valve, Air-cooled	
Bore/Stroke/Cylinders/Displacement	52 x 45.6mm x 1	97cc (5.92 CID)
Compression Ratio	6.8:1	
Piston Skirt Clearance (new) (max.)	.040 ~ .045mm (.0016 ~ .0018")/0.1mm (.004")	
Ring End Gap (top) (2nd) (3rd)	0.15 ~ 0.35mm (.006 ~ .014")/Same/φ	
Ring Groove Clearance (top) (2nd) (3rd)	.03 ~ .08mm (.001 ~ .003")/Same/φ	
Valve Clearance (eng. cold) Intake/Exhaust	φ	
AUTOLUBE – Minimum Pump Stroke/Color Code	0.20 ~ 0.25mm (.008 ~ .010")	White
CARBURETOR (mfr) (type) (I.D. number)	Mikuni	VM22SS 43761
Main Jet	No. 150	
Needle Jet	N-4	
Jet Needle/Clip Position	4L6-2	
Cut Away	1.5	
Pilot Jet	No. 25	
Air Jet	2.5	
Starter Jet	No. 30	
Air Screw (turns out)	1¼	
Float Level	21 ± 1.0mm	
Air Filter (type) (quantity)	Wet Foam Rubber x 1	
DRIVE – Primary (type) (teeth) (ratio)	Helical Gear	74/19 3.894
Secondary (type) (teeth) (ratio)	DK428, 106L	49/14 3.500
Transmission Ratios 1st (teeth) (ratio) (O.A.)	35/11	3.181 43.373
2nd	30/15	2.000 31.807
3rd	26/19	1.368 18.653
4th	23/23	1.000 13.631
5th	20/25	0.800 10.950
6th	φ	
CAPACITIES – Transmission (quantity) (type)	650cc (22 oz.)/SAE10W30 Oil (Yamalube 4-cycle)	
Oil Tank or Engine Sump (quantity) (type)	1.3 qts. Yamalube 2-cycle	
Fuel Tank (quantity) (grade)	1.6 gals. Regular	
Front Forks (quantity) (type)	160cc (5.4 oz.) 10, 20 or 30 wt. Fork Oil*	
Rear Shocks (quantity) (type)	φ	
Tires Front/Rear (size) (nominal pressure)	2.75-19/14psi	3.00-18/17psi
ELECTRICAL – Charging System (mfr) (type)	Mitsubishi	Flywheel Magneto
No Load Voltage Adj. (AC & DC generators)	φ	
Max. Magneto Output (charging) (lighting)	N/A	
Field Coil (and/or) Charging Coil Resistance	φ	
Battery (mfr) (model) (rating)	FB or GS	GN4B-2A-3 6V4AH
Headlight/Taillight Ratings	6V25W/25W	6V5.3W/17W
Ign. Coil Spark Gap (min)/Pri. Res./Sec. Res.	6mm 1.02Ω	6.0KΩ
Condenser Capacity	0.30 μf	
Point Gap (nominal)/Spark Plug (type) (gap)	0.3 ~ 0.4mm (.012 ~ .016")/NGK B-8HS/0.5 ~ 0.6mm	
Timing (advanced) (retarded)	1.8 ± 0.15mm BTDC/φ	

N/A = Information Not Available

*Available from Yamaha Parts Distributors, Inc.

φ = Does Not Apply to This Model

©YAMAHA INTERNATIONAL CORPORATION, BUENA PARK, CALIFORNIA 7/5/74 Page 1 of 1

TECHNICAL BULLETIN