



YAMAHA

GENUINE

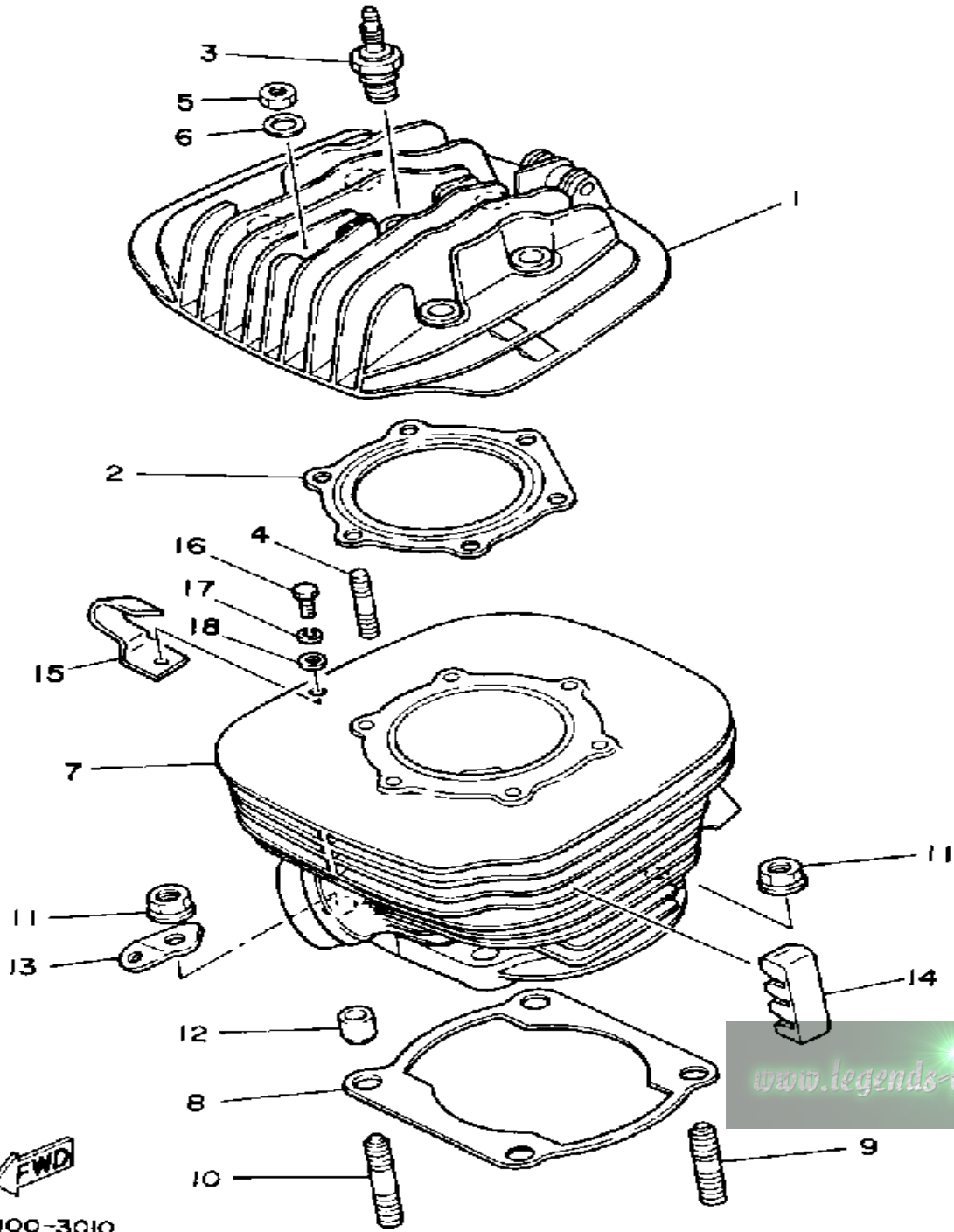
PARTS CATALOGUE

MOTORCYCLE

www.legends-yamaha-enduros.com

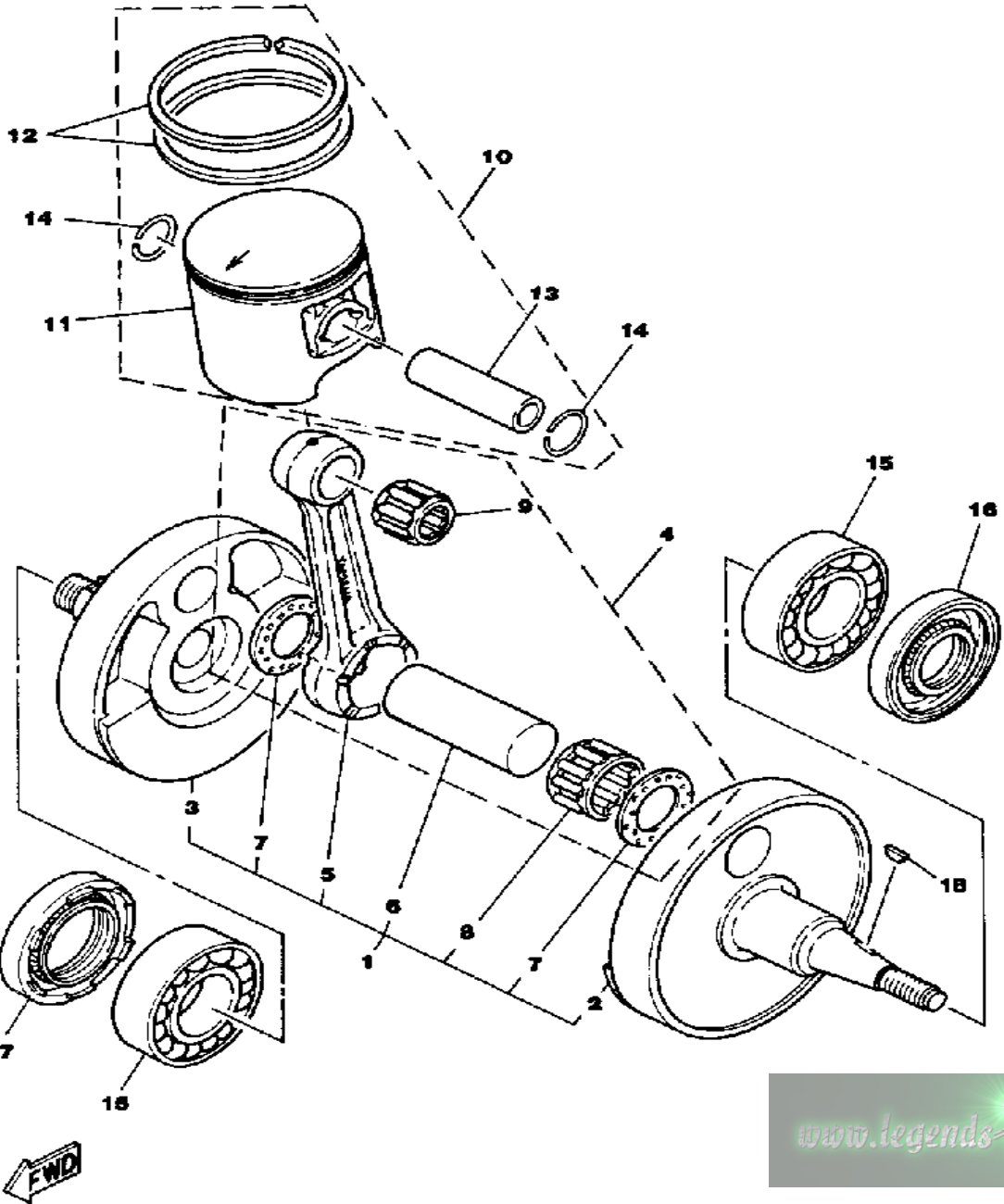
CYLINDER

Ref. No.	Part Number	Description	Qty	Remarks
1	26A-11111-00-00	HEAD, CYLINDER 1	1	
2	5X6-11181-00-00	GASKET, CYLINDER HEAD 1	1	
3	NGK-B8ES0-00-00	PLUG, SPARK (NGK B8ES)	1	U.R. LM
4	90116-08394-00	BOLT, STUD	6	
5	95333-08600-00	NUT	6	
6	90201-08649-00	WASHER, PLATE	6	
7	26A-11311-00-00	CYLINDER 1	1	
8	40T-11351-00-00	GASKET, CYLINDER	1	
9	90116-12315-00	BOLT, STUD	2	
10	90116-12316-00	BOLT, STUD	2	
11	95701-10500-00	NUT, FLANGE (95702-10500)	4	
12	91810-17016-00	PIN, DOWEL	2	
13	3R5-14619-00-00	HOOK, SPRING	1	
14	3R6-11162-00-00	ABSORBER 2	2	
15	26A-1131E-00-00	HOLDER 1	1	
16	97301-06014-00	BOLT, HEXAGON	1	
17	92995-06100-00	WASHER, SPRING	1	
18	90201-063J2-00	WASHER, PLATE	1	




 A100-3010

CRANKSHAFT-PISTON

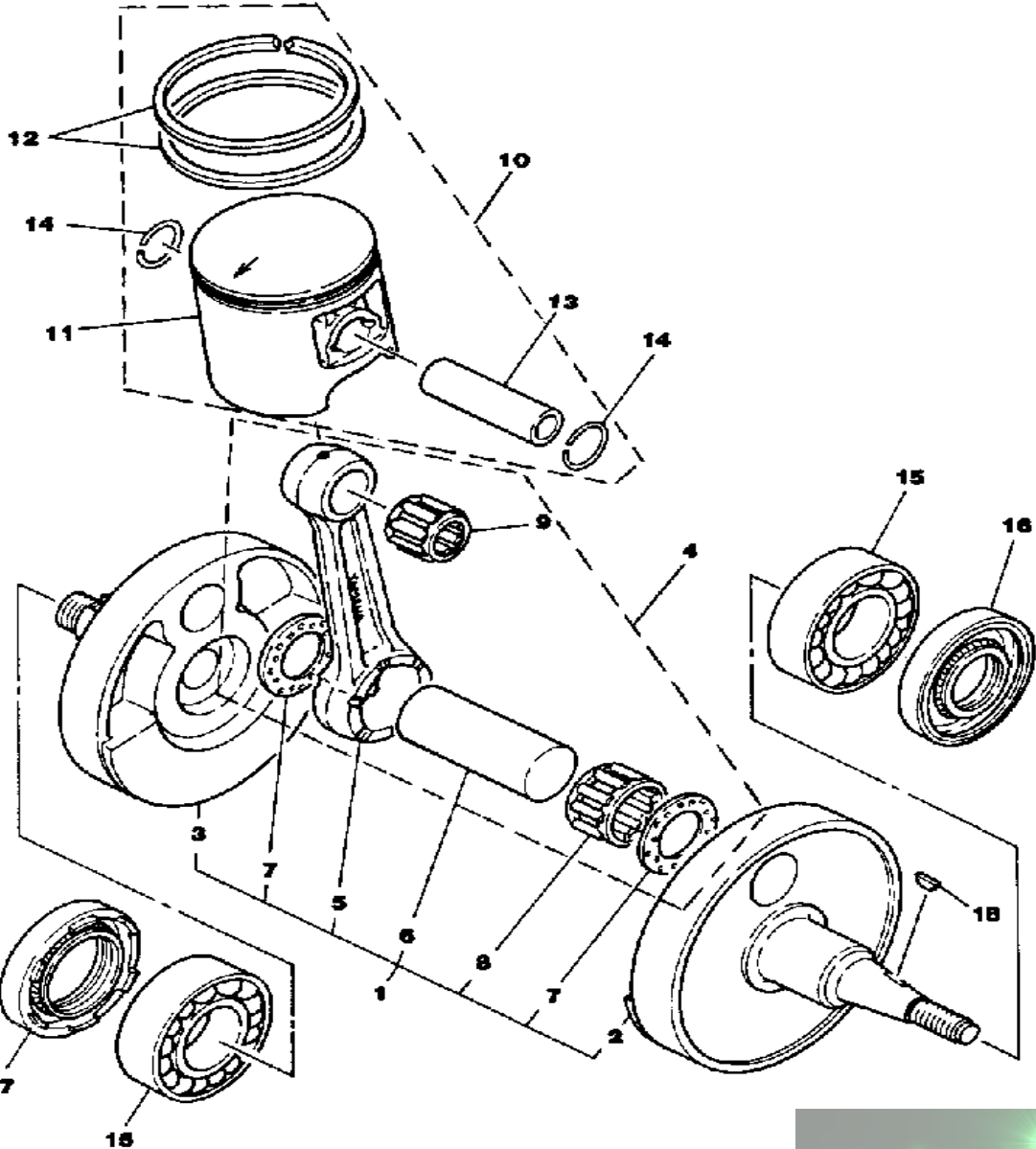


26A100-3020

Ref. No.	Part Number	Description	Qty	Remarks
1	(26A-11400-00-00)	CRANKSHAFT ASSEMBLY	1	
2	(26A-11412-00-00)	CRANK 1	1	
3	26A-11422-00-00	. CRANK 2	1	
4	3R5-11650-00-00	. CONNECTING ROD ASSEMBLY	1	
5	3R5-11651-00-00	.. ROD, CONNECTING	1	
6	3R8-11681-00-00	.. PIN, CRANK 1	1	
7	90209-25085-00	.. WASHER	2	
8	93310-425N4-00	.. BEARING, CYLINDER.# 0	1	
9	93310-418E9-00	. BEARING, CYLINDRICAL	1	
11	26A-11630-00-KT	PISTON N.A.KIT STD	1	
	26A-11631-00-93	. PISTON STD	1	
12	5X6-11601-00-00	. PISTON RINGSET STD	1	
13	275-11633-00-00	. PIN, PISTON (1W4-11633-00)	1	
14	93450-19052-00	. CIRCLIP	2	
15	93306-30615-00	BEARING (B6306)	2	
16	93103-30150-00	OIL SEAL (38W)	1	
17	93103-40091-00	OIL SEAL, SW-TYPE	1	
18	(26A-11630-10-00)	PISTON KIT 1ST	1	
	(26A-11630-40-00)	PISTON KIT 4TH	1	
	26A-11630-20-KT	PISTON N.A.KIT 2ND (3RD O/S)	1	
	26A-11635-00-00	PISTON 1 O/S 0.25 (1ST O/S .25MM)	1	
	26A-11636-00-00	PISTON 2 O/S 0.50 (2ND O/S 0.50MM)	1	
	26A-11637-00-00	PISTON 3 O/S 0.75 (3RD O/S 0.75MM)	1	
	26A-11638-00-00	PISTON 4 O/S 1.00 (4TH O/S 1.00MM)	1	
	5X6-11601-10-00	PISTON RINGSET 1ST (1ST O/S)	1	

CONTINUED ON NEXT FRAME ►

CRANKSHAFT-PISTON



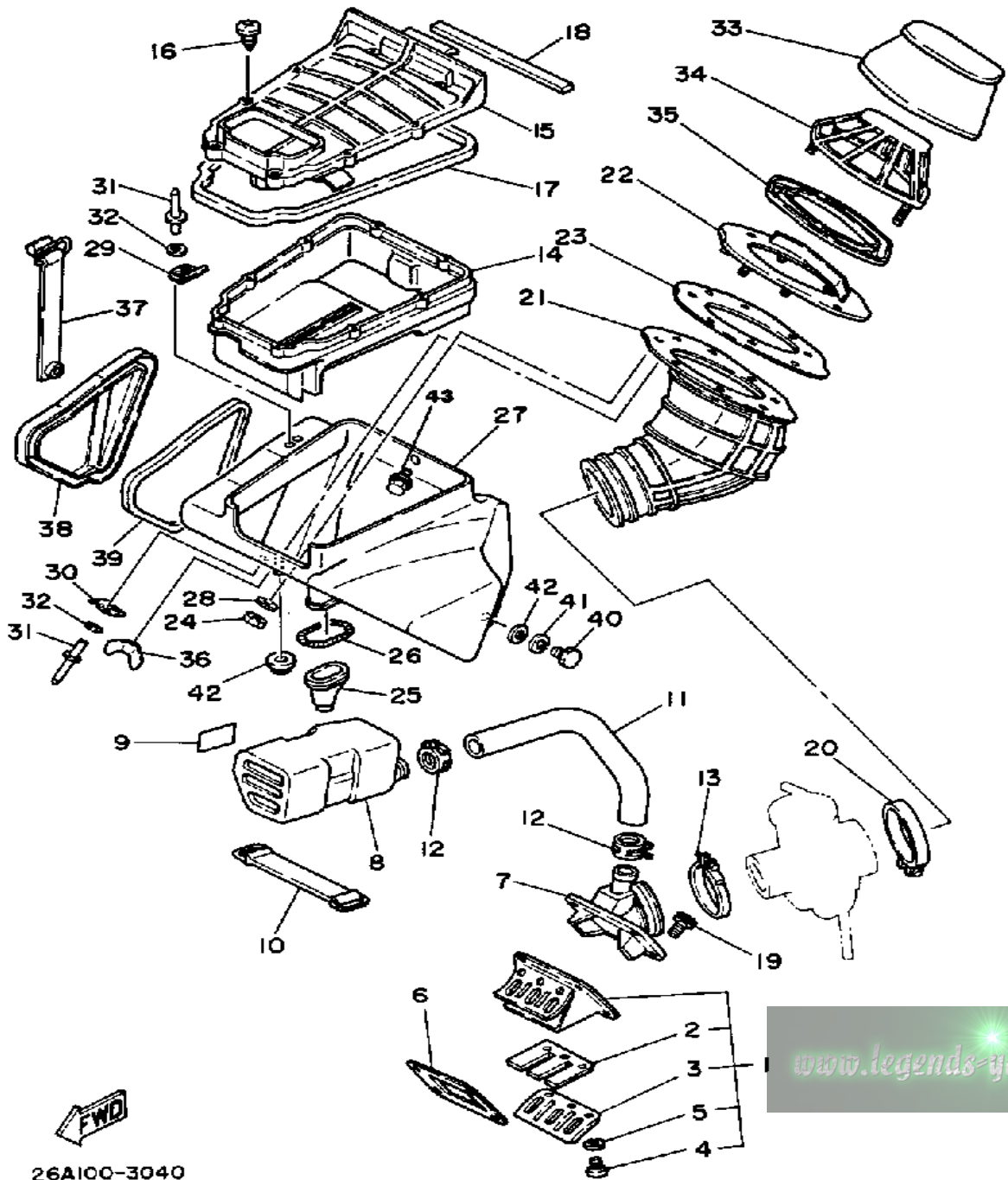
Ref. No.	Part Number	Description	Qty	Remarks
18	5X6-11601-20-00	PISTON RINGSET 2ND (2ND O/S)	1	
	5X6-11601-30-00	PISTON RINGSET 3RD (3RD O/S)	1	
	5X6-11601-40-00	PISTON RINGSET 4TH (4TH O/S)	1	
	90280-03017-00	KEY, WOODRUFF	1	

www.legends-yamaha-enduros.com



26A100-3020

AIR FILTER

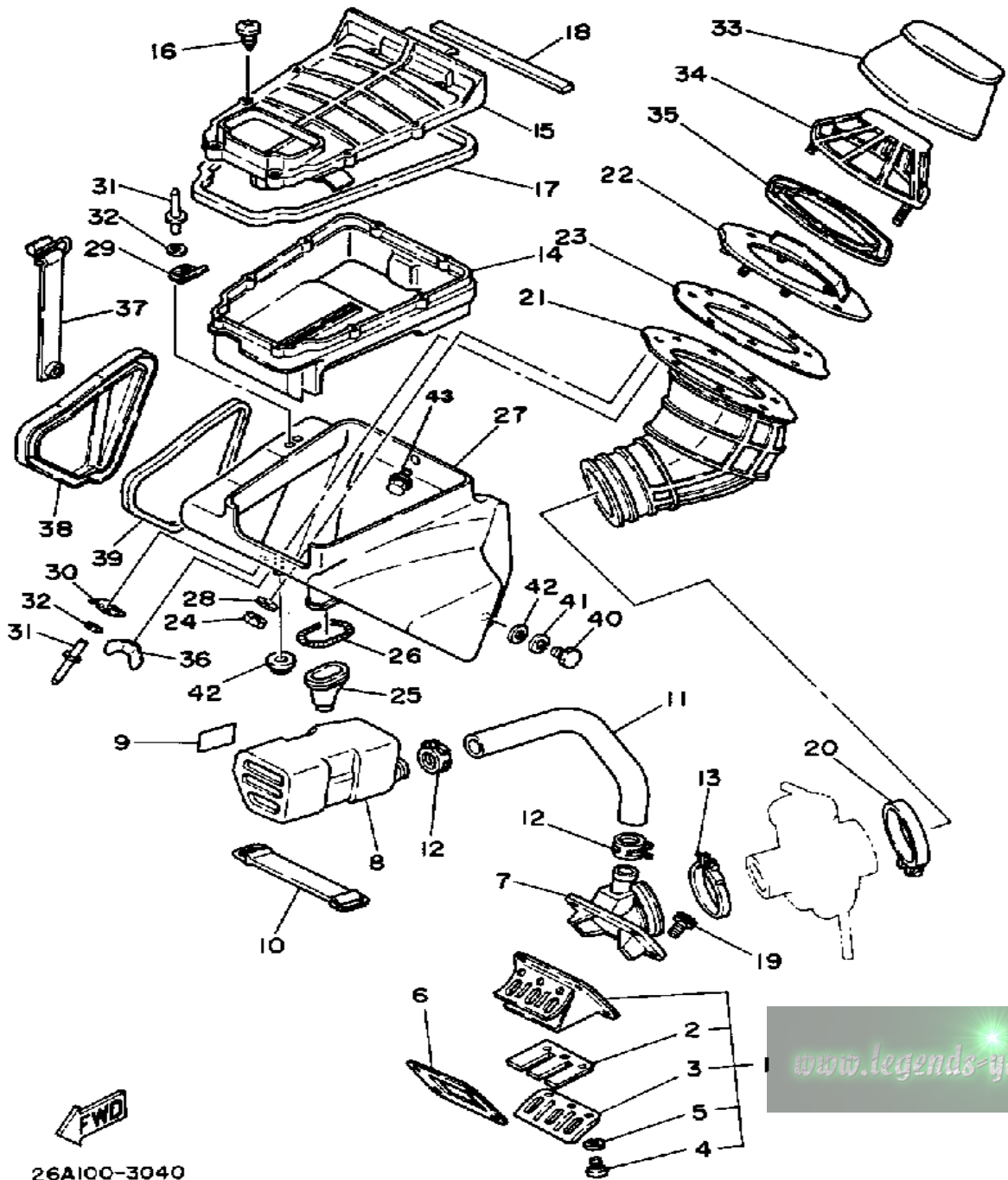


Ref. No.	Part Number	Description	Qty	Remarks
1	3R5-13610-00-00	REED VALVE ASSEMBLY	1	
2	3R5-13613-00-00	. REED, VALVE	2	
3	2X5-13616-00-00	. STOPPER, REED VALVE	2	
4	98580-03008-00	. SCREW, PAN HEAD	6	
5	92990-03100-00	. WASHER, SPRING (92901-03100)	6	
6	80L-13621-01-00	GASKET, VALVE SEAT	1	
7	23X-13565-00-00	JOINT, CARBURETOR	1	
8	26A-13581-00-00	CHAMBER, AIR	1	
9	4V3-1441K-00-00	EMBLEM	1	
10	26A-13575-00-00	BAND	1	
11	25Y-13584-00-00	PIPE, MANIFOLD	1	
12	90467-23059-00	CLIP, SCISSOR	2	
13	90460-51109-00	CLAMP, HOSE	1	
14	26A-14437-00-00	DUCT	1	
15	26A-14412-00-00	CAP, CLEANER CASE 1	1	
16	97780-40112-00	SCREW, TAPPING	8	
17	26A-14452-00-00	SEAL	1	
18	26A-14467-00-00	SEAL	1	
19	91316-06020-00	BOLT, SOCKET HEAD	4	
20	90460-68231-00	CLAMP, HOSE	1	
21	26A-14453-00-00	JOINT, AIR CLNR 1	1	
22	26A-14477-00-00	PLATE	1	
23	26A-14462-00-00	SEAL	1	
24	95601-05100-00	NUT, U	6	
25	22W-14457-00-00	SEAL	1	
26	90504-03033-00	SPRING, COMPRESSION	1	
27	26A-14411-01-00	CASE, AIR CLEANER 1	1	
28	92990-05200-00	WASHER, PLAIN	6	

26A100-3040

CONTINUED ON NEXT FRAME ►

AIR FILTER

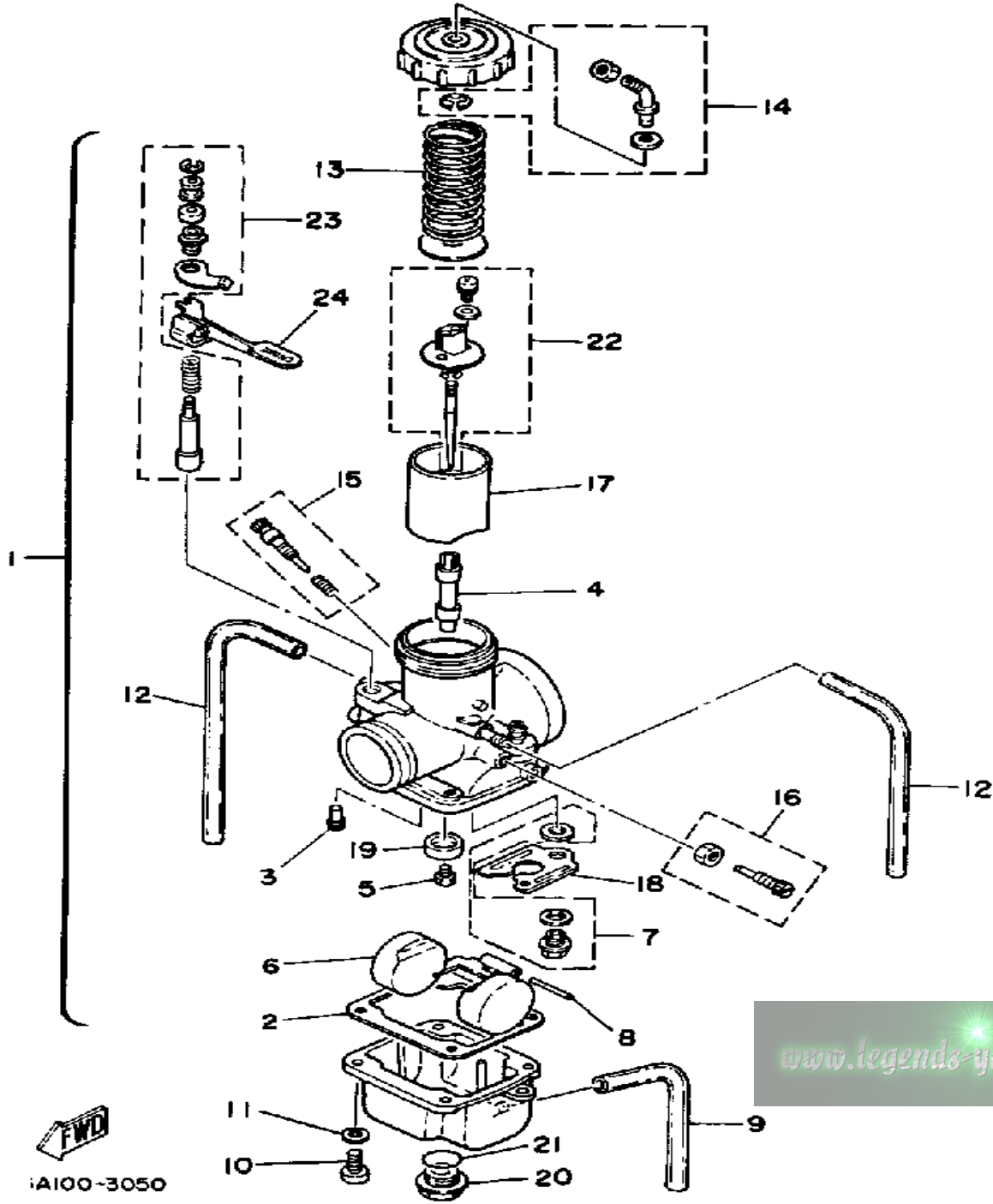


Ref. No.	Part Number	Description	Qty	Remarks
29	26A-14436-00-00	HOOK	1	
30	(26A-14484-00-00)	PLATE, CLNR CS FTNG	1	
31	90267-40077-00	RIVET, BLIND	4	
32	92990-04200-00	WASHER, PLAIN	4	
33	26A-W1442-00-00	ELEMENT, AIR CLNR	1	
34	26A-14458-00-00	GUIDE, ELEMENT	1	
35	26A-14459-00-00	HOLDER, GUIDE	1	
36	90175-06008-00	NUT, WING	2	
	90175-06015-00	NUT, WING	2	
37	26A-14455-00-00	BAND	1	
38	26A-14422-00-00	CAP, CLEANER CASE 2	1	
39	26A-14457-00-00	SEAL	1	
40	97313-06016-00	BOLT, HEXAGON	1	
41	92995-06100-00	WASHER, SPRING	1	
42	90201-061A5-00	WASHER, PLATE	1	
43	90119-06056-00	BOLT, WITH WASHER	1	

www.legends-yamaha-enduros.com

FWD
26A100-3040

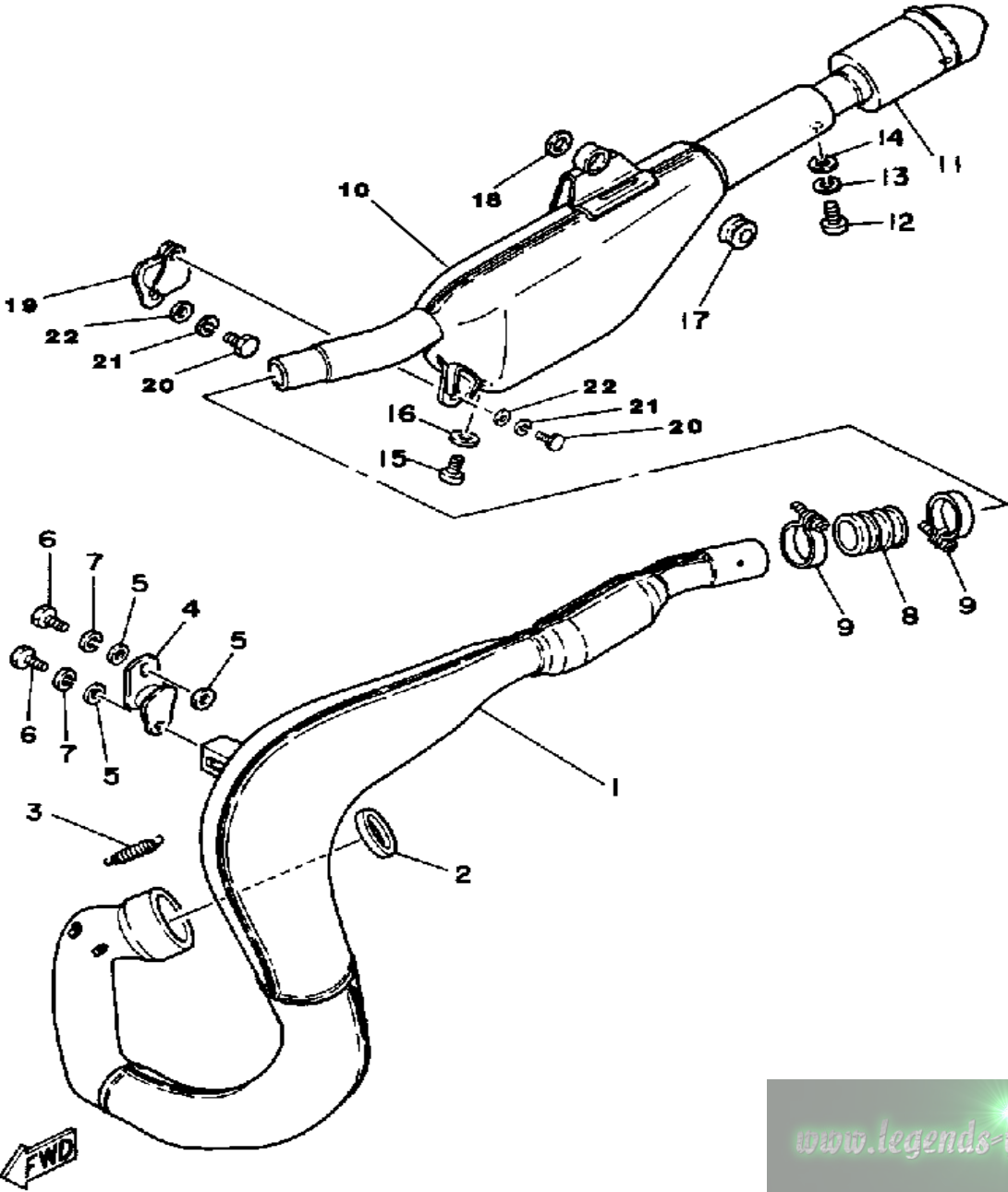
CARBURETOR



Ref. No.	Part Number	Description	Qty	Remarks
1	4V6-14101-10-00	CARBURETOR ASSEMBLY 1	1	
2	363-14184-00-00	. GASKET, FLOAT CHMBR	1	
3	193-14142-50-00	. JET, PILOT (# 50)	1	
4	510-14141-52-00	. NOZZLE, MAIN	1	
5	137-14143-72-00	. JET, MAIN (#360)	1	U.R.
	137-14143-74-00	. JET, MAIN (#370)	1	STD
	137-14143-76-00	. JET, MAIN (#380)	1	U.R.
6	2N7-14185-00-00	. FLOAT	1	
7	23X-14107-35-00	. NEEDLE VALVE SET	1	
8	537-14186-00-00	. PIN, FLOAT	1	
9	3Y3-14196-00-00	. PIPE, OVERFLOW	1	
10	98580-05016-00	. SCREW, PAN HEAD	4	
11	92990-05100-00	. WASHER, SPRING	4	
12	310-14197-00-00	. PIPE, AIRVENT	2	
13	363-14131-00-00	. SPRING, THROTTLE VALVE	1	
14	26A-14106-00-00	. CBLE AJST SCRW SET	1	
15	26A-14104-00-00	. AIR SCREW SET (1W3-14123-00)	1	
16	23X-14103-00-00	. THROTTLE SCREW SET	1	
17	2X8-14112-20-00	. VALVE, THROTTLE 1	1	
18	3R4-14146-00-00	. PLATE	1	
19	2X8-14153-00-00	. WASHER, MAIN JET	1	
20	510-14115-00-00	. PLUG, SCREW	1	
21	558-14147-00-00	. O-RING	1	
22	26A-1490J-00-00	. NEEDLE SET	1	
23	26A-1410A-00-00	. STARTER SET	1	
24	1W3-14175-00-00	. COVER, PLUNGER CAP (1W3-14173-00-00)	1	

www.legends-yamaha-online.com

EXHAUST

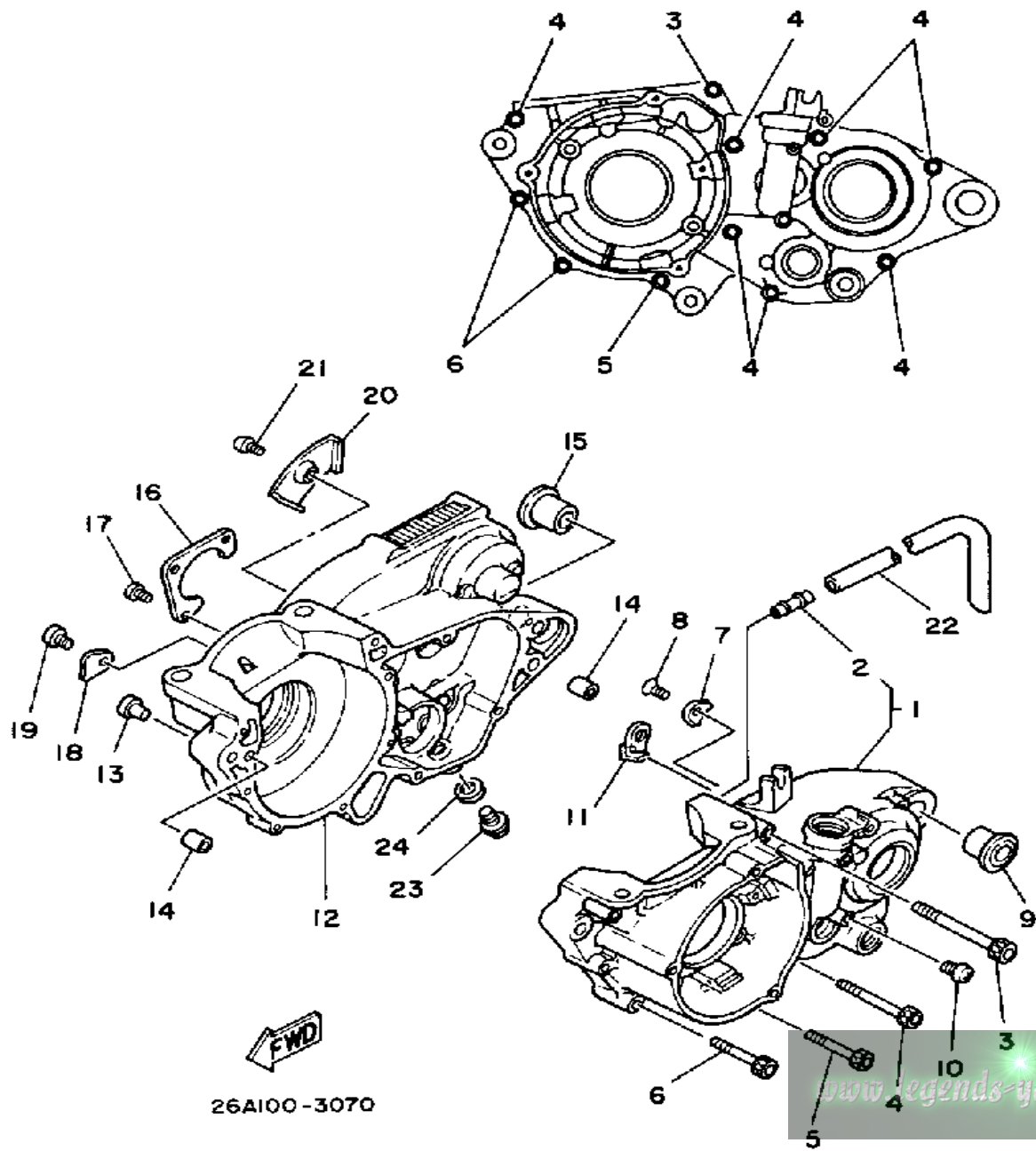


Ref. No.	Part Number	Description	Qty	Remarks
1	26A-14610-00-00	EXHAUST PIPE ASSEMBLY LASSEMBLY 1	1	
2	3R4-14613-00-00	GASKET, EXST PIPE	1	
3	90507-20030-00	SPRING, TENSION	3	
4	3R4-14781-03-00	STAY, MUFFLER 2 (3R4-14781-01)	1	
5	90201-08730-00	WASHER, PLATE	3	
6	97313-08018-00	BOLT, HEXAGON (97301-08016)	2	
7	92990-08100-00	WASHER	2	
8	1M1-14714-00-00	GASKET, MUFFLER	1	
9	90460-43053-00	CLAMP, HOSE	2	
10	26A-14753-00-00	SILENCER, EXHAUST	1	
11	4V5-14752-00-00	PIPE, OUTLET	1	
12	98580-06012-00	SCREW, PAN HEAD	1	
13	92995-06100-00	WASHER, SPRING	1	
14	90201-061A5-00	WASHER, PLATE	1	
15	98580-06008-00	SCREW, PAN HEAD	1	
16	90202-05187-00	WASHER, PLATE	1	
17	90480-22269-00	GROMMET	1	
18	90201-14218-00	WASHER, PLATE	1	
19	565-14771-00-00	STAY, MUFFLER 1	1	
20	97313-06016-00	BOLT, HEXAGON	2	
21	92995-06100-00	WASHER, SPRING	2	
22	90201-061A5-00	WASHER, PLATE	2	

www.legends-yamaha-enduros.com

26A100-3060

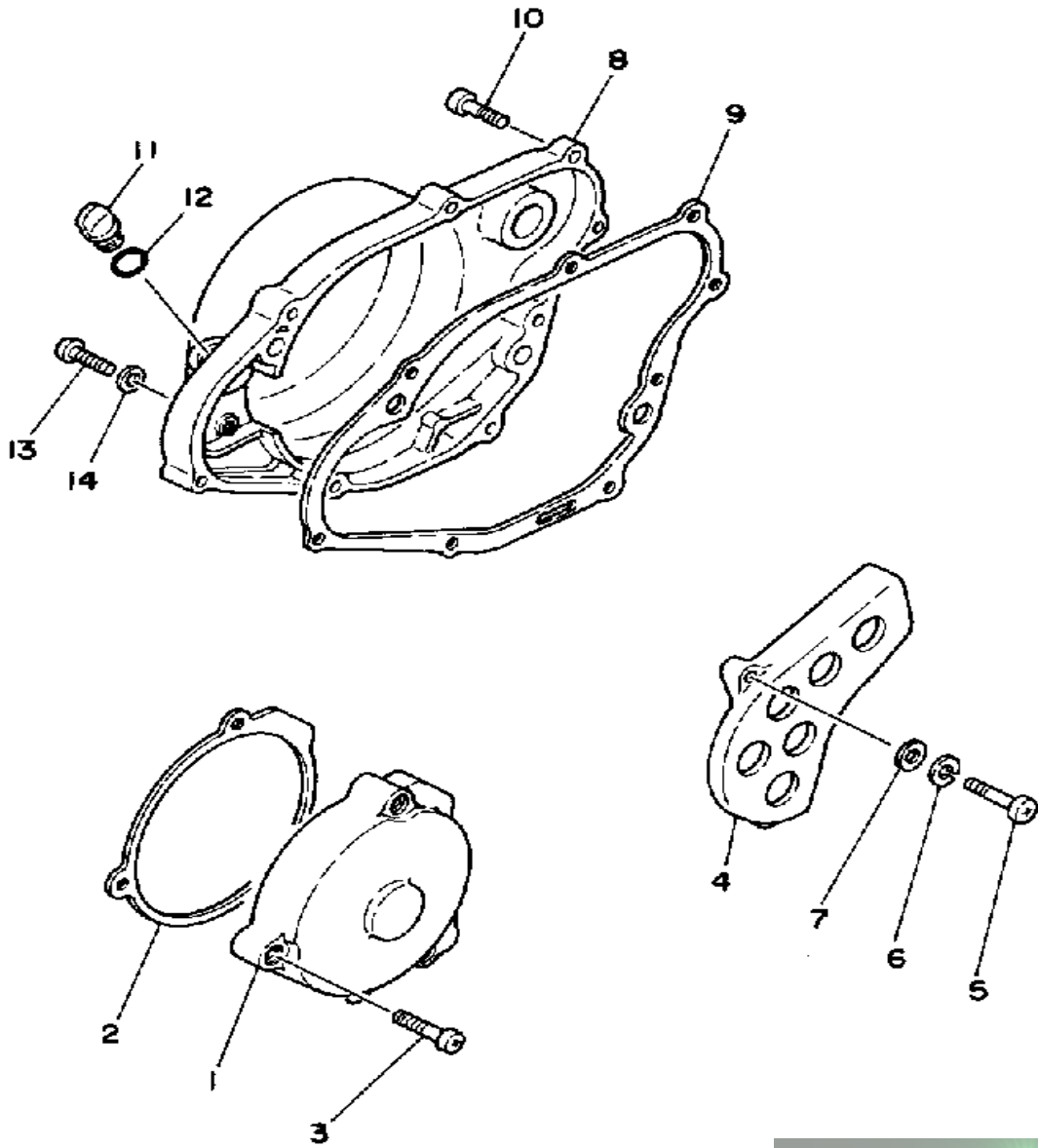
CRANKCASE



FWD
26A100-3070

Ref. No.	Part Number	Description	Qty	Remarks
1	3R5-W1511-01-00	CRANKCASE 1	1	
2	137-13115-00-00	. CONNECTOR, SUCTION PIPE	1	
3	91316-06075-00	BOLT, SOCKET HEAD	1	
4	91316-06060-00	BOLT	7	
5	91316-06050-00	BOLT, SOCKET HEAD	1	
6	91316-06045-00	BOLT, SOCKET HEAD	2	
7	3AK-15383-01-00	PLATE, BRNG COVER	1	
8	98603-06012-00	SCREW, OVAL HEAD (92701-06012)	1	
9	90387-160H4-00	COLLAR	1	
10	98516-06012-00	SCREW, PAN HEAD	1	
11	23X-26393-00-00	HOLDER	1	
12	3R5-15121-05-00	CRANKCASE 2	1	
13	90338-07011-00	PLUG, SPEC'L SHAPE	1	
14	99510-12016-00	PIN, DOWEL	4	
15	90387-160H4-00	COLLAR	1	
16	23X-15381-00-00	PLATE, BRNG COVER	1	
17	98580-06012-00	SCREW, PAN HEAD	3	
18	4V4-15118-00-00	HOLDER	1	
19	98580-06010-00	SCREW, PAN HEAD (92503-06010)	1	
20	3R4-15113-00-00	PLATE	1	
21	98580-06012-00	SCREW, PAN HEAD	1	
22	90445-08605-00	HOSE	1	
23	90340-12097-00	PLUG, STRAIGHT SCREW	1	
24	90430-12207-00	GASKET	1	

CRANKCASE COVER



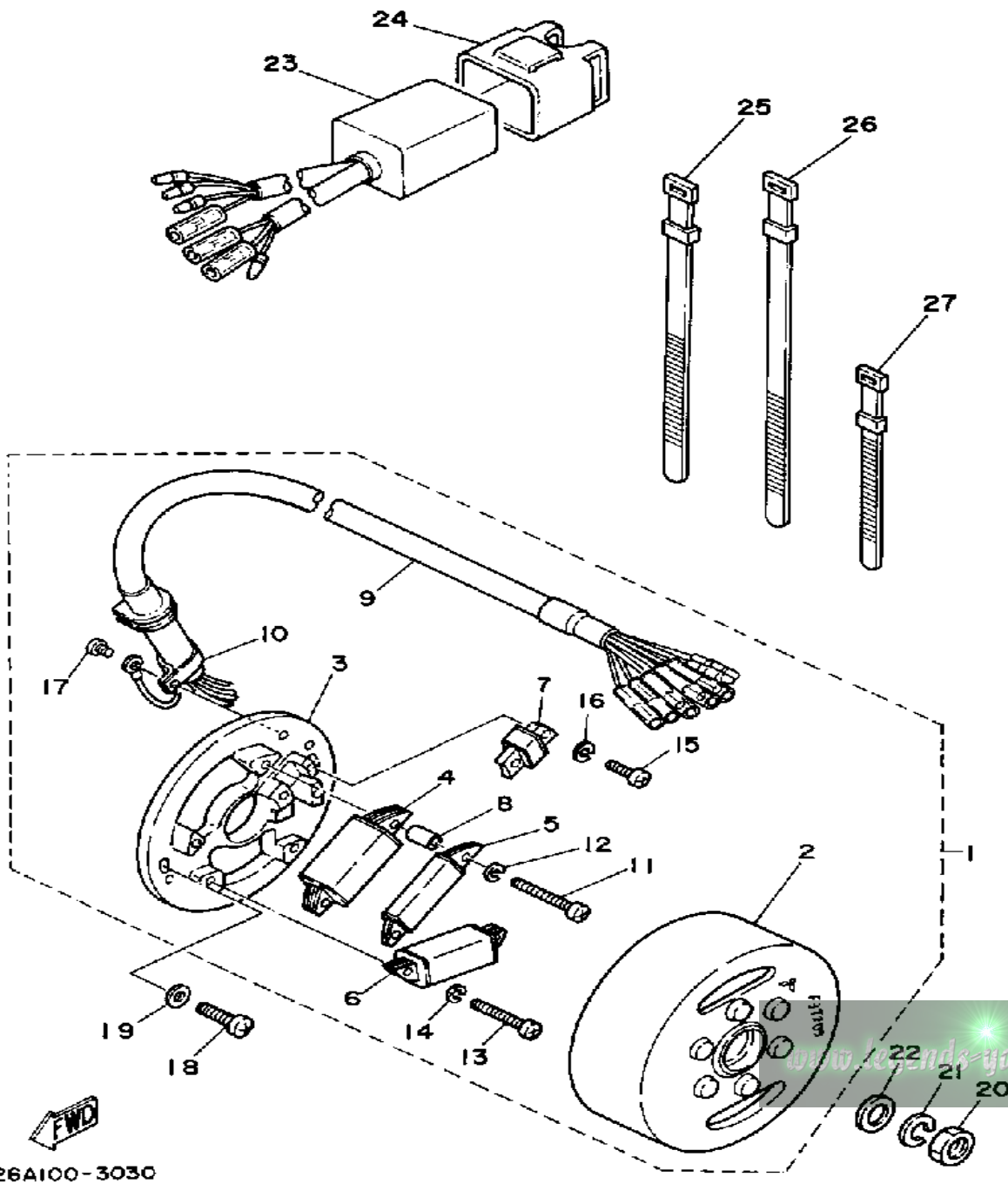
Ref. No.	Part Number	Description	Qty	Remarks
1	3R5-15411-00-00	COVER, CRANKCASE L	1	
2	4V4-15451-00-00	GASKET, CRCS COVERCOVER 1	1	
3	98506-06035-00	SCREW, PAN HEAD	3	
4	26A-15421-00-00	COVER, CRANKCASE R	1	
5	98506-06025-00	SCREW, PAN HEAD	1	
6	92906-06100-00	WASHER, SPRING	1	
7	92906-06600-00	WASHER	1	
8	3R4-15431-02-00	COVER, CRANKCASE 3 (3R4-15431-00)	1	
9	3R4-15462-00-00	GASKET, CRCS CVR 3COVER 3	1	
10	91316-06025-00	BOLT	8	
11	1G8-15362-00-00	PLUG, OIL LEVEL	1	
12	93210-14104-00	O-RING	1	
13	98506-06008-00	SCREW, PAN HEAD (92506-06008-00)	1	
14	90430-06016-00	GASKET	1	



26A100-3080

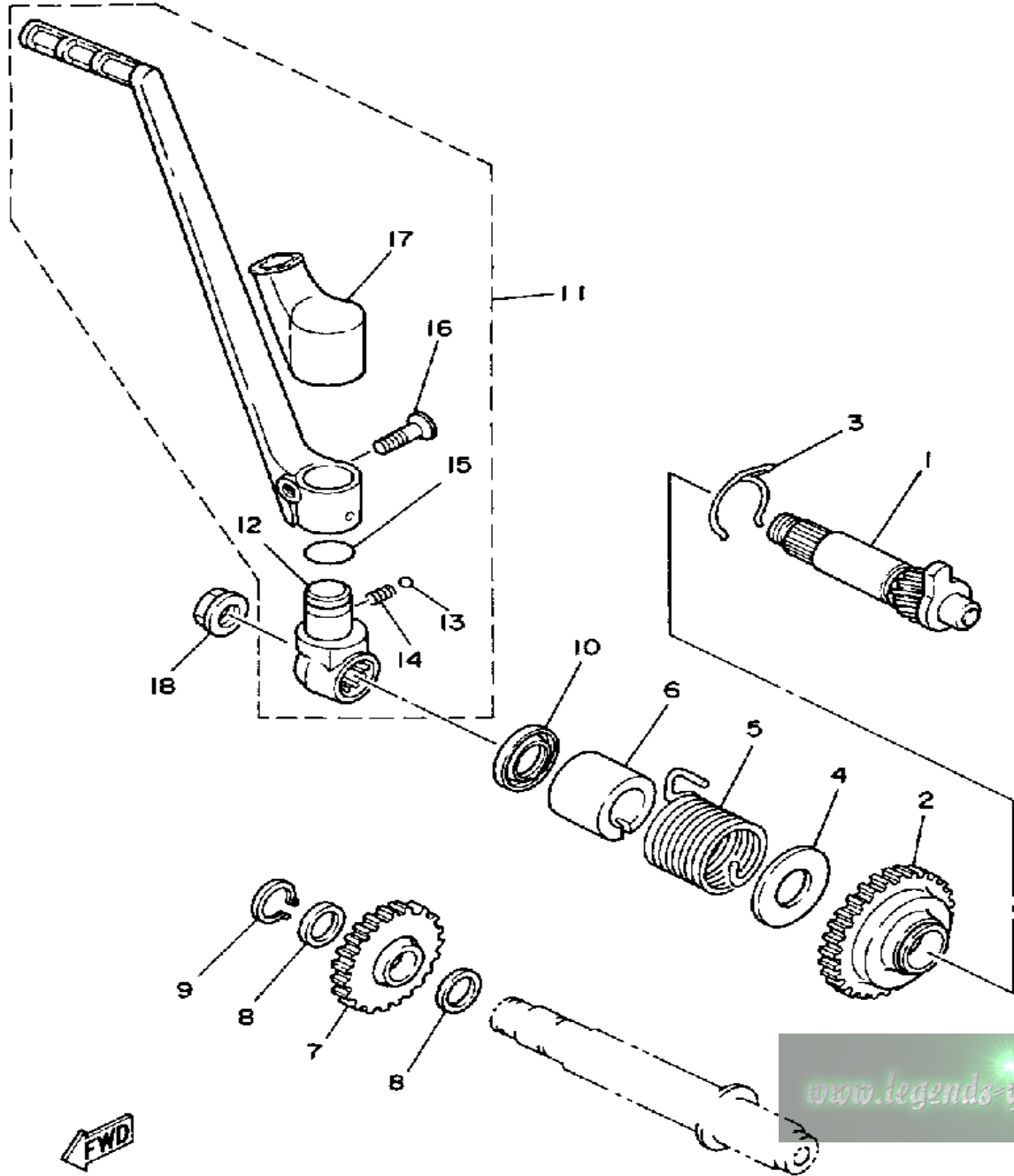


GENERATOR



Ref. No.	Part Number	Description	Qty	Remarks
1	4V6-85500-20-00	CDI MAGNETO ASSEMBLY ...	1	
2	3R5-85550-20-00	. ROTOR ASSEMBLY	1	
3	3R5-85509-20-00	. BASE, MAGNETO	1	
4	3R5-85511-20-00	. COIL SOURCE 1	1	
5	3R5-85512-20-00	. COIL SOURCE 2	1	
6	4V6-85513-20-00	. COIL, LIGHTING 1	1	
7	4V6-85580-20-00	. COIL, PULSER	1	
8	1W2-85516-20-00	. SPACER	2	
9	(4V6-85515-20-00)	LEAD WIRE ASSEMBLY	1	
10	104-81328-20-00	. CLAMP	1	
11	98501-04035-00	. SCREW, PAN HEAD	2	
12	92901-04100-00	. WASHER, SPRING	2	
13	98511-04030-00	. SCREW, PAN HEAD	2	
14	92901-04100-00	. WASHER, SPRING	2	
15	98503-04014-00	. SCREW, PAN HEAD	2	
16	92901-04100-00	. WASHER, SPRING	2	
17	97601-04106-00	. SCREW, PN/HD.W/WSHR ...	1	
18	98580-06020-00	SCREW	2	
19	90201-061A5-00	WASHER, PLATE	2	
20	90170-12347-00	NUT, HEXAGON	1	
21	92901-12100-00	WASHER, SPRING	1	
22	90201-12593-00	WASHER, PLATE	1	
23	2W6-85540-20-00	CDI UNIT ASSEMBLY	1	
24	2A7-85546-00-00	BAND	1	
25	437-83936-11-00	BAND, SWITCH CORD	1	
26	25G-83936-01-00	BAND, SWITCH CORD	1	
27	437-83936-01-00	BAND, SWITCH CORD	1	

STARTER

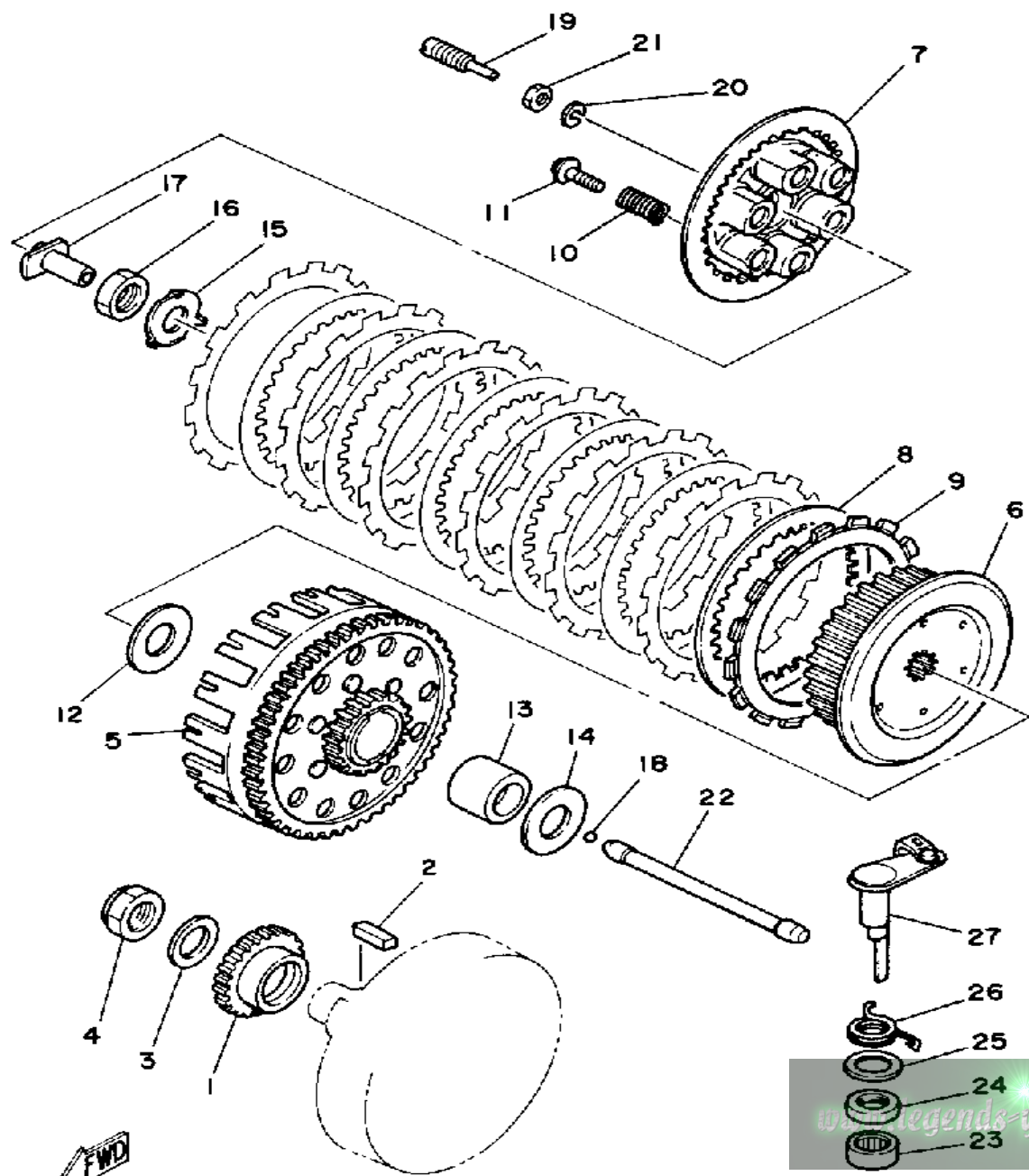


Ref. No.	Part Number	Description	Qty	Remarks
1	57H-15660-00-00	UNAVAILABLE IN PRICE BOOK (23X-15660-00)	1	
2	23X-15641-00-00	GEAR, KICK	1	
3	90468-26048-00	CLIP	1	
4	90201-20358-00	WASHER, PLATE	1	
5	90508-30422-00	SPRING, TORSION	1	
6	3R4-15664-00-00	GUIDE, SPRING	1	
7	23X-15651-00-00	GEAR, KICK IDLE	1	
8	90201-17545-00	WASHER, PLATE	2	
9	99009-17400-00	CIRCLIP	1	
10	93102-20309-00	SEAL, OIL	1	
11	26A-15620-01-00	KICK CRANK ASSEMBLY	1	
12	26A-15621-00-00	. BOSS, KICK CRANK	1	
13	93501-04011-00	. BALL	1	
14	90501-13720-00	. SPRING, COMPRESSION	1	
15	93210-19501-00	. O-RING	1	
16	90157-06048-00	. SCREW, PAN HEAD - (90152-06010)	1	
17	23X-15618-00-00	. COVER, KICK LEVER	1	
18	90179-12244-00	NUT, SPEC'L SHAPE	1	

FWD
26A100-3090

www.legends-yamaha-enduros.com

CLUTCH

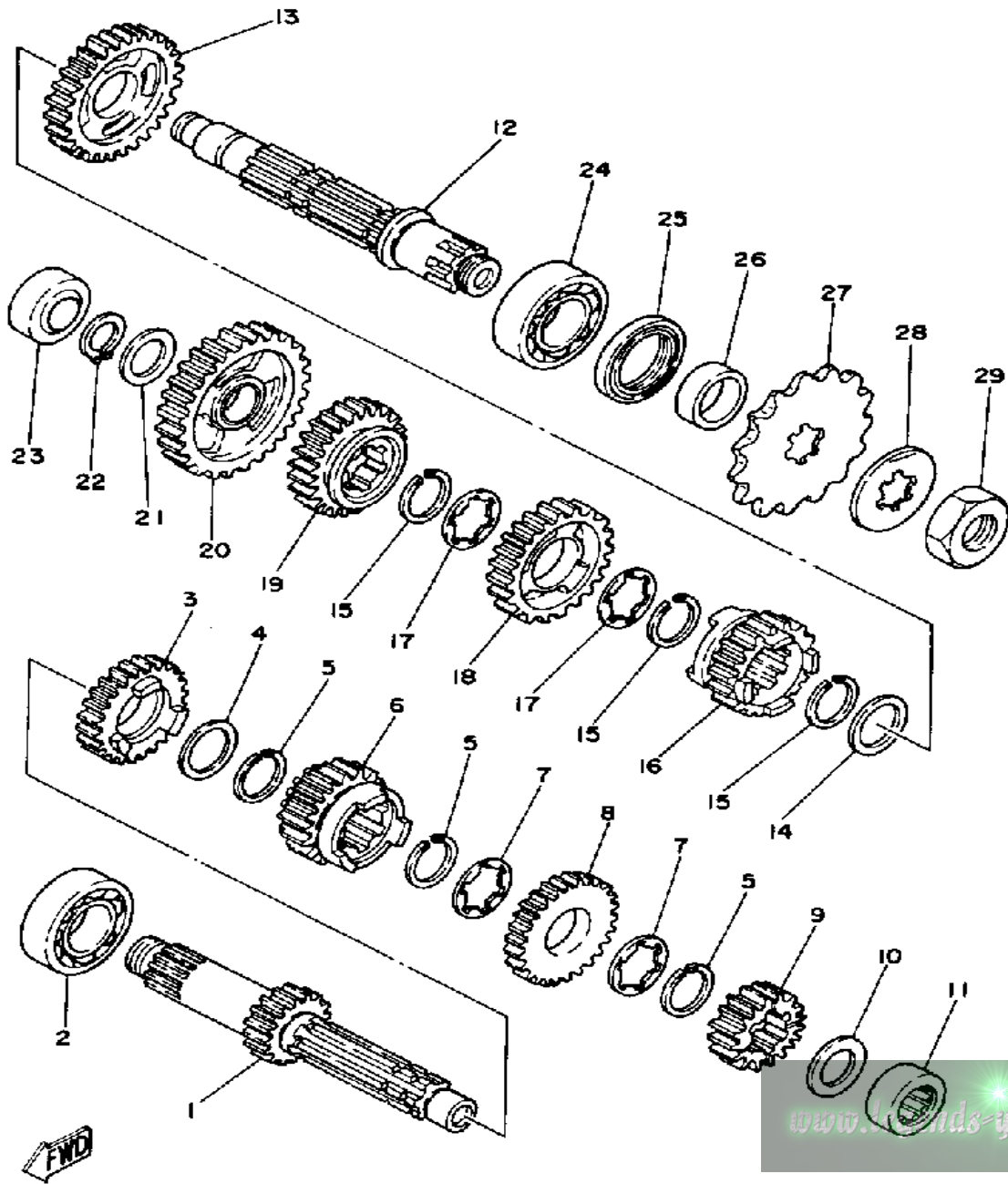


Ref. No.	Part Number	Description	Qty	Remarks
1	23X-16111-00-00	GEAR, PRI DRIVE	1	
2	90282-07019-00	KEY, STRAIGHT	1	
3	92901-18100-00	WASHER, SPRING	1	
4	90170-18089-00	NUT, HEXAGON	1	
5	39X-16150-00-00	PRI DRVN GEAR	1	GEAR COMP.
6	23X-16371-00-00	BOSS, CLUTCH	1	
7	23X-16351-00-00	PLATE, PRESSURE 1	1	
8	4H7-16325-00-00	PLATE, CLUTCH 2	6	
9	5X5-16321-00-00	PLATE, FRICTION	7	
10	90501-24408-00	SPRING, COMPRESSION	6	
11	90159-06016-00	SCREW, WITH WASHER	6	
12	2K7-16154-00-00	PLATE, THRUST 1	1	
13	2K7-16181-00-00	SPACER 1	1	
14	2K7-16154-00-00	PLATE, THRUST 1	1	
15	90215-20212-00	WASHER, LOCK	1	
16	90170-20255-00	NUT	1	
17	23X-16356-00-00	ROD, PUSH 1	1	
18	93515-32029-00	BALL	1	
19	90149-06179-00	SCREW, SPEC'L SHAPE	1	
20	92995-06100-00	WASHER, SPRING	1	
21	95380-06600-00	NUT	1	
22	3R5-16357-01-00	ROD, PUSH 2	1	
23	93315-21721-00	BEARING, CYLINDER.# 5	1	
24	93102-17263-00	OIL SEAL	1	
25	90201-17327-00	WASHER, PLATE	1	
26	90508-14423-00	SPRING, TORSION	1	
27	4V4-16380-00-00	PUSH LEVER ASSEMBLY	1	

www.legends-yamaha-europe.com

26A100-3100

TRANSMISSION

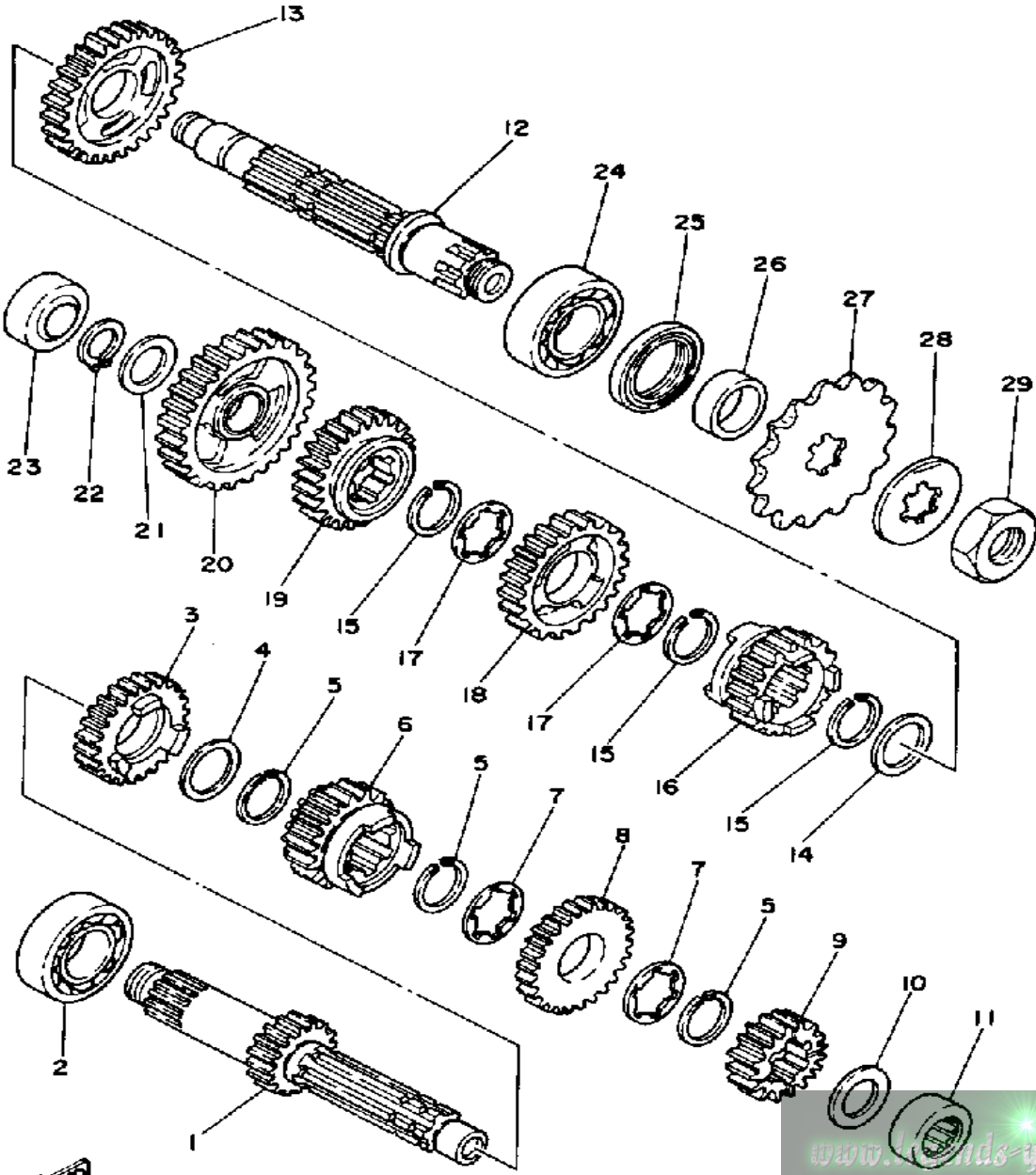


26A100-3110

Ref. No.	Part Number	Description	Qty	Remarks
1	4V6-17411-00-00	AXLE, MAIN	1	
2	93300-20501-00	BEARING	1	
3	4V6-17141-01-00	GEAR, 4TH PINION	1	
4	90201-253K0-00	WASHER, PLATE (T=1.0)	1	
5	93440-25084-00	CIRCLIP	3	
6	3R5-17131-02-00	GEAR, 3RD PINION	1	
7	90209-22082-00	WASHER (0.5T)	2	
8	4V6-17151-01-00	GEAR, 5TH PINION	1	
9	5L5-17121-01-00	GEAR, 2ND PINION	1	
10	90201-20276-00	WASHER, PLATE (1.0T)	1	
11	93311-62035-00	BEARING, CYLINDER.# 1	1	
12	3R5-17421-00-00	AXLE, DRIVE	1	
13	4V6-17221-01-00	GEAR, 2ND WHEEL	1	
14	90201-253K0-00	WASHER, PLATE (T=1.0)	1	
15	93440-25084-00	CIRCLIP	3	
16	4V6-17251-01-00	GEAR, 5TH WHEEL	1	
17	90209-22082-00	WASHER (0.5T)	2	
18	3R5-17231-03-00	GEAR, 3RD WHEEL	1	
19	4V6-17241-01-00	GEAR, 4TH WHEEL	1	
20	4V6-17211-01-00	GEAR, 1ST WHEEL	1	
21	90201-20278-00	WASHER, PLATE	1	
22	93410-20038-00	CIRCLIP	1	
23	93311-62035-00	BEARING, CYLINDER.# 1	1	
24	93300-20501-00	BEARING	1	
25	93102-32M07-00	OIL SEAL	1	
26	90387-25663-00	COLLAR	1	
27	93834-13030-00	SPROCKET, DRIVE 13T (23X1746130)	1	ALT. PART
	93834-14051-00	SPROCKET, DRIVE (23X-17461-40)	1	STD

CONTINUED ON NEXT FRAME ➤

TRANSMISSION



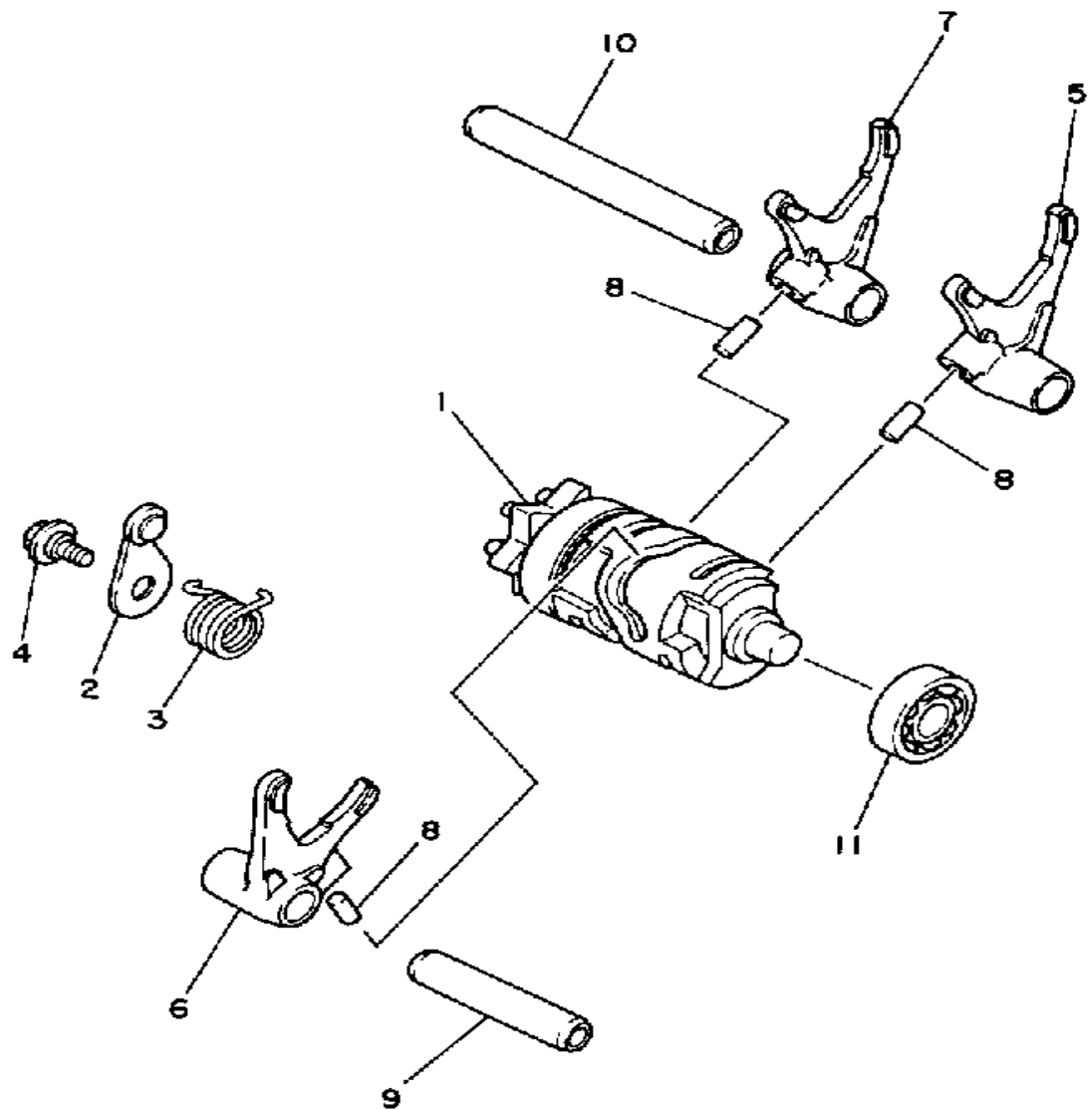
Ref. No.	Part Number	Description	Qty	Remarks
27	93834-15078-00	SPROCKET, DRIVE	1	ALT. PART
28	90215-21239-00	WASHER, LOCK	1	
29	90179-20255-00	NUT	1	

26A100-3110



SHIFT CAM-FORK

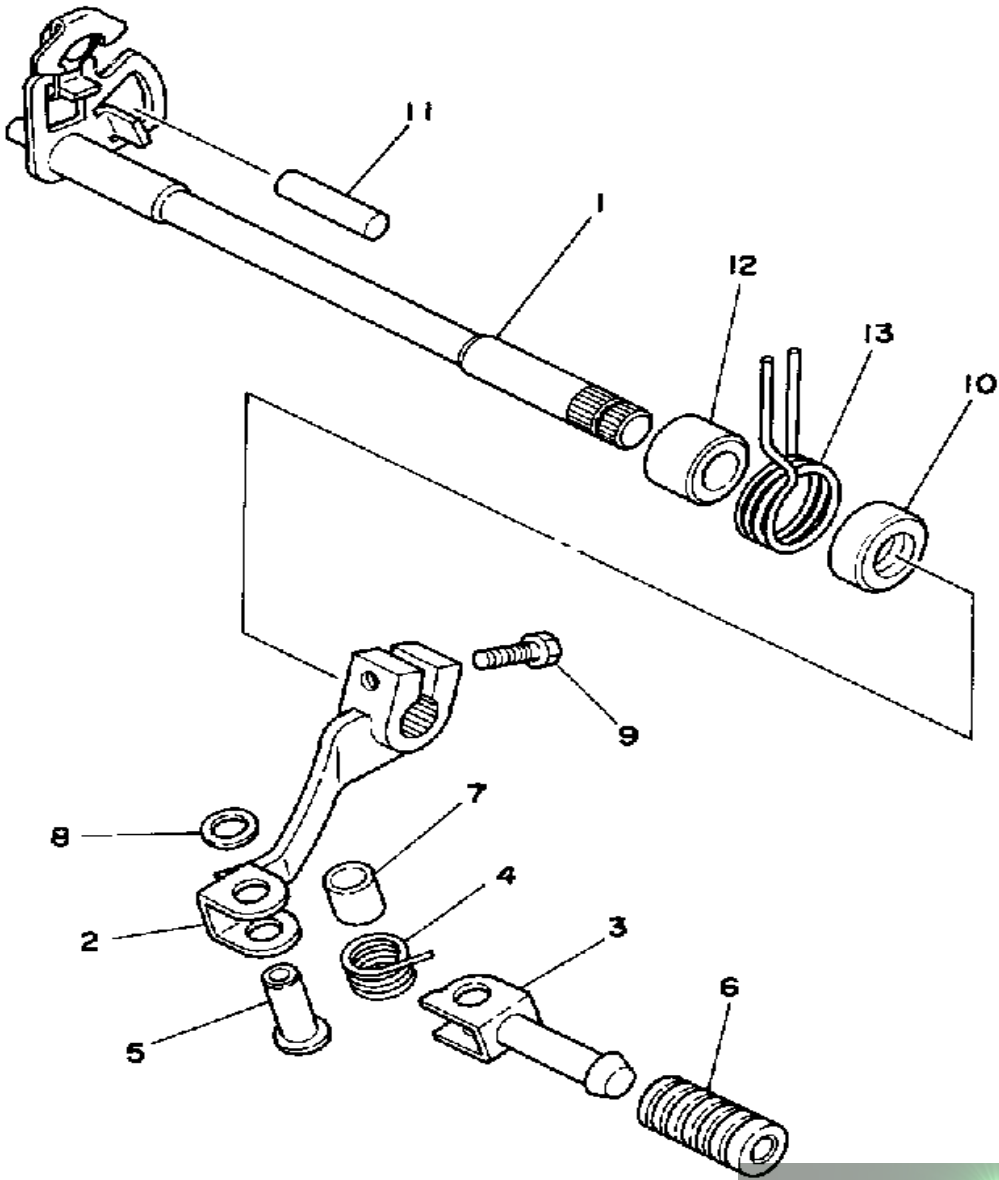
Ref. No.	Part Number	Description	Qty	Remarks
1	24Y-18540-00-00	SHIFT CAM ASSEMBLY	1	
2	3R4-18140-00-00	STOPPER LEVER ASSEMBLY	1	
3	90508-26421-00	SPRING, TORSION	1	
4	50W-21631-00-00	BOLT 1	1	
5	3R5-18511-00-00	FORK, SHIFT 1 (250H)	1	
6	3R5-18512-00-00	FORK, SHIFT 2	1	
7	3R5-18513-00-00	FORK, SHIFT 3 (250G)	1	
8	93606-14154-00	PIN, DOWEL	3	
9	5X5-18531-01-00	BAR, SHIFT FORK GUIDE 1	1	
10	5X5-18535-00-00	BAR, SHIF FRK GDE 2	1	
	5X5-18535-01-00	BAR, SHIF FRK GDE 2	1	
11	93306-20110-00	BEARING (B6201)	1	



26A100-3120



SHIFT SHAFT

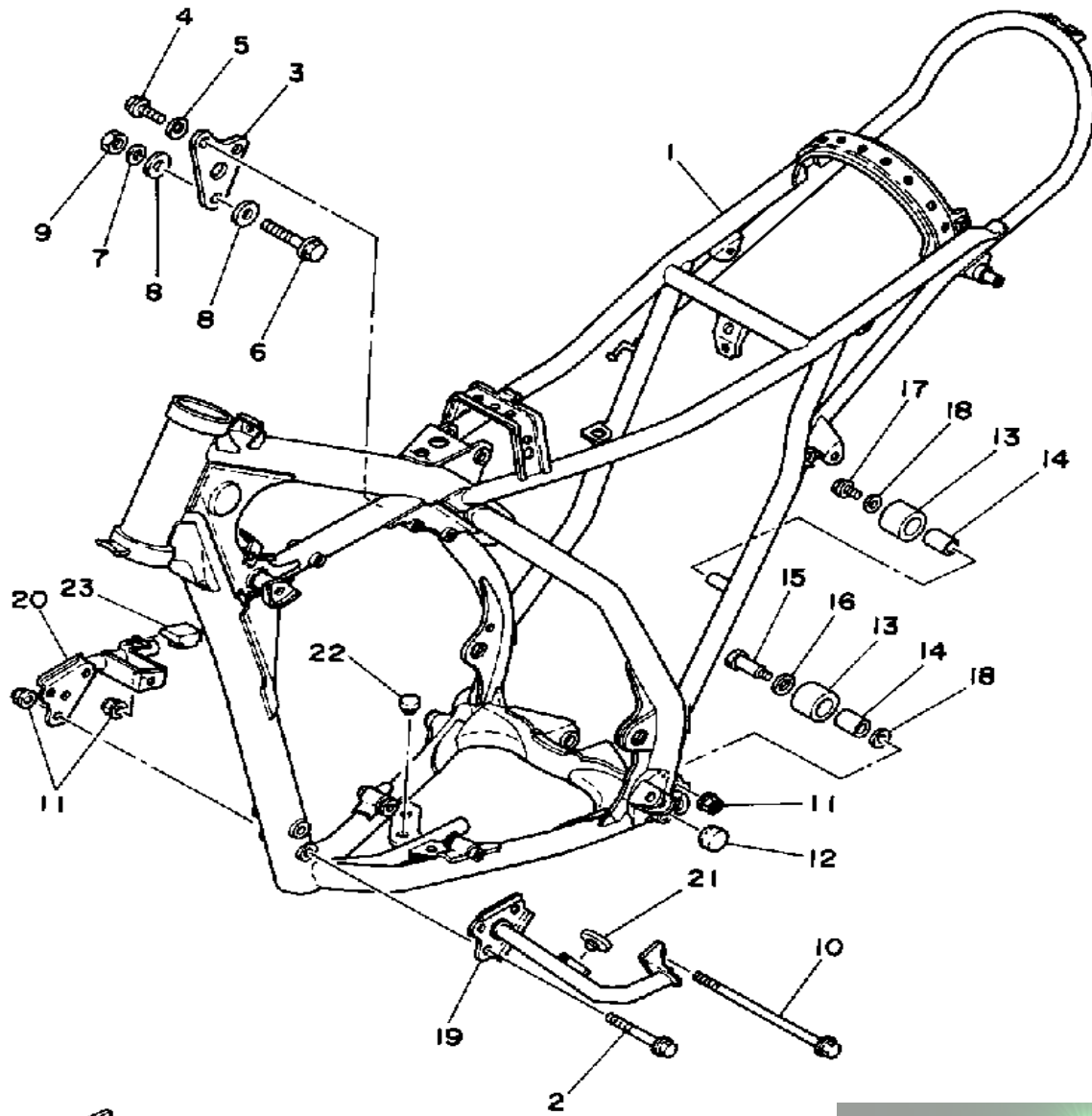


Ref. No.	Part Number	Description	Qty	Remarks
1	23X-18101-01-00	SHIFT SHAFT ASSEMBLY 1 ..	1	
2	5X6-18110-00-00	PEDAL, SHIFT	1	
3	(5X4-18162-00-00)	PEDAL, SHIFT	1	
4	90508-16558-00	SPRING, TORSION (90508-14516)	1	
5	90243-08020-00	PIN	1	
6	1W6-18113-00-00	COVER, SHIFT PEDAL	1	
7	90446-11180-00	HOSE	1	
8	90201-06042-00	WASHER, PLATE	1	
9	97011-06020-00	BOLT	1	
10	93102-12321-00	OIL SEAL, SD-TYPE	1	
11	93608-25150-00	PIN, DOWEL	1	
12	90560-12171-00	SPACER	1	
13	90508-29361-00	SPRING, TORSION	1	



26A100-3130

www.legends-yamaha-enduros.com

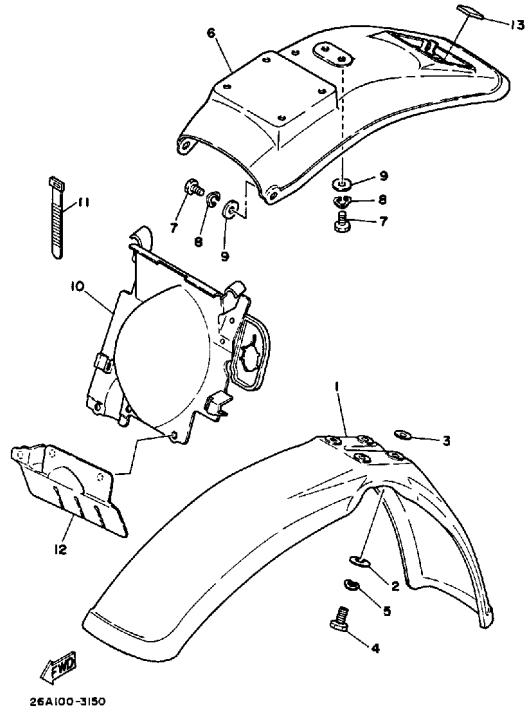


26A100-3140



FRAME

Ref. No.	Part Number	Description	Qty	Remarks
1	(26A-21110-00-33)	FRAME	1	YAMAHA BLK
2	95811-08070-00	BOLT, FLANGE	3	
3	23X-21425-01-00	BRACKET, REAR UPR 1	1	
4	95821-08025-00	BOLT, FLANGE	2	
5	90202-08022-00	WASHER, PLATE	2	
6	95811-10060-00	BOLT, FLANGE	1	
7	92990-10200-00	WASHER, PLAIN	1	
8	90201-100A1-00	WASHER, PLATE	2	
9	95601-10200-00	NUT, SELF-LOCKING	1	
10	95811-08175-00	BOLT, FLANGE	1	
11	95601-08200-00	NUT, U	4	
12	90336-25040-00	PLUG, TAPER	1	
13	30X-22178-00-00	TENSIONER	2	
14	4V4-22184-00-00	BUSH	2	
15	90109-08733-00	BOLT	1	
16	90201-13202-00	WASHER, PLATE	1	
17	95811-08016-00	BOLT, FLANGE	1	
18	90201-08753-00	WASHER, PLATE	2	
19	26A-2147A-00-33	GUARD, ENGINE 1	1	YAMAHA BLK
20	(26A-2147E-00-33)	GUARD, ENGINE 2	1	YAMAHA BLK
21	2J5-21732-00-00	SEAL 1	1	
22	22W-24181-00-00	DAMPER, LOCATING 1	2	
23	26A-21485-00-00	DAMPER, RUBBER 1	1	



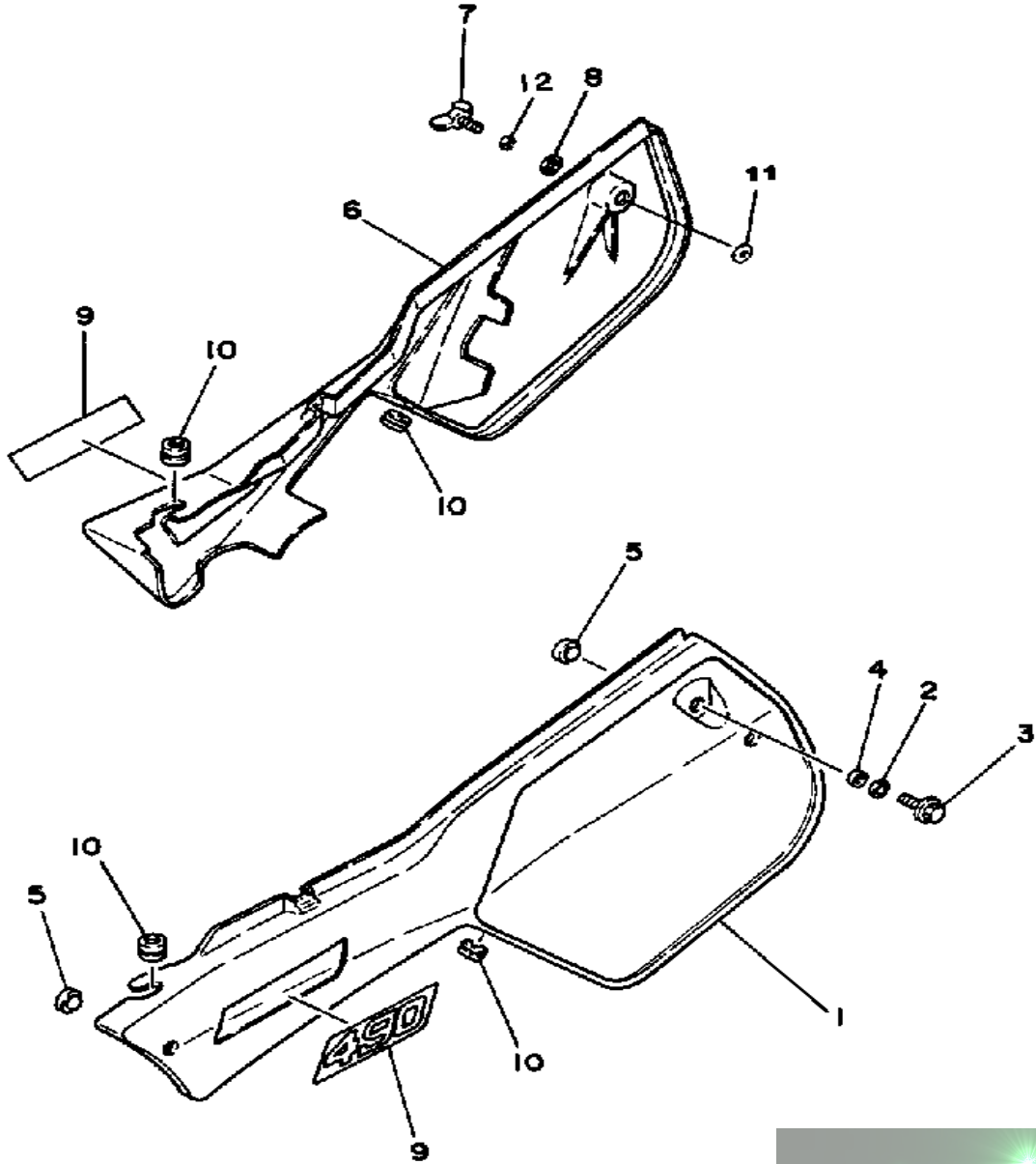
FENDER

Ref. No.	Part Number	Description	Qty	Remarks
1	3R9-21511-11-00	FENDER, FRONT	1	SKY BLUE
2	90201-06571-00	WASHER, PLATE	4	
3	90209-06187-00	WASHER	4	
	90387-06681-00	COLLAR	4	
4	97023-06020-00	BOLT (3XF)	4	
5	92901-06700-00	WASHER, WAVE (92902-06700)	4	
6	26A-21610-00-00	FENDER, REAR	1	SKY BLUE
7	97313-06016-00	BOLT, HEXAGON	4	
8	92901-06700-00	WASHER, WAVE (92902-06700)	4	
9	90201-06571-00	WASHER, PLATE	4	
10	26A-21620-00-00	GUARD, MUD	1	
11	437-83936-01-00	BAND, SWITCH CORD	2	
12	23X-21642-00-00	GUARD, FLAP	1	
13	2H7-21628-00-00	DAMPER 1 (4U5-2317J-00) ...	1	

www.legends-yamaha-enduros.com

SIDE COVER

Ref. No.	Part Number	Description	Qty	Remarks
1	26A-21711-00-26	COVER, SIDE 1	1	COMP. YEL KY BLUE
2	92990-08200-00	WASHER, PLAIN	1	
3	95821-08020-00	BOLT, FLANGE (95801-08020)	1	
4	90387-083J6-00	COLLAR	1	
5	22W-24181-00-00	DAMPER, LOCATING 1	2	
6	26A-21721-00-26	COVER, SIDE 2	1	COMP. YEL SKY BLUE
7	90122-06019-00	BOLT, WING	1	
8	90201-06571-00	WASHER, PLATE	1	
9	26A-21737-00-00	EMBLEM	2	
10	90480-12053-00	GROMMET	4	
11	90179-06013-00	NUT, SPEC'L SHAPE	1	
12	92995-06100-00	WASHER, SPRING	1	

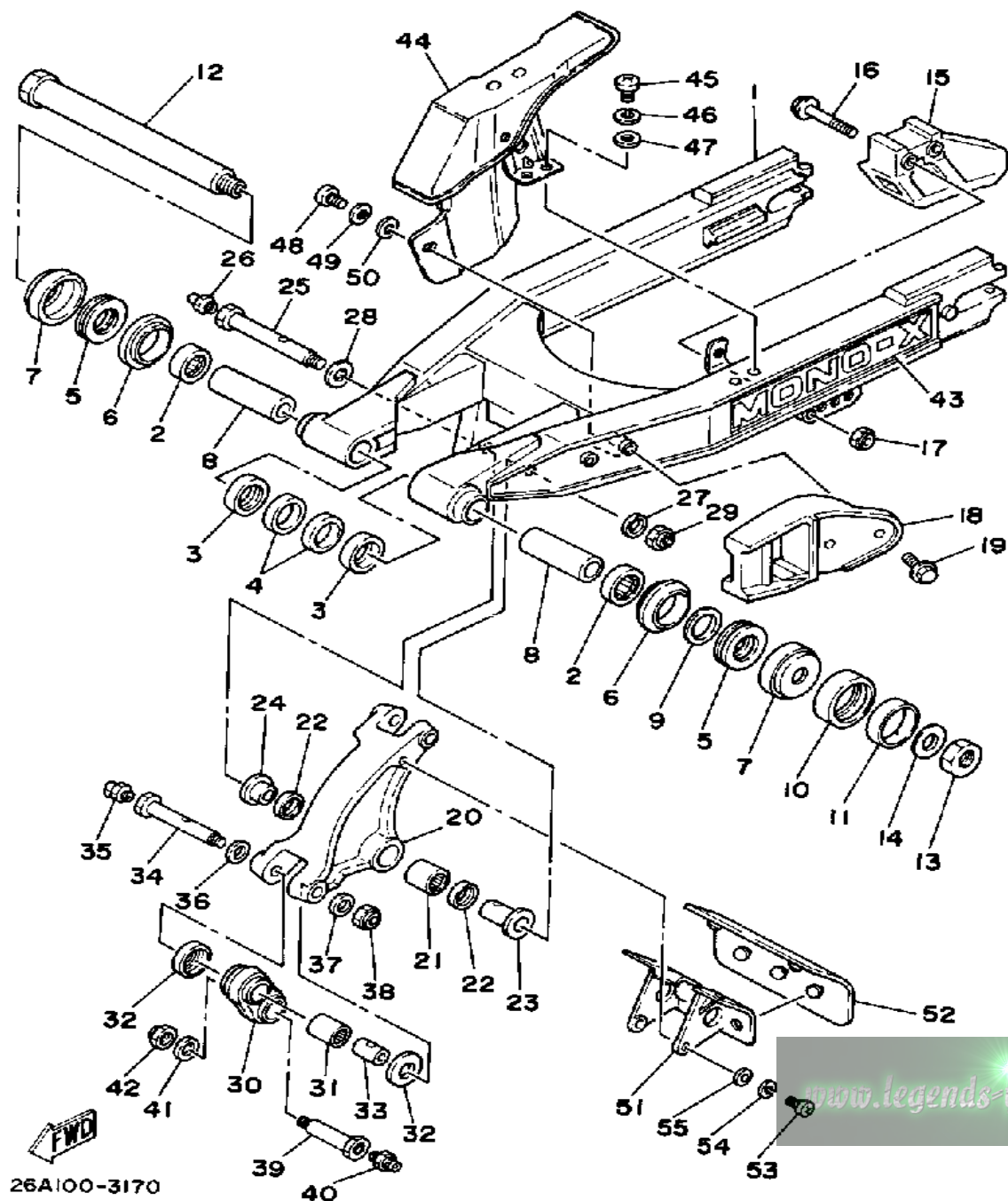


www.legends-yamaha-enduros.com



26A100-3160

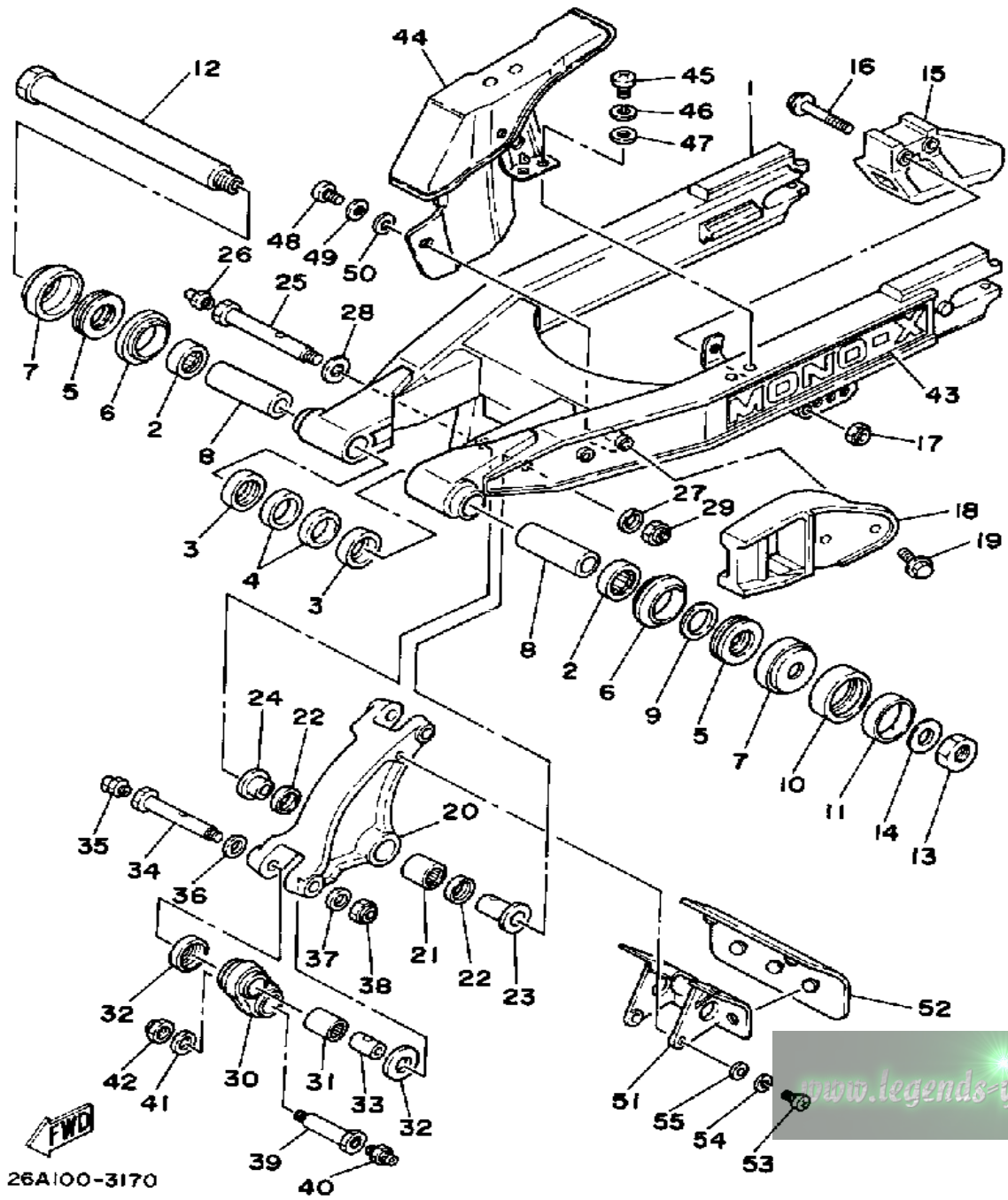
SWING ARM



Ref. No.	Part Number	Description	Qty	Remarks
1	(26A-22110-00-35)	REAR ARM	1	SILVER
2	93317-32231-00	BEARING	2	U.R.
3	90380-22111-00	BUSH, SOLID	2	
4	93106-22019-00	OIL SEAL (DC 22-28-8)	2	
5	93342-22208-00	BEARING, FLAT # 2	2	
6	93108-35004-00	OIL SEAL (35-41-8)	2	
7	3R4-22129-00-00	COVER, THRUST 2	2	
8	90380-16077-00	BUSH, SOLID	2	
9	240-22127-00-00	SHIM	1	U.N.
10	24X-22151-00-00	SEAL, GUARD	1	
11	90387-440G3-00	COLLAR	1	
12	5X6-22141-01-00	SHAFT, PIVOT	1	
13	90170-16111-00	NUT, HEXAGON	1	
	90185-16127-00	NUT, SELF-LOCKING	1	
14	90201-160F6-00	WASHER, PLATE	1	
15	23X-22199-00-00	SUPPORT, CHAIN	1	
16	95811-08055-00	BOLT, FLANGE	2	
17	95601-08200-00	NUT, U	2	
18	5X6-22147-01-00	PROTECTOR, CHAIN	1	
19	95811-06016-00	BOLT, FLANGE (95822-06016)	2	
20	(23X-2217A-00-00)	ARM, RELAY	1	
21	93317-32034-00	BEARING, CYLINDER.# 7	1	
22	93109-20029-00	OIL SEAL, SDO-TYPE	2	
23	90387-147G6-00	COLLAR	1	
24	90387-147G7-00	COLLAR	1	
25	90109-12701-00	BOLT	1	
26	93700-06M03-00	NIPPLE, GREASE	1	
27	90201-120A5-00	WASHER, PLATE	1	
28	90201-142M6-00	WASHER, PLATE	1	

CONTINUED ON NEXT FRAME ➤

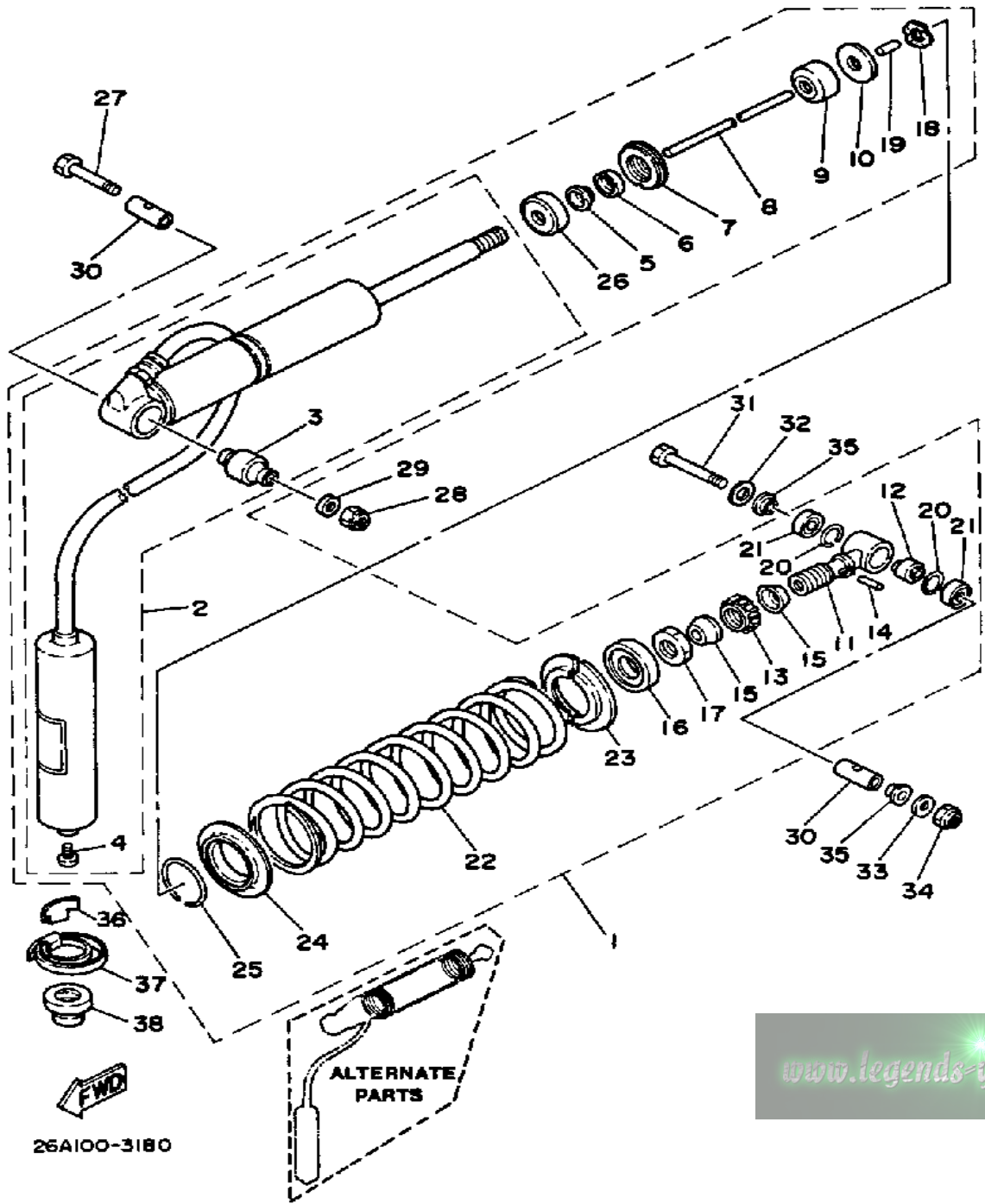
SWING ARM



Ref. No.	Part Number	Description	Qty	Remarks
29	90185-12119-00	NUT, SELF-LOCKING	1	
30	23X-2217F-00-00	ROD, CONNECTING 1	1	
31	93315-31732-00	BEARING, CYLINDRICAL	2	
32	55K-22129-00-00	COVER, THRUST 2	4	
33	90387-121H1-00	COLLAR	2	
34	90109-10702-00	BOLT	1	
35	93700-06005-00	NIPPLE, GREASE	1	
36	90201-120E6-00	WASHER, PLATE	1	
37	90201-100E9-00	WASHER, PLATE	1	
38	90185-10120-00	NUT, SELF-LOCKING	1	
39	90109-10703-00	BOLT	1	
40	93700-06M03-00	NIPPLE, GREASE	1	
41	90201-100F7-00	WASHER, PLATE	1	
42	95611-10100-00	NUT, U	1	
43	5X6-2218A-00-00	EMBLEM	2	UR FOR USA
	5X8-2218A-00-00	EMBLEM, REAR ARM	2	UR EXC. USA
44	26A-22310-00-00	CHAIN CASE ASSEMBLY	1	
45	98503-06014-00	SCREW, PAN HEAD (92502-06016)	2	
46	92995-06100-00	WASHER, SPRING	2	
47	90201-061A5-00	WASHER, PLATE	2	
48	98580-06012-00	SCREW, PAN HEAD	1	
49	92995-06100-00	WASHER, SPRING	1	
50	90201-06571-00	WASHER, PLATE	1	
51	23X-21652-00-00	PROTECTOR	1	
52	23X-21691-00-00	FLAP	1	
53	98580-05012-00	SCREW, PAN HEAD	2	
54	92990-05100-00	WASHER, SPRING	2	
55	92990-05200-00	WASHER, PLAIN	2	

www.legends-yamaha-entertainment.com

REAR SHOCKS

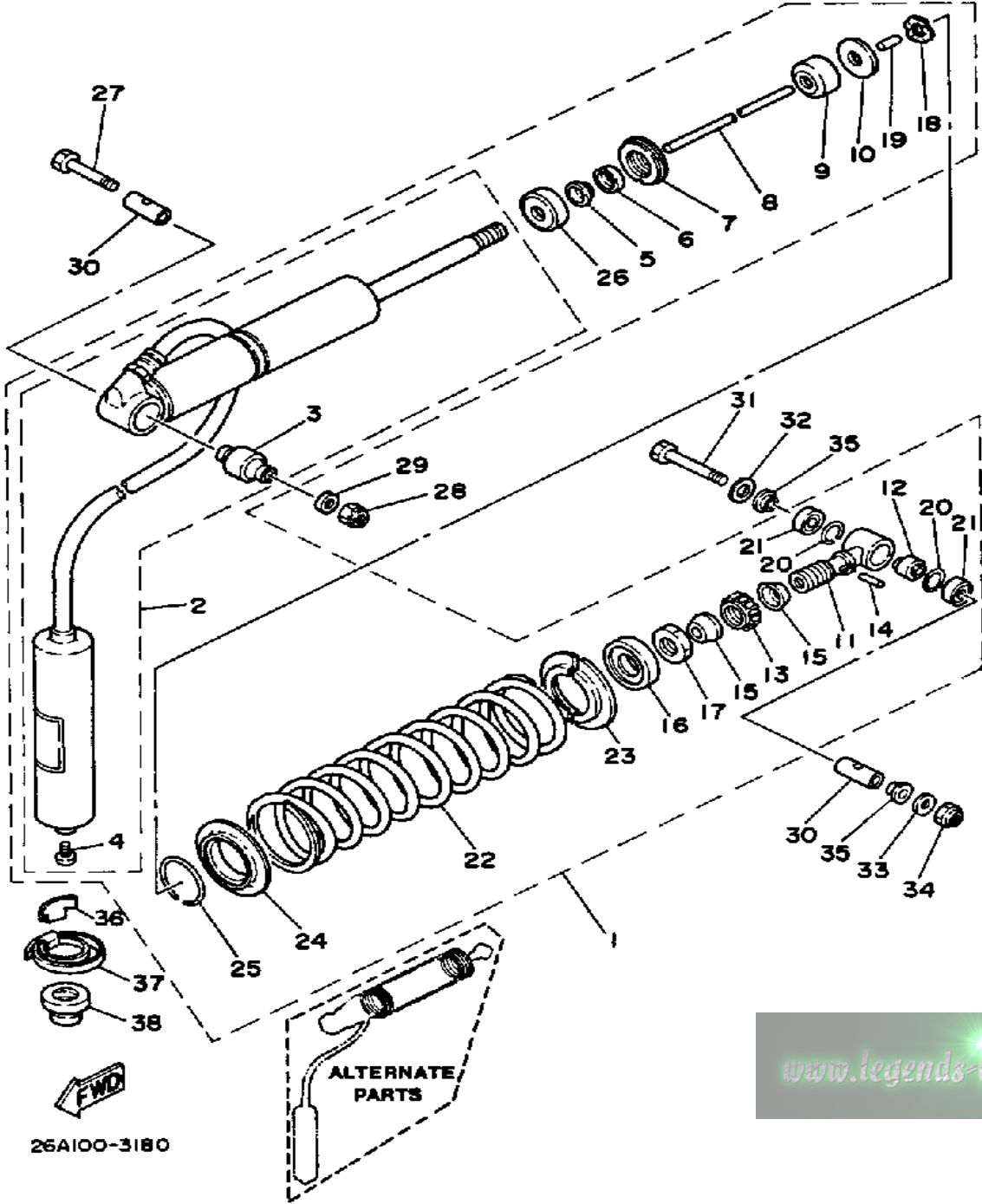


Ref. No.	Part Number	Description	Qty	Remarks
1	(26A-22210-00-26)	SHK/ABS ASSEMBLY, REAR	1	COMP. YEL
2	26A-22401-00-00	. DAMPER SUB-ASSEMBLY.	1	
3	(5X6-22216-00-00)	BUSH, RR SHOCK ABS	1	
4	98511-04006-00	.. SCREW, PAN HEAD (98501-04005)	1	
5	23X-22475-00-00	. SEAL, DUST	1	
6	23X-22475-00-00	. SEAL, DUST	1	
7	26A-22472-00-00	. CAP, CASE	1	
8	23X-22489-00-00	. ROD, PUSH	1	
9	(23X-22493-00-00)	BUMP, STOP	1	
10	3R4-22228-00-00	. SUPPORT, BUMP STOP	1	
11	23X-22409-00-00	. UPPER BRKT SUB ASSEMBLY SUB ASSEMBLY	1	
12	93399-99911-00	. BEARING, SPECIAL	1	
13	5X3-22497-00-00	. NUT, ADJUSTING	1	
14	93604-26132-00	. PIN, DOWEL	1	
15	3R4-22221-01-00	. COVER	2	
16	23X-22213-00-00	. SEAT, SPRING UPPER	1	
17	90170-20320-00	. NUT	1	
18	90206-14067-00	. WASHER, WAVE	1	
19	93604-21193-00	. PIN, DOWEL	1	
20	93440-30113-00	. CIRCLIP	2	
21	93104-18077-00	. OIL SEAL	2	
22	(26A-22212-00-26)	SPRING	1	STD COMP YEL
	(26A-22212-10-26)	SPRING, MXS SOFT	1	UR COMP YEL
	23X-22212-00-26	SPRING	1	UR COMP YEL
	23X-22212-10-26	SPRING, MXS	1	UR COMP YEL
23	23X-22214-00-00	. GUIDE, SPRING 1	2	
24	23X-22223-00-00	. SEAT, SPRING LOWER	1	

www.legends-yamaha-europe.com

CONTINUED ON NEXT FRAME ►

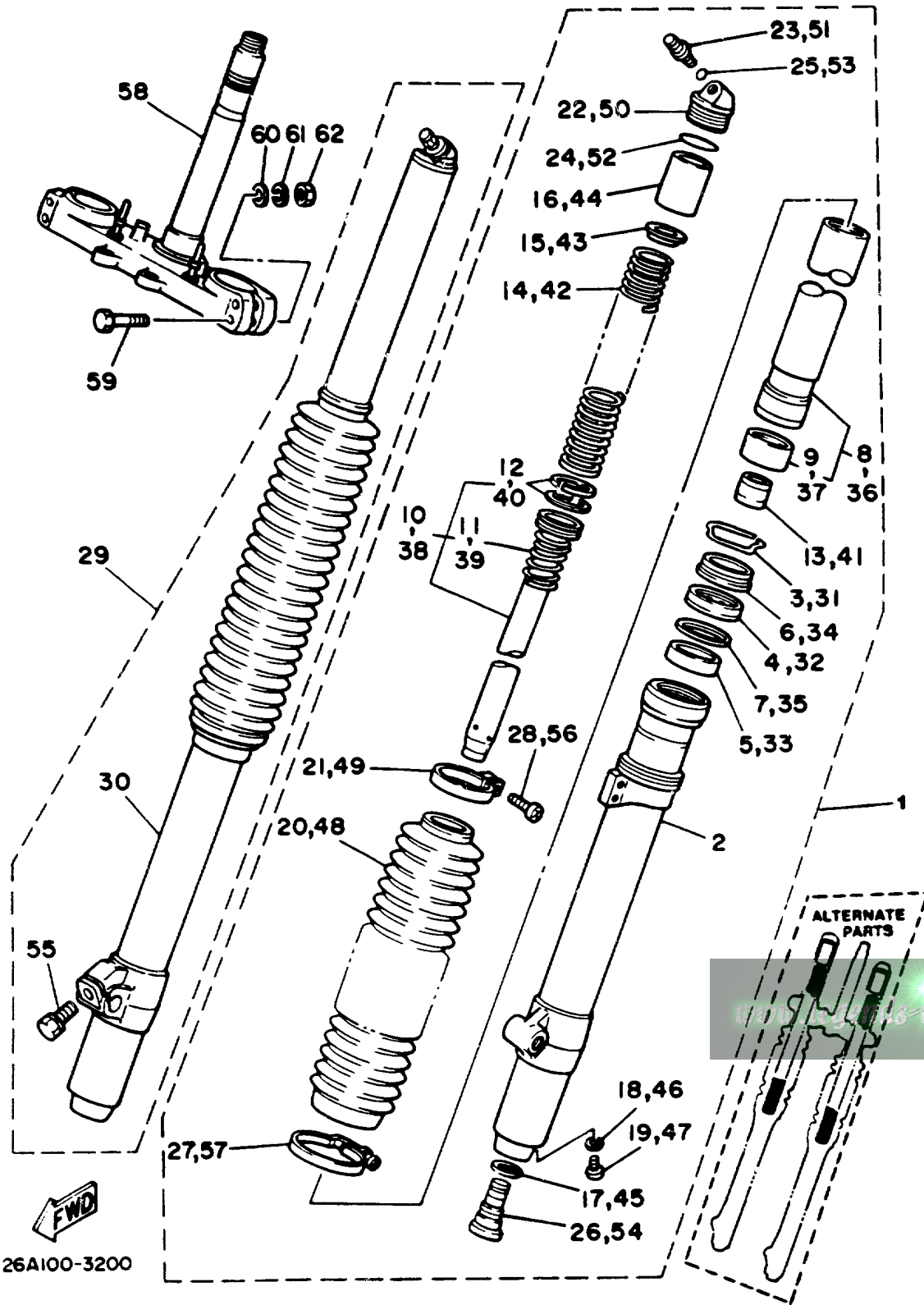
REAR SHOCKS



Ref. No.	Part Number	Description	Qty	Remarks
25	93440-51103-00	. CIRCLIP, OUTER	1	
26	(1H3-22495-00-00)	SUPPORT, REBOUND	1	
27	90109-10690-00	BOLT	1	
28	90185-10120-00	NUT, SELF-LOCKING	1	
29	90201-100F7-00	WASHER, PLATE	1	
30	90380-12094-00	BUSH, SOLID	1	
31	90109-10700-00	BOLT	1	
32	90201-120E6-00	WASHER, PLATE	1	
33	90201-100E9-00	WASHER, PLATE	1	
34	90185-10120-00	NUT, SELF-LOCKING	1	
35	90387-126H8-00	COLLAR	2	
36	23X-22261-01-00	DAMPER, SUB TANK	1	
37	90460-55233-00	CLAMP, HOSE	1	
38	90480-22263-00	GROMMET	1	

www.legends-yamaha-enduros.com

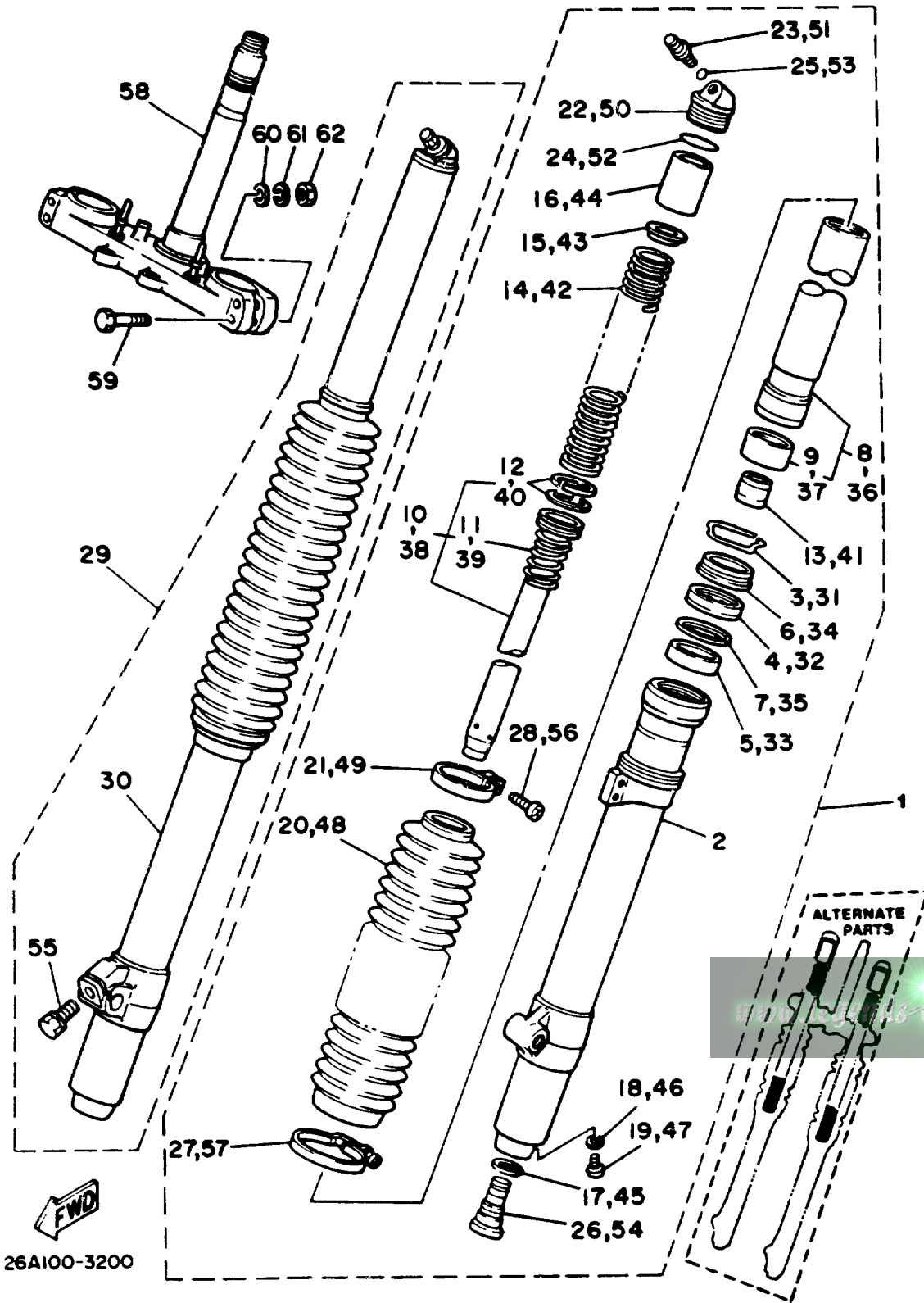
FRONT FORK



Ref. No.	Part Number	Description	Qty	Remarks
1	(26A-23102-L0-00)	FRONT FORK ASSEMBLY L	1	
2	(26A-23126-L0-00)	TUBE, OUTER 1	1	
3	4V4-23153-L0-00	. RING, SNAP	1	
4	23X-23145-L0-00	. OIL SEAL	1	
5	3XJ-23125-L0-00	. METAL, SLIDE 1	1	
6	23X-23144-L0-00	. SEAL, DUST	1	
7	4V4-23146-L0-00	. WASHER, OIL SEAL	1	
8	55U-23110-00-00	. INNER TUBE COMP.	1	
9	4V4-23171-L0-00	. . PISTON, FRONT FORK	1	
10	(26A-23170-L0-00)	CYLINDER, FRTRFK	1	
11	5X6-23152-L0-00	. . SPRING, SUB	1	
12	4V4-23157-L0-00	. . RING, PISTON FRTRFK	2	
13	23X-23173-L0-00	. SPINDLE, TAPER	1	
14	(23X-23141-10-00)	SPRING, FRONT FORK	1	UR (USE SPACER 5X6-23118-10)
	23X-23141-L0-00	SPRING, FRONT FORK	1	UR (USE SPACER 5X6-23118-10)
	23X-23141-M0-00	. SPRING, FRTRFK SOFT (K=0.290)	1	STD
15	4V4-23142-L0-00	. SEAT, SPRING UPPER	1	
16	5X6-23118-10-00	. SPACER	1	
	5X6-23118-M0-00	. SPACER (L=110)	1	STD
17	23X-23158-L0-00	GASKET	1	
18	122-23129-00-00	. GASKET, DRAIN PLUG	1	
19	4H7-23119-00-00	. PLUG, DRAIN - (122-23119-01)	1	
20	23X-23191-L0-00	. BOOT, FRONT FORK	1	
21	4V4-23192-L0-00	. BAND	1	
22	43M-23111-L0-00	. BOLT, CAP	1	
23	23X-23190-L0-00	. AIR VALVE COMP	1	
24	4V4-23188-L0-00	. O-RING	1	

CONTINUED ON NEXT FRAME ➤

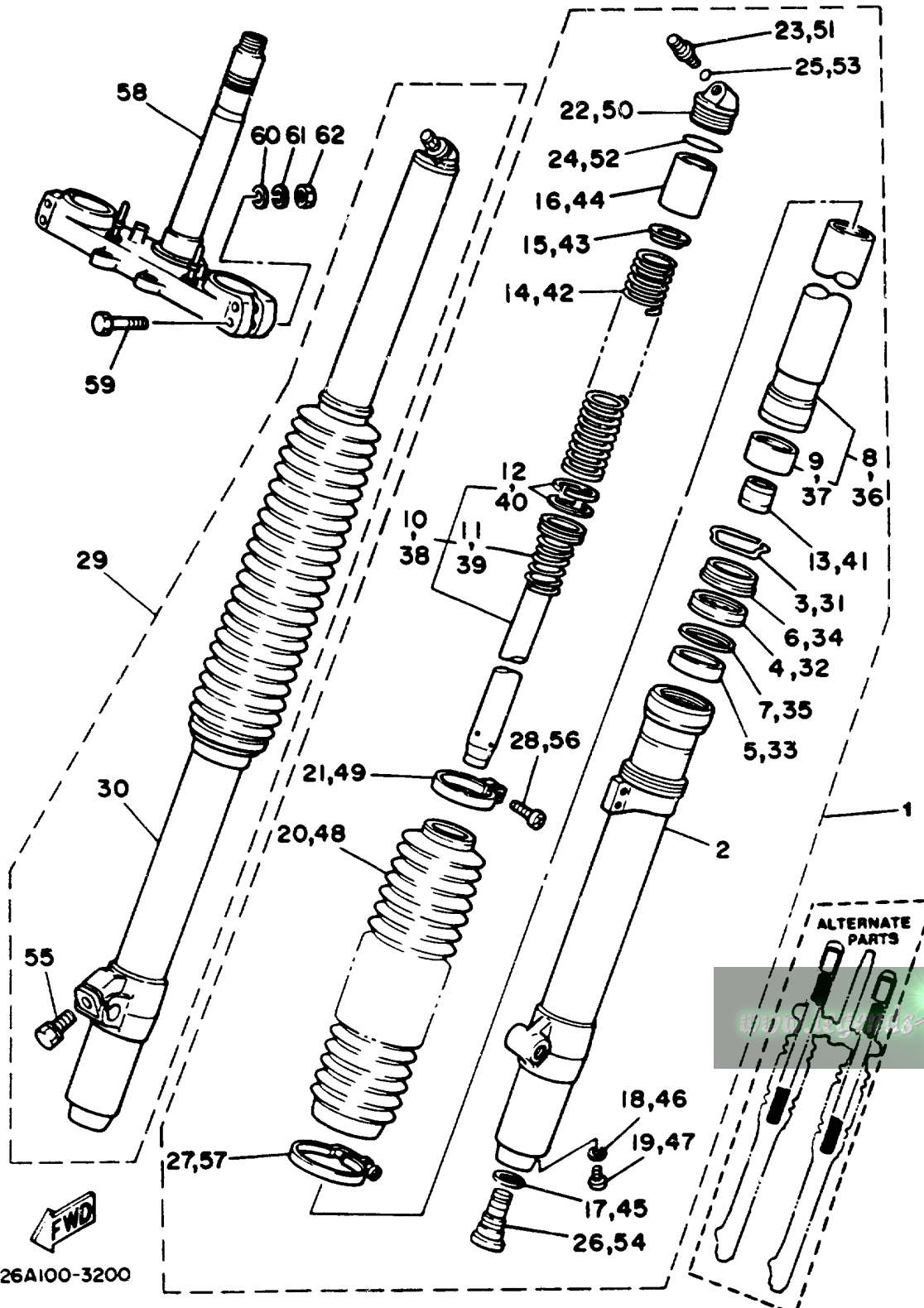
FRONT FORK



Ref. No.	Part Number	Description	Qty	Remarks
25	3J2-23147-00-00	. O-RING	1	
26	(26A-2316A-L0-00)	VALVE	1	
27	23X-23489-L0-00	. BAND	1	
28	98506-04018-00	. SCREW, PAN HEAD	1	
29	(26A-23103-L0-00)	FRONT FORK ASSEMBLY R	1	
30	(26A-23136-L0-00)	TUBE, OUTER 2	1	
31	4V4-23153-L0-00	. RING, SNAP	1	
32	23X-23145-L0-00	. OIL SEAL	1	
33	3XJ-23125-L0-00	. METAL, SLIDE 1	1	
34	23X-23144-L0-00	. SEAL, DUST	1	
35	4V4-23146-L0-00	. WASHER, OIL SEAL	1	
36	55U-23110-00-00	. INNER TUBE COMP.	1	
37	4V4-23171-L0-00	. PISTON, FRONT FORK	1	
38	(26A-23170-L0-00)	CYLINDER, FRTRFK	1	
39	5X6-23152-L0-00	. SPRING, SUB	1	
40	4V4-23157-L0-00	. RING, PISTON FRTRFK	2	
41	23X-23173-L0-00	. SPINDLE, TAPER	1	
42	23X-23141-M0-00	. SPRING, FRTRFK SOFT (K=0.290)	1	STD
43	4V4-23142-L0-00	. SEAT, SPRING UPPER	1	
44	5X6-23118-10-00	. SPACER	1	STD
	5X6-23118-M0-00	. SPACER (L=110)	1	STD
45	23X-23158-L0-00	. GASKET	1	
46	122-23129-00-00	. GASKET, DRAIN PLUG	1	
47	4H7-23119-00-00	. PLUG, DRAIN - (122-23119-01)	1	
48	23X-23191-L0-00	. BOOT, FRONT FORK	1	
49	4V4-23192-L0-00	. BAND	1	
50	43M-23111-L0-00	. BOLT, CAP	1	
51	23X-23190-L0-00	. AIR VALVE COMP	1	

CONTINUED ON NEXT FRAME ►

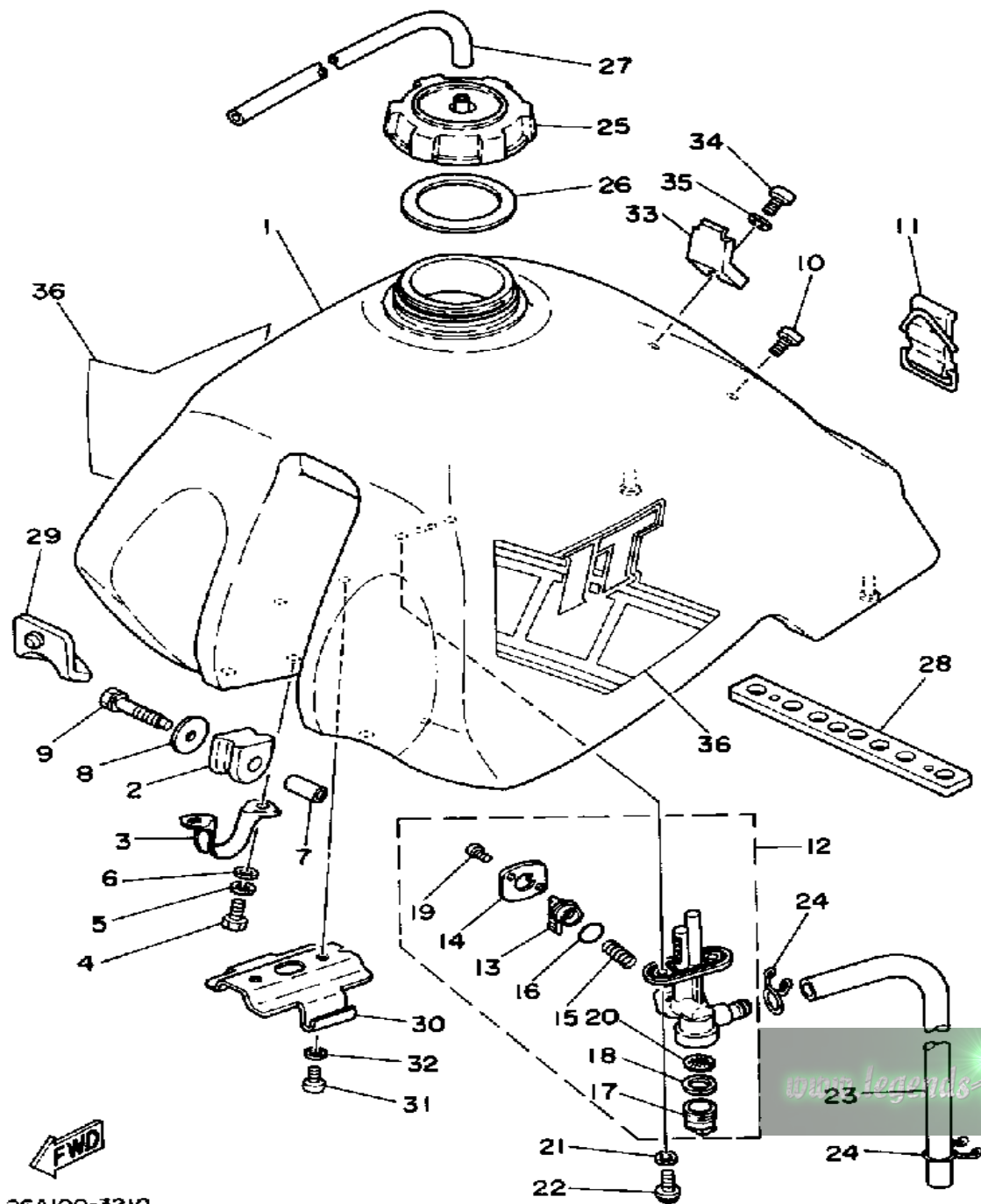
FRONT FORK



Ref. No.	Part Number	Description	Qty	Remarks
52	4V4-23188-L0-00	. O-RING	1	
53	3J2-23147-00-00	. O-RING	1	
54	(26A-2316A-L0-00)	VALVE	1	
55	5X6-23181-L0-00	. BOLT, HEX SCKT HEADSOCKET HEAD	1	
56	98506-04018-00	. SCREW, PAN HEAD	1	
57	26A-23489-L0-00	. BAND	1	
58	34K-23340-00-39	UNDER BRACKETCOMP (26A-23340-L0-39)	1	NO BUFFING
59	90101-08340-00	BOLT	4	
60	92901-08600-00	WASHER	3	
61	92990-08100-00	WASHER	4	
62	95333-08600-00	NUT	4	

26A100-3200

FUEL TANK



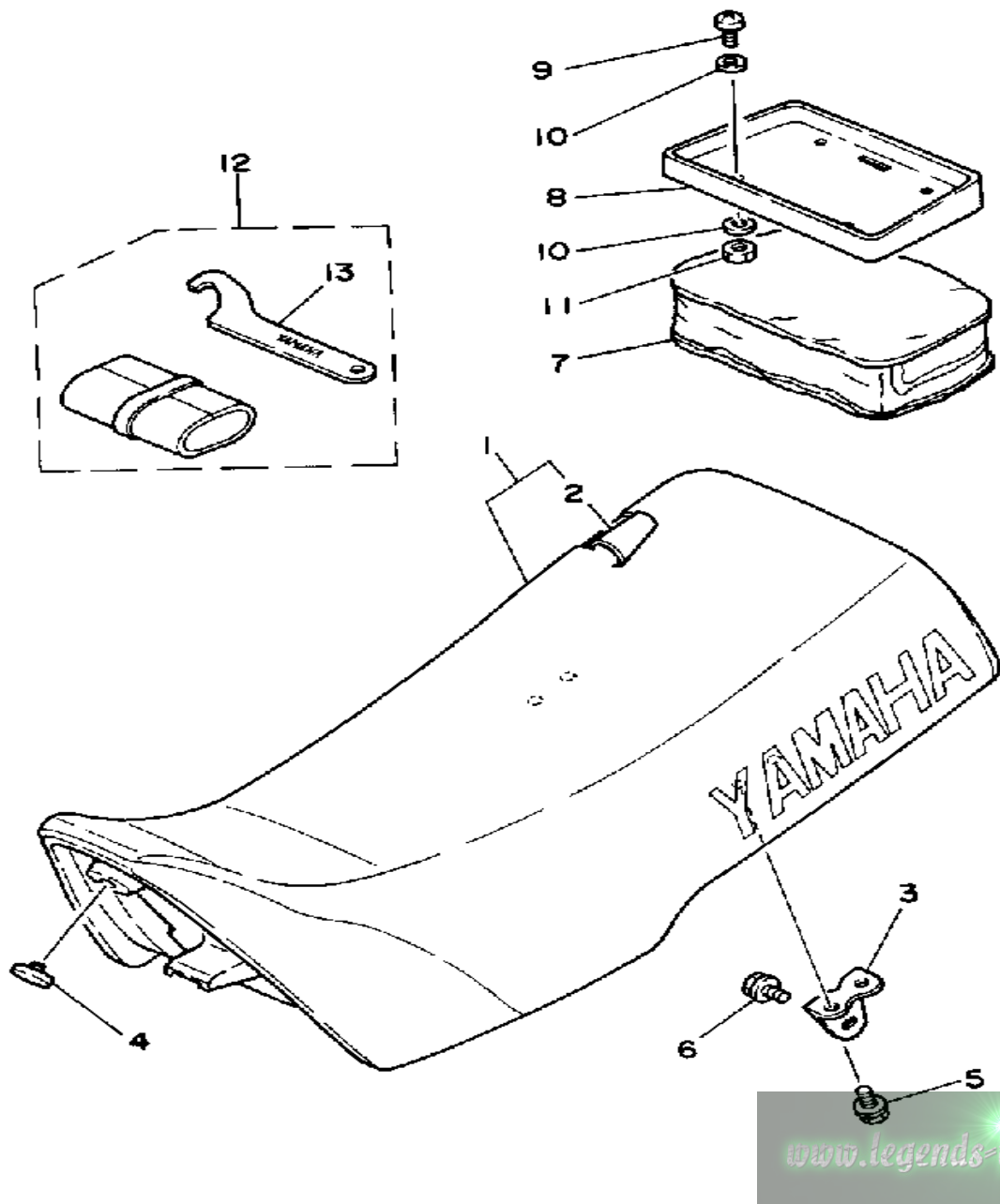
26A100-3210

Ref. No.	Part Number	Description	Qty	Remarks
1	99999-01655-00	FUEL TANK	1	SKY BLUE
2	1W1-24182-01-00	DAMPER, LOCATING 2	2	
3	1W1-24144-01-00	HOLDER, DAMPER	2	
4	97013-06012-00	BOLT	4	
5	92995-06100-00	WASHER, SPRING	4	
6	90201-061A5-00	WASHER, PLATE	4	
7	90387-07393-00	COLLAR (308-84557-00)	2	
8	90201-06407-00	WASHER, PLATE (90201-06747-00)	2	
9	90119-06022-00	BOLT, WITH WASHER	2	
10	98903-06018-00	SCREW, BIND	1	
11	59V-24173-00-00	BAND, TANK FITTING 1	1	
12	4V5-24500-00-00	FUEL COCK ASSEMBLY 1	1	
13	(4V5-24524-00-00)	LEVER, COCK	1	
14	4V5-24525-00-00	. PLATE, LVR FITTING	1	
15	(357-24529-10-00)	SPRING	1	
16	4X8-24565-00-00	. GASKET	1	
17	4X8-24521-00-00	. CUP, FILTER	1	
18	4X8-24534-00-00	. SEAL, COCK	1	
19	4X8-24535-00-00	. SCREW, LVR FITTING	2	
20	4X8-24515-01-00	. NET, FILTER 2	1	
21	90202-05187-00	WASHER, PLATE	2	
22	90149-06011-00	SCREW	2	
23	90446-11345-00	HOSE	1	
24	90467-10008-00	CLIP	2	
25	1UY-24610-00-00	CAP ASSEMBLY	1	
26	3R9-24612-00-00	GASKET, CAP	1	
27	90445-09252-00	HOSE	1	
28	26A-24181-00-00	DAMPER, LOCATING 1	1	

CONTINUED ON NEXT FRAME ►

SEAT

Ref. No.	Part Number	Description	Qty	Remarks
1	(26A-W2473-00-00)	SEMI-DBL-SEAT ASSEMBLY ..	1	
2	26A-24731-00-00	. COVER, DOUBLE SEAT	1	
3	39W-24738-00-00	BRACKET, SEAT	2	
4	22W-24741-00-00	PAD, SEAT	2	
5	95811-06012-00	BOLT, FLANGE	4	
6	90119-06056-00	BOLT, WITH WASHER	2	
7	4V5-24850-00-00	CARRIER BOX ASSEMBLY ...	1	
8	4V5-24833-00-00	BRACKET, CARRIER 2	1	
9	98580-06020-00	SCREW	4	
10	90201-06571-00	WASHER, PLATE	8	
11	95601-06100-00	NUT, U	4	
12	26A-28100-00-00	TOOL KIT	1	
13	1HX-28135-00-00	. SPANNER, SPECIAL	1	

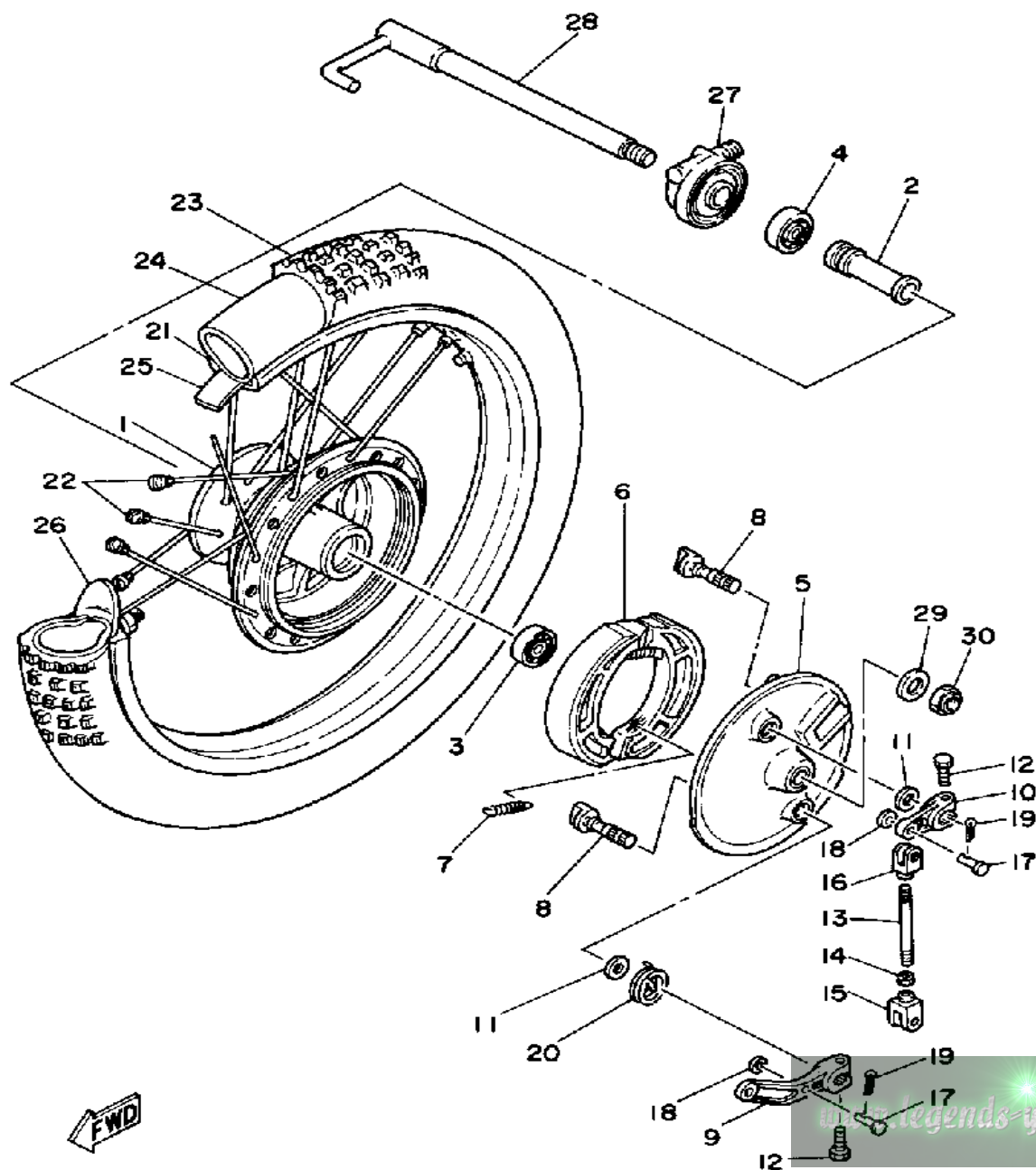


www.legends-yamaha-enduros.com



26A100-3220

FRONT WHEEL



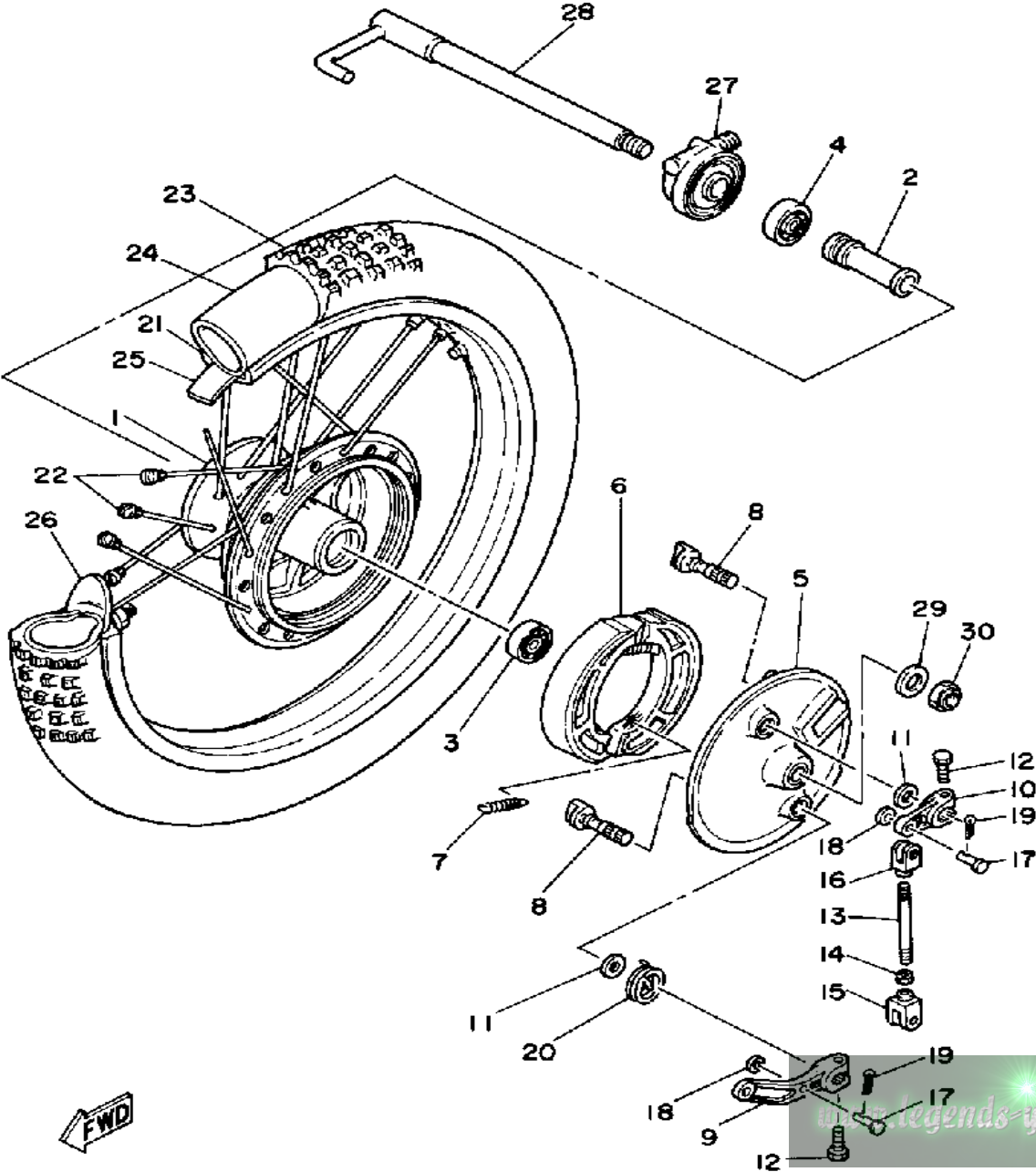
Ref. No.	Part Number	Description	Qty	Remarks
1	23X-25111-00-98	HUB, FRONT	1	LOW GLOSS BLK
2	90560-15227-00	SPACER	1	
3	93306-20226-00	BEARING	1	
4	93306-20209-00	BEARING (B6202)	1	
5	5X6-25121-00-98	PLATE, BRAKE SHOE	1	LOW GLOSS BLK
6	3R5-W2535-00-00	BRAKESHOE SET-2PCS	2	
7	90506-17328-00	SPRING, TENSION	2	
8	23X-25151-00-00	CAMSHAFT	2	
9	99999-02061-00	LEVER, CAMSHAFT	1	
10	99999-02067-00	LEVER, CAMSHAFT 2	1	
11	137-25159-00-00	SEAL, CAMSHAFT	2	
12	90101-06291-00	BOLT	2	
13	3R5-25161-00-00	ROD, CONNECTING	1	
14	95380-06700-00	NUT	1	
15	3R5-25163-00-00	END, ROD 1	1	
16	3R5-25164-00-00	END, ROD 2	1	
17	90240-06006-00	PIN, CLEVIS	2	
18	92990-06200-00	WASHER	2	
19	91490-20020-00	PIN, COTTER	2	
20	90508-20425-00	SPRING, TORSION	1	
21	94416-21359-00	RIM 1.60X 1	1	
22	26A-25104-00-00	SPOKE SET, FRONT	1	
23	(94130-213A4-00)	300-21 M1B (TT)	1	
24	94230-21126-00	TUBE (3.00-21)	1	INOUE
25	(94330-21088-00)	BAND, RIM	1	INOUE
26	4V5-25194-00-00	SPACER, BEAD	1	
27	26A-25190-00-00	GEAR UNIT ASSEMBLY	1	
28	26A-25181-00-00	AXLE, WHEEL	1	
29	90201-15785-00	WASHER, PLATE	1	



26A100-3230

CONTINUED ON NEXT FRAME ➤

FRONT WHEEL



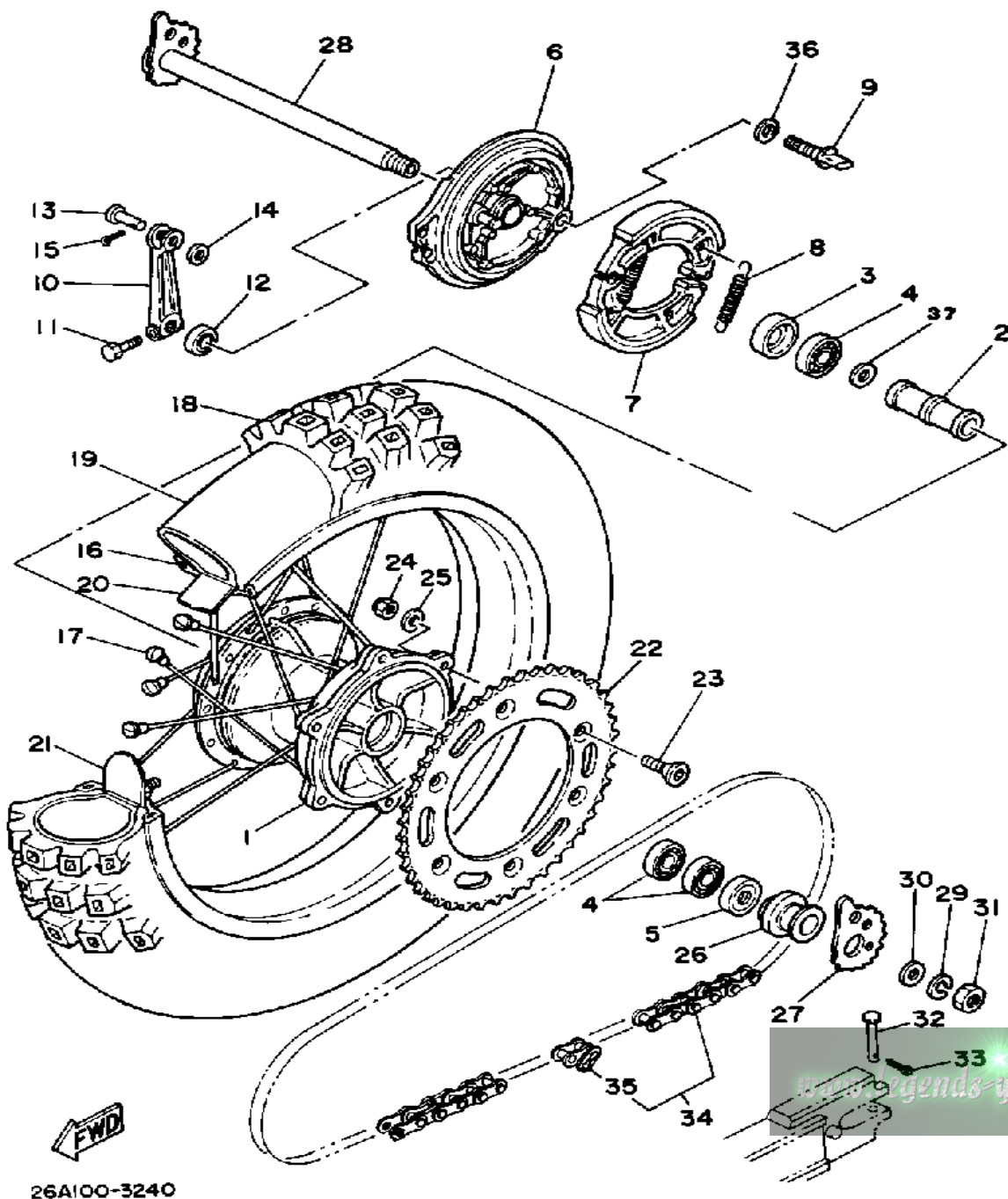
Ref. No.	Part Number	Description	Qty	Remarks
30	90185-14116-00	NUT, SELF-LOCKING	1	



26A100-3230

www.legends-yamaha-enduros.com

REAR WHEEL

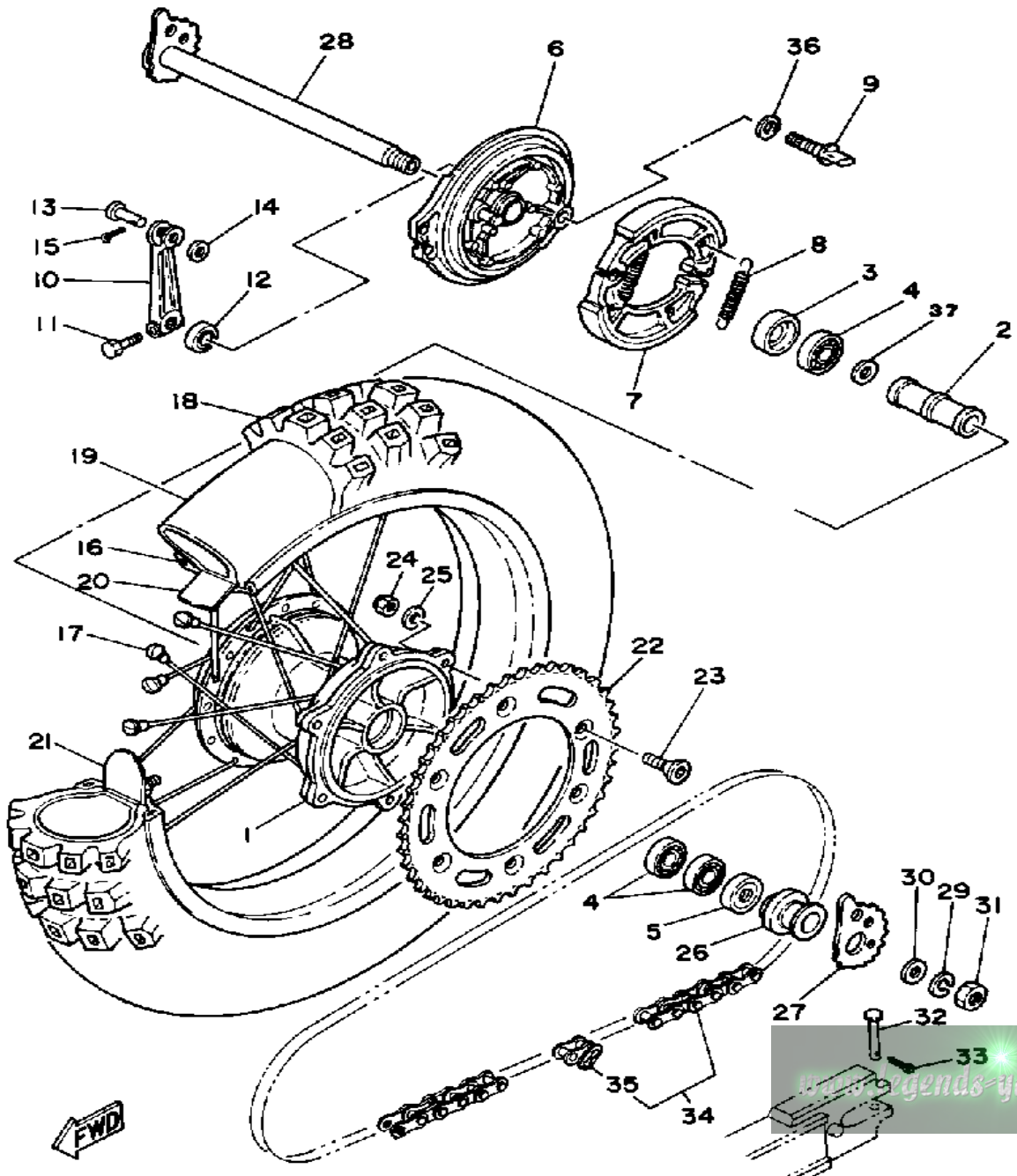


26A100-3240

Ref. No.	Part Number	Description	Qty	Remarks
1	4V4-25311-00-98	HUB, REAR	1	LOW GLOSS BLK
2	90560-20226-00	SPACER	1	
3	93306-00418-00	BEARING	1	
4	93306-00406-00	BEARING (B6004Z)	3	
5	93102-28022-00	OIL SEAL	1	
6	26A-25321-10-98	PLATE, BRAKE SHOE	1	LOW GLOSS BLK
7	40T-W2536-00-00	BRAKESHOE SET-2PCS	2	
8	90507-20002-00	SPRING, TENSION	2	
9	5L4-25351-00-00	CAMSHAFT	1	
10	4V5-25355-00-00	LEVER, CAMSHAFT (168-25355-00)	1	
11	90101-06291-00	BOLT	1	
12	148-25359-00-00	SEAL, CAMSHAFT	1	
13	1W2-27237-00-00	PIN, CLEVIS	1	
14	90201-12631-00	WASHER, PLATE	1	
15	91401-25030-00	PIN, COTTER	1	
16	94425-18358-00	RIM 2.50X 8	1	
17	4V4-25304-00-00	SPOKE SET, REARALT. PART	1	
18	94115-186A2-00	150/80-18 M2A (TT) (94151-18684) (4.50-18-4PR)	1	
19	94245-18125-00	TUBE (4.50-18)	1	
20	94345-18081-00	BAND, RIM (4.50-18)	1	
21	2X5-25394-00-00	SPACER, BEAD	2	
22	26A-25442-50-00	SPROCKET, DRIVN 42T	1	ALT. PART
	26A-25444-50-00	SPROCKET, DRIVEN (44T)	1	STD
	26A-25446-50-33	SPROCKET, DRIVEN (46T) (26A-25446-50-00)	1	ALT. PART
	26A-25448-50-00	SPROCKET, DRIVEN (48T)	1	ALT. PART
	26A-25450-50-00	SPROCKET, DRIVEN (50T)	1	ALT. PART
	26A-25452-50-00	SPROCKET, DRIVEN (52T)	1	ALT. PART

CONTINUED ON NEXT FRAME ►

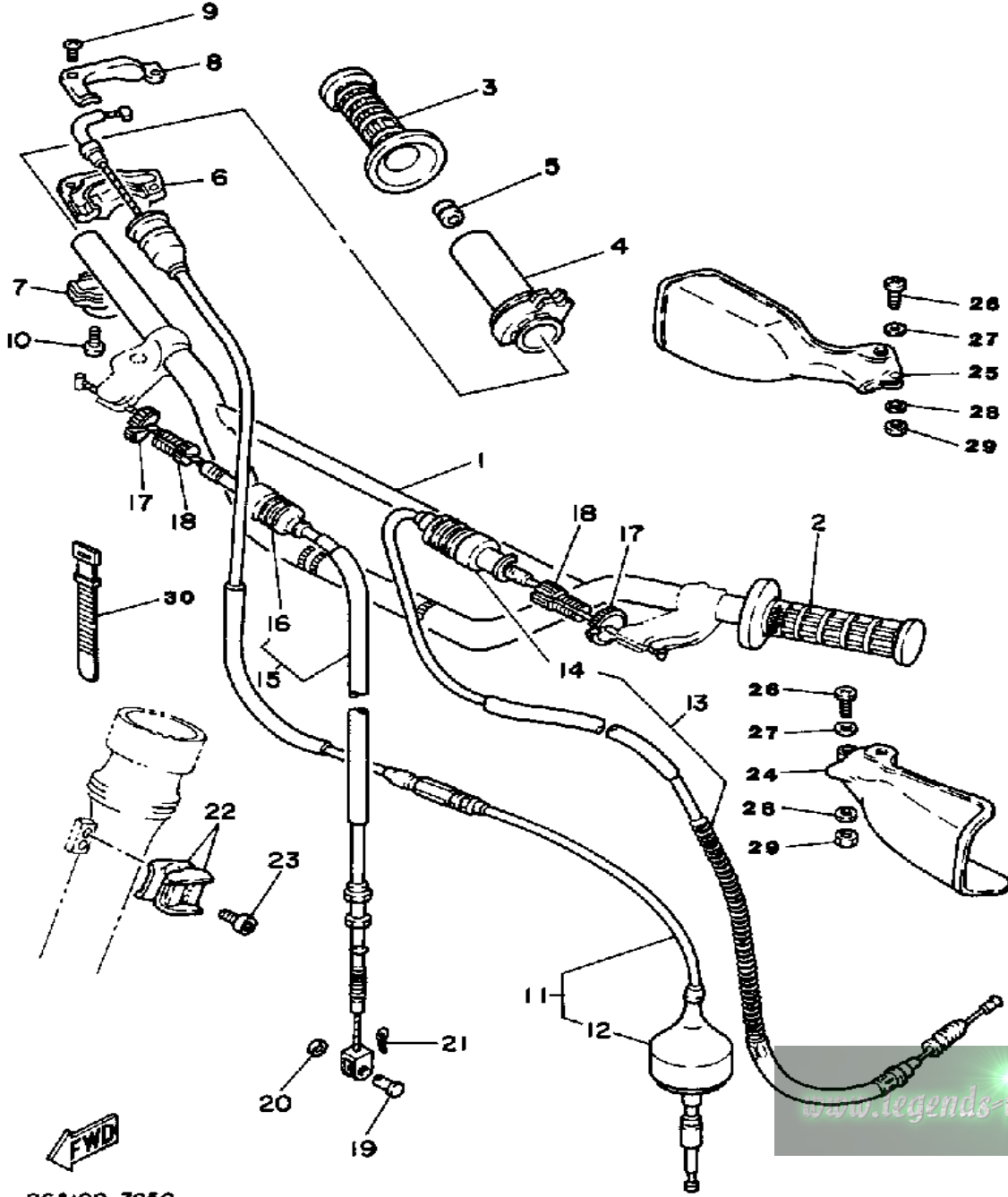
REAR WHEEL



FWD
26A100-3240

Ref. No.	Part Number	Description	Qty	Remarks
23	90110-08038-00	BOLT, HEX SKT HEAD	6	
24	90185-08089-00	NUT, SELF-LOCKING	6	
25	90201-081A6-00	WASHER, PLATE	6	
26	26A-25383-00-00	COLLAR, WHEEL	1	
27	4V5-25388-01-00	PULLER, CHAIN 1	1	
28	26A-25381-01-00	AXLE, WHEEL	1	
29	92901-18100-00	WASHER, SPRING	1	
30	92901-20600-00	WASHER, WAVE	1	
31	90179-18332-00	NUT	1	
32	91701-05045-00	PIN, CLEVIS	2	
	91701-05050-00	PIN, CLEVIS	2	
33	91490-16020-00	PIN, COTTER	2	
34	94580-50110-00	CHAIN 520VS-110L	1	
35	94680-50011-00	. JOINT, CHAIN (34L) (D.I.D.50HDS)	1	
36	148-25353-00-00	SHIM, CAMSHAFT	1	
37	4V4-25315-00-00	FLANGE, SPACER	1	

HANDLEBAR-CABLE

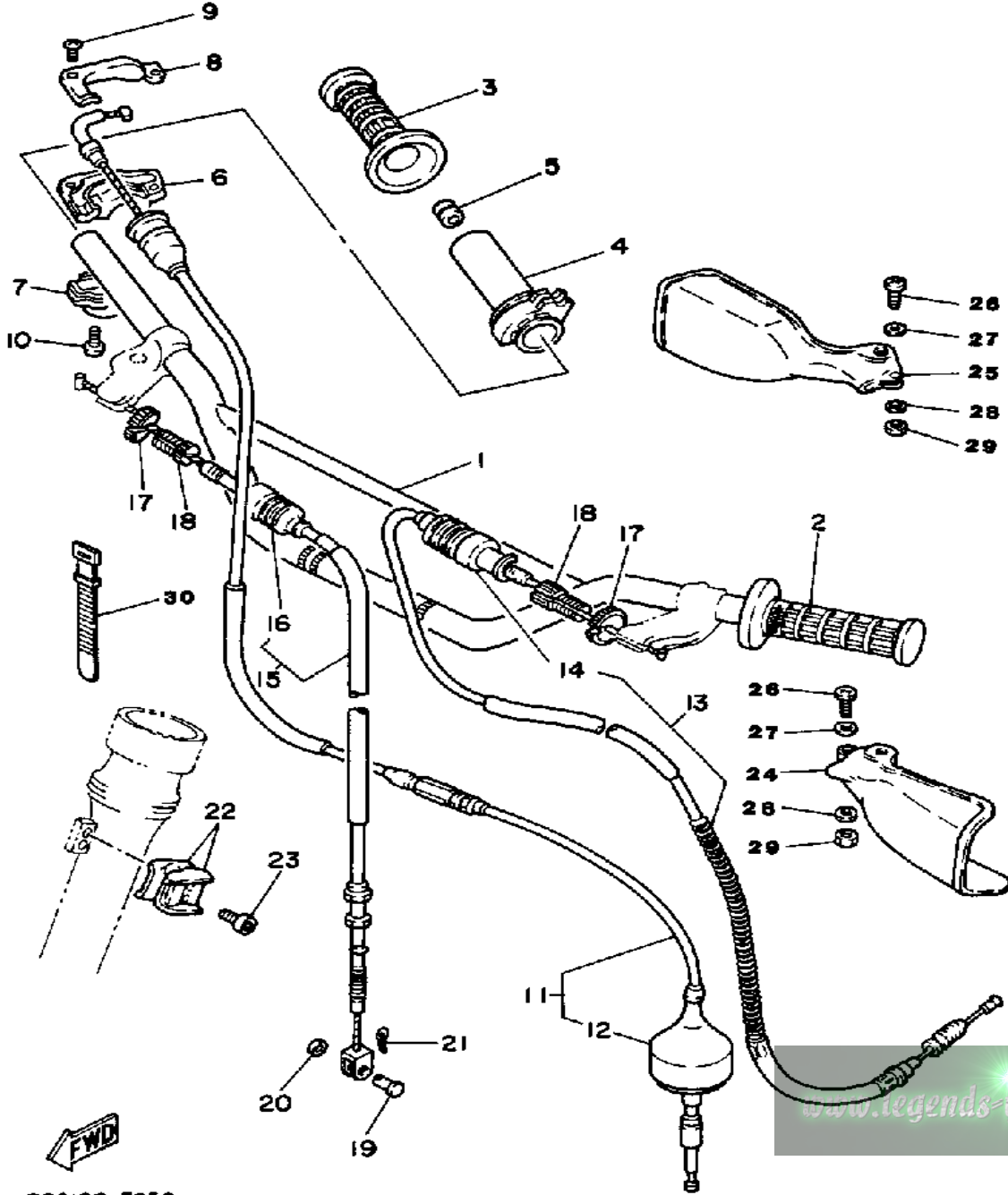


26A100-3250

Ref. No.	Part Number	Description	Qty	Remarks
1	23X-26111-00-00	HANDLEBAR	1	
2	4V4-26241-01-00	GRIP (L.H.) (4V4-26241-00) ...	1	
3	1LX-26242-01-00	GRIP (RIGHT)	1	
4	22W-26243-00-00	TUBE, THROTTLE GUIDE	1	
5	90338-12192-00	PLUG	1	
6	5X2-26281-00-00	CAP, GRIP UPPER	1	
7	322-26282-00-00	CAP, GRIP LOWER	1	
8	5X2-2628H-01-00	CAP, WIRE	1	
9	98706-04012-00	SCREW, FLAT HEAD	2	
10	98586-05016-00	SCREW, PAN HEAD	2	
11	26A-26311-00-00	CABLE, THROTTLE 1	1	
12	510-26329-00-00	. CAP, RUBBER	1	
13	26A-26335-00-00	CABLE, CLUTCH	1	
14	1E6-26342-00-00	. BOOT, CABLE	1	
15	26A-26341-00-00	CABLE, BRAKE	1	
16	1E6-26342-00-00	. BOOT, CABLE	1	
17	90179-08401-00	NUT	2	
18	90123-08090-00	BOLT	2	
19	91701-06018-00	PIN, CLEVIS	1	
20	92990-06200-00	WASHER	1	
21	91490-20020-00	PIN, COTTER	1	
22	90465-16258-00	CLAMP	2	
23	91311-06016-00	BOLT, SOCKET HEAD	2	
24	3R9-26141-00-00	GUARD, BRUSH 1	1	SKY BLUE
25	3R9-26142-00-00	GUARD, BRUSH 2	1	SKY BLUE
26	98503-06014-00	SCREW, PAN HEAD (92502-06016)	2	
27	90201-061A5-00	WASHER, PLATE	2	
28	92990-06200-00	WASHER	2	

CONTINUED ON NEXT FRAME ►

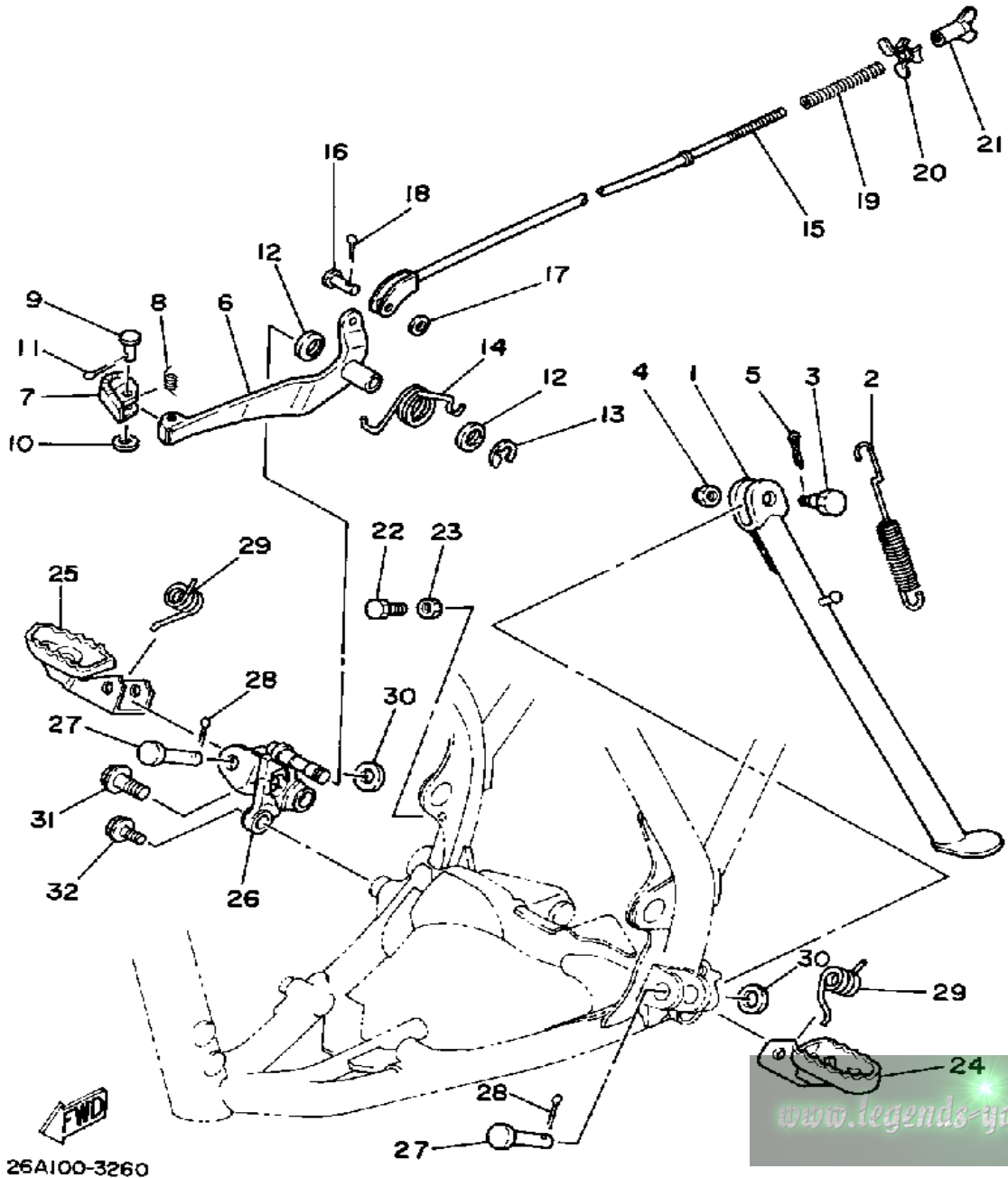
HANDLEBAR-CABLE



Ref. No.	Part Number	Description	Qty	Remarks
29	95380-06700-00	NUT	2	
30	437-83936-11-00	BAND, SWITCH CORD	1	

26A100-3250

STAND-FOOTREST

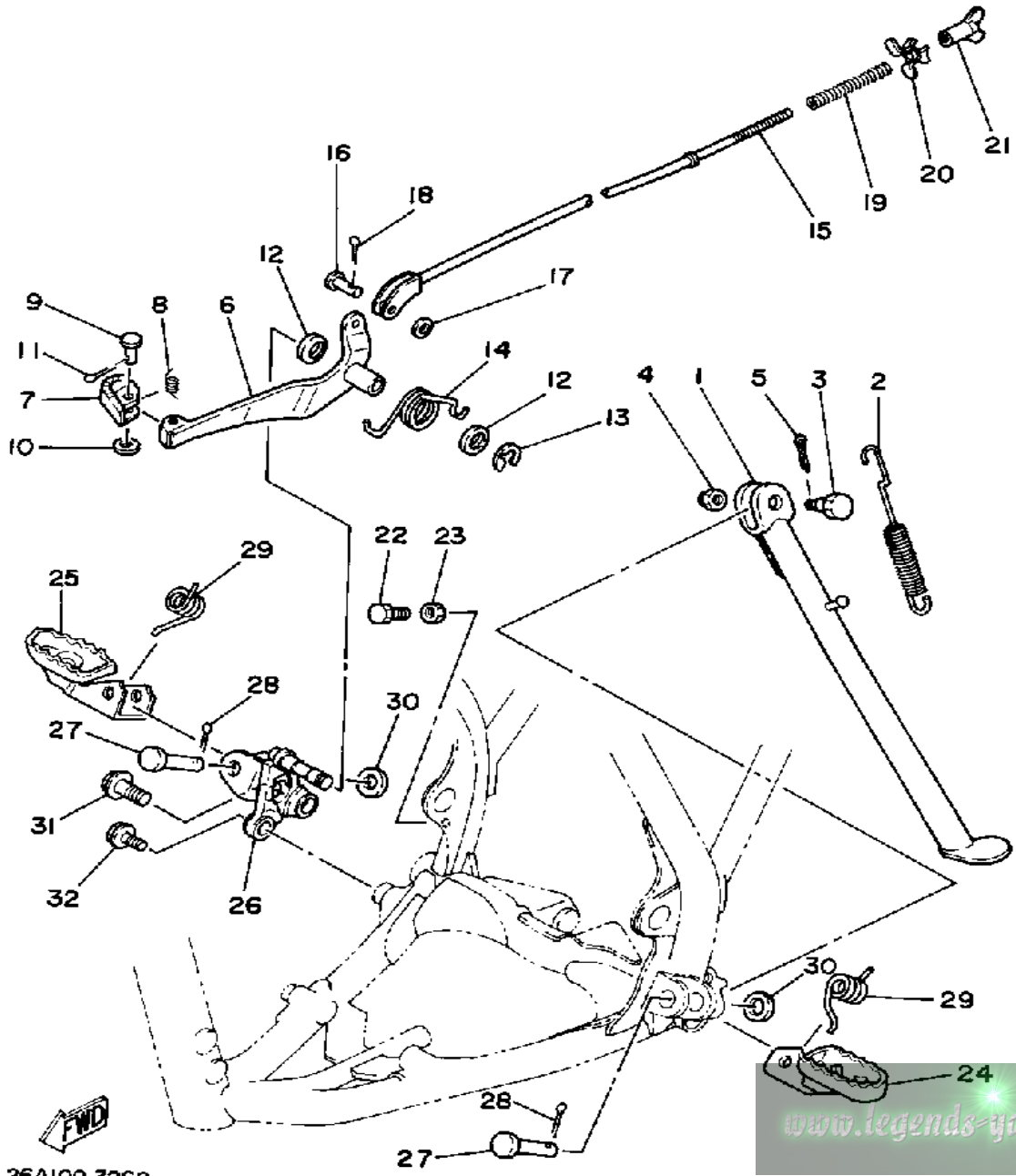


Ref. No.	Part Number	Description	Qty	Remarks
1	26A-27311-02-33	STAND, SIDE	1	YAMAHA BLK
2	90507-29008-00	SPRING, TENSION	1	
3	90102-10051-00	BOLT, WITH HOLE	1	
4	95303-10900-00	NUT, SLOTTED	1	
5	91490-20025-00	PIN, SPLIT	1	
6	29W-27211-00-00	PEDAL, BRAKE	1	
7	3R8-27242-00-00	PEDAL, BRAKE	1	
8	90508-14429-00	SPRING, TORSION	1	
9	91701-06028-00	PIN, CLEVIS	1	
10	90201-061A5-00	WASHER, PLATE	1	
11	91490-20020-00	PIN, COTTER	1	
12	26A-27286-00-00	COVER, DUST	2	
13	93430-08007-00	CIRCLIP	1	
14	90508-32589-00	SPRING, TORSION	1	
15	26A-27231-00-00	ROD, BRAKE	1	
16	90240-06103-00	PIN, CLEVIS	1	
17	92990-06200-00	WASHER	1	
18	91490-20020-00	PIN, COTTER	1	
19	90501-10245-00	SPRING, COMPRESSION	1	
20	1W2-27239-00-00	SEAT, SPRING	1	
21	20E-26343-00-00	NUT, ADJUSTING	1	
22	97011-06020-00	BOLT	1	
23	95380-06700-00	NUT	1	
24	23X-27411-02-00	FOOTREST 1	1	
25	23X-27421-03-00	FOOTREST 2	1	
26	(26A-27422-00-00)	BRACKET, FOOTREST 2	1	
27	90240-10101-00	PIN, CLEVIS	2	
28	91401-25020-00	PIN, COTTER	2	
29	90508-20583-00	SPRING, TORSION	2	

CONTINUED ON NEXT FRAME ➤

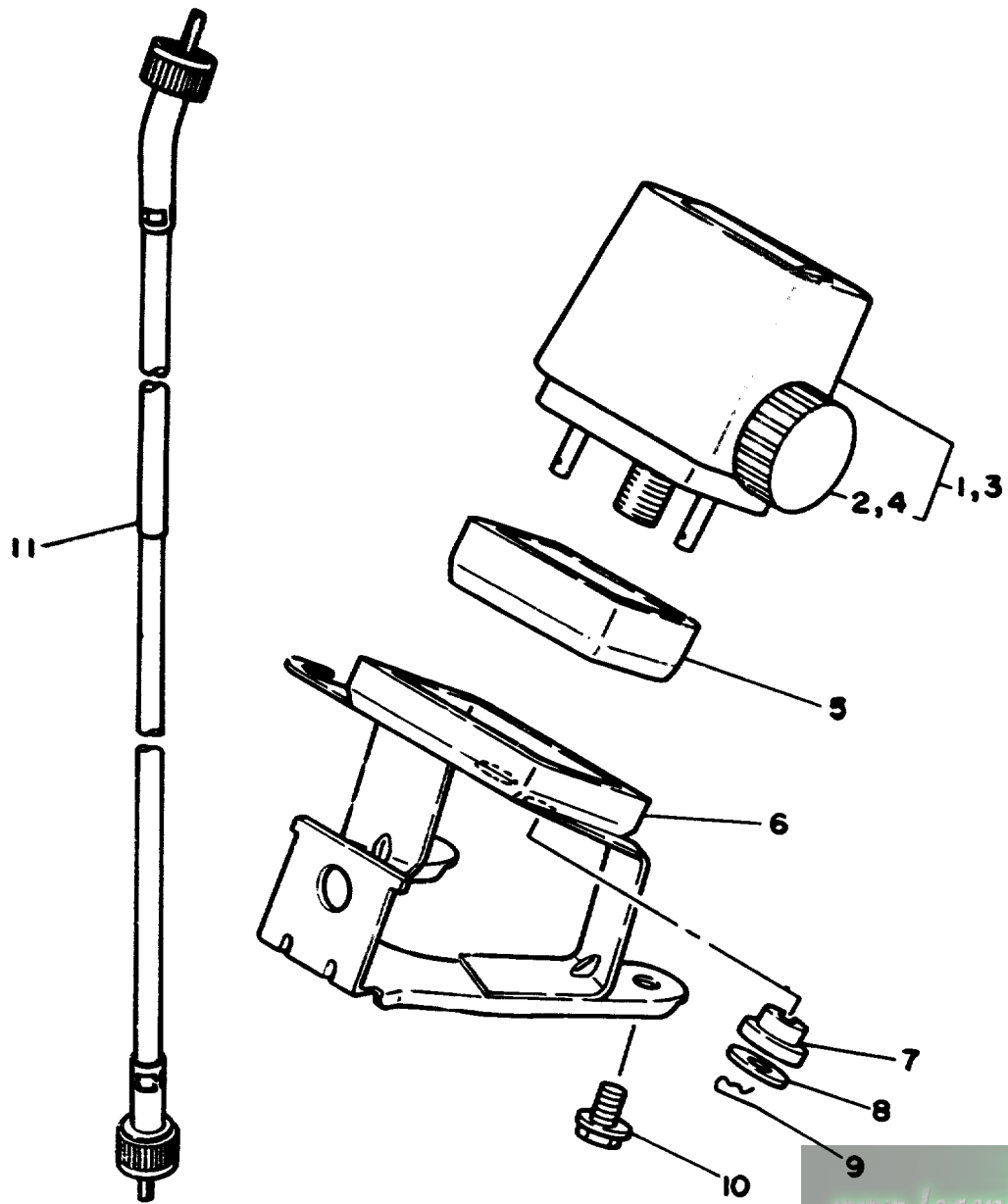
STAND-FOOTREST

Ref. No.	Part Number	Description	Qty	Remarks
30	90201-10119-00	WASHER, PLATE	2	
31	90105-12096-00	BOLT, WASHER BASED	1	
32	95811-10020-00	BOLT, FLANGE (95822-10020-00)	1	



25A100-3260





METER

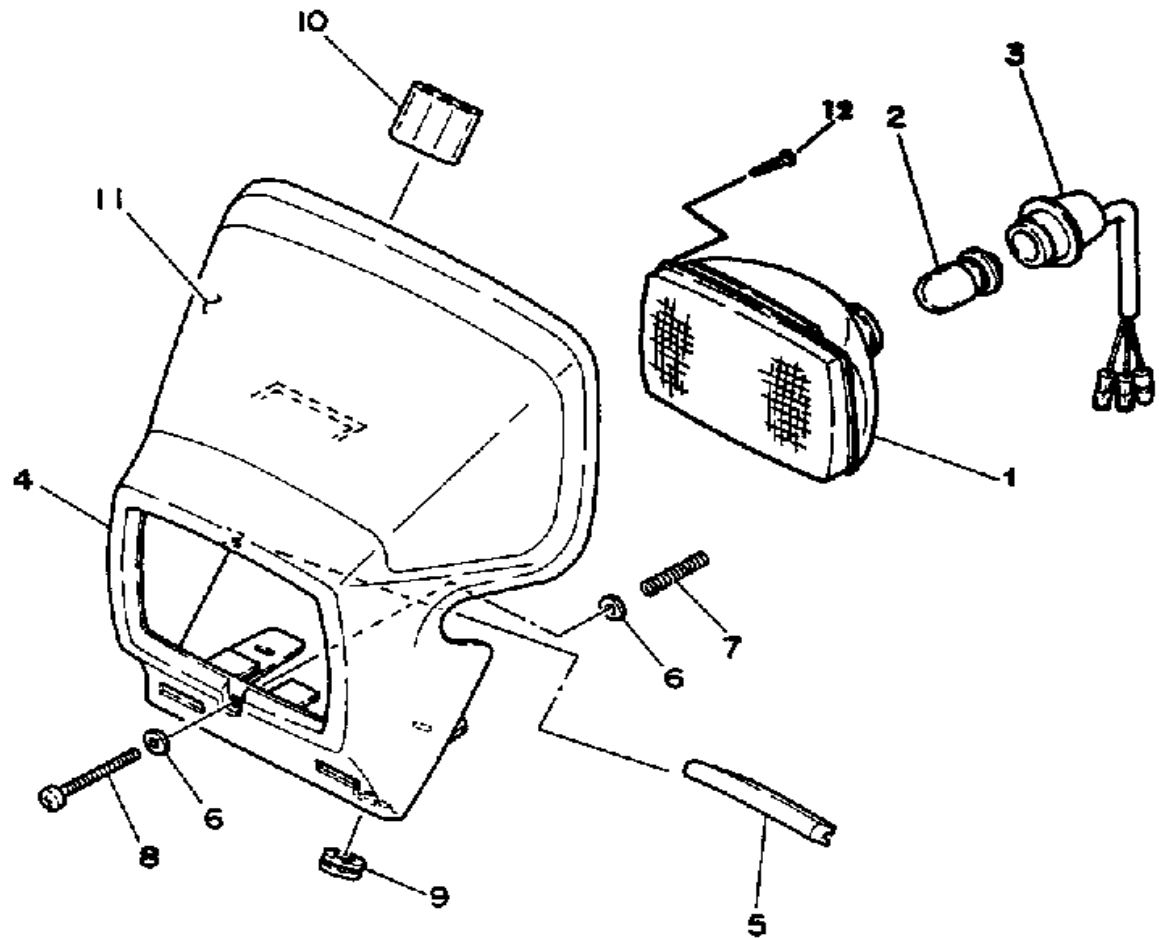
Ref. No.	Part Number	Description	Qty	Remarks
1	4V5-83505-60-00	TRIP METER CMPLT	1	U.R. MILE
2	4V5-83578-00-00	. KNOB, TRIP METER	1	
3	4V5-83505-F0-00	TRIP METER CMPLT	1	U.R. KM
4	4V5-83578-00-00	. KNOB, TRIP METER	1	
5	4V5-83513-00-00	DAMPER	1	
6	26A-83519-00-00	BRACKET, METER	1	
7	1M1-83526-00-00	DAMPER 2	2	
8	90201-052E2-00	WASHER, PLATE	2	
9	90468-10050-00	CLIP	2	
10	95811-06012-00	BOLT, FLANGE	2	
11	4V5-83550-01-00	SPEEDOMETER CABLE	1	

www.legends-yamaha-enduros.com



26A100-3270

HEADLIGHT



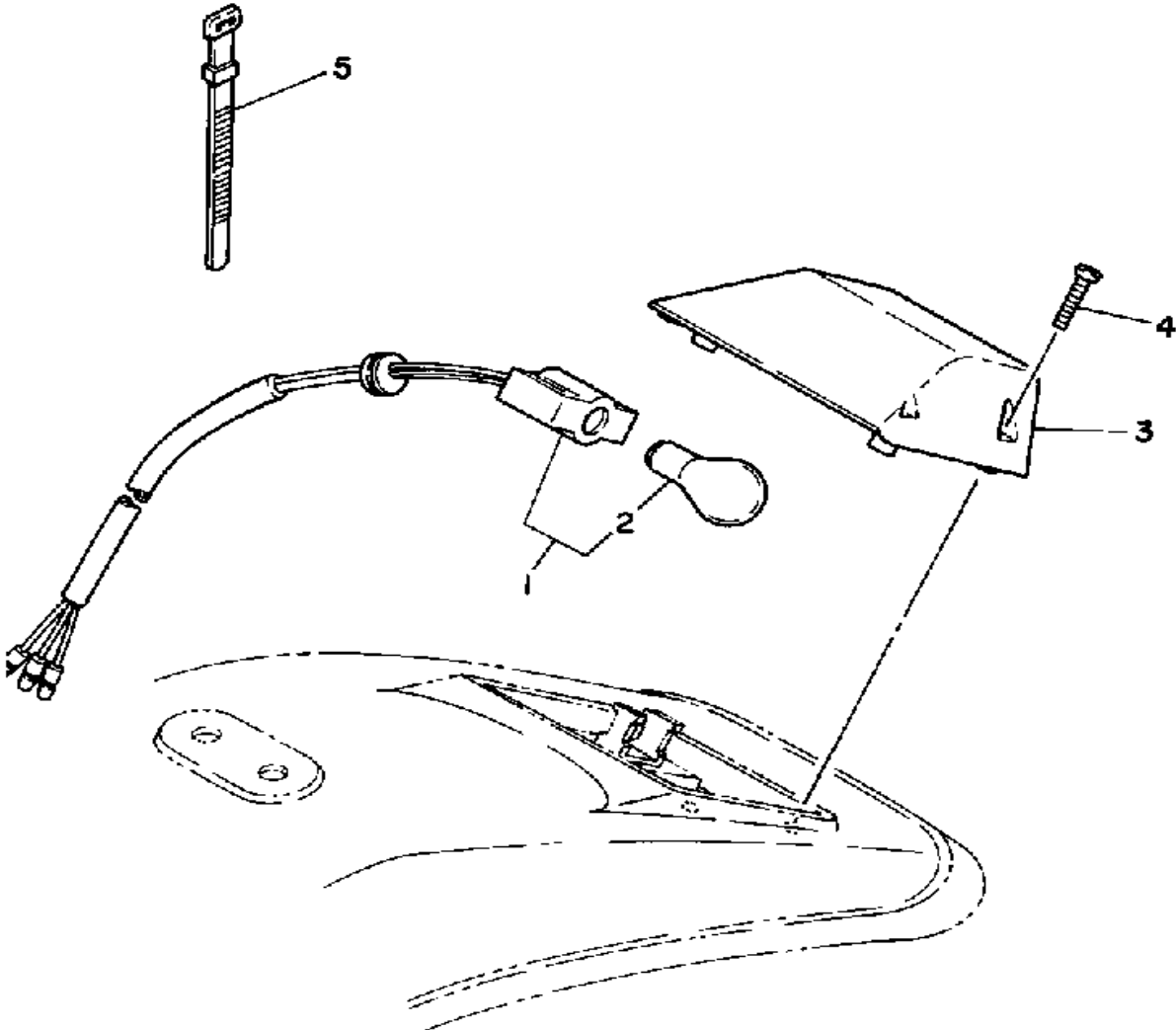
Ref. No.	Part Number	Description	Qty	Remarks
1	18A-84120-00-00	LENS ASSEMBLY (26A-84110-00)	1	
2	527-84114-09-XX	BULB, HL 6V25/25W	1	
3	26A-84140-00-00	SOCKET CORD ASSEMBLY	1	
4	26A-84111-01-00	BODY, HEADLIGHT (26A-84111-00)	1	
5	26A-84143-00-00	DAMPER, HEADLIGHT STAY	1	
6	92901-04600-00	WASHER, PLATE	2	
7	18A-84132-00-00	SPRING, SCREW	1	
8	97701-40555-00	SCREW, RIM ADJUSTER (18A-84131-00-00)	1	
9	90480-12053-00	GROMMET	2	
10	4V5-83592-00-00	DAMPER	1	
11	26A-84141-00-00	EMBLEM, HEADLIGHT	1	
12	97701-40510-00	SCREW, TAPPING	2	



26A100-3280



TAILLIGHT



Ref. No.	Part Number	Description	Qty	Remarks
1	4V5-84536-00-00	SOCKET CORD ASSEMBLY ..	1	
2	122-84514-30-00	. BULB	1	
3	26A-84521-00-00	LENS, TAILLIGHT	1	
4	98511-04020-00	SCREW, PAN HEAD	4	
5	437-83936-01-00	BAND, SWITCH CORD	2	

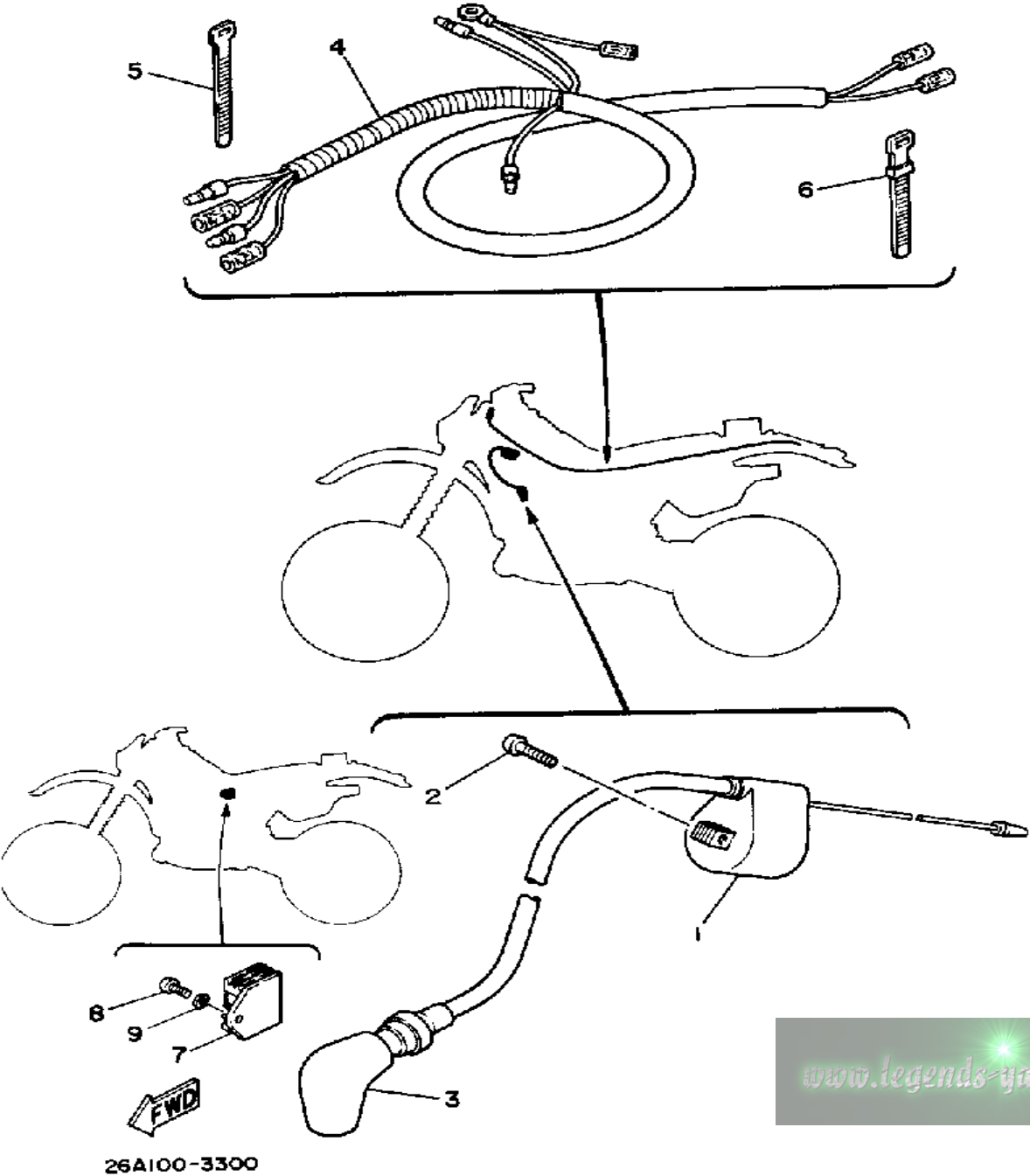


A100-3290



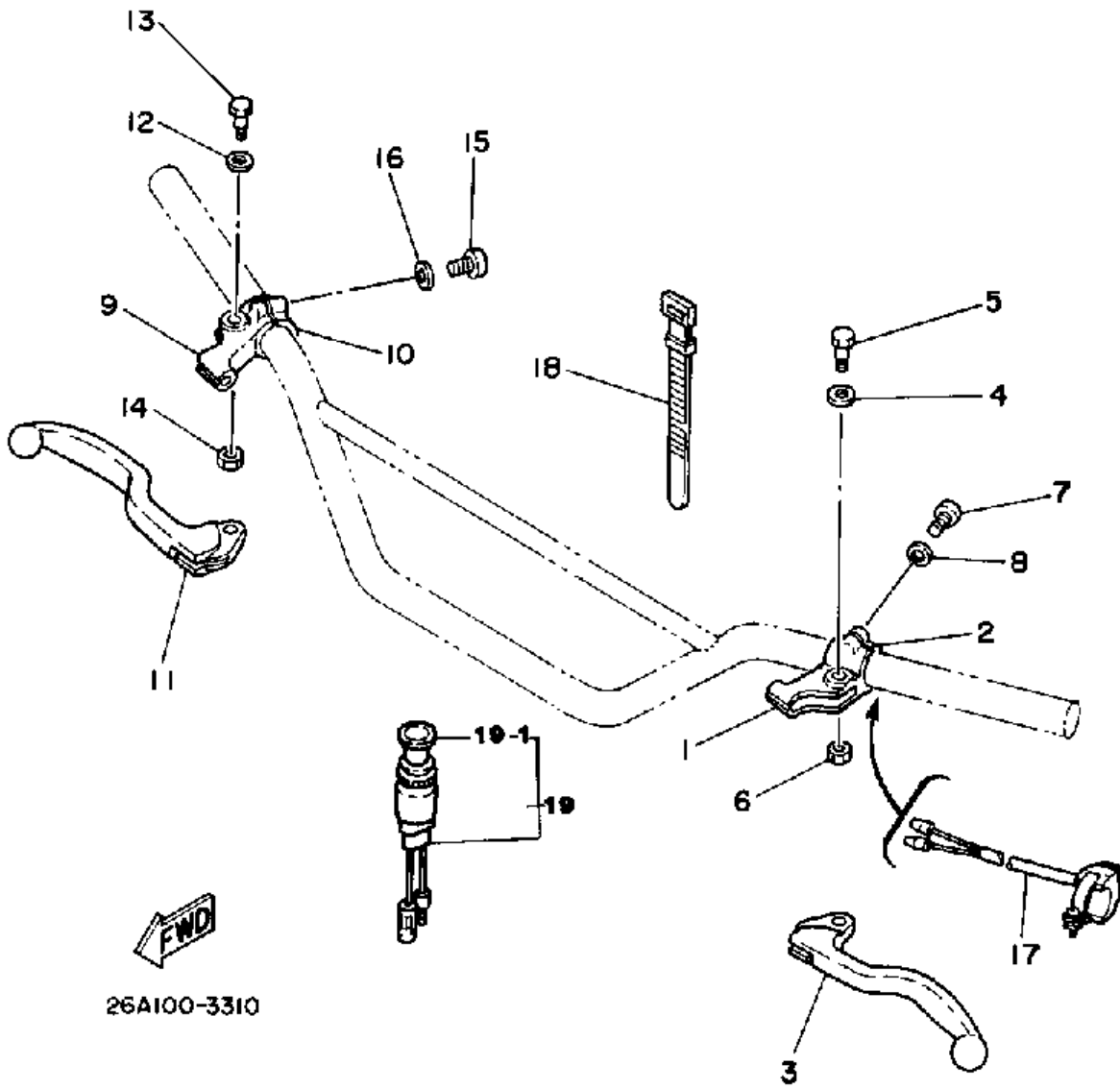
ELECTRICAL

Ref. No.	Part Number	Description	Qty	Remarks
1	43G-82310-40-00	IGNITION COIL ASSEMBLY ...	1	
2	98580-06020-00	SCREW	2	
3	81E-82370-20-00	PLUG CAP ASSEMBLY	1	
4	26A-82590-00-00	WIRE HARNESS ASSEMBLY	1	
	26A-82590-01-00	WIRE HARNESS ASSEMBLY	1	
5	437-83936-01-00	BAND, SWITCH CORD	2	
6	437-83936-11-00	BAND, SWITCH CORD	2	
7	4F4-81910-60-00	VOLTAGE REG ASSEMBLY ..	1	U.R.
8	98503-06014-00	SCREW, PAN HEAD (92502-06016)	1	
9	92995-06100-00	WASHER, SPRING	1	



www.legends-yamaha-enduros.com

HANDLE SWITCH-LEVER



26A100-3310

Ref. No.	Part Number	Description	Qty	Remarks
1	5F6-82911-00-00	HOLDER, LEVER 1	1	
2	4V4-82913-00-00	HOLDER, LEVER LOWER 1	1	
3	23X-83912-00-00	LEVER 1	1	
4	90201-08083-00	WASHER, PLATE	1	
5	90109-06797-00	BOLT	1	
6	95601-06100-00	NUT, U	1	
7	98506-05020-00	SCREW, PAN HEAD	2	
8	92906-05100-00	WASHER, SPRING	2	
9	38V-82921-00-00	HOLDER, LEVER 2	1	
10	4V4-82913-00-00	HOLDER, LEVER LOWER 1	1	
11	23X-83922-00-00	LEVER 2	1	
12	90201-08083-00	WASHER, PLATE	1	
13	90109-06797-00	BOLT	1	
14	95601-06100-00	NUT, U	1	
15	98506-05020-00	SCREW, PAN HEAD	2	
16	92906-05100-00	WASHER, SPRING	2	
17	23X-83976-00-00	SWITCH, HANDLE 1	1	
18	437-83936-01-00	BAND, SWITCH CORD	2	
19	4V5-82520-00-00	LIGHT SWITCH ASSEMBLY	1	
19-1	(4V5-00000-00-XX)	KNOB AND SCREW SET	1	

www.legends-yamaha-enduros.com

IT490K 1983 SERVICE DATA

MODEL - IMV I.D. NUMBER	IT490K 26A
Initial Engine Number / Frame Number	26A-000101 / 26A-000101
Fuel Type/Total Fuel Tank Capacity/Reserve Cap.	Premium / 13.5 Lit. / \emptyset

ENGINE TYPE	2-Stroke, Reed Valve
Bore/Stroke/Number Cylinders/Displacement	87mm / 82mm / 1 / 487cc
Compression Ratio/Compression Pressure Min~Max	6.7:1 / NA
Piston Skirt Clearance New / Max	0.070 ~ 0.075mm / 0.10mm
Ring End Gap Top / 2nd / 3rd	0.35 ~ 0.50mm / 0.35 ~ 0.50mm / \emptyset
Valve Clearance (Cold) Intake / Exhaust	\emptyset
Oiling System	Premix 24:1 Using Yamalube R*
Capacity: Dry	\emptyset
Oil and Filter Change	\emptyset
Oil Change Only	\emptyset
Lubricant: Temp. Above 5°C (40°F)	Yamalube R*
Temp. Below 15°C (60°F)	Yamalube R*
Cooling System / Capacity	Air / \emptyset
Coolant Type / Mixing Ratio	\emptyset / \emptyset

AUTOLUBE - Min Stroke / Color Code	\emptyset
Minimum Output @ 200 Cycles	\emptyset
Maximum Output @ 200 Cycles	\emptyset

CARBURETOR - Manufacturer / Type / I.D. Number	Mikuni / VM38SS / 4V6-10
Main Jet / Pilot Jet / Pilot Screw (Turns Out)	390 / 40 / 1-3/8
Needle Jet / Jet Needle-Clip Position	Q-2 / 6F39-4
Slide Cutaway	2.0
Float Level / Fuel Level	27mm / NA
Idle rpm	Rider's Preference
Max CO* / Max HC* / Set CO	\emptyset

SUSPENSION	
Front: Inner Tube Diameter	43mm
Oil Type / Level / Qty	10 Wt. Fork Oil* / 170mm / 578cc
Gas Pressure Min ~ Max / Standard	0 ~ 1.2 kg/cm ² / 0 kg/cm ²
Spring Length Standard	529mm
Rear: Gas Pressure Min ~ Max / Standard	12 ~ 20 kg/cm ² / 15 kg/cm ²
Minimum Brake Lining Thickness Front / Rear	2.0mm / 2.0mm
Tire Size (Nominal Pressure) Front / Rear	3.00-21 (Variable) / 150/80-18 (Variable)

TRANSMISSION - Oil Type / Qty Change / Qty Dry	SAE 10W30 SE or SF / 750cc / 800cc
Secondary Drive Type / Teeth / Chain	Chain / 44-14 / DK520VS110L
Middle Gear Case Capacity	\emptyset
Final Gear Case Capacity	\emptyset
Gear Case Lubricant	\emptyset

SERVICE COPY	SER MGR	MECH	MECH	MECH	BINDER
OFFICE COPY	GEN MGR	SALES	PARTS	BINDER	PAGE 1 OF 2

Battery: Model / Specific Gravity / Charge Rate	\emptyset
Maximum Output	\emptyset
Field Coil Color Code / Ω	\emptyset
Stator Coil Color Code / Ω	\emptyset
Charge Coil Color Code / Ω	\emptyset

Capacitor Discharge Ignition	
Ignition Timing	1.9 ~ 2.1mm
Spark Plug Type	Champion N-3C
Spark Plug Gap / Torque / Cap Ω	0.7 ~ 0.8mm / 2.0 m·kg / Ω
Point Gap / Condenser Capacitance	\emptyset
Ignition Coil Test Gap / Primary Ω / Secondary Ω	6mm / 1.0 Ω \pm 15% / 5.9K Ω \pm 15%
Pulser Coil or Pickup Coil Color Code / Ω	Wht-Red ~ Blk / 12.4 Ω \pm 10%
Source Coil Color Code / Ω	Brn ~ Blk / 420 Ω \pm 10%

Headlight / Taillight / Signal Rating	6V25-25W / 6V-3W / \emptyset
Lighting Coil Color Code / Ω	Yel-Red ~ Blk / 0.48 Ω \pm 10%

Front Axle Nut	M14: 6.0 m·kg
Front Axle Holder Nut	M8: 2.0 m·kg
Rear Axle Nut	M18: 10.0 m·kg
Rear Axle Pinch Bolt	\emptyset
Clutch Nut	M20: 7.5 m·kg
Drain Plug	M12: 2.0 m·kg
Flywheel Nut	M12: 8.5 m·kg
Cylinder Head Cover	\emptyset
Cylinder Head:	M8: 2.0 m·kg
Engine Mounting Bolts: Upper Bracket	M10: 5.5 m·kg
Upper	M8: 3.0 m·kg
Lower	M8: 3.0 m·kg

\emptyset = Does Not Apply To This Model
NA = Information Not Available

*Available From Yamaha Parts Distributors Inc.
*For Diagnostic Use Only

SERVICE LITERATURE

PUBLICATION	PART NUMBER	REMARKS
Owner's/Service Manual Assembly Manual	LIT-11626-03-72 LIT-11666-03-72	Comb. with IT250K Supp. to YZ/IT Basic Assembly Manual (03-31)

IT490L 1984 SERVICE DATA

MODEL - IBM I.D. NUMBER	IT490L	26A
Initial Engine Number / Frame Number	26A-100101 / JYA26A00()EA100101	
Fuel Type / Total Fuel Tank Capacity / Reserve Cap.	Premium / 13.5 Lt / \emptyset	

ENGINE TYPE	2-Stroke, Reed Valve	
Bore / Stroke / Number Cylinders / Displacement	87mm / 82mm / 1 / 487cc	
Compression Ratio / Pressure Min ~ Max	6.7:1 / NA	
Piston Skirt Clearance New / Max	0.070 ~ 0.075mm / 0.10mm	
Ring End Gap Top / 2nd / 3rd	0.35 ~ 0.50mm / 0.35 ~ 0.50mm / \emptyset	
Valve Clearance (Cold) Intake / Exhaust	\emptyset	
Oiling System	Premix (24:1 Using Yamalube R*)	
Capacity: Dry	\emptyset	
Oil and Filter Change	\emptyset	
Oil Change Only	\emptyset	
Lubricant: Temp Above 5°C (40°F)	Yamalube R*	
Temp Below 15°C (60°F)	Yamalube R*	
Cooling System / Capacity	Air / \emptyset	
Coolant Type / Mixing Ratio	\emptyset / \emptyset	

AUTOLUBE - Min Stroke / Color Code	\emptyset	
Minimum Output @ 200 Cycles	\emptyset	
Maximum Output @ 200 Cycles	\emptyset	

CARBURETOR - Manufacturer / Type / I.D. Number	Mikuni / VM38SS / 4V6-10	
Main Jet / Pilot Jet / Pilot Screw (Turns Out)	390 / 40 / 1-3/8	
Needle Jet / Jet Needle-Clip Position	Q-2 / 6F39-4	
Slide Cutaway	2.0	
Float Level / Fuel Level	27mm / NA	
Idle rpm	Rider's Preference	
Max CO _e / Max HC _e / Set CO	\emptyset	

SUSPENSION -		
Front: Inner Tube Diameter	43mm	
Oil Type / Level / Qty	10 Wt. Fork Oil* / 170mm / 578cc	
Gas Pressure Min ~ Max / Standard	0 ~ 1.2kg/cm ² / 0 kg/cm ²	
Spring Length Standard	529mm	
Rear: Gas Pressure Min ~ Max / Standard	12 ~ 20 kg/cm ² / 15 kg/cm ²	
Minimum Brake Lining Thickness Front / Rear	2.0mm / 2.0mm	
Tire Size (Nominal Pressure) Front / Rear	3.00-21 (Variable) / 150/80-18 (Variable)	

TRANSMISSION - Oil Type / Qty Change / Qty Dry	SAE 10W30 SE or SF / 750cc / 800cc	
Secondary Drive Type / Teeth / Chain	Chain / 44-14 / DK520VS-110L	
Middle Gear Case Capacity	\emptyset	
Final Gear Case Capacity	\emptyset	
Gear Case Lubricant	\emptyset	

SERVICE COPY	SER MGR	MECH	MECH	MECH	BINDER
OFFICE COPY	GEN MGR	SALES	PARTS	BINDER	PAGE 1 OF 2

CHARGING SYSTEM	\emptyset
Battery: Model / Specific Gravity / Charge Rate	\emptyset
Maximum Output	\emptyset
Field Coil Color Code / Ω	\emptyset
Stator Coil Color Code / Ω	\emptyset
Charge Coil Color Code / Ω	\emptyset

IGNITION SYSTEM	Capacitor Discharge Ignition
Ignition Timing	1.9 ~ 2.1mm
Spark Plug Type	Champion N-3C
Spark Plug Gap / Torque / Cap Ω	0.7 ~ 0.8mm / 2.0 m-kG / 0 Ω
Point Gap / Condenser Capacitance	\emptyset
Ignition Coil Test Gap / Primary Ω / Secondary Ω	6mm / 1.0 Ω \pm 15% / 5.9K Ω \pm 15%
Pulser Coil or Pickup Coil Color Code/ Ω	Whi-Red ~ Blk / 12.4 Ω \pm 10%
Source Coil Color Code / Ω	Brn ~ Blk / 420 Ω \pm 10%

LIGHTING SYSTEM	
Headlight / Taillight / Signal Rating	6V25-25W / 6V-3W / \emptyset
Lighting Coil Color Code / Ω	Yel-Red ~ Blk / 0.48 Ω \pm 10%

TORQUE VALUES	
Front Axle Nut	M14: 6.0 m-kG
Front Axle Holder Nut	M8: 2.0 m-kG
Rear Axle Nut	M18: 10.0 m-kG
Rear Axle Pinch Bolt	\emptyset
Clutch Nut	M20: 7.5 m-kG
Drain Plug	M12: 2.0 m-kG
Flywheel Nut	M12: 8.5 m-kG
Cylinder Head Cover	\emptyset
Cylinder Head:	M8: 2.0 m-kG
Engine Mounting Bolts: Upper Bracket	M10: 5.5 m-kG
Upper	M8: 3.0 m-kG
Lower	M8: 3.0 m-kG

\emptyset = Does Not Apply to This Model
NA = Information Not Available

* = Available from YPDI
⊛ = For Diagnostic Use Only

SERVICE LITERATURE

PUBLICATION	PART NUMBER	REMARKS
Owner's/Service Manual	LIT-11626-04-30	Supp. to YZ/IT Basic Assembly Manual (03-31) Does Not Apply
Assembly Manual	LIT-11666-04-30	
Consumer Info.		

MOTORCYCLE	DATE 11/11/83	BUL M83-024
------------	---------------	-------------

CHARGING SYSTEM	∅
Battery: Model / Specific Gravity / Charge Rate	∅
Maximum Output	∅
Field Coil Color Code / Ω	∅
Stator Coil Color Code / Ω	∅
Charge Coil Color Code / Ω	∅

IGNITION SYSTEM	Capacitor Discharge Ignition
Ignition Timing	1.9 ~ 2.1mm
Spark Plug Type	Champion N-3C
Spark Plug Gap / Torque / Cap Ω	0.7 ~ 0.8mm / 2.0 m·kg / 0Ω
Point Gap / Condenser Capacitance	∅
Ignition Coil Test Gap / Primary Ω / Secondary Ω	6mm / 1.0Ω ± 15% / 5.9KΩ ± 15%
Pulser Coil or Pickup Coil Color Code/Ω	Whi-Red ~ Blk / 12.4Ω ± 10%
Source Coil Color Code / Ω	Brn ~ Blk / 420Ω ± 10%

LIGHTING SYSTEM	
Headlight / Taillight / Signal Rating	6V25-25W / 6V-3W / ∅
Lighting Coil Color Code / Ω	Yel-Red ~ Blk / 0.48Ω ± 10%

TORQUE VALUES	
Front Axle Nut	M14: 6.0 m·kg
Front Axle Holder Nut	M8: 2.0 m·kg
Rear Axle Nut	M18: 10.0 m·kg
Rear Axle Pinch Bolt	∅
Clutch Nut	M20: 7.5 m·kg
Drain Plug	M12: 2.0 m·kg
Flywheel Nut	M12: 8.5 m·kg
Cylinder Head Cover	∅
Cylinder Head:	M8: 2.0 m·kg
Engine Mounting Bolts: Upper Bracket	M10: 5.5 m·kg
Upper	M8: 3.0 m·kg
Lower	M8: 3.0 m·kg

∅ = Does Not Apply to This Model
 NA = Information Not Available

* = Available from YPDI
 * = For Diagnostic Use Only

SERVICE LITERATURE

PUBLICATION	PART NUMBER	REMARKS
Owner's/Service Manual Assembly Manual Consumer Info.	LIT-11626-04-30 LIT-11666-04-30	Supp. to YZ/IT Basic Assembly Manual (03-31) Does Not Apply

