

MODEL **MX100B**

www.legends-yamaha-enduros.com

NOTICE

ALL PART NUMBERS CONTAINED IN THIS CATALOGUE ARE COMPRISED OF TEN DIGITS. WHEN ORDERING, PLEASE ADD TWO ZEROS TO THE END OF EACH PART NUMBER REQUIRED TO CONVERT THE TEN DIGITS INTO THE NEW TWELVE DIGIT NUMBERS.

This Parts List is for the exclusive parts for the MX100B. Please refer to MX100A Parts List for the parts not listed in this publication.

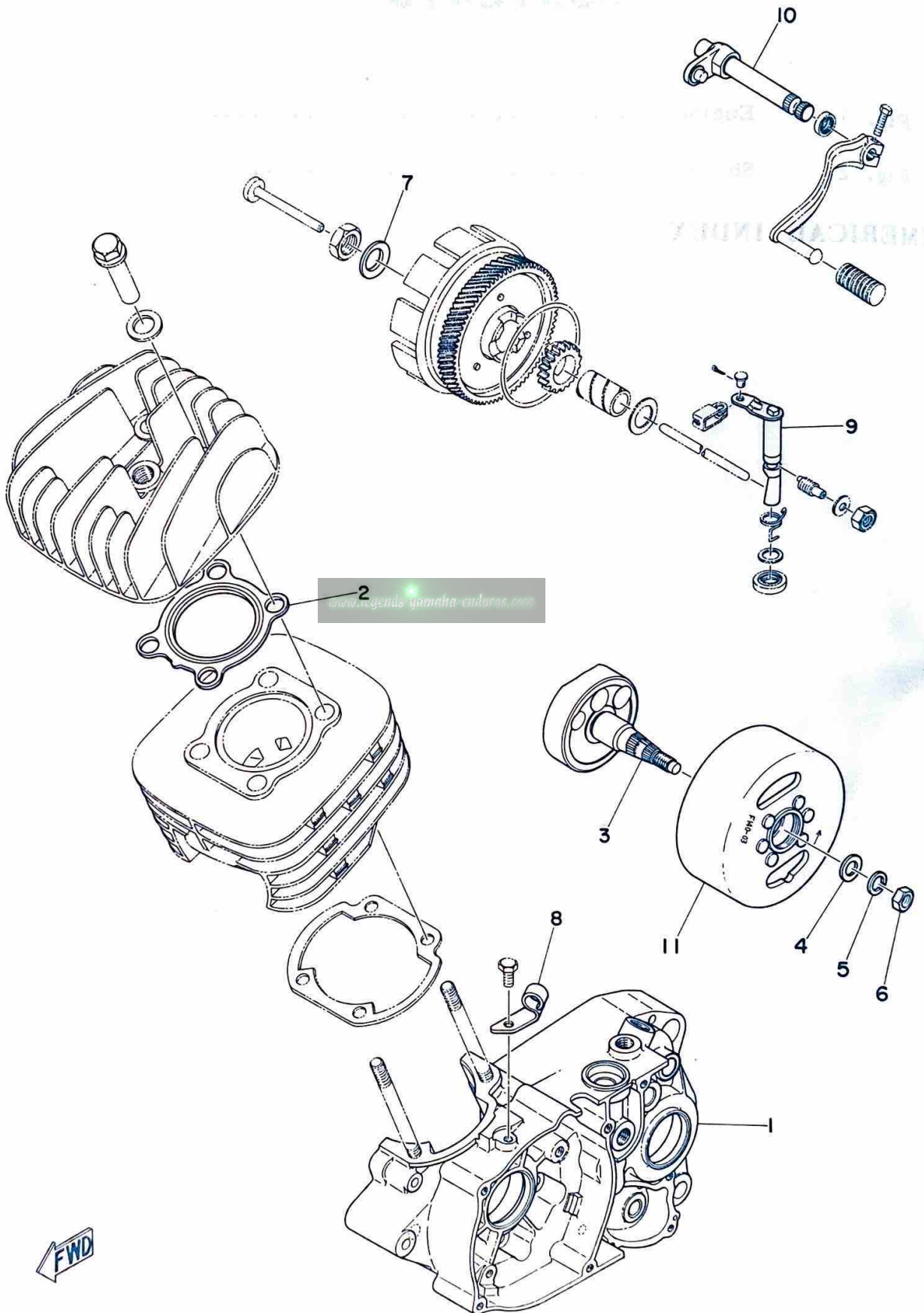
www.legends-yamaha-enduros.com

CONTENTS

Fig. 1	Engine	1
Fig. 2	Shassis	3

NUMERICAL INDEX

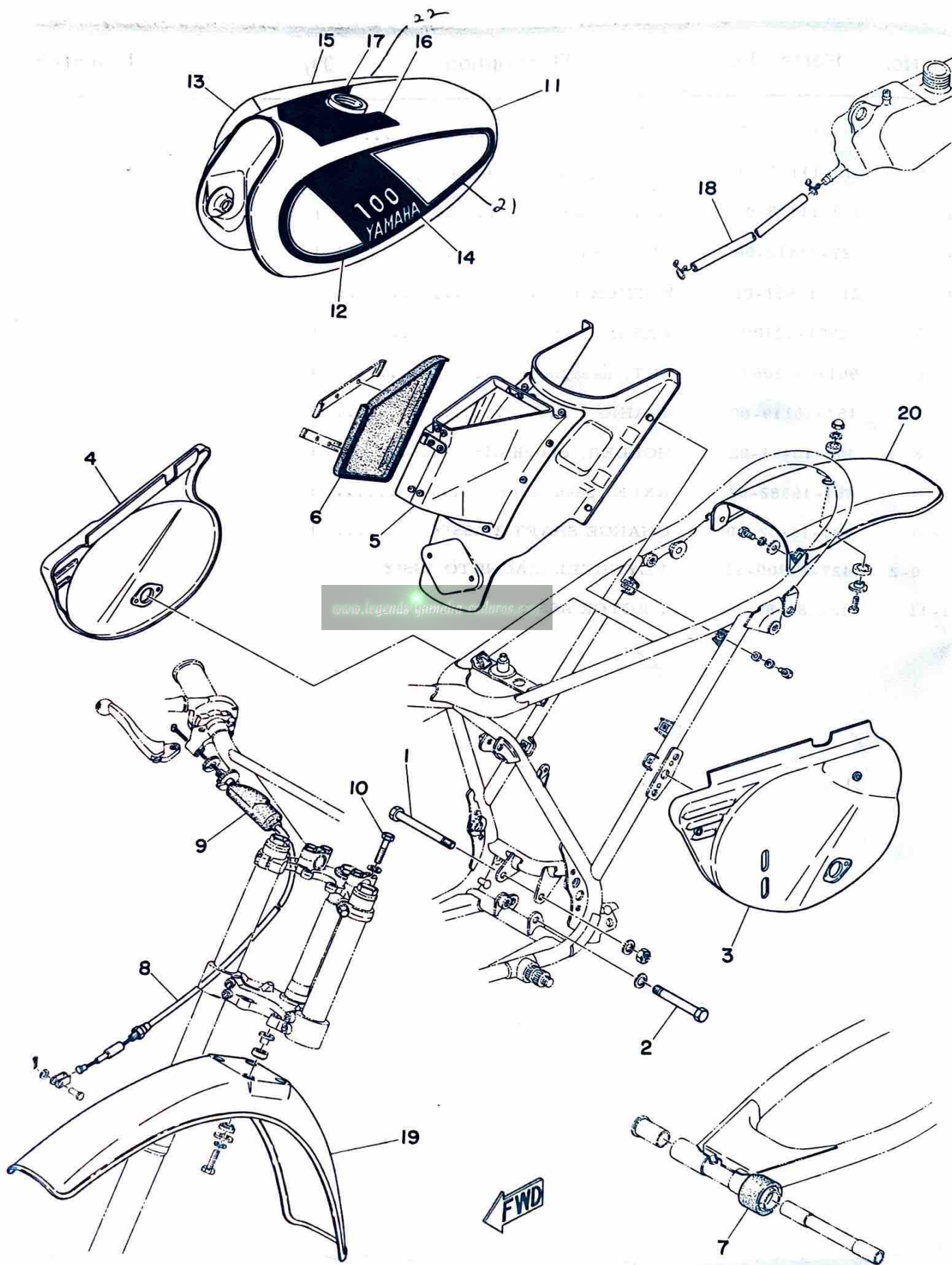
Fig. 1 ENGINE



ENGINE

Ref. No.	Parts No.	Description	Q'ty	Applicable Machine No.	Remarks
1- 1	403-15111-02	CASE, crank left	1		
1- 2	276-11181-01	GASKET, cylinder head	1		
1- 0-1	427-11400-00	CRANK ASS'Y	1		
1- 3	427-11412-00	. CRANK, left	1		
1- 4	214-11557-01	WASHER 1	1		
1- 5	92901-12100	WASHER, spring	1		
1- 6	90170-12067	NUT, hexagon	1		
1- 7	164-16119-00	SPRING	1		
1- 8	401-15441-02	HOLDER, clutch wire	1		
1- 9	401-16382-02	AXLE, push lever	1		
1-10	401-18102-00	CHANGE SHAFT 2 ASS'Y	1		
1- 0-2	427-81300-11	FLYWHEEL MAGNETO ASS'Y ...	1		
1-11	427-81350-11	. ROTOR ASS'Y	1		

Fig. 2 CHASSIS



CHASSIS

Ref. No.	Parts No.	Description	Q'ty	Applicable Machine No.	Remarks
2- 1	90109-08348	BOLT	1		
2- 2	90109-10346	BOLT, hexagon	1		
2- 3	401-21711-00-04	COVER, side left	1		Clean White
2- 4	453-21721-00	COVER, side right	1		
2- 5	402-21240-00	BOX COMP., air cleaner	1		
2- 6	402-21269-00	. SEAL	1		
2- 7	437-22151-00	SEAL, guard	1		
2- 8	427-26341-00	WIRE, brake front	1		
2- 9	382-26372-01	. COVER, lever	1		
2-10	90101-08131	BOLT	4		
2-11	401-24110-00-07	FUEL TANK COMP.	1		Clean White
2-12	427-24244-10	. GRAPHIC, fuel tank 1	1		
2-13	427-24245-10	. GRAPHIC, fuel tank 2	1		
2-14	427-24246-10	. GRAPHIC, fuel tank 3	1		
2-15	427-24247-10	. GRAPHIC, fuel tank 4	1		
2-16	427-24248-10	. GRAPHIC, fuel tank 5	1		
2-17	427-24249-10	. GRAPHIC, fuel tank 6	1		
2-18	90445-09251	HOSE (5-350)	1		
2-19	427-21511-10	FENDER, front	1		
2-20	453-21611-00	FENDER, rear	1		
2-21	427-24250-10-00	Graphic, fuel tank 7	1		
2-22	427-24251-10-00	Graphic, fuel tank 8	1		

www.legends-yamaha-enduros.com



YAMAHA MOTOR CO., LTD.

PRINTED IN JAPAN

First edition Feb., 1974

(LIT-10014-27-01)(427-28198-80)