

YAMAHA

RD250/400(D)

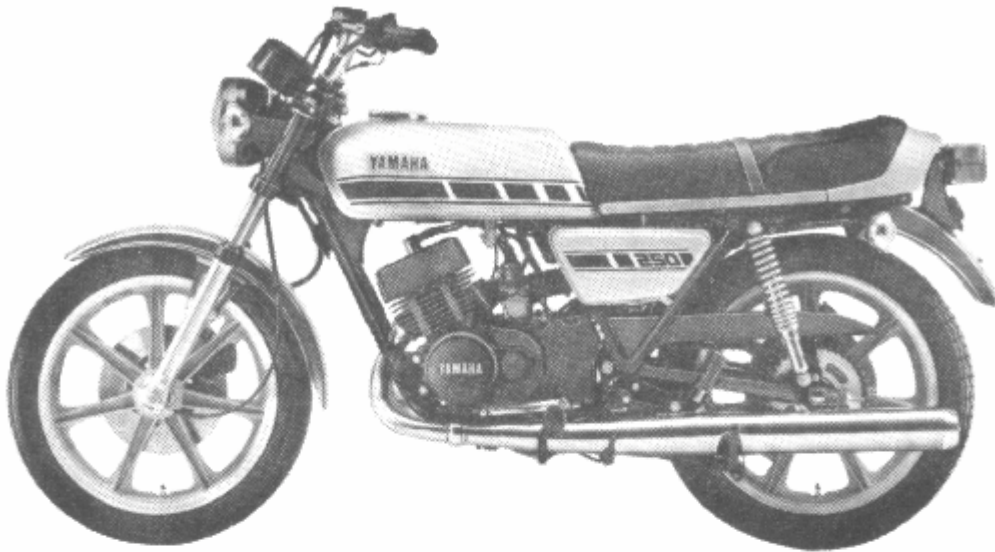
Baujahr 1977
RD250 Typ 1A2
(Typ 1N9)
RD400 Typ 1A3
für Europa

Ersatzteile

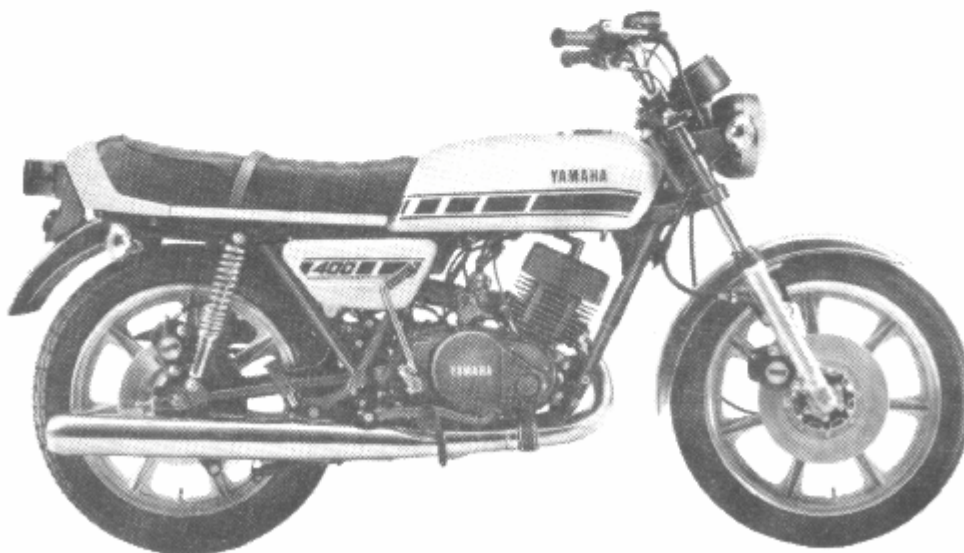
Auflisting mit Bestellnummern

www.RD400.de





RD250(S)



RD400(S)



CONTENTS

ENGINE 5

Fig. 1	CYLINDER HEAD - CYLINDER.....	6
Fig. 2	CRANKCASE.....	7
Fig. 3	CRANKCASE COVER.....	8
Fig. 4	CRANK - PISTON (1).....	9
Fig. 4	CRANK - PISTON (2).....	10
Fig. 4	CRANK - PISTON (3).....	11
Fig. 5	CLUTCH.....	12
Fig. 6	TRANSMISSION (1).....	13
Fig. 6	TRANSMISSION (2).....	14
Fig. 7	SHIFTER 1 (1).....	15
Fig. 7	SHIFTER 1 (2).....	16
Fig. 8	SHIFTER 2.....	17
Fig. 9	KICK STARTER.....	18
Fig. 10	TACHOMETER GEAR.....	19
Fig. 11	INTAKE (1).....	20
Fig. 11	INTAKE (2).....	21
Fig. 12	CARBURETOR (1).....	22
Fig. 12	CARBURETOR (2).....	23
Fig. 13	EXHAUST (1).....	24
Fig. 13	EXHAUST (2).....	25
Fig. 14	OIL PUMP.....	26
Fig. 15	A. C. GENERATOR (1).....	27
Fig. 15	A. C. GENERATOR (2).....	28

CHASSIS 29

Fig. 16	FRAME (1).....	30
Fig. 16	FRAME (2).....	31
Fig. 17	SIDE COVER BOX.....	32
Fig. 18	REAR ARM - REAR CUSHION - CHAIN CASE.....	33
Fig. 19	STAND - FOOTREST (1).....	34
Fig. 19	STAND - FOOTREST (2).....	35
Fig. 20	BRAKE PEDAL - MASTER CYLINDER (1).....	36
Fig. 20	BRAKE PEDAL - MASTER CYLINDER (2).....	37
Fig. 21	FRONT FENDER - REAR FENDER (1).....	38
Fig. 21	FRONT FENDER - REAR FENDER (2).....	39
Fig. 22	FRONT FORK (1).....	40
Fig. 22	FRONT FORK (2).....	41
Fig. 23	STEERING.....	42
Fig. 24	HANDLE - WIRE.....	43
Fig. 25	MASTER CYLINDER - BRAKE HOSE (1).....	44
Fig. 25	MASTER CYLINDER - BRAKE HOSE (2).....	45
Fig. 26	FUEL TANK (1).....	46
Fig. 26	FUEL TANK (2).....	47
Fig. 27	OIL TANK.....	48
Fig. 28	SEAT (1).....	49

Fig. 28	SEAT (2).....	50
Fig. 29	FRONT WHEEL (Casting Wheel Type).....	51
Fig. 30	FRONT WHEEL (1) (Spoke Wheel Type - ALTERNATE PARTS: ENGLAND Only).....	52
Fig. 30	FRONT WHEEL (2) (Spoke Wheel Type - ALTERNATE PARTS: ENGLAND Only).....	53
Fig. 31	FRONT DISK BRAKE - CALIPER.....	54
Fig. 32	REAR WHEEL (Casting Wheel Type) (1).....	55
Fig. 32	REAR WHEEL (Casting Wheel Type) (2).....	56
Fig. 33	REAR WHEEL (1) (Spoke Wheel Type - ALTERNATE PARTS: ENGLAND Only).....	57
Fig. 33	REAR WHEEL (2) (Spoke Wheel Type - ALTERNATE PARTS: ENGLAND Only).....	58
Fig. 34	REAR DISK BRAKE - CALIPER.....	59
Fig. 35	HEAD LAMP 1.....	60
Fig. 36	HEAD LAMP 2.....	61
Fig. 37	HEAD LAMP 3.....	62
Fig. 38	SPEEDOMETER - TACHOMETER (1).....	63
Fig. 38	SPEEDOMETER - TACHOMETER (2).....	64
Fig. 39	TAIL LAMP.....	65
Fig. 40	FLASHER LAMP 1.....	66
Fig. 41	FLASHER LAMP 2.....	67
Fig. 42	ELECTRICAL (1).....	68
Fig. 42	ELECTRICAL (2).....	69

REPAIR KIT 70

Fig. 43	REPAIR KIT (1).....	71
Fig. 43	REPAIR KIT (2).....	72

NUMERICAL INDEX 73

NUMERICAL INDEX (1).....	74
NUMERICAL INDEX (2).....	75
NUMERICAL INDEX (3).....	76
NUMERICAL INDEX (4).....	77
NUMERICAL INDEX (5).....	78
NUMERICAL INDEX (6).....	79



Impressum:

H.Novak
70327 Stuttgart
www.RD400.de

V4.4 30.09.2002
*\\t\yam\ RD77_Ersatzteile\RD250_400_D_77_Ersatzteile.doc#
Bilder in *\\T\YAM\RD250_400_D_77_Ersatzteile\BLD*

Dieses Dokument ist unter Berücksichtigung eventueller Rechte dritter anhand originaler Druckschriften von YAMAHA MOTOR CO., LTD erstellt worden. Sollten trotz grösster Sorgfalt eventuelle Fehler entdeckt werden, bitte um Nachricht zur Korrektur an mich.

Es darf als Druckwerk und Kopie wie auch als elektronische Datei unentgeltlich weitergegeben oder verbreitet werden. Es darf hierzu nicht verändert oder erweitert werden. Es darf vor allem **nicht** in irgendeiner Form verkauft oder zu sonstigen gewinnbringenden Zwecken verwendet werden! Zuwiderhandlungen sind mir unverzüglich zu melden.

Dieser Hinweis darf bei der Weitergabe nicht entfernt oder geändert werden.

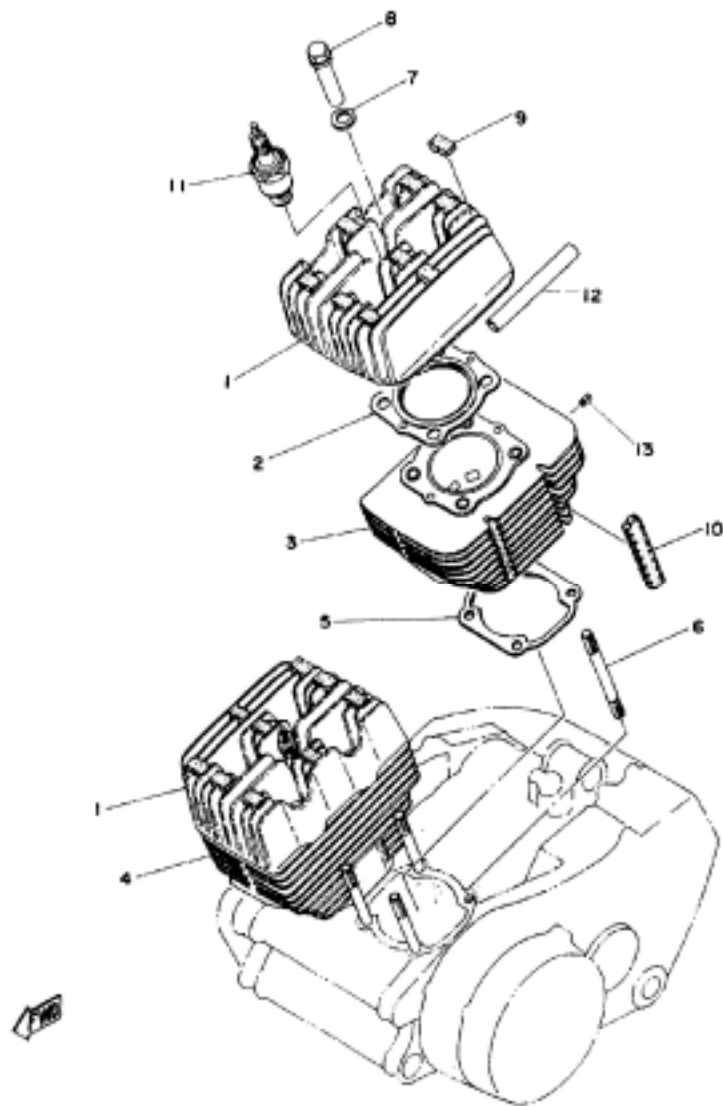


ENGINE





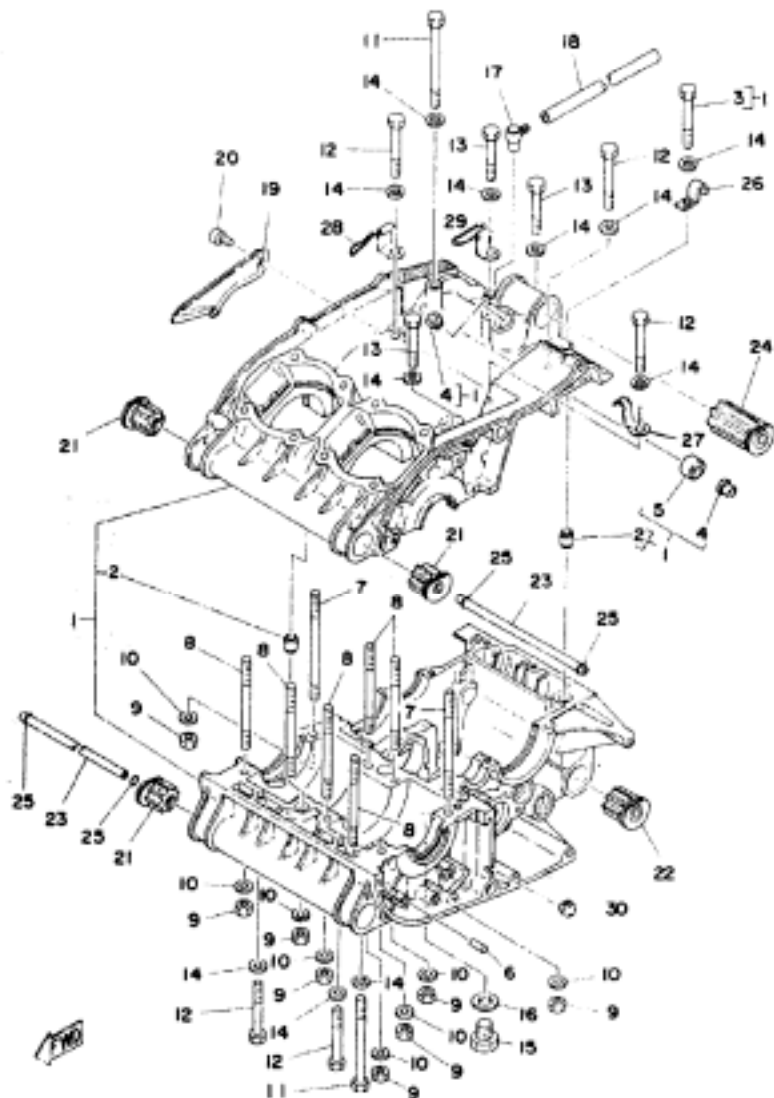
Fig. 1 CYLINDER HEAD - CYLINDER



Ref. No.	Parts No.	Description	Q'ty 250	Q'ty 400	F	H	G	B	S	D	A	E	I	Remarks
					r	o	t	e	w	e	n	n	n	
					a	l	r	l	i	l	o	s	g	
					n	a	m	a	n	a	r	t	l	
					c	n	l	l	d	d	w	r	a	
					e	d	y	m	e	k	a	i	l	
1-1	1A2-11111-00	HEAD, cylinder	2		x	x	x	x	x		x	x	x	
	1A3-11111-01	HEAD, cylinder		2	x	x	x	x	x		x	x	x	
1-2	1A2-11181-00	GASKET, cylinder head	2		x	x		x			x	x	x	
	1N9-11181-00	GASKET, cylinder head	2				x							
	1A3-11181-00	GASKET, cylinder head		2	x	x	x	x	x		x	x	x	
1-3	1A2-11311-00	CYLINDER, left	1		x	x	x	x	x		x	x	x	
	1A3-11311-00	CYLINDER, left		1	x	x	x	x	x		x	x	x	
1-4	1A2-11321-00	CYLINDER, right	1		x	x	x	x	x		x	x	x	
	1A3-11321-00	CYLINDER, right		1	x	x	x	x	x		x	x	x	
1-5	278-11351-01	GASKET, cylinder	2	2	x	x	x	x	x		x	x	x	
1-6	90116-08065	BOLT, stud (276-11361-00)	8		x	x	x	x			x	x	x	
	90116-08232	BOLT, stud	8		x	x	x	x			x	x	x	
1-7	90201-12362	WASHER, plate (278-11175-00)	8	8	x	x	x	x	x		x	x	x	
1-8	90179-08026	NUT (278-11171-00)	8	8	x	x	x	x	x		x	x	x	
1-9	521-11161-01	ABSORBER 1	18	18	x	x	x	x			x	x	x	
	521-11161-01	ABSORBER 1	18	24				x						
1-10	1A0-11162-02	ABSORBER 2	4	4	x	x	x	x	x		x	x	x	
1-11	94701-00045	PLUG, spark (B-8ES)	2	2	x	x	x	x	x		x	x	x	
	94701-00044	PLUG, spark (B-7ES)		2									x	
1-12	1A3-11161-10	ABSORBER 1		4				x						
1-13	91609-30010	PIN, spring		2	x	x	x	x	x		x	x	x	



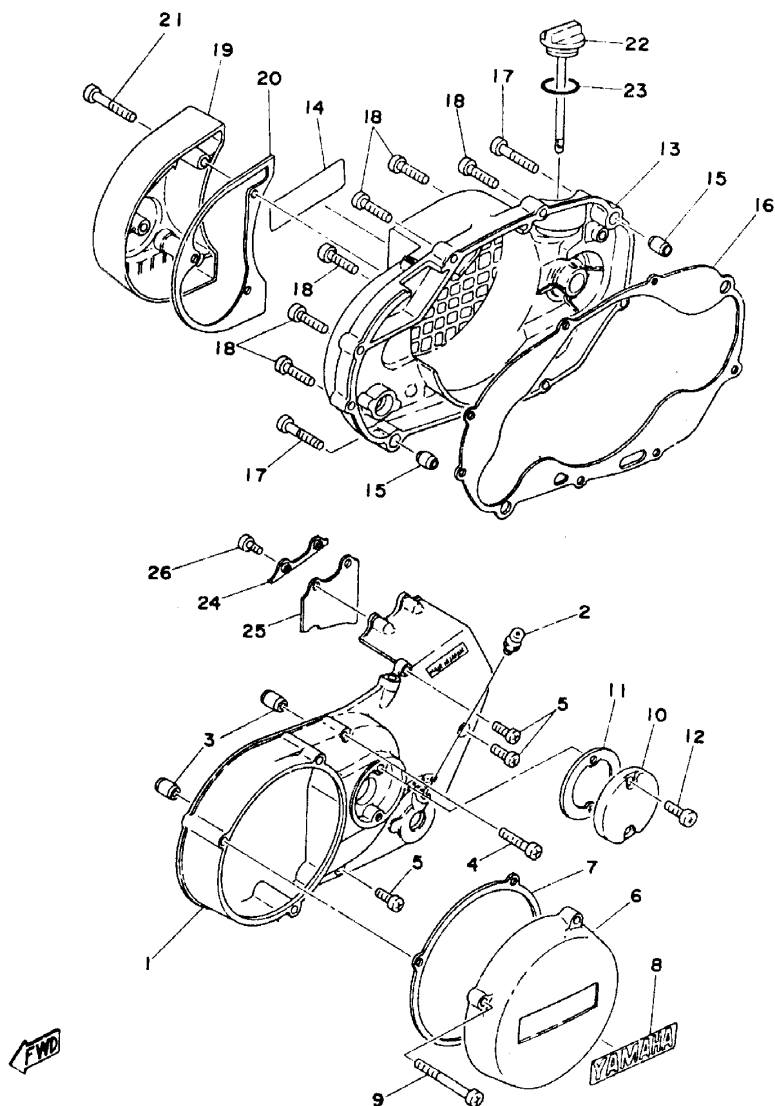
Fig. 2 CRANKCASE



Ref.No.	Parts No.	Description	Q'ty 250	Q'ty 400	Applicable Machine No.	Remarks
2-1	1A0-15100-01	CRANKCASE ASS'Y	1			
	1A1-15100-01	CRANKCASE ASS'Y		1		
2-2	91830-22016	. PIN, dowel (8.4-12-16)	2	2		
2-3	97321-06055	. BOLT, hexagon	1	1		
2-4	90381-08002	. BUSHING	2	2		
2-5	90380-14040	. BUSHING (278-17833-00)	1	1		
2-6	93603-14026	PIN, dowel (3-14)	1	1		
2-7	90116-08232	BOLT, stud	2	2		
2-8	90116-08064	BOLT, stud (248-11361-00)	6	6		
2-9	95301-08600	NUT, hexagon	8	8		
2-10	92901-08200	WASHER, plain	8	8		
2-11	97321-06090	BOLT, hexagon	1	2		
2-12	97321-06055	BOLT, hexagon	3	5		
2-13	97321-06045	BOLT, hexagon	3	3		
2-14	92901-06200	WASHER, plain	8	11		
2-15	90340-14034	PLUG, drain (431-15351-00)	1	1		
2-16	137-15353-00	GASKET, drain plug (14-21-1.5)	1	1		
2-17	498-15371-00	BREATHER	1	1		
2-18	90446-07008	HOSE (248-15373-00 5-150)	1	1		
2-19	278-15492-01	COVER	1	1		
2-20	98501-05010	SCREW, panhead	2	2		
2-21	1A1-15316-00	DAMPER, engine mount		4		
2-22	1A1-15326-00	DAMPER, engine mount		2		
2-23	1A1-15317-00	SPACER, engine mount		2		
2-24	1A1-15336-00	DAMPER, engine mount		2		
2-25	93210-11073	O-RING (2.4-10.8)		4		
2-26	90462-05004	CLAMP (278-15485-00)	1	1		
2-27	90462-06025	CLAMP	1	1		
2-28	90465-06093	CLAMP	1	1		
2-29	90465-06094	CLAMP	1	1		
2-30	90480-01148	GROMMET (136-82545-00)	1	1		



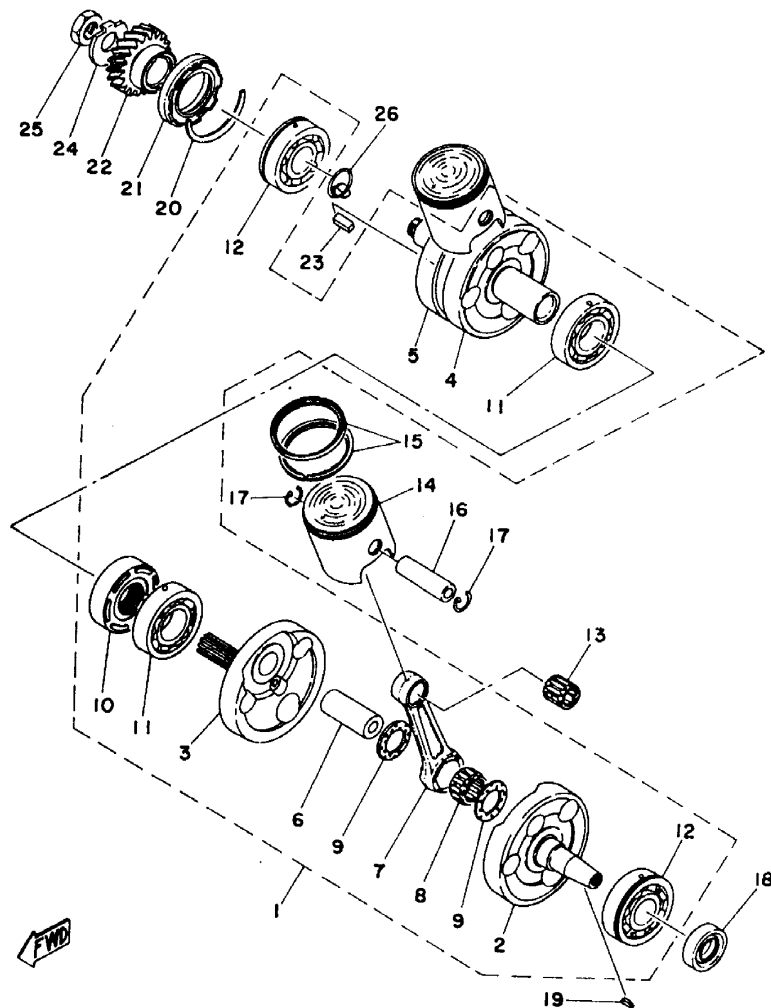
Fig. 3 CRANKCASE COVER



Ref.No.	Parts No.	Description	Q'ty		Applicable Machine No.	Remarks
			250	400		
3-1	1A0-15411-00	COVER, crankcase left	1			
	1A1-15411-00	COVER, crankcase left		1		
3-2	93700-06004	NIPPLE, grease		1		
3-3	91830-22016	PIN, dowel (8.4-12-16)	2	2		
3-4	92506-06035	SCREW, panhead	1	1		
3-5	92506-06020	SCREW, panhead	3	3		
3-6	1A0-15415-00	COVER, generator	1	1		
3-7	1A0-15455-00	GASKET, generator cover	1	1		
3-8	1A0-15435-00	EMBLEM	1	1		
3-9	92506-06070	SCREW, panhead	3	3		
3-10	1A0-15417-00	COVER, cap	1	1		
3-11	1A0-15457-00	GASKET, cap cover	1	1		
3-12	92506-06020	SCREW, panhead	2	2		
3-13	1A0-15421-00	COVER, crankcase right	1	1		
3-14	1A0-15435-00	EMBLEM	1	1		
3-15	91830-22016	PIN, dowel	2	2		
3-16	1A0-15461-00	GASKET, crankcase cover right	1	1		
3-17	92506-06040	SCREW, panhead	2	2		
3-18	92506-06030	SCREW, panhead	7	7		
3-19	1A0-15416-00	Cover, oil pump	1	1		
3-20	1A0-15456-00	GASKET, oil pump cover	1	1		
3-21	92506-06045	SCREW, panhead	3	3		
3-22	360-15363-00	PLUG, oil level	1	1		
3-23	93210-27194	O-RING (2.5-27)	1	1		
3-24	1A0-15491-00	PROTECTOR, cover	1	1		
3-25	1A0-15497-00	PLATE, dust seal	1	1		
3-26	98506-05012	SCREW, panhead	2	2		



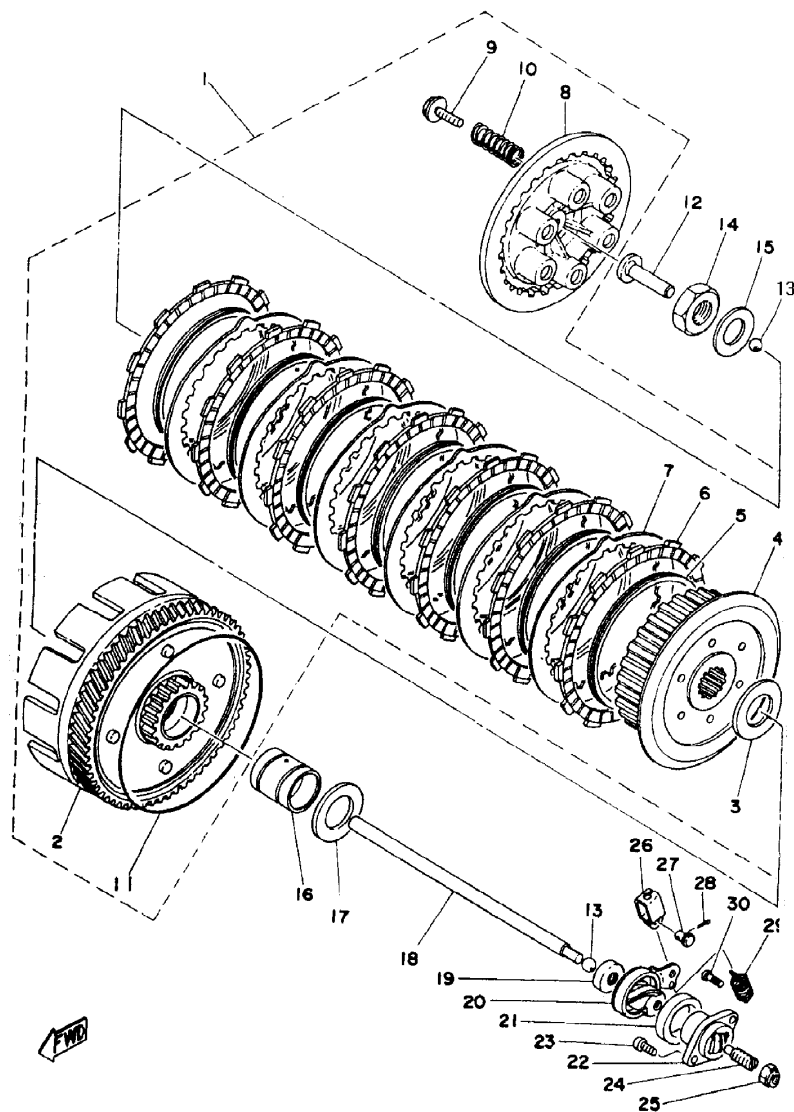
Fig. 4 CRANK - PISTON (2)



Ref.No.	Parts No.	Description	Q'ty 250	Q'ty 400	Applicable Machine No.	Remarks
4-14	1A0-11631-00-96	PISTON (53.96mm STD)	U.R.			
	1A0-11631-00-98	PISTON (53.98mm STD)	2			
	1A0-11635-00	PISTON (54.25mm 1st O.S.)	2			Alternate Parts
	1A0-11636-00	PISTON (54.50mm 2nd O.S.)	2			Alternate Parts
	1A0-11637-00	PISTON (54.75mm 3rd O.S.)	2			Alternate Parts
	1A0-11638-00	PISTON (55.00mm 4th O.S.)	2			Alternate Parts
	1A1-11631-00-96	PISTON (63.96mm STD)		U.R.		
	1A1-11631-00-98	PISTON (63.98mm STD)		2		
	1A1-11635-00	PISTON (64.25mm 1st O.S.)		2		Alternate Parts
	1A1-11636-00	PISTON (64.50mm 2nd O.S.)		2		Alternate Parts
4-15	1A0-11610-00	PISTON RING SET (STD)	2s			
	1A0-11610-10	PISTON RING SET (1st O.S.)	2s			Alternate Parts
	1A0-11610-20	PISTON RING SET (2nd O.S.)	2s			Alternate Parts
	1A0-11610-30	PISTON RING SET (3rd O.S.)	2s			Alternate Parts
	1A0-11610-40	PISTON RING SET (4th O.S.)	2s			Alternate Parts
	1A1-11610-00	PISTON RING SET (STD)		2s		
	1A1-11610-10	PISTON RING SET (1st O.S.)		2s		Alternate Parts
	1A1-11610-20	PISTON RING SET (2nd O.S.)		2s		Alternate Parts
	1A1-11610-30	PISTON RING SET (3rd O.S.)		2s		Alternate Parts
	1A1-11610-40	PISTON RING SET (4th O.S.)		2s		Alternate Parts
4-16	280-11633-00	PIN, piston	2			
	278-11633-00	PIN, piston		2		
4-17	93450-17025	CIRCLIP (137-11634-00)	4	4		
4-18	93103-20076	OIL SEAL (SW-20-40-10 special)	1	1		
4-19	90280-04005	KEY, woodruff (341-11545-00)	1	1		
4-20	278-17424-00	CIRCLIP	1	1		
4-21	93103-40077	OIL SEAL (SW-40-62-10 special)	1	1		



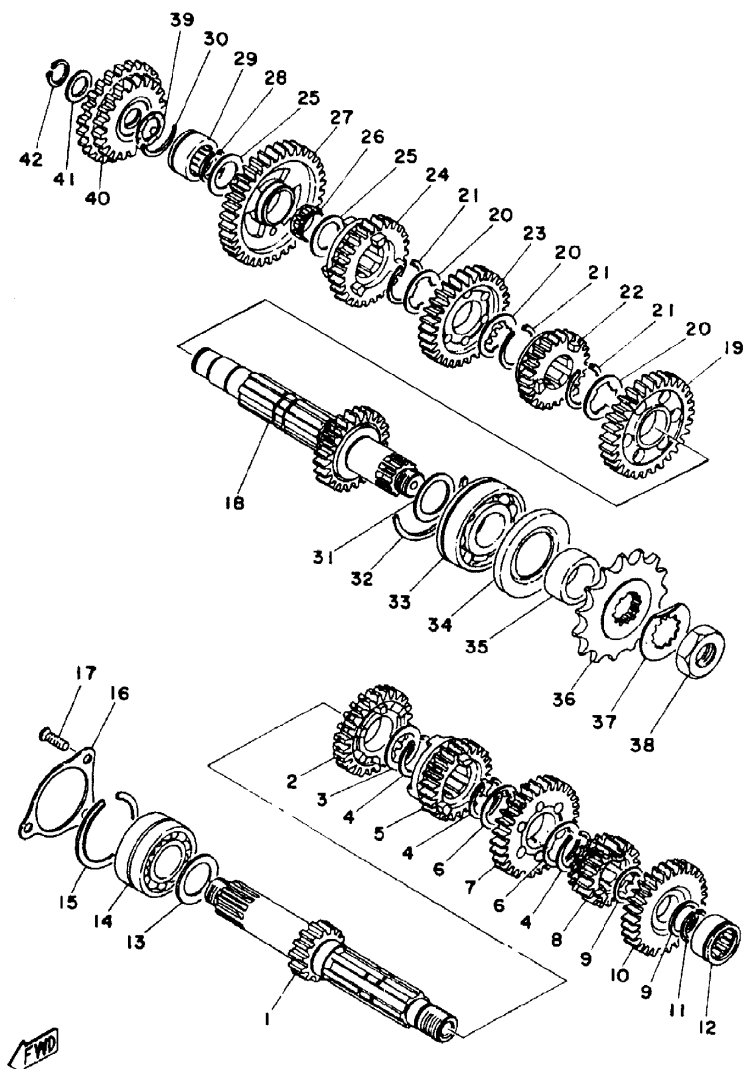
Fig. 5 CLUTCH



Ref.No.	Parts No.	Description	Q'ty 250	Q'ty 400	Applicable Machine No.	Remarks
5-1	1A0-16301-01	CLUTCH ASS'Y	1			
	1A1-16301-00	CLUTCH ASS'Y		1		
5-2	1A0-16150-01	. PRIMARY DRIVEN GEAR COMP.	1			(68T [?])
	1A1-16150-00	. PRIMARY DRIVEN GEAR COMP.		1		(66T)
5-3	360-16154-00	. PLATE, thrust (25-50-2)	1	1		
5-4	1A0-16371-00	. BOSS, clutch	1	1		
5-5	278-16367-00	. RING, cushion	7	7		
5-6	360-16321-00	. PLATE, friction	7	7		
5-7	498-16325-00	. PLATE, clutch	6	6		
5-8	1A0-16351-00	. PLATE, pressure	1	1		
5-9	90159-06010	. SCREW, with washer	6	6		
5-10	90501-23138	. SPRING (168-16333-00)	6	6		
5-11	93211-10232	. O-RING (5.7-109.6)	1	1		
5-12	174-16356-00	ROD, push	1	1		
5-13	93505-16006	BALL (5/16 inch)	2	2		
5-14	90170-18089	NUT, lock (156-16174-00)	1	1		
5-15	214-16119-00	SPRING, bellevile	1	1		
5-16	278-16181-01	SPACER	1	1		
5-17	360-16154-00	PLATE, thrust (25-50-2)	1	1		
5-18	328-16357-00	ROD, push	1	1		
5-19	237-15389-00	SEAL, push rod	1	1		
5-20	360-16340-00	PUSH LEVER ASS'Y	1	1		
5-21	214-16347-01	SEAL, dust	1	1		
5-22	256-16396-01	HOUSING, push screw	1	1		
5-23	98501-05012	SCREW, panhead	2	2		
5-24	90113-08021	BOLT, set (256-16343-01)	1	1		
5-25	90179-08179	NUT	1	1		
5-26	214-16389-00	JOINT	1	1		
5-27	90240-06005	PIN, with hole (214-16379-00)	1	1		
5-28	91401-10010	PIN, cotter	1	1		
5-29	90506-10069	SPRING, tension (360-16345-00)	1	1		
5-30	132-16346-00	HOOK, spring	1	1		



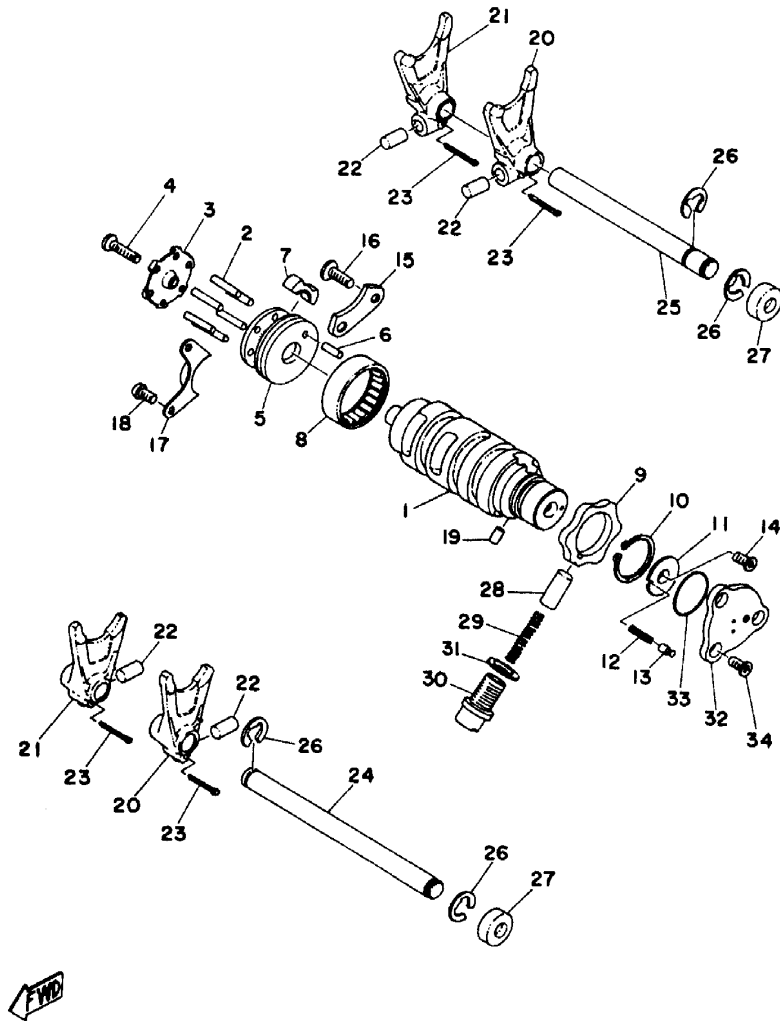
Fig. 6 TRANSMISSION (1)



Ref.No.	Parts No.	Description	Q'ty 250	Q'ty 400	Applicable Machine No.	Remarks
6-1	1A0-17411-00	AXLE, main (14T)	1	1		
6-2	521-17141-00	GEAR, 4th pinion (24T)	1	1		
6-3	90201-25490	WASHER, plate (152-17226-00)	1	1		
6-4	93440-25019	CIRCLIP 25Ø special	3	3		
6-5	1A1-17131-00	GEAR, 3rd pinion (22T)	1	1		
6-6	90209-21105	WASHER, (328-17216-00)	2	2		
6-7	521-17161-00	GEAR, 6th pinion (27T)	1	1		
6-8	1A1-17121-00	GEAR, 2nd pinion (18T)	1	1		
6-9	90201-20266	WASHER, plate (132-17216-00)	2	2		
6-10	521-17151-00	GEAR, 5th pinion (27T)	1	1		
6-11	93410-20009	CIRCLIP, (S-20)	1	1		
6-12	93311-22005	BEARING	1	1		
6-13	168-17428-01-03	SHIM, drive axle (25-34-0.3)	UR.	UR.		
	168-17428-01-05	SHIM, drive axle (25-34-0.5)	1	1		
6-14	93305-20502	BEARING	1	1		
6-15	93440-52009	CIRCLIP, (52Ø special)	1	1		
6-16	360-17471-00	PLATE, bearing cover	1	1		
6-17	92701-06015	SCREW flathead	3	3		
6-18	1A0-17420-00	DRIVE AXLE ASS'Y (25T)	1	1		
6-19	360-17221-00	GEAR, 2nd wheel (32T)	1	1		
6-20	90209-21105	WASHER (328-17216-00)	3	3		
6-21	93440-25019	CIRCLIP (25Ø special)	3	3		
6-22	521-17261-00	GEAR, 6th wheel (26T)	1	1		
6-23	360-17231-00	GEAR, 3rd wheel (29T)	1	1		
6-24	521-17241-00	GEAR, 4th wheel (26T)	1	1		
6-25	90201-20276	WASHER, plate (328-17116-00)	2	2		
6-26	93310-22057	BEARING	1	1		
6-27	360-17211-00	GEAR, 1st wheel (36T)	1	1		
6-28	93410-20009	CIRCLIP (S-20)	1	1		



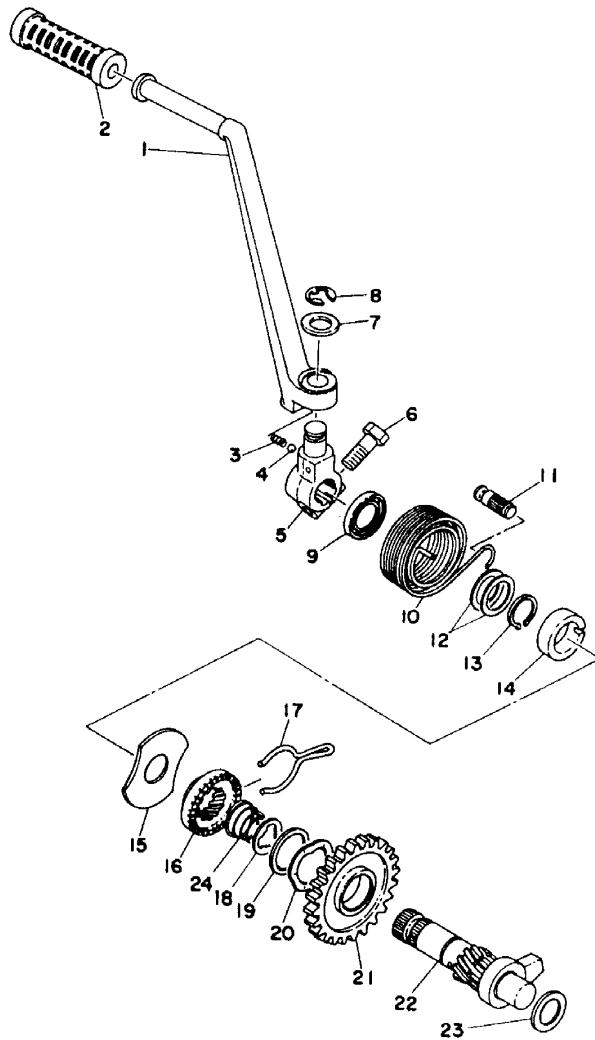
Fig. 7 SHIFTER 1 (1)



Ref.No.	Parts No.	Description	Q'ty 250	Q'ty 400	Applicable Machine No.	Remarks
7-1	360-18541-00	CAM, shift	1	1		
7-2	93604-22050	PIN, dowel (4-21.8)	6	6		
7-3	328-18561-00	PLATE, side	1	1		
7-4	98701-05020	SCREW, flathead	1	1		
7-5	328-18185-00	SEGMENT	1	1		
7-6	93604-14012	PIN, dowel	1	1		
7-7	328-18352-10	PLATE, pawl	1	1		
7-8	93315-23612	BEARING	1	1		
7-9	360-18141-01	PLATE, stopper	1	1		
7-10	93410-30012	CIRCLIP (S-30)	1	1		
7-11	278-18566-00	PLATE, side	1	1		
7-12	90501-06022	SPRING, compression (278-18545-00)	1	1		
7-13	278-18542-00	POINT, neutral	1	1		
7-14	98701-05012	SCREW, flathead	1	1		
7-15	328-18562-00	PLATE, stopper 2	1	1		
7-16	92701-06015	SCREW, flathead	2	2		
7-17	328-18179-00	GUIDE, change lever	1	1		
7-18	98501-05010	SCREW, panhead	2	2		
7-19	93604-08071	PIN, dowel (4-8)	1	1		
7-20	328-18511-00	FORK, shift 1	2	2		
7-21	328-18512-00	FORK, shift 2	2	2		
7-22	90250-08017	PIN (278-18552-00)	4	4		
7-23	91401-25020	PIN, cotter	4	4		
7-24	278-18531-00	BAR, shift fork guide 1	1	1		
7-25	278-18535-00	BAR, shift fork guide 2	1	1		
7-26	93430-10016	CIRCLIP (E-10)	4	4		
7-27	90338-22009	PLUG, blind (278-18149-00)	2	2		
7-28	278-18547-02	STOPPER, cam	1	1		
7-29	90501-10062	SPRING, compression (278-18557-00)	1	1		



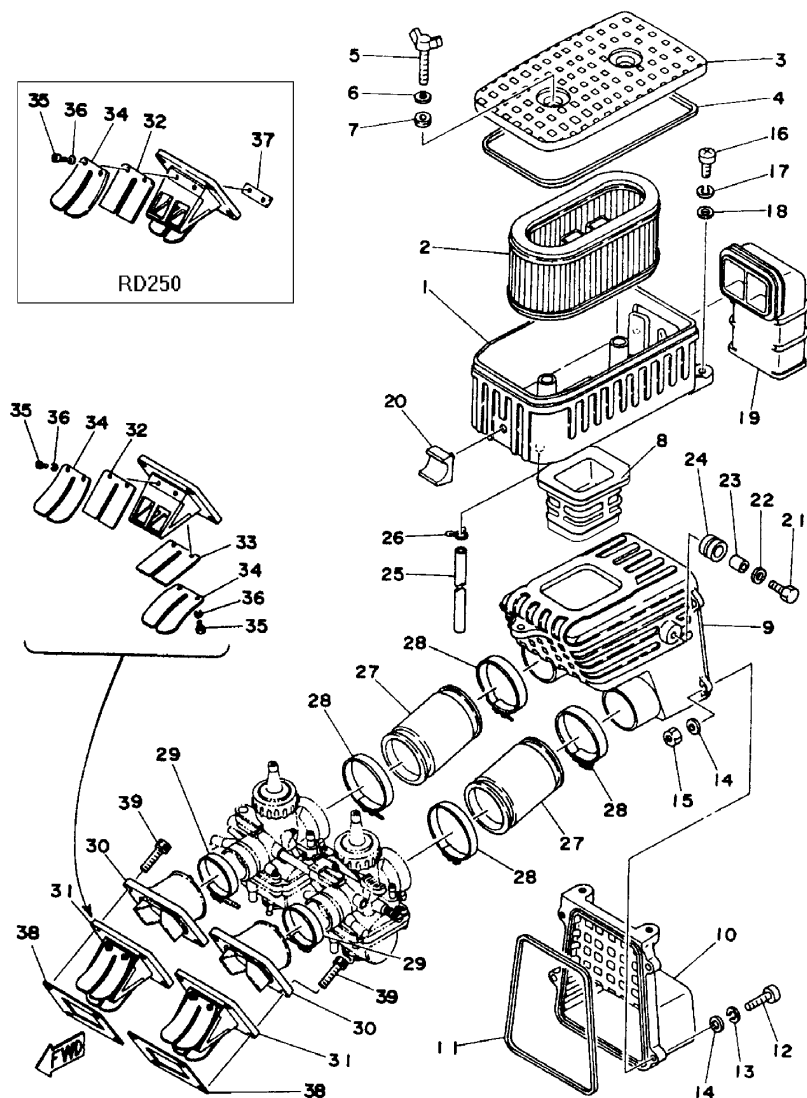
Fig. 9 KICK STARTER



Ref.No.	Parts No.	Description	Q'ty	Q'ty	Applicable Machine No.	Remarks
			250	400		
9-1	278-15611-00-93	CRANK, kick	1	1		
9-2	156-15618-01	COVER, kick lever	1	1		
9-3	90501-12081	SPRING, compression (278-15622-00)	1	1		
9-4	93507-32009	BALL (7/32 inch)	1	1		
9-5	278-15621-00	BOSS, kick crank	1			
	1A1-15621-00	BOSS, kick crank		1		
9-6	97321-08030	BOLT, hexagon	1	1		
9-7	90201-15340	WASHER, plate	1	1		
9-8	93430-10016	CIRCLIP (E-10)	1	1		
9-9	93104-20007	OIL SEAL (SO-20-30-4.5)	1	1		
9-10	90508-30051	SPRING, torsion (278-15665-00)	1	1		
9-11	248-15668-00	STOPPER, kick spring	1	1		
9-12	90208-20022	WASHER, conical spring	1	1		
9-13	93410-20009	CIRCLIP (S-20)	1	1		
9-14	278-15666-00	SPACER	1	1		
9-15	278-15676-00	COVER, spring	1	1		
9-16	278-15671-01	WHEEL, ratchet	1	1		
9-17	90468-26045	CLIP (278-15687-00)	1	1		
9-18	93440-25019	CIRCLIP (25Ø special)	1	1		
9-19	90201-25490	WASHER, plate (152-17226-00)	1	1		
9-20	90206-25059	WASHER, wave (278-15643-01)	1	1		
9-21	278-15641-01	GEAR, kick (27T)	1	1		
9-22	278-15660-01	KICK AXLE ASS'Y	1	1		
9-23	136-17417-00-09	SHIM, main axle (17.2-28-1)	1	1		
9-24	90502-07025	SPRING, conical		1		



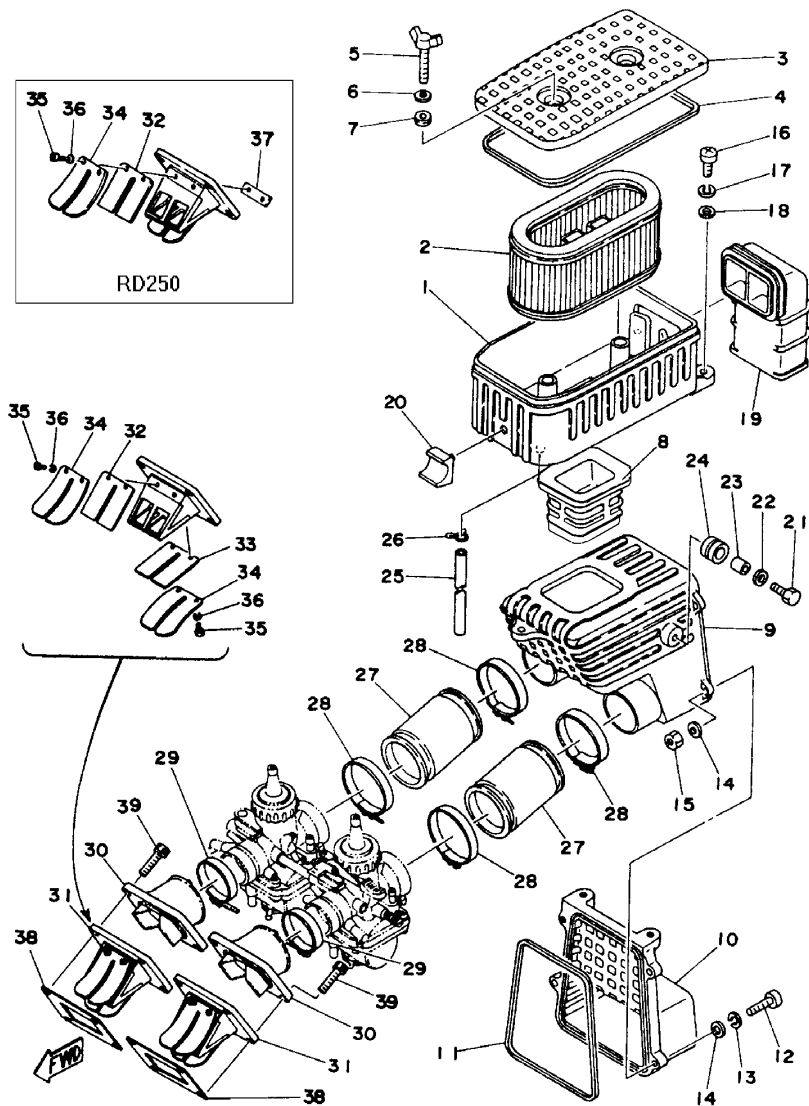
Fig. 11 INTAKE (I)



Ref.No	Parts No.	Description	Q'ty 250	Q'ty 400	Applicable Machine No.	Remarks
11-1	1A0-14411-00	CASE, air cleaner	1	1		
11-2	1A2-14451-00	ELEMENT, cleaner	1			
	1A0-14451-01	ELEMENT, cleaner		1		
11-3	1A0-14412-00	CAP, air cleaner	1	1		
11-4	1A0-14457-01	SEAL, air cleaner 1	1	1		
11-5	90122-06002	BOLT, wing	2	2		
11-6	92901-06200	WASHER, plain	2			
11-7	90202-05101	WASHER, plate	2	2		
11-8	1A2-14419-00	PIPE	1			
	1A0-14419-01	PIPE		1		
11-9	1A0-14431-00	SILENCER BOX 1	1	1		
11-10	1A0-14441-00	SILENCER BOX 2	1	1		
11-11	1A0-14467-01	SEAL, air cleaner 2	1	1		
11-12	98501-05025	SCREW, panhead	4	4		
11-13	92901-05100	WASHER, spring	4	4		
11-14	92901-05200	WASHER, plain	8	8		
11-15	95301-05600	NUT, hexagon	4	4		
11-16	92501-06018	SCREW, panhead	3	3		
11-17	92901-06100	WASHER, spring	3	3		
11-18	92901-06600	WASHER, plate	3	3		
11-19	1A0-14437-00	DUCT	1	1		
11-20	1A0-14435-01	DAMPER	1	1		
11-21	97301-06020	BOLT, hexagon	2	2		
11-22	90201-06053	WASHER, plate (811-77728-00)	2	2		
11-23	90387-07390	COLLAR	2	2		
11-24	90480-14102	GROMMET (214-21717-00)	2	2		
11-25	90445-09078	HOSE (132-24311-00 5-190)	2	2		
11-26	90467-08003	CLIP (101-24356-00)	4	4		
11-27	1A0-14453-01	JOINT, air cleaner	2	2		



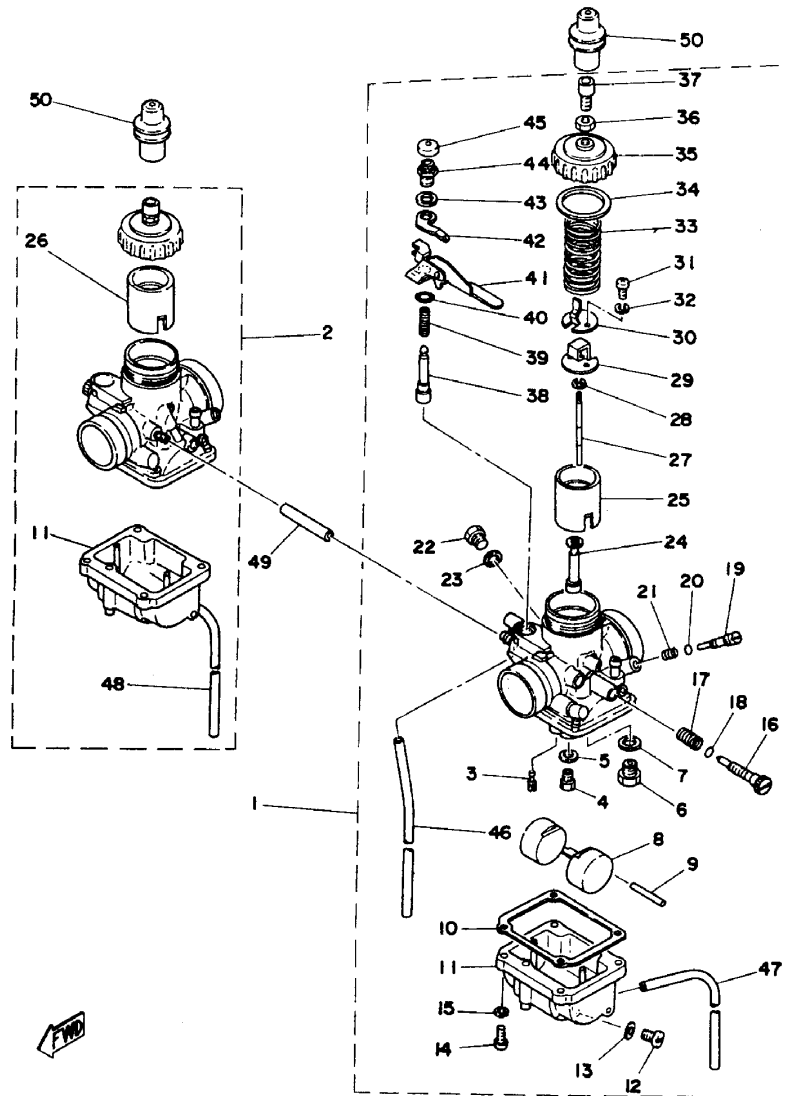
Fig. 11 INTAKE (2)



Ref.No.	Parts No.	Description	Q'ty 250	Q'ty 400	Applicable Machine No.	Remarks
11-28	90460-49058	CLAMP, hose (278-14455-00)	4	4		
11-29	90460-43053	CLAMP, hose (304-14455-70)	2	2		
11-30	345-13565-71	JOINT, carburetor	2	2		
11-31	1A0-13610-00	REED VALVE ASS'Y	2			
	1A1-13610-00	REED VALVE ASS'Y		2		
11-32	1A0-13613-00	. REED, valve	4			
	401-13613-00	. REED, valve		2		
11-33	345-13613-70	. REED, valve		2		
11-34	345-13616-70	. STOPPER, reed valve	4	4		
11-35	98502-03010	. SCREW, panhead	8			
	98512-03008	. SCREW, panhead		8		
11-36	92901-03100	. WASHER, spring	8	8		
11-37	1A0-13624-00	. PLATE, reed valve	4			
11-38	314-13621-02	PACKING, valve seat	2			
	1A1-13621-00	PACKING, valve seat		2		
11-39	91316-06025	BOLT	8	8		



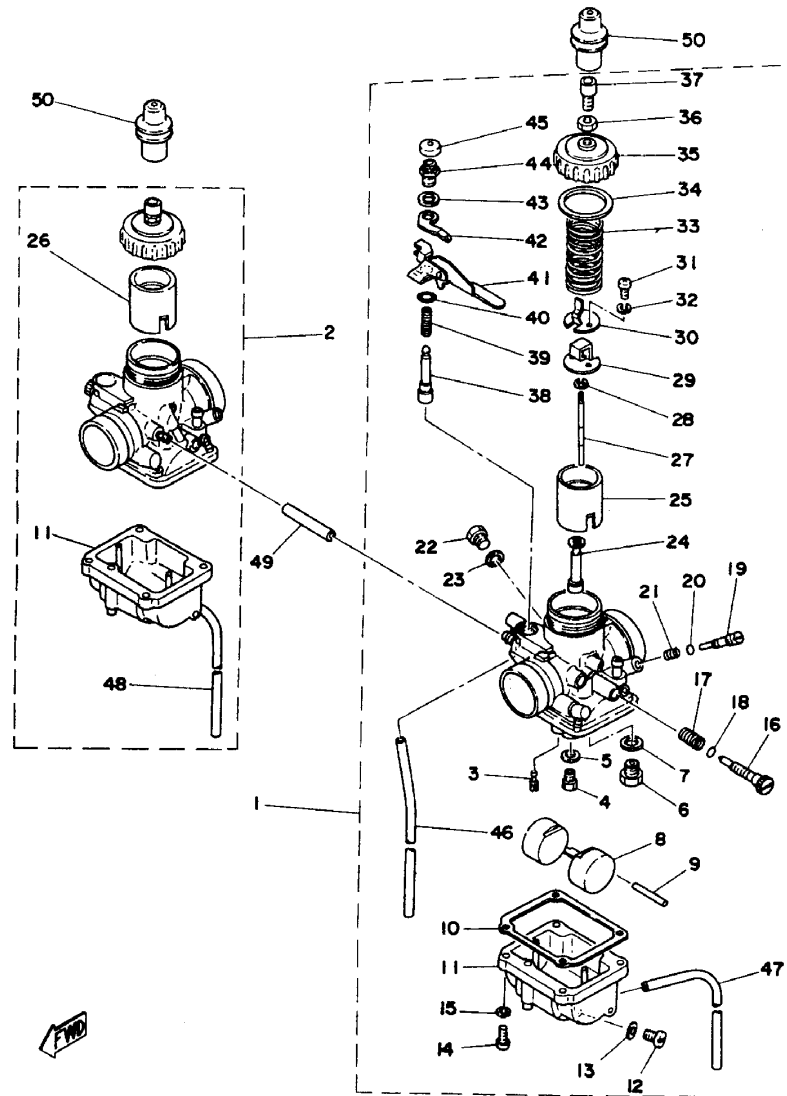
Fig. 12 CARBURETOR (1)



Ref.No.	Parts No.	Description	Q'ty 250	Q'ty 400	Applicable Machine No.	Remarks
12-1	1A2-14101-00	CARBURETOR ASS'Y, left	1			
	1A3-14101-00	CARBURETOR ASS'Y, left		1		
12-2	1A2-14102-00	CARBURETOR ASS'Y, right	1			
	1A3-14102-00	CARBURETOR ASS'Y, right		1		
12-3	193-14142-25	.JET, pilot (#25)	2	2		
12-4	137-14143-22	.JET, main (#110)	U.R.			
	137-14143-23	.JET, main (#115)	2			STD(250)
	137-14143-24	.JET, main (#120)				
	137-14143-22	.JET, main (#110)		U.R.		
	137-14143-24	.JET, main (#120)		2		STD(400)
	137-14143-26	.JET, main (#130)				
12-5	137-14153-00	. WASHER, valve seat	2	2		
12-6	168-14190-25	. VALVE SEAT ASS'Y (#2.5)	2	2		
12-7	214-14195-00	. WASHER, valve seat	2	2		
12-8	1A0-14185-00	. FLOAT	2	2		
12-9	127-14186-00	. PIN, float	2	2		
12-10	360-14184-01	. GASKET, float chamber	2	2		
12-11	1A0-14183-00	. BODY, float chamber	2	2		
12-12	266-14191-00	. PLUG, drain	2	2		
12-13	266-14126-00	. PACKING	2	2		
12-14	98503-04015	. SCREW, panhead	8	8		M4x15
12-15	92901-04100	. WASHER, spring	8	8		
12-16	493-14122-00	. SCREW, throttle	2	2		
12-17	493-14133-00	. SPRING, throttle stop	2	2		
12-18	214-14147-00	. O-RING	2	2		
12-19	525-14123-00	. SCREW, air adjusting	2	2		
12-20	354-14147-00	. O-RING	2	2		
12-21	127-14134-00	. SPRING, air adjusting	2	2		
12-22	1A0-14991-00	. PLUG, screw	2	2		



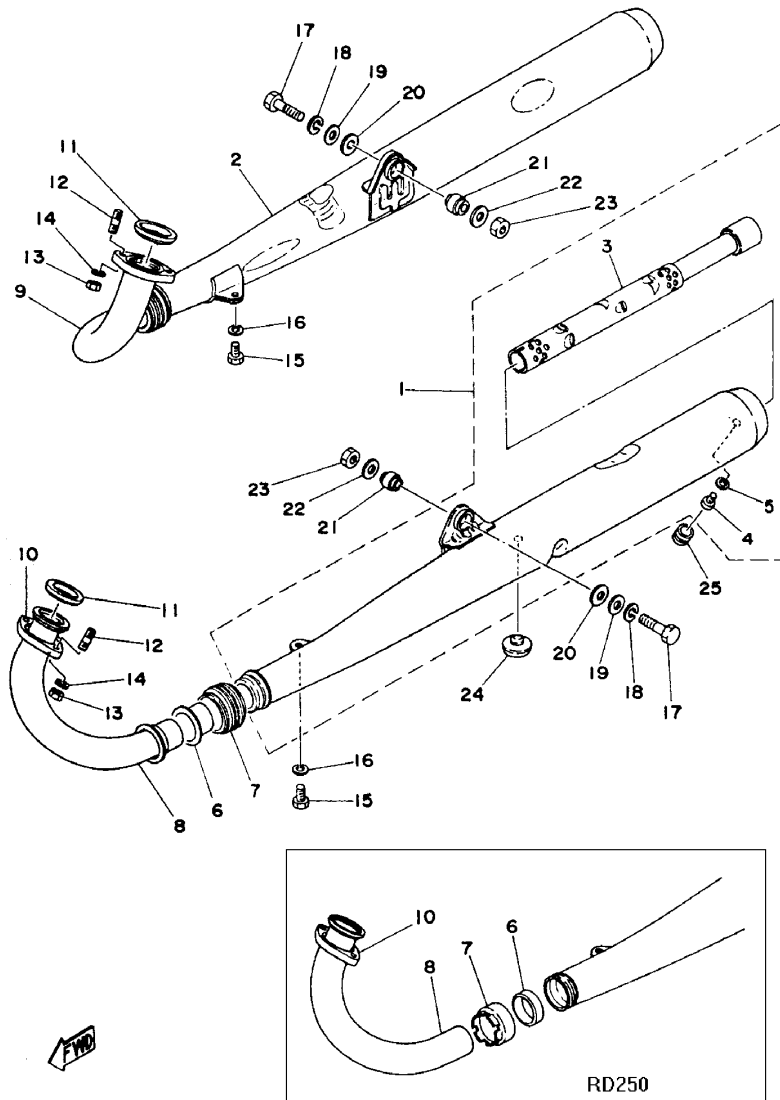
Fig. 12 CARBURETOR (2)



Ref.No.	Parts No.	Description	Q'ty 250	Q'ty 400	Applicable Machine No.	Remarks
12-23	256-14956-01	. WASHER	2	2		
12-24	360-14141-38	. NOZZLE, main (0-8)	2			
	360-14141-42	. NOZZLE, main (P-2)		2		
12-25	1A0-14112-25	. VALVE, throttle left (#2.5)	1	1		
12-26	1A0-14113-25	. VALVE, throttle right (#2.5)	1	1		
12-27	522-14116-03	. NEEDLE (5L3-2)	2			
	522-14116-01	. NEEDLE (5L1-3)		2		
12-28	164-14137-00	. CLIP	2	2		
12-29	1A0-14243-00	. PLATE	2	2		
12-30	1A0-14253-00	. PLATE, spring	2	2		
12-31	98501-03010	. SCREW, panhead	4	4		
12-32	92901-03100	. WASHER, spring	4	4		
12-33	360-14131-00	. SPRING, throttle valve	2	2		
12-34	246-14126-00	. PACKING	2	2		
12-35	802-14158-00	. TOP, mixing chamber	2	2		
12-36	802-14161-00	. NUT, wire adjusting	2	2		
12-37	360-14124-20	. SCREW, wire adjusting	2	2		
12-38	1A0-14171-00	. PLUNGER	1	1		
12-39	256-14135-00	. SPRING, plunger	1	1		
12-40	93220-09001	. O-RING	1	1		
12-41	1A0-14175-00	. LEVER, starter left	1	1		
12-42	170-14178-00	. PLATE, starter lever	1	1		
12-43	1A0-14179-00	. WASHER, starter lever	1	1		
12-44	500-14174-00	. CAP, plunger	1	1		
12-45	802-14173-00	. COVER, plunger cap	1	1		
12-46	1A0-14197-00	. PIPE, air vent	2	2		
12-47	1A0-14196-00	. PIPE, overflow	1	1		
12-48	1A0-14193-00	. PIPE, overflow	1	1		
12-49	90445-09056	PIPE, joint	1	1		
12-50	1A0-14169-00	CAP	2	2		



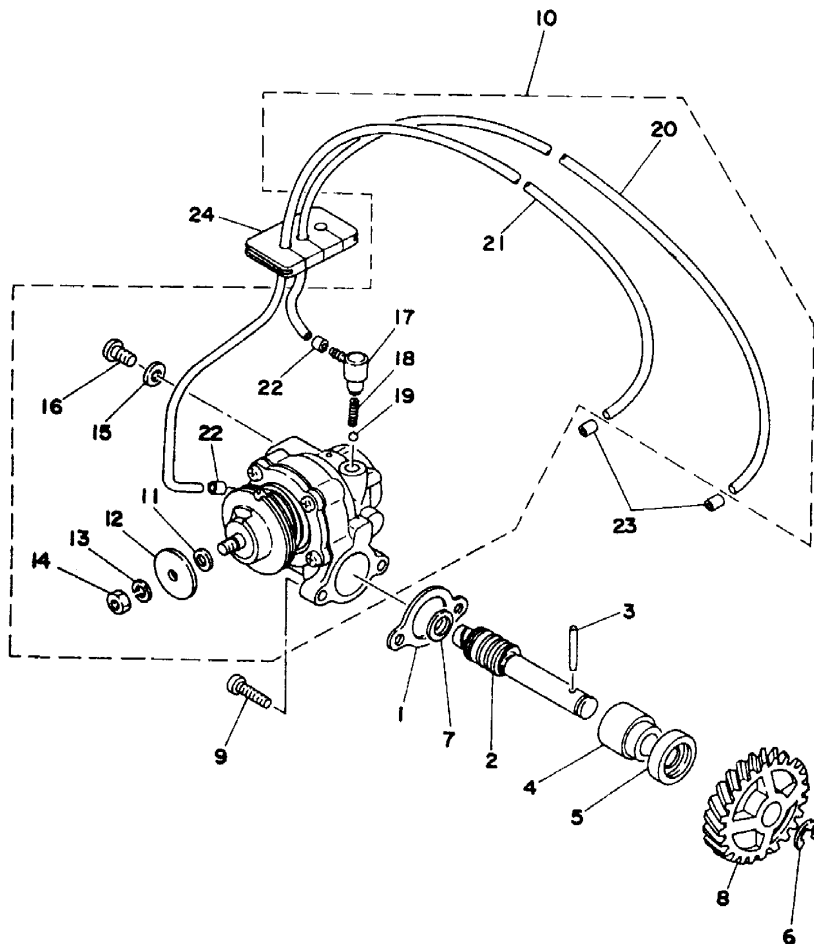
Fig. 13 EXHAUST (1)



Ref.No.	Parts No.	Description	Q'ty	Q'ty	Applicable Machine No.	Remarks
			250	400		
13-1	1A0-14710-00	MUFFLER ASS'Y, left	1			
	1A1-14710-00	MUFFLER ASS'Y, left		1		
13-2	1A0-14720-00	MUFFLER ASS'Y, right	1			
	1A1-14720-00	MUFFLER ASS'Y, right		1		
13-3	521-14753-00	. SILENCER	2	2		
13-4	92501-06010	. SCREW, panhead	2	2		
13-5	92901-06100	. WASHER, spring	2	2		
13-6	360-14714-00	GASKET, muffler joint	2			
	1A1-14714-02	GASKET, muffler joint		2		
13-7	360-14713-00	NUT, muffler joint	2			
	1A1-14615-02	JOINT, exhaust		2		
13-8	1A0-14611-00	PIPE, exhaust left	1			Except W.GERMANY
	1N9-14611-00	PIPE, exhaust left	1			Exclusive for W.GERMANY
	1A1-14611-00	PIPE, exhaust left		1		
13-9	1A0-14621-00	PIPE, exhaust right	1			Except W.GERMANY
	1N9-14621-00	PIPE, exhaust right	1			Exclusive for W.GERMANY
	1A1-14621-00	PIPE, exhaust right		1		
13-10	1A0-14612-01	NUT, ring	2			
13-11	1A0-14613-00	GASKET, exhaust	2	2		
13-12	90116-08116	BOLT, stud	4	4		
13-13	95303-08600	NUT, hexagon	4	4		
13-14	92901-08100	WASHER, spring	4	4		
13-15	97301-08016	BOLT, hexagon	2	2		
13-16	92901-08100	WASHER, spring	2	2		
13-17	90101-10257	BOLT	2	2		
13-18	92901-10100	WASHER, spring	2	2		
13-19	92901-10200	WASHER, plain	2	2		
13-20	90201-10140	WASHER, plate	2	2		
13-21	168-21639-00	DAMPER, rear	2	2		
13-22	90201-15239	WASHER, plate (168-21615-00)	2	2		



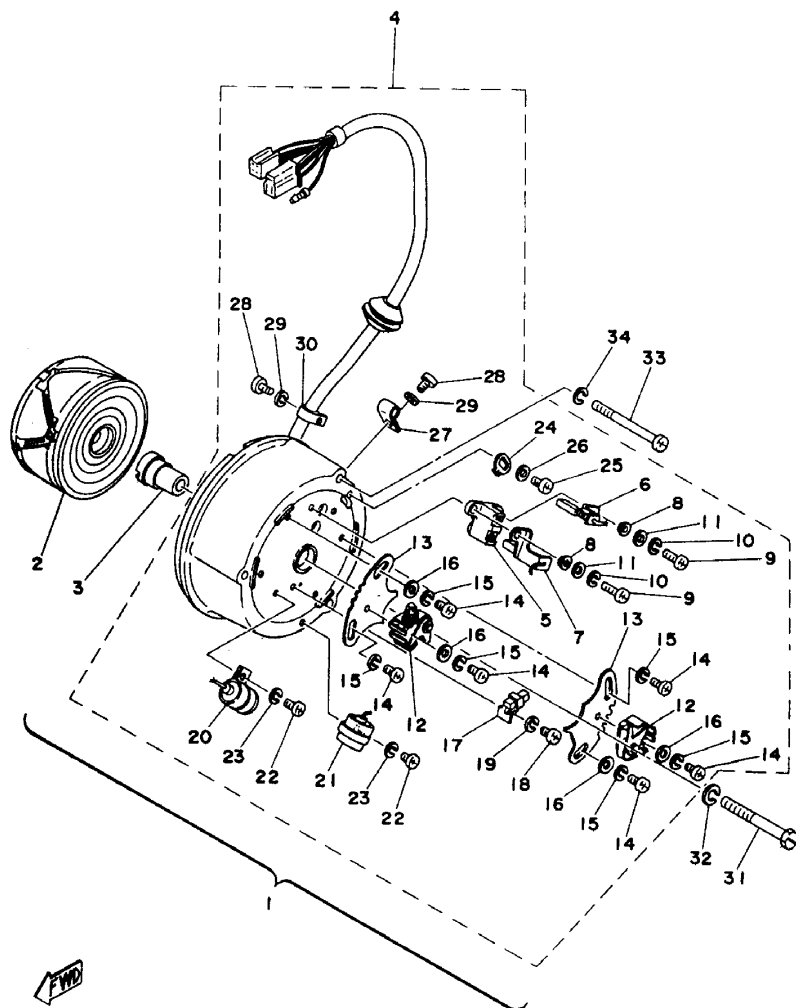
Fig. 14 OIL PUMP



Ref.No.	Parts No.	Description	Q'ty 250	Q'ty 400	Applicable Machine No.	Remarks
14-1	126-13116-00	GASKET, pump case	1	1		
14-2	522-13175-01	SHAFT, worm	1			
	214-13175-02	SHAFT, worm		1		
14-3	93603-22028	PIN, dowel (3-22)	1	1		
14-4	137-13176-00	METAL, worm shaft outer	1	1		
14-5	93101-10002	OIL SEAL (S-10-22-7)	1	1		
14-6	93430-08006	CIRCLIP (E-8)	1	1		
14-7	90201-08624	WASHER, plate	1	1		
14-8	1A0-13178-00	GEAR, pump drive (22T)	1			
	1A1-13178-00	GEAR, pump drive (21T)		1		
14-9	98501-05015	SCREW, panhead	2	2		
14-10	1A0-13101-01	OIL PUMP ASS'Y	1			
	1A1-13101-01	OIL PUMP ASS'Y		1		
14-11	137-13137-00-03	. SHIM, plunger (5.8-10-0.3)		UR.		
	137-13137-00-05	. SHIM, plunger (5.8-10-0.5)	1	1		
14-12	137-13138-01	. PLATE, adjusting	1	1		
14-13	92901-05100	. WASHER, spring	1	1		
14-14	95301-05600	. NUT, hexagon	1	1		
14-15	90430-04004	. GASKET (137-13187-00)	1	1		
14-16	98901-04008	. SCREW, bind	1	1		
14-17	353-13552-01	. NOZZLE	2	2		
14-18	90501-02018	. SPRING, compression (278-13169-00)	2	2		
14-19	93505-32002	. BALL (5/32 inch)	2	2		
14-20	90445-05302	. HOSE (3-420)	1	1		
14-21	90445-05301	. HOSE (3-240)	1	1		
14-22	90468-02033	. CLIP (214-13164-00)	2	2		
14-23	90468-02033	CLIP (214-13164-00)	2	2		
14-24	278-13174-00	HOLDER, oil pipe	1	1		



Fig. 15 A. C. GENERATOR (1)



Ref.No.	Parts No.	Description	Q'ty	Q'ty	Applicable Machine No.	Remarks
			250	400		
15-1	1A0-81600-10	A. C. GENERATOR ASS'Y	1	1		
15-2	1A0-81650-10	. ROTOR ASS'Y	1	1		
15-3	1A0-81651-10	. CAM	1	1		
15-4	1A0-81610-10	. STATOR ASS'Y	1	1		
15-5	1A0-81613-10	. . HOLDER, brush	1	1		
15-6	1A0-81611-10	. . BRUSH (+)	1	1		
15-7	1A0-81612-10	. . BRUSH (-)	1	1		
15-8	1A0-81661-10	. . SPACER	2	2		
15-9	98503-04015	. . SCREW, panhead	2	2		
15-10	92901-04100	. . WASHER, spring	2	2		
15-11	92901-04200	. . WASHER, plain	2	2		
15-12	371-81622-10	. . CONTACT BREAKER ASS'Y	2	2		
15-13	1A0-81623-10	. . PLATE, contact breaker	2	2		
15-14	98501-04010	. . SCREW, panhead	6	6		
15-15	92901-04100	. . WASHER, spring	6	6		
15-16	92901-04200	. . WASHER, plain	4	4		
15-17	133-81131-10	. . LUBRICATOR	1	1		
15-18	98501-04008	. . SCREW, panhead	1	1		
15-19	92901-04100	. . WASHER, spring	1	1		
15-20	1A0-81625-10	. . CONDENSER	1	1		
15-21	132-81225-10	. . CONDENSER	1	1		
15-22	98501-04010	. . SCREW, panhead	2	2		
15-23	92901-04100	. . WASHER, spring	2	2		
15-24	1A0-81632-10	. . PLATE, timing	1	1		
15-25	98501-04010	. . SCREW, panhead	1	1		
15-26	92901-04200	. . WASHER, plain	1	1		
15-27	1A0-81627-10	. . CLAMP, lead 1	1	1		
15-28	98501-04008	. . SCREW, panhead	2	2		
15-29	92901-04100	. . WASHER, spring	2	2		

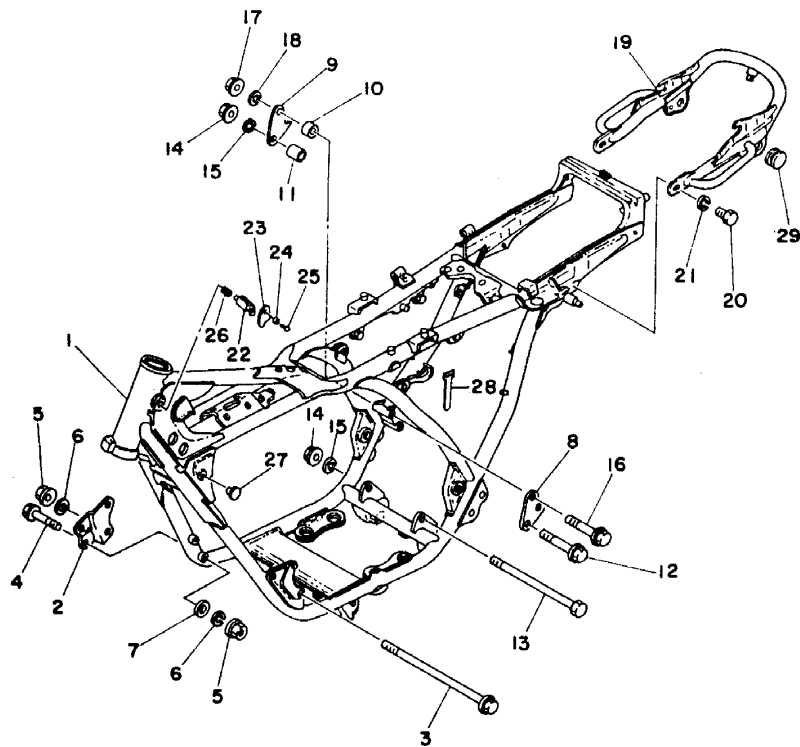


CHASSIS





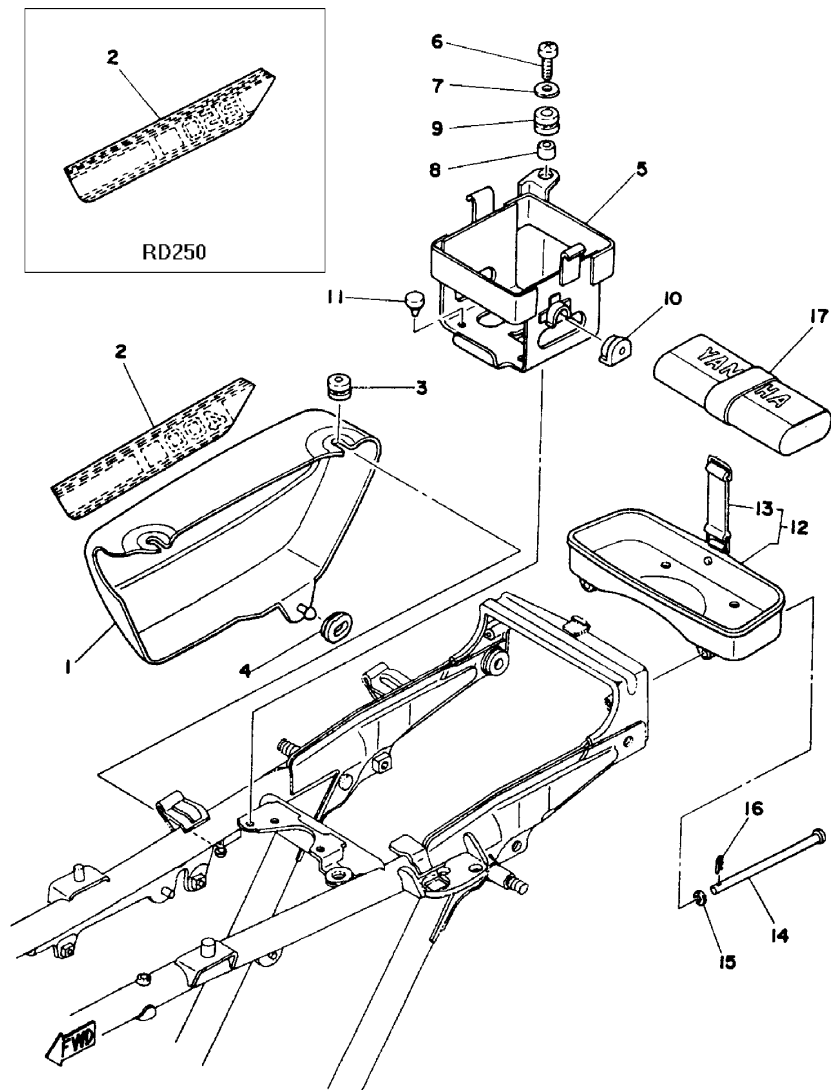
Fig. 16 FRAME (1)



Ref. No.	Parts No.	Description	Q'ty 250	Q'ty 400	F	H	G	S	F	D	A	E	Remarks
					r	z	w	l	d	n	n	n	
					a	a	i	e	a	r	o	g	
					n	a	d	m	k	w	r	l	
					e	v	a	a	a	a	a	a	
16-1	1A3-21110-41-33	FRAME COMP.	1	1			x						Yamaha Black
	1A3-21110-30-33	FRAME COMP.	1	1	x								Yamaha Black
	1A1-21110-00-33	FRAME COMP.	1	1		x				x	x	x	Yamaha Black
	1A3-21110-80-33	FRAME COMP.	1	1					x				Yamaha Black
	1A3-21110-20-33	FRAME COMP.	1	1			x	x					Yamaha Black
16-2	1A0-21317-00-33	STAY, engine 3	1	1	x	x	x	x	x	x	x	x	Yamaha Black
16-3	90105-08033	BOLT	2	2	x	x	x	x	x	x	x	x	
16-4	95821-08055	BOLT, flange	2	2	x	x	x	x	x	x	x	x	
16-5	95701-08100	NUT, flange	4	4	x	x	x	x	x	x	x	x	
16-6	92901-08100	WASHER, spring	4	4	x	x	x	x	x	x	x	x	
16-7	92901-08200	WASHER, plain	2	2	x	x	x	x	x	x	x	x	
16-8	1A0-21315-00	STAY, engine rear upper left	1		x	x	x	x		x	x	x	
	1A1-21315-00	STAY, engine rear upper left		1	x	x	x	x	x	x	x	x	
16-9	1A0-21316-00	STAY, engine rear upper right	1		x	x	x	x		x	x	x	
	1A1-21315-00	STAY, engine rear upper right		1	x	x	x	x	x	x	x	x	
16-10	90387-10516	COLLAR	1		x	x	x	x		x	x	x	
16-11	90387-12101	COLLAR	1	1	x	x	x	x	x	x	x	x	
16-12	95821-10080	BOLT, flange	1		x	x	x	x	x	x	x	x	
	95821-10070	BOLT, flange		1	x	x	x	x	x	x	x	x	
16-13	90101-10297	BOLT	1	1	x	x	x	x	x	x	x	x	
16-14	95701-10100	NUT, flange	2	2	x	x	x	x	x	x	x	x	
16-15	92901-10100	WASHER, spring	2	2	x	x	x	x	x	x	x	x	
16-16	95821-08070	BOLT, flange	2	2	x	x	x	x	x	x	x	x	
16-17	95701-08100	NUT, flange	2	2	x	x	x	x	x	x	x	x	
16-18	92901-08100	WASHER, spring	2	2	x	x	x	x	x	x	x	x	
16-19	1A0-21645-10	STAY, rear	1	1	x	x	x	x	x	x	x	x	
16-20	97301-08020	BOLT, hexagon	2	2	x	x	x	x	x	x	x	x	
16-21	92901-08100	WASHER, spring	2	2	x	x	x	x	x	x	x	x	



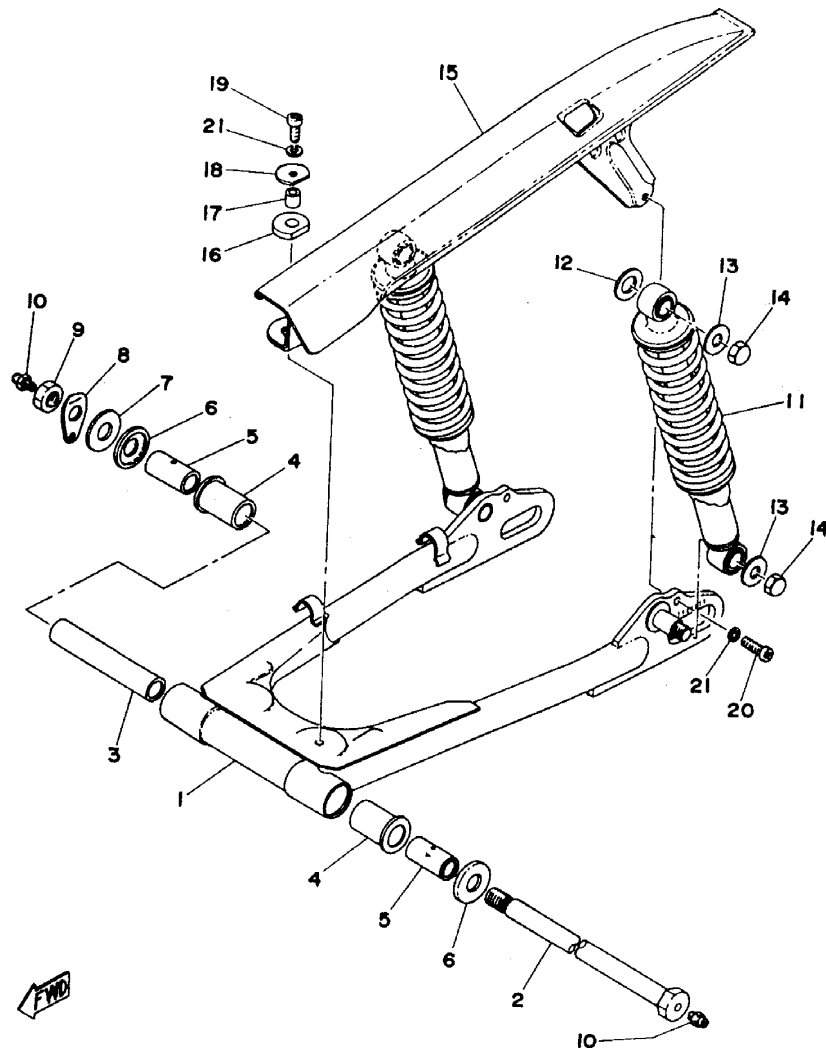
Fig. 17 SIDE COVER BOX



Ref. No.	Parts No.	Description	Q'ty 250	Q'ty 400	F	H	G	B	F	D	A	E	Remarks
					r	l	z	e	w	n	n	n	
					a	a	a	a	i	a	r	o	
					n	a	a	a	u	d	a	g	
					e	y	y	y	e	e	e	l	
												a	
												l	
												a	
												y	
17-1	1A1-21721-00-E8	COVER, side	1	1	x	x	x	x	x	x	x	x	Modena Red
	1A1-21721-00-20	COVER, side	1	1	x	x	x	x	x	x	x	x	Cristal Silver
	1A1-21721-00-26	COVER, side	1	1	x	x	x	x	x	x	x	x	Competition Yellow
	1A1-21721-00-29	COVER, side	1	1	x	x	x	x	x	x	x	x	Candy Blue
17-2	1A2-21783-11	GRAPHIC, side cover	1		x	x	x	x		x		x	
	1A3-21783-11	GRAPHIC, side cover		1	x	x	x	x	x		x	x	
17-3	90480-12053	GROMMET	2	2	x	x	x	x	x	x		x	
17-4	90480-01141	GROMMET (371-21747-00)	1	1	x	x	x	x	x	x		x	
17-5	1A0-21170-01-33	BOX COMP., battery	1	1	x	x	x	x	x	x		x	
17-6	92501-06025	SCREW, panhead	1	1	x	x	x	x	x	x		x	
17-7	90201-06380	WASHER, plate	1	1	x	x	x	x	x	x		x	
17-8	90387-07390	COLLAR	1	1	x	x	x	x	x	x		x	
17-9	90480-14102	GROMMET (214-21717-00)	1	1	x	x	x	x	x	x		x	
17-10	1A0-21746-01	DAMPER, battery box	2	2	x	x	x	x	x	x		x	
17-11	141-21717-00	DAMPER, side cover	4	4	x	x	x	x	x	x		x	
17-12	1A0-21107-00	TOOL BOX COMP.	1	1	x	x	x	x	x	x		x	
17-13	116-82131-00	. BAND, tool	1	1	x	x	x	x	x	x		x	
17-14	91701-05120	PIN, clevis	2	2	x	x	x	x	x	x		x	
17-15	92901-05600	WASHER, plate	2	2	x	x	x	x	x	x		x	
17-16	90468-10050	CLIP (156-83525-00)	2	2	x	x	x	x	x	x		x	
17-17	1A1-28100-10	TOOL ASS'Y	1	1	x	x	x	x	x	x		x	



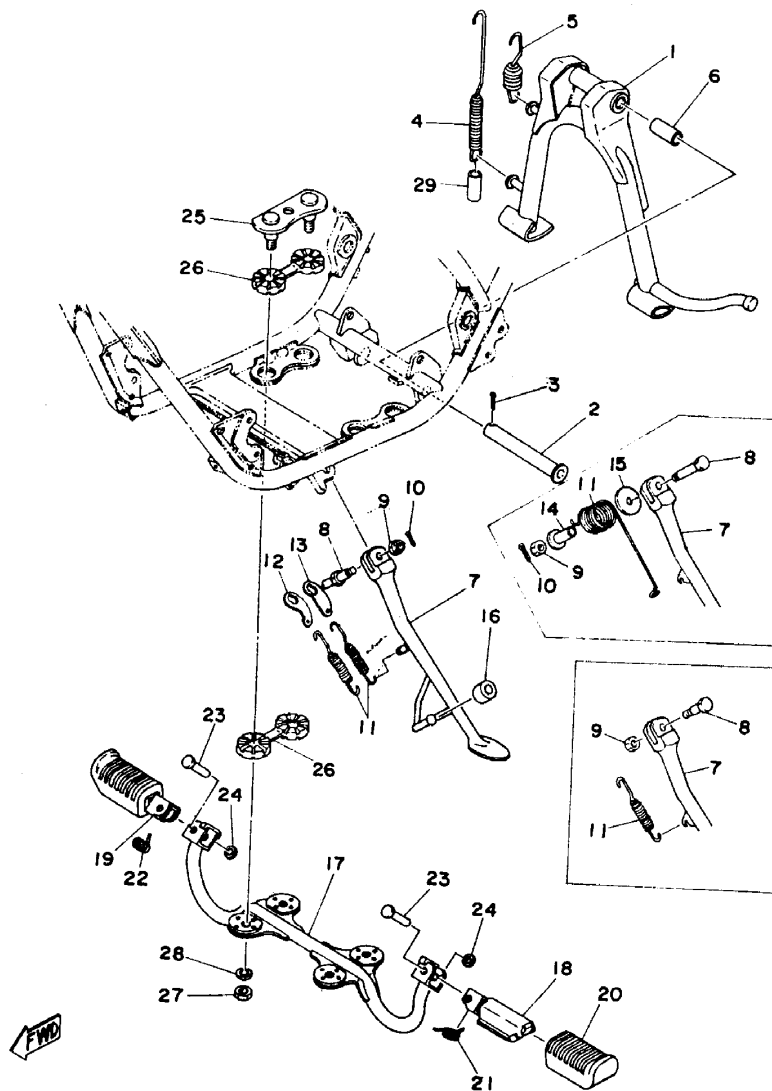
Fig. 18 REAR ARM - REAR CUSHION - CHAIN CASE



Ref No	Parts No	Description	Q'ty 250	Q'ty 400	Applicable Machine No	Remarks
18-1	1A1-22110-01-33	REAR ARM COMP.	1	1		Yamaha black
18-2	156-22141-00	SHAFT, pivot	1	1		
18-3	90387-16128	COLLAR (150-22126-00)	1	1		
18-4	90386-22018	BUSHING (148-22123-00)	2	2		
18-5	90387-16226	COLLAR (150-22124-00)	2	2		
18-6	1A0-22128-00	COVER, thrust	2	2		
18-7	240-22127-00	SHIM, rear arm	U.N.	U.N.		
18-8	1A0-22149-00	WASHER, lock	1	1		
18-9	90170-14174	NUT	1	1		
18-10	93700-06004	NIPPLE, grease	2	2		
18-11	1A3-22210-20	REAR CUSHION ASS'Y	2	2		
18-12	90201-14218	WASHER, plate (135-22243-00)	2	2		
18-13	90201-10140	WASHER, plate	4	4		
18-14	90176-10013	NUT, cap	4	4		
18-15	1A0-22311-00-33	CASE, chain	1	1		Yamaha black
18-16	278-22332-00	DAMPER, chain case	1	1		
18-17	90387-07389	COLLAR (256-21544-00)	1	1		
18-18	90209-06034	WASHER (278-22316-00)	1	1		
18-19	92501-06020	SCREW, panhead	1	1		
18-20	92501-06018	SCREW, panhead	1	1		
18-21	92901-06100	WASHER, spring	2	2		



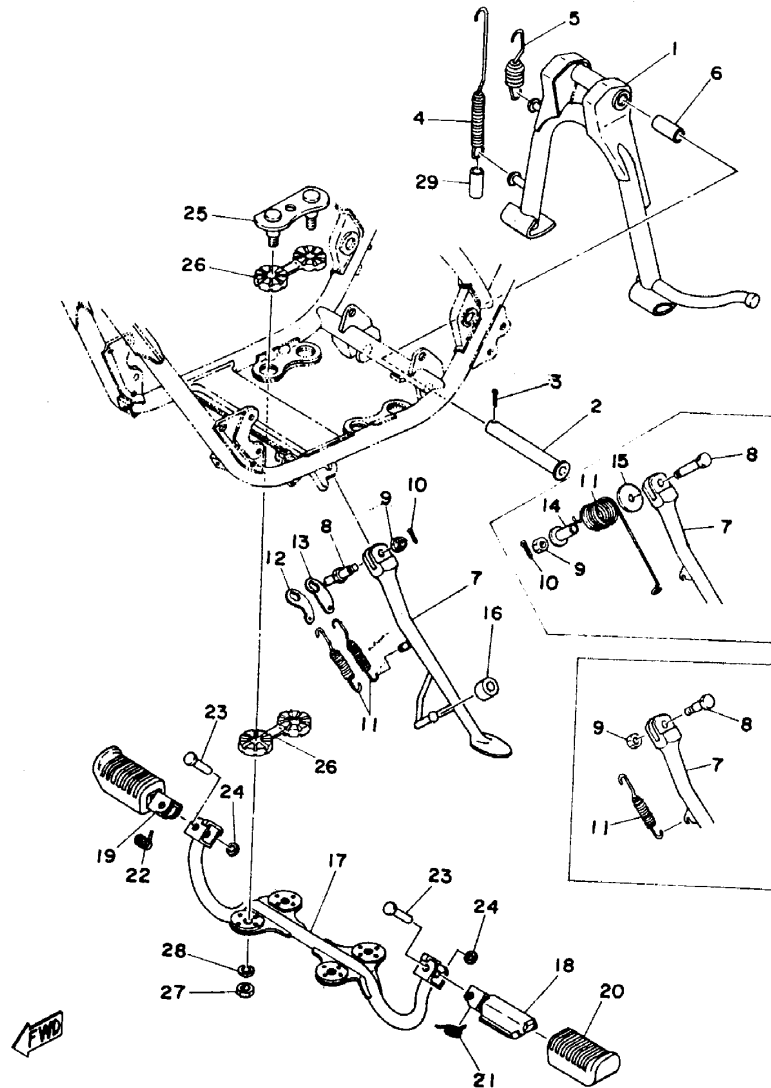
Fig. 19 STAND - FOOTREST (1)



Ref. No.	Parts No.	Description	Q'ty 250	Q'ty 400	F	H	W	B	D	A	E	Remarks
					o	r	l	e	e	n	n	
					a	a	a	a	a	a	a	
					n	n	n	n	n	n	n	
					d	d	d	d	d	d	d	
					e	e	e	e	e	e	e	
					s	s	s	s	s	s	s	
					w	w	w	w	w	w	w	
					i	i	i	i	i	i	i	
					d	d	d	d	d	d	d	
					a	a	a	a	a	a	a	
					n	n	n	n	n	n	n	
					d	d	d	d	d	d	d	
					y	y	y	y	y	y	y	
19-1	1A2-27111-00	STAND, main	1	1			x					
	278-27111-00	STAND, main	1	1	x	x	x	x	x	x	x	x
19-2	278-27112-00	SHAFT, main stand	1	1	x	x	x	x	x	x	x	x
19-3	91401-30025	PIN, cotter	1	1	x	x	x	x	x	x	x	x
19-4	90507-32027	SPRING, tension	1	1			x					
	90506-35058	Spring, tension (278-27116-00)	1	1	x	x	x	x	x	x	x	x
19-5	90507-32028	SPRING, tension	1	1			x					
19-6	90445-19307	HOSE	1	1			x					
19-7	1A2-27311-00-33	STAND, side	1	1			x					
	278-27311-01	STAND, side	1	1			x	x	x			x
	1A0-27311-00-33	STAND, side	1	1	x	x		x				x
19-8	1A2-27317-00	BOLT, side stand	1	1			x					
	90109-08415	BOLT	1	1			x	x	x			x
	90109-08034	BOLT (266-27317-00)	1	1	x	x		x				x
19-9	90170-08158	NUT, hexagon	1	1	x	x		x				x
	95301-08900	NUT, slotted	1	1			x	x	x	x		x
19-10	91401-20018	PIN, cotter	1	1			x	x	x	x		x
19-11	90507-25023	SPRING, tension	2	2			x					
	90507-25023	SPRING, tension	1	1	x	x		x				x
	90508-32177	SPRING (360-27316-00)	1	1			x	x	x			x
19-12	1A2-27315-00	LINK, side stand	1	1			x					
19-13	1A2-27315-10	LINK, side stand	1	1			x					
19-14	90387-10255	COLLAR (360-27313-90)	1	1			x	x	x			x
19-15	90201-08569	WASHER, plate	1	1			x	x	x			x
19-16	278-27314-00	STOPPER, side stand	1	1	x	x	x	x	x	x	x	x
19-17	1A0-27412-01	FOOTREST	1	1	x	x	x	x	x	x	x	x
19-18	1A0-27451-00	FOOTREST 3, left	1	1	x	x	x	x	x	x	x	x
19-19	1A0-27461-00	FOOTREST 4, right	1	1	x	x	x	x	x	x	x	x
19-20	1A0-27413-00	COVER, footrest	2	2	x	x	x	x	x	x	x	x



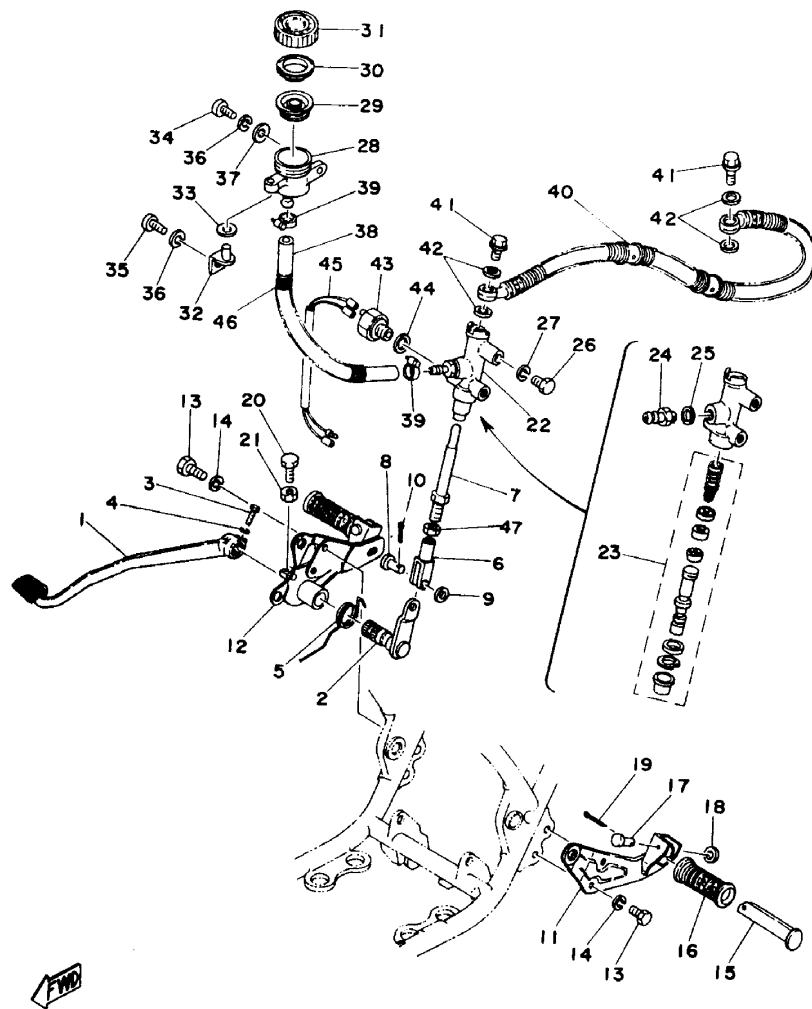
Fig. 19 STAND - FOOTREST (2)



Ref. No.	Parts No.	Description	Q'ty 250	Q'ty 400	F	H	G	B	F	D	A	E	Remarks
					n	r	z	e	l	n	n	n	
19-21	90508-20154	SPRING, torsion (371-27426-00)	1	1	x	x	x	x	x	x	x	x	
19-22	90508-20155	SPRING, torsion (371-27456-00)	1	1	x	x	x	x	x	x	x	x	
19-23	90243-08006	PIN (214-27418-00)	2	2	x	x	x	x	x	x	x	x	
19-24	90201-06042	WASHER, plate (214-27417-00)	2	2	x	x	x	x	x	x	x	x	
19-25	1A0-27416-00	BOLT, footrest	2	2	x	x	x	x	x	x	x	x	
19-26	1A0-27414-00	DAMPER, footrest	4	4	x	x	x	x	x	x	x	x	
19-27	95701-10100	NUT, flange	4	4	x	x	x	x	x	x	x	x	
19-28	92901-10100	WASHER, spring	4	4	x	x	x	x	x	x	x	x	
19-29	90445-19307	HOSE	1	1			x						



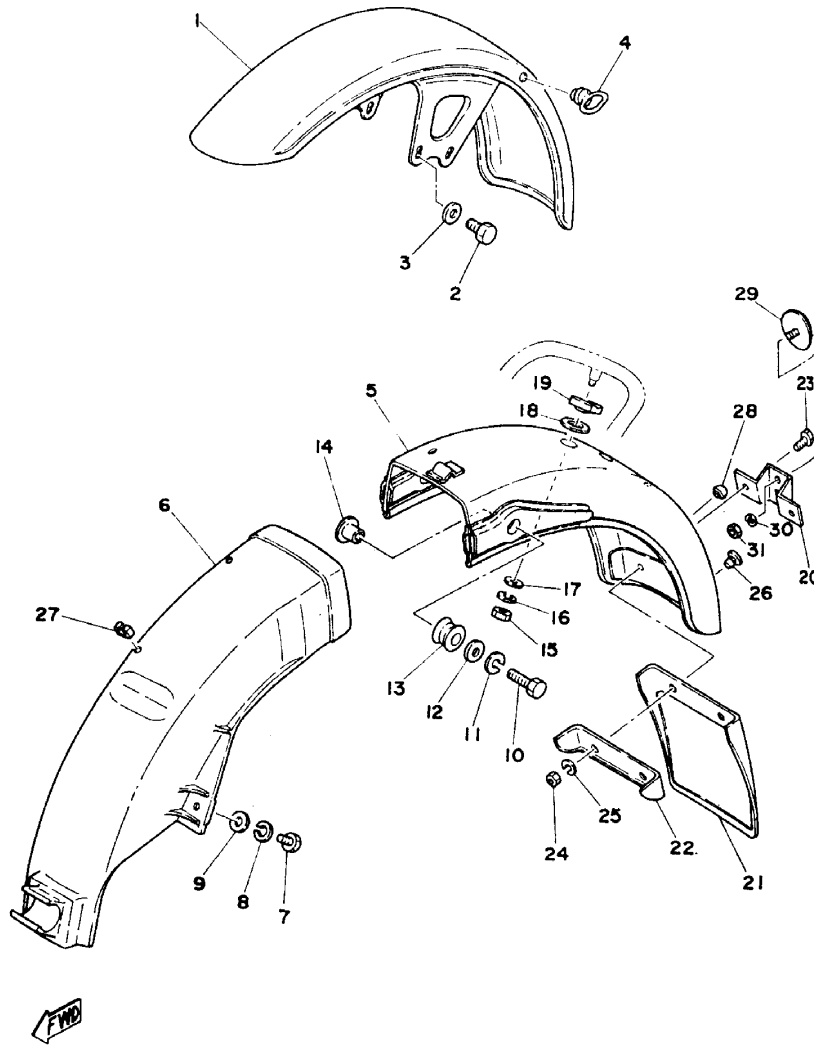
Fig. 20 BRAKE PEDAL - MASTER CYLINDER (1)



Part No.	Part No.	Description	Q'ty 250	Q'ty 400	Applicable Machine No.	Remarks
20-1	1A0-27211-00-33	PEDAL, brake	1	1		
20-2	1A1-27212-01	SHAFT, brake	1	1		
20-3	97321-06030	BOLT, hexagon	1	1		
20-4	92901-06100	WASHER, spring	1	1		
20-5	90508-40348	SPRING, torsion	1	1		
20-6	1A1-27222-01	JOINT	1	1		
20-7	1A1-27231-01	ROD, brake	1	1		
20-8	90240-08013	PIN, with hole (307-18118-00)	1	1		
20-9	90201-08083	WASHER, plate (156-27226-00)	1	1		
20-10	91401-16012	PIN, cotter	1	1		
20-11	1A0-21445-01-33	STAY, muffler left	1	1		Yamaha Black
20-12	1A0-21446-01-33	STAY, muffler right	1	1		Yamaha Black
20-13	97321-08020	BOLT, hexagon	4	4		
20-14	92901-08100	WASHER, spring	4	4		
20-15	120-27431-00	ARM, rear footrest	2	2		
20-16	120-27433-00	COVER, rear footrest	2	2		
20-17	91501-06035	PIN, clevis	2	2		
20-18	90201-20279	WASHER, plate	2	2		
20-19	91401-16012	PIN, cotter	2	2		
20-20	90101-06288	BOLT	1	1		
20-21	95301-06700	NUT, hexagon	1	1		
20-22	1A3-25850-50	MASTER CYLINDER ASS'Y, rear	1	1		
20-23	1A3-20000-50	. CYLINDER KIT, master	1	1		
20-24	1A1-25899-50	. BOLT, union	1	1		
20-25	1A1-25898-50	. GASKET	1	1		
20-26	97301-08016	BOLT, hexagon	2	2		
20-27	92901-08100	WASHER, spring	2	2		
20-28	1A1-25894-01	TANK, reservoir	1	1		
20-29	360-25854-00	DIAPHRAGM, reservoir	1	1		



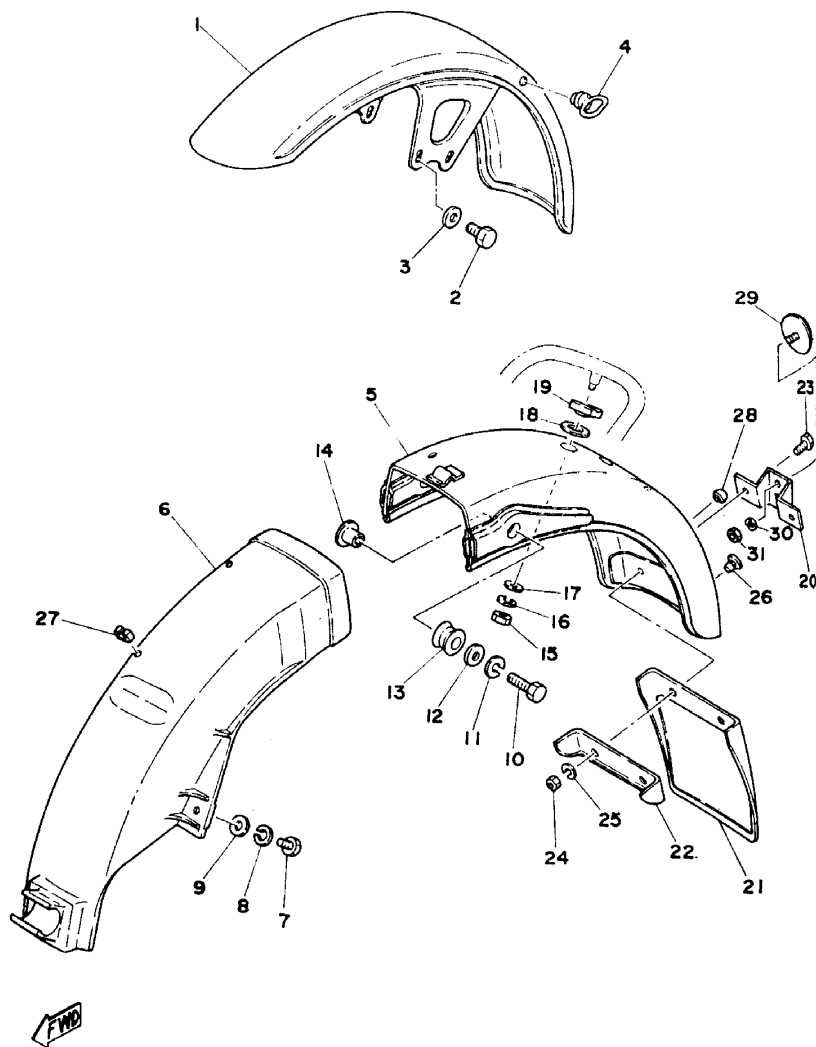
Fig. 21 FRONT FENDER - REAR FENDER (1)



Ref. No.	Parts No.	Description	Q'ty 250	Q'ty 400	F	H	G	B	F	D	A	E	Remarks
					r	o	z	e	l	e	n	o	
					a	r	e	l	a	r	s	g	
					n	a	l	i	n	w	l	a	
					d	y	a	n	a	k	a	n	
21-1	1A0-21510-02-93	FRONT FENDER COMP.	1	1	x	x	x	x	x	x	x	x	
21-2	90101-08253	BOLT	4	4	x	x	x	x	x	x	x	x	
21-3	90201-08097	WASHER, plate (700-48192-10)	4	4	x	x	x	x	x	x	x	x	
21-4	1A0-21518-00	HOLDER, wire	1	1	x	x	x	x	x	x	x	x	
21-5	1A2-21610-10-93	REAR FENDER COMP.	1	1			x	x	x	x			
	1A0-21610-10-93	REAR FENDER COMP.	1	1	x	x		x			x	x	
21-6	1A0-21629-00	MUD, guard	1	1	x	x	x	x	x	x	x	x	
21-7	97301-06016	BOLT, hexagon	2	2	x	x	x	x	x	x	x	x	
21-8	92901-06100	WASHER, spring	2	2	x	x	x	x	x	x	x	x	
21-9	92901-06600	WASHER, plate	2	2	x	x	x	x	x	x	x	x	
21-10	97301-10035	BOLT, hexagon	2	2	x	x	x	x	x	x	x	x	M10X35
21-11	92901-10100	WASHER, spring	2	2	x	x	x	x	x	x	x	x	
21-12	92901-10600	WASHER, plate	2	2	x	x	x	x	x	x	x	x	
21-13	168-21639-00	DAMPER, rear	2	2	x	x	x	x	x	x	x	x	
21-14	90179-10220	NUT	2	2	x	x	x	x	x	x	x	x	
21-15	95301-06600	NUT, hexagon	1	1	x	x	x	x	x	x	x	x	
21-16	92901-06100	WASHER, spring	1	1	x	x	x	x	x	x	x	x	
21-17	90201-06073	WASHER, plate	1	1	x	x	x	x	x	x	x	x	
21-18	90202-15105	WASHER, plate	1	1	x	x	x	x	x	x	x	x	
21-19	1A2-21638-00	DAMPER, rear fender	1	1	x	x	x	x	x	x	x	x	
21-20	413-21641-00	BRACKET, reflector	1	1			x		x				
21-21	413-21621-90	FLAP, rear fender	1	1					x				
21-22	413-21622-90	BAND, flap	1	1					x				
21-23	97301-06016	BOLT, hexagon	2	2			x		x				
21-24	95301-06600	NUT, hexagon	2	2			x		x				
21-25	92901-06100	WASHER, spring	2	2			x		x				
21-26	90338-07043	PLUG (288-83319-00)	2	2				x		x			
21-27	90464-08020	CLAMP	2	2	x	x	x	x	x	x	x	x	



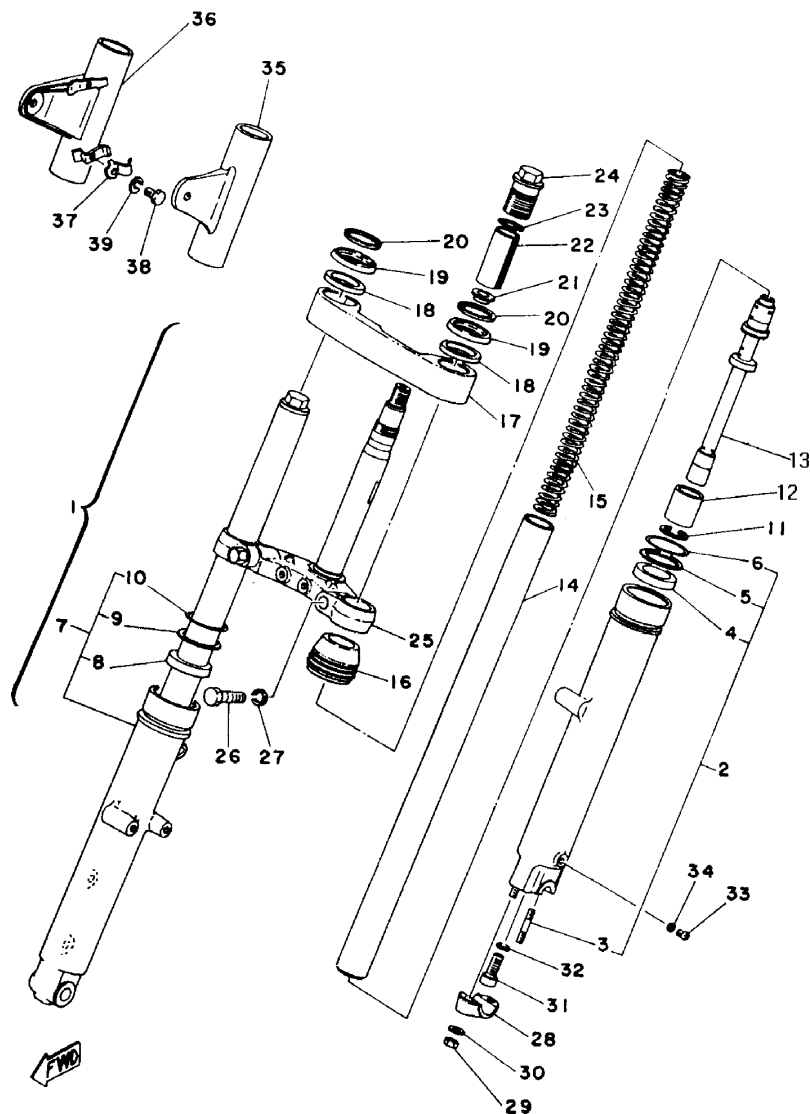
Fig. 21 FRONT FENDER - REAR FENDER (2)



Ref. No.	Parts No.	Description	Q'ty 250	Q'ty 400	F	H	G	B	F	D	A	E	Remarks
					r	r	e	e	d	n	n	n	
21-28	170-21746-00	DAMPER, cleaner stopper	1	1	x	x	x	x	x	x	x	x	
21-29	449-85131-01	REFLECTOR	1	1			x		x				
21-30	92901-05100	WASHER, spring	1	1			x		x				
21-31	95301-05600	NUT, hexagon	1	1			x		x				



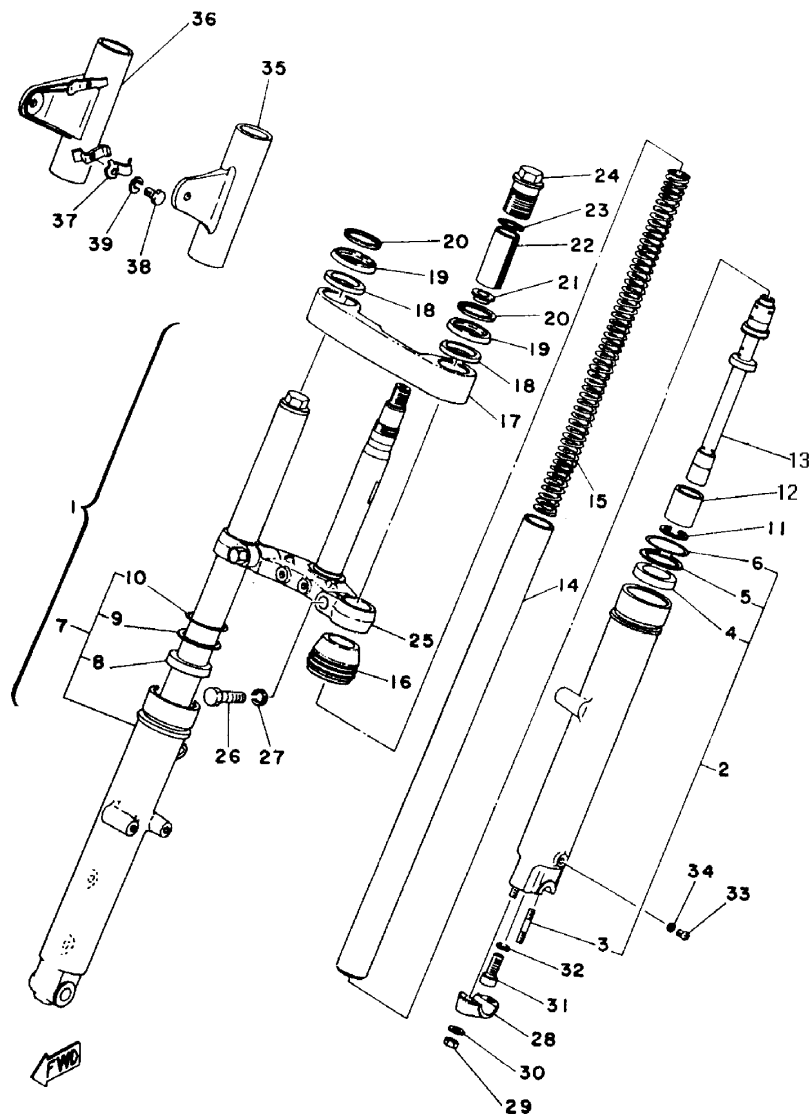
Fig. 22 FRONT FORK (1)



Ref. No.	Parts No.	Description	Q'ty 250	Q'ty 400	F	H	G	B	F	D	A	E	Remarks
						Fr	Gl	Bl	Fl	Dr	As	En	
22-1	1A2-23101-32	FRONT FORK ASS'Y	1	1									
	1A3-23101-01	FRONT FORK ASS'Y	1	1	x	x	x	x	x	x	x	x	
22-2	1A0-23126-01	. TUBE, outer left	1	1	x	x	x	x	x	x	x	x	
22-3	278-23128-51	. . BOLT, axle holder	2	2	x	x	x	x	x	x	x	x	
22-4	278-23145-51	. . OIL SEAL	1	1	x	x	x	x	x	x	x	x	
22-5	214-23146-00	. . WASHER, oil seal	1	1	x	x	x	x	x	x	x	x	
22-6	214-23156-00	. . CLIP, oil seal	1	1	x	x	x	x	x	x	x	x	
22-7	1A0-23136-01	. TUBE, outer right	1	1	x	x	x	x	x	x	x	x	
22-8	278-23145-51	. . OIL SEAL	1	1	x	x	x	x	x	x	x	x	
22-9	214-23146-00	. . WASHER, oil seal	1	1	x	x	x	x	x	x	x	x	
22-10	214-23156-00	. . CLIP, oil seal	1	1	x	x	x	x	x	x	x	x	
22-11	93450-30033	. CIRCLIP	2	2	x	x	x	x	x	x	x	x	
22-12	434-23171-00	. PISTON, front fork	2	2	x	x	x	x	x	x	x	x	
22-13	1A0-23170-02	CYLINDER COMP., front fork	2	2	x	x	x	x	x	x	x	x	
22-14	1A0-23124-01	. TUBE, inner	2	2	x	x	x	x	x	x	x	x	
22-15	1A3-23141-00	. SPRING, fork	2	2	x	x	x	x	x	x	x	x	
22-16	584-23144-50	. SEAL, dust	2	2	x	x	x	x	x	x	x	x	
22-17	1A0-23122-00	. COVER, outer	1	1	x	x	x	x	x	x	x	x	
22-18	291-23163-61	. PACKING	2	2	x	x	x	x	x	x	x	x	
22-19	1A0-23116-00	. GUIDE, cover under	2	2	x	x	x	x	x	x	x	x	
22-20	321-23115-50	. GUIDE, cover upper	2	2	x	x	x	x	x	x	x	x	
22-21	256-23142-60	. SEAT, spring upper	2	2	x	x	x	x	x	x	x	x	
22-22	306-23118-60	. SPACER	2	2	x	x	x	x	x	x	x	x	
22-23	214-23114-00	. PACKING	2	2	x	x	x	x	x	x	x	x	
22-24	366-23111-60	. BOLT, cap	2	2	x	x	x	x	x	x	x	x	
22-25	1A2-23340-30-33	. UNDER BRACKET COMP.	1	1			x		x				Yamaha Black
	1A0-23340-00-33	. UNDER BRACKET COMP.	1	1	x	x		x		x	x	x	Yamaha Black



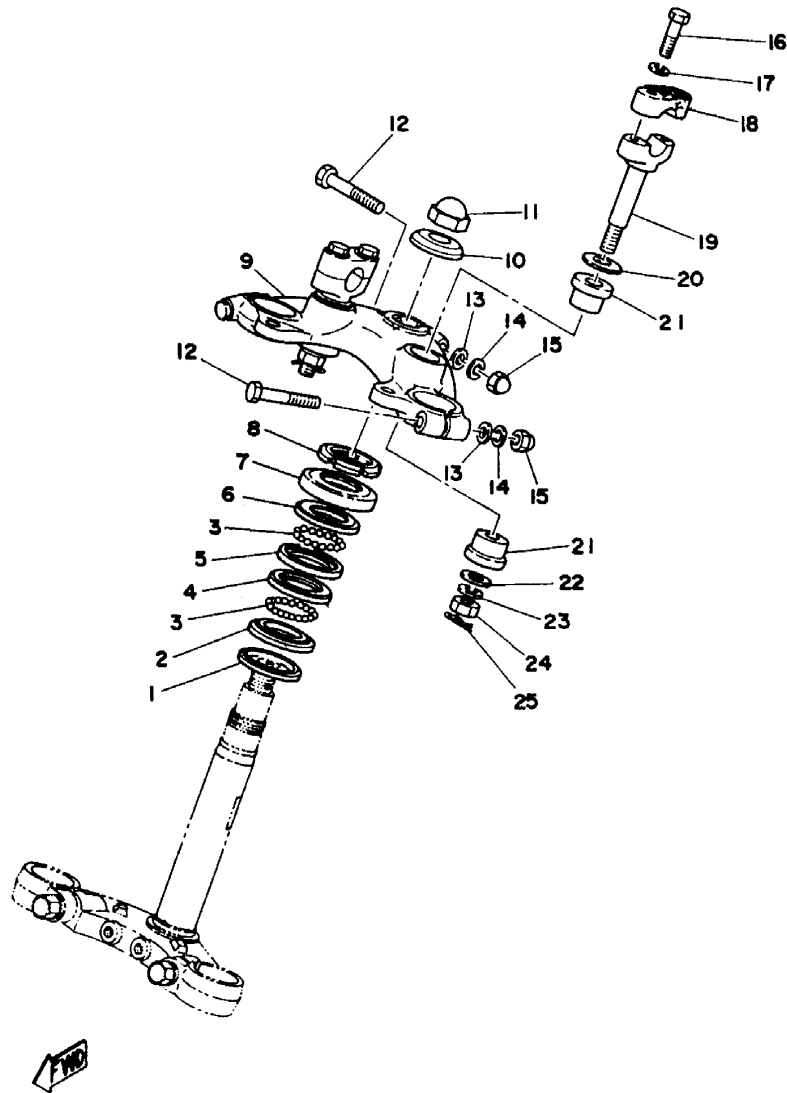
Fig. 22 FRONT FORK (2)



Ref. No.	Parts No.	Description	Q'ty 250	Q'ty 400	F	H	G	B	F	D	A	E	Remarks
					r	l	e	e	e	n	n	n	
22-26	306-23346-60	. BOLT, under bracket	2	2	x	x	x	x	x	x	x	x	
22-27	92901-12100	. WASHER, spring	2	2	x	x	x	x	x	x	x	x	
22-28	306-23167-60	. HOLDER, axle	1	1	x	x	x	x	x	x	x	x	
22-29	90185-08054	. NUT, U	2	2	x	x	x	x	x	x	x	x	
22-30	92901-08600	. WASHER, plate	2	2	x	x	x	x	x	x	x	x	
22-31	278-23181-50	. BOLT	2	2	x	x	x	x	x	x	x	x	
22-32	509-25158-10	. PACKING	2	2	x	x	x	x	x	x	x	x	
22-33	122-23119-01	. PLUG, drain	2	2	x	x	x	x	x	x	x	x	
22-34	122-23129-00	. GASKET, drain plug	2	2	x	x	x	x	x	x	x	x	
22-35	1A0-23121-01-33	COVER, upper left	1	1	x	x	x	x	x	x	x	x	Yamaha Black
22-36	1A0-23131-01-33	COVER, upper right	1	1	x	x	x	x	x	x	x	x	Yamaha Black
22-37	1A0-23164-00	STAY, fitting	2	2	x	x	x	x	x	x	x	x	
22-38	97301-06012	BOLT, hexagon	2	2	x	x	x	x	x	x	x	x	
22-39	92901-06100	WASHER, spring	2	2	x	x	x	x	x	x	x	x	



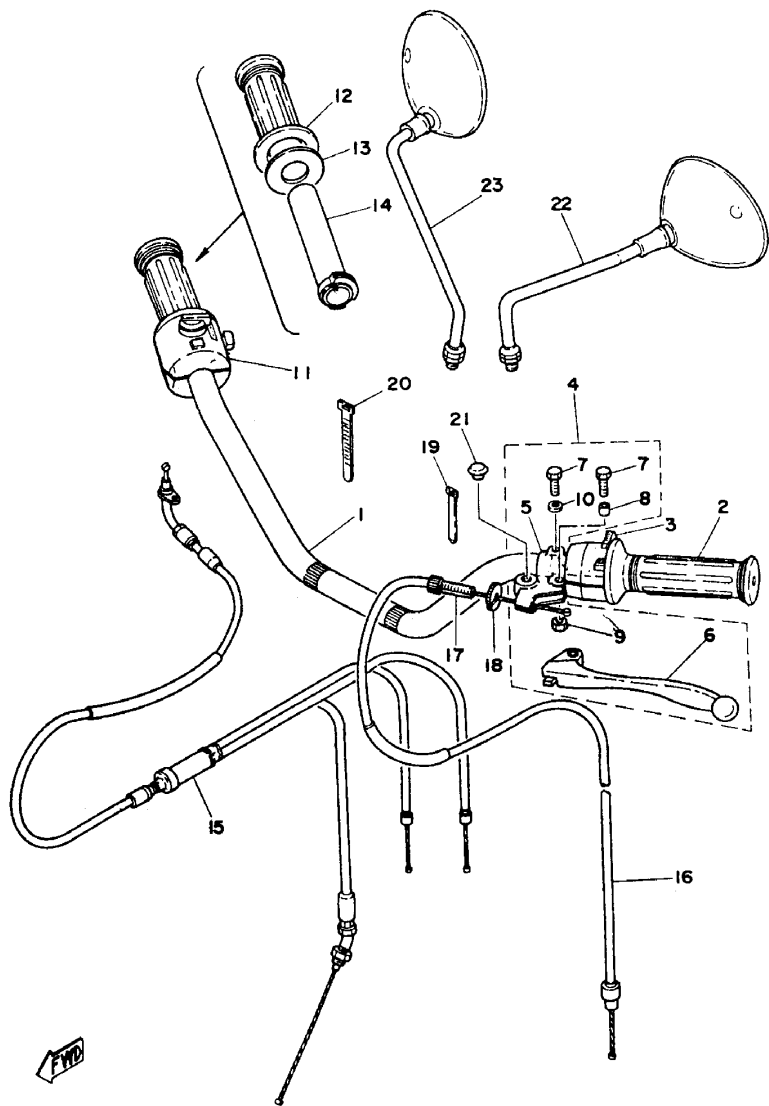
Fig. 23 STEERING



Ref. No.	Parts No.	Description	Q'ty 250	Q'ty 400	Applicable Machine No.	Remarks
23-1	164-23462-00	SEAL, dust	1	1		
23-2	156-23411-00	RACE, ball 1	1	1		
23-3	93501-04011	BALL (1/4 inch)	38	38		
23-4	156-23412-00	RACE, ball 2	1	1		
23-5	183-23412-00	RACE, ball 2	1	1		
23-6	183-23411-00	RACE, ball 1	1	1		
23-7	136-23415-00	COVER, ball race	1	1		
23-8	90179-25033	NUT (137-23454-00)	1	1		
23-9	1A0-23435-01-98	CROWN, handle	1	1		Low Gloss Black
23-10	90209-17057	WASHER (174-23443-00)	1	1		
23-11	90176-16016	NUT, cap	1	1		
23-12	97323-08055	BOLT, hexagon	3	3		
23-13	90201-08083	WASHER, plate	3	3		
23-14	92903-08100	WASHER, spring	3	3		
23-15	95303-08800	NUT, crown	3	3		
23-16	97323-08030	BOLT, hexagon	4	4		
23-17	92901-08100	WASHER, spring	4	4		
23-18	315-23441-00-98	HOLDER, handle upper	2	2		Low Gloss Black
23-19	256-23442-00-98	HOLDER, handle under	2	2		Low Gloss Black
23-20	90201-12195	WASHER, plate (167-22243-00)	2	2		
23-21	90385-12027	BUSHING	4	4		
23-22	90201-10146	WASHER, plate	2	2		
23-23	92901-10100	WASHER, spring	2	2		
23-24	95301-10700	NUT, hexagon	2	2		
23-25	90468-12006	CLIP (136-25375-00)	2	2		



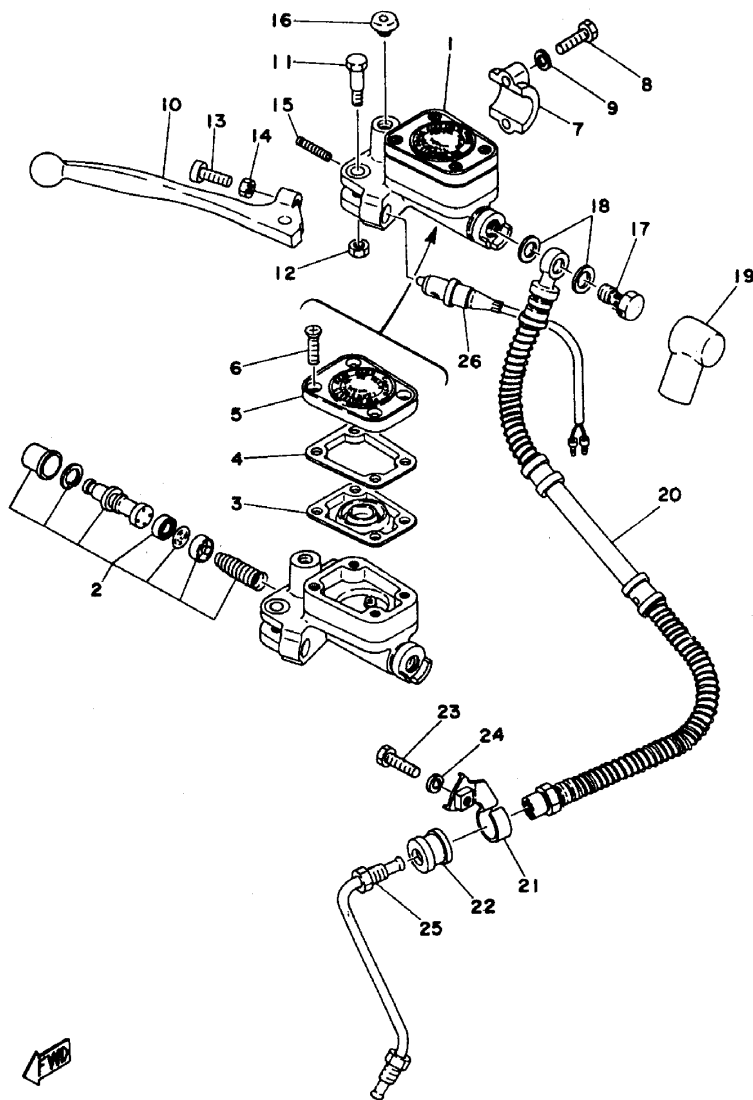
Fig. 24 HANDLE - WIRE



Ref. No.	Parts No.	Description	Q'ty 250	Q'ty 400	F	H	G	B	F	D	A	E	Remarks
					o	r	z	e	w	n	n	o	
					a	a	a	a	i	a	r	l	
					d	d	d	d	d	d	d	d	
					e	e	e	e	e	e	e	e	
					s	s	s	s	s	s	s	s	
					w	w	w	w	w	w	w	w	
					i	i	i	i	i	i	i	i	
					n	n	n	n	n	n	n	n	
					d	d	d	d	d	d	d	d	
					a	a	a	a	a	a	a	a	
					y	y	y	y	y	y	y	y	
24-1	278-26111-01	HANDLE	1	1	x	x	x	x	x	x	x	x	Up Handle
	413-26111-21	HANDLE	1	1	x	x	x	x	x	x	x	x	Alternate Parts Bar Handle
24-2	1E6-26241-00	GRIP, left	1	1	x	x	x	x	x	x	x	x	
24-3	1A2-83972-01-98	SWITCH, handle 4	1	1	x	x	x	x	x	x	x	x	Low Gloss Black
24-4	360-82910-00	LEVER HOLDER ASS'Y, left	1	1	x	x	x	x	x	x	x	x	
24-5	341-82911-00	. HOLDER, lever left	1	1	x	x	x	x	x	x	x	x	
24-6	214-83912-00	. LEVER, left	1	1	x	x	x	x	x	x	x	x	
24-7	97301-06022	. BOLT, hexagon	2	2	x	x	x	x	x	x	x	x	
24-8	214-83913-00	. COLLAR, lever	1	1	x	x	x	x	x	x	x	x	
24-9	95301-06100	. NUT, hexagon	1	1	x	x	x	x	x	x	x	x	
24-10	92901-06100	. WASHER, spring	1	1	x	x	x	x	x	x	x	x	
24-11	1A0-83975-00-98	SWITCH, handle 2	1	1	x	x	x	x	x	x	x	x	Low Gloss Black
24-12	1A0-26242-01	GRIP, right	1	1	x	x	x	x	x	x	x	x	
24-13	278-26294-00	RING, leaf	1	1	x	x	x	x	x	x	x	x	
24-14	1A0-26243-01	TUBE, guide	1	1	x	x	x	x	x	x	x	x	
24-15	1A0-26260-00	WIRE CYLINDER ASS'Y	1	1	x	x	x	x	x	x	x	x	Up Handle
	1A2-26260-20	WIRE CYLINDER ASS'Y	1	1	x	x	x	x	x	x	x	x	Alternate Parts Bar Handle
24-16	1A0-26335-00	WIRE, clutch	1	1	x	x	x	x	x	x	x	x	
24-17	90123-08046	BOLT, wire adjusting	1	1	x	x	x	x	x	x	x	x	
24-18	90179-08148	NUT (168-26344-00)	1	1	x	x	x	x	x	x	x	x	
24-19	168-83936-01	BAND, switch cord	4	4	x	x	x	x	x	x	x	x	
24-20	366-82591-00	BAND	1	1	x	x	x	x	x	x	x	x	
24-21	90338-09012	PLUG (341-26329-00)	1	1									x
24-22	1J7-26290-11	BACK MIRROR ASS'Y, left	1	1		x	x	x	x	x		x	(England Optional Parts)
	341-26290-20	BACK MIRROR ASS'Y, left	1	1	x								
24-23	1J7-26290-01	BACK MIRROR ASS'Y, right	1	1		x	x	x	x	x		x	Optional Parts (England STD)
	341-26290-70	BACK MIRROR ASS'Y, right	1	1	x								Optional Parts



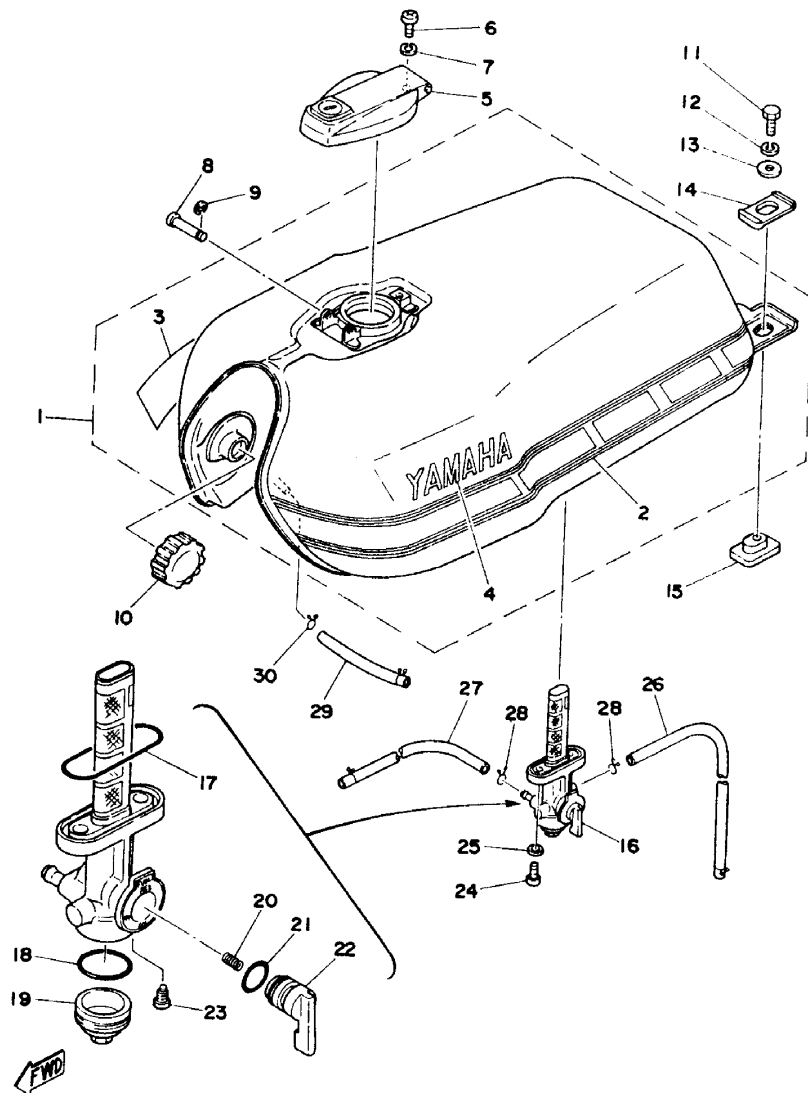
Fig. 25 MASTER CYLINDER - BRAKE HOSE (1)



Ref. No.	Parts No.	Description	Q'ty 250	Q'ty 400	F	H	S	W	B	F	D	A	E	Remarks
					r	a	w	i	e	e	n	n	g	
					a	n	a	t	r	l	r	o	t	
25-1	1A0-25850-02	MASTER CYLINDER ASS'Y, front	1	1	x	x	x	x	x	x	x	x	x	
25-2	1A0-20000-10	. CYLINDER KIT, master	1	1	x	x	x	x	x	x	x	x	x	
25-3	1A0-25854-01	. DIAPHRAGM, reservoir	1	1	x	x	x	x	x	x	x	x	x	
25-4	1A0-25855-01	. GASKET, reservoir	1	1	x	x	x	x	x	x	x	x	x	
25-5	1A0-25893-01	. RESERVOIR CAP ASS'Y	1	1	x	x	x	x	x	x	x	x	x	
25-6	1A0-25824-01	. SCREW	4	4	x	x	x	x	x	x	x	x	x	
25-7	341-25867-00	BRACKET, master	1	1	x	x	x	x	x	x	x	x	x	
25-8	97301-06025	BOLT, hexagon	2	2	x	x	x	x	x	x	x	x	x	
25-9	92901-06100	WASHER, spring	2	2	x	x	x	x	x	x	x	x	x	
25-10	1A0-83922-00	LEVER, right	1	1	x	x	x	x	x	x	x	x	x	
25-11	90109-06465	BOLT	1	1	x	x	x	x	x	x	x	x	x	
25-12	95601-06100	NUT, U	1	1	x	x	x	x	x	x	x	x	x	
25-13	90146-06008	SCREW	1	1	x	x	x	x	x	x	x	x	x	
25-14	90170-06010	NUT (306-83927-00)	1	1	x	x	x	x	x	x	x	x	x	
25-15	90501-10312	SPRING, compression (306-83924-00)	1	1	x	x	x	x	x	x	x	x	x	
25-16	90338-09012	PLUG (341-26329-00)	1	1	x	x	x	x	x	x	x	x	x	
25-17	90401-10034	BOLT, union	1	1	x	x	x	x	x	x	x	x	x	
25-18	90201-10118	WASHER, plate	2	2	x	x	x	x	x	x	x	x	x	
25-19	360-25862-00	BOOT, master cylinder	1	1	x	x	x	x	x	x	x	x	x	
25-20	1A0-25872-02	HOSE, brake	1	1	x	x	x	x	x	x	x	x	x	Up Handle
	1A2-25872-22	HOSE, brake	1	1	x	x	x	x	x	x	x	x	x	Alternate Parts Bar Handle
25-21	1A0-25876-00	HOLDER, brake hose	1	1	x	x	x	x	x	x	x	x	x	
25-22	306-25881-00	RUBBER, brake hose	1	1	x	x	x	x	x	x	x	x	x	
25-23	97301-06025	BOLT, hexagon	1	1	x	x	x	x	x	x	x	x	x	
25-24	92901-06100	WASHER, spring	1	1	x	x	x	x	x	x	x	x	x	



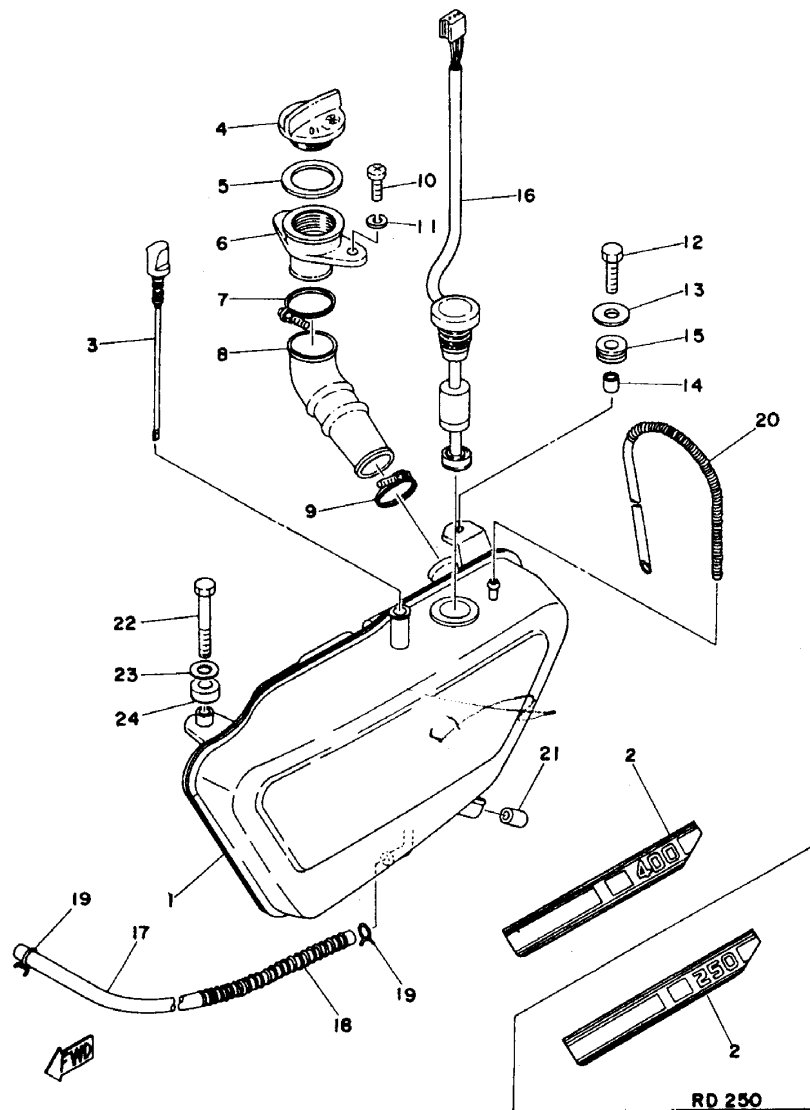
Fig. 26 FUEL TANK (1)



Ref. No.	Parts No.	Description	Q'ty 250	Q'ty 400	Applicable Machine No.	Remarks
26-1	1A2-24110-00-X5	FUEL TANK COMP.	1	1		Modena Red
	1A2-24110-00-X6	FUEL TANK COMP.	1	1		Candy Blue
	1A2-24110-00-X7	FUEL TANK COMP.	1	1		Competition Yellow
	1A2-24110-00-X8	FUEL TANK COMP.	1	1		Cristal Silver
26-2	1A2-24244-21	. GRAPHIC, fuel tank left	1	1		
26-3	1A2-24245-21	. GRAPHIC, fuel tank right	1	1		
26-4	1A0-24161-00	. EMBLEM, fuel tank	2	2		
26-5	1A0-24602-00	CAP ASS'Y	1	1		
26-6	98501-05008	SCREW, panhead	1	1		
26-7	92901-05100	WASHER, spring	1	1		
26-8	90249-03123	PIN	1	1		
26-9	93430-02001	CIRCLIP (E-1.9)	1	1		
26-10	278-24181-00	DAMPER, locating	2	2		
26-11	97301-06012	BOLT, hexagon	2	2		
26-12	92901-06100	WASHER, spring	2	2		
26-13	90209-06139	WASHER	2	2		
26-14	1A0-24186-00	WASHER, special	2	2		
26-15	1A0-24181-00	DAMPER, locating	2	2		
26-16	1A0-24500-02	FUEL COCK ASS'Y	1	1		
26-17	214-24512-00	. GASKET, body	1	1		
26-18	498-24522-00	. O-RING	1	1		
26-19	1A0-24521-00	. CUP, filter	1	1		
26-20	1A0-24529-01	. SPRING	1	1		
26-21	1A0-24512-00	. O-RING	1	1		
26-22	1A0-24524-01	. LEVER, cock	1	1		
26-23	1A0-24535-00	. SCREW	1	1		
26-24	90149-06011	SCREW (256-24143-00)	2	2		
26-25	90202-06010	WASHER, plate (178-14766-00)	2	2		
26-26	90445-09094	HOSE (168-24312-00 5-210)	1	1		



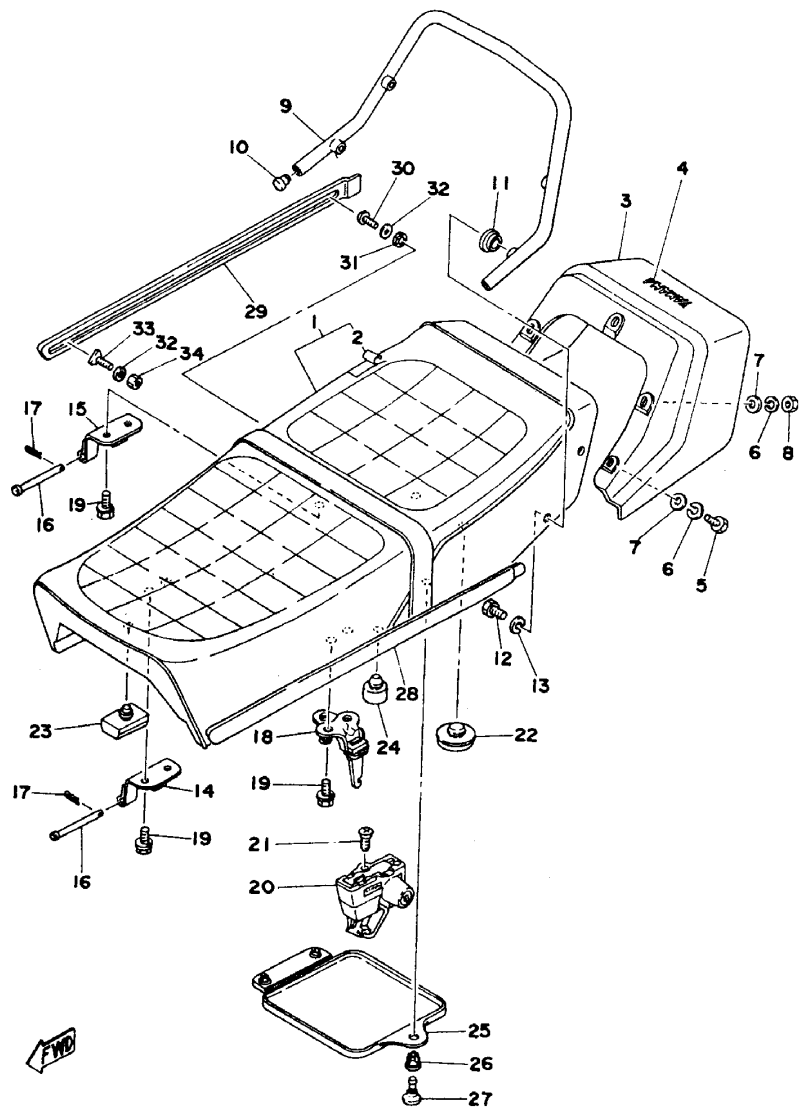
Fig. 27 OIL TANK



Ref No	Parts No	Description	Q'ty 250	Q'ty 400	Applicable Machine No	Remarks
27-1	1A0-21751-00-E8	TANK, oil	1	1		Modena Red
	1A0-21751-00-20	TANK, oil	1	1		Crystal Silver
	1A0-21751-00-26	TANK, oil	1	1		Competition Yellow
	1A0-21751-00-29	TANK, oil	1	1		Candy Blue
27-2	1A2-21784-11	GRAPHIC, oil tank	1			
	1A3-21784-11	GRAPHIC, oil tank		1		
27-3	1A0-21792-00	GAUGE, oil level	1	1		
27-4	1A0-21771-00	CAP, oil tank	1	1		
27-5	90430-27124	GASKET	1	1		
27-6	360-21752-00	TUBE, filler	1	1		
27-7	90460-30009	CLAMP, hose (360-21765-00)	1	1		
27-8	360-21753-00	TUBE, oil connector	1	1		
27-9	90460-26007	CLAMP, hose (360-21755-00)	1	1		
27-10	92501-06020	SCREW, panhead	2	2		
27-11	92901-06600	WASHER, plate	2	2		
27-12	97302-06025	BOLT, hexagon	1	1		
27-13	90201-06380	WASHER, plate	1	1		
27-14	90387-07390	COLLAR	1	1		
27-15	90480-14102	GROMMET (214-21717-00)	1	1		
27-16	1A0-85720-02	OIL LEVEL GAUGE ASS'Y	1	1		
27-17	90445-09122	HOSE (278-21766-00)	1	1		
27-18	90501-08410	SPRING, compression	1	1		
27-19	90467-08003	CLIP (101-24356-00)	2	2		
27-20	1A0-21745-01	PIPE, oil tank breather	1	1		
27-21	437-21779-00	DAMPER, oil tank 2	1	1		
27-22	97301-06050	BOLT, hexagon	1	1		
27-23	92901-06600	WASHER, plate	1	1		
27-24	90385-10026	BUSHING	1	1		



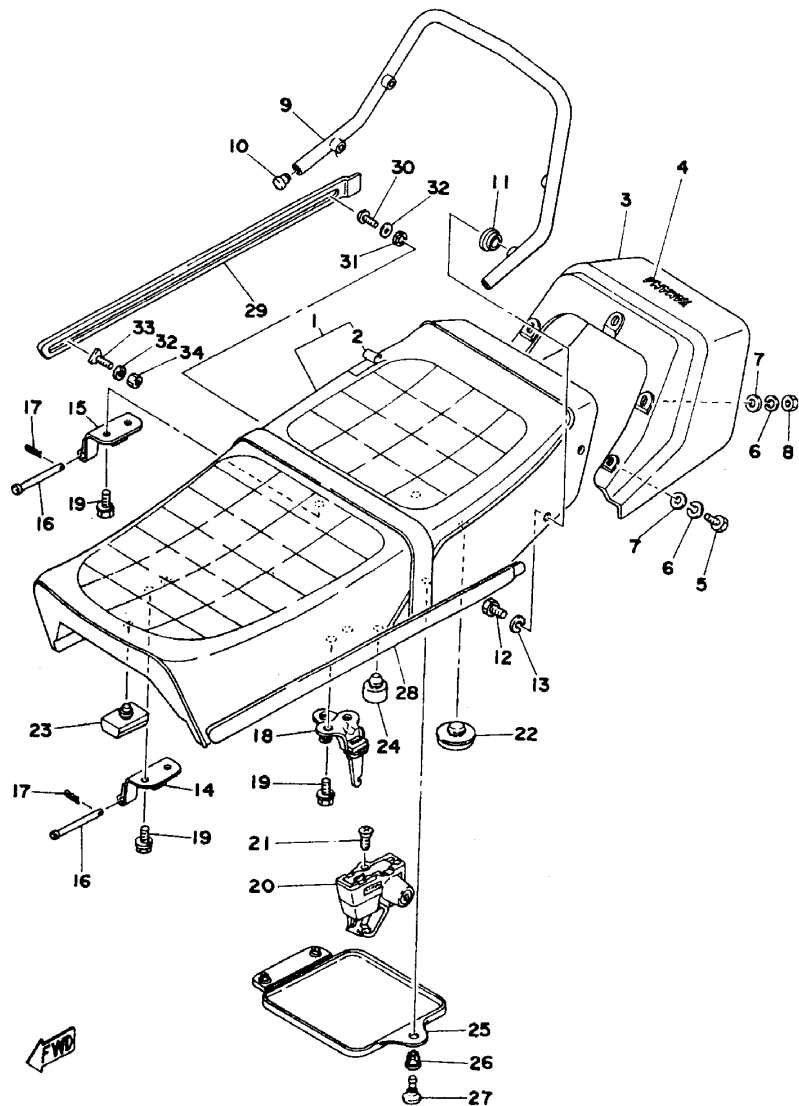
Fig. 28 SEAT (1)



Ref. No.	Parts No.	Description	Q'ty 250	Q'ty 400	F	H	G	B	F	D	A	E	Remarks
					r	z	e	e	l	n	n	o	
					a	a	a	a	a	a	a	a	
					n	n	n	n	n	n	n	n	
					a	a	a	a	a	a	a	a	
					d	d	d	d	d	d	d	d	
					e	e	e	e	e	e	e	e	
					s	s	s	s	s	s	s	s	
					w	w	w	w	w	w	w	w	
					r	r	r	r	r	r	r	r	
					e	e	e	e	e	e	e	e	
					t	t	t	t	t	t	t	t	
28-1	1A2-24730-Y0	DOUBLE SEAT ASS'Y	1	1	x	x	x	x	x	x	x	x	
	1A2-24730-W0	DOUBLE SEAT ASS'Y	1	1			x						
28-2	1A2-24731-00	COVER, double seat	1	1	x	x	x	x	x	x	x	x	
28-3	1A2-24756-00-E8	COVER, tail	1	1	x	x	x	x	x	x	x	x	Modena Red
	1A2-24756-00-20	COVER, tail	1	1	x	x	x	x	x	x	x	x	Crystal Silver
	1A2-24756-00-26	COVER, tail	1	1	x	x	x	x	x	x	x	x	Competition Yellow
	1A2-24756-00-29	COVER, tail	1	1	x	x	x	x	x	x	x	x	Candy Blue
28-4	1A2-24786-00	EMBLEM, tail cover	1	1	x	x	x	x	x	x	x	x	
28-5	97301-05015	BOLT	2	2	x	x	x	x	x	x	x	x	
28-6	92901-05100	WASHER, spring	5	5	x	x	x	x	x	x	x	x	
28-7	92901-05200	WASHER, plate	5	5	x	x	x	x	x	x	x	x	
28-8	95301-05600	NUT, hexagon	3	3	x	x	x	x	x	x	x	x	
28-9	1A2-24773-00	HANDLE, seat	1	1			x						
28-10	1T4-24742-00	GROMMET	2	2			x						
28-11	1T4-24796-00	COVER	2	2			x						
28-12	97301-08014	BOLT, hexagon	4	4			x						
28-13	92901-08100	WASHER, spring	4	4			x						
28-14	248-24726-00-33	HINGE, seat	1	1	x	x	x	x	x	x	x	x	Yamaha Black
28-15	1A0-24726-00	HINGE, seat	1	1	x	x	x	x	x	x	x	x	Yamaha Black
28-16	91501-05055	PIN, clevis	2	2	x	x	x	x	x	x	x	x	
28-17	90468-10050	CLIP (156-83525-00)	2	2	x	x	x	x	x	x	x	x	
28-18	371-24728-00	BRACKET, seat	1	1	x	x	x	x	x	x	x	x	Yamaha Black
28-19	90101-06304	BOLT	6	6	x	x	x	x	x	x	x	x	
28-20	1A0-24705-00	SEAT LOCK ASS'Y	1	1	x	x	x	x	x	x	x	x	Yamaha Black
28-21	92706-06012	SCREW, flathead	2	2	x	x	x	x	x	x	x	x	
28-22	1T4-24741-00	PAD, seat	2	2	x	x	x	x	x	x	x	x	
28-23	214-24724-00	DAMPER, seat	2	2	x	x	x	x	x	x	x	x	
28-24	278-27114-00	STOPPER, main stand	1	1	x	x	x	x	x	x	x	x	



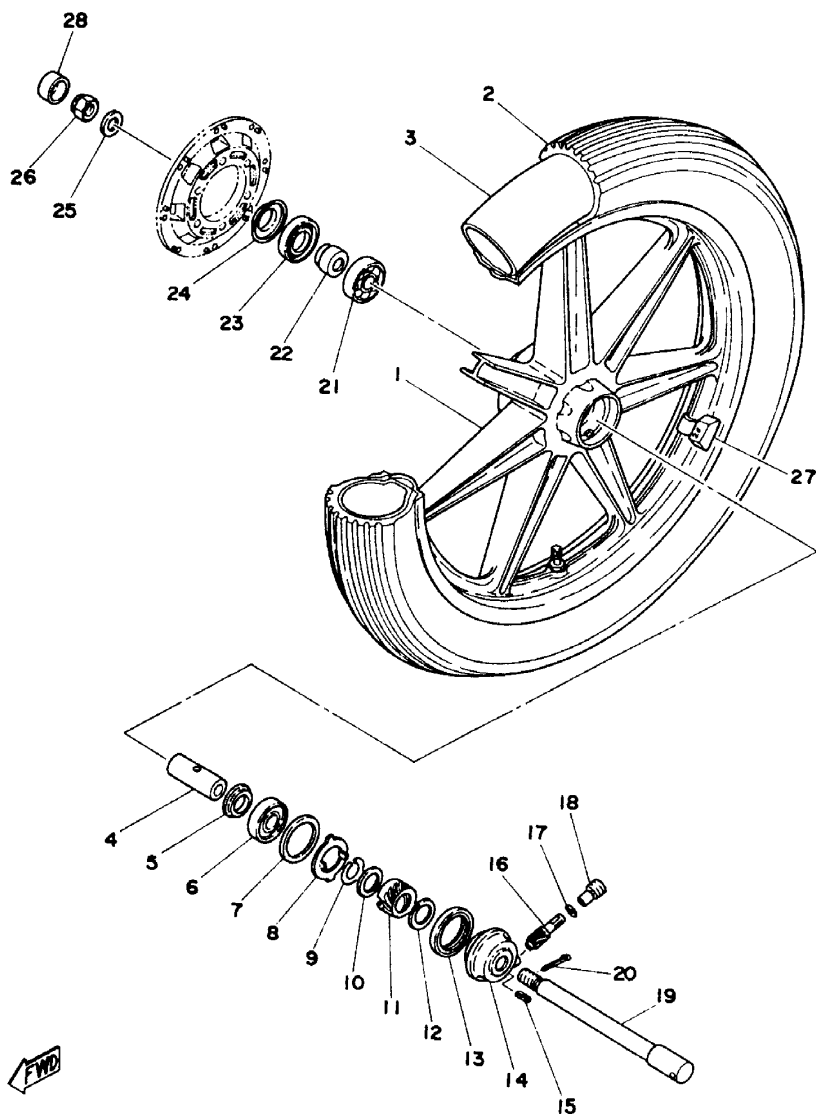
Fig. 28 SEAT (2)



Ref. No.	Parts No.	Description	Q'ty 250	Q'ty 400	F	H	G	B	F	D	A	E	Remarks
					n	r	z	e	w	n	n	o	
					a	a	a	a	i	a	r	l	
					d	a	a	a	d	a	w	a	
					e	n	n	n	e	n	n	a	
28-25	341-28185-00	LID	1	1	x	x	x	x	x	x	x	x	
28-26	90480-06007	GROMMET (341-28187-00)	1	1	x	x	x	x	x	x	x	x	
28-27	341-28188-00	PLUNGER	1	1	x	x	x	x	x	x	x	x	
28-28	1A2-24785-20-E8	MOLD, double seat left	1	1	x	x	x	x	x	x	x	x	Modena Red
	1A2-24785-20-20	MOLD, double seat left	1	1	x	x	x	x	x	x	x	x	Candy Blue
	1A2-24785-20-26	MOLD, double seat left	1	1	x	x	x	x	x	x	x	x	Competition Yellow
	1A2-24785-20-29	MOLD, double seat left	1	1	x	x	x	x	x	x	x	x	Crystal Silver
28-29	1A2-24785-10-E8	MOLD, double seat right	1	1	x	x	x	x	x	x	x	x	Modena Red
	1A2-24785-10-20	MOLD, double seat right	1	1	x	x	x	x	x	x	x	x	Candy Blue
	1A2-24785-10-26	MOLD, double seat right	1	1	x	x	x	x	x	x	x	x	Competition Yellow
	1A2-24785-10-29	MOLD, double seat right	1	1	x	x	x	x	x	x	x	x	Crystal Silver
28-30	1J7-24789-00	RIVET	4	4	x	x	x	x	x	x	x	x	
28-31	1J7-24735-00	SPEED NUT, seat mold	4	4	x	x	x	x	x	x	x	x	
28-32	1J7-24722-00	WASHER, plain	8	8	x	x	x	x	x	x	x	x	
28-33	1J7-24777-00	BOLT	4	4	x	x	x	x	x	x	x	x	
28-34	95301-04600	Nut	4	4	x	x	x	x	x	x	x	x	



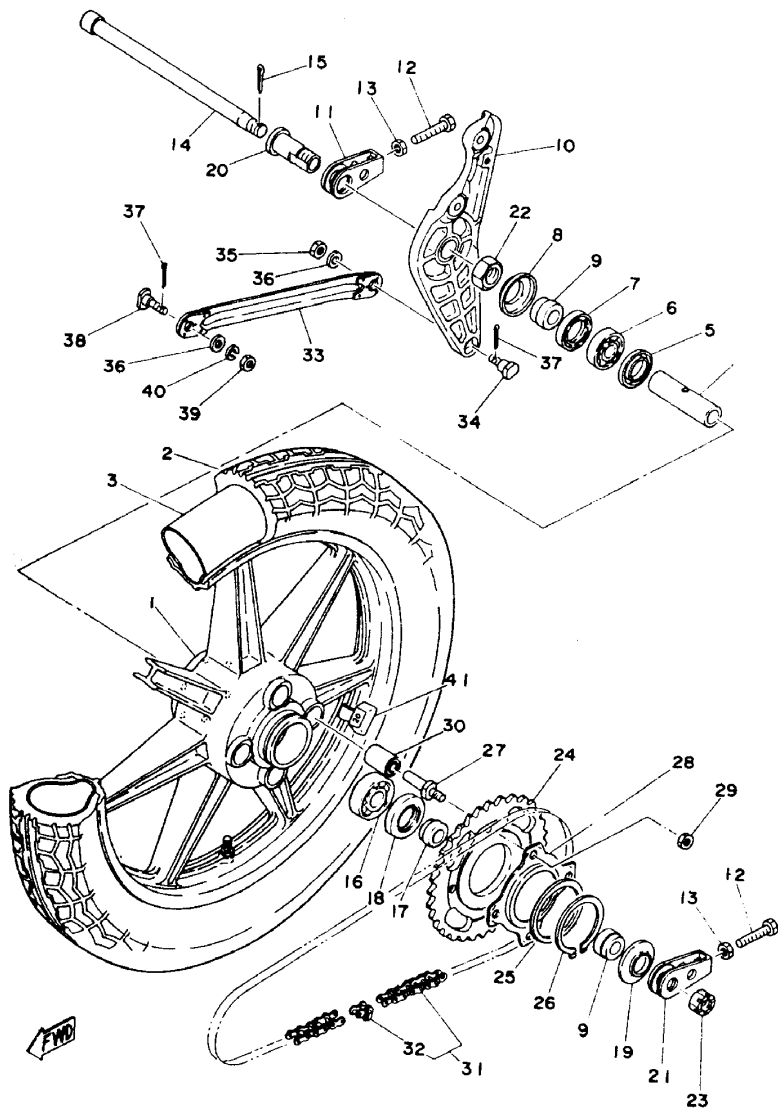
Fig. 29 FRONT WHEEL (Casting Wheel Type)



Part No.	Part No.	Description	Q'ty 250	Q'ty 400	Applicable Machine No.	Remarks
29-1	1A1-25168-00	WHEEL, cast front	1	1		
29-2	94130-18225	TIRE, front (3.00-18-4PR)	1	1		
29-3	94227-18093	TUBE (2.75-18)	1	1		
29-4	90560-17125	SPACER (351-25117-00)	1	1		
29-5	1A1-25115-00	FLANGE, spacer	1	1		
29-6	93306-30309	BEARING (B6303ZZ)	1	1		
29-7	341-25846-00	RETAINER, clutch meter	1	1		
29-8	341-25149-00	CLUTCH, meter	1	1		
29-9	341-25137-00	RING, stop	1	1		
29-10	90201-25286	WASHER, plate (341-25147-00)	1	1		
29-11	351-25135-00	GEAR, drive	1	1		
29-12	90201-25490	WASHER, plate (152-17226-00)	1	1		
29-13	93105-45017	OIL SEAL (SDD-45-56-6)	1	1		
29-14	341-25191-01	HOUSING, gear unit	1	1		
29-15	91609-20014	PIN, spring	1	1		
29-16	351-25138-00	GEAR, meter	1	1		
29-17	102-18416-00	SHIM, rod (6.2-9.5-0.8)	1	1		
29-18	306-25136-00	BUSHING	1	1		
29-19	351-25181-00	SHAFT, wheel	1	1		
29-20	91401-30030	PIN, cotter	1	1		
29-21	93306-30303	BEARING (B6303ZC3)	1	1		
29-22	90387-17433	COLLAR (341-25183-00)	1	1		
29-23	93102-28022	OIL SEAL (SD-28-47-7)	1	1		
29-24	341-25118-00	COVER, hub dust	1	1		
29-25	92901-14200	WASHER, plain	1	1		Except W.GERMANY
	90209-14136	WASHER	1	1		Exclusive for W.GERMANY
29-26	90171-14006	NUT, castle (214-25182-01)	1	1		
29-27	1A1-25398-01	BALANCER, wheel (20g)	U.N.	U.N.		
	1A1-25399-00	BALANCER, wheel (10g)				
29-28	521-25188-00	COVER	1	1		Exclusive for W.GERMANY



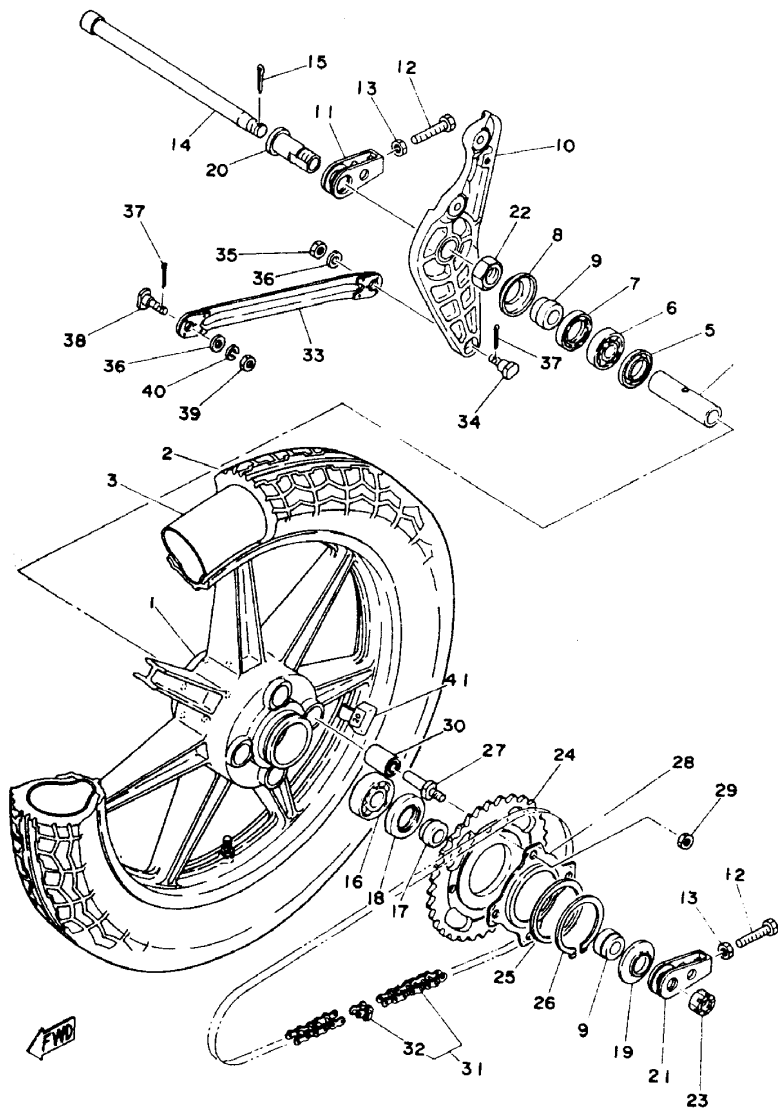
Fig. 32 REAR WHEEL (Casting Wheel Type) (1)



Ref. No.	Parts No.	Description	Q'ty 250	Q'ty 400	F	H	G	B	F	D	A	E	Remarks
					r	r	e	e	e	e	n	n	
					a	a	a	a	a	a	s	s	
					n	n	n	n	n	n	t	t	
					a	a	a	a	a	a	a	a	
					n	n	n	n	n	n	n	n	
					a	a	a	a	a	a	a	a	
					n	n	n	n	n	n	n	n	
					a	a	a	a	a	a	a	a	
					n	n	n	n	n	n	n	n	
					a	a	a	a	a	a	a	a	
					n	n	n	n	n	n	n	n	
					a	a	a	a	a	a	a	a	
					n	n	n	n	n	n	n	n	
					a	a	a	a	a	a	a	a	
					n	n	n	n	n	n	n	n	
					a	a	a	a	a	a	a	a	
					n	n	n	n	n	n	n	n	
					a	a	a	a	a	a	a	a	
					n	n	n	n	n	n	n	n	
					a	a	a	a	a	a	a	a	
					n	n	n	n	n	n	n	n	
					a	a	a	a	a	a	a	a	
					n	n	n	n	n	n	n	n	
					a	a	a	a	a	a	a	a	
					n	n	n	n	n	n	n	n	
					a	a	a	a	a	a	a	a	
					n	n	n	n	n	n	n	n	
					a	a	a	a	a	a	a	a	
					n	n	n	n	n	n	n	n	
					a	a	a	a	a	a	a	a	
					n	n	n	n	n	n	n	n	
					a	a	a	a	a	a	a	a	
					n	n	n	n	n	n	n	n	
					a	a	a	a	a	a	a	a	
					n	n	n	n	n	n	n	n	
					a	a	a	a	a	a	a	a	
					n	n	n	n	n	n	n	n	
					a	a	a	a	a	a	a	a	
					n	n	n	n	n	n	n	n	
					a	a	a	a	a	a	a	a	
					n	n	n	n	n	n	n	n	
					a	a	a	a	a	a	a	a	
					n	n	n	n	n	n	n	n	
					a	a	a	a	a	a	a	a	
					n	n	n	n	n	n	n	n	
					a	a	a	a	a	a	a	a	
					n	n	n	n	n	n	n	n	
					a	a	a	a	a	a	a	a	
					n	n	n	n	n	n	n	n	
					a	a	a	a	a	a	a	a	
					n	n	n	n	n	n	n	n	
					a	a	a	a	a	a	a	a	
					n	n	n	n	n	n	n	n	
					a	a	a	a	a	a	a	a	
					n	n	n	n	n	n	n	n	
					a	a	a	a	a	a	a	a	
					n	n	n	n	n	n	n	n	
					a	a	a	a	a	a	a	a	
					n	n	n	n	n	n	n	n	
					a	a	a	a	a	a	a	a	
					n	n	n	n	n	n	n	n	
					a	a	a	a	a	a	a	a	
					n	n	n	n	n	n	n	n	
					a	a	a	a	a	a	a	a	
					n	n	n	n	n	n	n	n	
					a	a	a	a	a	a	a	a	
					n	n	n	n	n	n	n	n	
					a	a	a	a	a	a	a	a	
					n	n	n	n	n	n	n	n	
					a	a	a	a	a	a	a	a	
					n	n	n	n	n	n	n	n	
					a	a	a	a	a	a	a	a	
					n	n	n	n	n	n	n	n	
					a	a	a	a	a	a	a	a	
					n	n	n	n	n	n	n	n	
					a	a	a	a	a	a	a	a	
					n	n	n	n	n	n	n	n	
					a	a	a	a	a	a	a	a	
					n	n	n	n	n	n	n	n	
					a	a	a	a	a	a	a	a	
					n	n	n	n	n	n	n	n	
					a	a	a	a	a	a	a	a	
					n	n	n	n	n	n	n	n	
					a	a	a	a	a	a	a	a	
					n	n	n	n	n	n	n	n	
					a	a	a	a	a	a	a	a	
					n	n	n	n	n	n	n	n	
					a	a	a	a	a	a	a	a	
					n	n	n	n	n	n	n	n	
					a	a	a	a	a	a	a	a	
					n	n	n	n	n	n	n	n	
					a	a	a	a	a	a	a	a	
					n	n	n	n	n	n	n	n	
					a	a	a	a	a	a	a	a	
					n	n	n	n	n	n	n	n	
					a	a	a	a	a	a	a	a	
					n	n	n	n	n	n	n	n	
					a	a	a	a	a	a	a	a	
					n	n	n	n	n	n	n	n	
					a	a	a	a	a	a	a	a	
					n	n	n	n	n	n	n	n	
					a	a	a	a	a	a	a	a	
					n	n	n	n	n	n	n	n	
					a	a	a	a	a	a	a	a	
					n	n	n	n	n	n	n	n	
					a	a	a	a	a	a	a	a	
					n	n	n	n	n	n	n	n	
					a	a	a	a	a	a	a	a	
					n	n	n	n	n	n	n	n	
					a	a	a	a	a	a	a	a	
					n	n	n	n	n	n	n	n	
					a	a	a	a	a	a	a	a	
					n	n	n	n	n	n	n	n	
					a	a	a	a	a	a	a	a	
					n	n	n	n	n	n	n	n	
					a	a	a	a	a	a	a	a	
					n	n	n	n	n	n	n	n	
					a	a	a	a	a	a	a	a	
					n	n	n	n	n	n	n	n	
					a	a	a	a	a	a	a	a	
					n	n	n	n	n	n	n	n	
					a	a	a	a	a	a	a	a	
					n	n	n	n	n	n	n	n	
					a	a	a	a	a	a	a	a	
					n	n	n	n	n	n	n	n	
					a	a	a	a	a	a	a	a	
					n	n	n	n	n	n	n	n	
					a	a	a	a	a	a	a	a	
					n	n	n	n	n	n	n	n	
					a	a	a	a	a	a	a	a	
					n	n	n	n	n	n	n	n	
					a	a	a	a	a	a	a	a	
					n	n	n	n	n	n	n	n	
					a	a	a	a	a	a	a	a	
					n	n	n	n	n	n	n	n	
					a	a	a	a	a	a	a	a	
					n	n	n	n	n	n	n	n	
					a	a	a	a	a	a	a	a	
					n	n	n	n	n	n	n	n	
					a	a	a	a	a	a	a	a	



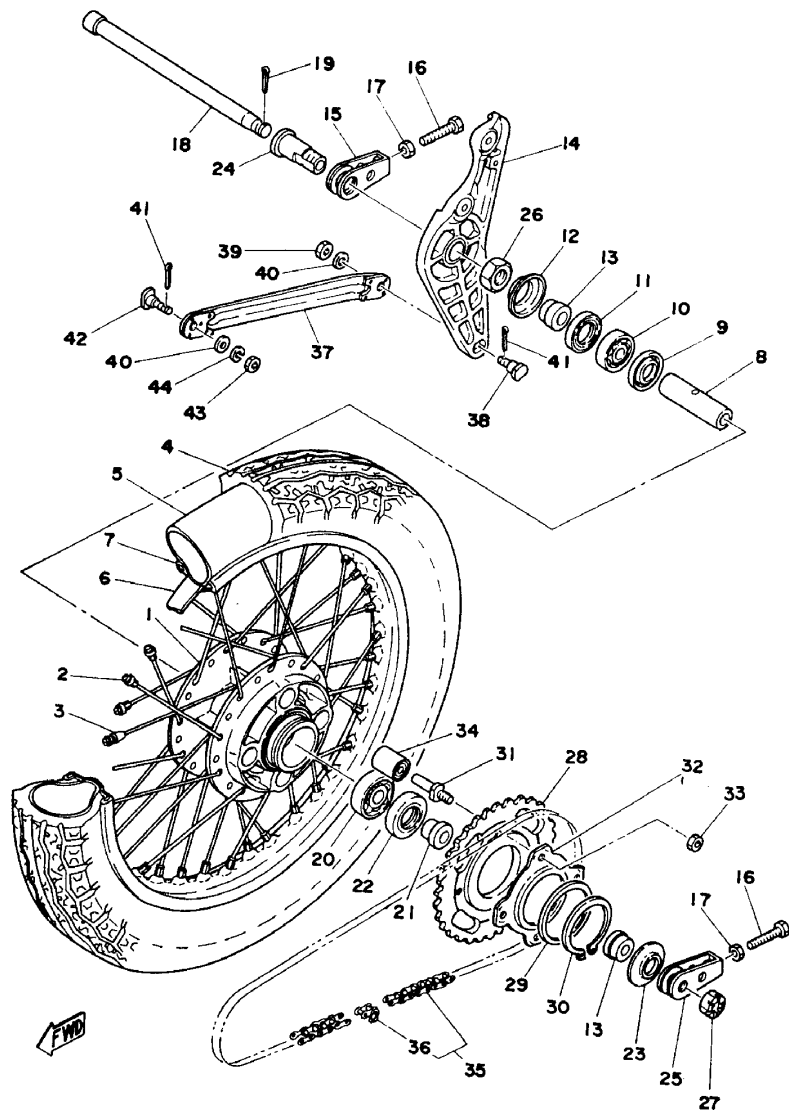
Fig. 32 REAR WHEEL (Casting Wheel Type) (2)



Ref. No.	Parts No.	Description	Q'ty 250	Q'ty 400	F	H	G	B	F	D	A	E	Remarks
					r	l	a	e	l	n	n	n	
32-26	93410-65040	CIRCLIP (S-62)	1	1	x	x	x	x	x	x	x	x	
32-27	90109-12429	BOLT	4	4	x	x	x	x	x	x	x	x	
32-28	1A1-25412-01	WASHER, lock	1	1	x	x	x	x	x	x	x	x	
32-29	95311-12700	NUT, hexagon	4	4	x	x	x	x	x	x	x	x	
32-30	1A1-25363-00	DAMPER, sprocket	4	4	x	x	x	x	x	x	x	x	
32-31	94585-30096	CHAIN (DK530DS-96L)	1	1	x	x	x	x	x	x	x	x	
32-32	94685-30011	. JOINT, chain	1	1	x	x	x	x	x	x	x	x	
32-33	171-25371-00	BAR, tension	1	1	x	x	x	x	x	x	x	x	
32-34	90109-08184	BOLT (168-25378-00)	1	1	x	x	x	x	x	x	x	x	
32-35	90170-08158	NUT	1	1	x	x	x	x	x	x	x	x	
32-36	92901-08600	WASHER, plate	2	2	x	x	x	x	x	x	x	x	
32-37	91401-20015	PIN, cotter	2	2	x	x	x	x	x	x	x	x	
32-38	90109-08375	BOLT	1	1	x	x	x	x	x	x	x	x	
32-39	90170-08157	NUT	1	1	x	x	x	x	x	x	x	x	
32-40	92901-08100	WASHER, spring	1	1	x	x	x	x	x	x	x	x	
32-41	1A1-25398-01	BALANCER, wheel (20g)	U.N.	U.N.	x	x	x	x	x	x	x	x	
	1A1-25399-00	BALANCER, wheel (10g)			x	x	x	x	x	x	x	x	



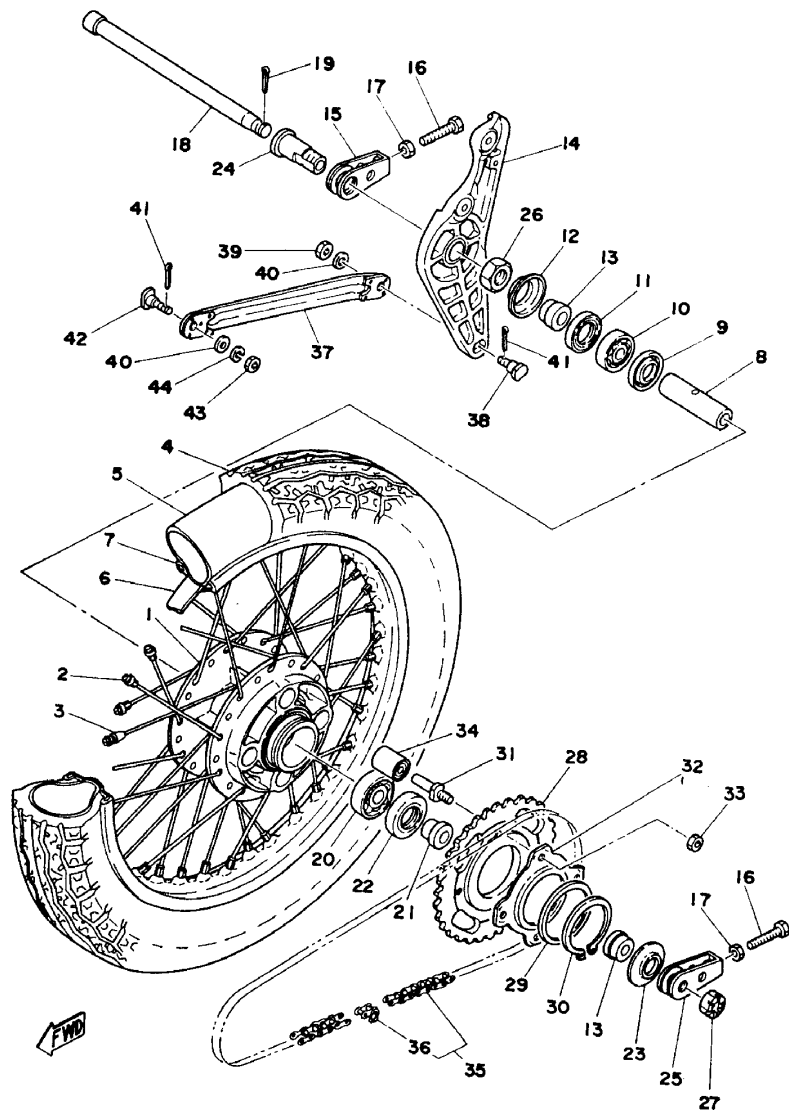
Fig. 33 REAR WHEEL (1) (Spoke Wheel Type -
ALTERNATE PARTS: ENGLAND Only)



Ref. No.	Parts No.	Description	Q'ty	Q'ty	Applicable	Remarks
			250	400	Machine No.	
33-1	1A3-25311-00	HUB, rear	1			
33-2	1A3-25304-00	SPOKE SET	1s			
33-3	156-25398-00	BALANCER, wheel	U.N.			
33-4	94132-18223	TIRE, rear (3.25S-18-4PR)	1			
33-5	94232-18020	TUBE (3.25-18)	1			
33-6	94327-18008	BAND, rim (2.75-18)	1			
33-7	94418-18181	RIM (1.85-18)	1			
33-8	1A1-25317-00	SPACER, bearing	1			
33-9	1A1-25115-00	FLANGE, spacer	1			
33-10	93306-30307	BEARING (B6303Z)	1			
33-11	93102-28022	OIL SEAL (SD-28-47-7)	1			
33-12	341-25118-00	COVER, hub dust	1			
33-13	90387-17433	COLLAR (341-25183-00)	2			
33-14	1A1-25819-00-33	BRACKET, caliper	1			Yamaha Black
33-15	1A1-25389-00	PULLER, chain right	1			
33-16	90101-08034	BOLT (168-25379-00)	2			
33-17	95301-08700	NUT	2			
33-18	150-25381-00	SHAFT, rear wheel	1			
33-19	91401-30030	PIN, cotter	1			
33-20	93306-30404	BEARING (6304Z)	1			
33-21	1A1-25377-00	COLLAR	1			
33-22	93102-28023	OIL SEAL (SD-28-52-6)	1			
33-23	1A1-25367-00	COVER, hub dust	1			
33-24	1A1-25387-00	SHAFT, bracket caliper	1			
33-25	168-25389-00	PULLER, chain right	1			
33-26	90170-22097	NUT (168-25385-00)	1			
33-27	90171-16007	NUT, castle (275-25382-00)	1			
33-28	1A1-25438-20	GEAR, sprocket wheel (38T)	1			
33-29	90201-66585	WASHER, plate	1			



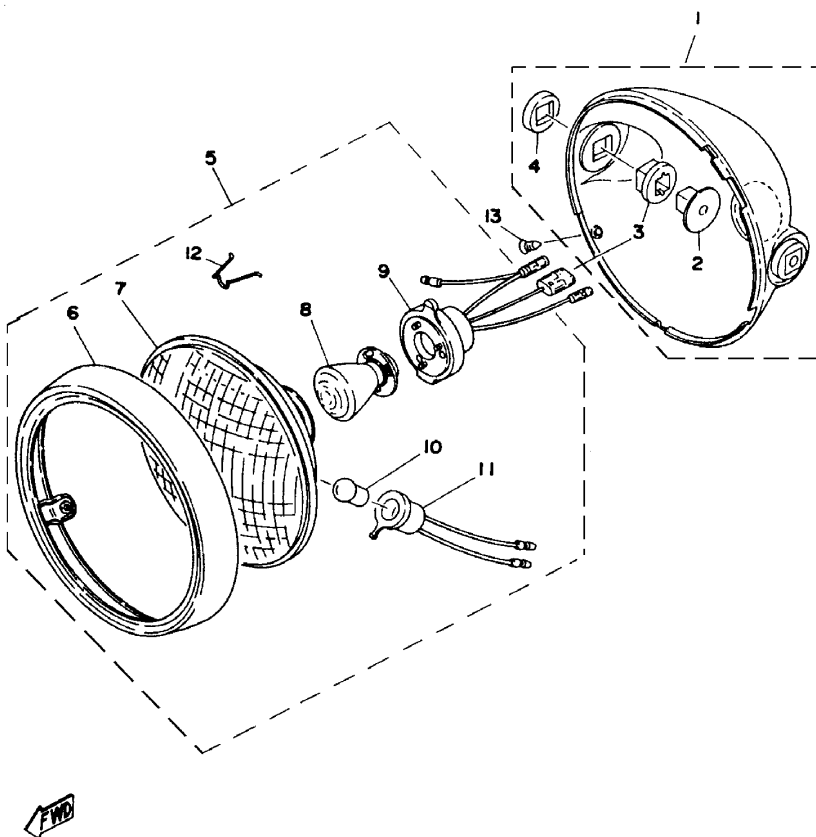
Fig. 33 REAR WHEEL (2) (Spoke Wheel Type -
ALTERNATE PARTS: ENGLAND Only)



Ref. No.	Parts No.	Description	Q'ty 250	Q'ty 400	Applicable Machine No.	Remarks
33-30	93410-65040	CIRCLIP (S-65)	1			
33-31	90109-12429	BOLT	4			
33-32	1A1-25412-01	WASHER, lock	1			
33-33	95311-12700	NUT, hexagon	4			
33-34	1A1-25363-00	DAMPER, sprocket	4			
33-35	94585-30096	CHAIN (DK530DS-96L)	1			
33-36	94685-30011	. JOINT, chain	1			
33-37	171-25371-00	BAR, tension	1			
33-38	90109-08184	BOLT (168-25378-00)	1			
33-39	90170-08158	NUT	1			
33-40	92901-08600	WASHER, plate	2			
33-41	91401-20015	PIN, cotter	2			
33-42	90109-08375	BOLT	1			
33-43	90170-08157	NUT	1			
33-44	92901-08100	WASHER, spring	1			



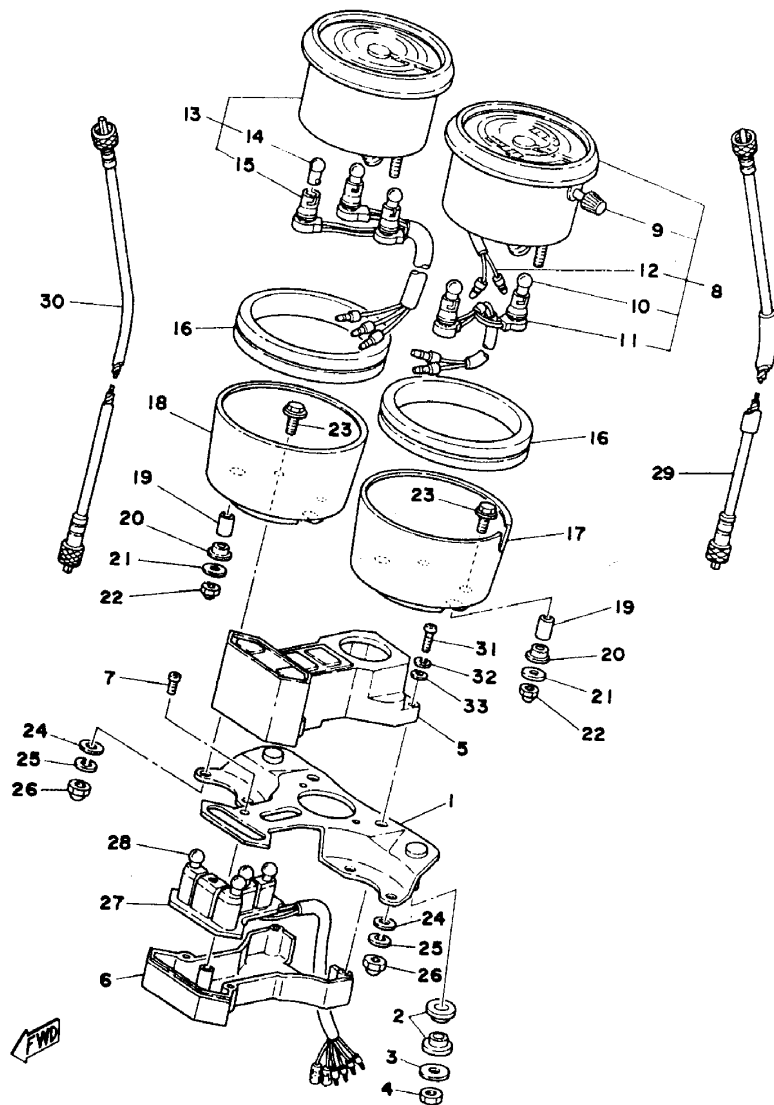
Fig. 37 HEAD LAMP 3



Ref. No.	Parts No.	Description	Q'ty 250	Q'ty 400	Front	Head Lamp	Light	Beam	Side	Down	Arrow	Engine	Intake	Remarks
37-1	1A0-84330-60-33	HEAD LAMP BODY ASS'Y	1	1								x		Yamaha Black
37-2	498-84145-60	. COLLAR	2	2								x		
37-3	498-84163-60	. BUSHING	2	2								x		
37-4	498-84164-60	. BUSHING	2	2								x		
37-5	1A2-84310-30	HEAD LAMP UNIT ASS'Y	1	1								x		
37-6	1A2-84315-45	. RIM, head lamp	1	1								x		
37-7	1A2-84320-30	. LENS ASS'Y	1	1								x		
37-8	817-84314-00	. BULB, head lamp (12V-35/35W)	1	1								x		
37-9	359-84312-00	. SOCKET ASS'Y	1	1								x		
37-10	306-84347-30	. BULB (12V-3.4W)	1	1								x		
37-11	357-84312-00	. SOCKET ASS'Y	1	1								x		
37-12	1A2-84324-20	. SPRING, reflector set	3	3								x		
36-13	90152-05005	SCREW, rim fitting	1	1								x		



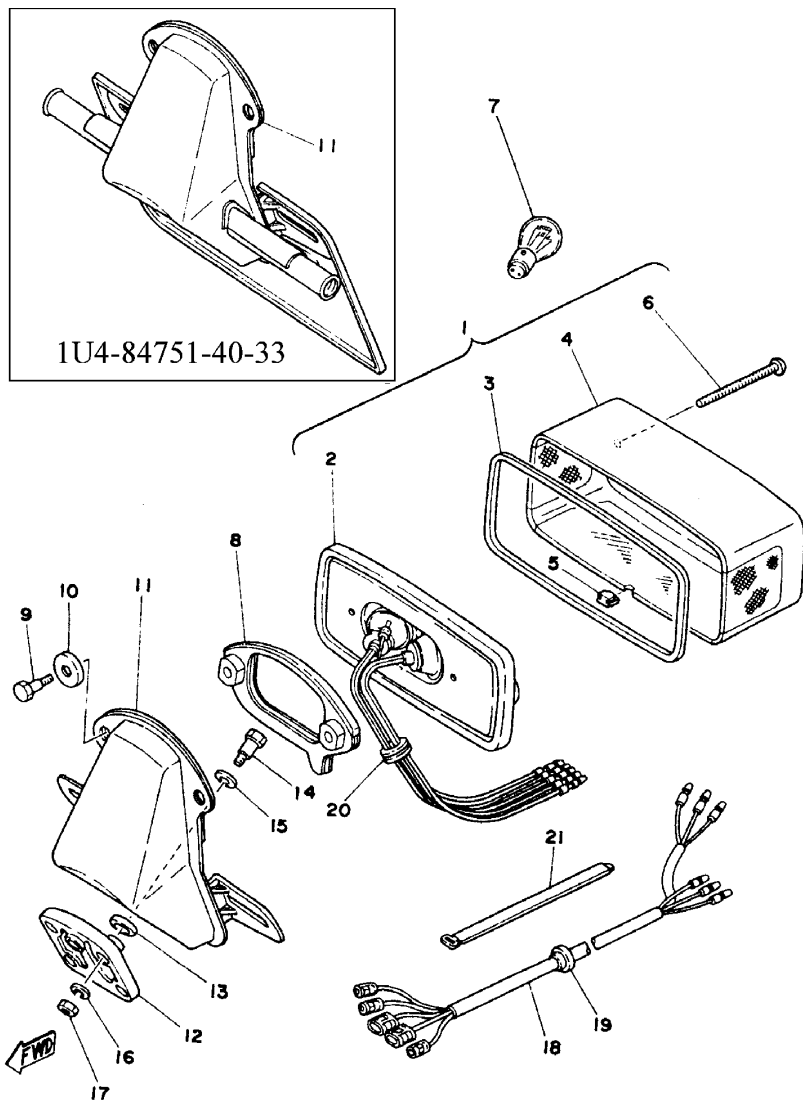
Fig. 38 SPEEDOMETER - TACHOMETER (1)



Part No.	Part No.	Description	Q'ty 250	Q'ty 400	Applicable Machine No.	Remarks
38-1	1A0-83519-01	BRACKET, meter	1	1		
38-2	1A0-83523-00	DAMPER	4	4		
38-3	90201-06063	WASHER, plate (810-77318-00)	2	2		
38-4	95301-06600	NUT, hexagon	2	2		
38-5	1J3-83568-71	PILOT BOX, upper	1	1		
38-6	1J3-83569-71	PILOT BOX, under	1	1		
38-7	98501-05010	SCREW, panhead	1	1		
38-8	1A2-83570-21	SPEEDOMETER ASS'Y	1	1		Km/h
	1A0-83570-41	SPEEDOMETER ASS'Y	1	1		Mile/h (STD England)
38-9	584-83578-71	. KNOB, trip meter	1	1		
38-10	123-83516-21	. BULB (12V-3.4W)	2	2		
38-11	1A0-83536-01	. SOCKET CORD ASS'Y 1	1	1		
38-12	1A0-83556-01	. SOCKET CORD ASS'Y 4	1	1		Reed switch
38-13	1A0-83540-02	TACHOMETER ASS'Y	1	1		
38-14	123-83516-21	. BULB (12V-3.4W)	3	3		
38-15	1A0-83520-01	. SOCKET CORD ASS'Y 3	1	1		
38-16	1A0-83513-00	DAMPER, meter	2	2		
38-17	1A0-83507-00	COVER, speedometer	1	1		
38-18	1A0-83508-00	COVER, tachometer	1	1		
38-19	1A0-83522-00	COLLAR	4	4		
38-20	584-83523-00	DAMPER, meter cover fitting	4	4		
38-21	92901-05200	WASHER, plain	4	4		
38-22	95303-05800	NUT, crown	4	4		
38-23	584-83546-00	BOLT	4	4		
38-24	92901-06200	WASHER, plain	4	4		
38-25	92901-06100	WASHER, spring	4	4		
38-26	95303-06800	NUT, crown	4	4		
38-27	1J3-83509-70	. SOCKET CORD ASS'Y	1	1		
38-28	123-83516-21	BULB (12V-3.4W)	4	4		



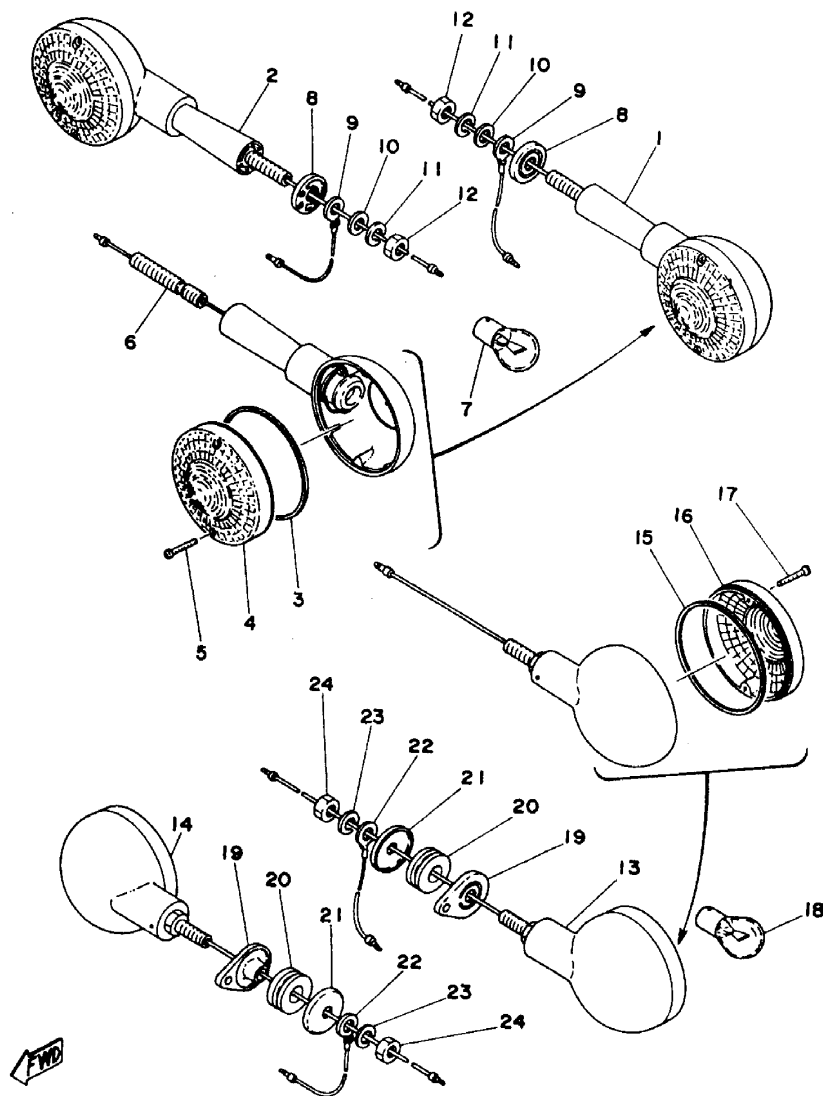
Fig. 39 TAIL LAMP



Ref. No.	Parts No.	Description	Q'ty 250	Q'ty 400	F	H	G	B	F	D	A	E	Remarks
					r	r	e	e	e	e	n	n	
					a	a	l	l	l	l	r	r	
					n	n	a	a	a	a	w	w	
					d	d	i	i	i	i	a	a	
					a	a	u	u	u	u	r	r	
					y	y	e	e	e	e	a	a	
					e	e	s	s	s	s	n	n	
					s	s	w	w	w	w	g	g	
					w	w	i	i	i	i	l	l	
					i	i	t	t	t	t	a	a	
					t	t							
39-1	1U4-84710-40	TAIL LAMP UNIT ASS'Y	1	1			x		x				
	1U4-84710-70	TAIL LAMP UNIT ASS'Y	1	1	x	x	x	x	x	x	x	x	x
39-2	1U4-84711-40	. BASE, tail lamp	1	1	x	x	x	x	x	x	x	x	x
39-3	1A0-84723-60	. GASKET, tail lamp	1	1	x	x	x	x	x	x	x	x	x
39-4	1A2-84721-40	. LENS, tail lamp	1	1			x		x				
	1A2-84721-70	. LENS, tail lamp	1	1	x	x	x	x		x	x	x	x
39-5	1A2-84718-40	. GROMMET	1	1			x		x				
39-6	98581-04054	. SCREW, panhead	2	2	x	x	x	x	x	x	x	x	x
39-7	1A2-84714-40	BULB, tail lamp (12V-21/5W)	2	2	x	x	x	x	x	x	x	x	x
39-8	1A0-84712-60	SEAT, base	1	1	x	x	x	x	x	x	x	x	x
39-9	1A0-84726-60	SCREW	2	2	x	x	x	x	x	x	x	x	x
39-10	437-84525-60	WASHER, special	2	2	x	x	x	x	x	x	x	x	x
39-11	1U4-84751-20-33	BRACKET, licence	1	1	x	x			x	x			
	1U4-84751-40-33	BRACKET, licence	1	1			x	x		x			
39-12	1A2-84753-00	DAMPER	1	1	x	x	x	x	x	x	x	x	x
39-13	1A2-84753-10	DAMPER	4	4	x	x	x	x	x	x	x	x	x
39-14	90109-06022	BOLT	4	4	x	x	x	x	x	x	x	x	x
39-15	92901-08200	WASHER, plain	4	4	x	x	x	x	x	x	x	x	x
39-16	92901-06100	WASHER, spring	4	4	x	x	x	x	x	x	x	x	x
39-17	95301-06600	NUT, hexagon	4	4	x	x	x	x	x	x	x	x	x
39-18	1A0-84717-00	CORD, tail lamp	1	1	x	x			x				
	1A2-84717-40	CORD, tail lamp	1	1			x	x	x	x			
39-19	90480-12013	GROMMET (152-84158-00)	1	1	x	x	x	x	x	x	x	x	x
39-20	90480-12067	GROMMET	1	1	x	x	x	x	x	x	x	x	x
39-21	341-26397-01	BAND	1	1	x	x	x	x	x	x	x	x	x



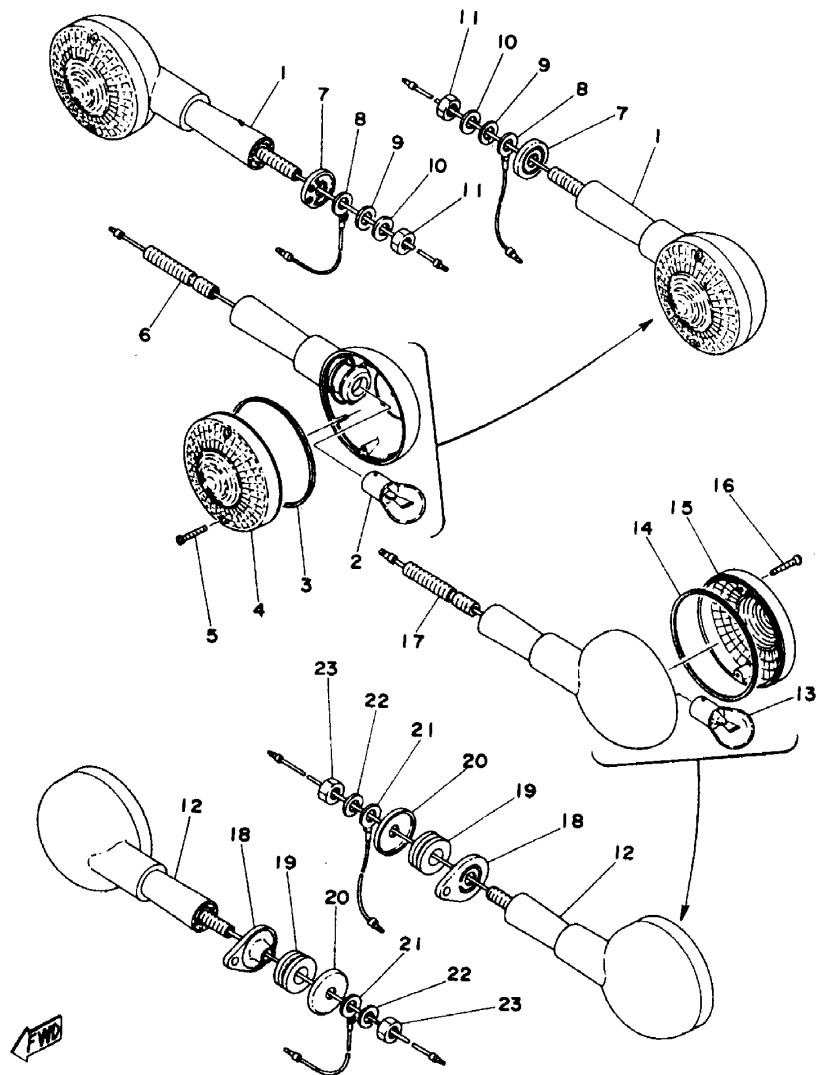
Fig. 40 FLASHER LAMP 1



Ref. No.	Parts No.	Description	Q'ty 250	Q'ty 400	F	H	G	B	F	D	A	E	Remarks
40-1	366-83310-41-93	FRONT FLASHER LAMP ASS'Y, left	1	1		x	x			x			
40-2	366-83320-41-93	FRONT FLASHER LAMP ASS'Y, right	1	1		x	x			x			
40-3	341-83313-70	. GASKET, flasher lens	2	2		x	x			x			
40-4	341-83312-70	. LENS, flasher	2	2		x	x			x			
40-5	341-83333-70	. SCREW, lens fitting	4	4		x	x			x			
40-6	341-83367-00	. BOLD, stud	2	2		x	x			x			
40-7	306-83311-40	BULB, flasher (12V-21W)	2	2		x	x			x			
40-8	360-83316-00	COLLAR, flasher front	2	2		x	x			x			
40-9	371-82519-00	WIRE, earth lead	2	2		x	x			x			
40-10	92901-08200	WASHER, plain	2	2		x	x			x			
40-11	92901-08100	WASHER, spring	2	2		x	x			x			
40-12	95301-08600	NUT, hexagon	2	2		x	x			x			
40-13	533-83330-40-93	REAR FLASHER LAMP ASS'Y, left	1	1		x	x			x			
40-14	533-83340-40-93	REAR FLASHER LAMP ASS'Y, right	1	1		x	x			x			
40-15	341-83313-70	. GASKET, flasher lens	2	2		x	x			x			
40-16	366-83312-40	. LENS, flasher	2	2		x	x			x			
40-17	341-83333-70	. SCREW, lens fitting	4	4		x	x			x			
40-18	306-83311-40	BULB, flasher (12V-21W)	2	2		x	x			x			
40-19	360-83326-00	COLLAR, flasher rear	2	2		x	x			x			
40-20	90480-18128	GROMMET (360-83321-00)	2	2		x	x			x			
40-21	90201-08612	WASHER, plate	2	2		x	x			x			
40-22	256-83336-01	CORD	2	2		x	x			x			
40-23	92901-08100	WASHER, spring	2	2		x	x			x			
40-24	95301-08600	NUT, hexagon	2	2		x	x			x			



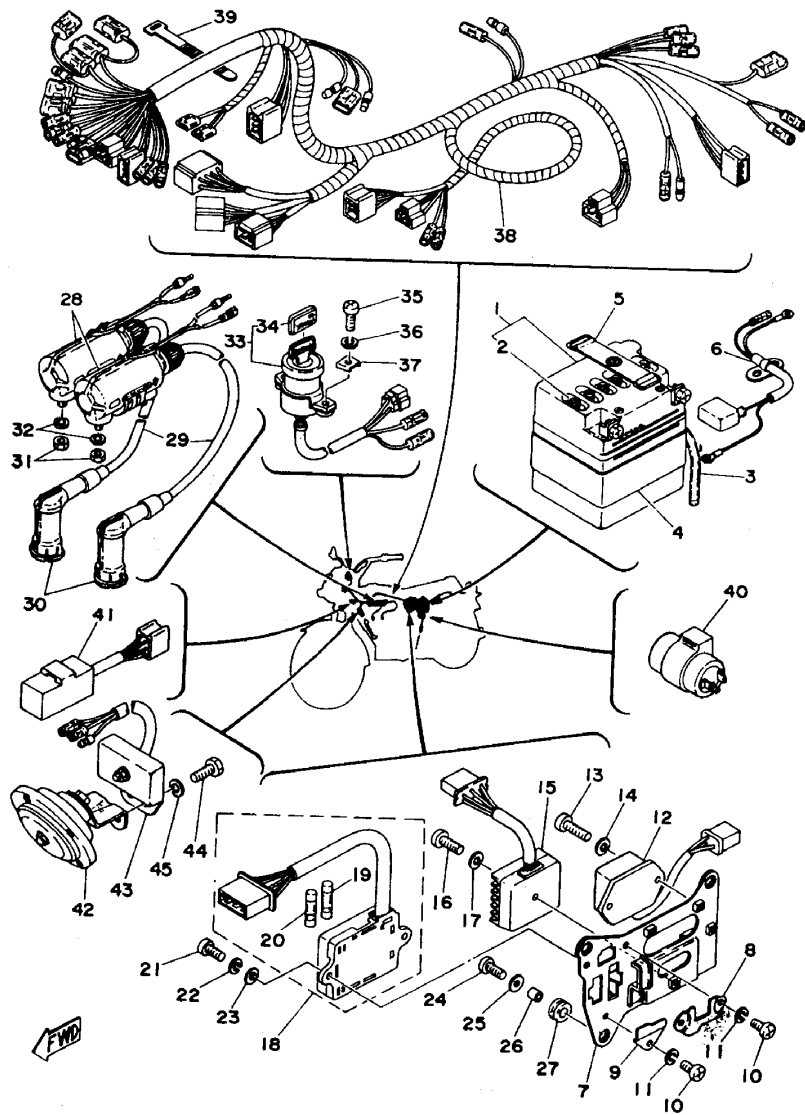
Fig. 41 FLASHER LAMP 2



Ref. No.	Parts No.	Description	Q'ty 250	Q'ty 400	F	H	Sw	W	B	F	D	A	E	Remarks	
					r	a	l	l	e	l	n	n	l		
					a	n	a	l	l	a	r	w	r		
41-1	360-83310-71-93	FRONT FLASHER LAMP ASS'Y	2	2	x	x			x	x			x	x	x
41-2	256-83311-70	BULB, flasher (12V-32CP)	2	2	x	x			x	x			x	x	x
41-3	341-83313-70	. GASKET, flasher lens	2	2	x	x			x	x			x	x	x
41-4	341-83312-70	. LENS, flasher	2	2	x	x			x	x			x	x	x
41-5	341-83333-70	. SCREW, lens fitting	4	4	x	x			x	x			x	x	x
41-6	360-83367-00	. BOLD, stud	4	4	x	x			x	x			x	x	x
41-7	360-83316-00	COLLAR, flasher front	2	2	x	x			x	x			x	x	x
41-8	371-82519-00	WIRE, earth lead	2	2	x	x			x	x			x	x	x
41-9	92901-08200	WASHER, plain	2	2	x	x			x	x			x	x	x
41-10	92901-08100	WASHER, spring	2	2	x	x			x	x			x	x	x
41-11	95301-08600	NUT, hexagon	2	2	x	x			x	x			x	x	x
41-12	360-83330-21-93	REAR FLASHER LAMP ASS'Y	2	2	x	x			x	x				x	x
	521-83330-50-93	REAR FLASHER LAMP ASS'Y	2	2										x	
41-13	256-83311-70	BULB, flasher (12V-32CP)	2	2	x	x			x	x			x	x	x
41-14	341-83313-70	. GASKET, flasher lens	2	2	x	x			x	x			x	x	x
41-15	341-83312-70	. LENS, flasher	2	2	x	x			x	x				x	x
	366-83312-40	. LENS, flasher	2	2										x	
41-16	341-83333-70	. SCREW, lens fitting	4	4	x	x			x	x			x	x	x
41-17	360-83367-00	. BOLD, stud	2	2	x	x			x	x			x	x	x
41-18	360-83326-00	COLLAR, flasher rear	2	2	x	x			x	x			x	x	x
41-19	90480-18128	GROMMET (360-83321-00)	2	2	x	x			x	x			x	x	x
41-20	90201-08612	WASHER, plate	2	2	x	x			x	x			x	x	x
41-21	256-83336-01	CORD	2	2	x	x			x	x			x	x	x
41-22	92901-08100	WASHER, spring	2	2	x	x			x	x			x	x	x
41-23	95301-08600	NUT, hexagon	2	2	x	x			x	x			x	x	x



Fig. 42 ELECTRICAL (1)



Ref. No.	Part No.	Description	Q'ty 250	Q'ty 400	F	H	G	B	F	D	A	E	Remarks
42-1	118-82110-71	BATTERY ASS'Y	U.R.	U.R.	x	x	x	x	x	x	x	x	
	118-82110-80	BATTERY ASS'Y	1	1									
42-2	104-82111-20	. CAP, battery	6	6	x	x	x	x	x	x	x	x	
42-3	90445-08047	HOSE (168-82112-00 5-580)	1	1	x	x	x	x	x	x	x	x	
42-4	235-82124-00	BAND, battery	1	1	x	x	x	x	x	x	x	x	
42-5	122-82131-00	BAND, battery	1	1	x	x	x	x	x	x	x	x	
42-6	1A0-82117-00	Wire, lead	1	1	x	x	x	x	x	x	x	x	
42-7	1A0-21543-01	PLATE 1	1	1	x	x	x	x	x	x	x	x	
42-8	1A0-21544-00	PLATE 2	1	1	x	x	x	x	x	x	x	x	
42-9	1A0-21545-00	PLATE 3	1	1	x	x	x	x	x	x	x	x	
42-10	92501-06010	SCREW, panhead	3	3	x	x	x	x	x	x	x	x	
42-11	92901-06100	WASHER, spring	3	3	x	x	x	x	x	x	x	x	
42-12	1A0-81910-11	VOLTAGE REGULATOR ASS'Y	1	1	x	x	x	x	x	x	x	x	
42-13	92501-06030	SCREW, panhead	2	2	x	x	x	x	x	x	x	x	
42-14	92901-06100	WASHER, spring	2	2	x	x	x	x	x	x	x	x	
42-15	1A0-81970-20	RECTIFIER ASS'Y	U.R.	U.R.	x	x	x	x	x	x	x	x	
	1A0-81970-60	RECTIFIER ASS'Y	1	1									
42-16	92501-06020	SCREW, panhead	1	1	x	x	x	x	x	x	x	x	
42-17	92901-06100	WASHER, spring	1	1	x	x	x	x	x	x	x	x	
42-18	1A0-82170-00	FUSE BOX ASS'Y	1	1	x	x	x	x	x	x	x	x	
42-19	1A0-82151-00	. FUSE (10A)	4	4	x	x	x	x	x	x	x	x	
42-20	1A0-82161-00	. FUSE (20A)	2	2	x	x	x	x	x	x	x	x	
42-21	98501-05015	SCREW, panhead	2	2	x	x	x	x	x	x	x	x	
42-22	92901-05100	WASHER, spring	2	2	x	x	x	x	x	x	x	x	
42-23	92901-05600	WASHER, plate	2	2	x	x	x	x	x	x	x	x	
42-24	92501-06018	SCREW, panhead	3	3	x	x	x	x	x	x	x	x	



REPAIR KIT





Fig. 43 REPAIR KIT (1)

Ref.No.	Parts No.	Description	Q'ty 250	Q'ty 400	Applicable Machine No.	Remarks
43-1	1A0-11630-00	PISTON ASS'Y (STD)	2s			
	1A0-11630-10	PISTON ASS'Y (1st O.S.)	2s			
	1A0-11630-20	PISTON ASS'Y (2nd O.S.)	2s			
	1A0-11630-30	PISTON ASS'Y (3rd O.S.)	2s			
	1A0-11630-40	PISTON ASS'Y (4th O.S.)	2s			
	1A1-11630-00	PISTON ASS'Y (STD)		2s		
	1A1-11630-10	PISTON ASS'Y (1st O.S.)		2s		
	1A1-11630-20	PISTON ASS'Y (2nd O.S.)		2s		
	1A1-11630-30	PISTON ASS'Y (3rd O.S.)		2s		
	1A1-11630-40	PISTON ASS'Y (4th O.S.)		2s		
43-2	1A0-11631-00-96	. PISTON (STD) \	UR.			Ref.No. 4-14
	1A0-11631-00-98	. PISTON (STD))	2			
	1A0-11635-00	. PISTON (1st O.S.)	2			
	1A0-11636-00	. PISTON (2nd O.S.)	2			
	1A0-11637-00	. PISTON (3rd O.S.)	2			
	1A0-11638-00	. PISTON (4th O.S.)	2			
	1A1-11631-00-96	. PISTON (STD) \		UR.		
	1A1-11631-00-98	. PISTON (STD))		2		
	1A1-11635-00	. PISTON (1st O.S.)		2		
	1A1-11636-00	. PISTON (2nd O.S.)		2		
1A1-11637-00	. PISTON (3rd O.S.)		2			
1A1-11638-00	. PISTON (4th O.S.)		2			

Ref.No.	Parts No.	Description	Q'ty 250	Q'ty 400	Applicable Machine No.	Remarks
43-3	1A0-11610-00	. PISTON RING SET (STD)	2s			Ref.No. 4-15
	1A0-11610-10	. PISTON RING SET (1st O.S.)	2s			
	1A0-11610-20	. PISTON RING SET (2nd O.S.)	2s			
	1A0-11610-30	. PISTON RING SET (3rd O.S.)	2s			
	1A0-11610-40	. PISTON RING SET (4th O.S.)	2s			
	1A1-11610-00	. PISTON RING SET (STD)		2s		
	1A1-11610-10	. PISTON RING SET (1st O.S.)		2s		
	1A1-11610-20	. PISTON RING SET (2nd O.S.)		2s		
	1A1-11610-30	. PISTON RING SET (3rd O.S.)		2s		
	1A1-11610-40	. PISTON RING SET (4th O.S.)		2s		
43-4	280-11633-00	. PIN, piston	2			Ref.No. 4-16
	278-11633-00	. PIN, piston		2		Ref.No. 4-16
43-5	93450-17025	. CIRCLIP (137-11634-00)	4	4		Ref.No. 4-17
43-6	1A0-11650-00	CONNECTING ROD ASS'Y	2s			
	1A1-11650-00	CONNECTING ROD ASS'Y		2s		
43-7	278-11681-00	. PIN, crank	2			Ref.No. 4-6
	1A1-11681-00	. PIN, crank		2		Ref.No. 4-6
43-8	360-11651-00	. ROD, connecting	2			Ref.No. 4-7
	1A1-11651-00	. ROD, connecting		2		Ref.No. 4-7
43-9	93310-42231	. BEARING, con-rod big end	2	2		Ref.No. 4-8
43-10	90209-22071	. WASHER (164-11685-00)	4	2		Ref.No. 4-9
43-11	93310-216A3	. BEARING, con-rod small end	2			Ref.No. 4-13
	93310-216E1	. BEARING, con-rod small end		2		Ref.No. 4-13
43-12	1A2-W0001-00	GASKET KIT	1s			Exclusive for W.Germany
	1N9-W0001-00	GASKET KIT		1s		
	1A3-W0001-00	GASKET KIT		1s		
43-13	1A2-11181-00	. GASKET, cylinder head	2			Ref.No. 1-2
	1N9-11181-00	. GASKET, cylinder head		2		Exclusive for W.Germany
	1A3-11181-00	. GASKET, cylinder head		2		Ref.No. 1-2



Fig. 43 REPAIR KIT (2)

Ref.No.	Parts No.	Description	Q'ty 250	Q'ty 400	Applicable Machine No.	Remarks
43-14	278-11351-01	. GASKET, cylinder	2	2		Ref.No. 1-5
43-15	137-15353-00	. GASKET, drain plug	1	1		Ref.No. 2-14
43-16	1A0-15455-00	. GASKET, generator cover	1	1		Ref.No. 3-7
43-17	1A0-15457-00	. GASKET, cap cover	1	1		Ref.No. 3-11
43-18	1A0-15461-00	. GASKET, crankcase cover right	1	1		Ref.No. 3-16
43-19	1A0-15456-00	. GASKET, oil pump cover	1	1		Ref.No. 3-20
43-20	93210-27194	. O-RING (2.5-27)	1	1		Ref.No. 3-23
43-21	360-11526-00	. SEAL, crank shaft	1	1		Ref.No. 4-26
43-22	93211-10232	. O-RING (5.7-109-6)	1	1		Ref.No. 5-11
43-23	137-15353-00	. GASKET, drain plug	1	1		Ref.No. 7-31
43-24	93210-29147	. O-RING (2.4-29.4)	1	1		Ref.No. 7-33
43-25	93210-13016	. O-RING (1.8-13)	1	1		Ref.No. 10-11
43-26	93210-07100	. O-RING (2.2-7.2)	1	1		Ref.No. 10-13
43-27	314-13621-02	. PACKING, valve seat	2			Ref.No. 11-38
	1A1-13621-00	. PACKING, valve seat		2		Ref.No. 11-38
43-28	360-14184-01	. GASKET, float chamber	2	2		Ref.No. 12-10
43-29	360-14714-00	. GASKET, muffler joint	2			Ref.No. 13-6
	1A1-14714-02	. GASKET, muffler joint		2		Ref.No. 13-6
43-30	1A0-14613-00	. GASKET, exhaust	2	2		Ref.No. 13-11
43-31	126-13116-00	. GASKET, pump case	1	1		Ref.No. 14-1
43-32	90430-04004	. GASKET (137-13187-00)	1	1		Ref.No. 14-20
43-33	1A0-W0003-00	OIL SEAT KIT	1s			
	1A1-W0003-00	OIL SEAT KIT		1s		
43-34	93103-20076	. OIL SEAT (SW-20-40-10 special)	1	1		Ref.No. 4-18
43-35	93103-40077	. OIL SEAT (SW-40-62-10 special)	1	1		Ref.No. 4-21
43-36	237-15389-00	. SEAL, push rod	1	1		Ref.No. 5-19
43-37	214-16347-01	. SEAL, dust	1	1		Ref.No. 5-21
43-38	93102-35054	. OIL SEAL (SD-35-62-6)	1	1		Ref.No. 6-34
43-39	93101-12004	. OIL SEAL (S-12-22-5)	1	1		Ref.No. 8-18

Ref.No.	Parts No.	Description	Q'ty 250	Q'ty 400	Applicable Machine No.	Remarks
43-40	93104-11056	. OIL SEAL (S-12-17-2.5)		1		Ref.No. 8-20
43-41	93104-20007	. OIL SEAL (SO-20-30-4.5)	1	1		Ref.No. 9-9
43-42	93101-10002	. OIL SEAL (S-10-22-7)	1	1		Ref.No. 14-5
43-43	351-25196-90	SPOKE SET, inner (10PCS)	1s	1s		Alternate Parts
43-44	351-25197-90	SPOKE SET, outer (10PCS)	1s	1s		Alternate Parts
43-45	1A3-25396-90	SPOKE SET, inner left (10PCS)	1s	1s		Alternate Parts
43-46	1A3-25397-90	SPOKE SET, outer left (10PCS)	1s	1s		Alternate Parts
43-47	1A3-25391-90	SPOKE SET, inner right (10PCS)	1s	1s		Alternate Parts
43-48	1A3-25392-90	SPOKE SET, outer right (10PCS)	1s	1s		Alternate Parts



NUMERICAL INDEX





NUMERICAL INDEX (1)

Ref.No.	Parts No.	Ref.No.	Parts No.	Ref.No.	Parts No.
1-10	1A0-11162-02	12-11	1A0-14183-00	43-18	1A0-15461-00
4-15	1A0-11610-00	12-8	1A0-14185-00	3-24	1A0-15491-00
43-3	1A0-11610-00	12-48	1A0-14193-00	3-25	1A0-15497-00
4-15	1A0-11610-10	12-47	1A0-14196-00	4-22	1A0-16111-00
43-3	1A0-11610-10	12-46	1A0-14197-00	5-2	1A0-16150-01
4-15	1A0-11610-20	12-29	1A0-14243-00	5-1	1A0-16301-01
43-3	1A0-11610-20	12-30	1A0-14253-00	5-8	1A0-16351-00
4-15	1A0-11610-30	11-1	1A0-14411-00	5-4	1A0-16371-00
43-3	1A0-11610-30	11-3	1A0-14412-00	6-1	1A0-17411-00
4-15	1A0-11610-40	11-8	1A0-14419-01	6-18	1A0-17420-00
43-3	1A0-11610-40	11-9	1A0-14431-00	8-12	1A0-18111-00-93
43-1	1A0-11630-00	11-20	1A0-14435-01	25-2	1A0-20000-10
43-1	1A0-11630-10	11-19	1A0-14437-00	17-12	1A0-21107-00
43-1	1A0-11630-20	11-10	1A0-14441-00	17-5	1A0-21170-01-33
43-1	1A0-11630-30	11-2	1A0-14451-01	16-8	1A0-21315-00
43-1	1A0-11630-40	11-27	1A0-14453-01	16-9	1A0-21316-00
4-14	1A0-11631-00-96	11-4	1A0-14457-01	16-2	1A0-21317-00-33
43-2	1A0-11631-00-96	11-11	1A0-14467-01	20-11	1A0-21445-01-33
4-14	1A0-11631-00-98	13-8	1A0-14611-00	20-12	1A0-21446-01-33
43-2	1A0-11631-00-98	13-10	1A0-14612-01	21-1	1A0-21510-02-93
4-14	1A0-11635-00	13-11	1A0-14613-00	21-4	1A0-21518-00
43-2	1A0-11635-00	43-30	1A0-14613-00	42-7	1A0-21543-01
4-14	1A0-11636-00	13-9	1A0-14621-00	42-8	1A0-21544-00
43-2	1A0-11636-00	13-2	1A0-14720-00	42-9	1A0-21545-00
4-14	1A0-11637-00	12-22	1A0-14991-00	21-5	1A0-21610-10-93
43-2	1A0-11637-00	2-1	1A0-15100-01	21-6	1A0-21629-00
4-14	1A0-11638-00	3-1	1A0-15411-00	16-19	1A0-21645-10
43-2	1A0-11638-00	3-6	1A0-15415-00	27-20	1A0-21745-01
43-6	1A0-11650-00	3-19	1A0-15416-00	17-10	1A0-21746-01
14-10	1A0-13101-01	3-10	1A0-15417-00	27-1	1A0-21751-00-20
14-8	1A0-13178-00	3-13	1A0-15421-00	27-1	1A0-21751-00-26
11-31	1A0-13610-00	3-14	1A0-15435-00	27-1	1A0-21751-00-29
11-32	1A0-13613-00	3-8	1A0-15435-00	27-1	1A0-21751-00-E8
11-37	1A0-13624-00	3-7	1A0-15455-00	27-4	1A0-21771-00
12-25	1A0-14112-25	43-16	1A0-15455-00	27-3	1A0-21792-00
12-26	1A0-14113-25	3-20	1A0-15456-00	18-6	1A0-22128-00
12-50	1A0-14169-00	43-19	1A0-15456-00	18-8	1A0-22149-00
12-38	1A0-14171-00	3-11	1A0-15457-00	18-15	1A0-22311-00-33
12-41	1A0-14175-00	43-17	1A0-15457-00	22-19	1A0-23116-00
12-43	1A0-14179-00	3-16	1A0-15461-00	22-35	1A0-23121-01-33

Ref.No.	Parts No.	Ref.No.	Parts No.	Ref.No.	Parts No.
22-17	1A0-23122-00	19-25	1A0-27416-00	24-11	1A0-83975-00-98
22-14	1A0-23124-01	19-18	1A0-27451-00	25-26	1A0-83980-30
22-2	1A0-23126-01	19-19	1A0-27461-00	36-6	1A0-84315-60
22-36	1A0-23131-01-33	15-1	1A0-81600-10	35-1	1A0-84330-60-33
22-7	1A0-23136-01	15-4	1A0-81610-10	36-1	1A0-84330-60-33
22-37	1A0-23164-00	15-6	1A0-81611-10	37-1	1A0-84330-60-33
22-13	1A0-23170-02	15-7	1A0-81612-10	36-15	1A0-84332-60
22-25	1A0-23340-00-33	15-5	1A0-81613-10	36-7	1A0-84395-60
16-22	1A0-23408-00	15-13	1A0-81623-10	39-8	1A0-84712-60
23-9	1A0-23435-01-98	15-20	1A0-81625-10	39-18	1A0-84717-00
26-4	1A0-24161-00	15-27	1A0-81627-10	39-3	1A0-84723-60
26-15	1A0-24181-00	15-30	1A0-81627-10	39-9	1A0-84726-60
26-14	1A0-24186-00	15-24	1A0-81632-10	42-43	1A0-85370-10
26-16	1A0-24500-02	15-2	1A0-81650-10	27-16	1A0-85720-02
26-21	1A0-24512-00	15-3	1A0-81651-10	43-33	1A0-W0003-00
26-19	1A0-24521-00	15-8	1A0-81661-10	13-1	1A00-14710-00
26-22	1A0-24524-01	42-12	1A0-81910-11	4-1	1A1-11400-01
26-20	1A0-24529-01	42-15	1A0-81970-20	4-2	1A1-11412-01
26-23	1A0-24535-00	42-15	1A0-81970-60	4-3	1A1-11422-01
26-5	1A0-24602-00	42-6	1A0-82117-00	4-4	1A1-11432-01
28-20	1A0-24705-00	42-19	1A0-82151-00	4-5	1A1-11442-01
28-15	1A0-24726-00	42-20	1A0-82161-00	4-15	1A1-11610-00
25-6	1A0-25824-01	42-18	1A0-82170-00	43-3	1A1-11610-00
25-1	1A0-25850-02	42-28	1A0-82310-10	4-15	1A1-11610-10
25-3	1A0-25854-01	42-38	1A0-82590-63	43-3	1A1-11610-10
25-4	1A0-25855-01	42-40	1A0-83350-70	4-15	1A1-11610-20
25-25	1A0-25871-00	42-42	1A0-83371-21	43-3	1A1-11610-20
25-20	1A0-25872-02	42-41	1A0-83395-02	4-15	1A1-11610-30
25-21	1A0-25876-00	38-17	1A0-83507-00	43-3	1A1-11610-30
25-5	1A0-25893-01	38-18	1A0-83508-00	4-15	1A1-11610-40
24-12	1A0-26242-01	38-16	1A0-83513-00	43-3	1A1-11610-40
24-14	1A0-26243-01	38-1	1A0-83519-01	43-1	1A1-11630-00
24-15	1A0-26260-00	38-15	1A0-83520-01	43-1	1A1-11630-10
24-16	1A0-26335-00	38-19	1A0-83522-00	43-1	1A1-11630-20
13-24	1A0-27111-00	38-2	1A0-83523-00	43-1	1A1-11630-30
20-1	1A0-27211-00-33	38-11	1A0-83536-01	43-1	1A1-11630-40
19-7	1A0-27311-00-33	38-13	1A0-83540-02	4-14	1A1-11631-00-96
19-17	1A0-27412-01	38-12	1A0-83556-01	43-2	1A1-11631-00-96
19-20	1A0-27413-00	38-8	1A0-83570-41	4-14	1A1-11631-00-98
19-26	1A0-27414-00	25-10	1A0-83922-00	43-2	1A1-11631-00-98



NUMERICAL INDEX (2)

Ref.No.	Parts No.	Ref.No.	Parts No.	Ref.No.	Parts No.
4-14	1A1-11635-00	16-8	1A1-21315-00	20-25	1A1-25898-50
43-2	1A1-11635-00	16-9	1A1-21315-00	20-24	1A1-25899-50
4-14	1A1-11636-00	17-1	1A1-21721-00-20	20-2	1A1-27212-01
43-2	1A1-11636-00	17-1	1A1-21721-00-26	20-6	1A1-27222-01
4-14	1A1-11637-00	17-1	1A1-21721-00-29	20-7	1A1-27231-01
43-2	1A1-11637-00	17-1	1A1-21721-00-E8	17-17	1A1-28100-10
4-14	1A1-11638-00	20-32	1A1-21798-00	20-45	1A1-82531-00
43-2	1A1-11638-00	18-1	1A1-22110-01-33	43-33	1A1-W0003-00
43-6	1A1-11650-00	29-5	1A1-25115-00	31-9	1A1-W0045-00
4-7	1A1-11651-00	32-5	1A1-25115-00	34-9	1A1-W0045-00
43-8	1A1-11651-00	33-9	1A1-25115-00	1-1	1A2-11111-00
4-6	1A1-11681-00	29-1	1A1-25168-00	1-2	1A2-11181-00
43-7	1A1-11681-00	32-4	1A1-25317-00	43-13	1A2-11181-00
14-10	1A1-13101-01	33-8	1A1-25317-00	1-3	1A2-11311-00
14-8	1A1-13178-00	32-1	1A1-25338-00	1-4	1A2-11321-00
11-31	1A1-13610-00	32-30	1A1-25363-00	12-1	1A2-14101-00
11-38	1A1-13621-00	33-34	1A1-25363-00	12-2	1A2-14102-00
43-27	1A1-13621-00	32-19	1A1-25367-00	11-8	1A2-14419-00
13-8	1A1-14611-00	33-23	1A1-25367-00	11-2	1A2-14451-00
13-7	1A1-14615-02	32-17	1A1-25377-00	21-5	1A2-21610-10-93
13-9	1A1-14621-00	33-21	1A1-25377-00	21-19	1A2-21638-00
13-1	1A1-14710-00	32-20	1A1-25387-00	17-2	1A2-21783-11
13-6	1A1-14714-02	33-24	1A1-25387-00	27-2	1A2-21784-11
43-29	1A1-14714-02	32-11	1A1-25389-00	22-1	1A2-23101-32
13-2	1A1-14720-00	33-15	1A1-25389-00	22-25	1A2-23340-30-33
2-1	1A1-15100-01	29-27	1A1-25398-01	26-1	1A2-24110-00-X5
2-21	1A1-15316-00	32-41	1A1-25398-01	26-1	1A2-24110-00-X6
2-23	1A1-15317-00	29-27	1A1-25399-00	26-1	1A2-24110-00-X7
2-22	1A1-15326-00	32-41	1A1-25399-00	26-1	1A2-24110-00-X8
2-24	1A1-15336-00	32-28	1A1-25412-01	26-2	1A2-24244-21
3-1	1A1-15411-00	33-32	1A1-25412-01	26-3	1A2-24245-21
9-5	1A1-15621-00	32-24	1A1-25438-20	28-1	1A2-24730-W0
4-22	1A1-16111-00	33-28	1A1-25438-20	28-1	1A2-24730-Y0
5-2	1A1-16150-00	32-10	1A1-25819-00-33	28-2	1A2-24731-00
5-1	1A1-16301-00	33-14	1A1-25819-00-33	28-3	1A2-24756-00-20
6-8	1A1-17121-00	20-31	1A1-25852-00	28-3	1A2-24756-00-26
6-5	1A1-17131-00	20-40	1A1-25872-52	28-3	1A2-24756-00-29
6-36	1A1-17461-70	34-20	1A1-25875-02	28-3	1A2-24756-00-E8
8-12	1A1-18111-00-93	20-28	1A1-25894-01	28-9	1A2-24773-00
16-1	1A1-21110-00-33	20-38	1A1-25895-00	28-29	1A2-24785-10-20

Ref.No.	Parts No.	Ref.No.	Parts No.	Ref.No.	Parts No.
28-29	1A2-24785-10-26	39-4	1A2-84721-70	24-23	1J7-26290-01
28-29	1A2-24785-10-29	39-12	1A2-84753-00	24-22	1J7-26290-11
28-29	1A2-24785-10-E8	39-13	1A2-84753-10	1-2	1N9-11181-00
28-28	1A2-24785-20-20	43-12	1A2-W0001-00	43-13	1N9-11181-00
28-28	1A2-24785-20-26	1-1	1A3-11111-01	13-8	1N9-14611-00
28-28	1A2-24785-20-29	1-12	1A3-11161-10	13-9	1N9-14621-00
28-28	1A2-24785-20-E8	1-2	1A3-11181-00	43-12	1N9-W0001-00
28-4	1A2-24786-00	43-13	1A3-11181-00	35-9	1R6-84146-30
31-8	1A2-25810-10	1-3	1A3-11311-00	36-10	1R6-84146-30
34-8	1A2-25810-50	1-4	1A3-11321-00	28-22	1T4-24741-00
25-25	1A2-25871-40	12-1	1A3-14101-00	28-10	1T4-24742-00
25-20	1A2-25872-22	12-2	1A3-14102-00	28-11	1T4-24796-00
24-15	1A2-26260-20	20-23	1A3-20000-50	39-1	1U4-84710-40
19-1	1A2-27111-00	16-1	1A3-21110-20-33	39-1	1U4-84710-70
19-7	1A2-27311-00-33	16-1	1A3-21110-30-33	39-2	1U4-84711-40
19-12	1A2-27315-00	16-1	1A3-21110-41-33	39-11	1U4-84751-20-33
19-13	1A2-27315-10	16-1	1A3-21110-80-33	39-11	1U4-84751-40-33
19-8	1A2-27317-00	17-2	1A3-21783-11	29-17	102-18416-00
42-30	1A2-82370-10	27-2	1A3-21784-11	30-21	102-18416-00
42-33	1A2-82508-40	18-11	1A3-22210-20	42-2	104-82111-20
42-33	1A2-82508-45	22-1	1A3-23101-01	17-13	116-82131-00
42-38	1A2-82590-41	22-15	1A3-23141-00	42-1	118-82110-71
42-42	1A2-83371-51	33-2	1A3-25304-00	42-1	118-82110-80
38-8	1A2-83570-21	33-1	1A3-25311-00	20-15	120-27431-00
24-3	1A2-83972-01-98	43-47	1A3-25391-90	20-16	120-27433-00
35-5	1A2-84303-21	43-48	1A3-25392-90	22-33	122-23119-01
35-5	1A2-84303-41	43-45	1A3-25396-90	22-34	122-23129-00
36-5	1A2-84303-41	43-46	1A3-25397-90	42-5	122-82131-00
37-5	1A2-84310-30	20-22	1A3-25850-50	38-10	123-83516-21
35-7	1A2-84315-45	43-12	1A3-W0001-00	38-14	123-83516-21
37-6	1A2-84315-45	24-2	1E6-26241-00	38-28	123-83516-21
35-6	1A2-84320-21	42-40	1E7-83350-40	14-1	126-13116-00
37-7	1A2-84320-30	42-41	1E7-83395-02	43-31	126-13116-00
35-6	1A2-84320-46	38-27	1J3-83509-70	12-21	127-14134-00
36-8	1A2-84320-46	38-5	1J3-83568-71	12-9	127-14186-00
37-12	1A2-84324-20	38-6	1J3-83569-71	5-30	132-16346-00
39-7	1A2-84714-40	28-32	1J7-24722-00	8-13	132-18113-01
39-18	1A2-84717-40	28-31	1J7-24735-00	15-21	132-81225-10
39-5	1A2-84718-40	28-33	1J7-24777-00	15-17	133-81131-10
39-4	1A2-84721-40	28-30	1J7-24789-00	16-25	134-23483-10



NUMERICAL INDEX (3)

Ref.No.	Parts No.	Ref.No.	Parts No.	Ref.No.	Parts No.
16-23	134-23484-10	32-21	168-25389-00	43-36	237-15389-00
16-26	134-23485-10	33-25	168-25389-00	5-19	237-15389-00
16-24	134-23488-10	24-19	168-83936-01	18-7	240-22127-00
9-23	136-17417-00-09	16-22	169-23408-10	12-34	246-14126-00
23-7	136-23415-00	35-12	169-84347-10	9-11	248-15668-00
14-11	137-13137-00-03	36-18	169-84347-10	28-14	248-24726-00-33
14-11	137-13137-00-05	12-42	170-14178-00	12-39	256-14135-00
14-12	137-13138-01	21-28	170-21746-00	12-23	256-14956-01
14-4	137-13176-00	32-33	171-25371-00	5-22	256-16396-01
12-4	137-14143-22	33-37	171-25371-00	22-21	256-23142-60
12-4	137-14143-22	5-12	174-16356-00	23-19	256-23442-00-98
12-4	137-14143-23	23-6	183-23411-00	41-13	256-83311-70
12-4	137-14143-24	23-5	183-23412-00	41-2	256-83311-70
12-4	137-14143-24	42-29	183-82341-00	40-22	256-83336-01
12-4	137-14143-26	12-3	193-14142-25	41-21	256-83336-01
12-5	137-14153-00	36-11	195-84324-00	12-13	266-14126-00
2-16	137-15353-00	36-16	198-84334-61	12-12	266-14191-00
43-15	137-15353-00	14-2	214-13175-02	1-5	278-11351-01
43-23	137-15353-00	12-18	214-14147-00	43-14	278-11351-01
7-31	137-15353-00	12-7	214-14195-00	4-2	278-11412-00
17-11	141-21717-00	5-15	214-16119-00	4-3	278-11422-00
32-14	150-25381-00	43-37	214-16347-01	4-4	278-11432-00
33-18	150-25381-00	5-21	214-16347-01	4-5	278-11442-00
30-9	152-25115-00	5-26	214-16389-00	4-10	278-11515-00
9-2	156-15618-01	10-10	214-17811-02	4-16	278-11633-00
18-2	156-22141-00	10-16	214-17812-00	43-4	278-11633-00
23-2	156-23411-00	10-12	214-17841-01	4-6	278-11681-00
23-4	156-23412-00	10-14	214-17847-00	43-7	278-11681-00
30-3	156-25398-00	8-5	214-18178-00	14-24	278-13174-00
33-3	156-25398-00	22-23	214-23114-00	2-19	278-15492-01
12-28	164-14137-00	22-5	214-23146-00	9-1	278-15611-00-93
6-41	164-17417-00-10	22-9	214-23146-00	9-5	278-15621-00
23-1	164-23462-00	22-10	214-23156-00	9-21	278-15641-01
12-6	168-14190-25	22-6	214-23156-00	6-40	278-15650-00
6-13	168-17428-01-03	26-17	214-24512-00	9-22	278-15660-01
6-31	168-17428-01-03	28-23	214-24724-00	9-14	278-15666-01
6-13	168-17428-01-05	24-6	214-83912-00	9-16	278-15671-01
6-31	168-17428-01-05	24-8	214-83913-00	9-15	278-15676-00
13-21	168-21639-00	36-14	214-84131-61	5-16	278-16181-01
21-13	168-21639-00	42-4	235-82124-00	5-5	278-16367-00

Ref.No.	Parts No.	Ref.No.	Parts No.	Ref.No.	Parts No.
4-20	278-17424-00	34-13	306-25821-01	30-11	341-25846-00
6-32	278-17424-00	31-14	306-25822-01	25-7	341-25867-00
6-30	278-17425-00	34-14	306-25822-01	24-22	341-26290-20
10-8	278-17812-00	31-10	306-25824-00	24-23	341-26290-70
10-6	278-17831-00	34-10	306-25824-00	39-21	341-26397-01
10-2	278-17851-00	31-11	306-25825-01	28-25	341-28185-00
10-1	278-17861-00	34-11	306-25825-01	28-27	341-28188-00
8-19	278-18101-01	31-15	306-25826-01	24-5	341-82911-00
8-10	278-18127-00	34-15	306-25826-01	40-4	341-83312-70
8-15	278-18131-00	25-22	306-25881-00	41-15	341-83312-70
7-24	278-18531-00	40-18	306-83311-40	41-4	341-83312-70
7-25	278-18535-00	40-7	306-83311-40	40-15	341-83313-70
7-13	278-18542-00	37-10	306-84347-30	40-3	341-83313-70
7-28	278-18547-02	11-38	314-13621-02	41-14	341-83313-70
7-11	278-18566-00	43-27	314-13621-02	41-3	341-83313-70
18-16	278-22332-00	23-18	315-23441-00-98	40-17	341-83333-70
22-3	278-23128-51	22-20	321-23115-50	40-5	341-83333-70
22-4	278-23145-51	5-18	328-16357-00	41-16	341-83333-70
22-8	278-23145-51	8-1	328-18128-00	41-5	341-83333-70
22-31	278-23181-50	8-2	328-18151-00	40-6	341-83367-00
26-10	278-24181-00	7-17	328-18179-00	20-43	341-83980-30
24-1	278-26111-01	7-5	328-18185-00	35-11	341-84314-20
24-13	278-26294-00	7-7	328-18352-10	35-11	341-84314-40
19-1	278-27111-00	7-20	328-18511-00	36-17	341-84314-40
19-2	278-27112-00	7-21	328-18512-00	11-30	345-13565-71
28-24	278-27114-00	7-3	328-18561-00	11-33	345-13613-70
19-7	278-27311-01	7-15	328-18562-00	11-34	345-13616-70
19-16	278-27314-00	29-24	341-25118-00	30-2	351-25104-00
7-32	278-82540-01	30-28	341-25118-00	30-1	351-25111-00
4-16	280-11633-00	32-8	341-25118-00	29-11	351-25135-00
43-4	280-11633-00	33-12	341-25118-00	30-15	351-25135-00
10-2	280-17851-00	29-9	341-25137-00	29-16	351-25138-00
35-10	290-84124-21	30-13	341-25137-00	30-20	351-25138-00
22-18	291-23163-61	29-8	341-25149-00	29-19	351-25181-00
22-22	306-23118-60	30-12	341-25149-00	30-23	351-25181-00
22-28	306-23167-60	29-14	341-25191-01	43-43	351-25196-90
22-26	306-23346-60	30-18	341-25191-01	43-44	351-25197-90
29-18	306-25136-00	31-6	341-25412-00	31-1	351-25831-01
30-22	306-25136-00	34-6	341-25412-00	34-1	351-25831-01
31-13	306-25821-01	29-7	341-25846-00	31-2	351-25832-00



NUMERICAL INDEX (4)

Ref.No.	Parts No.	Ref.No.	Parts No.	Ref.No.	Parts No.
34-2	351-25832-00	40-19	360-83326-00	35-4	498-84164-60
38-29	351-83550-00	41-18	360-83326-00	36-4	498-84164-60
14-17	353-13552-01	41-12	360-83330-21-93	37-4	498-84164-60
12-20	354-14147-00	41-17	360-83367-00	12-44	500-14174-00
37-11	357-84312-00	41-6	360-83367-00	22-32	509-25158-10
37-9	359-84312-00	38-30	360-83560-00	1-9	521-11161-01
4-1	360-11400-00	22-24	366-23111-60	1-9	521-11161-01
4-26	360-11526-00	24-20	366-82591-00	13-3	521-14753-00
43-21	360-11526-00	40-1	366-83310-41-93	6-2	521-17141-00
4-7	360-11651-00	40-16	366-83312-40	6-10	521-17151-00
43-8	360-11651-00	41-15	366-83312-40	6-7	521-17161-00
12-37	360-14124-20	40-2	366-83320-41-93	6-24	521-17241-00
12-33	360-14131-00	28-18	371-24728-00	6-22	521-17261-00
12-24	360-14141-38	15-12	371-81622-10	29-28	521-25188-00
12-24	360-14141-42	40-9	371-82519-00	41-12	521-83330-50-93
12-10	360-14184-01	41-8	371-82519-00	14-2	522-13175-01
43-28	360-14184-01	35-8	371-84312-60	12-27	522-14116-01
13-7	360-14713-00	36-9	371-84312-60	12-27	522-14116-03
13-6	360-14714-00	11-32	401-13613-00	12-19	525-14123-00
43-29	360-14714-00	21-21	413-21621-90	42-34	526-82579-00
3-22	360-15363-00	21-22	413-21622-90	42-37	533-82517-00
5-17	360-16154-00	21-20	413-21641-00	40-13	533-83330-40-93
5-3	360-16154-00	24-1	413-26111-21	40-14	533-83340-40-93
5-6	360-16321-00	22-12	434-23171-00	22-16	584-23144-50
5-20	360-16340-00	27-21	437-21779-00	16-23	584-23484-00
6-27	360-17211-00	16-28	437-83936-10	38-20	584-83523-00
6-19	360-17221-00	39-10	437-84525-60	38-23	584-83546-00
6-23	360-17231-00	36-12	438-84392-60	38-9	584-83578-71
6-16	360-17471-00	21-29	449-85131-01	12-35	802-14158-00
7-9	360-18141-01	12-16	493-14122-00	12-36	802-14161-00
7-1	360-18541-00	12-17	493-14133-00	12-45	802-14173-00
27-6	360-21752-00	2-17	498-15371-00	42-39	803-82591-00
27-8	360-21753-00	5-7	498-16325-00	42-30	808-82370-10
20-29	360-25854-00	26-18	498-24522-00	37-8	817-84314-00
20-30	360-25855-01	35-2	498-84145-60	31-12	856-20000-50
25-19	360-25862-00	36-2	498-84145-60	34-12	856-20000-50
24-4	360-82910-00	37-2	498-84145-60	20-20	90101-06288
41-1	360-83310-71-93	35-3	498-84163-60	28-19	90101-06304
40-8	360-83316-00	36-3	498-84163-60	32-12	90101-08034
41-7	360-83316-00	37-3	498-84163-60	33-16	90101-08034

Ref.No.	Parts No.	Ref.No.	Parts No.	Ref.No.	Parts No.
21-2	90101-08253	19-9	90170-08158	25-18	90201-10118
31-7	90101-08352	32-35	90170-08158	20-44	90201-10128
34-7	90101-08352	33-39	90170-08158	10-4	90201-10135
13-17	90101-10257	18-9	90170-14174	13-20	90201-10140
16-13	90101-10297	4-25	90170-16182	18-13	90201-10140
16-3	90105-08033	5-14	90170-18089	23-22	90201-10146
31-3	90109-06018	32-22	90170-22097	23-20	90201-12195
34-3	90109-06018	33-26	90170-22097	1-7	90201-12362
39-14	90109-06022	29-26	90171-14006	8-17	90201-12575
25-11	90109-06465	30-30	90171-14006	18-12	90201-14218
19-8	90109-08034	32-23	90171-16007	13-22	90201-15239
32-34	90109-08184	33-27	90171-16007	9-7	90201-15340
33-38	90109-08184	18-14	90176-10013	6-9	90201-20266
32-38	90109-08375	31-19	90176-10013	6-25	90201-20276
33-42	90109-08375	34-19	90176-10013	20-18	90201-20279
19-8	90109-08415	23-11	90176-16016	29-10	90201-25286
31-16	90109-10041	1-8	90179-08026	30-14	90201-25286
34-16	90109-10041	24-18	90179-08148	29-12	90201-25490
32-27	90109-12429	5-25	90179-08179	30-16	90201-25490
33-31	90109-12429	13-23	90179-10123	6-3	90201-25490
5-24	90113-08021	21-14	90179-10220	9-19	90201-25490
2-8	90116-08064	6-38	90179-18020	32-25	90201-66585
1-6	90116-08065	23-8	90179-25033	33-29	90201-66585
13-12	90116-08116	22-29	90185-08054	11-7	90202-05101
1-6	90116-08232	19-24	90201-06042	26-25	90202-06010
2-7	90116-08232	20-33	90201-06050	21-18	90202-15105
11-5	90122-06002	11-22	90201-06053	16-24	90206-04003
24-17	90123-08046	42-25	90201-06053	6-39	90206-15055
15-31	90143-07022	38-3	90201-06063	9-20	90206-25059
25-13	90146-06008	21-17	90201-06073	9-12	90208-20022
26-24	90149-06011	17-7	90201-06380	18-18	90209-06034
8-6	90149-06017	27-13	90201-06380	26-13	90209-06139
7-30	90149-14031	20-9	90201-08083	29-25	90209-14136
35-13	90152-05005	23-13	90201-08083	23-10	90209-17057
36-13	90152-05005	21-3	90201-08097	6-20	90209-21105
36-19	90152-05005	19-15	90201-08569	6-6	90209-21105
5-9	90159-06010	40-21	90201-08612	4-9	90209-22071
25-14	90170-06010	41-20	90201-08612	43-10	90209-22071
32-39	90170-08157	14-7	90201-08624	31-5	90215-06106
33-43	90170-08157	20-42	90201-10118	34-4	90215-06106



NUMERICAL INDEX (5)

Ref.No.	Parts No.	Ref.No.	Parts No.	Ref.No.	Parts No.
8-11	90215-08015	25-17	90401-10034	17-3	90480-12053
4-24	90215-18131	14-15	90430-04004	39-20	90480-12067
6-37	90215-21121	43-32	90430-04004	42-27	90480-13018
5-27	90240-06005	27-5	90430-27124	11-24	90480-14102
20-8	90240-08013	14-21	90445-05301	17-9	90480-14102
19-23	90243-08006	14-20	90445-05302	27-15	90480-14102
26-8	90249-03123	42-3	90445-08047	13-25	90480-14153
7-22	90250-08017	12-49	90445-09056	40-20	90480-18128
16-25	90269-04003	11-25	90445-09078	41-19	90480-18128
4-19	90280-04005	26-27	90445-09082	14-18	90501-02018
4-23	90282-07006	26-26	90445-09094	7-12	90501-06022
16-27	90338-04010	27-17	90445-09122	27-18	90501-08410
21-26	90338-07043	26-29	90445-10308	7-29	90501-10062
24-21	90338-09012	19-29	90445-19307	25-15	90501-10312
25-16	90338-09012	19-6	90445-19307	20-46	90501-10406
16-29	90338-18054	2-18	90446-07008	9-3	90501-12081
7-27	90338-22009	20-39	90460-16068	5-10	90501-23138
2-15	90340-14034	27-9	90460-26007	9-24	90502-07025
2-5	90380-14040	27-7	90460-30009	16-26	90502-09024
2-4	90381-08002	11-29	90460-43053	5-29	90506-10069
10-15	90383-10005	11-28	90460-49058	19-4	90506-35058
27-24	90385-10026	2-26	90462-05004	19-11	90507-25023
23-21	90385-12027	2-27	90462-06025	19-11	90507-25023
18-4	90386-22018	21-27	90464-08020	19-4	90507-32027
18-17	90387-07389	2-28	90465-06093	19-5	90507-32028
42-26	90387-07389	2-29	90465-06094	8-3	90508-08007
11-23	90387-07390	11-26	90467-08003	19-21	90508-20154
17-8	90387-07390	26-28	90467-08003	19-22	90508-20155
27-14	90387-07390	27-19	90467-08003	9-10	90508-30051
19-14	90387-10255	26-30	90467-09006	8-9	90508-32055
16-10	90387-10516	14-22	90468-02033	19-11	90508-32177
16-11	90387-12101	14-23	90468-02033	20-5	90508-40348
18-3	90387-16128	17-16	90468-10050	29-4	90560-17125
18-5	90387-16226	28-17	90468-10050	30-8	90560-17125
29-22	90387-17433	23-25	90468-12006	11-39	91316-06025
30-26	90387-17433	9-17	90468-26045	5-28	91401-10010
32-9	90387-17433	17-4	90480-01141	20-10	91401-16012
33-13	90387-17433	2-30	90480-01148	20-19	91401-16012
6-35	90387-25192	28-26	90480-06007	32-37	91401-20015
20-41	90401-10034	39-19	90480-12013	33-41	91401-20015

Ref.No.	Parts No.	Ref.No.	Parts No.	Ref.No.	Parts No.
19-10	91401-20018	11-36	92901-03100	39-16	92901-06100
7-23	91401-25020	12-32	92901-03100	42-11	92901-06100
19-3	91401-30025	12-15	92901-04100	42-14	92901-06100
29-20	91401-30030	15-10	92901-04100	42-17	92901-06100
30-24	91401-30030	15-15	92901-04100	42-32	92901-06100
32-15	91401-30030	15-19	92901-04100	42-45	92901-06100
33-19	91401-30030	15-23	92901-04100	8-8	92901-06100
28-16	91501-05055	15-29	92901-04100	11-6	92901-06200
20-17	91501-06035	15-11	92901-04200	2-14	92901-06200
29-15	91609-20014	15-16	92901-04200	20-37	92901-06200
30-19	91609-20014	15-26	92901-04200	38-24	92901-06200
1-13	91609-30010	11-13	92901-05100	11-18	92901-06600
17-14	91701-05120	14-13	92901-05100	21-9	92901-06600
2-2	91830-22016	21-30	92901-05100	27-11	92901-06600
3-15	91830-22016	26-7	92901-05100	27-23	92901-06600
3-3	91830-22016	28-6	92901-05100	34-23	92901-06600
13-4	92501-06010	36-13	92901-05100	13-14	92901-08100
42-10	92501-06010	42-22	92901-05100	13-16	92901-08100
20-35	92501-06015	42-36	92901-05100	15-32	92901-08100
34-21	92501-06015	11-14	92901-05200	16-18	92901-08100
11-16	92501-06018	28-7	92901-05200	16-21	92901-08100
18-20	92501-06018	38-21	92901-05200	16-6	92901-08100
20-34	92501-06018	17-15	92901-05600	20-14	92901-08100
42-24	92501-06018	42-23	92901-05600	20-27	92901-08100
18-19	92501-06020	11-17	92901-06100	23-17	92901-08100
27-10	92501-06020	13-5	92901-06100	28-13	92901-08100
42-16	92501-06020	15-34	92901-06100	32-40	92901-08100
17-6	92501-06025	18-21	92901-06100	33-44	92901-08100
42-13	92501-06030	20-36	92901-06100	40-11	92901-08100
15-33	92501-06070	20-4	92901-06100	40-23	92901-08100
3-12	92506-06020	21-16	92901-06100	41-10	92901-08100
3-5	92506-06020	21-25	92901-06100	41-22	92901-08100
3-18	92506-06030	21-8	92901-06100	16-7	92901-08200
3-4	92506-06035	22-39	92901-06100	2-10	92901-08200
3-17	92506-06040	24-10	92901-06100	39-15	92901-08200
3-21	92506-06045	25-24	92901-06100	40-10	92901-08200
3-9	92506-06070	25-9	92901-06100	41-9	92901-08200
6-17	92701-06015	26-12	92901-06100	22-30	92901-08600
7-16	92701-06015	34-22	92901-06100	32-36	92901-08600
28-21	92706-06012	38-25	92901-06100	33-40	92901-08600



NUMERICAL INDEX (6)

Ref.No.	Parts No.	Ref.No.	Parts No.	Ref.No.	Parts No.
13-18	92901-10100	43-26	93210-07100	26-9	93430-02001
16-15	92901-10100	2-25	93210-11073	8-4	93430-07012
19-28	92901-10100	10-11	93210-13016	10-5	93430-08006
21-11	92901-10100	43-25	93210-13016	14-6	93430-08006
23-23	92901-10100	3-23	93210-27194	10-7	93430-10016
31-17	92901-10100	43-20	93210-27194	7-26	93430-10016
34-17	92901-10100	43-24	93210-29147	8-16	93430-10016
13-19	92901-10200	7-33	93210-29147	9-8	93430-10016
21-12	92901-10600	43-22	93211-10232	6-21	93440-25019
31-18	92901-10600	5-11	93211-10232	6-4	93440-25019
34-18	92901-10600	12-40	93220-09001	9-18	93440-25019
22-27	92901-12100	6-14	93305-20502	6-15	93440-52009
29-25	92901-14200	4-11	93306-20604	4-17	93450-17025
30-29	92901-14200	29-21	93306-30303	43-5	93450-17025
23-14	92903-08100	32-6	93306-30303	22-11	93450-30033
38-32	92906-04100	30-10	93306-30306	23-3	93501-04011
38-33	92906-04600	30-25	93306-30307	5-13	93505-16006
14-5	93101-10002	33-10	93306-30307	14-19	93505-32002
43-42	93101-10002	29-6	93306-30309	9-4	93507-32009
43-39	93101-12004	33-20	93306-30404	2-6	93603-14026
8-18	93101-12004	32-16	93306-30417	10-3	93603-22028
29-23	93102-28022	6-33	93306-30504	14-3	93603-22028
30-27	93102-28022	4-12	93306-30508	7-19	93604-08071
32-7	93102-28022	4-13	93310-216A3	7-6	93604-14012
33-11	93102-28022	43-11	93310-216A3	7-2	93604-22050
32-18	93102-28023	4-13	93310-216E1	18-10	93700-06004
33-22	93102-28023	43-11	93310-216E1	3-2	93700-06004
43-38	93102-35054	6-26	93310-22057	29-2	94130-18225
6-34	93102-35054	4-8	93310-42231	30-4	94130-18225
4-18	93103-20076	43-9	93310-42231	32-2	94132-18223
43-34	93103-20076	6-12	93311-22005	33-4	94132-18223
4-21	93103-40077	6-29	93311-42006	32-2	94135-18224
43-35	93103-40077	7-8	93315-23612	32-2	94135-18224
43-40	93104-11056	6-42	93410-15005	29-3	94227-18093
8-20	93104-11056	6-11	93410-20009	30-5	94227-18095
43-41	93104-20007	6-28	93410-20009	32-3	94232-18020
9-9	93104-20007	9-13	93410-20009	33-5	94232-18020
29-13	93105-45017	7-10	93410-30012	32-3	94232-18097
30-17	93105-45017	32-26	93410-65040	32-3	94232-18097
10-13	93210-07100	33-30	93410-65040	30-6	94327-18008

Ref.No.	Parts No.	Ref.No.	Parts No.	Ref.No.	Parts No.
33-6	94327-18008	25-12	95601-06100	15-14	98501-04010
30-7	94416-18068	16-17	95701-08100	15-22	98501-04010
33-7	94418-18181	16-5	95701-08100	15-25	98501-04010
32-31	94585-30096	16-14	95701-10100	26-6	98501-05008
33-35	94585-30096	19-27	95701-10100	2-20	98501-05010
32-32	94685-30011	16-4	95821-08055	38-7	98501-05010
33-36	94685-30011	16-16	95821-08070	7-18	98501-05010
1-11	94701-00044	16-12	95821-10070	5-23	98501-05012
1-11	94701-00045	16-12	95821-10080	14-9	98501-05015
28-34	95301-04600	28-5	97301-05015	42-21	98501-05015
11-15	95301-05600	10-17	97301-06010	42-35	98501-05018
14-14	95301-05600	22-38	97301-06012	11-12	98501-05025
21-31	95301-05600	26-11	97301-06012	11-35	98502-03010
28-8	95301-05600	21-23	97301-06016	12-14	98503-04015
24-9	95301-06100	21-7	97301-06016	15-9	98503-04015
21-15	95301-06600	11-21	97301-06020	38-31	98506-04020
21-24	95301-06600	24-7	97301-06022	3-26	98506-05012
31-4	95301-06600	25-23	97301-06025	11-35	98512-03008
34-5	95301-06600	25-8	97301-06025	39-6	98581-04054
38-4	95301-06600	27-22	97301-06050	10-9	98701-05012
39-17	95301-06600	28-12	97301-08014	7-14	98701-05012
42-31	95301-06600	13-15	97301-08016	7-34	98701-05012
8-7	95301-06600	20-26	97301-08016	7-4	98701-05020
20-21	95301-06700	16-20	97301-08020	14-16	98901-04008
2-9	95301-08600	21-10	97301-10035		
40-12	95301-08600	27-12	97302-06025		
40-24	95301-08600	8-14	97311-06020		
41-11	95301-08600	42-44	97321-06016		
41-23	95301-08600	20-3	97321-06030		
20-47	95301-08700	2-13	97321-06045		
32-13	95301-08700	2-12	97321-06055		
33-17	95301-08700	2-3	97321-06055		
19-9	95301-08900	2-11	97321-06090		
23-24	95301-10700	20-13	97321-08020		
38-22	95303-05800	9-6	97321-08030		
38-26	95303-06800	23-16	97323-08030		
13-13	95303-08600	23-12	97323-08055		
23-15	95303-08800	12-31	98501-03010		
32-29	95311-12700	15-18	98501-04008		
33-33	95311-12700	15-28	98501-04008		