

YAMAHA

PARTS CATALOGUE

www.legends-yamaha-enduros.com

YZ250LC'92 (4DA1)

EUROPE

YZ250D (4DA2)

U.S.A., CANADA, OTHERS, S.AFRICA

YZ250 (4DA3)

JAPAN

YZ250D (4DA4)

OCEANIA

124DA-100E1

www.legends-yamaha-enduros.com





www.legends-yamaha-enduros.com

FOREWORD

This Parts Catalogue is related to the parts in use for the Yamaha YZ250LC'92(4DA1)/YZ250D(4DA2)/YZ250(4DA3)/YZ250D(4DA4). When you are ordering replacement parts for the YZ250LC'92(4DA1)/YZ250D(4DA2)/YZ250(4DA3)/YZ250D(4DA4), refer to this Parts Catalogue and quote both part numbers and part names correctly.

1. Modifications or additions which have been made after issue of the Parts Catalogue will be announced in the Yamaha Parts News.

It is advisable that according to the Yamaha Parts News you make necessary corrections to the Parts Catalogue on hand to keep it up-to-date.

2. Abbreviations

The following abbreviations are used in this Parts Catalogue.

- U.R. Use size (thickness) and/or number as required.
- U.N. Use as many as you need.
- A.P. Alternate Parts
- L.M. Local Made
- F# Frame No. (Applicable machine No.)

3. The parts marked with (*) in the parts number column of this Catalogue are not supplied with by Yamaha, those have to be found locally.

4. Parts, which are to be supplied in the form of assemblies, are listed with an indentation of one letter's space, and a dot (.) is put against the name of each part.

EXAMPLE CARBURETOR ASS'Y
 . JET, pilot
 . NOZZLE, main

5. Indication of No. of constituent parts for assembly

The numeral appearing to the right of each constituent part under the description indicates the quantity of such parts for each individual assembly unit.

EXAMPLE

Part No.	Description	Q'ty	Remarks
2F5-83310-60	FRONT FLASHER LIGHT ASS'Y	2	
115-83311-60	. BULB (6V-18W)	1	
1M1-83309-60	. REFLECTOR	1	

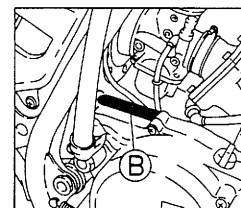
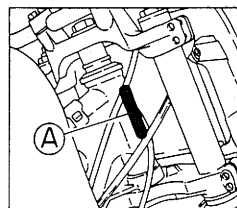
6. Initial Serial No. and Color Code

4DA1	(A) Frame Serial No.	4DA-000101 and following
	(B) Engine Serial No.	4DA-000101 and following

4DA2	(A) Frame Serial No.	4DA-006101 and following
	(B) Engine Serial No.	4DA-006101 and following

4DA3	(A) Frame Serial No.	4DA-012101 and following
	(B) Engine Serial No.	4DA

4DA4	(A) Frame Serial No.	4DA-013101 and following
	(B) Engine Serial No.	4DA-013101 and following



Color Code	Color Name	Abbreviate
0206	PURPLISH WHITE SOLID 1	PWS1

7. Applicable colors of graphics are represented in the "Remarks" column by the letter(s) appropriately picked out of the full word(s) showing such colors.

EXAMPLE

Part No.	Description	Q'ty	Remarks
2N4-24110-00-X5	FUEL TANK COMP.	1	MAXIM RED
3J1-24240-10	. GRAPHIC, fuel tank set	1	for MXR

CONTENTS

ENGINE

Cylinder Head	B2 ~ B3
Governor	B4
Crankshaft, Piston	B5
Water Pump	B6
Radiator, Hose	B7
Intake	B8
Carburetor	B9 ~ B10
Exhaust	B11
Crankcase	B12
Crankcase Cover 1	B13
Starter	B14
Clutch	B15
Transmission	C2 ~ C3
Shift Cam. Fork	C4
Shifter	C5

CHASSIS

Frame	C6 ~ C7
Fender	C8
Side Cover	C9 ~ C10
Rear Arm	C11 ~ C12
Rear Suspension	C13
Steering	C14
Front Fork	C15 ~ D3
Fuel Tank	D4
Seat	D5
Front Wheel	D6
Front Brake Caliper	D7
Rear Wheel	D8 ~ D9

Rear Brake Caliper	D10
Steering Handle, Cable	D11
Front Master Cylinder	D12
Stand, Footrest	D13
Rear Master Cylinder	D14
Generator	D15
Handle Switch, Lever	E2
Electrical 1	E3

ALTERNATE PARTS

Alternate (Chassis)	E4
---------------------------	----

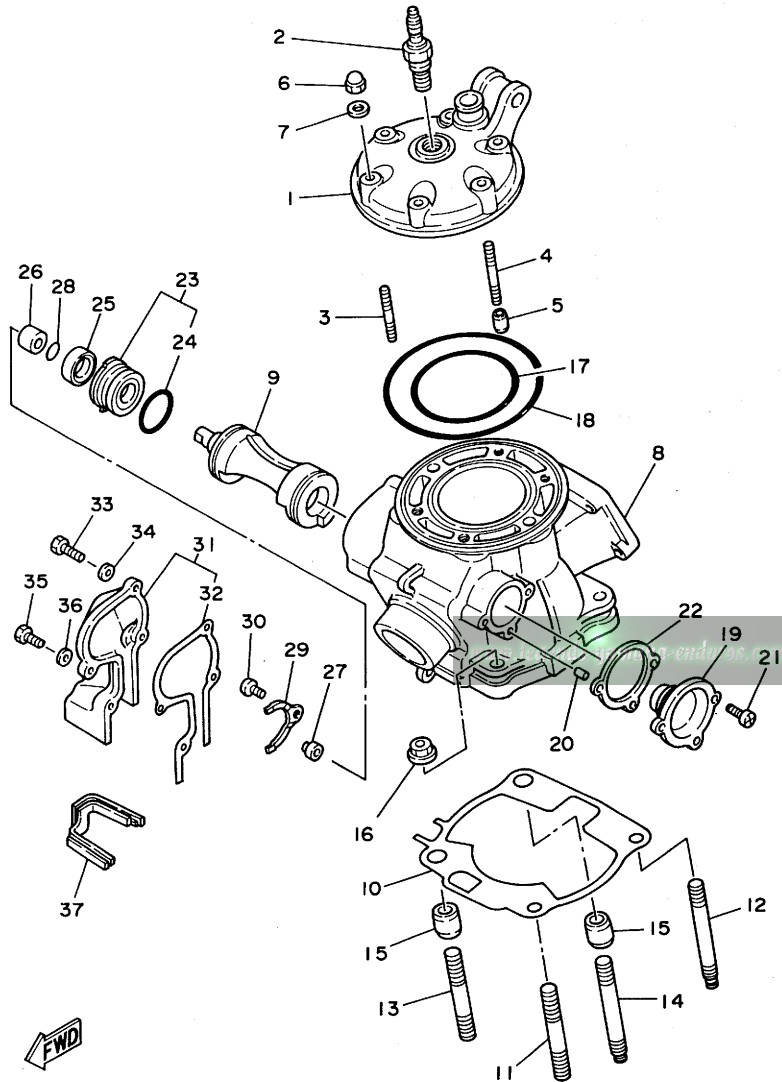
REPAIR KIT

Repair Kit	E5
------------------	----

INDEX

Numerical Index	M1 ~ M3
-----------------------	---------

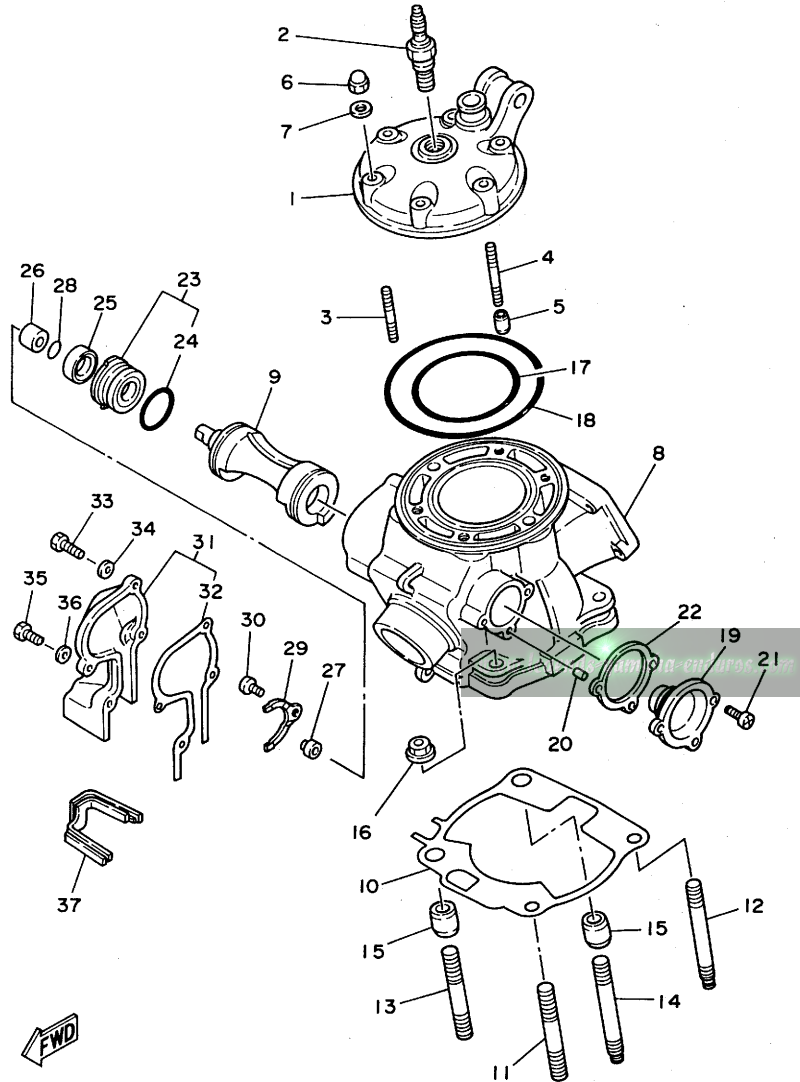
FIG. 1 CYLINDER HEAD



REF. NO.	PART NO.	DESCRIPTION	Q'TY	REMARKS
1	4DA-11111-01	HEAD, cylinder 1	1	
2	94702-00323	PLUG, spark (NGK B8EG)	1	UR
	94702-00326	PLUG, spark (NGK BR8EG)	1	UR FOR CANADA, S.AFRICA
	94703-00323	PLUG, spark (B8EG)	1	UR FOR JAPAN
3	90116-08394	BOLT, stud	4	
4	90116-08392	BOLT, stud	2	
5	99510-10114	PIN, dowel	2	
6	90176-08026	NUT, crown	6	
7	90201-08087	WASHER, plate	6	
8	4DA-11311-00	CYLINDER 1	1	
9	4DA-1131A-00	VALVE 1	1	
10	2VM-11351-10	GASKET, cylinder	1	
11	90116-10314	BOLT, stud	1	
12	90116-10547	BOLT, stud	1	
13	90116-10314	BOLT, stud	1	
14	90116-10547	BOLT, stud	1	
15	99530-14016	PIN, dowel	2	
16	95701-10500	NUT, flange	4	
17	93210-77363	O-RING	1	
18	93211-11770	O-RING	1	
19	3JE-W1132-00	HOLDER 1	1	
20	93604-08071	PIN, dowel	1	
21	98501-05012	SCREW, pan head	2	
22	3JE-1131N-10	GASKET, holder	1	
23	5X4-Y113F-10	HOLDER 2 ASSY	1	
24	93210-270A8	O-RING	1	
25	93104-16074	OIL SEAL	1	
26	90387-102W0	COLLAR	1	

FWD
3SPI100-0010

FIG. 1 CYLINDER HEAD



REF. NO.	PART NO.	DESCRIPTION	Q'TY	REMARKS
27	3JE-11937-00	BOSS, lever	1	
28	93210-09192	O-RING	1	
29	1LX-11915-00	PLATE, thrust 1	1	
30	98506-05008	SCREW, pan head	1	
31	3SP-11992-10	HOUSING 2	1	
32	3SP-11993-10	.GASKET	1	
33	97021-05020	BOLT	2	
34	92901-05600	WASHER, plate	2	
35	97001-05016	BOLT	2	
36	92901-05600	WASHER, plate	2	
37	2VM-11995-00	SEAL, housing	1	


3SP1100-0010

B3

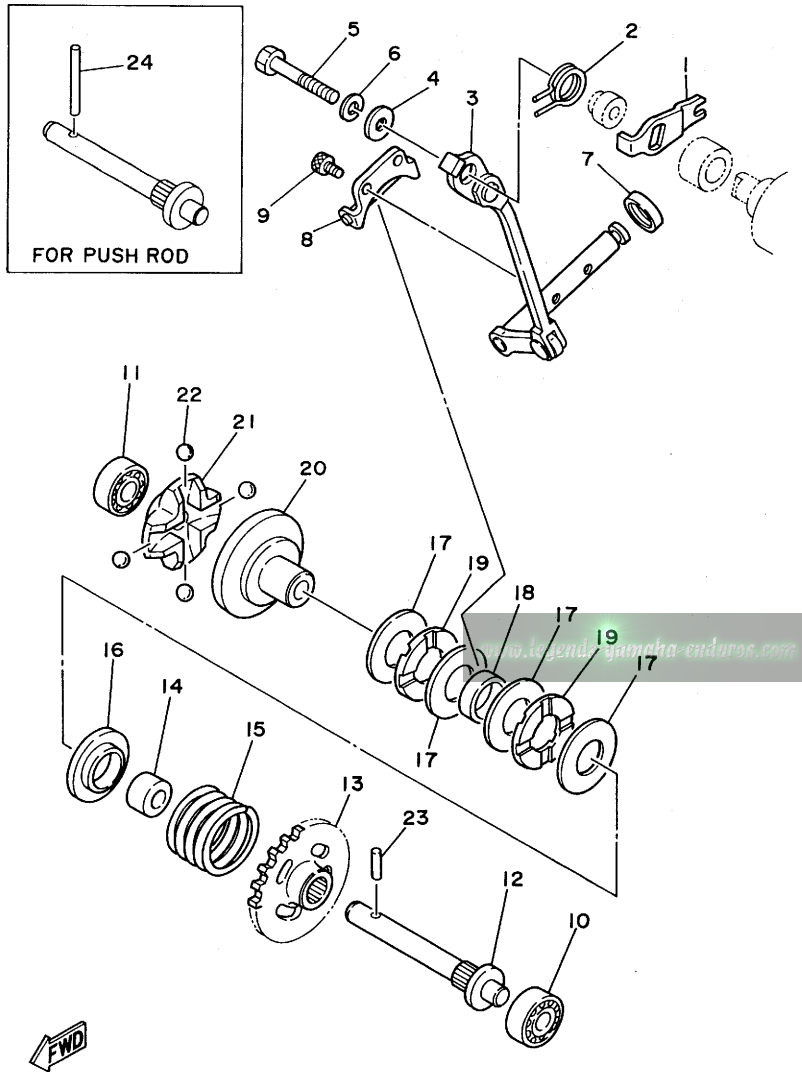


FIG. 2 GOVERNOR

REF. NO.	PART NO.	DESCRIPTION	Q'TY	REMARKS
1	3JE-11931-00	LEVER	1	
2	90508-14783	SPRING, torsion	1	
3	3SP-11990-00	PUSH ROD ASSY	1	
4	90201-057H5	WASHER, plate	1	
5	97021-05030	BOLT	1	
6	92990-05100	WASHER, spring	1	
7	93104-08040	OIL SEAL	1	
8	3JE-11922-00	FORK, governor	1	
9	91316-04006	BOLT	2	
10	93300-60814	BEARING (608M4ML01)	1	NMB
11	93300-60814	BEARING (608M4ML01)	1	NMB
12	5X4-11921-02	SHAFT, governor	1	
13	24X-11953-01	GEAR, governor	1	
14	90560-08213	SPACER	1	
15	90501-240F4	SPRING, compression	1	
16	5X4-11952-00	PLATE	1	
17	90201-154E9	WASHER, plate	4	
18	90387-152F2	COLLAR	1	
19	93340-21505	BEARING, thrust	2	
20	5X5-11912-01	RETAINER, weight	1	
21	5X5-11911-01	RETAINER	1	
22	93521-64032	BALL	4	
23	93603-14179	PIN, dowel	1	
24	93604-29184	PIN, dowel	1	AP FOR PUSH ROD



3JE1010-9021

B4

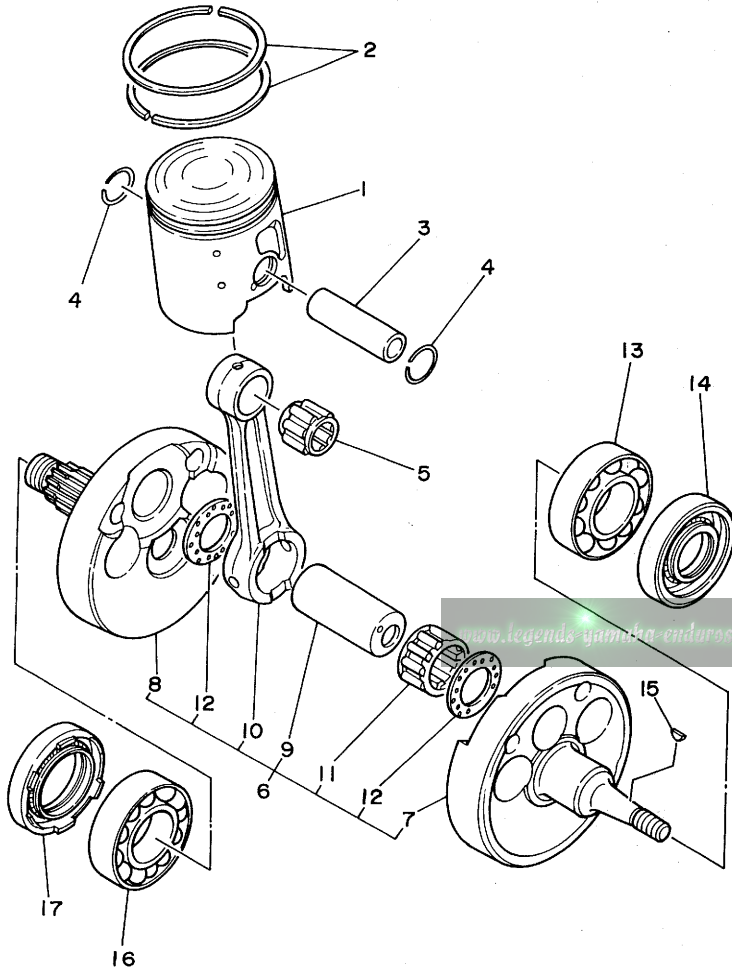


FIG. 3 CRANKSHAFT. PISTON

REF. NO.	PART NO.	DESCRIPTION	Q'TY	REMARKS
1	4DA-11631-00-A0	PISTON (STD)	1	UR RED
	4DA-11631-00-B0	PISTON (STD)	1	UR ORANGE
	4DA-11631-00-C0	PISTON (STD)	1	UR GREEN
	4DA-11631-00-D0	PISTON (STD)	1	UR PURPLE
2	4DA-11601-00	PISTON RING SET	1	
3	2VM-11633-01	PIN, piston	1	
4	93450-19052	CIRCLIP	2	
5	93310-418E9	BEARING, cylindrical	1	
6	3XK-11400-01	CRANKSHAFT ASSY	1	
7	3XK-11412-01	.CRANK 1	1	
8	3XK-11422-01	.CRANK 2	1	
9	3JE-11681-01	.PIN, crank 1	1	
10	5X5-11651-02	.ROD, connecting	1	
11	93310-425T1	.BEARING, cylindrical	1	
12	90209-25085	.WASHER	2	
13	93306-37802	BEARING	1	
14	93102-22363	OIL SEAL	1	
15	90280-03017	KEY, woodruff	1	
16	93306-37802	BEARING	1	
17	93103-40091	OIL SEAL	1	



3SP1100-0030

B5

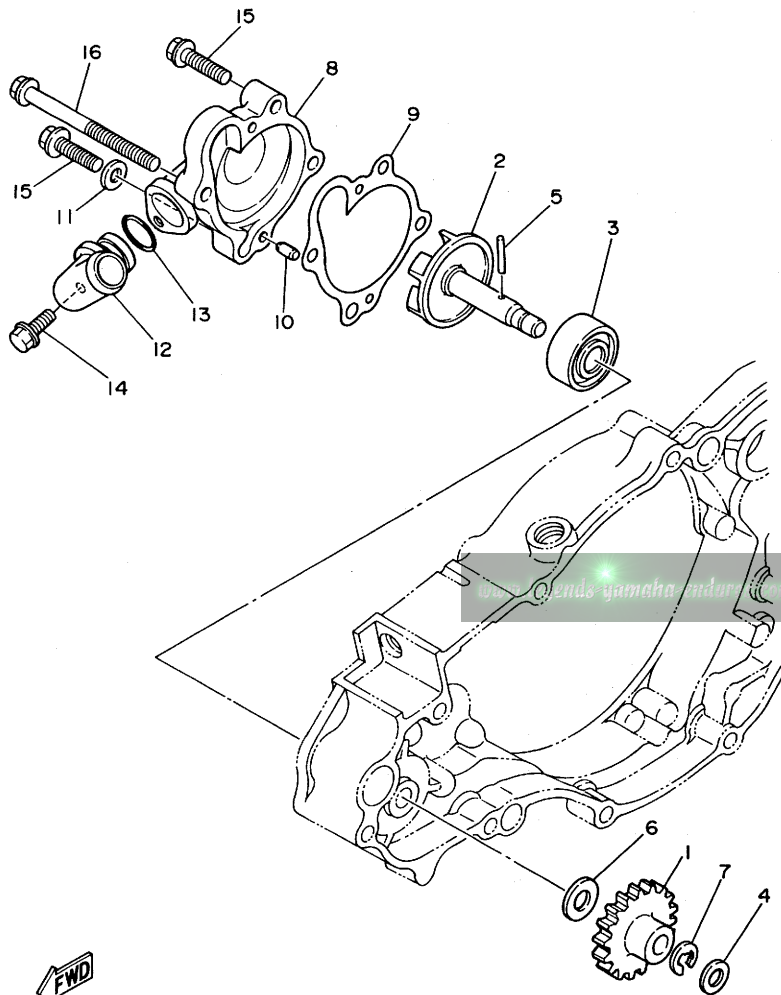


FIG. 4 WATER PUMP

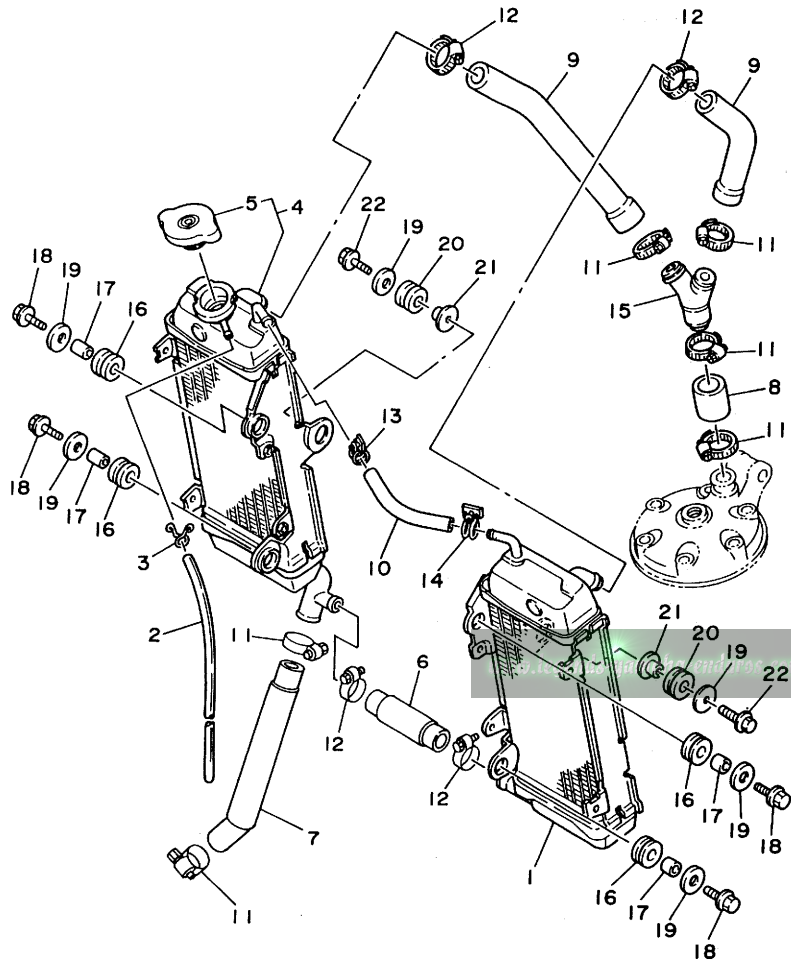
REF. NO.	PART NO.	DESCRIPTION	Q'TY	REMARKS
1	2VM-12459-00	GEAR, impeller shaft	1	
2	2VM-12450-00	IMPELLER SHAFT ASSY	1	
3	93103-10147	OIL SEAL	1	
4	90201-08759	WASHER, plate	1	
5	93603-22028	PIN, dowel	1	
6	90201-08784	WASHER, plate	1	
7	99009-06600	CIRCLIP	1	
8	3SP-12422-00	COVER, housing	1	
9	2VM-12428-10	GASKET, housing cover 2	1	
10	93604-10011	PIN, dowel	2	
11	90430-06166	GASKET	1	
12	10V-12469-01	JOINT 1	1	
13	93210-16275	O-RING	1	
14	95023-06025	BOLT	1	
15	95023-06025	BOLT	3	
16	95021-06080	BOLT, flange	1	



3SP1100-0040

B6

FIG. 5 RADIATOR. HOSE

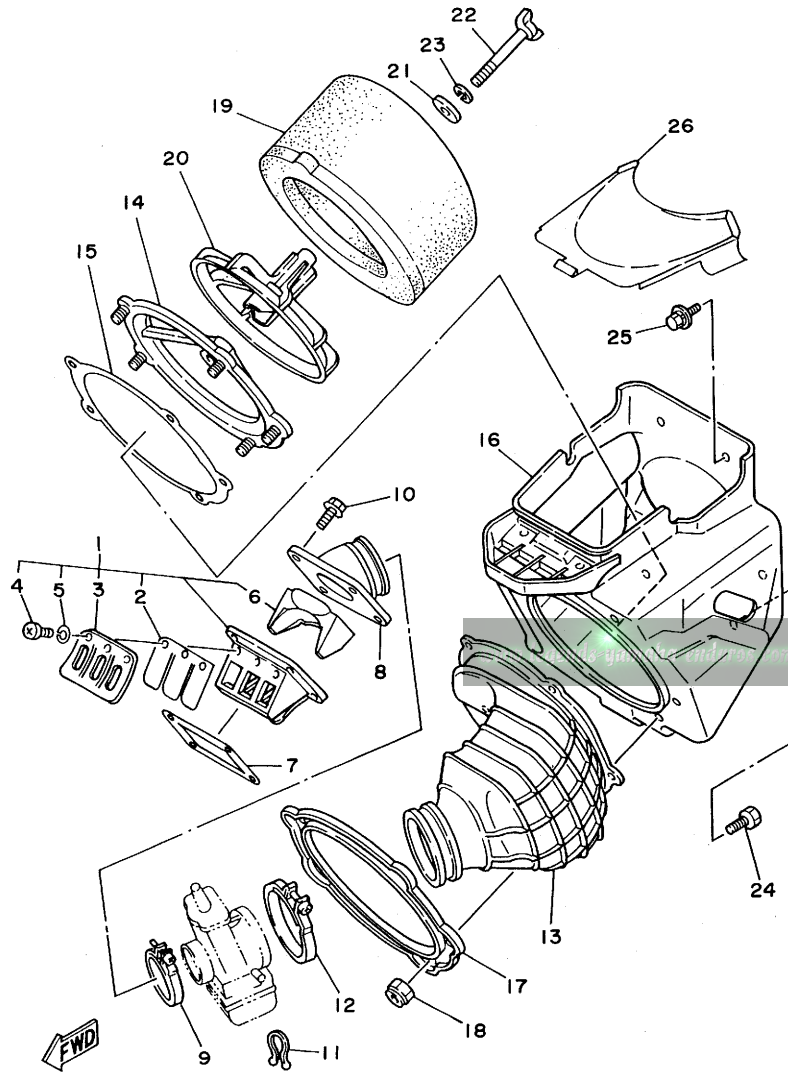


REF. NO.	PART NO.	DESCRIPTION	Q'TY	REMARKS
1	3SP-12460-00	RADIATOR ASSY	1	
2	90446-09013	HOSE	1	
3	90467-09006	CLIP	1	
4	4DA-1240A-00	RADIATOR ASSY 2	1	
5	22W-12462-00	.CAP, radiator	1	
6	4DA-12482-00	PIPE 2	1	
7	4DA-12483-00	PIPE 3	1	
8	3SP-12485-00	PIPE 5	1	
9	3SP-12476-00	PIPE 6	2	
10	3SP-1248A-00	PIPE 8	1	
11	90450-28014	HOSE CLAMP ASSY	6	
12	90450-22052	HOSE CLAMP ASSY	4	
13	90450-15041	HOSE CLAMP ASSY	1	
14	90450-17036	HOSE CLAMP ASSY	1	
15	24X-12469-00	JOINT 1	1	
16	90480-15528	GROMMET	4	
17	90387-074W0	COLLAR	4	
18	95023-06025	BOLT	4	
19	90201-06570	WASHER, plate	6	
20	90480-18276	GROMMET	2	
21	90387-064W1	COLLAR	2	
22	95023-06020	BOLT	2	



4DA2100-2050

B7

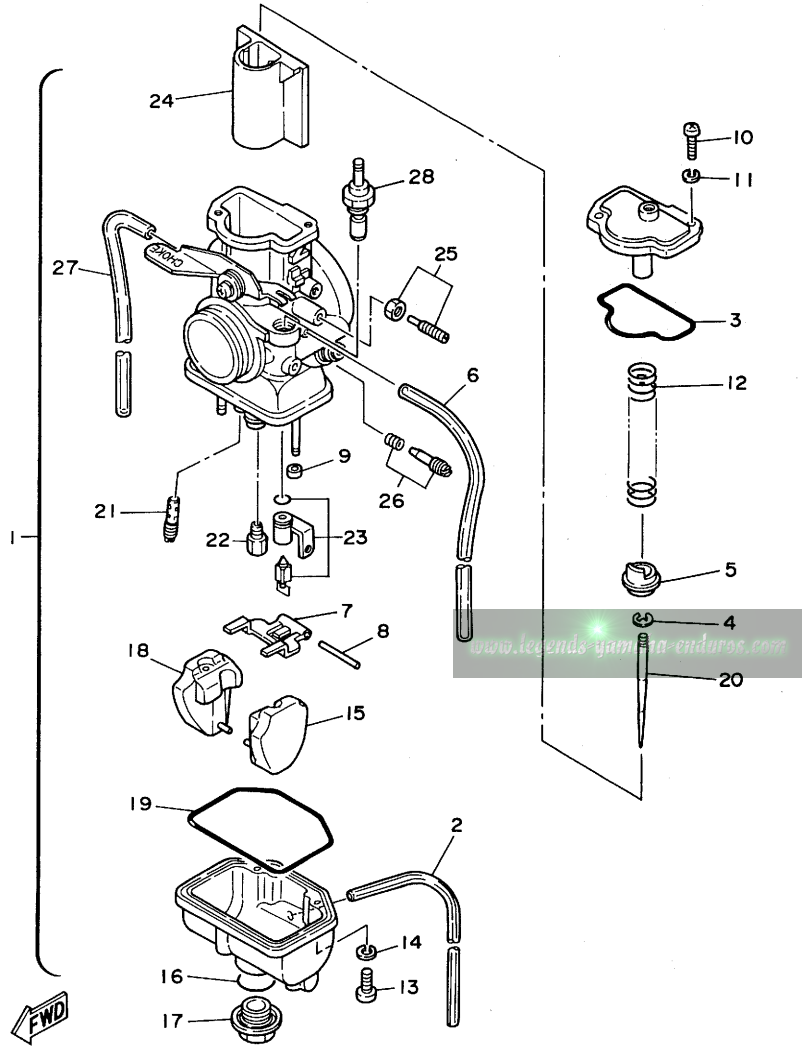


4DA2100-2060

FIG. 6 INTAKE

REF. NO.	PART NO.	DESCRIPTION	Q'TY	REMARKS
1	4DA-13610-00	REED VALVE ASSY	1	
2	3SP-13613-00	.REED, valve	2	
3	4DA-13616-00	.STOPPER, reed valve	2	
4	98580-03008	.SCREW, pan head	6	
5	92990-03100	.WASHER, spring	6	
6	4DA-13625-00	.SPACER, reed valve	1	
7	2K7-13621-10	GASKET, valve seat	1	
8	4DA-13565-00	JOINT, carburetor	1	
9	90460-51109	CLAMP, hose	1	
10	95023-06020	BOLT	4	
11	90464-16039	CLAMP	1	
12	90460-68230	CLAMP, hose	1	
13	3XK-14453-00	JOINT, air cleaner 1	1	
14	3JD-14459-00	HOLDER, guide	1	
15	3JD-14462-00	SEAL	1	
16	3XJ-W1441-01	AIR CLEANER CASE COMP.	1	
17	3JD-14477-00	PLATE	1	
18	95601-05100	NUT, u	5	
19	3JD-14451-00	ELEMENT, air cleaner	1	
20	3JD-14458-00	GUIDE	1	
21	90209-06096	WASHER	1	
22	90122-06030	BOLT, wing	1	
23	92990-06100	WASHER, spring	1	
24	95023-06010	BOLT	1	
25	90119-06185	BOLT, with washer	3	
26	3XJ-1441A-00	COVER, cleaner case 1	1	AP FOR AIR CLEANER COVER

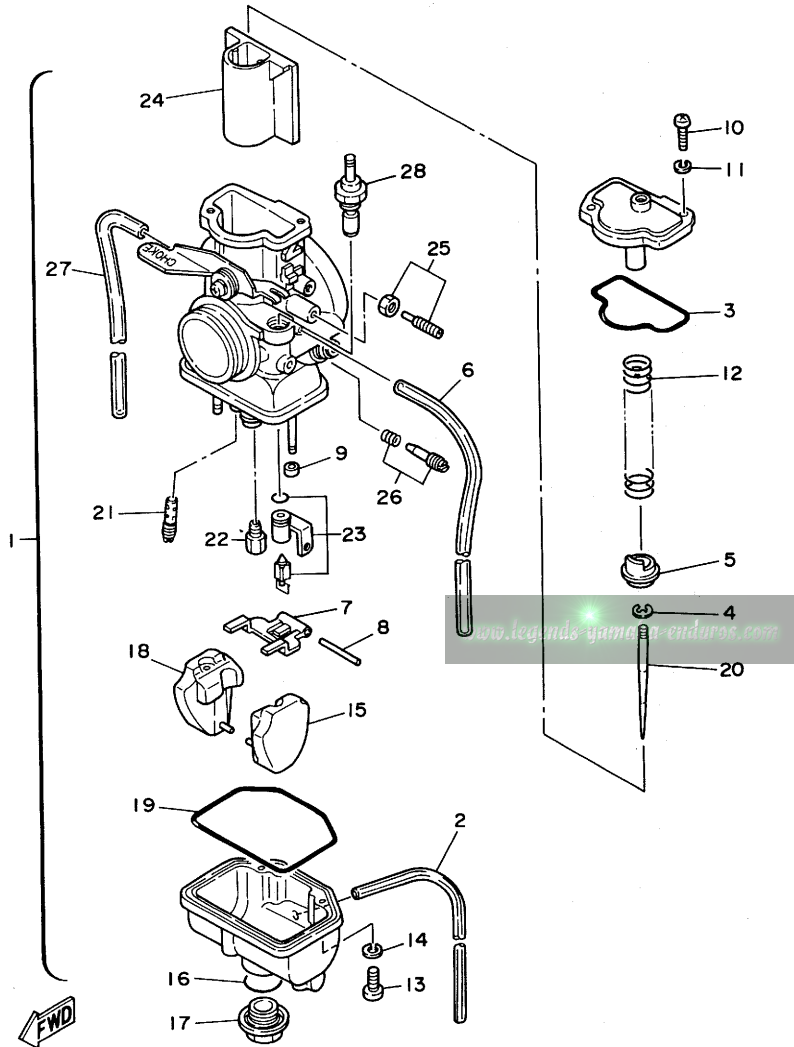
FIG. 7 CARBURETOR



3SP1100-0070

REF. NO.	PART NO.	DESCRIPTION	Q'TY	REMARKS
1	4DA-14101-00	CARBURETOR ASSY 1	1	UR
	4DA-14101-10	CARBURETOR ASSY 1	1	UR FOR EUROPE, OCEANIA
2	3X3-14197-00	.PIPE	1	
3	3JD-14147-00	.O-RING	1	
4	256-14919-00	.CLIP	1	
5	3JD-14194-00	.RING	1	
6	3SP-14149-00	.PIPE	1	
7	363-14187-00	.ARM, float	1	
8	353-14186-00	.PIN, float	1	
9	214-14118-00	.CAP	2	
10	98511-04012	.SCREW, pan head	2	
11	92902-04100	.WASHER, spring	2	
12	3JD-14131-00	.SPRING, throttle valve	1	
13	98580-03010	.SCREW, pan head	1	
14	92990-03100	.WASHER, spring	1	
15	3JD-14185-00	.FLOAT	1	
16	3JE-14561-00	.O-RING	1	
17	3XK-14115-00	.PLUG, screw	1	
18	3JE-14185-00	.FLOAT	1	
19	3JE-14147-00	.O-RING	1	
20	3JD-14116-F1	.NEEDLE (J8-6EJ33-61)	1	UR STD
	3JD-14116-F9	.NEEDLE (J8-6EJ33-59)	1	AP
	3JD-14116-F0	.NEEDLE (J8-6EJ33-60)	1	AP
	3JD-14116-F2	.NEEDLE (J8-6EJ33-62)	1	AP
	3JD-14116-F3	.NEEDLE (J8-6EJ33-63)	1	AP
	275-14116-E6	.NEEDLE (J8-6DJ8-57)	1	UR STD FOR EUROPE, OCEANIA
	275-14116-E8	.NEEDLE (J8-6DJ8-55)	1	AP FOR EUROPE, OCEANIA
	275-14116-E7	.NEEDLE (J8-6DJ8-56)	1	AP FOR EUROPE, OCEANIA

B9

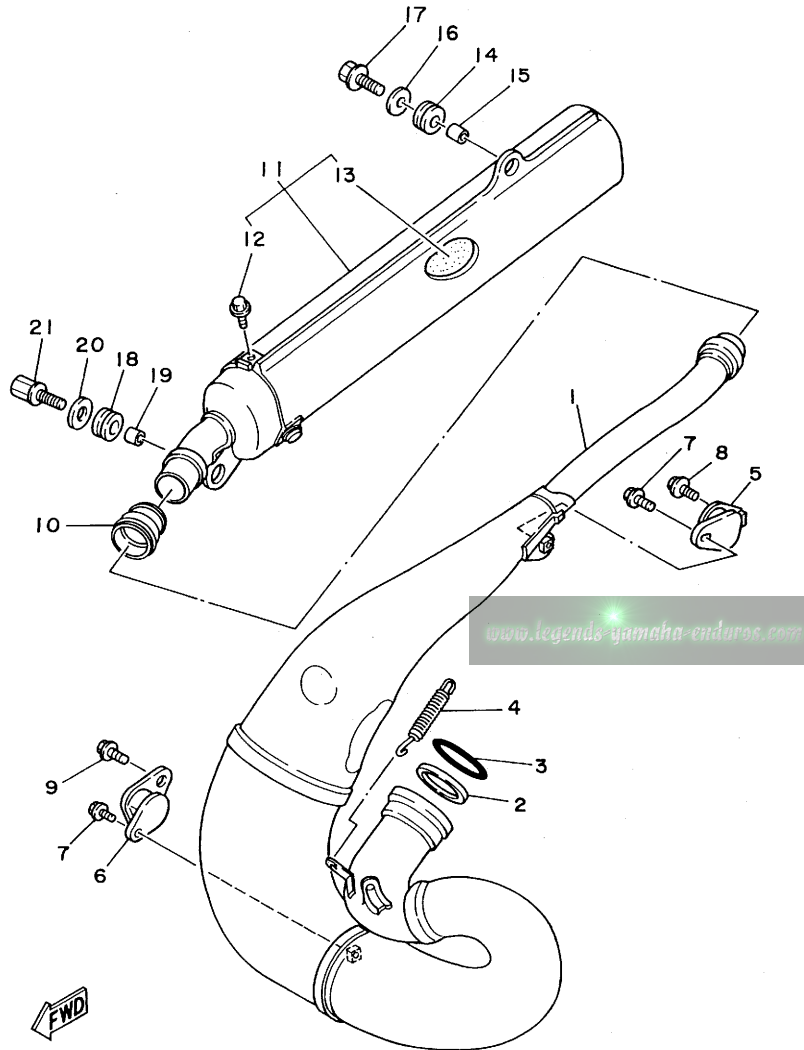


3SP1100-0070

FIG. 7 CARBURETOR

REF. NO.	PART NO.	DESCRIPTION	Q'TY	REMARKS
20	275-14116-E3	.NEEDLE (J8-6DJ8-58)	1	AP FOR EUROPE, OCEANIA
	275-14116-A6	.NEEDLE (J8-6DJ8-59)	1	AP FOR EUROPE, OCEANIA
21	3H1-14142-45	.JET, pilot (# 45)	1	STD
	3H1-14142-35	.JET, pilot (# 35)	1	AP
	3H1-14142-40	.JET, pilot (# 40)	1	AP
	3H1-14142-50	.JET, pilot (# 50)	1	AP
	3H1-14142-55	.JET, pilot (# 55)	1	AP
22	137-14143-70	.JET, main (#350)	1	STD
	137-14143-66-A1	.JET, main (#330)	1	AP
	137-14143-68	.JET, main (#340)	1	AP
	137-14143-72	.JET, main (#360)	1	AP
	137-14143-74	.JET, main (#370)	1	AP
23	3JD-14107-35	.NEEDLE VALVE SET	1	
24	3JD-14112-40	.VALVE, throttle (C.A 4.0)	1	STD
	3JD-14112-30	.VALVE, throttle (C.A 3.0)	1	AP
	3JD-14112-35	.VALVE, throttle (C.A 3.5)	1	AP
	3JD-14112-45	.VALVE, throttle (C.A 4.5)	1	AP
	3JD-14112-50	.VALVE, throttle (C.A 5.0)	1	AP
25	3JD-14103-00	.THROTTLE SCREW SET	1	
26	3JD-14104-00	.AIR SCREW SET	1	
27	3SP-14149-00	.PIPE	1	
28	3SP-1410A-00	.STARTER SET	1	

FIG. 8 EXHAUST

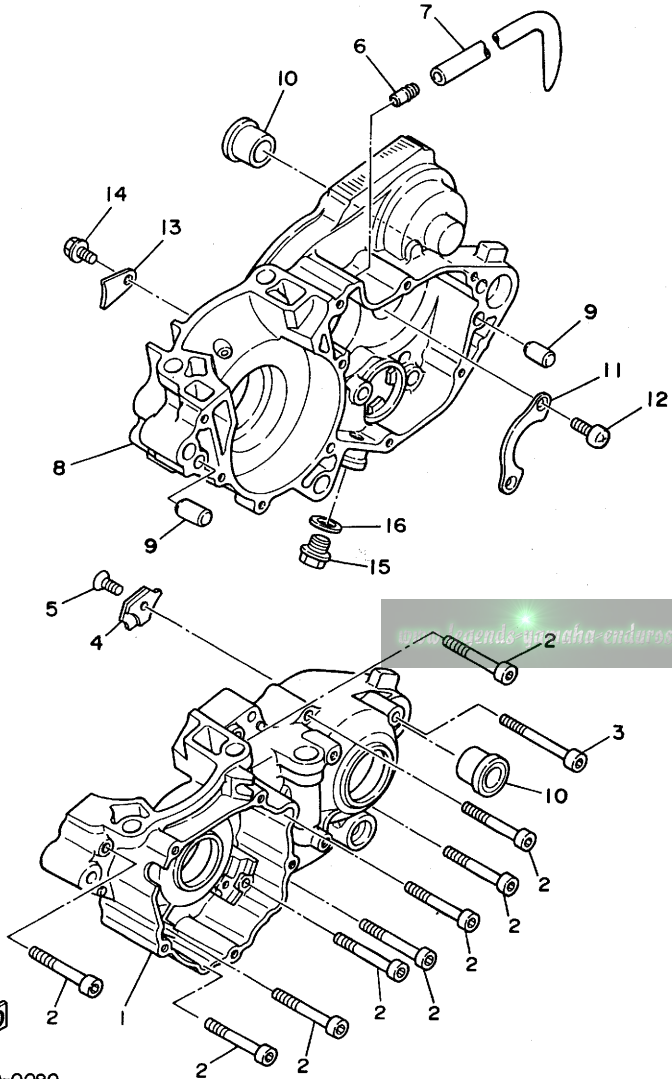


REF. NO.	PART NO.	DESCRIPTION	Q'TY	REMARKS
1	4DA-14610-00	EXHAUST PIPE ASSY 1	1	
2	3R4-14613-00	GASKET, exhaust pipe	1	
3	93210-56743	O-RING	1	
4	90507-20030	SPRING, tension	3	
5	565-14771-00	STAY, muffler 1	1	
6	483-14781-01	STAY, muffler 2	1	
7	95023-06012	BOLT	2	
8	95023-06010	BOLT	1	
9	95023-08012	BOLT	1	
10	3JE-14615-00	JOINT, exhaust 1	1	
11	3XK-14753-10	SILENCER, exhaust	1	UR
	3XK-14753-00	SILENCER, exhaust	1	UR FOR JAPAN
12	95023-06008	.BOLT	3	
13	3XK-1469A-10	.FIBER	1	UR
	3XK-1469A-00	.FIBER	1	UR FOR JAPAN
14	39X-14747-00	DAMPER, muffler	1	
15	90387-100Y1	COLLAR	1	
16	90201-08612	WASHER, plate	1	
17	95023-08030	BOLT	1	
18	90480-16233	GROMMET	1	
19	90387-060A7	COLLAR	1	
20	90201-06407	WASHER, plate	1	
21	90109-064F4	BOLT	1	

4DA2100-2080

B11

FIG. 9 CRANKCASE

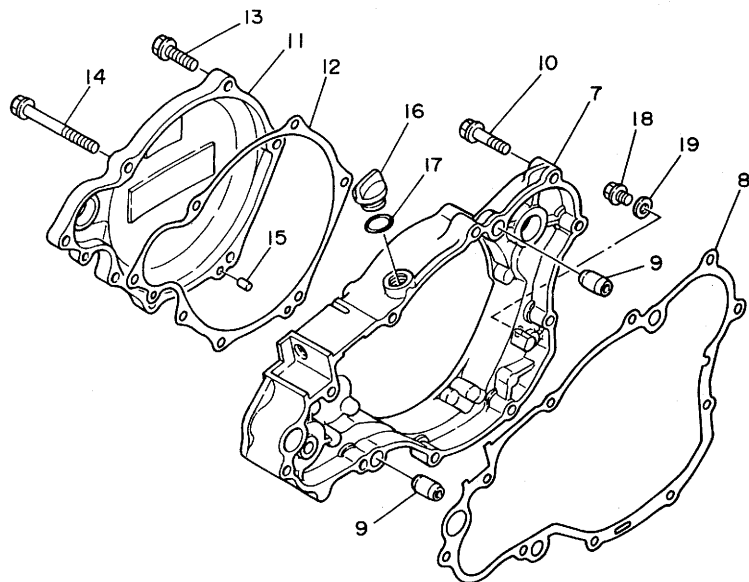


REF. NO.	PART NO.	DESCRIPTION	Q'TY	REMARKS
1	2VM-15111-03	CRANKCASE 1	1	
2	91316-06050	BOLT	9	
3	91316-06070	BOLT	1	
4	3SP-15381-00	PLATE, bearing cover	1	
5	98701-06012	SCREW, flat head	1	
6	353-13115-01	CONNECTOR, suction pipe	1	
7	90445-086A8	HOSE	1	
8	2VM-15121-01	CRANKCASE 2	1	
9	99510-12016	PIN, dowel	2	
10	90387-160H4	COLLAR	2	
11	4L0-17471-00	PLATE, cover	1	
12	98501-06012	SCREW, pan head	2	
13	4V4-15118-00	HOLDER	1	
14	95811-06010	BOLT, flange	1	
15	90340-12097	PLUG, straight screw	1	
16	90430-12207	GASKET	1	

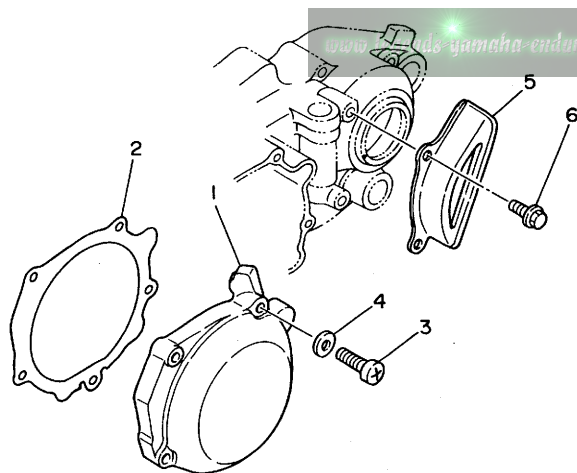
3SP1100-0090

B12

FIG. 10 CRANKCASE COVER 1



REF. NO.	PART NO.	DESCRIPTION	Q'TY	REMARKS
1	2VM-15411-00	COVER, crankcase 1	1	
2	2VM-15451-10	GASKET, crankcase cover 1	1	
3	98501-06030	SCREW, pan head	5	
4	92901-06600	WASHER, plate	5	
5	2VM-15421-00	COVER, crankcase 2	1	
6	95023-06012	BOLT	2	
7	3SP-Y1543-00	COVER, crankcase 3	1	
8	2VM-15462-10	GASKET, crankcase cover 3	1	
9	99510-12016	PIN, dowel	2	
10	95023-06030	BOLT	7	
11	3SP-15415-00	COVER, generator	1	
12	3SP-15463-10	GASKET, carburetor cover 2	1	
13	95023-06025	BOLT	5	
14	95021-06070	BOLT, flange	2	
15	93604-10011	PIN, dowel	2	
16	1G8-15362-00	PLUG, oil level	1	
17	93210-14104	O-RING	1	
18	95023-06008	BOLT	1	
19	90430-06016	GASKET	1	



3SP1100-0100

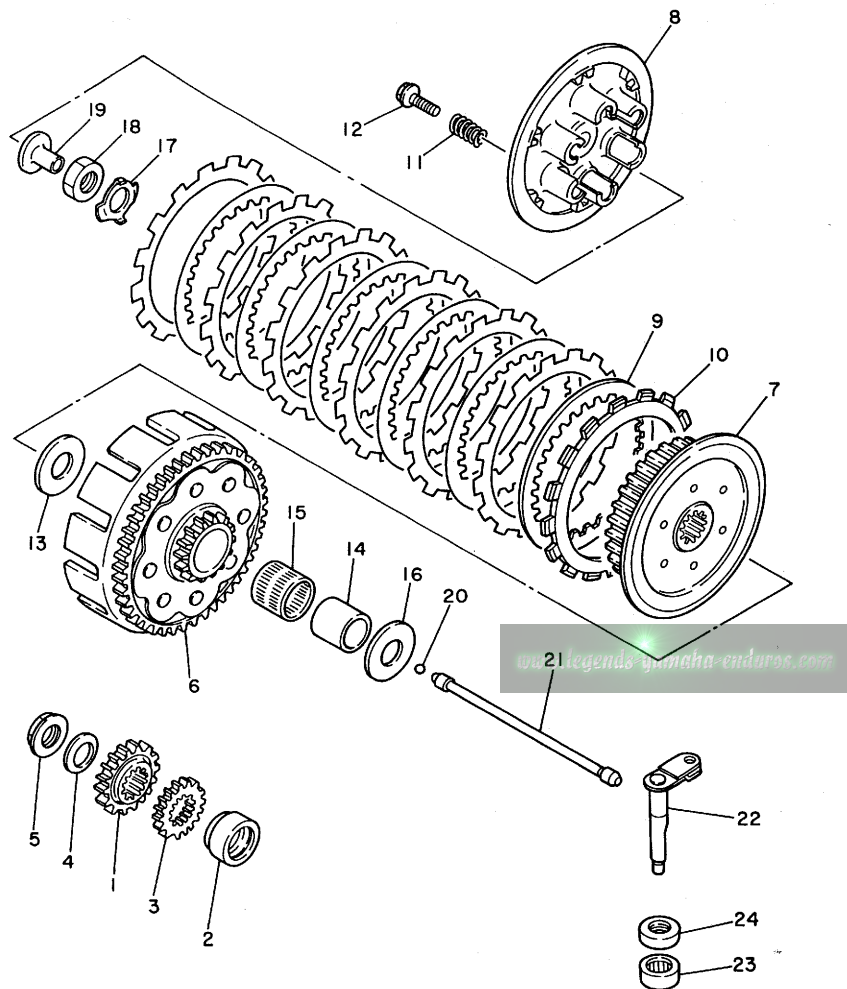


FIG. 12 CLUTCH

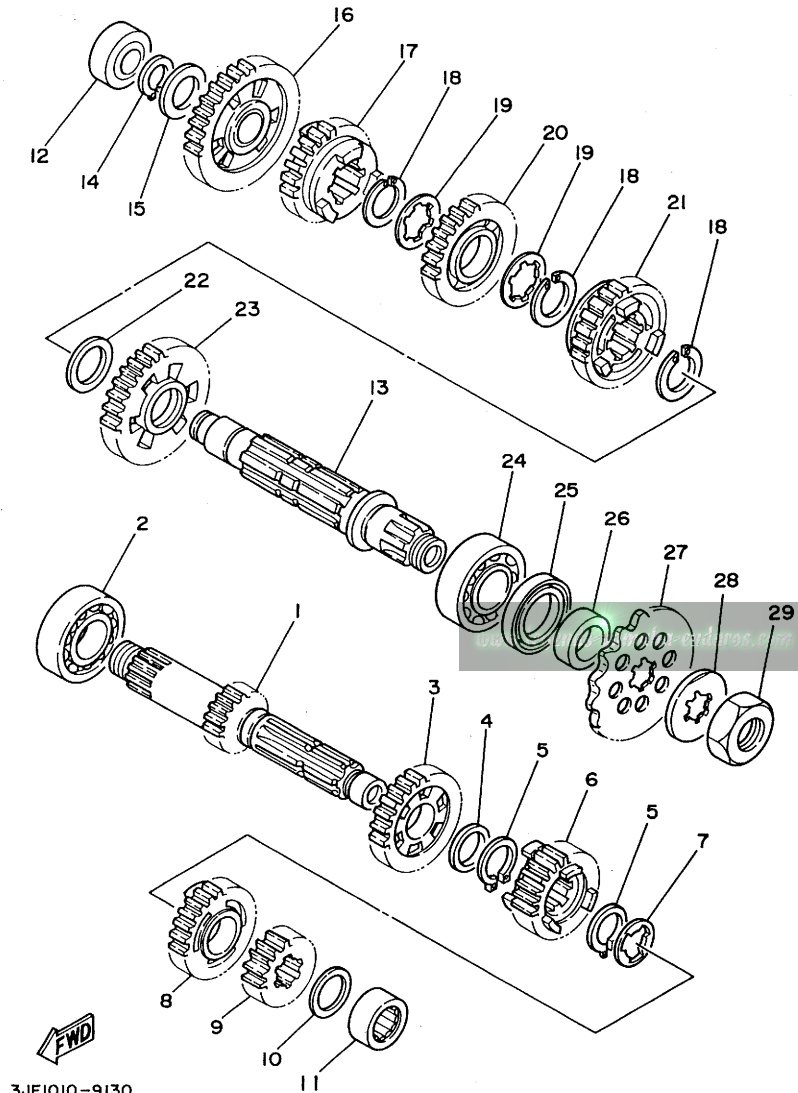
REF. NO.	PART NO.	DESCRIPTION	Q'TY	REMARKS
1	2VM-16111-00	GEAR, primary drive	1	
2	90387-252F6	COLLAR	1	
3	3XK-11956-00	GEAR, governor drive	1	
4	90208-18025	WASHER, conical spring	1	
5	90179-18172	NUT	1	
6	3SP-16150-00	PRIMARY DRIVEN GEAR COMP.	1	
7	2VM-16371-00	BOSS, clutch	1	
8	2VM-16351-01	PLATE, pressure 1	1	
9	3XK-16325-00	PLATE, clutch 2	6	
10	3XK-16321-00	PLATE, friction	7	
11	90501-23598	SPRING, compression	6	
12	90159-06016	SCREW, with washer	6	
13	2K7-16154-00	PLATE, thrust 1	1	
14	2VM-16181-00	SPACER 1	1	
15	93310-230T7	BEARING, cylindrical	1	
16	3SP-16154-00	PLATE, thrust 1	1	
17	90215-20231	WASHER, lock	1	
18	90170-20255	NUT	1	
19	2VM-16356-00	ROD, push 1	1	
20	93511-32027	BALL	1	
21	3SP-16357-00	ROD, push 2	1	
22	4DA-16381-00	PUSH LEVER COMP.	1	
23	93315-11206	BEARING, cylindrical	1	
24	93102-12224	OIL SEAL	1	



2VM100-8120

B15

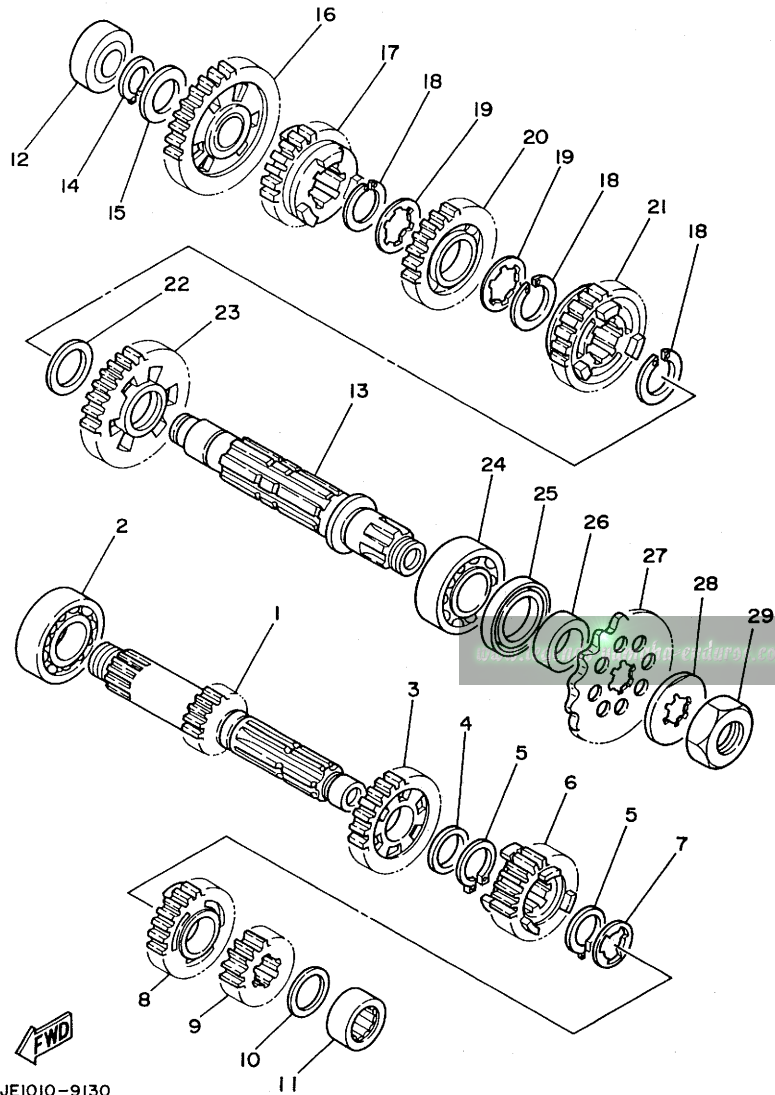
FIG. 13 TRANSMISSION



3JE1010-9130

REF. NO.	PART NO.	DESCRIPTION	Q'TY	REMARKS
1	2VM-17411-00	AXLE, main (15T)	1	
2	93306-20540	BEARING	1	
3	2VM-17151-00	GEAR, 5th pinion (23T)	1	
4	90201-22555	WASHER, plate	1	
5	93410-22039	CIRCLIP	2	
6	2VM-17131-00	GEAR, 3rd pinion (16T)	1	
7	90209-18135	WASHER	1	
8	2VM-17141-00	GEAR, 4th pinion (19T)	1	
9	2VM-17121-00	GAER, 2nd pinion (17T)	1	
10	90209-17311	WASHER	1	
11	93311-41734	BEARING, cylindrical	1	
12	93311-62035	BEARING, cylindrical	1	
13	2VM-17421-00	AXLE, drive	1	
14	93410-20038	CIRCLIP	1	
15	90201-20278	WASHER, plate	1	
16	2VM-17211-00	GEAR, 1st wheel (31T)	1	
17	2VM-17251-01	GEAR, 5th wheel (23T)	1	
18	93440-25084	CIRCLIP	3	
19	90209-22082	WASHER	2	
20	2VM-17231-00	GEAR, 3rd wheel (22T)	1	
21	2VM-17241-00	GEAR, 4th wheel (22T)	1	
22	90201-253K0	WASHER, plate (T=1.0)	1	
23	2VM-17221-00	GEAR, 2nd wheel (29T)	1	
24	93306-20574	BEARING	1	
25	93102-32M07	OIL SEAL	1	
26	90387-25663	COLLAR	1	
27	93834-14049	SPROCKET, drive 14T (1W41746140)	1	STD
	93834-13029	SPROCKET, drive 13T (1W41746130)	1	AP

FIG. 13 TRANSMISSION

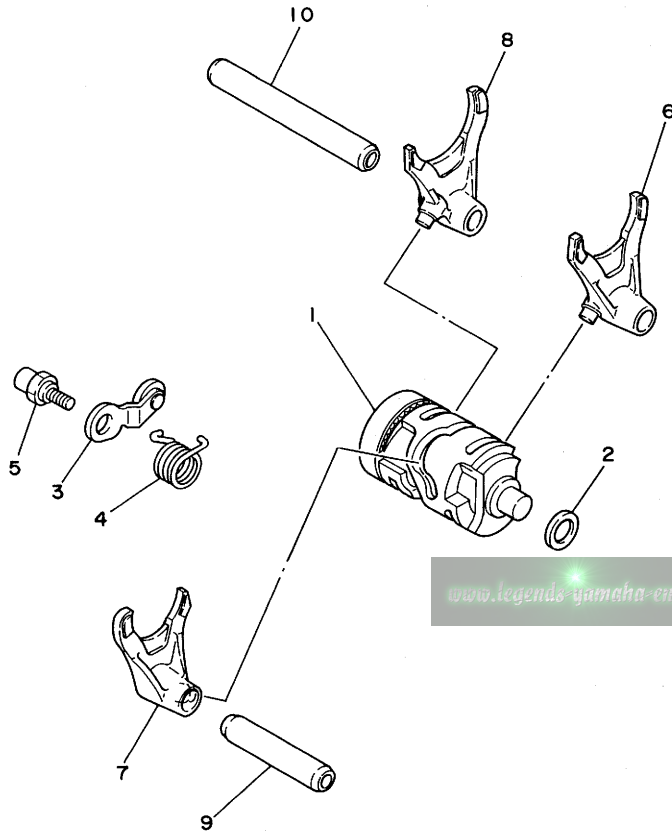


3JE1010-9130

REF. NO.	PART NO.	DESCRIPTION	Q'TY	REMARKS
27	93834-15075	SPROCKET, drive 15T (1W41746150)	1	AP
28	90215-21239	WASHER, lock	1	
29	90179-20255	NUT	1	

C3

FIG. 14 SHIFT CAM. FORK



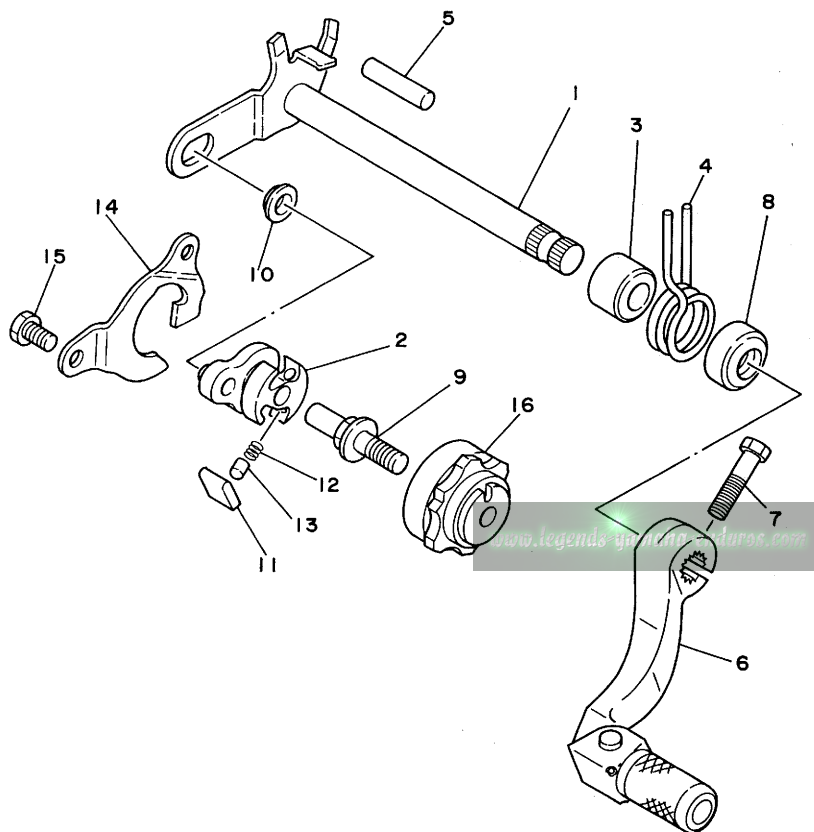
REF. NO.	PART NO.	DESCRIPTION	Q'TY	REMARKS
1	3XK-18540-01	SHIFT CAM ASSY	1	
2	90201-12166	WASHER, plate	1	
3	3XK-18140-00	STOPPER LEVER ASSY	1	
4	90508-26561	SPRING, torsion	1	
5	3XK-18177-00	BOLT, stopper	1	
6	2VM-18511-00	FORK, shift 1	1	
7	2VM-18512-00	FORK, shift 2	1	
8	2VM-18513-00	FORK, shift 3	1	
9	1LX-18531-00	BAR, shift fork guide 1	1	
10	34K-18535-00	BAR, shift fork guide 2	1	



3XK1100-1140

C4

FIG. 15 SHIFTER

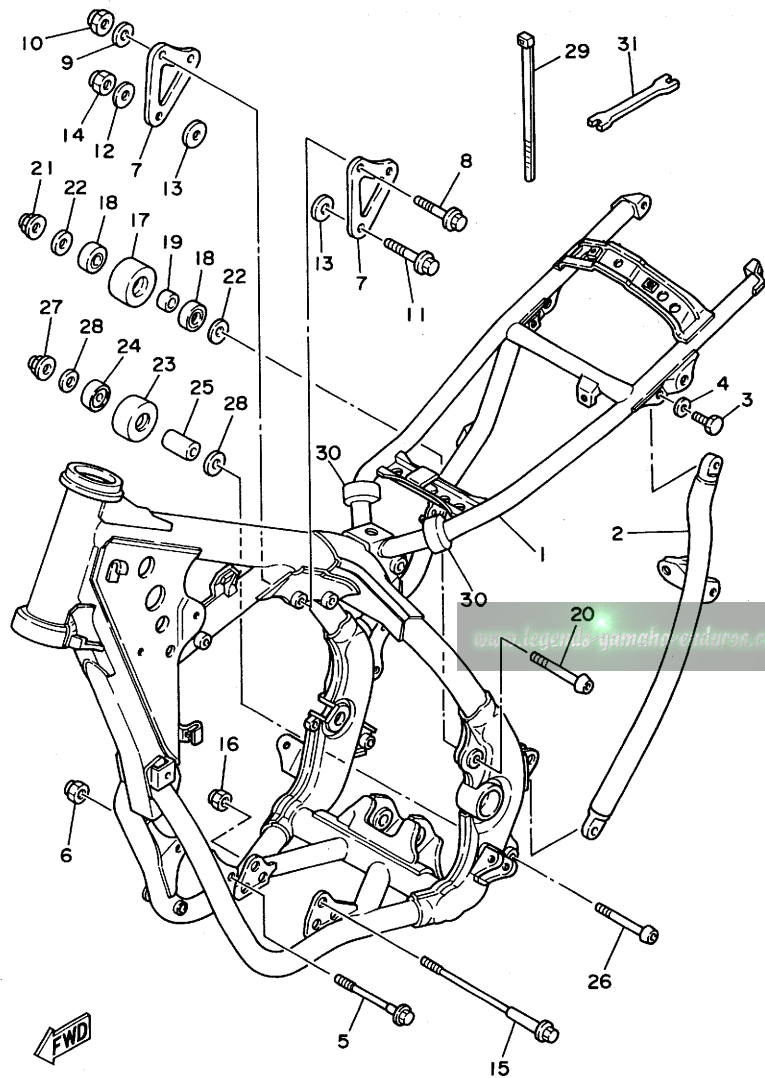


REF. NO.	PART NO.	DESCRIPTION	Q'TY	REMARKS
1	3XK-18101-01	SHIFT SHAFT ASSY	1	
2	3XK-18122-00	LEVER, shift 2	1	
3	90560-12280	SPACER	1	
4	90508-291A8	SPRING, torsion	1	
5	93608-33046	PIN, dowel	1	
6	2VM-18110-00	SHIFT PEDAL ASSY	1	
7	97011-06025	BOLT	1	
8	93102-12106	OIL SEAL (SD 12-22-5 HS)	1	
9	3XJ-18173-00	PIN, shift	1	
10	3XJ-18178-00	ROLLER, shift lever	1	
11	3XJ-18182-00	PAWL, shifter	2	
12	90501-052G5	SPRING, compression	2	
13	3XJ-18184-00	PIN, pawl	2	
14	4DA-18172-00	GUIDE, shift	1	
15	90101-06664	BOLT	2	
16	3XJ-18185-00	SEGMENT	1	



4DA2100-2150

C5



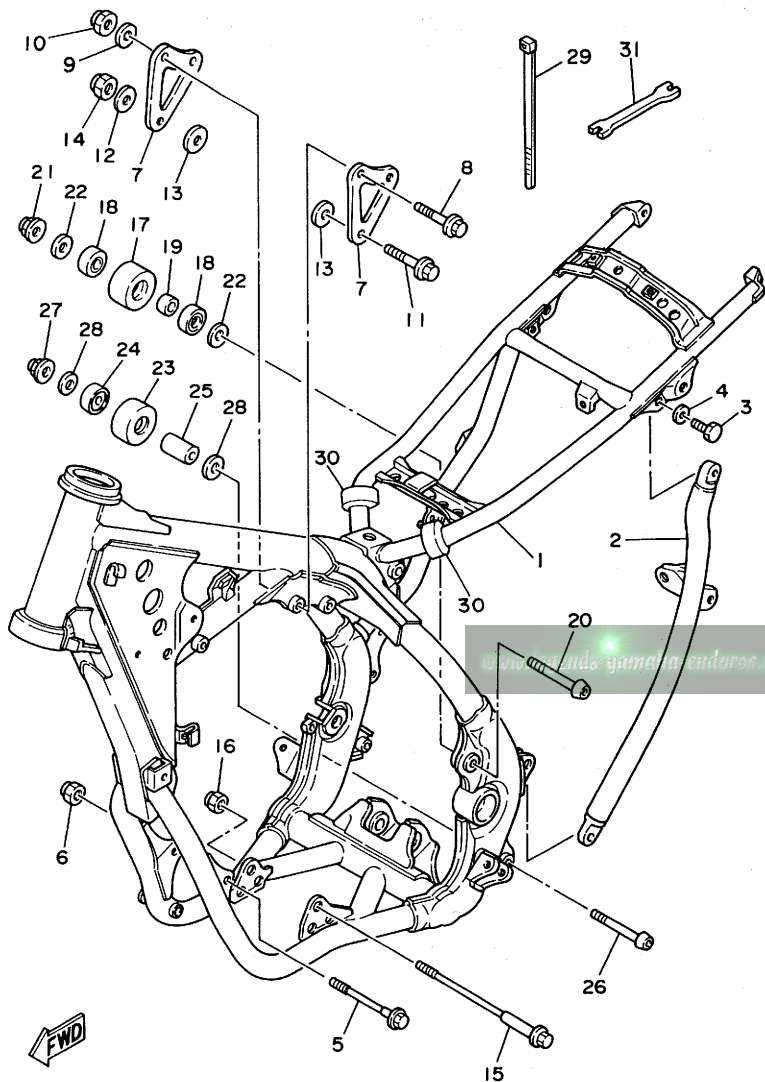
3XKI100-1160

FIG. 16 FRAME

REF. NO.	PART NO.	DESCRIPTION	Q'TY	REMARKS
1	4DA-21110-00-UJ	FRAME COMP.	1	RADICAL WHITE
2	3XK-21123-00-T9	BACK, stay (L.H)	1	COMPETITION SILVER
3	90101-08461	BOLT	2	
4	90201-080E2	WASHER, plate	2	
5	90105-08592	BOLT, washer based	1	
6	95611-08200	NUT, self-locking	1	
7	3SP-21425-00	BRACKET, rear upper 1	2	
8	95811-08055	BOLT, flange	2	
9	90202-08022	WASHER, plate	2	
10	95601-08200	NUT, self-locking	2	
11	91011-10055	BOLT, flange	1	
12	92990-10200	WASHER, plain	1	
13	90201-101J1	WASHER, plate	2	
14	95601-10200	NUT, self-locking	1	
15	91011-10120	BOLT, flange	1	
16	95611-10200	NUT, self-locking	1	
17	3JD-22178-00	TENSIONER	1	
18	93300-60816	BEARING	2	
19	90387-087K5	COLLAR	1	
20	92011-08070	BOLT, button head	1	
21	95601-08200	NUT, self-locking	1	
22	90201-081A6	WASHER, plate	2	
23	3JD-22178-10	TENSIONER	1	
24	93300-60816	BEARING	1	
25	90387-086N4	COLLAR	1	
26	92011-08070	BOLT, button head	1	
27	95601-08200	NUT, self-locking	1	
28	90201-081A6	WASHER, plate	2	

C6

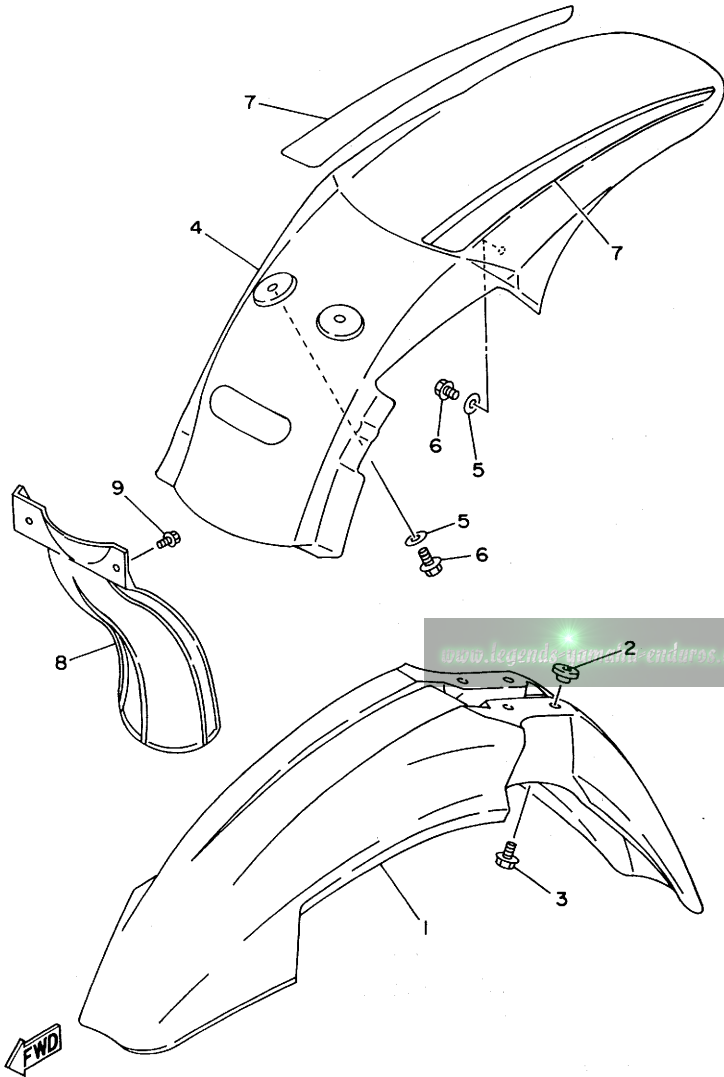
FIG. 16 FRAME



REF. NO.	PART NO.	DESCRIPTION	Q'TY	REMARKS
29	12R-82591-00	BAND	1	
30	3XJ-21717-00	DAMPER, side cover	2	
31	56A-28166-00	WRENCH, hexagon	1	


3XK1100-1160

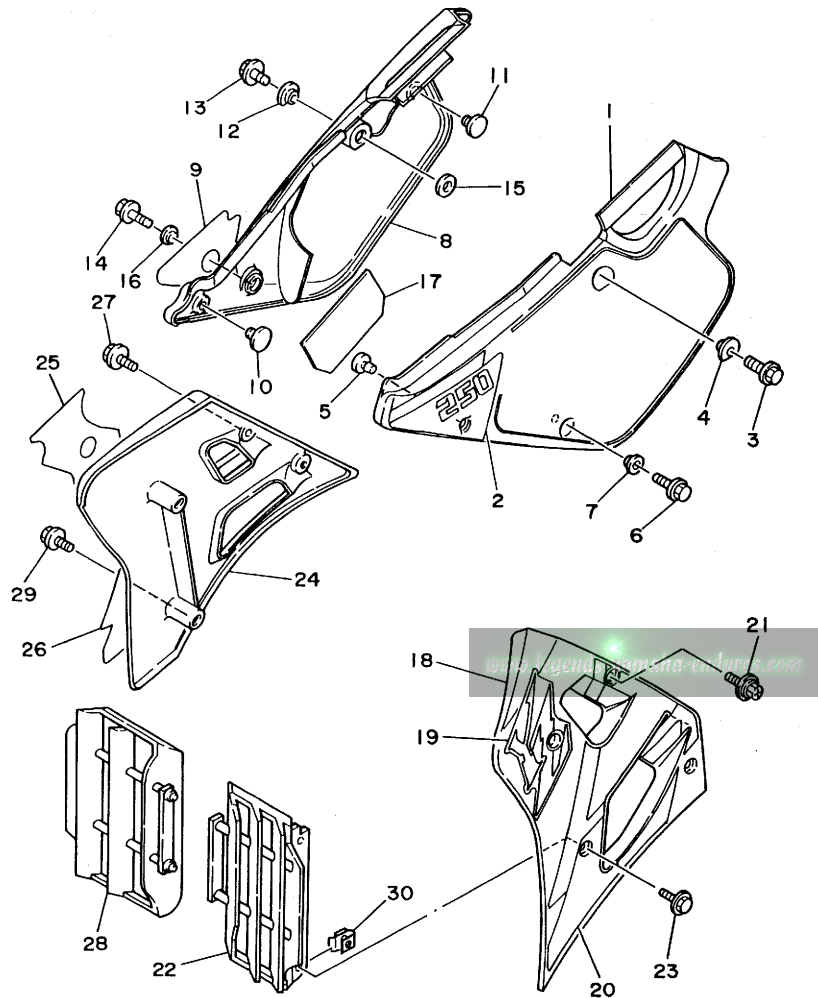
FIG. 17 FENDER



REF. NO.	PART NO.	DESCRIPTION	Q'TY	REMARKS
1	4DA-21511-00	FENDER, front	1	
2	3JD-21748-00	COLLAR	4	
3	90119-06063	BOLT, with washer	4	
4	3XJ-21611-02	FENDER, rear	1	
5	90201-06571	WASHER, plate	4	
6	90105-06553	BOLT, washer based	4	
7	4DA-2165A-00	GRAPHIC SET, rear fender	1	
8	39X-21642-00	GUARD, flap	1	
9	90119-06185	BOLT, with washer	2	

4DB2100-2170

FIG. 18 SIDE COVER

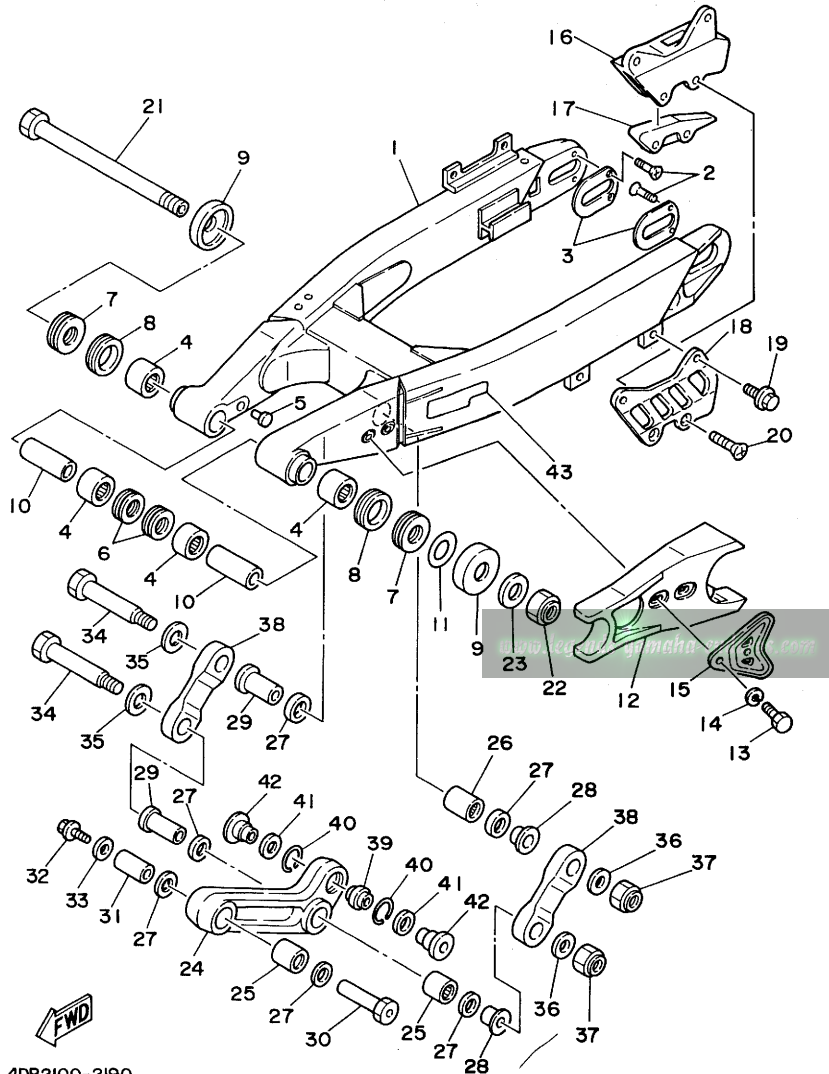


4DA2100-2180

REF. NO.	PART NO.	DESCRIPTION	Q'TY	REMARKS
1	3XJ-21711-01	COVER, side 1	1	
2	4DA-2173E-00	GRAPHIC 1	1	
3	95023-08020	BOLT	1	
4	90387-084X5	COLLAR	1	
5	22W-24181-00	DAMPER, locating 1	1	
6	91021-06016	BOLT, flange	1	
7	90387-064X4	COLLAR	1	
8	3XJ-21721-01	COVER, side 2	1	
9	4DA-2173F-00	GRAPHIC 2	1	
10	22W-24181-00	DAMPER, locating 1	1	
11	3JD-24181-00	DAMPER, locating 1	1	
12	90387-084X5	COLLAR	1	
13	95023-08020	BOLT	1	
14	95811-06012	BOLT, flange	1	
15	92901-08200	WASHER, plain	1	
16	90387-064X4	COLLAR	1	
17	3XJ-2174A-00	INSULATOR, side cover	1	
18	3XK-21731-01	COVER, side 3	1	
19	4DA-24244-00	GRAPHIC, fuel tank 1	1	
20	4DA-24230-00	GRAPHIC SET	1	
21	90119-06192	BOLT, with washer	2	
22	3XJ-2172A-00	PANEL 1	1	
23	90119-05193	BOLT, with washer	2	
24	3XK-21741-01	COVER, side 4	1	
25	4DA-24245-00	GRAPHIC, fuel tank 2	1	
26	4DA-24250-02	GRAPHIC SET	1	
27	90119-06192	BOLT, with washer	2	
28	3XJ-2172A-00	PANEL 1	1	

C9

FIG. 19 REAR ARM

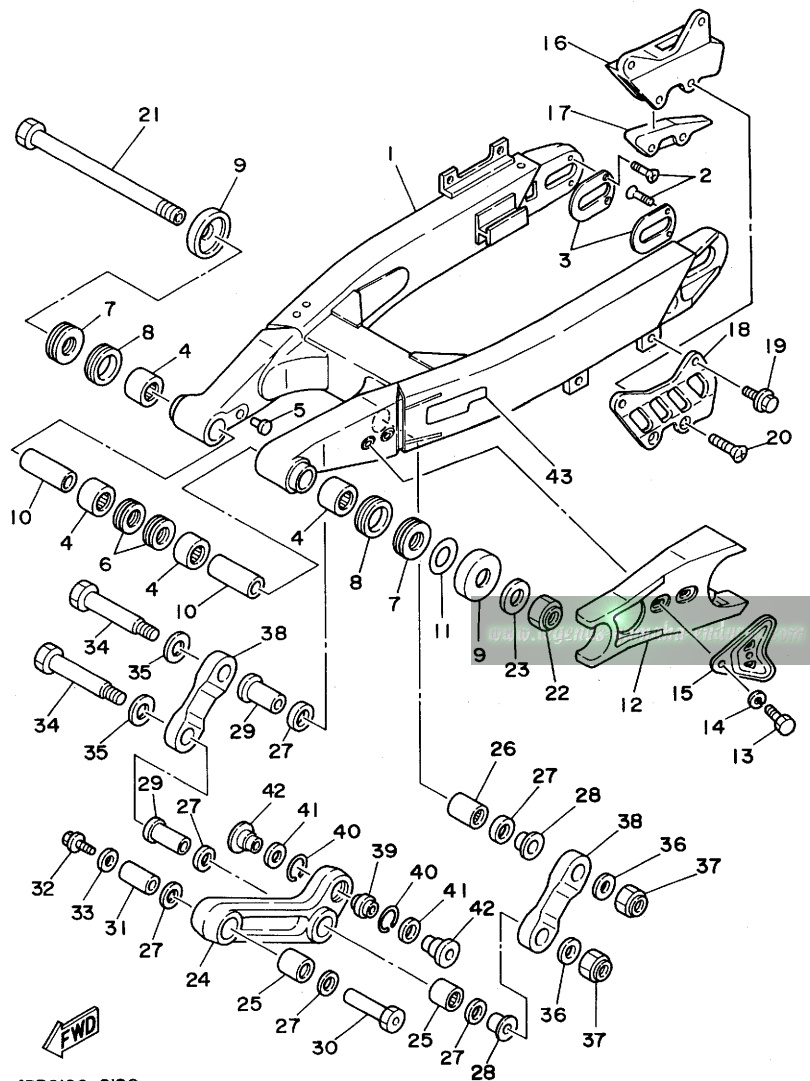


4DB2100-2190

REF. NO.	PART NO.	DESCRIPTION	Q'TY	REMARKS
1	3XJ-22110-01	REAR ARM COMP.	1	
2	90151-04048	SCREW, countersunk	4	
3	3XJ-22355-00	PATCH A	2	
4	93317-22262	BEARING, cylindrical	4	UR
	93317-22263	BEARING, cylindrical	4	UR
5	90338-10150	PLUG	2	
6	93106-22019	OIL SEAL (DC 22-28-8)	2	
7	93342-22208	BEARING, thrust	2	
8	93108-35004	OIL SEAL (35-41-8)	2	
9	3R4-22129-00	COVER, thrust 2	2	
10	90380-16158	BUSH, solid	2	
11	156-22127-00	SHIM (0.3T)	1	UN
12	3JD-22151-00	SEAL, guard	1	
13	95023-06020	BOLT	2	
14	92990-06100	WASHER, spring	2	
15	3JD-22156-00	WASHER, plate	1	
16	3JD-22199-00	SUPPORT, chain	1	
17	3JD-22147-00	PROTECTOR, chain	1	
18	3JD-22128-00	COVER, thrust 1	1	
19	91001-06020	BOLT, flange	2	
20	98701-06035	SCREW, flat head	2	
21	1LX-22141-00	SHAFT, pivot	1	
22	90185-16127	NUT, self-locking	1	
23	90201-164H4	WASHER, plate	1	
24	3XJ-2217A-00	ARM, relay	1	
25	93315-22046	BEARING, cylindrical	2	
26	93315-22046	BEARING, cylindrical	1	
27	93109-20029	OIL SEAL	6	

C11

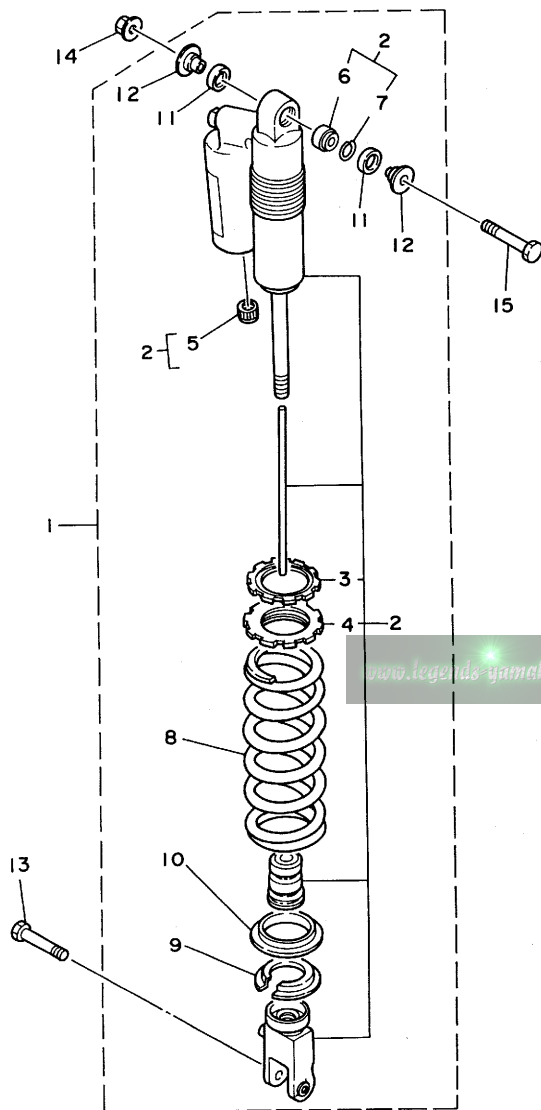
FIG. 19 REAR ARM



REF. NO.	PART NO.	DESCRIPTION	Q'TY	REMARKS
28	90387-164N2	COLLAR	2	
29	90387-164N3	COLLAR	2	
30	90179-10544	NUT	1	
31	90387-167R5	COLLAR	1	
32	95811-10016	BOLT, flange	1	
33	90201-106F2	WASHER, plate	1	
34	90109-142F4	BOLT	2	
35	90201-164H4	WASHER, plate	2	
36	90201-14740	WASHER, plate	2	
37	90185-14070	NUT, self-locking	2	
38	3XJ-2217F-00	ROD, connecting 1	2	
39	93399-99935	BEARING	1	
40	93440-30113	CIRCLIP	2	
41	3XJ-22475-00	SEAL, dust	2	
42	90387-103X9	COLLAR	2	
43	3XJ-2218A-00	EMBLEM, rear arm	2	

4DB2100-2190

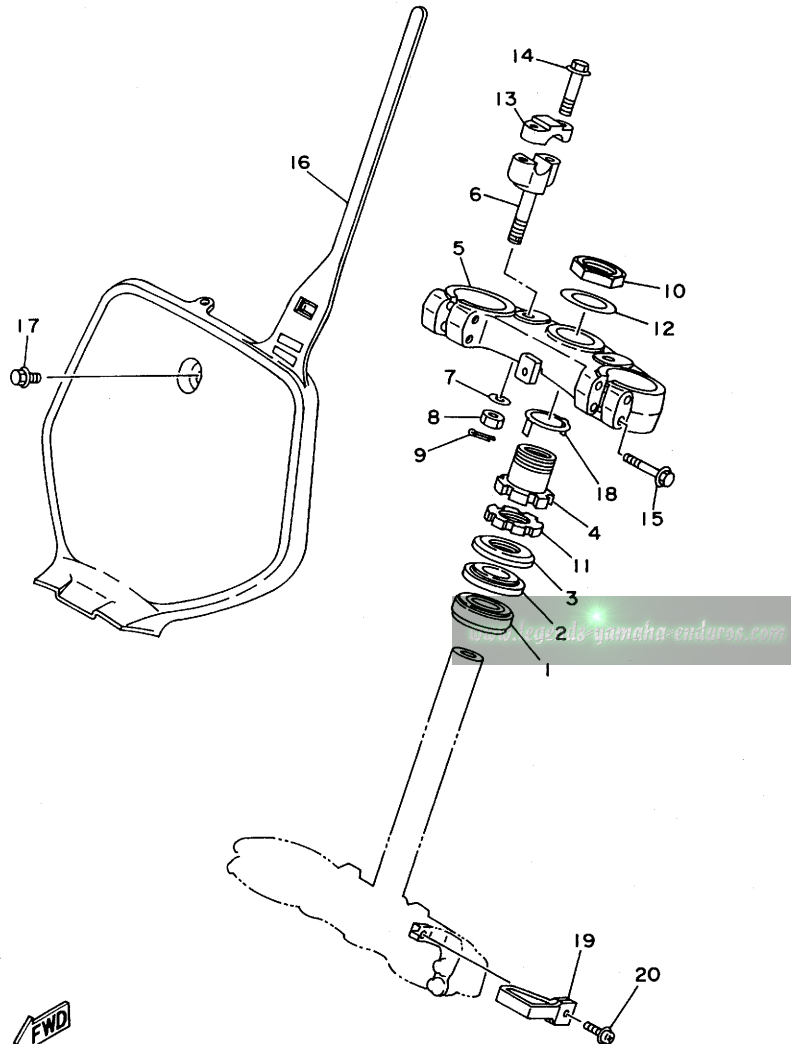
FIG. 20 REAR SUSPENSION



REF. NO.	PART NO.	DESCRIPTION	Q'TY	REMARKS
1	4DA-22210-00	SHOCK ABSORBER ASSY, rear	1	UR FOR USA, OCEANIA, S.AFRICA, OTHERS
	4DA-22210-10	SHOCK ABSORBER ASSY, rear	1	UR FOR EUROPE
	4DA-22210-20	SHOCK ABSORBER ASSY, rear	1	UR FOR JAPAN
	4DA-22210-30	SHOCK ABSORBER ASSY, rear	1	UR FOR CANADA
2	4DA-22201-00	.DAMPER SUB ASSY	1	UR FOR & USA, OCEANIA, S.AFRICA, OTHERS
	4DA-22201-10	.DAMPER SUB ASSY	1	UR FOR EUROPE
	4DA-22201-20	.DAMPER SUB ASSY	1	UR FOR JAPAN
	4DA-22201-30	.DAMPER SUB ASSY	1	UR FOR CANADA
3	3SP-22234-00	..GUIDE, spring 3	1	
4	3SP-22213-00	..SEAT, spring upper	1	
5	24M-23184-00	..CAP, air valve	1	
6	3JD-22216-00	..BUSH, rear shock absorber	1	
7	43M-22274-00	..RING, stop	1	
8	4DA-22212-70	.SPRING (K=5.0)	1	
9	3JD-22214-00	.GUIDE, spring 1	1	
10	3JD-22224-00	.GUIDE, spring 2	1	
11	3JD-22475-00	.SEAL, dust	2	
12	3XJ-22253-00	.COLLAR, distance	2	
13	90105-10614	BOLT, washer based	1	
14	95611-10200	NUT, self-locking	1	
15	3SP-22241-00	BOLT 1	1	

3XJ1100-1200

FIG. 21 STEERING



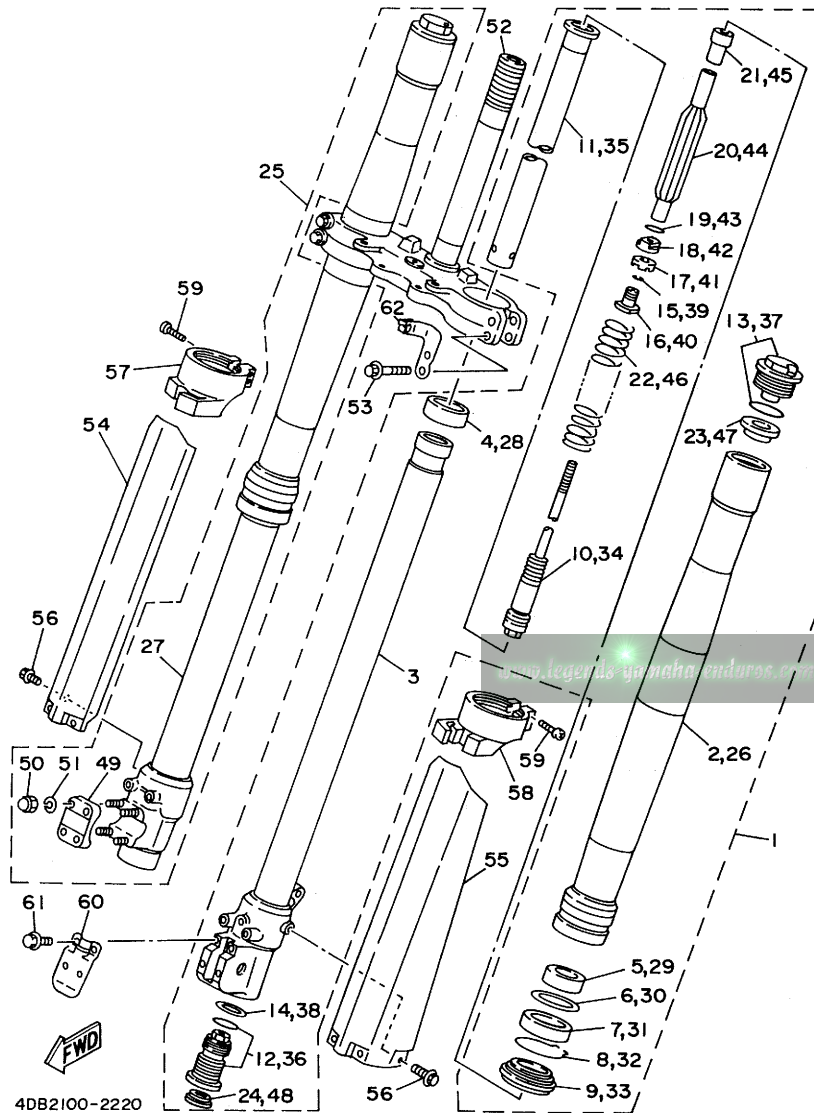
REF. NO.	PART NO.	DESCRIPTION	Q'TY	REMARKS
1	93332-00067	BEARING	1	
2	93332-00068	BEARING	1	
3	2HG-23416-00	COVER, ball race 2	1	
4	90179-28603	NUT	1	
5	4DA-23435-00	CROWN, handle	1	
6	3SP-23442-00	HOLDER, handle lower	2	
7	92990-12200	WASHER, plain	2	
8	95611-12100	NUT, u	2	
9	91401-25020	PIN, cotter	2	
10	90170-36394	NUT	1	
11	90179-28602	NUT	1	
12	90201-365M5	WASHER, plate	1	
13	3SP-23441-00	HOLDER, handle upper	2	
14	95023-08035	BOLT	4	
15	95021-08040	BOLT, flange	4	
16	4DA-23485-00	PLATE, number	1	
17	90119-06185	BOLT, with washer	1	
18	3SP-23418-00	WASHER, special	1	
19	4DA-23389-00	GUIDE, cable	1	
20	90159-05122	SCREW, with washer	1	



4DB2100-2210

C14

FIG. 22 FRONT FORK

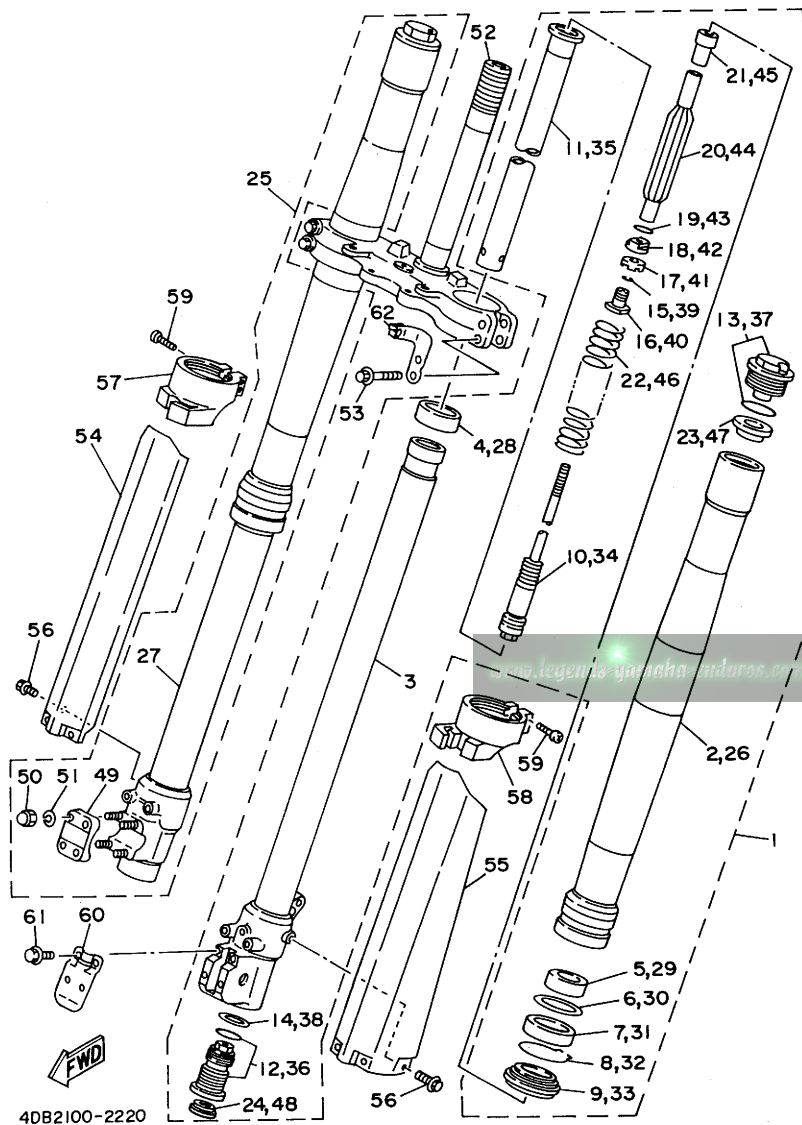


4DB2100-2220

REF. NO.	PART NO.	DESCRIPTION	Q'TY	REMARKS
1	4DA-23102-L0	FRONT FORK ASSY (L.H)	1	UR
	4DA-23102-M0	FRONT FORK ASSY (L.H)	1	UR FOR EUROPE, JAPAN
2	4DA-23136-L0	.TUBE, outer 2	1	
3	4DA-23120-L0	.INNER TUBE COMP. 2	1	
4	3XJ-23171-L0	.PISTON, front fork	1	
5	3XJ-23125-L0	.METAL, slide 1	1	
6	4V4-23146-L0	.WASHER, oil seal	1	
7	3XJ-23145-L0	.OIL SEAL	1	
8	4V4-23153-L0	.RING, snap	1	
9	3XJ-23144-L0	.SEAL, dust	1	
10	4DA-2314A-L0	.PISTON ROD ASSY	1	
11	4DA-23170-L0	.CYLINDER COMP., front fork	1	
12	4DA-2316A-L0	.VALVE COMP.	1	UR
	4DA-2316A-M0	.VALVE COMP.	1	UR FOR EUROPE, JAPAN
13	4DA-23111-L0	.BOLT, cap	1	
14	2HH-23158-L0	.GASKET	1	
15	3XJ-23153-L0	.RING, snap	2	
16	3XJ-23113-L0	.COLLAR	1	
17	3XJ-23166-L0	.SPACER, oil lock	1	
18	3XJ-23778-L0	.NUT	1	
19	36Y-23147-10	.O-RING	1	
20	3XJ-23142-L0	.SEAT, spring upper	1	
21	4DA-23778-L0	.NUT	1	
22	4DA-23141-L0	.SPRING, front fork (K=0.390)	1	
23	3XJ-23143-L0	.SEAT, spring lower	1	
24	3JD-23126-L0	.PLUG	1	
25	4DA-23103-L0	FRONT FORK ASSY (R.H)	1	UR
	4DA-23103-M0	FRONT FORK ASSY (R.H)	1	UR FOR EUROPE, JAPAN

C15

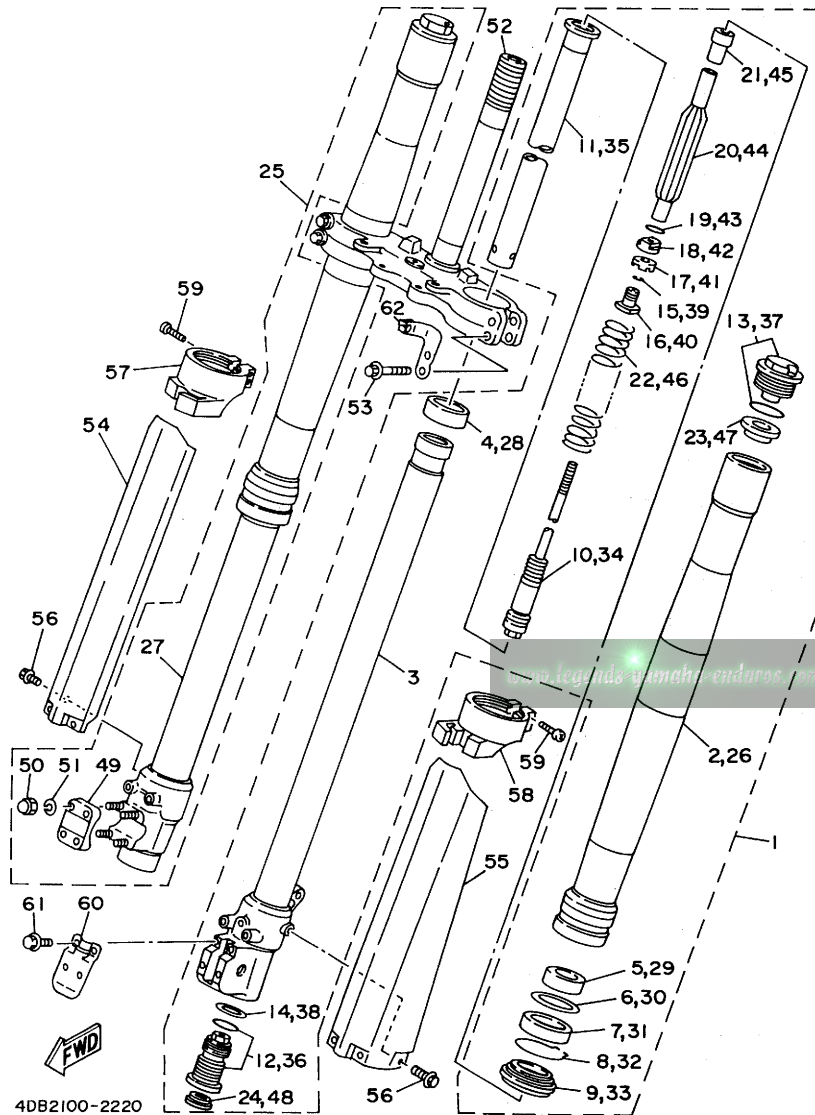
FIG. 22 FRONT FORK



REF. NO.	PART NO.	DESCRIPTION	Q'TY	REMARKS
26	4DA-23136-L0	.TUBE, outer 2	1	
27	4DA-23110-L0	.INNER TUBE COMP. 1	1	
28	3XJ-23171-L0	.PISTON, front fork	1	
29	3XJ-23125-L0	.METAL, slide 1	1	
30	4V4-23146-L0	.WASHER, oil seal	1	
31	3XJ-23145-L0	.OIL SEAL	1	
32	4V4-23153-L0	.RING, snap	1	
33	3XJ-23144-L0	.SEAL, dust	1	
34	4DA-2314A-L0	.PISTON ROD ASSY	1	
35	4DA-23170-L0	.CYLINDER COMP., front fork	1	
36	4DA-2316A-L0	.VALVE COMP.	1	UR
	4DA-2316A-M0	.VALVE COMP.	1	UR FOR EUROPE, JAPAN
37	4DA-23111-L0	.BOLT, cap	1	
38	2HH-23158-L0	.GASKET	1	
39	3XJ-23153-L0	.RING, snap	2	
40	3XJ-23113-L0	.COLLAR	1	
41	3XJ-23166-L0	.SPACER, oil lock	1	
42	3XJ-23778-L0	.NUT	1	
43	36Y-23147-10	.O-RING	1	
44	3XJ-23142-L0	.SEAT, spring upper	1	
45	4DA-23778-L0	.NUT	1	
46	4DA-23141-L0	.SPRING, front fork (K=0.390)	1	
47	3XJ-23143-L0	.SEAT, spring lower	1	
48	3JD-23126-L0	.PLUG	1	
49	4DA-23167-L0	.HOLDER, axle	1	
50	5Y3-23393-00	.NUT, special	4	
51	92990-06100	.WASHER, spring	4	
52	4DA-23340-L0	UNDER BRACKET COMP.	1	

D2

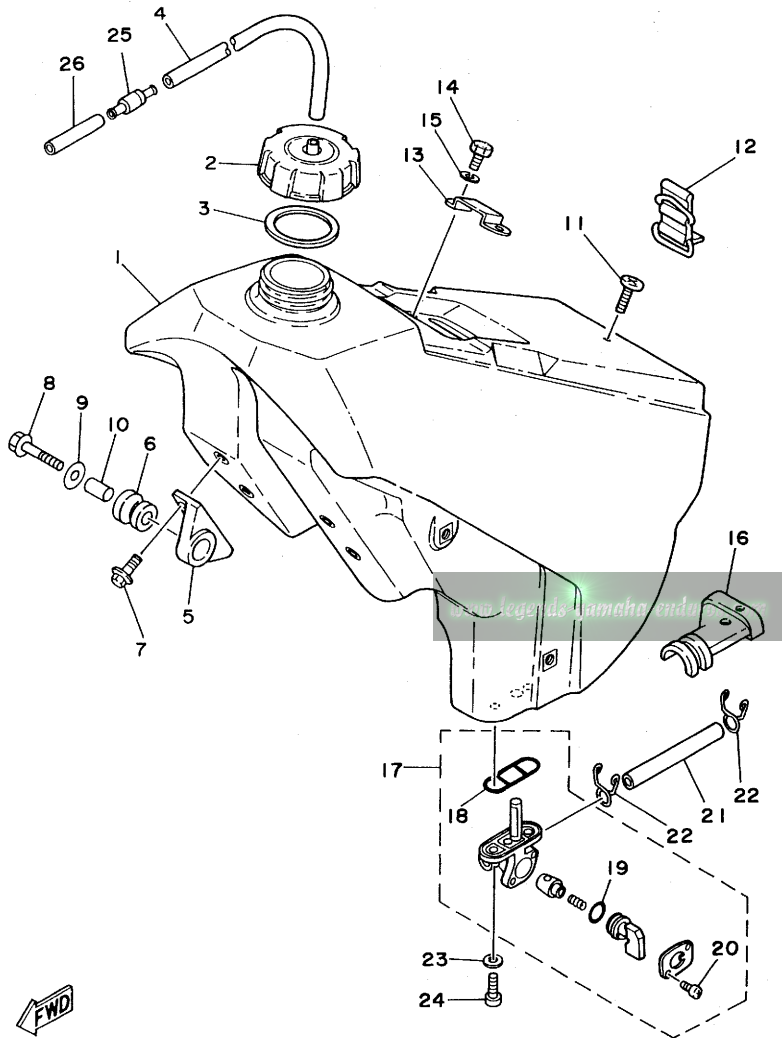
FIG. 22 FRONT FORK



REF. NO.	PART NO.	DESCRIPTION	Q'TY	REMARKS
53	95021-08040	BOLT, flange	4	
54	4DA-2314J-L0	PROTECTOR COMP., 2	1	
55	4DA-2314H-L0	PROTECTOR COMP., 1	1	
56	3SP-23356-L0	BOLT 2	6	
57	4DA-2314G-L0	PROTECTOR GUIDE COMP., 2	1	
58	4DA-2314F-L0	PROTECTOR GUIDE COMP., 1	1	
59	98501-04030	SCREW, pan head	4	
60	3SP-2314E-L0	COVER, hose	1	
61	3SP-23346-L0	BOLT 1	4	
62	4DA-2331E-L0	GUIDE, cable	1	

D3

FIG. 23 FUEL TANK



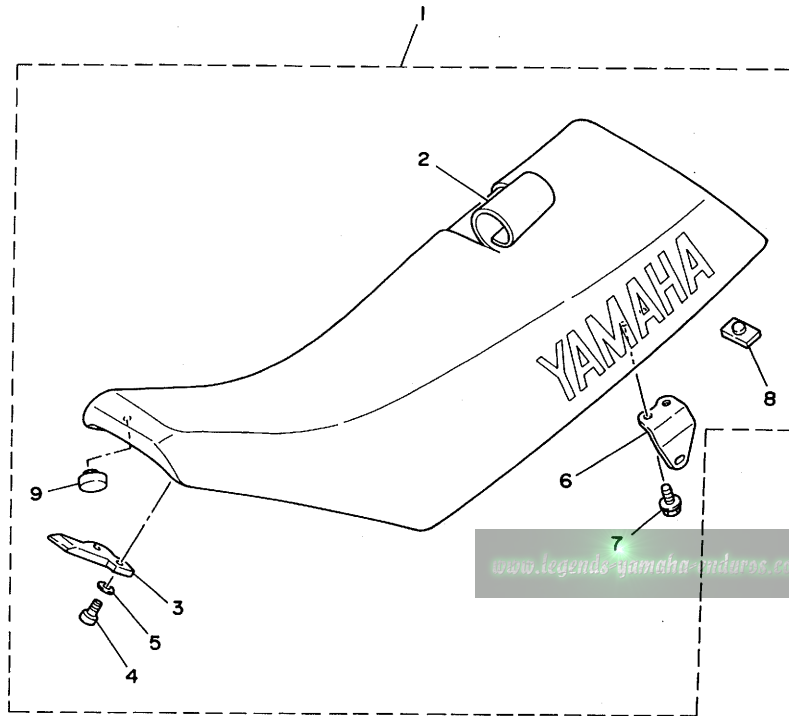
REF. NO.	PART NO.	DESCRIPTION	Q'TY	REMARKS
1	3XK-24110-00	FUEL TANK COMP.	1	
2	5X7-24611-01	BODY, cap	1	
3	5X7-24612-00	GASKET, cap	1	
4	90445-09100	HOSE	1	
5	24X-24144-00	HOLDER, damper	2	
6	90480-18549	GROMMET	2	
7	95023-06016	BOLT	4	
8	95023-06035	BOLT	2	
9	90201-06697	WASHER, plate	2	
10	90387-06027	COLLAR	2	
11	98980-06020	SCREW, bind	1	
12	3SP-24173-00	BAND, tank fitting 1	1	
13	5X6-2412F-00	BRACKET, seat	1	
14	97003-06012	BOLT	2	
15	92990-06100	WASHER, spring	2	
16	1LX-24181-00	DAMPER, locating 1	1	
17	2VN-24500-01	FUEL COCK ASSY 1	1	
18	4X8-24512-00	.O-RING	1	
19	3AJ-24534-00	.SEAL, cock	1	
20	98503-03008	.SCREW, pan head	2	
21	1RK-24311-00	PIPE, fuel 1	1	
22	90467-10008	CLIP	2	
23	90202-05193	WASHER, plate	2	
24	90149-06011	SCREW	2	
25	3XJ-24380-00	PIPE JOINT ASSY	1	
26	90445-09058	HOSE	1	



4DA2100-2230

D4

FIG. 24 SEAT



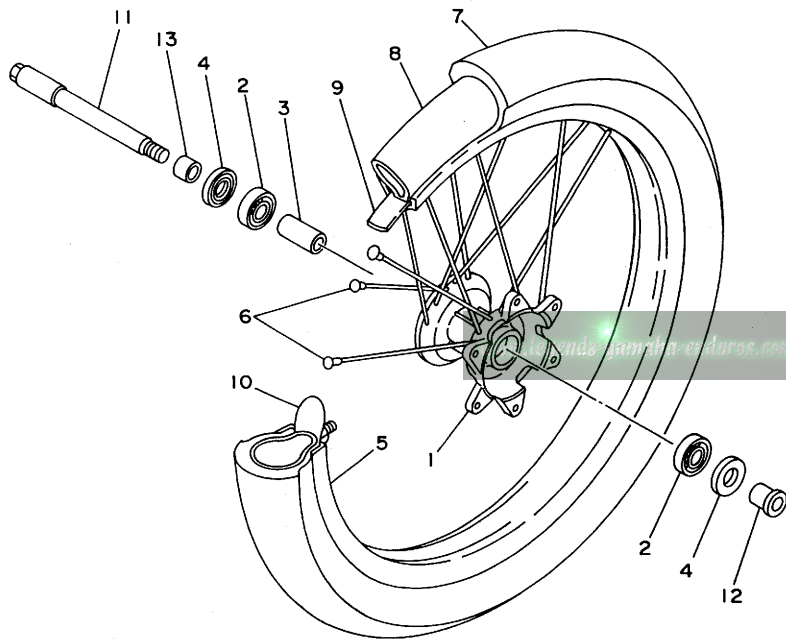
REF. NO.	PART NO.	DESCRIPTION	Q'TY	REMARKS
1	3XJ-24770-00	SEMI-DOUBLE SEAT ASSY	1	UR
	3XJ-24770-10	SEMI-DOUBLE SEAT ASSY	1	UR FOR JAPAN
2	3XJ-24731-00	.COVER, seat	1	UR
	3XJ-24731-10	.COVER, seat	1	UR FOR JAPAN
3	5X6-24748-10	.BRACKET, seat	1	
4	98501-06012	.SCREW, pan head	2	
5	92901-06600	.WASHER, plate	2	
6	1LX-24738-01	.BRACKET, seat	2	
7	95023-06012	.BOLT	4	
8	509-24724-00	.DAMPER, seat	1	
9	3L7-24724-00	.DAMPER, seat	2	



3XJ1100-1240

D5

FIG. 25 FRONT WHEEL



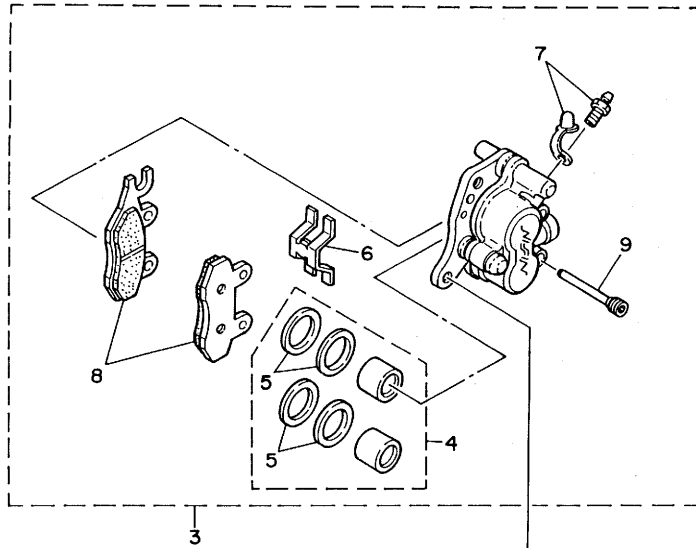
REF. NO.	PART NO.	DESCRIPTION	Q'TY	REMARKS
1	4DA-25111-00	HUB, front	1	
2	93306-00316	BEARING	2	
3	90560-17379	SPACER	1	
4	93102-22445	OIL SEAL	2	
5	94416-21499	RIM (1.60-21)	1	
6	4DA-25104-00	SPOKE SET, front	1	
7	94108-217X2	TIRE (80/100-21 K490)	1	UR DUNLOP
	94108-219U5	TIRE (80/100-21 K990)	1	UR DUNLOP FOR EUROPE
8	94227-21123	TUBE (2.75-21)	1	BRIDGESTONE
9	94307-21145	BAND, rim (70-80/100-21)	1	DUNLOP
10	5X2-25394-00	SPACER, bead	1	
11	4DA-25181-00	AXLE, wheel	1	
12	90387-173Y0	COLLAR	1	
13	90387-172Y9	COLLAR	1	



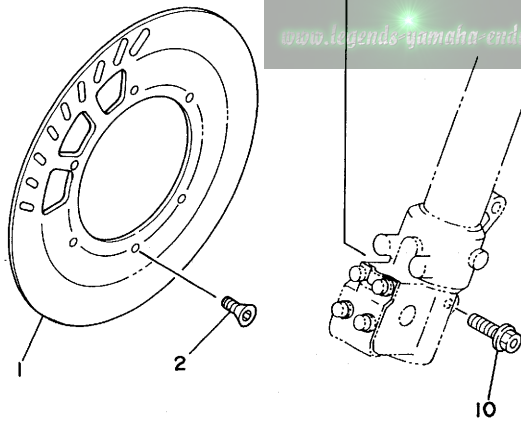
4DB2100-2250

D6

FIG. 26 FRONT BRAKE CALIPER



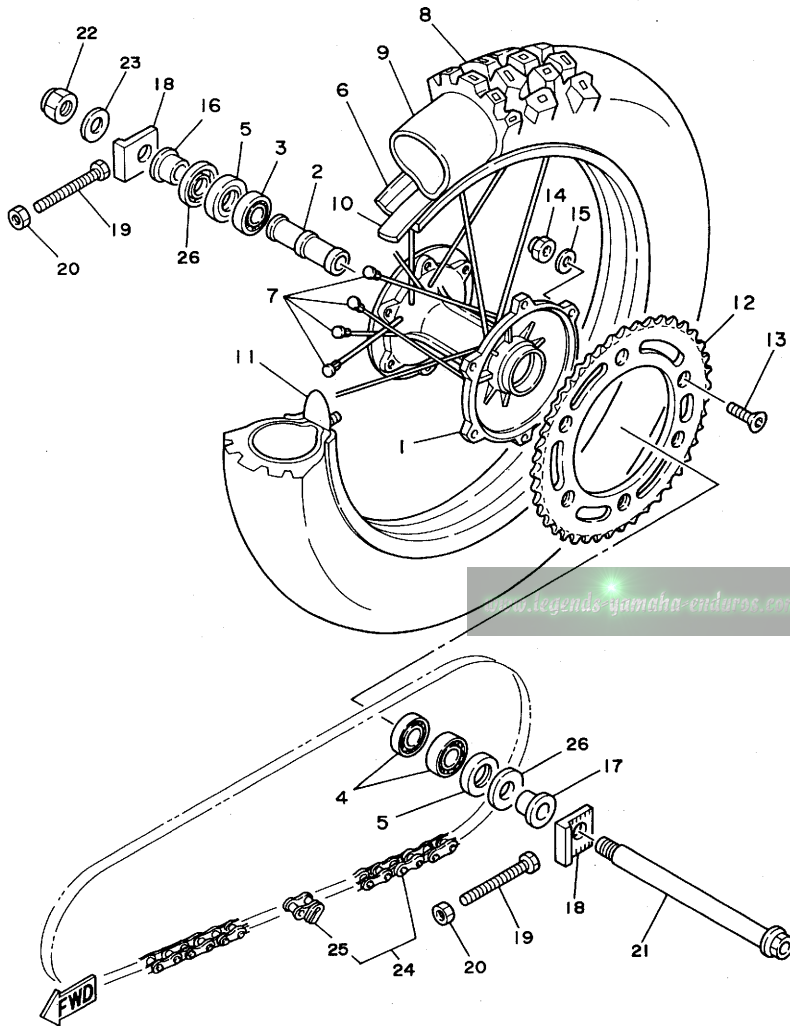
REF. NO.	PART NO.	DESCRIPTION	Q'TY	REMARKS
1	4DA-2582T-00	DISC, brake	1	
2	90149-06272	SCREW	6	
3	3SP-2580T-00	CALIPER ASSY (LEFT)	1	
4	3JD-W0057-00	.PISTON ASSY, caliper	1	
5	3JD-W0047-00	..CALIPER SEAL KIT	1	
6	3JD-25919-00	.SUPPORT, pad	1	
7	1UY-W0048-50	.BREED SCREW KIT	1	
8	3SP-W0045-00	.BRAKE PAD KIT	1	
9	3GD-25933-00	.PIN, pad	2	
10	90105-08659	BOLT, washer based	2	



4DB2100-2260

D7

FIG. 27 REAR WHEEL



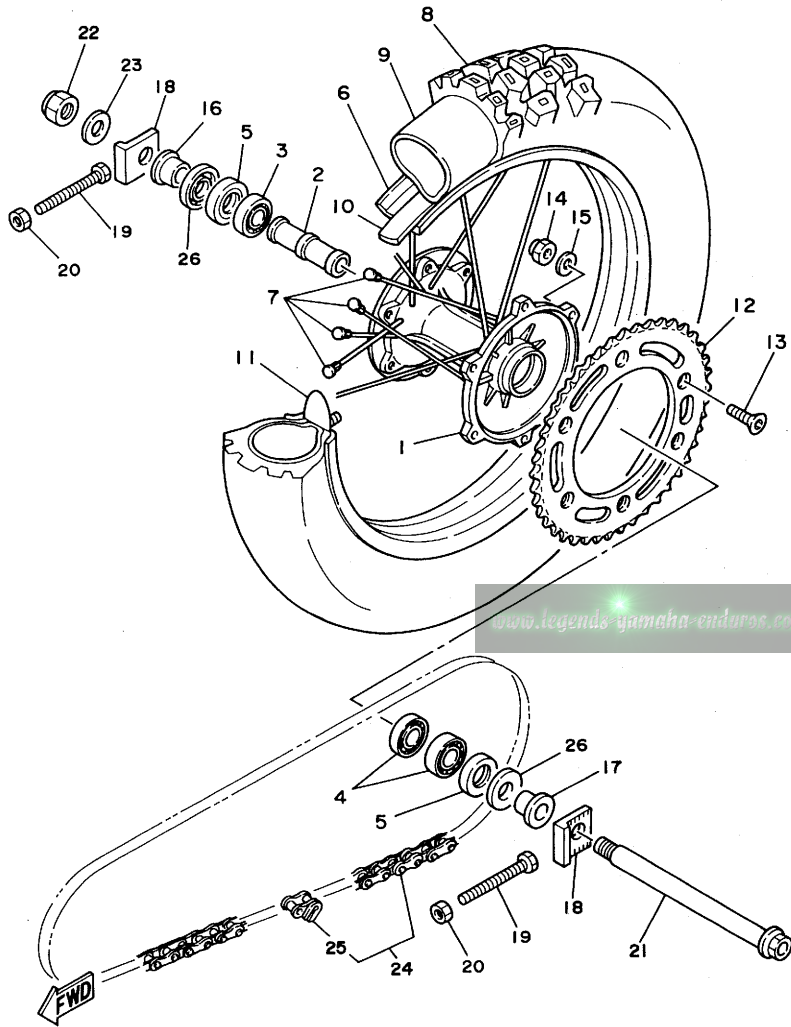
3XJ1100-1270

REF. NO.	PART NO.	DESCRIPTION	Q'TY	REMARKS
1	3SP-25311-00	HUB, rear	1	
2	3JD-25317-01	SPACER, bearing	1	
3	93306-00418	BEARING	1	
4	93306-00438	BEARING	2	
5	93106-28023	OIL SEAL	2	
6	94421-19484	RIM (2.15-19)	1	
7	3JD-25304-00	SPOKE SET, rear	1	
8	94111-190Y0	TIRE (110/90-19 K695)	1	UR DUNLOP
	94111-199U3	TIRE (110/90-19)	1	UR DUNLOP FOR EUROPE
9	94211-19273	TUBE (110/90 110/100-19TR4)	1	DUNLOP
10	94311-19155	BAND, rim (110/90 110/100-19)	1	DUNLOP
11	3JE-25394-00	SPACER, bead	2	
12	2HH-25449-00	SPROCKET, driven (49T)	1	UR STD
	3JD-25451-01	SPROCKET, driven (51T)	1	UR STD FOR EUROPE
	39W-25444-01	SPROCKET, driven (44T)	1	AP
	39W-25445-01	SPROCKET, driven (45T)	1	AP
	39W-25446-01	SPROCKET, driven (46T)	1	AP
	39W-25448-00	SPROCKET, driven (48T)	1	AP
	39W-25450-00	SPROCKET, driven (50T)	1	AP
	39W-25452-01	SPROCKET, driven (52T)	1	AP
13	90109-08792	BOLT	6	
14	95611-08100	NUT, u	6	
15	90201-081A6	WASHER, plate	6	
16	90387-203V0	COLLAR	1	
17	90387-200Y5	COLLAR	1	
18	3SP-25388-00	PULLER, chain 1	2	
19	90101-08699	BOLT	2	
20	95701-08500	NUT, flange	2	

D8

FIG. 27 REAR WHEEL

REF. NO.	PART NO.	DESCRIPTION	Q'TY	REMARKS
21	3JD-25381-01	AXLE, wheel	1	
22	90185-18104	NUT, self-locking	1	
23	92990-18600	WASHER	1	
24	94581-44116	CHAIN	1	
25	94681-44001	.JOINT, chain	1	
26	4V4-25367-00	COVER, hub dust	2	

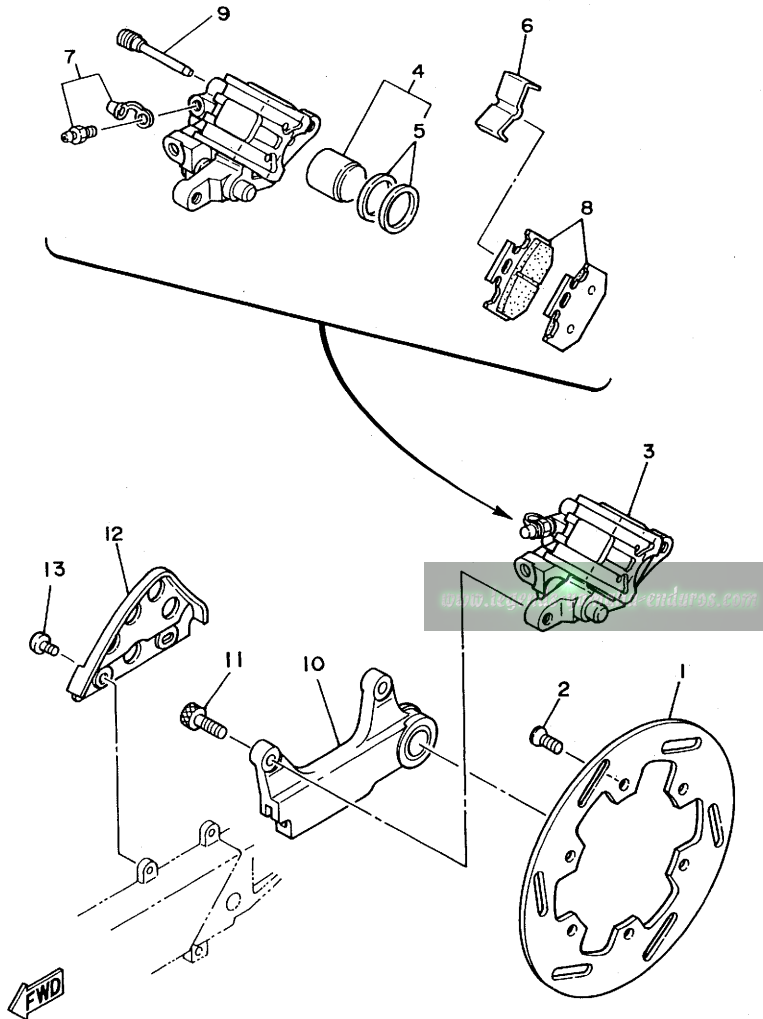


3XJ1100-1270

D9

FIG. 28 REAR BRAKE CALIPER

REF. NO.	PART NO.	DESCRIPTION	Q'TY	REMARKS
1	4DA-2582W-00	DISC, rear brake 2	1	
2	90149-06272	SCREW	6	
3	4DA-2580W-00	CALIPER ASSY, rear 2	1	
4	3SP-W0057-50	.PISTON ASSY, caliper	1	
5	3JD-W0047-50	..CALIPER SEAL KIT	1	
6	3SP-25919-51	.SUPPORT, pad	1	
7	1UY-W0048-50	.BREED SCREW KIT	1	
8	4DA-W0046-00	.BRAKE PAD KIT, 2	1	
9	3SP-25924-51	.PIN, pad	2	
10	3XJ-25920-00	SUPT. BRKT. ASSY	1	
11	91311-08025	BOLT	2	
12	3JD-27491-00	PROTECTOR	1	
13	92011-06012	BOLT, button head	2	

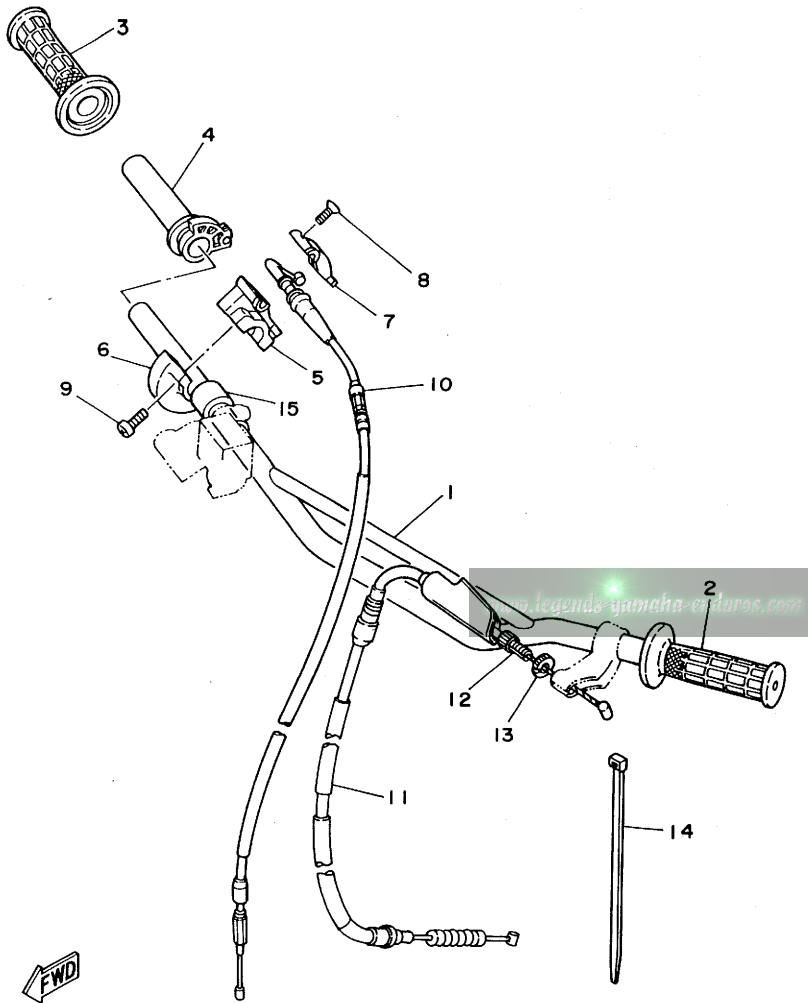


4 DB2100-2280

D10

FIG. 29 STEERING HANDLE. CABLE

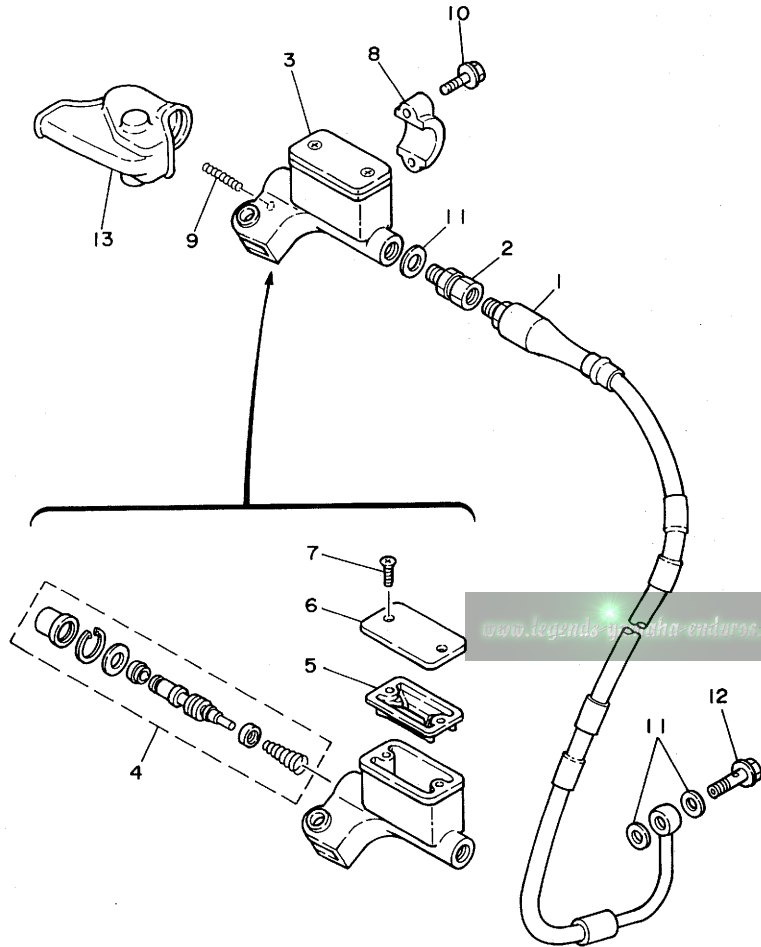
REF. NO.	PART NO.	DESCRIPTION	Q'TY	REMARKS
1	3XJ-26111-00	HANDLEBAR	1	
2	1LX-26241-01	GRIP (LEFT)	1	
3	1LX-26242-01	GRIP (RIGHT)	1	
4	23X-26243-00	TUBE, throttle guide	1	
5	23X-26281-00	CAP, grip upper	1	
6	431-26282-02	CAP, grip lower	1	
7	5X2-2628H-01	CAP, wire	1	
8	98706-04012	SCREW, flat head	2	
9	98506-05016	SCREW, pan head	2	
10	3JD-26311-01	CABLE, throttle 1	1	
11	3XK-26335-00	CABLE, clutch	1	
12	90123-08090	BOLT	1	
13	90179-08401	NUT	1	
14	90464-14117	CLAMP	1	
15	90560-22281	SPACER	1	



4DA2100-2290

D11

FIG. 30 FRONT MASTER CYLINDER

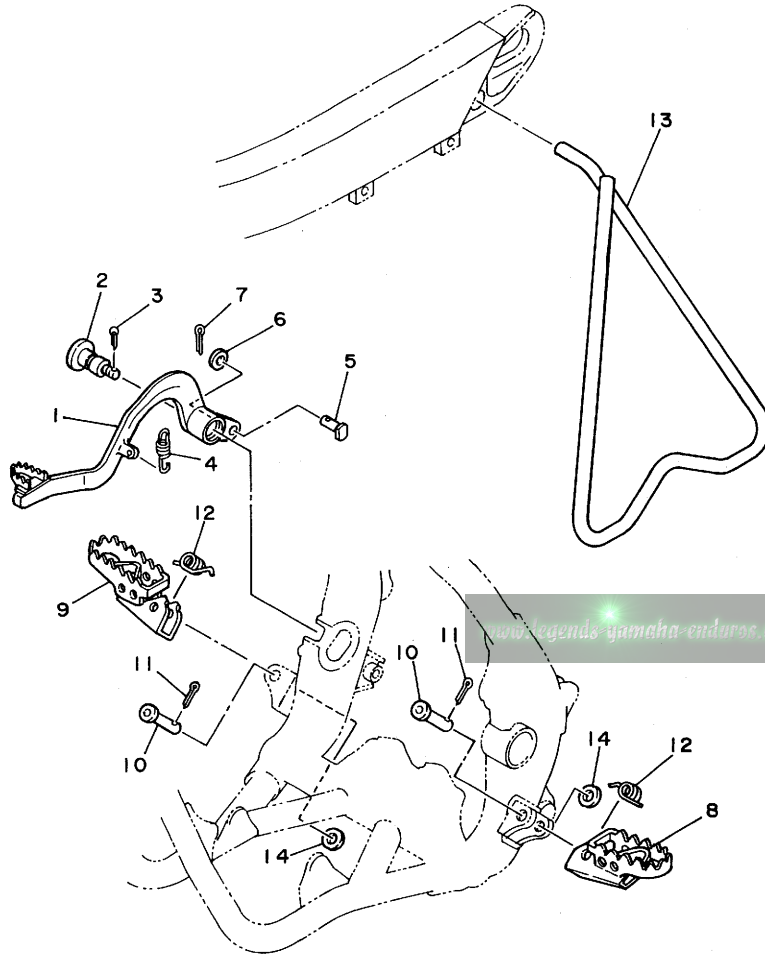


REF. NO.	PART NO.	DESCRIPTION	Q'TY	REMARKS
1	4DA-25872-00	HOSE, brake 1	1	
2	3LC-25885-00	JOINT	1	
3	3SP-25870-00	MASTER CYLINDER SUB ASSY	1	
4	3SP-W0041-00	.CYLINDER KIT, master	1	
5	56A-25854-00	.DIAPHRAGM, reservoir	1	
6	2VN-25852-00	.CAP, reservoir	1	
7	98706-04012	.SCREW, flat head	2	
8	56A-25867-00	BRACKET, master cylinder	1	
9	90501-061G2	SPRING, compression	1	
10	95026-06025	BOLT, flange	2	
11	90201-10118	WASHER, plate	3	
12	90401-10034	BOLT, union	1	
13	56A-26372-01	COVER, handle lever 1	1	



3SP1100-0300

FIG. 31 STAND, FOOTREST



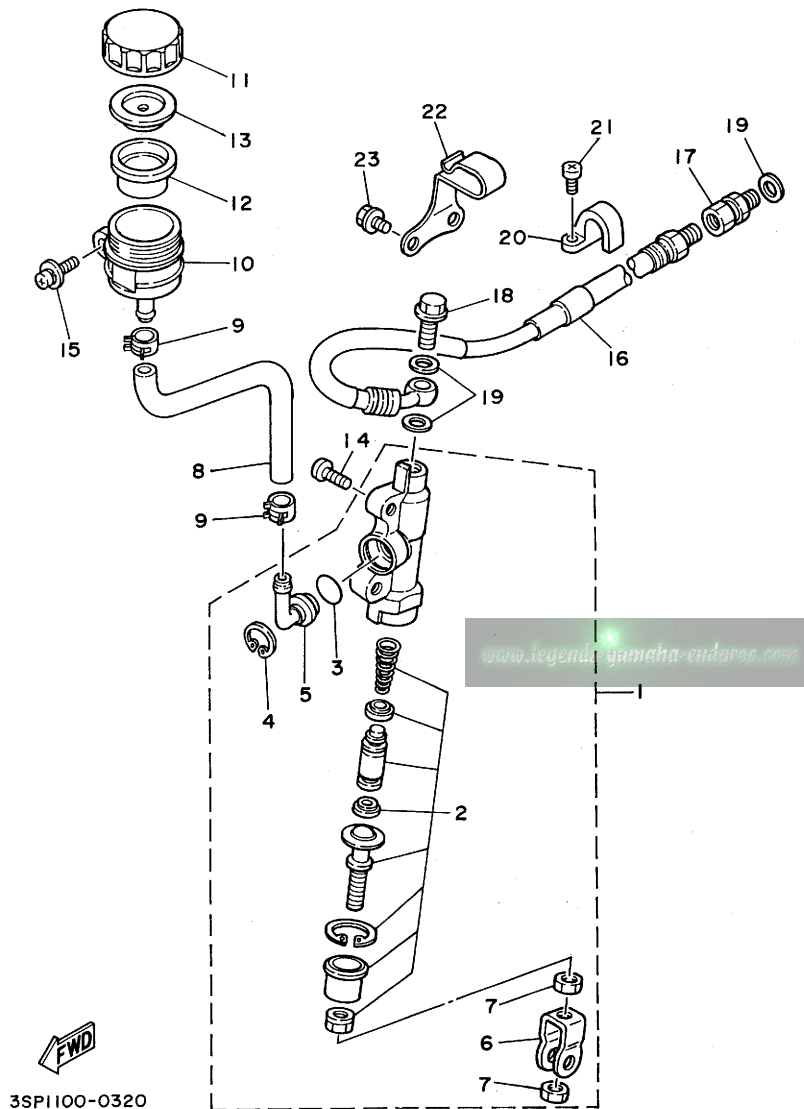
REF. NO.	PART NO.	DESCRIPTION	Q'TY	REMARKS
1	3SP-27200-00	PEDAL, brake	1	
2	4AA-27217-00	BOLT	1	
3	91401-20015	PIN, cotter	1	
4	90506-14410	SPRING, tension	1	
5	90240-08120	PIN, clevis	1	
6	92901-08600	WASHER, plate	1	
7	91401-25020	PIN, cotter	1	
8	4DA-27411-00	FOOTREST 1	1	
9	4DA-27421-00	FOOTREST 2	1	
10	90240-10117	PIN, clevis	2	
11	91401-25020	PIN, cotter	2	
12	90508-28777	SPRING, torsion	2	
13	3SP-27311-00	STAND, side	1	
14	90201-10119	WASHER, plate	2	



3XK1100-1310

D13

FIG. 32 REAR MASTER CYLINDER



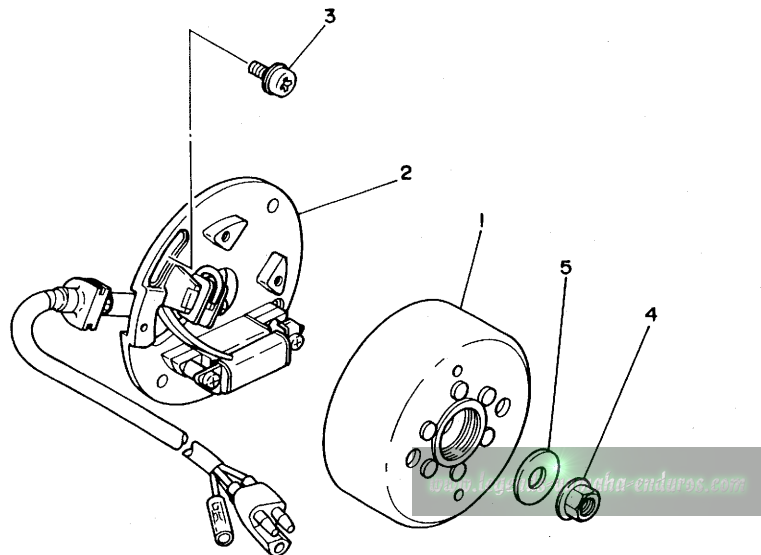
FWD
3SP1100-0320

REF. NO.	PART NO.	DESCRIPTION	Q'TY	REMARKS
1	3SP-2583V-00	RR. MASTER CYLINDER ASSY	1	
2	1FK-W0042-50	.CYLINDER KIT, master	1	
3	93210-15620	.O-RING	1	
4	2VN-25866-00	.CIRCLIP	1	
5	2VN-2582A-50	.JOINT	1	
6	3SP-27222-00	.JOINT	1	
7	95303-08600	.NUT	2	
8	3JD-25895-00	HOSE, reservoir	1	
9	90467-11044	CLIP	2	
10	2VN-25894-00	TANK, reservoir	1	
11	3XP-25852-50	CAP, reservoir	1	
12	2VN-25854-00	DIAPHRAGM, reservoir	1	
13	2VN-25855-00	BUSH, diaphragm	1	
14	92013-06016	BOLT	2	
15	90159-06056	SCREW, with washer	1	
16	3SP-25873-00	HOSE, brake 2	1	
17	3LC-25885-00	JOINT	1	
18	90401-10034	BOLT, union	1	
19	90201-10118	WASHER, plate	3	
20	2VM-25876-00	HOLDER, brake hose 2	1	
21	97780-50510	SCREW, tapping	2	
22	90462-12195	CLAMP	1	
23	95023-06008	BOLT	2	

D14

FIG. 33 GENERATOR

REF. NO.	PART NO.	DESCRIPTION	Q'TY	REMARKS
1	3SP-85550-10	ROTOR ASSY	1	
2	3SP-85560-11	BASE ASSY	1	
3	90149-06011	SCREW	2	
4	90179-10394	NUT	1	
5	90201-10774	WASHER, plate	1	

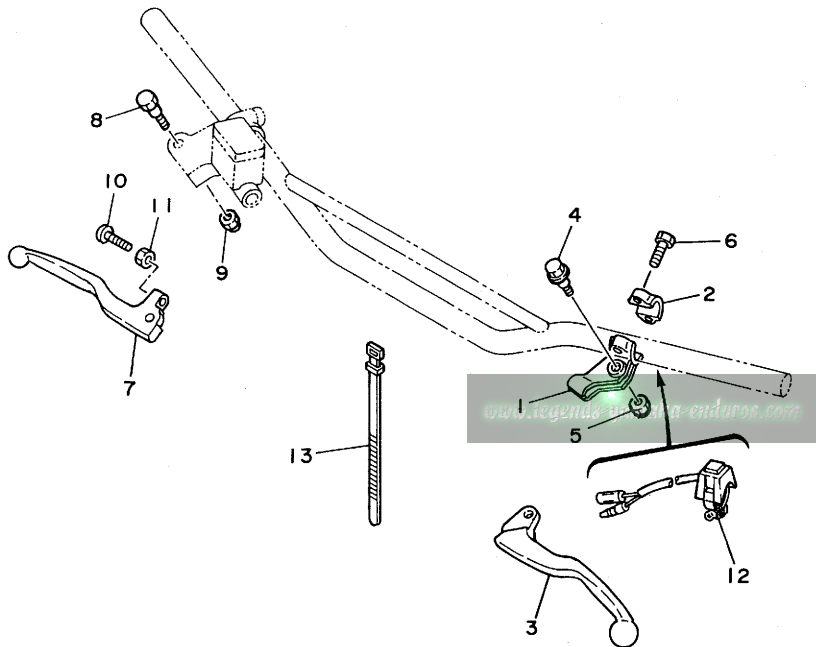


3SP1100-0330

D15

FIG. 34 HANDLE SWITCH. LEVER

REF. NO.	PART NO.	DESCRIPTION	Q'TY	REMARKS
1	38V-82911-00	HOLDER, lever 1	1	
2	38V-82913-00	HOLDER, lever lower 1	1	
3	23X-83912-00	LEVER 1	1	
4	90109-06799	BOLT	1	
5	95616-06100	NUT, u	1	
6	97006-05016	BOLT	2	
7	3SP-83922-00	LEVER 2	1	
8	90109-06577	BOLT	1	
9	95616-06100	NUT, u	1	
10	90149-06153	SCREW	1	
11	90170-06010	NUT	1	
12	23X-83976-00	SWITCH, handle 1	1	
13	437-83936-01	BAND, switch cord	2	



3SPI100-0340

E2

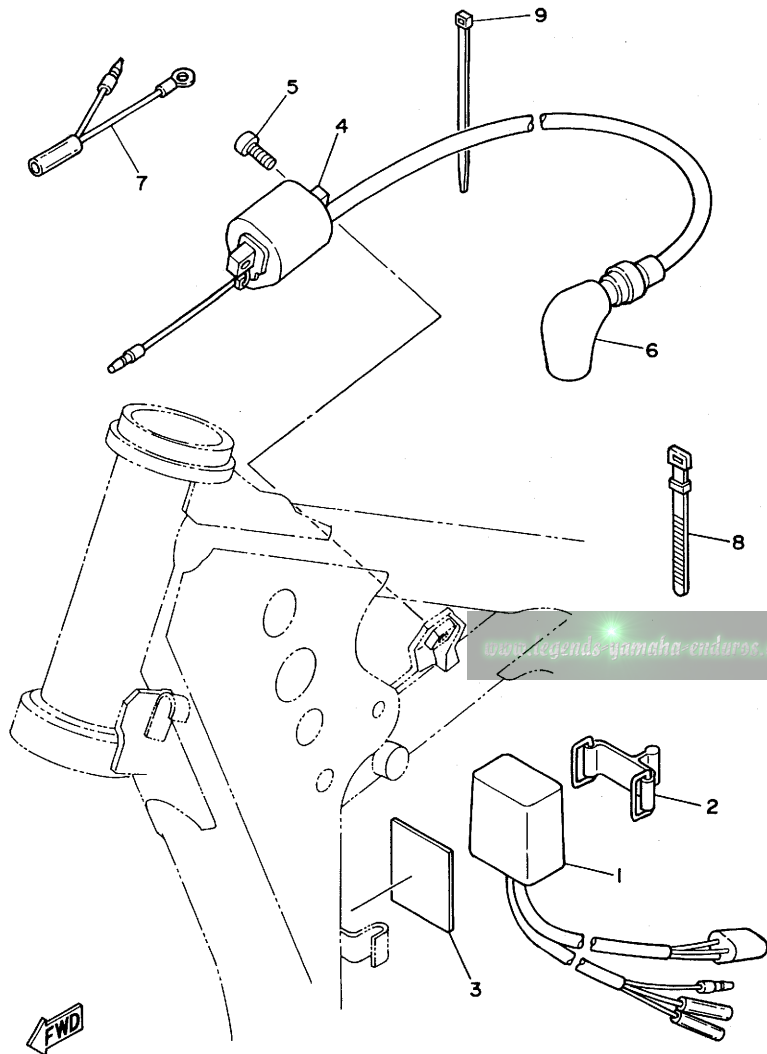


FIG. 35 ELECTRICAL 1

REF. NO.	PART NO.	DESCRIPTION	Q'TY	REMARKS
1	3RB-85540-11	C.D.I. UNIT ASSY	1	
2	5H9-21376-00	BAND, tool	1	
3	3RB-85547-01	DAMPER	1	
4	3SR-82310-10	IGNITION COIL ASSY	1	
5	97021-06016	BOLT	2	
6	2TV-82370-00	PLUG CAP ASSY	1	WITH NOISE SUPPRESSOR
7	5X1-82519-01	WIRE, earth lead	1	
8	25G-83936-01	BAND, switch cord	1	
9	12R-82591-00	BAND	1	

FWD
3SP1100-0350

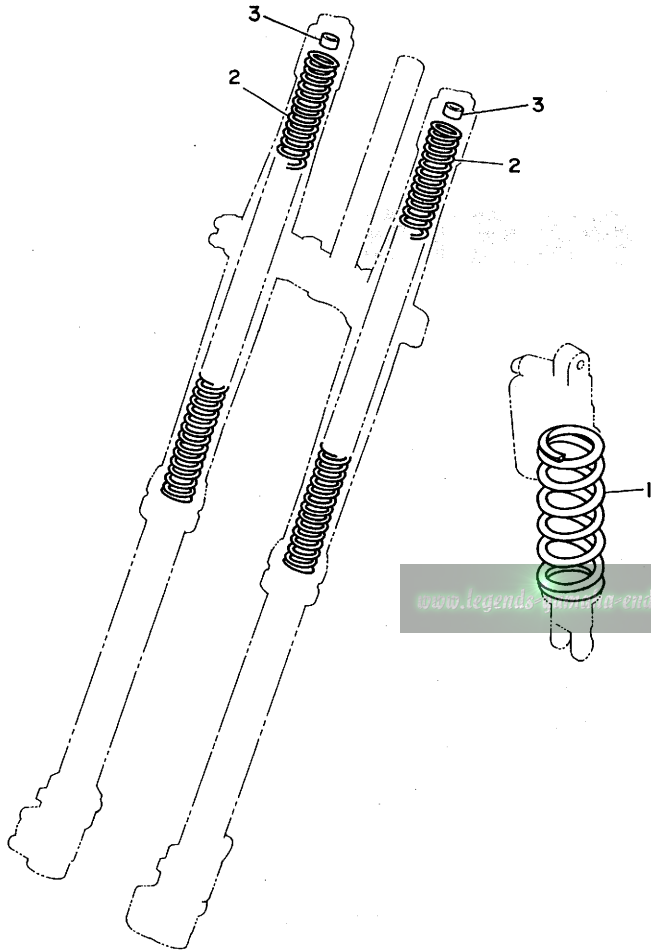
E3

ALTERNATE PARTS

www.legends-yamaha-enduros.com

FIG. 36 ALTERNATE (CHASSIS)

REF. NO.	PART NO.	DESCRIPTION	Q'TY	REMARKS
1	3XJ-22212-11	SPRING (K=4.8)	1	AP (SOFT)
	3XJ-22212-31	SPRING (K=5.2)	1	AP (HARD)
2	4DA-23141-30	SPRING, front fork (K=0.380)	2	AP (SOFT)
	4DA-23141-50	SPRING, front fork (K=0.400)	2	AP (HARD)
3	4DA-23364-L0	COLLAR 2	1	UN



www.legends-motorcycle-enduros.com



3XJ1100-1360

E4

REPAIR KIT

www.legends-yamaha-enduros.com

FIG. 37 REPAIR KIT

REF. NO.	PART NO.	DESCRIPTION	Q'TY	REMARKS
1	4DA-11630-00	PISTON ASSY (STD)	1	
2	4DA-11631-00-B0	.PISTON (STD)	1	
3	4DA-11601-00	.PISTON RING SET (STD)	1	
4	2VM-11633-01	.PIN, piston	1	
5	93450-19052	.CIRCLIP	2	
6	3SP-11650-02	CONNECTING ROD ASSY	1	
7	5X5-11651-02	.ROD, connecting	1	
8	3JE-11681-01	.PIN, crank 1	1	
9	90209-25085	.WASHER	2	
10	93310-425T1	.BEARING, cylindrical	1	
11	93310-418E9	.BEARING, cylindrical	1	

www.legends-yamaha-enduros.com

INDEX

www.legends-yamaha-enduros.com

NUMERICAL INDEX

PART NO.	GRID NO.	PART NO.	GRID NO.	PART NO.	GRID NO.	PART NO.	GRID NO.	PART NO.	GRID NO.	PART NO.	GRID NO.
3SP-W0041-00	D-12	3SP-11992-10	B- 3	3H1-14142-35	B-10	2VM-15462-10	B-13	3XK-18540-01	C- 4	3JD-22216-00	C-13
1FK-W0042-50	D-14	3SP-11993-10	B- 3	3H1-14142-40	B-10	3SP-15463-10	B-13	4DA-21110-00-UJ	C- 6	3JD-22224-00	C-13
3SP-W0045-00	D- 7	2VM-11995-00	B- 3	3H1-14142-45	B-10	3SP-15620-01	B-14	3XK-21123-00-T9	C- 6	3SP-22234-00	C-13
4DA-W0046-00	D-10	4DA-1240A-00	B- 7	3H1-14142-50	B-10	3SP-15621-01	B-14	5H9-21376-00	E- 3	3SP-22241-00	C-13
3JD-W0047-00	D- 7	3SP-12422-00	B- 6	3H1-14142-55	B-10	3R4-15641-00	B-14	3SP-21425-00	C- 6	3XJ-22253-00	C-13
3JD-W0047-50	D-10	2VM-12428-10	B- 6	137-14143-66-A1	B-10	38V-15651-00	B-14	4DA-21511-00	C- 8	43M-22274-00	C-13
1UY-W0048-50	D- 7	2VM-12450-00	B- 6	137-14143-68	B-10	2VM-15661-00	B-14	3XJ-21611-02	C- 8	3XJ-22355-00	C-11
	D-10	2VM-12459-00	B- 6	137-14143-70	B-10	2VM-15664-00	B-14	39X-21642-00	C- 8	3JD-22475-00	C-13
3JD-W0057-00	D- 7	3SP-12460-00	B- 7	137-14143-72	B-10	2VM-16111-00	B-15	4DA-2165A-00	C- 8	3XJ-22475-00	C-12
3SP-W0057-50	D-10	22W-12462-00	B- 7	137-14143-74	B-10	3SP-16150-00	B-15	3XJ-21711-01	C- 9	4DA-23102-L0	C-15
3JE-W1132-00	B- 2	10V-12469-01	B- 6	3JD-14147-00	B- 9	2K7-16154-00	B-15	3XJ-21717-00	C- 7	4DA-23102-M0	C-15
3XJ-W1441-01	B- 8	24X-12469-00	B- 7	3JE-14147-00	B- 9	3SP-16154-00	B-15	3XJ-2172A-00	C- 9	4DA-23103-L0	C-15
5X4-Y113F-10	B- 2	3SP-12476-00	B- 7	3SP-14149-00	B- 9	2VM-16181-00	B-15		C- 9	4DA-23103-M0	C-15
3SP-Y1543-00	B-13	3SP-1248A-00	B- 7		B-10	3XK-16321-00	B-15	3XJ-21721-01	C- 9	4DA-23110-L0	D- 2
4DA-11111-01	B- 2	4DA-12482-00	B- 7	3JD-14185-00	B- 9	3XK-16325-00	B-15	4DA-2173E-00	C- 9	4DA-23111-L0	C-15
4DA-1131A-00	B- 2	4DA-12483-00	B- 7	3JE-14185-00	B- 9	2VM-16351-01	B-15	4DA-2173F-00	C- 9		D- 2
3JE-1131N-10	B- 2	3SP-12485-00	B- 7	353-14186-00	B- 9	2VM-16356-00	B-15	3XK-21731-01	C- 9	3XJ-23113-L0	C-15
4DA-11311-00	B- 2	353-13115-01	B-12	363-14187-00	B- 9	3SP-16357-00	B-15	3XJ-2174A-00	C- 9		D- 2
2VM-11351-10	B- 2	4DA-13565-00	B- 8	3JD-14194-00	B- 9	2VM-16371-00	B-15	3XK-21741-01	C- 9	3JD-23126-L0	C-15
3XK-11400-01	B- 5	4DA-13610-00	B- 8	3X3-14197-00	B- 9	4DA-16381-00	B-15	3JD-21748-00	C- 8		D- 2
3XK-11412-01	B- 5	3SP-13613-00	B- 8	3XJ-1441A-00	B- 8	2VM-17121-00	C- 2	22W-21791-00	C-10	4DA-23120-L0	C-15
3XK-11422-01	B- 5	4DA-13616-00	B- 8	3JD-14451-00	B- 8	2VM-17131-00	C- 2	3XJ-22110-01	C-11	3XJ-23125-L0	C-15
4DA-11601-00	B- 5	2K7-13621-10	B- 8	3XK-14453-00	B- 8	2VM-17141-00	C- 2	156-22127-00	C-11		D- 2
	E- 5	4DA-13625-00	B- 8	3JD-14458-00	B- 8	2VM-17151-00	C- 2	3JD-22128-00	C-11	4DA-23136-L0	C-15
4DA-11630-00	E- 5	3SP-1410A-00	B-10	3JD-14459-00	B- 8	2VM-17211-00	C- 2	3R4-22129-00	C-11		D- 2
4DA-11631-00-A0	B- 5	4DA-14101-00	B- 9	3JD-14462-00	B- 8	2VM-17221-00	C- 2	1LX-22141-00	C-11	4DA-2314A-L0	C-15
4DA-11631-00-B0	B- 5	4DA-14101-10	B- 9	3JD-14477-00	B- 8	2VM-17231-00	C- 2	3JD-22147-00	C-11		D- 2
	E- 5	3JD-14103-00	B-10	3JE-14561-00	B- 9	2VM-17241-00	C- 2	3JD-22151-00	C-11	3SP-2314E-L0	D- 3
4DA-11631-00-C0	B- 5	3JD-14104-00	B-10	4DA-14610-00	B-11	2VM-17251-01	C- 2	3JD-22156-00	C-11	4DA-2314F-L0	D- 3
4DA-11631-00-D0	B- 5	3JD-14107-35	B-10	3R4-14613-00	B-11	2VM-17411-00	C- 2	3XJ-2217A-00	C-11	4DA-2314G-L0	D- 3
2VM-11633-01	B- 5	3JD-14112-30	B-10	3JE-14615-00	B-11	2VM-17421-00	C- 2	3XJ-2217F-00	C-12	4DA-2314H-L0	D- 3
	E- 5	3JD-14112-35	B-10	3XK-1469A-00	B-11	4LO-17471-00	B-12	3JD-22178-00	C- 6	4DA-2314J-L0	D- 3
3SP-11650-02	E- 5	3JD-14112-40	B-10	3XK-1469A-10	B-11	3XK-18101-01	C- 5	3JD-22178-10	C- 6	4DA-23141-L0	C-15
5X5-11651-02	B- 5	3JD-14112-45	B-10	39X-14747-00	B-11	2VM-18110-00	C- 5	3XJ-2218A-00	C-12		D- 2
	E- 5	3JD-14112-50	B-10	3XK-14753-00	B-11	3XK-18122-00	C- 5	3JD-22199-00	C-11	4DA-23141-30	E- 4
3JE-11681-01	B- 5	3XK-14115-00	B- 9	3XK-14753-10	B-11	3XK-18140-00	C- 4	4DA-22201-00	C-13	4DA-23141-50	E- 4
	E- 5	275-14116-A6	B-10	565-14771-00	B-11	4DA-18172-00	C- 5	4DA-22201-10	C-13	3XJ-23142-L0	C-15
5X5-11911-01	B- 4	275-14116-E3	B-10	483-14781-01	B-11	3XJ-18173-00	C- 5	4DA-22201-20	C-13		D- 2
5X5-11912-01	B- 4	275-14116-E6	B- 9	256-14919-00	B- 9	3XK-18177-00	C- 4	4DA-22201-30	C-13	3XJ-23143-L0	C-15
1LX-11915-00	B- 3	275-14116-E7	B- 9	2VM-15111-03	B-12	3XJ-18178-00	C- 5	4DA-22210-00	C-13		D- 2
5X4-11921-02	B- 4	275-14116-E8	B- 9	4V4-15118-00	B-12	3XJ-18182-00	C- 5	4DA-22210-10	C-13	3XJ-23144-L0	C-15
3JE-11922-00	B- 4	3JD-14116-F0	B- 9	2VM-15121-01	B-12	3XJ-18184-00	C- 5	4DA-22210-20	C-13		D- 2
3JE-11931-00	B- 4	3JD-14116-F1	B- 9	168-15362-00	B-13	3XJ-18185-00	C- 5	4DA-22210-30	C-13	3XJ-23145-L0	C-15
3JE-11937-00	B- 3	3JD-14116-F2	B- 9	3SP-15381-00	B-12	2VM-18511-00	C- 4	3XJ-22212-11	E- 4		D- 2
5X4-11952-00	B- 4	3JD-14116-F3	B- 9	2VM-15411-00	B-13	2VM-18512-00	C- 4	3XJ-22212-31	E- 4	4V4-23146-L0	C-15
24X-11953-01	B- 4	3JD-14116-F9	B- 9	3SP-15415-00	B-13	2VM-18513-00	C- 4	4DA-22212-70	C-13		D- 2
3XK-11956-00	B-15	214-14118-00	B- 9	2VM-15421-00	B-13	1LX-18531-00	C- 4	3SP-22213-00	C-13	36Y-23147-10	C-15
3SP-11990-00	B- 4	3JD-14131-00	B- 9	2VM-15451-10	B-13	34K-18535-00	C- 4	3JD-22214-00	C-13		D- 2

NUMERICAL INDEX

PART NO.	GRID NO.	PART NO.	GRID NO.	PART NO.	GRID NO.	PART NO.	GRID NO.	PART NO.	GRID NO.	PART NO.	GRID NO.
3XJ-23153-L0	C-15	3XJ-24380-00	D- 4	3SP-25873-00	D-14	90105-06553	C- 8	90185-18104	D- 9	90380-16158	C-11
	D- 2	2VN-24500-01	D- 4	2VM-25876-00	D-14	90105-08592	C- 6	90201-057H5	B- 4	90387-060A7	B-11
4V4-23153-L0	C-15	4X8-24512-00	D- 4	3LC-25885-00	D-12	90105-08659	D- 7	90201-06407	B-11	90387-06025	D- 4
	D- 2	3AJ-24534-00	D- 4		D-14	90105-10614	C-13	90201-06570	B- 7	90387-064W1	B- 7
2HH-23158-L0	C-15	5X7-24611-01	D- 4	2VN-25894-00	D-14	90109-064F4	B-11	90201-06571	C- 8	90387-064X4	C- 9
	D- 2	5X7-24612-00	D- 4	3JD-25895-00	D-14	90109-06577	E- 2	90201-06697	D- 4		C- 9
4DA-2316A-L0	C-15	3L7-24724-00	D- 5	3JD-25919-00	D- 7	90109-06799	E- 2	90201-080E2	C- 6	90387-074W0	B- 7
	D- 2	509-24724-00	D- 5	3SP-25919-51	D-10	90109-08792	D- 8	90201-08087	B- 2	90387-084X5	C- 9
4DA-2316A-M0	C-15	3XJ-24731-00	D- 5	3XJ-25920-00	D-10	90109-142F4	C-12	90201-081A6	C- 6		C- 9
	D- 2	3XJ-24731-10	D- 5	3SP-25924-51	D-10	90116-08392	B- 2		C- 6	90387-086N4	C- 6
3XJ-23166-L0	C-15	1LX-24738-01	D- 5	3GD-25933-00	D- 7	90116-08394	B- 2		D- 8	90387-087K5	C- 6
	D- 2	5X6-24748-10	D- 5	3XJ-26111-00	D-11	90116-10314	B- 2	90201-08612	B-11	90387-100Y1	B-11
4DA-23167-L0	D- 2	3XJ-24770-00	D- 5	1LX-26241-01	D-11		B- 2	90201-087A9	B-14	90387-102W0	B- 2
4DA-23170-L0	C-15	3XJ-24770-10	D- 5	1LX-26242-01	D-11	90116-10547	B- 2	90201-08759	B- 6	90387-103X9	C-12
	D- 2	4DA-25104-00	D- 6	23X-26243-00	D-11		B- 2	90201-08784	B- 6	90387-152F2	B- 4
3XJ-23171-L0	C-15	4DA-25111-00	D- 6	5X2-2628H-01	D-11	90119-05193	C- 9	90201-101J1	C- 6	90387-160H4	B-12
	D- 2	4DA-25181-00	D- 6	23X-26281-00	D-11		C-10	90201-10118	D-12	90387-164N2	C-12
24M-23184-00	C-13	3JD-25304-00	D- 8	431-26282-02	D-11	90119-06063	C- 8		D-14	90387-164N3	C-12
4DA-2331E-L0	D- 3	3SP-25311-00	D- 8	3JD-26311-01	D-11	90119-06185	B- 8	90201-10119	D-13	90387-167R5	C-12
4DA-23340-L0	D- 2	3JD-25317-01	D- 8	3XK-26335-00	D-11		C- 8	90201-106F2	C-12	90387-172Y9	D- 6
3SP-23346-L0	D- 3	4V4-25367-00	D- 9	56A-26372-01	D-12		C-14	90201-10774	D-15	90387-173Y0	D- 6
3SP-23356-L0	D- 3	3JD-25381-01	D- 9	3SP-27200-00	D-13	90119-06192	C- 9	90201-12166	C- 4	90387-200Y5	D- 8
4DA-23364-L0	E- 4	3SP-25388-00	D- 8	4AA-27217-00	D-13		C- 9	90201-14740	C-12	90387-203V0	D- 8
4DA-23389-00	C-14	3JE-25394-00	D- 8	3SP-27222-00	D-14	90122-06030	B- 8	90201-154E9	B- 4	90387-252F6	B-15
5Y3-23393-00	D- 2	5X2-25394-00	D- 6	3SP-27311-00	D-13	90123-08090	D-11	90201-164H4	C-11	90387-25663	C- 2
2HG-23416-00	C-14	39W-25444-01	D- 8	4DA-27411-00	D-13	90149-06011	D- 4		C-12	90401-10034	D-12
3SP-23418-00	C-14	39W-25445-01	D- 8	4DA-27421-00	D-13		D-15	90201-17545	B-14		D-14
4DA-23435-00	C-14	39W-25446-01	D- 8	3JD-27491-00	D-10	90149-06153	E- 2	90201-20278	C- 2	90430-06016	B-13
3SP-23441-00	C-14	39W-25448-00	D- 8	56A-28166-00	C- 7	90149-06272	D- 7	90201-20358	B-14	90430-06166	B- 6
3SP-23442-00	C-14	2HH-25449-00	D- 8	3SR-82310-10	E- 3		D-10	90201-22555	C- 2	90430-12207	B-12
4DA-23485-00	C-14	39W-25450-00	D- 8	2TV-82370-00	E- 3	90151-04048	C-11	90201-253K0	C- 2	90445-086A8	B-12
3XJ-23778-L0	C-15	3JD-25451-01	D- 8	5X1-82519-01	E- 3	90157-06048	B-14	90201-365M5	C-14	90445-09058	D- 4
	D- 2	39W-25452-01	D- 8	12R-82591-00	C- 7	90159-05122	C-14	90202-05193	D- 4	90445-09100	D- 4
4DA-23778-L0	C-15	3SP-2580T-00	D- 7		E- 3	90159-06016	B-15	90202-08022	C- 6	90446-09013	B- 7
	D- 2	4DA-2580W-00	D-10	38V-82911-00	E- 2	90159-06056	D-14	90208-18025	B-15	90450-15041	B- 7
3XK-24110-00	D- 4	2VN-2582A-50	D-14	38V-82913-00	E- 2	90170-06010	E- 2	90209-06096	B- 8	90450-17036	B- 7
5X6-2412F-00	D- 4	4DA-2582T-00	D- 7	23X-83912-00	E- 2	90170-20255	B-15	90209-17311	C- 2	90450-22052	B- 7
24X-24144-00	D- 4	4DA-2582W-00	D-10	3SP-83922-00	E- 2	90170-36394	C-14	90209-18135	C- 2	90450-28014	B- 7
3SP-24173-00	D- 4	3SP-2583V-00	D-14	25G-83936-01	E- 3	90176-08026	B- 2	90209-22082	C- 2	90460-51109	B- 8
1LX-24181-00	D- 4	2VN-25852-00	D-12	437-83936-01	E- 2	90179-08401	D-11	90209-25085	B- 5	90460-68230	B- 8
22W-24181-00	C- 9	3XP-25852-50	D-14	23X-83976-00	E- 2	90179-10394	D-15		E- 5	90462-12195	D-14
	C- 9	2VN-25854-00	D-14	3RB-85540-11	E- 3	90179-10544	C-12	90215-20231	B-15	90464-14117	D-11
3JD-24181-00	C- 9	56A-25854-00	D-12	3RB-85547-01	E- 3	90179-18172	B-15	90215-21239	C- 3	90464-16039	B- 8
4DA-24230-00	C- 9	2VN-25855-00	D-14	3SP-85550-10	D-15	90179-20255	C- 3	90240-08120	D-13	90467-09006	B- 7
4DA-24244-00	C- 9	2VN-25866-00	D-14	3SP-85560-11	D-15	90179-28602	C-14	90240-10117	D-13	90467-10008	D- 4
4DA-24245-00	C- 9	56A-25867-00	D-12	90101-06664	C- 5	90179-28603	C-14	90280-03017	B- 5	90467-11044	D-14
4DA-24250-02	C- 9	3SP-25870-00	D-12	90101-08461	C- 6	90185-14070	C-12	90338-10150	C-11	90468-26048	B-14
1RK-24311-00	D- 4	4DA-25872-00	D-12	90101-08699	D- 8	90185-16127	C-11	90340-12097	B-12	90480-15528	B- 7

NUMERICAL INDEX

PART NO.	GRID NO.	PART NO.	GRID NO.	PART NO.	GRID NO.	PART NO.	GRID NO.	PART NO.	GRID NO.	PART NO.	GRID NO.
90480-16233	B-11	92990-06100	D- 4	93317-22262	C-11	95023-06010	B- 8	97780-50510	D-14		
90480-18276	B- 7	92990-10200	C- 6	93317-22263	C-11			98501-04030	D- 3		
90480-18549	D- 4	92990-12200	C-14	93332-00067	C-14	95023-06012	B-11	98501-05012	B- 2		
90501-05265	C- 5	92990-18600	D- 9	93332-00068	C-14			98501-06012	B-12		
90501-06162	D-12	93102-12106	C- 5	93340-21505	B- 4				D- 5		
90501-13720	B-14	93102-12224	B-15	93342-22208	C-11	95023-06016	D- 4	98501-06030	B-13		
90501-23598	B-15	93102-20309	B-14	93399-99935	C-12	95023-06020	B- 7	98503-03008	D- 4		
90501-240F4	B- 4	93102-22363	B- 5	93410-20038	C- 2			98506-05008	B- 3		
90506-14410	D-13	93102-22445	D- 6	93410-22039	C- 2			98506-05016	D-11		
90507-20030	B-11	93102-32M07	C- 2	93440-25084	C- 2	95023-06025	B- 6	98511-04012	B- 9		
90508-14783	B- 4	93103-10147	B- 6	93440-30113	C-12			98580-03008	B- 8		
90508-26561	C- 4	93103-40091	B- 5	93450-19052	B- 5			98580-03010	B- 9		
90508-28777	D-13	93104-08040	B- 4		E- 5			98701-06012	B-12		
90508-291A8	C- 5	93104-16074	B- 2	93501-04011	B-14	95023-06030	B-14	98701-06035	C-11		
90508-30743	B-14	93106-22019	C-11	93511-32027	B-15	95023-06035	D- 4	98706-04012	D-11		
90560-08213	B- 4	93106-28023	D- 8	93521-64032	B- 4	95023-08012	B-11		D-12		
90560-12280	C- 5	93108-35004	C-11	93603-14179	B- 4	95023-08020	B-14	98980-06020	D- 4		
90560-17379	D- 6	93109-20029	C-11	93603-22028	B- 6			99009-06600	B- 6		
90560-22281	D-11	93210-09192	B- 3	93604-08071	B- 2			99009-17400	B-14		
91001-06020	C-11	93210-14104	B-13	93604-10011	B- 6	95023-08030	B-11	99510-10114	B- 2		
91011-10055	C- 6	93210-15620	D-14		B-13	95023-08035	C-14	99510-12016	B-12		
91011-10120	C- 6	93210-16275	B- 6	93604-29184	B- 4	95026-06025	D-12		B-13		
91021-06016	C- 9	93210-19216	B-14	93608-33046	C- 5	95303-08600	D-14	99530-14016	B- 2		
91311-08025	D-10	93210-270A8	B- 2	93834-13029	C- 2	95601-05100	B- 8				
91316-04006	B- 4	93210-56743	B-11	93834-14049	C- 2	95601-08200	C- 6				
91316-06050	B-12	93210-77363	B- 2	93834-15075	C- 3		C- 6				
91316-06070	B-12	93211-11770	B- 2	94108-217X2	D- 6		C- 6				
91401-20015	D-13	93300-60814	B- 4	94108-219U5	D- 6	95601-10200	C- 6				
91401-25020	C-14		B- 4	94111-190Y0	D- 8	95611-08100	D- 8				
	D-13	93300-60816	C- 6	94111-199U3	D- 8	95611-08200	C- 6				
	D-13		C- 6	94211-19273	D- 8	95611-10200	C- 6				
	D-10	93306-00316	D- 6	94227-21123	D- 6		C-13				
92011-06012	D-10	93306-00418	D- 8	94307-21145	D- 6	95611-12100	C-14				
92011-08070	C- 6	93306-00438	D- 8	94311-19155	D- 8	95616-06100	E- 2				
	C- 6	93306-20540	C- 2	94416-21499	D- 6		E- 2				
92013-06016	D-14	93306-20574	C- 2	94421-19484	D- 8	95701-08500	D- 8				
92901-05600	B- 3	93306-37802	B- 5	94581-44116	D- 9	95701-10500	B- 2				
	B- 3		B- 5	94681-44001	D- 9	95811-06010	B-12				
92901-06600	B-13		B-15	94702-00323	B- 2	95811-06012	C- 9				
	D- 5	93310-230T7	B- 5	94702-00326	B- 2	95811-08055	C- 6				
92901-08200	C- 9	93310-418E9	E- 5	94703-00323	B- 2	95811-10016	C-12				
92901-08600	D-13		B- 5	95021-06070	B-13	97001-05016	B- 3				
92902-04100	B- 9	93310-425T1	E- 5	95021-06080	B- 6	97003-06012	D- 4				
92990-03100	B- 8		C- 2	95021-08040	C-14	97006-05016	E- 2				
	B- 9	93311-41734	C- 2		D- 3	97011-06025	C- 5				
92990-05100	B- 4	93311-62035	C- 2		B-11	97021-05020	B- 3				
92990-06100	B- 8	93315-11206	B-15	95023-06008	B-13	97021-05030	B- 4				
	C-11	93315-22046	C-11		D-14	97021-06016	E- 3				
	D- 2		C-11								