

MODEL **LT3** (**U.S.A.**)

www.legends-yamaha-enduros.com

NOTICE

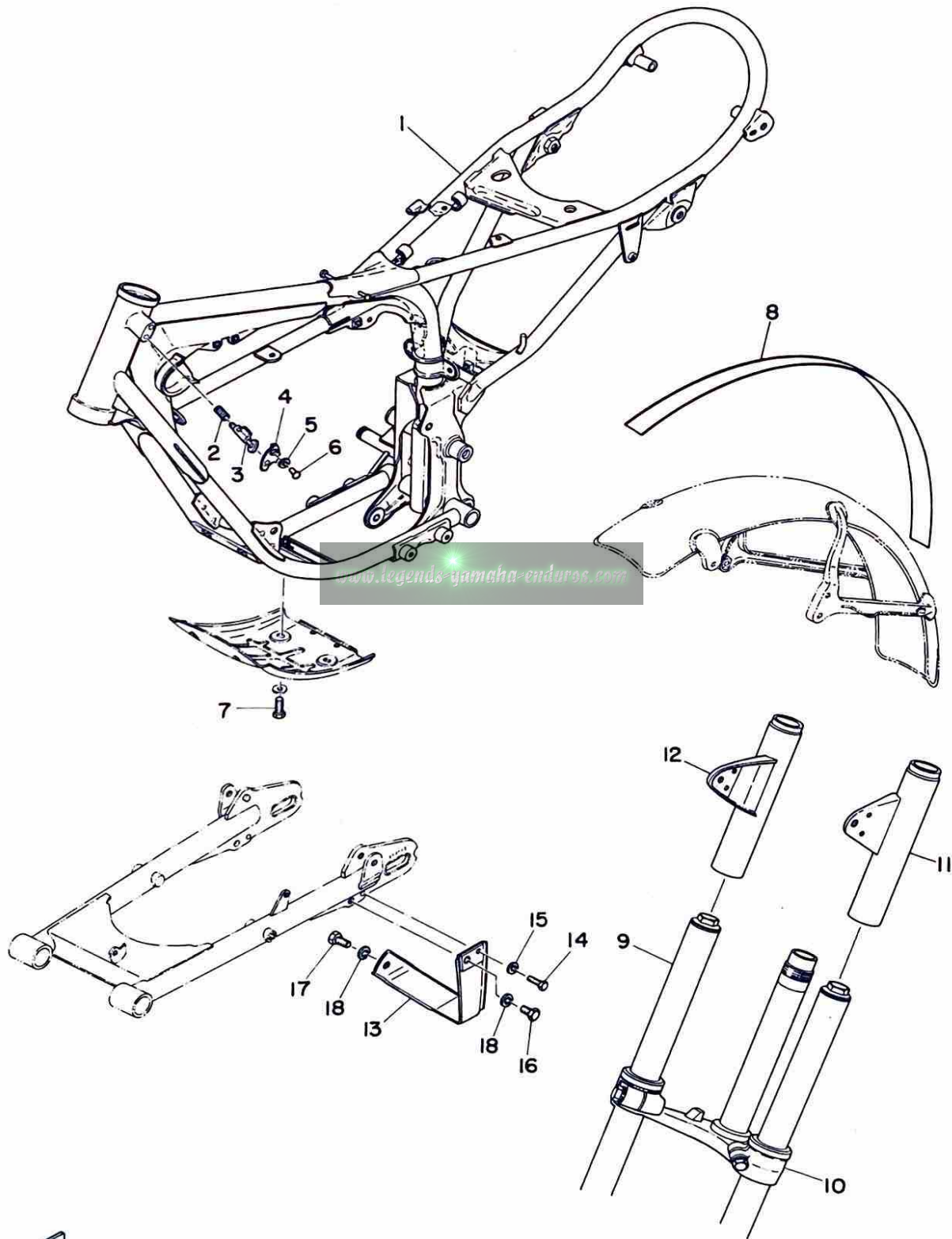
ALL PART NUMBERS CONTAINED IN THIS CATALOGUE ARE COMPRISED OF TEN DIGITS. WHEN ORDERING, PLEASE ADD TWO ZEROS TO THE END OF EACH PART NUMBER REQUIRED TO CONVERT THE TEN DIGITS INTO THE NEW TWELVE DIGIT NUMBERS.

This Parts List is for the exclusive parts for LT3.
Please refer to LT2 Parts List for the parts not listed in this publication.

CONTENTS

Fig. 1	Chassis 1	1
Fig. 2	Chassis 2	3

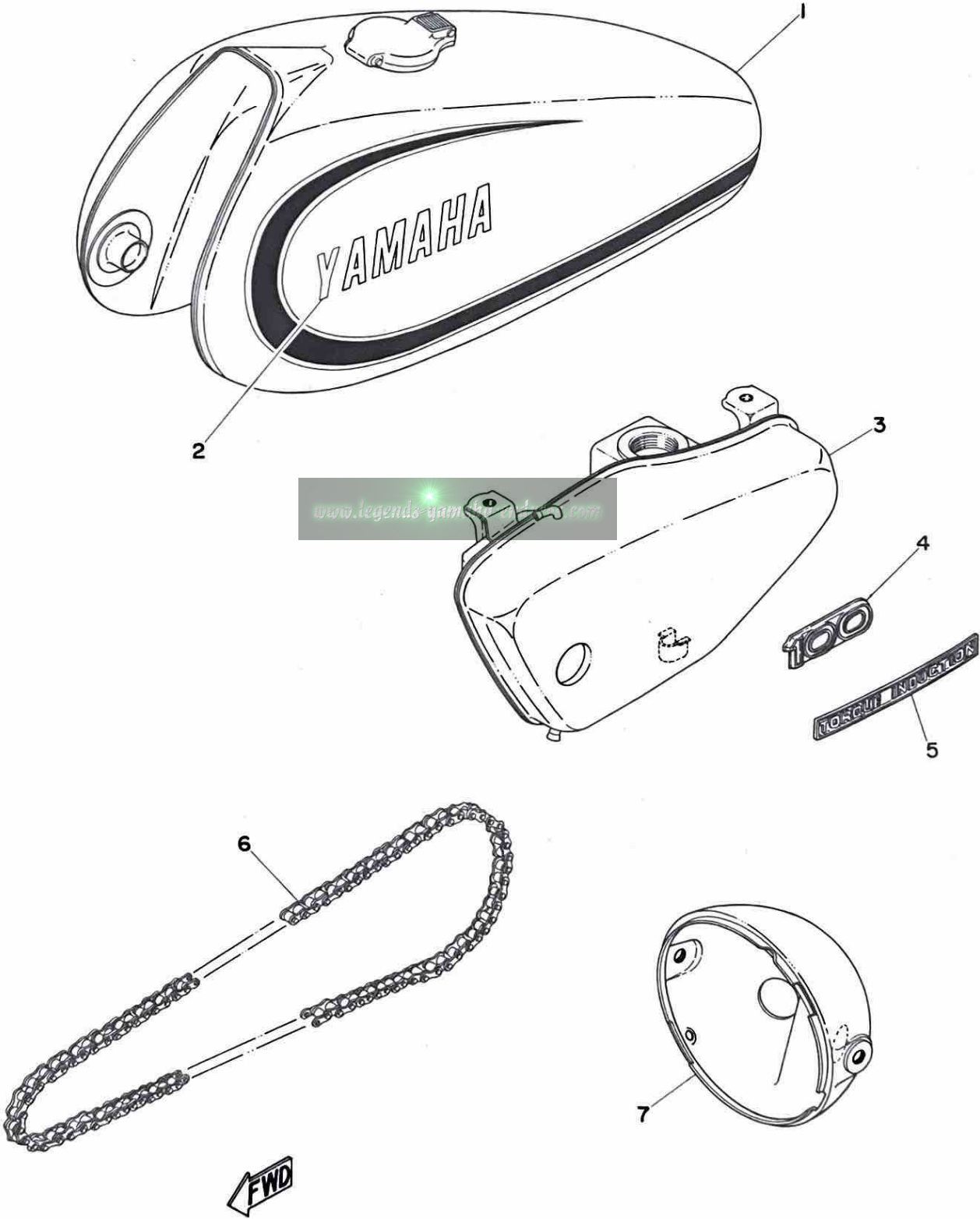
Fig. 1 CHASSIS 1



CHASSIS 1

Ref. No.	Parts No.	Description	Q'ty	Applicable Machine No.	Remarks
1- 1	305-21110-10-33	FRAME COMP.	1		Yamaha Black
1- 2	214-23485-00	SPRING	1		
1- 3	214-23480-00	STEERING LOCK ASS'Y	1		
1- 4	134-23484-10	CAP, handle lock	1		
1- 5	214-23488-00	WASHER, wave	1		
1- 6	214-23483-00	RIVET, screw	1		
1- 7	91201-06012	BOLT	4		
1- 8	305-21519-00	STRIPE, fender	1		
1- 9	305-23101-20-35	FRONT FORK ASS'Y	1		Silver
1-10	305-23340-20-33	. UNDER BRACKET COMP.	1		
1-11	276-23121-50-R3	COVER, upper left	1		Grape
1-12	276-23131-50-R3	COVER, upper right	1		Grape
1-13	248-22318-00-33	GUARD, chain	1		
1-14	91201-06020	BOLT	1		
1-15	92901-06100	WASHER, spring	1		
1-16	97201-08012	BOLT	1		
1-17	97201-08020	BOLT	1		
1-18	92901-08100	WASHER, spring	2		

Fig. 2 CHASSIS 2



CHASSIS 2

Ref. No.	Parts No.	Description	Q'ty	Applicable Machine No.	Remarks
2- 1	305-24110-00-02	FUEL TANK COMP.	1		Grape
2- 2	322-24161-00	EMBLEM, fuel tank	2		
2- 3	304-21705-01-R3	OIL TANK ASS'Y	1		Grape
2- 4	305-21786-02	EMBLEM 100	1		
2- 5	305-21787-01	EMBLEM, torque induction ...	1		
2- 6	94504-28112	CHAIN (DK428-112L)	1		
2- 7	277-84130-60-R3	BODY ASS'Y	1		Grape

www.legends-yamaha-enduro.com

www.legends-yamaha-enduros.com



YAMAHA MOTOR CO., LTD.

PRINTED IN JAPAN

First edition Jul, 1972

(LIT-10013-05-01)

(305-80)