

YAMAHA

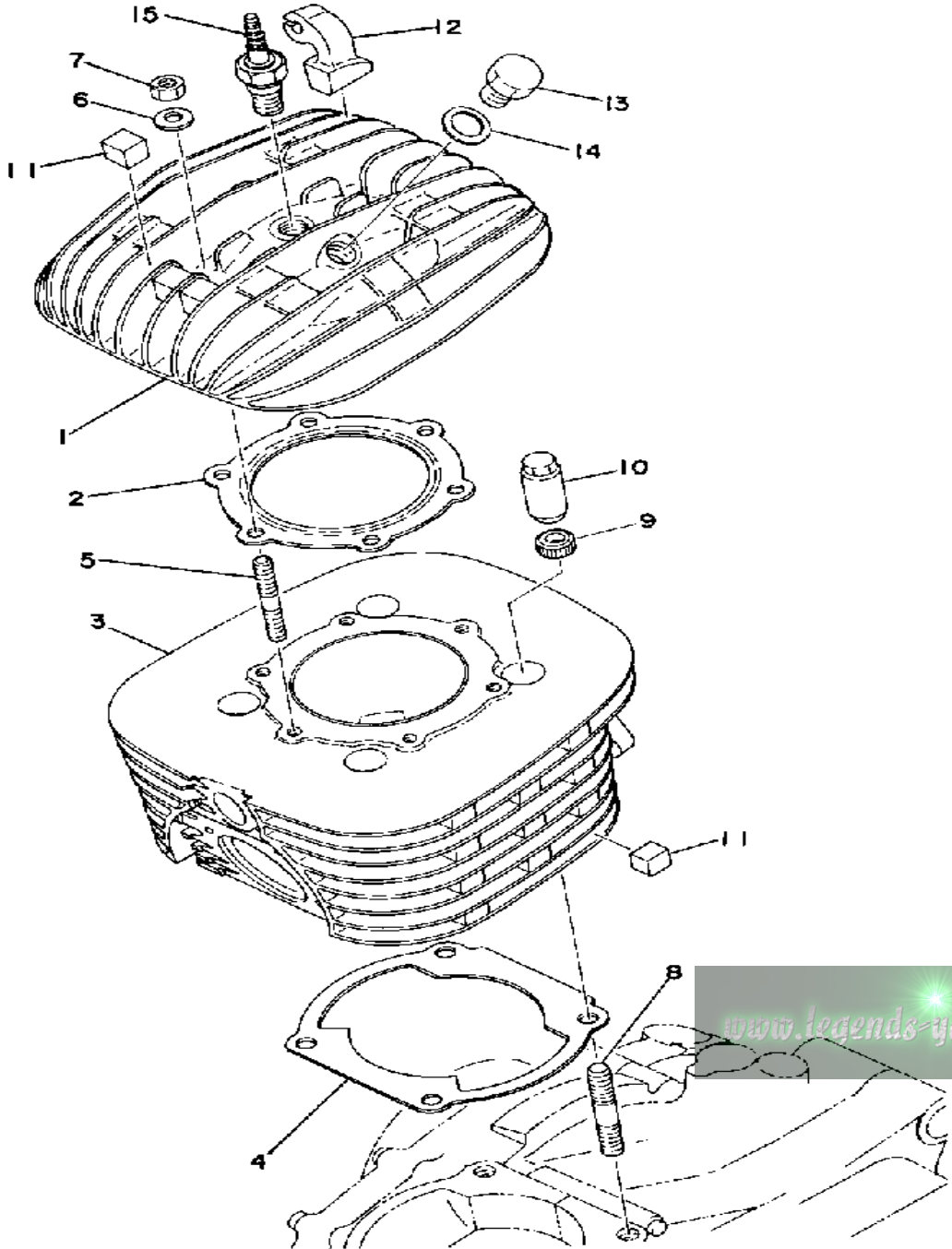
GENUINE

PARTS CATALOGUE

MOTORCYCLE

www.legends-yamaha-enduros.com

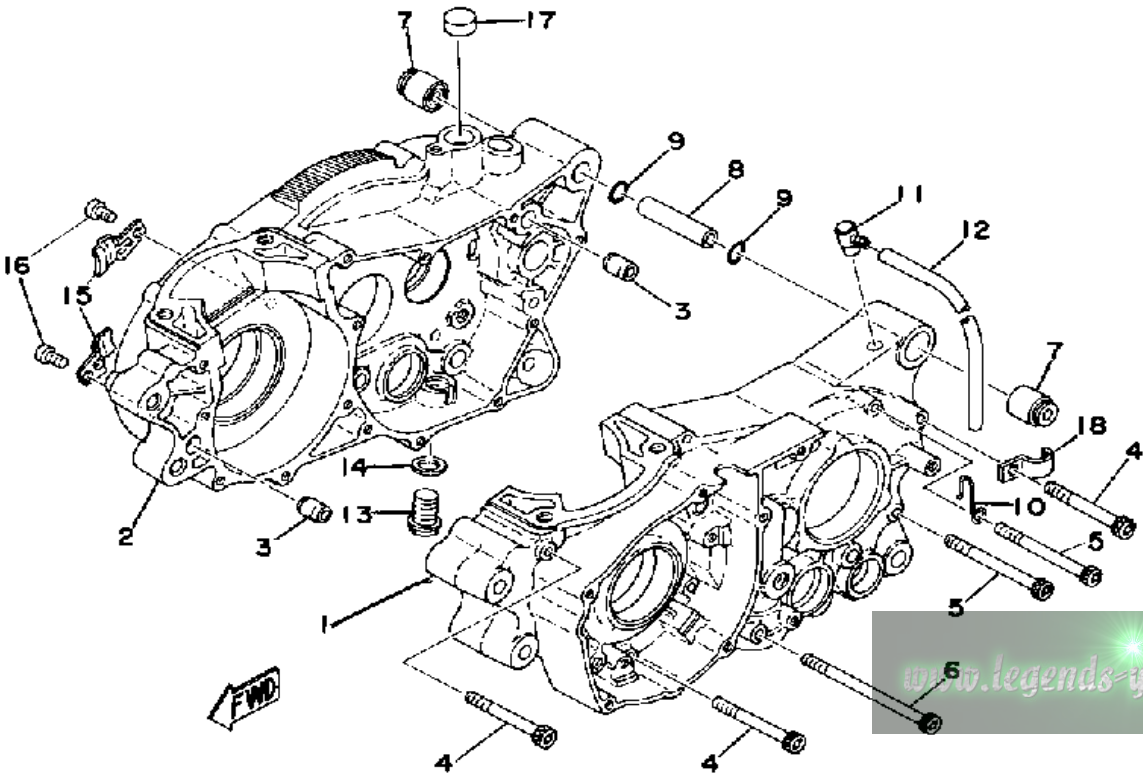
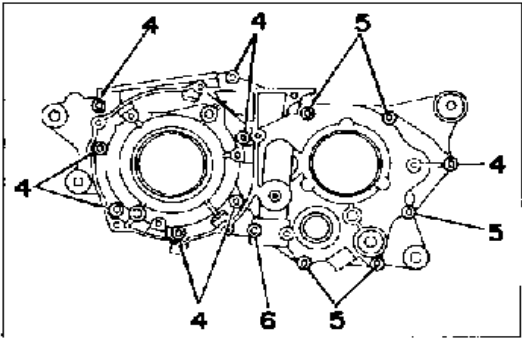
CYLINDER HEAD - CYLINDER



Ref. No.	Part Number	Description	Qty	Remarks
1	(510-11111-01-00)	HEAD, CYLINDER 1	1	
2	500-11181-00-00	GASKET, CYLINDER HEAD 1	1	
3	(510-11311-01-00)	CYLINDER 1	1	
4	500-11351-00-00	GASKET, CYLINDER	1	
5	90116-08104-00	BOLT, STUD	6	
6	90201-08100-00	WASHER, PLATE	6	
7	95333-08600-00	NUT, HEXAGON	6	
8	90116-10087-00	BOLT, STUD	4	
9	90201-11155-00	WASHER, PLATE (363-11175-00)	4	
10	90179-10201-00	NUT	4	
11	363-11161-00-00	ABSORBER 1 (363-11161-00)	27	
12	(510-11161-00-00)	ABSORBER 1	1	
13	90340-14022-00	PLUG, STRAIGHT SCRW (214-11197-00)	1	
14	214-11198-01-00	GASKET	1	
15	NGK-B8EV0-00-00	NGK B8EV 4PK (824-24315-00)	1	

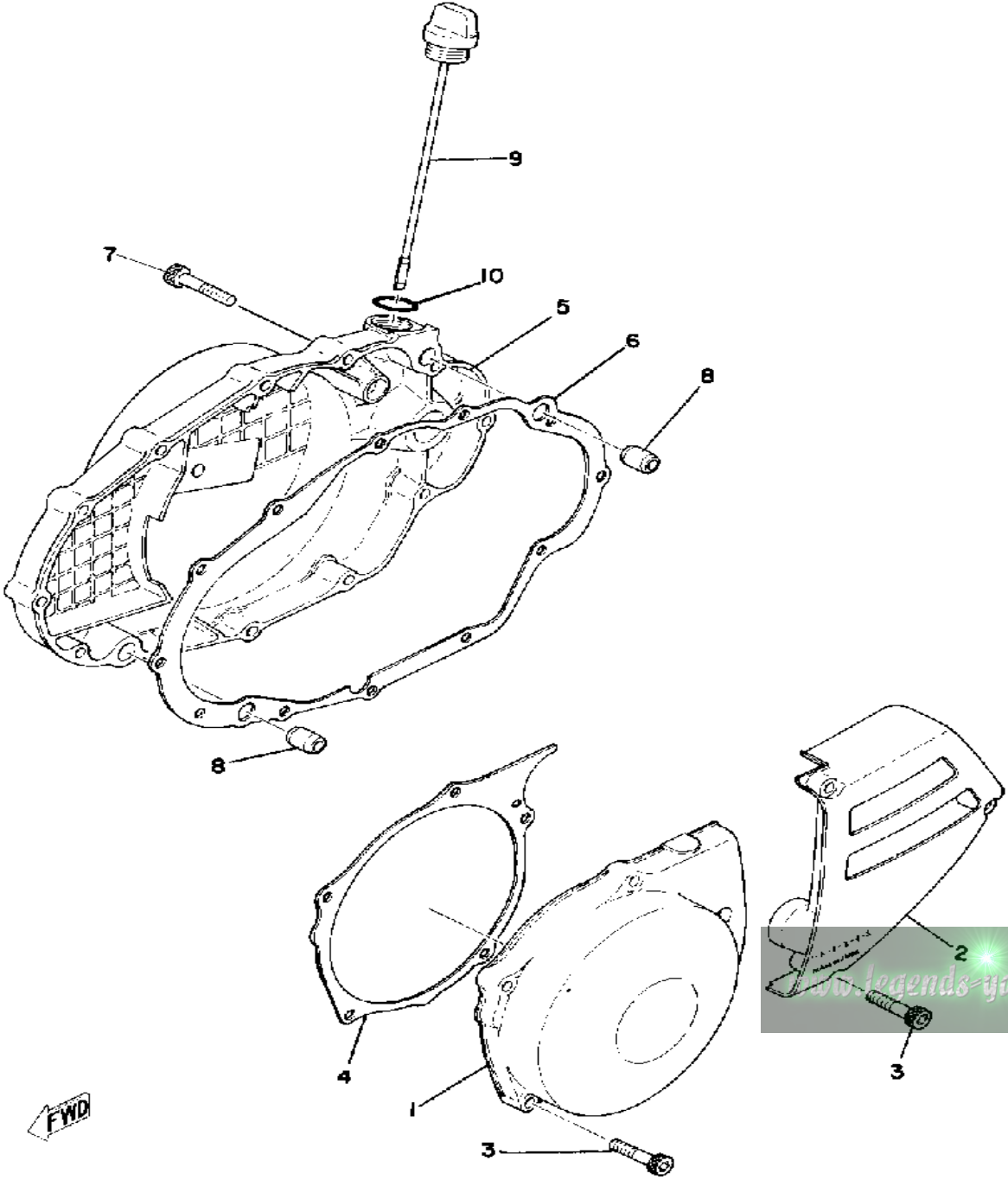


CRANKCASE



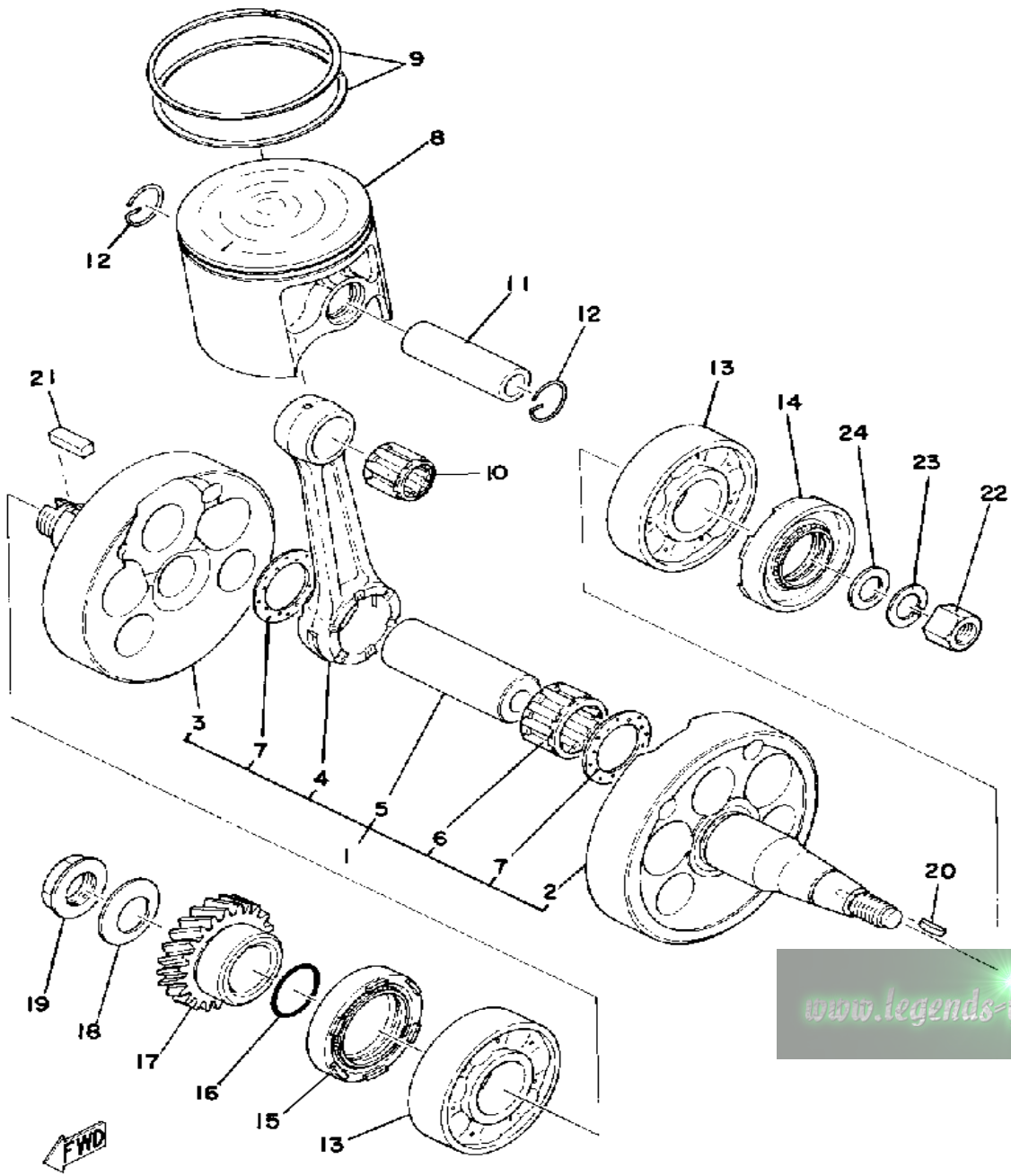
Ref. No.	Part Number	Description	Qty	Remarks
1	(510-15111-00-00)	CRANKCASE 1	1	
2	(510-15121-00-00)	CRANKCASE 2	1	
3	99510-12016-00	PIN, DOWEL	2	
4	91316-06055-00	BOLT, SOCKET HEAD	8	
5	91316-06070-00	BOLT, SOCKET HEAD	5	
6	91316-06095-00	BOLT, SOCKET HEAD	1	
7	328-15316-00-00	DAMPER, ENG MOUNT 1 (328-15316-00)	2	
8	438-15317-00-00	SPACER, ENG MOUNT	1	
9	93210-11073-00	O-RING	2	
10	90465-20035-00	CLAMP	1	
11	583-15371-00-00	BREATHER	1	
12	90445-07177-00	HOSE (395-14197-00)	1	
13	90109-14385-00	BOLT	1	
14	214-11198-01-00	GASKET	1	
15	434-15118-00-00	HOLDER	2	
16	98501-08012-00	SCREW, PAN HEAD	2	
17	90338-20023-00	PLUG	1	
18	90462-06009-00	CLAMP	1	

CRANKCASE COVER



Ref. No.	Part Number	Description	Qty	Remarks
1	(509-15411-00-00)	COVER, CRANKCASE L	1	
2	498-15421-00-00	COVER, CRANKCASE R	1	
3	91316-06025-00	BOLT	8	
4	363-15451-00-00	GASKET, CRCS COVER	1	
5	(509-15431-01-00)	COVER, CRANKCASE 3	1	
6	364-15461-01-00	GASKET, CRCS CVR 2	1	
7	91316-06025-00	BOLT	12	
8	99510-12016-00	PIN, DOWEL	2	
9	498-15363-00-00	PLUG, OIL	1	
10	93210-19123-00	O-RING	1	

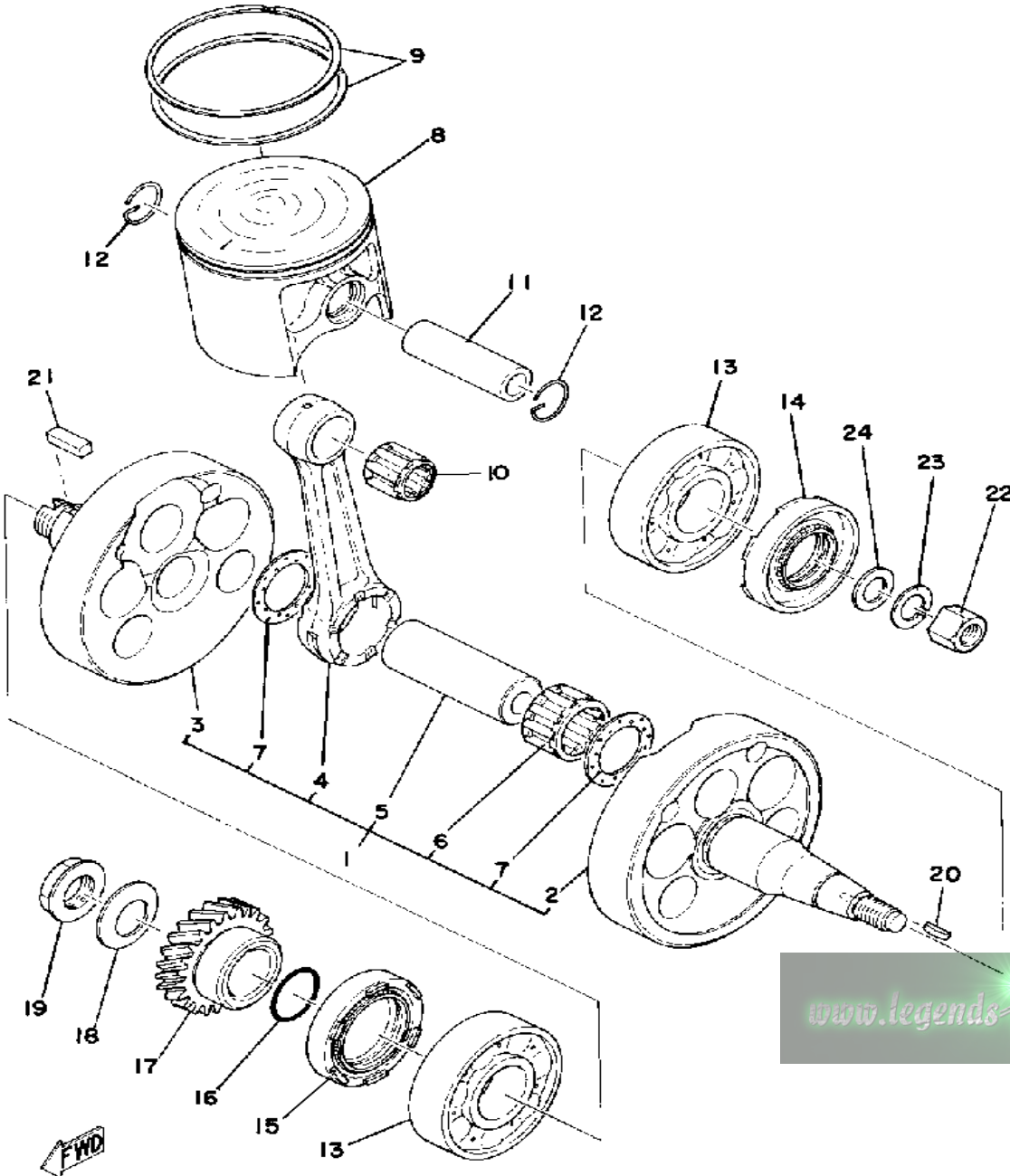
CRANK - PISTON



Ref. No.	Part Number	Description	Qty	Remarks
1	(510-11400-02-00)	CRANKSHAFT ASSEMBLY	1	
2	(510-11412-01-00)	CRANK 1	1	
3	(510-11422-00-00)	CRANK 2	1	
4	431-11651-00-00	. ROD, CONNECTING	1	
5	2X4-11681-00-00	. PIN, CRANK 1	1	
6	93310-425N4-00	. BEARING, CYLINDER.# 0	1	
7	90209-25085-00	. WASHER	2	
8	(2K8-11631-00-96)	PISTON STD	1	
	2K8-11635-00-00	PISTON 1 O/S 0.25 (1W4-11635-00)	1	ALTERNATE PARTS
	2K8-11636-00-00	PISTON 2 O/S 0.50 (1W4-11636-00)	1	ALTERNATE PARTS
	2K8-11637-00-00	PISTON 3 O/S 0.75 (510-11637-05)	1	ALTERNATE PARTS
	2K8-11638-00-00	PISTON 4 O/S 1.00 (510-11638-05)	1	ALTERNATE PARTS
9	(510-11601-03-00)	PISTON RINGSET STD	1	
	510-11601-13-00	PISTON RINGSET 1ST	1	ALTERNATE PARTS
	510-11601-23-00	PISTON RINGSET 2ND	1	ALTERNATE PARTS
	510-11601-33-00	PISTON RINGSET 3RD	1	ALTERNATE PARTS
	510-11601-43-00	PISTON RINGSET 4TH	1	ALTERNATE PARTS
10	93310-218A6-00	BEARING	1	
11	275-11633-00-00	PIN, PISTON (1W4-11633-00)	1	
12	93450-20026-00	CIRCLIP	2	
13	93306-30615-00	BEARING (B6306)	2	
14	93103-30150-00	OIL SEAL (38W)	1	
15	93103-40091-00	OIL SEAL, SW-TYPE	1	
16	93210-29282-00	O-RING	1	
17	(510-16111-00-00)	GEAR, PRI DRIVE	1	
18	214-16119-00-00	SPRING, BELLEVILLE	1	

CONTINUED ON NEXT FRAME ►

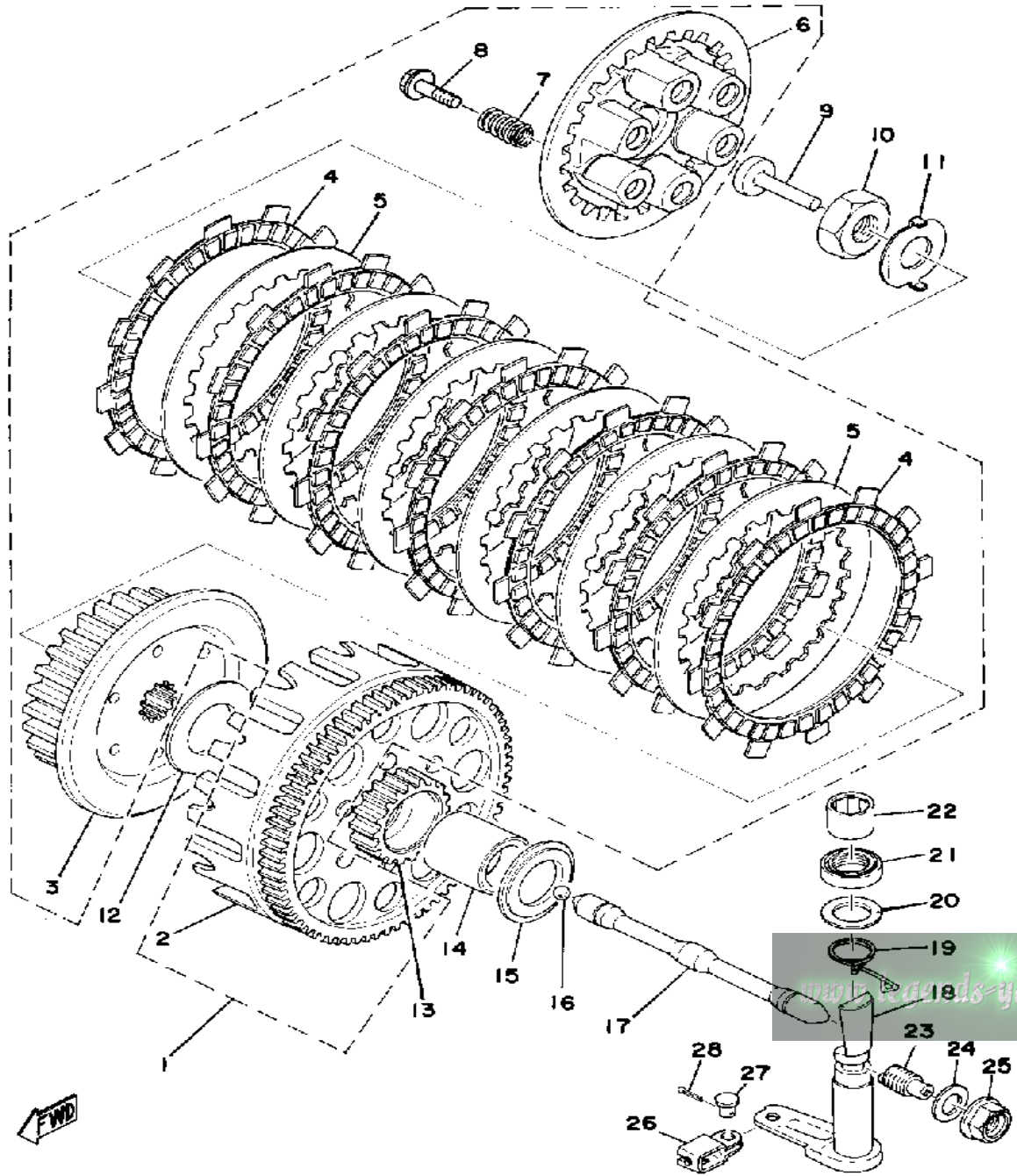
CRANK - PISTON



Ref. No.	Part Number	Description	Qty	Remarks
19	90179-18172-00	NUT	1	
20	90280-16053-00	KEY, WOODRUFF	1	
21	90282-07019-00	KEY, STRAIGHT	1	
22	90170-12181-00	NUT	1	
23	92901-12100-00	WASHER, SPRING	1	
24	90201-12535-00	WASHER, PLATE	1	

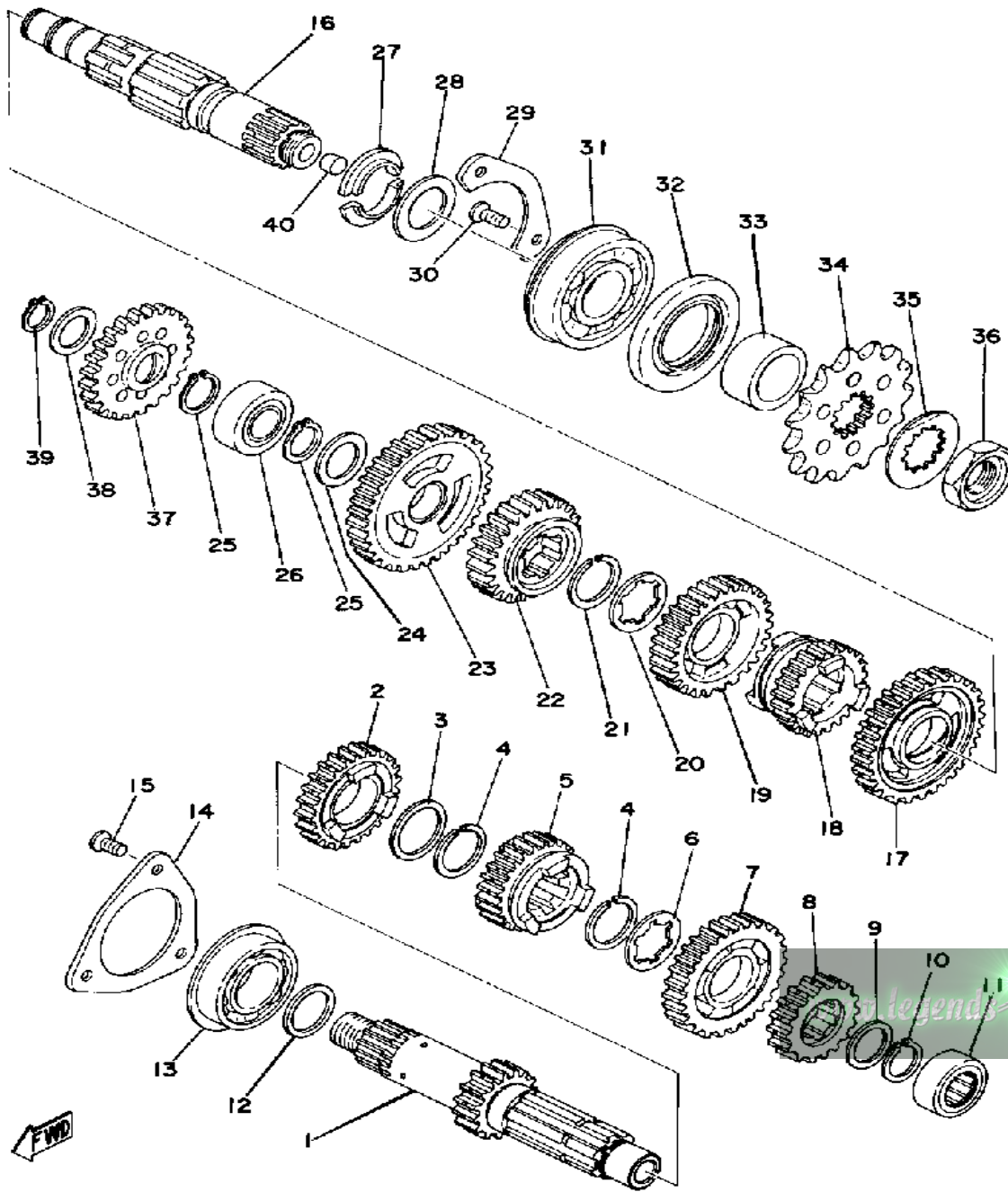
www.legends-yamaha-enduros.com

CLUTCH



Ref. No.	Part Number	Description	Qty	Remarks
1	(510-16301-01-00)	CLUTCH ASSEMBLY	1	
2	(509-16150-00-00)	PRI DRVN GEAR	1	
3	509-16371-01-00	. BOSS, CLUTCH	1	
4	363-16321-00-00	. PLATE, FRICTION	7	
5	360-16325-00-00	. PLATE, CLUTCH 2	6	
6	(509-16351-00-00)	PLATE, PRESSURE 1	1	
7	90501-24408-00	. SPRING, COMPRESSION	6	
8	90159-06010-00	. SCREW, WITH WASHER	6	
9	174-16356-00-00	ROD, PUSH 1	1	
10	90170-18089-00	NUT, HEXAGON	1	
11	(90215-18114-00)	WASHER, LOCK	1	
12	170-16164-00-00	PLATE, THRUST 2	1	
13	(509-15631-00-00)	GEAR, KICK PINION	1	
14	(214-16181-00-00)	SPACER 1	1	
15	360-16154-00-00	PLATE, THRUST 1	1	
16	93511-32027-00	BALL	1	
17	(510-16356-00-00)	ROD, PUSH 1	1	
18	510-16382-00-00	AXLE, PUSH LEVER	1	
19	(90508-12131-00)	SPRING, TORSION	1	
20	90201-17327-00	WASHER, PLATE	1	
21	93102-17004-00	OIL SEAL	1	
22	93315-11720-00	BEARING	1	
23	364-16343-00-00	SCREW, ADJUSTING	1	
24	90430-12207-00	GASKET	1	
25	583-16344-00-00	NUT, ADJUSTING	1	
26	214-16389-00-00	JOINT	1	
27	90240-06005-00	PIN, CLEVIS	1	
28	91401-10015-00	PIN, COTTER	1	

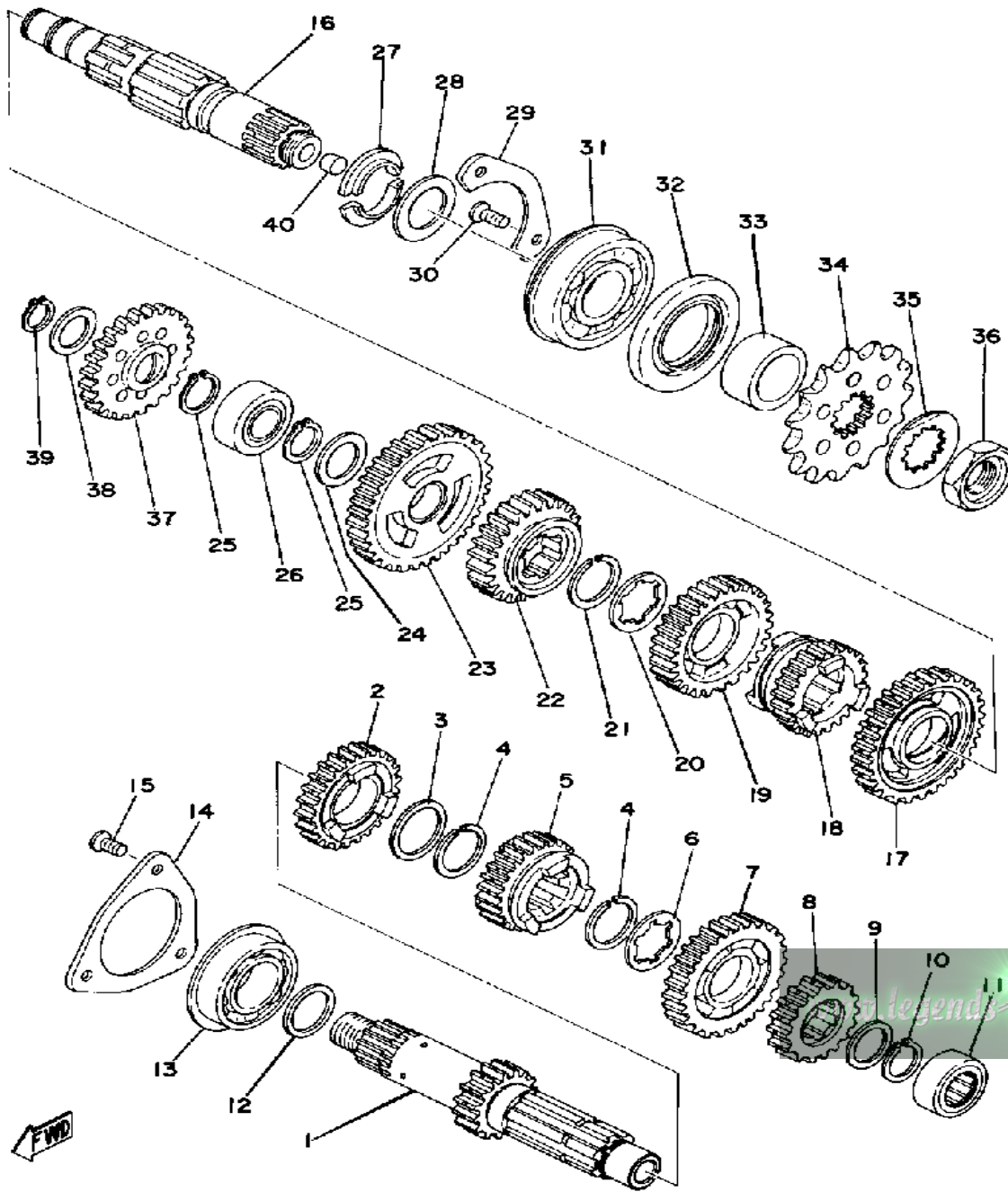
TRANSMISSION



Ref. No.	Part Number	Description	Qty	Remarks
1	(1K7-17411-00-00)	AXLE, MAIN	1	
2	(510-17141-00-00)	GEAR, 4TH PINION	1	
3	90201-253K0-00	WASHER, PLATE (T=1.0)	1	
4	93440-25084-00	CIRCLIP	2	
5	(510-17131-10-00)	GEAR, 3RD PINION	1	
6	90209-22082-00	WASHER (0.5T)	1	
7	(1K7-17151-00-00)	GEAR, 5TH PINION	1	
8	(510-17121-00-00)	GEAR, 2ND PINION	1	
9	90201-20266-00	WASHER, PLATE (1.0T)	1	
10	99009-19400-00	CIRCLIP	1	
11	93311-42012-00	BEARING, CYLINDER.# 1	1	
12	168-17428-01-03	SHIM 2 (25-34-0.3)	1	
	168-17428-01-05	SHIM 2 (25-34-0.5)	1	
13	93306-20535-00	BEARING (93306-20515)	1	
14	(363-15383-00-00)	PLATE, BRNG COVER	1	
15	98701-06014-00	SCREW, FLAT HEAD	2	
16	(498-17421-01-00)	AXLE, DRIVE	1	
17	510-17221-00-00	GEAR, 2ND WHEEL	1	
18	1K7-17251-00-00	GEAR, 5TH WHEEL	1	
19	(510-17231-00-00)	GEAR, 3RD WHEEL	1	
20	90209-22082-00	WASHER (0.5T)	1	
21	93440-25084-00	CIRCLIP	1	
22	(510-17241-00-00)	GEAR, 4TH WHEEL	1	
23	(1K7-17211-00-00)	GEAR, 1ST WHEEL	1	
24	90201-20278-00	WASHER, PLATE	1	
25	99009-19400-00	CIRCLIP	2	
26	93313-32008-00	BEARING, CYLINDER.# 3	1	
27	156-17429-00-00	SPACER, DRIVE AXLE	2	
28	168-17428-01-03	SHIM 2 (25-34-0.3)	1	

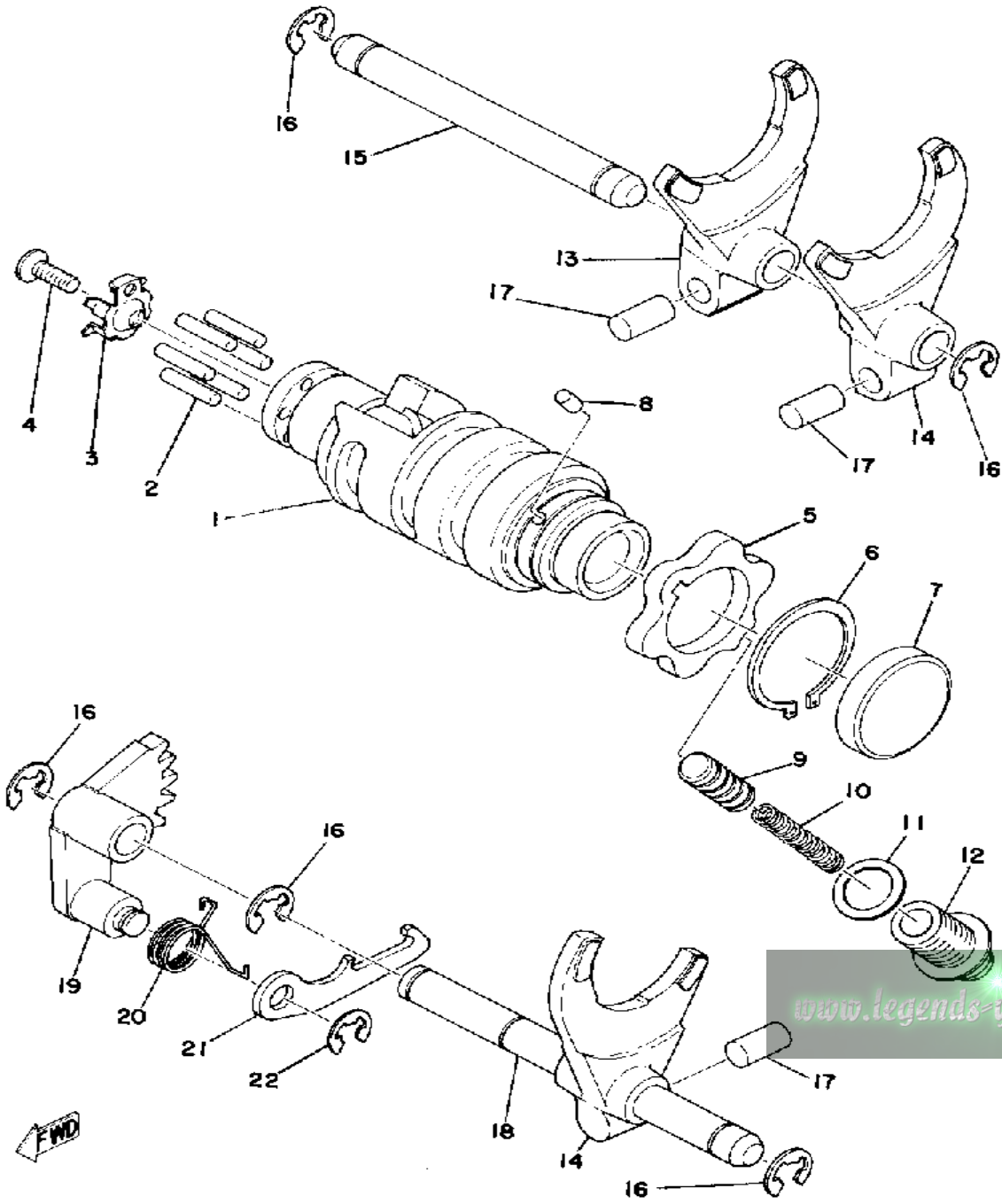
CONTINUED ON NEXT FRAME ➤

TRANSMISSION



Ref. No.	Part Number	Description	Qty	Remarks
28	168-17428-01-05	SHIM 2 (25-34-0.5)	1	
29	509-15381-00-00	PLATE, BRNG COVER	1	
30	98701-06014-00	SCREW, FLAT HEAD	2	
31	93306-30517-00	BEARING	1	
32	93102-35109-00	OIL SEAL (SD-35-62-6 HS)	1	
33	(90387-25193-00)	COLLAR	1	
34	9383E-13144-00	SPROCKET, DRIVE 13T (2141746130)	1	U.R
	9383E-14145-00	SPROCKET, DRIVE (14T)	1	U.R
	9383E-15082-00	SPROCKET, DRIVE (15T)	1	U.RSTD
35	90215-21022-00	WASHER, LOCK	1	
36	90179-18020-00	NUT	1	
37	(498-15651-02-00)	GEAR, KICK IDLE	1	
38	90201-17255-00	WASHER, PLATE	1	
39	99009-17400-00	CIRCLIP	1	
40	(90336-11025-00)	PLUG, TAPER	1	

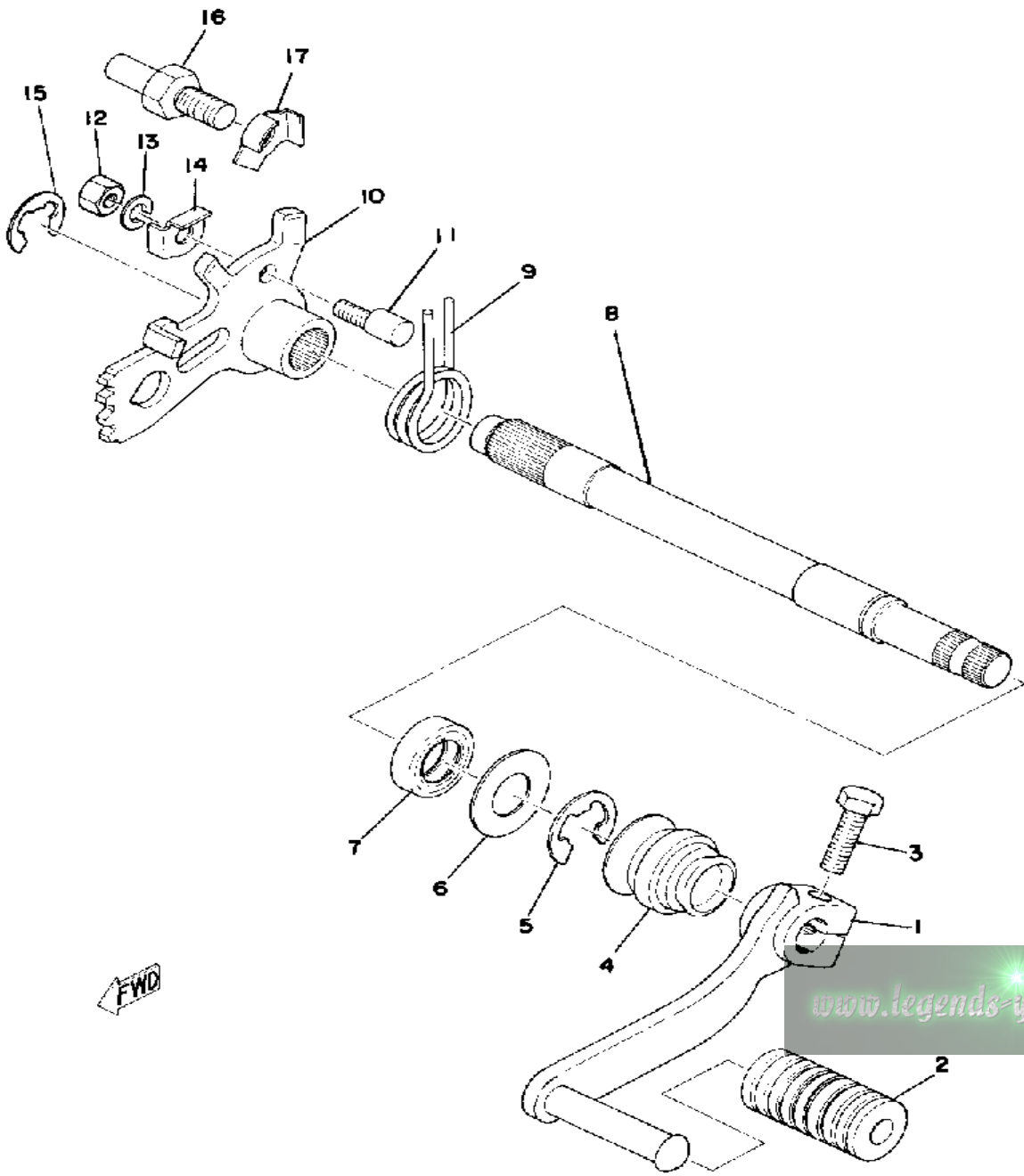
SHIFTER 1



Ref. No.	Part Number	Description	Qty	Remarks
1	434-18540-03-00	SHIFT CAM ASSEMBLY (434-18541-03)	1	
2	93604-18101-00	UNAVAILABLE IN PRICE BOOK	6	
3	434-18561-00-00	PLATE, SIDE 1	1	
4	98701-05012-00	SCREW, FLAT HEAD	1	
5	360-18141-01-00	PLATE, STOPPER	1	
6	99009-30400-00	CIRCLIP	1	
7	(90338-32031-00)	PLUG, SPEC'L SHAPE	1	
8	93604-08071-00	PIN, DOWEL	1	
9	353-18547-00-00	STOPPER, CAM	1	
10	90501-10062-00	SPRING, COMPRESSION	1	
11	137-15353-00-00	GASKET, DRAIN	1	
12	90109-14485-00	BOLT	1	
13	363-18511-00-00	FORK, SHIFT 1	1	
14	364-18511-00-00	FORK, SHIFT 1	2	
15	363-18535-00-00	BAR, SHIF FRK GDE 2	1	
16	99001-08600-00	CIRCLIP	5	
17	90250-08017-00	PIN, STRAIGHT	3	
18	(363-18531-00-00)	BAR, SHIF FRK GDE 1	1	
19	434-18122-00-00	LEVER, SHIFT 2	1	
20	90508-08008-00	SPRING, TORSION (363-18123-00)	1	
21	498-18151-03-00	LEVER, SHIFT 3	1	
22	99080-07600-00	CIRCLIP (E)	1	

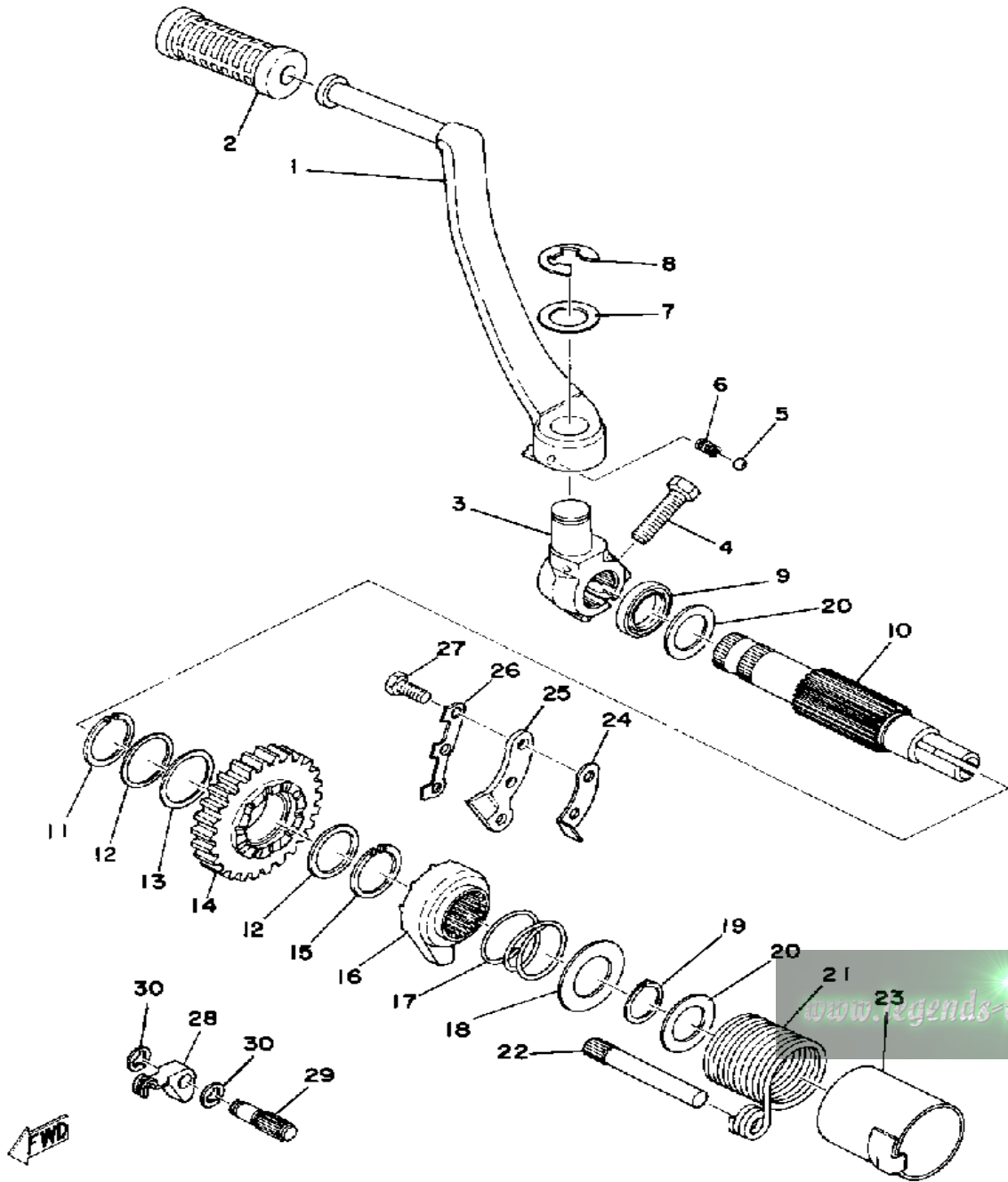
www.legends-yamaha-enduros.com

SHIFTER 2



Ref. No.	Part Number	Description	Qty	Remarks
1	510-18111-00-33	PEDAL, SHIFT	1	
2	132-18113-01-00	COVER, SHIFT PEDAL	1	
3	97011-06020-00	BOLT	1	
4	214-18131-00-00	BOOT, SEALING	1	
5	99001-12600-00	CIRCLIP	1	
6	90201-14220-00	WASHER, PLATE	1	
7	93109-14010-00	OIL SEAL, SDO-TYPE	1	
8	363-18125-00-00	SHAFT, SHIFT	1	
9	(90508-32265-00)	SPRING, TORSION	1	
10	434-18121-00-00	LEVER, SHIFT 1	1	
11	90149-06017-00	SCREW, SPEC'L SHAPE (214-18186-00)	1	
12	95380-06600-00	NUT	1	
13	92995-06100-00	WASHER, SPRING	1	
14	90215-06016-00	WASHER, LOCK	1	
15	99006-10600-00	CIRCLIP	1	
16	278-18127-00-00	STOPPER, SCREW	1	
17	90215-08015-00	WASHER, LOCK (214-18139-00)	1	

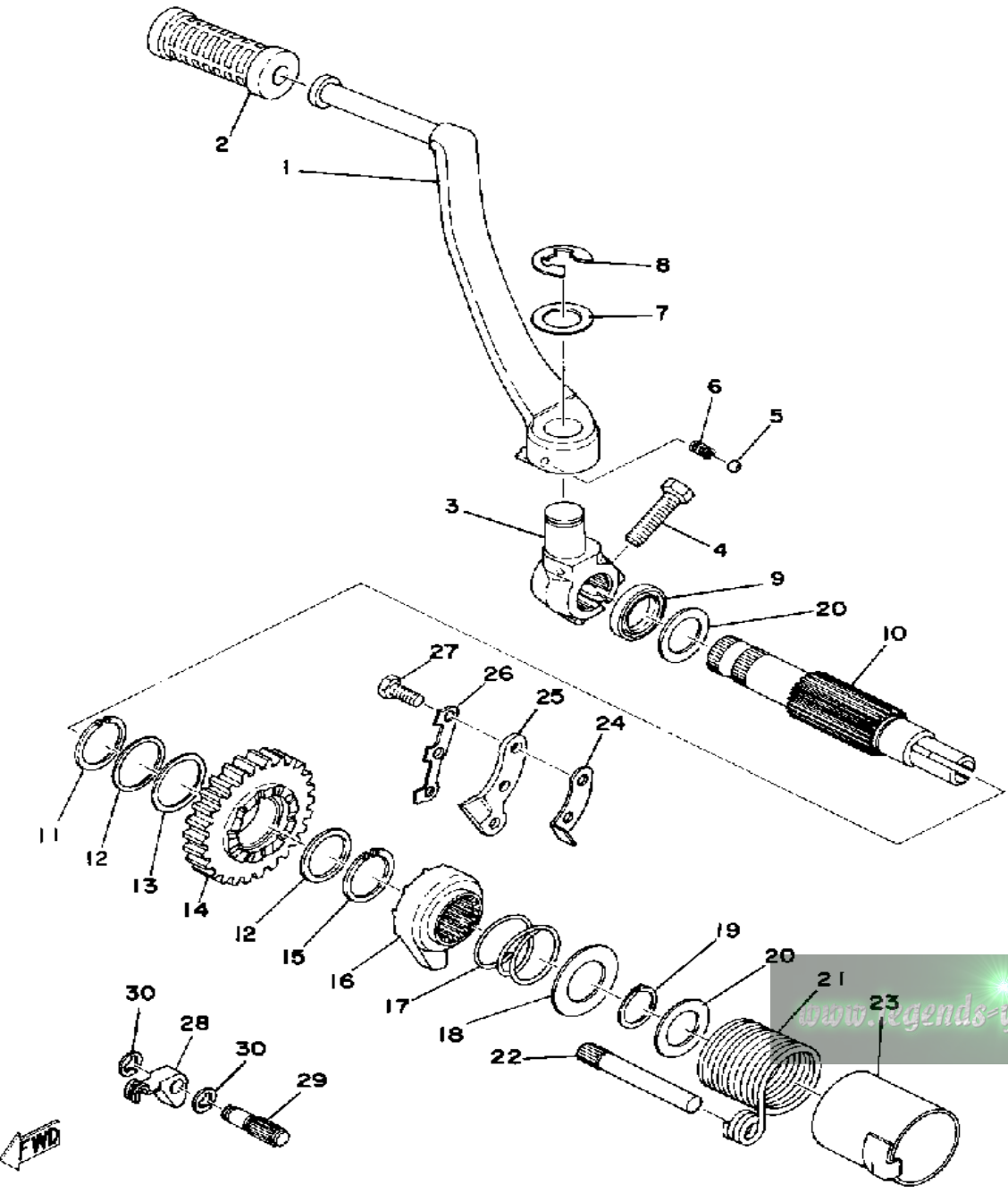
KICK STARTER



Ref. No.	Part Number	Description	Qty	Remarks
1	498-15611-01-93	CRANK, KICK	1	YAMAHA BLACK
2	156-15618-01-00	COVER, KICK LEVER	1	
3	583-15621-00-00	BOSS, KICK CRANK	1	YAMAHA BLACK
4	97313-08030-00	BOLT, HEXAGON	1	
5	93507-32031-00	BALL	1	
6	90501-12081-00	SPRING, COMPRESSION	1	
7	90201-15234-00	WASHER, PLATE	1	
8	99006-10600-00	CIRCLIP	1	
9	93102-20309-00	SEAL, OIL	1	
10	(498-15661-00-00)	AXLE, KICK	1	
11	93440-25027-00	1CIRCLIP, OUTER	1	
12	90201-253K0-00	WASHER, PLATE (T=1.0)	2	
13	156-17417-00-01	SHIM 1	1	U.R
	156-17417-00-02	SHIM 1 (25.1-31-0.2)	1	U.R
	156-17417-00-03	SHIM 1	1	U.R
14	(363-15641-00-00)	GEAR, KICK	1	
15	93440-25084-00	CIRCLIP	1	
16	363-15671-01-00	WHEEL, RATCHET	1	
17	90501-23143-00	SPRING, COMPRESSION (363-15675-00)	1	
18	363-15676-00-00	COVER, SPRING	1	
19	99009-19400-00	CIRCLIP	1	
20	90201-20278-00	WASHER, PLATE	2	
21	90508-32060-00	SPRING, TORSION (363-15665-00)	1	
22	(364-15668-00-00)	STOPPER	1	
23	(498-15664-00-00)	GUIDE, SPRING	1	
24	434-15668-00-00	STOPPER	1	
25	(363-15674-00-00)	GUIDE, RATCHET WHL	1	

CONTINUED ON NEXT FRAME ►

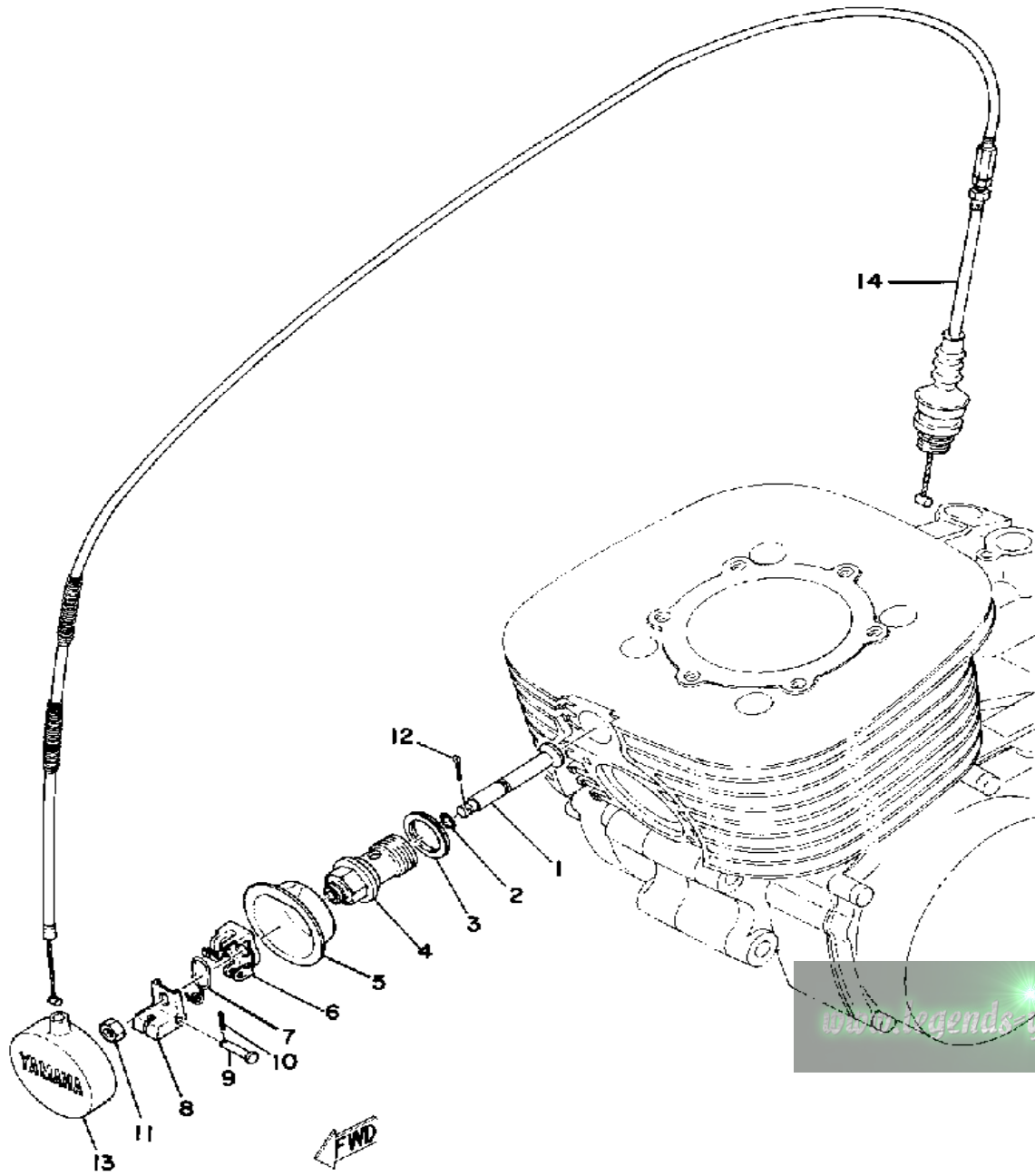
KICK STARTER



Ref. No.	Part Number	Description	Qty	Remarks
26	363-15686-00-00	WASHER, LOCK	1	
27	97313-06016-00	BOLT, HEXAGON	3	
28	363-15656-00-00	LINK	1	
29	363-15659-00-00	SHAFT	1	
30	99080-07600-00	CIRCLIP (E)	2	

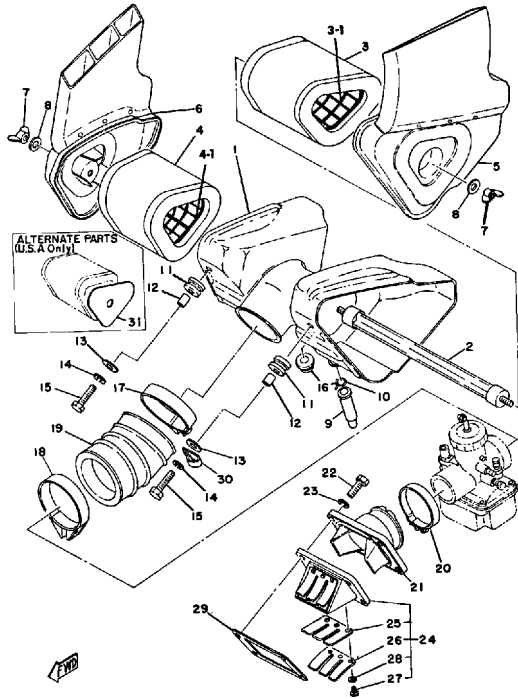


DECOMPRESSION VALVE



Ref. No.	Part Number	Description	Qty	Remarks
1	363-12281-01-00	VALVE, DCOMP	1	
2	93210-05215-00	O-RING	1	
3	90430-22123-00	GASKET	1	
4	363-12283-01-00	BRACKET, DCOMP	1	
5	363-12279-00-00	PLATE	1	
6	363-12273-00-00	HOLDER, CABLE	1	
7	90508-10010-00	SPRING, TORSION (363-12287-00)	1	
8	363-12282-00-00	LEVER, DCOMP	1	
9	90240-03003-00	PIN, CLEVIS (363-12284-00) ...	1	
10	91490-16020-00	PIN, COTTER	1	
11	95311-05700-00	NUT	1	
12	91490-16020-00	PIN, COTTER	1	
13	1K7-12278-00-00	COVER, DCOMPDECOMPRESSION ...	1	
14	(510-12292-01-00)	CABLE, DECOMP	1	

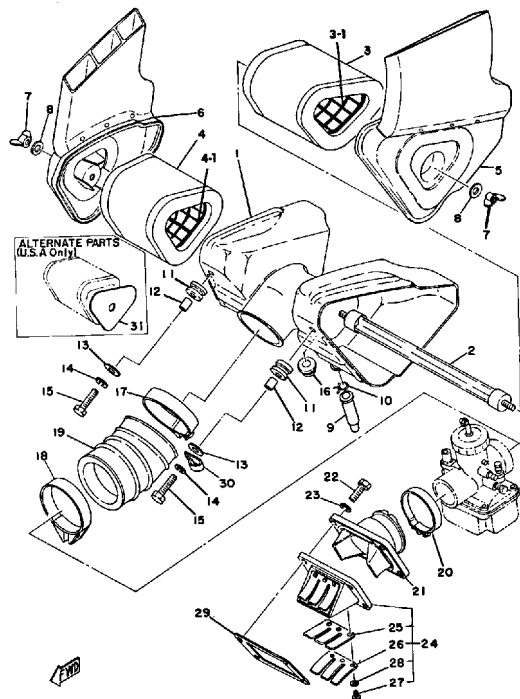
INTAKE



Ref. No.	Part Number	Description	Qty	Remarks
1	(1K7-14411-00-00)	CASE, AIR CLEANER 1	1	
2	(509-14428-00-00)	BOLT	1	
3	509-14451-09-00	ELEMENT, AIR CLNR	1	
4	509-14461-09-00	ELEMENT, AIR CLNR 2 (509-14412-02)	1	
5	(1K7-14401-01-00)	AIR CLNR CASE ASSEMBLY	1	
6	(1K7-14402-01-00)	CAP ASSEMBLY, AIR CLNR	1	
7	90175-06008-00	NUT, WING	2	
8	90201-06067-00	WASHER, PLATE	2	
9	509-14457-00-00	SEAL (509-14457-01)	2	
10	90467-15012-00	CLIP, SCISSOR	2	
11	90480-14023-00	GROMMET	2	
12	90387-07391-00	COLLAR	2	
13	90201-06067-00	WASHER, PLATE	2	
14	92995-06100-00	WASHER, SPRING	2	
15	97011-06025-00	BOLT (97001-06025)	2	
16	90480-18171-00	GROMMET	1	
17	(90460-66067-00)	CLAMP, HOSE	1	
18	90460-71129-00	CLAMP, HOSE (90460-71017)	1	
19	(510-14453-00-00)	JOINT, AIR CLNR 1	1	
20	90460-51059-00	CLAMP, HOSE	1	
21	510-13555-02-00	MANIFOLD, INTAKE	1	
22	97011-06020-00	BOLT	4	
23	92995-06100-00	WASHER, SPRING	4	
24	(431-13610-01-00)	REED VALVE ASSEMBLY	1	
25	363-13613-00-00	. REED, VALVE	2	
26	363-13616-00-00	. STOPPER, REED VALVE	2	
27	98580-03008-00	. SCREW, PAN HEAD	6	
28	92990-03100-00	. WASHER, SPRING (92901-03100)	6	

www.legends-yamaha-europe.com

CONTINUED ON NEXT FRAME ➤

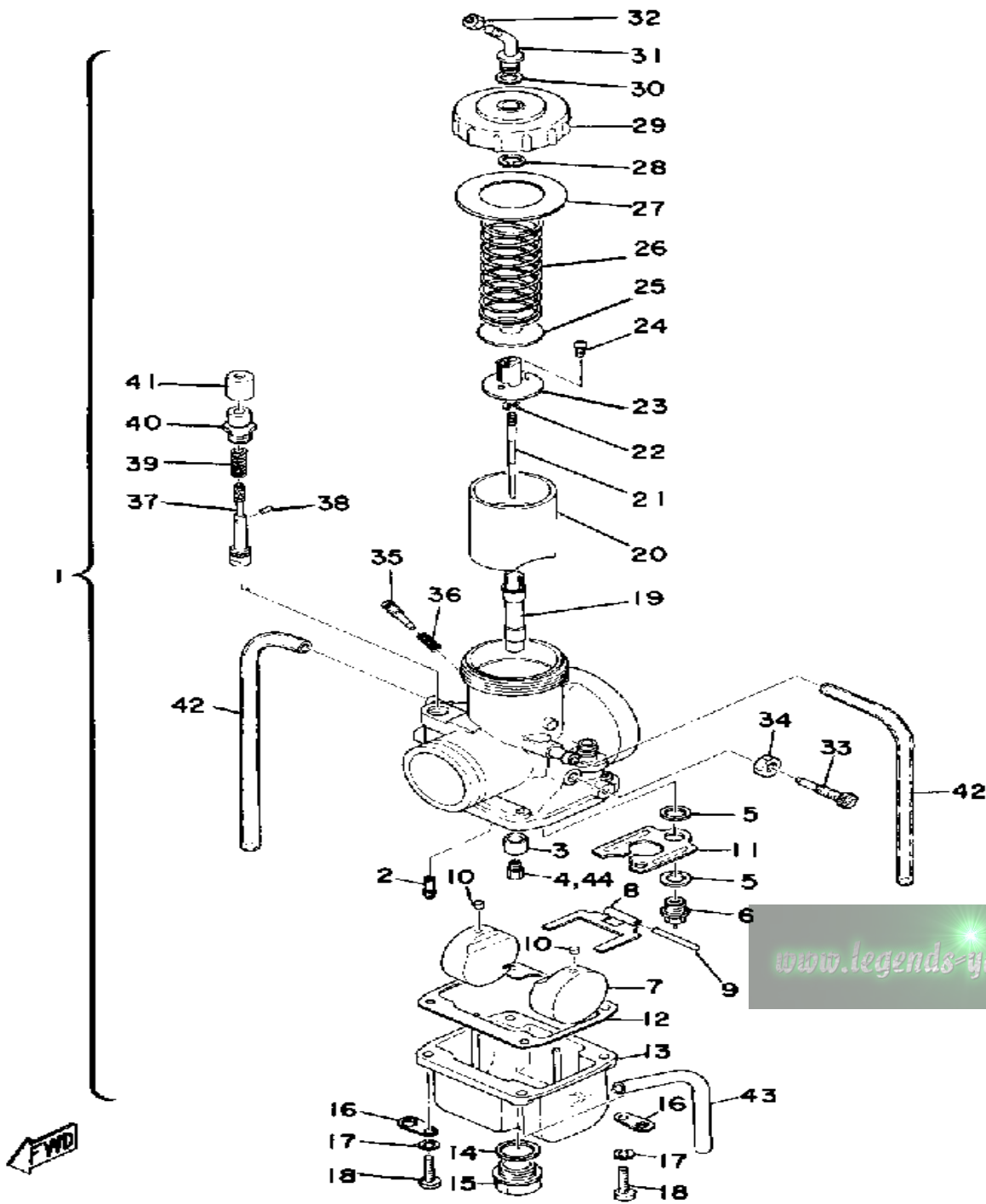


INTAKE

Ref. No.	Part Number	Description	Qty	Remarks
29	8Y7-13556-01-00	GASKET, MANIFOLD	1	
30	(90465-06062-00)	CLAMP	1	
31	(510-14477-20-00)	PLATE	2	ALTERNATE PARTS



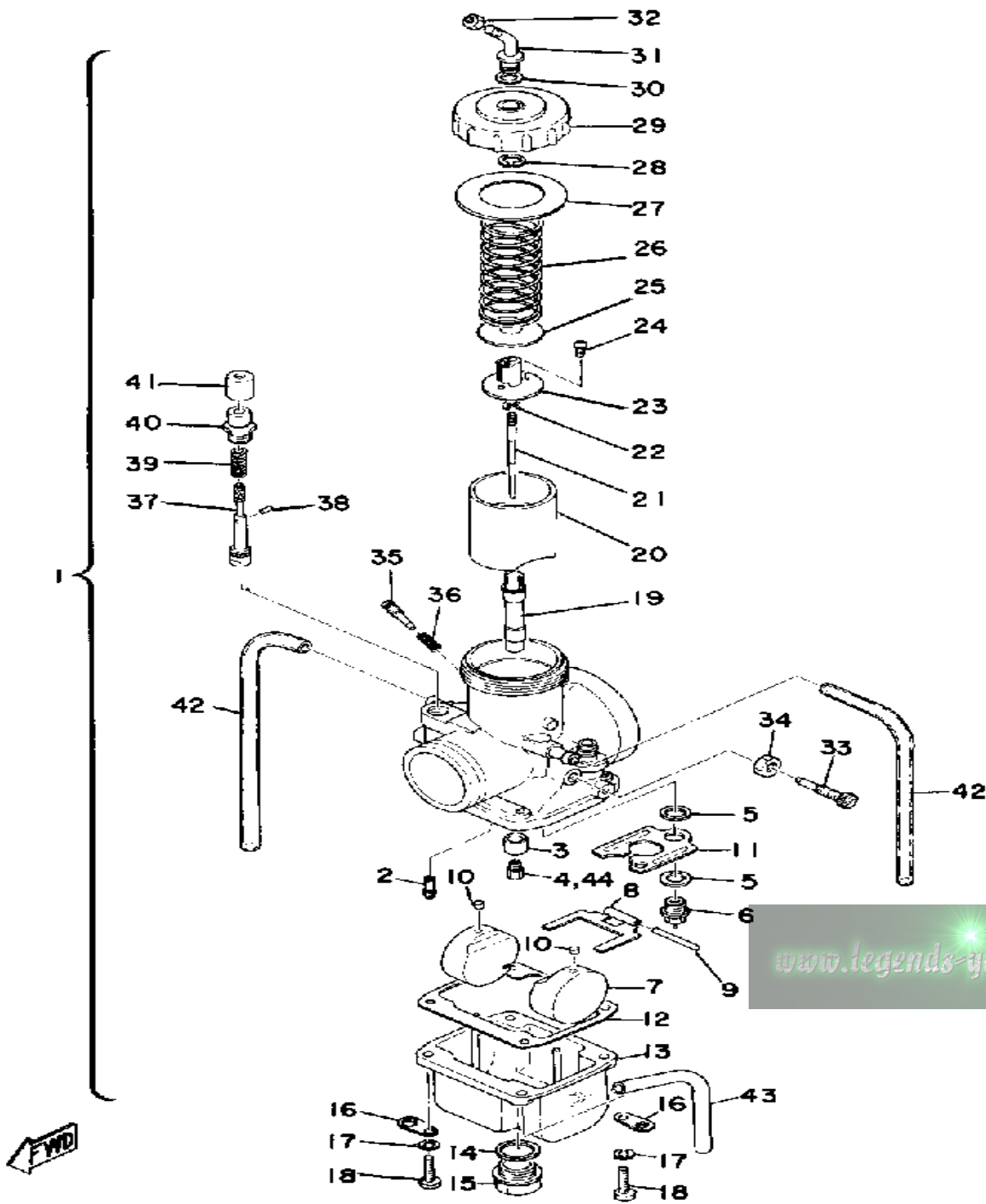
CARBURETOR



Ref. No.	Part Number	Description	Qty	Remarks
1	(1K7-14101-00-00)	CARBURETOR ASSEMBLY 1	1	
2	193-14142-60-00	. JET, PILOT #60 (60)	1	
3	509-14145-00-00	. SETTER, NEEDLE JET	1	
4	137-14143-66-A1	. JET MAIN, (# 330)	1	U.R
	137-14143-68-00	. JET, MAIN (#340)	1	U.RSTD
	137-14143-70-00	. JET, MAIN (#350)	1	U.R
5	239-14195-00-00	. WASHER, NEEDLE VALVE	2	
6	23X-14107-35-00	. NEEDLE VALVE SET	1	
7	214-14185-00-00	. FLOAT	2	
8	363-14187-00-00	. ARM, FLOAT	1	
9	127-14186-00-00	. PIN, FLOAT	1	
10	214-14118-00-00	. CAP	2	
11	510-14146-00-00	. PLATE	1	
12	363-14184-00-00	. GASKET, FLOAT CHMBR	1	
13	(510-14181-16-00)	BODY, FLOAT CHMBR 1	1	
14	239-14117-00-00	. WASHER, PLUG SCREWSCREW	1	
15	363-14115-00-00	. PLUG, SCREW	1	
16	313-14146-00-00	. PLATE	2	
17	92990-05100-00	. WASHER, SPRING	4	
18	98580-05016-00	. SCREW, PAN HEAD (98501-05016)	4	
19	510-14141-44-00	. NOZZLE, MAIN	1	
20	510-14112-30-00	. VALVE, THROTTLE 1 (3.0)	1	
21	239-14116-16-00	. NEEDLE	1	
22	164-14137-00-00	. CLIP	1	
23	509-14274-00-00	. CONNECTOR	1	
24	98580-03008-00	. SCREW, PAN HEAD	2	
25	509-14136-00-00	. SEAT, SPRING	1	

CONTINUED ON NEXT FRAME ►

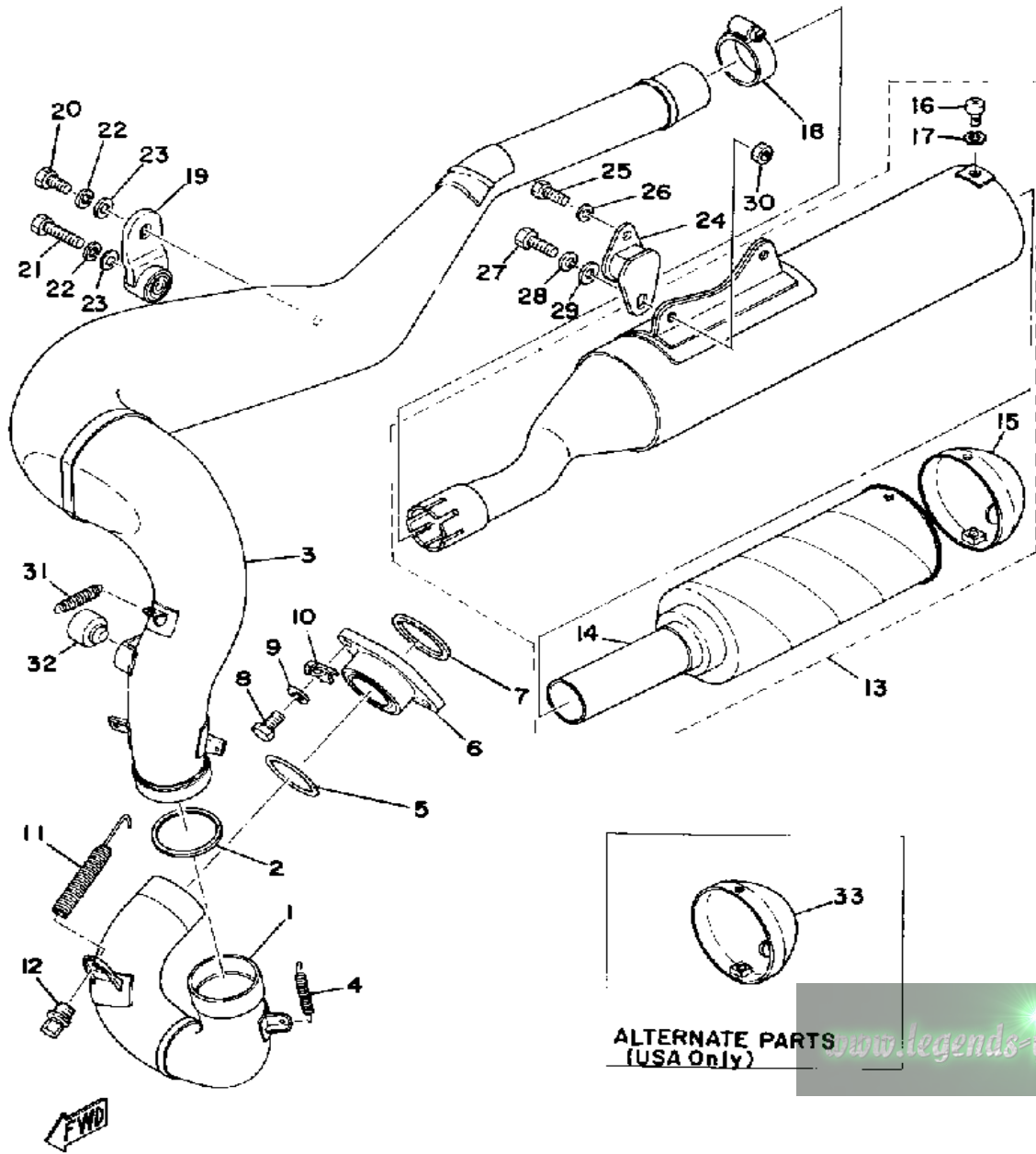
CARBURETOR



Ref. No.	Part Number	Description	Qty	Remarks
26	363-14131-00-00	. SPRING, THROTTLE VALVE	1	
27	363-14126-00-00	. GASKET	1	
28	363-14137-00-00	. CLIP	1	
29	510-14158-00-00	. TOP, MIXING CHAMBER	1	
30	509-14198-00-00	. GASKET	1	
31	23X-14106-00-00	. CABLE ADJUST SCREW SET	1	
32	127-14161-00-00	. NUT, CABLE ADJUSTING	1	
33	23X-14103-00-00	. THROTTLE SCREW SET	1	
34	802-14161-00-00	. NUT, CABLE ADJUSTING	1	
35	23X-14104-00-00	. AIR SCREW SET	1	
36	127-14134-00-00	. SPRING, AIR ADJUSTING	1	
37	(432-14171-00-00)	PLUNGER, STARTER	1	
38	432-14138-01-00	. CLIP, PLUNGER	1	
39	509-14135-00-00	. SPRING, PLUNGER	1	
40	(432-14174-00-00)	CAP, PLUNGER	1	
41	(432-14173-00-00)	COVER, PLUNGER CAP	1	
42	310-14197-00-00	. PIPE, AIRVENT	2	
43	510-14197-00-00	. PIPE (43214-19700-00)	1	
44	137-14143-38-A0	. JET, MAIN #1 0	1	ALTERNATE PARTS

www.legends-yamaha-enduros.com

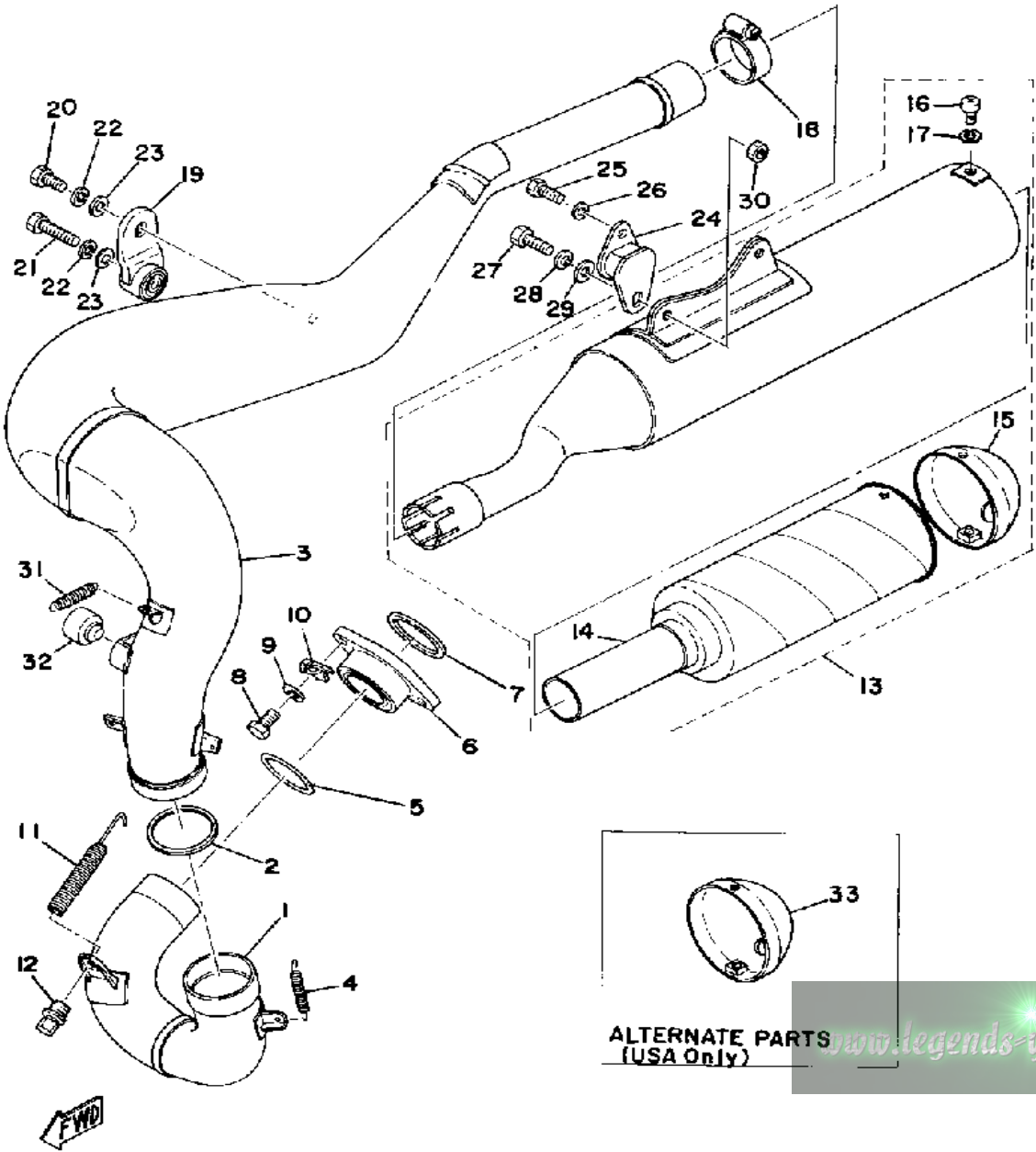
EXHAUST



Ref. No.	Part Number	Description	Qty	Remarks
1	(510-14611-01-00)	PIPE, EXHAUST L	1	
2	248-14623-00-00	GASKET, EXST PIPE	1	
3	(510-14711-02-00)	MUFFLER L	1	
4	90506-18068-00	SPRING, TENSION	2	
5	214-14613-00-00	GASKET, EXST PIPE	1	
6	(214-14612-00-00)	NUT, RING	1	
7	248-14623-00-00	GASKET, EXST PIPE	1	
8	97011-06020-00	BOLT	2	
9	92995-06100-00	WASHER, SPRING	2	
10	363-14685-00-00	PLATE	1	
11	90507-20012-00	SPRING, TENSION (145-14683-00)	1	
12	409-14684-00-00	BOLT, HOOK	1	
13	(1K7-14750-21-00)	SILENCER ASSEMBLY	1	
14	(1K7-14752-00-00)	PIPE, OUTLET	1	
15	1K7-14787-00-00	. CAP, SILENCER	1	
16	98580-06012-00	. SCREW, PAN HEAD	2	
17	92995-06100-00	. WASHER, SPRING	2	
18	90460-35076-00	CLAMP, HOSE	1	
19	483-14771-00-00	STAY, MUFFLER 1	1	
20	97313-08018-00	BOLT, HEXAGON (97301-08016)	1	
21	97313-08035-00	BOLT, HEXAGON	1	
22	92990-08100-00	WASHER	2	
23	92901-08600-00	WASHER	1	
24	483-14781-02-00	STAY, MUFFLER 2	2	
25	97313-06018-00	BOLT, HEXAGON	2	
26	92995-06100-00	WASHER, SPRING	2	
27	97313-08018-00	BOLT, HEXAGON (97301-08016)	2	
28	92990-08100-00	WASHER	2	

CONTINUED ON NEXT FRAME ►

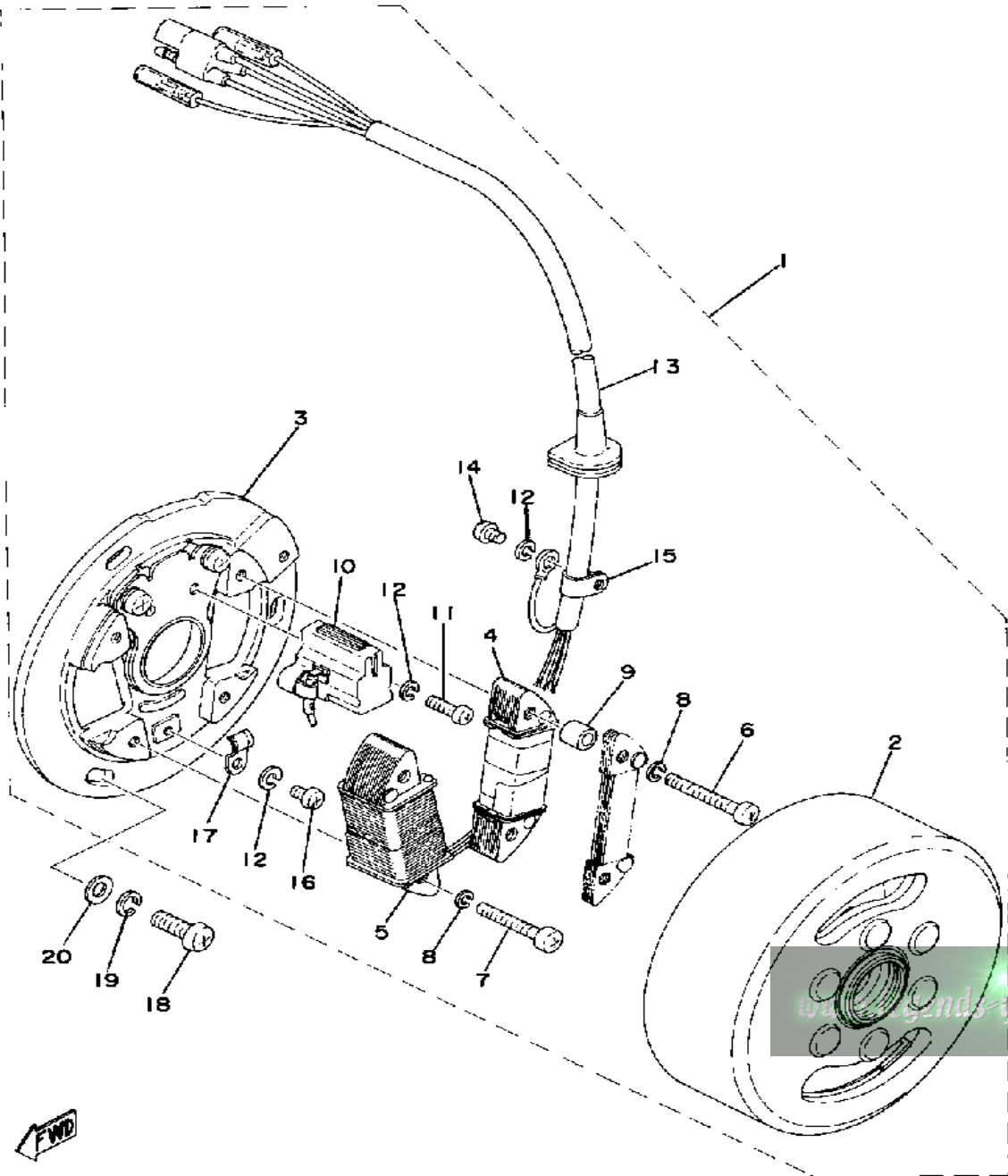
EXHAUST



Ref. No.	Part Number	Description	Qty	Remarks
29	92901-08600-00	WASHER	2	
30	95333-08600-00	NUT, HEXAGON	2	
31	90506-14129-00	SPRING, TENSION	1	
32	278-27114-00-00	STOPPER, MAIN STAND	1	
33	(510-14787-20-00)	CAP, SILENCER	1	ALTERNATE PARTS

ALTERNATE PARTS (USA Only) www.legends-yamaha-enduros.com

C - D - I - MAGNETO

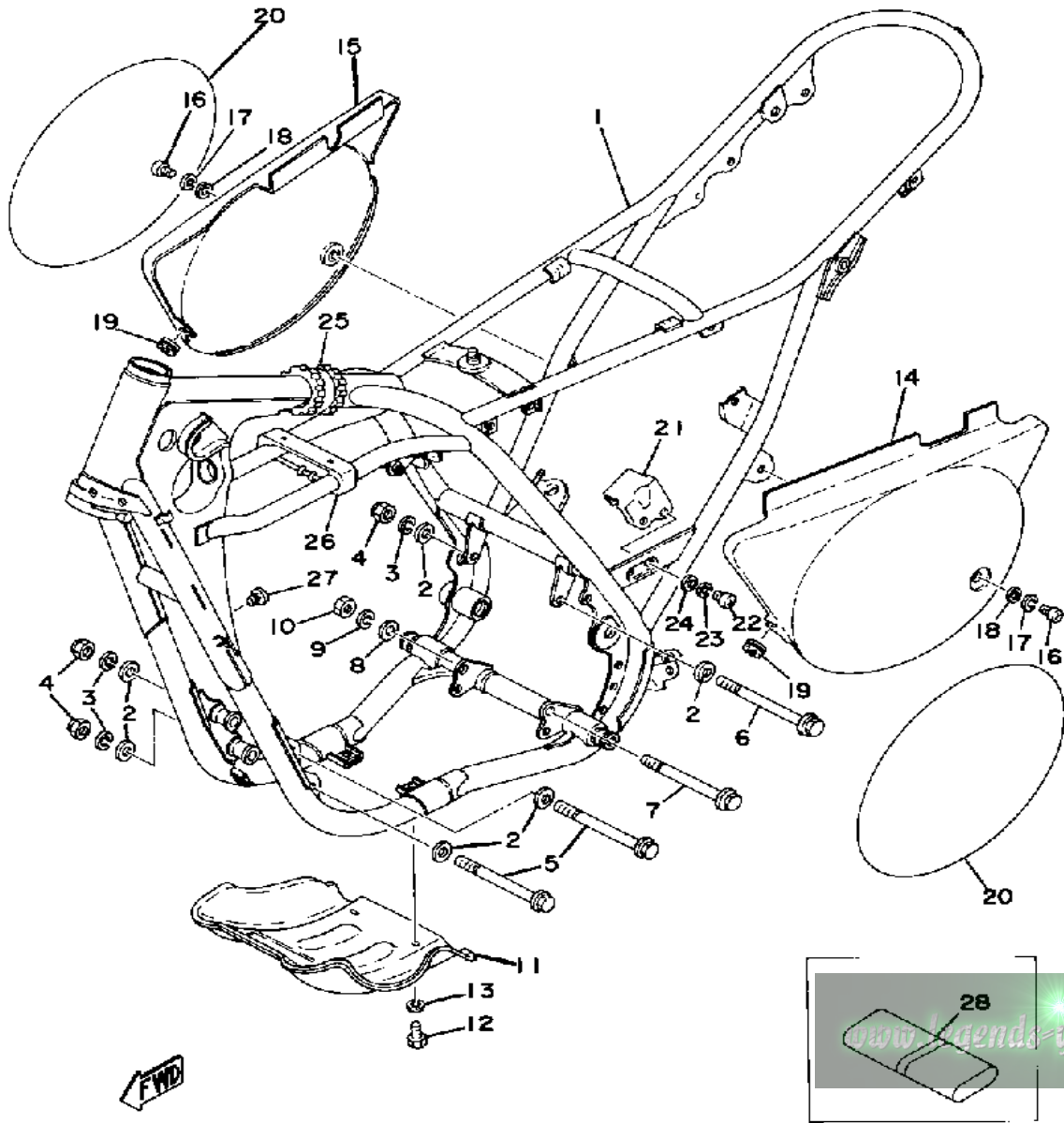


Ref. No.	Part Number	Description	Qty	Remarks
1	(1K7-85500-20-00)	CDI MAGNETO ASSEMBLY ...	1	
2	(445-85550-21-00)	ROTOR ASSEMBLY	1	
3	(445-85509-20-00)	BASE, MAGNETO	1	
4	445-85512-20-00	. COIL SOURCE 2	1	
5	(510-85513-25-00)	COIL, LIGHTING 1	1	
6	98501-05035-00	. SCREW, PAN HEAD	2	
7	98503-05025-00	. SCREW, PAN HEAD (98501-05025)	2	
8	92990-05100-00	. WASHER, SPRING	4	
9	(445-85519-20-00)	SPACER	2	
10	445-85580-21-00	. COIL, PULSER	1	
11	98503-04014-00	. SCREW, PAN HEAD	2	
12	92901-04100-00	. WASHER, SPRING	4	
13	(510-85515-25-00)	LEAD WIRE ASSEMBLY	1	
14	98580-04008-00	. SCREW, PAN HEAD	1	
15	445-81328-20-00	. CLAMP	1	
16	98511-04006-00	. SCREW, PAN HEAD (98501-04005)	1	
17	(445-85528-20-00)	CLAMP, LEAD	1	
18	98580-06020-00	SCREW	3	
19	92995-06100-00	WASHER, SPRING	3	
20	92990-06200-00	WASHER	3	

FWD

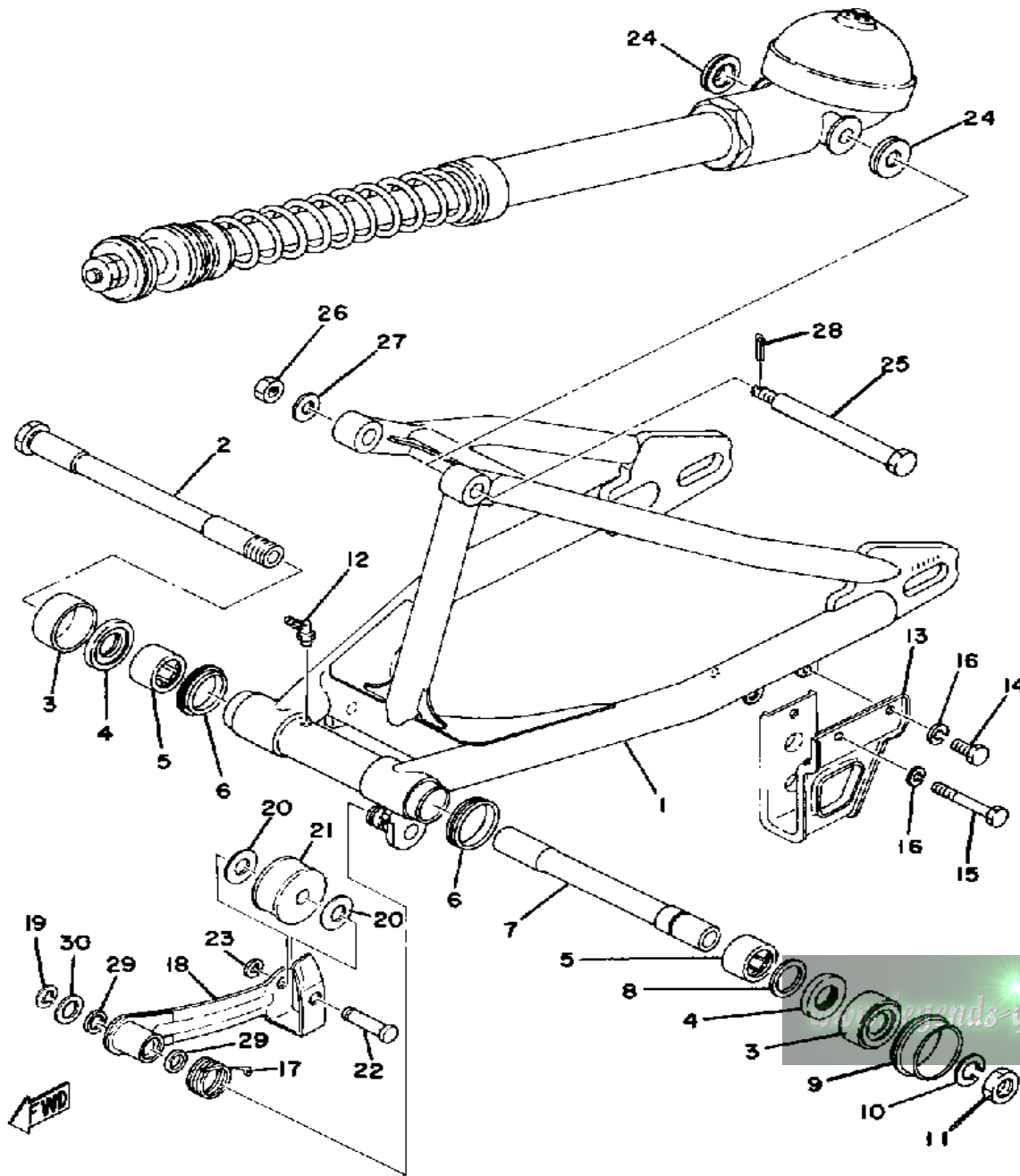
www.yamcha-enduros.com

FRAME - SIDE COVER



Ref. No.	Part Number	Description	Qty	Remarks
1	(509-21110-05-33)	FRAME	1	YAMAHA BLACK
2	90209-08050-00	WASHER, SPEC'L SHAP	6	
3	92990-08100-00	WASHER	3	
4	90185-08089-00	NUT, SELF-LOCKING	3	
5	90101-08538-00	BOLT	2	
6	90101-08286-00	BOLT	1	
7	90105-10050-00	BOLT, WASHER BASED	1	
8	90201-10124-00	WASHER, PLATE	1	
9	92990-10100-00	LOCKWASHER	1	
10	90185-10060-00	NUT, SELF-LOCKING	1	
11	(1K7-21471-01-00)	PROTECTOR, ENGINE	1	
12	97301-06014-00	BOLT, HEXAGON	4	
13	92995-06100-00	WASHER, SPRING	4	
14	1K7-21711-00-G8	COVER, SIDE 1	1	SKY BLUE
15	1K7-21721-01-00	COVER, SIDE 2	1	SKY BLUE
16	98903-06018-00	SCREW, BIND	2	
17	90201-06067-00	WASHER, PLATE	2	
18	(90202-07048-00)	WASHER, PLATE	2	
19	90480-12053-00	GROMMET	2	
20	(322-21787-00-00)	EMBLEM 7	2	
21	(509-22147-00-33)	PROTECTOR, CHAIN	1	YAMAHA BLACK
22	97013-06012-00	BOLT	2	
23	92995-06100-00	WASHER, SPRING	2	
24	92901-06600-00	WASHER	2	
25	(1K7-24182-00-00)	DAMPER, LOCATING 2	1	
26	(1K7-24183-00-00)	DAMPER, LOCATING 3	1	
27	(509-14747-00-00)	DAMPER, MUFFLER	1	
28	(509-28100-10-00)	TOOL KIT	1	

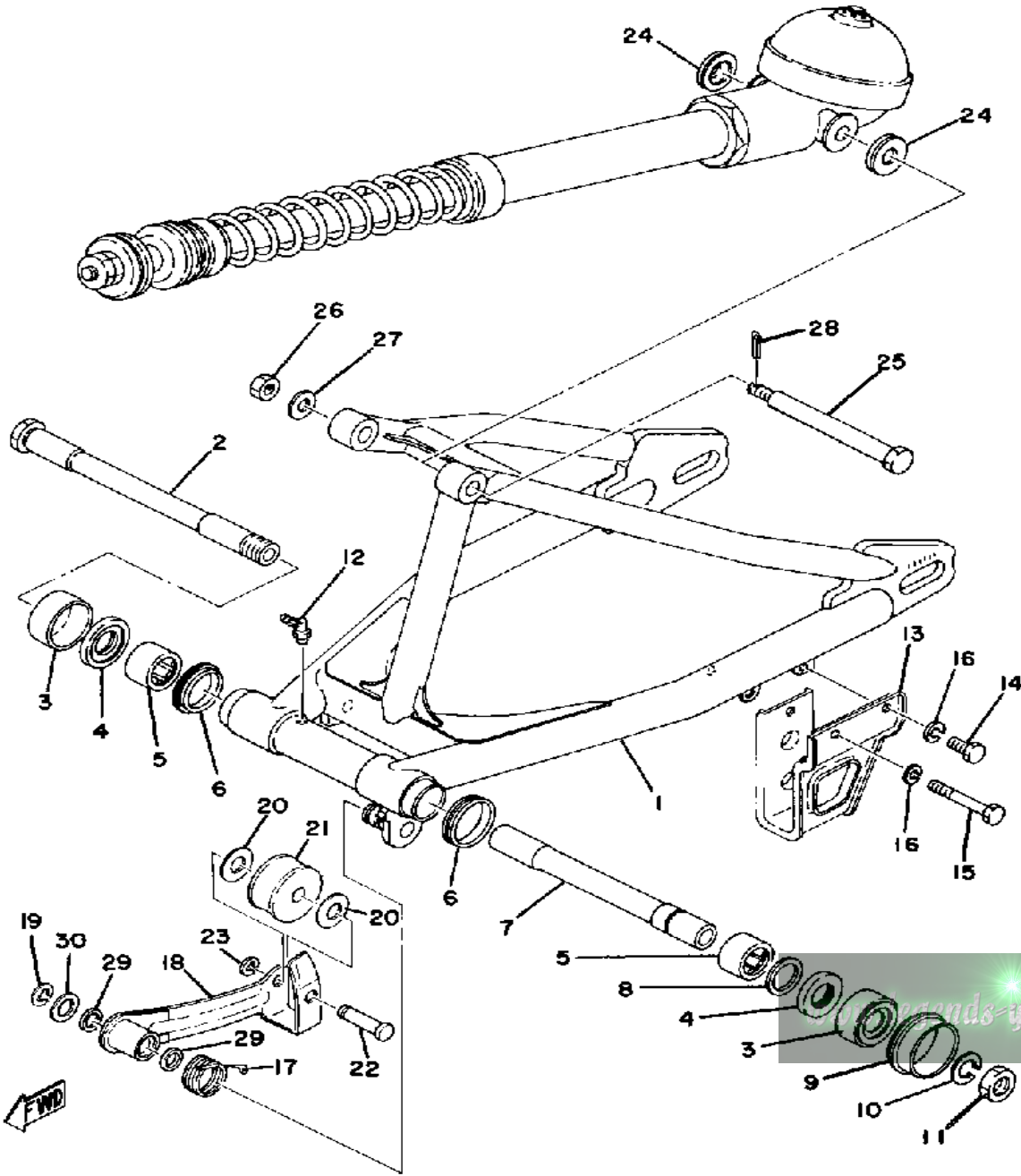
REAR ARM



Ref. No.	Part Number	Description	Qty	Remarks
1	(509-22110-00-33)	REAR ARM	1	YAMAHA BLACK
2	1W4-22141-00-00	SHAFT, PIVOT	1	
3	2K8-22129-00-00	. COVER, THRUST 2	1	
	431-22151-03-00	. SEAL, GUARD	1	
	99999-00938-00	THRUST COVER (483-22129-00)	2	
4	93342-22205-00	BEARING, FLAT # 2	2	
5	93317-22208-00	BEARING, CYLINDER.# 7	2	
6	93108-35004-00	OIL SEAL (35-41-8)	2	
7	483-22124-00-00	BUSH 2	1	
8	648-45533-00-02	SHIM (90201-22284)	1	
9	431-22151-03-00	SEAL, GUARD	1	
10	92995-06100-00	WASHER, SPRING	1	
11	90170-16111-00	NUT, HEXAGON	1	
12	93700-06005-00	NIPPLE, GREASE	1	
13	2W6-22153-00-00	GUARD, CHAIN	1	YAMAHA BLACK
14	97301-06014-00	BOLT, HEXAGON	1	
15	97313-06055-00	BOLT, HEXAGON (97322-06055)	1	
16	92995-06100-00	WASHER, SPRING	2	
17	(90508-32322-00)	SPRING, TORSION	1	
18	(1K7-22179-01-00)	ARM, TENSIONER	1	
19	93430-10015-00	CIRCLIP, E-TYPE	1	
20	90201-10626-00	WASHER, PLATE	2	
21	1K7-22178-01-00	TENSIONER	1	
22	1K7-22121-01-00	SHAFT 1	1	USE W/BOLT/WSHR-00 SHAFT USE W
23	93430-08007-00	CIRCLIP	1	
24	483-22128-00-00	COVER, THRUST 1	2	
25	90109-08300-00	BOLT	1	

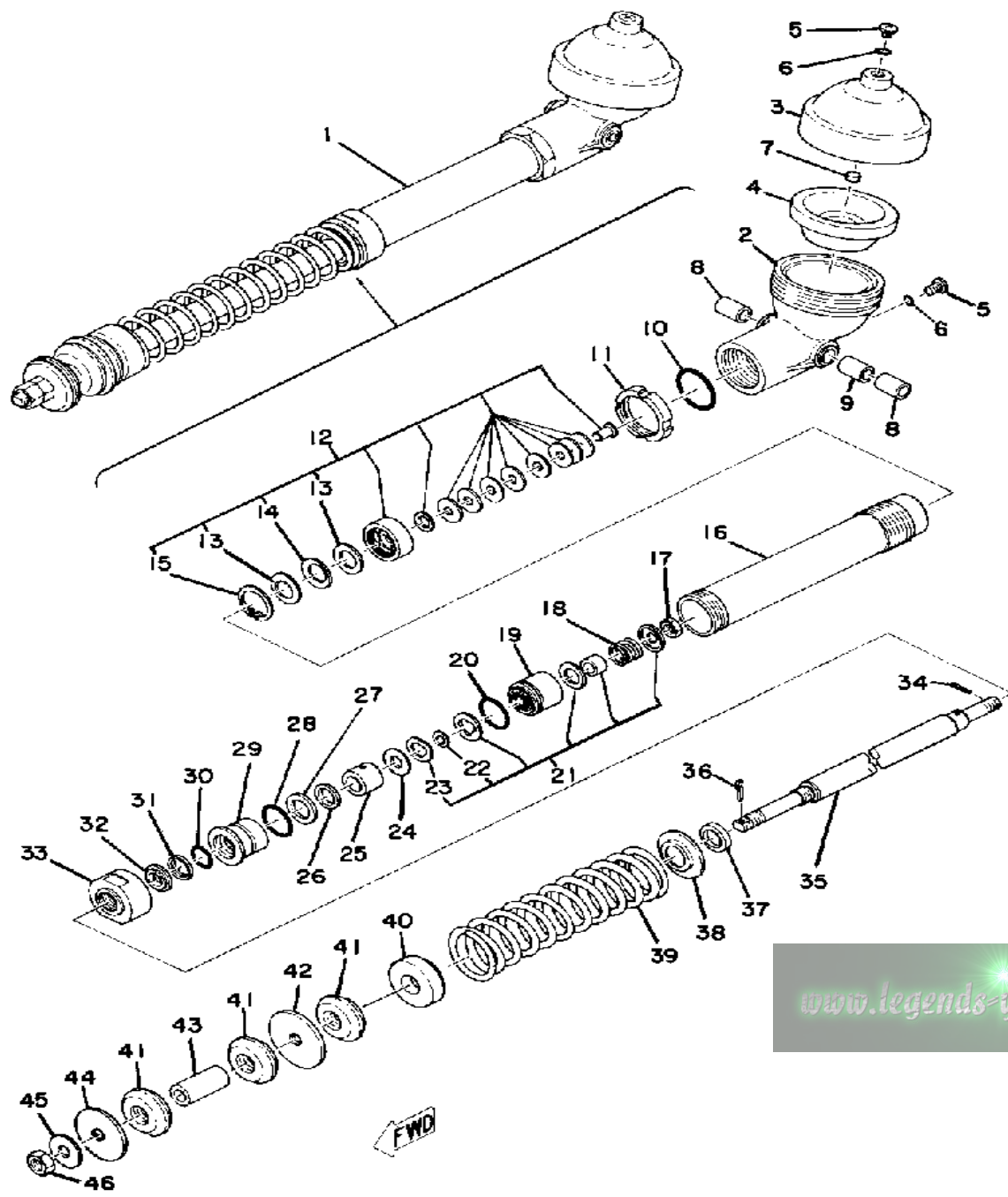
CONTINUED ON NEXT FRAME ►

REAR ARM



Ref. No.	Part Number	Description	Qty	Remarks
26	95333-08600-00	NUT, HEXAGON	1	
27	90201-08439-00	WASHER, PLATE	1	
28	91490-20020-00	PIN, COTTER	1	
29	93104-14044-00	OIL SEAL	2	
30	90201-14411-00	WASHER, PLATE	1	
23-1	97013-06012-00	BOLT	1	
23-2	92995-06100-00	WASHER, SPRING	1	

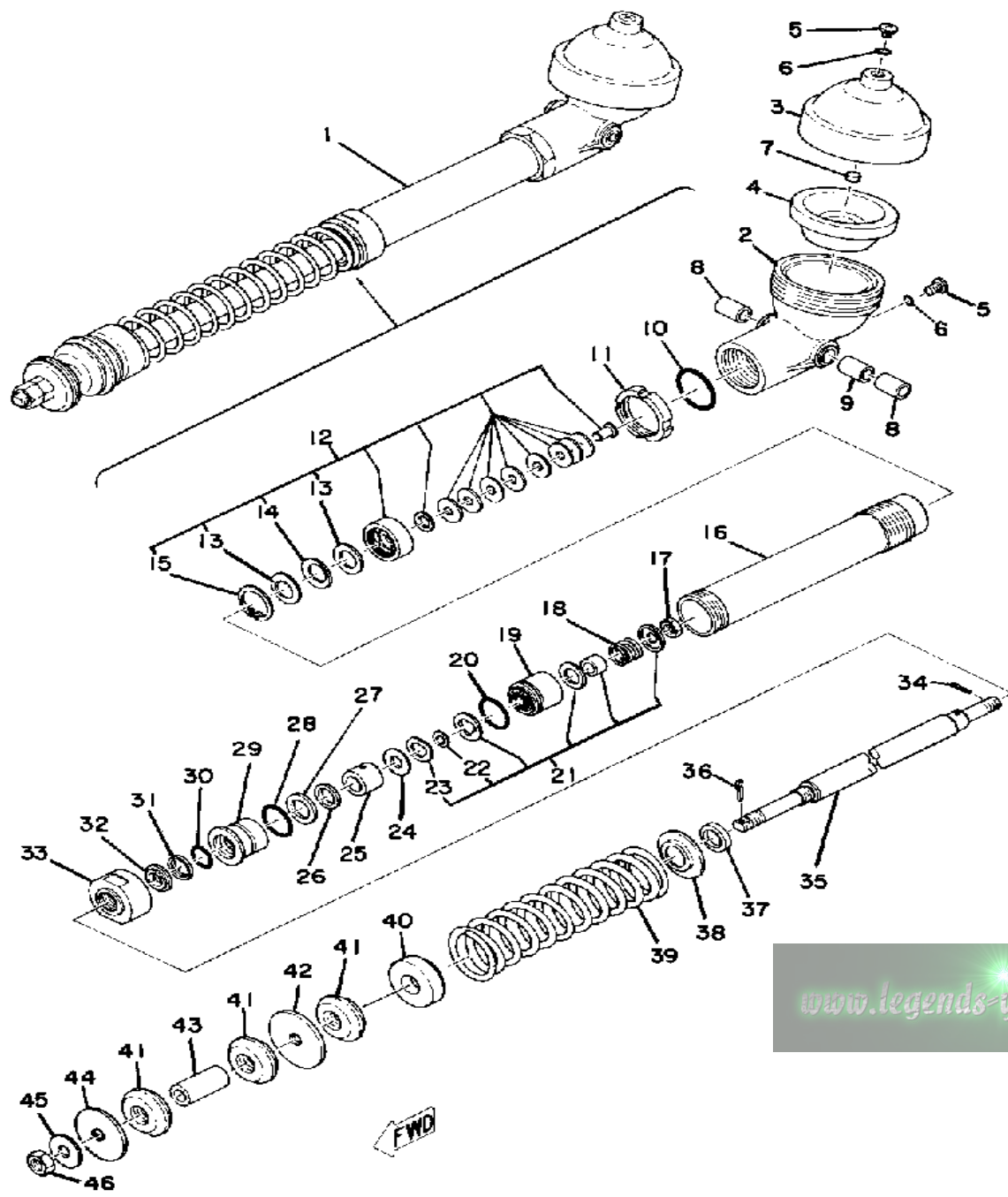
REAR CUSHION



Ref. No.	Part Number	Description	Qty	Remarks
1	(509-22210-04-00)	SHK/ABS ASSEMBLY, REAR	1	
2	(509-22411-01-00)	HOUSING, MEMBRANE	1	
3	(509-22412-00-00)	CAP, HOUSING	1	
4	(483-22413-02-00)	MEMBRANE	1	
5	98901-06008-00	. SCREW, BIND	2	
6	93210-06632-00	. O-RING	2	
7	483-22419-01-00	. VALVE, RUBBER	1	
8	(90382-12019-00)	BUSH, BIMETAL SOLID	2	
9	90387-12493-00	. COLLAR (12.2-14.8-26)	1	
10	93210-42263-00	. O-RING (3.5-41.7)	1	
11	(90179-44068-00)	NUT, SPEC'L SHAPE	1	
12	(509-22406-00-00)	SPRING SEAT SB/ASSEMBLY	1	
13	(509-22453-01-00)	PLATE, VALVE 3	2	
14	(483-22458-00-00)	LEAF, SPRING 2	1	
15	99009-35500-00	. . CIRCLIP	1	
16	(509-22471-01-00)	CYLINDER, SHOCK ABS	1	
17	90185-12119-00	. NUT, SELF-LOCKING	1	
18	(90501-29327-00)	SPRING, COMPRESSION	1	
19	(483-22431-00-00)	PISTON, SHOCK ABS	1	
20	93210-31264-00	. O-RING	1	
21	509-22405-00-00	. VALVE SUB ASSEMBLY, BTM	1	
22	(509-22435-01-00)	PLATE, VALVE 2	1	
23	(483-22436-00-00)	LEAF, SPRING 1	1	
24	(90201-12525-00)	WASHER, PLATE	1	
25	(509-22482-02-00)	STOPPER	1	
26	(90560-18143-00)	SPACER	1	
27	(483-22483-02-00)	DAMPER 1	1	
28	93210-31264-00	. O-RING	1	
29	(483-22473-00-00)	HOUSING, SEAL RING	1	

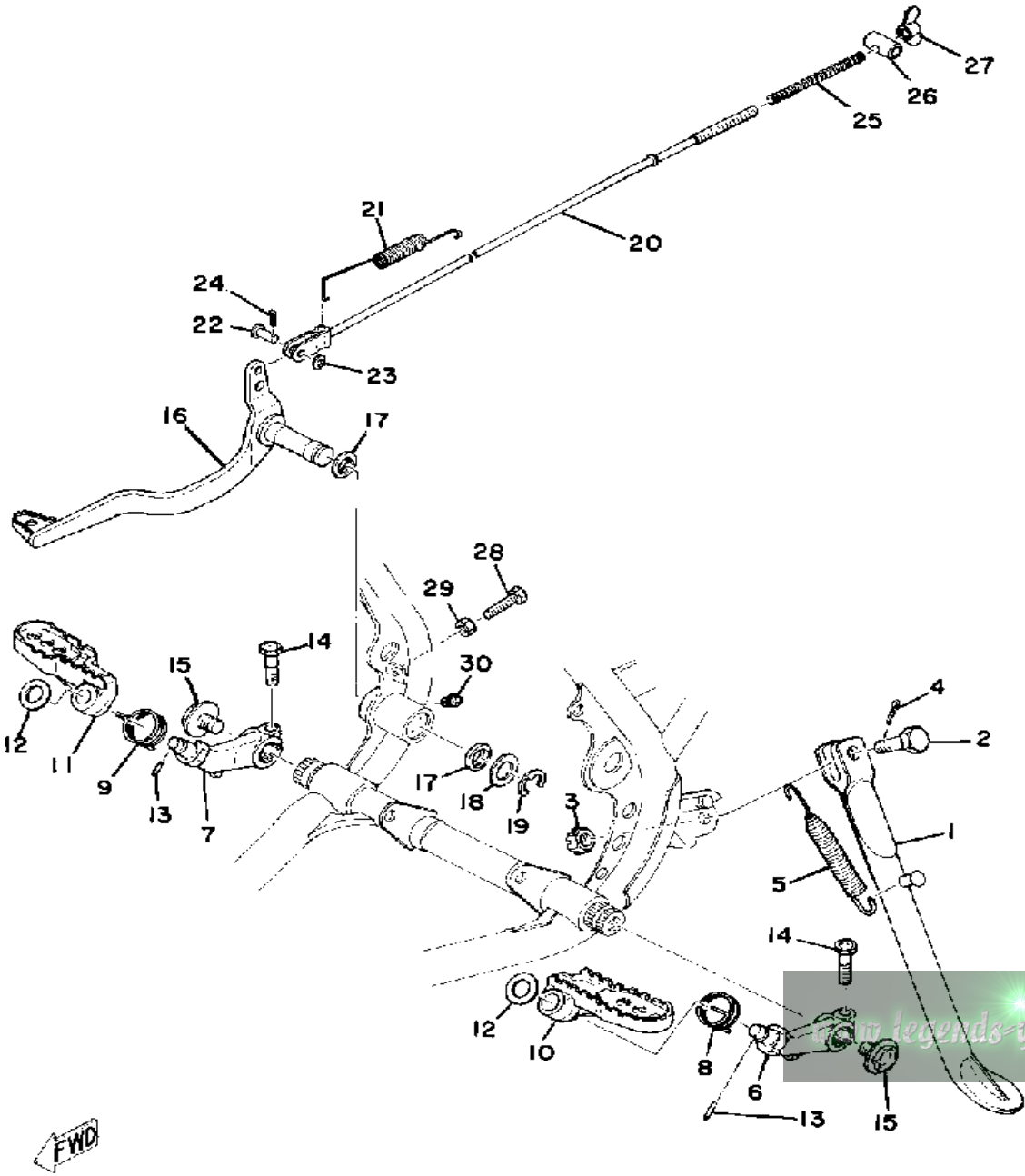
CONTINUED ON NEXT FRAME ➤

REAR CUSHION



Ref. No.	Part Number	Description	Qty	Remarks
30	93210-22265-00	. O-RING (3.5-21.7)	1	
31	(93104-22052-00)	OIL SEAL, SO-TYPE	1	
32	93102-22141-00	. OIL SEAL, SD-TYPE (SD-22-30-5.5)	1	
33	(483-22472-01-00)	CAP, CASE	1	
34	91401-25020-00	. PIN, COTTER	1	
35	(509-22481-02-00)	ROD, PISTON	1	
36	91401-30020-00	. PIN, COTTER	1	
37	90202-22091-00	. WASHER, PLATE	1	
38	(483-22214-01-00)	GUIDE, SPRING 1	1	
39	(90501-85402-00)	SPRING, RED	1	U.RSTD
	(90501-85423-00)	SPRING, 3.4 R/WHT	1	U.RLIGHT DUTYALTERNATE PARTS
	(90501-85424-00)	SPRING, 3.6 R/YEL	1	U.RLIGHT DUTYALTERNATE PARTS
	(90501-85425-00)	SPRING, 4.0 R/GRN	1	U.RHEAVY DUTYALTERNATE PARTS
	(90501-85426-00)	SPRING, 4.2 R/BLU	1	U.RHEAVY DUTYALTERNATE PARTS
40	(509-22213-01-00)	SEAT, SPRING UPPER	1	
41	483-22492-01-00	. DAMPER 2	3	
42	90179-16189-00	. NUT, SPEC'L SHAPE	1	
43	90387-14274-00	. COLLAR (14.2-22-48)	1	
44	90201-14582-00	. WASHER, PLATE	1	
45	90201-142M6-00	. WASHER, PLATE	1	
46	95312-14600-00	. NUT	1	

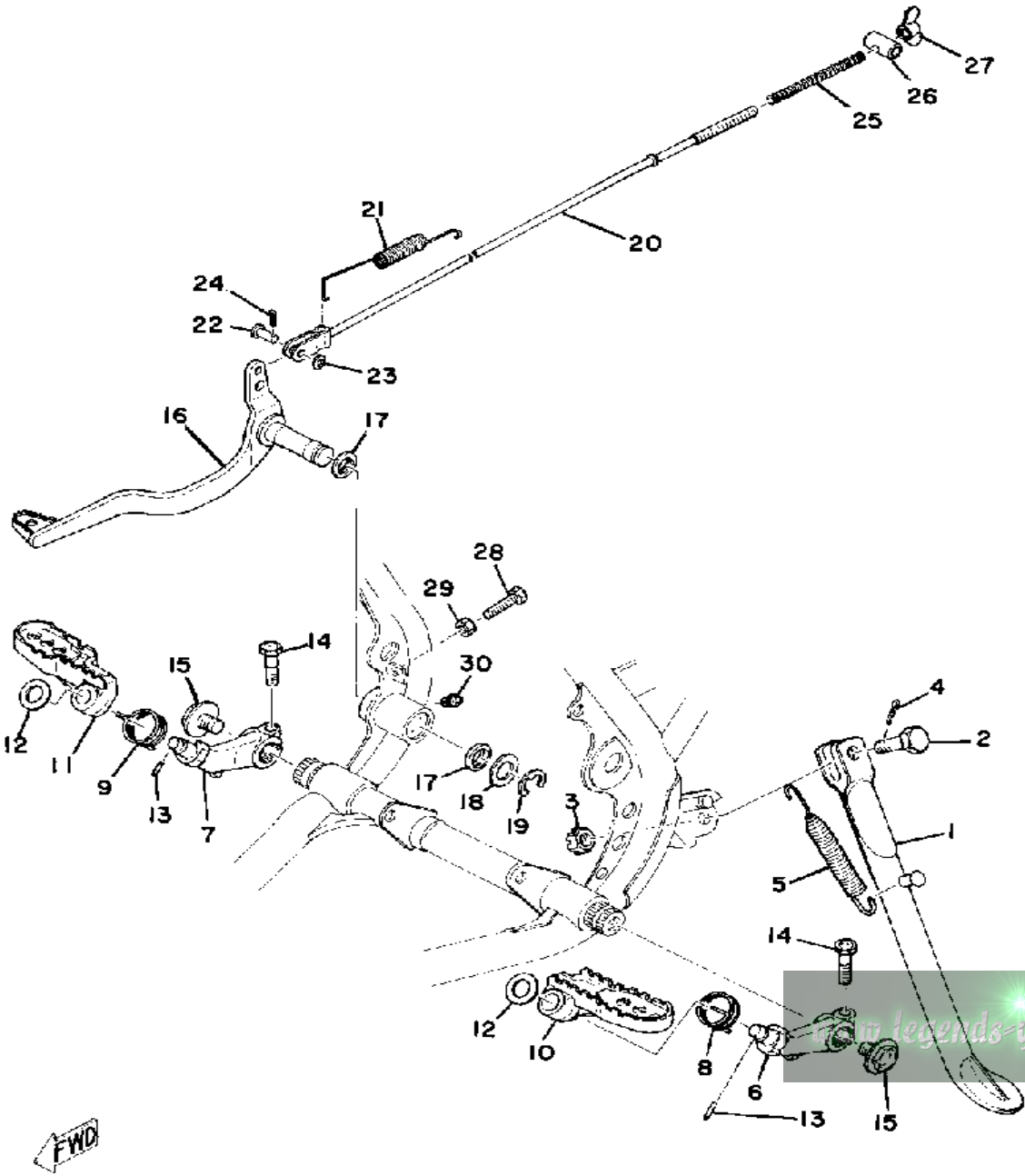
STAND - FOOTREST - BRAKE PEDAL



Ref. No.	Part Number	Description	Qty	Remarks
1	214-27311-01-00	STAND, SIDE	1	
2	90102-10006-00	BOLT, WITH HOLE (278-27317-00)	1	
3	95303-10900-00	NUT, SLOTTED	1	
4	91490-20025-00	PIN, SPLIT	1	
5	90507-29004-00	SPRING, TENSION (214-27316-00)	1	
6	483-27412-02-00	BRACKET, FOOTREST 1	1	
7	483-27422-02-00	BRACKET, FOOTREST 2	1	
8	90508-26226-00	SPRING, TORSION (322-27426-00)	1	
9	90508-26227-00	SPRING, TORSION (322-27456-00)	1	
10	(431-27411-01-00)	FOOTREST 1	1	
11	431-27421-01-00	FOOTREST 2	1	
12	90201-10123-00	WASHER, PLATE (10.5-18-1.6) (256-21715-00) 0 2	2	
13	91609-30016-00	PIN, SPRING	2	
14	97001-08025-00	BOLT (1NV)	2	
15	97011-10016-00	BOLT, HEXAGON	2	
16	(509-27211-01-33)	PEDAL, BRAKE	1	YAMAHA BLACK
17	93104-15005-00	OIL SEAL, SO-TYPE	2	
18	90201-15340-00	WASHER, PLATE	1	
19	99001-12600-00	CIRCLIP	1	
20	483-27231-00-00	ROD, BRAKE	1	
21	90506-20128-00	SPRING, TENSION	1	
22	90240-06103-00	PIN, CLEVIS	1	
23	92990-06200-00	WASHER	1	
24	91490-20020-00	PIN, COTTER	1	
25	90501-10245-00	SPRING, COMPRESSION	1	

CONTINUED ON NEXT FRAME ►

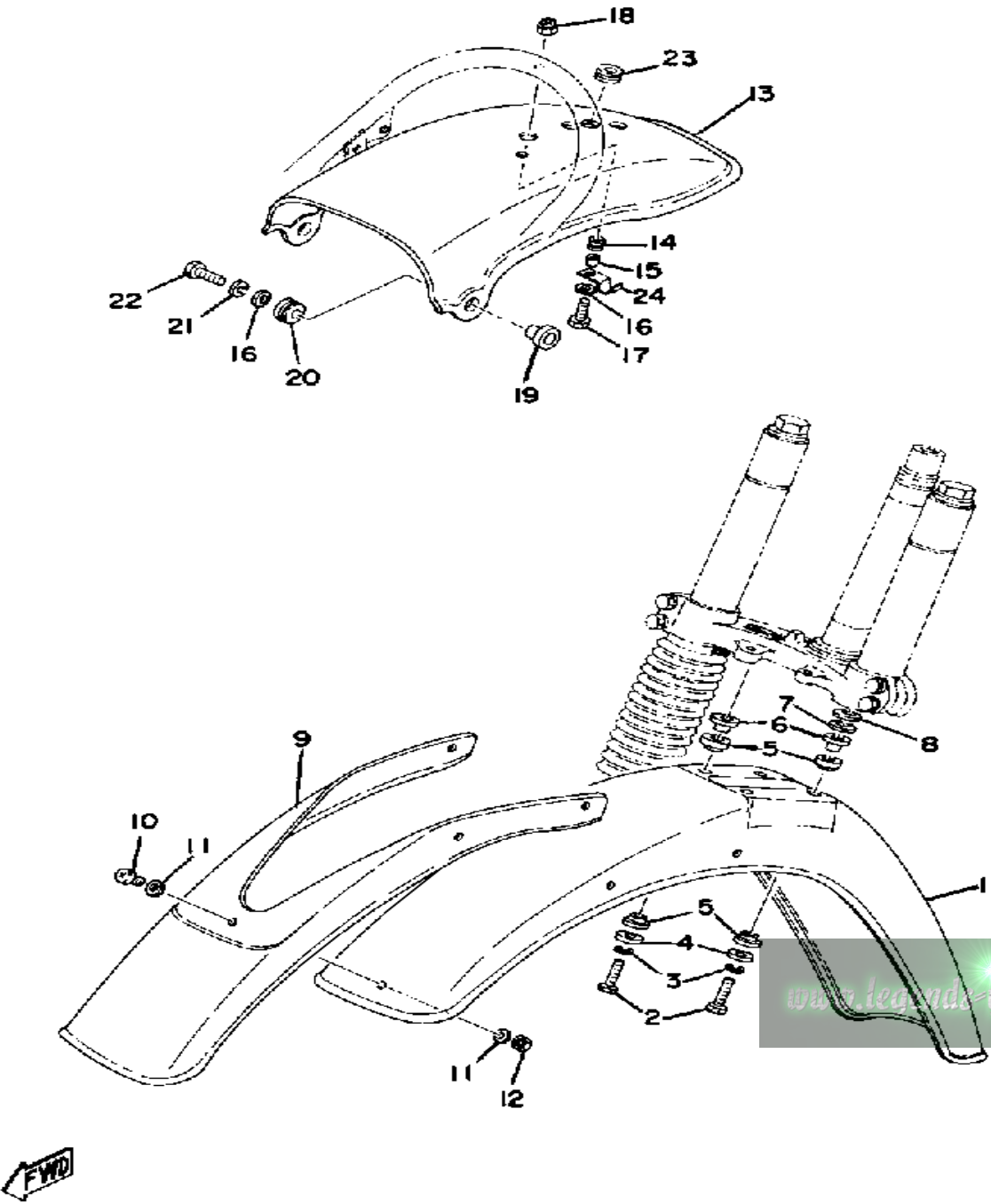
STAND - FOOTREST - BRAKE PEDAL



Ref. No.	Part Number	Description	Qty	Remarks
26	90249-12008-00	PIN	1	
27	90179-06411-00	NUT	1	
28	97011-06025-00	BOLT (97001-06025)	1	
29	95380-06700-00	NUT	1	
30	93700-06M03-00	NIPPLE, GREASE	1	

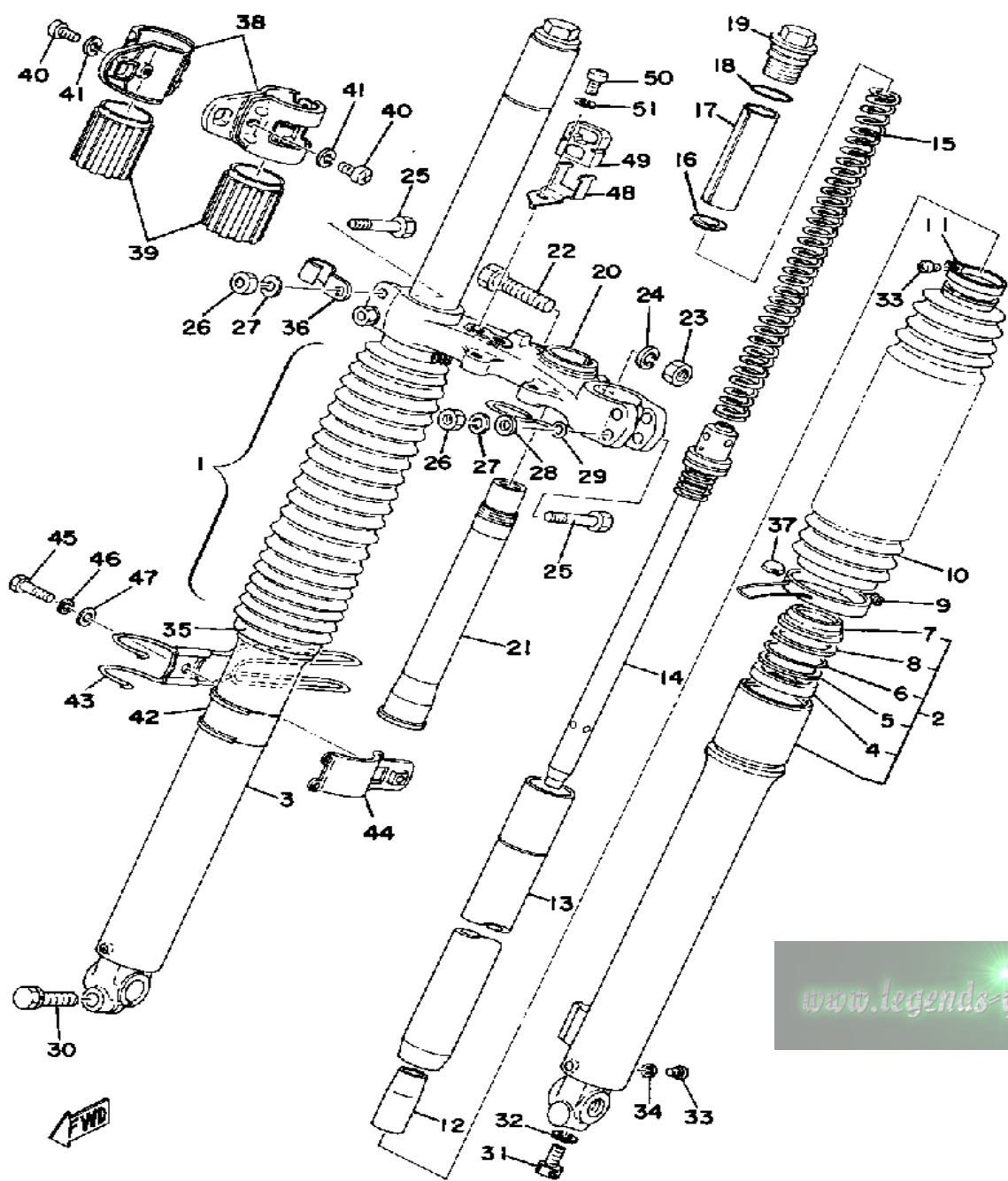
FRONT FENDER - REAR FENDER

Ref. No.	Part Number	Description	Qty	Remarks
1	(1K7-21511-00-G8)	FENDER, FRONT	1	SKY BLUE
2	97021-06030-00	BOLT	4	
3	92995-06100-00	WASHER, SPRING	4	
4	90201-06067-00	WASHER, PLATE	4	
5	322-21541-00-00	DAMPER 1	8	
6	90387-06388-00	COLLAR	4	
7	(90560-06151-00)	SPACER	2	
8	90201-06063-00	WASHER, PLATE	2	
9	(483-21551-01-00)	OVER, FENDER	1	
10	98980-04012-00	SCREW, BIND	5	
11	92901-04600-00	WASHER, PLATE	10	
12	95301-04600-00	NUT	5	
13	(1K7-21611-00-G8)	FENDER, REAR	1	SKY BLUE
14	90480-14052-00	GROMMET	1	
15	90387-06216-00	COLLAR	1	
16	90201-06067-00	WASHER, PLATE	3	
17	97011-06020-00	BOLT	1	
18	95601-06100-00	NUT, U	1	
19	90387-06388-00	COLLAR	2	
20	90480-14023-00	GROMMET	2	
21	92995-06100-00	WASHER, SPRING	2	
22	97011-06025-00	BOLT (97001-06025)	2	
23	90480-15058-00	GROMMET	1	
24	90462-05005-00	CLAMP	1	



www.legendaryamaha-enduros.com

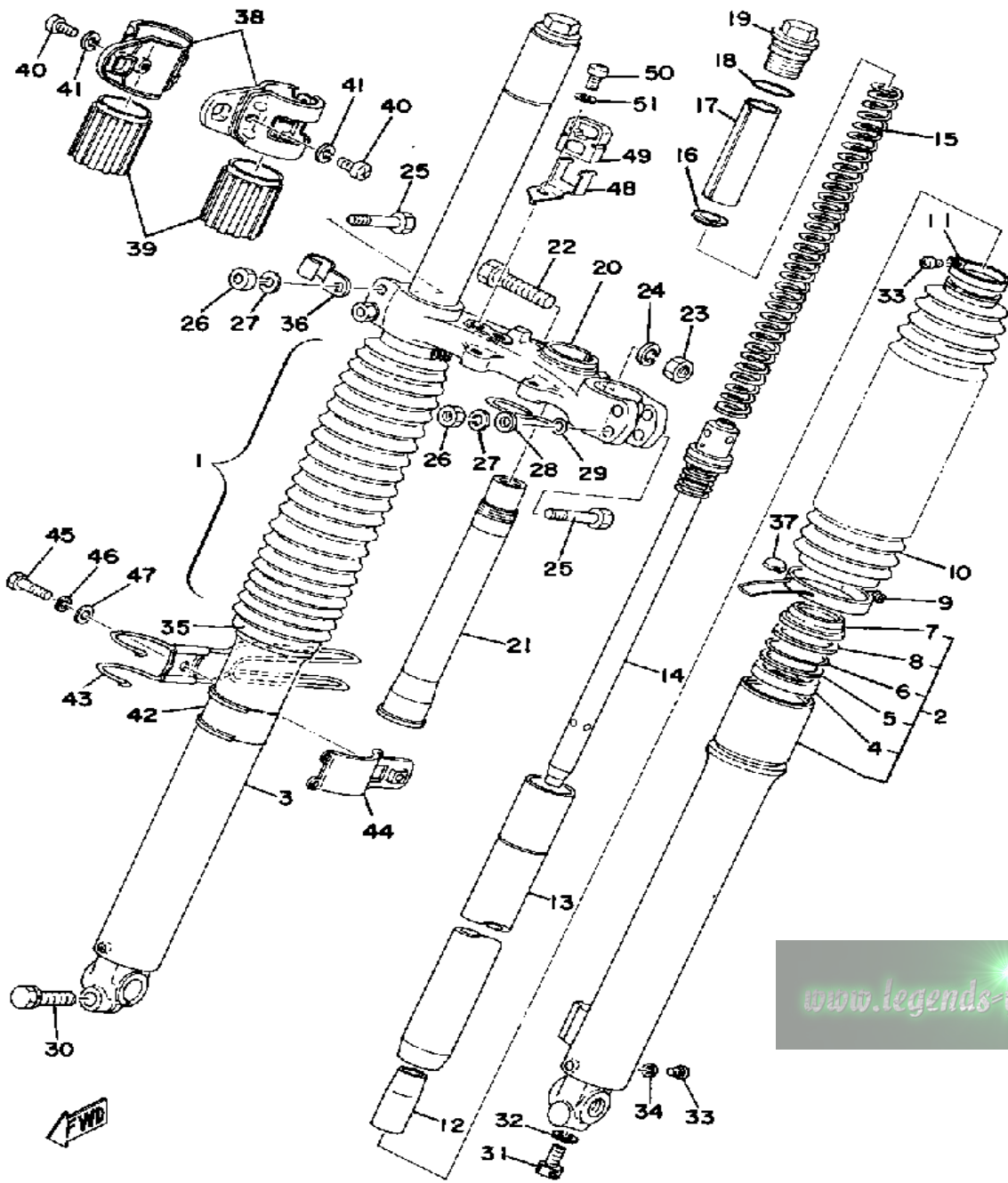
FRONT FORK



Ref. No.	Part Number	Description	Qty	Remarks
1	(1K7-23101-00-00)	FRONT FORK ASSEMBLY	1	
2	(1K7-23126-00-00)	TUBE, OUTER 1	1	
3	(1K7-23136-00-00)	TUBE, OUTER 2	1	
4	48Y-23145-00-00	. . OIL SEAL	2	
5	(509-23146-L0-00)	WASHER, OIL SEAL	2	
6	(509-23156-L0-00)	CLIP, OIL SEAL	2	
7	(509-23148-L0-00)	COVER, DUST SEAL	2	
8	509-23144-L0-00	. . SEAL, DUST	2	
9	(583-23318-00-00)	HOLDER, CABLE 1	1	
10	(509-23191-L1-00)	BOOT, FRONT FORK	2	
11	341-92090-60-00	. BAND, BOOT	2	
12	(509-23173-L0-00)	SPINDLE, TAPER	2	
13	(1K7-23110-00-00)	INNER TUBE 1	2	
14	(1K7-23170-00-00)	CYLINDER, FRTFRK	2	
15	(1K7-23141-00-00)	SPRING, FRONT FORK	2	
16	583-23142-00-00	. SEAT, SPRING UPPER	2	
17	(1K7-23118-00-00)	SPACER	2	
18	240-23114-00-00	. GASKET	2	
19	2W6-23111-00-00	. BOLT, CAP (583-23111-00)	2	
20	(2H1-23340-00-33)	UNDER BRACKET	1	
21	(1E6-23341-00-00)	SHAFT, STEERING	1	YAMAHA BLACK
22	(322-23356-00-00)	BOLT 2	1	
23	(322-23357-00-00)	NUT	1	
24	92990-10100-00	. LOCKWASHER	1	
25	90101-08340-00	. BOLT	4	
26	(90170-08180-00)	NUT, HEXAGON	4	
27	92990-08100-00	. WASHER	4	
28	92901-08600-00	. WASHER	4	

CONTINUED ON NEXT FRAME ➤

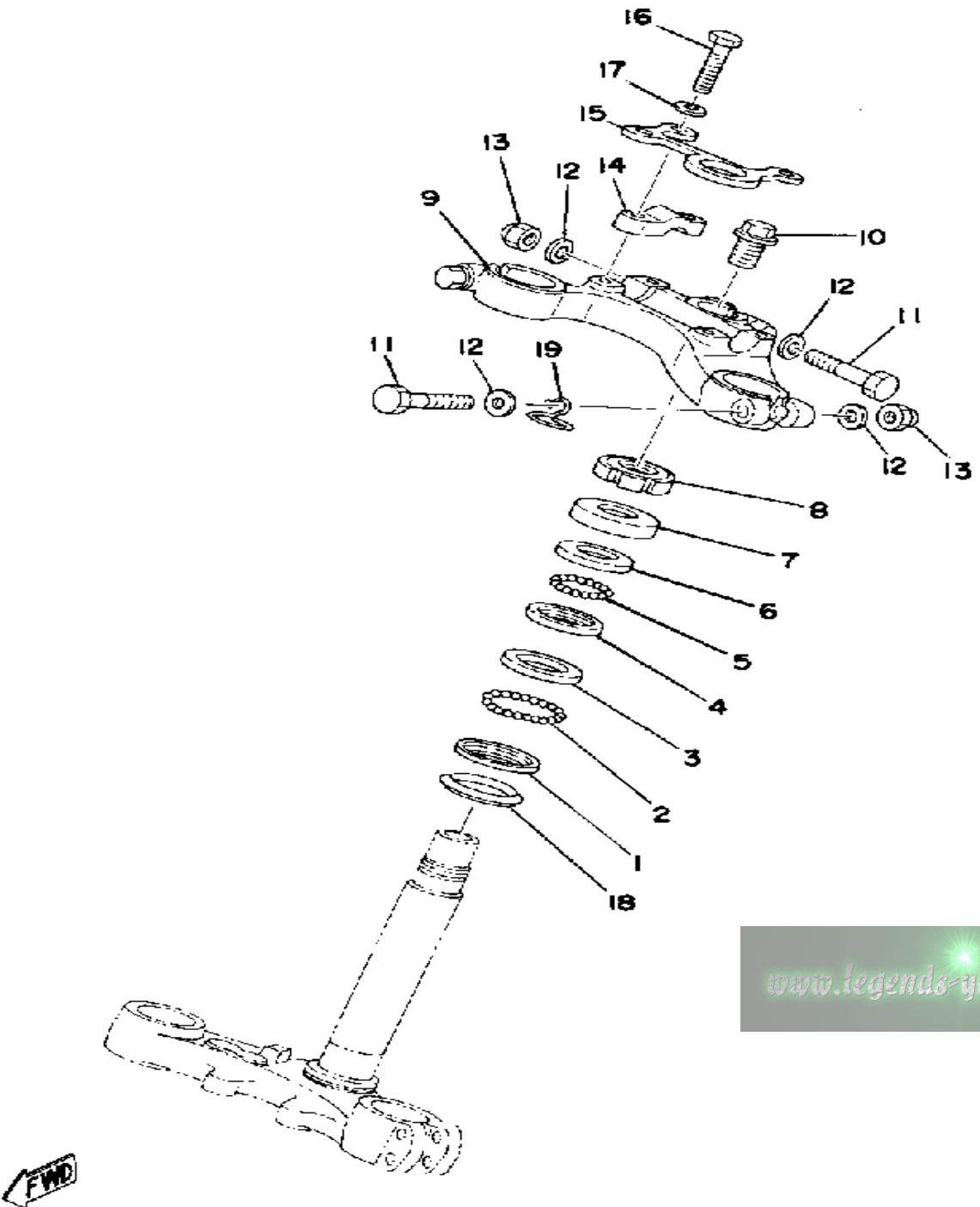
FRONT FORK



Ref. No.	Part Number	Description	Qty	Remarks
29	(509-23319-00-00)	HOLDER, CABLE 2	1	
30	J60-23346-00-00	. BOLT 1 (90119-08011)	1	
31	278-23181-50-00	. BOLT, HEXAGON SOCKET HEAD	2	
32	509-23158-L0-00	. GASKET	2	
33	98580-04008-00	. SCREW, PAN HEAD	4	
34	122-23129-00-00	. GASKET, DRAIN PLUG	2	
35	509-23489-L0-00	. BAND	1	
36	(90468-20071-00)	CLIP	1	
37	(509-26393-00-00)	HOLDER	1	
38	(1K7-84118-60-33)	STAY, HEADLIGHT 1	2	YAMAHA BLACK
39	(1K7-84136-61-00)	DAMPER, HDLT STAY	2	
40	98503-06014-00	SCREW, PAN HEAD (92502-06016)	2	
41	92995-06100-00	WASHER, SPRING	2	
42	(1K7-21541-00-00)	DAMPER 1	1	
43	(1K7-23318-00-00)	HOLDER, CABLE 1	1	
44	(498-23319-01-00)	HOLDER, CABLE 2	1	
45	97011-06025-00	BOLT (97001-06025)	1	
46	92995-06100-00	WASHER, SPRING	1	
47	92990-06200-00	WASHER	1	
48	(1K7-21396-01-00)	STAY, COUPLER	1	
49	(1K7-21388-00-00)	HOLDER, BATT BOX	1	
50	97013-06012-00	BOLT	1	
51	92995-06100-00	WASHER, SPRING	1	

www.legends-yamaha-entusa.com

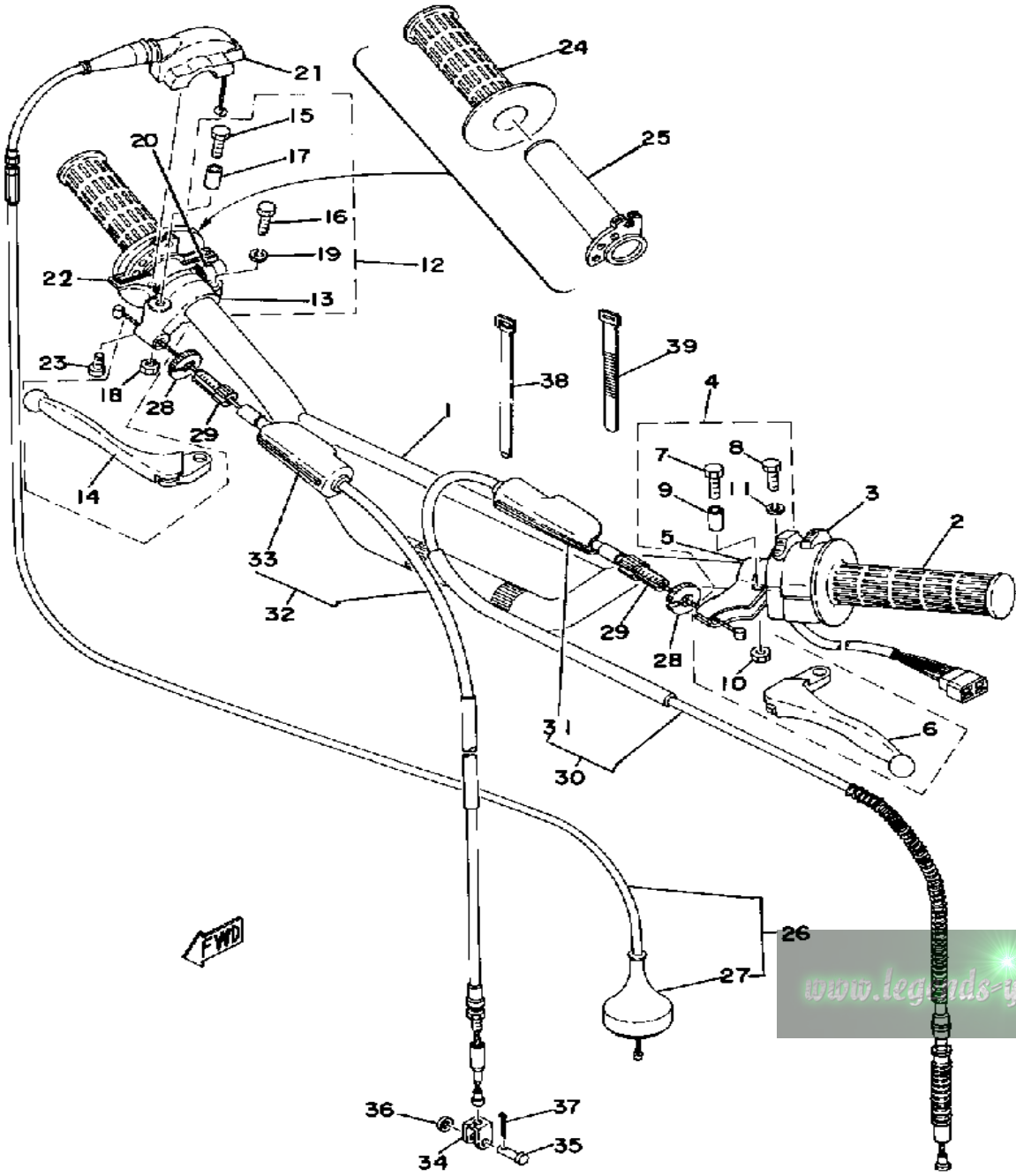
STEERING



Ref. No.	Part Number	Description	Qty	Remarks
1	156-23411-00-00	RACE, BALL 1	1	
2	93501-04011-00	BALL	19	
3	156-23412-00-00	RACE, BALL 2	1	
4	22F-23412-01-00	RACE, BALL 2	1	
5	93503-16010-00	BALL	22	
6	22F-23411-01-00	RACE, BALL 1	1	
7	(583-23416-00-00)	COVER, BALL RACE 2	1	
8	90179-25033-00	NUT	1	
9	(583-23435-01-98)	CROWN, HANDLE	1	
10	90105-14136-00	BOLT, WASHER BASED	1	
11	97321-08055-00	BOLT, HEXAGON	3	
12	90201-08083-00	WASHER, PLATE	6	
13	95611-08100-00	NUT, U	3	
14	401-23441-00-98	HOLDER, HANDLE UPR	2	FROSTING BLACK
15	(509-23389-01-00)	GUIDE, CABLE	1	
16	97313-08035-00	BOLT, HEXAGON	4	
17	92990-08100-00	WASHER	4	
18	164-23462-00-00	SEAL, STEERING	1	
19	(525-23319-00-00)	HOLDER, CABLE 2	1	

www.legends-yamaha-enduros.com

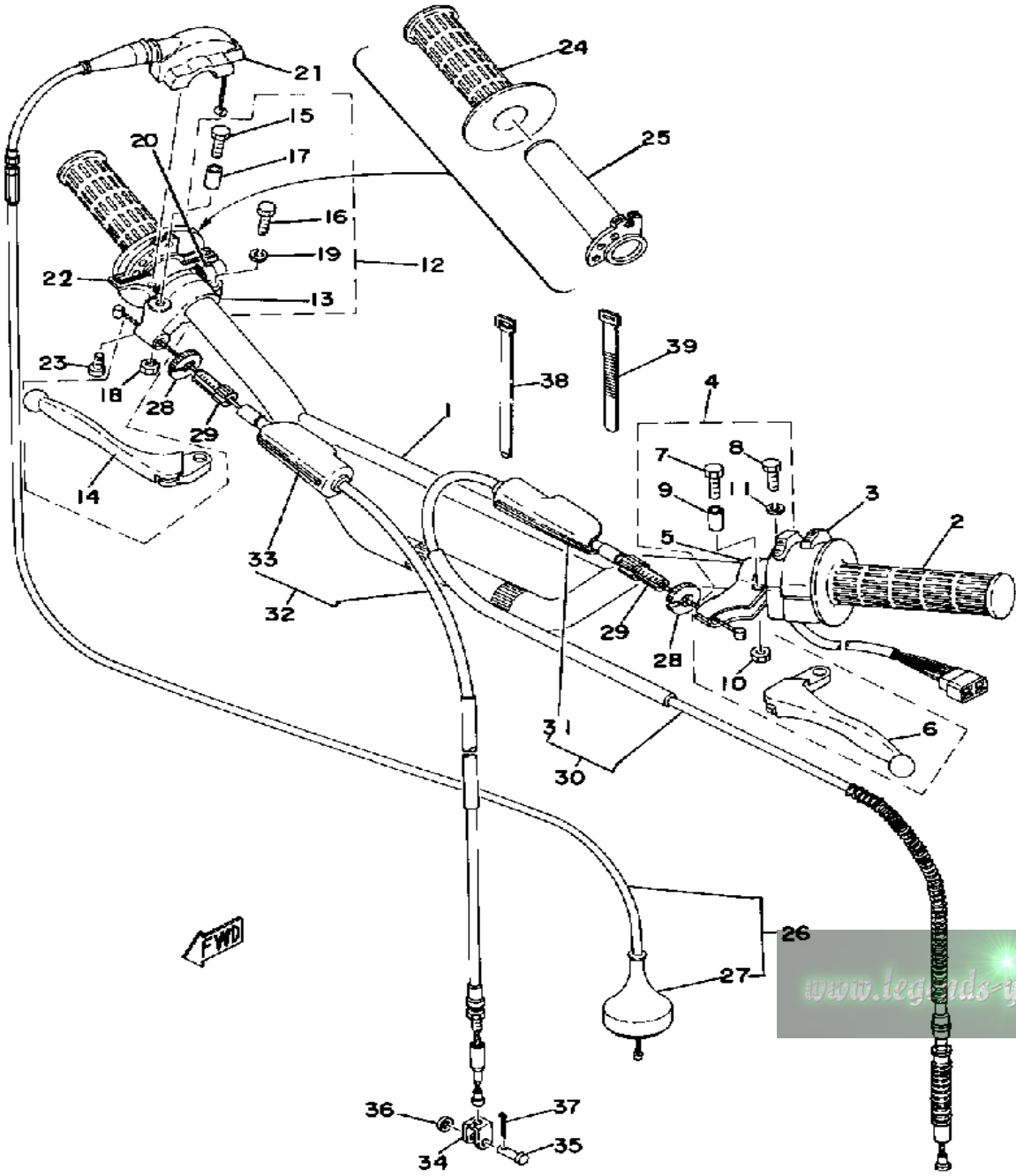
HANDLE - WIRE



Ref. No.	Part Number	Description	Qty	Remarks
1	(401-26111-01-00)	HANDLEBAR	1	
2	1E6-26241-00-00	GRIP LH	1	
3	(1K7-83975-00-00)	SWITCH, HANDLE 2	1	
4	583-82910-11-00	LEVER HOLDER ASSEMBLY 1 (583-82910-10)	1	
5	214-82911-01-00	. HOLDER, LEVER 1	1	
6	1J3-83912-20-00	. LEVER L	1	
7	97023-06020-00	. BOLT (3XF)	1	
8	97003-06022-00	. BOLT, HEXAGON (97301-06022)	1	
9	214-83913-00-00	. COLLAR, LEVER 1	1	
10	95601-06100-00	. NUT, U	1	
11	92995-06100-00	. WASHER, SPRING	1	
12	(583-82920-11-00)	LEVER HOLDER ASSEMBLY 2	1	
13	516-82921-30-00	. HOLDER, LEVER 2	1	
14	2A6-83922-00-00	. LEVER R	1	
15	97023-06020-00	. BOLT (3XF)	1	
16	97003-06022-00	. BOLT, HEXAGON (97301-06022)	1	
17	214-83913-00-00	. COLLAR, LEVER 1	1	
18	95601-06100-00	. NUT, U	1	
19	92995-06100-00	. WASHER, SPRING	1	
20	(363-83976-01-00)	SWITCH, HANDLE 1	1	
21	431-26281-01-98	CAP, GRIP UPPER (431-26281-01)	1	
22	431-26282-01-98	CAP, GRIP LOWER	1	
23	98580-05016-00	SCREW, PAN HEAD (98501-05016)	2	
24	583-26242-00-00	GRIP RH	1	
25	431-26243-00-00	TUBE, THRTL GUIDE	1	

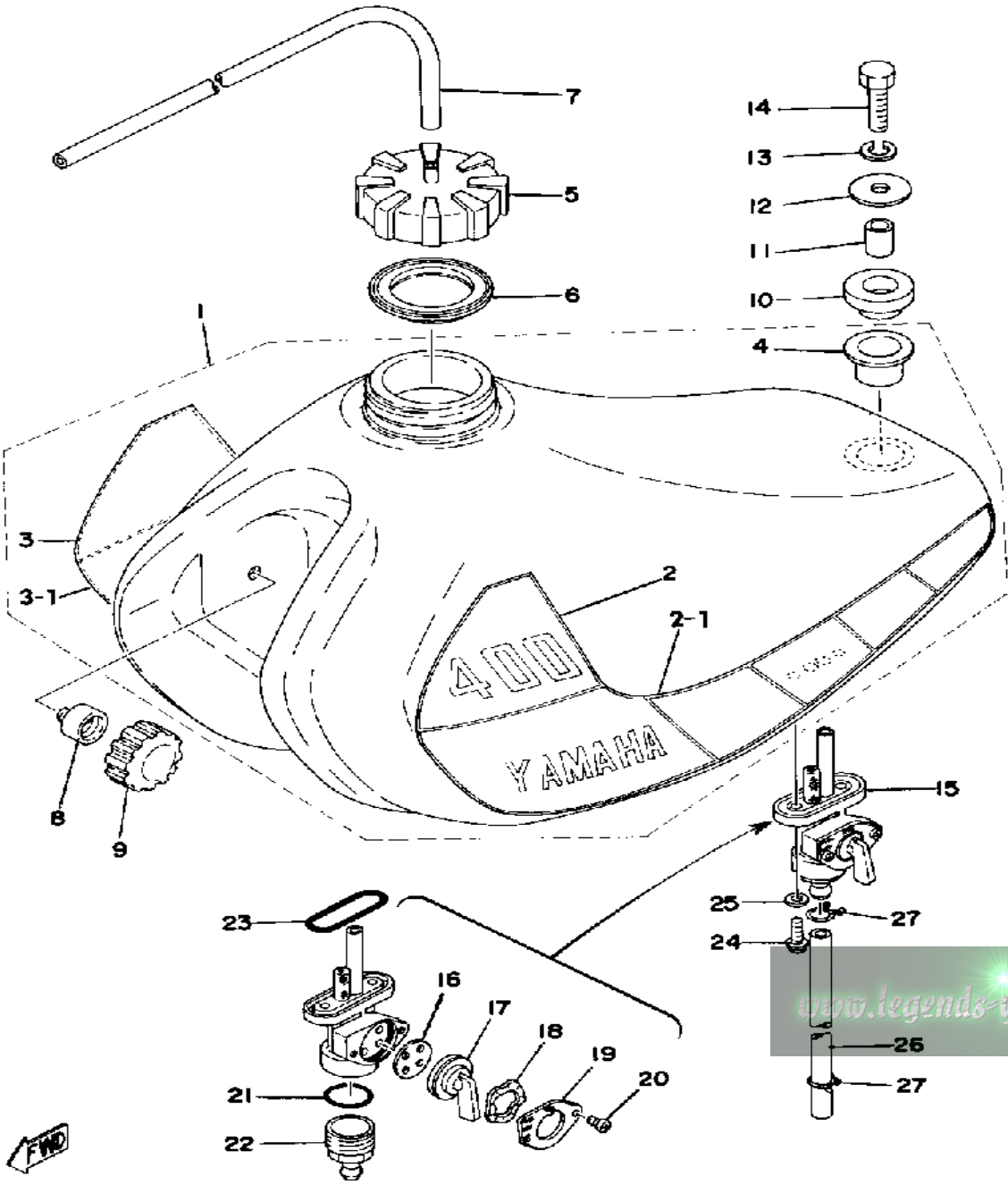
CONTINUED ON NEXT FRAME ➤

HANDLE - WIRE



Ref. No.	Part Number	Description	Qty	Remarks
26	510-26311-00-00	CABLE, THROTTLE 1 (1363MM)	1	
27	510-26329-00-00	. CAP, RUBBER	1	
28	90179-08148-00	NUT	2	
29	90123-08046-00	BOLT	2	
30	363-26335-03-00	CABLE, CLUTCH	1	
31	382-26372-01-00	. COVER, HANDLE LEVER	1	
32	509-26341-00-00	CABLE, BRAKE (1200MM)	1	
33	382-26372-01-00	. COVER, HANDLE LEVER	1	
34	156-26347-00-00	JOINT, CABLE	1	
35	90240-08013-00	PIN, CLEVIS	1	
36	90201-08083-00	WASHER, PLATE	1	
37	91490-20020-00	PIN, COTTER	1	
38	341-26397-01-00	BAND	4	
39	437-83936-01-00	BAND, SWITCH CORD	5	

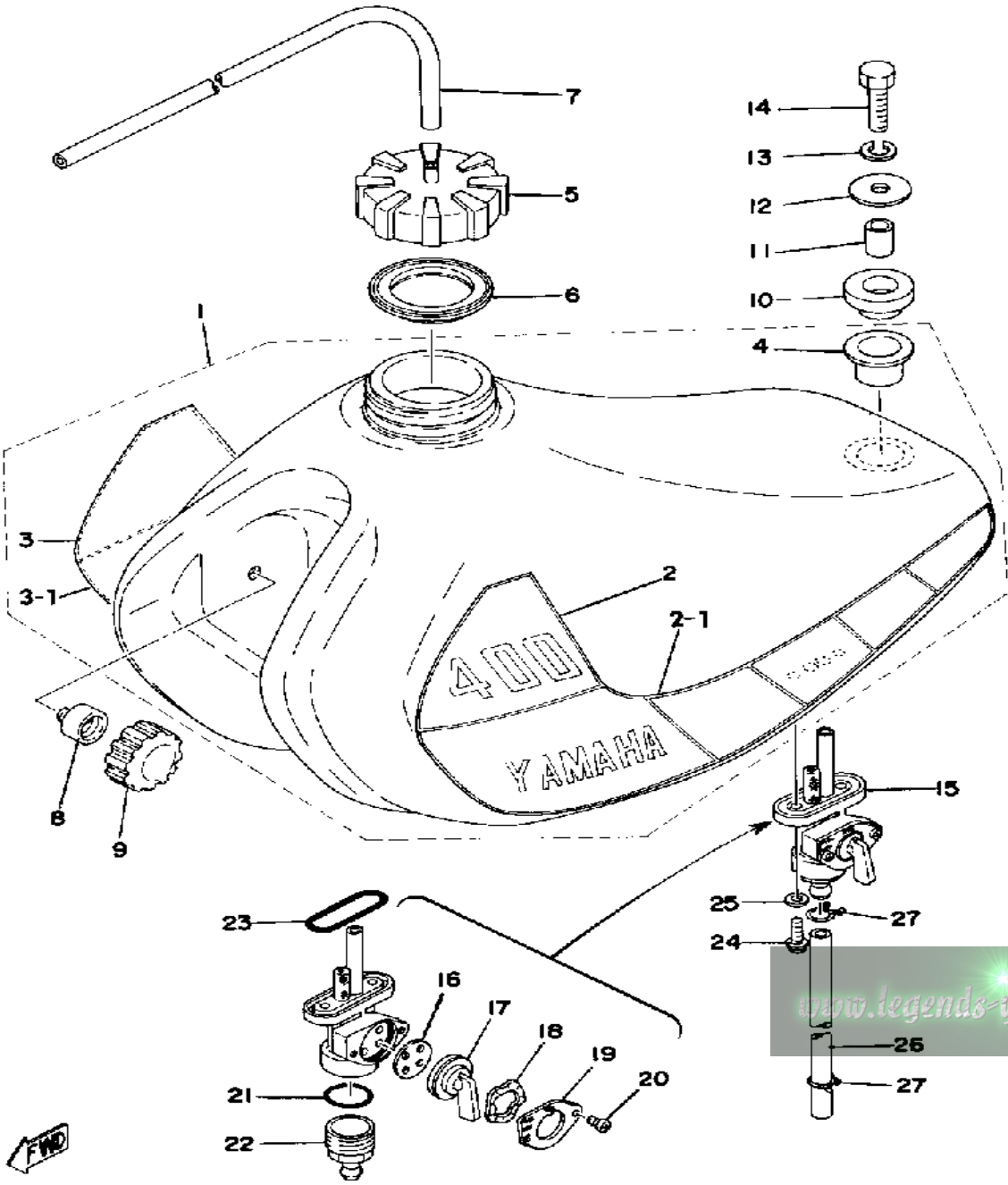
FUEL TANK



Ref. No.	Part Number	Description	Qty	Remarks
1	(1K7-24110-00-01)	FUEL TANK	1	SKY BLUE
2	(1K7-24244-01-00)	GRAPHIC, FUEL TNK 1	1	
3	1K7-24245-01-00	. GRAPHIC, FUEL TNK 2	1	
4	(90387-23539-00)	COLLAR	1	
5	1K7-24611-01-00	. BODY, CAP	1	
	1K7-24612-02-00	. GASKET, CAP	1	
	99999-00973-00	BODY FUEL TANK CAP (1K7-24611-00)	1	
6	1K7-24612-01-00	GASKET, CAP	1	
7	90445-09111-00	HOSE	1	
8	(1K7-24144-00-00)	HOLDER, DAMPER	2	
9	278-24181-00-00	DAMPER, LOCATING 1	2	
10	90480-23192-00	GROMMET	2	
11	(90387-10538-00)	COLLAR	1	
12	90201-10146-00	WASHER, PLAIN	1	
13	92990-10100-00	LOCKWASHER	1	
14	97301-10035-00	BOLT, HEXAGON	1	
15	498-24500-01-00	FUEL COCK ASSEMBLY 1 (214-24500-02)	1	
16	498-24523-00-00	. VALVE	1	
17	498-24524-01-00	. LEVER, COCK	1	
18	90206-18025-00	. WASHER, WAVE	1	
19	498-24525-00-00	. PLATE, LVR FITTING	1	
20	214-24535-00-00	. SCREW, PAN HEAD	2	
21	498-24522-00-00	. GASKET	1	
22	(498-24521-00-00)	CUP, FILTER	1	
23	214-24512-00-00	. GASKET	1	
24	90149-06011-00	SCREW	2	
25	90202-05187-00	WASHER, PLATE	2	

CONTINUED ON NEXT FRAME ►

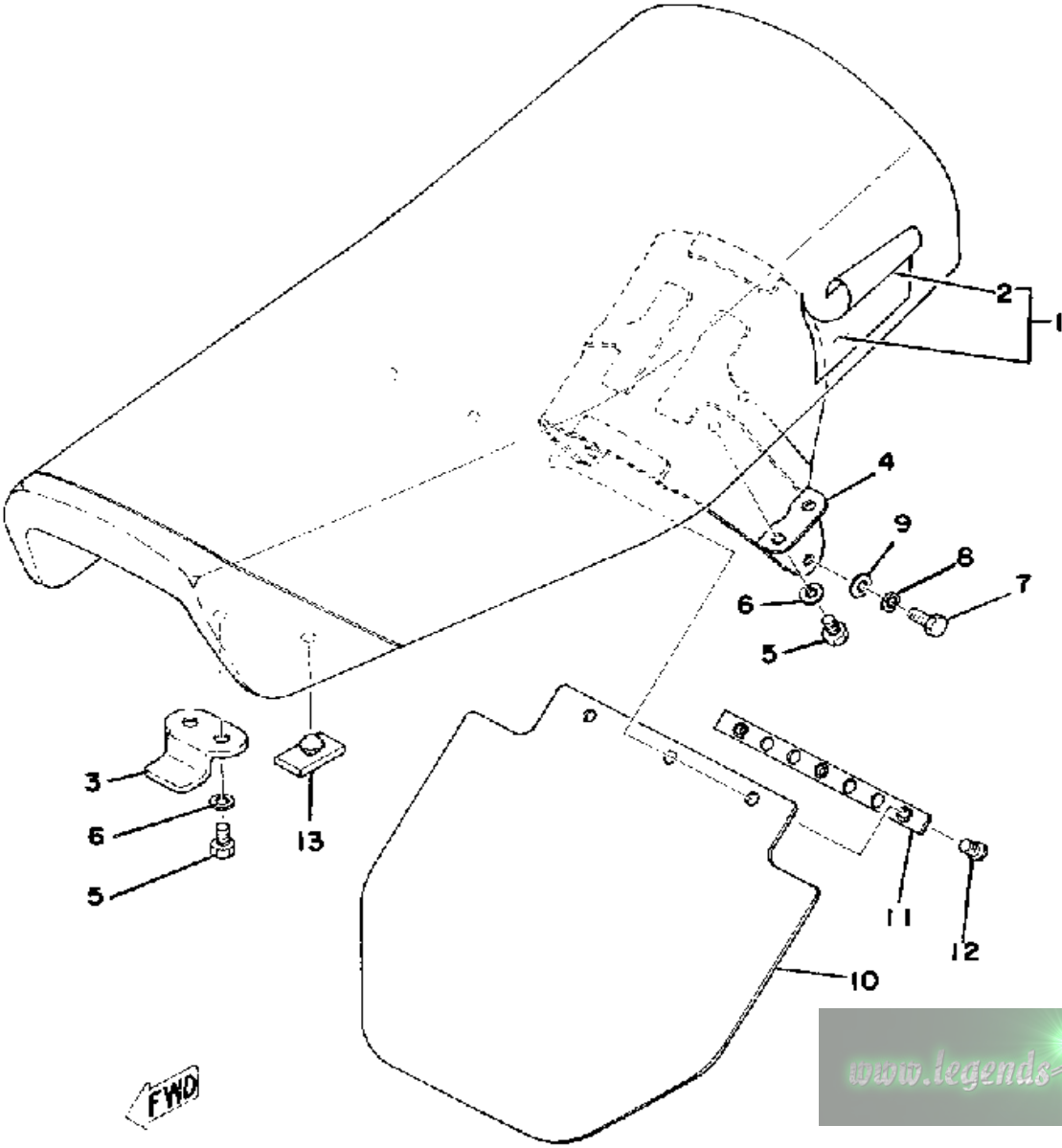
FUEL TANK



Ref. No.	Part Number	Description	Qty	Remarks
26	90445-11149-00	HOSE (322-24311-00)	1	
27	90467-10008-00	CLIP	2	
2-1	1K7-24246-01-00	. GRAPHIC, FUEL TNK 3	1	
3-1	(1K7-24247-01-00)	GRAPHIC, FUEL TNK 4	1	

www.legends-yamaha-enduros.com

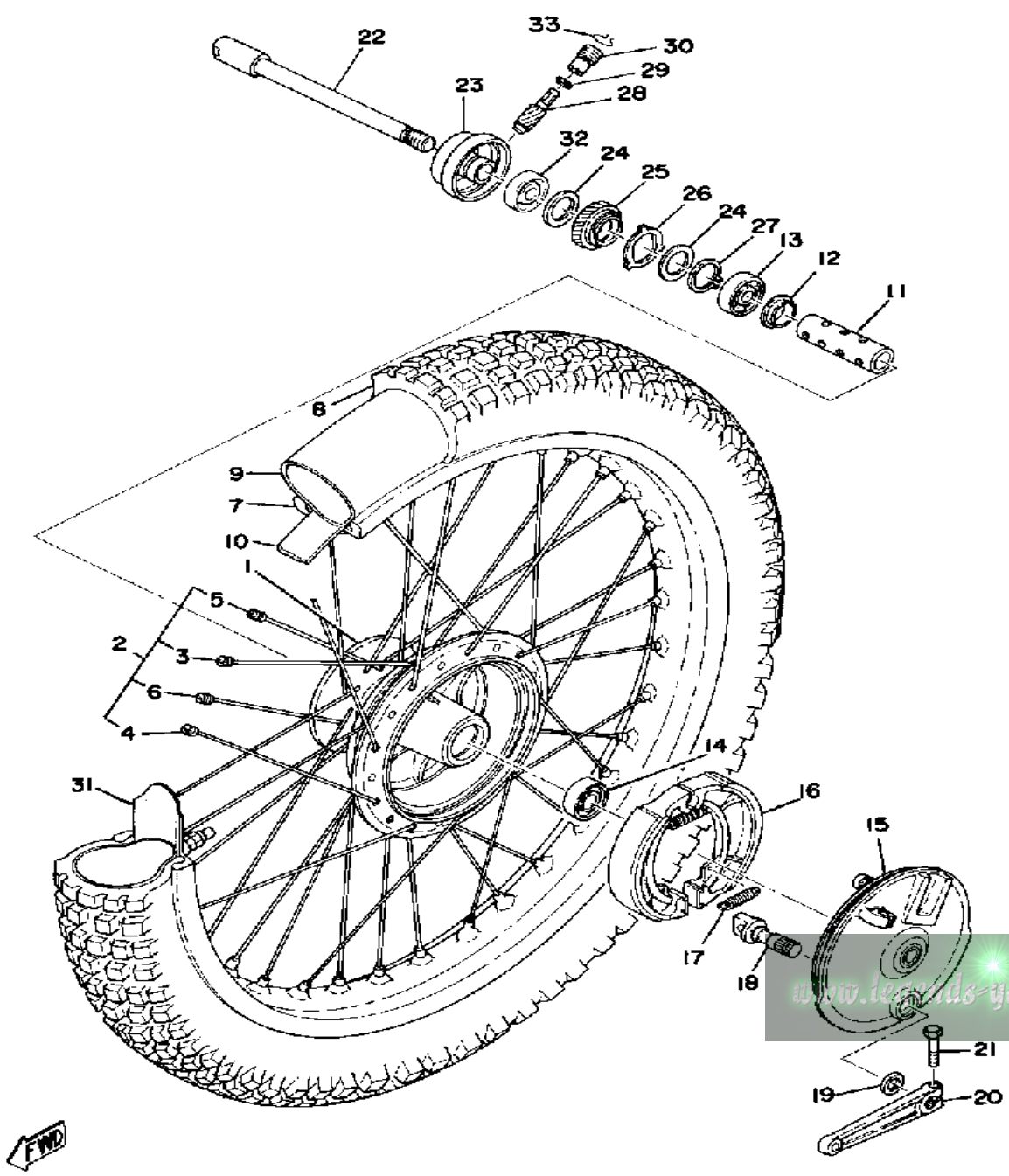
SEAT



Ref. No.	Part Number	Description	Qty	Remarks
1	(1K7-W2473-00-00)	SEMI-DBL-SEAT ASSEMBLY ..	1	
2	(509-24771-10-00)	COVER, SM-DBL SEAT	1	
3	2Y0-24748-00-00	BRACKET, SEAT	1	
4	(509-24738-02-00)	BRACKET, SEAT	2	
5	97013-06012-00	BOLT	6	
6	92995-06100-00	WASHER, SPRING	6	
7	97313-06016-00	BOLT, HEXAGON	2	
8	92995-06100-00	WASHER, SPRING	2	
9	92901-06600-00	WASHER	2	
10	(483-21621-00-00)	FLAP	1	
11	(483-21615-00-00)	WASHER, SPECIAL 1	1	
12	98903-06012-00	SCREW, BIND	3	
13	509-24724-00-00	DAMPER, SEAT	7	

www.legends-yamaha-enduros.com

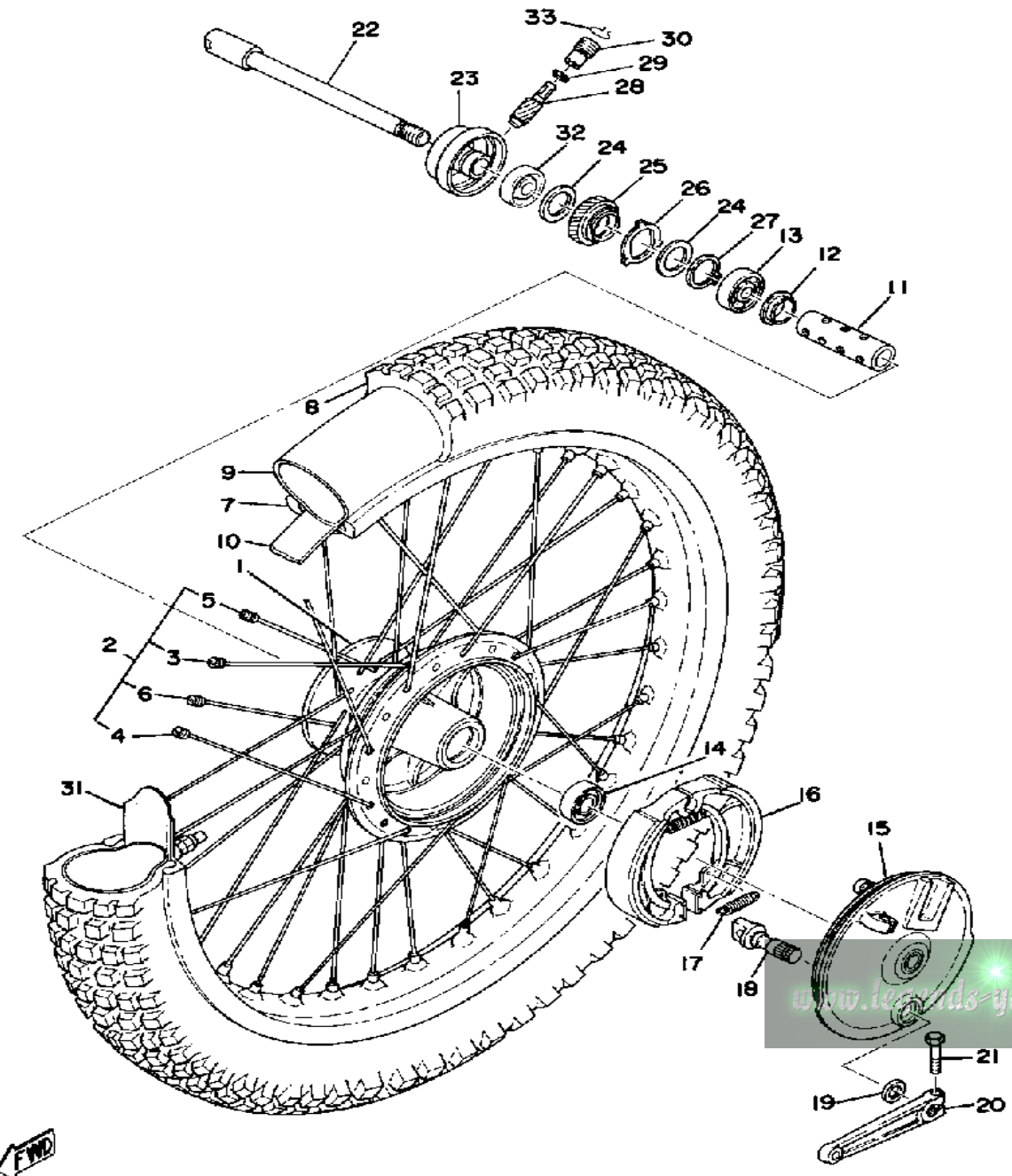
FRONT WHEEL



Ref. No.	Part Number	Description	Qty	Remarks
1	1K7-25111-10-98	HUB, FRONT	1	
2	1E6-25104-01-00	SPOKE SET, FRONT	1	
3	(1E6-25196-91-00)	SPOKE SET, INNER 1	1	
4	(1E6-25197-91-00)	SPOKE SET, OUTER 1	1	
5	(1E6-25179-91-00)	SPOKE SET, INNER 2	1	
6	(1E6-25189-91-00)	SPOKE SET, OUTER 2	1	
7	94416-21326-00	RIM 1.60X 1	1	
8	(94130-213A4-00)	300-21 M1B (TT)	1	
9	94227-21101-00	TUBE (80/100-21 TR4 BTL)	1	
10	(94327-21024-00)	BAND, RIM	1	
11	90560-15116-00	SPACER	1	
12	146-25116-00-00	FLANGE, SPACER 2	1	
13	93306-20211-00	BEARING (6202SH2-C3)	1	
14	93306-20204-00	BEARING (B6202Z)	1	
15	(483-25121-00-98)	PLATE, BRAKE SHOE	1	
16	322-W2535-00-00	BRAKESHOE SET-2PCS	2	
17	90506-17328-00	SPRING, TENSION	2	
18	23X-25151-00-00	CAMSHAFT	1	
19	137-25159-00-00	SEAL, CAMSHAFT	1	
20	322-25155-00-00	LEVER, CAMSHAFT 1	1	
21	97011-06025-00	BOLT (97001-06025)	1	
22	509-25181-00-00	AXLE, WHEEL	1	
23	(1K7-25191-00-00)	HOUSING, GEAR	1	
24	90201-22283-00	WASHER, PLATE	2	
25	(1K7-25135-00-00)	GEAR, DRIVE	1	
26	1K7-25149-00-00	CLUTCH, METER	1	
27	93410-22014-00	CIRCLIP, S-TYPE	1	
28	(1K7-25138-00-00)	GEAR, METER	1	
29	102-18416-00-00	SHIM, ROD	1	

CONTINUED ON NEXT FRAME ➤

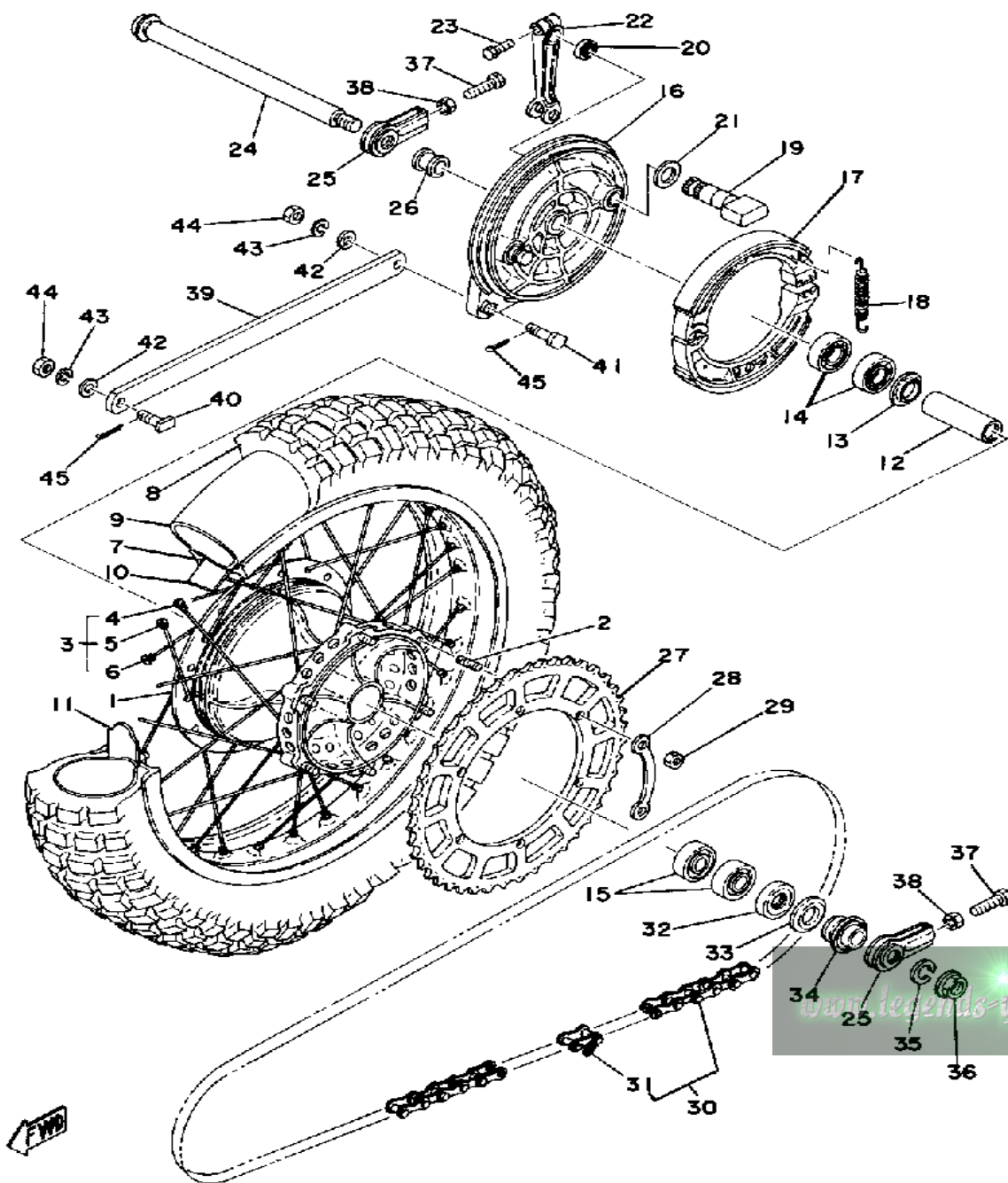
FRONT WHEEL



Ref. No.	Part Number	Description	Qty	Remarks
30	306-25136-00-00	BUSH	1	
31	1T1-25194-00-00	SPACER, BEAD	1	
32	93106-40027-00	OIL SEAL	1	M6-038
33	93410-22014-00	CIRCLIP, S-TYPE	1	M6-038



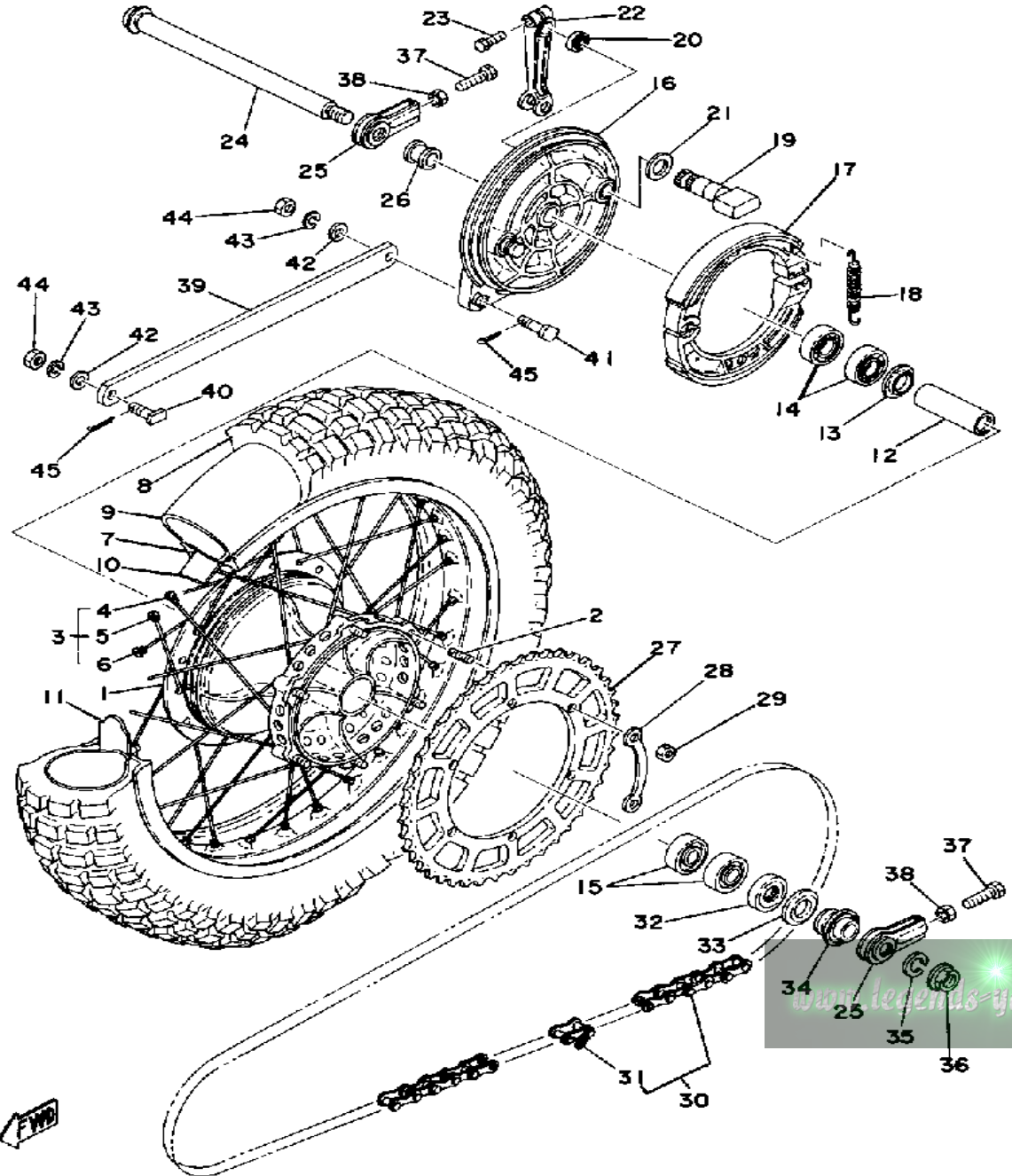
REAR WHEEL



Ref. No.	Part Number	Description	Qty	Remarks
1	(483-25311-13-98)	HUB, REAR	1	
2	90116-08218-00	BOLT, STUD	6	
3	431-25304-01-00	SPOKE SET, REAR (431-25304-00)	1	
4	(431-25396-90-00)	SPOKE SET, INNER 2	1	
5	(431-25391-90-00)	SPOKE SET, INNER 1	1	
6	(431-25392-90-00)	SPOKE SET, OUTER 1	1	
7	94421-18238-00	RIM 2.15X18 (94421-18151) (2.15-18)	1	
8	(94145-18227-00)	450X18 BS 6	1	
9	(94246-18040-00)	TUBE	1	
10	94340-18022-00	BAND, RIM (4.00-18)	1	
11	363-25394-00-00	SPACER, BEAD	2	
12	483-25317-01-00	SPACER, BEARING	1	
13	483-25315-00-00	FLANGE, SPACER	1	
14	93306-20310-00	BEARING	2	
15	93306-20310-00	BEARING	2	
16	(483-25321-00-98)	PLATE, BRAKE SHOE	1	
17	431-W2536-00-00	BRAKESHOE SET-2PCS	2	
18	90507-20002-00	SPRING, TENSION	2	
19	(509-25351-00-00)	CAMSHAFT	1	
20	148-25359-00-00	SEAL, CAMSHAFT	1	
21	148-25353-00-00	SHIM, CAMSHAFT	1	
22	4V5-25355-00-00	LEVER, CAMSHAFT (168-25355-00)	1	
23	97011-06025-00	BOLT (97001-06025)	1	
24	(431-25381-00-00)	AXLE, WHEEL	1	
25	431-25388-00-00	PULLER, CHAIN 1	2	
26	90387-17215-00	COLLAR	1	
27	38W-25444-20-00	SPROCKET, DRIVN 44T	1	ALTERNATE PARTS

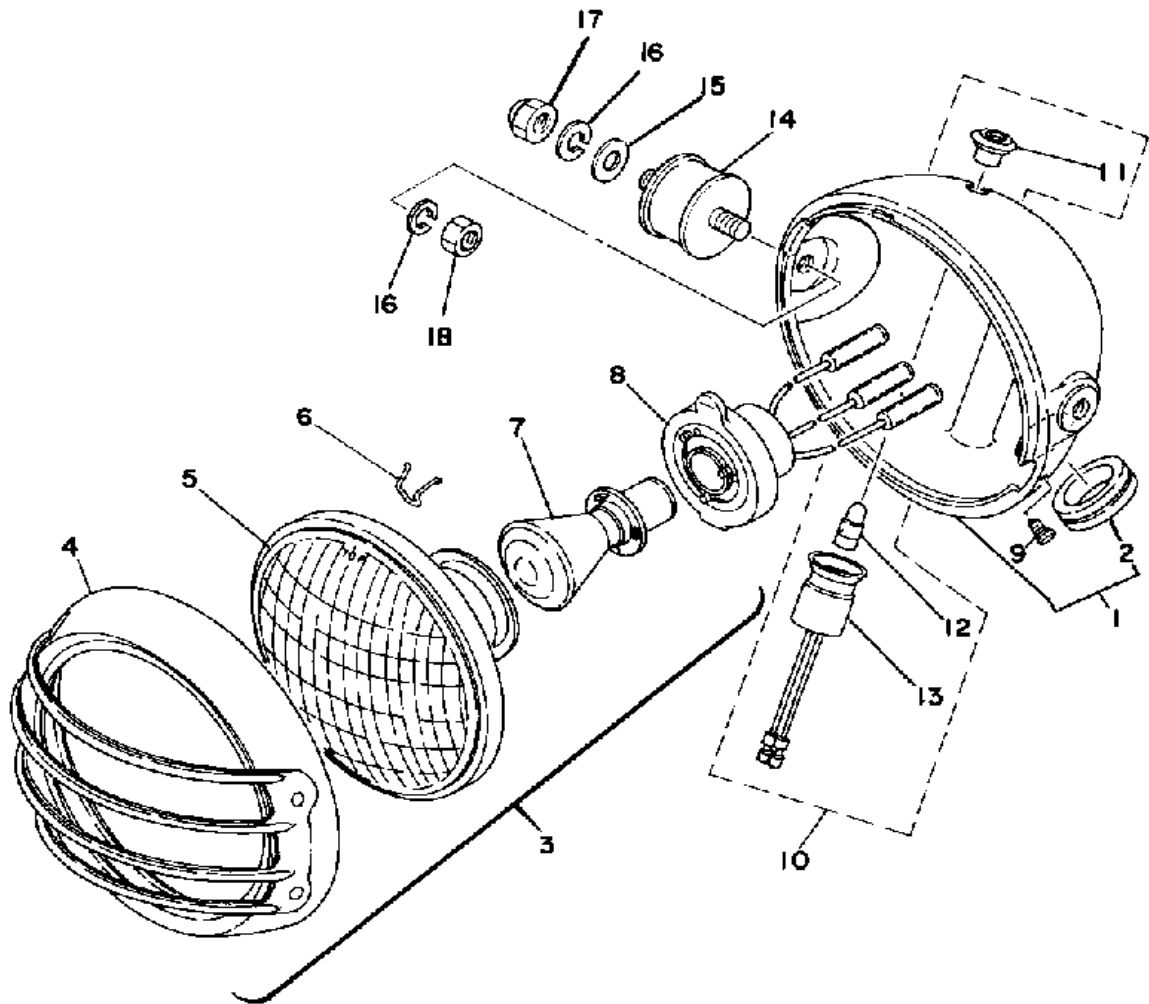
CONTINUED ON NEXT FRAME ►

REAR WHEEL



Ref. No.	Part Number	Description	Qty	Remarks
27	583-25446-10-00	SPROCKET, DRIVN 46T	1	STD
	583-25448-10-00	SPROCKET, DRIVN 48T (48T)	1	ALTERNATE PARTS
28	583-25412-00-00	WASHER	3	
29	90170-08193-00	NUT, HEXAGON	6	
30	94585-20110-00	520 DS 110L (DK-520K-102L) (94535-20110)	1	
31	94680-11001-00	. JOINT CHAIN	1	
32	93102-25061-00	OIL SEAL, SD-TYPE	1	
33	431-25367-00-00	COVER, HUB DUST	1	
34	90387-17555-00	COLLAR	1	
35	92901-16100-00	WASHER, SPRING	1	
36	90170-16177-00	NUT, HEXAGON	1	
37	90101-08699-00	BOLT	2	
38	95303-08700-00	NUT	2	
39	(509-25371-00-00)	BAR, TENSION	1	
40	(90109-08378-00)	BOLT	1	
41	90109-08176-00	BOLT	1	
42	92990-08200-00	WASHER, PLAIN	2	
43	92990-08100-00	WASHER	2	
44	95311-08700-00	NUT	2	
45	91490-20020-00	PIN, COTTER	2	

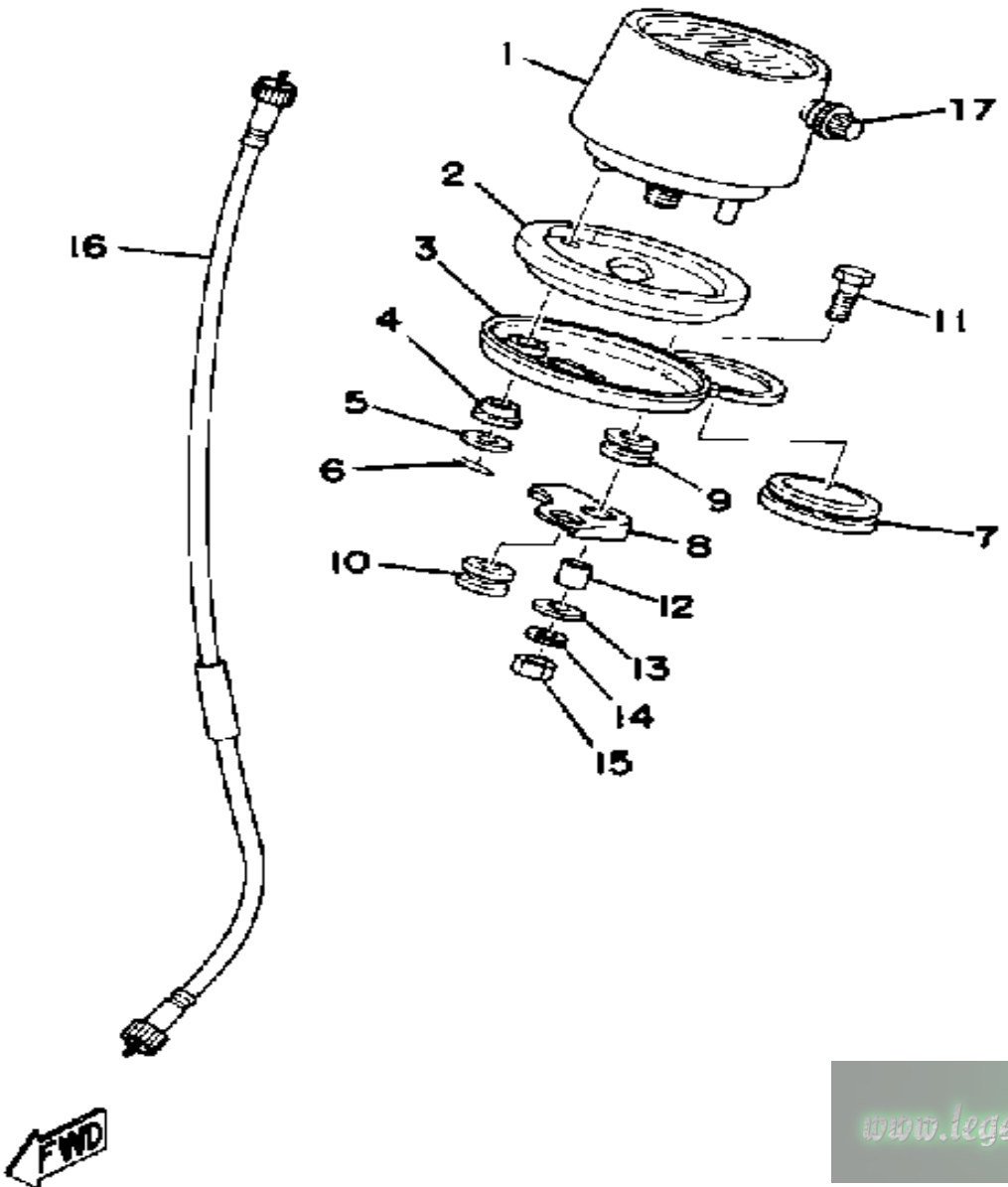
HEAD LAMP



Ref. No.	Part Number	Description	Qty	Remarks
1	539-84130-00-36	BODY ASSEMBLY, HEADLIGHT	1	WHITE
2	150-84153-00-00	. GROMMET, WRHRNES	1	
4	493-84115-60-00	. RIM, HEADLIGHT	1	
5	434-84120-60-00	. LENS ASSEMBLY	1	
6	195-84324-00-00	. SPRING, REFLECTOR	3	
7	214-84114-60-00	. BULB, HL6V35/35W	1	
8	214-84112-61-00	. SOCKET	1	
9	90152-05005-00	SCREW, COUNTERSUNK	1	
10	214-84101-61-00	PILOT LIGHT ASSEMBLY	1	
11	256-84357-61-00	. BODY, PILOT LIGHT	1	
12	104-83517-10-00	. BULB (6V-1.5W)	1	
13	214-84150-61-00	. SOCKET CORD ASSEMBLY 2	1	
14	(1K7-84137-60-00)	BOLT, SPECIAL	2	
15	92901-08600-00	WASHER	2	
16	92990-08100-00	WASHER	4	
17	95303-08800-00	NUT (CROWN) (95301-08800)	2	
18	95333-08600-00	NUT, HEXAGON	2	

www.legends-yamaha-enduros.com

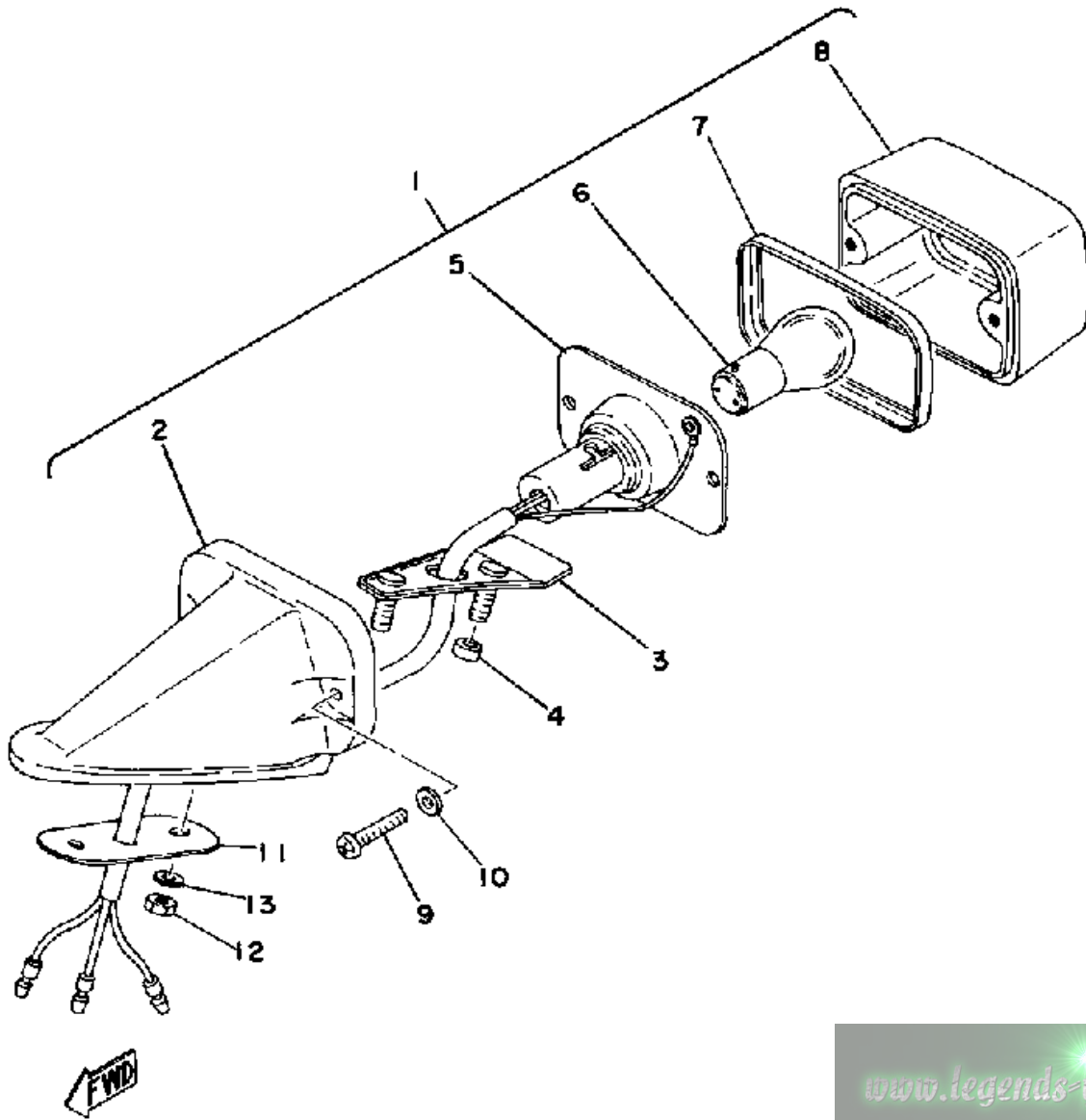
SPEEDOMETER



Ref. No.	Part Number	Description	Qty	Remarks
1	(1K7-83510-30-00)	SPEEDOMETER ASSEMBLY ..	1	
2	(1K7-83513-00-00)	DAMPER	1	
3	(1K7-83519-01-00)	BRACKET, METER	1	
4	1M1-83526-00-00	DAMPER 2	2	
5	90201-052E2-00	WASHER, PLATE	2	
6	90468-10050-00	CLIP	2	
7	(1K7-83592-00-00)	DAMPER	1	
8	(1K7-83514-00-00)	PLATE, FITTING	1	
9	90480-14052-00	GROMMET	1	
10	90480-14052-00	GROMMET	1	
11	97011-06020-00	BOLT	1	
12	90387-06216-00	COLLAR	1	
13	90201-06067-00	WASHER, PLATE	1	
14	92995-06100-00	WASHER, SPRING	1	
15	95380-06600-00	NUT	1	
16	4G0-83550-00-00	SPEEDOMETER CABLE (1K7-83550-00)	1	
17	(308-83578-30-00)	KNOB, TRIP METER		

www.legends-yamaha-enduros.com

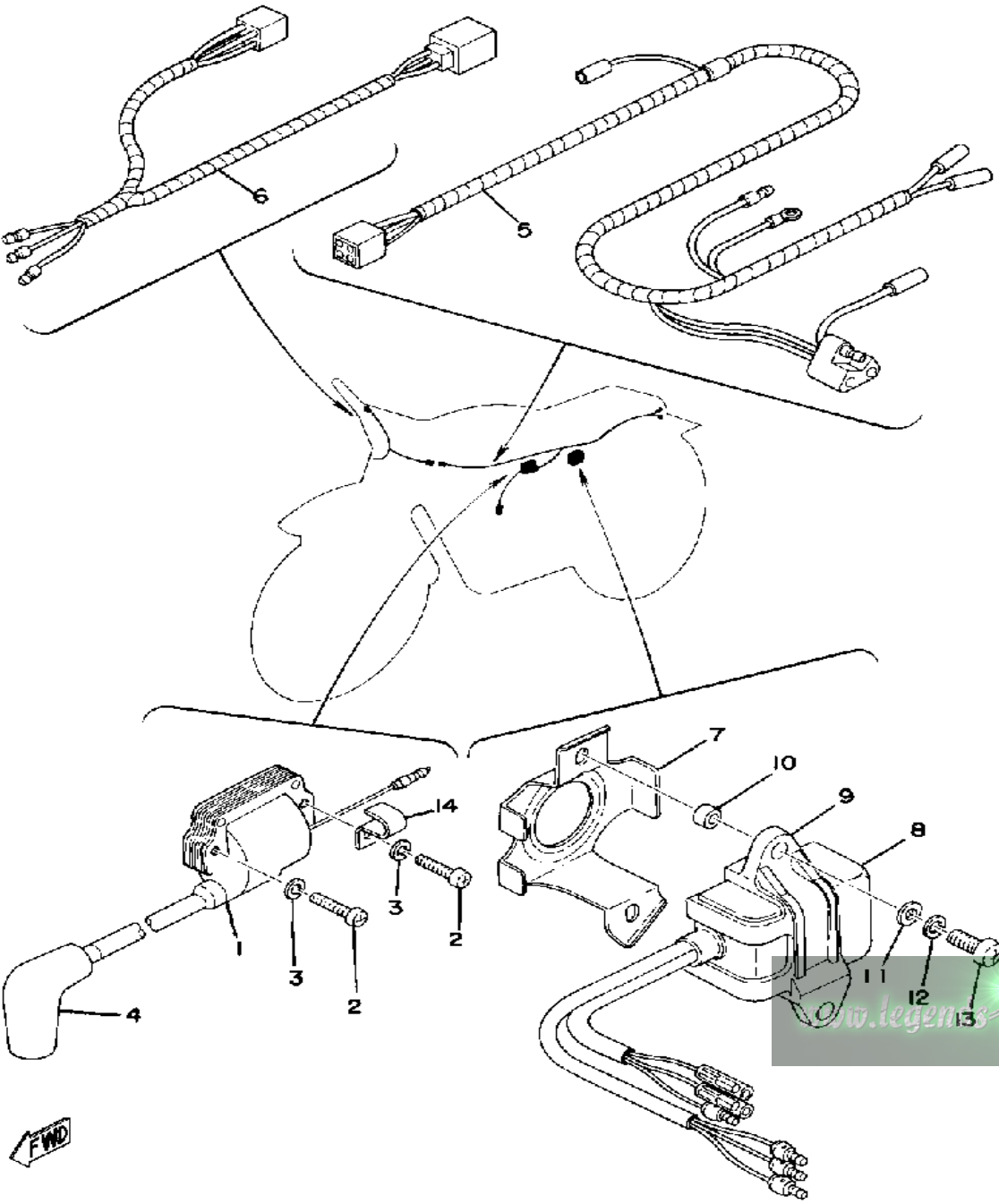
TAIL LAMP



Ref. No.	Part Number	Description	Qty	Remarks
1	434-84500-64-00	TAILLIGHT ASSEMBLY	1	
2	434-84519-64-00	. BRACKET, TAILLIGHT	1	
3	(434-84511-62-00)	BASE, TAILLIGHT	1	
4	(434-84557-60-00)	COLLAR	2	
5	434-84517-61-00	. CORD, TAILLIGHT	1	
6	122-84514-30-00	. BULB	1	
7	434-84515-61-00	. RIM, TAILLIGHT	1	
8	434-84521-69-00	. LENS, TAILLIGHT	1	
9	434-84524-61-00	. SCREW, LENS FITTING	2	
10	434-84522-62-00	. WASHER	2	
11	(434-84525-01-00)	WASHER, SPECIAL	1	
12	95380-05600-00	NUT	2	
13	92990-05100-00	WASHER, SPRING	2	

www.legends-yamaha-enduros.com

ELECTRICAL



Ref. No.	Part Number	Description	Qty	Remarks
1	(510-82310-40-00)	IGNITION COIL ASSEMBLY ...	1	
2	98511-06025-00	SCREW PAN HEAD (92501-06025)	2	
3	92995-06100-00	WASHER, SPRING	2	
4	294-82370-00-00	PLUG CAP ASSEMBLY	1	
5	(1K7-82590-20-00)	WIRE HARNESS ASSEMBLY ..	1	
6	(1K7-82509-00-00)	WIRE, SUB LEAD	1	
7	(509-85542-00-00)	BRACKET	1	
8	445-85540-22-00	CDI UNIT ASSEMBLY	1	
9	(510-85546-00-00)	BAND	1	
10	90387-062N2-00	COLLAR	2	
11	90201-06M08-00	WASHER, PLATE	2	
12	92995-06100-00	WASHER, SPRING	2	
13	98580-06020-00	SCREW	2	
14	90462-05005-00	CLAMP	1	

← FWD

IT400C 1976 SERVICE DATA



TECHNICAL BULLETIN

MODEL - IBM I.D. NUMBER	IT400C	1K7
Starting Engine and Frame Number	510-200101	510-200101
Basic Color (fuel tank)	Sky Blue	
Net Weight	249 lbs.	
ENGINE (type, induction system)	2-stroke, 7-port, Single, Air-cooled	
Bore x Stroke x Cylinder(s) Displacement	85 x 70mm x 1	397cc (24.22 CID)
Compression Ratio	7.6:1	
Piston Skirt Clearance (new/max.)	.055 ~ .060mm (.0022 ~ .0024") / 0.1mm (.004")	
Ring End Gap (top/2nd/3rd)	0.3 ~ 0.5mm (.012 ~ .020") / Same / ϕ	
Ring Groove Clearance (top/2nd/3rd)	.06 ~ 0.10mm (.0024 ~ .0040") / Same / ϕ	
Valve Clearance (eng. cold) Intake/Exhaust	ϕ	
AUTOLUBE - Minimum Pump Stroke/Color Code	ϕ	
CARBURETOR (mfr.) (type) (I.D. number)	Mikuni / VM38SS / 1K700	
Main Jet	No. 340	
Needle Jet	P-4	
Jet Needle/Clip Position	6F16-3	
Cutaway	3.0	
Pilot Jet	No. 60	
Air Jet	ϕ	
Starter Jet	No. 80	
Air Screw (turns out)	1.0	
Float Level	18.0 ± 1.0mm	
Air Filter (type x quantity)	Oiled Foam Rubber x 2	
DRIVE - Primary (type) (teeth) (ratio)	Spur Gear	73/27 2.703
Secondary (type) (teeth) (ratio)	D1D520T, 103L	46/15 3.066
Transmission Ratios 1st (teeth) (ratio) (O.A.)	33/13	2.538 21.047
2nd	29/17	1.706 14.144
3rd	26/20	1.300 10.778
4th	23/23	1.000 8.291
5th	20/26	0.769 6.377
6th	ϕ	
CAPACITIES - Transmission	1,000cc (33.8 oz.) SAE10W30 Oil or Yamalube 4-cycle*	
Oil Tank or Engine Sump	ϕ	
Fuel Tank	3.2 gals. Premix 20:1 (Premium gas and Yamalube R)	
Front Forks	246cc (8.3 oz.) 20wt. Yamaha Fork Oil*	
Rear Shocks	MONOCROSS: 320cc (10.8 oz.) 10wt. Yamaha Fork Oil*	
Tires (size/nominal pressure)	Front: 3.00-21/13psi / Rear: 4.50-18/15psi	
ELECTRICAL - Charging System (mfr.) (type)	Mitsubishi / CDI Magneto	
No Load Voltage Adj. (AC & DC generators)	ϕ	
Max. Generator (Magneto) Output	ϕ	
Field Coil (and/or) Charging Coil Resistance	0.4 Ω Yellow/Red	
Battery (mfr.) (model) (charging rate)	ϕ	
Headlight/Taillight Ratings	6V35W/35W / 6V5.3W	
Ign. Coil Min. Spark Gap/Pri. Res./Sec. Res.	6mm / 1.02 Ω / 6.0K Ω	
Source Coil Res.	120 Ω Brown-black	
Pulse Coil Res.	90 Ω White/Green - White/Red	
Point Gap/Spark Plug (type/gap)	ϕ / NGK B-8EV / 0.5 ~ 0.6mm (.020 ~ .024")	
Timing (advanced) (retarded)	2.7 ± 0.15mm B.T.D.C. / ϕ	

N/A = Information Not Available
 ϕ = Does Not Apply To This Model

*Available from Yamaha Parts Distributors, Inc.
Monocross shock nitrogen pressure: 256psi

IT400C 1976 SERVICE DATA

MODEL - IBM I.D. NUMBER	IT400C	1K7
Starting Engine and Frame Number	510-200101	510-200101
Basic Color (fuel tank)	Sky Blue	
Net Weight	249 lbs.	
ENGINE (type, induction system)	2-stroke, 7-port, Single, Air-cooled	
Bore x Stroke x Cylinder(s) Displacement	85 x 70mm x 1	397cc (24.22 CID)
Compression Ratio	7.6:1	
Piston Skirt Clearance (new/max.)	.055 ~ .060mm (.0022 ~ .0024") / 0.1mm (.004")	
Ring End Gap (top/2nd/3rd)	0.3 ~ 0.5mm (.012 ~ .020") / Same / ϕ	
Ring Groove Clearance (top/2nd/3rd)	.06 ~ 0.10mm (.0024 ~ .0040") / Same / ϕ	
Valve Clearance (eng. cold) Intake/Exhaust	ϕ	
AUTOLUBE - Minimum Pump Stroke/Color Code	ϕ	
CARBURETOR (mfr.) (type) (I.D. number)	Mikuni / VM38SS / 1K700	
Main Jet	No. 340	
Needle Jet	P-4	
Jet Needle/Clip Position	6F16-3	
Cutaway	3.0	
Pilot Jet	No. 60	
Air Jet	ϕ	
Starter Jet	No. 80	
Air Screw (turns out)	1.0	
Float Level	18.0 ± 1.0mm	
Air Filter (type x quantity)	Oiled Foam Rubber x 2	
DRIVE - Primary (type) (teeth) (ratio)	Spur Gear	73/27 2.703
Secondary (type) (teeth) (ratio)	D1D520T, 103L	46/15 3.066
Transmission Ratios 1st (teeth) (ratio) (O.A.)	33/13	2.538 21.047
2nd	29/17	1.706 14.144
3rd	26/20	1.300 10.778
4th	23/23	1.000 8.291
5th	20/26	0.769 6.377
6th	ϕ	
CAPACITIES - Transmission	1,000cc (33.8 oz.) SAE10W30 Oil or Yamalube 4-cycle*	
Oil Tank or Engine Sump	ϕ	
Fuel Tank	3.2 gals. Premix 20:1 (Premium gas and Yamalube R)	
Front Forks	246cc (8.3 oz.) 20wt. Yamaha Fork Oil*	
Rear Shocks	MONOCROSS: 320cc (10.8 oz.) 10wt. Yamaha Fork Oil*	
Tires (size/nominal pressure)	Front: 3.00-21/13psi / Rear: 4.50-18/15psi	
ELECTRICAL - Charging System (mfr.) (type)	Mitsubishi / CDI Magneto	
No Load Voltage Adj. (AC & DC generators)	ϕ	
Max. Generator (Magneto) Output	ϕ	
Field Coil (and/or) Charging Coil Resistance	0.4 Ω Yellow/Red	
Battery (mfr.) (model) (charging rate)	ϕ	
Headlight/Taillight Ratings	6V35W/35W / 6V5.3W	
Ign. Coil Min. Spark Gap/Pri. Res./Sec. Res.	6mm / 1.02 Ω / 6.0K Ω	
Source Coil Res.	120 Ω Brown-black	
Pulse Coil Res.	90 Ω White/Green - White/Red	
Point Gap/Spark Plug (type/gap)	ϕ / NGK B-8EV / 0.5 ~ 0.6mm (.020 ~ .024")	
Timing (advanced) (retarded)	2.7 ± 0.15mm B.T.D.C. / ϕ	

N/A = Information Not Available
 ϕ = Does Not Apply To This Model

*Available from Yamaha Parts Distributors, Inc.
Monocross shock nitrogen pressure: 256psi