

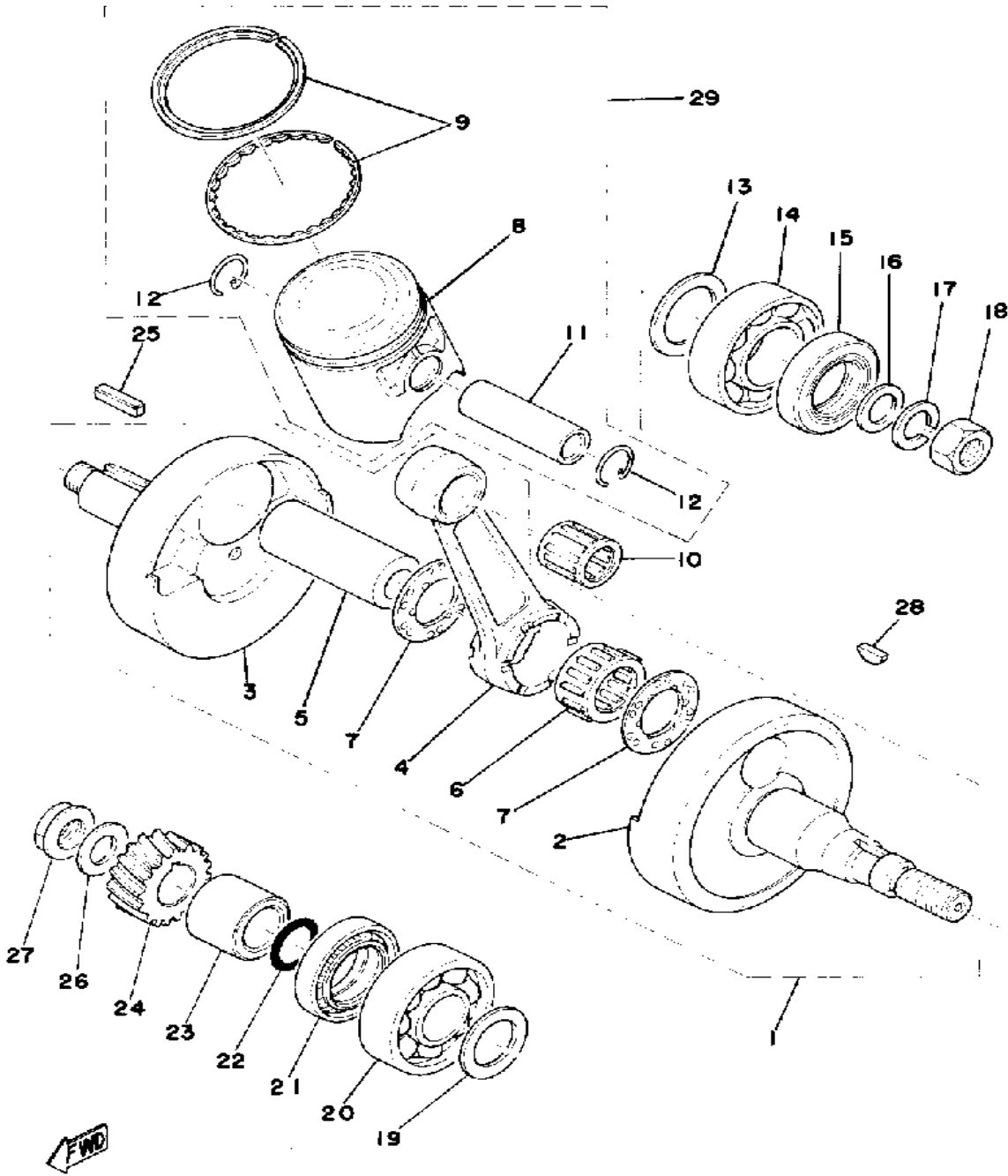
YAMAHA

GENUINE

PARTS CATALOGUE

MOTORCYCLE

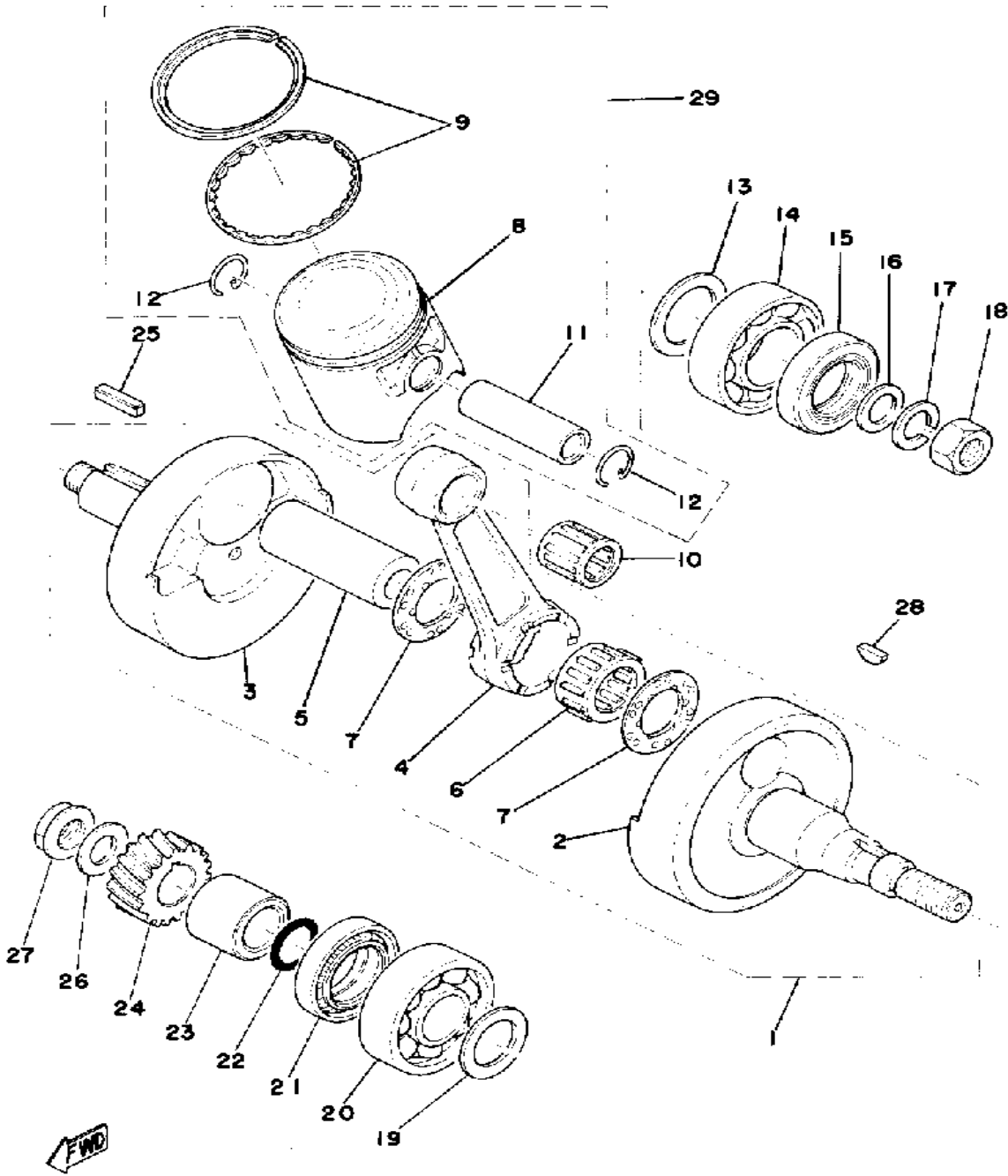
CRANKSHAFT-PISTON



Ref. No.	Part Number	Description	Qty	Remarks
1	(559-11400-01-00)	CRANKSHAFT ASSEMBLY	1	
2	1W1-11412-01-00	. CRANK 1	1	
3	(525-11422-00-00)	CRANK 2	1	
4	25V-11651-00-00	. ROD, CONNECTING 1	1	
5	3M5-11681-00-00	. PIN, CRANK 1	1	
6	93310-42277-00	. BEARING, CYLINDER.#10 (93310-42231)	1	
7	90209-22248-00	. WASHER	2	
8	443-11631-03-96	PISTON STD	1	
	443-11635-03-00	PISTON 1 O/S 0.25 (66.25MM 1ST O.S)	1	ALT. PART
	443-11636-03-00	PISTON 2 O/S 0.50 (66.50MM 2ND O.S)	1	ALT. PART
	443-11637-03-00	PISTON 3 O/S 0.5	1	ALT. PART
	443-11638-03-00	PISTON 4 O/S 1.0	1	ALT. PART
9	443-11610-00-00	PISTON RINGSET STD	1	
	443-11610-10-00	PISTON RINGSET 1ST (1ST O.S)	1	ALT. PART
	443-11610-20-00	PISTON RINGSET 2ND (2ND O.S)	1	ALT. PART
	443-11610-30-00	PISTON RINGSET 3RD (3RD O.S)	1	ALT. PART
	443-11610-40-00	PISTON RINGSET 4TH (4TH O.S)	1	ALT. PART
10	93310-216E1-00	BEARING	1	
11	251-11633-00-00	PIN, PISTON	1	
12	93450-17025-00	CIRCLIP	2	
13	132-11561-00-03	SHIM, CRANK 1	1	U.R.
	132-11561-00-05	SHIM, CRANK 1	1	U.R.
14	93306-20529-00	BEARING (B6205C4)	1	
15	93102-25061-00	OIL SEAL, SD-TYPE	1	

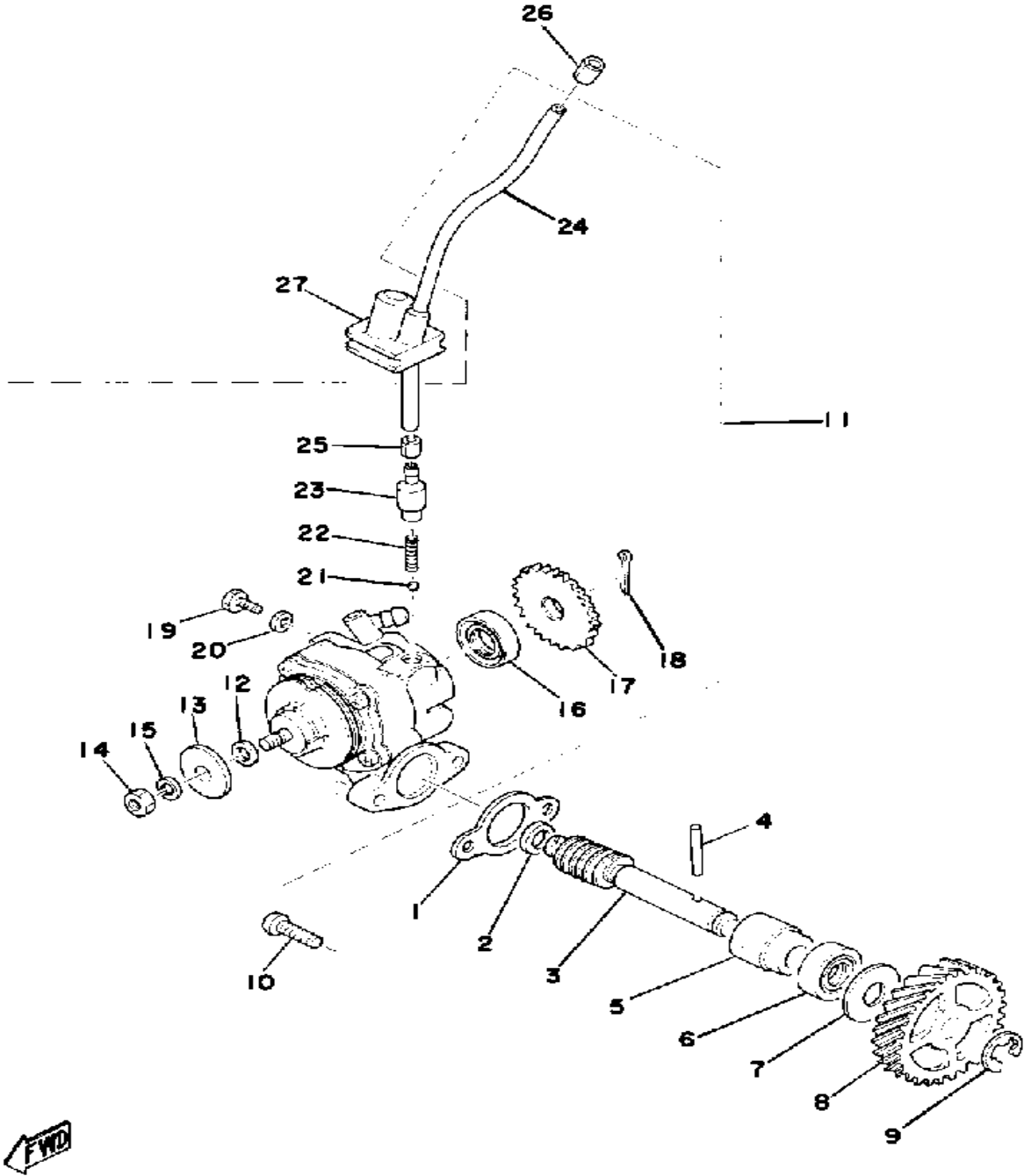
CONTINUED ON NEXT FRAME ➤

CRANKSHAFT-PISTON



Ref. No.	Part Number	Description	Qty	Remarks
16	90201-12535-00	WASHER, PLATE	1	
17	92901-12100-00	WASHER, SPRING	1	
18	90170-12347-00	NUT, HEXAGON	1	
19	136-11561-00-04	SHIM, CRANK 1	1	U.R.
	136-11561-00-05	SHIM, CRANK 1	1	U.R.
	136-11561-00-06	SHIM, CRANK 1	1	U.R.
	136-11561-00-07	SHIM, CRANK 1	1	U.R.
20	93306-30421-00	BEARING (B6304C3)	1	
21	93103-28011-00	OIL SEAL	1	
22	93210-180A6-00	O-RING	1	
23	90387-20488-00	COLLAR	1	
24	401-16111-00-30	GEAR, PRI DRIVE	1	
25	90282-05005-00	KEY, STRAIGHT	1	
26	90208-12015-00	WASHER, CONICAL SPRING	1	
27	90179-12244-00	NUT, SPEC'L SHAPE	1	
28	90280-03017-00	KEY, WOODRUFF	1	
29	(443-11630-00-00)	PISTON KIT STD	1	12
	(443-11630-10-00)	PISTON KIT 1ST	1	12
	(443-11630-20-00)	PISTON KIT 2ND	1	12
	443-11637-03-00	PISTON 3 O/S 0.5	1	12
	443-11638-03-00	PISTON 4 O/S 1.0	1	12

OIL PUMP

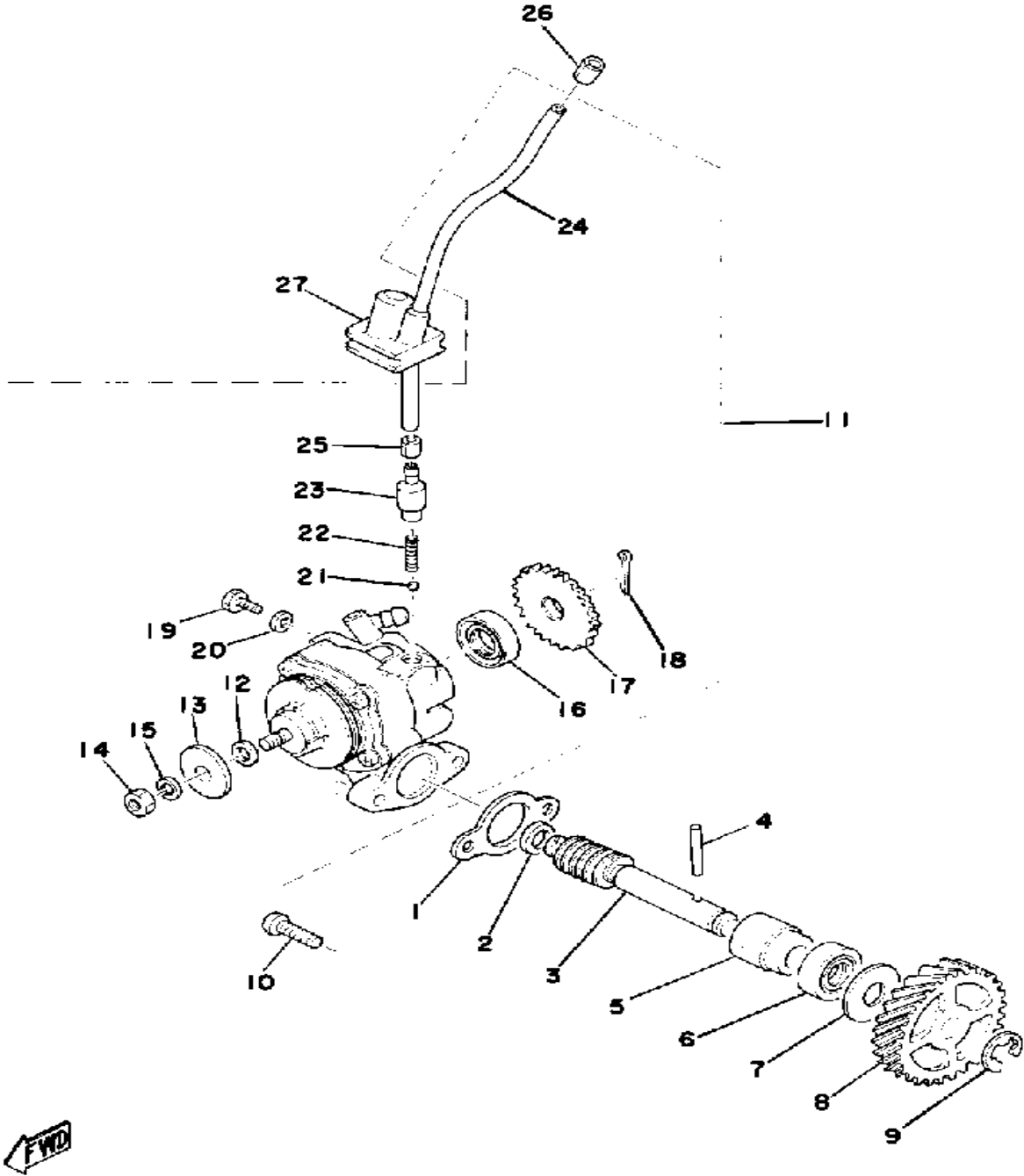


Ref. No.	Part Number	Description	Qty	Remarks
1	3MT-13116-00-00	GASKET, PUMP CASE (8Y0-13116-00)	1	
2	90201-08624-00	WASHER, PLATE	1	
3	(559-13175-00-00)	SHAFT, WORM	1	
4	93603-22028-00	PIN, DOWEL	1	
5	1E7-13176-00-00	METAL, WRM SHAF OTR	1	
6	93101-10002-00	OIL SEAL	1	
7	90201-106M5-00	WASHER, PLATE	1	
8	248-13178-00-00	GEAR, DRIVE (28T)	1	
9	99001-08600-00	CIRCLIP	1	
10	98580-05016-00	SCREW, PAN HEAD	2	
11	525-13101-01-00	OIL PUMP ASSEMBLY	1	
12	(137-13137-00-30)	SHIM, PLUNGER	1	U.R.
	137-13137-00-05	. SHIM (0.5T)	1	U.R.
	137-13137-00-10	. SHIM (1.0T)	1	U.R.
13	137-13128-01-00	. UNAVAILABLE IN PRICE BOOK	1	
14	95380-05600-00	. NUT	1	
15	92990-05100-00	. WASHER, SPRING	1	
16	93101-10090-00	. OIL SEAL	1	
17	(137-13128-00-00)	PLATE, STARTER	1	
18	91401-12018-00	. PIN, COTTER	1	
19	98901-04008-00	. SCREW, BIND	1	
20	90430-04004-00	. GASKET	1	
21	93505-32002-00	. BALL	1	
22	90501-02018-00	. SPRING, COMPRESSION	1	
23	402-13552-00-00	. NOZZLE	1	
24	90445-05278-00	. HOSE	1	
25	90468-02033-00	. CLIP	1	

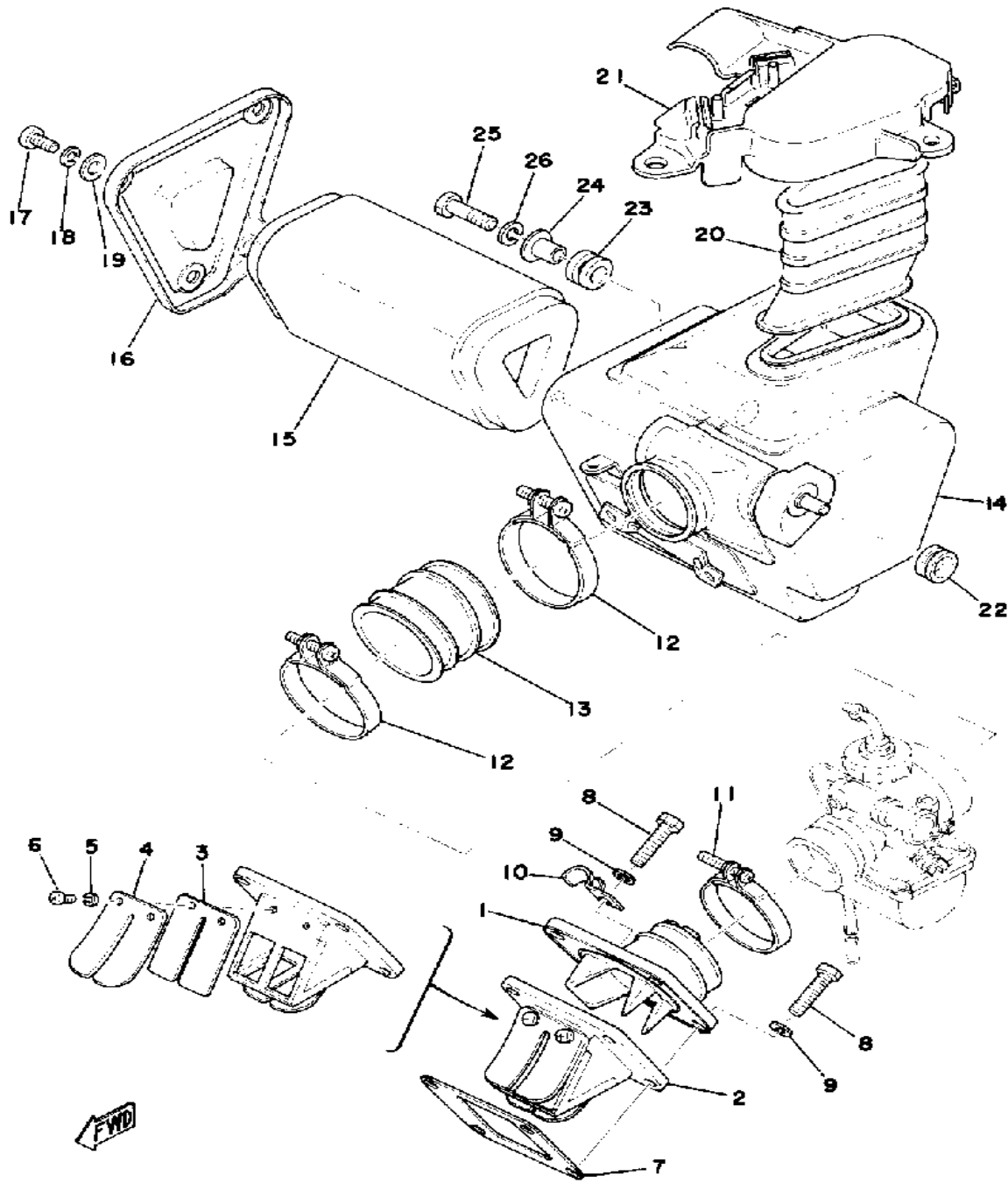
CONTINUED ON NEXT FRAME ►

OIL PUMP

Ref. No.	Part Number	Description	Qty	Remarks
26	90468-02033-00	CLIP	1	
27	525-13174-00-00	HOLDER, OIL PIPE	1	

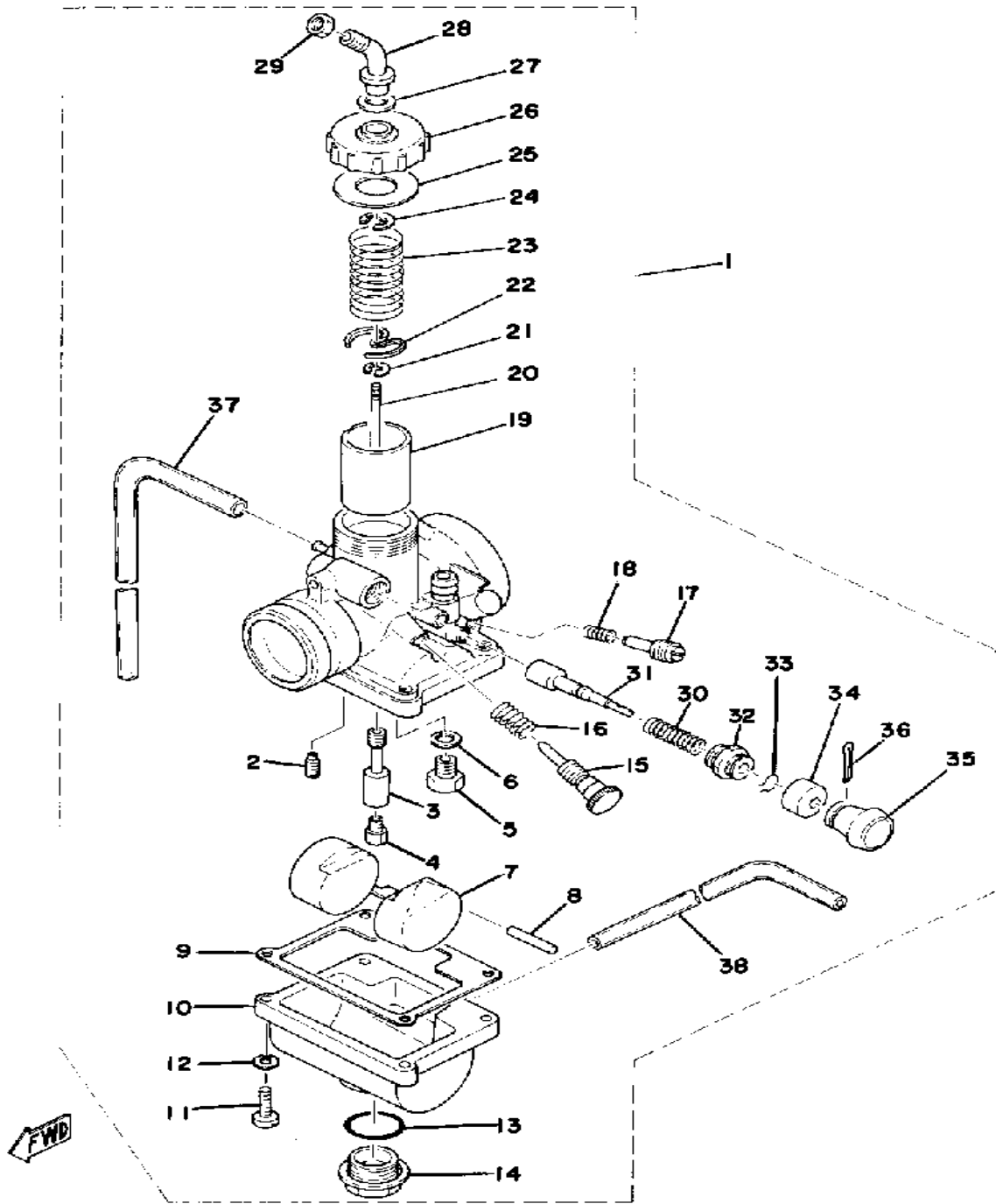


AIR CLEANER



Ref. No.	Part Number	Description	Qty	Remarks
1	401-13565-01-00	JOINT, CARBURETOR	1	
2	558-13610-00-00	REED VALVE ASSEMBLY	1	
3	345-13613-70-00	. REED, VALVE	2	
4	345-13616-70-00	. STOPPER, REED VALVE	2	
5	92990-03100-00	. WASHER, SPRING (92901-03100)	4	
6	98580-03008-00	. SCREW, PAN HEAD	4	
7	87A-13621-00-00	GASKET, VALVE SEAT	1	
8	97011-06025-00	BOLT (97001-06025)	4	
9	92995-06100-00	WASHER, SPRING	4	
10	90462-05005-00	CLAMP	1	
11	90460-43053-00	CLAMP, HOSE	1	
12	90460-49058-00	CLAMP, HOSE	2	
13	437-14453-00-00	JOINT, AIR CLNR 1	1	
14	(559-14411-01-00)	CASE, AIR CLEANER 1	1	
15	437-14451-09-00	ELEMENT, AIR CLNR	1	
16	437-14412-00-00	CAP, CLEANER CASE 1	1	
17	98580-06012-00	SCREW, PAN HEAD	3	
18	92995-06100-00	WASHER, SPRING	3	
19	90201-061A5-00	WASHER, PLATE	3	
20	(437-14437-01-00)	DUCT	1	
21	(558-14418-01-00)	COVER 2	1	
22	90480-10091-00	GROMMET (214-21746-00)	1	
23	90480-14023-00	GROMMET	1	
24	90387-07391-00	COLLAR	1	
25	97011-06025-00	BOLT (97001-06025)	1	
26	92995-06100-00	WASHER, SPRING	1	

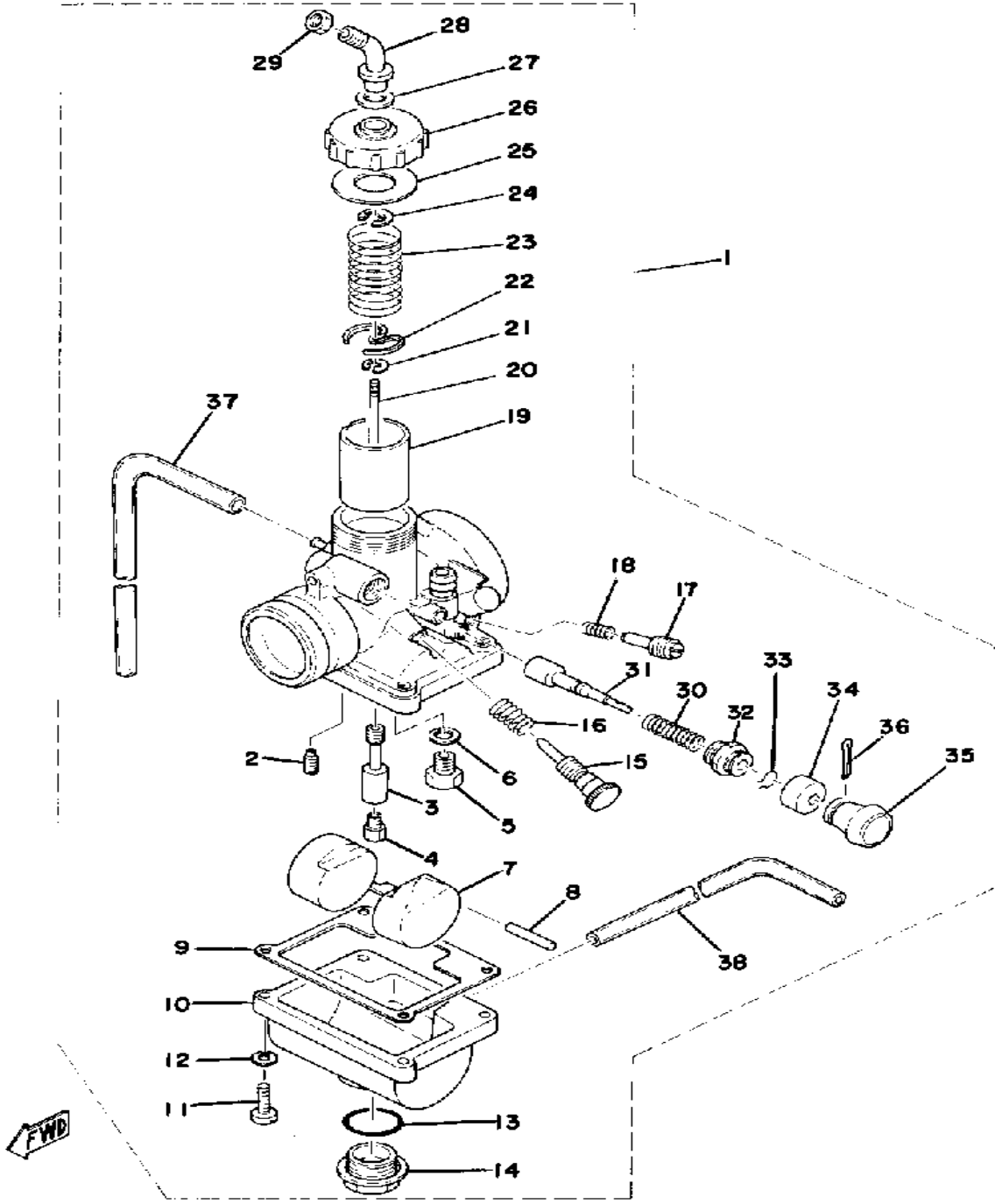
CARBURETOR



Ref. No.	Part Number	Description	Qty	Remarks
1	(559-14101-60-00)	CARBURETOR ASSEMBLY 1	1	
2	260-14142-25-00	. JET, PILOT (# 25)	1	
3	558-14141-32-00	. NOZZLE, MAIN	1	
4	137-14143-30-00	. JET, MAIN #1 0	1	U.R.
	137-14143-32-00	. JET, MAIN #1 0	1	U.R. STD
	137-14143-34-00	. JET, MAIN #1 0	1	U.R.
5	23L-14107-25-00	. NEEDLE VALVE SET	1	
6	214-14195-00-00	. WASHER, NEEDLE VALVE	1	
7	314-14185-00-00	. FLOAT	1	
8	127-14186-00-00	. PIN, FLOAT	1	
9	304-14184-00-00	. GASKET, FLOAT CHAMBER	1	
10	(558-14181-00-33)	BODY, FLOAT CHMBR 1	1	
11	98503-04014-00	. SCREW, PAN HEAD	4	
12	92901-04600-00	. WASHER, PLATE	4	
13	558-14147-00-00	. O-RING	1	
14	500-14115-00-00	. PLUG, SCREW	1	
15	493-14122-00-00	. SCREW, THROTTLE (443-14122-00)	1	
16	493-14133-00-00	. SPRING, THRTL STOP	1	
17	22K-14104-00-00	. AIR SCREW SET	1	
18	174-14134-00-00	. SPRING, AIR ADJUSTING	1	
19	314-14112-20-00	. VALVE, THROTTLE 1	1	
20	452-14116-04-00	. NEEDLE	1	
21	164-14137-00-00	. CLIP	1	
22	246-14132-00-00	. STOPPER, CABLE	1	
23	248-14131-00-00	. SPRING, THROTTLE VALVE	1	
24	363-14137-00-00	. CLIP	1	
25	246-14126-00-00	. GASKET	1	
26	401-14158-00-00	. TOP, MXXING CHAMBER	1	

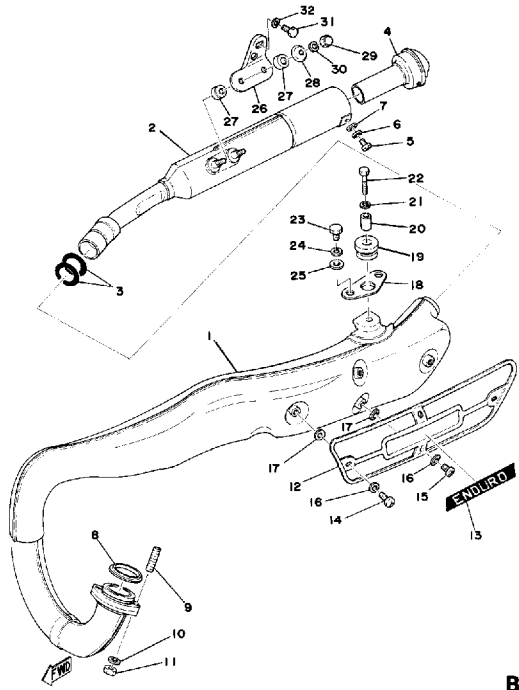
CONTINUED ON NEXT FRAME ➤

CARBURETOR



Ref. No.	Part Number	Description	Qty	Remarks
27	363-14198-00-00	. GASKET	1	
28	363-14155-00-00	. GUIDE, CABLE	1	
29	127-14161-00-00	. NUT, CABLE ADJUSTING	1	
30	156-14135-00-00	. SPRING, PLUNGER	1	
31	304-14171-00-00	. PLUNGER, STARTER	1	
32	152-14174-00-00	. CAP, PLUNGER	1	
33	353-14138-00-00	. CLIP, PLUNGER	1	
34	132-14173-00-00	. COVER, PLUNGER CAP	1	
35	304-14261-00-00	. HOLDER	1	
36	91490-16020-00	. PIN, COTTER	1	
37	183-14197-01-00	. PIPE, AIRVENT	1	
38	23F-14197-00-00	. PIPE, AIRVENT	1	

EXHAUST

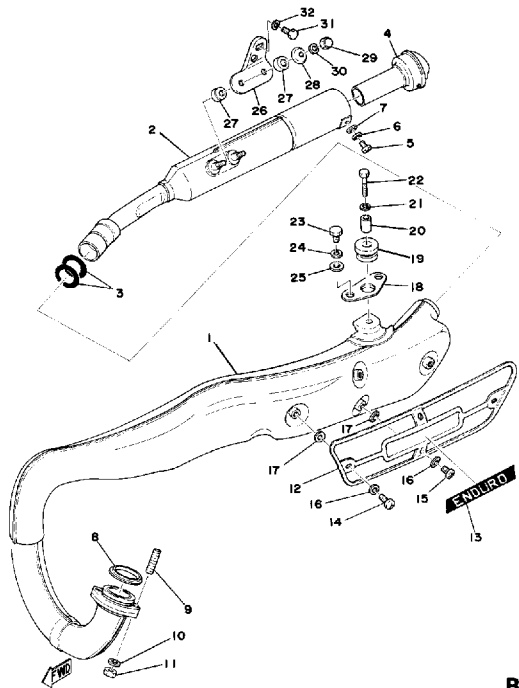


B-1

Ref. No.	Part Number	Description	Qty	Remarks
1	(576-14610-01-00)	EXHAUST PIPE ASSEMBLY L	1	
2	(558-14753-01-00)	SILENCER, EXHAUST 0 1	1	
	(99999-01080-00)	SILENCER SET (558)	1	
	565-14747-00-00	. DAMPER, MUFFLER	1	
	90201-08753-00	. WASHER, PLATE	2	
	90387-08258-00	. COLLAR	1	
3	93210-24235-00	O-RING	2	
4	438-14752-00-00	PIPE, OUTLET	1	
5	98580-06012-00	SCREW, PAN HEAD	1	
6	92995-06100-00	WASHER, SPRING	1	
7	92990-06200-00	WASHER	1	
8	152-14613-00-00	GASKET, EXST PIPE	1	
9	90116-06016-00	BOLT, STUD	2	
10	92995-06100-00	WASHER, SPRING	2	
11	95380-06600-00	NUT	2	
12	(558-14718-00-00)	PROTECTOR, MUFF 1	1	
13	(558-14729-00-00)	EMBLEM, PROTECTOR	1	
14	98980-06030-00	SCREW, BIND	1	
15	98903-06012-00	SCREW, BIND	3	
16	90202-05005-00	WASHER, PLATE (218-14766-10)	4	
17	90202-05187-00	WASHER, PLATE	4	
18	437-14771-00-00	STAY, MUFFLER 1	1	
19	90480-20132-00	GROMMET	1	
20	90387-08242-00	COLLAR	1	
21	92990-08100-00	WASHER	1	
22	97313-08035-00	BOLT, HEXAGON	1	
23	97001-06018-00	BOLT	2	
24	92995-06100-00	WASHER, SPRING	2	

CONTINUED ON NEXT FRAME ►

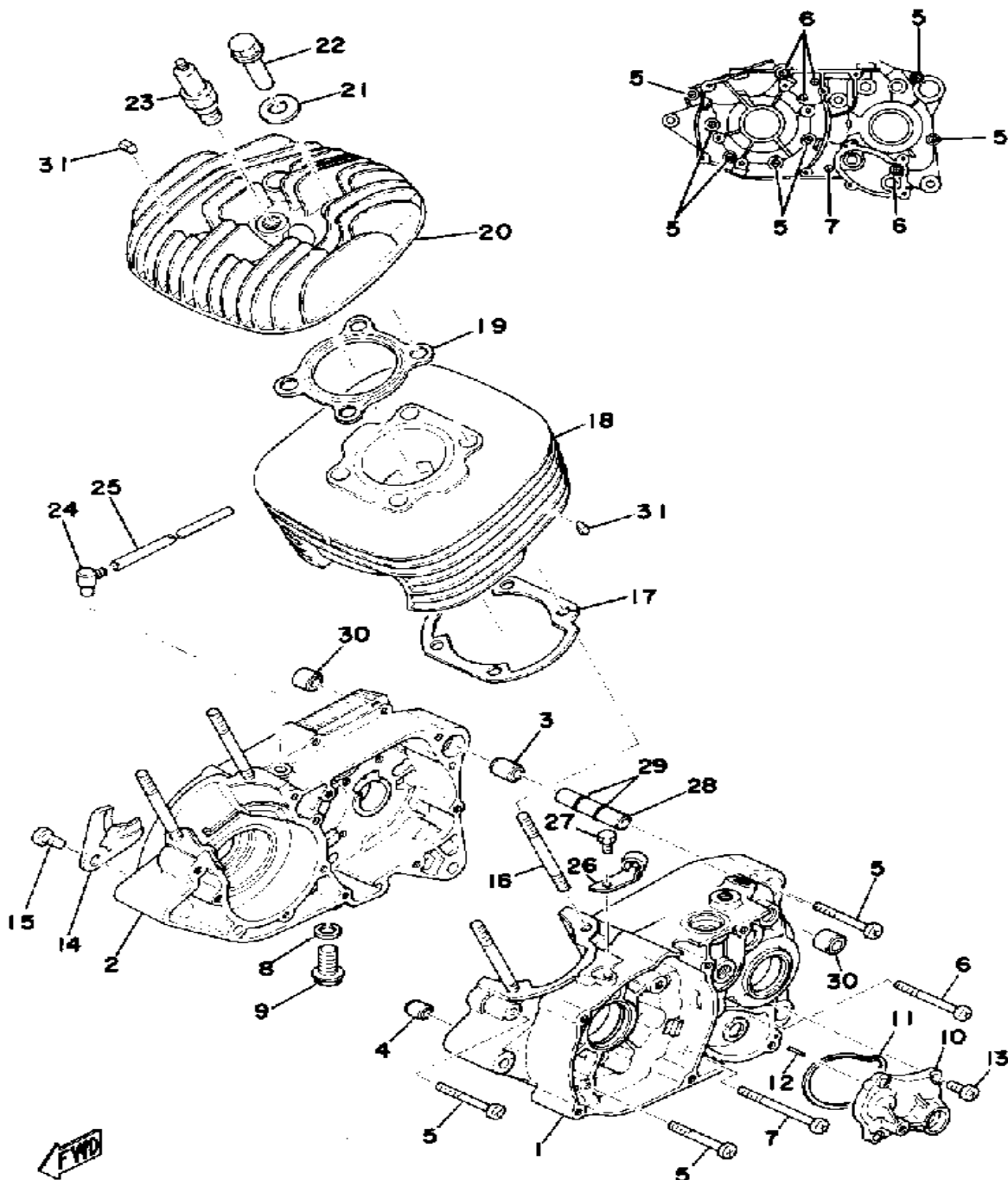
EXHAUST



B-1

Ref. No.	Part Number	Description	Qty	Remarks
25	90201-06067-00	WASHER, PLATE	2	
26	(558-14781-01-00)	STAY, MUFFLER 2	1	
27	438-14757-00-00	DAMPER, MUFFLER 2	4	
28	90209-06061-00	WASHER, SPEC'L SHAP	2	
29	95303-06800-00	NUT (CROWN)	2	
30	92995-06100-00	WASHER, SPRING	2	
31	97313-08012-00	BOLT	2	
32	92990-08100-00	WASHER	2	

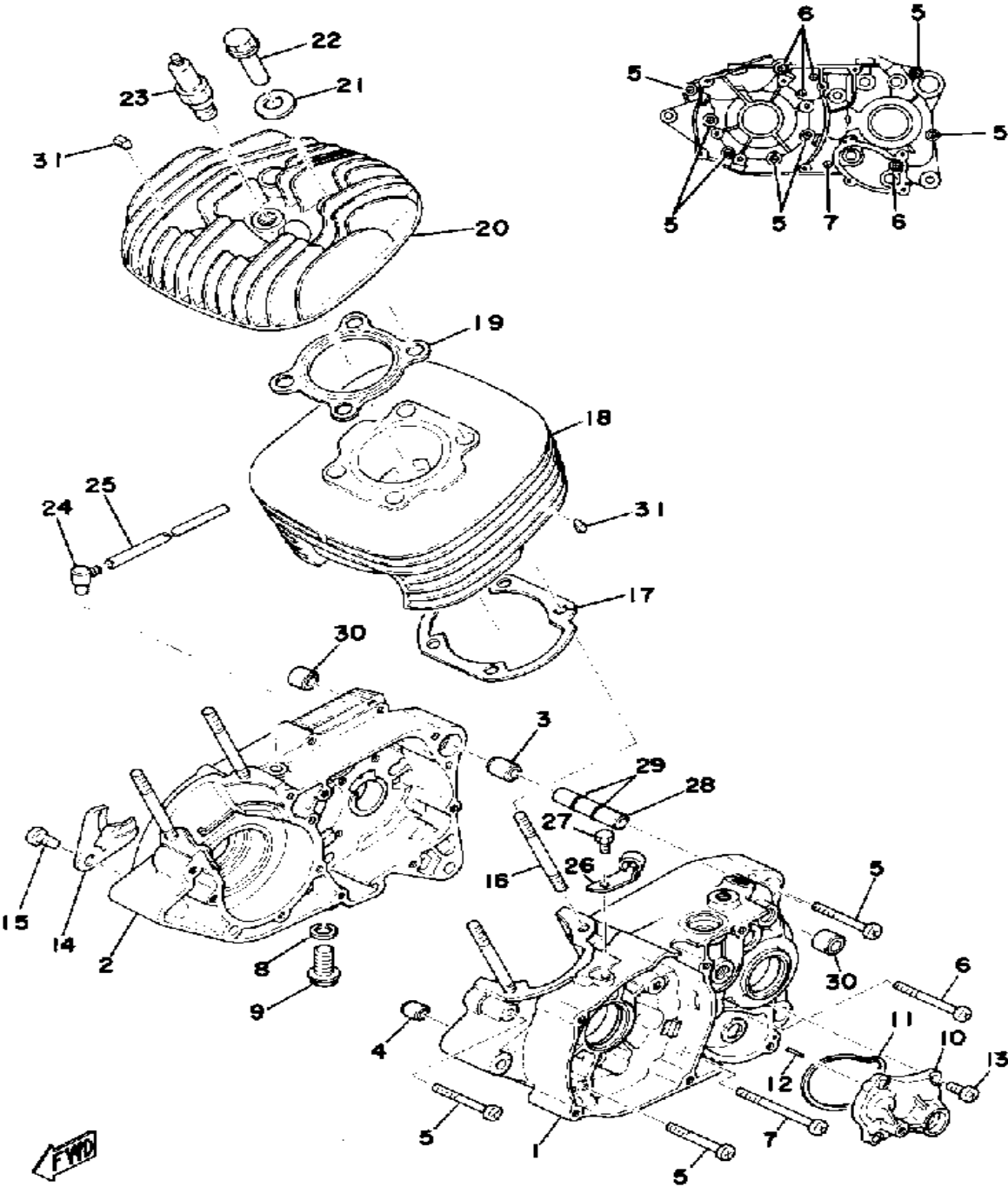
CRANKCASE - CYLINDER



Ref. No.	Part Number	Description	Qty	Remarks
1	(443-15111-03-00)	CRANKCASE 1	1	
2	(443-15121-01-00)	CRANKCASE 2	1	
3	99510-20020-00	PIN, DOWEL	1	
4	99530-10014-00	PIN, DOWEL	1	
5	98580-06550-00	SCREW PAN HEAD (92503-06050)	7	
6	92580-06560-00	SCREW PAN HEAD	4	
7	98501-06070-00	SCREW, PAN HEAD	1	
8	90430-12207-00	GASKET	1	
9	90340-12005-00	PLUG, DRAIN	1	
10	437-15419-01-00	COVER, SHIFTER 1	1	
11	401-15449-00-00	RING, RUBBER	1	
12	93603-12007-00	PIN, DOWEL	2	
13	98503-06014-00	SCREW, PAN HEAD (92502-06016)	4	
14	304-15128-00-00	HOLDER	1	
15	98501-08012-00	SCREW, PAN HEAD	1	
16	90116-08064-00	BOLT, STUD	4	
17	248-11351-00-00	GASKET, CYLINDER	1	
18	(559-11311-00-00)	CYLINDER 1	1	
19	251-11181-00-00	GASKET, CYLINDER HEAD 1	1	
20	(559-11111-00-00)	HEAD, CYLINDER 1	1	
21	90201-12362-00	WASHER, PLATE	4	
22	90179-08303-00	NUT	4	
23	NGK-B8ES0-00-00	PLUG, SPARK (NGK B8ES)	1	
24	583-15371-00-00	BREATHER	1	
25	90445-07176-00	HOSE	1	
26	401-15441-02-00	HOLDER, CLUTCH CABLE	1	
27	97013-06012-00	BOLT	1	

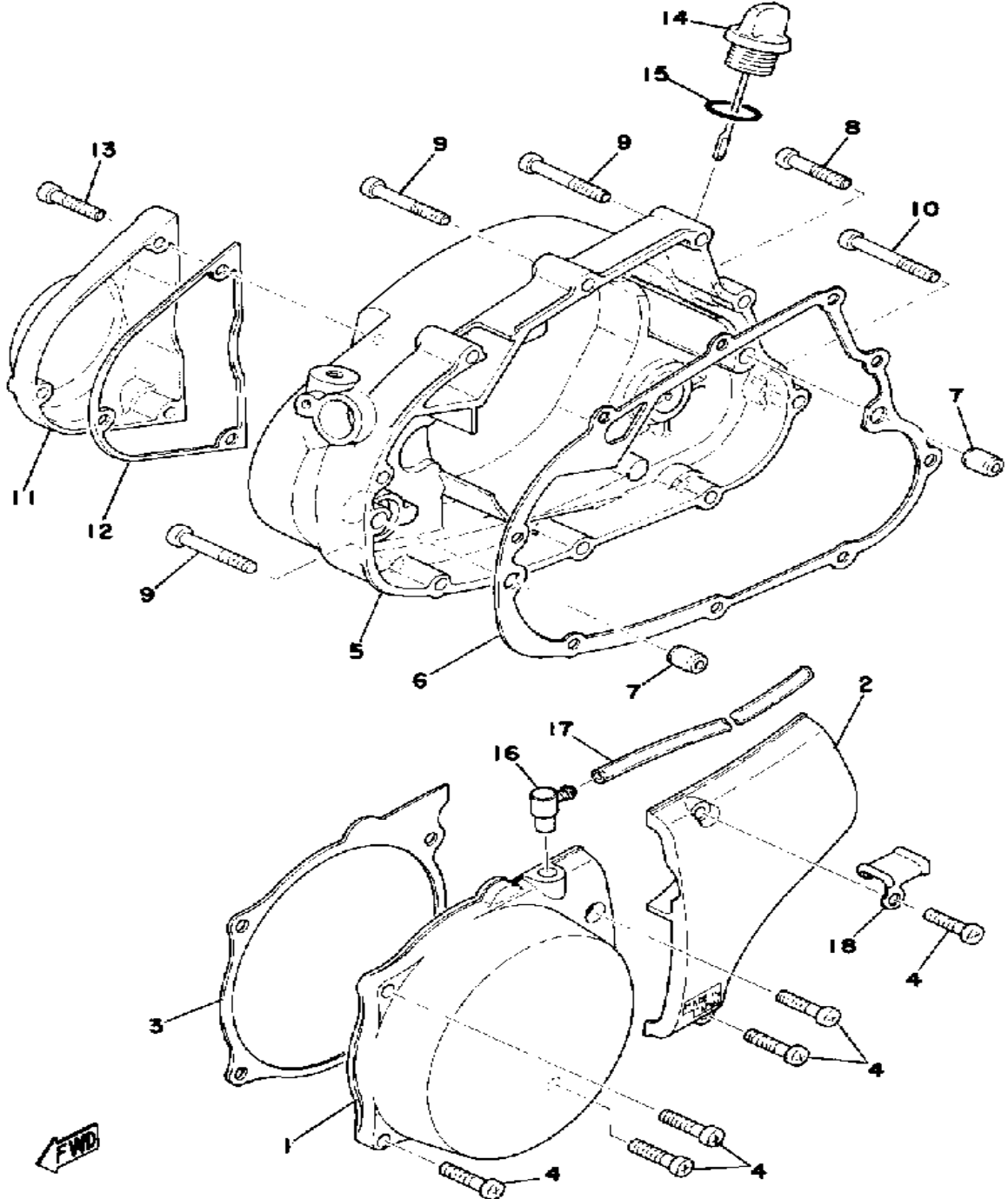
CONTINUED ON NEXT FRAME ►

CRANKCASE - CYLINDER



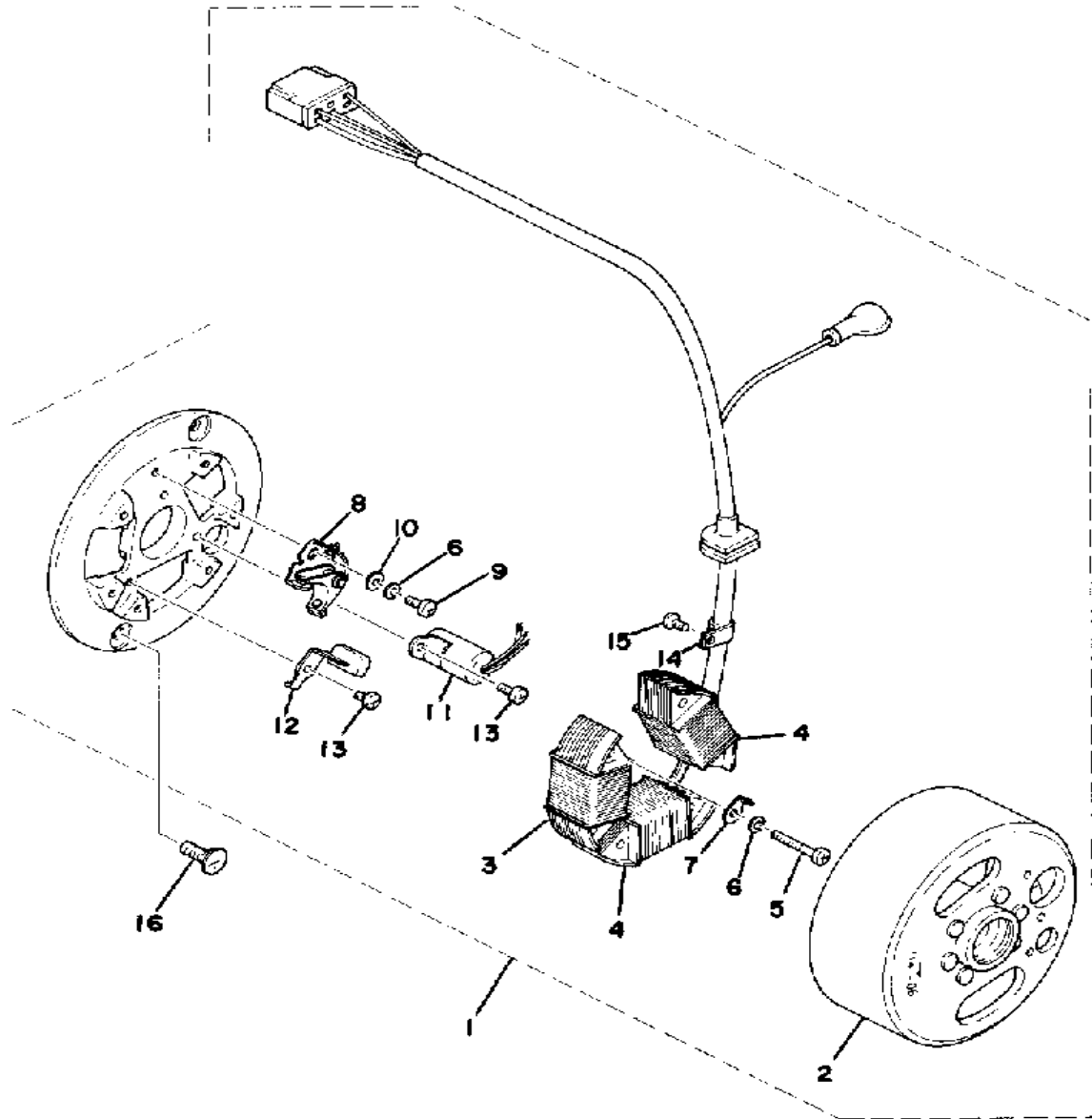
Ref. No.	Part Number	Description	Qty	Remarks
28	401-15317-00-00	SPACER, ENG MOUNT	1	
29	93210-11073-00	O-RING	2	
30	328-15316-00-00	DAMPER, ENG MOUNT 1 (328-15316-00)	2	
31	434-11161-00-00	ABSORBER 1	20	

CRANKCASE COVER



Ref. No.	Part Number	Description	Qty	Remarks
1	437-15411-01-00	COVER, CRANKCASE L	1	
2	437-15421-00-00	COVER, CRANKCASE R	1	
3	401-15455-00-00	GASKET 1COVER LEFT 1	1	
4	98580-06020-00	SCREW	6	
5	(437-15431-00-00)	COVER, CRANKCASE 3	1	
6	401-15451-00-00	GASKET, CRCS COVERCRANKCASE COVER 1	1	
7	99530-10014-00	PIN, DOWEL	2	
8	98580-06030-00	SCREW PAN HEAD	3	
9	98580-06040-00	SCREW, pan head (92501-06040-00)	5	
10	98580-06545-00	SCREW PAN HEAD (92503-06045)	1	
11	437-15416-01-00	COVER, OIL PUMP	1	
12	3UL-15456-00-00	GASKET, OIL PUMP COVER 1	1	
13	98511-06025-00	SCREW PAN HEAD (92501-06025)	3	
14	401-15362-00-00	PLUG, OIL LEVEL	1	
15	93210-19123-00	O-RING	1	
16	583-15371-00-00	BREATHER	1	
17	90445-07176-00	HOSE	1	
18	90461-10016-00	CLAMP	1	

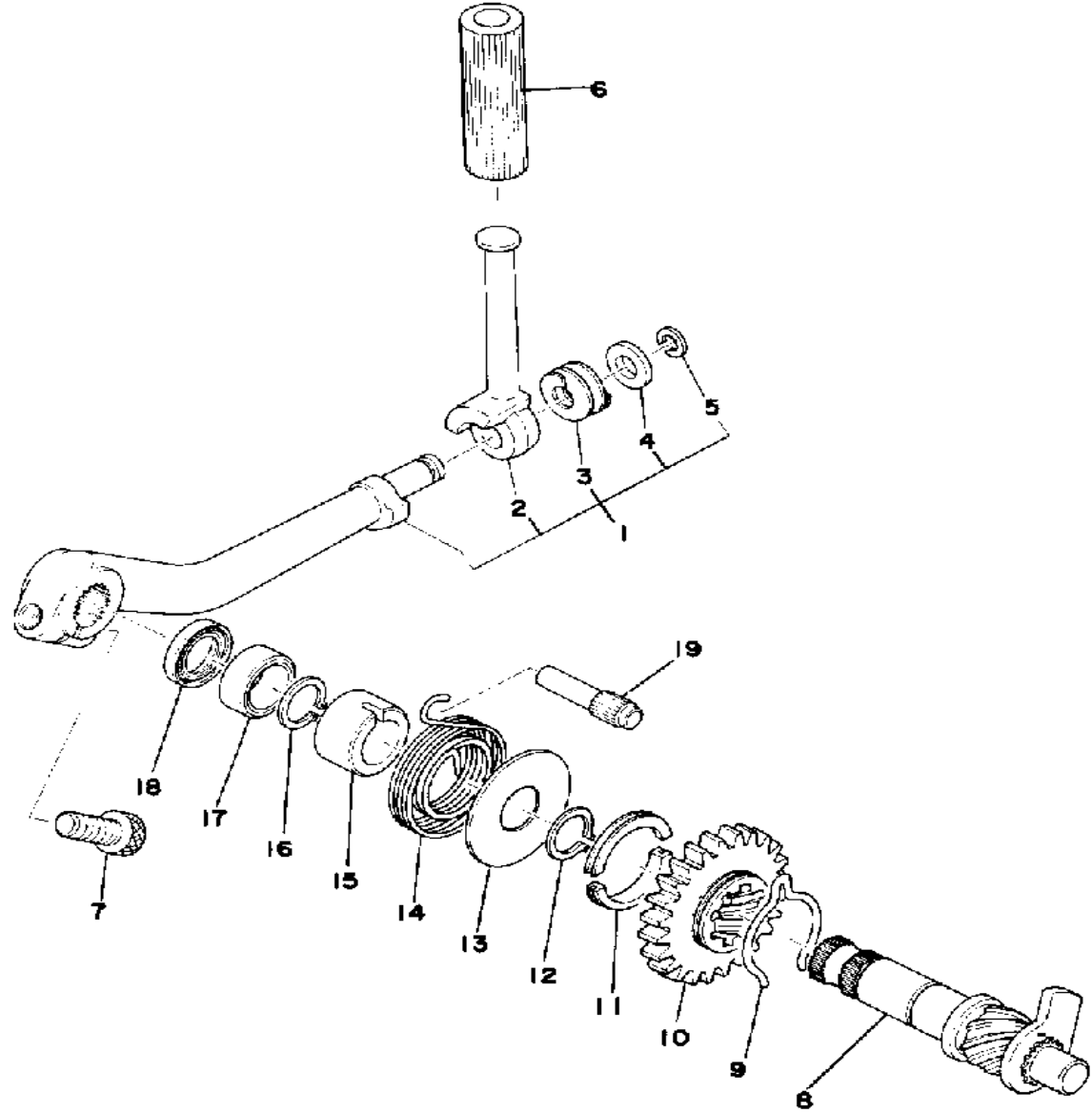
FLYWHEEL MAGNETO



Ref. No.	Part Number	Description	Qty	Remarks
1	443-81300-13-00	FLYWHL MAGNETO ASSEMBLY	1	
2	576-81350-11-00	. ROTOR ASSEMBLY	1	
3	443-81312-10-00	. COIL, SOURCE	1	
4	(443-81313-12-00)	COIL, LIGHTING 1	1	
5	(98501-04028-00)	SCREW, PAN HEAD	6	
6	92901-04600-00	. WASHER, PLATE	7	
7	(443-81332-10-00)	PLATE, TIMING	1	
8	443-81321-10-00	. CONTACT BRKR ASSEMBLY	1	
9	98580-04010-00	. SCREW, PAN HEAD	1	
10	92990-04200-00	. WASHER, PLAIN	1	
11	277-81326-90-00	. CONDENSER 2	1	
12	207-81331-10-00	. LUBRICATOR	1	
13	98580-04008-00	. SCREW, PAN HEAD	2	
14	109-81328-11-00	. CLAMP	1	
15	98580-04008-00	. SCREW, PAN HEAD	1	
16	98603-06012-00	SCREW, OVAL HEAD (92701-06012)	2	

FWD

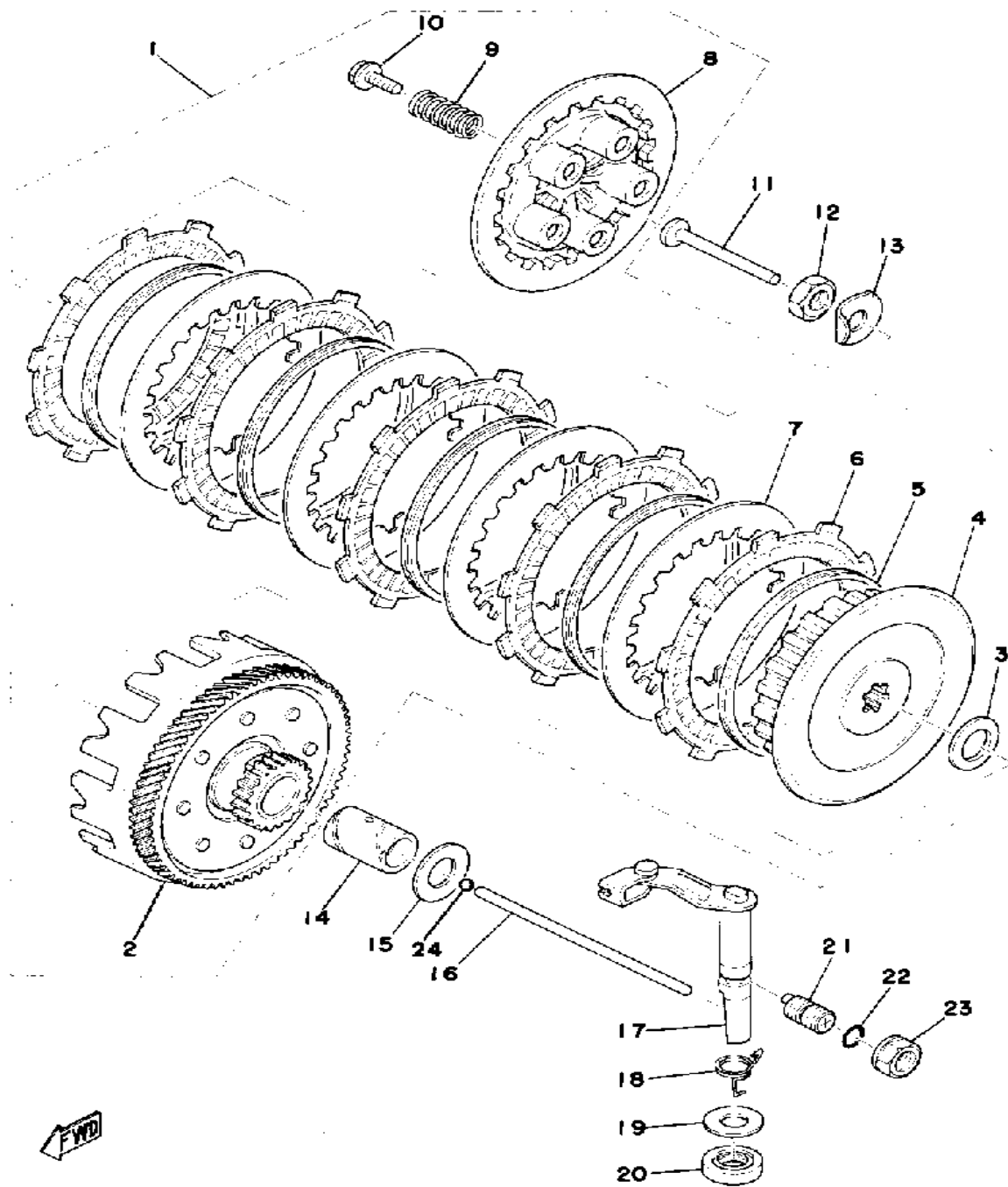
STARTER



Ref. No.	Part Number	Description	Qty	Remarks
1	1X0-15620-00-00	KICK CRANK ASSEMBLY (437-15610-01-93)	1	
2	(137-15612-01-00)	LEVER, KICK	1	
3	90504-18031-00	. SPRING, COMPRESSION (132-15625-01)	1	
4	90209-10108-00	. WASHER, SPEC'L SHAP	1	
5	93440-10028-00	. CIRCLIP, OUTER (132-15617-00)	1	
6	156-15618-01-00	COVER, KICK LEVER	1	
7	91316-08025-00	BOLT, SOCKET HEAD	1	
8	401-15660-01-00	KICK AXLE ASSEMBLY	1	
9	90468-26048-00	CLIP	1	
10	315-15641-00-00	GEAR, KICK (27T)	1	
11	248-15654-00-00	HOLDER, KICK GEAR	2	
12	99009-30400-00	CIRCLIP	1	
13	401-15676-00-00	COVER, SPRING	1	
14	90508-26041-00	SPRING, TORSION	1	
15	401-15666-00-00	SPACER	1	
16	99009-17400-00	CIRCLIP	1	
17	90560-17032-00	SPACER	1	
18	93101-17062-00	OIL SEAL	1	
19	257-15668-00-00	STOPPER	1	

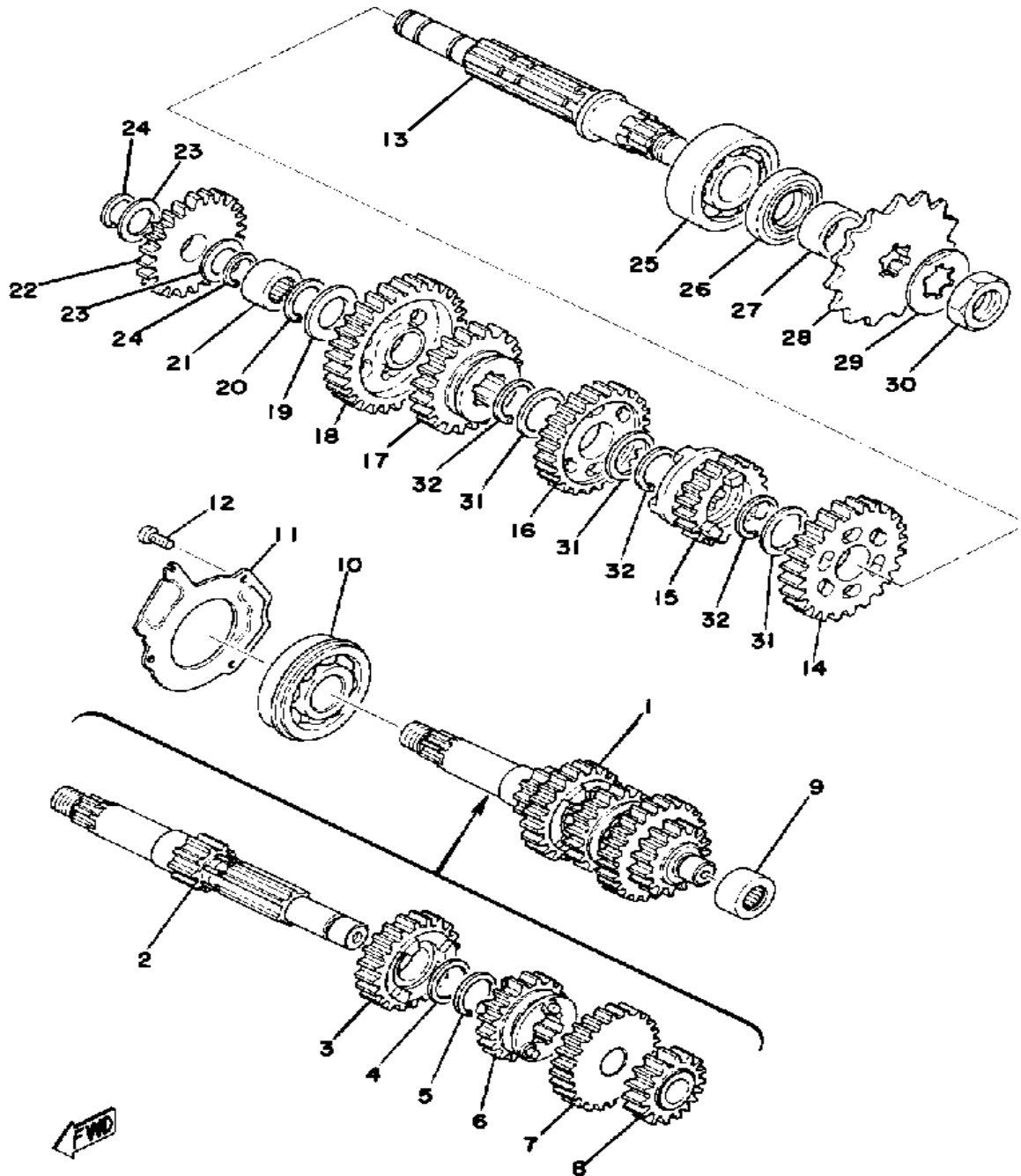
FWD

CLUTCH



Ref. No.	Part Number	Description	Qty	Remarks
1	(559-16301-00-00)	CLUTCH ASSEMBLY	1	
2	525-16150-00-00	. PRI DRVN GEARGEAR (74T)	1	
3	122-16164-00-00	. PLATE, THRUST 2	1	
4	525-16371-02-00	. BOSS, CLUTCH	1	
5	307-16467-00-00	. UNAVAILABLE IN PRICE BOOK	5	
6	559-16321-01-00	. PLATE, FRICTION	5	M5-078
7	137-16325-70-00	. PLATE, CLUTCH 2	4	
8	525-16351-00-00	. PLATE, PRESSURE 1	1	
9	90501-20361-00	. SPRING, COMPRESSION	5	
10	90119-05001-00	. BOLT, WITH WASHER	5	
11	137-16356-00-00	ROD, PUSH 1	1	
12	90170-12060-00	NUT	1	
13	90215-12211-00	WASHER, LOCK (90215-12007)	1	
14	90560-17147-00	SPACER	1	
15	90201-174E1-00	WASHER, PLATE	1	
16	1W1-16357-00-00	. ROD, PUSH 2	1	USE WITH 93503-16010
	93503-16010-00	. BALL	1	
	99999-00910-00	PUSH ROD ASSEMBLY	1	
17	525-16380-00-00	PUSH LEVER ASSEMBLY	1	
18	90508-14132-00	SPRING, TORSION	1	
19	90201-14217-00	WASHER, PLATE	1	
20	93104-14059-00	OIL SEAL, SO-TYPE	1	
21	90149-12097-00	SCREW	1	
22	93210-10096-00	O-RING	1	
23	90179-12197-00	NUT	1	
24	93503-16010-00	BALL	1	USE WITH 1W1-16257-00

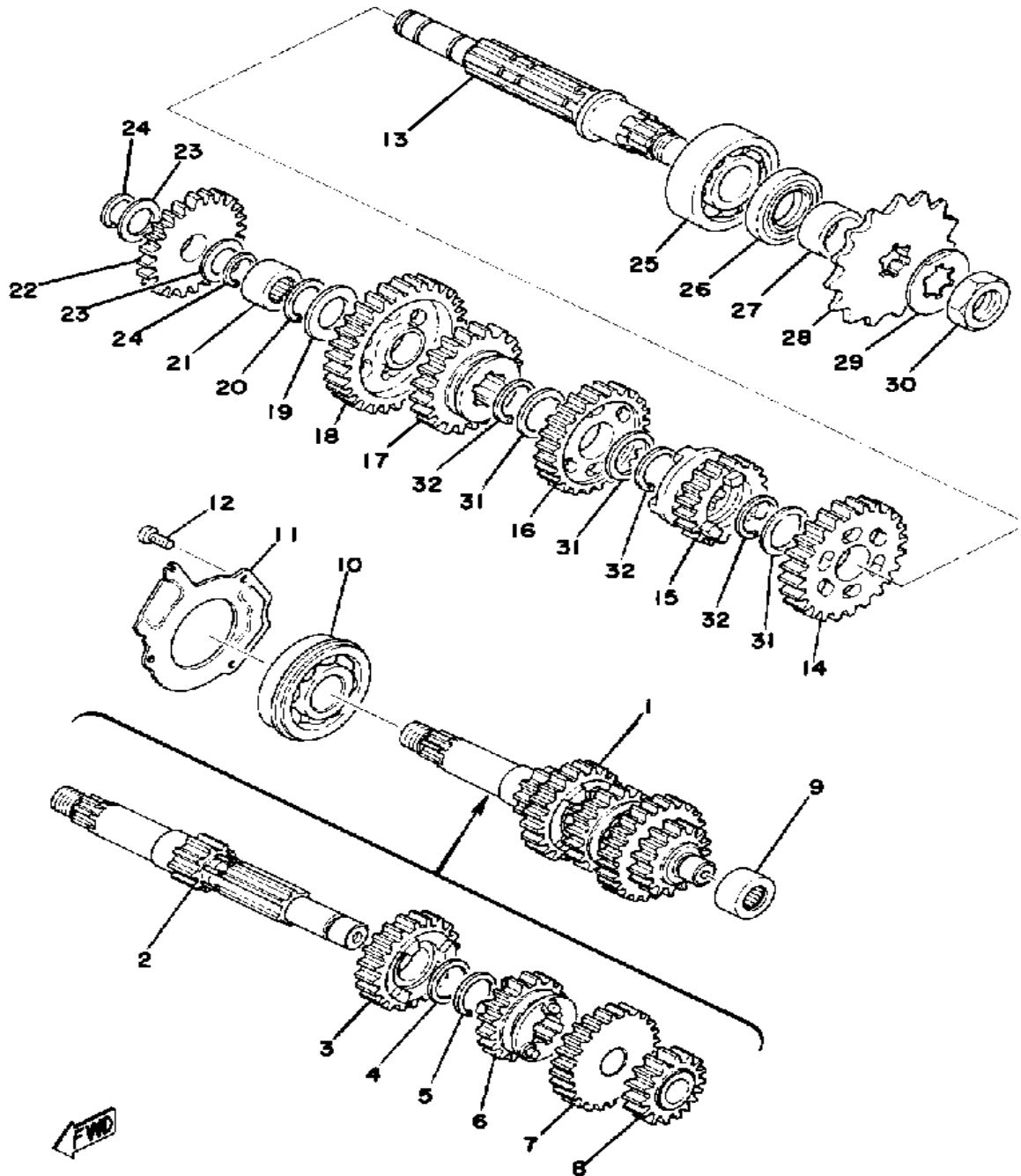
TRANSMISSION



Ref. No.	Part Number	Description	Qty	Remarks
1	(559-17410-00-00)	MAIN AXLE	1	
2	559-17411-01-00	. AXLE, MAIN	1	
3	(437-17141-00-00)	GEAR, 4TH PINION	1	
4	90201-20266-00	. WASHER, PLATE (1.0T)	1	
5	93410-20038-00	. CIRCLIP	1	
6	427-17131-00-00	. GEAR, 3RD PINION (19T)	1	
7	437-17151-00-00	. GEAR, 5TH PINION (25T)	1	
8	437-17121-02-00	. GEAR, 2ND PINION	1	
9	93315-31502-00	BEARING	1	
10	(93306-30414-00)	BEARING	1	
11	401-17471-00-00	PLATE, COVER	1	
12	98480-05012-00	UNAVAILABLE IN PRICE BOOK (98503-05012)	3	
13	558-17421-00-00	AXLE, DRIVE	1	
14	427-17221-00-00	GEAR, 2ND WHEEL (30T)	1	
15	437-17251-00-00	GEAR, 5TH WHEEL (20T)	1	
16	427-17231-00-00	GEAR, 3RD WHEEL (26T)	1	
17	248-17241-00-00	GEAR, 4TH WHEEL (23T)	1	
18	248-17211-00-00	GEAR, 1ST WHEEL (35T)	1	
19	164-17427-00-06	SHIM 1 (0.6T)	1	
20	93440-15012-00	CIRCLIP	1	
21	93311-31567-00	BEARING, CYLINDRICAL	1	
22	525-15651-00-00	GEAR, KICK IDLE (25T)	1	
23	137-17417-00-05	SHIM 1 (0.5T)	2	
24	93440-15012-00	CIRCLIP	2	
25	93306-30421-00	BEARING (B6304C3)	1	
26	93102-26042-00	OIL SEAL	1	
27	90387-20491-00	COLLAR	1	
28	93822-15065-00	SPROCKET, DRIVE 15T (1741746150)	1	U.R.

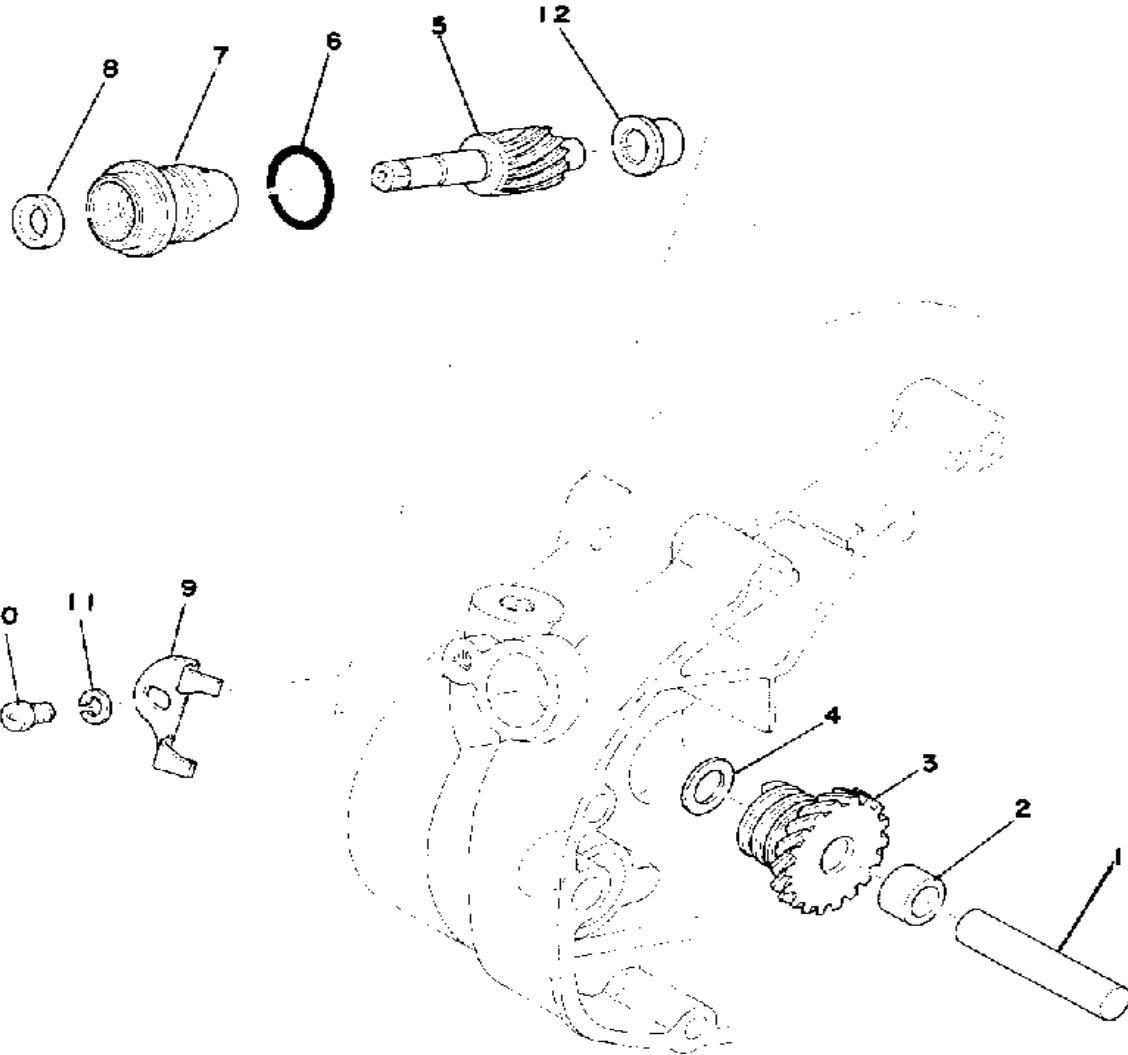
CONTINUED ON NEXT FRAME ➤

TRANSMISSION



Ref. No.	Part Number	Description	Qty	Remarks
28	93822-16093-00	SPROCKET, DRIVE	1	U.R. STD
	93822-17117-00	SPROCKET, DRIVE	1	U.R.
29	90215-16020-00	WASHER, LOCK	1	
30	90179-15018-00	UNAVAILABLE IN PRICE BOOK	1	
31	90201-20266-00	WASHER, PLATE (1.0T)	3	
32	93410-20038-00	CIRCLIP	3	

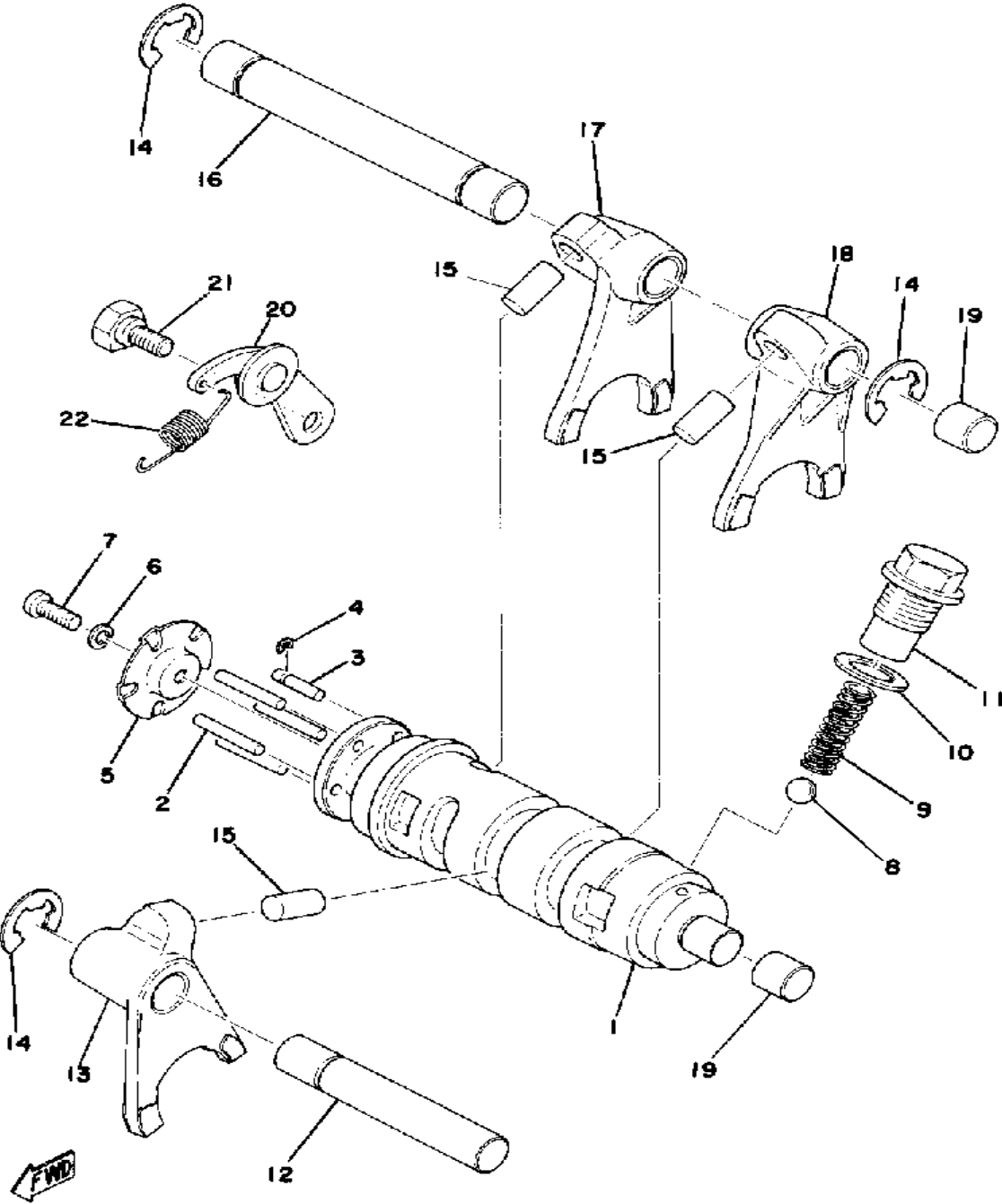
TACHOMETER GEAR



Ref. No.	Part Number	Description	Qty	Remarks
1	(248-17861-00-00)	AXLE, DRIVE GEAR	1	
2	(276-17839-10-00)	COLLAR, DISTANCE	1	
3	443-17831-02-00	GEAR, DRIVE	1	
4	248-17837-00-00	SHIM	1	
5	443-17841-00-00	GEAR, DRIVEN	1	
6	93210-16314-00	O-RING	1	
7	438-17811-01-00	HOUSING, TACH GEAR	1	
8	93104-07036-00	OIL SEAL, SO-TYPE	1	
9	438-17812-00-00	STOPPER	1	
10	98580-06010-00	SCREW, PAN HEAD (92503-06010)	1	
11	92995-06100-00	WASHER, SPRING	1	
12	90381-08002-00	BUSHING (214-17843-00)	1	

FWD

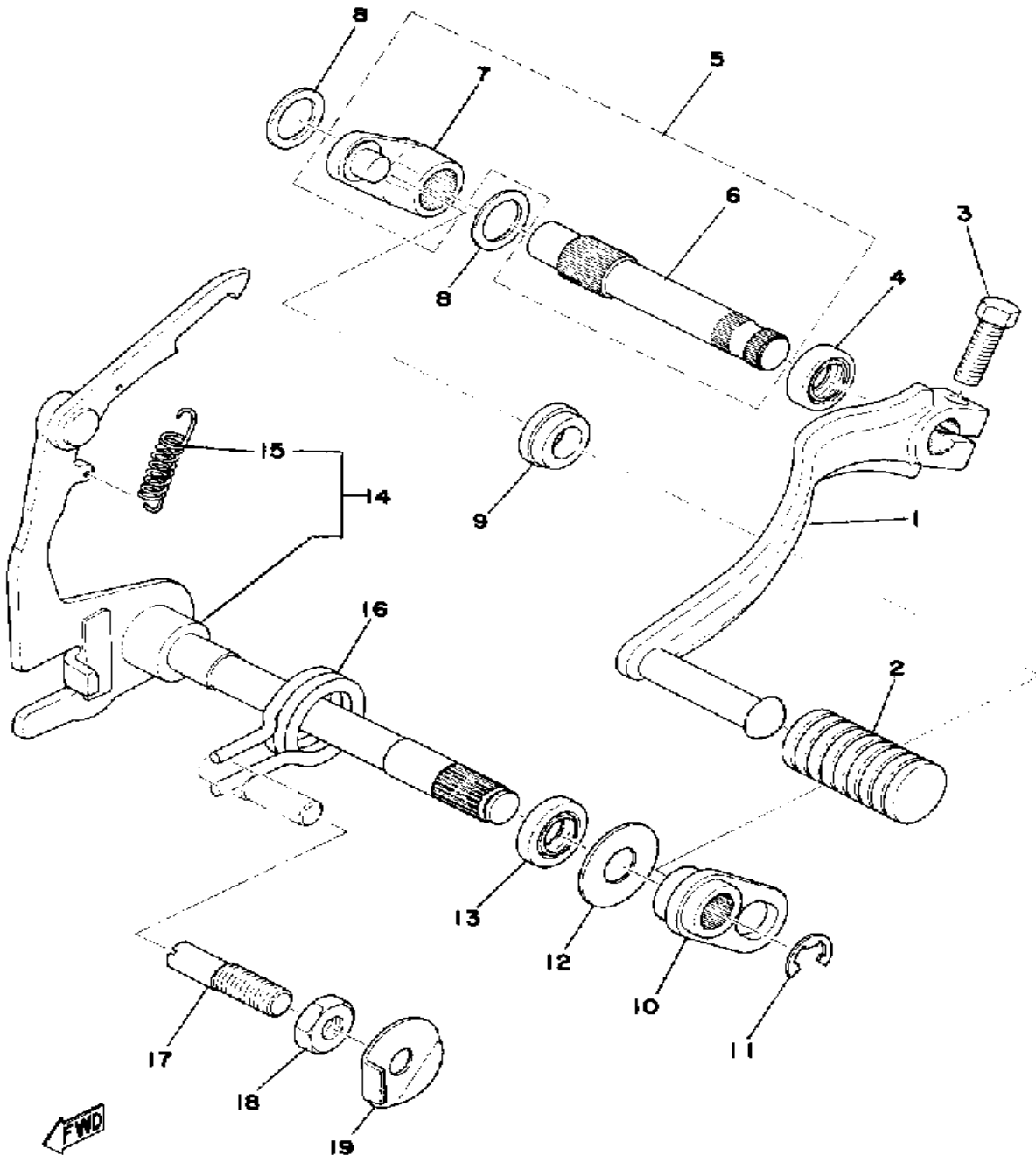
SHIFT CAM-FORK



Ref. No.	Part Number	Description	Qty	Remarks
1	401-18540-00-00	SHIFT CAM ASSEMBLY	1	
2	93604-22050-00	PIN, DOWEL	4	
3	90249-04039-00	PIN, SPEC'L SHAPE (174-18544-00)	1	
4	93430-03014-00	CIRCLIP, E-TYPE	1	
5	164-18561-00-00	PLATE, SIDE 1	1	
6	92990-05100-00	WASHER, SPRING	1	
7	98580-05012-00	SCREW, PAN HEAD		
8	93505-16006-00	BALL	1	
9	90501-12083-00	SPRING, COMPRESSION (174-18558-00)	1	
10	137-15353-00-00	GASKET, DRAIN	1	
11	90109-14385-00	BOLT	1	
12	(248-18531-00-00)	BAR, SHIF FRK GDE 1	1	
13	463-18512-00-00	FORK, SHIFT 2	1	
14	93430-10017-00	CIRCLIP	3	
15	90250-08017-00	PIN, STRAIGHT	3	
16	214-18531-00-00	BAR, SHIFT FORK GUIDE 1	1	
17	463-18513-00-00	FORK, SHIFT 3	1	
18	463-18511-00-00	FORK, SHIFT 1	1	
19	214-15385-00-00	PLUG, BLIND	2	
20	132-18140-01-00	STOPPER LEVER ASSEMBLY	1	
21	90109-06001-00	BOLT	1	
22	90506-09112-00	SPRING, TENSION	1	

R.

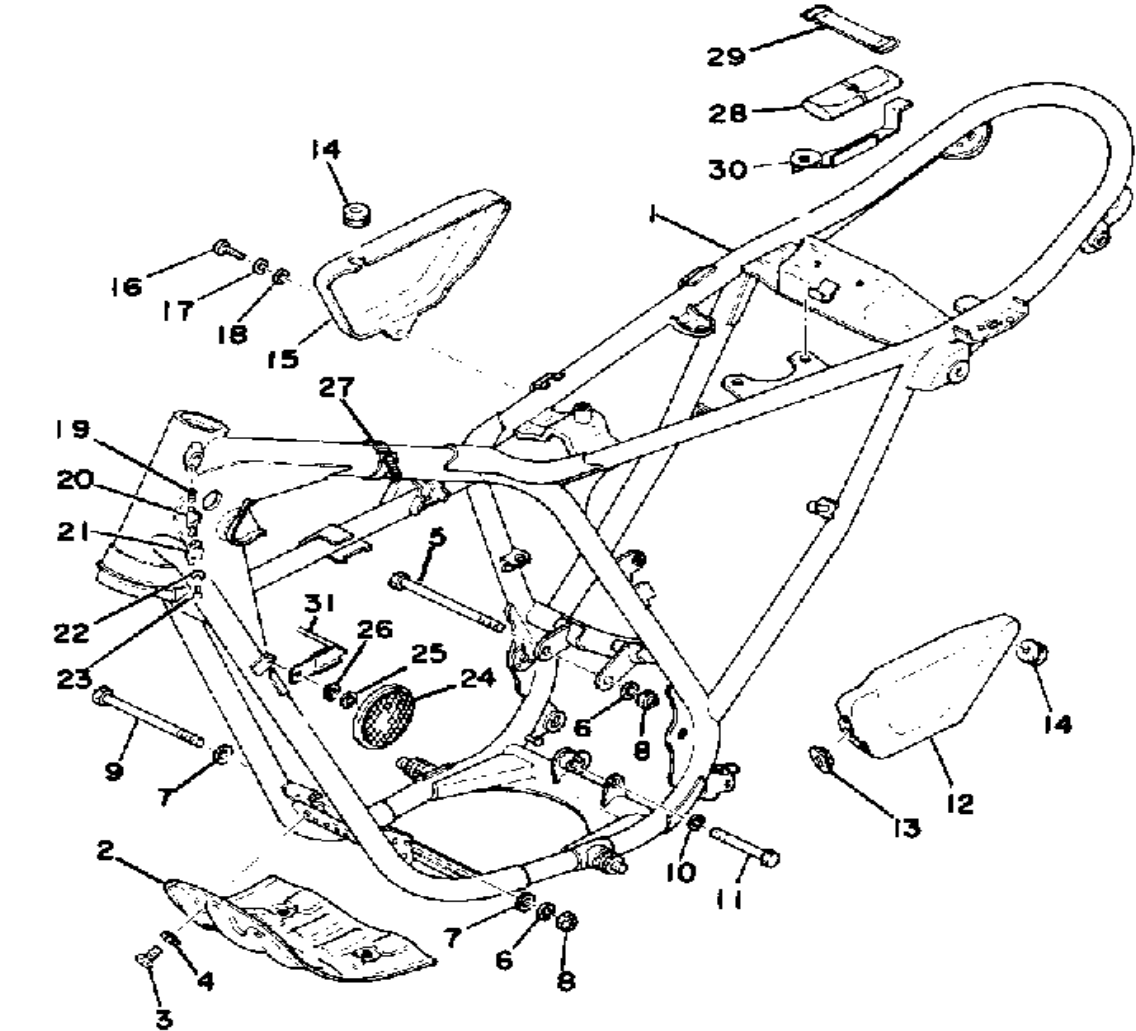
SHIFT SHAFT



Ref. No.	Part Number	Description	Qty	Remarks
1	1X0-18111-00-00	PEDAL, SHIFT	1	
2	132-18113-01-00	COVER, SHIFT PEDAL	1	
3	97011-06020-00	BOLT	1	
4	93109-12012-00	OIL SEAL	1	
5	401-18102-01-00	SHIFT SHAFT ASSEMBLY 2 ..	1	
6	401-18155-02-00	. SHAFT, SHIFT 2	1	
7	401-18151-00-00	. LEVER, SHIFT 3	1	
8	401-18334-00-00	SHIM	2	
9	401-18178-00-00	ROLLER, SHIFT LEVER	1	
10	401-18152-01-00	LEVER, SHIFT 4	1	
11	99001-08600-00	CIRCLIP	1	
12	90201-12575-00	WASHER, PLATE	1	
13	93101-12060-00	OIL SEAL	1	
14	558-18101-00-00	SHIFT SHAFT ASSEMBLY	1	
15	90506-09009-00	. SPRING, TENSION	1	
16	90508-32207-00	SPRING, TORSION (132-18124-00)	1	
17	90149-08094-00	SCREW	1	
18	90170-08029-00	NUT	1	
19	90215-08014-00	WASHER, LOCK	1	

FRAME-SIDE COVER

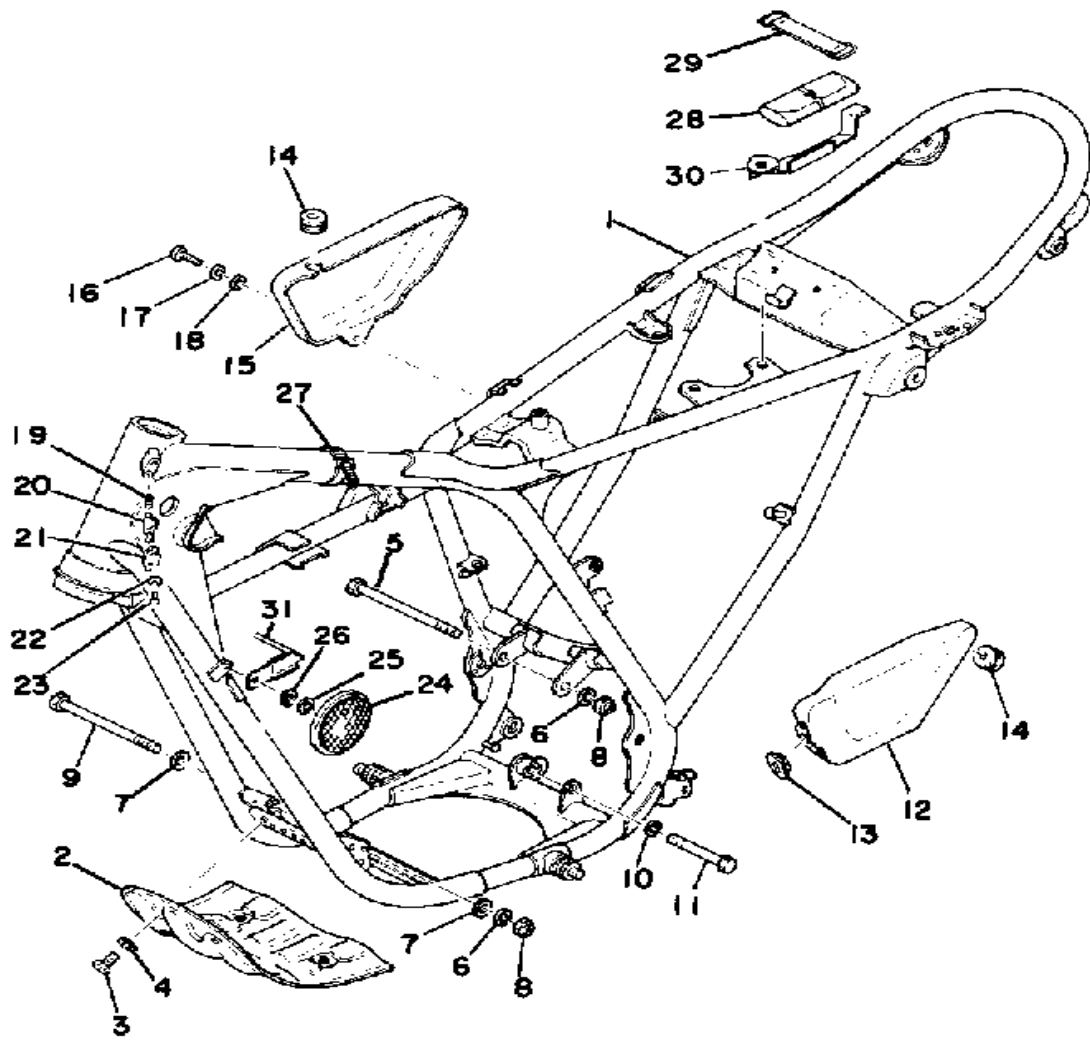
Ref. No.	Part Number	Description	Qty	Remarks
1	(559-21110-01-33)	FRAME	1	YAMAHA BLK
2	(401-21471-00-90)	PROTECTOR, ENGINE	1	YAMAHA BLK
3	97013-06012-00	BOLT	4	
4	90201-061A5-00	WASHER, PLATE	4	
5	90105-08120-00	BOLT, WASHER BASED	1	
6	92990-08100-00	WASHER	2	
7	90209-08050-00	WASHER, SPEC'L SHAP	2	
8	90185-08089-00	NUT, SELF-LOCKING	2	
9	90105-08024-00	BOLT, WASHER BASED	1	
10	92990-10100-00	WASHER, SPRING	1	
11	90105-10037-00	BOLT, WASHER BASED	1	
12	437-21710-00-00	SIDE COVER ASSEMBLY 1 ...	1	
13	437-21717-10-00	DAMPER	1	
14	90480-12053-00	GROMMET	2	
15	437-21721-00-00	COVER, SIDE 2	1	
16	98503-06014-00	SCREW, PAN HEAD (92502-06016)	1	
17	92995-06100-00	WASHER, SPRING	1	
18	92990-06200-00	WASHER	1	
19	90502-08005-00	SPRING, CONICAL (214-23485-00)	1	
20	341-23408-01-00	STEERING LOCK ASSEMBLY (214-23480-00)	1	
21	(134-23484-10-00)	CAP, HANDLE LOCK	1	
22	90206-04003-00	WASHER, WAVE (214-23488-00)	1	
23	90269-04003-00	RIVET	1	
24	355-85111-01-00	REFLECTOR, FRONT 1	2	
25	92990-05100-00	WASHER, SPRING	2	
26	92901-05600-00	WASHER, PLATE	2	
27	341-26397-01-00	BAND	2	



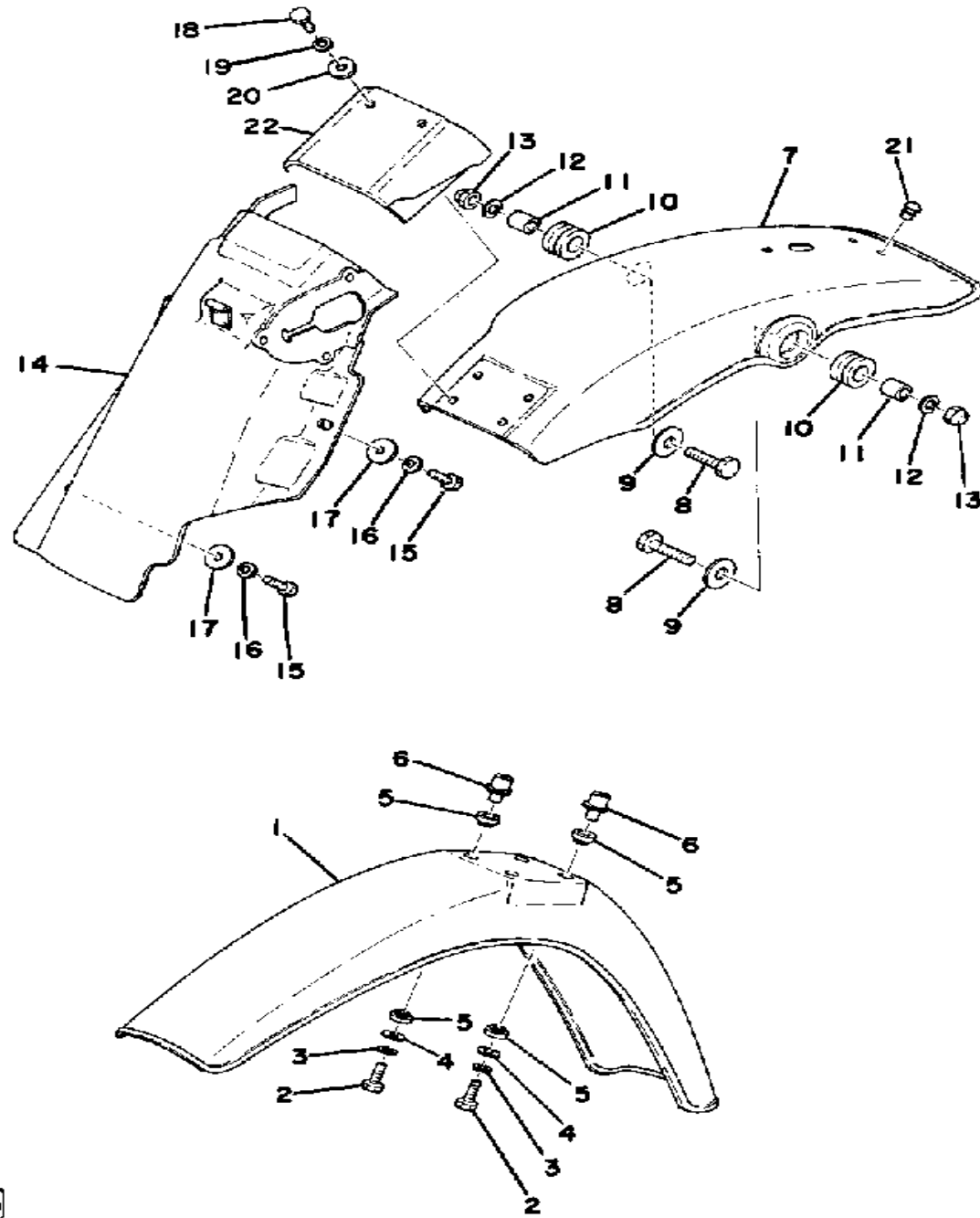
CONTINUED ON NEXT FRAME ►

FRAME-SIDE COVER

Ref. No.	Part Number	Description	Qty	Remarks
28	1E7-W2810-00-00	TOOL KIT (1V1-28100-00)	1	
29	122-82131-00-00	BAND, BATTERY	1	
30	558-28175-00-00	UNAVAILABLE IN PRICE BOOK	1	
31	(559-26393-00-00)	HOLDER	1	



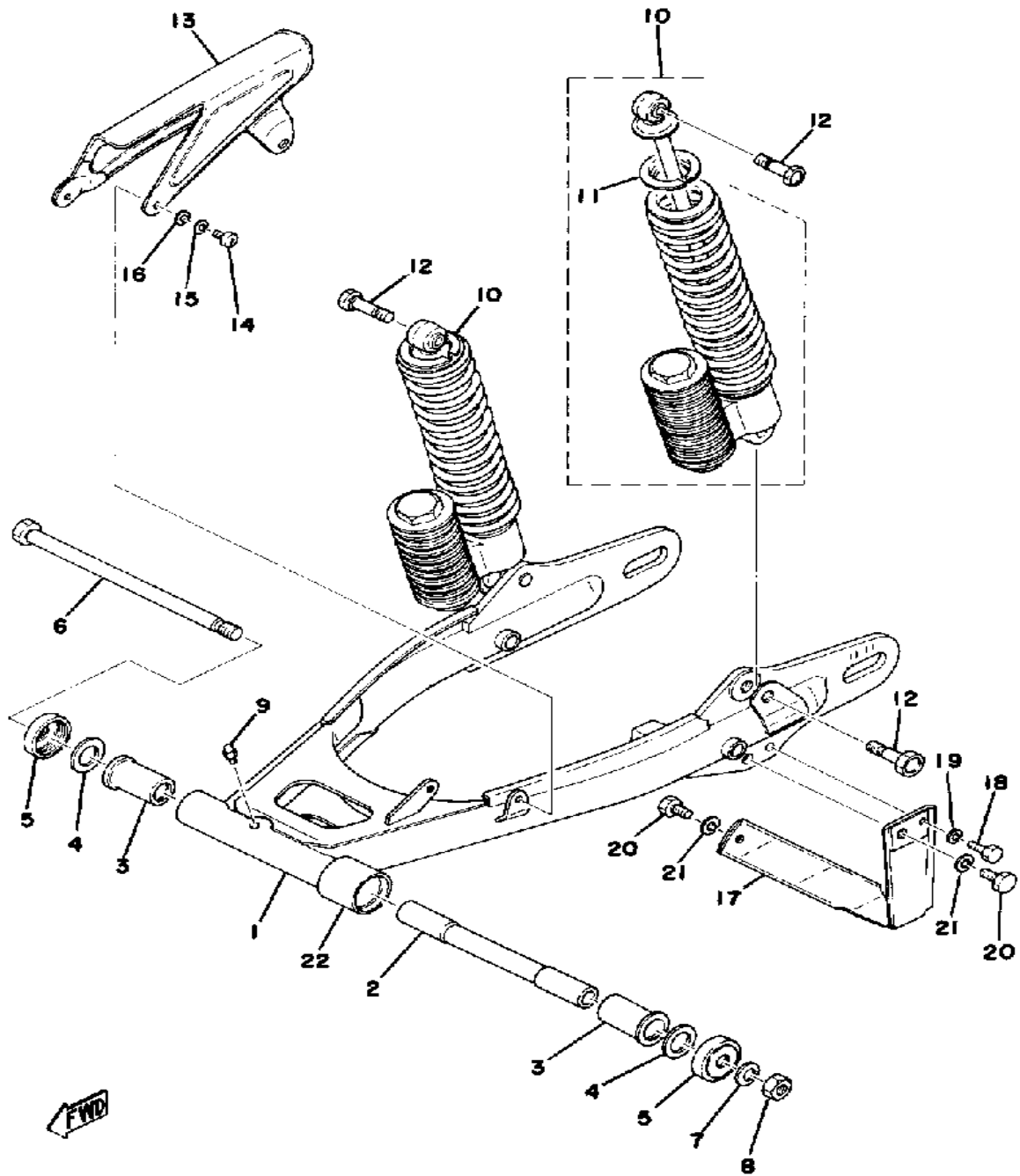
FENDER



Ref. No.	Part Number	Description	Qty	Remarks
1	401-21511-01-20	FENDER, FRONT	1	CRYSTAL SILVER
2	97013-06035-00	BOLT	4	
3	92995-06100-00	WASHER, SPRING	4	
4	90201-06067-00	WASHER, PLATE	4	
5	322-21541-00-00	DAMPER 1	8	
6	(558-21544-00-00)	COLLAR 1	4	
7	(437-21610-00-20)	FENDER, REAR	1	CRYSTAL SILVER
8	97313-08035-00	BOLT, HEXAGON	2	
9	90201-08753-00	WASHER, PLATE	2	
10	168-21639-00-00	DAMPER 2	2	
11	90387-08258-00	COLLAR	2	
12	92990-08100-00	WASHER	2	
13	95303-08800-00	NUT (CROWN) (95301-08800) .	2	
14	(558-21620-01-00)	GUARD, MUD	1	
15	97313-06016-00	BOLT, HEXAGON	2	
16	92995-06100-00	WASHER, SPRING	2	
17	90201-06067-00	WASHER, PLATE	2	
18	97313-06016-00	BOLT, HEXAGON	2	
19	92995-06100-00	WASHER, SPRING	2	
20	90201-061A5-00	WASHER, PLATE	2	
21	(378-21279-00-00)	PLUG, BLIND	2	M5-078
22	(559-21612-00-00)	BRACKET, RR FENDER	1	

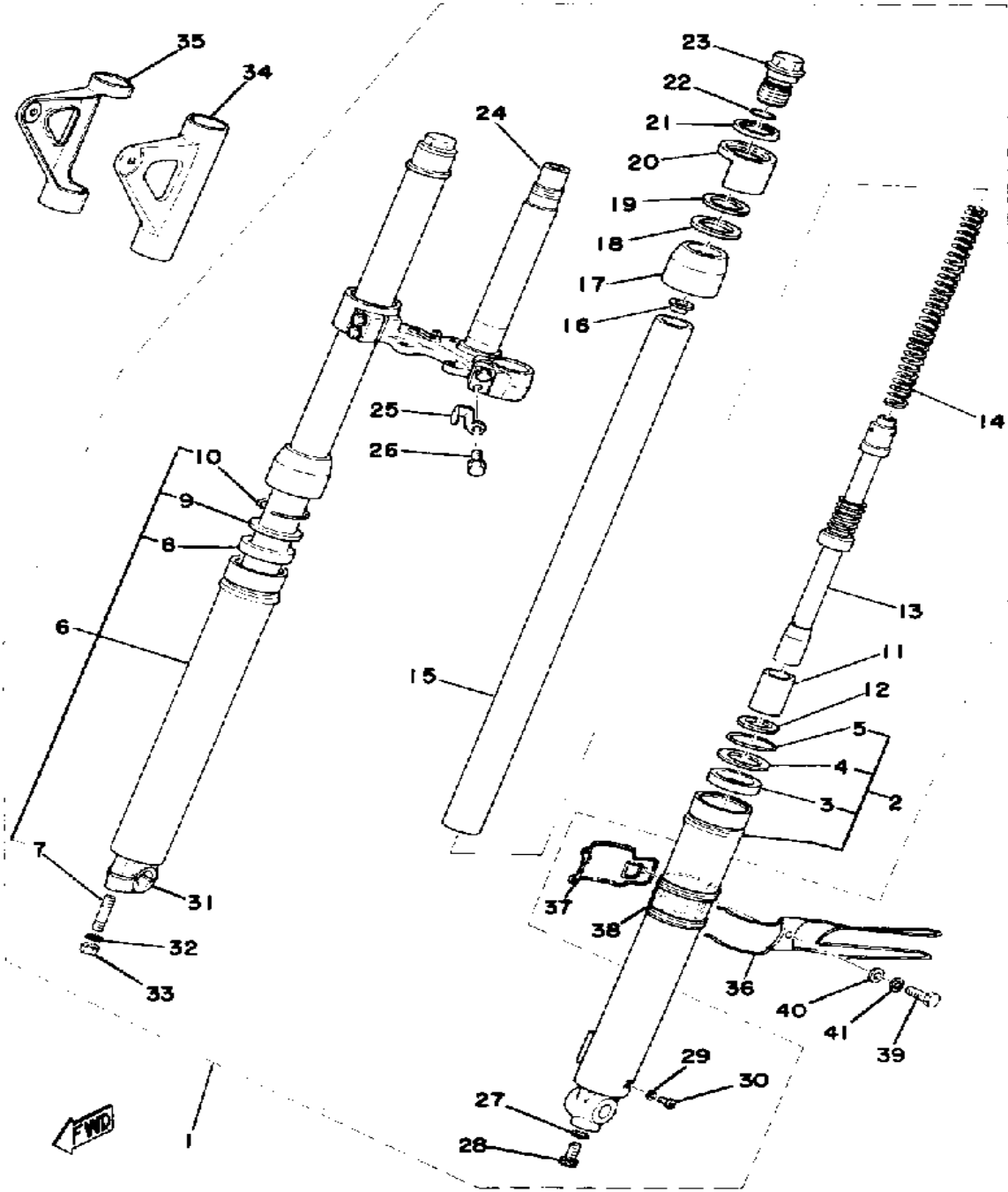
FWD

SWING ARM-REAR SHOCKS-CHAIN CASE



Ref. No.	Part Number	Description	Qty	Remarks
1	(559-22110-00-33)	REAR ARM	1	YAMAHA BLK
2	90389-12002-00	BUSH, SPEC'L SHAPE	1	
3	90386-18028-00	BUSH	2	
4	401-22127-00-00	SHIM	1	
5	401-22128-01-00	SEAL, GUARD	2	
6	401-22141-00-00	SHAFT, PIVOT	1	
7	92901-12100-00	WASHER, SPRING	1	
8	90170-12175-00	NUT	1	
9	93700-06005-00	NIPPLE, GREASE	1	
10	(99999-01337-00) 559-22210-09-00	REAR CUSHION ASSEMBLY .. . UNAVAILABLE IN PRICE BOOK	2 2	
11	(322-22212-20-00)	SPRING	2	
12	90109-10195-00	BOLT	4	
13	(437-22311-02-33)	CASE, CHAIN	1	YAMAHA BLK
14	98580-05010-00	SCREW, PAN HEAD	3	
15	92990-05100-00	WASHER, SPRING	3	
16	92990-05200-00	WASHER, PLAIN	3	
17	(248-22318-00-33)	GUARD, CHAIN	1	YAMAHA BLK
18	97001-06018-00	BOLT	1	
19	92995-06100-00	WASHER, SPRING	1	
20	97313-08018-00	BOLT, HEXAGON (97301-08016)	2	
21	92990-08100-00	WASHER	2	
22	443-22151-00-00	SEAL, GUARD	1	

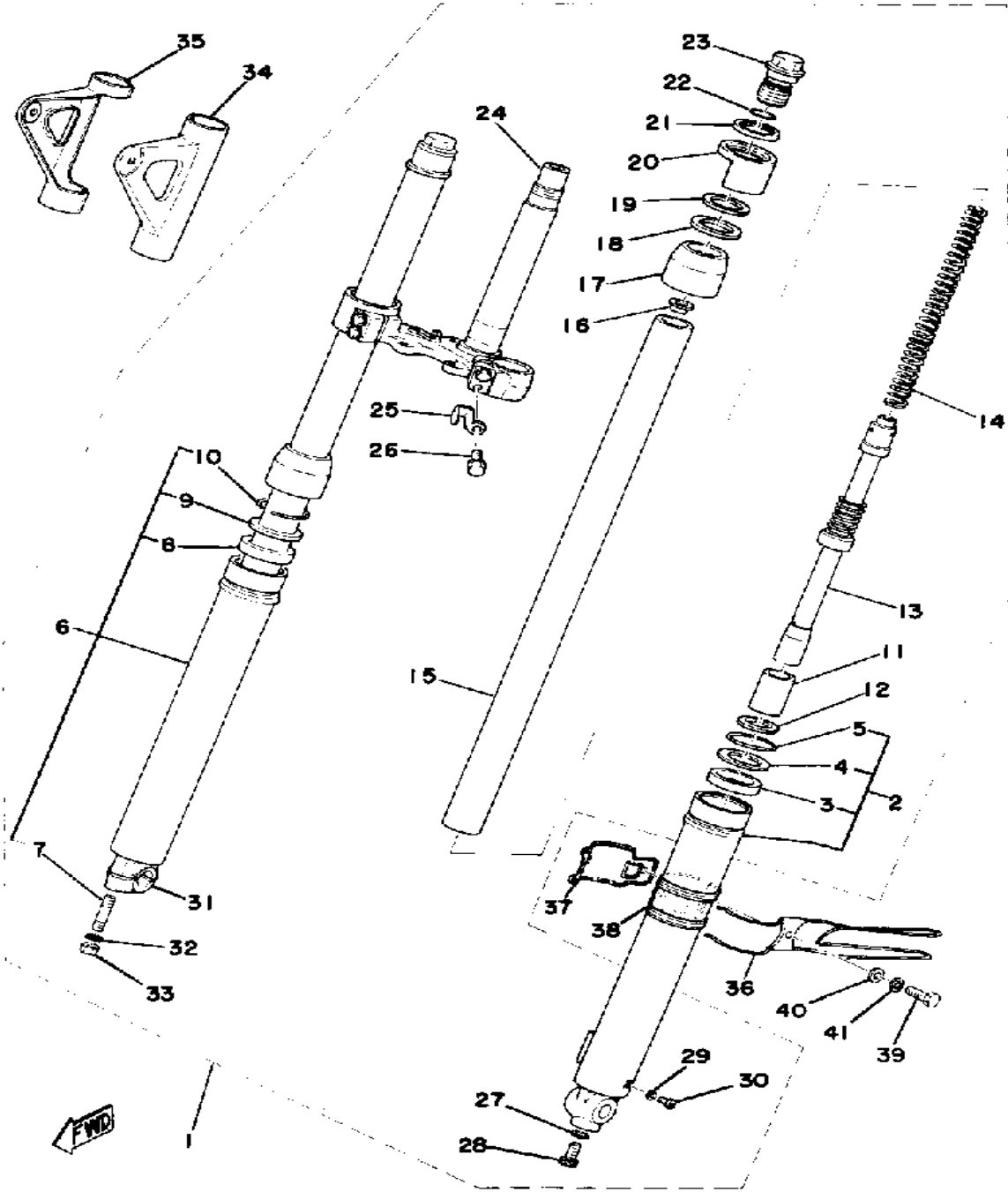
FRONT FORK



Ref. No.	Part Number	Description	Qty	Remarks
1	(559-23101-00-00)	FRONT FORK ASSEMBLY	1	
2	(559-23126-00-00)	TUBE, OUTER 1	1	
3	137-23145-01-00	.. OIL SEAL	1	
4	(315-23146-50-00)	WASHER, OIL SEAL	1	
5	(315-23156-50-00)	CLIP, OIL SEAL	1	
6	(559-23136-00-00)	TUBE, OUTER 2	1	
7	90116-08261-00	.. BOLT, STUD	2	
8	137-23145-01-00	.. OIL SEAL	1	
9	(315-23146-50-00)	WASHER, OIL SEAL	1	
10	(315-23156-50-00)	CLIP, OIL SEAL	1	
11	(535-23171-00-00)	PISTON, FRONT FORK	2	
12	(535-23183-01-00)	CIRCLIP	2	
13	(525-23170-00-00)	CYLINDER, FRTRFK	2	
14	(559-23141-00-00)	SPRING, FRONT FORK	2	
15	(525-23124-00-00)	TUBE, INNER 1	2	
16	(304-23142-50-00)	SEAT, SPRING UPPER	2	
17	535-23144-00-00	. SEAL, DUST	2	
18	437-23165-00-00	. UNAVAILABLE IN PRICE BOOK	2	
19	(437-23161-00-00)	WASHER, LIGHT STAY	2	
20	(304-23122-50-00)	COVER, OUTER 1	2	
21	(248-23115-01-00)	GUIDE, COVER UPPER	2	
22	146-23114-00-00	. GASKET	2	
23	(2K5-23111-00-00)	BOLT, CAP	2	
24	(559-23340-00-33)	UNDER BRACKET	1	YAMAHA BLK
25	(256-23318-60-00)	HOLDER, CABLE 1	1	
26	18G-23128-00-00	. BOLT, W/WASHER	4	
27	(214-23158-00-00)	GASKET	2	
28	91311-08020-00	. BOLT, SOCKET HEAD	2	

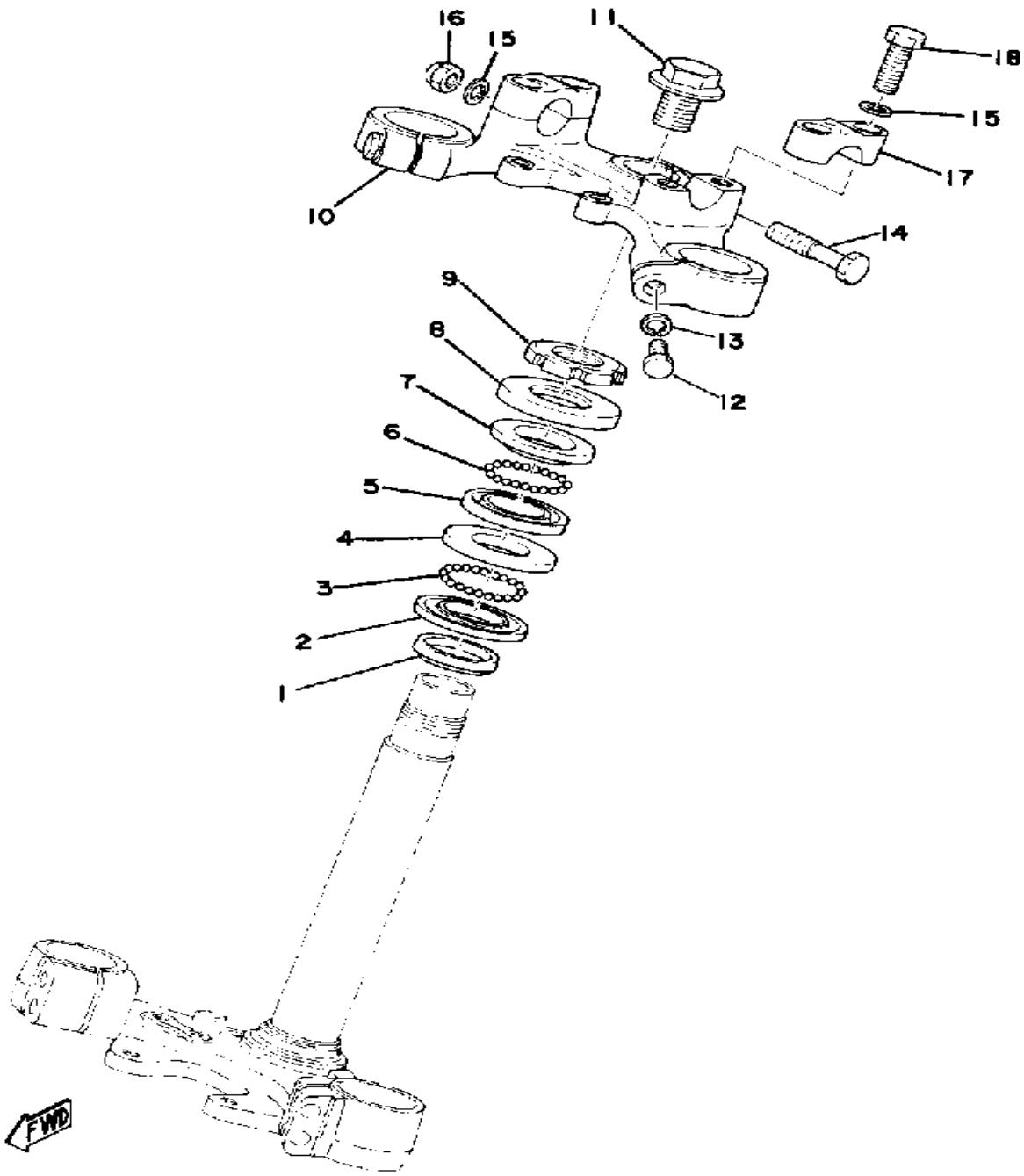
CONTINUED ON NEXT FRAME ►

FRONT FORK



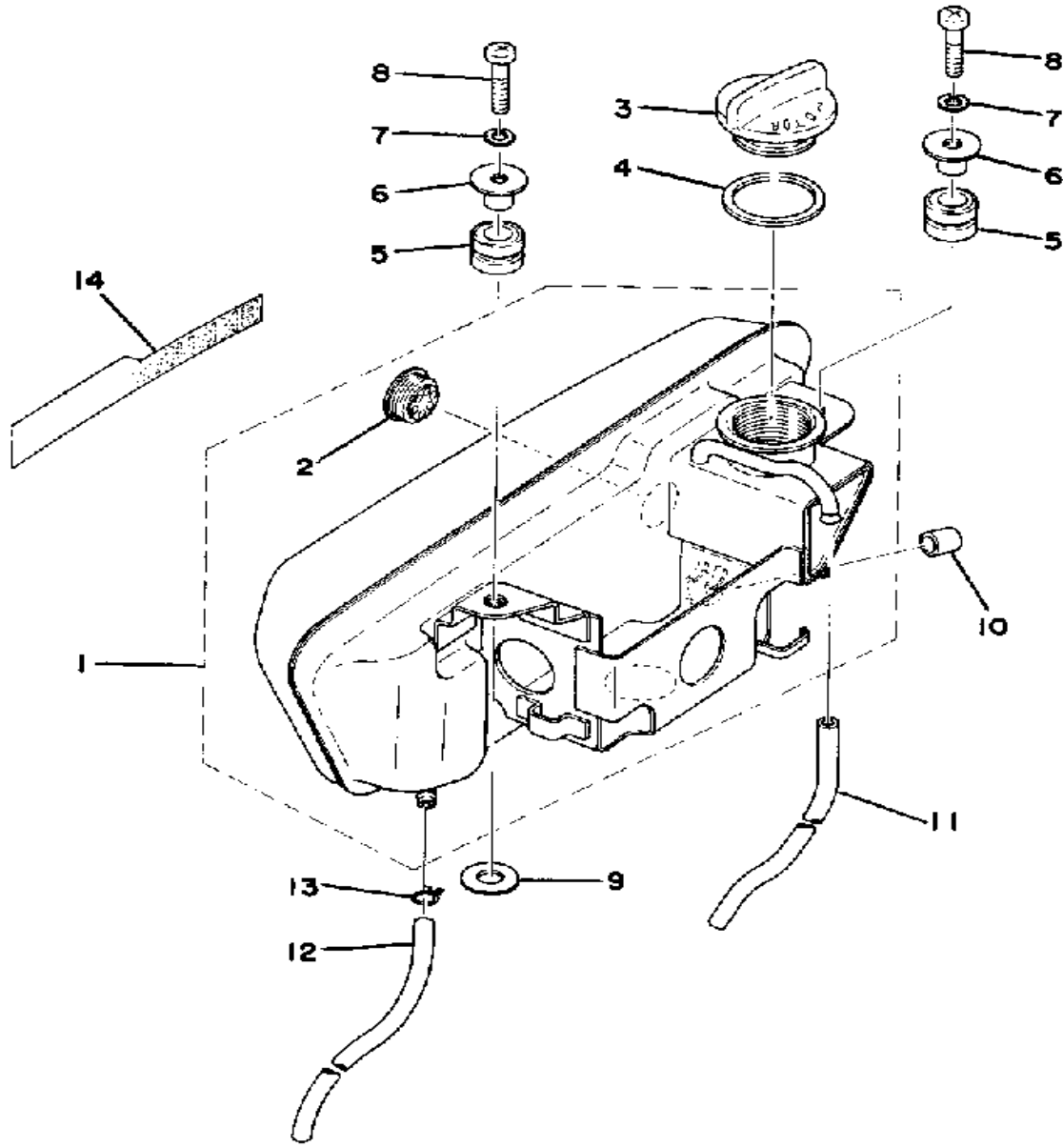
Ref. No.	Part Number	Description	Qty	Remarks
29	122-23129-00-00	. GASKET, DRAIN PLUG	2	
30	98580-04008-00	. SCREW, PAN HEAD	2	
31	315-23167-51-00	. HOLDER, AXLE	1	
32	92990-08100-00	. WASHER	2	
33	(90170-08176-00)	NUT, HEXAGON	2	
34	(438-23121-00-20)	COVER, UPPER 1	1	CRYSTAL SILVER
35	(438-23131-00-20)	COVER, UPPER 2	1	CRYSTAL SILVER
36	(559-23318-00-00)	HOLDER, CABLE 1	1	
37	(559-23319-00-00)	HOLDER, CABLE 2	1	
38	559-21541-00-00	DAMPER 1	1	
39	97011-06025-00	BOLT (97001-06025)	1	
40	90201-061A5-00	WASHER, PLATE	1	
41	92995-06100-00	WASHER, SPRING	1	

STEERING



Ref. No.	Part Number	Description	Qty	Remarks
1	164-23462-00-00	SEAL, STEERING	1	
2	156-23411-00-00	RACE, BALL 1	1	
3	93501-04011-00	BALL	19	
4	156-23412-00-00	RACE, BALL 2	1	
5	22F-23412-01-00	RACE, BALL 2	1	
6	93503-16010-00	BALL	22	
7	22F-23411-01-00	RACE, BALL 1	1	
8	122-23416-00-00	COVER, BALL RACE 2	1	
9	90179-25033-00	NUT	1	
10	(443-23435-00-33)	CROWN, HANDLE	1	YAMAHA BLK
11	90105-14136-00	BOLT, WASHER BASED	1	
12	97013-10030-00	BOLT (8J7) (97303-10030)	2	
13	92990-10100-00	WASHER, SPRING	2	
14	97313-08045-00	BOLT	1	
15	92990-08100-00	WASHER	5	
16	95303-08800-00	NUT (CROWN) (95301-08800)	1	
17	401-23441-00-98	HOLDER, HANDLE UPR	2	YAMAHA BLK
18	97013-08025-00	BOLT	4	

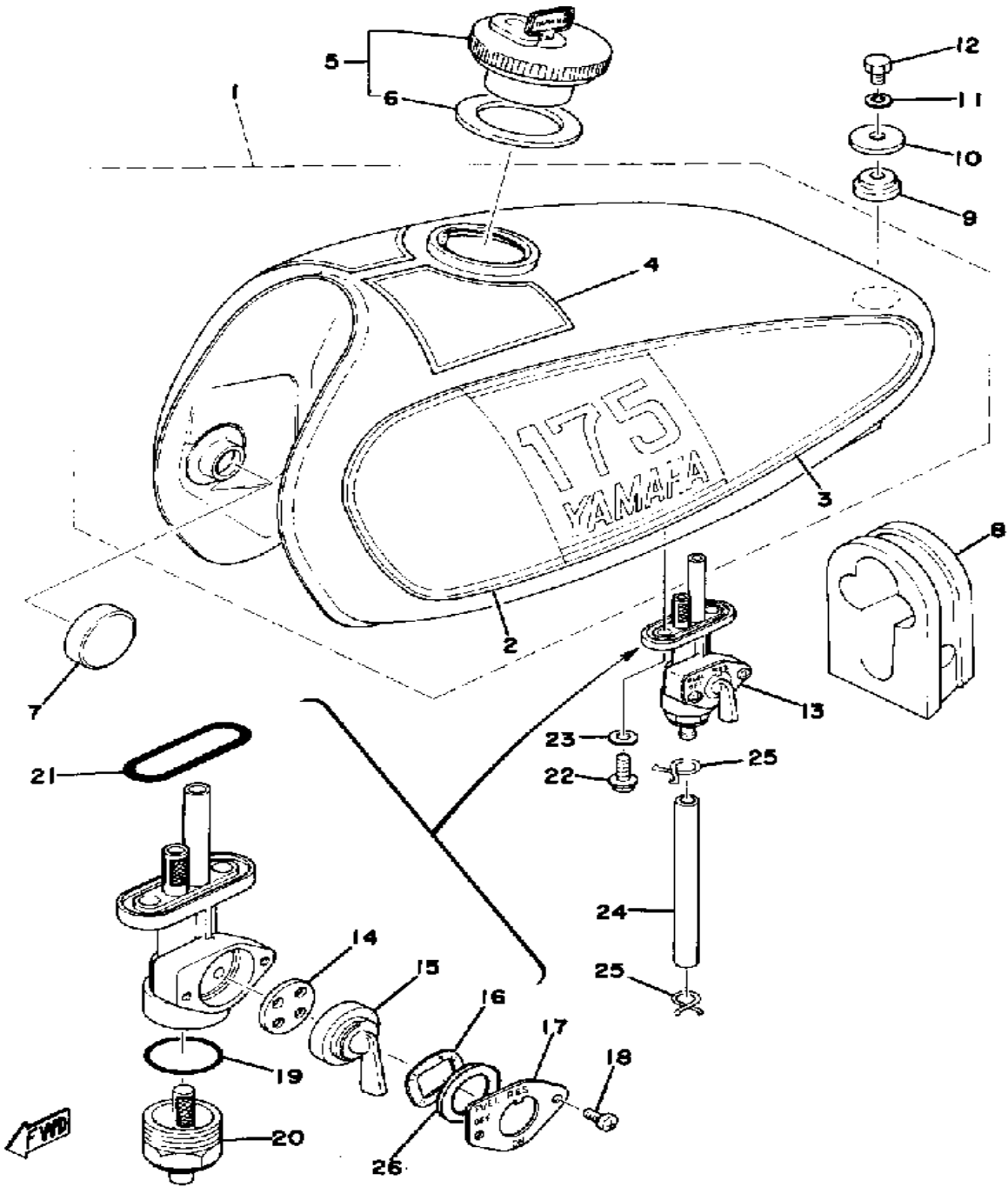
OIL TANK



Ref. No.	Part Number	Description	Qty	Remarks
1	(558-21705-01-G3)	OIL TANK ASSEMBLY	1	FRENCH BLUE M5-078
2	360-21761-00-00	. GAUGE, LEVEL	1	
3	214-21771-00-00	BODY, CAP	1	
4	90430-29114-00	GASKET	1	
5	90480-14023-00	GROMMET	2	
6	90387-07391-00	COLLAR	2	
7	92995-06100-00	WASHER, SPRING	2	
8	98511-06025-00	SCREW PAN HEAD (92501-06025)	2	
9	90201-06067-00	WASHER, PLATE	1	
10	437-21779-00-00	DAMPER, LOCATING 2	1	
11	90446-09232-00	HOSE	1	
12	90445-09107-00	HOSE	1	
13	90467-08003-00	CLIP	1	
14	(498-21787-01-00)	EMBLEM 7	1	

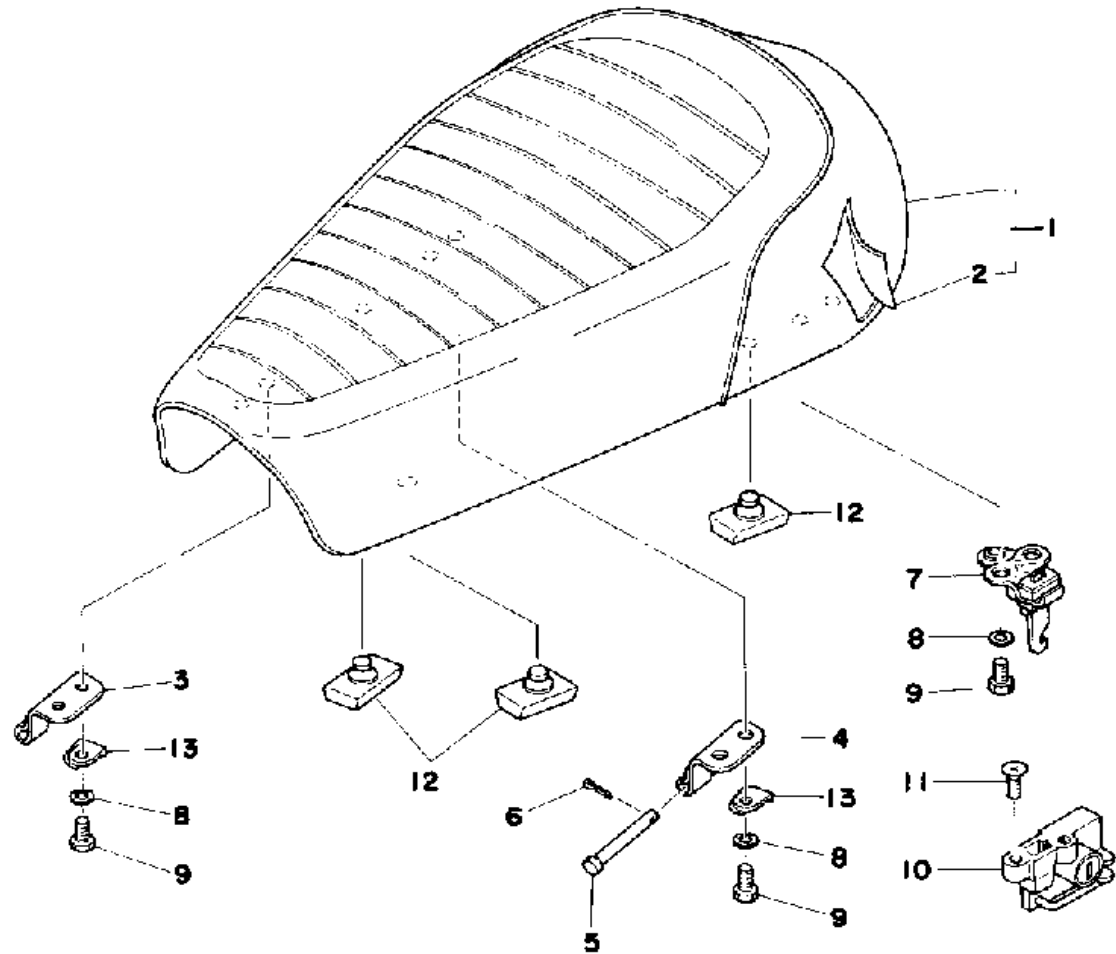
FWD

FUEL TANK



Ref. No.	Part Number	Description	Qty	Remarks
1	(558-24110-00-02)	FUEL TANK	1	FRENCH BLUE
2	(558-24244-00-00)	GRAPHIC, FUEL TNK 1	1	
	(558-24245-00-00)	GRAPHIC, FUEL TNK 2	1	
3	(559-24246-00-00)	GRAPHIC, FUEL TNK 3	1	
	(559-24247-00-00)	GRAPHIC, FUEL TNK 4	1	
4	(558-24254-00-00)	GRAPHIC, FUEL TNK 7	1	
	(558-24255-00-00)	GRAPHIC, FUEL TNK 8	1	
5	3FR-24602-00-00	CAP ASSEMBLY.	1	
6	498-24612-00-00	. GASKET, CAP	1	
7	278-24181-00-00	DAMPER, LOCATING 1	2	
8	(401-24183-00-00)	DAMPER, LOCATING 3	1	
9	(90480-25189-00)	GROMMET	1	
10	90209-08098-00	WASHER, SPEC'L SHAP	1	
11	92990-08100-00	WASHER	1	
12	97313-08018-00	BOLT, HEXAGON (97301-08016)	1	
13	558-24500-01-00	FUEL COCK ASSEMBLY 1	1	
14	498-24523-00-00	. VALVE	1	
15	498-24524-01-00	. LEVER, COCK	1	
16	90206-18025-00	. WASHER, WAVE	1	
17	498-24525-00-00	. PLATE, LVR FITTING	1	
18	214-24535-00-00	. SCREW, PAN HEAD	2	
19	498-24522-00-00	. GASKET	1	
20	(498-24521-00-00)	CUP, FILTER	1	
21	214-24512-00-00	. GASKET	1	
22	90149-06011-00	SCREW	2	
23	90202-05187-00	WASHER, PLATE	2	
24	90445-11295-00	HOSE	1	
25	90467-08003-00	CLIP	2	
26	(498-24528-00-00)	GASKET	1	M7-016

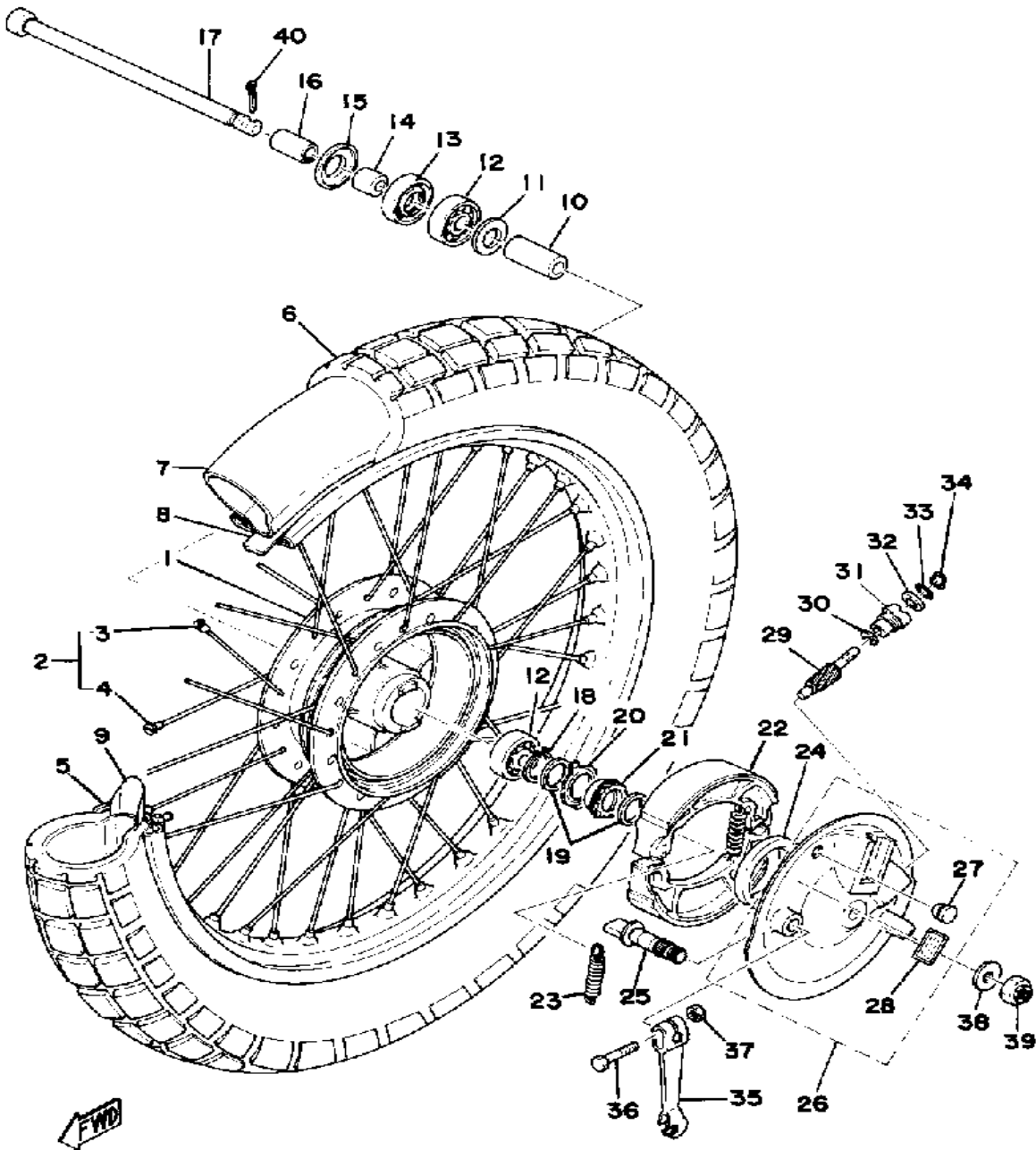
SEAT



Ref. No.	Part Number	Description	Qty	Remarks
1	(558-24710-00-00)	SINGLE SEAT ASSEMBLY	1	
2	(558-24711-00-00)	COVER, SINGLE SEAT	1	
3	248-24726-00-33	HINGE, SEAT	1	YAMAHA BLK
4	(437-24726-00-00)	HINGE, SEAT	1	
5	91701-05055-00	PIN, CLEVIS	2	
6	90468-10050-00	CLIP	2	
7	371-24728-02-00	BRACKET, SEAT	1	YAMAHA BLK M5-078
8	92995-06100-00	WASHER, SPRING	6	
9	97013-06012-00	BOLT	6	
10	(558-24705-00-00)	SEAT LOCK ASSEMBLY	1	
11	98603-06012-00	SCREW, OVAL HEAD (92701-06012)	1	
12	214-24724-00-00	DAMPER, SEAT	3	
13	(437-24768-00-00)	STOPPER	2	

FWD

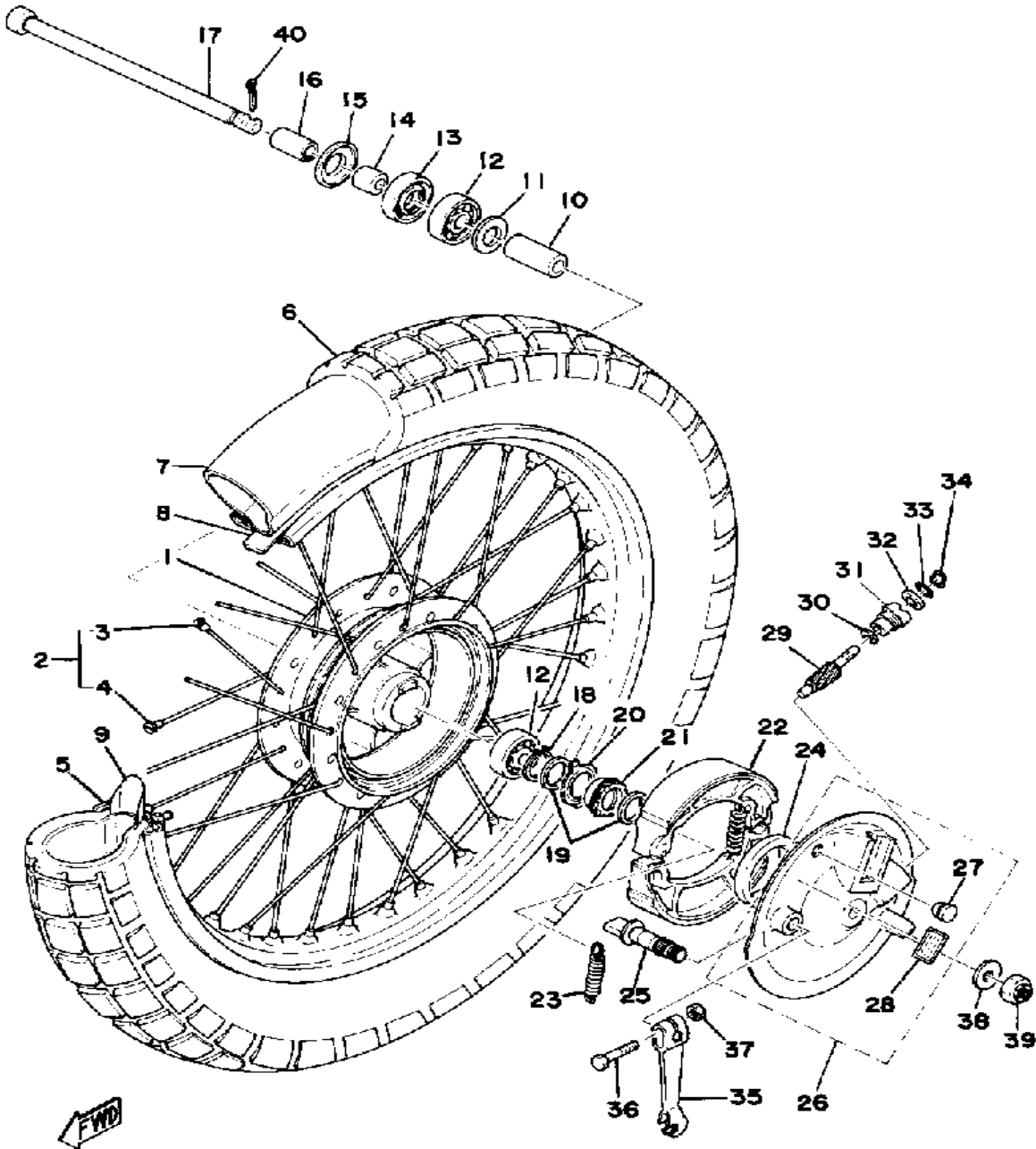
FRONT WHEEL



Ref. No.	Part Number	Description	Qty	Remarks
1	(443-25111-00-00)	HUB, FRONT	1	
2	458-25104-00-00	SPOKE SET, FRONT	1	
3	(458-25196-90-00)	SPOKE SET, INNER 1	1	
4	(458-25197-90-00)	SPOKE SET, OUTER 1	1	
5	94416-21223-00	RIM 1.60X 1	1	
6	(94127-21332-00)	275X21 DUN TRIUNI	1	
7	94227-21186-00	UNAVAILABLE IN PRICE BOOK	1	
8	(94327-21024-00)	BAND, RIM	1	
9	1T1-25194-00-00	SPACER, BEAD	1	
10	90560-12261-00	SPACER	1	
11	109-25315-00-00	FLANGE, SPACER	1	
12	93306-30103-00	BEARING (B6301Z)	2	
13	93102-18008-00	OIL SEAL	1	
14	90387-12095-00	COLLAR	1	
15	2K5-25118-00-00	COVER, HUB DUST	1	
16	90387-12100-00	COLLAR	1	
17	401-25181-01-00	AXLE, WHEEL	1	
18	99009-20400-00	CIRCLIP	1	
19	90201-20269-00	WASHER, PLATE	2	
20	183-25149-00-00	CLUTCH, METER	1	
21	37A-25135-00-00	GEAR, DRIVE	1	
22	437-W2536-00-00	BRAKESHOE SET-2PCS	2	
23	90506-17328-00	SPRING, TENSION	2	
24	93105-47007-00	OIL SEAL	1	
25	2RH-25351-00-00	CAMSHAFT	1	
26	(559-25120-00-00)	BRAKE SHOE PLT ASSEMBLY	1	
27	90480-10068-00	. GROMMET	1	
28	(437-25134-00-00)	LABEL, INDICATOR	1	
29	37A-25138-00-00	GEAR, METER	1	

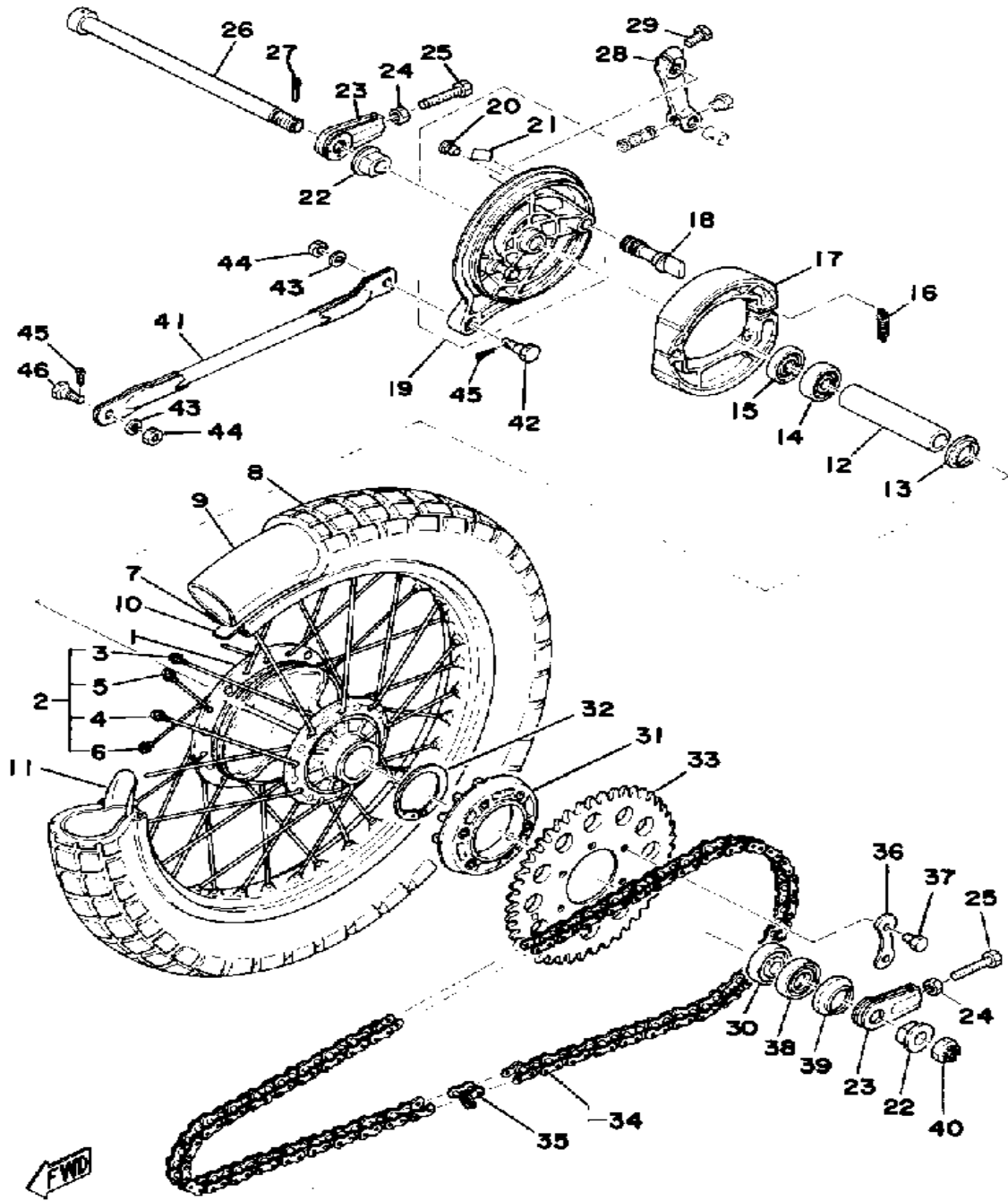
CONTINUED ON NEXT FRAME ➤

FRONT WHEEL



Ref. No.	Part Number	Description	Qty	Remarks
30	90201-07076-00	WASHER, PLATE	1	
31	109-25136-00-00	BUSH	1	
32	93104-07003-00	OIL SEAL	1	
33	93210-14104-00	O-RING	1	
34	102-25137-00-00	RING, STOP	1	
35	2NG-25155-00-00	UNAVAILABLE IN PRICE BOOK	1	
36	90101-06278-00	BOLT	1	
37	95380-06600-00	NUT	1	
38	92990-12200-00	WASHER, PLAIN	1	
39	90171-12005-00	NUT, CASTLE	1	
40	91401-30030-00	PIN, COTTER	1	

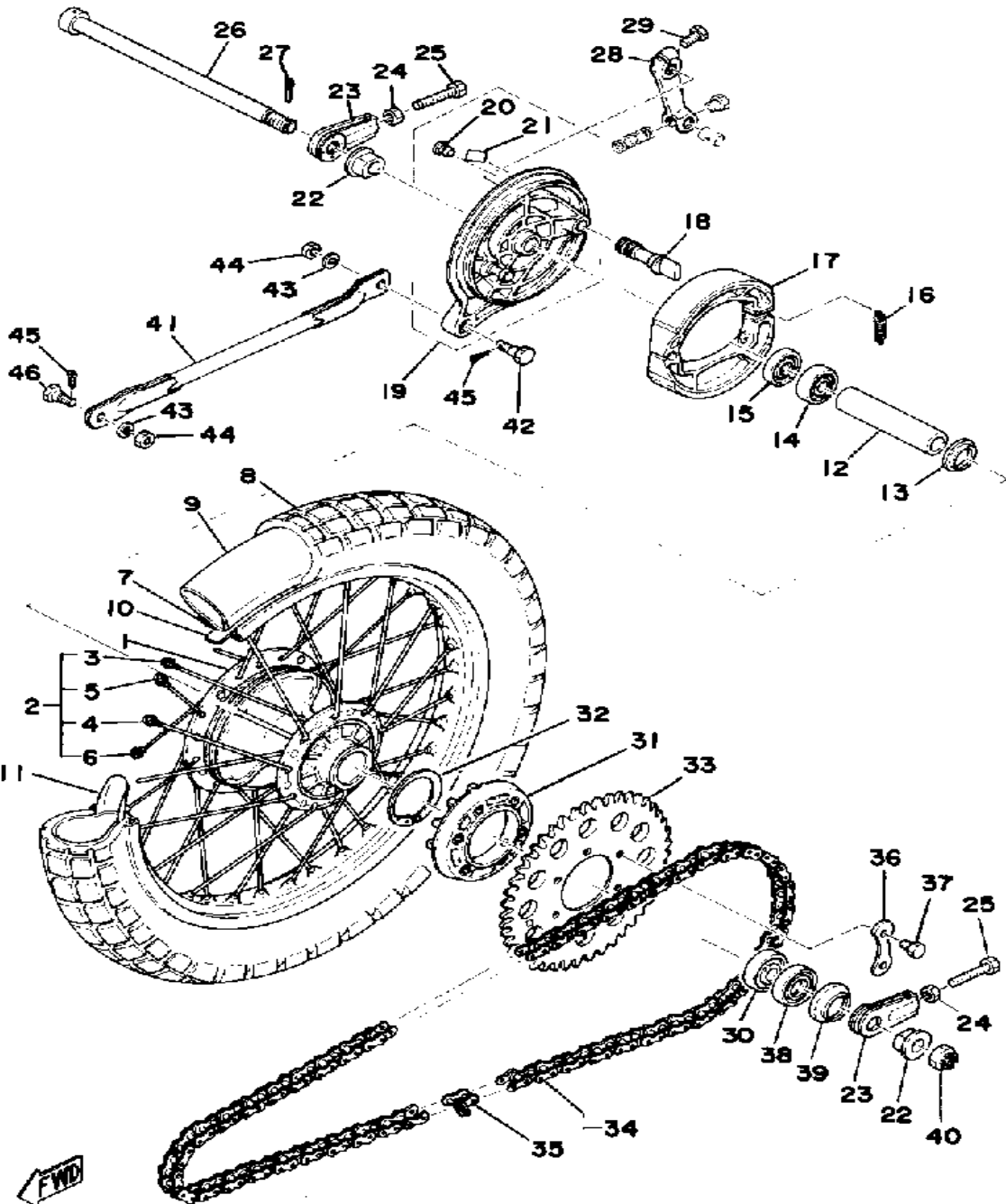
REAR WHEEL



Ref. No.	Part Number	Description	Qty	Remarks
1	(443-25311-00-00)	HUB, REAR	1	
2	443-25304-00-00	SPOKE SET, REAR	1	
3	(443-25396-90-00)	SPOKE SET, INNER 2	1	
4	(443-25397-90-00)	SPOKE SET, OUTER 2	1	
5	(443-25391-90-00)	SPOKE SET, INNER 1	1	
6	(443-25392-90-00)	SPOKE SET, OUTER 1	1	
7	94418-18171-00	RIM 1.85X 8	1	
8	(94135-18319-00)	350X18 YOKO Y6 0	1	
9	94235-18085-00	TUBE	1	
10	94325-18043-00	BAND, RIM	1	
11	1T2-25394-00-00	SPACER, BEAD	1	
12	90560-15313-00	SPACER	1	
13	146-25115-00-00	FLANGE, SPACER 1	1	
14	93306-20204-00	BEARING (B6202Z)	1	
15	93104-22018-00	OIL SEAL	1	
16	90506-17328-00	SPRING, TENSION	2	
17	437-W2536-00-00	BRAKESHOE SET-2PCS	2	
18	2RH-25351-00-00	CAMSHAFT	1	
19	437-25026-10-35	BRAKE SHOE PLT ASSEMBLY ASSY (437-25320-10-38)	1	
20	90480-10068-00	. GROMMET	1	
21	(437-25134-00-00)	LABEL, INDICATOR	1	
22	90387-15115-00	COLLAR	2	
23	248-25388-00-00	PULLER, CHAIN 1	2	
24	95303-08700-00	NUT	2	M5-078
25	90101-08699-00	BOLT	2	
26	401-25381-00-00	AXLE, WHEEL (2R7-25381-00)	1	
27	91401-30030-00	PIN, COTTER	1	

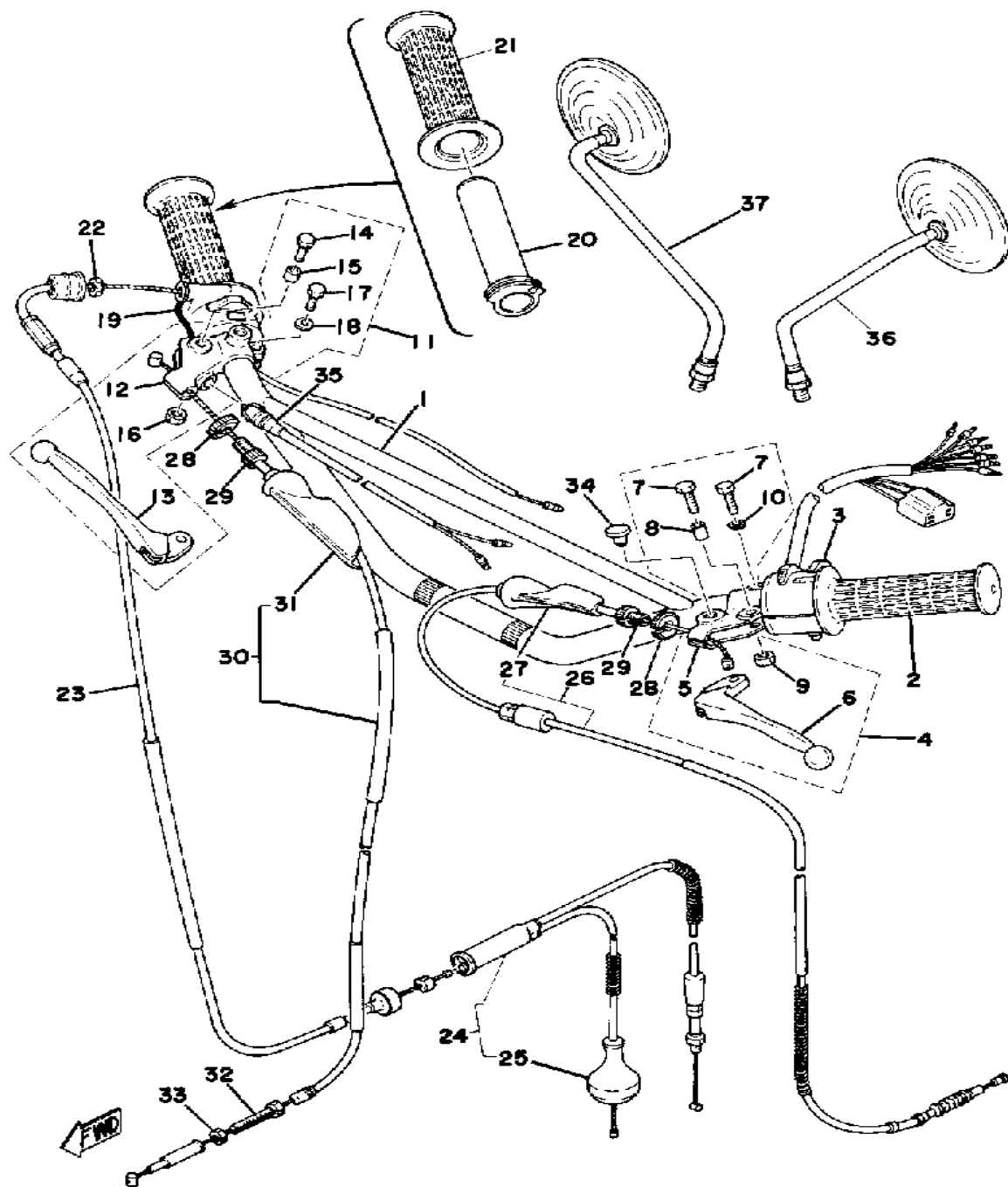
CONTINUED ON NEXT FRAME ►

REAR WHEEL



Ref. No.	Part Number	Description	Qty	Remarks
28	214-25355-00-00	LEVER, CAMSHAFT	1	
29	97011-06025-00	BOLT (97001-06025)	1	
30	93306-30202-00	BEARING	1	
31	248-26364-00-00	UNAVAILABLE IN PRICE BOOK	1	
32	93410-52034-00	CIRCLIP, S-TYPE	1	
33	248-25445-11-00	SPROCKET, DRVN45T	1	U.R. STD
	248-25448-11-00	SPROCKET, DRVN 48T	1	U.R.
	4V1-25444-10-00	SPROCKET, DRVN 44T	1	U.R.
34	94580-30114-00	428-110L (94524-28114)	1	
35	94680-24001-00	. CHAIN JOINT (DID 428)	1	
36	22W-25412-00-00	WASHER	3	
37	90101-08282-00	BOLT	6	
38	93106-26005-00	OIL SEAL	1	
39	401-25367-00-00	COVER, HUB DUST	1	
40	90171-14020-00	NUT, CASTLE	1	
41	(401-25371-01-00)	BAR, TENSION	1	
42	90109-08063-00	BOLT	1	
43	92990-08100-00	WASHER	2	
44	95303-08700-00	NUT	2	
45	91490-20020-00	PIN, COTTER	2	
46	90109-08368-00	BOLT	1	

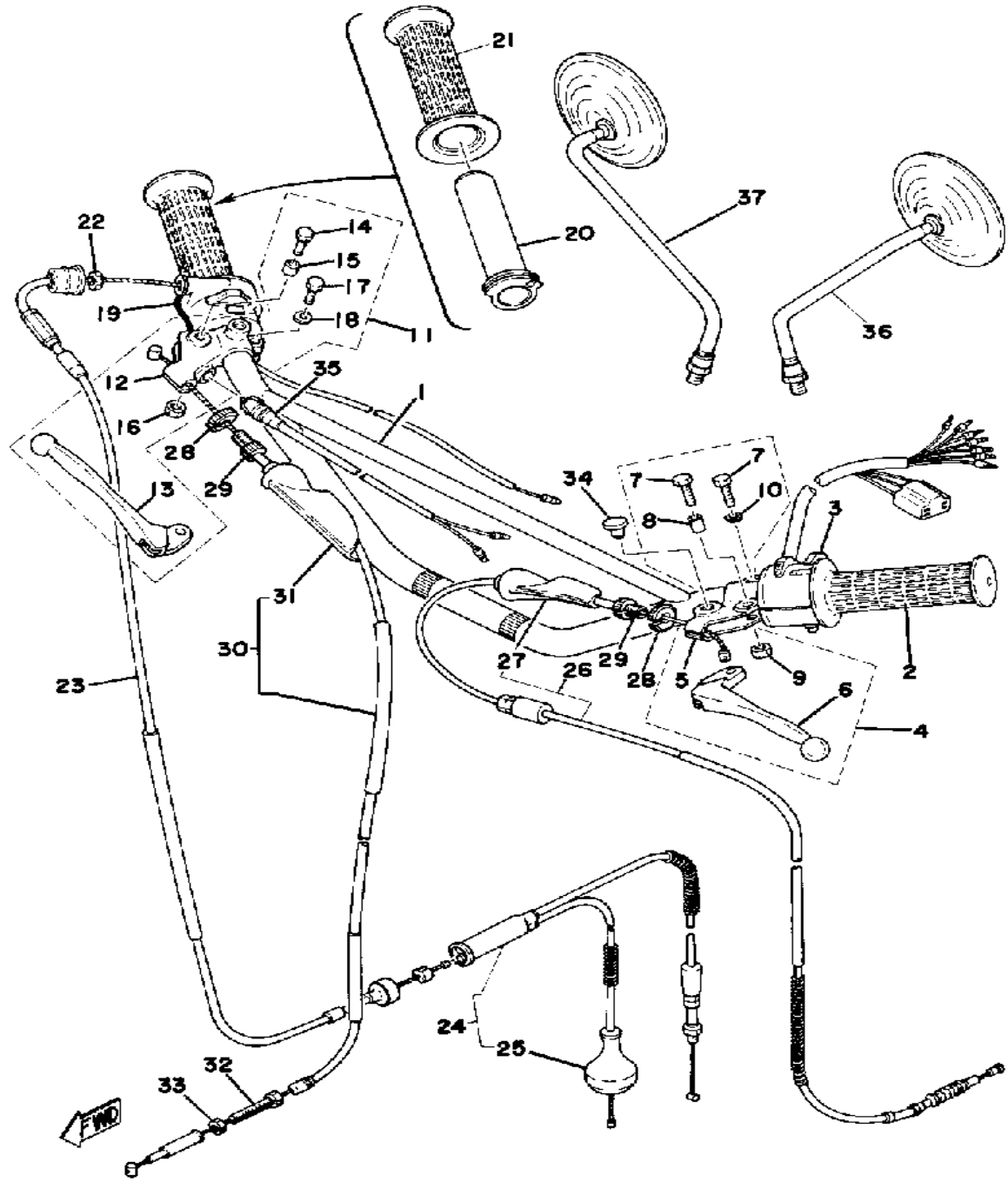
HANDLEBAR-CABLE



Ref. No.	Part Number	Description	Qty	Remarks
1	2W8-26111-00-00	HANDLEBAR	1	
2	214-26241-00-00	GRIP LH	1	
3	498-83972-62-00	SWITCH, HANDLE 4	1	
4	(498-82910-11-00)	LEVER HOLDER ASSEMBLY 1	1	
5	3Y6-82911-00-00	. HOLDER, LEVER 1	1	
6	214-83912-00-00	. LEVER 1	1	
7	97023-06020-00	. BOLT (3XF)	2	
8	214-83913-00-00	. COLLAR, LEVER 1	1	
9	95380-06700-00	. NUT	1	
10	92995-06100-00	. WASHER, SPRING	1	
11	UNA-VAILA-BL-EI	0 0		
12	361-82920-93-00	. HOLDER, LEVER 2 (36182-92131-00)	1	
13	233-83922-30-00	. LEVER R	1	
14	97023-06020-00	. BOLT (3XF)	1	
15	214-83913-00-00	. COLLAR, LEVER 1	1	
16	95380-06700-00	. NUT	1	
17	97023-06020-00	. BOLT (3XF)	1	
18	92995-06100-00	. WASHER, SPRING	1	
19	1R6-83976-01-00	SWITCH, HANDLE 1	1	
20	434-26253-00-00	UNAVAILABLE IN PRICE BOOK	1	
21	1A0-26242-01-00	GRIP (RIGHT)	1	
22	90170-10038-00	NUT, HEXAGON	1	
23	443-26311-00-00	CABLE, THROTTLE 1	1	
24	443-26312-02-00	CABLE, THROTTLE 2	1	
25	401-26329-00-00	. CAP, RUBBER	1	
26	559-26335-00-00	CABLE, CLUTCH	1	
27	382-26372-01-00	. COVER, HANDLE LEVER ...	1	
28	90179-08148-00	NUT	2	

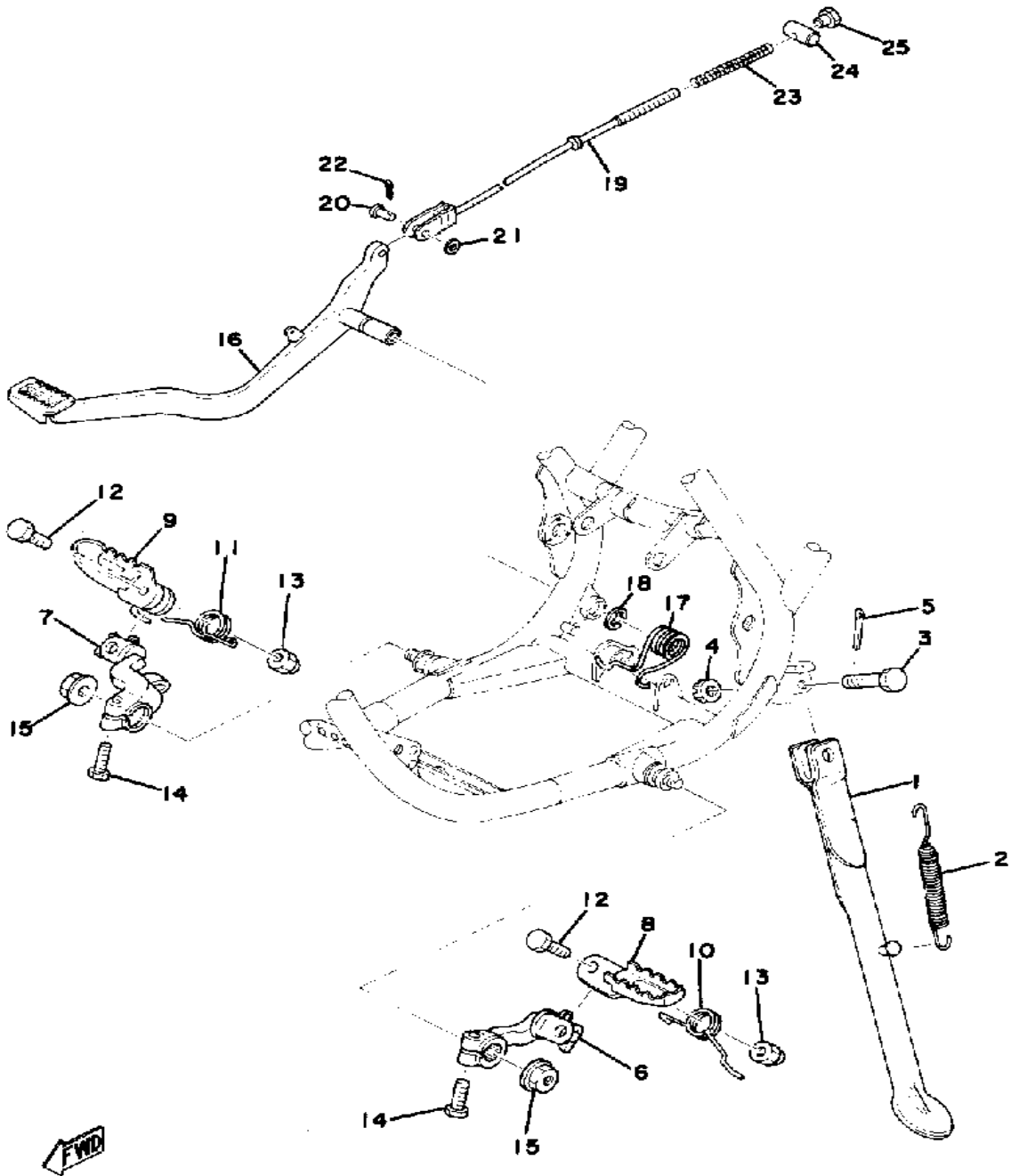
CONTINUED ON NEXT FRAME ►

HANDLEBAR-CABLE



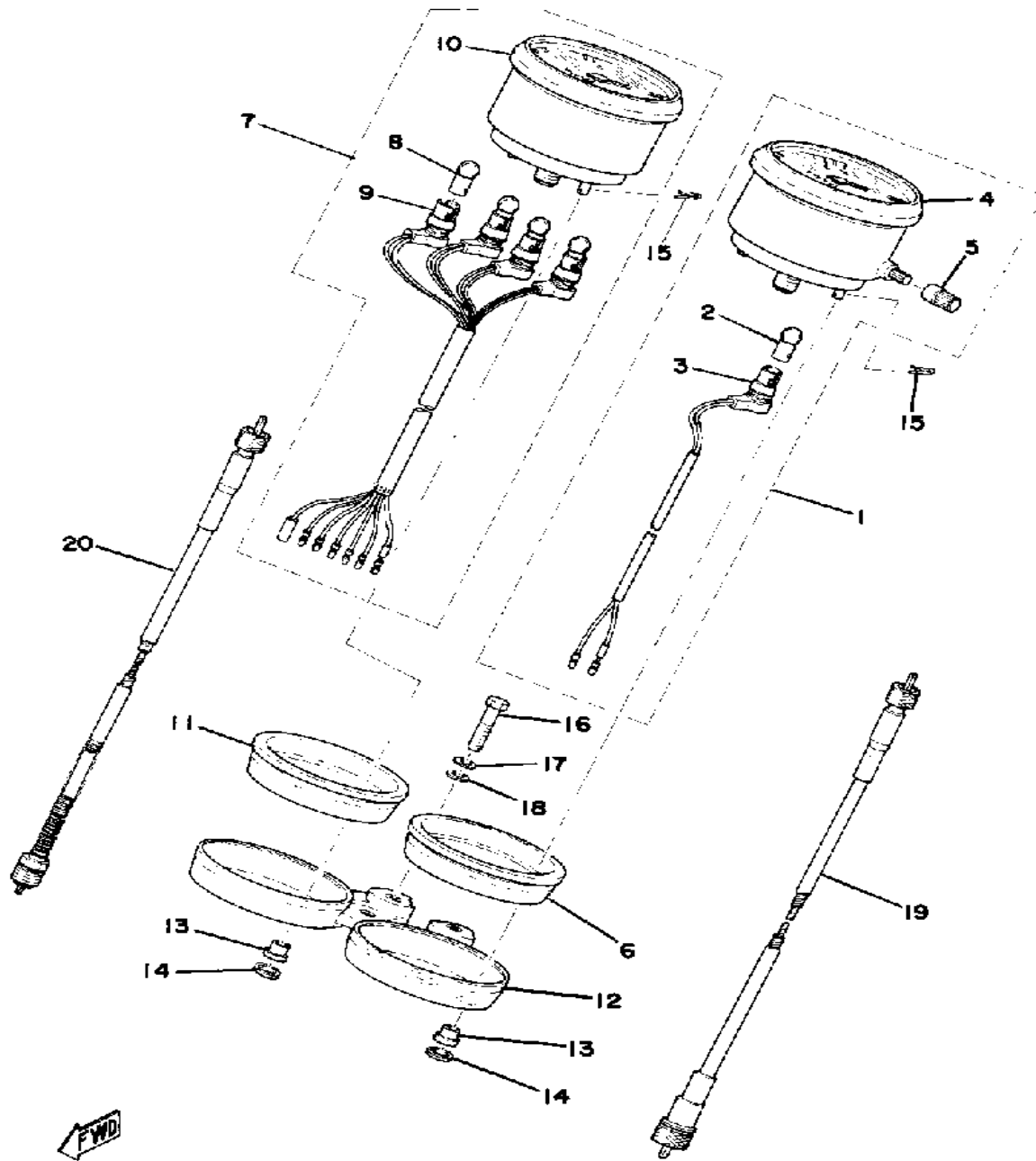
Ref. No.	Part Number	Description	Qty	Remarks
29	90123-08046-00	BOLT	2	
30	443-26341-01-00	CABLE, BRAKE	1	
31	498-26372-00-00	. COVER, HANDLE LEVER 1	1	
32	90123-06011-00	BOLT	1	
33	90179-06143-00	NUT, SPEC'L SHAPE	1	
34	90338-09012-00	PLUG	1	
35	395-83980-00-00	STOP SWITCH ASSEMBLY	1	
36	341-26290-10-00	MIRROR ASSEMBLY LH	1	
37	341-26290-01-00	BACK MIRROR RH (341-26290-01)	1	

STAND-FOOTREST-BRAKE PEDAL



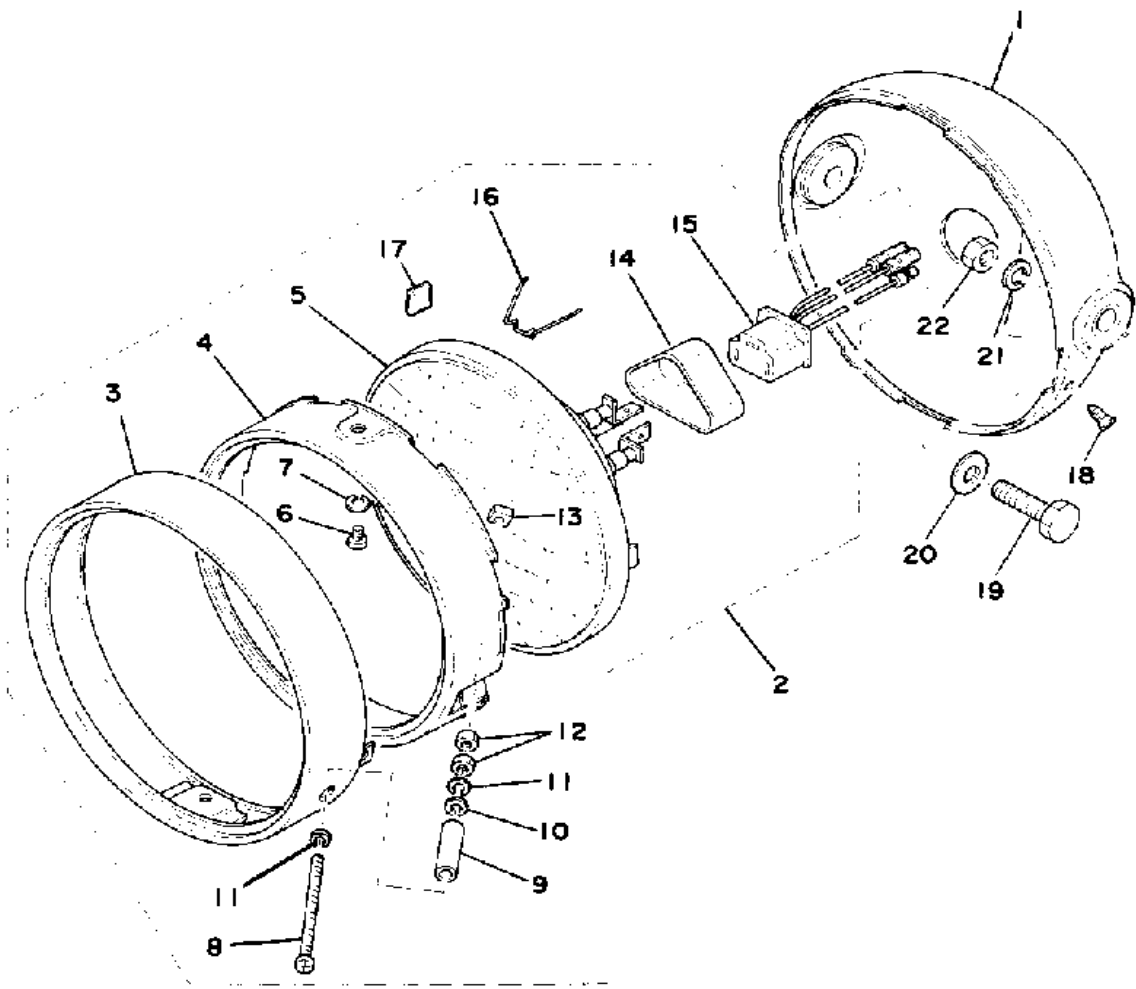
Ref. No.	Part Number	Description	Qty	Remarks
1	(458-27311-00-00)	STAND, SIDE	1	
2	90507-29021-00	SPRING, TENSION	1	
3	90102-10006-00	BOLT, WITH HOLE (278-27317-00)	1	
4	90171-10012-00	NUT, CASTLE	1	
5	91490-20025-00	PIN, SPLIT	1	
6	(437-27412-10-00)	BRACKET, FOOTREST 1	1	
7	437-27422-10-00	BRACKET, FOOTREST 2	1	
8	434-27411-00-35	FOOTREST 1	1	
9	434-27421-00-35	FOOTREST 2	1	
10	90508-26138-00	SPRING, TORSION	1	
11	90508-26139-00	SPRING, TORSION	1	
12	90101-08250-00	BOLT	4	
13	95611-08100-00	NUT, U	2	
14	97001-08025-00	BOLT (1NV)	2	
15	95701-12500-00	NUT, FLANGE	2	
16	(558-27211-00-33)	PEDAL, BRAKE	1	YAMAHA BLK
17	90508-45290-00	SPRING, TORSION	1	
18	93430-10015-00	CIRCLIP, E-TYPE	1	
19	248-27231-00-00	ROD, BRAKE	1	
20	90240-06006-00	PIN, CLEVIS	1	
21	90201-061A5-00	WASHER, PLATE	1	
22	91401-25020-00	PIN, COTTER	1	
23	90501-10245-00	SPRING, COMPRESSION	1	
24	90249-12008-00	PIN	1	
25	90179-06411-00	NUT	1	

METER



Ref. No.	Part Number	Description	Qty	Remarks
1	(438-83570-31-00)	SPEEDOMETER ASSEMBLY ..	1	MILE/H
2	122-83516-10-00	. BULB (122-83516-10)	1	
3	(438-83536-30-00)	SOCKET, METER	1	
4	(437-83513-00-00)	DAMPER	1	
5	(308-83578-30-00)	KNOB, TRIP METER	1	
6	(438-83526-01-00)	DAMPER 2	1	
7	(443-83540-02-00)	TACHOMETER ASSEMBLY ...	1	
8	122-83516-10-00	. BULB (122-83516-10)	4	
9	(443-83520-00-00)	SOCKET CORD ASSEMBLY ..	1	M5-078
10	(437-83513-00-00)	DAMPER	1	
11	(438-83526-01-00)	DAMPER 2	1	
12	438-83519-02-98	BRACKET, METER	1	FROSTING BLK
13	437-83523-00-00	DAMPER	4	
14	437-83524-00-00	WASHER, SPECIAL	4	
15	90468-10050-00	CLIP	4	
16	97021-06030-00	BOLT	2	
17	92995-06100-00	WASHER, SPRING	2	
18	90201-061A5-00	WASHER, PLATE	2	
19	3J0-83550-00-00	SPEEDOMETER CABLEASSEMBLY	1	
20	443-83560-01-00	TACHOMETER CABLEASSEMBLY	1	

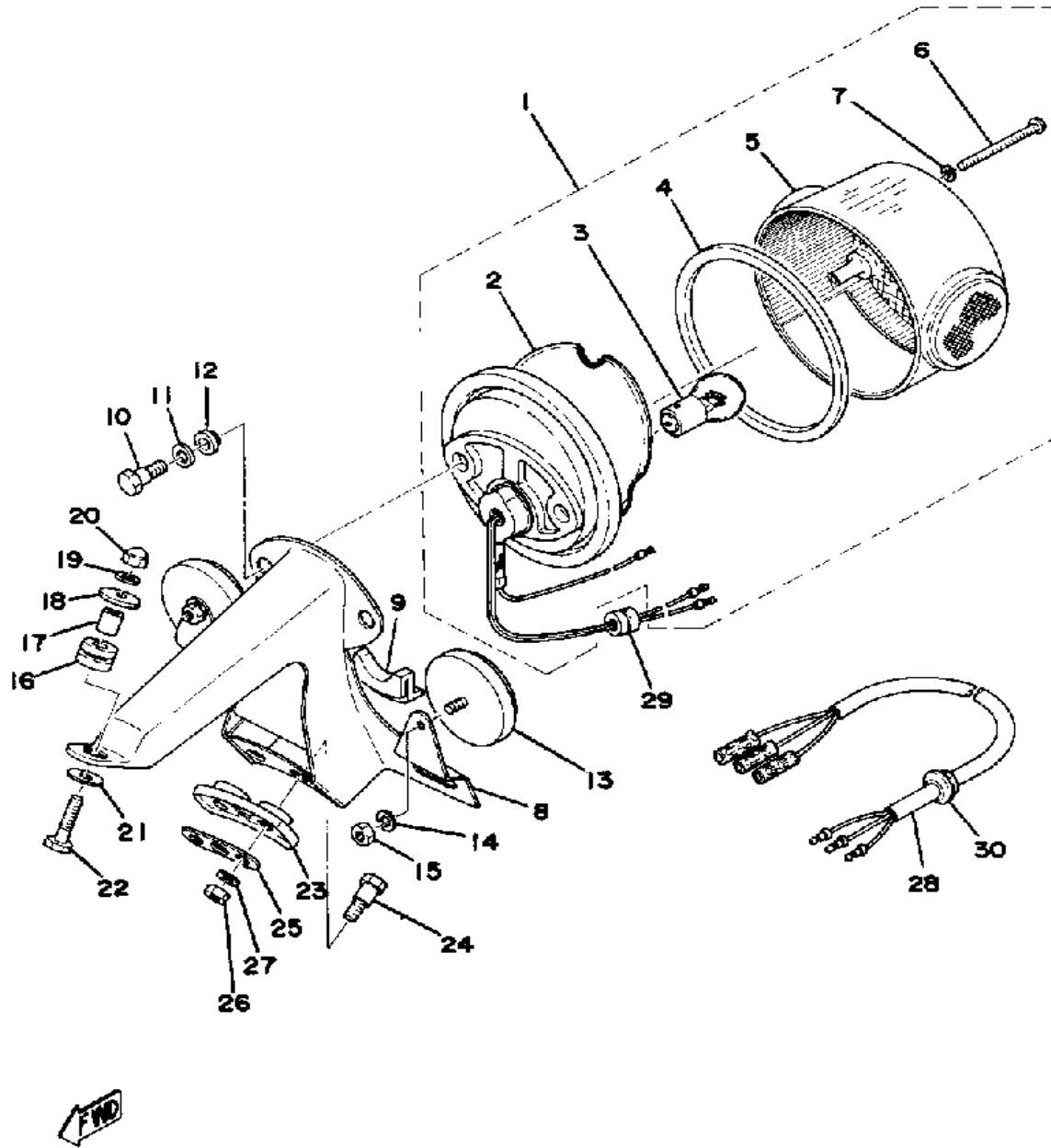
HEADLIGHT



Ref. No.	Part Number	Description	Qty	Remarks
1	(498-84130-60-20)	BODY ASSEMBLY, HEADLIGHT	1	CRYSTAL SILVER
2	UNA-VAILA-BL-EI	0 0		
3	498-84115-60-00	. RIM, HEADLIGHT	1	
4	498-84195-60-00	. RING, RETAINING	1	
5	498-84120-61-00	. LENS ASSEMBLY	1	
6	438-84194-60-00	. RING, MOUNTING	2	
7	92990-05100-00	. WASHER, SPRING	2	
8	90157-04001-00	. SCREW, PAN HEAD	1	
9	438-84133-60-00	. COLLAR, SCREW	1	
10	92990-04200-00	. WASHER, PLAIN	1	
11	92901-04600-00	. WASHER, PLATE	2	
12	95301-04600-00	. NUT	2	
13	198-84334-60-00	. NUT, ADJUSTING	1	
14	341-84397-61-00	. COVER, SOCKET	1	
15	371-84312-60-00	. SOCKET	1	
16	507-84324-60-00	. SPRING, REFLECTOR	3	
17	498-84128-60-00	. SPACER	1	
18	90152-05005-00	SCREW, COUNTERSUNK	1	
19	97303-08035-00	BOLT, HEXAGON	2	
20	92990-08200-00	WASHER, PLAIN	4	
21	92990-08100-00	WASHER	2	
22	95333-08600-00	NUT	2	



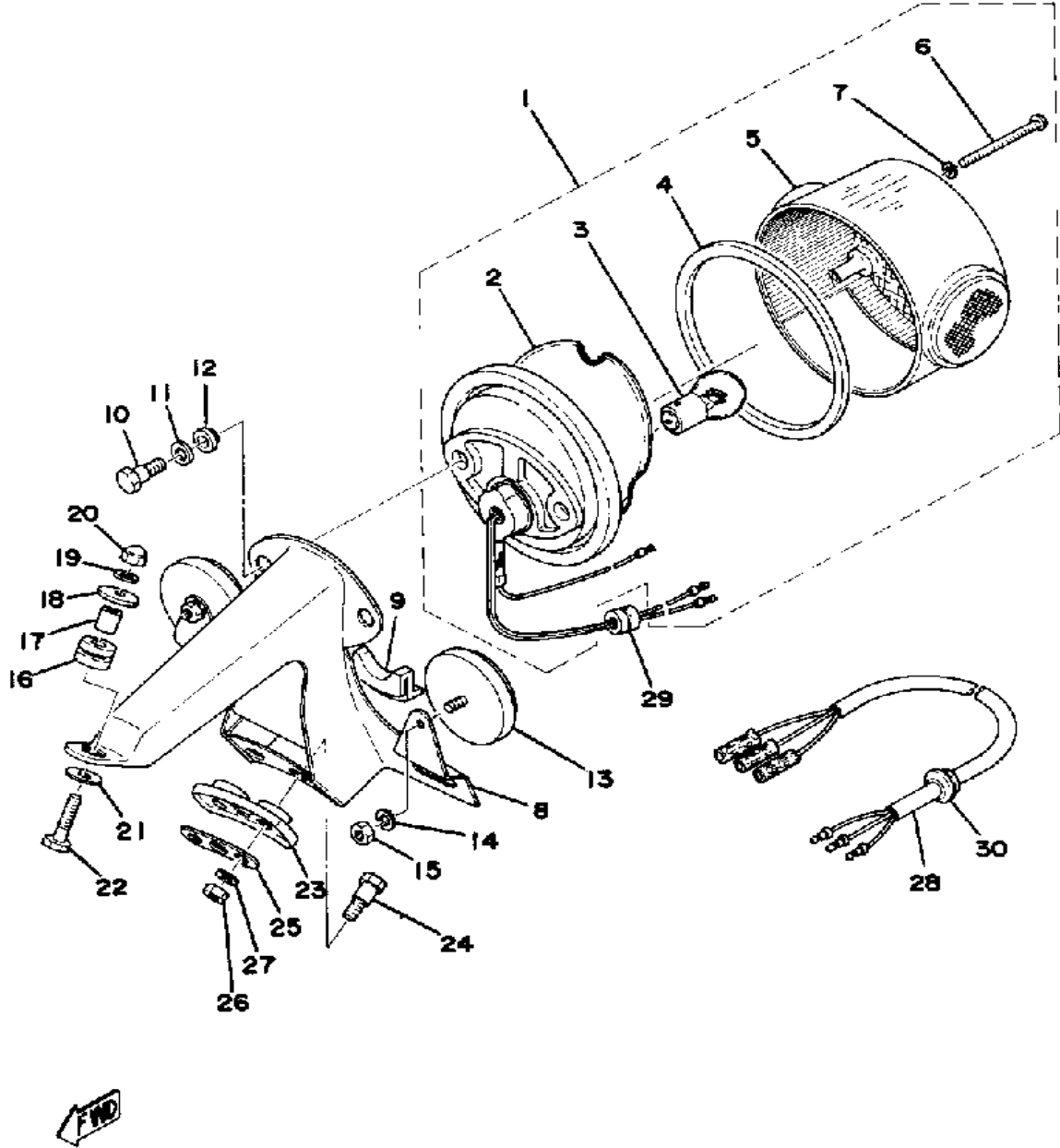
TAILLIGHT



Ref. No.	Part Number	Description	Qty	Remarks
1	437-84510-62-00	TAILLIGHT UNIT ASSEMBLY ..	1	
2	(444-84711-61-00)	BASE, TAILLIGHT	1	
3	1M1-84514-60-00	. BULB	1	
4	275-84523-60-00	. GASKET, LENS	1	
5	341-84721-60-00	. LENS, TAILLIGHT	1	
6	98580-04055-00	. SCREW, LENS FITTING	3	
7	341-84722-60-00	. WASHER	3	
8	(437-84551-61-20)	BRACKET, LICENCE	1	CRYSTAL SILVER
9	(437-84527-60-00)	DAMPER	1	
10	(479-84526-00-00)	SCREW	2	
11	2H7-84754-00-00	WASHER, SPECIAL	2	
12	275-84527-60-00	DAMPER	2	
13	341-85111-65-00	UNAVAILABLE IN PRICE BOOK	2	
14	92990-05100-00	WASHER, SPRING	2	
15	95380-05600-00	NUT	2	
16	90480-14023-00	GROMMET	1	
17	90387-07399-00	UNAVAILABLE IN PRICE BOOK	1	
18	90209-06095-00	WASHER, SPEC'L SHAP (102-28323-00)	1	
19	92995-06100-00	WASHER, SPRING	1	
20	95303-06800-00	NUT (CROWN)	1	
21	90201-06067-00	WASHER, PLATE	1	
22	97011-06025-00	BOLT (97001-06025)	1	
23	214-84553-01-00	DAMPER	1	
24	90109-06017-00	BOLT	2	
25	90209-10114-00	WASHER, SPEC'L SHAP	1	
26	95380-06600-00	NUT	2	
27	92990-06200-00	WASHER	2	
28	(437-84517-00-00)	CORD, TAILLIGHT	1	

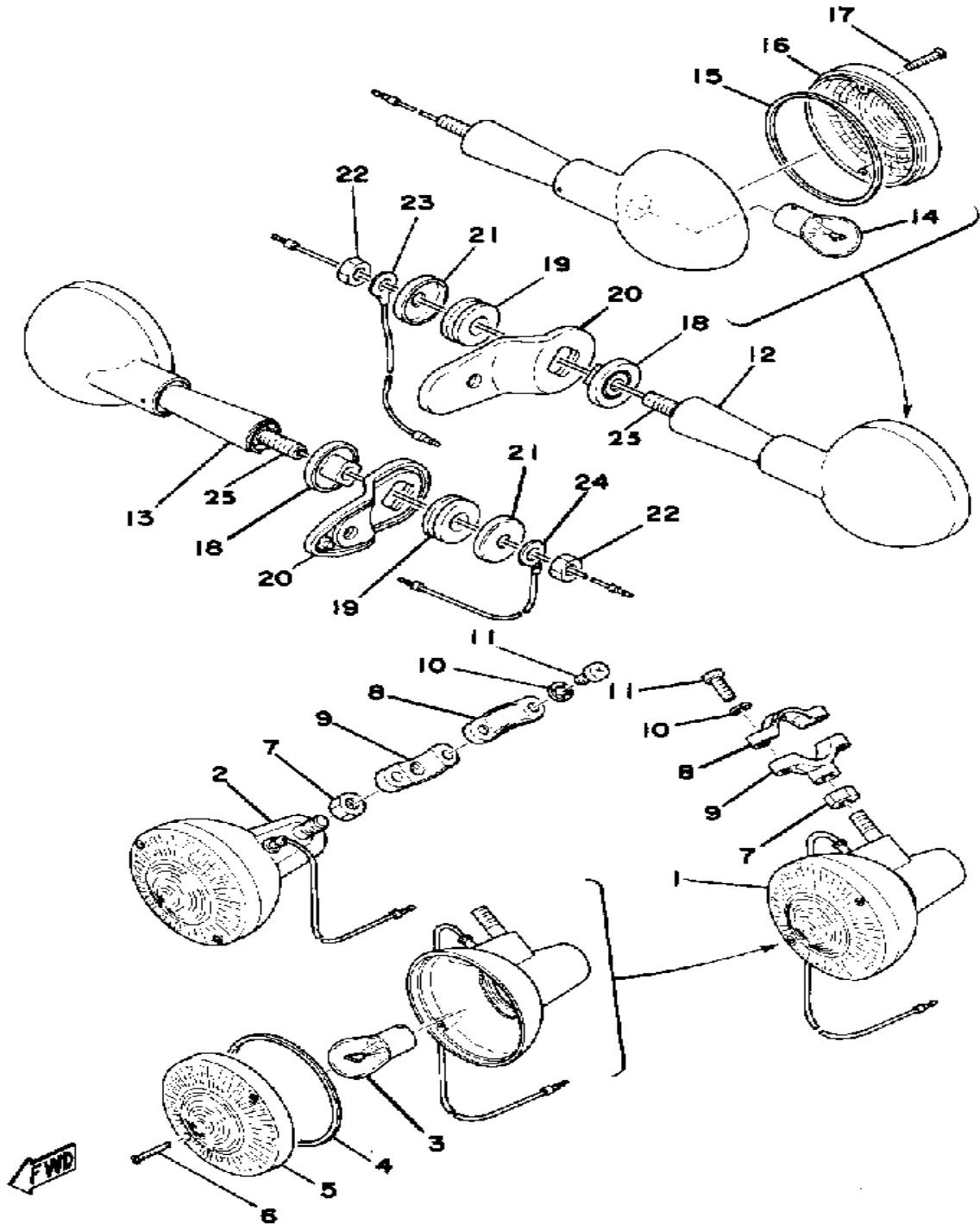
CONTINUED ON NEXT FRAME ►

TAILLIGHT



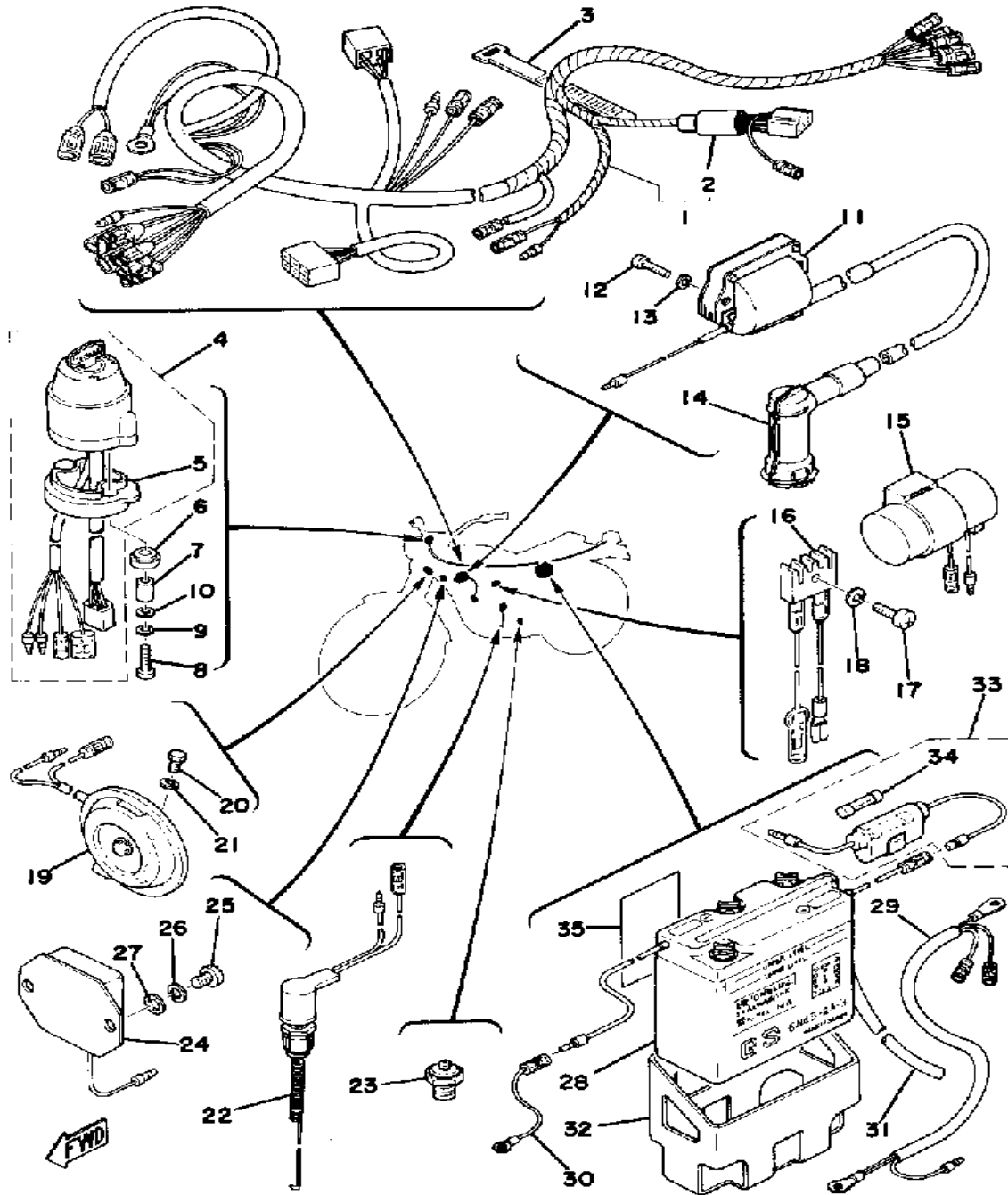
Ref. No.	Part Number	Description	Qty	Remarks
29	90480-12013-00	GROMMET	1	
30	90480-15061-00	GROMMET	1	

TURNSIGNAL



Ref. No.	Part Number	Description	Qty	Remarks
1	438-83310-62-93	FRT FLSHR LITE ASSEMBLY LAMP ASSEMBLY	1	
2	438-83310-62-93	FRT FLSHR LITE ASSEMBLY LAMP ASSEMBLY	1	
3	115-83311-60-00	. BULB, FLASHER	2	
4	3Y6-83313-00-00	. GASKET, FLSHR LENS	2	
5	341-83312-70-00	. LENS, FLASHER	2	
6	341-83333-70-00	. SCREW, LENS FITTING	4	
7	95333-08600-00	NUT	2	
8	275-83318-00-00	STAY, FLASHER 1	2	
9	437-83328-01-00	STAY, FLASHER 2	2	
10	92901-06300-00	WASHER, IN.TOOTH	4	
11	98503-06014-00	SCREW, PAN HEAD (92502-06016)	4	
12	438-83330-61-93	R FLSHR LITE ASSEMBLY ASSY, LEFT	1	
13	538-83340-61-93	UNAVAILABLE IN PRICE BOOK ASSEMBLY, RIGHT	1	
14	115-83311-60-00	. BULB, FLASHER	2	
15	3Y6-83313-00-00	. GASKET, FLSHR LENS	2	
16	341-83332-70-00	. LENS, FLASHER	2	
17	341-83333-70-00	. SCREW, LENS FITTING	4	
18	341-83316-01-00	COLLAR, FLASHER 1	2	
19	341-83321-01-00	DAMPER, FLASHER 1	2	
20	438-83368-01-93	STAY, FLASHER	2	
21	90209-08098-00	WASHER, SPEC'L SHAP	2	
22	95333-08600-00	NUT	2	
23	256-83346-01-00	CORD	1	
24	(438-83346-00-00)	CORD	1	
25	360-83367-09-00	BOLT, STUD	2	

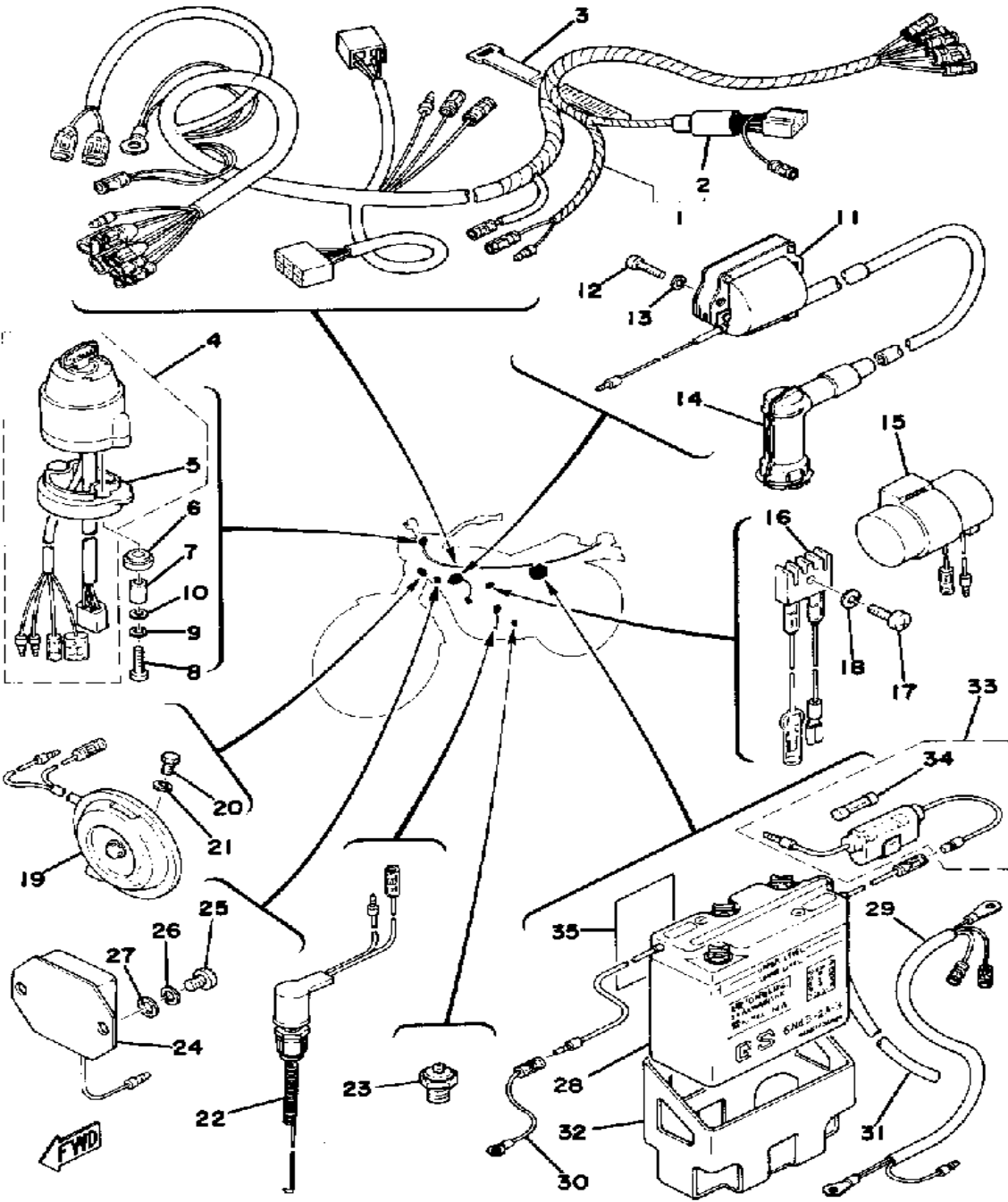
ELECTRICAL



Ref. No.	Part Number	Description	Qty	Remarks
1	(559-82590-20-00)	WIRE HARNESS ASSEMBLY ..	1	
2	(307-82599-01-00)	COVER, CONNECTOR	2	
3	437-83936-01-00	BAND, SWITCH CORD	2	
4	443-82508-21-00	MAIN SWITCH ASSEMBLY ...	1	
5	437-82555-00-00	. DAMPER, MAIN SWCH 1SWITCH 1	1	
6	1M1-82556-00-00	DAMPER, STOPPER	2	
7	437-82516-00-00	COLLAR, MAIN SWITCH	2	
8	98503-05025-00	SCREW, PAN HEAD (98501-05025)	2	
9	92990-05100-00	WASHER, SPRING	2	
10	92990-05200-00	WASHER, PLAIN	2	
11	1Y8-82310-40-00	IGNITION COIL ASSEMBLY ...	1	
12	98511-06025-00	SCREW PAN HEAD (92501-06025)	2	
13	92995-06100-00	WASHER, SPRING	2	
14	56J-82370-00-00	PLUG CAP ASSEMBLY	1	
15	438-83350-62-00	FLASHER RELAY ASSEMBLY .	1	
16	353-81970-63-00	RECTIFIER ASSEMBLY	1	
17	98501-05018-00	SCREW, PAN HEAD	1	
18	92990-05100-00	WASHER, SPRING	1	
19	437-83371-13-00	HORN	1	
20	97013-06012-00	BOLT	2	
21	92995-06100-00	WASHER, SPRING		
22	437-82530-02-00	STOP SWITCH ASSEMBLY ...	1	
23	136-82540-00-00	NEUTRAL SWITCH ASSEMBLY	1	
24	443-81910-62-00	VOLTAGE REG ASSEMBLY (498-81910-23)	1	
25	97013-06012-00	BOLT	2	
26	92995-06100-00	WASHER, SPRING	2	

CONTINUED ON NEXT FRAME ►

ELECTRICAL



Ref. No.	Part Number	Description	Qty	Remarks
27	90201-061A5-00	WASHER, PLATE	2	
28	BTY-6N4B2-A3-00	YUASA 6N4B-2A 3	1	M5-078
29	(173-82116-00-00)	WIRE, MINUS LEAD	1	
30	558-82116-00-00	WIRE, MINUS LEAD	1	
31	90445-08286-00	HOSE	1	
32	(558-82122-00-00)	SEAT, BATTERY	1	
33	55K-82150-01-00	FUSE HOLDER ASS'Y (55K-82150-00-00)	1	
34	116-82151-00-00	. FUSE (10A)	1	
35	118-82141-09-00	LABEL, BATTERY	1	

DT175C

1976 SERVICE DATA

MODEL - IBM I.D. NUMBER	DT175C	559
Starting Engine and Frame Number	559-000101	559-000101
Basic Color (fuel tank)	French Blue	
Net Weight	221 lbs.	
ENGINE (type, induction system)	2-stroke, 7-port, Single, Air-cooled	
Bore x Stroke x Cylinder(s)	66 x 50mm x 1	171cc (10.43 CID)
Compression Ratio	6.6:1	
Piston Skirt Clearance (new/max.)	.040 ~ .045mm (.0016 ~ .0018") / 0.1mm (.004")	
Ring End Gap (top/2nd/3rd)	0.3 ~ 0.5mm (.012 ~ .020") / Same / ϕ	
Ring Groove Clearance (top/2nd/3rd)	.08mm (.0032") / .03 ~ .08mm (.0012 ~ .0032") / ϕ	
Valve Clearance (eng. cold) Intake/Exhaust	ϕ	
AUTOLUBE - Minimum Pump Stroke/Color Code	0.20 ~ 0.25mm (.008 ~ .010") / Sky Blue	
CARBURETOR (mfr.) (type) (I.D. number)	Mikuni / VM24SS / 55960	
Main Jet	No. 140	
Needle Jet	O-4	
Jet Needle/Clip Position	5G4-4	
Cutaway	2.0	
Pilot Jet	No. 25	
Air Jet	0.5	
Starter Jet	No. 40	
Air Screw (turns out)	1 1/2	
Float Level	21.0 \pm 1.0mm	
Air Filter (type x quantity)	Oiled Foam Rubber x 1	
DRIVE - Primary (type) (teeth) (ratio)	Helical Gear	74/19 3.894
Secondary (type) (teeth) (ratio)	DD428H, 113L	45/16 2.812
Transmission Ratios 1st (teeth) (ratio) (O.A.)	35/11	3.181 34.853
2nd	30/15	2.000 21.908
3rd	26/19	1.368 14.990
4th	23/23	1.000 10.954
5th	20/25	0.800 8.763
6th	ϕ	
CAPACITIES - Transmission	650cc (22.0 oz.) Yamalube 4-cycle* or SAE 10W/30 Oil	
Oil Tank or Engine Sump	1.3 qts. Yamalube 2-cycle*	
Fuel Tank	1.8 gals. Low Lead (Regular) or Unleaded	
Front Forks	128.5cc (4.4 oz.) 10, 20 or 30 wt. Fork Oil*	
Rear Shocks	181cc (6.1 oz.) Yamaha Shock Fluid*	
Tires (size/nominal pressure)	Front: 2.75-21/psi / Rear: 3.50-18/26psi	
ELECTRICAL - Charging System (mfr.) (type)	Hitachi / Flywheel Magneto	
No Load Voltage Adj. (AC & DC generators)	ϕ	
Max. Generator (Magneto) Output	N/A	
Field Coil (and/or) Charging Coil Resistance	Yellow-0.48 Ω / Green-Red-0.78 Ω	
Battery (mfr.) (model) (charging rate)	F.B. or G.S. / 6N4B-2A-3 / 0.4A x 10 hours	
Headlight/Taillight Ratings	6V30W/30W / 6V5.3W	
Ign. Coil Min. Spark Gap/Pri. Res./Sec. Res.	N/A / 4.5 Ω / 6.0K Ω	
Source Coil Res./Pulse Coil Res.	2.1 Ω	
Condenser Capacity	0.30 μ F	
Point Gap/Spark Plug (type/gap)	0.3 ~ 0.4mm (.012 ~ .016") / NGK B-8ES / 0.5 ~ 0.6mm	
Timing (advanced) (retarded)	1.8 \pm 0.15mm B.T.D.C. (mechanical adv. @ full adv.)	

N/A = Information Not Available *Available from Yamaha Parts Distributors, Inc.
 ϕ = Does Not Apply To This Model

DT175C

1976 SERVICE DATA

MODEL - IBM I.D. NUMBER	DT175C	559
Starting Engine and Frame Number	559-000101	559-000101
Basic Color (fuel tank)	French Blue	
Net Weight	221 lbs.	
ENGINE (type, induction system)	2-stroke, 7-port, Single, Air-cooled	
Bore x Stroke x Cylinder(s)	66 x 50mm x 1	171cc (10.43 CID)
Compression Ratio	6.6:1	
Piston Skirt Clearance (new/max.)	.040 ~ .045mm (.0016 ~ .0018") / 0.1mm (.004")	
Ring End Gap (top/2nd/3rd)	0.3 ~ 0.5mm (.012 ~ .020") / Same / ϕ	
Ring Groove Clearance (top/2nd/3rd)	.08mm (.0032") / .03 ~ .08mm (.0012 ~ .0032") / ϕ	
Valve Clearance (eng. cold) Intake/Exhaust	ϕ	
AUTOLUBE - Minimum Pump Stroke/Color Code	0.20 ~ 0.25mm (.008 ~ .010") / Sky Blue	
CARBURETOR (mfr.) (type) (I.D. number)	Mikuni / VM24SS / 55960	
Main Jet	No. 140	
Needle Jet	O-4	
Jet Needle/Clip Position	5G4-4	
Cutaway	2.0	
Pilot Jet	No. 25	
Air Jet	0.5	
Starter Jet	No. 40	
Air Screw (turns out)	1 1/2	
Float Level	21.0 \pm 1.0mm	
Air Filter (type x quantity)	Oiled Foam Rubber x 1	
DRIVE - Primary (type) (teeth) (ratio)	Helical Gear	74/19 3.894
Secondary (type) (teeth) (ratio)	DD428H, 113L	45/16 2.812
Transmission Ratios 1st (teeth) (ratio) (O.A.)	35/11	3.181 34.853
2nd	30/15	2.000 21.908
3rd	26/19	1.368 14.990
4th	23/23	1.000 10.954
5th	20/25	0.800 8.763
6th	ϕ	
CAPACITIES - Transmission	650cc (22.0 oz.) Yamalube 4-cycle* or SAE 10W/30 Oil	
Oil Tank or Engine Sump	1.3 qts. Yamalube 2-cycle*	
Fuel Tank	1.8 gals. Low Lead (Regular) or Unleaded	
Front Forks	128.5cc (4.4 oz.) 10, 20 or 30 wt. Fork Oil*	
Rear Shocks	181cc (6.1 oz.) Yamaha Shock Fluid*	
Tires (size/nominal pressure)	Front: 2.75-21/psi / Rear: 3.50-18/26psi	
ELECTRICAL - Charging System (mfr.) (type)	Hitachi / Flywheel Magneto	
No Load Voltage Adj. (AC & DC generators)	ϕ	
Max. Generator (Magneto) Output	N/A	
Field Coil (and/or) Charging Coil Resistance	Yellow-0.48 Ω / Green-Red-0.78 Ω	
Battery (mfr.) (model) (charging rate)	F.B. or G.S. / 6N4B-2A-3 / 0.4A x 10 hours	
Headlight/Taillight Ratings	6V30W/30W / 6V5.3W	
Ign. Coil Min. Spark Gap/Pri. Res./Sec. Res.	N/A / 4.5 Ω / 6.0K Ω	
Source Coil Res./Pulse Coil Res.	2.1 Ω	
Condenser Capacity	0.30 μ F	
Point Gap/Spark Plug (type/gap)	0.3 ~ 0.4mm (.012 ~ .016") / NGK B-8ES / 0.5 ~ 0.6mm	
Timing (advanced) (retarded)	1.8 \pm 0.15mm B.T.D.C. (mechanical adv. @ full adv.)	

N/A = Information Not Available *Available from Yamaha Parts Distributors, Inc.
 ϕ = Does Not Apply To This Model



TECHNICAL BULLETIN