

PARTS CATALOGUE
MODEL YEAR 1998
COMPETITION
YZ125K1 (5DH1)

STARTING VIN: JYACE01C*WA000049

Color Code	Color Name	Abbreviation
583	DEEP PURPLISH BLUE SOLID E	DPBSE

OWNERS/SERVICE: LIT-11626-11-10
ASSEMBLY: LIT-11666-11-10

FOREWORD

-INTRODUCTION- To The Yamaha Parts Fiche

This parts fiche lists parts and sub-assemblies for the YZ125K1. When preparing a parts order, please refer to the most recently updated microfiche for this model.

THE YAMAHA PARTS FICHE

SYMBOLS

[]	Inactive, no longer available
U.R.	Use size (thickness) and/or number as required
U.N.	Use as many as you need
T	Number of teeth in a gear
V	Voltage for light bulbs
S	"S" type oil seal or "S" type circlip
SD,SO,SW	"SD", "SO", or "SW" type oil seal
E,R	"E" or "R" type circlip
F/No.	Frame No. (Applicable Machine No.)
L.M.	Locally made
O.L.	Obtain locally
AP	Alternate Part

SUPERSEDED PART NUMBERS

If part 'A' has been superseded by part 'B', the superseding part number "B" will appear in the part number listing with the superseded part number "A" appearing in parentheses immediately following the description.

EXAMPLE:

Ref. No.	Part No.	Description	Qty.
	(Part 'B')	(Part 'A')	
8	123-45678-00-00	CYLINDER (111-12345-00-00)	1

A part that has been supersede to a kit may be identified by a 99999-00000-00 part number appearing in the part number column. The old superseded part number will appear in parentheses immediately following the description. Listed directly below the 99999 part number will be those parts making up the kit. The description of the parts making up the kit will be preceded by a small black dot (.) and the description will be indented one letter space.

EXAMPLE:

Ref. No.	Part No.	Description	Qty.
8	99999-12345-00	CYLINDER (111-12345-00-00)	1
	234-56789-00-00	• HEAD, CYLINDER	1
	345-67890-00-00	• GASKET, CYLINDER	1

SIZES

Except for steel balls (ball sizes are indicated in inches), all parts sizes are indicated in millimeters as in the following examples:

Hose (Rubber or Vinyl)	Inside Diameter - Length
O-Ring	Section Area - Inside Diameter
Washer, Shim, Collar	Inside Diameter - Outside Diameter Thickness (Length)

ASSEMBLIES AND COMPONENT PARTS

Assemblies and their component parts, are identified by an indentation of one letter space, and the description is preceded by a dot (.). If two main assemblies are listed, and have the same basic description (i.e.: left and right sides of the same assembly), one will immediately follow the other. If each of these main assemblies is made up of almost the same components, these component parts will be listed immediately under the second main assembly line and will be indicated, as noted above.

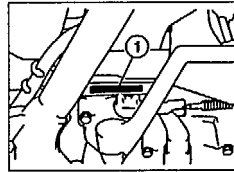
If the component is the same for both main assemblies, the quantity indicated will be the total required. If the component is not the same for both main assemblies, the quantity for each separate item will be listed separately.

EXAMPLE:

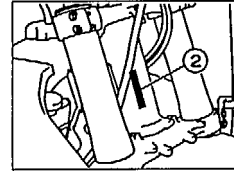
Description	Qty
CARBURETOR ASSY, LEFT	1
CARBURETOR ASSY, RIGHT	1
. JET, PILOT	2
. NOZZLE, MAIN	2
. LEVER, STARTER, LEFT	1
. LEVER, STARTER, RIGHT	1

APPLICABLE SERIAL NO.

(1) Engine Serial No.



(2) Frame Serial No.

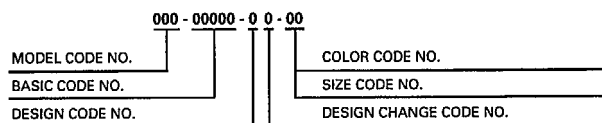


FOREWORD

THE YAMAHA PART NUMBER

The Yamaha part number consists of 12 digits. Each number represents a specific piece of information relating to a replacement part. The following is a guide for reading and interpreting the Yamaha part number.

BASIC PART NUMBER CONFIGURATION:



MODEL CODE NUMBER

FIRST THREE DIGITS . . . 000-00000-00-00

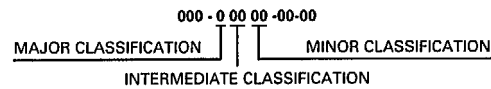
Every model in each Yamaha product line is assigned a model number to identify that particular model. All component parts are given the model code number relating to the model on which they were first used.

Example: 4DU-00000-00-00 identifies the XJ600SE.
3FA-00000-00-00 identifies the YFA1E.

BASIC CODE NUMBER

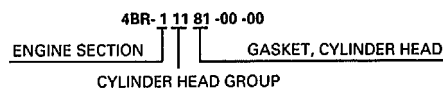
MIDDLE FIVE DIGITS . . . 000-00000-00-00

These "Middle Five Digits" indicate the type of part i.e., piston, rings, lower units, etc. The five digits are broken down as follows:



The "Major Classification" indicates the section to which the parts belong, i.e., engine, electrical etc. The "Intermediate" and "Minor Classifications" indicate more specific details.

Example:



DESIGN CODE NUMBER: 000-00000-00-00

The design code distinguishes like component parts from one another when specification differences are involved. For example, distinguishing a standard size piston ring from an oversized piston ring.

Example:

4BR-11610-0 0-00 Standard Piston Ring Set for XJ600SE
4BR-11610-2 0-00 Oversize Piston Ring Set for XJ600SE

DESIGN CHANGE CODE NUMBER: 000-00000-00-00

This code number is used to identify a difference between a new component part and old one when a new part is created by changing the old one.

Example: YFZ350E

2GU-11610-0 0-00 PISTON RING SET, STD. - ORIGINAL
2GU-11610-0 1-00 PISTON RING SET, STD. - FIRST DESIGN CHANGE

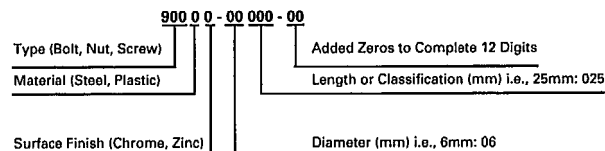
Only major changes to performance, durability, quality, appearance, cost or interchangeability will affect a part number change.

COLOR CODE & SIZE CODE NUMBER: 000-00000-00-00

When applicable, the last two digits of the part number identify:

1. Color Code: The painted color or type of plating or surface treatment used on certain parts.
2. Size Code: The last two digits are also used to show the size of parts (mm). Such as the thickness of shims or the size of pistons.

HARDWARE (Fastener) PART NUMBER CONFIGURATION:



TYPE:

A fastener part number always begins with the number "9" followed by either a 0, 1, 2, 3, 4, 5, 6, 7 or 8 designating one of eight major divisions within this group.

FOREWORD

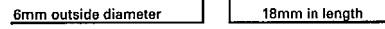
Example:

- 9 0 000-00000-00 "0" designates various types.
- 9 1 000-00000-00 "1" designates bolts, cotter pins, etc.
- 9 2 000-00000-00 "2" designates screw, nuts, etc.
- 9 3 000-00000-00 "3" designates oil seals, o-rings, bearings, etc.
- 9 4 000-00000-00 "4" designates spark plugs.
- 9 5 000-00000-00 "5" designates bolts and nuts.
- 9 7 000-00000-00 "7" designates ISO bolts.
- 9 8 000-00000-00 "8" designates ISO screws and nuts.

The only major divisions which the mechanic should become familiar with are those related to the general hardware (nuts, bolts, and washers), since these are the most commonly used and most often replaced items. By knowing how to interpret the part number, the dimensions of a piece of hardware can be determined. This can be very helpful during major engine repair, and general parts replacement.

BOLT EXAMPLE:

91311 - 06 018 - 00

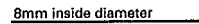


EXCEPTION:

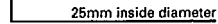
It is NOT possible to identify the LENGTH of bolts having a 901 prefix. Only the bolt diameter can be identified with this number.

NUT AND WASHER EXAMPLE:

95301 - 08600 - 00 NUT



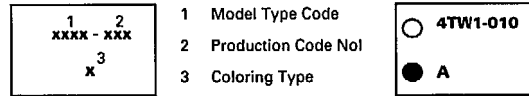
90201 - 25290 - 00 WASHER



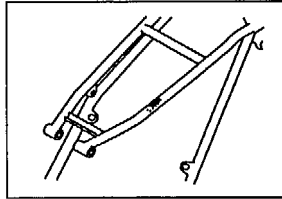
-MODEL LABEL-

A label called "Model Label" is affixed in the location as indicated in (3) below. When using this parts catalogue, please be sure to cross-reference the "model code - production code No." in the catalogue to the "model code - production code No." indicated on the Model Label affixed onto the product concerned.

"MODEL LABEL" INDICATION



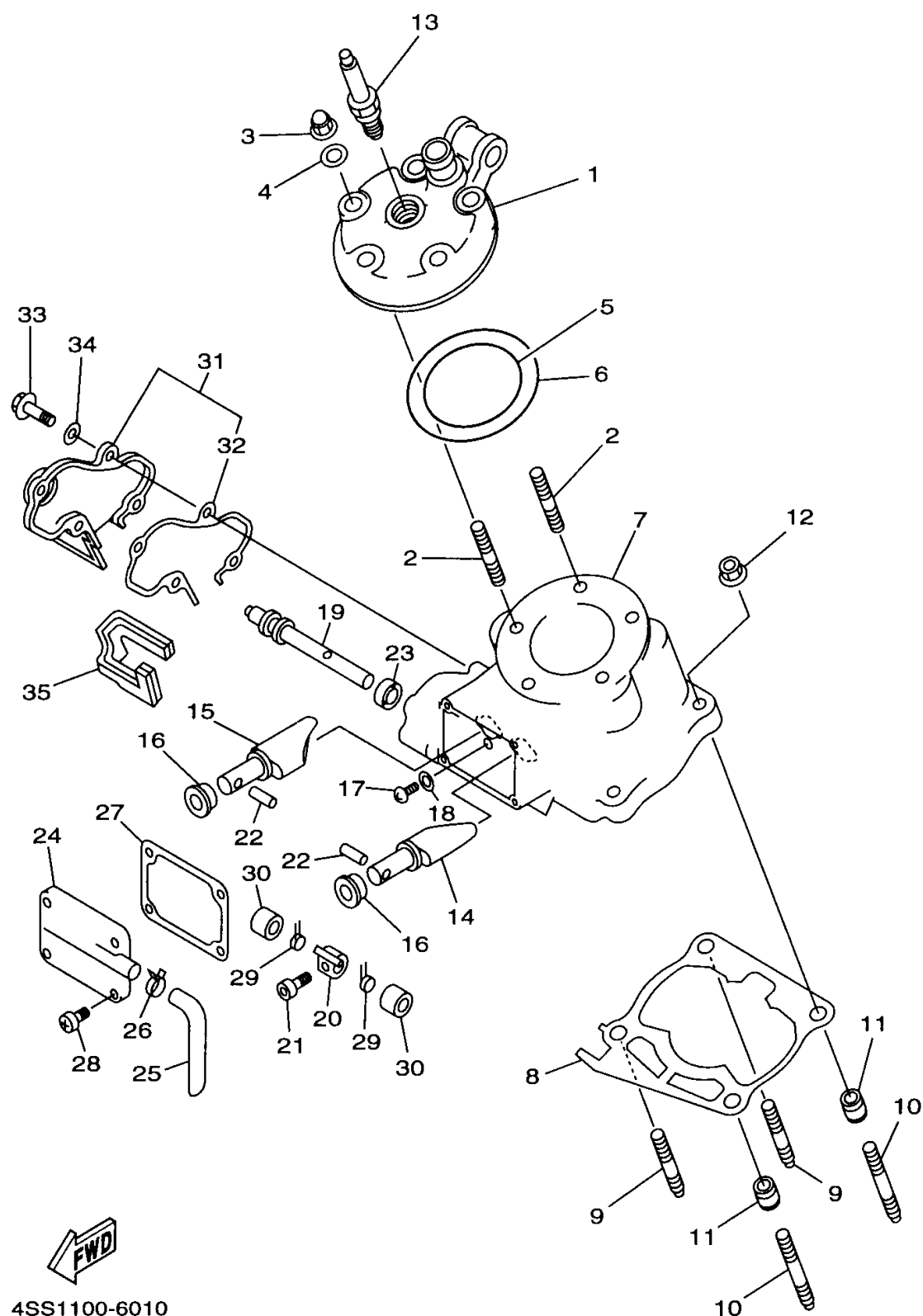
MODEL LABEL AFFIXING LOCATION



MODEL CODE - PRODUCTION CODE NUMBER OF MODEL LISTED IN THIS PARTS CATALOG

Model Code	Production Code No.	Country (destination)
5DH1	010	USA

CYLINDER HEAD



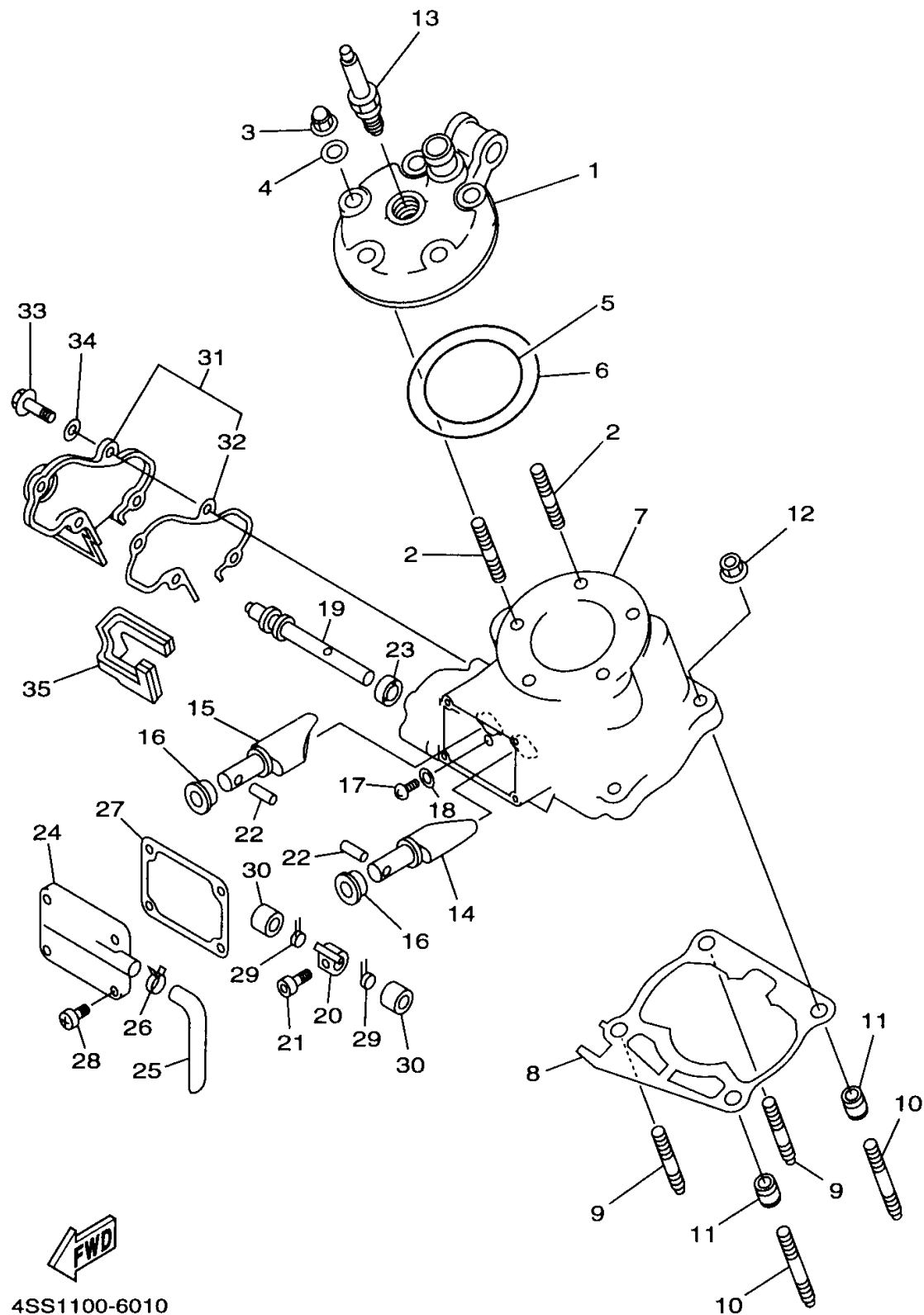
Ref. No.	Part Number	Description	Qty	Remarks
1	4JY-11111-01-00	HEAD, CYLINDER 1	1	
2	90116-08394-00	BOLT, STUD	5	
3	90176-08026-00	NUT, CROWN	5	
4	90201-08087-00	WASHER, PLATE	5	
5	93210-63442-00	O-RING	1	
6	93210-90785-00	O-RING	1	
7	4SS-11311-10-00	CYLINDER 1	1	
8	5DH-11351-00-00	GASKET, CYLINDER	1	
9	90116-08318-00	BOLT, STUD	2	
10	90116-08388-00	BOLT, STUD	2	
11	99530-10114-00	PIN, DOWEL	2	
12	90179-08299-00	NUT	4	
13	NGK-BR9EG-00-00	PLUG, SPARK (NGK BR9EG)	1	
14	4SS-1131A-02-00	VALVE 1	1	
15	4SS-1132A-02-00	VALVE 2	1	
16	4JY-1131E-00-00	HOLDER 1	2	
17	98907-05010-00	SCREW, BIND	2	
18	90201-057H5-00	WASHER, PLATE	2	
19	4SS-1131V-00-00	SHAFT 1	1	
20	4SS-11832-00-00	LEVER, LINK	1	
21	91317-04008-00	BOLT	1	
22	93604-18251-00	PIN, DOWEL	2	
23	93104-08040-00	OIL SEAL	1	
24	4SS-1131M-00-00	COVER	1	
25	4JY-11166-00-00	PIPE, BREATHER 1	1	
26	90467-13062-00	CLIP	1	
27	4JY-11354-02-00	GASKET	1	
28	98907-05016-00	SCREW, BIND	4	
29	90508-161B3-00	SPRING, TORSION	2	

CONTINUED ON NEXT FRAME ►



4SS1100-6010

CYLINDER HEAD

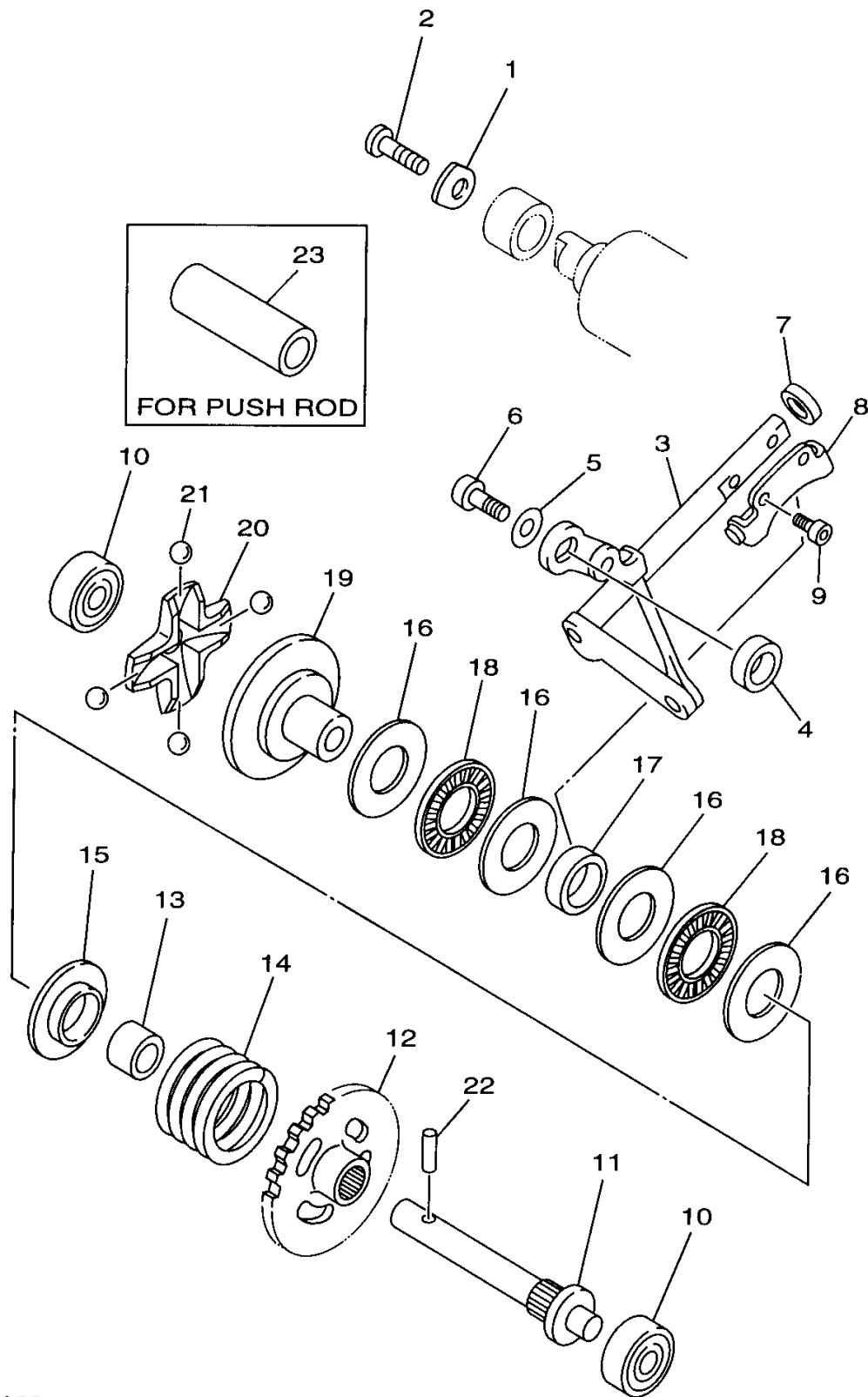


Ref. No.	Part Number	Description	Qty	Remarks
30	90387-08785-00	COLLAR	2	
31	4JY-11991-01-00	HOUSING 1	1	
32	4JY-11993-01-00	. GASKET	1	
33	97007-05016-00	BOLT	4	
34	92907-05600-00	WASHER, PLATE	4	
35	4JY-11995-00-00	SEAL, HOUSING	1	



4SS1100-6010

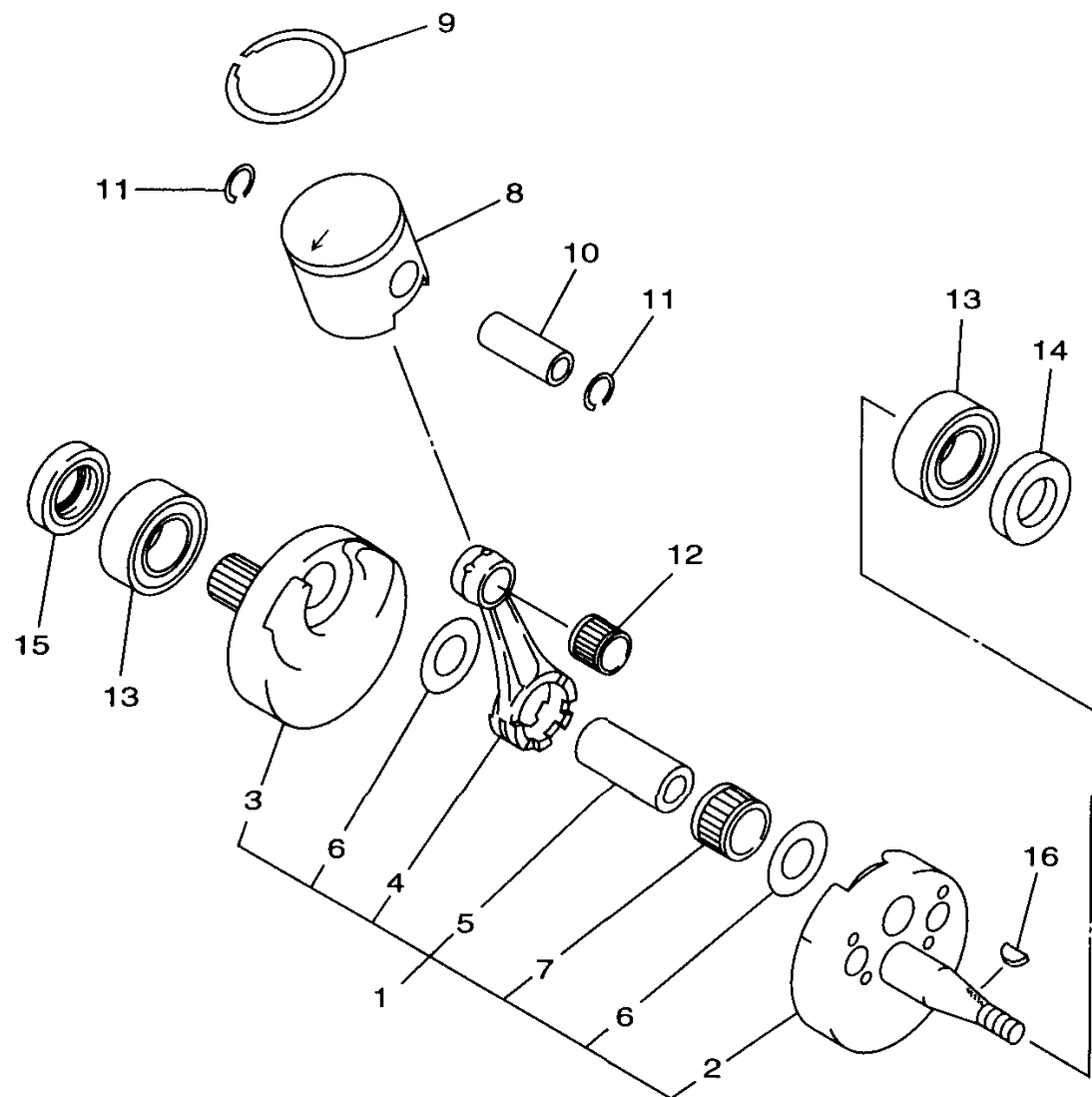
GOVERNOR



Ref. No.	Part Number	Description	Qty	Remarks
1	4JY-11915-01-00	PLATE, THRUST 1	1	
2	98507-05012-00	SCREW, PAN HEAD	1	
3	4SS-11990-00-00	PUSH ROD ASSEMBLY	1	
4	90387-085E1-00	COLLAR	1	
5	90201-057H5-00	WASHER, PLATE	1	
6	97007-05012-00	BOLT	1	
7	93104-08040-00	OIL SEAL	1	
8	3JE-11922-01-00	FORK, GOVERNOR	1	
9	91317-04006-00	BOLT	2	
10	93300-60801-00	BEARING (B0060)	2	KOYO
11	5X4-11921-02-00	SHAFT, GOVERNOR	1	
12	24X-11953-01-00	GEAR, GOVERNOR	1	
13	90560-08213-00	SPACER	1	
14	90501-30742-00	SPRING, COMPRESSION	1	
15	5X4-11952-00-00	PLATE	1	
16	90201-151A7-00	WASHER, PLATE (T=1.0)	4	
17	90387-152F2-00	COLLAR	1	
18	93340-21505-00	BEARING	2	
19	5X5-11912-01-00	RETAINER, WEIGHT	1	
20	5X5-11911-01-00	RETAINER	1	
21	93521-64032-00	BALL	4	
22	93603-14240-00	PIN, DOWEL	1	
23	90387-107T9-00	COLLAR	1	AP

 5DH1100-8020

CRANKSHAFT - PISTON

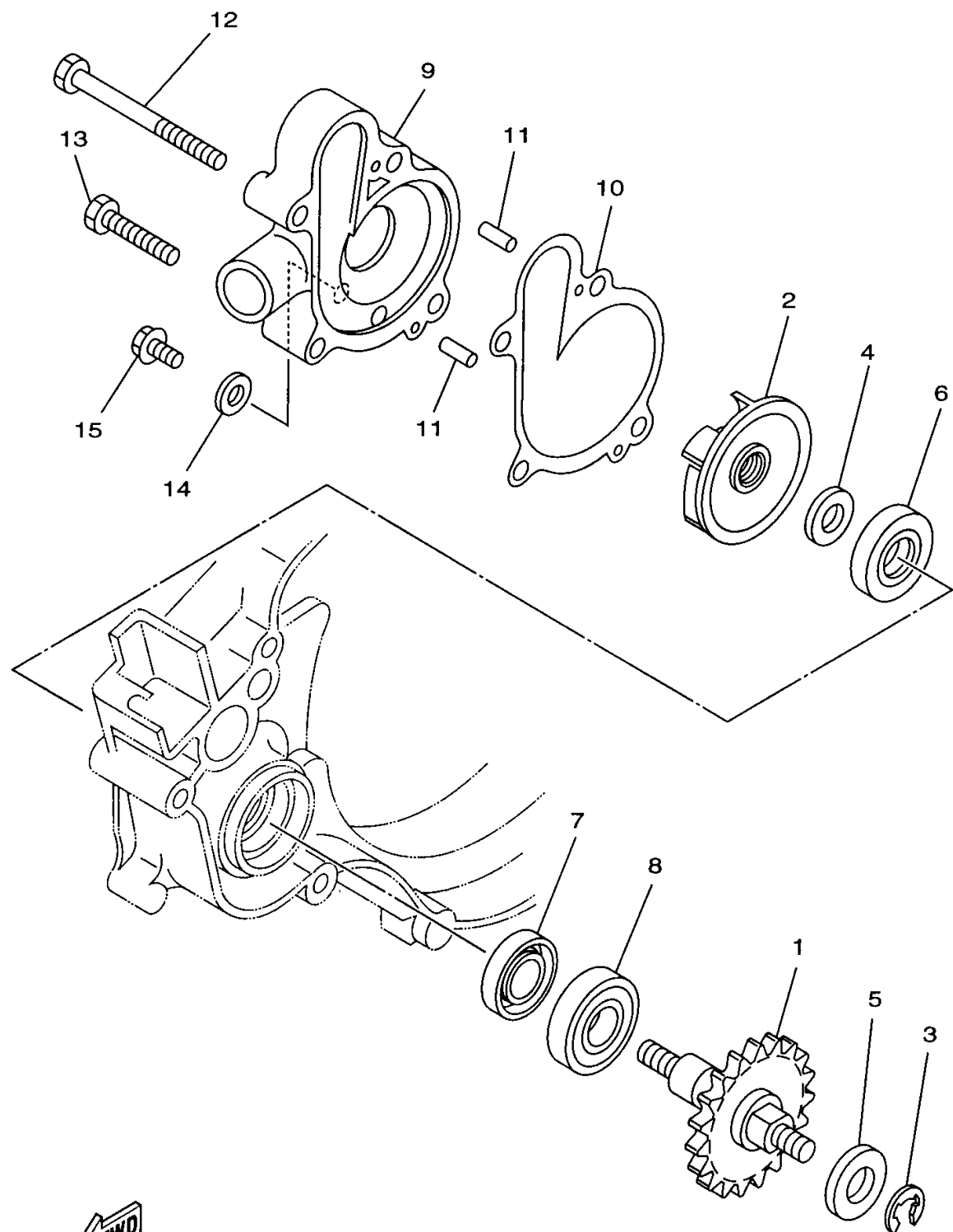


Ref. No.	Part Number	Description	Qty	Remarks
1	5DH-11400-00-00	CRANKSHAFT ASSEMBLY ...	1	
2	4SS-11410-10-00	. CRANKSHAFT	1	
3	4SS-11420-00-00	. CRANKSHAFT	1	
4	4PE-11651-02-00	. ROD, CONNECTING	1	
5	3JD-11681-02-00	. PIN, CRANK 1	1	
6	90209-22071-00	. WASHER	2	
7	93310-522P7-00	. BEARING	1	
8	4XM-11631-10-A0	PISTON	1	
	4XM-11631-10-B0	PISTON	1	
	4XM-11631-10-C0	PISTON	1	
	4XM-11631-10-D0	PISTON	1	
9	4JY-11611-00-00	RING, PISTON	1	
10	4XM-11633-10-00	PIN, PISTON	1	
11	93450-16068-00	CIRCLIP	2	
12	93310-315S4-00	BEARING	1	
13	93306-37204-00	BEARING (63/22SH2-9TC4) ...	2	KOYO
14	93102-22363-00	OIL SEAL	1	
15	93103-32183-00	OIL SEAL	1	
16	90280-03045-00	KEY, WOODRUFF	1	



4SS1100-6030

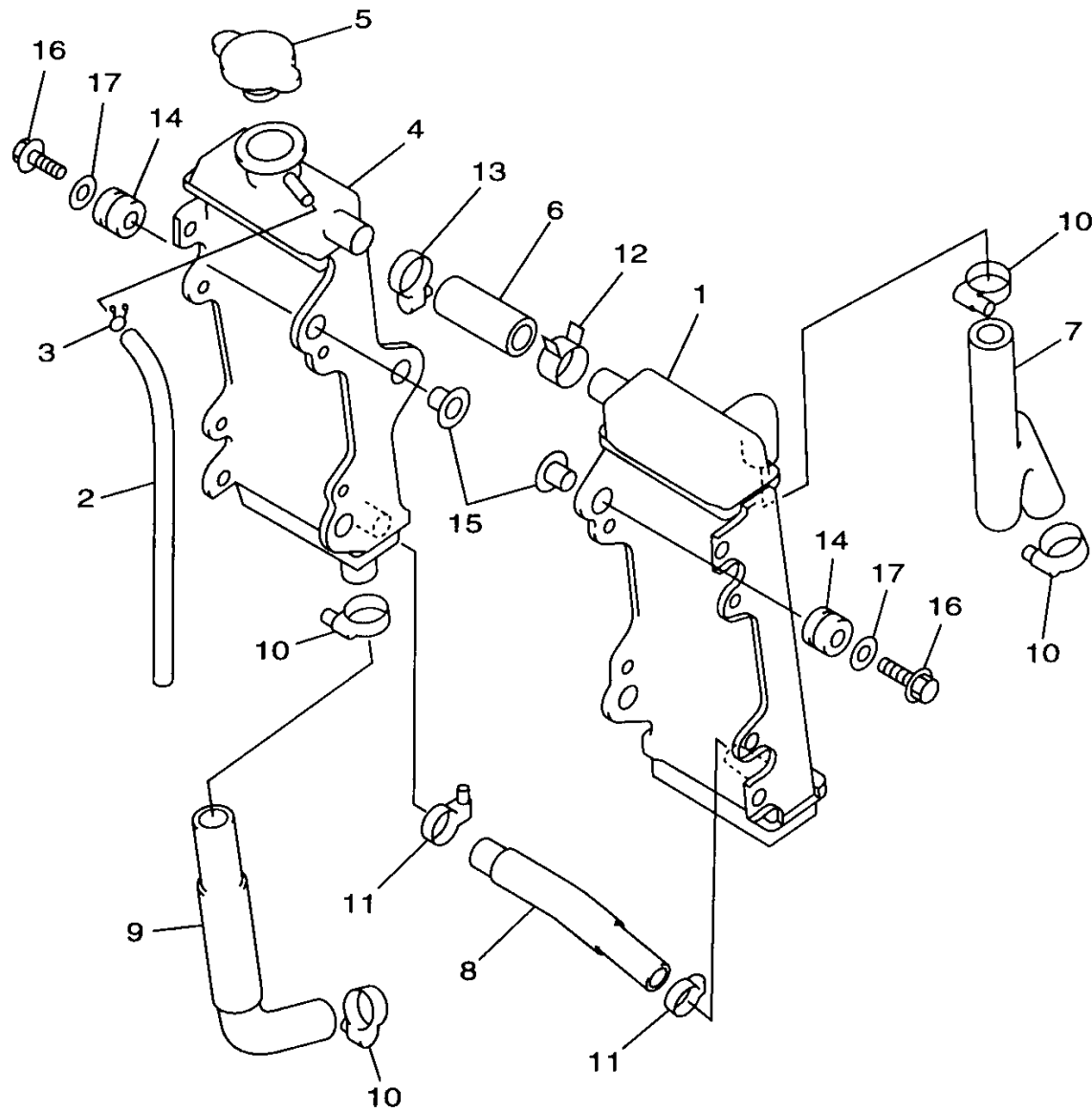
WATER PUMP



Ref. No.	Part Number	Description	Qty	Remarks
1	5DH-12459-00-00	GEAR, IMPELLER SHAFT	1	
2	5DH-12451-00-00	IMPELLER, WATER PUMP	1	
3	99001-06600-00	CIRCLIP	1	
4	90201-083P5-00	WASHER, PLATE	1	
5	90201-08784-00	WASHER, PLATE	1	
6	93109-11073-00	OIL SEAL	1	
7	93102-12106-00	OIL SEAL (SD 12-22-5 HS)	1	
8	93306-00105-00	BEARING (B6001)	1	
9	4JY-12422-00-00	COVER, HOUSING	1	
10	4JY-12428-00-00	GASKET, HOUSING COVER 2	1	
11	93604-10011-00	PIN, DOWEL	2	
12	95027-06065-00	BOLT, FLANGE	2	
13	95027-06030-00	BOLT, FLANGE	2	
14	90430-06014-00	GASKET	1	
15	95027-06010-00	BOLT, FLANGE	1	

FWD
5DH1100-8040

RADIATOR - HOSE

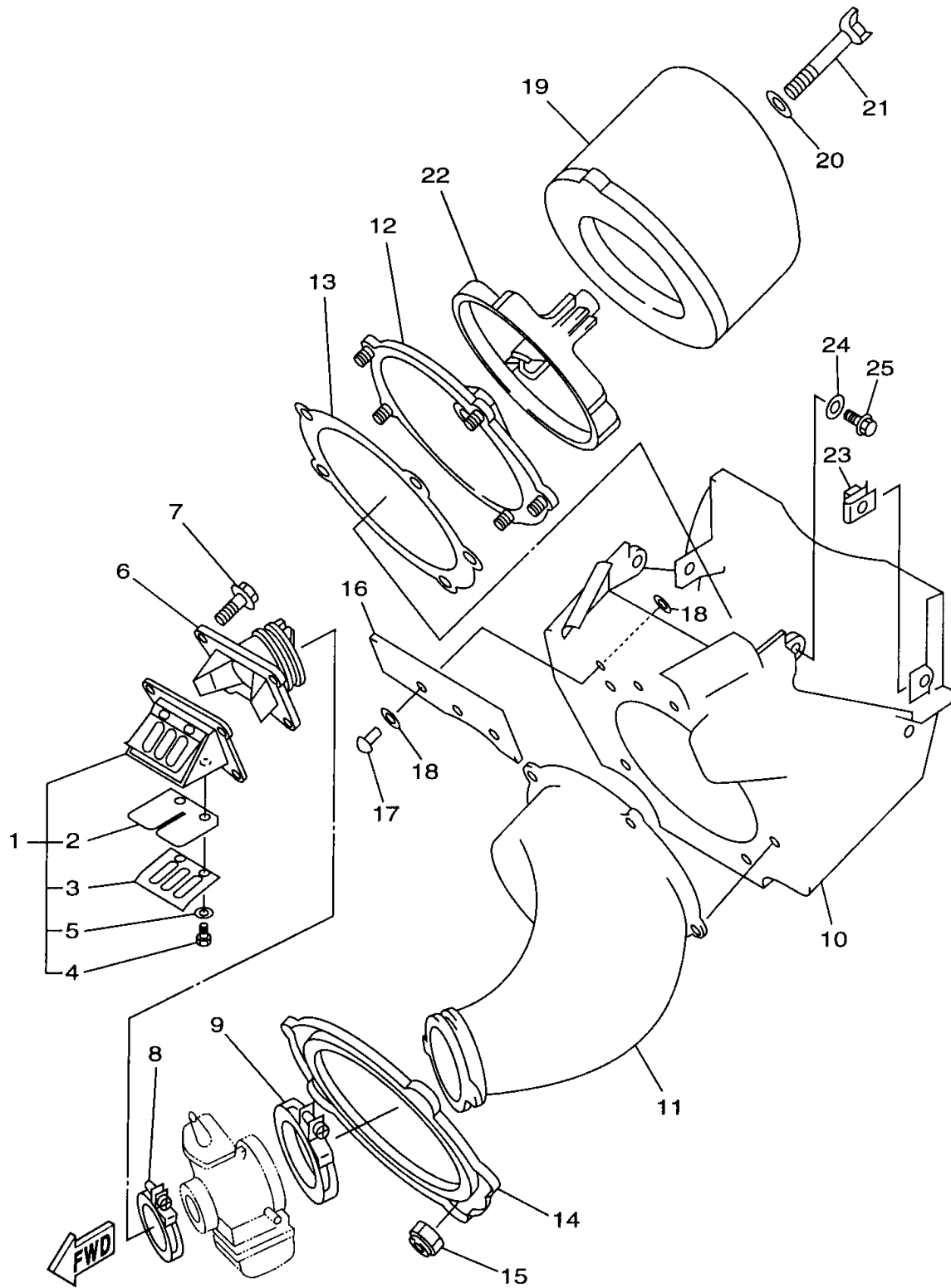


Ref. No.	Part Number	Description	Qty	Remarks
1	4SS-1240A-00-00	RADIATOR ASSEMBLY	1	
2	91A20-05065-00	TUBE, FLEXIBLE VINYL	1	
3	90467-09006-00	CLIP	1	
4	4SS-12461-00-00	RADIATOR ASSEMBLY	1	
5	22W-12462-00-00	CAP, RADIATOR	1	
6	4SS-12481-00-00	PIPE 1	1	
7	4SS-12482-00-00	PIPE 2	1	
8	4SS-12483-00-00	PIPE 3	1	
9	4SS-12484-00-00	PIPE 4	1	
10	90450-28014-00	HOSE CLAMP ASSY	4	
11	90450-22017-00	HOSE CLAMP ASSY	2	
12	90467-21068-00	CLIP	1	
13	90450-25037-00	HOSE CLAMP ASSY	1	
14	90480-15528-00	GROMMET	6	
15	90387-0700G-00	COLLAR	6	
16	95027-06030-00	BOLT, FLANGE	6	
17	90201-06071-00	WASHER, PLATE	6	



4SS1100-6050

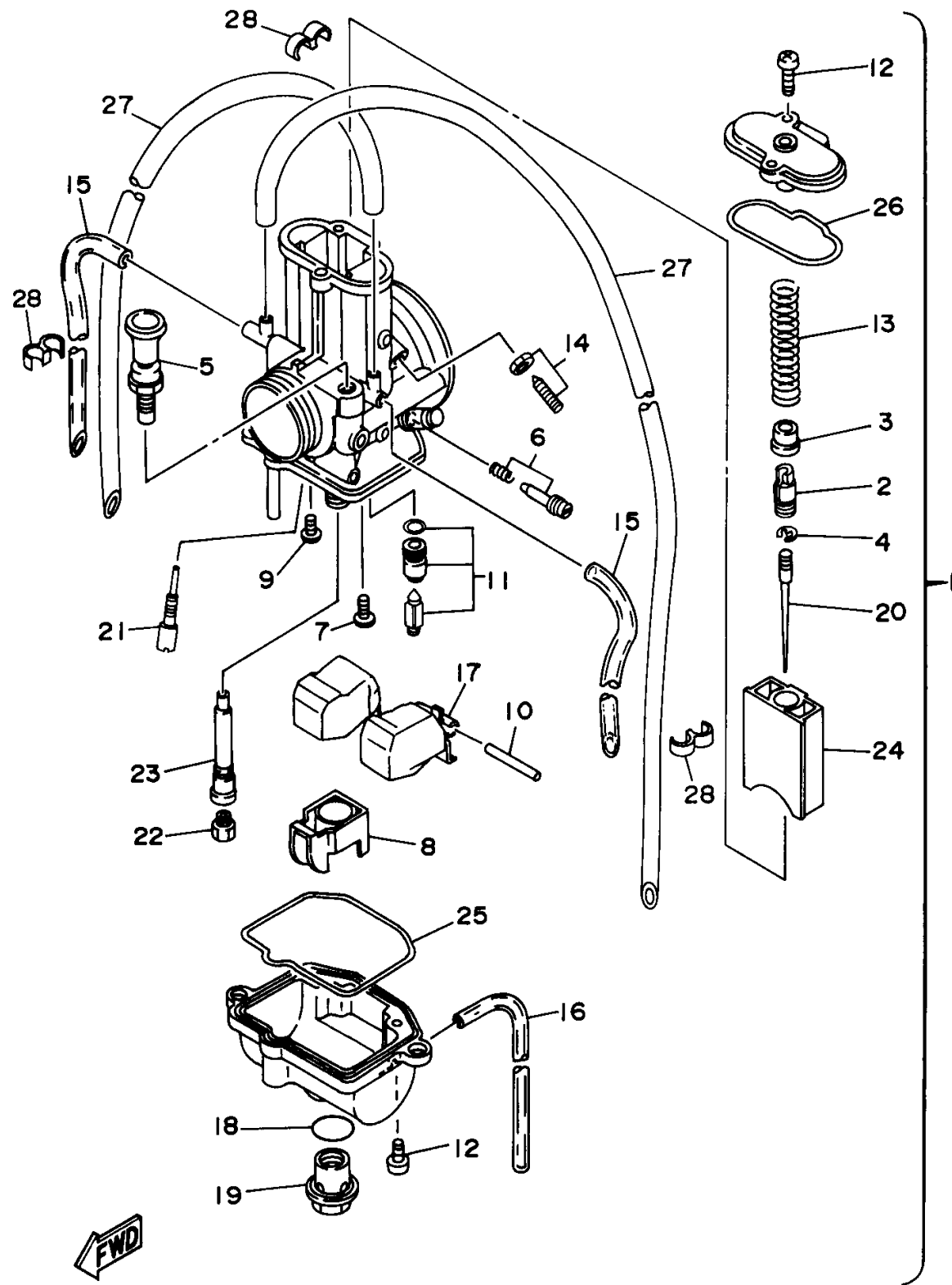
INTAKE



4XM4100-7060

Ref. No.	Part Number	Description	Qty	Remarks
1	4SS-13610-00-00	REED VALVE ASSY	1	
2	4SS-13613-00-00	. REED, VALVE	2	
3	4JY-13616-00-00	. STOPPER, REED VALVE	2	
4	98507-03008-00	. SCREW, PAN HEAD	4	
5	92907-03100-00	. WASHER	4	
6	4PE-13565-00-00	JOINT, CARBURETOR	1	
7	95027-06020-00	BOLT, FLANGE	4	
8	90450-51070-00	HOSE CLAMP ASSEMBLY ...	1	
9	90450-70072-00	HOSE CLAMP ASSEMBLY ...	1	
10	4SS-14401-02-00	AIR CLEANER CASE ASSEMBLY	1	
11	4SS-14453-00-00	JOINT, AIR CLEANER 1	1	
12	3JD-14459-01-00	HOLDER, GUIDE	1	
13	3JD-14462-00-00	SEAL	1	
14	3JD-14477-00-00	PLATE	1	
15	95607-05100-00	NUT, U	5	
16	4SS-14417-00-00	COVER 1	1	
17	90267-32070-00	RIVET, BLIND	3	
18	90201-03313-00	WASHER, PLATE	6	
19	4XM-14451-00-00	ELEMENT, AIR CLEANER	1	
20	90209-06096-00	WASHER	1	
21	90122-06035-00	BOLT, WING	1	
22	3JD-14458-01-00	GUIDE	1	
23	90183-06023-00	NUT, SPRING	4	
24	90201-061A5-00	WASHER, PLATE	2	
25	90105-06553-00	BOLT, WASHER BASED	2	

CARBURETOR

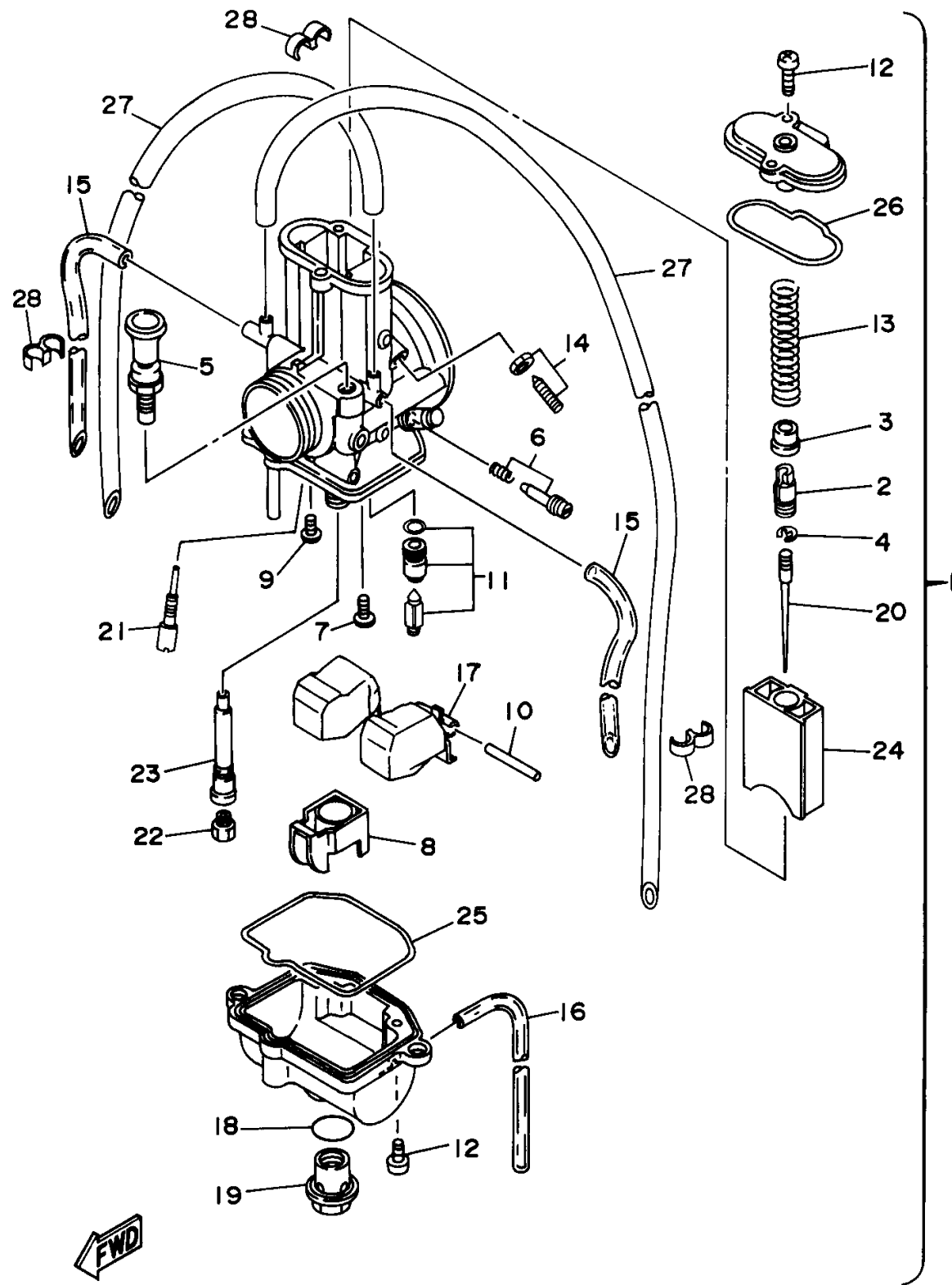


Ref. No.	Part Number	Description	Qty	Remarks
1	5DH-14101-10-00	CARBURETOR ASSEMBLY 1	1	
2	4PE-14261-01-00	. HOLDER	1	
3	4PE-14194-00-00	. RING	1	
4	256-14919-00-00	. CLIP	1	
5	3JE-14171-00-00	. PLUNGER, STARTER	1	
6	3JD-14104-00-00	. AIR SCREW SET	1	
7	1FN-14565-00-00	. SCREW	1	
8	4PE-14243-00-00	. PLATE	1	
9	98507-04008-00	. SCREW, PAN HEAD	1	
10	353-14186-00-00	. PIN, FLOAT	1	
11	4PE-14107-38-00	. NEEDLE VALVE SET	1	
12	98507-04012-00	. SCREW, PAN HEAD	3	
13	4PE-14131-00-00	. SPRING, THROTTLE VALVE	1	
14	4PE-14103-00-00	. THROTTLE SCREW SET	1	
15	2HH-14197-00-00	. PIPE	2	
16	3X3-14197-00-00	. PIPE, AIR VENT	1	
17	4PE-14185-00-00	. FLOAT	1	
18	3JE-14561-00-00	. O-RING	1	
19	3XK-14115-00-00	. PLUG, SCREW	1	
20	5A0-14116-F0-00	. NEEDLE (6BEF16-67)	1	AP
	5A0-14116-F1-00	. NEEDLE (6BEF16-68)	1	AP
	5A0-14116-F2-00	. NEEDLE (6BEF16-69)	1	STD
	5A0-14116-F3-00	. NEEDLE (6BEF16-70)	1	AP
	5A0-14116-F4-00	. NEEDLE (6BEF16-71)	1	AP
21	4KM-14142-40-00	. JET, PILOT (# 40)	1	AP
	4KM-14142-45-00	. JET, PILOT (# 45)	1	STD
	4KM-14142-50-00	. JET, PILOT (# 50)	1	AP
	4KM-14142-55-00	. JET, PILOT (# 55)	1	AP
	4KM-14142-60-00	. JET, PILOT (# 60)	1	AP

CONTINUED ON NEXT FRAME ►

4PE1100-5070

CARBURETOR

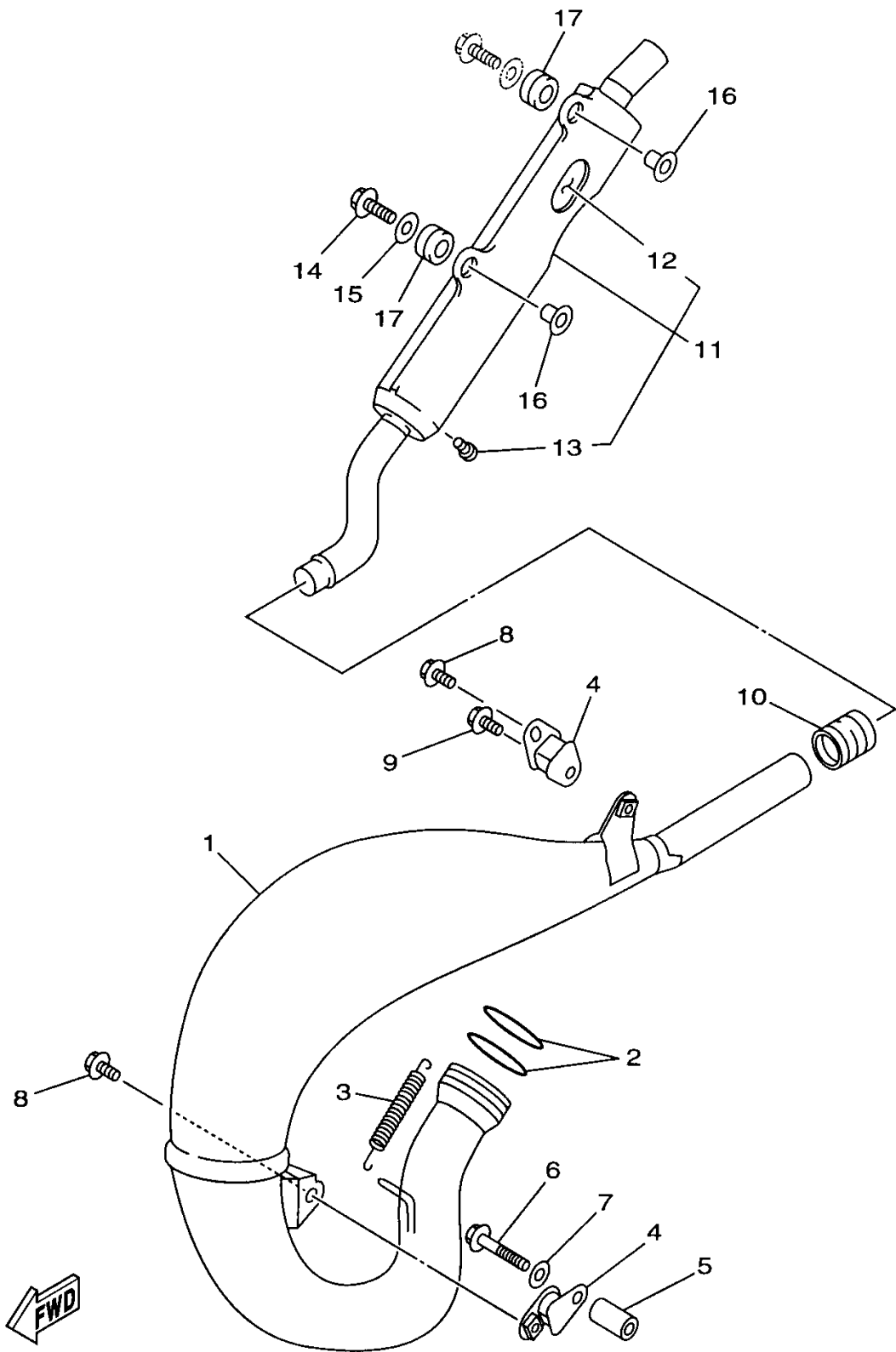


4PE1100-5070

Ref. No.	Part Number	Description	Qty	Remarks
21	4KM-14142-65-00	. JET, PILOT (# 65)	1	AP
22	137-14143-66-00	. JET, MAIN (#330)	1	AP
	137-14143-68-00	. JET, MAIN (#340)	1	AP
	137-14143-70-00	. JET, MAIN (350)	1	STD
	137-14143-72-00	. JET, MAIN (360)	1	AP
	137-14143-74-00	. JET, MAIN (370)	1	AP
23	3TC-14141-S5-00	. NOZZLE, MAIN (S-5)	1	AP
	3TC-14141-S6-00	. NOZZLE, MAIN (S-6)	1	AP
	3TC-14141-S7-00	. NOZZLE, MAIN (S-7)	1	AP
	3TC-14141-S8-00	. NOZZLE, MAIN (S-8)	1	AP
	3TC-14141-S9-00	. NOZZLE, MAIN (S-9)	1	STD
	3TC-14141-T0-00	. NOZZLE, MAIN (T-0)	1	AP
24	4SS-14112-45-00	. VALVE, THROTTLE (C.A.4.5)	1	AP
	4SS-14112-50-00	. VALVE, THROTTLE (C.A.5.0)	1	STD
	4SS-14112-55-00	. VALVE, THROTTLE (C.A.5.5)	1	AP
25	4PE-1416A-00-00	. O-RING	1	
26	4PE-14147-00-00	. O-RING	1	
27	4PE-14197-00-00	. PIPE, AIR VENT	2	
28	87M-14137-00-00	. CLIP	3	

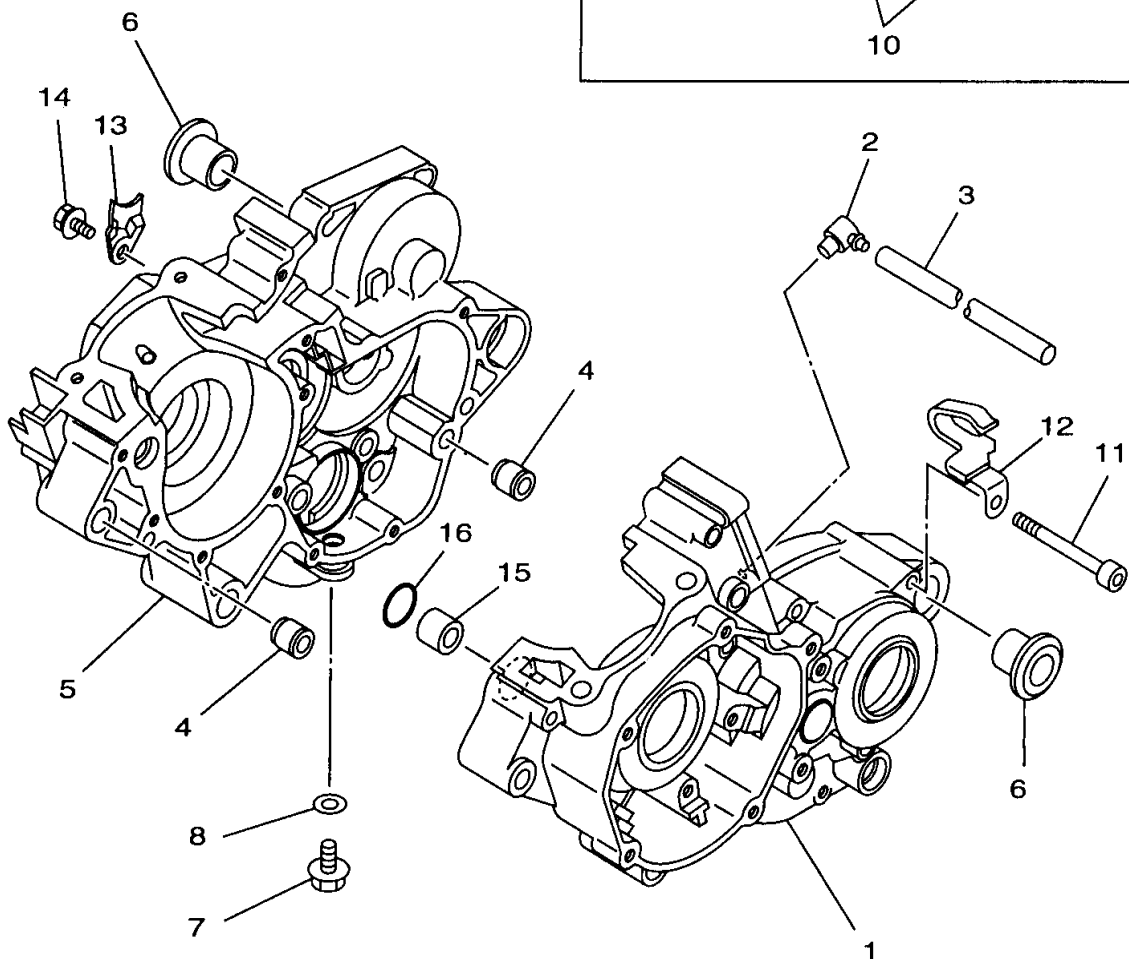
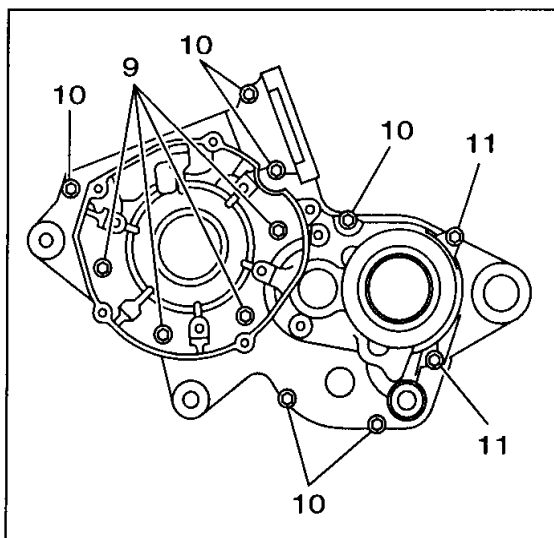
EXHAUST

Ref. No.	Part Number	Description	Qty	Remarks
1	4XM-14610-00-00	EXHAUST PIPE ASSEMBLY 1	1	
2	93210-42728-00	O-RING	2	
3	90507-20052-00	SPRING, TENSION	2	
4	565-14771-00-00	STAY, MUFFLER 1	2	
5	90387-062W7-00	COLLAR	1	
6	95027-06045-00	BOLT, FLANGE	1	
7	90201-06060-00	WASHER, PLATE	1	
8	95027-06012-00	BOLT, FLANGE	2	
9	90119-06185-00	BOLT, WITH WASHER	1	
10	4JY-14615-00-00	JOINT, EXHAUST 1	1	
11	5DH-14753-00-00	SILENCER, EXHAUST	1	
12	4SR-1469A-00-00	. FIBER	1	
13	92017-06010-00	. BOLT, BUTTON HEAD	2	
14	95027-06025-00	BOLT, FLANGE	1	
15	90201-06071-00	WASHER, PLATE	1	
16	90387-063G3-00	COLLAR	2	
17	90480-16561-00	GROMMET	2	



5DH1100-8080

CRANKCASE

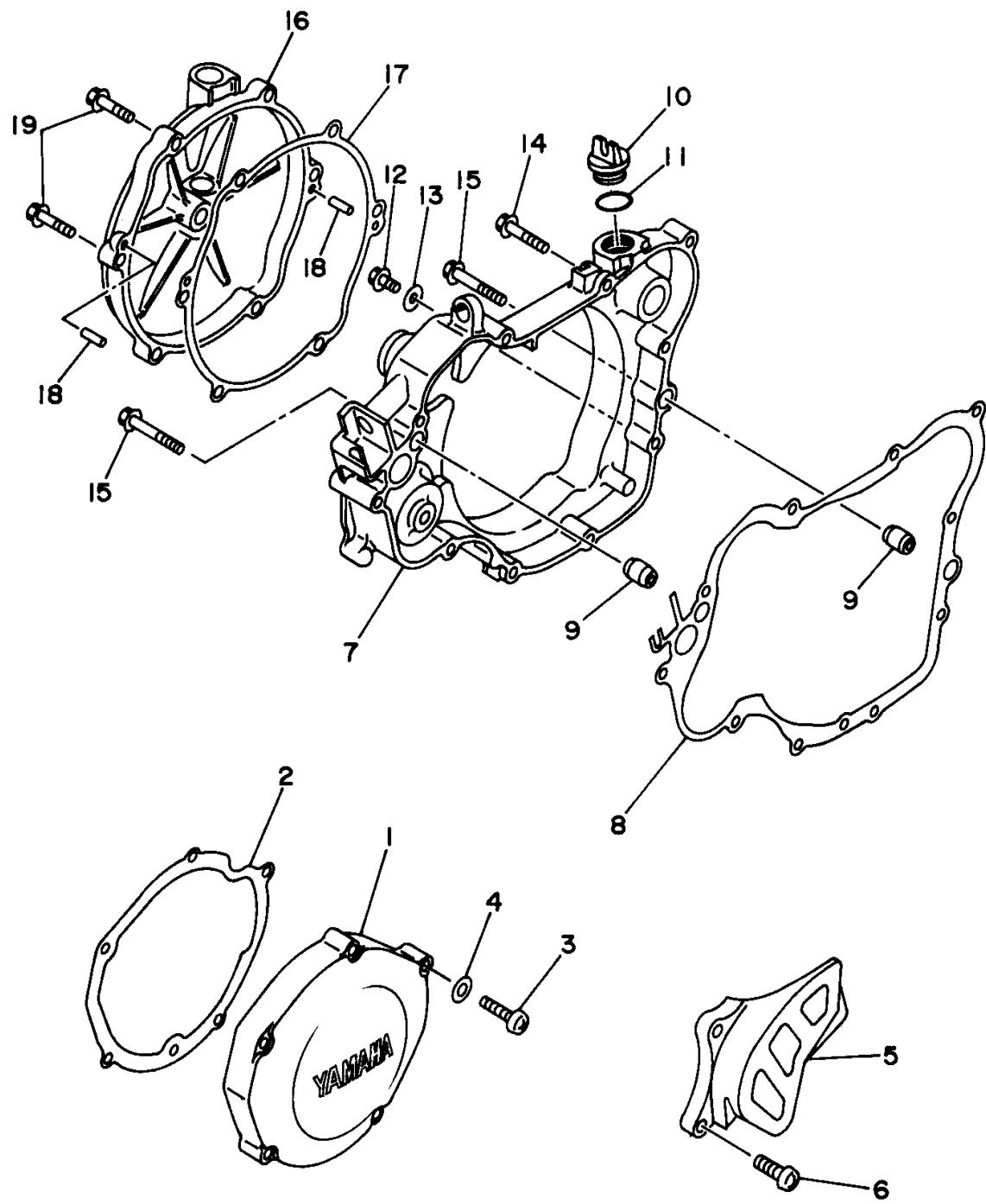


Ref. No.	Part Number	Description	Qty	Remarks
1	5DH-15111-00-00	CRANKCASE 1	1	
2	353-13115-01-00	CONNECTOR, SCTN PPE	1	
3	90445-08605-00	HOSE	1	
4	93612-16254-00	PIN, DOWEL	2	
5	5DH-15121-00-00	CRANKCASE 2	1	
6	90387-1712Y-00	COLLAR	2	
7	90340-12059-00	PLUG, STRAIGHT SCREW	1	
8	90430-12227-00	GASKET	1	
9	91317-06045-00	BOLT	4	
10	91317-06055-00	BOLT	6	
11	91317-06070-00	BOLT	2	
12	90461-10136-00	CLAMP	1	
13	3R4-15118-00-00	HOLDER	1	
14	90105-06556-00	BOLT, WASHER BASED	1	
15	99590-17016-00	PIN, DOWEL	1	
16	93210-16314-00	O-RING	1	



5DH1100-8090

CRANKCASE COVER 1



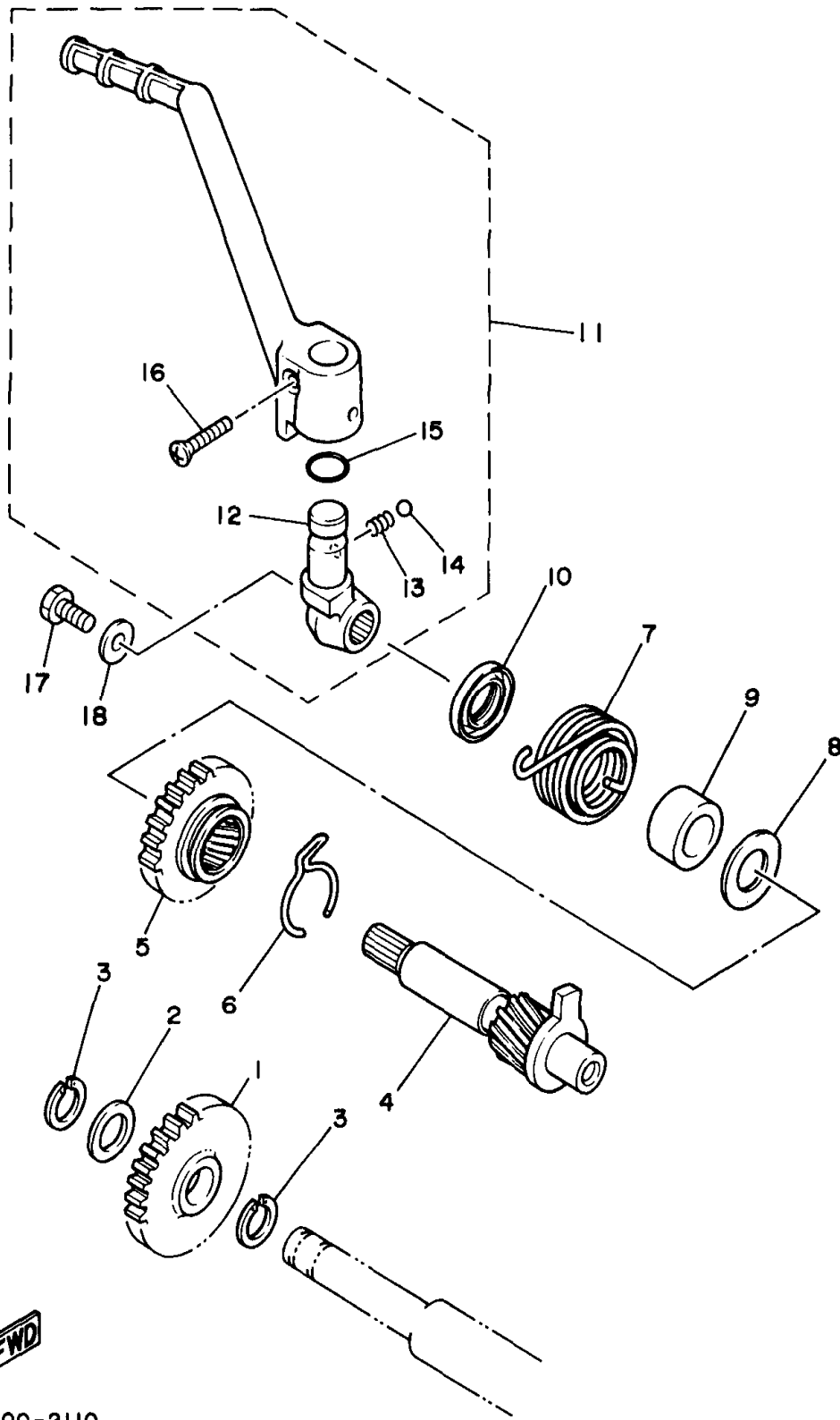
Ref. No.	Part Number	Description	Qty	Remarks
1	4JY-15411-00-00	COVER, CRANKCASE 1	1	
2	4JY-15451-01-00	GASKET, CRANKCASE COVER 1	1	
3	98507-06030-00	SCREW, PAN HEAD	5	
4	92907-06600-00	WASHER, PLATE	5	
5	4EX-15421-00-00	COVER, CRANKCASE 2	1	
6	98507-06016-00	SCREW, PAN HEAD	2	
7	4JY-15431-10-00	COVER, CRANKCASE 3	1	
8	4JY-15462-00-00	GASKET, CRANKCASE COVER 3	1	
9	99530-10114-00	PIN, DOWEL	2	
10	3Y1-15363-00-00	PLUG, OIL	1	
11	93210-19123-00	O-RING	1	
12	95027-06010-00	BOLT, FLANGE	1	
13	90430-06014-00	GASKET	1	
14	95027-06030-00	BOLT, FLANGE	6	
15	95027-06040-00	BOLT, FLANGE	2	
16	4JY-15415-00-00	COVER, GENERATOR	1	
17	4JY-15463-01-00	GASKET, CARBURETOR COVER 2	1	
18	93604-10011-00	PIN, DOWEL	2	
19	95027-06025-00	BOLT, FLANGE	6	



4JY1100-4100

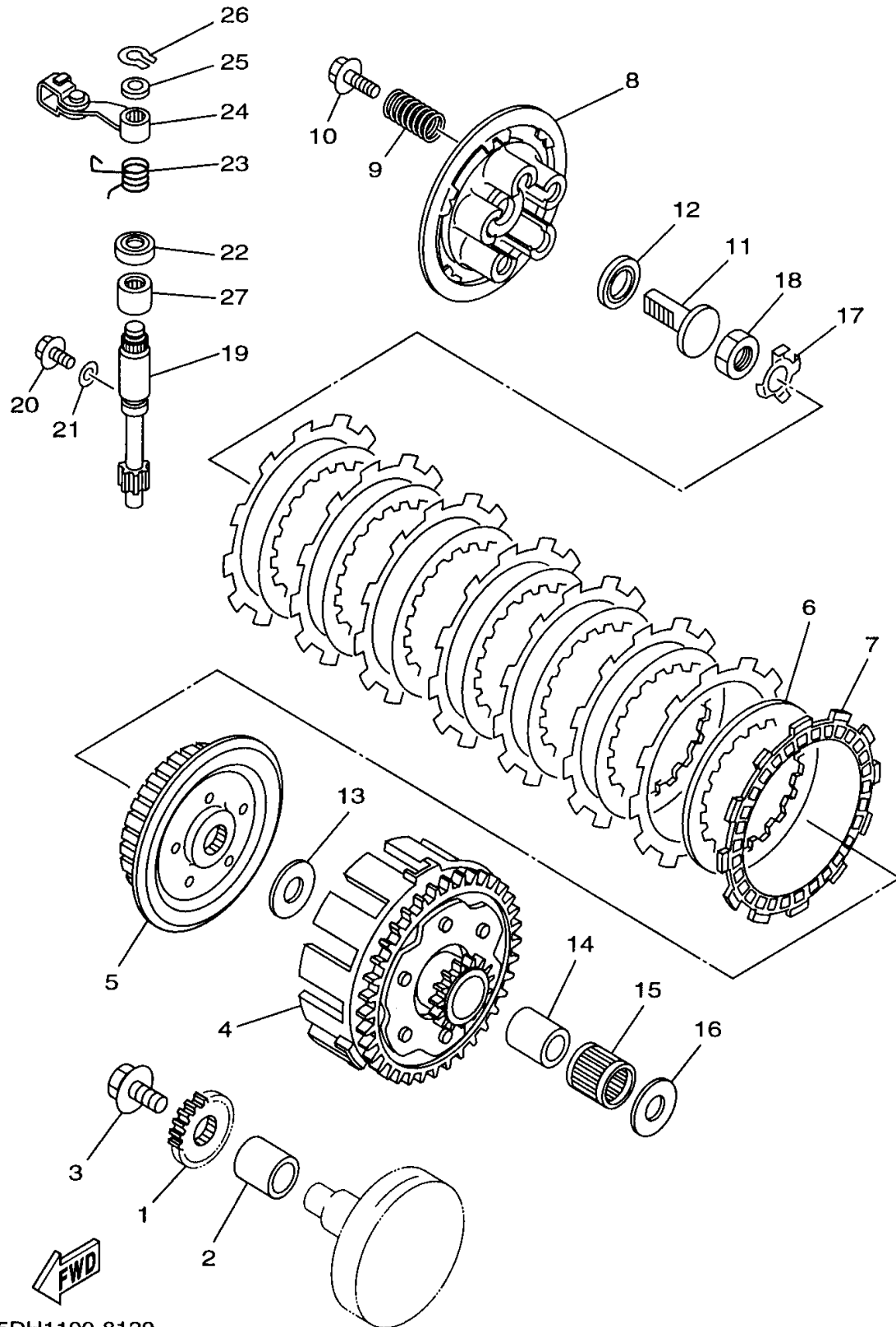
STARTER

Ref. No.	Part Number	Description	Qty	Remarks
1	1LX-15651-00-00	GEAR, KICK IDLE	1	
2	90201-152H7-00	WASHER, PLATE	1	
3	93440-15012-00	CIRCLIP	2	
4	1LX-15660-03-00	KICK AXLE ASSEMBLY	1	
5	1LX-15641-00-00	GEAR, KICK	1	
6	90468-26048-00	CLIP	1	
7	90508-26450-00	SPRING, TORSION	1	
8	90201-171G4-00	WASHER, PLATE	1	
9	90560-17279-00	SPACER	1	
10	93102-17263-00	OIL SEAL	1	
11	4DB-15620-03-00	KICK CRANK ASSEMBLY	1	
12	4DB-15621-03-00	. BOSS, KICK CRANK	1	
13	90501-12081-00	. SPRING, COMPRESSION	1	
14	93507-32009-00	. BALL	1	
15	93210-15171-00	. O-RING	1	
16	90152-06010-00	. SCREW, COUNTERSUNK	1	
17	97027-06012-00	BOLT	1	
18	90201-06060-00	WASHER, PLATE	1	



4DB2100-2110

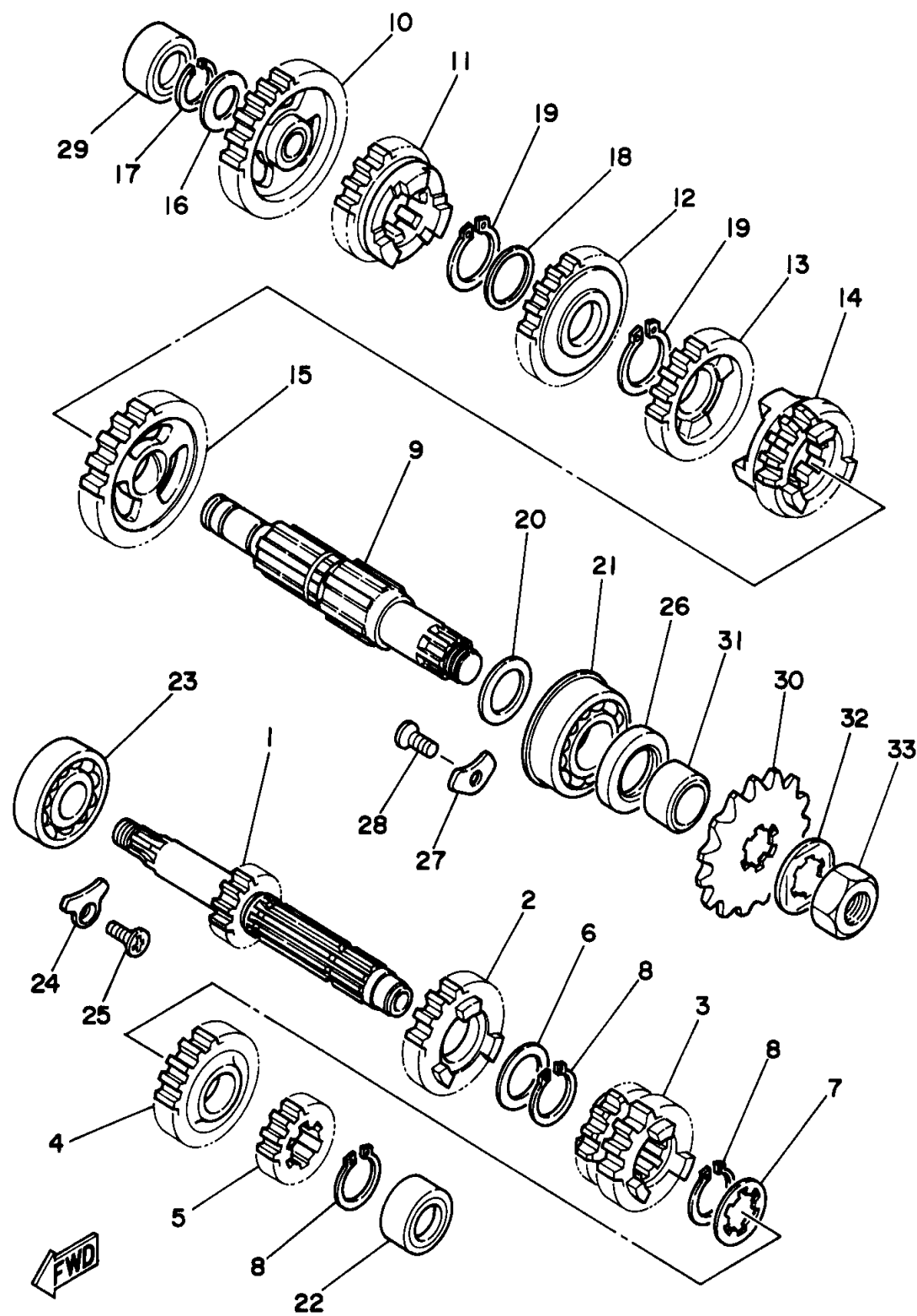
CLUTCH



5DH1100-8120

Ref. No.	Part Number	Description	Qty	Remarks
1	3XJ-16111-00-00	GEAR, PRIMARY DRIVE	1	
2	90387-202T9-00	COLLAR	1	
3	90105-10445-00	BOLT, WASHER BASED	1	
4	4JY-16150-02-00	PRIMARY DRIVEN GEAR COMP.	1	
5	4EX-16371-00-00	BOSS, CLUTCH	1	
6	3XJ-16324-00-00	PLATE, CLUTCH 1	7	
7	5DH-16321-00-00	PLATE, FRICTION	8	
8	4EX-16351-00-00	PLATE, PRESSURE 1	1	
9	90501-23598-00	SPRING, COMPRESSION	5	
10	90159-06016-00	SCREW, WITH WASHER	5	
11	3SB-16356-00-00	ROD, PUSH 1	1	
12	93340-21008-00	BEARING	1	
13	90201-20611-00	WASHER, PLATE	1	
14	3XJ-16181-00-00	SPACER 1	1	
15	93310-225N0-00	BEARING	1	
16	90201-20611-00	WASHER, PLATE	1	
17	90215-16289-00	WASHER, LOCK	1	
18	90170-16326-00	NUT	1	
19	4EX-16382-00-00	AXLE, PUSH LEVER	1	
20	90109-06418-00	BOLT	1	
21	90430-06014-00	GASKET	1	
22	93102-12224-00	OIL SEAL	1	
23	90508-141B4-00	SPRING, TORSION	1	
24	3JD-16340-00-00	PUSH LEVER ASSEMBLY	1	
25	90201-10119-00	WASHER, PLATE	1	
26	99009-10400-00	CIRCLIP	1	
27	93315-11206-00	BEARING	1	

TRANSMISSION

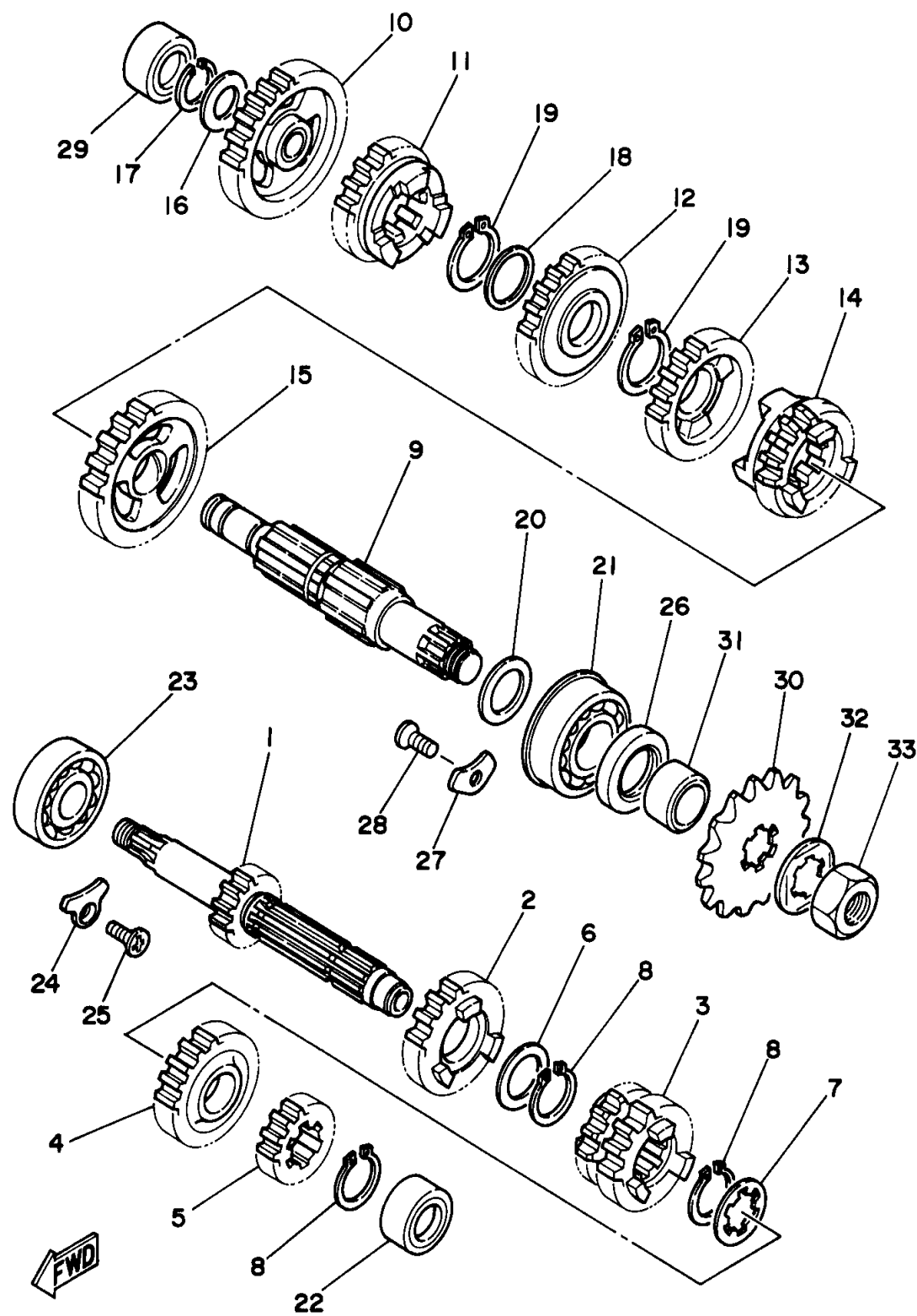


Ref. No.	Part Number	Description	Qty	Remarks
1	4XM-17411-00-00	AXLE, MAIN	1	
2	4EX-17151-00-00	GEAR, 5TH PINION	1	
3	4EX-17131-01-00	GEAR, 3RD PINION	1	
4	4XM-17161-00-00	GEAR, 6TH PINION	1	
5	4XM-17121-00-00	GEAR, 2ND PINION	1	
6	90201-22555-00	WASHER, PLATE	1	
7	90209-18135-00	WASHER	1	
8	93410-22039-00	CIRCLIP	3	
9	4XM-17421-00-00	AXLE, DRIVE	1	
10	4XM-17211-00-00	GEAR, 1ST WHEEL	1	
11	4EX-17251-01-00	GEAR, 5TH WHEEL	1	
12	3SR-17231-00-00	GEAR, 3RD WHEEL	1	
13	4EX-17241-00-00	GEAR, 4TH WHEEL	1	
14	4XM-17261-00-00	GEAR, 6TH WHEEL	1	
15	4XM-17221-00-00	GEAR, 2ND WHEEL	1	
16	90201-15700-00	WASHER, PLATE	1	
17	93440-15012-00	CIRCLIP	1	
18	90209-18208-00	WASHER	1	
19	93410-22039-00	CIRCLIP	2	
20	90201-20611-00	WASHER, PLATE	1	
21	93306-30411-00	BEARING (B6304)	1	
22	93311-41530-00	BEARING	1	
23	93306-20431-00	BEARING (B6204Z)	1	
24	1LX-15383-00-00	PLATE, BEARING COVER	1	
25	90151-06037-00	SCREW, COUNTERSUNK	1	
26	93102-26042-00	OIL SEAL	1	
27	4XM-15383-00-00	PLATE, BEARING COVER	2	
28	90151-06037-00	SCREW, COUNTERSUNK	1	
29	93311-31515-00	BEARING	1	

CONTINUED ON NEXT FRAME ►

3XJ1100-1130

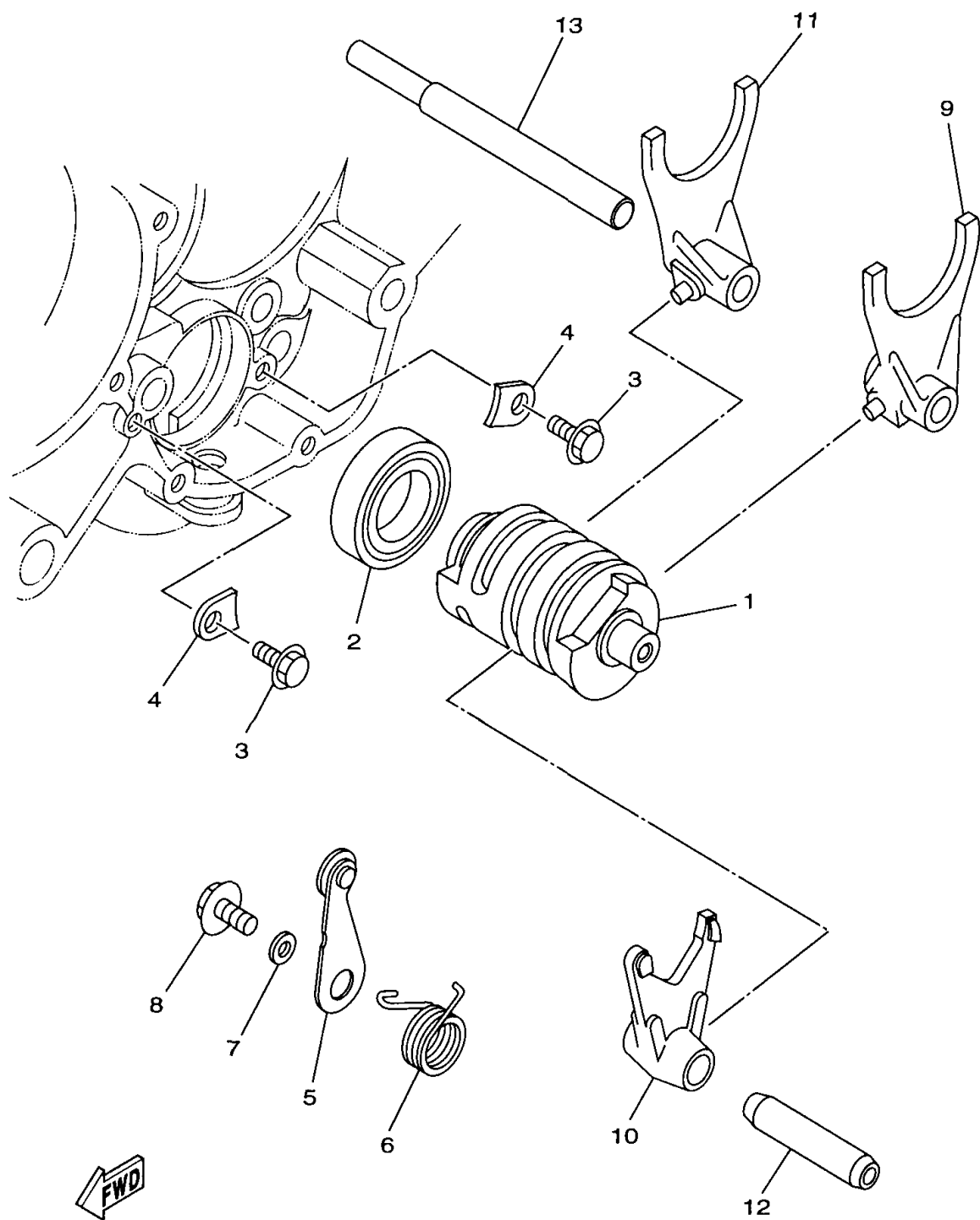
TRANSMISSION



Ref. No.	Part Number	Description	Qty	Remarks
30	9383A-12017-00	SPROCKET, DRIVE 12T (2HG1746120)	1	AP
	9383A-13031-00	SPROCKET, DRIVE 13T (2HG1746130)	1	STD
	9383A-14054-00	SPROCKET, DRIVE 14T (2HG1746140)	1	AP
31	90387-202A0-00	COLLAR	1	
32	90215-20261-00	WASHER, LOCK	1	
33	90179-16226-00	NUT	1	

3XJ1100-1130

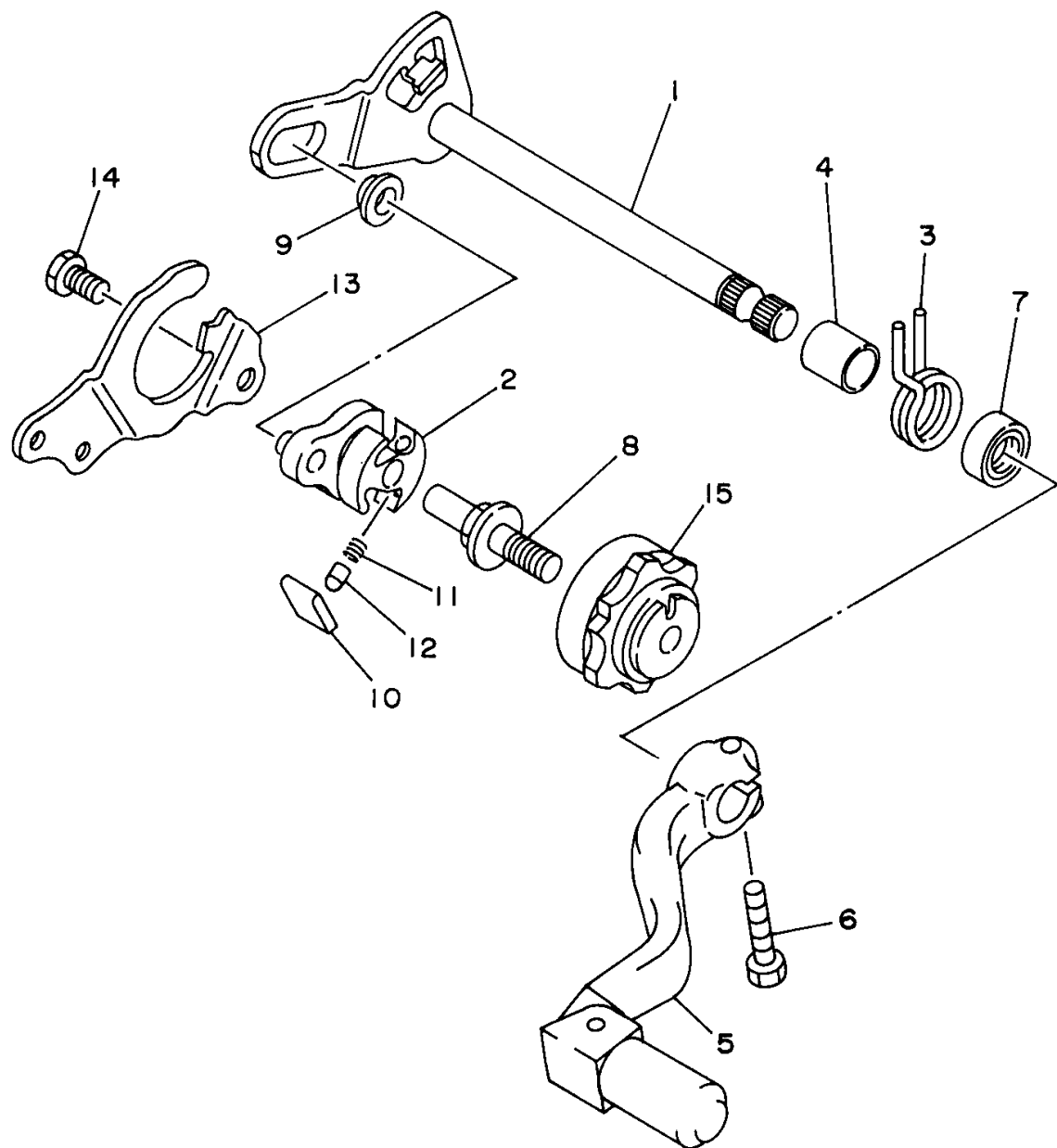
SHIFT CAM - FORK



5DH1100-8140

Ref. No.	Part Number	Description	Qty	Remarks
1	5DH-18541-00-00	CAM, SHIFT	1	
2	93306-90504-00	BEARING	1	
3	90105-06553-00	BOLT, WASHER BASED	2	
4	5DH-18562-00-00	PLATE, STOPPER 2	2	
5	4JY-18140-00-00	STOPPER LEVER ASSY	1	
6	90508-261B7-00	SPRING, TORSION	1	
7	90387-063F7-00	COLLAR	1	
8	90159-06078-00	SCREW, WITH WASHER	1	
9	4SS-18511-00-00	FORK, SHIFT 1	1	
10	2VN-18512-01-00	FORK, SHIFT 2	1	
11	4SS-18513-00-00	FORK, SHIFT 3	1	
12	4EX-18531-00-00	BAR, SHIFT FORK GUIDE 1 ...	1	
13	4EX-18535-00-00	BAR, SHIFT FORK GUIDE 2 ...	1	

SHIFT SHAFT

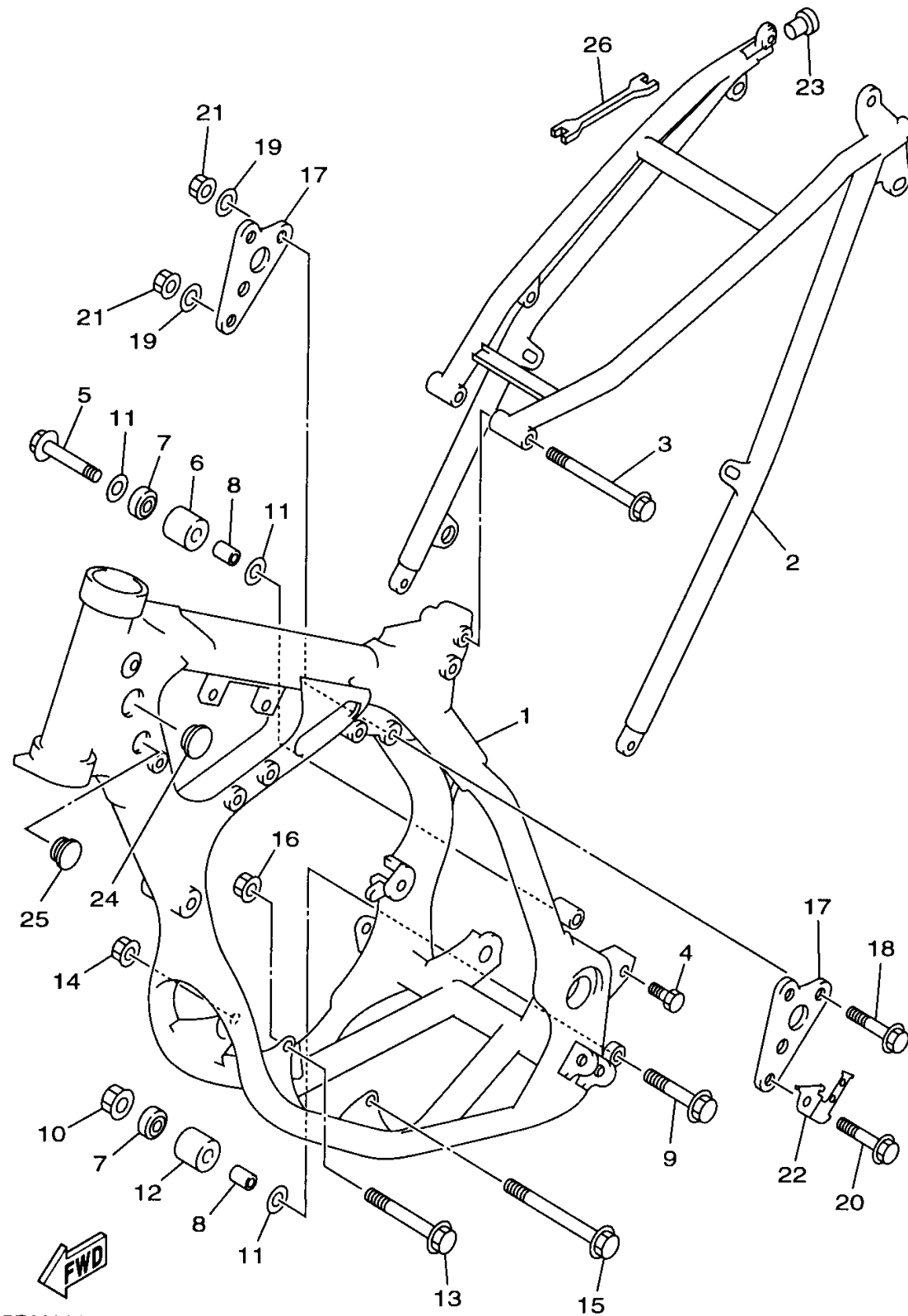


Ref. No.	Part Number	Description	Qty	Remarks
1	4SS-18101-00-00	SHIFT SHAFT ASSEMBLY	1	
2	3XJ-18122-00-00	LEVER, SHIFT 2	1	
3	90508-295A7-00	SPRING, TORSION	1	
4	90560-12280-00	SPACER	1	
5	4SS-18110-00-00	SHIFT PEDAL ASSEMBLY	1	
6	95027-06020-00	BOLT, FLANGE	1	
7	93109-12012-00	OIL SEAL	1	
8	3XJ-18173-00-00	PIN, SHIFT	1	
9	3XJ-18178-00-00	ROLLER, SHIFT LEVER	1	
10	3XJ-18182-00-00	PAWL, SHIFTER	2	
11	90501-052G5-00	SPRING, COMPRESSION	2	
12	3XJ-18184-00-00	PIN, PAWL	2	
13	4JY-18172-00-00	GUIDE, SHIFT	1	
14	90101-06664-00	BOLT	2	
15	4EW-18185-00-00	SEGMENT	1	



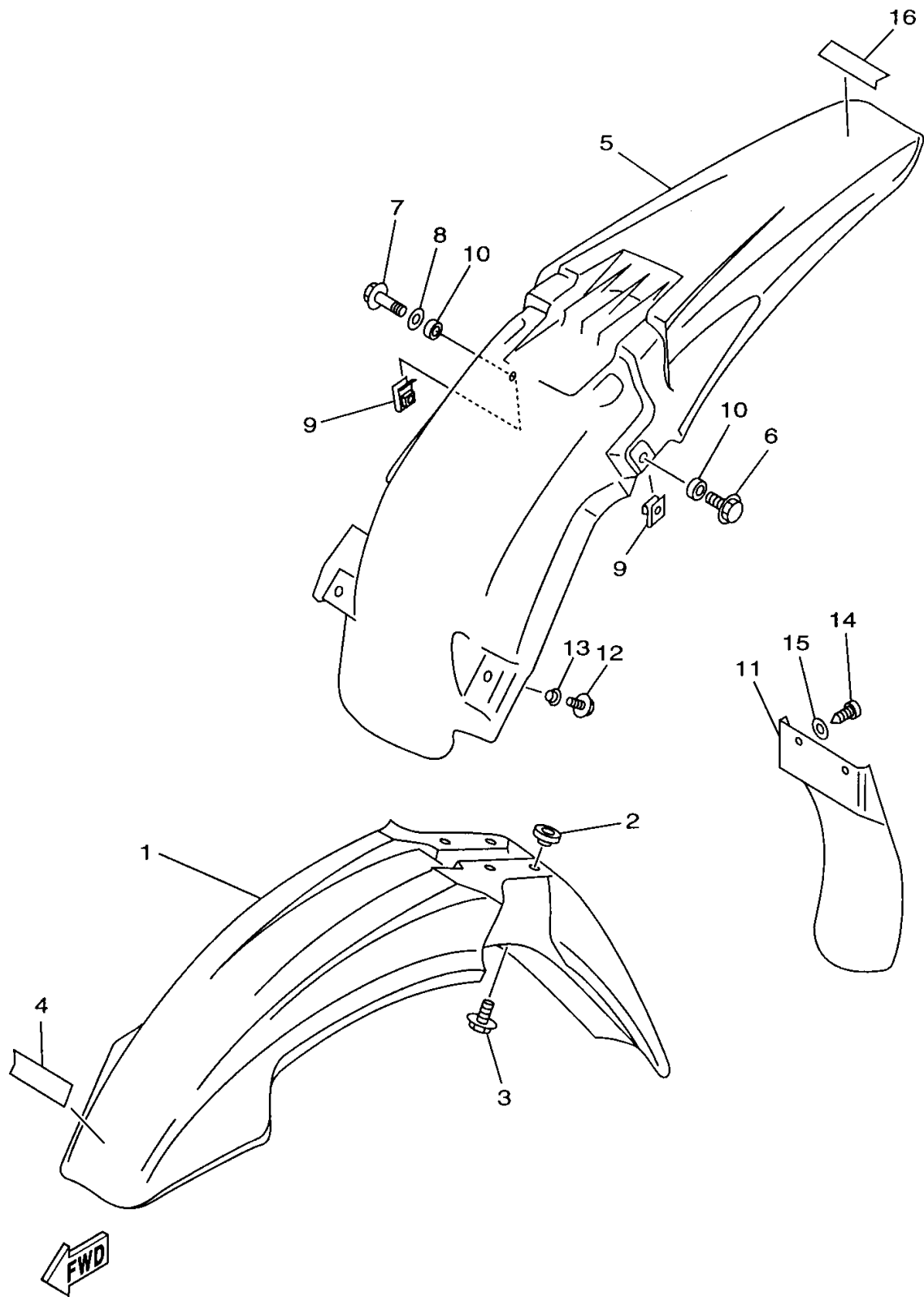
4SS1100-6150

FRAME



5DH1100-8160

Ref. No.	Part Number	Description	Qty	Remarks
1	5DH-21101-00-P0	FRONT FRAME COMP.	1	DPBMC
2	5DH-21190-00-P0	REAR FRAME COMP.	1	DPBMC
3	90105-08099-00	BOLT, WASHER BASED	1	
4	90110-08096-00	BOLT, HEXAGON SOCKET HEAD	2	
5	95027-08040-00	BOLT, FLANGE	1	
6	4EW-22178-00-00	TENSIONER	1	
7	93300-60804-00	BEARING	2	
8	90387-086N4-00	COLLAR	2	
9	95027-08065-00	BOLT, FLANGE	1	
10	95707-08500-00	NUT, FLANGE	1	
11	90201-086P8-00	WASHER, PLATE	3	
12	3JD-22178-10-00	TENSIONER	1	
13	95817-10090-00	BOLT, FLANGE	1	
14	95617-10200-00	BOLT, STUD	1	
15	90105-10733-00	BOLT, WASHER BASED	1	
16	95617-10200-00	BOLT, STUD	1	
17	4SS-21425-00-00	BRACKET, REAR UPPER 1 ...	2	
18	95817-08050-00	BOLT, FLANGE	2	
19	90201-08730-00	WASHER, PLATE	3	
20	90105-08494-00	BOLT, WASHER BASED	1	
21	95617-08200-00	NUT, SELF-LOCKING	3	
22	5DH-21274-00-00	BRACKET, C.D.I. UNIT	1	
23	90338-16148-00	PLUG	2	
24	90338-30256-00	PLUG	2	
25	90338-21145-00	PLUG	4	
26	56A-28166-00-00	WRENCH, HEXAGON	1	



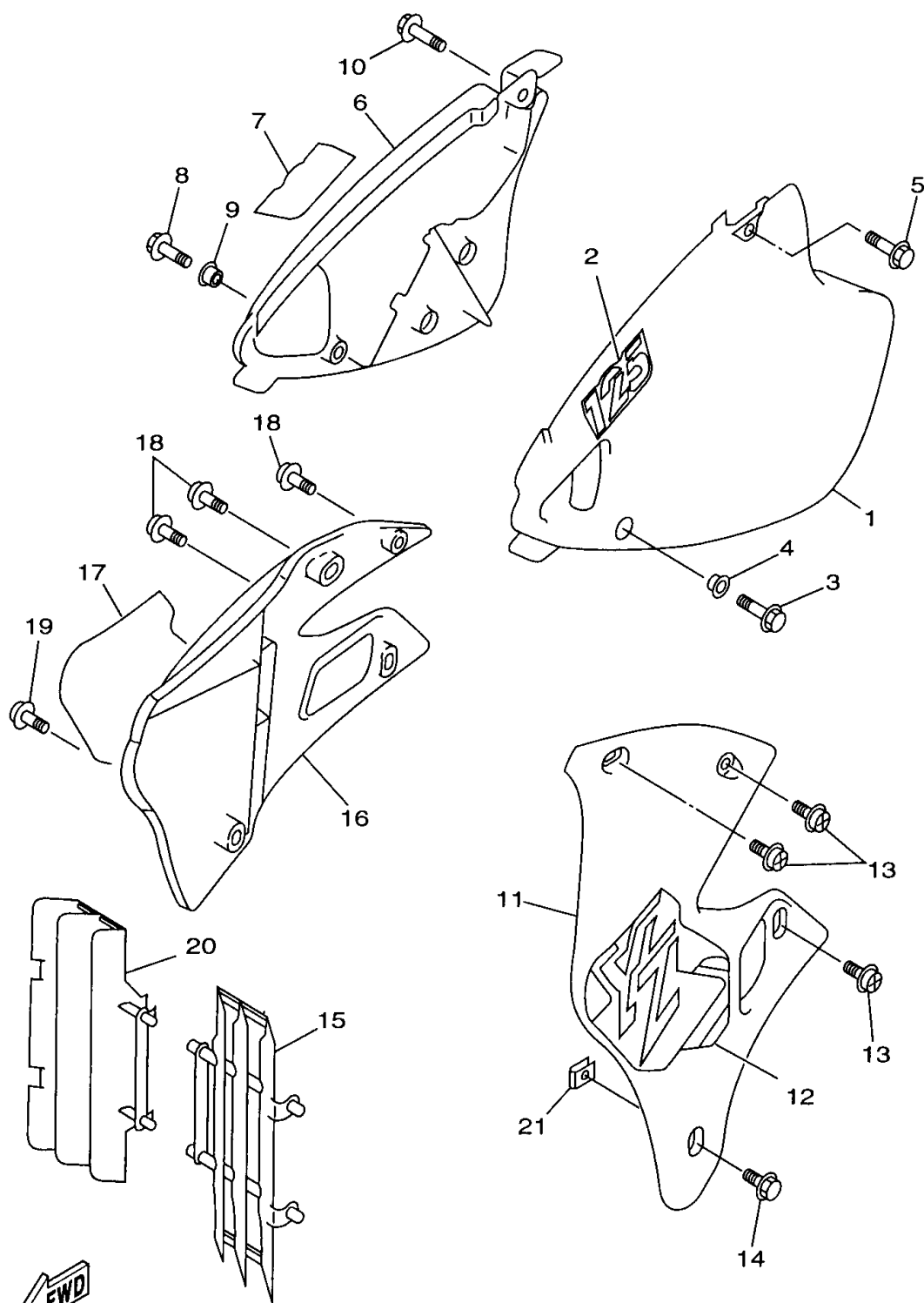
FENDER

Ref. No.	Part Number	Description	Qty	Remarks
1	4DA-21511-20-00	FENDER, FRONT	1	
2	3JD-21748-00-00	COLLAR	4	
3	90119-06096-00	BOLT, WITH WASHER	4	
4	99241-00080-00	EMBLEM, YAMAHA	1	
5	5BE-21611-10-00	FENDER, REAR	1	
6	95027-06012-00	BOLT, FLANGE	1	
7	95027-06030-00	BOLT, FLANGE	1	
8	90201-06071-00	WASHER, PLATE	1	
9	90183-06023-00	NUT, SPRING	2	
10	90387-0701A-00	COLLAR	2	
11	4ES-21642-00-00	GUARD, FLAP	1	
12	95027-06020-00	BOLT, FLANGE	2	
13	90387-0600F-00	COLLAR	2	
14	97707-60016-00	SCREW, TAPPING	2	
15	90201-06557-00	WASHER, PLATE	2	
16	99241-00080-00	EMBLEM, YAMAHA	1	

5DH1100-8170

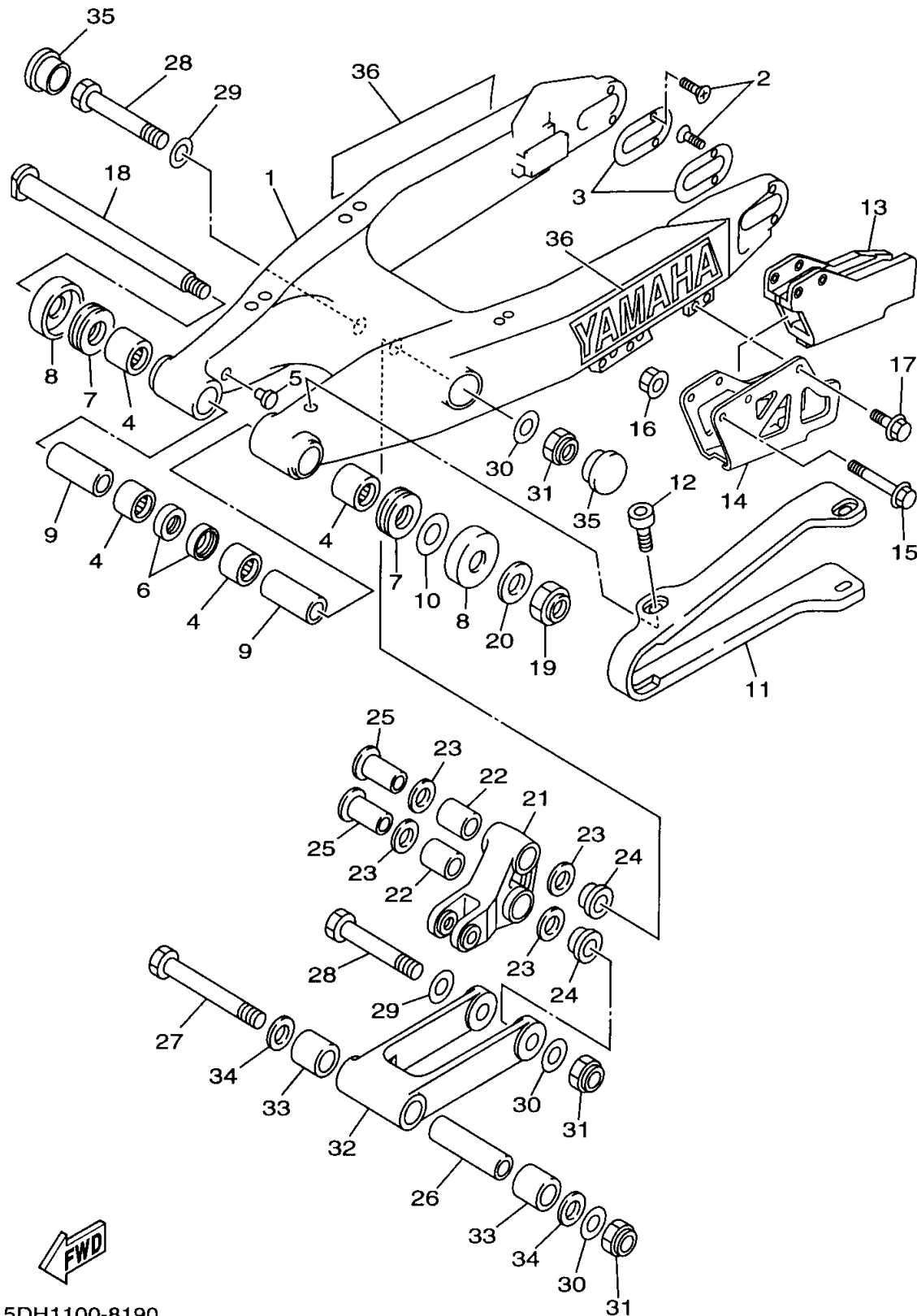
SIDE COVER

Ref. No.	Part Number	Description	Qty	Remarks
1	4SS-21711-00-00	COVER, SIDE 1	1	
2	5DH-21781-00-00	EMBLEM 1	1	
3	95827-06016-00	BOLT, FLANGE	1	
4	90387-0600F-00	COLLAR	1	
5	95827-06016-00	BOLT, FLANGE	1	
6	4SS-21721-00-00	COVER, SIDE 2	1	
7	5DH-21781-00-00	EMBLEM 1	1	
8	95827-06016-00	BOLT, FLANGE	1	
9	90387-0600F-00	COLLAR	1	
10	95827-06016-00	BOLT, FLANGE	1	
11	4SS-21731-10-00	COVER, SIDE 3	1	
12	5DH-2173E-00-00	GRAPHIC 1	1	
13	90159-06182-00	SCREW, WITH WASHER	3	
14	90159-06078-00	SCREW, WITH WASHER	1	
15	4EW-2172A-10-00	PANEL 1	1	
16	4SS-21741-10-00	COVER, SIDE 4	1	
17	5DH-2173F-00-00	GRAPHIC 2	1	
18	90159-06182-00	SCREW, WITH WASHER	3	
19	90159-06078-00	SCREW, WITH WASHER	1	
20	4EW-2172A-10-00	PANEL 1	1	
21	90183-06069-00	NUT, SPRING	2	



5DH1100-8180

REAR ARM

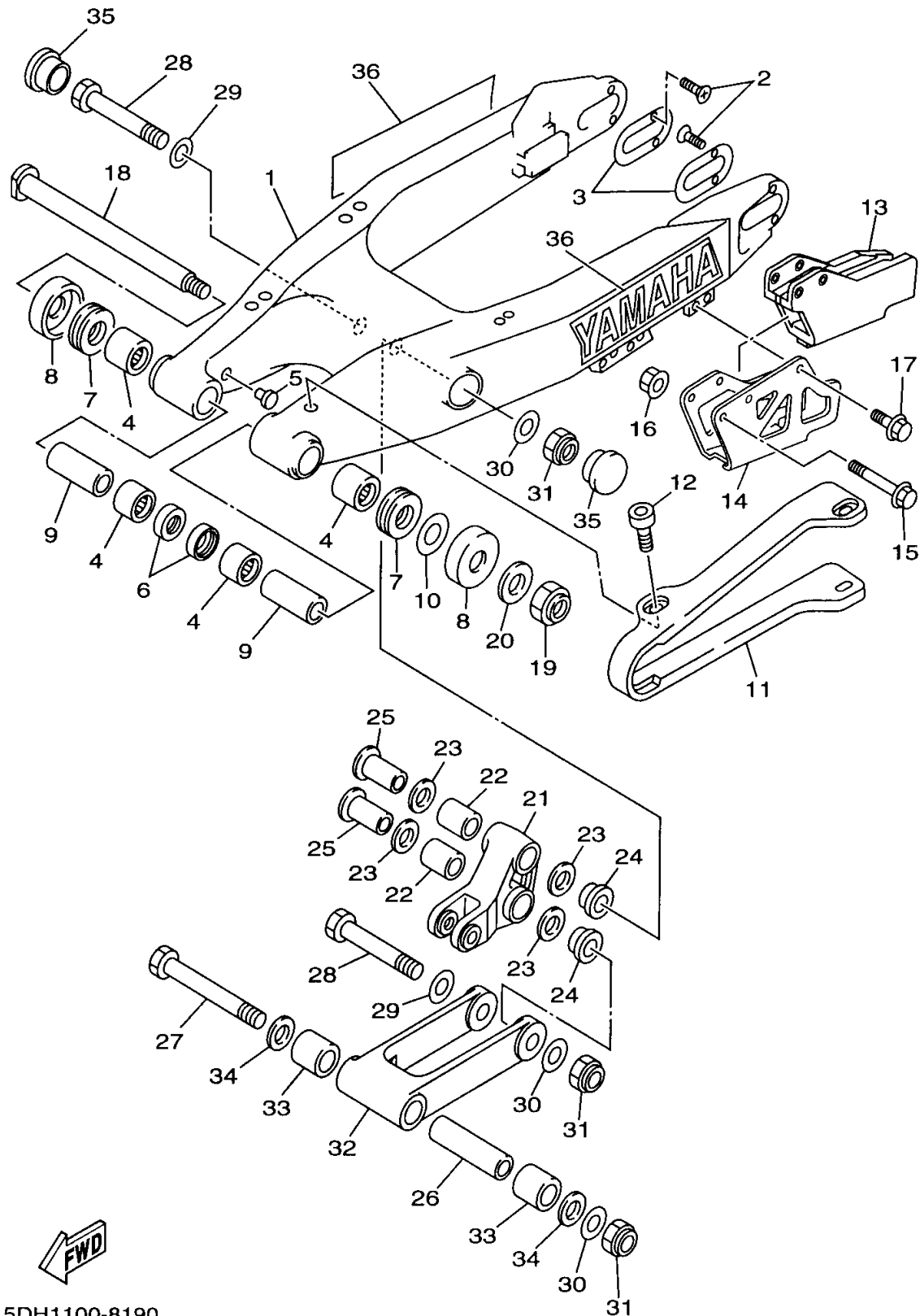


Ref. No.	Part Number	Description	Qty	Remarks
1	5DH-22110-00-00	REAR ARM COMP.	1	
2	90151-04048-00	SCREW, COUNTERSUNK	4	
3	4SS-22355-00-00	PATCH	2	
4	93317-22262-00	BEARING	4	
5	90338-16148-00	PLUG	2	
6	93106-22019-00	OIL SEAL (DC 22-28-8)	2	
7	93342-22215-00	BEARING	2	
8	5DH-22129-00-00	COVER, THRUST 2	2	
9	90387-1712R-00	COLLAR	2	
10	156-22127-00-00	SHIM (0.3T)	1	UN
11	4EW-22151-20-00	SEAL, GUARD	1	
12	90110-05201-00	BOLT, HEXAGON SOCKET HEAD	4	
13	4XM-22199-00-00	SUPPORT, CHAIN	1	
14	4XM-22128-00-00	COVER, THRUST 1	1	
15	95027-06050-00	BOLT, FLANGE	2	
16	90179-06568-00	NUT	2	
17	95027-06010-00	BOLT, FLANGE	1	
18	5DH-22141-00-00	SHAFT, PIVOT	1	
19	90185-16127-00	NUT, SELF-LOCKING	1	
20	90201-164H4-00	WASHER, PLATE	1	
21	5DH-2217A-00-00	ARM, RELAY	1	
22	93315-32056-00	BEARING	2	
23	93109-20029-00	OIL SEAL	4	
24	90387-164N2-00	COLLAR	2	
25	90387-164N3-00	COLLAR	2	
26	90387-167Y9-00	COLLAR	1	
27	90109-147F2-00	BOLT	1	
28	90109-142F4-00	BOLT	2	

CONTINUED ON NEXT FRAME ►

5DH1100-8190

REAR ARM

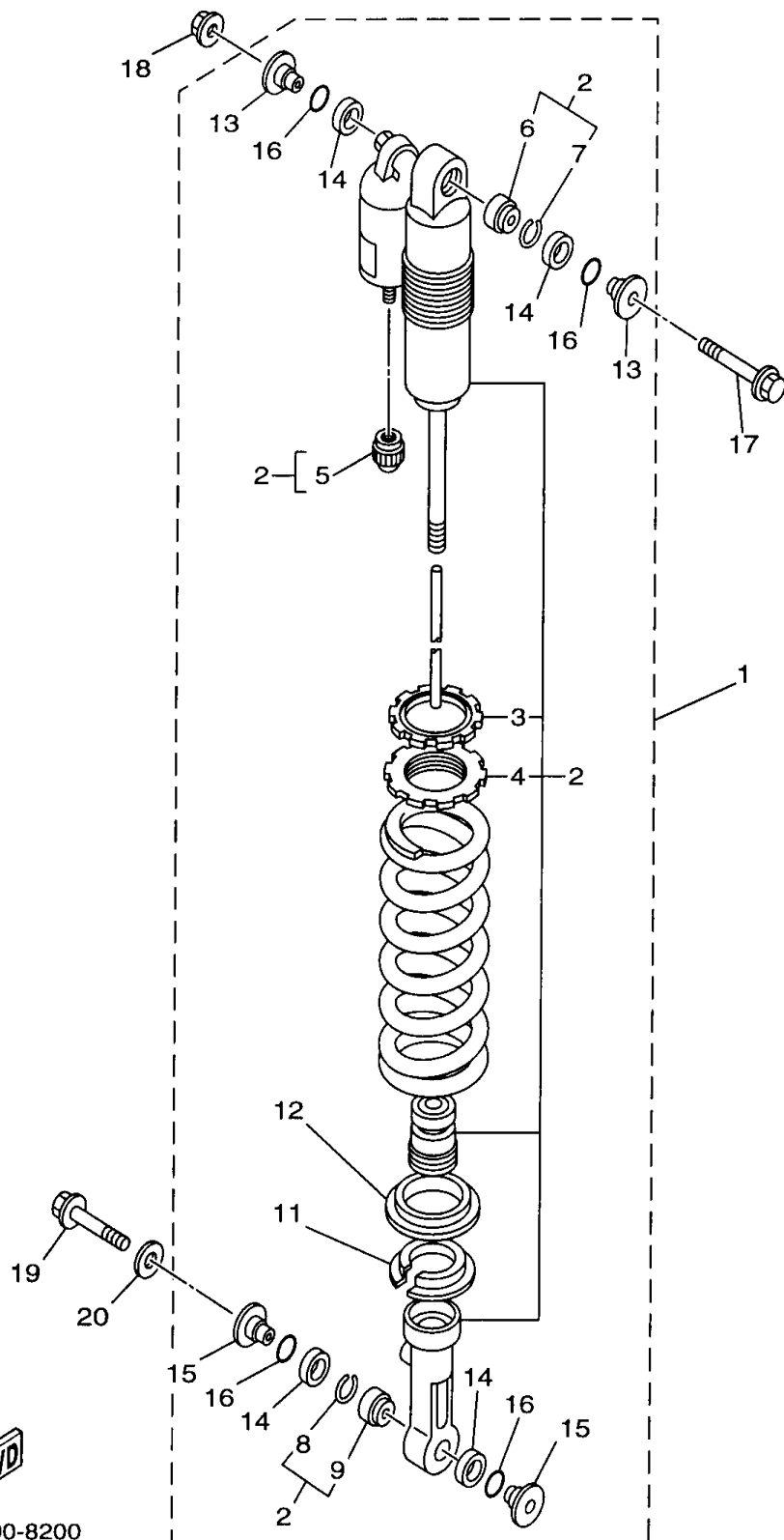


Ref. No.	Part Number	Description	Qty	Remarks
29	90201-164H4-00	WASHER, PLATE	2	
30	90201-14740-00	WASHER, PLATE	3	
31	90185-14112-00	NUT, SELF-LOCKING	3	
32	5DH-2217F-00-00	ROD, CONNECTING 1	1	
33	93315-32056-00	BEARING	2	
34	93109-20029-00	OIL SEAL	2	
35	1HX-2135F-10-00	COVER	2	
36	99244-00200-00	EMBLEM, YAMAHA	2	

5DH1100-8190

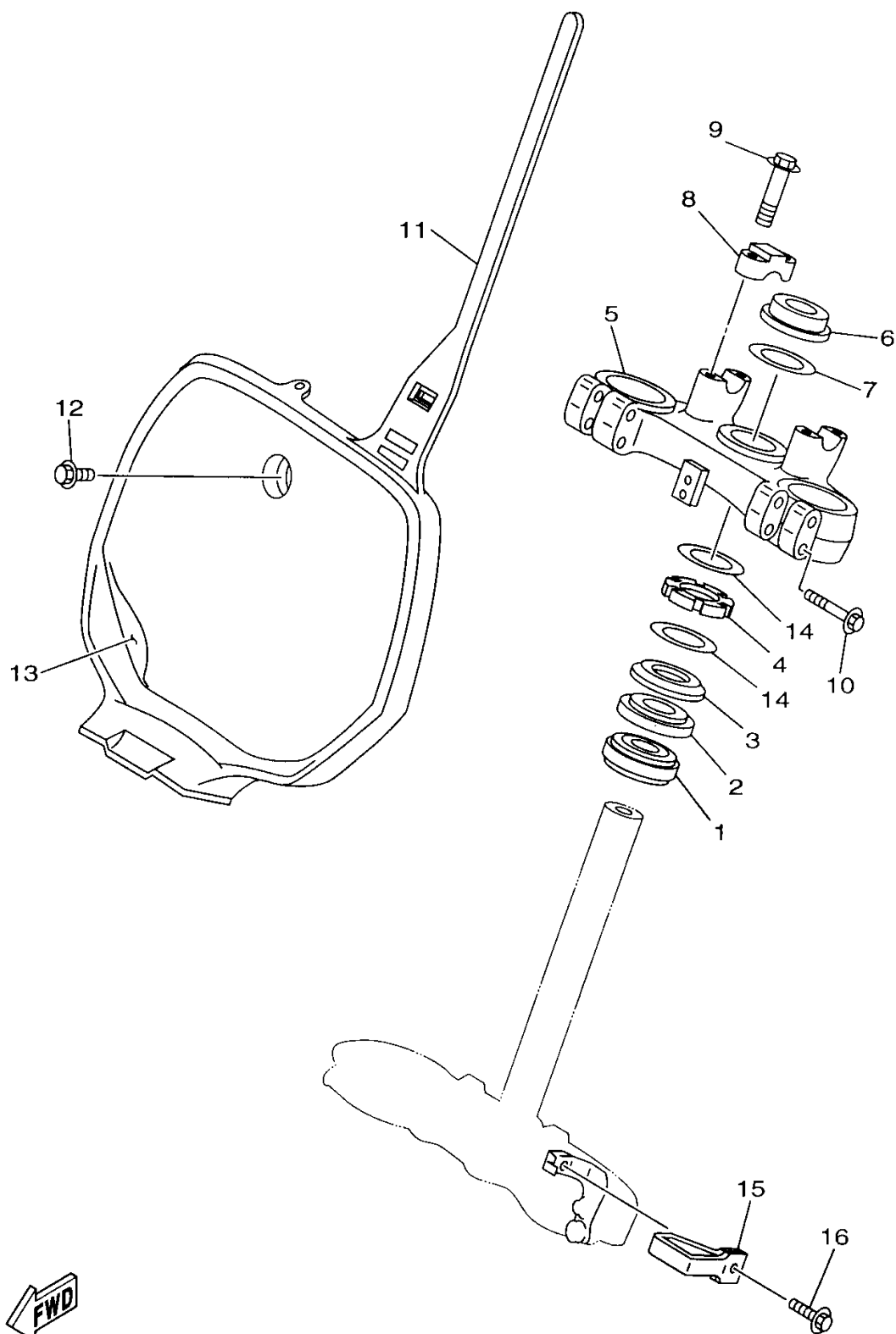
REAR SUSPENSION

Ref. No.	Part Number	Description	Qty	Remarks
1	5DH-22210-00-00	SHOCK ABSORBER ASSEMBLY, REAR	1	FOR USA
2	5DH-22201-00-00	. DAMPER SUB ASSEMBLY	1	FOR USA
3	3SP-22234-00-00	.. GUIDE, SPRING 3	1	
4	3SP-22213-00-00	.. SEAT, SPRING UPPER	1	
5	509-23184-L0-00	.. CAP, AIR VALVE	1	
6	4JX-22226-00-00	.. BUSH, SHOCK ABSORBER LOWER	1	
7	3Y6-23183-00-00	.. CIRCLIP	1	
8	3Y6-23183-00-00	.. CIRCLIP	1	
9	4JX-22226-00-00	.. BUSH, SHOCK ABSORBER LOWER	1	
10	5DH-22212-10-00	. SPRING (K=4.6)	1	
11	5DH-22214-00-00	. GUIDE, SPRING 1	1	
12	5DH-22224-00-00	. GUIDE, SPRING 2	1	
13	5DH-22253-00-00	. COLLAR, DISTANCE	2	
14	3JE-22475-00-00	. SEAL, DUST	4	
15	4EW-22253-00-00	. COLLAR, DISTANCE	2	
16	4EW-22474-00-00	. SEAL, RING	4	
17	90105-10323-00	BOLT, WASHER BASED	1	
18	95617-10200-00	BOLT, STUD	1	
19	90105-105A2-00	BOLT, WASHER BASED	1	
20	90201-112U6-00	WASHER, PLATE	1	



5DH1100-8200

STEERING

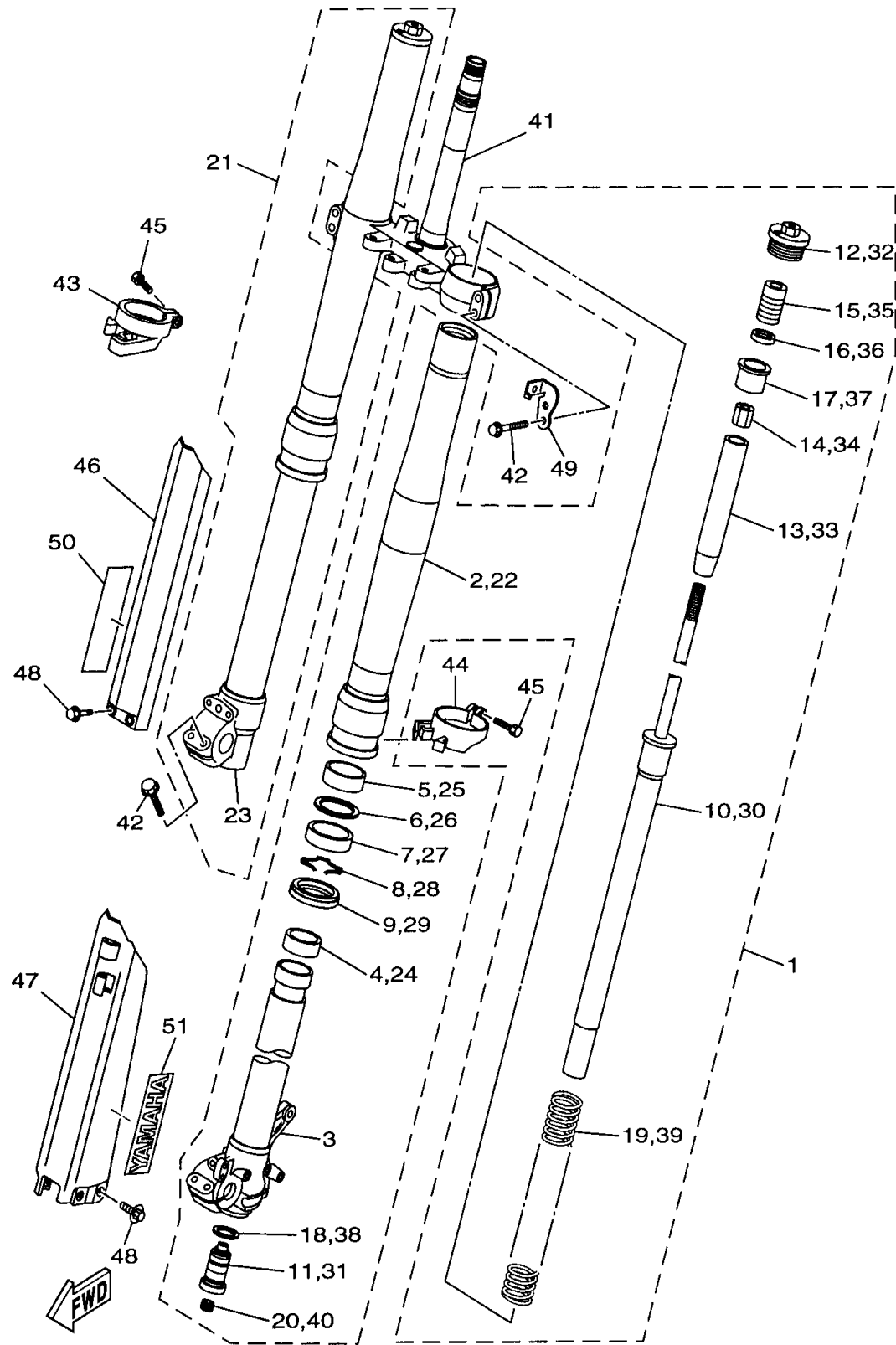


Ref. No.	Part Number	Description	Qty	Remarks
1	93332-00081-00	BEARING	1	
2	93332-00068-00	BEARING	1	
3	4EW-23416-00-00	COVER, BALL RACE 2	1	
4	90179-28650-00	NUT	1	
5	4SS-23435-00-00	CROWN, HANDLE	1	
6	90170-24373-00	NUT	1	
7	90201-247L2-00	WASHER, PLATE	1	
8	3SP-23441-00-00	HOLDER, HANDLE UPPER ...	2	
9	95027-08035-00	BOLT, FLANGE	4	
10	95027-08040-00	BOLT, FLANGE	4	
11	4DA-23485-20-00	PLATE, NUMBER	1	
12	90119-06185-00	BOLT, WITH WASHER	1	
13	5DH-2339E-00-00	GRAPHIC 1	1	
14	90201-286K9-00	WASHER, PLATE	2	
15	4DA-23389-00-00	GUIDE, CABLE	1	
16	90105-05361-00	BOLT, WASHER BASED	1	



5DH1100-8210

FRONT FORK

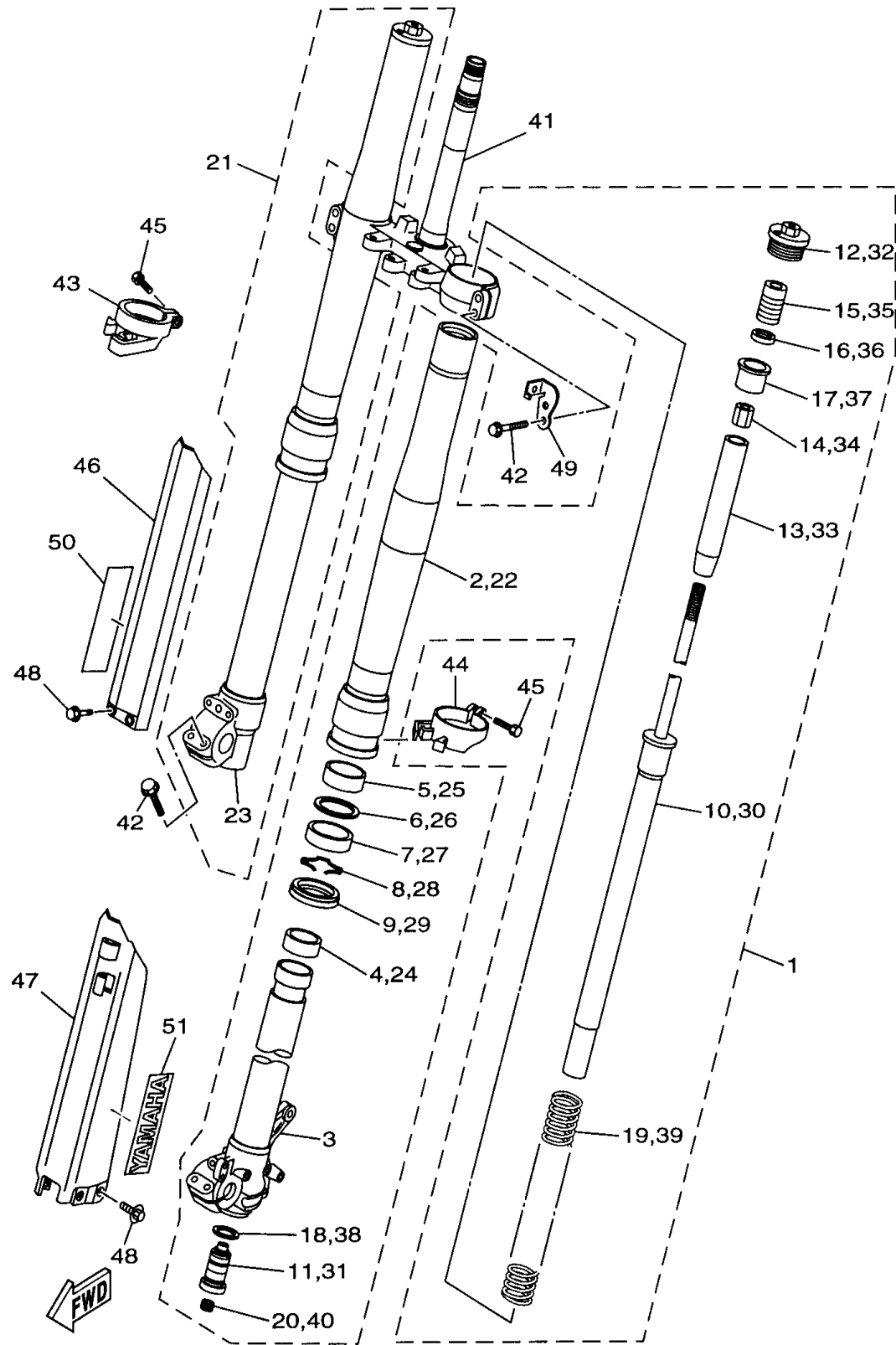


Ref. No.	Part Number	Description	Qty	Remarks
1	5DH-23102-00-00	FRONT FORK ASSEMBLY (L.H)	1	
2	5DH-23136-L0-00	. TUBE, OUTER (RIGHT)	1	
3	5DH-23120-L0-00	. INNER TUBE COMP 2	1	
4	4SS-23171-L0-00	. PISTON, FRONT FORK	1	
5	4SS-23125-L0-00	. METAL, SLIDE 1	1	
6	4SS-23146-L0-00	. WASHER, OIL SEAL	1	
7	5DH-23145-L0-00	. OIL SEAL	1	
8	4SS-23153-L0-00	. RING, SNAP	1	
9	4SS-23144-L0-00	. SEAL, DUST	1	
10	5DH-23170-L0-00	. CYLINDER COMP., FRONT FORK	1	
11	5DH-2316A-L0-00	. VALVE COMP.	1	
12	5DH-23111-L0-00	. BOLT, CAP	1	
13	5DH-23142-L0-00	. SEAT, SPRING UPPER	1	
14	5DH-23393-L0-00	. NUT, SPECIAL	1	
15	5DH-23195-L0-00	. RUBBER	1	
16	5DH-23149-L0-00	. WASHER, SPRING UPPER	1	
17	5DH-23118-L0-00	. SPACER	1	
18	4SS-23158-L0-00	. GASKET	1	
19	4SS-23141-40-00	. SPRING, FRONT FORK (K=0.41)	1	
20	3JD-2312G-L0-00	. PLUG	1	
21	5DH-23103-00-00	FRONT FORK ASSEMBLY (R.H)	1	
22	5DH-23136-L0-00	. TUBE, OUTER (RIGHT)	1	
23	5DH-23110-L0-00	. INNER TUBE COMP. 1	1	
24	4SS-23171-L0-00	. PISTON, FRONT FORK	1	
25	4SS-23125-L0-00	. METAL, SLIDE 1	1	
26	4SS-23146-L0-00	. WASHER, OIL SEAL	1	
27	5DH-23145-L0-00	. OIL SEAL	1	

CONTINUED ON NEXT FRAME ►

5DH1100-8220

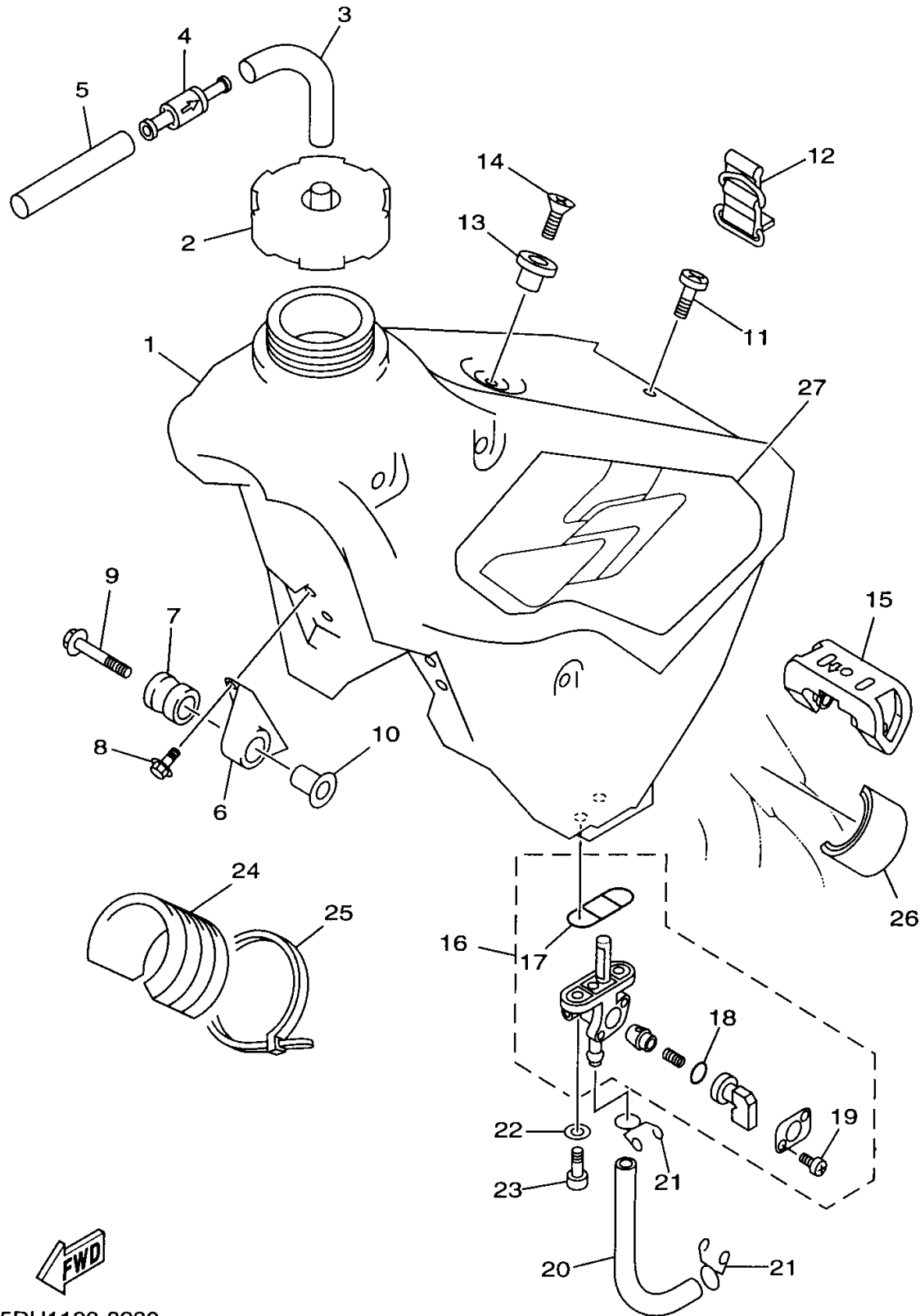
FRONT FORK



5DH1100-8220

Ref. No.	Part Number	Description	Qty	Remarks
28	4SS-23153-L0-00	. RING, SNAP	1	
29	4SS-23144-L0-00	. SEAL, DUST	1	
30	5DH-23170-L0-00	. CYLINDER COMP., FRONT FORK	1	
31	5DH-2316A-L0-00	. VALVE COMP.	1	
32	5DH-23111-L0-00	. BOLT, CAP	1	
33	5DH-23142-L0-00	. SEAT, SPRING UPPER	1	
34	5DH-23393-L0-00	. NUT, SPECIAL	1	
35	5DH-23195-L0-00	. RUBBER	1	
36	5DH-23149-L0-00	. WASHER, SPRING UPPER	1	
37	5DH-23118-L0-00	. SPACER	1	
38	4SS-23158-L0-00	. GASKET	1	
39	4SS-23141-40-00	. SPRING, FRONT FORK (K=0.41)	1	
40	3JD-2312G-L0-00	. PLUG	1	
41	5DH-23340-L0-00	UNDER BRACKET COMP.	1	
42	95021-08040-00	BOLT, FLANGE	8	
43	4SS-2314G-L0-00	PROTECTOR GUIDE COMP., 2	1	
44	5DH-2314F-L0-00	PROTECTOR GUIDE COMP., 1	1	
45	4SS-23346-L0-00	BOLT 1	2	
46	5DH-2314J-00-00	PROTECTOR COMP., 2	1	
47	5DH-2314H-00-00	PROTECTOR COMP., 1	1	
48	3SP-23356-L0-00	BOLT 2	6	
49	4EW-2331E-L0-00	GUIDE, CABLE	1	
50	4XL-2153A-10-00	EMBLEM, YAMAHA	1	
51	4XL-2153A-10-00	EMBLEM, YAMAHA	1	

FUEL TANK

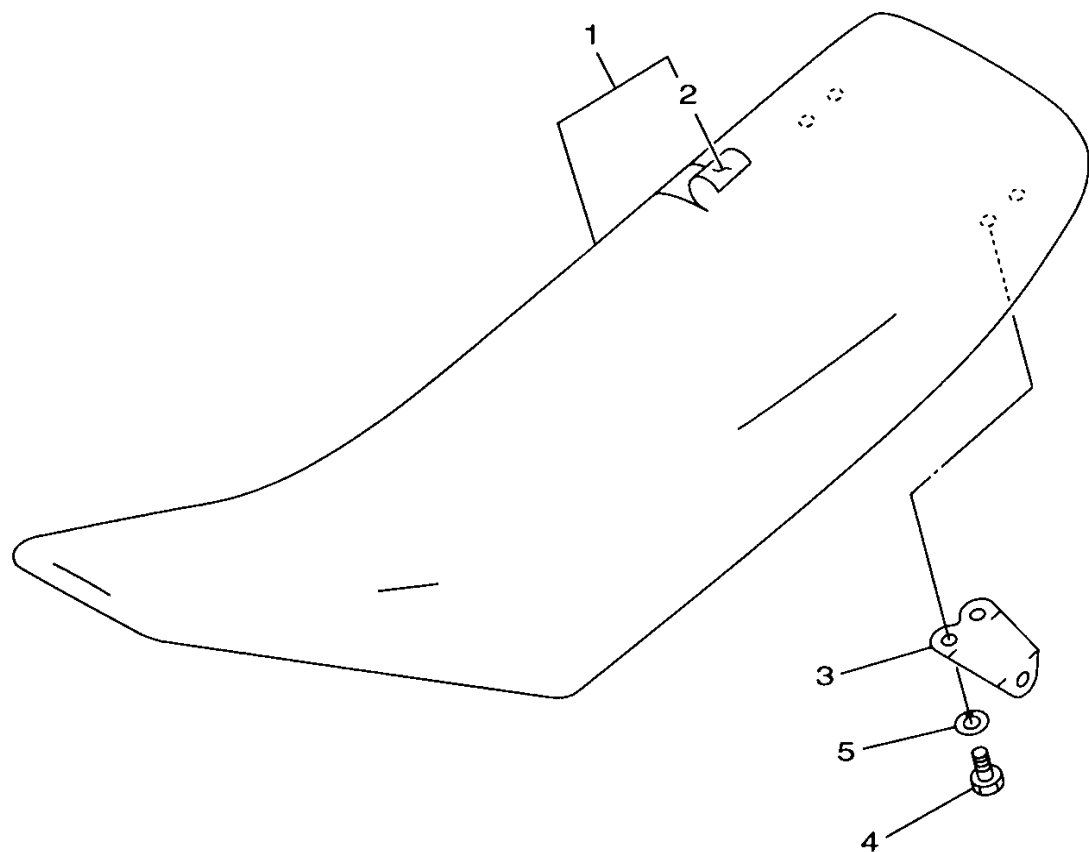


Ref. No.	Part Number	Description	Qty	Remarks
1	4SS-24110-10-00	FUEL TANK COMP.	1	
2	1UY-24610-00-00	CAP ASSY	1	
3	90445-09220-00	HOSE	1	
4	3XJ-24380-00-00	PIPE JOINT ASSY	1	
5	90445-09104-00	HOSE	1	
6	24X-24144-00-00	HOLDER, DAMPER	2	
7	90480-18549-00	GROMMET	2	
8	95027-06016-00	BOLT, FLANGE	4	
9	90119-06214-00	BOLT, WITH WASHER	2	
10	3JD-24186-00-00	WASHER, SPECIAL	2	
11	98907-06020-00	SCREW, BIND	1	
12	3SP-24173-00-00	BAND, TANK FITTING 1	1	
13	4EW-2412F-00-00	BRACKET, SEAT	1	
14	98707-06025-00	SCREW, FLAT HEAD	1	
15	4SS-24181-00-00	DAMPER, LOCATING 1	1	
16	3JD-24500-01-00	FUEL COCK ASSEMBLY 1 ...	1	
17	4X8-24512-00-00	. O-RING	1	
18	3AJ-24534-00-00	. SEAL, COCK	1	
19	97801-03008-00	. SCREW, PAN HEAD	2	
20	90445-114J7-00	HOSE	1	
21	90467-10008-00	CLIP	2	
22	90202-05193-00	WASHER, PLATE	2	
23	90149-06011-00	SCREW	2	
24	4SS-24182-00-00	DAMPER, LOCATING 2	1	
25	90465-13275-00	CLAMP	1	
26	3V6-22358-00-00	SEAL 1	2	
27	5DH-24240-00-00	GRAPHIC SET	1	

5DH1100-8230

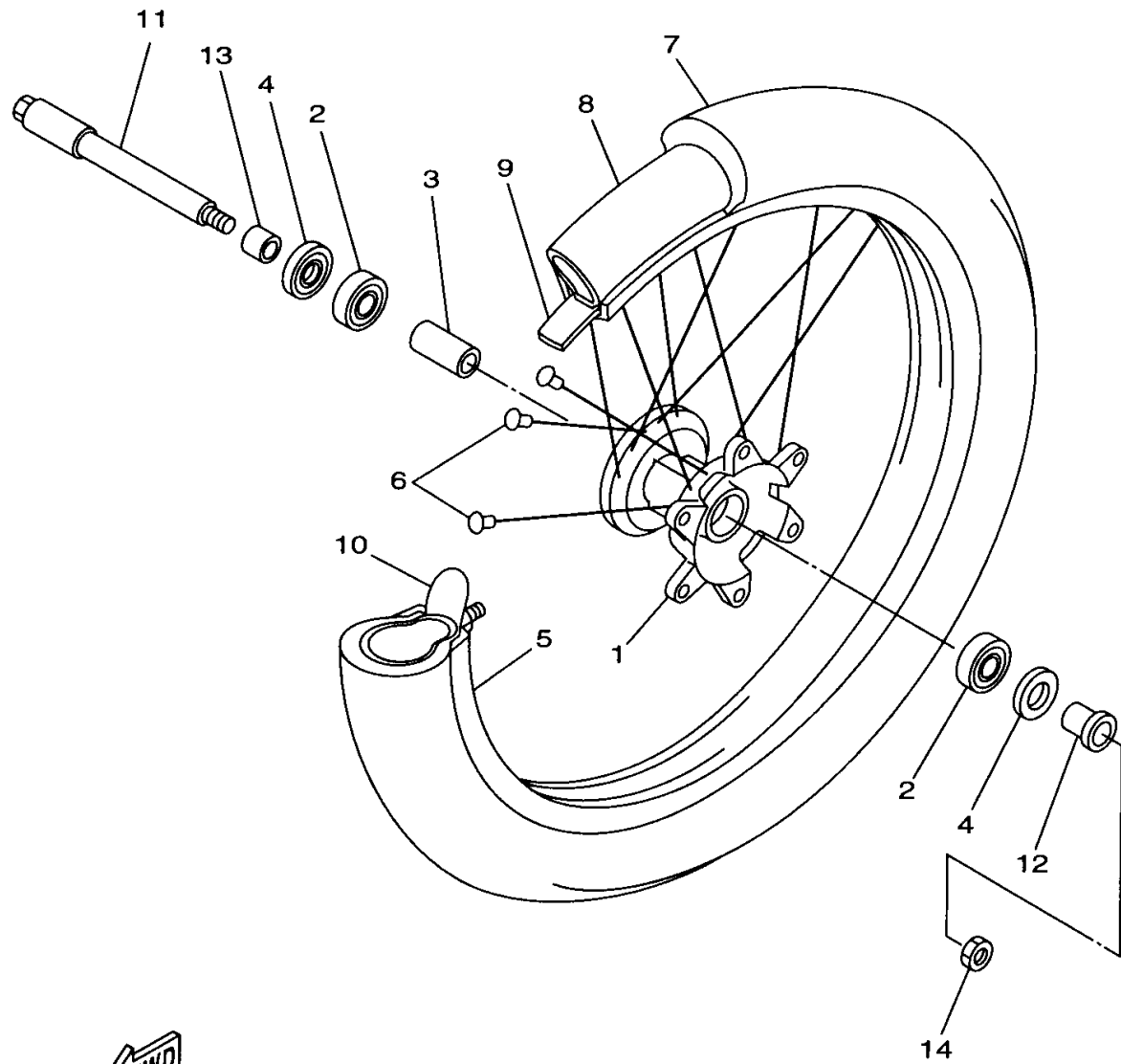
SEAT

Ref. No.	Part Number	Description	Qty	Remarks
1	5DH-24770-00-00	SEMI-DOUBLE SEAT ASSEMBLY	1	
2	5DH-24731-00-00	. COVER, SEAT	1	
3	4SS-24728-00-00	. BRACKET, SEAT	2	
4	97007-06012-00	. BOLT	4	
5	92907-06100-00	. WASHER, SPRING	4	



4SS1100-6240

FRONT WHEEL

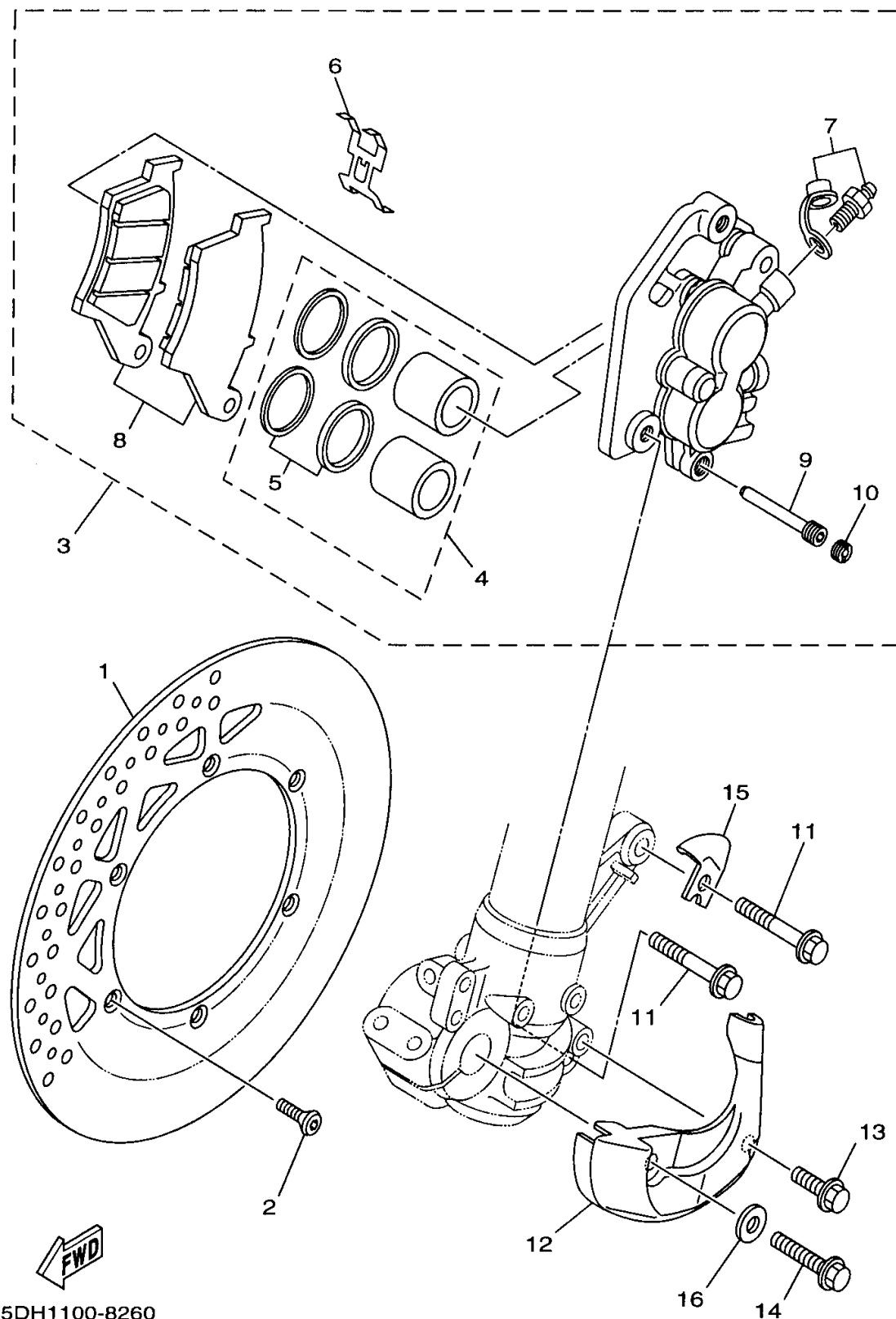


Ref. No.	Part Number	Description	Qty	Remarks
1	4SS-25111-00-00	HUB, FRONT	1	
2	93306-90403-00	BEARING	2	
3	5DH-25117-00-00	SPACER, BEARING	1	
4	93102-26468-00	OIL SEAL	2	
5	94416-21509-00	RIM (1.60-21)	1	
6	4DA-25104-00-00	SPOKE SET, FRONT	1	
7	94108-217X2-00	TIRE (80/100-21 K490)	1	FOR USA/ZAF DUNLOP
8	94227-21101-00	TUBE (80/100-21 TR4 BTL)	1	DUNLOP
9	94307-21145-00	BAND, RIM (70-80/100-21)	1	DUNLOP
10	2J5-25394-01-00	SPACER, BEAD	1	
11	4SS-25181-00-00	AXLE, WHEEL	1	
12	5DH-25183-00-00	COLLAR, WHEEL	1	
13	5DH-25186-00-00	COLLAR, WHEEL	1	
14	90179-16672-00	NUT	1	



4SS1100-6250

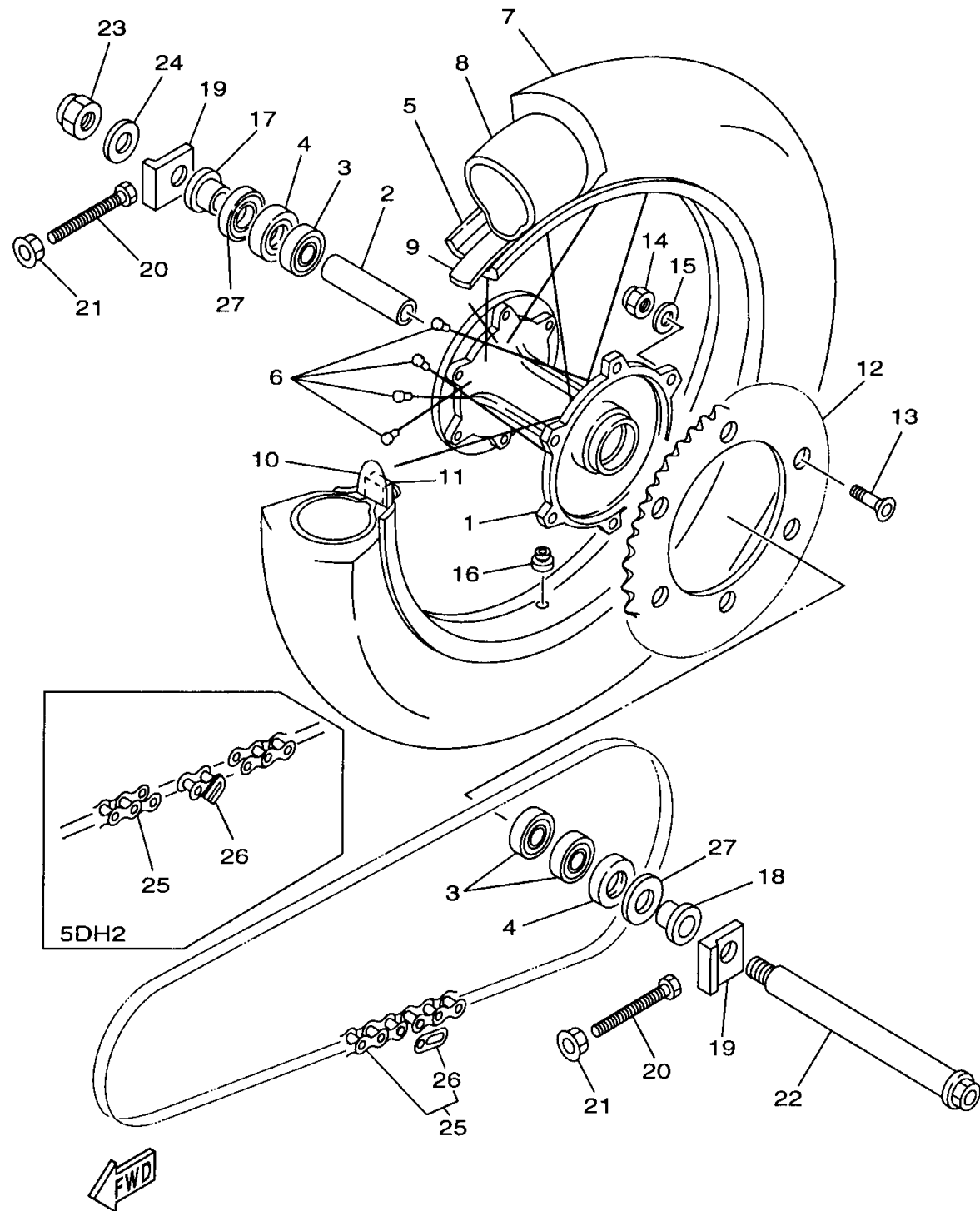
FRONT BRAKE CALIPER



Ref. No.	Part Number	Description	Qty	Remarks
1	4XM-2582T-00-00	DISC, BRAKE	1	
2	90149-06272-00	SCREW	6	
3	5DH-2580T-00-00	CALIPER ASSY (LEFT)	1	
4	4EW-W0057-00-00	. PISTON ASSY, CALIPER	1	
5	3JD-W0047-00-00	.. CALIPER SEAL KIT	1	
6	5DH-25919-00-00	. SUPPORT, PAD	1	
7	1UY-W0048-50-00	. BLEED SCREW KIT	1	
8	5DH-W0045-00-00	. BRAKE PAD KIT	1	
9	5DH-25933-00-00	. PIN, PAD	1	
10	5DH-25916-00-00	. PLUG	1	
11	90105-08659-00	BOLT, WASHER BASED	2	
12	5DH-2314E-00-00	COVER, HOSE	1	
13	95827-06012-00	BOLT, FLANGE	1	
14	95027-08020-00	BOLT, FLANGE	1	
15	5DH-25875-00-00	HOLDER, BRAKE HOSE 1	1	
16	92907-08200-00	WASHER	1	

5DH1100-8260

REAR WHEEL

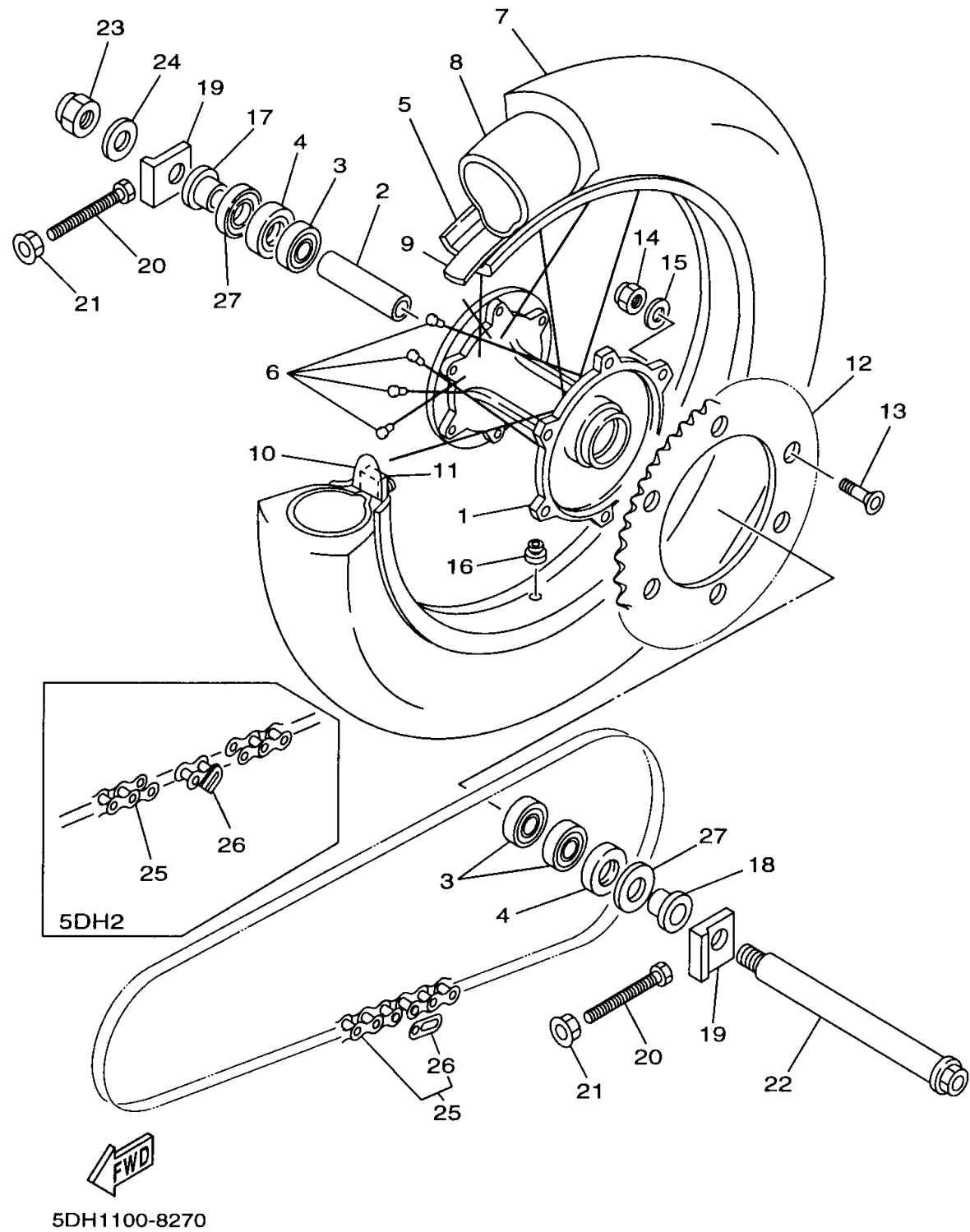


5DH1100-8270

Ref. No.	Part Number	Description	Qty	Remarks
1	4EW-25311-00-00	HUB, REAR	1	
2	4EW-25317-00-00	SPACER, BEARING	1	
3	93306-00418-00	BEARING	3	
4	93106-28023-00	OIL SEAL	2	
5	94418-19537-00	RIM (1.85-19)	1	
6	4XM-25304-00-00	SPOKE SET, REAR	1	
7	94110-1900X-00	TIRE (100/90-19 57M K695)	1	FOR USA/ZAF DUNLOP
8	94210-19224-00	TUBE (100/90-19 TR4 BTL)	1	DUNLOP
9	94321-19135-00	BAND, RIM (90-100/90-19)	1	DUNLOP
10	4XM-25394-00-00	SPACER, BEAD	1	
11	4XM-25364-00-00	DAMPER	1	
12	4SS-25447-00-00	SPROCKET, DRIVEN (47T)	1	AP
	4SS-25448-00-00	SPROCKET, DRIVEN (48T)	1	STD
	4SS-25449-00-00	SPROCKET, DRIVEN (49T)	1	AP
	4SS-25450-00-00	SPROCKET, DRIVEN (50T)	1	AP
	4SS-25451-00-00	SPROCKET, DRIVEN (51T)	1	AP
	4SS-25452-00-00	SPROCKET, DRIVEN (52T)	1	AP
13	90109-081G1-00	BOLT	6	
14	95617-08200-00	NUT, SELF-LOCKING	6	
15	90201-08326-00	WASHER, PLATE	6	
16	90480-08608-00	GROMMET	1	
17	90387-2000B-00	COLLAR	1	
18	90387-2000C-00	COLLAR	1	
19	3SP-25388-00-00	PULLER, CHAIN 1	2	
20	90101-08777-00	BOLT	2	
21	95707-08500-00	NUT, FLANGE	2	
22	3JD-25381-01-00	AXLE, WHEEL	1	
23	90185-18104-00	NUT, SELF-LOCKING	1	

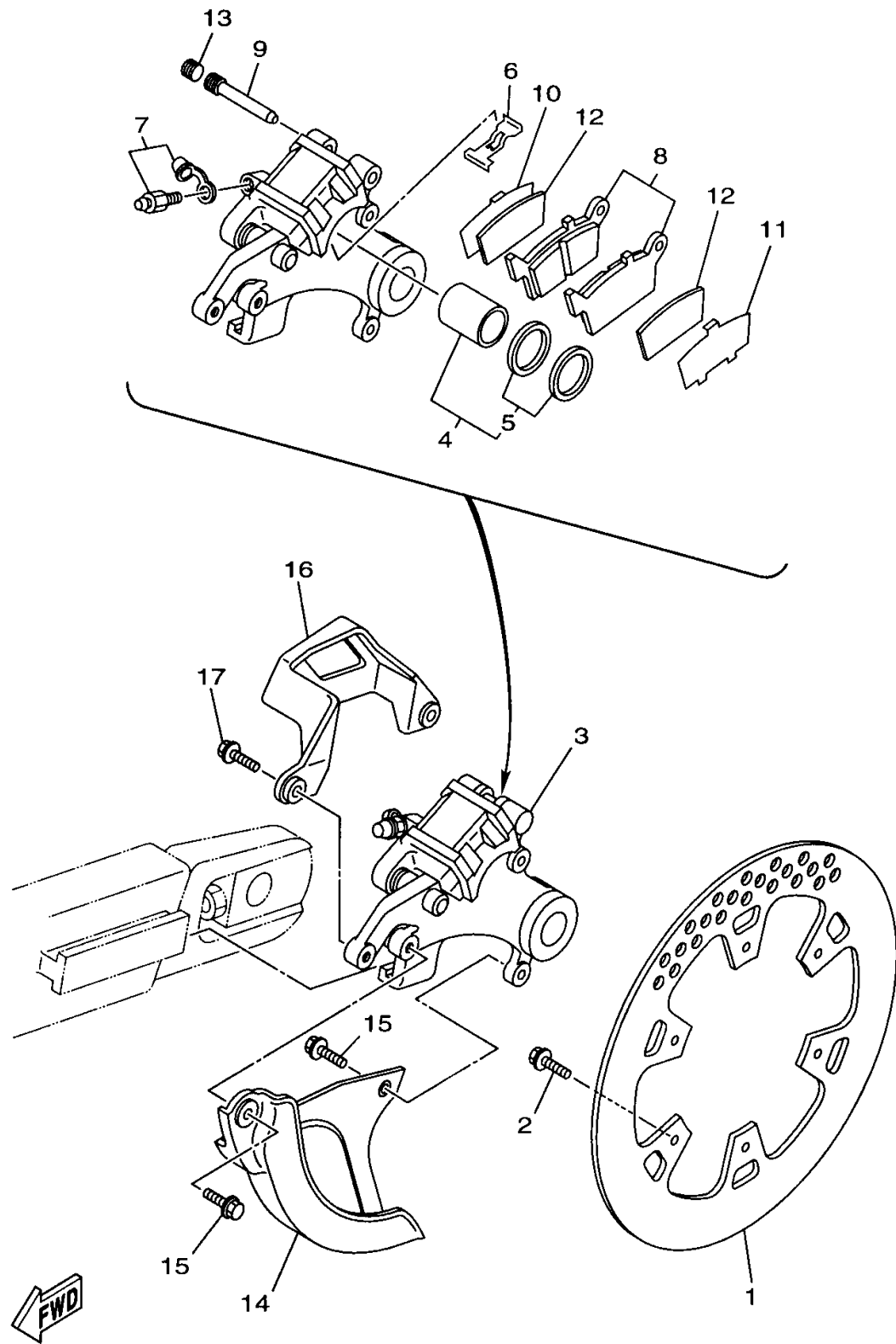
CONTINUED ON NEXT FRAME ►

REAR WHEEL



Ref. No.	Part Number	Description	Qty	Remarks
24	92907-18600-00	WASHER	1	
25	94581-68112-00	CHAIN (D.I.D.520DM 112LL) ...	1	
26	94681-68001-00	. JOINT, CHAIN	1	
27	4V4-25367-00-00	COVER, HUB DUST	2	

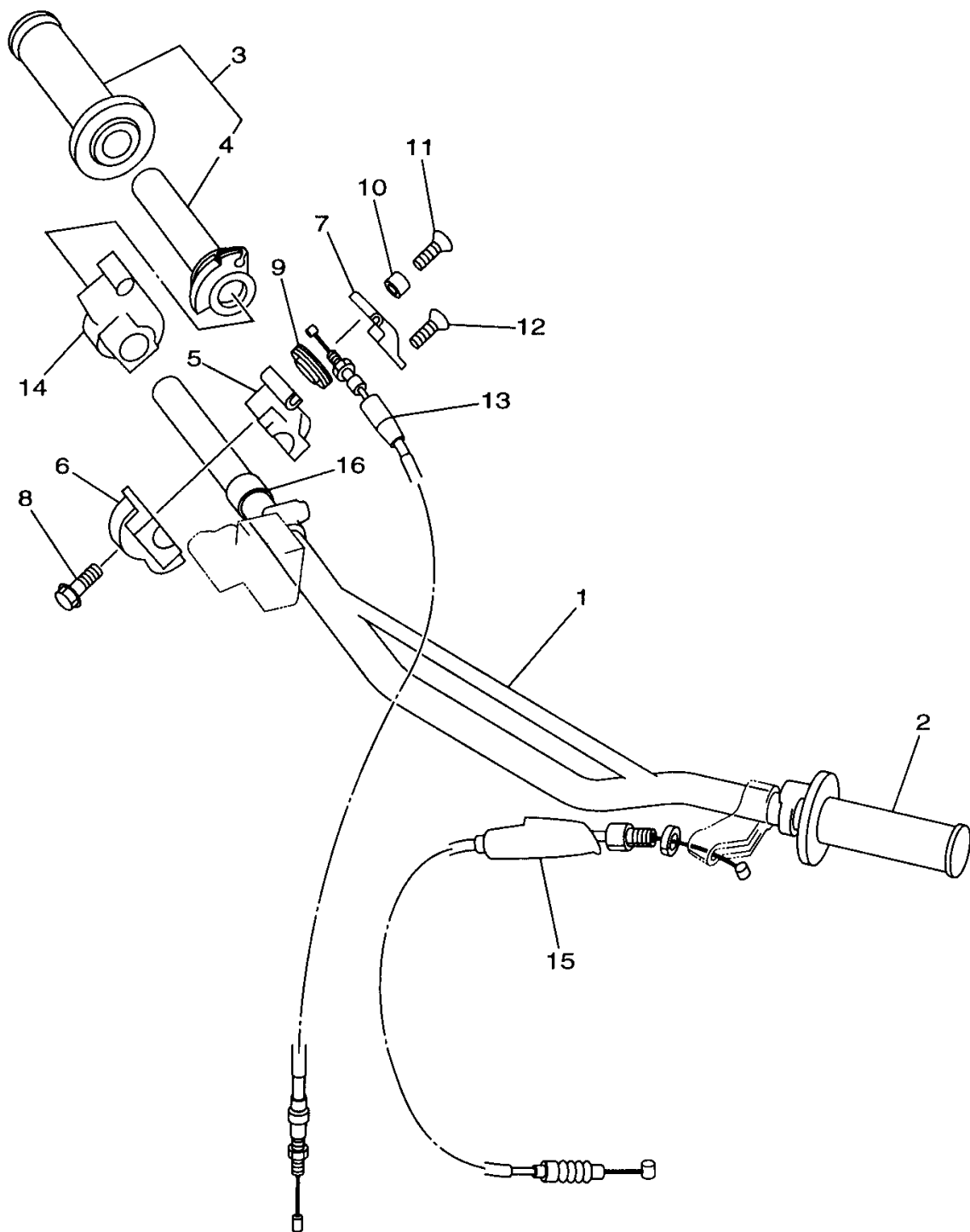
REAR BRAKE CALIPER



Ref. No.	Part Number	Description	Qty	Remarks
1	5DH-2582W-00-00	DISC, REAR BRAKE 2	1	
2	90109-065G4-00	BOLT	6	
3	5DH-2580W-00-00	CALIPER ASSEMBLY, REAR 2	1	
4	3LD-W0057-00-00	. PISTON ASSEMBLY, CALIPER	1	
5	3JD-W0047-00-00	. . CALIPER SEAL KIT	1	
6	5DH-25919-50-00	. SUPPORT, PAD	1	
7	1UY-W0048-50-00	. BLEED SCREW KIT	1	
8	5DH-W0046-00-00	. BRAKE PAD KIT 2	1	
9	8CR-25924-00-00	. PIN, PAD	1	
10	5DH-25828-50-00	. SHIM, CALIPER	1	
11	5DH-25827-50-00	. SHIM, CALIPER	1	
12	5DH-22898-50-00	. INSULATOR, HEAT	2	
13	5DH-25916-00-00	. PLUG	1	
14	5DH-25718-00-00	PROTECTOR, DISK BRAKE	1	
15	95027-06012-00	BOLT, FLANGE	2	
16	4GY-27491-00-00	PROTECTOR	1	
17	95027-06016-00	BOLT, FLANGE	2	

5DH1100-8280

STEERING HANDLE - CABLE

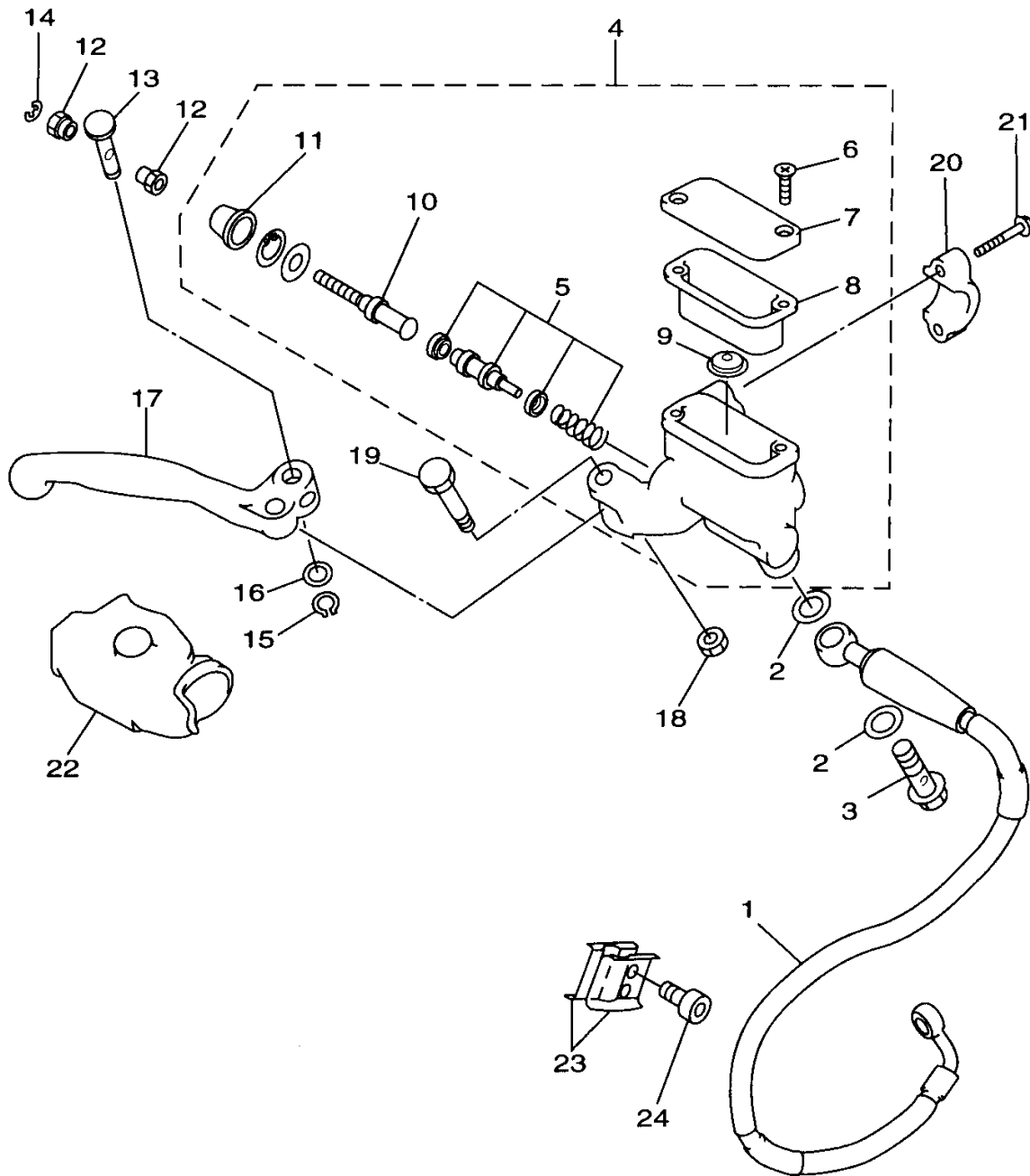


Ref. No.	Part Number	Description	Qty	Remarks
1	4XM-26111-00-00	HANDLEBAR	1	
2	4GY-26241-00-00	GRIP (LEFT)	1	
3	4XM-26240-00-00	GRIP ASSEMBLY	1	
4	4XM-26243-00-00	. TUBE, THROTTLE GUIDE ...	1	
5	4SS-26281-00-00	CAP, GRIP UPPER	1	
6	4SS-26282-10-00	CAP, GRIP LOWER	1	
7	4SS-2628H-00-00	CAP, WIRE	1	
8	95027-06025-00	BOLT, FLANGE	2	
9	4SS-26273-00-00	ROTOR	1	
10	4SS-26259-00-00	COLLAR	1	
11	4SS-26256-00-00	SCREW, GRIP END	1	
12	4SS-2632G-00-00	SCREW	1	
13	4SS-26311-01-00	CABLE, THROTTLE 1	1	
14	4SS-26287-01-00	COVER, CAP GRIP	1	
15	4JY-26335-00-00	CABLE, CLUTCH	1	
16	90387-227H7-00	COLLAR	1	



4XL4100-7290

FRONT MASTER CYLINDER

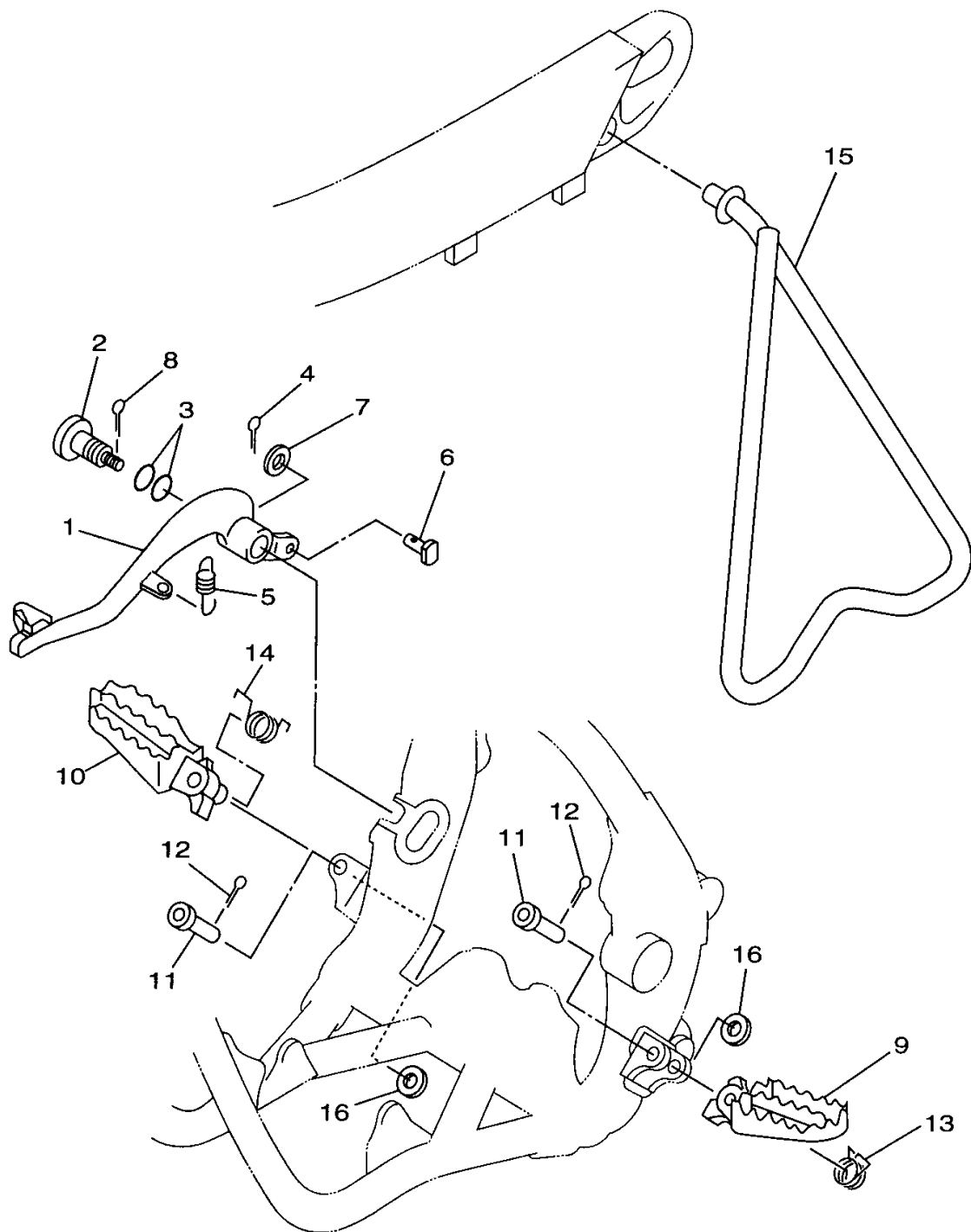


Ref. No.	Part Number	Description	Qty	Remarks
1	5DH-25872-00-00	HOSE, BRAKE 1	1	
2	90201-10118-00	WASHER, PLATE	4	
3	90401-10168-00	BOLT, UNION	2	
4	4SS-W2587-00-00	MASTER CYLINDER SUB ASSEMBLY	1	
5	4SS-W0041-00-00	. CYLINDER KIT, MASTER	1	
6	98706-04012-00	. SCREW, FLAT HEAD	2	
7	4SS-25852-00-00	. CAP, RESERVOIR	1	
8	4SS-25854-00-00	. DIAPHRAGM, RESERVOIR	1	
9	4SS-25889-00-00	. SEPARATOR ASSY	1	
10	4SS-25880-00-00	. PUSH ROD COMP.	1	
11	4SS-25868-00-00	. BOOT, MASTER CYLINDER	1	
12	4SS-2538E-00-00	NUT, ADJUSTING	2	
13	4SS-83913-00-00	COLLAR, LEVER 1	1	
14	3YX-25866-10-00	CIRCLIP	1	
15	4SS-25866-00-00	CIRCLIP	1	
16	4SS-2583G-00-00	WASHER	1	
17	4SS-83922-01-00	LEVER 2	1	
18	95606-06100-00	NUT, U	1	
19	4SS-2589F-00-00	BOLT, LEVER	1	
20	3YK-25867-00-00	BRACKET, MASTER CYLINDER	1	
21	4SS-25833-00-00	BOLT, FITTING	2	
22	4SS-26372-00-00	COVER, HANDLE LEVER 1	1	
23	90465-16258-00	CLAMP	2	
24	91317-06014-00	BOLT	2	



4SS1100-6300

STAND - FOOTREST

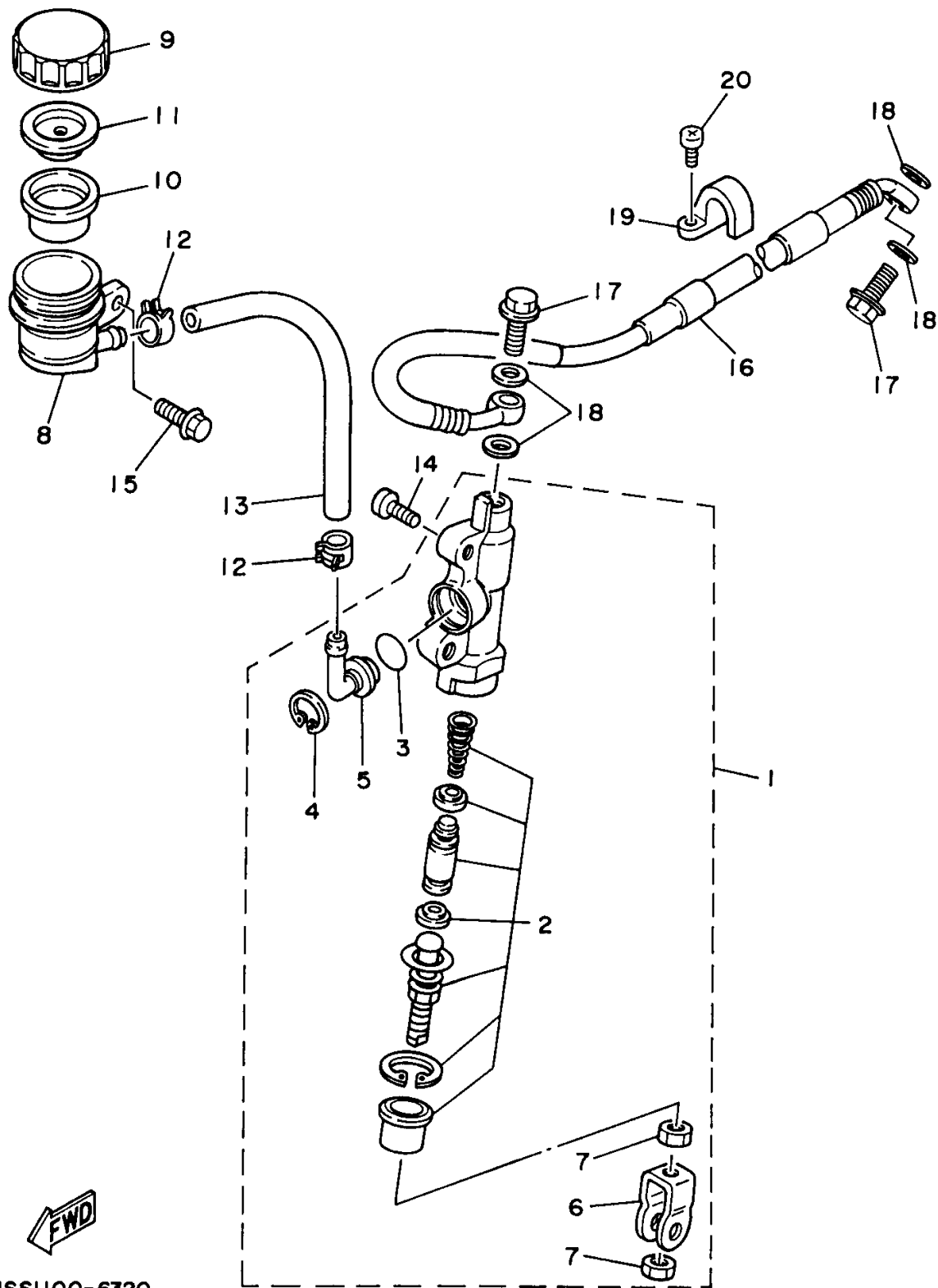


Ref. No.	Part Number	Description	Qty	Remarks
1	4XM-27200-00-00	PEDAL, BRAKE	1	
2	4SS-27217-00-00	BOLT	1	
3	93210-11073-00	O-RING	2	
4	91401-20012-00	PIN, COTTER	1	
5	90506-16500-00	SPRING, TENSION	1	
6	90240-08120-00	PIN, CLEVIS	1	
7	90201-08089-00	WASHER, PLATE	1	
8	90468-16191-00	CLIP	1	
9	4XM-27411-00-00	FOOTREST 1	1	
10	4XM-27421-00-00	FOOTREST 2	1	
11	90240-10142-00	PIN, CLEVIS	2	
12	91401-25015-00	PIN, COTTER	2	
13	90508-282B8-00	SPRING, TORSION	1	
14	90508-282B9-00	SPRING, TORSION	1	
15	3SP-27311-00-00	STAND, SIDE	1	
16	90201-10119-00	WASHER, PLATE	2	



4XL4100-7310

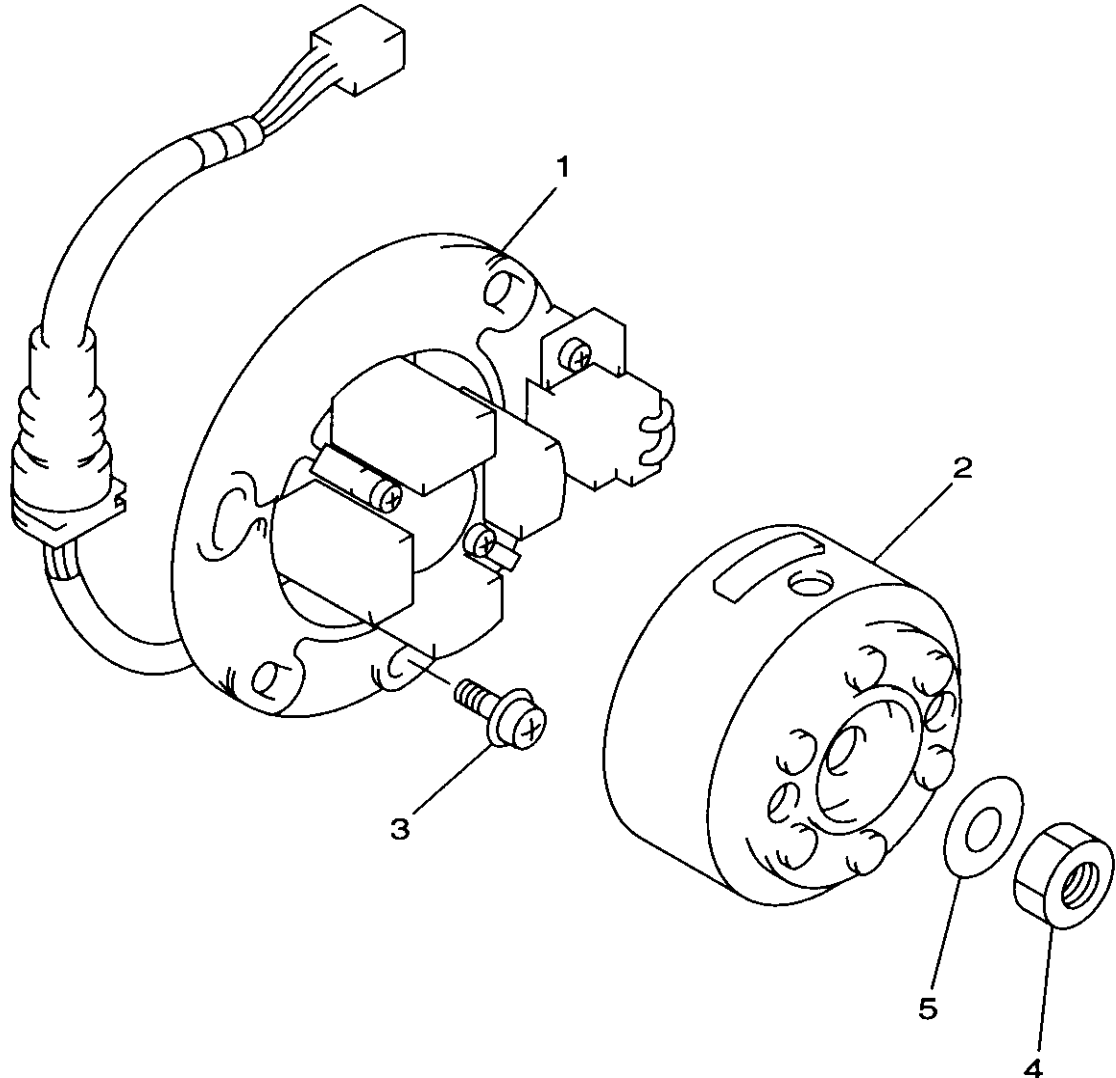
REAR MASTER CYLINDER



Ref. No.	Part Number	Description	Qty	Remarks
1	3SP-2583V-00-00	RR. MASTER CYLINDER ASSEMBLY.	1	
2	4SS-W0042-50-00	. CYLINDER KIT, MASTER	1	
3	93210-15620-00	. O-RING	1	
4	2VN-25866-00-00	. CIRCLIP	1	
5	2VN-2582A-50-00	. JOINT	1	
6	3SP-27222-00-00	. JOINT	1	
7	4SS-27218-00-00	. NUT	2	
8	4EW-25894-00-00	TANK, RESERVOIR	1	
9	3XP-25852-50-00	CAP, RESERVOIR	1	
10	2VN-25854-00-00	DIAPHRAGM, RESERVOIR ...	1	
11	2VN-25855-00-00	BUSH, DIAPHRAGM	1	
12	90467-12053-00	CLIP	2	
13	90445-137H9-00	HOSE	1	
14	92014-06016-00	BOLT, BUTTON HEAD	2	
15	95027-06012-00	BOLT, FLANGE	1	
16	5DH-25873-00-00	HOSE, BRAKE 2	1	
17	90401-10168-00	BOLT, UNION	2	
18	90201-10118-00	WASHER, PLATE	4	
19	2VM-25876-00-00	HOLDER, BRAKE HOSE 2	2	
20	97780-50510-00	SCREW, TAPPING	4	

FWD
4SSI100-6320

GENERATOR

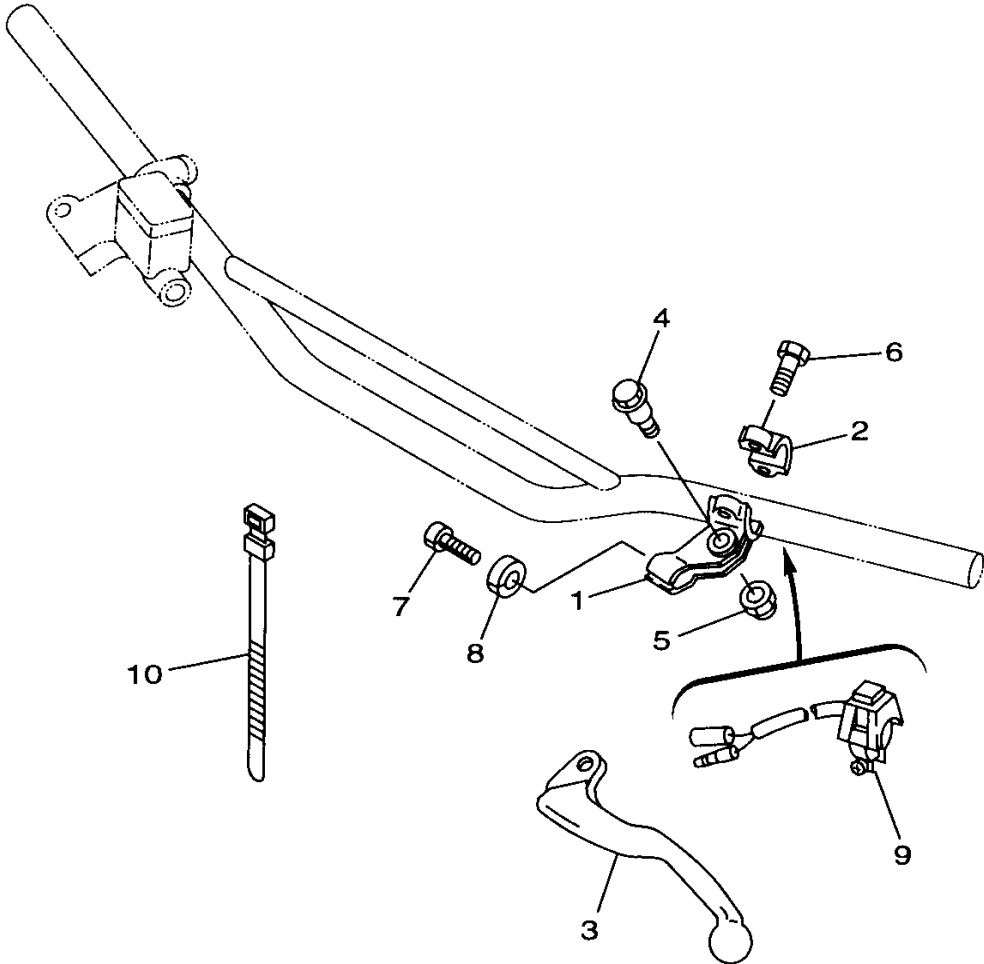


Ref. No.	Part Number	Description	Qty	Remarks
1	4SS-85560-00-00	BASE ASSEMBLY	1	
2	4SS-85550-00-00	ROTOR ASSEMBLY	1	
3	90149-06011-00	SCREW	3	
4	95317-10600-00	NUT	1	
5	90201-10591-00	WASHER, PLATE	1	



4SS1100-6330

HANDLE SWITCH - LEVER

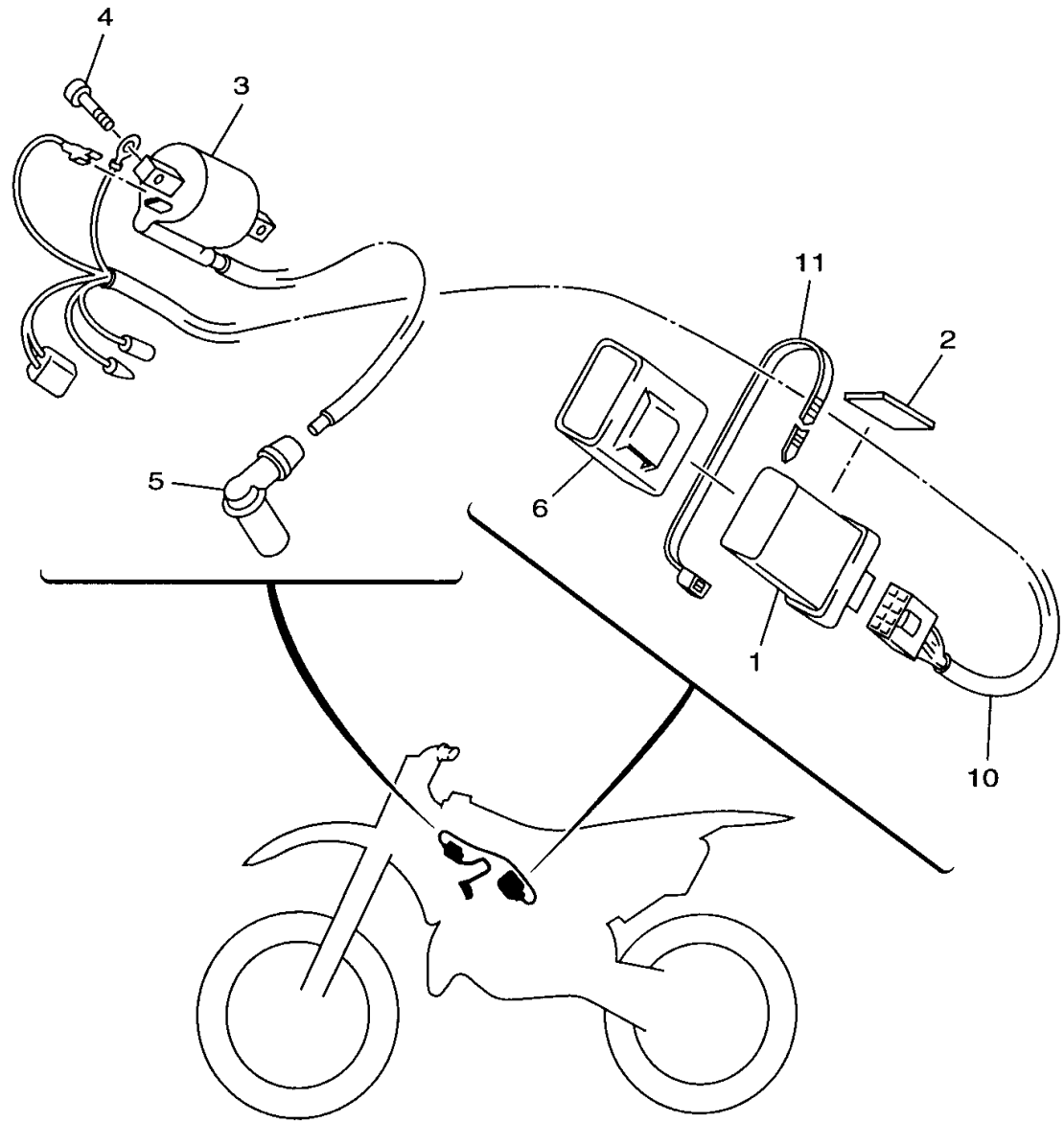


Ref. No.	Part Number	Description	Qty	Remarks
1	38V-82911-00-00	HOLDER, LEVER 1	1	
2	38V-82913-00-00	HOLDER, LEVER LOWER 1 ...	1	
3	4GY-83912-00-00	LEVER 1	1	
4	90109-06799-00	BOLT	1	
5	95607-06100-00	NUT, U	1	
6	97007-05016-00	BOLT	2	
7	90123-08090-00	BOLT	1	
8	90179-08401-00	NUT	1	
9	23X-83976-00-00	SWITCH, HANDLE 1	1	
10	90464-13077-00	CLAMP	2	

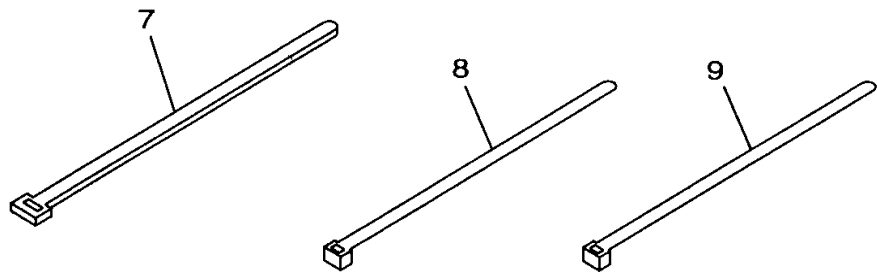


4SS1100-6340

ELECTRICAL 1

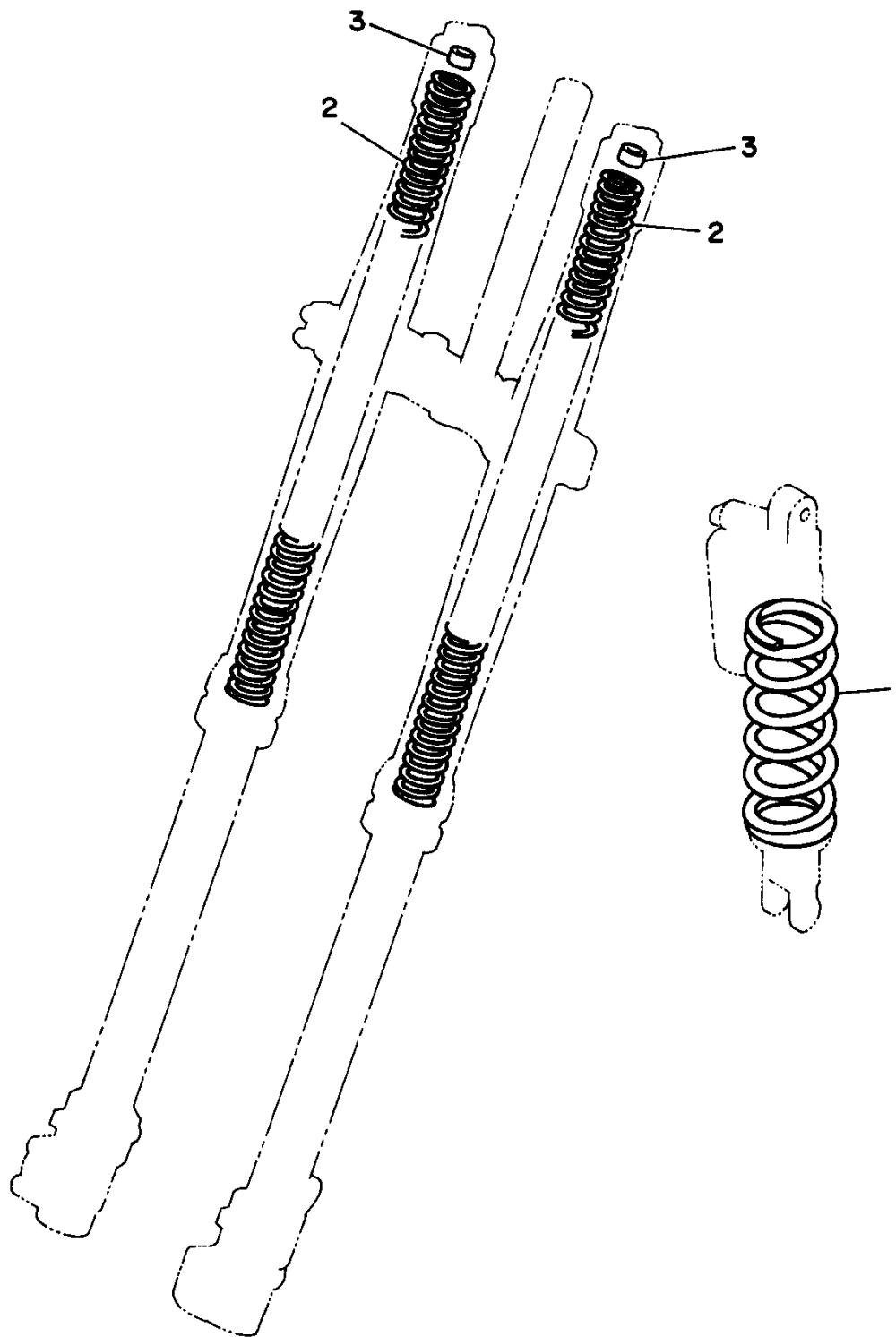


Ref. No.	Part Number	Description	Qty	Remarks
1	4XM-85540-00-00	CDI UNIT ASSY	1	
2	22F-2139X-00-00	DAMPER	1	
3	4SS-82310-00-00	IGNITION COIL ASSEMBLY ...	1	
4	91317-06016-00	BOLT	2	
5	4PE-82370-00-00	PLUG CAP ASSY	1	
6	4SS-85546-01-00	BAND	1	
7	90464-50255-00	CLAMP	2	
8	90464-13073-00	CLAMP	1	
9	90465-13275-00	CLAMP	1	
10	5DH-82509-00-00	WIRE, SUB LEAD	1	
11	90460-15126-00	CLAMP, HOSE	1	



5DH1100-8350

ALTERNATE (CHASSIS)



Ref. No.	Part Number	Description	Qty	Remarks
1	5DH-22212-10-00	SPRING (K=4.6)	1	AP
	5DH-22212-20-00	SPRING (K=4.8)	1	AP
	5DH-22212-30-00	SPRING (K=5.0)	1	AP
	5DH-22212-40-00	SPRING (K=5.2)	1	AP
	5DH-22212-50-00	SPRING (K=5.4)	1	AP
	5DH-22212-60-00	SPRING (K=5.6)	1	AP
	5DH-22212-70-00	SPRING (K=4.4)	1	AP
2	4SS-23141-10-00	SPRING, FRONT FORK (K=0.38)	2	AP
	4SS-23141-20-00	SPRING, FRONT FORK (K=0.39)	2	AP
	4SS-23141-30-00	SPRING, FRONT FORK (K=0.40)	2	AP
	4SS-23141-40-00	SPRING, FRONT FORK (K=0.41)	2	AP
	4SS-23141-50-00	SPRING, FRONT FORK (K=0.42)	2	AP
	4SS-23141-60-00	SPRING, FRONT FORK (K=0.43)	2	AP
	4SS-23141-70-00	SPRING, FRONT FORK (K=0.44)	2	AP
3	4SS-23364-L0-00	COLLAR 2	1	UN



3XJ1100-1360

OPTIONAL PARTS 1

Ref. No.	Part Number	Description	Qty	Remarks
1	4XM-11630-10-00	PISTON ASSEMBLY (0.25MM O/S)	1	
2	4XM-11631-00-B0	. PISTON (STD)	1	
3	4JY-11611-00-00	. RING, PISTON	1	
4	4XM-11633-00-00	. PIN, PISTON	1	
5	93450-16068-00	. CIRCLIP	2	
6	4XM-11650-00-00	CONNECTING ROD ASSEMBLY	1	
7	4PE-11651-02-00	. ROD, CONNECTING	1	
8	3JD-11681-02-00	. PIN, CRANK 1	1	
9	90209-22248-00	. WASHER	2	
10	93310-522P7-00	. BEARING	1	

Technical BULLETIN

©1997 YAMAHA MOTOR CORPORATION, U.S.A.

PRIMARY ID PREFIX IDENTIFICATION NEW 1998 MODELS

i INTRODUCTION

Starting with newly developed models for 1998, Yamaha will begin using a **5-digit prefix** within the 17-digit Vehicle Identification Number (VIN) instead of the 3-digit prefix used previously. You must use the 5-digit prefix in the "Primary ID" for all Warranty-related matters on these models. The last six digits are the production numbers with either the previous or new type VIN.

Within the Motorcycle product line, the following models are the only ones affected *at this time*:

- YZ80K1
- YZ125K1
- YZ250K1
- YZ400FK

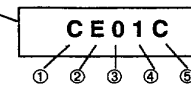
This bulletin explains how to read 5-digit Primary ID prefixes. It also explains how to determine whether to use the 3-digit or 5-digit prefix in the future.

NOTE: The engine number on newly developed models also uses a 5-digit prefix. However, these are not the same digits. **Do not use the engine prefix for any warranty-related identification.**

NEW 5-DIGIT PREFIX

The new VIN number looks like this:

JYAACE01C()WA000101



CE01C is the new-style 5-digit prefix code for the YZ125K1. The production number is **000101**. Therefore, the full Primary ID is **CE01C-000101**.

Here is the meaning of each digit:

①	Model Category
	A: ATV
	C: Competition (on or off road)
	D: On and off road
	F: Family
	R: Sports
	S: Scooter
	U: Business
	V: V-Engine

②	Engine Displacement Code
	A: Below 50cc
	B: 51 ~ 100cc
	E: 101 ~ 125cc
	G: 126 ~ 250cc
	H: 251 ~ 400cc
	J: 401 ~ 600cc
	M: 601 ~ 750cc
	N: 751 ~ 1000cc
	P: 1001 and above

③ & ④	Serial Number Digits (starts from 01)
-------	---

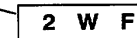
⑤	Destination Market
	A: 50-state model
	E: 49-state model (except California)
	Y: California model
	W: World (not for street-legal models)
	C: Competition model
	Other codes are used in other countries. For example, on-road models for Canada use "N."

3-DIGIT PREFIX

For continuing models, the factory will continue to use the 3-digit prefix within the 17-digit VIN.

Here is an example:

JYA2WFC0()TA133333



2WF is the familiar 3-digit-type prefix code for the VMX12JC. The production number is **133333**. Therefore, the full Primary ID is **2WF-133333**.

PRIMARY ID PREFIX NUMBERS

The annual technical bulletin announcing the VIN and Primary ID numbers for 1998 model motorcycles will be sent at a later date. However, here is information for the models now available which use the 5-digit prefix:

Model	Primary ID Prefix
YZ80K1	CB01C-
YZ125K1	CE01C-
YZ250K1	CG01C-
YZ400FK	CH0/C-

YAMAHA IDENTIFICATION PROCEDURE

KNOWING WHICH PREFIX TO USE

How do you know whether to use a 3-digit or 5-digit prefix? It is actually easy to decide. Look at what character is at the beginning of the prefix (**the 4th position in the VIN**). If that character is a number, then use the 3-digit prefix. If that character is a letter, then use the 5-digit prefix.

See page 2 for a detailed explanation about prefixes.

Character Type	Prefix Type
Number, such as: JYA 3 JM JY 44 KD	Use the 3-digit prefix, such as: 3JM- 4KD-
Letter, such as: JYA C E01C JY 4A J01W	Use the 5-digit prefix, such as: CE01C- AJ01W-

Technical BULLETIN

©1998 YAMAHA MOTOR CORPORATION, U.S.A.

1998 MODELS

Effective 5/13/98 this Technical Bulletin replaces M98-001; please remove and destroy M98-001. →Denotes a change in the original Technical Bulletin.

V.I.N./PRIMARY ID NUMBERS & SERVICE LITERATURE

I INTRODUCTION

This bulletin contains a comprehensive listing of V.I.N. and Primary ID numbers and service literature part numbers for 1998 models.

Important: Beginning with 1996 model motorcycles, the Primary ID is derived from the V.I.N. (frame number) instead of the engine number.

The Primary ID is derived from the **V.I.N.** as follows:

JYA4NKCO6VA222586

Last six digits make the production number

Prefix can be 3 or 5 digits. See Technical Bulletin M97-007 for additional information if needed.

For identification purposes, the factory has released the following list of starting production numbers.

If the service literature used in prior years is still current, the literature part number will still be listed, but "Same as . . ." will appear in the appropriate Manual column.

MODEL	ACTUAL DISPLACEMENT (CC)	STARTING VIN/FRAME NUMBER	STARTING PRIMARY ID NUMBER	OWNER'S MANUAL	ASSEMBLY MANUAL	SERVICE MANUAL
STREET						
"Royal Star"						
→ XVZ13AK	1294	JYA4NKE0() WA026469	4NK-026469	LIT-11626-11-17	LIT-11666-11-17	LIT-11616-VZ-01 Same as XVZ13H-J Supp. XVZ13AK(C) LIT-11616-11-17
→ XVZ13AKC*	1294	JYA4NKC0() WA026803	4NK-026803	LIT-11626-11-17	LIT-11666-11-17	LIT-11616-VZ-01 Same as XVZ13H-J Supp. XVZ13AK(C) LIT-11616-11-17
→ XVZ13ATK	1294	JYAVP01E() WA000020	VP01E-000020	LIT-11626-11-23	LIT-11666-11-18	LIT-11616-VZ-01 Same as XVZ13H-J Supp. XVZ13ATK(C) LIT-11616-11-18

*California Models

MODEL	ACTUAL DISPLACEMENT (CC)	STARTING VIN/FRAME NUMBER	STARTING PRIMARY ID NUMBER	OWNER'S MANUAL	ASSEMBLY MANUAL	SERVICE MANUAL
STREET (Cont'd.)						
→ XVZ13ATKC*	1294	JYAVP01Y() WA000001	VP01Y-000001	LIT-11626-11-23	LIT-11666-11-18	LIT-11616-VZ-01 Same as XVZ13H-J Supp. XVZ13ATK(C) LIT-11616-11-18
→ XVZ13LTK	1294	JYA4YEE0() WA002965	4YE-002965	LIT-11626-11-18	LIT-11666-11-18	LIT-11616-VZ-01 Same as XVZ13LTJ(C) Supp. XVZ13LTK(C) LIT-11616-11-18
XVZ13LTKC*	1294	JYA4YEC0() WA002945	4YE-002945	LIT-11626-11-18	LIT-11666-11-18	LIT-11616-VZ-01 Same as XVZ13LTJ(C) Supp. XVZ13LTK(C) LIT-11616-11-18
"V-Max"						
→ VMX12KC*	1198	JYA2WFC0() WA013431	2WF-013431	LIT-11626-10-82	LIT-11666-08-08	LIT-11616-VM-13 Same as VMX12E-J
→ VMX12K	1198	JYA2WEE0() WA065481	2WE-065481	LIT-11626-10-82	LIT-11666-08-08	*LIT-11616-VM-13 Same as VMX12E-J
"Virago 1100"						
→ XV1100KC*	1063	JYA1TAC0() WA026801	1TA-026801	LIT-11626-10-86	LIT-11666-04-99	LIT-11616-XV-11 Same as XV700-1100L-J
→ XV1100K	1063	JYA1TEE0() WA080657	1TE-080657	LIT-11626-10-86	LIT-11666-04-99	LIT-11616-XV-11 Same as XV700-1100L-J
→ XV1100SKC*	1063	JYA1TAC0() WA026931	1TA-026931	LIT-11626-10-86	LIT-11666-04-99	LIT-11616-XV-11 Same as XV700-1100L-J
→ XV1100SK	1063	JYA1TEE0() WA082119	1TE-082119	LIT-11626-10-86	LIT-11666-04-99	LIT-11616-XV-11 Same as XV700-1100L-J
"YZF1000"						
→ YZFR1K	998	JYARN02E() WA000007	RN02E-000007	LIT-11626-11-25	LIT-11666-11-25	LIT-11616-11-25
→ YZFR1KC*	998	JYARN02Y() WA000005	RN02Y-000005	LIT-11626-11-25	LIT-11666-11-25	LIT-11616-11-25
"YZF750"						
YZF750RKC*	749	JYA4LEC0() WA006899	4LE-006899	LIT-11626-11-21	LIT-11666-09-71	LIT-11616-ZF-75 Same as YZF750H-J
YZF750RK	749	JYA4LEE0() WA006795	4LE-006795	LIT-11626-11-21	LIT-11666-09-71	LIT-11616-ZF-75 Same as YZF750H-J

*California Models

MODEL	ACTUAL DISPLACEMENT (CC)	STARTING VIN/FRAME NUMBER	STARTING PRIMARY ID NUMBER	OWNER'S MANUAL	ASSEMBLY MANUAL	SERVICE MANUAL
STREET (Cont'd.)						
"V-STAR"						
→ XVS650K	649	JYAVM01E() WA002150	VM01E-002150	LIT-11626-11-22	LIT-11666-11-21	LIT-11616-11-16 Supp. XVS650K(C) LIT-11616-11-21
→ XVS650KC*	649	JYAVM01Y() WA000611	VM01Y-000611	LIT-11626-11-22	LIT-11666-11-21	LIT-11616-11-16 Supp. XVS650K(C) LIT-11616-11-21
XVS650AK	649	JYAVM01E() WA000014	VM01E-000014	LIT-11626-11-16	LIT-11666-11-16	LIT-11616-11-16
XVS650AKC*	649	JYAVM01Y() WA000011	VM01Y-000011	LIT-11626-11-16	LIT-11666-11-16	LIT-11616-11-16
"YZF600"						
YZF600RKC*	599	JYA5AHC0() WA007593	5AH-007593	LIT-11626-11-20	LIT-11666-10-55 Same as YZF600RJ	LIT-11616-10-55 Same as YZF600RJ
YZF600RK	599	JYA5AHE0() WA007493	5AH-007493	LIT-11626-11-20	LIT-11666-10-55 Same as YZF600RJ	LIT-11616-10-55 Same as YZF600RJ
"Seca II"						
→ XJ600SKC*	599	JYA4DUC0() WA070291	4DU-070291	LIT-11626-10-84	LIT-11666-08-87 Same as XJ600F~J	LIT-11616-XJ-63 Same as XJ600S/SC (D~J)
→ XJ600SK	599	JYA4DUE0() WA069939	4DU-069939	LIT-11626-10-84	LIT-11666-08-87 Same as XJ600F~J	LIT-11616-XJ-63 Same as XJ600S/SC (D~J)
"FZR"						
→ FZR600RKC*	599	JYA3UUC0() WA019651	3UU-019651	LIT-11626-11-06	LIT-11666-09-75 Same as FZR600RH~RJ	LIT-11616-FZ-00 Same as FZR600RW~RJ
→ FZR600RK	599	JYA3HHE0() WA105159	3HH-105159	LIT-11626-11-06	LIT-11666-09-75 Same as FZR600RH~RJ	LIT-11616-FZ-00 Same as FZR600RW~RJ
"Virago 535"						
→ XV535KC*	535	JYA3JCC0() WA065689	3JC-065689	LIT-11626-10-71	LIT-11666-07-15 Same as XV535A~J	LIT-11616-XV-35 Same as XV535T~J Supp. LIT-11616-09-60 Same as XV535GC~JC
→ XV535K	535	JYA3JCE0() WA065097	3JC-065097	LIT-11626-10-71	LIT-11666-07-15 Same as XV535A~J	LIT-11616-XV-35 Same as XV535T~J Supp. LIT-11616-09-60 Same as XV535G~J
"Virago 250"						
→ XV250KC*	249	JYA3BGC0() WA009271	3BG-009271	LIT-11626-11-08	LIT-11666-06-18 Same as XV250U~J	LIT-11616-XV-25 Same as XV250U~J
→ XV250K	249	JYA2UJE0() WA043013	2UJ-043013	LIT-11626-11-08	LIT-11666-06-18 Same as XV250U~J	LIT-11616-XV-25 Same as XV250U~J

*California Models

MODEL	ACTUAL DISPLACEMENT (CC)	STARTING VIN/FRAME NUMBER	STARTING PRIMARY ID NUMBER	OWNER'S MANUAL	ASSEMBLY MANUAL	SERVICE MANUAL
DUAL PURPOSE						
"XT"						
→ XT350KC*	346	JYA3NVC0() WA043260	3NV-043260	LIT-11626-11-09	LIT-11666-04-73 Same as XT350N~J	LIT-11616-04-73 Same as XT350N~J Supp. LIT-11616-10-00 Same as XT350H~J
→ XT350K	346	JYA3NVE0() WA043396	3NV-043396	LIT-11626-11-09	LIT-11666-04-73 Same as XT350N~J	LIT-11616-04-73 Same as XT350N~J Supp. LIT-11616-10-00 Same as XT350H~J
"Serow"						
→ XT225KC*	223	JYA4BEC0() WA046759	4BE-046759	LIT-11626-11-04	LIT-11666-07-99 Same as XT225D~J	LIT-11616-XT-25 Same as XT225D~J
→ XT225K	223	JYA4BEE0() WA046371	4BE-046371	LIT-11626-11-04	LIT-11666-07-99 Same as XT225D~J	LIT-11616-XT-25 Same as XT225D~J
"TW"						
→ TW200EKC*	196	JYA3AWC0() WA073975	3AW-073975	LIT-11626-11-13	LIT-11666-05-93 Same as TW200T~J	LIT-11616-06-26 Same as TW200T~J
TW200EK	196	JYA3AWE0() WA073899	3AW-073899	LIT-11626-11-13	LIT-11666-05-93 Same as TW200T~J	LIT-11616-06-26 Same as TW200T~J
MOTOCROSS/OFF-ROAD COMPETITION						
"WR"						
→ WR400FK1	399	JYACH02W() WA000060	CH02W-000060	LIT-11626-11-24	LIT-11666-11-24	LIT-11626-11-24
"YZ"						
→ YZ400FK1	400	JYACH01C() WA000056	CH01C-000056	LIT-11626-11-19	LIT-11666-11-19	LIT-11626-11-19
YZ250K1	249	JYACG01C() WA000031	CG01C-000031	LIT-11626-11-11	LIT-11666-11-10	LIT-11626-11-11
YZ125K1	124	JYACE01C() WA000049	CE01C-000049	LIT-11626-11-10	LIT-11666-11-10	LIT-11626-11-10
YZ80K1	82.9	JYACB01C() WA000010	CB01C-000010	LIT-11626-11-01	LIT-11666-08-88 Same as YZ80F1~J1	LIT-11626-11-01
OFF-ROAD						
→ RT180K	176	9C63VCW0() WA014247	3VC-014247	LIT-11626-10-81	LIT-11666-07-30 Same as RT180A~J	LIT-11616-07-30 Same as RT180A~J
→ RT100K	97	JYA3ULW0() WA087185	3UL-087185	LIT-11626-11-12	LIT-11666-07-35 Same as RT100A~J	LIT-11616-07-35 Same as RT100A~J
→ PW80K1	79	JYA3RVW0() WA098773	3RV-098773	LIT-11626-11-00	LIT-11666-07-72 Same as PW50/80B~J	LIT-11626-11-00
PW50K1	49	JYA3PTW0() WA221320	3PT-221320	LIT-11626-10-99	LIT-11666-07-72 Same as PW50/80B~J	LIT-11626-10-99

*California Models

MODEL	ACTUAL DISPLACEMENT (CC)	STARTING VIN/FRAME NUMBER	STARTING PRIMARY ID NUMBER	OWNER'S MANUAL	ASSEMBLY MANUAL	SERVICE MANUAL
RACING						
→ TZ250K1	249	JYACG03C() WA000086	CG03C-000086	LIT-11626-11-15	N/A	LIT-11626-11-15
RIVA						
XC125K	124	JYA3EKC0() WA037369	3EK-037369	LIT-11626-11-05	LIT-11666-04-16 Same as XC125N-J	LIT-11616-04-16 Same as XC125N-J
<i>"Razz"</i> SH50K	49	JYA3EPA0() WA245203	3EP-245203	LIT-11626-10-85	LIT-11666-05-80 Same as SH50T-J	LIT-11616-05-80 Same as SH50T-J
<i>"Zuma II"</i> → CW50K	49	VG54UYA0() WA101701	4UY-101701	LIT-11626-10-80	LIT-11666-06-54 Same as CW50J	LIT-11616-10-70 Same as CW50J
<i>"Jog"</i> CY50K	49	JYA4FBA0() WA046825	4FB-046825	LIT-11626-10-83	LIT-11666-08-16 Same as CY50D-J	LIT-11616-08-16 Same as CY50D-J

*California Models

NOTE: "()" in the VIN/frame number designates a check digit. This number plays an important role in registering the unit, and will change with each individual unit. It is the product of a special government computing procedure designed to help reduce the number of vehicle theft losses.

OTHER PUBLICATIONS	PART NUMBER		
Warranty Statements*			
Street & Enduro	LIT-11790-21-87	'98 Street Mcy & Riva Acc'y Catalog	LIT-10080-ST-98
1996 & Later Royal Star	LIT-11790-RS-96	'97 Royal Star Acc'y Catalog	LIT-RYLST-00-97
1988 & Later Venture/Venture Royale	LIT-11790-00-88	'97 Royal Star Acc'y Sample Catalog	LIT-RYLST-01-97
GTS	LIT-11790-22-93	'98 V-Star Acc'y Catalog	LIT-10080-VS-98
Off Road	LIT-11790-30-91	'98 Virago/V-Max Unit Catalog	LIT-11111-07-98
YZ/WR	LIT-11790-40-91	'98 Motocross Unit Catalog	LIT-11111-01-98
California Emissions Control Warranty	LIT-11790-01-88	'98 Playbike Unit Catalog	LIT-11111-13-98
Warranty and Y.E.S. Handbook	LIT-11760-00-95	'98 Motorcycle Full Line Unit Catalog	LIT-11111-33-98
Warranty Labor Rate Change Request	LIT-11791-02-95	'98 Royal Star/V-Star Unit Catalog	LIT-11111-06-98
'95-'97 Technical Service Data Booklet	LIT-11571-SD-97	'98 YZF/Seca II/FZR Unit Catalog	LIT-11111-14-98
Parts System Handbook	LIT-10080-07-00		
Assembly & Predelivery Checklist	LIT-11161-00-97		
Service Appointment Pad	LIT-11561-00-96		
Heavy Duty Service Binder	LIT-10501-01-80		
Riding Tips Booklet - Street Motorcycle	LIT-11626-07-31		
Riding Tips Booklet - Off Road	LIT-11626-07-32		
1996-1998 Motorcycle Flat Rate Manual	LIT-11750-00-98		
Y.E.S. Plan Highlights	LIT-11580-00-05		
Sample Y.E.S. Contract	LIT-11580-00-27		

*The Limited Warranty Statement is also printed in each Owner's Manual.

ROUTE TO: SERVICE PARTS WARRANTY SALES

PAGE 5 OF 5

Technical BULLETIN

©1998 YAMAHA MOTOR CORPORATION, U.S.A.

MOTORCYCLE WARRANTY INFORMATION

i INTRODUCTION

This bulletin provides specific warranty details about the motorcycle/Riva product line (such as, warranty periods, authorizations, reimbursements and Warranty and Y.E.S. Department contact numbers). Refer to the **Warranty and Y.E.S. Handbook** for general warranty policy and procedures.

LIMITED WARRANTY STATEMENT INFORMATION

See **Yamaha Warranty and Y.E.S. Handbook**, Page 1-3 for more information.

Model	Warranty Period	Remarks	Limited Warranty Statement Part Number
Royal Star/Royal Star Venture	5 Years		LIT-11790-RS-96
Street and Enduro Models	1 Year		LIT-11790-21-87
Off-Road Motorcycle	90 Days		LIT-11790-30-91
YZ/WR WR200 included in "Off-Road"	30 Days	Covers engine, frame swingarm, and monoshock.	LIT-11790-40-91
Riva Scooters	1 Year		LIT-11790-00-87
California Emissions Control Warranty	5 Years or mileage by displacement (see Remarks)	50~169cc 7,465 mi 170~279cc: 11,185 mi 280cc +: 18,641 mi	LIT-11790-01-88

PRIMARY ID

The Primary ID is derived from the 17 digit **frame number (V.I.N.)** as follows:

JYA4DUC03SA053222

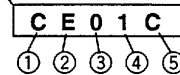
————— Last six digits are production number

————— 4th, 5th, and 6th digits are prefix

The prefix can be a 3-digit or 5-digit number. Which type it is depends upon whether the fourth character in the VIN is a number or a letter:

- If the fourth character is a number (as it is on models originally introduced before 1998), then use a 3-digit prefix shown in the example on the previous page.
- If the fourth character is a letter (as it is on models newly introduced in 1998 or later), then use a 5-digit prefix as shown in the example below.

JYAACE01C()WA000101



CE01C is the 5-digit prefix code for the YZ125L1. The production number is 000101. Therefore, the full Primary ID is **CE03C-000101**.

NOTE: On models earlier than 1996, the Primary ID is usually also the engine number. If the frame-derived prefix does not match, however, use the frame number. Do not use the engine number as the Primary ID on any 1996 or later model. For more information as to the meaning of each digit, see Technical Bulletin M97-007.

AUTHORIZATIONS

Warranty repairs* on in-warranty units require authorization only if the *total repair* cost exceeds the following:

\$750.00 or below	Authorization NOT needed.
\$750.01 or above	Call RTA for authorization

Total repair cost includes:

	Warranty	Y.E.S.
Parts	YCS: Dealer cost + 25% for handling reimbursement Mail-in Paper form: Dealer cost + 10%	Yamaha Suggested Retail
Labor	Flat rate time at approved shop labor rate + any extra labor claimed as authorized	Flat rate time at approved shop labor rate + any extra labor claimed as authorized

*See Page 7-5 of the **Warranty and Y.E.S. Handbook** if an accident or fire occurred.

WARRANTY AND Y.E.S. PHONE NUMBERS

Department	Phone Number	Purpose	Handbook Ref.
Warranty	1-800-227-5963	Registration questions Labor Rate Questions Recall questions	Chapter 5 Chapter 1 Chapter 8
Warranty FAX	(714) 761-7303	FAXing (rather than mail): • Registration transfer or correction documents • Warranty Appeals form • Other Warranty or Y.E.S. documents	Chapter 5 Chapter 10
Y.E.S.	1-800-227-5963	Y.E.S. questions (except authorizations)	Chapters 2, 5

WARRANTY AND Y.E.S. LITERATURE
Motorcycle Only Forms

Department	Part Number	Handbook Reference and Usage Notes
Motorcycle/Scooter Set-Up and Predelivery Checklist (25/pkg.)	LIT-11161-00-97	See Page 4-2. Checklist for procedures required before delivery to customer.

Warranty and Y.E.S. Forms

Department	Part Number	Handbook Reference and Usage Notes
Service Schedule Pad (25/pkg.)	LIT-11561-00-96	Used to schedule service work. Includes column for warranty request information.
Warranty and Y.E.S. Handbook	LIT-11760-00-95	Covers warranty and Y.E.S. for all products.
Warranty Return Envelope	LIT-11784-00-01	Pre-addressed envelopes for mailing documents to Warranty Department.
Warranty Status Chart Pads (10/pad)	LIT-11790-00-00	See Chapter 10. Track status of warranty and Y.E.S. claims.
Recall Reimbursement Request (5/pkg.)	LIT-11790-00-97	See page 8-2. Mail-in form to request reimbursement for Factory Modification Campaign if YCS or DOES PLUS is not used.
Warranty Parts Tags (50/pkg.)	LIT-11790-02-00	See Page 9-1. Identify parts claimed on warranty requests.
Transfer of Owner Registration (10/pkg.)	LIT-11790-07-83	See page 5-7. Update registration records with new owner and transfer any warranty or Y.E.S. coverage.
Warranty Request Parts Supplement (10/pkg.)	LIT-11791-00-01	See page 6-7. For mail-in requests if request has more than 10 parts.
Warranty Document ID Form (10/pkg.)	LIT-11791-00-04	See Page 1-7. Warranty.
Warranty Request Forms (10/pkg.)	LIT-11791-01-00	See Chapter 6. Mail-in warranty or Y.E.S. claim form if YCS or DOES PLUS is not used.
Warranty Error Notification Explanation Booklet	LIT-11791-01-94	See Page 10-3. Used only if registrations and warranty requests are mailed in on paper forms, and there are errors.
Warranty Labor Rate Change Request	LIT-11791-02-95	See Page 1-5. Request setup or change of the labor rate amount used to calculate warranty reimbursement.
Warranty Registration Correction Form (10/pkg.)	LIT-11792-00-00	See Page 5-6. For correcting warranty or Y.E.S. registration errors.
Warranty Request Worksheets (15/pkg.)	LIT-11801-01-02	See Chapter 6. Fill out before submitting warranty or Y.E.S. claim on DOES PLUS or YCS.

Y.E.S. Only Forms

Department	Part Number	Handbook Reference and Usage Notes
Y.E.S. Plan Registration Card (20/pkg.)	LIT-11580-00-04	See page 5-5. Used to register Y.E.S. coverage sold after unit purchase (not needed if DOES PLUS or YCS is used).
Y.E.S. Plan Highlights Form for Snowmobile and Motorcycle/ATV/Riva/Water Vehicle (20/pkg.)	LIT-11580-00-05	See page 2-2. Sales tool to explain benefits of Y.E.S. plan to customer.
Y.E.S. Lienhold Information (5/pkg.)	LIT-11580-00-08	See Page 5-4. Used when lienholder requests additional documentation about the Y.E.S. coverage.
Y.E.S. Plan Request to Cancel (5/pkg.)	LIT-11580-00-10	See page 2-5. Required for cancellation of Y.E.S. Plan.
Y.E.S. Hangtags (10/pkg.)	LIT-11580-00-16	For product display. Lists main customer benefits of coverage. For Motorcycle, ATV, Riva, Snowmobile, and Water Vehicle.
Y.E.S. Price Tags (20/pkg.)	LIT-11580-00-17	For product display. Promotes Y.E.S. coverage with convenient monthly payment information.
Factory Service Brochures (20/pkg.)	LIT-11580-00-18	Sales brochure for Y.E.S. with features and benefits. For Motorcycle, ATV, Riva, Snowmobile, and Water Vehicle.
Y.E.S. Used Unit Registration (10/pkg.)	LIT-11580-00-19	See Page 5-5. Used to register Y.E.S. coverage on a used unit sold from dealer inventory.

Florida Y.E.S. Forms

Department	Part Number	Handbook Reference and Usage Notes
Florida Y.E.S. Plan Highlights & Contract	Call Y.E.S.	See Page 2-2. A "live" contract required when Y.E.S. is sold in Florida.
Florida Envelopes (10/pkg.)	LIT-11580-FL-02	Used to mail contracts to Yamaha.