



WORKSHOP

YAMAHA

PARTS LIST

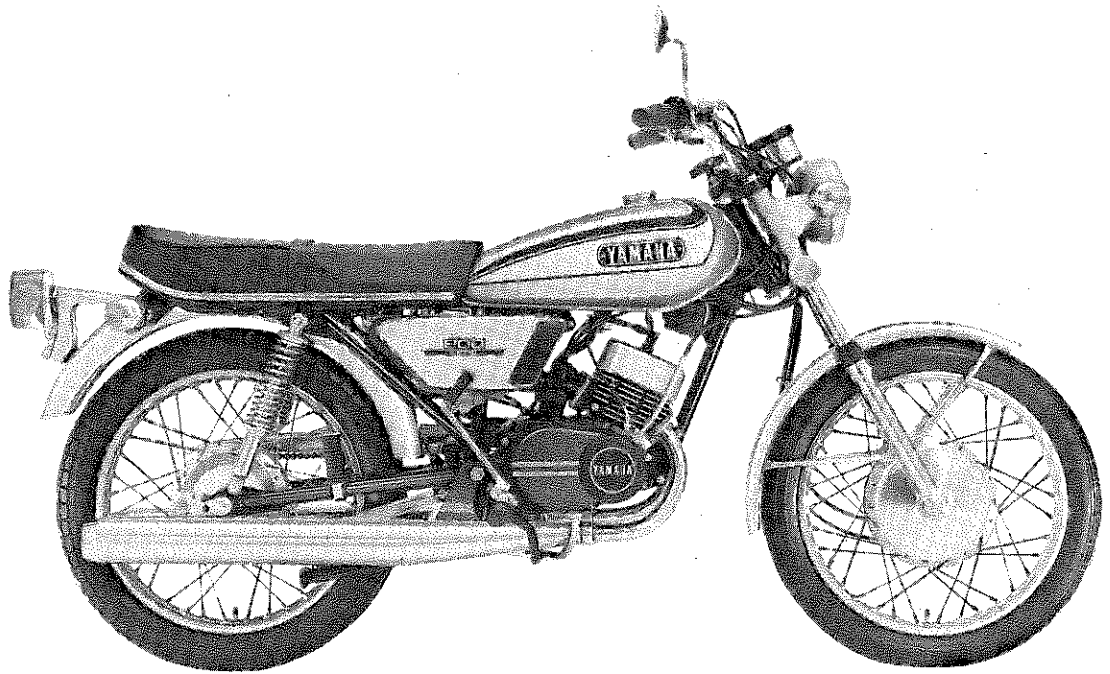
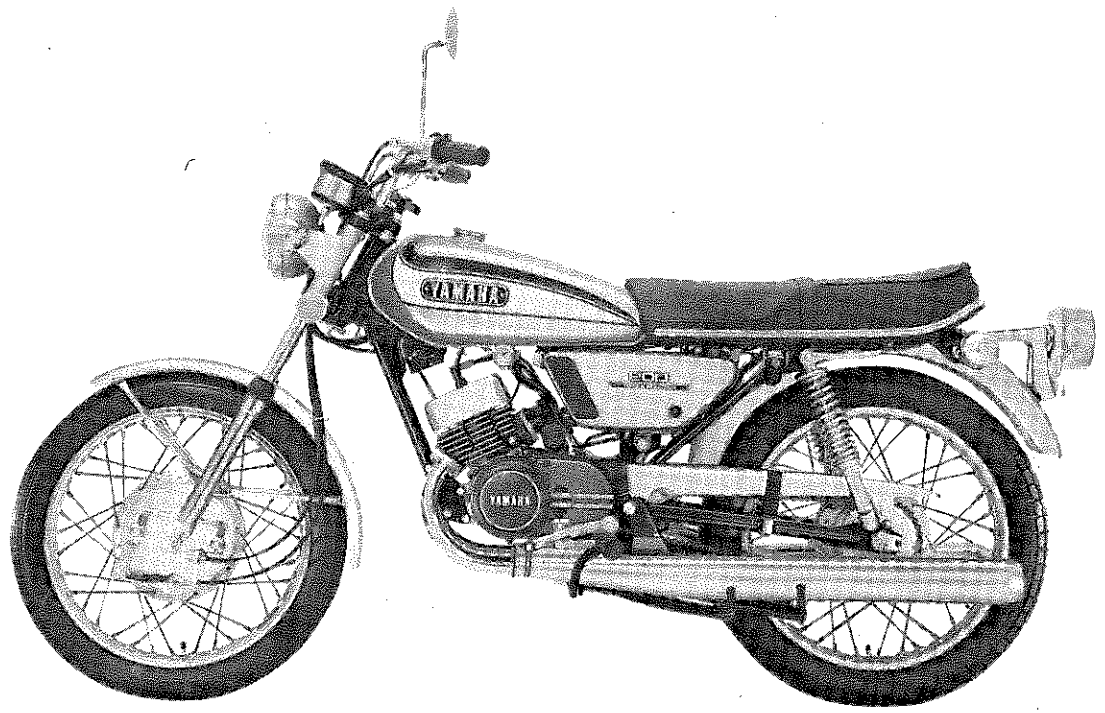
MODEL RD200

YAMAHA MOTOR CO., LTD.

YAMAHA

PARTS LIST

MODEL RD200

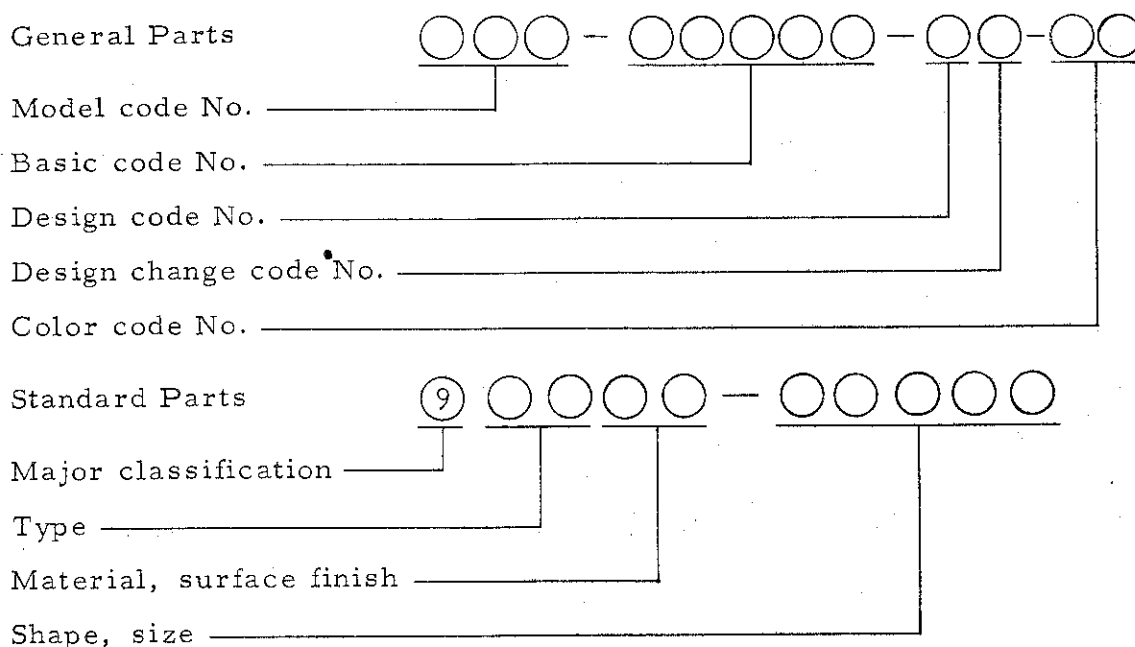


FOREWORD

This Parts List relates to the Parts in use for the Yamaha RD200. When you are ordering replacement parts for the RD200, refer to this Parts List and quote both part numbers and part names correctly.

1. Structure of Part No.

Yamaha parts are divided largely into two categories; general parts and standard parts, and each part No. has the following structure:



Note: Every standard No. begins with 9.

2. How to Use this Parts List

(1) Except for steel balls (whose size is indicated in inches), the size of all parts is indicated in millimeters in the following manner.

Pipe (rubber or vinyl) Inside diameter - length

O-ring Section area - inside diameter

Washer, shim, collar Inside diameter - outside diameter - thickness (length)

(2) Parts, which are to be supplied in the form of assemblies, are listed with an indentation of one letter's space, and a dot (.) is put

against the name of each part. If any two different assemblies (e.g., right and left side components) consist of almost the same type components, these two assemblies are listed in two lines, and then the names of component parts are listed in the subsequent lines with an indention as mentioned earlier. The quantity of parts is given in the following manner; that is, in the case of parts being the same in type between the right and left, a total quantity of parts is given. On the other hand, if the right and left side parts are different in type, the quantity of part(s) on each side is given.

Example

Description	Q'ty
CARBURETOR ASS'Y, left	1
CARBURETOR ASS'Y, right	1
. JET, pilot	2
. NOZZLE, main	2
. LEVER, starter, left	1
. LEVER, starter, right	1

(3) Key to Symbols

- U.R. Use size (thickness) and/or number as required
- T Number of teeth in a gear
- V Voltage for light bulbs
- S "S" type oil seal or "S" type circlip
- SD "SD" type oil seal
- SO "SO" type oil seal
- SW "SW" type oil seal
- E "E" type circlip
- R "R" type circlip
- F/No. Frame No. (Applicable machine No.)

- (4) The right and left in relation to parts are determined on the basis of the rider facing toward the front.
- (5) This Parts List is based on the model in the production line on Feb. 10, 1973. Accordingly, if any modifications which have been made to parts will be announced in the Yamaha Parts News. It is advisable that according to the Yamaha Parts News, You will make necessary corrections to the Parts List on hand to keep it up-to dated.

CONTENTS

ENGINE

Fig. 1	Crankcase · Cylinder	1
Fig. 2	Crankcase Cover	5
Fig. 3	Crank · Piston	9
Fig. 4	Clutch	15
Fig. 5	Transmission	17
Fig. 6	Shifter 1	21
Fig. 7	Shifter 2	25
Fig. 8	Kick Starter	27
Fig. 9	Tachometer Gear	29
Fig. 10	Intake	31
Fig. 11	Carburetor	35
Fig. 12	Exhaust	39
Fig. 13	Oil Pump	41
Fig. 14	Starter Generator	45

CHASSIS

Fig. 15	Frame	51
Fig. 16	Side Cover · Box	53
Fig. 17	Rear Arm · Rear Cushion · Chain Case	55
Fig. 18	Stand · Footrest · Brake Pedal	57
Fig. 19	Front Fender · Rear Fender	61
Fig. 20	Front Fork	63
Fig. 21	Steering	67
Fig. 22	Handle · Wire	71
Fig. 23	Fuel Tank	77
Fig. 24	Oil Tank	79
Fig. 25	Seat	81

Fig. 26	Front Wheel	83
Fig. 27	Rear Wheel	87
Fig. 28	Head Lamp	93
Fig. 29	Speedometer · Tachometer	95
Fig. 30	Tail Lamp	97
Fig. 31	Flasher Lamp	101
Fig. 32	Electrical	103

NUMERICAL INDEX

ENGINE

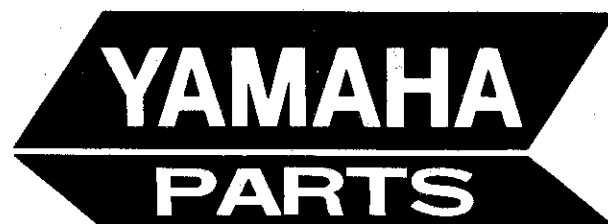
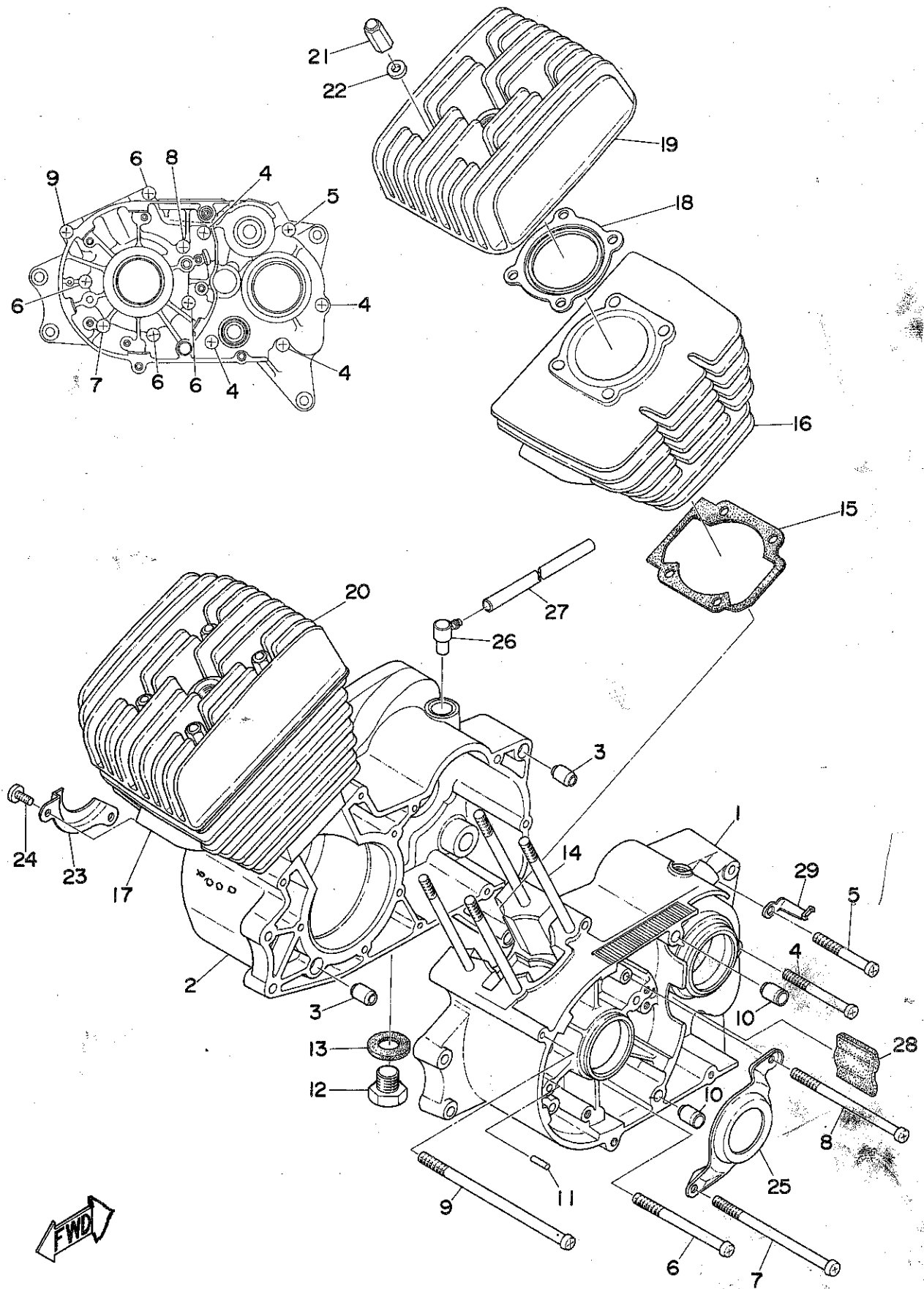


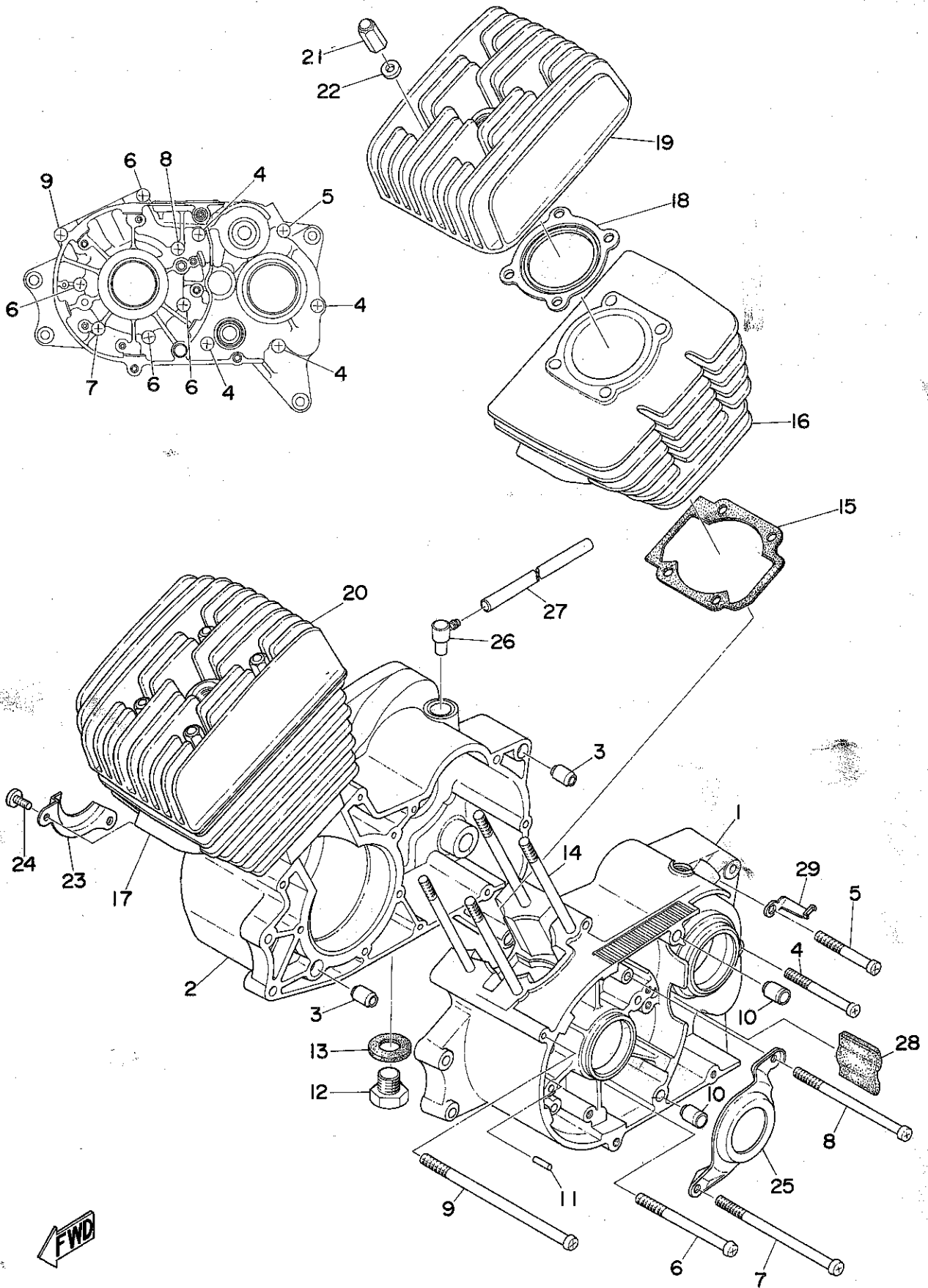
Fig. 1 CRANKCASE · CYLINDER



CRANKCASE · CYLINDER

Ref. No.	Parts No.	Description	Q'ty	Applicable Machine No.	Remarks
1- 1	397-15111-00	CASE, crank left	1		
1- 2	397-15121-00	CASE, crank right	1		
1- 3	91810-05016	PIN, dowel (8.4-12-16)	2		
1- 4	92501-06060	SCREW, panhead	4	M6 x 60	
1- 5	92501-06050	SCREW, panhead	1	M6 x 50	
1- 6	92506-06085	SCREW, panhead	4	M6 x 85	
1- 7	92501-06110	SCREW, panhead	1	M6 x 110	
1- 8	92501-06100	SCREW, panhead	1	M6 x 100	
1- 9	92506-06140	SCREW, panhead	1	M6 x 140	
1-10	91810-02015	PIN, dowel (6.4-10-15)	2		
1-11	93603-18093	PIN, dowel (3-17.8)	1		
1-12	132-15351-00	PLUG, drain	1		
1-13	132-15353-00	GASKET, drain plug (12.5-19-1.5)	1		
1-14	174-11361-00 90116-07033	BOLT, cylinder holding	8		
1-15	397-11351-00	GASKET, cylinder	2		
1-16	397-11311-00	CYLINDER, left	1		
1-17	397-11321-00	CYLINDER, right	1		
1-18	273-11181-00	GASKET, cylinder head	2		
1-19	337-11111-00	HEAD, cylinder left	1		
1-20	337-11121-00	HEAD, cylinder right	1		
1-21	166-11171-60	NUT, holding	8		
1-22	131-11175-00	WASHER, holding	8		
1-23	397-15118-00	HOLDER	1		

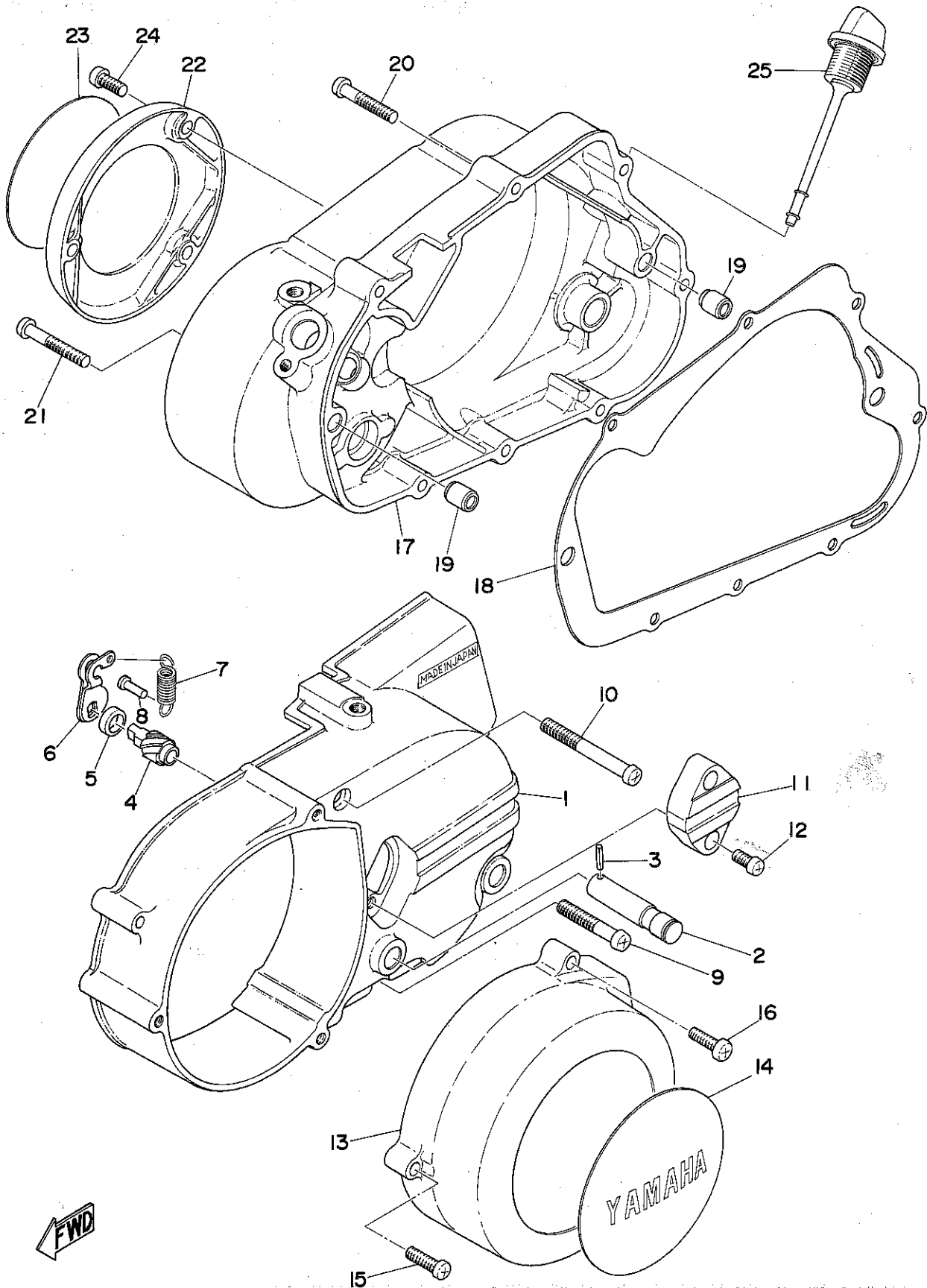
Fig. 1 CRANKCASE · CYLINDER



CRANKCASE · CYLINDER

Ref. No.	Parts No.	Description	Q'ty	Applicable Machine No.	Remarks
1-24	92501-06012	SCREW, panhead	2	<i>M6 x 12</i>	
1-25	389-15128-00	HOLDER	1		
1-26	120-15371-00	BREATHER	1		
1-27	248-15373-00	PIPE, breather	1		
1-28	241-15357-00	GROMMET	1		
1-29	337-81328-00	CLAMP	1		

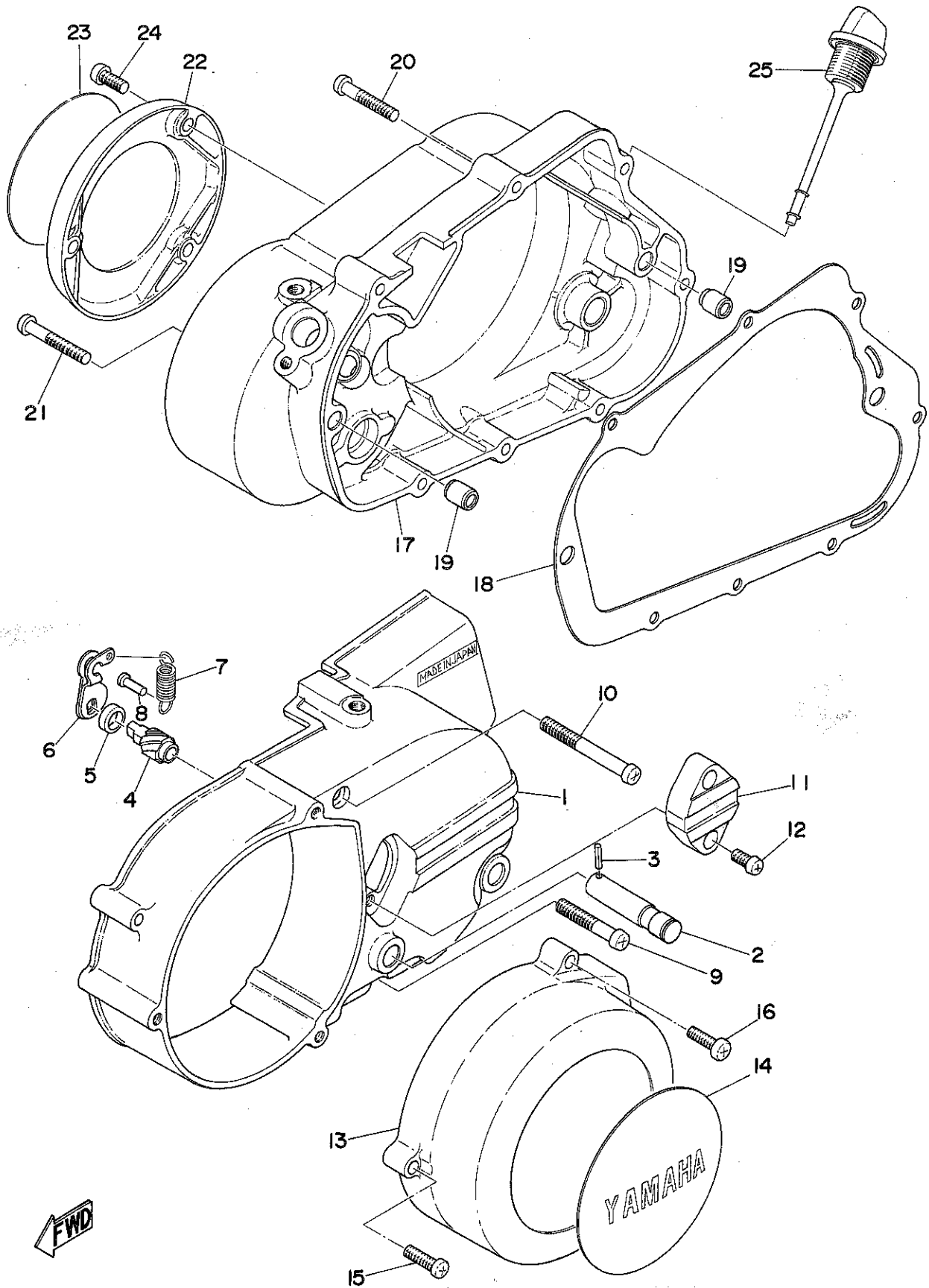
Fig. 2 CRANKCASE COVER



CRANKCASE COVER

Ref. No.	Parts No.	Description	Q'ty	Applicable Machine No.	Remarks
2- 1	337-15410-00	CRANKCASE COVER ASS'Y, left	1		
2- 2	307-18188-00	. SHAFT	1		
2- 3	91609-30022	. PIN, spring	1		
2- 4	241-16341-01	. SCREW, push	1		
2- 5	93104-11028	. OIL SEAL (SO-10.5-15-3) ...	1		
2- 6	241-16342-00	. LEVER, push	1		
2- 7	132-16345-00	. SPRING, lever return	1		
2- 8	132-16346-00	. HOOK, spring	1		
2- 9	92506-06040	SCREW, panhead	2		M6 x 40
2-10	92506-06060	SCREW, panhead	1		M6 x 60
2-11	337-15417-00	COVER, cap	1		
2-12	98506-05012	SCREW, panhead	2		
2-13	397-15415-00	COVER, generator	1		
2-14	389-15425-00	COVER	1		
2-15	92506-06025	SCREW, panhead	1		M6 x 30
2-16	92506-06020	SCREW, panhead	2		M6 x 25
2-17	337-15421-00	COVER, crankcase right	1		
2-18	237-15324-00	GASKET, crankcase cover right	1		
2-19	91810-02015	PIN, dowel (6.4-10-15)	2		
2-20	92506-06035	SCREW, panhead	7		M6 x 35
2-21	92506-06040	SCREW, panhead	1		M6 x 50
2-22	397-15416-00	COVER, oil pump	1		
2-23	389-15426-00	COVER	1		

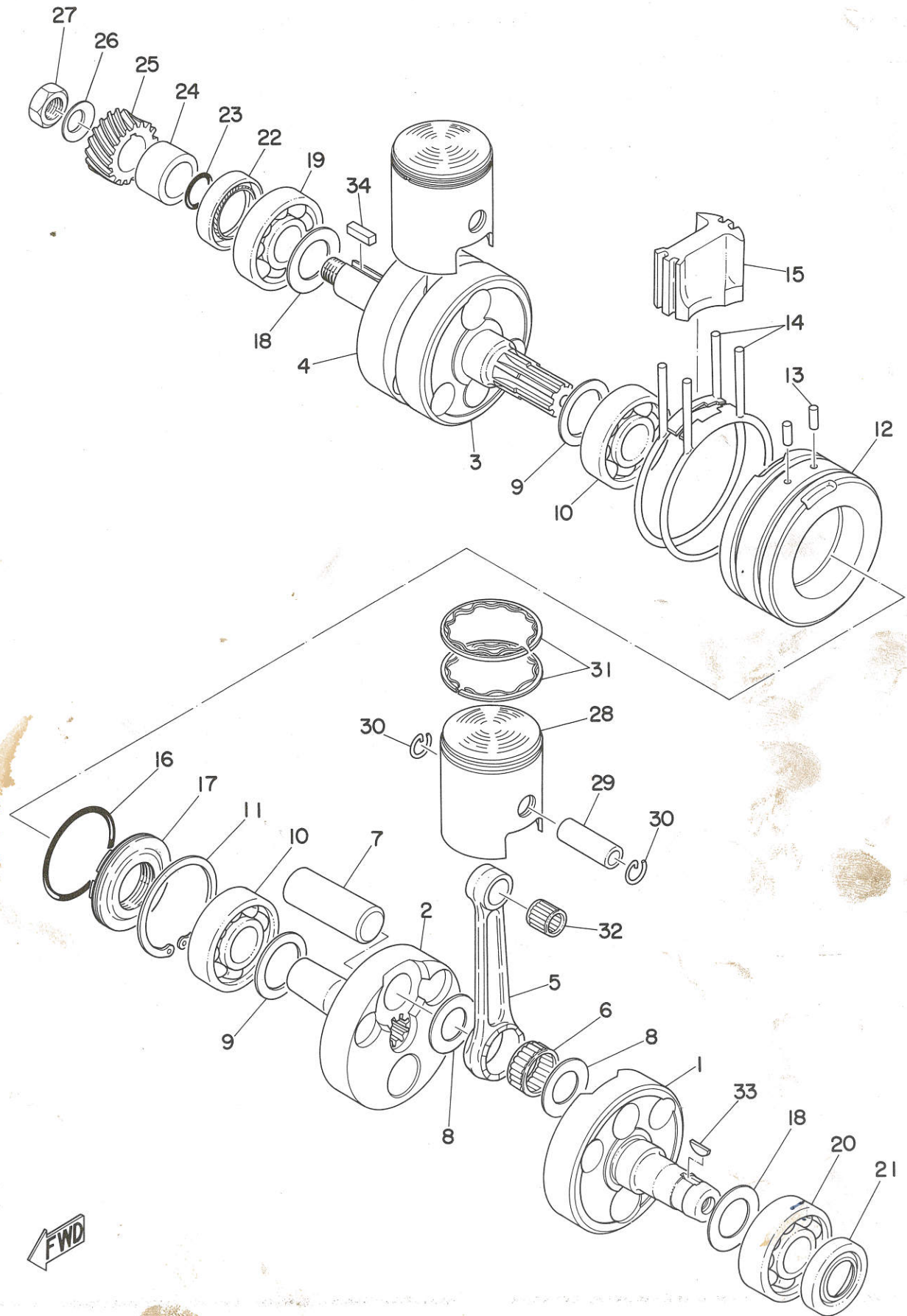
Fig. 2 CRANKCASE COVER



CRANKCASE COVER

Ref. No.	Parts No.	Description	Q'ty	Applicable Machine No.	Remarks
2-24	92506-06015	SCREW, panhead	3		M6 x 17
2-25	307-15363-00	PLUG, oil	1		

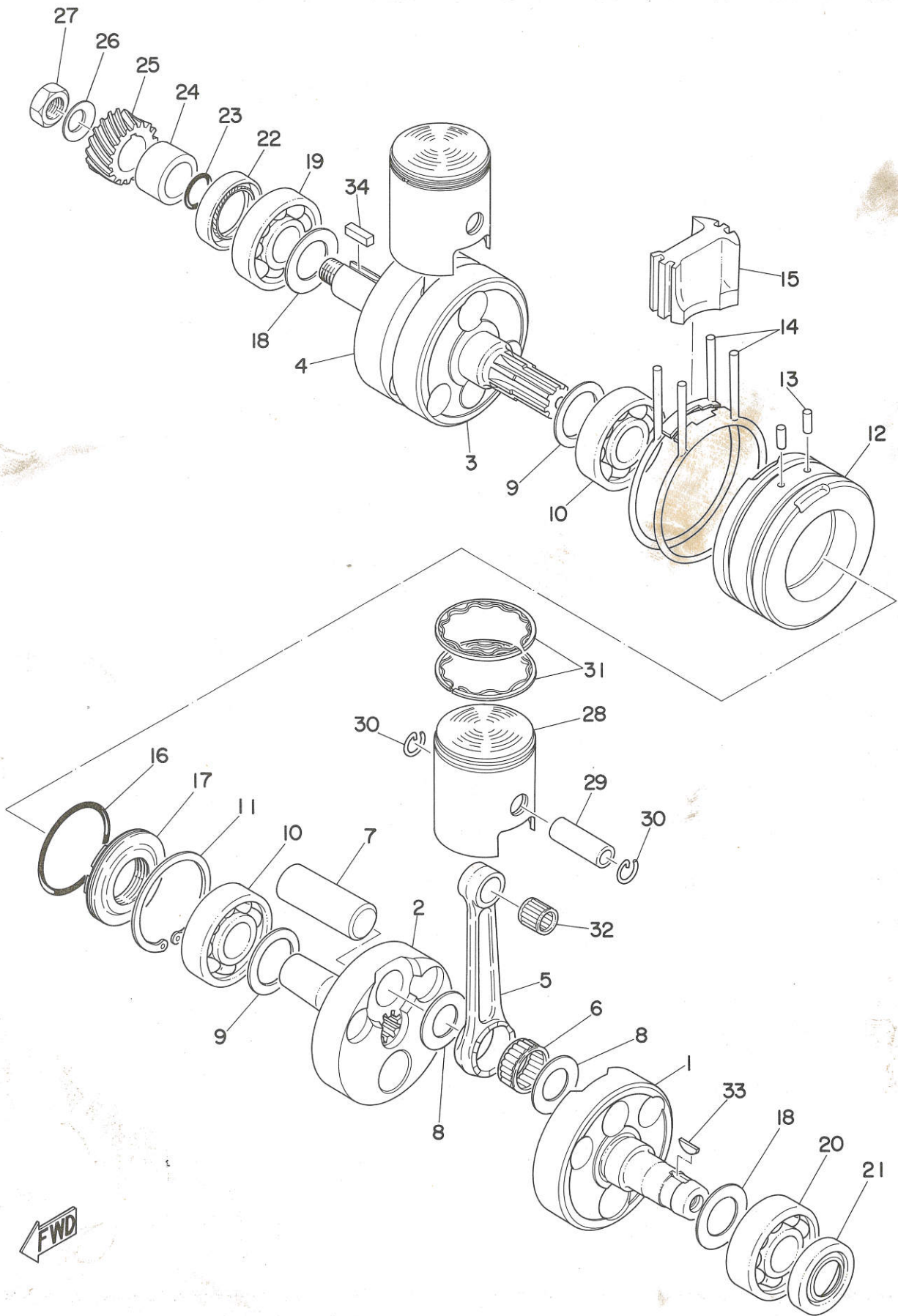
Fig. 3 CRANK · PISTON



CRANK · PISTON

Ref. No.	Parts No.	Description	Q'ty	Applicable Machine No.	Remarks
3- 0-1	397-11400-00	CRANK ASS'Y	1		
3- 1	397-11412-00	. CRANK 1, left	1		
3- 2	174-11422-01	. CRANK 1, right	1		
3- 3	174-11432-01	. CRANK 2, left	1		
3- 4	397-11442-00	. CRANK 2, right	1		
3- 5	174-11651-00	. ROD, connecting	2		
3- 6	93310-42012	. BEARING	2		
3- 7	174-11681-00	. PIN, crank	2		
3- 8	174-11685-00	. WASHER, crank pin	4		
3- 9	132-11561-00-03	. WASHER, crank inside (25.5-35-0.3)	} U.R 2		
	132-11561-00-05	. WASHER, crank inside (25.5-35-0.5)			
3-10	93306-20517	. BEARING (6205C4)	2		
3-11	93450-52010	. CIRCLIP (52φ)	1		
3-12	174-11511-01	. COVER, crank	1		
3-13	93604-18058	. PIN, dowel (4-17.8)	2		
3-14	174-11512-02	. SEAL, crank cover	2		
3-15	397-11541-00	. METAL, filler	1		
3-16	93210-46044	. O-RING (3-46.2)	1		
3-17	174-11515-00	. SEAL, labyrinth	1		
3-18	132-11561-00-03	SHIM, crank outside (25.5-35-0.3)	} U.R 2		
	132-11561-00-05	SHIM, crank outside (25.5-35-0.5)			
3-19	93306-30509	BEARING (6305C3)	1		

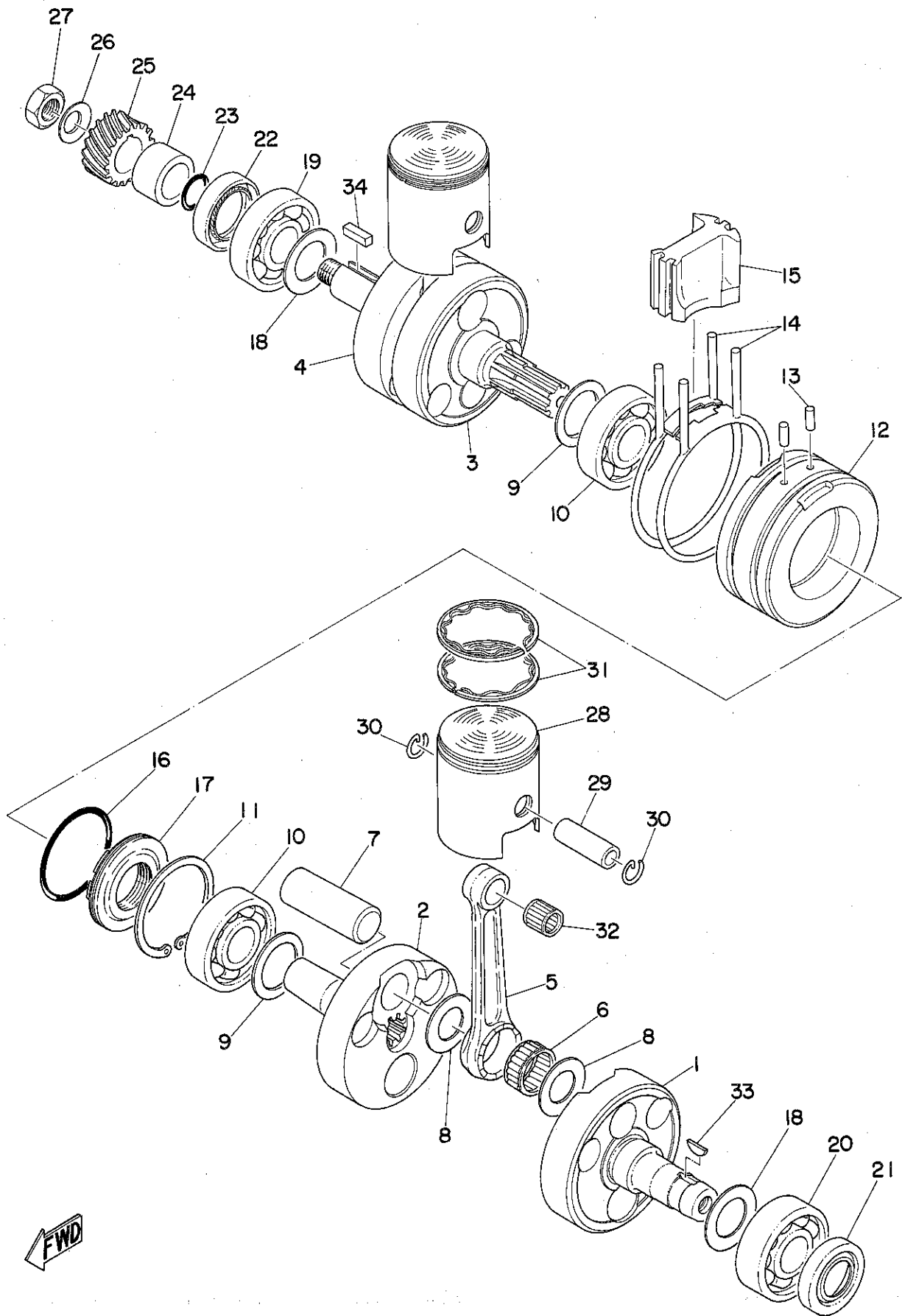
Fig. 3 CRANK · PISTON



CRANK · PISTON

Ref. No.	Parts No.	Description	Q'ty	Applicable Machine No.	Remarks
3-20	93306-20517	BEARING (6205C4)	1		
3-21	93102-20117	OIL SEAL (SD-20-40-8)	1		
3-22	93103-32031	OIL SEAL (SW-32-48-8)	1		
3-23	93210-18023	O-RING (1.2-17.6)	1		
3-24	174-11523-00	COLLAR, distance	1		
3-25	397-16111-00	GEAR, primary drive (16T) ...	1		
3-26	164-16119-00	SPRING, Belleville	1		
3-27	353-16144-00	NUT, lock	1		
3-28	397-11631-00-96	PISTON (51.96mm STD)	} U.R 2		
	397-11631-00-97	PISTON (51.97mm STD)			
	397-11635-00	PISTON (52.25mm 1st O.S)	2		Alternate Parts
	397-11636-00	PISTON (52.50mm 2nd O.S) ...	2		Alternate Parts
	397-11637-00	PISTON (52.75mm 3rd O.S) ...	2		Alternate Parts
	397-11638-00	PISTON (53.00mm 4th O.S) ...	2		Alternate Parts
3-29	131-11633-00	PIN, piston	2		
3-30	131-11634-00 93450-15023	CLIP, piston pin	4		
3-31	397-11610-01	PISTON RING SET (STD)	2s		
	397-11610-11	PISTON RING SET (1st O.S) ...	2s		Alternate Parts
	397-11610-21	PISTON RING SET (2nd O.S) ...	2s		Alternate Parts
	397-11610-31	PISTON RING SET (3rd O.S) ...	2s		Alternate Parts
	397-11610-41	PISTON RING SET (4th O.S) ...	2s		Alternate Parts
3-32	93310-21403	BEARING	2		
3-33	146-11545-00 90280-03017	KEY, woodruff	1		
3-34	353-11546-00	KEY	1		

Fig. 3 CRANK · PISTON



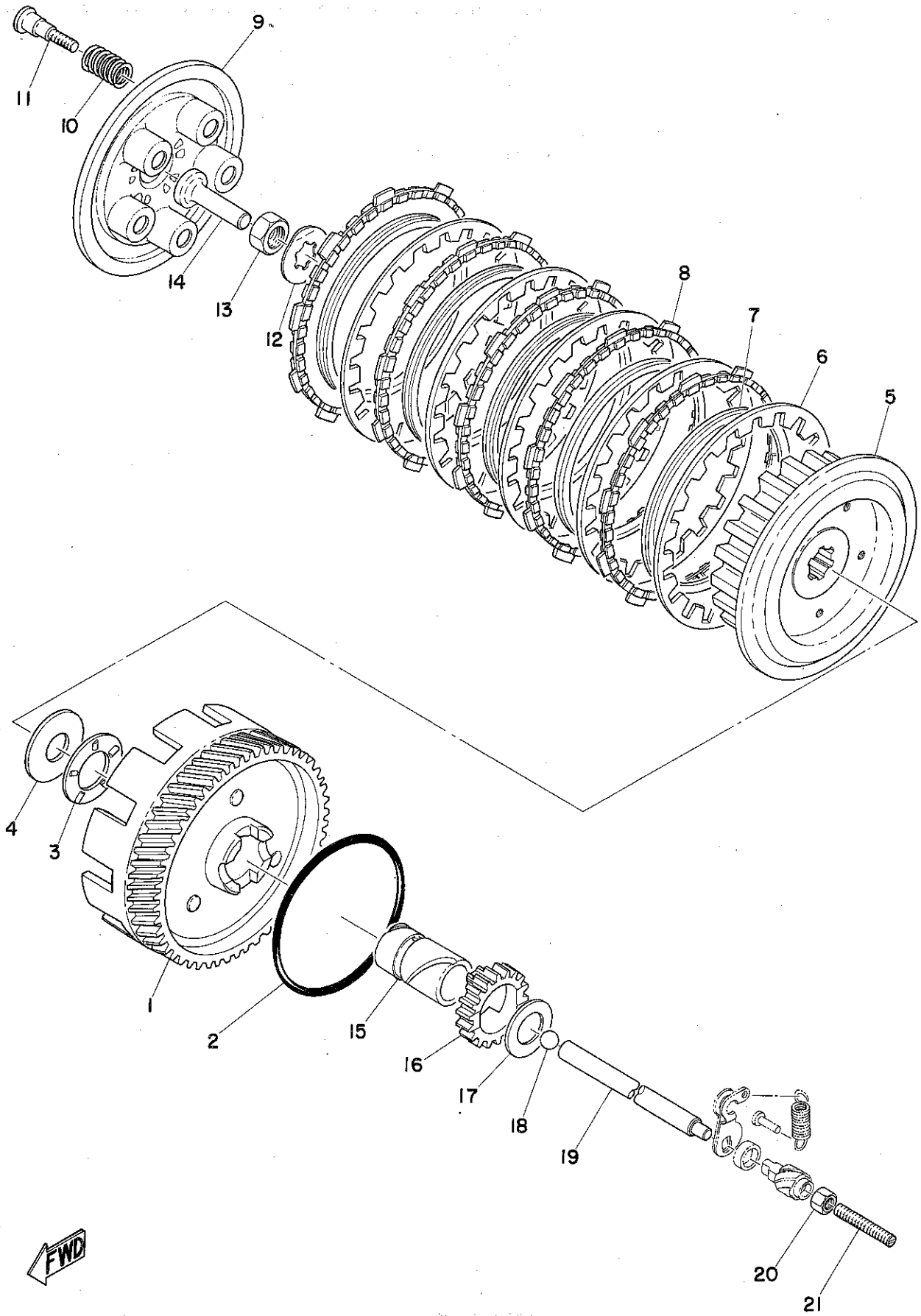
CRANK · PISTON

Ref. No.	Parts No.	Description	Q'ty	Applicable Machine No.	Remarks
----------	-----------	-------------	------	---------------------------	---------

ALTERNATE PARTS

3- 0-2	397-11630-00-96	PISTON ASS'Y (.96mm STD)	...	2s	
	397-11630-00-97	PISTON ASS'Y (.97mm STD)	...	2s	
	397-11630-10	PISTON ASS'Y (1st O.S)	2s	
	397-11630-20	PISTON ASS'Y (2nd O.S)	2s	
	397-11630-30	PISTON ASS'Y (3rd O.S)	2s	
	397-11630-40	PISTON ASS'Y (4th O.S)	2s	

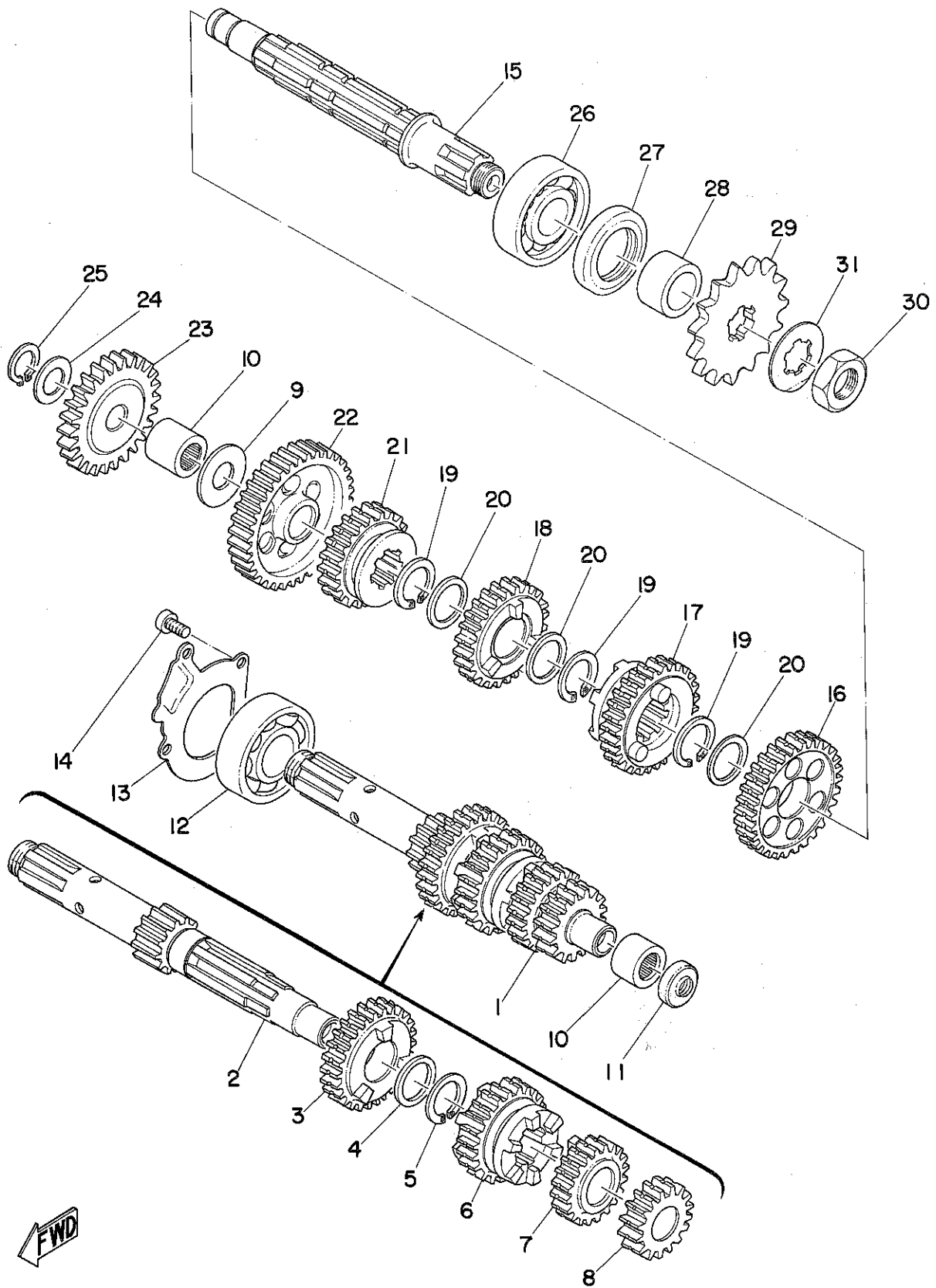
Fig. 4 CLUTCH



CLUTCH

Ref. No.	Parts No.	Description	Q'ty	Applicable Machine No.	Remarks
4- 0-1	174-16301-02	CLUTCH ASS'Y	1		
4- 1	174-16105-01	. PRIMARY DRIVEN GEAR COMP. (53T)	1		
4- 2	93210-85075	. O-RING	1		
4- 3	93341-22603	. BEARING, thrust	1		
4- 4	174-16154-00	. PLATE, thrust (20-38-2.0) ...	1		
4- 5	174-16371-01	. BOSS, clutch	1		
4- 6	137-16324-00	. PLATE, clutch	5		
4- 7	137-16367-00	. RING, cushion	5		
4- 8	132-16321-00	. PLATE, friction	5		
4- 9	132-16351-00	. PLATE, pressure	1		
4-10	137-16333-00	. SPRING, clutch	5		
4-11	137-16337-01	. SCREW, spring	5		
4-12	102-17464-00	WASHER, lock	1		
4-13	102-17463-00	NUT, lock	1		
4-14	174-16356-00	ROD, push 1	1		
4-15	174-16176-01	COLLAR, distance	1		
4-16	251-15631-01	GEAR, kick pinion (18T)	1		
4-17	174-16164-00	PLATE, thrust (20.2-31-2.0) ..	1		
4-18	93505-16006	BALL(5/16 inch)	1		
4-19	237-16357-01	ROD, push 2	1		
4-20	98801-06300	NUT	1		
4-21	241-16343-00	SCREW, adjusting	1		

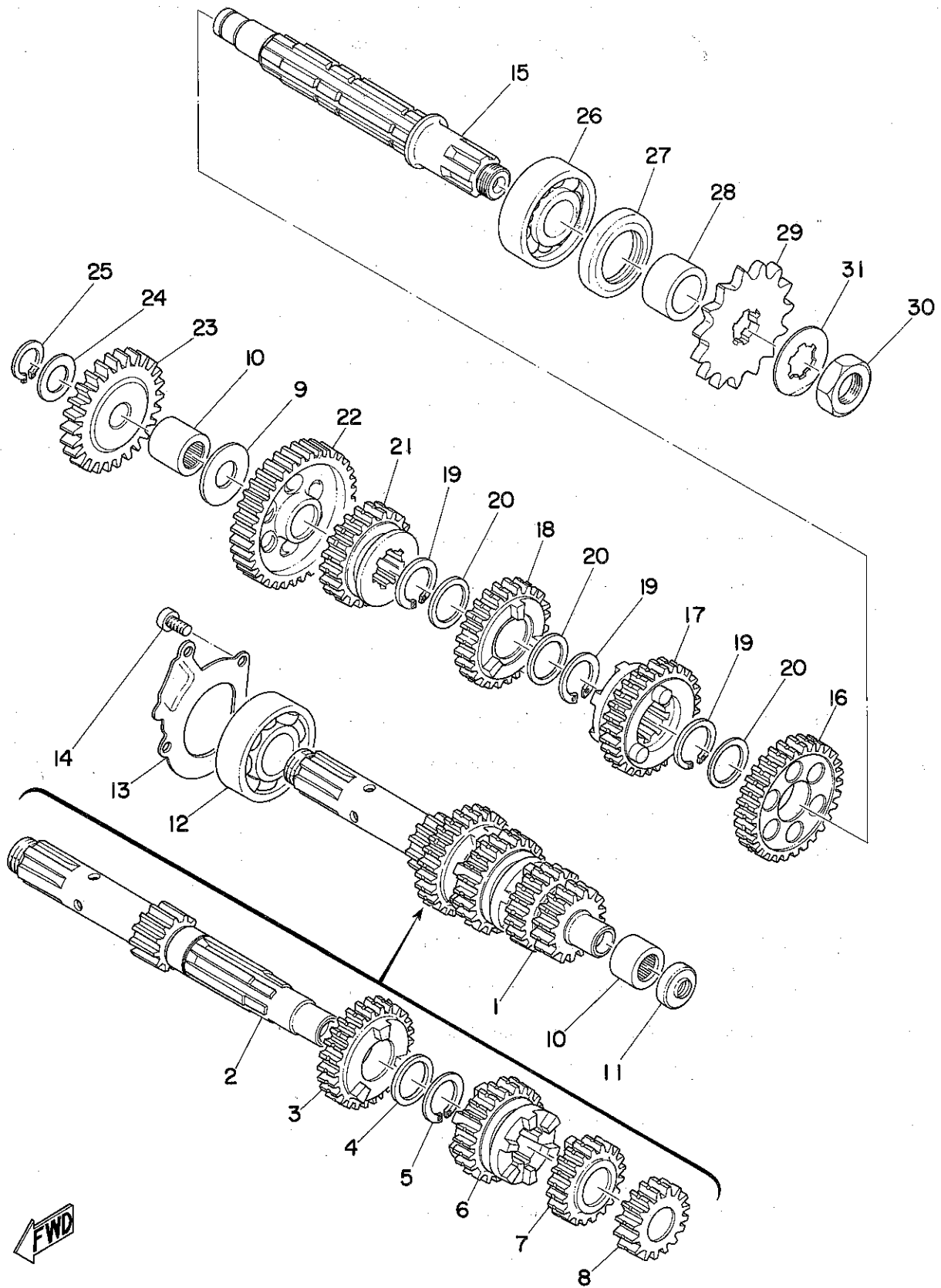
Fig. 5 TRANSMISSION



TRANSMISSION

Ref. No.	Parts No.	Description	Q'ty	Applicable Machine No.	Remarks
5- 1	397-17410-00	MAIN AXLE COMP.	1		
5- 2	397-17411-00	. AXLE, main (12T)	1		
5- 3	397-17151-00	. GEAR, 5th pinion (25T)	1		
5- 4	132-17216-00	. WASHER, gear hold (20-25-1.0)	1		
5- 5	132-17414-00	. CLIP, main axle	1		
5- 6	397-17141-00	. GEAR, 4th pinion (22T)	1		
5- 7	397-17131-00	. GEAR, 3rd pinion (19T)	1		
5- 8	397-17121-00	. GEAR, 2nd pinion (16T)	1		
5- 9	164-17427-00-08	SHIM, drive axle (15.2-30-0.8)	} U.R 2		
	164-17427-00-10	SHIM, drive axle (15.2-30-1.0)			
	164-17427-00-12	SHIM, drive axle (15.2-30-1.2)			
5-10	93315-31502	BEARING	2		
5-11	237-15389-00	SEAL, push rod	1		
5-12	93306-30408	BEARING (6304Z)	1		
5-13	248-17471-01	PLATE, bearing cover	1		
5-14	98501-05012	SCREW, panhead	3		
5-15	397-17421-00	AXLE, drive	1		
5-16	397-17221-00	GEAR, 2nd wheel (30T) 29T	1		
5-17	397-17231-00	GEAR, 3rd wheel (27T) 25T	1		
5-18	397-17241-00	GEAR, 4th wheel (23T)	1		
5-19	132-17414-00	CLIP, main axle	3		
5-20	132-17216-00	WASHER, gear hold	3		
5-21	397-17251-00	GEAR, 5th wheel (21T) 22T ...	1		

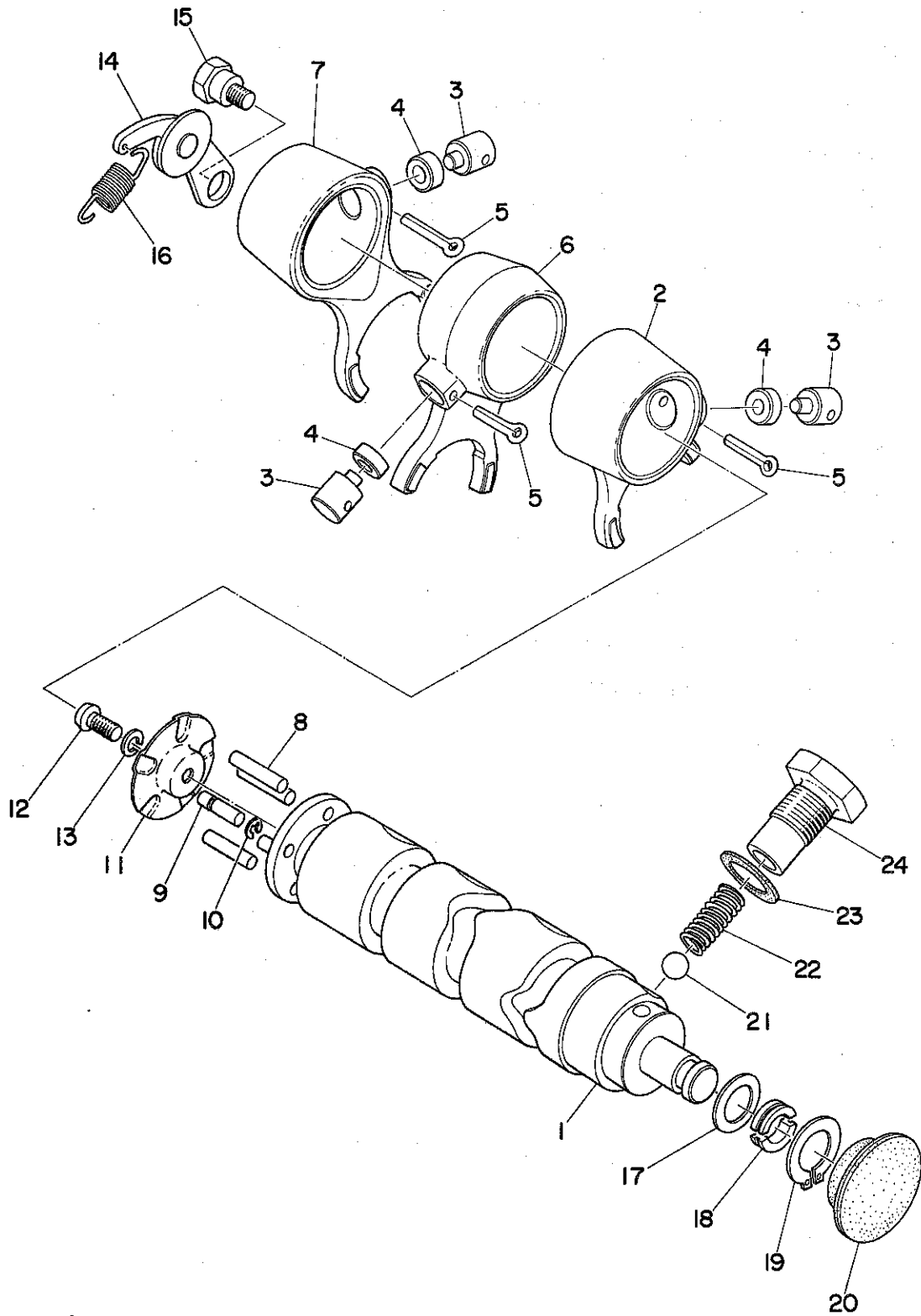
Fig. 5 TRANSMISSION



TRANSMISSION

Ref. No.	Parts No.	Description	Q'ty	Applicable Machine No.	Remarks
5-22	174-17211-00	GEAR, 1st wheel (34T)	1		
5-23	251-15651-01	GEAR, kick idle (26T)	1		
5-24	132-15653-00-10	WASHER, thrust (13.3-22-1.0)	}	U.R 1	
	132-15653-00-12	WASHER, thrust (13.3-22-1.2)			
	132-15653-00-14	WASHER, thrust (13.3-22-1.4)			
5-25	93410-13004	CIRCLIP (S-13)	1		
5-26	93306-30401	BEARING (6304)	1		
5-27	93102-28021	OIL SEAL (SD-28-44-7)	1		
5-28	102-17462-00	COLLAR, distance (29-28-15.1)	1		
5-29	174-17461-40	SPROCKET, drive (14T)	}	U.R 1	STD Destined for Europe
	174-17461-50	SPROCKET, drive (15T)			
	174-17461-60	SPROCKET, drive (16T)			
	174-17461-70	SPROCKET, drive (17T)			
5-30	102-17463-00	NUT, lock	1		
5-31	102-17464-00	WASHER, lock	1		

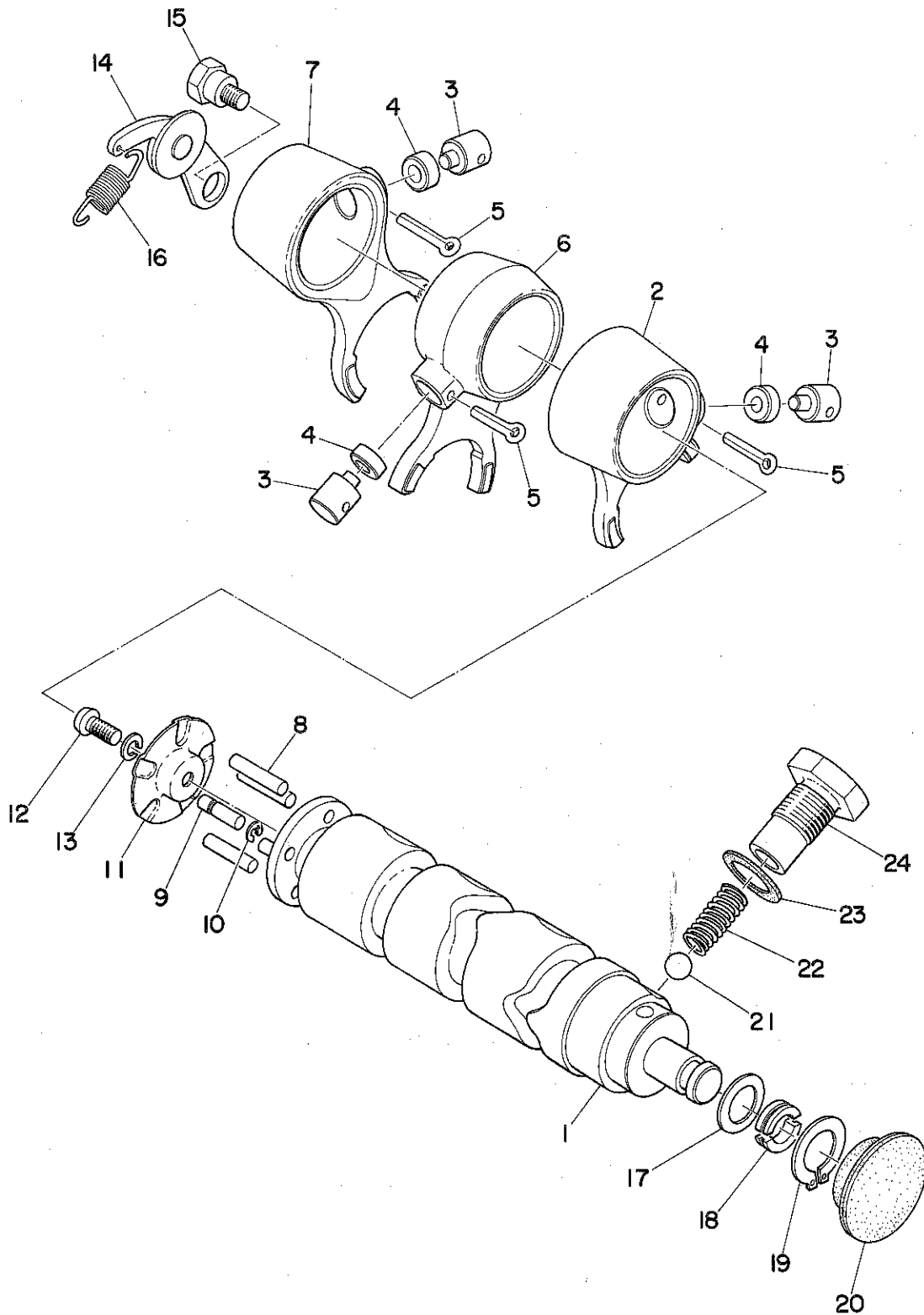
Fig. 6 SHIFTER 1



SHIFTER 1

Ref. No.	Parts No.	Description	Q'ty	Applicable Machine No.	Remarks
6- 0-1	174-18500-03	SHIFTER ASS'Y	1		
6- 1	174-18541-03	. CAM, shift	1		
6- 2	174-18511-00	. FORK, shift 1	1		
6- 3	164-18552-00	. PIN, cam follower	3		
6- 4	164-18551-00	. ROLLER, cam follower	3		
6- 5	91401-25020	. PIN, cotter	3		
6- 6	174-18512-00	. FORK, shift 2	1		
6- 7	174-18513-00	. FORK, shift 3	1		
6- 8	93604-22050	. PIN, dowel (4-21-8)	4		
6- 9	174-18544-00	. PIN, locating	1		
6-10	93430-03014	. CIRCLIP (E-2.5)	1		
6-11	164-18561-00	. PLATE, side	1		
6-12	98501-05012	. SCREW, panhead	1		
6-13	92901-05100	. WASHER, spring	1		
6-14	132-18140-01	STOPPER LEVER ASS'Y	1		
6-15	132-18177-00	BOLT, stopper	1		
6-16	132-18143-00	SPRING, stopper	1		
6-17	164-18572-00	WASHER, plain (12.1-18-1.0) ..	1		
6-18	164-18571-00	HOLDER, shift cam	2		
6-19	93440-15012	CIRCLIP	1		
6-20	307-18533-00	PLUG, blind	1		
6-21	93505-16006	BALL (5/16 inch)	1		
6-22	174-18558-00	SPRING, neutral	1		

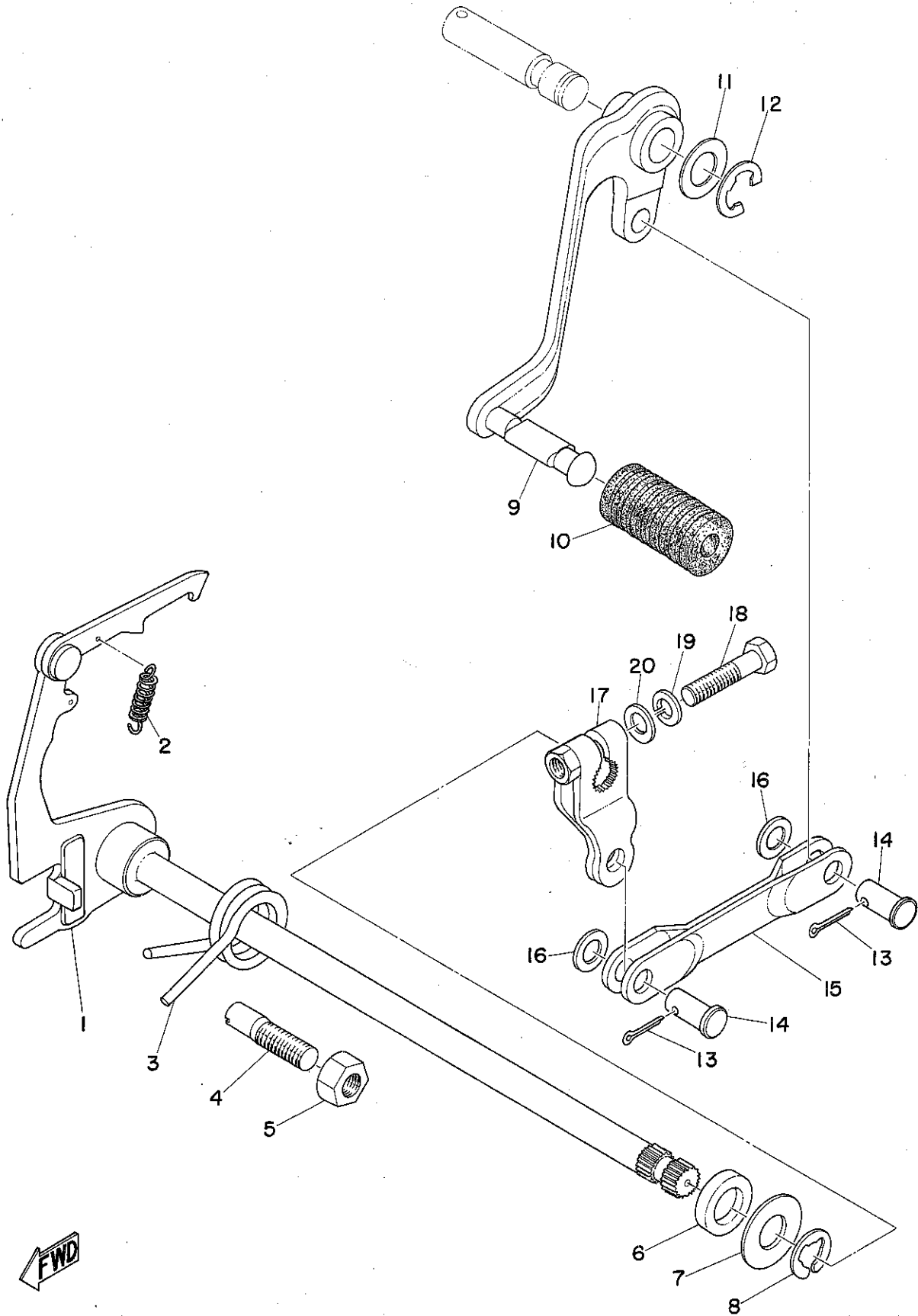
Fig. 6 SHIFTER 1



SHIFTER 1

Ref. No.	Parts No.	Description	Q'ty	Applicable Machine No.	Remarks
6-23	137-15353-00	GASKET (14.5-21-1.5)	1		
6-24	174-18578-00	SCREW, spring	1		

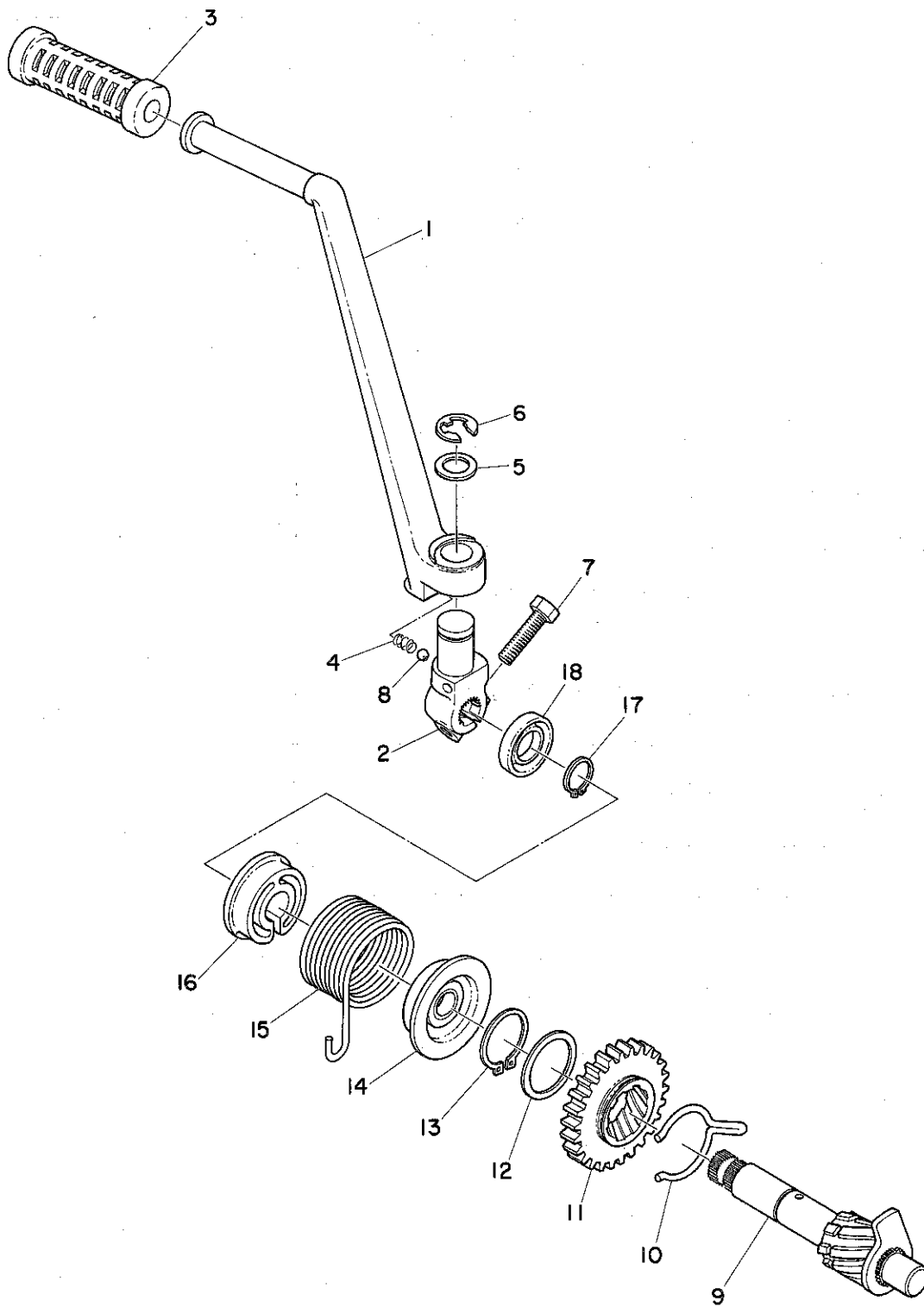
Fig. 7 SHIFTER 2



SHIFTER 2

Ref. No.	Parts No.	Description	Q'ty	Applicable Machine No.	Remarks
7- 1	174-18101-02	CHANGE SHAFT ASS'Y	1		
7- 2	132-18123-00	SPRING, shift arm	1		
7- 3	132-18124-00	SPRING, shaft return	1		
7- 4	132-18133-00	SCREW, adjusting	1		
7- 5	98801-08200	NUT	1		
7- 6	93101-12004	OIL SEAL (S-12-22-5)	1		
7- 7	132-18137-00	WASHER, change axle (12.1-26-1.6)	1		
7- 8	93430-10016	CIRCLIP (E-10)	1		
7- 9	337-18111-00-93	PEDAL, change	1		
7-10	132-18113-01	COVER, change pedal	1		
7-11	183-22142-10	WASHER (12.5-22-1.6)	1		
7-12	93430-10016	CIRCLIP (E-10)	1		
7-13	91401-16012	PIN, cotter	2		
7-14	307-18118-00	PIN, joint	2		
7-15	337-18115-00	ROD, change	1		
7-16	141-18139-00	WASHER (8.2-14-1.0)	2		
7-17	307-18112-00-93	ARM, change	1		
7-18	91101-06030	BOLT	1		
7-19	92901-06100	WASHER, spring	1		
7-20	92901-06200	WASHER, plain	1		

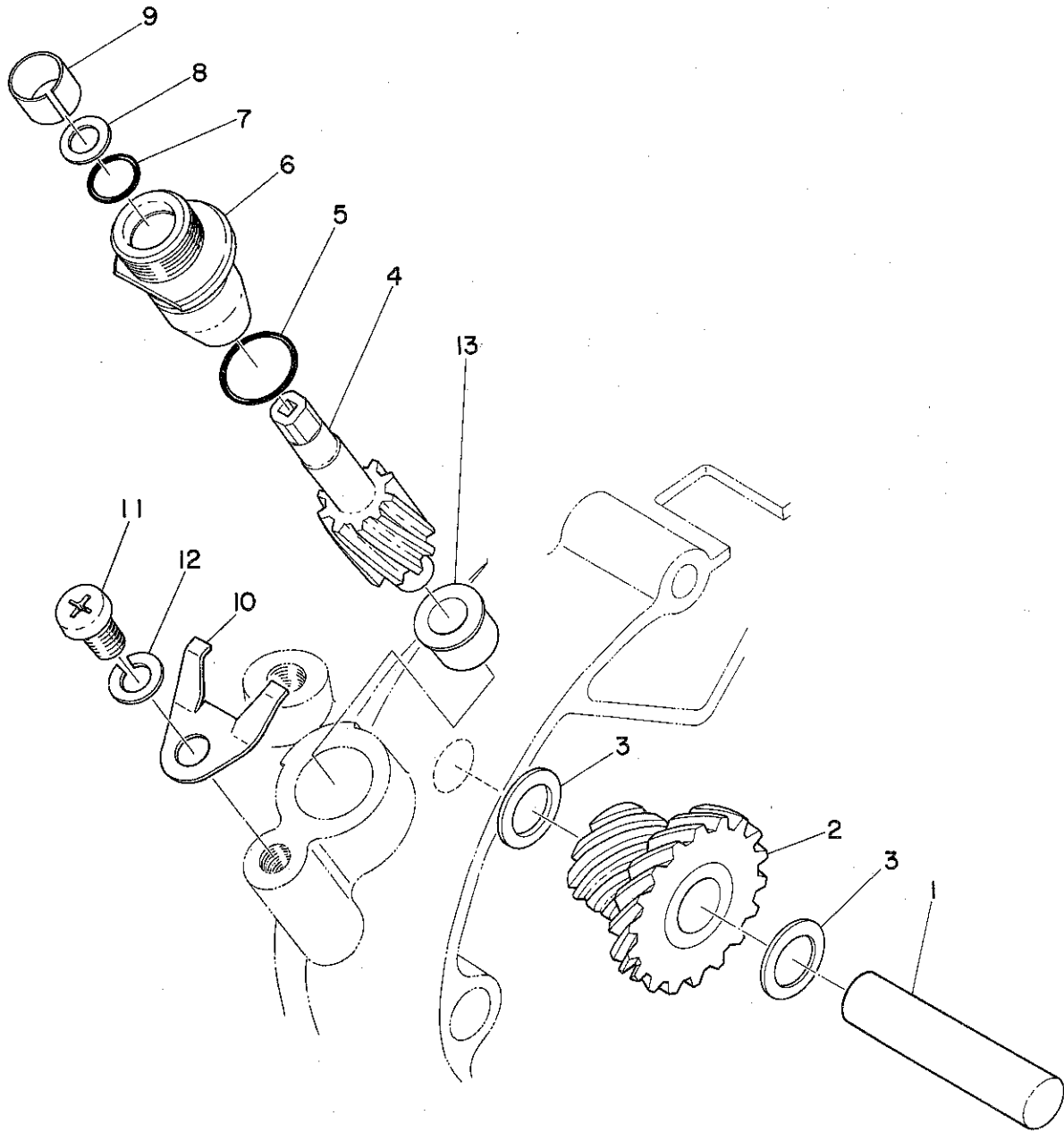
Fig. 8 KICK STARTER



KICK STARTER

Ref. No.	Parts No.	Description	Q'ty	Applicable Machine No.	Remarks
8- 1	278-15611-00-93	CRANK, kick	1		
8- 2	337-15621-00	BOSS, kick crank	1		
8- 3	156-15618-01	COVER, kick lever	1		
8- 4	278-15622-00	SPRING, boss stopper	1		
8- 5	278-15613-00	WASHER (15.5-24-1.5)	1		
8- 6	93430-10016	CIRCLIP (E-10)	1		
8- 7	91101-06020	BOLT	1		
8- 8	93507-32009	BALL (7/32 inch)	1		
8- 9	337-15660-00	KICK AXLE ASS'Y	1		
8-10	251-15687-00	CLIP, kick	1		
8-11	251-15641-01	GEAR, kick (26T)	1		
8-12	117-15644-00	SHIM (25.1-32-1.0)	1		
8-13	93410-25017	CIRCLIP (S-25)	1		
8-14	132-15664-00	GUIDE, kick spring	1		
8-15	304-15665-00	SPRING, kick	1		
8-16	132-15676-00	COVER, kick spring	1		
8-17	93410-15005	CIRCLIP (S-15)	1		
8-18	93109-15001	OIL SEAL (SDO-15-26-6)	1		

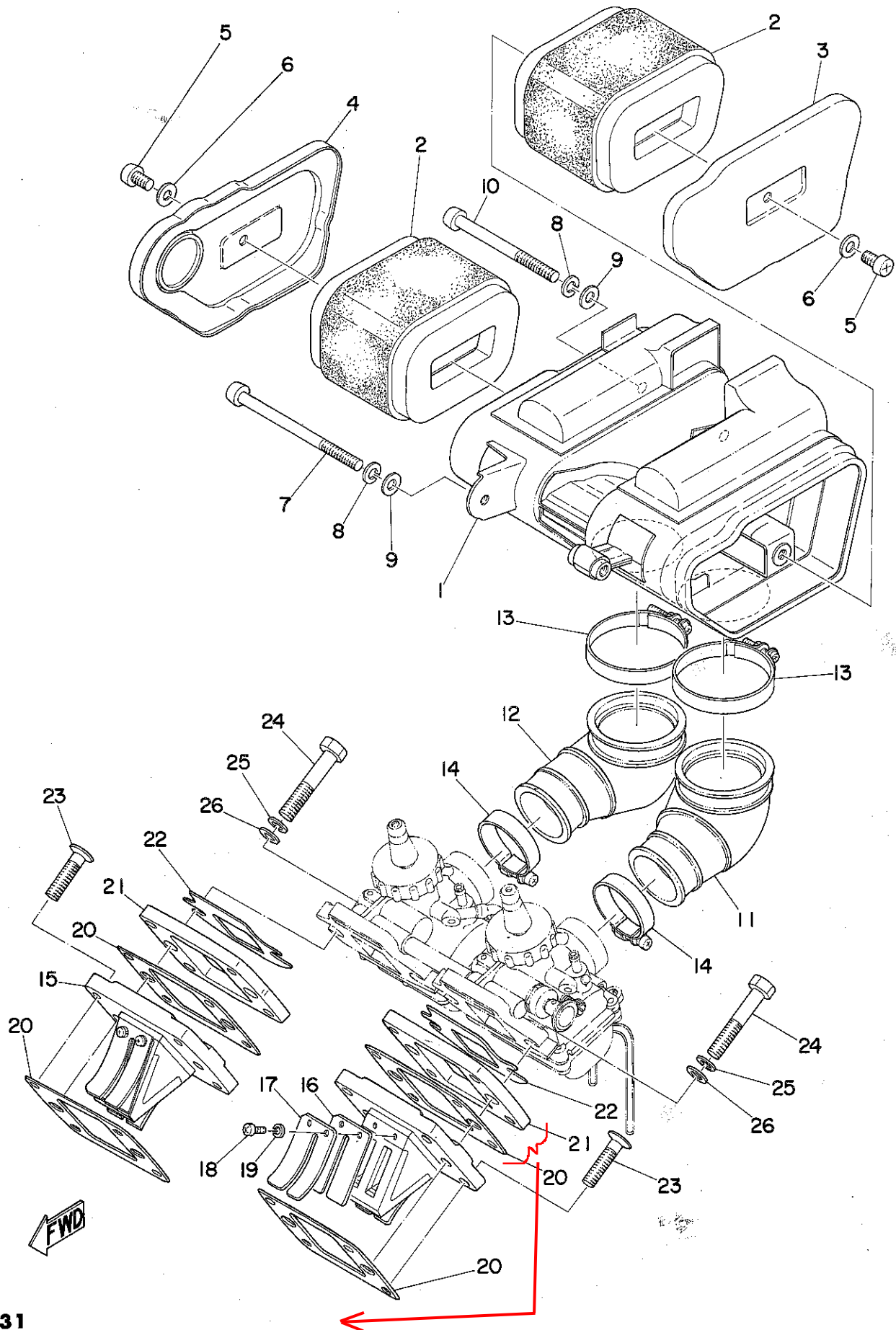
Fig. 9 TACHOMETER GEAR



TACHOMETER GEAR

Ref. No.	Parts No.	Description	Q'ty	Applicable Machine No.	Remarks
9- 1	237-17861-00	AXLE, drive gear	1		
9- 2	237-17831-00	GEAR, drive	1		
9- 3	248-17837-00	SHIM (10.2-16-1.0)	2		
9- 4	248-17841-00	GEAR, drive	1		
9- 5	93210-13016	O-RING (1.8-13)	1		
9- 6	214-17811-01	HOUSING	1		
9- 7	93210-07100	O-RING (2.2-7.2)	1		
9- 8	214-17847-00	SHIM (7.5-10.8-0.4)	1		
9- 9	214-17815-00	BUSHING	1		
9-10	214-17812-00	STOPPER	1		
9-11	92501-06010	SCREW, panhead	1		
9-12	92901-06100	WASHER, spring	1		
9-13	214-17843-00	BUSHING	1		

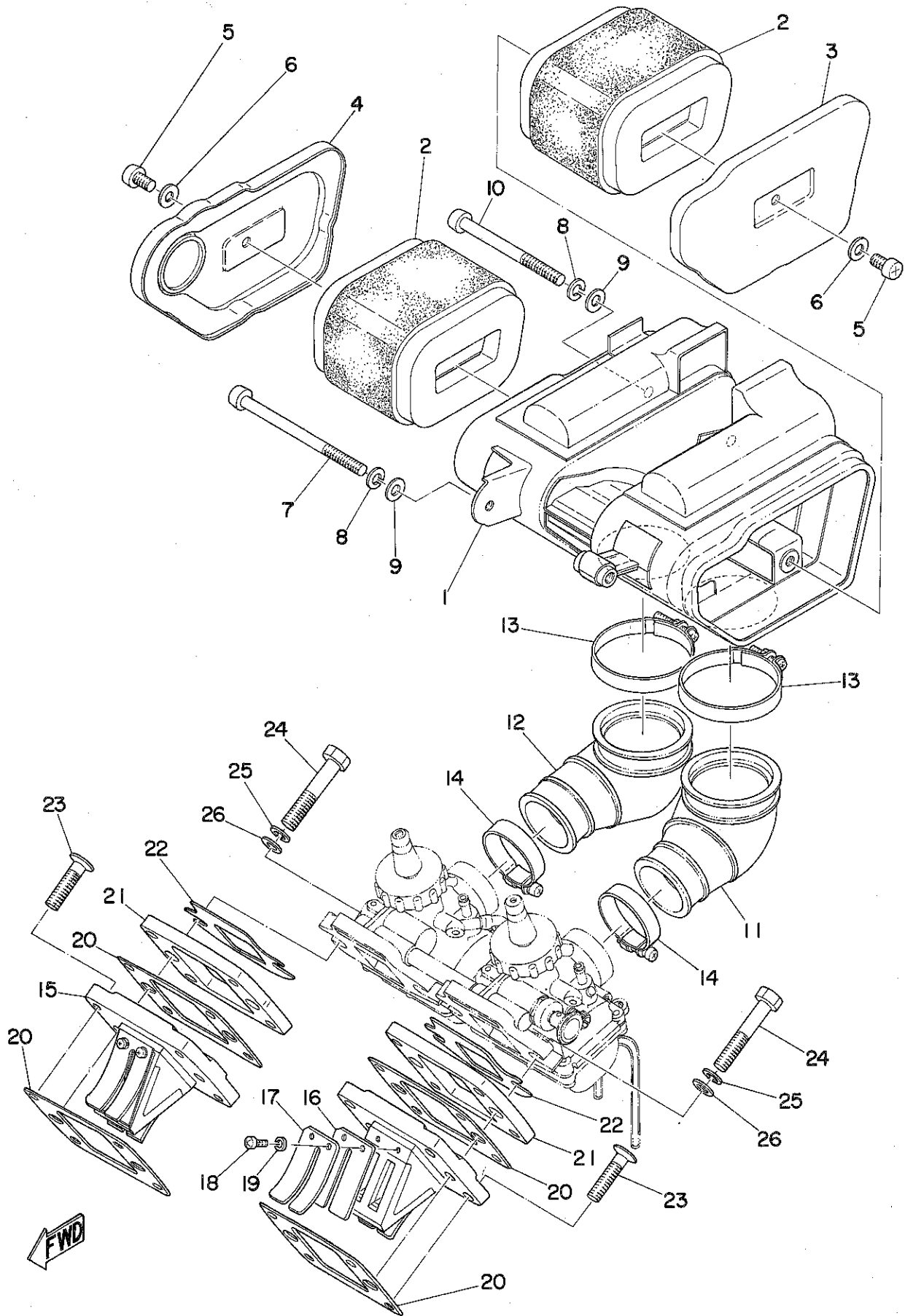
Fig. 10 INTAKE



INTAKE

Ref. No.	Parts No.	Description	Q'ty	Applicable Machine No.	Remarks
10- 1	397-14411-00	CASE, air cleaner	1		
10- 2	396-14451-00	ELEMENT, air cleaner	2		
10- 3	389-14412-01	CAP, cleaner left	1		
10- 4	397-14422-00	CAP, cleaner right	1		
10- 5	92501-06010	SCREW, panhead	2		
10- 6	92901-06200	WASHER, plain	2		
10- 7	92501-06080	SCREW, panhead	1		
10- 8	92901-06100	WASHER, spring	2		
10- 9	92901-06200	WASHER, plain	2		
10-10	92501-06070	SCREW, panhead	1		
10-11	397-14453-01	JOINT, air cleaner left	1		
10-12	397-14463-01	JOINT, air cleaner right	1		
10-13	304-14455-00	BAND	2		
10-14	278-13575-00	BAND	2		
10-15	389-13610-01	READ VALVE ASS'Y	2		
10-16	389-13613-00	. VALVE, lead	4		
10-17	389-13616-01	. STOPPER, read valve	4		
10-18	98512-03007	. SCREW, panhead	8		
10-19	92901-03100	. WASHER, spring	8		
10-20	389-13621-00	PACKING, valve seat	4		
10-21	389-13555-00	JOINT	2		
10-22	389-13622-00	PACKING, carburetor	2		
10-23	92706-06025	SCREW, float read	8		

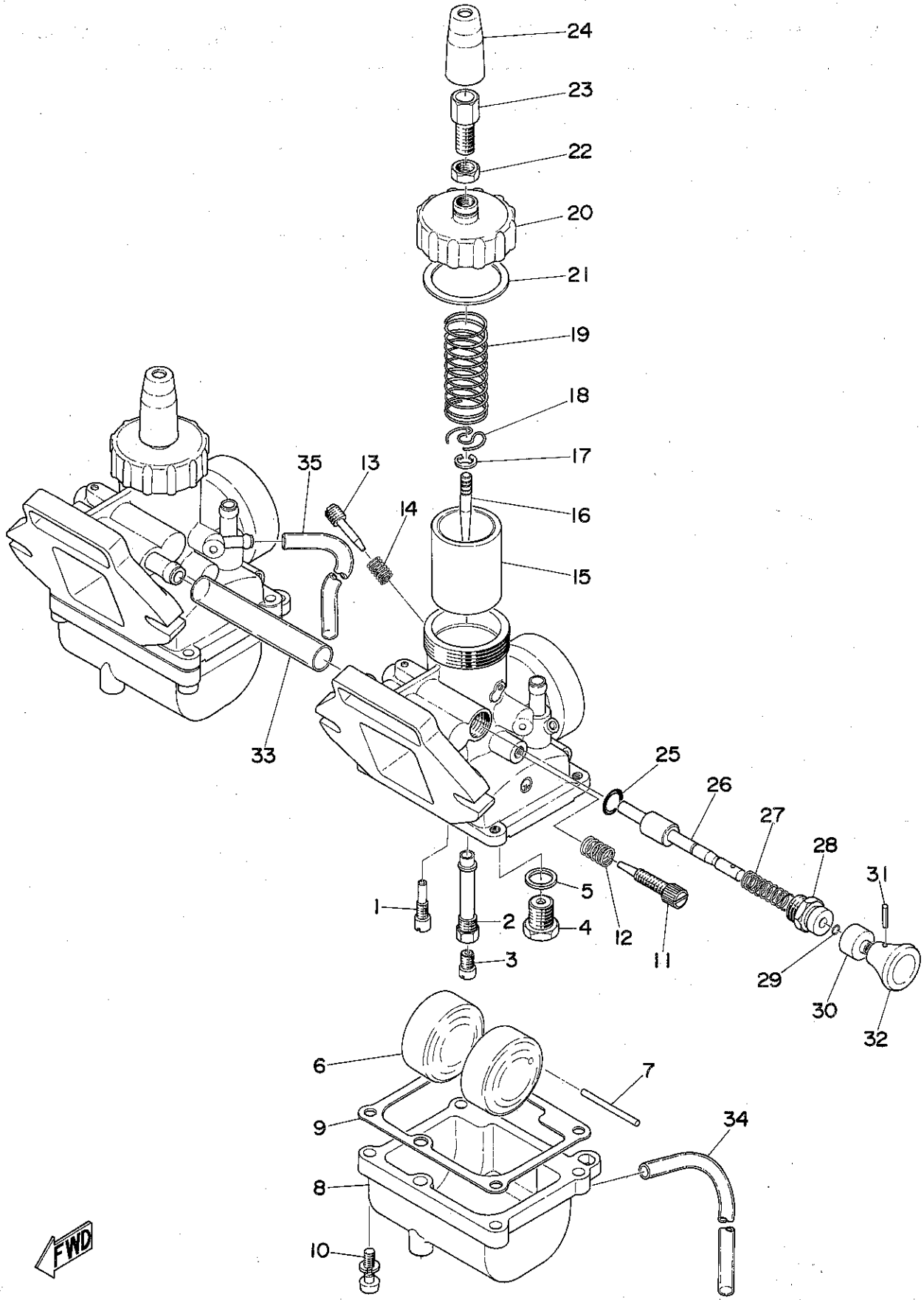
Fig. 10 INTAKE



INTAKE

Ref. No.	Parts No.	Description	Q'ty	Applicable Machine No.	Remarks
10-24	91316-08040	BOLT	4		
10-25	92906-08100	WASHER, spring	4		
10-26	92906-08200	WASHER, plain	4		

Fig. 11 CARBURETOR

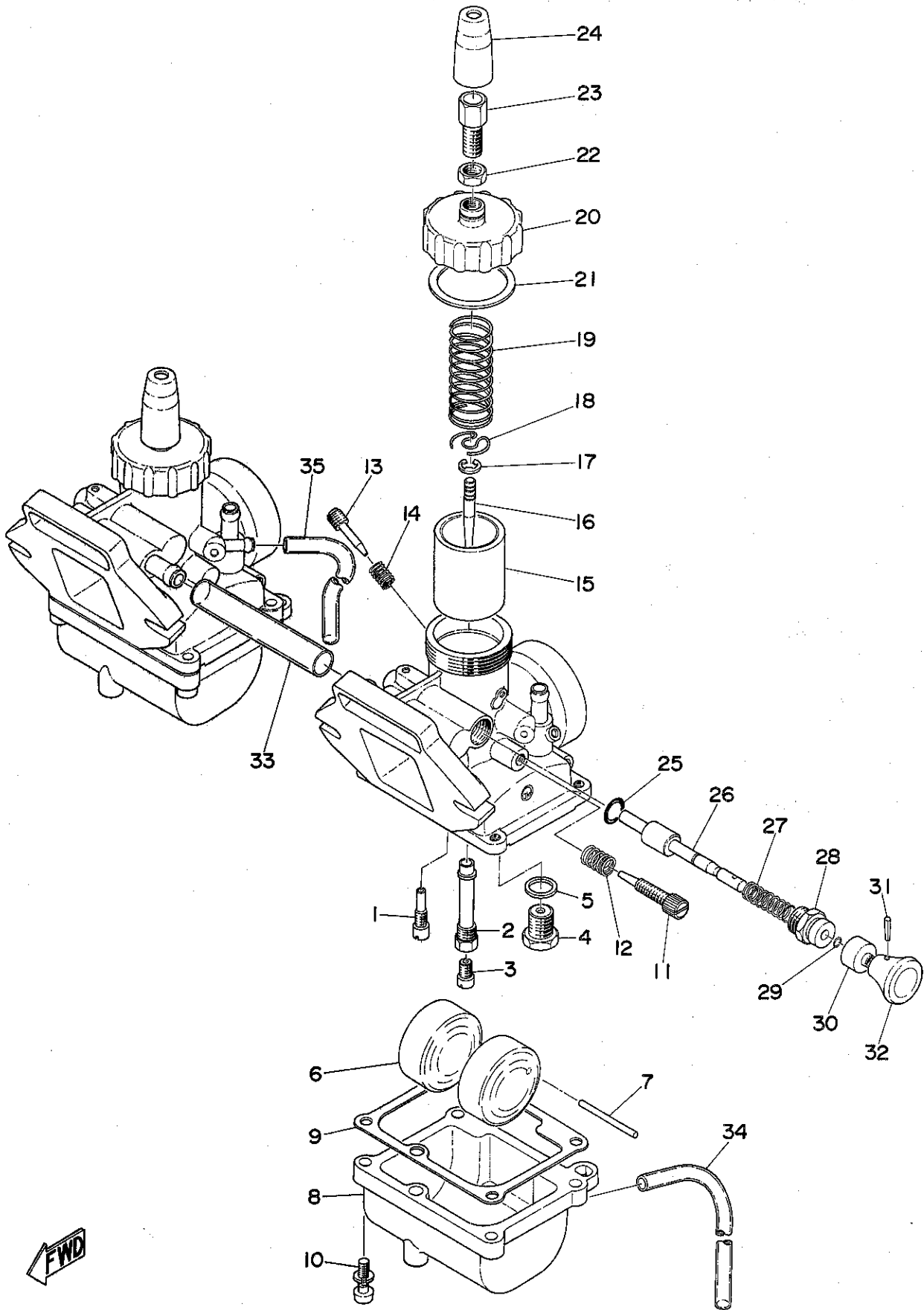


FWD

CARBURETOR

Ref. No.	Parts No.	Description	Q'ty	Applicable Machine No.	Remarks
11- 0-1	397-14301-61	CARBURETOR ASS'Y, left 1		
11- 0-2	397-14302-61	CARBURETOR ASS'Y, right	... 1		
11- 1	367-14342-21	JET, pilot (#42) 2		
11- 2	396-14341-00	NOZZLE, main 2		
11- 3	396-14343-44	JET, main (#88)	U.R	STD
	396-14343-46	JET, main (#92)		
	396-14343-48	JET, main (#96) 2		
	396-14343-50	JET, main (#100)		
	396-14343-52	JET, main (#104)		
11- 4	396-14390-16	VALVE SEAT ASS'Y (#1.6) 2		
11- 5	367-14195-00	WASHER, valve seat 2		
11- 6	367-14385-00	FLOAT 2		
11- 7	367-14386-00	PIN, float 2		
11- 8	396-14381-00-33	BODY, float chamber 2		
11- 9	389-14384-00	GASKET, float chamber 2		
11-10	396-14567-00-33	SCREW, panhead 8		
11-11	396-14211-00-33	SCREW, pilot adjusting 2		
11-12	389-14212-00-33	SPRING, pilot adjusting 2		
11-13	396-14323-00	SCREW, air adjusting 2		
11-14	389-14333-00	SPRING, air adjusting 2		
11-15	397-14312-20	VALVE, throttle left (C.A2.0)	.. 1		
	397-14313-20	VALVE, throttle right (C.A2.0)	1		
11-16	397-14336-00	NEEDLE (4F51-3) 2		
11-17	389-14137-00	CLIP 2		

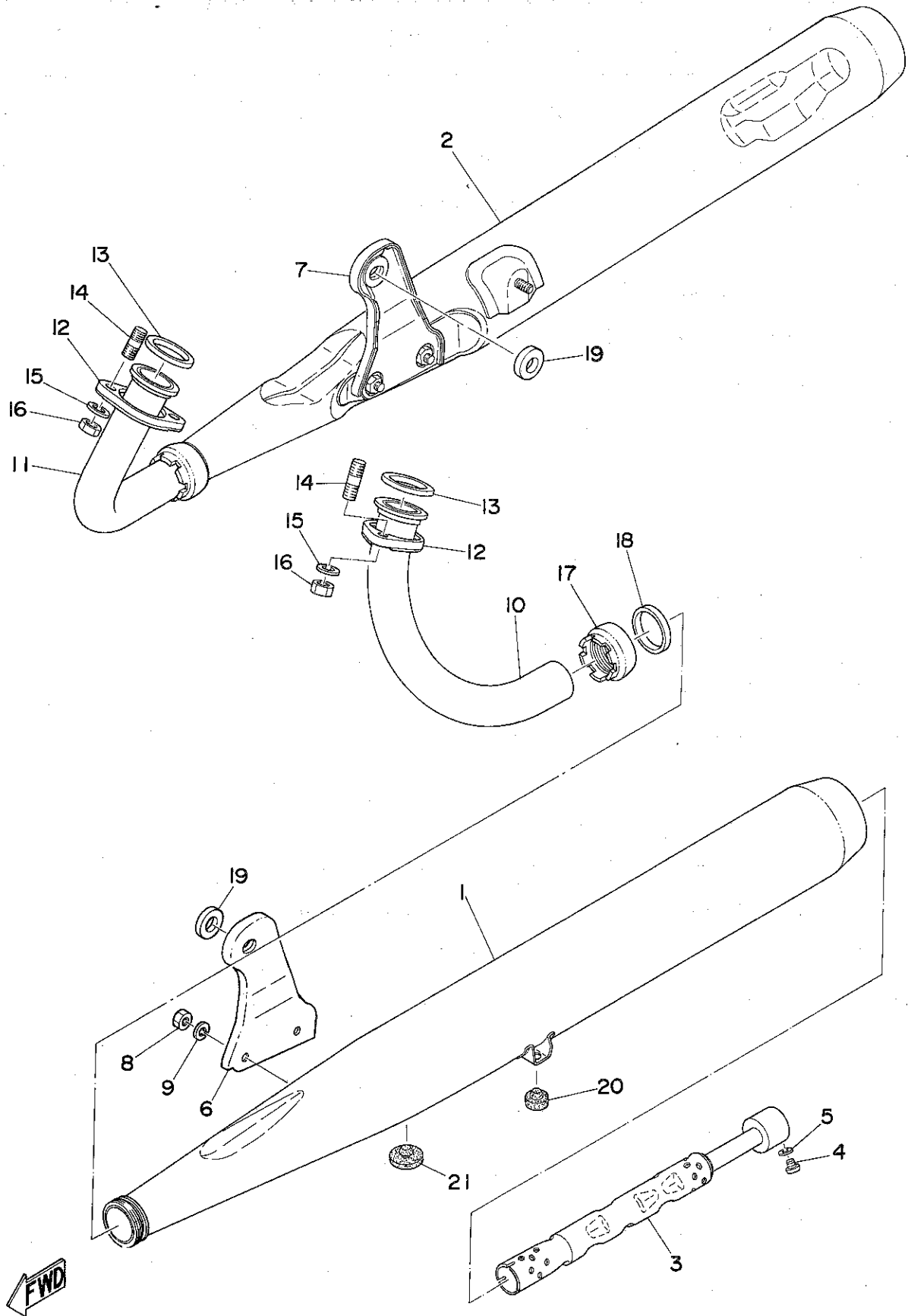
Fig. 11 CARBURETOR



CARBURETOR

Ref. No.	Parts No.	Description	Q'ty	Applicable Machine No.	Remarks
11-18	396-14136-00	RECEIVER, throttle spring 2		
11-19	396-14331-00	SPRING, throttle valve 2		
11-20	389-14168-00-33	CAP, mixing chamber 2		
11-21	389-14126-00	PACKING 2		
11-22	288-14161-00	NUT, wire adjusting 2		
11-23	396-14124-00	SCREW, wire adjusting 2		
11-24	367-14169-00	CAP 2		
11-25	389-14147-00	O-RING 1		
11-26	396-14371-00	PLANGER, starter 1		
11-27	389-14335-00	SPRING, plunger 1		
11-28	396-14374-00	CAP, plunger 1		
11-29	389-14138-00	CLIP, plunger 1		
11-30	389-14373-00	COVER, plunger cap 1		
11-31	91690-20008	PIN, spring 1		
11-32	389-14261-00	KNOB 1		
11-33	397-14349-00	PIPE, joint 1		
11-34	389-14396-00	PIPE, over flow (3-160) 2		
11-35	396-14348-00	PIPE, air vent (3-220) 2		

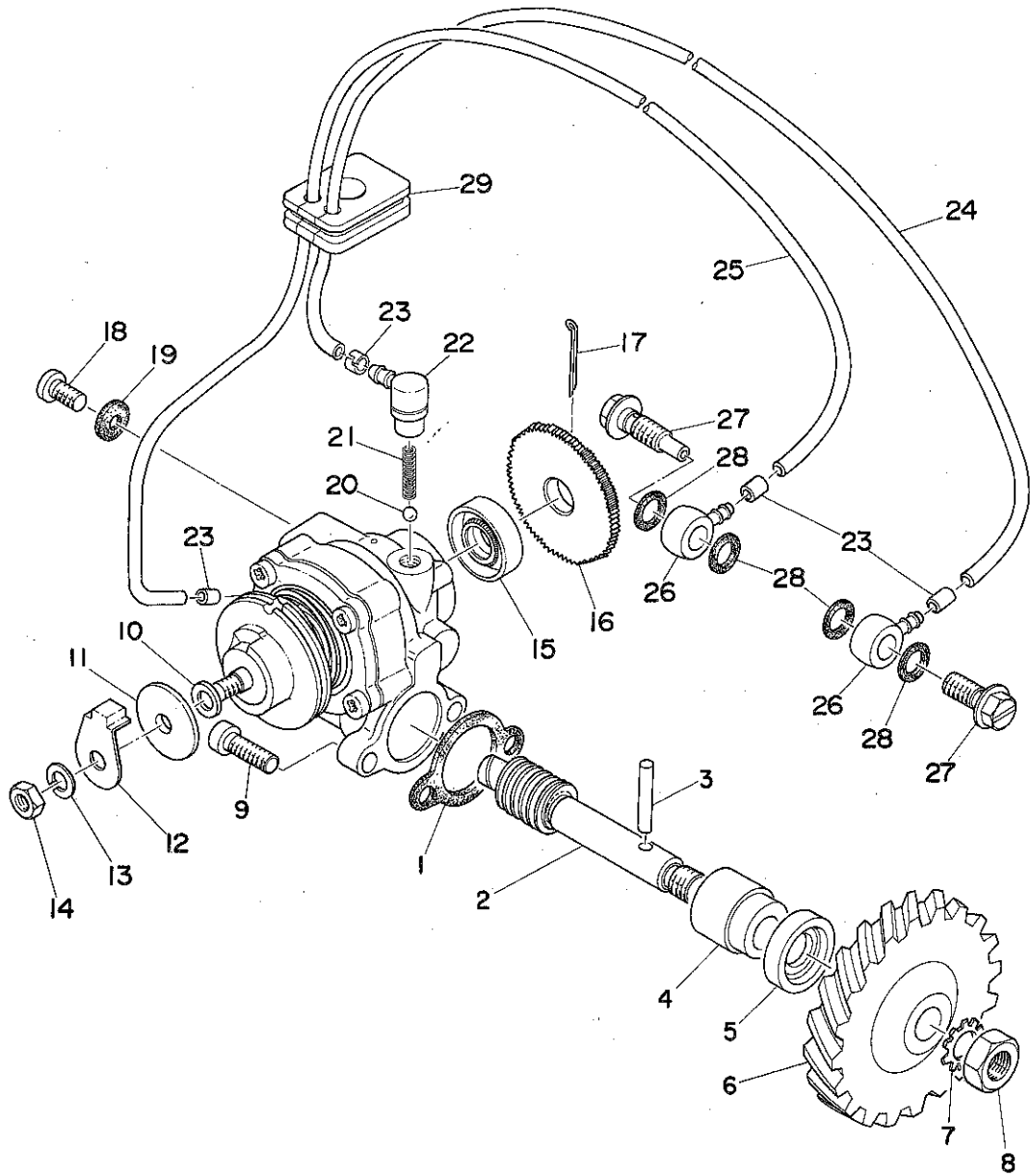
Fig. 12. EXHAUST



EXHAUST

Ref. No.	Parts No.	Description	Q'ty	Applicable Machine No.	Remarks
12- 1	397-14710-00	MUFFLER ASS'Y, left	1		
12- 2	397-14720-00	MUFFLER ASS'Y, right	1		
12- 3	397-14753-00	. SILENCER	2		
12- 4	98501-05010	. SCREW, panhead	2		
12- 5	92901-05100	. WASHER, spring	2		
12- 6	397-14771-00-33	. STAY, muffler left	1		
12- 7	397-14781-00-33	. STAY, muffler right	1		
12- 8	98801-08100	. NUT	4		
12- 9	92901-08100	. WASHER, spring	4		
12-10	397-14611-01	PIPE, exhaust left	1		
12-11	397-14621-01	PIPE, exhaust right	1		
12-12	307-14612-00	NUT, ring	2		
12-13	132-14613-00	GASKET, exhaust	2		
12-14	246-14651-00	STUD	4		
12-15	92901-08100	WASHER, spring	4		
12-16	98803-08200	NUT	4		
12-17	132-14713-00	NUT, muffler joint	2		
12-18	132-14714-01	GASKET, muffler joint	2		
12-19	337-14779-00	COLLAR, distance (15-30-6.5)	2		
12-20	102-27114-00	STOPPER, main stand	1		
12-21	256-27314-00	STOPPER, side stand	1		

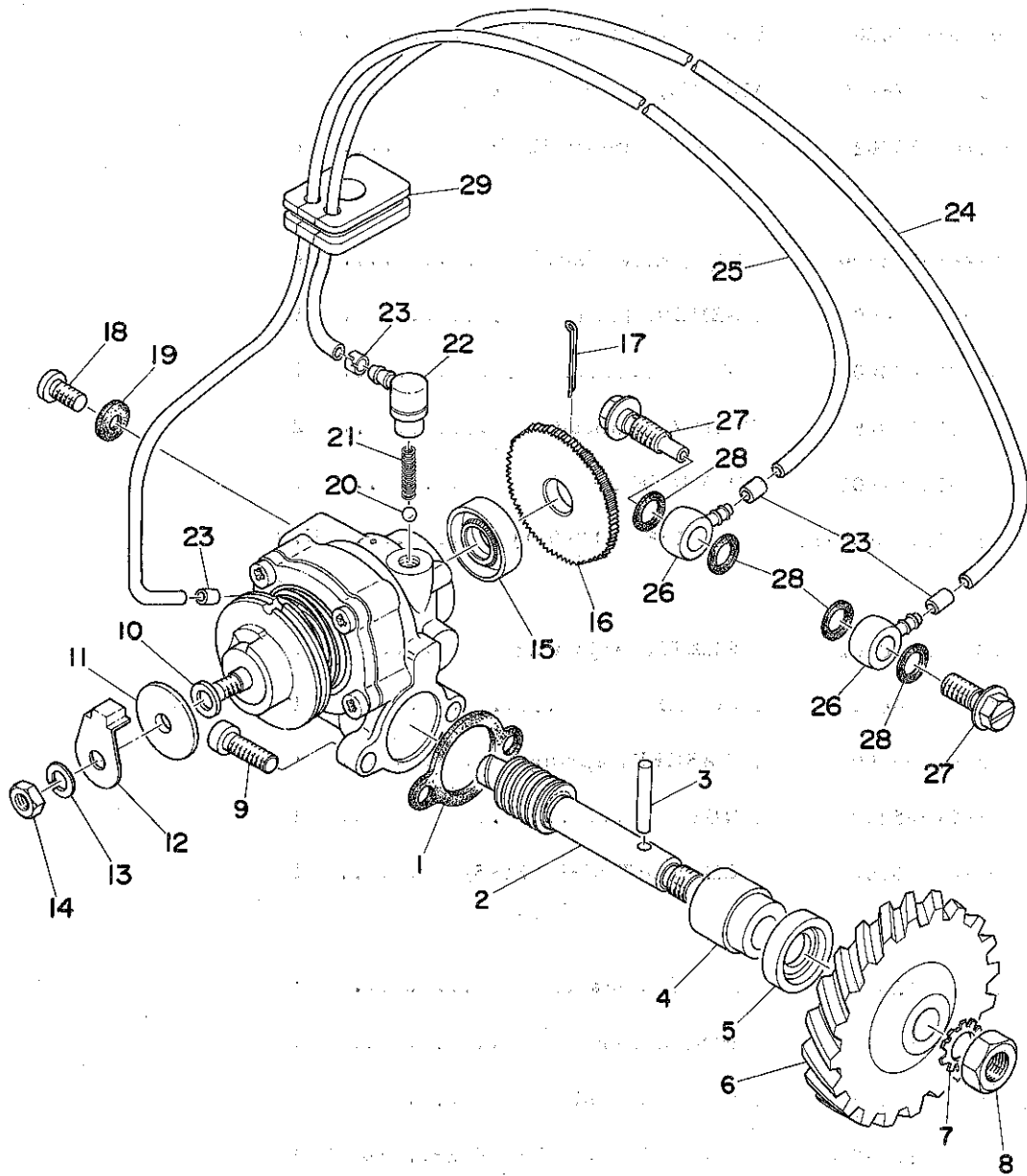
Fig.13 OIL PUMP



OIL PUMP

Ref. No.	Parts No.	Description	Q'ty	Applicable Machine No.	Remarks
13- 1	126-13116-00	GASKET, pump case	1		
13- 2	174-13175-00	SHAFT, worm	1		
13- 3	93603-22028	PIN, dowel (3-21.8)	1		
13- 4	137-13176-00	METAL, worm shaft outer	1		
13- 5	93101-10002	OIL SEAL (S-10-22-7)	1		
13- 6	174-13178-00	GEAR, drive (20T)	1		
13- 7	92901-08400	WASHER, tooth	1		
13- 8	98801-08300	NUT	1		
13- 9	98501-05015	SCREW, panhead	2		
13- 0-1	397-13101-00	OIL PUMP ASS'Y	1		
13-10	137-13137-00-10	. SHIM (5.8-10-0.1)	U.R		
13-11	137-13138-01	. PLATE, adjusting	1		
13-12	295-13146-00	. COVER	1		
13-13	92901-05100	. WASHER, spring	1		
13-14	98801-05200	. NUT	1		
13-15	93101-10001	. OIL SEAT (S-10-21-5)	1		
13-16	137-13128-00	. PLATE, starter	1		
13-17	91401-12018	. PIN, cotter	1		
13-18	98901-04008	. SCREW, bind	1		
13-19	137-13187-00	. GASKET, breather (4.2-8.5-0.5)	1		
13-20	93505-32002	. BALL (5/32 inch)	2		
13-21	278-13169-00	. SPRING, check ball	2		
13-22	353-13552-00	. NOZZLE	2		

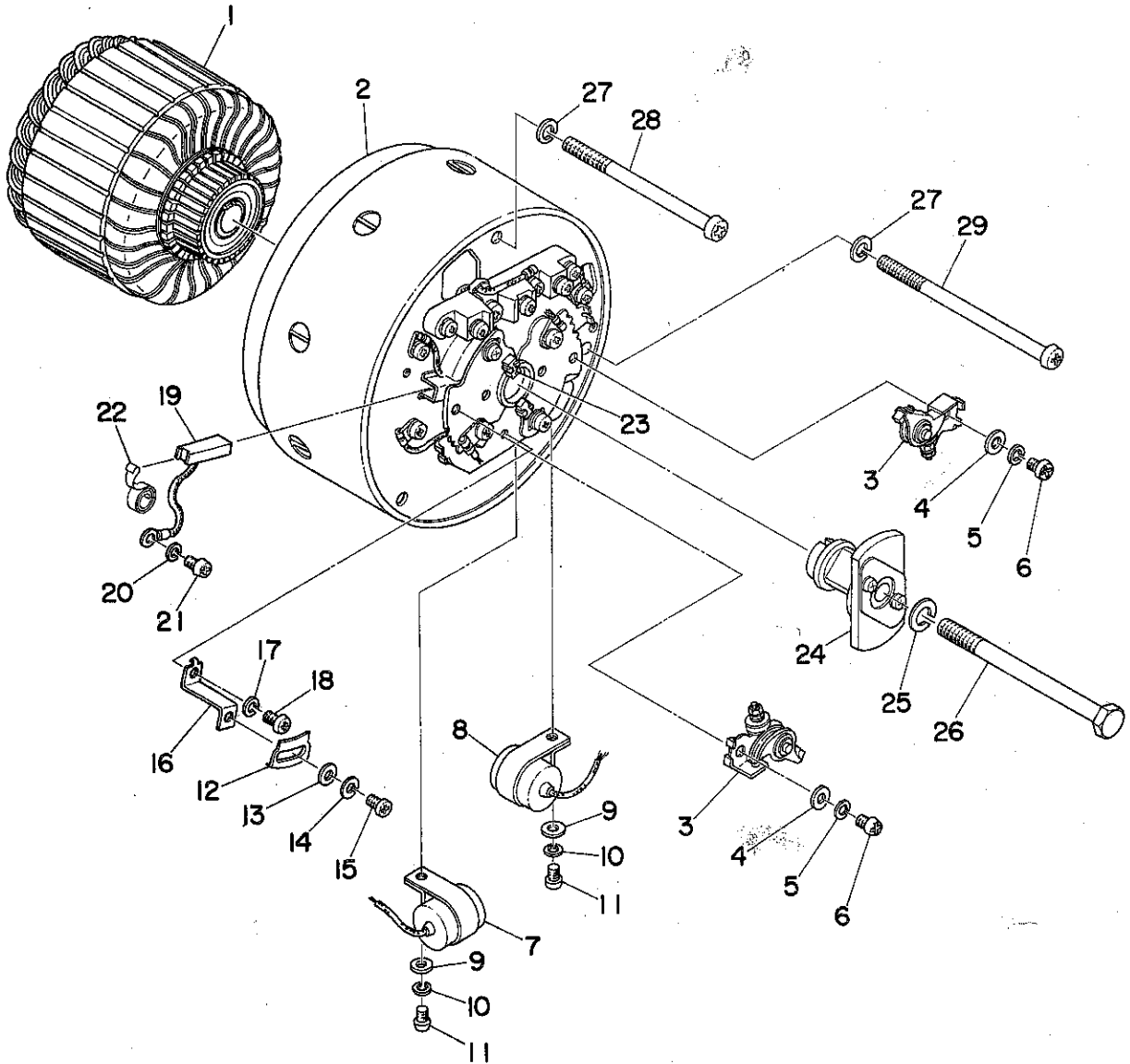
Fig.13 OIL PUMP



OIL PUMP

Ref. No.	Parts No.	Description	Q'ty	Applicable Machine No.	Remarks
13-23	214-13164-00	. CLIP, delivery pipe	4		
13-24	278-13161-00	. PIPE, delivery (3-420)	1		
13-25	248-13161-01	. PIPE, delivery (3-130)	1		
13-26	214-13162-00	. BANJO, delivery pipe	2		
13-27	137-13165-00	BOLT, banjo 2	2		
13-28	137-13167-00	GASKET, banjo bolt 1 (6-13-0.5)	4		
13-29	293-13174-00	HOLDER, oil pipe	1		

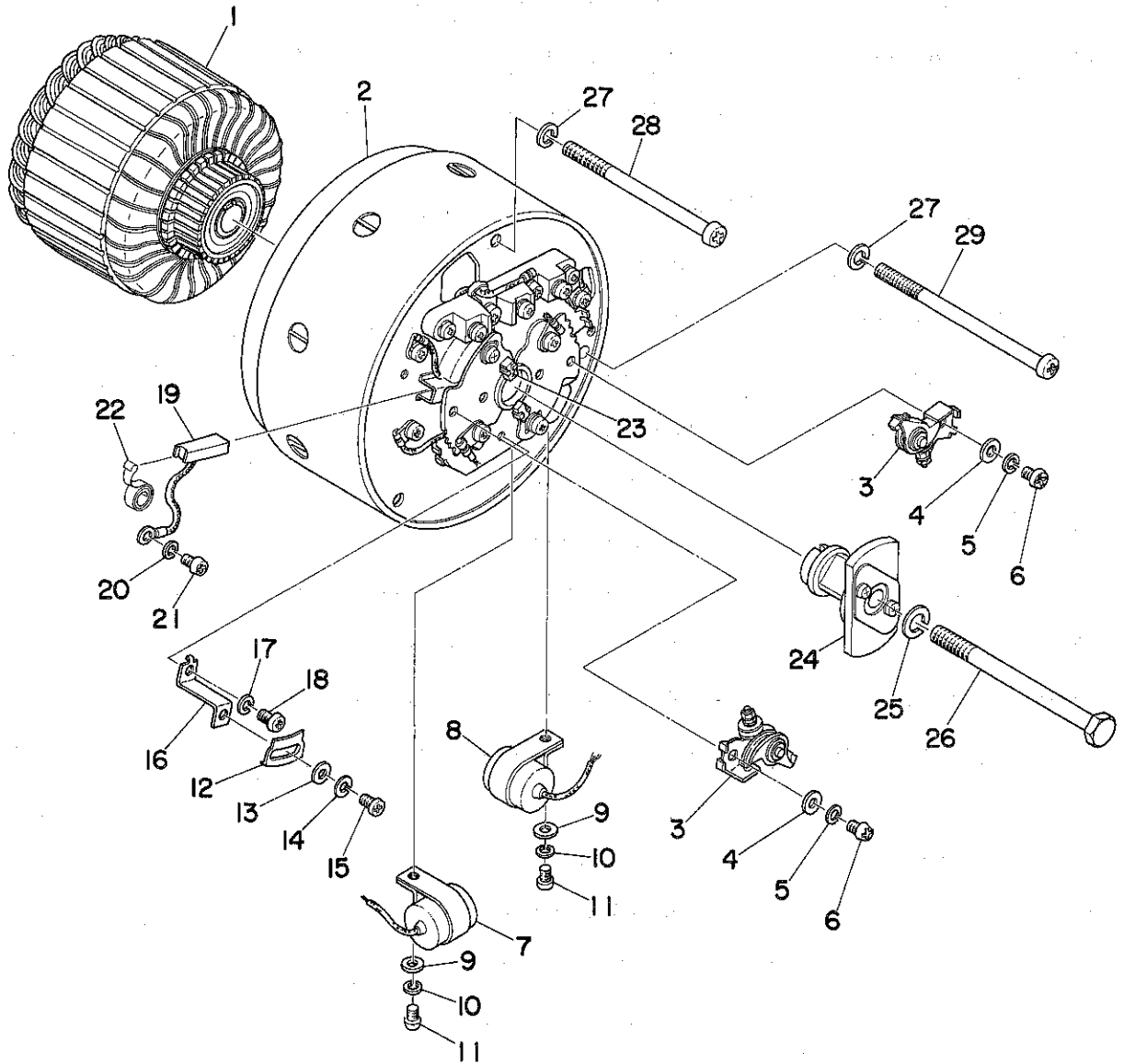
Fig. 14 STARTER GENERATOR



STARTER GENERATOR

Ref. No.	Parts No.	Description	Q'ty	Applicable Machine No.	Remarks
14- 0-1	397-81100-10	STARTER GENERATOR ASS'Y ..	1		
14- 1	397-81155-10	. ARMATURE	1		
14- 2	397-81110-10	. STATOR ASS'Y	1		
14- 3	183-81421-10	. . CONTACT BREAKER ASS'Y	2		
14- 4	92901-04200	. . WASHER, plain	2		
14- 5	92901-04100	. . WASHER, spring	2		
14- 6	165-81145-21	. . SCREW, cylinderhead (4-8) ..	2		
14- 7	132-81226-10	. . CONDENSER, left	1		
14- 8	132-81225-10	. . CONDENSER, right	1		
14- 9	92901-04200	. . WASHER, plain	2		
14-10	92901-04100	. . WASHER, spring	2		
14-11	165-81145-21	. . SCREW, panhead	2		
14-12	133-81132-10	. . PLATE, timing	1		
14-13	92901-04200	. . WASHER, plain	1		
14-14	92901-04100	. . WASHER, spring	1		
14-15	164-81245-21	. . SCREW, cylinderhead (4-6) ..	1		
14-16	299-81133-10	. . FIXTURE, timing plate	1		
14-17	92901-04100	. . WASHER, spring	1		
14-18	164-81245-21	. . SCREW, panhead	1		
14-19	101-81111-10	. . BRUSH	4		
14-20	92901-04100	. . WASHER, spring	4		
14-21	98501-04008	. . SCREW, panhead	4		
14-22	141-81113-10	. . SPRING, brush	4		

Fig. 14 STARTER GENERATOR



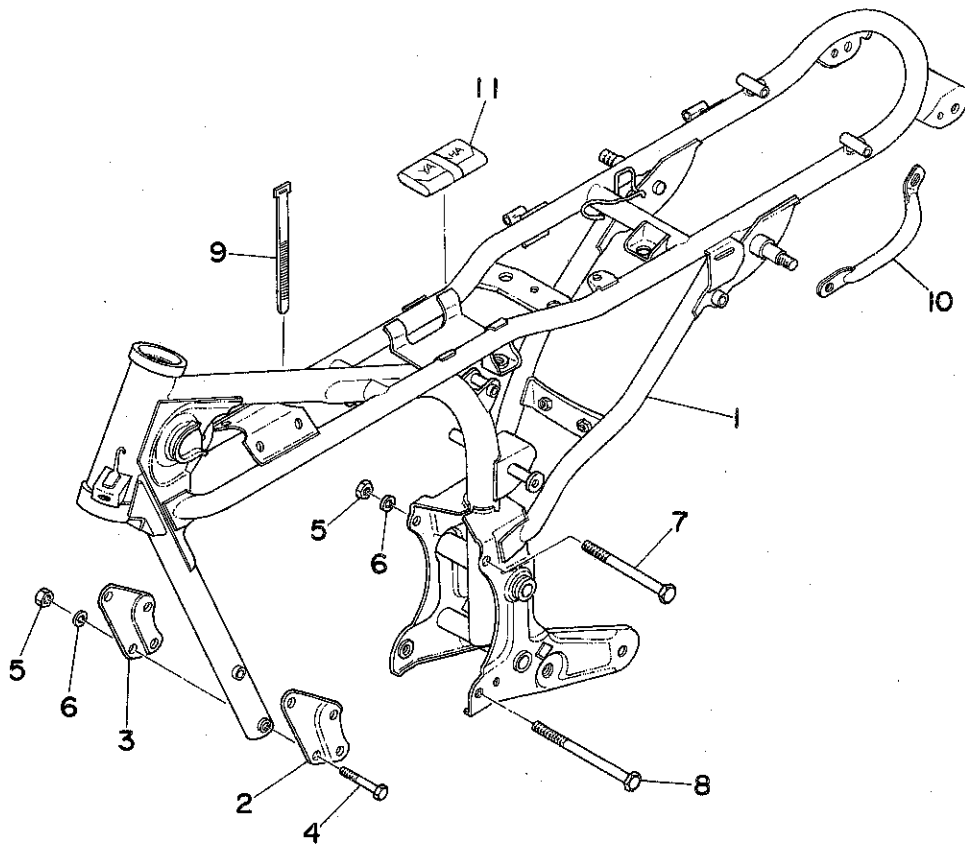
STARTER GENERATOR

Ref. No.	Parts No.	Description	Q'ty	Applicable Machine No.	Remarks
14-23	207-81331-10	. . . LUBRICATOR	2		
14-24	337-81153-10	. . . GOVERNOR ASS'Y	1		
14-25	92901-08100	WASHER, spring	1		
14-26	372-81152-10	BOLT	1		
14-27	92901-06100	WASHER, spring	3		
14-28	92501-06085	SCREW, panhead	1		
14-29	92501-06095	SCREW, panhead	2		

CHASSIS



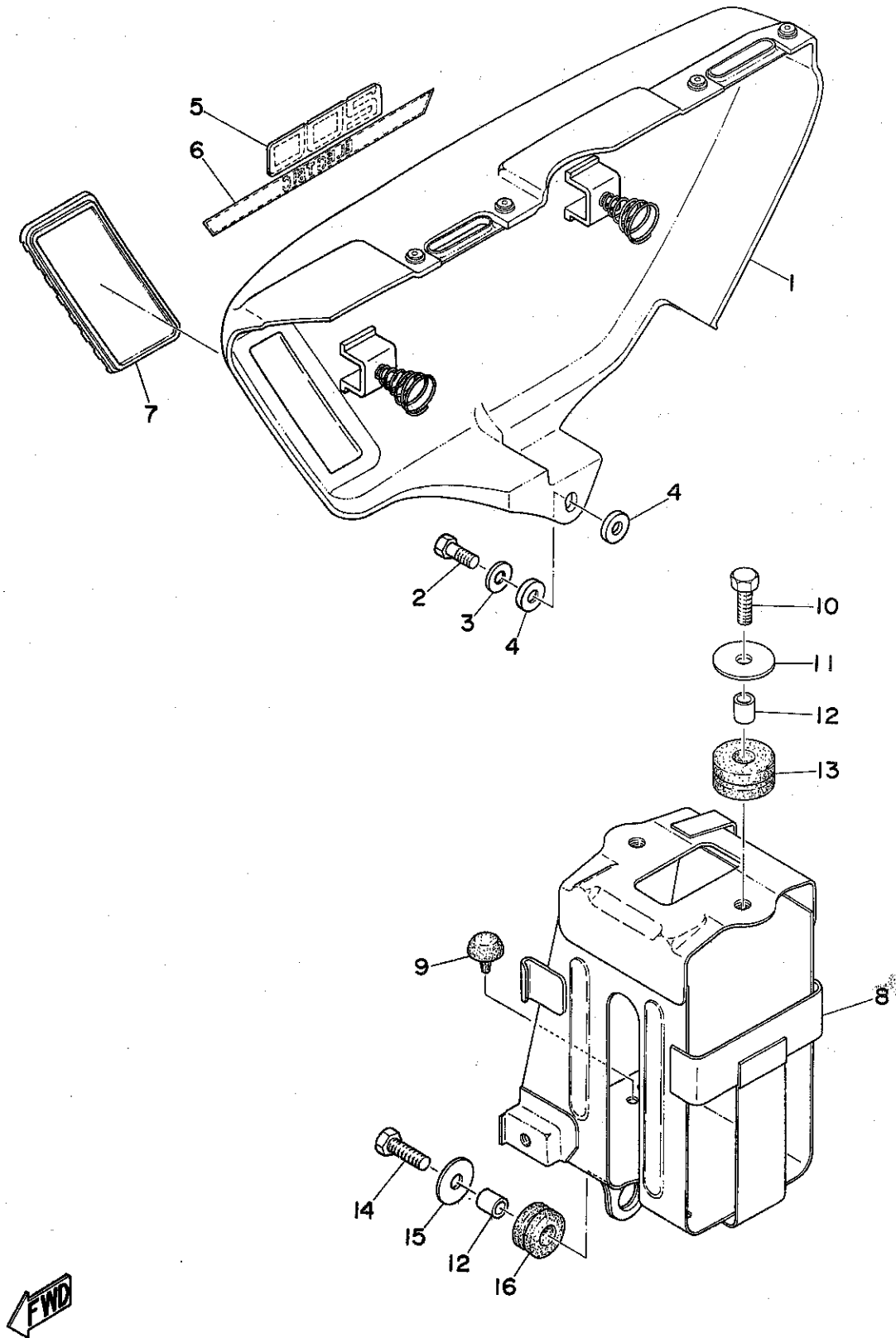
Fig. 15 FRAME



FRAME

Ref. No.	Parts No.	Description	Q'ty	Applicable Machine No.	Remarks
5- 1	398-21110-00-33	FRAME COMP.	1		Yamaha Black
5- 2	337-21315-00	STAY, engine front left	1		
5- 3	337-21316-00	STAY, engine front right	1		
5- 4	174-21481-00	BOLT, engine mounting 1	4		
5- 5	98801-08200	NUT	5		
5- 6	92901-08100	WASHER, spring	5		
5- 7	174-21482-00	BOLT, engine mounting 2	1		
5- 8	116-21483-00	BOLT, engine mounting 3	1		
5- 9	803-82591-00	BAND	2		
5-10	397-21165-00-93	HANDLE, standing	1		
5-11	397-28100-10	TOOL ASS'Y	1		

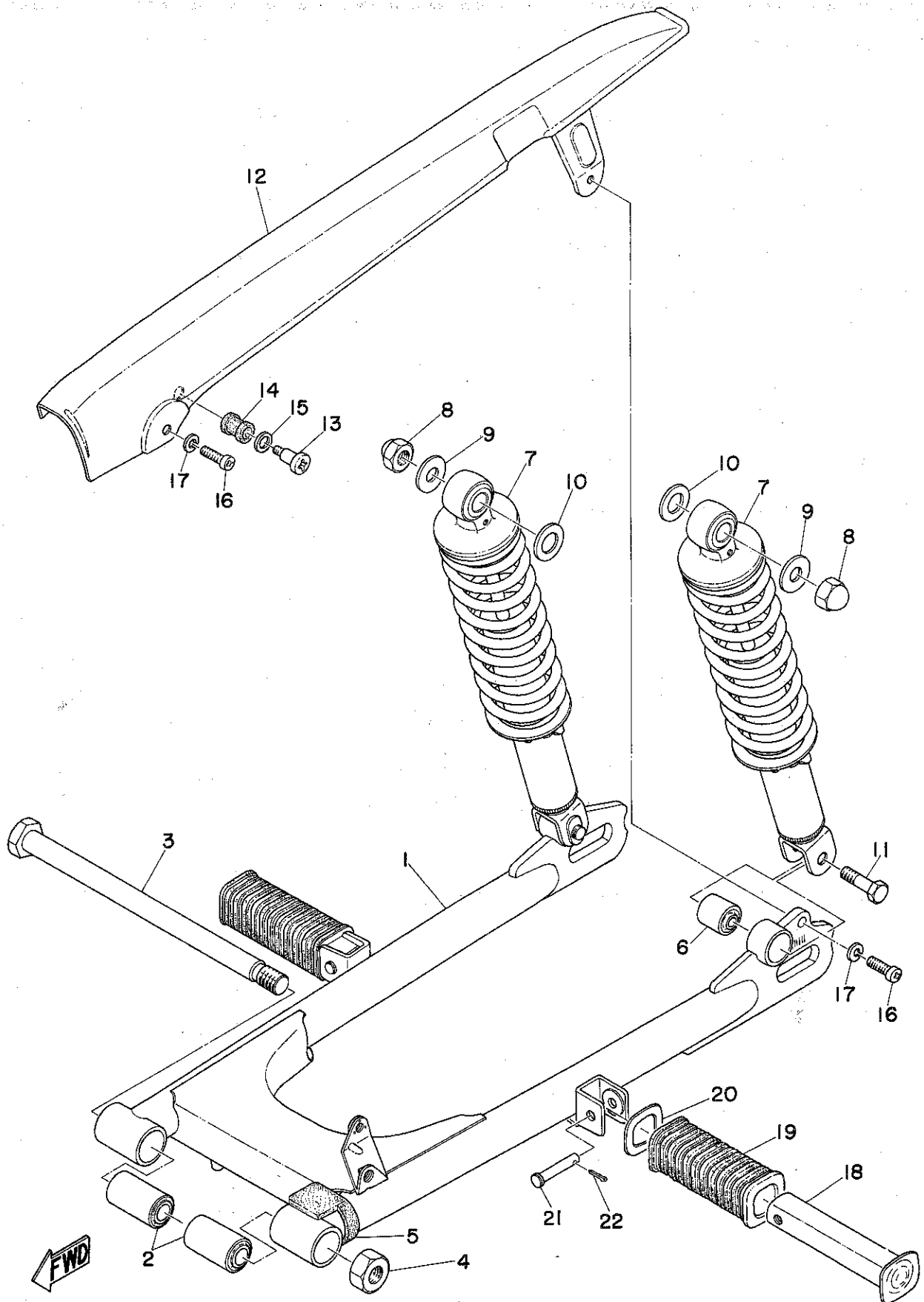
Fig. 16 SIDE COVER · BOX



SIDE COVER · BOX

Ref. No.	Parts No.	Description	Q'ty	Applicable Machine No.	Remarks
16- 1	397-21711-02-M4	COVER, side	1		Virginia Gold
16- 2	337-84752-00	BOLT, fitting	1		
16- 3	90201-08100	WASHER, plate	1		
16- 4	360-21746-00	DAMPER, side cover 2	2		
16- 5	398-21786-00	EMBLEM 200	1		
16- 6	397-21787-00	EMBLEM, electric	1		
16- 7	398-21782-01	MOLD, right	1		
16- 8	397-21170-00	BOX COMP, battery	1		
16- 9	141-21717-00	DAMPER, side cover	4		
16-10	91201-06020	BOLT	2		
16-11	248-21757-00	WASHER, special (6.5-28-1.6) ..	2		
16-12	214-21633-00	COLLAR, fender mount	3		
16-13	248-21717-00	DAMPER, battery box 1	2		
16-14	91201-06025	BOLT	1		
16-15	116-28324-00	WASHER, leg shield (6.5-20-1.6)	1		
16-16	214-21717-00	DAMPER, battery box 1	1		

Fig. 17 REAR ARM · REAR CUSHION · CHAIN CASE



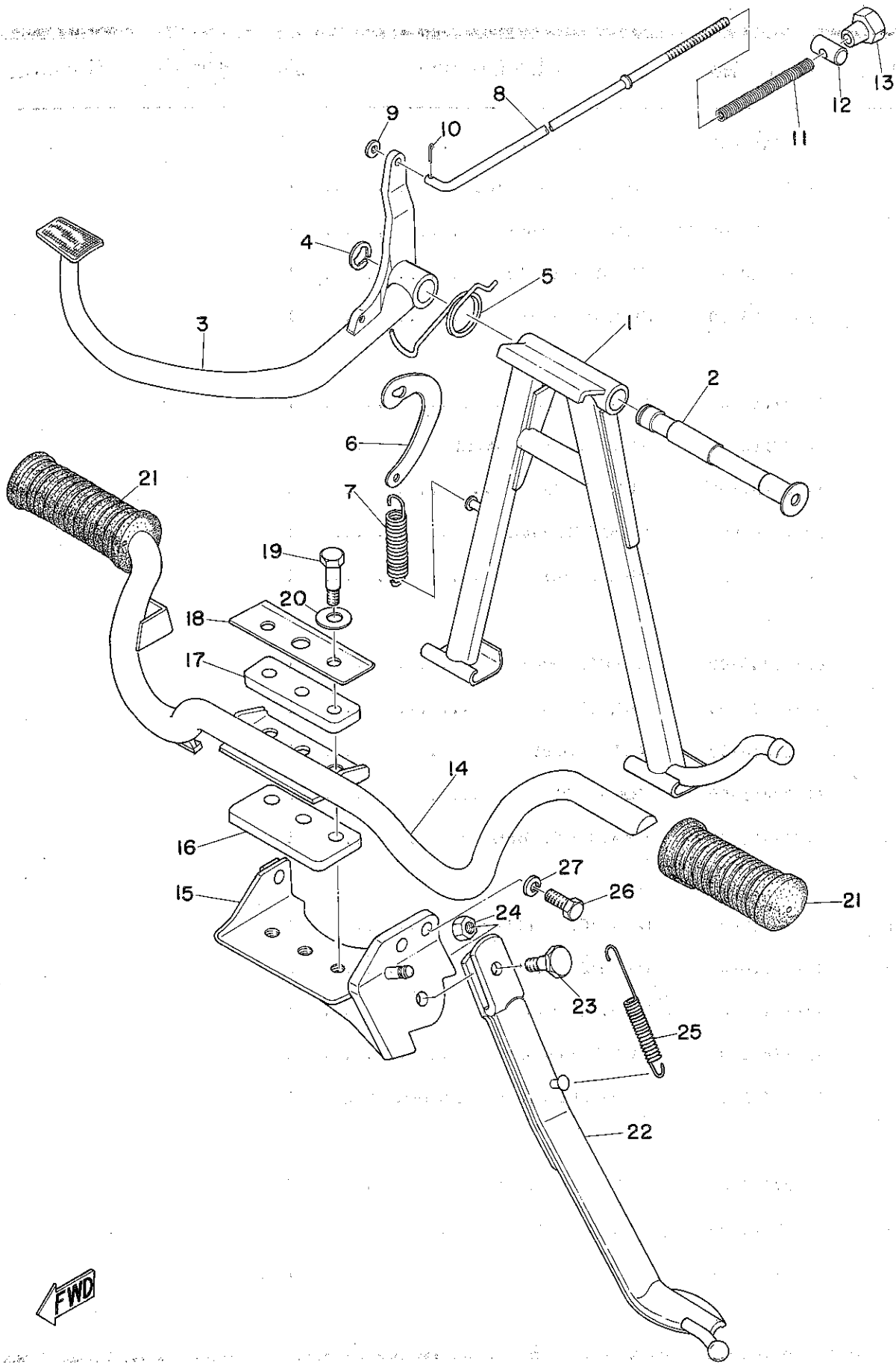
REAR ARM · REAR CUSHION · CHAIN CASE

f. No.	Parts No.	Description	Q'ty	Applicable Machine No.	Remarks
- 1	337-22110-00-33	REAR ARM COMP.	1		
- 2	174-22123-00	BUSHING, rear arm	2		
- 3	337-22141-00	SHAFT, pivot	1		
- 4	98801-14200	NUT	1		
- 5	173-22151-00	SEAL, guard	1		
- 6	164-22216-00	BUSHING, rear cushion	2		
- 7	337-22210-20	REAR CUSHION ASS'Y	2		
- 8	92803-10700	NUT, crown	2		
- 9	102-22243-00	WASHER, rear cushion (10.5-27-2)	2		
-10	135-22243-00	WASHER, rear cushion (14.8-27-2)	2		
-11	164-22241-00	BOLT (8-29)	2		
-12	337-22311-00-93	CHAIN CASE, half	1		
-13	183-22331-01	SCREW, chain case fitting	1		
-14	183-22332-01	DAMPER, chain case	1		
-15	183-22316-01	WASHER, chain case (7.2-15-0.6)	1		
-16	92501-06012	SCREW, panhead	2		
-17	92901-06100	WASHER, spring	2		
-18	307-27431-00	FOOTREST, rear	2		
-19	307-27433-00	COVER, rear footrest	2		
-20	307-27437-00	WASHER, special	2		
-21	91501-06035	PIN, clevis	2		
-22	91401-16012	PIN, cotter	2		

STAND · FOOTREST · BRAKE PEDAL

P. No.	Parts No.	Description	Q'ty	Applicable Machine No.	Remarks
3- 1	337-27111-00	STAND, main	1		
3- 2	122-27112-00	SHAFT, main stand	1		
3- 3	337-27211-00-93	PEDAL, brake	1		
3- 4	93430-12008	CIRCLIP (E-12)	1		
3- 5	183-27216-00	SPRING, return	1		
3- 6	174-27115-00	LINK	1		
3- 7	174-27116-00	SPRING, main stand	1		
3- 8	337-27231-00	ROD, brake	1		
3- 9	92901-06200	WASHER, plain	1		
3-10	91401-20012	PIN, cotter	1		
3-11	180-27236-00	SPRING, rod	1		
3-12	156-27237-00	PIN, clevis	1		
3-13	206-27238-00	NUT, adjusting	1		
3-14	337-27411-00	FOOTREST	1		
3-15	337-27412-00	BRACKET, footrest	1		
3-16	132-27422-00	DAMPER, rubber 2	1		
3-17	132-27414-00	DAMPER, rubber 1	1		
3-18	132-27417-00	WASHER, special	1		
3-19	132-27416-00	BOLT, footrest	3		
3-20	337-21491-00	WASHER, special (10.5-22-2.6)	3		
3-21	156-27413-00	COVER, footrest	2		
3-22	337-27311-00	STAND, side	1		
3-23	122-27317-01	BOLT, side stand	1		

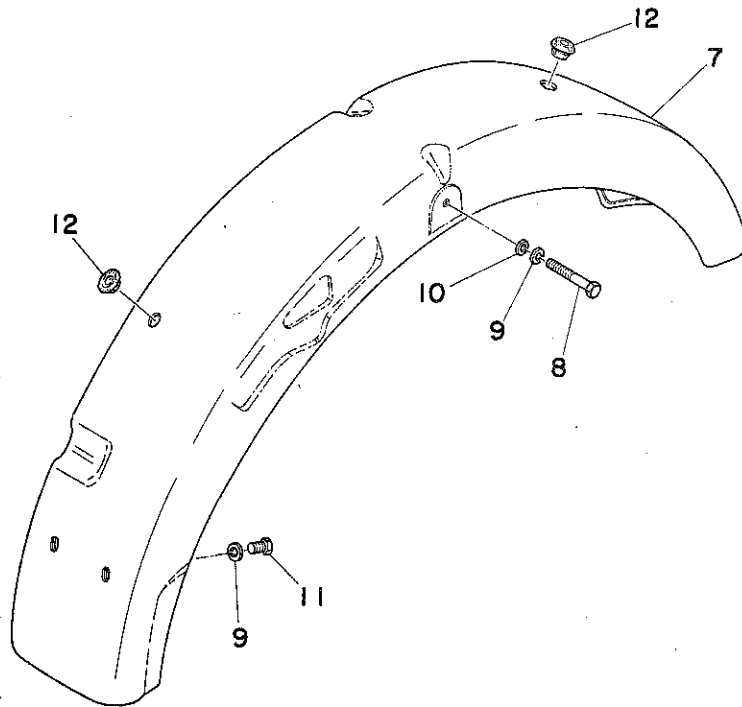
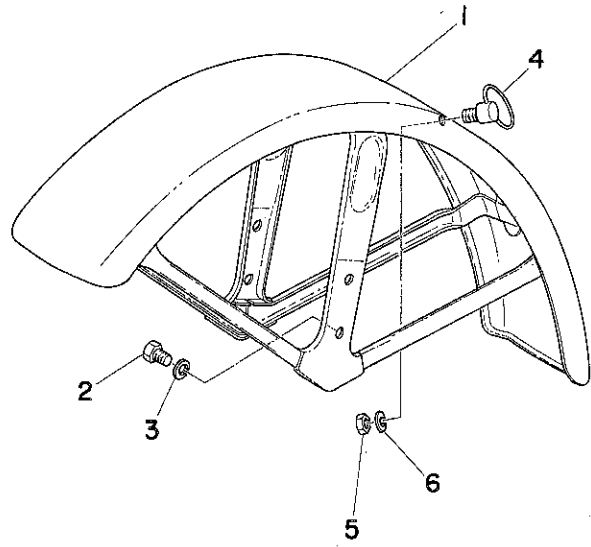
Fig. 18 STAND · FOOTREST · BRAKE PEDAL



STAND · FOOTREST · BRAKE PEDAL

Ref. No.	Parts No.	Description	Q'ty	Applicable Machine No.	Remarks
18-24	98801-08300	NUT	1		
18-25	150-27316-00	SPRING	1		
18-26	97201-08020	BOLT	1		
18-27	92901-08100	WASHER, spring	1		

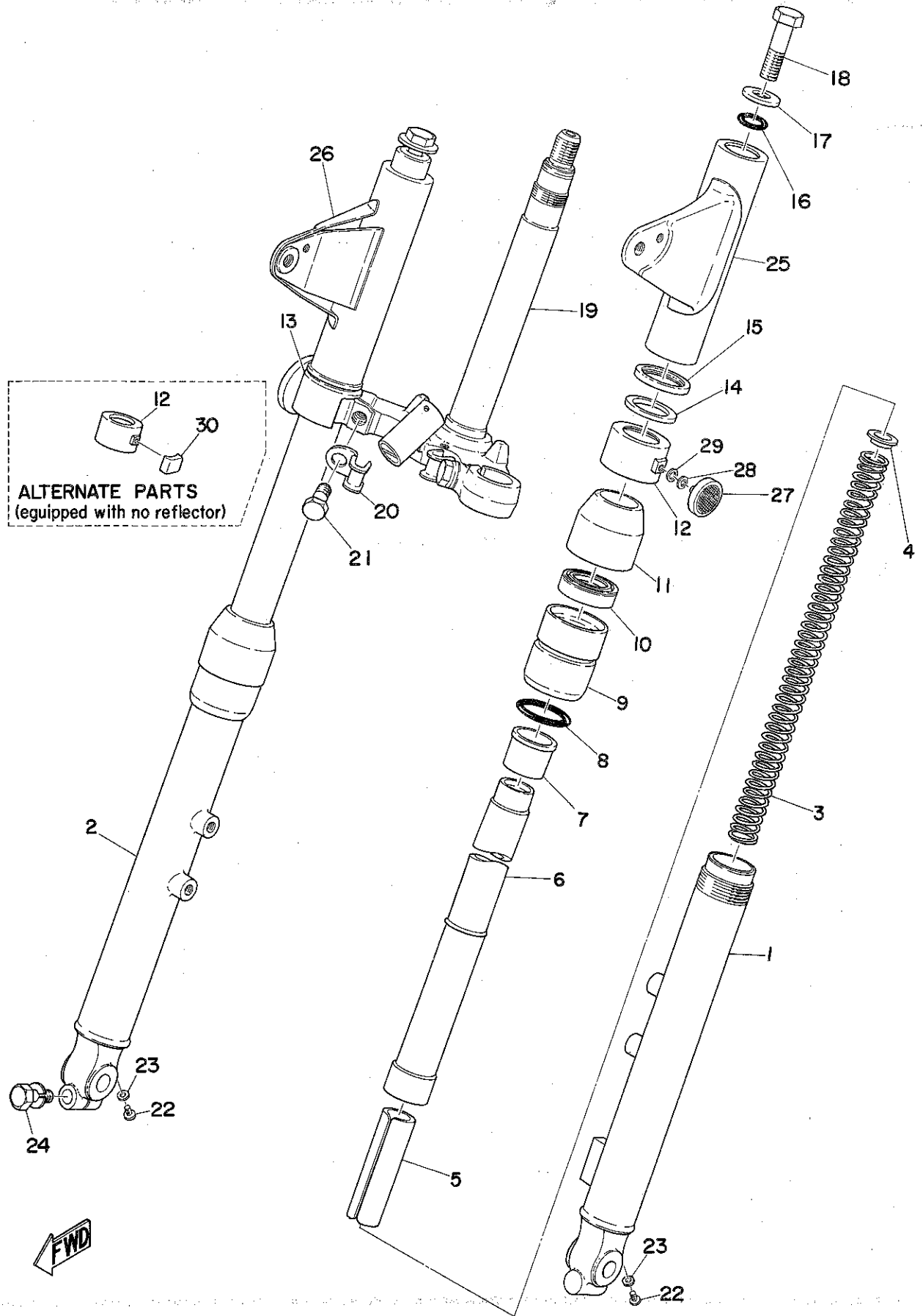
Fig. 19 FRONT FENDER · REAR FENDER



FRONT FENDER · REAR FENDER

Ref. No.	Parts No.	Description	Q'ty	Applicable Machine No.	Remarks
19- 1	337-21510-00-93	FRONT FENDER COMP.	1		
19- 2	97201-08012	BOLT	4		
19- 3	92901-08100	WASHER, spring	4		
19- 4	174-21518-00-93	HOLDER, wire	1		
19- 5	98801-06100	NUT	1		
19- 6	92901-06100	WASHER, spring	1		
19- 7	337-21610-00-93	REAR FENDER COMP.	1		
19- 8	91101-06045	BOLT	2		
19- 9	92901-06100	WASHER, spring	4		
19-10	92901-06200	WASHER, plain	2		
19-11	91101-06012	BOLT	2		
19-12	152-84518-00	GROMMET, tail lamp	2		

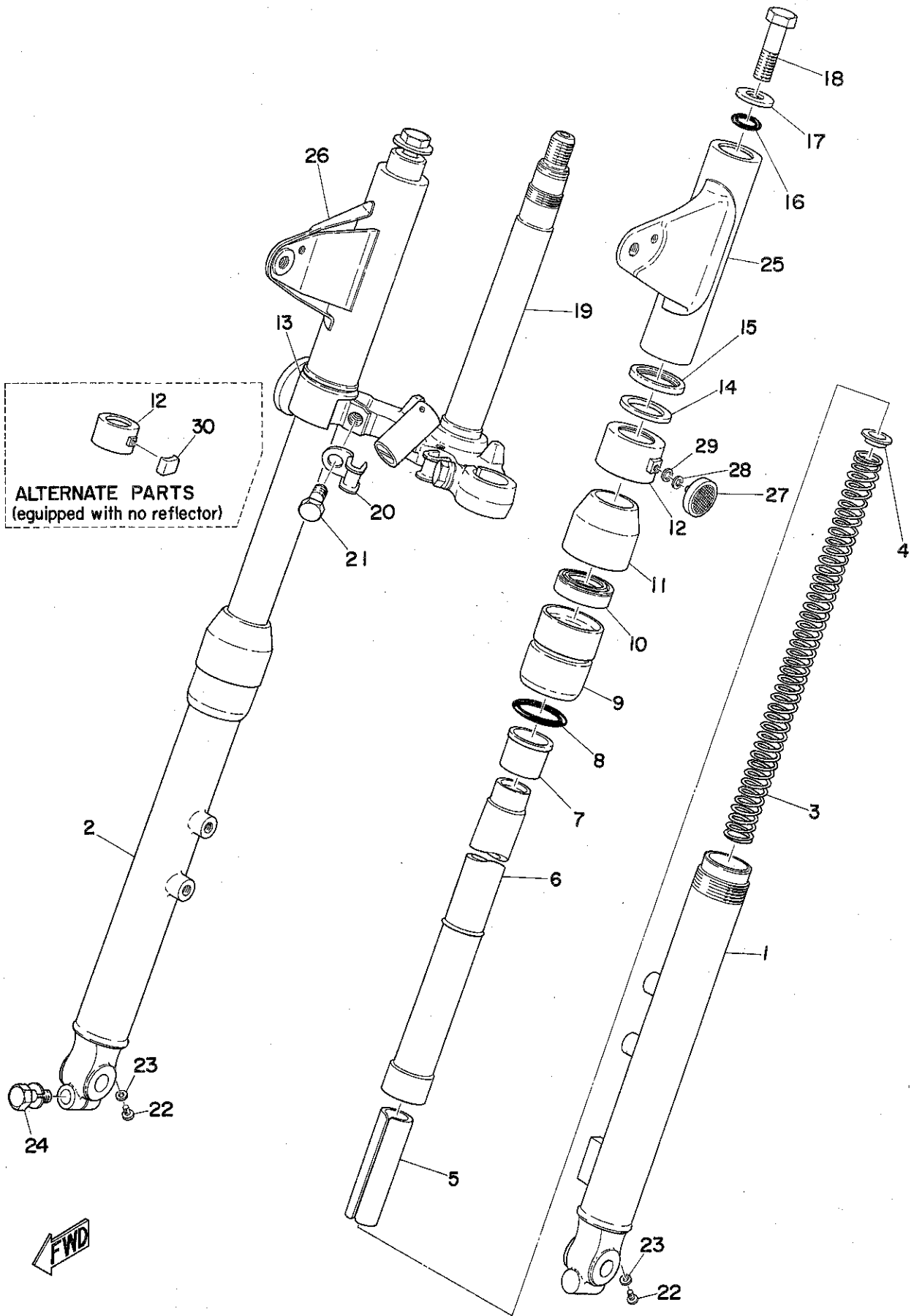
Fig. 20 FRONT FORK



FRONT FORK

No.	Parts No.	Description	Q'ty	Applicable Machine No.	Remarks
0-1	337-23101-90	FRONT FORK ASS'Y	1		
1	337-23126-60-93	. TUBE, outer left	1		
2	337-23136-60-93	. TUBE, outer right	1		
3	337-23141-60	. SPRING	2		
4	337-23142-60	. SEAT, spring upper	2		
5	315-23118-50	. SPACER	2		
6	337-23124-60	. TUBE, inner	2		
7	137-23125-00	. METAL, slide	2		
8	137-23147-00	. O-RING	2		
9	193-23150-40	. OUTER NUT COMP.	2		
10	137-23145-00	. . OIL SEAL	2		
11	248-23144-00	. SEAL, dust	2		
12	337-23122-50	. COVER, outer left	1		
13	337-23132-50	. COVER, outer right	1		
14	137-23163-00	. PACKING	2		
15	337-23116-60	. COVER, under	2		
16	337-23114-60	. PACKING (O-RING)	2		
17	122-23112-00	. WASHER, cap	2		
18	337-23111-60	. BOLT, cap	2		
19	337-23340-60-33	. UNDER BRACKET COMP.	1		
20	183-23318-00	. HOLDER, wire	2		
21	122-23346-01	. BOLT, under bracket	2		
22	122-23119-01	. PLUG, drain	2		

Fig. 20 FRONT FORK



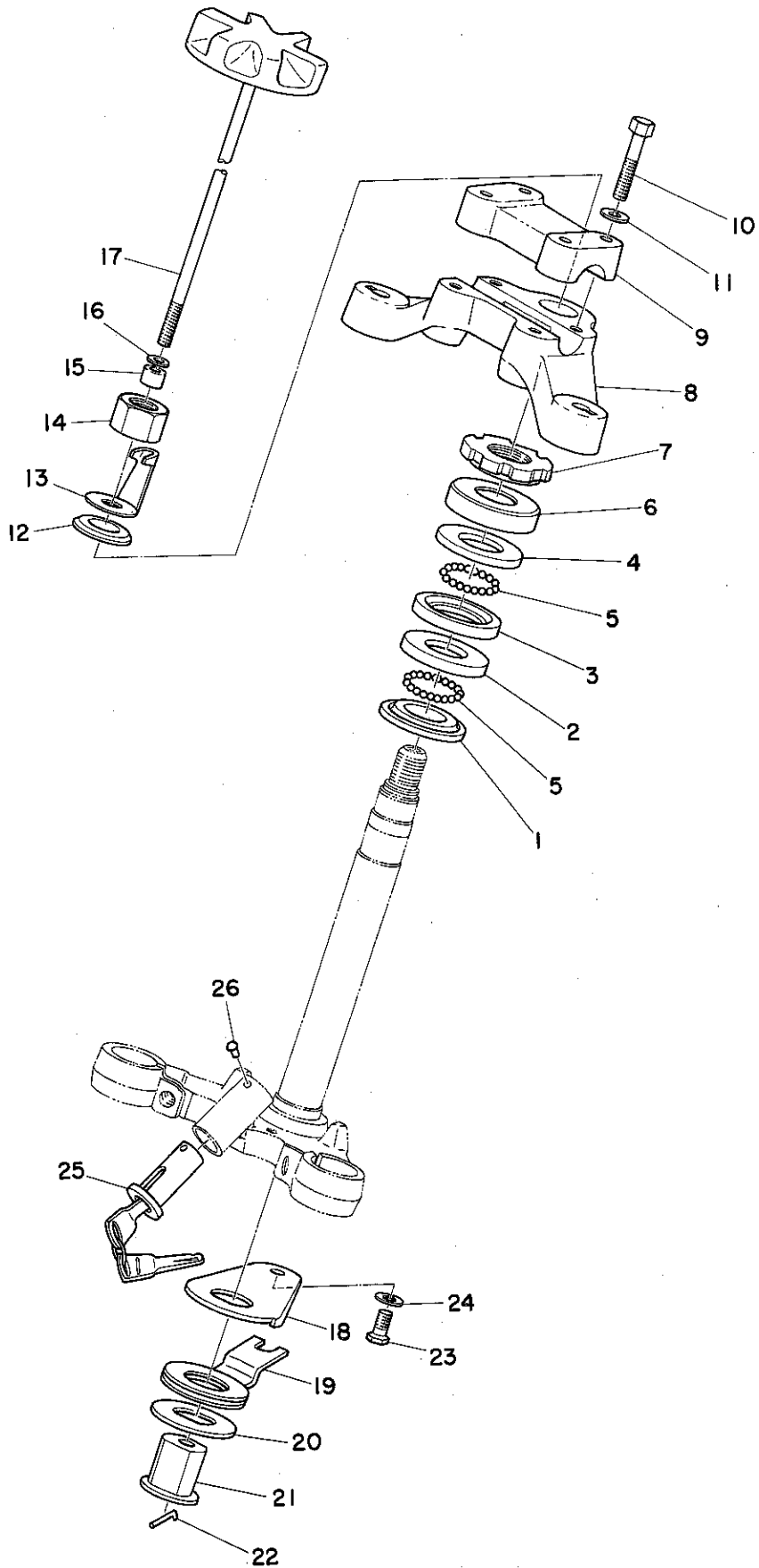
FRONT FORK

Ref. No.	Parts No.	Description	Q'ty	Applicable Machine No.	Remarks
20-23	122-23129-00	. GASKET, drain plug	2		
20-24	122-23128-00	. BOLT	1		
20-25	337-23121-60-M4	COVER, upper left	1		Virginia Gold
20-26	337-23131-60-M4	COVER, upper right	1		Virginia Gold
20-27	347-85111-00	REFLECTOR	2		
20-28	92901-05100	WASHER, spring	2		
20-29	92901-05200	WASHER, plain	2		

ALTERNATE PARTS

20-30	256-83329-00	PLUG, blind	2		
-------	--------------	-------------------	---	--	--

Fig. 21 STEERING

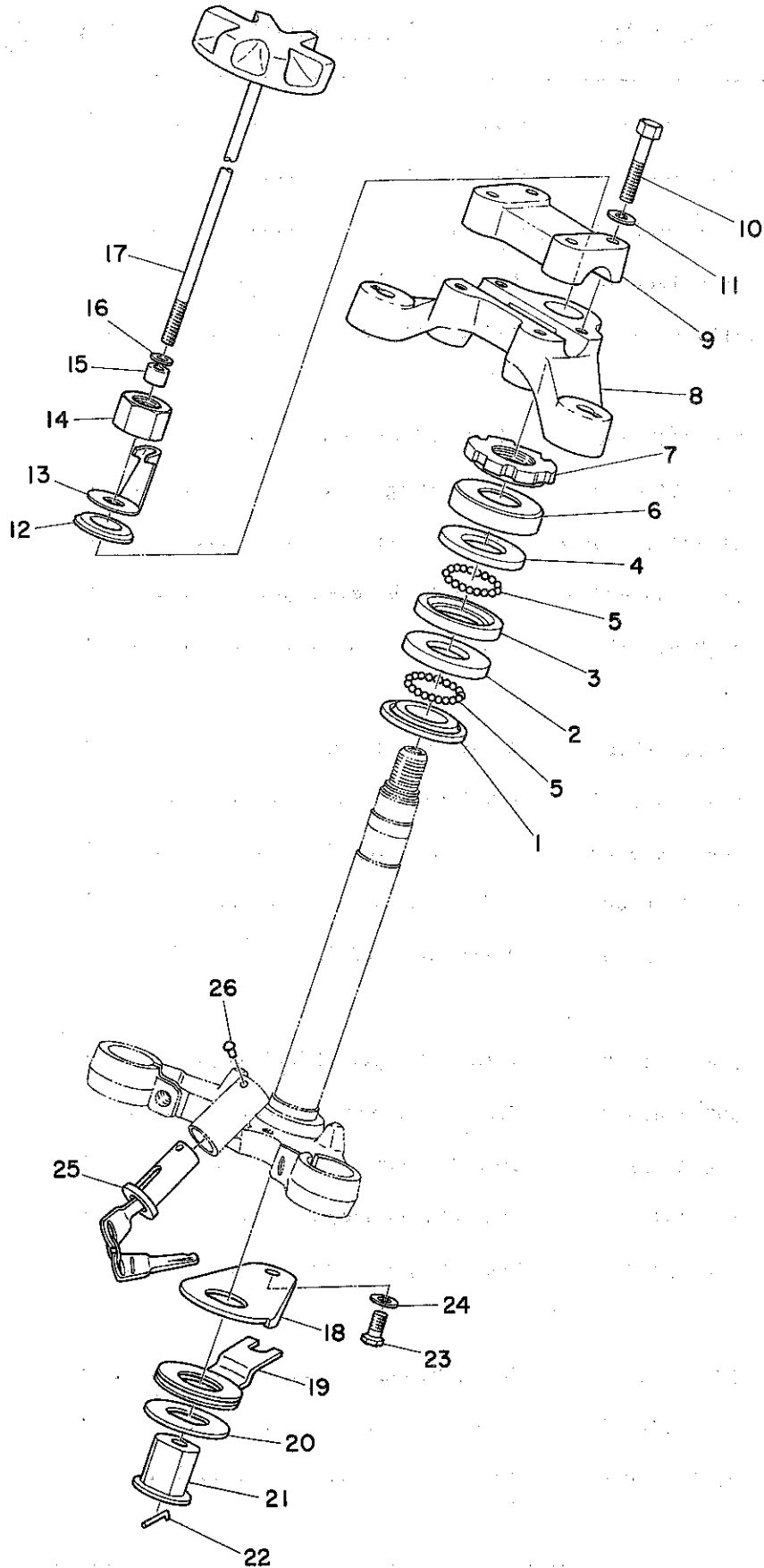


FWD

STEERING

Ref. No.	Parts No.	Description	Q'ty	Applicable Machine No.	Remarks
1- 1	156-23411-00	RACE, ball 1	1		
1- 2	156-23412-00	RACE, ball 2	1		
1- 3	183-23412-00	RACE, ball 2	1		
1- 4	183-23411-00	RACE, ball 1	1		
1- 5	93501-04011	BALL (1/4 inch)	38		
1- 6	136-23415-00	COVER, ball race	1		
1- 7	137-23454-00	NUT, fitting	1		
1- 8	337-23435-00-98	CROWN, handle	1		
1- 9	164-23441-00-98	HOLDER, handle upper	1		
1-10	97203-08035	BOLT	4		
1-11	92901-08100	WASHER, spring	4		
1-12	174-23443-00	WASHER, crown	1		
1-13	246-23428-00	SPRING, damper	1		
1-14	98803-16200	NUT	1		
1-15	141-23427-00	WASHER (6-18-3)	1		
1-16	156-23418-00	WASHER, special (6.5-18-0.6)	1		
1-17	307-23419-00	SHAFT, damper	1		
1-18	174-23421-00	PLATE, damper 1	1		
1-19	183-23422-00	PLATE, damper 2	1		
1-20	174-23425-00	DAMPER, friction	1		
1-21	174-23453-00	NUT, fitting	1		
1-22	156-83525-00	CLIP	1		
1-23	91101-06010	BOLT	1		

Fig. 21 STEERING

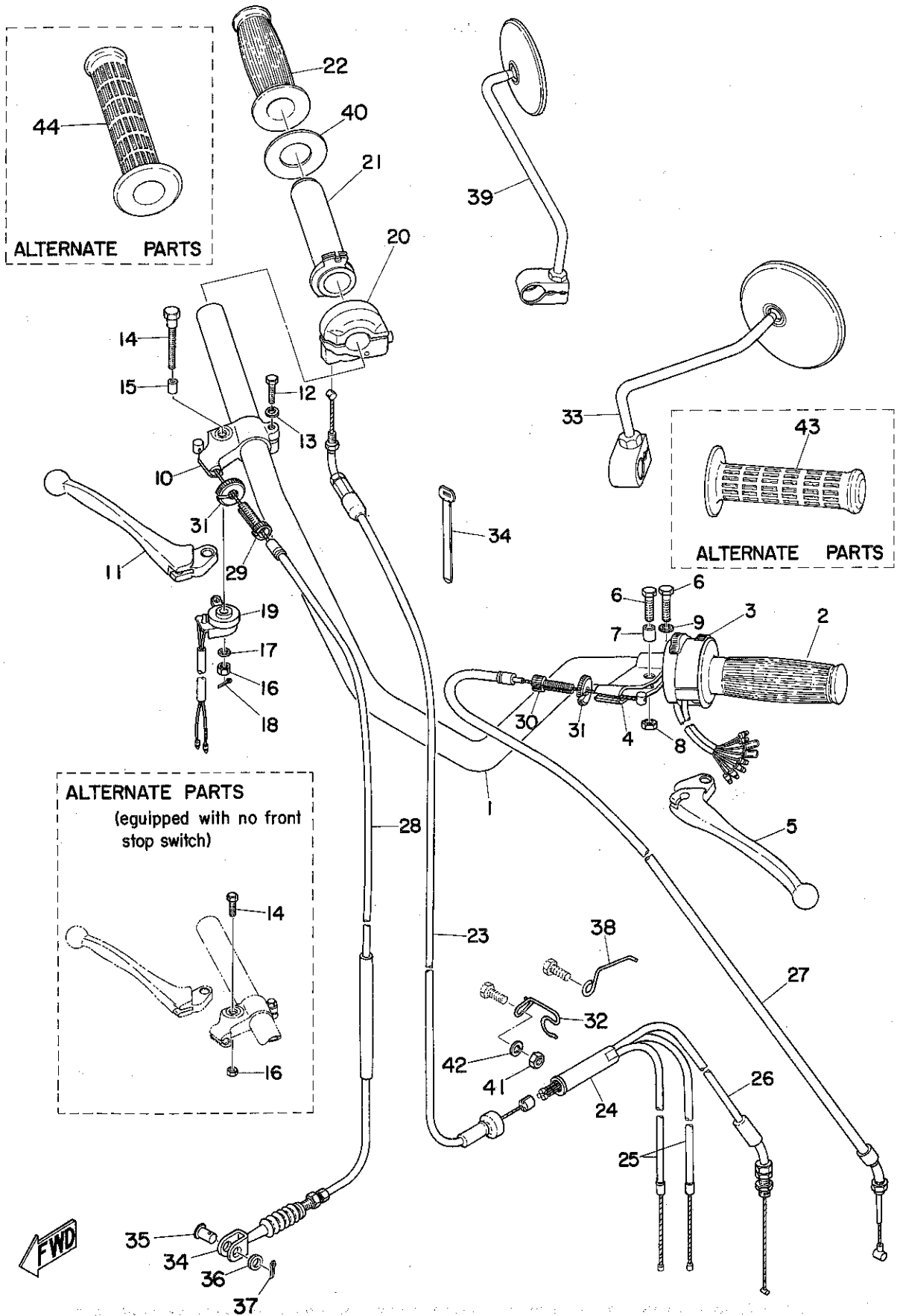


FWD

STEERING

Ref. No.	Parts No.	Description	Q'ty	Applicable Machine No.	Remarks
21-24	92901-06100	WASHER, spring	1		
21-25	122-23480-00	STEERING LOCK ASS'Y	1		
21-26	122-23483-00	RIVET, screw	1		

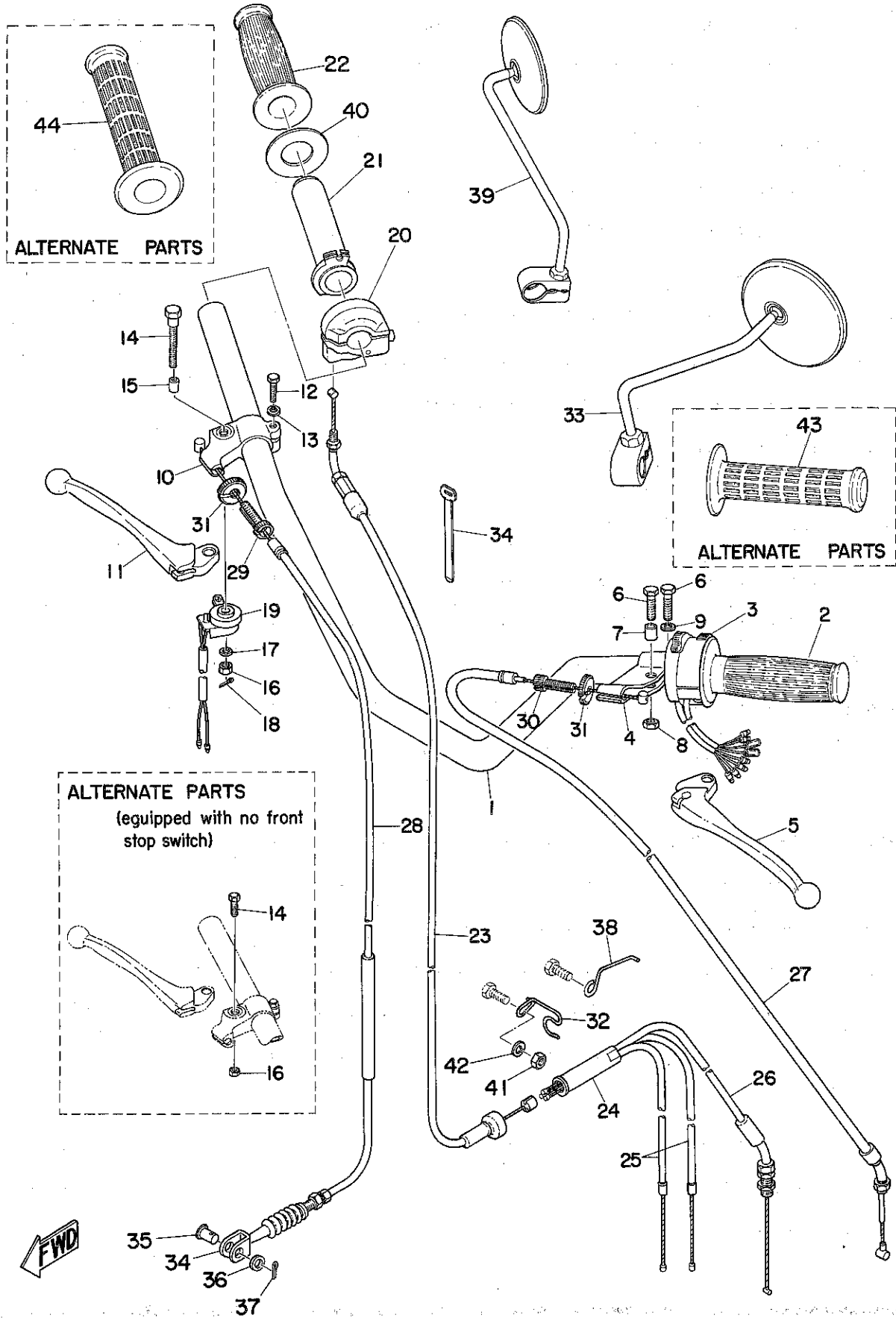
Fig. 22 HANDLE · WIRE



HANDLE · WIRE

No.	Parts No.	Description	Q'ty	Applicable Machine No.	Remarks
- 1	337-26111-00	HANDLE	1		STD
	307-26111-20	HANDLE	1		Bar
	174-26111-00-93	HANDLE	1		Semi-Up
	212-26111-00	HANDLE	1		Bridge
- 2	235-26241-00	GRIP, left	1		
- 3	237-83972-10	SWITCH, handle 4	1		
- 0-1	214-82910-02	LEVER HOLDER ASS'Y, left ..	1		
- 4	214-82911-01	. HOLDER, lever left	1		
- 5	214-83912-00	. LEVER, left	1		
- 6	91203-06020	. BOLT	2		
- 7	214-83913-00	. COLLAR, lever	1		
- 8	92801-06300	. NUT	1		
- 9	92901-06100	. WASHER, spring	1		
- 0-2	233-82920-32	LEVER HOLDER ASS'Y, right ..	1		
-10	233-82921-31	. HOLDER, lever right	1		
-11	233-83922-30	. LEVER, right	1		
-12	91203-06020	. BOLT	1		
-13	92901-06100	. WASHER, spring	1		
-14	233-83915-01	. SCREW, lever fitting	1		
	91203-06020	. BOLT	1		Alternate Parts
-15	214-83913-00	. COLLAR, lever	1		
-16	98801-05500	. NUT, slotted	1		
	98801-06300	. NUT	1		Alternate Parts
-17	92901-05200	. WASHER, plain	1		

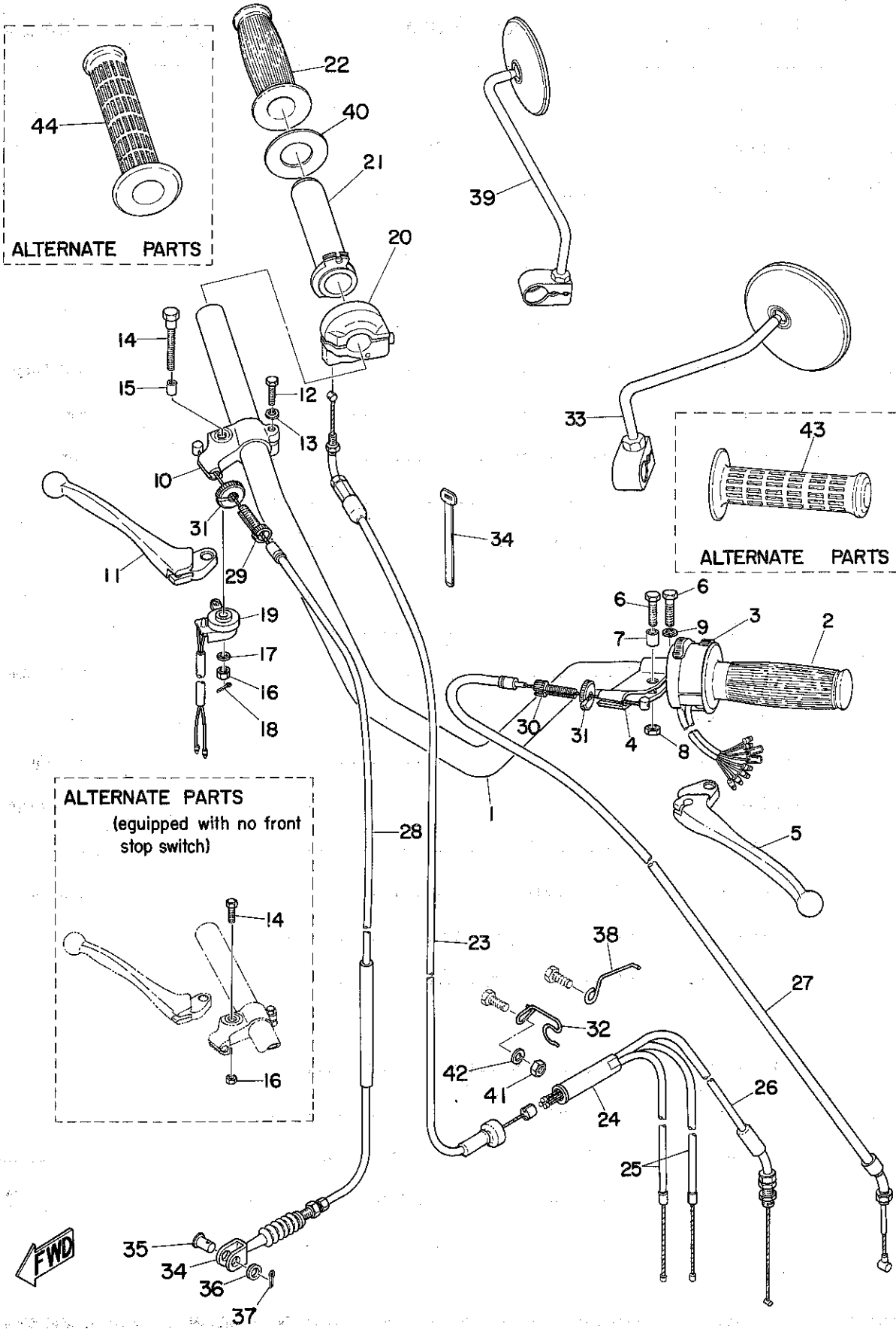
Fig. 22 HANDLE · WIRE



HANDLE · WIRE

f. No.	Parts No.	Description	Q'ty	Applicable Machine No.	Remarks
2-18	91401-12015	. PIN, cotter	1		
2-19	232-83980-30	FRONT STOP SWITCH ASS'Y ..	1		
2-20	237-83976-00	SWITCH, handle 1	1		
2-21	214-26243-00	TUBE, guide	1		
2-22	235-26242-00	GRIP, right	1		
2-23	397-26311-00	WIRE, throttle 1	1		STD, Bridge
	397-26311-20	WIRE, throttle 1	1		Bar
	397-26311-30	WIRE, throttle 1	1		Semi-Up
2-24	360-26261-00	CYLINDER	1		
2-25	397-26312-01	WIRE, throttle 2	2		
2-26	397-26321-00	WIRE, pump	1		
2-27	397-26335-00	WIRE, clutch	1		STD, Bridge
	397-26335-20	WIRE, clutch	1		Bar
	397-26335-30	WIRE, clutch	1		Semi-Up
2-28	397-26341-00	WIRE, brake	1		STD, Bridge
	397-26341-20	WIRE, brake	1		Bar
	397-26341-30	WIRE, brake	1		Semi-Up
2-29	90123-08046	BOLT, wire adjusting	1		
2-30	168-26337-00	BOLT, wire adjusting	1		
2-31	168-26344-00	NUT, wire adjusting	2		
2-32	397-26278-00	CLIP, wire	1		
2-33	407-26290-50	BACK MIRROR ASS'Y, left ...	1		Convex Mirror
	382-26290-30	BACK MIRROR ASS'Y, left ...	1		Alternate Parts Flat Mirror
2-34	156-26347-00	JOINT, wire	1		

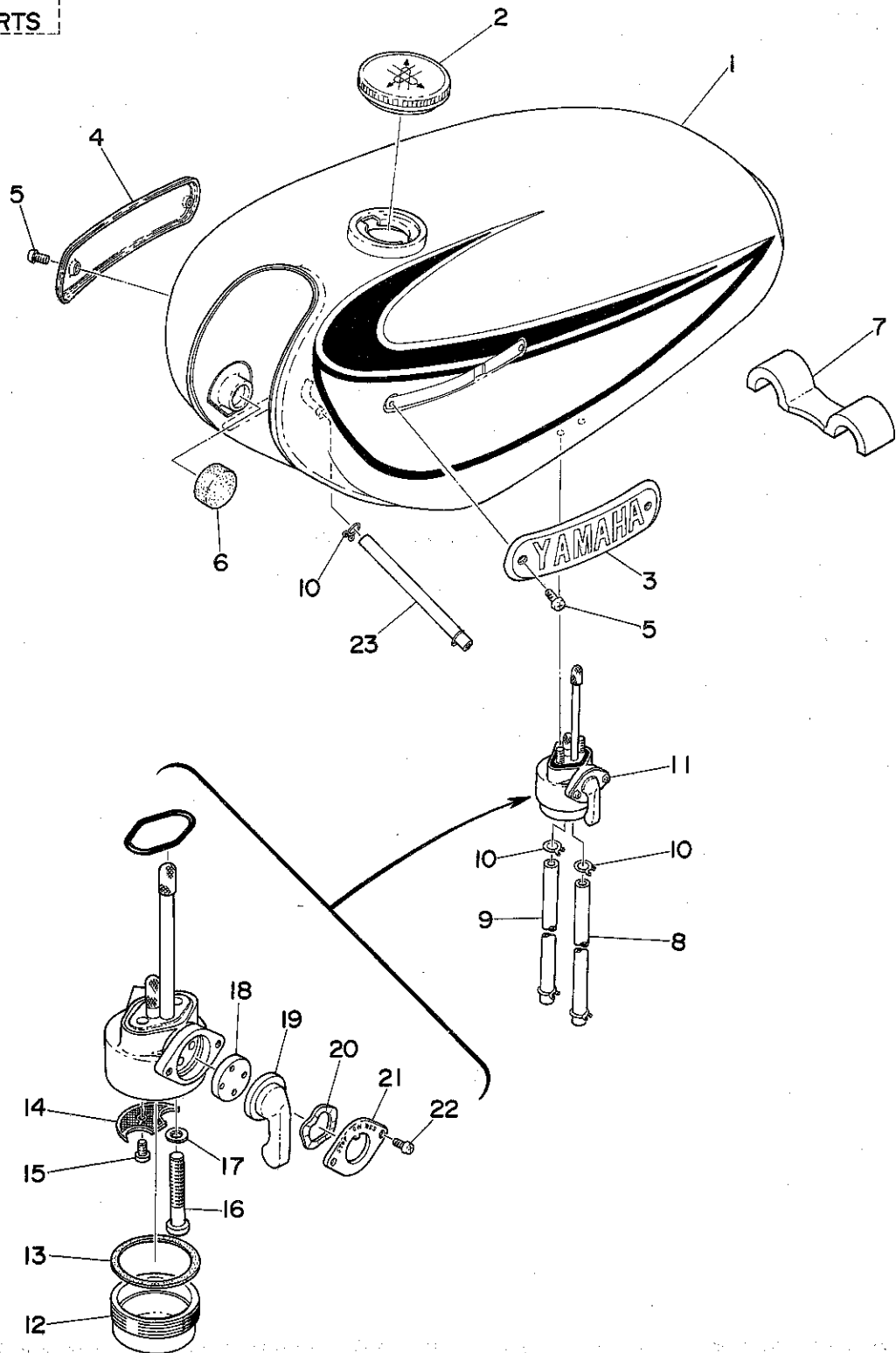
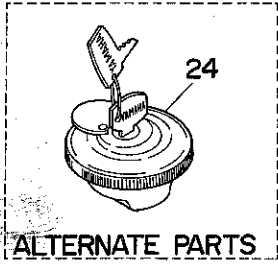
Fig. 22 HANDLE · WIRE



HANDLE · WIRE

Ref. No.	Parts No.	Description	Q'ty	Applicable Machine No.	Remarks
2-35	156-27229-00	PIN, link joint 2	1		
2-36	156-27226-00	WASHER, pedal link	1		
2-37	91401-20012	PIN, coter	1		
2-38	326-26328-00	GUIDE, wire	1		
2-39	407-26290-60	BACK MIRROR ASS'Y, right ...	1		Alternate Parts Convex Mirror
	382-26290-40	BACK MIRROR ASS'Y, right ...	1		Alternate Parts Flat Mirror
2-40	278-26249-00	RING, leaf	1		
2-41	92801-06100	NUT	1		
2-42	92901-06100	WASHER, spring	1		
ALTERNATE PARTS					
2-43	235-26241-10	GRIP, left	1		
2-44	235-26242-10	GRIP, right	1		

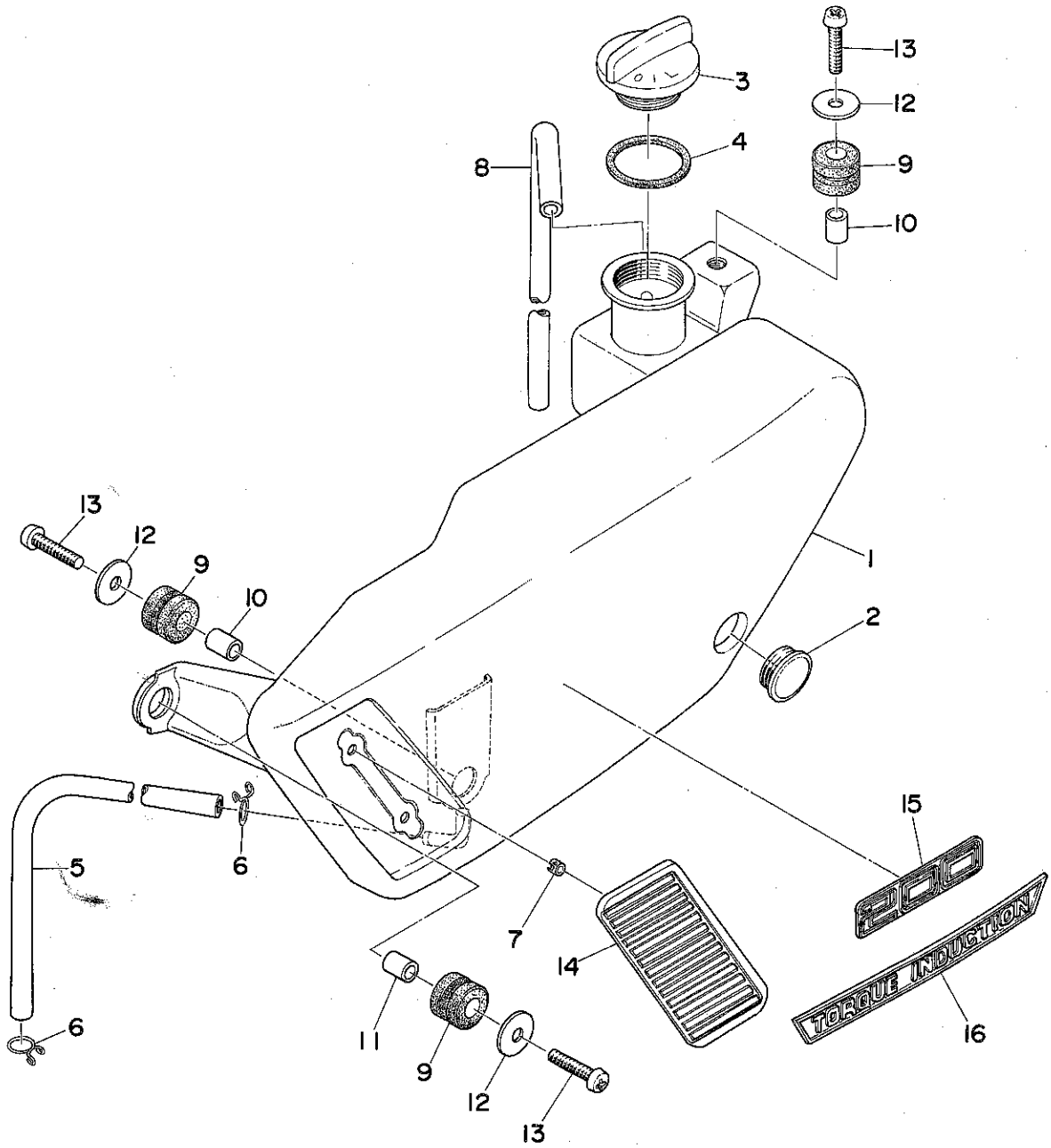
Fig. 23 FUEL TANK



FUEL TANK

Ref. No.	Parts No.	Description	Q'ty	Applicable Machine No.	Remarks
23- 1	398-24110-10-04	FUEL TANK COMP.	1		Virginia Gold
23- 2	122-24610-01	CAP ASS'Y	1		
23- 3	337-24161-10	EMBLEM, fuel tank left	1		
23- 4	337-24162-10	EMBLEM, fuel tank right	1		
23- 5	98501-04008	SCREW, panhead	4		
23- 6	122-24181-00	DAMPER, locating	2		
23- 7	307-24182-00	DAMPER, locating	1		
23- 8	132-24312-00	PIPE, fuel (5-135)	1		
23- 9	132-24311-00	PIPE, fuel (5-190)	1		
23-10	101-24356-00	CLIP, pipe	6		
23-11	168-24500-01	FUEL COOK ASS'Y	1		
23-12	168-24521-00	. CUP, filter	1		
23-13	168-24522-00	. GASKET, filter	1		
23-14	168-24515-00	. NUT, filter	1		
23-15	98501-03006	. SCREW, panhead	1		
23-16	92501-06035	. SCREW, panhead	2		
23-17	137-24513-00	. GASKET	2		
23-18	9043006218 132-24523-00	. VALVE	1		
23-19	168-24524-00	. LEVER, cock	1		
23-20	132-24518-00	. WASHER, wave	1		
23-21	132-24525-00	. PLATE, lever fitting	1		
23-22	98501-03006	. SCREW, panhead	2		
23-23	137-24331-00	PIPE, level (5-155)	1		
23-24	127-24650-00	CAP ASS'Y	1		Alternate Parts

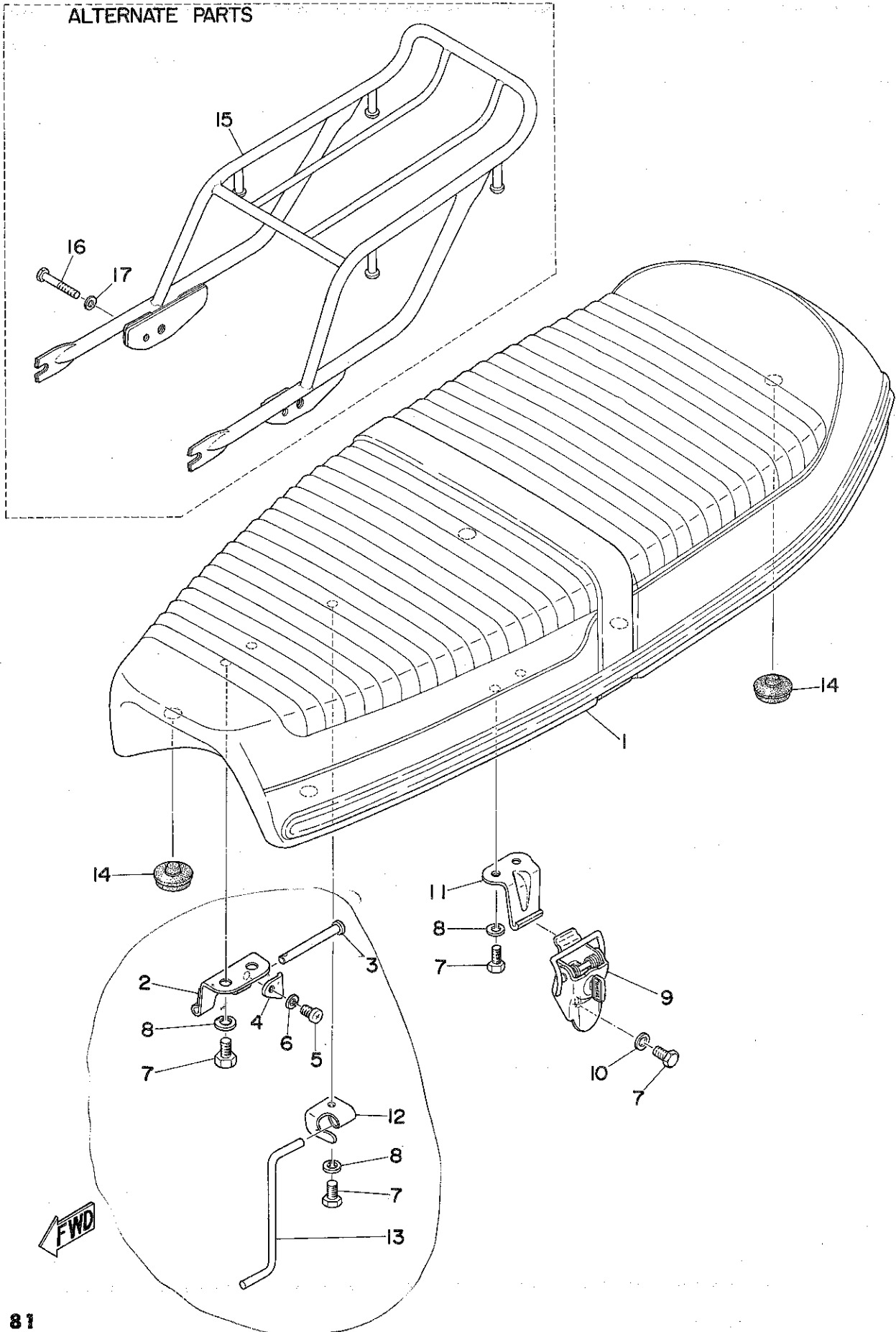
Fig. 24 OIL TANK



OIL TANK

No.	Parts No.	Description	Q'ty	Applicable Machine No.	Remarks
1	398-21705-01-M4	OIL TANK ASS'Y	1		Virginia Gold
2	360-21761-00	. GAUGE, level	1		
3	214-21771-00	CAP, oil tank	1		
4	214-21772-00	GASKET, cap	1		
5	248-21766-00	PIPE, oil (5-420)	1		
6	101-24356-00	CLIP, pipe	1		
7	360-24143-00	NUT	2		
8	168-82112-00	PIPE, breather (5-580)	1		
9	214-21717-00	DAMPER, battery box 1	3		
10	214-21633-00	COLLAR, fender mount	2		
11	322-21544-00	COLLAR, fender	1		
12	116-28324-00	WASHER, leg shield	3		
13	92501-06025	SCREW, panhead	3		
14	398-21781-00	MOLD, left	1		
15	398-21786-00	EMBLEM 200	1		
16	360-21787-00	EMBLEM, torque induction	1		

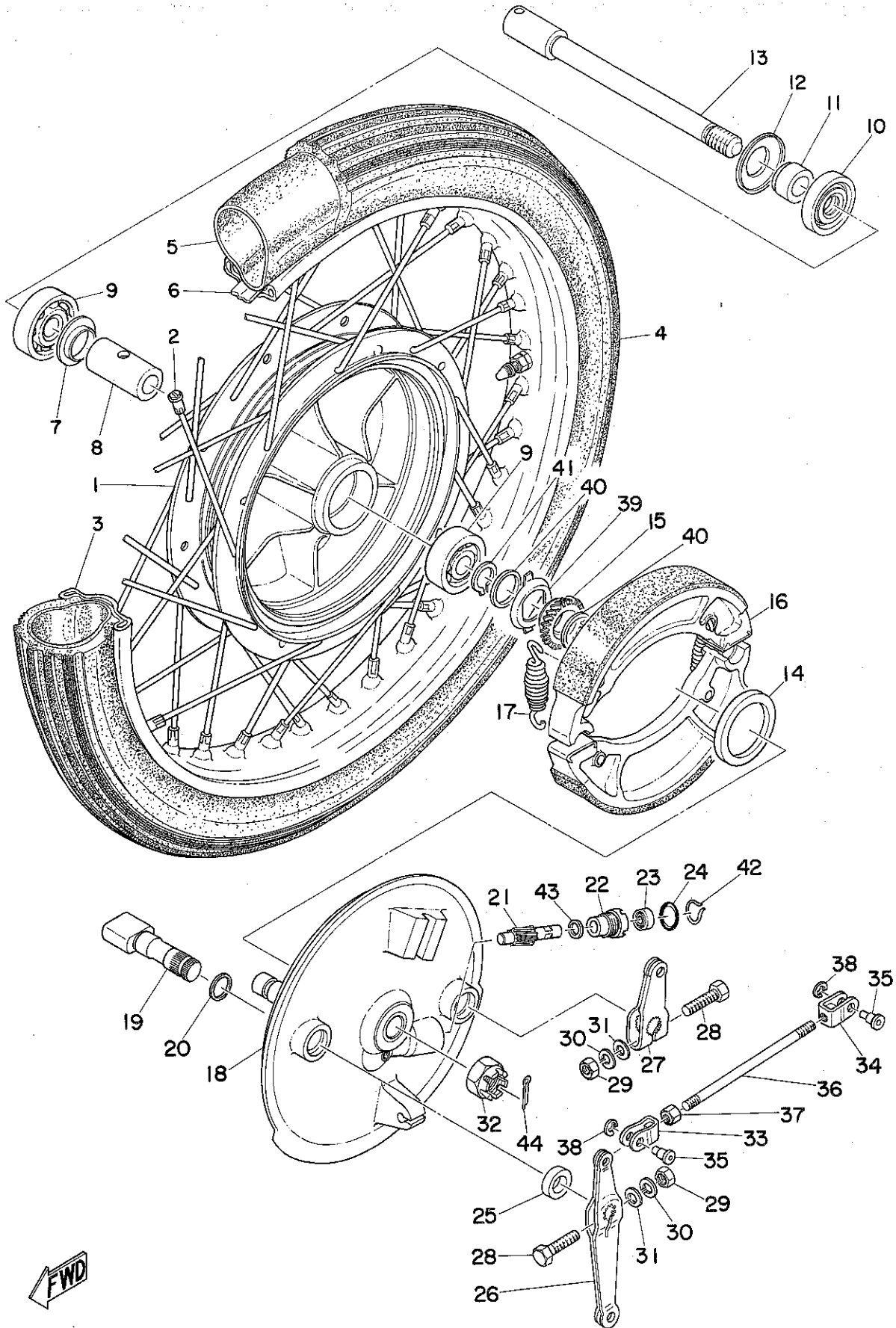
Fig. 25 SEAT



SEAT

Ref. No.	Parts No.	Description	Q'ty	Applicable Machine No.	Remarks
25- 1	398-24730-00	DOUBLE SEAT ASS'Y	1		
25- 1-1	398-24731-00	. COVER, double seat	1		
25- 2	389-24726-00	HINGE, seat	2		
25- 3	91501-05055	PIN, clevis	2		
25- 4	389-24756-00	STOPPER	2		
25- 5	92501-06008	SCREW, panhead	2		
25- 6	92901-06100	WASHER, spring	2		
25- 7	91201-06012	BOLT	8		
25- 8	92901-06100	WASHER, spring	7		
25- 9	353-24705-01	BRACKET SEAT ASS'Y	1		
25-10	92901-06200	WASHER, plain	1		
25-11	278-24728-00	BRACKET, seat	1		
25-12	276-24748-00	BRACKET, seat stopper	1		
25-13	337-24768-00	STOPPER, seat	1		
25-14	174-24741-00	PAD, seat	5		
ALTERNATE PARTS					
25-15	337-24830-00	SUB CARRIER ASS'Y	1		
25-16	91101-06050	BOLT	2		
25-17	92901-06200	WASHER, plain	2		

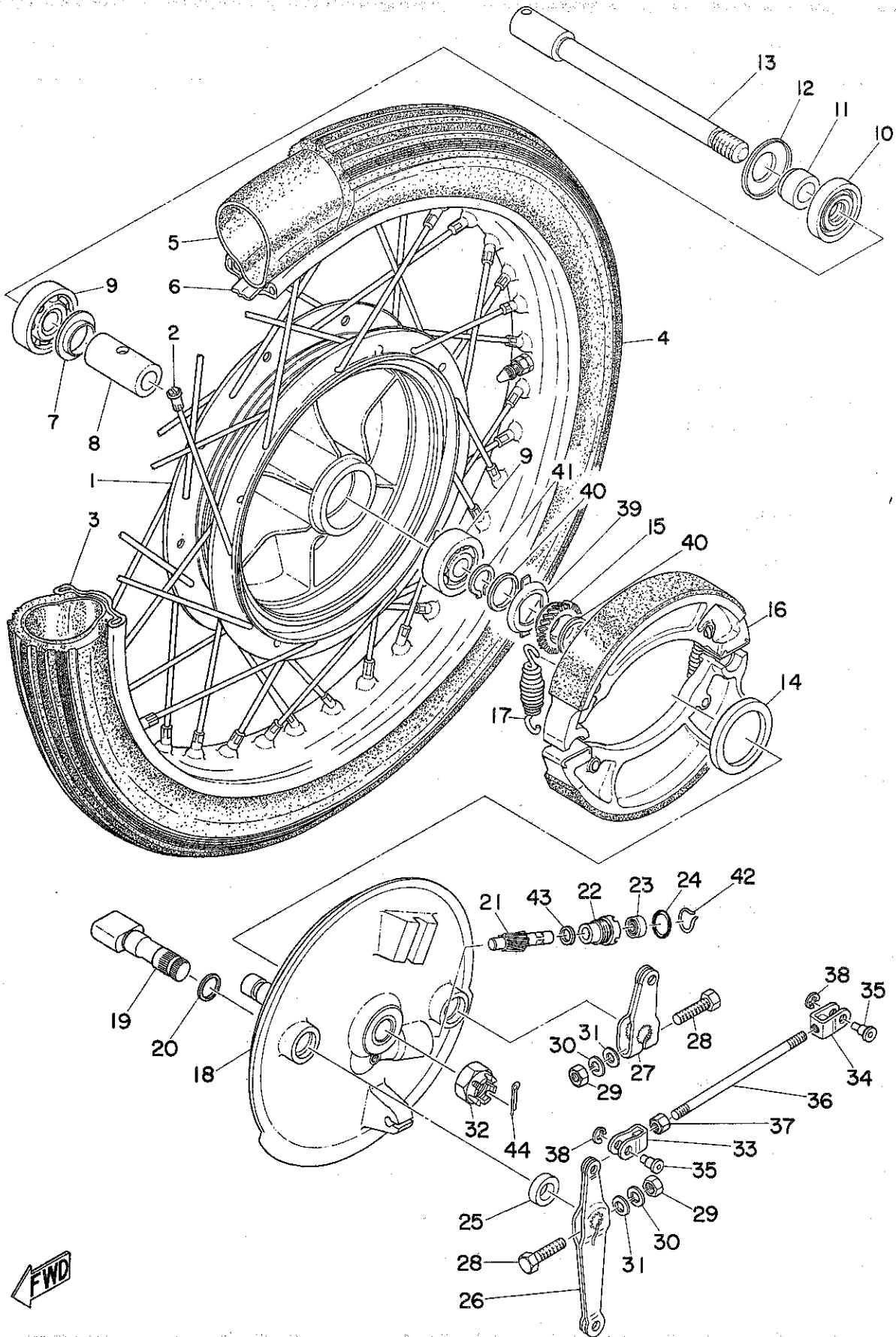
Fig. 26 FRONT WHEEL



FRONT WHEEL

Ref. No.	Parts No.	Description	Q'ty	Applicable Machine No.	Remarks
26- 1	246-25111-00	HUB	1		
26- 2	174-25104-00	SPOKE SET	1s		
26- 3	94416-18013	RIM (1.60A-18)	1		
26- 4	94127-18024	TIRE, front (2.75-18-4PR)	1		
26- 5	94227-18009	TUBE (2.75-18)	1		
26- 6	94327-18007	BAND, rim (2.75-18)	1		
26- 7	148-25115-00	FLANGE, spacer	1		
26- 8	136-25317-00	SPACER, bearing	1		
26- 9	93306-30203	BEARING (6302Z)	2		
26-10	93102-22014	OIL SEAL (SD-22-42-7)	1		
26-11	174-25183-00	COLLAR, wheel shaft	1		
26-12	246-25118-00	COVER, hub dust	1		
26-13	246-25181-00	SHAFT, wheel	1		
26-14	93105-53013	OIL SEAL (SDD-53-65-7)	1		
26-15	246-25135-00	GEAR, drive	1		
26-16	168-25130-00	BRAKE SHOE COMP.	2		
26-17	246-25333-00	SPRING, return	2		
26-18	337-25121-00	PLATE, brake shoe	1		
26-19	246-25151-00	CAM SHAFT	2		
26-20	148-25353-00	SHIM, cam shaft	2		
26-21	214-25138-00	GEAR, meter	1		
26-22	109-25136-00	BUSHING	1		
26-23	93104-07003	OIL SEAL (SO-7-14-4)	1		

Fig. 26 FRONT WHEEL

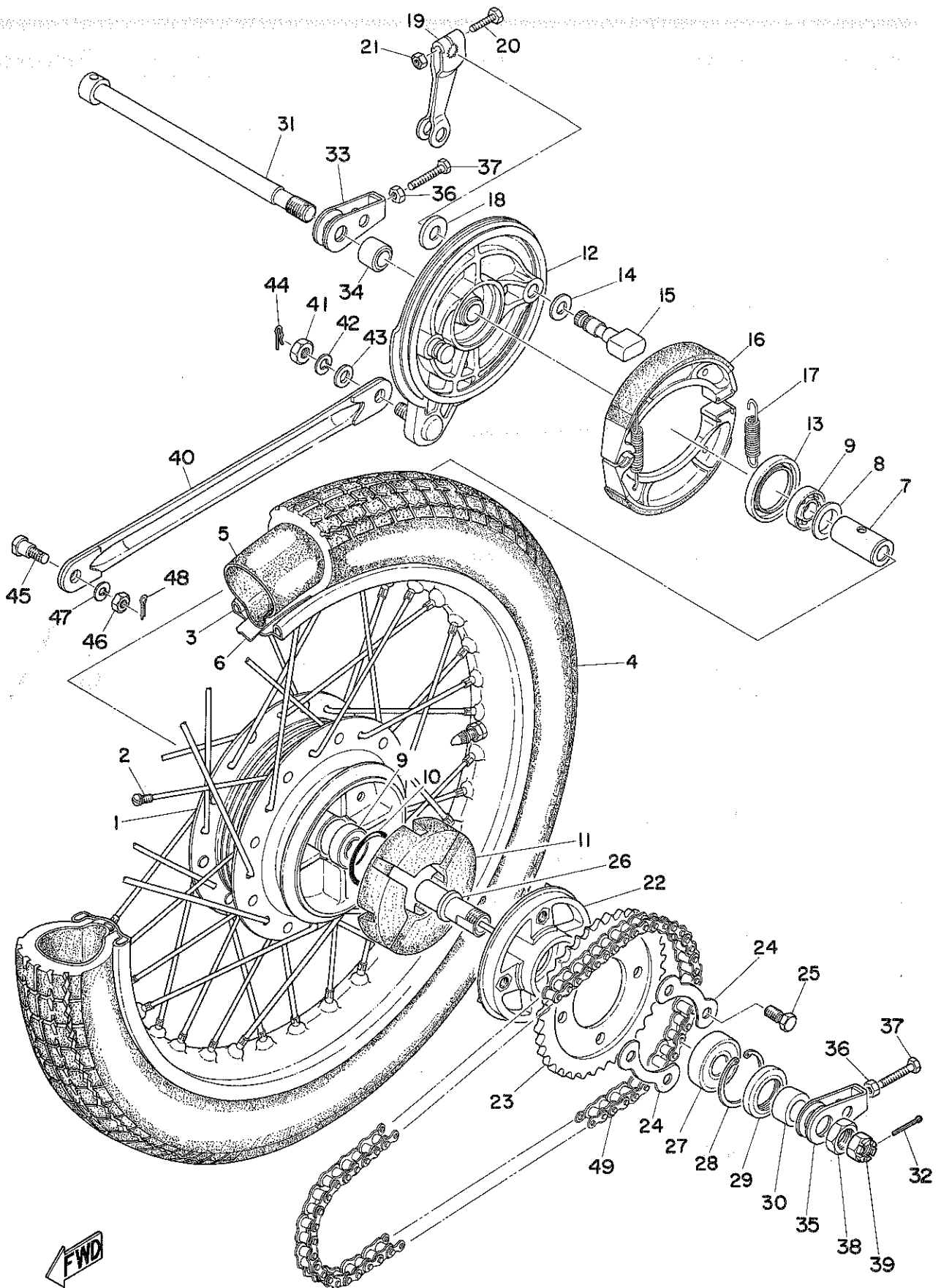


FWD

FRONT WHEEL

Ref. No.	Parts No.	Description	Q'ty	Applicable Machine No.	Remarks
26-24	93210-14104	O-RING (2.4-13.8)	1		
26-25	148-25359-00	SEAL, cam shaft	2		
26-26	337-25155-00	LEVER, cam shaft 1	1		
26-27	337-25156-00	LEVER, cam shaft 2	1		
26-28	91103-06030	BOLT	2		
26-29	92803-06200	NUT	2		
26-30	92901-06100	WASHER, spring	2		
26-31	92901-06200	WASHER, plain	2		
26-32	214-25182-01	NUT, wheel shaft	1		
26-33	152-25163-00	END, rod 1	1		
26-34	152-25164-00	END, rod 2	1		
26-35	152-25165-00	PIN, rod end	2		
26-36	152-25161-00	ROD, connecting	1		
26-37	92803-06300	NUT	1		
26-38	93430-04003	CIRCLIP	2		
26-39	246-25149-00	CLUTCH, meter	1		
26-40	214-25147-00	WASHER, thrust 2	2		
26-41	93410-22014	CIRCLIP	1		
26-42	102-25137-00	RING, stop	1		
26-43	183-25146-00	WASHER, thrust 1	1		
26-44	91401-30030	PIN, cotter	1		

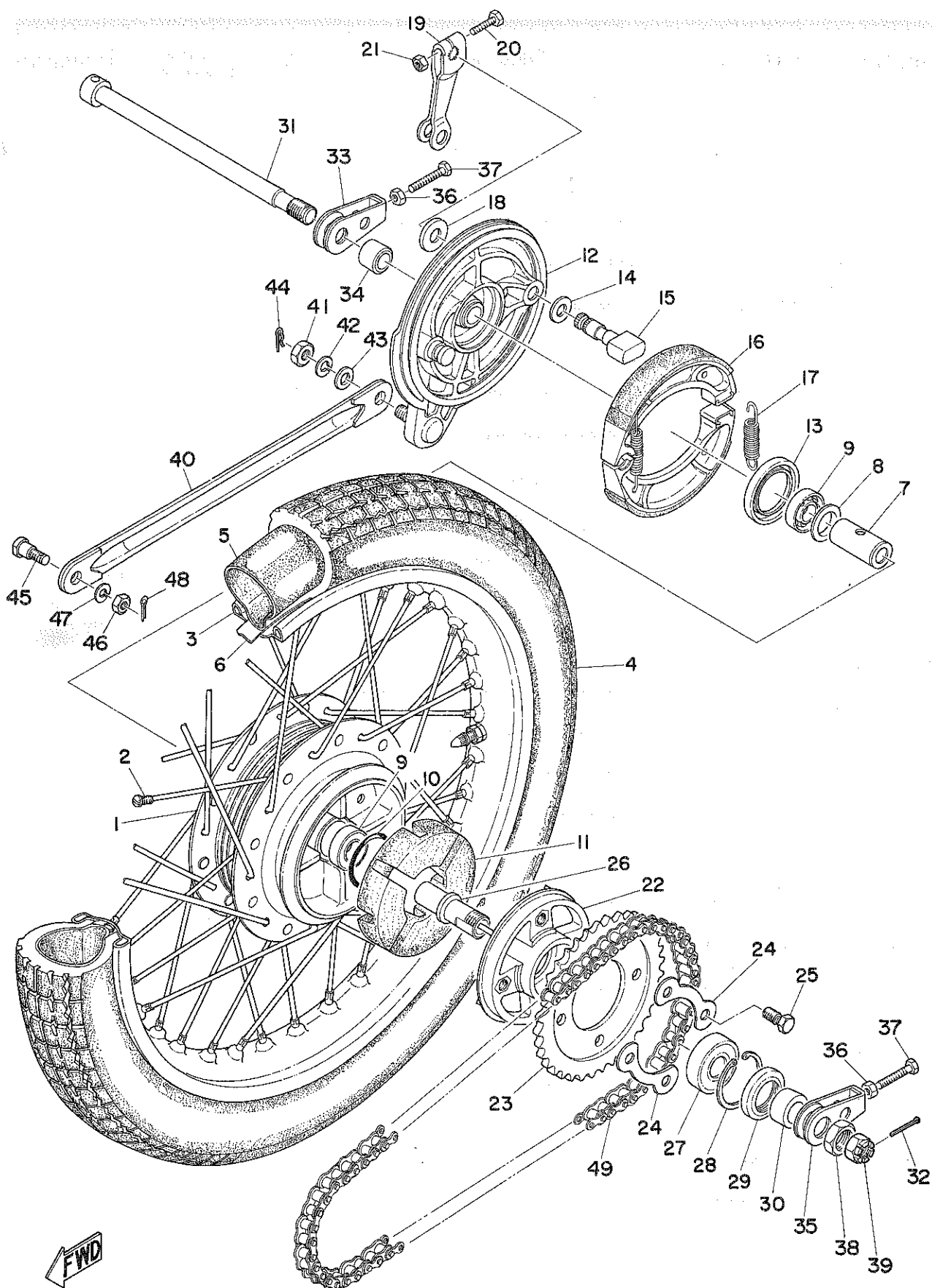
Fig. 27 REAR WHEEL



REAR WHEEL

No.	Parts No.	Description	Q'ty	Applicable Machine No.	Remarks
- 1	174-25311-00	HUB	1		
- 2	141-25304-00	SPOKE SET	1s		
- 3	94416-18013	RIM (1.60A-18)	1		
- 4	94130-18098	TIRE (3.00-18-4PR)	1		
- 5	94230-18012	TUBE (3.00-18)	1		
- 6	94330-18010	BAND, rim (3.00-18)	1		
- 7	136-25317-00	SPACER, bearing	1		
- 8	136-25115-00	FLANGE, spacer	1		
- 9	93306-20204	BEARING (6202Z)	2		
-10	93210-43043	O-RING (42.5-3.0)	1		
-11	174-25364-00	DAMPER, clutch	1		
-12	136-25321-01	PLATE, brake shoe	1		
-13	93101-42018	OIL SEAL (S-42-56-6)	1		
-14	136-25153-00	SHIM, cam shaft	1		
-15	136-25351-01	CAM SHAFT	1		
-16	174-25330-00	BRAKE SHOE COMP.	2		
-17	246-25333-00	SPRING, return	2		
-18	137-25159-00	SEAL, cam shaft (12-17-2)	1		
-19	337-25355-00	LEVER, cam shaft	1		
-20	91203-06030	BOLT	1		
-21	98801-06200	NUT	1		
-22	174-25366-01	CLUTCH, hub	1		

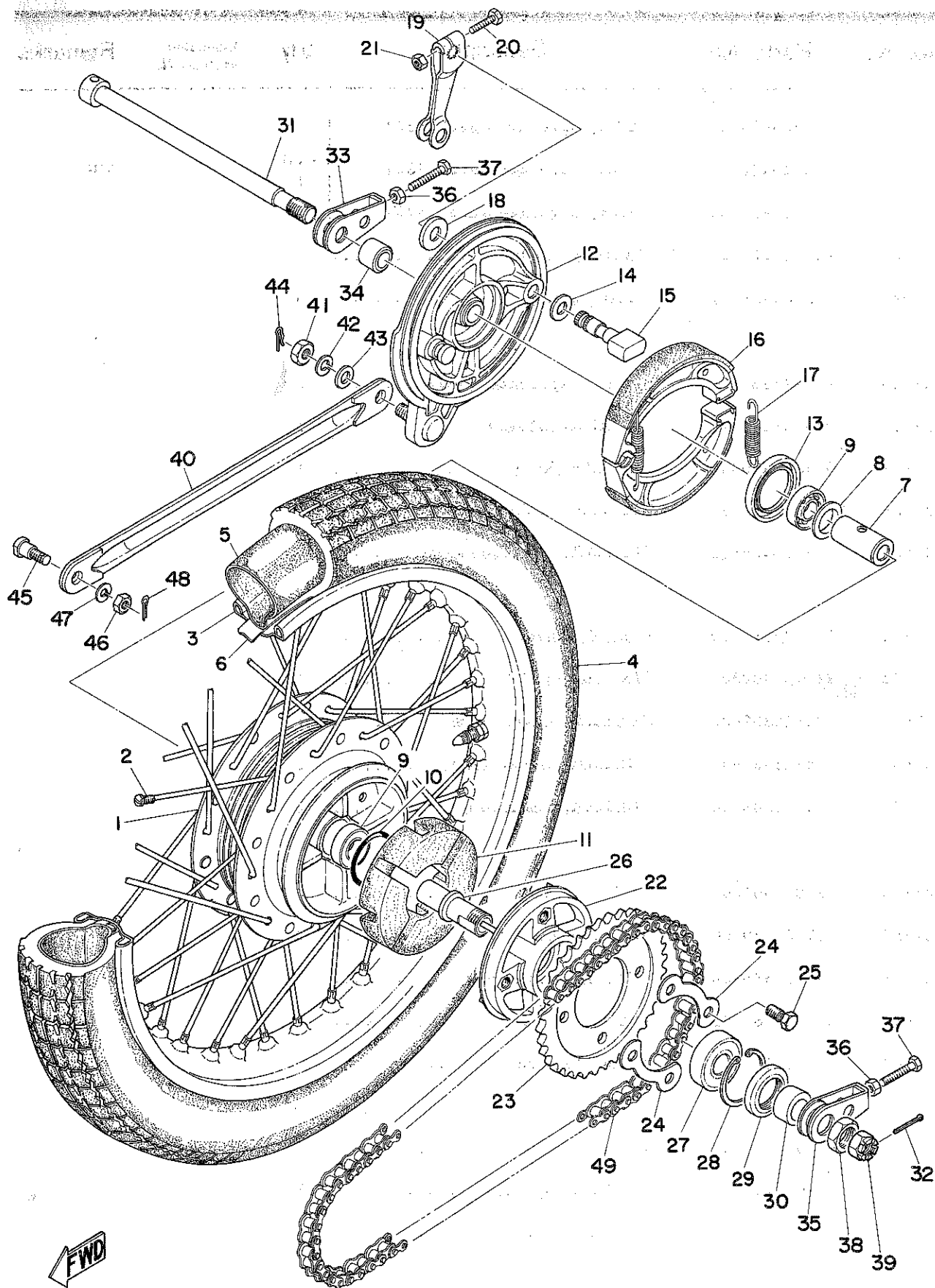
Fig. 27 REAR WHEEL



REAR WHEEL

f. No.	Parts No.	Description	Q'ty	Applicable Machine No.	Remarks
7-23	174-25435-20	GEAR, sprocket wheel (35T) ..	} U.R 1		STD
	174-25436-20	GEAR, sprocket wheel (36T) ..			
	174-25437-20	GEAR, sprocket wheel (37T) ..			
7-24	148-25412-00	WASHER, lock	2		
7-25	141-25411-00	BOLT, fitting	4		
7-26	174-25387-00	SHAFT, sprocket wheel	1		
7-27	93306-20404	BEARING (6204Z)	1		
7-28	93420-47008	CIRCLIP (R47)	1		
7-29	93106-30008	OIL SEAL (DD-30-47-5)	1		
7-30	174-25386-01	COLLAR, sprocket shaft	1		
7-31	397-25381-00	SHAFT, wheel	1		
7-32	91401-30030	PIN, cotter	1		
7-33	174-25389-00	PULLER, chain right	1		
7-34	174-25383-00	COLLAR, wheel shaft	1		
7-35	174-25388-00	PULLER, chain left	1		
7-36	98801-06200	NUT	2		
7-37	167-25379-00	BOLT, chain puller	2		
7-38	137-25385-00	NUT, sprocket shaft	1		
7-39	214-25182-01	NUT	1		
7-40	256-25371-00	BEAR, tension	1		
7-41	92801-10300	NUT	1		
7-42	92901-12100	WASHER, spring	1		
7-43	92901-10200	WASHER, plain	1		

Fig. 27 REAR WHEEL

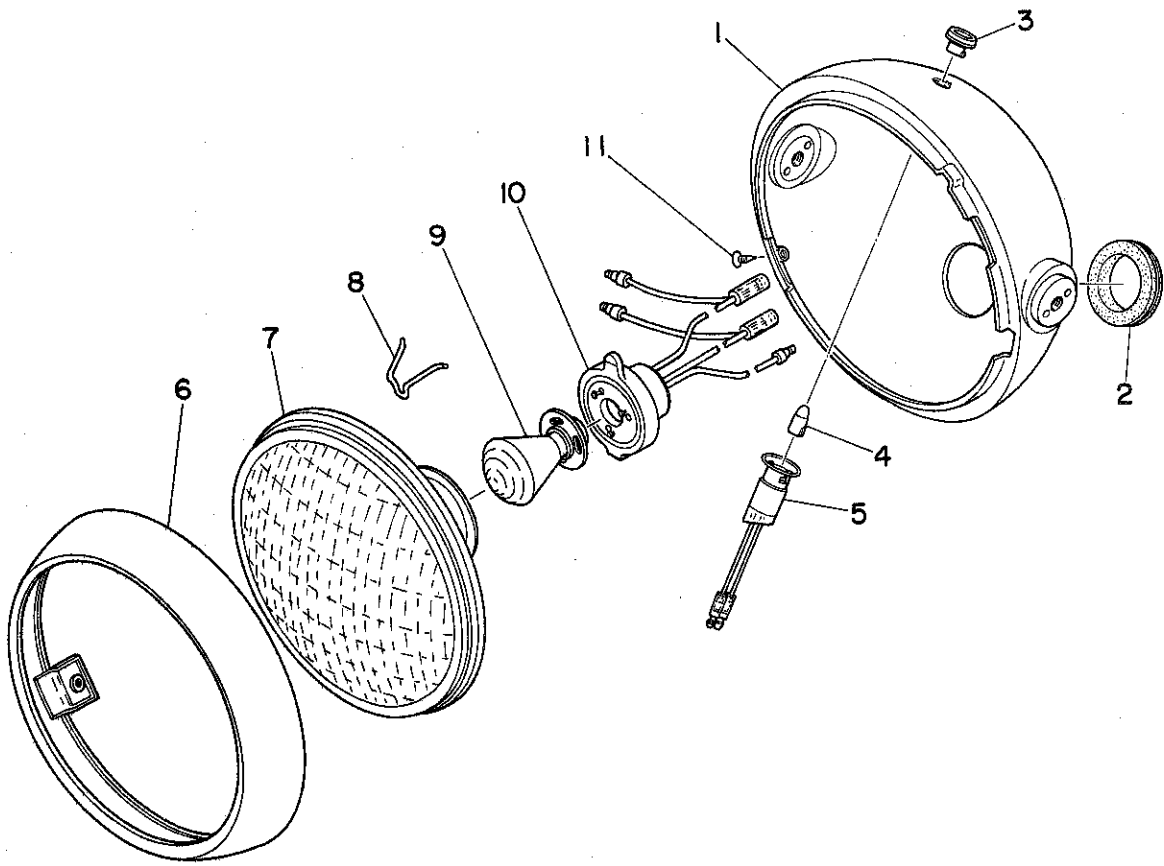


REAR WHEEL

Ref. No.	Parts No.	Description	Q'ty	Applicable Machine No.	Remarks
27-44	136-25375-00	CLIP, tension bar	1		
27-45	168-25373-00	BOLT, tension bar	1		
27-46	98801-08200	NUT	1		
27-47	92901-08100	WASHER, spring	1		
27-48	91401-20012	PIN, cotter	1		
27-49	94514-28112	CHAIN	1		
27-49-1	94614-28001	JOINT, chain	1		



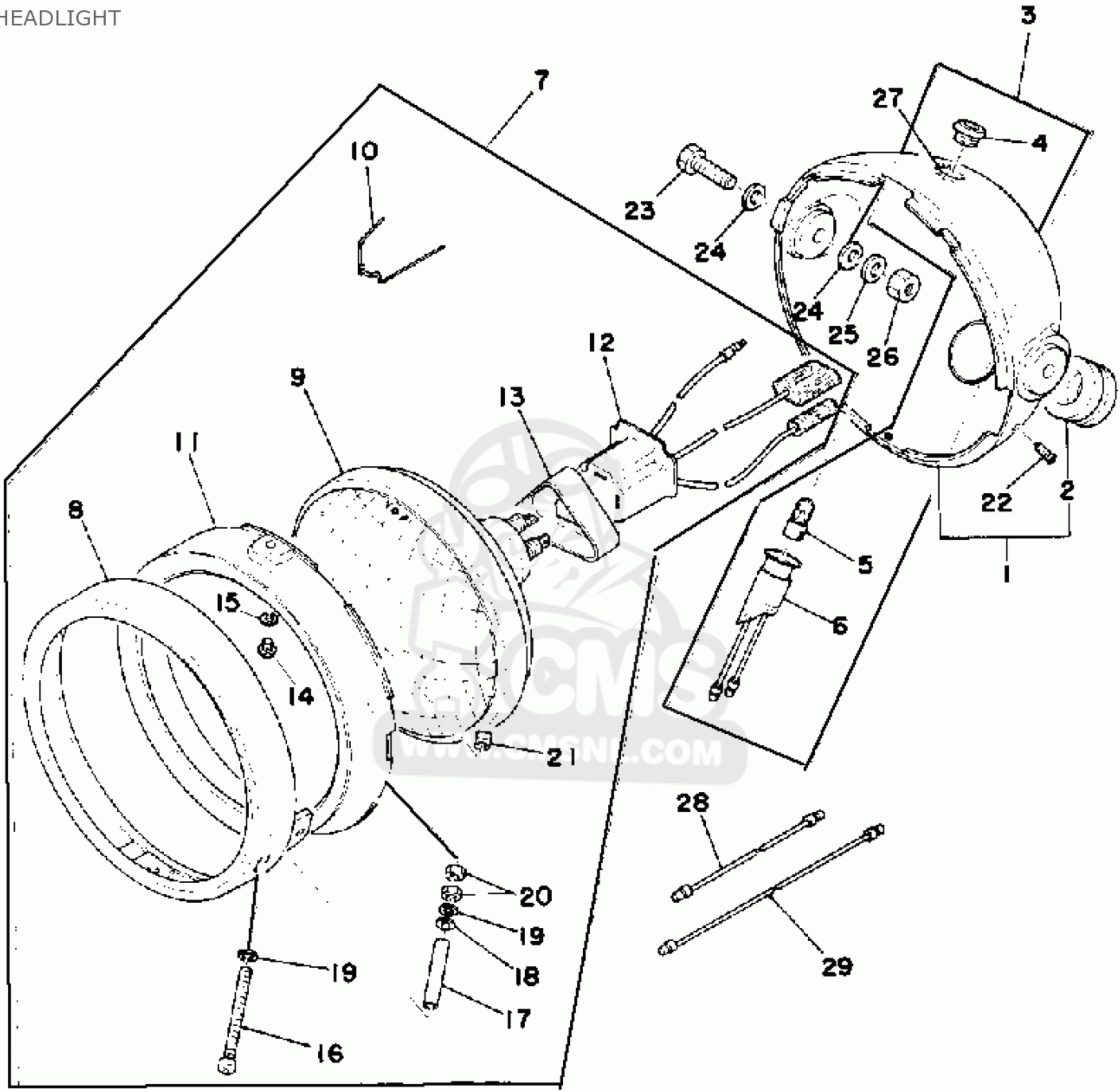
Fig. 28 HEAD LAMP












HEAD LAMP

f. No.	Parts No.	Description	Q'ty	Applicable Machine No.	Remarks
- 1	237-84330-60-M4	BODY ASS'Y	1		Virginia Gold
- 2	214-84153-60	. GROMMET	1		
- 0-1	256-84301-61	PILOT LAMP ASS'Y	1		
- 3	256-84357-61	. BODY, pilot lamp	1		
- 4	256-84347-00	. BULB (12V 2W)	1		
- 5	256-84350-61	. SOCKET CORD ASS'Y	1		
- 0-2	237-84310-00	HEAD LAMP UNIT ASS'Y	1		
- 6	237-84315-00	. RIM, head lamp	1		
- 7	237-84320-00	. LENS ASS'Y	1		
- 8	195-84324-00	. SPRING, reflector	4		
- 9	235-84314-00	. BULB, head lamp (12V-35/25W)	1		
-10	235-84312-60	. SOCKET	1		
-11	195-84325-00	SCREW, rim fitting	1		

HEADLIGHT



Get these parts at www.cmsnl.com !

1		BODY ASSEMBLY YAMAHA BLACK product number: 397843306033 📌 notes: YAMAHA BLACK	€ 0.00
2		GROMMET, WIREHARNES product number: 2148415360	€ 2.00
3		PILOT LAMP ASSY 1 product number: 2568430161	€ 15.00
4		BODY, PILOT LAMP product number: 2568435761	€ 13.00
5		BULB (12V 2W) product number: 2568434700	€ 4.00
6		PILOT LAMP ASSY 1 product number: 2568430161	€ 15.00
7		UNKNOWN PARTCODE FOR THIS ARTICLE product number: 000000000000 📌 notes: N/A	€ 0.00
8		RIM, HEAD LAMP product number: 4988411560	€ 72.50
9		LENS ASSY product number: 5078432062	€ 40.00
10		SPRING, REFLECTOR product number: 5078432460 📌 supersession: 1UJY8412400 ↗	€ 1.50
11		RING, RETAINING product number: 4988419560 📌 Hurry: only 3 left!	€ 39.00
12		SOCKET product number: 3718431260	€ 25.00

13

**COVER**

product number: 3418439761

€ 9.50

14

**SCREW**

product number: 4388419460

€ 2.50

15

**YBS67-5 WASHER, SPRING**

product number: 9299005100

€ 0.50

16

**SCREW 214841316100**

product number: 9015704001

€ 6.00

17

**SPACER**

product number: 4388413360

€ 10.00

18

**YBS66-4 WASHER, PLAIN**

product number: 9299004200

€ 0.50

19

**WASHER, SPRING**

product number: 9290104100

🔌 supersession: [9299004100](#) ↗

€ 0.50

20

**NUT**

product number: 9530104600

🔌 supersession: [9530704600](#) ↗

€ 0.50

21

**NUT, ADJUST**

product number: 1988433460

€ 3.50

22

**SCREW, OVAL HEAD (LA0)**

product number: 9015205005

🔌 supersession: [9870405012](#) ↗

€ 0.50

23

BOLT (68z)

product number: 9731308040

🔌 supersession: [9701308040](#) ↗

€ 2.00

24

**YBS66-8 WASHER, PLAIN**

€ 1.00

product number: 9299008200

25

**YBS67-8 WASHER, SPRING**

€ 0.50

product number: 9299008100

26

**NUT(6L2)**

€ 1.00

product number: 9533308600

i supersession: [9888008100](#)

27

LABEL

€ 0.00

product number: 3978358500

28

WIRE, LEAD 1

€ 0.00

product number: 3378434800

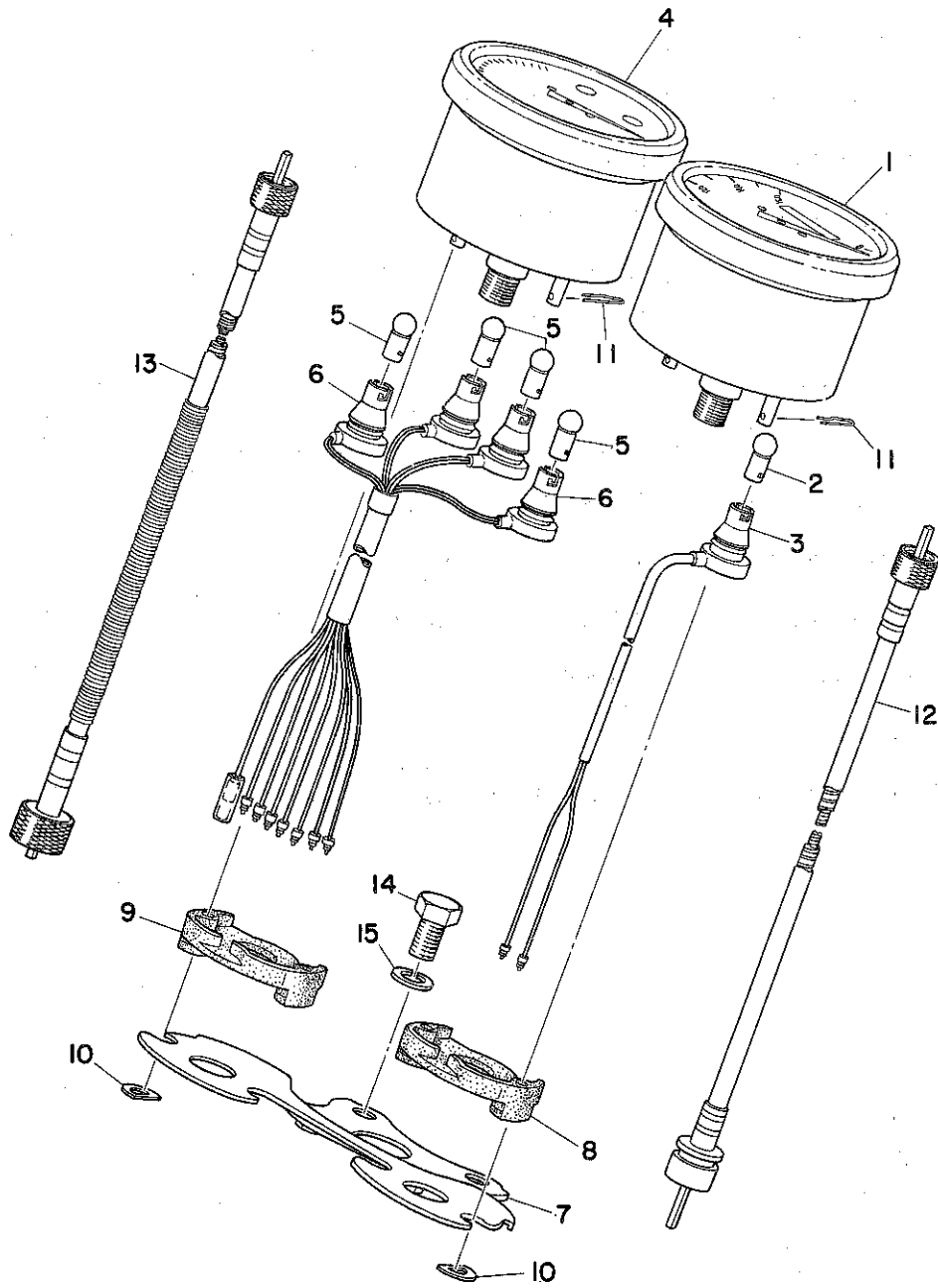
29

WIRE LEAD 2

€ 2.50

product number: 3378434900

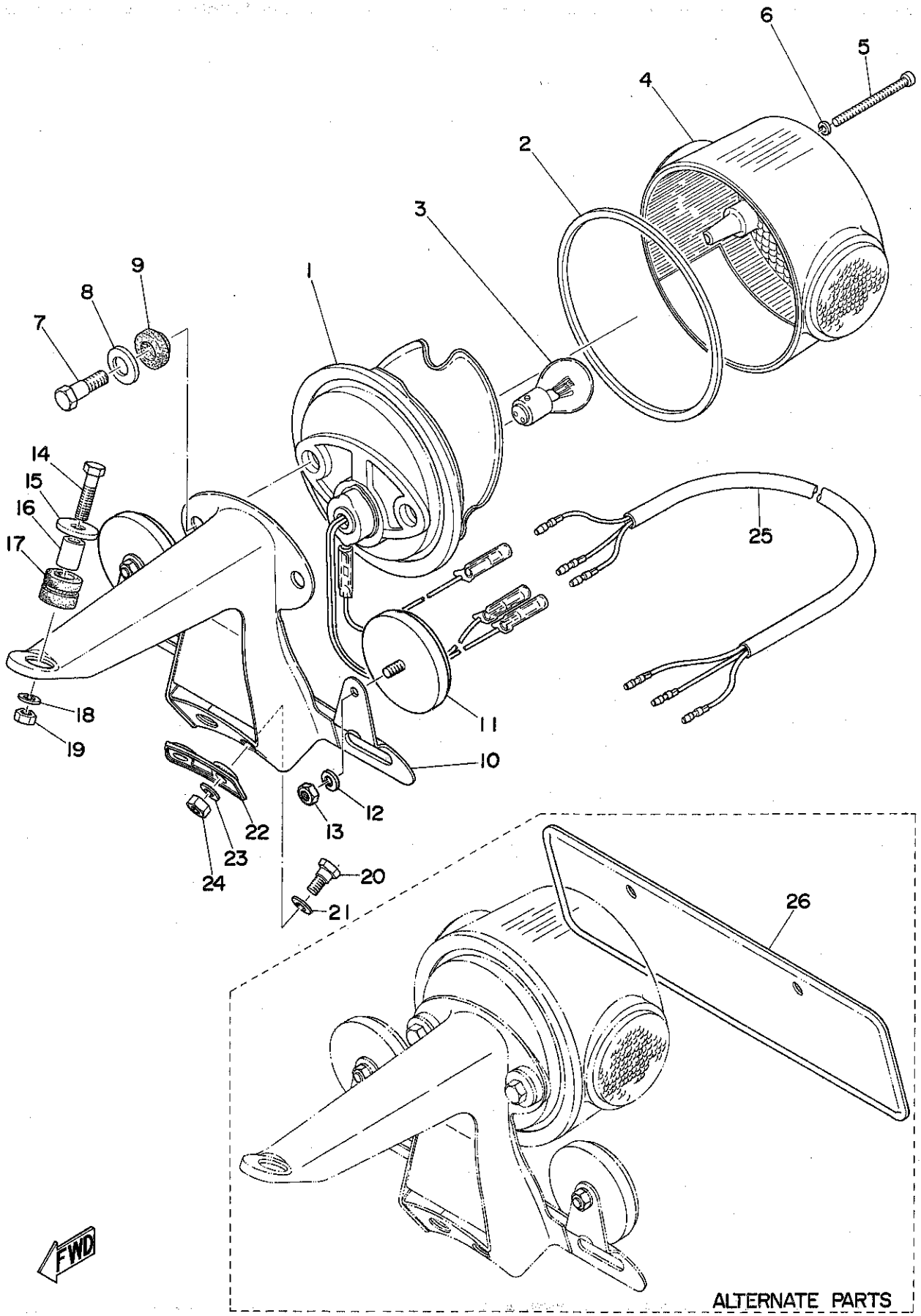
Fig. 29 SPEEDOMETER - TACHOMETER



SPEEDOMETER · TACHOMETER

No.	Parts No.	Description	Q'ty	Applicable Machine No.	Remarks
1	396-83510-20	SPEEDOMETER ASS'Y	1		KM/H
	396-83510-40	SPEEDOMETER ASS'Y	1		MPH
2	123-83516-20	. BULB (12V 3W)	1		
3	235-83536-21	. SOCKET, meter	1		
4	397-83540-00	TACHOMETER ASS'Y	1		
5	123-83516-20	. BULB (12V 3W)	4		
6	337-83520-00	. SOCKET ASS'Y	1		
7	337-83519-00-33	BRACKET, meter	1		
8	214-83523-00	DAMPER	1		
9	237-83523-00	DAMPER	1		
10	214-83524-00	WASHER, special	4		
11	156-83525-00	CLIP	4		
12	252-83550-00	SPEEDOMETER CABLE ASS'Y ..	1		
13	396-83560-00	TACHOMETER CABLE ASS'Y ..	1		
14	97201-08015	BOLT	2		
15	92901-08100	WASHER, spring	2		

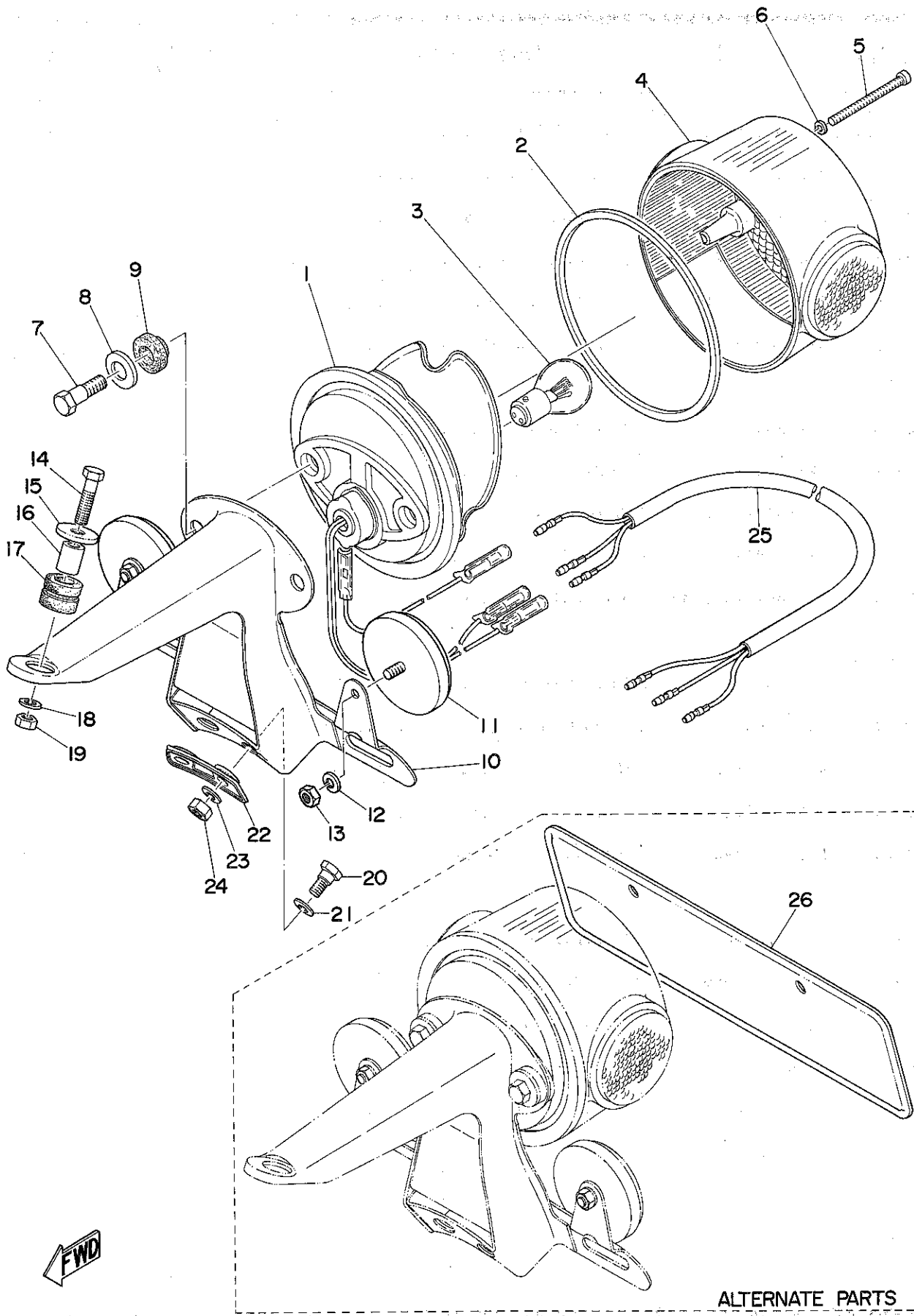
Fig. 30 TAIL LAMP



TAIL LAMP

f. No.	Parts No.	Description	Q'ty	Applicable Machine No.	Remarks
- 0-1	341-84710-00	TAIL LAMP UNIT ASS'Y	1		
- 1	306-84711-60	. BASE, tail lamp	1		
- 2	275-84523-60	. GASKET, tail lamp	1		
- 3	137-84714-61	. BULB, tail lamp (12V-23/8W)	1		
- 4	341-84721-00	. LENS, tail lamp	1		
- 5	341-84724-60	. SCREW, lens fitting	3		
- 6	341-84722-60	. PACKING	3		
- 7	275-84526-60	SCREW	2		
- 8	275-84525-60	WASHER, special	2		
- 9	275-84527-60	DAMPER	2		
-10	341-84751-61-35	BRACKET, license	1		Silver
-11	341-85111-60	REFLECTOR	2		
-12	92903-05100	WASHER, spring	2		
-13	98803-05100	NUT	2		
-14	91203-06025	BOLT	1		
-15	102-28323-00	WASHER, leg shield	1		
-16	214-21633-00	COLLAR, fender mount 1	1		
-17	214-21717-00	DAMPER, battery box 1	1		
-18	92901-06100	WASHER, spring	1		
-19	98801-06100	NUT	1		
-20	337-84752-00	BOLT, fitting	2		
-21	92901-08200	WASHER, plain	2		
-22	337-84753-00	DAMPER, license bracket	1		

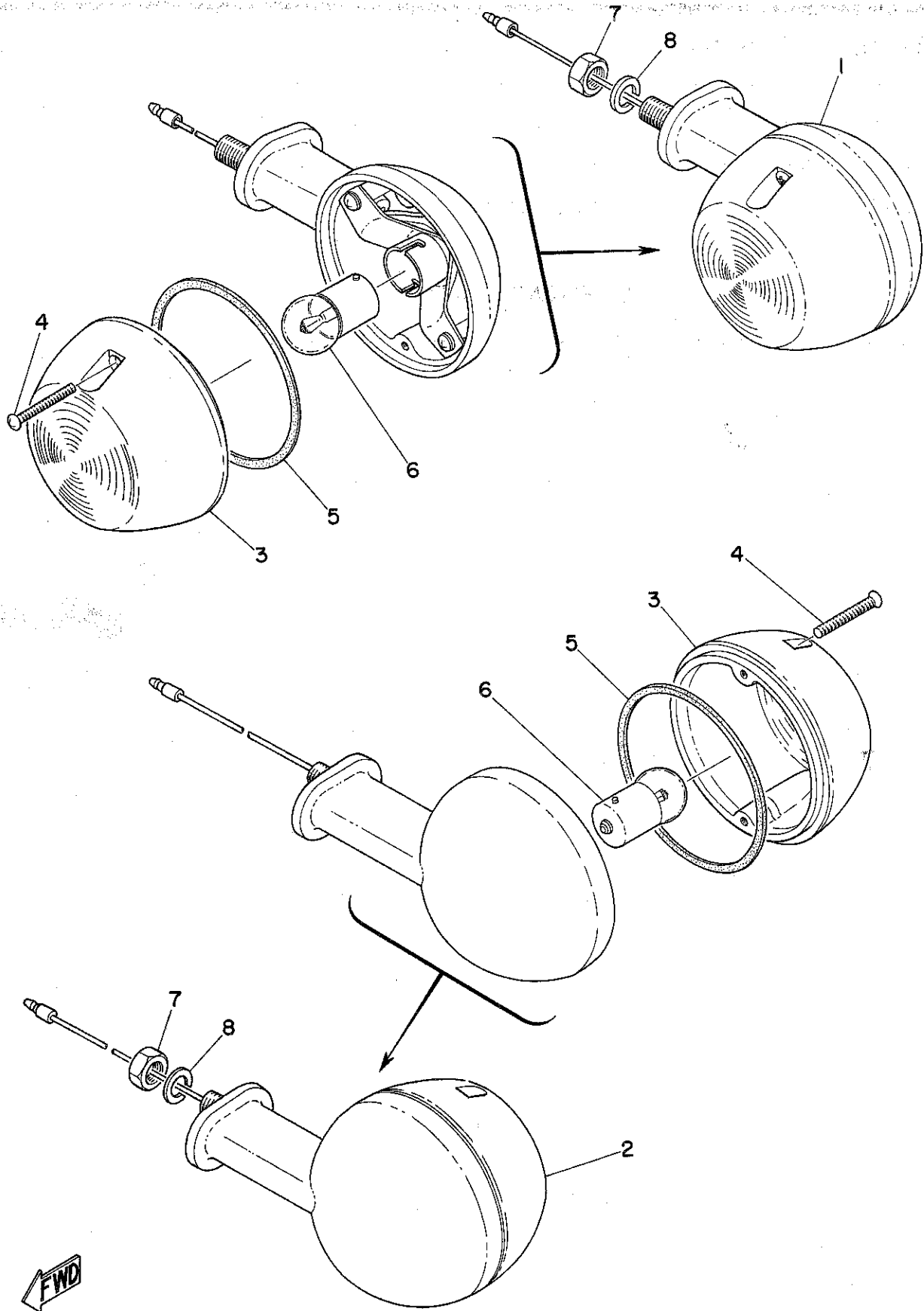
Fig. 30 TAIL LAMP



TAIL LAMP

Ref. No.	Parts No.	Description	Q'ty	Applicable Machine No.	Remarks
30-23	92901-06100	WASHER, spring	2		
30-24	98801-06100	NUT	2		
30-25	214-84517-00	CORD, tail lamp	1		
ALTERNATE PARTS					
30-26	202-21681-00-33	PLATE, license rear	1		

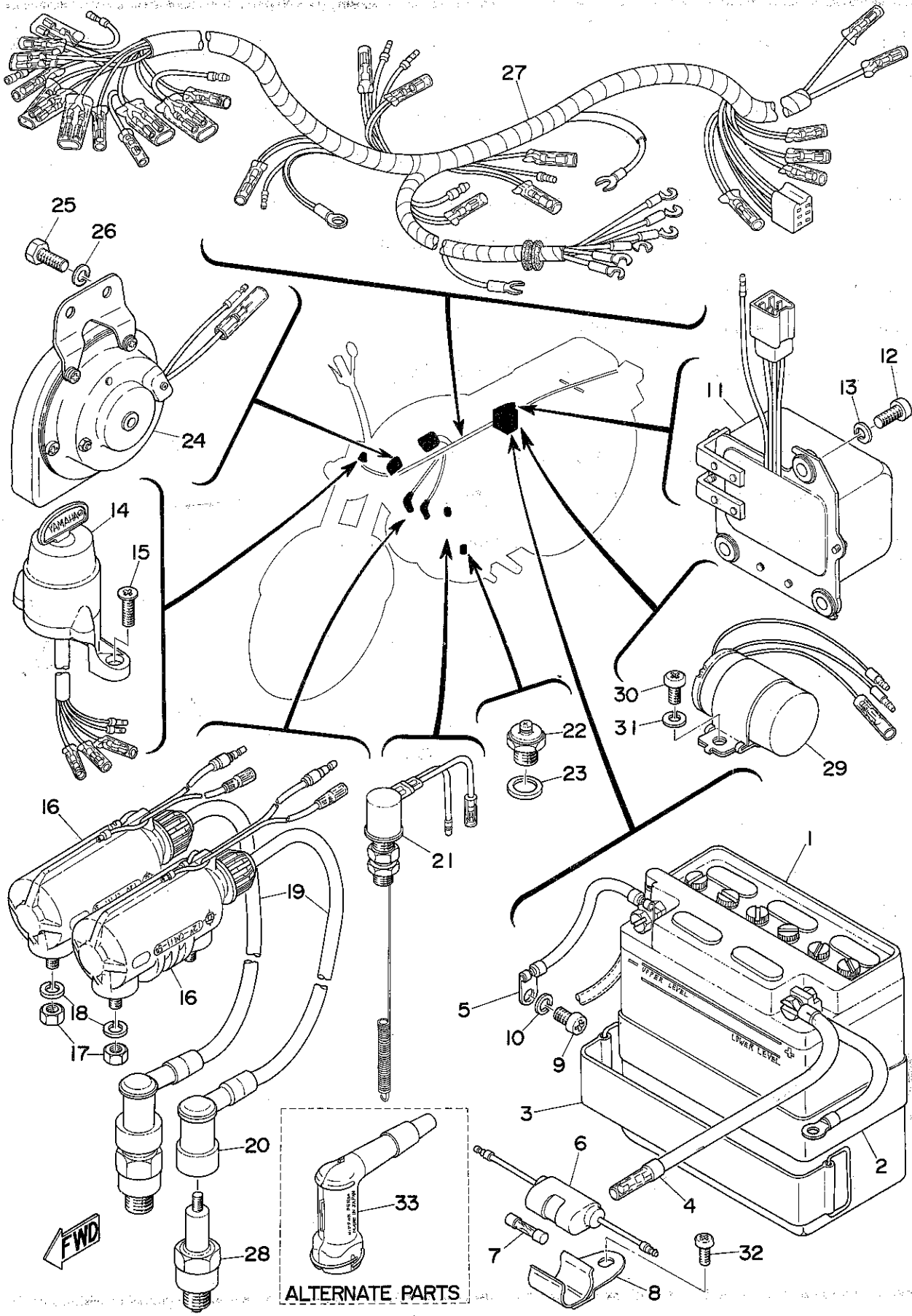
Fig. 31 FLASHER LAMP



FLASHER LAMP

Ref. No.	Parts No.	Description	Q'ty	Applicable Machine No.	Remarks
31- 1	278-83310-45-93	FRONT FLASHER LAMP ASS'Y	2		
	235-83310-95-93	FRONT FLASHER LAMP ASS'Y	2		Destined for Australia
31- 2	337-83330-20-93	REAR FLASHER LAMP ASS'Y ..	2		
	235-83330-95-93	REAR FLASHER LAMP ASS'Y ..	2		Destined for Australia
31- 3	183-83332-21	. LENS, flasher	4		
31- 4	183-83333-21	. SCREW, lens fitting	8		
31- 5	183-83313-70	. GASKET, flasher lens	4		
31- 6	136-83311-20	. BULB, flasher (12V-8W)	4		
31- 7	98801-08100	NUT	4		
31- 8	92901-08100	WASHER, spring	4		

Fig. 32 ELECTRICAL



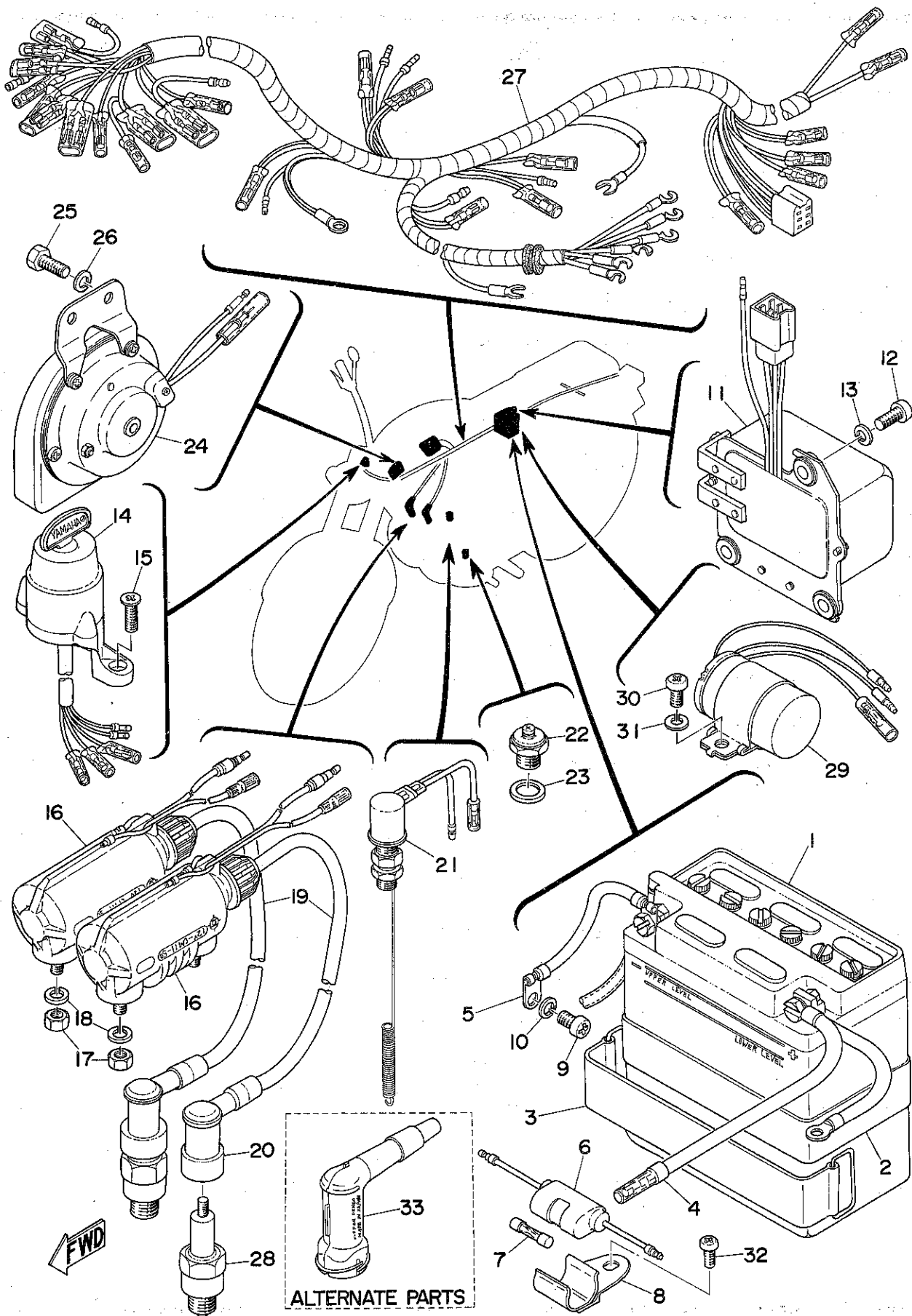
FWD

ALTERNATE PARTS

ELECTRICAL

Ref. No.	Parts No.	Description	Q'ty	Applicable Machine No.	Remarks
32- 1	173-82110-70	BATTERY ASS'Y	1		
32- 1-1	104-82111-20	. CAP, battery	6		
32- 2	165-82124-00	BAND, battery	1		
32- 3	337-82131-00	BAND, battery	1		
32- 4	337-82115-00	WIRE, plus lead	1		
32- 5	337-82116-00	WIRE, minus lead	1		
32- 6	164-82150-00	FUSE HOLDER ASS'Y	1		
32- 7	148-82151-00	. FUSE	2		
32- 8	337-82152-00	HOLDER, fuse	1		
32- 9	92501-06010	SCREW, panhead	1		
32-10	92901-06100	WASHER, spring	1		
32-11	337-81910-10	VOLTAGE REGULATOR ASS'Y	1		
32-12	92501-06015	SCREW, panhead	3		
32-13	92901-06100	WASHER, spring	3		
32-14	397-82508-10	MAIN SWITCH ASS'Y	1		
32-15	98701-05015	SCREW, flathead	2		
32-16	254-82310-60	IGNITION COIL ASS'Y	2		
32-17	98801-06100	NUT	4		
32-18	92901-06100	WASHER, spring	4		
32-19	183-82341-00	CORD, high-tension	2		
32-20	166-82370-20	PLUG CAP ASS'Y	2		
32-21	307-82530-00	STOP SWITCH ASS'Y	1		
32-22	136-83540-00	NEUTRAL SWITCH ASS'Y	1		

Fig. 32 ELECTRICAL



ELECTRICAL

f. No.	Parts No.	Description	Q'ty	Applicable Machine No.	Remarks
-23	136-82543-00	GASKET	1		
-24	183-83371-20	HORN	1		
-25	92501-06015	BOLT	2		
-26	92901-06100	WASHER, spring	2		
-27	397-82590-11	WIRE HARNESS ASS'Y	1		
-28	94701-00041	PLUG, spark (B-8HS)	2		
-29	397-83350-20	FLASHER RELAY ASS'Y	1		
-30	92501-06012	SCREW, panhead	1		
-31	92901-06100	WASHER, spring	1		
-32	92501-06012	SCREW, panhead	1		
ALTERNATE PARTS					
-33	808-82370-10	PLUG CAP ASS'Y (with Noise Suppressor)	2		

NUMERICAL INDEX



NUMERICAL INDEX

Ref. No.	Parts No.	Ref. No.	Parts No.	Ref. No.	Parts No.
23-10	101-24356-00	3-18	132-11561-00-03	14- 8	132-81225-10
24- 6	101-24356-00	3- 9	132-11561-00-05	14- 7	132-81226-10
14-19	101-81111-10	3-18	132-11561-00-05	14-12	133-81132-10
5-28	102-17462-00	12-13	132-14613-00	17-10	135-22243-00
4-13	102-17463-00	12-17	132-14713-00	21- 6	136-23415-00
5-30	102-17463-00	12-18	132-14714-01	27- 8	136-25115-00
4-12	102-17464-00	1-12	132-15351-00	27-14	136-25153-00
5-31	102-17464-00	1-13	132-15353-00	26- 8	136-25317-00
17- 9	102-22243-00	5-24	132-15653-00-10	27- 7	136-25317-00
26-42	102-25137-00	5-24	132-15653-00-12	27-12	136-25321-01
12-20	102-27114-00	5-24	132-15653-00-14	27-15	136-25351-01
30-15	102-28323-00	8-14	132-15664-00	27-44	136-25375-00
32- 1-1	104-82111-20	8-16	132-15676-00	32-23	136-82543-00
26-22	109-25136-00	4- 8	132-16321-00	31- 6	136-83311-20
15- 8	116-21483-00	2- 7	132-16345-00	32-22	136-83540-00
16-15	116-28324-00	2- 8	132-16346-00	13-16	137-13128-00
24-12	116-28324-00	4- 9	132-16351-00	13-10	137-13137-00-10
8-12	117-15644-00	5- 4	132-17216-00	13-11	137-13138-01
1-26	120-15371-00	5-20	132-17216-00	13-27	137-13165-00
20-17	122-23112-00	5- 5	132-17414-00	13-28	137-13167-00
20-22	122-23119-01	5-19	132-17414-00	13- 4	137-13176-00
20-24	122-23128-00	7-10	132-18113-01	13-19	137-13187-00
20-23	122-23129-00	7- 2	132-18123-00	6-23	137-15353-00
20-21	122-23346-01	7- 3	132-18124-00	4- 6	137-16324-00
21-25	122-23480-00	7- 4	132-18133-00	4-10	137-16333-00
21-26	122-23483-00	7- 7	132-18137-00	4-11	137-16337-01
23- 6	122-24181-00	6-14	132-18140-01	4- 7	137-16367-00
23- 2	122-24610-01	6-16	132-18143-00	20- 7	137-23125-00
18- 2	122-27112-00	6-15	132-18177-00	20-10	137-23145-00
18-23	122-27317-01	23- 9	132-24311-00	20- 8	137-23147-00
29- 2	123-83516-20	23- 8	132-24312-00	20-14	137-23163-00
29- 5	123-83516-20	23-20	132-24518-00	21- 7	137-23454-00
13- 1	126-13116-00	23-18	132-24523-00	23-23	137-24331-00
23-24	127-24650-00	23-21	132-24525-00	23-17	137-24513-00
1-22	131-11175-00	18-17	132-27414-00	27-18	137-25159-00
3-29	131-11633-00	18-19	132-27416-00	27-38	137-25385-00
3-30	131-11634-00	18-18	132-27417-00	30- 3	137-84714-61
3- 9	132-11561-00-03	18-16	132-27422-00	7-16	141-18139-00

NUMERICAL INDEX

Ref No.	Parts No.	Ref No.	Parts No.	Ref No.	Parts No.
16- 9	141-21717-00	17-11	164-22241-00	4-15	174-16176-01
21-15	141-23427-00	21- 9	164-23441-00-98	4- 0-1	174-16301-02
27- 2	141-25304-00	14-15	164-81245-21	4-14	174-16356-00
27-25	141-25411-00	14-18	164-81245-21	4- 5	174-16371-01
14-22	141-81113-10	32- 6	164-82150-00	5-22	174-17211-00
3-33	146-11545-00	14- 6	165-81145-21	5-29	174-17461-40
26- 7	148-25115-00	14-11	165-81145-21	5-29	174-17461-50
26-20	148-25353-00	32- 2	165-82124-00	5-29	174-17461-60
26-25	148-25359-00	1-21	166-11171-60	5-29	174-17461-70
27-24	148-25412-00	32-20	166-82370-20	7- 1	174-18101-02
32- 7	148-82151-00	27-37	167-25379-00	6- 0-1	174-18500-03
18-25	150-27316-00	23-11	168-24500-01	6- 2	174-18511-00
26-36	152-25161-00	23-14	168-24515-00	6- 6	174-18512-00
26-33	152-25163-00	23-12	168-24521-00	6- 7	174-18513-00
26-34	152-25164-00	23-13	168-24522-00	6- 1	174-18541-03
26-35	152-25165-00	23-19	168-24524-00	6- 9	174-18544-00
19-12	152-84518-00	26-16	168-25130-00	6-22	174-18558-00
8- 3	156-15618-01	27-45	168-25373-00	6-24	174-18578-00
21- 1	156-23411-00	22-30	168-26337-00	15- 4	174-21481-00
21- 2	156-23412-00	22-31	168-26344-00	15- 7	174-21482-00
21-16	156-23418-00	24- 8	168-82112-00	19- 4	174-21518-00-93
22-34	156-26347-00	17- 5	173-22151-00	17- 2	174-22123-00
22-36	156-27226-00	32- 1	173-82110-70	21-18	174-23411-00
22-35	156-27229-00	1-14	174-11361-00	21-20	174-23425-00
18-12	156-27237-00	3- 2	174-11422-01	21-12	174-23443-00
18-21	156-27413-00	3- 3	174-11432-01	21-21	174-23453-00
21-22	156-83525-00	3-12	174-11511-01	25-14	174-24741-00
29-11	156-83525-00	3-14	174-11512-02	26- 2	174-25104-00
3-26	164-16119-00	3-17	174-11515-00	26-11	174-25183-00
5- 9	164-17427-00-08	3-24	174-11523-00	27- 1	174-25311-00
5- 9	164-17427-00-10	3- 5	174-11651-00	27-16	174-25330-00
5- 9	164-17427-00-12	3- 7	174-11681-00	27-11	174-25364-00
6- 4	164-18551-00	3- 8	174-11685-00	27-22	174-25366-01
6- 3	164-18552-00	13- 2	174-13175-00	27-34	174-25383-00
6-11	164-18561-00	13- 6	174-13178-00	27-30	174-25386-01
6-18	164-18571-00	4- 1	174-16105-01	27-26	174-25387-00
6-17	164-18572-00	4- 4	174-16154-00	27-35	174-25388-00
17- 6	164-22216-00	4-17	174-16164-00	27-33	174-25389-00

NUMERICAL INDEX

Ref No.	Parts No.	Ref No.	Parts No.	Ref No.	Parts No.
27-23	174-25436-20	24-10	214-21633-00	9- 2	237-17831-00
27-23	174-25435-20	30-16	214-21633-00	9- 1	237-17861-00
27-23	174-25437-20	16-16	214-21717-00	29- 9	237-83523-00
22- 1	174-26111-00-93	24- 9	214-21717-00	22- 3	237-83972-10
18- 6	174-27115-00	30-17	214-21717-00	22-20	237-83976-00
18- 7	174-27116-00	24- 3	214-21771-00	28- 0-2	237-84310-00
18-11	180-27236-00	24- 4	214-21772-00	28- 6	237-84315-00
7-11	183-22142-10	26-21	214-25138-00	28- 7	237-84320-00
17-15	183-22316-01	26-40	214-25147-00	28- 1	237-84330-60-M4
17-13	183-22331-01	26-32	214-25182-01	2- 4	241-16341-01
17-14	183-22332-01	27-39	214-25182-01	2- 6	241-16342-00
20-20	183-23318-00	22-21	214-26243-00	4-21	241-16343-00
21- 4	183-23411-00	22- 0-1	214-82910-02	1-28	241-15357-00
21- 3	183-23412-00	22- 4	214-82911-01	12-14	246-14651-00
21-19	183-23422-00	29- 8	214-83523-00	21-13	246-23428-00
26-43	183-25146-00	29-10	214-83524-00	26- 1	246-25111-00
18- 5	183-27216-00	22- 5	214-83912-00	26-12	246-25118-00
14- 3	183-81421-10	22- 7	214-83913-00	26-15	246-25135-00
32-19	183-82341-00	22-15	214-83913-00	26-39	246-25149-00
31- 5	183-83313-70	28- 2	214-84153-60	26-19	246-25151-00
31- 3	183-83332-21	30-25	214-84517-00	26-13	246-25181-00
31- 4	183-83333-21	22-19	232-83980-30	26-17	246-25333-00
32-24	183-83371-20	22- 0-2	233-82920-32	27-17	246-25333-00
20- 9	193-23150-40	22-10	233-82921-31	13-25	248-13161-01
28- 8	195-84324-00	22-14	233-83915-01	1-27	248-15373-00
28-11	195-84325-00	22-11	233-83922-30	5-13	248-17471-01
30-26	202-21681-00-33	22- 2	235-26241-00	9- 3	248-17837-00
18-13	206-27238-00	22-43	235-26241-10	9- 4	248-17841-00
14-23	207-81331-10	22-22	235-26242-00	16-13	248-21717-00
22- 1	212-26111-00	22-44	235-26242-10	16-11	248-21757-00
13-26	214-13162-00	31- 1	235-83310-95-93	24- 5	248-21766-00
13-23	214-13164-00	31- 2	235-83330-95-93	20-11	248-23144-00
9- 6	214-17811-01	29- 3	235-83536-21	4-16	251-15631-01
9-10	214-17812-00	28-10	235-84312-60	8-11	251-15641-01
9- 9	214-17815-00	28- 9	235-84314-00	5-23	251-15651-01
9-13	214-17843-00	2-18	237-15324-00	8-10	251-15687-00
9- 8	214-17847-00	5-11	237-15389-00	29-12	252-83550-00
16-12	214-21633-00	4-19	237-16357-01	32-16	254-82310-60

NUMERICAL INDEX

Ref No.	Parts No.	Ref No.	Parts No.	Ref No.	Parts No.
27-40	256-25371-00	17-18	307-27431-00	20- 4	337-23142-60
12-21	256-27314-00	17-19	307-27433-00	20-19	337-23340-60-33
20-30	256-83329-00	17-20	307-27437-00	21- 8	337-23435-00-98
28- 0-1	256-84301-61	32-21	307-82530-00	23- 3	337-24161-10
28- 4	256-84347-00	20- 5	315-23118-50	23- 4	337-24162-10
28- 5	256-84350-61	24-11	322-21544-00	25-13	337-24768-00
28- 3	256-84357-61	22-38	326-26328-00	25-15	337-24830-00
1-18	273-11181-00	1-19	337-11111-00	26-18	337-25121-00
30- 2	275-84523-60	1-20	337-11121-00	26-26	337-25155-00
30- 8	275-84525-60	12-19	337-14779-00	26-27	337-25156-00
30- 7	275-84526-60	2- 1	337-15410-00	27-19	337-25355-00
30- 9	275-84527-60	2-11	337-15417-00	22- 1	337-26111-00
25-12	276-24748-00	2-17	337-15421-00	18- 1	337-27111-00
13-24	278-13161-00	8- 2	337-15621-00	18- 3	337-27211-00-93
13-21	278-13169-00	8- 9	337-15660-00	18- 8	337-27231-00
10-14	278-13575-00	7- 9	337-18111-00-93	18-22	337-27311-00
8- 1	278-15611-00-93	7-15	337-18115-00	18-14	337-27411-00
8- 5	278-15613-00	15- 2	337-21315-00	18-15	337-27412-00
8- 4	278-15622-00	15- 3	337-21316-00	14-24	337-81153-10
25-11	278-24728-00	18-20	337-21491-00	1-29	337-81328-00
22-40	278-26249-00	19- 1	337-21510-00-93	32-11	337-81910-10
31- 1	278-83310-45-93	19- 7	337-21610-00-93	32- 4	337-82115-00
11-22	288-14161-00	17- 1	337-22110-00-33	32- 5	337-82116-00
13-29	293-13174-00	17- 3	337-22141-00	32- 3	337-82131-00
13-12	295-13146-00	17- 7	337-22210-20	32- 8	337-82152-00
14-16	299-81133-10	17-12	337-22311-00-93	31- 2	337-83330-20-93
10-13	304-14455-00	20- 0-1	337-23101-90	29- 7	337-83519-00-33
8-15	304-15665-00	20-18	337-23111-60	29- 6	337-83520-00
30- 1	306-84711-60	20-16	337-23114-60	16- 2	337-84752-00
12-12	307-14612-00	20-15	337-23116-60	30-20	337-84752-00
2-25	307-15363-00	20-25	337-23121-60-M4	30-22	337-84753-00
7-17	307-18112-00-93	20-12	337-23122-50	30- 0-1	341-84710-00
7-14	307-18118-00	20- 6	337-23124-60	30- 4	341-84721-00
2- 2	307-18188-00	20- 1	337-23126-60-93	30- 6	341-84722-60
6-20	307-18533-00	20-26	337-23131-60-M4	30- 5	341-84724-60
21-17	307-23419-00	20-13	337-23132-50	30-10	341-84751-61-35
23- 7	307-24182-00	20- 2	337-23136-60-93	30-11	341-85111-60
22- 1	307-26111-20	20- 3	337-23141-60	20-27	347-85111-00

NUMERICAL INDEX

Ref No.	Parts No.	Ref No.	Parts No.	Ref No.	Parts No.
3-34	353-11546-00	2-23	389-15426-00	3- 0-2	397-11630-00-97
3-22	353-13552-00	25- 2	389-24726-00	3- 0-2	397-11630-40
3-27	353-16144-00	25- 4	389-24756-00	3-28	397-11631-00-96
5- 9	353-24705-01	11-23	396-14124-00	3-28	397-11631-00-97
6- 4	360-21746-00	11-18	396-14136-00	3-28	397-11635-00
4- 2	360-21761-00	11-11	396-14211-00	3-28	397-11636-00
4-16	360-21787-00	11-13	396-14323-00	3-28	397-11637-00
4- 7	360-24143-00	11-19	396-14331-00	3-28	397-11638-00
2-24	360-26261-00	11- 2	396-14341-00	13- 0-1	397-13101-00
1-24	367-14169-00	11- 3	396-14343-46	11- 0-1	397-14301-61
1- 5	367-14195-00	11- 3	396-14343-48	11- 0-2	397-14302-61
1- 1	367-14342-21	11- 3	396-14343-52	11-15	397-14312-20
1- 6	367-14385-00	11-35	396-14348-00	11-15	397-14313-20
1- 7	367-14386-00	11-26	396-14371-00	11-16	397-14336-00
4-26	372-81152-10	11-28	396-14374-00	11- 3	396-14343-44
2-33	382-26290-30	11- 8	396-14381-00-33	11- 3	396-14343-50
2-39	382-26290-40	11- 4	396-14390-16	11-33	397-14349-00
0-21	389-13555-00	10- 2	396-14451-00	10- 1	397-14411-00
0-15	389-13610-01	11-10	396-14567-00-33	10- 4	397-14422-00
0-16	389-13613-00	29- 1	396-83510-20	10-11	397-14453-01
0-17	389-13616-01	29- 1	396-83510-40	10-12	397-14463-01
0-20	389-13621-00	29-13	396-83560-00	12-10	397-14611-01
0-22	389-13622-00	1-16	397-11311-00	12-11	397-14621-01
1-21	389-14126-00	1-17	397-11321-00	12- 1	397-14710-00
1-17	389-14137-00	1-15	397-11351-00	12- 2	397-14720-00
1-29	389-14138-00	3- 0-1	397-11400-00	12- 3	397-14753-00
1-25	389-14147-00	3- 1	397-11412-00	12- 6	397-14771-00-33
1-20	389-14168-00-33	3- 4	397-11442-00	12- 7	397-14781-00-33
1-12	389-14212-00-33	3-15	397-11541-00	1- 1	397-15111-00
1-32	389-14261-00	3-31	397-11610-01	1-23	397-15118-00
1-14	389-14333-00	3-31	397-11610-11	1- 2	397-15121-00
1-27	389-14335-00	3-31	397-11610-21	2-13	397-15415-00
1-30	389-14373-00	3-31	397-11610-31	2-22	397-15416-00
1- 9	389-14384-00	3-31	397-11610-41	3-25	397-16111-00
1-34	389-14396-00	3- 0-2	397-11630-10	5- 8	397-17121-00
1- 3	389-14412-01	3- 0-2	397-11630-20	5- 7	397-17131-00
1-25	389-15128-00	3- 0-2	397-11630-30	5- 6	397-17141-00
1-14	389-15425-00	3- 0-2	397-11630-00-96	5- 3	397-17151-00

NUMERICAL INDEX

Ref No.	Parts No.	Ref No.	Parts No.	Ref No.	Parts No.
5-16	397-17221-00	23- 1	398-24110-10-04	11-31	91690-20008
5-17	397-17231-00	25- 1	398-24730-00	1-10	91810-02015
5-18	397-17241-00	25- 1-1	398-24731-00	2-19	91810-02015
5-21	397-17251-00	22-33	407-26290-50	1- 3	91810-05016
5- 1	397-17410-00	22-39	407-26290-60	25- 5	92501-06008
5- 2	397-17411-00	15- 9	803-82591-00	9-11	92501-06010
5-15	397-17421-00	32-33	808-82370-10	10- 5	92501-06010
15-10	397-21165-00-93	22-29	90123-08046	32- 9	92501-06010
16- 8	397-21170-00	16- 3	90201-08100	1-24	92501-06012
16- 1	397-21711-02-M4	21-23	91101-06010	17-16	92501-06012
16- 6	397-21787-00	19-11	91101-06012	32-30	92501-06012
27-31	397-25381-00	8- 7	91101-06020	32-32	92501-06012
22-32	397-26278-00	7-18	91101-06030	32-12	92501-06015
22-23	397-26311-00	19- 8	91101-06045	32-25	92501-06015
22-23	397-26311-20	25-16	91101-06050	24-13	92501-06025
22-23	397-26311-30	26-28	91103-06030	23-16	92501-06035
22-25	397-26312-01	25- 7	91201-06012	1- 5	92501-06050
22-26	397-26321-00	16-10	91201-06020	1- 4	92501-06060
22-27	397-26335-00	16-14	91201-06025	10-10	92501-06070
22-27	397-26335-20	22- 6	91203-06020	10- 7	92501-06080
22-27	397-26335-30	22-12	91203-06020	14-28	92501-06085
22-28	397-26341-00	22-14	91203-06020	14-29	92501-06095
22-28	397-26341-20	30-14	91203-06025	1- 8	92501-06100
22-28	397-26341-30	27-20	91203-06030	1- 7	92501-06110
15-11	397-28100-10	10-24	91316-08040	2-24	92506-06015
14- 0-1	397-81100-10	22-18	91401-12015	2-16	92506-06020
14- 2	397-81110-10	13-17	91401-12018	2-15	92506-06025
14- 1	397-81155-10	7-13	91401-16012	2-20	92506-06035
32-14	397-82508-10	17-22	91401-16012	2- 9	92506-06040
32-27	397-82590-11	18-10	91401-20012	2-21	92506-06040
32-29	397-83350-20	22-37	91401-20012	2-10	92506-06060
29- 4	397-83540-00	27-48	91401-20012	1- 6	92506-06085
15- 1	398-21110-00-33	6- 5	91401-25020	1- 9	92506-06140
24- 1	398-21705-01-M4	26-44	91401-30030	10-23	92706-06025
24-14	398-21781-00	27-32	91401-30030	22-41	92801-06100
16- 7	398-21782-01	25- 3	91501-05055	22- 8	92801-06300
16- 5	398-21786-00	17-21	91501-06035	27-41	92801-10300
24-15	398-21786-00	2- 3	91609-30022	26-29	92803-06200

NUMERICAL INDEX

Ref No.	Parts No.	Ref No.	Parts No.	Ref No.	Parts No.
26-37	92803-06300	7-20	92901-06200	9- 7	93210-07100
17- 8	92803-10700	10- 6	92901-06200	9- 5	93210-13016
10-19	92901-03100	10- 9	92901-06200	26-24	93210-14104
14- 5	92901-04100	18- 9	92901-06200	3-23	93210-18023
14-10	92901-04100	19-10	92901-06200	27-10	93210-43043
14-14	92901-04100	25-10	92901-06200	3-16	93210-46044
14-17	92901-04100	25-17	92901-06200	4- 2	93210-85075
14-20	92901-04100	26-31	92901-06200	27- 9	93306-20204
14- 4	92901-04200	12- 9	92901-08100	27-27	93306-20404
14- 9	92901-04200	12-15	92901-08100	3-10	93306-20517
14-13	92901-04200	14-25	92901-08100	3-20	93306-20517
6-13	92901-05100	15- 6	92901-08100	26- 9	93306-30203
12- 5	92901-05100	18-27	92901-08100	5-26	93306-30401
13-13	92901-05100	19- 3	92901-08100	5-12	93306-30408
20-28	92901-05100	21-11	92901-08100	3-19	93306-30509
20-29	92901-05200	27-47	92901-08100	3-32	93310-21403
22-17	92901-05200	29-15	92901-08100	3- 6	93310-42012
7-19	92901-06100	31- 8	92901-08100	5-10	93315-31502
9-12	92901-06100	30-21	92901-08200	4- 3	93341-22603
10- 8	92901-06100	13- 7	92901-08400	5-25	93410-13004
14-27	92901-06100	27-43	92901-10200	8-17	93410-15005
17-17	92901-06100	27-42	92901-12100	26-41	93410-22014
19- 6	92901-06100	30-12	92903-05100	8-13	93410-25017
19- 9	92901-06100	10-25	92906-08100	27-28	93420-47008
21-24	92901-06100	10-26	92906-08200	6-10	93430-03014
22- 9	92901-06100	13-15	93101-10001	26-38	93430-04003
22-13	92901-06100	13- 5	93101-10002	7- 8	93430-10016
22-42	92901-06100	7- 6	93101-12004	7-12	93430-10016
25- 6	92901-06100	27-13	93101-42018	8- 6	93430-10016
25- 8	92901-06100	3-21	93102-20117	18- 4	93430-12008
26-30	92901-06100	26-10	93102-22014	6-19	93440-15012
30-18	92901-06100	5-27	93102-28021	3-11	93450-52010
30-23	92901-06100	3-22	93103-32031	21- 5	93501-04011
32-10	92901-06100	26-23	93104-07003	4-18	93505-16006
32-13	92901-06100	2- 5	93104-11028	6-21	93505-16006
32-18	92901-06100	26-14	93105-53013	13-20	93505-32002
32-26	92901-06100	27-29	93106-30008	8- 8	93507-32009
32-31	92901-06100	8-18	93109-15001	1-11	93603-18093

NUMERICAL INDEX

Ref No.	Parts No.	Ref No.	Parts No.	Ref No.	Parts No.
13- 3	93603-22028	22-16	98801-06300		
3-13	93604-18058	12- 8	98801-08100		
6- 8	93604-22050	31- 7	98801-08100		
26- 4	94127-18024	7- 5	98801-08200		
27- 4	94130-18098	15- 5	98801-08200		
26- 5	94227-18009	27-46	98801-08200		
27- 5	94230-18012	13- 8	98801-08300		
26- 6	94327-18007	18-24	98801-08300		
27- 6	94330-18010	17- 4	98801-14200		
26- 3	94416-18013	30-13	98803-05100		
27- 3	94416-18013	12-16	98803-08200		
27-49	94514-28112	21-14	98803-16200		
27-49-1	94614-28001	13-18	98901-04008		
32-28	94701-00041				
19- 2	97201-08012				
29-14	97201-08015				
18-26	97201-08020				
21-10	97203-08035				
23-15	98501-03006				
23-22	98501-03006				
14-21	98501-04008				
23- 5	98501-04008				
12- 4	98501-05010				
5-14	98501-05012				
6-12	98501-05012				
13- 9	98501-05015				
2-12	98506-05012				
10-18	98512-03007				
32-15	98701-05015				
13-14	98801-05200				
22-16	98801-05500				
19- 5	98801-06100				
30-19	98801-06100				
30-24	98801-06100				
32-17	98801-06100				
27-21	98801-06200				
27-36	98801-06200				
4-20	98801-06300				



YAMAHA MOTOR CO., LTD.

PRINTED IN JAPAN
First edition Feb., 1973
(397-00)