



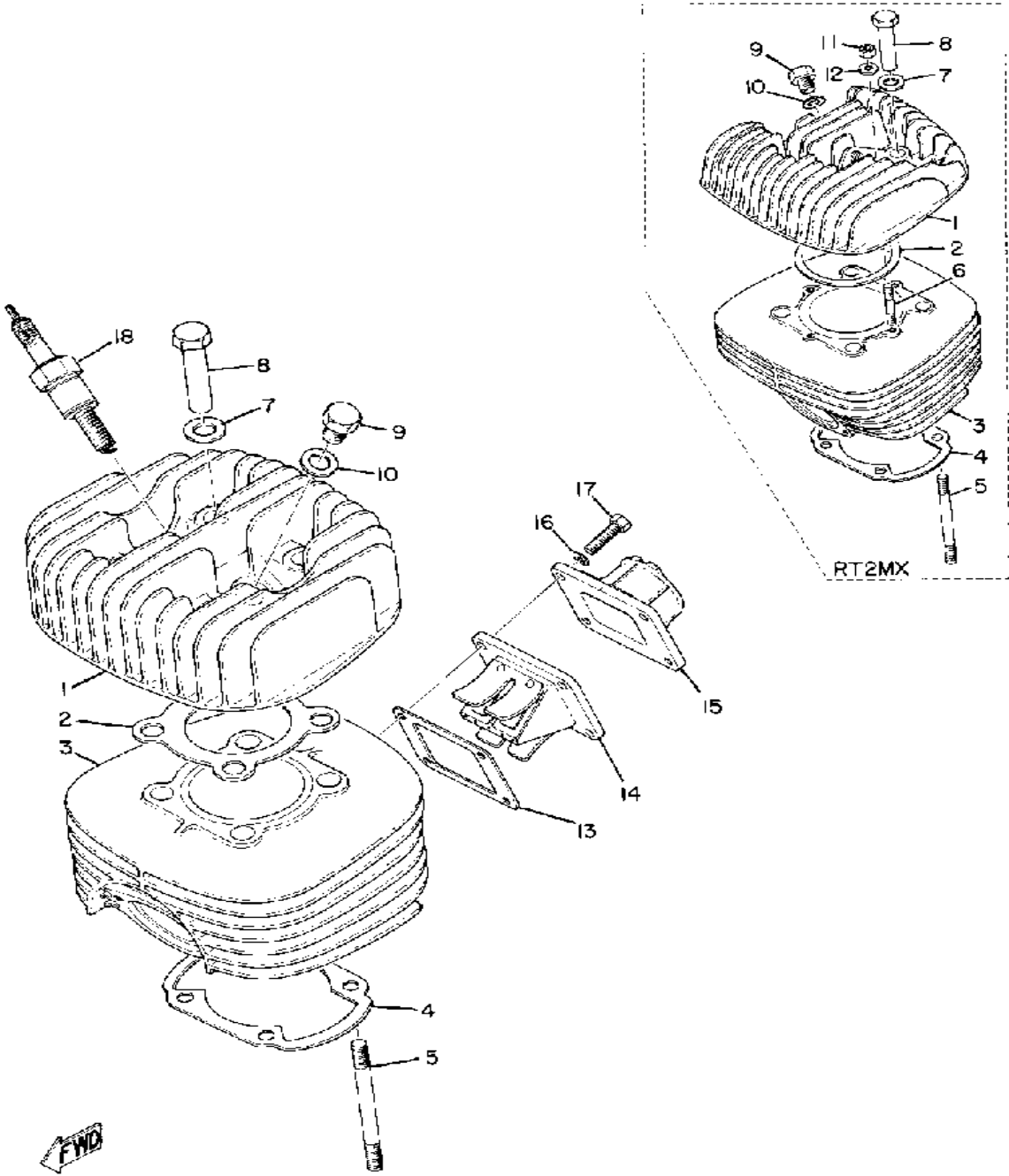
YAMAHA

GENUINE

PARTS CATALOGUE

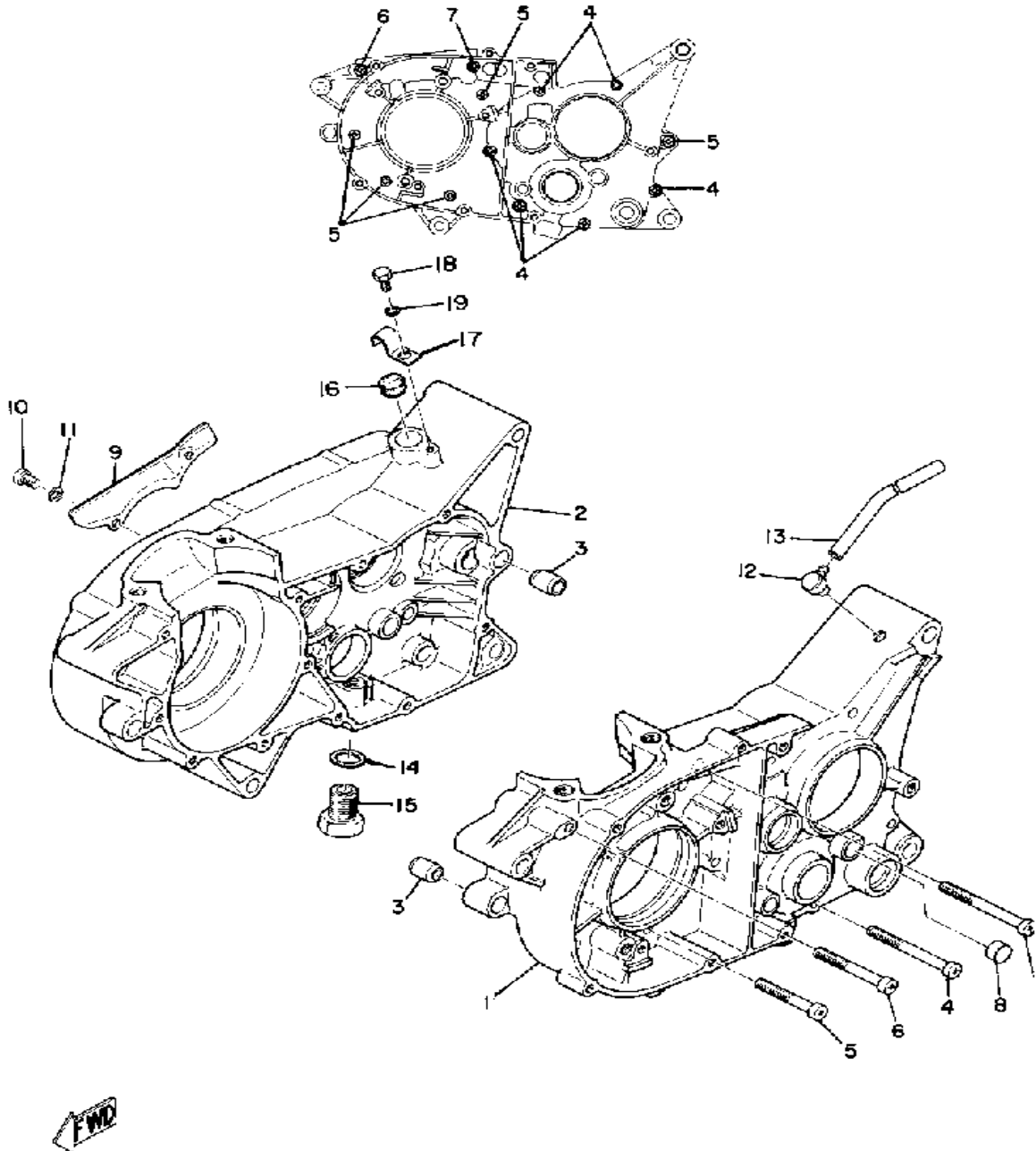
MOTORCYCLE

CYLINDER HEAD - CYLINDER



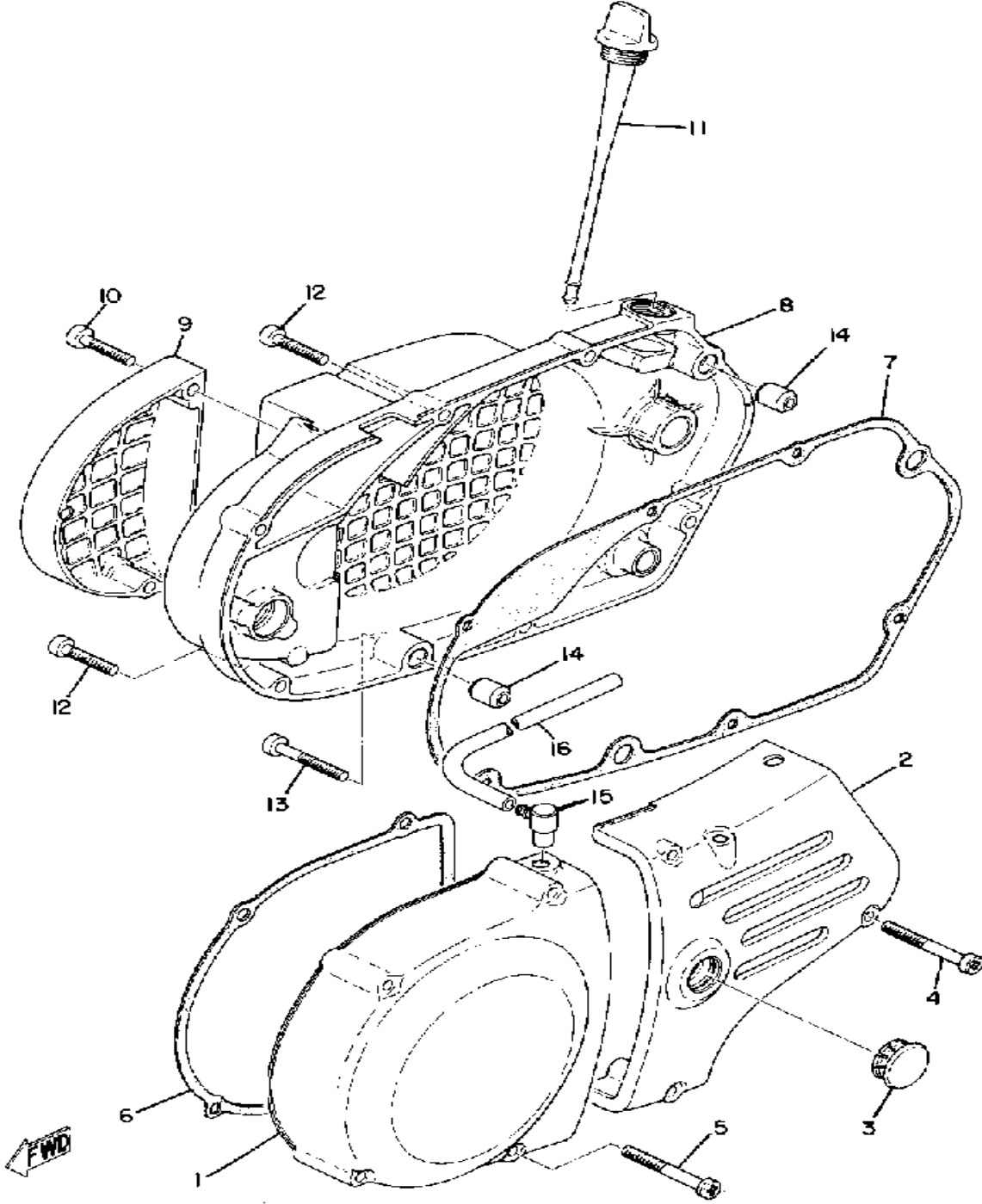
Ref. No.	Part Number	Description	Qty	Remarks
1	(322-11111-00-00)	HEAD, CYLINDER 1	1	
	(324-11111-01-00)	HEAD, CYLINDER 1	1	
2	214-11181-01-00	GASKET, CYLINDER HEAD 1	1	
	90430-83065-00	GASKET (275-11181-00)	1	
3	(322-11311-00-00)	CYLINDER 1	1	
	(324-11311-00-00)	CYLINDER 1	1	
4	214-11351-00-00	GASKET, CYLINDER	1	
	275-11351-00-00	GASKET, CYLINDER	1	
5	90116-10089-00	BOLT, STUD (214-11361-00)	4	
6	90116-08054-00	BOLT, STUD (275-11179-00)	4	
7	90201-15797-00	WASHER, PLATE	4	
8	(90179-10182-00)	NUT, SPEC'L SHAPE	4	
	90179-10178-00	NUT, SPEC'L SHAPE (214-11171-00)	4	
9	90340-14022-00	PLUG, STRAIGHT SCRW (214-11197-00)	1	
10	214-11198-01-00	GASKET	1	
11	95333-08600-00	NUT	4	
12	92990-08200-00	WASHER, PLAIN	4	
13	3TT-13621-00-00	GASKET, VALVE SEAT	1	
14	10V-13610-01-00	REED VALVE ASSEMBLY (885-13610-00)	1	
15	(310-13555-00-00)	MANIFOLD, INTAKE	1	
16	92995-06100-00	WASHER, SPRING	4	
17	97011-06025-00	BOLT (97001-06025)	4	
18	(94701-00016-00)	SPARK PLUG B9EN	1	

CRANKCASE



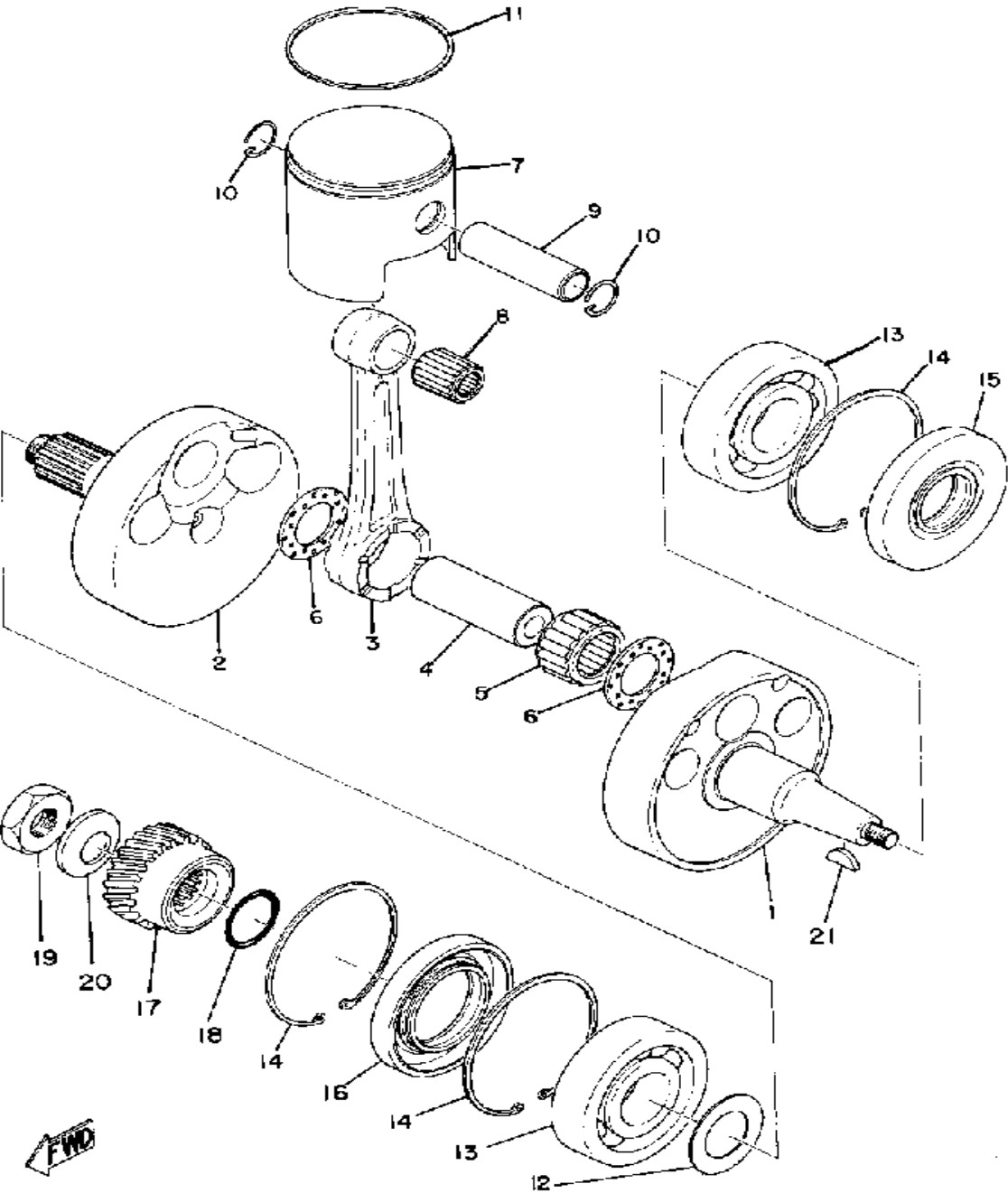
Ref. No.	Part Number	Description	Qty	Remarks
1	(322-15111-00-00)	CRANKCASE 1	1	
	(324-15111-00-00)	CRANKCASE 1	1	
2	(322-15121-00-00)	CRANKCASE 2	1	
	(324-15121-00-00)	CRANKCASE 2	1	
3	99510-12016-00	PIN, DOWEL	2	
4	98580-06565-00	SCREW, PAN HEAD (92501-06065)	6	
5	98580-06545-00	SCREW PAN HEAD (92503-06045)	5	
6	92580-06560-00	SCREW PAN HEAD	1	
7	98580-06565-00	SCREW, PAN HEAD (92501-06065)	1	
8	214-15385-00-00	PLUG, BLIND	2	
9	(214-15492-00-00)	COVER	1	
10	98580-05010-00	SCREW, PAN HEAD	2	
11	92990-05100-00	WASHER, SPRING	2	
12	583-15371-00-00	BREATHER	1	
13	90446-07241-00	HOSE (3AK)	1	
14	137-15353-00-00	GASKET, DRAIN	1	
15	90109-14385-00	BOLT	1	
16	90338-16015-00	PLUG, BLIND (168-17481-00)	1	
17	90462-05005-00	CLAMP	2	
18	97011-06010-00	BOLT	1	
19	92995-06100-00	WASHER, SPRING	1	

CRANKCASE COVER



Ref. No.	Part Number	Description	Qty	Remarks
1	(322-15411-00-00)	COVER, CRANKCASE L	1	
2	322-15421-00-00	COVER, CRANKCASE R	1	
3	(322-15417-00-00)	COVER, CAP	1	
4	91316-06045-00	BOLT, SOCKET HEAD	3	
5	91316-06045-00	BOLT, SOCKET HEAD	4	
6	214-15451-02-00	GASKET, CRCS COVER	1	
7	308-15461-01-00	GASKET, CRCS CVR 2	1	
8	(322-15431-01-00)	COVER, CRANKCASE 3	1	
9	(322-15416-00-00)	COVER, OIL PUMP	1	
10	90110-06138-00	BOLT, HEX SKT HEAD	3	
11	322-15363-00-00	PLUG, OIL	1	
12	90110-06138-00	BOLT, HEX SKT HEAD	6	
13	91316-06040-00	BOLT, SOCKET HEAD	2	
14	99510-12016-00	PIN, DOWEL	2	
15	583-15371-00-00	BREATHER	1	
16	90446-07094-00	HOSE (5-500) (308-15373-00)	1	

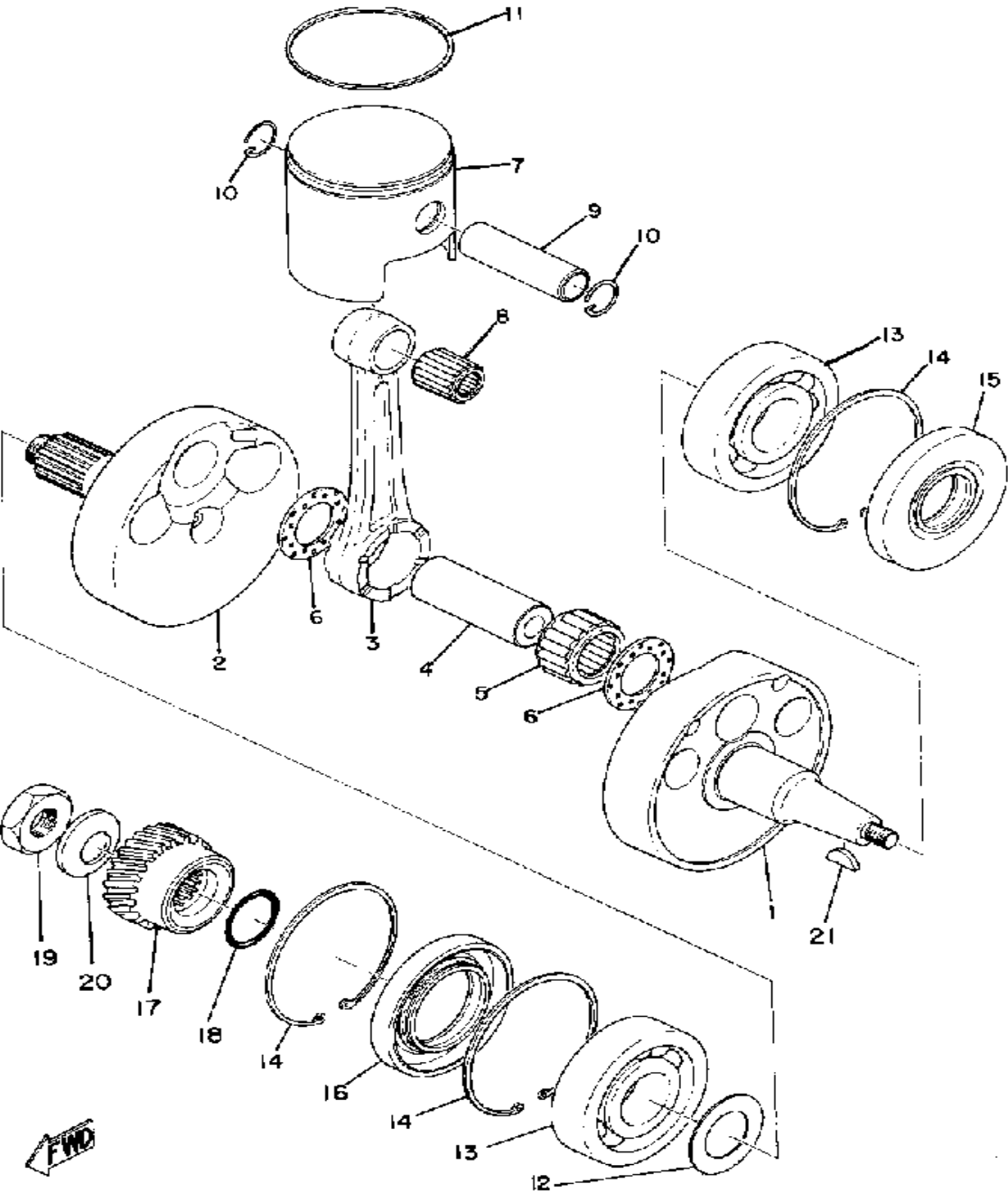
CRANK - PISTON



Ref. No.	Part Number	Description	Qty	Remarks
1	(214-11412-01-00)	CRANK 1	1	
	(214-11412-02-00)	CRANK 1	1	
	(275-11412-00-00)	CRANK 1	1	
2	(214-11422-00-00)	CRANK 2	1	
	(214-11422-01-00)	CRANK 2	1	
	(275-11422-00-00)	CRANK 2	1	
3	431-11651-00-00	. ROD, CONNECTING	1	
	510-11651-00-00	. ROD, CONNECTING	1	
4	214-11681-00-00	. PIN, CRANK 1 (DIA. 24MM)	1	
	2X4-11681-00-00	. PIN, CRANK 1	1	
5	93310-425N4-00	. BEARING, CYLINDER.# 0	1	
	93310-524K4-00	. BEARING	1	
6	90209-24073-00	. WASHER	2	
	90209-25085-00	. WASHER	2	
7	(324-11631-01-96)	PISTON STD	1	
	(324-11635-01-00)	PISTON 1 O/S 0.5	1	ALTERNATE PARTS
	(365-11631-01-96)	PISTON STD	1	M4-025/M4-048
	(365-11635-01-00)	PISTON 1 O/S 0.5	1	ALTERNATE PARTS
	324-11636-01-00	PISTON 2 O/S 0.50 (313-11636-00)	1	ALTERNATE PARTS
	324-11637-01-00	PISTON 3 O/S 0.75 (324-11637-00)	1	ALTERNATE PARTS
	324-11638-01-00	PISTON 4 O/S 1.00 (324-11638-00)	1	ALTERNATE PARTS
	365-11636-01-00	PISTON 2 O/S 0.50 (322-11636-01) (365-11636-00))	1	ALTERNATE PARTS
	365-11637-01-00	PISTON 3 O/S 0.75 (365-11637-00)	1	ALTERNATE PARTS
	365-11638-01-00	PISTON 4 O/S 1.00 (365-11638-00)	1	ALTERNATE PARTS
8	93310-218A6-00	BEARING	1	

CONTINUED ON NEXT FRAME ►

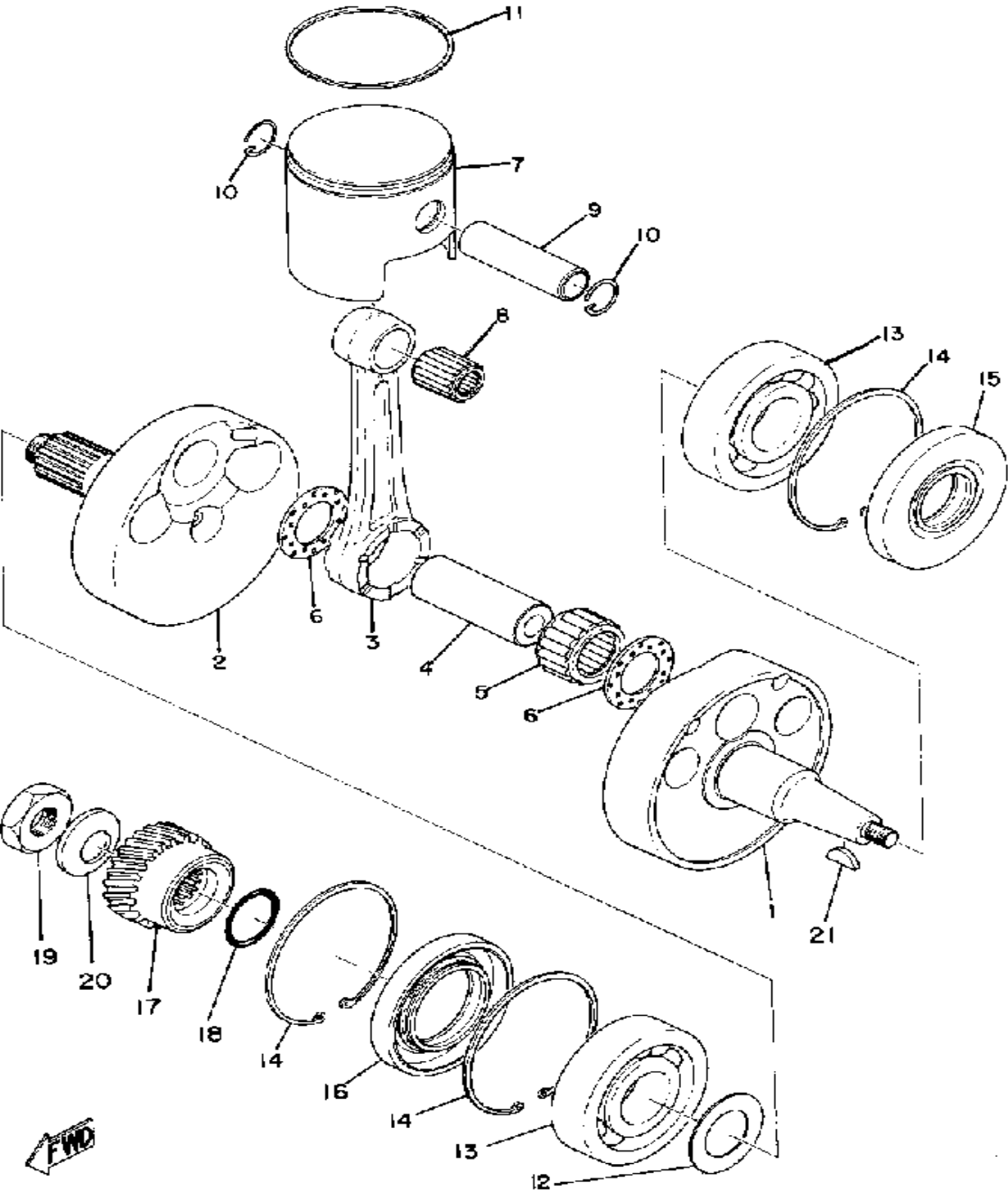
CRANK - PISTON



Ref. No.	Part Number	Description	Qty	Remarks
9	214-11633-00-00	PIN, PISTON	1	
	275-11633-00-00	PIN, PISTON (1W4-11633-00) ..	1	
	93450-20026-00	CIRCLIP	2	
11	(322-11611-00-00)	RING, PISTON STD	1	
	313-11611-00-00	RING, PISTON STD	1	
	313-11611-10-00	RING, PISTON 1ST	1	ALTERNATE PARTS
	313-11611-20-00	RING, PISTON 2ND	1	ALTERNATE PARTS
	322-11611-10-00	RING, PISTON 1ST	1	ALTERNATE PARTS
	322-11611-20-00	RING, PISTON 2ND	1	ALTERNATE PARTS
12	156-11564-00-03	SHIM, CRANK 4 (25-44-0.3) ...		
	156-11564-00-04	SHIM, CRANK 4 (25-44-0.5) ...		
	156-11564-00-04	SHIM, CRANK 4 (25-44-0.5) ...	1	
13	93306-30630-00	BEARING	2	
14	(93420-72023-00)	CIRCLIP, R-TYPE	3	
15	93103-30044-00	OIL SEAL, SW-TYPE (SW-30-72-10)	1	
16	93103-42045-00	OIL SEAL, SW-TYPE (SW-42-72-10)	1	
17	(214-16111-00-00)	GEAR, PRI DRIVE	1	
18	93210-25070-00	O-RING	1	
19	90170-18089-00	NUT, HEXAGON	1	
20	214-16119-00-00	SPRING, BELLEVILLE	1	
21	(322-11630-00-00)	PISTON KIT	1	
	(322-11630-10-00)	PISTON KIT	1	ALTERNATE PARTS
	(322-11630-20-00)	PISTON KIT	1	ALTERNATE PARTS
	(324-11630-00-00)	PISTON KIT	1	ALTERNATE PARTS
	(324-11630-20-00)	PISTON KIT	1	ALTERNATE PARTS
	(324-11635-01-00)	PISTON 1 O/S 0.5	1	ALTERNATE PARTS
	90280-05014-00	KEY, WOODRUFF	1	

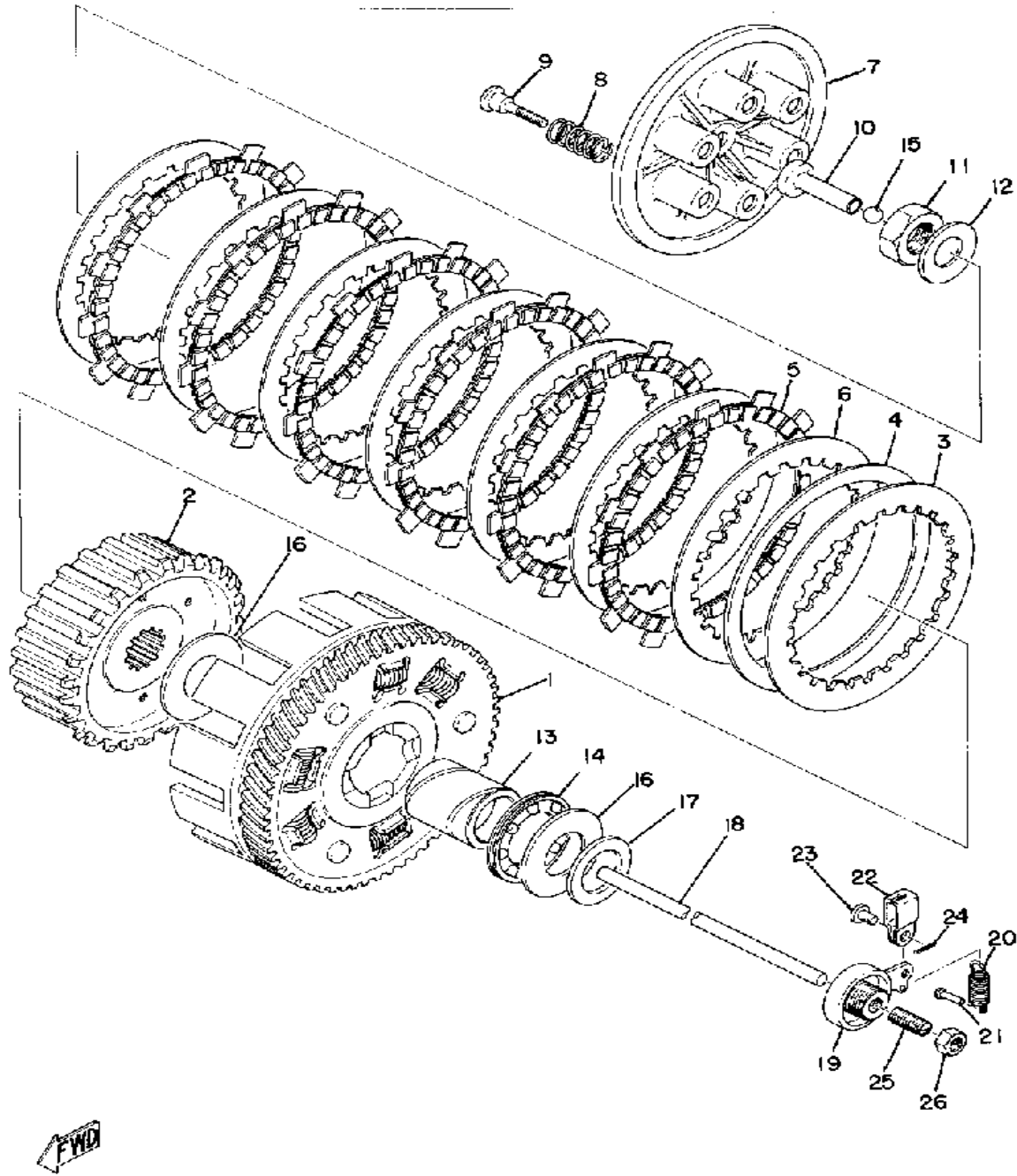
CONTINUED ON NEXT FRAME ►

CRANK - PISTON



Ref. No.	Part Number	Description	Qty	Remarks
21	90280-16053-00	KEY, WOODRUFF	1	
-1	(275-11400-00-00)	CRANKSHAFT ASSEMBLY ...	1	
	(311-11400-01-00)	CRANKSHAFT ASSEMBLY ...	1	

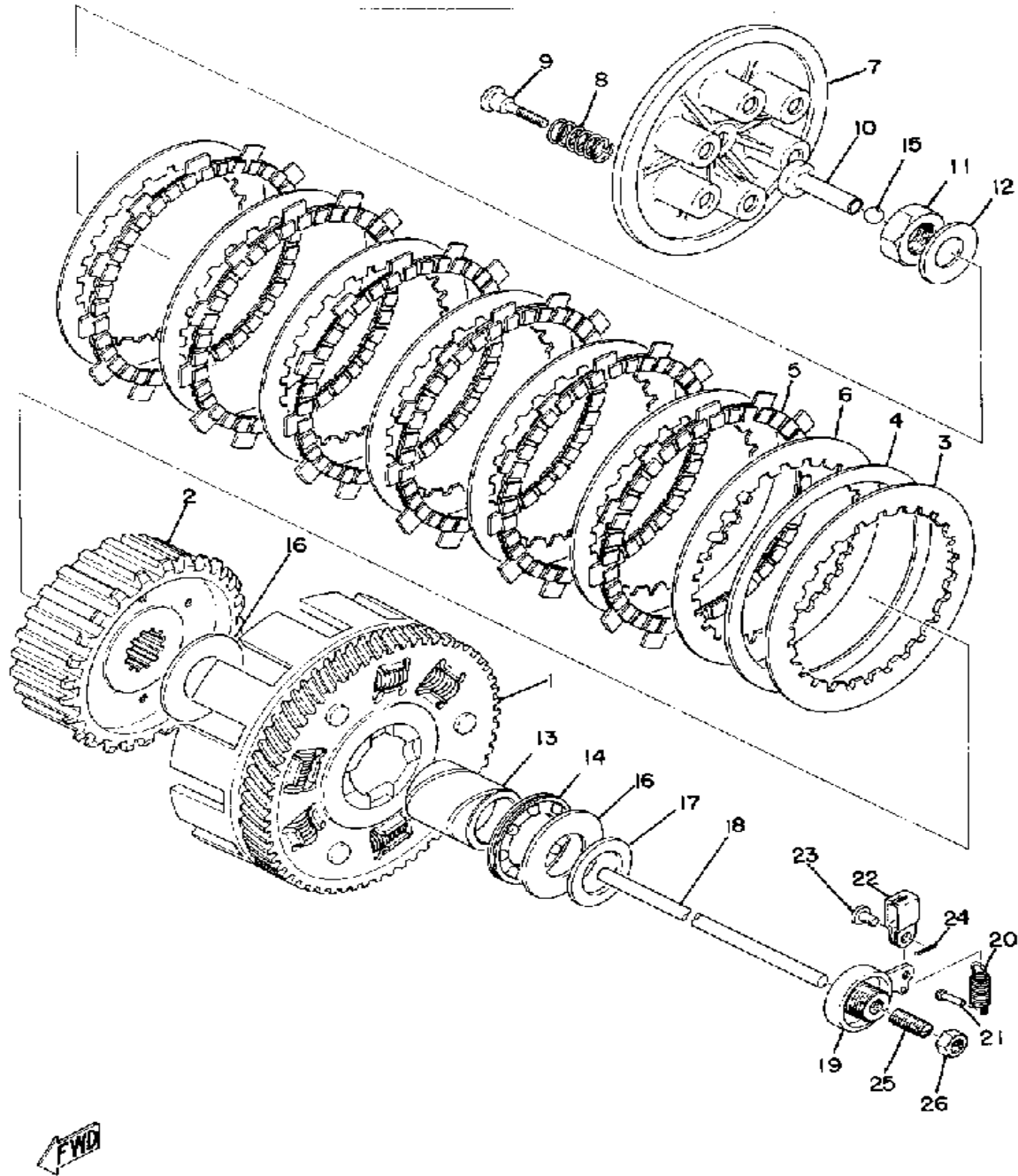
CLUTCH



Ref. No.	Part Number	Description	Qty	Remarks
1	(322-16150-00-00)	PRI DRVN GEAR	1	
2	(214-16371-02-00)	BOSS, CLUTCH	1	
	2A---	UNAVAILABLE IN PRICE BOOK	1	USE W/7-A
3	214-16324-00-00	. PLATE, CLUTCH 1	1	
4	(214-16332-00-00)	SPACER, CLUTCH SPR	1	
5	168-16321-10-00	. PLATE, FRICTION	6	
	168-16321-10-00	. PLATE, FRICTION	7	
6	4H7-16325-00-00	. PLATE, CLUTCH 2	7	
7	214-16351-00-00	. PLATE, PRESSURE 1	1	
	7A---	UNAVAILABLE IN PRICE BOOK	1	USE W/2-A
8	(90501-23139-00)	SPRING, COMPRESSION	6	
	90501-20361-00	. SPRING, COMPRESSION	6	
9	(90149-05071-00)	SCREW, SPEC'L SHAPE	6	
10	174-16356-00-00	ROD, PUSH 1	1	
11	90170-18089-00	NUT, HEXAGON	1	
12	214-16119-00-00	SPRING, BELLEVILLE	1	
13	(214-16181-00-00)	SPACER 1	1	
14	93341-23307-00	BEARING, FLAT # 1	1	
15	93505-16006-00	BALL	1	
16	170-16164-00-00	PLATE, THRUST 2	2	
17	90201-252K4-00	WASHER, PLATE	1	
18	183-16357-00-00	ROD, PUSH 2	1	
19	214-16340-00-00	PUSH LEVER ASSEMBLY	1	
20	90506-10020-00	SPRING, TENSION (137-16345-00)	1	
21	132-16346-00-00	HOOK, SPRING	1	
22	214-16389-00-00	JOINT	1	
23	90240-06005-00	PIN, CLEVIS	1	
24	91401-10015-00	PIN, COTTER	1	

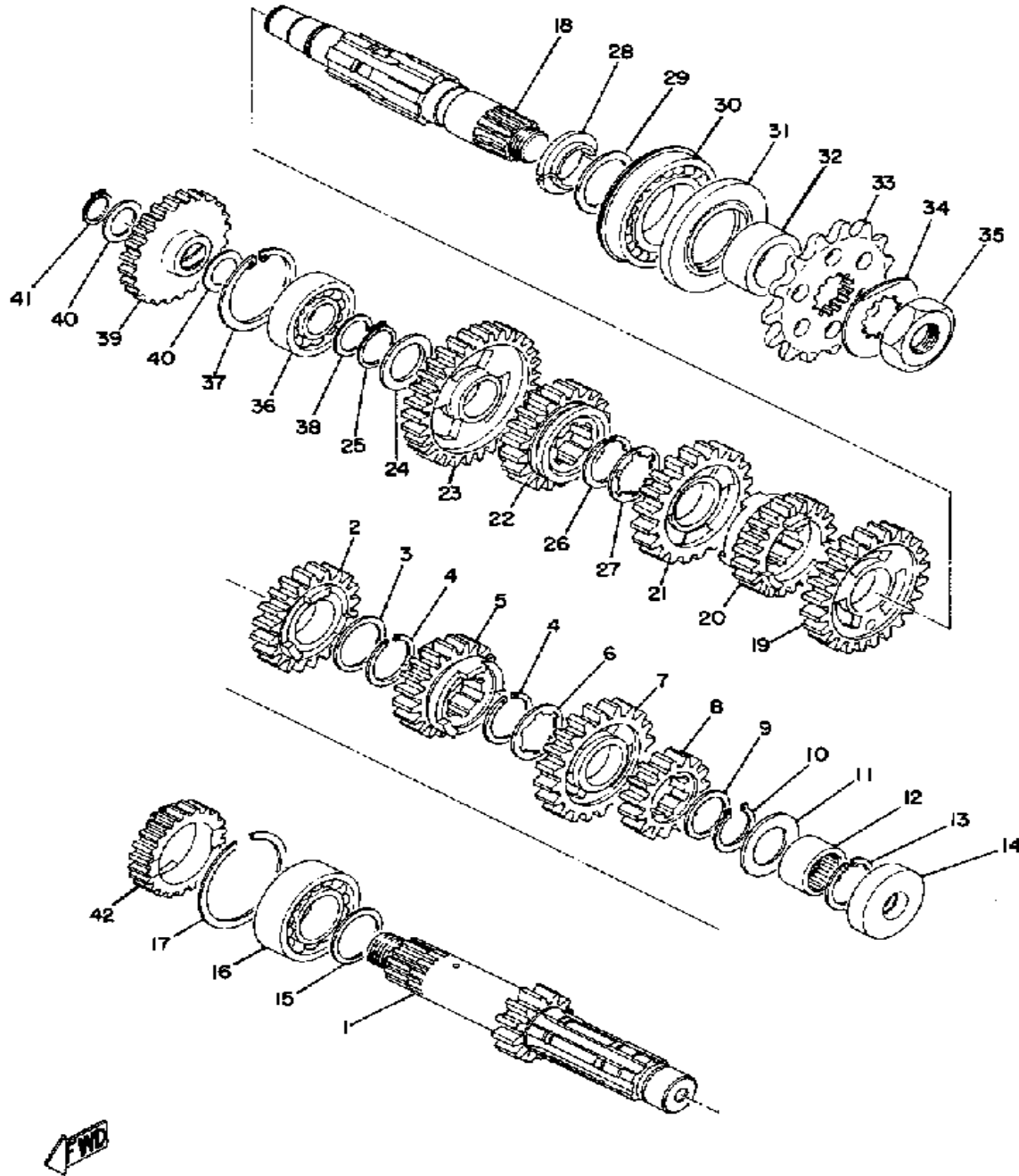
CONTINUED ON NEXT FRAME ►

CLUTCH



Ref. No.	Part Number	Description	Qty	Remarks
25	90113-08017-00	BOLT, SET (214-16343-00)	1	
26	90179-08179-00	NUT	1	
-1	(322-16301-00-00)	CLUTCH ASSEMBLY	1	
	(324-16301-00-00)	CLUTCH ASSEMBLY	1	

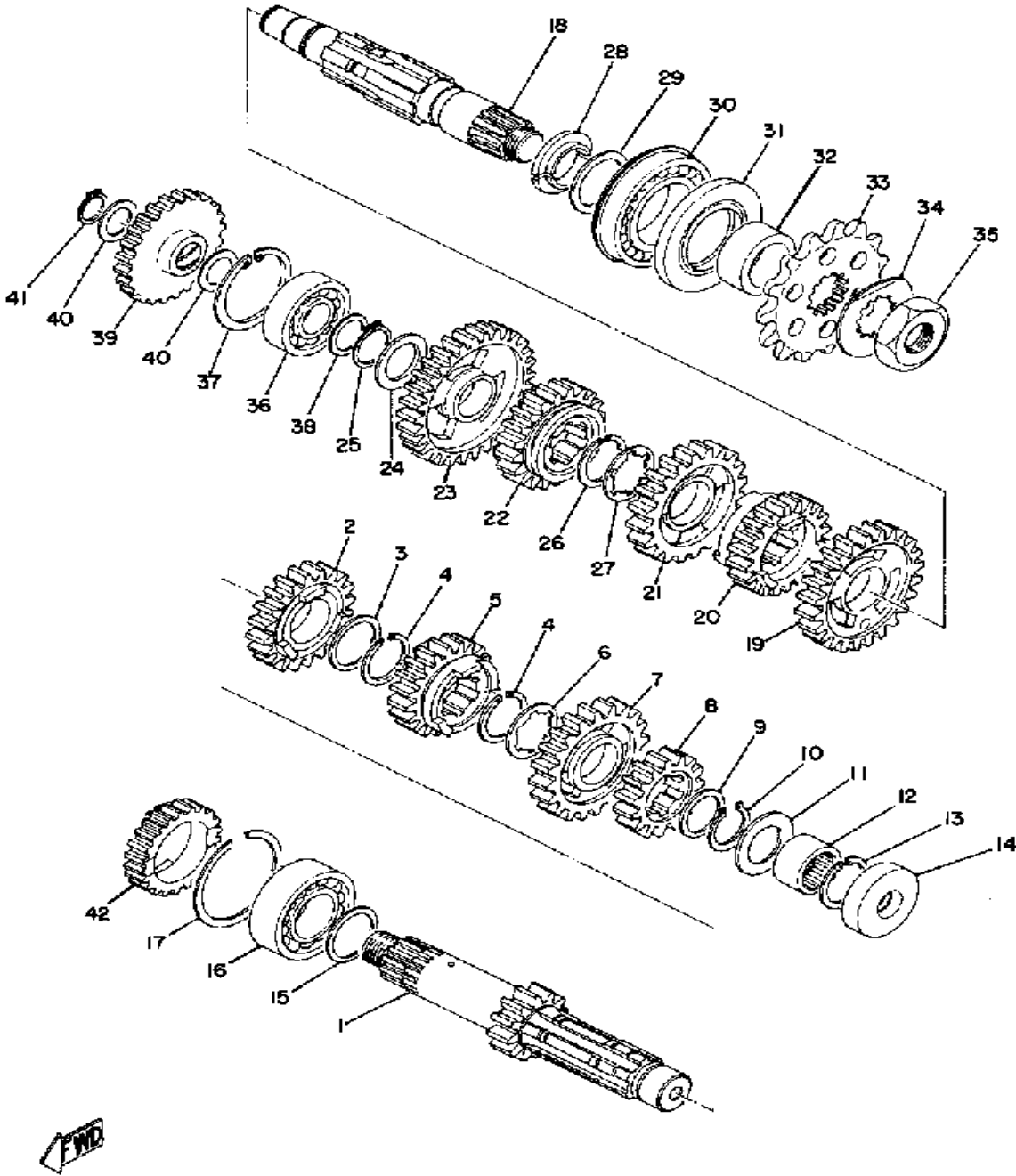
TRANSMISSION



Ref. No.	Part Number	Description	Qty	Remarks
1	(214-17411-61-00)	AXLE, MAIN	1	
2	(214-17141-11-00)	GEAR, 4TH PINION	1	
3	90201-25490-00	WASHER, PLATE	1	
4	93440-25084-00	CIRCLIP	2	
5	(275-17131-12-00)	GEAR, 3RD PINION	1	
6	(90209-21080-00)	WASHER, SPEC'L SHAP	1	
7	(308-17151-60-00)	GEAR, 5TH PINION	1	
8	214-17121-60-00	GEAR, 2ND PINION	1	
9	90201-20266-00	WASHER, PLATE (1.0T)	1	
10	99009-19400-00	CIRCLIP	1	
11	(137-17427-00-09)	SHIM 1	1	
12	93315-22004-00	BEARING	1	
13	93420-26024-00	CIRCLIP, R-TYPE (R-26)	1	
14	93109-07009-00	OIL SEAL, SDO-TYPE (SDO-6.8-26-6)	1	
15	156-17417-00-01	SHIM 1	1	
	156-17417-00-02	SHIM 1 (25.1-31-0.2)	1	
	156-17417-00-03	SHIM 1	1	
16	93306-20503-00	BEARING (B6205Z SPECIAL)	1	
17	(93450-52014-00)	CIRCLIP, INNER	1	
18	(291-17421-00-00)	AXLE, DRIVE	1	
19	(214-17221-60-00)	GEAR, 2ND WHEEL	1	
20	(275-17251-10-00)	GEAR, 5TH WHEEL	1	
21	(291-17231-60-00)	GEAR, 3RD WHEEL	1	
22	(291-17241-11-00)	GEAR, 4TH WHEEL	1	
23	214-17211-60-00	GEAR, 1ST WHEEL	1	
24	90201-20278-00	WASHER, PLATE	1	
25	99009-19400-00	CIRCLIP	1	
26	93440-25084-00	CIRCLIP	1	

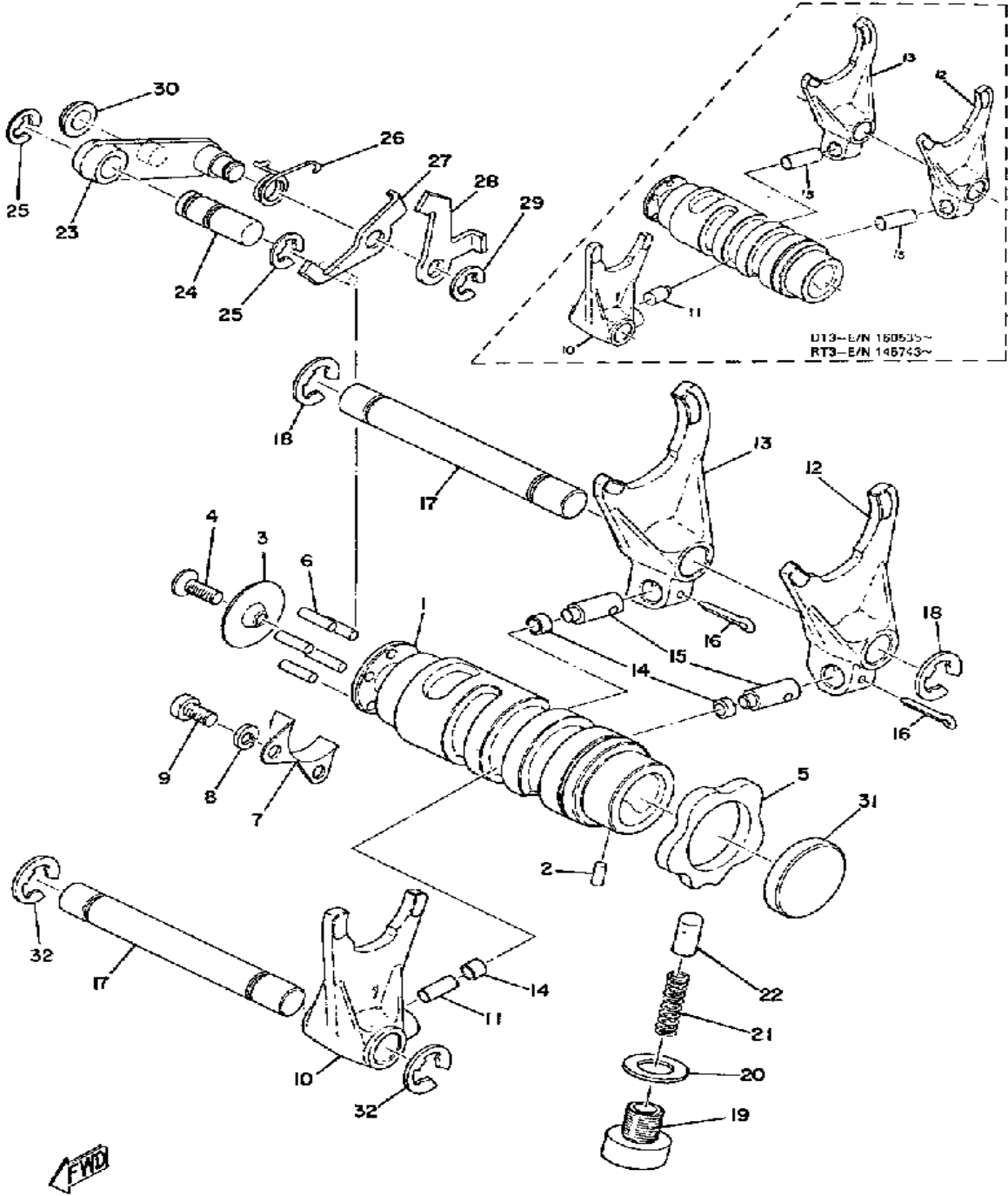
CONTINUED ON NEXT FRAME ►

TRANSMISSION



Ref. No.	Part Number	Description	Qty	Remarks
27	(90209-21080-00)	WASHER, SPEC'L SHAP	1	
28	156-17429-00-00	SPACER, DRIVE AXLE	2	
29	168-17428-01-03	SHIM 2 (25-34-0.3)	1	
	168-17428-01-05	SHIM 2 (25-34-0.5)	1	
30	93306-30506-00	BEARING (B6305N) (93306-30504-00)	1	
31	93102-35109-00	OIL SEAL (SD-35-62-6 HS)	1	
32	(90387-25193-00)	COLLAR	1	
33	9383E-13144-00	SPROCKET, DRIVE 13T (2141746130)	1	
	9383E-14145-00	SPROCKET, DRIVE (14T)	1	
	9383E-15082-00	SPROCKET, DRIVE (15T)	1	
	9383E-16106-00	SPROCKET, DRIVE 16T (16T)	1	
34	90215-21022-00	WASHER, LOCK	1	
35	90179-18020-00	NUT	1	
36	93306-20306-00	BEARING (B6203 SPECIAL)	1	
37	99009-42500-00	CIRCLIP	1	
38	(150-17417-00-03)	SHIM 1	1	
	(150-17417-00-05)	SHIM 1	1	U.R.U.R
	(214-17428-00-07)	SHIM 2	1	
39	275-15651-00-00	GEAR, KICK IDLE (23T)	1	
40	164-17417-00-10	SHIM 1 (1.0T)	2	
41	99009-15400-00	CIRCLIP	1	
42	(214-15631-00-00)	GEAR, KICK PINION	1	

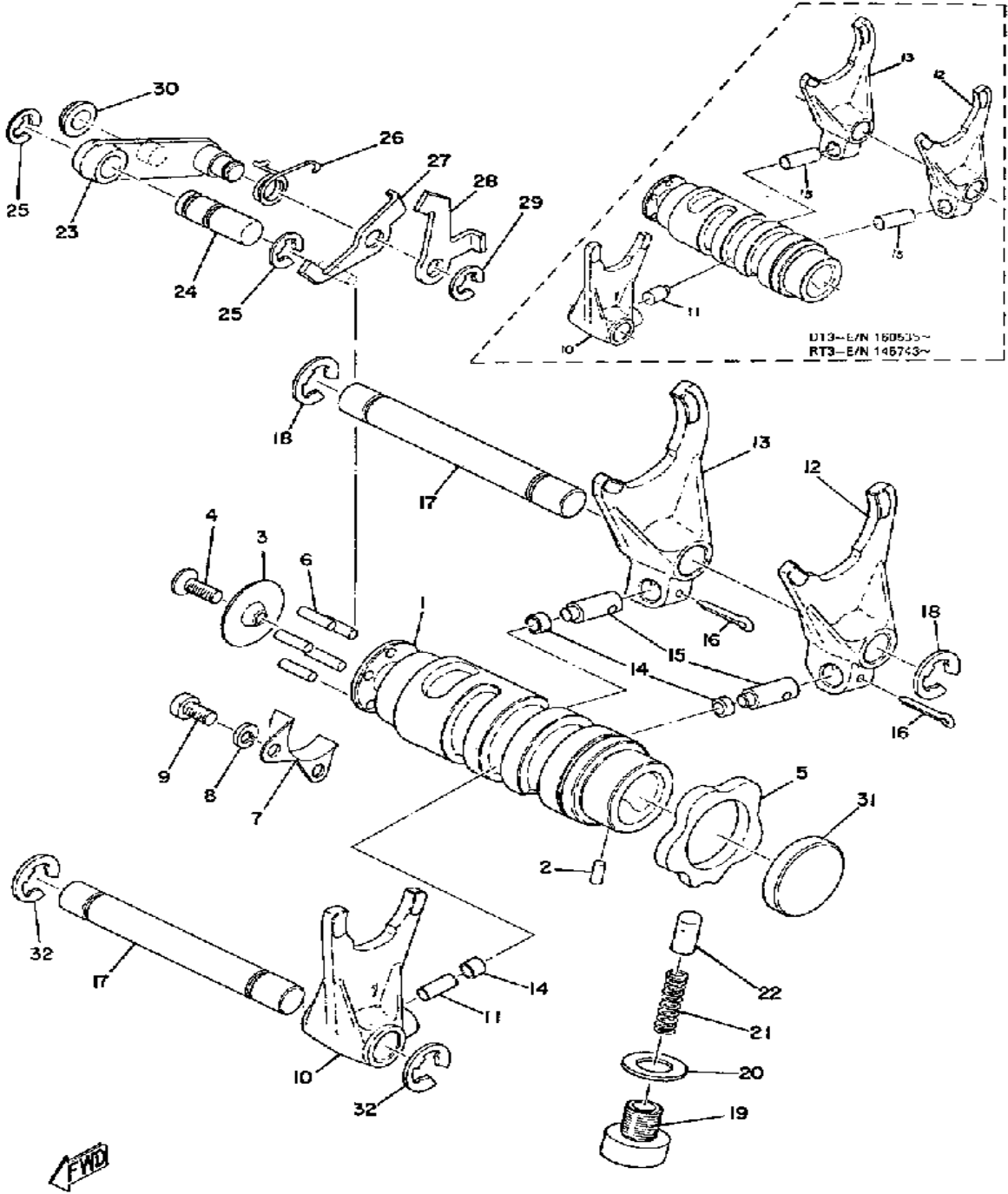
SHIFTER A



Ref. No.	Part Number	Description	Qty	Remarks
1	308-18541-00-00	CAM, SHIFT	1	PNB385
2	93604-08071-00	PIN, DOWEL	1	
3	214-18561-00-00	PLATE, SIDE 1	1	
4	98701-05012-00	SCREW, FLAT HEAD	1	
5	(278-18141-00-00)	PLATE, STOPPER	1	
6	93604-14012-00	PIN, DOWEL	5	
7	214-18179-00-00	GUIDE	1	
8	98580-05010-00	SCREW, PAN HEAD	2	
9	92990-05100-00	WASHER, SPRING	2	
10	291-18511-01-00	FORK, SHIFT 1	1	
	291-18511-01-00	FORK, SHIFT 1	1	PNB385
11	(90249-08089-00)	PIN, SPEC'L SHAPE	1	PNB385
	(93605-13077-00)	PIN, DOWEL	1	
12	291-18512-02-00	FORK, SHIFT 2	1	
	291-18512-02-00	FORK, SHIFT 2	1	PNB385
13	(291-18513-02-00)	FORK, SHIFT 3	1	
	(291-18513-02-00)	FORK, SHIFT 3	1	PNB385
14	136-18551-00-00	ROLLER, CAM FOLWR	3	
15	90249-05042-00	PIN, SPEC'L SHAPE (214-18552-00)	2	
	90250-08017-00	PIN, STRAIGHT	2	PNB385
16	91401-25030-00	PIN, COTTER	2	
17	214-18531-00-00	BAR, SHIFT FORK GUIDE 1 ...	2	
18	99006-10600-00	CIRCLIP	2	
19	(308-18577-01-00)	SCREW, SPRING	1	
	19A---	UNAVAILABLE IN PRICE BOOK		USE W/21A
20	90430-12207-00	GASKET	1	
21	(308-18557-00-00)	SPRING, CAM STOPPER	1	
	21A---	UNAVAILABLE IN PRICE BOOK		USE W/19A

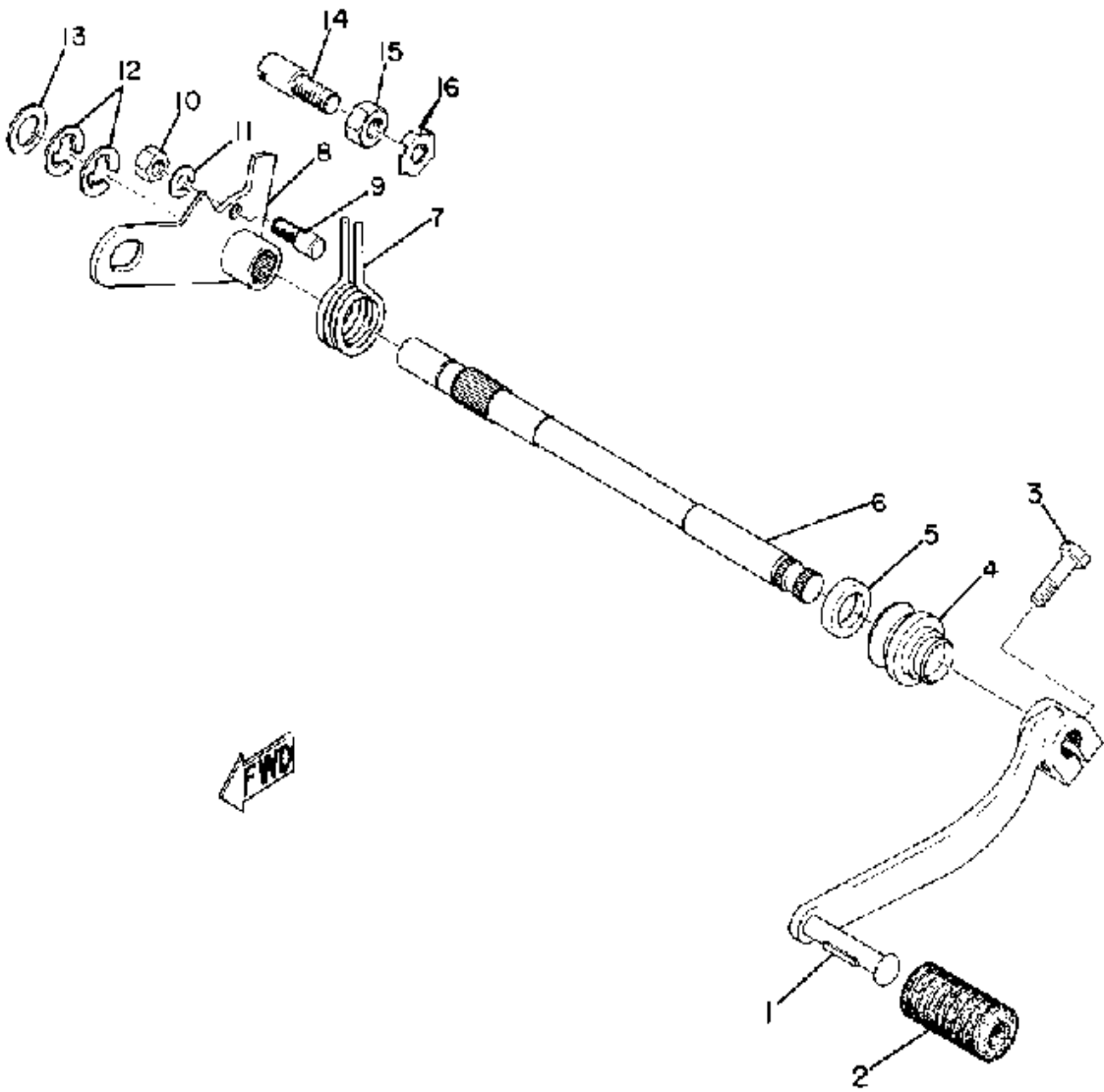
CONTINUED ON NEXT FRAME ►

SHIFTER A



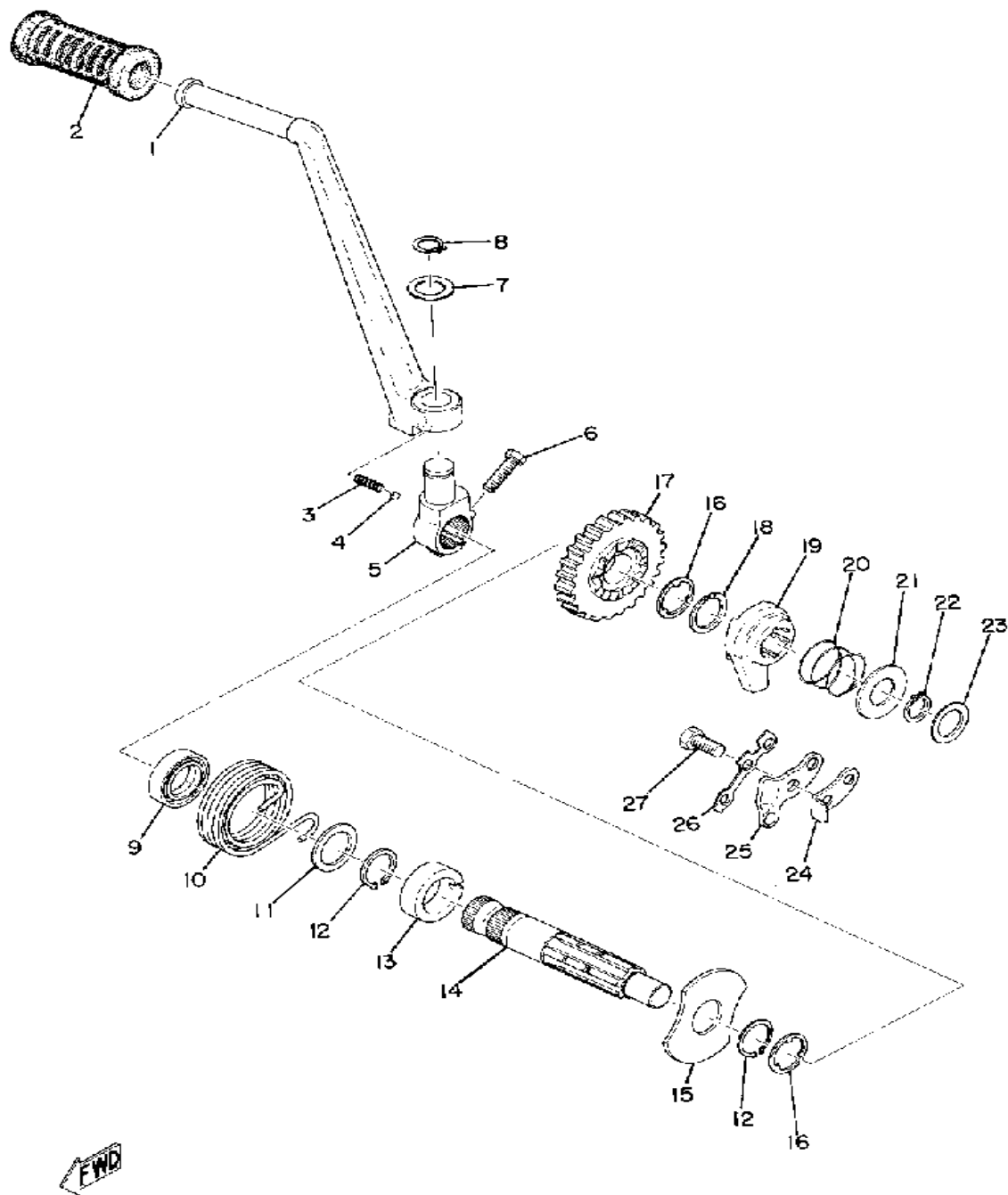
Ref. No.	Part Number	Description	Qty	Remarks
22	137-18547-00-00	STOPPER, CAM	1	
23	(214-18128-00-00)	BRACKET	1	
24	(214-18188-00-00)	AXLE, PAWL HOLDER	1	
25	99001-09600-00	CIRCLIP	2	
26	90508-08007-00	SPRING, TORSION (214-18123-00)	1	
27	(214-18152-00-00)	LEVER, SHIFT 4	1	
28	(214-18151-00-00)	LEVER, SHIFT 3	1	
29	99080-07600-00	CIRCLIP (E)	1	
30	214-18178-00-00	ROLLER, SHIFT LEVER	1	
31	(90338-32031-00)	PLUG, SPEC'L SHAPE	1	
32	93430-10017-00	CIRCLIP	2	

SHIFTER B



Ref. No.	Part Number	Description	Qty	Remarks
1	(170-18111-01-00)	PEDAL, SHIFT	1	
2	132-18113-01-00	COVER, SHIFT PEDAL	1	
3	97011-06020-00	BOLT	1	
4	214-18131-00-00	BOOT, SEALING	1	
5	93102-12321-00	OIL SEAL, SD-TYPE	1	
6	214-18125-01-00	SHAFT, SHIFT	1	
7	90508-32052-00	SPRING, TORSION (214-18124-00)	1	
8	(214-18121-01-00)	LEVER, SHIFT 1	1	
9	90149-06017-00	SCREW, SPEC'L SHAPE (214-18186-00)	1	
10	95380-06600-00	NUT	1	
11	92995-06100-00	WASHER, SPRING	1	
12	99006-10600-00	CIRCLIP	2	
13	90201-12168-00	WASHER, PLATE (12.3-18-0.2) (150-18138-00)	1	
14	90149-08094-00	SCREW	1	
15	95303-08700-00	NUT	1	
16	90215-08015-00	WASHER, LOCK (214-18139-00)	1	

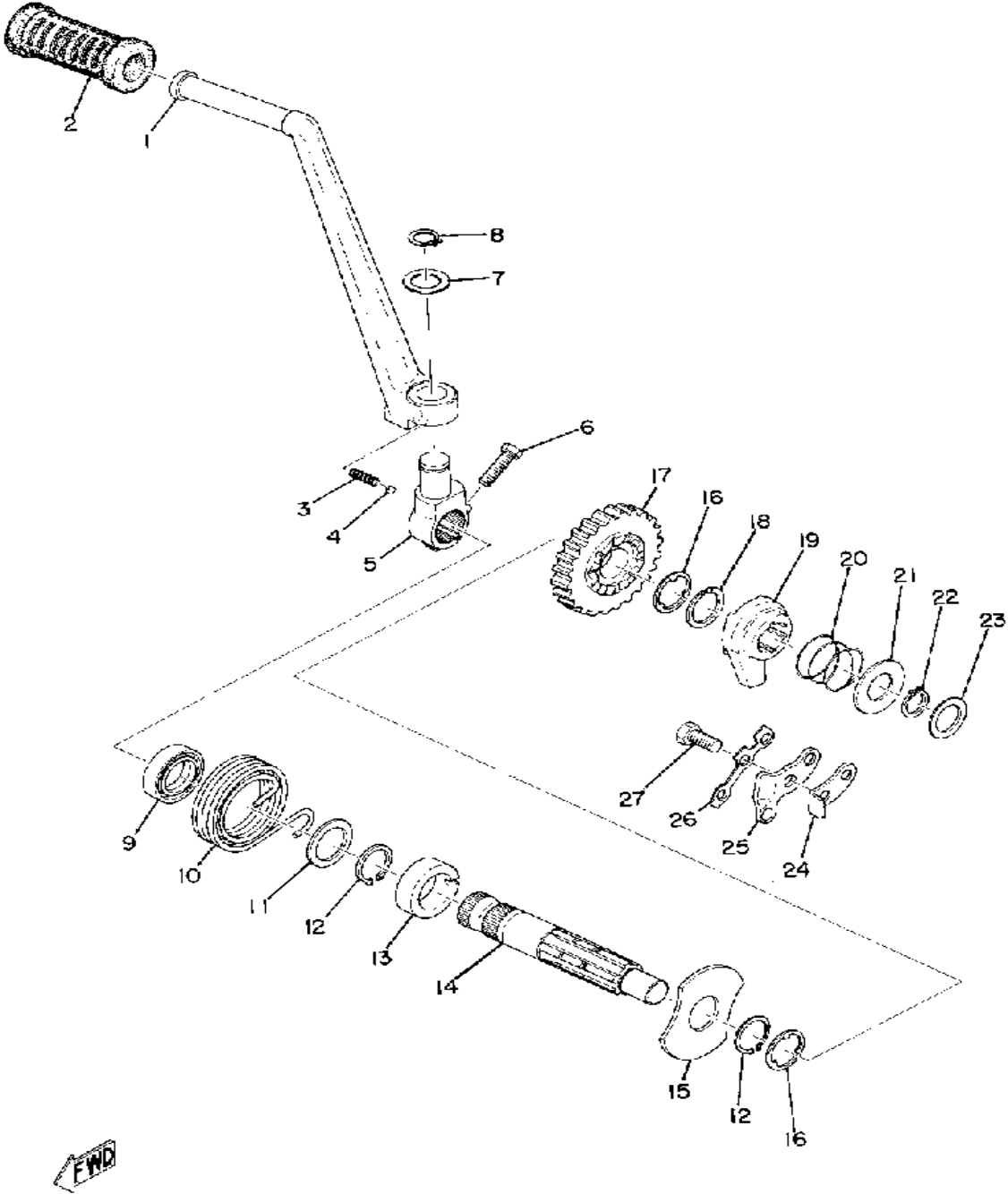
STARTER



Ref. No.	Part Number	Description	Qty	Remarks
1	(322-15611-02-91)	CRANK, KICK	1	
2	156-15618-01-00	COVER, KICK LEVER	1	
3	90501-12081-00	SPRING, COMPRESSION	1	
4	93507-32031-00	BALL	1	
5	322-15621-01-00	NO LONGER AVAILABLE	1	
6	97313-08030-00	BOLT, HEXAGON	1	
7	90201-16243-00	WASHER, PLATE (322-15613-00)	1	
8	93430-12022-00	CIRCLIP, E-TYPE	1	
9	93101-20048-00	OIL SEAL	1	
10	90508-32061-00	SPRING, TORSION (291-15665-00)	1	
11	(137-17427-00-09)	SHIM 1	1	
12	99009-20400-00	CIRCLIP	2	
13	278-15666-00-00	SPACER (278-15666-01)	1	
14	308-15661-00-00	AXLE, KICK	1	
15	278-15676-00-00	COVER, SPRING	1	
16	90214-16009-00	WASHER, CLAW (168-15653-00)	2	
17	308-15641-00-00	GEAR, KICK (24T)	1	
18	93410-20038-00	CIRCLIP	1	
19	(308-15671-00-00)	WHEEL, RATCHET	1	
20	90501-16107-00	SPRING, COMPRESSION	1	
21	90201-155K6-00	WASHER, PLATE	1	
22	99009-15400-00	CIRCLIP	1	
23	132-15644-00-00	SHIM	1	
24	214-15668-00-00	STOPPER	1	
25	(291-15674-00-00)	GUIDE, RATCHET WHL	1	
26	(291-15686-00-00)	WASHER, LOCK	1	

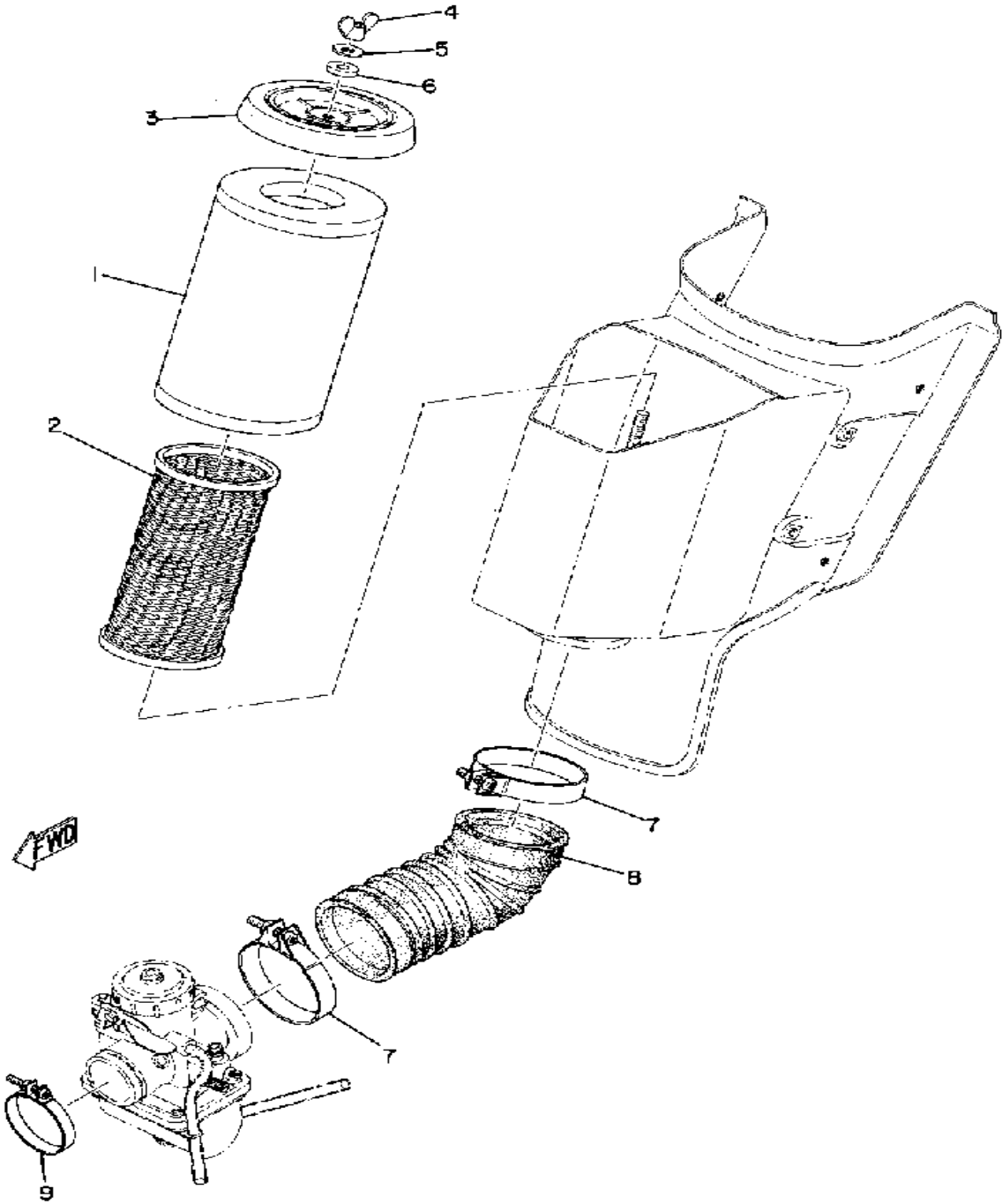
CONTINUED ON NEXT FRAME ►

STARTER



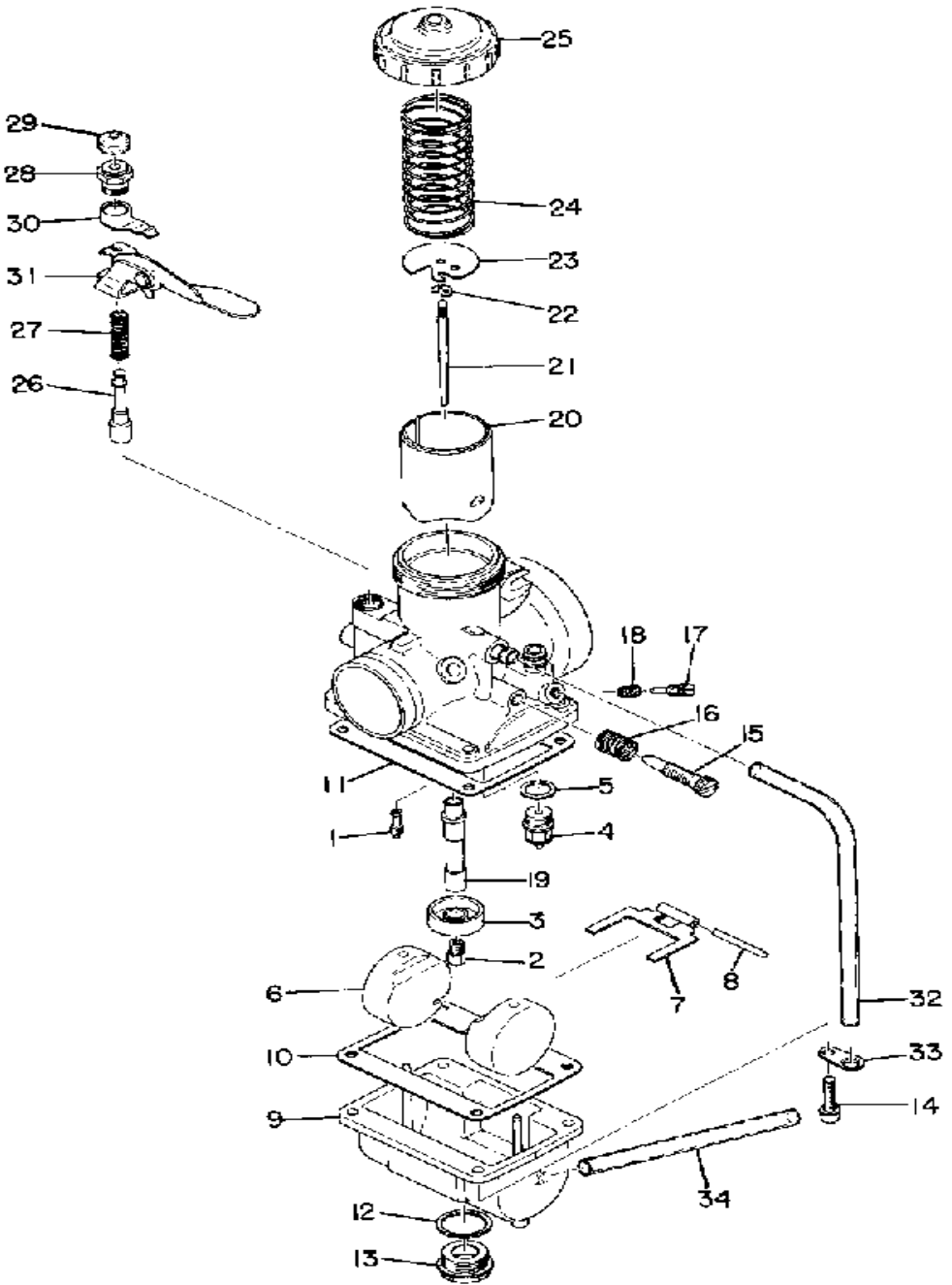
Ref. No.	Part Number	Description	Qty	Remarks
27	97011-06020-00	BOLT	3	

INTAKE



Ref. No.	Part Number	Description	Qty	Remarks
1	322-14451-00-00	ELEMENT, AIR CLNR	1	
2	(322-14458-00-00)	GUIDE, ELEMENT	1	
3	(322-14412-00-00)	CAP, CLEANER CASE 1	1	
4	90175-06004-00	NUT, WING	1	
5	90202-06008-00	WASHER, PLATE	1	
6	90201-06061-00	WASHER, PLATE	1	
7	(90460-66067-00)	CLAMP, HOSE	2	
8	(322-14453-00-00)	JOINT, AIR CLNR 1	1	
9	90460-49058-00	CLAMP, HOSE	1	

CARBURETOR

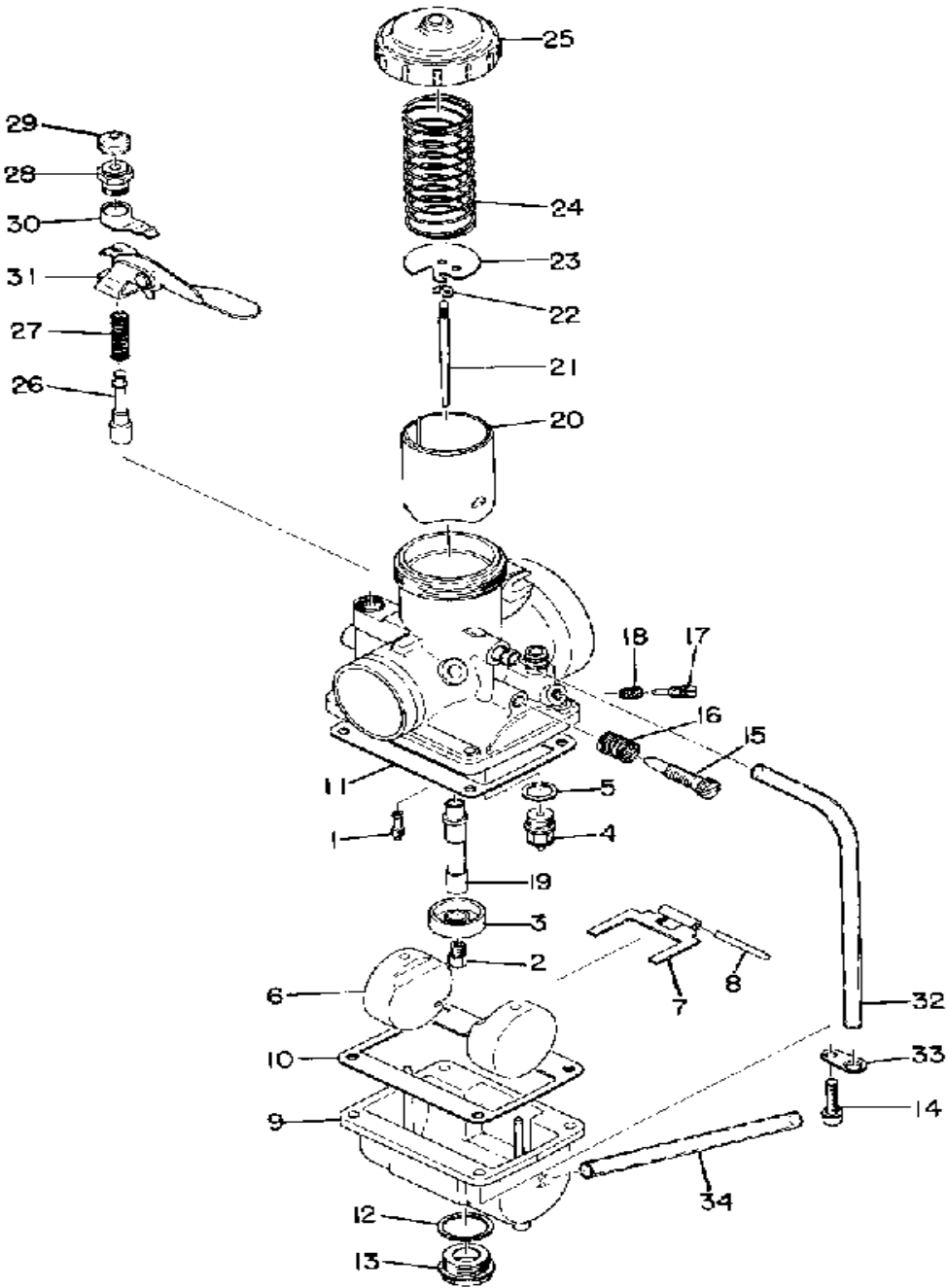


Ref. No.	Part Number	Description	Qty	Remarks
1	193-14142-60-00	. JET, PILOT #60 (60)	1	
2	137-14143-48-A1	. JET, MAIN (#240)		
	137-14143-50-A1	. JET, MAIN (#250)	1	U.RSTD
	137-14143-52-00	. JET, MAIN (#260)		
	137-14143-72-00	. JET, MAIN (#360)		
	137-14143-74-00	. JET, MAIN (#370)	1	U.RSTD
	137-14143-76-00	. JET, MAIN (#380)		
3	(310-14194-00-00)	RING	1	
4	24X-14107-33-00	. NEEDLE VALVE SET (#3.3)	1	
5	239-14195-00-00	. WASHER, NEEDLE VALVE	1	
6	310-14185-00-00	. FLOAT	2	
7	310-14187-00-00	. ARM, FLOAT	1	
8	127-14186-00-00	. PIN, FLOAT	1	
9	(310-14181-00-33)	BODY, FLOAT CHMBR 1	1	
10	310-14184-00-00	. GASKET, FLOAT CHMBR	2	
11	(310-14146-00-00)	PLATE	1	
12	239-14117-00-00	. WASHER, PLUG SCREWSCREW	1	
13	(239-14115-00-00)	PLUG, SCREW	1	
14	98501-05018-00	. SCREW, PAN HEAD	4	
15	24X-14103-00-00	. THROTTLE SCREW SET	1	
	313-14122-00-00	. SCREW, THROTTLE	1	
16	137-14133-00-00	. SPRING, THRTL STOP	1	
17	23X-14104-00-00	. AIR SCREW SET	1	
18	127-14134-00-00	. SPRING, AIR ADJUSTING	1	
19	239-14141-45-00	. NOZZLE, MAIN P 5	1	
	239-14141-48-00	. NOZZLE, MAIN P 8	1	
20	(310-14112-25-00)	VALVE, THROTTLE 1	1	
	(310-14112-30-00)	VALVE, THROTTLE 1	1	

CONTINUED ON NEXT FRAME ►

FWD

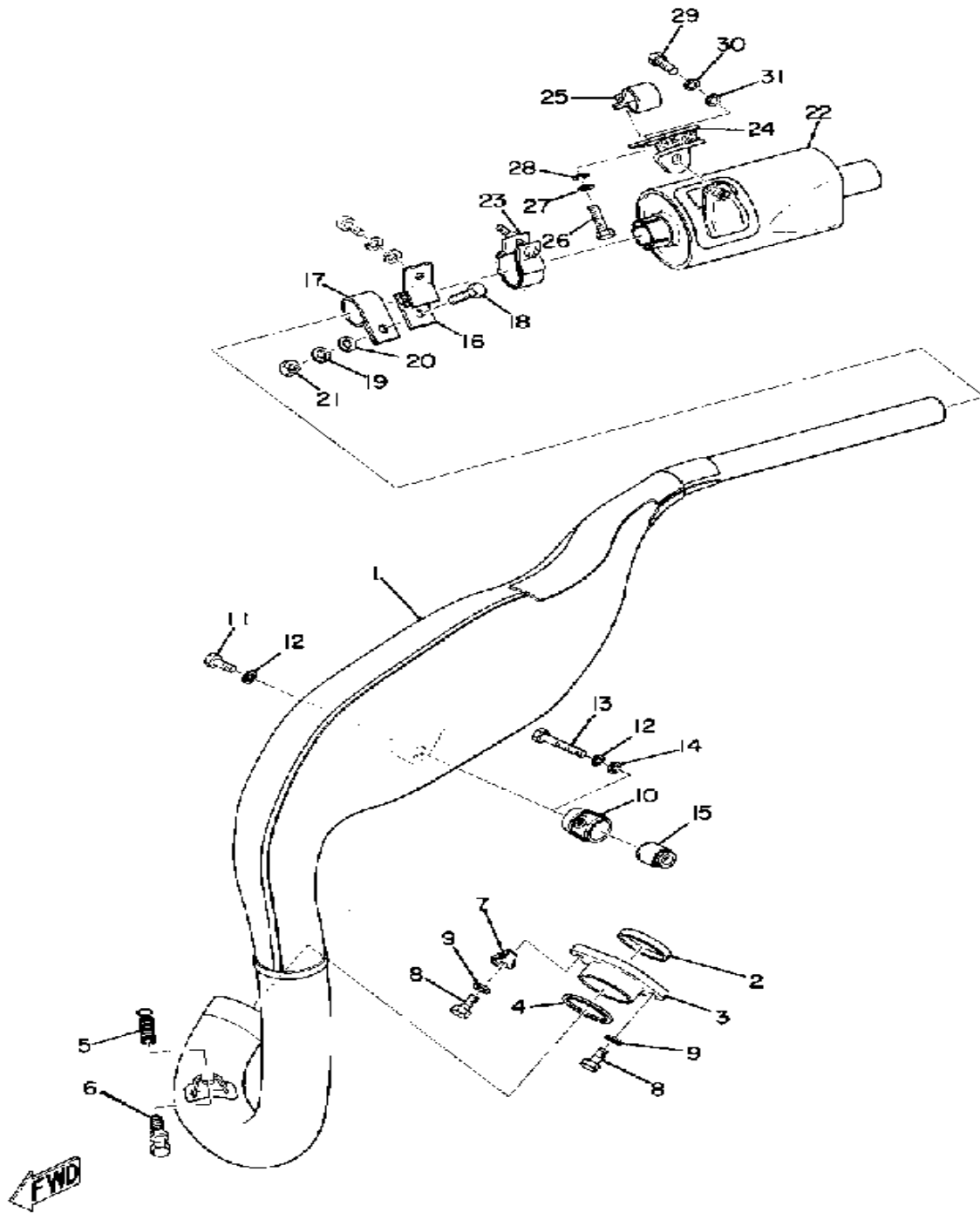
CARBURETOR



Ref. No.	Part Number	Description	Qty	Remarks
21	239-14116-05-00	. NEEDLE	1	
22	164-14137-00-00	. CLIP	1	
23	239-14136-00-00	. SEAT, SPRING	1	
24	(275-14131-00-00)	SPRING, THRTL VALVE	1	
25	239-14158-00-00	. TOP, MIXING CHAMBER	1	
26	174-14171-00-00	. PLUNGER, STARTER	1	
27	256-14135-00-00	. SPRING, PLUNGER	1	
28	802-14174-00-00	. CAP, PLUNGER	1	
29	802-14173-00-00	. COVER, PLUNGER CAP	1	
30	275-14178-00-00	. PLATE, STARTER LVR	1	
31	(310-14175-00-00)	LEVER, STARTER 1	1	
32	(313-14197-00-00)	PIPE, AIRVENT	1	
33	313-14146-00-00	. PLATE	1	
34	310-14197-00-00	. PIPE, AIRVENT	1	
-1	(313-14101-60-00)	CARBURETOR ASSEMBLY 1	1	BLACK
	(322-14101-60-00)	CARBURETOR ASSEMBLY 1	1	BLACK

FWD

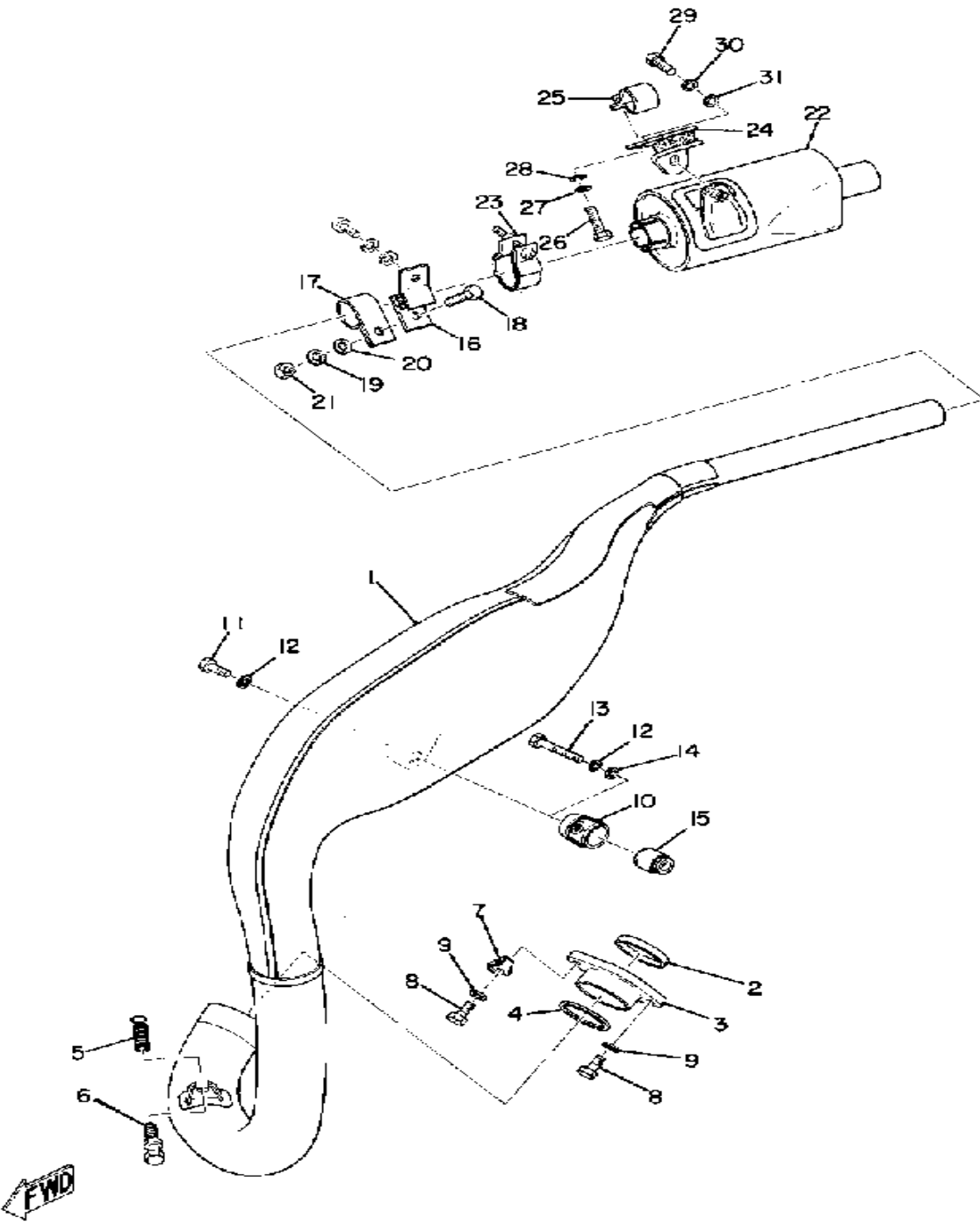
EXHAUST



Ref. No.	Part Number	Description	Qty	Remarks
1	(322-14610-10-00)	EXHAUST PIPE ASSEMBLY L	1	
2	214-14613-00-00	GASKET, EXST PIPE	1	
3	214-14612-00-00	NO LONGER AVAILABLE	1	
4	248-14623-00-00	GASKET, EXST PIPE	1	
5	90507-20012-00	SPRING, TENSION (145-14683-00)	1	
6	90109-08305-00	BOLT (322-14684-10)	1	
7	(322-14685-01-00)	PLATE	1	
8	97023-06020-00	BOLT (3XF)	2	
9	92995-06100-00	WASHER, SPRING	2	
10	(322-14771-00-00)	STAY, MUFFLER 1	1	
11	97313-08020-00	BOLT, HEXAGON	1	
12	92990-08100-00	WASHER	2	
13	97313-08040-00	BOLT, HEXAGON (97322-08040)	1	
14	92990-08200-00	WASHER, PLAIN	1	
15	328-15316-00-00	DAMPER, ENG MOUNT 1 (328-15316-00)	1	
16	(285-14791-10-00)	STAY, MUFFLER	1	
17	(285-14781-11-00)	STAY, MUFFLER 2	1	
18	97011-06025-00	BOLT (97001-06025)	1	
19	92995-06100-00	WASHER, SPRING	1	
20	92990-06200-00	WASHER	1	
21	95380-06600-00	NUT	1	
22	(322-14753-10-00)	SILENCER, EXHAUST	1	
23	322-14788-11-00	BAND, SILENCER	1	
24	308-14771-00-00	STAY, MUFFLER 1	1	
25	(322-14792-10-00)	STAY, MUFFLER	1	
26	97011-06025-00	BOLT (97001-06025)	1	
27	92995-06100-00	WASHER, SPRING	1	

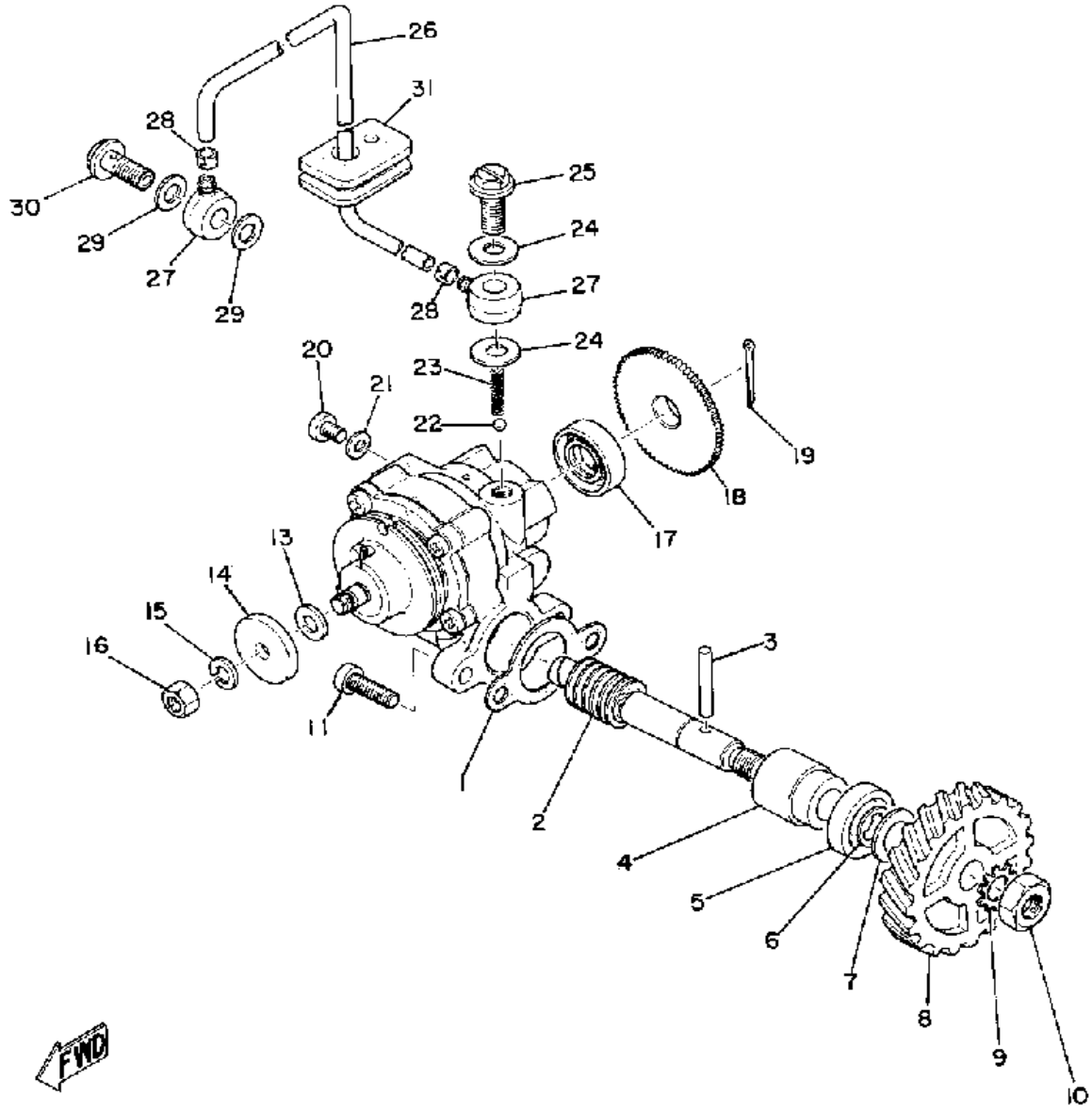
CONTINUED ON NEXT FRAME ►

EXHAUST



Ref. No.	Part Number	Description	Qty	Remarks
28	92990-06200-00	WASHER	1	
29	97313-08020-00	BOLT, HEXAGON	1	
30	92990-08100-00	WASHER	1	
31	92990-08200-00	WASHER, PLAIN	1	

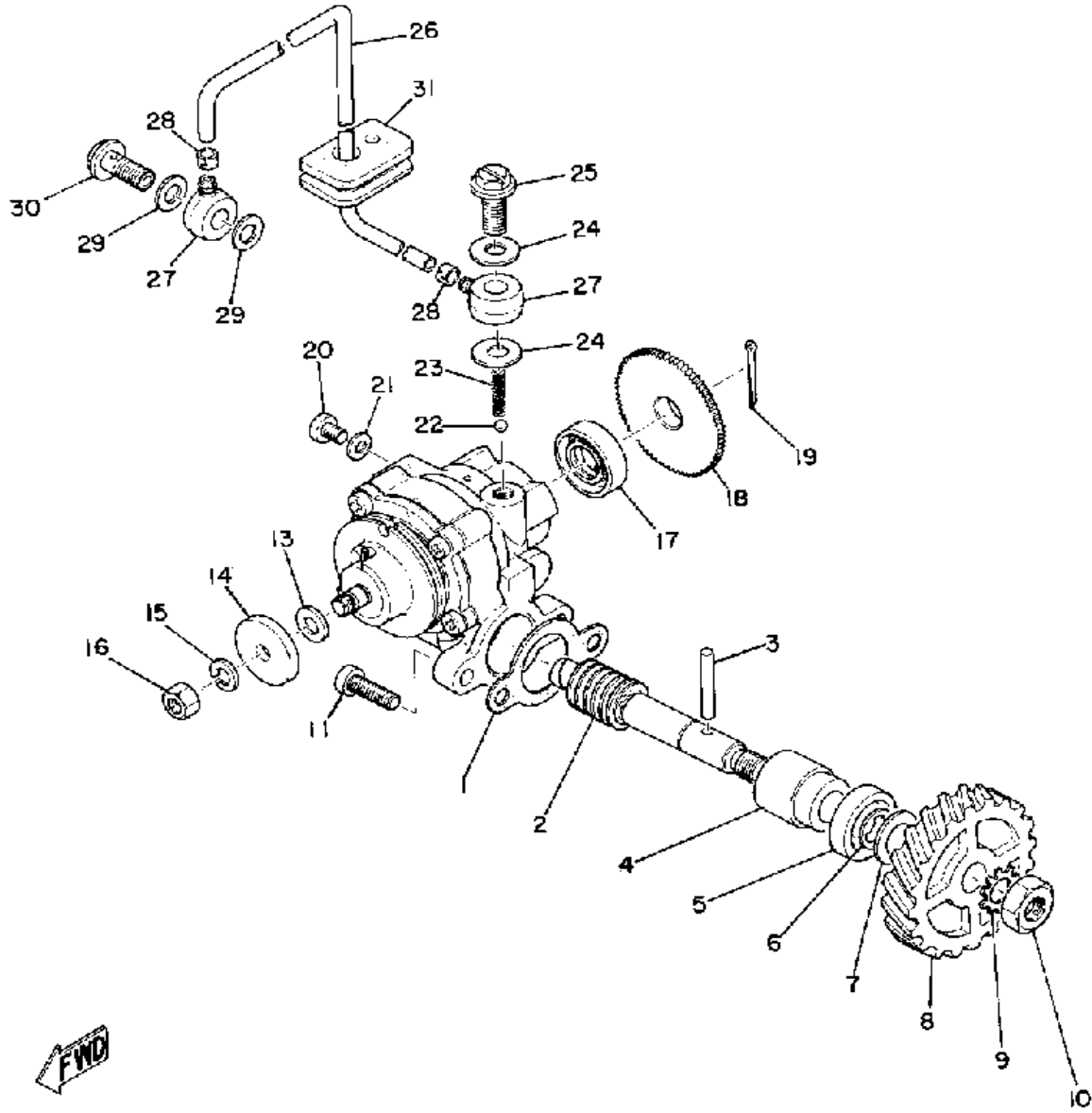
OIL PUMP



Ref. No.	Part Number	Description	Qty	Remarks
1	3MT-13116-00-00	GASKET, PUMP CASE (8Y0-13116-00)	1	
2	(214-13175-01-00)	SHAFT, WORM	1	
	278-13175-01-00	SHAFT, WORM (278-13175-00)	1	
3	93603-22028-00	PIN, DOWEL	1	
4	1E7-13176-00-00	METAL, WRM SHAF OTR	1	
5	93101-10002-00	OIL SEAL	1	
6	99001-08600-00	CIRCLIP	1	
7	90201-105J4-00	WASHER, PLATE (90201-106H1)	1	
8	(214-13178-01-00)	GEAR, PUMP DRIVE	1	
9	92901-08400-00	WASHER, EX.TOOTH	1	
10	95303-08700-00	NUT	1	
11	98580-05016-00	SCREW, PAN HEAD	2	
13	137-13137-00-03	. SHIM (0.3T)	1	
	137-13137-00-05	. SHIM (0.5T)	1	
14	137-13138-01-00	. PLATE, ADJUSTING	1	
15	92990-05100-00	. WASHER, SPRING	1	
16	95380-05600-00	. NUT	1	
17	93101-10090-00	. OIL SEAL	1	
18	(137-13128-00-00)	PLATE, STARTER	1	
19	91401-12018-00	. PIN, COTTER	1	
20	98901-04008-00	. SCREW, BIND	1	
21	90430-04004-00	. GASKET	1	
22	93505-32002-00	. BALL	1	
23	(90501-02017-00)	SPRING, COMPRESSION	1	
24	90430-06011-00	. GASKET	2	
25	90401-06001-00	. BOLT, UNION	1	
26	90445-05301-00	. HOSE (214-13161-01)	1	

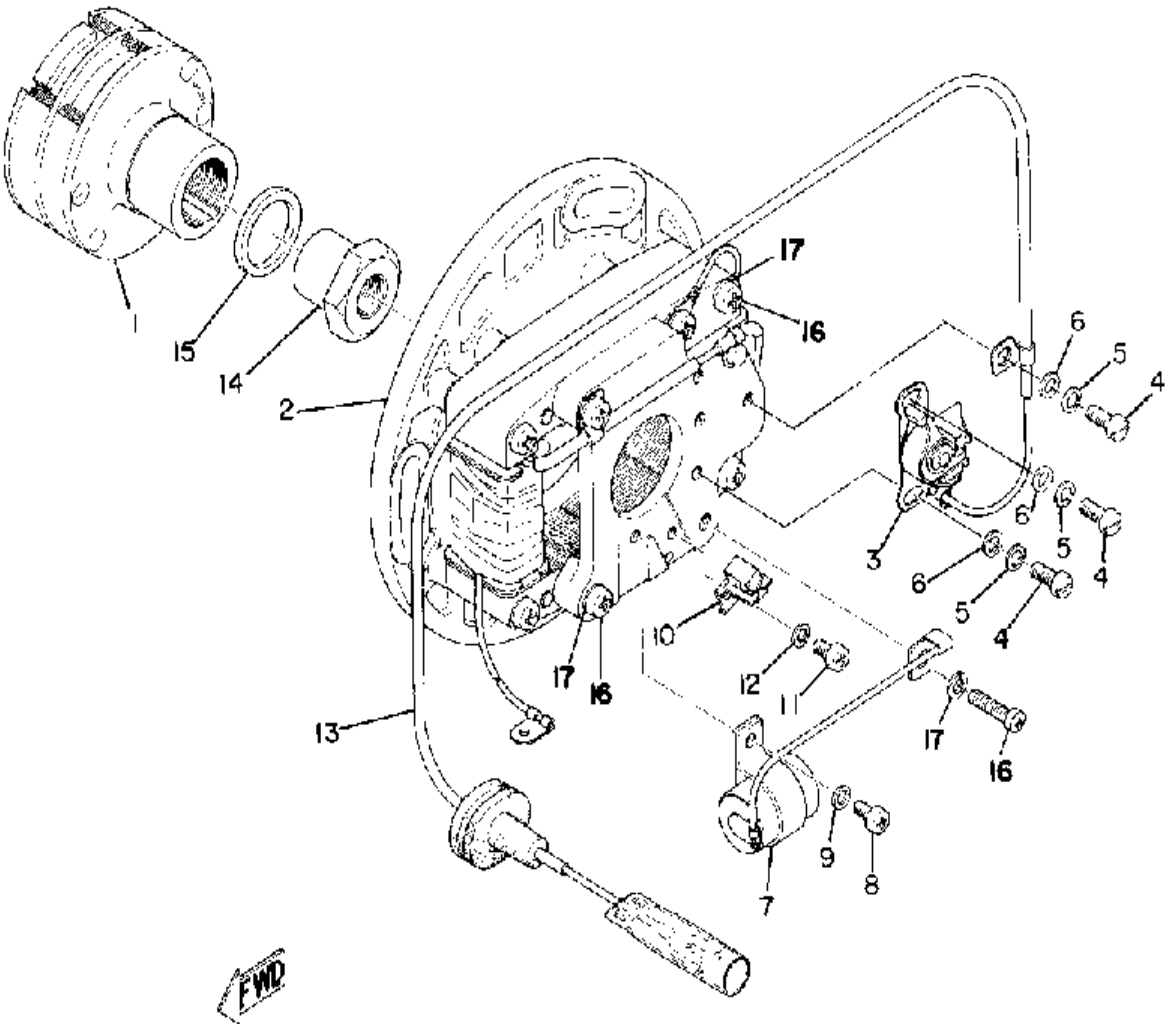
CONTINUED ON NEXT FRAME ►

OIL PUMP



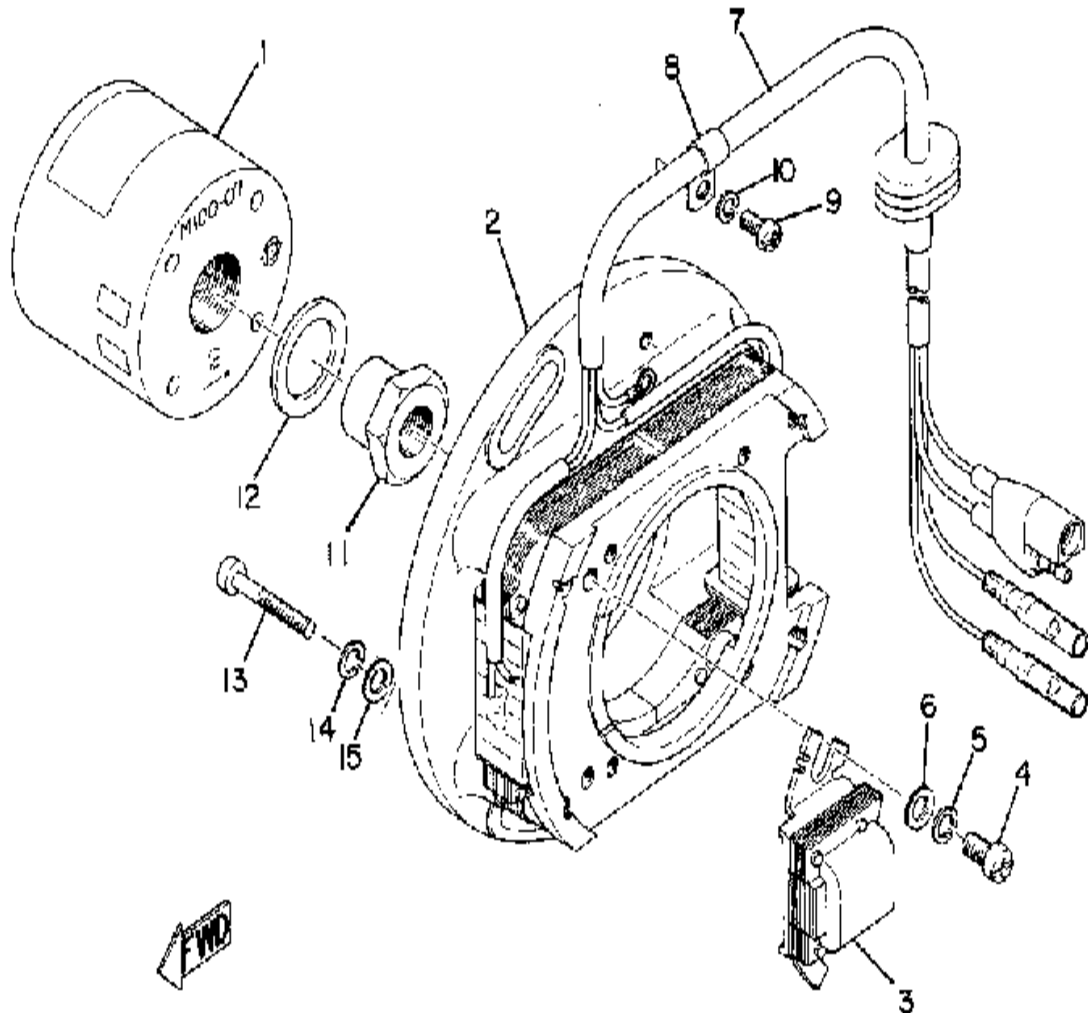
Ref. No.	Part Number	Description	Qty	Remarks
27	214-13162-01-00	. BANJO, DLVRY PIPE	2	
28	90468-02033-00	. CLIP	2	
29	90430-06011-00	GASKET	2	
30	90401-06001-00	BOLT, UNION	1	
31	(363-13174-00-00)	HOLDER, OIL PIPE	1	
-1	(214-13101-04-00)	OIL PUMP ASSEMBLY	1	
	(275-13101-03-00)	OIL PUMP ASSEMBLY	1	

MAGNETO (DT2MX)



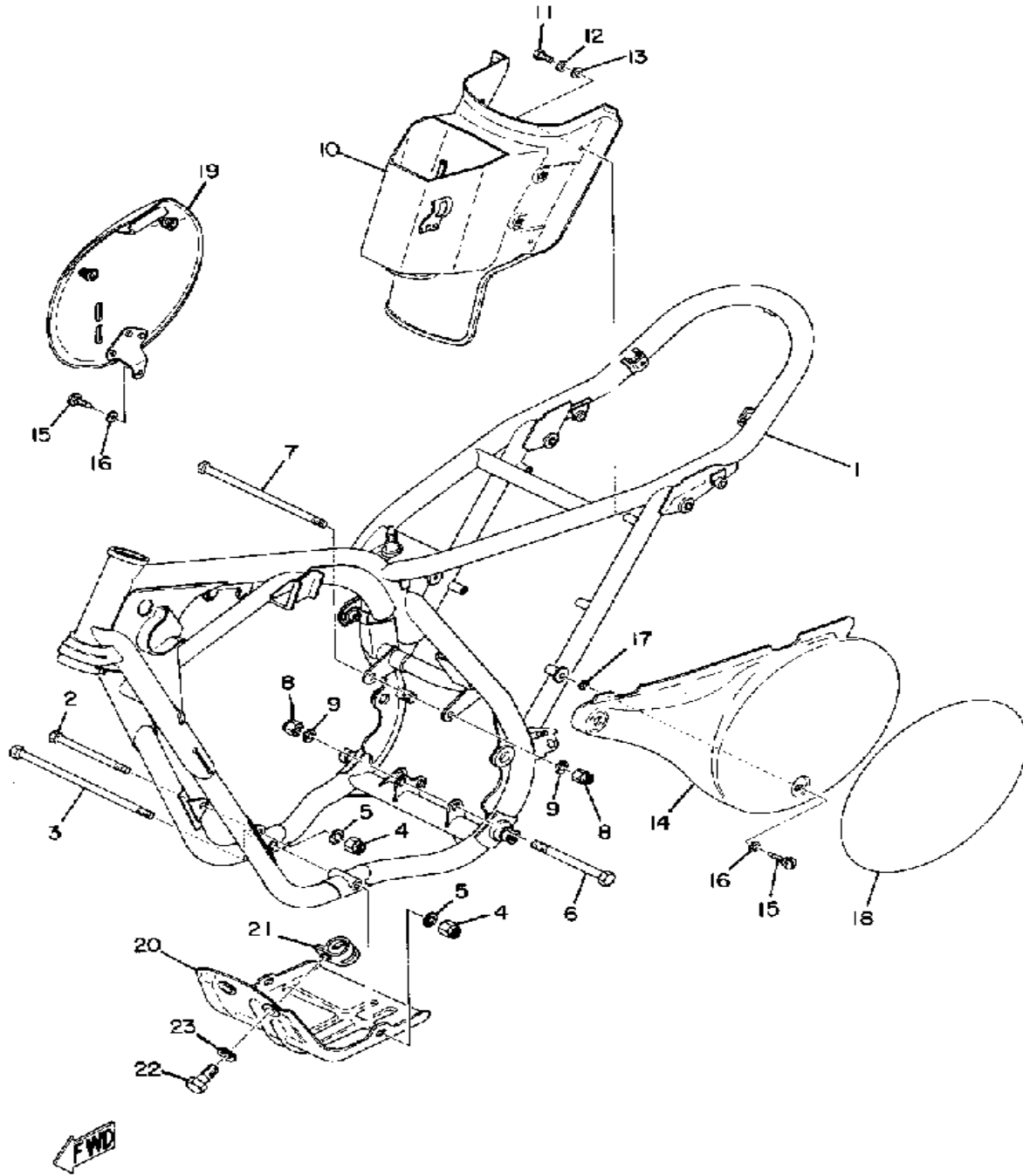
Ref. No.	Part Number	Description	Qty	Remarks
1	(324-81550-10-00)	ROTOR ASSEMBLY	1	
2	(324-81510-10-00)	STATOR ASSEMBLY	1	
3	324-81521-10-00	.. CONTACT BRKR ASSEMBLY 1	1	
4	110-81346-21-00	.. SCREW, PAN HEAD	3	
5	92901-04100-00	.. WASHER, SPRING	3	
6	92990-04200-00	.. WASHER, PLAIN	3	
7	144-81526-10-00	.. CONDENSER 2	1	
8	97601-04106-00	.. SCREW, PN/HD.W/WSHR ..	1	
9	92901-04100-00	.. WASHER, SPRING	1	
10	(132-81531-10-00)	LUBRICATOR	1	
11	97601-04106-00	.. SCREW, PN/HD.W/WSHR ..	1	
12	92901-04100-00	.. WASHER, SPRING	1	
13	(324-81515-10-00)	LEAD WIRE ASSEMBLY	1	
14	(324-81553-10-00)	NUT, ROTOR	1	
15	(304-81554-10-00)	WASHER	1	
16	98580-06018-00	SCREW, PAN HEAD	3	
17	92995-06100-00	WASHER, SPRING	3	
-1	324-81500-10-00	NO LONGER AVAILABLE	1	

C-D-I MAGNETO ASSEMBLY



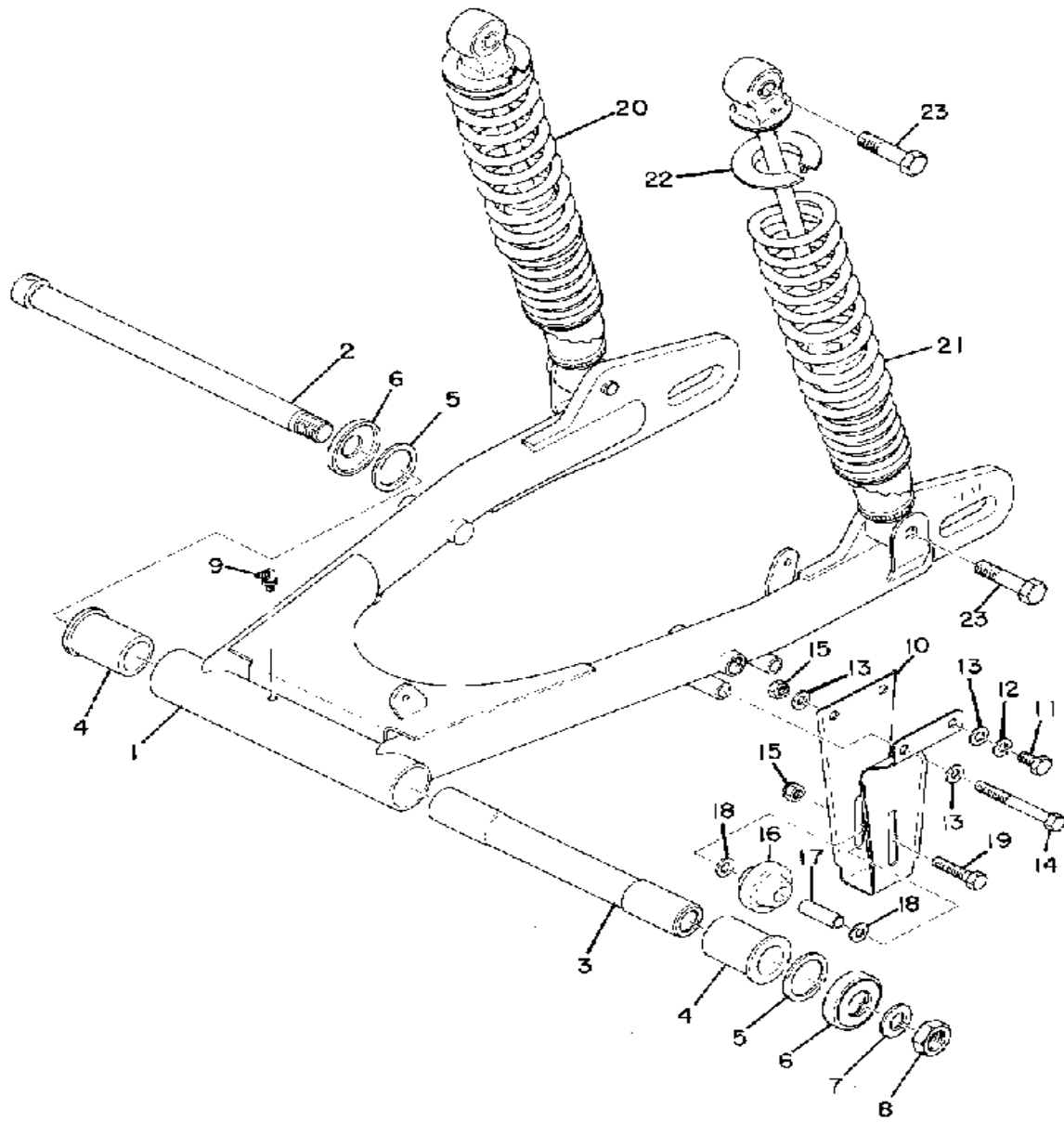
Ref. No.	Part Number	Description	Qty	Remarks
1	(322-85550-10-00)	ROTOR ASSEMBLY	1	
2	(322-85550-10-00)	ROTOR ASSEMBLY	1	
3	(322-85543-10-00)	COIL PULSER	1	
4	98580-05010-00	.. SCREW, PAN HEAD	2	
5	92990-05100-00	.. WASHER, SPRING	2	
6	92990-05200-00	.. WASHER, PLAIN	2	
7	(322-85515-10-00)	LEAD WIRE ASSEMBLY	1	
8	109-81328-11-00	.. CLAMP	1	
9	98580-04008-00	.. SCREW, PAN HEAD	1	
10	92901-04100-00	.. WASHER, SPRING	1	
11	322-85553-10-00	. NUT, ROTOR	1	
12	322-85554-10-00	. WASHER, ROTOR	1	
13	98580-06018-00	SCREW, PAN HEAD	3	
14	92995-06100-00	WASHER, SPRING	3	
15	92990-06200-00	WASHER	3	
-1	(322-85500-10-00)	CDI MAGNETO ASSEMBLY ...	1	

FRAME



Ref. No.	Part Number	Description	Qty	Remarks
1	(322-21110-01-33)	FRAME	1	YAMAHA BLACK
2	95821-08115-00	BOLT, flange	1	
3	90109-08040-00	BOLT (214-21842-00)	1	
4	95611-08100-00	NUT, U	2	
5	92990-08100-00	WASHER	2	
6	90105-10051-00	BOLT, WASHER BASED	1	
7	(90109-10316-00)	BOLT	1	
8	90185-10031-00	NUT, SELF-LOCKING	2	
9	92990-10100-00	WASHER, SPRING	2	
10	(322-21240-00-33)	BOX, BATT.	1	
11	97011-06016-00	BOLT	4	
12	92995-06100-00	WASHER, SPRING	4	
13	90201-06067-00	WASHER, PLATE	4	
14	(322-21711-00-00)	COVER, SIDE 1	1	
15	302-21714-00-00	UNAVAILABLE IN PRICE BOOK	2	
16	90202-06013-00	WASHER, PLATE	2	
17	95380-06700-00	NUT	2	
18	(322-21787-00-00)	EMBLEM 7	1	
19	(322-21721-00-00)	COVER, SIDE 2	1	
20	(214-21433-00-33)	BRACKET, PROTC FRT	1	
21	(214-21433-00-33)	BRACKET, PROTC FRT	2	
22	97013-06012-00	BOLT	2	
23	92901-06038-00	UNAVAILABLE IN PRICE BOOK	2	

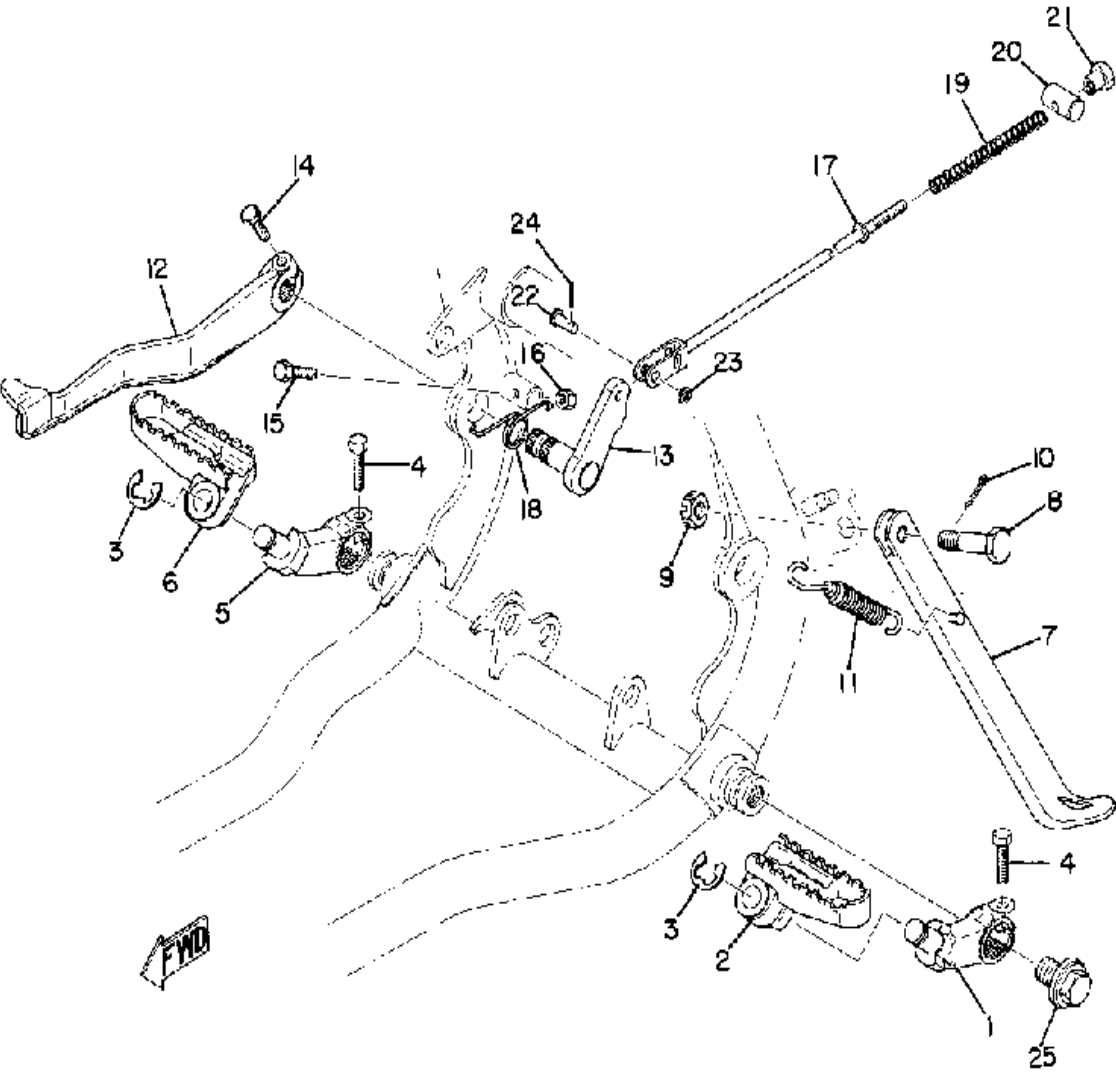
REAR ARM - REAR CUSHION



Ref. No.	Part Number	Description	Qty	Remarks
1	(322-22110-00-33)	REAR ARM	1	YAMAHA BLACK
2	275-22141-00-00	SHAFT, PIVOT	1	
3	90387-16398-00	COLLAR (322-22124-00)	2	
4	3Y1-22184-01-00	BUSH	2	
5	240-22127-00-00	SHIM	1	
6	322-22128-01-00	COVER, THRUST 1	2	
7	92901-14100-00	WASHER, SPRING	1	
8	90170-14403-00	NUT	1	
9	93700-06005-00	NIPPLE, GREASE	1	
10	322-22153-00-33	GUARD, CHAIN	1	YAMAHA BLACK
11	97013-06012-00	BOLT	1	
12	92995-06100-00	WASHER, SPRING	1	
13	92990-06200-00	WASHER	3	
14	97313-06050-00	BOLT	1	
15	95701-06300-00	NUT, NYLON	2	
16	322-22178-00-00	TENSIONER	1	
17	90560-06003-00	SPACER (322-22137-00)	1	
18	92990-06200-00	WASHER	2	
19	97313-06040-00	BOLT, HEXAGON	1	
20	(322-22210-20-00)	SHK/ABS ASSEMBLY, REAR .	2	
	(322-22210-70-00)	SHK/ABS ASSEMBLY, REAR .	2	ALTERNATE PARTS
21	(322-22212-20-00)	SPRING	2	
	(322-22212-70-00)	SPRING	2	ALTERNATE PARTS
22	(322-22213-20-00)	SEAT, SPRING UPPER	2	
23	90106-10025-00	BOLT, DOME HEAD	4	



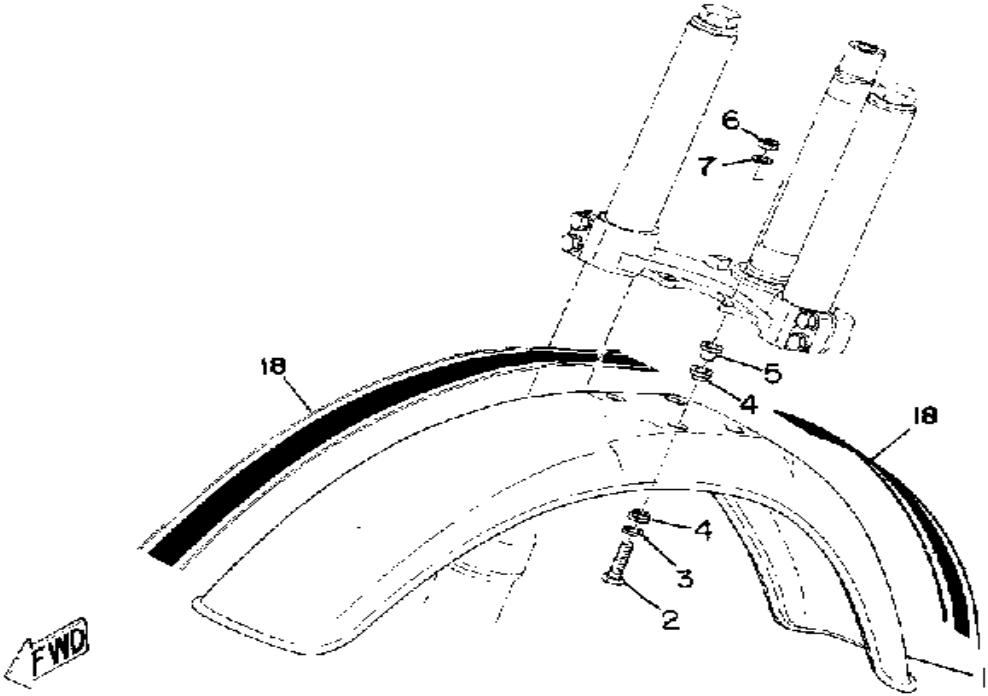
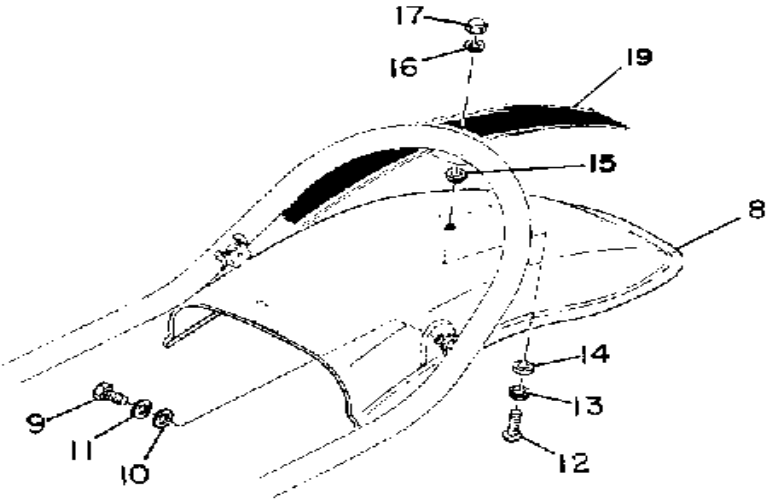
STAND - FOOTREST - BRAKE PEDAL



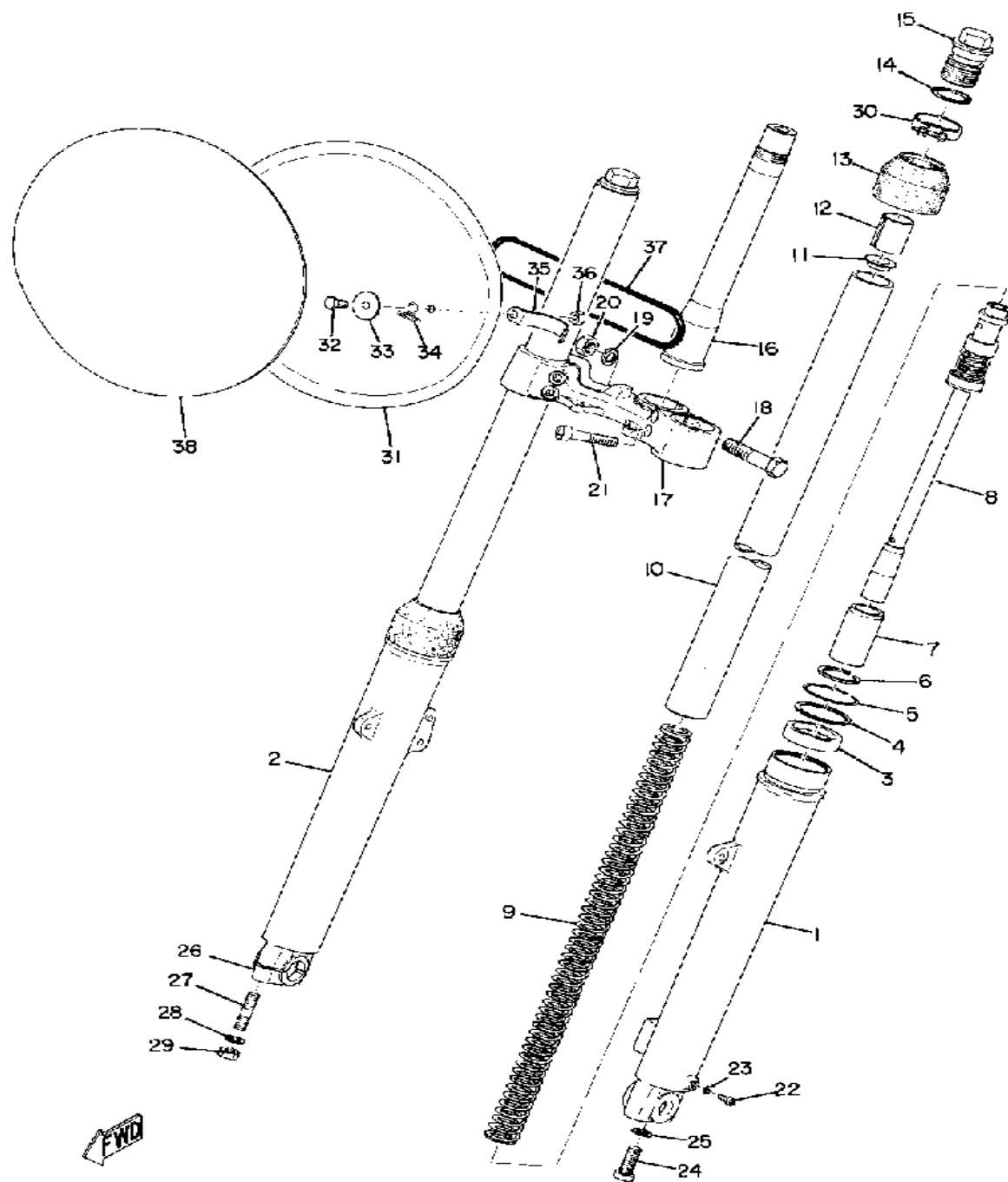
Ref. No.	Part Number	Description	Qty	Remarks
1	(322-27412-00-00)	BRACKET, FOOTREST 1	1	
2	(363-27411-00-00)	FOOTREST 1	1	
3	93430-10015-00	CIRCLIP, E-TYPE	2	
4	97013-08025-00	BOLT	2	
5	(322-27422-00-00)	BRACKET, FOOTREST 2	1	
6	(363-27421-00-00)	FOOTREST 2	1	
7	214-27311-01-00	STAND, SIDE	1	
8	90102-10006-00	BOLT, WITH HOLE (278-27317-00)	1	
9	95303-10900-00	NUT, SLOTTED	1	
10	91490-20025-00	PIN, SPLIT	1	
11	90507-29004-00	SPRING, TENSION (214-27316-00)	1	
12	(322-27211-01-33)	PEDAL, BRAKE	1	YAMAHA BLACK
13	(322-27212-00-00)	SHAFT, BRAKE PEDAL	1	
14	97011-06020-00	BOLT	1	
15	(90109-06339-00)	BOLT	1	
16	95380-06700-00	NUT	1	
17	322-27231-00-00	ROD, BRAKE	1	
18	(90508-29048-00)	SPRING, TORSION	1	
19	90501-10245-00	SPRING, COMPRESSION	1	
20	90249-12008-00	PIN	1	
21	90179-06411-00	NUT	1	
22	90240-06006-00	PIN, CLEVIS	1	
23	92990-06200-00	WASHER	1	
24	91401-25020-00	PIN, COTTER	1	
25	(90109-12335-00)	BOLT	2	
26	(90508-26039-00)	SPRING, TORSION	1	
27	(90508-26112-00)	SPRING, TORSION	1	

FRONT FENDER - REAR FENDER

Ref. No.	Part Number	Description	Qty	Remarks
1	(322-21510-00-01)	FENDER, FRONT	1	SUNSHINE RED
	(322-21510-00-02)	FENDER, FRONT	1	YAMAHA BLACK
2	97313-06030-00	BOLT, HEXAGON	4	
3	90201-06067-00	WASHER, PLATE	4	
4	322-21541-00-00	DAMPER 1	8	
5	90387-06388-00	COLLAR	4	
7	92995-06100-00	WASHER, SPRING	4	
8	(322-21610-00-01)	FENDER, REAR	1	SUNSHINE RED
	(322-21610-00-02)	FENDER, REAR	1	YAMAHA BLACK
9	97011-06016-00	BOLT	2	
10	90201-06067-00	WASHER, PLATE	2	
11	92995-06100-00	WASHER, SPRING	2	
12	98580-06018-00	SCREW, PAN HEAD	1	
13	90209-06087-00	WASHER, SPEC'L SHAP	1	
14	(322-21639-00-00)	DAMPER 2	1	
15	322-21541-00-00	DAMPER 1	1	
16	92995-06100-00	WASHER, SPRING	1	
17	95303-06800-00	NUT (CROWN)	1	
18	(322-21519-00-00)	MOLD, FENDER	2	
	(324-21519-00-00)	MOLD, FENDER	2	
19	(322-21619-00-00)	STRIPE, REAR FENDER	1	
	(324-21619-00-00)	STRIPE, REAR FENDER	1	



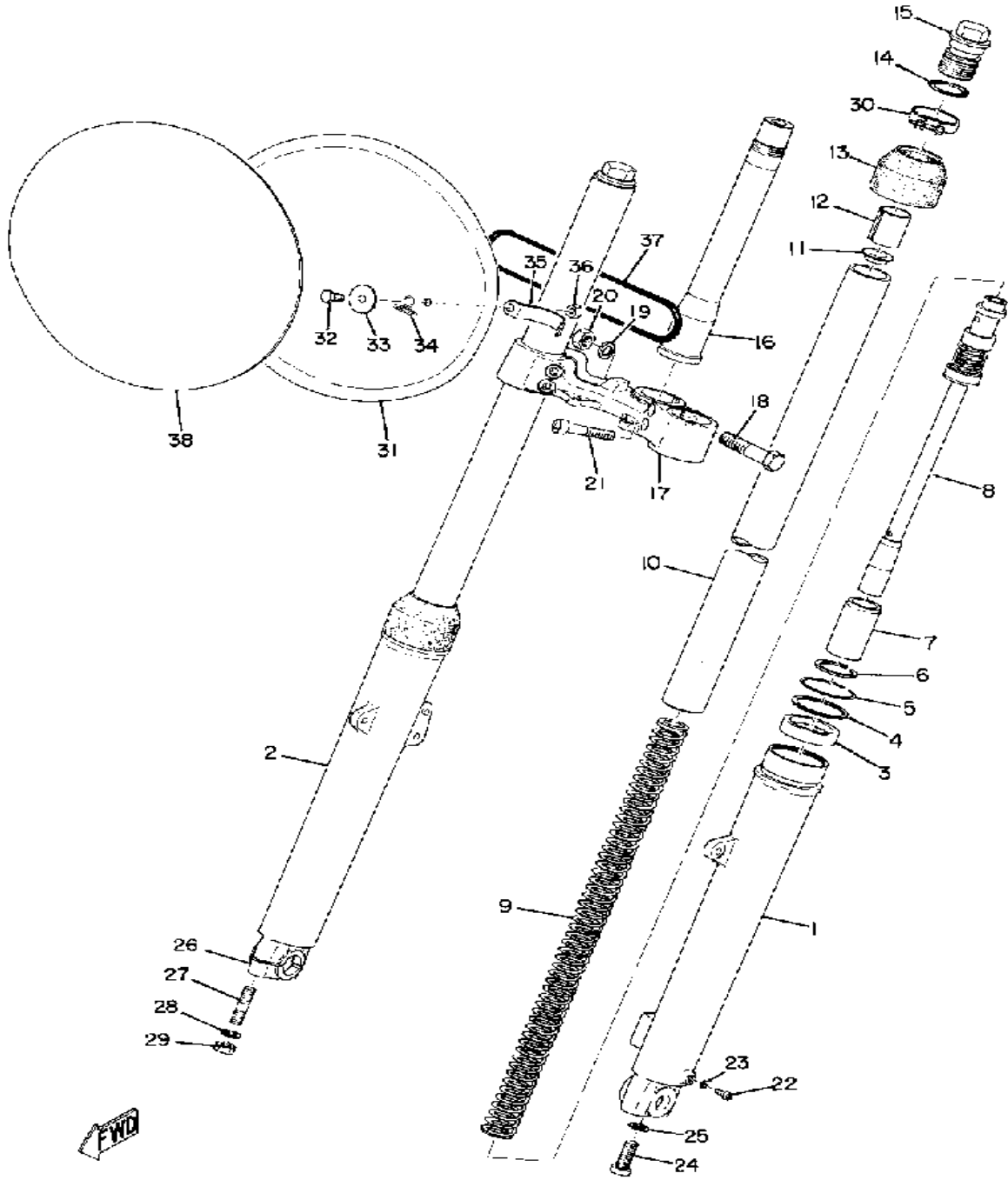
FRONT FORK



Ref. No.	Part Number	Description	Qty	Remarks
1	(291-23126-60-00)	TUBE, OUTER 1	1	
2	(291-23136-60-00)	TUBE, OUTER 2	1	
3	278-23145-51-00	OIL SEAL	2	
4	214-23146-00-00	WASHER, OIL SEAL	2	
5	214-23156-00-00	CLIP, OIL SEAL	2	
6	93450-30033-00	CIRCLIP, INNER	2	
7	(322-23171-00-00)	PISTON, FRONT FORK	2	
8	(322-23170-01-00)	CYLINDER, FRTFRK	2	
9	(363-23141-01-00)	SPRING, FRONT FORK	2	
10	363-23124-01-00	UNAVAILABLE IN PRICE BOOK (322-23124-01)	2	
11	278-23142-50-00	SEAT, SPRING UPPER	2	
13	292-23144-00-00	SEAL, DUST	2	
14	214-23114-00-00	GASKET	2	
15	(291-23111-60-00)	BOLT, CAP	2	
16	(1E6-23341-00-00)	SHAFT, STEERING	1	
17	(322-23345-00-33)	BRACKET, LOWER	1	
18	(322-23356-00-00)	BOLT 2	1	
19	92990-10100-00	WASHER, SPRING	1	
20	(322-23357-00-00)	NUT	1	
21	(322-23346-00-00)	BOLT 1	4	
22	98580-04008-00	SCREW, PAN HEAD	2	
23	122-23129-00-00	GASKET, DRAIN PLUG	2	
24	278-23181-50-00	BOLT, HEXAGON SOCKET HEAD	2	
25	509-23158-L0-00	GASKET	2	
26	291-23167-61-00	HOLDER, AXLE (291-23167-60)	1	
27	90116-08261-00	BOLT, STUD	1	
28	92990-08100-00	WASHER	2	

CONTINUED ON NEXT FRAME ►

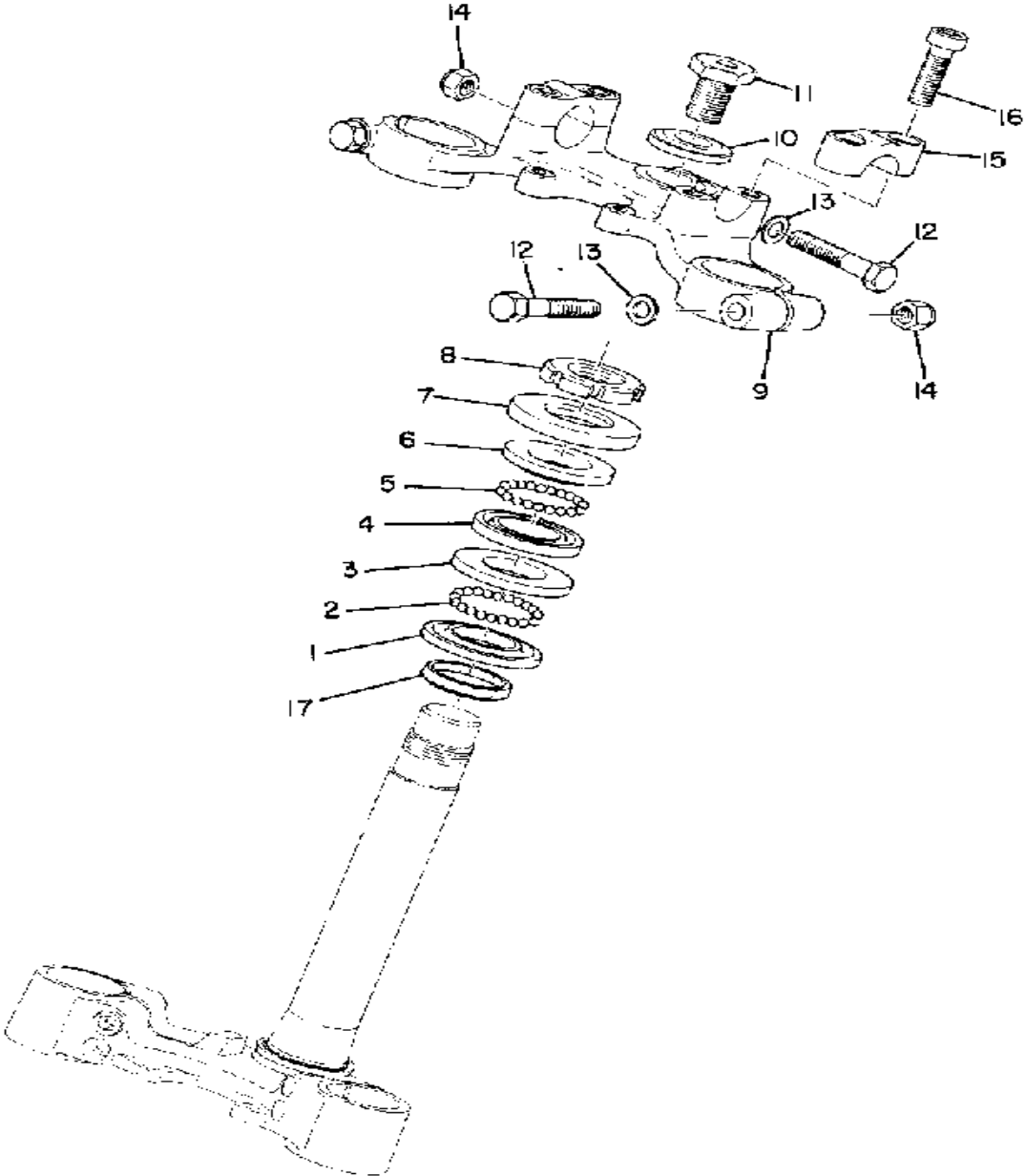
FRONT FORK



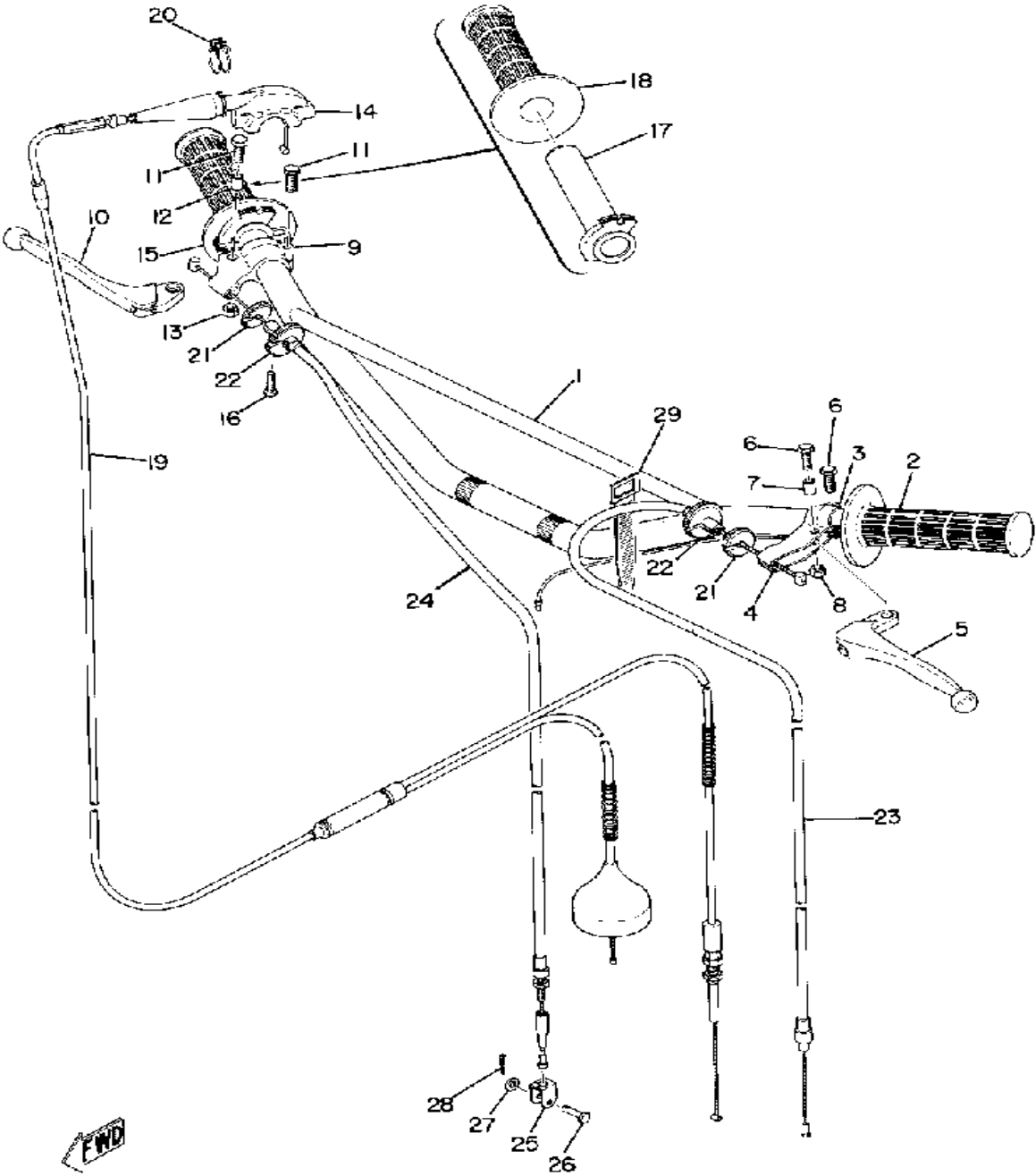
Ref. No.	Part Number	Description	Qty	Remarks
29	95333-08600-00	NUT	2	
30	(90460-54061-00)	CLAMP, HOSE	1	
31	322-23485-00-00	PLATE, NUMBER	1	
32	90146-06007-00	SCREW, OVAL FLSTR (322-23396-00)	2	
33	90201-06073-00	WASHER, PLATE	2	
34	(322-23319-00-00)	HOLDER, CABLE 2	1	
35	(318-23487-00-00)	STAY, PLATE	2	
36	95380-06600-00	NUT	2	
37	93210-99103-00	O-RING	1	
38	322-23395-00-00	EMBLEM	1	
-1	322-23102-00-00	UNAVAILABLE IN PRICE BOOK	1	

STEERING

Ref. No.	Part Number	Description	Qty	Remarks
1	156-23411-00-00	RACE, BALL 1	1	
2	93501-04011-00	BALL	19	
3	156-23412-00-00	RACE, BALL 2	1	
4	22F-23412-01-00	RACE, BALL 2	1	
5	93503-16010-00	BALL	22	
6	22F-23411-01-00	RACE, BALL 1	1	
7	122-23416-00-00	COVER, BALL RACE 2	1	
8	90179-25033-00	NUT	1	
9	(321-23435-01-98)	CROWN, HANDLE	1	BLACK
10	90209-14022-00	WASHER, SPEC'L SHAP (214-23443-00)	1	
11	90109-14235-00	BOLT (322-23451-00)	1	
12	97013-08060-00	BOLT (663)	3	
13	90201-08083-00	WASHER, PLATE	3	
14	95611-08100-00	NUT, U	3	
15	(322-23441-01-98)	HOLDER, HANDLE UPR	2	BLACK
16	(91390-08030-00)	BOLT, SOCKET HEAD	4	
17	164-23462-00-00	SEAL, STEERING	1	



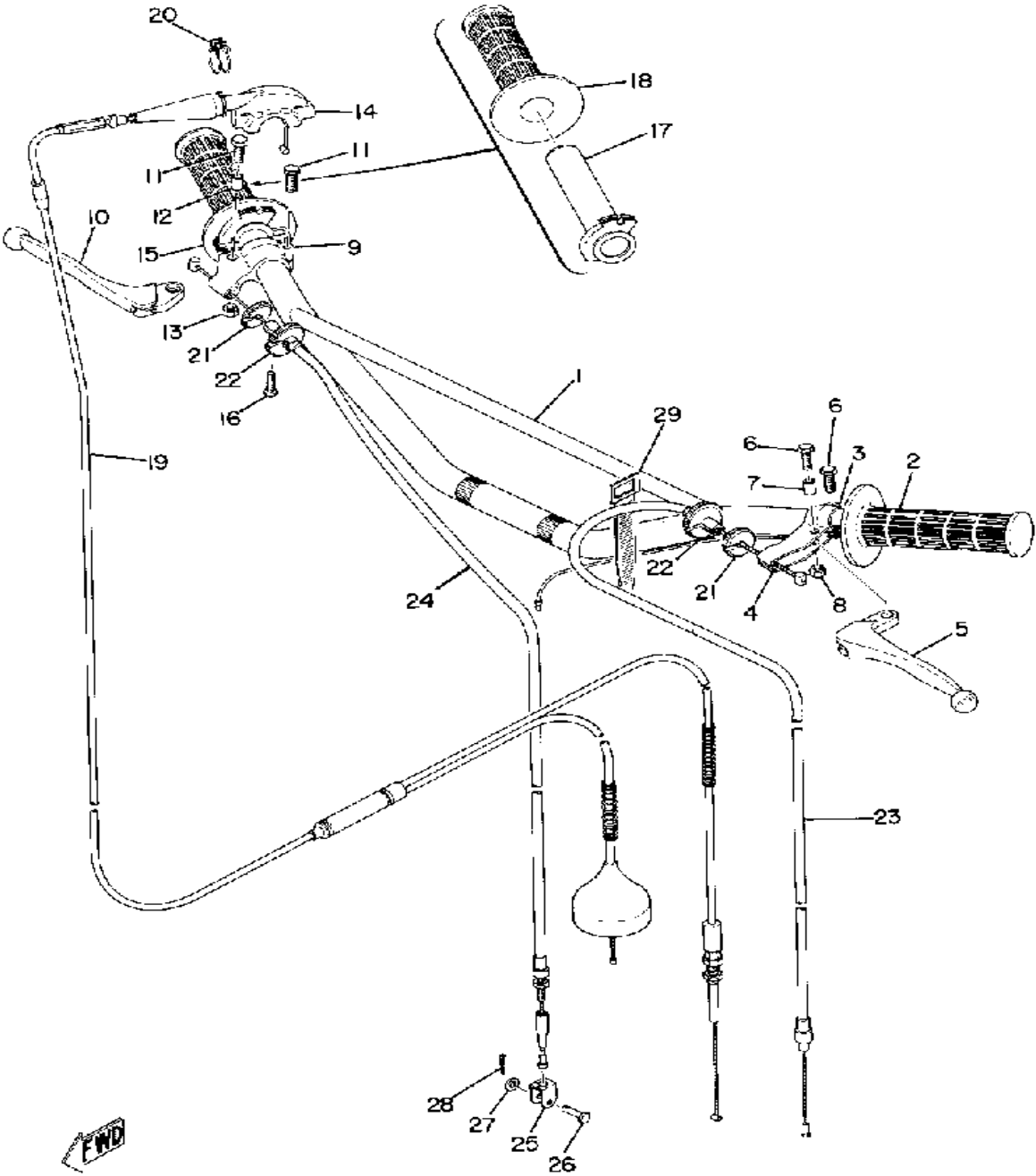
HANDLE - WIRING



Ref. No.	Part Number	Description	Qty	Remarks
1	(483-26111-00-00)	HANDLEBAR	1	
2	1E6-26241-00-00	GRIP LH	1	
3	(322-83976-00-00)	SWITCH, HANDLE 1	1	
4	214-82911-01-00	. HOLDER, LEVER 1	1	
5	214-83912-00-00	. LEVER 1	1	
6	97023-06020-00	. BOLT (3XF)	2	
7	214-83913-00-00	. COLLAR, LEVER 1	1	
8	95380-06600-00	. NUT	1	
9	233-82921-31-00	. HOLDER, LEVER 2	1	
10	233-83922-30-00	. LEVER R	1	
11	97023-06020-00	. BOLT (3XF)	2	
12	214-83913-00-00	. COLLAR, LEVER 1	1	
13	95380-06600-00	. NUT	1	
14	322-26281-00-98	CAP, GRIP UPPER	1	
15	322-26282-00-00	CAP, GRIP LOWER	1	
16	98580-05020-00	SCREW, PAN HEAD	2	
17	322-26243-00-00	TUBE, throttle guide	1	
18	583-26242-00-00	GRIP RH	1	
19	322-26301-00-00	THROTTLE CABLE ASSEMBLY	1	
20	90460-12268-00	CLAMP, HOSE	1	
21	90179-08148-00	NUT	2	
22	90123-08046-00	BOLT	2	
23	322-26335-00-00	CABLE, CLUTCH	1	
24	322-26341-00-00	CABLE, BRAKE	1	
25	156-26347-00-00	JOINT, CABLE	1	
26	90240-08013-00	PIN, CLEVIS	1	
27	90201-08083-00	WASHER, PLATE	1	
28	91490-20020-00	PIN, COTTER	1	
29	437-83936-01-00	BAND, SWITCH CORD	1	

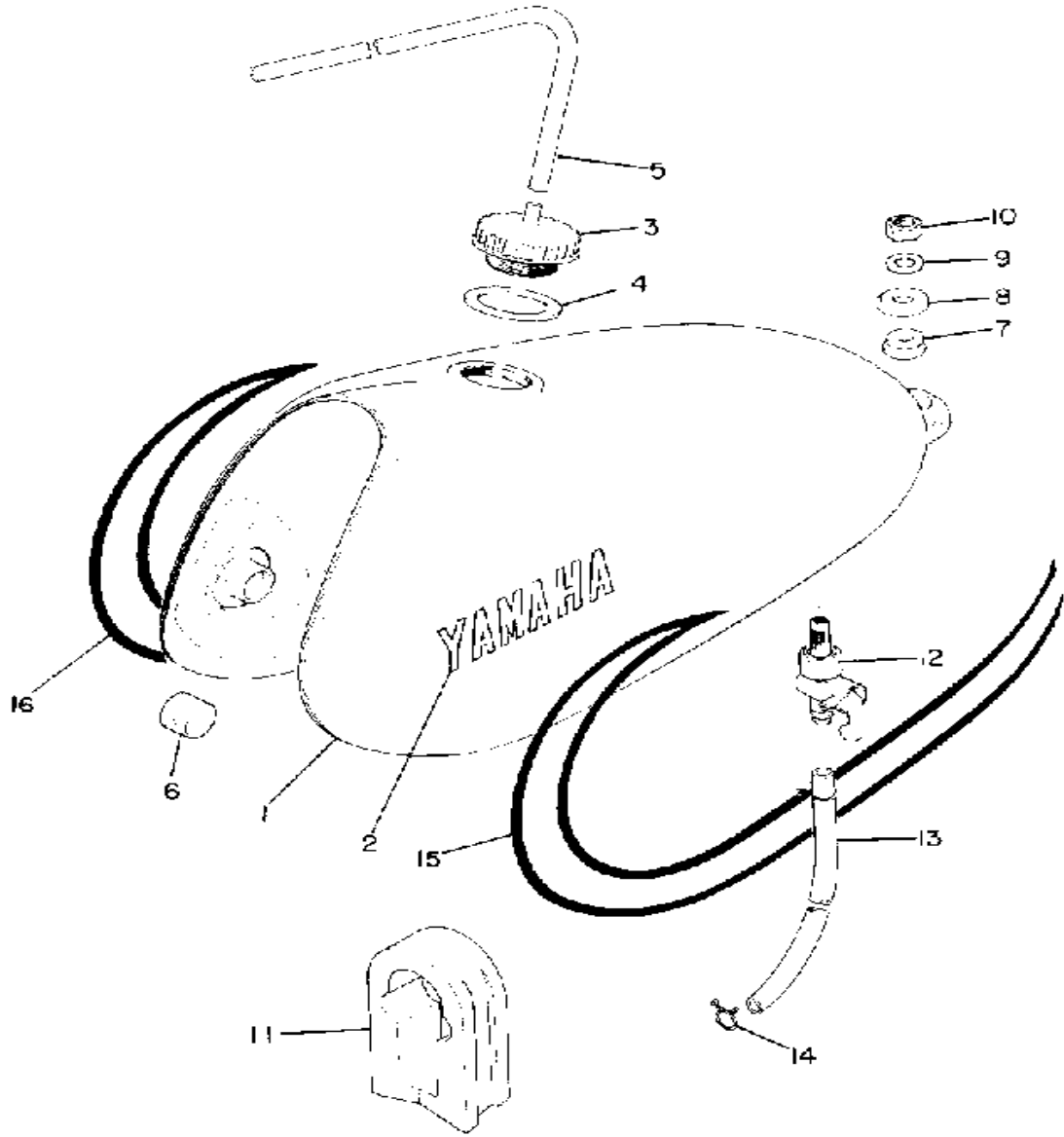
CONTINUED ON NEXT FRAME ►

HANDLE - WIRING



Ref. No.	Part Number	Description	Qty	Remarks
-1	214-82910-07-00	LEVER HOLDER ASSEMBLY 1 (214-82910-05)	1	
-2	233-82920-32-00	. LEVER HOLDER ASSEMBLY 2	1	

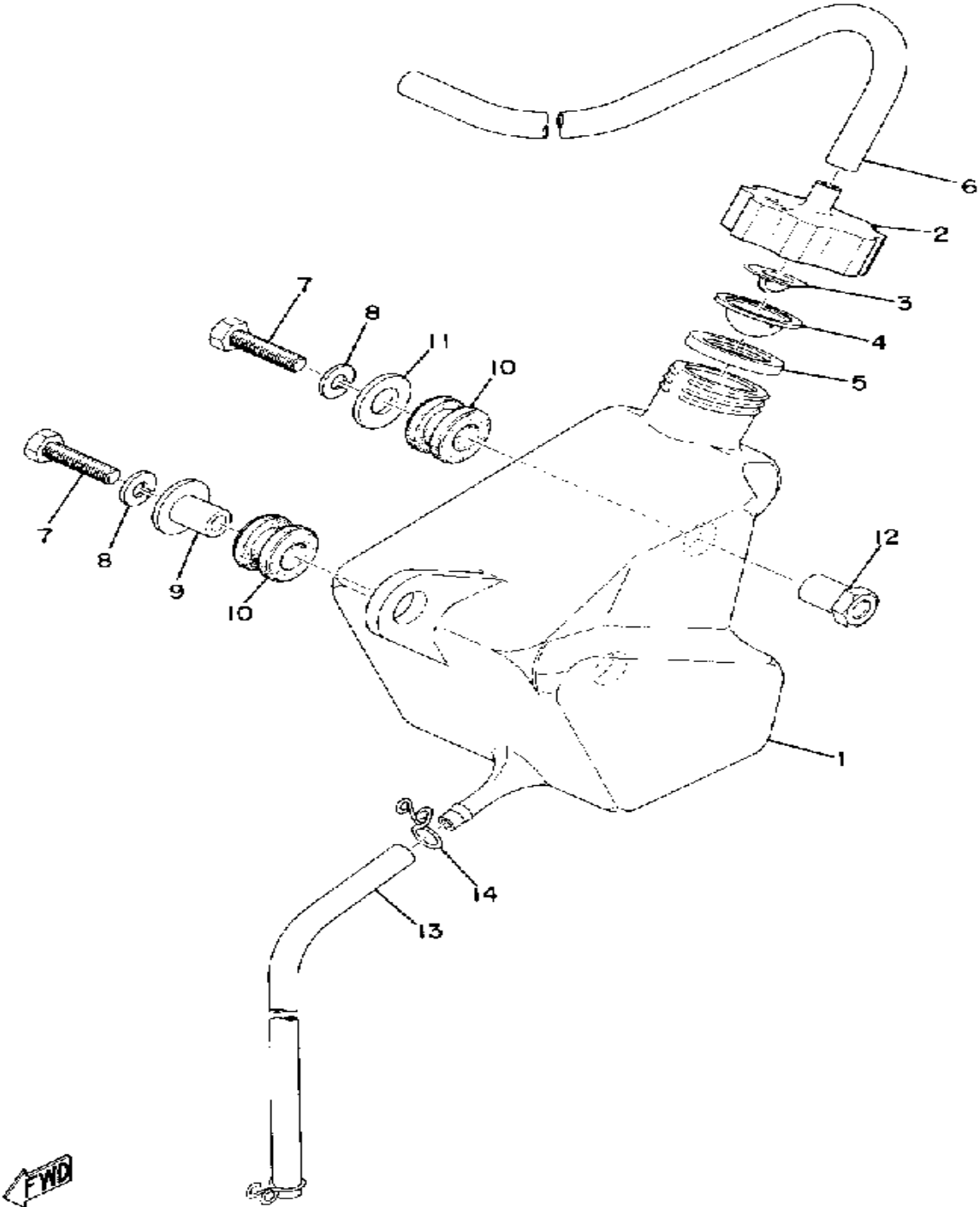
FUEL TANK



Ref. No.	Part Number	Description	Qty	Remarks
1	(322-24110-00-01)	FUEL TANK	1	SUNSHINE RED
	(322-24110-00-02)	FUEL TANK	1	YAMAHA BLACK
2	322-24161-00-00	EMBLEM 1	2	
3	322-24611-02-00	BODY, CAP	1	
4	90430-37052-00	GASKET (322-24612-00)	1	
5	90445-09111-00	HOSE	1	
6	278-24181-00-00	DAMPER, LOCATING 1	2	
7	(90480-25189-00)	GROMMET	1	
8	(90209-10101-00)	WASHER, SPEC'L SHAP	1	
9	92990-10100-00	WASHER, SPRING	1	
10	95303-10700-00	NUT	1	
11	(322-24183-00-00)	DAMPER, LOCATING 3	1	
12	322-24500-02-00	FUEL COCK ASSEMBLY 1 (322-24500-00)	1	
13	90445-11149-00	HOSE (322-24311-00)	1	
14	90467-10008-00	CLIP	2	
15	(322-24150-00-00)	STRIPE, FUEL TANK	1	
	(324-24150-00-00)	STRIPE, FUEL TANK	1	
16	(322-24160-00-00)	EMBLEM ASSEMBLY	1	
	(324-24160-00-00)	EMBLEM ASSEMBLY	1	

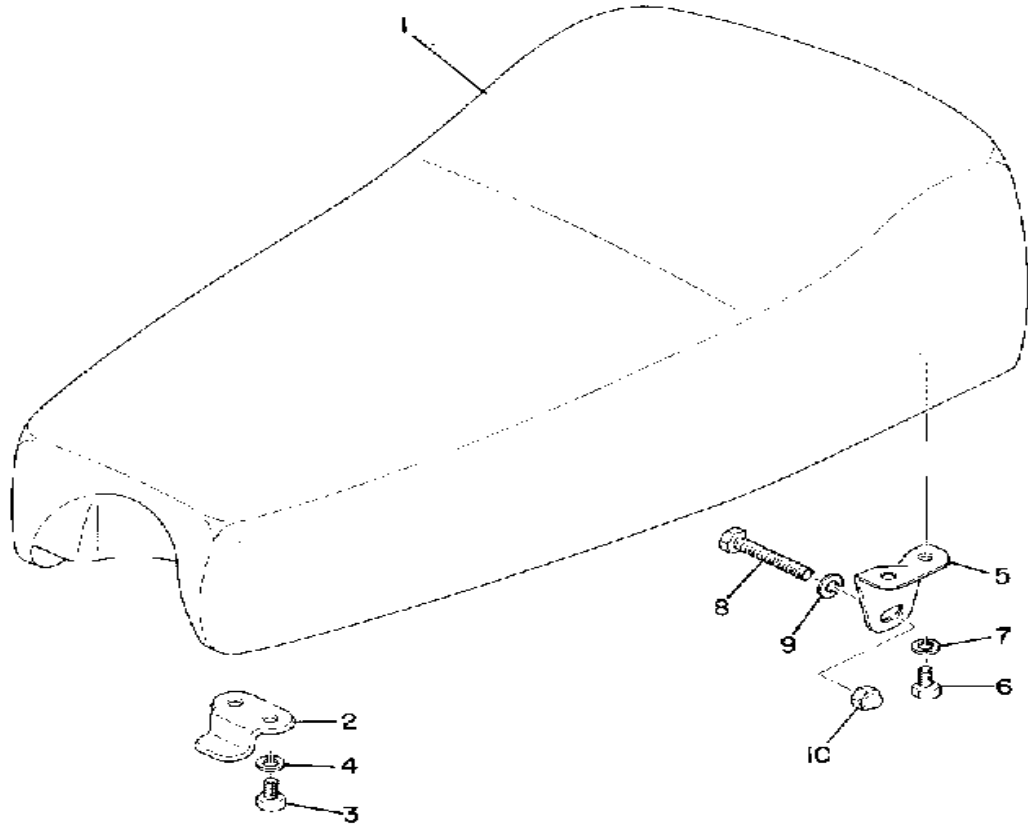
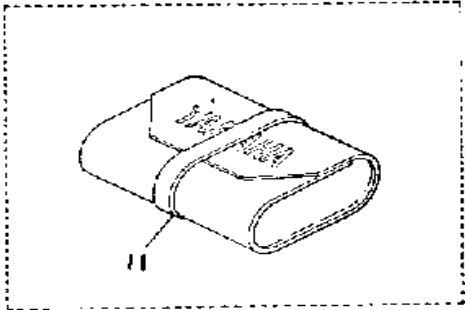


OIL TANK



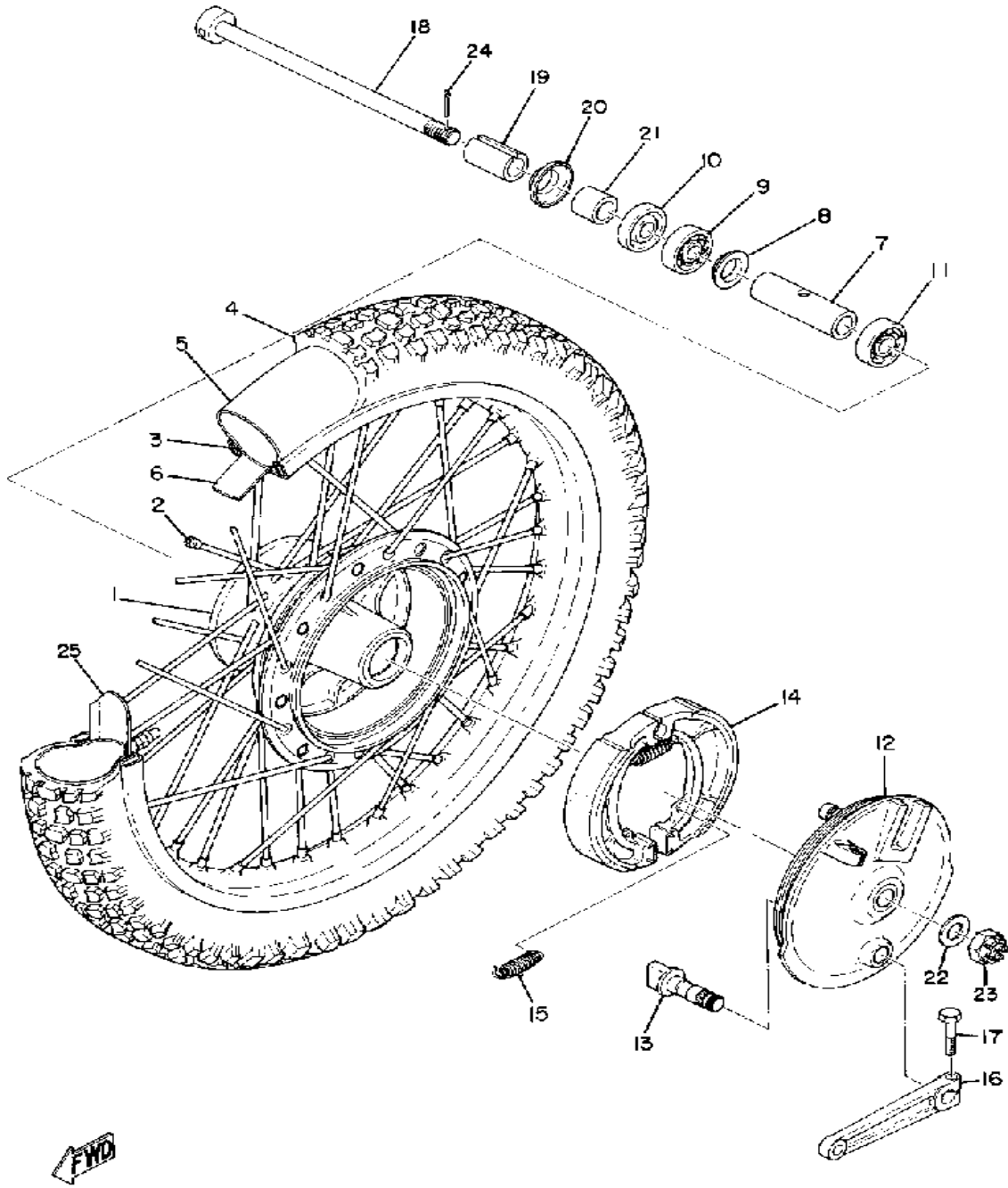
Ref. No.	Part Number	Description	Qty	Remarks
1	(322-21751-00-00)	TANK, OIL	1	
2	322-21771-00-00	BODY, CAP	1	
3	322-21771-00-00	BODY, CAP	1	
4	(322-21774-00-00)	DISC, CAP	1	
5	(322-21772-00-00)	GASKET, CAP	1	
6	(90445-09102-00)	HOSE	1	
7	97313-06030-00	BOLT, HEXAGON	2	
8	92995-06100-00	WASHER, SPRING	2	
9	90387-06388-00	COLLAR	1	
10	90480-14023-00	GROMMET	2	
11	92990-10200-00	WASHER, PLAIN	1	
12	(90179-06136-00)	NUT, SPEC'L SHAPE	1	
	90179-06177-00	UNAVAILABLE IN PRICE BOOK (90179-06136)	1	
13	(164-24311-00-00)	PIPE, FUEL 1	1	
14	90467-08003-00	CLIP	2	

SEAT



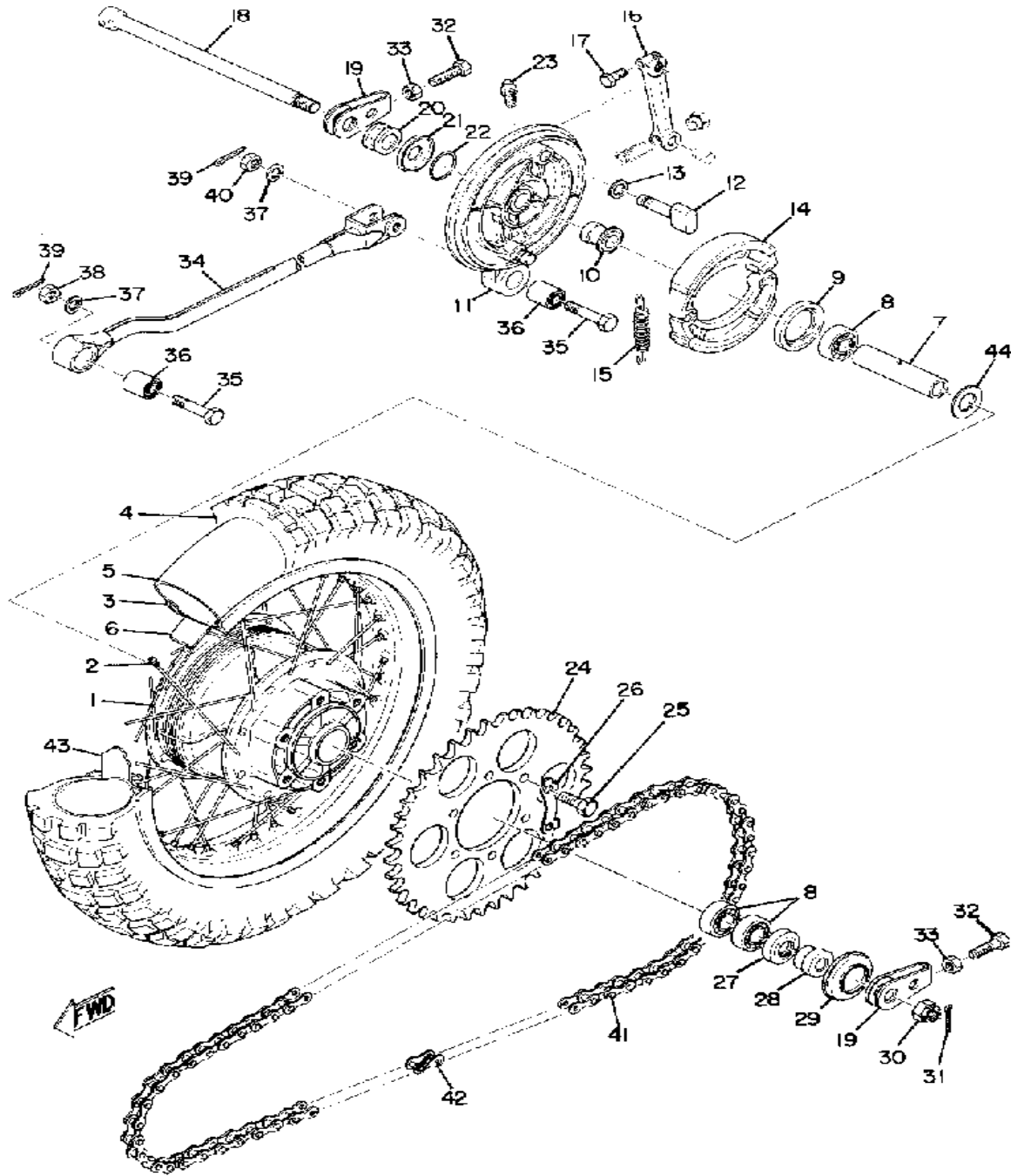
Ref. No.	Part Number	Description	Qty	Remarks
1	(322-24770-00-00)	SEMI-DBL SEAT ASSEMBLY ..	1	
2	2Y0-24748-00-00	BRACKET, SEAT	1	
3	97013-06012-00	BOLT	2	
4	92995-06100-00	WASHER, SPRING	2	
5	(322-24738-00-00)	BRACKET, SEAT	2	
6	97013-06012-00	BOLT	4	
7	92995-06100-00	WASHER, SPRING	4	
8	97313-08050-00	BOLT, HEXAGON (90101-08125)	2	
9	92990-08200-00	WASHER, PLAIN	3	
10	619-42526-00-00	UNAVAILABLE IN PRICE BOOK	2	
11	(322-28100-00-00)	TOOL KIT	1	
1-1	(322-24771-00-00)	COVER, SM-DBL SEAT	1	

FRONT WHEEL



Ref. No.	Part Number	Description	Qty	Remarks
1	(322-25111-00-00)	HUB, FRONT	1	
2	(322-25104-01-00)	SPOKE SET, FRONT	1	
	(322-25189-90-00)	SPOKE SET, OUTER 2	1	
	(322-25196-90-00)	SPOKE SET, INNER 1	1	
	(322-25197-90-00)	SPOKE SET, OUTER 1	1	
	322-27191-90-00	UNAVAILABLE IN PRICE BOOK	1	
3	94416-21234-00	RIM 1.60X 1	1	
4	(94130-213A4-00)	300-21 M1B (TT)	1	
5	94227-21101-00	TUBE (80/100-21 TR4 BTL)	1	
6	94307-21024-00	UNAVAILABLE IN PRICE BOOK	1	
7	90560-15116-00	SPACER	1	
8	146-25116-00-00	FLANGE, SPACER 2	1	
9	93306-20211-00	BEARING (6202SH2-C3)	1	
10	93102-20009-00	OIL SEAL	1	
11	93306-20204-00	BEARING (B6202Z)	1	
12	(322-25121-00-00)	PLATE, BRAKE SHOE	1	
13	23X-25151-00-00	CAMSHAFT	1	
14	322-W2535-00-00	BRAKESHOE SET-2PCS	2	
15	90506-17328-00	SPRING, TENSION	2	
16	322-25155-00-00	LEVER, CAMSHAFT 1	1	
17	97313-06030-00	BOLT, HEXAGON	1	
18	275-25181-00-00	AXLE, WHEEL	1	
19	90387-15116-00	COLLAR (322-25186-00)	1	
20	322-25118-00-00	COVER, HUB DUST	1	
21	90387-15418-00	COLLAR (322-25183-00)	1	
22	92990-14200-00	WASHER, PLAIN	1	
23	90171-14020-00	NUT, CASTLE	1	
24	91401-30030-00	PIN, COTTER	1	
25	1T1-25194-00-00	SPACER, BEAD	2	

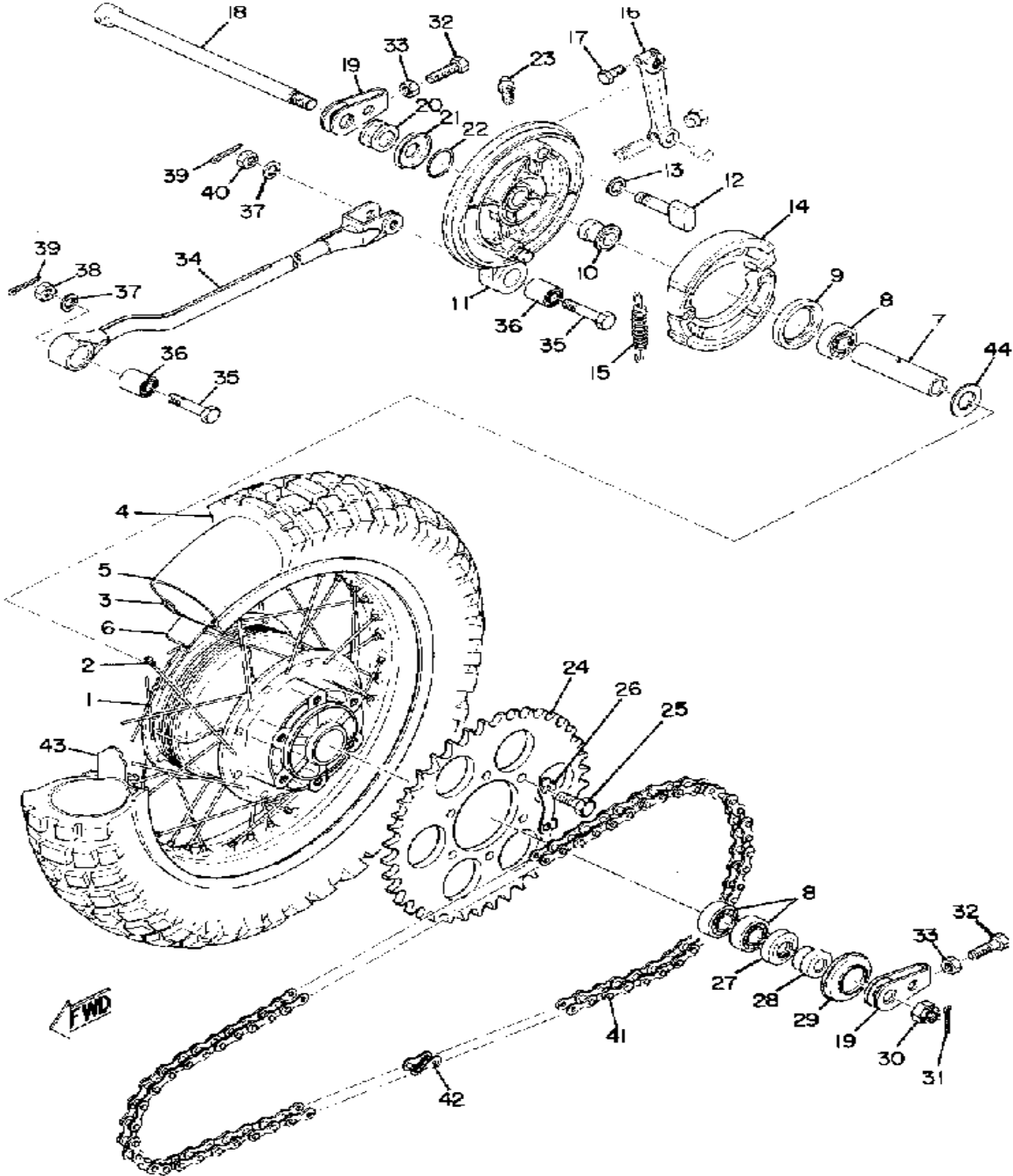
REAR WHEEL



Ref. No.	Part Number	Description	Qty	Remarks
1	(322-25311-00-00)	HUB, REAR	1	
2	(322-25391-90-00)	SPOKE SET, INNER 1	1	
	(322-25392-90-00)	SPOKE SET, OUTER 1	1	
	(322-25396-90-00)	SPOKE SET, INNER 2	1	
	(322-25397-90-00)	SPOKE SET, OUTER 2	1	
	322-25304-00-00	SPOKE SET, REAR	1	
3	(94418-18061-00)	RIM 1.85X 8	1	
4	(94140-18070-00)	400X18 YOKO Y6 2	1	
5	94240-18098-00	TUBE (4.00-18)	1	
6	94340-18022-00	BAND, RIM (4.00-18)	1	
7	90560-17311-00	SPACER	1	
8	93306-20310-00	BEARING	3	
9	(93104-46029-00)	OIL SEAL, SO-TYPE	1	
10	(90387-17450-00)	COLLAR	1	
11	(438-25320-10-00)	BRAKE SHOE PLT ASSEMBLY	1	
12	214-25351-01-00	CAMSHAFT	1	
13	148-25353-00-00	SHIM, CAMSHAFT	1	
14	214-W2535-00-00	BRAKESHOE SET-2PCS	2	
15	90507-20002-00	SPRING, TENSION	2	
16	4V5-25355-00-00	LEVER, CAMSHAFT (168-25355-00)	1	
17	97023-06020-00	BOLT (3XF)	1	
18	150-25381-00-00	AXLE, WHEEL	1	
19	168-25389-00-00	PULLER, CHAIN 2	2	
20	90387-17141-00	COLLAR	1	
21	275-25327-00-00	COVER, PLATE	1	
22	93210-31114-00	O-RING	1	
23	93700-06M03-00	NIPPLE, GREASE	1	
24	322-25451-00-00	SPROCKET, DRIVN 51T	1	

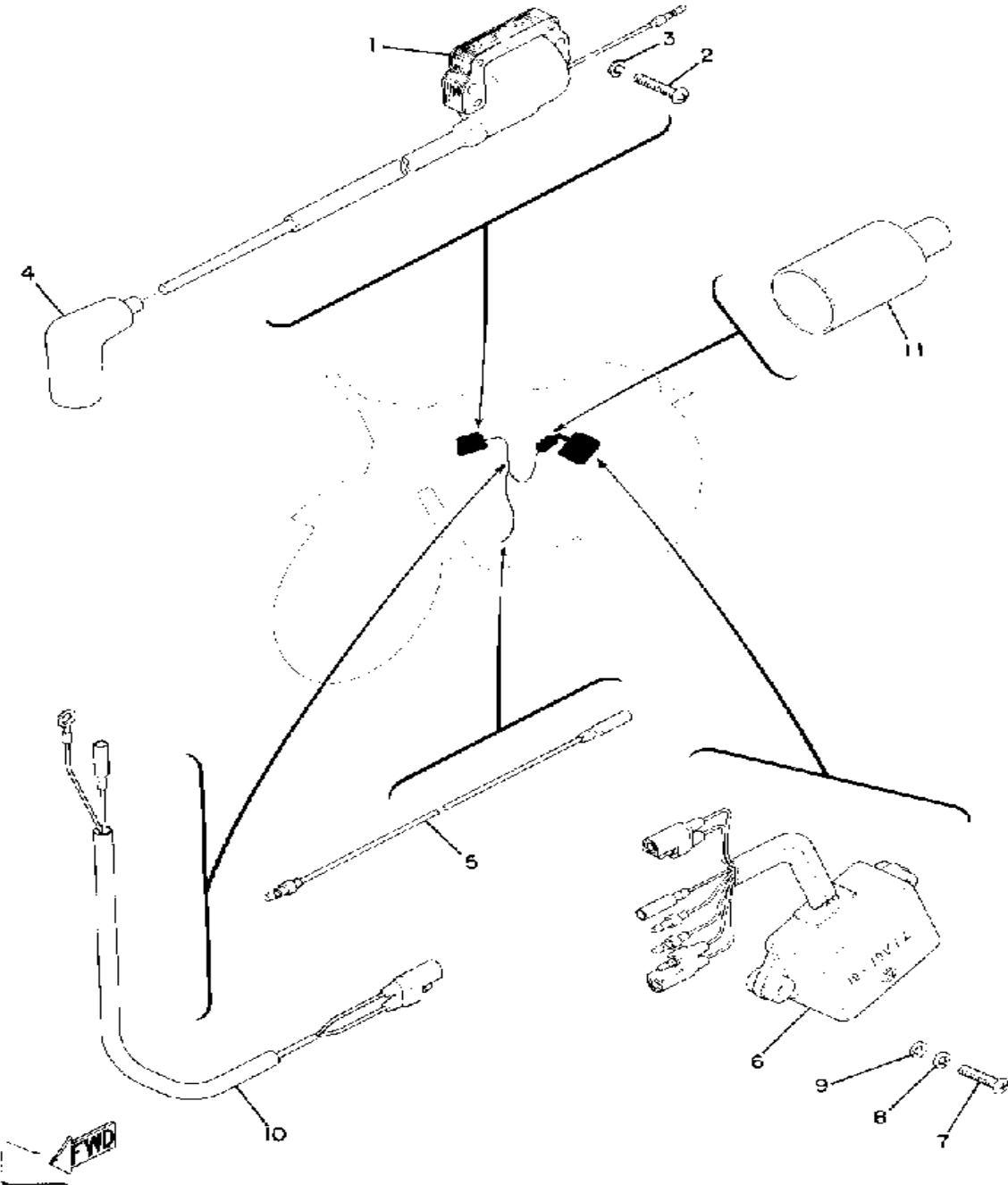
CONTINUED ON NEXT FRAME ►

REAR WHEEL



Ref. No.	Part Number	Description	Qty	Remarks
25	90105-10007-00	BOLT, WASHER BASED	6	
26	256-25412-00-00	WASHER	3	
27	93106-25003-00	OIL SEAL, DD-TYPE (DD-25-40-9)	1	
28	90387-17140-00	COLLAR (275-25377-00)	1	
29	275-25367-00-00	COVER, HUB DUST	1	
30	90171-16007-00	NUT, CASTLE (275-25382-00)	1	
31	91401-30030-00	PIN, COTTER	1	
32	90101-08699-00	BOLT	2	
33	95303-08700-00	NUT	2	
34	(321-25371-00-33)	BAR, TENSION	1	
35	(90102-10007-00)	BOLT, WITH HOLE	2	
36	(275-22123-00-00)	BUSH 1	2	
37	92990-10100-00	WASHER, SPRING	2	
38	95303-10900-00	NUT, SLOTTED	1	
39	91401-25020-00	PIN, COTTER	2	YAMAHA BLACK
40	95303-10700-00	NUT	1	
41	94585-20106-00	520 DS 106L	1	
42	94680-11001-00	JOINT CHAIN	1	
43	1T2-25394-00-00	SPACER, BEAD	2	
44	146-25315-00-00	FLANGE, SPACER	1	

ELECTRICAL



Ref. No.	Part Number	Description	Qty	Remarks
1	322-82310-10-00	IGNITION COIL ASSEMBLY ...	1	
	324-82310-10-00	IGNITION COIL ASSEMBLY ...	1	
2	98511-06025-00	SCREW PAN HEAD (92501-06025)	2	
3	92995-06100-00	WASHER, SPRING	2	
4	56J-82370-00-00	PLUG CAP ASSEMBLY	1	
5	(324-81517-00-00)	WIRE, SUB LEAD	1	
6	(322-85540-10-00)	CDI UNIT ASSEMBLY	1	
7	98511-06025-00	SCREW PAN HEAD (92501-06025)	2	
8	92995-06100-00	WASHER, SPRING	2	
9	90201-06M08-00	WASHER, PLATE	2	
10	(322-85517-00-00)	WIRE, SUB LEAD	1	
11	(256-82599-00-00)	COVER, CONNECTER	1	