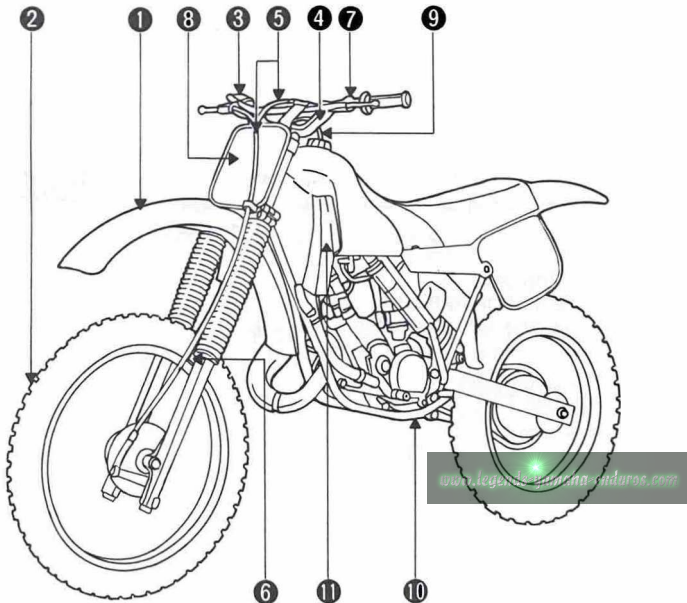




YZ125K

SUPPLEMENTARY ASSEMBLY MANUAL



FOREWORD

This Supplementary assembly manual has been prepared to introduce the setup procedures and predelivery service for the YZ125K.

For complete information, it is necessary to use the YZ/IT series Basic assembly manual (LIT-11666-03-31) together with this Supplementary assembly manual.

NOTICE

The service specifications given in this Supplementary assembly manual are based on the model as manufactured. Modifications and significant changes in specifications and/or procedures will be forwarded to Authorized Yamaha Dealers.

The procedures below are described in the order that the procedures are carried out correctly and completely. Failure to do so can result in poor performance and possible harm to the machine and/or rider.

CONCERNING CRATE DAMAGE: _____
Follow the instructions in the Dealer warranty handbook, Procedure section. _____

Particularly important information is distinguished in this manual by the following notations:

NOTE: A NOTE provides key information to make procedure easier or clearer.

CAUTION: A CAUTION indicates special procedures that must be followed to avoid damage to the machine.

WARNING: A WARNING indicates special procedures that must be followed to avoid injury to a machine operator or person inspecting or repairing the machine.

**SERVICE DEPT.
INTERNATIONAL DIVISION
YAMAHA MOTOR CO., LTD.**

www.legends-yamaha-enduros.com

YZ125K SUPPLEMENTARY ASSEMBLY MANUAL

© 1982 by Yamaha Motor Corporation, U.S.A.

1st edition, OCTOBER 1982

All rights reserved. Any reprinting or
unauthorized use without the written permission
of Yamaha Motor Corporation, U.S.A. is
expressly prohibited.

Printed in U.S.A.

LIT-11666-03-77

GLOSSARY

(Symbols most commonly used)

- C: The "C" marked parts are contained in the small carton box.
- S: The "S" marked parts are contained in the styrofoam tray (Upper or Lower).
- V: The "V" marked parts are contained in the vinyl bag.
- *: The asterisk (*) parts are temporarily fitted on the machine.

www.legend-yamaha-enduros.com

SETUP PROCEDURES

NOTE: _____

Please read the following chapters in the Basic assembly manual before proceeding to the setup.

CHAPTER 1: INTRODUCTION

CHAPTER 2: SETUP AND PREDELIVERY CHECK

CHAPTER 3: TOOLS AND TORQUE SPECIFICATIONS

CHAPTER 4: CRATES

CHAPTER 5: INSTALLATION PROCEDURES

Parts list

No.	Part name	Q'ty	Locating mark	Remarks
1. Front fender F.F-A				
1	Front fender	1	S	
2	Hexagon bolt with spring washer	4	V	d = 6 mm (0.24 in) ℓ = 20 mm (0.78 in)
3	Plain washer	4	V	d = 6 mm (0.24 in) D = 18mm (0.70 in)
4	Special washer	4	V	d = 6 mm (0.24 in) D = 18mm (0.70 in)
2. Front wheel F.W-F				
1	Front wheel	1	S	
2	Front wheel axle	1	*	d = 15 mm (0.59 in) ℓ = 187mm (7.29 in)
3	Wheel axle collar	1	V	d = 15 mm (0.59 in)
4	Brake shoe plate assembly	1	S	
5	Front wheel axle holder	1	*	
6	Spring washer	4	*	d = 6 mm (0.24 in)
7	Hexagon nut	4	*	d = 6 mm (0.24 in)
3. Throttle grip T.G-B				
1	Throttle grip	1	*	
2	Panhead screw	2	*	d = 5 mm (0.20 in) ℓ = 15 mm (0.59 in)
4. Handlebar H.B-B				
1	Handlebar	1	S	
2	Flange bolt	4	V	d = 8 mm (0.32 in) ℓ = 35 mm (1.37 in)
3	Upper handlebar holder	2	V	
5. Brake and clutch cable B.C-A				

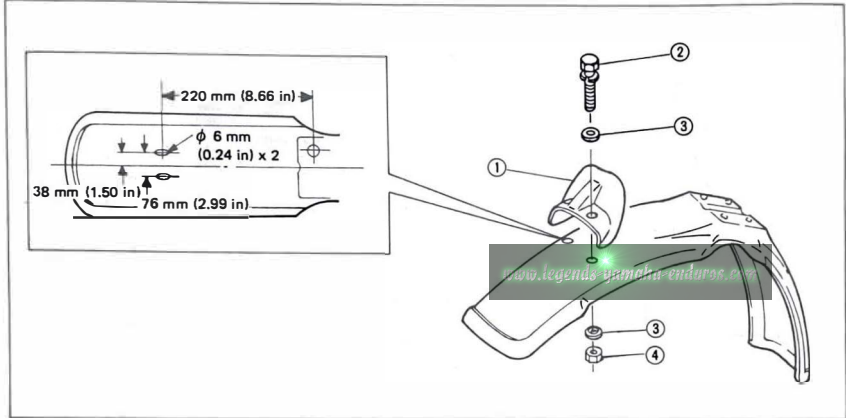
Parts list

No.	Part name	Q'ty	Locating mark	Remarks
6. Cable holder C.H-F				
1	Cable holder	2	*	
2	Plain washer	2	*	d = 7 mm (0.27 in) D = 11 mm (0.43 in)
3	Hexagon socket head bolt	2	*	d = 6 mm (0.24 in) ℓ = 15mm (0.59 in)
7. Engine stop switch E.S-C				
1	Engine stop switch	1	*	
2	Panhead screw	1	V	d = 3 mm (0.12 in) ℓ = 14 mm (0.55 in)
3	Spring washer	1	V	d = 3 mm (0.12 in)
4	Engine stop switch holder	2	V	
5	Handlebar band	2	C	Plastic
8. Number plate N.P-G				
1	Number plate	1	S	
2	Panhead screw	1	V	d = 6 mm (0.24 in) ℓ = 12 mm (0.47 in)
3	Plain washer	1	V	d = 6 mm (0.24 in) D = 20 mm (0.78 in)
9. Fuel tank breather pipe F.B-F				
1	Fuel tank breather pipe	1	S	Rubber
10. Side stand S.S-B				
1	Side stand	1	S	
2	Blind plug	—	—	—
11. Side cover S.C-E				
1	Side cover (Right and Left)	2	S	
2	Panhead screw with spring washer and plain washer	4	V	d = 5 mm (0.20 in) ℓ = 16 mm (0.62 in)

www.legends-yamaha-enduros.com

Fender plate

This fender plate prevents the number plate grille from clogging with mud. It should be used only when you ride the machine in the rain.



Parts list

No.	Part name	Q'ty	Locating mark	Remarks
1	Fender plate	1	V	
2	Hexagon bolt with spring washer	2	V	d = 6 mm (0.24 in), ℓ = 20 mm (0.78 in)
3	Plain washer	4	V	d = 6 mm (0.24 in), D = 16 mm (0.59 in)
4	Self lock nut	2	V	d = 6 mm (0.24 in)

Setup points

A: Drill two 6 mm (0.24 in) holes in front fender, as shown.

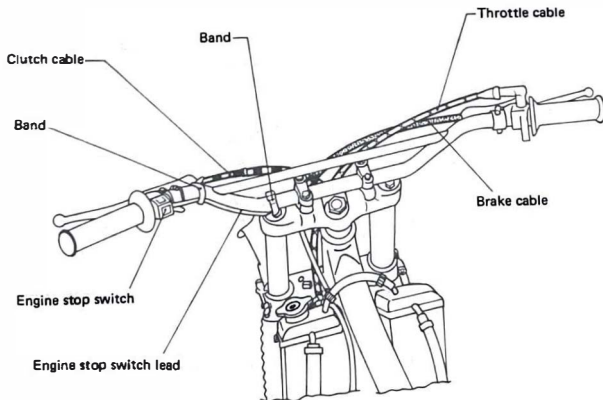
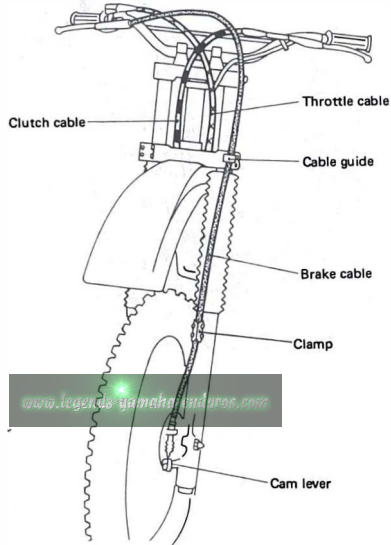
CAUTION:

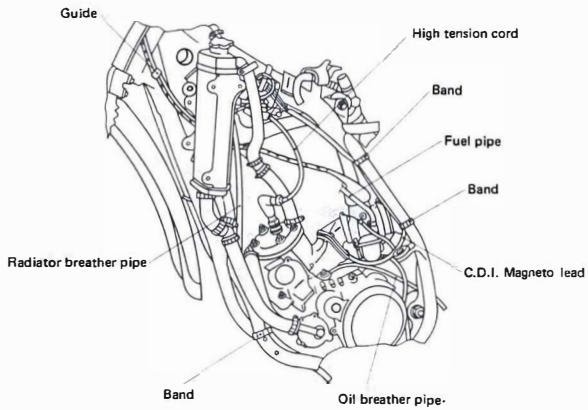
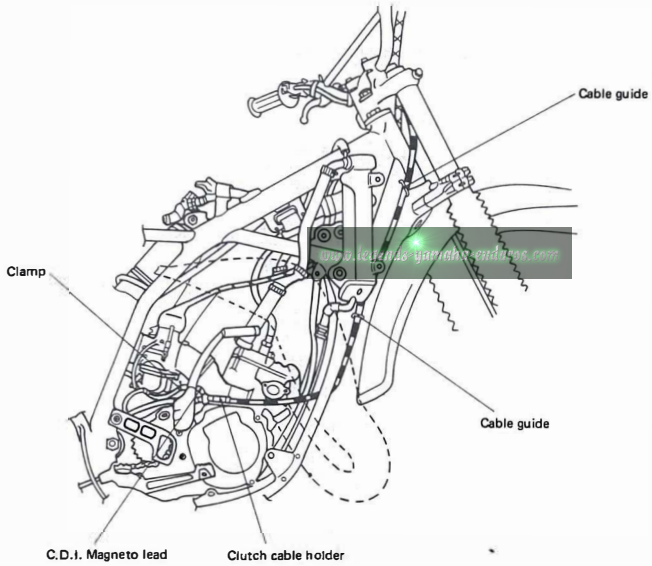
While drilling holes, hold the front fender steady.

CABLE ROUTING

CAUTION:

Proper cable and lead routing is essential to insure safe vehicle operation.





ADJUSTMENTS AND PREDELIVERY SERVICE

NOTE: _____

Please read the following chapter in the Basic assembly manual before proceeding to the adjustments and predelivery service.

CHAPTER 6: APPENDICES

1. Front brake adjustment F.B-A

Free play:
5 ~ 8 mm (0.20 ~ 0.32 in)

2. Rear brake adjustment R.B-A

Free play:
20 ~ 30 mm (0.8 ~ 1.2 in)

3. Rear brake pedal position adjustment R.P-A

4. Clutch adjustment C.A-A

Free play:
2 ~ 3 mm (0.08 ~ 0.12 in)

5. Throttle cable adjustment T.C-A

Free play:
3 ~ 5 mm (0.12 ~ 0.20 in)

6. Fuel draining F.D-A

7. Transmission oil level check T.L-A

Recommended oil:

Yamalube 4-cycle oil or SAE 10W30 type SE motor oil or GL gear oil

Oil capacity (Total amount):

0.85 L (0.75 Imp qt, 0.70 US qt)

8. Drive chain tension check D.C-A

Chain deflection:
20 ~ 30 mm (0.8 ~ 1.2 in)

9. Troubleshooting T.S-A

10. Coolant level check C.L-A

Recommended coolant:

High quality ethylene glycol anti-freeze containing corrosion inhibitors for aluminum engine

Coolant capacity:

1.0 L (0.88 Imp qt, 1.06 US qt)

Coolant and water mixed ratio:

1 : 1 (50% water, 50% coolant)

APPENDICES

SERVICE DATA

Idling engine speed:	As desired	
Spark plug. Type Gap	N-84 (CHAMPION) 0.5~ 0.6 mm (0.019~ 0.024 in)	
Fuel: Recommended fuel Fuel tank capacity	Premium fuel with an octane rating of at least 90. (Mixing ratio, 24 : 1) 7.0 L (1.54 Imp gal, 1.84 US gal)	
Engine oil: Recommended oil	Yamalube Racing 2-cycle oil (See Owner's service manual)	
Tire pressure (Cold tire pressure):	Front 98 kPa (1.0 kg/cm ² , 14 psi)	Rear 98 kPa (1.0 kg/cm ² , 14 psi)

www.legends-yamaha-enduros.com

TORQUE SPECIFICATION CHART

Parts to be tightened	Bolt/nut size	Tightening torque		
		Nm	m·kg	ft·lb
Engine:				
Spark plug	M14 x 1.25	25	2.5	18.0
Engine oil drain bolt	M12 x 1.5	20	2.0	14.0
Change pedal	M6 x 1.0	10	1.0	7.2
Chassis:				
Front fender (F.W-A #1)	M 6 x 1.0	6	0.6	4.3
Front wheel (F.W-F #1)	M14 x 1.5	58	5.8	42.0
Front wheel axle holder (F.W-F #2)	M 6 x 1.0	10	1.0	7.2
Handlebar (H.B-B #1)	M 8 x 1.25	23	2.3	17.0
Handle crown and inner tube	M10 x 1.25	32	3.2	23.0
Handle crown and steering shaft	M22 x 1.0	125	12.5	90.0
Steering shaft and ring nut	M25 x 1.0	10	1.0	7.2
Engine mounting				
Engine stay and frame	M 8 x 1.25	30	3.0	22.0
Engine stay and engine lower	M 8 x 1.25	30	3.0	22.0
Rear wheel axle and nut	M16 x 1.25	85	8.5	61.0
Sprocket wheel and hub	M 8 x 1.25	30	3.0	22.0
Rear shock absorber and frame	M10 x 1.25	59	5.9	43.0
Pivot shaft and frame	M16 x 1.5	85	8.5	61.0
Tension bar and brake shoe plate	M 8 x 1.25	23	2.3	17.0
Tension bar and frame	M 8 x 1.25	23	2.3	17.0
Camshaft lever and camshaft				
Front brake	M 6 x 1.0	10	1.0	7.2
Rear brake	M 6 x 1.0	10	1.0	7.2
"L" shape arm and rear arm	M12 x 1.25	59	5.9	23.0
"L" shape arm and rear shock absorber	M10 x 1.25	32	3.2	23.0
"L" shape arm and "I" shape arm	M10 x 1.25	32	3.2	23.0
Frame and "I" shape arm	M10 x 1.25	59	5.9	43.0

OWNER'S TOOL KIT

No.	Part name	Q'ty
1	Owner's tool bag	1
2	Spark plug wrench	1
3	Hexagon wrench	1
4	Spork nipple wrench	1
5	Special spanner	1
6	Air gauge	1
7	Rotor puller	1
8	Dowel pin	1

www.legends-yamaha-enduros.com

www.legends-yamaha-enduros.com



YAMAHA MOTOR CO.,LTD.

IWATA, JAPAN

PRINTED IN U.S.A