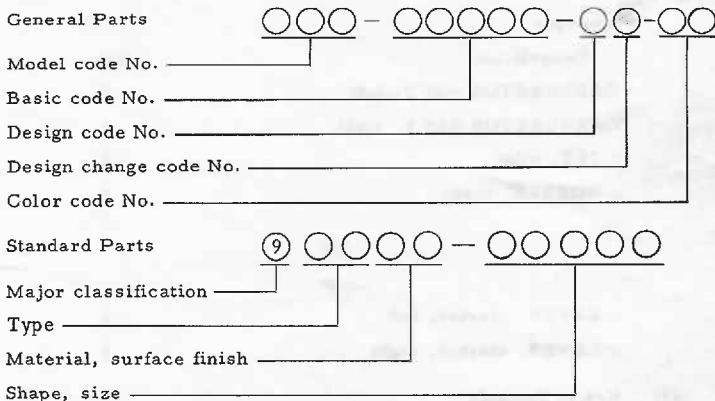


FOREWORD

This Parts List relates to the parts in use for the YAMAHA RD 200DX ('76). When you ordering replacement parts for the 200DX ('76), refer to this Parts List and write quote both part numbers and part names correctly.

1. Structure of Part No.

Yamaha parts are divided largely into two categories; general parts and standard parts, and each part No. has the following structure:



Note: Every standard No. begins with 9.

2. How to Use this Parts List

- (1) Except for steel balls (whose size is indicated in inches), the size of all parts is indicated in millimeters in the following manner.

Hose (rubber or vinyl) Inside diameter - length

O-ring Section area - inside diameter

Washer, shim, collar Inside diameter - outside diameter - thickness (length)

- (2) Parts, which are to be supplied in the form of assemblies, are listed with an indentation of one letter's space, and a dot (.) is put

against the name of each part. If any two different assemblies (e. g., right and left side components) consist of almost the same type components, these two assemblies are listed in two lines, and then the names of component parts are listed in the subsequent lines with an indention as mentioned earlier. The quantity of parts is given in the following manner; that is, in the case of parts being the same in type between the right and left, a total quantity of parts is given. On the other hand, if the right and left side parts are different in type, the quantity of part(s) on each side is given.

Example

Description	Q'ty
CARBURETOR ASS'Y, left	1
CARBURETOR ASS'Y, right	1
. JET, pilot	2
. NOZZLE, main	2
:	
:	
:	
. LEVER, starter, left	1
. LEVER, starter, right	1

(3) Key to Symbols

U. R.	Use size (thickness) and/or number as required
U. N.	Use as many as you need
T	Number of teeth in a gear
V	Voltage for light bulbs
S	"S" type oil seal or "S" type circlip
SD	"SD" type oil seal
SO	"SO" type oil seal
SW	"SW" type oil seal
E	"E" type circlip
R	"R" type circlip
F/No.	Frame No. (Applicable machine No.)

- (4) The parts marked with "X" in your country column are exclusive for your country, therefore, you should place an order only those parts. Meanwhile, the other parts are common for all European countries, and then we do not mention the names of countries.
- (5) The parts marked with * in the remark column of this list are not supplied with by Yamaha, those have to be found locally.
- (6) Please be advised that we supply you with Head Lamp Unit Ass'y, Tail Lamp Unit Ass'y and Flasher Lamp Ass'y without bulbs.
- (7) The right and left in relation to parts are determined on the basis of the rider facing toward the front.
- (8) This Parts List is based on the model in the production line on Jan. 20, 1976. Accordingly, if any modifications which have been made to parts will be announced in the Yamaha Parts News. It is advisable that according to the Yamaha Parts News, You will make necessary corrections to the Parts List on hand to keep it up-to dated.

CONTENTS

ENGINE

Fig. 1	Crankcase · Cylinder	1
Fig. 2	Crankcase Cover	3
Fig. 3	Crank · Piston	5
Fig. 4	Clutch	9
Fig. 5	Transmission	11
Fig. 6	Shifter 1	15
Fig. 7	Shifter 2	17
Fig. 8	Kick Starter	19
Fig. 9	Tachometer Gear	21
Fig. 10	Intake	23
Fig. 11	Carburetor	27
Fig. 12	Exhaust	31
Fig. 13	Oil Pump	33
Fig. 14	Starter Generator	37

CHASSIS

Fig. 15	Frame	41
Fig. 16	Side Cover · Box	43
Fig. 17	Rear Arm · Rear Cushion · Chain Case	45
Fig. 18	Stand · Footrest · Brake Pedal	47
Fig. 19	Front Fender · Rear Fender	51
Fig. 20	Front Fork	53
Fig. 21	Steering	57
Fig. 22	Handle · Wire	59
Fig. 23	Master Cylinder · Brake Hose	63
Fig. 24	Fuel Tank	67
Fig. 25	Oil Tank	69
Fig. 26	Seat	71
Fig. 27	Front Wheel	73

Fig. 28	Disk Brake · Caliper	77
Fig. 29	Rear Wheel	79
Fig. 30	Head Lamp 1	85
Fig. 31	Head Lamp 2	87
Fig. 32	Speedometer · Tachometer	89
Fig. 33	Tail Lamp 1	91
Fig. 34	Tail Lamp 2	95
Fig. 35	Flasher Lamp 1	97
Fig. 36	Flasher Lamp 2	99
Fig. 37	Electrical	101

REPAIR KIT

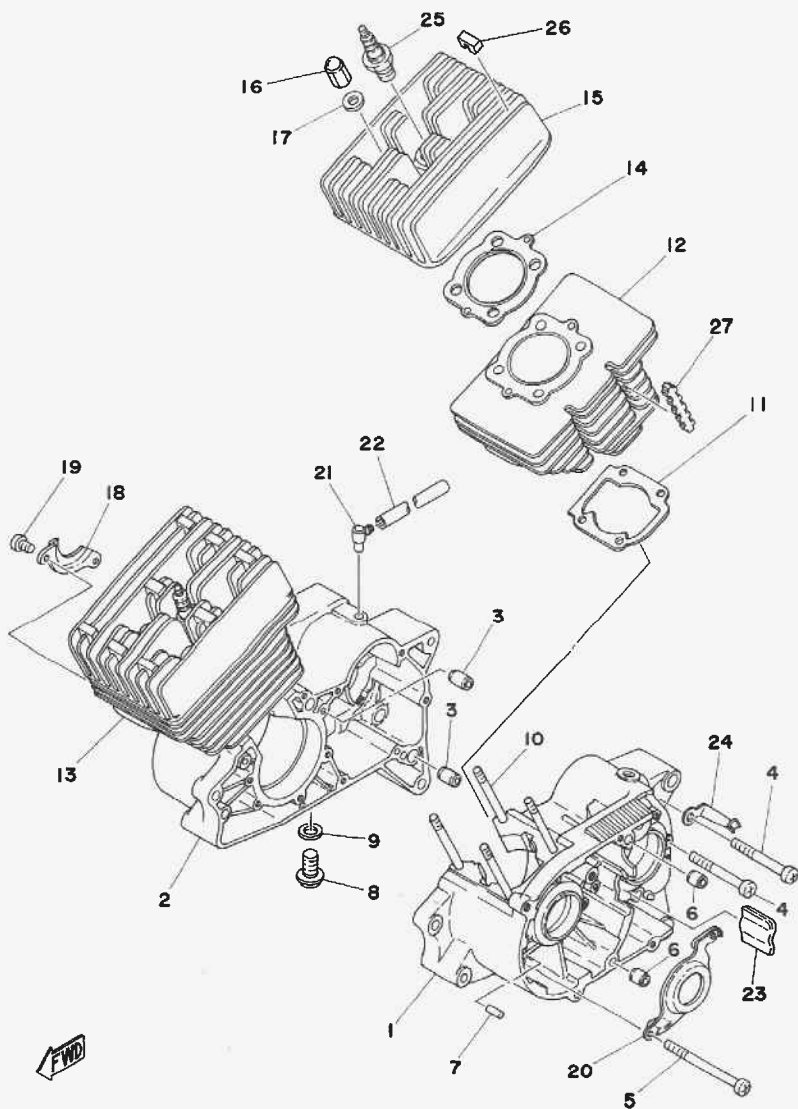
Fig. 38	Repair Kit	107
---------	------------	-----

NUMERICAL INDEX

ENGINE

YAMAHA
PARTS

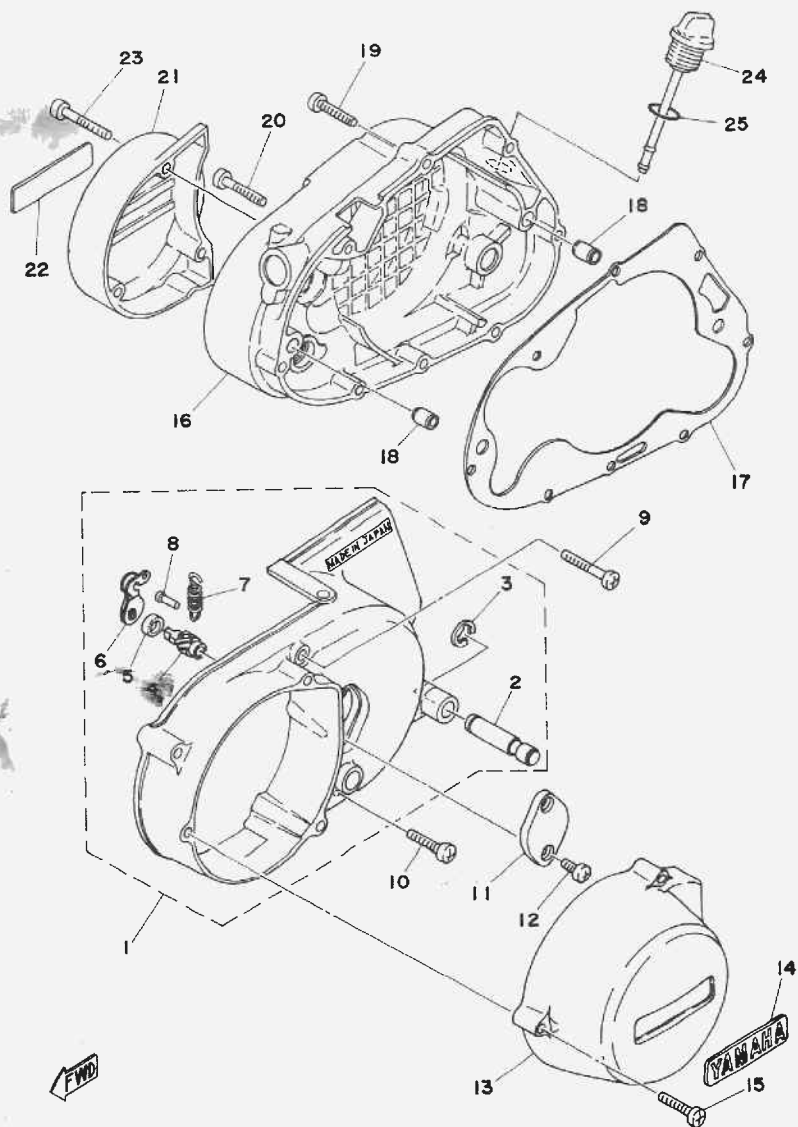
Fig. 1 CRANKCASE · CYLINDER



CRANKCASE · CYLINDER

Ref. No.	Parts No.	Description	Qty	Applicable Machine No.	Remarks
1- 1	1E8-15111-00	CASE, crank left	1		
1- 2	1E8-15121-00	CASE, crank right	1		
1- 3	91810-05016	PIN, dowel (8.4-12-16)	2		
1- 4	92501-06065	SCREW, panhead	7		
1- 5	92501-06090	SCREW, panhead	5		
1- 6	91830-21014	PIN, dowel (6.4-10-14)	2		
1- 7	93603-14026	PIN, dowel (3-17.8)	1		
1- 8	90340-12005	PLUG, drain (132-15351-00)	1		
1- 9	90430-12038	GASKET (132-15353-00)	1		
1-10	90116-07227	BOLT, stud	8		
1-11	1E8-11351-00	GASKET, cylinder	2		
1-12	1E8-11311-00	CYLINDER, left	1		
1-13	1E8-11321-00	CYLINDER, right	1		
1-14	1E8-11181-00	GASKET, cylinder head	2		
1-15	1E8-11111-00	HEAD, cylinder	2		
1-16	90179-07203	NUT, cap	8		
1-17	92901-10200	WASHER, plain	8		
1-18	397-15118-00	HOLDER	1		
1-19	92501-06012	SCREW, panhead	2		
1-20	389-15128-00	HOLDER	1		
1-21	498-15371-00	BREATHER	1		
1-22	90446-07112	PIPE (7-110)	1		
1-23	241-15357-01	GROMMET	1		
1-24	90465-08046	CLAMP (337-81328-00)	1		
1-25	94701-00045	PLUG, spark (B-8ES)	2		
1-26	521-11161-01	ABSORBER 1	16		
1-27	1E7-11162-00	ABSORBER 2	4		

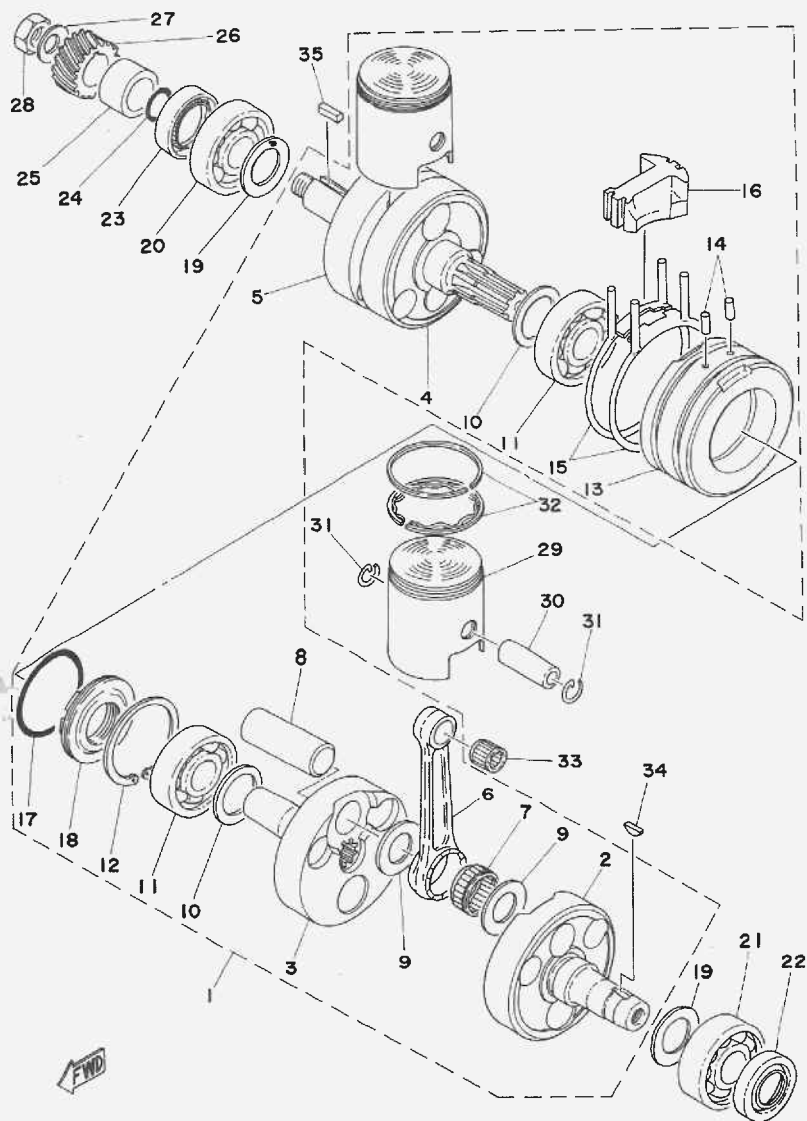
Fig. 2 CRANKCASE COVER



CRANKCASE COVER

Ref. No.	Parts No.	Description	Q'ty	Applicable Machine No.	Remarks
2- 1	1E8-15410-00	CRANKCASE COVER ASS'Y, left ..	1		
2- 2	307-18188-01	. SHAFT	1		
2- 3	93440-11029	. CIRCLIP (214-15617-00)	1		
2- 4	241-16341-01	. SCREW, push	1		
2- 5	93104-11028	. OIL SEAL (SO-10.5-15-3)	1		
2- 6	241-16342-00	. LEVER, push	1		
2- 7	90506-10019	. SPRING (132-16345-00)	1		
2- 8	132-16346-00	. HOOK, spring	1		
2- 9	92506-06040	SCREW, panhead	3		
2-10	92506-06030	SCREW, panhead	1		
2-11	1E7-15417-00	COVER, cap	1		
2-12	98506-05012	SCREW, panhead	2		
2-13	1E8-15415-00	COVER, generator	1		
2-14	360-15435-00	EMBLEM	1		
2-15	92506-06030	SCREW, panhead	3		
2-16	1E8-15421-00	COVER, crankcase right	1		
2-17	1E8-15451-00	GASKET, crankcase cover right ..	1		
2-18	91810-02015	PIN, dowel (6.4-10-15)	2		
2-19	92506-06030	SCREW, panhead	7		
2-20	92501-06035	SCREW, panhead	1		
2-21	1E7-15416-00	COVER, oil pump	1		
2-22	360-15435-00	EMBLEM	1		
2-23	92506-06040	SCREW, panhead	3		
2-24	1E7-15362-00	PLUG, oil level	1		
2-25	93210-19123	O-RING (2.4-19.0)	1		

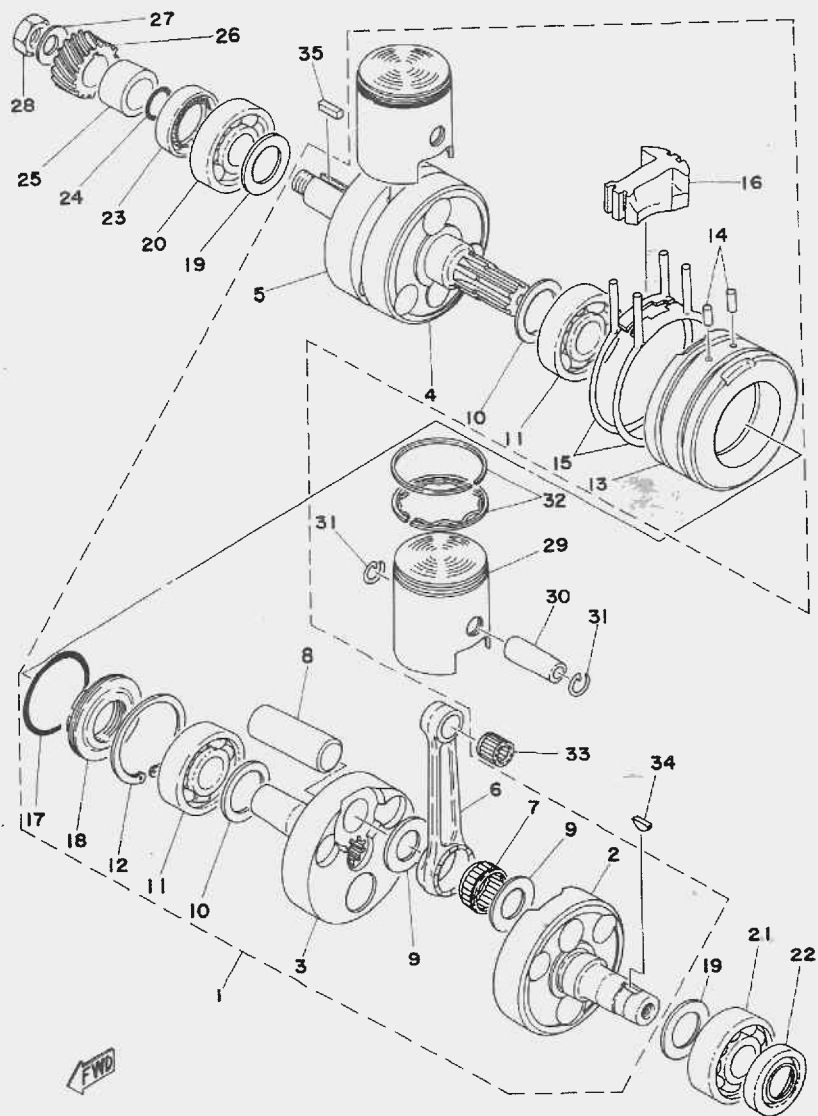
Fig. 3 CRANK · PISTON



CRANK · PISTON

Ref. No.	Parts No.	Description	Q'ty	Applicable Machine No.	Remarks
3- 1	1E8-11400-00	CRANK ASS'Y	1		
3- 2	1E8-11412-01	. CRANK 1, left	1		
3- 3	174-11422-02	. CRANK 1, right	1		
3- 4	174-11432-02	. CRANK 2, left	1		
3- 5	397-11442-01	. CRANK 2, right	1		
3- 6	397-11651-00	. ROD, connecting	2		
3- 7	93310-42012	. BEARING, con-rod big end ...	2		
3- 8	174-11681-00	. PIN, crank	2		
3- 9	174-11685-00	. WASHER, crank pin	4		
3-10	132-11561-00-03	. WASHER, crank inside (25.5-35-0.3)	} U.R. 2		
	132-11561-00-05	. WASHER, crank inside (25.5-35-0.5)			
3-11	93306-20526	. BEARING (B6205C3)	2		
3-12	93450-52010	. CIRCLIP (52 ϕ)	1		
3-13	174-11511-01	. COVER, crank	1		
3-14	93604-18058	. PIN, dowel (4-17.8)	2		
3-15	1E8-11512-00	. SEAL, crank cover	2		
3-16	1E8-11541-00	. METAL, filler	1		
3-17	93210-46044	. O-RING (3-46.2)	1		
3-18	174-11515-00	. SEAL, labyrinth	1		
3-19	132-11561-00-03	SHIM, crank outside (25.5-35-0.3)	} U.R. 2		
	132-11561-00-05	SHIM, crank outside (25.5-35-0.5)			
3-20	93306-30509	BEARING (B6305C3)	1		
3-21	93306-20517	BEARING (B6205C4)	1		
3-22	93102-20117	OIL SEAL (SD-20-40-8)	1		
3-23	93103-32031	OIL SEAL (SW-32-48-8)	1		
3-24	93210-18023	O-RING (1.2-17.6)	1		
3-25	90387-20499	COLLAR (174-11523-00)	1		

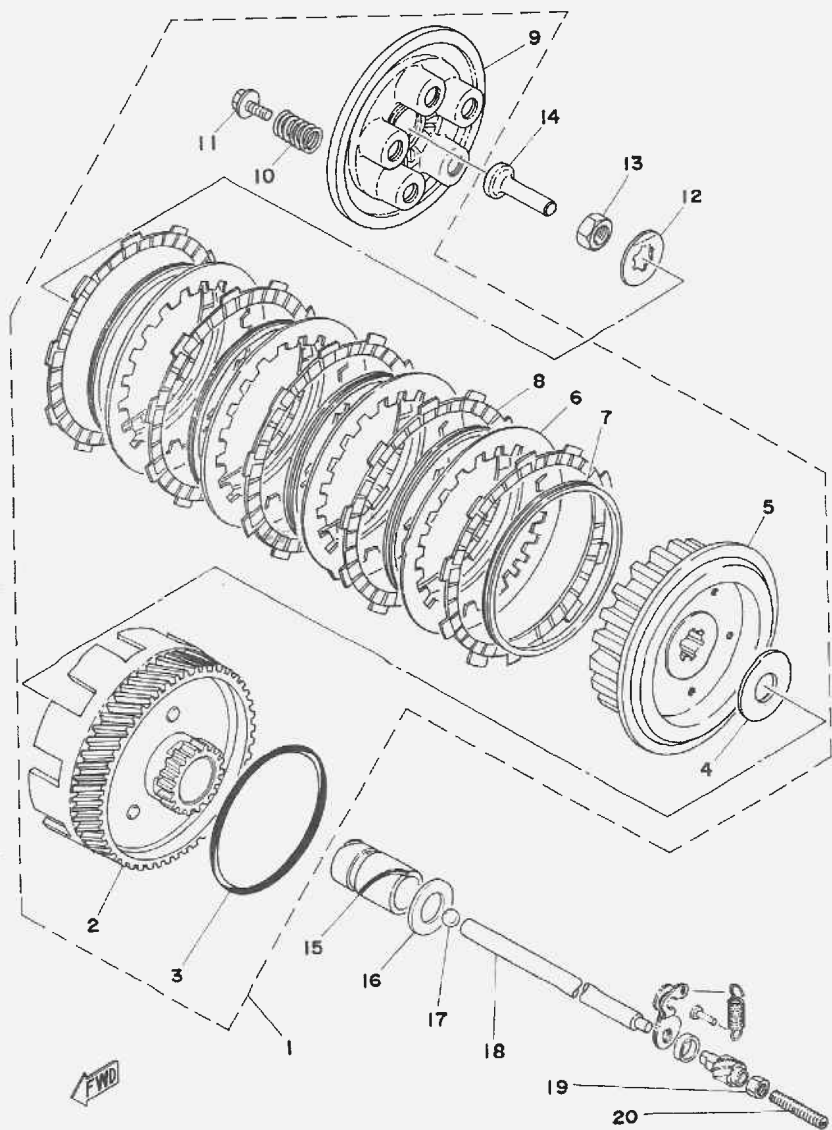
Fig. 3 CRANK · PISTON



CRANK · PISTON

Ref. No.	Parts No.	Description	Qty	Applicable Machine No.	Remarks
3-26	397-16111-00	GEAR, primary drive (16T)	1		
3-27	90208-12015	SPRING (164-16119-00)	1		
3-28	90179-12044	NUT (353-16144-00)	1		
3-29	1E8-11631-00-96	PISTON (51.96mm STD)	} U.R. 2		
	1E8-11631-00-97	PISTON (51.97mm STD)			
	1E8-11635-00	PISTON (52.25mm 1st O.S)	2		Alternate Parts
	1E8-11636-00	PISTON (52.50mm 2nd O.S)	2		Alternate Parts
	1E8-11637-00	PISTON (52.75mm 3rd O.S)	2		Alternate Parts
	1E8-11638-00	PISTON (53.00mm 4th O.S)	2		Alternate Parts
3-30	131-11633-00	PIN, piston	2		
3-31	93450-15023	CLIP, piston pin	4		
3-32	558-11601-00	PISTON RING SET (STD)	2s		
	558-11601-10	PISTON RING SET (1st O.S)	2s		Alternate Parts
	558-11601-20	PISTON RING SET (2nd O.S)	2s		Alternate Parts
	558-11601-30	PISTON RING SET (3rd O.S)	2s		Alternate Parts
	558-11601-40	PISTON RING SET (4th O.S)	2s		Alternate Parts
3-33	93310-21403	BEARING, con-rod small end ..	2		
3-34	90280-03017	KEY (146-11545-00)	1		
3-35	90282-05005	KEY (353-11546-00)	1		

Fig. 4 CLUTCH

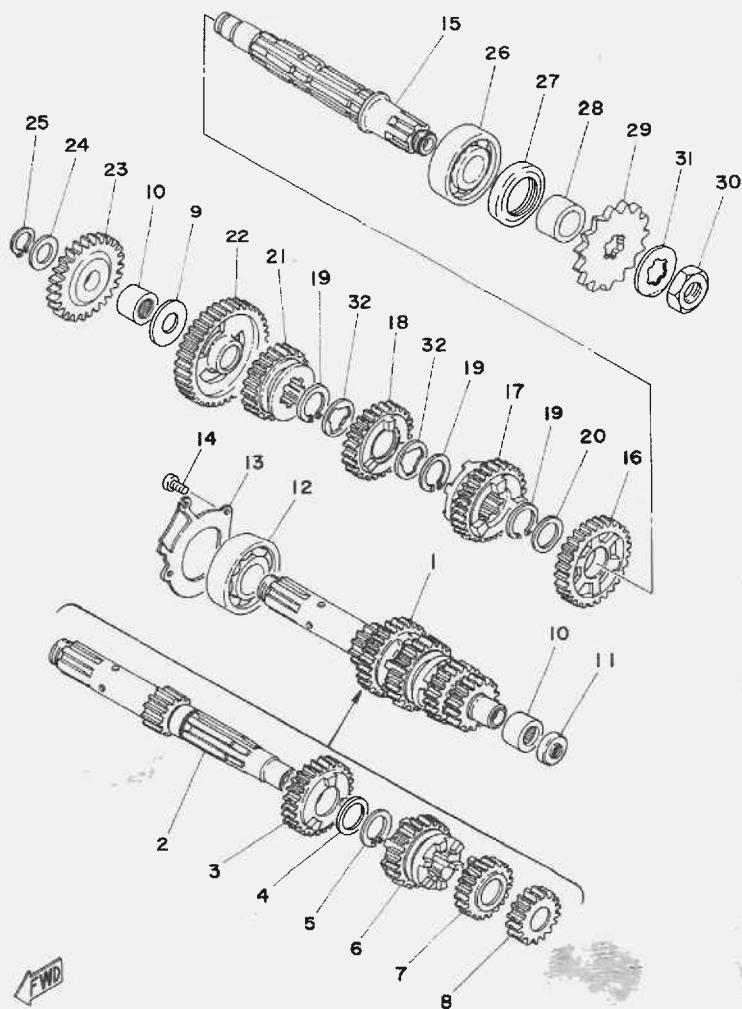


CLUTCH

Ref. No.	Parts No.	Description	Q'ty	Applicable Machine No.	Remarks
4- 1	1E8-16301-00	CLUTCH ASS'Y	1		
4- 2	1E8-16150-00	. PRIMARY DRIVEN GEAR COMP. (53T)	1		
4- 3	93210-85075	. O-RING	1		
4- 4	174-16154-00	. PLATE, thrust (20-38-2.0)	1		
4- 5	1E8-16371-00	. BOSS, clutch	1		
4- 6	336-16324-00	. PLATE, clutch	4		
4- 7	137-16367-00	. RING, cushion	5		
4- 8	132-16321-00	. PLATE, friction	5		
4- 9	1E7-16351-00	. PLATE, pressure	1		
4-10	90501-20122	. SPRING (137-16333-00)	5		
4-11	90119-05001	. BOLT, hexagon	5		
4-12	90215-16020	WASHER (102-17464-00)	1		
4-13	90179-16018	NUT (102-17463-00)	1		
4-14	174-16356-00	ROD, push 1	1		
4-15	90387-20439	COLLAR (443-16176-01)	1		
4-16	90201-20611	WASHER, plate	1		
4-17	93505-16006	BALL (5/16 inch)	1		
4-18	237-16357-01	ROD, push 2	1		
4-19	95301-06700	NUT, hexagon	1		
4-20	90113-06013	SCREW (241-16343-00)	1		



Fig. 5 TRANSMISSION

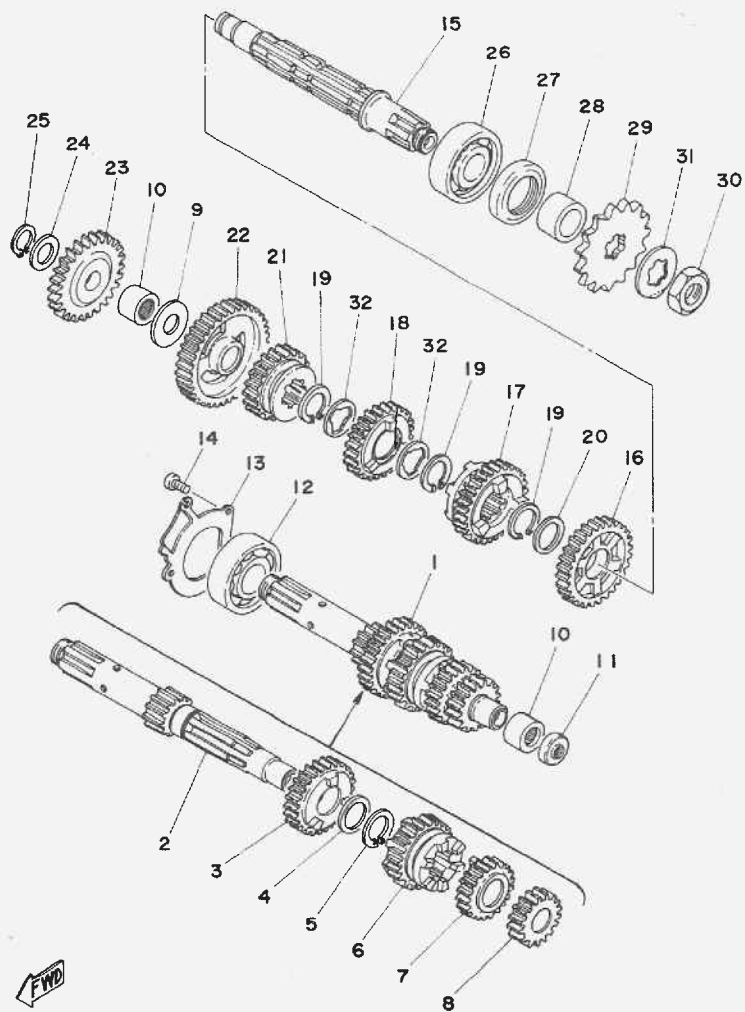


FWD

TRANSMISSION

Ref. No.	Parts No.	Description	Q'ty	Applicable Machine No.	Remarks
5- 1	1E8-17410-00	MAIN AXLE COMP.	1		
5- 2	397-17411-00	. AXLE, main (12T)	1		
5- 3	1E8-17151-00	. GEAR, 5th pinion (24T)	1		
5- 4	90201-20266	. WASHER (132-17216-00)	1		
5- 5	93440-20043	. CIRCLIP (132-17414-00)	1		
5- 6	1E8-17141-00	. GEAR, 4th pinion (22T)	1		
5- 7	1E8-17131-00	. GEAR, 3rd pinion (20T)	1		
5- 8	397-17121-00	. GEAR, 2nd pinion (16T)	1		
5- 9	164-17427-00-04	SHIM, drive axle (15.2-30-0.4)	} U.R 2		
	164-17427-00-06	SHIM, drive axle (15.2-30-0.6)			
	164-17427-00-08	SHIM, drive axle (15.2-30-0.8)			
	164-17427-00-10	SHIM, drive axle (15.2-30-1.0)			
	164-17427-00-12	SHIM, drive axle (15.2-30-1.2)			
5-10	93315-31502	BEARING	2		
5-11	237-15389-00	SEAL, push rod	1		
5-12	93306-30408	BEARING (B6304Z)	1		
5-13	1E8-17471-01	PLATE, bearing cover	1		
5-14	98501-05010	SCREW, panhead	3		
5-15	397-17421-00	AXLE, drive	1		
5-16	1E8-17221-00	GEAR, 2nd wheel (29T)	1		
5-17	1E8-17231-00	GEAR, 3rd wheel (25T)	1		
5-18	1E8-17241-00	GEAR, 4th wheel (23T)	1		
5-19	93440-20043	CIRCLIP (132-17414-00)	3		
5-20	90201-20266	WASHER (132-17216-00)	1		
5-21	1E8-17251-00	GEAR, 5th wheel (24T)	1		
5-22	1E8-17211-00	GEAR, 1st wheel (34T)	1		
5-23	1E8-15651-00	GEAR, kick idle (26T)	1		

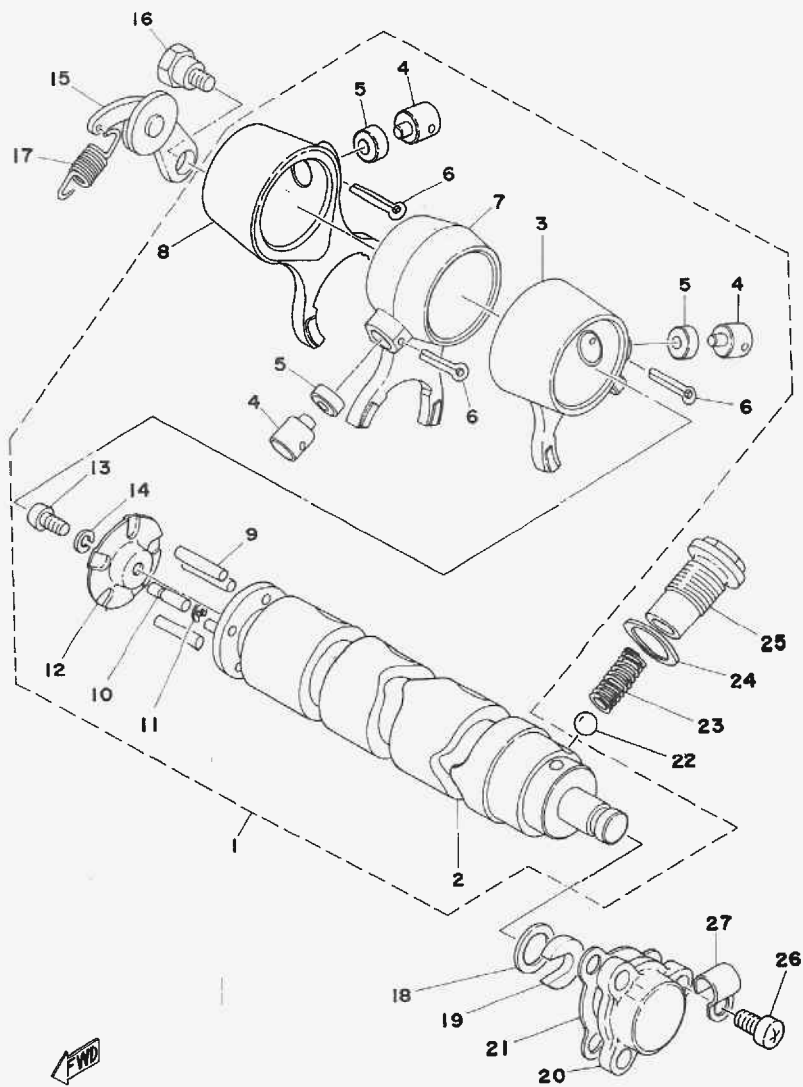
Fig. 5 TRANSMISSION



TRANSMISSION

Ref. No.	Parts No.	Description	Q'ty	Applicable Machine No.	Remarks
5-24	132-15653-00-10	WASHER, thrust (13.3-22-1.0)	} U.R 1		
	132-15653-00-12	WASHER, thrust (13.3-22-1.2)			
	132-15653-00-14	WASHER, thrust (13.3-22-1.4)			
5-25	93410-13004	CIRCLIP (S-13)	1		
5-26	93306-30401	BEARING (6304)	1		
5-27	93102-28021	OIL SEAL (SD-28-44-7)	1		
5-28	90387-20346	COLLAR (102-17462-00)	1		
5-29	174-17461-30	SPROCKET, drive (13T)	} U.R 1		
	174-17461-40	SPROCKET, drive (14T)			
	174-17461-50	SPROCKET, drive (15T)			STD
	174-17461-60	SPROCKET, drive (16T)			for Belgium STD
	174-17461-70	SPROCKET, drive (17T)			
	174-17461-80	SPROCKET, drive (18T)			
5-30	90179-16018	NUT (102-17463-00)	1		
5-31	90215-16020	WASHER, lock (102-17464-00)	1		
5-32	90209-16133	WASHER	2		

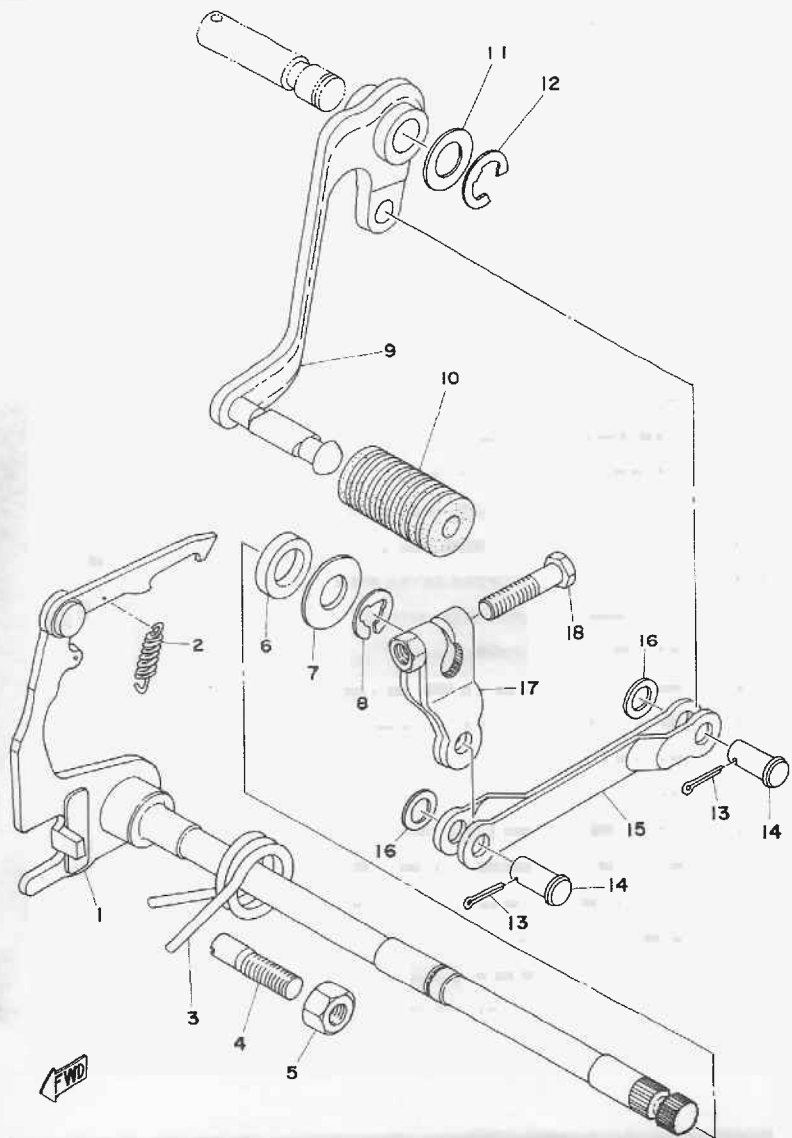
Fig. 6 SHIFTER 1



SHIFTER 1

Ref. No.	Parts No.	Description	Q'ty	Applicable Machine No.	Remarks
6- 1	174-18500-03	SHIFTER ASS'Y	1		
6- 2	174-18541-03	. CAM, shift	1		
6- 3	174-18511-00	. FORK, shift 1	1		
6- 4	90250-10020	. PIN (164-18552-01)	3		
6- 5	164-18551-00	. ROLLER, cam follower	3		
6- 6	91401-25020	. PIN, cotter	3		
6- 7	174-18512-00	. FORK, shift 2	1		
6- 8	174-18513-00	. FORK, shift 3	1		
6- 9	93604-22050	. PIN, dowel (4-21-8)	4		
6-10	90249-04039	. PIN (174-18544-00)	1		
6-11	93430-03014	. CIRCLIP (E-2.5)	1		
6-12	164-18561-00	. PLATE, side	1		
6-13	98501-05012	. SCREW, panhead	1		
6-14	92901-05100	. WASHER, spring	1		
6-15	132-18140-01	STOPPER LEVER ASS'Y	1		
6-16	90109-06001	BOLT (132-18177-00)	1		
6-17	90506-09112	SPRING, tension	1		
6-18	90201-12166	WASHER (164-18572-00)	1		
6-19	164-18571-01	HOLDER, shift cam	1		
6-20	164-18589-00	PLUG, blind	1		
6-21	164-18579-00	GASKET	1		
6-22	93505-16006	BALL (5/16 inch)	1		
6-23	90501-12083	SPRING (174-18558-00)	1		
6-24	137-15353-00	GASKET (14.5-21-1.5)	1		
6-25	90109-14385	BOLT	1		
6-26	92501-06010	SCREW, panhead	3		
6-27	90462-05004	CLAMP (278-15485-00)	1		

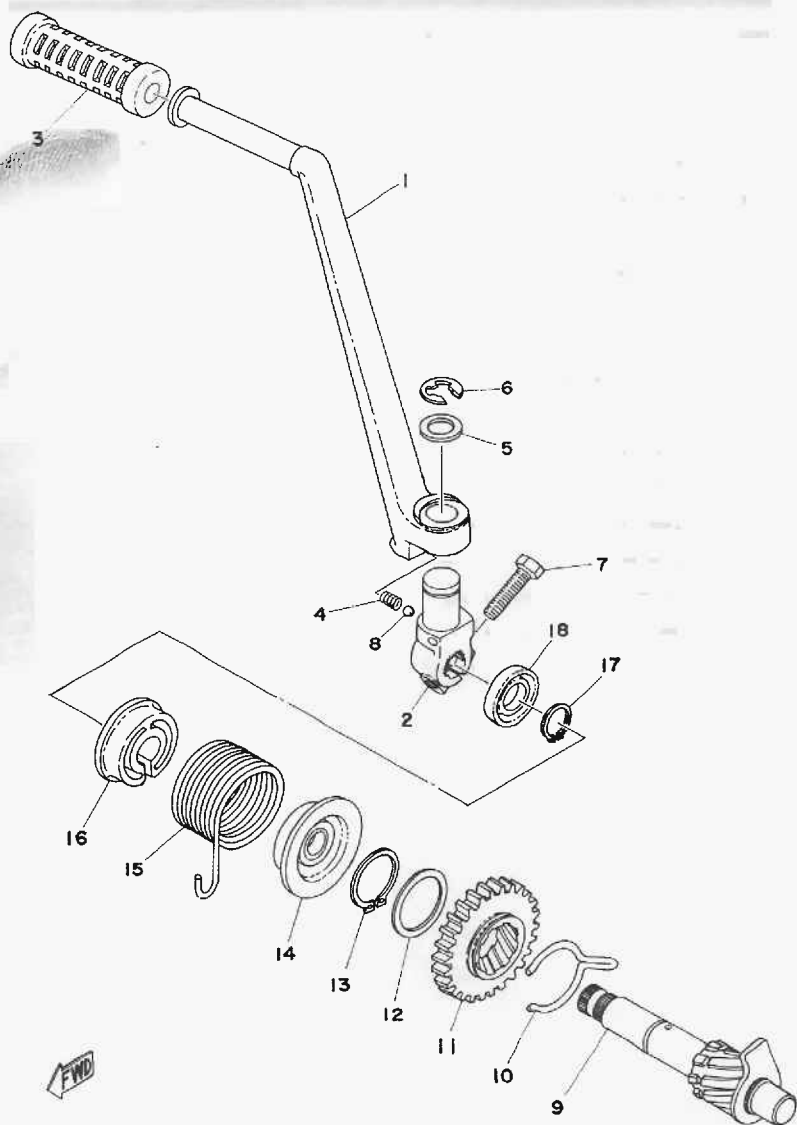
Fig. 7 SHIFTER 2



SHIFTER 2

Ref. No.	Parts No.	Description	Q'ty	Applicable Machine No.	Remarks
7- 1	174-18101-02	CHANGE SHAFT ASS'Y	1		
7- 2	90506-09009	SPRING (132-18123-00)	1		
7- 3	90508-32207	SPRING (132-18124-00)	1		
7- 4	90149-08094	SCREW, adjusting	1		
7- 5	95301-08600	NUT	1		
7- 6	93101-12004	OIL SEAL (S-12-22-5)	1		
7- 7	90201-12183	WASHER (132-18137-00)	1		
7- 8	93430-10016	CIRCLIP (E-10)	1		
7- 9	337-18111-01-93	PEDAL, change	1		
7-10	132-18113-01	COVER, change pedal	1		
7-11	90201-12174	WASHER (183-22142-10)	1		
7-12	93430-10016	CIRCLIP (E-10)	1		
7-13	91401-16012	PIN, cotter	2		
7-14	90240-08053	PIN, with hold	2		
7-15	1E7-18115-00	ROD, change	1		
7-16	90201-08085	WASHER (141-18139-00)	2		
7-17	307-18112-00-93	ARM, change	1		
7-18	97321-06030	BOLT, hexagon	1		

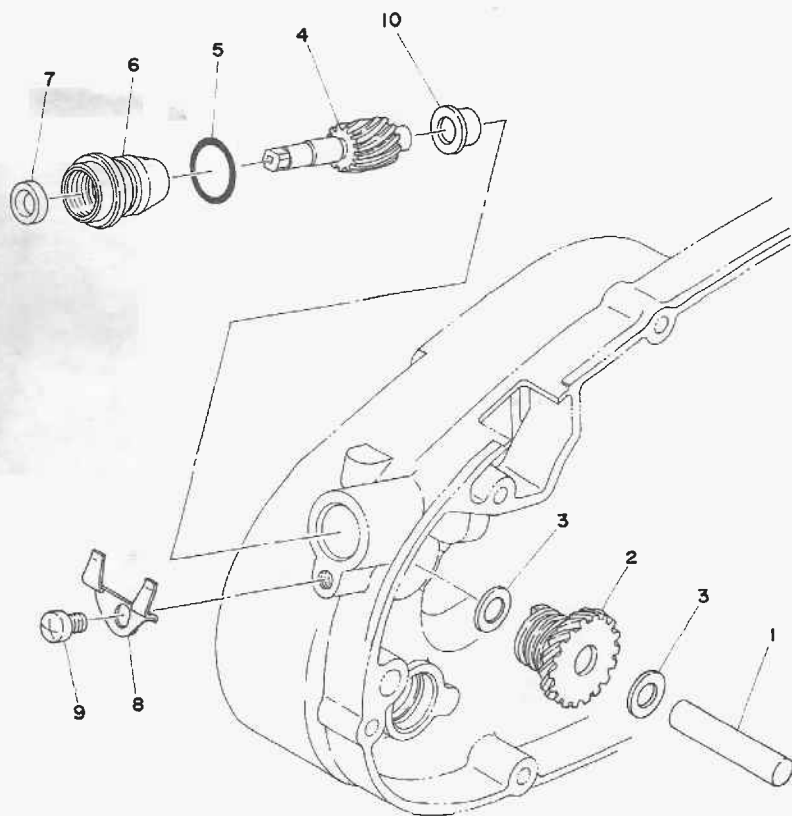
Fig. 8 KICK STARTER



KICK STARTER

Ref. No.	Parts No.	Description	Q'ty	Applicable Machine No.	Remarks
8- 1	278-15611-00-93	CRANK, kick	1		
8- 2	337-15621-01-91	BOSS, kick crank	1		
8- 3	156-15618-01	COVER, kick lever	1		
8- 4	90501-12081	SPRING (278-15622-00)	1		
8- 5	90201-15234	WASHER (278-15613-00)	1		
8- 6	93430-10016	CIRCLIP (E-10)	1		
8- 7	97311-06025	BOLT, hexagon	1		
8- 8	93507-32009	BALL (7/32 inch)	1		
8- 9	337-15660-00	KICK AXLE ASS'Y	1		
8-10	251-15687-00	CLIP, kick	1		
8-11	1E8-15641-00	GEAR, kick (27T)	1		
8-12	117-15644-00	SHIM (25.1-32-1.0)	1		
8-13	93410-25017	CIRCLIP (S-25)	1		
8-14	132-15664-00	GUIDE, kick spring	1		
8-15	90508-26136	SPRING (304-15665-00)	1		
8-16	132-15676-00	COVER, kick spring	1		
8-17	93410-15005	CIRCLIP (S-15)	1		
8-18	93109-15001	OIL SEAL (SDO-15-26-6)	1		

Fig.9 TACHOMETER GEAR

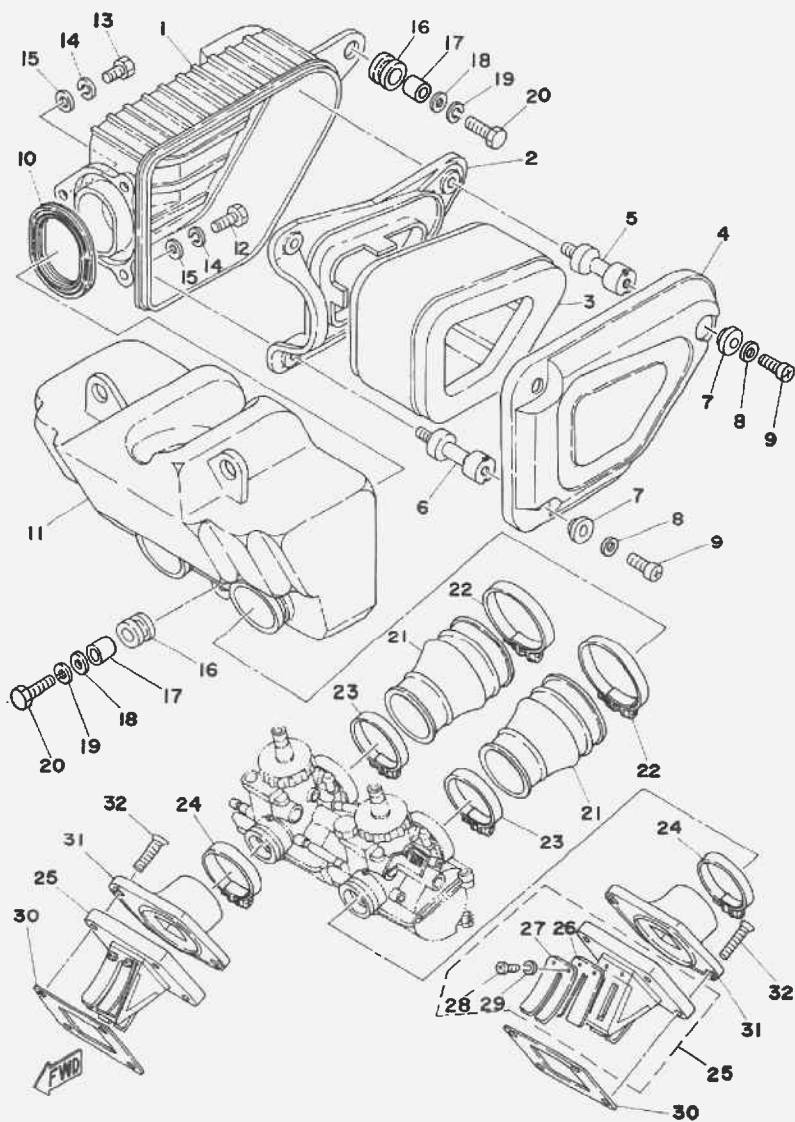


← FWD

TACHOMETER GEAR

Ref. No.	Parts No.	Description	Q'ty	Applicable Machine No.	Remarks
9- 1	237-17861-00	AXLE, drive gear	1		
9- 2	1E8-17831-00	GEAR, drive	1		
9- 3	248-17837-00	SHIM (10.2-16-1.0)	2		
9- 4	443-17841-00	GEAR, driven	1		
9- 5	93210-17239	O-RING	1		
9- 6	438-17811-00	HOUSING	1		
9- 7	93104-07036	OIL SEAL (SO-7-13-4)	1		
9- 8	438-17812-00	STOPPER	1		
9- 9	92501-06010	SCREW, panhead	1		
9-10	214-17843-00	BUSHING	1		

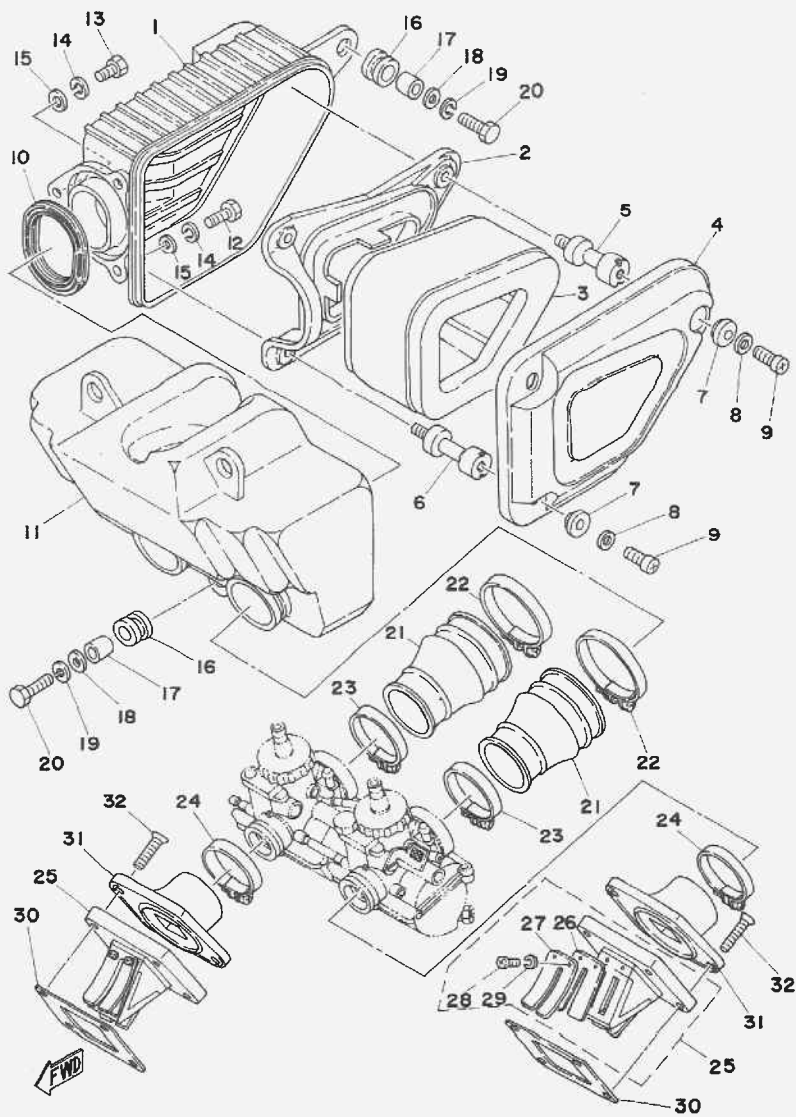
Fig. 10 INTAKE



INTAKE

Ref. No.	Parts No.	Description	Q'ty	Applicable Machine No.	Remarks
10- 1	1E7-14411-00	CASE, air filter 1	1		
10- 2	1E7-14421-00	CASE, air filter 2	1		
10- 3	1E7-14450-00	ELEMENT ASS'Y	1		
10- 4	1E7-14422-00	CAP, case	1		
10- 5	1E7-14428-00	BOLT	1		
10- 6	1E7-14446-00	BOLT	2		
10- 7	90480-10190	GROMMET	3		
10- 8	90201-06055	WASHER, plate	3		
10- 9	92501-06018	SCREW, panhead	3		
10-10	1E7-14416-00	GASKET, air filter	1		
10-11	1E7-14431-00	BOX, silencer	1		
10-12	97301-06018	BOLT, hexagon	2		
10-13	97301-06015	BOLT, hexagon	1		
10-14	92901-06100	WASHER, spring	3		
10-15	92901-06600	WASHER, plate	3		
10-16	90480-14102	GROMMET (214-21717-00)	4		
10-17	90387-07390	COLLAR (214-21633-00)	4		
10-18	90201-06067	WASHER, plate	4		
10-19	92901-06100	WASHER, spring	4		
10-20	97301-06025	BOLT, hexagon	4		
10-21	<u>1E7-14453-00</u>	JOINT, air filter	2		
10-22	90460-51059	CLAMP, hose	2		
10-23	90460-43053	CLAMP, hose	2		
10-24	90460-37026	CLAMP, hose	2		
10-25	314-13610-01	REED VALVE ASS'Y	2		
10-26	314-13613-00	. REED VALVE	4		
10-27	314-13616-01	. STOPPER, reed valve	4		
10-28	98512-03008	. SCREW, panhead	8		
10-29	92901-03100	. WASHER, spring	8		

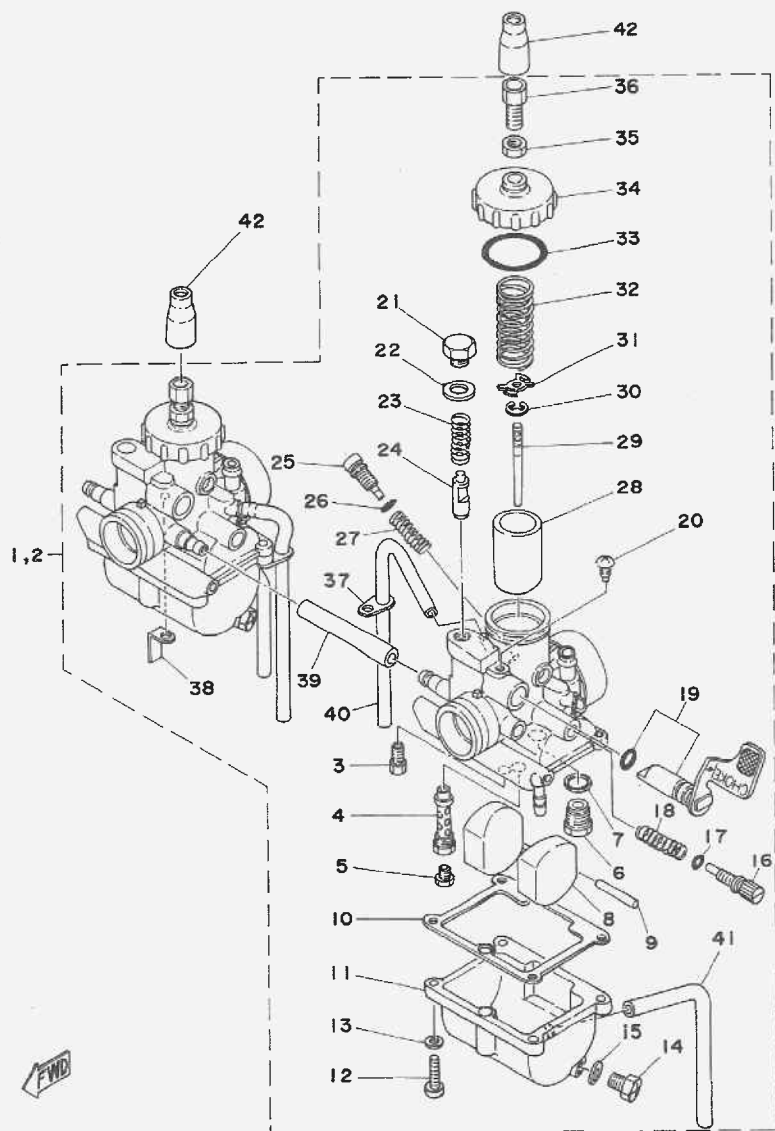
Fig. 10 INTAKE



INTAKE

Ref. No.	Parts No.	Description	Qty	Applicable Machine No.	Remarks
10-30	314-13621-02	PACKING, valve seat	2		
10-31	1E7-13565-00	JOINT, carburetor	2		
10-32	92506-06025	SCREW, panhead	8		

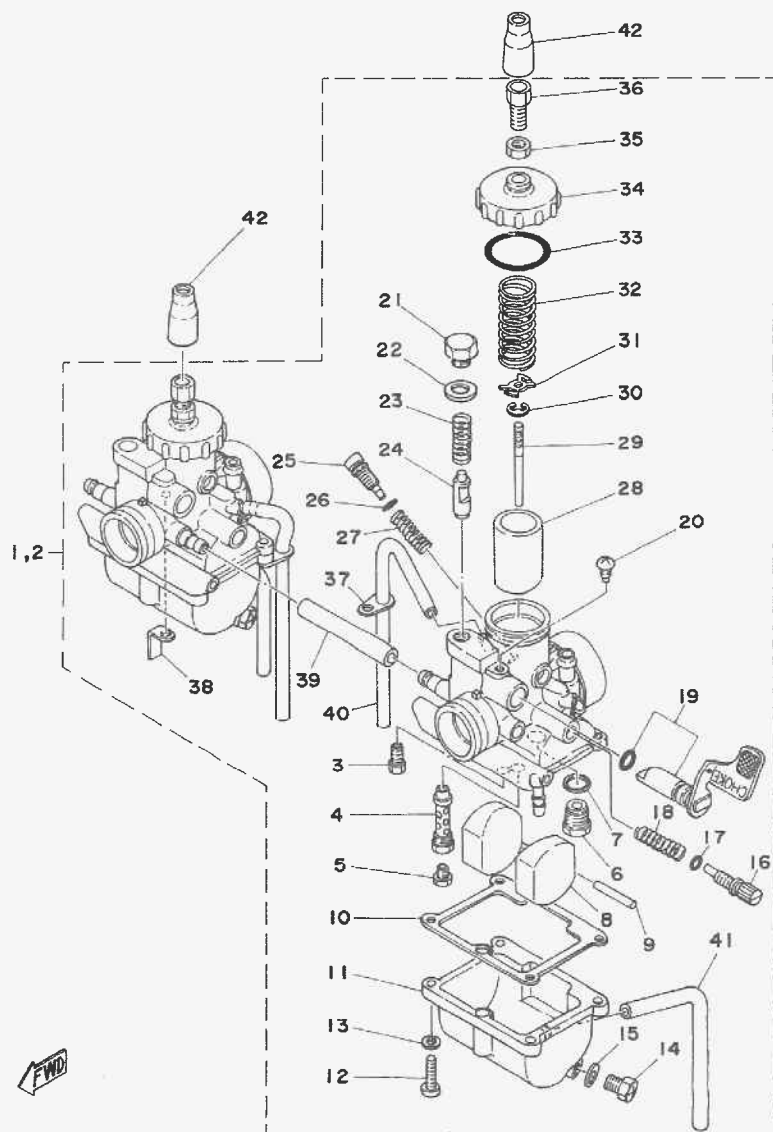
Fig. 11 CARBURETOR



CARBURETOR

Ref. No.	Parts No.	Description	Q'ty	Applicable Machine No.	Remarks
11- 1	1E8-14301-90	CARBURETOR ASS'Y, left	1		
11- 2	1E8-14302-90	CARBURETOR ASS'Y, right	1		
11- 3	367-14342-22	. JET, pilot (#44)	2		
11- 4	396-14341-00	. NOZZLE, main (N-80)	2		
11- 5	396-14343-40	. JET, main (#80)	2		
11- 6	1E7-14390-20	. VALVE SEAT ASS'Y	2		
11- 7	367-14195-00	. WASHER, valve seat	2		
11- 8	367-14385-00	. FLOAT	2		
11- 9	626-14386-00	. PIN, float	2		
11-10	1E7-14384-00	. GASKET, float chamber	2		
11-11	1E7-14181-35	. BODY, float chamber, left	1		
	1E7-14183-00	. BODY, float chamber, right	1		
11-12	98501-04014	. SCREW, panhead	8		
11-13	92901-04100	. WASHER, spring	8		
11-14	1E7-14191-00	. SCREW, drain	2		
11-15	1E8-14126-00	. GASKET	2		
11-16	1E7-14211-00	. SCREW, pilot adjusting	2		
11-17	1E7-14147-00	. O-RING, pilot adjusting	2		
11-18	288-14334-00	. SPRING, pilot adjusting	2		
11-19	1E7-14175-00	. STARTER LEVER ASS'Y	1		
11-20	619-24535-00	. SCREW	1		
11-21	1E7-14174-00	. CAP, plunger	1		
11-22	1J2-14398-00	. GASKET	1		
11-23	647-14335-00	. SPRING, plunger	1		
11-24	1E7-14371-00	. PLUNGER STARTER ASS'Y	1		
11-25	1E7-14323-00	. SCREW, air adjusting	2		
11-26	1E7-14147-00	. O-RING, air adjusting	2		
11-27	288-14334-00	. SPRING, air adjusting	2		
11-28	1E8-14312-25	. VALVE, throttle, left	1		
	1E8-14313-25	. VALVE, throttle, right	1		

Fig. 11 CARBURETOR

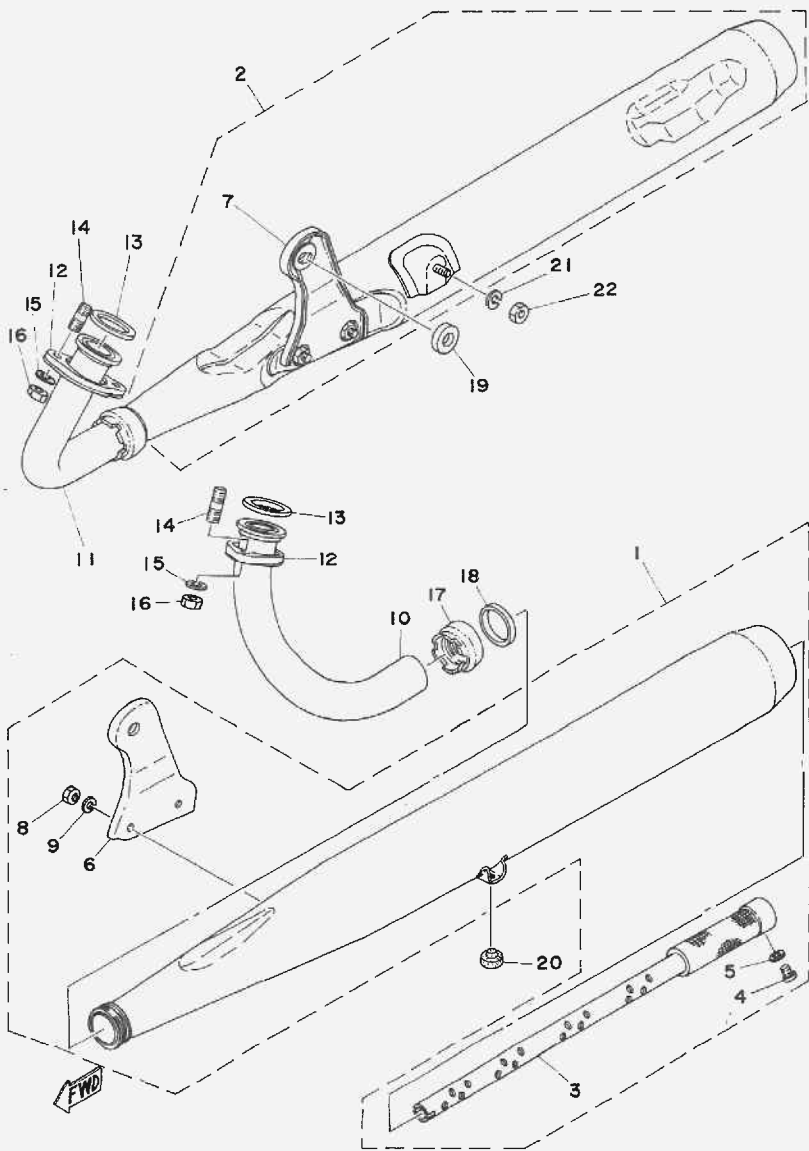


CARBURETOR

Ref. No.	Parts No.	Description	Q'ty	Applicable Machine No.	Remarks
11-29	1E8-14336-00	. NEEDLE (4F51-2/5)	2		
11-30	389-14137-00	. CLIP, needle	2		
11-31	396-14136-00	. SEAT, spring	2		
11-32	396-14331-00	. SPRING, throttle valve	2		
11-33	1E7-14126-00	. O-RING	2		
11-34	1E7-14168-00	. CAP, mixing chamber	2		
11-35	288-14161-00	. NUT, wire adjusting	2		
11-36	396-14124-00	. SCREW, wire adjusting	2		
11-37	434-14146-00	. STAY	2		
11-38	1E7-14146-00	. STAY	1		
11-39	389-14349-00	. PIPE (5-47)	1		
11-40	1E7-14348-00	. PIPE (3-220)	2		
11-41	1E7-14349-00	. PIPE (3-160)	2		
11-42	1A0-14169-00	CAP	2		



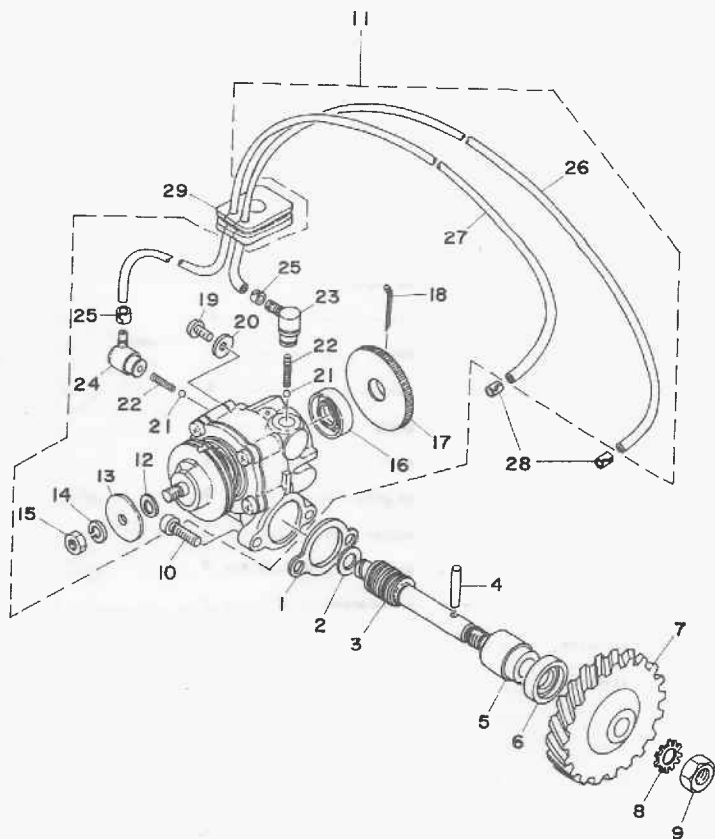
Fig. 12 EXHAUST



EXHAUST

Ref. No.	Parts No.	Description	Q'ty	Applicable Machine No.	Remarks
12- 1	1E8-14710-00	MUFFLER ASS'Y, left	1		
12- 2	1E8-14720-00	MUFFLER ASS'Y, right	1		
12- 3	1E8-14753-00	. SILENCER	2		
12- 4	98501-05010	. SCREW, panhead	2		
12- 5	92901-05100	. WASHER, spring	2		
12- 6	397-14771-00-33	. STAY, muffler left	1		Yamaha Black
12- 7	397-14781-00-33	. STAY, muffler right	1		Yamaha Black
12- 8	95301-08600	. NUT, hexagon	4		
12- 9	92901-08100	. WASHER, spring	4		
12-10	1E8-14611-00	PIPE, exhaust left	1		
12-11	1E8-14621-00	PIPE, exhaust right	1		
12-12	307-14612-00	NUT, ring	2		
12-13	132-14613-00	GASKET, exhaust	2		
12-14	90116-08166	STUD	4		
12-15	92901-08100	WASHER, spring	4		
12-16	95301-08600	NUT, hexagon	4		
12-17	132-14713-00	NUT, muffler joint	2		
12-18	132-14714-01	GASKET, muffler joint	2		
12-19	337-14779-00	COLLAR, distance (15-30-6.5)	2		
12-20	102-27114-00	STOPPER, main stand	1		
12-21	92901-08100	WASHER, spring	2		
12-22	95301-08600	NUT, hexagon	2		

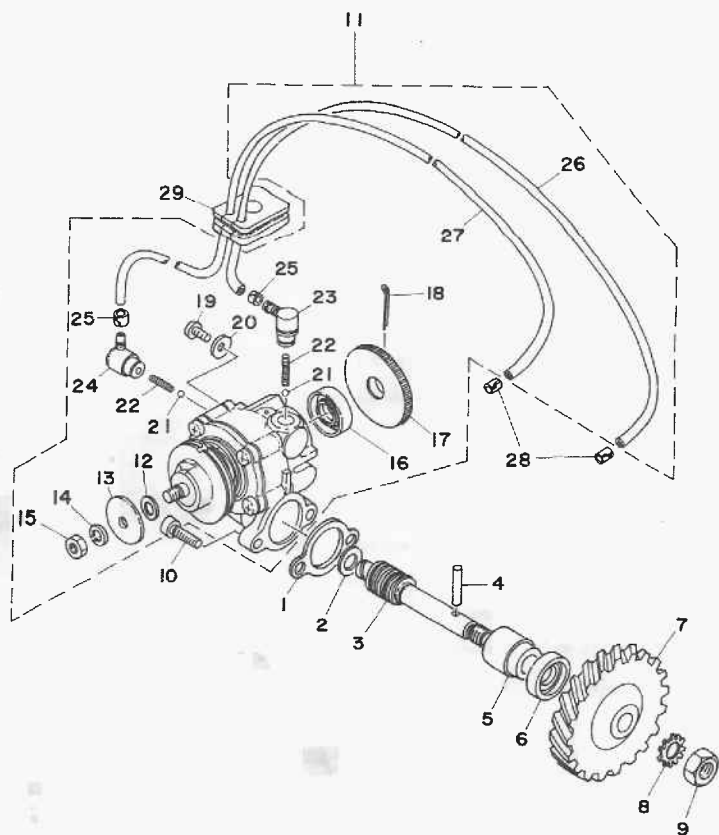
Fig. 13 OIL PUMP



OIL PUMP

Ref. No.	Parts No.	Description	Q'ty	Applicable Machine No.	Remarks
13- 1	126-13116-00	GASKET, pump case	1		
13- 2	90201-08624	WASHER, plate	1		
13- 3	1E7-13175-00	SHAFT, worm	1		
13- 4	93603-22028	PIN, dowel (3-21.8)	1		
13- 5	1E7-13176-00	METAL, worm shaft outer	1		
13- 6	93101-10002	OIL SEAL (S-10-22-7)	1		
13- 7	174-13178-00	GEAR, drive (20T)	1		
13- 8	92901-08400	WASHER, tooth	1		
13- 9	90170-08205	NUT, hexagon	1		
13-10	98501-05015	SCREW, panhead	2		
13-11	1E8-13101-00	OIL PUMP ASS'Y	1		
13-12	137-13137-00-03	. SHIM (5.8-10-0.3)	}	U.R 1	
	137-13137-00-05	. SHIM (5.8-10-0.5)			
	137-13137-00-10	. SHIM (5.8-10-1.0)			
	137-13137-00-30	. SHIM (5.8-10-3.0)			
	137-13137-00-50	. SHIM (5.8-10-5.0)			
13-13	137-13138-01	. PLATE, adjusting	1		
13-14	92901-05100	. WASHER, spring	1		
13-15	95301-05600	. NUT, hexagon	1		
13-16	93101-10001	. OIL SEAL (S-10-21-5)	1		
13-17	137-13128-00	. PLATE, starter	1		
13-18	91401-12018	. PIN, cotter	1		
13-19	98901-04008	. SCREW, bind	1		
13-20	90430-04004	. GASKET (137-13187-00)	1		
13-21	93505-32002	. BALL (5/32 inch)	2		
13-22	90501-02018	. SPRING (278-13169-00)	2		
13-23	353-13552-01	. NOZZLE	1		
13-24	137-13552-02	. NOZZLE	1		
13-25	90468-02033	. CLIP (214-13164-00)	2		

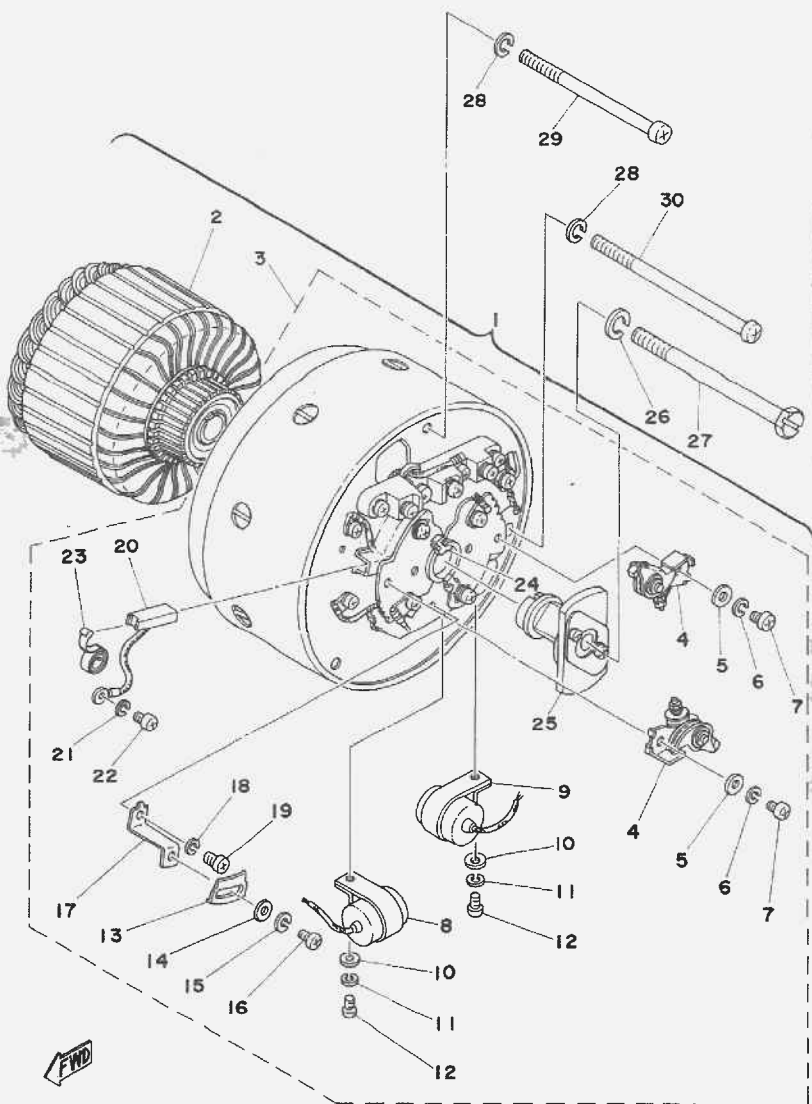
Fig. 13 OIL PUMP



OIL PUMP

Ref. No.	Parts No.	Description	Qty	Applicable Machine No.	Remarks
13-26	90445-05034	HOSE (3-400)	1		
13-27	90445-05031	HOSE (3-240)	1		
13-28	90468-02033	CLIP (214-13164-00)	2		
13-29	293-13174-00	HOLDER, oil pipe	1		

Fig. 14 STARTER GENERATOR



STARTER GENERATOR

Ref. No.	Parts No.	Description	Q'ty	Applicable Machine No.	Remarks
14- 1	397-81100-10	STARTER GENERATOR ASS'Y ...	1		
14- 2	397-81155-10	. ARMATURE	1		
14- 3	397-81110-10	. STATOR ASS'Y	1		
14- 4	183-81421-10	. . CONTACT BREAKER ASS'Y ..	2		
14- 5	92901-04200	. . WASHER, plain	2		
14- 6	92901-04100	. . WASHER, spring	2		
14- 7	164-81246-21	. . SCREW, cylinderhead (4-8) ...	2		
14- 8	132-81226-10	. . CONDENSER, left	1		
14- 9	132-81225-10	. . CONDENSER, right	1		
14-10	92901-04200	. . WASHER, plain	2		
14-11	92901-04100	. . WASHER, spring	2		
14-12	164-81246-21	. . SCREW, panhead	2		
14-13	133-81132-10	. . PLATE, timing	1		
14-14	92901-04200	. . WASHER, plain	1		
14-15	92901-04100	. . WASHER, spring	1		
14-16	110-81345-20	. . SCREW, cylinderhead (4-6) ...	1		
14-17	299-81133-10	. . FIXTURE, timing plate	1		
14-18	92901-04100	. . WASHER, spring	1		
14-19	110-81345-20	. . SCREW, panhead	1		
14-20	101-81111-10	. . BRUSH	4		
14-21	92901-04100	. . WASHER, spring	4		
14-22	98501-04008	. . SCREW, panhead	4		
14-23	141-81113-10	. . SPRING, brush	4		
14-24	207-81331-10	. . LUBRICATOR	2		
14-25	337-81153-10	. . GOVERNOR ASS'Y	1		
14-26	92901-08100	WASHER, spring	1		
14-27	90143-07016	SCREW (372-81152-00)	1		
14-28	92901-06100	WASHER, spring	3		
14-29	92501-06085	SCREW, panhead	1		
14-30	92501-06105	SCREW, panhead	2		

SMART BUYER

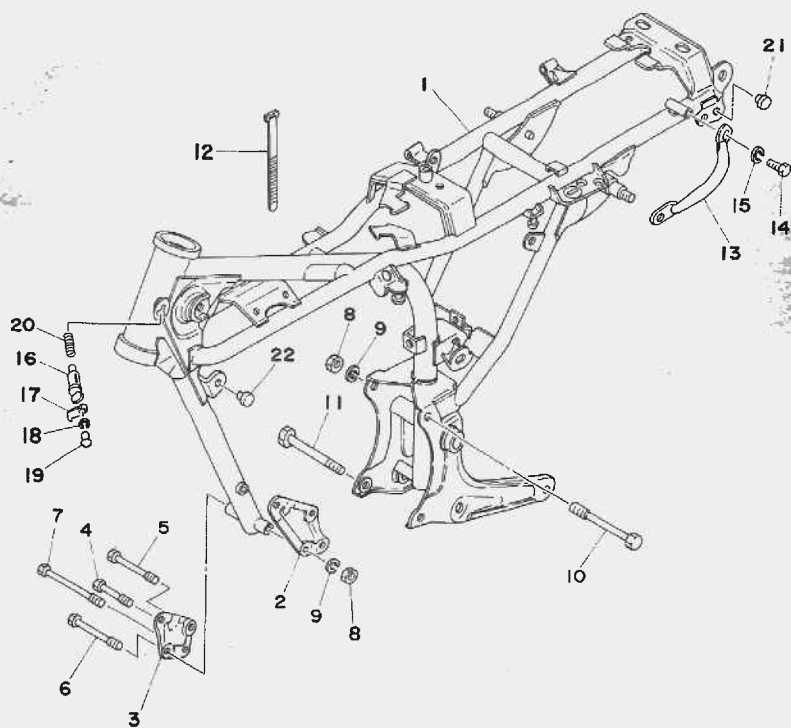
CHASSIS



YAMAHA

PARTS

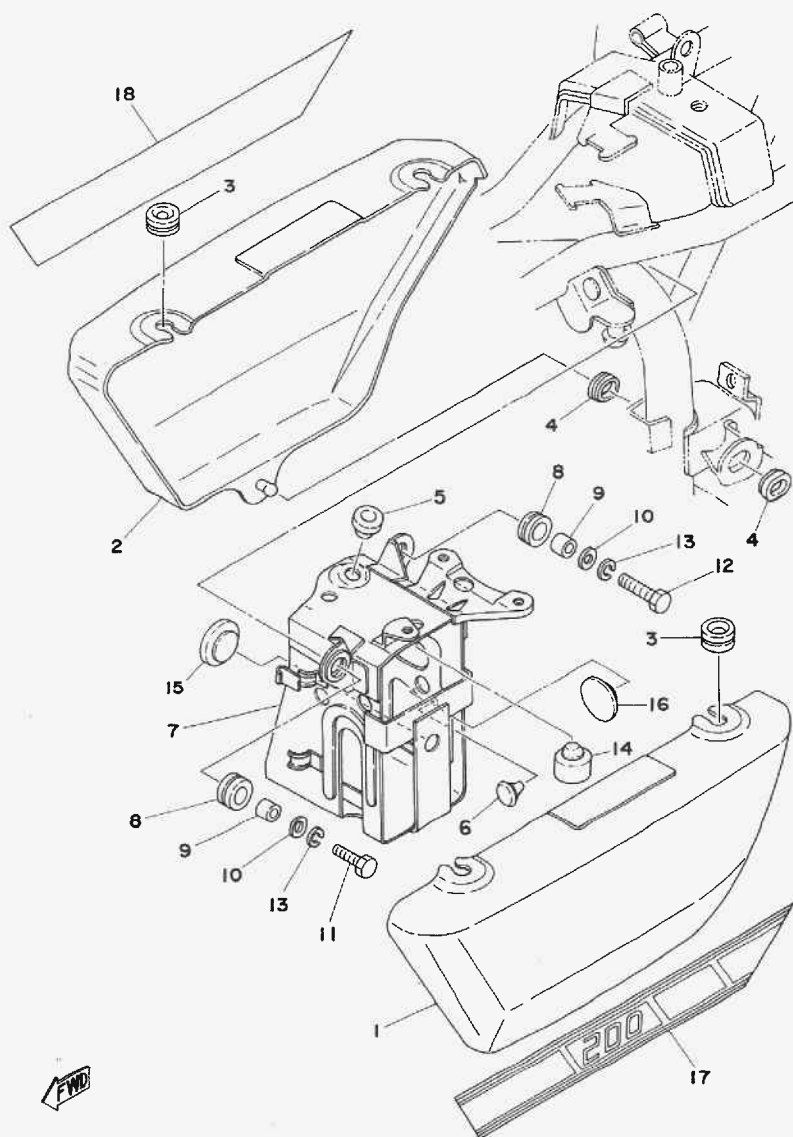
Fig. 15 FRAME



FRAME

Ref. No.	Parts No.	Description	Qty	FRANCE	HOLLAND	W. GERMANY	SWITZERLAND	BEELGIUM	SWEDEN	FINLAND	GERMANY	NORWAY	AUSTRIA	ENGLAND	ITALY	Remarks
15- 1	1E8-21110-00-33	FRAME COMP.	1	x						x			x			Yamaha Black
	1E8-21110-20-33	FRAME COMP.	1		x											Yamaha Black
	1E8-21110-70-33	FRAME COMP.	1				x									Yamaha Black
15- 2	1E7-21315-00-33	STAY, engine front left	1	x	x	x	x		x	x			x			Yamaha Black
15- 3	1E7-21316-00-33	STAY, engine front right	1	x	x	x	x		x	x			x			Yamaha Black
15- 4	95821-08055	BOLT, flange	1	x	x	x	x		x	x			x			
15- 5	95821-08070	BOLT, flange	1	x	x	x	x		x	x			x			
15- 6	95821-08080	BOLT, flange	1	x	x	x	x		x	x			x			
15- 7	95821-08100	BOLT, flange	1	x	x	x	x		x	x			x			
15- 8	95701-08100	NUT, flange	5	x	x	x	x		x	x			x			
15- 9	92901-08100	WASHER, spring	5	x	x	x	x		x	x			x			
15-10	95821-08115	BOLT, flange	1	x	x	x	x		x	x			x			
15-11	90105-08028	BOLT, hexagon	1	x	x	x	x		x	x			x			
15-12	803-82591-00	BAND	5	x	x	x	x		x	x			x			
15-13	337-21165-00-93	HANDLE, standing	1	x	x	x	x		x	x			x			
15-14	97301-06015	BOLT, hexagon	1	x	x	x	x		x	x			x			
15-15	92901-06100	WASHER, spring	1	x	x	x	x		x	x			x			
15-16	169-23480-10	STEERING LOCK ASS'Y	1	x												
	1E7-23480-00	STEERING LOCK ASS'Y	1	x						x			x			
15-17	584-23484-00	CAP, handle lock	1	x					x	x			x			
15-18	90206-04003	WASHER, wave (214-23488-00)	1	x					x	x			x			
15-19	90269-04003	RIVET (214-23483-00)	1	x					x	x			x			
15-20	90502-08005	SPRING, conical (214-23485-00)	1	x					x	x			x			
15-21	90338-04010	PLUG (290-83329-00)	2	x	x				x	x			x			
15-22	90338-09060	PLUG	2	x												

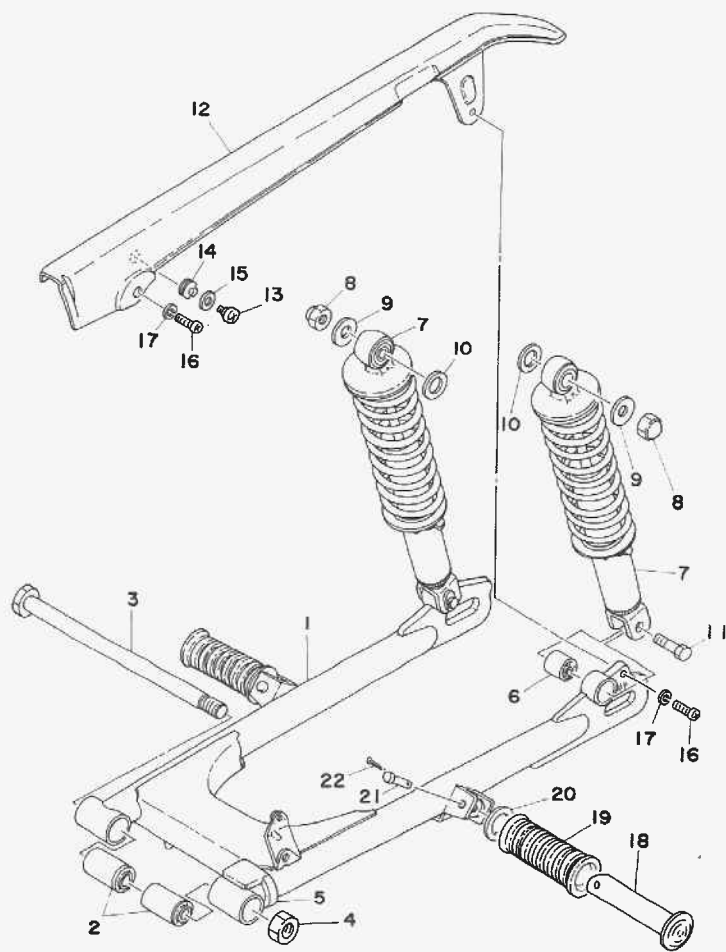
Fig.16 SIDE COVER · BOX



SIDE COVER · BOX

Ref. No.	Parts No.	Description	Q'ty	Applicable Machine No.	Remarks
16- 1	1E7-21711-00-16	COVER, side left	1		Metallic Cosmic Blue
	1E7-21711-00-U2	COVER, side left	1		New Portuguese Orange
16- 2	1E7-21721-00-16	COVER, side right	1		Metallic Cosmic Blue
	1E7-21721-00-U2	COVER, side right	1		New Portuguese Orange
16- 3	90480-12053	DAMPER, side cover 2	4		
16- 4	90480-01141	GROMMET (371-21747-00)	2		
16- 5	90480-12013	GROMMET (152-84518-00)	1		
16- 6	141-21717-00	DAMPER, side cover	2		
16- 7	1E8-21170-01-33	BOX COMP.	1		Yamaha Black
16- 8	90480-14102	GROMMET (214-21717-00)	3		
16- 9	90387-07390	COLLAR (214-21633-00)	3		
16-10	90201-06067	WASHER, plate	3		
16-11	97301-06025	BOLT, hexagon	2		
16-12	97301-06028	BOLT, hexagon	1		
16-13	92901-06100	WASHER, spring	3		
16-14	278-27114-00	STOPPER, main stand	2		
16-15	371-82121-00	PAD, battery 1	1		
16-16	371-82126-00	PAD, battery 2	2		
16-17	1E8-21781-00	EMBLEM, side cover left	1		
16-18	1E8-21782-00	EMBLEM, side cover right	1		

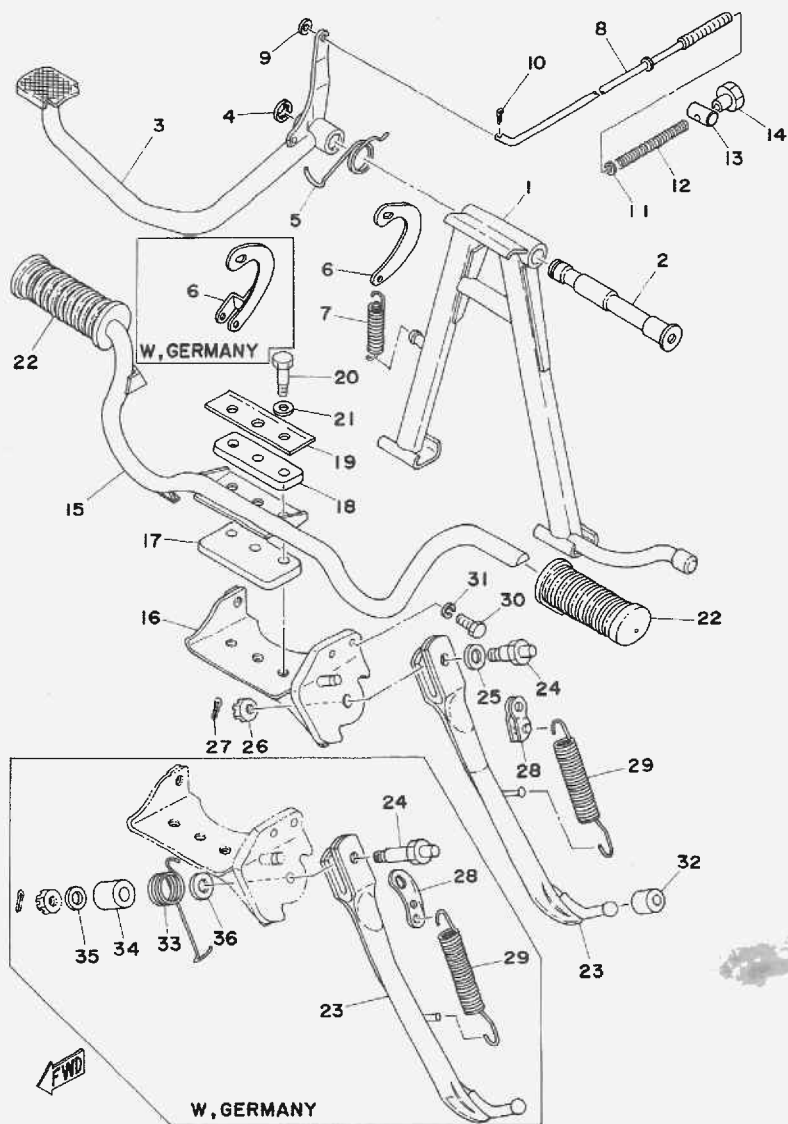
Fig. 17 REAR ARM · REAR CUSHION · CHAIN CASE



REAR ARM · REAR CUSHION · CHAIN CASE

Ref. No.	Parts No.	Description	Q'ty	Applicable Machine No.	Remarks
17- 1	417-22110-00-33	REAR ARM COMP.	1		Yamaha Black
17- 2	174-22123-00	BUSHING, rear arm	2		
17- 3	337-22141-00	SHAFT, pivot	1		
17- 4	90170-14163	NUT, hexagon	1		
17- 5	173-22151-00	SEAL, guard	1		
17- 6	164-22216-00	BUSHING, rear cushion	2		
17- 7	1E8-22210-00	REAR CUSHION ASS'Y	2		
17- 8	90176-10013	NUT, cap	2		
17- 9	90201-10140	WASHER (102-22243-00)	2		
17-10	90201-14218	WASHER (135-22243-00)	2		
17-11	90106-08027	BOLT, round hexagon	2		
17-12	1E8-22311-00-33	CHAIN CASE, half	1		Yamaha Black
17-13	90149-06012	SCREW (183-22331-01)	1		
17-14	183-22332-01	DAMPER, chain case	1		
17-15	90201-07079	WASHER (183-22316-01)	1		
17-16	92501-06012	SCREW, panhead	2		
17-17	92901-06100	WASHER, spring	2		
17-18	465-27431-00	FOOTREST, rear	2		
17-19	120-27433-00	COVER, rear footrest	2		
17-20	90201-20279	WASHER, special	2		
17-21	90240-06042	PIN, with hole	2		
17-22	91401-16012	PIN, cotter	2		

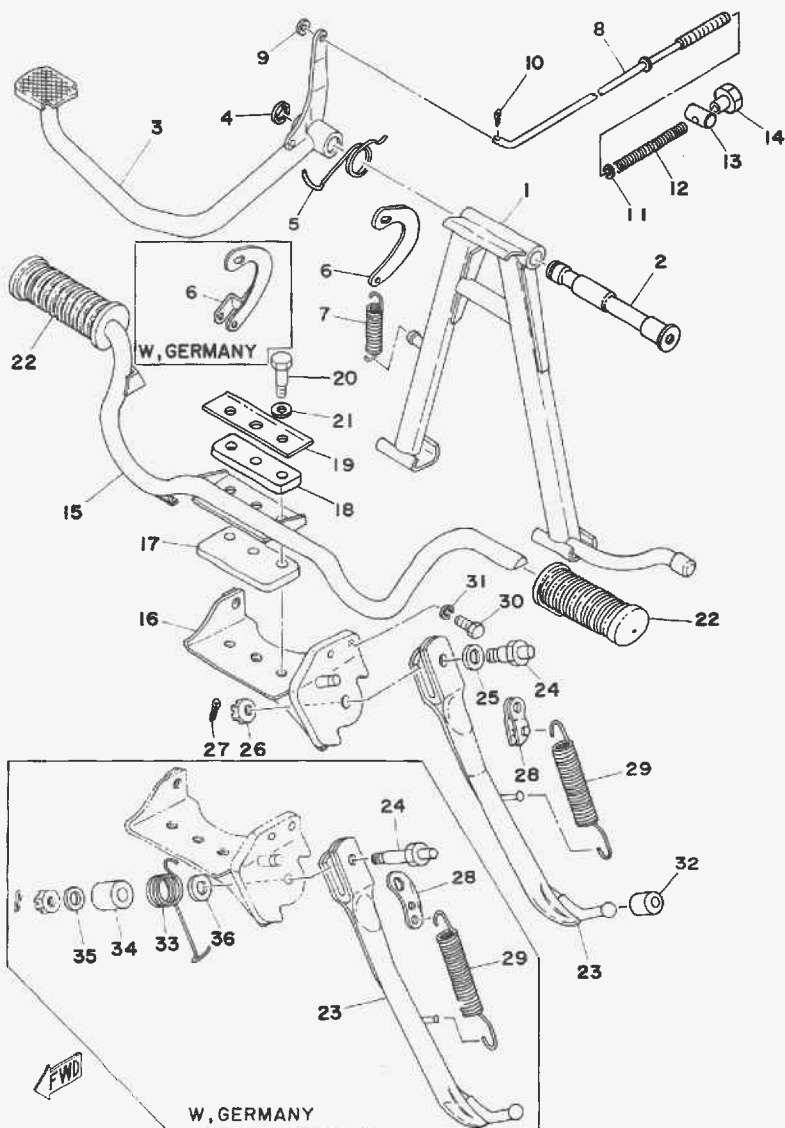
Fig. 18 STAND · FOOTREST · BRAKE PEDAL



STAND · FOOTREST · BRAKE PEDAL

Ref. No.	Parts No.	Description	Qty	MARKET										Remarks		
				FRANCE	GERMANY	NETHERLANDS	SPAIN	UNITED KINGDOM	INDONESIA	INDONESIA	INDONESIA	INDONESIA	INDONESIA		INDONESIA	
18-1	337-27111-00	STAND, main	1	X	X	X	X									
	1E8-27111-00	STAND, main	1		X											
18-2	122-27112-00	SHAFT, main stand	1	X	X	X	X									
18-3	1E8-27211-00-93	PEDAL, brake	1	X	X	X	X									
18-4	93430-12008	CIRCLIP (E-12)	1	X	X	X	X									
18-5	90508-32056	SPRING (183-27216-00)	1	X	X	X	X									
18-6	174-27115-00	LINK	1	X	X	X	X									
	1E8-27115-00	LINK	1		X											
18-7	90506-32056	SPRING, tension (174-27116-00)	1	X		X	X									
	90506-26134	SPRING, tension	2		X											
18-8	337-27231-00	ROD, brake	1	X	X	X	X									
18-9	92901-06600	WASHER, plate	1	X	X	X	X									
18-10	91401-20012	PIN, cotter	1	X	X	X	X									
18-11	92901-06600	WASHER, plate	1	X	X	X	X									
18-12	90501-10245	SPRING (180-27236-00)	1	X	X	X	X									
18-13	90249-12008	PIN (156-27237-00)	1	X	X	X	X									
18-14	90179-06176	NUT, hexagon	1	X	X	X	X									
18-15	337-27411-00	FOOTREST	1	X	X	X	X									
18-16	337-27412-00	BRACKET, footrest	1	X	X	X	X									
18-17	132-27422-00	DAMPER, rubber 2	1	X	X	X	X									
18-18	132-27414-00	DAMPER, rubber 1	1	X	X	X	X									
18-19	132-27417-00	WASHER, special	1	X	X	X	X									
18-20	90109-08193	BOLT (132-27416-00)	3	X	X	X	X									
18-21	90201-10132	WASHER, plate	3	X	X	X	X									
18-22	156-27413-00	COVER, footrest	2	X	X	X	X									
18-23	507-27311-00	STAND, side	1	X		X										
	417-27311-00	STAND, side	1		X											
18-24	90109-08417	BOLT	1	X		X										
	90109-08438	BOLT	1		X											

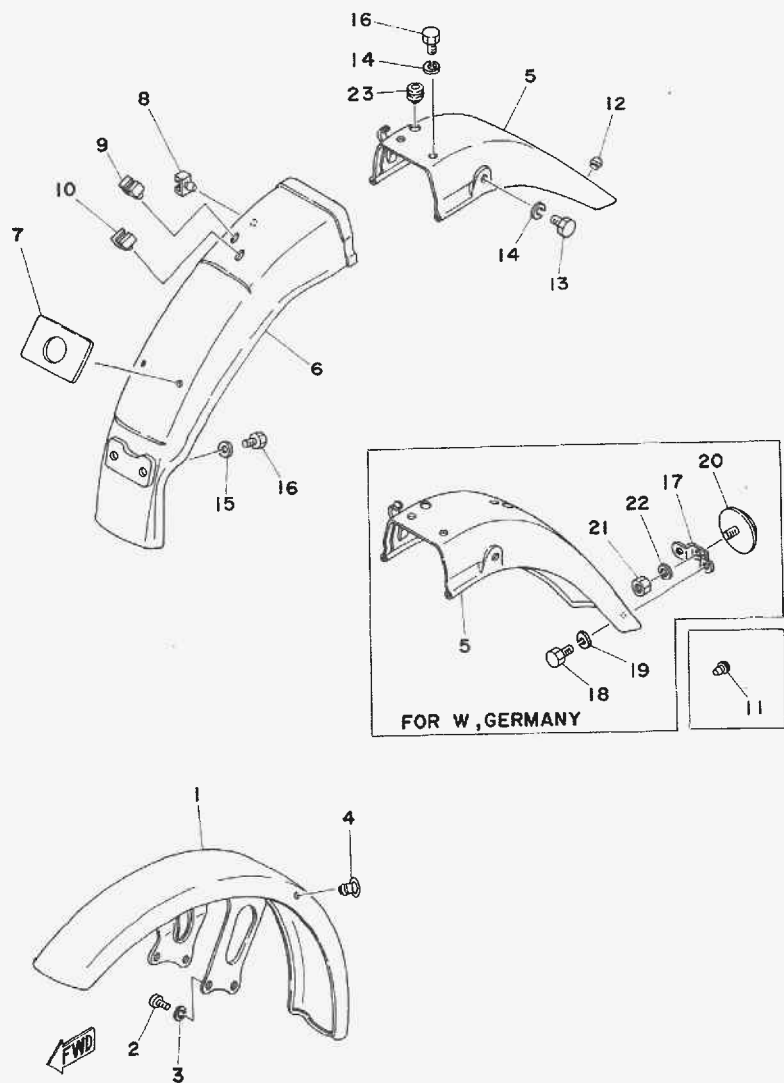
Fig. 18 STAND · FOOTREST · BRAKE PEDAL



STAND · FOOTREST · BRAKE PEDAL

Ref. No.	Parts No.	Description	Q'ty												Remarks
				FRANCE	HOLLAND	GERMANY w. GERMANY	SWITZERLAND	BELGIUM	SPAIN	IRELAND	DENMARK	NORWAY	AUSTRIA	ITALY	
18-25	92901-08600	WASHER, plate	1	x	x	x			x			x			
18-26	95301-08900	NUT, slotted	1	x	x	x			x			x			
18-27	91401-20018	PIN, cotter	1	x	x	x			x			x			
18-28	507-27315-01	LINK, side stand	1	x				x					x		
	1E7-27315-00	LINK, side stand	1		x										
	553-27315-00	LINK, side stand	1						x						
18-29	90507-29022	SPRING, tension	1	x		x						x			
	90507-26026	SPRING	1		x										
	90507-29009	SPRING	1						x						
18-30	97321-08020	BOLT, hexagon	1	x	x	x			x			x			
18-31	92901-08100	WASHER, spring	1	x	x	x			x			x			
18-32	278-27314-00	STOPPER, side stand	1		x					x					
18-33	90508-29307	SPRING, torsion	1		x										
18-34	90387-10537	COLLAR	1		x										
18-35	90201-08310	WASHER (190-23456-00)	1		x										
18-36	90201-10146	WASHER, plate	1		x										

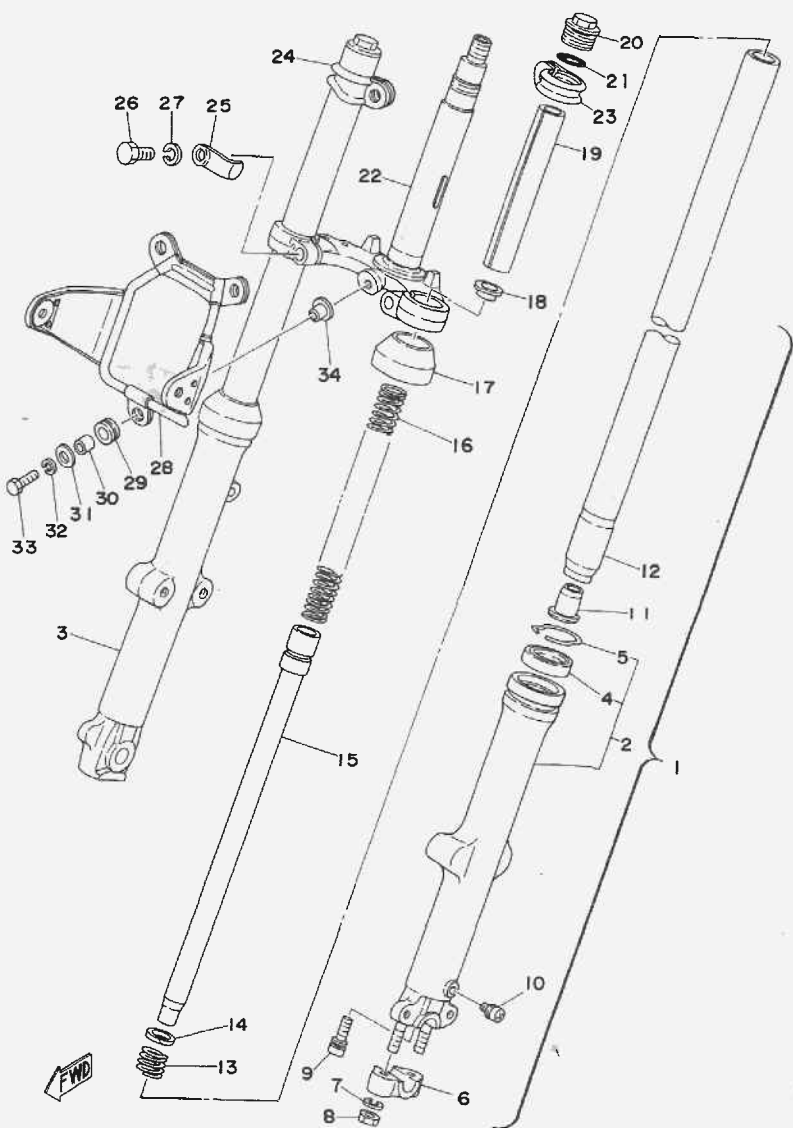
Fig. 19 FRONT FENDER · REAR FENDER



FRONT FENDER · REAR FENDER

Ref. No.	Parts No.	Description	Qty	FRONT FENDER												Remarks
				FRANCE	HOLLAND	GERMANY	SWITZERLAND	BEIJING	SWEDEN	DENMARK	NEW ZEALAND	AUSTRIA	FINLAND	U.S.A.		
19- 1	1E7-21510-00-16	FRONT FENDER COMP.	1	X	X	X	X	X	X	X	X	X	X	X	Metallic Cosmic Blue	
	1E7-21510-00-U2	FRONT FENDER COMP.	1	X	X	X	X	X	X	X	X	X	X	X	New Portuguese Orange	
19- 2	90101-08281	BOLT, hexagon	2	X	X	X	X	X	X	X	X	X	X	X		
19- 3	92901-08100	WASHER, spring	2	X	X	X	X	X	X	X	X	X	X	X		
19- 4	1A0-21518-00	HOLDER, wire	1	X	X	X	X	X	X	X	X	X	X	X		
19- 5	1E7-21610-00-16	REAR FENDER COMP.	1	X	X	X	X	X	X	X	X	X	X	X	Metallic Cosmic Blue	
	1E7-21610-00-U2	REAR FENDER COMP.	1	X	X	X	X	X	X	X	X	X	X	X	New Portuguese Orange	
	1E7-21610-30-16	REAR FENDER COMP.	1	X	X	X	X	X	X	X	X	X	X	X	Metallic Cosmic Blue	
	1E7-21610-30-U2	REAR FENDER COMP.	1	X	X	X	X	X	X	X	X	X	X	X	New Portuguese Orange	
	1E7-21610-40-16	REAR FENDER COMP.	1	X	X	X	X	X	X	X	X	X	X	X	Metallic Cosmic Blue	
	1E7-21610-40-U2	REAR FENDER COMP.	1	X	X	X	X	X	X	X	X	X	X	X	New Portuguese Orange	
19- 6	1E7-21629-00	GUARD, mad	1	X	X	X	X	X	X	X	X	X	X	X		
19- 7	1E7-21779-00	DAMPER, locating 2	1	X	X	X	X	X	X	X	X	X	X	X		
19- 8	90464-08020	CLAMP	1	X	X	X	X	X	X	X	X	X	X	X		
19- 9	90464-10022	CLAMP	1	X	X	X	X	X	X	X	X	X	X	X		
19-10	90464-15023	CLAMP	1	X	X	X	X	X	X	X	X	X	X	X		
19-11	90338-07043	PLUG (288-83319-00)	1	X	X	X	X	X	X	X	X	X	X	X		
19-12	170-21746-00	DAMPER, cleaner stopper	1	X	X	X	X	X	X	X	X	X	X	X		
19-13	97321-06015	BOLT, hexagon	2	X	X	X	X	X	X	X	X	X	X	X		
19-14	92901-06100	WASHER, spring	4	X	X	X	X	X	X	X	X	X	X	X		
19-15	92901-06600	WASHER, plate	2	X	X	X	X	X	X	X	X	X	X	X		
19-16	97301-06012	BOLT, hexagon	4	X	X	X	X	X	X	X	X	X	X	X		
19-17	1E7-21641-00	BRACKET, reflector	1	X	X	X	X	X	X	X	X	X	X	X		
19-18	97301-06012	BOLT, hexagon	2	X	X	X	X	X	X	X	X	X	X	X		
19-19	92901-06100	WASHER, spring	2	X	X	X	X	X	X	X	X	X	X	X		
19-20	449-85131-00	REFLECTOR	1	X	X	X	X	X	X	X	X	X	X	X		
19-21	95301-05600	NUT, hexagon	1	X	X	X	X	X	X	X	X	X	X	X		
19-22	92901-05100	WASHER, spring	1	X	X	X	X	X	X	X	X	X	X	X		
19-23	90480-12013	GROMMET (152-84518-00) ...	2	X	X	X	X	X	X	X	X	X	X	X		

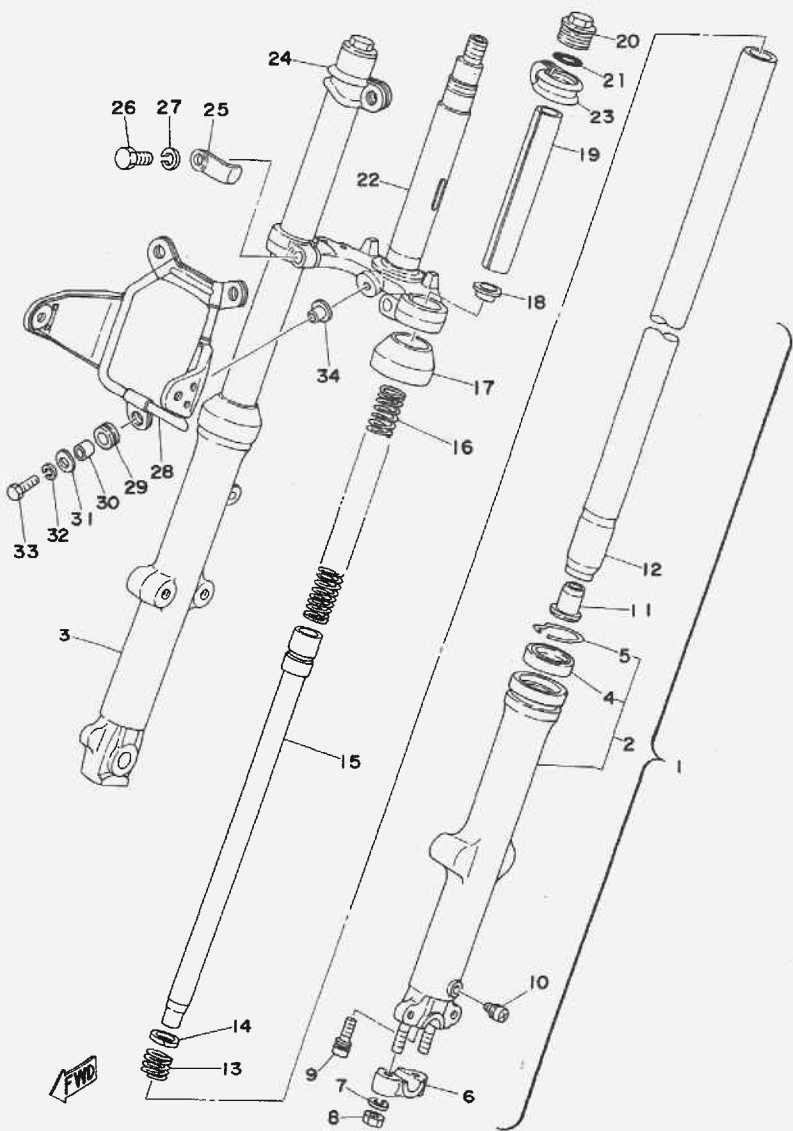
Fig. 20 FRONT FORK



FRONT FORK

Ref. No.	Parts No.	Description	Q'ty												Remarks
				FRANCE	WEST GERMANY	NETLAND	SWITZERLAND	SPAIN	FINLAND	GERMANY	NETLAND	NETLAND	NETLAND	NETLAND	
20-1	1E8-23100-01	FRONT FORK ASS'Y	1	X	X	X	X	X	X	X	X	X	X	X	
	1E8-23100-31	FRONT FORK ASS'Y	1												
20-2	1E7-23126-00	OUTER TUBE COMP., left	1	X	X	X	X	X	X	X	X	X	X	X	
20-3	1E7-23136-00	OUTER TUBE COMP., right	1	X	X	X	X	X	X	X	X	X	X	X	
20-4	1E7-23145-00	OIL SEAL	2	X	X	X	X	X	X	X	X	X	X	X	
20-5	1E7-23156-00	CLIP, oil seal	2	X	X	X	X	X	X	X	X	X	X	X	
20-6	1E7-23167-00	HOLDER, axle	1	X	X	X	X	X	X	X	X	X	X	X	
20-7	92901-08100	WASHER, spring	2	X	X	X	X	X	X	X	X	X	X	X	
20-8	95311-08600	NUT	2	X	X	X	X	X	X	X	X	X	X	X	
20-9	1E7-23181-00	BOLT	2	X	X	X	X	X	X	X	X	X	X	X	
20-10	1E7-23119-00	PLUG, drain	2	X	X	X	X	X	X	X	X	X	X	X	
20-11	1E7-23166-01	SPACER, oil lock	2	X	X	X	X	X	X	X	X	X	X	X	
20-12	1E8-23110-01	INNER TUBE COMP.	2	X	X	X	X	X	X	X	X	X	X	X	
20-13	1E8-23151-00	SPRING, rebound	2	X	X	X	X	X	X	X	X	X	X	X	
20-14	1E8-23157-00	RING, piston	2	X	X	X	X	X	X	X	X	X	X	X	
20-15	1E8-23170-01	CYLINDER COMP., front fork	2	X	X	X	X	X	X	X	X	X	X	X	
20-16	1E8-23141-00	SPRING	2	X	X	X	X	X	X	X	X	X	X	X	
20-17	1E7-23144-00	SEAL, dust	2	X	X	X	X	X	X	X	X	X	X	X	
20-18	1E7-23142-00	SPRING GUIDE	2	X	X	X	X	X	X	X	X	X	X	X	
20-19	1E7-23118-00	SPACER	2	X	X	X	X	X	X	X	X	X	X	X	
20-20	1E7-23111-00	BOLT, cap	2	X	X	X	X	X	X	X	X	X	X	X	
20-21	1E7-23114-00	O-RING	2	X	X	X	X	X	X	X	X	X	X	X	
20-22	1E7-23340-01-33	UNDER BRACKET COMP.	1	X	X	X	X	X	X	X	X	X	X	X	Yamaha Black
	1E7-23340-31-33	UNDER BRACKET COMP.	1	X	X	X	X	X	X	X	X	X	X	X	Yamaha Black
20-23	1E7-23175-00	BRACKET, stay head lamp 1	1	X	X	X	X	X	X	X	X	X	X	X	
20-24	1E7-23176-00	BRACKET, stay head lamp 2	1	X	X	X	X	X	X	X	X	X	X	X	
20-25	1E7-23318-01	HOLDER, wire	2	X	X	X	X	X	X	X	X	X	X	X	
20-26	451-23346-01	BOLT, hexagon	2	X	X	X	X	X	X	X	X	X	X	X	

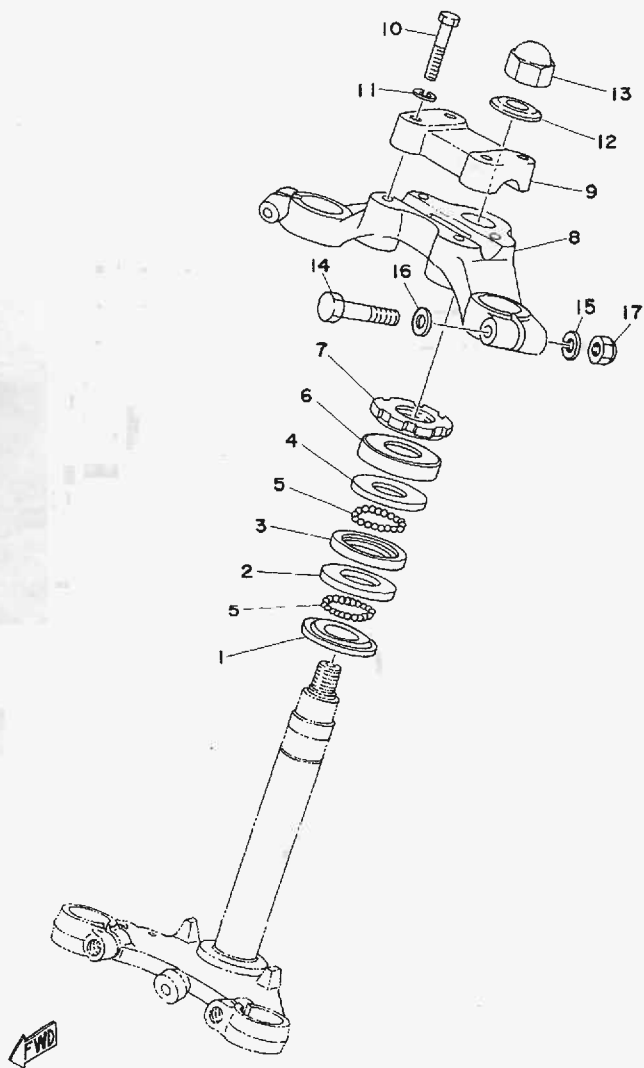
Fig. 20 FRONT FORK



FRONT FORK

Ref. No.	Parts No.	Description	Q'ty												Remarks	
				FRANCE	HOLLAND	W. GERMANY	SWITZERLAND	BEELGIUM	SWEDEN	FINLAND	DENMARK	NORWAY	AUSTRIA	ENGLAND		ITALY
20-27	92901-10100	. WASHER, spring	2	X	X	X					X					
20-28	1E7-23174-01-33	. STAY, head lamp	1	X	X	X	X			X		X				Yamaha Black
20-29	90480-14102	. GROMMET (214-21717-00)	3	X	X	X				X		X				
20-30	90387-07390	. COLLAR	3	X	X	X				X		X				
20-31	90201-06067	. WASHER, plate	3	X	X	X	X			X		X				
20-32	92901-06100	. WASHER, spring	3	X	X	X				X		X				
20-33	97321-06025	. BOLT, hexagon	3	X	X	X				X		X				
20-34	1E7-23161-00	. WASHER, lamp stay	1	X	X	X				X		X				

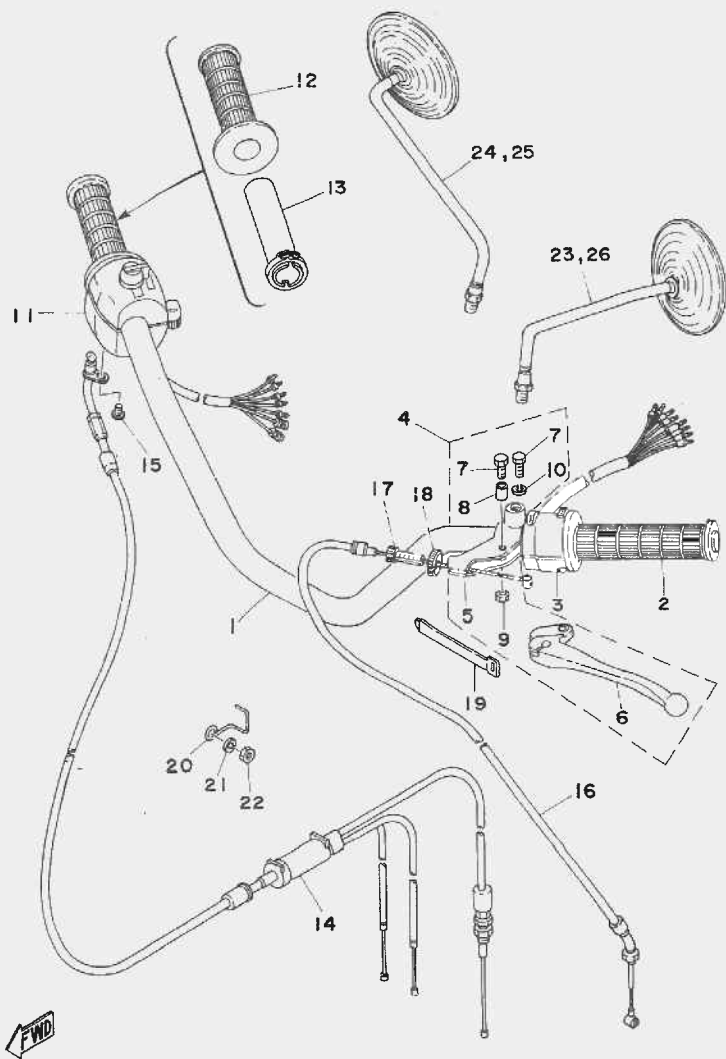
Fig. 21 STEERING



STEERING

Ref. No.	Parts No.	Description	Qty	Applicable Machine No.	Remarks
21- 1	156-23411-00	RACE, ball 1	1		
21- 2	156-23412-00	RACE, ball 2	1		
21- 3	183-23412-00	RACE, ball 2	1		
21- 4	183-23411-00	RACE, ball 1	1		
21- 5	93501-04011	BALL (1/4 inch)	38		
21- 6	136-23415-00	COVER, ball race	1		
21- 7	90179-25033	NUT (137-23454-00)	1		
21- 8	535-23435-00-98	CROWN, handle	1		Low Gloss Black
21- 9	164-23441-00-98	HOLDER, handle upper	1		Low Gloss Black
21-10	97324-08035	BOLT, hexagon	4		
21-11	92901-08100	WASHER, spring	4		
21-12	90209-17057	WASHER, plate	1		
21-13	90176-16016	NUT, cap	1		
21-14	97303-08050	BOLT, hexagon	2		
21-15	92901-08100	WASHER, spring	2		
21-16	90201-08083	WASHER (156-27226-00)	2		
21-17	95303-08800	NUT, hexagon	2		

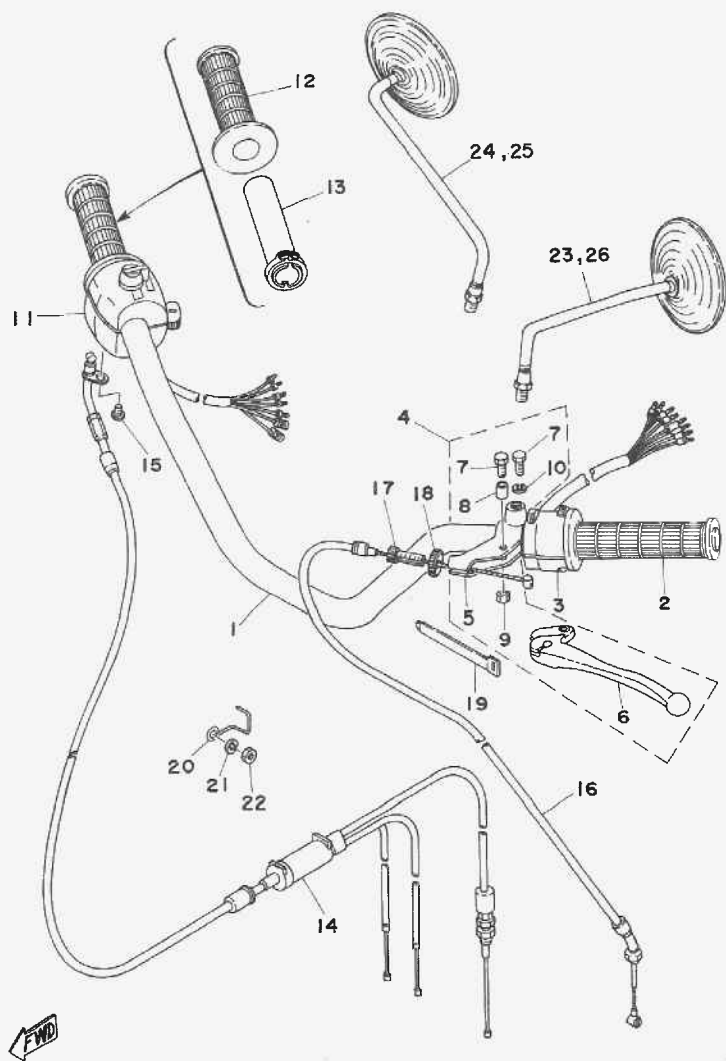
Fig. 22 HANDLE · WIRE



HANDLE · WIRE

Ref. No.	Parts No.	Description	Q'ty	FRANCE	HOLLAND	GERMANY	ITALY	SPAIN	NETHERLANDS	USA	UK	Remarks
22-1	416-26111-20	HANDLE	1	X	X	X	X	X	X	X	X	Alternate Parts Up Handle
	337-26111-00	HANDLE	1	X	X	X	X	X	X	X		
22-2	1E6-26241-00	GRIP, left	1	X	X	X	X	X	X	X	X	
22-3	1A0-83973-01-98	SWITCH, handle 3 left	1	X	X	X	X	X	X	X	X	Low Gloss Black Alternate Parts Up Handle Low Gloss Black
	1E7-83973-10-98	SWITCH, handle 3 left	1	X	X	X	X	X	X	X	X	
22-4	498-82910-10	LEVER HOLDER ASS'Y, left	1	X	X	X	X	X	X	X	X	
22-5	498-82911-00	HOLDER, lever left	1	X	X	X	X	X	X	X	X	
22-6	214-83912-00	LEVER, left	1	X	X	X	X	X	X	X	X	
22-7	97301-06022	BOLT, hexagon	2	X	X	X	X	X	X	X	X	
22-8	214-83913-00	COLLAR, lever	1	X	X	X	X	X	X	X	X	
22-9	15601-06100	NUT U	1	X	X	X	X	X	X	X	X	
22-10	92901-06100	WASHER, spring	1	X	X	X	X	X	X	X	X	
22-11	1E8-83963-00	SWITCH, handle 3	1	X	X	X	X	X	X	X	X	
22-12	1A0-26242-01	GRIP, right	1	X	X	X	X	X	X	X	X	
22-13	1A0-26243-01	TUBE, guide	1	X	X	X	X	X	X	X	X	
22-14	1E8-26260-00	WIRE CYLINDER ASS'Y	1	X	X	X	X	X	X	X	X	Alternate Parts Up Handle
	1E8-26260-10	WIRE CYLINDER ASS'Y	1	X	X	X	X	X	X	X	X	
22-15	98501-05008	SCREW, panhead	1	X	X	X	X	X	X	X	X	
22-16	1E7-26335-00	WIRE, clutch (885mm)	1	X	X	X	X	X	X	X	X	Alternate Parts Up Handle
	1E7-26335-10	WIRE, clutch (980mm)	1	X	X	X	X	X	X	X	X	
22-17	90123-08046	BOLT, wire adjusting	1	X	X	X	X	X	X	X	X	
22-18	90179-08148	NUT, (168-26344-00)	1	X	X	X	X	X	X	X	X	
22-19	168-83936-01	BAND, switch cord	3	X	X	X	X	X	X	X	X	
22-20	326-26328-00	GUIDE, wire	1	X	X	X	X	X	X	X	X	
22-21	92901-06100	WASHER, spring	1	X	X	X	X	X	X	X	X	
22-22	95301-06600	NUT, hexagon	1	X	X	X	X	X	X	X	X	
22-23	341-26290-51	BACK MIRROR ASS'Y, left	1	X	X	X	X	X	X	X	X	
22-24	341-26290-61	BACK MIRROR ASS'Y, right	1	X	X	X	X	X	X	X	X	Optional Parts

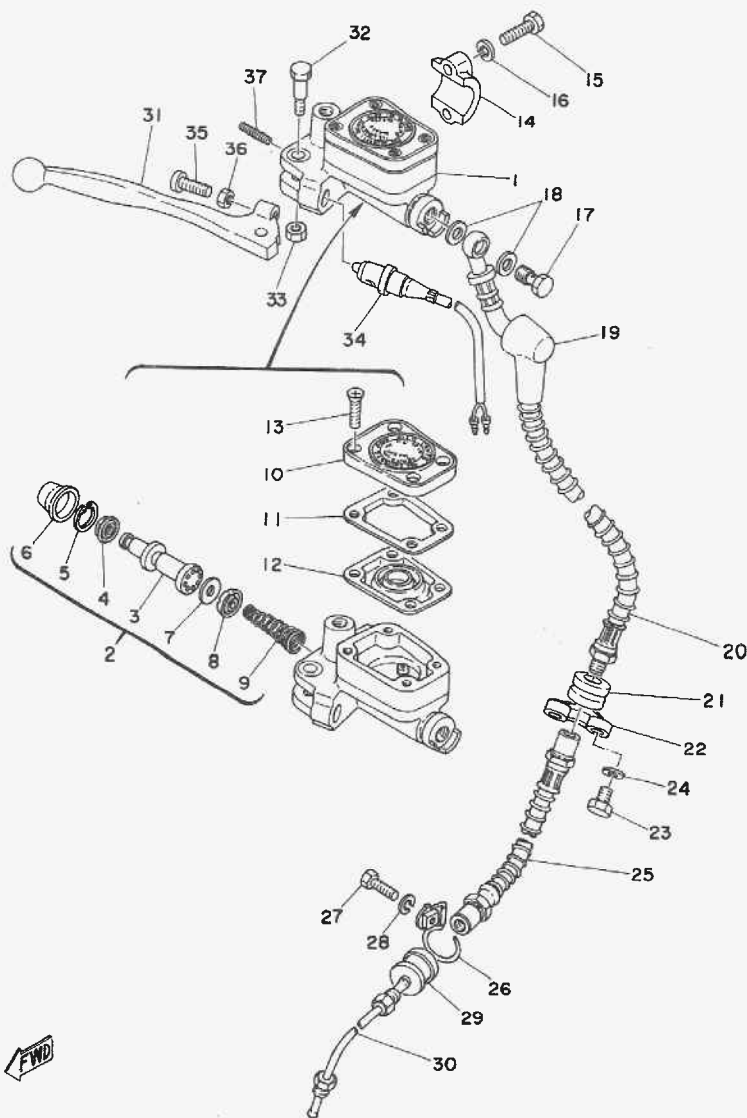
Fig. 22 HANDLE · WIRE



HANDLE · WIRE

Ref. No.	Parts No.	Description	Q'ty	FRANCE	HOLLAND	GERMANY	SWITZERLAND	BELGIUM	SWEDEN	FINLAND	DENMARK	NORWAY	AUSTRIA	ENGLAND	ITALY	Remarks
22-25	341-26290-61	BACK MIRROR ASS'Y, right ..	1											X		
22-26	341-26290-51	BACK MIRROR ASS'Y, left ...	1											X		Optional Parts

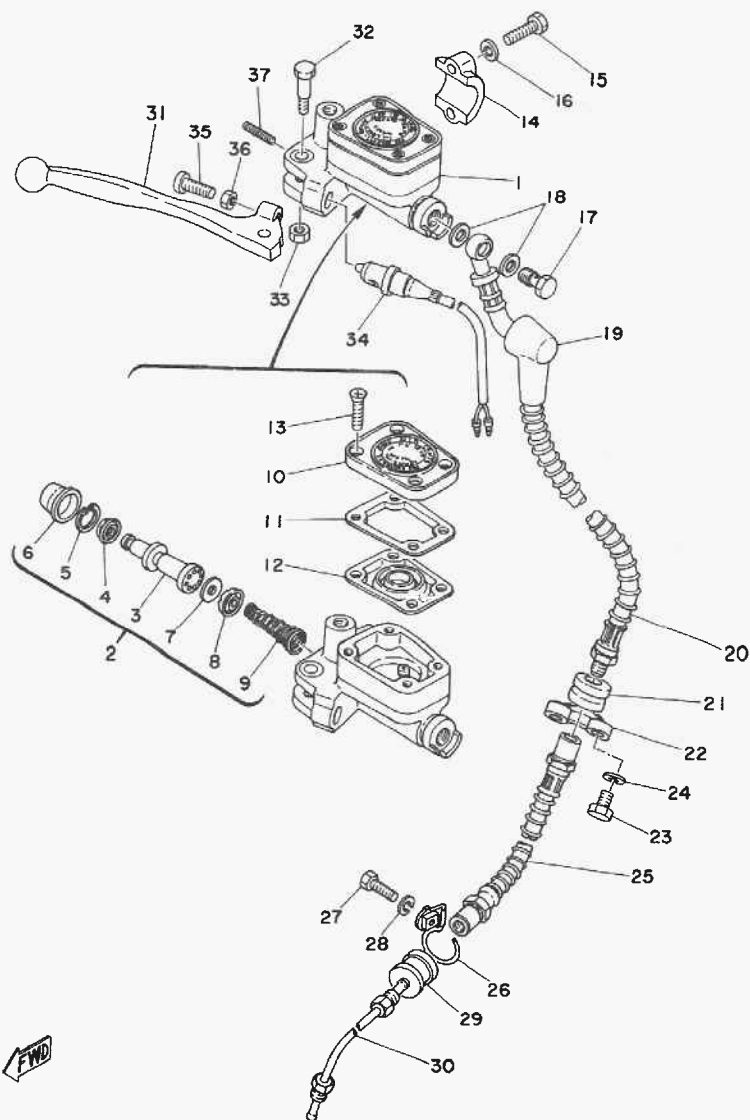
Fig. 23 MASTER CYLINDER · BRAKE HOSE



MASTER CYLINDER · BRAKE HOSE

Ref. No.	Parts No.	Description	Q'ty	Applicable Machine No.	Remarks
23- 1	1E7-25850-01	MASTER CYLINDER ASS'Y	1		
23- 2	535-20000-10	. CYLINDER KIT (Ref. No. 3~9)	1		
23-10	1A0-25893-01	. RESERVOIR CAP ASS'Y	1		
23-11	1A0-25855-00	. GASKET	1		
23-12	1A0-25854-01	. DIAPHRAGM, reservoir	1		
23-13	1A0-25824-01	. SCREW	4		
23-14	341-25867-00	BRACKET, master	1		
23-15	97321-06025	BOLT, hexagon	2		
23-16	92901-06100	WASHER, spring	2		
23-17	90401-10034	BOLT, union	1		
23-18	90201-10118	WASHER, plate	2		
23-19	306-25862-00	BOOT, master cylinder	1		
23-20	416-25872-24	HOSE, brake 1 (320mm)	1		
	✓ 464-25872-02	HOSE, brake 1 (375mm)	1		Alternate Parts Up Handle
23-21	341-25881-00	RUBBER, brake hose	1		
23-22	306-25875-00	HOLDER, brake hose 1	1		
23-23	97301-06020	BOLT, hexagon	2		
23-24	92901-06100	WASHER, spring	2		
23-25	306-25873-05	HOSE, brake 2	1		
23-26	404-25876-00	HOLDER, brake hose 2	1		
23-27	97301-06025	BOLT, hexagon	1		
23-28	92901-06100	WASHER, spring	1		
23-29	306-25881-00	RUBBER, brake hose	1		
23-30	404-25871-01	PIPE, brake	1		
23-31	1A0-83922-00	LEVER, right	1		
23-32	341-83925-00	SCREW, lever fitting	1		
23-33	95301-06700	NUT, hexagon	1		
23-34	1A0-83980-30	FRONT STOP SWITCH ASS'Y	1		
23-35	90146-06008	SCREW (306-83928-01)	1		

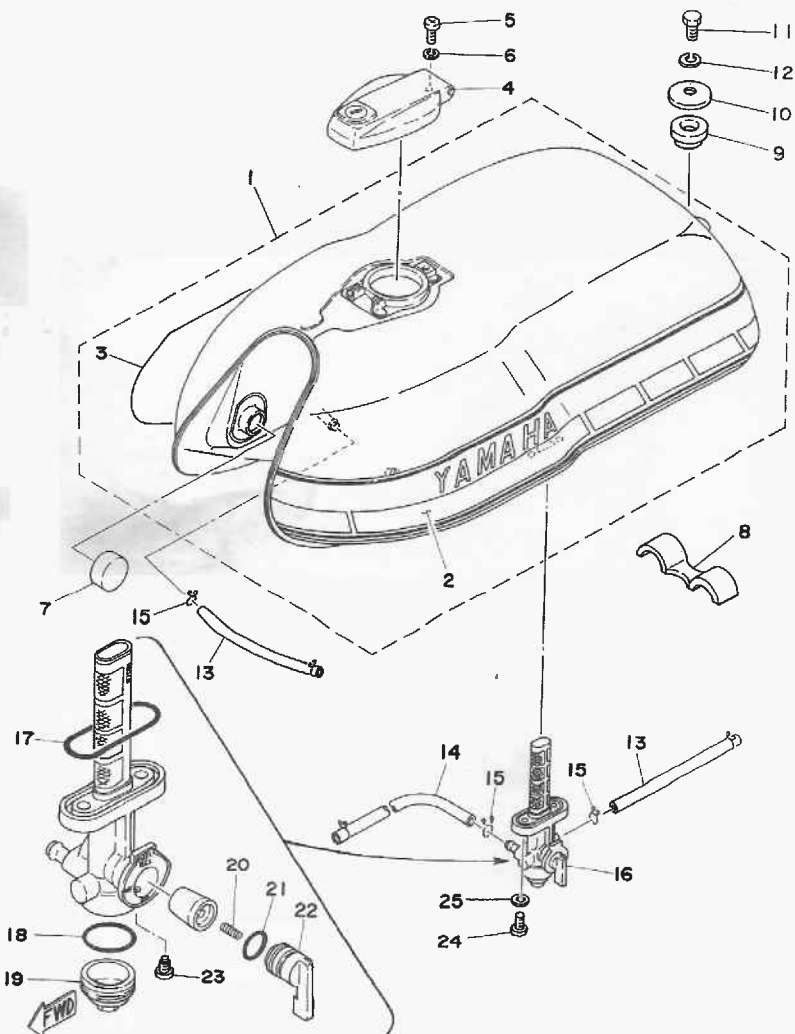
Fig. 23 MASTER CYLINDER · BRAKE HOSE



MASTER CYLINDER · BRAKE HOSE

Ref. No.	Parts No.	Description	Q'ty	Applicable Machine No.	Remarks
23-36	90170-06010	NUT, hexagon (306-83927-00)	1		
23-37	90501-10312	SPRING (306-83924-00)	1		

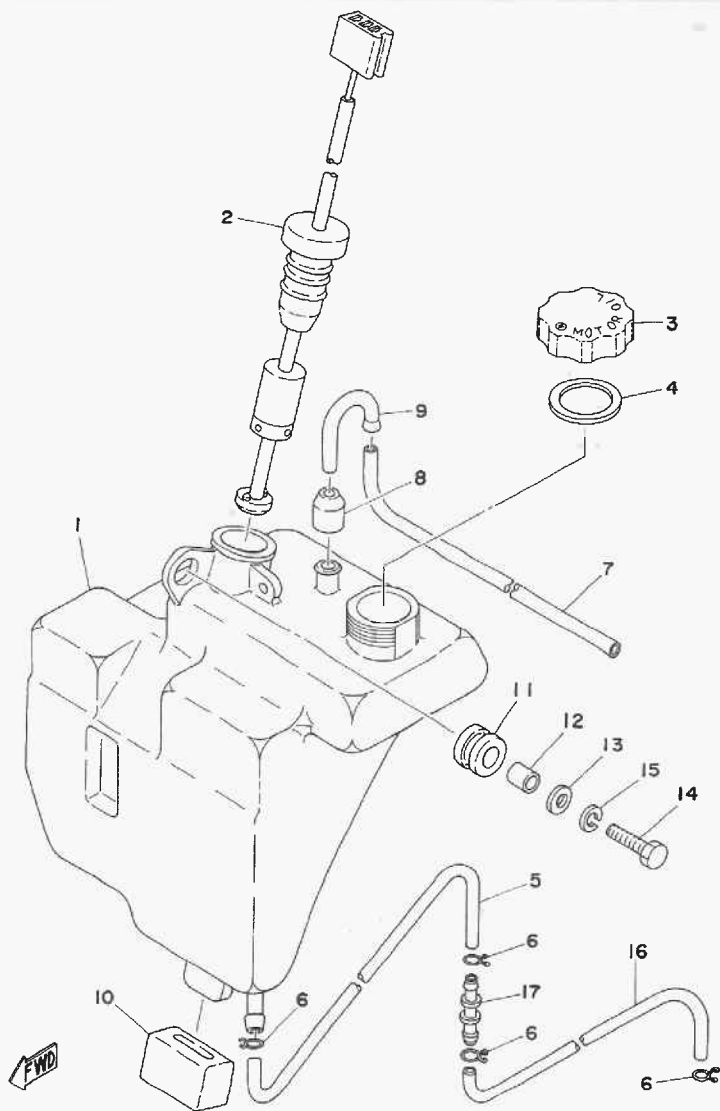
Fig. 24 FUEL TANK



FUEL TANK

Ref. No.	Parts No.	Description	Q'ty	Applicable Machine No.	Remarks
24- 1	1E7-24110-00-06	FUEL TANK COMP.	1		Metallic Cosmic Blue
	1E7-24110-00-07	FUEL TANK COMP.	1		New Portuguese Orange
24- 2	1E7-24244-00	. GRAPHIC, fuel tank left	1		
24- 3	1E7-24245-00	. GRAPHIC, fuel tank right	1		
24- 4	1E7-24602-00	CAP ASS'Y	1		
24- 5	98501-05008	SCREW, panhead	1		
24- 6	92901-05100	WASHER, spring	1		
24- 7	122-24181-00	DAMPER, locating	2		
24- 8	1E7-24182-00	DAMPER, locating	1		
24- 9	90480-25135	GROMMET (322-24182-00)	1		
24-10	90209-08098	WASHER (341-83348-00)	1		
24-11	97301-08015	BOLT, hexagon	1		
24-12	92901-08100	WASHER, spring	1		
24-13	90445-09083	HOSE (137-24331-00 5-155)	2		
24-14	90445-09078	HOSE (626-24316-00 5-190)	1		
24-15	90467-08003	CLIP (101-24356-00)	6		
24-16	1A0-24500-00	FUEL COCK ASS'Y	1		
24-17	214-24512-00	. GASKET, body	1		
24-18	498-24522-00	. O-RING	1		
24-19	1A0-24521-00	. COVER, filter	1		
24-20	1A0-24529-00	. SPRING	1		
24-21	1A0-24512-00	. O-RING	1		
24-22	1A0-24524-00	. LEVER, cock	1		
24-23	1A0-24535-00	. SCREW	1		
24-24	90149-06011	SCREW (256-24143-00)	2		
24-25	90202-06010	WASHER, plate (178-14766-00) ...	2		

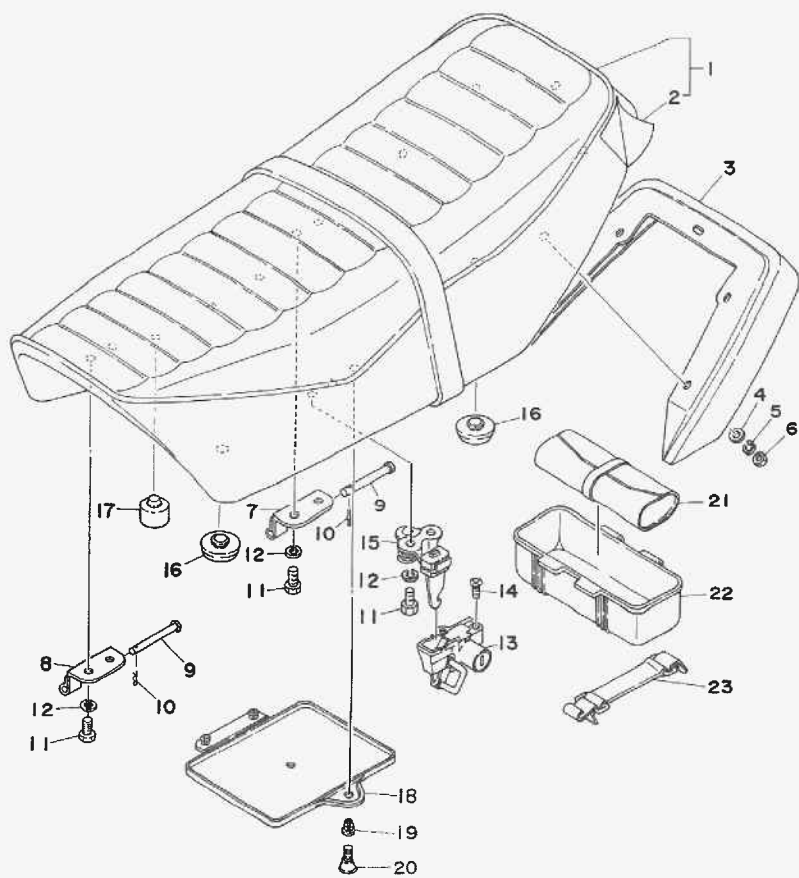
Fig. 25 OIL TANK



OIL TANK

Ref. No.	Parts No.	Description	Qty	Applicable Machine No.	Remarks
25- 1	1E7-21751-00	TANK, oil	1		
25- 2	1E7-85720-02	OIL GAUGE ASS'Y	1		
25- 3	296-21771-01	CAP, oil tank	1		
25- 4	296-21772-00	GASKET, cap	1		
25- 5	1E7-24319-00	PIPE, oil (5-500)	1		
25- 6	90467-08003	CLIP (101-24356-00)	4		
25- 7	90446-09099	HOSE (5-460)	1		
25- 8	439-21759-01	GROMMET	1		
25- 9	439-24119-00	TUBE, connecting	1		
25-10	1E7-21778-00	DAMPER, locating 1	1		
25-11	90480-14102	GROMMET (214-21717-00)	1		
25-12	90387-07390	COLLAR (214-21633-00)	1		
25-13	90201-06067	WASHER, plate	1		
25-14	97301-06025	BOLT, hexagon	1		
25-15	92901-06100	WASHER, spring	1		
25-16	90445-09070	HOSE (174-24331-00)	1		
25-17	1E7-21753-00	BOSS, connector	1		

Fig. 26 SEAT

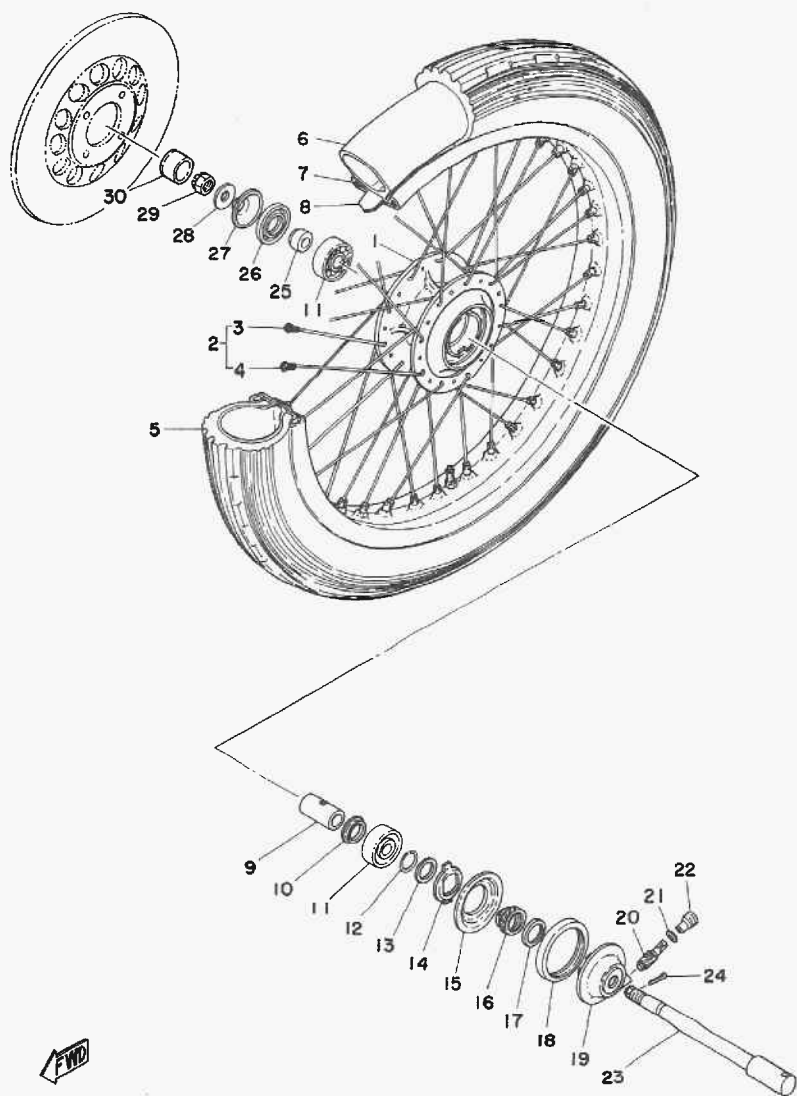


FWD

SEAT

Ref. No.	Parts No.	Description	Q'ty	Applicable Machine No.	Remarks
26- 1	1E7-24730-00	DOUBLE SEAT ASS'Y	1		
26- 2	1E7-24731-00	. COVER, double seat	1		
26- 3	1E7-24756-00-16	COVER, tail	1		Metallic Cosmic Blue
	1E7-24756-00-U2	COVER, tail	1		New Portuguese Orange
26- 4	90201-05031	WASHER, plate (256-82517-00)	4		
26- 5	92901-05100	WASHER, spring	5		
26- 6	95301-05600	NUT, hexagon	5		
26- 7	1A0-24726-00-33	HINGE, seat	1		Yamaha Black
26- 8	248-24726-00-33	HINGE, seat	1		Yamaha Black
26- 9	91501-05055	PIN, clevis	2		
26-10	90468-10050	CLIP (156-83525-00)	2		
26-11	97301-06015	BOLT, hexagon	6		
26-12	92901-06100	WASHER, spring	6		
26-13	1E7-24705-00	SEAT LOCK ASS'Y	1		
26-14	92706-06012	SCREW, flat head	2		
26-15	371-24728-00	BRACKET, seat	1		
26-16	174-24741-00	PAD, seat	2		
26-17	278-27114-00	STOPPER	2		
26-18	341-28185-00	LID	1		
26-19	90480-06007	GROMMET (341-28187-00)	1		
26-20	341-28188-00	PLUNGER	1		
26-21	1E7-28100-10	TOOL ASS'Y	1		
26-22	1E7-21171-00	BOX, tool	1		
26-23	1E7-21376-00	BAND, tool	1		

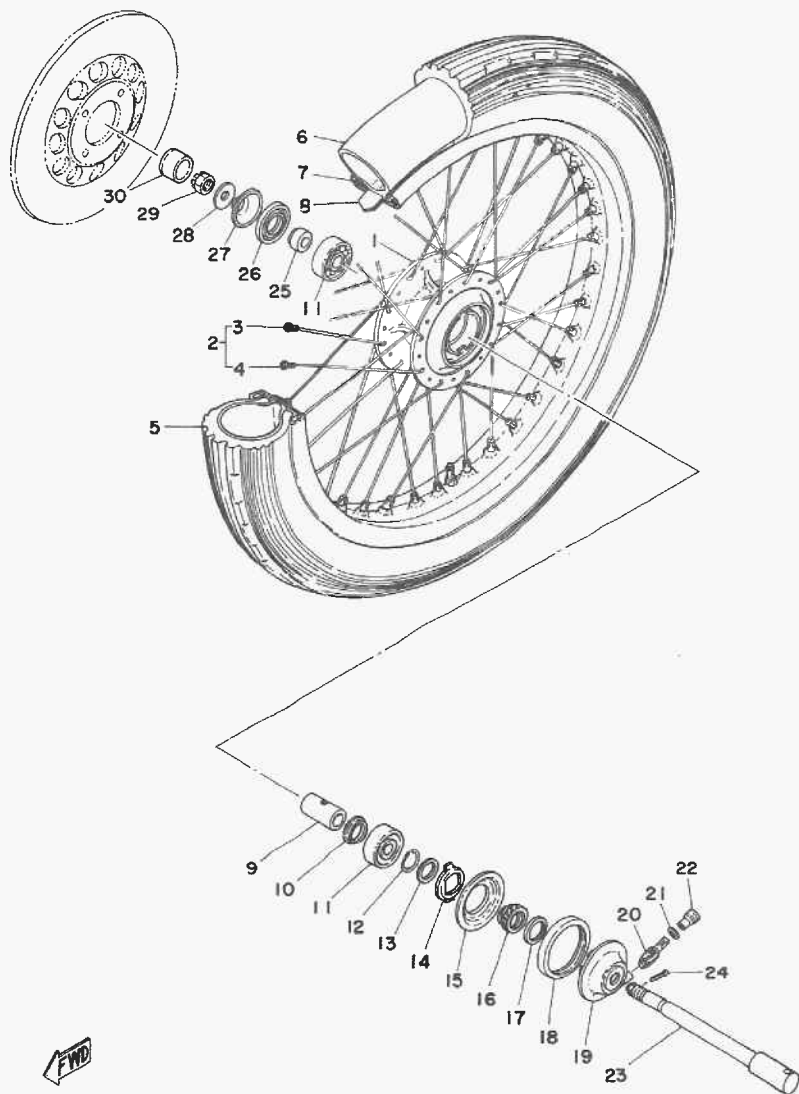
Fig. 27 FRONT WHEEL



FRONT WHEEL

Ref. No.	Parts No.	Description	Q'ty	FRONT WHEEL											Remarks
				FRANCE	HOLLAND	WEST GERMANY	SWITZERLAND	BEIGIUM	WEST GERMANY	FRANCE	GERMANY	NORWAY	AUSTRIA	ENGLAND	
27- 1	404-25111-00	HUB, front	1	X	X	X	X	X	X	X	X	X	X	X	
27- 2	404-25104-00	SPOKE SET	1s	X	X	X	X	X	X	X	X	X	X	X	
	416-25104-10	SPOKE SET	1s	X	X	X	X	X	X	X	X	X	X	X	
27- 3	404-25196-90	. SPOKE SET, inner (10 PCS)..	1s	X	X	X	X	X	X	X	X	X	X	X	
	416-25196-80	. SPOKE SET, inner (10 PCS)..	1s	X	X	X	X	X	X	X	X	X	X	X	
27- 4	404-25197-90	. SPOKE SET, outer (10 PCS)..	1s	X	X	X	X	X	X	X	X	X	X	X	
	416-25197-80	. SPOKE SET, outer (10 PCS)..	1s	X	X	X	X	X	X	X	X	X	X	X	
27- 5	941Z7-1820Z	TIRE, front (2.75-18-4PR) ...	1	X	X	X	X	X	X	X	X	X	X	X	
27- 6	942Z7-18009	TUBE, front (2.75-18)	1	X	X	X	X	X	X	X	X	X	X	X	
27- 7	94416-18094	RIM (1.60A-18)	1	X	X	X	X	X	X	X	X	X	X	X	
	94418-18084	RIM (1.85B-18)	1	X	X	X	X	X	X	X	X	X	X	X	
27- 8	943Z7-18008	BAND, rim (2.75-18)	1	X	X	X	X	X	X	X	X	X	X	X	
27- 9	404-25117-00	SPACER, bearing	1	X	X	X	X	X	X	X	X	X	X	X	
27-10	148-25115-00	FRANGE, spacer	1	X	X	X	X	X	X	X	X	X	X	X	
27-11	93306-30203	BEARING (B6302Z)	2	X	X	X	X	X	X	X	X	X	X	X	
27-12	341-25137-00	RING, stop	1	X	X	X	X	X	X	X	X	X	X	X	
27-13	90201-25286	WASHER, plate (341-25147-00)	1	X	X	X	X	X	X	X	X	X	X	X	
27-14	341-25149-00	CLUCH, meter	1	X	X	X	X	X	X	X	X	X	X	X	
27-15	341-25846-00	RETAINER, clutch meter	1	X	X	X	X	X	X	X	X	X	X	X	
27-16	404-25135-00	GEAR, drive	1	X	X	X	X	X	X	X	X	X	X	X	
	428-25135-00	GEAR, drive	1	X	X	X	X	X	X	X	X	X	X	X	
27-17	90201-25490	WASHER, plate (152-17226-00)	1	X	X	X	X	X	X	X	X	X	X	X	
27-18	93102-22014	OIL SEAL (SD-22-42-7)	1	X	X	X	X	X	X	X	X	X	X	X	
27-19	404-25191-00	HOUSING, gear unit	1	X	X	X	X	X	X	X	X	X	X	X	
27-20	404-25138-00	GEAR, meter	1	X	X	X	X	X	X	X	X	X	X	X	
	428-25138-00	GEAR, meter	1	X	X	X	X	X	X	X	X	X	X	X	
27-21	102-18416-00	SHIM, rod	1	X	X	X	X	X	X	X	X	X	X	X	
27-22	306-25136-00	BUSHING	1	X	X	X	X	X	X	X	X	X	X	X	
27-23	404-25181-00	SHAFT, wheel	1	X	X	X	X	X	X	X	X	X	X	X	

Fig. 27 FRONT WHEEL

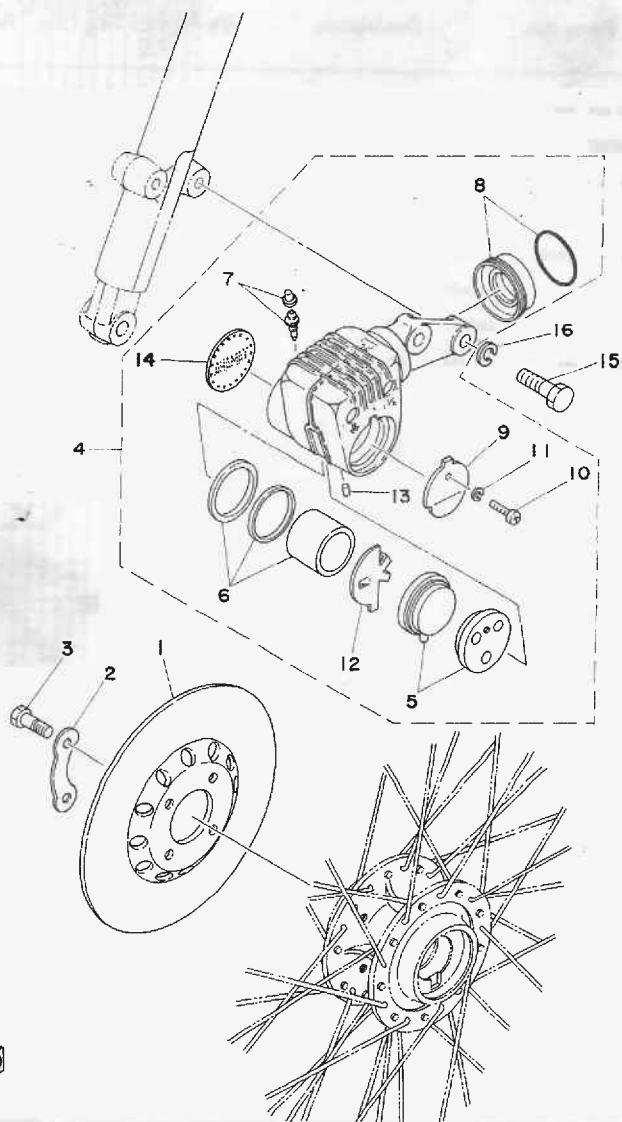


FWD

FRONT WHEEL

Ref. No.	Parts No.	Description	Q'ty	FRANCE	HOLLAND	WEST GERMANY	SWITZERLAND	BELGIUM	SWEDEN	FINLAND	DENMARK	NORWAY	AUSTRIA	ENGLAND	ITALY	Remarks
27-24	91401-30030	PIN, cotter	1	X	X	X	X	X			X			X		
27-25	90387-15256	COLLAR (404-25183-00)	1	X	X	X	X	X			X			X		
27-26	93105-45017	OIL SEAL (SD-45-56-6)	1	X	X	X	X	X			X			X		
27-27	246-25118-00	COVER, hub dust	1	X	X	X	X	X			X			X		
27-28	92901-14200	WASHER, plain	1	X				X			X			X		
	90209-14136	WASHER	1			X										
27-29	90171-14006	NUT, castle (214-25182-01) ...	1	X				X			X			X		
27-30	521-25127-00	COVER, nut	1		X											

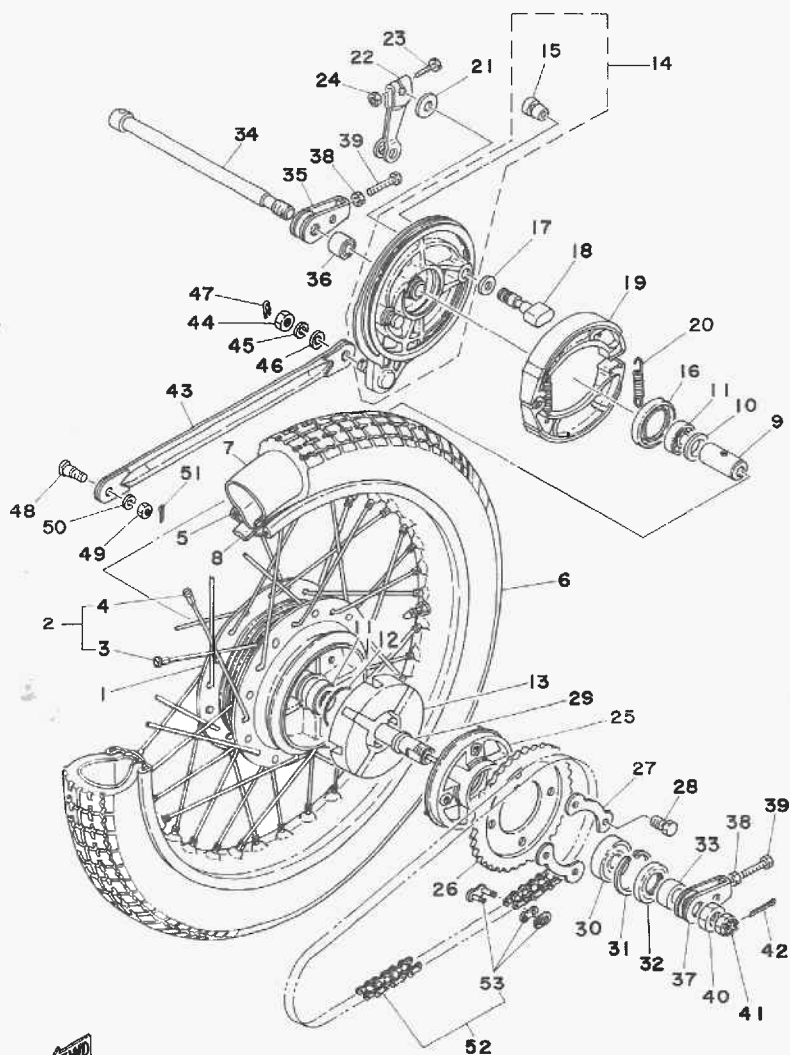
Fig. 28 DISK BRAKE · CALIPER



DISK BRAKE · CALIPER

Ref. No.	Parts No.	Description	Q'ty	Applicable Machine No.	Remarks
28- 1	404-25831-00	DISK, brake	1		
28- 2	404-25412-00	WASHER, lock	2		
28- 3	90109-08367	BOLT	4		
28- 4	535-25810-00	CALIPER ASS'Y	1		
28- 5	404-20000-11	. PAD LINING ASS'Y	1s		
28- 6	404-20000-20	. PISTON ASS'Y, caliper	1s		
28- 7	404-20000-30	. BREED SCREW ASS'Y	1s		
28- 8	404-20000-41	. BOOT ASS'Y	1s		
28- 9	404-25919-00	. SUPPORT, pad	1		
28-10	98501-05012	. SCREW, panhead	1		
28-11	92901-05100	. WASHER, spring	1		
28-12	464-25827-00	. SHIM, anti squeak	1		
28-13	535-25915-00	. RUBBER, damping	1		
28-14	306-25829-00	. EMBLEM, caliper	1		
28-15	90101-08244	BOLT, hexagon	2		
28-16	92901-08100	WASHER, spring	2		

Fig. 29 REAR WHEEL

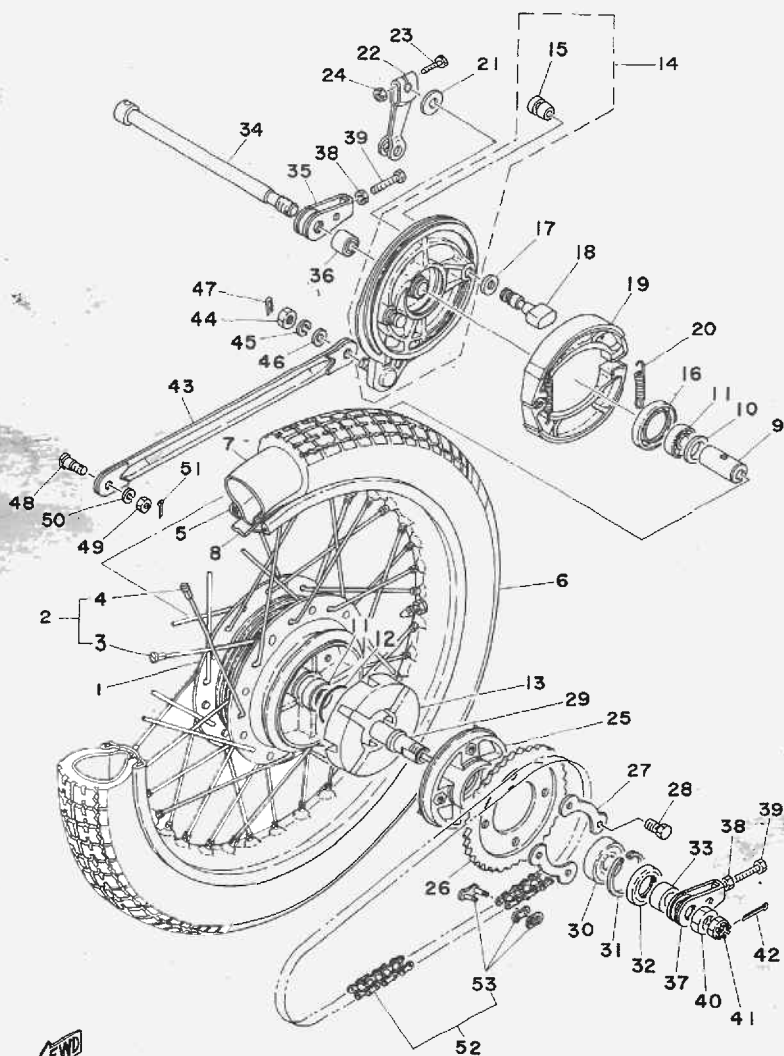


FWD

REAR WHEEL

Ref. No.	Parts No.	Description	Qty	FRANCE	GERMANY	HOLLAND	SWITZERLAND	SWEDEN	FINLAND	DENMARK	NORWAY	AUSTRIA	ENGLAND	ITALY	Remarks
29- 1	174-25311-00	HUB, rear	1	X	X	X	X	X	X	X	X	X	X		
29- 2	141-25304-00	SPOKE SET	1s	X	X	X	X	X	X	X	X	X	X		
29- 3	141-25396-90	. SPOKE SET, inner (10 PCS)..	1s	X	X	X	X	X	X	X	X	X	X		
29- 4	141-25397-90	. SPOKE SET, outer (10 PCS)..	1s	X	X	X	X	X	X	X	X	X	X		
29- 5	94416-18016	RIM (1.60A-18)	1	X	X	X	X	X	X	X	X	X	X		
	94421-18152	RIM (2.15-18)	1	X	X	X	X	X	X	X	X	X	X		
29- 6	94130-18200	TIRE, rear (3.00-18-4PR)	1	X	X	X	X	X	X	X	X	X	X		
	94132-18203	TIRE, rear (3.25-18-6PR)	1	X	X	X	X	X	X	X	X	X	X		
29- 7	94230-18012	TUBE (3.00-18)	1	X	X	X	X	X	X	X	X	X	X		
	94232-18020	TUBE (3.25-18)	1	X	X	X	X	X	X	X	X	X	X		
29- 8	94327-18008	BAND, rim (2.75-18)	1	X	X	X	X	X	X	X	X	X	X		
29- 9	90560-15136	SPACER (136-25317-00)	1	X	X	X	X	X	X	X	X	X	X		
29-10	136-25115-00	FLANGE, spacer	1	X	X	X	X	X	X	X	X	X	X		
29-11	93306-20204	BEARING (B6202Z)	2	X	X	X	X	X	X	X	X	X	X		
29-12	93210-43043	O-RING (42.5-3.0)	1	X	X	X	X	X	X	X	X	X	X		
29-13	174-25364-00	DAMPER, clutch	1	X	X	X	X	X	X	X	X	X	X		
29-14	1E8-25320-00	PLATE BRAKE SHOE ASS'Y	1	X	X	X	X	X	X	X	X	X	X		
29-15	90480-10068	. GROMMET	1	X	X	X	X	X	X	X	X	X	X		
29-16	93101-42018	OIL SEAL (S-42-56-6)	1	X	X	X	X	X	X	X	X	X	X		
29-17	1E8-25153-00	SHIM, cam shaft	1	X	X	X	X	X	X	X	X	X	X		
	136-25153-00	SHIM, cam shaft	1	X	X	X	X	X	X	X	X	X	X		
29-18	136-25351-01	CAM SHAFT	1	X	X	X	X	X	X	X	X	X	X		
29-19	174-25330-00	BRAKE SHOE COMP.	2	X	X	X	X	X	X	X	X	X	X		
29-20	90506-18103	SPRING, tension (137-25133-00)	2	X	X	X	X	X	X	X	X	X	X		
29-21	137-25159-00	SEAL, cam shaft (12-17-2)	1	X	X	X	X	X	X	X	X	X	X		
29-22	337-25355-00	LEVER, cam shaft	1	X	X	X	X	X	X	X	X	X	X		
29-23	90101-06278	BOLT, hexagon	1	X	X	X	X	X	X	X	X	X	X		
29-24	95301-06600	NUT, hexagon	1	X	X	X	X	X	X	X	X	X	X		
	95601-06100	NUT, U	1	X	X	X	X	X	X	X	X	X	X		

Fig. 29 REAR WHEEL

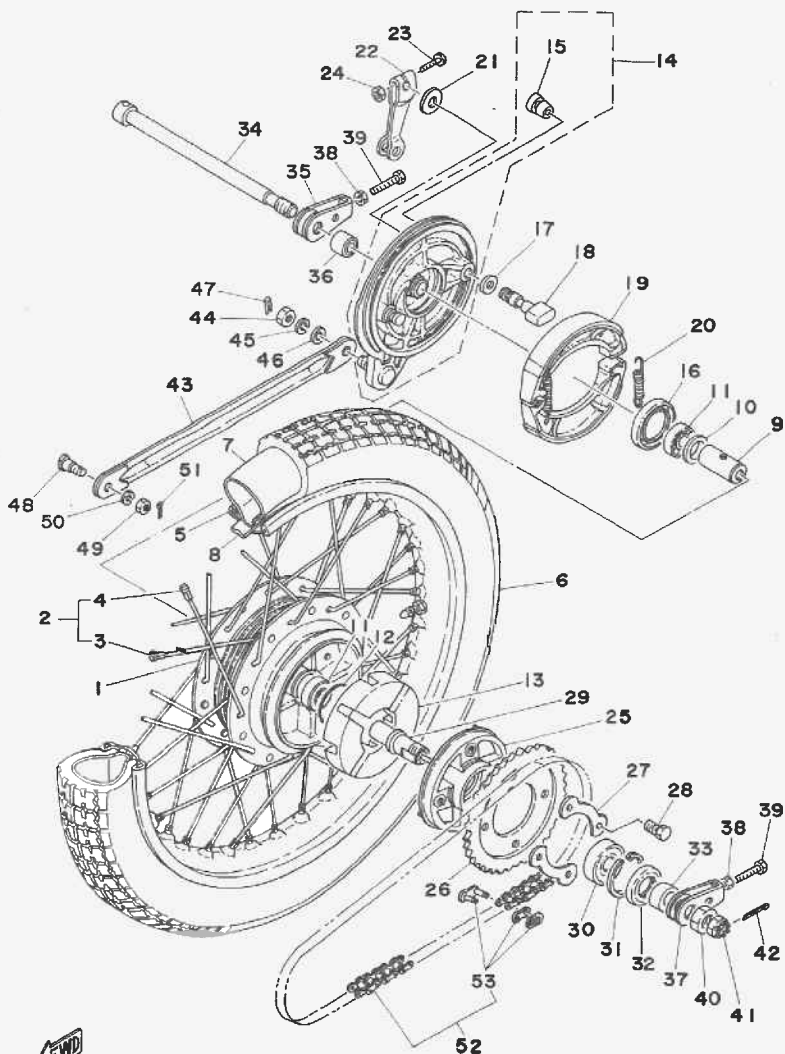


FWD

REAR WHEEL

Ref. No.	Parts No.	Description	Q'ty	FRANCE	IRELAND	GERMANY	SWITZERLAND	SWEDEN	FINLAND	DENMARK	NETHERLANDS	AUSTRIA	ITALY	Remarks
29-25	174-25366-01	CLUTCH, hub	1	X	X	X	X	X	X	X	X	X	X	
29-26	174-25438-20	GEAR, sprocket wheel (38T)	1	X	X	X	X	X	X	X	X	X	X	
	174-25439-20	GEAR, sprocket wheel (39T)	1	X	X	X	X	X	X	X	X	X	X	S.T.D.
	174-25440-20	GEAR, sprocket wheel (40T)	1	X	X	X	X	X	X	X	X	X	X	
29-27	148-25412-00	WASHER, lock	2	X	X	X	X	X	X	X	X	X	X	
29-28	90105-10005	BOLT (141-25411-00)	4	X	X	X	X	X	X	X	X	X	X	
29-29	174-25387-00	SHAFT, sprocket wheel	1	X	X	X	X	X	X	X	X	X	X	
29-30	93306-20404	BEARING (B6204Z)	1	X	X	X	X	X	X	X	X	X	X	
29-31	93420-47008	CIRCLIP (R47)	1	X	X	X	X	X	X	X	X	X	X	
29-32	93106-30008	OIL SEAL (DD-30-47-5)	1	X	X	X	X	X	X	X	X	X	X	
29-33	90387-20160	COLLAR (174-25386-01)	1	X	X	X	X	X	X	X	X	X	X	
29-34	397-25381-00	SHAFT, wheel	1	X	X	X	X	X	X	X	X	X	X	
29-35	537-25388-00	PULLER, chain right	1	X	X	X	X	X	X	X	X	X	X	
29-36	90387-26197	COLLAR (174-25383-00)	1	X	X	X	X	X	X	X	X	X	X	
29-37	1J2-25388-00	PULLER, chain left	1	X	X	X	X	X	X	X	X	X	X	
29-38	95301-08700	NUT, hexagon	2	X	X	X	X	X	X	X	X	X	X	
29-39	90101-08034	BOLT (168-25379-00)	2	X	X	X	X	X	X	X	X	X	X	
29-40	90170-20167	NUT, hexagon	1	X	X	X	X	X	X	X	X	X	X	
29-41	90171-14006	NUT, castle (214-25182-01)	1	X	X	X	X	X	X	X	X	X	X	
29-42	91401-30030	PIN, cotter	1	X	X	X	X	X	X	X	X	X	X	
29-43	256-25371-00	BAR, tension	1	X	X	X	X	X	X	X	X	X	X	
29-44	95301-10700	NUT, hexagon	1	X	X	X	X	X	X	X	X	X	X	
29-45	92901-12100	WASHER, spring	1	X	X	X	X	X	X	X	X	X	X	
29-46	92901-10600	WASHER, plate	1	X	X	X	X	X	X	X	X	X	X	
29-47	90468-12006	CLIP (136-25375-00)	1	X	X	X	X	X	X	X	X	X	X	
29-48	90109-08375	BOLT	1	X	X	X	X	X	X	X	X	X	X	
29-49	95301-08600	NUT, hexagon	1	X	X	X	X	X	X	X	X	X	X	
29-50	92901-08100	WASHER, spring	1	X	X	X	X	X	X	X	X	X	X	

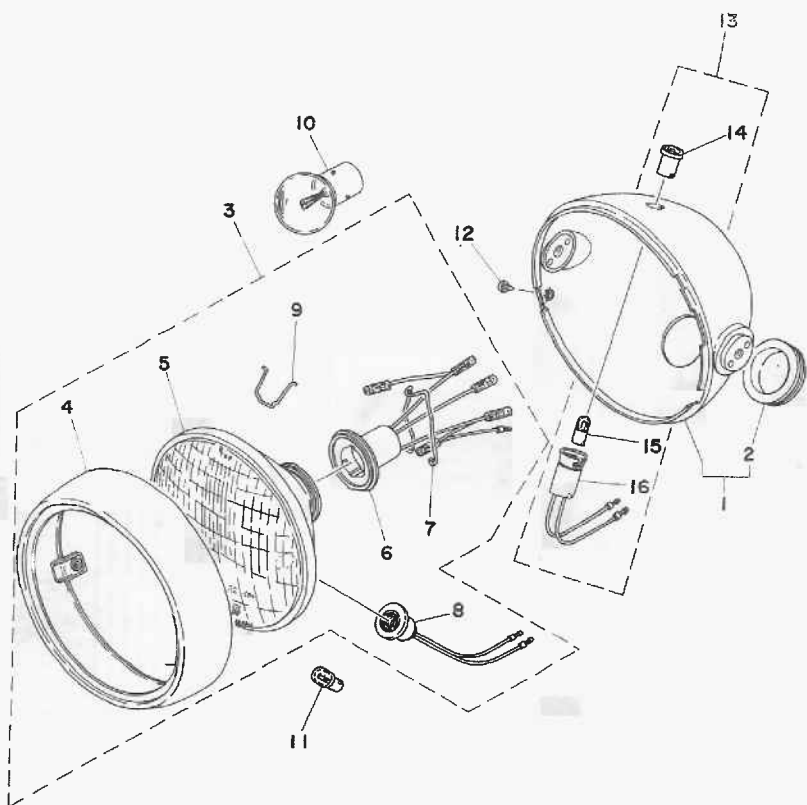
Fig. 29 REAR WHEEL



REAR WHEEL

Ref. No.	Parts No.	Description	Q'ty	FRANCE	HOLLAND	SWITZERLAND	W. GERMANY	FINLAND	DENMARK	NORWAY	AUSTRIA	ENGLAND	ITALY	Remarks
29-51	91401-20012	PIN, cotter	1	X	X	X	X	X	X	X	X	X	X	
29-52	94514-28112	CHAIN (DK428T-112L)	1	X	X	X	X	X	X	X	X	X	X	
29-53	94614-28001	. JOINT, chain	1	X	X	X	X	X	X	X	X	X	X	

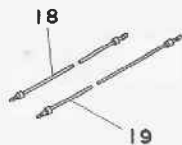
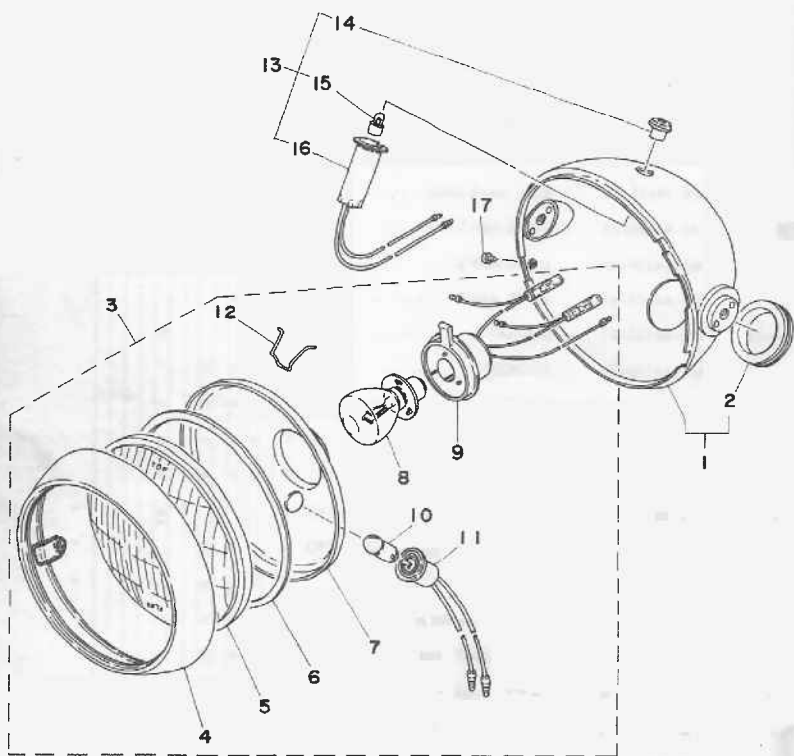
Fig. 30 HEAD LAMP 1



HEAD LAMP 1

Ref. No.	Parts No.	Description	Qty	FRANCE	GERMANY	NETHERLANDS	SWITZERLAND	SPAIN	FINLAND	DENMARK	INDONESIA	TAIWAN	ENGLAND	Remarks
30- 1	237-84330-60-33	BODY ASS'Y	1	X	X	X			X					Yamaha Black
30- 2	214-84153-60	. GROMMET	1											
30- 3	307-84303-21	HEAD LAMP UNIT ASS'Y	1	X						X				
	416-84303-40	HEAD LAMP UNIT ASS'Y	1			X								
	416-84303-45	HEAD LAMP UNIT ASS'Y	1		X									
30- 4	308-84115-21	. RIM, head lamp	1	X	X	X			X					
30- 5	307-84320-21	. LENS ASS'Y	1	X						X				
	460-84320-40	. LENS ASS'Y	1			X								
	460-84320-45	. LENS ASS'Y	1		X									
30- 6	308-84112-21	. SOCKET	1	X						X				
	416-84312-40	. SOCKET	1		X	X								
30- '7	308-84135-21	. SPRING	1	X	X	X			X					
30- 8	306-84346-40	. SOCKET	1	X	X	X			X					
30- 9	308-84124-20	. SPRING, reflector set	4	X	X	X			X					
30-10	278-84314-21	BULB, head lamp (12V-36/36W)	1	X						X				*
	169-84314-10	BULB, head lamp (12V-35/35W)	1		X	X								*
30-11	169-84346-10	BULB (12V-4W)	1	X	X	X				X				*
30-12	195-84325-00	SCREW, rim fitting	1	X	X	X				X				
30-13	306-84301-40	PILOT LAMP ASS'Y	1	X	X	X				X				
30-14	306-84357-40	. BODY, high beam	1	X	X	X				X				
30-15	256-84347-00	. BULB (12V-2W)	1	X	X	X				X				
30-16	256-84350-61	. SOCKET CORD ASS'Y	1	X	X	X				X				

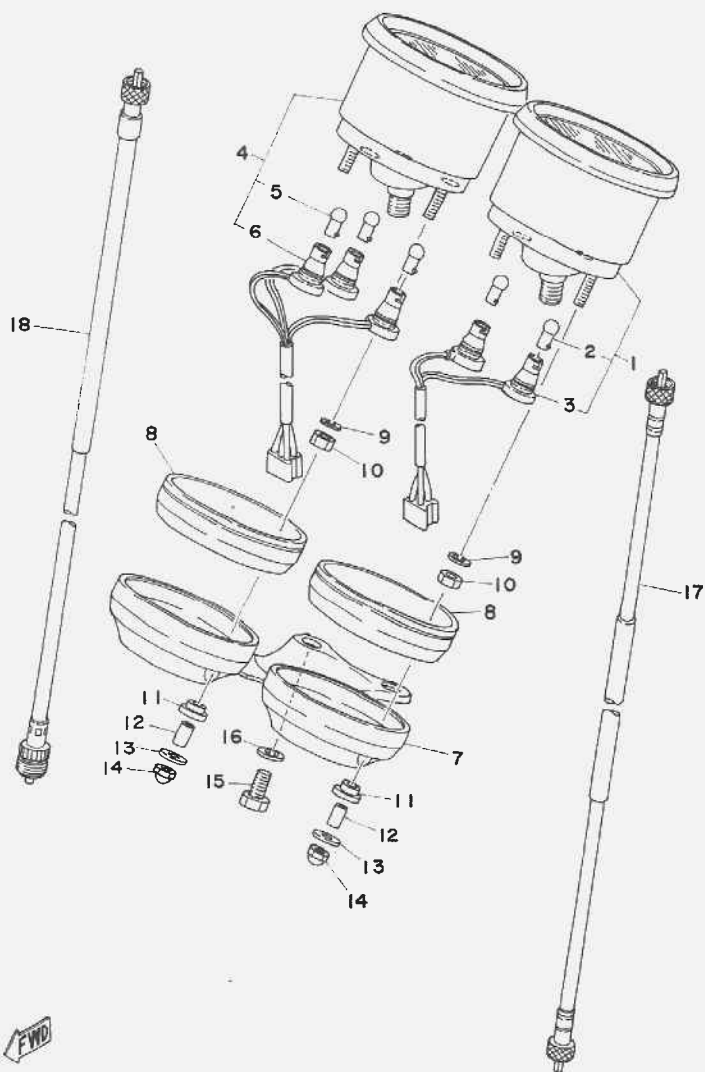
Fig. 31 HEAD LAMP 2



HEAD LAMP 2

Ref. No.	Parts No.	Description	Qty	COUNTRY												Remarks			
				FRANCE	GERMANY	NETHERLANDS	SPAIN	SWITZERLAND	UNITED KINGDOM	USA	ARGENTINA	BRAZIL	CHINA	HONG KONG	INDONESIA		JAPAN	PHILIPPINES	THAILAND
31- 1	237-84330-60-33	BODY ASS'Y	1															X	Yamaha Black
31- 2	214-84153-60	. GROMMET	1															X	
31- 3	237-84310-30	HEAD LAMP UNIT ASS'Y	1															X	
31- 4	237-84315-30	. RIM, head lamp	1															X	
31- 5	136-84321-00	. LENS, head lamp	1															X	
31- 6	136-84322-00	. GASKET, lens	1															X	
31- 7	137-84323-30	. REFLECTOR	1															X	
31- 8	235-84314-00	. BULB, head lamp (12V-35/25W)	1															X	
31- 9	237-84312-30	. SOCKET	1															X	
31-10	306-84347-30	. BULB (12V-3.4W)	1															X	
31-11	183-84345-30	. SOCKET, pilot lamp	1															X	
31-12	195-84324-00	. SPRING, reflector set	4															X	
31-13	306-84301-40	PILOT LAMP ASS'Y	1															X	
31-14	306-84357-40	. BODY, high beam	1															X	
31-15	256-84347-00	. BULB (12V-2W)	1															X	
31-16	256-84350-61	. SOCKET CORD ASS'Y	1															X	
31-17	195-84325-00	SCREW, rim fitting	1															X	
31-18	307-84348-00	WIRE, lead 1	1															X	
31-19	307-84349-00	WIRE, lead 2	1															X	

Fig. 32 SPEEDOMETER · TACHOMETER



SPEEDOMETER · TACHOMETER

Ref. No.	Parts No.	Description	Q'ty	FRANCE	HOLLAND	GERMANY	SWITZERLAND	NETHERLANDS	FINLAND	DENMARK	AUSTRIA	ENGLAND	ITALY	Remarks
32- 1	1E8-83510-21	SPEEDOMETER ASS'Y	1	X	X	X			X					Km/h
	1E8-83510-41	SPEEDOMETER ASS'Y	1									X		Mile/h
32- 2	123-83516-21	. BULB (12V-3.4W)	2	X	X	X			X		X			
32- 3	1E7-83536-00	. SOCKET CORD ASS'Y	1	X	X	X			X		X			
* 32- 4	1E7-83540-01	TACHOMETER ASS'Y *	1	X	X	X			X		X			
32- 5	123-83516-21	. BULB (12V-3.4W)	4	X	X	X			X		X			
32- 6	1E7-83520-00	. SOCKET CORD ASS'Y	1	X	X	X			X		X			
32- 7	1E7-83519-00-98	BRACKET, meter	1	X	X	X			X		X			Low Gloss Black
32- 8	1E7-83513-00	DAMPER	2	X	X	X			X		X			
32- 9	92901-05100	WASHER, spring	4	X	X	X			X		X			
32-10	95301-05600	NUT, hexagon	4	X	X	X			X		X			
32-11	1E7-83543-00	DAMPER, bracket	4	X	X	X			X		X			
32-12	1E7-83522-00	COLLAR	4	X	X	X			X		X			
32-13	1E7-83524-00	WASHER, plate	4	X	X	X			X		X			
32-14	95303-05800	NUT, crown	4	X	X	X			X		X			
32-15	97301-08015	BOLT, hexagon	2	X	X	X			X		X			
32-16	92901-08100	WASHER, spring	2	X	X	X			X		X			
32-17	351-83550-00	SPEEDOMETER CABLE ASS'Y	1	X	X	X			X		X			
32-18	1E7-83560-00	TACHOMETER CABLE ASS'Y..	1	X	X	X			X		X			

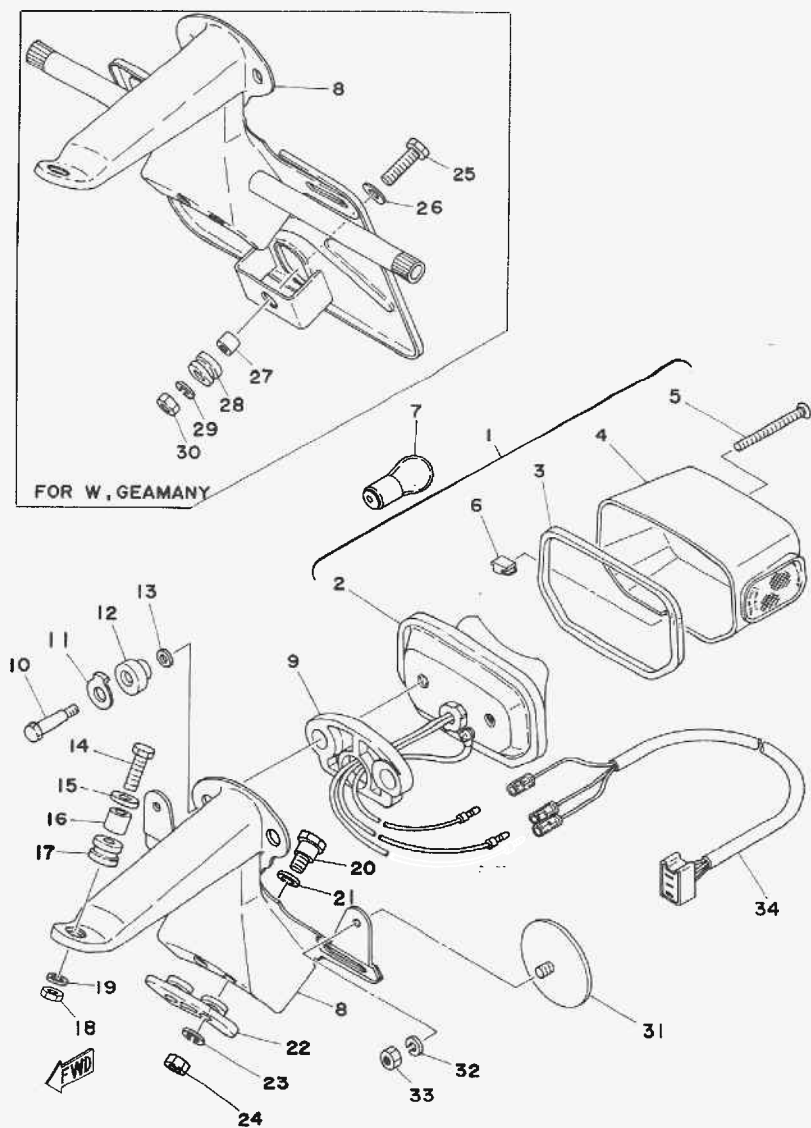
* 1E8-83540-01 *

TACHO 4 BULB
TYPE

SOCKET ASSY

1E8-83520-00

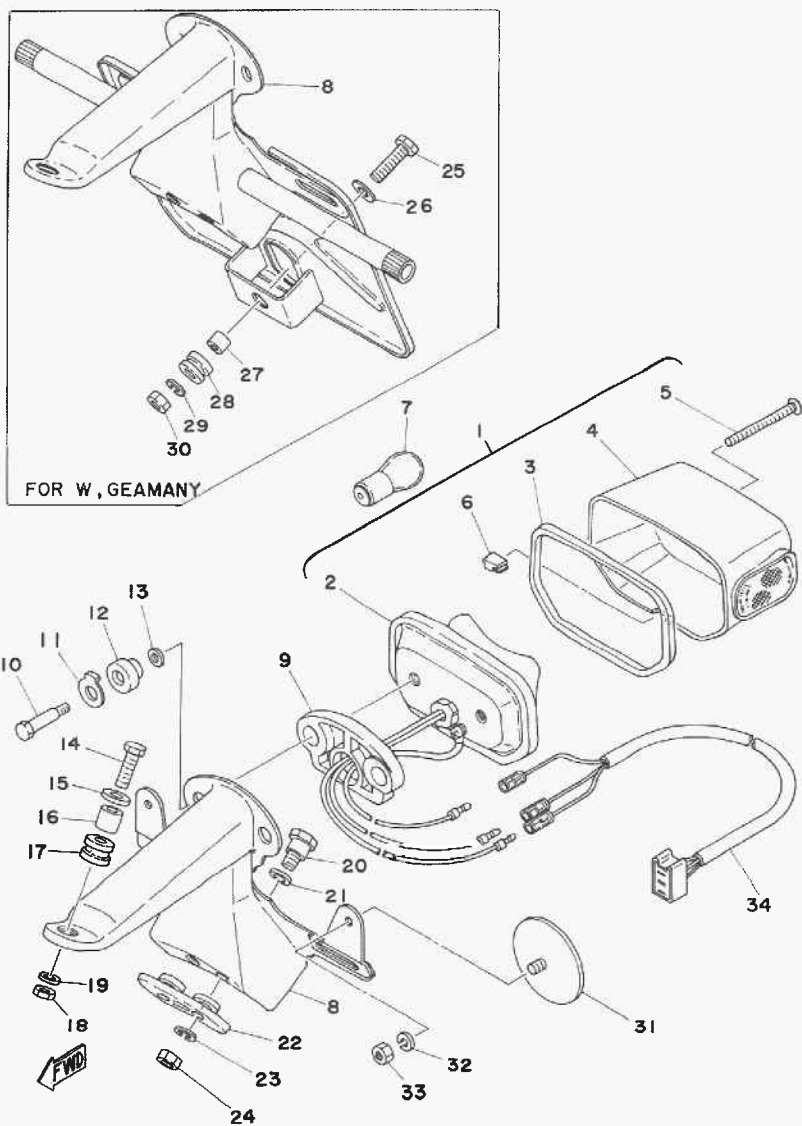
Fig. 33 TAIL LAMP 1



TAIL LAMP 1

Ref. No.	Parts No.	Description	Q'ty													Remarks		
				ITALY	ISRAEL	AUSTRIA	ARGENTINA	SPAIN	FINLAND	FRANCE	GERMANY	NETHERLANDS	UNITED KINGDOM	INDONESIA	YUGOSLAVIA		WEST GERMANY	
33- 1	1E7-84710-40	TAIL LAMP UNIT ASS'Y	1	X	X	X	X											
33- 2	1E7-84711-40	. BASE, tail lamp	1	X	X	X	X											
33- 3	296-84523-00	. GASKET, tail lens	1	X	X	X	X											
33- 4	543-84521-41	. LENS, tail lamp	1	X	X	X	X											
33- 5	127-84524-30	. SCREW, lens fitting	2	X	X	X	X											
33- 6	278-84718-40	. GROMMET	1	X	X	X	X											
33- 7	306-84714-40	BULB, tail lamp (12V-21/5W)	1	X	X	X	X											*
33- 8	1E7-84751-20-35	BRACKET, license	1	X		X	X											Silver
	1E7-84751-40-35	BRACKET, license	1	X														Silver
33- 9	1E7-84712-20	GASKET, base	1	X		X	X											
33-10	1E7-84726-40	BOLT, special	2	X	X	X	X											
33-11	533-84525-40	WASHER, special	2	X	X	X	X											
33-12	444-84753-60	DAMPER	2	X	X	X	X											
33-13	92903-06200	WASHER, plain	1	X	X	X	X											
33-14	97303-06025	BOLT, hexagon	1	X	X	X	X											
33-15	90209-06095	WASHER (102-28323-00)	1	X	X	X	X											
33-16	90387-07390	COLLAR	1	X	X	X	X											
33-17	90480-14102	GROMMET (214-21717-00)	1	X	X	X	X											
33-18	95301-06600	NUT, hexagon	1	X	X	X	X											
33-19	92901-06100	WASHER, spring	1	X	X	X	X											
33-20	90109-06022	BOLT (338-84552-00)	2	X	X	X	X											
33-21	92901-08200	WASHER, plain	2	X	X	X	X											
33-22	308-84553-00	DAMPER	1	X	X	X	X											
33-23	92901-06100	WASHER, spring	2	X	X	X	X											
33-24	95301-06600	NUT, hexagon	2	X	X	X	X											
33-25	97301-06025	BOLT, hexagon	1	X														
33-26	90209-06095	WASHER (102-28323-00)	1	X														

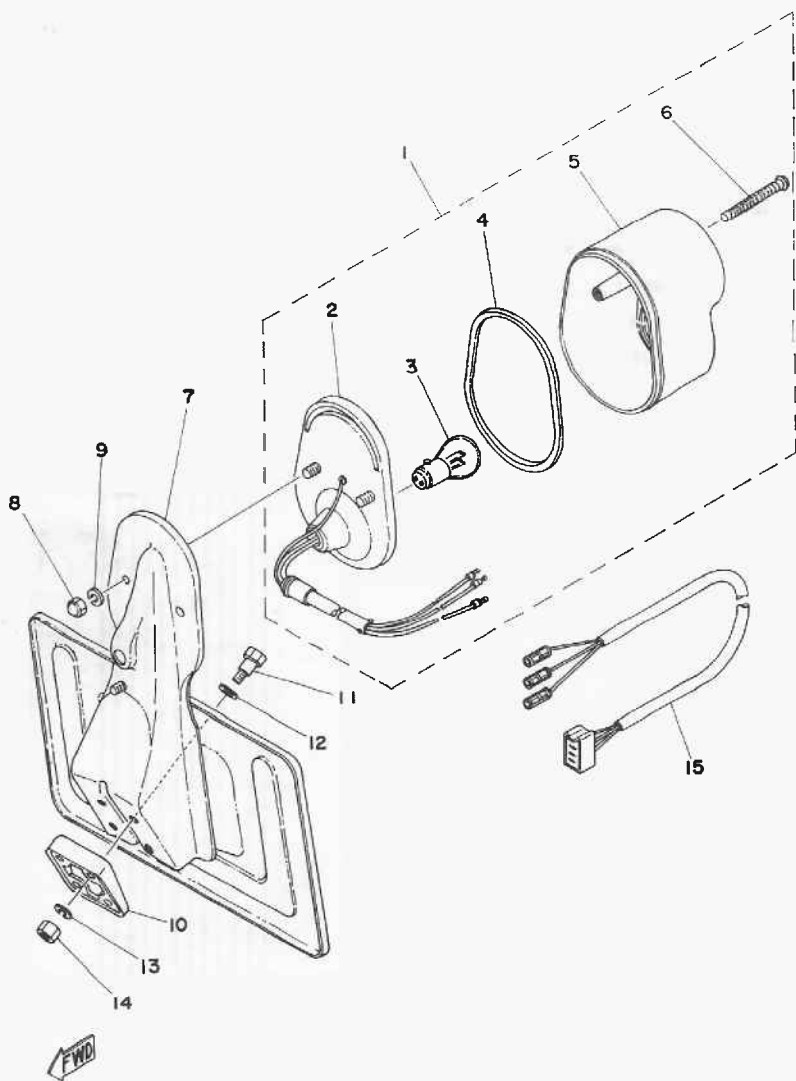
Fig. 33 TAIL LAMP 1



TAIL LAMP 1

Ref. No.	Parts No.	Description	Q'ty													Remarks	
				FRANCE	GERMANY	ITALY	NETHERLANDS	SPAIN	SWITZERLAND	UNITED KINGDOM	USA	WEST GERMANY	FINLAND	SCANDINAVIA	AUSTRIA		ENGLAND
33-27	90387-07390	COLLAR	1		x												
33-28	90480-14102	GROMMET (214-21717-00)	1		x												
33-29	92901-06100	WASHER, spring	1		x												
33-30	95301-06600	NUT, hexagon	1		x												
33-31	449-85131-00	REFLECTOR	2	x		x			x								
33-32	92901-05100	WASHER, spring	2	x		x			x								
33-33	95301-05600	NUT, hexagon	2	x		x			x								
33-34	1E7-84717-20	CORD, tail lamp	1	x	x	x			x								

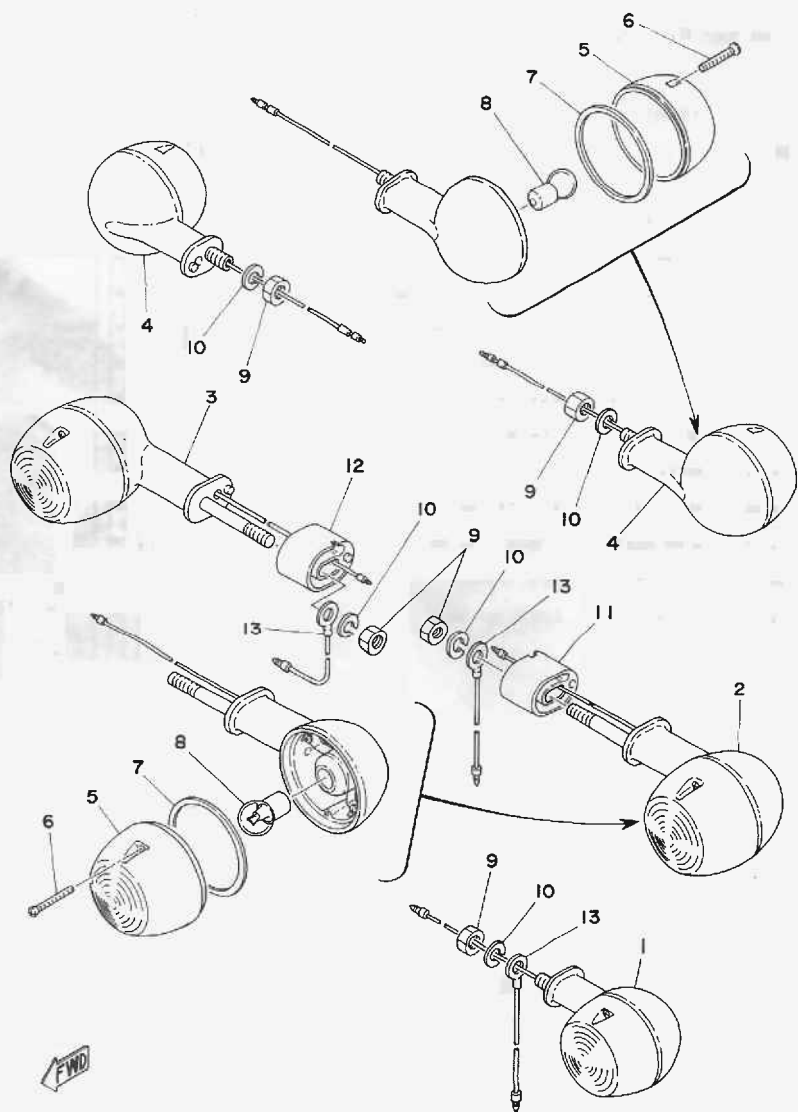
Fig. 34 TAIL LAMP 2



TAIL LAMP 2

Ref. No.	Parts No.	Description	Q'ty												Remarks	
				FRANCE	HOLLAND	GERMANY	WEST GERMANY	BEIGIUM	SWITZERLAND	SWEDEN	FINLAND	DENMARK	NORWAY	AUSTRIA		ITALY
34- 1	1E7-84710-30	TAIL LAMP UNIT ASS'Y	1												X	
34- 2	1E7-84711-30	. BASE, tail lamp	1												X	
34- 3	137-84714-61	. BULB, tail lamp (12V-23/8W) 1	1												X	
34- 4	122-84523-30	. GASKET, tail lens	1												X	
34- 5	127-84521-31	. LENS, tail lamp	1												X	
34- 6	127-84524-30	. SCREW, lens fitting	2												X	
34- 7	1E7-84751-30-35	BRACKET, license	1												X	Silver
34- 8	95301-06800	NUT, crown	2												X	
34- 9	92901-06100	WASHER, spring	2												X	
34-10	1E7-84753-00	DAMPER	1												X	
34-11	90109-06005	BOLT (337-84752-00)	4												X	
34-12	92901-08200	WASHER, plain	4												X	
34-13	92901-06100	WASHER, spring	4												X	
34-14	95301-06600	NUT, hexagon	4												X	
34-15	1E7-84717-30	CORD, tail lamp	1												X	

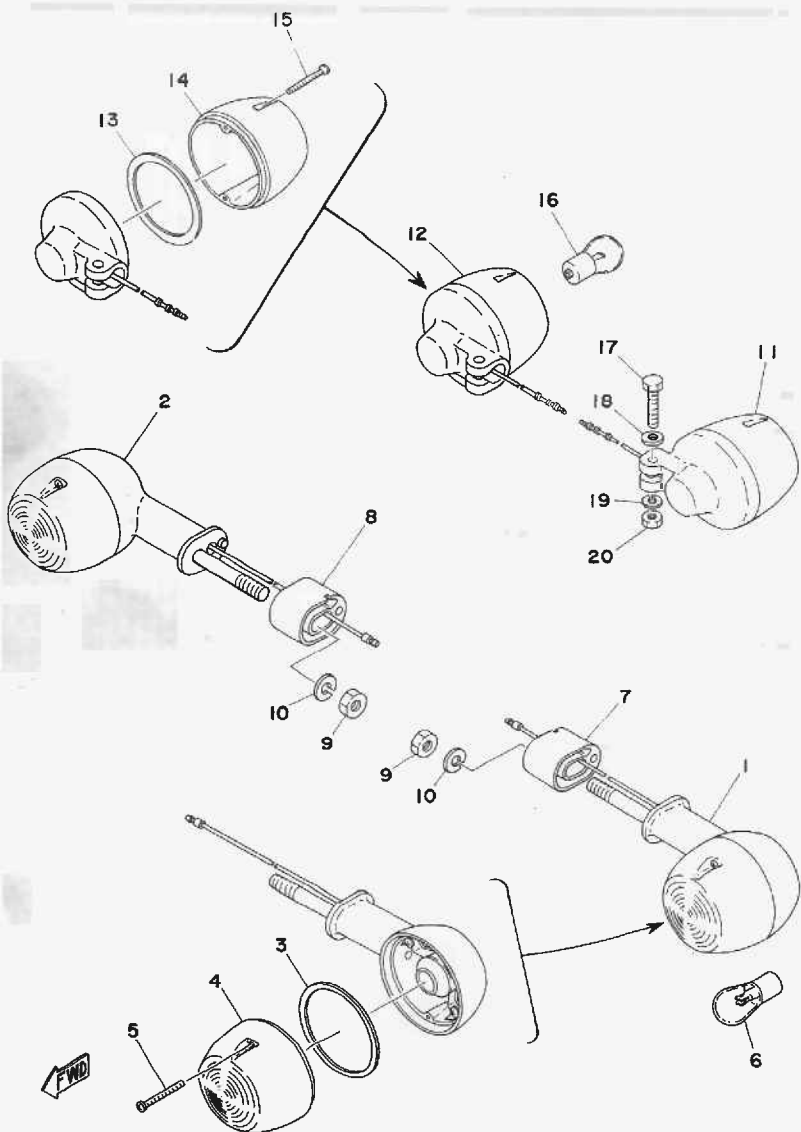
Fig. 35 FLASHER LAMP 1



FLASHER LAMP 1

Ref. No.	Parts No.	Description	Qty	PARTS										Remarks			
				ITALY	HOLLAND	GERMANY	FRANCE	NETHERLANDS	SPAIN	BELGIUM	ENGLAND	IRELAND	WEST GERMANY				
35- 1	278-83310-45-93	FRONT FLASHER LAMP ASS'Y	2	X						X							
35- 2	416-83310-40-93	FRONT FLASHER LAMP ASS'Y, left	1							X							
35- 3	416-83320-40-93	FRONT FLASHER LAMP ASS'Y, right	1							X							
35- 4	307-83330-20-93	REAR FLASHER LAMP ASS'Y	2	X							X						
	235-83330-95-93	REAR FLASHER LAMP ASS'Y	2								X						
35- 5	183-83332-21	. LENS, flasher	4	X		X		X		X		X					
35- 6	183-83333-21	. SCREW, lens fitting	8	X		X		X		X		X					
35- 7	183-83313-70	. GASKET, flasher lens	4	X		X		X		X		X					
35- 8	136-83311-20	. BULB, flasher (12V-8W)	4	X		X		X		X		X					
35- 9	95301-08600	NUT	4	X		X		X		X		X					
35-10	92901-08100	WASHER, spring	4	X		X		X		X		X					
35-11	260-83316-30	COLLAR, flasher 1	1							X							
35-12	260-83326-30	COLLAR, flasher 2	1							X							
35-13	371-82519-00	WIRE, earth lead	1	X		X		X		X		X					

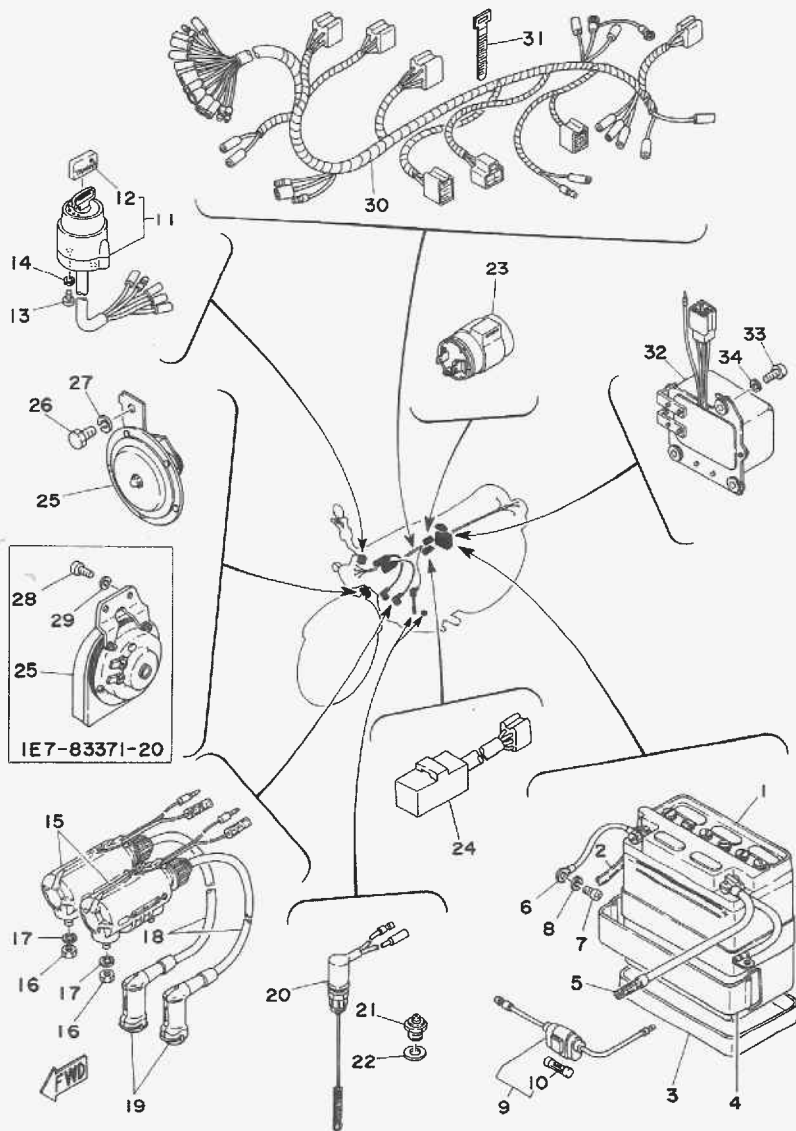
Fig. 36 FLASHER LAMP 2



FLASHER LAMP 2

Ref. No.	Part's No.	Description	Qty	FRANCE	GERMANY	NETHERLANDS	SPAIN	UNITED KINGDOM	USA	WEST GERMANY	INDONESIA	ITALY	Remarks
36- 1	396-83310-40-93	FRONT FLASHER LAMP ASS'Y, left	1		X								
36- 2	396-83320-40-93	FRONT FLASHER LAMP ASS'Y, right	1		X								
36- 3	183-83313-70	. GASKET, flasher lens	2		X								
36- 4	183-83312-70	. LENS, flasher	2		X								
36- 5	183-83333-71	. SCREW, lens fitting	4		X								
36- 6	306-83311-40	BULB, flasher (12V-21W)	2		X								
36- 7	260-83316-30	COLLAR, flasher 1	1		X								
36- 8	260-83326-30	COLLAR, flasher 2	1		X								
36- 9	95301-08600	NUT	2		X								
36-10	92901-08100	WASHER, spring	2		X								
36-11	417-83330-40-93	REAR FLASHER LAMP ASS'Y, left	1		X								
36-12	417-83340-40-93	REAR FLASHER LAMP ASS'Y, right	1		X								
36-13	306-83313-40	. GASKET, flasher lens	2		X								
36-14	306-83332-40	. LENS, flasher	2		X								
36-15	183-83333-71	. SCREW, lens fitting	4		X								
36-16	306-83311-40	BULB, flasher (12V-21W)	2		X								
36-17	97303-06030	BOLT	2		X								
36-18	92903-06200	WASHER, plain	4		X								
36-19	92903-06100	WASHER, spring	2		X								
36-20	95303-06600	NUT, hexagon	2		X								

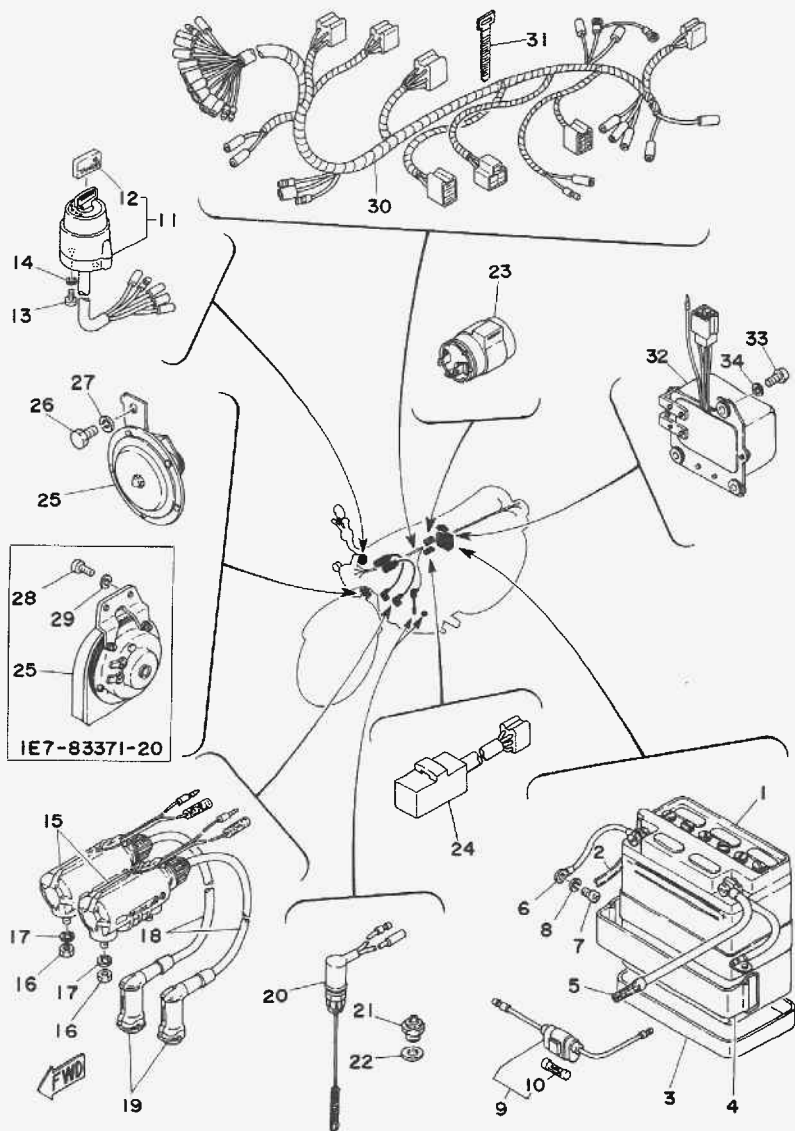
Fig. 37 ELECTRICAL



ELECTRICAL

Ref. No.	Parts No.	Description	Q'ty	COUNTRY											Remarks		
				ENGLAND	IRELAND	SWITZERLAND	W. GERMANY	GERMANY	NETHERLANDS	FINLAND	DENMARK	NORWAY	AUSTRIA	ITALY			
37- 1	1E8-82110-70	BATTERY ASS'Y	1	x	x	x		x		x							FB. 12N9-3A-1
37- 2	90445-08247	PIPE, breather	1	x	x	x		x		x							
37- 3	173-82122-00	SEAT, battery	1	x	x	x		x		x							
37- 4	1E6-82131-00	BAND, battery	1	x	x	x		x		x							
37- 5	1E8-82115-01	WIRE, plus lead	1	x	x	x		x		x							
37- 6	1E8-82116-01	WIRE, minus lead	1	x	x	x		x		x							
37- 7	92501-06010	SCREW, panhead	1	x	x	x		x		x							
37- 8	92901-06100	WASHER, spring	1	x	x	x		x		x							
37- 9	1E2-82150-00	FUSE HOLDER ASS'Y	1	x	x	x		x		x							
37-10	148-82151-00	. FUSE	1	x	x	x		x		x							
37-11	1E7-82508-10	MAIN SWITCH ASS'Y	1	x		x		x		x							
	1E7-82508-45	MAIN SWITCH ASS'Y	1		x												
37-12	526-82579-00	. CAP, key	1		x												
37-13	92501-05010	SCREW, panhead	2	x	x	x		x		x							
37-14	92901-05100	WASHER, spring	2	x	x	x		x		x							
37-15	254-82310-60	IGNITION COIL ASS'Y	2	x	x	x		x		x							
37-16	95301-06600	NUT, hexagon	4	x	x	x		x		x							
37-17	92901-06100	WASHER, spring	4	x	x	x		x		x							
37-18	183-82341-01	CORD, high-tension	2	x	x	x		x		x							
37-19	808-82370-10	PLUG CAP ASS'Y	2	x	x	x		x		x							
37-20	1E2-82530-00	STOP SWITCH ASS'Y	1	x	x	x		x		x							
37-21	136-82540-00	NEUTRAL SWITCH ASS'Y	1	x	x	x		x		x							
37-22	90430-11034	GASKET (136-82543-00)	1	x	x	x		x		x							
37-23	1H7-83350-20	FLASHER RELAY ASS'Y	1	x		x		x		x							
	1E7-83350-40	FLASHER RELAY ASS'Y	1		x												
37-24	1A0-83395-01	FLASHER CANCELLING UNIT	1	x		x		x		x							
	1E7-83395-01	FLASHER CANCELLING UNIT	1		x												
37-25	1E7-83371-51	HORN	1	x				x									
	1E7-83371-20	HORN	1		x			x									

Fig. 37 ELECTRICAL



ELECTRICAL

Ref. No.	Parts No.	Description	Q'ty	ITALY											Remarks		
				HOLLAND	FRANCE	WEST GERMANY	SWITZERLAND	3rd GERMANY	BELGIUM	IRELAND	FINLAND	NORWAY	AUSTRIA	ENGLAND			
37-26	97301-08015	BOLT, hexagon	1	x													
37-27	92901-08100	WASHER, spring	1	x													
37-28	92501-06015	SCREW, panhead	2		x	x									x		
37-29	92901-06100	WASHER, spring	2		x	x									x		
37-30	1E8-82590-10	WIRER HARNESS ASS'Y	1		x	x									x		
37-31	168-83936-01	BAND, switch cord	5		x	x									x		
37-32	337-81910-10	VOLTAGE REGULATOR ASS'Y	1		x	x									x		
37-33	92501-06015	SCREW, panhead	3		x	x									x		
37-34	92901-06100	WASHER, spring	3		x	x									x		

REPAIR KIT



REPAIR KIT

Ref. No.	Parts No.	Description	Q'ty	Applicable Machine No.	Remarks
38- 1	1E8-11630-00	PISTON ASS'Y (STD)	2s		
	1E8-11630-10	PISTON ASS'Y (1st O.S)	2s		
	1E8-11630-20	PISTON ASS'Y (2nd O.S)	2s		
	1E8-11630-30	PISTON ASS'Y (3rd O.S)	2s		
	1E8-11630-40	PISTON ASS'Y (4th O.S)	2s		
38- 2	1E8-11631-00-96	. PISTON (51.96mm STD)	} U.R 2		Ref. No. 3-2e
	1E8-11631-00-97	. PISTON (51.97mm STD)			
	1E8-11635-00	. PISTON (52.25mm 1st O.S)	2		
	1E8-11636-00	. PISTON (52.50mm 2nd O.S)	2		
	1E8-11637-00	. PISTON (52.75mm 3rd O.S)	2		
	1E8-11638-00	. PISTON (53.00mm 4th O.S)	2		
38- 3	558-11601-00	. PISTON RING SET (STD)	2s		3-31
	558-11601-10	. PISTON RING SET (1st O.S)	2s		
	558-11601-20	. PISTON RING SET (2nd O.S)	2s		
	558-11601-30	. PISTON RING SET (3rd O.S)	2s		
	558-11601-40	. PISTON RING SET (4th O.S)	2s		
38- 4	131-11633-00	. PIN, piston	2		3-29
38- 5	93450-15023	. CLIP, piston pin	4		3-30
38- 6	397-11650-00	CONNECTING ROD ASS'Y	2		
38- 7	397-11651-00	. ROD, connecting	2		3-6
38- 8	93310-42012	. BEARING	2		3-7
38- 9	174-11681-00	. PIN, crank	2		3-8
38-10	174-11685-00	. WASHER, crank pin	4		3-9
38-11	93310-21403	. BEARING	2		3-33
38-12	1E8-00000-20	GASKET KIT	1s		
38-13	90430-12038	. GASKET (132-15353-00)	1		1-9
38-14	1E8-11351-00	. GASKET, cylinder	2		1-11
38-15	1E8-11181-00	. GASKET, cylinder head	2		1-14
38-16	1E8-15451-00	. GASKET, crankcase cover right	1		2-17

REPAIR KIT

Ref. No.	Parts No.	Description	Q'ty	Applicable Machine No.	Remarks
38-17	93210-19123	. O-RING (2.4-19.0)	1		Ref. No. 2-25
38-18	93210-46044	. O-RING (3-46.2)	1		3-17
38-19	93210-18023	. O-RING (1.2-17.6)	1		3-24
38-20	164-18579-00	. GASKET	1		6-21
38-21	137-15353-00	. GASKET (14.5-21-1.5)	1		6-24
38-22	93210-17239	. O-RING	1		9-5
38-23	1E7-14416-00	. GASKET, airfilter	1		10-10
38-24	314-13621-02	. PACKING, valve seat	2		10-30
38-25	1E7-14384-00	. GASKET, float chamber	2		11-10
38-26	1E8-14126-00	. GASKET	2		11-15
38-27	1E7-14147-00	. O-RING	4		11-17, 11-26
38-28	1J2-14398-00	. GASKET	1		11-22
38-29	1E7-14126-00	. O-RING	2		11-33
38-30	132-14613-00	. GASKET, exhaust	2		12-13
38-31	132-14714-01	. GASKET, muffler joint	2		12-18
38-32	126-13116-00	. GASKET, pump case	1		13-1
38-33	90430-04004	. GASKET (137-13187-00)	1		13-20
38-34	1E8-00000-60	OIL SEAL KIT	1s		
38-35	93104-11028	. OIL SEAL (SO-10.5-15-3)	1		2-5
38-36	93102-20117	. OIL SEAL (SD-20-40-8)	1		3-22
38-37	93103-32031	. OIL SEAL (SW-32-48-8)	1		3-23
38-38	237-15389-00	. SEAL, push rod	1		5-11
38-39	93102-28021	. OIL SEAL (SD-28-44-7)	1		5-27
38-40	93101-12004	. OIL SEAL (S-12-22-5)	1		7-6
38-41	93109-15001	. OIL SEAL (SDO-15-26-6)	1		8-18
38-42	93104-07036	. OIL SEAL (SO-7-13-4)	1		9-7
38-43	93101-10002	. OIL SEAL (S-10-22-7)	1		13-6
38-44	93101-10001	. OIL SEAL (S-10-21-5)	1		13-16

NUMERICAL INDEX



NUMERICAL INDEX

Ref No.	Parts No.	Ref No.	Parts No.	Ref No.	Parts No.
11-42	1A0-14169-00	11-25	1E7-14323-00	25-17	1E7-21753-00
19- 4	1A0-21518-00	11-40	1E7-14348-00	25-10	1E7-21778-00
24-16	1A0-24500-00	11-41	1E7-14349-00	19- 7	1E7-21779-00
24-21	1A0-24512-00	11-24	1E7-14371-00	20-20	1E7-23111-00
24-19	1A0-24521-00	11-10	1E7-14384-00	20-21	1E7-23114-00
24-22	1A0-24524-00	11- 6	1E7-14390-20	20-19	1E7-23118-00
24-20	1A0-24529-00	10- 1	1E7-14411-00	20-10	1E7-23119-00
24-23	1A0-24535-00	10-10	1E7-14416-00	20- 2	1E7-23126-00
26- 7	1A0-24726-00-33	10- 2	1E7-14421-00	20- 3	1E7-23136-00
23-13	1A0-25824-01	10- 4	1E7-14422-00	20-18	1E7-23142-00
23-12	1A0-25854-01	10- 5	1E7-14428-00	20-17	1E7-23144-00
23-11	1A0-25855-00	10-11	1E7-14431-00	20- 4	1E7-23145-00
23-10	1A0-25893-01	10- 6	1E7-14446-00	20- 5	1E7-23156-00
22-12	1A0-26242-01	10- 3	1E7-14450-00	20-34	1E7-23161-00
22-13	1A0-26243-01	10-21	1E7-14453-00	20-11	1E7-23166-01
37-24	1A0-83395-01	2-24	1E7-15362-00	20- 6	1E7-23167-00
23-31	1A0-83922-00	2-21	1E7-15416-00	20-28	1E7-23174-01-33
22- 3	1A0-83973-01-98	2-11	1E7-15417-00	20-23	1E7-23175-00
23-34	1A0-83980-30	4- 9	1E7-16351-00	20-24	1E7-23176-001
37- 9	1E2-82150-00	7-15	1E7-18115-00	20- 9	1E7-23181-00
37-20	1E2-82530-00	26-22	1E7-21171-00	20-25	1E7-23318-01
22- 2	1E6-26241-00	15- 2	1E7-21315-00-33	20-22	1E7-23340-01-33
37- 4	1E6-82131-00	15- 3	1E7-21316-00-33	22-22	1E7-23340-31-33
1-27	1E7-11162-00	26-23	1E7-21376-00	15-16	1E7-23480-00
13- 3	1E7-13175-00	19- 1	1E7-21510-00-16	24- 1	1E7-24110-00-06
13- 5	1E7-13176-00	19- 1	1E7-21510-00-U2	24- 1	1E7-24110-00-07
10-31	1E7-13565-00	19- 5	1E7-21610-00-16	24- 8	1E7-24182-00
11-33	1E7-14126-00	19- 5	1E7-21610-00-U2	24- 2	1E7-24244-00
11-38	1E7-14146-00	19- 5	1E7-21610-30-16	24- 3	1E7-24245-00
11-17	1E7-14147-00	19- 5	1E7-21610-30-U2	25- 5	1E7-24319-00
11-26	1E7-14147-00	19- 5	1E7-21610-40-16	24- 4	1E7-24602-00
11-34	1E7-14168-00	19- 5	1E7-21610-40-U2	26-13	1E7-24705-00
11-21	1E7-14174-00	19- 6	1E7-21629-00	26- 1	1E7-24730-00
11-19	1E7-14175-00	19-17	1E7-21641-00	26- 2	1E7-24731-00
11-11	1E7-14181-35	16- 1	1E7-21711-00-16	26- 3	1E7-24756-00-16
11-11	1E7-14183-00	16- 1	1E7-21711-00-U2	26- 3	1E7-24756-00-U2
11-14	1E7-14191-00	16- 2	1E7-21721-00-16	23- 1	1E7-25850-01
11-16	1E7-14211-00	16- 2	1E7-21721-00-U2	22-16	1E7-26335-00
		25- 1	1E7-21751-00	22-16	1E7-26335-10

NUMERICAL INDEX

Ref No.	Parts No.	Ref No.	Parts No.	Ref No.	Parts No.
18-28	1E7-27315-00	3- 1	1E8-11400-00	5- 6	1E8-17141-00
26-21	1E7-28100-10	3- 2	1E8-11412-01	5- 3	1E8-17151-00
37-11	1E7-82508-10	3-15	1E8-11512-00	5-22	1E8-17211-00
37-11	1E7-82508-45	3-16	1E8-11541-00	5-16	1E8-17221-00
37-23	1E7-83350-40	38- 1	1E8-11630-00	5-17	1E8-17231-00
37-25	1E7-83371-20	38- 1	1E8-11630-10	5-18	1E8-17241-00
37-25	1E7-83371-51	38- 1	1E8-11630-20	5-21	1E8-17251-00
37-24	1E7-83395-01	38- 1	1E8-11630-30	5- 1	1E8-17410-00
32- 8	1E7-83513-00	38- 1	1E8-11630-40	5-13	1E8-17471-01
32- 7	1E7-83519-00-98	3-29	1E8-11631-00-96	9- 2	1E8-17831-00
32- 6	1E7-83520-00	3-29	1E8-11631-00-97	15- 1	1E8-21110-00-33
32-12	1E7-83522-00	3-29	1E8-11635-00	15- 1	1E8-21110-20-33
32-13	1E7-83524-00	3-29	1E8-11636-00	15- 1	1E8-21110-70-33
32- 3	1E7-83536-00	3-29	1E8-11637-00	16- 7	1E8-21170-01-33
32- 4	1E7-83540-01	3-29	1E8-11638-00	16-17	1E8-21781-00
32-11	1E7-83543-00	13-11	1E8-13101-00	16-18	1E8-21782-00
32-18	1E7-83560-00	11-15	1E8-14126-00	17- 7	1E8-22210-00
22- 3	1E7-83973-10-98	11- 1	1E8-14301-90	17-12	1E8-22311-00-33
34- 1	1E7-84710-30	11- 2	1E8-14302-90	20- 1	1E8-23100-01
33- 1	1E7-84710-40	11-28	1E8-14312-25	20- 1	1E8-23100-31
34- 2	1E7-84711-30	11-28	1E8-14313-25	20-12	1E8-23110-01
33- 2	1E7-84711-40	11-29	1E8-14336-00	20-16	1E8-23141-00
33- 9	1E7-84712-20	12-10	1E8-14611-00	20-13	1E8-23151-00
33-34	1E7-84717-20	12-11	1E8-14621-00	20-14	1E8-23157-00
34-15	1E7-84717-30	12- 1	1E8-14710-00	20-15	1E8-23170-01
33-10	1E7-84726-40	12- 2	1E8-14720-00	29-14	1E8-25320-00
33- 8	1E7-84751-20-35	12- 3	1E8-14753-00	29-17	1E8-25353-00
34- 7	1E7-84751-30-35	1- 1	1E8-15111-00	22-14	1E8-26260-00
33- 8	1E7-84751-40-35	1- 2	1E8-15121-00	22-14	1E8-26260-10
34-10	1E7-84753-00	2- 1	1E8-15410-00	18- 1	1E8-27111-00
25- 2	1E7-85720-02	2-13	1E8-15415-00	18- 6	1E8-27115-00
38-12	1E8-00000-20	2-16	1E8-15421-00	18- 3	1E8-27211-00-93
38-34	1E8-00000-60	2-17	1E8-15451-00	37- 1	1E8-82110-70
1-15	1E8-11111-00	8-11	1E8-15641-00	37- 5	1E8-82115-01
1-14	1E8-11181-00	5-23	1E8-15651-00	37- 6	1E8-82116-01
1-12	1E8-11311-00	4- 2	1E8-16150-00	32- 1	1E8-83510-21
1-13	1E8-11321-00	4- 1	1E8-16301-00	32- 1	1E8-83510-41
1-11	1E8-11351-00	4- 5	1E8-16371-00	37-30	1E8-82590-10
		5- 7	1E8-17131-00	22-11	1E8-83963-00
				37-23	1H7-83350-20
				11-22	1J2-14398-00

NUMERICAL INDEX

Ref No.	Parts No.	Ref No.	Parts No.	Ref No.	Parts No.
29-37	1J2-25388-00	14-13	133-81132-10	6-5	164-18551-00
14-20	101-81111-10	21-6	136-23415-00	6-12	164-18561-00
27-21	102-18416-00	29-10	136-25115-00	6-19	164-18571-01
12-20	102-27114-00	29-17	136-25153-00	6-21	164-18579-00
14-16	110-81345-20	29-18	136-25351-01	6-20	164-18589-00
14-19	110-81345-20	37-21	136-82540-00	17-6	164-22216-00
8-12	117-15644-00	35-8	136-83311-20	21-9	164-23441-00-98
17-19	120-27433-00	31-5	136-84321-00	14-7	164-81246-21
24-7	122-24181-00	31-6	136-84322-00	14-12	164-81246-21
18-2	122-27112-00	13-17	137-13128-00	22-19	168-83936-01
34-4	122-84523-30	13-12	137-13137-00-03	37-31	168-83936-01
32-2	123-83516-21	13-12	137-13137-00-05	15-16	169-23480-10
32-5	123-83516-21	13-12	137-13137-00-10	30-10	169-84314-10
13-1	126-13116-00	13-12	137-13137-00-30	30-11	169-84346-10
34-5	127-84521-31	13-12	137-13137-00-50	19-12	170-21746-00
33-5	127-84524-30	13-13	137-13138-01	17-5	173-22151-00
34-6	127-84524-30	13-24	137-13552-02	37-3	173-82122-00
3-30	131-11633-00	6-24	137-15353-00	3-3	174-11422-02
3-10	132-11561-00-03	4-7	137-16367-00	3-4	174-11432-02
3-19	132-11561-00-03	29-21	137-25159-00	3-13	174-11511-01
3-10	132-11561-00-05	31-7	137-84323-30	3-18	174-11515-00
3-19	132-11561-00-05	34-3	137-84714-61	3-8	174-11681-00
12-13	132-14613-00	16-6	141-21717-00	3-9	174-11685-00
12-17	132-14713-00	29-2	141-25304-00	13-7	174-13178-00
12-18	132-14714-01	29-3	141-25396-90	4-4	174-16154-00
5-24	132-15653-00-10	29-4	141-25397-90	4-14	174-16356-00
5-24	132-15653-00-12	14-23	141-81113-10	5-29	174-17461-30
5-24	132-15653-00-14	27-10	148-25115-00	5-29	174-17461-40
8-14	132-15664-00	29-27	148-25412-00	5-29	174-17461-50
8-16	132-15676-00	37-10	148-82151-00	5-29	174-17461-60
4-8	132-16346-00	8-3	156-15618-01	5-29	174-17461-70
2-8	132-16346-00	21-1	156-23411-00	5-29	174-17461-80
7-10	132-18113-01	21-2	156-23412-00	7-1	174-18101-02
6-15	132-18140-01	18-22	156-27413-00	6-1	174-18500-03
18-18	132-27414-00	5-9	164-17427-00-04	6-3	174-18511-00
18-19	132-27417-00	5-9	164-17427-00-06	6-7	174-18512-00
18-17	132-27422-00	5-9	164-17427-00-08	6-8	174-18513-00
14-9	132-81225-10	5-9	164-17427-00-10	6-2	174-18541-03
14-8	132-81226-10	5-9	164-17427-00-12		

NUMERICAL INDEX

Ref No.	Parts No.	Ref No.	Parts No.	Ref No.	Parts No.
17- 2	174-22123-00	31- 3	237-84310-30	23-19	306-25862-00
26-16	174-24741-00	31- 9	237-84312-30	23-25	306-25873-05
29- 1	174-25311-00	31- 4	237-84315-30	23-22	306-25875-00
29-19	174-25330-00	30- 1	237-84330-60-33	23-29	306-25881-00
29-13	174-25364-00	31- 1	237-84330-60-33	36- 6	306-83311-40
29-25	174-25366-01	1-23	241-15357-01	36-16	306-83311-40
29-29	174-25387-00	2- 4	241-16341-01	36-13	306-83313-40
29-26	174-25438-20	2- 6	241-16342-00	36-14	306-83332-40
29-26	174-25439-20	27-27	246-25118-00	30-13	306-84301-40
29-26	174-25440-20	9- 3	248-17837-00	31-13	306-84301-40
18- 6	174-27115-00	26- 8	248-24726-00-33	30- 8	306-84346-40
17-14	183-22332-01	8-10	251-15687-00	31-10	306-84347-30
21- 4	183-23411-00	37-15	254-82310-60	30-14	306-84357-40
21- 3	183-23412-00	29-43	256-25371-00	31-14	306-84357-40
14- 4	183-81421-10	30-15	256-84347-00	33- 7	306-84714-40
37-18	183-82341-01	31-15	256-84347-00	12-12	307-14612-00
36- 4	183-83312-70	30-16	256-84350-61	7-17	307-18112-00-93
35- 7	183-83313-70	31-16	256-84350-61	2- 2	307-18188-01
36- 3	183-83313-70	35-11	260-83316-30	35- 4	307-83330-20-93
35- 5	183-83332-21	36- 7	260-83316-30	30- 3	307-84303-21
35- 6	183-83333-21	35-12	260-83326-30	30- 5	307-84320-21
36- 5	183-83333-71	36- 8	260-83326-30	31-18	307-84348-00
36-15	183-83333-71	8- 1	278-15611-00-93	31-19	307-84349-00
31-11	183-84345-30	16-14	278-27114-00	30- 6	308-84112-21
31-12	195-84324-00	26-17	278-27114-00	30- 4	308-84115-21
30-12	195-84325-00	18-32	278-27314-00	30- 9	308-84124-20
31-17	195-84325-00	35- 1	278-83310-45-93	30- 7	308-84135-21
14-24	207-81331-10	30-10	278-84314-21	33-22	308-84553-00
9-10	214-17843-00	33- 6	278-84718-40	10-25	314-13610-01
24-17	214-24512-00	11-35	288-14161-00	10-26	314-13613-00
22- 6	214-83912-00	11-18	288-14334-00	10-27	314-13616-01
22- 8	214-83913-00	11-27	288-14334-00	10-30	314-13621-02
30- 2	214-84153-60	13-29	293-13174-00	22-20	326-26328-00
31- 2	214-84153-60	25- 3	296-21771-01	4- 6	336-16324-00
35- 4	235-83330-95-93	25- 4	296-21772-00	12-19	337-14779-00
31- 8	235-84314-00	33- 3	296-84523-00	8- 2	337-15621-01-91
5-11	237-15389-00	14-17	299-81133-10	8- 9	337-15660-00
4-18	237-16357-01	27-22	306-25136-00	7- 9	337-18111-01-93
9- 1	237-17861-00	28-14	306-25829-00	15-13	337-21165-00-93

NUMERICAL INDEX

Ref No.	Parts No.	Ref No.	Parts No.	Ref No.	Parts No.
17- 3	337-22141-00	11- 5	396-14343-40	22- 1	416-26111-20
29-22	337-25355-00	36- 1	396-83310-40-93	35- 2	416-83310-40-93
22- 1	337-26111-00	36- 2	396-83320-40-93	35- 3	416-83320-40-93
18- 1	337-27111-00	3- 5	397-11442-01	30- 3	416-84303-40
18- 8	337-27231-00	38- 6	397-11650-00	30- 3	416-84303-45
18-15	337-27411-00	3- 6	397-11651-00	30- 6	416-84312-40
18-16	337-27412-00	12- 6	397-14771-00-33	17- 1	417-22110-00-33
14-25	337-81153-10	12- 7	397-14781-00-33	18-23	417-27311-00
37-32	337-81910-10	1-18	397-15118-00	36-11	417-83330-40-93
27-12	341-25137-00	3-26	397-16111-00	36-12	417-83340-40-93
27-14	341-25149-00	5- 8	397-17121-00	27-16	428-25135-00
27-15	341-25846-00	5- 2	397-17411-00	27-20	428-25138-00
23-14	341-25867-00	5-15	397-17421-00	11-37	434-14146-00
23-21	341-25881-00	29-34	397-25381-00	9- 6	438-17811-00
22-23	341-26290-51	14- 1	397-81100-10	9- 8	438-17812-00
22-26	341-26290-51	14- 3	397-81110-10	25- 8	439-21759-01
22-24	341-26290-61	14- 2	397-81155-10	25- 9	439-24119-00
22-25	341-26290-61	28- 5	404-20000-11	9- 4	443-17841-00
26-18	341-28185-00	28- 6	404-20000-20	33-12	444-84753-60
26-20	341-28188-00	28- 7	404-20000-30	19-20	449-85131-00
23-32	341-83925-00	28- 8	404-20000-41	33-31	449-85131-00
32-17	351-83550-00	27- 2	404-25104-00	20-26	451-23346-01
13-23	353-13552-01	27- 1	404-25111-00	30- 5	460-84320-40
2-14	360-15435-00	27- 9	404-25117-00	30- 5	460-84320-45
2-22	360-15435-00	27-16	404-25135-00	28-12	464-25827-00
11- 7	367-14195-00	27-20	404-25138-00	23-20	464-25872-02
11- 3	367-14342-22	27-23	404-25181-00	17-18	465-27431-00
11- 8	367-14385-00	27-19	404-25191-00	1-21	498-15371-00
26-15	371-24728-00	27- 3	404-25196-90	24-18	498-24522-00
16-15	371-82121-00	27- 4	404-25197-90	22- 4	498-82910-10
16-16	371-82126-00	28- 2	404-25412-00	22- 5	498-82911-00
35-13	371-82519-00	28- 1	404-25831-00	18-23	507-27311-00
11-30	389-14137-00	23-30	404-25871-01	18-28	507-27315-01
11-39	389-14349-00	23-26	404-25876-00	1-26	521-11161-01
1-20	389-15128-00	28- 9	404-25919-00	27-30	521-25127-00
11-36	389-14124-00	27- 2	416-25104-10	37-12	526-82579-00
11-31	396-14136-00	27- 3	416-25196-80	33-11	533-84525-40
11-32	396-14331-00	27- 4	416-25197-80	23- 2	535-20000-10
11- 4	396-14341-00	23-20	416-25872-24	21- 8	535-23435-00-98

NUMERICAL INDEX

Ref No.	Parts No.	Ref No.	Parts No.	Ref No.	Parts No.
28- 4	535-25810-00	24-24	90149-06011	5-20	90201-20266
28-13	535-25915-00	17-13	90149-06012	17-20	90201-20279
29-35	537-25388-00	7- 4	90149-08094	4-16	90201-20611
33- 4	543-84521-41	23-36	90170-06010	27-13	90201-25286
18-28	553-27315-00	13- 9	90170-08205	27-17	90201-25490
3-32	558-11610-00	17- 4	90170-14163	24-25	90202-06010
3-32	558-11610-10	29-40	90170-20167	15-18	90206-04003
3-32	558-11610-20	27-29	90171-14006	3-27	90208-12015
3-32	558-11610-30	29-41	90171-14006	33-15	90209-06095
3-32	558-11610-40	17- 8	90176-10013	33-26	90209-06095
15-17	584-23484-00	21-13	90176-16016	24-10	90209-08098
11-20	619-24535-00	18-14	90179-06176	27-28	90209-14136
11- 9	626-14386-00	1-16	90179-07203	5-32	90209-16133
11-23	647-14335-00	22-18	90179-08148	21-12	90209-17057
15-12	803-82591-00	3-28	90179-12044	4-12	90215-16020
37-19	808-82370-10	4-13	90179-16018	5-31	90215-16020
29-23	90101-06278	5-30	90179-16018	17-21	90240-06042
29-39	90101-08034	21- 7	90179-25033	7-14	90240-08053
28-15	90101-08244	26- 4	90201-05031	6-10	90249-04039
19- 2	90101-08281	10- 8	90201-06055	18-13	90249-12008
15-11	90105-08028	10-18	90201-06067	6- 4	90250-10020
29-28	90105-10005	16-10	90201-06067	15-19	90269-04003
17-11	90106-08027	20-31	90201-06067	3-34	90280-03017
6-16	90109-06001	25-13	90201-06067	3-35	90282-05005
34-11	90109-06005	17-15	90201-07079	15-21	90338-04010
33-20	90109-06022	21-16	90201-08083	19-11	90338-07043
18-20	90109-08193	7-16	90201-08085	15-22	90338-09060
28- 3	90109-08367	18-35	90201-08310	1- 8	90340-12005
29-48	90109-08375	13- 2	90201-08624	10-17	90387-07390
18-24	90109-08417	23-18	90201-10118	16- 9	90387-07390
18-24	90109-08438	18-21	90201-10132	20-30	90387-07390
6-25	90109-14385	17- 9	90201-10140	25-12	90387-07390
4-20	90113-06013	18-36	90201-10146	33-16	90387-07390
1-10	90116-07227	6-18	90201-12166	33-27	90387-07390
12-14	90116-08166	7-11	90201-12174	18-34	90387-10537
4-11	90119-05001	7- 7	90201-12183	27-25	90387-15256
22-17	90123-08046	17-10	90201-14218	29-33	90387-20160
14-27	90143-07016	8- 5	90201-15234	5-28	90387-20346
23-35	90146-06008	5- 4	90201-20266	4-15	90387-20439

NUMERICAL INDEX

Ref No.	Parts No.	Ref No.	Parts No.	Ref No.	Parts No.
3-25	90387-20499	33-17	90480-14102	9- 9	92501-06010
29-36	90387-26197	33-28	90480-14102	37- 7	92501-06010
23-17	90401-10034	24- 9	90480-25135	1-19	92501-06012
13-20	90430-04004	13-22	90501-02018	17-16	92501-06012
37-22	90430-11034	18-12	90501-10245	37-28	92501-06015
1- 9	90430-12038	23-37	90501-10312	37-33	92501-06015
13-27	90445-05031	8- 4	90501-12081	10- 9	92501-06018
13-26	90445-05034	6-23	90501-12083	2-20	92501-06035
37- 2	90445-08247	4-10	90501-20122	1- 4	92501-06065
25-16	90445-09070	15-20	90502-08005	14-29	92501-06085
24-14	90445-09078	7- 2	90506-09009	1- 5	92501-06090
24-13	90445-09083	6-17	90506-09112	14-30	92501-06105
1-22	90446-07112	2- 7	90506-10019	10-32	92506-06025
25- 7	90446-09099	29-20	90506-18103	2-10	92506-06030
10-24	90460-37026	18- 7	90506-26134	2-15	92506-06030
10-23	90460-43053	18- 7	90506-32056	2-19	92506-06030
10-22	90460-51059	18-29	90507-26026	2- 9	92506-06040
6-27	90462-05004	18-29	90507-29009	2-23	92506-06040
19- 8	90464-08020	18-29	90507-29022	26-14	92706-06012
19- 9	90464-10022	8-15	90508-26136	10-29	92901-03100
19-10	90464-15023	18-33	90508-29307	11-13	92901-04100
1-24	90465-08046	18- 5	90508-32056	14- 6	92901-04100
24-15	90467-08003	7- 3	90508-32207	14-11	92901-04100
25- 6	90467-08003	29- 9	90560-15136	14-15	92901-04100
13-25	90468-02033	13-18	91401-12018	14-18	92901-04100
13-28	90468-02033	7-13	91401-16012	14-21	92901-04100
26-10	90468-10050	17-22	91401-16012	14- 5	92901-04200
29-47	90468-12006	18-10	91401-20012	14-10	92901-04200
16- 4	90480-01141	29-51	91401-20012	14-14	92901-04200
26-19	90480-06007	18-27	91401-20018	6-14	92901-05100
29-15	90480-10068	6- 6	91401-25020	12- 5	92901-05100
10- 7	90480-10190	29-42	91401-30030	13-14	92901-05100
16- 5	90480-12013	27-24	91401-30030	19-22	92901-05100
19-23	90480-12013	26- 9	91501-05055	24- 6	92901-05100
16- 3	90480-12053	2-18	91810-02015	26- 5	92901-05100
10-16	90480-14102	1- 3	91810-05016	28-11	92901-05100
16- 8	90480-14102	1- 6	91830-21014	32- 9	92901-05100
20-29	90480-14102	37-13	92501-05010	33-32	92901-05100
25-11	90480-14102	6-26	92501-06010	37-14	92901-05100