

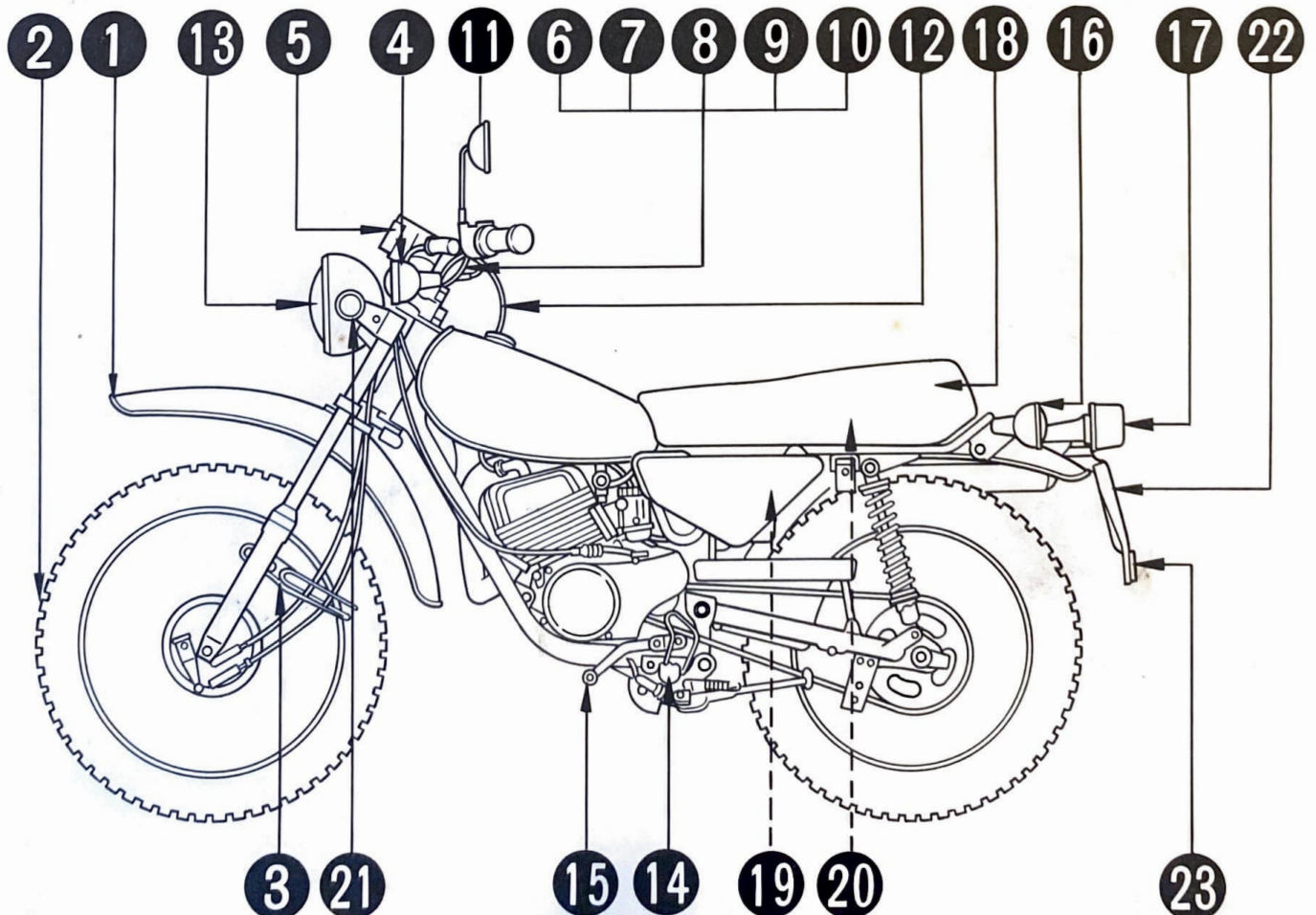


YAMAHA

www.legends-yamaha-enduros.com

DT100K

SUPPLEMENTARY ASSEMBLY MANUAL



FOREWORD

This Supplementary assembly manual has been prepared to introduce the setup procedures and pre-delivery service for the DT100K.

For complete information, it is necessary to use the MX/DT/TT/XT/SR series Basic assembly manual (LIT-11666-03-86) together with this Supplementary assembly manual.

NOTICE

The service specifications given in this Supplementary assembly manual are based on the model as manufactured. Modifications and significant changes in specifications and/or procedures will be forwarded to Authorized Yamaha Dealers. The procedures below are described in the order that the procedures are carried out correctly and completely. Failure to do so can result in poor performance and possible harm to the motorcycle and/or rider.

CONCERNING CRATE DAMAGE:

Follow the instructions in the Dealer warranty handbook, Procedure section.

Particularly important information is distinguished in this manual by the following notations:

NOTE: A NOTE provides key information to make procedure easier or clearer.

CAUTION: A CAUTION indicates special procedures that must be followed to avoid damage to the motorcycle.

WARNING: A WARNING indicates special procedures that must be followed to avoid injury to a motorcycle operator or person inspecting or repairing the motorcycle.

SERVICE DEPT.
INTERNATIONAL DIVISION
YAMAHA MOTOR CO., LTD.

www.legends-yamaha-enduros.com

DT100K SUPPLEMENTARY ASSEMBLY MANUAL

© 1982 by Yamaha Motor Corporation, U.S.A.

1st edition, MAY 1982

All rights reserved. Any reprinting or
unauthorized use without the written permission
of Yamaha Motor Corporation, U.S.A., is
expressly prohibited.

Printed in U.S.A.

LIT-11666-03-67

GLOSSARY

(Symbols most commonly used)

- C:** The "C" marked parts are contained in the small carton box.
- S:** The "S" marked parts are contained in the styrofoam tray (Upper or Lower)
- V:** The "V" marked parts are contained in the vinyl bag.
- ***: The asterisked (*) parts are temporarily fitted on the motorcycle.

www.legends-yamaha-enduros.com

SETUP PROCEDURES

NOTE: _____

Please read the following chapters in the Basic assembly manual before proceeding to the set-up.

CHAPTER 1: INTRODUCTION

CHAPTER 2: SETUP AND PREDELIVERY CHECK

CHAPTER 3: TOOLS AND TORQUE SPECIFICATIONS

CHAPTER 4: CRATES

CHAPTER 5: INSTALLATION PROCEDURES

Parts list

No.	Part name	Qty	Locating mark	Remarks
1. Front fender 5 F.F-C				
1	Front fender	1	S	
2	Hexagon bolt with spring washer	4	V	d = 6 mm (0.24 in) ℓ = 14 mm (0.55 in)
3	Plain washer	4	V	d = 6 mm (0.24 in)
4	Hexagon nut	4	V	d = 6 mm (0.24 in)
2. Front wheel 5 F.W-C				
1	Front wheel	1	S	
2	Front wheel axle	1	*	d = 12 mm (0.47 in)
3	Wheel axle collar	1	V	d = 12 mm (0.47 in)
4	Front brake shoe plat assembly	1	S	
5	Plain washer	1	*	d = 12 mm (0.47 in)
6	Castle nut	1	*	d = 12 mm (0.47 in)
7	Cotter pin	1	V	d = 2 mm (0.08 in) ℓ = 20 mm (0.79 in)
8	Speedometer cable	1	S	
9	Stop ring	1	S	
10	Adjuster bolt	1	S	
11	Hexagon nut	1	S	d = 6 mm (0.24 in)
12	Brake cable	1	S	
13	Brake cable cover	1	S	Rubber
3. Cable holder 5 C.H-A				
1	Cable holder	1	C	
2	Hexagon bolt with spring washer	2	V	d = 6 mm (0.24 in) ℓ = 12 mm (0.47 in)

Parts list

No.	Part name	Qty	Locating mark	Remarks
4. Front flasher light 5 F.L-B				
1	Front flasher light	2	S	
2	Front flasher light stay	2	C	
3	Hexagon bolt	2	V	d = 8 mm (0.32 in) ℓ = 20 mm (0.79 in)
4	Hexagon nut	2	V	d = 8 mm (0.32 in)
5	Crown nut	2	V	d = 8 mm (0.32 in)
5. Meter assembly 5 M.E-B				
1	Meter assembly	1	S	
2	Hexagon bolt with spring washer	2	V	d = 6 mm (0.24 in) ℓ = 10 mm (0.4 in)
6. Handlebar 5 H.A-G				
1	Handlebar	1	S	
2	Flange bolt	4	V	d = 8 mm (0.32 in) ℓ = 35 mm (1.4 in)
3	Upper handlebar holder	2	V	
7. Throttle grip 5 T.G-D				
1	Throttle grip	1	*	
2	Panhead screw	1	*	d = 5 mm (0.20 in) ℓ = 30 mm (1.2 in)
3	Panhead screw	1	*	d = 5 mm (0.2 in) ℓ = 22 mm (0.87 in)
8. Handlebar switch 5 H.S-B				
1	Handlebar switch	1	*	
2	Panhead screw	3	*	d = 5 mm (0.20 in) ℓ = 30 mm (1.2 in)
9. Brake cable 5 B.C-C				
1	Front brake cable	1	*	
2	Front brake switch lead	1	*	
10. Clutch cable 5 C.C-B				
1	Clutch cable	1	*	
11. Rear view mirror 5 R.V-B				
1	Rear view mirror	1	C	
2	Blind plug	1	*	Rubber or Plastic
12. Fuel tank breather pipe 5 F.B-A				
1	Fuel tank breather pipe	1	C	Rubber
2	Clip	2	*	Plastic

Parts list

No.	Part name	Q'ty	Locating mark	Remarks
13. Headlight lens unit				5 H.L-A
1	Headlight lens unit assembly	1	*	
2	Headlight bolt with spring washer and plain washer	1	*	d = 6 mm (0.24 in) ℓ = 20 mm (0.79 in)
14. Footrest				5 F.R-B
1	Footrest	1	S	
2	Hexagon bolt with spring washer	2	V	d = 8 mm (0.32 in) ℓ = 20 mm (0.79 in)
3	Hexagon bolt with spring washer	2	V	d = 8 mm (0.32 in) ℓ = 16 mm (0.63 in)
15. Change pedal				5 C.P-A
1	Change pedal	1	S	
2	Hexagon bolt	1	V	d = 6 mm (0.24 in) ℓ = 20 mm (0.79 in)
16. Rear flasher light				5 R.F-B
1	Rear flasher light	2	S	
2	Rear flasher light bracket	2	C	
3	Spring washer	2	V	d = 10 mm (0.4 in)
4	Hexagon nut	2	V	d = 10 mm (0.4 in)
5	Hexagon bolt with spring washer	2	*	d = 8 mm (0.32 in) ℓ = 40 mm (1.6 in)
6	Plain washer	2	*	d = 8 mm (0.23 in)
7	Crown nut	2	*	d = 8 mm (0.32 in)
17. Taillight assembly				5 T.L-C
1	Taillight assembly	1	S	
2	Hexagon bolt	3	V	d = 6 mm (0.24 in) ℓ = 14 mm (0.55 in)
3	Spring washer	3	V	d = 6 mm (0.24 in)
4	Hexagon nut	1	V	d = 6 mm (0.24 in)
18. Seat				5 S.T-B
1	Seat	1	S	
2	Clevis pin	1	V	d = 5 mm (0.2 in) ℓ = 100 mm (3.9 in)
3	Hexagon bolt with spring washer	1	V	d = 6 mm (0.24 in) ℓ = 12 mm (0.47 in)
4	Stopper plate	1	V	

Parts list

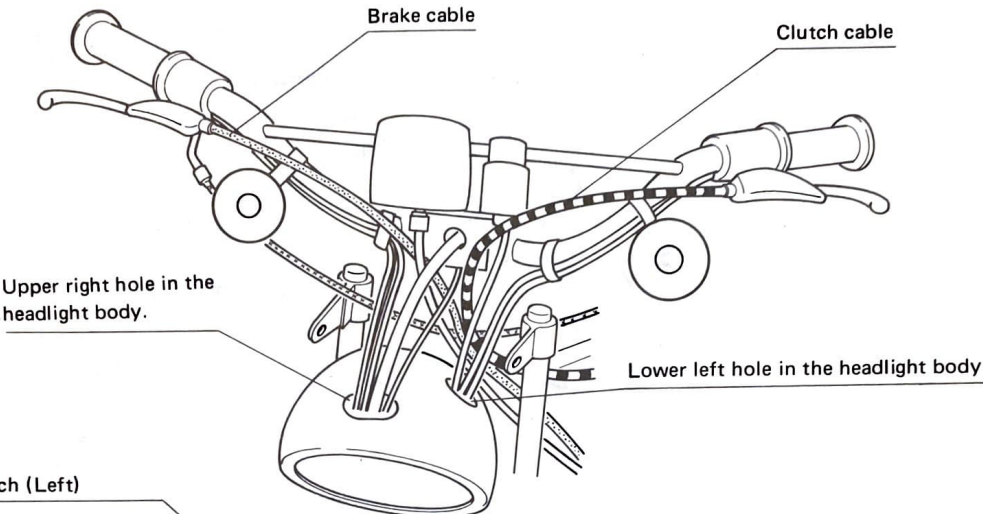
No.	Part name	Q'ty	Locating mark	Remarks
19. Battery				5 B.A-B
1	Battery breather pipe	1	C	Rubber
2	Battery	1	*	
3	Battery band	1	*	Rubber
20. Tool kit				5 T.K-B
1	Tool kit	1	C	
2	Tool cover	1	C	
3	Tool band	1	C	Rubber
21. Reflector				5 R.E-B
1	Reflector	2	V	
2	Plain washer	2	V	d = 5 mm (0.2 in)
3	Spring washer	2	V	d = 5 mm (0.2 in)
22. Licence bracket				5 L.B-A
1	License bracket	1	S	
2	Hexagon bolt with spring washer	2	V	d = 6 mm (0.24 in) ℓ = 16 mm (0.63 in)
3	Plain washer	2	V	d = 6 mm (0.24 in)
4	Plain washer	2	V	d = 6 mm (0.24 in)
5	Hexagon nut	2	V	d = 6 mm (0.24 in)
23. Reflector				5 R.E-C
1	Reflector	1	V	
2	Plain washer	1	V	d = 5 mm (0.2 in)
3	Spring washer	1	V	d = 5 mm (0.2 in)
4	Hexagon nut	1	V	d = 5 mm (0.2 in)

CABLE ROUTING



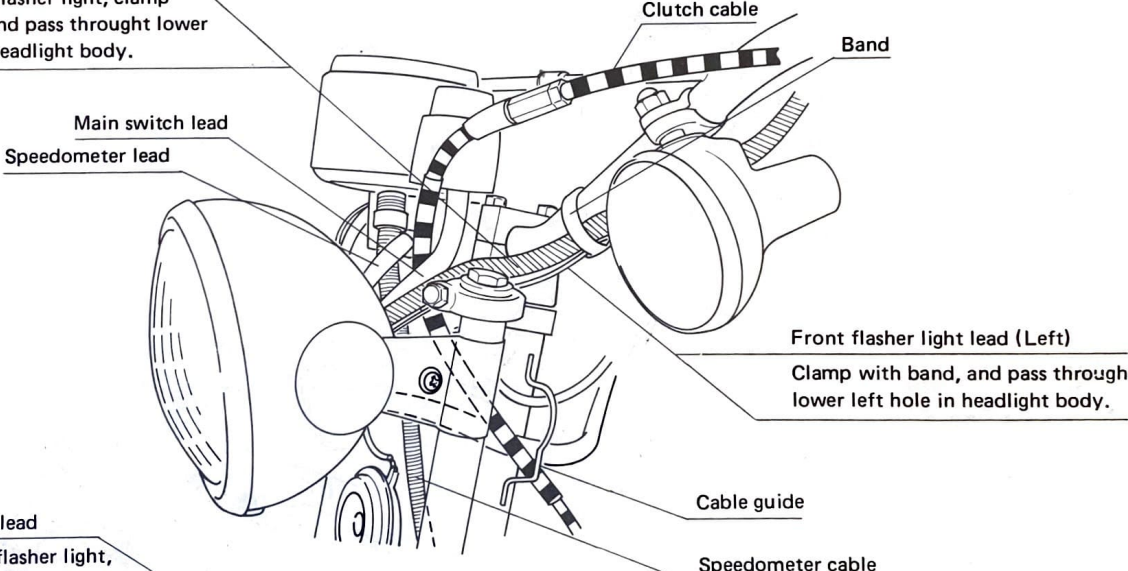
CAUTION:

Proper cable and lead routing is essential to insure safe vehicle operation.



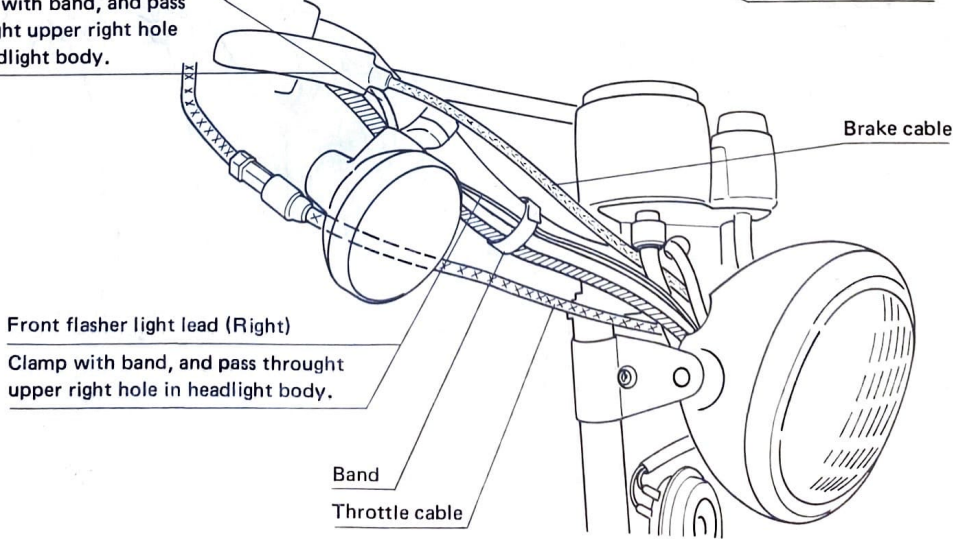
Handlebar switch (Left)

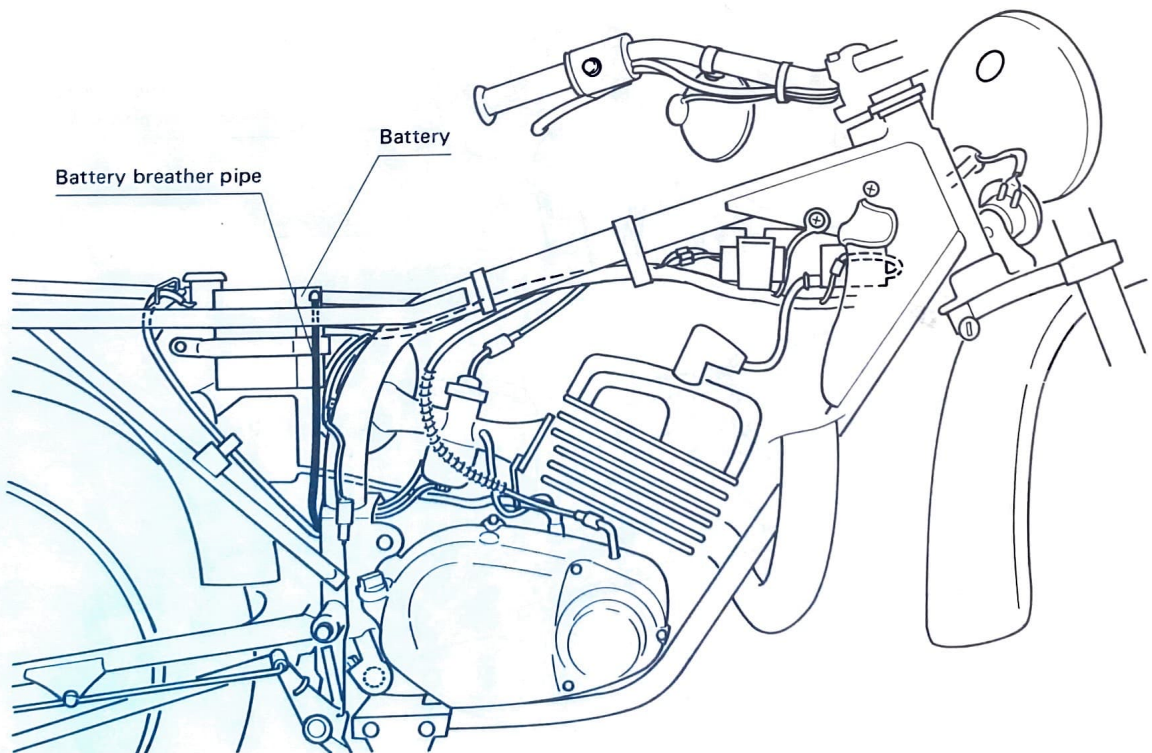
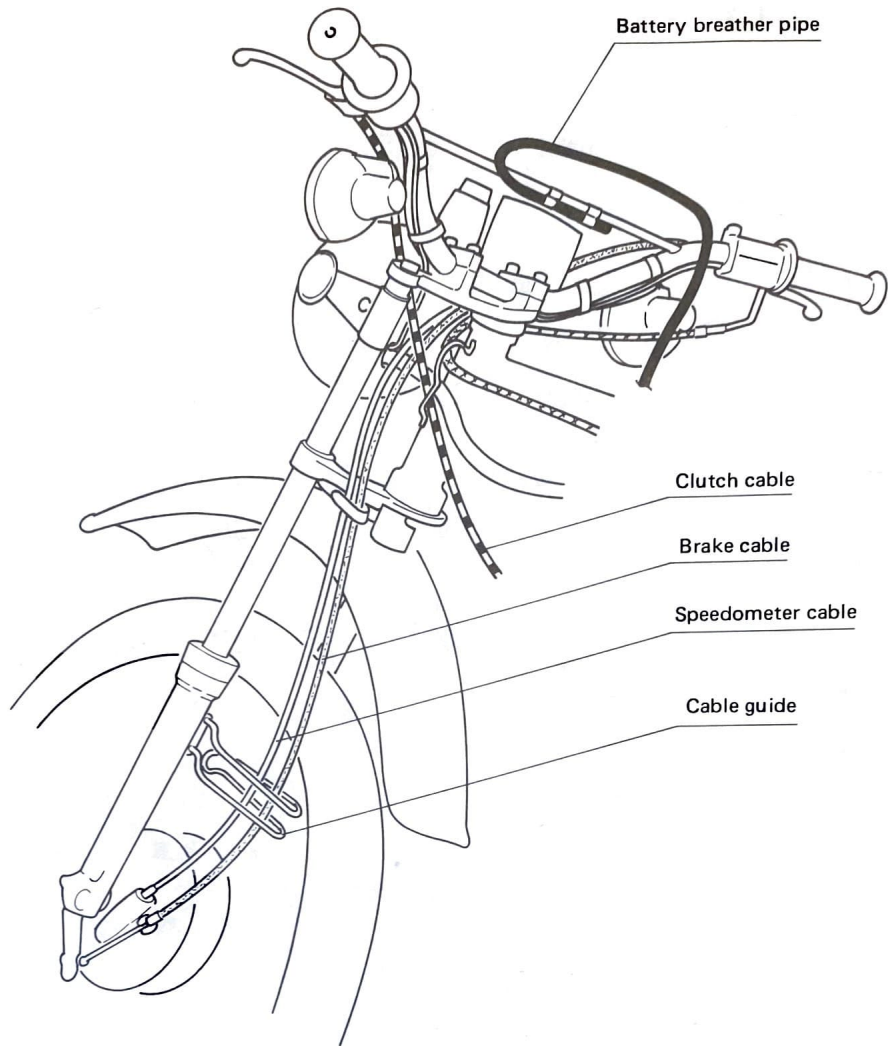
Pass behind flasher light, clamp with band, and pass through lower left hole in headlight body.

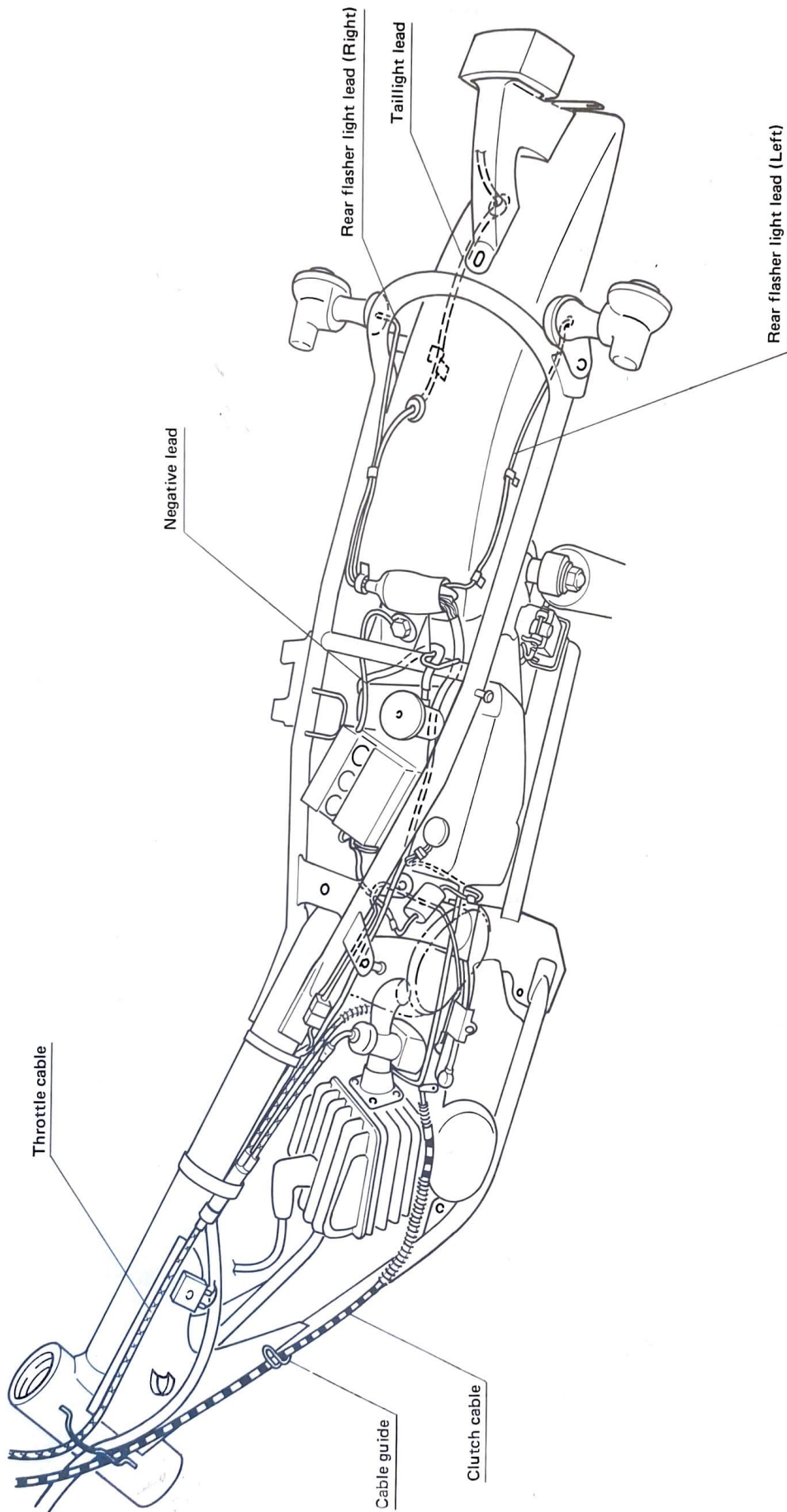


Stop switch lead

Pass behind flasher light, clamp with band, and pass through upper right hole in headlight body.







ADJUSTMENTS AND PREDELIVERY SERVICE

NOTE:

Please read the following chapter in the Basic assembly manual before proceeding to the adjustments and predelivery service.

CHAPTER 6: APPENDICES

1. Engine oil level check

6 2.E-C

Recommended oil:

Yamalube 2-cycle oil or 2-stroke engine oil with "BIA certified for service TC-W".

Oil tank capacity:

1.0 L (0.88 Imp qt, 1.06 US qt)

2. Transmission oil level check

6 T.L-B

Recommended oil:

Yamalube 4-cycle oil or SAE 10W30 type SE motor oil

Oil capacity:

0.6 ~ 0.7 L (0.53 ~ 0.61 Imp qt,
0.64 ~ 0.74 US qt)

3. Bleeding the Autolube pump

6 B.P-A

4. Fuel draining

6 F.D-B

5. Front brake adjustment

6 F.B-B

Free play: 5 ~ 8 mm (0.20 ~ 0.32 in)

6. Throttle cable adjustment

6 T.C-A

Free play: 5 ~ 7 mm (0.20 ~ 0.28 in)

7. Clutch adjustment

6 C.A-B

Free play: 2 ~ 3 mm (0.08 ~ 0.12 in)

8. Rear brake adjustment

6 R.B-B

Free play: 20 ~ 30 mm (0.8 ~ 1.1 in)

9. Fuel cock cleaning

6 F.C-A

10. Drive chain tension check

6 D.C-A

Chain deflection:

20 ~ 30 mm (0.8 ~ 1.1 in)

11. Headlight beam adjustment

6 H.E-C

12. Brake light switch adjustment

6 B.S-A

13. Battery

6 B.A-A

www.legends-yamaha-enduros.com

APPENDICES

SERVICE DATA

Idling engine speed:	1,300 r/min	
Spark plug: Type Gap	B7ES 0.6 ~ 0.8 mm (0.024 ~ 0.031 in)	
Fuel: Recommended fuel Fuel tank capacity	Regular gasoline 4.5 L (1.0 Imp gal, 1.2 US gal)	
Tire pressure (Cold tire pressure):	Front	Rear
Normal riding	157 kPa (1.6 kg/cm ² , 22 psi)	196 kPa (2.0 kg/cm ² , 28 psi)
Off road riding	98 kPa (1.0 kg/cm ² , 14 psi)	118 kPa (1.2 kg/cm ² , 18 psi)

www.legends-yamaha-enduros.com

TORQUE SPECIFICATION CHART

Parts to be tightened	Bolt/Nut size	Tightening torque		
		Nm	m·kg	ft·lb
Engine:				
Spark plug		25	2.5	18.0
Chassis:				
Front fender and under bracket (F.F-C #1)	M6 x 1.0	6	0.6	4.3
Front wheel axle and nut (F.W-C #1)	M12 x 1.25	43	4.3	31.0
Cable holder (C.H-A #1)	M6 x 1.0	6	0.6	4.3
Handlebar upper holder and handlebar lower holder (H.A-G #1)	M8 x 1.25	20	2.0	14.0
Footrest (F.R-B #1, #2)	M8 x 1.25	18	1.8	13.0
Change pedal (C.P-A #1)	M6 x 1.0	6	0.6	4.3
Seat (S.T-B #1)	M6 x 1.0	6	0.6	4.3
Handle crown and inner tube	M8 x 1.25	26	2.6	19.0
Engine mounting				
Front, upper	M8 x 1.25	26	2.6	19.0
Rear, upper	M8 x 1.25	26	2.6	19.0
Rear, lower	M8 x 1.25	39	3.9	28.0
Pivot shaft and frame	M12 x 1.25	43	4.3	31.0
Rear wheel axle and nut	M10 x 1.25	39	3.9	28.0
Tension bar and brake shoe plate	M8 x 1.25	18	1.8	13.0
Tension bar and rear arm	M8 x 1.25	18	1.8	13.0
Frame and rear shock absorber (upper)	M12 x 1.25	39	3.9	28.0
Rear arm and rear shock absorber (lower)	M10 x 1.25	25	2.5	18.0
Camshaft lever and camshaft	M6 x 1.0	9	0.9	6.5
Sprocket wheel mounting bolt	M8 x 1.25	20	2.0	14.0
Steering lock and under bracket	M5 x 0.8	6	0.6	4.3
Under bracket and inner tube	M10 x 1.25	39	3.9	28.0
Handle crown and steering shaft	M14 x 1.25	65	6.5	47.0

OWNER'S TOOL KIT

No.	Part name	Q'ty
1	Owner's tool bag	1
2	Pliers	1
3	Spanner (8-10)	1
4	Spanner (10-12)	1
5	Spanner (14-17)	1
6	Special spanner	1
7	Spark plug wrench (17-21)	1
8	Screwdriver grip	1
9	Screwdriver bit (Phillips-head and Slotted-head)	1
10	Screwdriver bit (Phillips-head)	1
11	Screwdriver grip cap	1
12	Hexagon wrench (6)	1

www.legends-yamaha-enduros.com

www.legends-yamaha-enduros.com



YAMAHA MOTOR CO., LTD.

IWATA, JAPAN

PRINTED IN U.S.A.