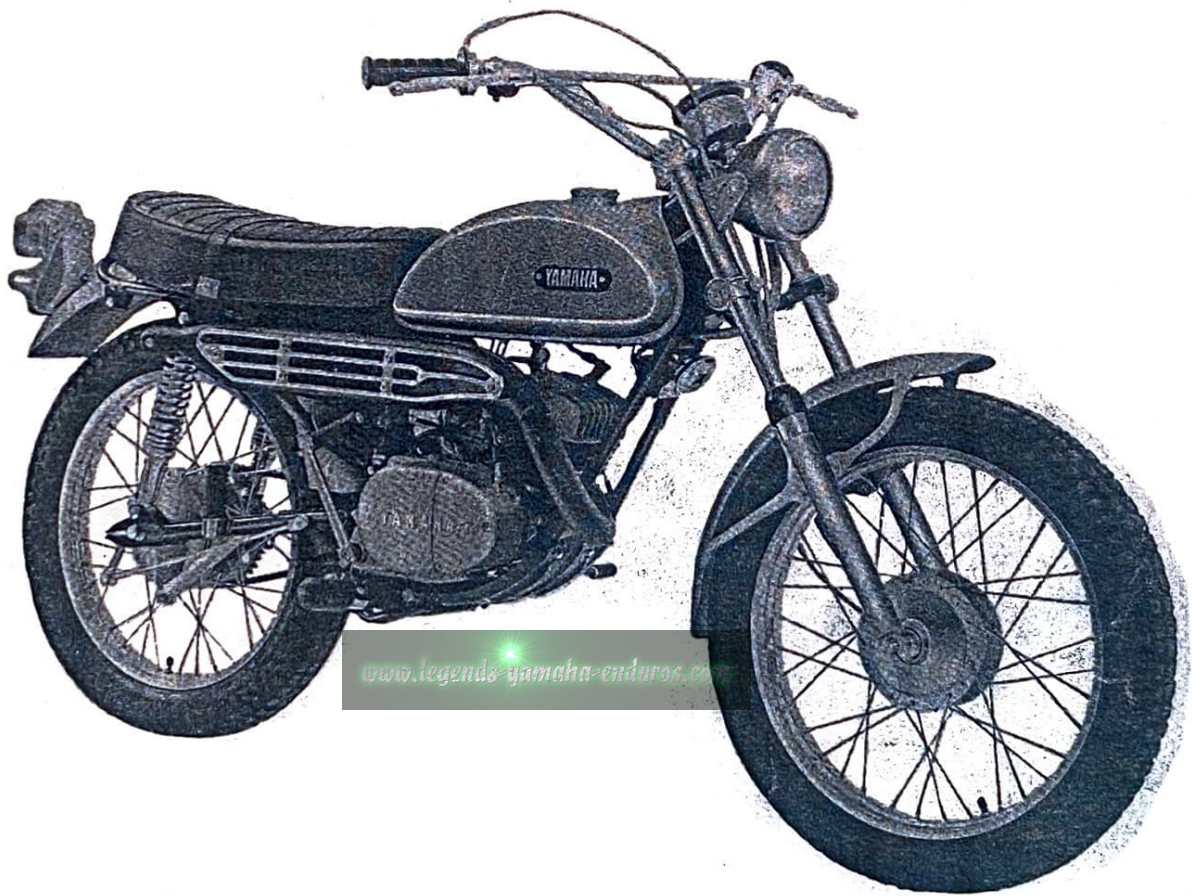


YAMAHA ENDURO 90 HT1



www.legends-yamaha-enduros.com

Instructions on Parts List

YAMAHA ENDURO 90HT1

1. DIMENSIONS: All dimensions are given in millimeters with the exception of steel balls which are given in inches.
2. KEY TO SYMBOLS:
 - R.H. Right hand side (Viewed from the rider's seat facing forward)
 - L.H. Left hand side (Viewed from the rider's seat facing forward)
 - S.R. Suggested retail price
 - UR Use size (thickness) and/or numbers as required
 - ☆ Government inspected parts
 - △ Not supplied as a single part
 - T Number of teeth in a gear
 - V Voltage for light bulbs
 - W Wattage for light bulbs
 - S "S" type oil seal
 - SD "SD" type oil seal
 - SO "SO" type oil seal
 - SW "SW" type oil seal
3. COMPONENT PARTS: Component parts of an assembly are preceded by a dot (.) as follows:

CARBURETOR ASS'Y

. JET, pilot	} Component parts
. NOZZLE, main	
. JET, main	

Component parts which are mounted on either side of the m/c. are listed in the sequence:

- 3a).- Parts to be mounted on "LEFT SIDE" are listed first.-
- 3b).- Parts to be mounted on "RIGHT SIDE" are listed second.-
- 3c).- Parts which can be mounted on "EITHER SIDE" are listed next to the parts.-

You are requested to be very careful, when ordering, not to make a mistake in stating the part numbers, since only a single wrong figure will entirely change the contents and will cause you to receive quite a different part.

We believe that this introduction will prove a great help to you, but if you have any ambiguous point, please do not hesitate to contact us.

CONTENTS

ENGINE

Fig. 1	Crankcase	1
Fig. 2	Crankcase Cover	3
Fig. 3	Crank & Piston	5
Fig. 4	Clutch	7
Fig. 5	Transmission	9
Fig. 6	Shifter (A)	11
Fig. 7	Shifter (B)	13
Fig. 8	Kick	15
Fig. 9	Air Cleaner	17
Fig. 10	Carburetor	19
Fig. 11	Muffler	23
Fig. 12	Oil Pump	25
Fig. 13	Flywheel Magneto	27

CHASSIS

Fig. 14	Frame, Rear Cushion & Rear Fender	31
Fig. 15	Rear Arm & Chain Case	33
Fig. 16	Stand, Footrest & Rear Brake Padal	35
Fig. 17	Front Fork & Front Fender	37
Fig. 18	Handle & Wire	41
Fig. 19	Fuel Tank	45
Fig. 20	Oil Tank	47
Fig. 21	Seat	49
Fig. 22	Front Wheel	51
Fig. 23	Rear Wheel	53
Fig. 24	Head Lamp & Speedometer	57
Fig. 25	Tail Lamp	59
Fig. 26	Electrical	61

ALTERNATE PARTS

Fig. 27	Alternate Parts (Tachometer)	65
Fig. 28	Alternate Parts (Flasher Lamp)	67

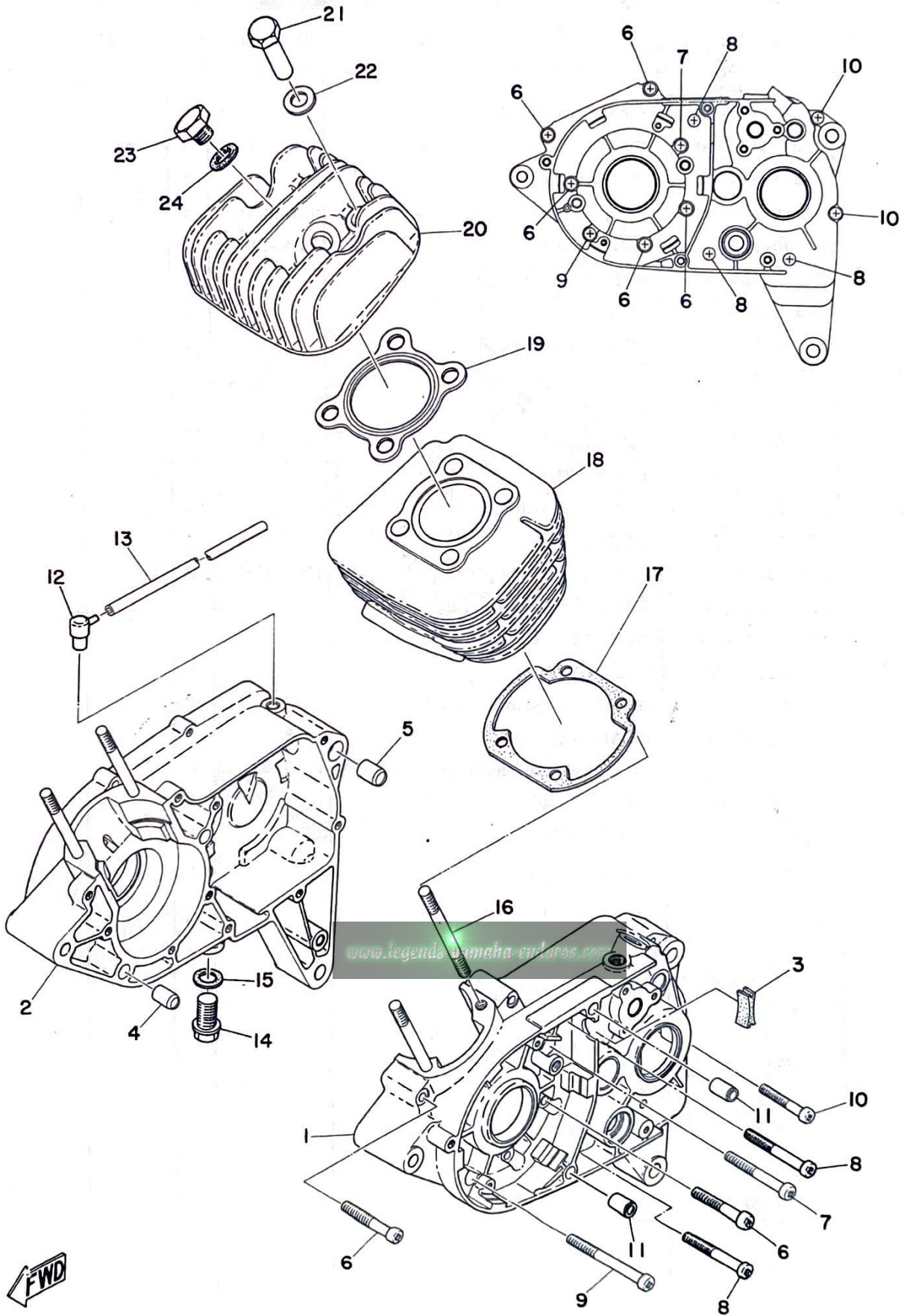
NUMERICAL INDEX

ENGINE

www.legends-yamaha-enduros.com



Fig. 1 CRANKCASE



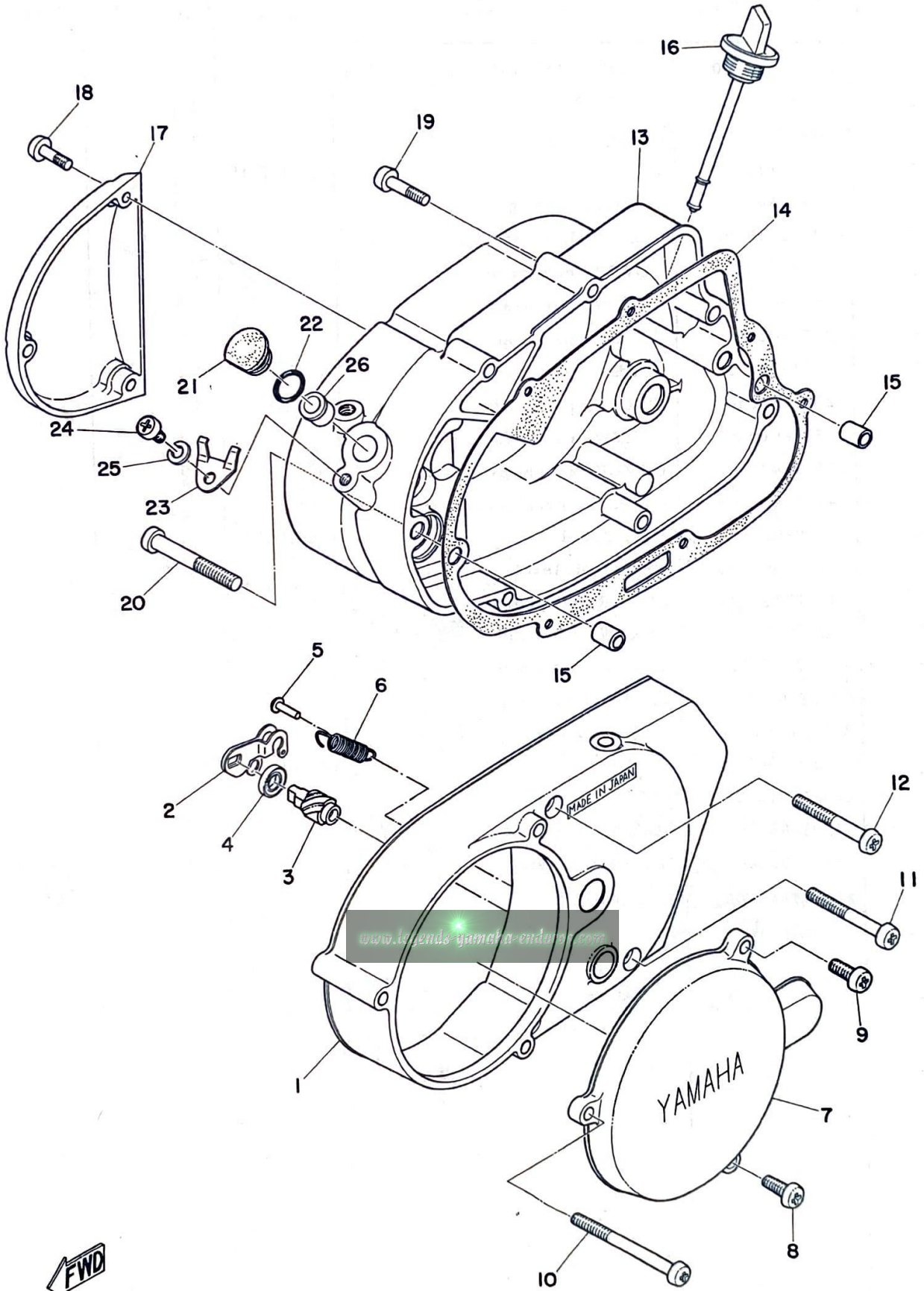
FWD

CRANKCASE

Ref No.	Parts No.	Parts Name	Description	Q'ty	S · R	Remarks
1 - 1	276-15111-00	CASE, crank (L.H)	(ISO)	1		
1 - 2	276-15121-00 01	CASE, crank (R.H)	(ISO)	1		
1 - 3	248-15357-00	GROMMET		1		
1 - 4	91810-08016	PIN, doewl	9.8-12-16	1		
1 - 5	91800-16016	PIN, doewl	10.5-14-16	1		
1 - 6	92501-06045	SCREW, pan head		5		
1 - 7	92501 06060	SCREW, pan head		1		
1 - 8	92501-06055	SCREW, pan head		3		
1 - 9	92501-06065	SCREW, pan head		1		
1-10	92501-06040	SCREW, pan head		2		
1-11	91810-03014	PIN, dowel	8.5-10-14	2		
1-12	120-15371-00	BREATHER		1		
1-13	248-15373-00	PIPE, breather		1		
1-14	132-15351-00	PLUG, drain		1		
1-15	132-15353-00	GASKET, drain plug	12.5-19-1.5	1		
1-16	276-11361-00	BOLT, cylinder holding		4		
1-17	276-11351-00	GASKET, cylinder		1		
1-18	276-11311-01	CYLINDER		1		
1-19	276-11181-01	GASKET, cylinder head		1		
1-20	276-11111-00	HEAD, cylinder		1		
1-21	248-11171-00	NUT, cylinder holding	12.3-20-1.2	4		
1-22	248-11175-00	WASHER, plain		4		
1-23	276-11197-00	PLUG, blind		1		
1-24	214-11198-01	GASKET		1		

www.legends-yamaha-enduros.com

Fig. 2 CRANKCASE COVER

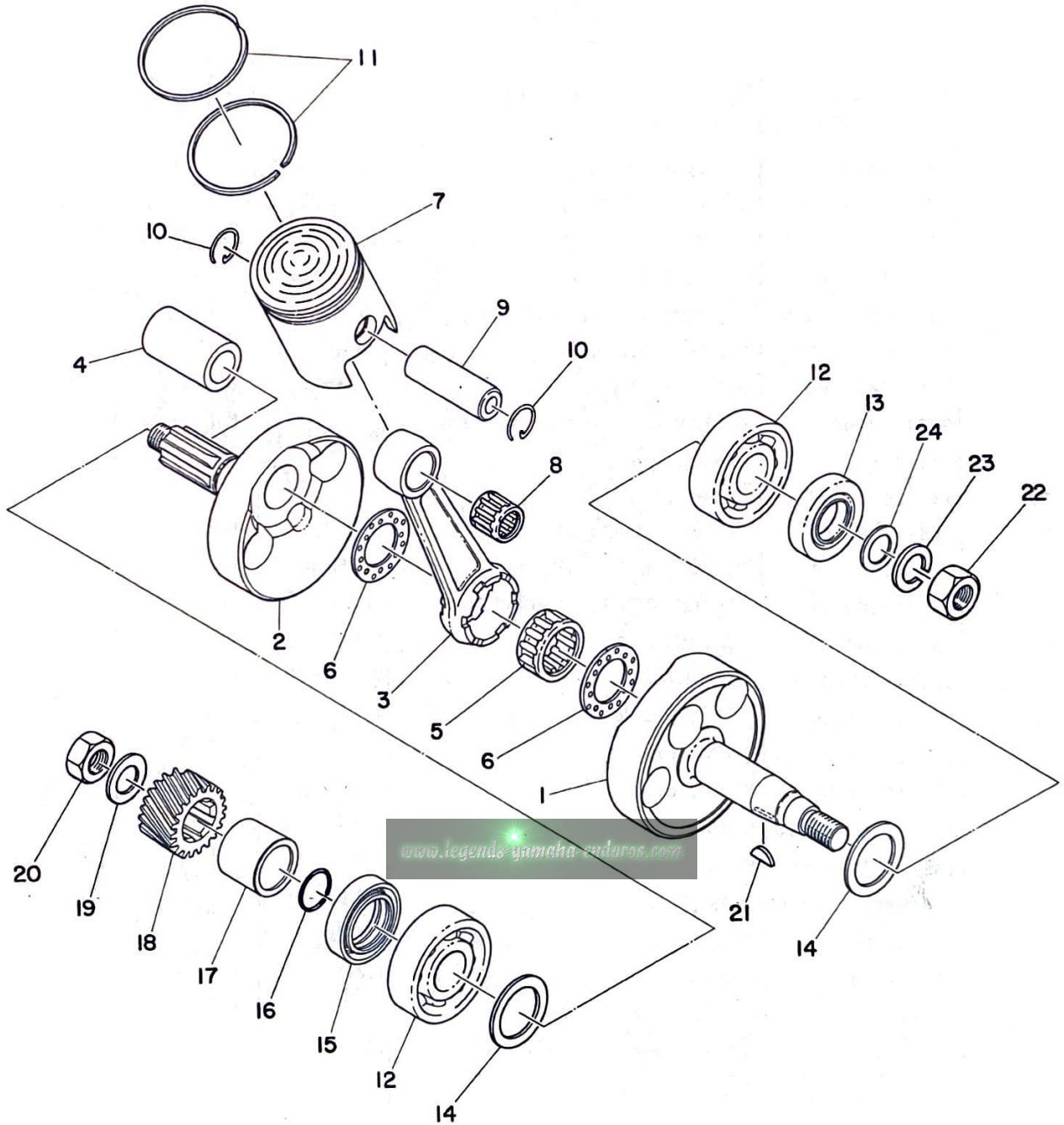


CRANKCASE COVER

Ref No.	Parts No.	Parts Name	Description	Q'ty	S · R	Remarks
2- 1	276-15410-00	CRANK CASE COVER ASS'Y(LH)		1		
2- 2	276 16342-00	. LEVER, push		1		
2- 3	241-16341-01	. SCREW, push		1		
2- 4	93104-11028	. OIL SEAL	SO-10.5-15 -3	1		
2- 5	132-16346-00	. HOOK, spring		1		
2- 6	132-16345-00	. SPRING, lever return		1		
2- 7	276-15415-00	COVER, generator		1		
2- 8	92501-06018	SCREW, pan head		1		
2- 9	92501-06018	SCREW, pan head		1		
2-10	92501-06060	SCREW, pan head		1		
2-11	92501-06050	SCREW, pan head		2		
2-12	92501-06045	SCREW, pan head		1		
2-13	276-15421-00	COVER, crankcase (R. H)		1		
2-14	248-15451-00	GASKET, crank case cover	(ISO)	1		
2-15	91810-03014	PIN, dowel	8.5-10-14	2		
2-16	180-15362-00	BLUG, oil level		1		
2-17	248-15416-00	COVER, oil pump		1		
2-18	92501-06018	SCREW, pan head		3		
2-19	92501-06035	SCREW, pan head		6		
2-20	92501-06055	SCREW, pan head		1		
2-21	241-17819-00	CAP, housing		1		
2-22	93210-13016	O-RING	1.8-13	1		
2-23	214-17812-00	STOPPER		1		
2-24	92501-06010	SCREW, pan head		1		
2-25	92901-06100	WASHER, spring		1		
2-26	214-17843-00	BUSHING		1		

www.legends-yamaha-enduros.com

Fig. 3 CRANK & PISTON

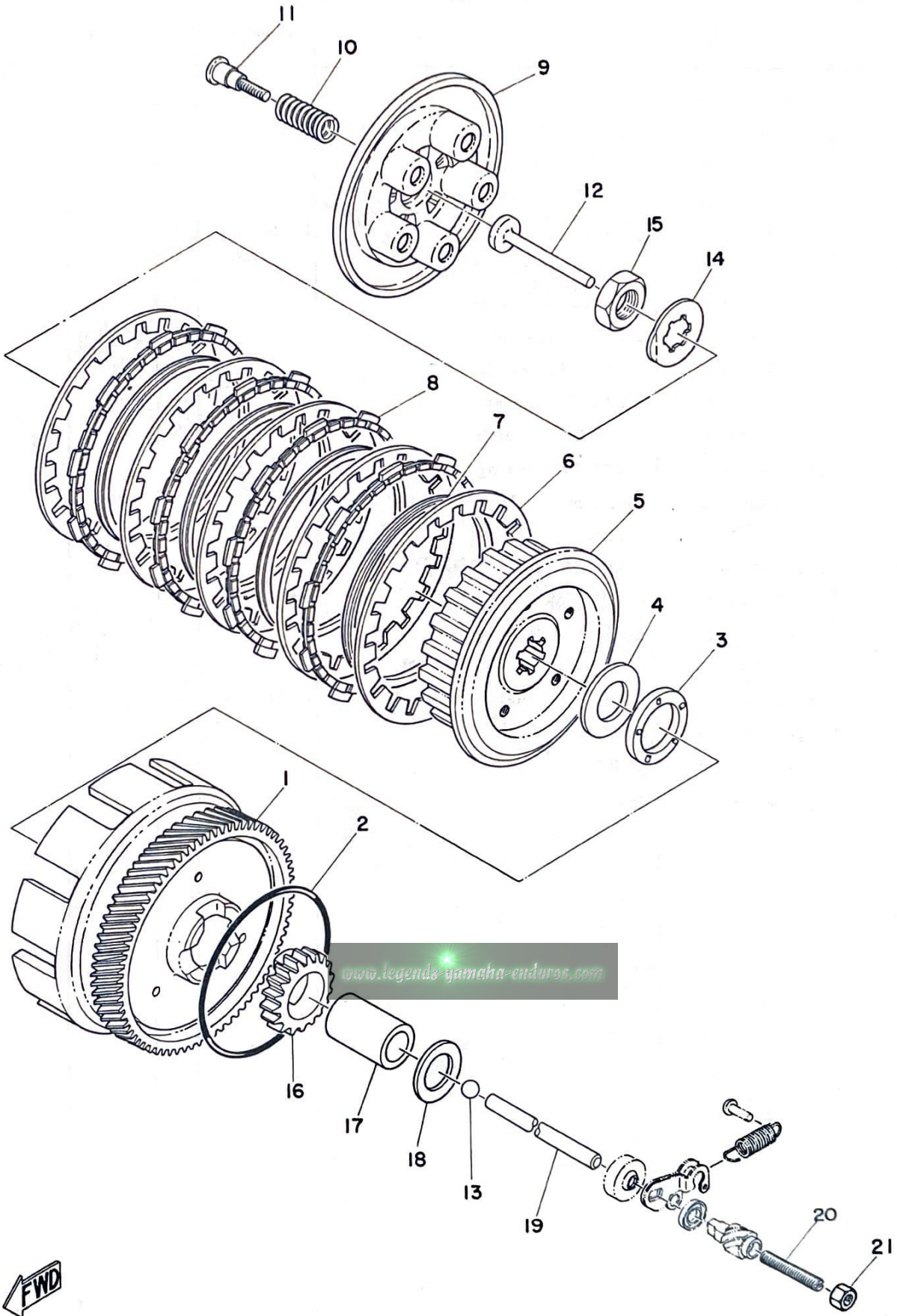


CRANK & PISTON

Ref No.	Parts No.	Parts Name	Description	Q'ty	S-R	Remarks
✓ 3- 0-1	276-11400-00	CRANK ASS'Y		1		
✓ 3- 1	276-11412-00	. CRANK (L.H)		1		
✓ 3- 2	276-11422-00	. CRANK (R.H)		1		
✓ 3- 3	164-11651-00	. ROD, connecting		1		
✓ 3- 4	164-11681-00	. PIN, crank		1		
✓ 3- 5	93310-42237	. BEARING, con-rod big end		1		
✓ 3- 6	902-09220-71 164-11685-00	. WASHER, crank pin		2		
✓ 3- 7	276-11631-00-96	PISTON (S.T.D)	49.96mm	} U.R 1	N/A N/A N/A N/A	
	276-11631-00-97	PISTON (S.T.D)	49.97mm			
	276-11631-00-98	PISTON (S.T.D)	49.98mm			
	276-11631-00-99	PISTON (S.T.D)	49.99mm			
	276-11631-00-01	PISTON (S.T.D)	50.00mm			
	276-11635-00	PISTON (1st O.S)	50.25mm			
	276-11636-00	PISTON (2nd O.S)	50.50mm	1		
✓ 3- 8	93310-21403	BEARING, con-rod small end		1		
✓ 3- 9	131-11633-00	PIN, piston		1		
✓ 3-10	734-50150-23 131-11634-00	CLIP, piston pin		2		
✓ 3-11	164-11601-01	PISTON RING SET (S.T.D)		1s		
	164-11601-11	PISTON RING SET (1st O.S)	0.25mm	1s		
	164-11601-22	PISTON RING SET (2nd O.S)	0.50mm	1s		
	248-11601-21					
✓ 3-12	93306-30405	BEARING	6304C3	2		
✓ 3-13	93102-20010	OIL SEAL	SD-20-40-8	1		
✓ 3-14	136-11561-00-03	SHIM, crank	20-30-0.3	} U.R 2	N/A N/A N/A	
	136-11561-00-04	SHIM, crank	20-30-0.4			
	136-11561-00-05	SHIM, crank	20-30-0.5			
	136-11561-00-06	SHIM, crank	20-30-0.6			
	136-11561-00-07	SHIM, crank	20-30-0.7			
	136-11561-00-08	SHIM, crank	20-30-0.8			
✓ 3-15	93103-28011	OIL SEAL	SW-28-40-8	1		
✓ 3-16	93210-18023	O-RING	1.2-17.6	1		
✓ 3-17	903-87201-75 276-16136-00	COLLAR, distance		1		
✓ 3-18	276-16111-00	GEAR, primary drive	19T	1		
✓ 3-19	902-08120-15 164-16119-00	SPRING, Belleville		1		
✓ 3-20	901-70120-60 137-16377-00	NUT, lock		1		
✓ 3-21	902-80030-17 146-11545-00	KEY, woodruff		1		
✓ 3-22	98801-12200	NUT	(ISO)	1		
✓ 3-23	92901-12100	WASHER, spring		1		
✓ 3-24	902-01121-78 214-11557-01	WASHER (1)	12.2-22-3.2	1		



Fig. 4 CLUTCH

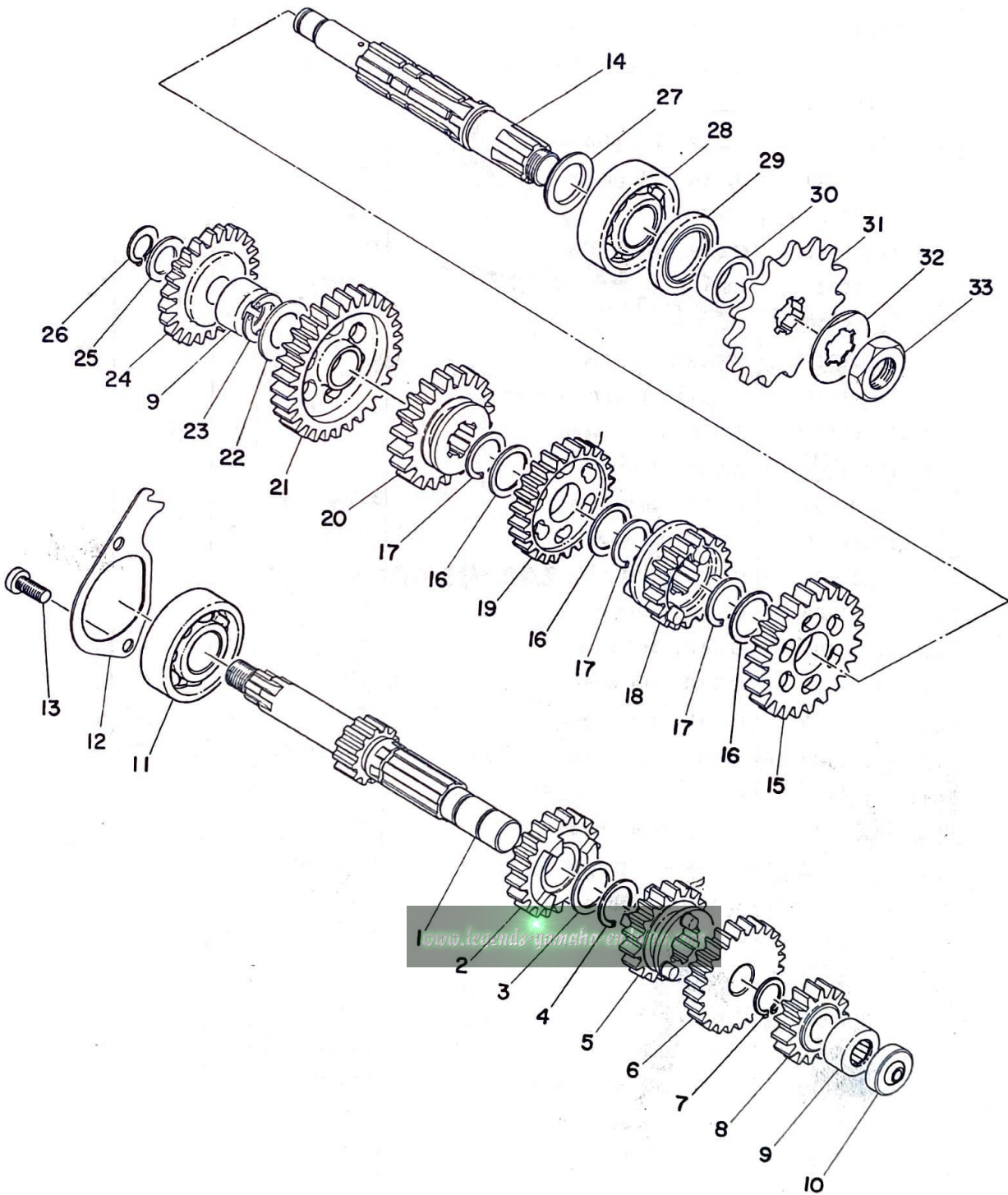


CLUTCH

Ref No.	Parts No.	Parts Name	Description	Q'ty	S-R	Remarks
4- 0-1	276-16301-00	CLUTCH ASS'Y	(ISO)	1		
4- 1	276-16150-00	. PRIMARY DRIVEN GEAR COMP.	74T	1		
4- 2	132-16369-00	. RING, friction		1		
4- 3	93341-22302	. BEARING, thrust		1		
4- 4	276-16154-00	PLATE, thrust	17.2-37-4	1		
4- 5	132-16371-02	. BOSS, clutch	(ISO)	1		
4- 6	137-16324-00	. PLATE, clutch		5		
4- 7	137-16367-00	. RING, cushion		4		
4- 8	132-16321-00	. PLATE, friction		4		
4- 9	132-16351-00	. PLATE, pressure		1		
4-10	137-16333-00	. SPRING, clutch		5		
4-11	137-16337-01 901-49050-57	. SCREW, spring	(ISO)	5		
4-12	137-16356-00	ROD, push (1)		1		
4-13	93501-04004	BALL	1/4"	1		
4-14	137-16378-00	WASHER, lock		1		
4-15	137-16377-00 901-70120-60	NUT, lock		1		
4-16	164-15631-01	GEAR, kick pinion	19T	1		
4-17	164-16181-00	SPACER		1		
4-18	122-16164-00	PLATE, thrust	17.2-30-2	1		
4-19	276-16357-00	ROD, push (2)		1		
4-20	241-16343-00	SCREW, adjusting		1		
4-21	92801-06300	NUT		1		

www.legends-yamaha-enduros.com

Fig. 5 TRANSMISSION

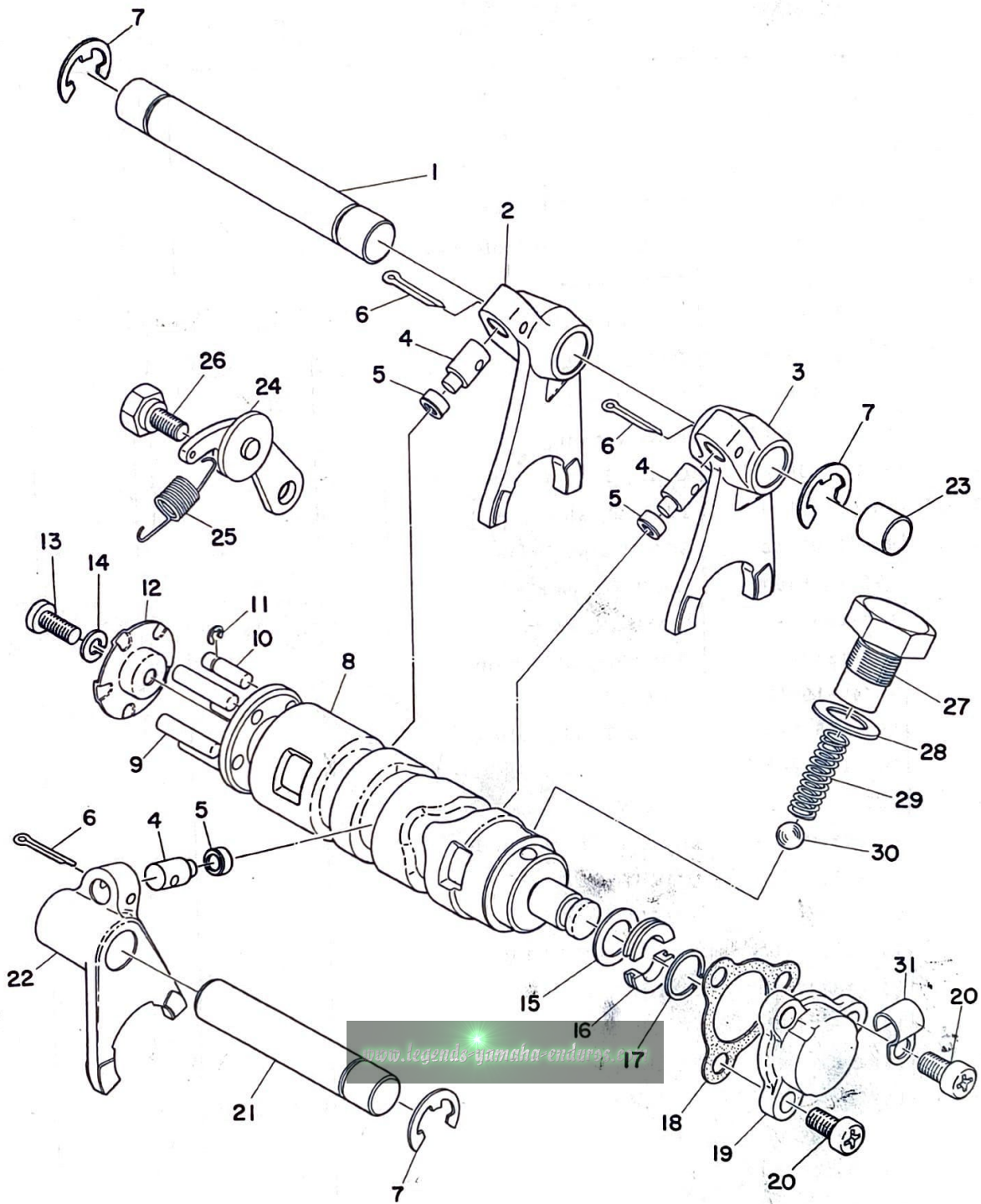


TRANSMISSION

Ref No.	Parts No.	Parts Name	Description	Q'ty	S-R	Remarks
5- 1	277-17411-00	AXLE, main	11T	1		
5- 2	248-17141-00	GEAR, 4th pinion	23T	1		
5- 3	132-17216-00	WASHER, gear hold	20-25-1	1		
5- 4	132-17414-00	CLIP		1		
5- 5	248-17131-00	GEAR, 3rd pinion	19T	1		
5- 6	248-17151-00	GEAR, 5th pinion	25T	1		
5- 7	93410-15005	CIRCLIP	S-15	1		
5- 8	248-17121-01	GEAR, 2nd pinion	15T	2		
5- 9	93315-31502	BEARING 93311-31507 ^{new} 5TV1e		2		
5-10	132-15389-00	SEAL, push rod		1		
5-11	93306-30301	BEARING	6303	1		
5-12	164-17471-02	PLATE, bearing cover		1		
5-13	92501-06012	SCREW, pan head		2		
5-14	248-17421-00	AXLE, drive		1		
5-15	248-17221-00	GEAR, 2nd wheel	30T	1		
5-16	132-17216-00	WASHER, gear hold	20-25-1	3		
5-17	132-17414-00	CLIP 934-40200-43-00		3		
5-18	248-17251-00	GEAR, 5th wheel	20T	1		
5-19	248-17231-00	GEAR, 3rd wheel	26T	1		
5-20	248-17241-00	GEAR, 4th wheel	23T	1		
5-21	248-17211-00	GEAR, 1st wheel	35T	1		
5-22	164-17427-00-06	SHIM, drive axle	15.2-30-0.6	1		
5-23	93440-15012	CIRCLIP		1		
5-24	251-15651-01	GEAR, kick idle	28T	1		
5-25	132-15653-00-12	WASHER, thrust	13.3-22-1.2	2	U.R	
	132-15653-00-14	WASHER, thrust	13.3-22-1.4	1		
5-26	93410-13004	CIRCLIP	S-13	1		
5-27	248-17429-00	SPACER		1		
5-28	93306-30401	BEARING	6304	1		
5-29	93102-26042	OIL SEAL	SD-26-38-5	1		
5-30	164-17462-00	COLLAR, distance	10.1-16-9.3	1		
5-31	174-17461-30	SPROCKET, drive	13T			
	174-17461-40	SPROCKET, drive	14T		U.R	
	174-17461-50	SPROCKET, drive	15T	1		
	174-17461-60	SPROCKET, drive	16T			
5-32	102-17464-00	WASHER, lock		1		
5-33	102-17463-00	NUT, lock		1		

STD

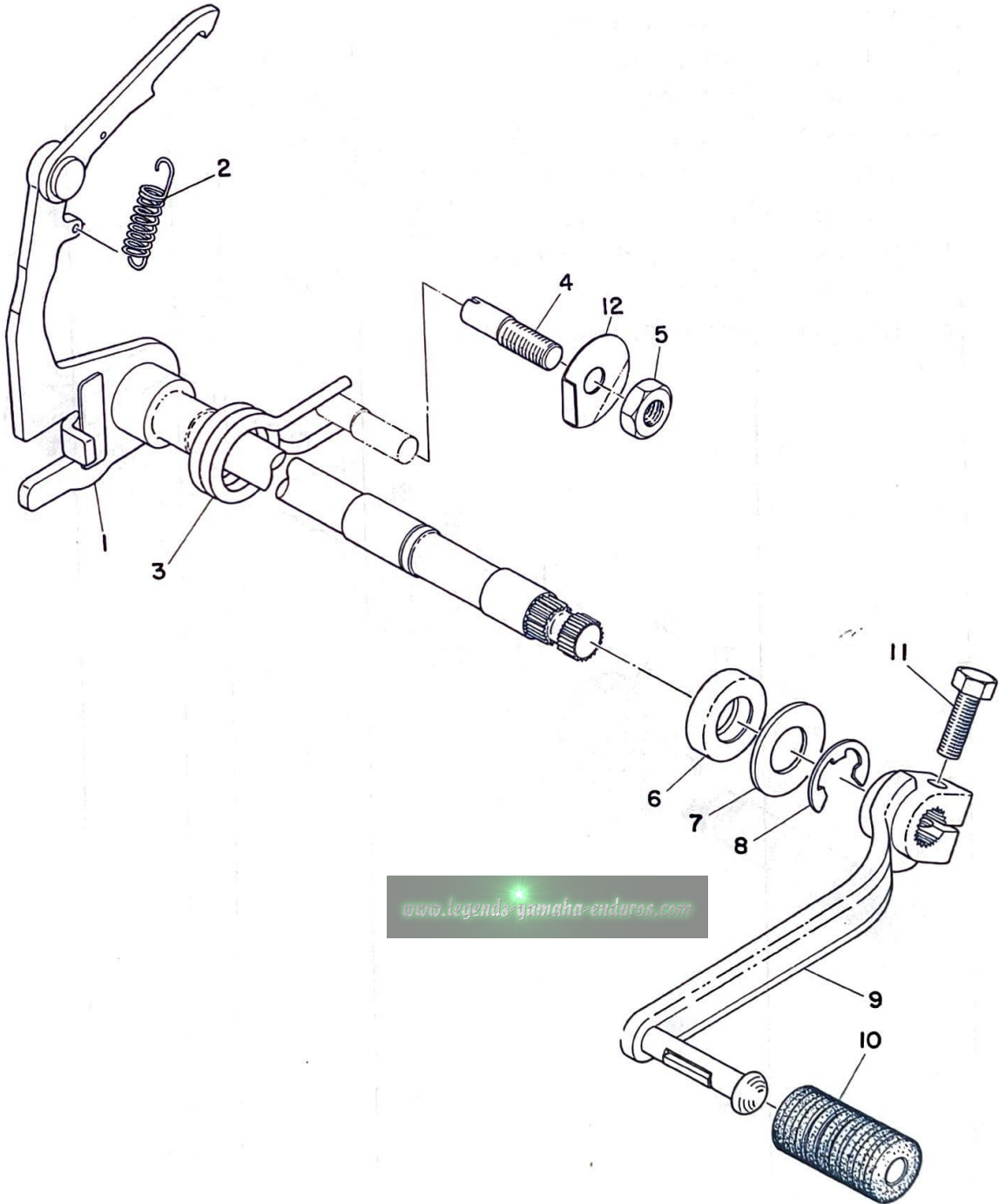
Fig. 6 SHIFTER(A)



SHIFTER (A)

Ref No.	Parts No.	Parts Name	Description	Q'ty	S·R	Remarks
6- 1	214-18531-00	BAR, shift fork guide		1		
6- 2	248-18513-00	FORK, shift (3)		1		
6- 3	248-18511-00	FORK, shift (1)		1		
6- 4	137-18552-00	PIN, cam follower		3		
6- 5	136-18551-00	ROLLER, cam follower		3		
6- 6	91401-25017	PIN, cotter		3		
6- 7	93430-10017	CIRCLIP	E-10	3		
6- 8	³¹⁵ 248-18541-00	CAM, shift	(ISO)	1		
6- 9	93604-22050	PIN, dowel	4-21.8	4		
6-10	174-18544-00	PIN, locating		1		
6-11	93430-03014	CLIP, locating pin		1		
6-12	164-18561-00	PLATE, side		1		
6-13	98501-05012	SCREW, pan head	(ISO)	1		
6-14	98901-05100	WASHER, spring		1		
6-15	164-18572-00	WASHER, plain	12.1-18-1.0	1		
6-16	164-18571-00	HOLDER, shift cam		2		
6-17	93440-15012	CIRCLIP		1		
6-18	164-18579-00	GASKET, plug blind		1		
6-19	164-18589-00	PLUG, blind shift cam		1		
6-20	92501-06012	SCREW, pan head		3		
6-21	248-18531-00	BAR, shift fork guide		1		
6-22	248-18512-00	FORK, shift (2)		1		
6-23	214-15385-00	PLUG, blind		1		
6-24	132-18140-00	STOPPER LEVER ASS'Y		1		
6-25	132-18143-00	SPRING, stopper		1		
6-26	132-18177-00	BOLT, stopper		1		
6-27	⁹²¹⁻⁹⁷¹⁴³⁻⁸⁵ 174-18578-00	SCREW, spring	spring da yamaha-enduros.com	1		
6-28	137-15353-00	GASKET	14.5-21-1.5	1		
6-29	174-18558-00	SPRING, neutral		1		
6-30	93505-16006	BALL	5/16"	1		
6-31	164-82594-00	CLAMP		1		

Fig. 7 SHIFTER (B.)

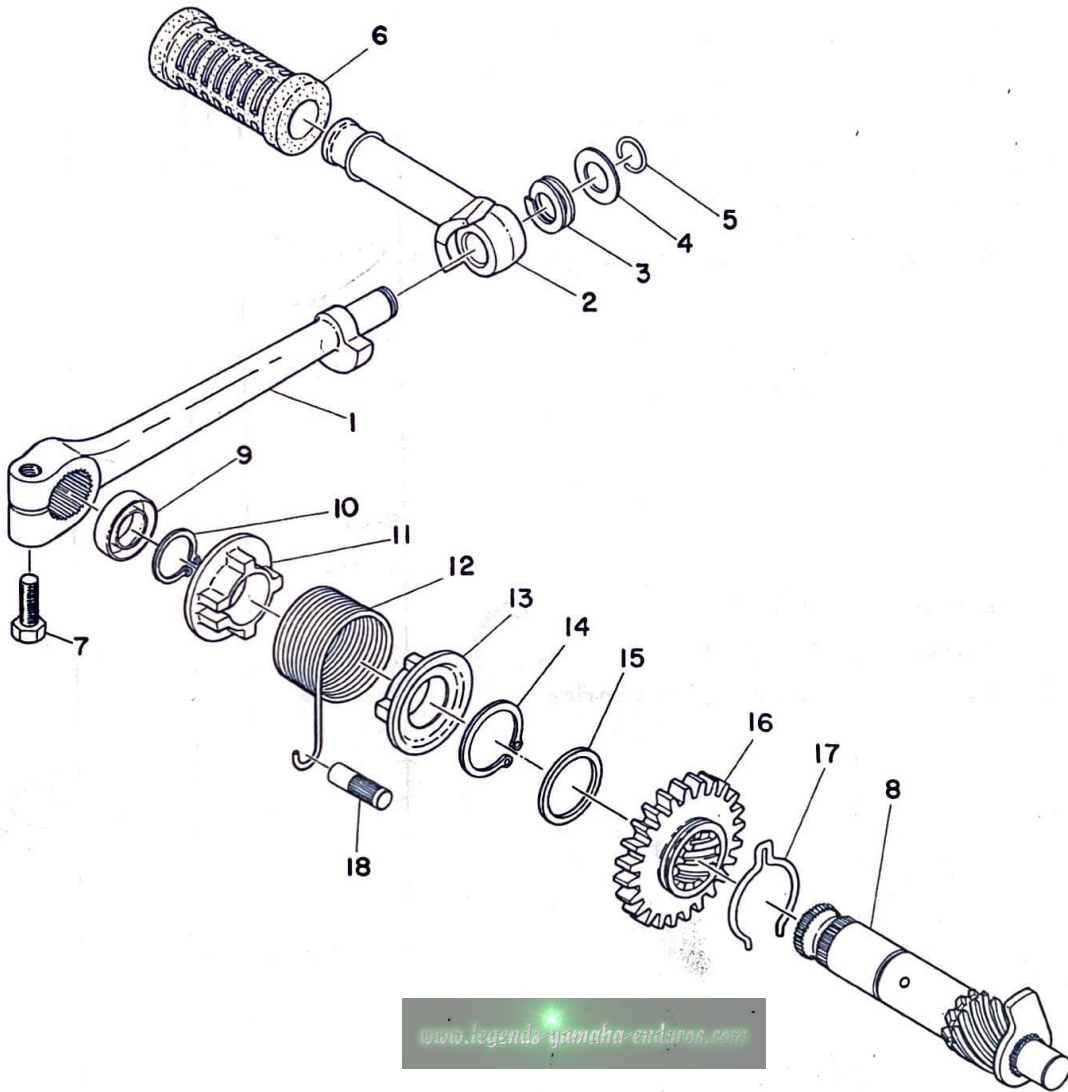


SHIFTER (B)

Ref No.	Parts No.	Parts Name	Description	Q'ty	S-R	Remarks
7- 1	276-18101-00	CHANGE SHAFT ASS'Y		1		
7- 2	132-18123-00	. SPRING, shift arm		1		
7- 3	132-18124-00	SPRING, shaft return		1		
7- 4	132-18133-00	SCREW, adjusting		1		
7- 5	248-18134-00	NUT, screw	(ISO)	1		
7- 6	93109-14005	OIL SEAL	SDO-14-24	1		
7- 7	248-18137-00	WASHER, change axle	14.1-28-1.6	1		
7- 8	93430-12009	CIRCLIP	E-12	1		
7- 9	248-18111-00-08	PEDAL, change		1		
7-10	132-18113-01	COVER, change pedal		1		
7-11	91201-06020	BOLT		1		
7-12	248-18139-00	WASHER, lock		1		

www.legends-yamaha-enduros.com

Fig. 8 KICK

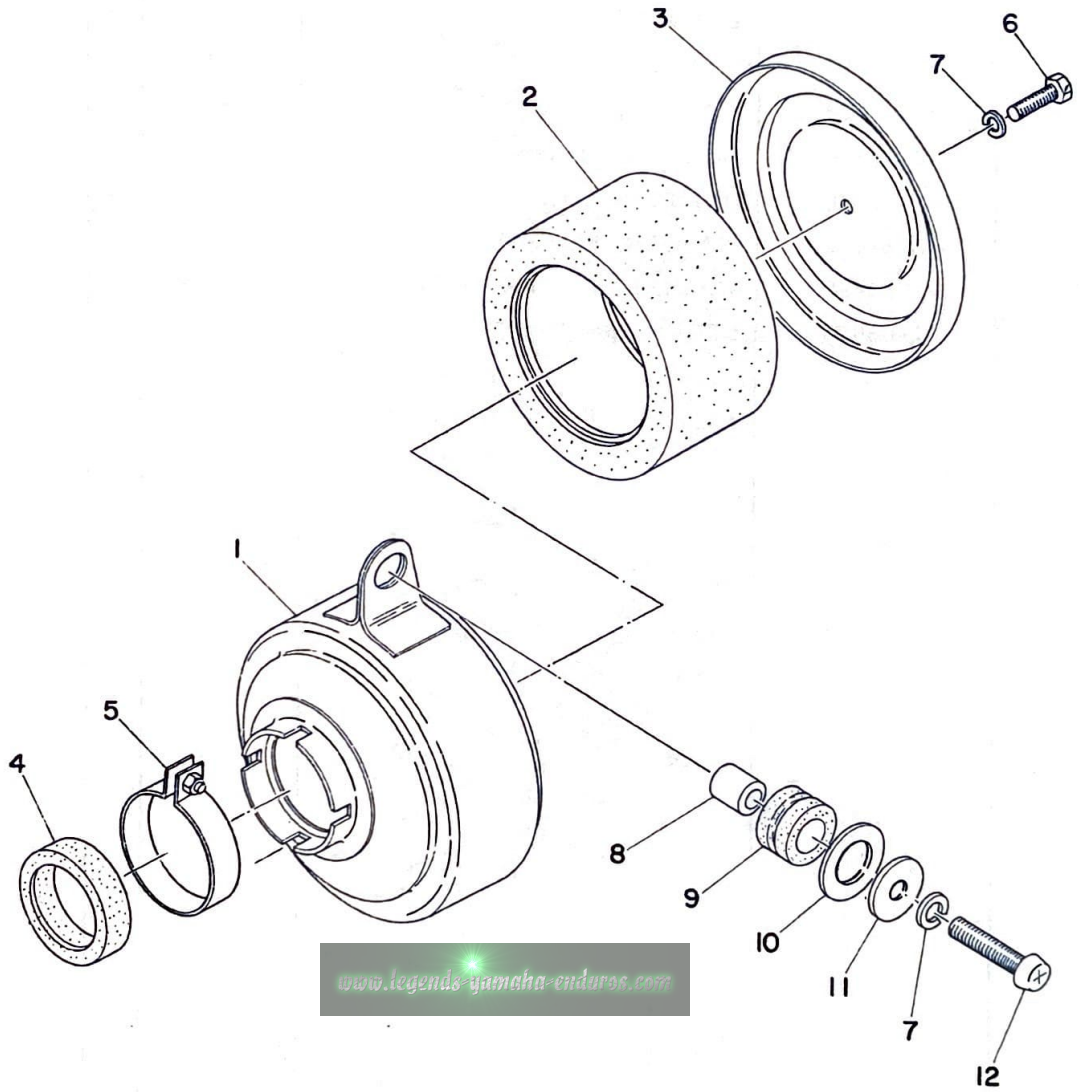


KICK

Ref No.	Parts No.	Parts Name	Description	Q'ty	S·R	Remarks
8- 0-1	276-15610-00	KICK CRANK ASS'Y		1		
8- 1	276-15611-00	. CRANK, kick		1		△
8- 2	122-15612-01	. LEVER, kick		1		
8- 3	214-15625-00	. SPRING, kick crank		1		
8- 4	132-15616-00	. WASHER, kick lever		1		
8- 5	132-15617-00	. CLIP, kick lever		1		
8- 6	156-15618-01	COVER, kick lever		1		
8- 7	91201-06020	BOLT		1		
8- 8	254-15660-00	KICK AXLE ASS'Y 305 15660 8/24/73		1		
8- 9	93109-15001	OIL SEAL	SDO-15-26	1		
8-10	93410-15005	CIRCLIP	S-15	1		
8-11	132-15676-00	COVER, spring		1		
8-12	132-15665-00 905-08261-36	SPRING, kick		1		
8-13	132-15664-00	GUIDE, spring		1		
8-14	93410-25017	CIRCLIP	S-25	1		
8-15	117-15644-00	SHIM	25.1-32-1	1		
8-16	251-15641-01	GEAR, kick		1		
8-17	251-15687-00	CLIP, kick		1		
8-18	257-15668-00	STOPPER, kick spring		1		

www.legends-yamaha-enduros.com

Fig. 9 AIR CLEANER

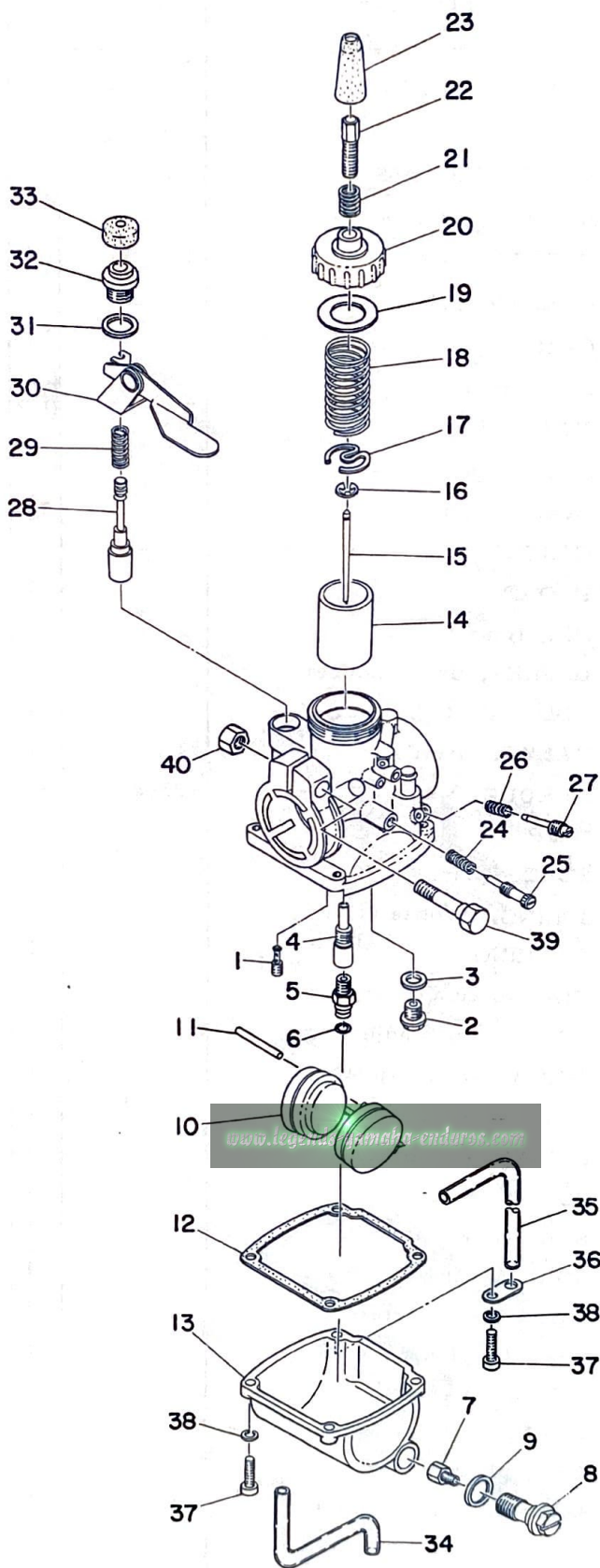


AIR CLEANER

Ref No.	Parts No.	Parts Name	Description	Q'ty	S·R	Remarks
9- 1	276-14411-00	CASE, air cleaner		1		
9- 2	276-14451-00	ELEMENT, air cleaner		1		
9- 3	276-14412-00	CAP, cleaner case		1		
9- 4	276-14453-00	JOINT, air cleaner		1		
9- 5	170-14455-00	BAND (1)		1		
9- 6	92501-06010	SCREW, pan head		1		
9- 7	92901-06100	WASHER, spring		2		
9- 8	214-21633-00	COLLAR, fender mount		1		
9- 9	214-21717-00	DAMPER, battery box		1		
9-10	148-27219-00	WASHER, brake shaft	14.5-24-2.0	1		
9-11	116-28324-00	WASHER, leg shield (2)	6.5-20-1.6	1		
9-12	92501-06025	SCREW, pan head		1		

www.legends-yamaha-enduros.com

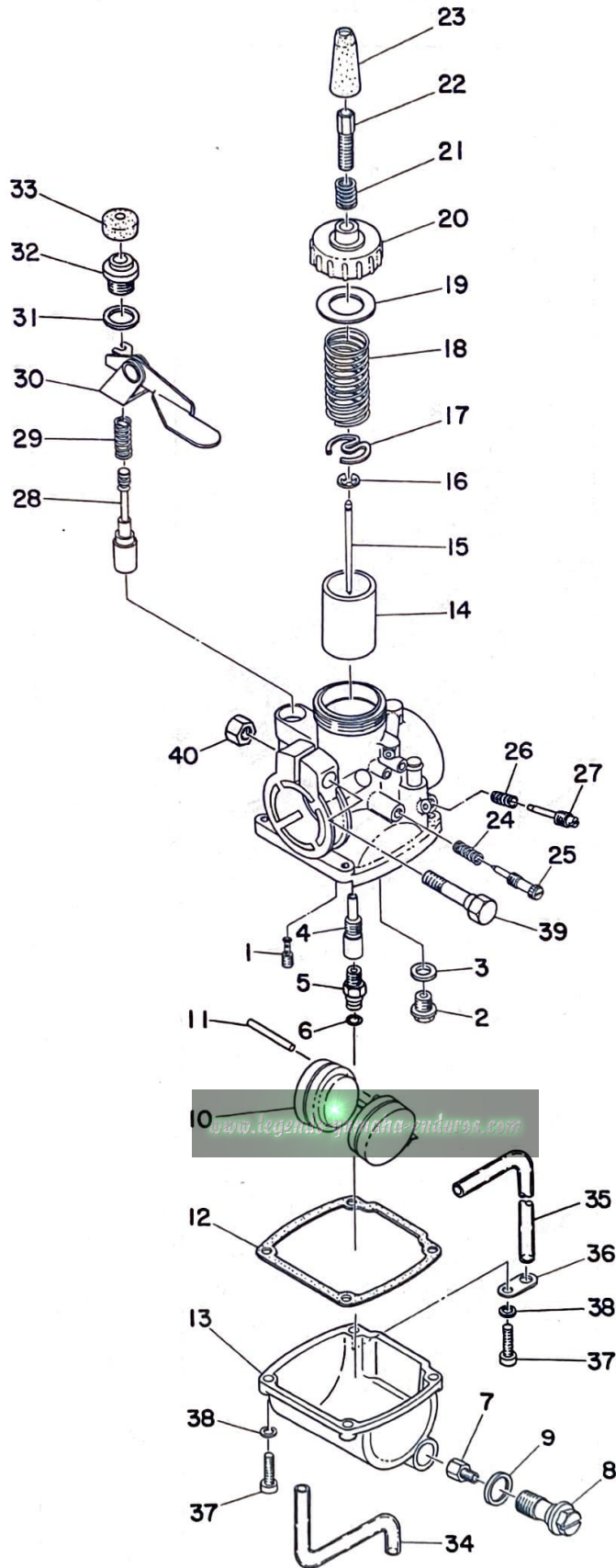
Fig. 10 CARBURETOR



CARBURETOR

Ref No.	Parts No.	Parts Name	Description	Q'ty	S-R	Remarks
10- 0-1	277-14101-60	CARBURETOR ASS'Y	VM-20SC (ISO)	1		
10- 1	193-14142-30	. JET, pilot	#30 (ISO)	1		
10- 2	127-14190-15	. VALVE SEAT ASS'Y	#1.5	1		
10- 3	127-14195-00	. WASHER, vavle seat		1		
10- 4	174-14141-26	. NOZZLE, main	N-6	1		
10- 5	276-14145-00	. HOLDER, guide		1		
10- 6	214-14147-00	. O-RING		1		
10- 7	137-14143-16	. JET, main	#80	J.R		STD
	137-14143-17	. JET, main	#85		1	
	137-14143-18	. JET, main	#90		1	
10- 8	248-14166-00	. BOLT, banjo		1		
10- 9	248-14198-00	. GASKET		1		
10-10	205-14185-00	. FLOAT		1		
10-11	137-14186-00	. PIN, float		1		
10-12	164-14184-00	. GASKET, float chamber		1		
10-13	276-14181-00	. BODY, float chamber		1		
10-14	193-14112-20	. VALVE, throttle	#2.0	1		
10-15	156-14116-03	. NEEDLE	4D3-3	1		
10-16	137-14137-00	. CLIP		1		
10-17	137-14136-00	. SEAT, spring		1		
10-18	276 14131-00	. SPRING, throttle valve		1		
10-19	193-14126-00	. PACKING		1		
10-20	193-14158-00	. TOP, mixing chamber		1		
10-21	143 14133-00	. SPRING, wire adjusting		1		
10-22	193-14124-26	. SCREW, wire adjusting		1		
10-23	174-14169-01	. CAP		1		
10-24	174-14134-00	. SPRING, air adjusting		1		
10-25	174-14122-00	. SCREW, throttle		1		
10-26	174-14134-00	. SPRING, air adjusting		1		
10-27	174-14123-00	. SCREW, air adjusting		1		
10-28	174-14171-00	. PLUNGER, starter		1		
10-29	132-14135-00	. SPRING, plunger		1		
10-30	276-14175-00	. LEVER, starter		1		
10-31	174-14178-00	. PLATE, starter lever		1		
10-32	802 14174-00	. CAP, plunger		1		
10-33	802 14173-00	. COVER, plunger cap		1		
10-34	183-14196-00	. PIPE, over flow		1		
10-35	183-14197-01	. PIPE, air vent		1		

Fig. 10 CARBURETOR



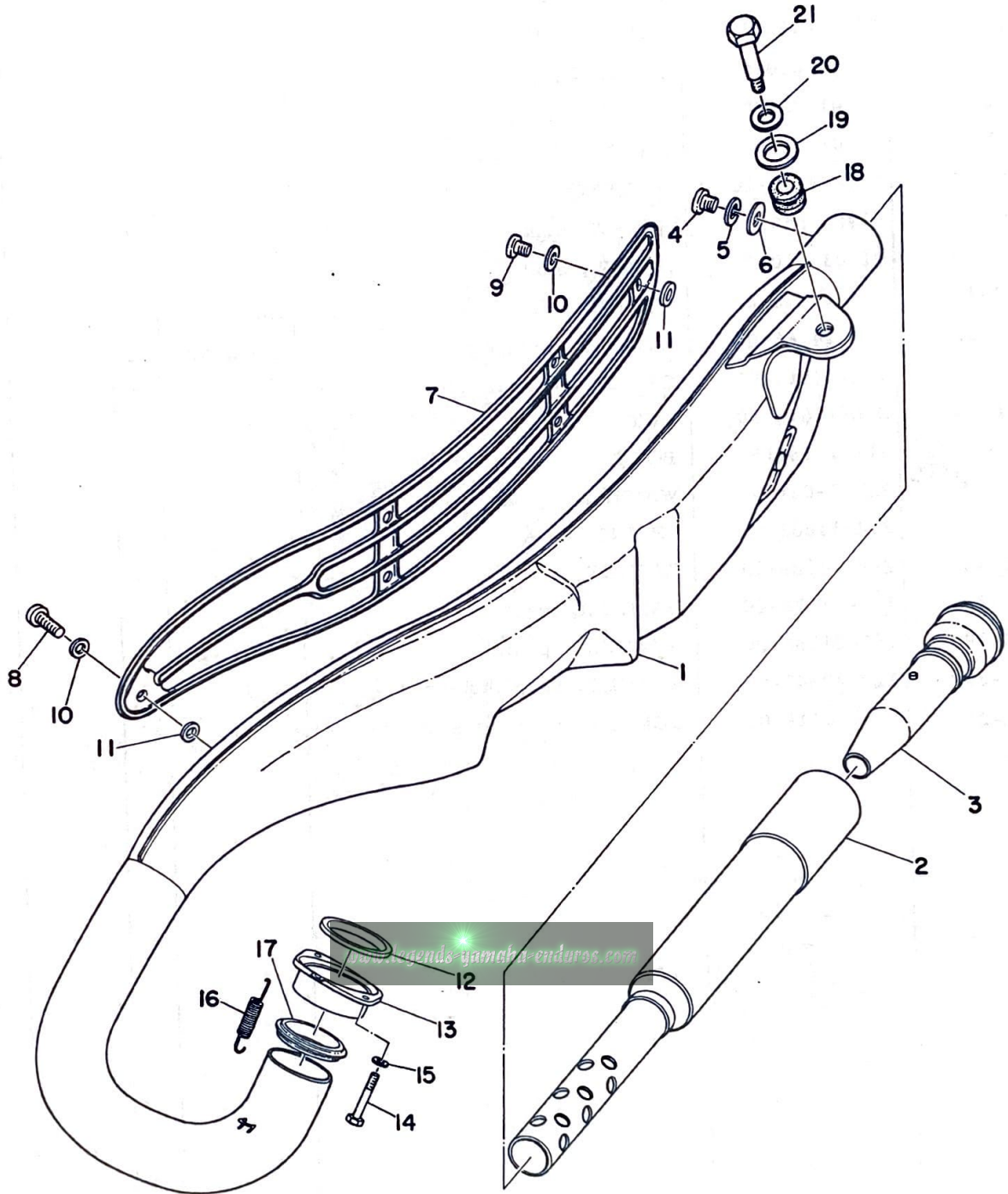
CARBURETOR

Ref No.	Parts No.	Parts Name	Description	Q'ty	S·R	Remarks
10-36	132-14146-00	. PLATE		1		
10-37	98503-04015	. SCREW, pan head	(ISO)	4		
10-38	92901-04100	. WASHER, spring		4		
10-39	137-14125-00	. SCREW, body fitting		1		
40-40	92802-06100	. NUT		1		

www.legends-yamaha-enduros.com



Fig. 11 MUFFLER

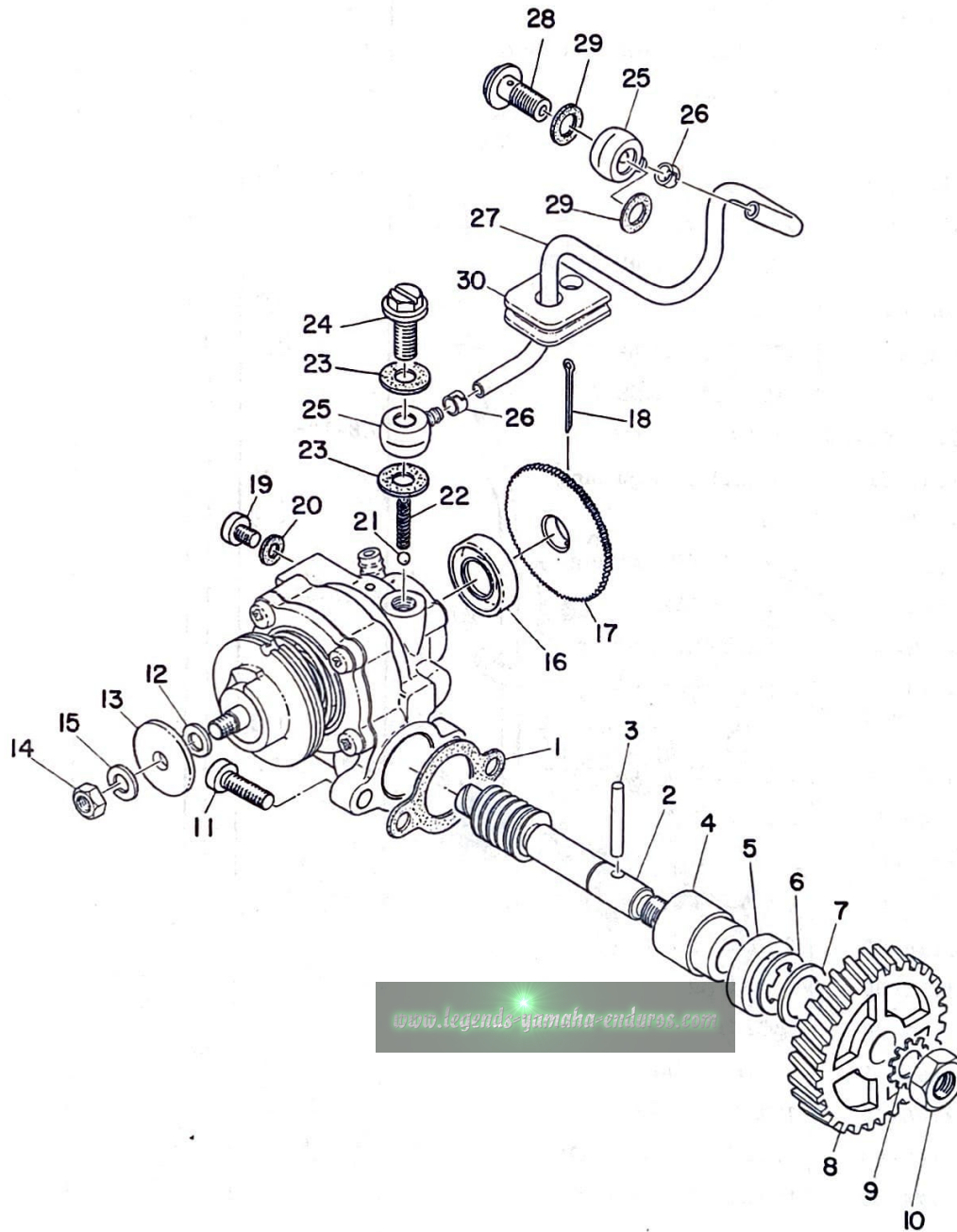


MUFFLER

Ref No.	Parts No.	Parts Name	Description	Q'ty	S-R	Remarks
11- 1	277-14610-30	EXHAUST PIPE ASS'Y		1		
11- 2	214-14753-01	. SILENCER		1		
11- 3	261-14752-30	. PIPE, outlet		1		
11- 4	92501-06010	. SCREW, pan head		1		
11- 5	92901-06100	. WASHER, spring		1		
11- 6	92901-06200	. WASHER, plain		1		
11- 7	276-14718-10	PROTECTOR, muffler		1		
11- 8	91903-06012	SCREW, bind		5		
11- 9	91903-06012	SCREW, bind		1		
11-10	178-14766-00	WASHER, protector	6.2-12-1.5	6		
11-11	214-14766-00	WASHER, protector	6.2-12-3.0	6		
11-12	152-14613-00	GASKET, exhaust pipe		1		
11-13	276-14612-10	NUT, ring		1		
11-14	91101-06015	BOLT		2		
11-15	92901-06100	WASHER, spring		2		
11-16	214-14683-01	SPRING, hook		1		
11-17	248-14623-00	GASKET		1		
11-18	168-21638-00	DAMPER, front		1		
10-19	168-21758-00	WASHER, special	18.2-27-2.0	1		
11-20	122-22243-00	WASHER, rear cushion	12-22-1.0	1		
11-21	276-14719-00	BOLT, muffler fitting		1		

www.legends-yamaha-enduro.com

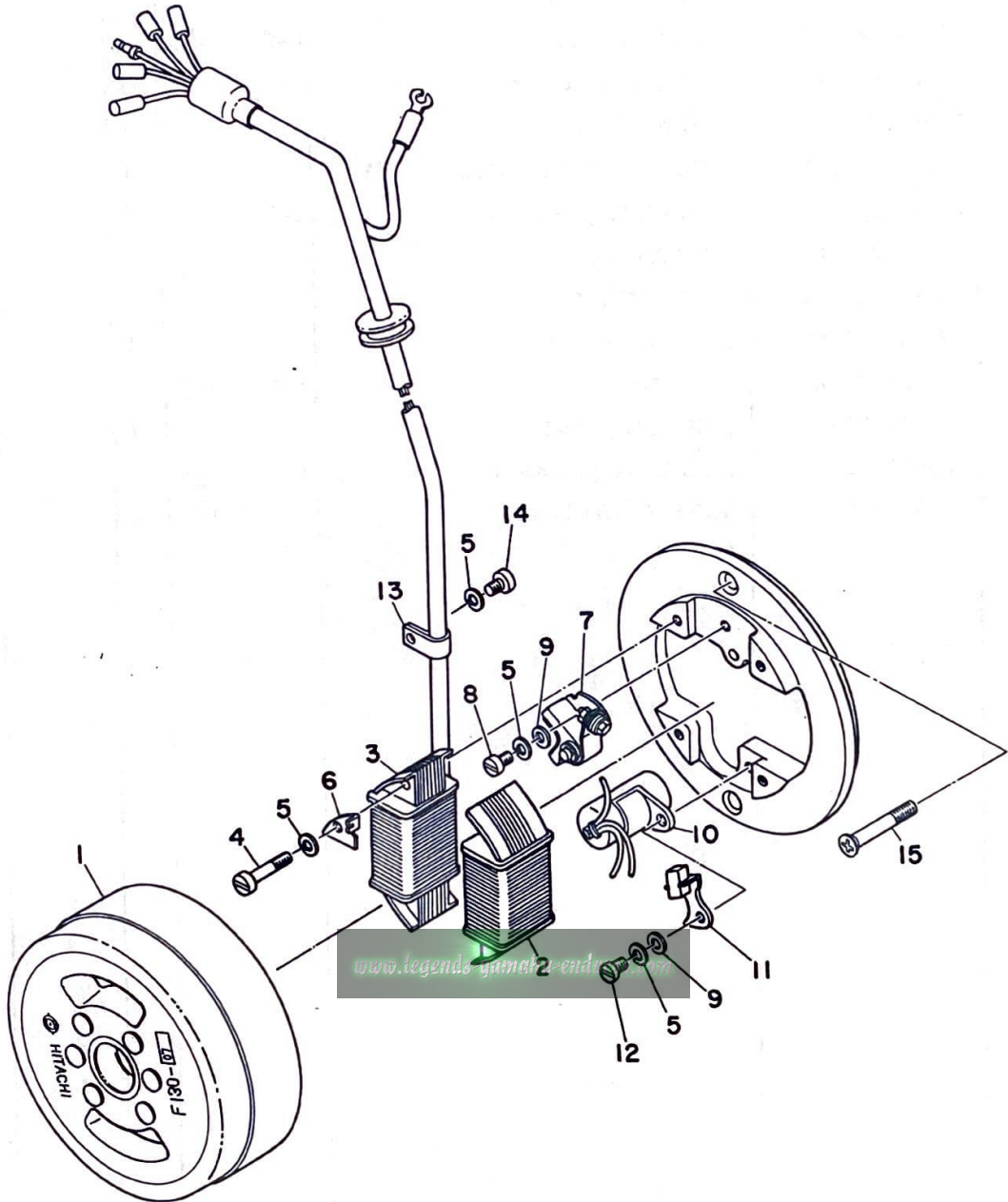
Fig. 12 OIL PUMP



OIL PUMP

Ref No.	Parts No.	Parts Name	Description	Q'ty	S·R	Remarks
12- 1	126-13116-00	GASKET, pump case		1		
12- 2	214-13175-01	SHAFT, worm		1		
12- 3	93603-22028	PIN, dowel	3-22	1		
12- 4	137-13176-00	METAL, worm shaft outer		1		
12- 5	93101-10002	OIL SEAL	S-10-22-7	1		
12- 6	93430-08006	CIRCLIP	E-8	1		
12- 7	102-18138-00	WASHER	10.2-24-1.0	1		
12- 8	248-13178-00	GEAR, drive		1		
12- 9	92901-08400	WASHER, tooth		1		
12-10	98801-08300	NUT	ISO	1		
12-11	98501-05015	SCREW, pan head	ISO	2		
12- 0-1	276-13101-00	OIL PUMP ASS'Y		1		
12-12	137-13147-00- 00	. SHIM, adjusting	5.8-10-0.1	1		
12-13	137-13138-01	. PLATE, adjusting		1		
12-14	98801-05200	. NUT	ISO	1		
12-15	92901-05100	. WASHER, spring		1		
12-16	93101-10001	. OIL SEAL	S-10-21-5	1		
12-17	137-13128-00	. PLATE, starter		1		
12-18	91401-12018	. PIN, cotter		1		
12-19	98501-04005	. SCREW, pan head	ISO	1		
12-20	137-13187-00	. GASKET, breather	4.2-8.5-0.5	1		
12-21	93505-32002	. BALL	5/32"	1		
12-22	137-13169-00	. SPRING, check ball		1		
12-23	137-13167-00	. GASKET, banjo bolt	6-13-0.5	2		
12-24	137-13165-00	. BOLT, banjo		1		
12-25	214-13162-00	. BANJO		2		
12-26	214-13164-00	. CLIP, delivery pipe		2		
12-27	276-13161-00	. PIPE, delivery		1		
12-28	132-13166-00	BOLT, banjo		1		
12-29	137-13167-00	GASKET, banjo bolt	6-13-0.5	2		
12-30	248-13174-00	HOLDER, oil pipe		1		

Fig. 13 FLYWHEEL MAGNETO



FLYWHEEL MAGNETO

Ref No.	Parts No.	Parts Name	Description	Q'ty	S·R	Remarks
13- 0-1	277-81300-10	FLYWHEEL MAGNETO ASS'Y	(ISO)	1		
13- 1	277-81350-10	. ROTOR ASS'Y		1		
13- 2	185-81312-10	. COIL, source		1		
13- 3	277-81313-10	. COIL, lighting		1		
13- 4	110-81348-20	. SCREW, pan head	4-25 (ISO)	4		
13- 5	92901-04100	. WASHER, spring		7		
13- 6	185-81332-10	. PLATE, timing		1		
13- 7	207-81321-10	. CONTACT BREAKER ASS'Y		1		
13- 8	110-81347-20	. SCREW, pan head	4-12 (ISO)	1		
13- 9	92901-04200	. WASHER, plain		1		
13-10	207-81326-10	. CONDENSER		1		
13-11	207-81331-10	. LUBURICATOR		1		
13-12	110-81346-20	. SCREW, pan head	4-10 (ISO)	1		
13-13	109-81328-10	. CLAMP, lead		1		
13-14	165-81145-21	. SCREW, pan head	4-8 (ISO)	1		
13-15	98701-05015	SCREW, flat head	(ISO)	2		

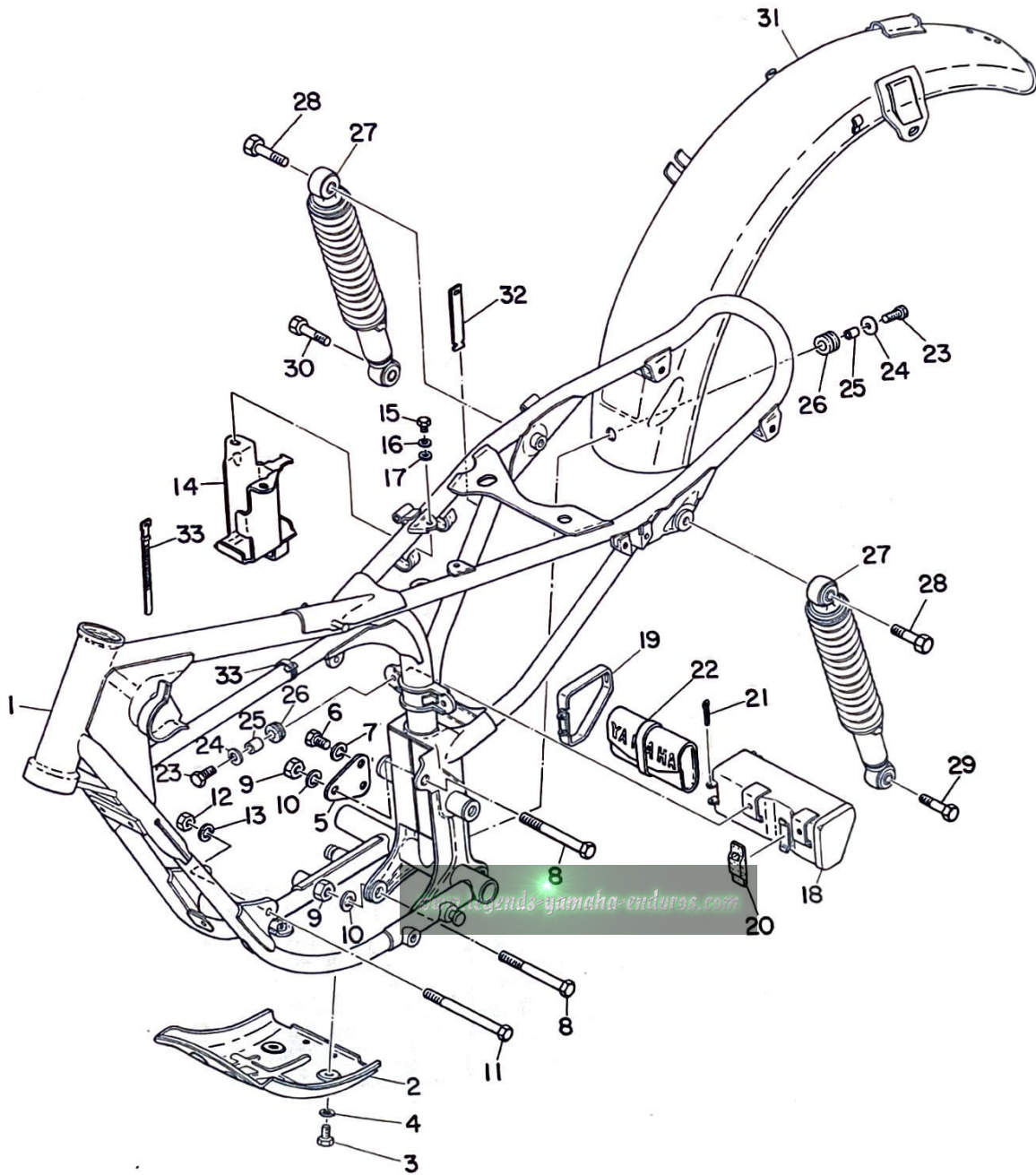
www.legends-yamaha-enduros.com

CHASSIS

www.legends-yamaha-enduros.com



Fig. 14 FRAME, REAR CUSHION & REAR FENDER

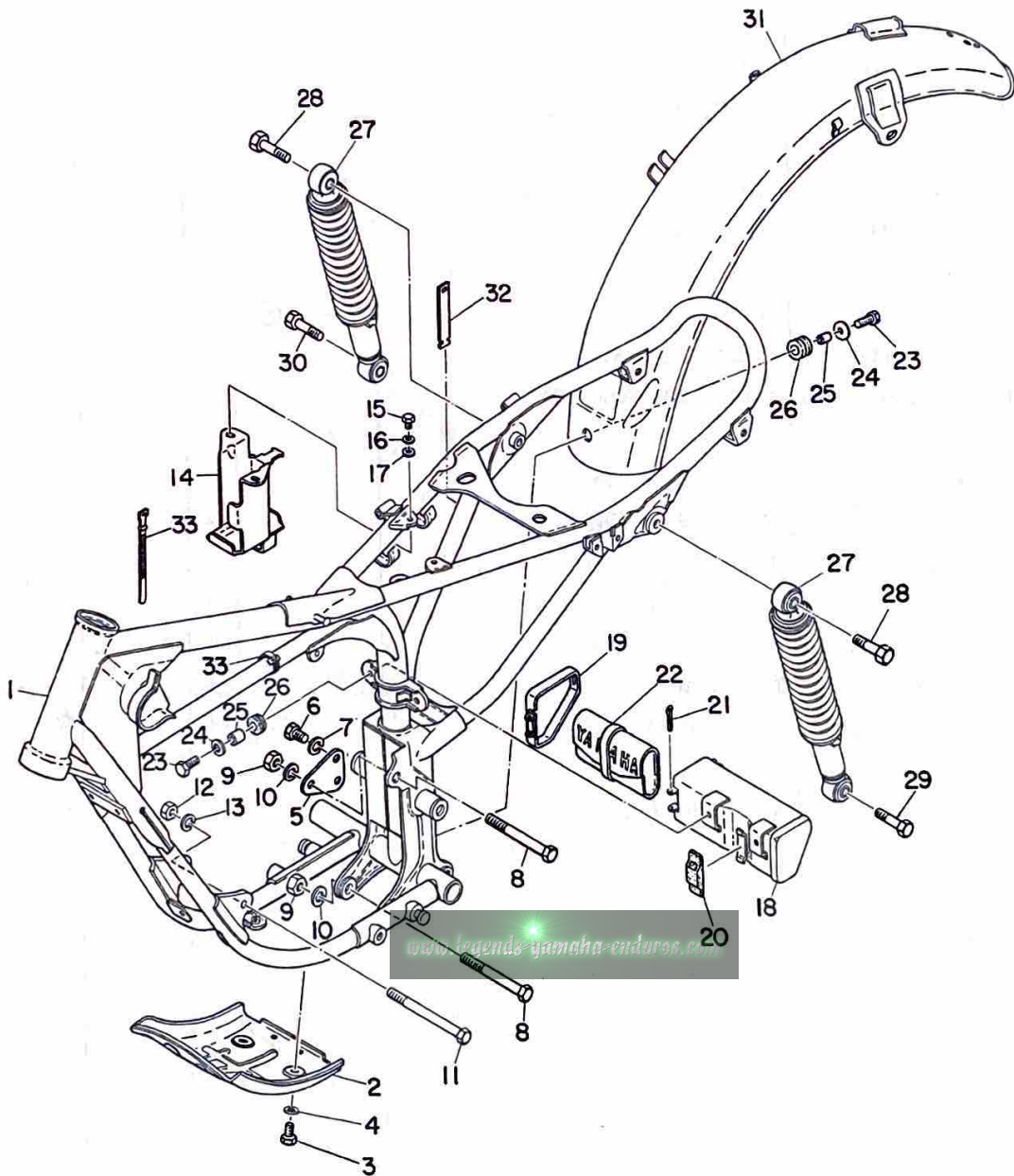


CHASSIS

www.legends-yamaha-enduros.com



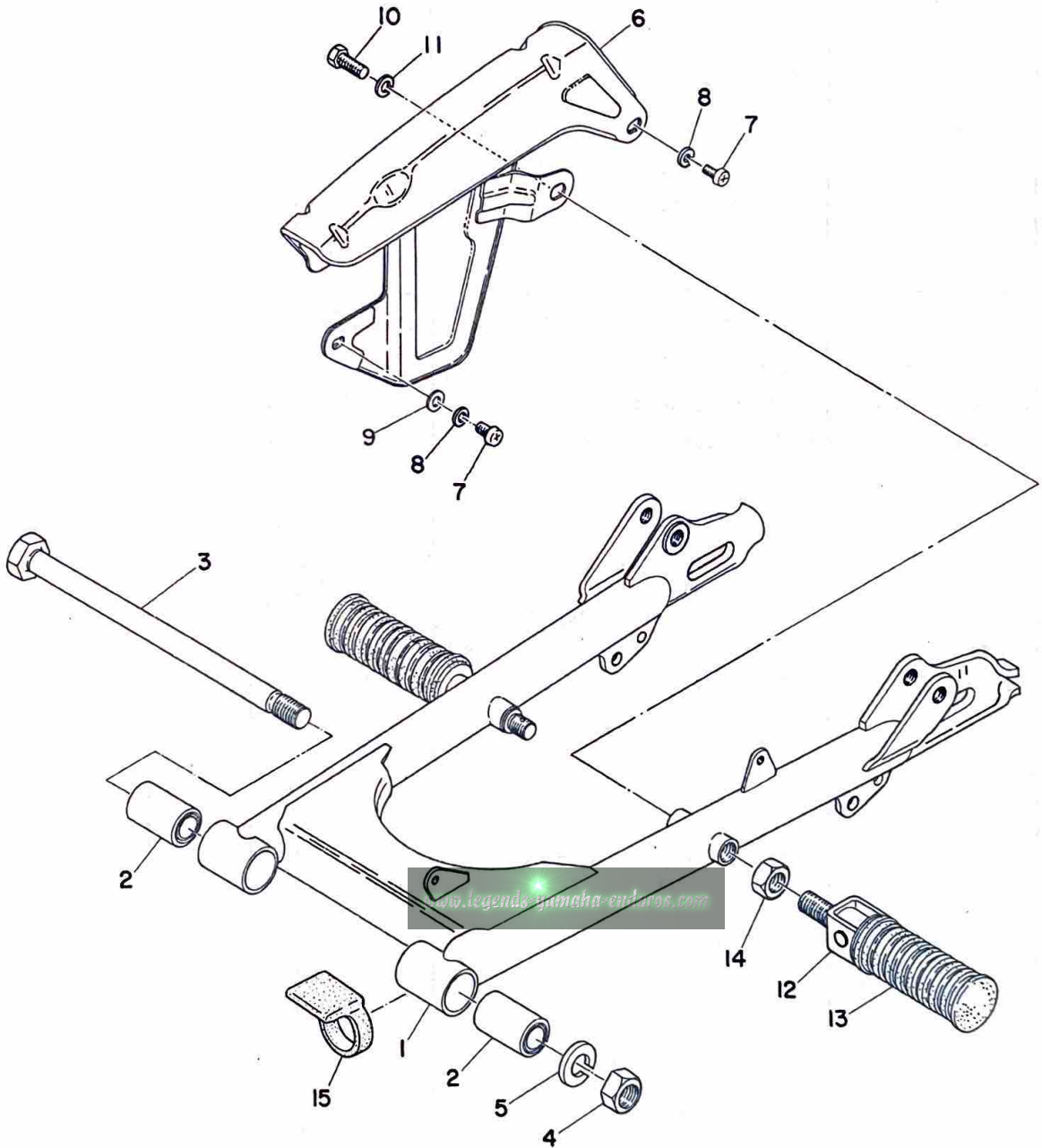
Fig. 14 FRAME, REAR CUSHION & REAR FENDER



FRAME, REAR CUSHION & REAR FENDER

Ref No.	Parts No.	Parts Name	Description	Q'ty	S-R	Remarks
14- 1	277-21110-00-33	FRAME COMP.	(ISO)	1		
14- 2	248-21471-00-33	PROTECTOR, engine		1		
14- 3	91201-06012	BOLT		4		
14- 4	92901-06100	WASHER, spring		4		
14- 5	248-21315-00-33	STAY, engine rear upper		1		
14- 6	97101-08015	BOLT	(ISO)	2		
14- 7	92901-08100	WASHER, spring		2		
14- 8	91101-10090	BOLT		2		
14- 9	92801-10100	NUT		2		
14-10	92901-10100	WASHER, spring		2		
14-11	97101-08110	BOLT	(ISO)	1		
14-12	98801-08100	NUT	(ISO)	1		
14-13	92901-08100	WASHER, spring		1		
14-14	276-21240-00-33	BATTERY BOX COMP.		1		
14-15	91201-06010	BOLT		2		
14-16	92903-06100	WASHER, spring		2		
14-17	92903-06200	WASHER, plain		2		
14-18	276-21170-00-33	TOOL BOX COMP.		1		
14-19	276-21399-00-33	CAP, tool box		1		
14-20	248-21746-00	DAMPER, tool box		1		
14-21	91402-25030	PIN, cotter		1		
14-22	248-28100-00	TOOL ASS'Y	(ISO)	1		☆
14-23	91201-06020	BOLT		3		
14-24	116-28324-00	WASHER, leg sheilded	6.5-20-1.6	3		
14-25	214-21633-00	COLLAR, fender mount (1)		3		
14-26	214-21717-00	DAMPER, battery box		3		
14-27	276-22210-20	REAR CUSHION ASS'Y		2		
14-28	214-22242-00	BOLT, rear cushion		2		
14-29	214-22241-00	BOLT, rear cushion		1		
14-30	214-22241-00	BOLT, rear cushion		1		
14-31	276-21610-00-35	REAR FENDER COMP.		1		
14-32	276-14747-00	DAMPER, muffler		1		
14-33	168-83936-01	BAND, switch cord		2		

Fig. 15 REAR ARM & CHAIN CASE



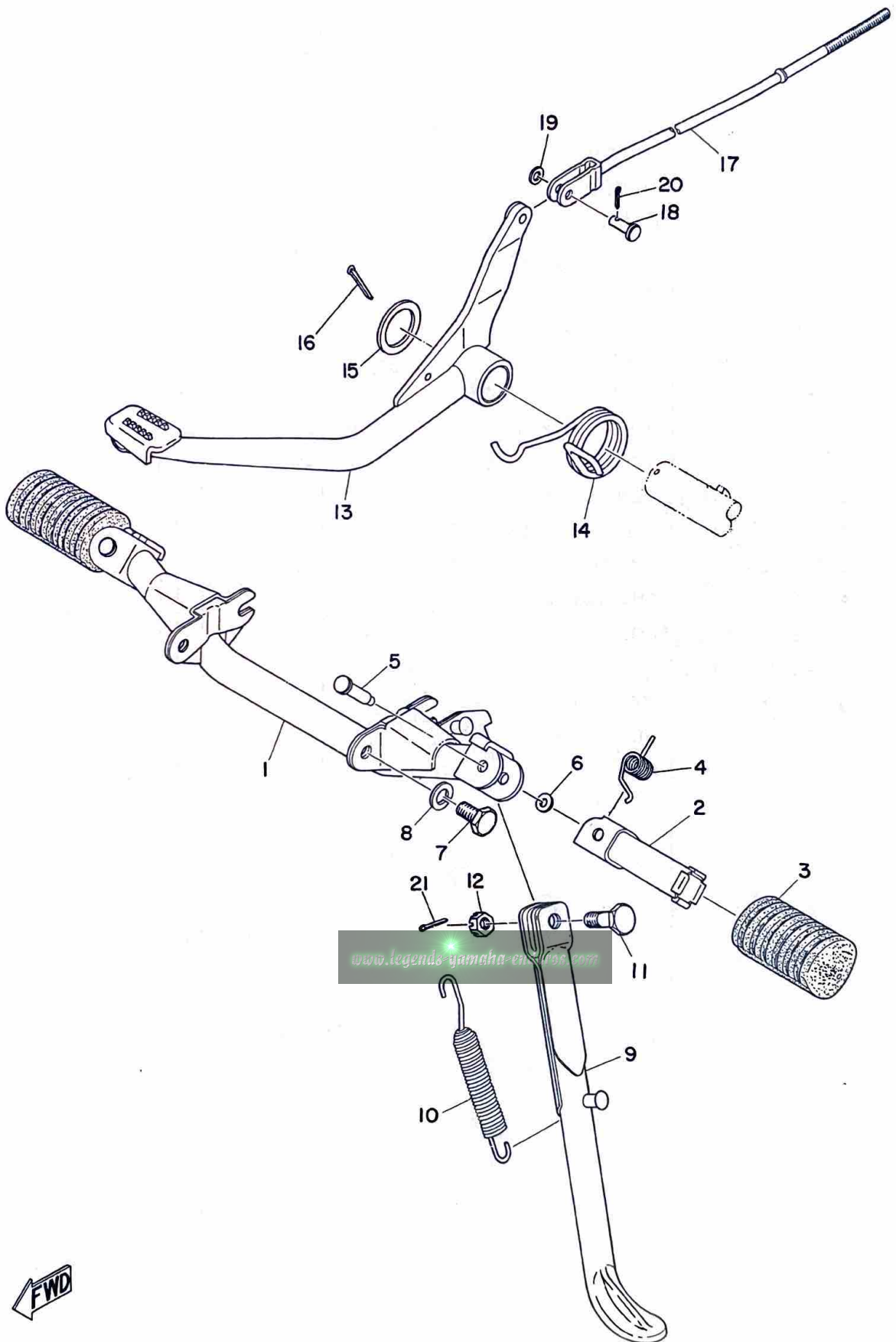
REAR ARM & CHAIN CASE

Ref No.	Parts No.	Parts Name	Description	Q'ty	S·R	Remarks
15- 1	276-22110-00-33	REAR ARM COMP.	(ISO)	1		
15- 2	276-22123-00	BUSHING, rear arm		2		
15- 3	276-22141-00	SHAFT, pivot		1		
15- 4	98801-12100	NUT	(ISO)	1		
15- 5	92901-12100	WASHER, spring		1		
15- 6	276-22311-00-35	CHAIN CASE		1		
15- 7	98501-05010	SCREW, pan head	(ISO)	3		
15- 8	92901-05100	WASHER, spring		3		
15- 9	92901-05200	WASHER, plain		2		
15-10	97103-08015	BOLT	(ISO)	1		
15-11	92903-08100	WASHER, spring	(ISO)	1		
15-12	120-27430-02	REAR FOOTREST ASS'Y	(ISO)	2		
15-13	120-27433-00	. COVER, rear footrest		2		
15-14	206-27436-00	NUT, rear footrest	(ISO)	2		
15-15	173-22151-00	SEAL, guard		1		

www.legends-yamaha-enduros.com



Fig. 16 STAND, FOOTREST & REAR BRAKE PEDAL



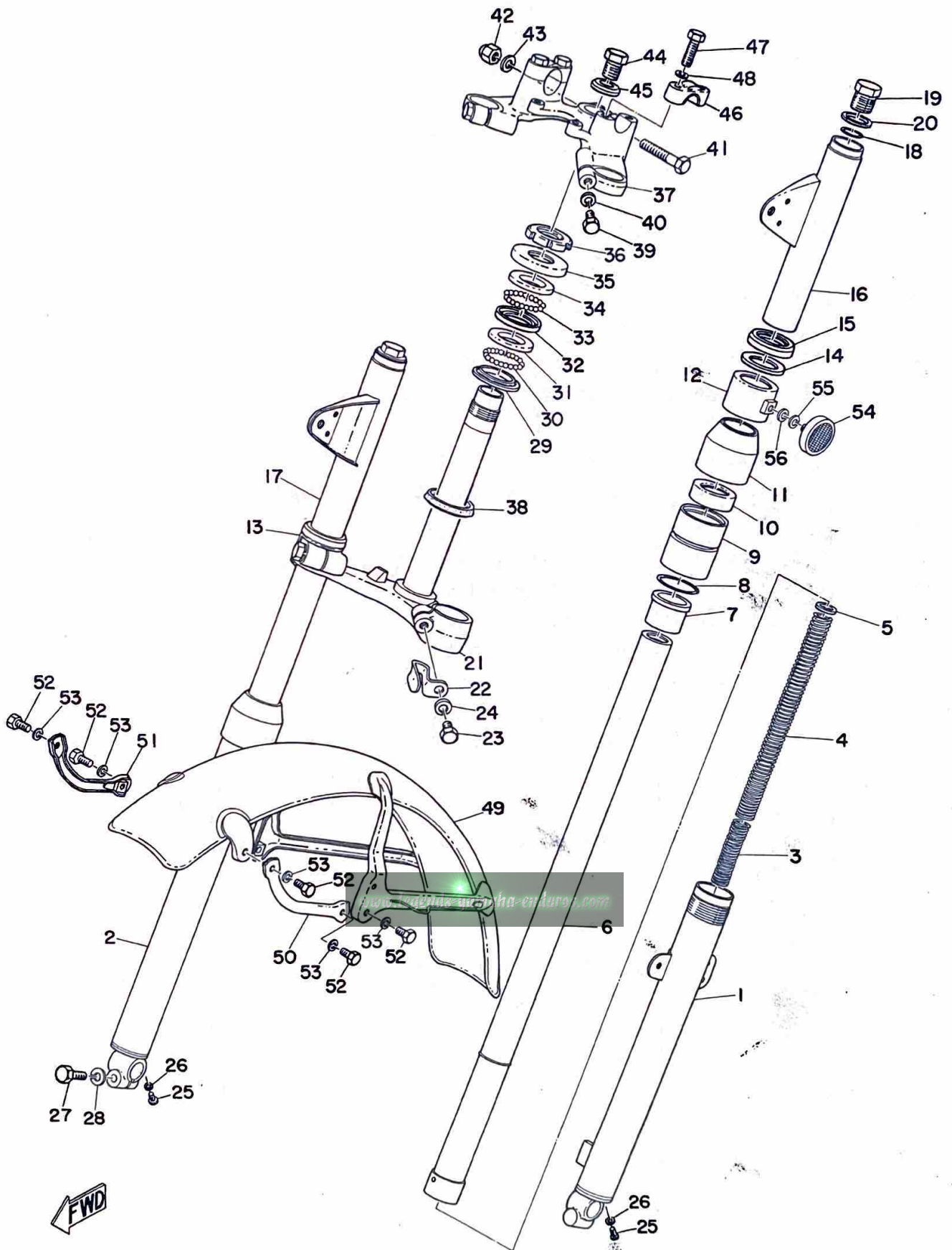
STAND, FOOTREST & REAR BRAKE PEDAL

Ref No.	Parts No.	Parts Name	Description	Q'ty	S·R	Remarks
16- 1	276-27411-00	FOOTREST		1		
16- 2	214-27421-00	FOOTREST		2		
16- 3	214-27413-00	COVER, footrest		2		
16- 4	214-27426-00	SPRING, return		2		
16- 5	214-27418-00	PIN, clevis		2		
16- 6	214-27417-00	WASHER, special	6.5-12-2	2		
16- 7	91201-10018	BOLT		2		
16- 8	92901-10100	WASHER, spring		2		
16- 9	248-27311-01	STAND, side		1		
16-10	276-27316-00	SPRING		1		
16-11	278-27317-00	BOLT, side stand		1		
16-12	92801-10500	NUT		1		
16-13	248-27211-00-33	PEDAL, brake		1		
16-14	248-27216-00	SPRING, brake pedal		1		
16-15	248-27226-00	WASHER, brake shaft	25-34-1.6	1		
16-16	91401-40035	PIN, cotter		1		
16-17	276-27231-00	ROD, brake		1		
16-18	248-27228-00	PIN, link joint		1		
16-19	92901-06200	WASHER, plain		1		
16-20	91401-25012	PIN, cotter		1		
16-21	91403-20025	PIN, cotter		1		

www.legends-yamaha-enduros.com



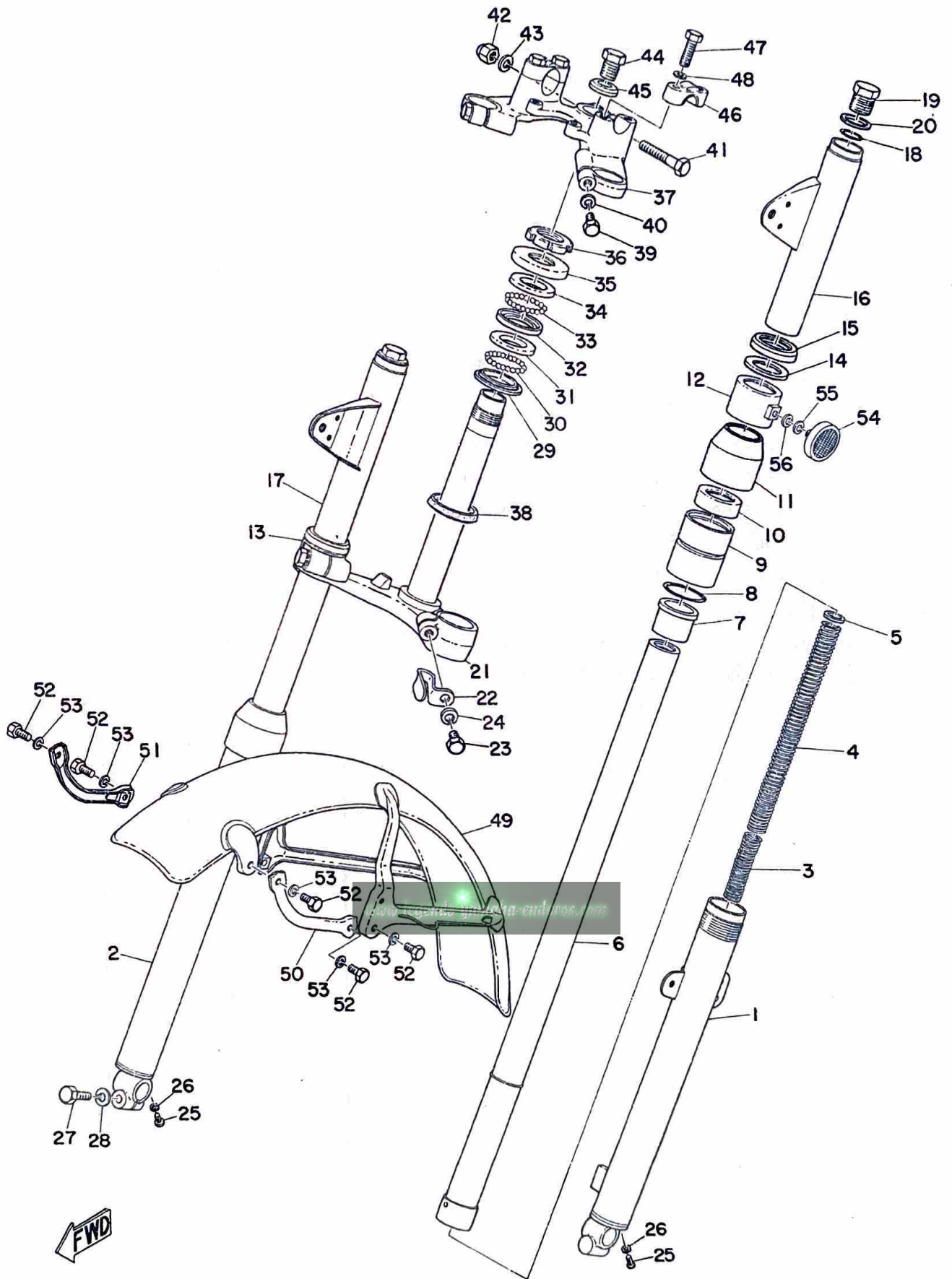
Fig. 17 FRONT FORK & FRONT FENDER



FRONT FORK & FRONT FENDER

Ref No.	Parts No.	Parts Name	Description	Q'ty	S-R	Remarks
17- 0-1	277-23100-60-01	FRONT FORK ASS'Y	(ISO)	1		Candy Orange
17- 1	276-23126-50-35	. TUBE, outer (L.H)	(ISO)	1		
17- 2	276-23136-50-35	. TUBE, outer (R.H)	(ISO)	1		
17- 3	276-23151-50	. SPRING, fork (2)		2		
17- 4	276-23141-50	. SPRING, fork (1)		2		
17- 5	276-23149-50	. WASHER, spring upper		2		
17- 6	276-23124-50	. TUBE, inner		2		
17- 7	122-23125-00	. METAL, slide		2		
17- 8	122-23147-00	. O-RING		2		
17- 9	276-23150-50	. OUTER NUT COMP.		2		
17-10	276-23145-50 →	→ . OIL SEAL <u>use 122-23145-00</u>		2		
17-11	276-23144-50	. SEAL, dust		2		
17-12	277-23122-60	. COVER, outer (L.H)		2		
17-13	276-23132-60	. COVER, outer (R.H)	N/A	1		
17-14	122-23163-00	. PACKING (lamp stay)		2		
17-15	276-23116-50	. GUIDE, cover under		2		
17-16	276-23121-50-52	. COVER, upper (L.H)		1		
17-17	276-23131-50-52	. COVER, upper (R.H)		1		
17-18	276-23114-00	. PACKING (O-RING)		2		
17-19	205-23111-40	. BOLT, cap		2		
17-20	276-23112-50	. WASHER, cap bolt		2		
17-21	277-23340-60-33	. UNDER BRACKET COMP.		1		Candy Orange
17-22	256-23318-60	. HOLDER, wire		1		
17-23	122-23346-00	. BOLT, under bracket		2		
17-24	92901-10100	. WASHER, spring		2		
17-25	122-23119-01	. PLUG, drain	(ISO)	2		
17-26	122-23129-00	. GASKET, drain plug		2		
17-27	97201-08025	. BOLT	(ISO)	1		
17-28	92901-08100	. WASHER, spring		1		
17-29	156-23411-00	. RACE, ball (1)		1		
17-30	93501-04011	BALL	1/4"	19		
17-31	156-23412-00	RACE, ball (2)		1		
17-32	122-23412-00	RACE, ball (2)		1		
17-33	93503-16010	BALL	3/16"	22		
17-34	122-23411-00	RACE, ball (1)		1		
17-35	122-23416-00	COVER, ball race		1		
17-36	137-23454-00	NUT, fitting		1		
17-37	276-23435-00-33	CROWN, handle		1		

Fig. 17 FRONT FORK & FRONT FENDER



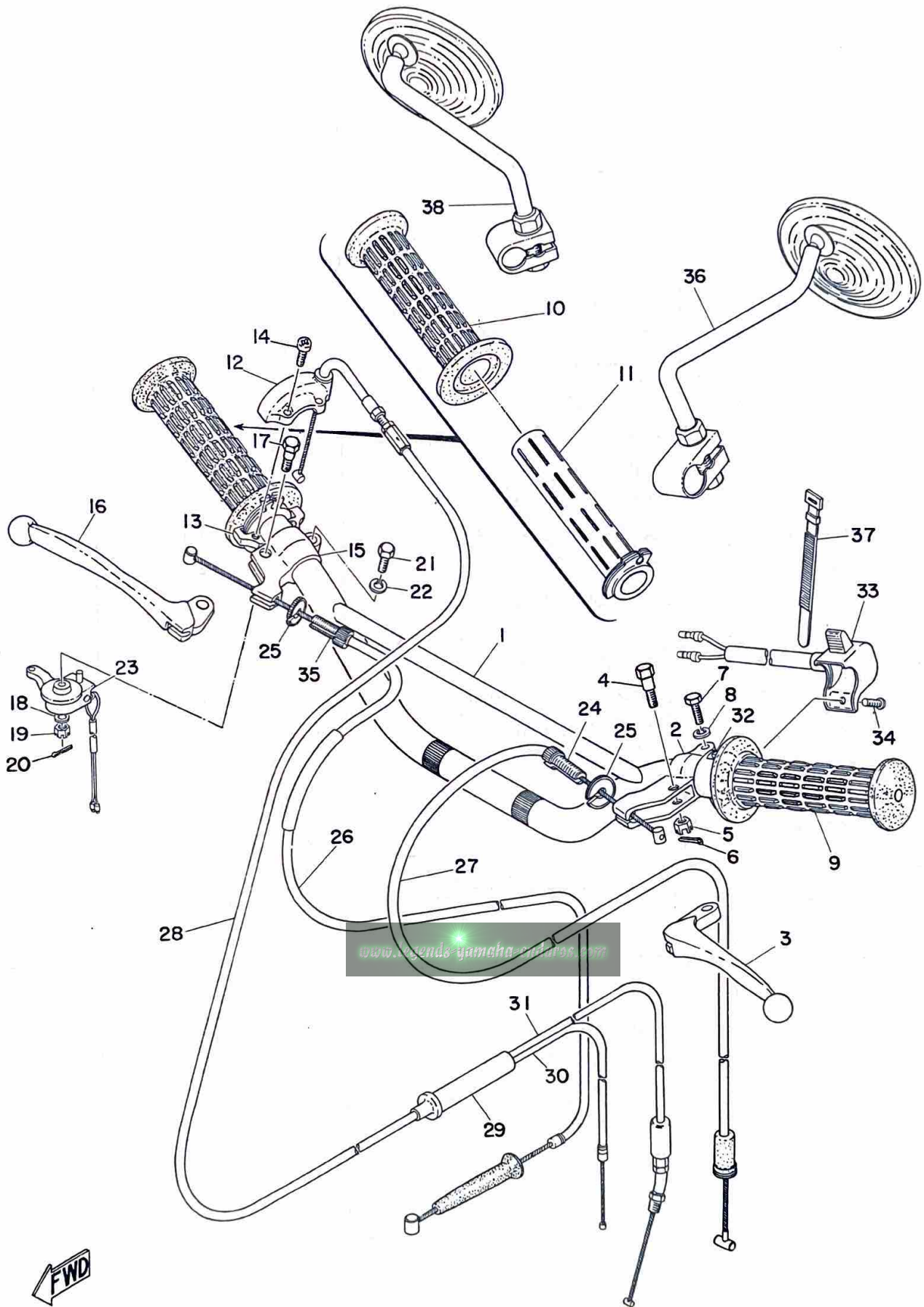
FRONT FORK & FRONT FENDER

Ref No.	Parts No.	Parts Name	Description	Q'ty	S·R	Remarks
17-38	164-23462-00	SEAL, dust		1		
17-39	97103-08030	BOLT	(ISO)	2		
17-40	92901-08100	WASHER, spring		2		
17-41	97103-08045	BOLT	(ISO)	1		
17-42	98803-08700	NUT, crown	(ISO)	1		
17-43	92901-08100	WASHER, spring		1		
17-44	214-23451-10	BOLT, steering fitting		1		
17-45	214-23443-00	WASHER, crown		1		
17-46	214-23441-00	HOLDER, handle upper		2		
17-47	97103-08030	BOLT	(ISO)	4		
17-48	92901-08100	WASHER, spring		4		
17-49	276-21510-00-35	FRONT, fender comp.		1		
17-50	276-21513-00-35	STAY, fender (L.H)		1		
17-51	276-21514-00-35	STAY, fender (R.H)		1		
17-52	912 030 03-12 91201-06012	BOLT		6		
17-53	92901-06100	WASHER, spring		6		
17-54	233-85111-00	REFLECTOR		2		
17-55	92901-05100	WASHER, spring		2		
17-56	92901-05200	WASHER, plain		2		

www.legends-yamaha-enduros.com



Fig. 18 HANDLE & WIRE



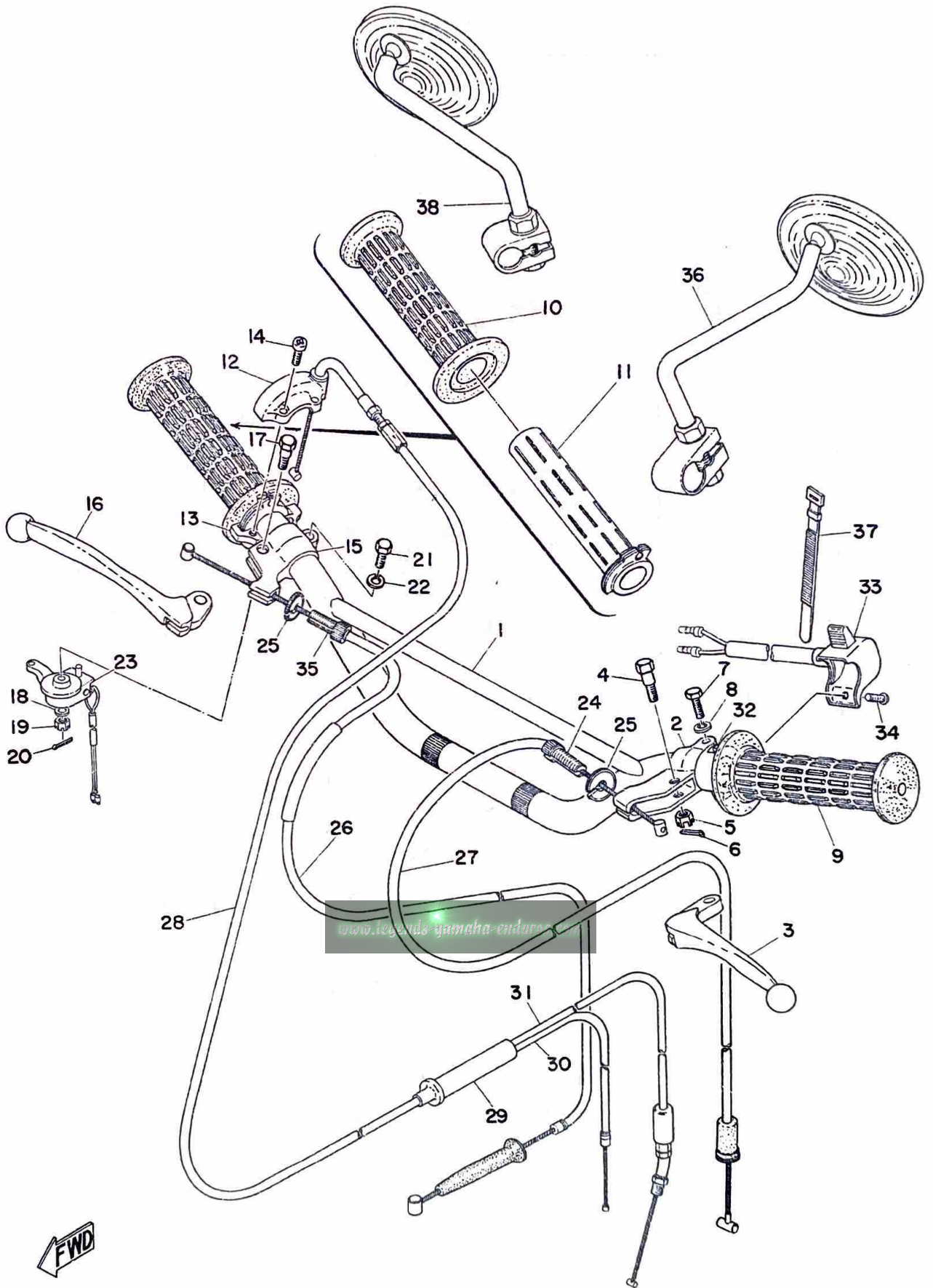
FWD

HANDLE & WIRE

Ref No.	Parts No.	Parts Name	Description	Q'ty	S·R	Remarks
18- 1	248-26111-01	HANDLE		1		
18- 0-1	214-82910-00	LEVER HOLDER ASS'Y (L.H)		1		
18- 2	214-82911-00	. HOLDER, lever (L.H)		1		
18- 3	214-83912-00	. LEVER (L.H)		1		
18- 4	214-83915-00	. SCREW, lever fitting		1		
18- 5	92801-06500	. NUT, slotted		1		
18- 6	91401-12012	. PIN, cotter		1		
18- 7	91201-06020	. BOLT		1		
18- 8	92901-06100	. WASHER, spring		1		
18- 9	214-26241-00	GRIP (L.H)		1		
18-10	214-26242-00	GRIP (R.H)		1		
18-11	214-26243-00	TUBE, guide		1		
18-12	214-26281-01	CAP, grip upper		1		
18-13	214-26282-01	CAP, grip under	(ISO)	1		
18-14	98503-05020	SCREW, pan head	(ISO)	2		
18- 0-2	233-82920-00	LEVER HOLDER ASS'Y (R.H)		1		
18-15	233-82921-30	. HOLDER, lever (R.H)		1		
18-16	233-83922-30	. LEVER (R.H)		1		
18-17	233-83915-01	. SCREW, lever fitting	(ISO)	1		
18-18	92901-05200	. WASHER, plain		1		
18-19	92801-05500	. NUT, slotted	(ISO)	1		
18-20	91401-12012	. PIN, cotter		1		
18-21	91201-06020	. BOLT		1		
18-22	92901-06100	. WASHER, spring		1		
18-23	233-83980-30	FRONT STOP SWITCH ASS'Y		1		
18-24	168-26337-00	BOLT		1		
18-25	168-26344-00	NUT, adjusting		2		
18-26	276-26341-00	WIRE, brake		1		
18-27	276-26335-00	WIRE, clutch				
18-28	276-26311-00	WIRE, throttle (1)		1		
18-29	214-26261-00	CYLINDER, wire		1		
18-30	276-26312-00	WIRE, throttle (2)		1		
18-31	248-26321-00	WIRE, pump		1		
18-32	214-83974-00	HOLDER, handle switch	(ISO)	1		
18-33	214-83975-00	SWITCH, handle (2)		1		
18-34	98503-05015	SCREW, pan head	(ISO)	1		
18-35	156-26346-00	BOLT, adjusting		1		
18-36	257-26290-10	BACK MIRROR ASS'Y (L.H)	(ISO)	1		

(ISO) : SOME OF THE PARTS IN THIS BOOK HAVE ISO-THREADING. PLEASE MAKE SURE TO CONSULT THIS BOOK WHEN ORDERING PARTS FOR THE MOTORCYCLE DESCRIBED HEREIN.

Fig. 18 HANDLE & WIRE



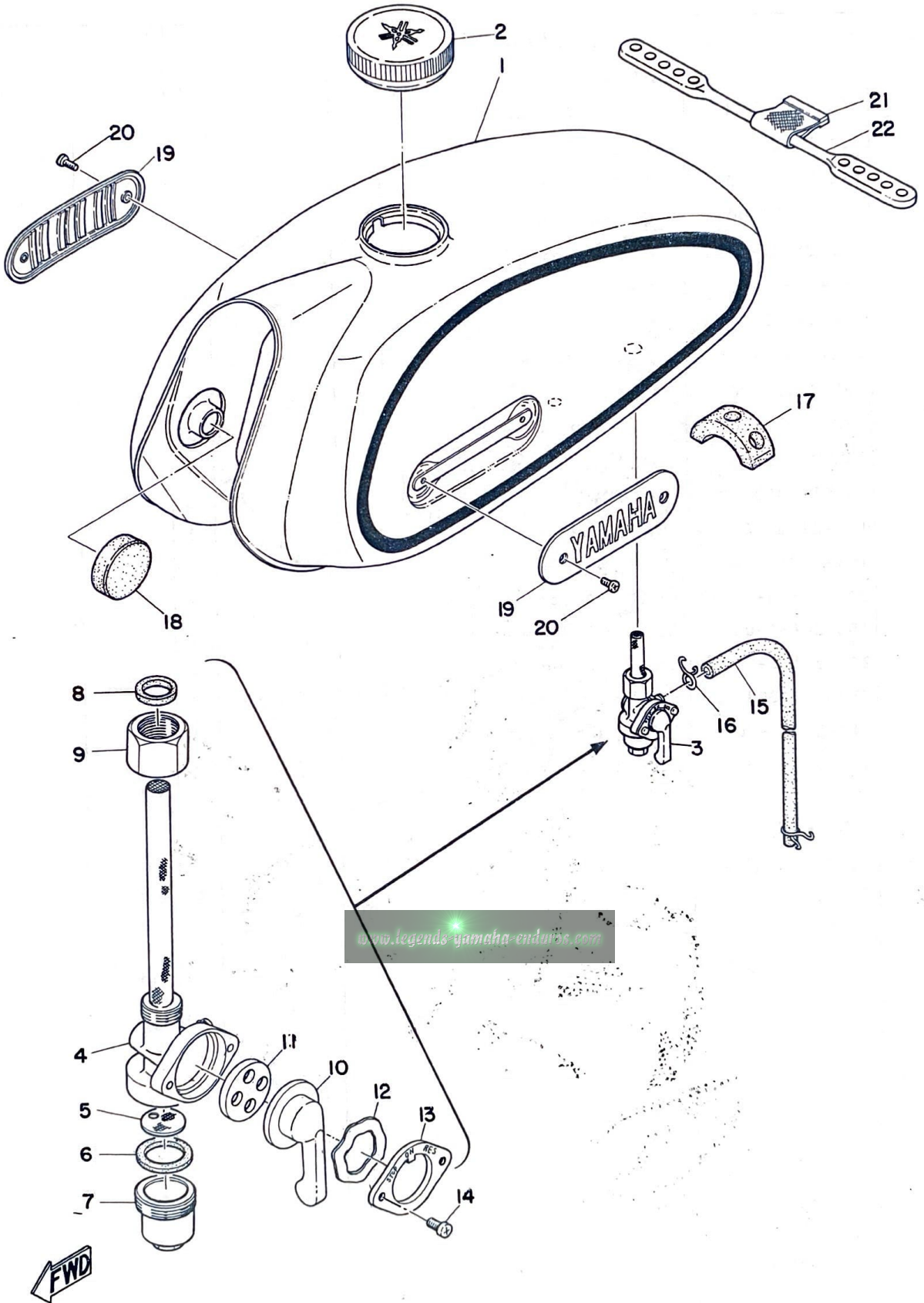
FWD

HANDLE & WIRE

Ref No.	Parts No.	Parts Name	Description	Q'ty	S-R	Remarks
18-37	168-83936-01	BAND, switch cord _ALTERNATE PARTS		1		
18-38	257-26290-00	BACK MIRROR ASS'Y (R.H)		1		

www.legends-yamaha-enduros.com

Fig. 19 FUEL TANK



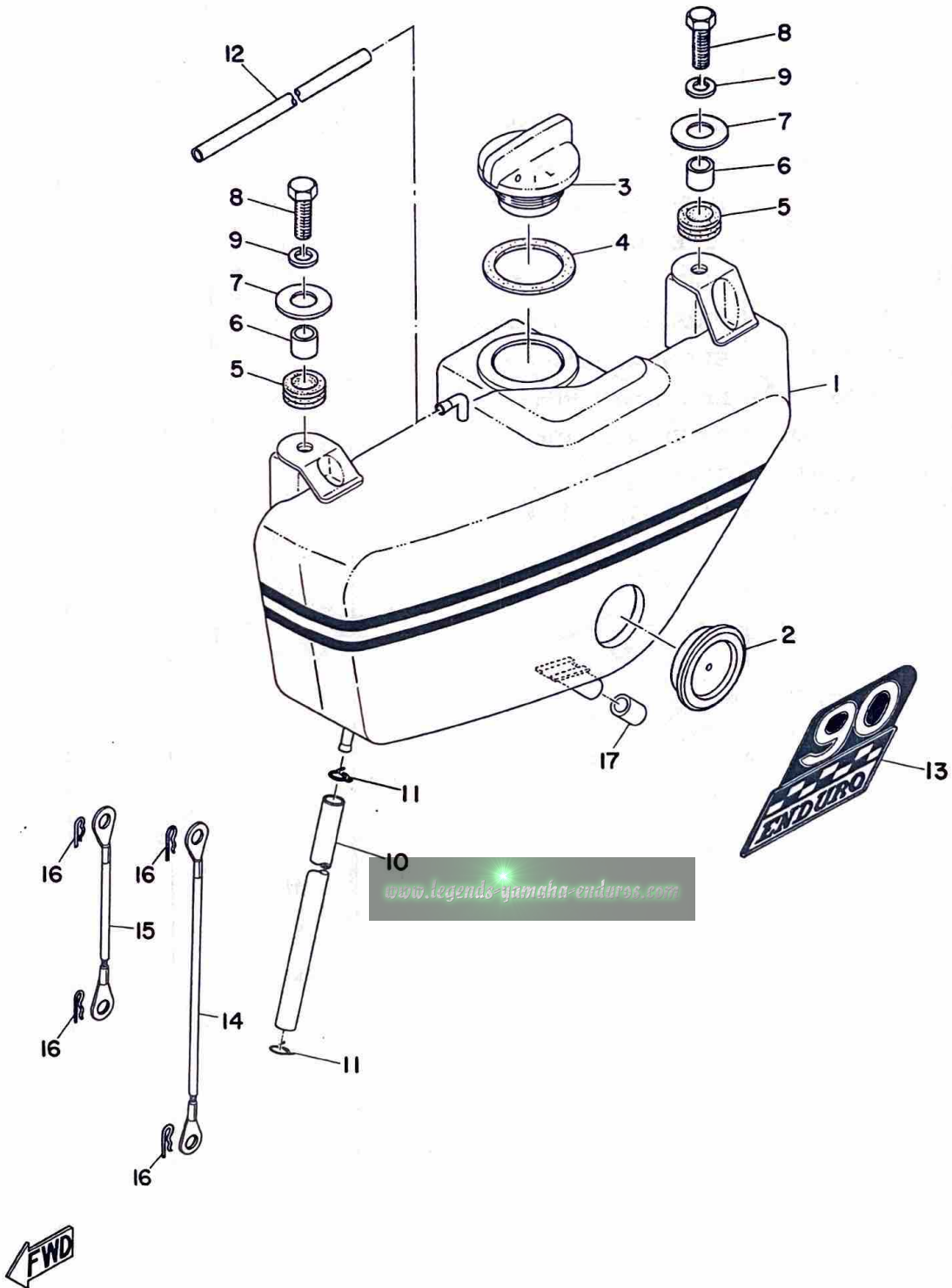
FUEL TANK

Ref No.	Parts No.	Parts Name	Description	Q'ty	S·R	Remarks
19- 1	276-24110-00-03	FUEL TANK COMP.	(ISO)	1		Candy Orange
19- 2	122-24610-01	CAP ASS'Y		1		
19- 3	164-24500-02	FUEL COCK ASS'Y	(ISO)	1		
19- 4	164-24511-02	. BODY, fuel cock	(ISO)	1		△
19- 5	132-24515-00	. NET, filter		1		
19- 6	132-24522-00	. GASKET, filter		1		
19- 7	132-24521-00	. CUP, filter		1		
19- 8	132-24532-00	. GASKET, nut		1		
19- 9	132-24531-00	. NUT		1		
19-10	168-24524-00	. LEVER, cock		1		
19-11	137-24523-00	. VALVE		1		
19-12	132-24518-00	. WASHER, wave		1		
19-13	132-24525-00	. PLATE, lever fitting		2		
19-14	98501-03006	. SCREW, pan head	(ISO)	2		
19-15	174-24331-00	PIPE, fuel		1		
19-16	101-24356-00	CLIP, pipe		2		
19-17	248-24183-00	DAMPER, locating (3)		1		
19-18	156-24181-00	DAMPER, locating (1)		2		
19-19	276-24161-00	EMBLEM, fuel tank		2		
19-20	98501-04008	SCREW, pan head	(ISO)	4		
19-21	214-24173-00	BAND, tank fitting		1		
19-22	248-24173-00	BAND, tank fitting		1		

www.legends-yamaha-enduros.com



Fig. 20 OIL TANK



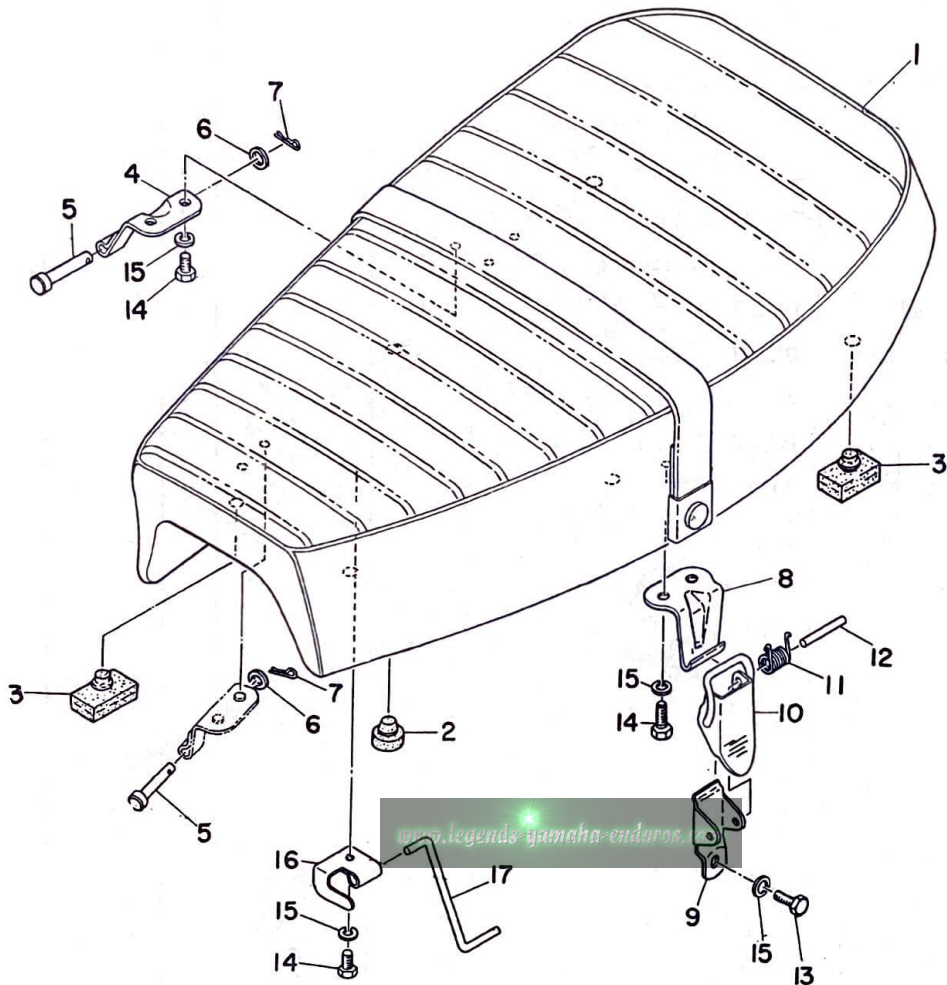
OIL TANK

Ref No.	Parts No.	Parts Name	Description	Q'ty	S·R	Remarks
20- 1	276-21705-00-01	OIL TANK ASS'Y		1		Candy Orange
20- 2	214-21761-00	. GAUGE, level		1		
20- 3	214-21771-00	CAP, oil tank		1		
20- 4	214-21772-00	GASKET, cap	29-37-2	1		
20- 5	214-21717-00	DAMPER, battery box		2		
20- 6	214-21633-00	COLLAR, fender mount	7-10-7	2		
20- 7	116-28324-00	WASHER, leg shield	6.5-20-1.6	2		
20- 8	91203-06025	BOLT		2		
20- 9	92901-06100	WASHER, spring		2		
20-10	248-21766-00	PIPE, oil		1		
20-11	101-24356-00	CLIP, pipe		2		
20-12	214-21745-00	PIPE, oil tank breather		1		
20-13	277-21787-00	ELBLEM, enduro		1		
20-14	248-21775-00	BAND, tank fitting		1		
20-15	261-21775-00	BAND, tank fitting		1		
20-16	156-83525-00	CLIP		4		
20-17	214-21779-00	DAMPER, oil tank		1		

www.legends-yamaha-enduros.com



Fig. 21 SEAT

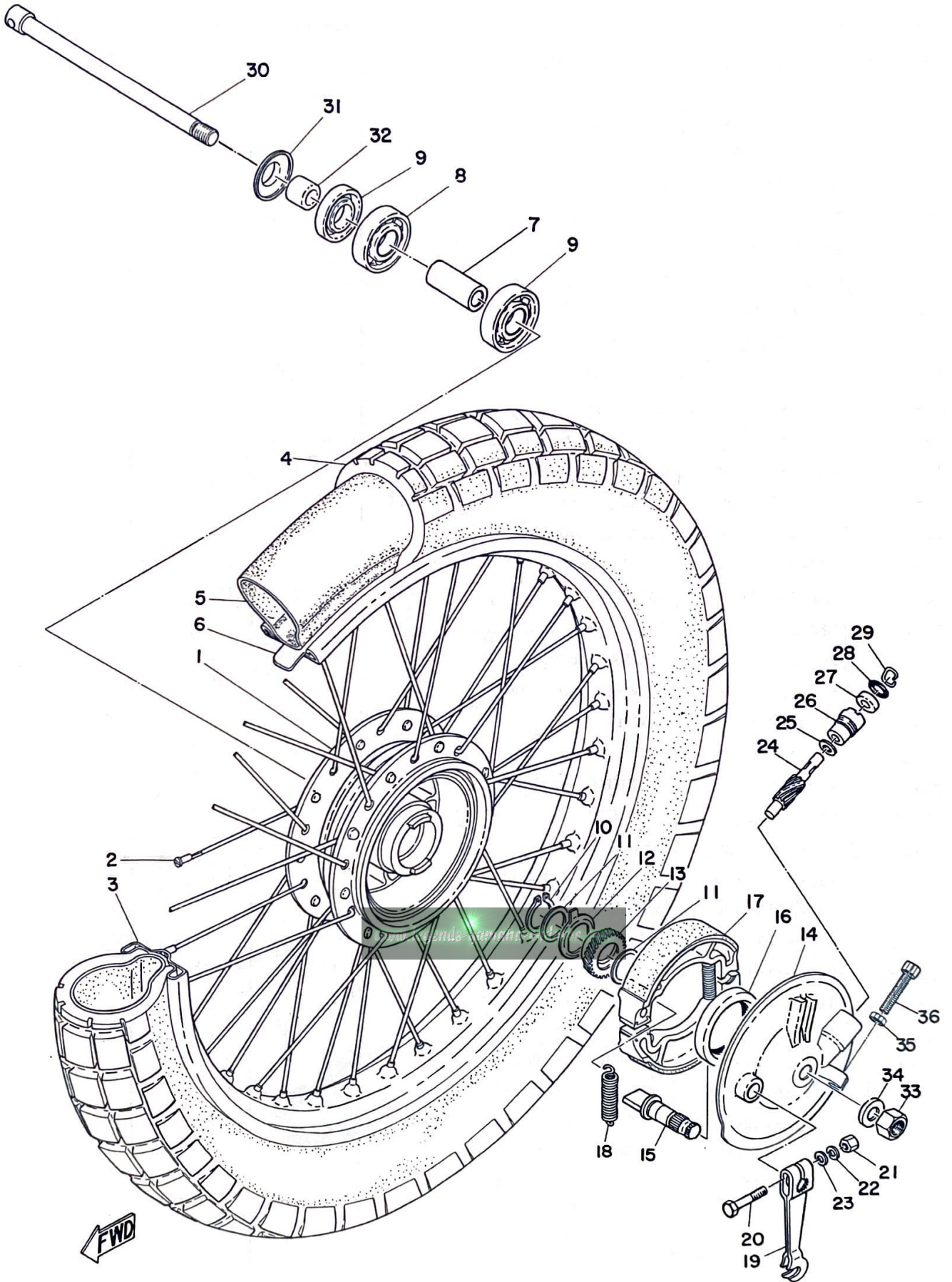


SEAT

Ref No.	Parts No.	Parts Name	Description	Q'ty	S·R	Remarks
21- 1	276-24730-00	DOUBLE SEAT ASS'Y		1		
21- 1-1	276-24731-00	. COVER, double seat		1		
21- 2	214-24745-00	STOPPER, seat		1		
21- 3	214-24724-00	DAMPER, seat		4		
21- 4	276-24769-00-33	HINGE, bracket rear		1		
21- 5	91502-05055	PIN, clevis		2		
21- 6	92902-05200	WASHER, plain		2		
21- 7	156-83525-00	CLIP		2		
21- 8	214-24728-00-33	BRACKET, seat		1		
21- 9	214-24718-00	BRACKET, seat under		1		
21-10	214-24776-00-33	LEVER, seat		1		
21-11	214-24758-00	SPRING, seat		1		
21-12	214-24727-00	PIN, seat fitting		1		
21-13	91201-06000	BOLT		1		
21-14	91202-06012	BOLT		5		
21-15	92902-06100	WASHER, spring		6		
21-16	276-24748-00	BRACKET, seat stopper		1		
21-17	276-24768-00	STOPPER, seat		1		

www.legends-yamaha-enduros.com

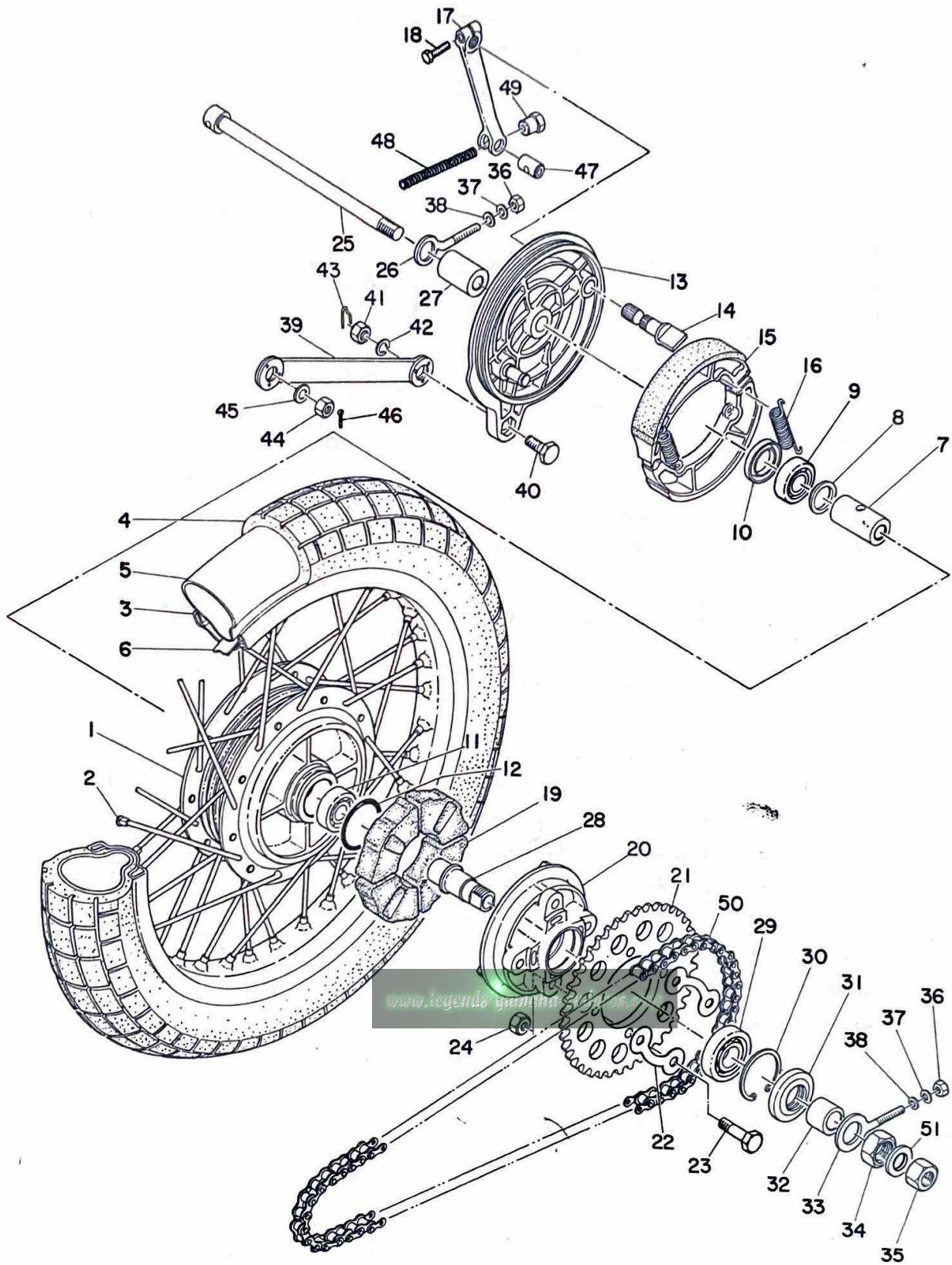
Fig. 22 FRONT WHEEL



FRONT WHEEL

Ref No.	Parts No.	Parts Name	Description	Q'ty	S·R	Remarks
22- 1	248-25111-00	HUB, front		1		
22- 2	276-25104-00	SPORKE SET		1s		
22- 3	94414-18007	RIM	1.40-18	1		
22- 4	94127-18085	TIRE, front	2.75-18-4PR	1		☆
22- 5	94227-18009	TUBE	2.75-18	1		☆
22- 6	94327-18007	BAND, rim	2.75-18	1		
22- 7	183-25117-00	SPACER, bearing		1		
22- 8	93306-30103	BEARING	6301Z	2		
22- 9	93102-18008	OIL SEAL	SD-18-37-8	1		
22-10	93410-20009	CIRCLIP		1		
22-11	183-25147-00	WASHER, thrust (2)	20.5-26-1	2		
22-12	183-25149-00	CLUTCH, meter		1		
22-13	248-25135-00	GEAR, drive		1		
22-14	248-25121-00	PLATE, brake shoe		1		
22-15	122-25351-01	CAM SHAFT		1		
22-16	93105-47007	OIL SEAL	SDD-4758-7	1		
22-17	122-25330-00	BRAKE SHOE COMP.		2		
22-18	102-25333-00	SPRING, return		2		
22-19	137-25155-00	LEVER, cam shaft		1		
22-20	91201-06030	BOLT		1		
22-21	92801-06100	NUT		1		
22-22	92901-06100	WASHER, spring		1		
22-23	92901-06200	WASHER, plain		1		
22-24	214-25138-00	GEAR, meter		1		
22-25	183-25146-00	WASHER, thrust (1)	7-12-0.8	1		
22-26	109-25136-00	BUSHING		1		
22-27	93104-07003	OIL SEAL	SO-7-14-4	1		
22-28	93210-14104	O-RING	2.4-13.8	1		
22-29	102-25137-00	RING, stop	18φ	1		
22-30	183-25181-01	SHAFT, wheel	(ISO)	1		
22-31	183-25118-00	COVER, hub dust		1		
22-32	183-25183-00	COLLAR, wheel shaft		1		
22-33	98801-12200	NUT	(ISO)	1		
22-34	92901-12100	WASHER, spring		1		
22-35	109-26344-00	NUT, wire adjusting		1		
22-36	109-26345-00	BOLT, wire adjusting		1		

Fig. 23 REAR WHEEL

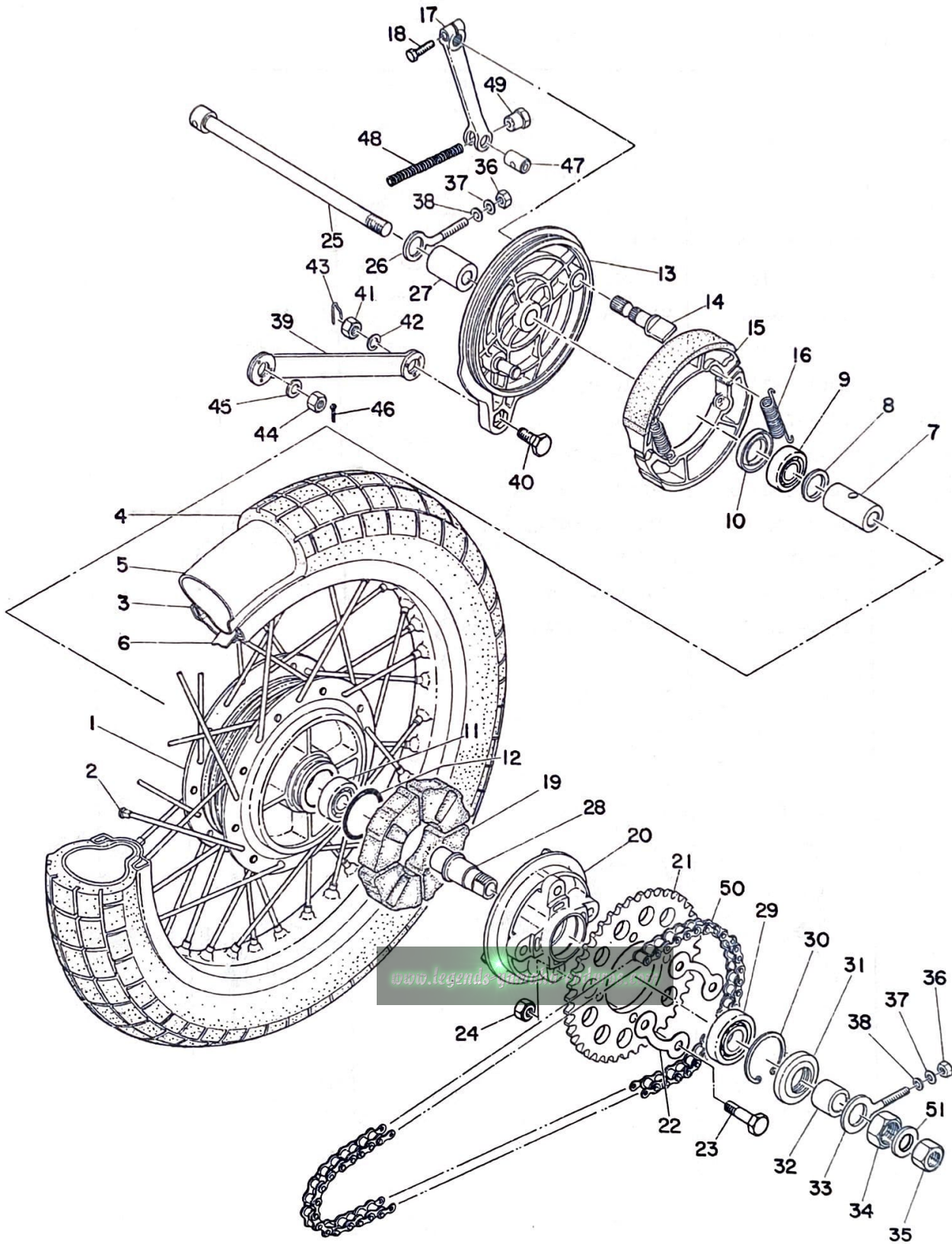


REAR WHEEL

Ref No.	Parts No.	Parts Name	Description	Q'ty	S·R	Remarks
23- 1	195-25311-00	HUB, rear		1		
23- 2	183-25304-00	SPOKE SET		1s		
23- 3	94414-18052	RIM	1.40-18	1		
23- 4	94130-18073	TIRE, rear	3.00-18-4PR	1		☆
23- 5	94230-18012	TUBE	3.00-18	3		☆
23- 6	94330-18010	BAND, rim	3.00-18	1		
23- 7	195-25317-00	SPACER, bearing		1		
23- 8	109-25315-00	FLANGE, spacer		1		
23- 9	93306-30101	BEARING	6301	1		
23-10	93104-18006	OIL SEAL	SO-18-37-5	1		
23-11	93306-30103	BEARING	6301Z	1		
23-12	93210-42101	O-RING	2.5-41.7	1		
23-13	276-25321-00	PLATE, brake shoe		1		
23-14	183-25351-00	CAM SHAFT		1		
23-15	183-25330-00	BRAKE SHOE COMP.		2		
23-16	183-25333-00	SPRING, return		2		
23-17	276-25355-00	LEVER, cam shaft		1		
23-18	91201-06025	BOLT		1		
23-19	132-25364-00 304-25364-00	DAMPER, clutch		4		
23-20	183-25366-01	CLUTCH, hub	(ISO)	1		
23-21	276-25445-10	GEAR, sprocket wheel	45T	} U.R 1	N/A	STD
	276-25449-10	GEAR, sprocket wheel	49T			
	276-25452-10	GEAR, sprocket wheel N/A	52T			
23-22	102-25412-00	WASHER, lock		2		
23-23	207-25411-00	BOLT, fitting		4		
23-24	98801-08200	NUT	(ISO)	4		
23-25	167-25381-00	SHAFT, wheel		1		
23-26	102-25389-00	PULLER, chain (R.H)		1		
23-27	276-25383-00	COLLAR, wheel shaft		1		
23-28	205-25387-00	SHAFT, sprocket		1		
23-29	93306-00406	BEARING	6004Z	1		
23-30	93420-42007	CIRCLIP	R42	1		
23-31	93106-30004	OIL SEAL	DD-30-42-8	1		
23-32	276-25386-00	COLLAR, sprocket shaft		1		
23-33	127-25388-00	PULLER, chain (L.H)		1		
23-34	102-25385-01	NUT, sprocket shaft		1		
23-35	205-25382-00	NUT, shaft		1		
23-36	92801-06100	NUT		2		



Fig. 23 REAR WHEEL

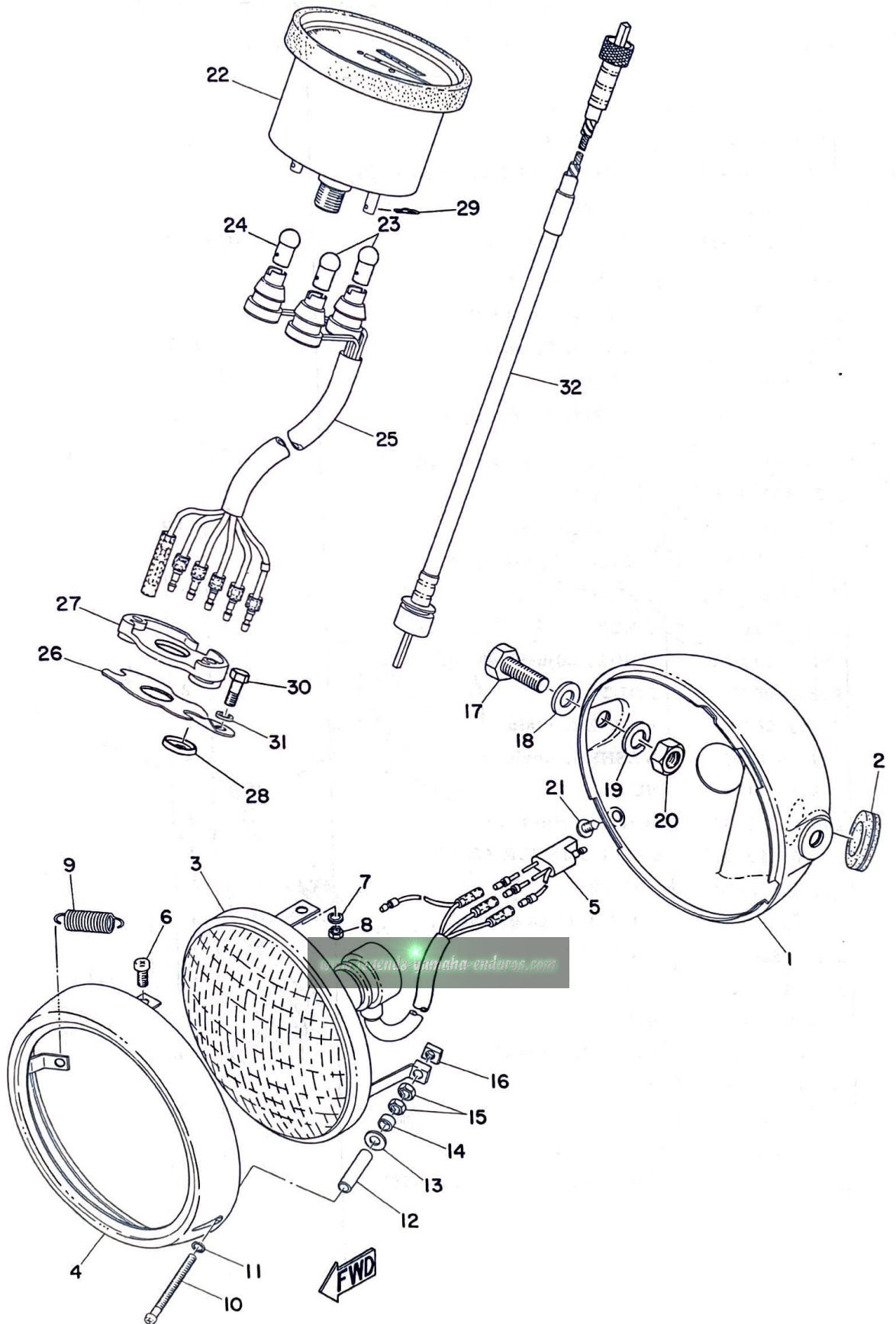


REAR WHEEL

Ref No.	Parts No.	Parts Name	Description	Q'ty	S-R	Remarks
23-37	92901-06100	WASHER, spring		2		
23-38	92901-06200	WASHER, plain		2		
23-39	195-25371-00	BAR, tension		1		
23-40	109-25373-00	BOLT, tension bar		1		
23-41	98801-08300	NUT	(ISO)	1		
23-42	92901-08100	WASHER, spring		1		
23-43	91401-25012	PIN, cotter		1		
23-44	98801-08300	NUT	(ISO)	1		
23-45	92901-08200	WASHER, plain		1		
23-46	91401-25012	PIN, cotter		1		
23-47	156-27237-00	PIN, clevis		1		
23-48	180-27236-00	SPRING, rod		1		
23-49	206-27238-00	NUT, adjusting	(ISO)	1		
23-50	94504-28106	CHAIN	428-106P	1		
23-50A	94604-28001	JOINT, chain		1		
23-51	92901-12200	WASHER, plain		1		

www.legends-yamaha-enduros.com

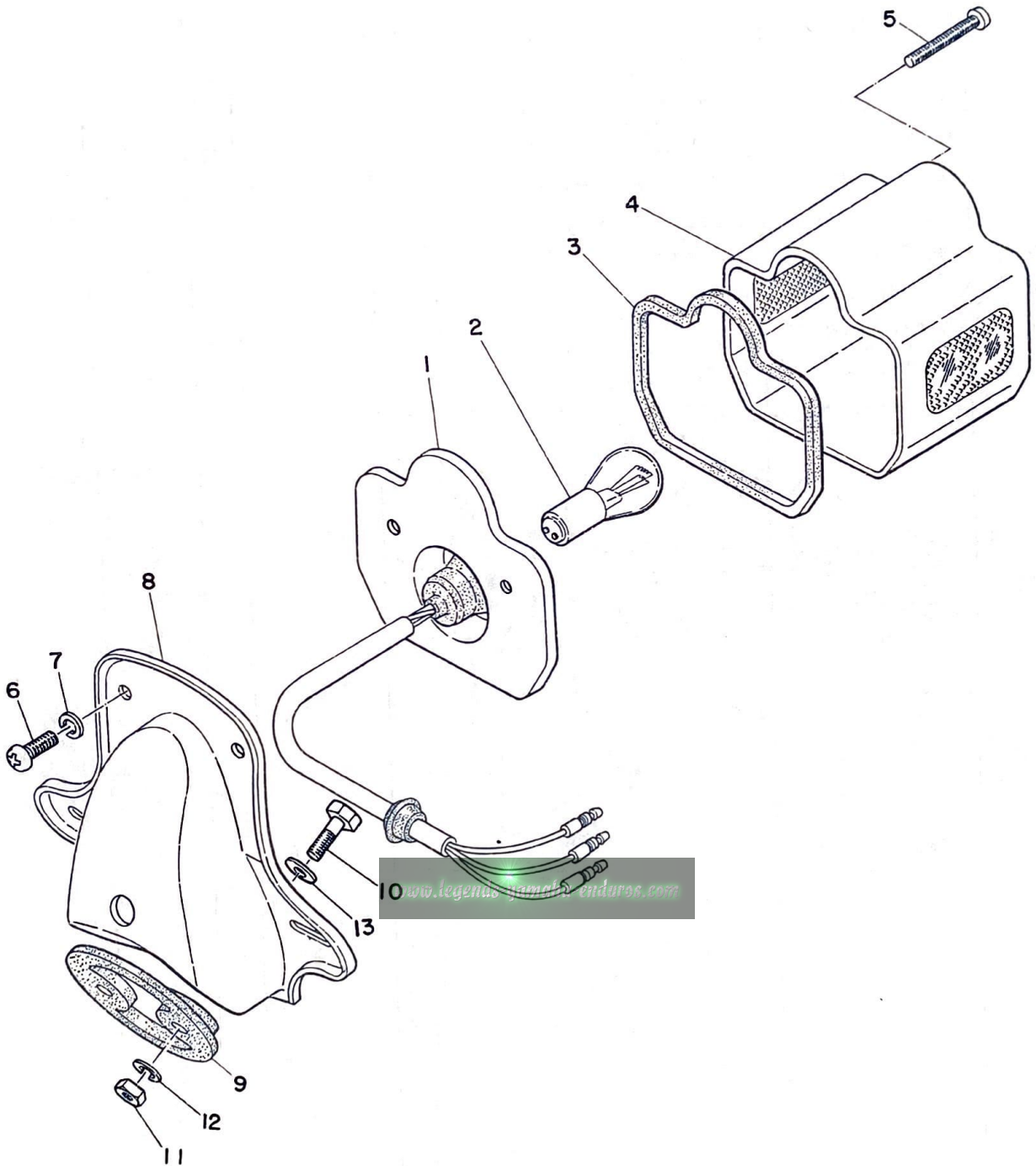
Fig. 24 HEAD LAMP & SPEEDOMETER



HEAD LAMP & SPEEDOMETER

Ref No.	Parts No.	Parts Name	Description	Q'ty	S·R	Remarks
24- 1	277-84130-60-52	BODY ASS'Y		1		Candy Orange
24- 2	150-84153-00	. GROMMET		2		
24- 0-1	277-84110-60	HEAD LAMP UNIT ASS'Y <i>N/A</i>	(ISO)	1	<i>N/A</i>	
24- 3	277-84120-60	. LENS ASS'Y		1		
24- 4	261-84315-61	. RIM, head lamp	(ISO)	1		
24- 5	214-84159-61	. CORD ASS'Y		1		
24- 6	98501-04010	. SCREW, pan head	(ISO)	2		
24- 7	92901-04100	. WASHER, spring		2		
24- 8	98801-04100 802-84126-co	. NUT	(ISO)	2		
24- 9	132-84335-60	. SPRING, lens adjust		1		
24-10	198-84331-60	. SCREW, rim adjuster	(ISO)	1		
24-11	233-84127-60	. WASHER		1		
24-12	233-84133-60	. SPACER (1)		1		
24-13	92901-04200	. WASHER, plain		1		
24-14	132-84328-60	. SPACER		1		
24-15	802-84126-00	. NUT	(ISO)	2		
24-16	198-84334-60	. NUT, adjust	(ISO)	1		
24-17	97203-08025	BOLT	(ISO)	2		
24-18	92903-08200	WASHER, plain		2		
24-19	92901-08100	WASHER, spring		2		
24-20	98801-08100	NUT	(ISO)	2		
24-21	195-84325-00	SCREW, rim fitting	(ISO)	1		
24-22	277-83510-60	SPEEDOMETER ASS'Y		1		mil/h
24-23	122-83516-10	. BULB	6V/3W	2		☆
24-24	188-83517-10	. BULB (high beam)	6V/1.5W	1		☆
24-25	277-83520-60	. SOCKET ASS'Y		1		
24-26	276-83519-00-33	BRACKET, speedometer <i>yamaha-enduro.com</i>		1		
24-27	237-83523-00	DAMPER		1		
24-28	214-83524-00	WASHER, special		2		
24-29	156-83525-00	CLIP		2		
24-30	91201-06015	BOLT		2		
24-31	92901-06100	WASHER, spring		2		
24-32	276-83550-00	SPEEDOMETER CABLE ASS'Y		1		

Fig. 25 TAIL LAMP



FWD

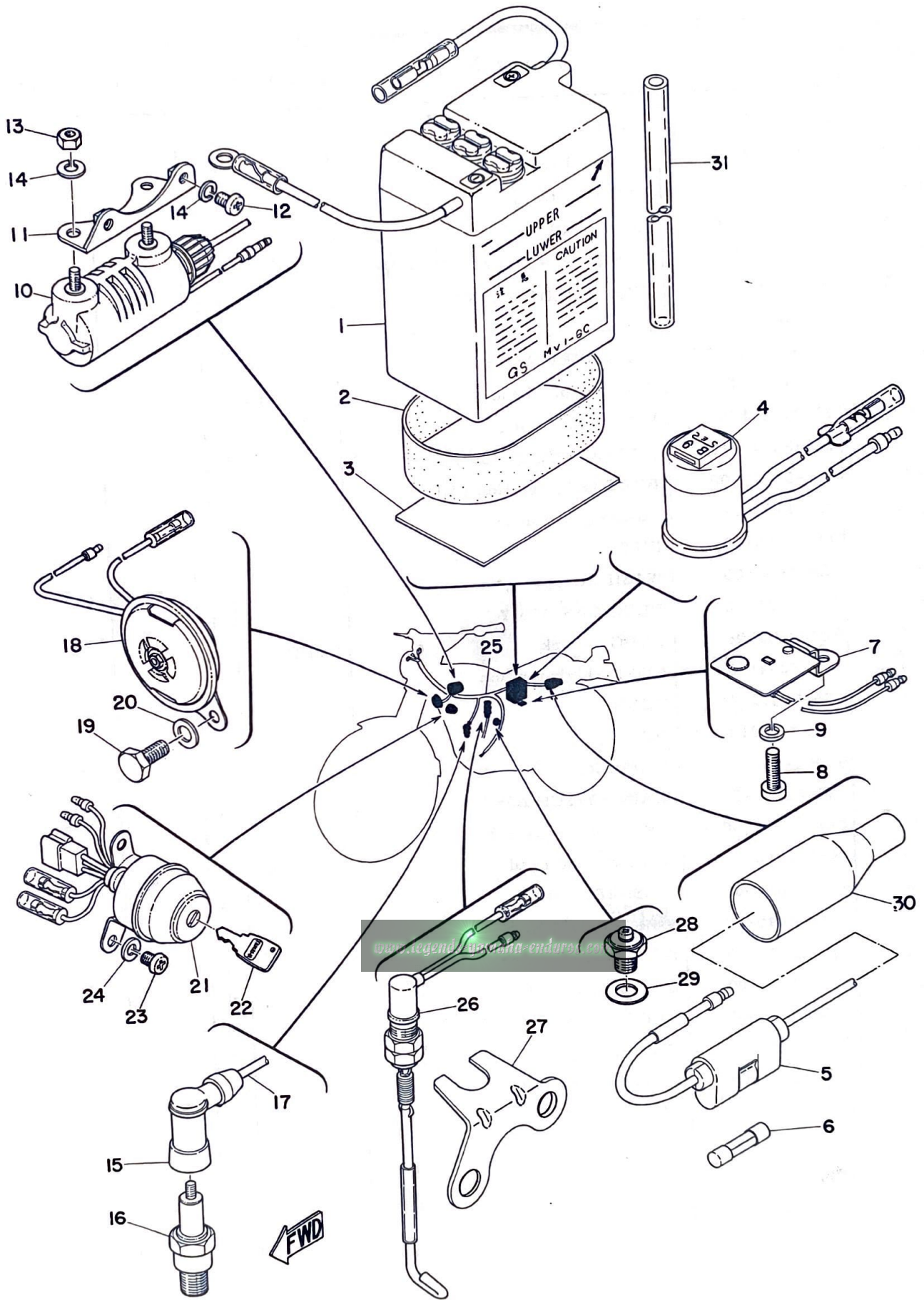
TAIL LAMP

Ref No.	Parts No.	Parts Name	Description	Q'ty	S-R	Remarks
25- 0-1	251-84510-60	TAIL LAMP UNIT ASS'Y	(ISO)	1		
25- 1	251-84511-60	. BASE, tail lamp	(ISO)	1		
25- 2	124-84514-60	. BULB, tail lamp	6V 20/5W	1		☆
25- 3	168-84712-60	. SEAT, base		1		
25- 4	168-84721-60	. LENS, tail lamp		1		
25- 5	193-84724-00	. SCREW, lens fitting	(ISO)	2		
25- 6	92503-06012	. SCREW, pan head		2		
25- 7	92901-06100	. WASHER, spring		2		
25- 8	164-84751-60-35	BRACKET, licence		1		
25- 9	248-84553-00	DAMPER		1		
25-10	248-84552-00	BOLT, fitting		2		
25-11	92801-06100	NUT		2		
25-12	92901-06100	WASHER, spring		2		
25-13	156-24186-00	WASHER, special		2		

www.legends-yamaha-enduros.com



Fig. 26 ELECTRICAL



ELECTRICAL

Ref No.	Parts No.	Parts Name	Description	Q'ty	S·R	Remarks
26- 1	116-82110-11	BATTERY ASS'Y		1		
26- 1-1	104-82111-10	. CAP, battery		3		
26- 2	214-82124-00	BAND, battery		1		
26- 3	214-82122-00	SEAT, battery		1		
26- 4	248-83350-10	FLASHER RELAY ASS'Y <i>N/A</i>	<i>N/A</i>	1		
26- 5	116-82150-00	FUSE HOLDER ASS'Y		1		
26- 6	116-82151-00	. FUSE		2		
26- 7	214-81970-20	RECTIFIER ASS'Y		1		
26- 8	98501-05015	SCREW, pan head	(ISO)	1		
26- 9	92901-05100	WASHER, spring		1		
26-10	248-82310-10	IGNITION COIL ASS'Y		1		
26-11	248-82316-00	BRACKET, ignition coil		1		
26-12	92501-06012	SCREW, pan head		2		
26-13	92801-06100	NUT		2		
26-14	92901-06100	WASHER, spring		4		
26-15	117-82370-20	PLUG CAP ASS'Y		1		
26-16	94700-00006	PLUG, spark	B-8HC	1		
26-17	183-82341-00	CORD, high-tension		1		
26-18	276-83371-10	HORN		1		
26-19	91201-06012	BOLT		2		
26-20	92901-06200	WASHER, plain		2		
26-21	233-82508-20	MAIN SWITCH ASS'Y		1		
26-22	214-82511-00	. KEY, main switch		3		
26-23	98501-05010	SCREW, pan head	(ISO)	2		
26-24	92901-05100	WASHER, spring		2		
26-25	277-82590-20	WIRE WIRE HARNESS ASS'Y		1		
26-26	248-82530-00	STOP SWITCH ASS'Y		1		
26-27	248-82539-00-33	STAY, stop switch		1		
26-28	136-82540-00	NEUTRAL SWITCH ASS'Y		1		
26-29	102-82543-00	GASKET		1		
26-30	214-82599-00	COVER, connector		1		
26-31	170-82112-00	PIPE, breather		1		

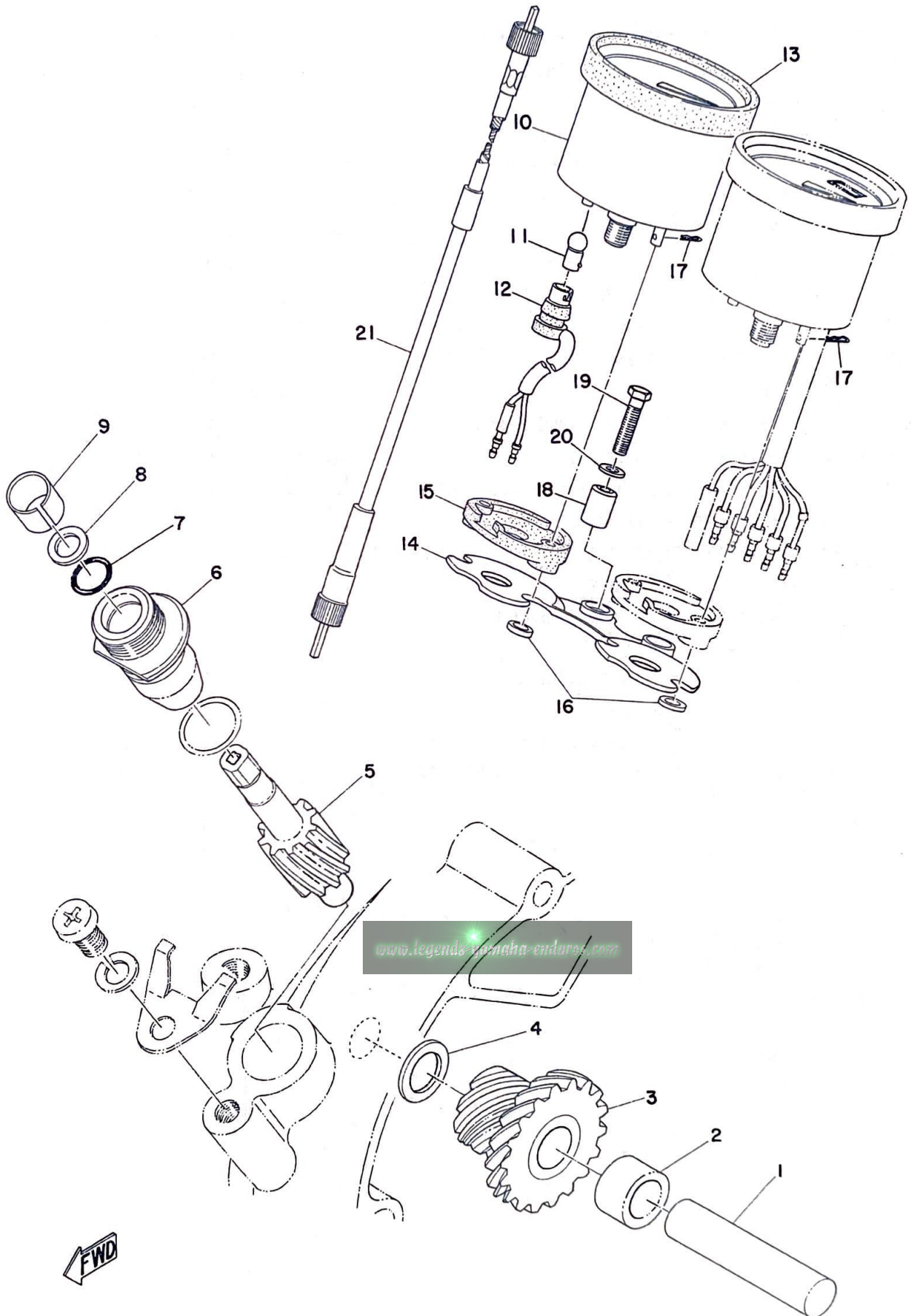


ALTERNATE PARTS

www.legends-yamaha-enduros.com



Fig. 27 ALTERNATE PARTS (TACHOMETER)



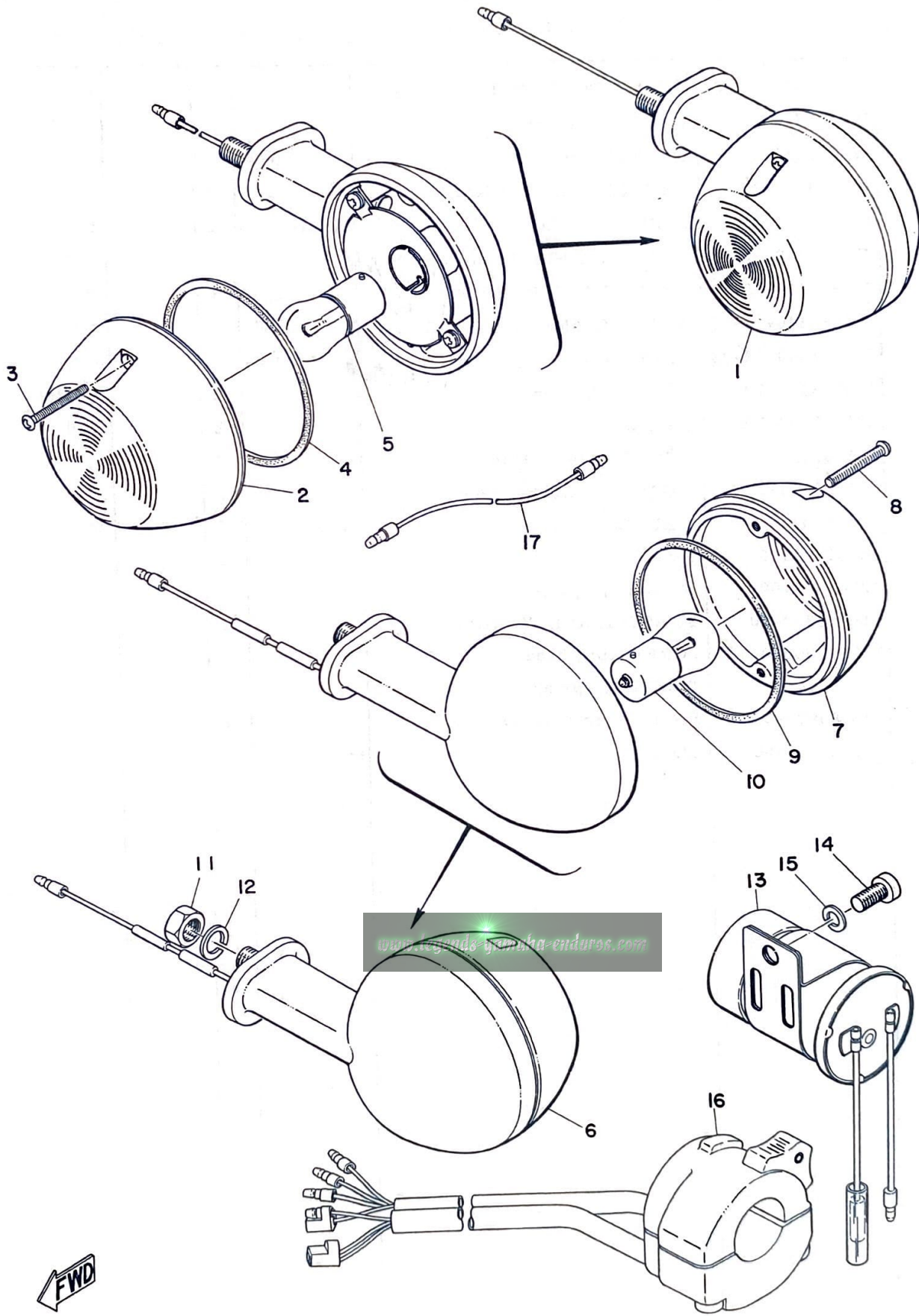
ALTERNATE PARTS (TACHOMETER)

Ref No.	Parts No.	Parts Name	Description	Q'ty	S-R	Remarks
27- 1	248-17861-00	AXLE, drive gear		1		
27- 2	276-17839-10	COLLAR, distance		1		
27- 3	248-17831-01	GEAR, drive		1		
27- 4	248-17837-00	SHIM	10.2-16-1	1		
27- 5	248-17841-00	GEAR, driven		1		
27- 6	214-17811-01	HOUSING		1		
27- 7	93210-07100	O-RING	2.2-7.2	1		
27- 8	214-17847-00	SHIM	7.5-10.8-0.4	1		
27- 9	214-17815-00	BUSHING	7.5-10.8-0.4	1		
27-10	277-83540-00	TACHOMETER ASS'Y		1		
27-11	122-83516-10	. BULB	6V 3W	1		☆
27-12	277-83536-00	. SOCKET, meter		1		
27-13	214-83541-00	. DAMPER		1		
27-14	214-83519-00	BRACKET, meter		1		
27-15	214-83523-00	DAMPER		1		
27-16	214-83524-00	WASHER, special		2		
27-17	156-83525-00	CLIP		2		
27-18	214-83528-00	BUSHING, meter		2		
27-19	91201-06030	BOLT		2		
27-20	92901-06200	WASHER, plain		2		
27-21	276-83560-00	TACHOMETER CABLE ASS'Y		1		

ALL TACHOMETER PARTS N/A
www.legends-yamaha-enduros.com



Fig. 28 ALTERNATE PARTS (FLASHER LAMP)



FWD

ALTERNATE PARTS (FLASHER LAMP)

Ref No.	Parts No.	Parts Name	Description	Q'ty	S-R	Remarks
28- 1	233-83310-60- 78	FRONT FLASHER LAMP ASS'Y	(ISO)	2		Amber
28- 2	183-83312-70	. LENS, flasher		2		Amber
28- 3	183-83333-71	. SCREW, lens fitting	(ISO)	4		
28- 4	183-83313-20	. GASKET, flasher lens		2		
28- 5	115-83311-60	. BULB, flasher	6V 21CP	2		☆
28- 6	277-83330-60-93	REAR FLASHER LAMP ASS'Y (L.H) <i>N/A</i>	(ISO)	1		Amber
	277-83330-65-93	REAR FLASHER LAMP ASS'Y (R.H)	(ISO)	1		Red
	277-83340-60-93	REAR FLASHER LAMP ASS'Y (R.H) <i>N/A</i>	(ISO)	1		Amber
	277-83340-6 5 -93	REAR FLASHER LAMP ASS'Y (L.H) 78	(ISO)	1		Red
28- 7	183-83312-70	. LENS, flasher		2		Amber
	211-83332-75	. LENS, flasher		2		Red
28- 8	183-83333-71	. SCREW, lens fitting	(ISO)	4		
28- 9	183-83313-20	. GASKET, flasher lens		2		
28-10	115-83311-60	. BULB, flasher	6V 21CP	2		☆
28-11	98801-08300	NUT	(ISO)	2		
28-12	92901-08100	WASHER, spring		2		
28-13	115-83350- 80	FLASHER RELAY ASS'Y		1		
28-14	92501-06010	SCREW, pan head		1		
28-15	92901-06100	WASHER, spring		1		
28-16	233-83973-00	SWITCH, frandle (3)		1		
28-17	251-83336-00	CORD	l-50	1		

www.legends-yamaha-enduros.com

NUMERICAL INDEX

www.legends-yamaha-enduros.com



NUMERICAL INDEX

Ref No.	Parts No.	Ref No.	Parts No.	Ref No.	Parts No.
19-16	101-25356-00	17-25	122-23119-01	2- 5	132-16345-00
20-11	101-24356-00	17- 7	122-23125-00	4- 9	132-16351-00
5-33	102-17463-00	17-26	122-23129-00	4- 2	132-16369-00
5-32	102-17464-00	17- 8	122-23147-00	4- 5	132-16371-02
12- 7	102-18138-00	17-14	122-23163-00	5- 3	132-17216-00
22-29	102-25137-00	17-23	122-23346-00	5-16	132-17216-00
22-18	102-25333-00	17-34	122-23411-00	5- 4	132-17414-00
23-34	102-25385-01	17-32	122-23412-00	5-17	132-17414-00
23-26	102-25389-00	17-35	122-23416-00	7-10	132-18113-01
23-22	102-25412-00	19- 2	122-24610-01	7- 2	132-18123-00
26-29	102-82543-00	22-17	122-25330-00	7- 3	132-18124-00
26- 1-1	104-82111-10	22-15	122-25351-01	7- 4	132-18133-00
22-26	109-25136-00	24-23	122-83516-10	6-24	132-18140-00
23- 8	109-25315-00	27-11	122-83516-10	6-25	132-18143-00
23-40	109-25373-00	25- 2	124-84514-60	6-26	132-18177-00
22-35	109-26344-00	12- 1	126-13116-00	19- 5	132-24515-00
22-36	109-26345-00	10- 2	127-14190-15	19-12	132-24518-00
13-13	109-81328-10	10- 3	127-14195-00	19- 7	132-24521-00
13-12	110-81346-20	23-33	127-25388-00	19- 6	132-24522-00
13- 8	110-81347-20	3- 9	131-11633-00	19-13	132-24525-00
13- 4	110-81348-20	3-10	131-11634-00	19- 9	132-24531-00
28- 5	115-83311-60	12-28	132-13166-00	19- 8	132-24532-00
28-10	115-83311-60	10-29	132-14135-00	23-19	132-25364-00
28-13	115-83350-70	10-36	132-14146-00	24-14	137-13165-00
9-11	116-28324-00	10-33	132-14173-00	24- 9	132-84335-00
14-24	116-28324-00	10-32	132-14174-00	3-14	136-11561-00-03
20- 7	116-28324-00	1-14	132-15351-00	3-14	136-11561-00-04
26- 1	116-82110-11	1-15	132-15353-00	3-14	136-11561-00-05
26- 5	116-82150-00	5-10	132-15389-00	3-14	136-11561-00-06
26- 6	116-82151-00	8- 4	132-15616-00	3-14	136-11561-00-07
8-15	117-15644-00	8- 5	132-15617-00	6- 5	136-18551-00
26-15	117-82370-20	5-25	132-15653-00-12	26-28	136-82540-00
1-12	120-15371-00	5-25	132-15653-00-14	3-14	137-11561-00-08
15-12	120-27430-02	8-13	132-15664-00	12-17	137-13128-00
15-13	120-27433-00	8-12	132-15665-00	12-13	137-13138-01
8- 2	122-15612-01	8-11	132-15676-00	12-24	137-13165-00
4-18	122-16164-00	4- 8	132-16321-00	12-23	137-13167-00
11-20	122-22243-00	2- 6	132-16345-00	12-29	137-13167-00

NUMERICAL INDEX

Ref No.	Parts No.	Ref No.	Parts No.	Ref No.	Parts No.
12-22	137-13169-00	20-16	156-83525-00	26-31	170-82112-00
12- 4	137-13176-00	21- 7	156-83525-00	15-15	173-22151-00
12-20	137-13187-00	24-29	156-83525-00	10-25	174-14122-00
10-39	137-14125-00	27-17	156-83525-00	10-27	174-14123-00
10-17	137-14136-00	3-11	164-11601-01	10-24	174-14134-00
10-16	137-14137-00	3-11	164-11601-11	10-26	174-14134-00
10- 7	137-14143-16	3- 3	164-11651-00	10- 4	174-14141-26
10- 7	137-14143-17	3- 6	164-11685-00	10-23	174-14169-01
10- 7	137-14143-18	10-12	164-14184-00	10-28	174-14171-00
10-11	137-14186-00	4-16	164-15631-01	10-31	174-14178-00
6-28	137-15353-00	3-19	164-16119-00	5-31	174-17461-30
4- 6	137-16324-00	4-17	164-16181-00	5-31	174-17461-40
4-10	137-16333-00	5-22	164-17427-00-06	5-31	174-17461-50
4-11	137-16337-01	5-30	164-17462-00	5-31	174-17461-60
4-12	137-16356-00	5-12	164-17471-02	6-10	174-18544-00
4- 7	137-16367-00	6-12	164-18561-00	6-29	174-18558-00
3-20	137-16377-00	6-16	164-18571-00	6-27	174-18578-00
4-15	137-16377-00	6-15	164-18572-00	19-15	174-24331-00
4-14	137-16378-00	6-18	164-18579-00	11-10	178-14766-00
6- 4	137-18552-00	6-19	164-18589-00	2-16	180-15362-00
17-10	137-23145-00	17-38	164-23462-00	23-48	180-27236-00
17-36	137-23454-00	19- 3	164-24500-02	10-34	183-14196-00
19-11	137-24523-00	19- 4	164-24511-02	10-35	183-14197-01
22-19	137-25155-00	6-31	164-82594-00	22- 7	183-25117-00
10-21	139-14133-00	25- 8	164-84751-60-35	22-31	183-25118-00
3-21	146-11545-00	3- 4	165-11681-00	22-25	183-25146-00
9-10	148-27219-00	13-14	165-81145-21	22-11	183-25147-00
24- 2	150-84153-00	23-25	167-25381-00	22-12	183-25149-00
10-18	152-14131-00	11-18	168-21638-00	22-30	183-25181-01
11-12	152-14613-00	10-19	168-21758-00	22-32	183-25183-00
10-15	156-14116-03	19-10	168-24524-00	23- 2	183-25304-00
8- 6	156-15618-01	18-24	168-26337-00	23-15	183-25330-00
17-29	156-23411-00	18-25	168-26344-00	23-16	183-25333-00
17-31	156-23412-00	14-33	168-83936-01	23-14	183-25351-00
19-18	156-24181-00	18-37	168-83936-01	23-20	183-25366-01
25-13	156-24186-00	25- 3	168-84712-60	26-17	183-82341-00
18-35	156-26346-00	25- 4	168-84721-60	28- 2	183-83312-70
23-47	156-27237-00	9- 5	170-14455-00	28- 7	183-83312-70

NUMERICAL INDEX

Ref No.	Parts No.	Ref No.	Parts No.	Ref No.	Parts No.
28- 4	183-83313-20	11- 2	214-14753-01	18-10	214-26242-00
28- 9	183-83313-20	11-11	214-14766-00	18-11	214-26243-00
28- 3	183-83333-71	6-23	214-15385-00	18-29	214-26261-00
28- 8	183-83333-71	8- 3	214-15625-00	18-12	214-26281-01
13- 2	185-81312-10	27- 6	214-17811-01	18-13	214-26282-01
13- 6	185-81332-10	2-23	214-17812-00	16- 3	214-27413-00
24-24	188-73517-10	27- 9	214-17815-00	16- 6	214-27417-00
10-14	193-14112-20	2-26	214-17843-00	16- 5	214-27418-00
10-22	193-14124-26	27- 8	214-17847-00	16- 2	214-27421-00
10-19	193-14126-00	6- 1	214-18531-00	16- 4	214-27426-00
10- 1	193-14142-30	9- 8	214-21633-00	26- 7	214-81970-20
10-20	193-14158-00	14-25	214-21633-00	26- 3	214-82122-00
25- 5	193-84724-00	20- 6	214-21633-00	26- 2	214-82124-00
23- 1	195-25311-00	9- 9	214-21717-00	26-22	214-82511-00
23- 7	195-25317-00	14-26	214-21717-00	26-30	214-82599-00
23-39	195-25371-00	20- 5	214-21717-00	18- 0-1	214-82910-00
24-21	195-84325-00	20-12	214-21745-00	18- 2	214-82911-00
24-10	198-84331-60	20- 2	214-21761-00	27-14	214-83519-00
24-16	198-84334-60	20- 3	214-21771-00	27-15	214-83523-00
10-10	205-14185-00	20- 4	214-21772-00	24-28	214-83524-00
17-19	205-23111-40	20-17	214-21779-00	27-16	214-83524-00
23-35	205-25382-00	14-29	214-22241-00	27-18	214-83528-00
23-28	205-25387-00	14-30	214-22241-00	27-13	214-83541-00
23-49	206-27238-00	14-28	214-22242-00	18- 3	214-83912-00
15-14	206-27436-00	17-22	214-23318-00	18- 4	214-83915-00
23-23	207-25411-00	17-46	214-23441-00	18-32	214-83974-00
13- 7	207-81321-10	17-45	214-23443-00	18-33	214-83975-00
13-10	207-81326-10	17-44	214-23451-10	24- 5	214-84159-61
13-11	207-81331-10	19-21	214-24173-00	26-21	233-82508-20
2- 3	211-16341-01	21- 9	214-24718-00	18- 0-2	233-82920-00
28- 7	211-83332-75	21- 3	214-24724-00	18-15	233-82921-30
1-24	214-11198-01	21-12	214-24727-00	28- 1	233-83310-60-93
3-24	214-11557-01	21- 8	214-24728-00-33	18-17	233-83915-01
12-25	214-13162-00	21- 2	214-24745-00	18-16	233-83922-30
12-26	214-13164-00	21-11	214-24758-00	28-16	233-83973-00
12- 2	214-13175-01	21-10	214-24776-00-33	18-23	233-83980-30
10- 6	214-14147-00	22-24	214-25138-00	24-11	233-84127-60
11-16	214-14683-01	18- 9	214-26241-00	24-12	233-84133-60

NUMERICAL INDEX

Ref No.	Parts No.	Ref No.	Parts No.	Ref No.	Parts No.
17-54	233-85111-00	6-21	248-18531-00	11- 3	261-14752-30
24-27	237-83523-00	6- 8	248-18541-00	20-15	261-21775-00
4-20	241-16343-00	14- 5	248-21315-00-33	24- 4	261-84315-61
2-21	241-17819-00	14- 2	248-21471-00-33	1-20	276-11111-00
1-21	248-11171-00	14-20	248-21746-00	1-19	276-11181-01
1-22	248-11175-00	20-10	248-21766-00	1-23	276-11197-00
3-11	248-11601-21	20-14	248-21775-00	1-18	276-11311-01
12-30	248-13174-00	19-22	248-24173-00	1-17	276-11351-00
12- 8	248-13178-00	19-17	248-24183-00	1-16	276-11361-00
10- 8	248-14166-00	22- 1	248-25111-00	3- 0-1	276-11400-00
10- 9	248-14198-00	22-14	248-25121-00	3- 1	276-11412-00
11-17	248-14623-00	22-13	248-25135-00	3- 2	276-11422-00
1- 3	248-15357-00	18- 1	248-26111-01	3- 7	276-11536-00
1-13	248-15373-00	18-31	248-26321-00	3- 7	276-11631-00-96
2-17	248-15416-00	16-13	248-27211-00	3- 7	276-11631-00-97
2-14	248-15451-00	16-14	248-27216-00	3- 7	276-11631-00-98
5- 8	248-17121-01	16-15	248-27226-00	3- 7	276-11631-00-99
5- 5	248-17131-00	16-18	248-27228-00	3- 7	276-11635-00
5- 2	248-17141-00	16- 9	248-27311-01	3- 7	276-11635-00-01
5- 6	248-17151-00	14-22	248-28100-00	12- 0-1	276-13101-00
5-21	248-17211-00	26-10	248-82310-10	12-27	276-13161-00
5-15	248-17221-00	26-11	248-82316-00	10- 5	276-14145-00
5-19	248-17231-00	26-26	248-82530-00	10-30	276-14175-01
5-20	248-17241-00	26-27	248-82539-00-33	10-13	276-14181-00
5-18	248-17251-00	26- 4	248-83350-10	9- 1	276-14411-00
5-14	248-17421-00	25-10	248-84552-00	9- 3	276-14412-00
5-27	248-17429-00	25- 9	248-84553-00	9- 2	276-14451-00
27- 3	248-17831-01	8-16	251-15641-01	9- 4	276-14453-00
27- 4	248-17837-00	5-24	251-15651-01	11-13	276-14612-10
27- 5	248-17841-00	8-17	251-15687-00	11- 7	276-14718-10
27- 1	248-17861-00	28-17	251-83336-00	11-21	276-14719-00
7- 9	248-18111-00-93	25- 0-1	251-84510-60	14-32	276-14747-00
7- 5	248-18134-00	25- 1	251-84511-60	1- 1	276-15111-00
7- 7	248-18137-00	8- 8	254-15660-00	1- 2	276-15121-00
7-12	248-18139-00	17-22	256-23318-60	2- 1	276-15410-00
6- 3	248-18511-00	8-18	257-15668-00	2- 7	276-15415-00
6-22	248-18512-00	18-38	257-26290-00	2-13	276-15421-00
6- 2	248-18513-00	18-36	257-26290-10	8- 0-1	276-15610-00

NUMERICAL INDEX

Ref No.	Parts No.	Ref No.	Parts No.	Ref No.	Parts No.
8- 1	276-15611-00	17- 3	276-23151-50	26-25	277-82590-20
3-18	276-16111-00	17-21	276-23340-50-33	28- 6	277-83330-60-93
3-17	276-16136-00	17-37	276-23435-00-33	28- 6	277-83330-65-93
4- 1	276-16150-00	19- 1	276-24110-00-03	28- 6	277-83340-60-93
4- 4	276-16154-00	19-19	276-24161-00	28- 6	277-83340-63-93
4- 0-1	276-16301-00	21- 1	276-24730-00	24-22	277-83520-60
2- 2	276-16342-00	21- 1-1	276-24731-00	24-25	277-83520-60
4-19	276-16357-00	21-16	276-24748-00	27-12	277-83536-00
27- 2	276-17839-10	21-17	276-24768-00	27-10	277-83540-00
7- 1	276-18101-00	21- 4	276-24769-00	24- 0-1	277-84110-60
14-18	276-21170-00-33	22- 2	276-25104-00	24- 3	277-84120-60
14-14	276-21240-00-33	23-13	276-25321-00	24- 1	277-84130-00-52
14-19	276-21399-00-33	23-17	276-25355-00	16-11	278-27317-00
17-49	276-21510-00-35	23-27	276-25383-00	24-15	802-84126-00
17-50	276-21513-00-35	23-32	276-25386-00	11-14	91101-06015
17-51	276-21514-00-35	23-21	276-25445-10	14- 8	91101-10090
14-31	276-21610-00-35	23-21	276-25449-10	14-15	91201-06010
20- 1	276-21705-01	23-21	276-25452-10	14- 3	91201-06012
15- 1	276-22110-00-33	18-28	276-26311-00	17-52	91201-06012
15- 2	276-22123-00	18-30	276-26312-00	26-19	91201-06012
15- 3	276-22141-00	18-27	276-26335-00	24-30	91201-06015
14-27	276-22210-20	18-26	276-26341-00	7-11	91201-06020
15- 6	276-22311-00-35	16-17	276-27231-00	8- 7	91201-06020
17- 0-1	276-23100-60-01	16-10	276-27316-00	14-23	91201-06020
17-20	276-23112-50	16- 1	276-27411-00	18- 7	91201-06020
17-18	276-23114-50	26-18 ds	276-83371-10	18-21	91201-06020
17-15	276-23116-50	24-26	276-83519-00-33	23-18	91201-06025
17-16	276-23121-50-52	24-32	276-83550-00	22-20	91201-06030
17-12	276-23122-60	27-21	276-83560-00	27-19	91201-06030
17- 6	276-23124-50	10- 0-1	277-14101-60	21-13	91201-06100
17- 1	276-23126-50-35	11- 1	277-14610-30	16- 7	91201-10018
17-17	276-23131-50-52	5- 1	277-17411-00	21-14	91202-06012
17-13	276-23132-60	14- 1	277-21110-00-33	20- 8	91203-06025
17- 2	276-23136-50-35	20-13	277-21787-00	18- 6	91401-12012
17- 4	276-23141-50	17-21	277-23340-60-33	18-20	91401-12012
17-11	276-23144-50	13- 0-1	277-81300-10	12-18	91401-12018
17- 5	276-23149-50	13- 3	277-81313-10	16-20	91401-25012
17- 9	276-23150-50	13- 1	277-81350-10	23-43	91401-25012

NUMERICAL INDEX

Ref No.	Parts No.	Ref No.	Parts No.	Ref No.	Parts No.
23-46	91401-25012	26-13	92801-06100	22-23	92901-06200
6- 6	91401-25017	4-21	92801-06300	23-38	92901-06200
16-16	91401-40035	18- 5	92801-06500	26-20	92901-06200
16-21	91402-20025	24-20	98801-08100	27-20	92901-06200
14-21	91402-25030	14- 9	92801-10100	14- 7	92901-06200
21- 5	91502-05055	16-12	92801-10500	14-13	92901-08100
1- 5	91800-16016	40-40	92802-06100	17-28	92901-08100
1-11	91810-03014	10-38	92901-04100	17-40	92901-08100
2-15	91810-03014	13- 5	92901-04100	17-43	92901-08100
1- 4	91810-08016	24- 7	92901-04100	17-48	92901-08100
11- 8	91903-06012	13- 9	92901-04200	23-42	92901-08100
11- 9	91903-06012	24-13	92901-04200	24-19	92901-08100
2-24	92501-06010	12-15	92901-05100	28-12	92901-08100
9- 6	92501-06010	15- 8	92901-05100	23-45	92901-08200
11- 4	92501-06010	17-55	92901-05100	12- 9	92901-08400
28-14	92501-06010	26- 9	92901-05100	14-10	92901-10100
5-13	92501-06012	26-24	92901-05100	16- 8	92901-10100
6-20	92501-06012	15- 9	92901-05200	17-24	92901-10100
26-12	92501-06012	17-56	92901-05200	3-23	92901-12100
2- 8	92501-06018	18-18	92901-05200	15- 5	92901-12100
2- 9	92501-06018	2-25	92901-06100	22-34	92901-12100
2-18	92501-06018	9- 7	92901-06100	21- 6	92902-05200
9-12	92501-06025	11- 5	92901-06100	21-15	92902-06100
2-19	92501-06035	11-15	92901-06100	14-16	92903-06100
1-10	92501-06040	14- 4	92901-06100	14-17	92903-06200
1- 6	92501-06045	17-53	92901-06100	24-18	92903-08200
2-12	92501-06045	18- 8	92901-06100	12-16	93101-10001
2-11	92501-06050	18-22	92901-06100	12- 5	93101-10002
1- 8	92501-06055	20- 9	92901-06100	22- 9	93102-18008
2-20	92501-06055	22-22	92901-06100	3-13	93102-20010
1- 7	92501-06060	23-37	92901-06100	5-29	93102-26042
2-10	92501-06060	24-31	92901-06100	3-15	93103-28011
1- 9	92501-06065	25- 7	92901-06100	22-27	93104-07003
25- 6	92503-06012	25-12	92901-06100	2- 4	93104-11028
18-19	92801-05500	26-14	92901-06100	23-10	93104-18006
22-21	92801-06100	28-15	92901-06100	22-16	93105-47007
23-36	92801-06100	11- 6	92901-06200	23-31	93106-30004
25-11	92801-06100	16-19	92901-06200	7- 6	93109-14005

NUMERICAL INDEX

Ref No.	Parts No.	Ref No.	Parts No.	Ref No.	Parts No.
8- 9	93109-15001	22- 5	94227-18009	3-22	98801-12200
27- 7	93210-07100	23- 5	94230-18012	22-33	98801-12200
2-22	93210-13016	22- 6	94327-18007	17-42	98803-08700
22-28	93210-14104	23- 6	94330-18010	15-11	98901-08100
3-16	93210-18023	22- 3	94414-18007		
23-12	93210-42101	23- 3	94414-18052		
23-29	93306-00406	26-16	94700-00006		
23- 9	93306-30101	14- 6	97101-08015		
22- 8	93306-30103	14-11	97101-08110		
23-11	93306-30103	17-39	97103-08030		
5-11	93306-30301	17-47	97103-08030		
5-28	93306-30401	17-41	97103-08045		
3-12	93306-30405	17-27	97201-08025		
3- 8	93310-21403	24-17	97203-08025		
3- 5	93310-42237-00	15-10	97901-08015		
5- 9	93315-31502	19-14	98501-03006		
4- 3	93341-22302	12-19	98501-04005		
5-26	93410-13004	19-20	98501-04008		
5- 7	93410-15005	24- 6	98501-04010		
8-10	93410-15005	15- 7	98501-05010		
22-10	93410-20009	26-23	98501-05010		
8-14	93410-25017	6-13	98501-05012		
23-30	93420-42007	12-11	98501-05015		
6-11	93430-03014	26- 8	98501-05015		
12- 6	93430-08006	6-14	98501-05100		
6- 7	93430-10017	10-37	98502-04014		
7- 8	93430-12009	18-34	98503-05015		
5-23	93440-15012	18-14	98503-05020		
6-17	93440-15012	13-15	98701-05015		
4-13	93501-04004	24- 8	98801-04100		
17-30	93501-04011	12-14	98801-05200		
17-33	93503-16010	14-12	98801-08100		
6-30	93505-16006	23-24	98801-08200		
12-21	93505-32002	12-10	98801-08300		
12- 3	93604-22050	23-41	98801-08300		
6- 9	93604-22050	23-44	98801-08300		
22- 4	94127-18085	28-11	98801-08300		
23- 4	94130-18073	15- 4	98801-12100		

www.legends-yamaha-endo First edition, Feb., '70

**YAMAHA ENDURO
90 HT1 PARTS LIST**

YAMAHA MOTOR CO., LTD.
HAMAKITA JAPAN
