

1975

MODEL DT100B

www.legends-yamaha-enduros.com

NOTICE

ALL PART NUMBERS CONTAINED IN THIS CATALOGUE ARE COMPRISED OF TEN DIGITS. WHEN ORDERING, PLEASE ADD TWO ZEROS TO THE END OF EACH PART NUMBER REQUIRED TO CONVERT THE TEN DIGITS INTO THE NEW TWELVE DIGIT NUMBERS.

This Parts List is for the exclusive parts for the DT100B. Please refer to DT100A Parts List for the parts not listed in this publication.

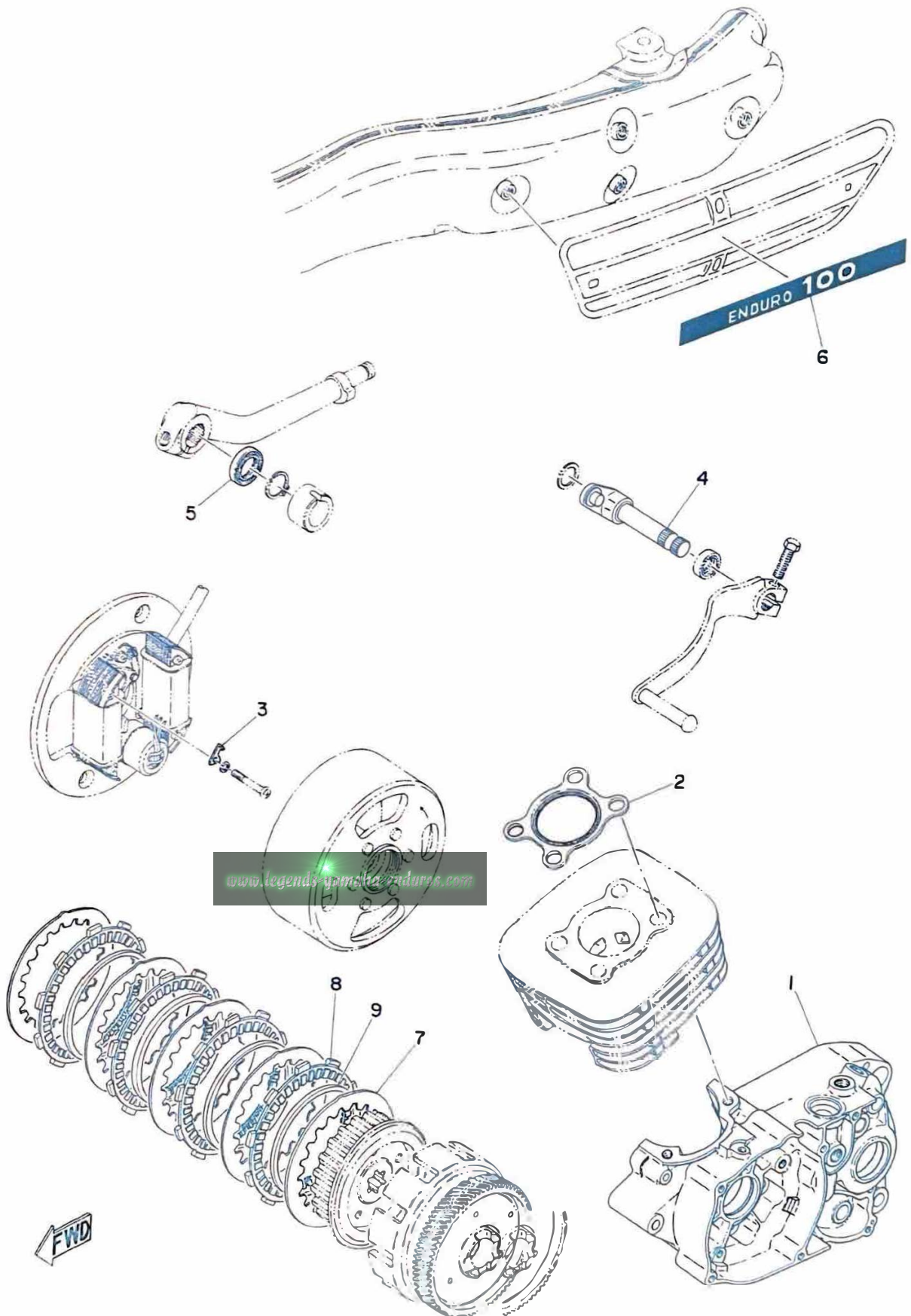
CONTENTS

Fig. 1	Crankcase • Clutch • Shifter	1
Fig. 2	Frame • Footrest • Tank • Seat	3
Fig. 3	Steering • Wheel • Electrical	5

NUMERICAL INDEX

www.legends-yamaha-enduros.com

Fig. 1 CRANKCASE · CLUTCH · SHIFTER

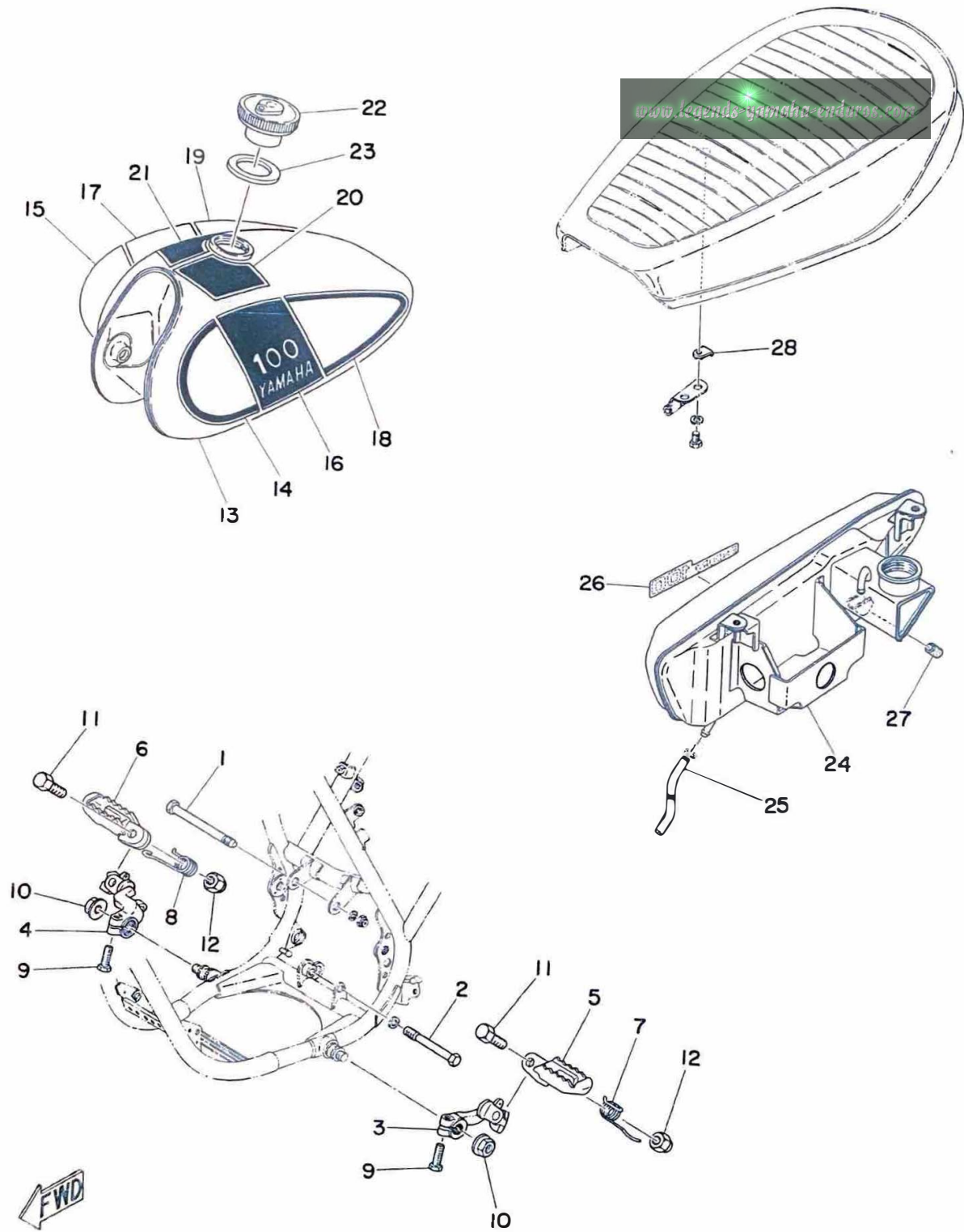


CRANKCASE · CLUTCH · SHIFTER

Ref. No.	Parts No.	Description	Q'ty	Applicable Machine No.	Remarks
1- 1	437-15111-01	CASE, crank left	1		
1- 2	276-11181-01	GASKET, cylinder head	1		
1- 0-1	437-81300-21	FLYWHEEL MAGNETO ASS'Y ..	1		
1- 3	296-81332-20	· PLATE, timing	1		
1- 4	401-18102-00	CHANGE SHAFT 2 ASS'Y	1		
1- 5	93101-17062	OIL SEAL (S-17-25-4)	1		
1- 6	437-14729-01	EMBLEM, protector	1		
1- 0-2	437-16301-00	CLUTCH ASS'Y	1		
1- 7	336-16324-00	· PLATE, clutch	5		
1- 8	437-16321-00	· PLATE, friction	4		
1- 9	137-16367-00	· RING, cushion	4		

www.legends-yamaha-enduro.com

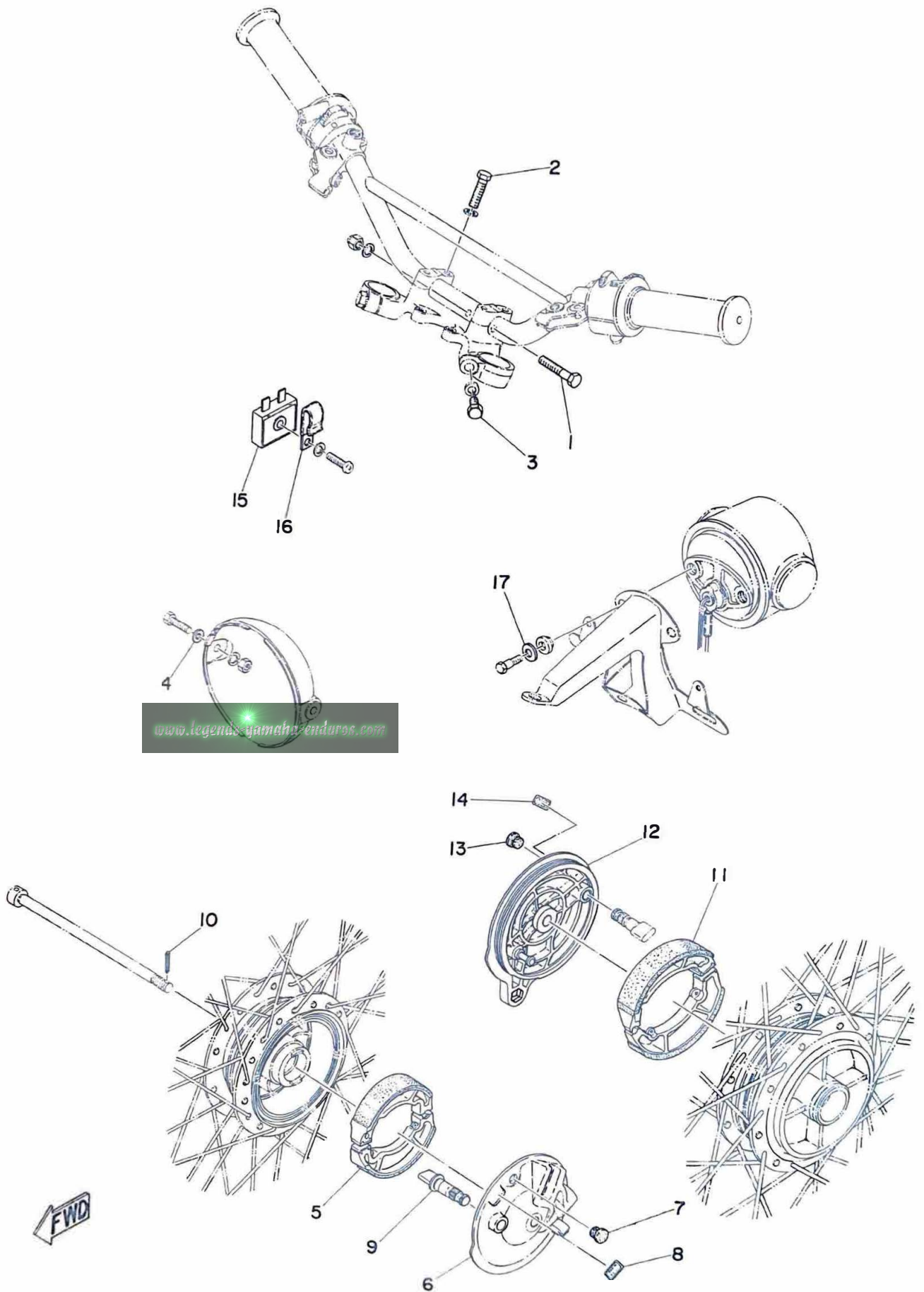
Fig. 2 FRAME · FOOTREST · TANK · SEAT



FRAME · FOOTREST · TANK · SEAT

Ref. No.	Parts No.	Description	Q'ty	Applicable Machine No.	Remarks
2- 1	90109-08348	BOLT, hexagon	1	www.legends-yamaha-enduros.com	
2- 2	90109-10346	BOLT, hexagon	1		
2- 3	437-27412-10	BRACKET, footrest left	1		
2- 4	437-27422-10	BRACKET, footrest right	1		
2- 5	498-27411-01	FOOTREST, left	1		
2- 6	498-27421-01	FOOTREST, right	1		
2- 7	90508-26138	SPRING, return footrest left	1		
2- 8	90508-26139	SPRING, return footrest right ...	1		
2- 9	97101-08025	BOLT	2		
2-10	90179-12062	NUT	2		
2-11	90101-08206	BOLT	2		
2-12	90185-03012	NUT, selflocking	2		
2-13	437-24110-10-01	FUEL TANK COMP.	1		El-toro Orange
2-14	437-24244-30	. GRAPHIC, fuel tank 1	1		
2-15	437-24245-30	. GRAPHIC, fuel tank 2	1		
2-16	437-24246-30	. GRAPHIC, fuel tank 3	1		
2-17	437-24247-30	. GRAPHIC, fuel tank 4	1		
2-18	437-24248-30	. GRAPHIC, fuel tank 5	1		
2-19	437-24249-30	. GRAPHIC, fuel tank 6	1		
2-20	437-24254-30	. GRAPHIC, fuel tank 7	1		
2-21	437-24255-30	. GRAPHIC, fuel tank 8	1		
2-22	498-24602-00	CAP ASS'Y	1		
2-23	498-24612-00	. PACKING, cap	1		
2-24	437-21705-00-N6	OIL TANK ASS'Y	1		El-toro Orange
2-25	353-21766-00	PIPE, oil (5-380)	1		
2-26	437-21787-20	EMBLEM, enduro	1		
2-27	437-21779-00	DAMPER, oil tank	1		
2-28	437-24768-00	STOPPER	2		

Fig. 3 STEERING · WHEEL · ELECTRICAL



STEERING · WHEEL · ELECTRICAL

Ref. No.	Parts No.	Description	Q'ty	Applicable Machine No.	Remarks
3- 1	97103-08045	BOLT	1		
3- 2	90101-08131	BOLT	4		
3- 3	91203-10030	BOLT	2		
3- 4	92903-08200	WASHER, plain	2		
3- 5	437-25130-00	BRAKE SHOE COMP.	2		
3- 6	437-25120-10	PLATE BRAKE SHOE ASS'Y	1		
3- 7	90480-10068	. GROMMET	1		
3- 8	437-25134-00	. LABEL, indicator	1		
3- 9	437-25151-00	CAMSHAFT	1		
3-10	91401-30025	PIN, cotter	1		
3-11	437-25330-00	BRAKE SHOE COMP.	2		
3-12	437-25320-10	PLATE BRAKE SHOE ASS'Y ...	1		
3-13	90480-10068	. GROMMET	1		
3-14	437-25134-00	. LABEL, indicator	1		
3-15	353-81970-61	RECTIFIER ASS'Y	1		
3-16	90465-06038	CLAMP	1		
3-17	437-84525-60	WASHER, special	2		

NUMERICAL INDEX

Ref No.	Parts No.	Ref No.	Parts No.	Ref No.	Parts No.
1- 9	137-16367-00	2- 6	498-27421-01		
1- 2	276-11181-01	3- 2	90101-08131		
1- 3	296-81332-20	2-11	90101-08206		
1- 7	336-16324-00	2- 1	90109-08348		
2-25	353-21766-00	2- 2	90109-10346		
3-15	353-81970-61	2-10	90179-12062		
1- 4	401-18102-00	2-12	90185-03012		
1- 6	437-14729-01	3-16	90465-06038		
1- 1	437-15111-01	3- 7	90480-10068		
1- 0-2	437-16301-00	3-13	90480-10068		
1- 8	437-16321-00	2- 7	90508-26138		
2-24	437-21705-00-N6	2- 8	90508-26139		
2-27	437-21779-00	3- 3	91203-10030		
2-26	437-21787-20	3-10	91401-30025		
2-13	437-24110-10-01	3- 4	92903-08200		
2-14	437-24244-30	1- 5	93101-17062		
2-15	437-24245-30	2- 9	97101-08025		
2-16	437-24246-30	3- 1	97103-08045		
2-17	437-24247-30				
2-18	437-24248-30				
2-19	437-24249-30				
2-20	437-24254-30				
2-21	437-24255-30				
2-28	437-24768-00				
3- 6	437-25120-10				
3- 5	437-25130-00				
3- 8	437-25134-00				
3-14	437-25134-00				
3- 9	437-25151-00				
3-12	437-25320-10				
3-11	437-25330-00				
2- 3	437-27412-10				
2- 4	437-27422-10				
1- 0-1	437-81300-21				
3-17	437-84525-60				
2-22	498-24602-00				
2-23	498-24612-00				
2- 5	498-27411-01				

www.legends-jambhrecruitment.com

www.legends-yamaha-enduros.com

YAMAHA MOTOR CO., LTD.

PRINTED IN JAPAN

First edition Apr., 1974

(LIT-10014-37-01)(437-28198-80)