



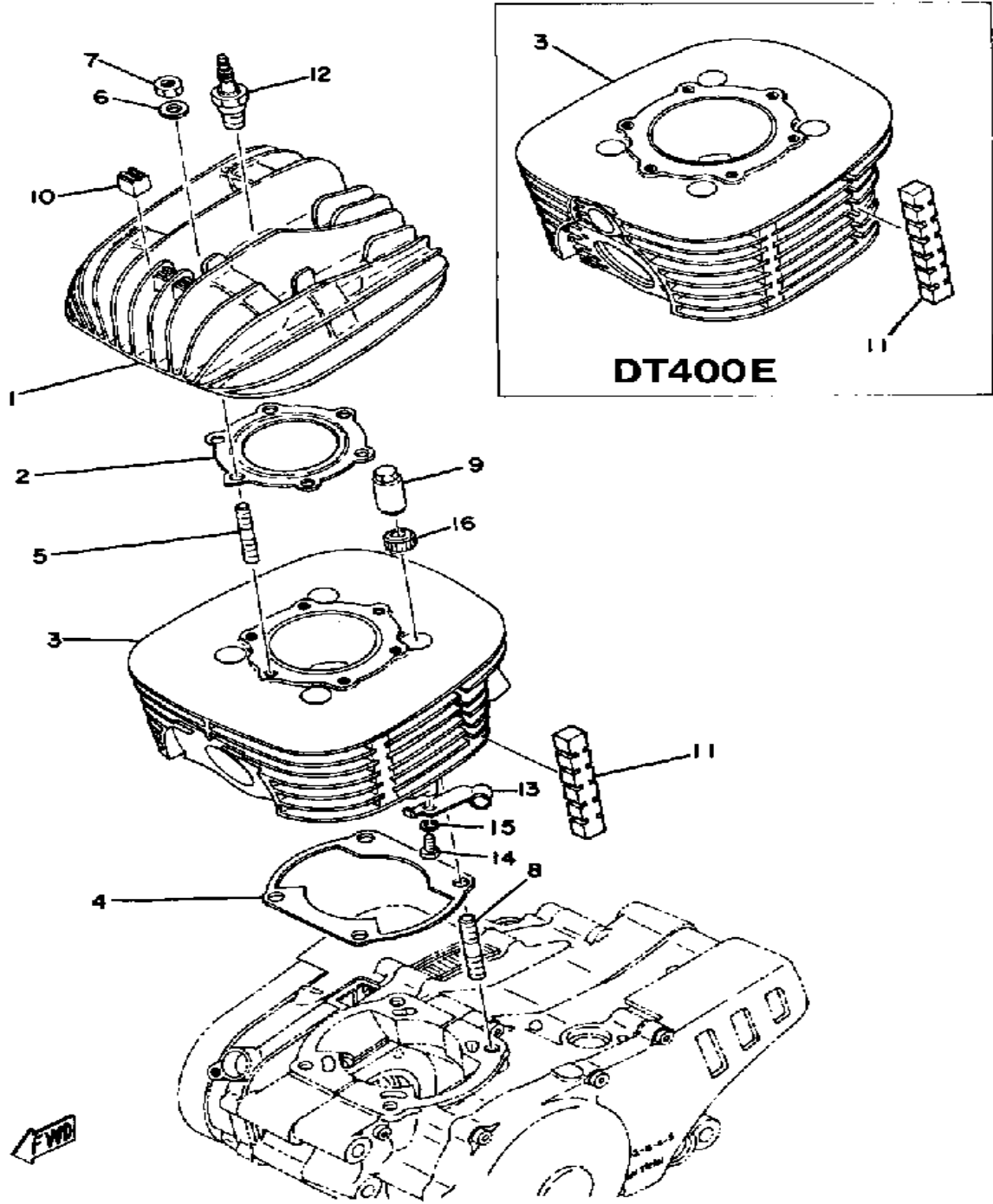
**YAMAHA**

**GENUINE**

**PARTS CATALOGUE**

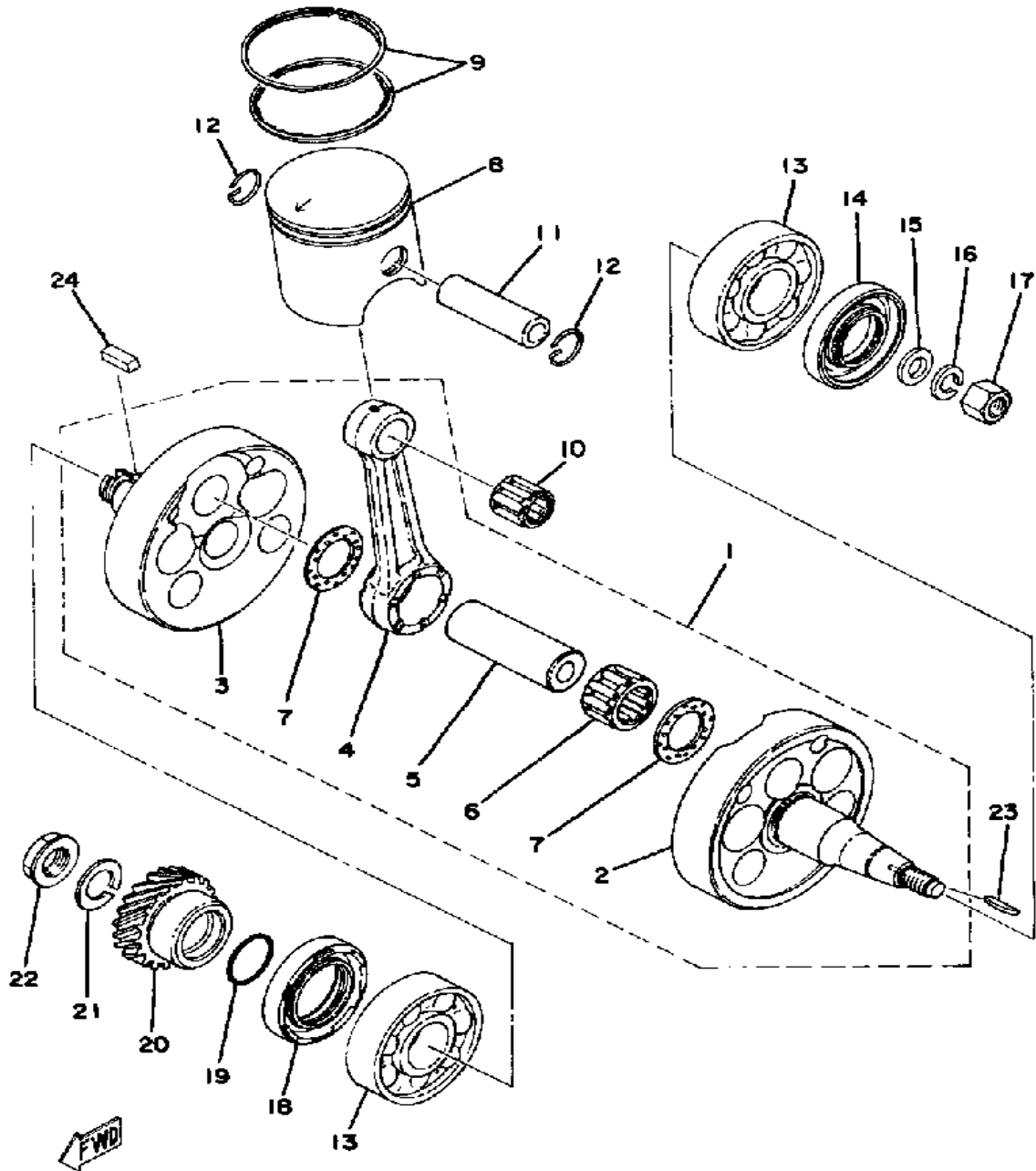
**MOTORCYCLE**

# CYLINDER - CYLINDER HEAD



Ref. No.	Part Number	Description	Qty	Remarks
1	(1M1-11111-01-00)	HEAD, CYLINDER 1	1	
	(1M2-11111-00-00)	HEAD, CYLINDER 1	1	
2	434-11181-00-00	GASKET, CYLINDER HEAD 1	1	
	500-11181-00-00	GASKET, CYLINDER HEAD 1	1	
3	(1M1-11311-00-00)	CYLINDER 1	1	
	(1M2-11311-00-00)	CYLINDER 1	1	
4	1M1-11351-00-00	GASKET, CYLINDER	1	
	1M2-11351-00-00	GASKET, CYLINDER	1	
5	90116-08104-00	BOLT, STUD	6	
6	90201-08100-00	WASHER, PLATE	6	
7	95333-08600-00	NUT	6	
8	90116-10087-00	BOLT, STUD	4	
9	90179-10201-00	NUT	4	
10	363-11161-00-00	ABSORBER 1 (363-11161-00)	3	
11	(1M1-11161-00-00)	ABSORBER 1	4	
	1M2-11161-00-00	ABSORBER 1	4	
12	NGK-B8ES0-00-00	PLUG, SPARK (NGK B8ES)	1	
13	1M1-15441-00-00	HOLDER, CLCH CABLE	1	
14	97011-06016-00	BOLT	1	
15	92995-06100-00	WASHER, SPRING	1	
16	(90201-11648-00)	WASHER, PLATE	4	M7-045

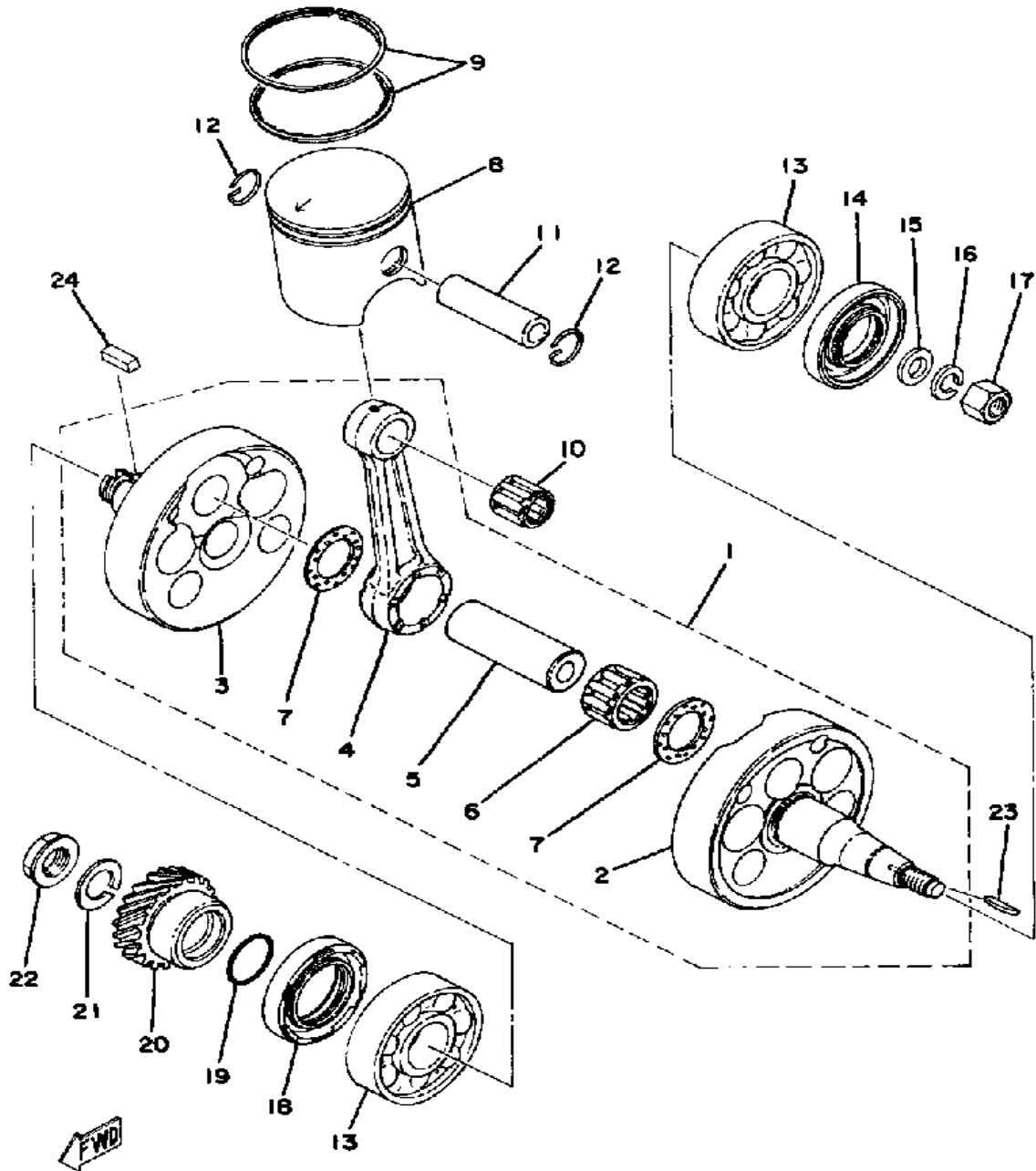
# CRANKSHAFT - PISTON



Ref. No.	Part Number	Description	Qty	Remarks
1	(1M1-11400-01-00)	CRANKSHAFT ASSEMBLY	1	
	(1M2-11400-00-00)	CRANKSHAFT ASSEMBLY	1	
2	(1M1-11412-01-00)	CRANK 1	1	
	(1M2-11412-01-00)	CRANK 1	1	
3	(1M1-11422-00-00)	CRANK 2	1	
	(1M2-11422-01-00)	CRANK 2	1	
4	498-11651-00-00	. ROD, CONNECTING	1	
5	2X4-11681-00-00	. PIN, CRANK 1	1	
6	93310-425N4-00	. BEARING, CYLINDER.# 0	1	
7	90209-25085-00	. WASHER	2	
8	1M1-11631-01-96	PISTON STD (69.96MM STD)	1	
	1M1-11635-01-00	PISTON 1 O/S 0.25 (70.25MM 1ST O.S.)	1	ALTERNATE PRT
	1M1-11636-01-00	PISTON 2 O/S 0.50 (70.50MM 2ND O.S.)	1	ALTERNATE PRT
	1M1-11637-01-00	PISTON 3 O/S 0.75 (70.75MM 3RD O.S.)	1	ALTERNATE PRT
	1M1-11638-01-00	PISTON 4 O/S 1.00 (4TH O.S.)	1	ALTERNATE PRT
	1M2-11631-01-96	PISTON STD (84.96MM STD)	1	
	1M2-11635-01-00	PISTON 1 O/S 0.25 (85.25MM 1ST O.S.)	1	
	1M2-11636-01-00	PISTON 2 O/S 0.50 (85.50MM 2ND O.S.)	1	
	1M2-11637-01-00	PISTON 3 O/S 0.75 (85.75MM 3RD O.S.)	1	
	1M2-11638-01-00	PISTON 4 O/S 1.00 (86.00MM 4TH O.S.)	1	
9	(1M1-11630-01-00)	PISTON KIT STD	1	
	(1M1-11630-11-00)	PISTON KIT 1ST	1	
	(1M1-11630-21-00)	PISTON KIT 2ND	1	
	(1M1-11630-31-00)	PISTON KIT 3RD	1	

CONTINUED ON NEXT FRAME ➤

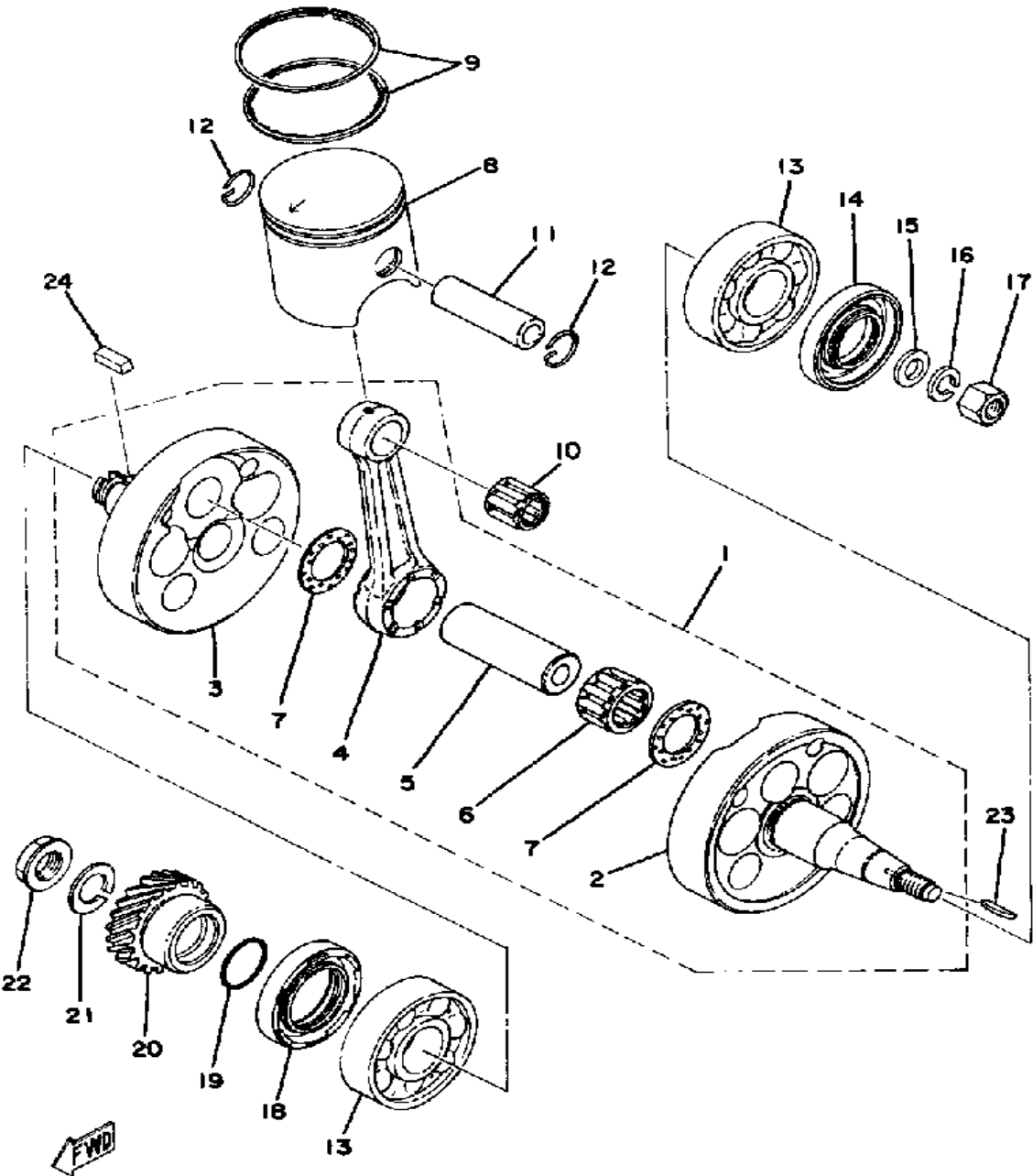
# CRANKSHAFT - PISTON



Ref. No.	Part Number	Description	Qty	Remarks
9	(1M2-11630-00-00)	PISTON KIT STD	1	
	(1M2-11630-10-00)	PISTON KIT 1ST	1	
	(1M2-11630-20-00)	PISTON KIT 2ND	1	
	(1M2-11630-30-00)	PISTON KIT 3RD	1	
	(1M2-11630-40-00)	PISTON KIT 4TH	1	
	1M1-11610-00-00	PISTON RINGSET STD (STD)	1	
	1M1-11610-10-00	PISTON RINGSET 1ST (1ST O.S.)	1	ALTERNATE PRT
	1M1-11610-20-00	PISTON RINGSET 2ND (2ND O.S.)	1	
	1M1-11610-30-00	PISTON RINGSET 3RD (3RD O.S.)	1	
	1M1-11610-40-00	PISTON RINGSET 4TH (4TH O.S.)	1	
	1M1-11638-01-00	PISTON 4 O/S 1.00 (4TH O.S.)	1	
	1M2-11610-01-00	PISTON RINGSET STD (STD)	1	
	1M2-11610-11-00	PISTON RINGSET 1ST (1ST O.S.)	1	ALTERNATE PRT
	1M2-11610-21-00	PISTON RINGSET 2ND (2ND O.S.)	1	ALTERNATE PRT
	1M2-11610-31-00	PISTON RINGSET 3RD (3RD O.S.)	1	ALTERNATE PRT
	1M2-11610-41-00	PISTON RINGSET 4TH (4TH O.S.)	1	ALTERNATE PRT
10	93310-218A6-00	BEARING	1	
11	214-11633-00-00	PIN, PISTON	1	
	275-11633-00-00	PIN, PISTON (1W4-11633-00)	1	
12	93450-20026-00	CIRCLIP	2	
13	93306-20622-00	BEARING	2	
	93306-30615-00	BEARING (B6306)	2	
14	93103-30150-00	OIL SEAL (38W)	1	

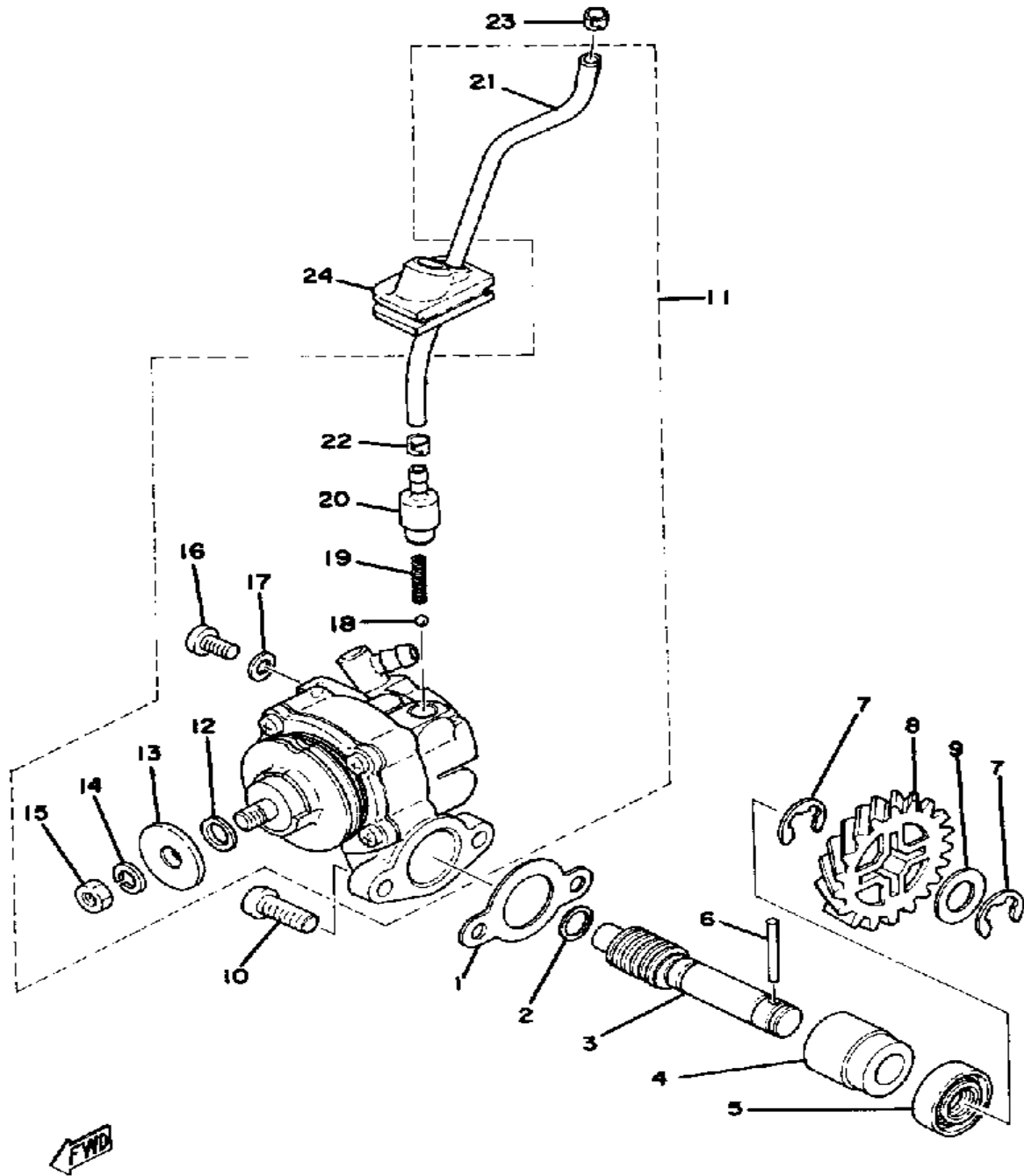
CONTINUED ON NEXT FRAME ➤

# CRANKSHAFT - PISTON



Ref. No.	Part Number	Description	Qty	Remarks
15	90201-12593-00	WASHER, PLATE .....	1	
16	92901-12100-00	WASHER, SPRING .....	1	
17	90170-12347-00	NUT, HEXAGON .....	1	
18	93103-40091-00	OIL SEAL, SW-TYPE .....	1	
19	93210-29282-00	O-RING .....	1	
20	(1M1-16111-00-00)	GEAR, PRI DRIVE .....	1	
21	92901-18100-00	WASHER, SPRING .....	1	
22	90179-18172-00	NUT .....	1	
23	90280-16053-00	KEY, WOODRUFF .....	1	
24	2X4-11681-00-00	. PIN, CRANK 1 .....	1	
	498-11651-00-00	. ROD, CONNECTING .....	1	
	5X5-11650-00-00	CONNECTING ROD ASSEMBLY	1	
	90209-25085-00	. WASHER .....	2	
	90282-07019-00	KEY, STRAIGHT .....	1	
	93310-425N4-00	. BEARING, CYLINDER.# 0 ...	1	

# OIL PUMP

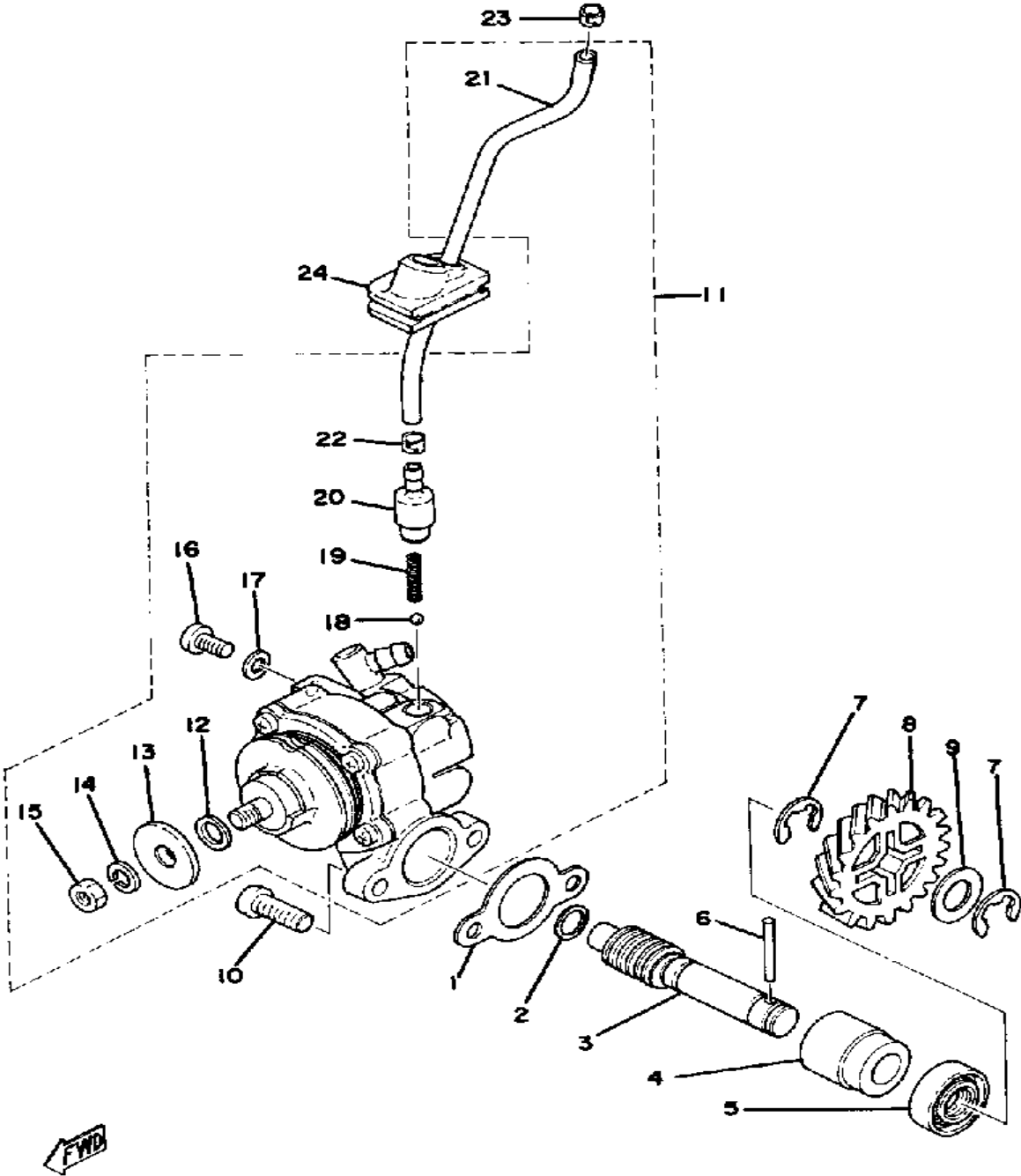


Ref. No.	Part Number	Description	Qty	Remarks
1	3MT-13116-00-00	GASKET, PUMP CASE (8Y0-13116-00)	1	
2	90201-08624-00	WASHER, PLATE	1	
3	(1M2-13175-00-00) (525-13175-01-00)	SHAFT, WORM	1	
4	1E7-13176-00-00	METAL, WRM SHAF OTR	1	
5	93101-10090-00	OIL SEAL	1	
6	93603-22028-00	PIN, DOWEL	1	
7	99001-08600-00	CIRCLIP	2	
8	1M1-13178-00-00	GEAR, PUMP DRIVE	1	
9	90201-106H7-00	WASHER, PLATE	1	
10	1M1-13101-01-00 1M2-13101-01-00	OIL PUMP ASSEMBLY	1	
12	137-13137-00-03 137-13137-00-05 137-13137-00-10	. SHIM (0.3T) . SHIM (0.5T) . SHIM (1.0T)	1 1 1	
13	137-13138-01-00	. PLATE, ADJUSTING	1	
14	92990-05100-00	. WASHER, SPRING	1	
15	95380-05600-00	. NUT	1	
16	98901-04008-00	. SCREW, BIND	1	
17	90430-40004-00	. UNAVAILABLE IN PRICE BOOK	1	
18	93505-32002-00	. BALL	1	
19	90501-02018-00	. SPRING, COMPRESSION	1	
20	402-13552-00-00	. NOZZLE	1	
21	90445-05214-00 90445-05217-00	. HOSE . HOSE	1 1	
22	90468-02033-00	. CLIP	1	
23	90468-02033-00	CLIP	1	

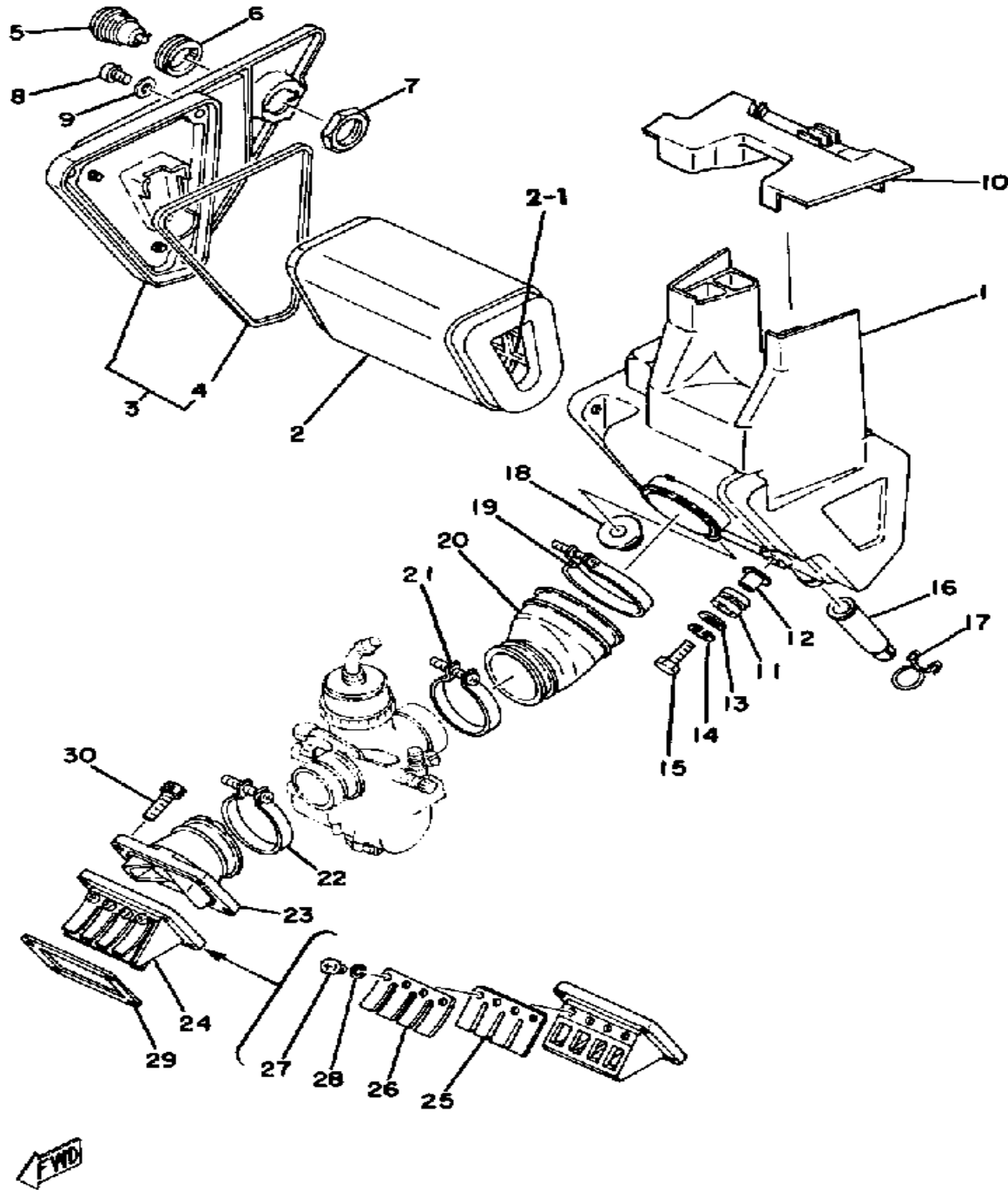
CONTINUED ON NEXT FRAME ►

# OIL PUMP

Ref. No.	Part Number	Description	Qty	Remarks
24	(1M1-13174-00-00)	HOLDER, OIL PIPE .....	1	



# INTAKE

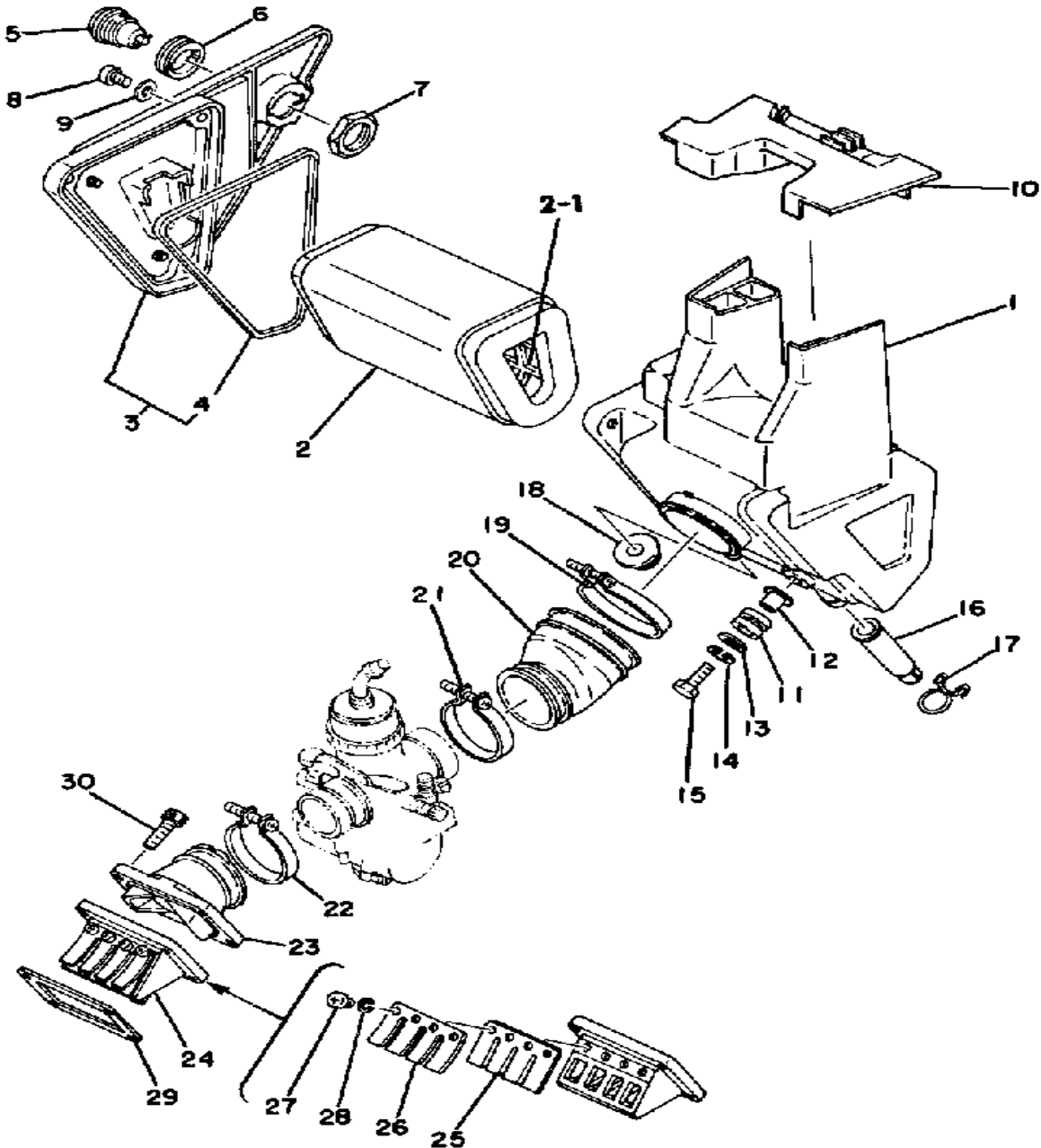


Ref. No.	Part Number	Description	Qty	Remarks
1	(1M1-14401-00-00)	AIR CLNR CASE ASSEMBLY	1	
2	1M1-14451-00-00	ELEMENT, AIR CLNR	1	
3	1M1-21730-00-00	SIDE COVER ASSEMBLY 3	1	
4	4L0-14457-01-00	. SEAL	1	
5	1E6-21708-00-00	SIDE CVR LOCK ASSEMBLY	1	
6	90480-24186-00	GROMMET	1	
7	90170-22187-00	NUT	1	
8	98580-05016-00	SCREW, PAN HEAD	3	
9	92901-05600-00	WASHER, PLATE	3	
10	(1M1-14418-00-00)	COVER 2	1	
11	90480-14023-00	GROMMET	2	
12	90387-07391-00	COLLAR	2	
13	90201-06067-00	WASHER, PLATE	2	
14	92995-06100-00	WASHER, SPRING	2	
15	97011-06025-00	BOLT (97001-06025)	2	
16	509-14457-00-00	SEAL (509-14457-01)	1	
17	90467-15012-00	CLIP, SCISSOR	1	
18	90480-18171-00	GROMMET	1	
19	90460-64065-00	CLAMP, HOSE	1	
	90465-10108-00	CLAMP	1	
20	1M1-14453-00-00	JOINT, AIR CLNR 1	1	
	1M2-14453-00-00	JOINT, AIR CLNR 1	1	
21	90460-49058-00	CLAMP, HOSE	1	
	90460-51059-00	CLAMP, HOSE	1	
22	90450-44046-00	HOSE CLAMP ASSEMBLY	1	
	90460-51109-00	CLAMP, HOSE	1	
23	(1M2-13565-01-00)	JOINT, CARBURETOR	1	
	1M1-13565-01-00	JOINT, CARBURETOR	1	
24	1M1-13610-10-00	REED VALVE ASSEMBLY	1	

CONTINUED ON NEXT FRAME ►



# INTAKE

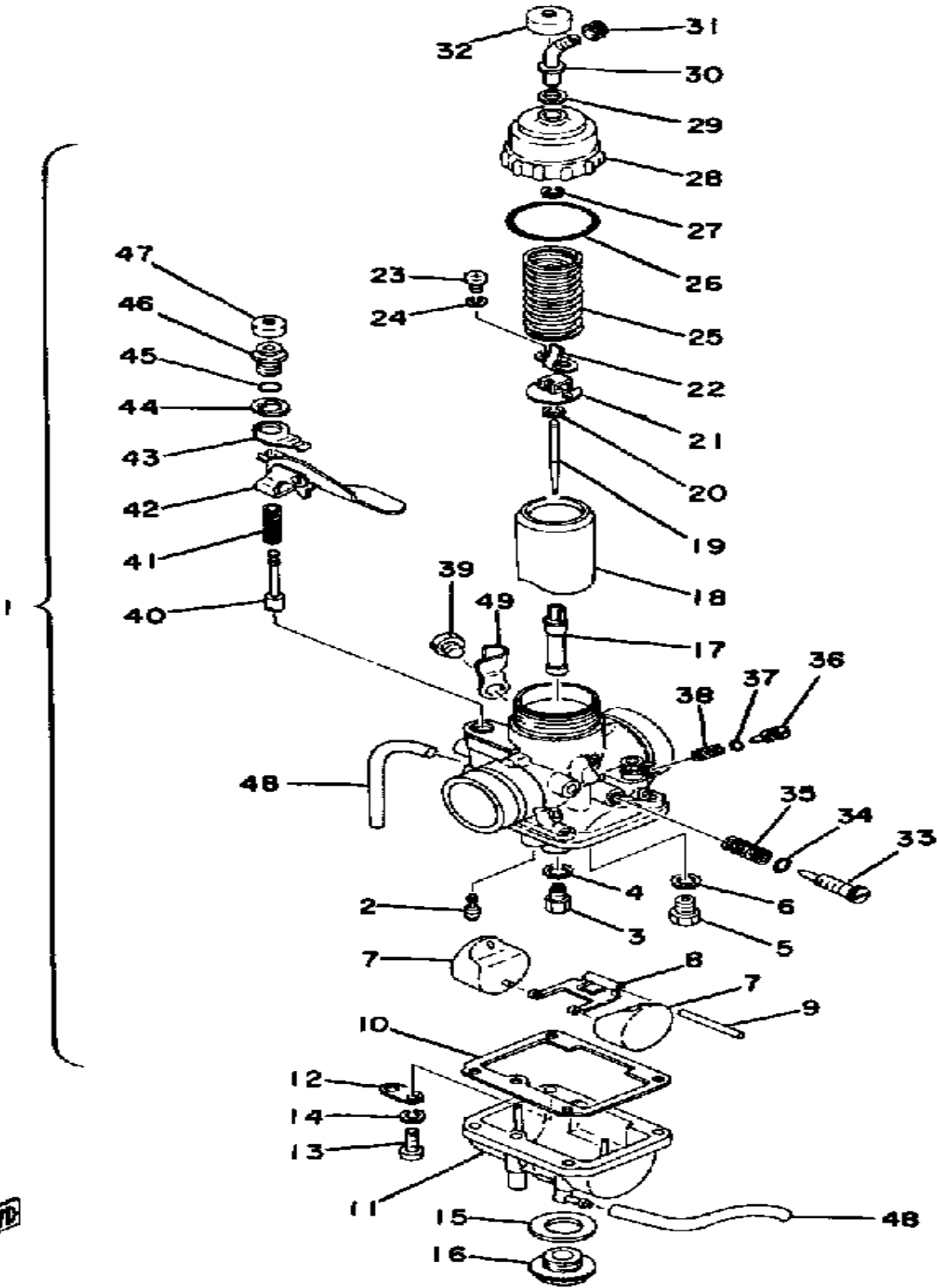


Ref. No.	Part Number	Description	Qty	Remarks
25	1M1-13613-10-00	. REED, VALVE .....	2	
26	1M1-13616-00-00	. STOPPER, REED VALVEVALVE .....	2	
27	98580-03008-00	. SCREW, PAN HEAD .....	8	
28	92990-03100-00	. WASHER, SPRING (92901-03100) .....	8	
29	8Y7-13556-01-00	GASKET, MANIFOLD .....	1	
30	91316-06025-00	BOLT .....	4	
2-1	1M1-14458-01-00	GUIDE, ELEMENT .....	1	

FWD

# CARBURETOR DT250E

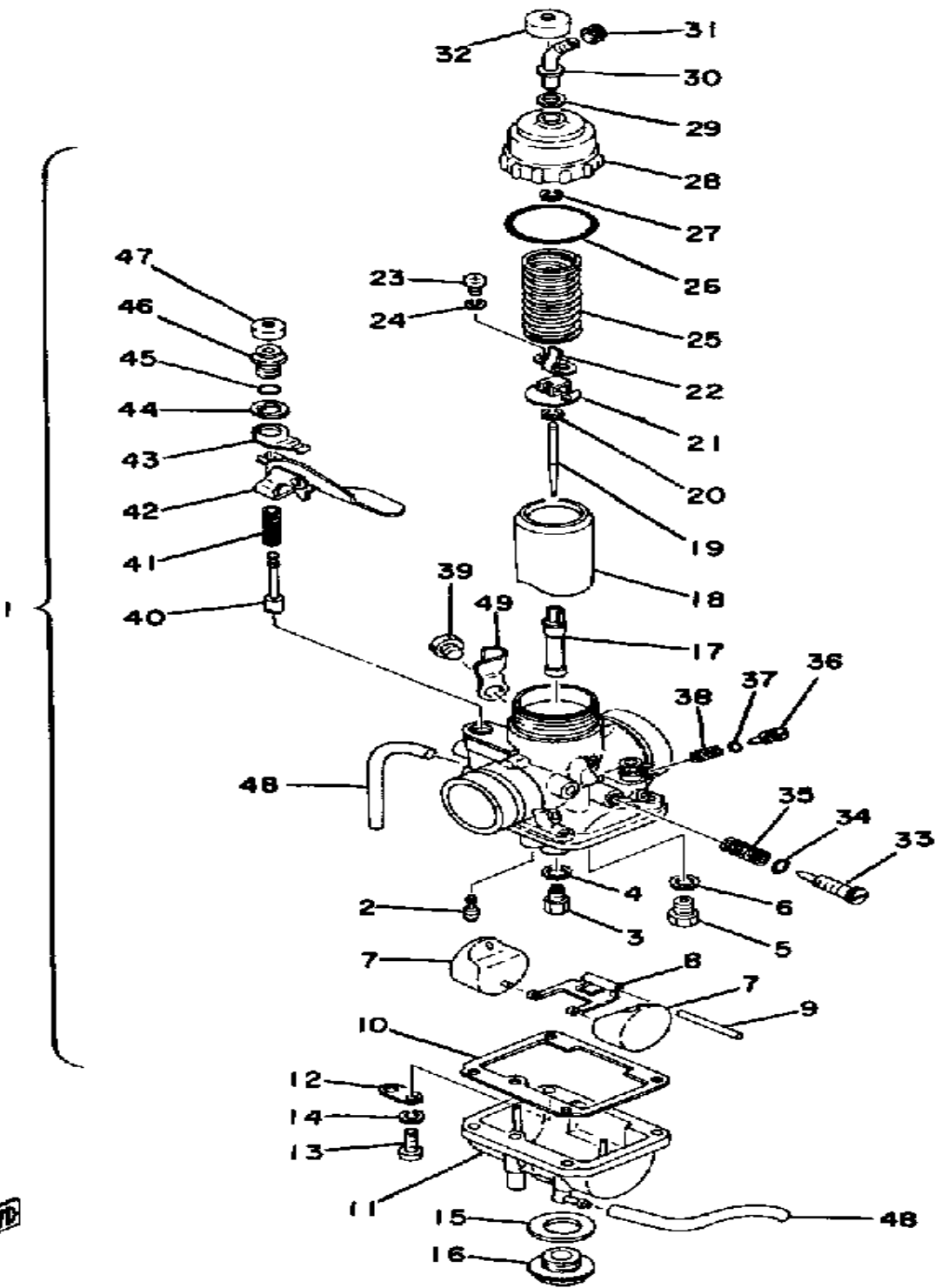
Ref. No.	Part Number	Description	Qty	Remarks
1	(1M1-14101-01-00)	CARBURETOR ASSEMBLY 1	1	
2	193-14142-50-00	. JET, PILOT (# 50)	1	
3	137-14143-27-00	. JET, MAIN (#135)	1	U.R.
	137-14143-28-A0	. JET, MAIN (#140)	1	U.R. STD
	137-14143-30-00	. JET, MAIN #1 0	1	U.R.
4	137-14153-00-00	. WASHER, MAIN JET	1	
5	168-14190-28-00	. NEEDLE VALVE ASSEMBLY	1	
6	214-14195-00-00	. WASHER, NEEDLE VALVE	1	
7	280-14185-00-00	. FLOAT	2	
8	280-14187-00-00	. ARM, FLOAT	1	
9	127-14186-00-00	. PIN, FLOAT	1	
10	360-14184-01-00	. GASKET, FLOAT CHMBR	1	
11	(402-14181-12-00)	BODY, FLOAT CHMBR 1	1	
12	132-14146-00-00	. PLATE	1	
13	98503-04014-00	. SCREW, PAN HEAD	4	
14	92901-04100-00	. WASHER, SPRING	4	
15	278-14117-00-00	. WASHER, PLUG SCREW	1	
16	(278-14115-00-00)	PLUG, SCREW	1	
17	(278-14141-28-00)	NOZZLE, MAIN	1	
18	(1M1-14112-15-00)	VALVE, THROTTLE 1	1	
19	168-14116-33-00	. NEEDLE	1	
20	164-14137-00-00	. CLIP	1	
21	(1A0-14243-00-00)	PLATE	1	
22	(1A0-14253-00-00)	SPRING	1	
23	98580-03010-00	. SCREW, PAN HEAD (98502-03010)	2	
24	92990-03100-00	. WASHER, SPRING (92901-03100)	2	
25	248-14131-00-00	. SPRING, THROTTLE VALVE	1	



CONTINUED ON NEXT FRAME ►

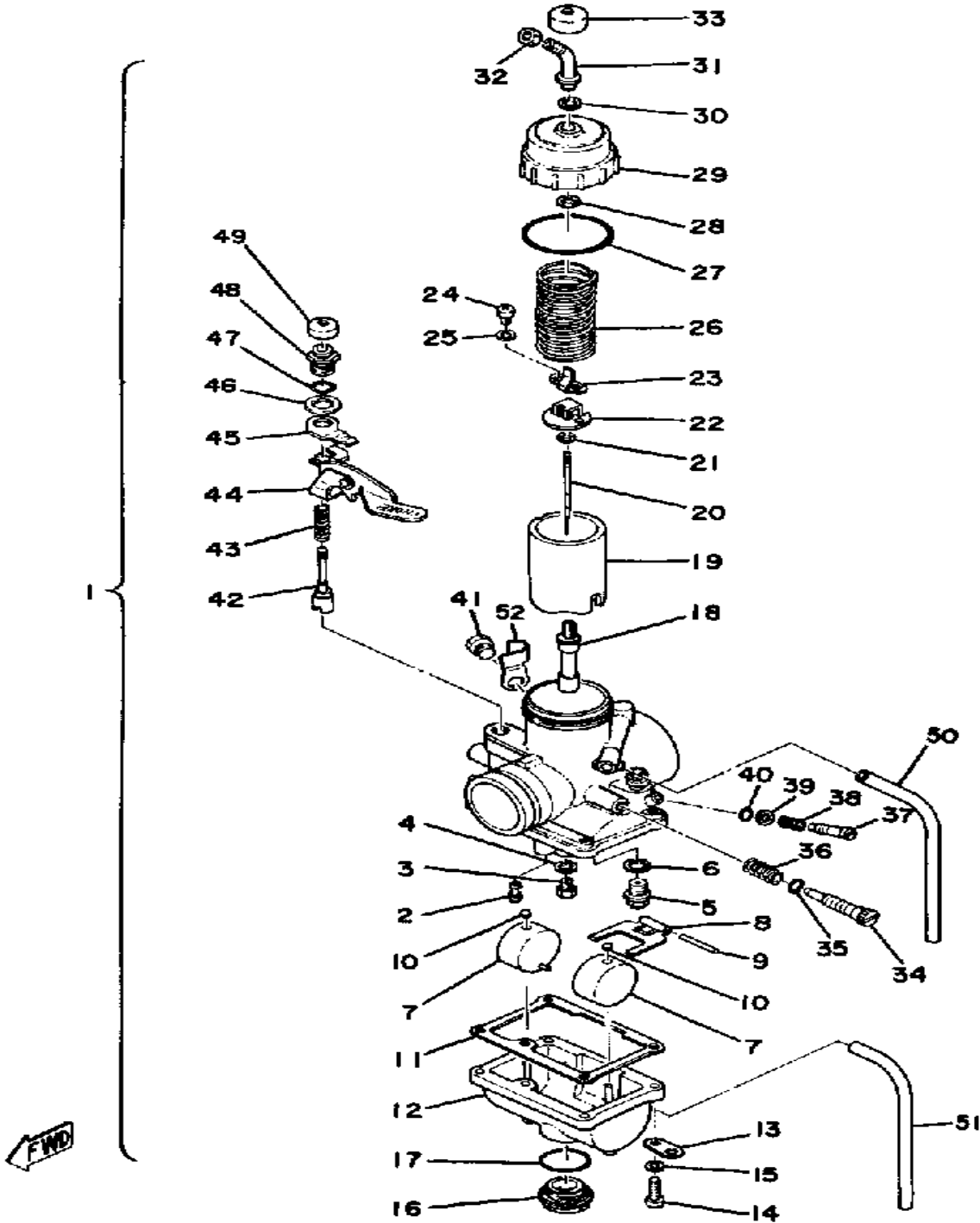
# CARBURETOR DT250E

Ref. No.	Part Number	Description	Qty	Remarks
26	361-14147-00-00	. O-RING .....	1	
27	363-14137-00-00	. CLIP .....	1	
28	498-14158-00-33	. TOP, MIXING CHAMBER (498-14158-00) .....	1	
29	509-14198-00-00	. GASKET .....	1	
30	23X-14106-00-00	. CABLE ADJUST SCREW SET	1	
31	127-14161-00-00	. NUT, CABLE ADJUSTING ...	1	
32	1M1-14169-00-00	. CAP .....	1	
33	493-14122-00-00	. SCREW, THROTTLE (443-14122-00) .....	1	
34	214-14147-00-00	. O-RING .....	1	
35	493-14133-00-00	. SPRING, THRTL STOP .....	1	
36	10W-14104-00-00	. AIR SCREW SET .....	1	
37	354-14147-00-00	. O-RING .....	1	
38	127-14134-00-00	. SPRING, AIR ADJUSTING ...	1	
39	1A0-14991-00-00	. SCREW .....	1	
40	1A0-14171-00-00	. PLUNGER, STARTER .....	1	
41	256-14135-00-00	. SPRING, PLUNGER .....	1	
42	(1A0-14175-00-00)	LEVER, STARTER 1 .....	1	
43	(170-14178-00-00)	PLATE, STARTER LVR .....	1	
44	(1A0-14179-00-00)	WASHER, STARTER LVR ....	1	
45	93220-09001-00	. O-RING .....	1	
46	(500-14174-00-00)	CAP, PLUNGER .....	1	
47	802-14173-00-00	. COVER, PLUNGER CAP ....	1	
48	439-14197-00-00	. PIPE, AIRVENT .....	2	
49	90465-10108-00	CLAMP .....	1	



FWD

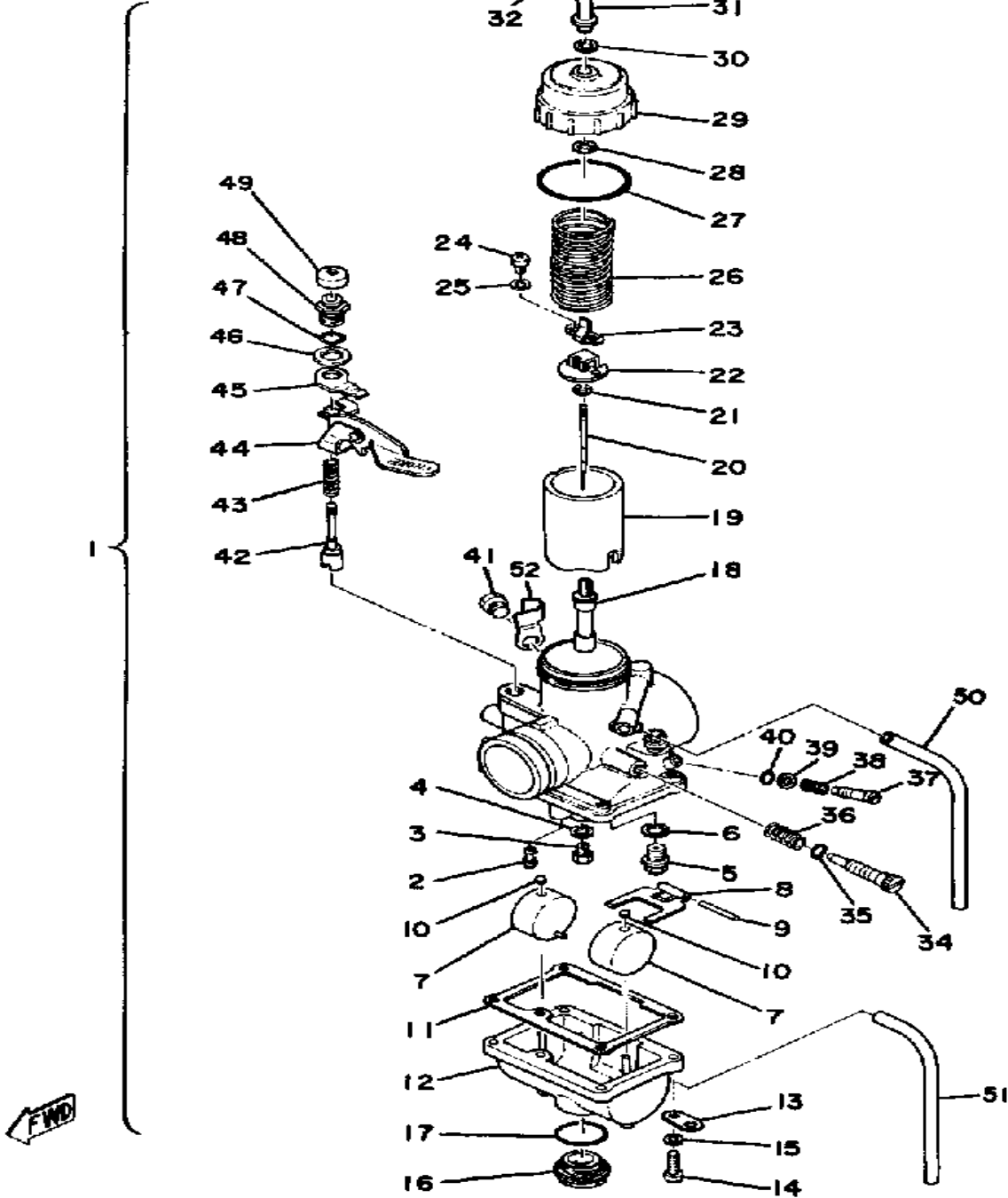
# CARBURETOR DT400E



Ref. No.	Part Number	Description	Qty	Remarks
1	(1M2-14101-01-00)	CARBURETOR ASSEMBLY 1	1	
2	193-14142-80-00	. JET, PILOT (# 80)	1	
3	137-14143-34-00	. JET, MAIN #1 0	1	
	137-14143-36-A1	. JET, MAIN #1 0	1	
	137-14143-38-A0	. JET, MAIN #1 0	1	
4	137-14153-00-00	. WASHER, MAIN JET	1	
5	500-14190-30-00	. NEEDLE VALVE ASSEMBLY (3.0)	1	
6	239-14195-00-00	. WASHER, NEEDLE VALVE	1	
7	275-14185-00-00	. FLOAT	2	
8	214-14187-00-00	. ARM, FLOAT	1	
9	127-14186-00-00	. PIN, FLOAT	1	
10	214-14118-00-00	. CAP	2	
12	(1M2-14181-12-00)	BODY, FLOAT CHMBR 1	1	
13	500-14146-00-00	. PLATE	1	
14	98503-04014-00	. SCREW, PAN HEAD	4	
15	92901-04100-00	. WASHER, SPRING	4	
16	500-14115-00-00	. PLUG, SCREW	1	
17	(93210-18283-00)	O-RING	1	
18	(363-14141-32-00)	NOZZLE, MAIN	1	
19	(1M2-14112-25-00)	VALVE, THROTTLE 1	1	
20	239-14116-09-00	. NEEDLE	1	
21	164-14137-00-00	. CLIP	1	
22	1A0-14143-00-00	. UNAVAILABLE IN PRICE BOOK	1	
23	(1A0-14253-00-00)	SPRING	1	
24	98580-03010-00	. SCREW, PAN HEAD (98502-03010)	2	
25	92990-03100-00	. WASHER, SPRING (92901-03100)	2	

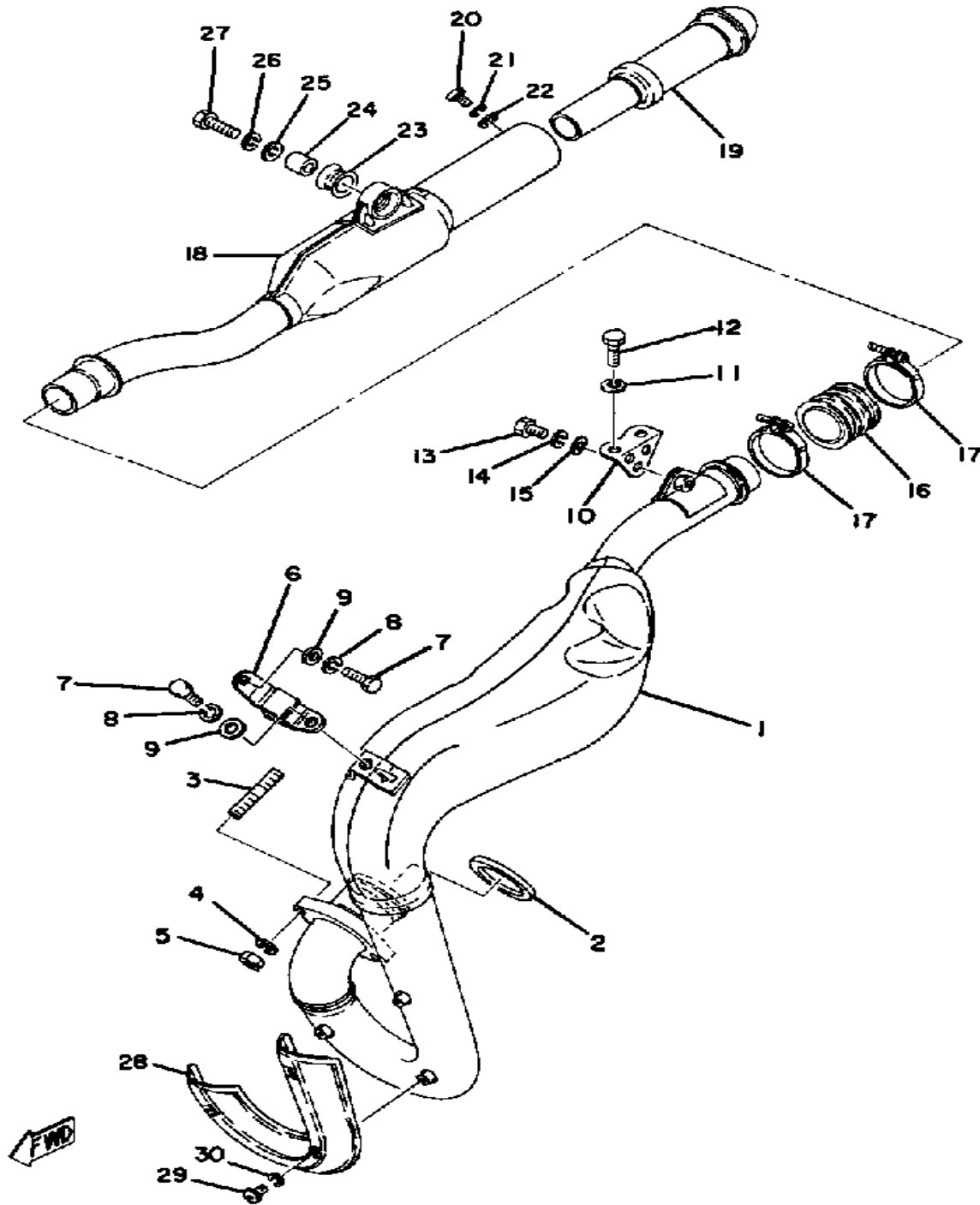
CONTINUED ON NEXT FRAME ►

# CARBURETOR DT400E



Ref. No.	Part Number	Description	Qty	Remarks
26	363-14131-00-00	. SPRING, THROTTLE VALVE	1	
27	(93210-40284-00)	O-RING	1	
28	363-14137-00-00	. CLIP	1	
29	500-14158-00-00	. TOP, MIXING CHAMBER (500-14158-00-33)	1	
30	509-14198-00-00	. GASKET	1	
31	500-14155-00-00	. GUIDE, CABLE	1	
32	127-14161-00-00	. NUT, CABLE ADJUSTING	1	
33	1M1-14169-00-00	. CAP	1	
34	493-14122-00-00	. SCREW, THROTTLE (443-14122-00)	1	
35	214-14147-00-00	. O-RING	1	
36	493-14133-00-00	. SPRING, THRTL STOP	1	
37	1G8-14123-00-00	. SCREW, AIR ADJUSTING	1	
38	137-14134-00-00	. SPRING, AIR ADJUSTING	1	
39	812-14235-00-00	. WASHER, NEEDLE	1	
40	812-14147-00-00	. O-RING	1	
41	1A0-14991-00-00	. SCREW	1	
42	(1M2-14171-00-00)	PLUNGER, STARTER	1	
43	500-14135-00-00	. SPRING, PLUNGER	1	
44	(1M2-14175-00-00)	LEVER, STARTER 1	1	
45	275-14178-00-00	. PLATE, STARTER LVR	1	
46	(1M2-14179-00-00)	WASHER, STARTER LVR	1	
47	(93210-09285-00)	O-RING	1	
48	(500-14174-00-00)	CAP, PLUNGER	1	
49	802-14173-00-00	. COVER, PLUNGER CAP	1	
50	(256-14197-01-00)	PIPE, AIRVENT	1	
51	(1M2-14196-00-00)	PIPE, OVERFLOW	1	
52	90465-10108-00	CLAMP	1	

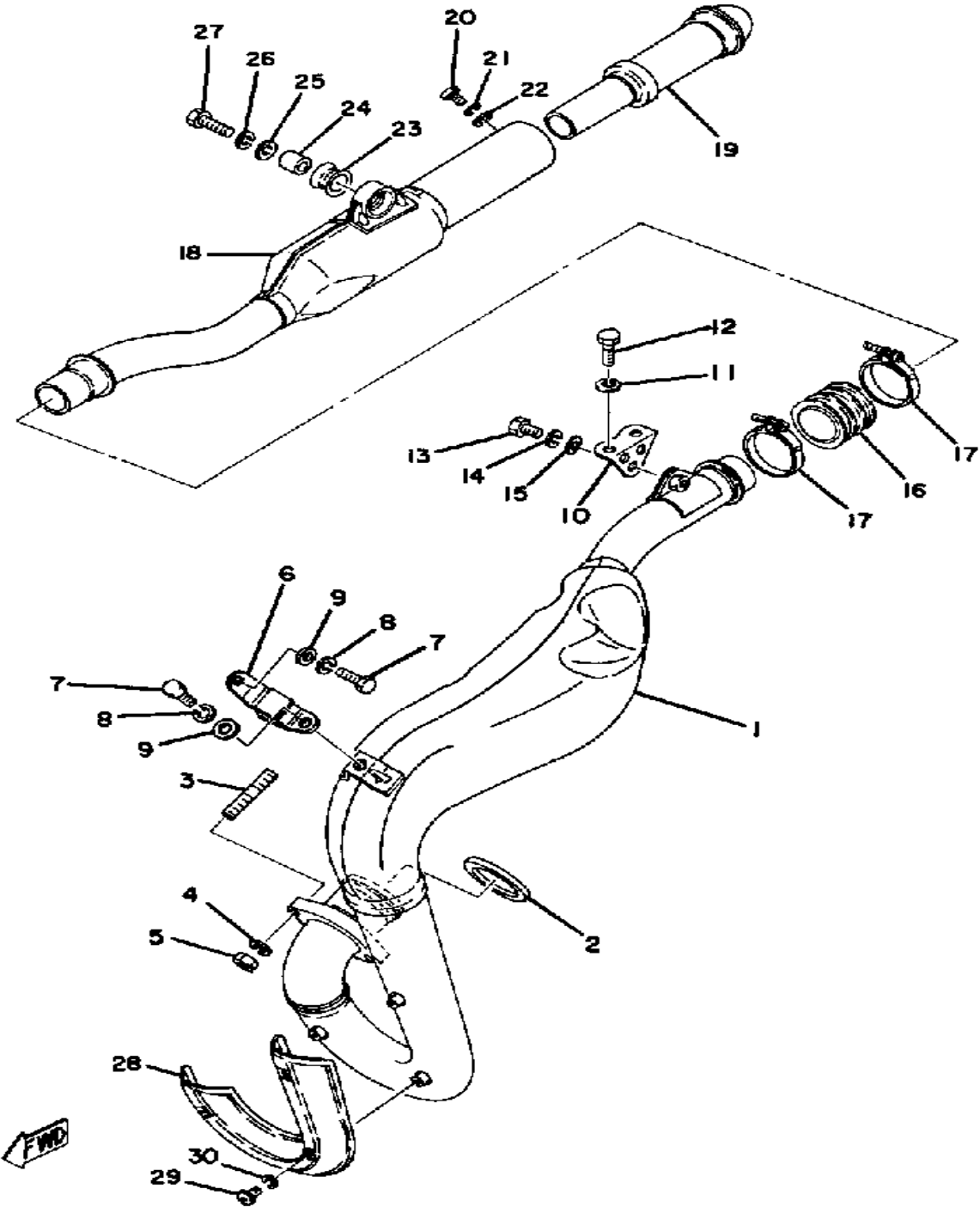
# EXHAUST



Ref. No.	Part Number	Description	Qty	Remarks
1	(1M2-14610-03-00)	EXHAUST PIPE ASSEMBLY L	1	
	1N6-14610-00-00	EXHAUST PIPE ASSEMBLYL	1	
2	214-14613-00-00	GASKET, EXST PIPE	1	
3	90116-08264-00	BOLT, STUD	2	
4	92990-08100-00	WASHER	2	
5	95333-08600-00	NUT	2	
6	1M1-14772-00-00	STAY, MUFFLER 2	1	
7	97011-06016-00	BOLT	2	
8	92995-06100-00	WASHER, SPRING	2	
9	90201-061A5-00	WASHER, PLATE	2	
10	1M1-14771-01-00	STAY, MUFFLER 1	1	
11	92995-06100-00	WASHER, SPRING	2	
12	97313-06016-00	BOLT, HEXAGON	2	
13	97313-08018-00	BOLT, HEXAGON (97301-08016)	1	
14	92990-08100-00	WASHER	1	
15	92901-08600-00	WASHER	1	
16	1M1-14714-00-00	GASKET, MUFFLER	1	
17	90460-43053-00	CLAMP, HOSE	2	
18	1M1-14753-00-00	SILENCER, EXHAUST	1	
19	1M1-14752-01-00	PIPE, OUTLET	1	
20	98580-06012-00	SCREW, PAN HEAD	1	
21	92995-06100-00	WASHER, SPRING	1	
22	90201-061A5-00	WASHER, PLATE	1	
23	565-14747-00-00	DAMPER, MUFFLER	1	
24	90387-08258-00	COLLAR	1	
25	90201-08753-00	WASHER, PLATE	1	
26	92990-08100-00	WASHER	1	
27	97313-08030-00	BOLT, HEXAGON	1	
28	1M1-14728-00-00	PROTECTOR, MUFF 2	1	

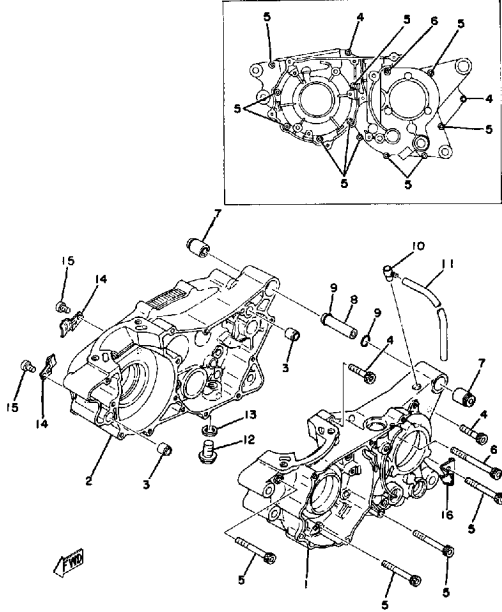
CONTINUED ON NEXT FRAME ►

# EXHAUST



Ref. No.	Part Number	Description	Qty	Remarks
29	98906-06010-00	SCREW, BIND .....	3	
30	92906-06100-00	WASHER, SPRING .....	3	

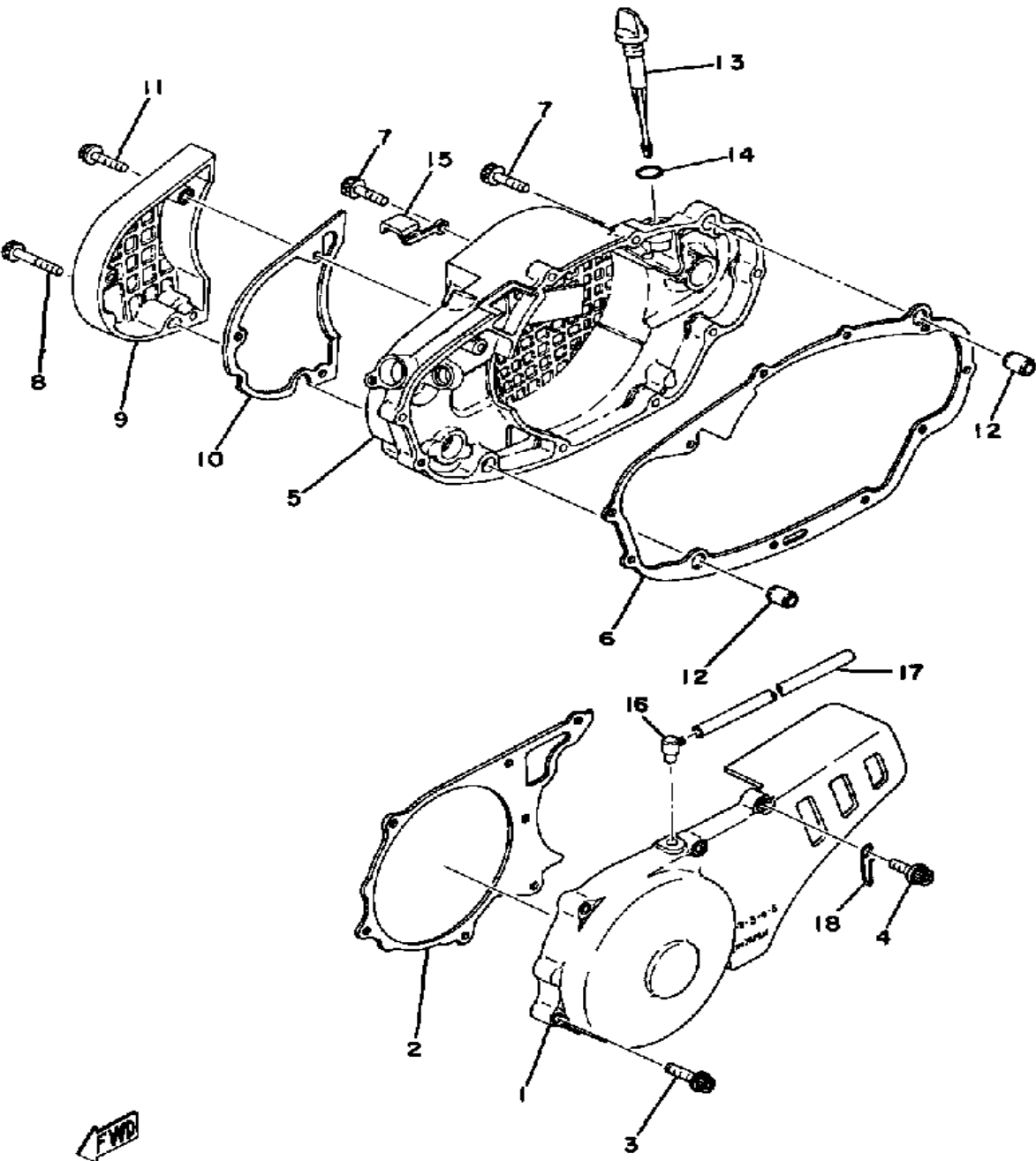
# CRANKCASE



Ref. No.	Part Number	Description	Qty	Remarks
1	1M1-15111-02-00	CRANKCASE 1 .....	1	
	1M2-15111-01-00	CRANKCASE 1 (1M2-15111-00)	1	
2	(1M2-15121-01-00)	CRANKCASE 2 .....	1	
	1M1-15121-00-00	CRANKCASE 2 .....	1	
3	99510-12016-00	PIN, DOWEL .....	2	
4	91316-06035-00	BOLT .....	2	
5	91316-06060-00	BOLT .....	11	
6	91316-06080-00	BOLT .....	1	
7	328-15316-00-00	DAMPER, ENG MOUNT 1 (328-15316-00) .....	2	
8	438-15317-00-00	SPACER, ENG MOUNT .....	1	
9	93210-11073-00	O-RING .....	2	
10	583-15371-00-00	BREATHER .....	1	
11	90445-07340-00	HOSE .....	1	
12	90109-14385-00	BOLT .....	1	
13	137-15353-00-00	GASKET, DRAIN .....	1	
14	434-15118-00-00	HOLDER .....	2	
15	92501-08010-00	SCREW, PAN HEAD .....	2	
16	(90465-14095-00)	CLAMP .....	1	

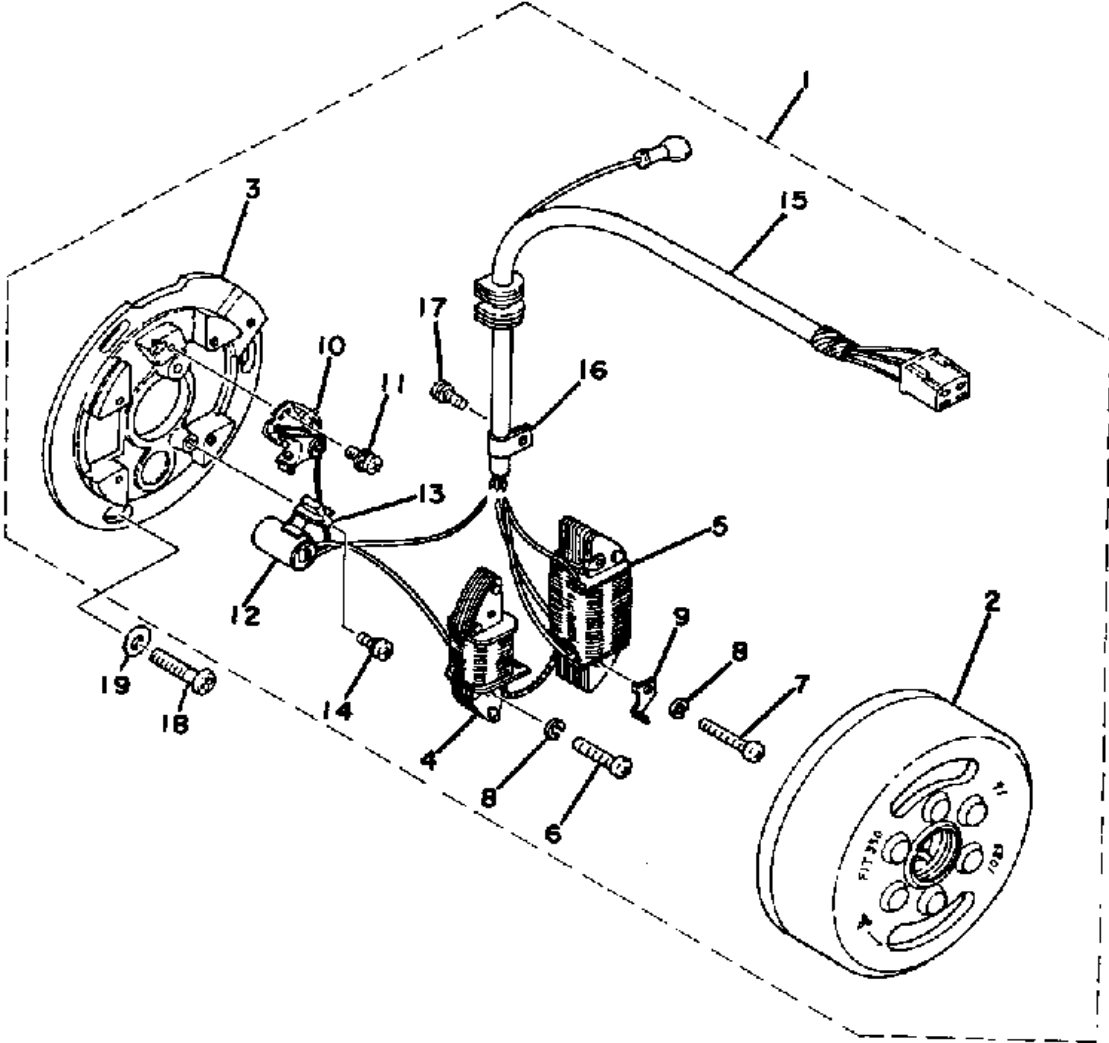


# CRANKCASE COVER



Ref. No.	Part Number	Description	Qty	Remarks
1	1M2-15421-02-00	COVER, CRANKCASE R	1	
2	1M1-15451-00-00	GASKET, CRCS COVER	1	
3	90110-06138-00	BOLT, HEX SKT HEAD	5	
4	91316-06025-00	BOLT	2	
5	1M1-15431-00-00	COVER, CRANKCASE 3	1	
6	1M1-15461-00-00	GASKET, CRCS CVR 2	1	
7	91316-06025-00	BOLT	10	
8	91316-06040-00	BOLT, SOCKET HEAD	1	
9	1M1-15416-01-00	COVER, OIL PUMP	1	
10	1M1-15456-00-00	GASKET, O/PMP CVR 1	1	
11	90110-06138-00	BOLT, HEX SKT HEAD	3	
12	99510-12016-00	PIN, DOWEL	2	
13	1M1-15363-00-00	PLUG, OIL	1	
14	93210-14104-00	O-RING	1	
15	(90465-10096-00)	CLAMP	1	
16	583-15371-00-00	BREATHER	1	
17	90445-07040-00	HOSE	1	
18	90465-20035-00	CLAMP	1	

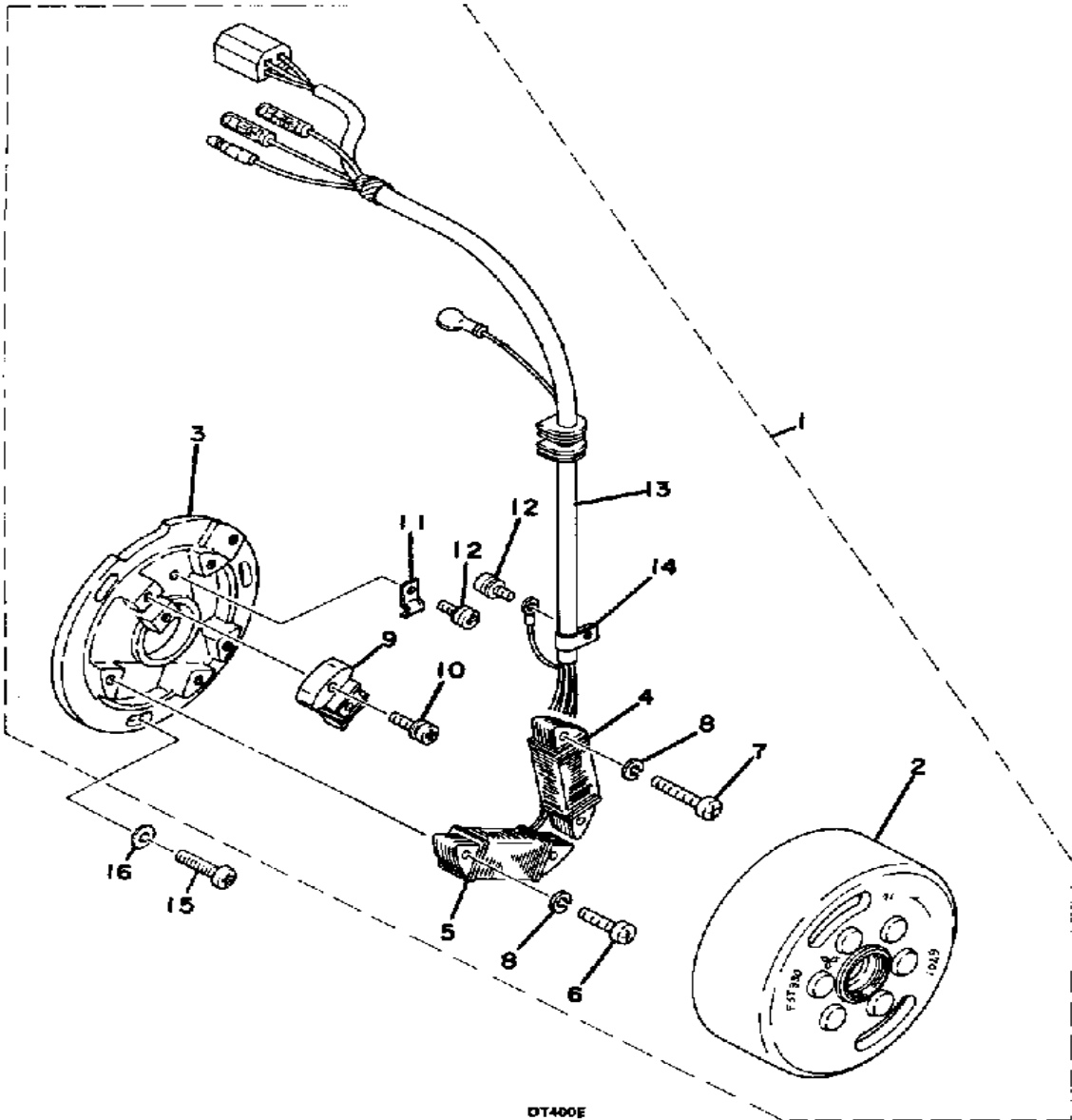
# FLYWHEEL MAGNETO DT250E



Ref. No.	Part Number	Description	Qty	Remarks
1	(1M1-81300-22-00)	FLYWHL MAGNETO ASSEMBLY	1	
2	1M1-81350-20-00	. ROTOR ASSEMBLY	1	
3	(438-81309-20-00)	BASE, MAGNETO	1	
4	498-81312-22-00	. COIL, SOURCE	1	
5	1M2-85513-22-00	. COIL, LIGHTING 1	1	
6	(92503-05025-00)	SCREW, PAN HEAD	2	
7	98580-05035-00	. SCREW, PAN HEAD	2	
8	92990-05100-00	. WASHER, SPRING	4	
9	433-88133-22-00	. UNAVAILABLE IN PRICE BOOK	1	
10	1M1-81321-20-00	. CONTACT BRKR ASSEMBLY (R.H) (806-81322-20)	1	
11	110-81346-21-00	. SCREW, PAN HEAD	1	
12	654-81325-20-00	. CONDENSER 1	1	
13	116-81331-20-00	. LUBRICATOR	1	
14	110-81346-21-00	. SCREW, PAN HEAD	1	
15	(1M1-81315-21-00)	LEAD WIRE ASSEMBLY	1	
16	104-81328-20-00	. CLAMP	1	
17	97601-04106-00	. SCREW, PN/HD.W/WSHR	1	
18	98580-06020-00	SCREW	3	
19	90201-061A5-00	WASHER, PLATE	3	

FWD

# C - D - I - MAGNETO



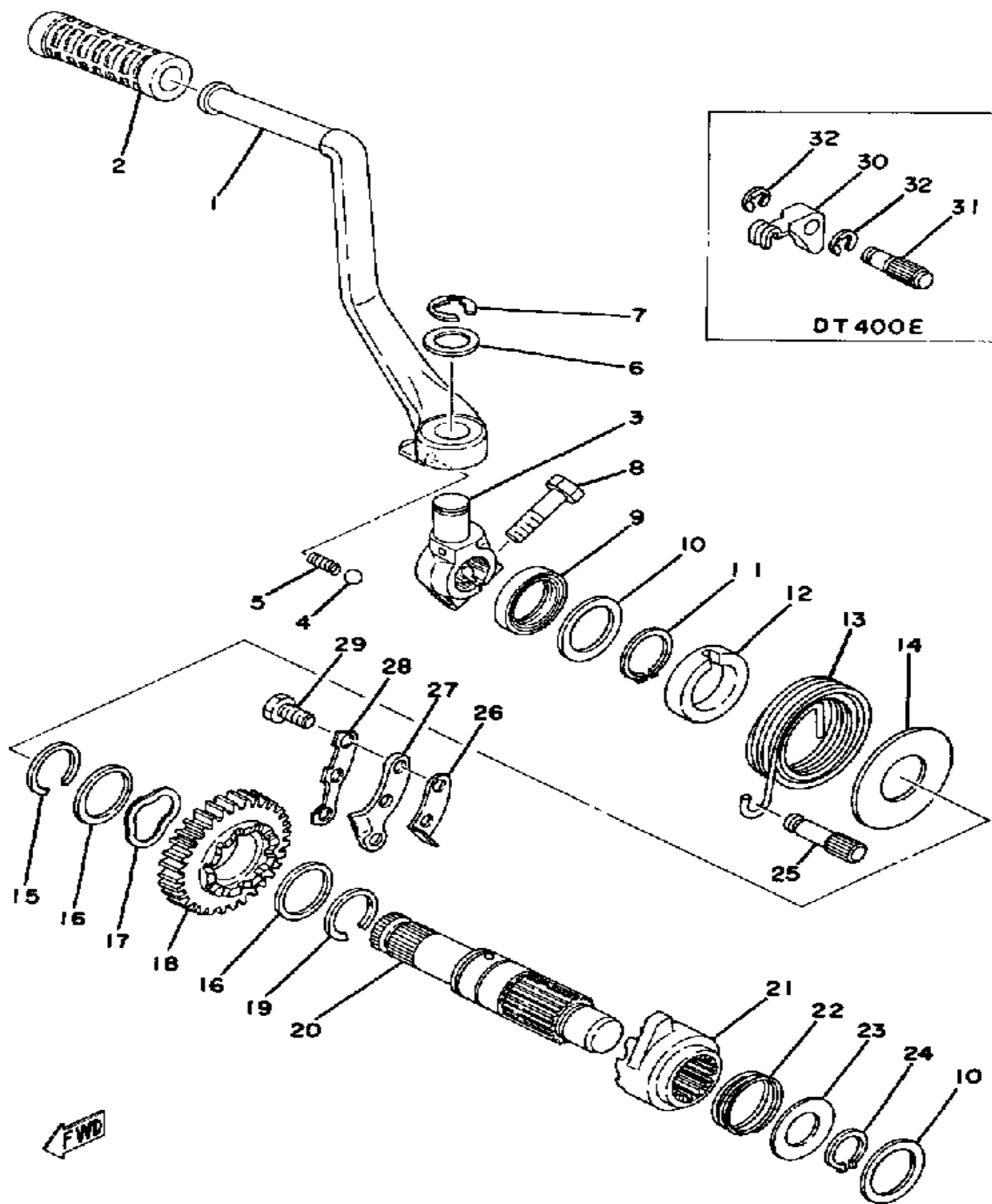
Ref. No.	Part Number	Description	Qty	Remarks
1	(1M2-85500-22-00)	CDI MAGNETO ASSEMBLY ...	1	
2	(1M2-85550-21-00)	ROTOR ASSEMBLY .....	1	
3	1M2-85509-20-00	. BASE, MAGNETO .....	1	
4	1M2-85512-20-00	. COIL SOURCE 2 .....	1	
5	1M2-85513-22-00	. COIL, LIGHTING 1 .....	1	
6	98580-05035-00	. SCREW, PAN HEAD .....	2	
7	(92503-05025-00)	SCREW, PAN HEAD .....	2	
8	92990-05100-00	. WASHER, SPRING .....	4	
9	1M2-85580-20-00	. COIL, PULSER .....	1	
10	97602-04125-00	. SCREW, PN/HD.W/WSHR (4-25) .....	2	
11	(445-85528-20-00)	CLAMP, LEAD .....	1	
12	97601-04106-00	. SCREW, PN/HD.W/WSHR ...	2	
13	(1M2-85515-21-00)	LEAD WIRE ASSEMBLY .....	1	
14	445-81328-20-00	. CLAMP .....	1	
15	98580-06020-00	SCREW .....	3	
16	90201-061A5-00	WASHER, PLATE .....	3	

DT400E

FWD

ELECTRICAL -- System/Type	AC Magneto CDI / External Flywheel
Maximum Output	7.8V-2.5A @ 9000 rpm
Source Coil Color Code/Ω	Brn ~ Gnd / 166Ω ± 10%
Lighting Coil Color Code/Ω	See Charging Coil
Timing Static	2.8mm ± 0.15mm BTDC
Dynamic	Center line @ 4000rpm

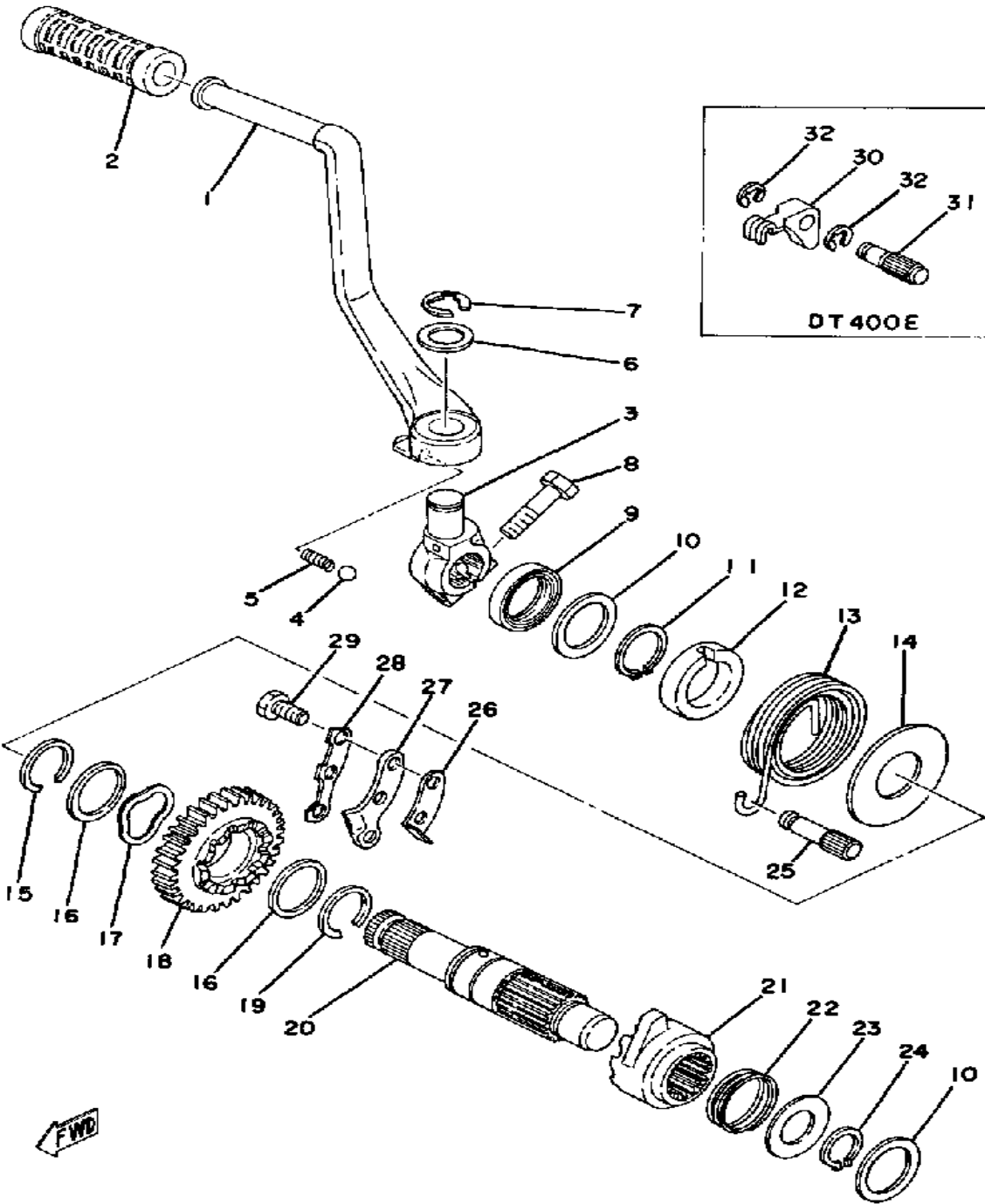
# STARTER



Ref. No.	Part Number	Description	Qty	Remarks
1	1M1-15620-02-00	KICK CRANK ASSEMBLY	1	YAMAHA BLK
	583-15621-00-00	. BOSS, KICK CRANK	1	
2	156-15618-01-00	COVER, KICK LEVER	1	
3	583-15621-00-00	BOSS, KICK CRANK	1	YAMAHA BLK
4	93507-32031-00	BALL	1	
5	90501-12081-00	SPRING, COMPRESSION	1	
6	90201-15234-00	WASHER, PLATE	1	
7	99006-10600-00	CIRCLIP	1	
8	97313-08030-00	BOLT, HEXAGON	1	
9	93102-20309-00	SEAL, OIL	1	
10	90201-20278-00	WASHER, PLATE	2	
11	93410-25010-00	CIRCLIP, S-TYPE	1	
12	(1M1-15664-00-00)	GUIDE, SPRING	1	
13	90508-32317-00	SPRING, TORSION	1	
14	(90201-25637-00)	WASHER, PLATE	1	
15	93440-25084-00	CIRCLIP	1	
16	90201-253K0-00	WASHER, PLATE (T=1.0)	2	
17	90206-25059-00	WASHER, WAVE	1	
18	(1M1-15641-00-00)	GEAR, KICK	1	
19	93440-25027-00	1CIRCLIP, OUTER	1	
20	1M1-15661-00-00	AXLE, KICK	1	
21	(1M1-15671-00-00)	WHEEL, RATCHET	1	
22	90501-23143-00	SPRING, COMPRESSION (363-15675-00)	1	
23	363-15676-00-00	COVER, SPRING	1	
24	93410-20038-00	CIRCLIP	1	
25	(1M1-15668-01-00)	STOPPER	1	
26	434-15668-00-00	STOPPER	1	
27	(363-15674-00-00)	GUIDE, RATCHET WHL	1	

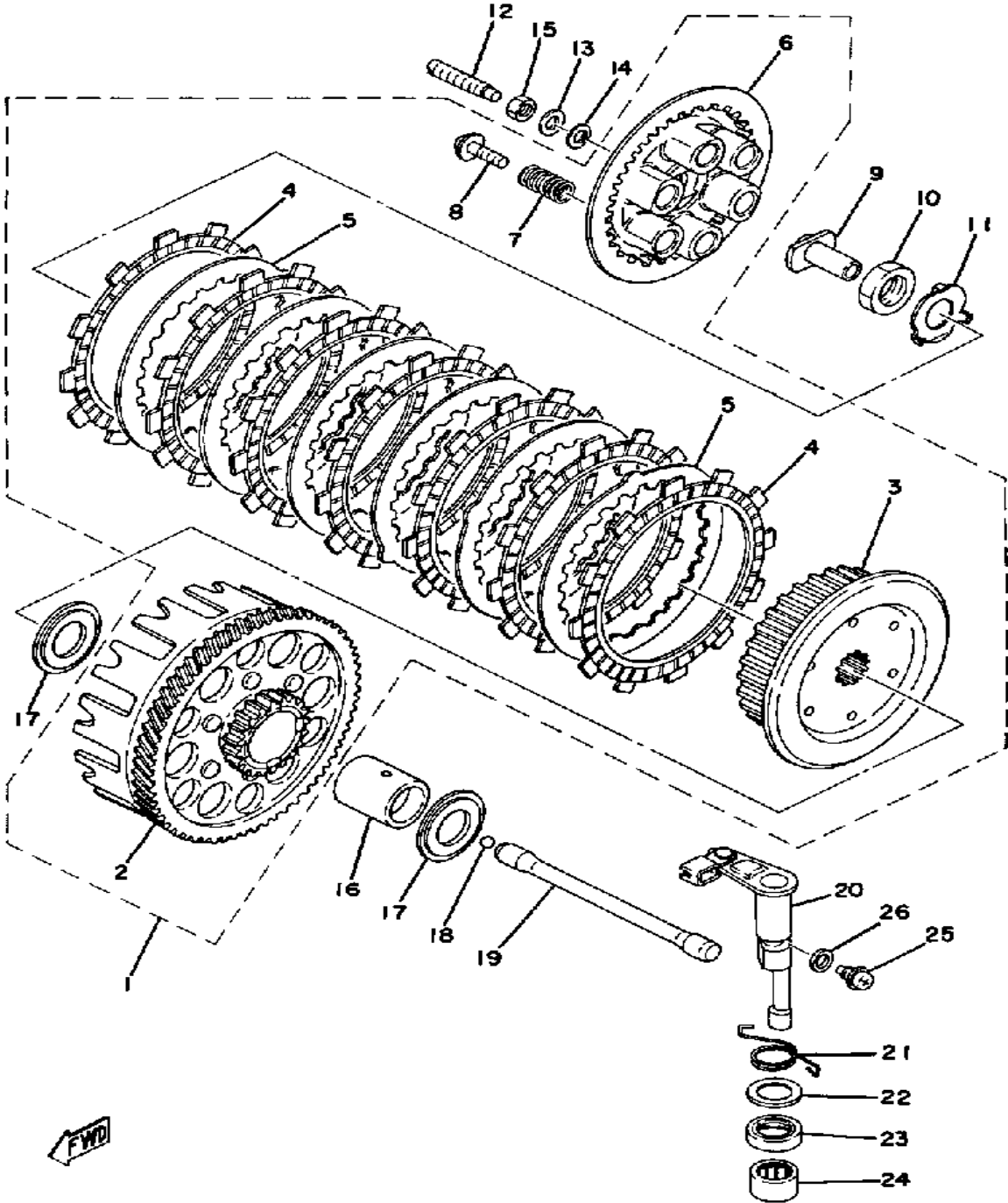
CONTINUED ON NEXT FRAME ►

# STARTER



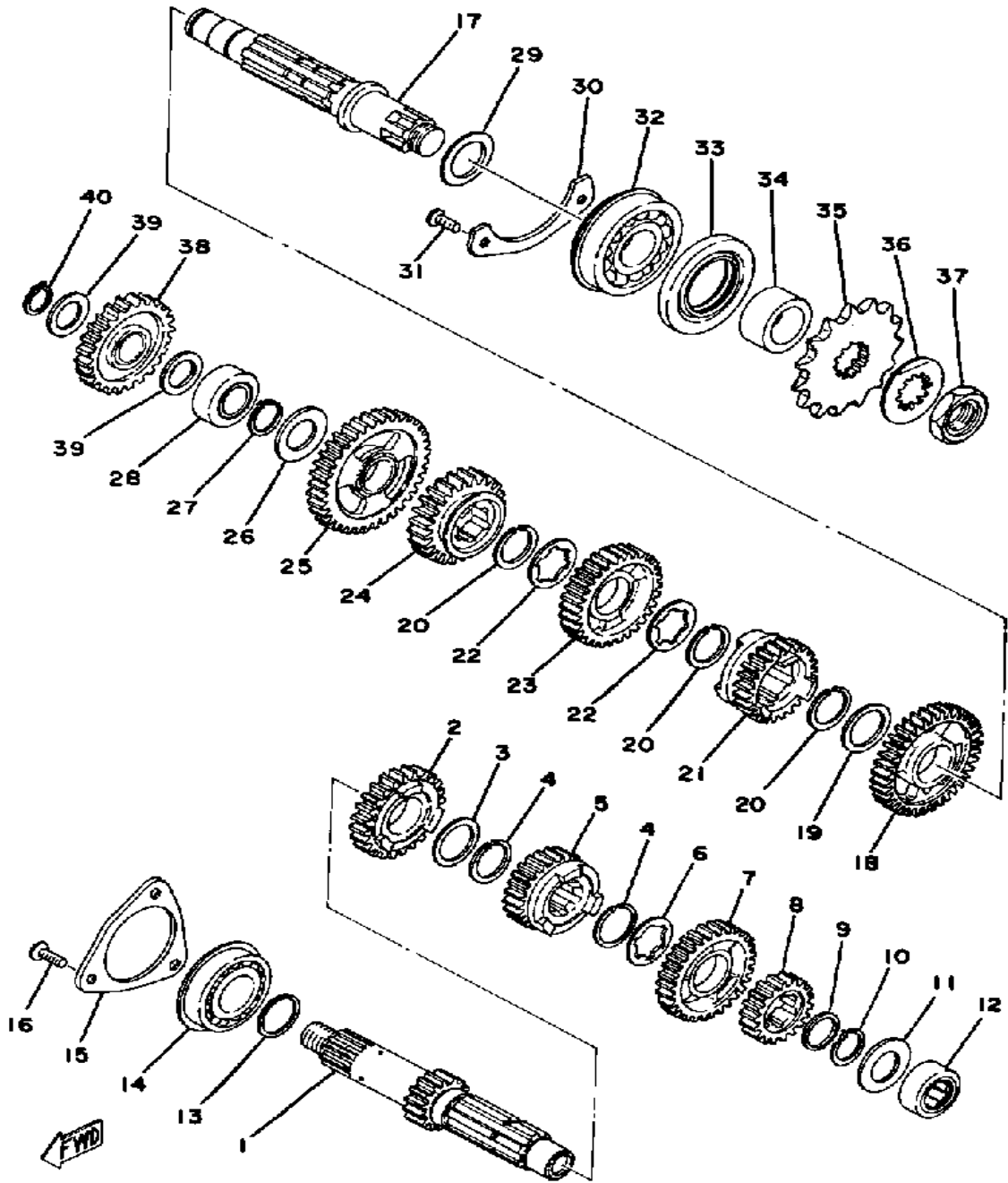
Ref. No.	Part Number	Description	Qty	Remarks
28	363-15686-00-00	WASHER, LOCK	1	
29	97313-06016-00	BOLT, HEXAGON	3	
30	363-15656-00-00	LINK	1	
31	363-15659-00-00	SHAFT	1	
32	99080-07600-00	CIRCLIP (E)	2	

# CLUTCH



Ref. No.	Part Number	Description	Qty	Remarks
1	(2N6-16300-00-00)	CLUTCH ASSEMBLY	1	
2	(2N6-16150-00-00)	PRI DRVN GEAR	1	
3	509-16371-01-00	. BOSS, CLUTCH	1	
4	363-16321-00-00	. PLATE, FRICTION	7	
5	498-16325-00-00	. PLATE, CLUTCH 2	6	
6	1M1-16351-00-00	. PLATE, PRESSURE 1	1	
7	90501-23428-00	. SPRING, COMPRESSION	6	
8	90159-06010-00	. SCREW, WITH WASHER	6	
9	1M1-16356-00-00	ROD, PUSH 1	1	
10	90170-20195-00	NUT, HEXAGON	1	
11	90215-20125-00	WASHER, LOCK	1	
12	90149-08105-00	SCREW, SPEC'L SHAPE	1	
13	92990-08200-00	WASHER, PLAIN	1	
14	92990-08100-00	WASHER	1	
15	95311-08700-00	NUT	1	
16	1M1-16181-00-00	SPACER 1	1	
17	360-16154-00-00	PLATE, THRUST 1	2	
18	93515-32029-00	BALL	1	
19	1M1-16357-00-00	ROD, PUSH 2	1	
20	1W4-16380-00-00	PUSH LEVER ASSEMBLY	1	
21	90508-14360-00	SPRING, TORSION	1	
22	90201-17327-00	WASHER, PLATE	1	
23	93102-17004-00	OIL SEAL	1	
24	93315-11720-00	BEARING	1	
25	90149-08108-00	SCREW, SPEC'L SHAPE	1	
26	90430-08069-00	GASKET	1	

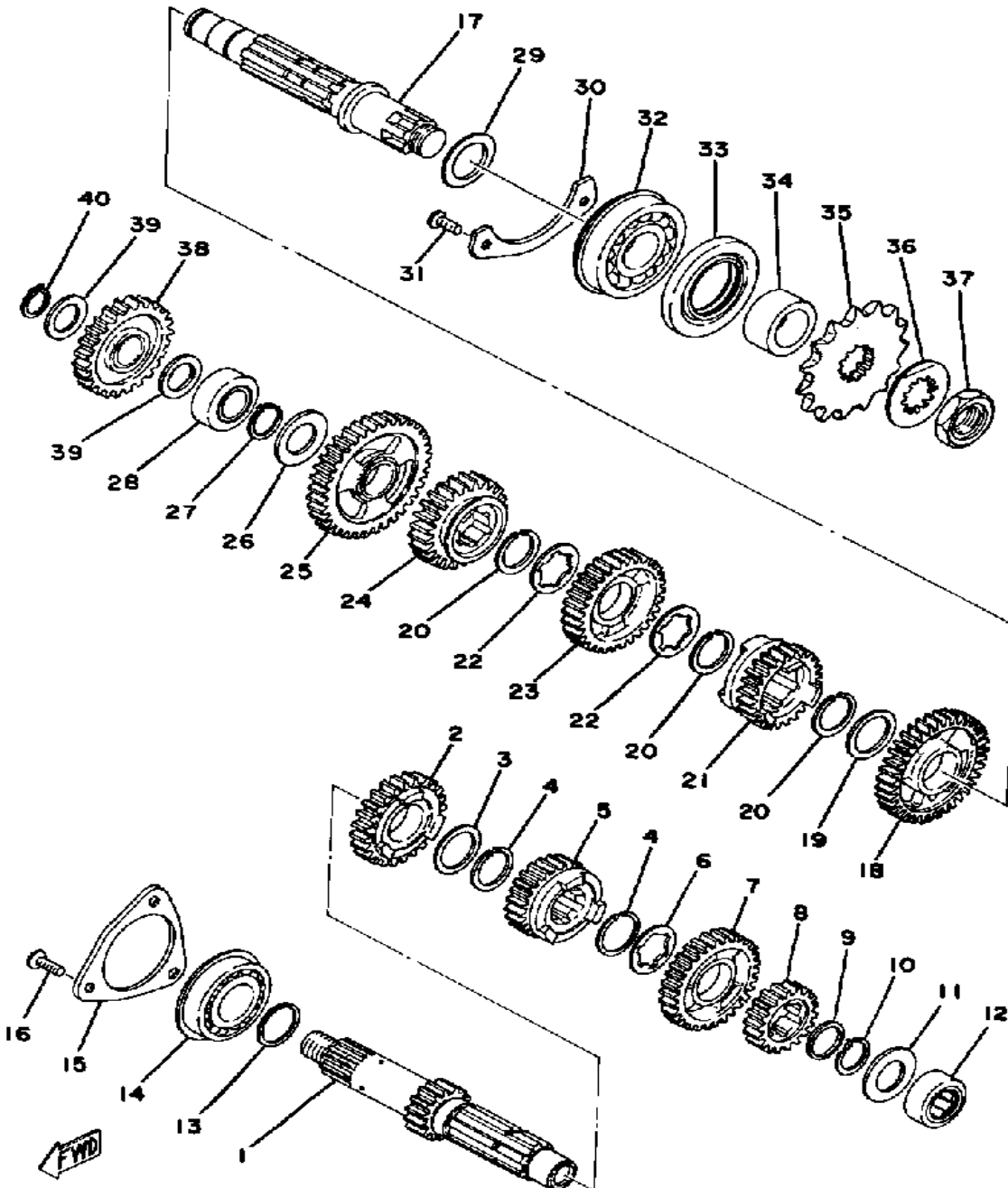
# TRANSMISSION



Ref. No.	Part Number	Description	Qty	Remarks
1	(1M2-17411-00-00)	AXLE, MAIN	1	
	1M1-17411-00-00	AXLE, MAIN	1	
2	1M1-17141-01-00	GEAR, 4TH PINION	1	
3	90201-253K0-00	WASHER, PLATE (T=1.0)	1	
4	93440-25084-00	CIRCLIP	2	
5	(1M1-17131-01-00)	GEAR, 3RD PINION	1	
6	90209-22082-00	WASHER (0.5T)	1	
7	1M1-17151-00-00	GEAR, 5TH PINION	1	
8	1M1-17121-00-00	UNAVAILABLE IN PRICE BOOK	1	
9	90201-20613-00	WASHER, PLATE	1	
10	93410-20038-00	CIRCLIP	1	
11	90201-20278-00	WASHER, PLATE	1	
12	93311-62035-00	BEARING, CYLINDER.# 1	1	
13	168-17428-01-03	SHIM 2 (25-34-0.3)	1	
	168-17428-01-05	SHIM 2 (25-34-0.5)	1	
14	93306-20535-00	BEARING (93306-20515)	1	
15	(363-15383-00-00)	PLATE, BRNG COVER	1	
16	98701-06014-00	SCREW, FLAT HEAD	3	
17	1M2-17421-00-00	AXLE, DRIVE	1	
18	1M1-17221-01-00	GEAR, 2ND WHEEL	1	
19	90201-253K0-00	WASHER, PLATE (T=1.0)	1	
20	93440-25084-00	CIRCLIP	3	
21	1M1-17251-01-00	GEAR, 5TH WHEEL	1	
22	90209-22082-00	WASHER (0.5T)	2	
23	1M1-17231-00-00	GEAR, 3RD WHEEL	1	
24	1M1-17241-01-00	GEAR, 4TH WHEEL	1	
25	(1M1-17211-00-00)	GEAR, 1ST WHEEL	1	
	(1M2-17211-00-00)	GEAR, 1ST WHEEL	1	
26	90201-20278-00	WASHER, PLATE	1	

CONTINUED ON NEXT FRAME ➤

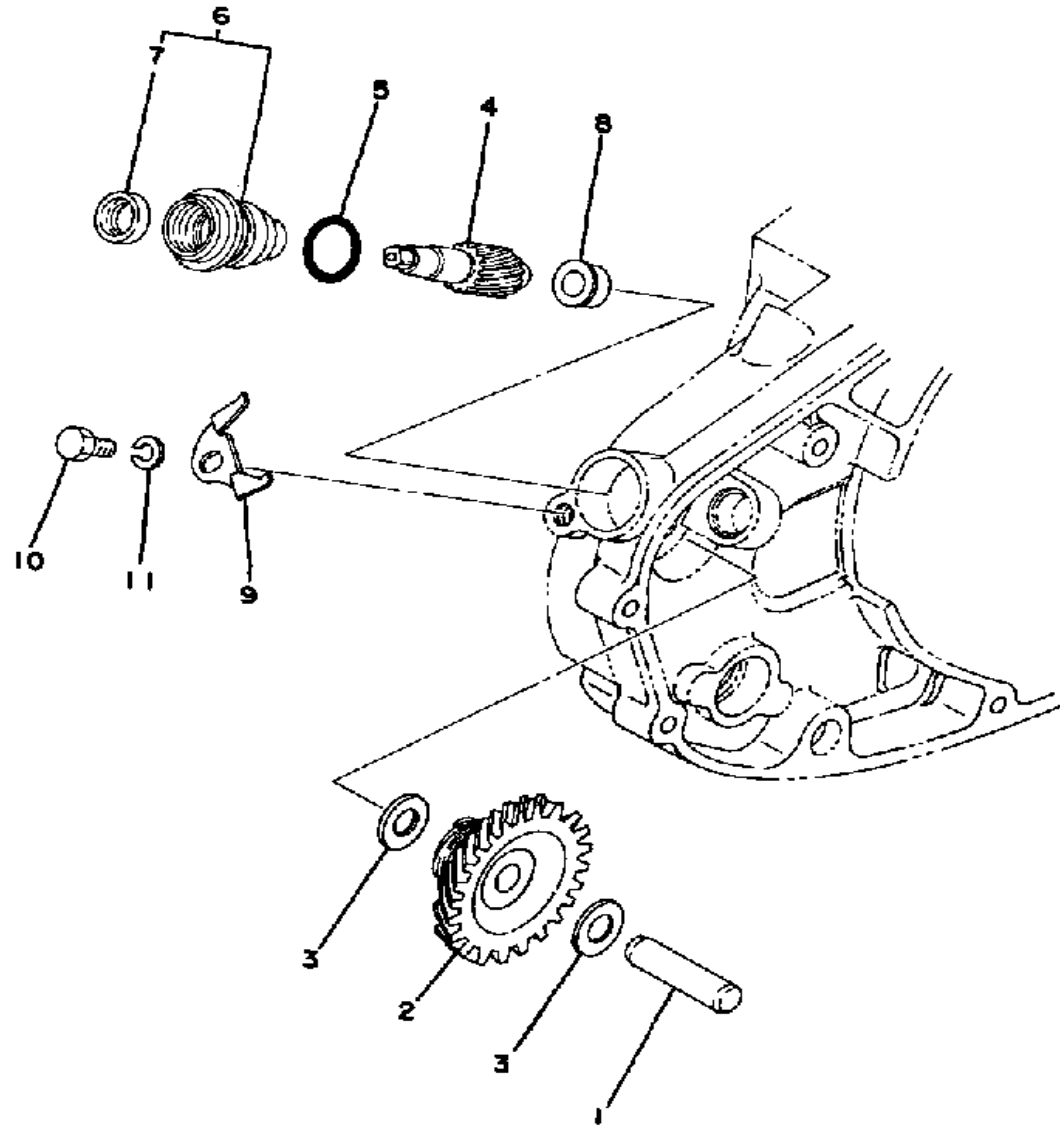
# TRANSMISSION



Ref. No.	Part Number	Description	Qty	Remarks
27	93410-20038-00	CIRCLIP .....	1	
28	93311-62035-00	BEARING, CYLINDER.# 1 ....	1	
29	168-17428-01-03	SHIM 2 (25-34-0.3) .....	1	
	168-17428-01-05	SHIM 2 (25-34-0.5) .....	1	
30	509-15381-00-00	PLATE, BRNG COVER .....	1	
31	98603-06012-00	SCREW, OVAL HEAD (92701-06012) .....	2	
32	93306-30517-00	BEARING .....	1	
33	93102-35109-00	OIL SEAL (SD-35-62-6 HS) ....	1	
34	90387-25192-00	COLLAR .....	1	
35	93834-14051-00	SPROCKET, DRIVE (23X-17461-40) .....	1	
	93834-16100-00	SPROCKET, DRIVE 16T (3Y11746160) .....	1	
36	90215-21239-00	WASHER, LOCK .....	1	
37	90179-18020-00	NUT .....	1	
38	(1M1-15651-00-00)	GEAR, KICK IDLE .....	1	
39	90201-17255-00	WASHER, PLATE .....	2	
40	99009-17400-00	CIRCLIP .....	1	



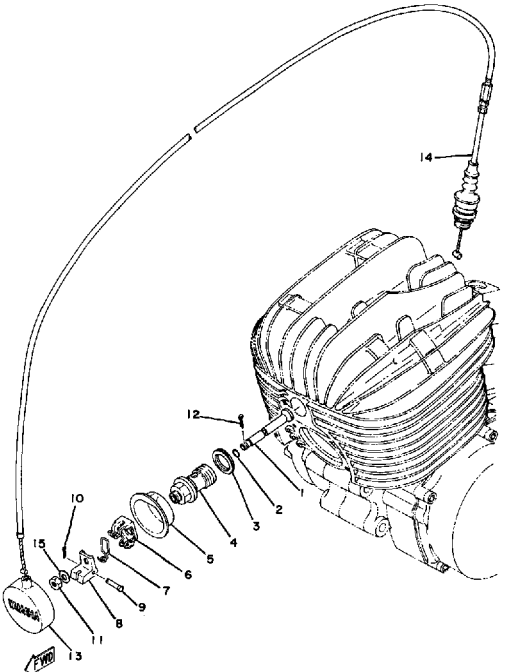
# TACHOMETER GEAR



Ref. No.	Part Number	Description	Qty	Remarks
1	237-17861-00-00	AXLE, DRIVE GEAR .....	1	
2	1M1-17831-00-00	GEAR, DRIVE .....	1	
3	248-17837-00-00	SHIM .....	2	
4	443-17841-00-00	GEAR, DRIVEN .....	1	
5	93210-16314-00	O-RING .....	1	
6	438-17811-01-00	HOUSING, TACH GEAR .....	1	
7	93104-07036-00	. OIL SEAL, SO-TYPE .....	1	
8	90381-08002-00	BUSHING (214-17843-00) .....	1	
9	438-17812-00-00	STOPPER .....	1	
10	97013-06012-00	BOLT .....	1	
11	92995-06100-00	WASHER, SPRING .....	1	

FWB

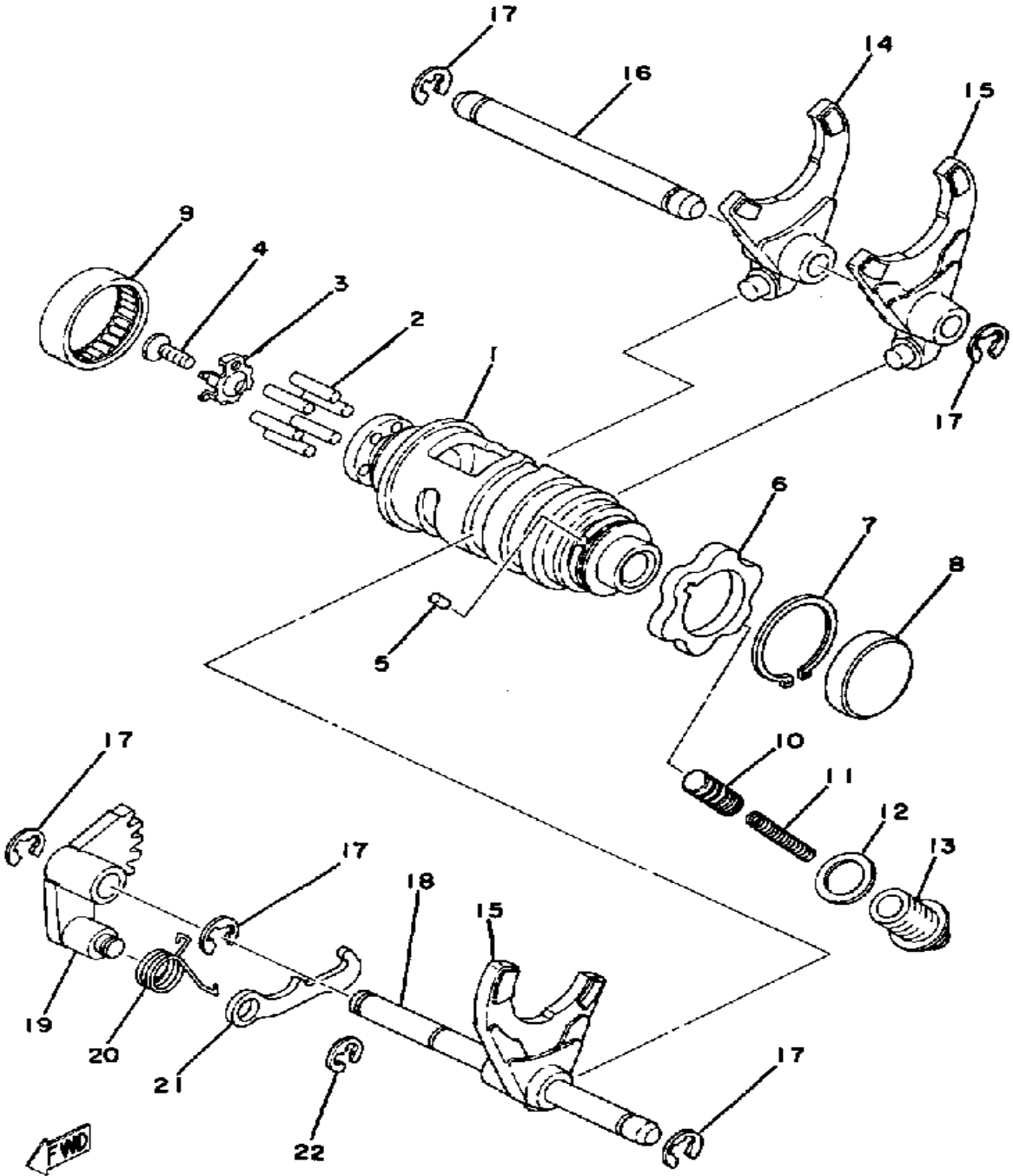
# DECOMPRESSION VALVE DT400E



C-9

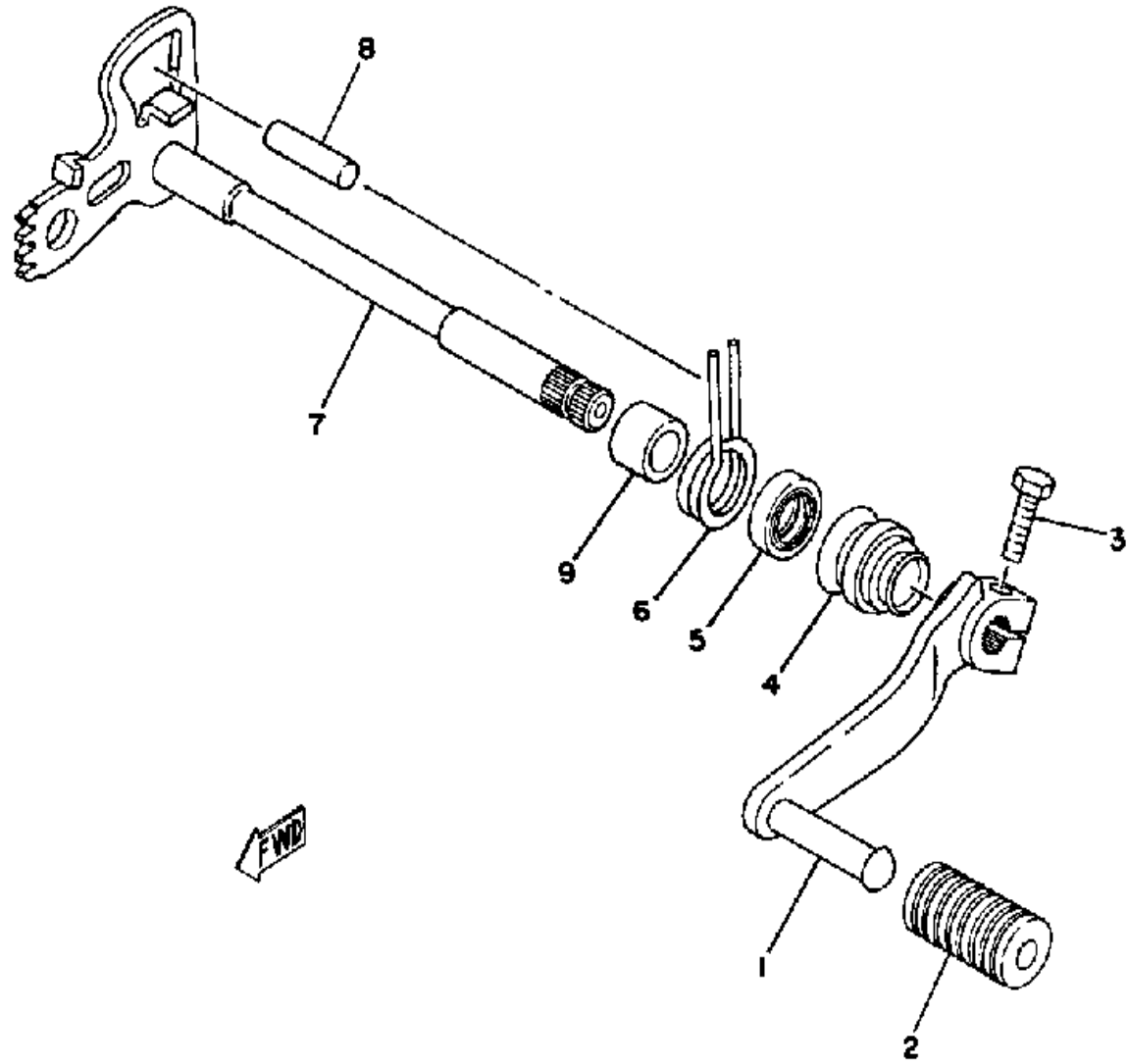
Ref. No.	Part Number	Description	Qty	Remarks
1	363-12281-01-00	VALVE, DCOMP .....	1	
2	93210-05215-00	O-RING .....	1	
3	90430-22123-00	GASKET .....	1	
4	363-12283-01-00	BRACKET, DCOMP .....	1	
5	(1K7-12279-00-00)	PLATE .....	1	
6	363-12273-00-00	HOLDER, CABLE .....	1	
7	90508-10010-00	SPRING, TORSION (363-12287-00) .....	1	
8	363-12282-00-00	LEVER, DCOMP .....	1	
9	90240-03003-00	PIN, CLEVIS (363-12284-00) ...	1	
10	91490-16020-00	PIN, COTTER .....	1	
11	95311-05700-00	NUT .....	1	
12	91490-16020-00	PIN, COTTER .....	1	
13	1K7-12278-00-00	COVER, DCOMPDECOMPRESSION ...	1	
14	363-12292-02-00	CABLE, DCOMP (363-12292-01)	1	
15	92990-05200-00	WASHER, PLAIN .....	1	

# SHIFT CAM - FORK



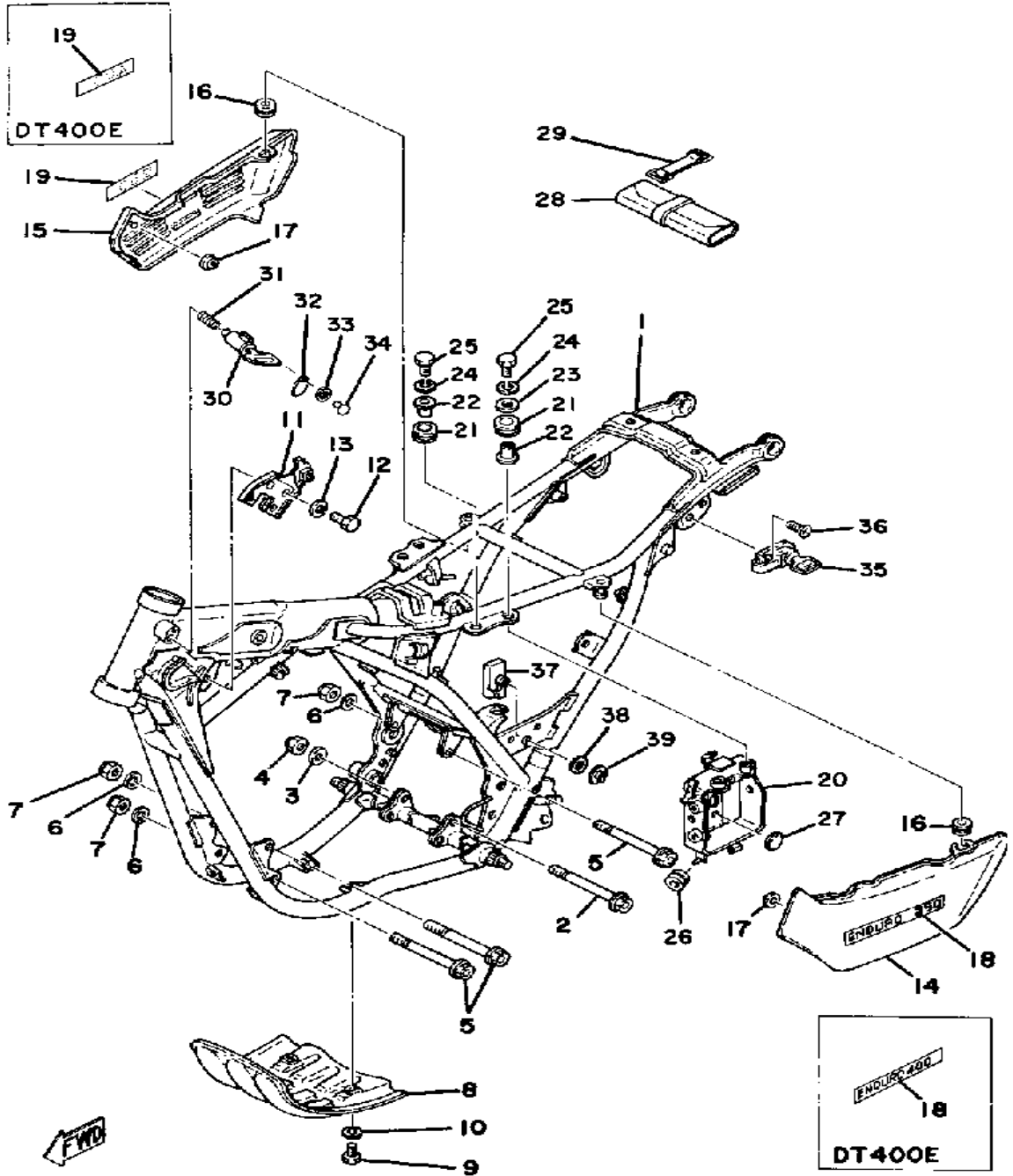
Ref. No.	Part Number	Description	Qty	Remarks
1	1W4-18541-00-00	CAM, SHIFT .....	1	
2	93604-18100-00	PIN, DOWEL .....	6	
3	434-18561-00-00	PLATE, SIDE 1 .....	1	
4	98701-05012-00	SCREW, FLAT HEAD .....	1	
5	93604-08071-00	PIN, DOWEL .....	1	
6	1E6-18141-01-00	PLATE, STOPPER .....	1	
7	99009-30400-00	CIRCLIP .....	1	
8	90338-22030-00	PLUG, SPEC'L SHAPE (168-18149-01) .....	1	
9	93315-23208-00	BEARING .....	1	
10	353-18547-00-00	STOPPER, CAM .....	1	
11	90501-10062-00	SPRING, COMPRESSION .....	1	
12	137-15353-00-00	GASKET, DRAIN .....	1	
13	90109-14485-00	BOLT .....	1	
14	99999-01610-00	FORK, SHIFT 1 .....	1	
15	99999-01609-00	FORK, SHIFT 2 .....	2	
16	363-18535-00-00	BAR, SHIF FRK GDE 2 .....	1	
17	99001-08600-00	CIRCLIP .....	5	
18	1M1-18531-00-00	BAR, SHIF FRK GDE 1 .....	1	
19	434-18122-00-00	LEVER, SHIFT 2 .....	1	
20	90508-08334-00	SPRING, TORSION .....	1	
21	498-18151-03-00	LEVER, SHIFT 3 .....	1	
22	99080-07600-00	CIRCLIP (E) .....	1	

# SHIFT SHAFT



Ref. No.	Part Number	Description	Qty	Remarks
1	1M1-18111-01-00	PEDAL, SHIFT .....	1	YAMAHA BLK
2	132-18113-01-00	COVER, SHIFT PEDAL .....	1	
3	97011-06020-00	BOLT .....	1	
4	214-18131-00-00	BOOT, SEALING .....	1	
5	93102-12321-00	OIL SEAL, SD-TYPE .....	1	
6	90508-32318-00	SPRING, TORSION .....	1	
7	1M1-18101-01-00	SHIFT SHAFT ASSEMBLY 1 ..	1	
8	93608-30152-00	PIN, DOWEL .....	1	
9	90560-12171-00	SPACER .....	1	

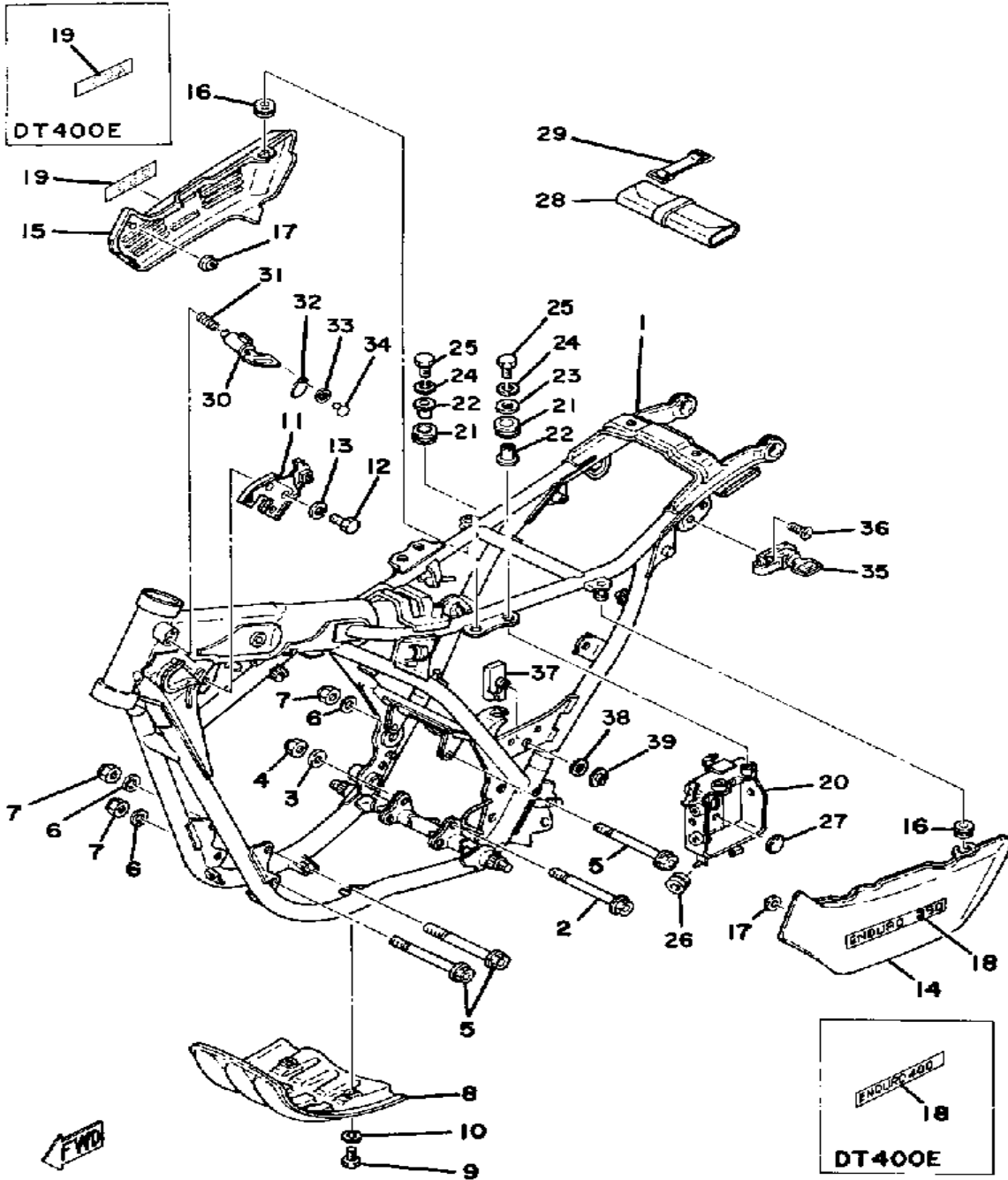
# FRAME - SIDE COVER



Ref. No.	Part Number	Description	Qty	Remarks
1	(1M1-21110-02-33)	FRAME .....	1	YAMAHA BLK
2	90105-10050-00	BOLT, WASHER BASED .....	1	
3	92990-10200-00	WASHER, PLAIN .....	1	
4	95601-10100-00	NUT, U (95602-10100-00) .....	1	
5	90105-08024-00	BOLT, WASHER BASED .....	3	
6	92990-08200-00	WASHER, PLAIN .....	3	
7	95611-08100-00	NUT, U .....	3	
8	1M1-21471-00-90	PROTECTOR, ENGINE .....	1	YAMAHA BLK
9	97013-06012-00	BOLT .....	4	
10	92995-06100-00	WASHER, SPRING .....	4	
11	(1M1-21363-00-00)	HOLDER, COIL .....	1	
12	97301-06014-00	BOLT, HEXAGON .....	2	
13	92995-06100-00	WASHER, SPRING .....	2	
14	1M2-21710-10-20	SIDE COVER ASSEMBLY 1LEFT .....	1	CRYSTAL SILVER
	1N6-21710-00-26	SIDE COVER ASSEMBLY 1LEFT .....	1	COMP. YELLOW
15	1M2-21721-10-20	COVER, SIDE 2 .....	1	CRYSTAL SILVER
	1N6-21721-00-26	COVER, SIDE 2 .....	1	COMP. YELLOW
16	90480-12053-00	GROMMET .....	4	
17	90480-13398-00	GROMMET .....	2	
18	(1M2-21787-10-00)	EMBLEM 7 .....	1	
	1M1-21787-10-00	EMBLEM 7LEFT .....	1	
19	(1M1-21786-10-00)	EMBLEM 6 .....	1	
	(1M2-21786-10-00)	EMBLEM 6 .....	1	
20	(1M1-21240-00-00)	BOX, BATT. .....	1	
21	90480-14023-00	GROMMET .....	2	
22	90387-07391-00	COLLAR .....	2	
23	90201-06062-00	WASHER, PLATE .....	1	

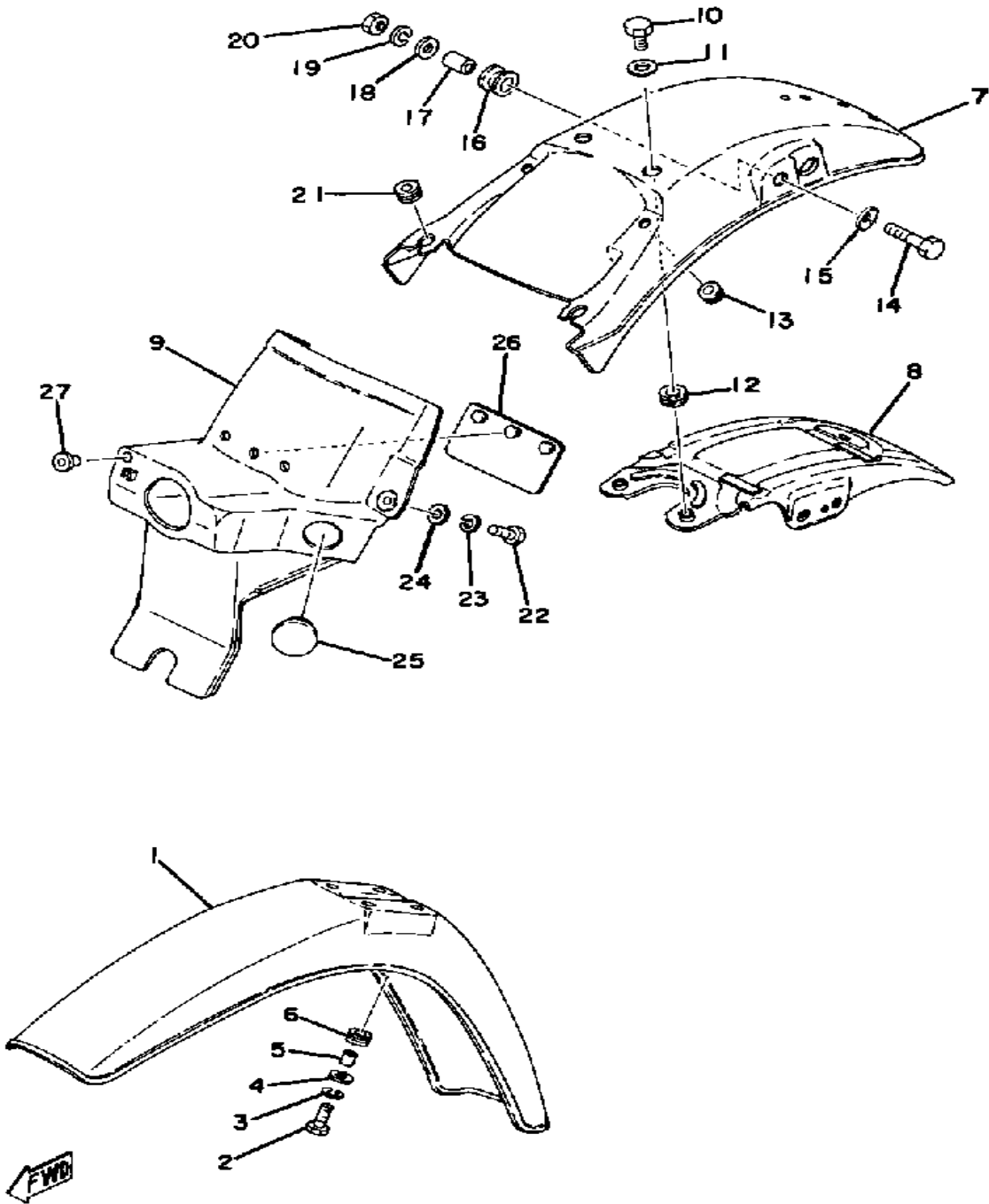
CONTINUED ON NEXT FRAME ►

# FRAME - SIDE COVER



Ref. No.	Part Number	Description	Qty	Remarks
24	92995-06100-00	WASHER, SPRING	2	
25	97011-06025-00	BOLT (97001-06025)	2	
26	90480-01176-00	GROMMET	1	
27	371-82121-00-00	PAD, BATTERY	4	
28	2A6-W2810-00-00	TOOL KIT	1	
29	21V-21376-00-00	BAND, TOOL	1	
30	2A6-23408-00-00	STEERING LOCK ASSEMBLY	1	
31	90502-09024-00	SPRING, CONICAL	1	
32	3DM-23484-00-00	CAP, HANDLE LOCK	1	
33	90206-04003-00	WASHER, WAVE (214-23488-00)	1	
34	90269-04003-00	RIVET	1	
35	55E-21308-00-00	HELMET HANGER ASSEMBLY	1	
36	98603-06018-00	SCREW, OVAL HEAD	1	
37	583-22147-01-00	PROTECTOR, CHAIN	1	
38	90206-15023-00	WASHER, WAVE	1	
39	99009-15400-00	CIRCLIP	1	

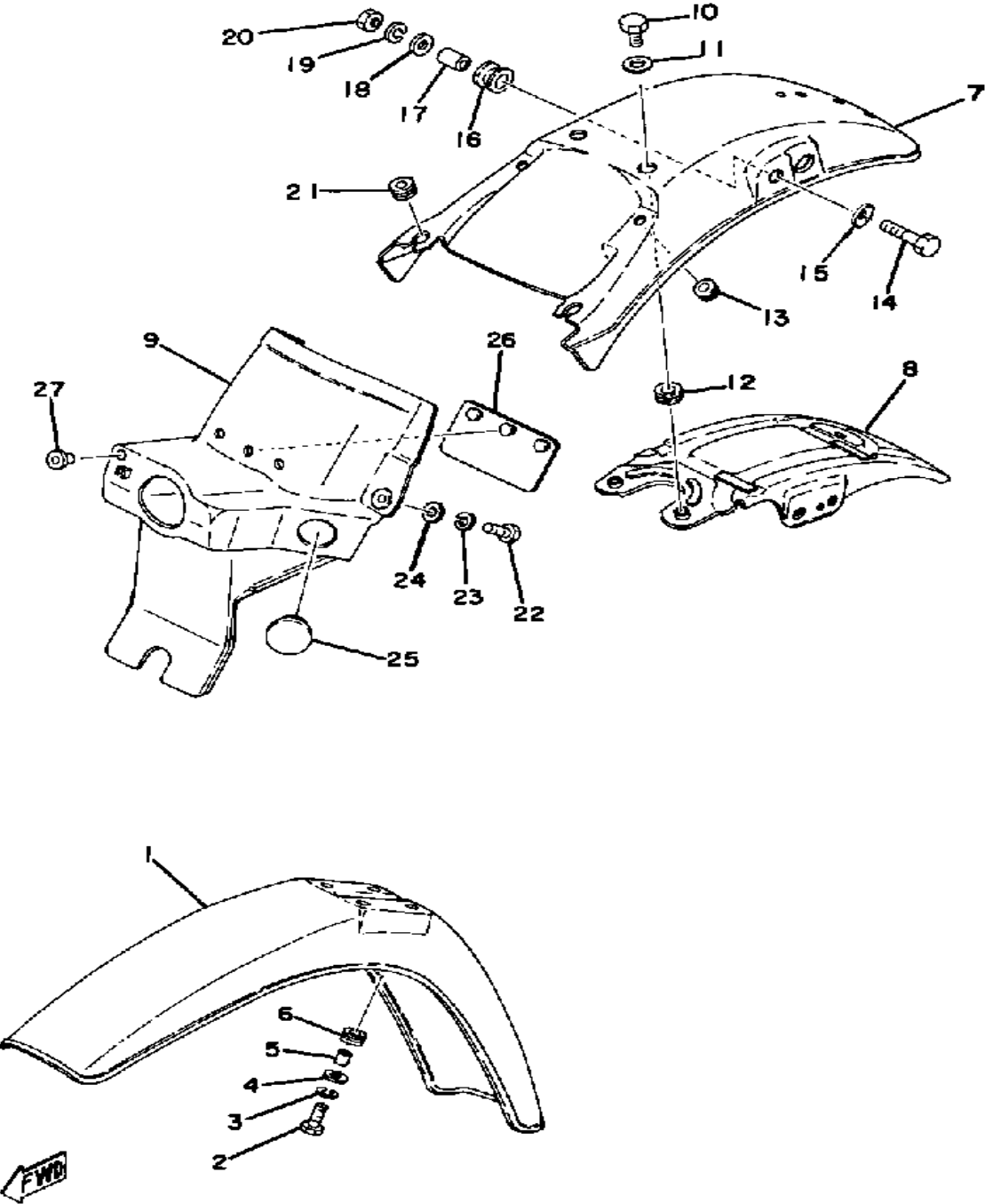
# FRONT FENDER - REAR FENDER



Ref. No.	Part Number	Description	Qty	Remarks
1	401-21511-01-20	FENDER, FRONT	1	CRYSTAL SILVER
	453-21511-01-00	FENDER, FRONT	1	COMP. YELLOW
2	97011-06025-00	BOLT (97001-06025)	4	
3	92995-06100-00	WASHER, SPRING	4	
4	90201-06067-00	WASHER, PLATE	4	
5	90387-06388-00	COLLAR	4	
6	90480-14198-00	GROMMET	4	
7	1M2-21611-10-20	FENDER, REAR	1	CRYSTAL SILVER
	1N6-21611-00-26	FENDER, REAR	1	COMP. YELLOW
8	1R7-21617-00-00	BRACKET, FENDER	1	
9	(1M1-21620-00-00)	GUARD, MUD	1	
	(1M2-21620-00-00)	GUARD, MUD	1	
10	97011-06020-00	BOLT	2	
11	90201-06067-00	WASHER, PLATE	2	
12	90480-15058-00	GROMMET	2	
13	90480-10208-00	GROMMET	2	
14	97313-08030-00	BOLT, HEXAGON	2	
15	90209-09155-00	WASHER, SPEC'L SHAP	2	
16	565-14747-00-00	DAMPER, MUFFLER	2	
17	90387-08258-00	COLLAR	2	
18	92990-08200-00	WASHER, PLAIN	2	
19	92990-08100-00	WASHER	2	
20	95333-08600-00	NUT	2	
21	90480-12053-00	GROMMET	2	
22	97301-06014-00	BOLT, HEXAGON	3	
23	92995-06100-00	WASHER, SPRING	3	
24	90201-06067-00	WASHER, PLATE	3	
25	(90480-30202-00)	GROMMET	2	
26	1M1-21621-00-00	FLAP	1	

CONTINUED ON NEXT FRAME ➤

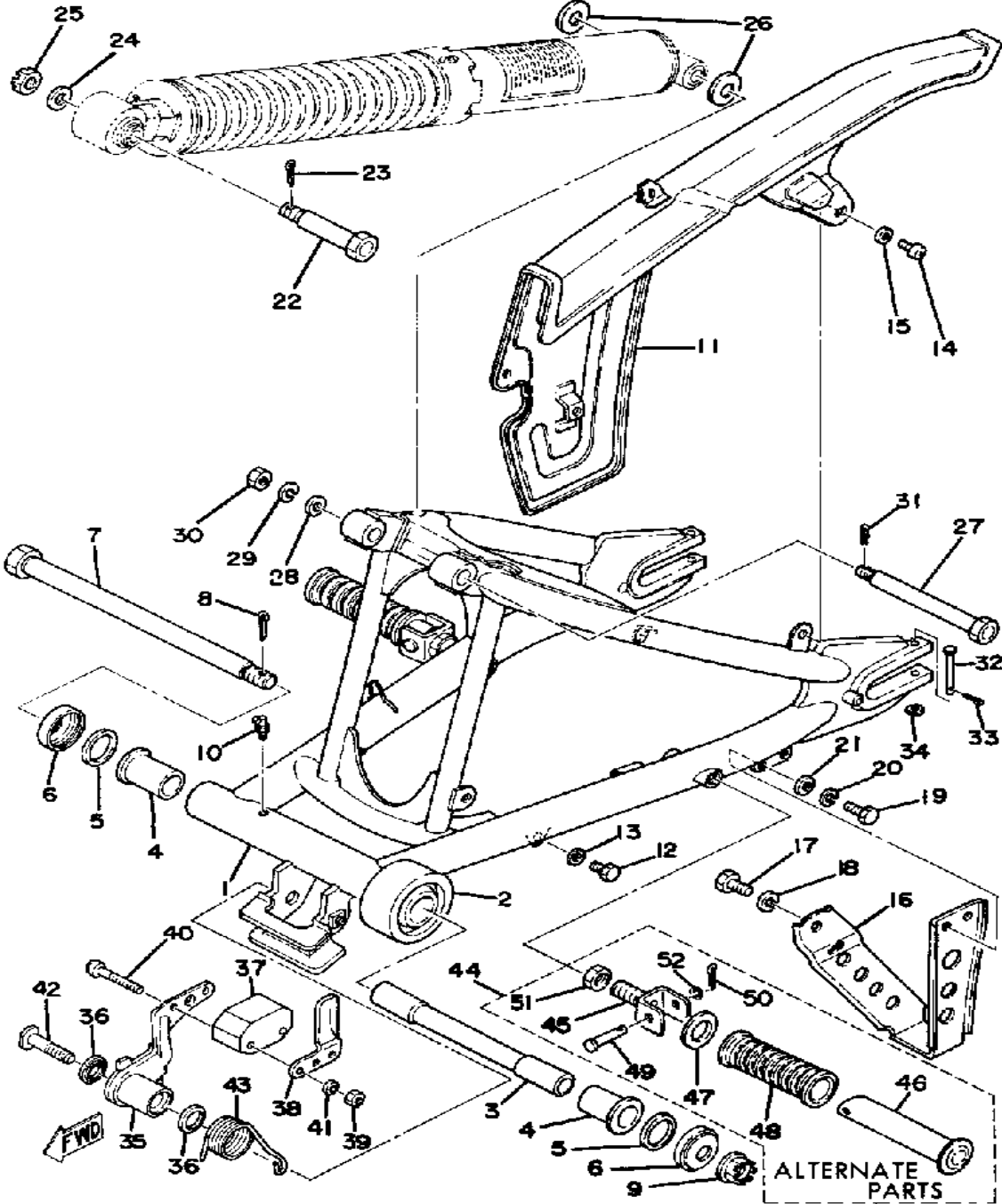
# FRONT FENDER - REAR FENDER



Ref. No.	Part Number	Description	Qty	Remarks
27	(395-21638-00-00)	DAMPER 1 .....	1	



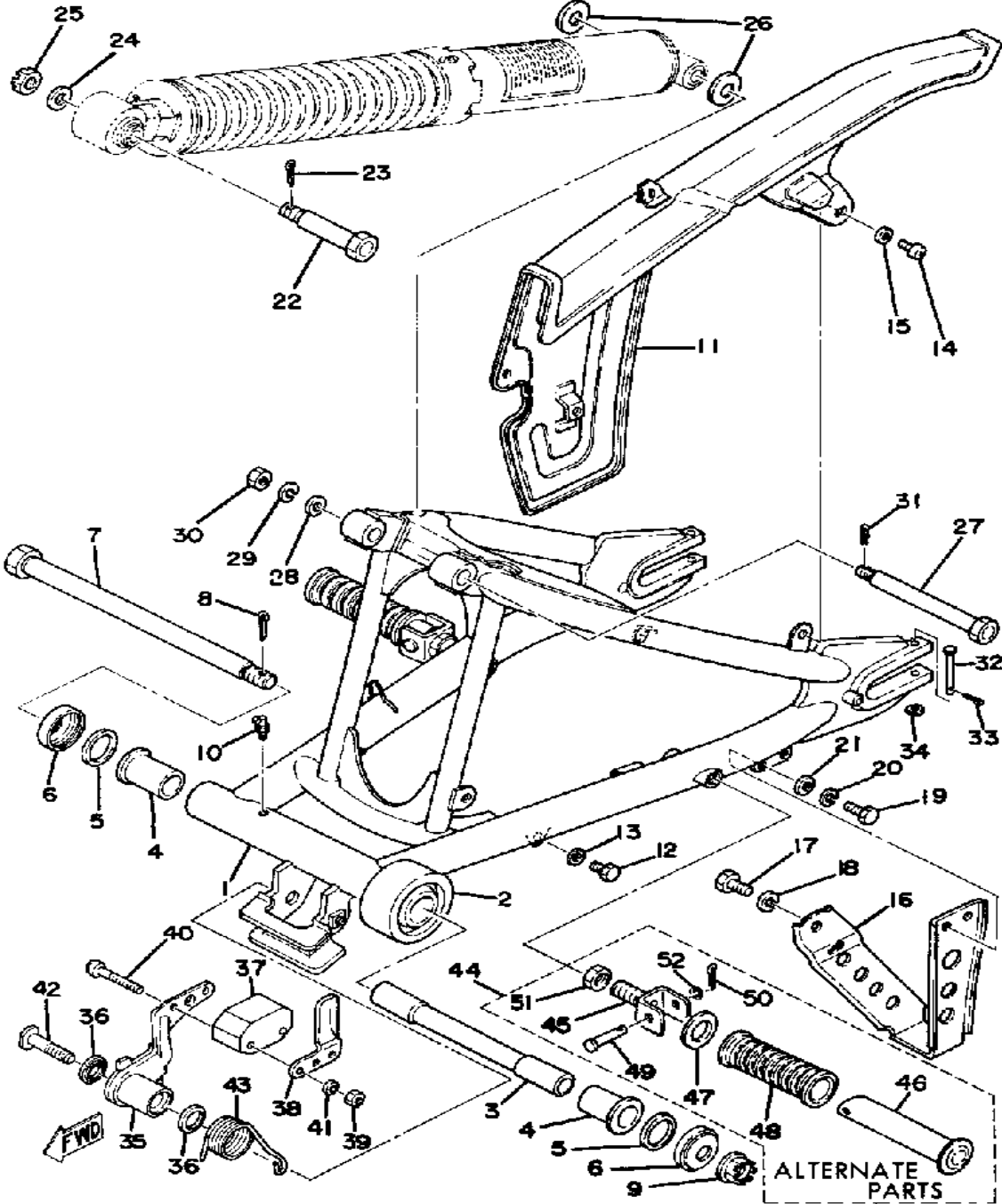
# REAR ARM - CHAIN CASE



Ref. No.	Part Number	Description	Qty	Remarks
1	(2N6-22110-00-33)	REAR ARM	1	YAMAHA BLK
2	1M1-22151-00-00	SEAL, GUARD	1	
3	90387-16398-00	COLLAR (322-22124-00)	1	
4	3Y1-22184-01-00	BUSH	2	
5	240-22127-00-00	SHIM	1	
6	322-22128-01-00	COVER, THRUST 1	2	
7	1M1-22141-00-00	SHAFT, PIVOT	1	
8	91401-30030-00	PIN, COTTER	1	
9	90179-14217-00	NUT, SPEC'L SHAPE	1	
10	93700-06M03-00	NIPPLE, GREASE	1	
11	4E7-22311-00-33	CASE, CHAIN	1	YAMAHA BLK
12	97313-05010-00	BOLT, HEXAGON	1	
13	92901-05600-00	WASHER, PLATE	1	
14	98580-05010-00	SCREW, PAN HEAD	3	
15	92901-05600-00	WASHER, PLATE	3	
16	1M1-22318-00-00	GUARD, CHAIN	1	
17	97011-08016-00	BOLT	1	
18	92990-08100-00	WASHER	1	
19	97313-06016-00	BOLT, HEXAGON	2	
20	92995-06100-00	WASHER, SPRING	2	
21	90201-061A5-00	WASHER, PLATE	2	
22	90109-10550-00	BOLT (90109-10453-00)	1	
23	91490-20025-00	PIN, SPLIT	1	
24	92990-10200-00	WASHER, PLAIN	1	
25	95303-10900-00	NUT, SLOTTED	1	
26	483-22128-00-00	COVER, THRUST 1	2	
27	90109-08452-00	BOLT	1	
28	92990-08200-00	WASHER, PLAIN	1	
29	92990-08100-00	WASHER	1	

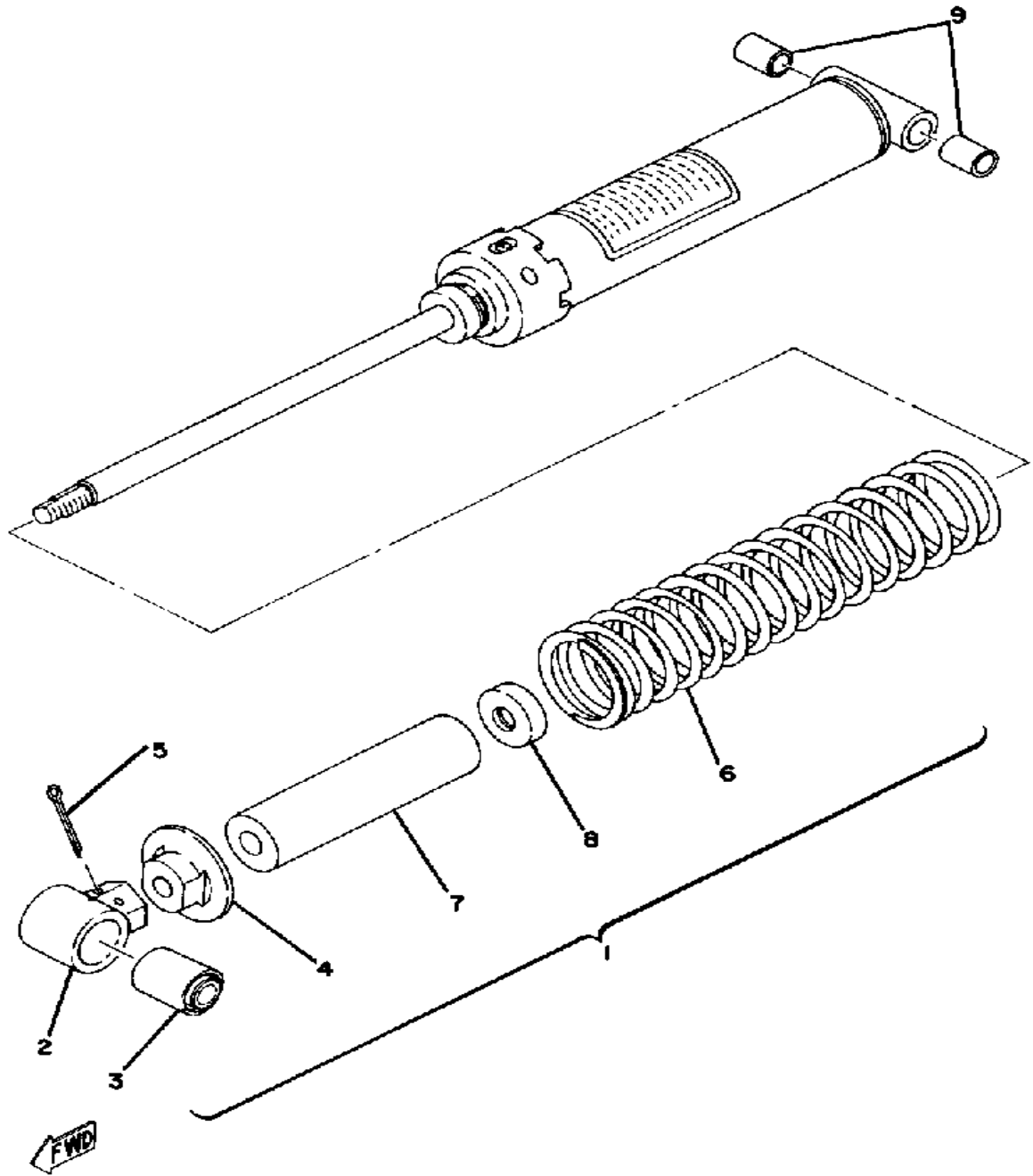
CONTINUED ON NEXT FRAME ➤

# REAR ARM - CHAIN CASE



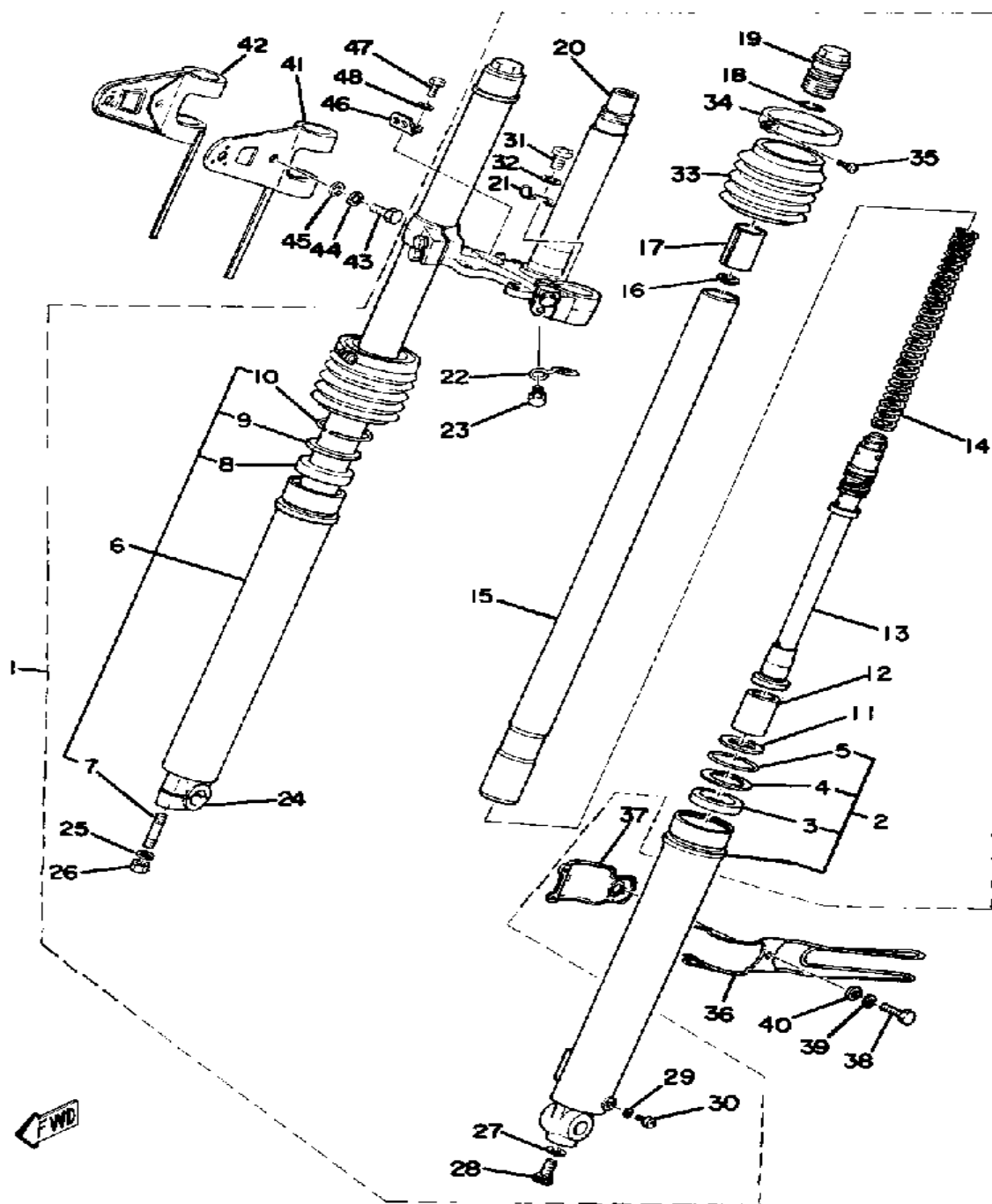
Ref. No.	Part Number	Description	Qty	Remarks
30	95303-08700-00	NUT .....	1	
31	90468-10050-00	CLIP .....	1	
32	91701-06042-00	PIN, CLEVIS .....	2	
33	91490-20020-00	PIN, COTTER .....	2	
34	90201-061A5-00	WASHER, PLATE .....	2	
35	1M1-22179-00-00	ARM, TENSIONER .....	1	
36	93104-14044-00	OIL SEAL .....	2	
37	ACC-11130-00-25	TENSIONER (2N0-22178-00-00)	1	
38	1M1-22187-00-00	GUIDE, CHAIN .....	1	
39	95311-05700-00	NUT .....	2	
40	(92501-05040-00)	SCREW, PAN HEAD .....	2	
41	92990-05100-00	WASHER, SPRING .....	2	
42	90109-10483-00	BOLT (90109-10533-00) .....	1	
43	90508-35350-00	SPRING, TORSION .....	1	
44	120-27430-02-00	RR FOOTREST ASSEMBLY 1 .	2	
45	120-27432-02-00	. BRACKET 1 .....	2	
46	120-27431-00-00	. FOOTREST, REAR 1 .....	2	
47	90201-20279-00	. WASHER, PLATE .....	2	
48	120-27433-00-00	. COVER, REAR FOOTREST ..	2	
49	90240-06009-00	. PIN, CLEVIS .....	2	
50	91490-16020-00	. PIN, COTTER .....	2	
51	95301-12700-00	. NUT (95302-12700) .....	2	
52	92990-06200-00	. WASHER .....	2	

# REAR CUSHION



Ref. No.	Part Number	Description	Qty	Remarks
1	(1M1-22210-00-00)	SHK/ABS ASSEMBLY, REAR	1	
2	(1M1-22219-01-00)	BRACKET, UPPER	1	
3	1M1-22216-00-00	BUSH, REAR SHOCK ABSORBER	1	
4	(1M1-22213-01-00)	SEAT, SPRING UPPER	1	
5	91401-30040-00	PIN, COTTER	1	
6	(90501-95439-00)	SPRING, COMPRESSION	1	
7	(1M1-22496-02-00)	SLEEVE, ROD	1	
8	(1M1-22493-00-00)	BUMP, STOP	1	
9	90380-12051-00	BUSH, SOLID	2	

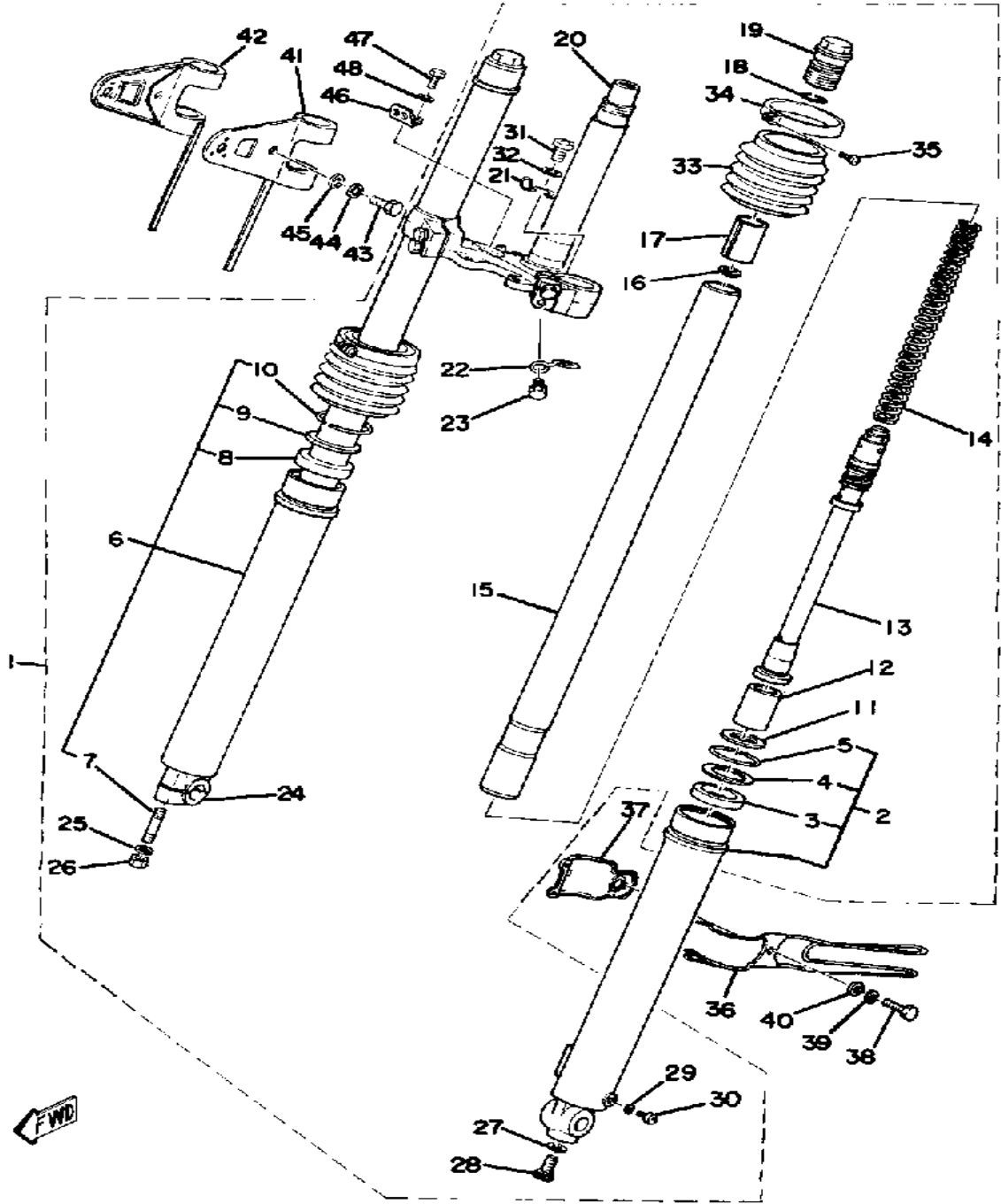
# FRONT FORK



Ref. No.	Part Number	Description	Qty	Remarks
1	(1M1-23101-40-00)	FRONT FORK ASSEMBLY	1	
2	(1M1-23126-00-00)	TUBE, OUTER 1	1	
3	584-23145-50-00	.. OIL SEAL	1	
4	214-23146-00-00	.. WASHER, OIL SEAL	1	
5	214-23156-00-00	.. CLIP, OIL SEAL	1	
6	(1M1-23136-00-00)	TUBE, OUTER 2	1	
7	90116-08261-00	.. BOLT, STUD	2	
8	584-23145-50-00	.. OIL SEAL	1	
9	214-23146-00-00	.. WASHER, OIL SEAL	1	
10	214-23156-00-00	.. CLIP, OIL SEAL	1	
11	93450-30033-00	. CIRCLIP, INNER	2	
12	(509-23171-00-00)	PISTON, FRONT FORK	2	
13	(1M1-23170-00-00)	CYLINDER, FRTRFK	2	
14	(1M1-23141-01-00)	SPRING, FRONT FORK	2	
15	1M1-23124-00-00	. TUBE, INNER 1	2	
16	278-23142-50-00	. SEAT, SPRING UPPER	2	
17	(33Y-23118-00-00)	SPACER	2	
18	214-23114-00-00	. GASKET	2	
19	366-23111-60-00	. BOLT, CAP	2	
20	(1M1-23340-40-33)	UNDER BRACKET	1	YAMAHA BLK
21	(90468-20085-00)	CLIP	1	
22	(90468-20087-00)	CLIP	1	
23	18G-23128-00-00	. BOLT, W/WASHER	4	
24	291-23167-61-00	. HOLDER, AXLE (291-23167-60)	1	
25	92901-08600-00	. WASHER	2	
26	(90170-08176-00)	NUT, HEXAGON	2	
27	509-23158-L0-00	. GASKET	2	
28	278-23181-50-00	. BOLT, HEXAGON SOCKET HEAD	2	

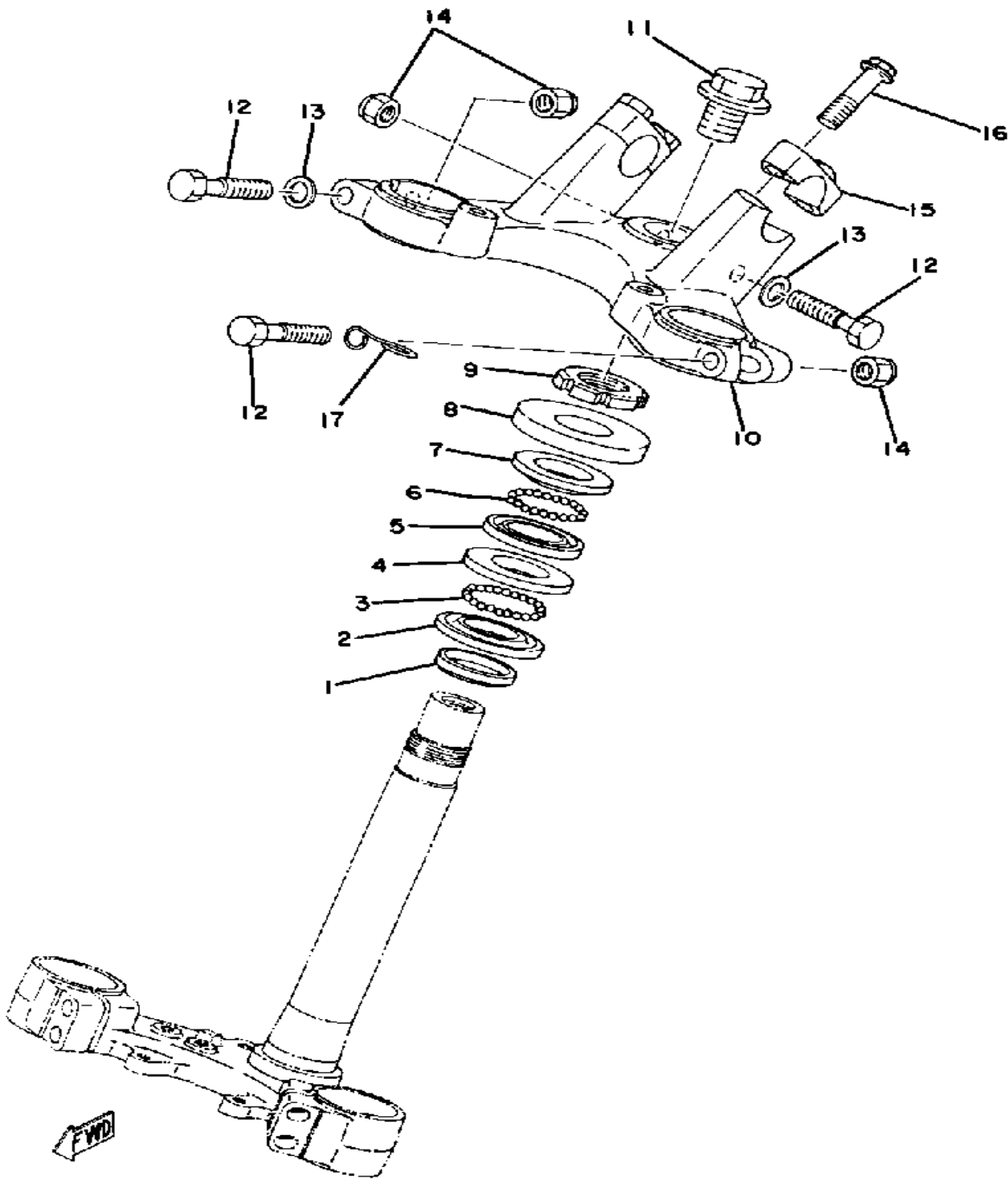
CONTINUED ON NEXT FRAME ►

# FRONT FORK



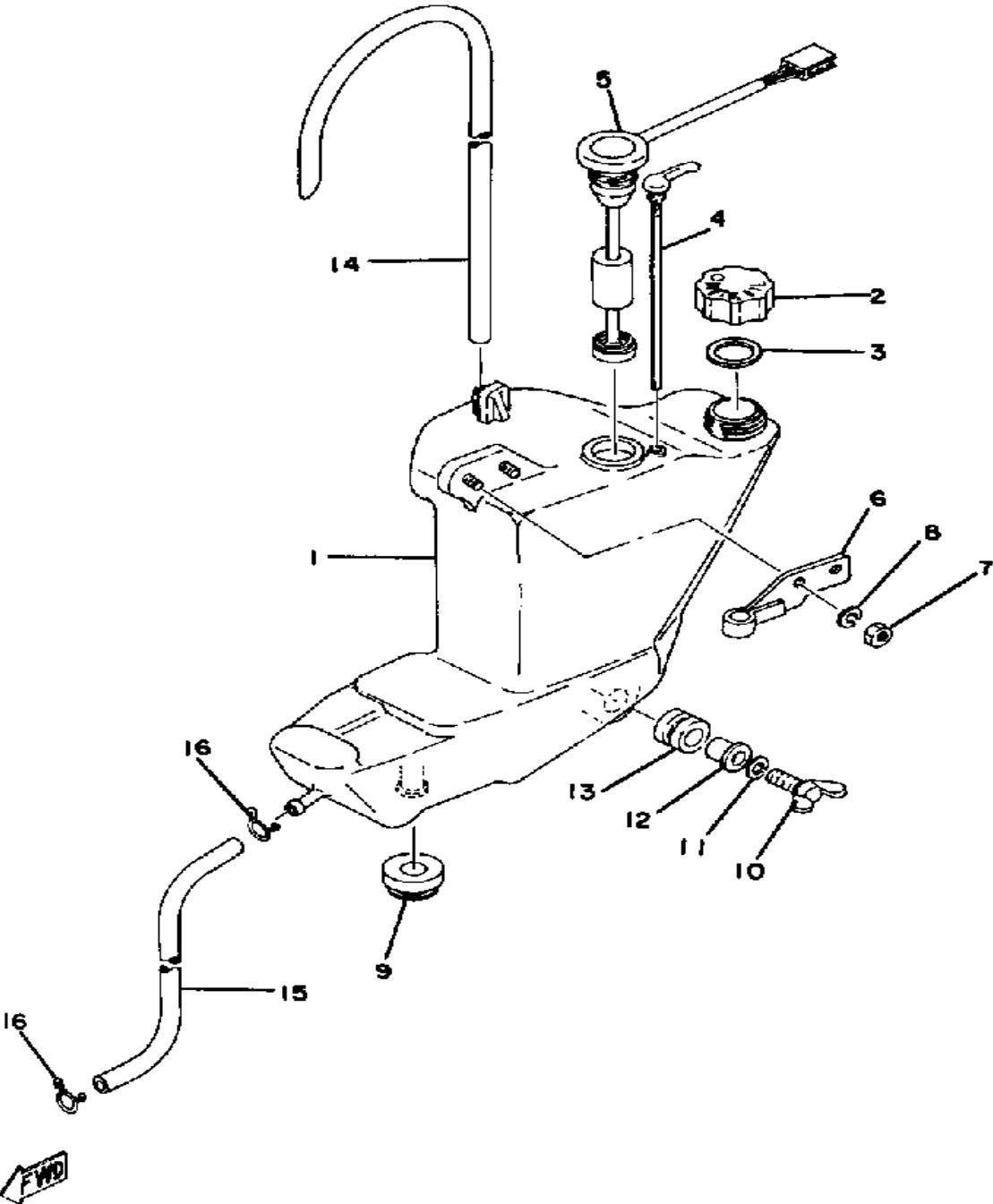
Ref. No.	Part Number	Description	Qty	Remarks
29	122-23129-00-00	. GASKET, DRAIN PLUG	2	
30	98580-04008-00	. SCREW, PAN HEAD	2	
31	98580-06010-00	. SCREW, PAN HEAD (92503-06010)	1	
32	92995-06100-00	. WASHER, SPRING	1	
33	1M1-23191-40-00	. BOOT, FRONT FORK	2	
34	(214-23192-40-00)	BAND	2	
35	509-23194-L0-00	. SCREW, BOOT BAND	2	
36	(1M1-23318-00-00)	HOLDER, CABLE 1	1	
37	(1M1-23319-00-00)	HOLDER, CABLE 2	1	
38	97011-06025-00	BOLT (97001-06025)	1	
39	92995-06100-00	WASHER, SPRING	1	
40	90201-061A5-00	WASHER, PLATE	1	
41	1M2-84118-00-33	STAY, HEADLIGHT 1	1	GLOSS BLK
42	1M2-84119-00-33	STAY, HEADLIGHT 2	1	GLOSS BLK
43	97011-06020-00	BOLT	2	
44	92995-06100-00	WASHER, SPRING	2	
45	90201-061A5-00	WASHER, PLATE	2	
46	(1M1-21343-00-00)	BRACKET, HORN	1	
47	97013-06012-00	BOLT	2	
48	92995-06100-00	WASHER, SPRING	2	

# STEERING



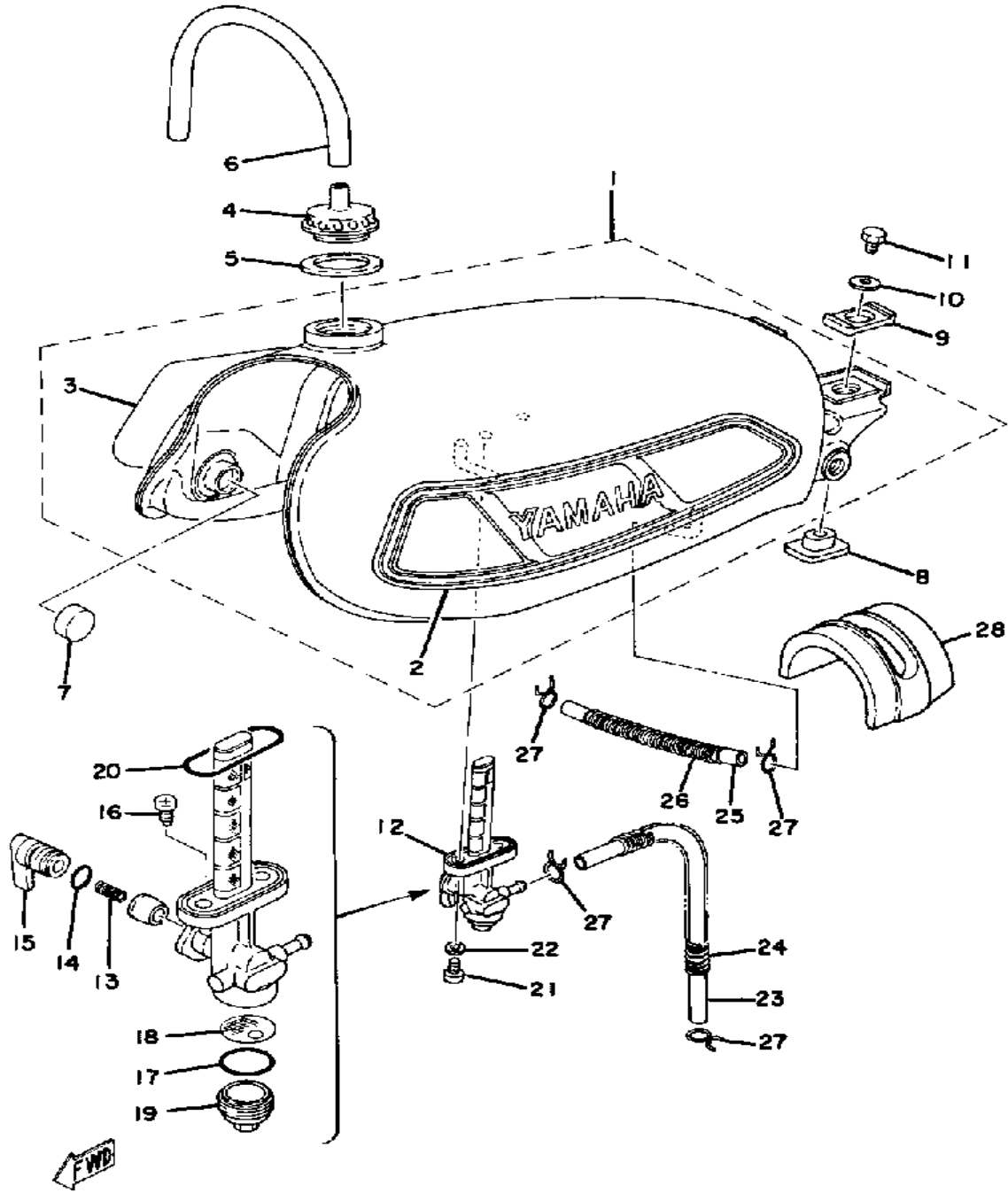
Ref. No.	Part Number	Description	Qty	Remarks
1	164-23462-00-00	SEAL, STEERING	1	
2	156-23411-00-00	RACE, BALL 1	1	
3	93501-04011-00	BALL	19	
4	156-23412-00-00	RACE, BALL 2	1	
5	22F-23412-01-00	RACE, BALL 2	1	
6	93503-16010-00	BALL	22	
7	22F-23411-01-00	RACE, BALL 1	1	
8	10V-23416-01-00	COVER, BALL RACE 2	1	
9	90179-25033-00	NUT	1	
10	(1M1-23435-01-98)	CROWN, HANDLE	1	LOW GLOSS BLK
11	90105-14136-00	BOLT, WASHER BASED	1	
12	97313-08055-00	BOLT, HEXAGON	3	
13	90201-08083-00	WASHER, PLATE	2	
14	95611-08100-00	NUT, U	3	
15	1E6-23441-00-00	HOLDER, HANDLE UPR	2	
16	95811-08035-00	BOLT, FLANGE (95821-08035)	4	
17	90468-20082-00	CLIP	1	

# OIL TANK



Ref. No.	Part Number	Description	Qty	Remarks
1	1M1-21751-01-00	TANK, OIL .....	1	
2	434-21771-00-00	BODY, CAP .....	1	
3	90430-18067-00	GASKET .....	1	
4	(1M1-21792-00-00)	GAUGE, OIL .....	1	
5	40X-85720-01-00	OIL LVL GAUGE ASSEMBLY ..	1	
6	(1M1-21796-00-00)	HINGE .....	1	
7	95380-05600-00	NUT .....	2	
8	92990-05100-00	WASHER, SPRING .....	2	
9	90480-18171-00	GROMMET .....	1	
10	90122-06021-00	BOLT, WING (38W) .....	1	
11	92995-06100-00	WASHER, SPRING .....	1	
12	90387-07391-00	COLLAR .....	1	
13	90480-14023-00	GROMMET .....	1	
14	(90445-09339-00)	HOSE .....	1	
15	90445-09112-00	HOSE .....	1	
16	90467-08003-00	CLIP .....	2	

# FUEL TANK

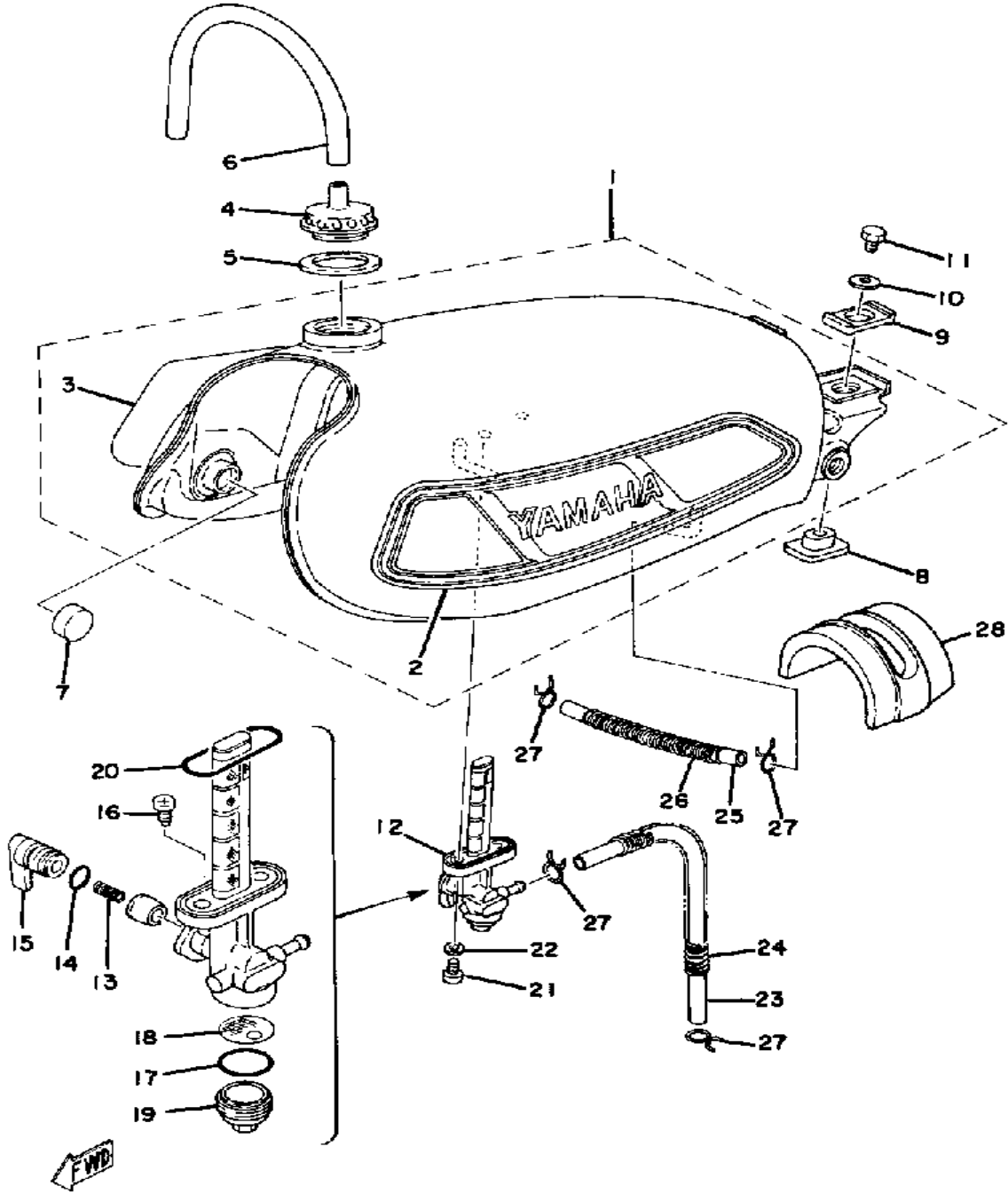


Ref. No.	Part Number	Description	Qty	Remarks
1	(1M1-24110-00-06)	FUEL TANK .....	1	COMP YELLOW
	(1M1-24110-00-07)	FUEL TANK .....	1	CRYSTAL SILVER
2	(1M1-24244-02-00)	GRAPHIC, FUEL TNK 1 .....	1	
3	1M1-24245-02-00	. GRAPHIC, FUEL TNK 2RIGHT	1	
4	322-24611-02-00	BODY, CAP .....	1	
5	1W1-24612-00-00	GASKET, CAP .....	1	
6	90445-09111-00	HOSE .....	1	
7	278-24181-00-00	DAMPER, LOCATING 1 .....	2	
8	1A0-24181-00-00	DAMPER, LOCATING 1 .....	2	
9	1A0-24186-00-00	WASHER, SPECIAL .....	2	
10	90209-06139-00	WASHER, SPEC'L SHAP .....	2	
11	97011-06010-00	BOLT .....	2	
12	1M1-24500-03-00	FUEL COCK ASSEMBLY 1 .....	1	
13	1A0-24529-01-00	. SPRING .....	1	
14	1A0-24512-00-00	. GASKET .....	1	
15	1A0-24524-01-00	. LEVER, COCK .....	1	
16	(1M1-24535-00-00)	SCREW, LVR FITTING .....	1	
17	498-24522-00-00	. GASKET .....	1	
18	1M1-24536-00-00	. STRAINER .....	1	
19	1A0-24521-01-00	. CUP, FILTER .....	1	
20	214-24512-00-00	. GASKET .....	1	
21	90149-06011-00	SCREW .....	2	
22	90202-05187-00	WASHER, PLATE .....	2	
23	(90445-10309-00)	HOSE .....	1	
	90445-10344-00	HOSE .....	1	
24	90501-08430-00	SPRING, COMPRESSION .....	1	
25	90445-10308-00	HOSE .....	1	
26	(90501-08429-00)	SPRING, COMPRESSION .....	1	
27	90467-10008-00	CLIP .....	4	

CONTINUED ON NEXT FRAME ➤

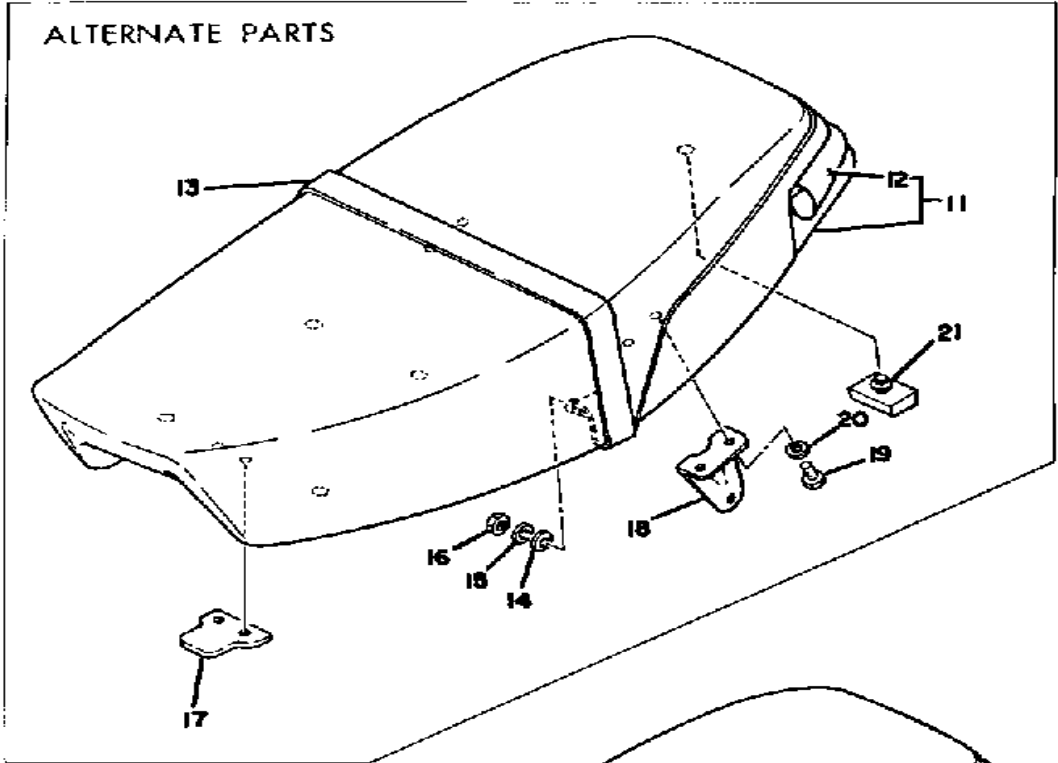


# FUEL TANK



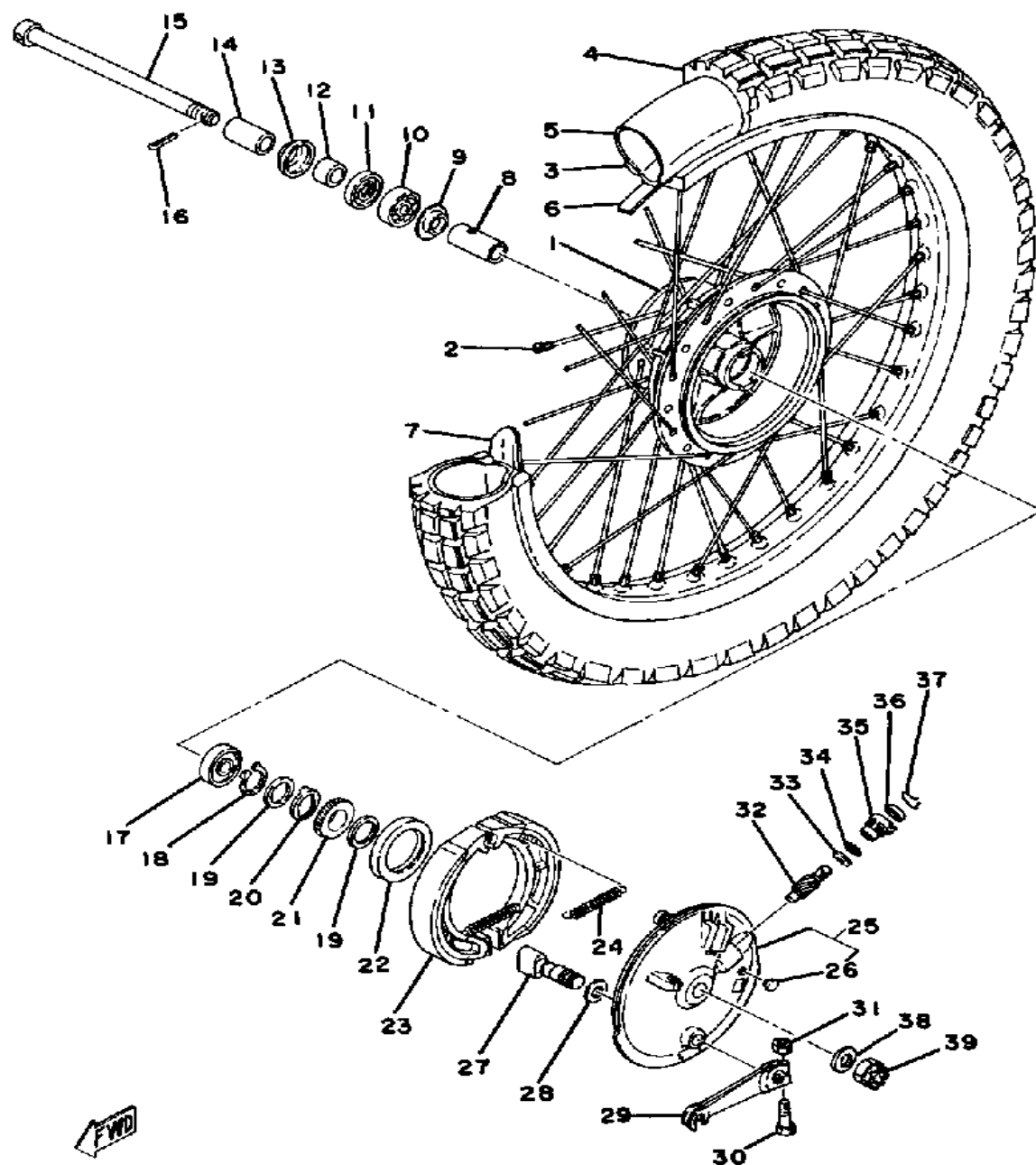
Ref. No.	Part Number	Description	Qty	Remarks
28	(1M1-24182-00-00)	DAMPER, LOCATING 2	..... 1	

# SEAT



Ref. No.	Part Number	Description	Qty	Remarks
1	1M1-W2472-00-00	SINGLE SEAT ASSEMBLY. ....	1	
2	1M1-24711-00-00	. COVER, SINGLE SEAT .....	1	
3	1M1-24748-00-00	BRACKET, SEAT .....	1	
4	1M1-24738-00-00	BRACKET, SEAT .....	2	
5	97301-06014-00	BOLT, HEXAGON .....	6	
6	92995-06100-00	WASHER, SPRING .....	6	
7	214-24724-00-00	DAMPER, SEAT .....	6	
8	97313-06045-00	BOLT (97021-06045-00) .....	2	
9	92990-06200-00	WASHER .....	2	
10	95601-06100-00	NUT, U .....	2	
11	1M1-W2472-00-00	SINGLE SEAT ASSEMBLY. ....	1	
12	1M1-24711-00-00	. COVER, SINGLE SEAT .....	1	
13	(1M1-24734-00-00)	BAND, SEAT .....	1	
14	92990-08200-00	WASHER, PLAIN .....	2	
15	92990-08100-00	WASHER .....	2	
16	95303-08700-00	NUT .....	2	
17	1M1-24748-00-00	BRACKET, SEAT .....	1	
18	1M1-24738-00-00	BRACKET, SEAT .....	2	
19	97301-06014-00	BOLT, HEXAGON .....	6	
20	92995-06100-00	WASHER, SPRING .....	6	
21	214-24724-00-00	DAMPER, SEAT .....	6	

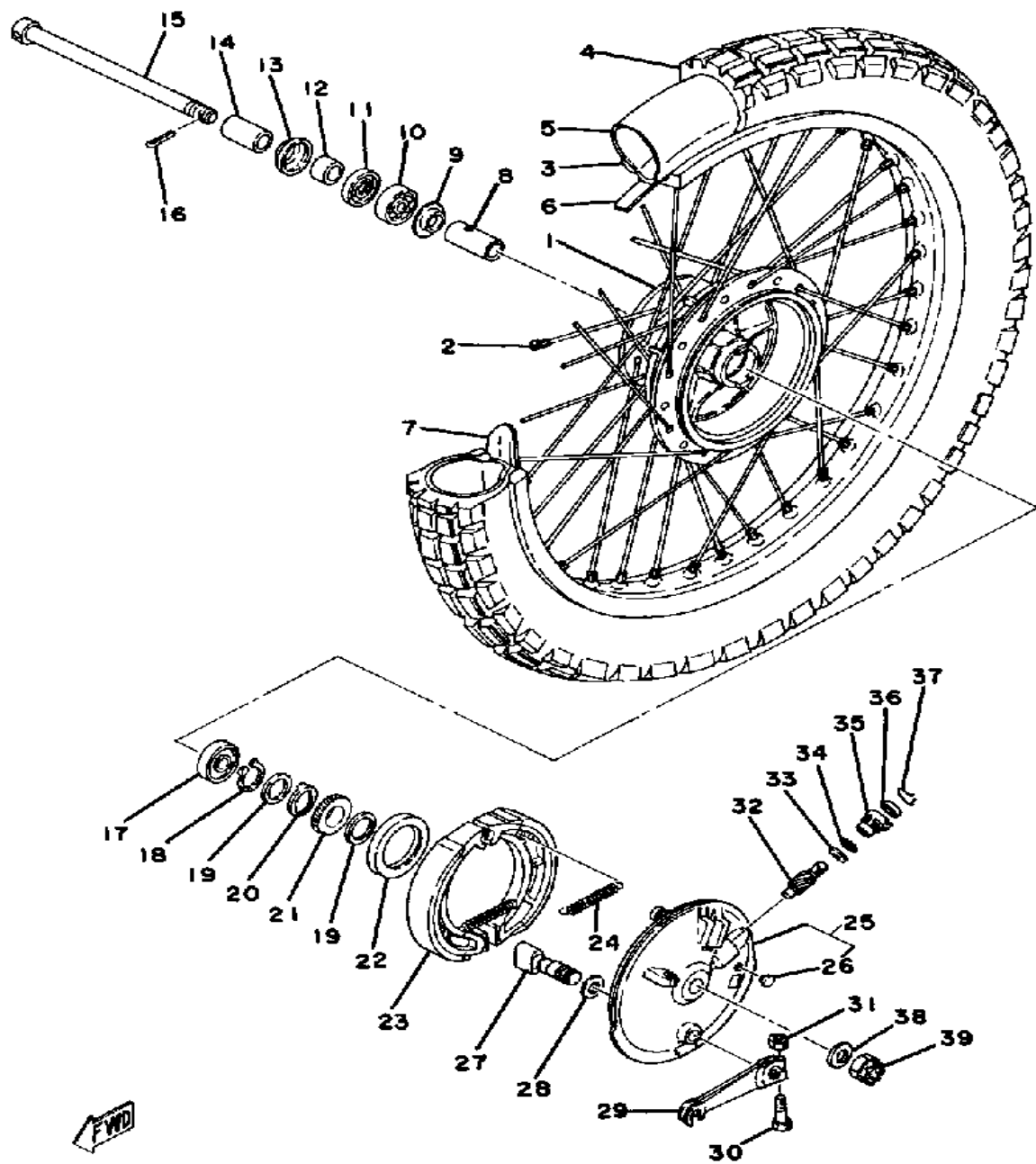
# FRONT WHEEL



Ref. No.	Part Number	Description	Qty	Remarks
1	1E6-25111-00-98	HUB, FRONT	1	LOW GLOSS BLK
2	1E6-25104-01-00	SPOKE SET, FRONT	1	
3	94416-21326-00	RIM 1.60X 1	1	
4	94227-21101-00	TUBE (80/100-21 TR4 BTL)	1	
5	94227-21101-00	TUBE (80/100-21 TR4 BTL)	1	
6	94237-21024-00	UNAVAILABLE IN PRICE BOOK	1	
7	1T1-25194-00-00	SPACER, BEAD	1	
8	90560-15293-00	SPACER	1	
9	146-25116-00-00	FLANGE, SPACER 2	1	
10	93306-20209-00	BEARING (B6202)	1	
11	93102-20009-00	OIL SEAL	1	
12	90387-15418-00	COLLAR (322-25183-00)	1	
13	322-25118-00-00	COVER, HUB DUST	1	
14	90387-15556-00	COLLAR	1	
15	275-25181-00-00	AXLE, WHEEL	1	
16	91401-30030-00	PIN, COTTER	1	
17	93306-20226-00	BEARING	1	
18	93410-22014-00	CIRCLIP, S-TYPE	1	
19	90201-22283-00	WASHER, PLATE	2	
20	214-25149-01-00	CLUTCH, METER	1	
21	308-25135-00-00	GEAR, DRIVE	1	
22	93105-50010-00	OIL SEAL, SDD-TYPE (SDD-50-62-7)	1	
23	431-W2536-00-00	BRAKESHOE SET-2PCS	2	
24	90507-20002-00	SPRING, TENSION	2	
25	(1E6-25016-10-98)	BRAKE SHOE PLT ASSEMBLY	1	LOW GLOSS BLK
26	90480-10068-00	. GROMMET	1	
27	1E6-25151-00-00	CAMSHAFT	1	
28	148-25353-00-00	SHIM, CAMSHAFT	1	

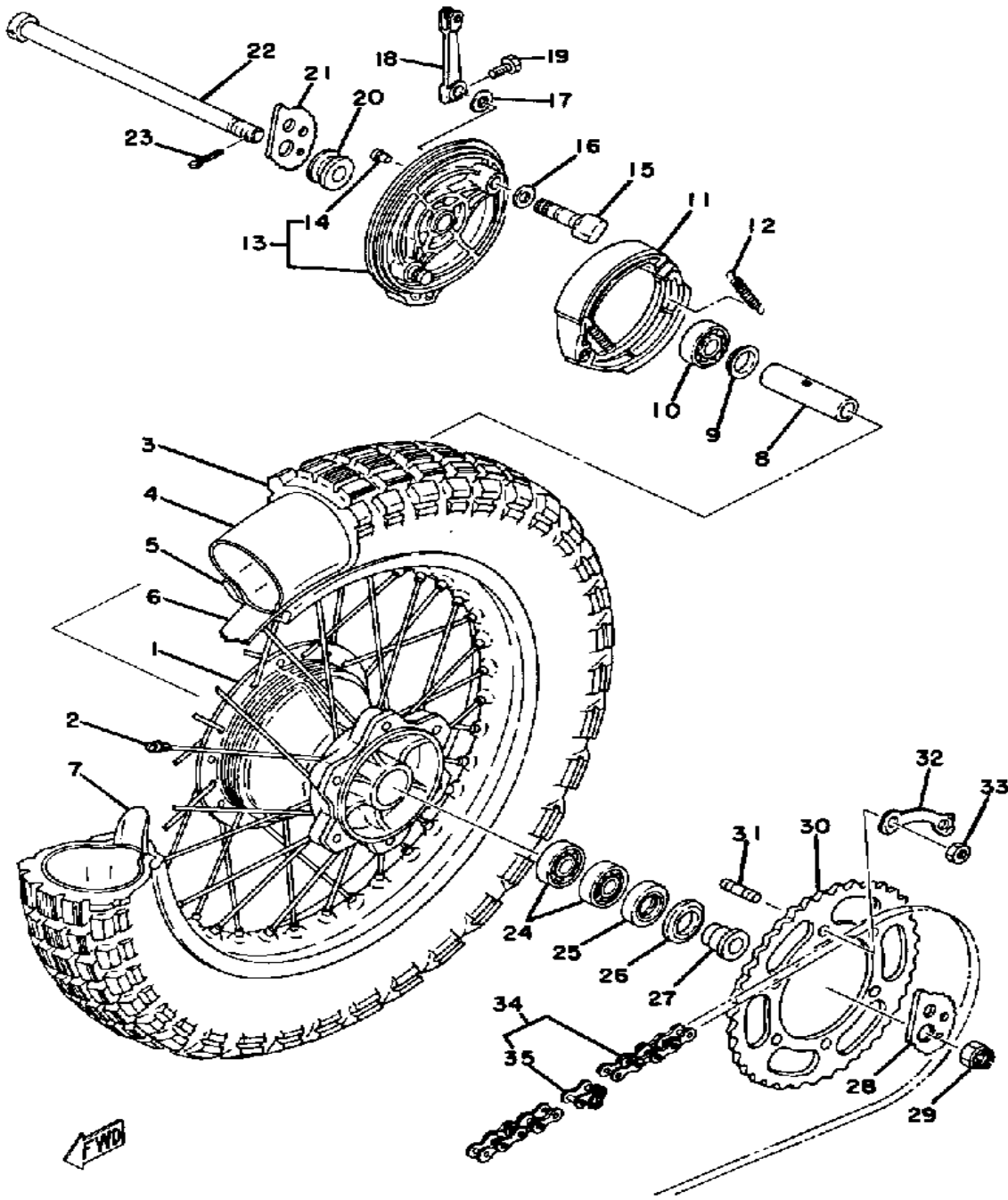
CONTINUED ON NEXT FRAME ►

# FRONT WHEEL



Ref. No.	Part Number	Description	Qty	Remarks
29	2N6-25155-00-00	LEVER, CAMSHAFT 1	1	
30	90101-06278-00	BOLT	1	
31	95380-06600-00	NUT	1	
32	308-25138-00-00	GEAR, METER	1	
33	90201-07076-00	WASHER, PLATE	1	
34	93210-14104-00	O-RING	1	
35	109-25136-00-00	BUSH	1	
36	93104-07003-00	OIL SEAL	1	
37	102-25137-00-00	RING, STOP	1	
38	92990-14200-00	WASHER, PLAIN	1	
39	90171-14020-00	NUT, CASTLE	1	

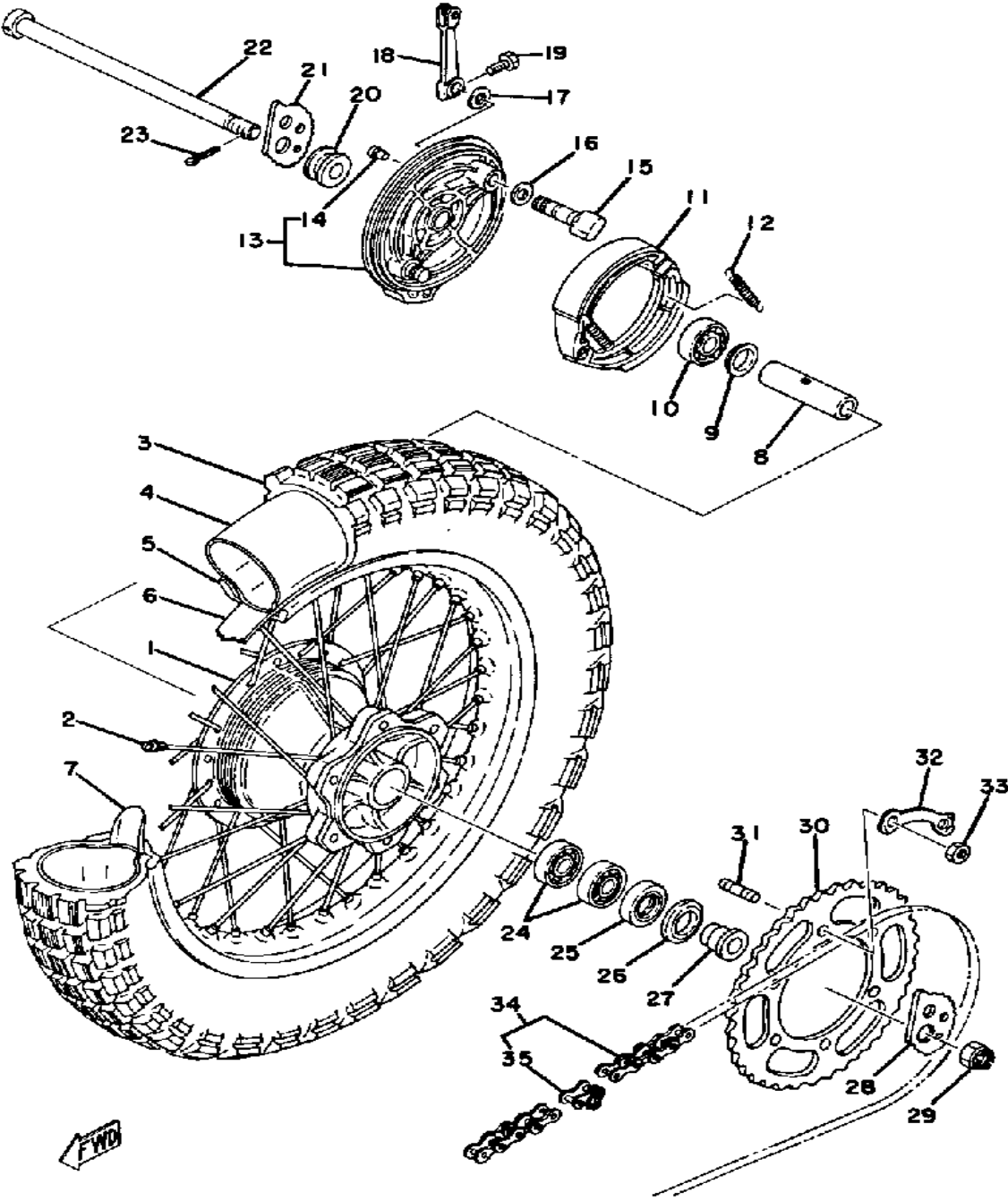
# REAR WHEEL DT250E



Ref. No.	Part Number	Description	Qty	Remarks
1	(1M1-25311-00-98)	HUB, REAR	1	LOW GLOSS BLK
2	1M1-25304-00-00	SPOKE SET, REAR	1	
3	(94140-18317-00)	400X18 DUN TRI UNI	1	
4	94240-18098-00	TUBE (4.00-18)	1	
5	(94418-18192-00)	RIM 1.85X 8	1	
6	94340-18022-00	BAND, RIM (4.00-18)	1	
7	1T2-25394-00-00	SPACER, BEAD	2	
8	90560-17233-00	SPACER	1	
9	483-25315-00-00	FLANGE, SPACER	1	
10	93306-20310-00	BEARING	1	
11	214-W2535-00-00	BRAKESHOE SET-2PCS	2	
12	90507-20002-00	SPRING, TENSION	2	
13	(1M1-25026-10-98)	BRAKE SHOE PLT ASSEMBLY	1	LOW GLOSS BLK
14	90480-10068-00	. GROMMET	1	
15	214-25351-01-00	CAMSHAFT	1	
16	148-25353-00-00	SHIM, CAMSHAFT	1	
17	148-25359-00-00	SEAL, CAMSHAFT	1	
18	4V5-25355-00-00	LEVER, CAMSHAFT (168-25355-00)	1	
19	97011-06025-00	BOLT (97001-06025)	1	
20	90387-17141-00	COLLAR	1	
21	1M1-25389-01-00	PULLER, CHAIN 2	1	
22	150-25381-00-00	AXLE, WHEEL	1	
23	91401-30030-00	PIN, COTTER	1	
24	93306-20310-00	BEARING	2	
25	93106-25003-00	OIL SEAL, DD-TYPE (DD-25-40-9)	1	
26	431-25367-00-00	COVER, HUB DUST	1	
27	90387-17555-00	COLLAR	1	

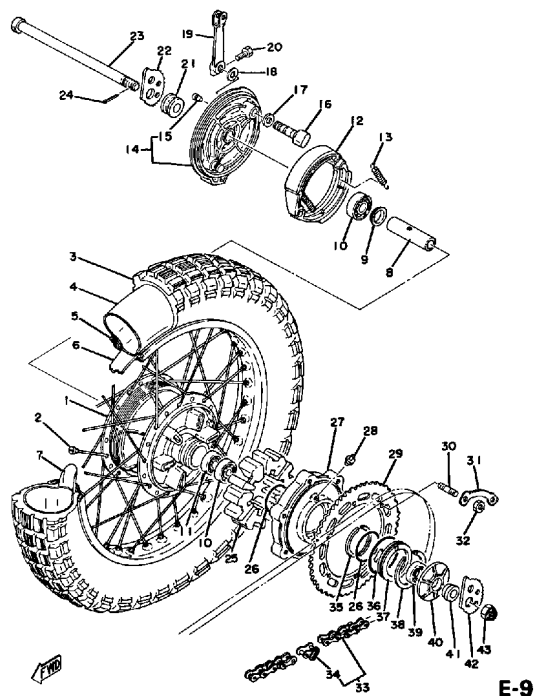
CONTINUED ON NEXT FRAME ►

# REAR WHEEL DT250E



Ref. No.	Part Number	Description	Qty	Remarks
28	1M1-25388-01-00	PULLER, CHAIN 1	1	
29	90171-16007-00	NUT, CASTLE (275-25382-00)	1	
30	1M1-25447-10-00	SPROCKET, DRVN 47T	1	U.R. YAMAHA BLK
31	90116-10234-00	BOLT, STUD	6	
32	1M1-25412-00-00	WASHER	3	
33	95311-10700-00	NUT	6	
34	9Y585-20103-00	CHAIN 520DS-104L	1	
35	94685-20001-00	. JOINT CHAIN	1	

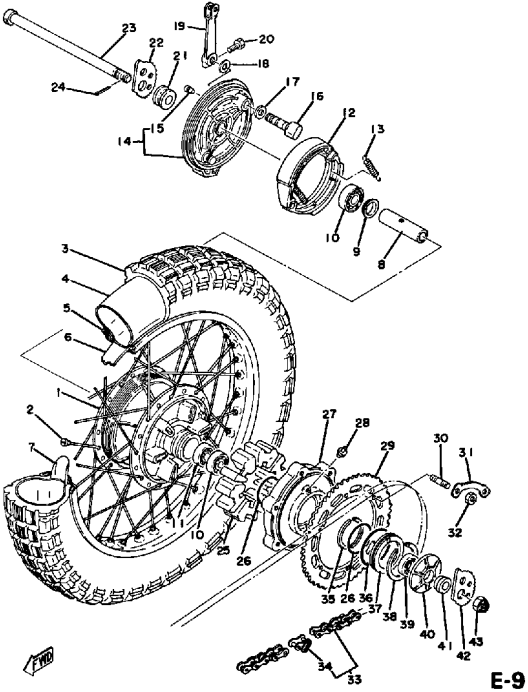
# REAR WHEEL DT400E



Ref. No.	Part Number	Description	Qty	Remarks
1	(1E6-25311-00-98)	HUB, REAR	1	LOW GLOSS BLK
2	1E6-25304-00-00	SPOKE SET, REAR	1	
3	(94140-18317-00)	400X18 DUN TRI UNI	1	
4	94240-18098-00	TUBE (4.00-18)	1	
5	94418-18199-00	RIM 1.85X 8	1	
6	94340-18022-00	BAND, RIM (4.00-18)	1	
7	1T2-25394-00-00	SPACER, BEAD	2	
8	90560-17311-00	SPACER	1	
9	146-25315-00-00	FLANGE, SPACER	1	
10	93306-20310-00	BEARING	2	
11	93306-20310-00	BEARING	1	
12	214-W2535-00-00	BRAKESHOE SET-2PCS	2	
13	90507-20002-00	SPRING, TENSION	2	
14	(1M1-25026-10-98)	BRAKE SHOE PLT ASSEMBLY	1	LOW GLOSS BLK
15	90480-10068-00	. GROMMET	1	
16	214-25351-01-00	CAMSHAFT	1	
17	148-25353-00-00	SHIM, CAMSHAFT	1	
18	148-25359-00-00	SEAL, CAMSHAFT	1	
19	4V5-25355-00-00	LEVER, CAMSHAFT (168-25355-00)	1	
20	97011-06025-00	BOLT (97001-06025)	1	
21	90387-17141-00	COLLAR	1	
22	1M1-25389-01-00	PULLER, CHAIN 2	1	
23	150-25381-00-00	AXLE, WHEEL	1	
24	91401-30030-00	PIN, COTTER	1	
25	1E6-25364-00-00	DAMPER	6	
26	93210-52312-00	O-RING	2	
27	1E6-25366-00-98	CLUTCH, HUB	1	LOW GLOSS BLK
28	93700-06M03-00	NIPPLE, GREASE	1	

CONTINUED ON NEXT FRAME ►

# REAR WHEEL DT400E

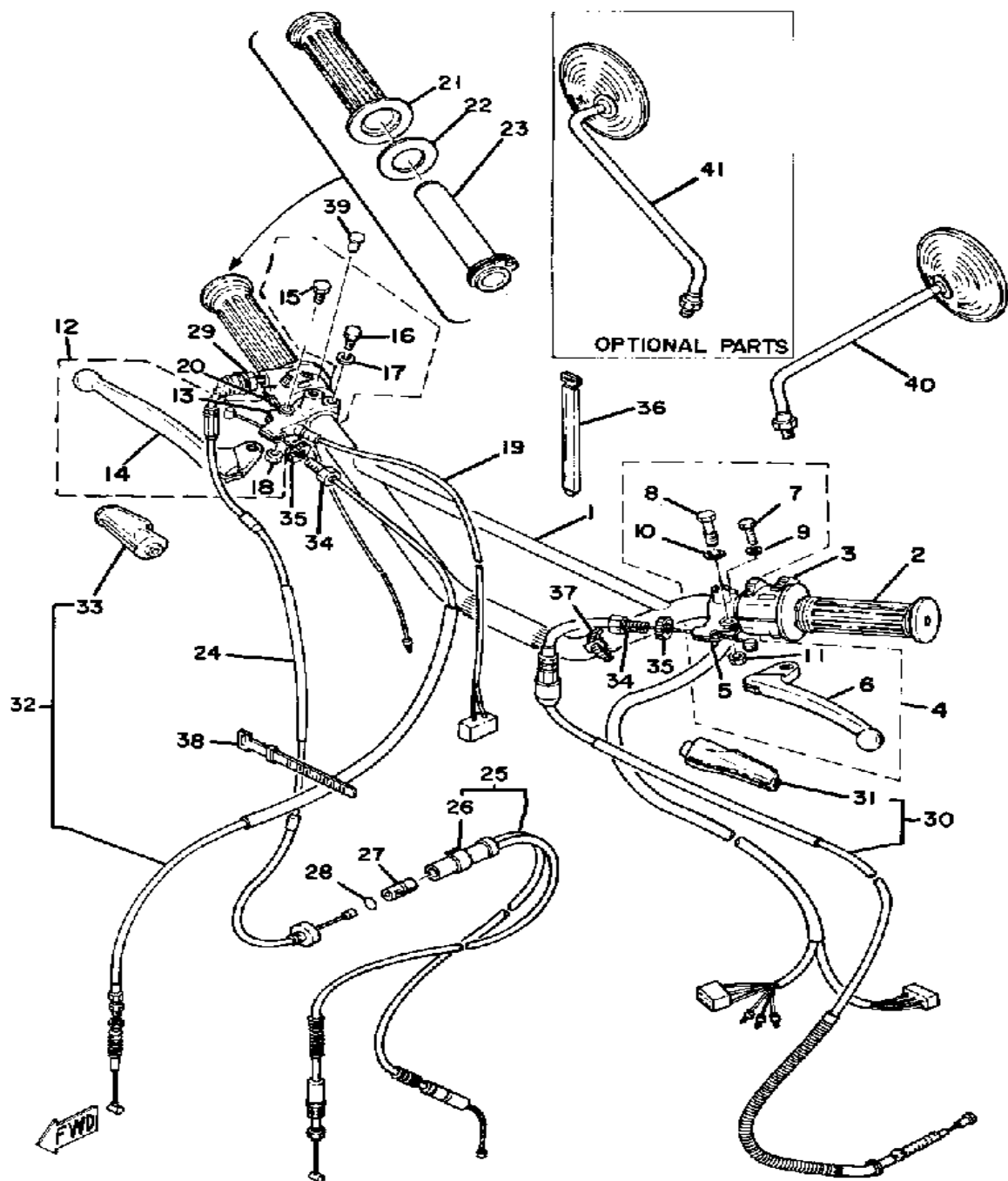


E-9

Ref. No.	Part Number	Description	Qty	Remarks
29	38W-25444-20-00	SPROCKET, DRIVN 44T	1	
	583-25443-10-00	SPROCKET, DRIVN 43T (43T)	1	U.R. STD
30	90116-08218-00	BOLT, STUD	6	
31	583-25412-00-00	WASHER	3	
32	90170-08193-00	NUT, HEXAGON	6	
33	9Y585-20101-00	CHAIN 520DS-103L (DID520DS-102L)	1	
34	94685-20001-00	. JOINT CHAIN	1	
35	1E6-25318-00-00	STOPPER, HUB	2	
36	93210-71311-00	O-RING	1	
37	1E6-25319-01-00	SEAL, HUB DUST	1	
38	93450-78080-00	CIRCLIP, INNER	1	
39	93102-25061-00	OIL SEAL, SD-TYPE	1	
40	1E6-25367-00-00	COVER, HUB DUST	1	
41	90387-17530-00	COLLAR	1	
42	1M1-25388-01-00	PULLER, CHAIN 1	1	
43	90171-16007-00	NUT, CASTLE (275-25382-00)	1	



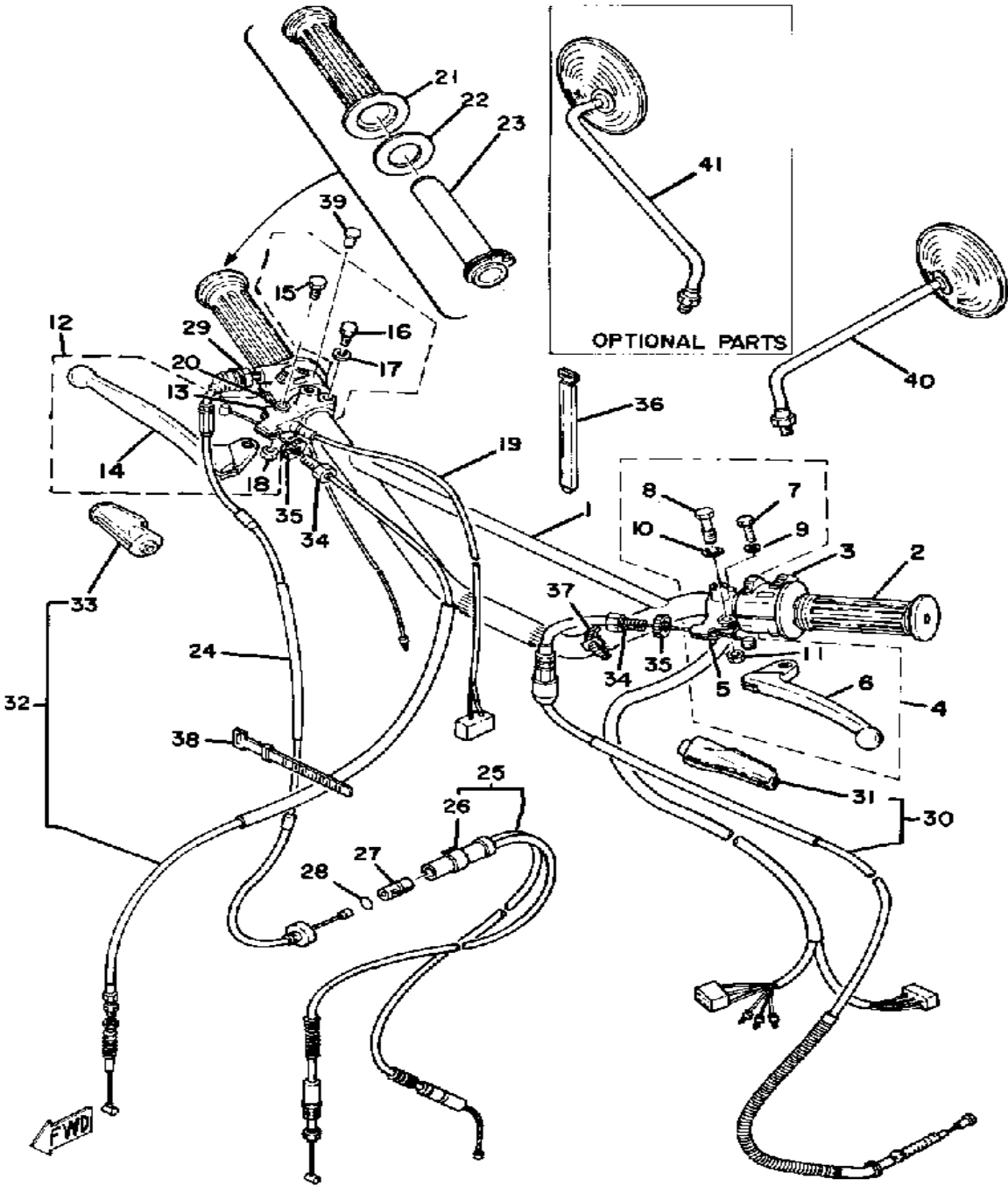
# HANDLE - WIRE



Ref. No.	Part Number	Description	Qty	Remarks
1	2A8-26111-00-00	HANDLEBAR .....	1	
2	1E6-26241-00-00	GRIP LH .....	1	
3	1M1-83973-50-00	SWITCH, HANDLE 3 .....	1	
4	(583-82910-20-00)	LEVER HOLDER ASSEMBLY 1 .....	1	
5	3Y6-82911-00-00	. HOLDER, LEVER 1 .....	1	
6	1J3-83912-20-00	. LEVER L .....	1	
7	97003-06022-00	. BOLT, HEXAGON (97301-06022) .....	1	
8	90109-06797-00	. BOLT .....	1	
9	92995-06100-00	. WASHER, SPRING .....	1	
10	90201-08083-00	. WASHER, PLATE .....	1	
11	95601-06100-00	. NUT, U .....	1	
12	(361-82920-92-00)	LEVER HOLDER ASSEMBLY 2 .....	1	
13	361-82920-93-00	. HOLDER, LEVER 2 (36182-92131-00) .....	1	
14	2A6-83922-00-00	. LEVER R .....	1	
15	90109-06797-00	. BOLT .....	1	
16	97003-06022-00	. BOLT, HEXAGON (97301-06022) .....	1	
17	92995-06100-00	. WASHER, SPRING .....	1	
18	95601-06100-00	. NUT, U .....	1	
19	1M1-83980-30-00	STOP SWITCH ASSEMBLY ...	1	
20	1R6-83976-01-00	SWITCH, HANDLE 1 .....	1	
21	1A0-26242-01-00	GRIP (RIGHT) .....	1	
22	1M1-26249-01-00	RING, LEAF .....	1	
23	434-26243-00-00	TUBE, THROTTLE GUIDE ....	1	
24	1M1-26311-00-00	CABLE, THROTTLE 1 (750MM)	1	
	1M2-26311-00-00	CABLE, THROTTLE 1 (750MM)	1	
25	1M1-26312-01-00	CABLE, THROTTLE 2 (255MM)	1	
	1M2-26312-01-00	CABLE, THROTTLE 2 (245MM)	1	

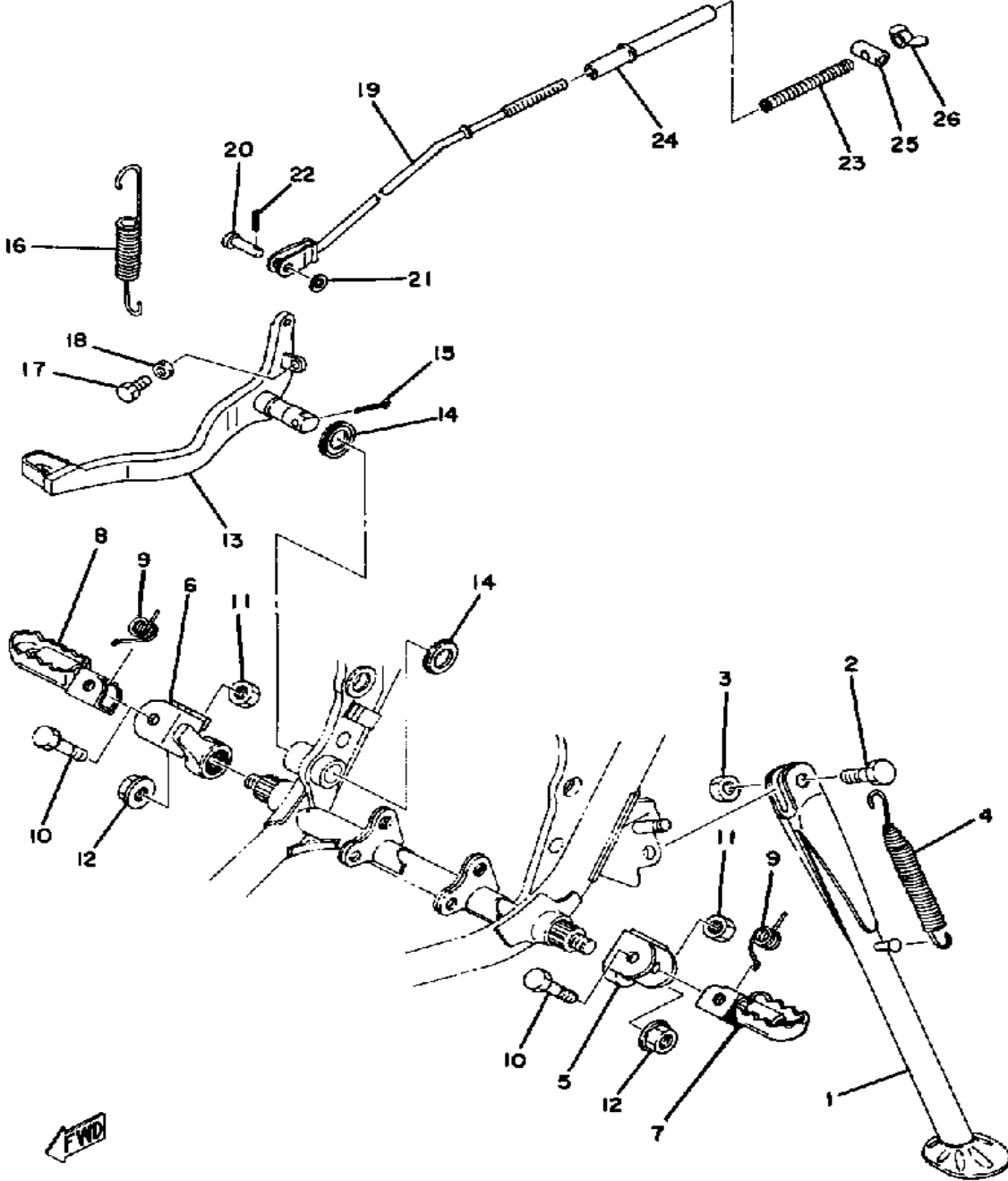
CONTINUED ON NEXT FRAME ►

# HANDLE - WIRE



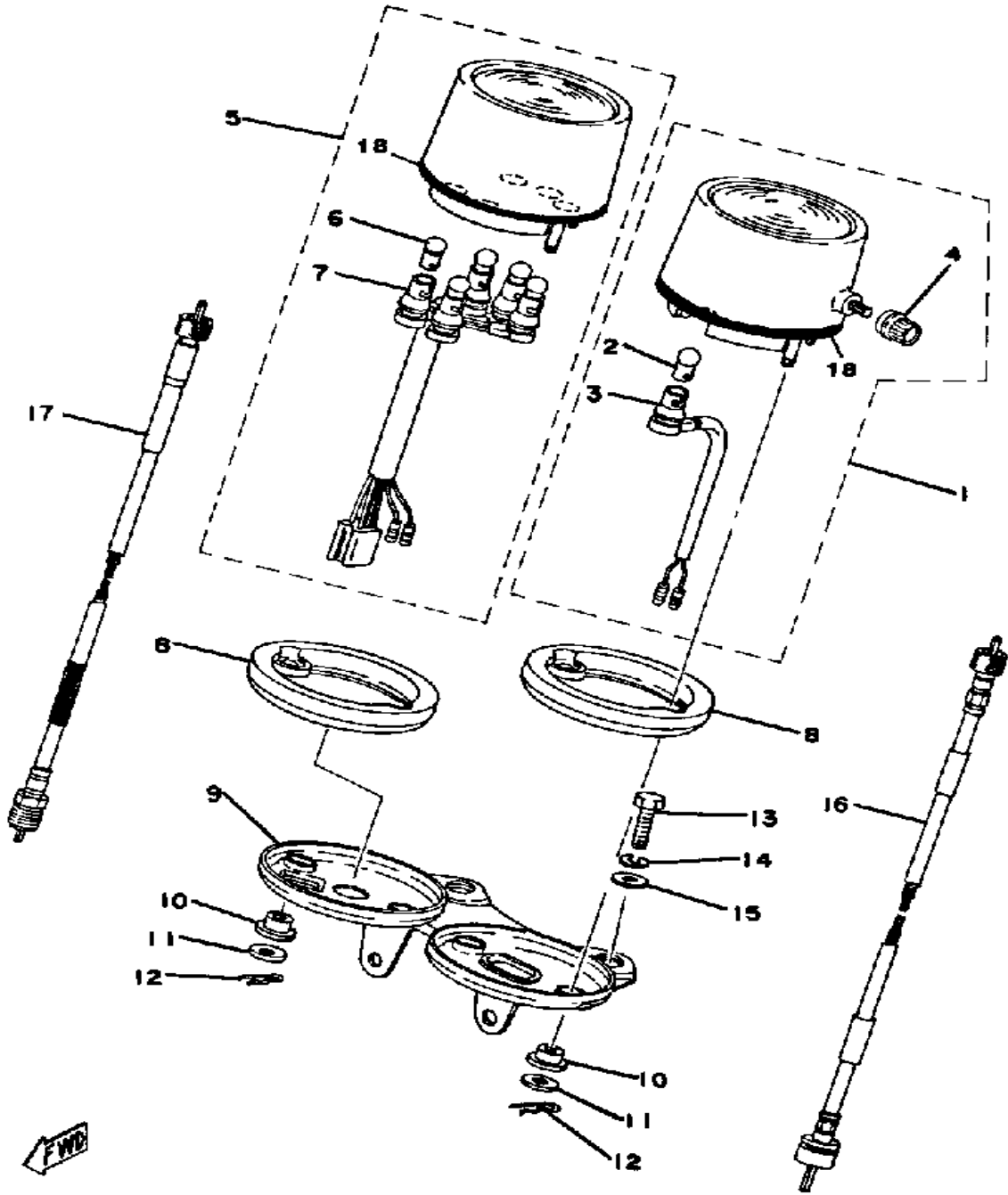
Ref. No.	Part Number	Description	Qty	Remarks
26	1M1-26339-00-00	. BOOT .....	1	
27	1M1-26263-00-00	PIECE, CONNECTING .....	1	
28	93210-10118-00	O-RING .....	1	
29	90170-10038-00	NUT, HEXAGON .....	1	
30	1M1-26335-00-00	CABLE, CLUTCH .....	1	
31	382-26372-01-00	. COVER, HANDLE LEVER ...	1	
32	1M1-26341-00-00	CABLE, BRAKE (1180MM) ....	1	
33	498-26372-00-00	. COVER, HANDLE LEVER 1 ..	1	
34	90123-08046-00	BOLT .....	2	
35	90179-08148-00	NUT .....	2	
36	341-26397-01-00	BAND .....	2	
37	437-83936-01-00	BAND, SWITCH CORD .....	4	
38	437-83936-11-00	BAND, SWITCH CORD .....	1	
39	90338-09012-00	PLUG .....	1	
40	1Y1-26290-10-00	MIRROR ASSEMBLY LH .....	1	
41	1Y1-26290-00-00	MIRROR ASSEMBLY RH .....	1	OPTIONAL PARTS

# STAND - FOOTREST - BRAKE PEDAL



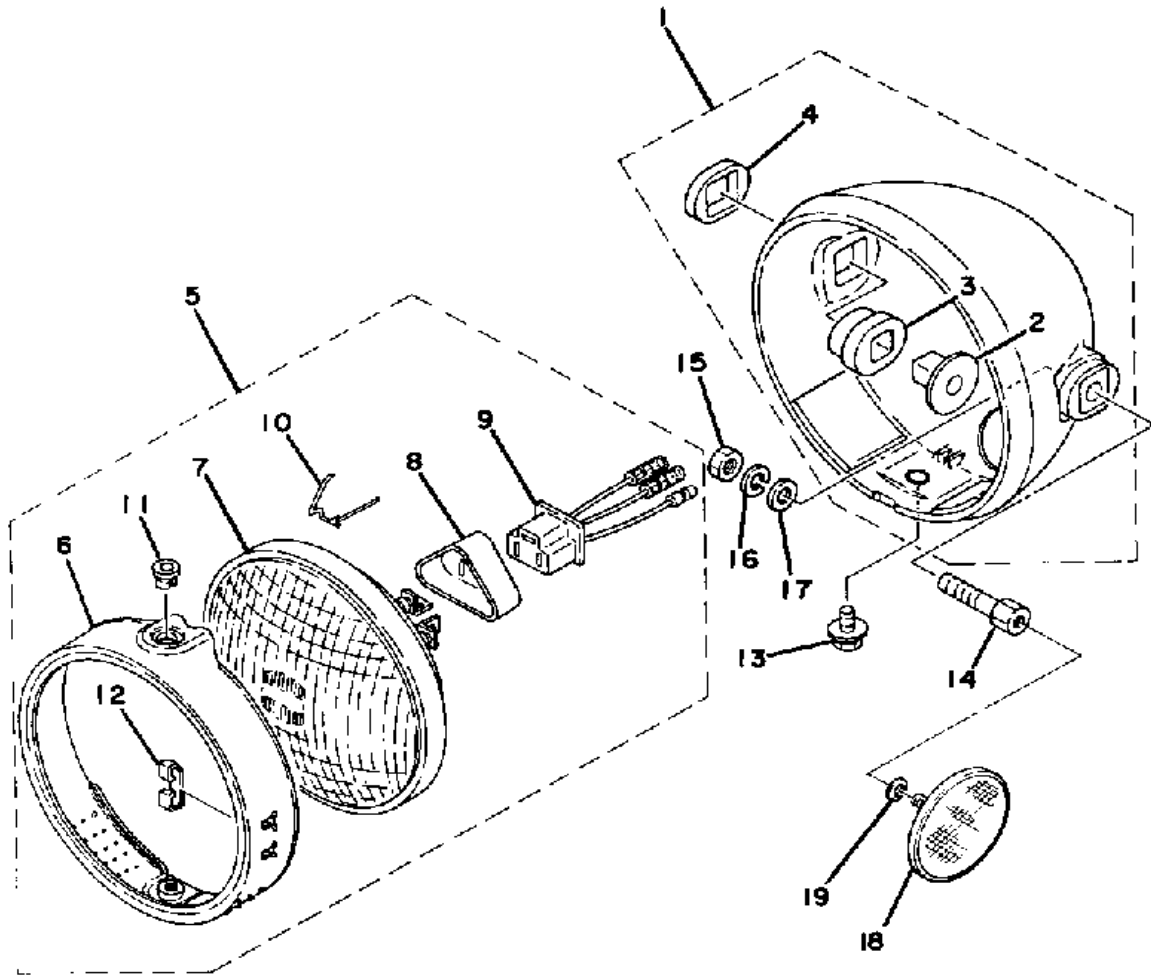
Ref. No.	Part Number	Description	Qty	Remarks
1	2Y0-27311-00-33	STAND, SIDE .....	1	YAMAHA BLK
2	90109-103A1-00	BOLT .....	1	
3	90185-10037-00	NUT, SELF-LOCKING .....	1	
4	90507-29021-00	SPRING, TENSION .....	1	
5	1M1-27412-00-00	BRACKET, FOOTREST 1 .....	1	
6	(1M1-27422-00-00)	BRACKET, FOOTREST 2 .....	1	
7	22W-27411-01-90	FOOTREST 1 .....	1	YAMAHA BLK
8	22W-27421-01-90	FOOTREST 2 .....	1	YAMAHA BLK
9	90508-20023-00	SPRING, TORSION .....	2	
10	(90101-08244-00)	BOLT .....	2	
11	95611-08100-00	NUT, U .....	2	
12	90185-12072-00	NUT, SELF-LOCKING .....	2	
13	1M1-27211-01-33	PEDAL, BRAKE .....	1	YAMAHA BLK
14	498-27235-00-00	COVER, DUST .....	2	
15	91401-30030-00	PIN, COTTER .....	1	
16	90506-18289-00	SPRING, TENSION .....	1	
17	(90109-06339-00)	BOLT .....	1	
18	95380-06700-00	NUT .....	1	
19	483-27231-00-00	ROD, BRAKE .....	1	
20	90240-06103-00	PIN, CLEVIS .....	1	
21	92990-06200-00	WASHER .....	1	
22	91490-20020-00	PIN, COTTER .....	1	
23	90501-10245-00	SPRING, COMPRESSION .....	1	
24	1M1-27244-00-00	COVER .....	1	
25	90249-12008-00	PIN .....	1	
26	90179-06411-00	NUT .....	1	

# SPEEDOMETER - TACHOMETER



Ref. No.	Part Number	Description	Qty	Remarks
1	3Y3-83570-G0-00	SPEEDOMETER ASSEMBLY ..	1	MILE/H
2	122-83516-10-00	. BULB (122-83516-10) .....	1	
3	(1M1-83536-00-00)	SOCKET, METER .....	1	
4	1E6-83578-10-00	. KNOB, TRIP METER .....	1	
5	(3A6-83540-F0-00)	TACHOMETER ASSEMBLY ...	1	
6	122-83516-10-00	. BULB (122-83516-10) .....	5	
7	(1M1-83520-00-00)	SOCKET CORD ASSEMBLY ..	1	
8	1M1-83513-00-00	DAMPER .....	2	
9	2A6-83519-00-00	BRACKET, METER .....	1	LOW GLOSS BLK
10	1M1-83526-00-00	DAMPER 2 .....	4	
11	90201-052E2-00	WASHER, PLATE .....	4	
12	437-83525-00-00	CLIP .....	4	
13	97021-06030-00	BOLT .....	2	
14	92995-06100-00	WASHER, SPRING .....	2	
15	92901-061A5-00	UNAVAILABLE IN PRICE BOOK (92901-06600) .....	2	
16	1M1-83550-01-00	SPEEDOMETER CABLE (3H6-83550-00) .....	1	
17	1M1-83560-01-00	TACHOMETER CABLEASSEMBLY .....	1	

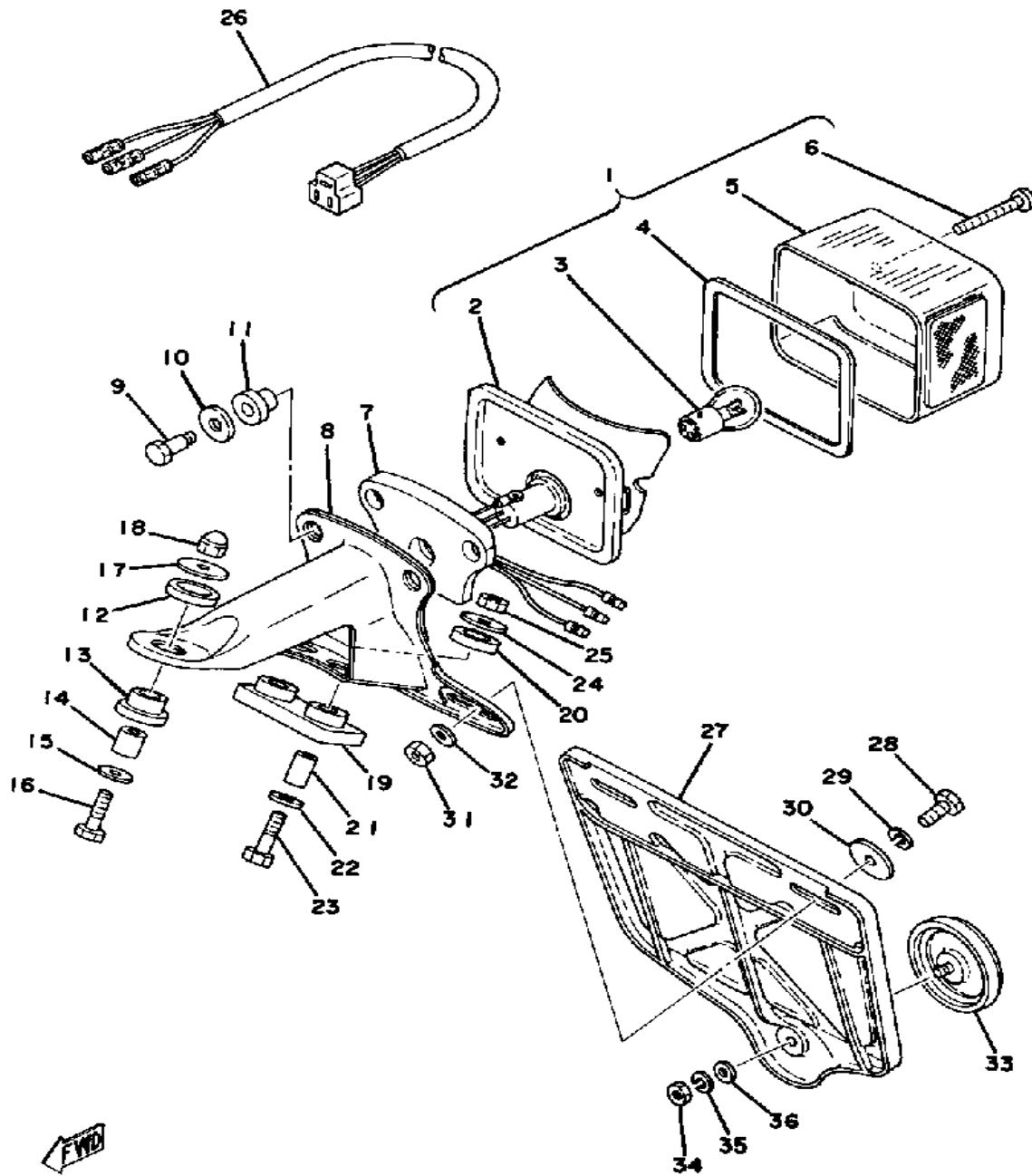
# HEADLIGHT



Ref. No.	Part Number	Description	Qty	Remarks
1	1M1-84130-60-00	BODY ASSEMBLY, HEADLIGHT (1M1-84130-60-98)	1	ASSY BLACK
2	498-84145-60-00	. COLLAR, BODY FITTING	2	
3	498-84164-60-00	. DAMPER	2	
4	1M1-84164-60-00	. DAMPER	2	
5	UNA-VAILA-BL-EI	0 0	11	
6	1M1-84195-61-00	. RING, RETAINING	1	
7	2A6-84120-60-00	. LENS ASSEMBLY	1	
8	341-84397-61-00	. COVER, SOCKET	1	
9	371-84312-60-00	. SOCKET	1	
10	1M1-84124-60-00	. SPRING, SET	3	
11	1M1-84133-60-00	. COLLAR, SCREW	1	
12	498-84128-60-00	. SPACER	1	
13	1M1-84137-60-00	BOLT, SPECIAL	1	
14	90109-08448-00	BOLT	2	
15	95333-08600-00	NUT	2	
16	92990-08100-00	WASHER	2	
17	92990-08200-00	WASHER, PLAIN	2	
18	1M1-85111-10-00	REFLECTOR, FRONT 1	2	U.R.
	355-85111-01-00	REFLECTOR, FRONT 1	2	U.R.
19	90430-06012-00	GASKET	2	



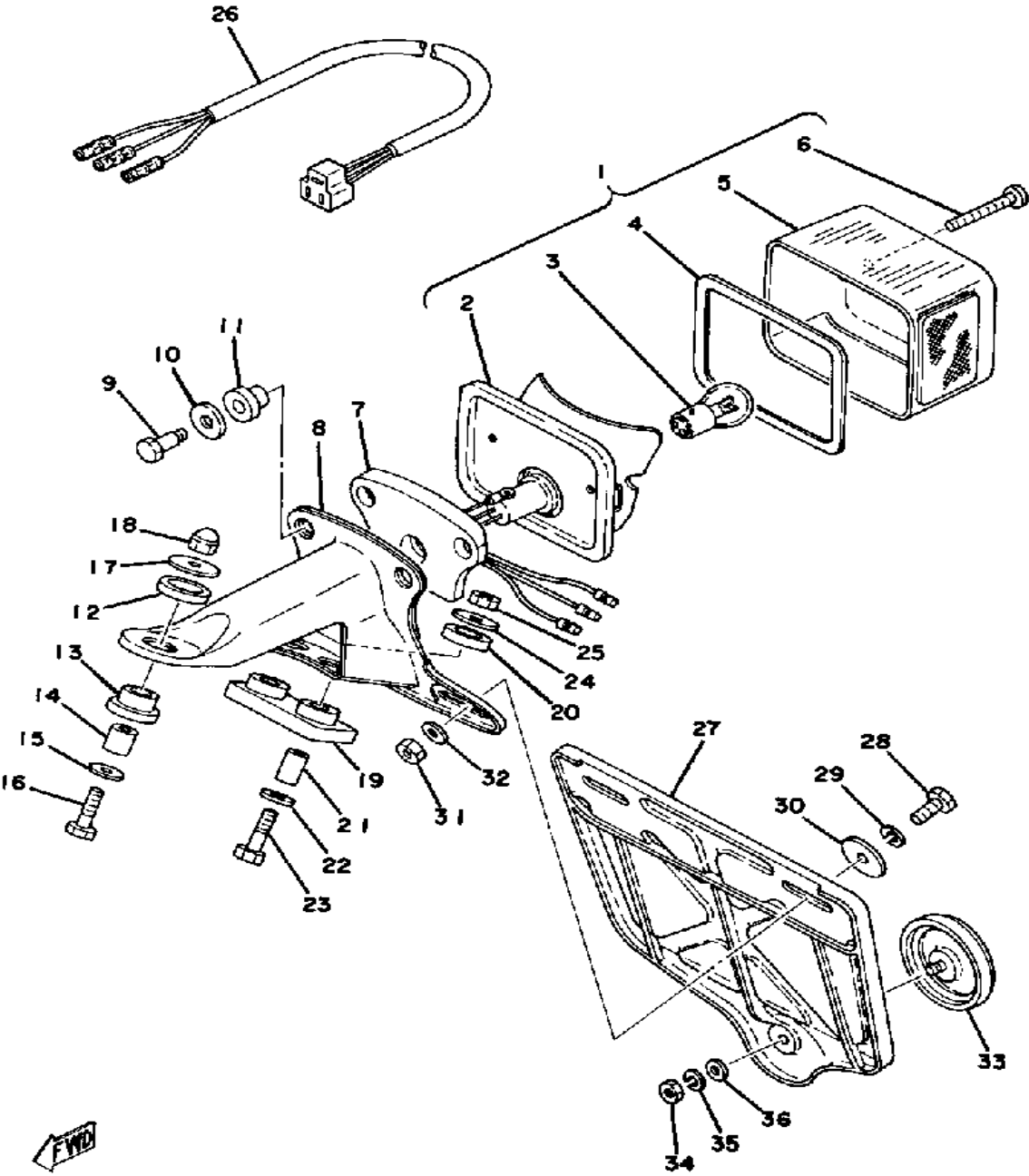
# TAILLIGHT



Ref. No.	Part Number	Description	Qty	Remarks
1	1M1-84510-60-00	TAILLIGHT UNIT ASSEMBLY ..	1	
2	1M1-84511-60-00	. BASE, TAILLIGHT .....	1	
3	1M1-84514-60-00	. BULB .....	1	
4	1M1-84523-60-00	. GASKET, LENS .....	1	
5	1M1-84521-60-00	. LENS, TAILLIGHT .....	1	
6	1M1-84524-60-00	. SCREW, LENS FITTING .....	2	
7	1M1-84512-60-00	SEAT, BASE .....	1	
8	1M1-84551-60-33	BRACKET, LICENCE .....	1	YAMAHA BLK
9	1M1-84526-60-00	SCREW .....	2	
10	2H7-84754-00-00	WASHER, SPECIAL .....	2	
11	1M1-84527-60-00	DAMPER .....	2	
12	1M1-84553-10-00	DAMPER .....	1	
13	1M1-84553-20-00	DAMPER .....	1	
14	90387-06553-00	COLLAR .....	1	
15	90201-061A5-00	WASHER, PLATE .....	1	
16	97011-06025-00	BOLT (97001-06025) .....	1	
17	90201-06074-00	WASHER, PLATE .....	1	
18	95303-06800-00	NUT (CROWN) .....	1	
19	1M1-84553-00-00	DAMPER .....	1	
20	1M1-84553-10-00	DAMPER .....	2	
21	90387-06554-00	COLLAR .....	2	
22	90201-061A5-00	WASHER, PLATE .....	2	
23	97013-06035-00	BOLT .....	2	
24	90201-06074-00	WASHER, PLATE .....	2	
25	95380-06600-00	NUT .....	2	
26	1M1-84517-00-00	CORD, TAILLIGHT .....	1	
27	1M1-85132-62-00	BRACKET, REFLECT 1 .....	1	
28	97313-06016-00	BOLT, HEXAGON .....	2	
29	92995-06100-00	WASHER, SPRING .....	2	

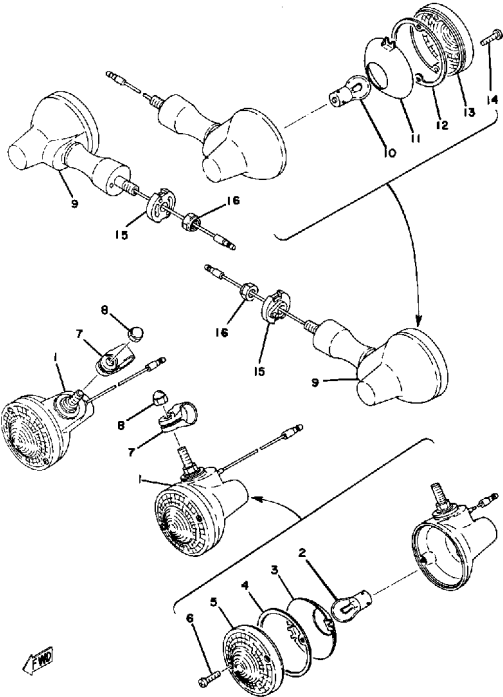
CONTINUED ON NEXT FRAME ►

# TAILLIGHT



Ref. No.	Part Number	Description	Qty	Remarks
30	90201-06074-00	WASHER, PLATE .....	2	
31	95380-06600-00	NUT .....	2	
32	90201-061A5-00	WASHER, PLATE .....	2	
33	1M1-85131-10-00	REFLECTOR, REAR 1 .....	1	U.R.
	449-85131-02-00	REFLECTOR, REAR 1 .....	1	U.R.
34	95380-05600-00	NUT .....	1	
35	92990-05100-00	WASHER, SPRING .....	1	
36	92990-05200-00	WASHER, PLAIN .....	1	

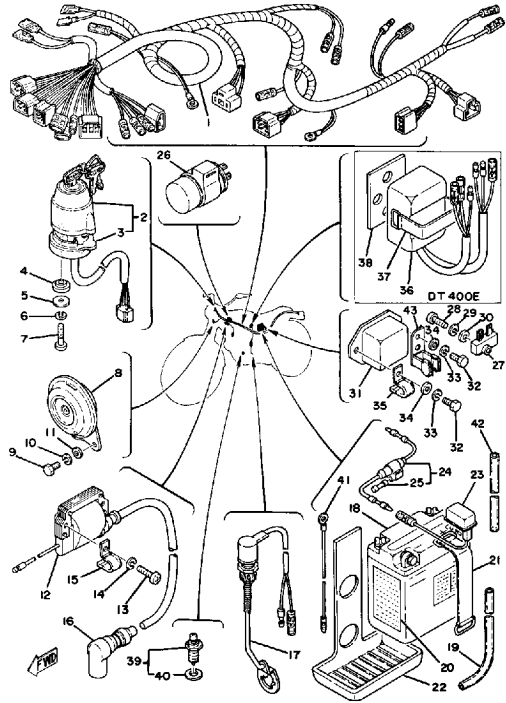
# FLASHER LIGHT



Ref. No.	Part Number	Description	Qty	Remarks
1	1M1-83310-60-00	FRT FLSHR LITE ASSEMBLY ASS'Y 1	2	
2	115-83311-60-00	. BULB, FLASHER	2	
3	1M1-83309-60-00	. REFLECTOR	2	
4	1M1-83313-60-00	. GASKET, FLSHR LENS	2	
5	341-83312-70-00	. LENS, FLASHER	2	
6	97780-30120-00	. SCREW, PANHEAD TAP	4	
7	1M1-83318-00-00	STAY, FLASHER 1	2	
8	95303-08800-00	NUT (CROWN) (95301-08800)	2	
9	1M1-83330-60-00	R FLSHR LITE ASSEMBLY	2	
10	115-83311-60-00	. BULB, FLASHER	2	
11	1M1-83309-60-00	. REFLECTOR	2	
12	1M1-83313-60-00	. GASKET, FLSHR LENS	2	
13	341-83312-70-00	. LENS, FLASHER	2	
14	97780-30120-00	. SCREW, PANHEAD TAP	4	
15	(1M1-83316-00-00)	COLLAR, FLASHER 1	2	
16	95601-10100-00	NUT, U (95602-10100-00)	2	

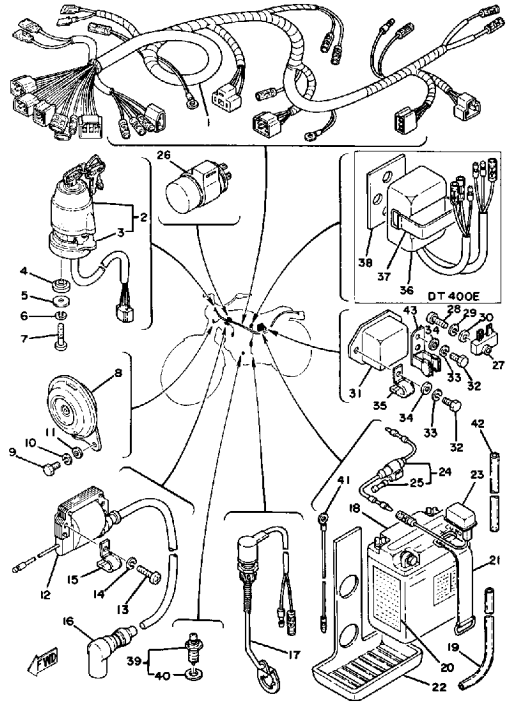


# ELECTRICAL



Ref. No.	Part Number	Description	Qty	Remarks
1	(1M2-82590-52-00)	WIRE HARNESS ASSEMBLY ..	1	
	1M1-82590-52-00	WIRE HARNESS ASSEMBLY ..	1	
2	443-82508-21-00	MAIN SWITCH ASSEMBLY ...	1	
3	1M1-82555-00-00	. DAMPER, MAIN SWCH 1 ....	1	
4	1M1-82556-00-00	DAMPER, STOPPER .....	2	
5	90201-05033-00	WASHER, PLATE .....	2	
6	92990-05100-00	WASHER, SPRING .....	2	
7	(92503-05025-00)	SCREW, PAN HEAD .....	2	
8	2A7-83371-10-00	HORN .....	1	
9	97013-06012-00	BOLT .....	2	
10	92995-06100-00	WASHER, SPRING .....	2	
11	90201-061A5-00	WASHER, PLATE .....	2	
12	1Y8-82310-40-00	IGNITION COIL ASSEMBLY ...	1	
	5G4-82310-40-00	IGNITION COIL ASSEMBLY (J17-82310-21) .....	1	
13	98511-06025-00	SCREW PAN HEAD (92501-06025) .....	2	
14	92995-06100-00	WASHER, SPRING .....	2	
15	90462-05005-00	CLAMP .....	1	
16	81E-82370-20-00	PLUG CAP ASSEMBLY .....	1	
17	1M1-82530-02-00	STOP SWITCH ASSEMBLY ...	1	
18	BTY-6N63B-10-00	YUASA 6N6-3B-1 (1E6-82110-29) .....	1	
19	90445-08047-00	HOSE (168-82112-00) .....	1	
20	118-82141-09-00	LABEL, BATTERY .....	1	EXCEPT CANADA
21	120-82131-00-00	BAND, BATTERY .....	1	
22	1E6-82122-01-00	SEAT, BATTERY .....	1	
23	1M1-82115-00-00	WIRE, PLUS LEAD .....	1	
24	1E6-82150-00-00	FUSE HOLDER ASSEMBLY ...	1	
25	1E6-82151-00-00	. FUSE (10A) .....	2	

CONTINUED ON NEXT FRAME ►



# ELECTRICAL

Ref. No.	Part Number	Description	Qty	Remarks
26	3BK-83350-00-00	FLASHER RELAY ASSEMBLY .	1	
27	1M1-81970-60-00	RECTIFIER ASSEMBLY .....	1	
28	98501-05018-00	SCREW, PAN HEAD .....	1	
29	92990-05100-00	WASHER, SPRING .....	1	
30	92901-05600-00	WASHER, PLATE .....	1	
31	443-81910-62-00	VOLTAGE REG ASSEMBLY (498-81910-23) .....	1	U.R.
32	97013-06012-00	BOLT .....	2	
33	92995-06100-00	WASHER, SPRING .....	2	
34	90201-061A5-00	WASHER, PLATE .....	2	
35	90462-05005-00	CLAMP .....	1	
36	1M2-85540-20-00	CDI UNIT ASSEMBLY .....	1	
37	122-82131-00-00	BAND, BATTERY .....	1	
38	1M2-85547-00-00	DAMPER .....	1	
39	2H7-82540-00-00	NEUTRAL SWITCH ASSEMBLY	1	
40	341-82543-00-00	. GASKET .....	1	
41	1H2-83346-00-00	CORD (1M1-82519-00) .....	1	
42	(90446-09119-00)	HOSE .....	1	
43	(1M1-82522-00-00)	CLAMP, COUPLER .....	1	

MOTORCYCLE  
M7-036

DT400E  
1978 SERVICE DATA

MODEL - IBM I.D. NUMBER	DT400E - 1M2
Initial Engine Number/Frame Number	1M2-100101 / 1M2-100101
Basic Color(s)	Competition Yellow
ENGINE TYPE	2-stroke, air-cooled, reed valve
Bore/Stroke/Number Cylinders/Displacement (cc)	85mm / 70mm / 1 / 397cc
Compression Ratio/Compression Pressure min.~max.	6.4:1 / $\phi$
Piston Skirt Clearance new/max.	.040 ~ .045mm / 0.1mm
Ring End Gap top/2nd/3rd	0.3 ~ 0.5mm / same / $\phi$
Valve Clearance (cold) Intake/Exhaust	$\phi$
Oil Pressure hot/rpm	$\phi$
Oil Tank or Engine Sump Capacity	1.1 liter Yamalube 2*
AUTOLUBE - Min. stroke/Color code	0.25 ~ 0.30mm / Yellow
Minimum Output @ 200 strokes	0.5cc
Maximum Output @ 200 strokes	5.0cc
CARBURETOR - mfr./type/I.D. number	Mikuni / VM34SS / 1M200
Main Jet/Pilot Jet	190/80
Needle Jet/Jet Needle-Clip Position	0-2 / 6F9-3
Slide Cutaway or Throttle Valve	2.5
Float Level	23.0 $\pm$ 1mm
Mixture Screw - turns out/idle rpm	1 1/2 / 1300-1400
<b>SUSPENSION</b>	
Front Forks: Oil type/level/qty	20 or 30wt Fork Oil / $\phi$ / 190cc
Gas Pressure	$\phi$
Spring Length std	399mm
Monoshock: Oil type/qty	$\phi$
Gas Pressure	$\phi$
TRANSMISSION - oil type/qty chg/qty reassemble	SAE20W40 (Yamalube 4) / 1100cc / 1200cc
Primary drive type	Helical Gear
Secondary type/teeth/chain	Chain / 43-16 / DID520DS-102L
Clutch Friction Plate Thickness std ~ min.	3.0 ~ 2.7mm
Clutch Spring Length std ~ min.	34.9 ~ 33.9mm
Tires size (nominal pressure)	Front: 3.00-21 (18psi) Rear: 4.00-18 (21psi)
<b>ELECTRICAL - System/Type</b>	
Maximum Output	7.6V-2.5A @ 8000 rpm
Field Coil Color Code/ $\Omega$	$\phi$
Charging Coil Color Code/ $\Omega$	Yel ~ Gnd / 0.22 $\Omega$ $\pm$ 10% / Grn-Wht ~ Gnd / 0.36 $\Omega$ $\pm$ 10%
Source Coil Color Code/ $\Omega$	Brn ~ Gnd / 166 $\Omega$ $\pm$ 10%
Lighting Coil Color Code/ $\Omega$	See Charging Coil
Pulse Coil or Pickup Coil Color Code/ $\Omega$	Red-Wht ~ Gnd / 3.4 $\Omega$ $\pm$ 10%
Ignition Coil test gap / Primary $\Omega$ / Secondary $\Omega$	6mm @ 500rpm / 1 $\Omega$ $\pm$ 10% / 5.9K $\Omega$ $\pm$ 20%
Battery-model/spec. grav./chg rate x hour	GS 6N6-3B-1 / 1.260 / .6A x 10 hr.
Headlight/Taillight/Signal Rating	6V35-35W / 6V5.3-25W / 6V17W
Point Gap/Condenser Capacitance	$\phi$ / $\phi$
Spark Plug Type	NGK B8ES or Champion N-2
Spark Plug Gap/Torque/Cap $\Omega$	0.6 ~ 0.7mm / 2.0m-kg/5K $\Omega$ $\pm$ 10%
Timing Static	2.9mm $\pm$ 0.15mm BTDC
Dynamic	Center line @ 4000rpm

MOTORCYCLE  
M7-041

DT250E  
1978 SERVICE DATA

MODEL - IBM I.D. NUMBER	DT250E - 1M1
Initial Engine Number/Frame Number	1M1-100101 / 1M1-100101
Basic Color(s)	Competition Yellow
ENGINE TYPE	2-stroke, air-cooled, reed valve
Bore/Stroke/Number Cylinders/Displacement (cc)	70mm / 64mm / 1 / 246cc
Compression Ratio/Compression Pressure min.~max.	6.7:1 / $\phi$
Piston Skirt Clearance new/max.	.035 ~ .040mm / 0.1mm
Ring End Gap top/2nd/3rd	0.2 ~ 0.4mm / same / $\phi$
Valve Clearance (cold) Intake/Exhaust	$\phi$
Oil Pressure hot/rpm	$\phi$
Oil Tank or Engine Sump Capacity	1.1 liter Yamalube 2
AUTOLUBE - Min. stroke/Color code	0.25 ~ 0.30mm / Red
Minimum Output @ 200 strokes	0.5cc
Maximum Output @ 200 strokes	5.0cc
CARBURETOR - mfr./type/I.D. number	Mikuni / VM28SC / 1M101
Main Jet/Pilot Jet	140 / 50
Needle Jet/Jet Needle-Clip Position	N-8 / 5DP33-3
Slide Cutaway or Throttle Valve	1.5
Float Level	15.8mm $\pm$ 1mm
Mixture Screw - turns out/idle rpm	2.0 / 1200 ~ 1300
<b>SUSPENSION</b>	
Front Forks: Oil type/level/qty	10, 20 or 30 wt. Fork Oil* / $\phi$ / 190cc
Gas Pressure	$\phi$
Spring Length std	399mm
Monoshock: Oil type/qty	$\phi$
Gas Pressure	$\phi$
TRANSMISSION - oil type/qty chg/qty reassemble	SAE20W40 (Yamalube 4*) / 1100cc / 1200cc
Primary drive type	Helical Gear
Secondary type/teeth/chain	Chain / 47-14 / DID520DS - 104L
Clutch Friction Plate Thickness std ~ min.	3.0 ~ 2.7mm
Clutch Spring Length std ~ min.	34.9 ~ 33.9mm
Tires size (nominal pressure)	Front: 3.00-21 (18psi) Rear: 4.00-18 (21psi)
<b>ELECTRICAL - System/Type</b>	
Maximum Output	7.6V 2.5A @ 8,000 rpm
Field Coil Color Code/ $\Omega$	$\phi$
Charging Coil Color Code/ $\Omega$	Grn-Wht ~ Gnd / 0.36 $\Omega$ $\pm$ 10%
Source Coil Color Code/ $\Omega$	Blk - wht ~ Gnd / 1.65 $\Omega$ $\pm$ 10%
Lighting Coil Color Code/ $\Omega$	Yel ~ Gnd / 0.22 $\Omega$ $\pm$ 10%
Pulse Coil or Pickup Coil Color Code/ $\Omega$	$\phi$
Ignition Coil test gap / Primary $\Omega$ / Secondary $\Omega$	6mm / 1.0 $\Omega$ $\pm$ 10% / 5.9K $\Omega$ $\pm$ 20%
Battery-model/spec. grav./chg rate x hour	GS 6N6-3B-1 / 1.260 / 0.6A x 10 hr.
Headlight/Taillight/Signal Rating	6V35-35W / 6V25-5.3W / 6V17W
Point Gap/Condenser Capacitance	0.30 ~ 0.40mm / 0.25 $\mu$ F $\pm$ 10%
Spark Plug Type	NGK B8ES or Champion N-2
Spark Plug Gap/Torque/Cap $\Omega$	0.6 ~ 0.7mm / 2.0kg-m / 5K $\Omega$ $\pm$ 10%
Timing Static	3.2mm $\pm$ 0.15mm
Dynamic	Fixed at 23.4° BTDC



MOTORCYCLE  
M7-041

DT250E  
1978 SERVICE DATA

<b>MODEL — IBM I.D. NUMBER</b>	DT250E — 1M1
Initial Engine Number/Frame Number	1M1-100101 / 1M1-100101
Basic Color(s)	Competition Yellow
<b>ENGINE TYPE</b>	2-stroke, air-cooled, reed valve
Bore/Stroke/Number Cylinders/Displacement (cc)	70mm / 64mm / 1 / 246cc
Compression Ratio/Compression Pressure min.~max.	6.7:1 / $\phi$
Piston Skirt Clearance new/max.	.035 ~ .040mm / 0.1mm
Ring End Gap top/2nd/3rd	0.2 ~ 0.4mm / same / $\phi$
Valve Clearance (cold) Intake/Exhaust	$\phi$
Oil Pressure hot/rpm	$\phi$
Oil Tank or Engine Sump Capacity	1.1 liter Yamalube 2
<b>AUTOLUBE — Min. stroke/Color code</b>	0.25 ~ 0.30mm / Red
Minimum Output @ 200 strokes	0.5cc
Maximum Output @ 200 strokes	5.0cc
<b>CARBURETOR — mfr./type/I.D. number</b>	Mikuni / VM28SC / 1M101
Main Jet/Pilot Jet	140 / 50
Needle Jet/Jet Needle-Clip Position	N-8 / 5DP33-3
Slide Cutaway or Throttle Valve	1.5
Float Level	15.8mm $\pm$ 1mm
Mixture Screw — turns out/idle rpm	2.0 / 1200 ~ 1300
<b>SUSPENSION</b>	
Front Forks: Oil type/level/qty	10, 20 or 30 wt. Fork Oil* / $\phi$ / 190cc
Gas Pressure	$\phi$
Spring Length std	399mm
Monoshock: Oil type/qty	$\phi$
Gas Pressure	$\phi$
<b>TRANSMISSION — oil type/qty chg/qty reassemble</b>	SAE20W40 (Yamalube 4*) / 1100cc / 1200cc
Primary drive type	Helical Gear
Secondary type/teeth/chain	Chain / 47-14 / DID520DS - 104L
Clutch Friction Plate Thickness std ~ min.	3.0 ~ 2.7mm
Clutch Spring Length std ~ min.	34.9 ~ 33.9mm
Tires size (nominal pressure)	Front: 3.00-21 (18psi) Rear: 4.00-18 (21psi)
<b>ELECTRICAL — System/Type</b>	AC Magneto / External Flywheel
Maximum Output	7.6V 2.5A @ 8,000 rpm
Field Coil Color Code/ $\Omega$	$\phi$
Charging Coil Color Code/ $\Omega$	Grn-Wht ~ Gnd / 0.36 $\Omega$ $\pm$ 10%
Source Coil Color Code/ $\Omega$	Blk - wht ~ Gnd / 1.65 $\Omega$ $\pm$ 10%
Lighting Coil Color Code/ $\Omega$	Yel ~ Gnd / 0.22 $\Omega$ $\pm$ 10%
Pulse Coil or Pickup Coil Color Code/ $\Omega$	$\phi$
Ignition Coil test gap/Primary $\Omega$ / Secondary $\Omega$	6mm / 1.0 $\Omega$ $\pm$ 10% / 5.9K $\Omega$ $\pm$ 20%
Battery—model/spec. grav./chg rate x hour	GS 6N6-3B-1 / 1.260 / 0.6A x 10 hr.
Headlight/Taillight/Signal Rating	6V35-35W / 6V25-5.3W / 6V17W
Point Gap/Condenser Capacitance	0.30 ~ 0.40mm / 0.25 $\mu$ F $\pm$ 10%
Spark Plug Type	NGK B8ES or Champion N-2
Spark Plug Gap/Torque/Cap $\Omega$	0.6 ~ 0.7mm / 2.0kg-m / 5K $\Omega$ $\pm$ 10%
Timing Static	3.2mm $\pm$ 0.15mm
Dynamic	Fixed at 23.4 $^{\circ}$ BTDC