



OWNER'S SERVICE MANUAL

YZ125T1

LIT-11626-18-33

1C3-28199-10

⚠ WARNING

The engine exhaust from this product contains chemicals known to the State of California to cause cancer, birth defects or other reproductive harm.

YAMAHA

LIT-CALIF-65-01

EC010000

YZ125T1
OWNER'S SERVICE MANUAL
©2004 by Yamaha Motor Corporation, U.S.A.
1st Edition, May 2004
All rights reserved. Any reprinting or
unauthorized use without the written
permission of Yamaha Motor Corporation
U.S.A. is expressly prohibited.
Printed in Japan
P/N. LIT-11626-18-33

INTRODUCTION

Congratulations on your purchase of a Yamaha YZ series. This model is the culmination of Yamaha's vast experience in the production of pacesetting racing machines. It represents the highest grade of craftsmanship and reliability that have made Yamaha a leader.

This manual explains operation, inspection, basic maintenance and tuning of your machine. If you have any questions about this manual or your machine, please contact your Yamaha dealer.

NOTE: _____

As improvements are made on this model, some data in this manual may become outdated. If you have any questions, please consult your Yamaha dealer.

⚠ WARNING _____

PLEASE READ THIS MANUAL CAREFULLY AND COMPLETELY BEFORE OPERATING THIS MACHINE. DO NOT ATTEMPT TO OPERATE THIS MACHINE UNTIL YOU HAVE ATTAINED A SATISFACTORY KNOWLEDGE OF ITS CONTROLS AND OPERATING FEATURES AND UNTIL YOU HAVE BEEN TRAINED IN SAFE AND PROPER RIDING TECHNIQUES. REGULAR INSPECTIONS AND CAREFUL MAINTENANCE, ALONG WITH GOOD RIDING SKILLS, WILL ENSURE THAT YOU SAFELY ENJOY THE CAPABILITIES AND THE RELIABILITY OF THIS MACHINE.

EC030002
YAMAHA MOTOR CORPORATION, U.S.A.
YZ/WR MOTORCYCLE LIMITED WARRANTY

Yamaha Motor Corporation, U.S.A. hereby warrants to the original retail purchaser that the following components equipped on new Yamaha YZ or WR motorcycles purchased from an authorized Yamaha motorcycle dealer in the continental United States will be free from defects in material and workmanship for the period of time stated herein, subject to certain stated limitations. YZ or WR components included under this warranty are the engine, frame, swingarm, and monoshock. It is understood that the balance of the YZ or WR components are not covered by any warranty, expressed or implied. The balance of the components equipped on the unit are sold on an "as is" basis. This warranty applies to the original purchaser only and is not transferable.

THE PERIOD OF WARRANTY for the above-listed Yamaha YZ or WR components as originally installed on the unit shall be thirty (30) days from the date of purchase.

MODELS EXCLUDED FROM WARRANTY include those used for non-Yamaha-authorized renting, leasing, or other commercial purposes.

DURING THE PERIOD OF WARRANTY any authorized Yamaha motorcycle dealer will, free of charge, repair or replace, at Yamaha's option, any part adjudged defective by Yamaha due to faulty workmanship or material from the factory. Parts used in warranty repairs will be warranted for the balance of the product's warranty period. All parts replaced under warranty become property of Yamaha Motor Corporation U.S.A.

GENERAL EXCLUSIONS from this warranty shall include any failures caused by:

- Installation of parts or accessories that are not qualitatively equivalent to genuine Yamaha parts.
- Abnormal strain, neglect, or abuse.
- Accident or collision damage.
- Modification to original parts.
- Lack of proper maintenance.
- Damage due to improper transportation.

SPECIFIC EXCLUSIONS from this warranty shall include parts replaced due to normal wear or routine maintenance.

THE CUSTOMER'S RESPONSIBILITY under this warranty shall be to:

- Operate and maintain the YZ or WR as specified in the appropriate Owner's Service Manual, and
- Give notice to an authorized Yamaha motorcycle dealer of any and all apparent defects within ten (10) days after discovery, and make the machine available at that time for inspection and repairs at such dealer's place of business.

YAMAHA MOTOR CORPORATION, U.S.A. MAKES NO OTHER WARRANTY OF ANY KIND, EXPRESSED OR IMPLIED. ALL IMPLIED WARRANTIES OF MERCHANTABILITY AND FITNESS FOR A PARTICULAR PURPOSE WHICH EXCEED THE OBLIGATIONS AND TIME LIMITS STATED IN THIS WARRANTY ARE HEREBY DISCLAIMED BY YAMAHA MOTOR CORPORATION, U.S.A. AND EXCLUDED FROM THIS WARRANTY.

SOME STATES DO NOT ALLOW LIMITATIONS ON HOW LONG AN IMPLIED WARRANTY LASTS, SO THE ABOVE LIMITATION MAY NOT APPLY TO YOU. ALSO EXCLUDED

FROM THIS WARRANTY ARE ANY INCIDENTAL OR CONSEQUENTIAL DAMAGES INCLUDING LOSS OF USE. SOME STATES DO NOT ALLOW THE EXCLUSION OR LIMITATION OF INCIDENTAL OR CONSEQUENTIAL DAMAGES, SO THE ABOVE EXCLUSION MAY NOT APPLY TO YOU.

THIS WARRANTY GIVES YOU SPECIFIC LEGAL RIGHTS, AND YOU MAY ALSO HAVE OTHER RIGHTS WHICH VARY FROM STATE TO STATE.

YAMAHA MOTOR CORPORATION, U.S.A.
Post Office Box 6555
Cypress, California 90630

WARRANTY QUESTIONS AND ANSWERS

- Q. What costs are my responsibility during the warranty period?
A. The customer's responsibility includes all costs of normal maintenance services, non-warranty repairs, accident and collision damage, and oil, oil filters, air filters, spark plugs, and brake shoes or pads.
- Q. What are some examples of "abnormal" strain, neglect, or abuse?
A. These terms are general and overlap each other in areas. Specific examples include: Running the machine without oil; operating the machine with a broken or damaged part which causes another part to fail, damage or failure due to improper or careless transportation and or tie down; and so on. If you have any specific questions on operation or maintenance, please contact your dealer for advice.
- Q. Does the warranty cover incidental costs such as towing or transportation due to a failure?
A. No. The warranty is limited to repair of the machine itself.
- Q. May I perform any or all of the recommended maintenance shown in the Owner's Service Manual instead of having the dealer do them?
A. Yes, if you are a qualified mechanic and follow the procedures specified in the Owner's Service Manual. We do recommend, however, that items requiring special tools or equipment be done by a Yamaha motorcycle dealer.
- Q. Will the warranty be void or canceled if I do not operate or maintain my new YZ or WR exactly as specified in the Owner's Service Manual?
A. No. The warranty on a new motorcycle cannot be "voided" or "cancelled." **However, if a particular failure is caused by operation or maintenance other than as shown in the Owner's Service Manual, that failure may not be covered under warranty.**
- Q. What responsibility does my dealer have under this warranty?
A. Each Yamaha motorcycle dealer is expected to:
1. Completely set up every new machine before sale.
2. Explain the operation, maintenance, and warranty requirements to your satisfaction at the time of sale, and upon your request at any later date.
In addition, each Yamaha motorcycle dealer is held responsible for his setup, service and warranty repair work.
- Q. Does the warranty on the engine include the carburetor, air filter, air box, and exhaust pipe?
A. No. The warranty covers only the engine components.

CUSTOMER SERVICE

If your machine requires warranty service, you must take it to any authorized Yamaha motorcycle dealer within the continental United States. Be sure to bring your warranty registration identification or other valid proof of the original date of purchase. If a question or problem arises regarding warranty, first contact the owner of the dealership. Since all warranty matters are handled at the dealer level, this person is in the best position to help you. If you are still not satisfied and require additional assistance, please write:

YAMAHA MOTOR CORPORATION U.S.A.
CUSTOMER RELATIONS DEPARTMENT
P.O. Box 6555
Cypress, California 90630

When contacting Yamaha Motor Corporation, U.S.A. don't forget to include any important information such as names, addresses, model, V.I.N.(frame number), dates, and receipts.

CHANGE OF ADDRESS

The federal government requires each manufacturer of a motor vehicle to maintain a complete, up-to-date list of all first purchasers against the possibility of a safety-related defect and recall. This list is compiled from the purchase registrations sent to Yamaha Motor Corporation, U.S.A. by the selling dealer at the time of your purchase.

If you should move after you have purchased your new motorcycle, please advise us of your new address by sending a postcard listing your motorcycle model name, V.I.N.(frame number), dealer number (or dealer's name) as it is shown on your warranty identification, your name and new mailing address. Mail to:

YAMAHA MOTOR CORPORATION, U.S.A.
WARRANTY DEPARTMENT
P.O.Box 6555
Cypress, California 90630

This will ensure that Yamaha Motor Corporation, U.S.A. has an up-to-date registration record in accordance with federal law.

IMPORTANT NOTICE

THIS MACHINE IS DESIGNED STRICTLY FOR COMPETITION USE, ONLY ON A CLOSED COURSE. It is illegal for this machine to be operated on any public street, road, or highway. Off-road use on public lands may also be illegal. Please check local regulations before riding.

⚠ SAFETY INFORMATION

- 1. THIS MACHINE IS TO BE OPERATED BY AN EXPERIENCED RIDER ONLY.**
Do not attempt to operate this machine at maximum power until you are totally familiar with its characteristics.
- 2. THIS MACHINE IS DESIGNED TO BE RIDDEN BY THE OPERATOR ONLY.**
Do not carry passengers on this machine.
- 3. ALWAYS WEAR PROTECTIVE APPAREL.**
When operating this machine, always wear an approved helmet with goggles or a face shield. Also wear heavy boots, gloves, and protective clothing. Always wear proper fitting clothing that will not be caught in any of the moving parts or controls of the machine.
- 4. ALWAYS MAINTAIN YOUR MACHINE IN PROPER WORKING ORDER.**
For safety and reliability, the machine must be properly maintained. Always perform the pre-operation checks indicated in this manual. Correcting a mechanical problem before you ride may prevent an accident.

5. GASOLINE IS HIGHLY FLAMMABLE.

Always turn off the engine while refueling. Take care to not spill any gasoline on the engine or exhaust system. Never refuel in the vicinity of an open flame, or while smoking.

6. GASOLINE CAN CAUSE INJURY.

If you should swallow some gasoline, inhale excess gasoline vapors, or allow any gasoline to get into your eyes, contact a doctor immediately. If any gasoline spills onto your skin or clothing, immediately wash skin areas with soap and water, and change your clothes.

7. ONLY OPERATE THE MACHINE IN AN AREA WITH ADEQUATE VENTILATION.

Never start the engine or let it run for any length of time in an enclosed area. Exhaust fumes are poisonous. These fumes contain carbon monoxide, which by itself is odorless and colorless. Carbon monoxide is a dangerous gas which can cause unconsciousness or can be lethal.

8. PARK THE MACHINE CAREFULLY; TURN OFF THE ENGINE.

Always turn off the engine if you are going to leave the machine. Do not park the machine on a slope or soft ground as it may fall over.

9. PROPERLY SECURE THE MACHINE BEFORE TRANSPORTING IT.

When transporting the machine in another vehicle, always be sure it is properly secured and in an upright position and that the fuel cock is in the "OFF" position. Otherwise, fuel may leak out of the carburetor or fuel tank.

EC050000

TO THE NEW OWNER

This manual will provide you with a good basic understanding of features, operation, and basic maintenance and inspection items of this machine. Please read this manual carefully and completely before operating your new machine. If you have any questions regarding the operation or maintenance of your machine, please consult your Yamaha dealer.

NOTE:

This manual should be considered a permanent part of this machine and should remain with it even if the machine is subsequently sold.

EC060000

NOTICE

Some data in this manual may become outdated due to improvements made to this model in the future. If there is any question you have regarding this manual or your machine, please consult your Yamaha dealer.

EC070001

F.I.M. MACHINE WEIGHTS:

Weights of machines without fuel

The minimum weights for motocross machines are:

for the class 125 cc.....minimum
88 kg (194 lb)

for the class 250 cc.....minimum
98 kg (216 lb)

for the class 500 cc.....minimum
102 kg (225 lb)

In modifying your machine (e.g., for weight reduction), take note of the above limits of weight.

EC080000

HOW TO USE THIS MANUAL

EC081000

PARTICULARLY IMPORTANT IN FORMATION



The Safety Alert Symbol means ATTENTION! BECOME ALERT! YOUR SAFETY IS INVOLVED!

WARNING

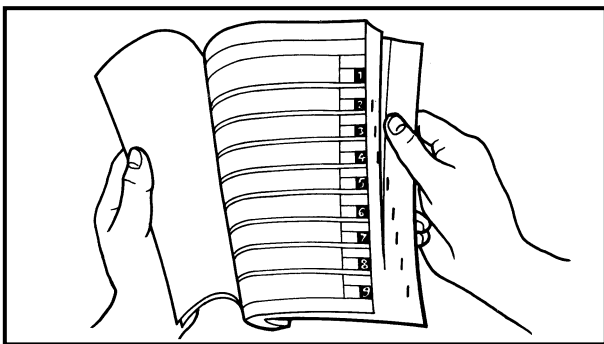
Failure to follow WARNING instructions could result in severe injury or death to the machine operator, a bystander, or a person inspecting or repairing the machine.

CAUTION:

A CAUTION indicates special precautions that must be taken to avoid damage to the machine.

NOTE:

A NOTE provides key information to make procedures easier or clearer.



EC082000

FINDING THE REQUIRED PAGE

1. This manual consists of seven chapters; "General Information", "Specifications", "Regular inspection and adjustments", "Engine", "Chassis", "Electrical" and "Tuning".
2. The table of contents is at the beginning of the manual. Look over the general layout of the book before finding then required chapter and item.

Bend the book at its edge, as shown, to find the required fore edge symbol mark and go to a page for required item and description.

MANUAL FORMAT

All of the procedures in this manual are organized in a sequential, step-by-step format. The information has been compiled to provide the mechanic with an easy to read, handy reference that contains comprehensive explanations of all disassembly, repair, assembly, and inspection operations.

In this revised format, the condition of a faulty component will precede an arrow symbol and the course of action required will follow the symbol, e.g.,

- Bearings
Pitting/Damage → Replace.

HOW TO READ DESCRIPTIONS

To help identify parts and clarify procedure steps, there are exploded diagrams at the start of each removal and disassembly section.

1. An easy-to-see exploded diagram ① is provided for removal and disassembly jobs.
2. Numbers ② are given in the order of the jobs in the exploded diagram. A number that is enclosed by a circle indicates a disassembly step.
3. An explanation of jobs and notes is presented in an easy-to-read way by the use of symbol marks ③. The meanings of the symbol marks are given on the next page.
4. A job instruction chart ④ accompanies the exploded diagram, providing the order of jobs, names of parts, notes in jobs, etc.
5. Extent of removal ⑤ is provided in the job instruction chart to save the trouble of an unnecessary removal job.
6. For jobs requiring more information, the step-by-step format supplements ⑥ are given in addition to the exploded diagram and job instruction chart.

CLUTCH AND PRIMARY DRIVEN GEAR ENG

CLUTCH AND PRIMARY DRIVEN GEAR

CLUTCH PLATE AND FRICTION PLATE

Extent of removal: ① Clutch plate and friction plate removal

Extent of removal	Order	Part name	Qty	Remarks
Preparation for removal		CLUTCH PLATE AND FRICTION PLATE REMOVAL		Refer to "TRANSMISSION OIL REPLACEMENT" section in the CHAPTER 3. Shift the brake pedal downward. Disconnect at engine side.
		Bolt (brake pedal)		
⑤	1	Clutch cover	1	
	2	Screw (clutch spring)	5	
	3	Clutch spring	5	
	4	Pressure plate	1	
	5	Push rod	1	
	6	Plain washer	2	
	7	Bearing	1	
	8	Friction plate	8	
	9	Clutch plate	7	

CLUTCH AND PRIMARY DRIVEN GEAR ENG

REMOVAL POINTS

Clutch boss

1. Remove:

- Nut ①
- Lock washer ②
- Clutch boss ③

NOTE:
Straighten the lock washer tab and use the clutch holding tool ④, ⑤ to hold the clutch boss.

Clutch holding tool:
YM-91042.....④
90890-04086.....⑤

Ⓐ For USA and CDN
Ⓑ Except for USA and CDN

INSPECTION

Clutch housing and boss

1. Inspect:

- Clutch housing ①
Cracks/Wear/Damage → Replace.
- Clutch boss ②
Scoring/Wear/Damage → Replace.

Primary driven gear

1. Check:

- Circumferential play
Free play exists → Replace.
- Gear teeth ⑤
Wear/ Damage → Replace.

Clutch spring

1. Measure:

- Clutch spring free length ⑥
Out of specification → Replace springs as a set.

Standard	<Limit>
40.1 mm (1.579 in)	38.1 mm (1.500 in)

ILLUSTRATED SYMBOLS (Refer to the illustration)

Illustrated symbols ① to ⑦ are designed as thumb tabs to indicate the chapter's number and content.

- ① General information
- ② Specifications
- ③ Regular inspection and adjustments
- ④ Engine
- ⑤ Chassis
- ⑥ Electrical
- ⑦ Tuning

Illustrated symbols ⑧ to ⑭ are used to identify the specifications appearing in the text.

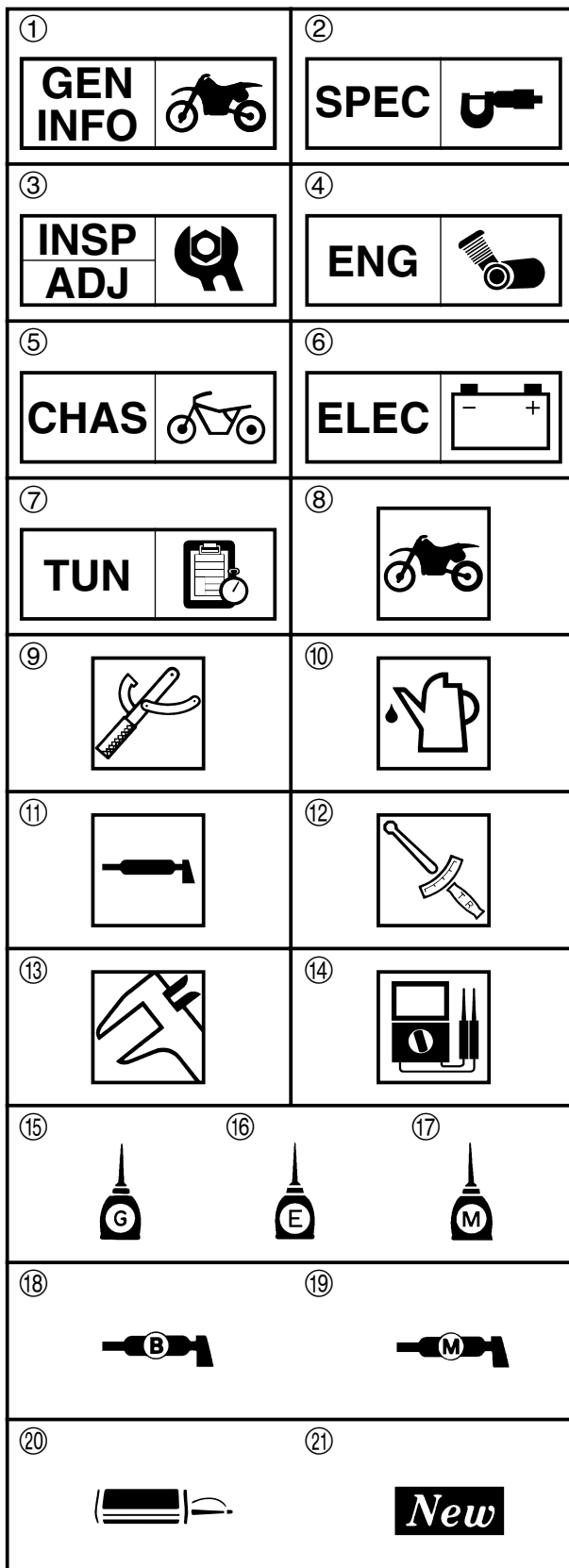
- ⑧ With engine mounted
- ⑨ Special tool
- ⑩ Filling fluid
- ⑪ Lubricant
- ⑫ Tightening
- ⑬ Specified value, Service limit
- ⑭ Resistance (Ω), Voltage (V), Electric current (A)

Illustrated symbols ⑮ to ⑲ in the exploded diagrams indicate grade of lubricant and location of lubrication point.






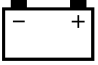

- ⑮ Apply transmission oil
- ⑯ Apply engine mixing oil
- ⑰ Apply molybdenum disulfide oil
- ⑱ Apply lightweight lithium-soap base grease
- ⑲ Apply molybdenum disulfide grease

Illustrated symbols ⑳ to ㉑ in the exploded diagrams indicate where to apply a locking agent and where to install new parts.

- ㉑ Apply locking agent (LOCTITE®)
- ㉒ Use new one



INDEX

GENERAL INFORMATION	
	GEN INFO 1
SPECIFICATIONS	
	SPEC 2
REGULAR INSPECTION AND ADJUSTMENTS	
	INSP ADJ 3
ENGINE	
	ENG 4
CHASSIS	
	CHAS 5
ELECTRICAL	
	ELEC 6
TUNING	
	TUN 7

CONTENTS

CHAPTER 1 GENERAL INFORMATION

DESCRIPTION	1-1
MACHINE IDENTIFICATION	1-2
IMPORTANT INFORMATION	1-3
CHECKING OF CONNECTION	1-6
SPECIAL TOOLS.....	1-7
CONTROL FUNCTIONS.....	1-9
FUEL AND ENGINE MIXING OIL.....	1-12
STARTING AND BREAK-IN	1-13
TORQUE-CHECK POINTS.....	1-16
CLEANING AND STORAGE	1-17

CHAPTER 2 SPECIFICATIONS

GENERAL SPECIFICATIONS	2-1
MAINTENANCE SPECIFICATIONS	2-3
GENERAL TORQUE SPECIFICATIONS..	2-12
DEFINITION OF UNITS	2-12
CABLE ROUTING DIAGRAM	2-13

CHAPTER 3 REGULAR INSPECTION AND ADJUSTMENTS

MAINTENANCE INTERVALS	3-1
PRE-OPERATION INSPECTION AND MAINTENANCE	3-4
ENGINE.....	3-5
CHASSIS.....	3-17
ELECTRICAL.....	3-38

CHAPTER 4 ENGINE

SEAT, FUEL TANK AND SIDE COVERS	4-1
EXHAUST PIPE AND SILENCER	4-3
RADIATOR	4-4
CARBURETOR AND REED VALVE	4-7
CYLINDER HEAD , CYLINDER AND PISTON	4-17
CLUTCH AND PRIMARY DRIVEN GEAR	4-30
KICK AXLE, SHIFT SHAFT AND PRIMARY DRIVE GEAR	4-38
YPVS GOVERNOR	4-45
WATER PUMP	4-48
CDI MAGNETO	4-52
ENGINE REMOVAL	4-56
CRANKCASE AND CRANKSHAFT	4-61
TRANSMISSION, SHIFT CAM AND SHIFT FORK	4-69

CHAPTER 5 CHASSIS

FRONT WHEEL AND REAR WHEEL	5-1
FRONT BRAKE AND REAR BRAKE	5-10
FRONT FORK	5-26
HANDLEBAR	5-41
STEERING	5-48
SWINGARM	5-53
REAR SHOCK ABSORBER	5-61

CHAPTER 6 ELECTRICAL

ELECTRICAL COMPONENTS AND WIRING DIAGRAM	6-1
IGNITION SYSTEM	6-2

CHAPTER 7 TUNING

ENGINE	7-1
CHASSIS	7-12



EC100000

GENERAL INFORMATION

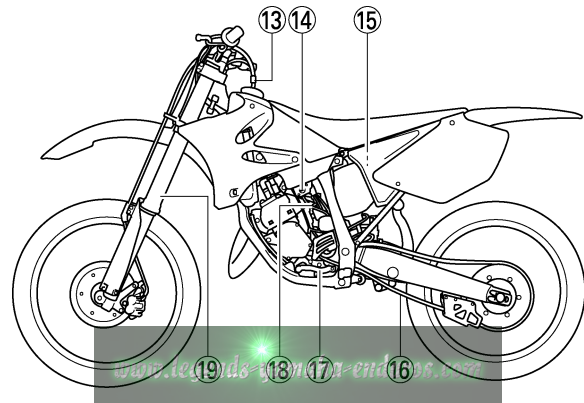
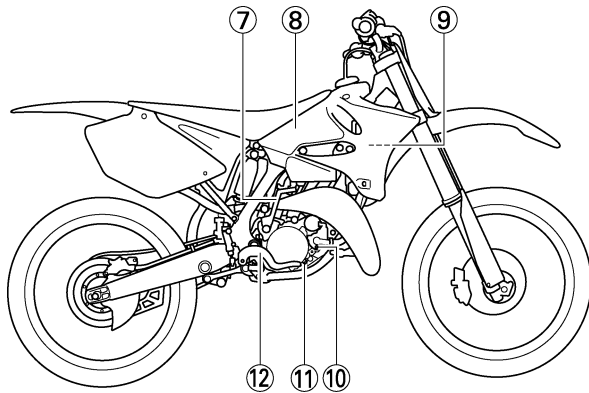
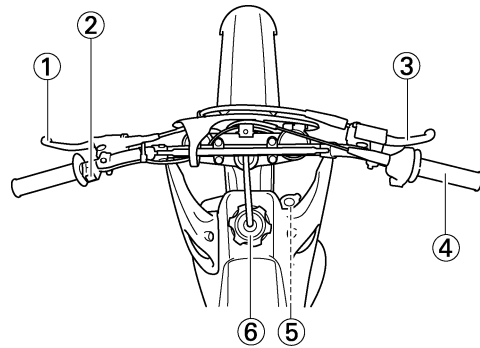
EC110000

DESCRIPTION

- ① Clutch lever
- ② "ENGINE STOP" button
- ③ Front brake lever
- ④ Throttle grip
- ⑤ Radiator cap
- ⑥ Fuel tank cap
- ⑦ Kick starter
- ⑧ Fuel tank
- ⑨ Radiator
- ⑩ Coolant drain bolt
- ⑪ Check bolt (Transmission oil level)
- ⑫ Rear brake pedal
- ⑬ Valve joint
- ⑭ Fuel cock
- ⑮ Air cleaner
- ⑯ Drive chain
- ⑰ Shift pedal
- ⑱ Starter knob
- ⑲ Front fork

NOTE:

- The machine you have purchased may differ slightly from those shown in the following.
- Designs and specifications are subject to change without notice.



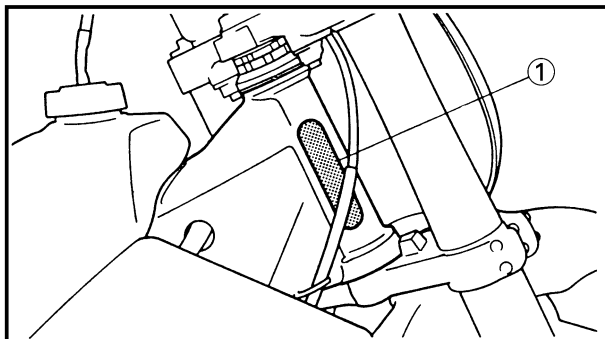
1

EC120001

MACHINE IDENTIFICATION

There are two significant reasons for knowing the serial number of your machine:

1. When ordering parts, you can give the number to your Yamaha dealer for positive identification of the model you own.
2. If your machine is stolen, the authorities will need the number to search for and identify your machine.



EC121001

VEHICLE IDENTIFICATION NUMBER

(For USA, CDN, AUS, NZ and E)

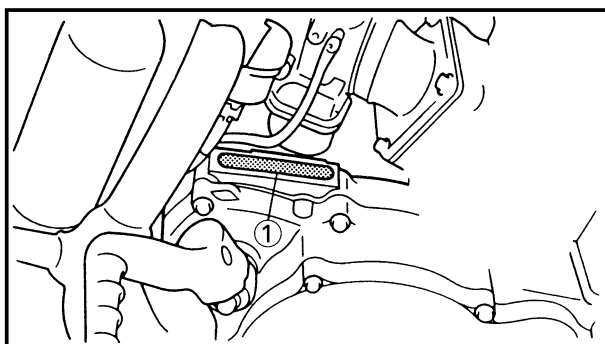
The vehicle identification number ① is stamped on the right of the steering head pipe.

EC122001

FRAME SERIAL NUMBER

(For F, D, GB, I and ZA)

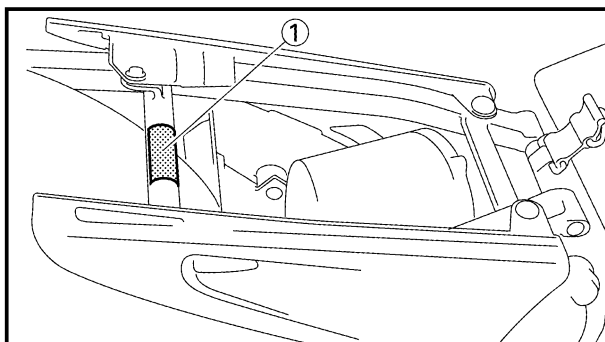
The frame serial number ① is stamped on the right of the steering head pipe.



EC123001

ENGINE SERIAL NUMBER

The engine serial number ① is stamped into the elevated part of the right-side of the engine.



EC124000

MODEL LABEL

The model label ① is affixed to the frame under the rider's seat. This information will be needed to order spare parts.



EC130000

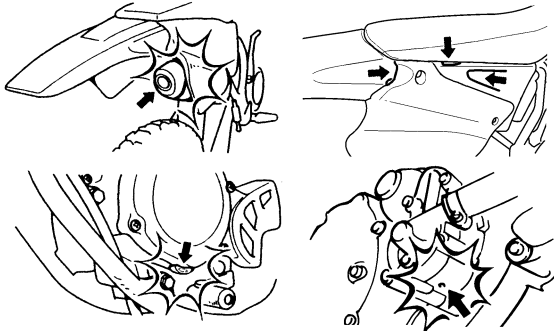
IMPORTANT INFORMATION

EC131010

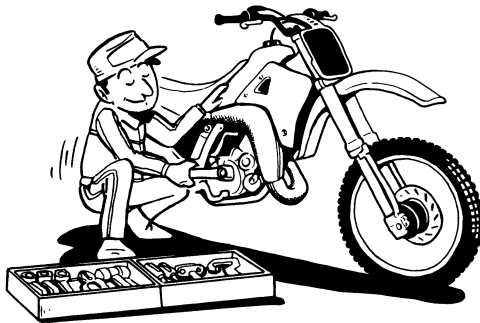
PREPARATION FOR REMOVAL AND DISASSEMBLY

1. Remove all dirt, mud, dust, and foreign material before removal and disassembly. When washing the machine with high pressured water, cover the parts as follows.

- Silencer exhaust port
- Side cover air intake port
- Crankcase cover hole at the bottom
- Water pump housing hole at the bottom
- End of each hose



2. Use proper tools and cleaning equipment. Refer to "SPECIAL TOOLS" section.



3. When disassembling the machine, keep mated parts together. They include gears, cylinders, pistons, and other mated parts that have been "mated" through normal wear. Mated parts must be reused as an assembly or replaced.



4. During the machine disassembly, clean all parts and place them in trays in the order of disassembly. This will speed up assembly time and help assure that all parts are correctly reinstalled.



5. Keep away from fire.

EC132000

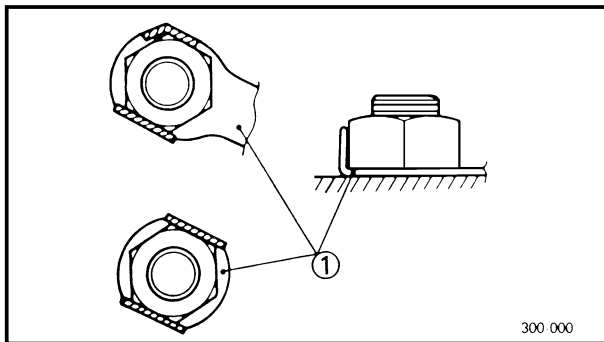
ALL REPLACEMENT PARTS

1. We recommend to use Yamaha genuine parts for all replacements. Use oil and/or grease recommended by Yamaha for assembly and adjustment.

EC133000

GASKETS, OIL SEALS AND O-RINGS

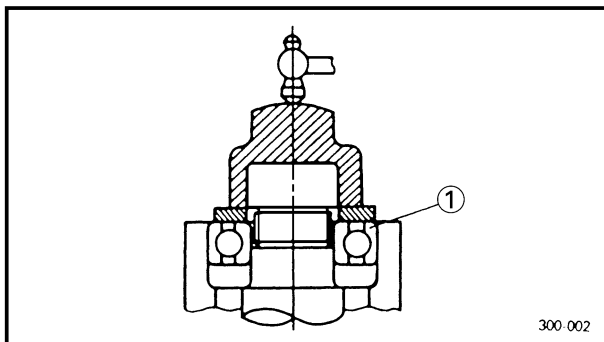
1. All gaskets, oil seals, and O-rings should be replaced when an engine is overhauled. All gasket surfaces, oil seal lips, and O-rings must be cleaned.
2. Properly oil all mating parts and bearings during reassembly. Apply grease to the oil seal lips.



EC134000

LOCK WASHERS/PLATES AND COTTER PINS

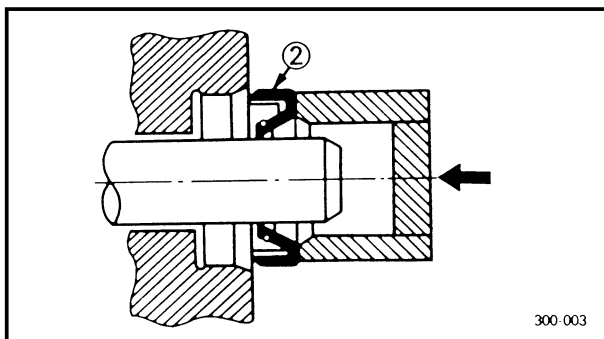
1. All lock washers/plates ① and cotter pins must be replaced when they are removed. Lock tab(s) should be bent along the bolt or nut flat(s) after the bolt or nut has been properly tightened.



EC135001

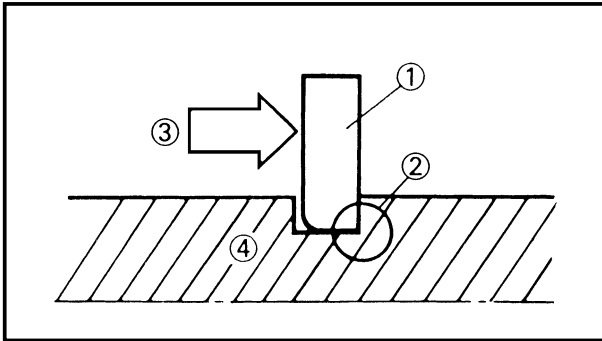
BEARINGS AND OIL SEALS

1. Install the bearing (s) ① and oil seal (s) ② with their manufacturer's marks or numbers facing outward. (In other words, the stamped letters must be on the side exposed to view.) When installing oil seal(s), apply a light coating of light-weight lithium base grease to the seal lip(s). Oil the bearings liberally when installing.



CAUTION: _____

Do not use compressed air to spin the bearings dry. This causes damage to the bearing surfaces.

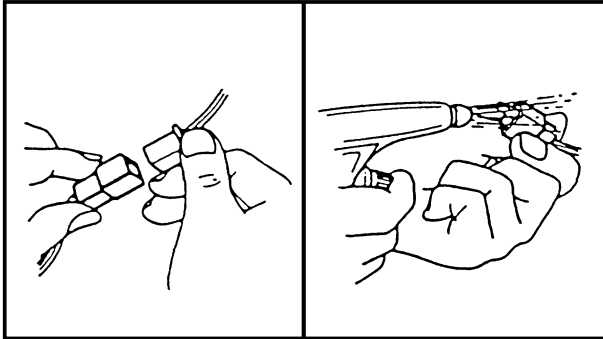


EC136000

CIRCLIPS

1. All circlips should be inspected carefully before reassembly. Always replace piston pin clips after one use. Replace distorted circlips. When installing a circlip ①, make sure that the sharp-edged corner ② is positioned opposite to the thrust ③ it receives. See the sectional view.

④ Shaft

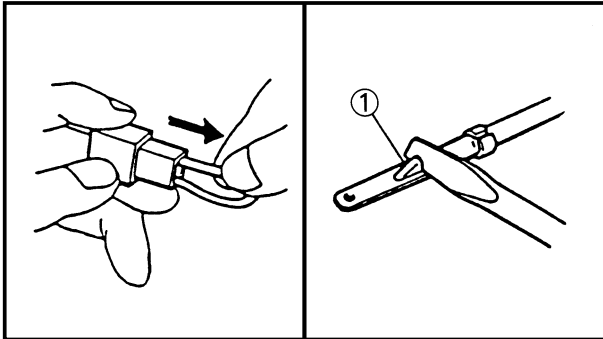


EC1C0001

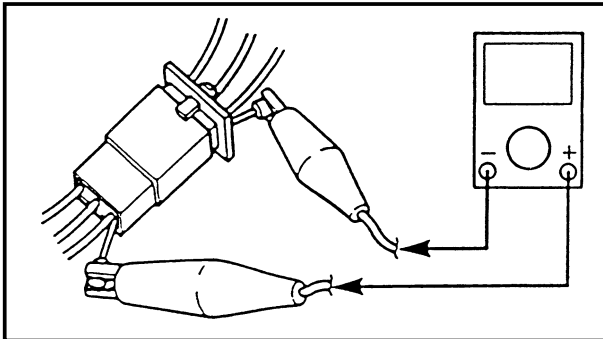
CHECKING OF CONNECTION

Dealing with stains, rust, moisture, etc. on the connector.

1. Disconnect:
 - Connector
2. Dry each terminal with an air blower.



3. Connect and disconnect the connector two or three times.
4. Pull the lead to check that it will not come off.
5. If the terminal comes off, bend up the pin ① and reinsert the terminal into the connector.



6. Connect:
 - Connector

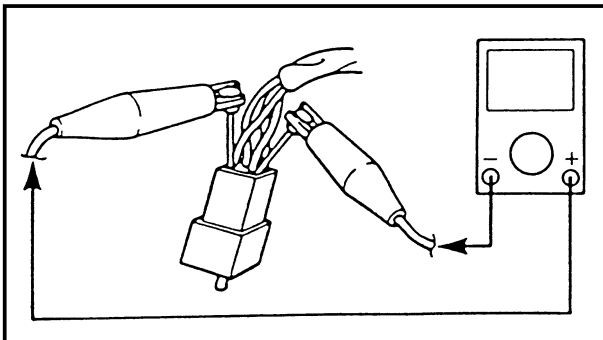
NOTE: _____

The two connectors “click” together.

7. Check for continuity with a tester.

NOTE: _____

- If there is no continuity, clean the terminals.
- Be sure to perform the steps 1 to 7 listed above when checking the wireharness.
- For a field remedy, use a contact revitalizer available on the market.
- Use the tester on the connector as shown.



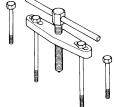
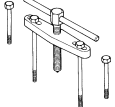
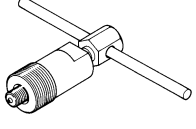
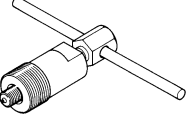
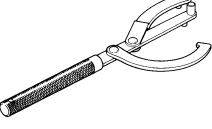
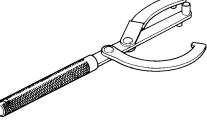
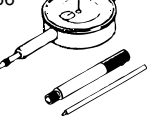

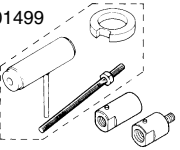

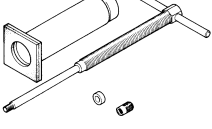

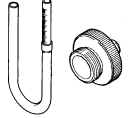
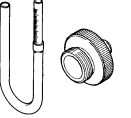
EC140002

SPECIAL TOOLS

The proper special tools are necessary for complete and accurate tune-up and assembly. Using the correct special tool will help prevent damage caused by the use of improper tools or improvised techniques. The shape and part number used for the special tool differ by country, so two types are provided. Refer to the list provided to avoid errors when placing an order.

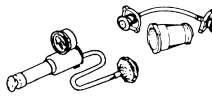
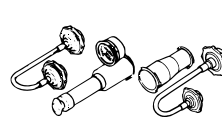
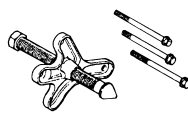
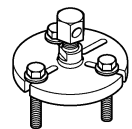
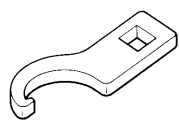
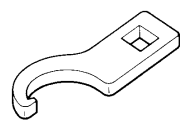
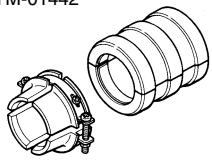
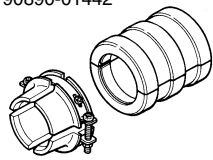
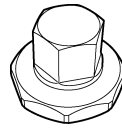
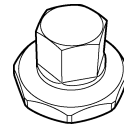

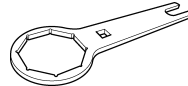
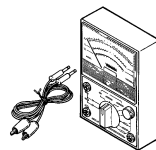

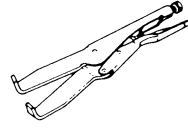
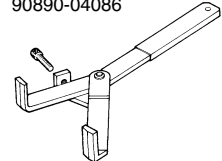
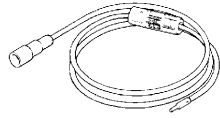
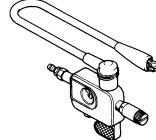
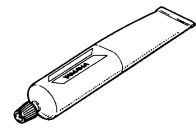
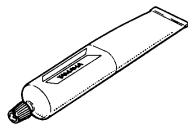
NOTE:

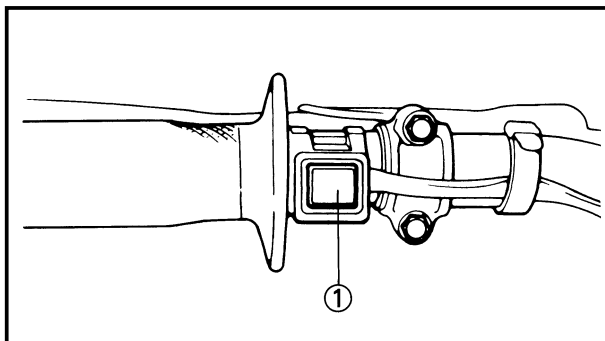
- For U.S.A. and Canada, use part number starting with “YM-”, “YU-” or “ACC-”.
- For others, use part number starting with “90890-”.

Part number	Tool name / How to use	Illustration	
YU-1135-A, 90890-01135	Crankcase separating tool These tool is used to split the crankcase as well as remove the crankshaft from either case.	YU-1135-A 	90890-01135 
YM-1189, 90890-01189	Flywheel puller This tool is used to remove the flywheel magneto.	YM-1189 	90890-01189 
YU-1235, 90890-01235	Rotor holding tool This tool is used when loosening or tightening the flywheel magneto securing nut.	YU-1235 	90890-01235 
YU-3097, 90890-01252 YU-1256	Dial gauge and stand Spark plug hole dial stand These tools are used to set the ignition timing.	YU-3097 YU-1256 	90890-01252 
YU-90050, 90890-01274 YU-90050, 90890-01275 YU-90063, 90890-01278 YM-01499, 90890-01499	Crankcase installing tool Pot Bolt Adapter Adapter These tools are used to install the crankshaft.	YU-90050 YU-90063 YM-01499 	90890-01274 90890-01275 90890-01278 90890-01499 
YU-1304, 90890-01304	Piston pin puller This tool is used to remove the piston pin.	YU-1304 	90890-01304 
YM-1312-A, 90890-01312 YM-01470, 90890-01470	Fuel level gauge Fuel level gauge adaptor This gauge is used to measure the fuel level in the float chamber.	YM-1312-A YM-01470 	90890-01312 90890-01470 

SPECIAL TOOLS



Part number	Tool name / How to use	Illustration	
YU-24460-01, 90890-01325 YU-33984, 90890-01352	Radiator cap tester Adapter These tools are used for checking the cooling system.	YU-24460-01 YU-33984 	90890-01325 90890-01352 
YU-33270-B, 90890-01362	Flywheel puller These tool is used to split the crankcase.	YU-33270-B 	90890-01362 
YU-33975, 90890-01403	Ring nut wrench This tool is used when tighten the steering ring nut to specification.	YU-33975 	90890-01403 
YM-01442, 90890-01442	Fork seal driver This tool is used when install the fork oil seal.	YM-01442 	90890-01442 
YM-01500, 90890-01500	Cap bolt wrench This tool is used to loosen or tighten the base valve.	YM-01500 	90890-01500 
YM-01501, 90890-01501	Cap bolt ring wrench This tool is used to loosen or tighten the damper assembly.	YM-01501 	90890-01501 
YU-3112-C, 90890-03112	Yamaha pocket tester Use this tool to inspect the coil resistance, output voltage and amperage.	YU-3112-C 	90890-03112 
YM-91042, 90890-04086	Clutch holding tool This tool is used to hold the clutch when removing or installing the clutch boss securing nut.	YM-91042 	90890-04086 
YM-34487 90890-06754	Dynamic spark tester Ignition checker This instrument is necessary for checking the ignition system components.	YM-34487 	90890-06754 
ACC-QUICK-GS-KT 90890-85505	Quick gasket® YAMAHA Bond No. 1215 This sealant (Bond) is used for crankcase mating surface, etc.	ACC-QUICK-GS-KT 	90890-85505 



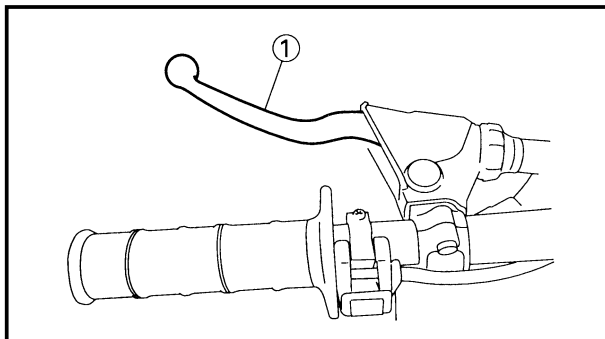
EC150000

CONTROL FUNCTIONS

EC151000

“ENGINE STOP” BUTTON

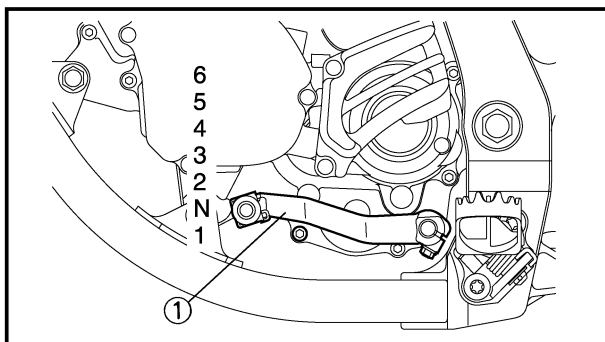
The “ENGINE STOP” button ① is located on the left handlebar. Continue pushing the “ENGINE STOP” button till the engine comes to a stop.



EC152000

CLUTCH LEVER

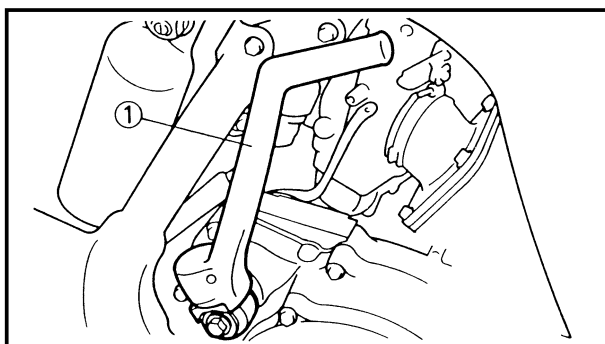
The clutch lever ① is located on the left handlebar; it disengages or engages the clutch. Pull the clutch lever to the handlebar to disengage the clutch, and release the lever to engage the clutch. The lever should be pulled rapidly and released slowly for smooth starts.



EC153000

SHIFT PEDAL

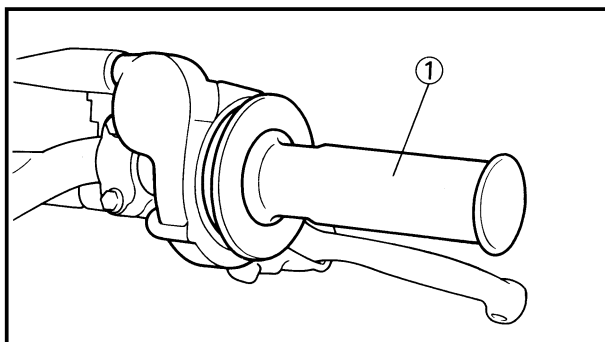
The gear ratios of the constant-mesh 6 speed transmission are ideally spaced. The gears can be shifted by using the shift pedal ① on the left side of the engine.



EC154000

KICK STARTER

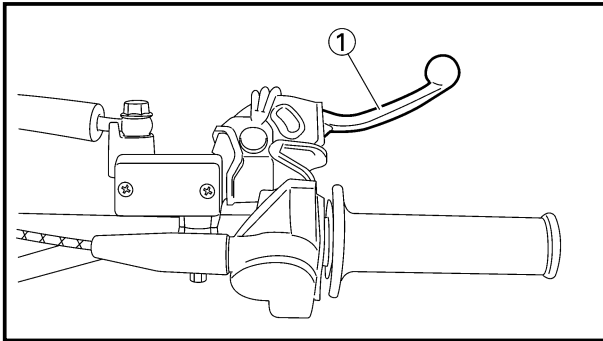
Rotate the kick starter ① away from the engine. Push the starter down lightly with your foot until the gears engage, then kick smoothly and forcefully to start the engine. This model has a primary kick starter so the engine can be started in any gear if the clutch is disengaged. In normal practices, however, shift to neutral before starting.



EC155001

THROTTLE GRIP

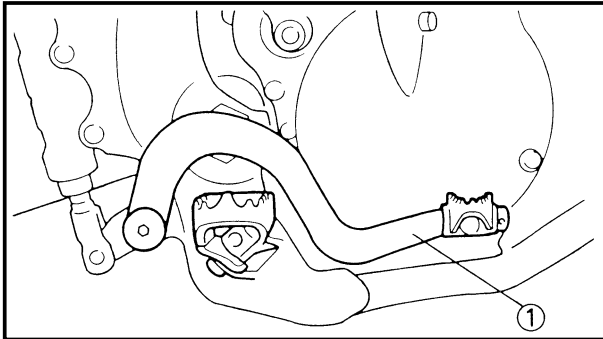
The throttle grip ① is located on the right handlebar; it accelerates or decelerates the engine. For acceleration, turn the grip toward you; for deceleration, turn it away from you.



EC156000

FRONT BRAKE LEVER

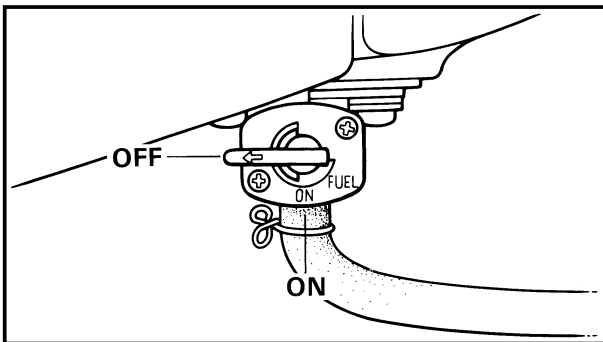
The front brake lever ① is located on the right handlebar. Pull it toward the handlebar to activate the front brake.



EC157000

REAR BRAKE PEDAL

The rear brake pedal ① is located on the right side of the machine. Press down on the brake pedal to activate the rear brake.

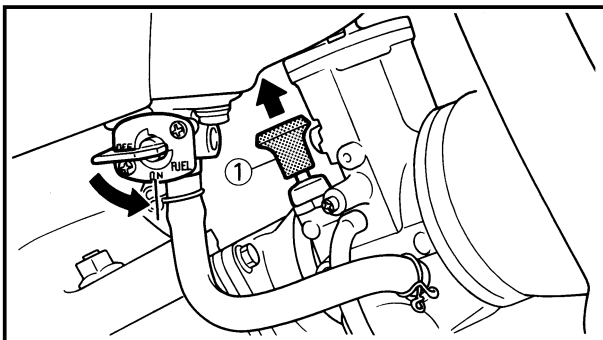


EC158001

FUEL COCK

The fuel cock supplies fuel from the tank to carburetor while filtering the fuel. The fuel cock has the two positions:

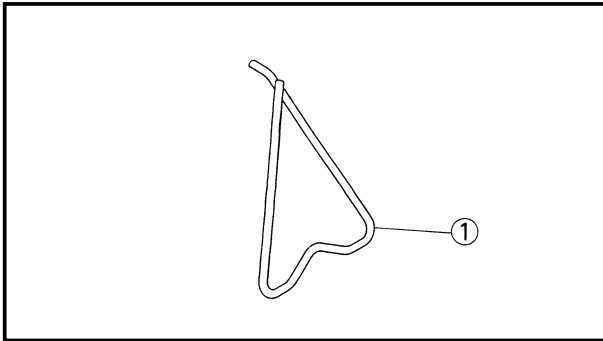
- OFF: With the lever in this position, fuel will not flow. Always return the lever to this position when the engine is not running.
- ON: With the lever in this position, fuel flows to the carburetor. Normal riding is done with the lever in this position.



EC159000

STARTER KNOB (CHOKE)

When cold, the engine requires a richer air-fuel mixture for starting. A separate starter circuit, which is controlled by the starter knob ①, supplies this mixture. Pull the starter knob out to open the circuit for starting. When the engine has warmed up, push it in to close the circuit.



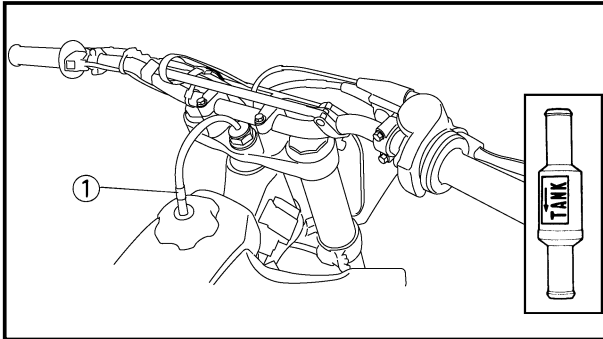
EC15R001

DETACHABLE SIDESTAND

This sidestand (1) is used to support only the machine when standing or transporting it.

⚠ WARNING

- Never apply additional force to the sidestand.
- Remove this sidestand before starting out.



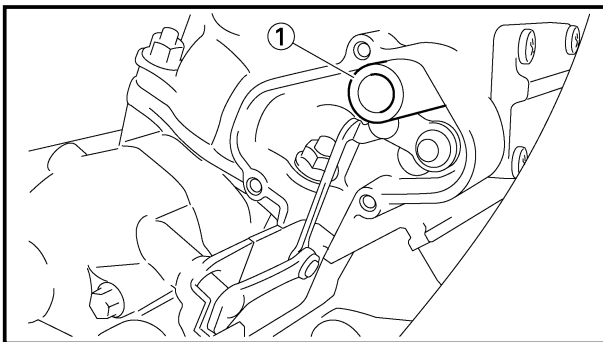
EC15F000

VALVE JOINT

This valve joint (1) prevents fuel from flowing out and is installed to the fuel tank breather hose.

CAUTION:

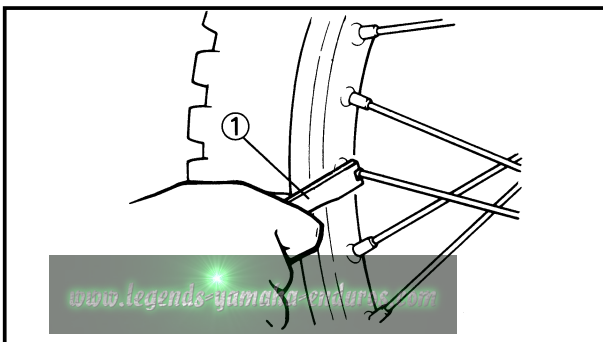
In this installation, make sure the arrow faces the fuel tank and also downward.



EC15d000

COLLAR (tool for YPVS)

This collar (1) is used to remove and install the push rod of the engine.



EC15e000

NIPPLE WRENCH

This nipple wrench (1) is used to tighten the spoke.

EC160051

FUEL AND ENGINE MIXING OIL

Mix oil with the gas at the ratio specified below. Always use fresh, name-brand gasoline, and mix the oil and gas the day of the race. Do not use premix that is more than a few hours old.



Recommended fuel:

Premium unleaded gasoline only with a research octane number of 95 or higher.

NOTE: _____

If knocking or pinging occurs, use a different brand of gasoline or higher octane grade.

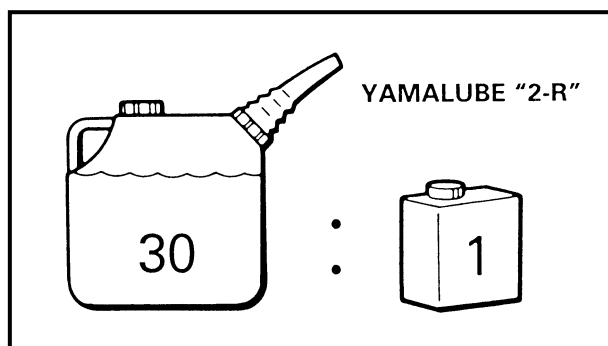
CAUTION: _____

Never mix two types of oil in the same batch; clotting of the oil could result. If you wish to change oil types, be sure to drain the fuel tank and the carburetor float bowl of old premix prior to filling with the new type.



Fuel tank capacity:

8.0 L (1.76 Imp gal, 2.11 US gal)



Mixing oil

Recommended oil:

**Yamalube "2-R"
(Yamalube racing 2-cycle oil)**

Mixing ratio: 30 : 1

If unavailable, use an equivalent type of oil.

EC190000

STARTING AND BREAK-IN

CAUTION: _____

Before starting the machine, perform the checks in the pre-operation check list.

⚠ WARNING _____

Never start or run the engine in a closed area. The exhaust fumes are poisonous; they can cause loss of consciousness and death in a very short time. Always operate the machine in a well-ventilated area.

EC191001

STARTING A COLD ENGINE

1. Shift the transmission into neutral.
2. Turn the fuel cock to "ON" and full open the starter knob (CHOKE).
3. With the throttle completely closed start the engine by kicking the kick starter forcefully with firm stroke.
4. Run the engine at idle or slightly higher until it warms up: this usually takes about one or two minutes.
5. The engine is warmed up when it responds normally to the throttle with the starter knob (CHOKE) turned off.

CAUTION: _____

Do not warm up the engine for extended periods.

EC193001

STARTING A WARM ENGINE

Do not operate the starter knob (CHOKE). Open the throttle slightly and start the engine by kicking the kick starter forcefully with firm stroke.


CAUTION: _____

Observe the following break-in procedures during initial operation to ensure optimum performance and avoid engine damage.

EC194001

BREAK-IN PROCEDURES

1. Before starting the engine, fill the fuel tank with a break-in oil-fuel mixture as follows.

	Mixing oil: Yamalube "2-R"	Mixing ratio: 15:1
---	--------------------------------------	------------------------------

2. Perform the pre-operation checks on the machine.
3. Start and warm up the engine. Check the idle speed, and check the operation of the controls and the "ENGINE STOP" button.
4. Operate the machine in the lower gears at moderate throttle openings for five to eight minutes. Stop and check the spark plug condition; it will show a rich condition during break-in.
5. Allow the engine to cool. Restart the engine and operate the machine as in the step above for five minutes. Then, very briefly shift to the higher gears and check full-throttle response. Stop and check the spark plug.
6. After again allowing the engine to cool, restart and run the machine for five more minutes. Full throttle and the higher gears may be used, but sustained full-throttle operation should be avoided. Check the spark plug condition.
7. Allow the engine to cool, remove the top end, and inspect the piston and cylinder. Remove any high spots on the piston with #600 grit wet sandpaper. Clean all components and carefully reassemble the top end.
8. Drain the break-in oil-fuel mixture from the fuel tank and refill with the specified mix.
9. Restart the engine and check the operation of the machine throughout its entire operating range. Stop and check the spark plug condition. Restart the machine and operate it for about 10 to 15 more minutes. The machine will now be ready to race.

CAUTION: _____

- After the break-in or before each race, you must check the entire machine for loose fittings and fasteners as per “TORQUE-CHECK POINTS”.

Tighten all such fasteners as required.

- When any of the following parts have been replaced, they must be broken in.

CYLINDER AND CRANKSHAFT:

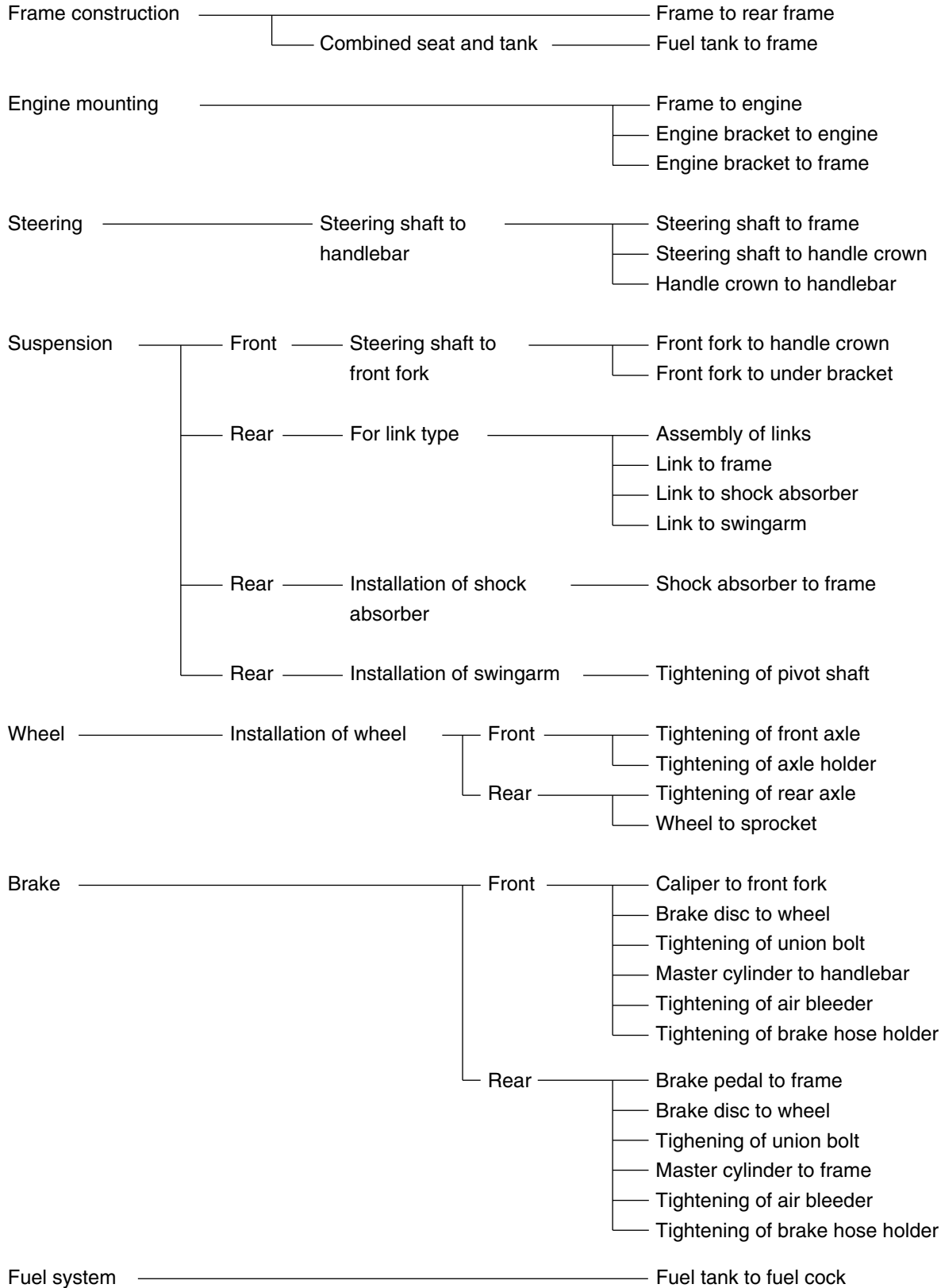
About one hour of break-in operation is necessary.

PISTON, RING AND GEARS:

These parts require about 30 minutes of break-in operation at half-throttle or less. Observe the condition of the engine carefully during operation.

EC1A0013

TORQUE-CHECK POINTS



NOTE:

Concerning the tightening torque, refer to “MAINTENANCE SPECIFICATIONS” section in the CHAPTER 2.

EC1B0000

CLEANING AND STORAGE

EC1B1000

CLEANING

Frequent cleaning of your machine will enhance its appearance, maintain good overall performance, and extend the life of many components.

1. Before washing the machine, block off the end of the exhaust pipe to prevent water from entering. A plastic bag secured with a rubber band may be used for this purpose.
2. If the engine is excessively greasy, apply some degreaser to it with a paint brush. Do not apply degreaser to the chain, sprockets, or wheel axles.
3. Rinse the dirt and degreaser off with a garden hose; use only enough pressure to do the job.

CAUTION:

Excessive hose pressure may cause water seepage and contamination of wheel bearings, front forks, brakes and transmission seals. Many expensive repair bills have resulted from improper high pressure detergent applications such as those available in coin-operated car washers.

4. After the majority of the dirt has been hosed off, wash all surfaces with warm water and a mild detergent. Use an old toothbrush to clean hard-to-reach places.
5. Rinse the machine off immediately with clean water, and dry all surfaces with a soft towel or cloth.
6. Immediately after washing, remove excess water from the chain with a paper towel and lubricate the chain to prevent rust.
7. Clean the seat with a vinyl upholstery cleaner to keep the cover pliable and glossy.
8. Automotive wax may be applied to all painted or chromed surfaces. Avoid combination cleaner-waxes, as they may contain abrasives.
9. After completing the above, start the engine and allow it to idle for several minutes.

EC1B2001

STORAGE

If your machine is to be stored for 60 days or more, some preventive measures must be taken to avoid deterioration. After cleaning the machine thoroughly, prepare it for storage as follows:

1. Drain the fuel tank, fuel lines, and the carburetor float bowl.
2. Remove the spark plug, pour a tablespoon of SAE 10W-30 motor oil in the spark plug hole, and reinstall the plug. With the engine stop switch pushed in, kick the engine over several times to coat the cylinder walls with oil.
3. Remove the drive chain, clean it thoroughly with solvent, and lubricate it. Reinstall the chain or store it in a plastic bag tied to the frame.
4. Lubricate all control cables.
5. Block the frame up to raise the wheels off the ground.
6. Tie a plastic bag over the exhaust pipe outlet to prevent moisture from entering.
7. If the machine is to be stored in a humid or salt-air environment, coat all exposed metal surfaces with a film of light oil. Do not apply oil to rubber parts or the seat cover.

NOTE: _____

Make any necessary repairs before the machine is stored.



EC200000

SPECIFICATIONS

EC211000

GENERAL SPECIFICATIONS

Model name:	YZ125T1 (USA, CDN) YZ125 (EUROPE, ZA) YZ125T (AUS, NZ)		
Model code number:	1C31 (USA, CDN, ZA) 1C32 (EUROPE) 1C34 (AUS, NZ)		
Dimensions:	USA, ZA	AUS, NZ	EUROPE, CDN
Overall length	2134 mm (84.0 in)	←	2139 mm (84.2 in)
Overall width	827 mm (32.6 in)	←	←
Overall height	1316 mm (51.8 in)	←	1318 mm (51.9 in)
Seat height	992 mm (39.1 in)	←	994 mm (39.1 in)
Wheelbase	1443 mm (56.8 in)	←	←
Minimum ground clearance	387 mm (15.2 in)	388 mm (15.3 in)	389 mm (15.3 in)
Dry weight: Without oil and fuel	86.0 kg (189.6 lb)		
Engine:			
Engine type	Liquid cooled 2-stroke, gasoline		
Cylinder arrangement	Single cylinder, forward inclined		
Displacement	124 cm ³ (4.36 Imp oz, 4.19 US oz)		
Bore × Stroke	54 × 54.5 mm (2.126 × 2.146 in)		
Compression ratio	8.6~10.7 : 1		
Starting system	Kick starter		
Lubrication system:	Premix (30 : 1)(Yamalube 2-R)		
Oil type or grade (2-Cycle):			
Transmission oil	Yamalube 4 (10W-30) or SAE 10W-30 type SE motor oil		
Periodic oil change	0.66 L (0.58 Imp qt, 0.69 US qt)		
Total amount	0.70 L (0.62 Imp qt, 0.74 US qt)		
Coolant capacity (including all routes):	0.9 L (0.79 Imp qt, 0.95 US qt)		
Air filter:	Wet type element		
Fuel:			
Type	Premium unleaded gasoline only with a research octane number of 95 or higher		
Tank capacity	8.0 L (1.76 Imp gal, 2.11 US gal)		

2

GENERAL SPECIFICATIONS

SPEC



Carburetor: Type/Manufacturer	TMX λ 38SS/MIKUNI	
Spark plug: Type/Manufacturer Gap	BR9EG/NGK (resistance type) 0.5~0.6 mm (0.020~0.024 in)	
Clutch type:	Wet, multiple-disc	
Transmission: Primary reduction system Primary reduction ratio Secondary reduction system Secondary reduction ratio Transmission type Operation Gear ratio: 1st 2nd 3rd 4th 5th 6th	Gear 64/19 (3.368) Chain drive 48/13 (3.692) Constant mesh, 6-speed Left foot operation 31/13 (2.385) 29/15 (1.933) 27/17 (1.588) 23/17 (1.353) 24/20 (1.200) 23/21 (1.095)	
Chassis:	USA, ZA, AUS, NZ	EUROPE, CDN
Frame type Caster angle Trail	Semi double cradle 25.5° 104 mm (4.09 in)	← 25.6° 107 mm (4.21 in)
Tire: Type Size (front) Size (rear) Tire pressure (front and rear)	With tube 80/100-21 51M 100/90-19 57M 100 kPa (1.0 kgf/cm ² , 15 psi)	
Brake: Front brake type Operation Rear brake type Operation	Single disc brake Right hand operation Single disc brake Right foot operation	
Suspension: Front suspension Rear suspension	Telescopic fork Swingarm (link type monocross suspension)	
Shock absorber: Front shock absorber Rear shock absorber	Coil spring/oil damper Coil spring/Gas, oil damper	
Wheel travel: Front wheel travel Rear wheel travel	300 mm (11.8 in) 315 mm (12.4 in)	
Electrical: Ignition system	CDI magneto	

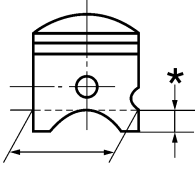
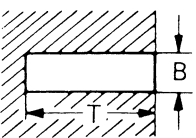
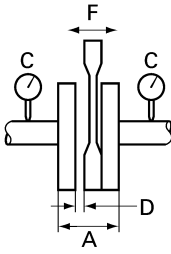


EC212000

MAINTENANCE SPECIFICATIONS

EC212100

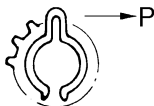
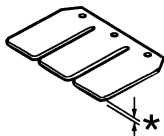
ENGINE

Item	Standard	Limit
Cylinder head: Combustion chamber capacity Warp limit	8.5 cm ³ (0.299 Imp oz, 0.287 US oz) 0.03 mm (0.0012 in)
Cylinder: Bore size Taper limit Out of round limit	54.000~54.014 mm (2.1260~2.1265 in) 	54.1 mm (2.130 in) 0.05 mm (0.0020 in) 0.01 mm (0.0004 in)
Piston: Piston size/ Measuring point* Piston clearance Piston offset	 53.957~53.972 mm (2.1243~2.1249 in) 17.5 mm (0.69 in) 0.040~0.045 mm (0.0016~0.0018 in) 0.5 mm (0.019 in)/EX-side 0.1 mm (0.004 in) ...
Piston pin: Piston pin outside diameter	14.995~15.000 mm (0.5904~0.5906 in)	14.975 mm (0.5896 in)
Piston ring: Sectional sketch End gap (installed) Side clearance (installed)	 Plain B=1.0 mm (0.039 in) T=2.35 mm (0.093 in) 0.5~0.7 mm (0.020~0.028 in) 0.035~0.070 mm (0.0014~0.0028 in) 1.2 mm (0.047 in) 0.1 mm (0.004 in)
Crankshaft: Crank width "A" Runout limit "C" Connecting rod big end side clearance "D" Small end free play "F"	 55.90~55.95 mm (2.201~2.203 in) 0.03 mm (0.0012 in) 0.06~0.64 mm (0.002~0.025 in) 0.8~1.0 mm (0.031~0.039 in)	... 0.05 mm (0.0020 in) ... 2.0 mm (0.08 in)
Clutch: Friction plate thickness Quantity Clutch plate thickness Quantity Warp limit Clutch spring free length Quantity Clutch housing thrust clearance Clutch housing radial clearance Clutch release method	2.9~3.1 mm (0.114~0.122 in) 8 1.5~1.7 mm (0.059~0.067 in) 7 ... 41.2 mm (1.622 in) 5 0.15~0.26 mm (0.006~0.010 in) 0.014~0.046 mm (0.0006~0.0018 in) Inner push, cam push	2.8 mm (0.110 in) 0.2 mm (0.008 in) 39.2 mm (1.543 in)

MAINTENANCE SPECIFICATIONS

SPEC



Item	Standard	Limit	
Transmission: Main axle deflection limit Drive axle deflection limit	0.01 mm (0.0004 in) 0.01 mm (0.0004 in)	
Shifter: Shifting type Guide bar bending limit	Cam drum and guide bar 0.05 mm (0.0020 in)	
Kick starter type: Kick clip friction force	Kick and mesh type P=0.8~1.2 kg (1.8~2.6 lb)	
			
Air filter oil grade (oiled filter):	Foam-air-filter oil or equivalent oil	...	
Carburetor:	USA, CDN, ZA AUS, NZ	EUROPE	
Type/Manufacturer	TMX \times 38SS /MIKUNI	←	
I.D. mark	1C31 00	1C32 10	...
Main jet (M.J.)	#410	#430	...
Jet needle-clip position (J.N.)	6CHY5-80-4	←	...
Cutaway (C.A.)	4.0	←	...
Pilot jet (P.J.)	#40	←	...
Pilot air screw (P.A.S.)	2-1/4	←	...
Valve seat size (V.S.)	\varnothing 3.8 mm (0.15 in)	←	...
Starter jet (G.S.)	#80	←	...
Fuel level (F.L.)	9.5~10.5 mm (0.37~0.41 in)	←	...
Reed valve: Thickness* Valve stopper height Valve bending limit	0.47 mm (0.019 in) 8.2~8.6 mm (0.323~0.339 in) 0.2 mm (0.008 in)	
			
Cooling: Radiator core size: Width Height (left) (right) Thickness Radiator cap opening pressure Radiator capacity (total) Water pump: Type	107.8 mm (4.24 in) 240 mm (9.45 in) 220 mm (8.66 in) 32 mm (1.26 in) 95~125 kPa (0.95~1.25 kg/cm ² , 13.5~17.8 psi) 0.56 L (0.49 Imp qt, 0.59 US qt) Single-suction centrifugal pump	

MAINTENANCE SPECIFICATIONS

SPEC



Part to be tightened	Thread size	Q'ty	Tightening torque		
			Nm	m•kg	ft•lb
Spark plug	M14S × 1.25	1	20	2.0	14
Cylinder head (nut)	M 8 × 1.25	5	28	2.8	20
(stud)	M 8 × 1.25	5	13	1.3	9.4
Cylinder (nut)	M 8 × 1.25	4	30	3.0	22
(stud)	M10 × 1.25	4	13	1.3	9.4
Power valve:					
Cover	M 5 × 0.8	4	5	0.5	3.6
Link lever	M 4 × 0.7	1	4	0.4	2.9
Holder (power valve)	M 5 × 0.8	4	8	0.8	5.8
Push rod	M 5 × 0.8	1	5	0.5	3.6
Thrust plate	M 5 × 0.8	1	4	0.4	2.9
Governor fork	M 4 × 0.7	2	5	0.5	3.6
Housing	M 5 × 0.8	3	4	0.4	2.9
Water pump housing cover	M 6 × 1.0	4	10	1.0	7.2
Coolant drain bolt	M 6 × 1.0	1	10	1.0	7.2
Radiator	M 6 × 1.0	6	10	1.0	7.2
Radiator panel	M 6 × 1.0	2	10	1.0	7.2
Radiator hose clamp	M 6 × 1.0	8	1	0.1	0.7
Air filter element	M 6 × 1.0	1	2	0.2	1.4
Carburetor joint	M 6 × 1.0	4	10	1.0	7.2
Carburetor joint clamp	M 4 × 0.7	1	2	0.2	1.4
Air filter joint clamp	M 4 × 0.7	1	2	0.2	1.4
△ Air filter case	M 6 × 1.0	4	8	0.8	5.8
Air filter guide clamp	M 5 × 0.8	1	4	0.4	2.9
Reed valve	M 3 × 0.5	6	1	0.1	0.7
Throttle cable adjust bolt and locknut	M 8 × 1.25	1	7	0.7	5.1
Throttle cable	M 6 × 0.75	1	4	0.4	2.9
Crankcase	M 6 × 1.0	12	14	1.4	10
Crankcase cover (right)	M 6 × 1.0	8	10	1.0	7.2
Crankcase cover (left)	M 6 × 1.0	4	5	0.5	3.6
Chain cover	M 6 × 1.0	2	5	0.5	3.6
Bearing plate cover	M 6 × 1.0	4	10	1.0	7.2
Holder	M 6 × 1.0	1	10	1.0	7.2
Oil check bolt	M 6 × 1.0	1	10	1.0	7.2
Oil drain bolt	M10 × 1.25	1	20	2.0	14
Kick starter	M 6 × 1.0	1	10	1.0	7.2
Clutch cover	M 6 × 1.0	6	10	1.0	7.2
Primary drive gear	M 8 × 1.25	1	48	4.8	35
Clutch boss	M16 × 1.0	1	80	8.0	58
Clutch spring	M 6 × 1.0	5	10	1.0	7.2
Clutch cable adjust bolt and locknut	M 6 × 0.75	1	4	0.4	2.9
Drive sprocket	M18 × 1.0	1	75	7.5	54
Shift pedal	M 6 × 1.0	1	12	1.2	8.7
Bearing plate cover (shift cam)	M 6 × 1.0	2	10	1.0	7.2
Shift guide	M 6 × 1.0	2	10	1.0	7.2
Stopper lever	M 6 × 1.0	1	10	1.0	7.2
Segment	M 8 × 1.25	1	30	3.0	22

MAINTENANCE SPECIFICATIONS

SPEC



	Part to be tightened	Thread size	Q'ty	Tightening torque		
				Nm	m•kg	ft•lb
△	Exhaust pipe	M 6 × 1.0	2	12	1.2	8.7
△	Exhaust pipe stay (front)	M 6 × 1.0	1	12	1.2	8.7
△	Exhaust pipe stay (rear)	M 6 × 1.0	1	12	1.2	8.7
△	Silencer	M 6 × 1.0	2	12	1.2	8.7
	Fiber (silencer)	M 6 × 1.0	2	10	1.0	7.2

NOTE: _____

△ - marked portion shall be checked for torque tightening after break-in or before each race.

MAINTENANCE SPECIFICATIONS

SPEC



EC212201

CHASSIS

Item	Standard		Limit
Steering system: Steering bearing type	Taper roller bearing		...
Front suspension:	USA, CDN, ZA, AUS, NZ	EUROPE	
Front fork travel	300 mm (11.8 in)	←	...
Fork spring free length	465 mm (18.3 in)	←	460 mm (18.1 in)
Spring rate, STD	K=4.1 N/mm (0.418 kg/mm, 23.4 lb/in)	K=4.0 N/mm (0.408 kg/mm, 22.8 lb/in)	...
Optional spring/Spacer	Yes	←	...
Oil capacity	430 cm ³ (15.1 Imp oz, 14.5 US oz)	435 cm ³ (15.3 Imp oz, 14.7 US oz)	...
Oil grade	Suspension oil "S1"	←	...
Inner tube outer diameter	48 mm (1.89 in)	←	...
Front fork top end	5 mm (0.2 in)	←	...
Rear suspension:	USA, CDN, ZA, AUS, NZ	EUROPE	
Shock absorber travel	132 mm (5.20 in)	←	...
Spring free length	260 mm (10.24 in)	←	...
Fitting length	252 mm (9.92 in)	248 mm (9.76 in)	...
<Min.~Max.>	240.5~258.5 mm (9.47~10.18 in)	←	...
Spring rate, STD	K=46.0 N/mm (4.70 kg/mm, 263.2 lb/in)	←	...
Optional spring	Yes	←	...
Enclosed gas pressure	1,000 kPa (10 kg/cm ² , 142 psi)	←	...
Swingarm: Swingarm free play limit			
End	...		1.0 mm (0.04 in)
Side clearance	...		0.2~0.9 mm (0.008~0.035 in)

MAINTENANCE SPECIFICATIONS

SPEC



Item	Standard	Limit
Wheel: Front wheel type Rear wheel type Front rim size/Material Rear rim size/Material Rim runout limit: Radial Lateral	Spoke wheel Spoke wheel 21 × 1.60/Aluminum 19 × 1.85/Aluminum 2.0 mm (0.08 in) 2.0 mm (0.08 in)
Drive chain: Type/Manufacturer Number of links Chain slack Chain length (15 links)	DID520DMA2 SDH/DAIDO 111 links+joint 48~58 mm (1.9~2.3 in) 242.9 mm (9.563 in)
Front disc brake: Disc outside dia. × Thickness Pad thickness Master cylinder inside dia. Caliper cylinder inside dia. Brake fluid type	250 × 3.0 mm (9.84 × 0.12 in) 4.4 mm (0.17 in) 11.0 mm (0.433 in) 27.0 mm (1.063 in) × 2 DOT #4	250 × 2.5 mm (9.84 × 0.10 in) 1.0 mm (0.04 in)
Rear disc brake: Disc outside dia. × Thickness Deflection limit Pad thickness Master cylinder inside dia. Caliper cylinder inside dia. Brake fluid type	245 × 4.0 mm (9.65 × 0.16 in) ... 6.4 mm (0.25 in) 11.0 mm (0.433 in) 25.4 mm (1.000 in) DOT #4	245 × 3.5 mm (9.65 × 0.14 in) 0.15 mm (0.006 in) 1.0 mm (0.04 in)
Brake lever & brake pedal: Brake lever position Brake pedal height (vertical height above footrest top) Clutch lever free play (lever end) Throttle grip free play	95 mm (3.74 in) Zero mm (Zero in) 8~13 mm (0.31~0.51 in) 3~5 mm (0.12~0.20 in)

MAINTENANCE SPECIFICATIONS

SPEC



	Part to be tightened	Thread size	Q'ty	Tightening torque		
				Nm	m•kg	ft•lb
△	Handle crown and outer tube	M 8 × 1.25	4	23	2.3	17
△	Under bracket and outer tube	M 8 × 1.25	4	20	2.0	14
△	Handle crown and steering shaft	M24 × 1.0	1	145	14.5	105
△	Handlebar holder (upper)	M 8 × 1.25	4	28	2.8	20
△	Steering ring nut	M28 × 1.0	1	Refer to NOTE.		
	Front fork and damper assembly	M51 × 1.5	2	30	3.0	22
	Front fork and adjuster	M22 × 1.25	2	55	5.5	40
	Damper assembly and base valve	M42 × 1.5	2	29	2.9	21
	Adjuster and damper assembly	M12 × 1.25	2	29	2.9	21
	Bleed screw (front fork) and base valve	M 5 × 0.8	2	1	0.1	0.7
△	Front fork and protector	M 6 × 1.0	6	10	1.0	7.2
△	Cable guide (front brake hose) and under bracket	M 6 × 1.0	1	4	0.4	2.9
△	Protector and brake hose holder	M 6 × 1.0	2	7	0.7	5.1
	Throttle cable cap	M 4 × 0.7	2	1	0.1	0.7
△	Front brake master cylinder and bracket	M 6 × 1.0	2	9	0.9	6.5
	Brake lever (bolt)	M 6 × 1.0	1	6	0.6	4.3
	(nut)	M 6 × 1.0	1	6	0.6	4.3
	Brake lever position locknut	M 6 × 1.0	1	5	0.5	3.6
	Clutch lever (nut)	M 6 × 1.0	1	4	0.4	2.9
	Clutch lever holder	M 5 × 0.8	2	4	0.4	2.9
	Front brake master cylinder cap	M 4 × 0.7	2	2	0.2	1.4
△	Front brake hose union bolt (master cylinder)	M10 × 1.25	1	30	3.0	22
△	Front brake hose union bolt (caliper)	M10 × 1.25	1	30	3.0	22
△	Front brake caliper and front fork	M 8 × 1.25	2	23	2.3	17
△	Front brake caliper and brake hose holder	M 6 × 1.0	1	10	1.0	7.2
	Grip cap upper and lower	M 6 × 1.0	2	4	0.4	2.9
	Brake caliper (front and rear) and pad pin plug	M10 × 1.0	2	3	0.3	2.2
△	Brake caliper (front and rear) and pad pin	M10 × 1.0	2	18	1.8	13
△	Brake caliper (front and rear) and bleed screw	M 8 × 1.25	2	6	0.6	4.3
△	Front wheel axle and nut	M16 × 1.5	1	105	10.5	75
△	Front wheel axle holder	M 8 × 1.25	4	23	2.3	17
△	Front brake disc and wheel hub	M 6 × 1.0	6	12	1.2	8.7
△	Rear brake disc and wheel hub	M 6 × 1.0	6	14	1.4	10
△	Footrest bracket and frame	M10 × 1.25	4	55	5.5	40
△	Brake pedal mounting	M 8 × 1.25	1	26	2.6	19

NOTE:

1. First, tighten the ring nut approximately 38 Nm (3.8 m•kg, 27 ft•lb) by using the ring nut wrench, then loosen the ring nut one turn.
2. Retighten the ring nut 7 Nm (0.7 m•kg, 5.1 ft•lb).

MAINTENANCE SPECIFICATIONS

SPEC



	Part to be tightened	Thread size	Q'ty	Tightening torque		
				Nm	m•kg	ft•lb
△	Rear brake master cylinder and frame	M 6 × 1.0	2	10	1.0	7.2
	Rear brake master cylinder cap	M 4 × 0.7	2	2	0.2	1.4
△	Rear brake hose union bolt (caliper)	M10 × 1.25	1	30	3.0	22
△	Rear brake hose union bolt (master cylinder)	M10 × 1.25	1	30	3.0	22
△	Rear wheel axle and nut	M20 × 1.5	1	125	12.5	90
△	Nipple (spoke)	—	72	3	0.3	2.2
△	Driven sprocket and wheel hub	M 8 × 1.25	6	42	4.2	30
△	Disc cover and rear brake caliper	M 6 × 1.0	2	7	0.7	5.1
△	Protector and rear brake caliper	M 6 × 1.0	2	7	0.7	5.1
	Chain puller adjust bolt and locknut	M 8 × 1.25	2	16	1.6	11
	Engine mounting:					
△	Engine and frame (front)	M10 × 1.25	1	64	6.4	46
△	Engine and frame (lower)	M10 × 1.25	1	64	6.4	46
△	Engine bracket and frame	M 8 × 1.25	2	34	3.4	24
△	Engine bracket and engine	M 8 × 1.25	1	34	3.4	24
△	Pivot shaft and nut	M16 × 1.5	1	85	8.5	61
△	Relay arm and swingarm	M14 × 1.5	1	80	8.0	58
△	Relay arm and connecting rod	M14 × 1.5	1	80	8.0	58
△	Connecting rod and frame	M14 × 1.5	1	80	8.0	58
△	Rear shock absorber and frame	M10 × 1.25	1	56	5.6	40
△	Rear shock absorber and relay arm	M10 × 1.25	1	53	5.3	38
△	Rear frame and frame (upper)	M 8 × 1.25	1	32	3.2	23
△	Rear frame and frame (lower)	M 8 × 1.25	2	29	2.9	21
△	Swingarm and brake hose holder	M 5 × 0.8	4	1	0.1	0.7
	Swingarm and patch	M 4 × 0.7	4	2	0.2	1.4
	Chain tensioner mounting	M 8 × 1.25	2	19	1.9	13
	Chain support and swingarm	M 6 × 1.0	3	7	0.7	5.1
	Seal guard and swingarm	M 5 × 0.8	4	5	0.5	3.6
	Cable guide and frame	M 5 × 0.8	2	4	0.4	2.9
△	Fuel tank mounting boss and frame	M10 × 1.25	2	20	2.0	14
△	Fuel tank mounting	M 6 × 1.0	2	10	1.0	7.2
△	Fuel tank and fuel cock	M 6 × 1.0	2	7	0.7	5.1
	Fuel tank and seat set bracket	M 6 × 1.0	1	7	0.7	5.1
	Fuel tank and hooking screw (fitting band)	M 6 × 1.0	1	7	0.7	5.1
	Fuel tank and fuel tank bracket	M 6 × 1.0	4	7	0.7	5.1
△	Air scoop and fuel tank	M 6 × 1.0	4	7	0.7	5.1
△	Air scoop and panel	M 6 × 1.0	2	6	0.6	4.3
△	Front fender mounting	M 6 × 1.0	4	7	0.7	5.1
△	Rear fender mounting (front)	M 6 × 1.0	2	7	0.7	5.1
△	Rear fender mounting (rear)	M 6 × 1.0	2	12	1.2	8.7
△	Side cover mounting	M 6 × 1.0	2	7	0.7	5.1
	Seat mounting	M 8 × 1.25	2	19	1.9	13
△	Number plate	M 6 × 1.0	1	7	0.7	5.1

NOTE:

△ - marked portion shall be checked for torque tightening after break-in or before each race.

MAINTENANCE SPECIFICATIONS

SPEC



EC212300

ELECTRICAL

Item	Standard	Limit
Ignition system: Ignition timing (B.T.D.C.) Advancer type	0.48 mm (0.019 in) Electrical
CDI: Magneto-model (stator)/Manufacturer Source coil 1 resistance (color) Source coil 2 resistance (color) Pickup coil resistance (color) CDI unit-model/Manufacturer	1C300/YAMAHA 720~1,080 Ω at 20°C (68°F) (Green/White-Black/Red) 44~66 Ω at 20°C (68°F) (Black-Green/Blue) 248~372 Ω at 20°C (68°F) (White/Blue-White/Red) 1C3-00/YAMAHA
Ignition coil: Model/Manufacturer Minimum spark gap Primary winding resistance Secondary winding resistance	1C3-00/YAMAHA 6 mm (0.24 in) 0.24~0.36 Ω at 20°C (68°F) 5.7~8.5kΩ at 20°C (68°F)
Spark plug cap: Resistance	4~6 kΩ at 20°C (68°F)	...

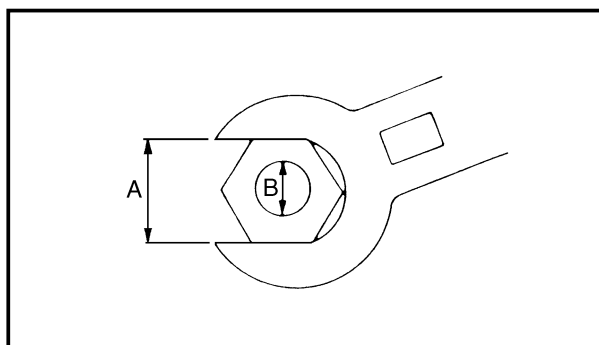
Part to be tightened	Thread size	Q'ty	Tightening torque		
			Nm	m•kg	ft•lb
Stator	M 6 × 1.0	3	7	0.7	5.1
Rotor	M12 × 1.25	1	56	5.6	40
Ignition coil	M 6 × 1.0	2	7	0.7	5.1



EC220001

GENERAL TORQUE SPECIFICATIONS

This chart specifies torque for standard fasteners with standard I.S.O. pitch threads. Torque specifications for special components or assemblies are included in the applicable sections of this book. To avoid warpage, tighten multi-fastener assemblies in a crisscross fashion, in progressive stages, until full torque is reached. Unless otherwise specified, torque specifications call for clean, dry threads. Components should be at room temperature.



A: Distance across flats
B: Outside thread diameter

A (Nut)	B (Bolt)	TORQUE SPECIFICATION		
		Nm	m•kg	ft•lb
10 mm	6 mm	6	0.6	4.3
12 mm	8 mm	15	1.5	11
14 mm	10 mm	30	3.0	22
17 mm	12 mm	55	5.5	40
19 mm	14 mm	85	8.5	61
22 mm	16 mm	130	13	94

EC230000

DEFINITION OF UNITS

Unit	Read	Definition	Measure
mm	millimeter	10^{-3} meter	Length
cm	centimeter	10^{-2} meter	Length
kg	kilogram	10^3 gram	Weight
N	Newton	$1 \text{ kg} \times \text{m}/\text{sec}^2$	Force
Nm	Newton meter	$\text{N} \times \text{m}$	Torque
m•kg	Meter kilogram	$\text{m} \times \text{kg}$	Torque
Pa	Pascal	N/m^2	Pressure
N/mm	Newton per millimeter	N/mm	Spring rate
L	Liter	—	Volume or capacity
cm ³	Cubic centimeter	—	Volume or capacity
r/min	Revolution per minute	—	Engine speed

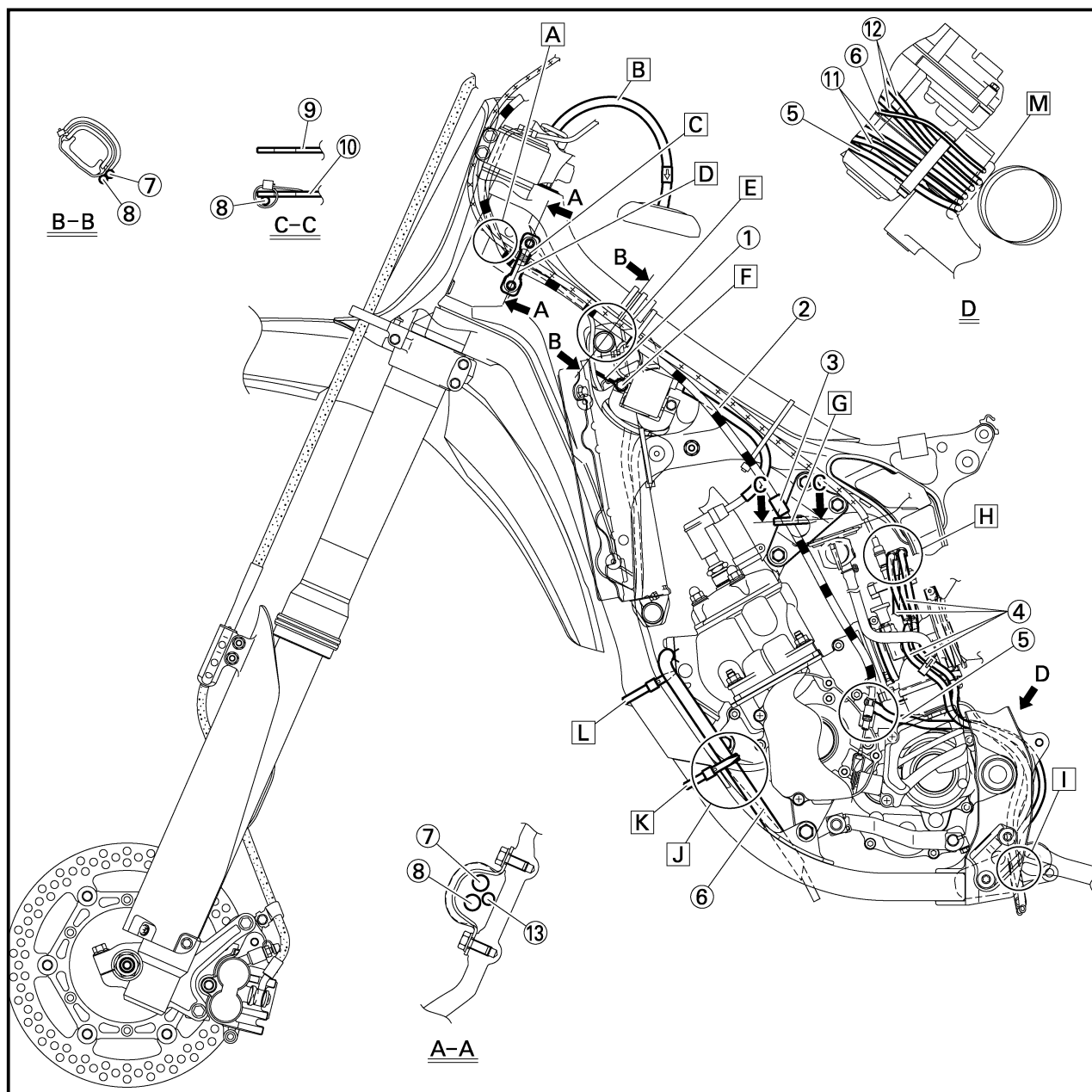


EC240000

CABLE ROUTING DIAGRAM

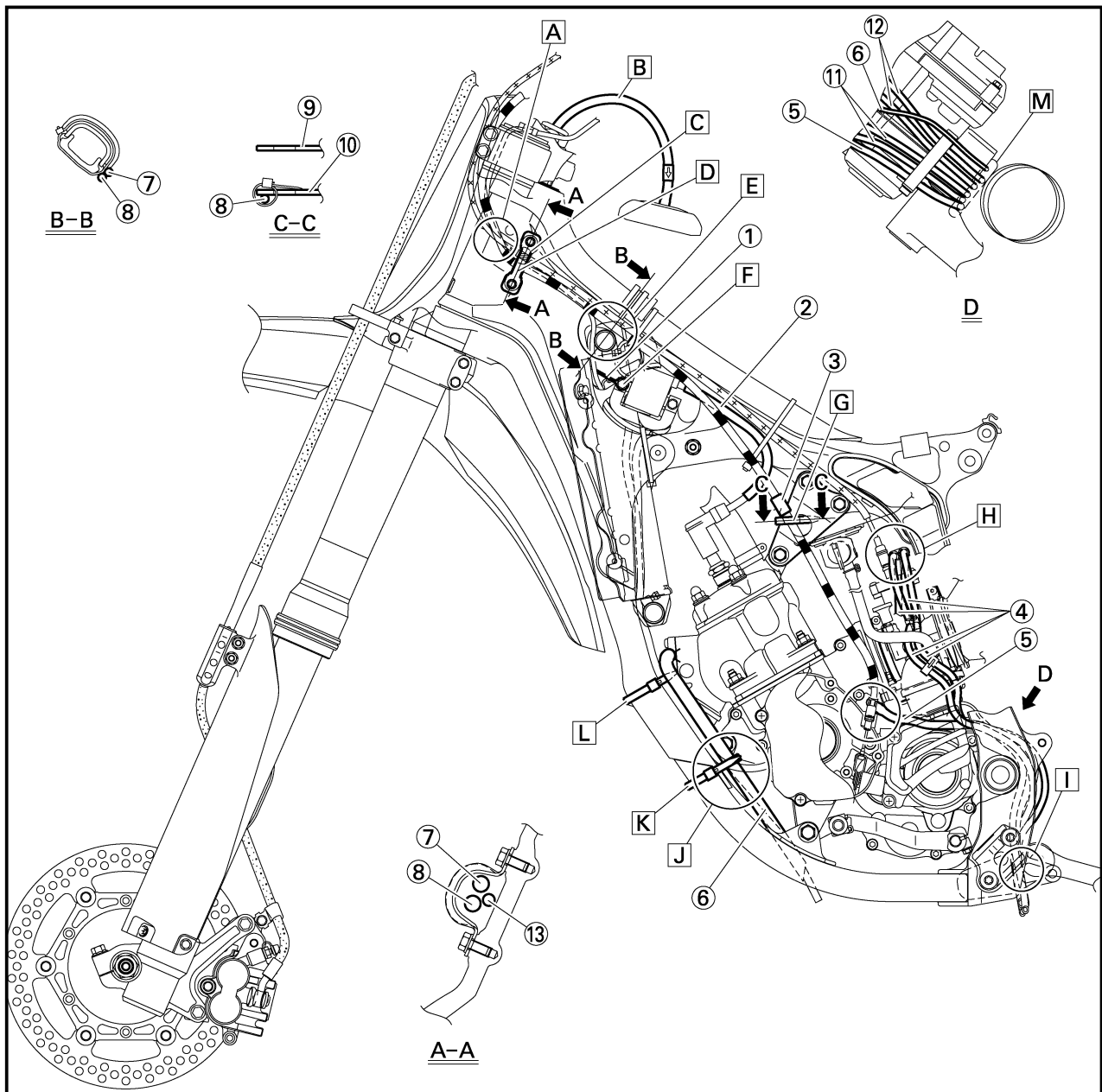
- ① Ground lead
- ② High tension cord
- ③ Grommet
- ④ Air vent hose
- ⑤ Crankcase breather hose
- ⑥ Y.P.V.S. breather hose
- ⑦ Throttle cable
- ⑧ Clutch cable
- ⑨ Engine bracket (right)
- ⑩ Engine bracket (left)
- ⑪ Air vent hose (left)
- ⑫ Air vent hose (right)
- ⑬ "ENGINE STOP" button lead

- A Pass the clutch cable on the outside of the throttle cable and "ENGINE STOP" button lead.
- B Insert the tip of the fuel tank breather hose into the hole in the steering shaft cap.
- C Align the throttle cable locating tape with the cable guide.
- D Pass through the cable guide the throttle cable, "ENGINE STOP" button lead and clutch cable.
- E Pass the throttle cable and clutch cable above the radiator hose, and pass the "ENGINE STOP" button lead below the radiator hose.
- F Install the ignition coil, side core and ground lead together to the frame.
- G Clamp the clutch cable to the left engine bracket. Clamp the clutch cable below the positioning grommet.
- H Pass the air vent hose back of the throttle cable.
- I Pass the air vent hose, overflow hose and crankcase breather hose between the frame and connecting rod.





- J** Pass the radiator breather hose and Y.P.V.S. breather hose from the outside of the engine bracket to the inside of the downtube.
- K** Clamp the C.D.I. magneto lead, radiator breather hose and Y.P.V.S. breather hose.
- L** Clamp to the frame the C.D.I. magneto lead and radiator breather hose.
- M** Pass the air vent hose, overflow hose and crankcase breather hose so that they do not contact the rear shock absorber.



CABLE ROUTING DIAGRAM

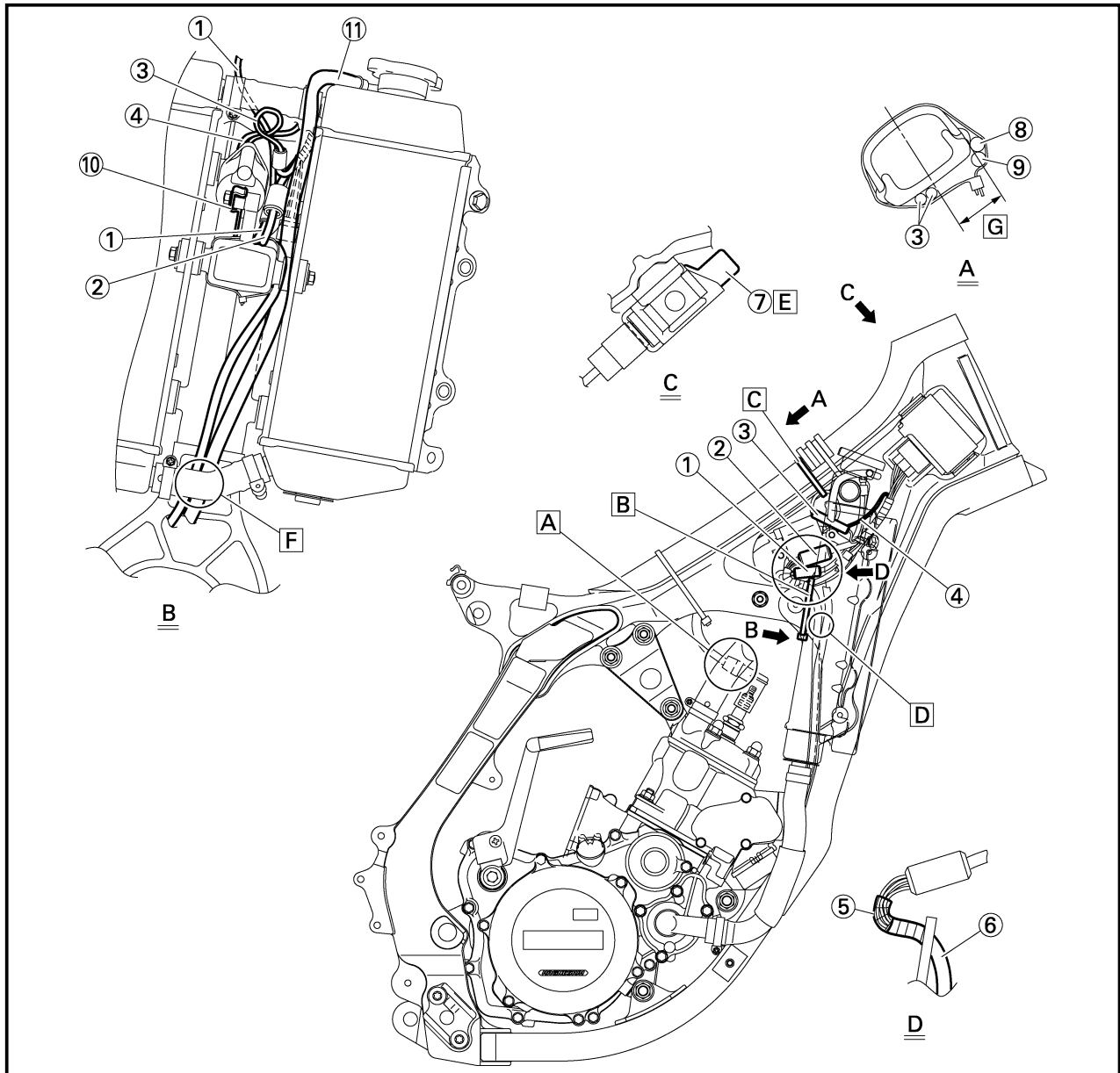
SPEC



- ① "ENGINE STOP" button lead
- ② C.D.I. magneto lead
- ③ Ignition coil lead
- ④ Ground lead
- ⑤ Positioning tape
- ⑥ Protection tube
- ⑦ C.D.I.unit
- ⑧ Throttle cable
- ⑨ Clutch cable
- ⑩ Side core
- ⑪ Radiator breather hose

- A Pass the high tension cord to the left of the radiator hose.
- B Clamp to the frame the "ENGINE STOP" button lead and C.D.I. magneto lead. Clamp them in front of the radiator fitting boss.
- C Clamp to the frame the throttle cable, clutch cable and ignition coil lead.
- D Pass the C.D.I. magneto lead and radiator breather hose between the frame and the right side of the radiator.
- E Insert the C.D.I. unit band until it stops at the C.D.I. unit stay.
- F Pass the C.D.I. magneto lead and radiator breather hose between the frame and the radiator hose.

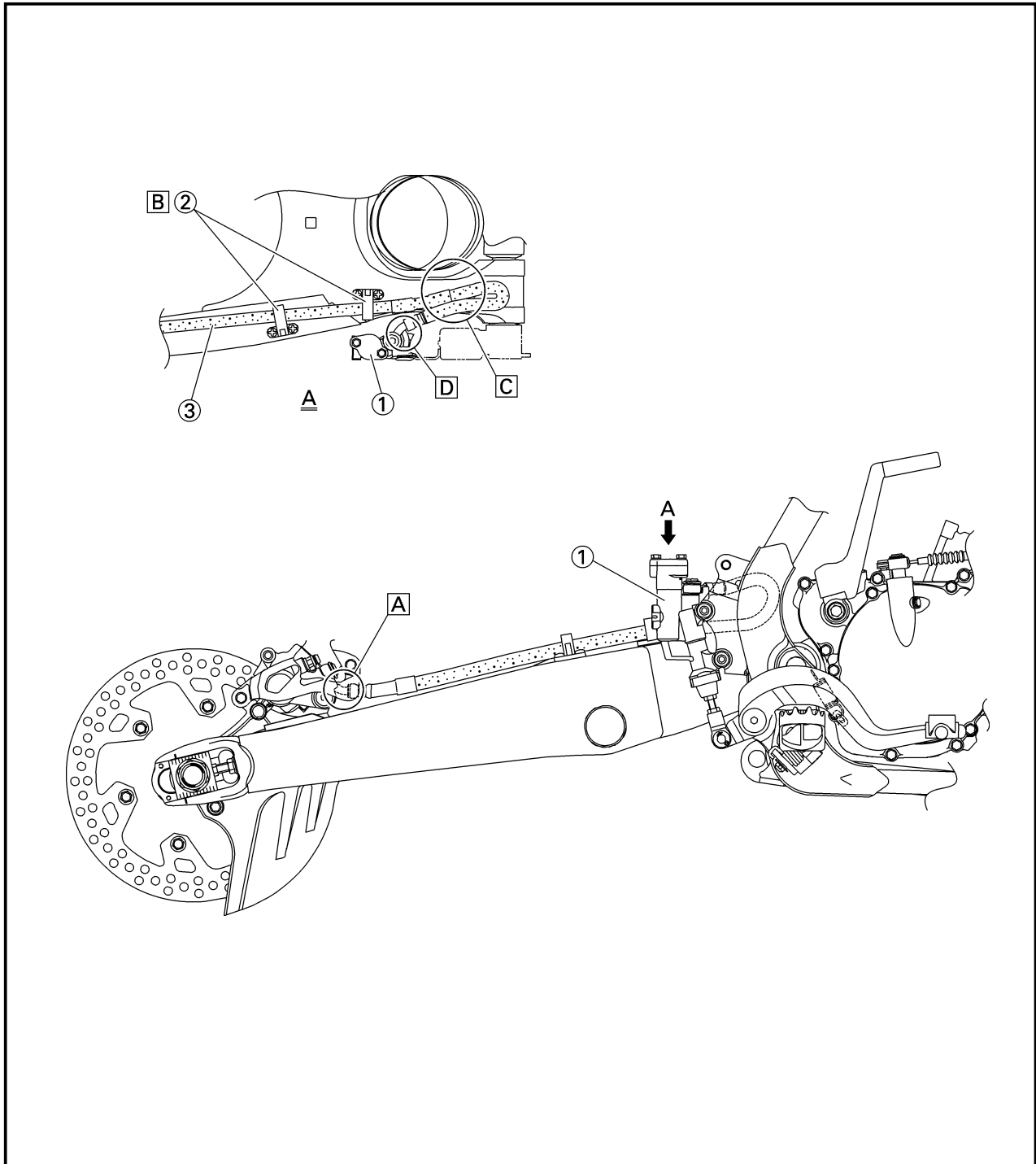
- G Locate the clamp ends in the arrowed range.





- ① Master cylinder
- ② Brake hose holder
- ③ Brake hose

- A Install the brake hose so that its pipe portion directs as shown and lightly touches the projection on the caliper.
- B Pass the brake hose into the brake hose holders.
- C If the brake hose contacts the spring (rear shock absorber), correct its twist.
- D Install the brake hose so that its pipe portion directs as shown and lightly touches the projection on the master cylinder.



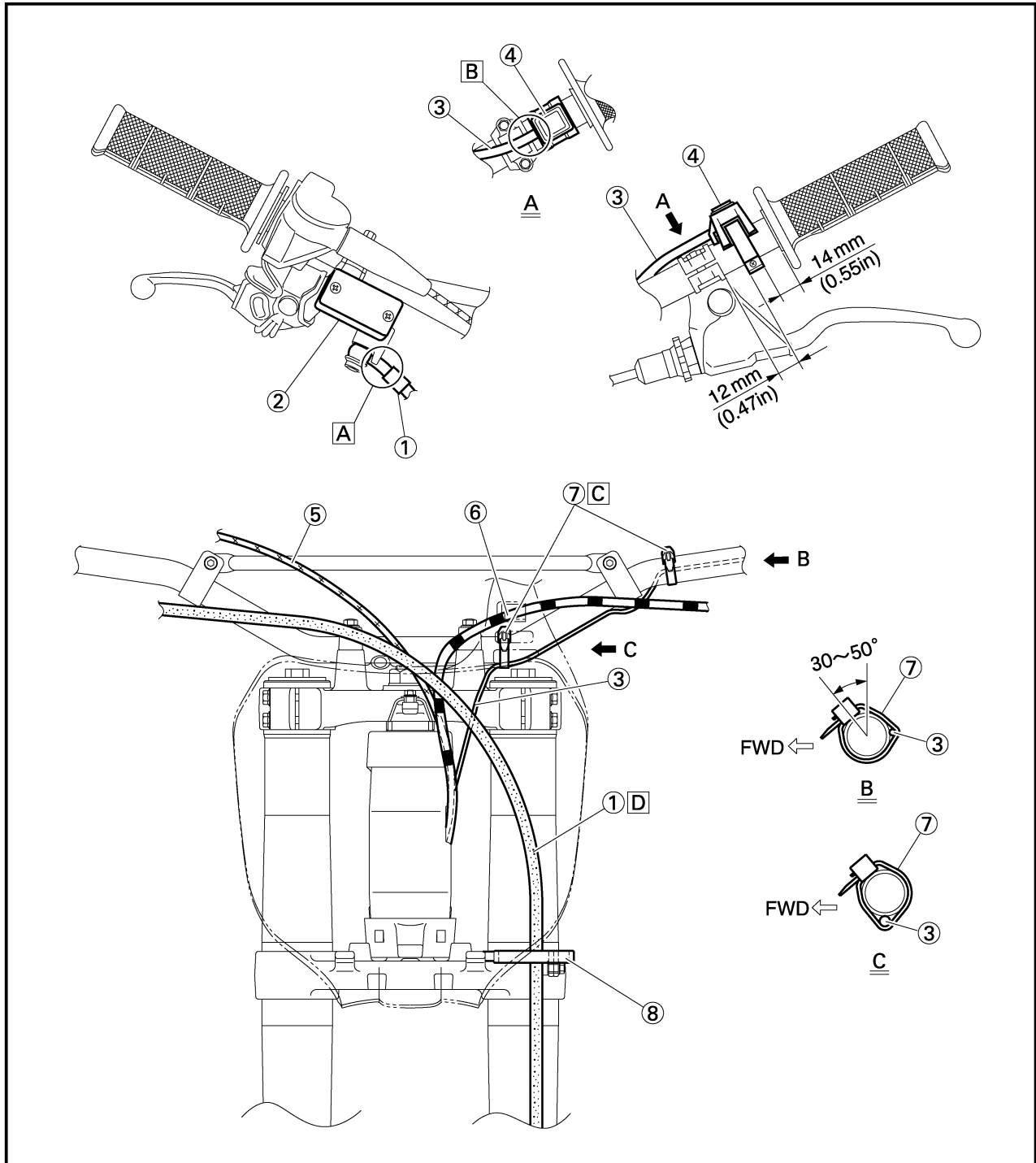
CABLE ROUTING DIAGRAM

SPEC



- ① Brake hose
- ② Master cylinder
- ③ "ENGINE STOP" button lead
- ④ "ENGINE STOP" button
- ⑤ Throttle cable
- ⑥ Clutch cable
- ⑦ Clamp
- ⑧ Cable guide

- A** Install the brake hose so that its pipe portion directs as shown and lightly touches the projection on the master cylinder.
- B** Pass the "ENGINE STOP" button lead in the middle of the clutch holder.
- C** Clamp the "ENGINE STOP" button lead to the handlebar to 3 clicks.
- D** Pass the brake hose in front of the number plate and through the cable guide.



EC300000

REGULAR INSPECTION AND ADJUSTMENTS

EC310053

MAINTENANCE INTERVALS

The following schedule is intended as a general guide to maintenance and lubrication. Bear in mind that such factors as weather, terrain, geographical location, and individual usage will alter the required maintenance and lubrication intervals. If you are a doubt as to what intervals to follow in maintaining and lubricating your machine, consult your Yamaha dealer.

Item	After break-in	Every race	Every third	Every fifth	As required	Remarks
PISTON Inspect and clean Replace	●	●		●	●	Inspect crack Inspect carbon deposits and eliminate them
PISTON RING Inspect Replace	●	●	●		●	Check ring end gap
PISTON PIN, SMALL END BEARING Inspect Replace		●			●	
CYLINDER HEAD Inspect and clean Retighten	● ●	● ●				Inspect carbon deposits and eliminate them Check gasket
CYLINDER Inspect and clean Replace	●	●			●	Inspect score marks Inspect wear
YPVS Inspect and clean	●	●				Inspect carbon deposits and eliminate them
CLUTCH Inspect and adjust Replace	●	●			●	Inspect housing, friction plate, clutch plate and spring
TRANSMISSION Replace oil Inspect Replace bearing	●			●	● ●	Yamalube 4 (10W-30) or SAE 10W-30 SE motor oil
SHIFT FORK, SHIFT CAM, GUIDE BAR Inspect					●	Inspect wear
ROTOR NUT Retighten	●			●		
MUFFLER Inspect Clean Retighten	● ●	● ●		●		
CRANK Inspect and clean				●	●	
CARBURETOR Inspect, adjust and clean	●	●				
SPARK PLUG Inspect and clean Replace	●	●			●	
DRIVE CHAIN Lubricate, slack, alignment Replace	●	●			●	Use chain lube Chain slack: 48~58 mm (1.9~2.3 in)

MAINTENANCE INTERVALS



Item	After break-in	Every race	Every third	Every fifth	As required	Remarks
COOLING SYSTEM Check coolant level and leakage Check radiator cap operation Replace coolant Inspect hoses	●	●			● ●	Every two years
OUTSIDE NUTS AND BOLTS Retighten	●	●				Refer to "STARTING AND BREAK-IN" section in the CHAPTER 1.
AIR FILTER Clean and lubricate Replace	●	●			●	Use foam air-filter oil or equivalent oil
FRAME Clean and inspect	●	●				
FUEL TANK, COCK Clean and inspect	●		●			
BRAKES Adjust lever position and pedal height Lubricate pivot point Check brake disc surface Check fluid level and leakage Retighten brake disc bolts, caliper bolts, master cylinder bolts and union bolts Replace pads Replace brake fluid	● ● ● ● ●	● ● ● ● ●			● ●	Every one year
FRONT FORKS Inspect and adjust Replace oil Replace oil seal	● ●	●		●	●	Suspension oil "S1"
FRONT FORK OIL SEAL AND DUST SEAL Clean and lube	●	●				Lithium base grease
PROTECTOR GUIDE Replace					●	
REAR SHOCK ABSORBER Inspect and adjust Lube Retighten	● ●	● ●	●		● (After rain ride)	Molybdenum disulfide grease
CHAIN GUARD AND ROLLERS Inspect	●	●				
SWINGARM Inspect, lube and retighten	●	●				Molybdenum disulfide grease
RELAY ARM, CONNECTING ROD Inspect, lube and retighten	●	●				Molybdenum disulfide grease
STEERING HEAD Inspect free play and retighten Clean and lube Replace bearing	●	●		●	●	Lithium base grease
TIRE, WHEELS Inspect air pressure, wheel run-out, tire wear and spoke looseness Retighten sprocket bolt Inspect bearings Replace bearings Lubricate	● ●	● ●	● ●		●	Lithium base grease
THROTTLE, CONTROL CABLE Check routing and connection Lubricate	● ●	● ●				Yamaha cable lube or SAE 10W-30 motor oil

3

EC320000

PRE-OPERATION INSPECTION AND MAINTENANCE

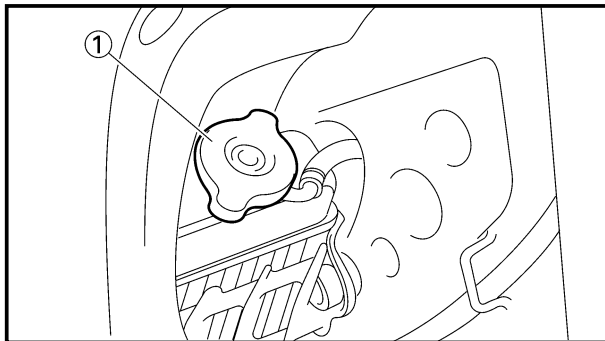
Before riding for break-in operation, practice or a race, make sure the machine is in good operating condition.

Before using this machine, check the following points.

EC321000

GENERAL INSPECTION AND MAINTENANCE

Item	Routine	Page
Coolant	Check that coolant is filled up to the radiator filler cap. Check the cooling system for leakage.	P3-5~9
Fuel	Check that a fresh mixture of oil and gasoline is filled in the fuel tank. Check the fuel line for leakage.	P1-12
Transmission oil	Check that the oil level is correct. Check the crankcase for leakage.	P3-12~14
Gear shifter and clutch	Check that gears can be shifted correctly in order and that the clutch operates smoothly.	P3-9
Throttle grip/Housing	Check that the throttle grip operation and free play are correctly adjusted. Lubricate the throttle grip and housing, if necessary.	P3-10~11
Brakes	Check the play of front brake and effect of front and rear brake.	P3-17~23
Chain	Check chain slack and alignment. Check that the chain is lubricated properly.	P3-24~26
Wheels	Check for excessive wear and tire pressure. Check for loose spokes and have no excessive play.	P3-34~35
Steering	Check that the handlebar can be turned smoothly and have no excessive play.	P3-35~36
Front forks and rear shock absorber	Check that they operate smoothly and there is no oil leakage.	P3-26~33
Cables (wires)	Check that the clutch and throttle cables move smoothly. Check that they are not caught when the handlebars are turned or when the front forks travel up and down.	—
Muffler	Check that the muffler is tightly mounted and has no cracks.	P3-15~16
Sprocket	Check that the driven sprocket tightening bolt is not loose.	P3-24
Lubrication	Check for smooth operation. Lubricate if necessary.	P3-37
Bolts and nuts	Check the chassis and engine for loose bolts and nuts.	P1-16
Lead connectors	Check that the CDI magneto, CDI unit, and ignition coil are connected tightly.	P1-6
Settings	Is the machine set suitably for the condition of the racing course and weather or by taking into account the results of test runs before racing? Are inspection and maintenance completely done?	P7-1~23



EC350000

ENGINE

EC351011

COOLANT LEVEL INSPECTION

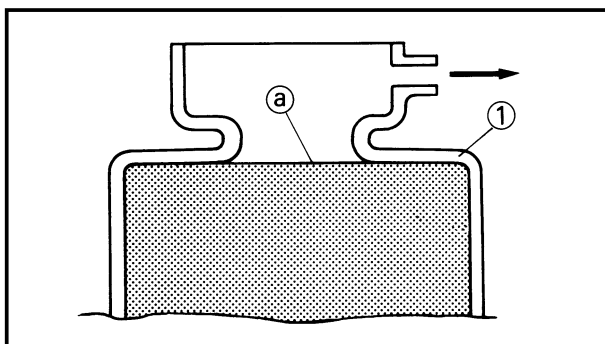
⚠ WARNING

Do not remove the radiator cap ①, drain bolt and hoses when the engine and radiator are hot. Scalding hot fluid and steam may be blown out under pressure, which could cause serious injury.

When the engine has cooled, place a thick towel over the radiator cap, slowly rotate the cap counterclockwise to the detent. This procedure allows any residual pressure to escape. When the hissing sound has stopped, press down on the cap while turning counterclockwise and remove it.

CAUTION:

Hard water or salt water is harmful to the engine parts. You may use distilled water, if you can't get soft water.



1. Place the machine on a level place, and hold it in an upright position.
2. Remove:
 - Radiator cap
3. Check:
 - Coolant level ①Coolant level low → Add coolant.

① Radiator

EC353011

COOLANT REPLACEMENT

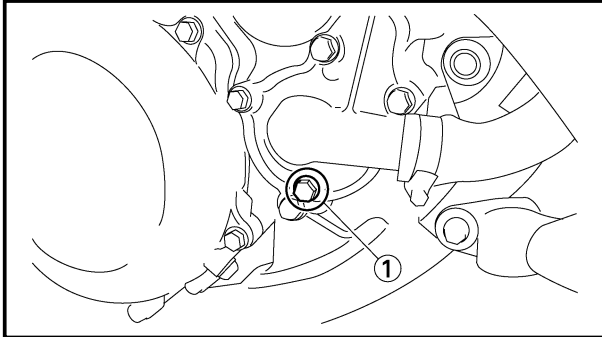
⚠ WARNING

Do not remove the radiator cap when the engine is hot.




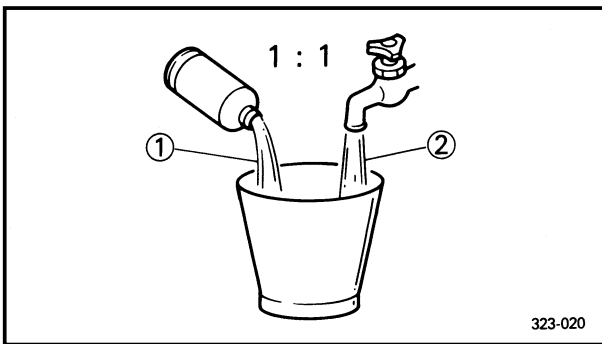
CAUTION:

Take care so that coolant does not splash on painted surfaces. If it splashes, wash it away with water.



1. Place a container under the engine.
2. Remove:
 - Coolant drain bolt ①
3. Remove:
 - Radiator cap
 Drain the coolant completely.
4. Clean:
 - Cooling system
 Thoroughly flush the cooling system with clean tap water.
5. Install:
 - Copper washer **New**
 - Coolant drain bolt

 10 Nm (1.0 m•kg, 7.2 ft•lb)



6. Fill:
 - Radiator
 - Engine
 To specified level.



Recommended coolant:
 High quality ethylene glycol anti-freeze containing anti-corrosion for aluminum engine
 Coolant ① and water (soft water) ② mixing ratio:
 50%/50%
 Coolant capacity:
 0.9 L (0.79 Imp qt, 0.95 US qt)

CAUTION:

- Do not mix more than one type of ethylene glycol antifreeze containing corrosion inhibitors for aluminum engine.
- Do not use water containing impurities or oil.

Handling notes of coolant:

The coolant is harmful so it should be handled with special care.

⚠ WARNING

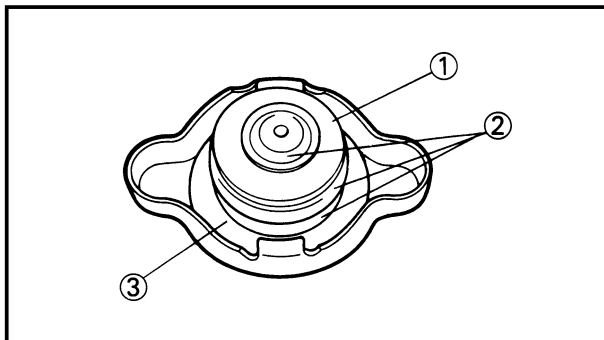
- When coolant splashes to your eye.
Thoroughly wash your eye with water and see your doctor.
- When coolant splashes to your clothes.
Quickly wash it away with water and then with soap.
- When coolant is swallowed.
Quickly make him vomit and take him to a doctor.

7. Install:

- Radiator cap
Start the engine and warm it up for a several minutes.

8. Check:

- Coolant level
Coolant level low → Add coolant.

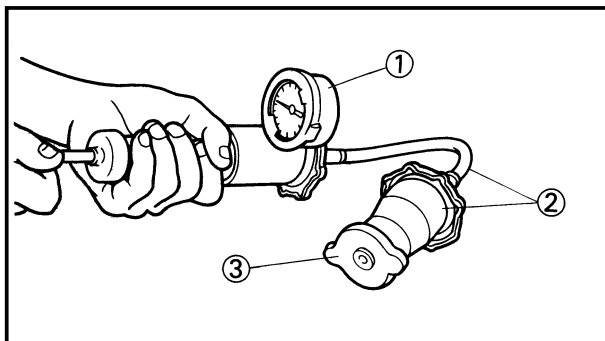


EC355000

RADIATOR CAP INSPECTION

1. Inspect:

- Seal (radiator cap) ①
- Valve and valve seat ②
Crack/Damage → Replace.
Exist fur deposits ③ → Clean or replace.



EC356002

RADIATOR CAP OPENING PRESSURE INSPECTION

1. Attach:
 - Radiator cap tester ① and adapter ②



Radiator cap tester:
YU-24460-01/90890-01325
Adapter:
YU-33984/90890-01352

NOTE: _____

Apply water on the radiator cap seal.

- ③ Radiator cap
2. Apply the specified pressure.



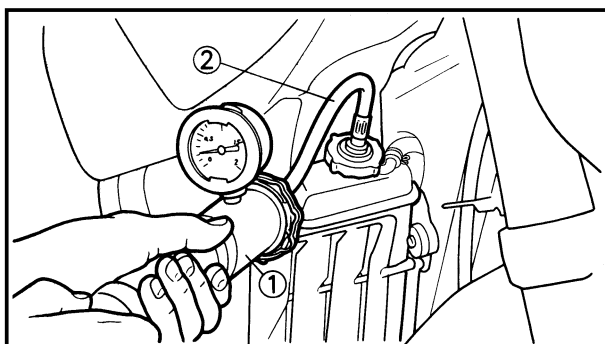
Radiator cap opening pressure:
95~125 kPa (0.95~1.25 kg/cm²,
13.5~17.8 psi)

3. Inspect:
 - Pressure
 - Impossible to maintain the specified pressure for 10 seconds → Replace.

EC357003

COOLING SYSTEM INSPECTION

1. Inspect:
 - Coolant level
2. Attach:
 - Radiator cap tester ① and adapter ②



Radiator cap tester:
YU-24460-01/90890-01325
Adapter:
YU-33984/90890-01352

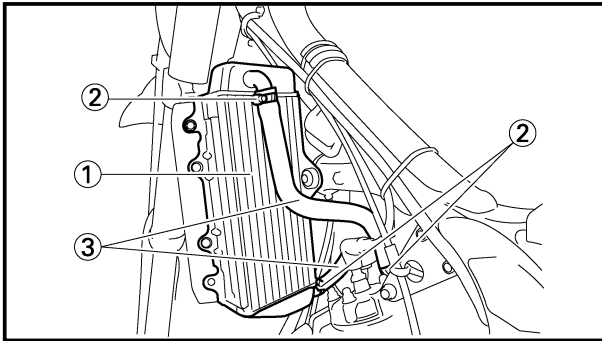
3. Apply the specified pressure.



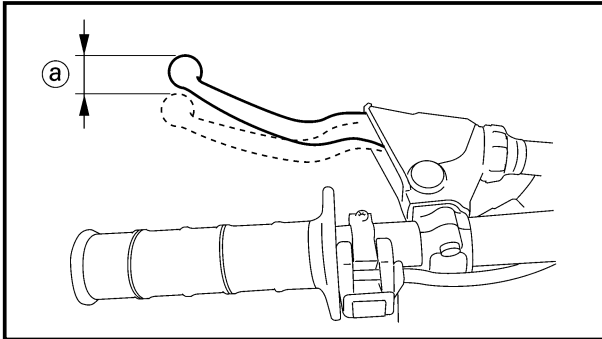
Standard pressure:
180 kPa (1.8 kg/cm², 25.6 psi)

NOTE: _____

- Do not apply pressure more than specified pressure.
- Radiator should be filled fully.



4. Inspect:
- Pressure
Impossible to maintain the specified pressure for 10 seconds → Repair.
 - Radiator ①
 - Radiator hose joint ②
Coolant leakage → Repair or replace.
 - Radiator hose ③
Swelling → Replace.



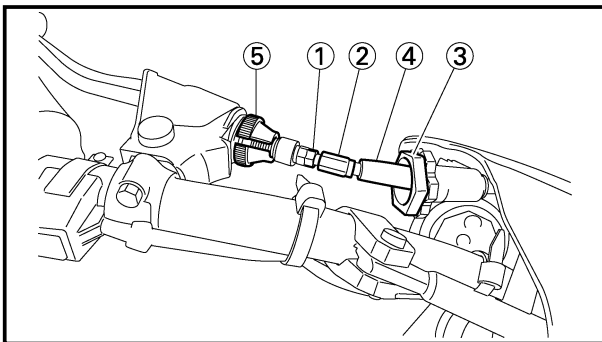
EC359020

CLUTCH ADJUSTMENT

1. Check:
- Clutch lever free play ①
Out of specification → Adjust.



Clutch lever free play ①:
8~13 mm (0.31~0.51 in)



2. Adjust:
- Clutch lever free play

Clutch lever free play adjustment steps:

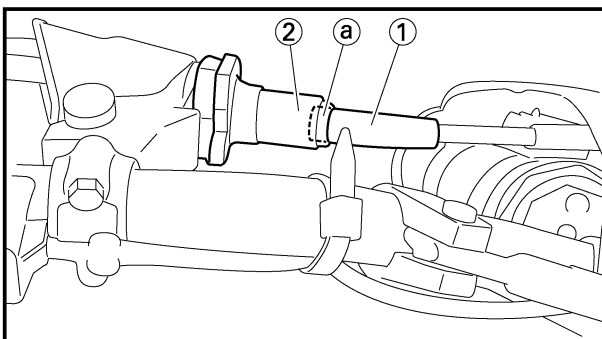
- Loosen the locknut ①.
- Turn the adjuster ② until free play ① is within the specified limits.
- Tighten the locknut.



Locknut:
4 Nm (0.4 m•kg, 2.9 ft•lb)

NOTE:

- Before adjustment, expose the adjuster by moving the boot ③ and cap ④ away.
- Make minute adjustment on the lever side using the adjuster ⑤.
- After adjustment, check proper operation of clutch lever.



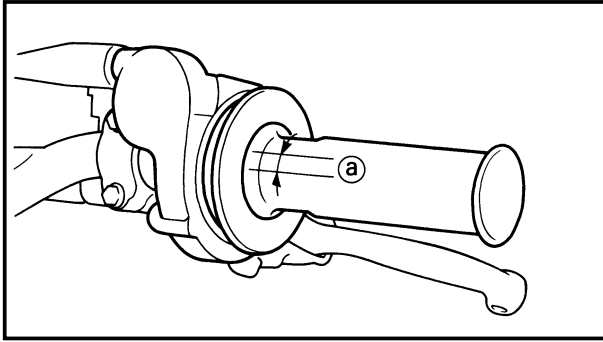
3. Install:
- Cap ①
 - Boot ②

NOTE:

Place the tip ① of the cap in the boot.

THROTTLE CABLE ADJUSTMENT/ THROTTLE LUBRICATION

INSP
ADJ



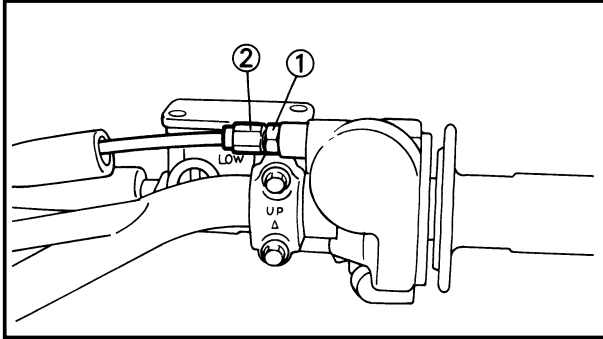
EC35A001

THROTTLE CABLE ADJUSTMENT

1. Check:
 - Throttle grip free play **a**Out of specification → Adjust.



Throttle grip free play **a:**
3~5 mm (0.12~0.20 in)



2. Adjust:
 - Throttle grip free play

Throttle grip free play adjustment steps:

- Loosen the locknut **1**.
- Turn the adjuster **2** until the specified free play is obtained.
- Tighten the locknut.



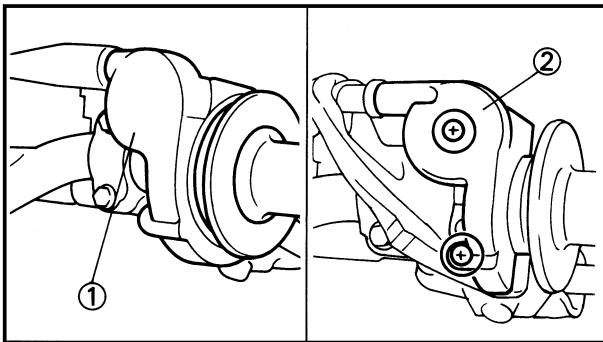
Locknut:
7 Nm (0.7 m•kg, 5.1 ft•lb)

NOTE:

Before adjusting the throttle cable free play, the engine idle speed should be adjusted.

⚠ WARNING

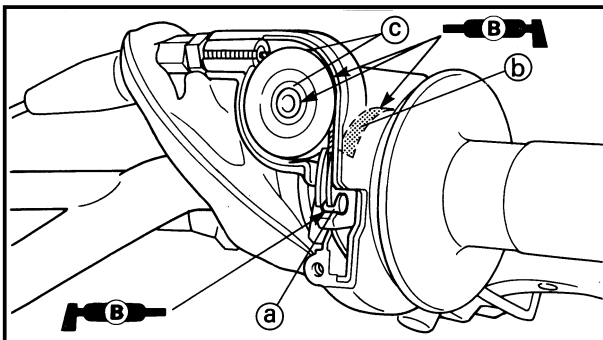
After adjusting, turn the handlebar to right and left and make sure that the engine idling does not run faster.



EC35S002


THROTTLE LUBRICATION

1. Remove:
 - Cap cover **1**
 - Throttle cable cap **2**
2. Apply:
 - Lithium soap base greaseOn the throttle cable end **a**, tube guide cable winding portion **b** and roller sliding surface **c**.





3. Install:
 - Throttle cable cap

 **1 Nm (0.1 m•kg, 0.7 ft•lb)**

- Cap cover

EC35G040

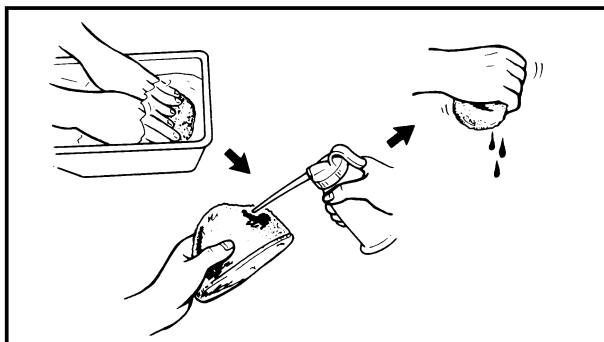
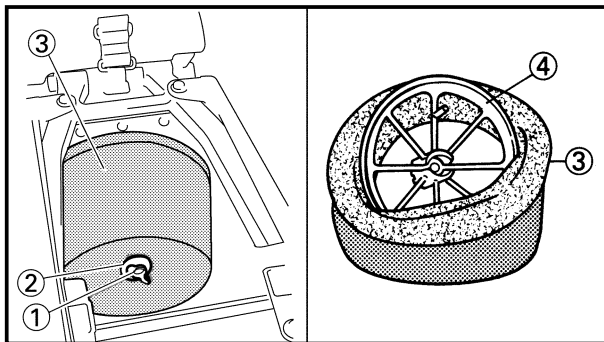
AIR FILTER CLEANING

NOTE: _____

Proper air filter maintenance is the biggest key to preventing premature engine wear and damage.

CAUTION: _____

Never run the engine without the air filter element in place; this would allow dirt and dust to enter the engine and cause rapid wear and possible engine damage.



1. Remove:
 - Seat
 - Fitting bolt ①
 - Washer ②
 - Air filter element ③
 - Filter guide ④

2. Clean:
 - Air filter element

Clean them with solvent.

NOTE: _____

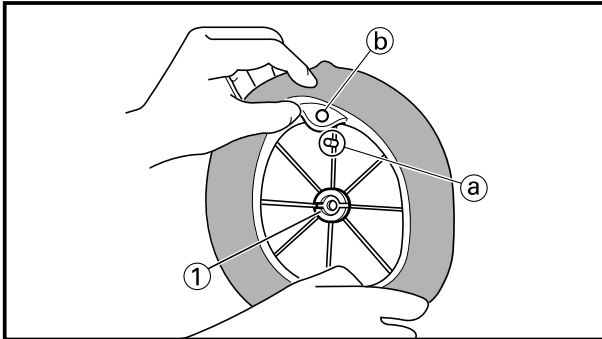
After cleaning, remove the remaining solvent by squeezing the element.

CAUTION: _____

Do not twist the element when squeezing the element.

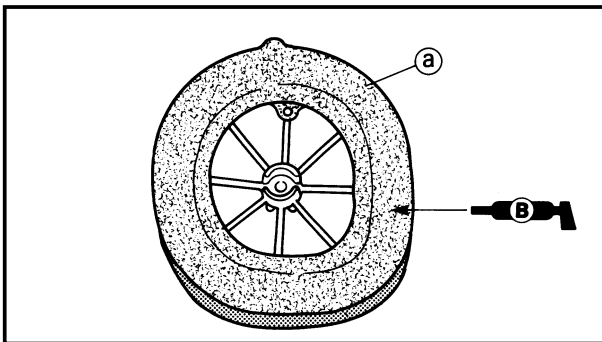
3. Inspect:
 - Air filter element
Damage → Replace.
4. Apply:
 - Foam-air-filter oil or equivalent oil
To the element.

NOTE: _____
Squeeze out the excess oil. Element should be wet but not dripping.

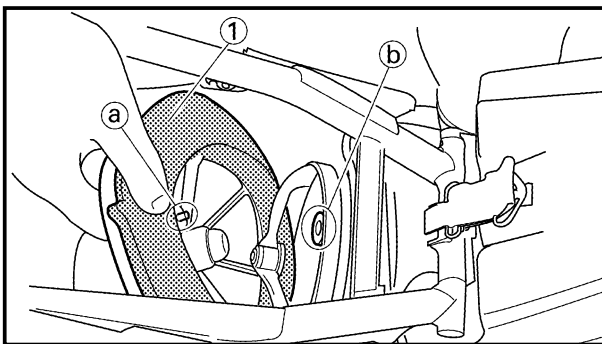


5. Install:
 - Filter guide ①


NOTE: _____
Align the projection ① on filter guide with the hole ② in air filter element.



6. Apply:
 - Lithium soap base grease
On the matching surface ① on air filter element.



7. Install:
 - Air filter element ①
 - Washer
 - Fitting bolt

	2 Nm (0.2 m•kg, 1.4 ft•lb)
---	-----------------------------------

NOTE: _____
Align the projection ① on filter guide with the hole ② in air filter case.

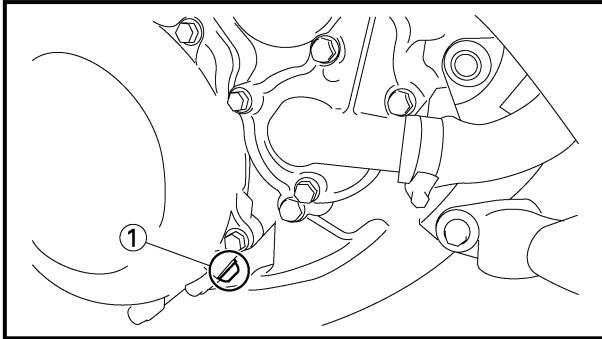
EC35H002

TRANSMISSION OIL LEVEL CHECK

1. Start the engine, warm it up for several minutes and wait for five minutes.
2. Place the machine on a level place and hold it up on upright position by placing the suitable stand under the engine.

TRANSMISSION OIL REPLACEMENT

INSP
ADJ



3. Check:
 - Transmission oil level

Transmission oil level checking steps:

- Remove the oil check bolt ①.
- Inspect the oil level.

NOTE:

Be sure the machine is positioned straight up when inspecting the oil level.

⚠ WARNING

Never attempt to remove the oil check bolt just after high speed operation. The heated oil could spout out, causing danger. Wait until the oil cools down.

Oil flows out → Oil level is correct.

Oil does not flow out → Oil level is low.

Add transmission oil until oil flows out.



Recommended oil:

Yamalube 4 (10W-30) or SAE 10W-30 type SE motor oil

- Inspect the gasket (oil check bolt), replace if damaged.
- Tighten the oil check bolt.



Oil check bolt:

10 Nm (1.0 m•kg, 7.2 ft•lb)

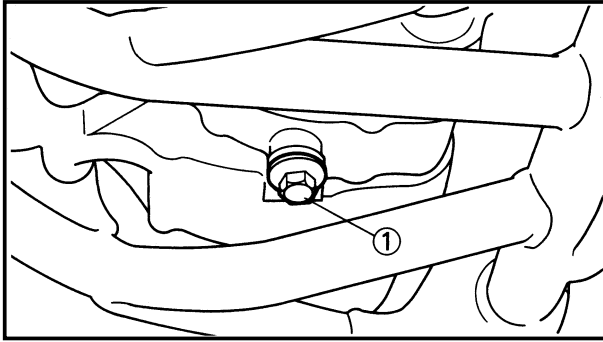
EC35K002

TRANSMISSION OIL REPLACEMENT

1. Start the engine and warm it up for several minutes and wait for five minute.
2. Place the machine on a level place and hold it on upright position by placing the suitable stand under the engine.
3. Place a suitable container under the engine.


PILOT AIR SCREW ADJUSTMENT

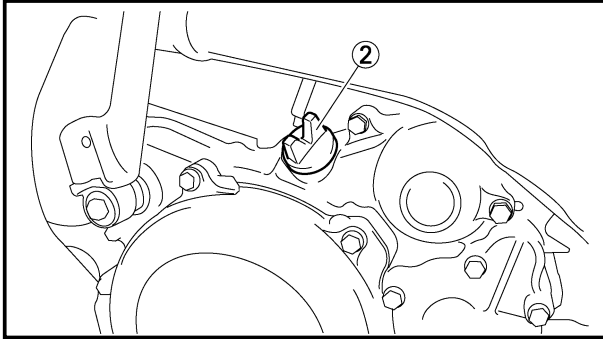
INSP
ADJ



4. Remove:
 - Oil drain bolt ①
 - Oil filler cap ②Drain the transmission oil.

5. Install:
 - Aluminum washer **New**
 - Oil drain bolt ①

 **20 Nm (2.0 m•kg, 14 ft•lb)**

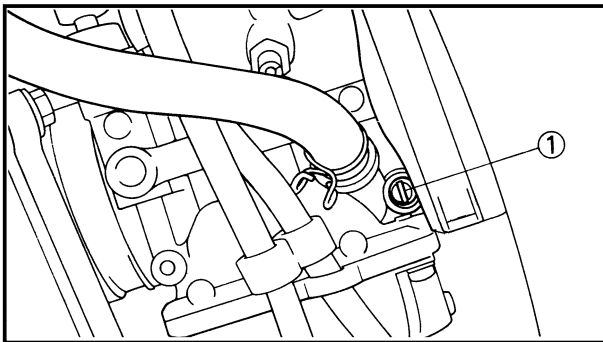


6. Fill:
 - Transmission oil



Recommended oil:
**Yamalube 4 (10W-30) or SAE
10W-30 type SE motor oil**
**Oil capacity
(periodic oil change):**
0.66 L (0.58 Imp qt, 0.69 US qt)

7. Check:
 - Oil leakage
8. Check:
 - Transmission oil level
9. Install:
 - Oil filler cap ②



EC35L002

PILOT AIR SCREW ADJUSTMENT

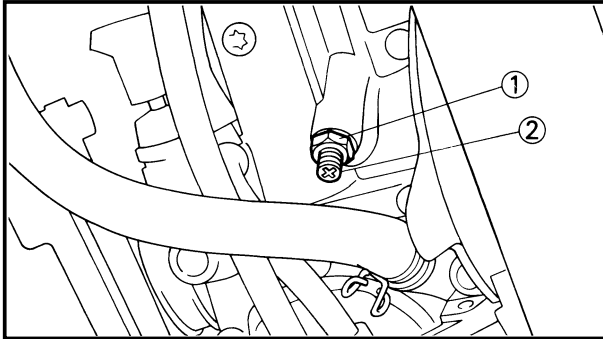
1. Adjust:
 - Pilot air screw ①

Adjustment steps:

- Screw in the pilot air screw until it is lightly seated.
- Back out by the specified number of turns.



Pilot air screw:
2-1/4 turns out



EC35M010

IDLE SPEED ADJUSTMENT

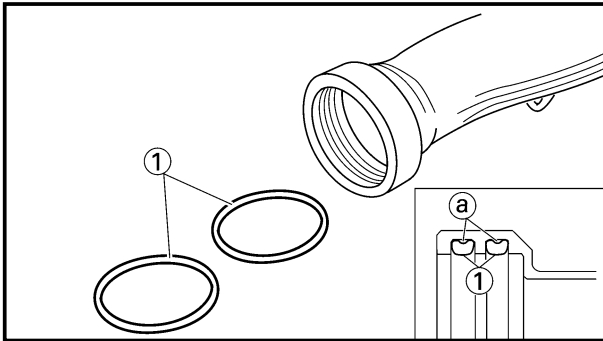
1. Start the engine and thoroughly warm it up.
2. Adjust:
 - Idle speed

Adjustment steps:

- Loosen the locknut ①.
- Turn the throttle stop screw ② until the engine runs at the lowest possible speed.
- Tighten the locknut.

To increase idle speed → Turn the throttle stop screw ② in.

To decrease idle speed → Turn the throttle stop screw ② out.



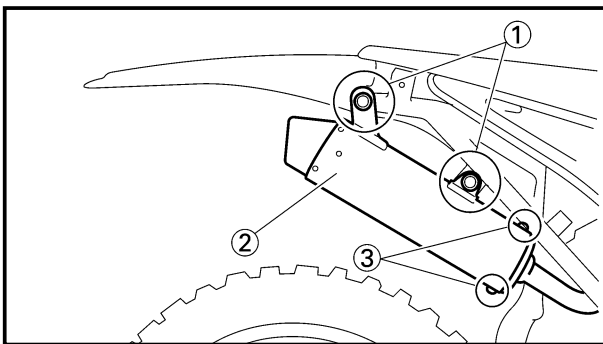
EC35P030

MUFFLER INSPECTION

1. Inspect:
 - O-ring ①Damage → Replace.

NOTE:

Install the O-rings with their depressed (a) facing outward.



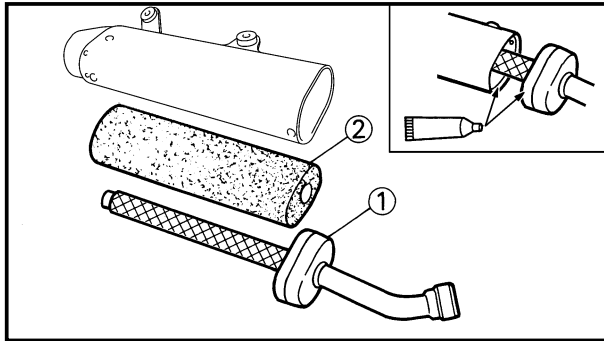
EC35R050

SILENCER FIBER REPLACEMENT

1. Remove:
 - Side cover (right)
 - Bolt (silencer) ①
 - Silencer ②
 - Bolt (fiber) ③

SILENCER FIBER REPLACEMENT

INSP
ADJ



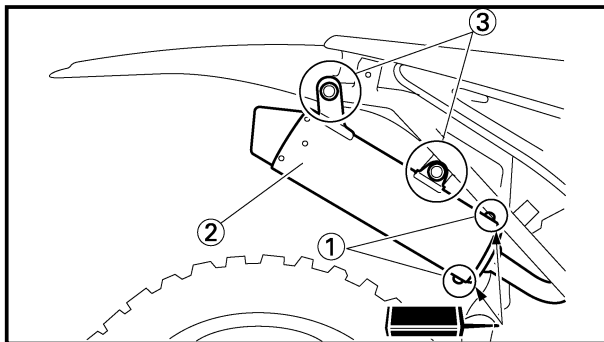
2. Remove:
 - Inner pipe ①
3. Replace:
 - Fiber ②
4. Install:
 - Inner pipe

NOTE: _____




Fully apply Quick gasket® (Yamaha bond No. 1215) or equivalent as shown.



Quick gasket®:
ACC-QUICK-GS-KT
Yamaha bond No. 1215:
90890-85505



5. Install:

- Bolt (fiber) ①  **10 Nm (1.0 m•kg, 7.2 ft•lb)**
- Silencer ②
- Bolt (silencer) ③  **12 Nm (1.2 m•kg, 8.7 ft•lb)**
- Side cover (right)  **7 Nm (0.7 m•kg, 5.1 ft•lb)**



EC360000

CHASSIS

EC361030

BRAKE SYSTEM AIR BLEEDING

⚠WARNING

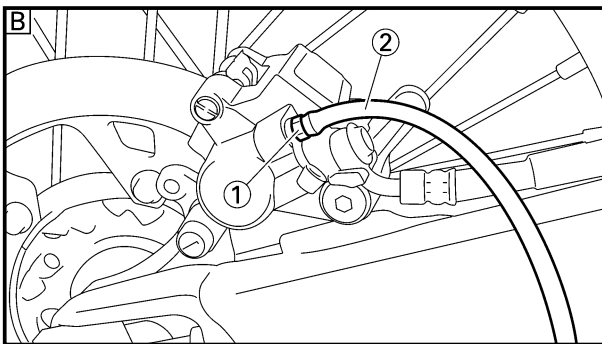
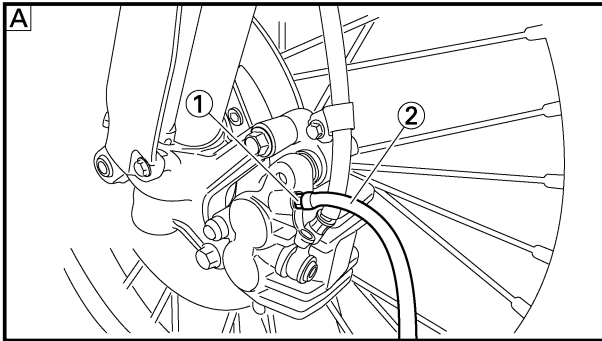
Bleed the brake system if:

- The system has been disassembled.
- A brake hose has been loosened or removed.
- The brake fluid is very low.
- The brake operation is faulty.

A dangerous loss of braking performance may occur if the brake system is not properly bled.

1. Remove:
 - Master cylinder cap
 - Diaphragm
 - Reservoir float (front brake)
 - Protector (rear brake)
2. Bleed:
 - Brake fluid

- A** Front
B Rear



Air bleeding steps:

- a. Add proper brake fluid to the reservoir.
- b. Install the diaphragm. Be careful not to spill any fluid or allow the reservoir to overflow.
- c. Connect the clear plastic tube ② tightly to the caliper bleed screw ①.
- d. Place the other end of the tube into a container.
- e. Slowly apply the brake lever or pedal several times.
- f. Pull the lever in or push down on the pedal. Hold the lever or pedal in position.
- g. Loosen the bleed screw and allow the lever or pedal to travel towards its limit.
- h. Tighten the bleed screw when the lever or pedal limit has been reached; then release the lever or pedal.



Bleed screw:

6 Nm (0.6 m•kg, 4.3 ft•lb)

- i. Repeat steps (e) to (h) until of the air bubbles have been removed from the system.



NOTE: _____

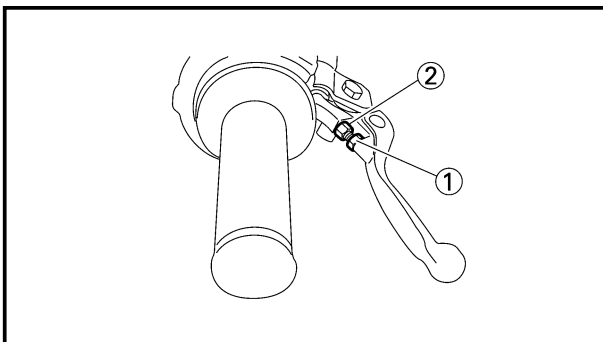
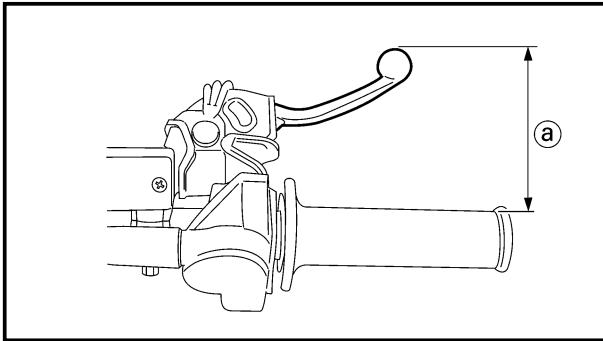
If bleeding is difficult, it may be necessary to let the brake fluid system stabilize for a few hours. Repeat the bleeding procedure when the tiny bubbles in the system have disappeared.

- j. Add brake fluid to the level line on the reservoir.

⚠ WARNING _____

Check the operation of the brake after bleeding the brake system.


3. Install:
 - Protector (rear brake)
 - Reservoir float (front brake)
 - Diaphragm
 - Master cylinder cap



EC362041

FRONT BRAKE ADJUSTMENT


1. Check:
 - Brake lever position ①

 Brake lever position ①:	
Standard position	Extent of adjustment
95 mm (3.74 in)	76 ~ 97 mm (2.99 ~ 3.82 in)

2. Remove:
 - Lever cover
3. Adjust:
 - Brake lever position

Brake lever position adjustment steps:

- Loosen the locknut ①.
- Turn the adjusting bolt ② until the lever position ① is within specified position.
- Tighten the locknut.

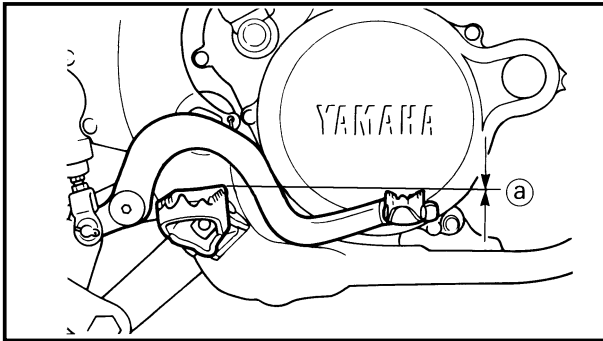
 Locknut:
5 Nm (0.5 m•kg, 3.6 ft•lb)

CAUTION: _____

Be sure to tighten the locknut, as it will cause poor brake performance.

4. Install:
 - Lever cover

REAR BRAKE ADJUSTMENT/ FRONT BRAKE PAD INSPECTION AND REPLACEMENT



EC364005

REAR BRAKE ADJUSTMENT

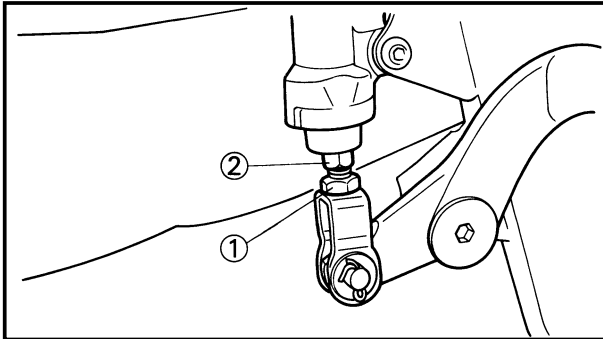
1. Check:
 - Brake pedal height ①
 Out of specification → Adjust.



Brake pedal height ①:
Zero mm (Zero in)

NOTE:

The brake pedal height is the vertical distance from the inside top end of the footrest.



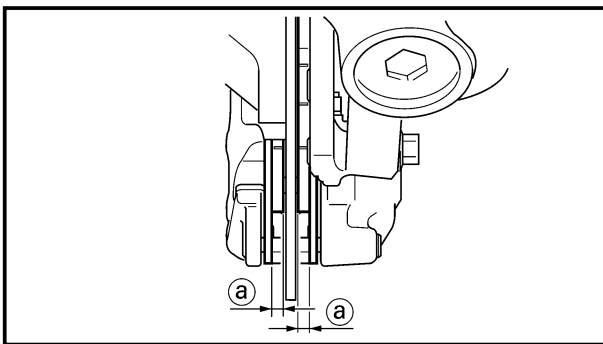
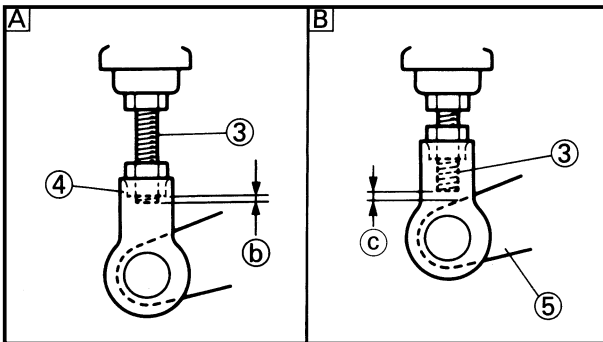
2. Adjust:
 - Brake pedal height

Pedal height adjustment steps:

- Loosen the locknut ①.
- Turn the adjusting nut ② until the pedal height ① is within specified height.
- Tighten the locknut.

⚠ WARNING

- Adjust the pedal height between the maximum **A** and the minimum **B** as shown. (In this adjustment, the bolt ③ end **b** should protrude out of the threaded portion ④ but not be less than 2 mm (0.08 in) **c** away from the brake pedal ⑤).
- After the pedal height adjustment, make sure that the rear brake does not drag.



EC365080

FRONT BRAKE PAD INSPECTION AND REPLACEMENT

1. Inspect:
 - Brake pad thickness ①
 Out of specification → Replace as a set.



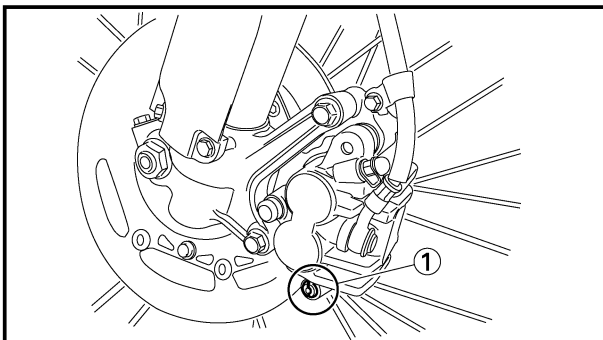
Brake pad thickness ①:

Standard	<Limit>
4.4 mm (0.17 in)	1.0 mm (0.04 in)

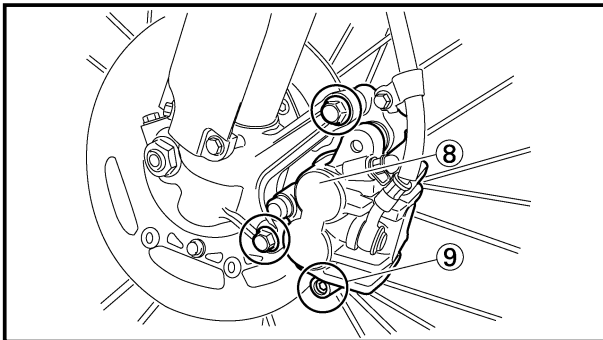
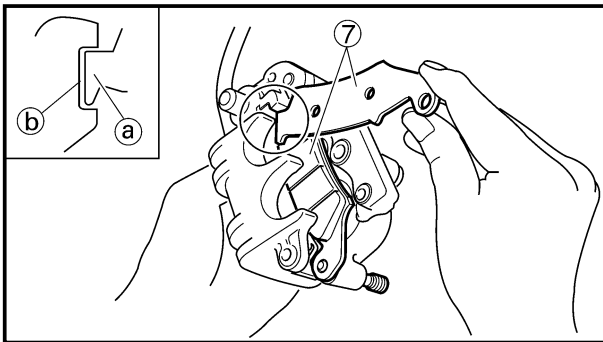
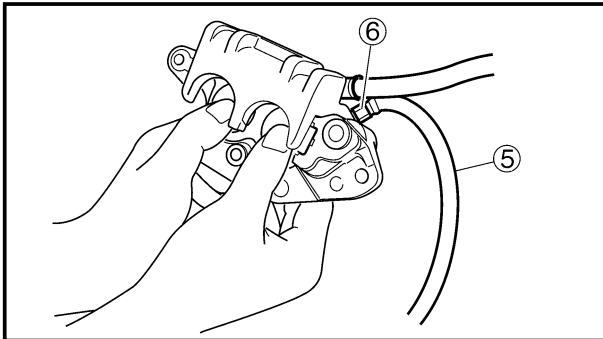
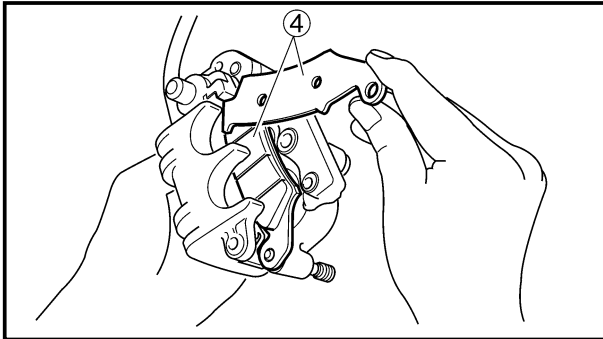
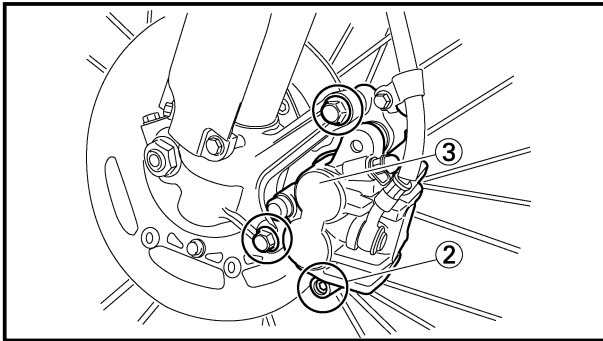
2. Replace:
 - Brake pad

Brake pad replacement steps:

- Remove the pad pin plug ①.



FRONT BRAKE PAD INSPECTION AND REPLACEMENT



- Loosen the pad pin ②.
- Remove the caliper ③ from the front fork.
- Remove the pad pin and brake pads ④.
- Connect the transparent hose ⑤ to the bleed screw ⑥ and place the suitable container under its end.
- Loosen the bleed screw and push the caliper piston in.

CAUTION: _____

Do not reuse the drained brake fluid.

- Tighten the bleed screw.



Bleed screw:
6 Nm (0.6 m•kg, 4.3 ft•b)

- Install the brake pads ⑦ and pad pin.

NOTE: _____

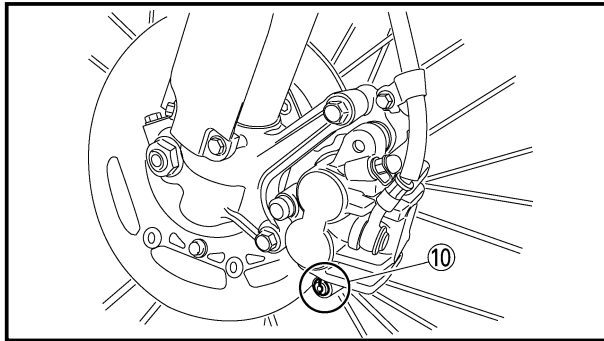
- Install the brake pads with their projections (a) into the caliper recesses (b).
- Temporarily tighten the pad pin at this point.

- Install the caliper ⑧ and tighten the pad pin ⑨.



Bolt (caliper):
23 Nm (2.3 m•kg, 17 ft•lb)
Pad pin:
18 Nm (1.8 m•kg, 13 ft•lb)

REAR BRAKE PAD INSPECTION AND REPLACEMENT

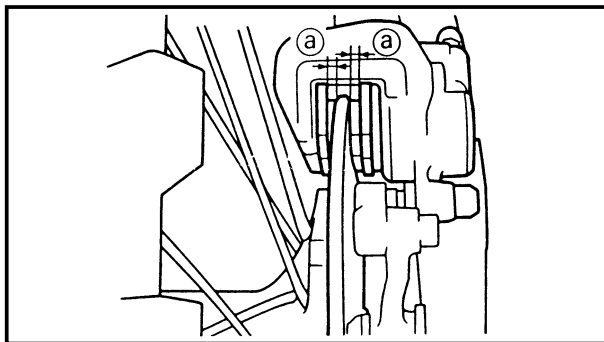


- Install the pad pin plug ⑩.



Pad pin plug:
3 Nm (0.3 m•kg, 2.2 ft•lb)

- Inspect:
 - Brake fluid level
 Refer to “BRAKE FLUID LEVEL INSPECTION” section.
- Check:
 - Brake lever operation
 A softy or spongy feeling → Bleed brake system.
 Refer to “BRAKE SYSTEM AIR BLEEDING” section.



EC366060

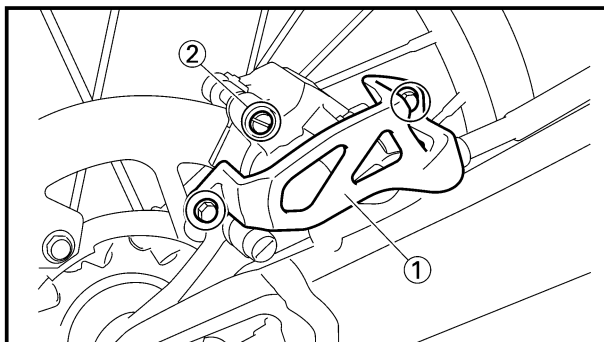
REAR BRAKE PAD INSPECTION AND REPLACEMENT

- Inspect:
 - Brake pad thickness ①
 Out of specification → Replace as a set.

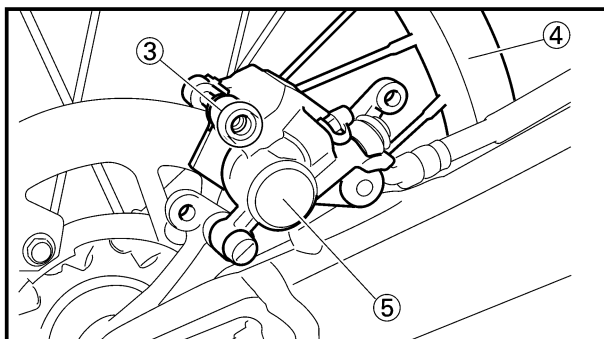


Brake pad thickness ①:

Standard	<Limit>
6.4 mm (0.25 in)	1.0 mm (0.04 in)



- Replace:
 - Brake pad

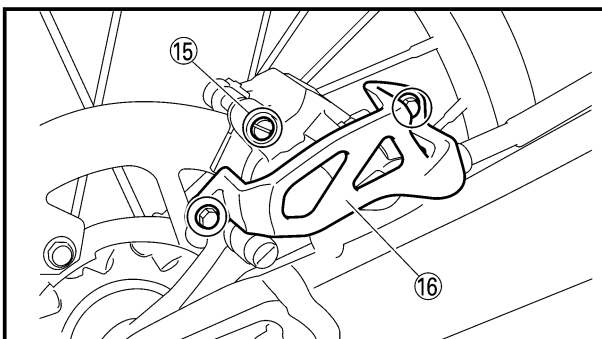
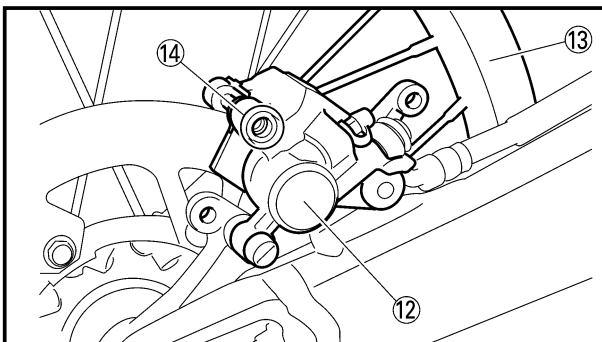
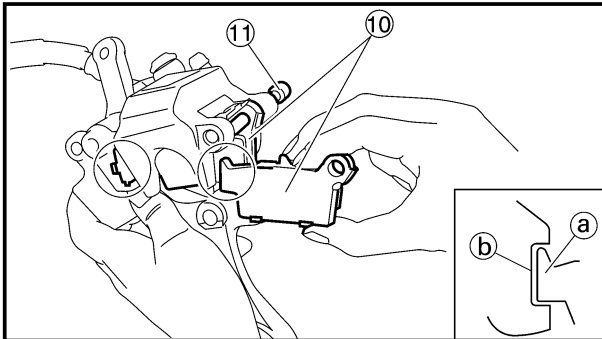
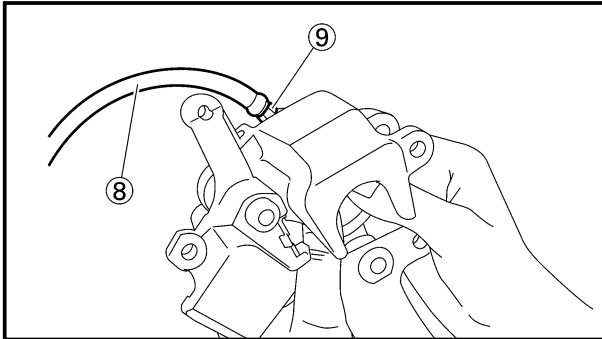
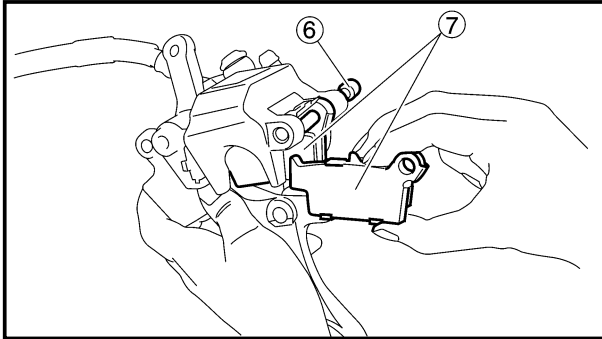


Brake pad replacement steps:

- Remove the protector ① and pad pin plug ②.
- Loosen the pad pin ③.
- Remove the rear wheel ④ and caliper ⑤.
 Refer to “FRONT WHEEL AND REAR WHEEL” section in the CHAPTER 5.

REAR BRAKE PAD INSPECTION AND REPLACEMENT

INSP
ADJ



- Remove the pad pin ⑥ and brake pads ⑦.
- Connect the transparent hose ⑧ to the bleed screw ⑨ and place the suitable container under its end.
- Loosen the bleed screw and push the caliper piston in.

CAUTION: _____

Do not reuse the drained brake fluid.

- Tighten the bleed screw.



Bleed screw:
6 Nm (0.6 m•kg, 4.3 ft•lb)

- Install the brake pads ⑩ and pad pin ⑪.
- NOTE:** _____
- Install the brake pads with their projections ① into the caliper recesses ②.
 - Temporarily tighten the pad pin at this point.



Pad pin:
18 Nm (1.8 m•kg, 13 ft•lb)

- Install the pad pin plug ⑮ and protector ⑯.



Pad pin plug:
3 Nm (0.3 m•kg, 2.2 ft•lb)
Bolt (protector):
7 Nm (0.7 m•kg, 5.1 ft•lb)

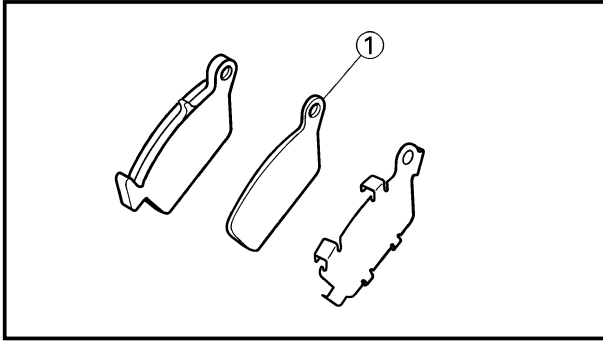
3. Inspect:

- Brake fluid level
Refer to “BRAKE FLUID LEVEL INSPECTION” section.

4. Check:

- Brake pedal operation
A softy or spongy feeling → Bleed brake system.
Refer to “BRAKE SYSTEM AIR BLEEDING” section.

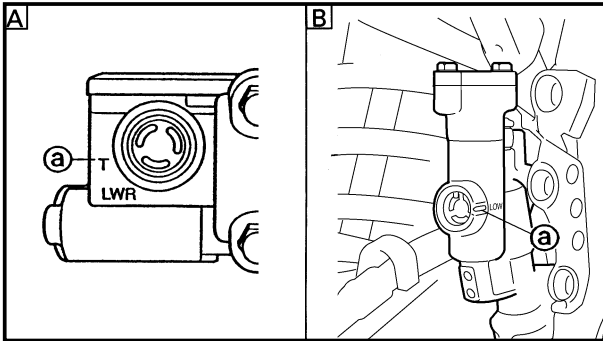
REAR BRAKE PAD INSULATOR INSPECTION BRAKE FLUID LEVEL INSPECTION



EC36b000

REAR BRAKE PAD INSULATOR INSPECTION

1. Remove:
 - Brake pad
Refer to “REAR BRAKE PAD INSPECTION AND REPLACEMENT” section.
2. Inspect:
 - Rear brake pad insulator ①
Damage → Replace.



EC367001

BRAKE FLUID LEVEL INSPECTION

1. Place the master cylinder so that its top is in a horizontal position.
2. Inspect:
 - Brake fluid level
Fluid at lower level → Fill up.

① Lower level

A Front

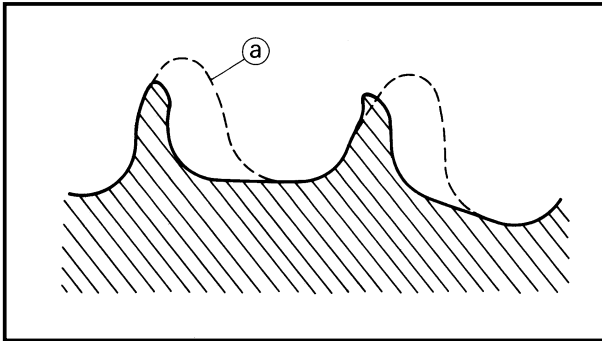
B Rear



Recommended brake fluid:
DOT #4

⚠ WARNING

- Use only designated quality brake fluid to avoid poor brake performance.
- Refill with same type and brand of brake fluid; mixing fluids could result in poor brake performance.
- Be sure that water or other contaminants do not enter master cylinder when refilling.
- Clean up spilled fluid immediately to avoid erosion of painted surfaces or plastic parts.



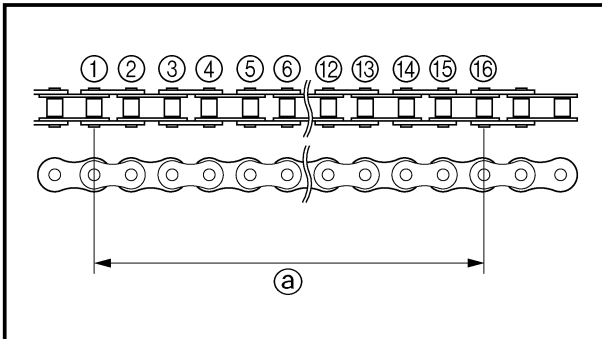
EC368000

SPROCKETS INSPECTION

- Inspect:
 - Sprocket teeth ①
 Excessive wear → Replace.

NOTE: _____

Replace the drive, driven sprockets and drive chain as a set.



EC369002

DRIVE CHAIN INSPECTION

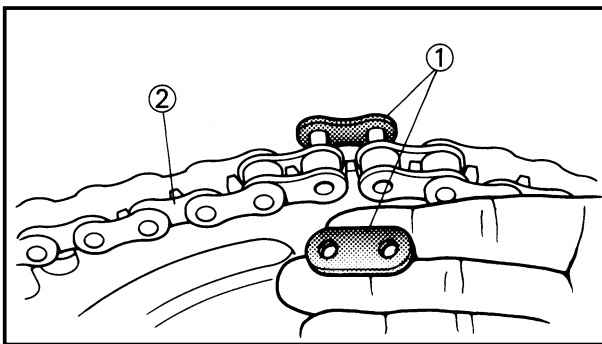
- Measure:
 - Drive chain length (15 links) ①
 Out of specification → Replace.



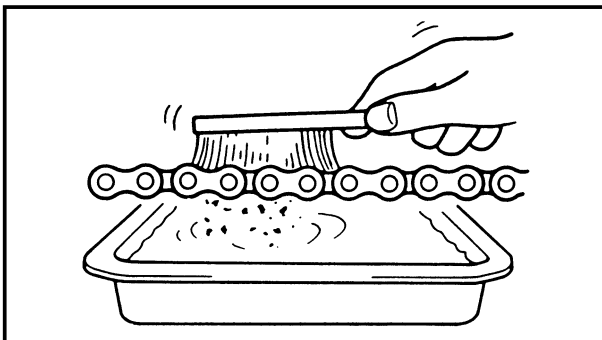
Drive chain length (15 links):
Limit: 242.9 mm (9.563 in)

NOTE: _____

- While measuring the drive chain length push down on the drive chain to increase its tension.
- Measure the length between drive chain roller ① and ①⑥ as shown.
- Perform this measurement at two or three different places.



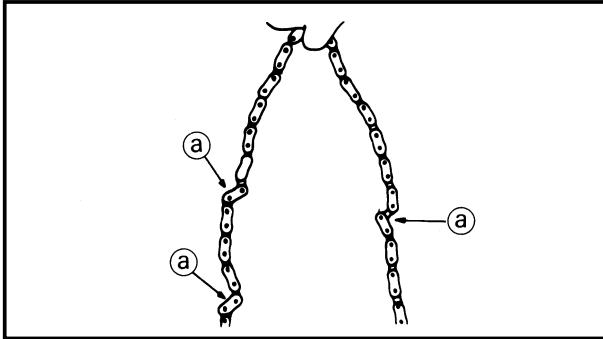
- Remove:
 - Master link clip ①
 - Joint ①
 - Drive chain ②



- Clean:
 - Drive chain
 Place it in kerosene, and brush off as much dirt as possible. Then remove the chain from the kerosene and dry the chain.

DRIVE CHAIN SLACK ADJUSTMENT

INSP
ADJ

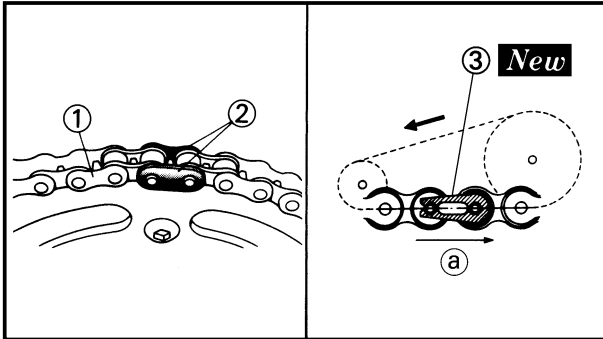


4. Check:

- Drive chain stiffness (a)

Clean and oil the chain and hold as illustrated.

Stiff → Replace drive chain.



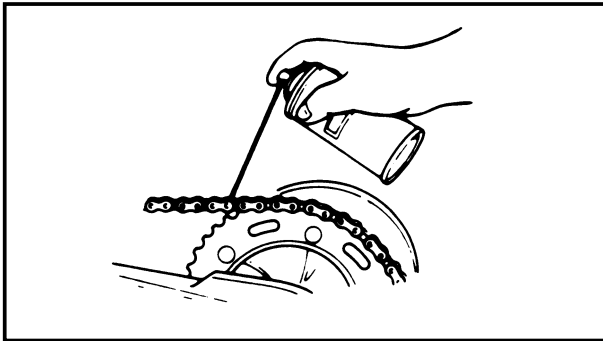
5. Install:

- Drive chain (1)
- Joint (2)
- Master link clip (3) **New**

CAUTION:

Be sure to install the master link clip to the direction as shown.

(a) Turning direction

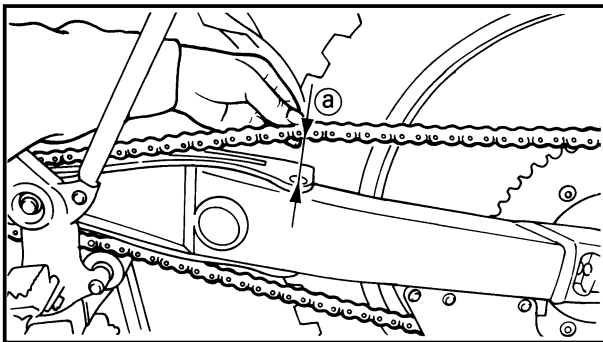


6. Lubricate:

- Drive chain



Drive chain lubricant:
SAE 10W-30 motor oil or suitable chain lubricants



EC36A061

DRIVE CHAIN SLACK ADJUSTMENT

1. Elevate the rear wheel by placing the suitable stand under the engine.

2. Check:

- Drive chain slack (a)

Above the seal guard installation bolt.

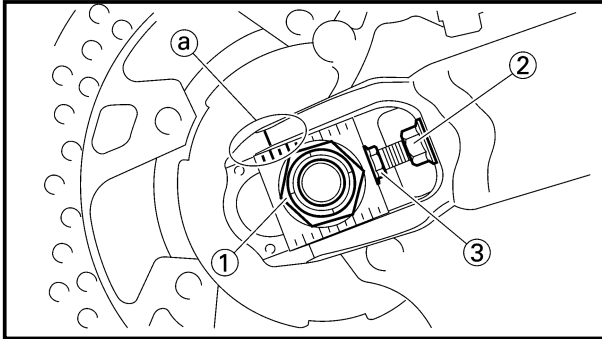
Out of specification → Adjust



Drive chain slack:
48~58 mm (1.9~2.3 in)

NOTE:

Before checking and/or adjusting, rotate the rear wheel through several revolutions and check the slack several times to find the tightest point. Check and/or adjust chain slack with rear wheel in this "tight chain" position.



3. Adjust:
- Drive chain slack

Drive chain slack adjustment steps:

- Loosen the axle nut ① and locknuts ②.
- Adjust chain slack by turning the adjusters ③.

To tighten → Turn adjuster ③ counter-clockwise.

To loosen → Turn adjuster ③ clockwise and push wheel forward.

- Turn each adjuster exactly the same amount to maintain correct axle alignment. (There are marks ④ on each side of chain puller alignment.)


NOTE: _____

Turn the adjuster so that the chain is in line with the sprocket, as viewed from the rear.


CAUTION: _____

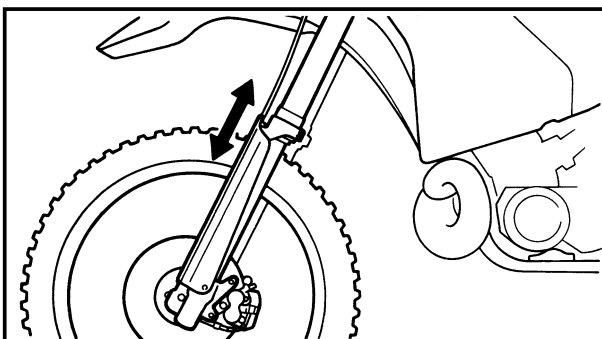
Too small chain slack will overload the engine and other vital parts; keep the slack within the specified limits.

- Tighten the axle nut while pushing down the drive chain.

	<p>Axle nut: 125 Nm (12.5 m•kg, 90 ft•lb)</p>
---	---

- Tighten the locknuts.

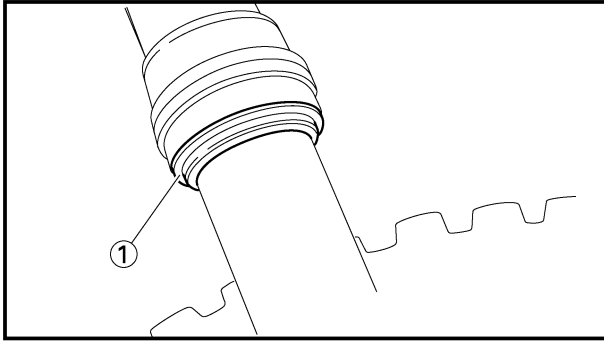
	<p>Locknut: 16 Nm (1.6 m•kg, 11 ft•lb)</p>
---	--



EC36C000

FRONT FORK INSPECTION

1. Inspect:
- Front fork smooth action
Operate the front brake and stroke the front fork.
Unsmooth action/oil leakage → Repair or replace.



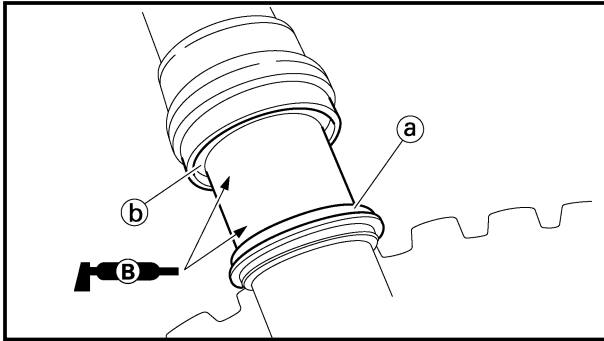
EC36D001

FRONT FORK OIL SEAL AND DUST SEAL CLEANING

- Remove:
 - Protector
 - Dust seal ①

NOTE: _____

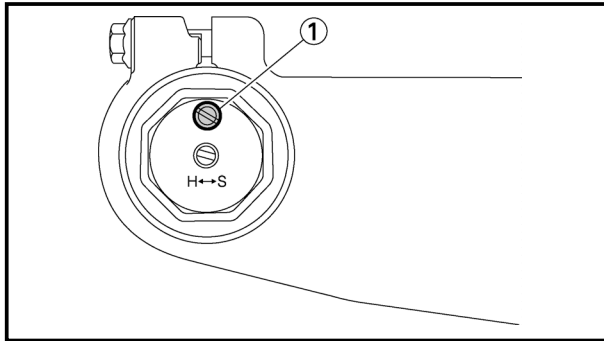
Use a thin screw driver, and be careful not to damage the inner fork tube and dust seal.



- Clean:
 - Dust seal (a)
 - Oil seal (b)

NOTE: _____

•Clean the dust seal and oil seal after every run.
•Apply the lithium soap base grease on the inner tube.




EC36f000

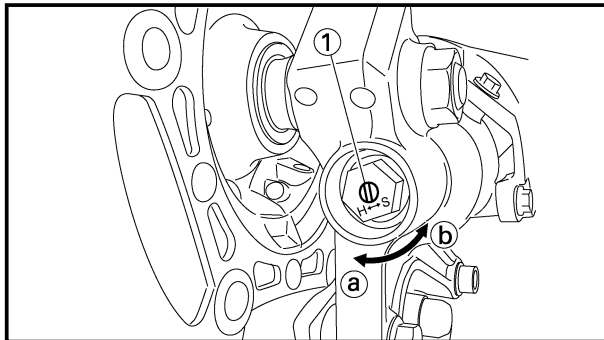
FRONT FORK INTERNAL PRESSURE RELIEVING

NOTE: _____

If the front fork initial movement feels stiff during a run, relieve the front fork internal pressure.

- Elevate the front wheel by placing a suitable stand under the engine.
- Remove the air bleed screw ① and release the internal pressure from the front fork.
- Install:
 - Air bleed screw

 **1 Nm (0.1 m•kg, 0.7 ft•lb)**



EC36H002

FRONT FORK REBOUND DAMPING FORCE ADJUSTMENT

- Adjust:
 - Rebound damping force


By turning the adjuster ①.

Stiffer (a) → Increase the rebound damping force. (Turn the adjuster ① in.)
Softer (b) → Decrease the rebound damping force. (Turn the adjuster ① out.)

FRONT FORK COMPRESSION DAMPING FORCE ADJUSTMENT

INSP
ADJ



 Extent of adjustment:	
Maximum	Minimum
Fully turned in position	20 clicks out (from maximum position)

• **STANDARD POSITION:**

This is the position which is back by the specific number of clicks from the fully turned-in position.

 Standard position: 14 clicks out *13 clicks out
--

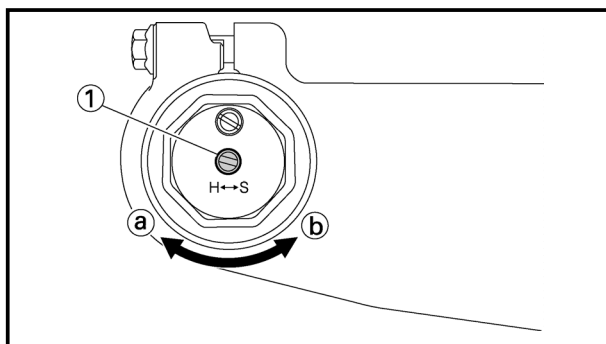
*For EUROPE

CAUTION:

Do not force the adjuster past the minimum or maximum extent of adjustment. The adjuster may be damaged.

WARNING:

Always adjust each front fork to the same setting. Uneven adjustment can cause poor handling and loss of stability.



EC36J001


FRONT FORK COMPRESSION DAMPING FORCE ADJUSTMENT

1. Adjust:

- Compression damping force
By turning the adjuster ①.

Stiffer ① → Increase the compression damping force. (Turn the adjuster ① in.)

Softer ② → Decrease the compression damping force. (Turn the adjuster ① out.)

	Extent of adjustment:	
	Maximum	Minimum
Fully turned in position	20 clicks out (from maximum position)	

• **STANDARD POSITION:**

This is the position which is back by the specific number of clicks from the fully turned-in position.

	Standard position:
	12 clicks out *9 clicks out

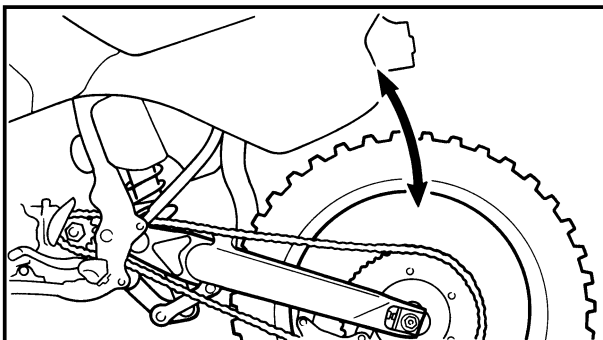
*For EUROPE

CAUTION: _____

Do not force the adjuster past the minimum or maximum extent of adjustment. The adjuster may be damaged.

WARNING _____

Always adjust each front fork to the same setting. Uneven adjustment can cause poor handling and loss of stability.



EC36K000

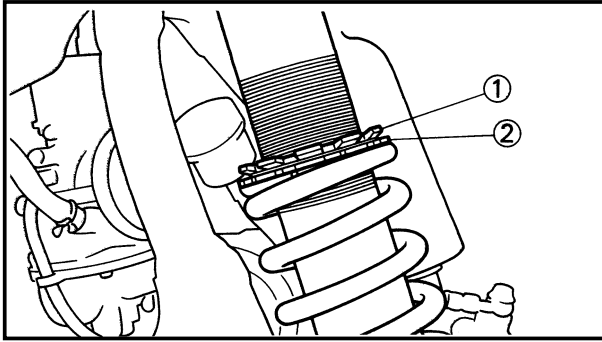
REAR SHOCK ABSORBER INSPECTION

1. Inspect:

- Swingarm smooth action
Abnormal noise/Unsmooth action → Grease the pivoting points or repair the pivoting points.
Damage/Oil leakage → Replace.

REAR SHOCK ABSORBER SPRING PRELOAD ADJUSTMENT

**INSP
ADJ**

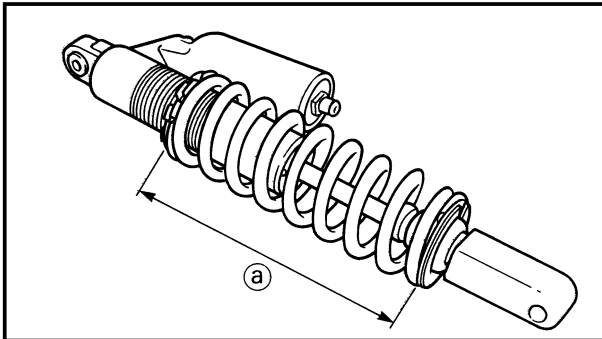


EC36M014

REAR SHOCK ABSORBER SPRING PRELOAD ADJUSTMENT

1. Elevate the rear wheel by placing the suitable stand under the engine.
2. Remove:
 - Rear frame
3. Loosen:
 - Locknut ①
4. Adjust:
 - Spring preload
 By turning the adjuster ②.

Stiffer → Increase the spring preload. (Turn the adjuster ② in.)
Softer → Decrease the spring preload. (Turn the adjuster ② out.)



Spring length (installed) @:

Standard length	Extent of adjustment
252 mm (9.92 in)	240.5~258.5 mm
*248 mm (9.76 in)	(9.47~10.18 in)

*For EUROPE

NOTE: _____

- Be sure to remove all dirt and mud from around the locknut and adjuster before adjustment.
- The length of the spring (installed) changes 1.5 mm (0.06 in) per turn of the adjuster.

CAUTION: _____

Never attempt to turn the adjuster beyond the maximum or minimum setting.

5. Tighten:
 - Locknut

6. Install:
 - Rear frame (upper)

32 Nm (3.2 m•kg, 23 ft•lb)

- Rear frame (lower)

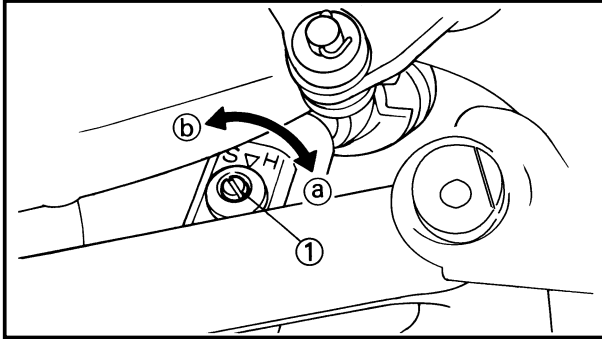
29 Nm (2.9 m•kg, 21 ft•lb)

EC36N014

REAR SHOCK ABSORBER REBOUND DAMPING FORCE ADJUSTMENT

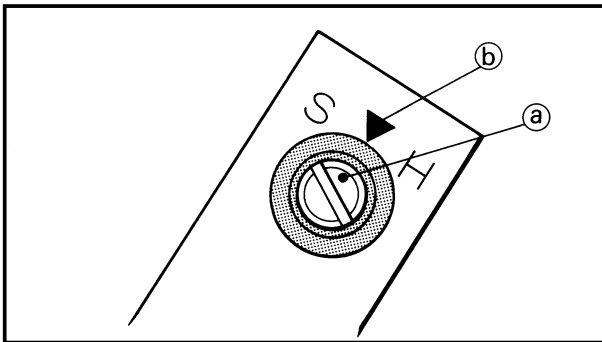
1. Adjust:

- Rebound damping force
By turning the adjuster ①.



Stiffer (a) → Increase the rebound damping force. (Turn the adjuster ① in.)
Softer (b) → Decrease the rebound damping force. (Turn the adjuster ① out.)

Extent of adjustment:	
Maximum	Minimum
Fully turned in position	20 clicks out (from maximum position)



• **STANDARD POSITION:**

This is the position which is back by the specific number of clicks from the fully turned-in position. (Which align the punch mark (a) on the adjuster with the punch mark (b) on the bracket.)

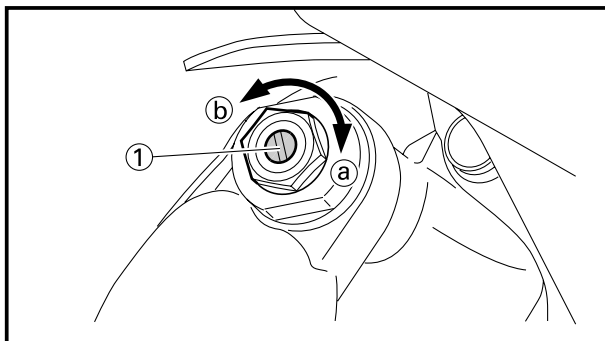
	Standard position: About 12 clicks out
---	--

CAUTION: _____

Do not force the adjuster past the minimum or maximum extent of adjustment. The adjuster may be damaged.

REAR SHOCK ABSORBER LOW COMPRESSION DAMPING FORCE ADJUSTMENT

**INSP
ADJ**



EC36c000

REAR SHOCK ABSORBER LOW COMPRESSION DAMPING FORCE ADJUSTMENT

- Adjust:
 - Low compression damping force
By turning the adjuster ①.

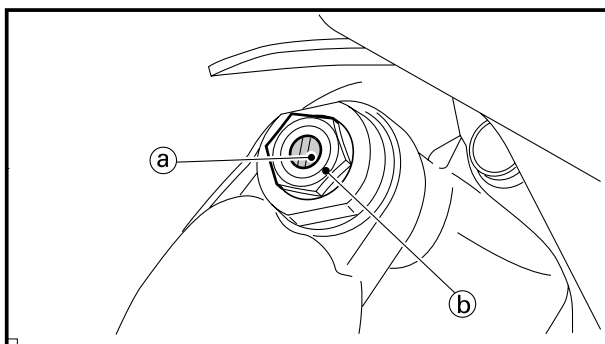
Stiffer ① → Increase the low compression damping force. (Turn the adjuster ① in.)

Softer ② → Decrease the low compression damping force. (Turn the adjuster ① out.)



Extent of adjustment:

Maximum	Minimum
Fully turned in position	20 clicks out (from maximum position)



•STANDARD POSITION:

This is the position which is back by the specific number of clicks from the fully turned-in position. (Which align the punch mark ① on the adjuster with the punch mark ② on the high compression damping adjuster.)



Standard position:

About 13 clicks out

*About 11 clicks out

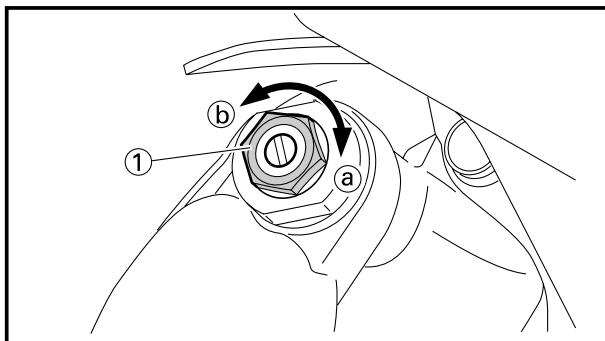
*For EUROPE

CAUTION:

Do not force the adjuster past the minimum or maximum extent of adjustment. The adjuster may be damaged.

REAR SHOCK ABSORBER HIGH COMPRESSION DAMPING FORCE ADJUSTMENT

**INSP
ADJ**



EC36d000

REAR SHOCK ABSORBER HIGH COMPRESSION DAMPING FORCE ADJUSTMENT

- Adjust:
 - High compression damping force
 By turning the adjuster ①.

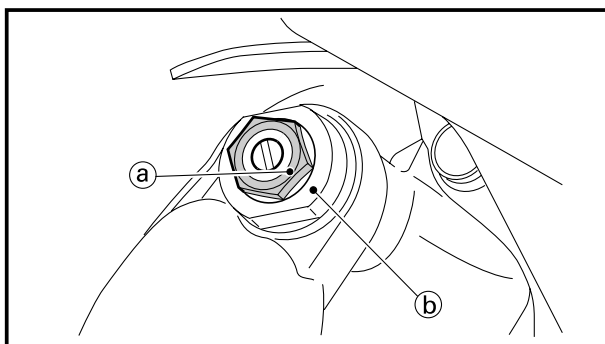
Stiffer ① → Increase the high compression damping force. (Turn the adjuster ① in.)

Softer ② → Decrease the high compression damping force. (Turn the adjuster ① out.)



Extent of adjustment:

Maximum	Minimum
Fully turned in position	2 turns out (from maximum position)



•STANDARD POSITION:

This is the position which is back by the specific number of turns from the fully turned-in position. (Which align the punch mark ① on the adjuster with the punch mark ② on the adjuster body.)



Standard position:

About 1-2/3 turns out

*About 1-3/4 turns out

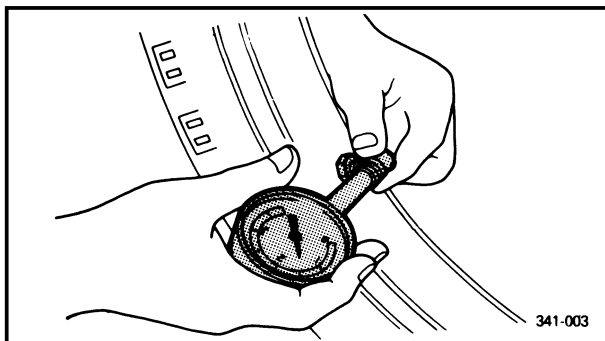
*For EUROPE

CAUTION:

Do not force the adjuster past the minimum or maximum extent of adjustment. The adjuster may be damaged.

TIRE PRESSURE CHECK/SPOKES INSPECTION AND TIGHTENING/WHEEL INSPECTION

INSP
ADJ



EC36Q001

TIRE PRESSURE CHECK

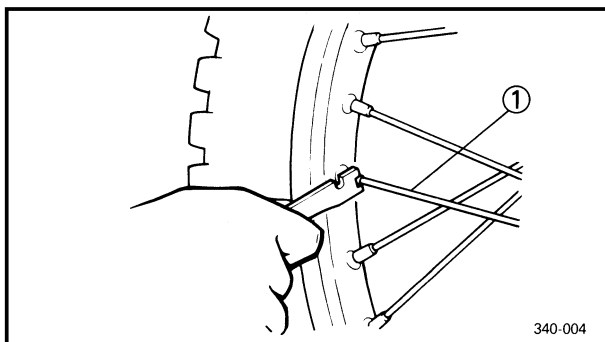
1. Measure:
 - Tire pressureOut of specification → Adjust.



Standard tire pressure:
100 kPa (1.0 kgf/cm², 15 psi)

NOTE:

- Check the tire while it is cold.
- Loose bead stoppers allow the tire to slip off its position on the rim when the tire pressure is low.
- A tilted tire valve stem indicates that the tire slips off its position on the rim.
- If the tire valve stem is found tilted, the tire is considered to be slipping off its position. Correct the tire position.



EC36S002

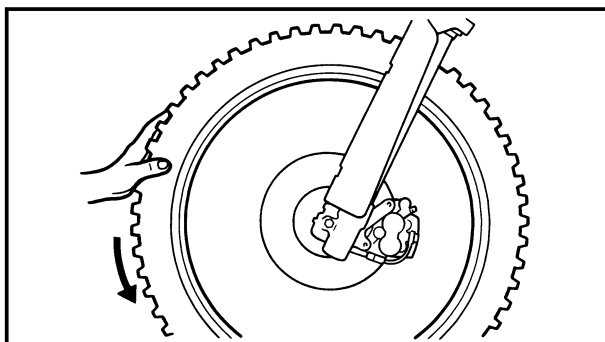
SPOKES INSPECTION AND TIGHTENING

1. Inspect:
 - Spokes ①Bend/Damage → Replace.
Loose spoke → Retighten.
2. Tighten:
 - Spokes

3 Nm (0.3 m•kg, 2.2 ft•lb)

NOTE:

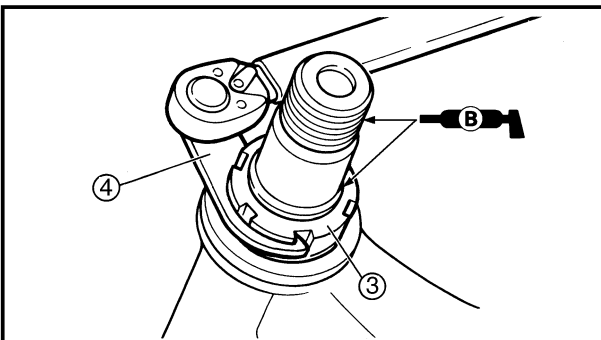
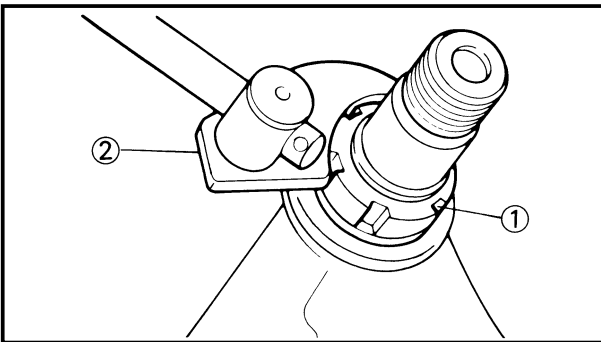
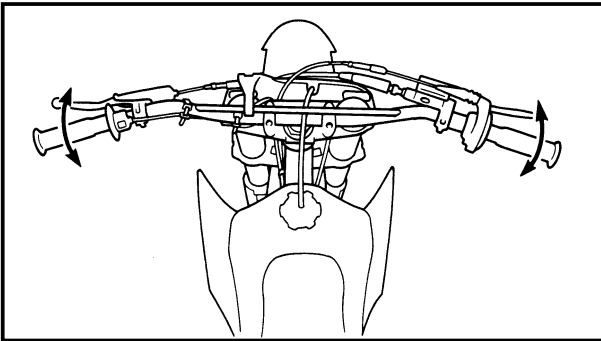
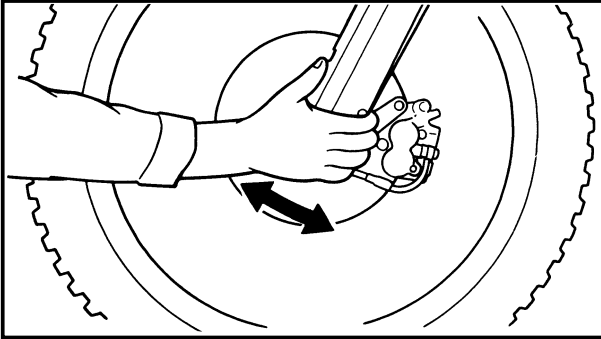
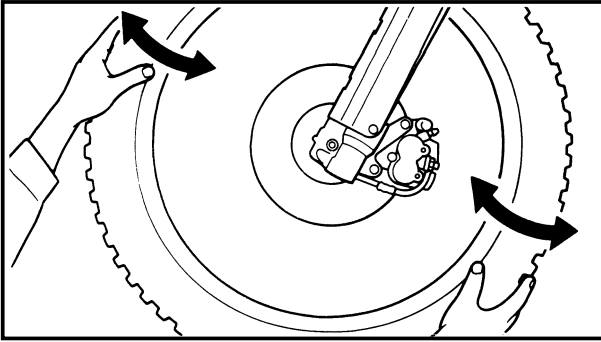
Be sure to retighten these spokes before and after break-in. After a practice or a race check spokes for looseness.



EC36T000

WHEEL INSPECTION

1. Inspect:
 - Wheel runoutElevate the wheel and turn it.
Abnormal runout → Replace.



2. Inspect:
 - Bearing free play
 - Exist play → Replace.

EC36U070

STEERING HEAD INSPECTION AND ADJUSTMENT

1. Elevate the front wheel by placing a suitable stand under the engine.
2. Check:
 - Steering shaft
 - Grasp the bottom of the forks and gently rock the fork assembly back and forth.
 - Free play → Adjust steering head.
3. Check:
 - Steering smooth action
 - Turn the handlebar lock to lock.
 - Unsmooth action → Adjust steering ring nut.

4. Adjust:
 - Steering ring nut

Steering ring nut adjustment steps:

- Remove the number plate.
- Remove the handlebar and handle crown.
- Loosen the ring nut ① using the ring nut wrench ②.



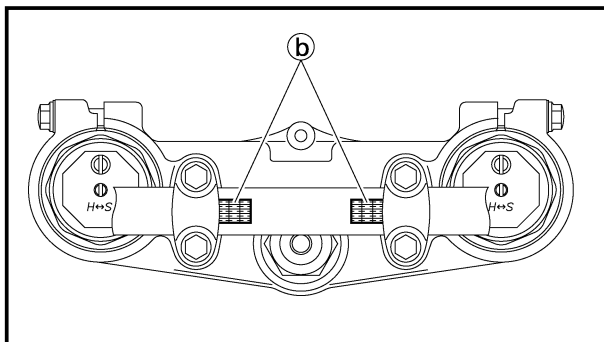
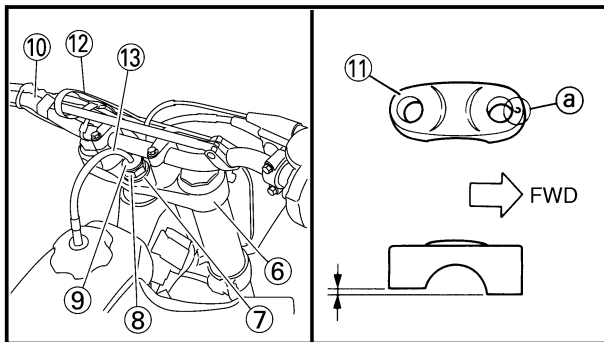
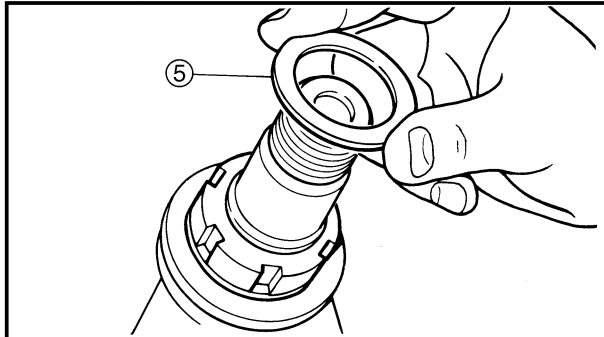
Ring nut wrench:

YU-33975/90890-01403

- Tighten the ring nut ③ using ring nut wrench ④.

NOTE:

- Apply the lithium soap base grease on the thread of the steering shaft.
- Set the torque wrench to the ring nut wrench so that they form a right angle.



Ring nut wrench:
YU-33975/90890-01403



Ring nut (initial tightening):
38 Nm (3.8 m•kg, 27ft•lb)

- Loosen the ring nut one turn.
- Retighten the ring nut using the ring nut wrench.

⚠ WARNING

Avoid over-tightening.



Ring nut (final tightening):
7 Nm (0.7 m•kg, 5.1 ft•lb)

- Check the steering shaft by turning it lock to lock. If there is any binding, remove the steering shaft assembly and inspect the steering bearings.
- Install the plain washer ⑤, handle crown ⑥, plain washer ⑦, steering shaft nut ⑧, steering shaft cap ⑨, handlebar ⑩, handlebar holder ⑪ and number plate ⑫.

NOTE:

- The upper handlebar holder should be installed with the punched mark ① forward.
- Install the handlebar so that the marks ② are in place on both sides.
- Insert the end of the fuel breather hose ⑬ into the hole in the steering shaft cap.

CAUTION:

First tighten the bolts on the front side of the handlebar holder, and then tighten the bolts on the rear side.



Steering shaft nut:
145 Nm (14.5 m•kg, 105 t•lb)

Handlebar upper holder:
28 Nm (2.8 m•kg, 20 ft•lb)

Pinch bolt (handle crown):
23 Nm (2.3 m•kg, 17 ft•lb)

Number plate:
7 Nm (0.7 m•kg, 5.1 ft•lb)



EC36a042

LUBRICATION

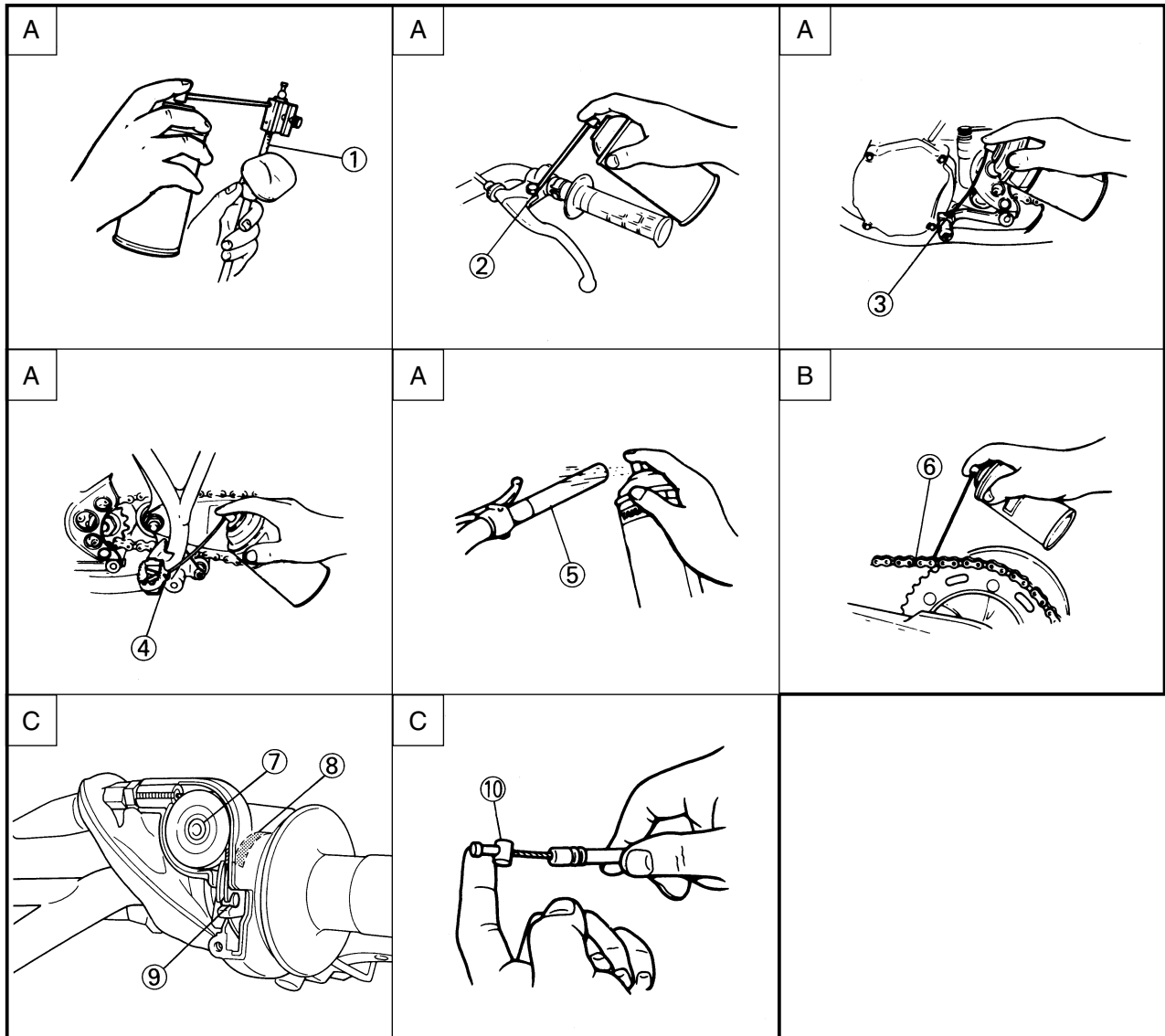
To ensure smooth operation of all components, lubricate your machine during setup, after break-in, and after every race.

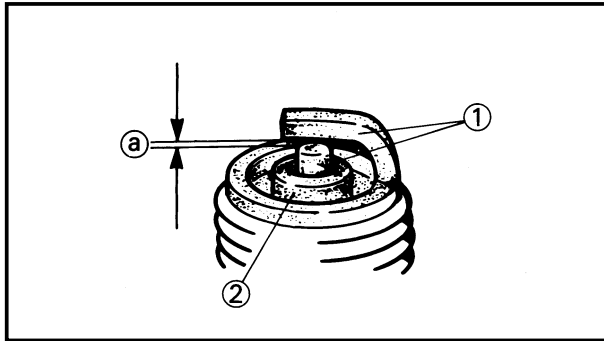
- ① All control cable
- ② Clutch lever pivot
- ③ Shift pedal pivot
- ④ Footrest pivot
- ⑤ Throttle-to-handlebar contact
- ⑥ Drive chain
- ⑦ Throttle roller sliding surface
- ⑧ Tube guide cable winding portion
- ⑨ Throttle cable end
- ⑩ Clutch cable end

- A Use Yamaha cable lube or equivalent on these areas.
- B Use SAE10W-30 motor oil or suitable chain lubricants.
- C Lubricate the following areas with high quality, lightweight lithium-soap base grease.

CAUTION:

Wipe off any excess grease, and avoid getting grease on the brake discs.





EC370000

ELECTRICAL

EC371001

SPARK PLUG INSPECTION

1. Remove:
 - Spark plug
2. Inspect:
 - Electrode ①
Wear/Damage → Replace.
 - Insulator color ②
Normal condition is a medium to light tan color.
Distinctly different color → Check the engine condition.

NOTE: _____

When the engine runs for many hours at low speeds, the spark plug insulator will become sooty, even if the engine and carburetor are in good operating condition.

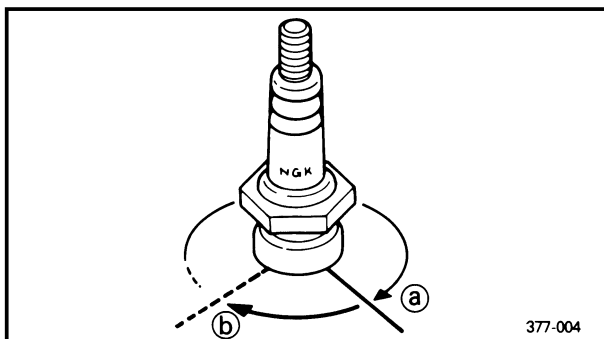
3. Measure:
 - Plug gap ③
Use a wire gauge or thickness gauge.
Out of specification → Regap.



Spark plug gap:
0.5~0.6 mm (0.020~0.024 in)

Standard spark plug:
BR9EG/NGK (resistance type)

4. Clean the plug with a spark plug cleaner if necessary.

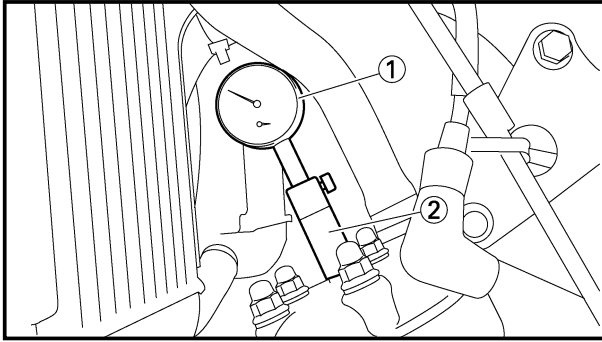


377-004

5. Tighten:
 - Spark plug **20 Nm (2.0 m•kg, 14 ft•lb)**

NOTE: _____

- Before installing a spark plug, clean the gasket surface and plug surface.
- Finger-tighten ④ the spark plug before torquing to specification ⑤.



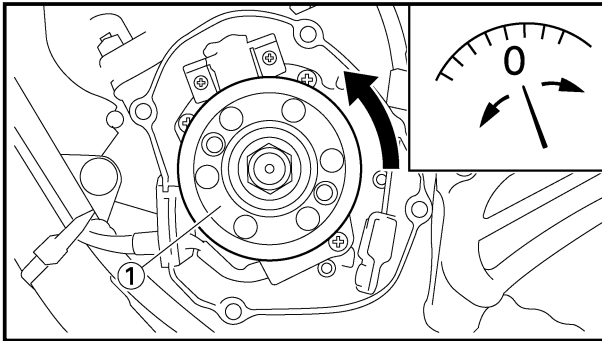
EC372012

IGNITION TIMING CHECK

1. Remove:
 - Fuel tank
 - Refer to "SEAT, FUEL TANK AND SIDE COVERS" section in the CHAPTER 4.
 - Spark plug
 - Crankcase cover (left)
2. Attach:
 - Dial gauge ①
 - Spark plug hole dial stand ②



Dial gauge:
YU-3097/90890-01252
Spark plug hole dial stand:
YU-1256

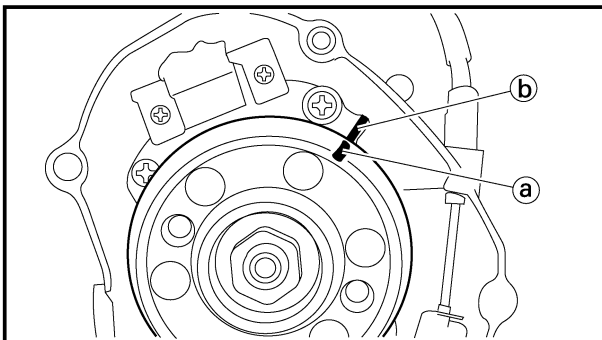


3. Rotate the magneto rotor ① until the piston reaches top dead center (TDC). When this happens, the needle on the dial gauge will stop and reverse directions even though the rotor is being turned in the same direction.
4. Set the dial gauge to zero at TDC.

5. From TDC, rotate the rotor clockwise until the dial gauge indicates that the piston is at a specified distance from TDC.



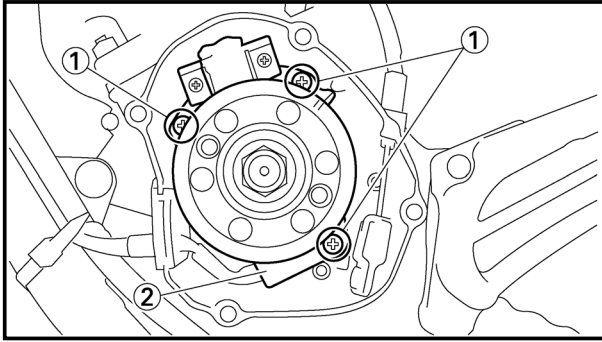
Ignition timing (B.T.D.C.):
0.48 mm (0.019 in)



6. Check:
 - Ignition timing
 - Punch mark ① on rotor should be aligned with punch mark ② on stator.
 - Not aligned → Adjust.

IGNITION TIMING CHECK

INSP
ADJ



7. Adjust:
- Ignition timing

Adjustment steps:

- Loosen the screws (stator) ①.
- Align the punch mark on the rotor with punch mark on the stator ② by moving the stator.
- Tighten the screws (stator).



Screw (stator):

7 Nm (0.7 m•kg, 5.1 ft•lb)

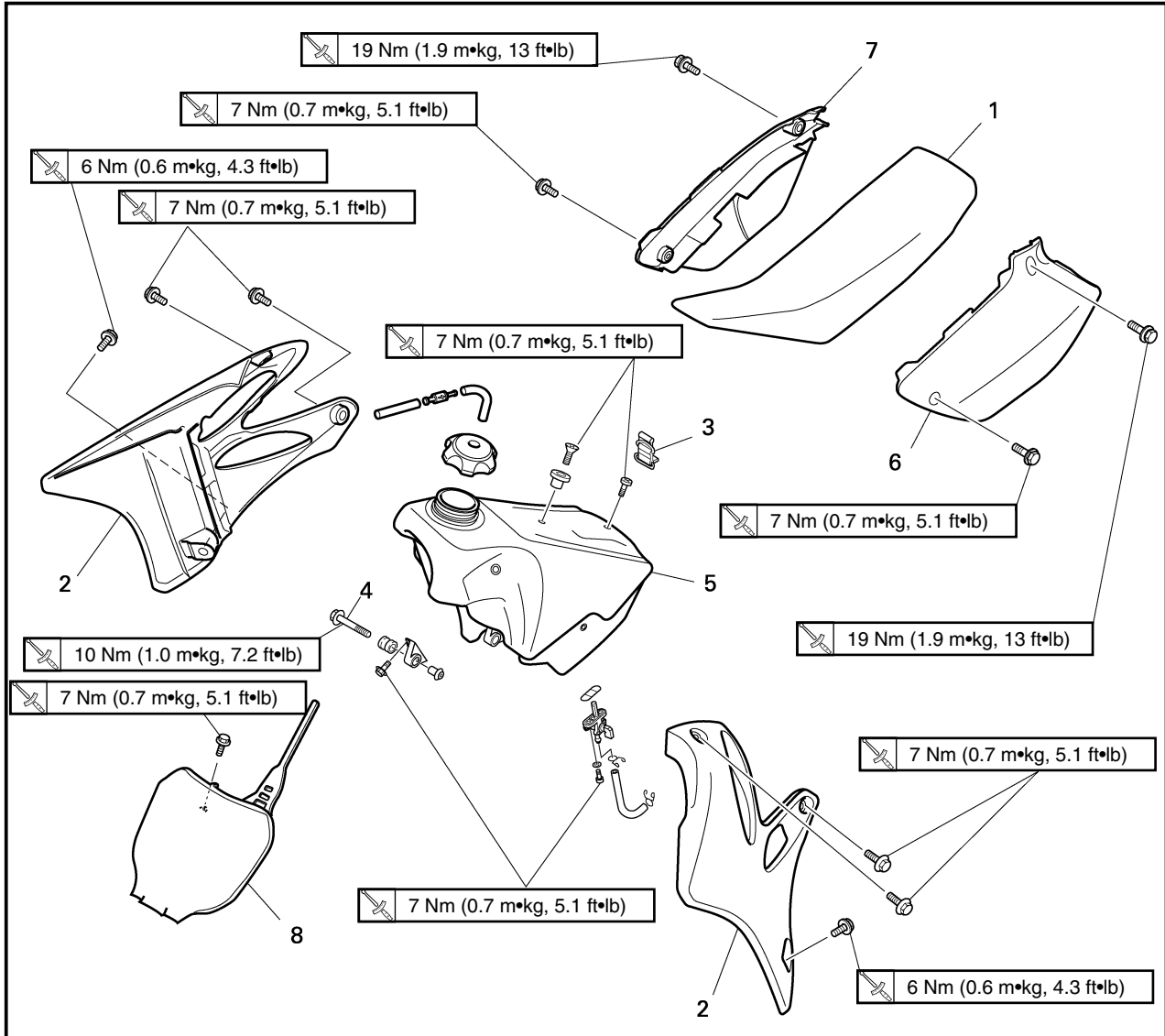


EC400000

ENGINE

EC4R0000

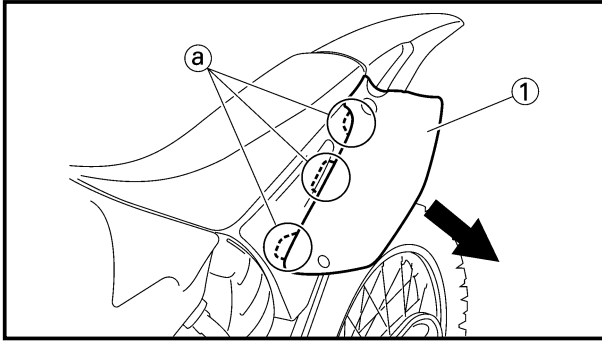
SEAT, FUEL TANK AND SIDE COVERS



Extent of removal:

- ① Seat removal
- ② Fuel tank removal
- ③ Side covers removal
- ④ Number plate removal

Extent of removal	Order	Part name	Q'ty	Remarks	
<p>SEAT, FUEL TANK AND SIDE COVERS REMOVAL</p> <p>Turn the fuel cock to "OFF". Disconnect the fuel hose.</p>					
Preparation for removal					
	1	Seat	1	Refer to "REMOVAL POINTS".	
	2	Air scoop (left and right)	2		
	3	Fitting band	1		Remove on fuel tank side.
	4	Bolt (fuel tank)	2		
	5	Fuel tank	1		
	6	Side cover (left)	1		
	7	Side cover (right)	1		
	8	Number plate	1		



EC4R3000

REMOVAL POINTS

EC413110

Side cover

1. Remove:
 - Bolt (side cover)
 - Side cover (left and right) ①

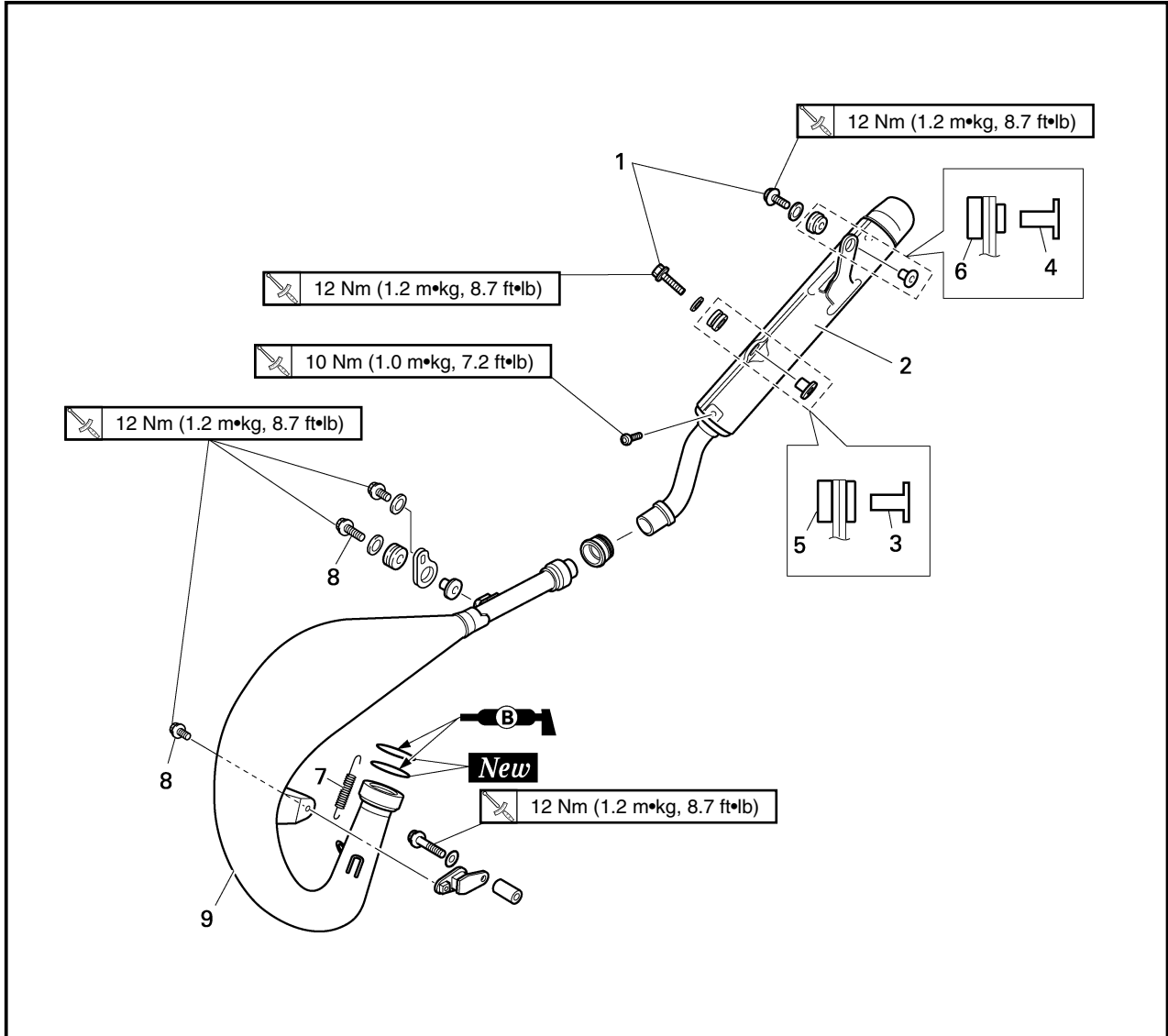
NOTE: _____

Draw the side cover downward to remove it because its claws ② are inserted in the air cleaner case.



EC4S0000

EXHAUST PIPE AND SILENCER



Extent of removal:

① Silencer removal

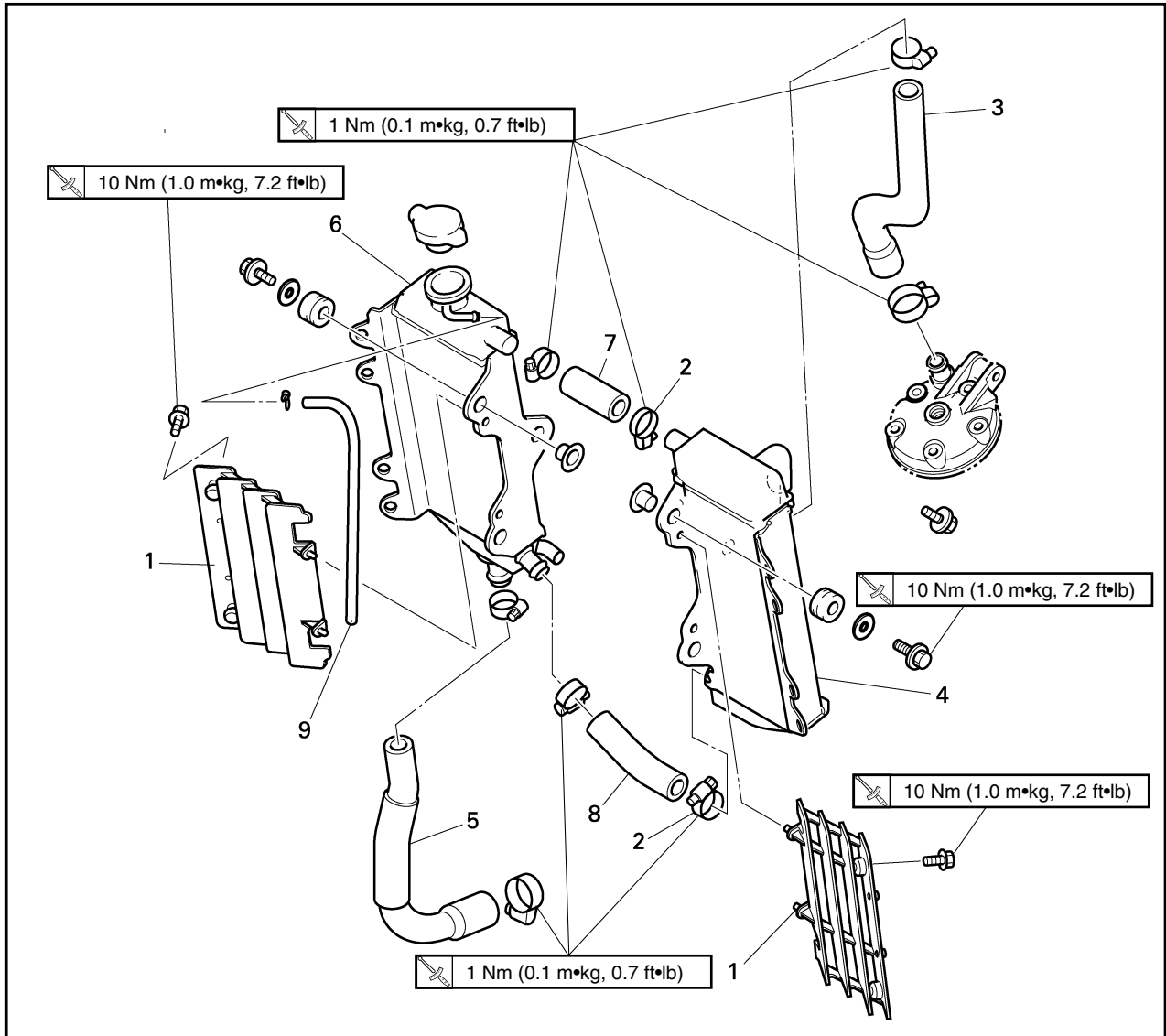
② Exhaust pipe removal

Extent of removal	Order	Part name	Q'ty	Remarks
Preparation for removal		EXHAUST PIPE AND SILENCER REMOVAL		Refer to "SEAT, FUEL TANK AND SIDE COVERS" section.
		Side cover (right)		
<div style="display: flex; flex-direction: column; align-items: center;"> <div style="margin-bottom: 20px;"> ① ↑ ↓ </div> <div style="margin-bottom: 20px;"> ② ↑ ↓ </div> <div> ② ↑ ↓ </div> </div>	1	Bolt (silencer)	2	
	2	Silencer	1	
	3	Collar [D=ø10.5 mm (0.41 in)]	1	
	4	Collar [D=ø10.0 mm (0.39 in)]	1	
	5	Grommet (front)	1	
	6	Grommet (rear)	1	
	7	Tension spring	2	
	8	Bolt (exhaust pipe)	2	
	9	Exhaust pipe	1	



EC450001

RADIATOR



Extent of removal: ① Radiator removal

Extent of removal	Order	Part name	Q'ty	Remarks
Preparation for removal		RADIATOR REMOVAL		Refer to "COOLANT REPLACEMENT" section in the CHAPTER 3. Refer to "SEAT, FUEL TANK AND SIDE COVERS" section.
		Drain the coolant.		
		Seat and fuel tank		
①	1	Panel	2	Only loosening.
	2	Clamp (radiator hose 1, 3)	2	
	3	Radiator hose 2	1	
	4	Radiator (left)	1	
	5	Radiator hose 4	1	
	6	Radiator (right)	1	
	7	Radiator hose 1	1	
	8	Radiator hose 3	1	
	9	Radiator breather hose	1	



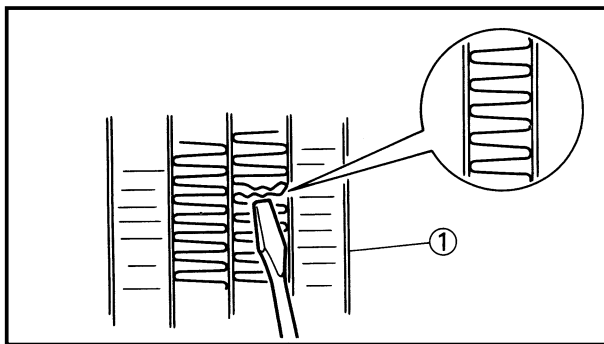
EC456000

HANDLING NOTE**⚠WARNING**

Do not remove the radiator cap when the engine and radiator are hot. Scalding hot fluid and steam may be blown out under pressure, which could cause serious injury.

When the engine has cooled, open the radiator cap by the following procedure:

Place a thick rag, like a towel, over the radiator cap, slowly rotate the cap counterclockwise to the detent. This procedure allows any residual pressure to escape. When the hissing sound has stopped, press down on the cap while turning counterclockwise and remove it.



EC454000

INSPECTION

EC444100

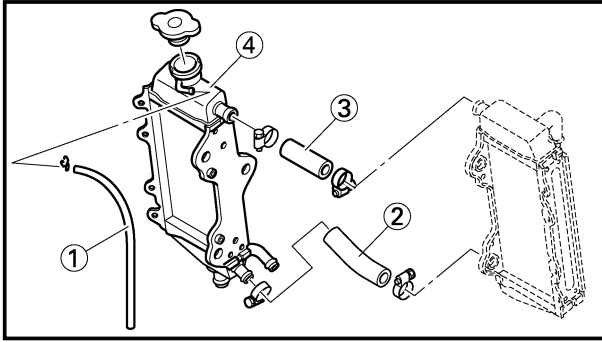
Radiator

1. Inspect:

- Radiator core ①

Obstruction → Blow out with compressed air through rear of the radiator.

Bent fin → Repair/replace.



EC455000

ASSEMBLY AND INSTALLATION

EC445344

Radiator

1. Install:

- Radiator breather hose ①
- Radiator hose 3 ②

1 Nm (0.1 m•kg, 0.7 ft•lb)

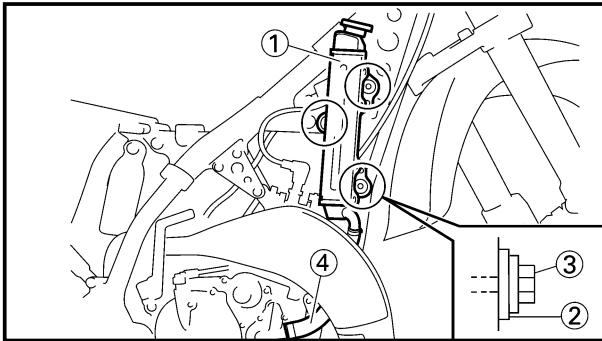
- Radiator hose 1 ③

1 Nm (0.1 m•kg, 0.7 ft•lb)

To radiator (right) ④.

NOTE:

Clamp the radiator hose in the direction as shown.



2. Install:

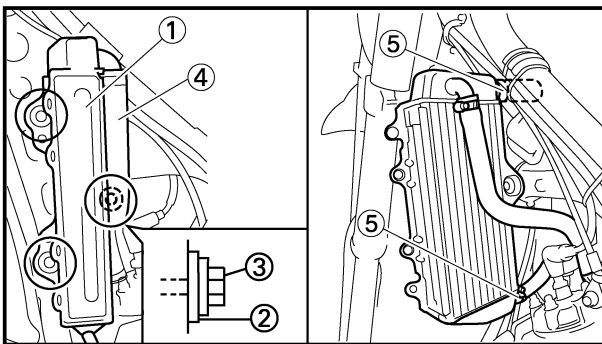
- Radiator (right) ①
- Plain washer ②
- Bolt [radiator (right)] ③

10 Nm (1.0 m•kg, 7.2 ft•lb)

- Radiator hose 4 ④

1 Nm (0.1 m•kg, 0.7 ft•lb)

Refer to "CABLE ROUTING DIAGRAM" section in the CHAPTER 2.



3. Install:

- Radiator (left) ①
- Plain washer ②
- Bolt [radiator (left)] ③

10 Nm (1.0 m•kg, 7.2 ft•lb)

- Radiator hose 2 ④

1 Nm (0.1 m•kg, 0.7 ft•lb)

Refer to "CABLE ROUTING DIAGRAM" section in the CHAPTER 2.

4. Tighten:

- Clamp (radiator hose 1, 3) ⑤

1 Nm (0.1 m•kg, 0.7 ft•lb)

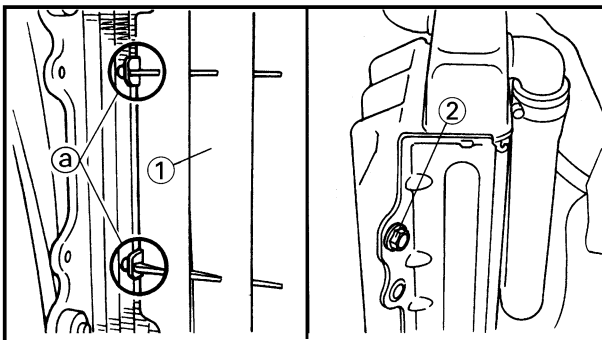
5. Install:

- Panel ①
- Bolt (panel) ②

10 Nm (1.0 m•kg, 7.2 ft•lb)

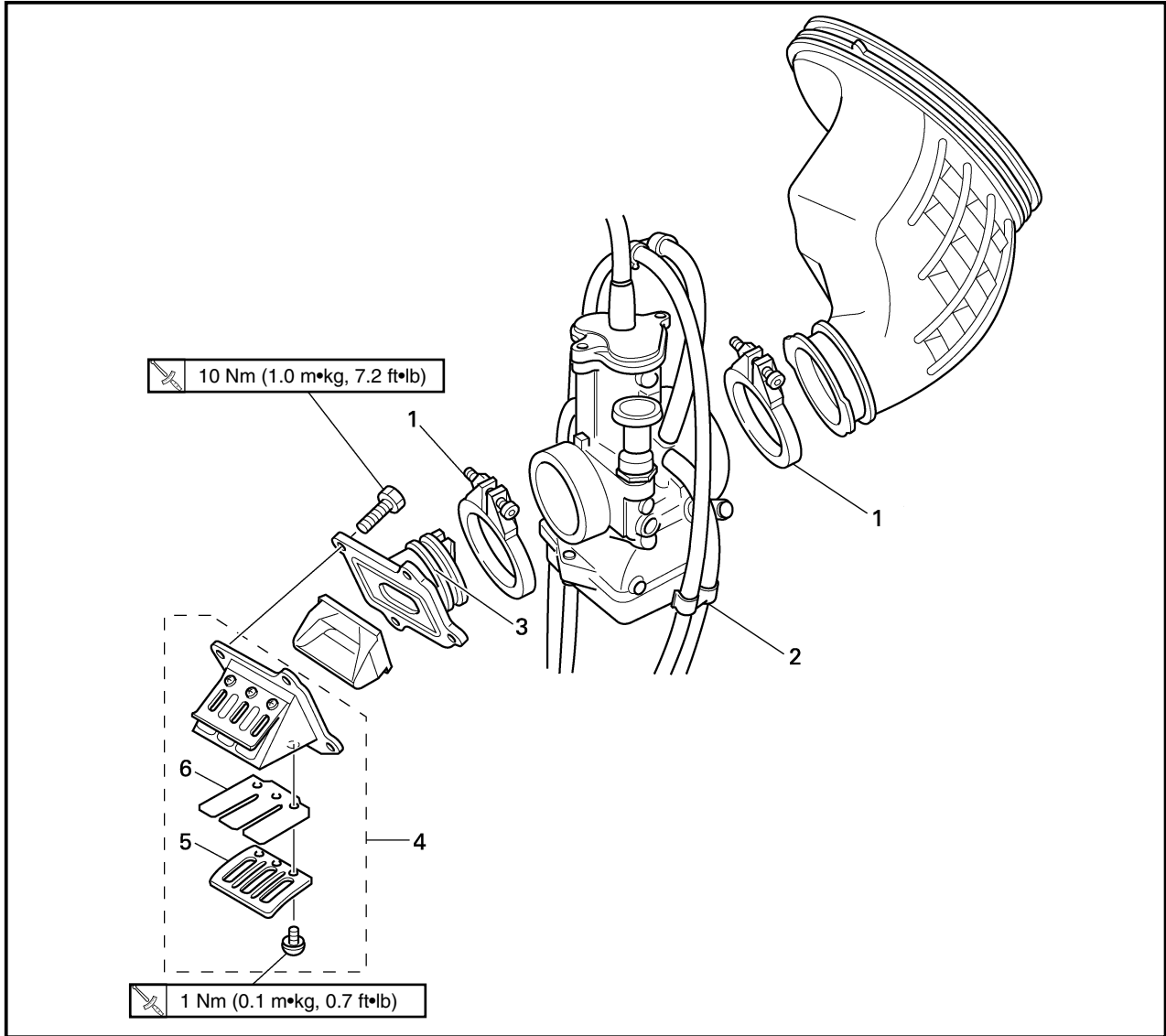
NOTE:

Fit the hook ① on the inner side first into the radiator.



EC460000

CARBURETOR AND REED VALVE



Extent of removal:

① Carburetor removal

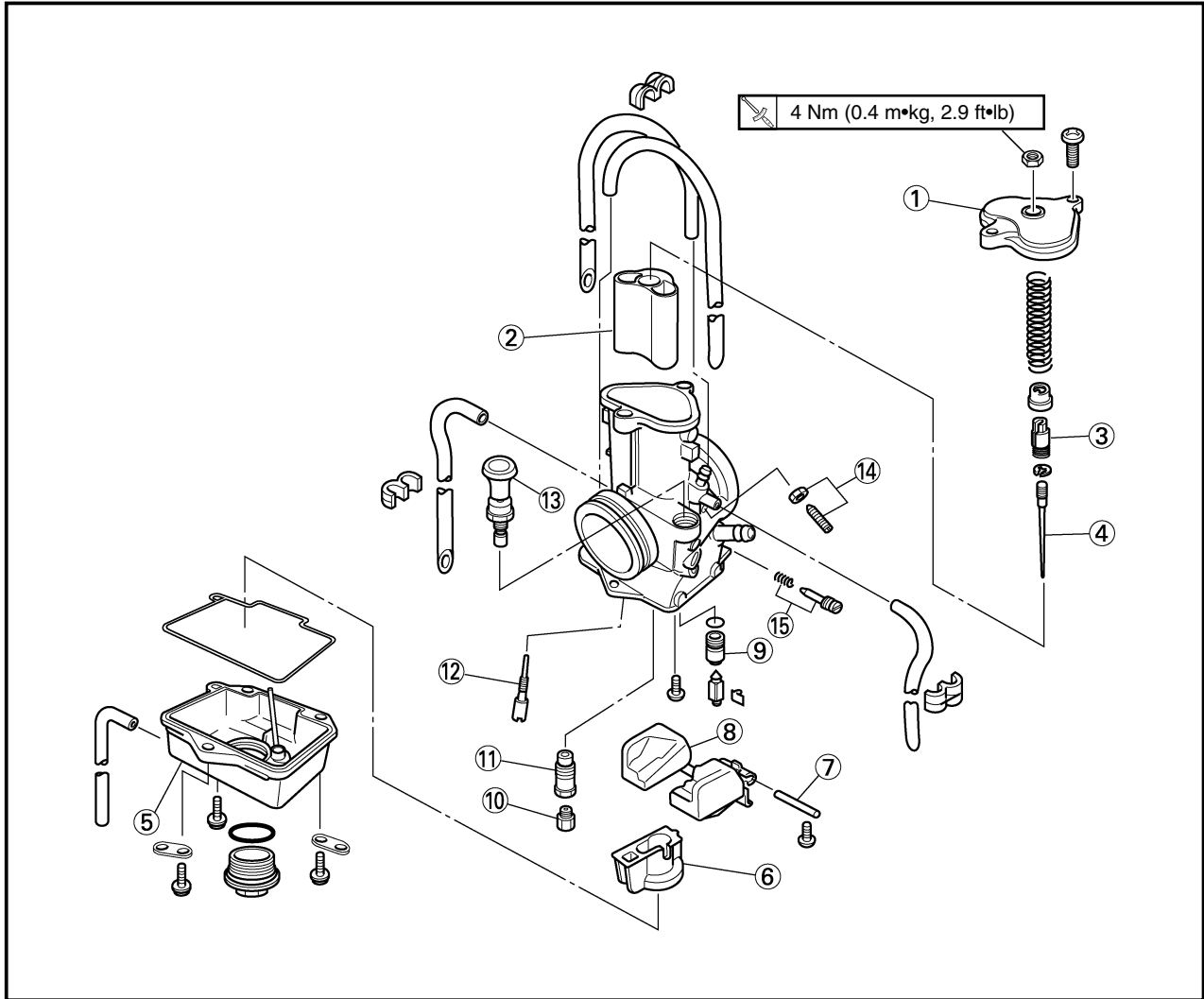
② Reed valve removal

Extent of removal	Order	Part name	Q'ty	Remarks
CARBURETOR AND REED VALVE REMOVAL				
Preparation for removal		Fuel tank		Refer to "SEAT, FUEL TANK AND SIDE COVERS" section.
<div style="display: flex; align-items: center; justify-content: center;"> <div style="text-align: center; margin-right: 20px;"> ① ↑ ↓ </div> <div style="text-align: center; margin-right: 20px;"> ↑ ↓ </div> <div style="text-align: center;"> ② ↑ ↓ </div> </div>	1	Clamp (carburetor joint)	2	Loosen the screws (carburetor joint).
	2	Carburetor	1	
	3	Carburetor joint	1	
	4	Reed valve assembly	1	
	5	Stopper (reed valve)	2	
	6	Reed valve	2	



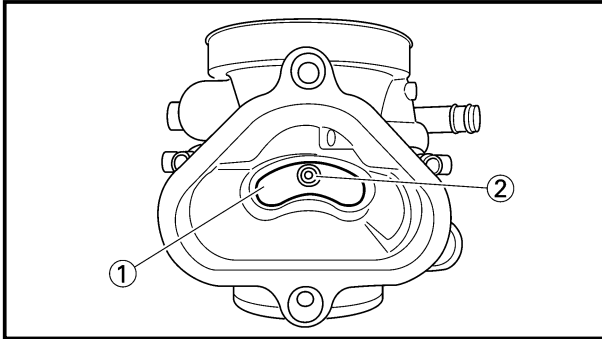
EC468000

CARBURETOR DISASSEMBLY



Extent of removal: ① Carburetor disassembly

Extent of removal	Order	Part name	Q'ty	Remarks
	CARBURETOR DISASSEMBLY			
	①	Mixing chamber top	1	Refer to "REMOVAL POINTS".
	②	Throttle valve	1	
	③	Needle holder	1	
	④	Jet needle	1	
	⑤	Float chamber	1	
	⑥	Needle jet cover	1	
	⑦	Float pin	1	
	⑧	Float	1	
	⑨	Valve seat	1	
	⑩	Main jet	1	
	⑪	Main jet holder	1	
	⑫	Pilot jet	1	
	⑬	Starter plunger	1	
	⑭	Throttle stop screw	1	
⑮	Pilot air screw	1		

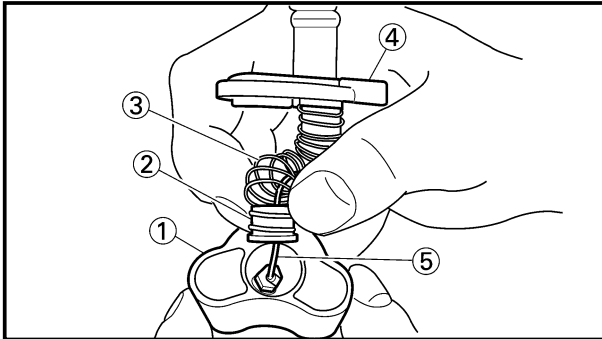


EC466030

HANDLING NOTE

CAUTION:

Do not disassemble the venturi block ① and main nozzle ② because it will cause a drop in carburetor performance.



EC463000

REMOVAL POINTS

EC463110

Throttle valve

1. Remove:
 - Throttle valve ①
 - Ring ②
 - Spring (throttle valve) ③
 - Mixing chamber top ④
 - Throttle cable ⑤

NOTE:

While compressing the spring (throttle valve), disconnect the throttle cable.

EC464000

INSPECTION

EC464140

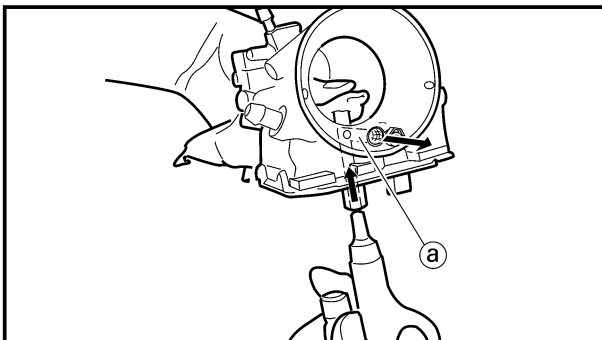
Carburetor

1. Inspect:
 - Carburetor body

Contamination → Clean.

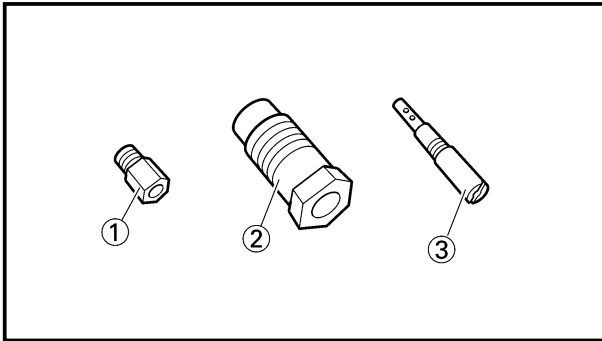
CAUTION:

When cleaning the main air passage ①, do not blow air at the filter side because it will clog the passage with mud or sand.



NOTE:

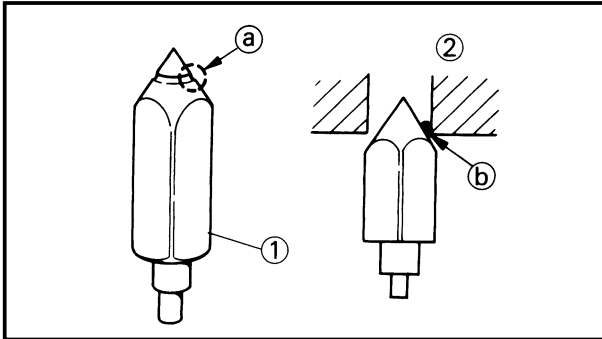
- Use a petroleum based solvent for cleaning. Blow out all passages and jets with compressed air.
- Never use a wire.
- When cleaning the main air passage, blow air through it while covering the nozzle with a clean rag.



2. Inspect:
 - Main jet ①
 - Main jet holder ②
 - Pilot jet ③
 Contamination → Clean.

NOTE: _____

- Use a petroleum based solvent for cleaning. Blow out all passages and jets with compressed air.
- Never use a wire.



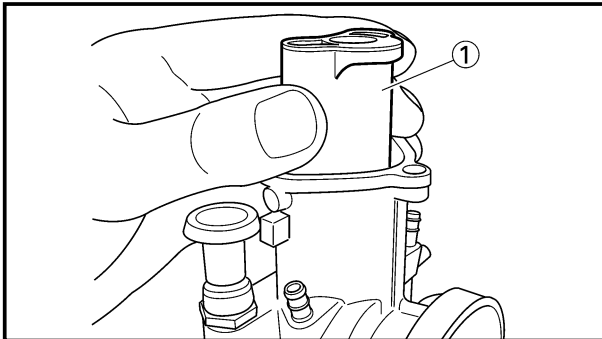
EC464200

Needle valve

1. Inspect:
 - Needle valve ①
 - Valve seat ②
 Grooved wear (a) → Replace.
 Dust (b) → Clean.

NOTE: _____

Always replace the needle valve and valve seat as a set.



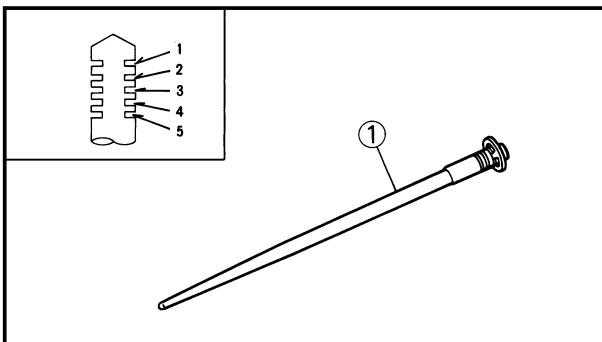
EC464301

Throttle valve

1. Check:
 - Free movement
 Stick → Repair or replace.

NOTE: _____

Insert the throttle valve ① into the carburetor body, and check for free movement.



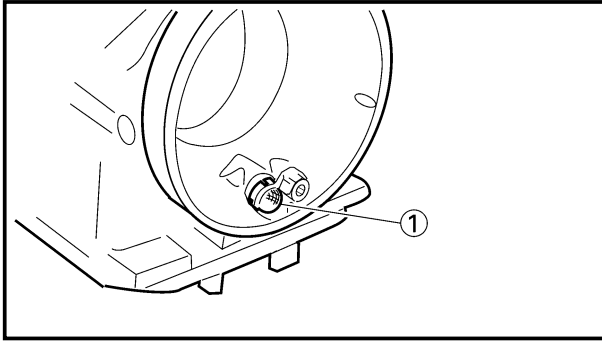
EC464401

Jet needle

1. Inspect:
 - Jet needle ①
 Bends/Wear → Replace.
 - Clip groove
 Free play exists/Wear → Replace.
 - Clip position



**Standard clip position:
No.4 Groove**



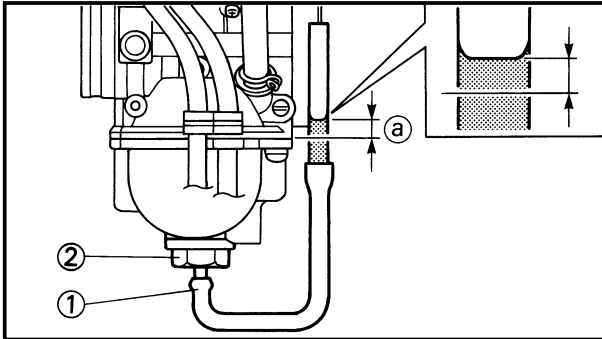
EC464A00

Filter

- Inspect:
 - Filter ①
 Damage → Replace.

NOTE:

Inspect the filter as it is assembled to the carburetor. Do not remove the filter except when replacing it.



EC464802

Fuel level

- Measure:
 - Fuel level ②
 Out of specification → Adjust.



Fuel level:

9.5~10.5 mm (0.37~0.41 in)
Above the float chamber mating surface

Measurement and adjustment steps:

- Remove the drain plug.
- Connect the fuel level gauge adapter ② and fuel level gauge ① to the float chamber.



Fuel level gauge adapter:
YM-01470/90890-01470

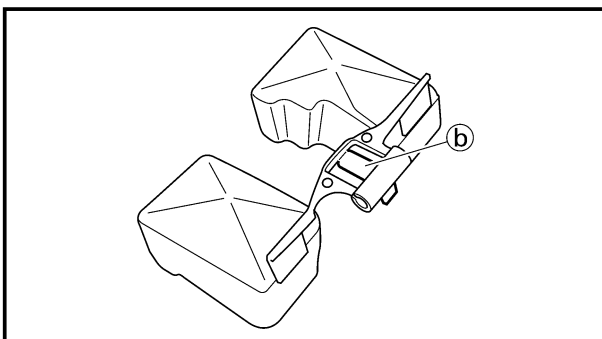
Fuel level gauge:
YM-1312-A/90890-01312

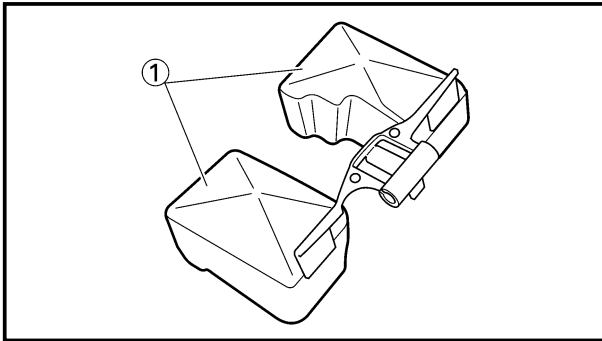
- Hold the fuel level gauge vertically next to the float chamber mating surface.
- Measure the fuel level with the fuel level gauge.

NOTE:

Keep the carburetor and fuel level gauge vertically when measuring the fuel level.

- If the fuel level is not within specification, inspect the valve seat and needle valve.
- If either is worn, replace them both.
- If both are fine, adjust the fuel level by bending the float tab ③ on the float.
- Recheck the fuel level.

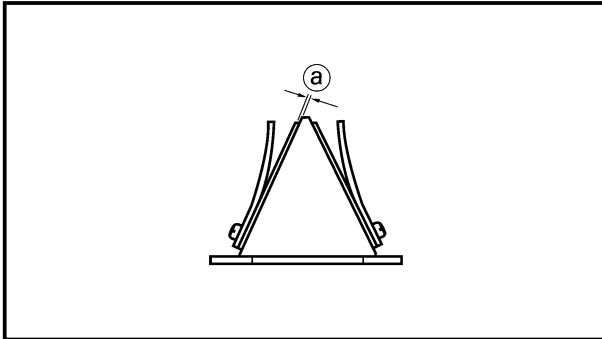




EC464600

Float

- Inspect:
 - Float ①
 - Damage → Replace.



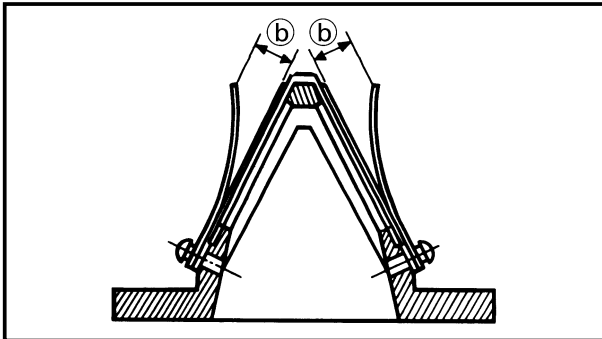
EC464701

Reed valve

- Measure:
 - Reed valve bending ①
 - Out of specification → Replace.



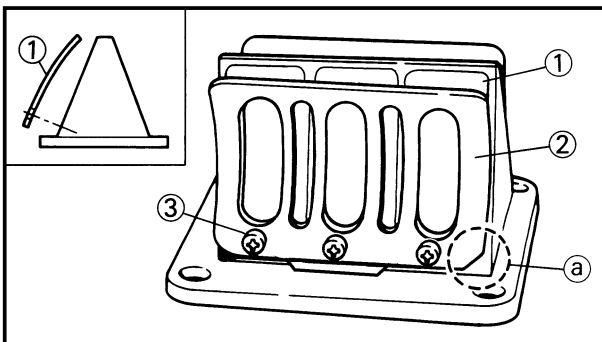
Reed valve bending limit:
0.2 mm (0.008 in)



- Valve stopper height ②
- Out of specification → Adjust stopper/
Replace valve stopper.



Valve stopper height:
8.2 ~8.6 mm (0.323~0.339 in)



EC465000

ASSEMBLY AND INSTALLATION

EC465190

Reed valve

- Install:
 - Reed valve ①
 - Stopper (reed valve) ②
 - Screw (reed valve) ③

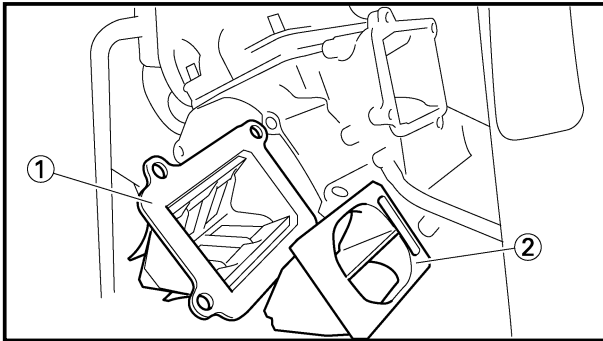
1 Nm (0.1 m•kg, 0.7 ft•lb)

NOTE:

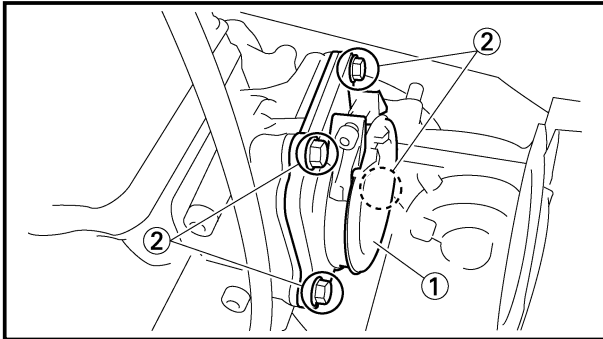
- Install the reed valve with the reed valve bending as shown.
- Note the cut ① in the lower corner of the reed and stopper plate.

CAUTION:

Tighten each screw gradually to avoid warping.

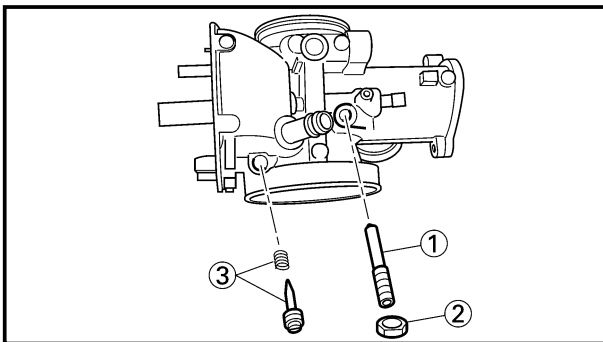


2. Install:
- Reed valve assembly ①
 - Reed valve spacer ②



3. Install:
- Carburetor joint ①
 - Bolt (carburetor joint) ②

10 Nm (1.0 m•kg, 7.2 ft•lb)



EC4652C2

Carburetor

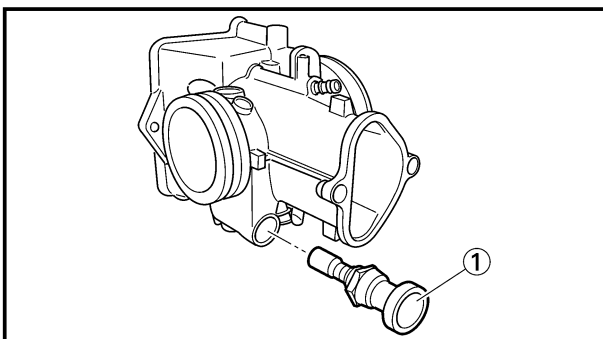
1. Install:
- Throttle stop screw ①
 - Locknut ②
 - Pilot air screw ③

Note the following installation points:

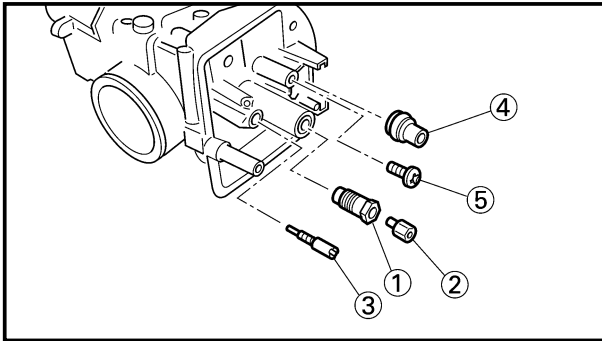
- Screw in the pilot air screw until it is lightly seated.
- Back out it by the specified number of turns.



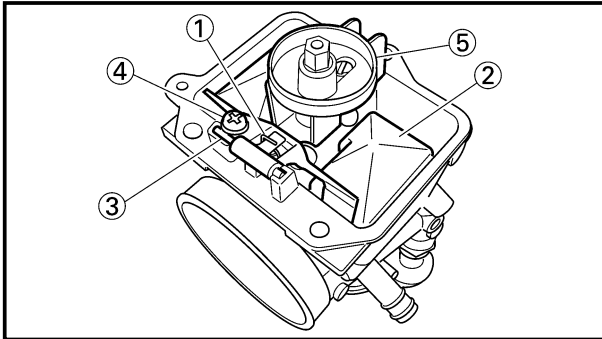
Pilot air screw:
2-1/4 turns out



2. Install:
- Starter plunger ①



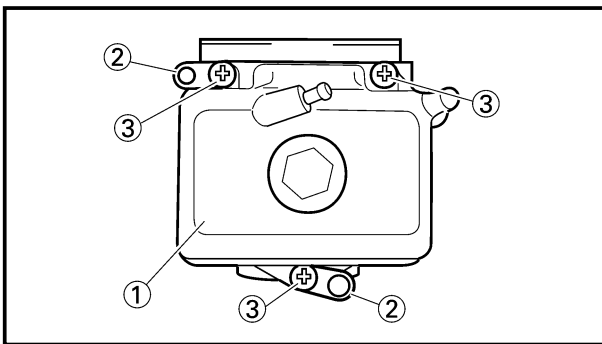
3. Install:
- Main jet holder ①
 - Main jet ②
 - Pilot jet ③
 - Valve seat ④
 - Screw (valve seat) ⑤



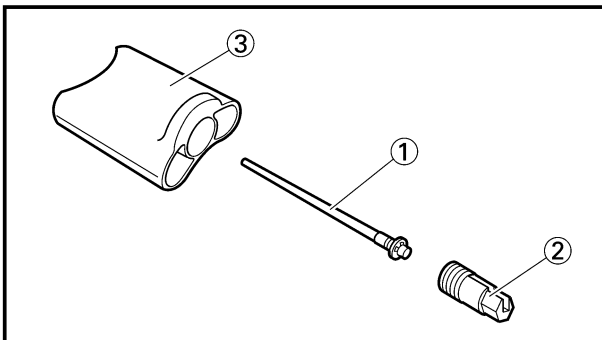
4. Install:
- Needle valve ①
 - Float ②
 - Float pin ③
 - Screw (float pin) ④
 - Needle jet cover ⑤

NOTE:

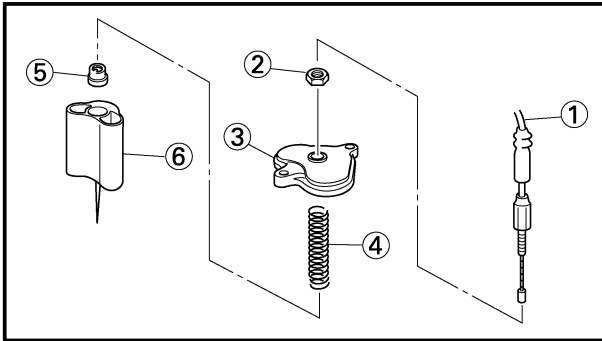
- After installing the needle valve to the float, install them to the carburetor.
- Check the float for smooth movement.



5. Install:
- Float chamber ①
 - Plate ②
 - Screw (float chamber) ③



6. Install:
- Jet needle ①
 - Needle holder ②
 - To throttle valve ③.



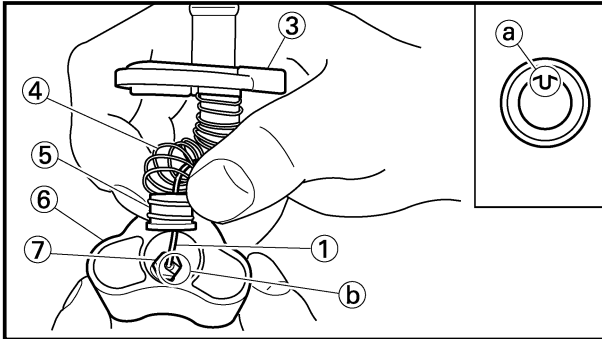
7. Install:

- Throttle cable ①
- Locknut ② 4 Nm (0.4 m•kg, 2.9 ft•lb)
- Mixing chamber top ③
- Spring (throttle valve) ④
- Ring ⑤
- Throttle valve ⑥

NOTE: _____

• While compressing the spring, connect the throttle cable.

• Align the projection (a) on the ring with the groove (b) in the needle holder (7).

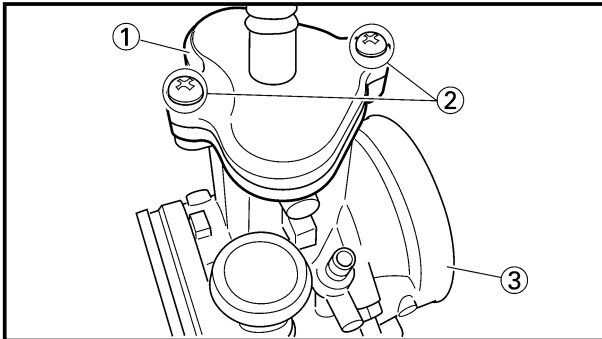


8. Install:

- Mixing chamber top ①
- Screw (mixing chamber top) ②
To carburetor ③.

NOTE: _____

After installing, check the throttle grip for smooth movement.

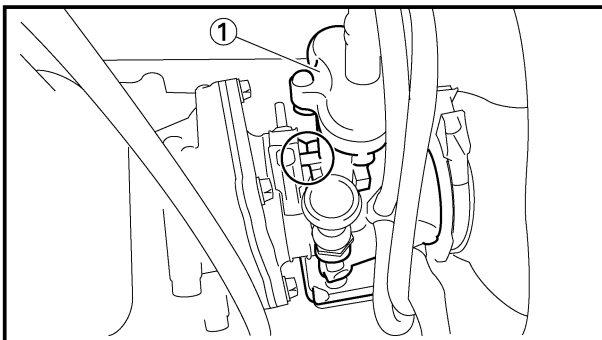
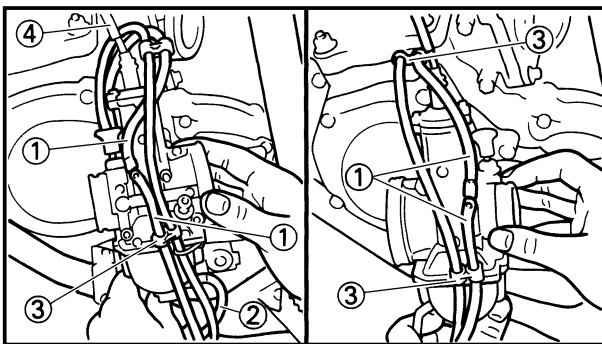


9. Install:

- Air vent hose ①
- Overflow hose ②
- Clamp ③

NOTE: _____

Pass the air vent hose at the rear (on the air cleaner side) of the throttle cable ④.



EC465352

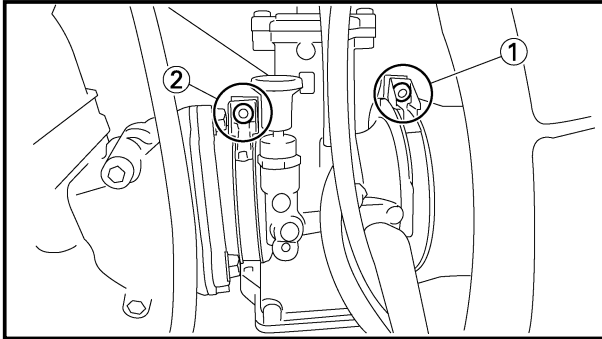
Carburetor installation

1. Install:

- Carburetor ①


NOTE: _____

Install the projection between the carburetor joint slots.




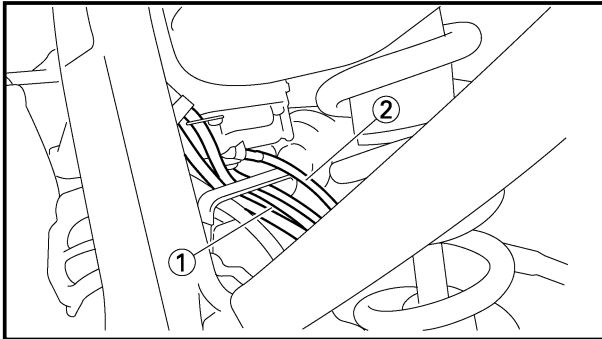
2. Tighten:

- Bolt (air filter joint) ①

 **2 Nm (0.2 m•kg, 1.4 ft•lb)**

- Bolt (carburetor joint) ②

 **2 Nm (0.2 m•kg, 1.4 ft•lb)**



3. Clamp:

- Air vent hose ①
- Overflow hose ②

Refer to “CABLE ROUTING DIAGRAM”
section in the CHAPTER 2.

4. Adjust:

- Idle speed

Refer to “IDLE SPEED ADJUSTMENT”
section in the CHAPTER 3.



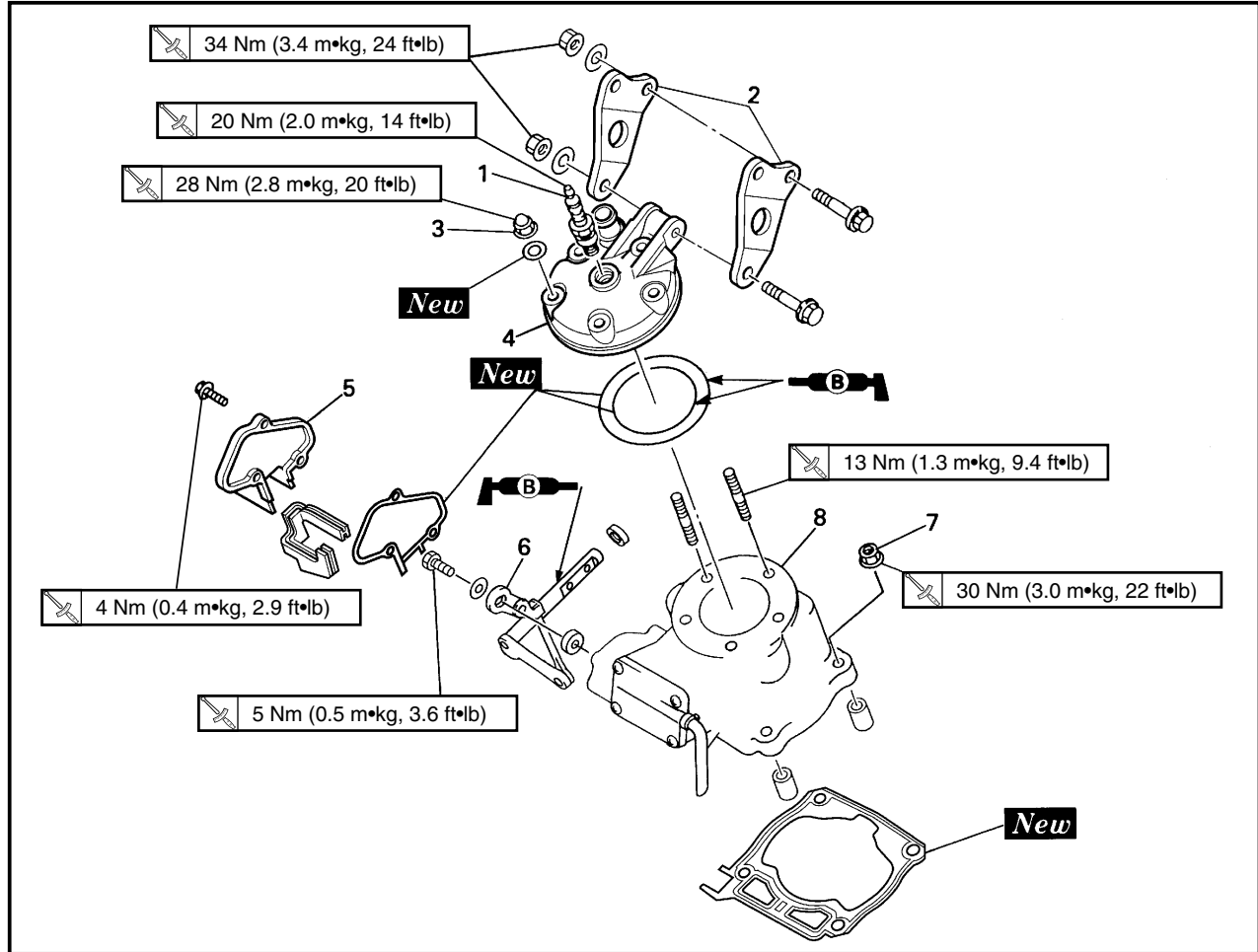
EC470000

CYLINDER HEAD, CYLINDER AND PISTON



EC478000

CYLINDER HEAD AND CYLINDER



Extent of removal:

① Cylinder head removal

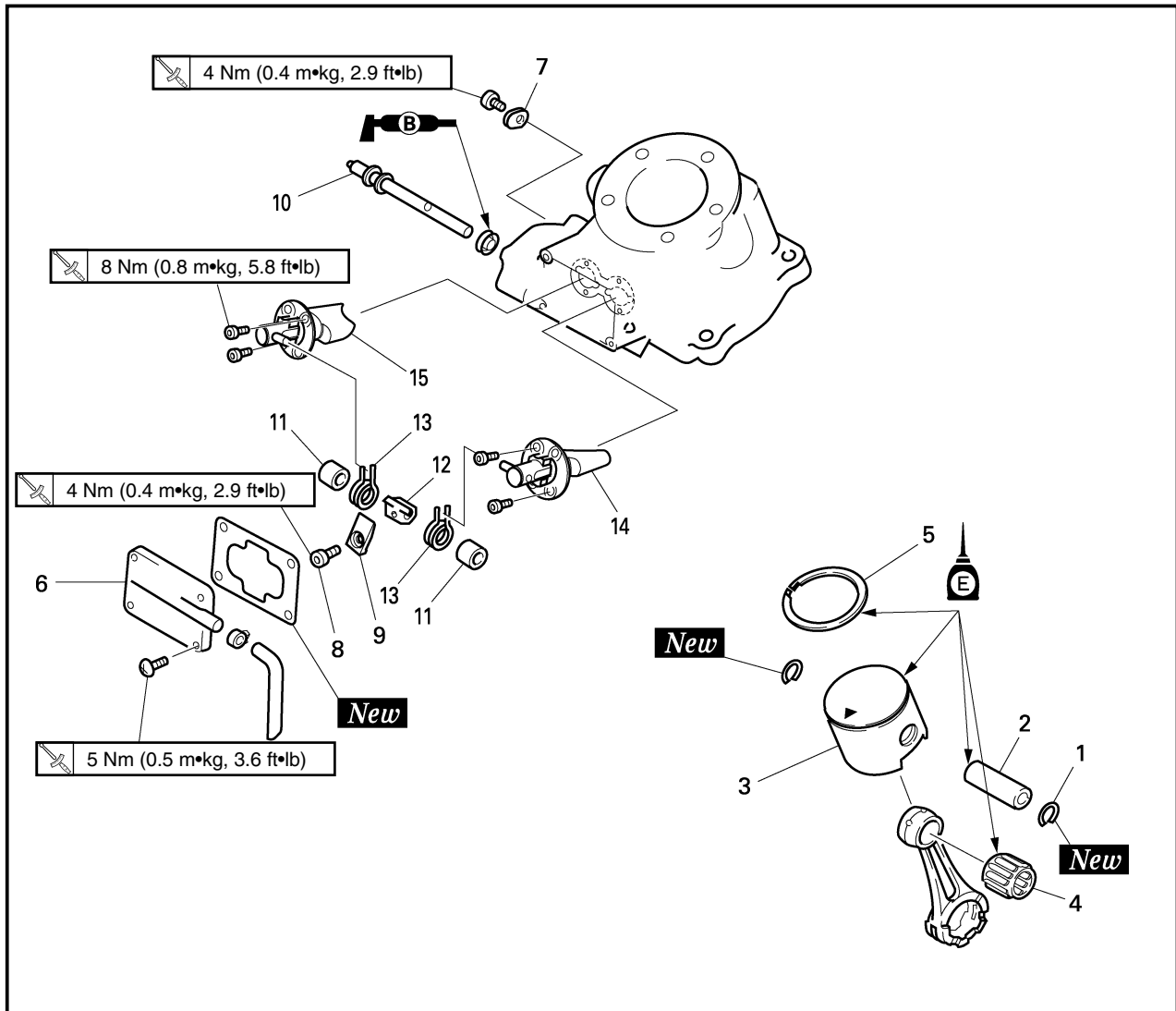
② Cylinder removal

Extent of removal	Order	Part name	Q'ty	Remarks
Preparation for removal		CYLINDER HEAD AND CYLINDER REMOVAL		
		Seat and fuel tank		Refer to "SEAT, FUEL TANK AND SIDE COVERS" section.
		Exhaust pipe and silencer		Refer to "EXHAUST PIPE AND SILENCER" section.
		Radiator		Refer to "RADIATOR" section.
<div style="display: flex; justify-content: space-around; align-items: center;"> <div style="text-align: center;"> <p>↑</p> <p>①</p> <p>↓</p> </div> <div style="text-align: center;"> <p>↑</p> <p>②</p> <p>↓</p> </div> </div>	1	Spark plug	1	
	2	Engine bracket	2	
	3	Nut (cylinder head)	5	Loosen each nut 1/4 turn, and remove them after all nuts are loosened.
	4	Cylinder head	1	
	5	Power valve housing	1	
	6	Push rod	1	Refer to "REMOVAL POINTS".
	7	Nut (cylinder)	4	
	8	Cylinder	1	



EC478100

PISTON AND POWER VALVE

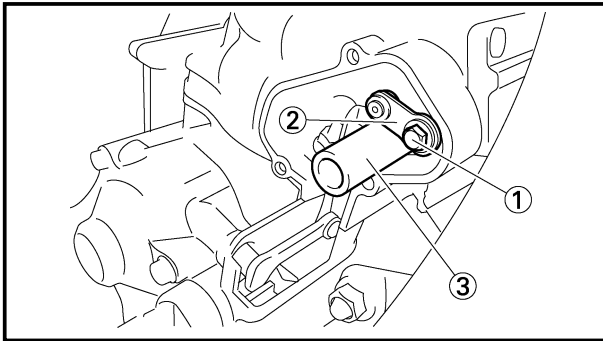


Extent of removal:

① Piston and piston ring removal

② Power valve removal

Extent of removal	Order	Part name	Q'ty	Remarks
<div style="display: flex; align-items: center;"> <div style="margin-right: 20px;"> <p>↑</p> <p>①</p> <p>↓</p> </div> <div style="margin-right: 20px;"> <p>↑</p> <p>②</p> <p>↓</p> </div> </div>		PISTON AND POWER VALVE REMOVAL		
	1	Piston pin clip	2	} Refer to "REMOVAL POINTS".
	2	Piston pin	1	
	3	Piston	1	
	4	Small end bearing	1	
	5	Piston ring	1	
	6	Power valve cover	1	
	7	Thrust plate	1	
	8	Bolt (link lever)	1	
	9	Valve holder	1	
	10	Valve shaft	1	
	11	Collar	2	
	12	Link lever	1	
	13	Spring	2	
	14	Power valve 1	1	
15	Power valve 2	1		



EC473000

REMOVAL POINTS

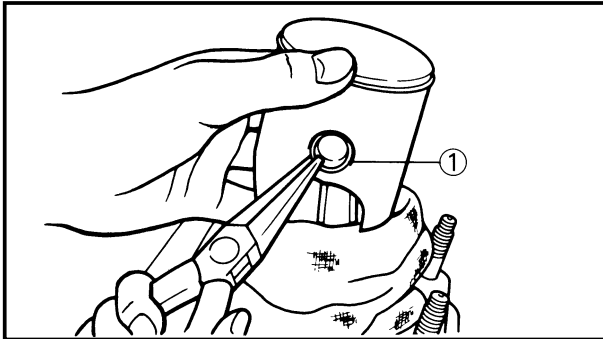
EC473210

Push rod

- Remove:
 - Bolt (push rod) ①
 - Push rod ②

NOTE:

Set the collar ③ included in owner's tool kit to remove the bolt (push rod).



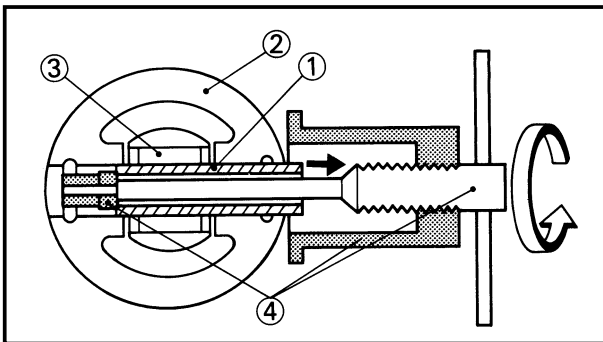
EC473402

Piston and piston ring

- Remove:
 - Piston pin clip ①

NOTE:

Before removing the piston pin clip, cover the crankcase with a clean rag to prevent the piston pin clip from falling into the crankcase cavity.



- Remove:
 - Piston pin ①
 - Piston ②
 - Small end bearing ③

NOTE:

Before removing the piston pin, deburr the clip groove and pin hole area. If the piston pin groove is deburred and piston pin is still difficult to remove, use the piston pin puller ④.

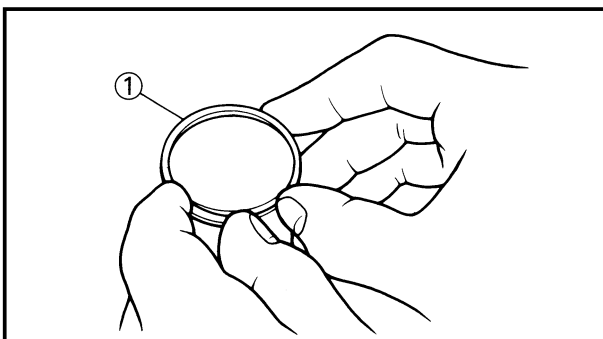


Piston pin puller:

YU-1304/90890-01304

CAUTION:

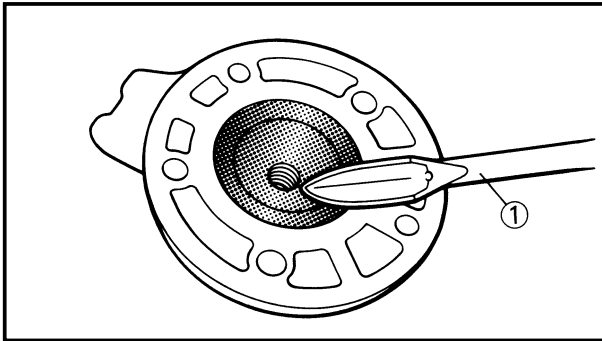
Do not use a hammer to drive the piston pin out.



- Remove:
 - Piston ring ①

NOTE:

Take care not to scratch the piston or damage the piston ring by expanding it more than necessary.



EC474000

INSPECTION

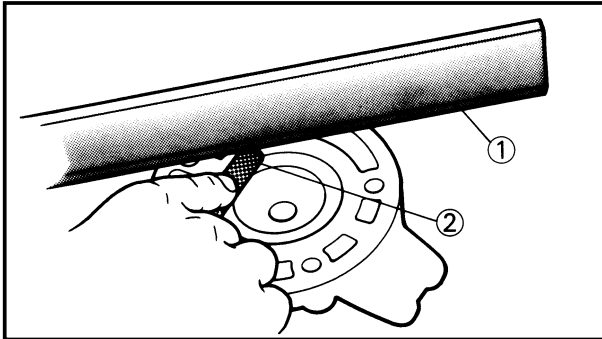
EC474102

Cylinder head

- Eliminate:
 - Carbon deposits
 Use a rounded scraper ①.

NOTE:

Take care to avoid damaging the spark plug threads. Do not use a sharp instrument. Avoid scratching the aluminum.



- Inspect:
 - Cylinder head water jacket
Crust of minerals/Rust → Remove.
 - Cylinder head warpage
Out of specification → Re-surface.

Warpage measurement and re-surface-ment steps:

- Attach a straightedge ① and a thickness gauge ② on the cylinder head.
- Measure the warpage.

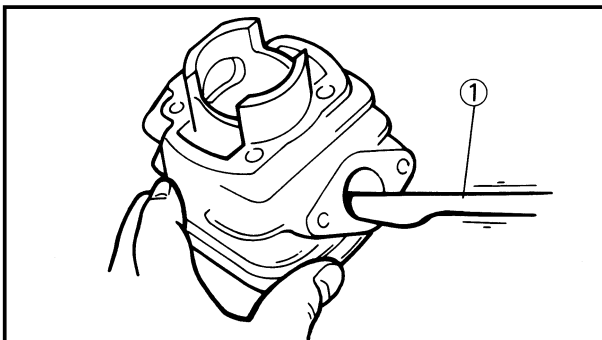
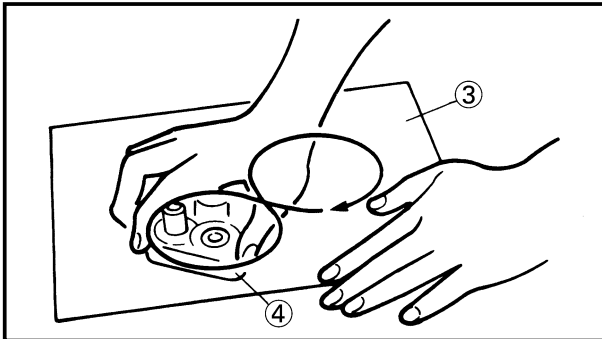


Warpage limit:
0.03 mm(0.0012 in)

- If the warpage is out of specification, re-surface the cylinder head.
- Place # 400~600 grit wet sandpaper ③ on the surface plate, and re-surface the head ④ using a figure-eight sanding pattern.

NOTE:

Rotate the cylinder head several times to avoid removing too much material from one side.



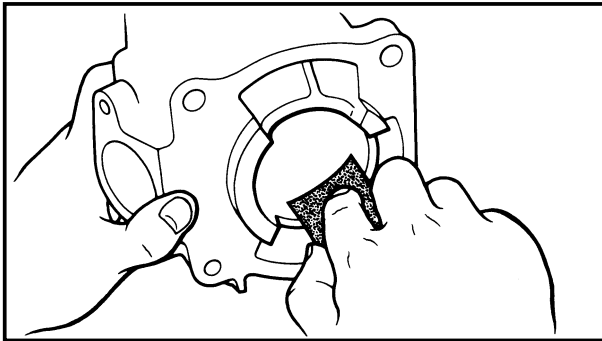
EC474201

Cylinder

- Eliminate:
 - Carbon deposits
 Use a rounded scraper ①.

NOTE:

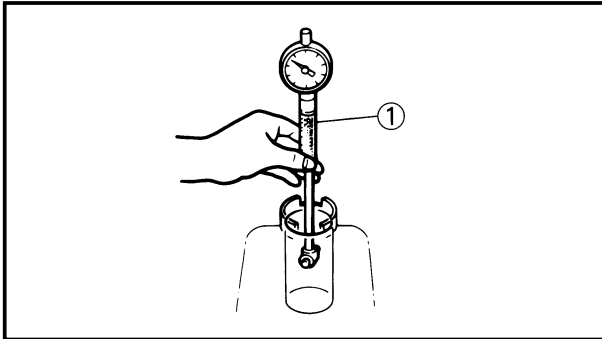
Do not use a sharp instrument. Avoid scratching the aluminum.



- Inspect:
 - Cylinder inner surface
 - Score marks → Repair or replace.
 - Use #400~600 grit wet sandpaper.

CAUTION: _____

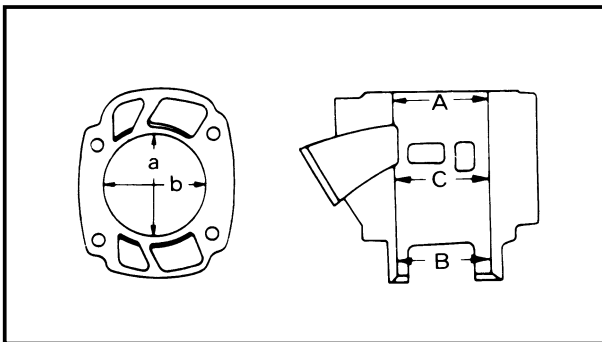
Do not rebores the cylinder.



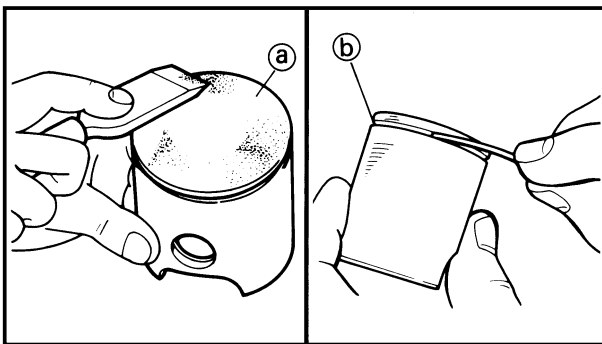
- Measure:
 - Cylinder bore "C"
 - Use cylinder gauge ①.
 - Out of limit → Replace.

NOTE: _____

Measure the cylinder bore "C" in parallel (A, B, C) to and at right angles to the crankshaft (a, b). Then, find the average of the measurements.



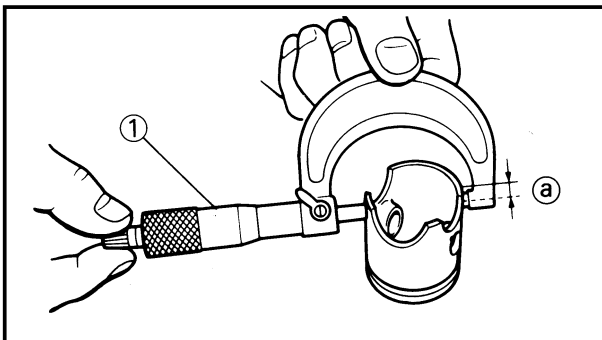
	Standard	Wear limit
Cylinder bore "C"	54.000~54.014mm (2.1260~2.1265 in)	54.1 mm (2.130 in)
Taper "T"	—	0.05 mm (0.0020 in)
C=Maximum Aa~Cb T=(Maximum Aa, or Ab) — (Maximum Ba, or Bb)		



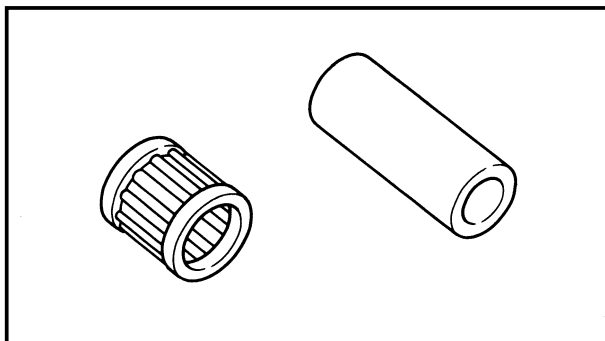
EC474302

Piston

- Eliminate:
 - Carbon deposits
 - From the piston crown (a) and ring groove (b).
- Inspect:
 - Piston wall
 - Score marks → Repair or replace.
- Measure:
 - Piston skirt diameter
 - Use micrometer ①.
 - Measure the specific distance (a) from the bottom edge.
 - Out of specification → Replace.



	Distance (a)	Piston dia.
	17.5 mm (0.69 in)	53.957~53.972 mm (2.1243~2.1249 in)

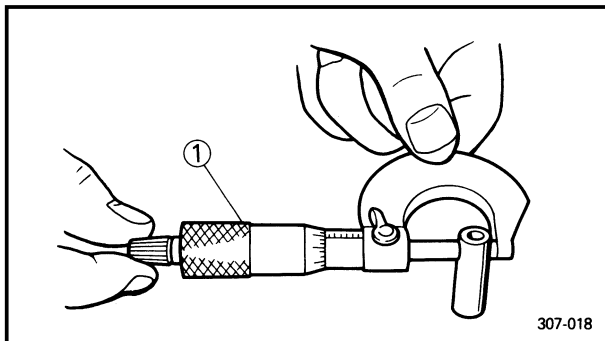


EC474402

Piston pin and small end bearing

1. Inspect:
 - Piston pin
 - Small end bearing

Signs of heat discoloration → Replace.



307-018

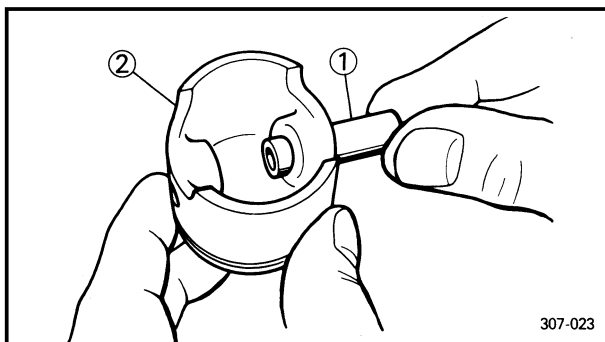
2. Measure:
 - Piston pin outside diameter

Use micrometer ①.
Out of limit → Replace.



Piston pin outside diameter:

Standard	<Limit>
14.995~15.000 mm (0.5904~0.5906 in)	14.975 mm (0.5896 in)



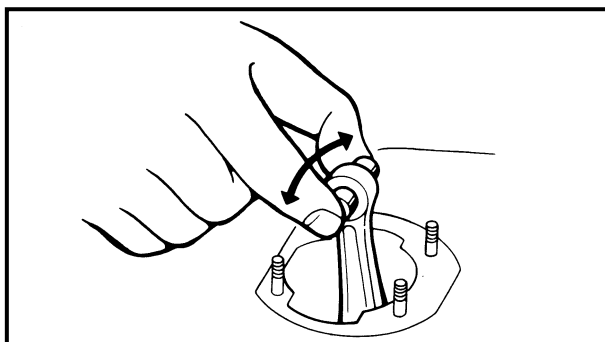
307-023

3. Check:
 - Free play (when the piston pin ① is in place in the piston ②)

There should be no noticeable for the play.
Free play exists → Replace piston pin and/or piston.

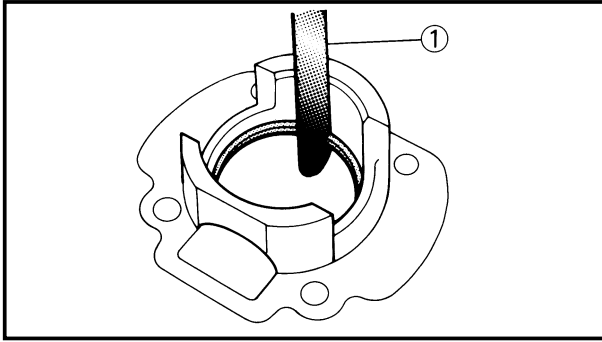
4. Install:
 - Small end bearing
 - Piston pin

Into the small end of connecting rod.



5. Check:
 - Free play

There should be no noticeable free play.
Free play exists → Inspect the connecting rod for wear/Replace the pin and/or connecting rod as required.



EC474502

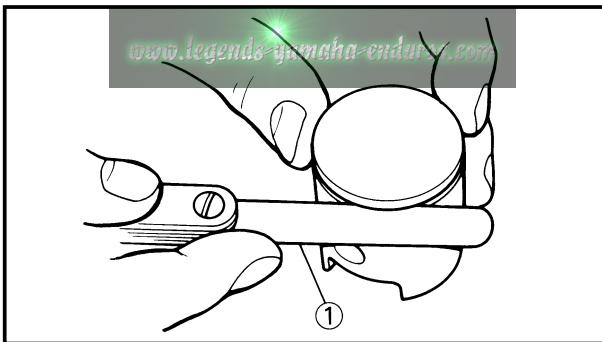
Piston ring

1. Install:
 - Piston ring
Into the cylinder.
Push the ring with the piston crown.
2. Measure:
 - End gap
Use a thickness gauge ①.
Out of limit → Replace.



Ring end gap (installed):

Standard	<Limit>
0.5~0.7 mm (0.020~0.028 in)	1.2mm (0.047 in)



3. Measure:
 - Side clearance
Use a thickness gauge ①.
Out of limit → Replace piston and/or ring.

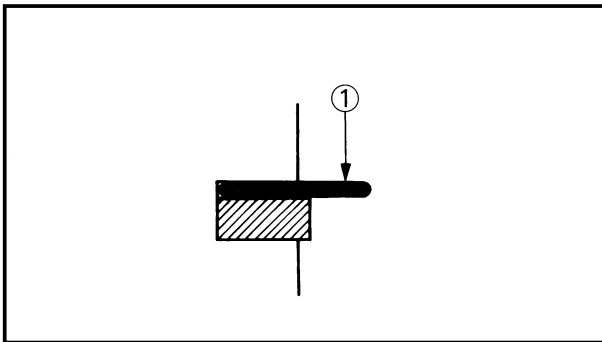


Side clearance:

Standard	<Limit>
0.035~0.070 mm (0.0014~0.0028 in)	0.1mm (0.004 in)

NOTE: _____

Check at several points.



EC474602

Piston clearance

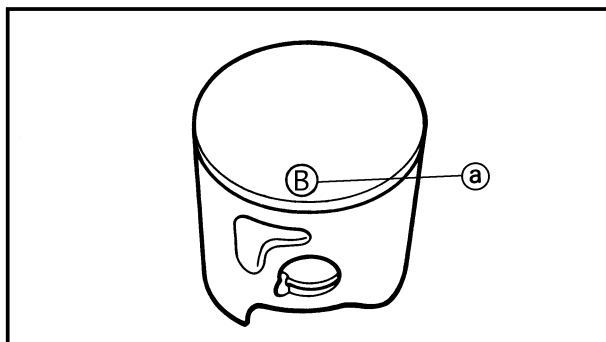
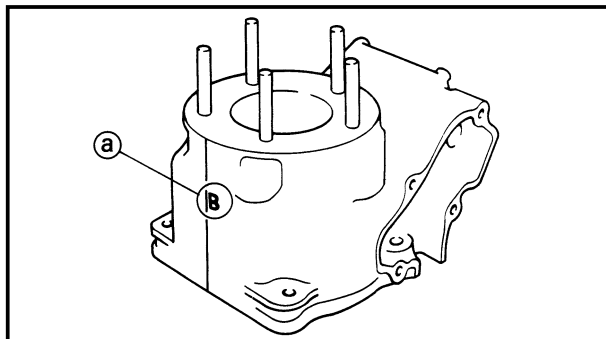
1. Calculate:
 - Piston clearance
Out of limit → Replace piston, and piston ring and/or cylinder.
Refer to “Cylinder” and “Piston”.

PISTON CLEARANCE	=	CYLINDER BORE	-	PISTON DIAMETER
---------------------	---	------------------	---	--------------------



Piston clearance:

Standard	<Limit>
0.040~0.045 mm (0.0016~0.0018 in)	0.1 mm (0.004 in)



EC474700

Combination of piston and cylinder

1. Check:

- Cylinder mark (a)

Cylinder mark (a)	Cylinder size
A	54.000~54.002 mm (2.1260~2.1261 in)
B	54.004~54.006 mm (2.1261~2.1262 in)
C	54.008~54.010 mm (2.1263~2.1264 in)
D	54.012~54.014 mm (2.1265~2.1265 in)

2. Check:

- Piston mark (a)

Piston mark (a) (color)	Piston size
A (red)	53.957~53.960 mm (2.1243~2.1244 in)
B (orange)	53.961~53.964 mm (2.1244~2.1246 in)
C (green)	53.965~53.968 mm (2.1246~2.1247 in)
D (purple)	53.969~53.972 mm (2.1248~2.1249 in)

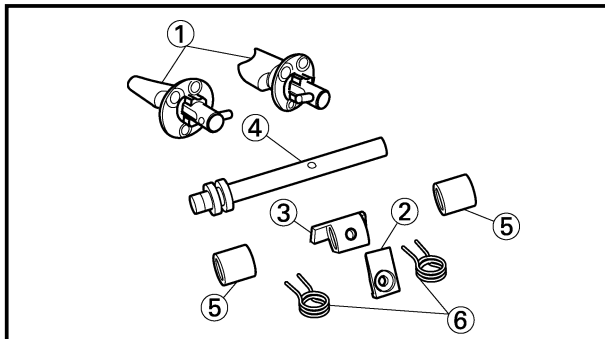
3. Combination:

Combine the piston and cylinder by the following chart.

Cylinder mark	Piston mark (color)
A	A (red)
B	B (orange)
C	C (green)
D	D (purple)

NOTE: _____

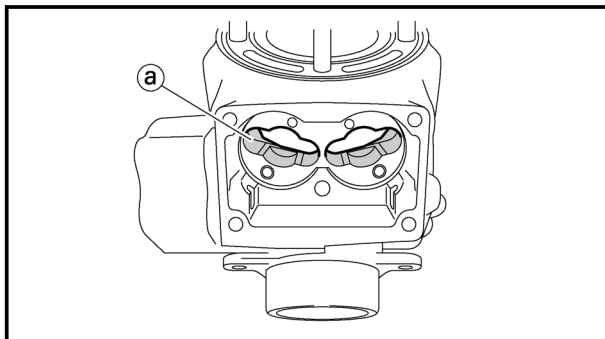
When you purchase a cylinder, you cannot designate its size. Choose the piston that matches the above chart.



EC474831

Power valve

- Inspect:
 - Power valve 1,2 ①
Wear/Damage → Replace.
Carbon deposits → Remove.
 - Valve holder ②
 - Link lever ③
 - Valve shaft ④
 - Collar ⑤
Wear/Damage → Replace.
 - Spring ⑥
Broken → Replace.



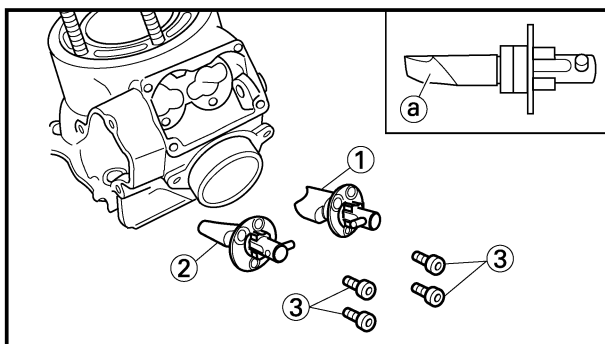
EC474901

Power valve hole on cylinder

- Remove:
 - Carbon deposits
From power valve hole surface ①.

NOTE:

Do not use a sharp instrument. Avoid scratching the aluminum.



EC475000

ASSEMBLY AND INSTALLATION

EC4751A1

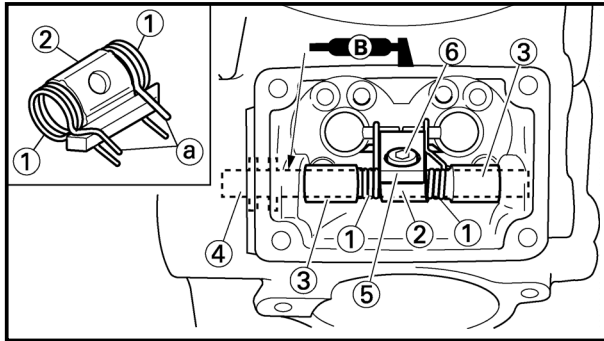
Power valve

- Install:
 - Power valve 1 ①
 - Power valve 2 ②
 - Bolt (power valve) ③

8 Nm (0.8 m•kg, 5.8 ft•lb)

NOTE:

Install the power valve at cut-away faced ① for down side.

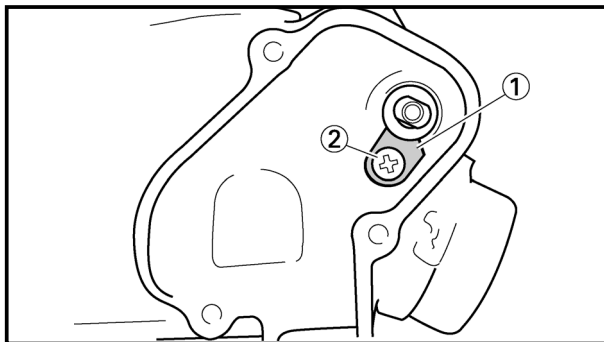


2. Install:
- Spring ①
 - Link lever ②
 - Collar ③
 - Valve shaft ④
 - Valve holder ⑤
 - Bolt (link lever) ⑥

4 Nm (0.4 m•kg, 2.9 ft•lb)

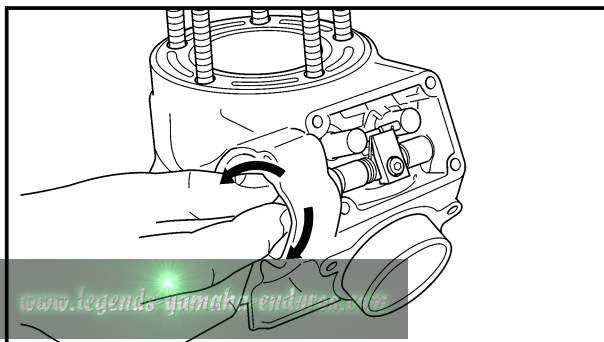
NOTE:

- Install the spring to the link lever, and then to the cylinder.
- Install the spring with its stopper portion (a) facing inward.
- Apply the lithium soap base grease on the oil seal lip.

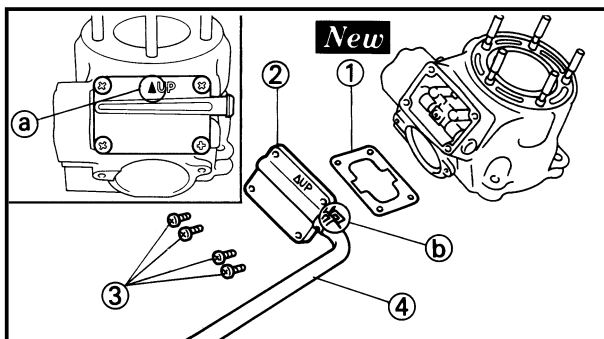


3. Install:
- Thrust plate ①
 - Screw (thrust plate) ②

4 Nm (0.4 m•kg, 2.9 ft•lb)



4. Check:
- Power valve smooth movement
 - Unsmooth movement → Repair or replace.

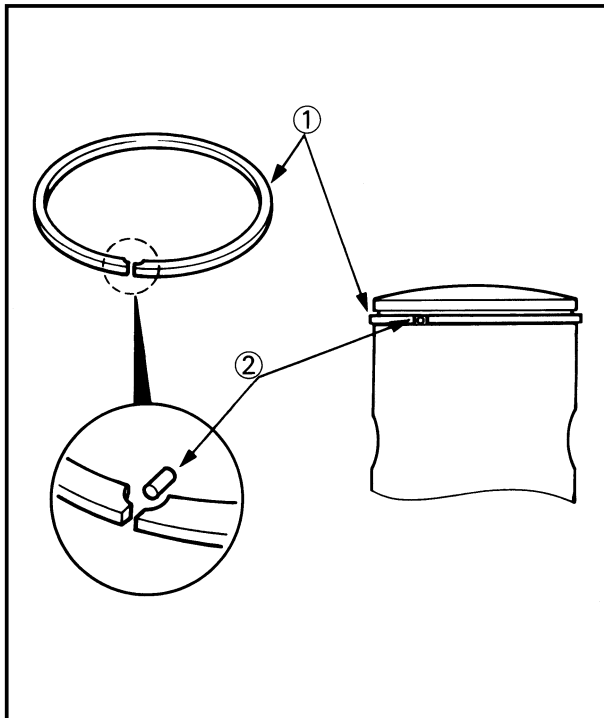


5. Install:
- Gasket (power valve cover) ① **New**
 - Power valve cover ②
 - Screw (power valve cover) ③
 - YPVS breather hose ④

5 Nm (0.5 m•kg, 3.6 ft•lb)

NOTE:

- Install the power valve cover so that the arrow mark (a) faces upward.
- Install the clamp of the YPVS breather hose with its opening portion (b) facing backward.



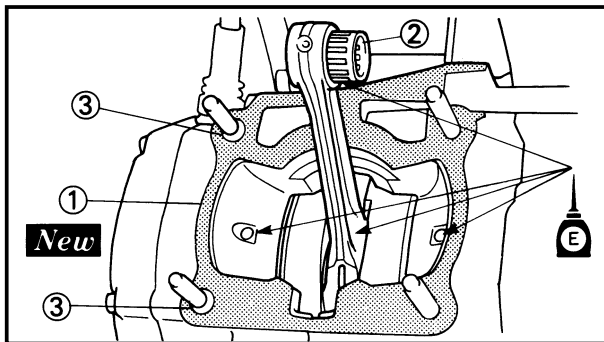
EC475280

Piston ring and piston

1. Install:
 - Piston ring ①

NOTE:

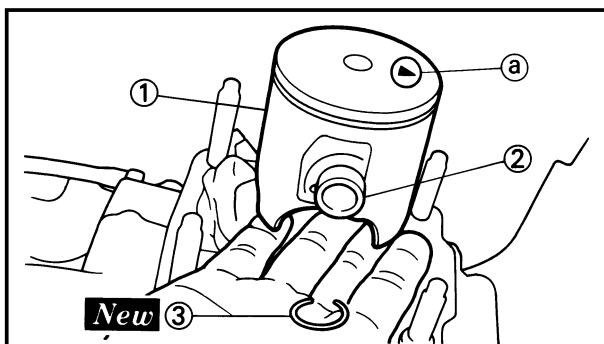
- Take care not to scratch the piston or damage the piston ring.
- Align the piston ring gap with the pin ②.
- After installing the piston ring, check the smooth movement of it.



2. Install:
 - Gasket (cylinder) ① **New**
 - Small end bearing ②
 - Dowel pin ③

NOTE:

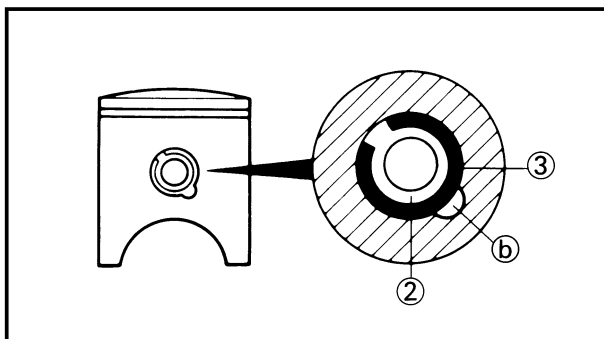
- Apply the engine oil onto the bearing (crankshaft and connecting rod) and connecting rod big end washers.
- Install the gasket with the seal print side toward the crankcase.



3. Install:
 - Piston ①
 - Piston pin ② **New**
 - Piston pin clip ③

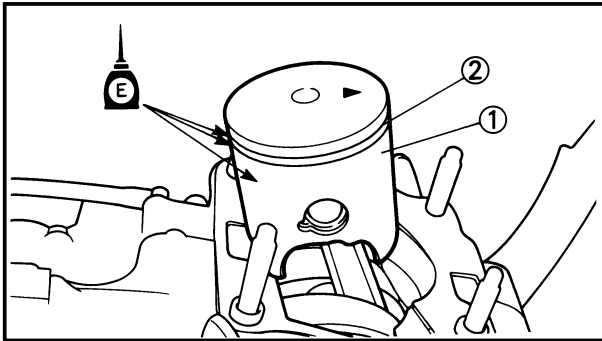
NOTE:

- The arrow ① on the piston dome must point to exhaust side.
- Before installing the piston pin clip, cover the crankcase with a clean rag to prevent the piston pin clip from falling into the crankcase cavity.



CAUTION:

- When installing the piston pin clip, use the hand so that it may not be distorted.
- Do not allow the clip open ends to meet the piston pin slot ①.



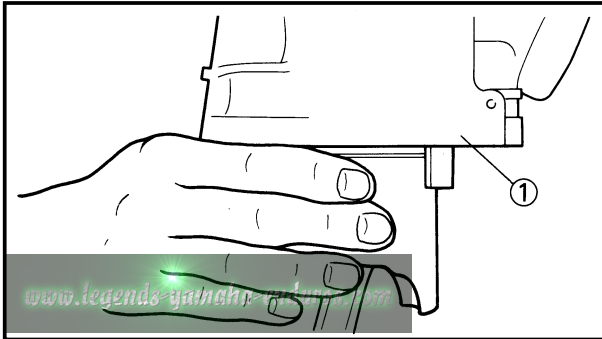
EC4753A2

Cylinder head and cylinder

1. Apply:
 - Engine oil
To piston ①, piston ring ② and cylinder surface.
2. Install:
 - Cylinder ①

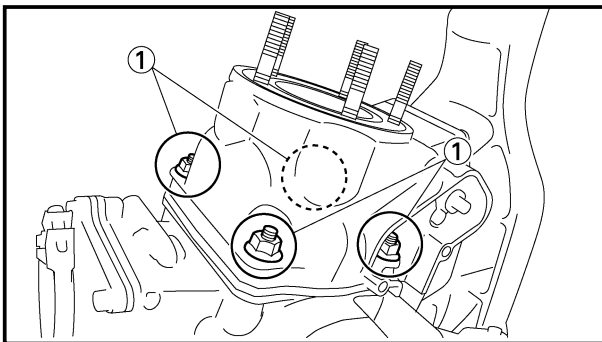
CAUTION:

Make sure the piston ring is properly positioned. Install the cylinder with one hand while compressing the piston ring with the other hand.



NOTE:

After installing, check the smooth movement of the piston.

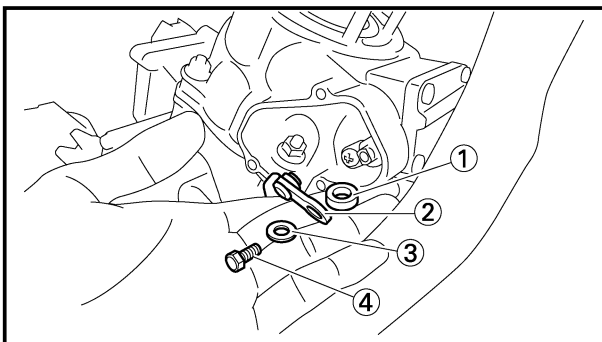


3. Install:
 - Nut (cylinder) ①

30 Nm (3.0 m•kg, 22 ft•lb)

NOTE:

Tighten the nuts in stage, using a crisscross pattern.

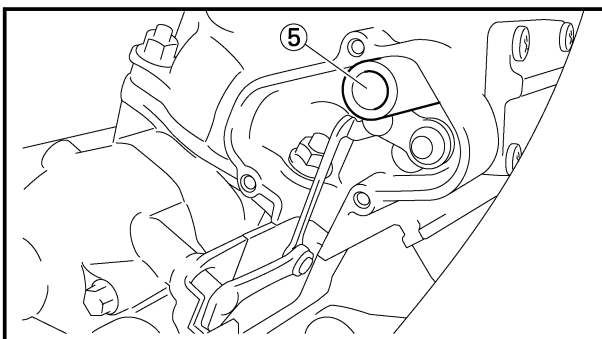


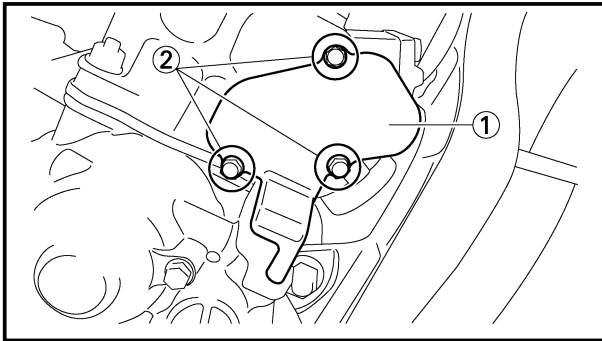
4. Install:
 - Collar ①
 - Push rod ②
 - Plain washer ③
 - Bolt (push rod) ④

5 Nm (0.5 m•kg, 3.6 ft•lb)

NOTE:

- Set the collar ⑤ included in owner's tool kit to install the bolt (push rod).
- Do not forget to remove the collar.

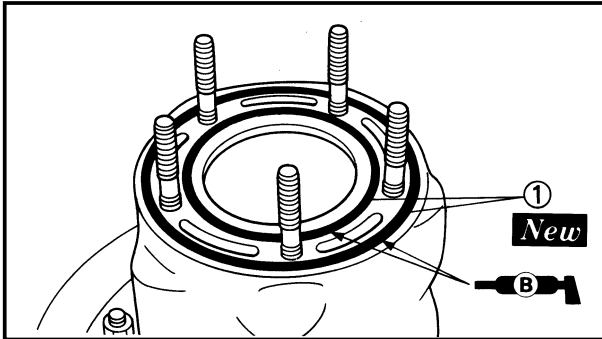




5. Install:

- Gasket (power valve housing) **New**
- Power valve housing ①
- Bolt (power valve housing) ②

4 Nm (0.4 m•kg, 2.9 ft•lb)

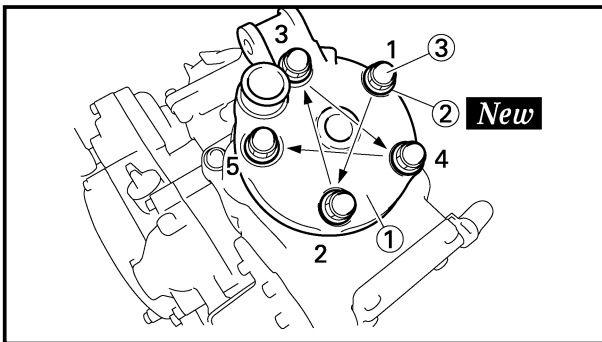


6. Install:

- O-ring ① **New**

NOTE: _____

Apply the lithium soap base grease on the O-rings.



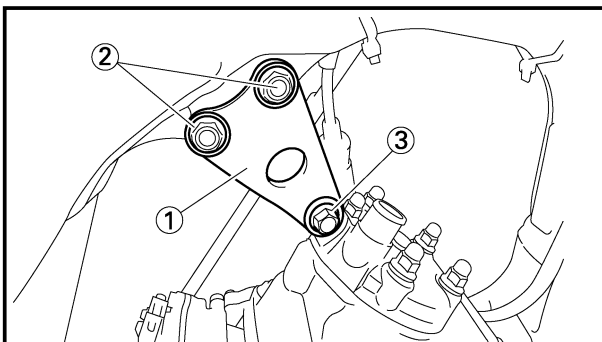
7. Install:

- Cylinder head ①
- Copper washer ② **New**
- Nut (cylinder head) ③

28 Nm (2.8 m•kg, 20 ft•lb)

NOTE: _____

Tighten the nuts (cylinder head) in stage, using a crisscross pattern.



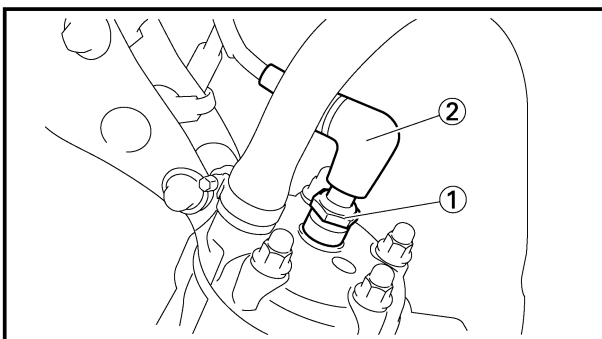
8. Install:

- Engine bracket ①
- Nut (engine bracket) ②

34 Nm (3.4 m•kg, 24 ft•lb)

- Engine mounting nut (upper) ③

34 Nm (3.4 m•kg, 24 ft•lb)



9. Install:

- Spark plug ①

20 Nm (2.0 m•kg, 14 ft•lb)

- Spark plug cap ②



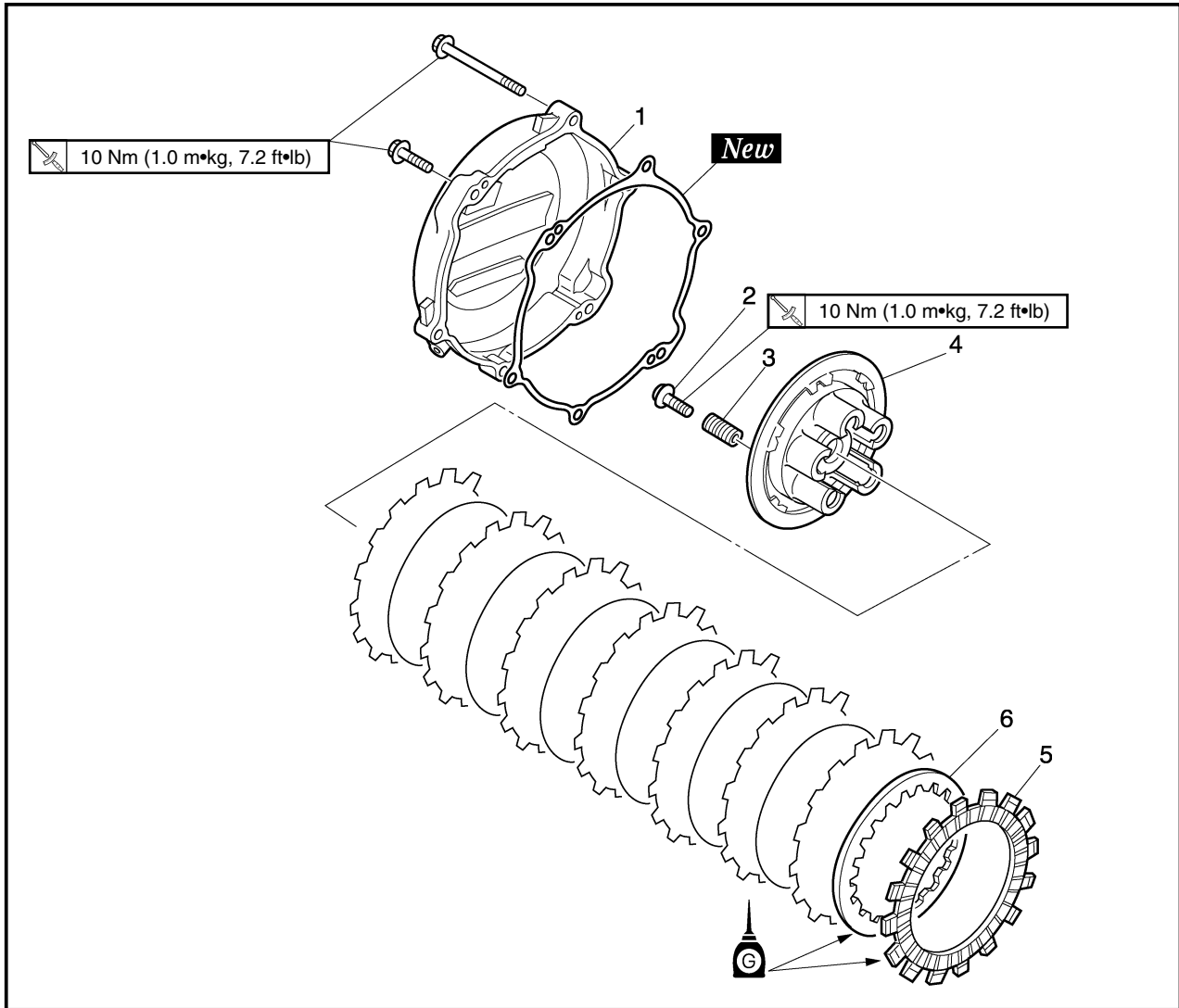
EC490000

CLUTCH AND PRIMARY DRIVEN GEAR



EC498000

CLUTCH PLATE AND FRICTION PLATE



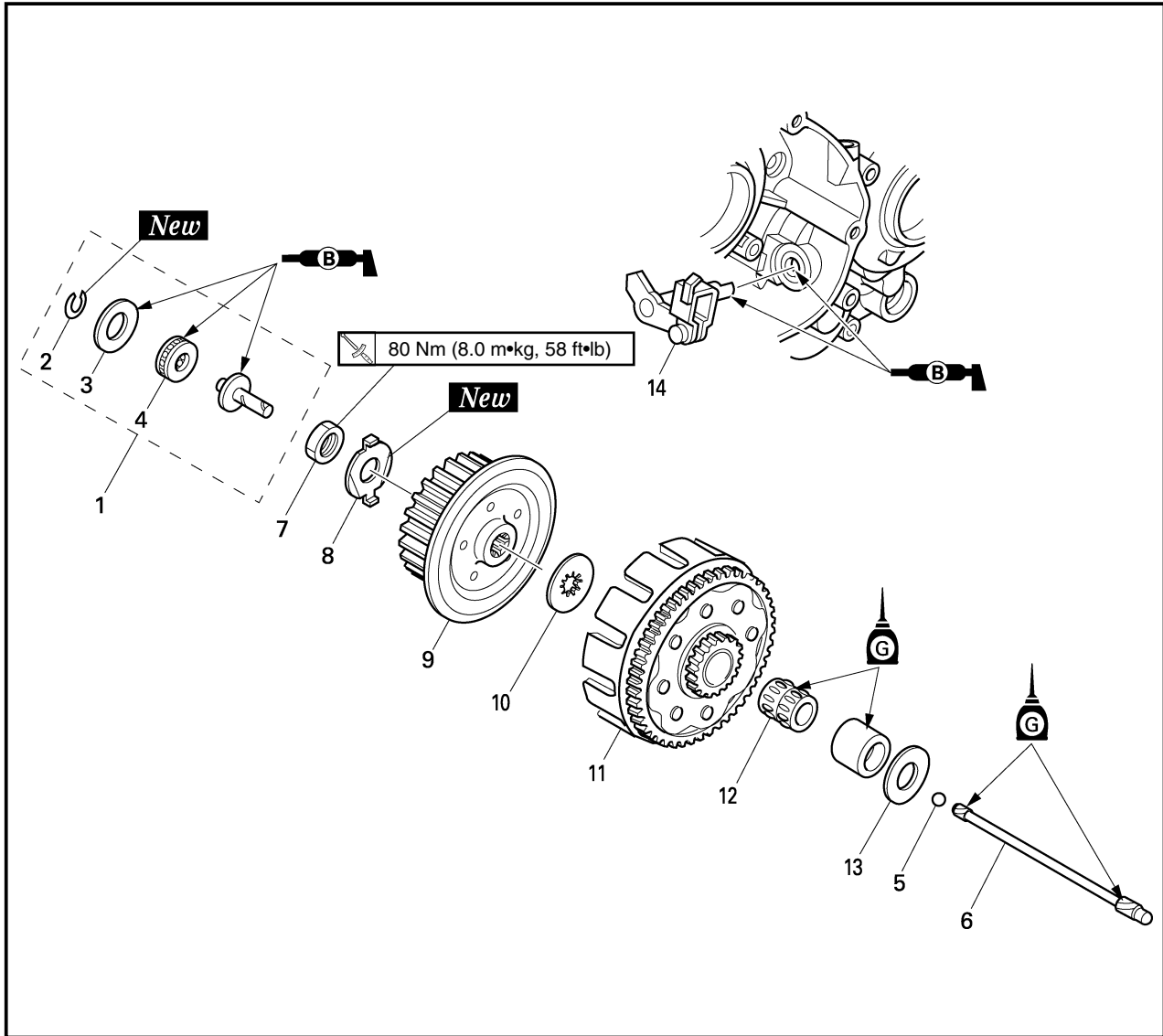
Extent of removal: ① Clutch plate and friction plate removal

Extent of removal	Order	Part name	Q'ty	Remarks
Preparation for removal		CLUTCH PLATE AND FRICTION PLATE REMOVAL		Refer to "TRANSMISSION OIL REPLACEMENT" section in the CHAPTER 3. Shift the brake pedal downward. Refer to "CDI MAGNETO" section. Disconnect at engine side.
		Drain the transmission oil.		
		Bolt (brake pedal)		
		Rotor and stator Clutch cable		
①	1	Clutch cover	1	
	2	Screw (clutch spring)	6	
	3	Clutch spring	6	
	4	Pressure plate	1	
	5	Friction plate	8	
	6	Clutch plate	7	



EC498200

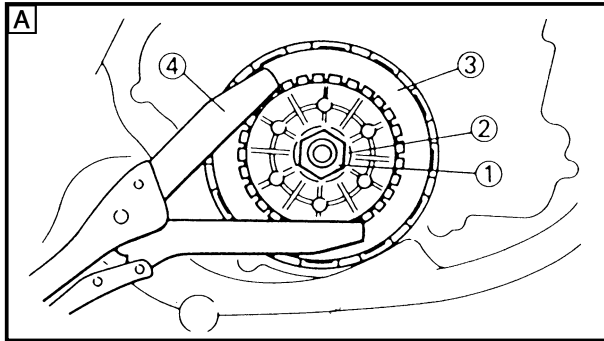
PRIMARY DRIVEN GEAR, PUSH ROD AND PUSH LEVER AXLE



Extent of removal:

- ① Push rod and push lever axle removal
- ② Push rod 1 disassembly
- ③ Primary driven gear removal

Extent of removal	Order	Part name	Q'ty	Remarks
PRIMARY DRIVEN GEAR, PUSH ROD AND PUSH LEVER AXLE REMOVAL				
①↕	1	Push rod 1	1	} Use special tool. Refer to "REMOVAL POINTS".
↕	2	Circlip	1	
↕	3	Plain washer	1	
↕	4	Bearing	1	
①↕	5	Ball	1	
	6	Push rod 2	1	
	7	Nut (clutch boss)	1	
	8	Lock washer	1	
	9	Clutch boss	1	
	10	Thrust plate [D=ø38mm (1.50 in)]	1	
	11	Primary driven gear	1	
	12	Bearing	1	
	13	Thrust plate [D=ø34mm (1.34 in)]	1	
①↕	14	Push lever axle	1	



EC493000

REMOVAL POINTS

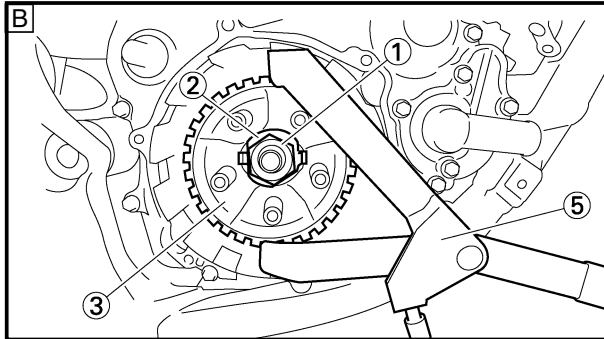
EC483211

Clutch boss

- Remove:
 - Nut ①
 - Lock washer ②
 - Clutch boss ③

NOTE:

Straighten the lock washer tab and use the clutch holding tool ④, ⑤ to hold the clutch boss.

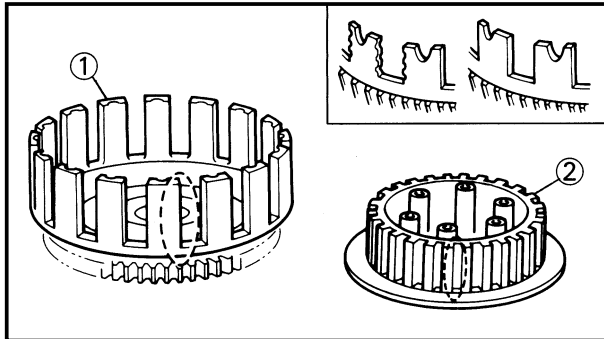


Clutch holding tool:

- YM-91042.....④
- 90890-04086.....⑤

A For USA and CDN

B Except for USA and CDN



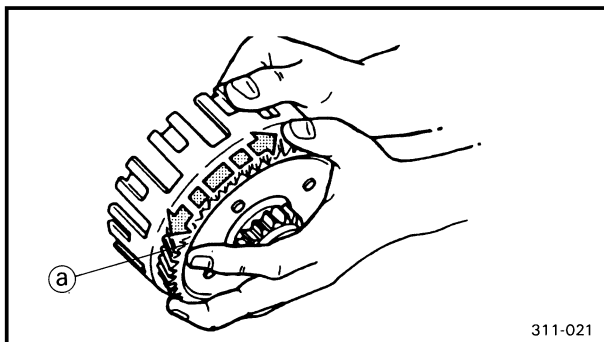
EC494000

INSPECTION

EC484100

Clutch housing and boss

- Inspect:
 - Clutch housing ①
Cracks/Wear/Damage → Replace.
 - Clutch boss ②
Scoring/Wear/Damage → Replace.

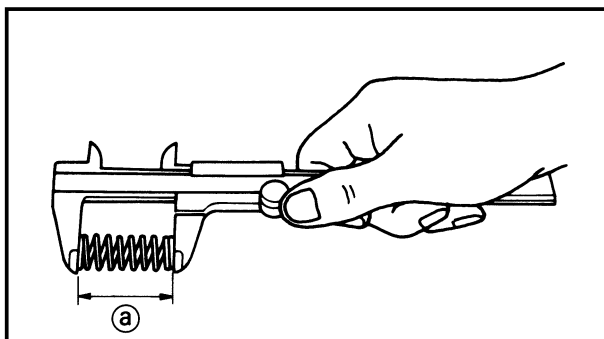


EC484201

Primary driven gear

- Check:
 - Circumferential play
Free play exists → Replace.
 - Gear teeth (a)
Wear/ Damage → Replace.

311-021



EC484400

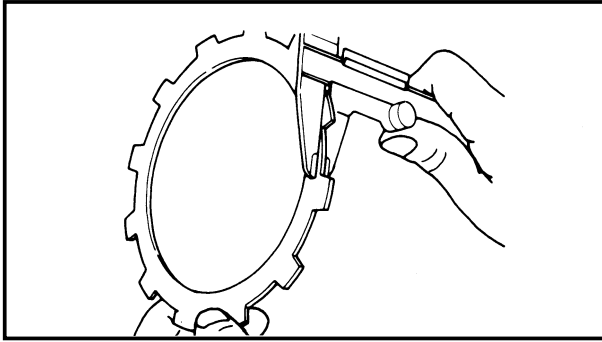
Clutch spring

- Measure:
 - Clutch spring free length (a)
Out of specification → Replace springs as a set.



Clutch spring free length:

Standard	<Limit>
41.2 mm (1.622 in)	39.2 mm (1.543 in)



EC484500

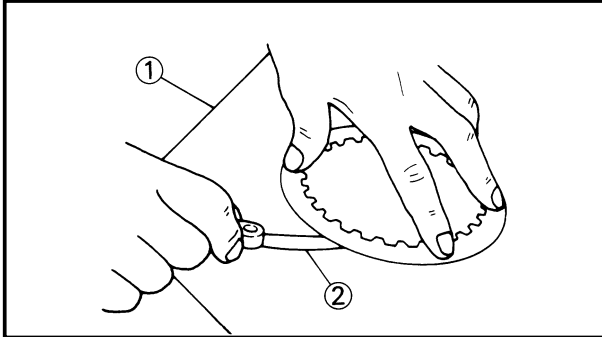
Friction plate

- Measure:
 - Friction plate thickness
Out of specification → Replace friction plate as a set.
Measure at all four points.



Friction plate thickness:

Standard	<Limit>
2.9~3.1 mm (0.114~0.122 in)	2.8 mm (0.110 in)



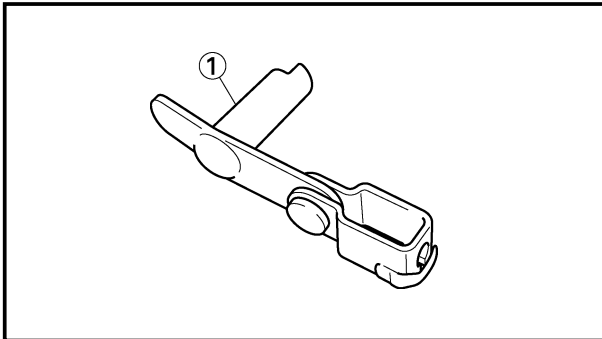
EC484600

Clutch plate

- Measure:
 - Clutch plate warpage
Out of specification → Replace clutch plate as a set.
Use a surface plate ① and thickness gauge ②.



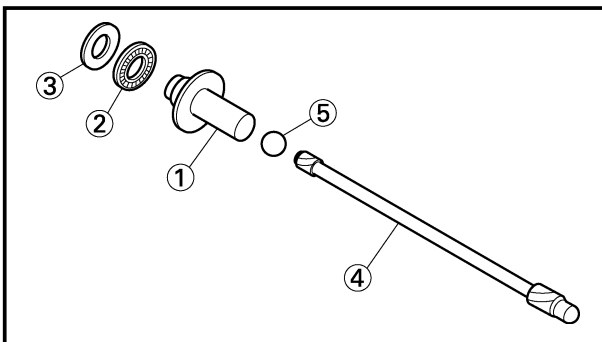
Warp limit: 0.2 mm (0.008 in)



EC484700

Push lever axle

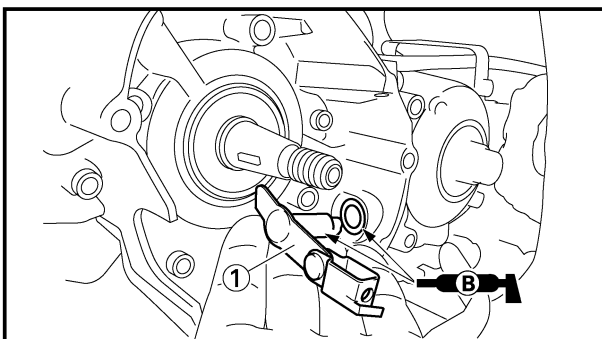
- Inspect:
 - Push lever axle ①
Wear/Damage → Replace.



EC484810

Push rod

- Inspect:
 - Push rod 1 ①
 - Bearing ②
 - Plain washer ③
 - Push rod 2 ④
 - Ball ⑤
Wear/Damage/Bend → Replace.



EC495000

ASSEMBLY AND INSTALLATION

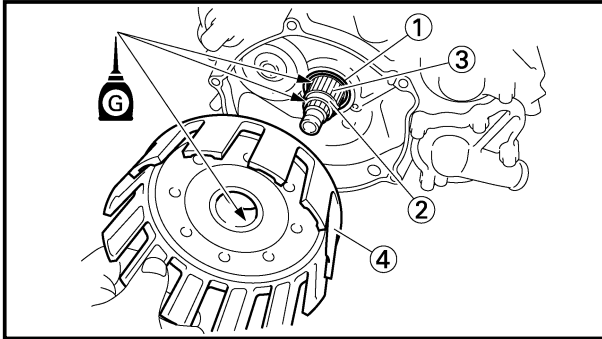
EC485120

Push lever axle

- Install:
 - Push lever axle ①

NOTE:

Apply the lithium soap base grease on the oil seal lip and push lever axle.



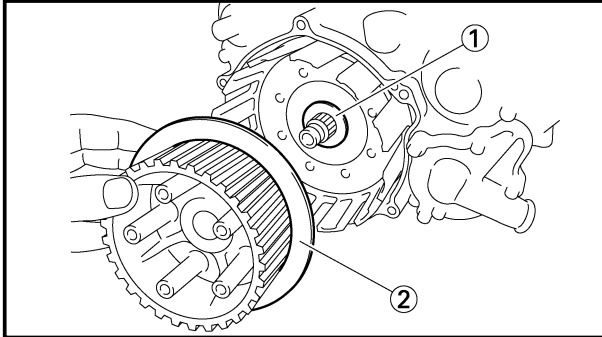
EC495230

Clutch

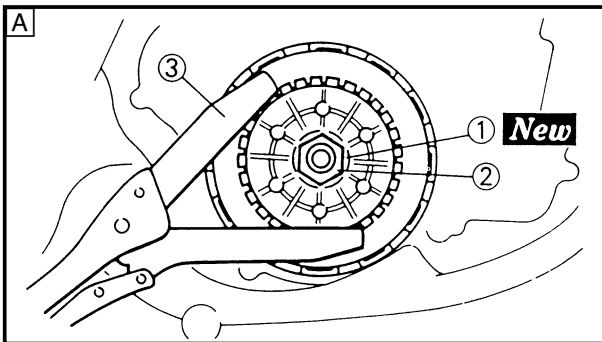
1. Install:
 - Thrust plate [D=ø 34 mm (1.65 in)] ①
 - Spacer ②
 - Bearing ③
 - Primary driven gear ④

NOTE:

Apply the transmission oil on the bearing, spacer and primary driven gear inner circumference.



2. Install:
 - Thrust plate [D=ø 38 mm (1.73 in)] ①
 - Clutch boss ②

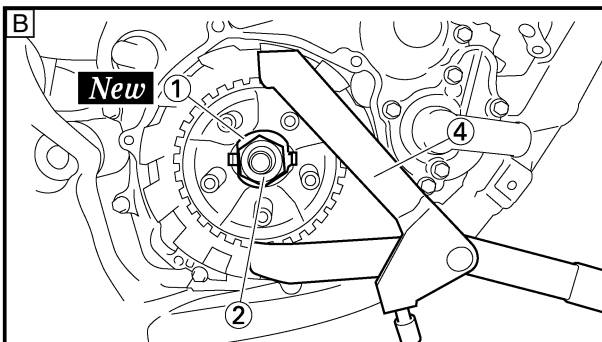


3. Install:
 - Lock washer ① **New**
 - Nut (clutch boss) ②

80 Nm (8.0 m•kg, 58 ft•lb)

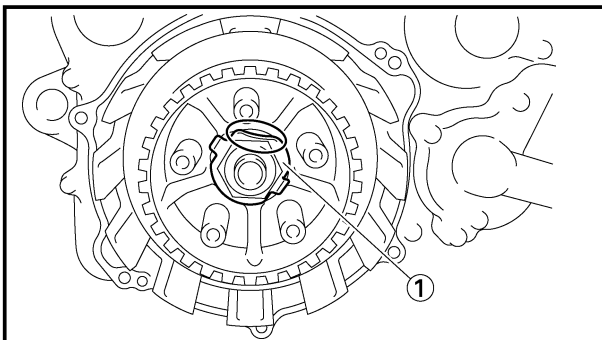
NOTE:

Use the clutch holding tool ③, ④ to hold the clutch boss.

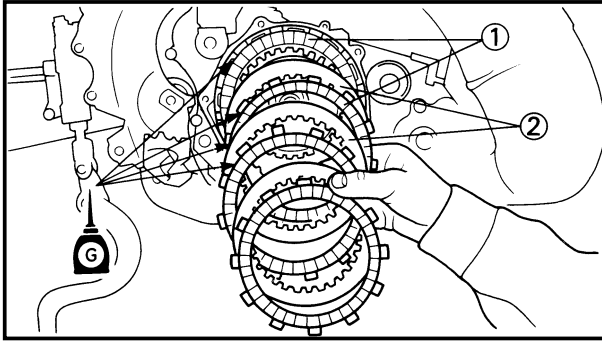


Clutch holding tool:	
YM-91042	③
90890-04086	④

- A** For USA and CDN
- B** Except for USA and CDN



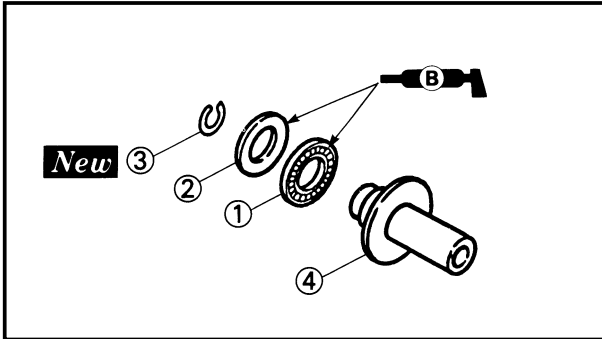
4. Bend the lock washer ① tab.



5. Install:
- Friction plate ①
 - Clutch plate ②

NOTE:

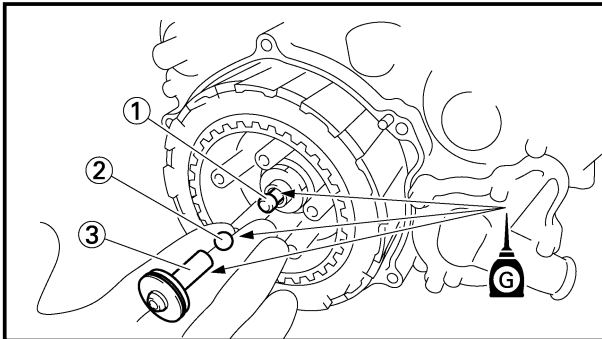
- Install the clutch plates and friction plates alternately on the clutch boss, starting with a friction plate and ending with a friction plate.
- Apply the transmission oil on the friction plates and clutch plates.



6. Install:
- Bearing ①
 - Plain washer ②
 - Circlip ③ **New**
- To push rod 1 ④.

NOTE:

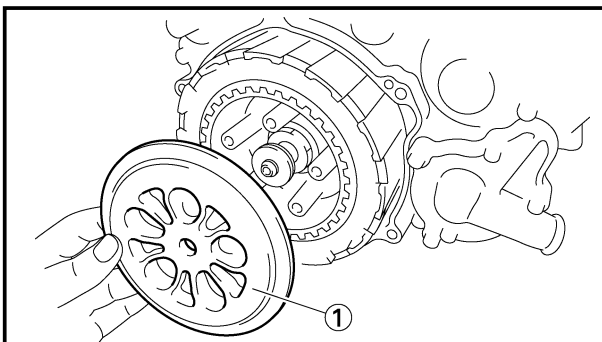
Apply the lithium soap base grease on the bearing and plain washer.



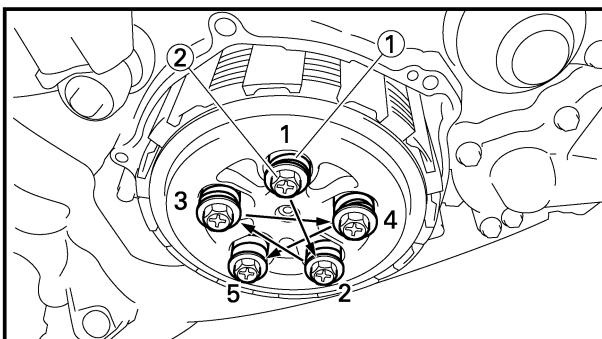
7. Install:
- Push rod 2 ①
 - Ball ②
 - Push rod 1 ③

NOTE:

Apply the transmission oil the push rod 1, 2 and ball.



8. Install:
- Pressure plate ①

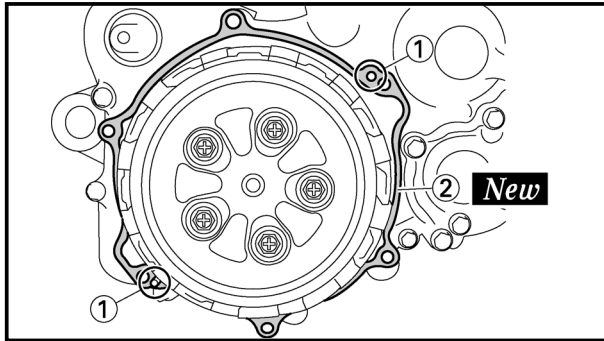


9. Install:
- Clutch spring ①
 - Screw (clutch spring) ②

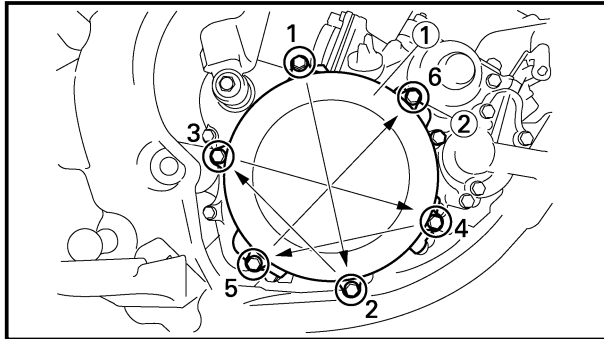
10 Nm (1.0 m•kg, 7.2 ft•lb)

NOTE:


Tighten the screws in stage, using a crisscross pattern.



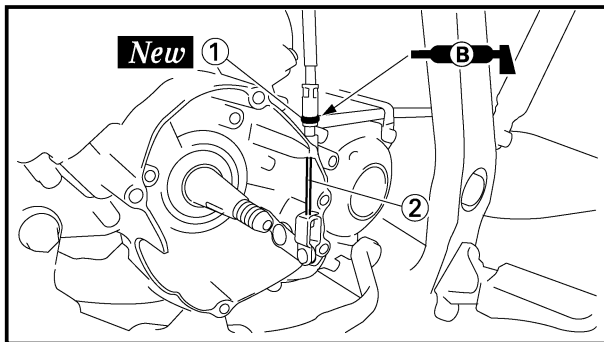
10. Install:
- Doewl pin ①
 - Gasket (clutch cover) ② **New**



11. Install:
- Clutch cover ①
 - Bolt (clutch cover) ②

 **10 Nm (1.0 m•kg, 7.2 ft•lb)**

NOTE: _____
Tighten the bolts in stage, using a crisscross pattern.



12. Install:
- O-ring ① **New**
 - Clutch cable ②

NOTE: _____
Apply the lithium soap base grease on the O-ring.

KICK AXLE, SHIFT SHAFT AND PRIMARY DRIVE GEAR

ENG

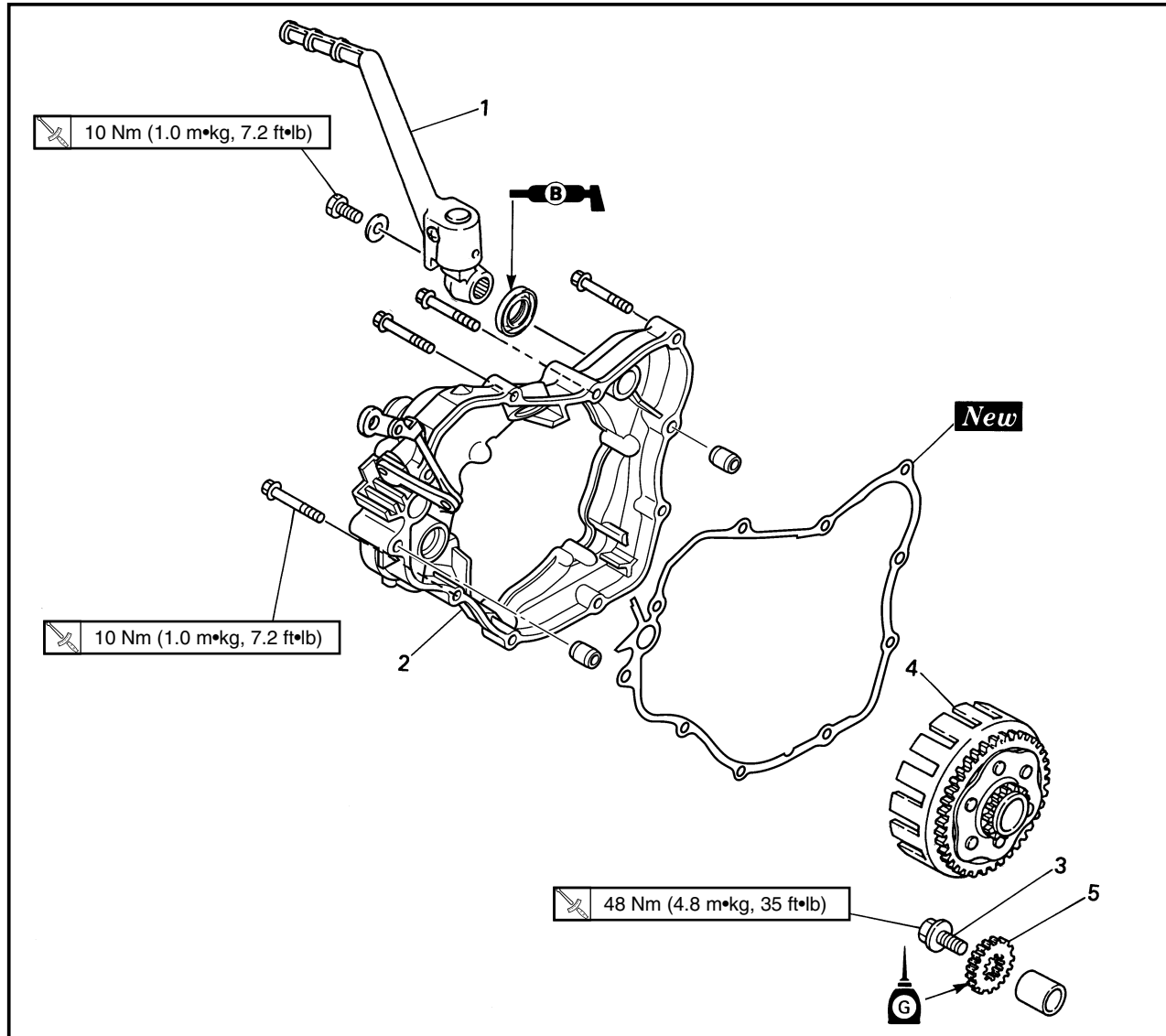


EC4C0000

KICK AXLE, SHIFT SHAFT AND PRIMARY DRIVE GEAR

EC4C8000

PRIMARY DRIVE GEAR

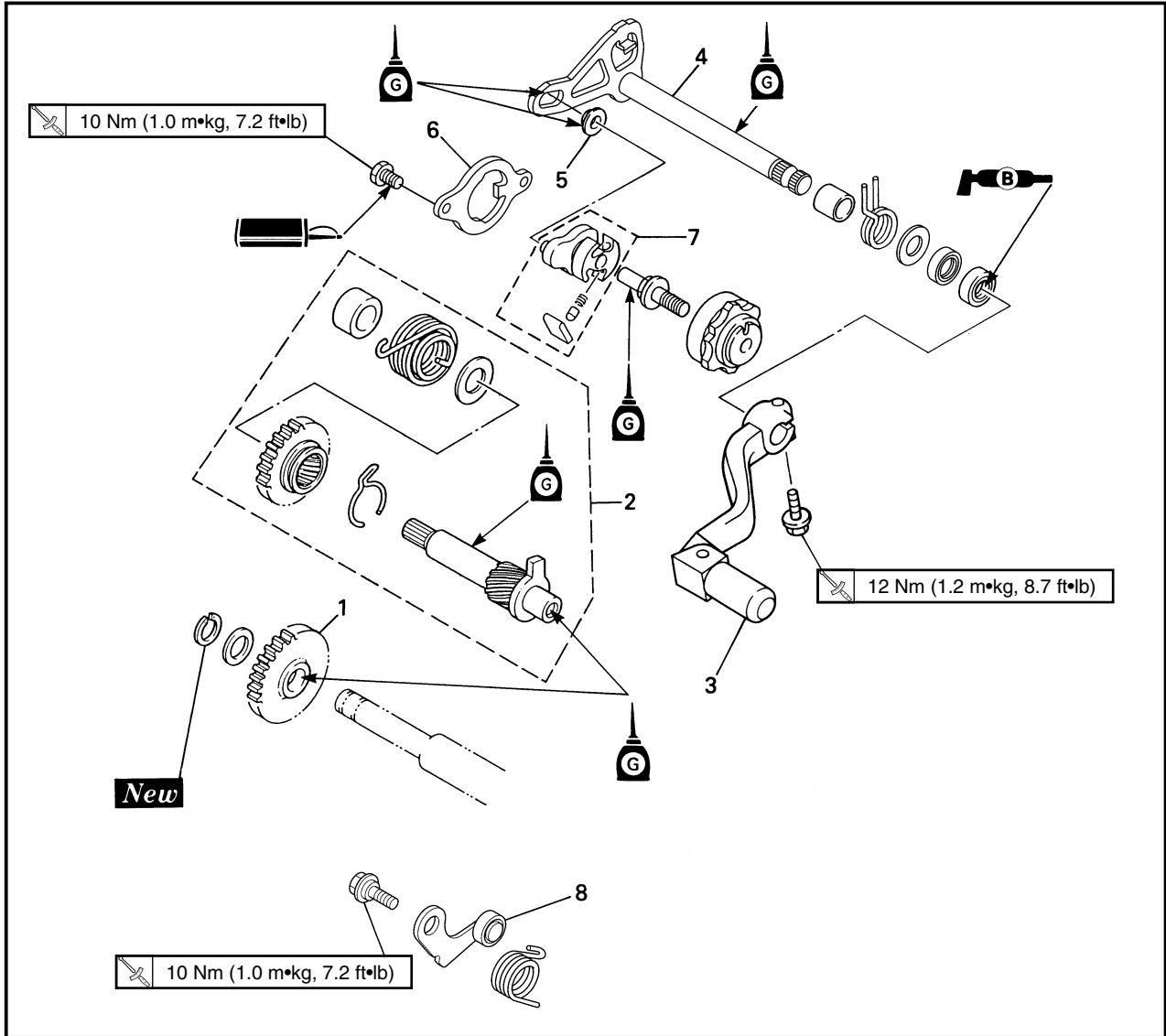


Extent of removal: ① Primary drive gear removal



Extent of removal	Order	Part name	Q'ty	Remarks
		PRIMARY DRIVE GEAR REMOVAL Drain the transmission oil. Clutch cable Bolt (brake pedal) Radiator hose 4 Bolt (push rod)		Refer to "TRANSMISSION OIL REPLACEMENT" section in the CHAPTER 3. Disconnect at engine side. Shift the brake pedal downward. Disconnect at water pump side. Refer to "CYLINDER HEAD, CYLINDER AND PISTON" section.
	1	Kick starter	1	Only loosening Refer to "REMOVAL POINTS". Refer to "CLUTCH AND PRIMARY DRIVEN GEAR" section.
	2	Crankcase cover (right)	1	
	3	Bolt (Primary drive gear)	1	
	4	Primary driven gear	1	
5	Primary drive gear	1		

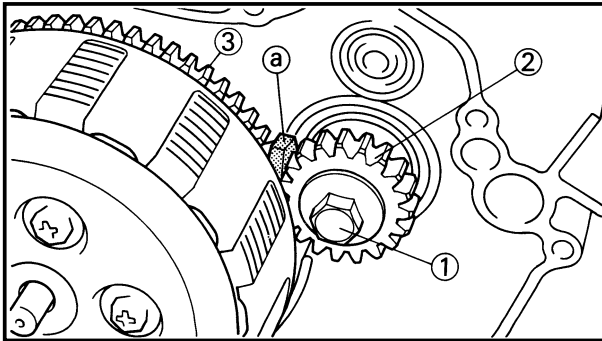
EC4C8100

KICK AXLE AND SHIFT SHAFT



- Extent of removal:
- ① Kick axle and kick idle gear removal
 - ② Shift shaft and stopper lever removal

Extent of removal	Order	Part name	Q'ty	Remarks
<div style="display: flex; align-items: center;"> <div style="margin-right: 20px;"> <p>①</p>  </div> <div style="margin-right: 20px;"> <p>②</p>  </div> </div>	KICK AXLE AND SHIFT SHAFT REMOVAL			
	1	Kick idle gear	1	Refer to "REMOVAL POINTS".
	2	kick axle assembly	1	
	3	Shift pedal	1	
	4	Shift shaft	1	
	5	Roller	1	} Refer to "REMOVAL POINTS".
	6	Shift guide	1	
	7	Shift lever assembly	1	
8	Stopper lever	1		



EC4C3000

REMOVAL POINTS

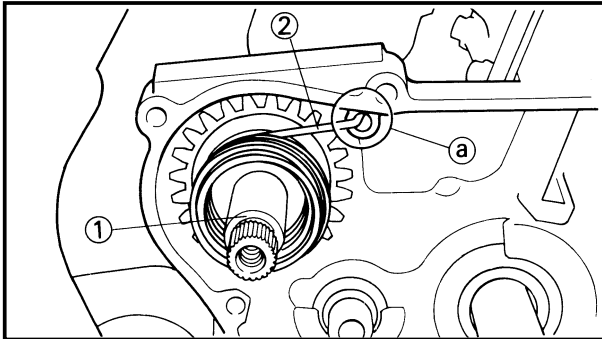
EC483111

Primary drive gear

- Loosen:
 - Bolt (primary drive gear) ①

NOTE:

Place an aluminum plate (a) between the teeth of the primary drive gear (2) and driven gear (3).



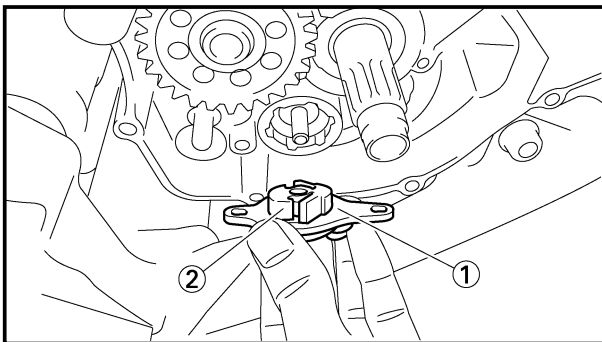
EC4B3101

Kick axle assembly

- Remove:
 - Kick axle assembly ①

NOTE:

Unhook the torsion spring (2) from the hole (a) in the crankcase.



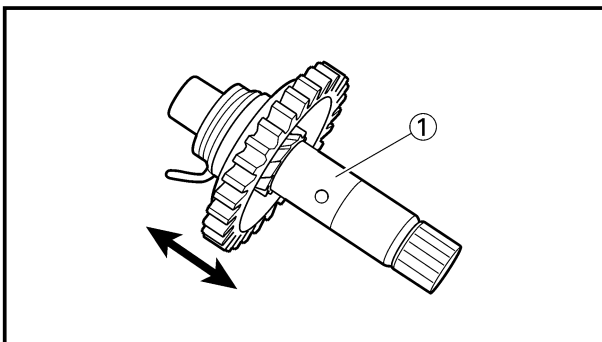
EC4C3101

Shift guide and shift lever assembly

- Remove:
 - Bolt (shift guide)
 - Shift guide ①
 - Shift lever assembly ②

NOTE:

The shift lever assembly is disassembled at the same time as the shift guide.



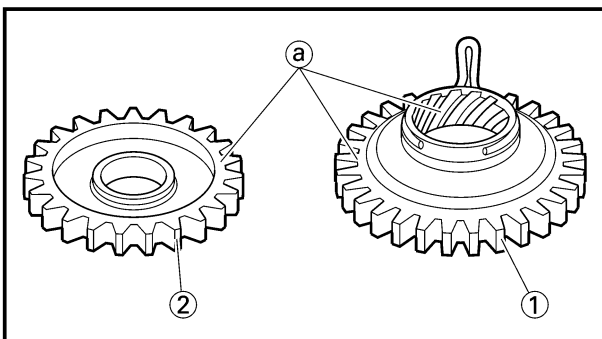
EC4C4000

INSPECTION

EC4B4100

Kick axle and kick gear

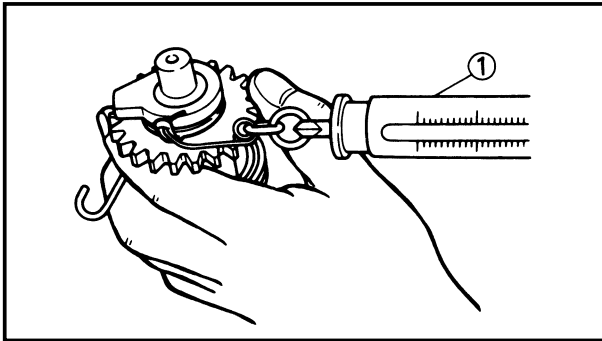
- Check:
 - Kick gear smooth movement
Unsmooth movement → Replace.
- Inspect:
 - Kick axle ①
Wear/Damage → Replace.



EC4B4200

Kick gear and kick idle gear

- Inspect:
 - Kick gear ①
 - Kick idle gear ②
 - Gear teeth (a)
Wear/Damage → Replace.



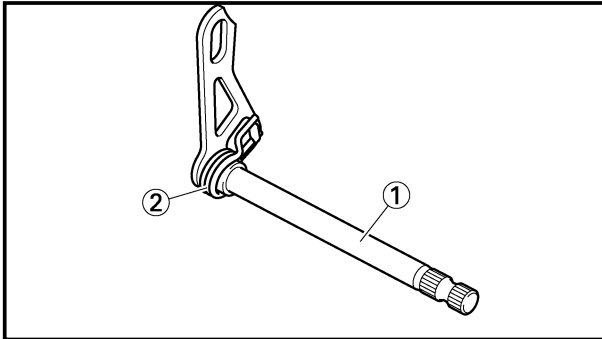
EC4B4300

Kick gear clip

- Measure:
 - Kick clip friction force
 - Out of specification → Replace.
 - Use a spring gauge ①.



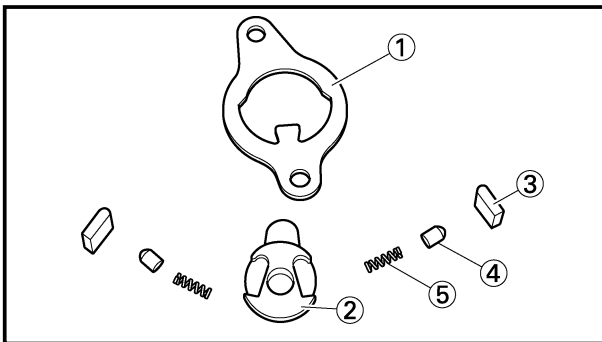
Kick clip friction force:
0.8~1.2 kg (1.8~2.6 lb)



EC4B4400

Shift shaft

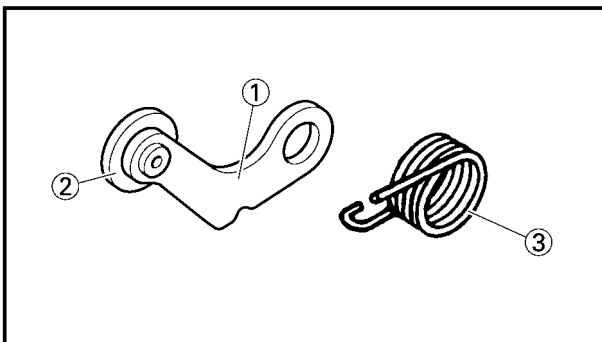
- Inspect:
 - Shift shaft ①
 - Bend/Damage → Replace.
 - Spring ②
 - Broken → Replace.



EC4C4100

Shift guide and shift lever assembly

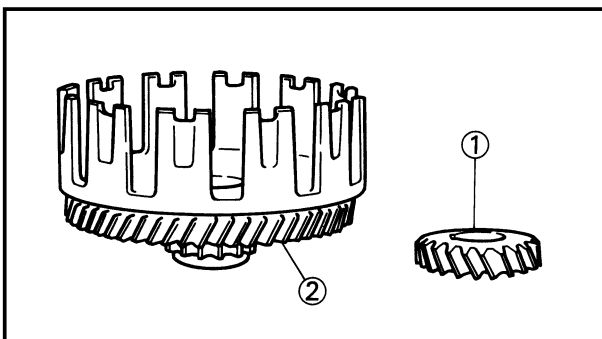
- Inspect:
 - Shift guide ①
 - Shift lever ②
 - Pawl ③
 - Pawl pin ④
 - Spring ⑤
 - Wear/Damage → Replace.



EC4E4100

Stopper lever

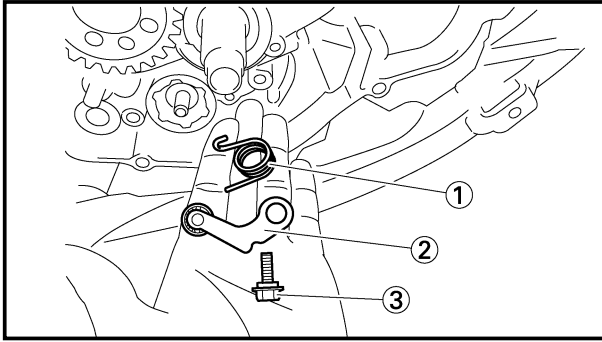
- Inspect:
 - Stopper lever ①
 - Wear/Damage → Replace.
 - Roller ②
 - Rotate outer race with a finger.
 - Rough spot/Seizure → Replace the stopper lever.
 - Torsion spring ③
 - Broken → Replace.



EC4B4300

Primary drive gear and primary driven gear

- Inspect:
 - Primary drive gear ①
 - Primary driven gear ②
 - Wear/Damage → Replace.



EC4C5000

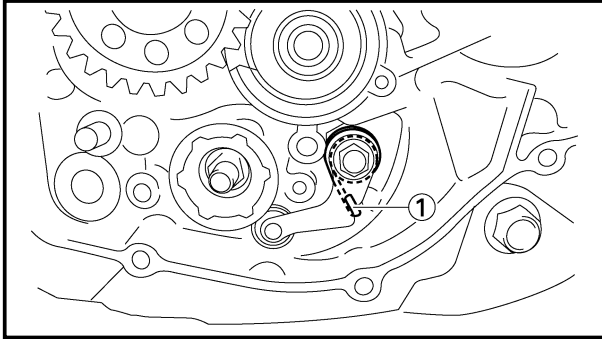
ASSEMBLY AND INSTALLATION

EC4C5120

Stopper lever

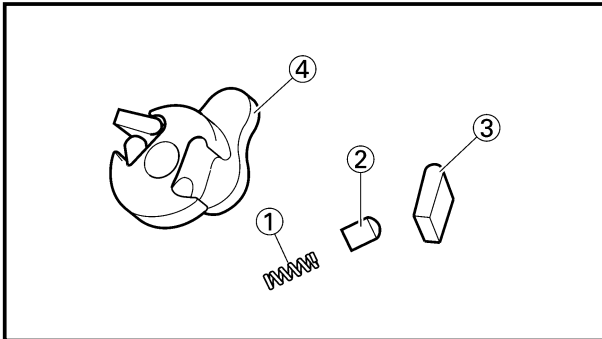
1. Install:
 - Torsion spring ①
 - Stopper lever ②
 - Bolt (stopper lever) ③

10 Nm (1.0 m•kg, 7.2 ft•lb)



NOTE:

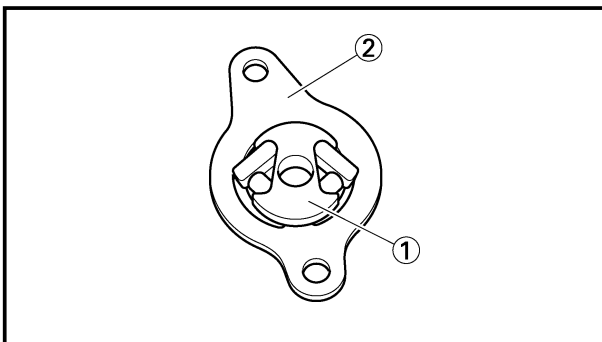
- Align the stopper lever roller with the slot on segment.
- When installing the stopper lever, make sure that the torsion spring is in the position as shown.



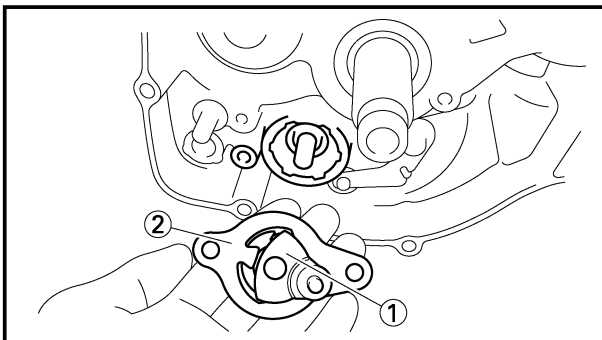
EC4C5202

Shift guide and shift lever assembly

1. Install:
 - Spring ①
 - Pawl pin ②
 - Pawl ③
 To shift lever ④.



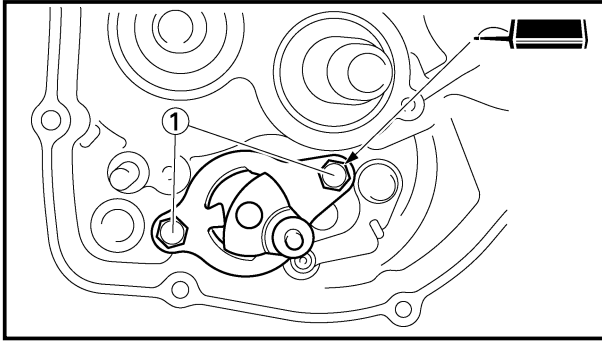
2. Install:
 - Shift lever assembly ①
 To shift guide ②.



3. Install:
 - Shift lever assembly ①
 - Shift guide ②

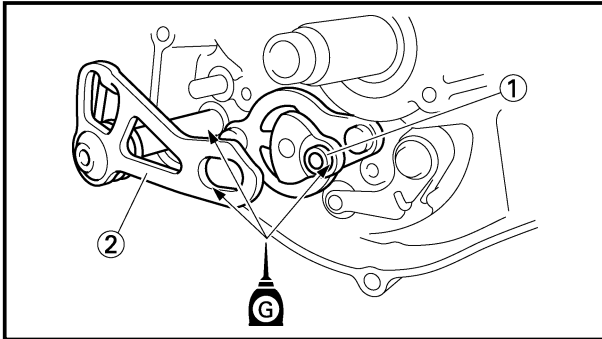
NOTE:

- The shift lever assembly is installed at the same time as the shift guide.
- Apply the transmission oil on the bolt (segment) shaft.



4. Install:
- Bolt (shift guide) ①

10 Nm (1.0 m•kg, 7.2 ft•lb)



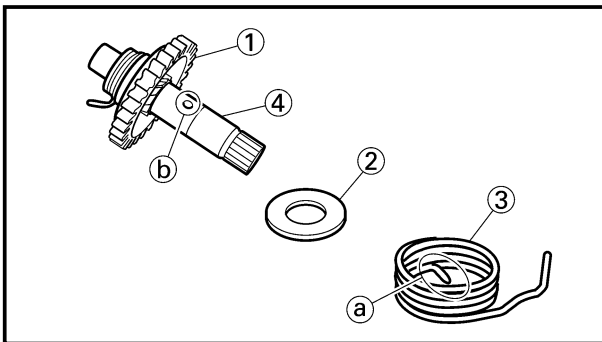
EC4C5301

Shift shaft

1. Install:
- Roller ①
 - Shift shaft ②

NOTE: _____

Apply the transmission oil on the roller and shift shaft.



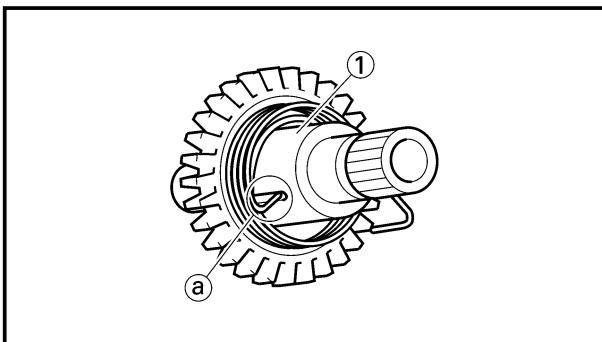
EC4B5302

Kick axle assembly

1. Install:
- Kick gear ①
 - Plain washer ②
 - Torsion spring ③
- To kick axle ④.

NOTE: _____

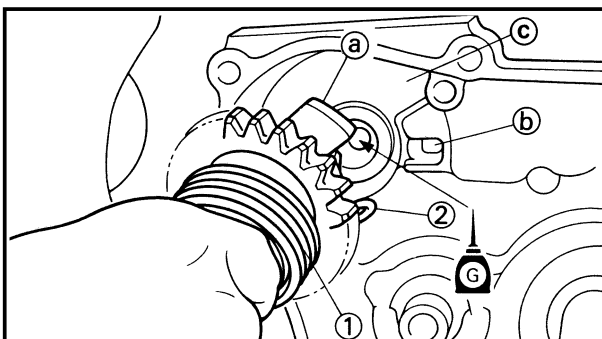
Make sure the stopper ① of the torsion spring fits into the hole ② on the kick axle.



2. Install:
- Spring guide ①

NOTE: _____

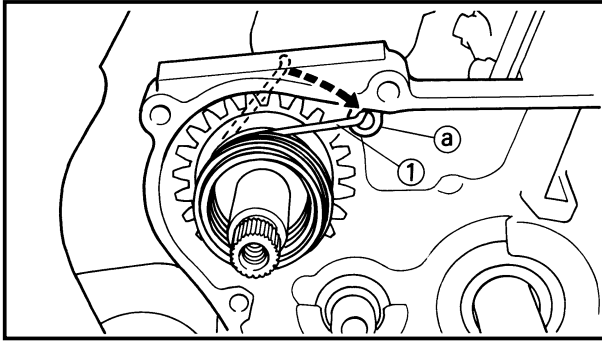
Slide the spring guide into the kick axle, make sure the groove ① in the spring guide fits on the stopper of the torsion spring.



3. Install:
- Kick axle assembly ①

NOTE: _____

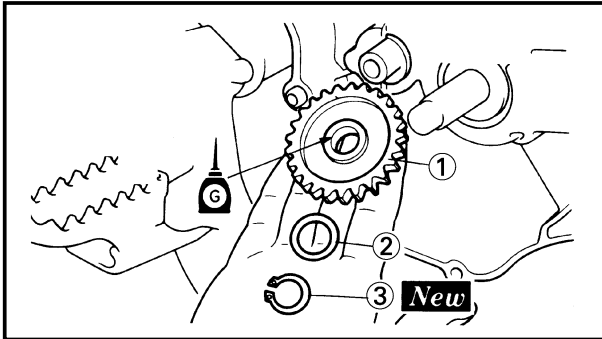
- Apply the transmission oil on the kick axle.
- Slide the kick axle assembly into the crankcase, make sure the clip ② and kick axle stopper ① fit into their home positions ③, ④.



4. Hook:
 •Torsion spring ①

NOTE: _____

Turn the torsion spring clockwise and hook into the proper hole ② in the crankcase.



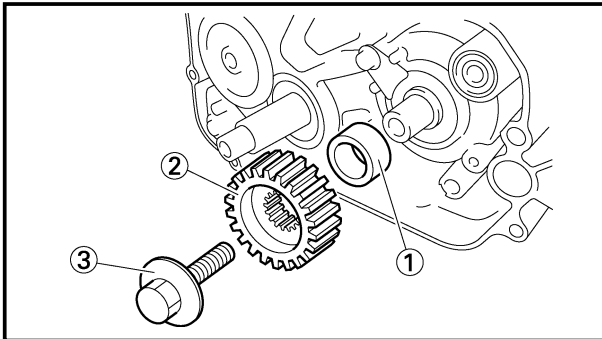
EC4C5402

Kick idle gear

1. Install:
 •Kick idle gear ①
 •Plain washer ②
 •Circlip ③ **New**

NOTE: _____

Apply the transmission oil on the kick idle gear inner circumference.



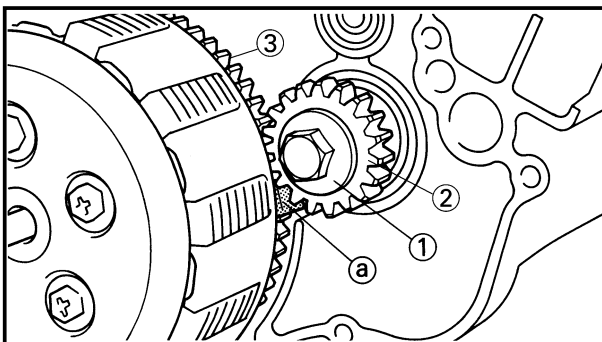
EC4C5503

Primary drive gear

1. Install:
 •Spacer ①
 •Primary drive gear ②
 •Bolt ③

NOTE: _____

Install the primary drive gear with its depressed side toward you.

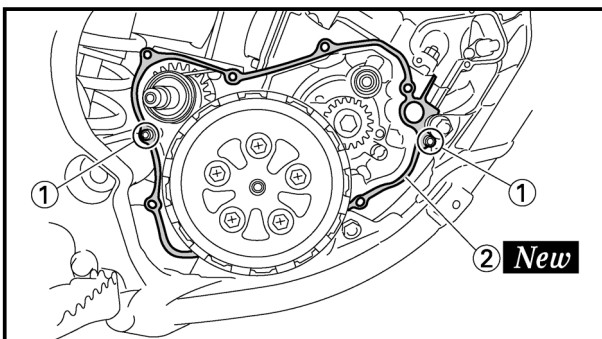


2. Install:
 •Primary driven gear
 Refer to "CLUTCH AND PRIMARY DRIVEN GEAR" section.
3. Tighten:
 •Bolt (primary drive gear) ①

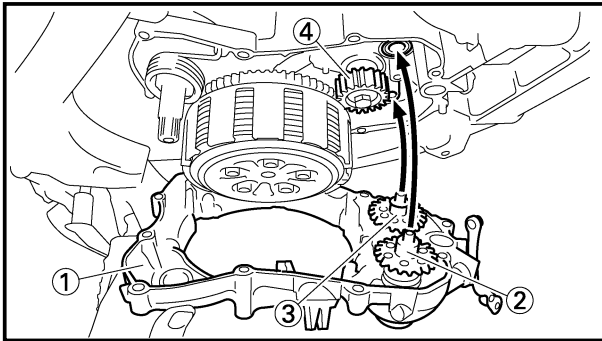
48 Nm (4.8 m•kg, 35 ft•lb)

NOTE: _____

Place an aluminum plate ② between the teeth of the primary drive gear ② and driven gear ③.



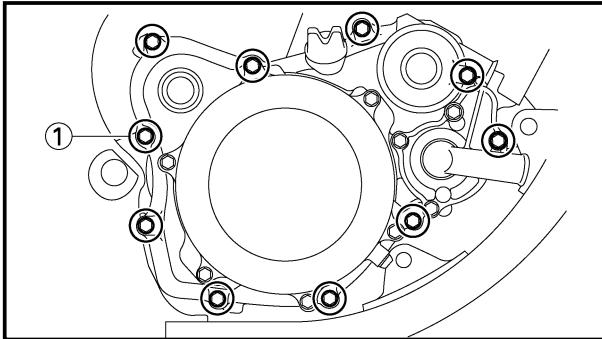
4. Install:
 •Dowel pin ①
 •Gasket [crankcase cover (right)] ② **New**



5. Install:
- Crankcase cover (right) ①

NOTE: _____

Mesh the governor gear ②, and impeller shaft gear ③ with primary drive gear ④.

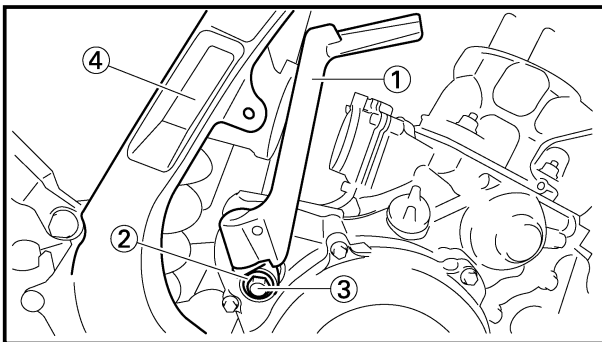


6. Install:
- Bolt [crankcase cover (right)] ①

10 Nm (1.0 m•kg, 7.2 ft•lb)

NOTE: _____

Tighten the bolts in stage, using a crisscross pattern.

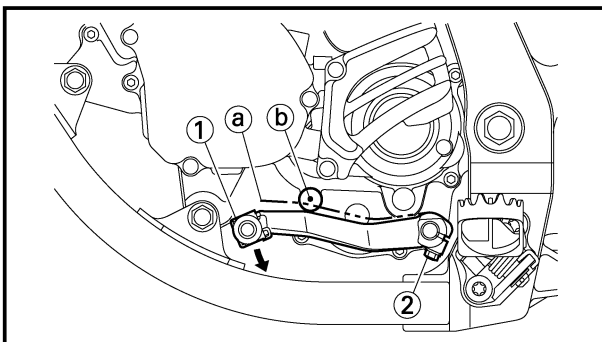


7. Install:
- Kick starter ①
 - Plain washer ②
 - Bolt (kick starter) ③

10 Nm (1.0 m•kg, 7.2 ft•lb)

NOTE: _____

Install the kick starter closest to but not contacting the pillar tube ④.



8. Install:
- Shift pedal ①
 - Bolt (shift pedal) ②

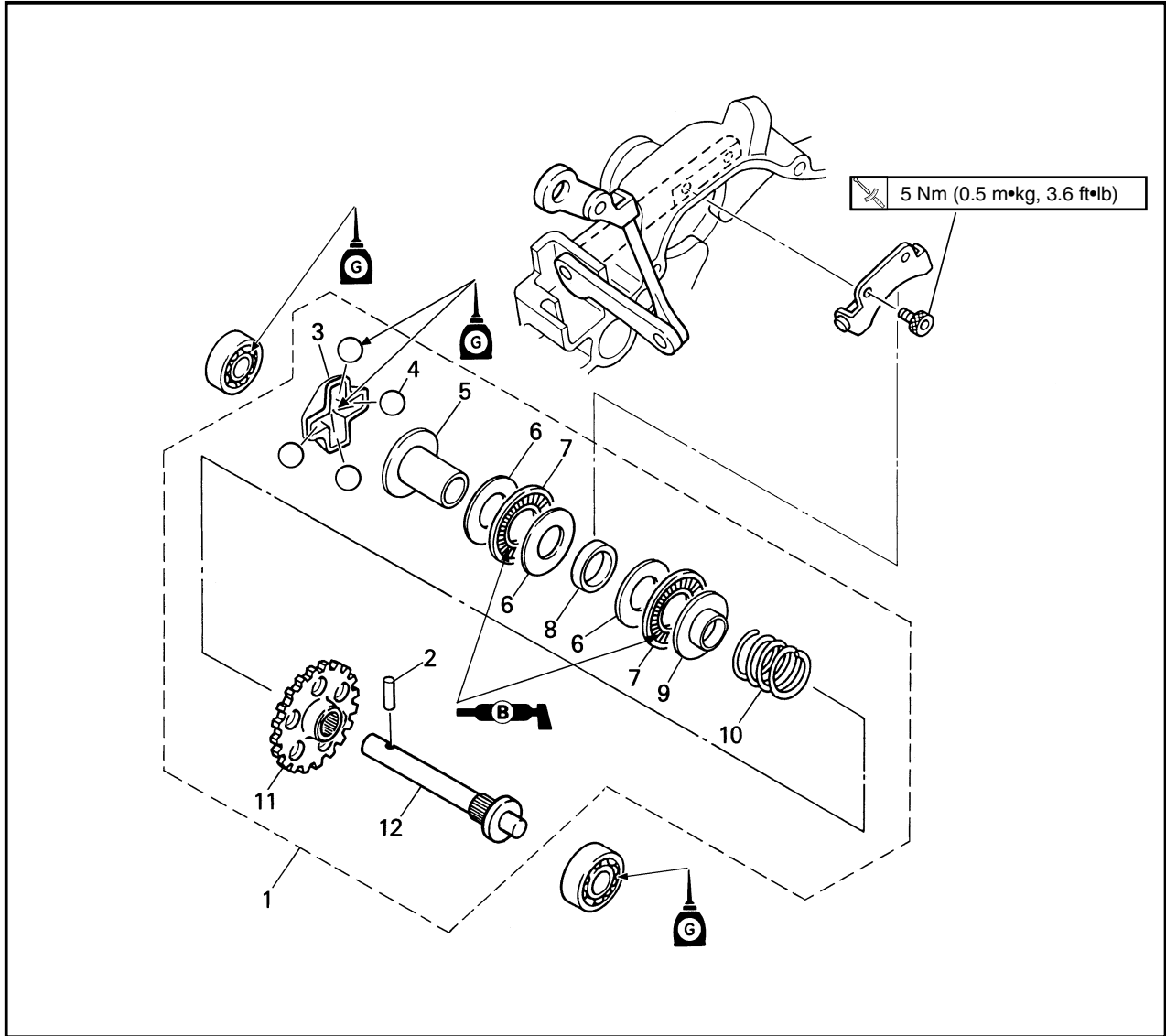
12 Nm (1.2 m•kg, 8.7 ft•lb)

NOTE: _____


Align the upper line ① of the shift pedal with the center ② of the crankcase projection and rotate the shift pedal counterclockwise until it first engages. Then install the shift pedal.

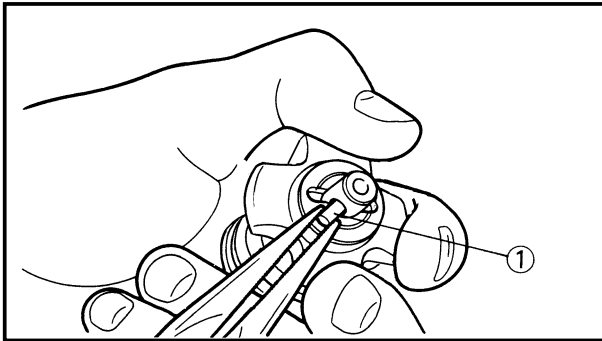
EC4K0000

YPVS GOVERNOR



Extent of removal: ① YPVS governor removal and disassembly

Extent of removal	Order	Part name	Q'ty	Remarks
Preparation for removal		YPVS GOVERNOR REMOVAL		
		Crankcase cover (right)		Refer to "KICK AXLE, SHIFT SHAFT AND PRIMARY DRIVE GEAR" section.
	1	Governor assembly	1	Refer to "REMOVAL POINTS".
	2	Dowel pin	1	
	3	Retainer	1	
	4	Ball	4	
	5	Retainer weight	1	
	6	Plain washer	4	
	7	Thrust bearing	2	
	8	Collar	1	
	9	Plate	1	
	10	Compression spring	1	
	11	Governor gear	1	
	12	Governor shaft	1	



EC4K3000

REMOVAL POINTS

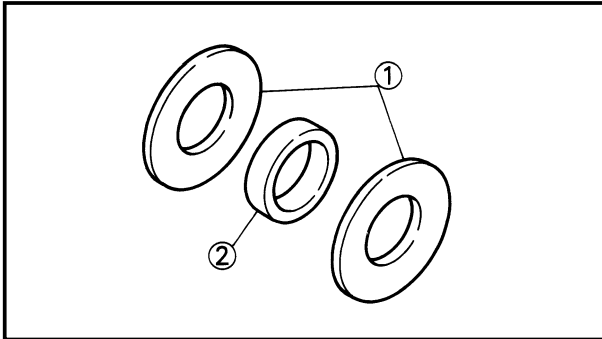
EC4K3100

Governor

1. Remove:
 - Dowel pin ①

NOTE: _____

While compressing the spring, remove the dowel pin.



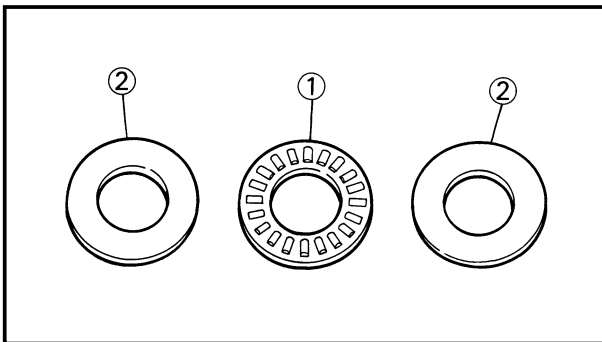
EC4K4000

INSPECTION

EC4K4100

Governor groove

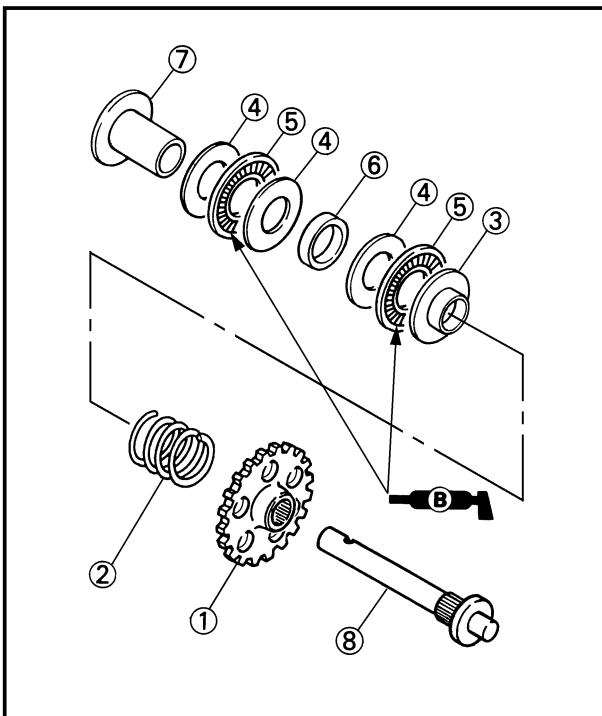
1. Inspect:
 - Plain washer ①
 - Collar ②
 Wear/Damage → Replace.



EC4K4200

Bearing

1. Inspect:
 - Thrust bearing ①
 - Plain washer ②
 Wear/Damage → Replace.



EC4K5000

ASSEMBLY AND INSTALLATION

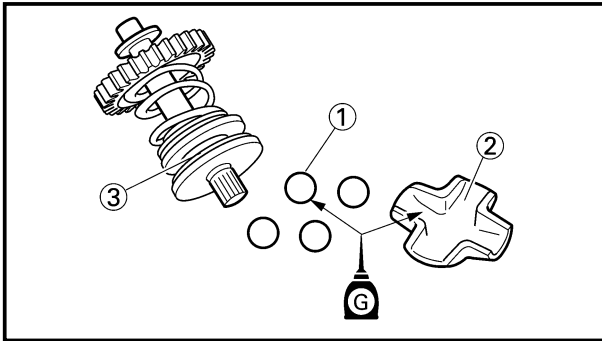
EC4K5120

Governor

1. Install:
 - Governor gear ①
 - Compression spring ②
 - Plate ③
 - Plain washer ④
 - Thrust bearing ⑤
 - Collar ⑥
 - Retainer weight ⑦
 To governor shaft ⑧.

NOTE: _____

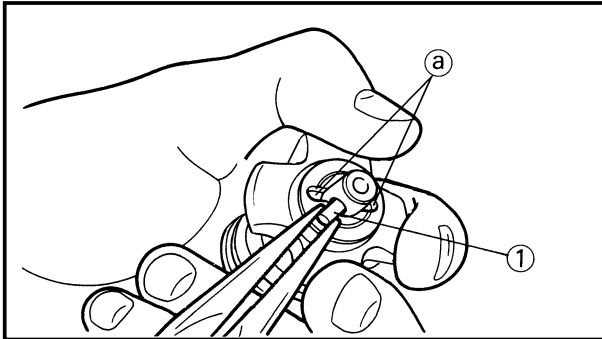
Apply the lithium soap base grease on the thrust bearing.



2. Install:
- Ball ①
 - Retainer ②
- To governor shaft ③.

NOTE: _____

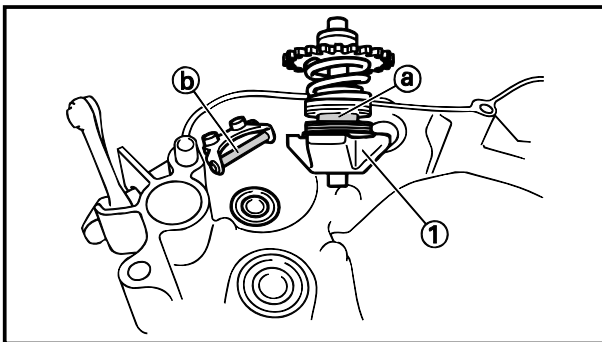
Apply the transmission oil on the retainer and ball.



3. Install:
- Dowel pin ①

NOTE: _____

- While compressing the spring, install the dowel pin.
 - Make sure the dowel pin fits into the groove ① in the retainer.
- _____



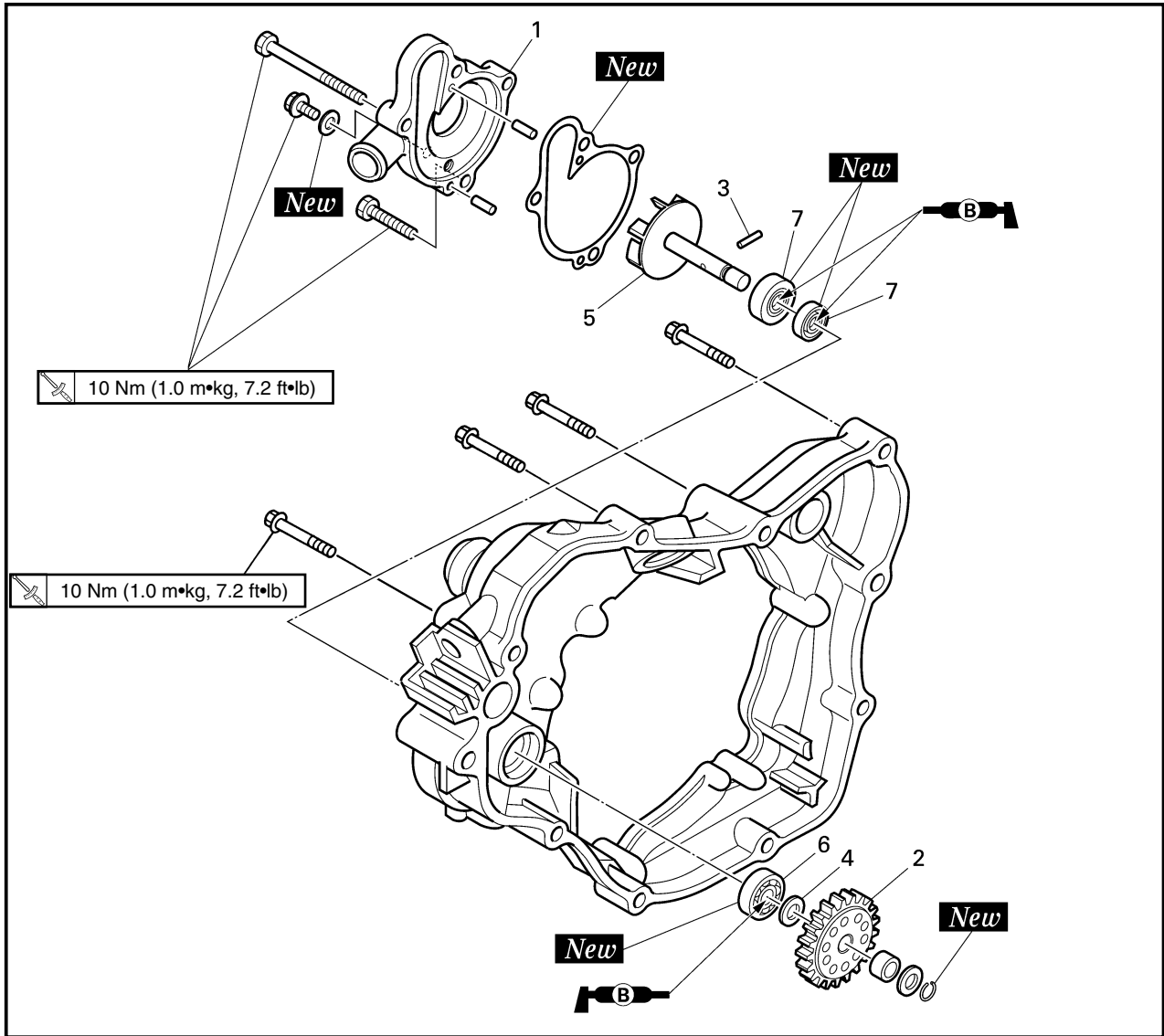
4. Install:
- Governor assembly ①

NOTE: _____

Align the groove ① in the governor with the fork ② and set the governor in the crankcase cover.

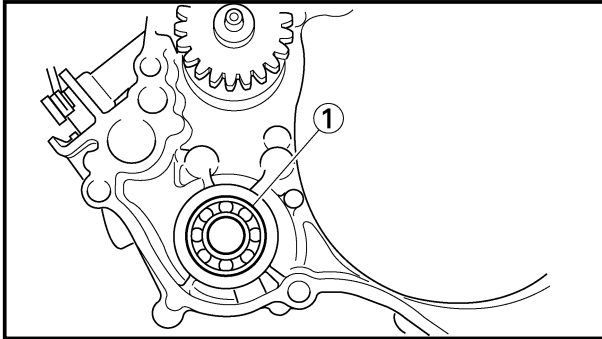
EC4G0000

WATER PUMP



Extent of removal: ① Impeller shaft removal ② Oil seal removal

Extent of removal	Order	Part name	Q'ty	Remarks
Preparation for removal		WATER PUMP DISASSEMBLY Crankcase cover (right)		Refer to "KICK AXLE, SHIFT SHAFT AND PRIMARY DRIVE GEAR" section.
<div style="display: flex; justify-content: space-around; align-items: center;"> <div style="text-align: center;"> ↑ ① ↓ </div> <div style="text-align: center;"> ↑ ② ↓ </div> </div>	1	Water pump housing cover	1	} Refer to "REMOVAL POINTS".
	2	Impeller shaft gear	1	
	3	Dowel pin	1	
	4	Plain washer	1	} Refer to "REMOVAL POINTS".
	5	Impeller shaft assembly	1	
	6	Bearing	1	
	7	Oil seal	2	



EC4G3000

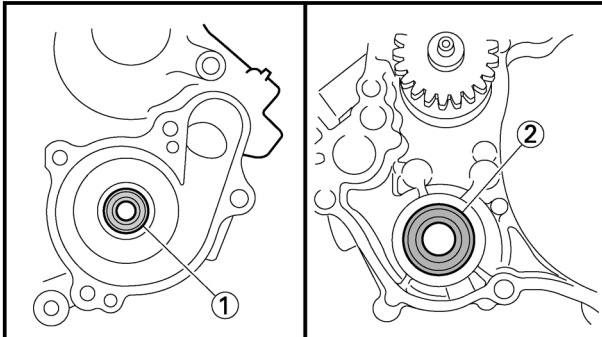
REMOVAL POINTS

EC4G3210

Oil seal

NOTE:

- Replace the oil seal when transmission oil or coolant leaks out from the water pump housing hole at the bottom.
- Do not reuse the removed bearing and oil seal.

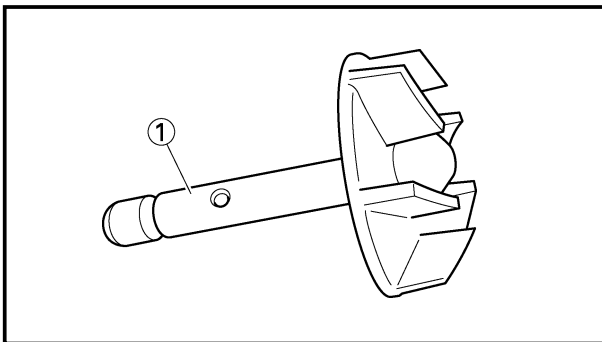


1. Remove:

- Bearing ①

2. Remove:

- Oil seal (outside) ①
- Oil seal (inside) ②



EC4G4000

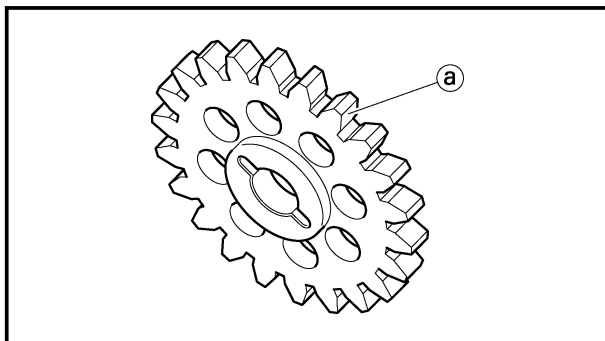
INSPECTION

EC444200

Impeller shaft assembly

1. Inspect:

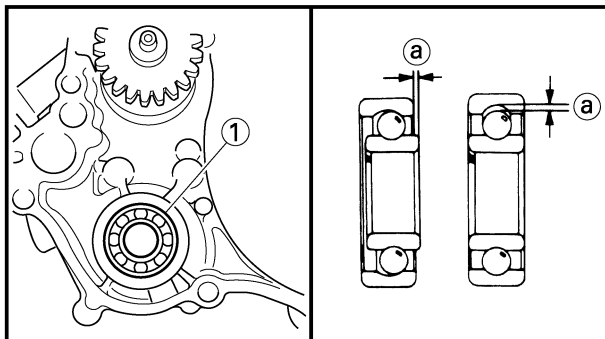
- Impeller shaft assembly ①
Bend/Wear/Damage → Replace.
Fur deposits → Clean.



EC444300

Impeller shaft gear

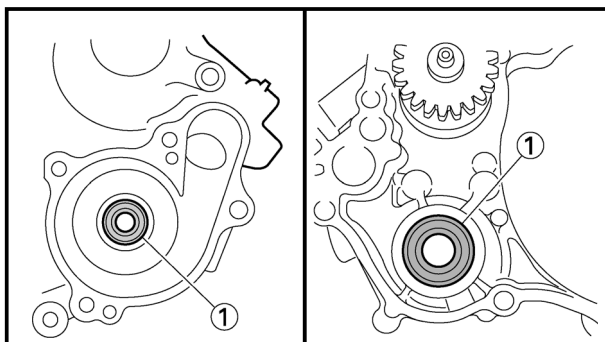
- Inspect:
 - Gear teeth ①
 Wear/Damage → Replace.



EC4H4600

Bearing

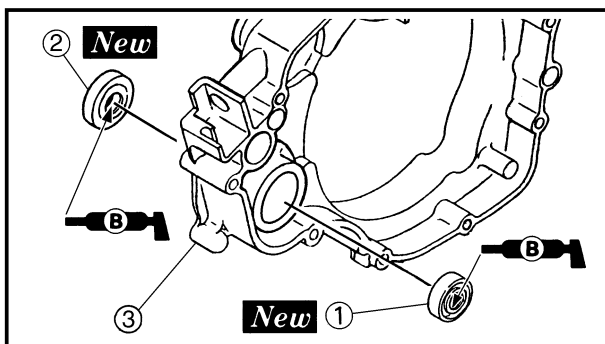
- Inspect:
 - Bearing ①
 Rotate inner race with a finger.
 Rough spot/Seizure → Replace.



EC444400

Oil seal

- Inspect:
 - Oil seal ①
 Wear/Damage → Replace.



EC4G5000

ASSEMBLY AND INSTALLATION

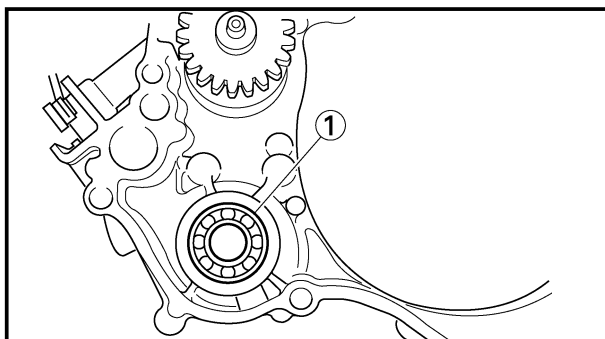
EC4G5111

Oil seal

- Install:
 - Oil seal (inside) ① **New**
 - Oil seal (outside) ② **New**

NOTE:

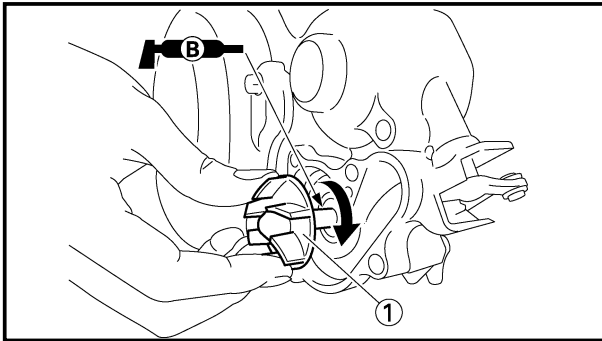
- Apply the lithium soap base grease on the oil seal lip.
- Install the oil seal with its manufacture's marks or numbers facing the crankcase cover (right) ③.



- Install:
 - Bearing ①

NOTE:

Install the bearing by pressing its outer race parallel.



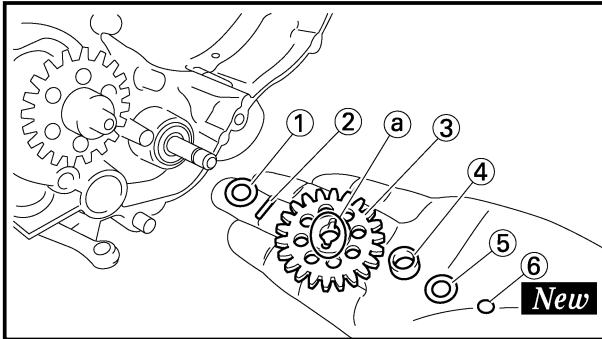
EC4G5220

Impeller shaft assembly

1. Install:
 - Impeller shaft assembly ①

NOTE: _____

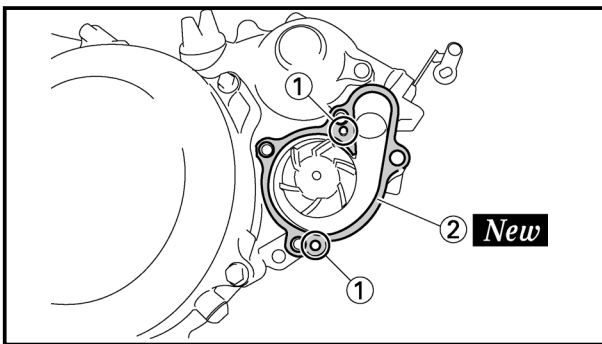
- Take care so that the oil seal lip is not damaged or the spring does not slip off its position.
- When installing the impeller shaft assembly, apply the lithium soap base grease on the oil seal lip and impeller shaft assembly. And install the shaft while turning it.



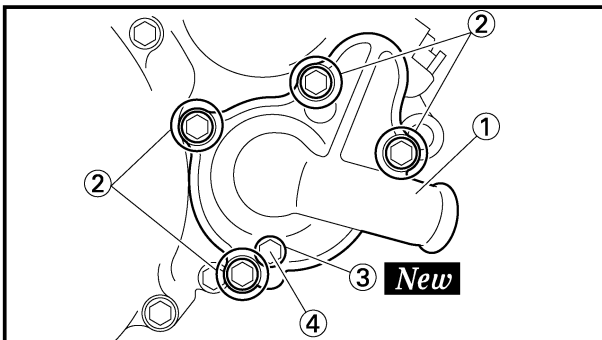
2. Install:
 - Plain washer ①
 - Dowel pin ②
 - Impeller shaft gear ③
 - Collar ④
 - Plain washer ⑤
 - Circlip ⑥ **New**

NOTE: _____

Install the Impeller shaft gear with the dowel pin fitted in the groove ① in the same gear.



3. Install:
 - Dowel pin ①
 - Gasket (water pump housing cover) ② **New**



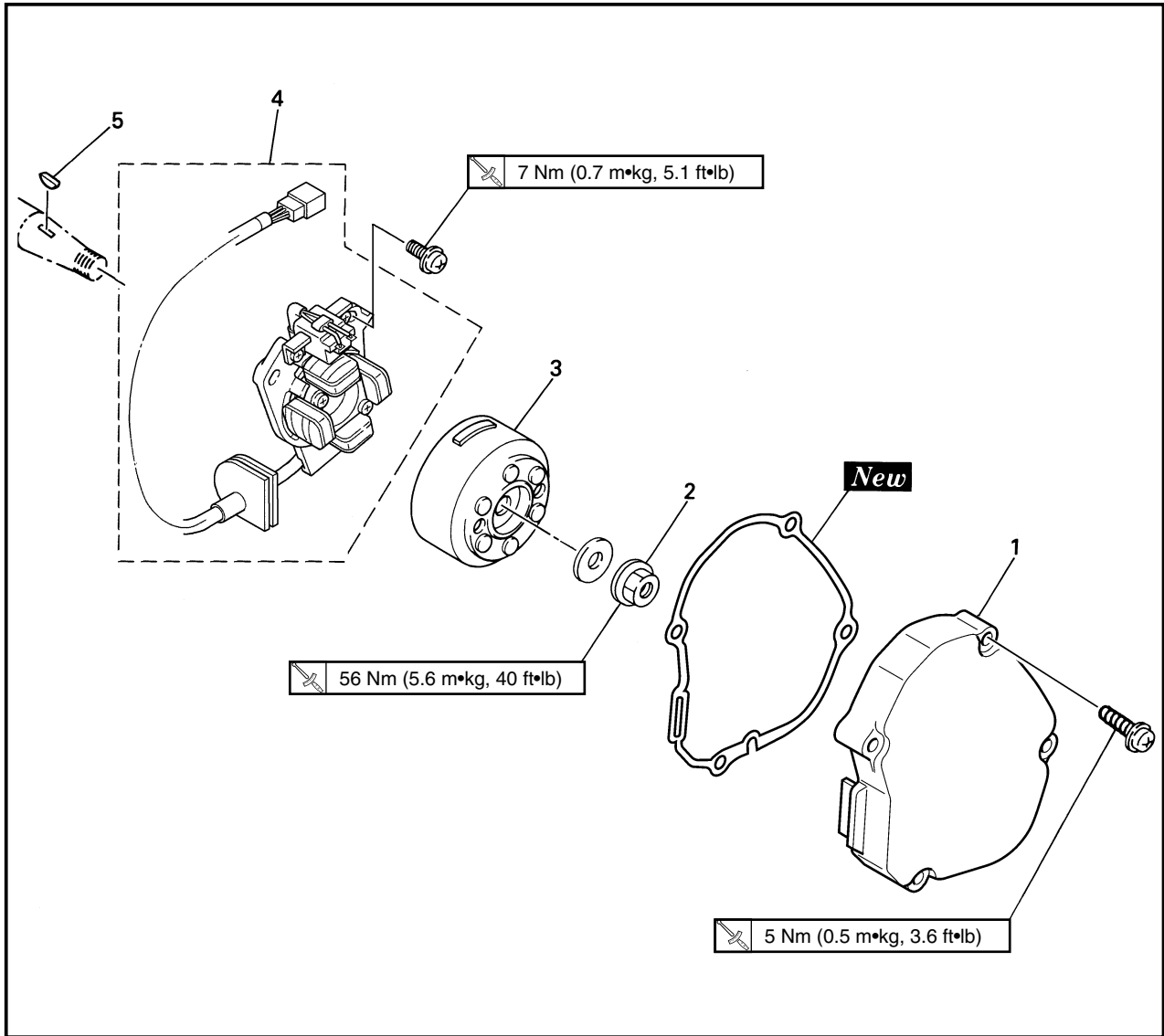
4. Install:
 - Water pump housing cover ①
 - Bolt (water pump housing cover) ②
 - Copper washer (coolant drain bolt) ③ **New**
 - Coolant drain bolt ④

10 Nm (1.0 m•kg, 7.2 ft•lb)

10 Nm (1.0 m•kg, 7.2 ft•lb)

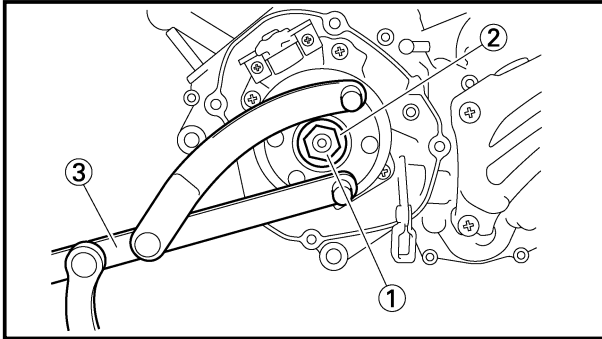
EC4L0000

CDI MAGNETO



Extent of removal: ① CDI magneto removal

Extent of removal	Order	Part name	Q'ty	Remarks
Preparation for removal		CDI MAGNETO REMOVAL		
		Seat and fuel tank		Refer to "SEAT, FUEL TANK AND SIDE COVERS" section.
		Bolt [Radiator (left)] Disconnect the CDI magneto lead.		Refer to "RADIATOR" section.
①	1	Crankcase cover (left)	1	} Use special tool. } Refer to "REMOVAL POINTS".
	2	Nut (rotor)	1	
	3	Rotor	1	
	4	Stator	1	
	5	Woodruff key	1	



EC4L3000

REMOVAL POINTS

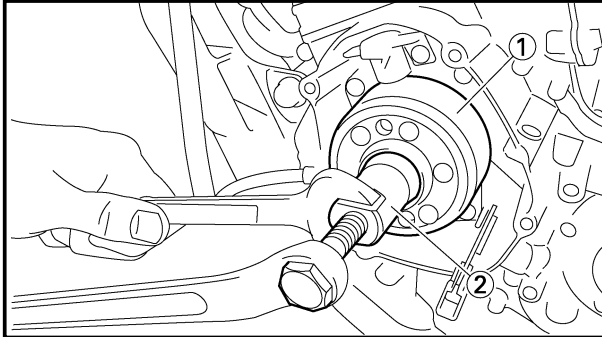
EC4L3102

Rotor

1. Remove:
 - Nut (rotor) ①
 - Plain washer ②
 Use the rotor holding tool ③.



Rotor holding tool:
YU-1235/90890-01235



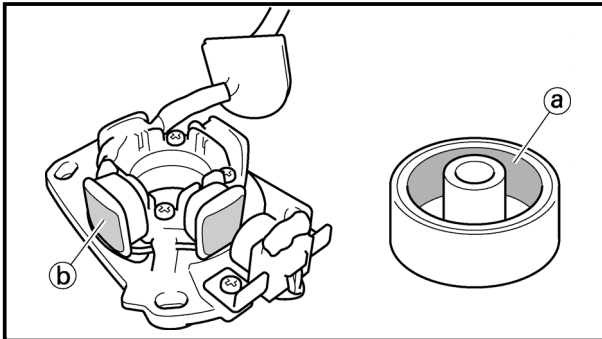
2. Remove:
 - Rotor ①
 Use the flywheel puller ②.



Flywheel puller:
YM-1189/90890-01189

NOTE: _____

When installing the flywheel puller, turn it counterclockwise.



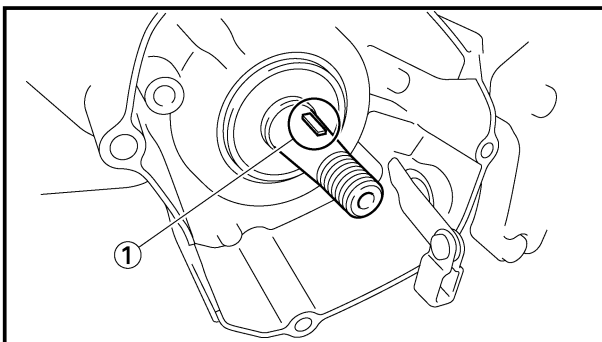
EC4L4000

INSPECTION

EC4L4101

CDI magneto

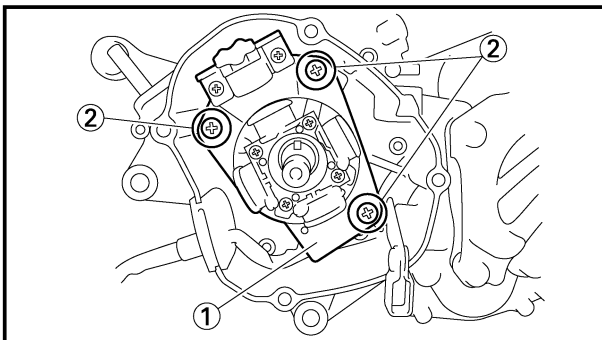
1. Inspect:
 - Rotor inner surface ①
 - Stator outer surface ②
 Damage → Inspect the crankshaft runout and crankshaft bearing.
 If necessary, replace CDI magneto and/or stator.



EC4L4200

Woodruff key

1. Inspect:
 - Woodruff key ①
 Damage → Replace.



EC4L5000

ASSEMBLY AND INSTALLATION

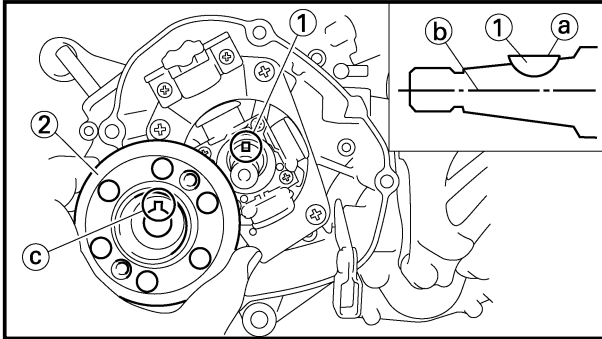
EC4L5172

CDI magneto

1. Install:
 - Stator ①
 - Screw (stator) ②

NOTE: _____

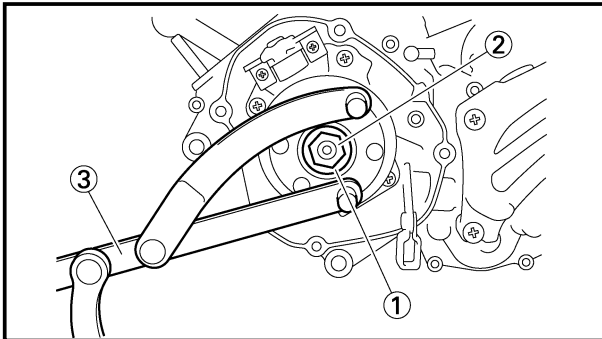
Temporarily tighten the screw (stator) at this point.



2. Install:
 - Woodruff key ①
 - Rotor ②

NOTE:

- Clean the tapered portions of the crankshaft and rotor.
- When installing the woodruff key, make sure that its flat surface ① is in parallel with the crankshaft center line ②.
- When installing the rotor, align the keyway ③ of the rotor with the woodruff key.



3. Install:
 - Plain washer ①
 - Nut (rotor) ②

56 Nm (5.6 m•kg, 40 ft•lb)

Use the rotor holding tool ③.



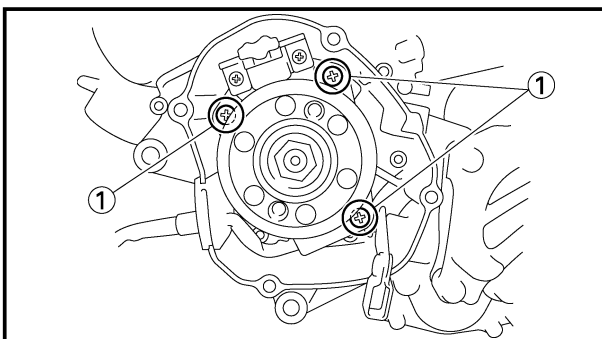
**Rotor holding tool:
YU-1235/90890-01235**

4. Adjust:
 - Ignition timing



**Ignition timing (B.T.D.C.):
0.48 mm (0.019 in)**

Refer to "IGNITION TIMING CHECK" section in the CHAPTER 3.

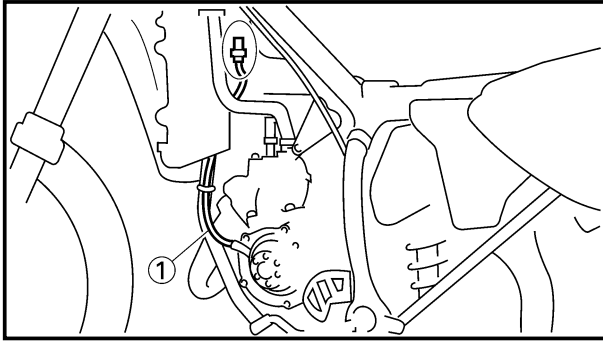


5. Tighten:
 - Screw (stator) ①

7 Nm (0.7 m•kg, 5.1 ft•lb)

6. Check:
 - Ignition timing

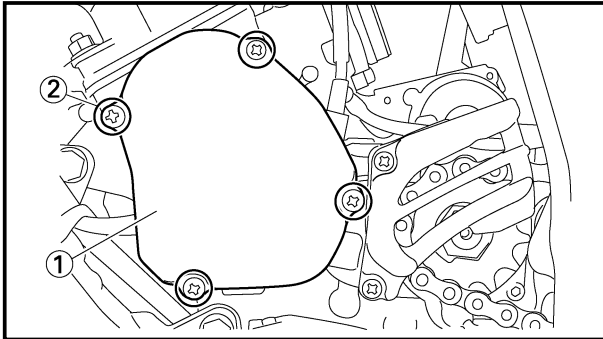
Re-check the ignition timing.



7. Connect:


- CDI magneto lead ①

Refer to “CABLE ROUTING DIAGRAM” section in the CHAPTER 2.



8. Install:

- Gasket [crankcase cover (left)] **New**
- Crankcase cover (left) ①
- Screw [crankcase cover (left)] ②

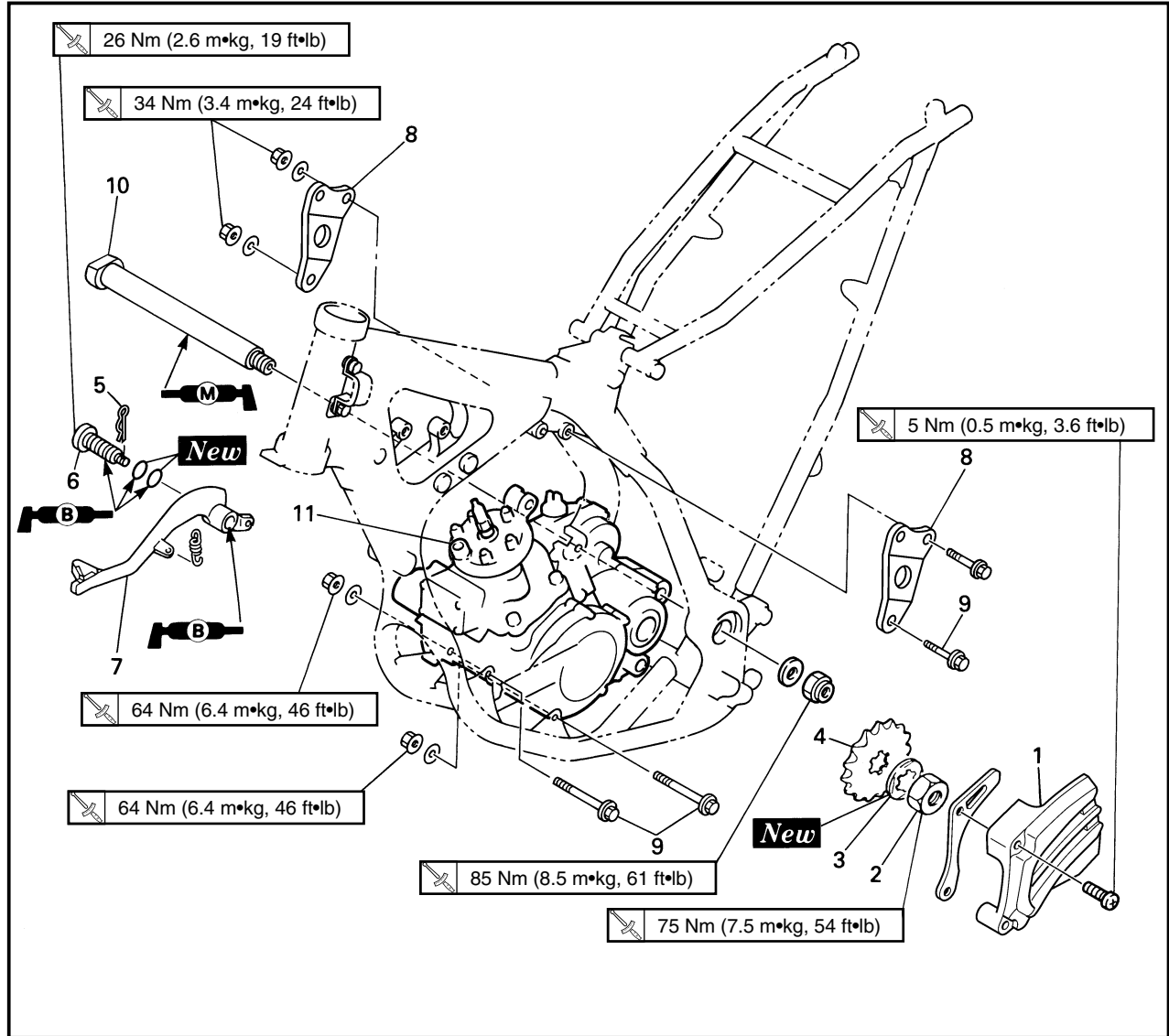
 **5 Nm (0.5 m•kg, 3.6 ft•lb)**

NOTE: _____

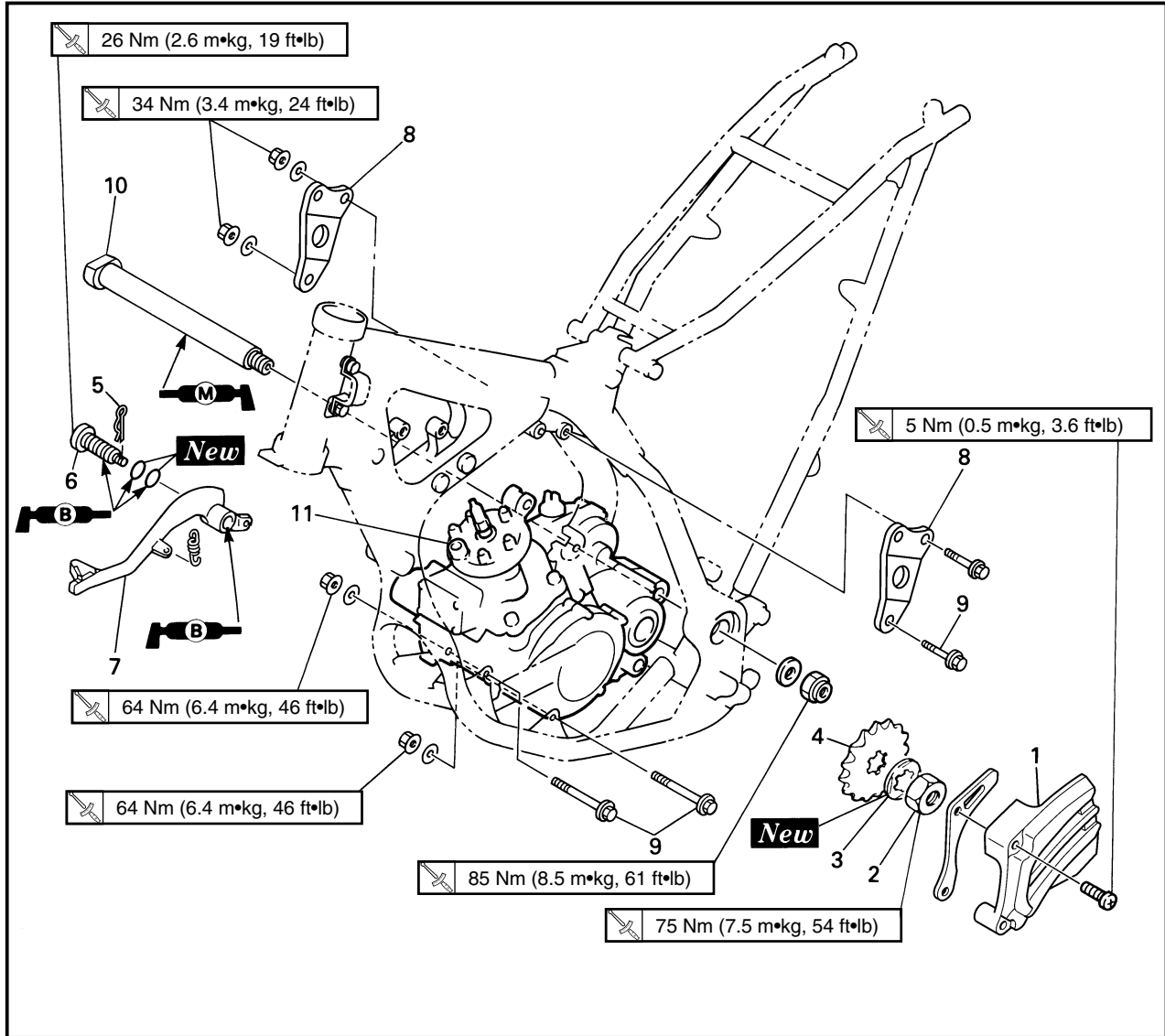
Tighten the screws in stage, using a crisscross pattern.

EC4M0000

ENGINE REMOVAL

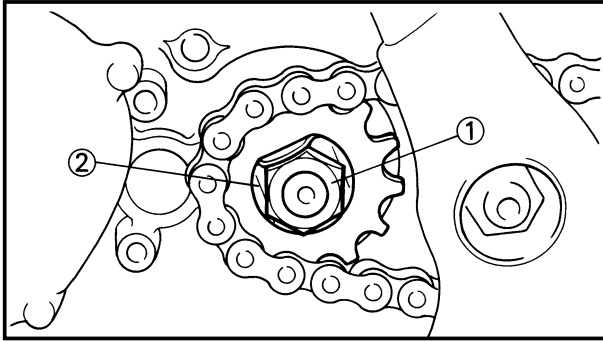


Extent of removal	Order	Part name	Q'ty	Remarks
Preparation for removal		<p>ENGINE REMOVAL</p> <p>Hold the machine by placing the suitable stand under the engine.</p> <p>Seat and fuel tank</p> <p>Carburetor</p> <p>Exhaust pipe and silencer</p> <p>Clutch cable</p> <p>Radiator</p> <p>Spark plug cap</p> <p>Disconnect the CDI magneto lead.</p>		<p>⚠WARNING</p> <p>Support the machine securely so there is no danger of it falling over.</p> <p>Refer to "SEAT, FUEL TANK AND SIDE COVERS" section.</p> <p>Refer to "CARBURETOR AND REED VALVE" section.</p> <p>Refer to "EXHAUST PIPE AND SILENCER" section.</p> <p>Disconnect at engine side.</p> <p>Refer to "RADIATOR" section.</p>



Extent of removal: ① Engine removal

Extent of removal	Order	Part name	Q'ty	Remarks
↑ ① ↓	1	Chain cover	1	Refer to "REMOVAL POINTS".
	2	Nut (drive sprocket)	1	
	3	Lock washer	1	
	4	Drive sprocket	1	
	5	Clip	1	
	6	Bolt (brake pedal)	1	
	7	Brake pedal	1	
	8	Engine bracket	2	
	9	Engine mounting bolt	3	
	10	Pivot shaft	1	
	11	Engine	1	



EC4M3000

REMOVAL POINTS

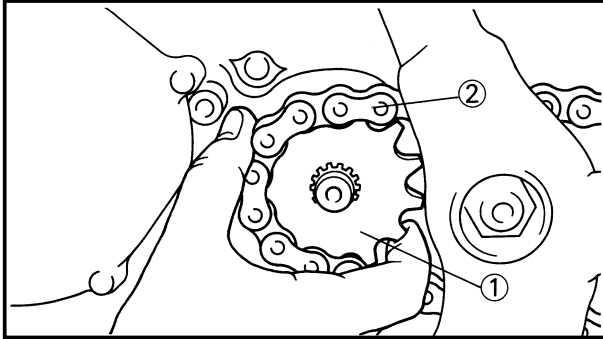
EC4F3100

Drive sprocket

1. Remove:
 - Nut (drive sprocket) ①
 - Lock washer ②

NOTE:

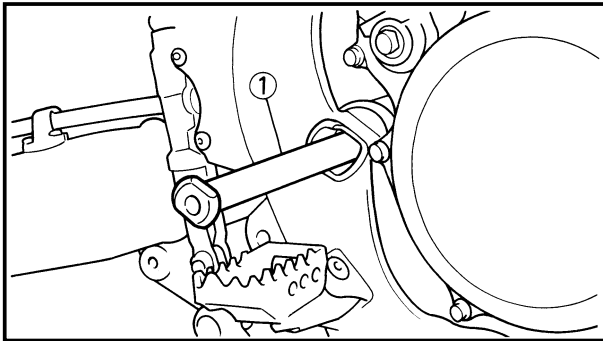
- Straighten the lock washer tab.
- Loosen the nut while applying the rear brake.



2. Remove:
 - Drive sprocket ①
 - Drive chain ②

NOTE:

Remove the drive sprocket together with the drive chain.



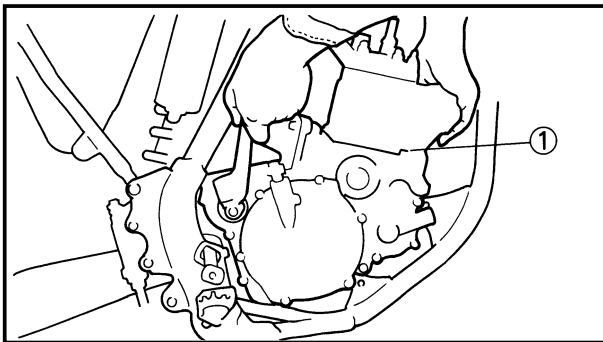
EC4M3301

Engine removal

1. Remove:
 - Pivot shaft ①

NOTE:

If the pivot shaft is pulled all the way out, the swingarm will come loose. If possible, insert a shaft of similar diameter into the other side of the swingarm to support it.

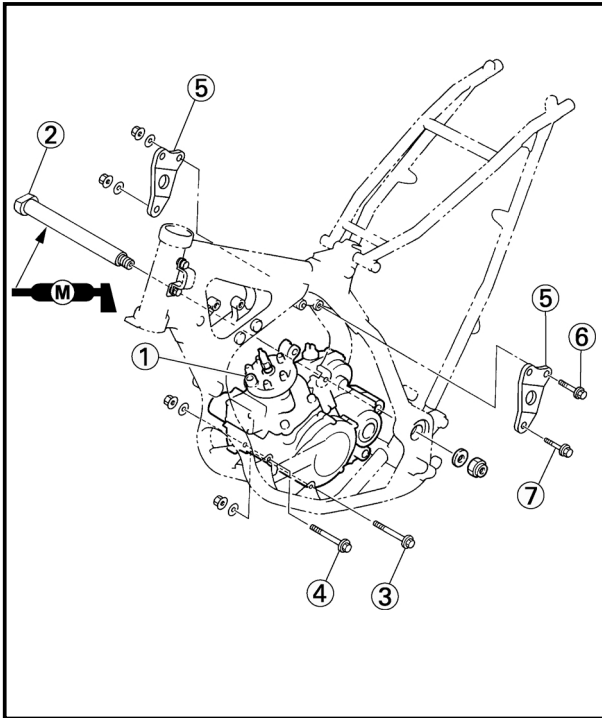


2. Remove:
 - Engine ①

From right side.

NOTE:

Make sure that the couplers, hoses and cables are disconnected.



EC4M5000

ASSEMBLY AND INSTALLATION

EC4M5171

Engine installation

1. Install:

- Engine ①
Install the engine from right side.

- Pivot shaft ②
 85 Nm (8.5 m•kg, 61 ft•lb)

- Engine mounting bolt (lower) ③
 64 Nm (6.4 m•kg, 46 ft•lb)

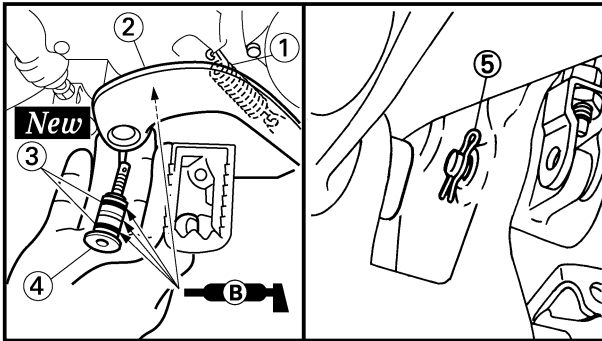
- Engine mounting bolt (front) ④
 64 Nm (6.4 m•kg, 46 ft•lb)

- Engine bracket ⑤
- Bolt (engine bracket) ⑥
 34 Nm (3.4 m•kg, 24 ft•lb)

- Engine mounting bolt (upper) ⑦
 34 Nm (3.4 m•kg, 24 ft•lb)

NOTE: _____

Apply the molybdenum disulfide grease on the pivot shaft.



EC4M5211

Brake pedal

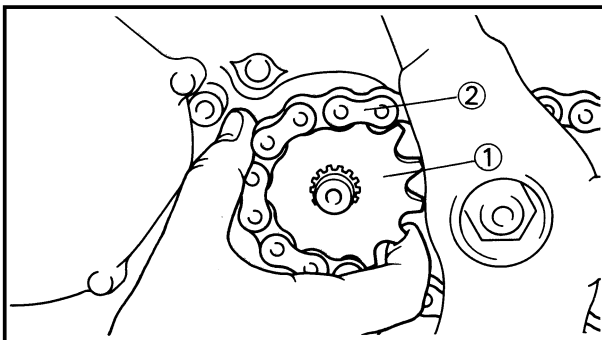
1. Install:

- Spring ①
- Brake pedal ②
- O-ring ③ **New**
- Bolt (brake pedal) ④
 26 Nm (2.6 m•kg, 19 ft•lb)

- Clip ⑤

NOTE: _____

Apply the lithium soap base grease on the bolt, O-rings and brake pedal bracket.



EC4M5311

Drive sprocket

1. Install:

- Drive sprocket ①
- Drive chain ②

NOTE: _____

Install the drive sprocket together with the drive chain.



2. Install:

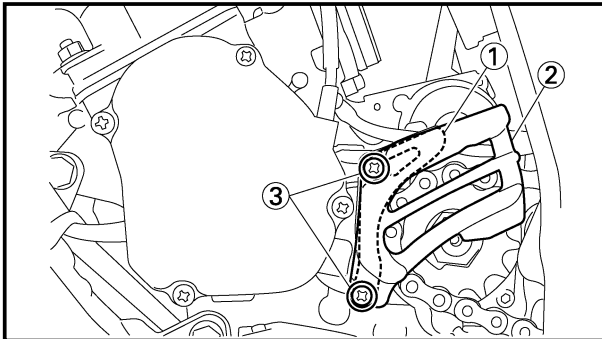
- Lock washer ① **New**
- Nut (drive sprocket) ②

75 Nm (7.5 m•kg, 54 ft•lb)

NOTE: _____

Tighten the nut while applying the rear brake.

3. Bend the lock washer tab to lock the nut.



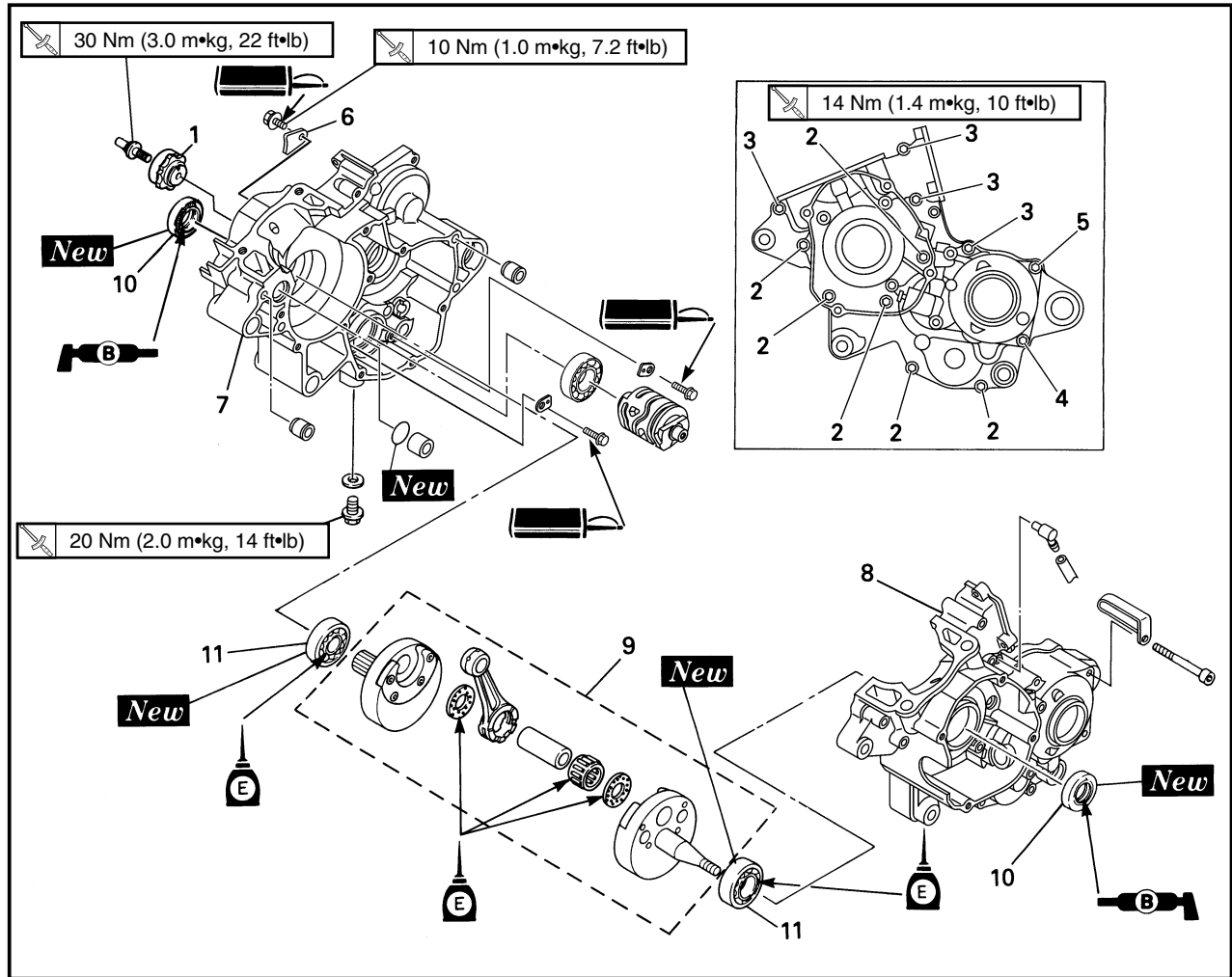
4. Install:

- Chain guide ①
- Chain cover ②
- Screw (chain cover) ③

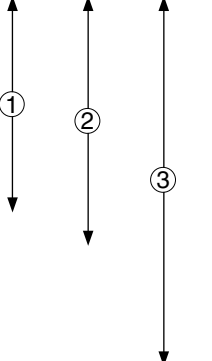
5 Nm (0.5 m•kg, 3.6 ft•lb)

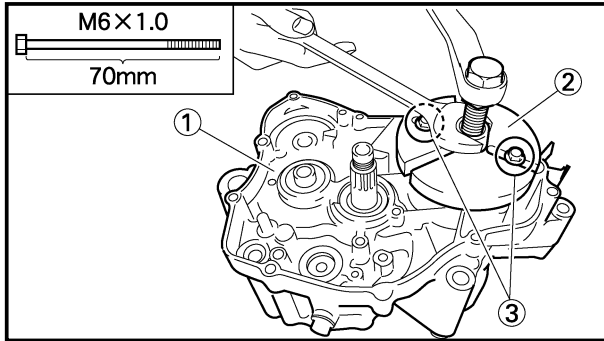
EC4N0000

CRANKCASE AND CRANKSHAFT



Extent of removal: ① Crankcase separation ② Crankshaft removal
 ③ Crankshaft bearing removal

Extent of removal	Order	Part name	Q'ty	Remarks
Preparation for removal		CRANKCASE AND CRANKSHAFT REMOVAL		
		Engine		Refer to "ENGINE REMOVAL" section.
		Piston		Refer to "CYLINDER HEAD, CYLINDER AND PISTON" section.
		Primary drive gear Kick idle gear Stopper lever Rotor and stator		Refer to "KICK AXLE, SHIFT SHAFT AND PRIMARY DRIVE GEAR" section.
				Refer to "CDI MAGNETO" section.
	1	Segment	1	Refer to "REMOVAL POINTS".
	2	Bolt [L=45 mm (1.77 in)]	6	
	3	Bolt [L=55 mm (2.17 in)]	4	
	4	Bolt [L=65 mm (2.56 in)]	1	
	5	Bolt [L=75 mm (2.95 in)]	1	
	6	Holder	1	
	7	Crankcase (right)	1	Use special tool.
	8	Crankcase (left)	1	
	9	Crankshaft	1	Refer to "REMOVAL POINTS".
	10	Oil seal	2	Use special tool.
	11	Bearing	2	Refer to "REMOVAL POINTS".



EC4N3000

REMOVAL POINTS

EC4N3212

Crankcase

1. Remove:

- Crankcase (right) ①

Use the crankcase separating tool ②.



Rotor puller:

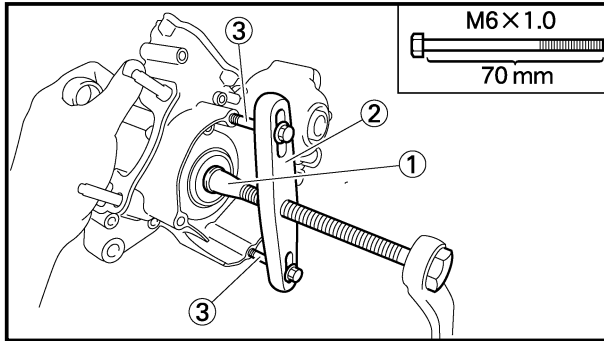
YU-1362-A/90890-01362

NOTE:

- Make appropriate bolts ③ as shown available by yourself and attach the tool with them.
- Fully tighten the tool holding bolts, but make sure the tool body is parallel with the case. If necessary, one screw may be backed out slightly to level tool body.
- As pressure is applied, alternately tap on the front engine mounting boss and transmission shafts.

CAUTION:

Use soft hammer to tap on the case half. Tap only on reinforced portions of case. Do not tap on gasket mating surface. Work slowly and carefully. Make sure the case halves separate evenly. If one end “hangs up”, take pressure off the push screw, realign, and start over. If the cases do not separate, check for a remaining case screw or fitting. Do not force.



EC4N3302

Crankshaft

- Remove:
 - Crankshaft ①
 Use the crankcase separating tool ②.



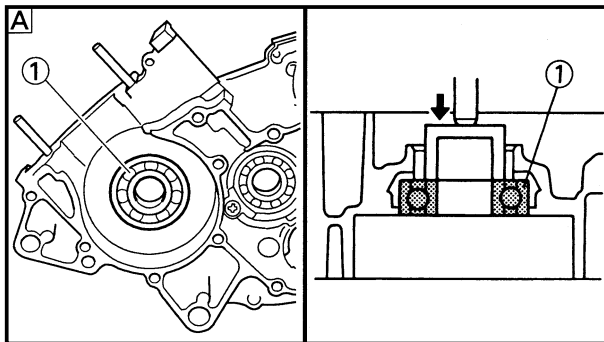
Crankcase separating tool:
YU-1135-A/90890-01135

NOTE:

Make appropriate bolts ③ as shown available by yourself and attach the tool with them.

CAUTION:

Do not use a hammer to drive out the crankshaft.



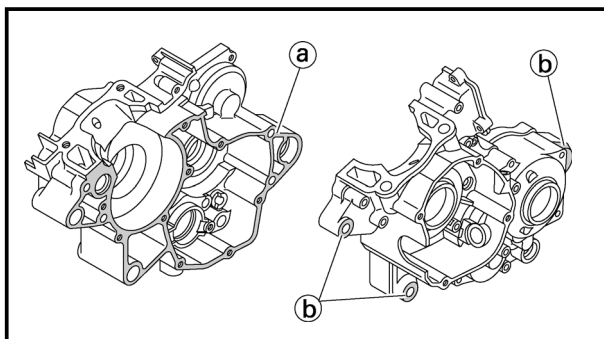
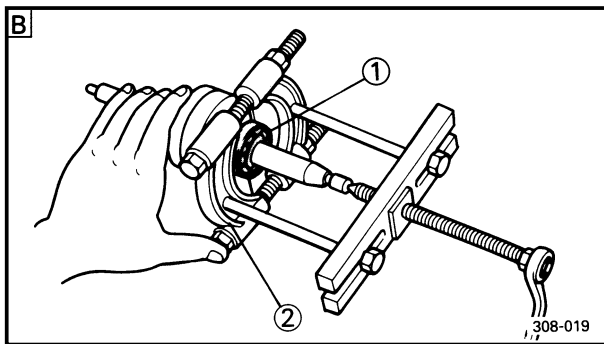
EC4N3401

Crankshaft bearing

- Remove:
 - Bearing ①

NOTE:

- Remove the bearing from the crankcase by pressing its inner race as shown in [A].
- If the bearing is removed together with the crankshaft, remove the bearing using a general bearing puller ② as shown in [B].
- Do not use the removed bearing.



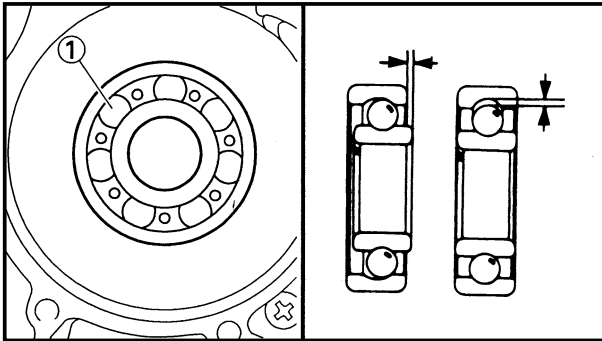
EC4N4000

INSPECTION

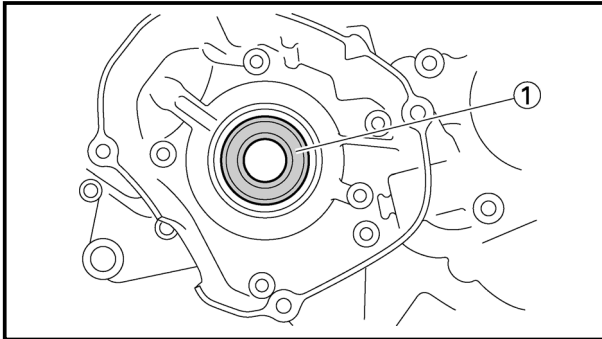
EC4N4101

Crankcase

- Inspect:
 - Contacting surface (a)
Scratches → Replace.
 - Engine mounting boss (b), crankcase
Cracks/Damage → Replace.



2. Inspect:
 - Bearings ①
Rotate inner race with a finger.
Rough spot/Seizure → Replace.

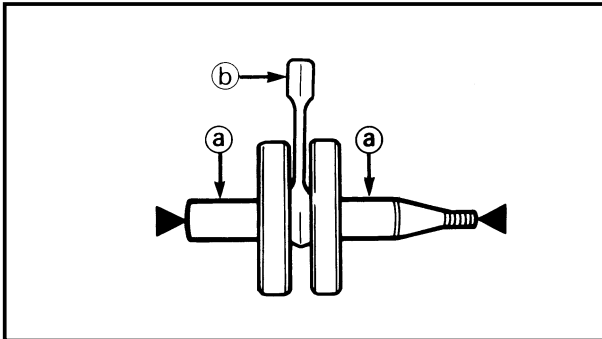


3. Inspect:
 - Oil seal ①
Damage → Replace.

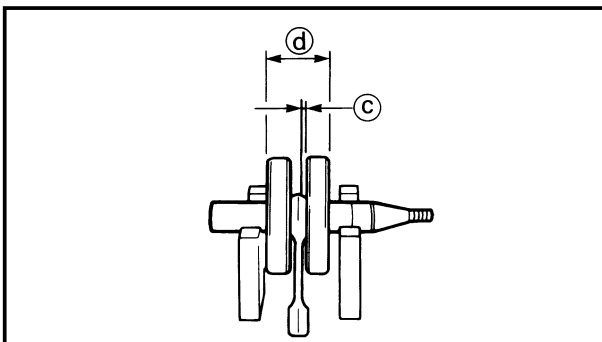
EC4N4202

Crankshaft

1. Measure:
 - Runout limit ①
 - Small end free play limit ②
 - Connecting rod big end side clearance ③
 - Crank width ④
 Out of specification → Replace.
Use the dial gauge and a thickness gauge.



	Dial gauge: YU-3097/90890-01252
--	--



	Standard	<Limit>
Runout limit:	0.03 mm (0.0012 in)	0.05 mm (0.0020 in)
Small end free play:	0.8~1.0 mm (0.031~0.039 in)	2.0 mm (0.08 in)
Side clearance:	0.06~0.64 mm (0.002~0.025 in)	—
Crank width:	55.90~55.95 mm (2.201~2.203 in)	—

EC4N5000

ASSEMBLY AND INSTALLATION

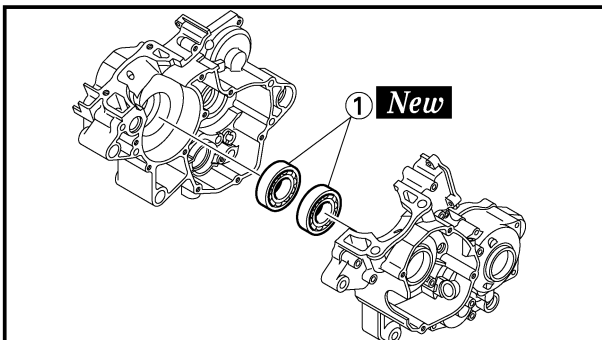
EC4N5300

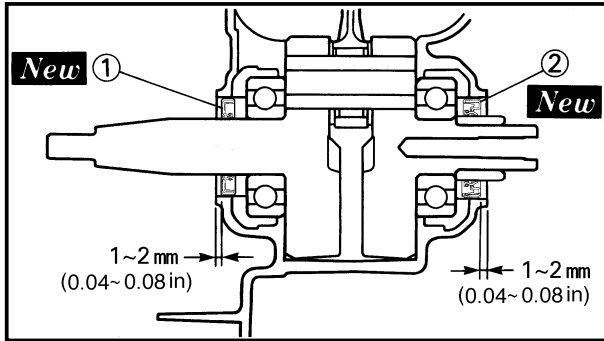
Crankshaft bearing

1. Install:
 - Bearing ① **New**
To crankcase (left and right).

NOTE: _____

Install the bearing by pressing its outer race parallel.





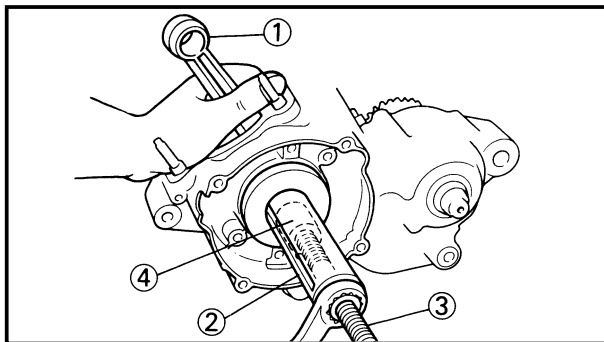
EC4N5102

Oil seal

1. Install:
 - Oil seal (left) ① **New**
 - Oil seal (right) ② **New**

NOTE:

- Apply the lithium soap base grease on the oil seal lip.
- Install the oil seal with its manufacture's marks or numbers facing outward.



EC4N5272

Crankshaft

1. Install:
 - Crankshaft ①

Use the crankshaft installing tool ②, ③, ④

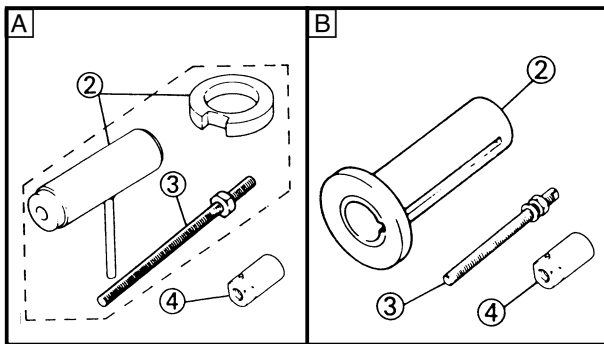


Crankshaft installing tool:

Pot ②: YU-90050/90890-01274

Bolt ③: YU-90050/90890-01275

Adapter ④: YU-90063/90890-01278



A For USA and CDN

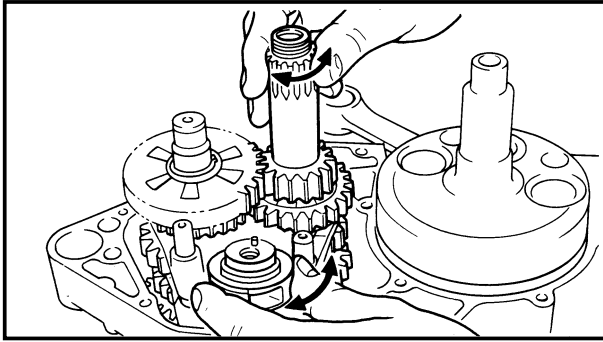
B Except for USA and CDN

NOTE:

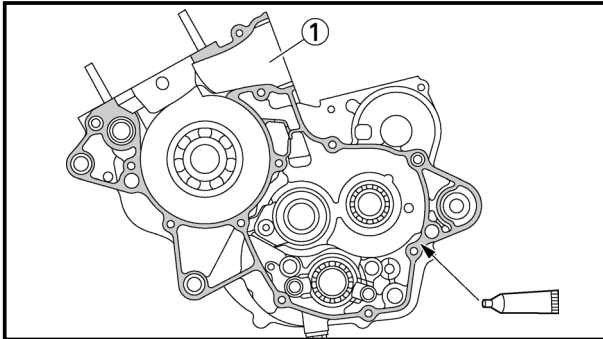
- Hold the connecting rod at top dead center with one hand while turning the nut of the installing tool with the other. Operate the installing tool until the crankshaft bottoms against the bearing.
- Before installing the crankshaft, clean the contacting surface of crankcase.
- Apply the lithium soap base grease on the oil seal lip.

CAUTION:

Do not use a hammer to drive in the crankshaft.



2. Check:
 - Shifter operation
 - Transmission operation
 Unsmooth operation → Repair.



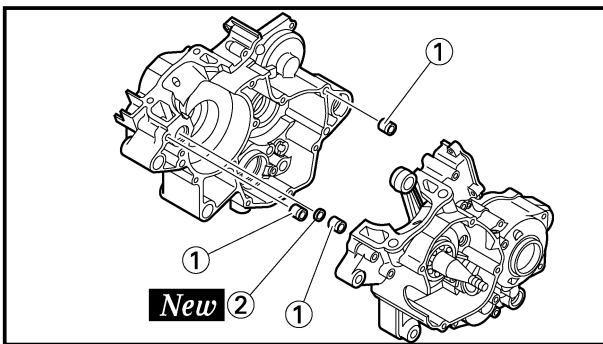
3. Apply:
 - Sealant
 On the crankcase (right) ①



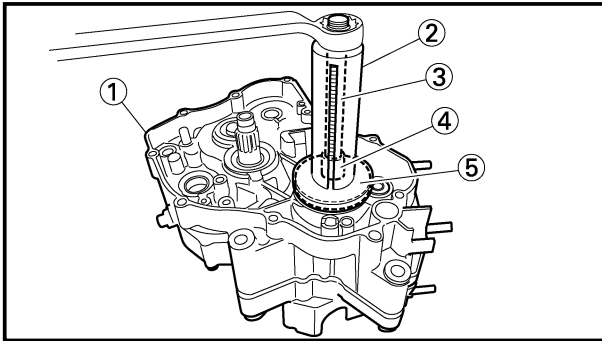
Quick gasket®:
ACC-QUICK-GS-KT
 Yamaha bond No. 1215:
 90890-85505

NOTE:

Clean the contacting surface of crankcase (left and right) before applying the sealant.



4. Install:
 - Dowel pin ①
 - O-ring ② **New**



5. Install:

- Crankcase (right) ①

Use the crankshaft installing tool ②, ③, ④.



Crankshaft installing tool:

Pot ②: YU-90050/90890-01274

Bolt ③: YU-90050/90890-01275

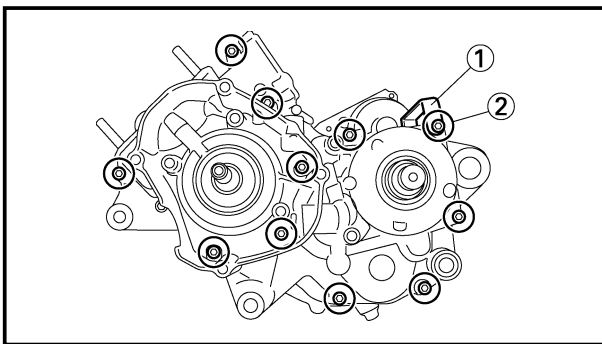
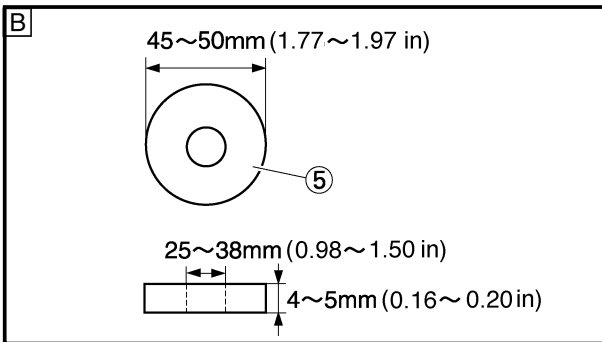
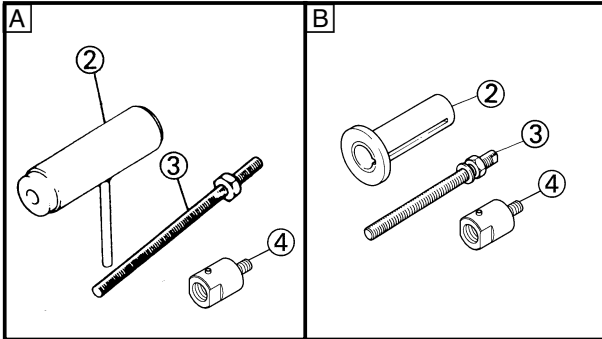
Adapter ④: YM-01499/90890-01499

Ⓐ For USA and CDN

Ⓑ Except for USA and CDN

NOTE:

- Use two plain washers (Yamaha genuine: 90201-243K3) ⑤ or the ones of a size as shown one on the other. (Except for USA and CDN)
- Install so that the plain washers do not deviate from the crankshaft center. (Except for USA and CDN)
- When installing the crankcase, the connecting rod should be positioned at TDC (top dead center).
- Install while checking that the dowel pin is in place.



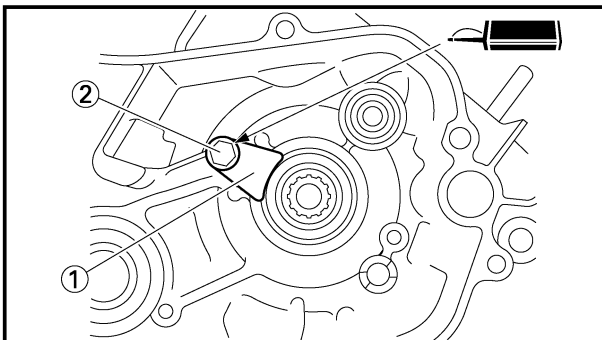
6. Install:

- Clamp ①
- Bolt (crankcase) ②

14 Nm (1.4 m•kg, 10 ft•lb)

NOTE:

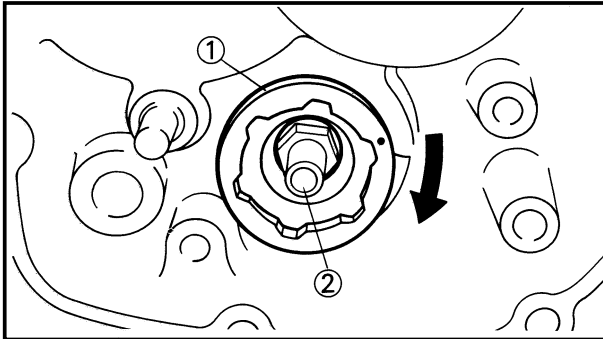
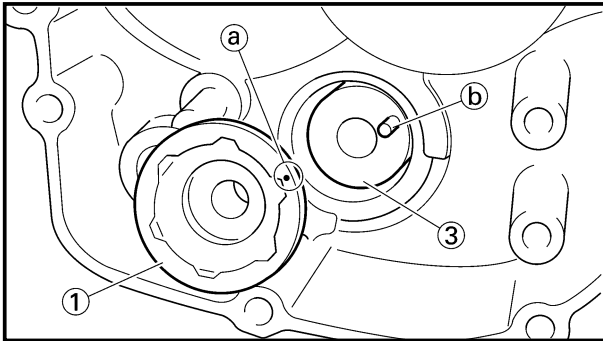
Tighten the crankcase tightening bolts in stage, using a crisscross pattern.




7. Install:

- Holder ①
- Bolt (holder) ②

10 Nm (1.0 m•kg, 7.2 ft•lb)



8. Install:
- Segment ①
 - Bolt (segment) ②

 **30 Nm (3.0 m•kg, 22 ft•lb)**

NOTE:

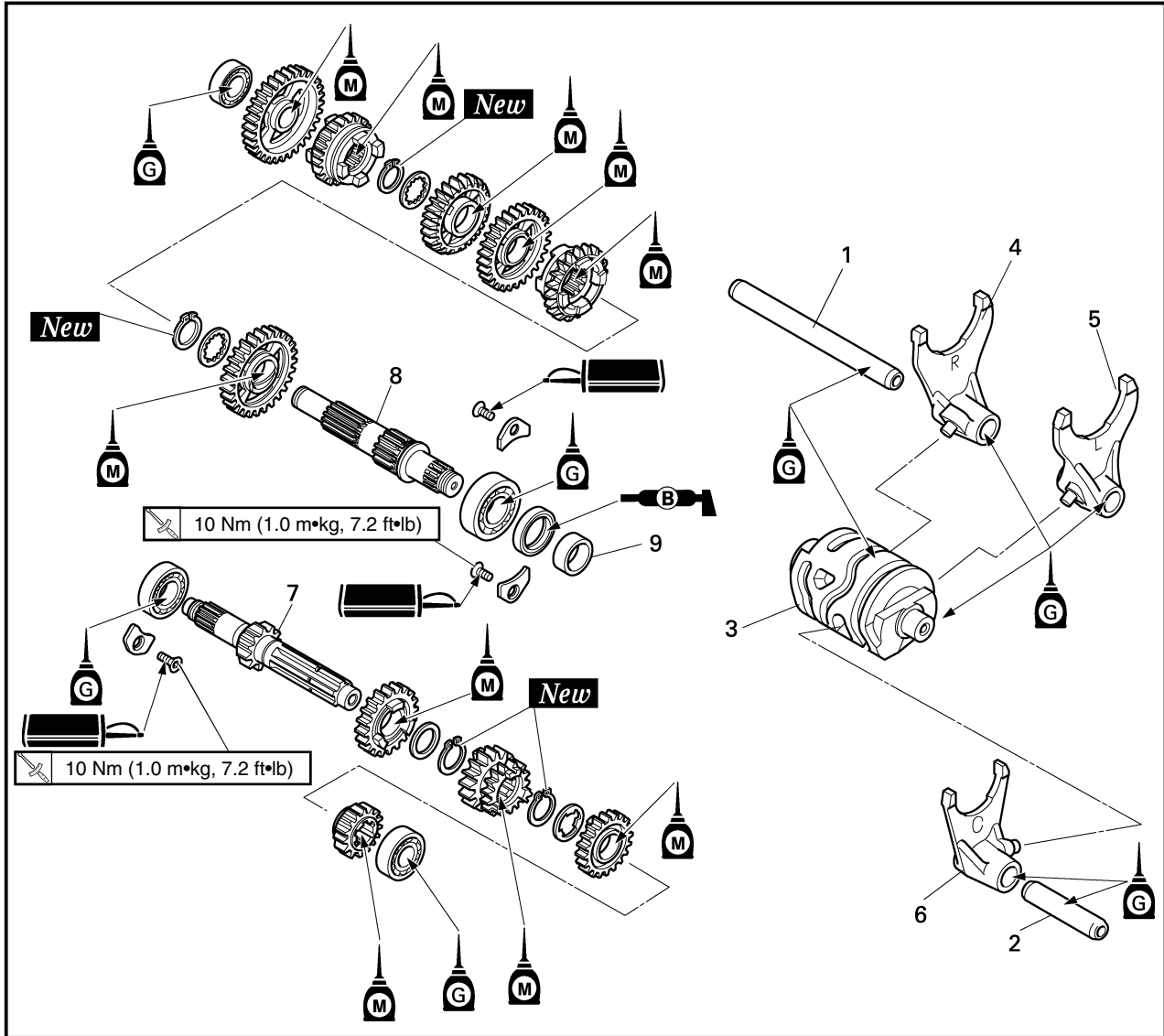
- When installing the segment onto the shift cam ③, align the punch mark ① with the dowel pin ②.
- Turn the segment clockwise until it stops and tighten the bolt.

9. Remove:
- Sealant
Forced out on the cylinder mating surface.
10. Apply:
- Engine oil
To the crank pin, bearing, oil delivery hole and connecting rod big end washer.
11. Check:
- Crankshaft and transmission operation
Unsmooth operation → Repair.



EC4H0000

TRANSMISSION, SHIFT CAM AND SHIFT FORK

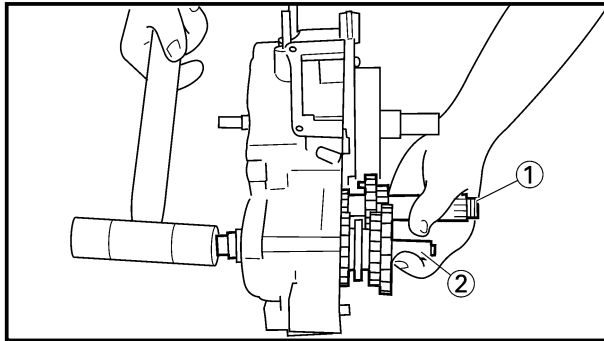


Extent of removal:

① Shift cam and shift fork removal

② Main axle and drive axle removal

Extent of removal	Order	Part name	Q'ty	Remarks
Preparation for removal		TRANSMISSION, SHIFT CAM AND SHIFT FORK REMOVAL		Refer to "ENGINE REMOVAL" section. Refer to "CRANKCASE AND CRANK SHAFT" section.
		Engine Separate the crankcase.		
<div style="display: flex; align-items: center; justify-content: center;"> <div style="text-align: center; margin-right: 20px;"> ↑ ① ↓ </div> <div style="text-align: center; margin-right: 20px;"> ↑ ② ↓ </div> </div>	1	Guide bar (long)	1	} Refer to "REMOVAL POINTS".
	2	Guide bar (short)	1	
	3	Shift cam	1	
	4	Shift fork 3	1	
	5	Shift fork 1	1	
	6	Shift fork 2	1	
	7	Main axle	1	
	8	Drive axle	1	
	9	Spacer	1	



EC4H3000

REMOVAL POINTS

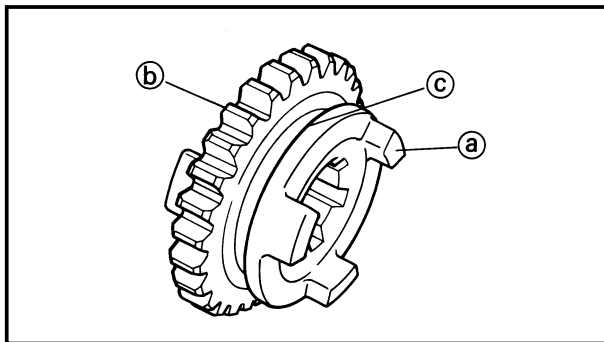
EC4H3200

Transmission

1. Remove:
 - Main axle ①
 - Drive axle ②

NOTE:

- Tap lightly on the transmission drive axle with a soft hammer to remove.
- Remove assembly carefully. Note the position of each part. Pay particular attention to the location and direction of shift forks.



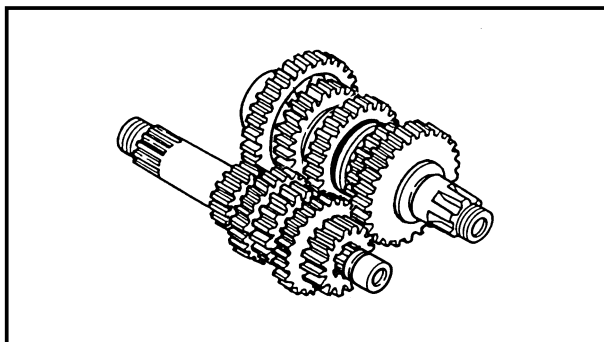
EC4H4000

INSPECTION

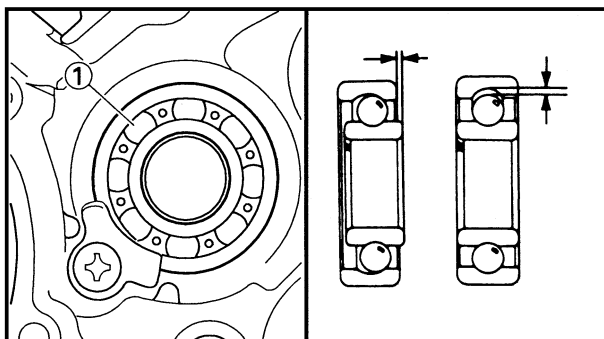
EC4H4200

Gears

1. Inspect:
 - Matching dog ①
 - Gear teeth ②
 - Shift fork groove ③
 Wear/Damage → Replace.



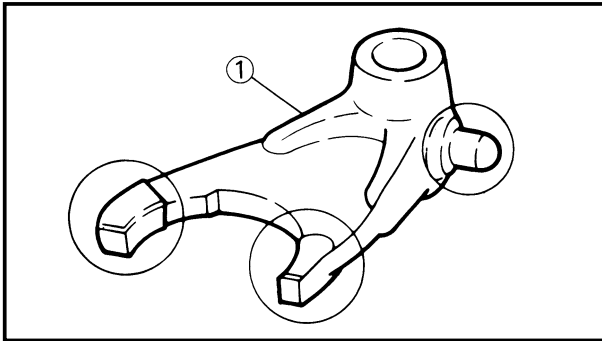
2. Check:
 - Gears movement
 Unsmooth movement → Repair or replace.



EC4H4600

Bearing

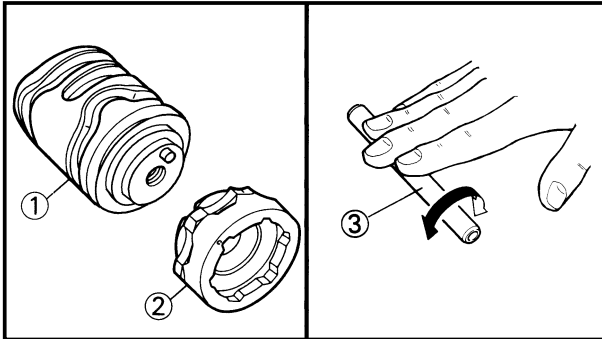
1. Inspect:
 - Bearing ①
 Rotate inner race with a finger.
 Rough spot/Seizure → Replace.



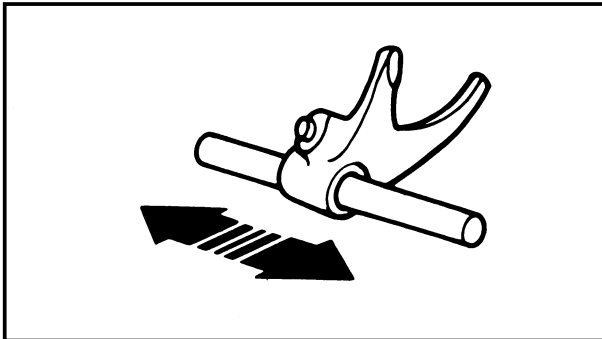
EC4H4801

Shift fork, shift cam and segment

- Inspect:
 - Shift fork ①
Wear/Damage/Scratches → Replace.

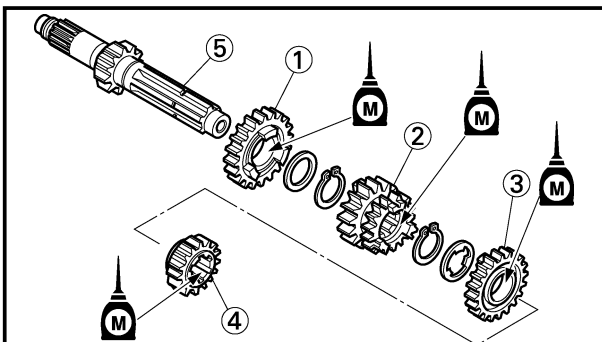


- Inspect:
 - Shift cam ①
 - Segment ②
 - Guide bar ③
Bend/Wear/Damage → Replace.



- Check:
 - Shift fork movement
On its guide bar.
Unsmooth operation → Replace shift fork and/or guide bar.

NOTE: _____
For a malfunctioning shift fork, replace not only the shift fork itself but the two gears each adjacent to the shift fork.



EC4H5000

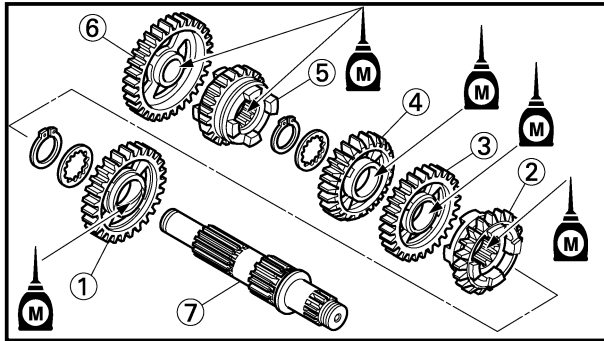
ASSEMBLY AND INSTALLATION

EC4H5213

Transmission

- Install:
 - 6th pinion gear (21T) ①
 - 3rd/4th pinion gear (17T/17T) ②
 - 5th pinion gear (20T) ③
 - 2nd pinion gear (15T) ④
To main axle ⑤.

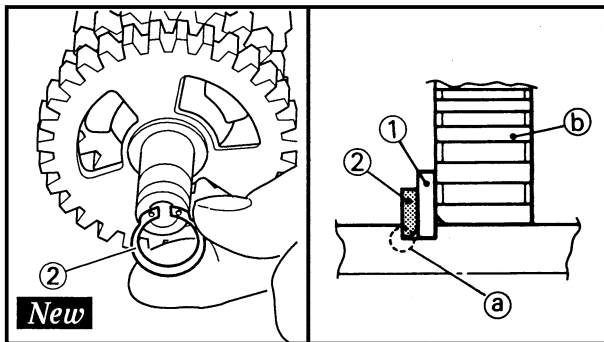
NOTE: _____
Apply the molybdenum disulfide oil on the inner and end surface of the idler gear and on the inner surface of the sliding gear, then install.



2. Install:
- 2nd wheel gear (29T) ①
 - 5th wheel gear (24T) ②
 - 3rd wheel gear (27T) ③
 - 4th wheel gear (23T) ④
 - 6th wheel gear (23T) ⑤
 - 1st wheel gear (31T) ⑥
 - To drive axle ⑦.

NOTE: _____

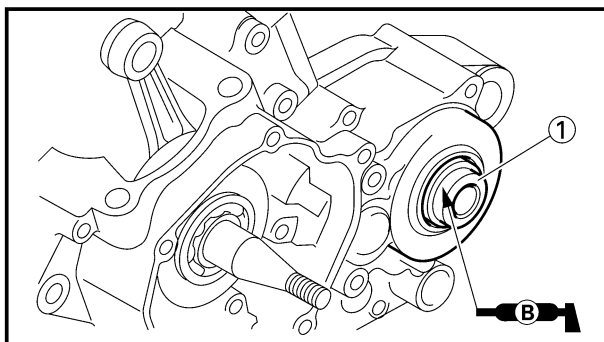
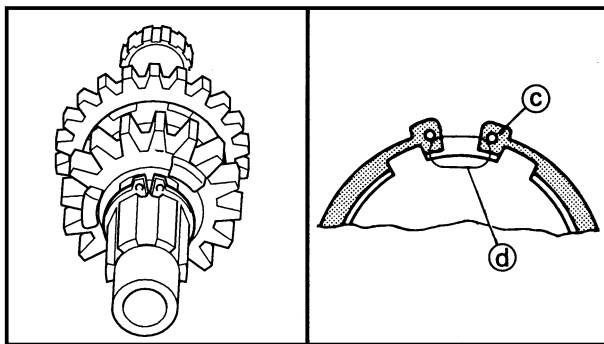
Apply the molybdenum disulfide oil on the inner and end surface of the idler gear and on the inner surface of the sliding gear, then install.



3. Install:
- Plain washer ①
 - Circlip ② **New**

NOTE: _____

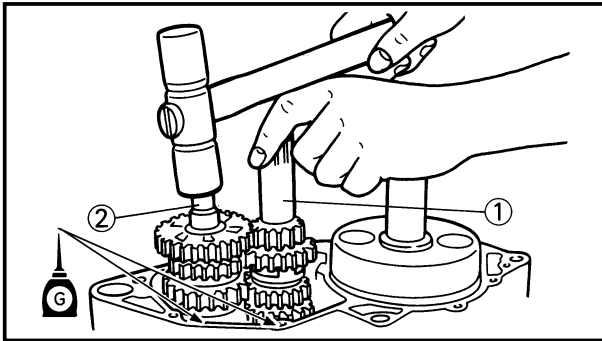
- Be sure the circlip sharp-edged corner (a) is positioned opposite side to the plain washer and gear (b).
- Be sure the circlip end (c) is positioned at axle spline groove (d).



4. Install:
- Spacer ①

NOTE: _____

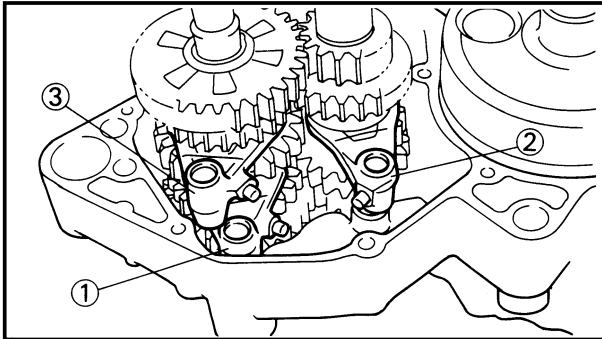
- Apply the lithium soap base grease on the oil seal lip.
- When installing the spacer into the crankcase, pay careful attention to the crankcase oil seal lip.



5. Install:
 - Main axle ①
 - Drive axle ②

NOTE: _____

Apply the transmission oil on the crankcase bearings.



EC4H5312

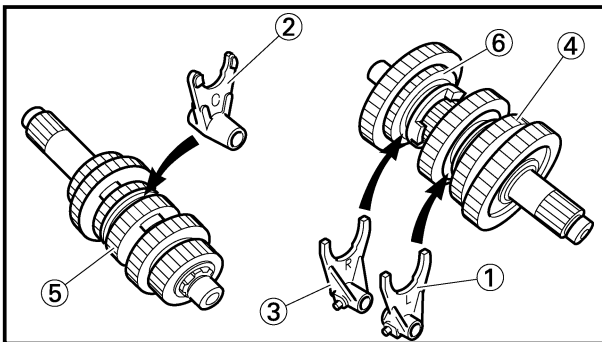
Shift cam and shift fork

1. Install:
 - Shift fork 1 (L) ①
 - Shift fork 2 (C) ②
 - Shift fork 3 (R) ③

NOTE: _____

• Mesh the shift fork #1 (L) with the 5th wheel gear ④ and #3 (R) with the 6th wheel gear ⑥ on the drive axle.

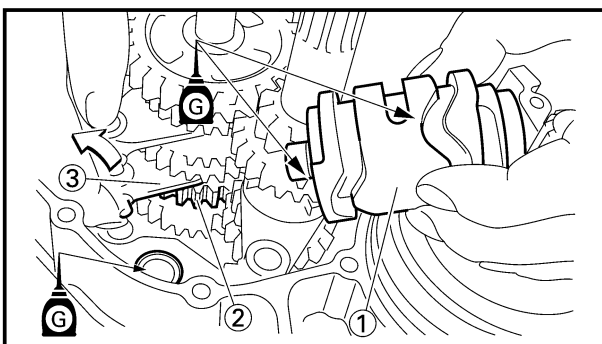
• Mesh the shift fork #2 (C) with the 3rd/4th pinion gear ⑤ on the main axle.



2. Install:
 - Shift cam ①

NOTE: _____

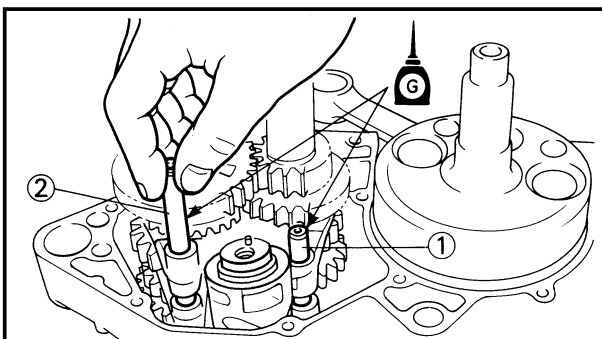
• Apply the transmission oil on the shift cam.
 • Install the shift cam while holding up the 5th wheel gear ② and keeping the shift fork #1 ③ moved in the direction of the arrow.

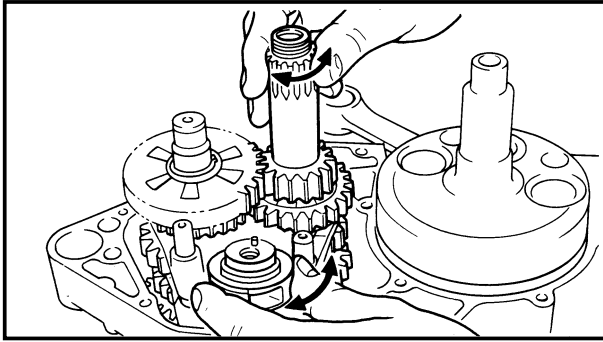


3. Install:
 - Guide bar (short) ①
 - Guide bar (long) ②

NOTE: _____

• Apply the transmission oil on the guide bars.
 • Be sure the long bar is inserted into the shift forks #1 and #3 and the short one into #2.





4. Check:

- Shifter operation
- Transmission operation

Unsmooth operation → Repair.

EC500000

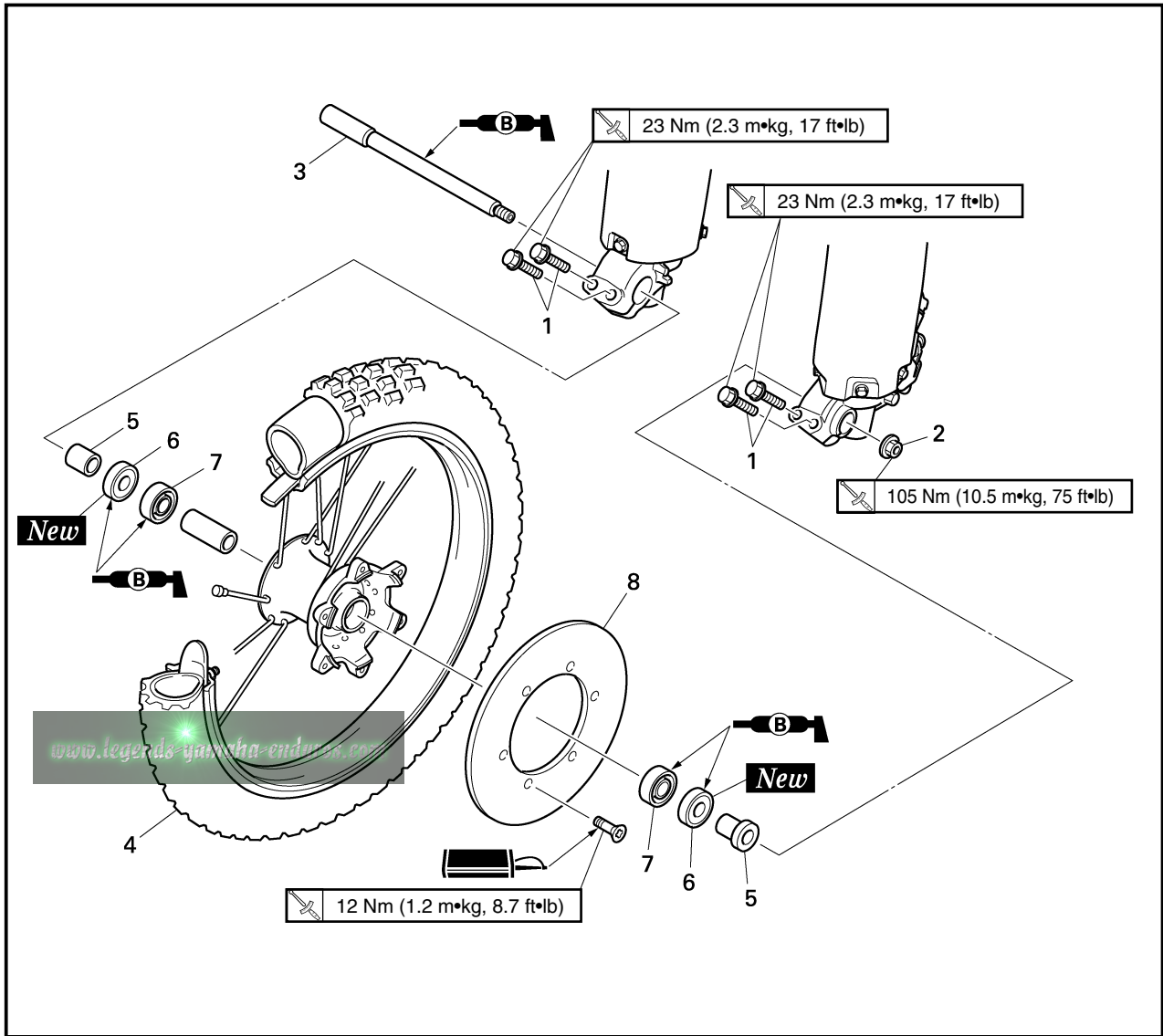
CHASSIS

EC590000

FRONT WHEEL AND REAR WHEEL

EC598000

FRONT WHEEL

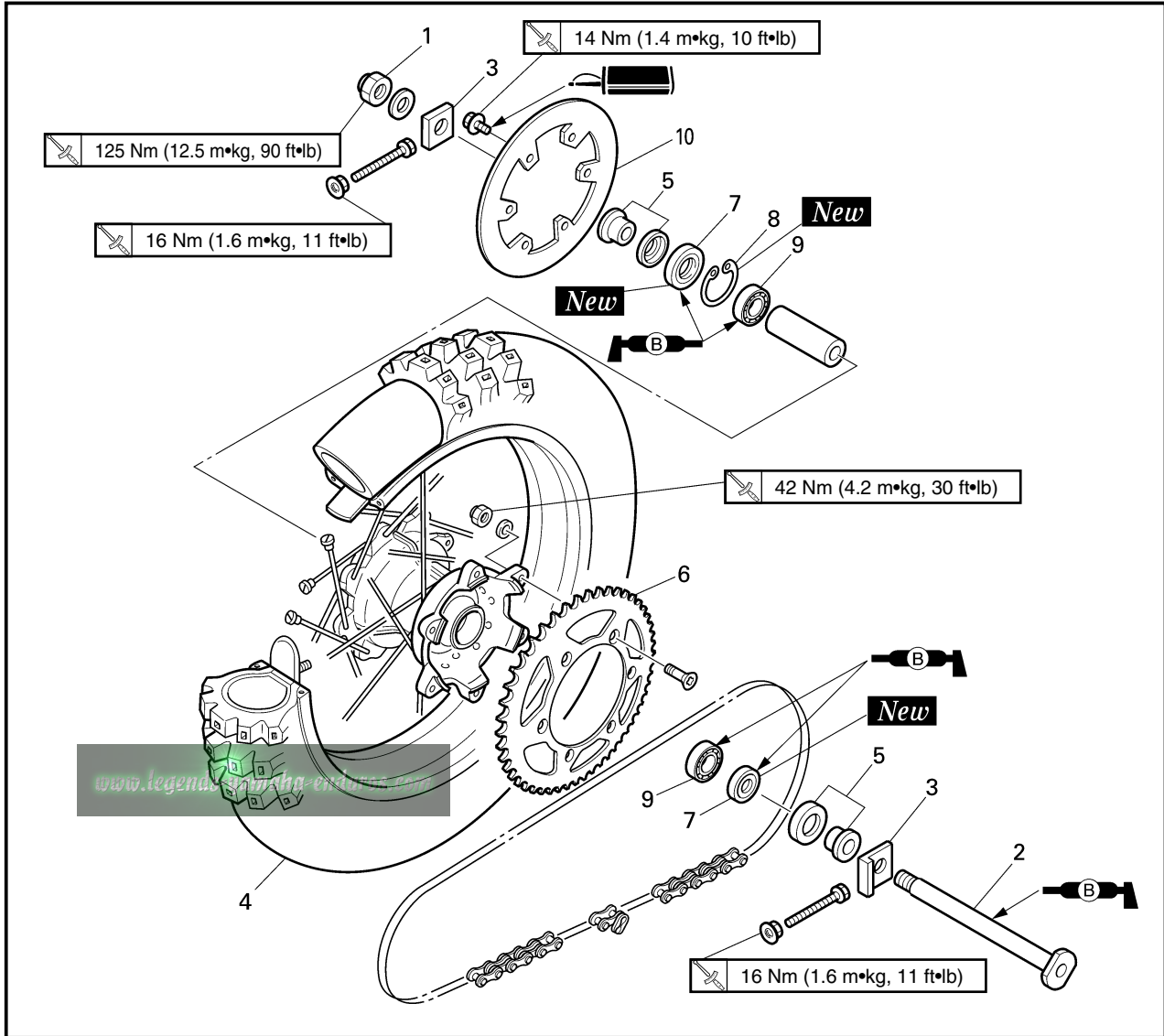


Extent of removal: ① Front wheel removal ② Wheel bearing removal ③ Brake disc removal

Extent of removal	Order	Part name	Q'ty	Remarks
Preparation for removal		FRONT WHEEL REMOVAL Hold the machine by placing the suitable stand under the engine.		⚠WARNING Support the machine securely so there is no danger of it falling over.
<div style="display: flex; justify-content: space-around;"> <div style="text-align: center;"> ↑ ① ↓ </div> <div style="text-align: center;"> ↑ ② ↓ </div> <div style="text-align: center;"> ↑ ③ ↓ </div> </div>	1	Bolt (axle holder)	4	Only loosening. Refer to "REMOVAL POINTS".
	2	Nut (front wheel axle)	1	
	3	Front wheel axle	1	
	4	Front wheel	1	
	5	Collar	2	
	6	Oil seal	2	
	7	Bearing	2	
③	8	Brake disc	1	

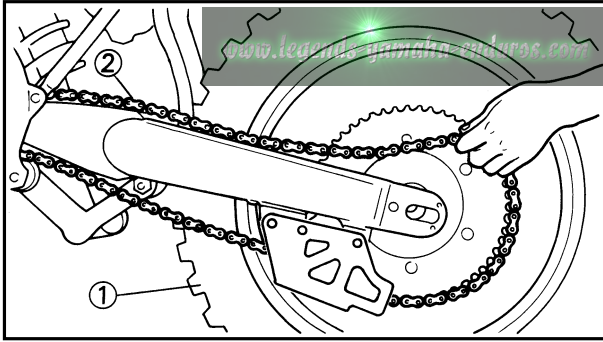
EC598100

REAR WHEEL



Extent of removal: ① Rear wheel removal ② Wheel bearing removal ③ Brake disc removal

Extent of removal	Order	Part name	Q'ty	Remarks
Preparation for removal		REAR WHEEL REMOVAL Hold the machine by placing the suitable stand under the engine.		⚠WARNING Support the machine securely so there is no danger of it falling over.
<div style="display: flex; justify-content: space-around;"> <div style="text-align: center;"> ① ↑ ↓ </div> <div style="text-align: center;"> ② ↑ ↓ </div> <div style="text-align: center;"> ③ ↑ ↓ </div> </div>	1 2 3 4 5 6 7 8 9 10	Nut (rear wheel axle) Rear wheel axle Chain puller Rear wheel Collar Driven sprocket Oil seal Circlip Bearing Brake disc	1 1 2 1 2 1 2 1 2 1	Refer to "REMOVAL POINTS". Refer to "REMOVAL POINTS".



EC593000

REMOVAL POINTS

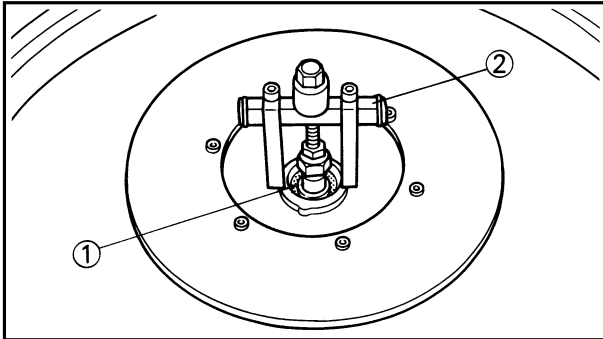
EC523101

Rear wheel

1. Remove:
 - Wheel ①

NOTE: _____

Push the wheel forward and remove the drive chain ②.



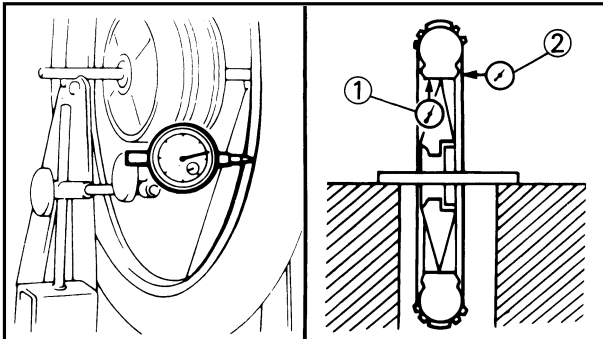
EC513201

Wheel bearing (if necessary)

1. Remove:
 - Bearing ①

NOTE: _____

Remove the bearing using a general bearing puller ②.



EC594000

INSPECTION

EC514100

Wheel

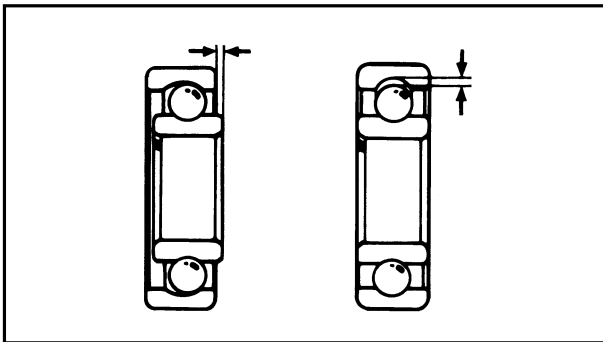
1. Measure:
 - Wheel runout
 Out of limit → Repair/Replace.



Wheel runout limit:

Radial ①: 2.0mm (0.08 in)

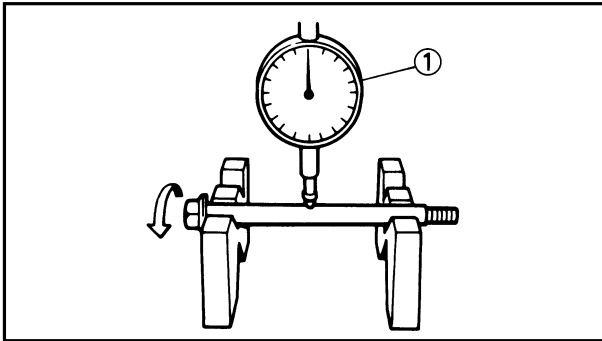
Lateral ②: 2.0mm (0.08 in)



2. Inspect:
 - Bearing
 Rotate inner race with a finger.
 Rough spot/Seizure → Replace.

NOTE: _____

Replace the bearings, oil seal and wheel collar as a set.



EC514200

Wheel axle

- Measure:
 - Wheel axle bends
Out of specification → Replace.
Use the dial gauge ①.



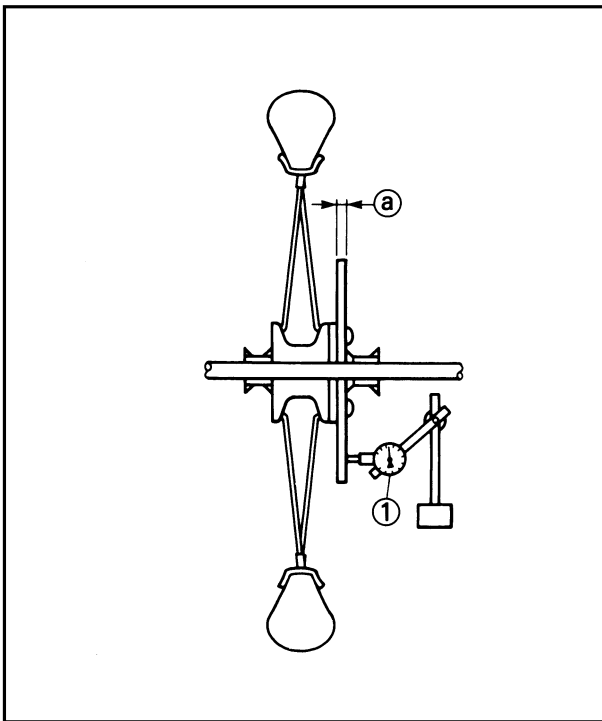
Wheel axle bending limit:
0.5 mm (0.020 in)

NOTE:

The bending value is shown by one half of the dial gauge reading.

⚠ WARNING

Do not attempt to straighten a bent axle.



EC594200

Brake disc

- Measure:
 - Brake disc deflection (only rear brake disc)
Use the dial gauge ①.
Out of specification → Inspect wheel runout.
If wheel runout is in good condition, replace the brake disc.



Disc deflection limit:

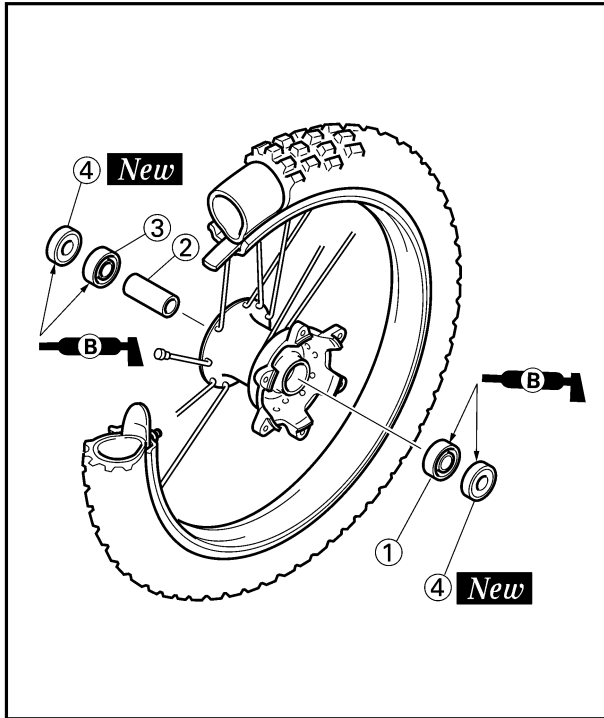
	Standard	<Limit>
Rear	—	0.15 mm (0.006 in)

- Measure:
 - Brake disc thickness ①
Out of limit → Replace.



Disc wear limit:

	Standard	<Limit>
Front	3.0 mm (0.12 in)	2.5 mm (0.10 in)
Rear	4.0 mm (0.16 in)	3.5 mm (0.14 in)



EC595000

ASSEMBLY AND INSTALLATION

EC595101

Front wheel

1. Install:

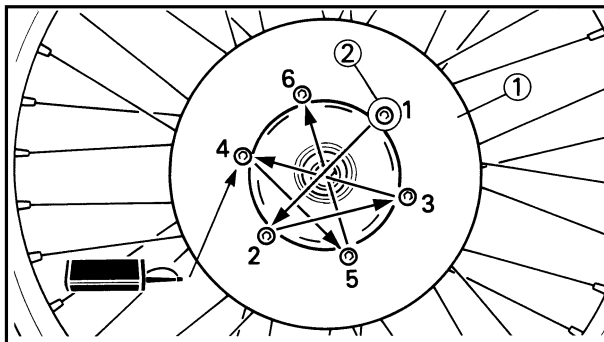
- Bearing (left) ①
- Spacer ②
- Bearing (right) ③
- Oil seal ④ **New**

NOTE:

- Apply the lithium soap base grease on the bearing and oil seal lip when installing.
- Use a socket that matches the outside diameter of the race of the bearing.
- Left side of bearing shall be installed first.
- Install the oil seal with its manufacture's marks or numbers facing outward.


CAUTION:

Do not strike the inner race of the bearing. Contact should be made only with the outer race.



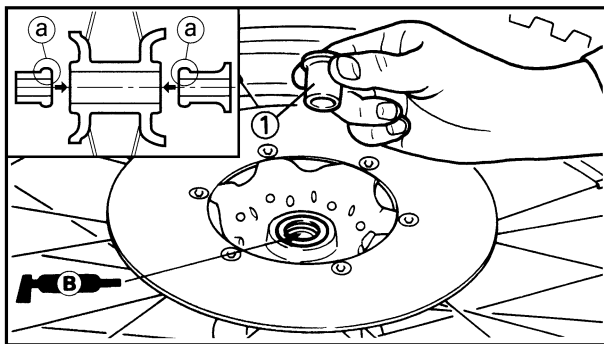
2. Install:

- Brake disc ①
- Bolt (brake disc) ②

 **12 Nm (1.2 m•kg, 8.7 ft•lb)**

NOTE:

Tighten the bolts in stage, using a crisscross pattern.

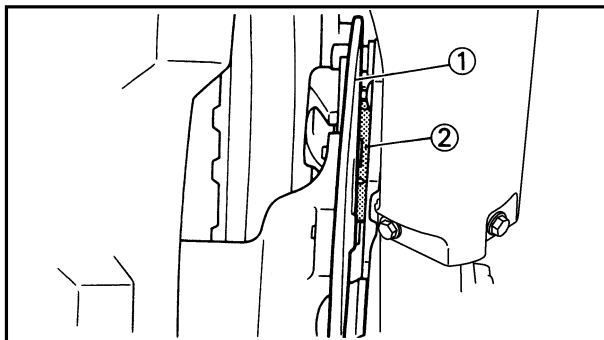


3. Install:

- Collar ①

NOTE:

- Apply the lithium soap base grease on the oil seal lip.
- Install the collars with their projections (a) facing the wheel.

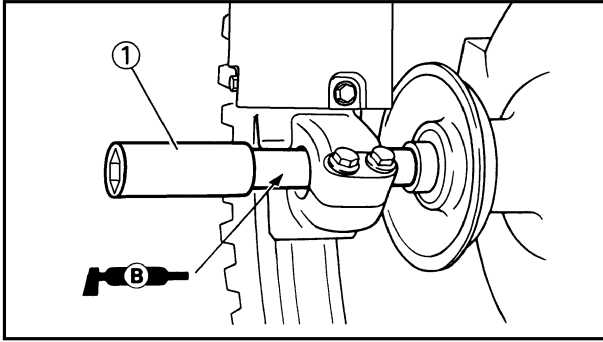


4. Install:

- Wheel

NOTE:

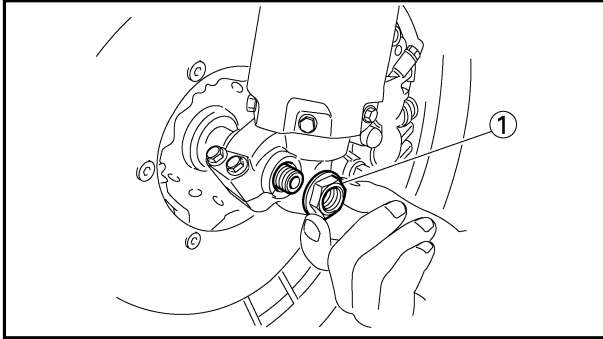
Install the brake disc ① between the brake pads ② correctly.



5. Install:
- Wheel axle ①

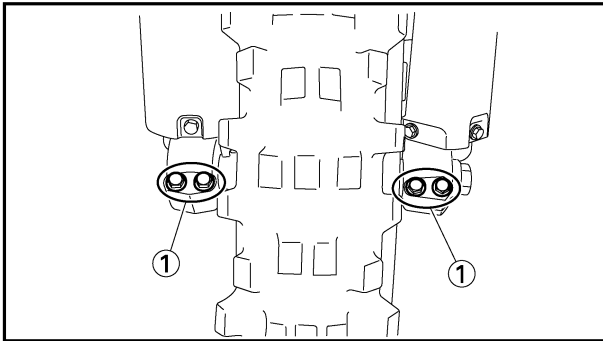
NOTE: _____

Apply the lithium soap base grease on the wheel axle.



6. Install:
- Nut (wheel axle) ①

105 Nm (10.5 m•kg, 75 ft•lb)

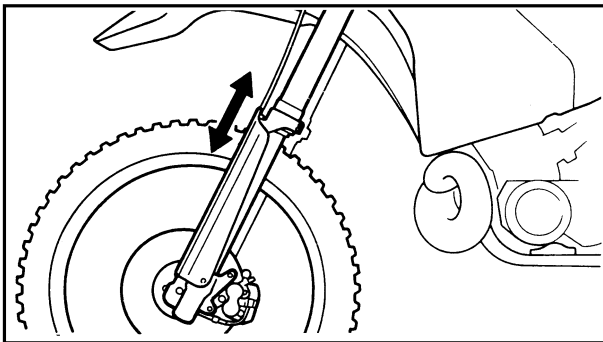


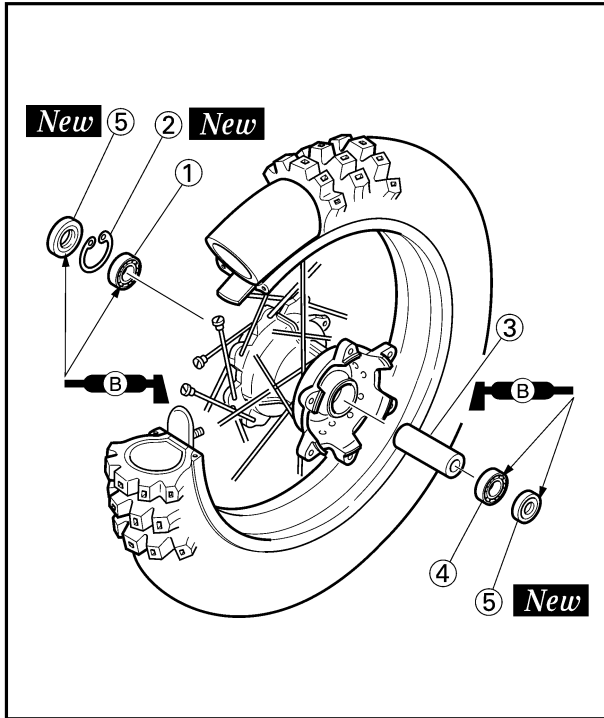
7. Tighten:
- Bolt (axle holder) ①

23 Nm (2.3 m•kg, 17 ft•lb)

NOTE: _____

Before tightening the bolt, fit the wheel axle to the axle holder by stroking the front fork several times with the front brake applied.





EC5251A1

Rear wheel

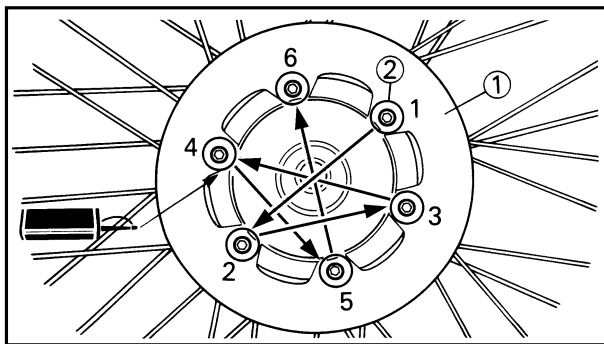
1. Install:
 - Bearing (right) ①
 - Circlip ② **New**
 - Spacer ③
 - Bearing (left) ④
 - Oil seal ⑤ **New**

NOTE:

- Apply the lithium soap base grease on the bearing and oil seal lip when installing.
- Install the bearing with seal facing outward.
- Use a socket that matches the outside diameter of the race of the bearing.
- Right side of bearing shall be installed first.
- Install the oil seal with its manufacture's marks or numbers facing outward.

CAUTION:

Do not strike the inner race of the bearing. Contact should be made only with the outer race.

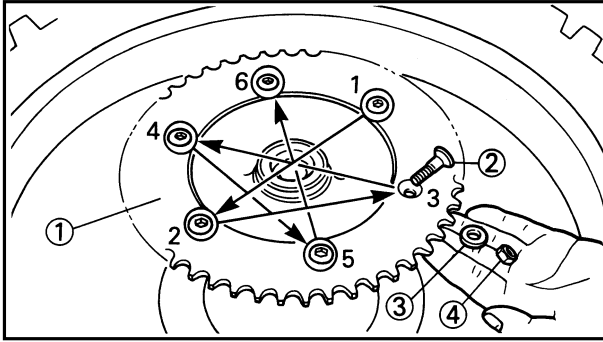


2. Install:
 - Brake disc ①
 - Bolt (brake disc) ②


14 Nm (1.4 m•kg, 10 ft•lb)

NOTE:

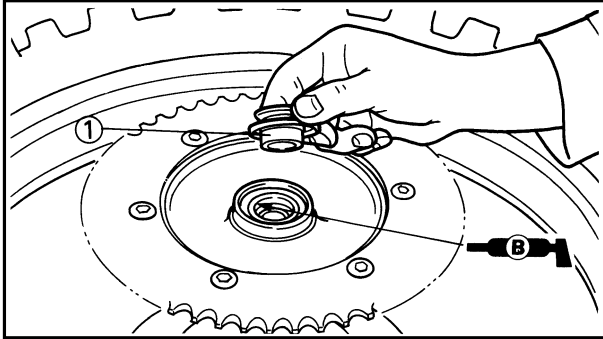
Tighten the bolts in stage, using a crisscross pattern.



3. Install:
- Driven sprocket ①
 - Bolt (driven sprocket) ②
 - Plain washer (driven sprocket) ③
 - Nut (driven sprocket) ④

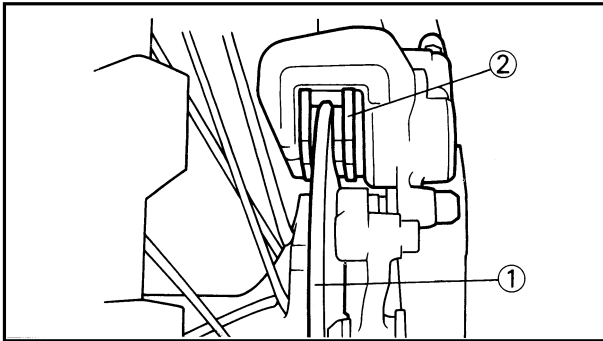
 **42 Nm (4.2 m•kg, 30 ft•lb)**

NOTE: Tighten the nuts in stage, using a crisscross pattern.



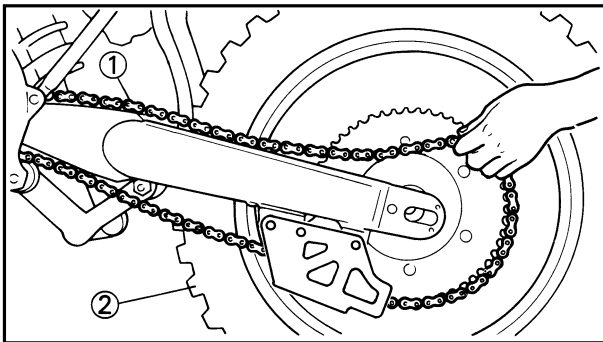
4. Install:
- Collar ①

NOTE: Apply the lithium soap base grease on the oil seal lip.



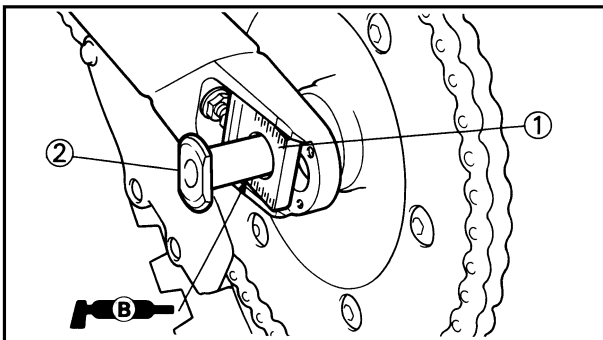
5. Install:
- Wheel

NOTE: Install the brake disc ① between the brake pads ② correctly.



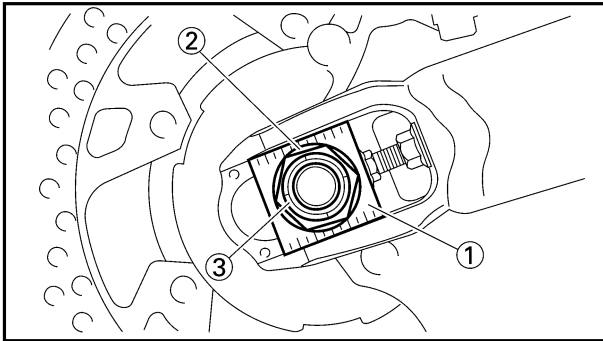
6. Install:
- Drive chain ①

NOTE: Push the wheel ② forward and install the drive chain.



7. Install:
- Chain puller (left) ①
 - Wheel axle ②

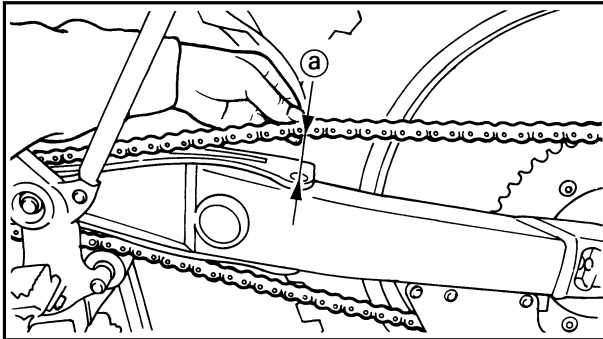
NOTE: Install the chain puller (left), and insert the wheel axle from left side.
• Apply the lithium soap base grease on the wheel axle.



8. Install:
- Chain puller (right) ①
 - Plain washer ②
 - Nut (wheel axle) ③

NOTE:

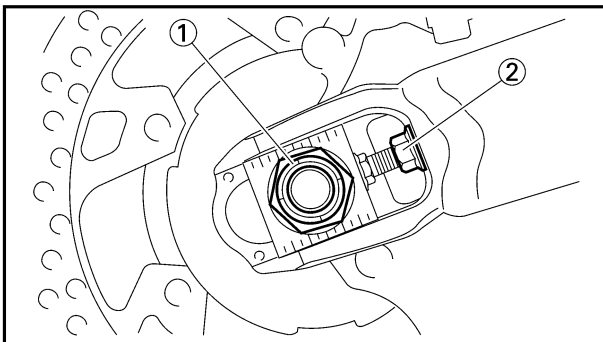
Temporarily tighten the nut (wheel axle) at this point.



9. Adjust:
- Drive chain slack (a)

	Drive chain slack :
	48~58 mm (1.9~2.3 in)

Refer to “DRIVE CHAIN SLACK ADJUSTMENT” section in the CHAPTER 3.



10. Tighten:
- Nut (wheel axle) ①

	125 Nm (12.5 m•kg, 90 ft•lb)
--	-------------------------------------

- Locknut ②

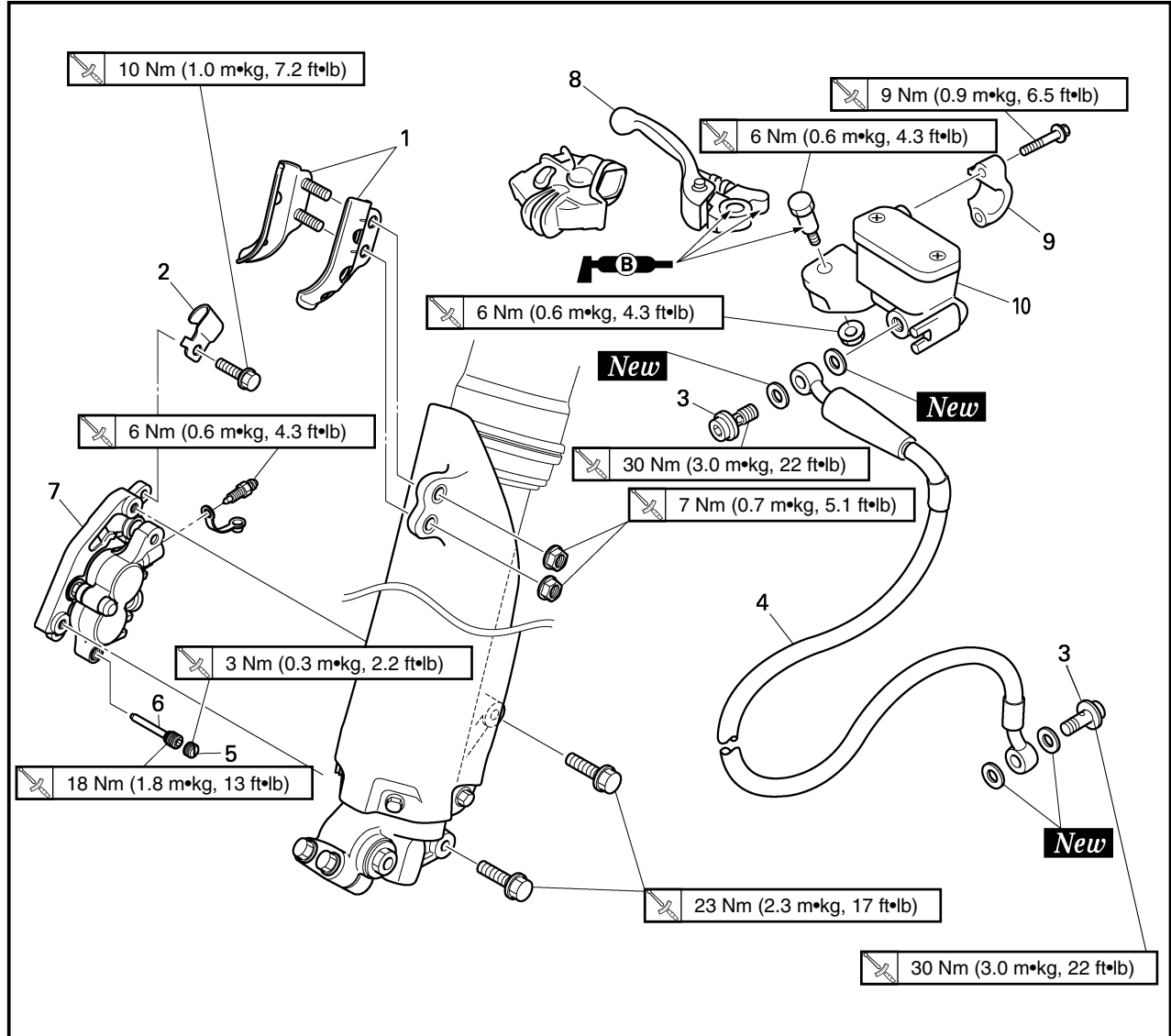
	16 Nm (1.6 m•kg, 11 ft•lb)
--	-----------------------------------

EC5A0000

FRONT BRAKE AND REAR BRAKE

EC5A8000

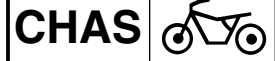
FRONT BRAKE



Extent of removal: ① Brake hose removal ② Caliper removal ③ Master cylinder removal

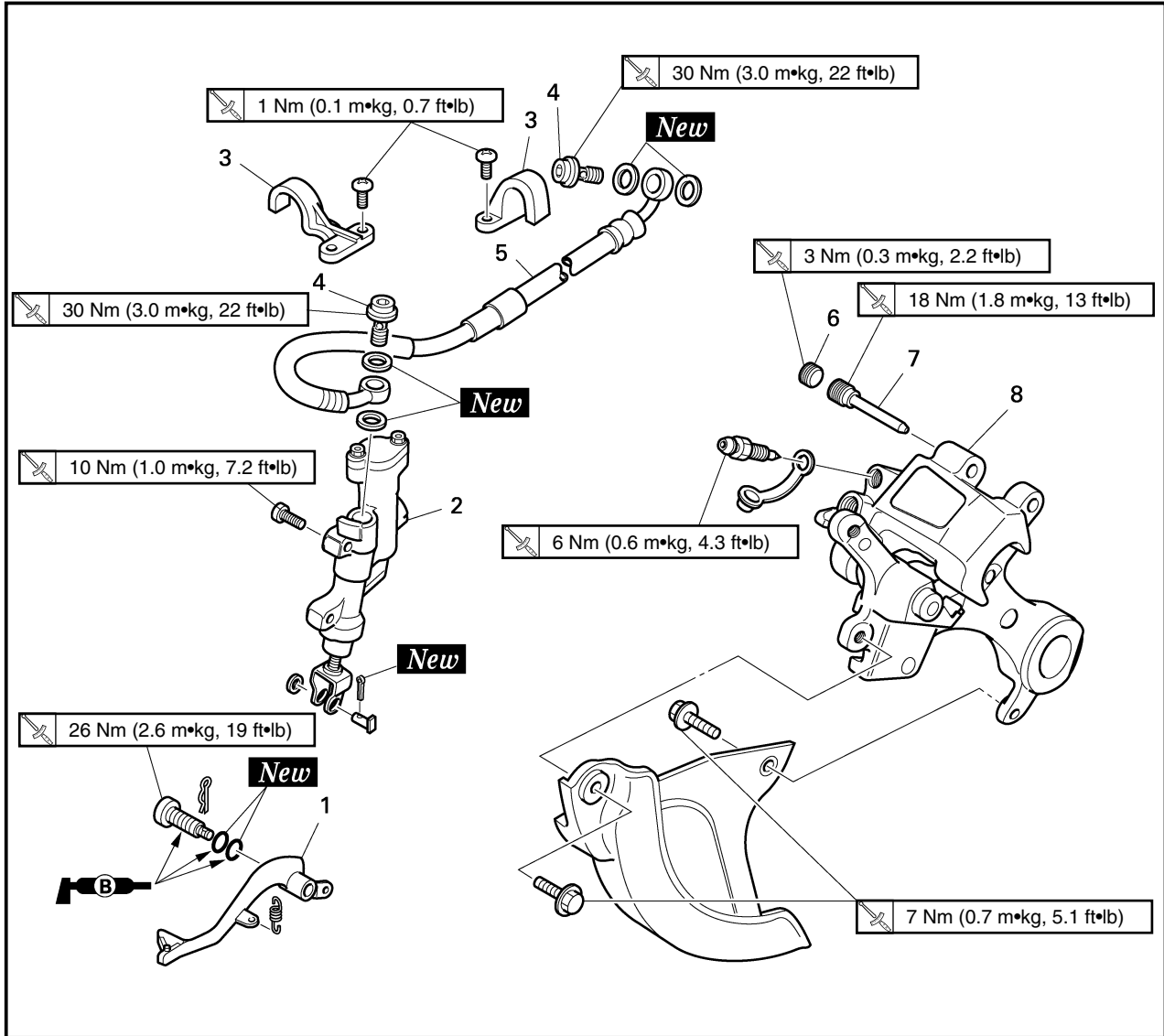
Extent of removal	Order	Part name	Q'ty	Remarks
Preparation for removal		FRONT BRAKE REMOVAL Hold the machine by placing the suitable stand under the engine. Drain the brake fluid.		▲WARNING Support the machine securely so there is no danger of it falling over. Refer to "REMOVAL POINTS".
<div style="display: flex; flex-direction: column; align-items: center;"> <div style="display: flex; gap: 20px;"> <div style="text-align: center;">① ↑ ↓</div> <div style="text-align: center;">② ↑ ↓</div> <div style="text-align: center;">③ ↑ ↓</div> </div> <div style="display: flex; flex-direction: column; align-items: center; margin-top: 20px;"> <div style="text-align: center;">② ↑ ↓</div> <div style="text-align: center;">③ ↑ ↓</div> </div> </div>	1 2 3 4 5 6 7 8 9 10	Brake hose holder (protector) Brake hose holder (caliper) Union bolt Brake hose Pad pin plug Pad pin Caliper Brake lever Master cylinder bracket Master cylinder	2 1 2 1 1 1 1 1 1 1	Remove when loosening the pad pin. Loosen when disassembling the caliper.

FRONT BRAKE AND REAR BRAKE



EC5A8100

REAR BRAKE

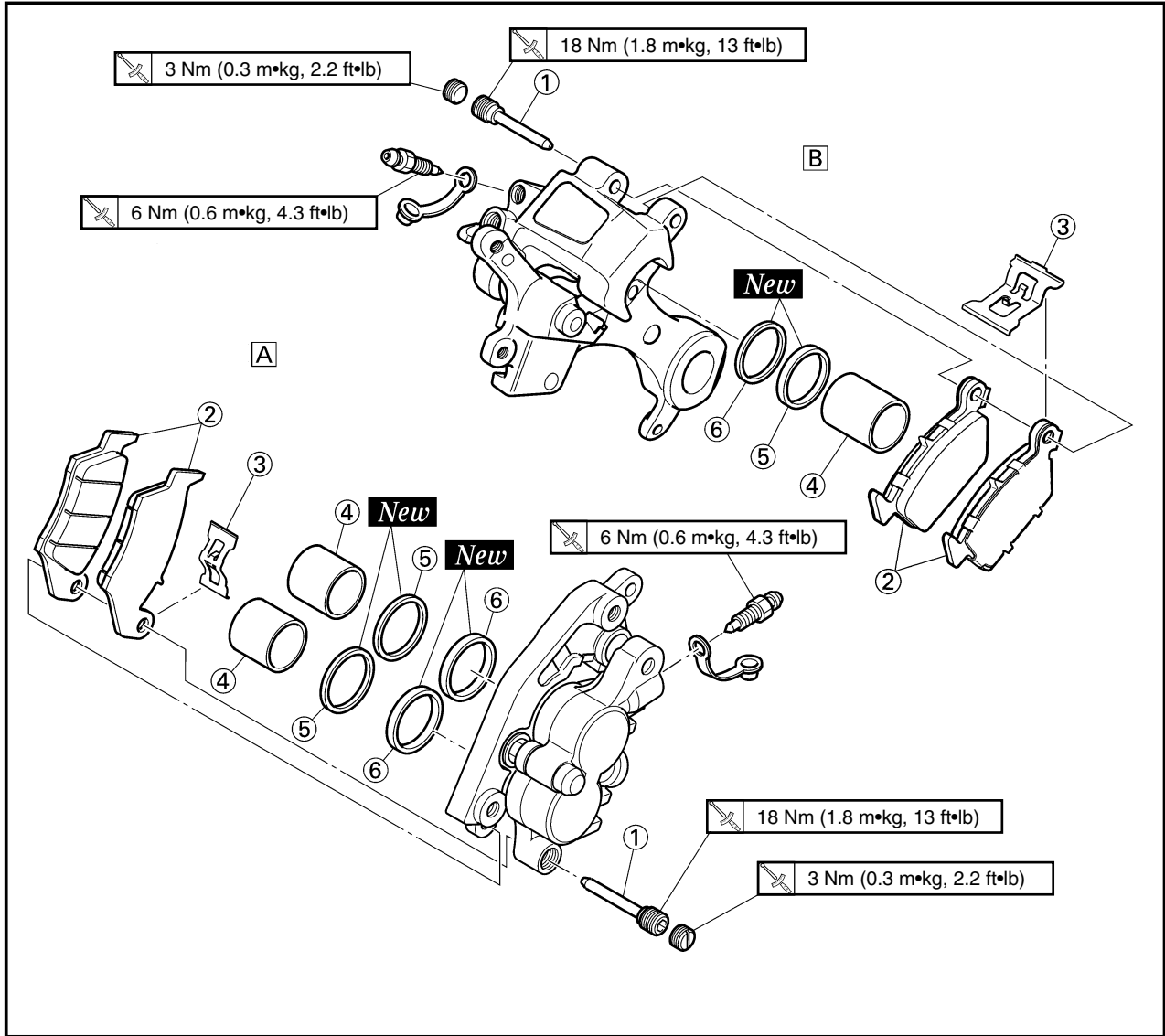


Extent of removal: ① Master cylinder removal ② Brake hose removal ③ Caliper removal

Extent of removal	Order	Part name	Q'ty	Remarks
Preparation for removal		REAR BRAKE REMOVAL Hold the machine by placing the suitable stand under the engine. Rear wheel Drain the brake fluid.		▲WARNING Support the machine securely so there is no danger of it falling over. Refer to "FRONT WHEEL AND REAR WHEEL" section. Refer to "REMOVAL POINTS".
① ↑ ① ↓	1	Brake pedal	1	
	2	Master cylinder	1	
	3	Brake hose holder	2	
① ↑ ② ↓ ③ ↓	4	Union bolt	2	
	5	Brake hose	1	
	6	Pad pin plug	1	Remove when loosening the pad pin.
	7	Pad pin	1	Loosen when disassembling the caliper.
	8	Caliper	1	

EC5A8200

CALIPER DISASSEMBLY



A Front

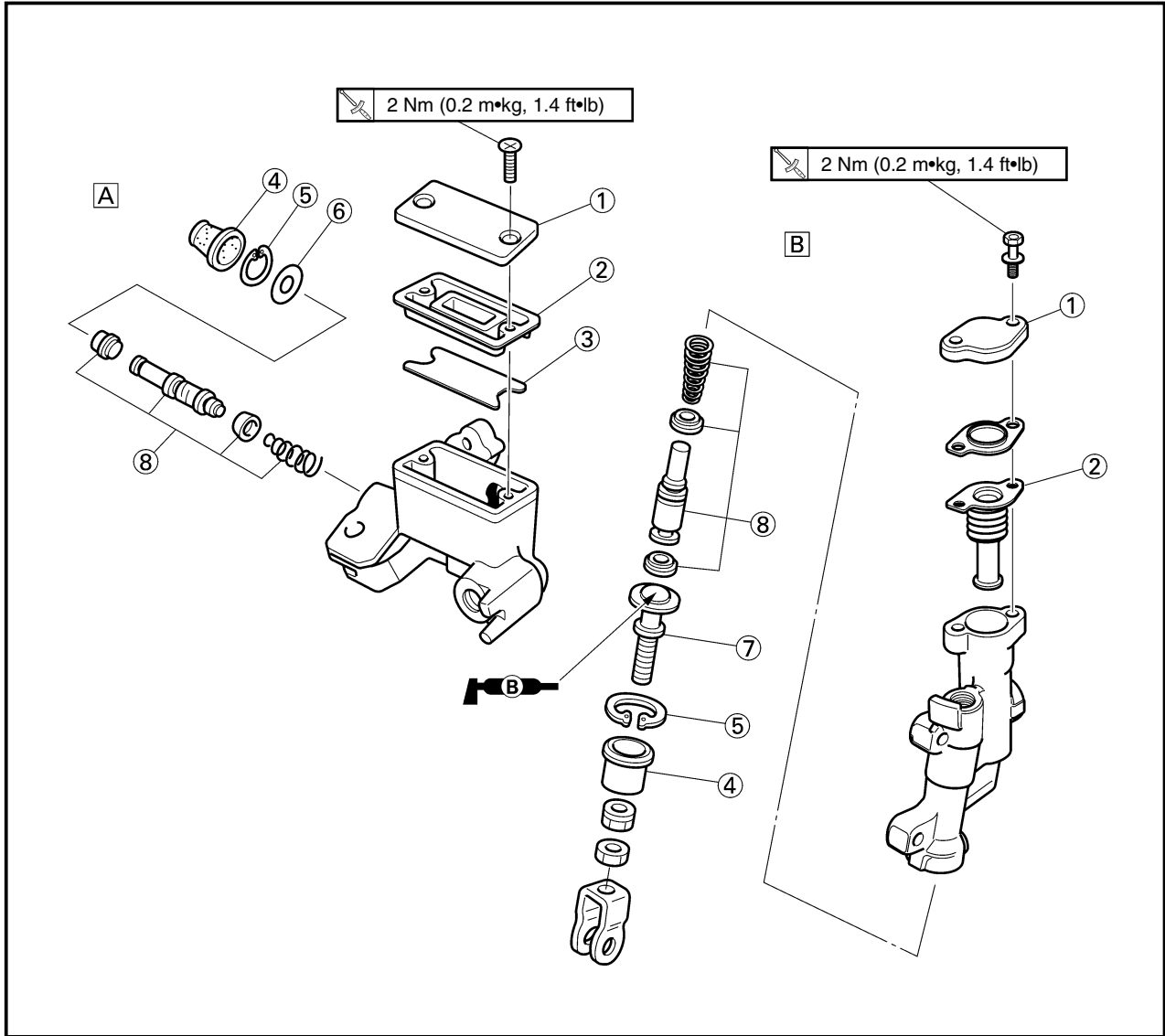
B Rear

Extent of removal: ① Front caliper disassembly ② Rear caliper disassembly

Extent of removal	Order	Part name	Q'ty		Remarks
<div style="display: flex; justify-content: space-around;"> <div style="text-align: center;"> ↑ ① ↓ </div> <div style="text-align: center;"> ↑ ② ↓ </div> </div>	CALIPER DISASSEMBLY				
	①	Pad pin	1	1	
	②	Brake pad	2	2	
	③	Pad support	1	1	
	④	Caliper piston	2	1	Refer to "REMOVAL POINTS".
	⑤	Dust seal	2	1	
	⑥	Piston seal	2	1	

EC5A8300

MASTER CYLINDER DISASSEMBLY

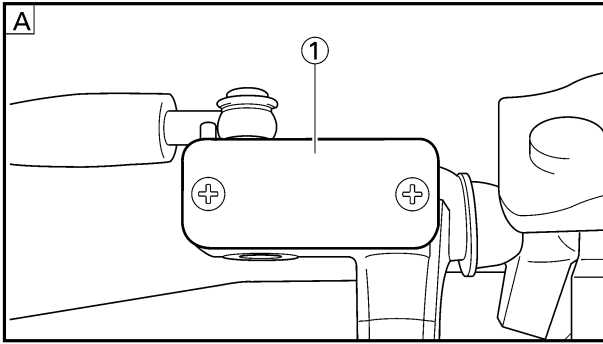


A Front

B Rear

Extent of removal: ① Front master cylinder disassembly ② Rear master cylinder disassembly

Extent of removal	Order	Part name	Q'ty	Remarks
		MASTER CYLINDER DISASSEMBLY		
↑	①	Master cylinder cap	1	Use a long nose circlip pliers.
↕	②	Diaphragm	1	
↑	③	Reservoir float	1	
①	④	Master cylinder boot	1	
↕	⑤	Circlip	1	
↓	⑥	Plain washer	1	
↓	⑦	Push rod	1	
①	⑧	Master cylinder kit	1	



EC5A3000

REMOVAL POINTS

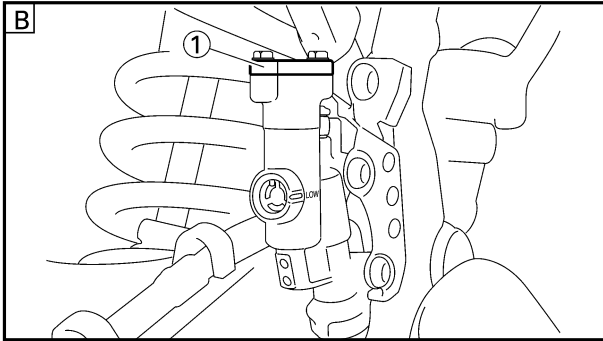
EC5A3101

Brake fluid

- Remove:
 - [Front]
 - Master cylinder cap ①
 - [Rear]
 - Master cylinder cap ①
 - Protector

NOTE:

Do not remove the diaphragm.



- A Front
- B Rear

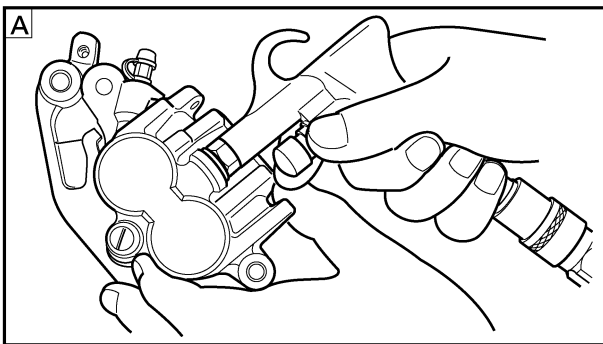
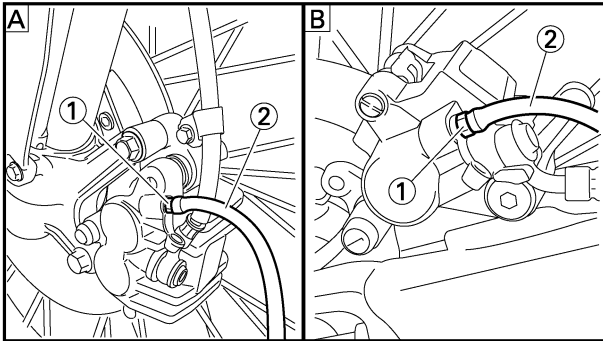
- Connect the transparent hose ② to the bleed screw ① and place a suitable container under its end.

- A Front
- B Rear

- Loosen the bleed screw and drain the brake fluid while pulling the lever in or pushing down on the pedal.

CAUTION:

- Do not reuse the drained brake fluid.
- Brake fluid may erode painted surfaces or plastic parts. Always clean up spilled fluid immediately.



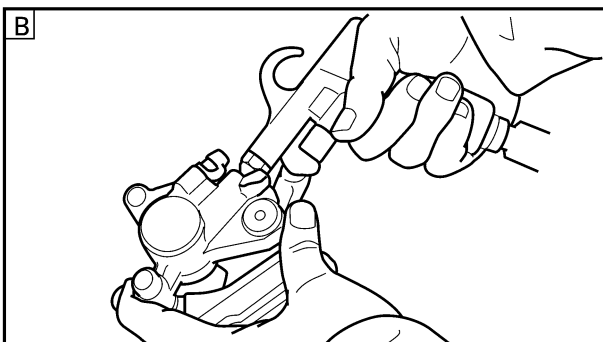
EC533301

Caliper piston

- Remove:
 - Caliper piston
 Use compressed air and proceed carefully.

WARNING

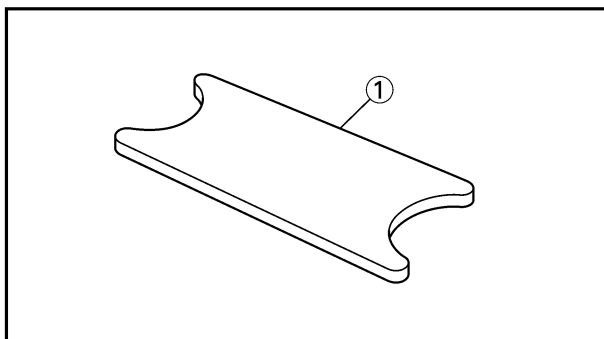
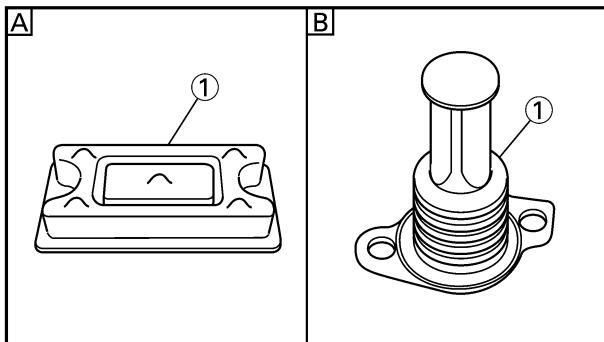
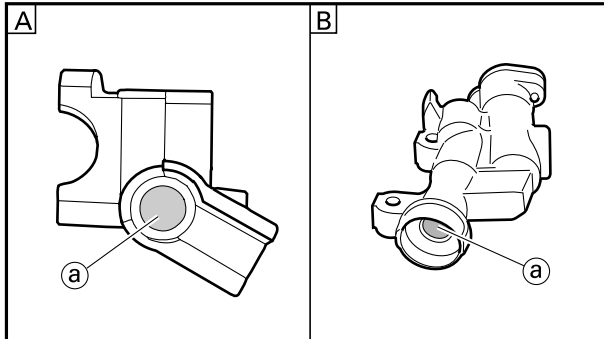
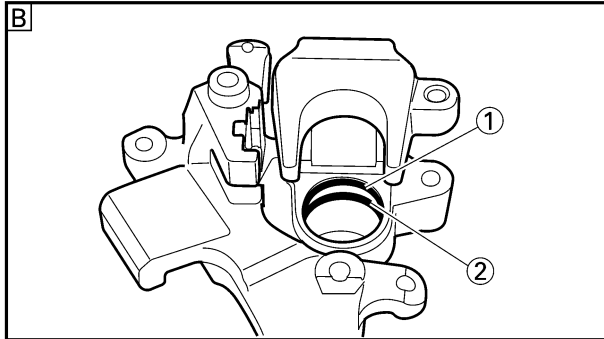
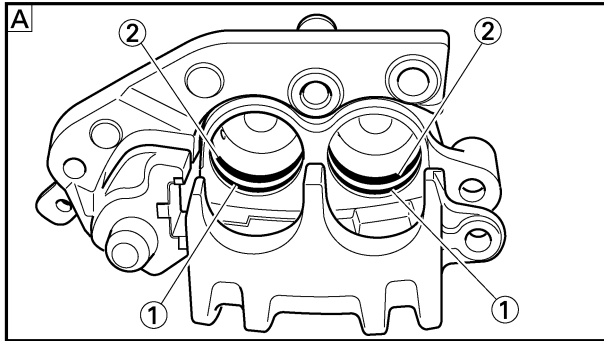
- Cover piston with rag and use extreme caution when expelling piston from cylinder.
- Never attempt to pry out piston.



Caliper piston removal steps:

- Insert a piece of rag into the caliper to lock one caliper.
- Carefully force the piston out of the caliper cylinder with compressed air.

- A Front
- B Rear



EC533402

Piston seal kit

- Remove:
 - Dust seal ①
 - Piston seal ②

NOTE: _____

Remove the piston seals and dust seals by pushing them with a finger.

CAUTION: _____

Never attempt to pry out piston seals and dust seals.

WARNING _____

Replace the piston seals and dust seals whenever a caliper is disassembled.

- A Front
- B Rear

EC5A4000

INSPECTION

EC534120

Master cylinder

- Inspect:
 - Master cylinder inner surface ①
Wear/Scratches → Replace master cylinder assembly.
Stains → Clean.

WARNING _____

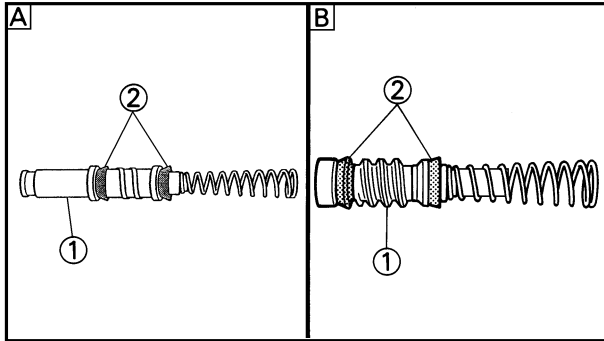
Use only new brake fluid.

- A Front
- B Rear

- Inspect:
 - Diaphragm ①
Crack/Damage → Replace.

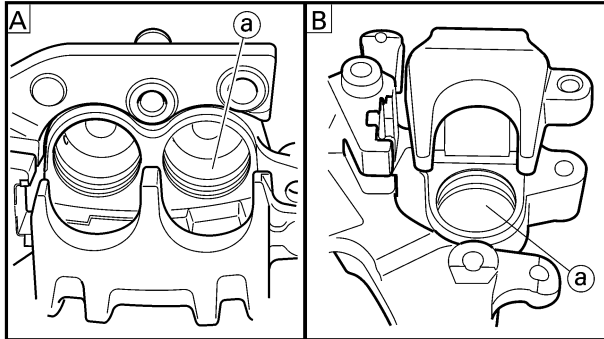
- A Front
- B Rear

- Inspect: (front brake only)
 - Reservoir float ①
Damage → Replace.



4. Inspect:
- Master cylinder piston ①
 - Master cylinder cup ②
- Wear/Damage/Score marks → Replace master cylinder kit.

A Front
B Rear

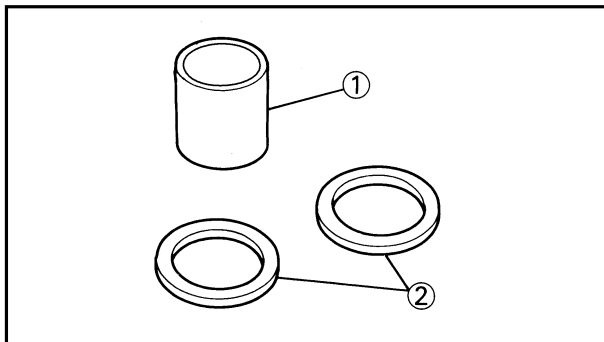


EC534214

Caliper

1. Inspect:
- Caliper cylinder inner surface ①
- Wear/Score marks → Replace caliper assembly.

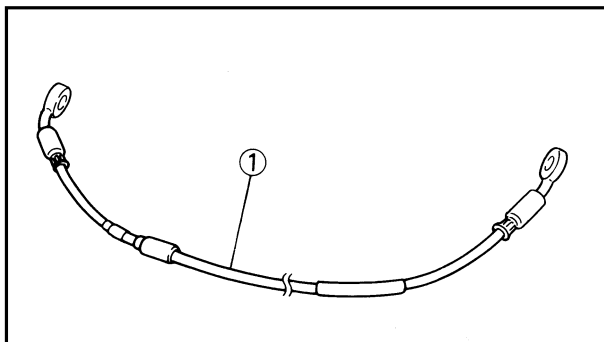
A Front
B Rear



2. Inspect:
- Caliper piston ①
- Wear/Score marks → Replace caliper piston assembly.

⚠ WARNING

Replace the piston seals and dust seals ② whenever a caliper is disassembled.



EC534301

Brake hose

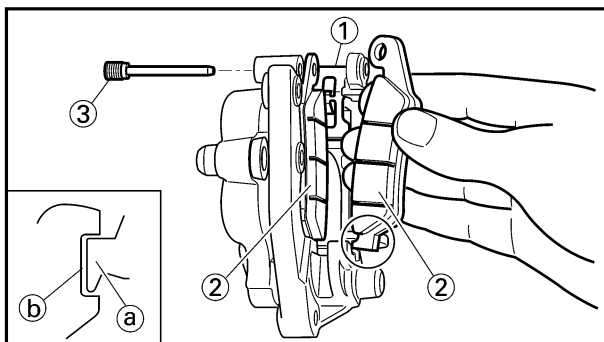
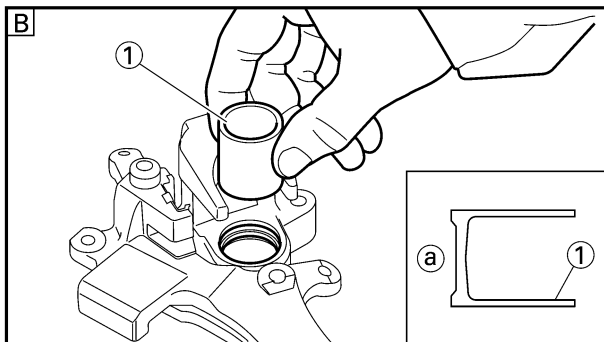
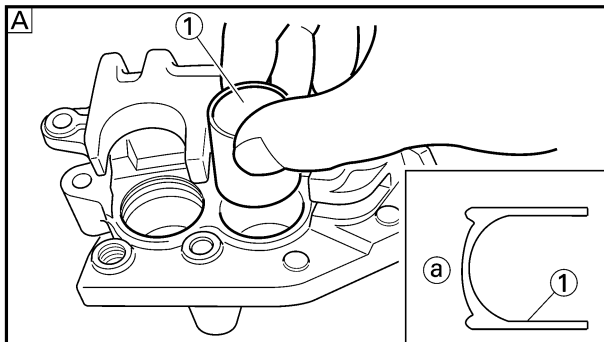
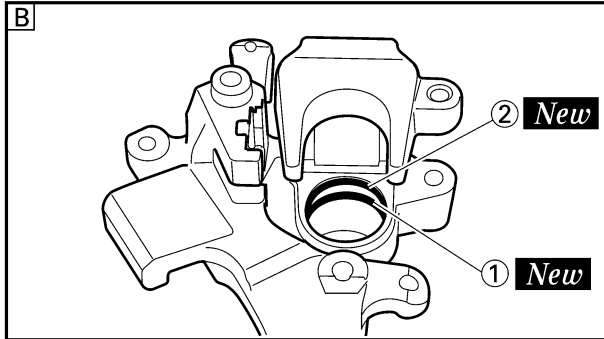
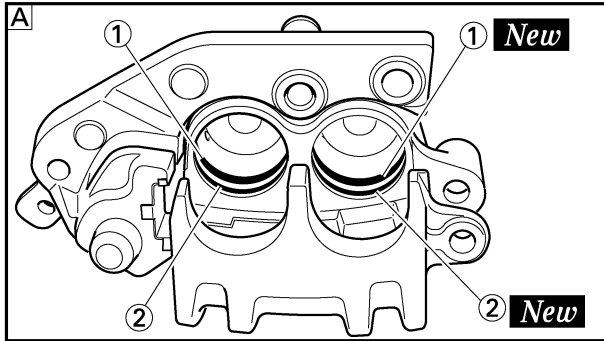
1. Inspect:
- Brake hose ①
- Crack/Damage → Replace.

EC5A5000

ASSEMBLY AND INSTALLATION

⚠ WARNING

- All internal parts should be cleaned in new brake fluid only.
- Internal parts should be lubricated with brake fluid when installed.
- Replace the piston seals and dust seals whenever a caliper is disassembled.



EC5A5801

Caliper piston

- Clean:
 - Caliper
 - Piston seal
 - Dust seal
 - Caliper piston
 Clean them with brake fluid.
- Install:
 - Piston seal ① **New**
 - Dust seal ② **New**

⚠WARNING

Always use new piston seals and dust seals.

NOTE:

Fit the piston seals and dust seals onto the slot on caliper correctly.

- A Front
- B Rear

- Install:
 - Caliper piston ①

NOTE:

Apply the brake fluid on the piston wall.

CAUTION:

- Install the piston with its shallow depressed side (a) facing the caliper.
- Never force to insert.

- A Front
- B Rear

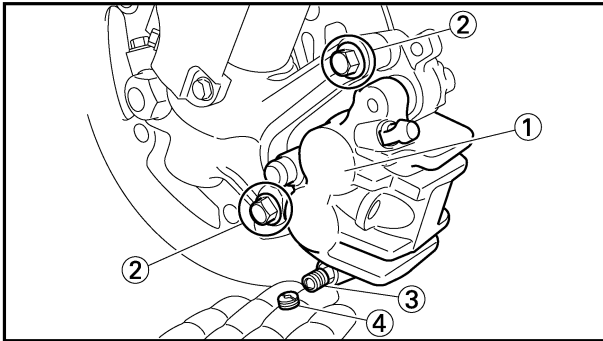
EC5A5700

Front caliper

- Install:
 - Pad support ①
 - Brake pad ②
 - Pad pin ③

NOTE:

- Install the brake pads with their projections (a) into the caliper recesses (b).
- Temporarily tighten the pad pin at this point.



2. Install:

- Caliper ①
- Bolt (caliper) ②

23 Nm (2.3 m•kg, 17 ft•lb)

3. Tighten:

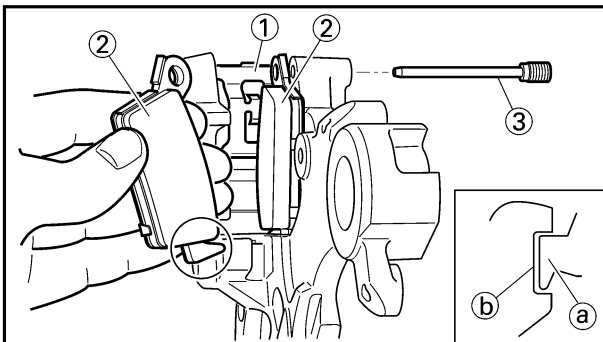
- Pad pin ③

18 Nm (1.8 m•kg, 13 ft•lb)

4. Install:

- Pad pin plug ④

3 Nm (0.3 m•kg, 2.2 ft•lb)



EC5A5121

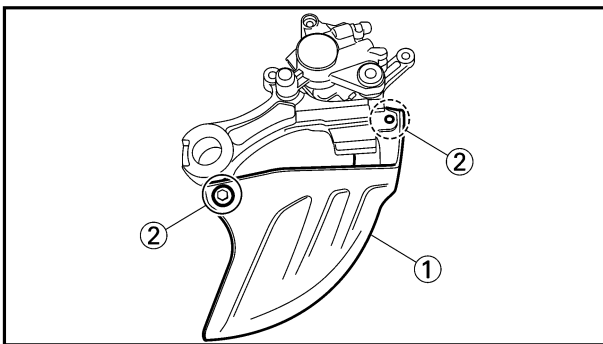
Rear caliper

1. Install:

- Pad support ①
- Brake pad ②
- Pad pin ③

NOTE:

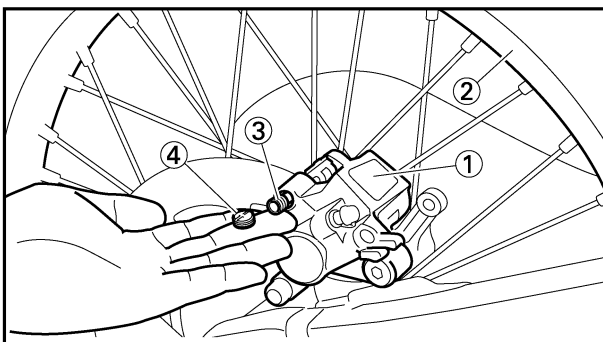
- Install the brake pads with their projections **a** into the caliper recesses **b**.
- Temporarily tighten the pad pin at this point.



2. Install:

- Disc cover ①
- Bolt (disc cover) ②

7 Nm (0.7 m•kg, 5.1 ft•lb)



3. Install:

- Caliper ①
- Rear wheel ②

Refer to "FRONT WHEEL AND REAR WHEEL" section.

4. Tighten:

- Pad pin ③

18 Nm (1.8 m•kg, 13 ft•lb)

5. Install:

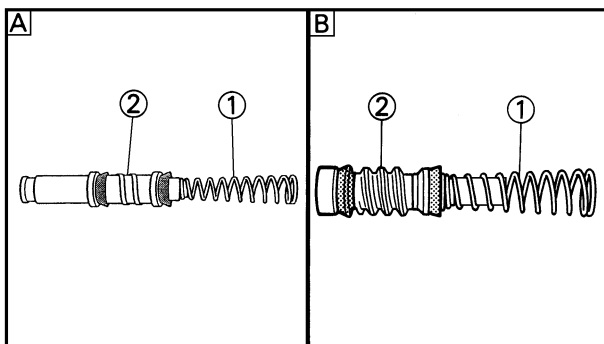
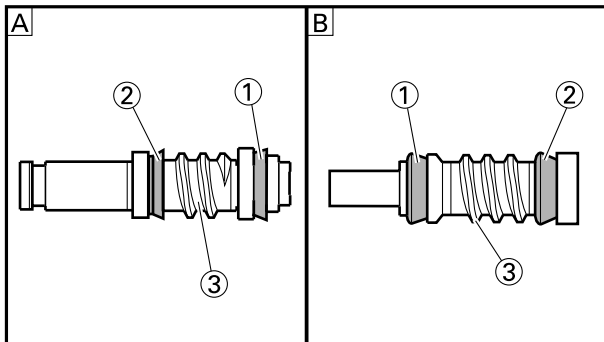
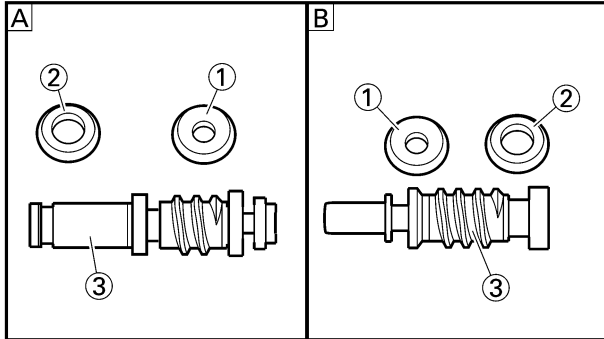
- Pad pin plug ④

3 Nm (0.3 m•kg, 2.2 ft•lb)

EC5A5220

Master cylinder kit

1. Clean:
 - Master cylinder
 - Master cylinder kit
 Clean them with brake fluid.



2. Install:
 - Master cylinder cup (primary) ①
 - Master cylinder cup (secondary) ②
 To master cylinder piston ③.

NOTE: _____
 Apply the brake fluid on the master cylinder cup.

⚠ WARNING _____

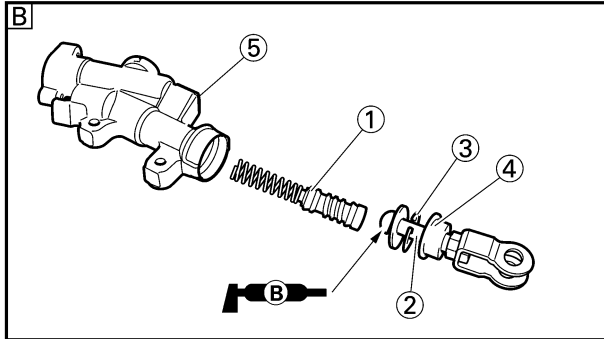
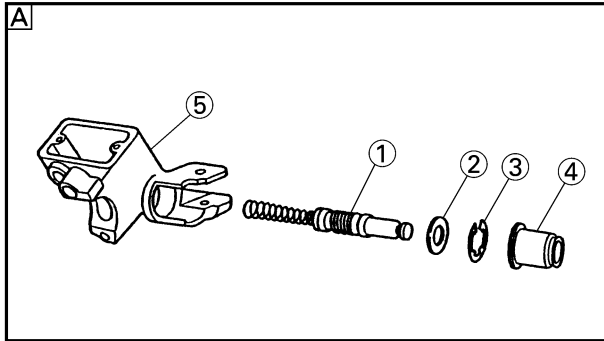
After installing, cylinder cup should be installed as shown direction. Wrong installation cause improper brake performance.

- A Front
- B Rear

3. Install:
 - Spring ①
 To master cylinder piston ②.

NOTE: _____
 Install the spring at the smaller dia. side.

- A Front
- B Rear



4. Install:
- [Front]
- Master cylinder kit ①
 - Plain washer ②
 - Circlip ③
 - Master cylinder boot ④
- To master cylinder ⑤.
- [Rear]
- Master cylinder kit ①
 - Push rod ②
 - Circlip ③
 - Master cylinder boot ④
- To master cylinder ⑤.

NOTE: _____

- Apply the brake fluid on the master cylinder kit.
- Apply the lithium soap base grease on the tip of the push rod.
- When installing the circlip, use a long nose circlip pliers.

- Ⓐ Front
- Ⓑ Rear

EC5A5310

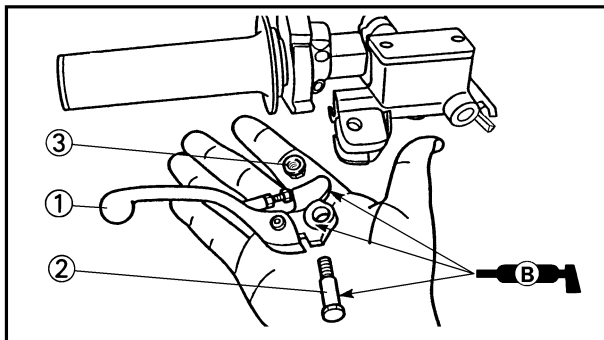
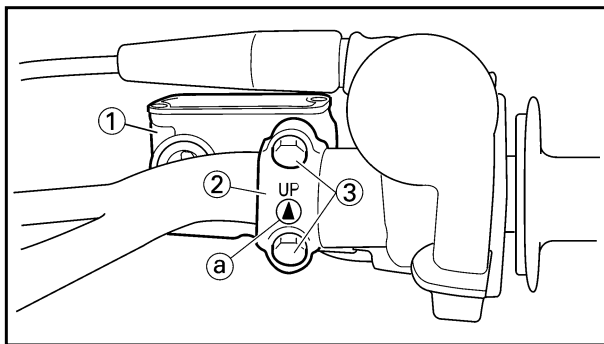
Front master cylinder

1. Install:
- Master cylinder ①
 - Master cylinder bracket ②
 - Bolt (master cylinder bracket) ③

9 Nm (0.9 m•kg, 6.5 ft•lb)

NOTE: _____

- Install the bracket so that the arrow mark ④ face upward.
- First tighten the bolts on the upper side of the master cylinder bracket, and then tighten the bolts on the lower side.



2. Install:
- Brake lever ①
 - Bolt (brake lever) ②

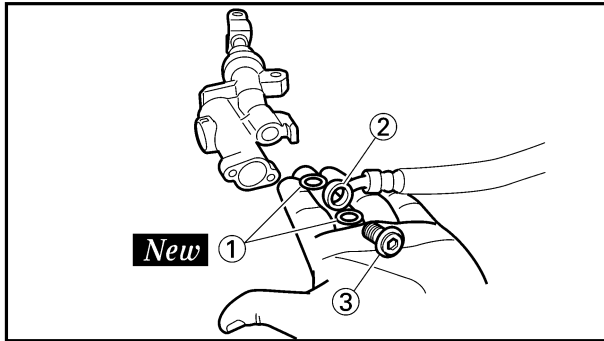
6 Nm (0.6 m•kg, 4.3 ft•lb)

- Nut (brake lever) ③

6 Nm (0.6 m•kg, 4.3 ft•lb)

NOTE: _____

Apply the lithium soap base grease on the brake lever sliding surface, bolt and contacting surface of the master cylinder piston.



EC5A5401

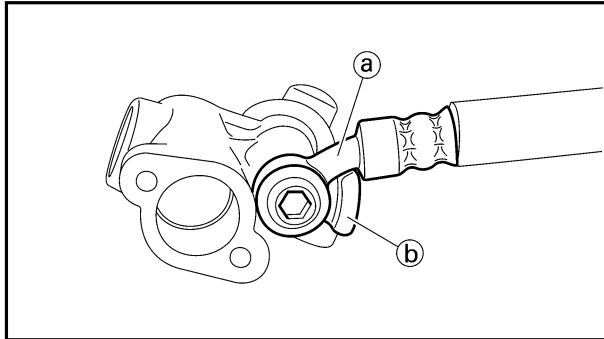
Rear master cylinder

1. Install:

- Copper washer ① **New**
- Brake hose ②
- Union bolt ③ 30 Nm (3.0 m•kg, 22 ft•lb)

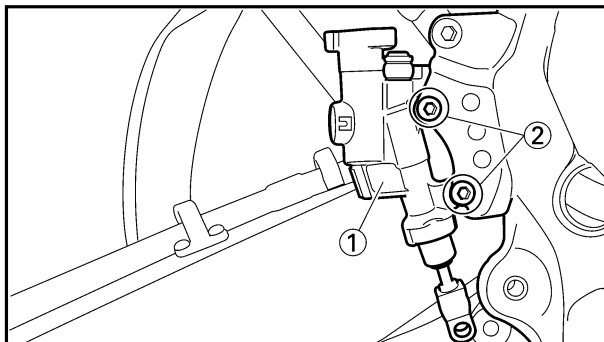
⚠WARNING

Always use new copper washers.



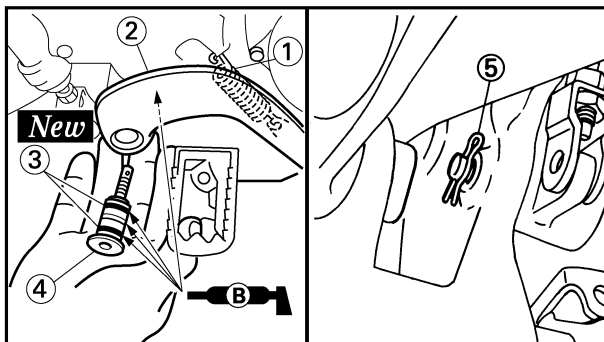
CAUTION:

Install the brake hose so that its pipe portion ① directs as shown and lightly touches the projection ② on the master cylinder.



2. Install:

- Master cylinder ①
- Bolt (master cylinder) ② 10 Nm (1.0 m•kg, 7.2 ft•lb)

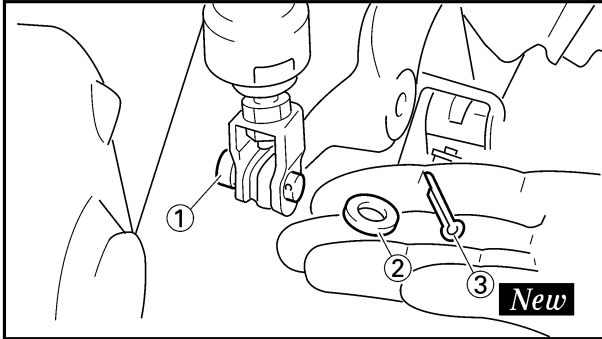


3. Install:

- Spring ①
- Brake pedal ②
- O-ring ③ **New**
- Bolt (brake pedal) ④ 26 Nm (2.6 m•kg, 19 ft•lb)
- Clip ⑤

NOTE:

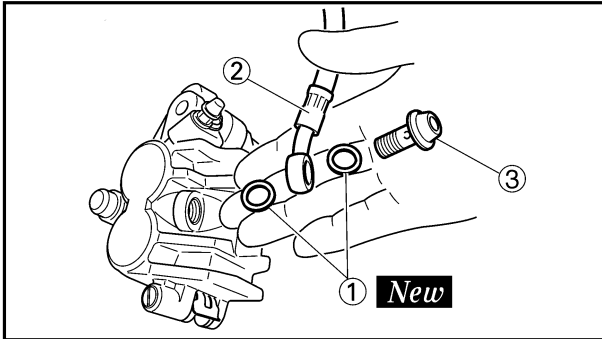
Apply the lithium soap base grease on the bolt, O-ring and brake pedal bracket.



4. Install:
 - Pin ①
 - Plain washer ②
 - Cotter pin ③ **New**

NOTE:

After installing, check the brake pedal height. Refer to "REAR BRAKE ADJUSTMENT" section in the CHAPTER 3.



EC5A5911

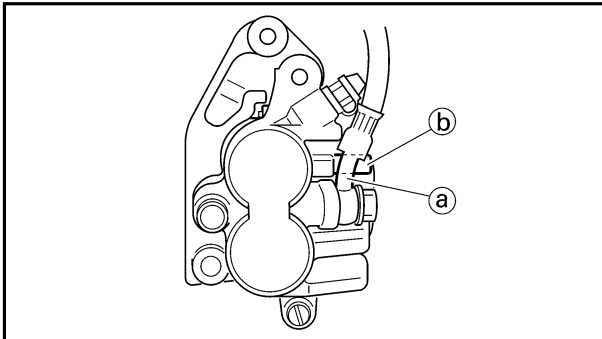
Front brake hose

1. Install:
 - Copper washer ① **New**
 - Brake hose ②
 - Union bolt ③

30 Nm (3.0 m•kg, 22 ft•lb)

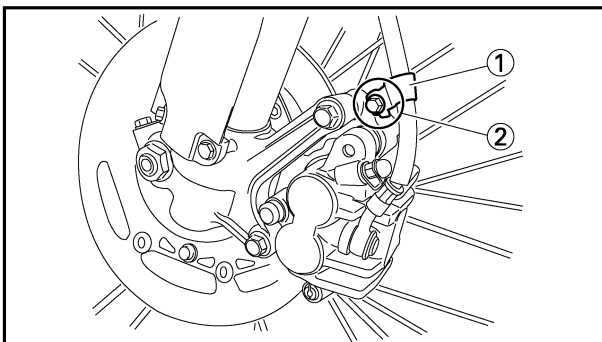
WARNING

Always use new copper washers.



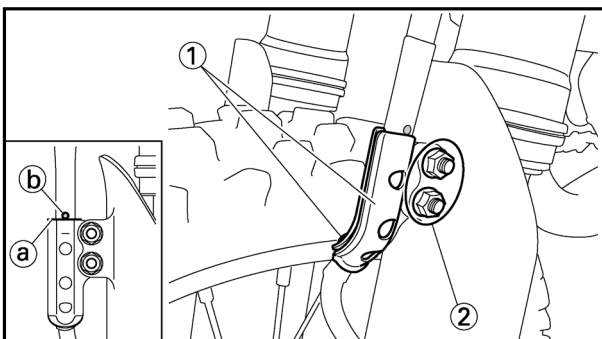
CAUTION:

Install the brake hose so that its pipe portion ① directs as shown and lightly touches the projection ② on the caliper.



2. Install:
 - Brake hose holder ①
 - Bolt (brake hose holder) ②

10 Nm (1.0 m•kg, 7.2 ft•lb)

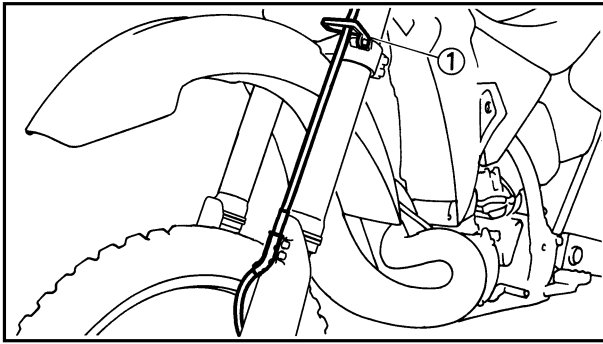


3. Install:
 - Brake hose holder ①
 - Nut (brake hose holder) ②

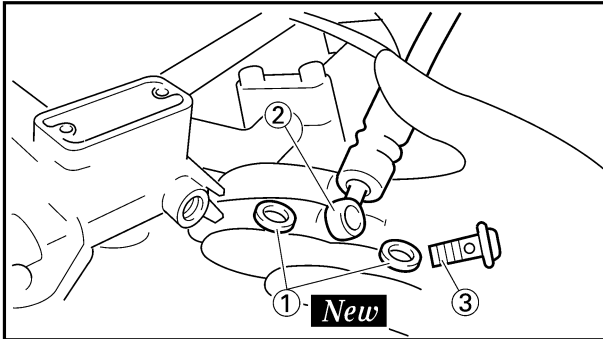
7 Nm (0.7 m•kg, 5.1 ft•lb)

NOTE:

Align the top ① of the brake hose holder with the paint ② of the brake hose.



4. Pass the brake hose through the cable guide ①.



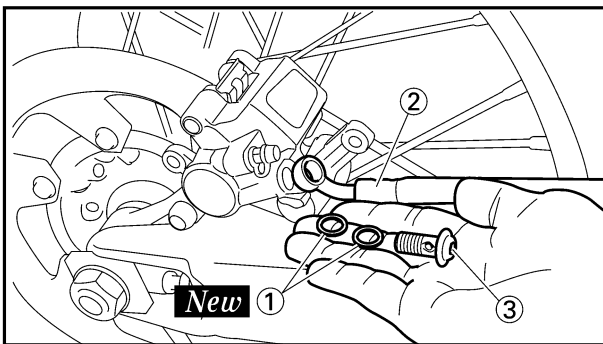
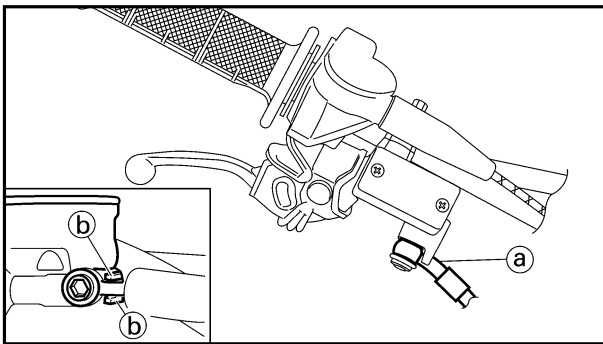
5. Install:
 •Copper washer ① **New**
 •Brake hose ②
 •Union bolt ③ **30 Nm (3.0 m•kg, 22 ft•lb)**

⚠WARNING

Always use new copper washers.

CAUTION:

Install the brake hose so that its pipe portion ① directs as shown and lightly touches the projection ② on the master cylinder.



EC5A5502

Rear brake hose

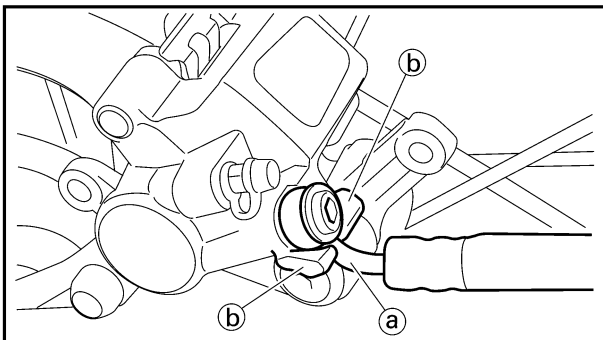
1. Install:
 •Copper washer ① **New**
 •Brake hose ②
 •Union bolt ③ **30 Nm (3.0 m•kg, 22 ft•lb)**

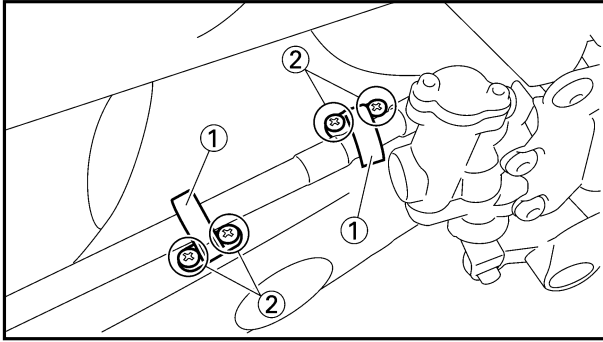
⚠WARNING

Always use new copper washers.

CAUTION:

Install the brake hose so that its pipe portion ① directs as shown and lightly touches the projection ② on the caliper.



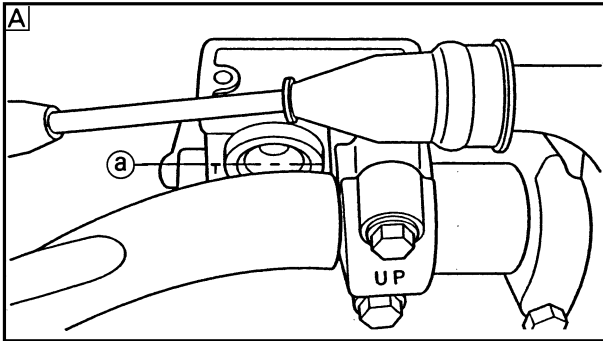
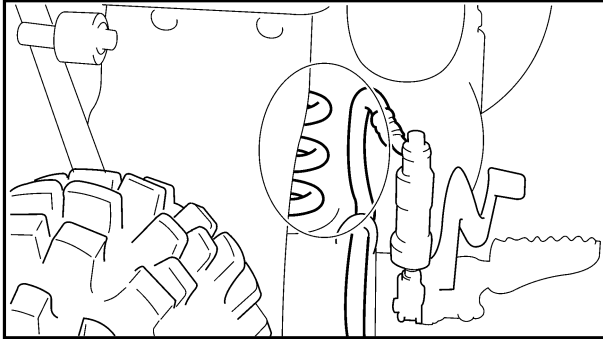


2. Install:
 - Brake hose holder ①
 - Screw (brake hose holder) ②

1 Nm (0.1 m•kg, 0.7 ft•lb)

CAUTION:

After installing the brake hose holders, make sure the brake hose does not contact the spring (rear shock absorber). If it does, correct its twist.



EC5A5620

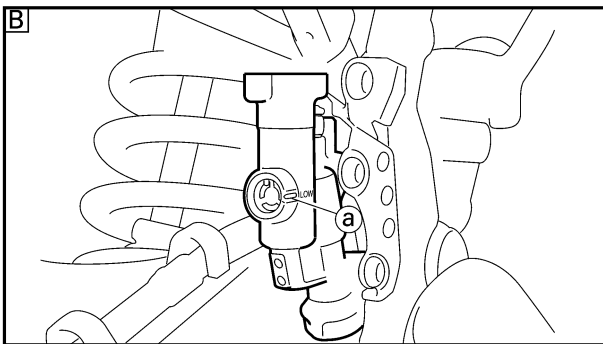
Brake fluid

1. Fill:
 - Brake fluid
 Until the fluid level reaches “LOWER” level line (a).

Recommended brake fluid:
DOT #4

⚠ WARNING

- Use only the designated quality brake fluid: otherwise, the rubber seals may deteriorate, causing leakage and poor brake performance.
- Refill with the same type of brake fluid; mixing fluids may result in a harmful chemical reaction and lead to poor performance.
- Be careful that water does not enter the master cylinder when refilling. Water will significantly lower the boiling point of the fluid and may result in vapor lock.



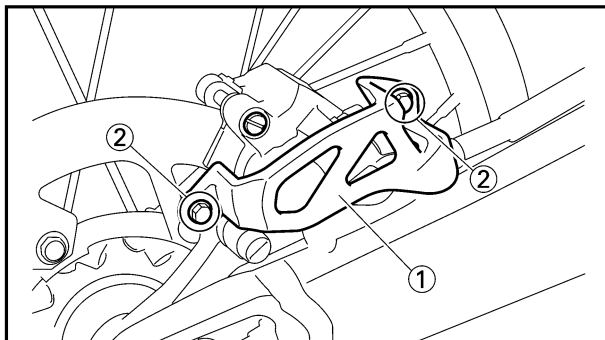
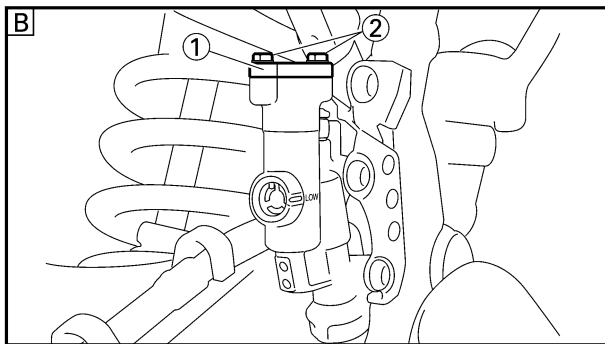
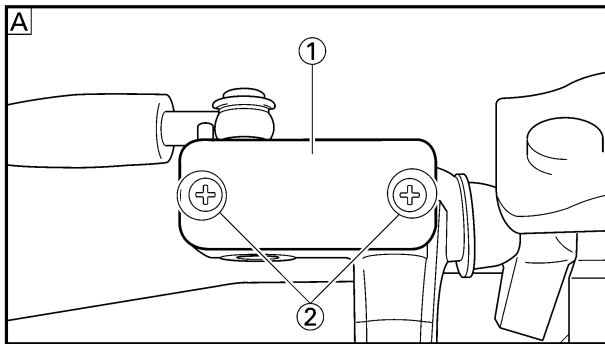
CAUTION:

Brake fluid may erode painted surfaces or plastic parts. Always clean up spilled fluid immediately.


- [A] Front
- [B] Rear

2. Air bleed:
 - Brake system
 Refer to “BRAKE SYSTEM AIR BLEEDING” section in the CHAPTER 3.


3. Inspect:
 - Brake fluid level
 Fluid at lower level → Fill up.
 Refer to “BRAKE FLUID LEVEL INSPECTION” section in the CHAPTER 3.



4. Install:
 - [Front]
 - Reservoir float
 - Diaphragm
 - Master cylinder cap ①
 - Screw (master cylinder cap) ②

 **2 Nm (0.2 m•kg, 1.4 ft•lb)**

 - [Rear]
 - Diaphragm
 - Master cylinder cap ①
 - Bolt (master cylinder cap) ②


 **2 Nm (0.2 m•kg, 1.4 ft•lb)**

CAUTION: _____

After installation, while pulling the lever in or pushing down on the pedal, check whether there is any brake fluid leaking where the union bolts are installed respectively at the master cylinder and caliper.

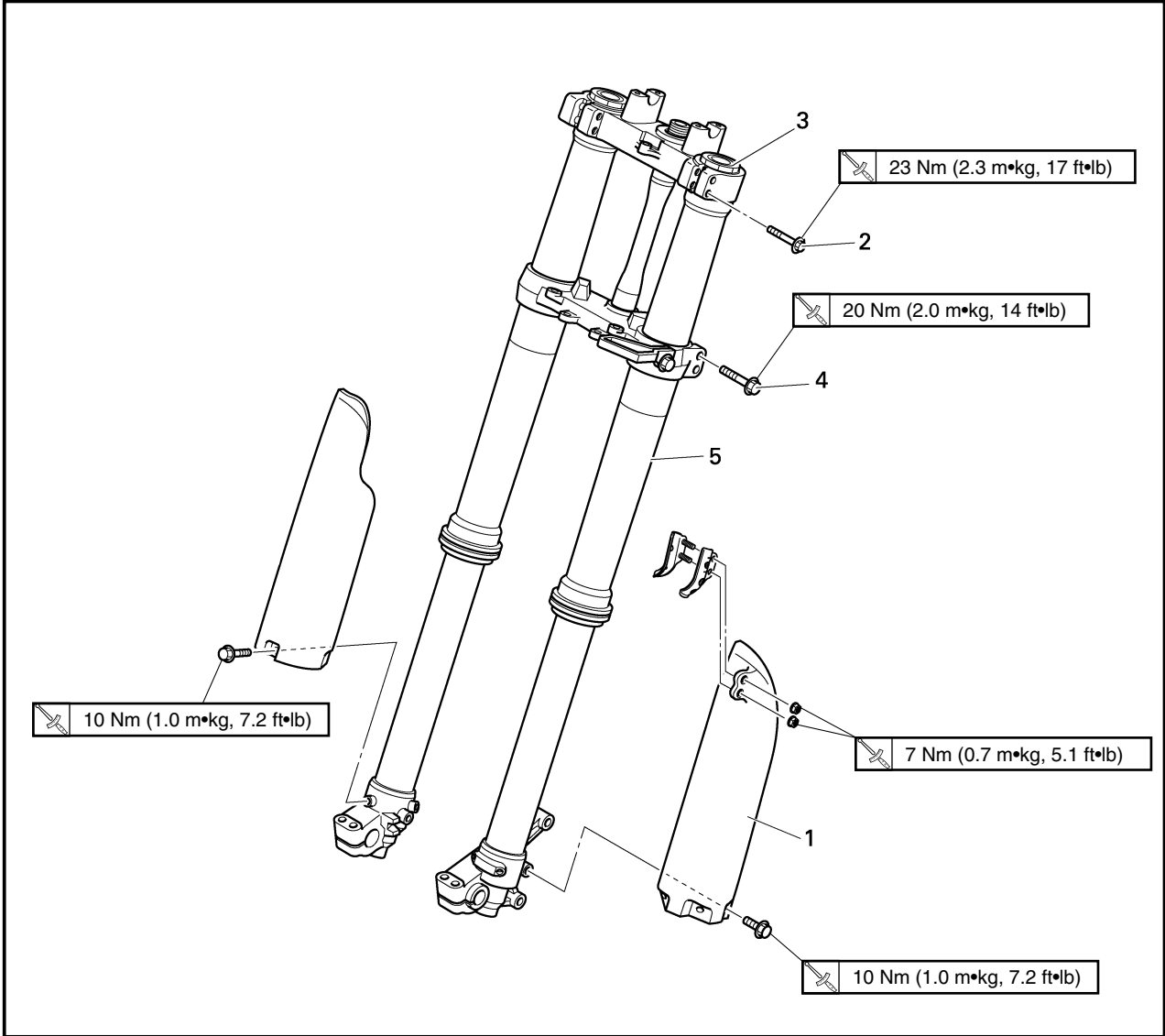
- A Front
- B Rear

5. Install: (rear brake only)
 - Protector ①
 - Bolt (protector) ②

 **7 Nm (0.7 m•kg, 5.1 ft•lb)**

EC550000

FRONT FORK

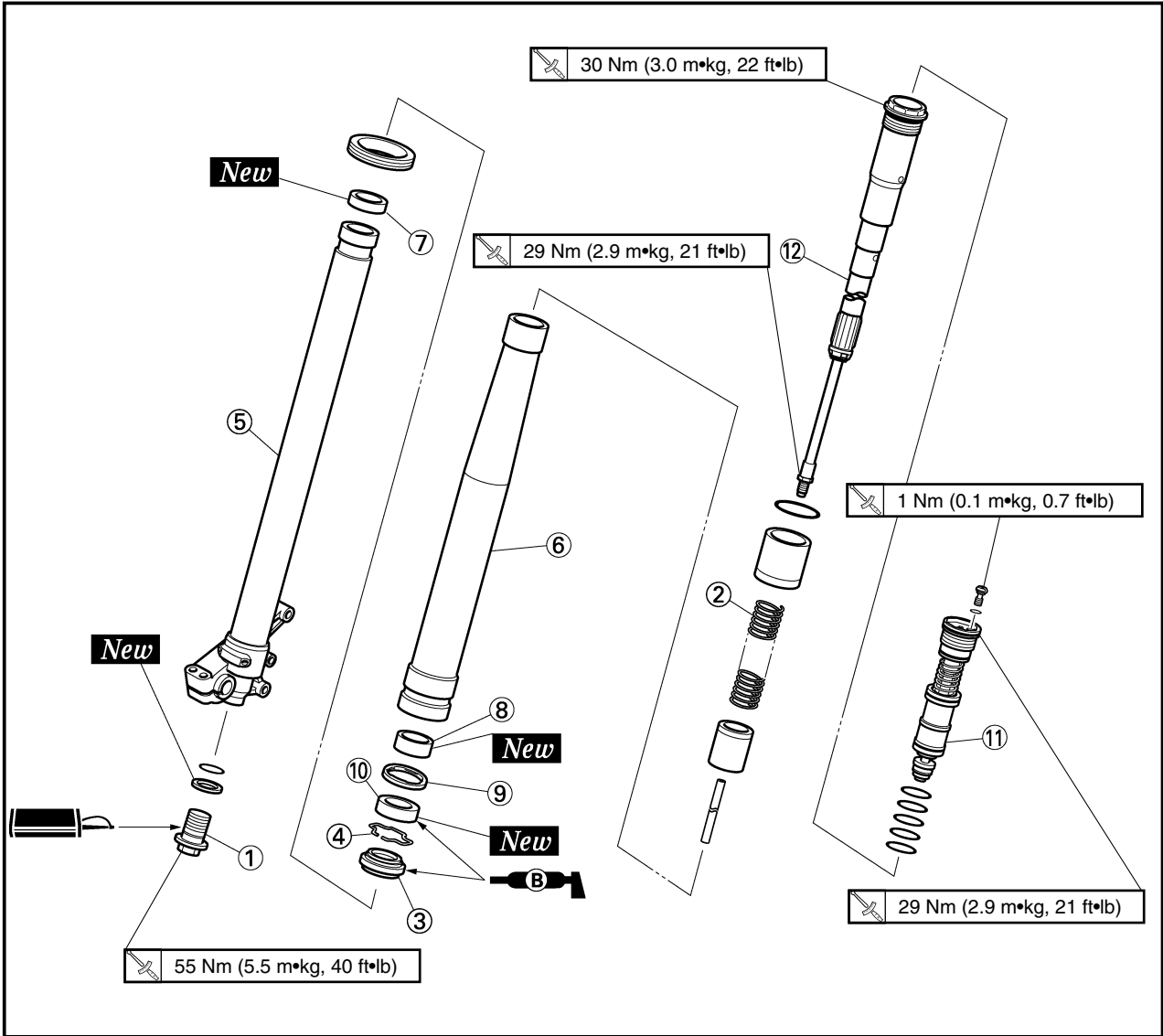


Extent of removal: ① Front fork removal

Extent of removal	Order	Part name	Q'ty	Remarks
Preparation for removal		FRONT FORK REMOVAL Hold the machine by placing the suitable stand under the engine. Front wheel Front caliper Number plate		⚠WARNING Support the machine securely so there is no danger of it falling over. Refer to "FRONT WHEEL AND REAR WHEEL" section. Refer to "FRONT BRAKE AND REAR BRAKE" section.
①	1	Protector	1	Only loosening. Loosen when disassembling the front fork. Use special tool. Refer to "REMOVAL POINTS". Only loosening.
	2	Pinch bolt (handle crown)	2	
	3	Damper assembly	1	
	4	Pinch bolt (under bracket)	2	
	5	Front fork	1	

EC558000

FRONT FORK DISASSEMBLY



Extent of removal: ① Oil seal removal ② Damper rod removal

Extent of removal	Order	Part name	Q'ty	Remarks	
FRONT FORK DISASSEMBLY					
<div style="display: flex; justify-content: space-around; align-items: center;"> <div style="text-align: center;"> <p>↑</p> <p>①</p> <p>↓</p> </div> <div style="text-align: center;"> <p>↑</p> <p>②</p> <p>↓</p> </div> </div>	①	Adjuster	1	Drain the fork oil. Use special tool. Refer to "REMOVAL POINTS".	
	②	Fork spring	1	} Refer to "REMOVAL POINTS".	
	③	Dust seal	1		
	④	Stopper ring	1		
	⑤	Inner tube	1		
	⑥	Outer tube	1		
		⑦	Piston metal	1	
		⑧	Slide metal	1	
		⑨	Oil seal washer	1	
		⑩	Oil seal	1	
		⑪	Base valve	1	} Drain the fork oil. Use special tool. Refer to "REMOVAL POINTS".
		⑫	Damper assembly	1	



EC556000

HANDLING NOTE**NOTE:** _____

The front fork requires careful attention. So it is recommended that the front fork be maintained at the dealers.

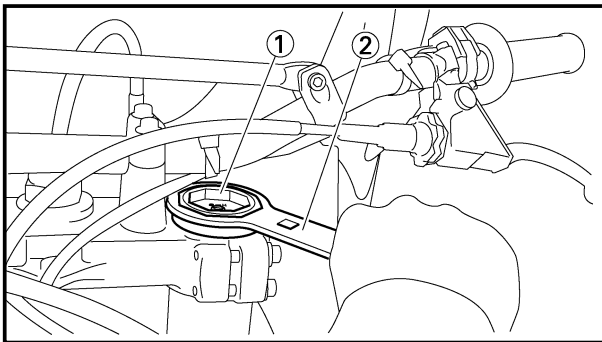
CAUTION: _____

To prevent an accidental explosion of air, the following instructions should be observed:

- The front fork with a built-in piston rod has a very sophisticated internal construction and is particularly sensitive to foreign material.

Use enough care not to allow any foreign material to come in when the oil is replaced or when the front fork is disassembled and reassembled.

- Before removing the base valves or front forks, be sure to extract the air from the air chamber completely.



EC553000

REMOVAL POINTS

EC553311

Damper assembly

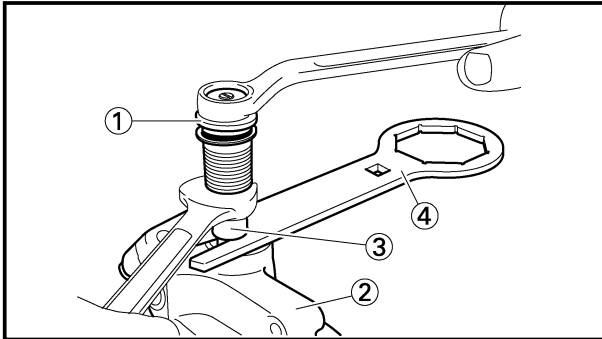
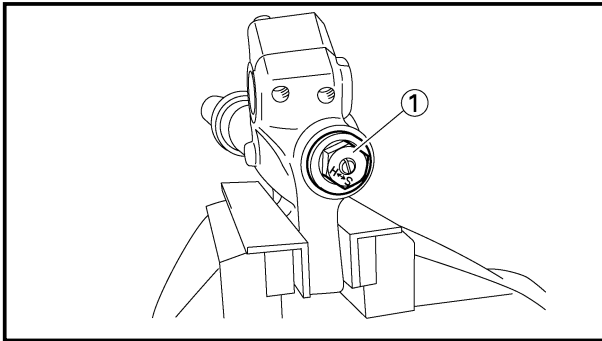
1. Loosen:

- Damper assembly ①

NOTE: _____

Before removing the front fork from the machine, loosen the damper assembly with the cap bolt ring wrench ②.

**Cap bolt ring wrench:****YM-01501/90890-01501**



Adjuster

1. Drain the outer tube of its front fork oil at its top.
2. Loosen:
 - Adjuster ①

3. Remove:
 - Adjuster ①

NOTE:

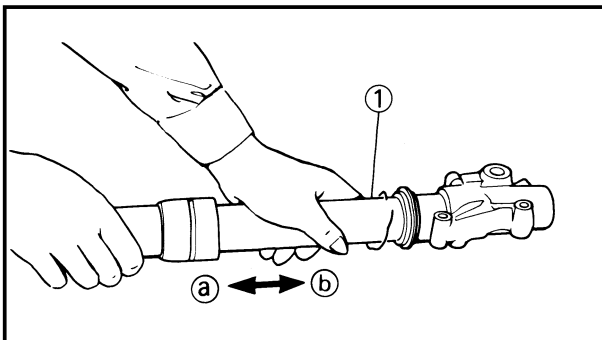
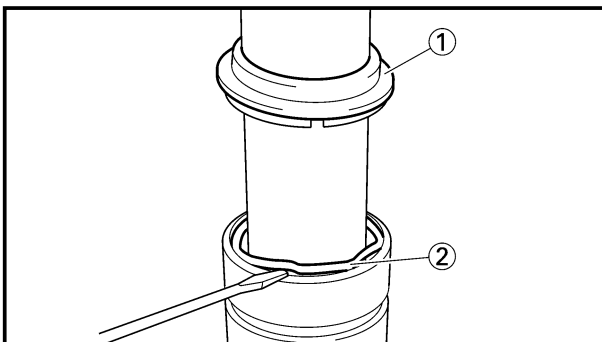
- While compressing the inner tube ② , set the cap bolt ring wrench ④ between the inner tube and locknut ③ .
- Hold the locknut and remove the adjuster.

CAUTION:

Do not remove the locknut as it may go into the damper assembly and not be taken out.



Cap bolt ring wrench:
YM-01501/90890-01501



EC553201

Inner tube

1. Remove:
 - Dust seal ①
 - Stopper ring ②
 Using slotted-head screwdriver.

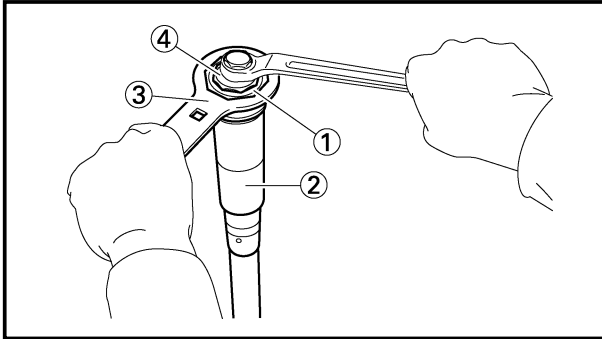
CAUTION:

Take care not to scratch the inner tube.

2. Remove:
 - Inner tube ①

Oil seal removal steps:

- Push in slowly ④ the inner tube just before it bottoms out and then pull it back quickly ⑤.
- Repeat this step until the inner tube can be pulled out from the outer tube.



Base valve

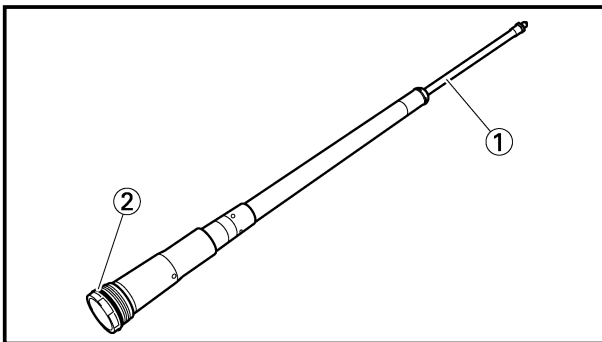
1. Remove:
 - Base valve ①
 - From damper assembly ②.

NOTE: _____

Hold the damper assembly with the cap bolt ring wrench ③ and use the cap bolt wrench ④ to remove the base valve.



Cap bolt wrench:
YM-01500/90890-01500
Cap bolt ring wrench:
YM-01501/90890-01501



EC554000

INSPECTION

EC554100

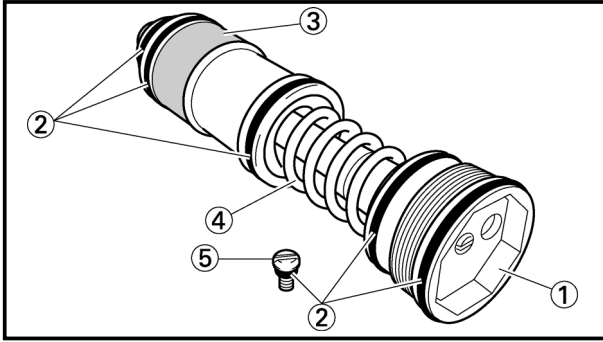
Damper assembly

1. Inspect:
 - Damper assembly ①
Bend/Damage → Replace.
 - O-ring ②
Wear/Damage → Replace.

CAUTION: _____

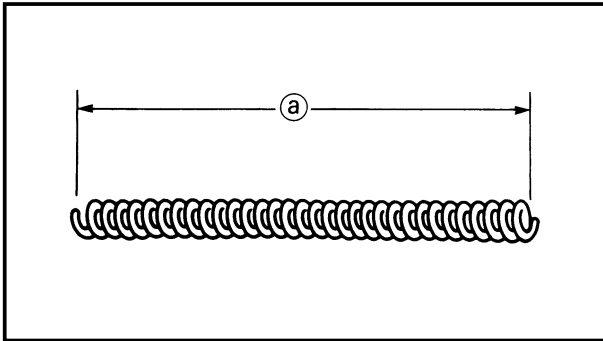
The front fork with a built-in piston rod has a very sophisticated internal construction and is particularly sensitive to foreign material.

Use enough care not to allow any foreign material to come in when the oil is replaced or when the front fork is disassembled and reassembled.



Base valve

1. Inspect:
 - Base valve ①
Wear/Damage → Replace.
Contamination → Clean.
 - O-ring ②
Wear/Damage → Replace.
 - Bush ③
Wear/Damage → Replace base valve.
 - Spring ④
Damage/Fatigue → Replace base valve.
 - Air bleed screw ⑤
Wear/Damage → Replace base valve.

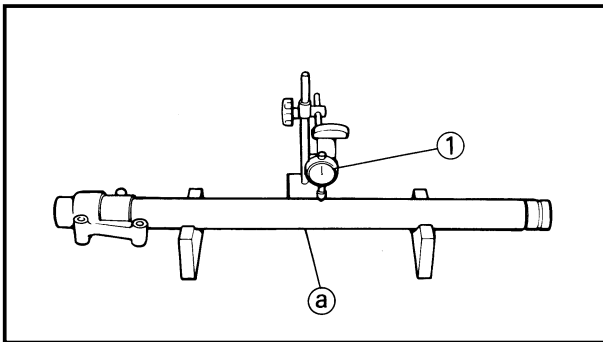


EC554400

Fork spring

1. Measure:
 - Fork spring free length ①
Out of specification → Replace.

Fork spring free length:	
Standard	<Limit>
465 mm (18.3 in)	460 mm (18.1 in)



EC554502

Inner tube

1. Inspect:
 - Inner tube surface ①
Score marks → Repair or replace.
Use #1,000 grit wet sandpaper.
Damaged oil lock piece → Replace.
 - Inner tube bends
Out of specification → Replace.
Use the dial gauge ①.

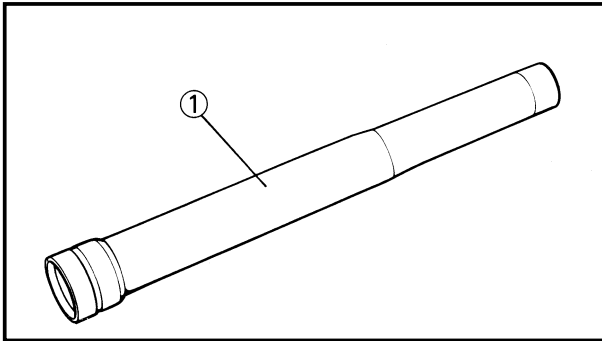
Inner tube bending limit:
0.2 mm (0.008 in)

NOTE: _____

The bending value is shown by one half of the dial gauge reading.

⚠ WARNING _____

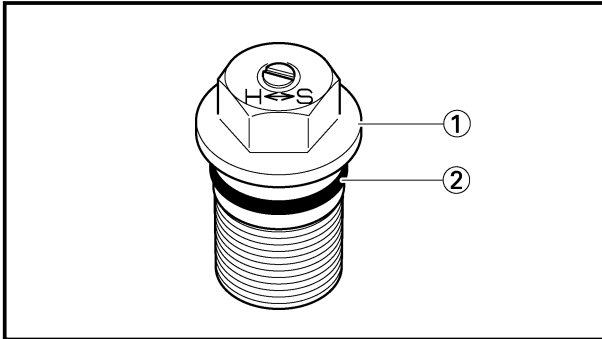
Do not attempt to straighten a bent inner tube as this may dangerously weaken the tube.



EC554600

Outer tube

1. Inspect:
 - Outer tube ①
 Score marks/Wear/Damage→Replace.



Adjuster

1. Inspect:
 - Adjuster ①
 - O-ring ②
 Wear/Damage→Replace.

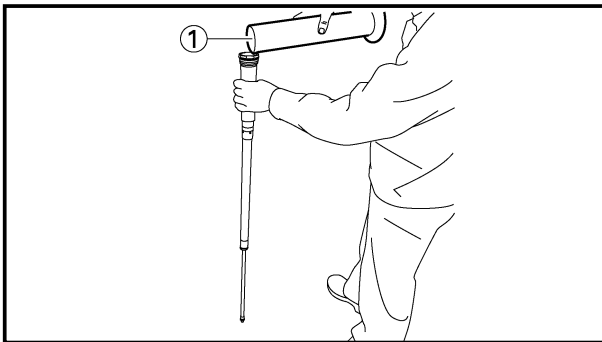
EC555000

ASSEMBLY AND INSTALLATION

EC5551D0

Front fork assembly

1. Wash the all parts in a clean solvent.
2. Stretch the damper assembly fully.

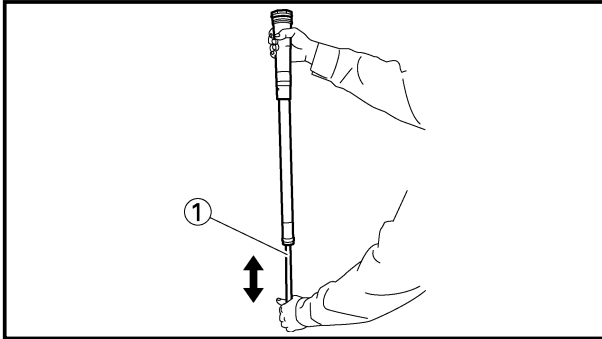


3. Fill:
 - Front fork oil ①
 To damper assembly.

	<p>Recommended oil: Suspension oil "S1"</p> <p>Oil capacity: 195cm³ (6.86 Imp oz, 6.59 US oz)</p>
--	--

CAUTION: _____

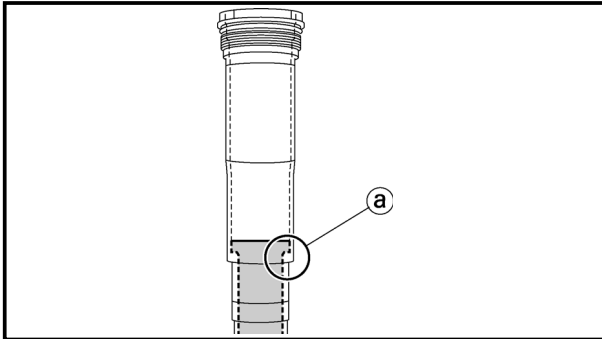
- Be sure to use recommended fork oil. If other oils are used, they may have an excessively adverse effect on the front fork performance.
- Never allow foreign materials to enter the front fork.



4. After filling, pump the damper assembly ① slowly up and down (about 200 mm (7.9 in) stroke) several times to bleed the damper assembly of air.

NOTE: _____

Be careful not to excessive full stroke. A stroke of 200 mm (7.9 in) or more will cause air to enter. In this case, repeat the steps 2 to 4.

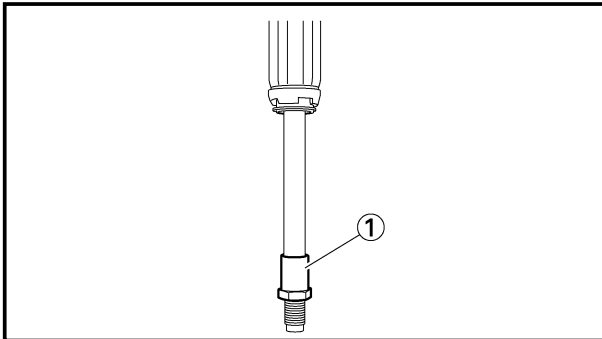


5. Inspect:

- Oil amount

While keeping the damper assembly fully stretched, check that the oil is above the step ① on the damper assembly.

Below the step → Replenish fork oil above the step.

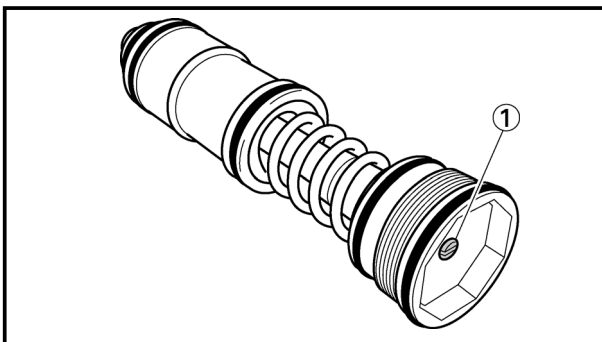


6. Tighten:

- Locknut ①

NOTE: _____

Fully finger tighten the locknut onto the damper assembly.

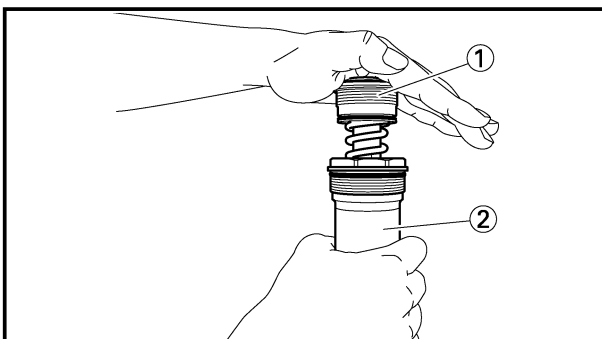


7. Loosen:

- Compression damping adjuster ①

NOTE: _____

- Loosen the compression damping adjuster finger tight.
- Record the set position of the adjuster (the amount of turning out the fully turned in position).

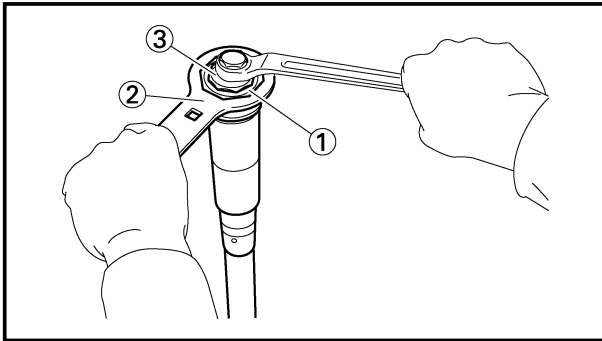


8. Install:

- Base valve ①
To damper assembly ②.

NOTE: _____

First bring the damper rod pressure to a maximum. Then install the base valve while releasing the damper rod pressure.

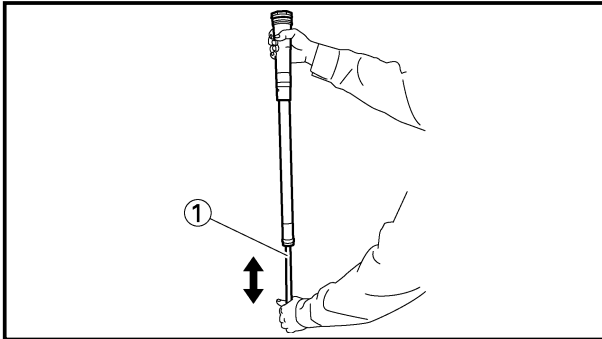


9. Tighten:
 • Base valve ①

29 Nm (2.9 m•kg, 21 ft•lb)

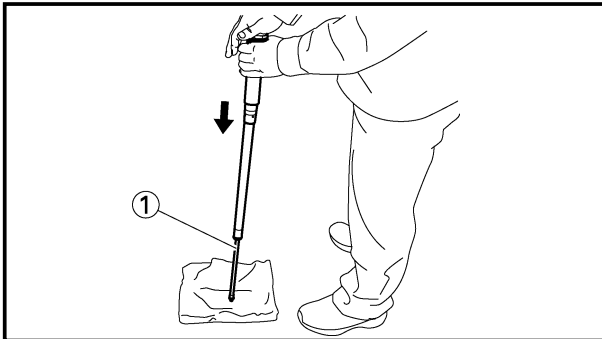
NOTE:

Hold the damper assembly with the cap bolt ring wrench ② and use the cap bolt wrench ③ to tighten the base valve with specified torque.



Cap bolt wrench:
 YM-01500/90890-01500
Cap bolt ring wrench:
 YM-01501/90890-01501

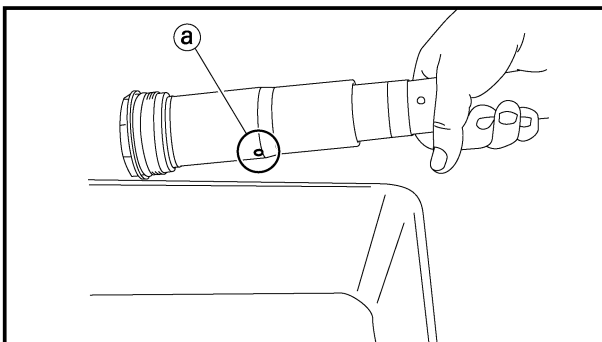
10. After filling, pump the damper assembly ① slowly up and down more than 10 times to distribute the fork oil.



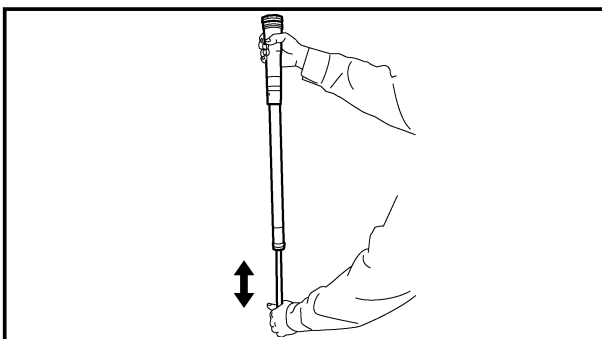
11. While protecting the damper assembly ① with a rag and compressing fully, allow excessive oil to overflow on the base valve side.

CAUTION:

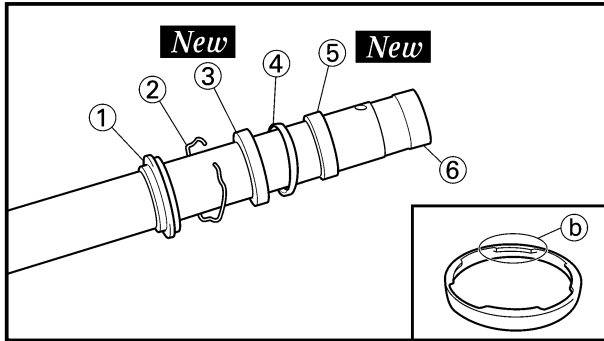
Take care not to damage the damper assembly.



12. Allow the overflowing oil to escape at the hole (a) in the damper assembly.



13. Check:
 • Damper assembly smooth movement
 Tightness/Binding/Rough spots → Repeat the steps 2 to 12.

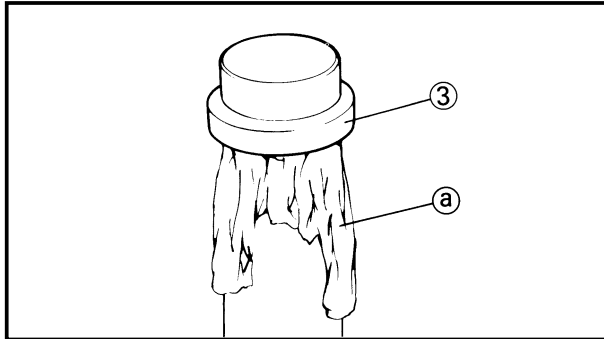


14. Install:

- Dust seal ①
 - Stopper ring ②
 - Oil seal ③ **New**
 - Oil seal washer ④
 - Slide metal ⑤ **New**
- To inner tube ⑥.

NOTE: _____

- Apply the fork oil on the inner tube.
- When installing the oil seal, use vinyl seat (a) with fork oil applied to protect the oil seal lip.
- Install the oil seal with its manufacture's marks or number facing the axle holder side.
- Install the oil seal washer with its projections (b) facing upward.

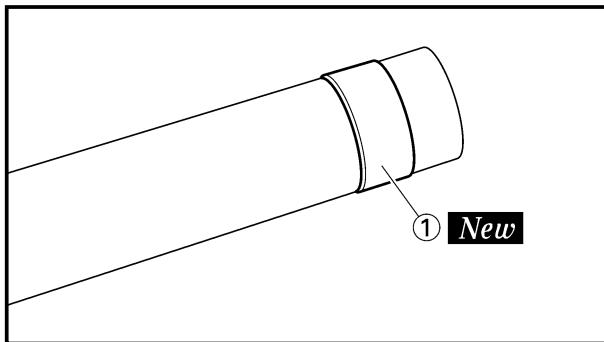


15. Install:

- Piston metal ①

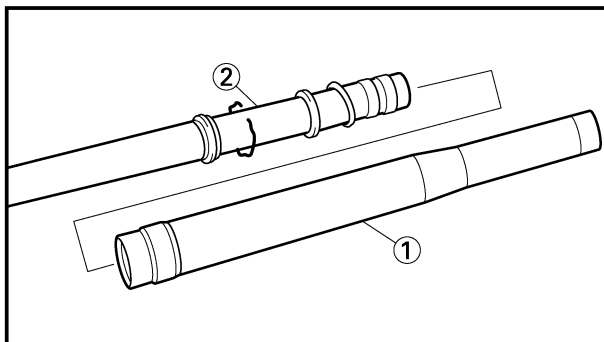
NOTE: _____

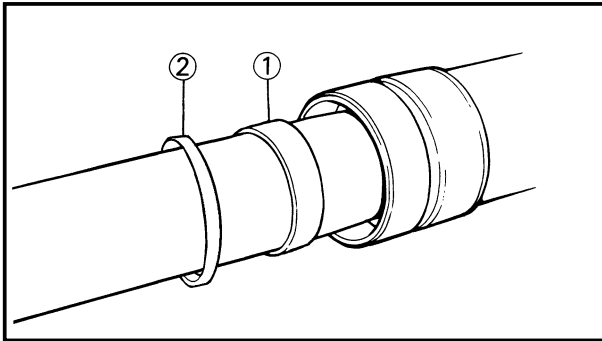
Install the piston metal onto the slot on inner tube.



16. Install:

- Outer tube ①
- To inner tube ②.



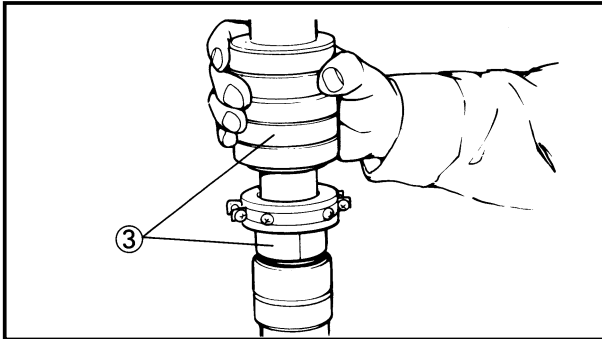


17. Install:
- Slide metal ①
 - Oil seal washer ②
- To outer tube slot.

NOTE: _____
 Press the slide metal into the outer tube with fork seal driver ③.

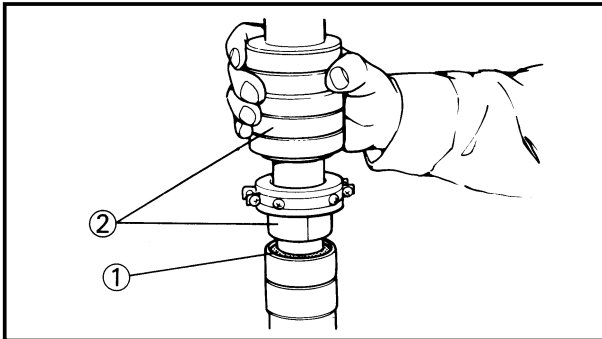


Fork seal driver:
 YM-01442/90890-01442

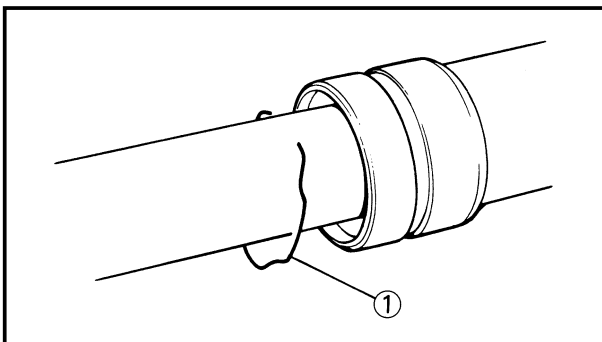


18. Install:
- Oil seal ①

NOTE: _____
 Press the oil seal into the outer tube with fork seal driver ②.

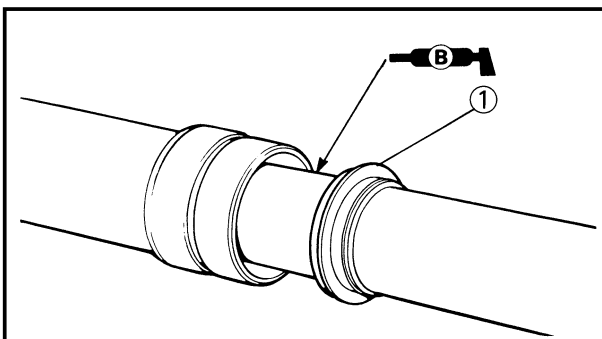


Fork seal driver:
 YM-01442/90890-01442



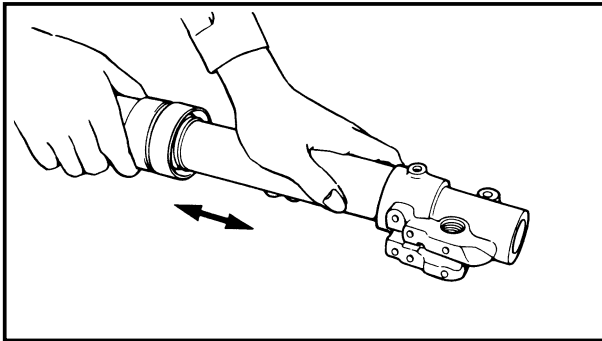
19. Install:
- Stopper ring ①

NOTE: _____
 Fit the stopper ring correctly in the groove in the outer tube.

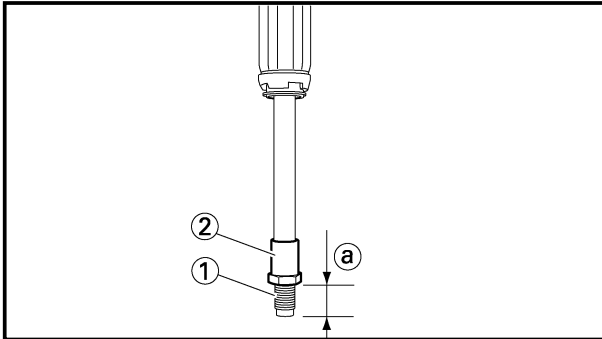


20. Install:
- Dust seal ①

NOTE: _____
 Apply the lithium soap base grease on the inner tube.

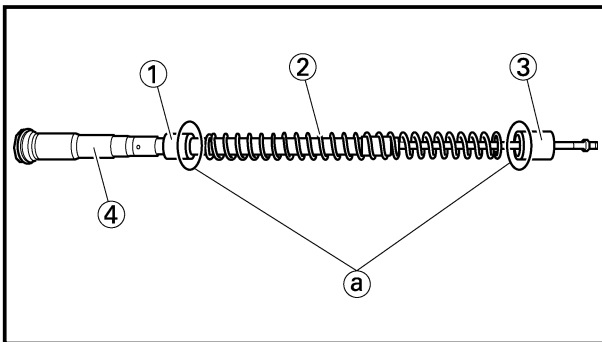


21. Check:
- Inner tube smooth movement
- Tightness/Binding/Rough spots → Repeat the steps 14 to 20.



22. Measure:
- Distance (a)
- Out of specification → Turn into the locknut.

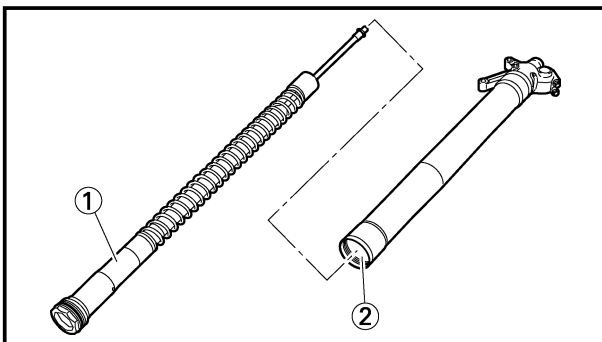
Distance (a):
19 mm (0.75 in) or more
Between damper assembly ①
bottom and locknut ② bottom.



23. Install:
- Spacer (metal) ①
 - Fork spring ②
 - Spacer (resin) ③
- To damper assembly ④.

NOTE: _____

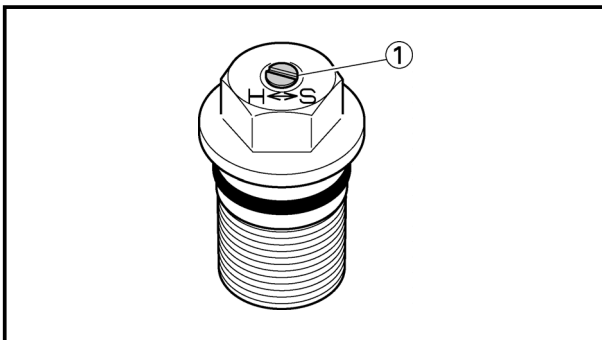
Install the spacer with the plate (a) facing the fork spring.



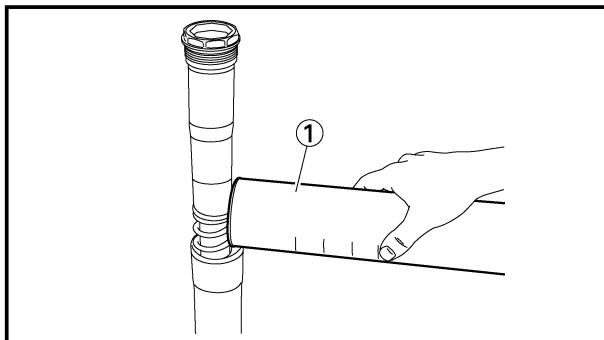
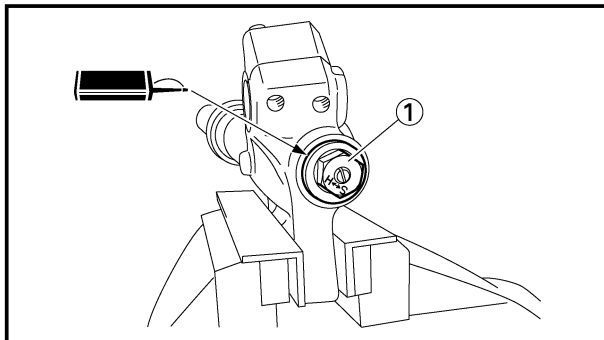
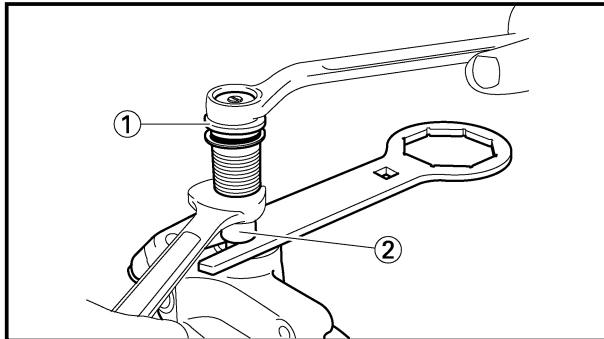
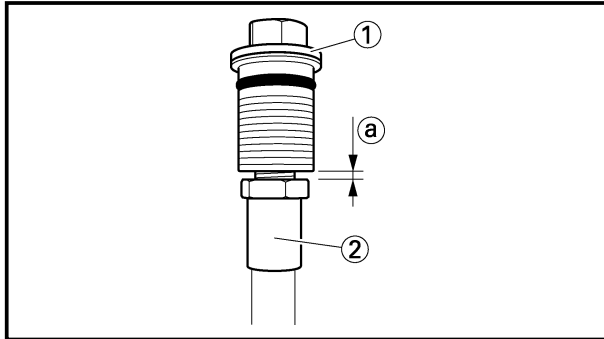
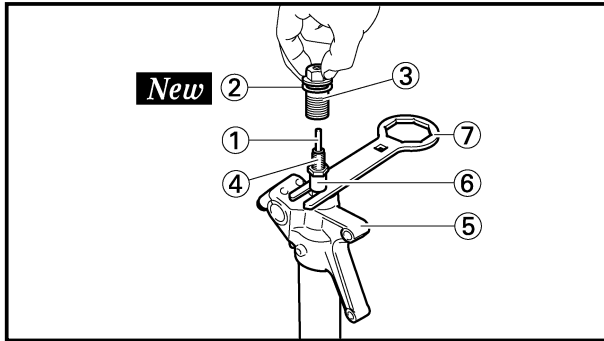
24. Install:
- Damper assembly ①
- To inner tube ②.

CAUTION: _____

To install the damper assembly into the inner tube, hold the inner tube aslant. If the inner tube is held vertically, the damper assembly may fall into it, damaging the valve inside.



- 25 Loosen:
- Rebound damping adjuster ①
- NOTE:** _____
- Loosen the rebound damping adjuster finger tight.
 - Record the set position of the adjuster (the amount of turning out the fully turned in position).



26. Install:
- Push rod ①
 - Copper washer ② **New**
 - Adjuster ③
- To damper assembly ④.

NOTE:

- While compressing the inner tube ⑤, set the cap bolt ring wrench ⑦ between the inner tube and locknut ⑥.
- Fully finger tighten the adjuster onto the damper assembly.

Cap bolt ring wrench:
YM-01501/90890-01501

27. Inspect:
- Gap ① between adjuster ① and locknut ②.

Gap ① between adjuster and locknut
0.5~1.0mm (0.02~0.04 in)

Out of specification → Retighten and readjust the locknut.

NOTE:

If the adjuster is installed out of specification, proper damping force cannot be obtained.

28. Tighten:
- Adjuster (locknut) ①

29 Nm (2.9 m•kg, 21 ft•lb)

NOTE:

Hold the locknut ② and tighten the adjuster with specified torque.

29. Install:
- Adjuster ①
- 55 Nm (5.5 m•kg, 40 ft•lb)**
- To inner tube.

30. Fill:
- Front fork oil ①
- From outer tube top.

Recommended oil:
Suspension oil "S1"

Standard oil amount:
245 cm³ (8.62 Imp oz, 8.28 US oz)
*250 cm³ (8.80 Imp oz, 8.45 US oz)

Extent of adjustment:
200~300 cm³ (7.04~10.6 Imp oz,
6.76~10.1 US oz)

*For EUROPE

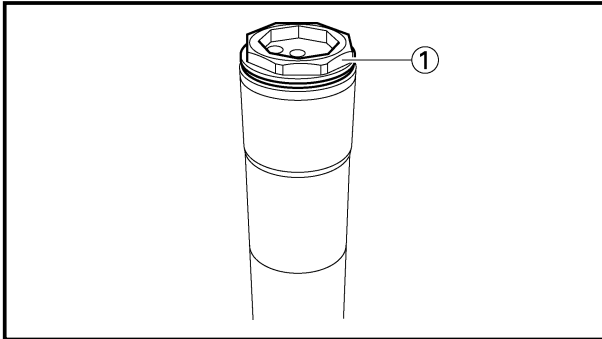


⚠ WARNING

Never fail to make the oil amount adjustment between the maximum and minimum amount and always adjust each front fork to the same setting. Uneven adjustment can cause poor handling and loss of stability.

CAUTION:

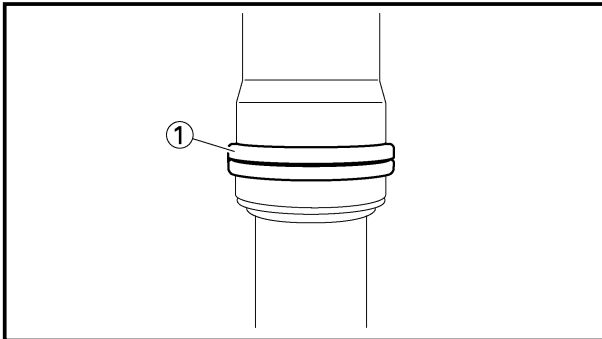
- Be sure to use recommended fork oil. If other oils are used, they may have an excessively adverse effect on the front fork performance.
- Never allow foreign materials to enter the front fork.



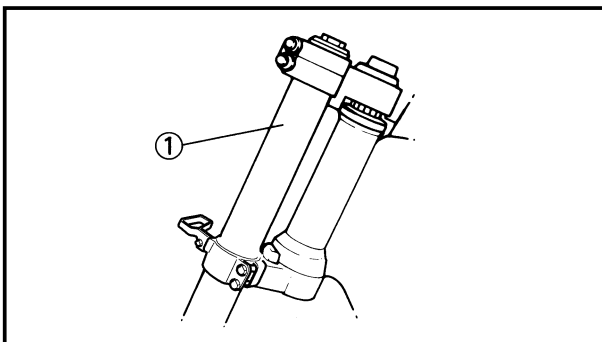
31. Install:
- Damper assembly ①
To outer tube.

NOTE:

Temporarily tighten the damper assembly.



32. Install:
- Protector guide ①



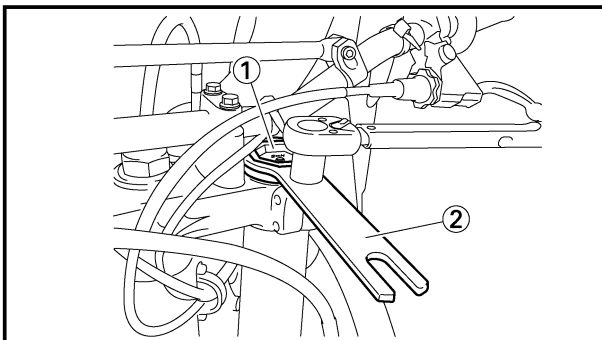
EC5552A1

Installation

1. Install:
- Front fork ①

NOTE:

- Temporarily tighten the pinch bolts (under bracket).
- Do not tighten the pinch bolts (handle crown) yet.



2. Tighten:
- Damper assembly ①

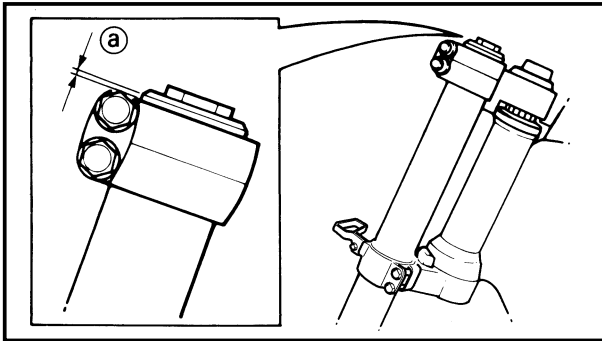
30 Nm (3.0 m•kg, 22 ft•lb)

NOTE:

Use the cap bolt ring wrench ② to tighten the damper assembly with specified torque.



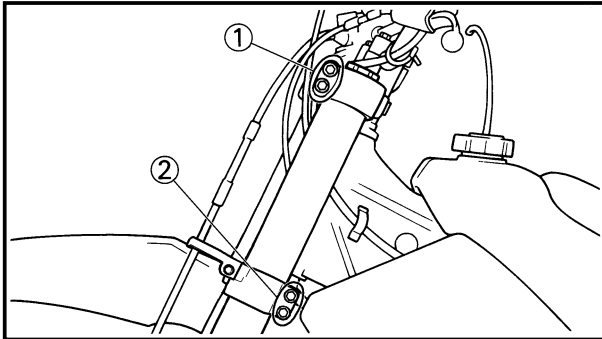
Cap bolt ring wrench:
YM-01501/90890-01501



- Adjust:
 - Front fork top end ①



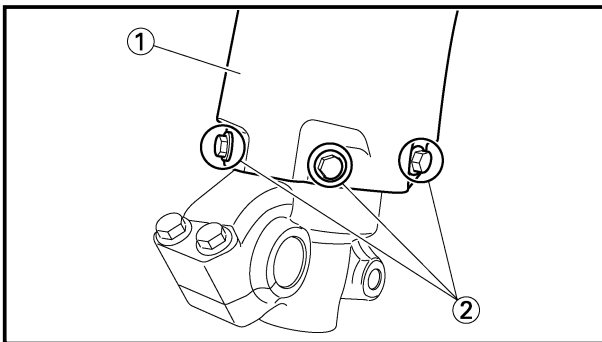
Front fork top end (standard) ①:
5 mm (0.20 in)



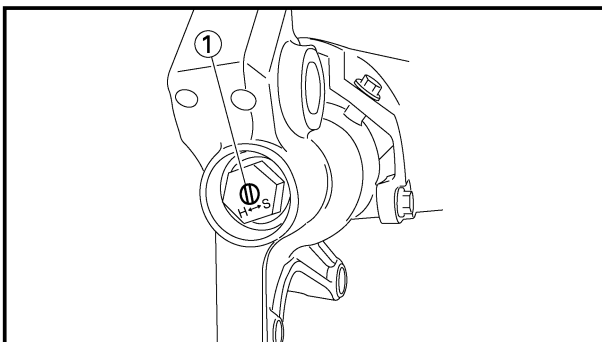
- Tighten:
 - Pinch bolt (handle crown) ①
🔧 23 Nm (2.3 m•kg, 17 ft•lb)
 - Pinch bolt (under bracket) ②
🔧 20 Nm (2.0 m•kg, 14 ft•lb)

CAUTION: _____

Tighten the under bracket to specified torque. If torqued too much, it may cause the front fork to malfunction.



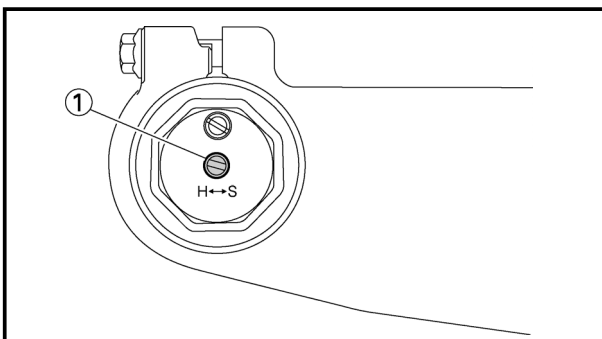
- Install:
 - Protector ①
 - Bolt (protector) ②
🔧 10 Nm (1.0 m•kg, 7.2 ft•lb)



- Adjust:
 - Rebound damping force

NOTE: _____

Turn in the damping adjuster ① finger-tight and then turn out to the originally set position.



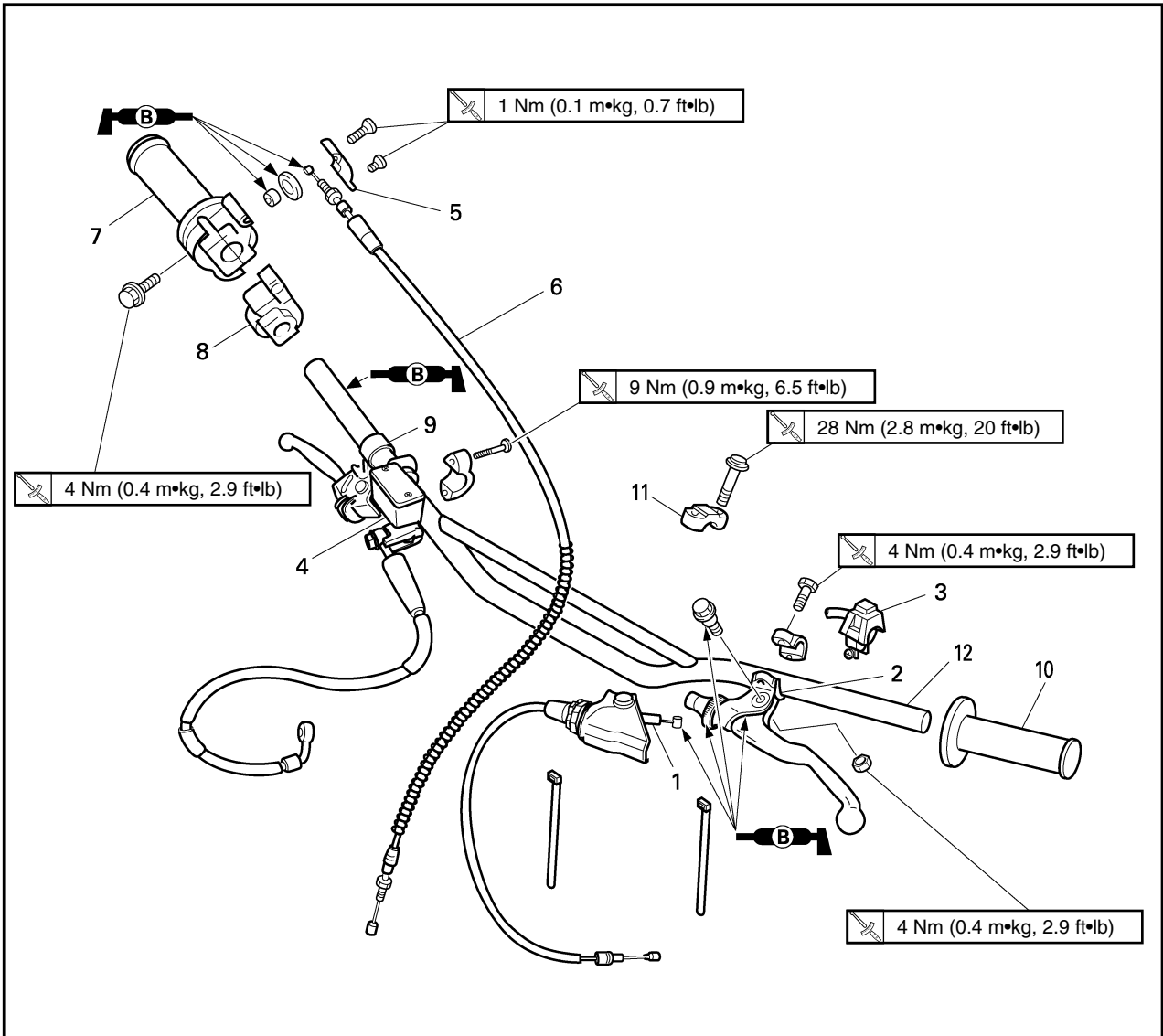
- Adjust:
 - Compression damping force

NOTE: _____


Turn in the damping adjuster ① finger-tight and then turn out to the originally set position.

EC5B0000

HANDLEBAR



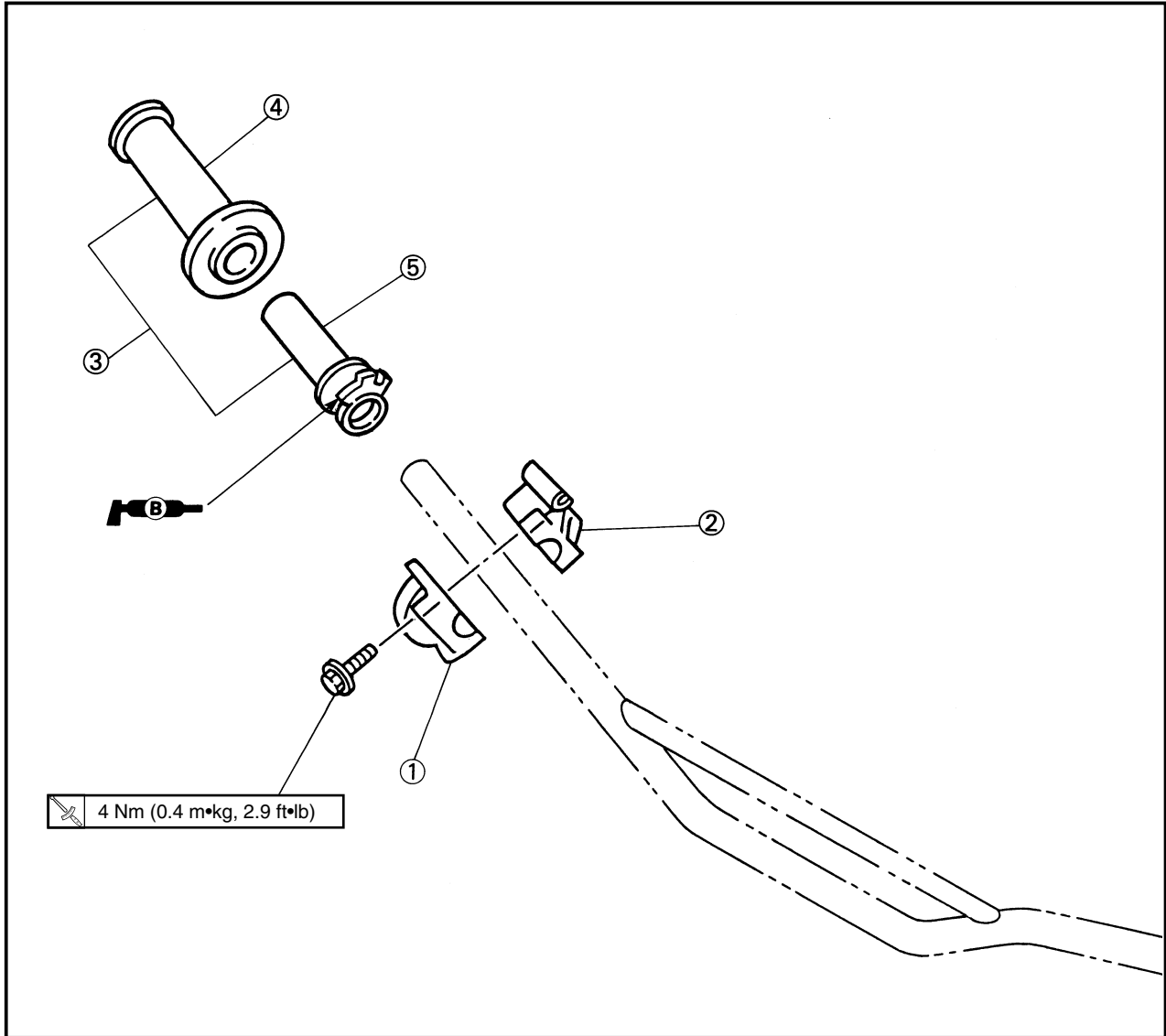
Extent of removal: ① Handlebar removal

Extent of removal	Order	Part name	Q'ty	Remarks
Preparation for removal		HANDLEBAR REMOVAL		
		Number plate		Remove the clamp portion only.
	1	Clutch cable	1	Disconnect at the lever side.
	2	Clutch lever holder	1	
	3	"ENGINE STOP" button	1	
	4	Master cylinder	1	Refer to "REMOVAL POINTS".
	5	Throttle cable cap	1	Turn over the cap cover.
	6	Throttle cable	1	Disconnect at the throttle side.
	7	Throttle	1	Loosen the bolts.
	8	Cap cover	1	
	9	Collar	1	
	10	Grip (left)	1	Refer to "REMOVAL POINTS".
	11	Handlebar holder (upper)	2	
	12	Handlebar	1	



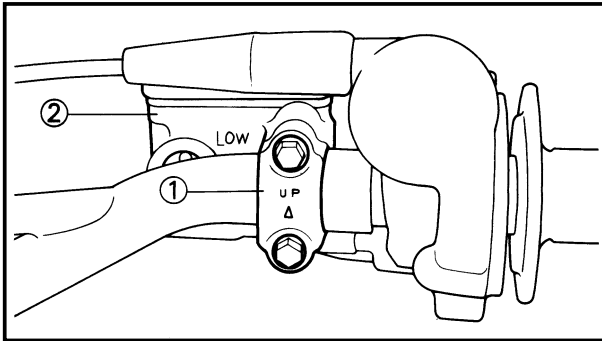
EC5B8000

THROTTLE DISASSEMBLY



Extent of removal: ① Throttle disassembly

Extent of removal	Order	Part name	Q'ty	Remarks
	THROTTLE DISASSEMBLY			
	①	Grip cap (lower)	1	Refer to "REMOVAL POINTS".
	②	Grip cap (upper)	1	
	③	Grip assembly	1	
	④	Grip (right)	1	
⑤	Tube guide	1		



EC5B3000

REMOVAL POINTS

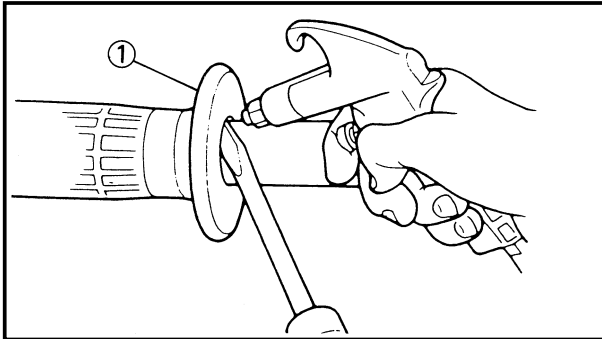
EC5B3100

Master cylinder

- Remove:
 - Master cylinder bracket ①
 - Master cylinder ②

CAUTION:

- Do not let the master cylinder hang on the brake hose.
- Keep the master cylinder cap side horizontal to prevent air from coming in.



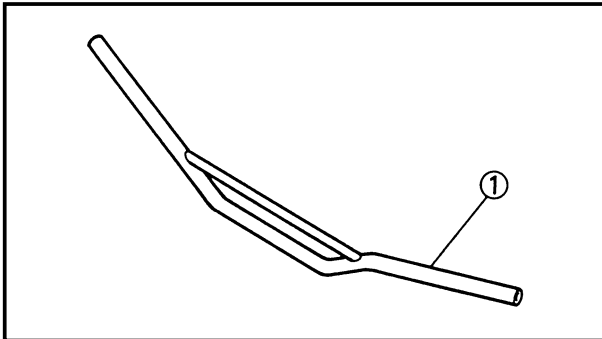
EC5B3200

Grip

- Remove:
 - Grip ①

NOTE:

Blow in air between the handlebar or tube guide and the grip. Then remove the grip which has become loose.



EC5B4000

INSPECTION

EC5B4100

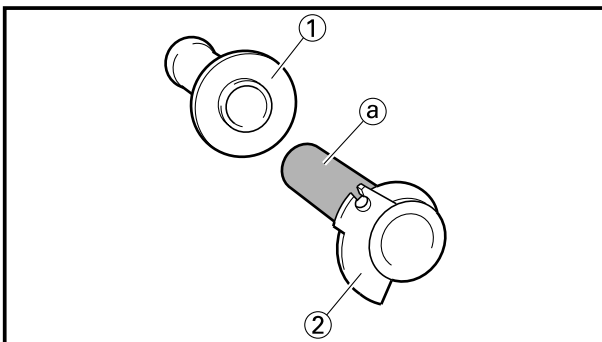
Handlebar

- Inspect:
 - Handlebar ①

Bends/Cracks /Damage → Replace.

WARNING

Do not attempt to straighten a bent handlebar as this may dangerously weaken the handlebar.



EC5B5000

ASSEMBLY AND INSTALLATION

EC5B5100

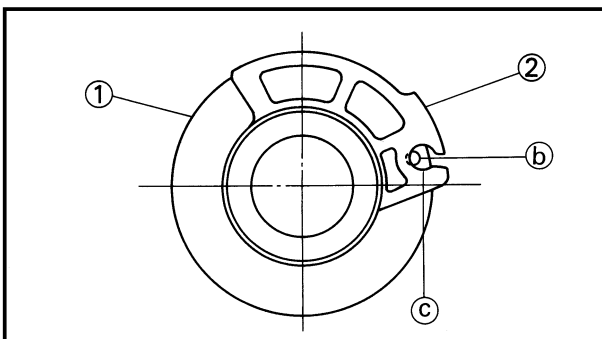
Throttle assembly

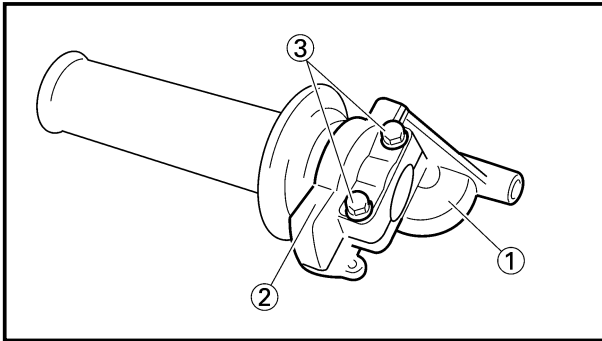
- Install
 - Grip (right) ①

Apply the adhesive on the tube guide ②.

NOTE:

- Before applying the adhesive, wipe off grease or oil on the tube guide surface ① with a lacquer thinner.
- Align the mating mark ② on the grip (right) with the slot ③ in the tube guide.

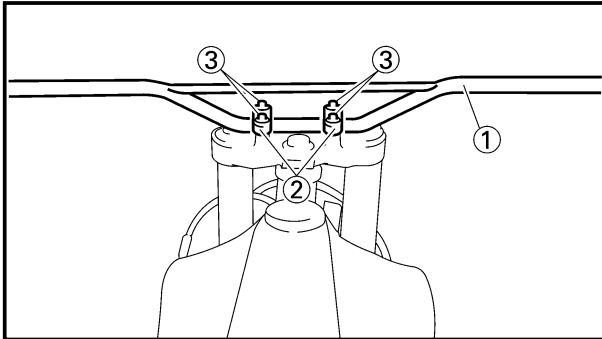




2. Install:
- Grip cap (upper) ①
 - Grip cap (lower) ②
 - Bolt (grip cap) ③

NOTE:

Temporarily tighten the bolts (grip cap).



EC5B5210

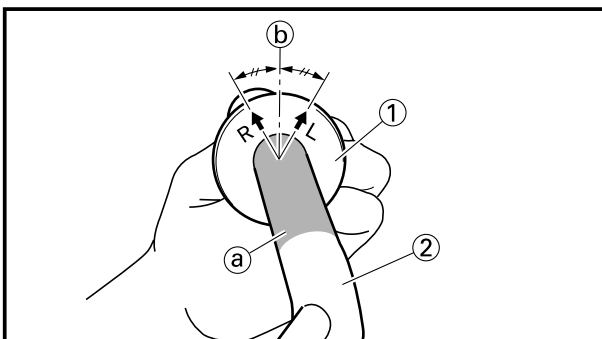
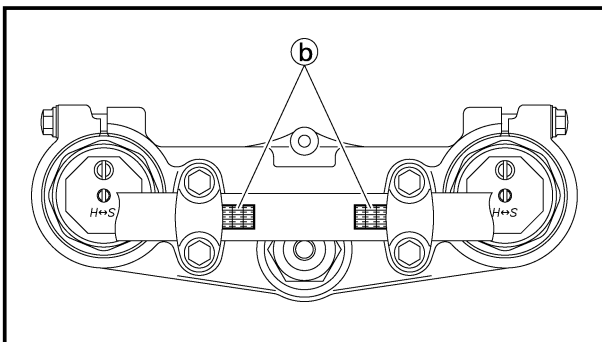
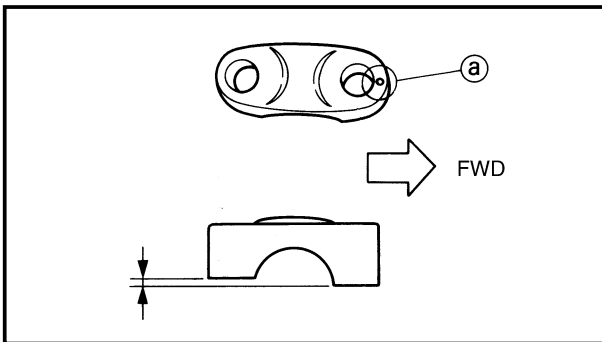
Handlebar

1. Install:
- Handlebar ①
 - Handlebar holder ②
 - Bolt (handlebar holder) ③

28 Nm (2.8 m•kg, 20 ft•lb)

NOTE:

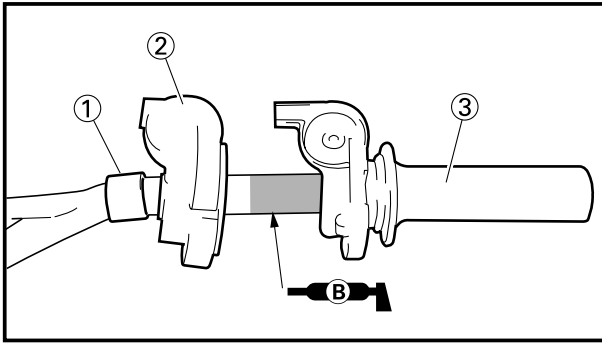
- The upper handlebar holder should be installed with the punched mark (a) forward.
- Install the handlebar so that the marks (b) are in place on both sides.
- First tighten the bolts on the front side of the handlebar holder, and then tighten the bolts on the rear side.



2. Install:
- Grip (left) ①
- Apply the adhesive to the handlebar ②.

NOTE:

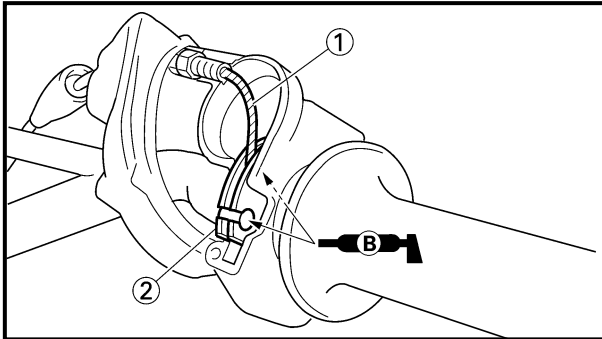
- Before applying the adhesive, wipe off grease or oil on the handlebar surface (a) with a lacquer thinner.
- Install the grip (left) to the handlebar so that the line (b) between the two arrow marks faces straight upward.



3. Install:
 - Collar ①
 - Cap cover ②
 - Throttle ③

NOTE: _____

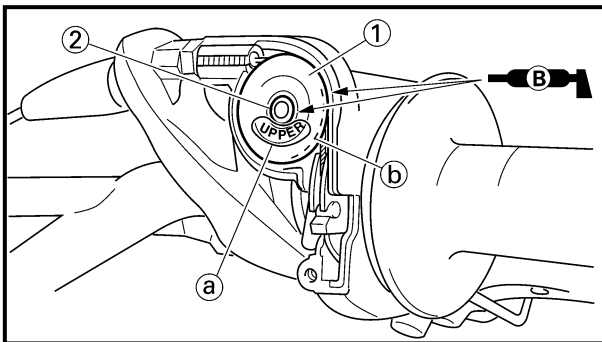
- Apply the lithium soap base grease on the throttle grip sliding surface.
- Tighten the grip cap bolts temporarily without the throttle being fixed to the handlebar.



4. Install:
 - Throttle cable ①
 - To tube guide ②.

NOTE: _____

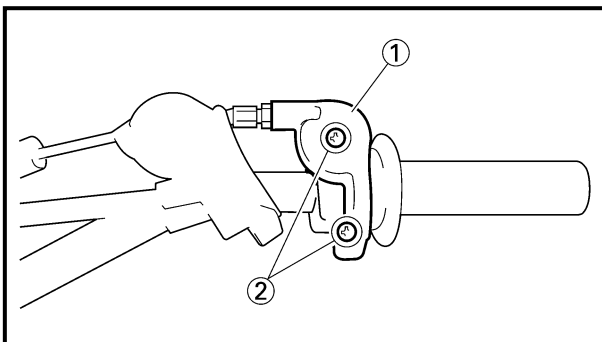
- Apply the lithium soap base grease on the throttle cable end and tube guide cable winding portion.



5. Install:
 - Roller ①
 - Collar ②

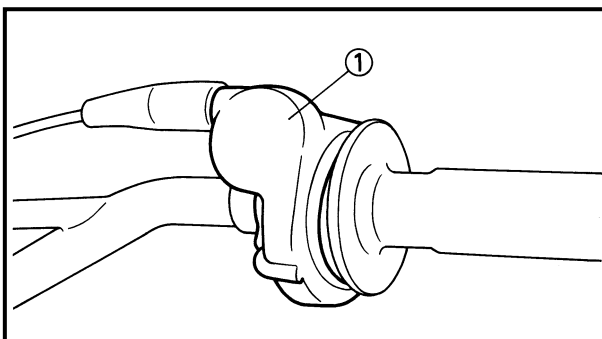
NOTE: _____

- Apply the lithium soap base grease on the roller sliding surface.
- Install the roller so that the "UPPER" mark (a) faces upward.
- Pass the throttle cable in the groove (b) in the roller.



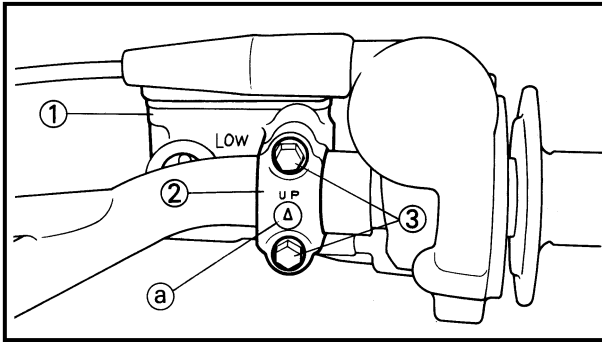
6. Install:
 - Throttle cable cap ①
 - Screw (throttle cable cap) ②

1 Nm (0.1 m•kg, 0.7 ft•lb)



7. Adjust:
 - Throttle grip free play
 - Refer to "THROTTLE CABLE ADJUSTMENT" section in the CHAPTER 3.

8. Install:
 - Cap cover ①

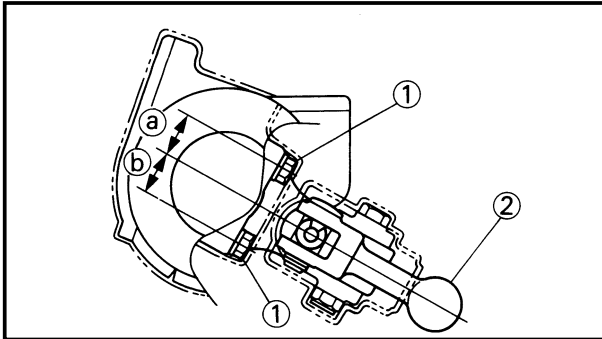


9. Install:
- Master cylinder ①
 - Master cylinder bracket ②
 - Bolt (master cylinder bracket) ③

9 Nm (0.9 m•kg, 6.5 ft•lb)

NOTE:

- Install the bracket so that the arrow mark ① faces upward.
- First tighten the bolt on the upper side of the master cylinder bracket, and then tighten the bolt on the lower side.

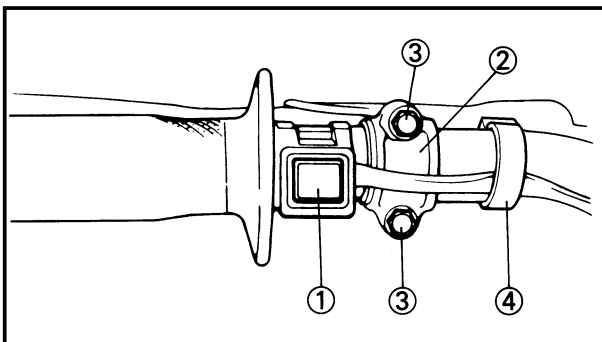
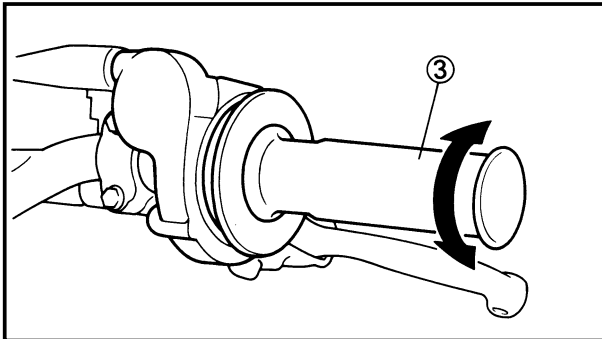


10. Install:
- Bolt (grip cap) ①

4 Nm (0.4 m•kg, 2.9 ft•lb)

WARNING

- Install the grip cap so that the gaps ① and ② between the bolt (grip cap) and brake lever ③ are equal. If you make a mistake in the grip cap installation position, the brake lever may contact the grip cap, resulting in poor brake performance.
- After tightening the bolts, check that the throttle grip ④ moves smoothly. If it does not, retighten the bolts for adjustment.



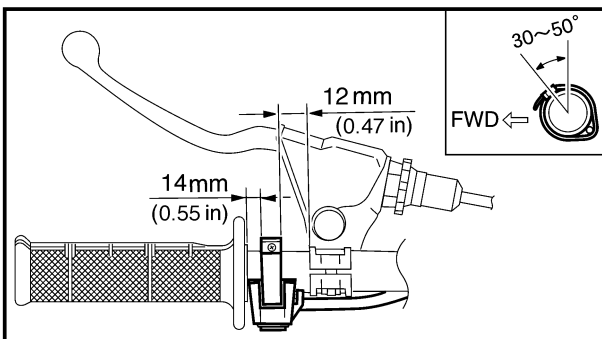
11. Install:
- "ENGINE STOP" button ①
 - Clutch lever holder ②
 - Bolt (clutch lever holder) ③

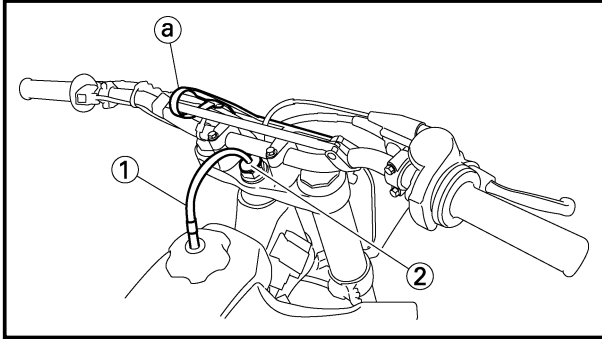
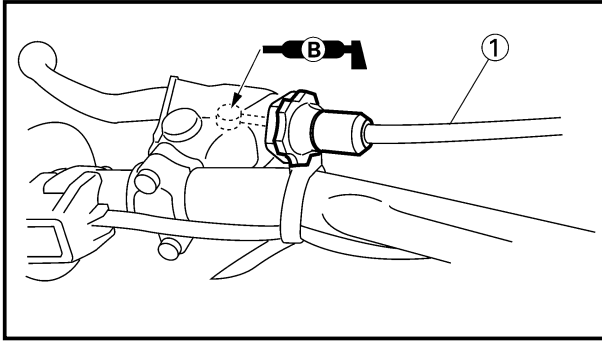
4 Nm (0.4 m•kg, 2.9 ft•lb)

- Clamp ④

NOTE:

- The "ENGINE STOP" button, clutch lever holder and clamp should be installed according to the dimensions shown.
- Pass the "ENGINE STOP" button lead in the middle of the clutch holder.





12. Install:

- Clutch cable ①

NOTE: _____

Apply the lithium soap base grease on the clutch cable end.

13. Adjust:

- Clutch lever free play

Refer to “CLUTCH ADJUSTMENT” section in the CHAPTER 3.

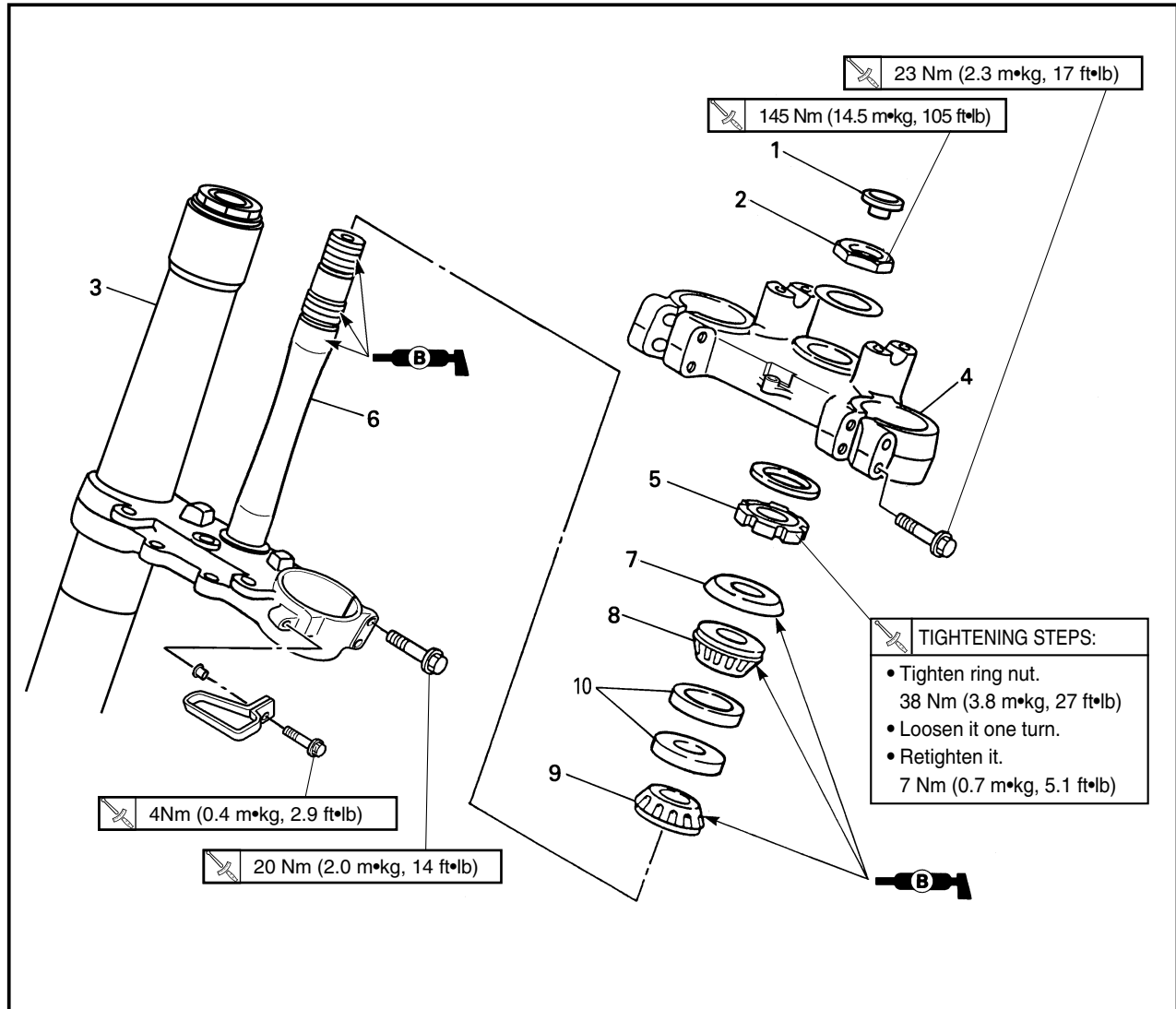
14. Clamp the clamp portion (a) of the number plate to the handlebar.

15. Insert the end of the fuel breather hose (1) into the hole in the steering shaft cap (2).



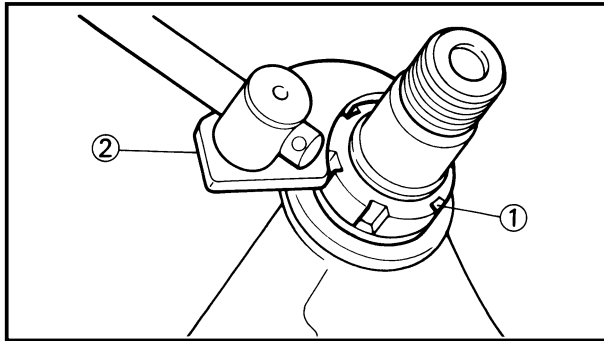
EC560000

STEERING



Extent of removal: ① Under bracket removal ② Bearing removal

Extent of removal	Order	Part name	Q'ty	Remarks
Preparation for removal		STEERING REMOVAL Hold the machine by placing the suitable stand under the engine. Number plate Handlebar Front fender		WARNING Support the machine securely so there is no danger of it falling over. Refer to "HANDLEBAR" section.
①	1	Steering shaft cap	1	Refer to "FRONT FORK" section.
	2	Steering shaft nut	1	
	3	Front fork	2	
	4	Handle crown	1	
	5	Ring nut	1	
②	6	Under bracket	1	Use special tool. Refer to "REMOVAL POINTS".
	7	Bearing race cover	1	Refer to "REMOVAL POINTS". Refer to "REMOVAL POINTS".
	8	Bearing (upper)	1	
	9	Bearing (lower)	1	
	10	Bearing race	2	



EC563000

REMOVAL POINTS

EC563202

Ring nut

1. Remove:

- Ring nut ①

Use the ring nut wrench ②.

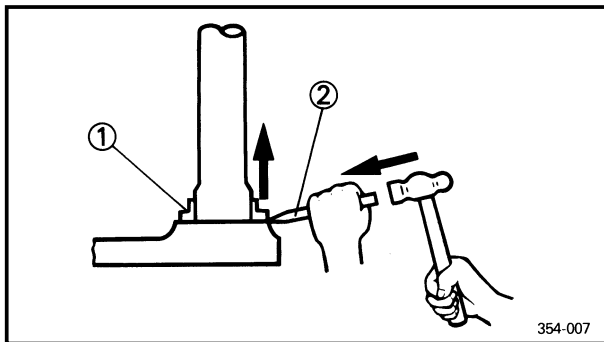


Ring nut wrench:

YU-33975/90890-01403

⚠WARNING

Support the steering shaft so that it may not fall down.



EC563300

Bearing (lower)

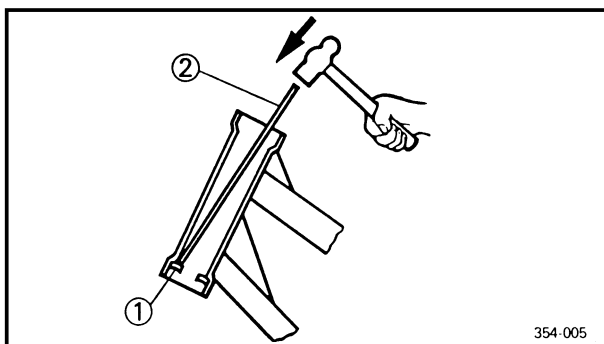
1. Remove:

- Bearing (lower) ①

Use the floor chisel ②.

CAUTION:

Take care not to damage the steering shaft thread.



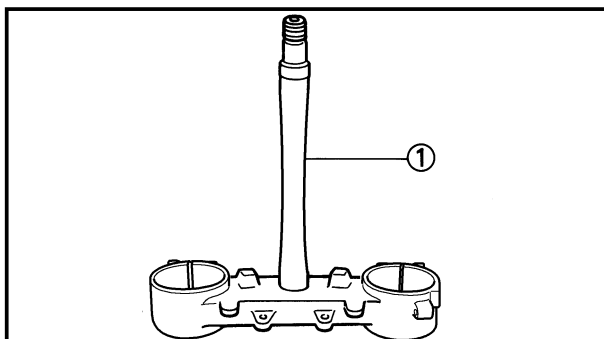
EC563400

Bearing race

1. Remove:

- Bearing race ①

Remove the bearing race using long rod ② and the hammer.



EC564000

INSPECTION

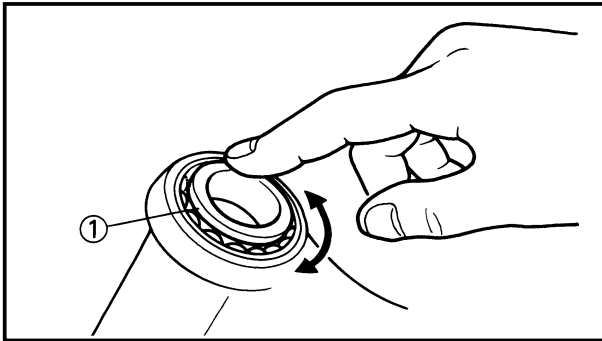
EC564200

Steering shaft

1. Inspect:

- Steering shaft ①

Bend/Damage → Replace.



EC564101

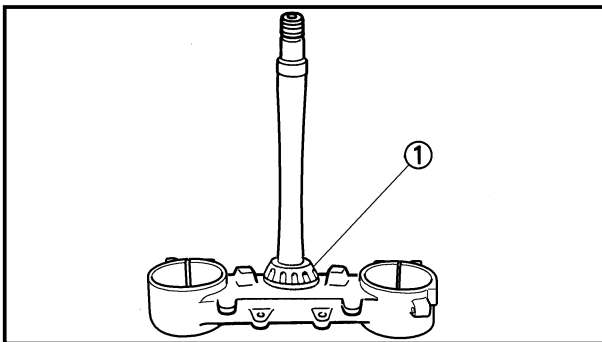
Bearing and bearing race

1. Wash the bearings and bearing races with a solvent.
2. Inspect:

- Bearing ①
- Bearing race

Pitting/Damage → Replace bearings and bearing races as a set.

Install the bearing in the bearing races. Spin the bearings by hand. If the bearings hang up or are not smooth in their operation in the bearing races, replace bearings and bearing races as a set.



EC565000

ASSEMBLY AND INSTALLATION

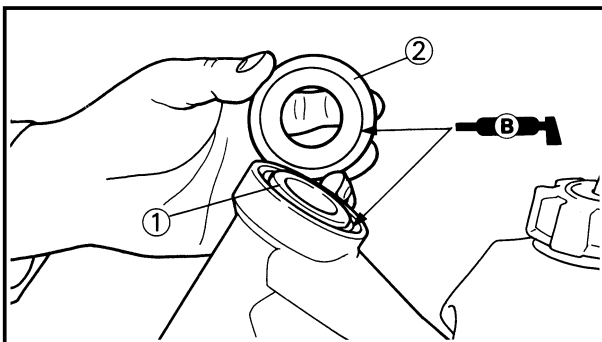
EC5651A0

Under bracket

1. Install:
 - Bearing (lower) ①

NOTE: _____

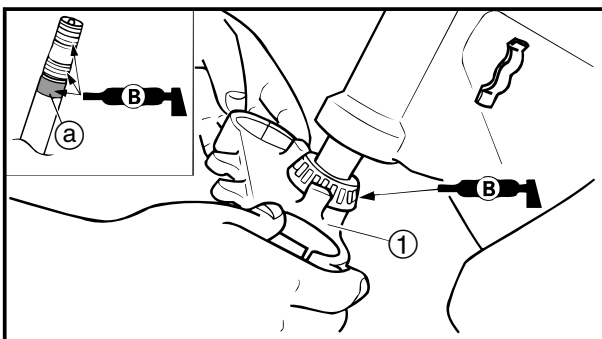
Apply the lithium soap base grease on the dust seal lip and bearing inner circumference.



2. Install:
 - Bearing race
 - Bearing (upper) ①
 - Bearing race cover ②

NOTE: _____

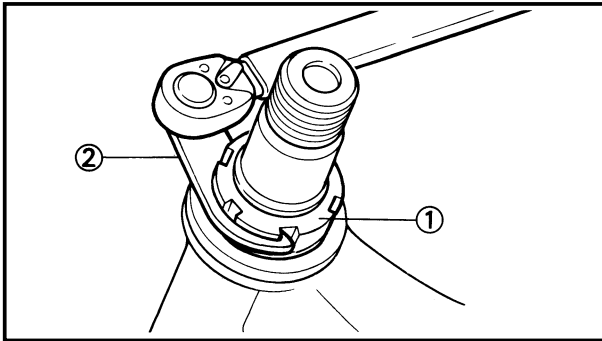
Apply the lithium soap base grease on the bearing and bearing race cover lip.



3. Install:
 - Under bracket ①

NOTE: _____

Apply the lithium soap base grease on the bearing, the portion (a) and thread of the steering shaft.

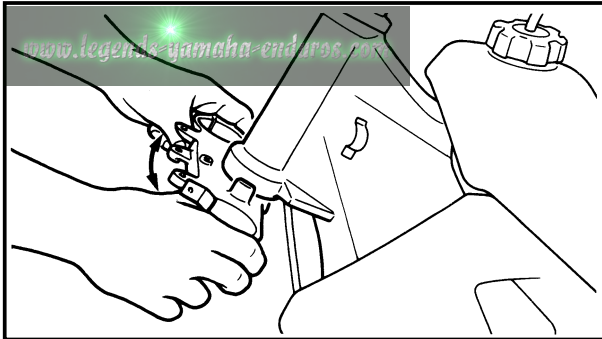


4. Install:

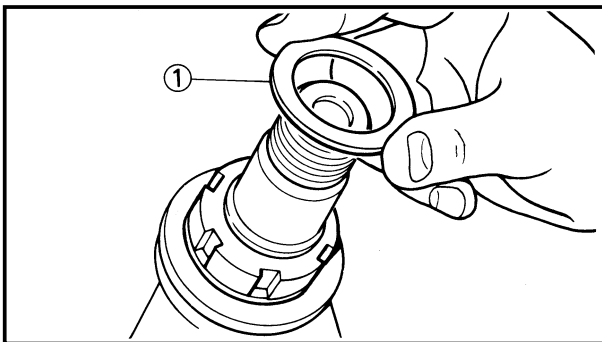
- Ring nut ①  **7 Nm (0.7 m•kg, 5.1 ft•lb)**

Tighten the ring nut using the ring nut wrench ②.

Refer to “STEERING HEAD INSPECTION AND ADJUSTMENT” section in the CHAPTER 3.

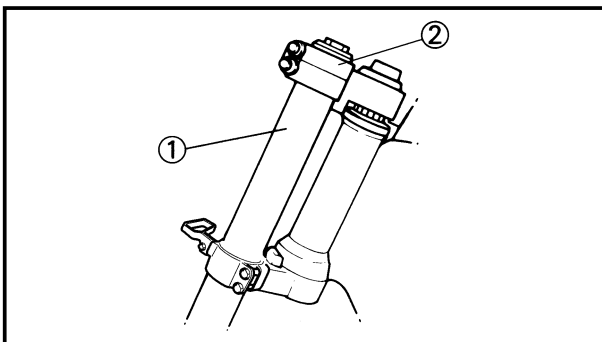


5. Check the steering shaft by turning it lock to lock. If there is any binding, remove the steering shaft assembly and inspect the steering bearings.



6. Install:

- Plain washer ①

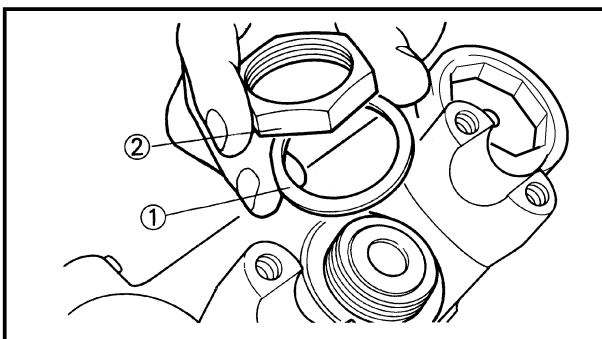


7. Install:

- Front fork ①
- Handle crown ②


NOTE: _____

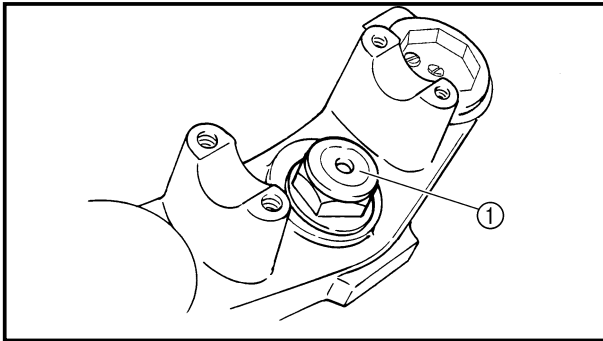
- Temporarily tighten the pinch bolts (under bracket).
- Do not tighten the pinch bolts (handle crown) yet.



8. Install:

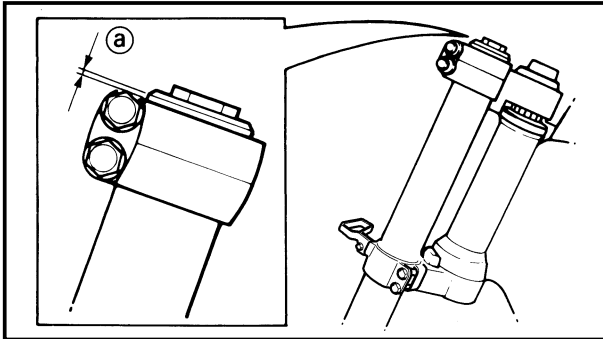
- Plain washer ①
- Steering shaft nut ②

 **145 Nm (14.5 m•kg, 105 ft•lb)**



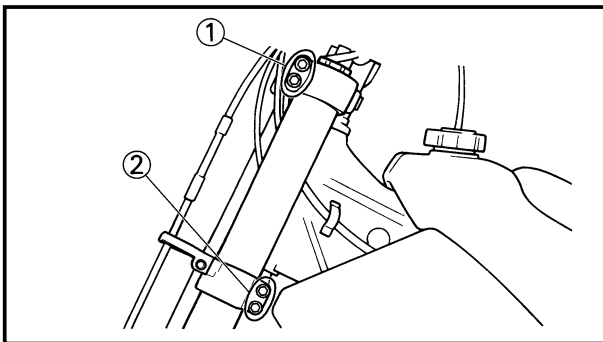
9. Install:
- Steering shaft cap ①

10. After tightening the nut, check the steering for smooth movement. If not, adjust the steering by loosening the ring nut little by little.



11. Adjust:
- Front fork top end ②

Front fork top end (standard) ②:
5 mm (0.20 in)



12. Tighten:
- Pinch bolt (handle crown) ①

23 Nm (2.3 m•kg, 17 ft•lb)

- Pinch bolt (under bracket) ②

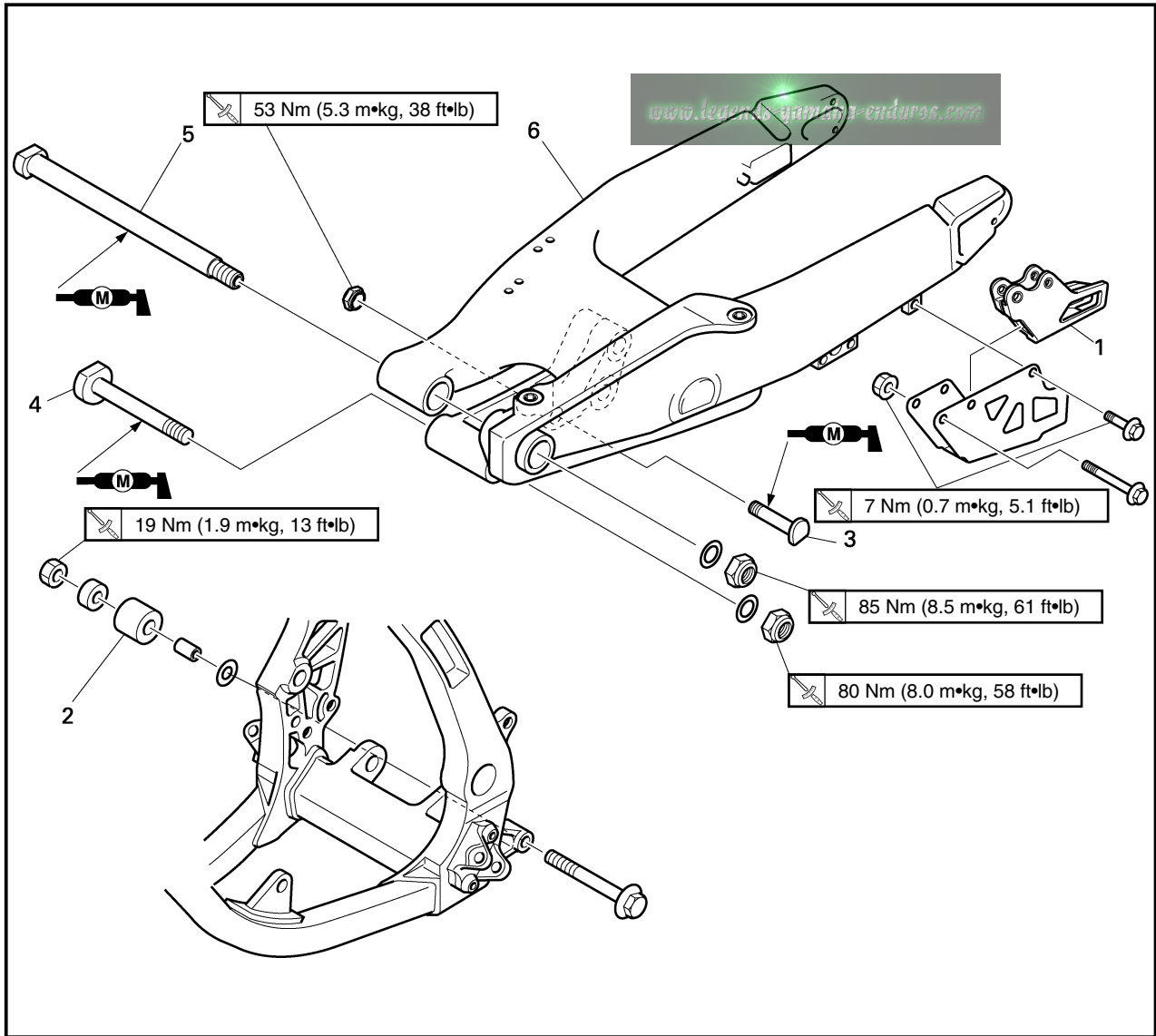
20 Nm (2.0 m•kg, 14 ft•lb)

CAUTION:


Tighten the under bracket to specified torque. If torqued too much, it may cause the front fork to malfunction.

EC570000

SWINGARM

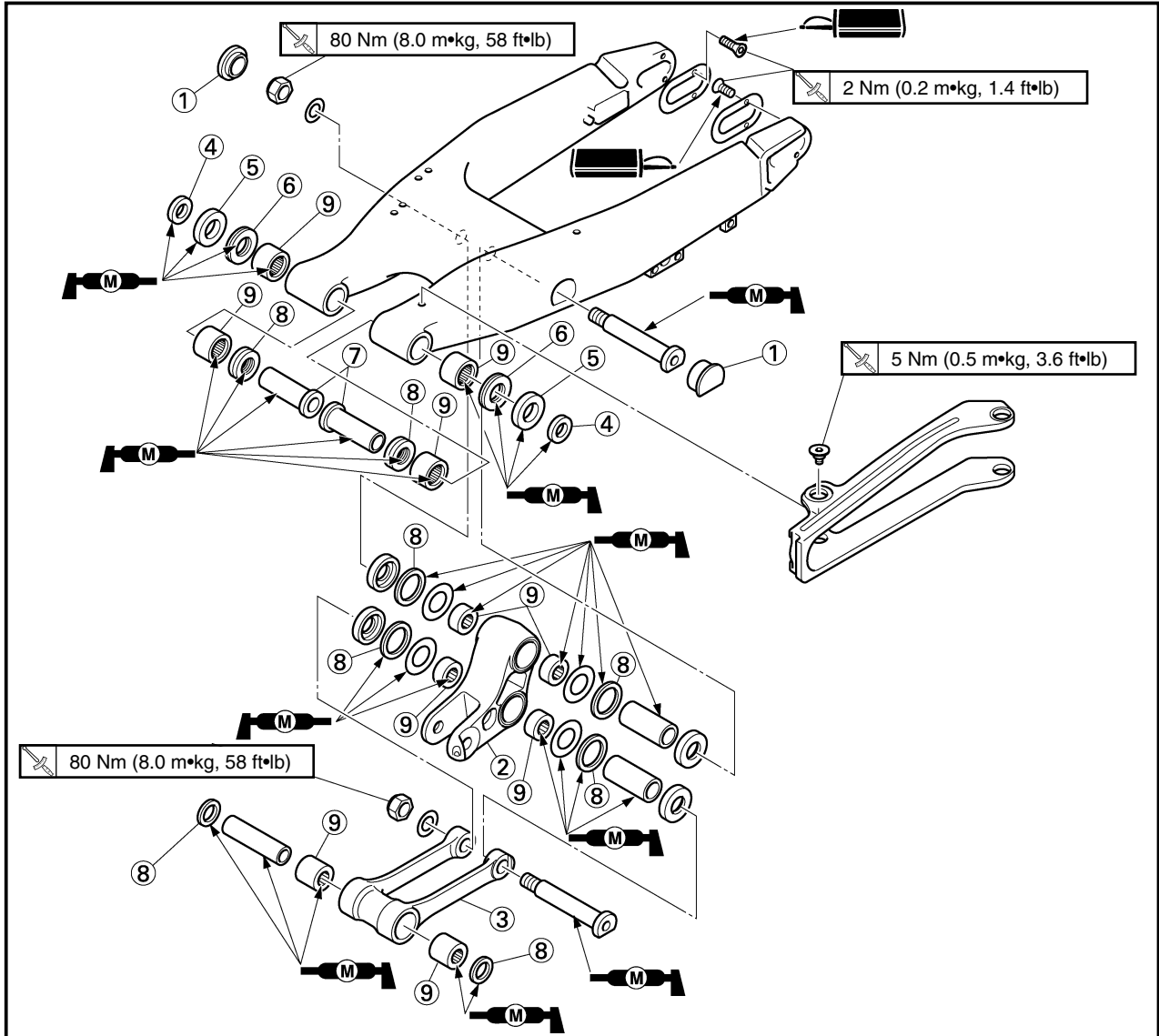


Extent of removal: ① Swingarm removal

Extent of removal	Order	Part name	Q'ty	Remarks
Preparation for removal		SWINGARM REMOVAL Hold the machine by placing the suitable stand under the engine. Brake hose holder Rear caliper Bolt (brake pedal) Drive chain		▲WARNING Support the machine securely so there is no danger of it falling over. Refer to "FRONT BRAKE AND REAR BRAKE" section. Shift the brake pedal backward.
	1 2 3 4 5 6	Chain support Chain tensioner (lower) Bolt (rear shock absorber-relay arm) Bolt (connecting rod) Pivot shaft Swingarm	1 1 1 1 1 1	Hold the swingarm.

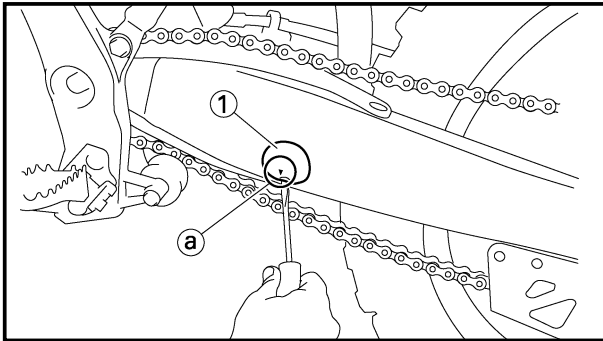
EC578000

SWINGARM DISASSEMBLY



Extent of removal: ① Swingarm disassembly ② Connecting rod removal and disassembly
 ③ Relay arm removal and disassembly

Extent of removal	Order	Part name	Q'ty	Remarks
		SWINGARM DISASSEMBLY		
↑	①	Cap	2	Refer to "REMOVAL POINTS".
	②	Relay arm	1	
	③	Connecting rod	1	
	④	Collar	2	
	⑤	Oil seal	2	
	⑥	Thrust bearing	2	
	⑦	Bush	2	
	⑧	Oil seal	8	
	⑨	Bearing	10	
				Refer to "REMOVAL POINTS".



EC573000

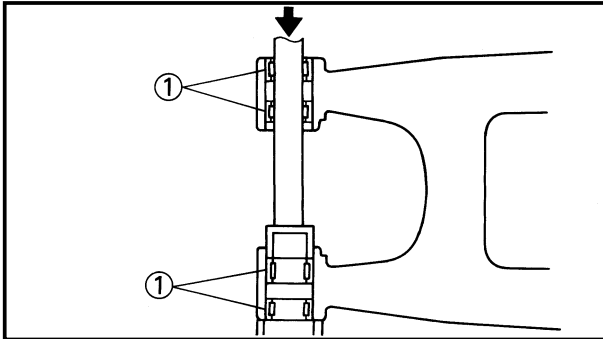
REMOVAL POINTS

Cap

1. Remove:
 - Cap (left) ①

NOTE:

Remove with a slotted-head screwdriver inserted under the mark (a) on the cap (left).



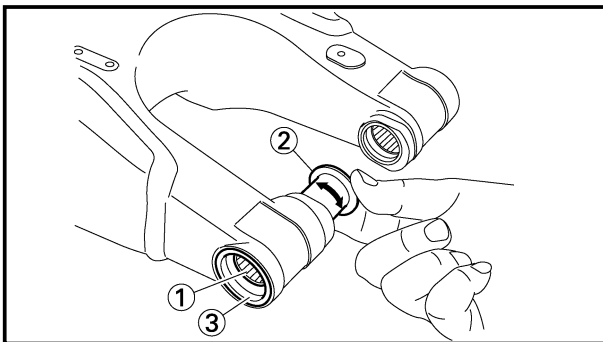
EC573201

Bearing

1. Remove:
 - Bearing ①

NOTE:

Remove the bearing by pressing its outer race.



EC574010

INSPECTION

Wash the bearings, bushes, collars, and covers in a solvent.

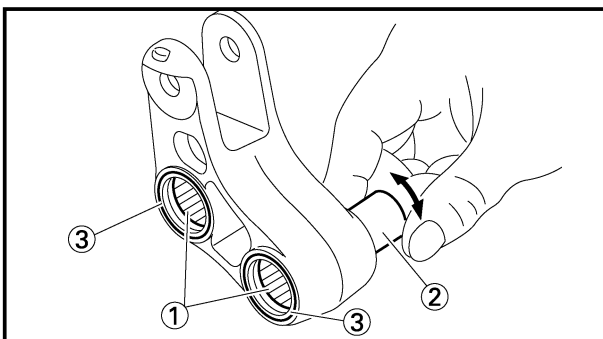
EC574111

Swingarm

1. Inspect:
 - Bearing ①
 - Bush ②

Free play exists/Unsmooth revolution/Rust → Replace bearing and bush as a set.
2. Inspect:
 - Oil seal ③

Damage → Replace.



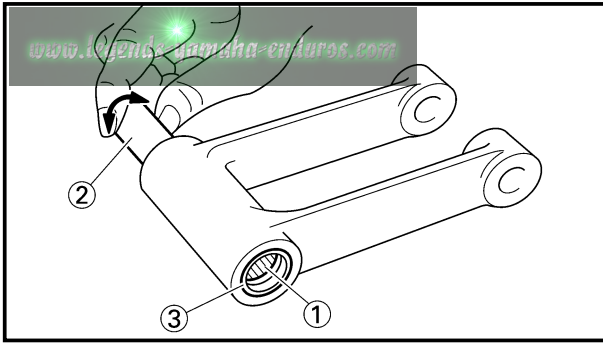
EC574211

Relay arm

1. Inspect:
 - Bearing ①
 - Collar ②

Free play exists/Unsmooth revolution/Rust → Replace bearing and collar as a set.
2. Inspect:
 - Oil seal ③

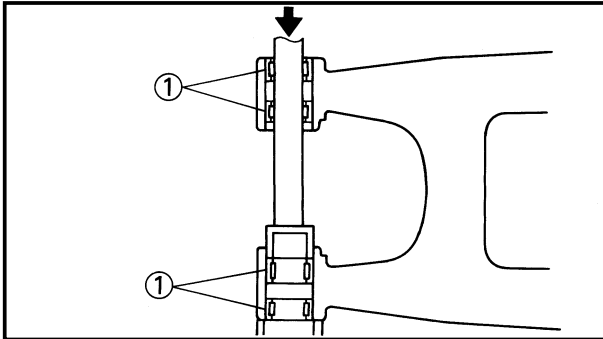
Damage → Replace.



EC574311

Connecting rod

1. Inspect:
 - Bearing ①
 - Collar ②
 Free play exists/Unsmooth revolution/Rust → Replace bearing and collar as a set.
2. Inspect:
 - Oil seal ③
 Damage → Replace.



EC575000

ASSEMBLY AND INSTALLATION

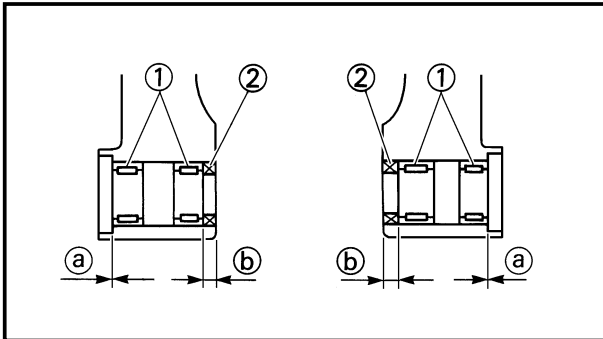
EC575202


Bearing and oil seal

1. Install:
 - Bearing ①
 - Oil seal ②
 To swingarm.

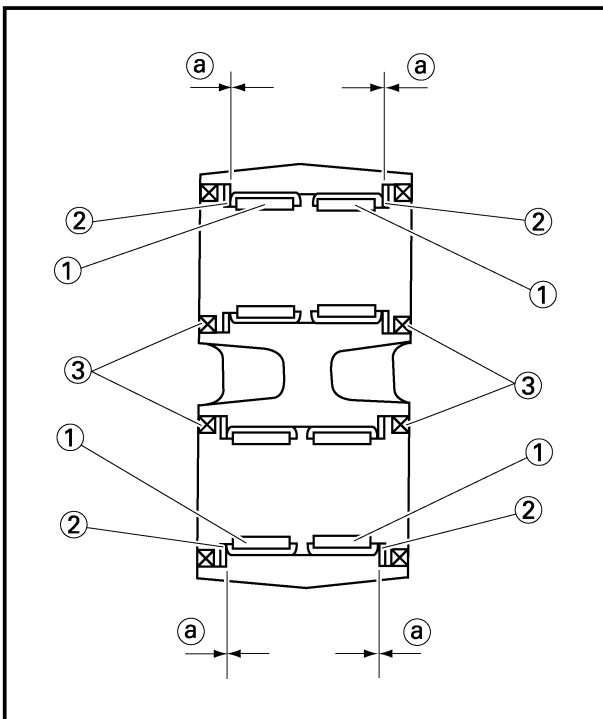
NOTE: _____

- Apply the molybdenum disulfide grease on the bearing when installing.
- Install the bearing by pressing it on the side having the manufacturer's marks or numbers.
- First install the outer and then the inner bearings to a specified depth from inside.






Installed depth of bearings:
Outer ①: Zero mm (Zero in)
Inner ②: 8.5 mm (0.33 in)



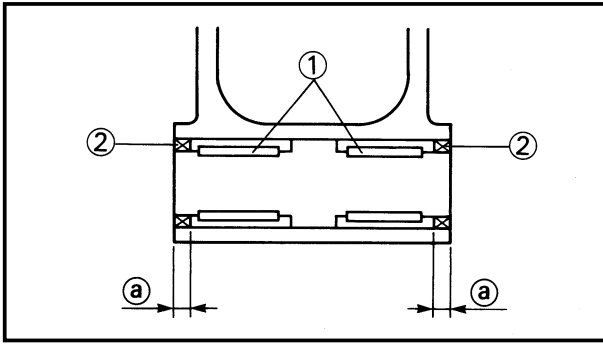
2. Install:
 - Bearing ①
 - Plain washer ②
 - Oil seal ③
 To relay arm.

NOTE: _____

- Apply the molybdenum disulfide grease on the bearing when installing.
- Install the bearing by pressing it on the side having the manufacturer's marks or numbers.
- Apply the molybdenum disulfide grease on the plain washer.



Installed depth of bearings ①:
Zero mm (Zero in)



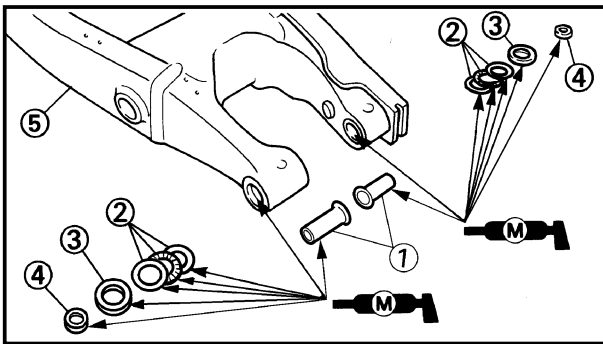
3. Install:
- Bearing ①
 - Oil seal ②
- To connecting rod.

NOTE: _____

- Apply the molybdenum disulfide grease on the bearing when installing.
- Install the bearing by pressing it on the side having the manufacture's marks or numbers.



Installed depth of bearings ①:
5 mm (0.20 in)



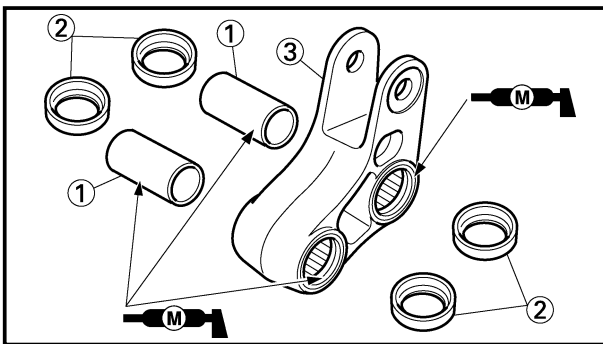
EC5751B3

Swingarm

1. Install:
- Bush ①
 - Thrust bearing ②
 - Oil seal ③
 - Collar ④
- To swingarm ⑤.

NOTE: _____

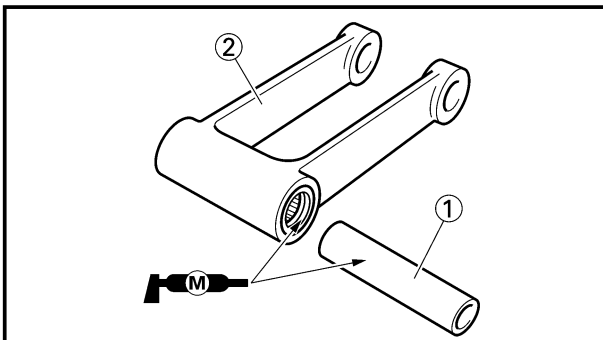
Apply the molybdenum disulfide grease on the bushes, thrust bearings, oil seal lips and contact surfaces of the collar and thrust bearing.



2. Install:
- Collar ①
 - Washer ②
- To relay arm ③.

NOTE: _____

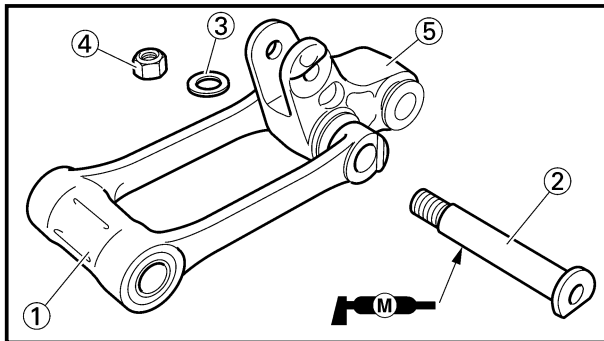
Apply the molybdenum disulfide grease on the collars and oil seal lips.



3. Install:
- Collar ①
- To connecting rod ②.

NOTE: _____

Apply the molybdenum disulfide grease on the collar and oil seal lips.



4. Install:

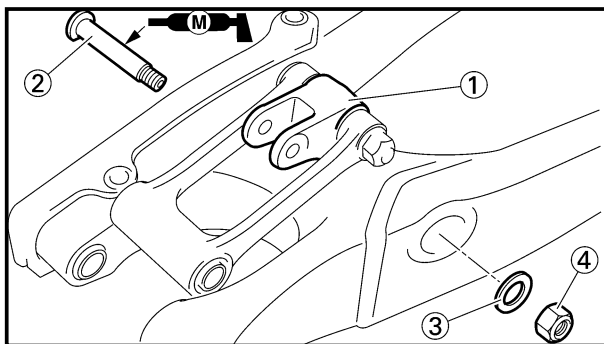
- Connecting rod ①
- Bolt (connecting rod) ②
- Plain washer ③
- Nut (connecting rod) ④

80 Nm (8.0 m•kg, 58 ft•lb)

To relay arm ⑤.

NOTE: _____

Apply the molybdenum disulfide grease on the bolt.



5. Install:

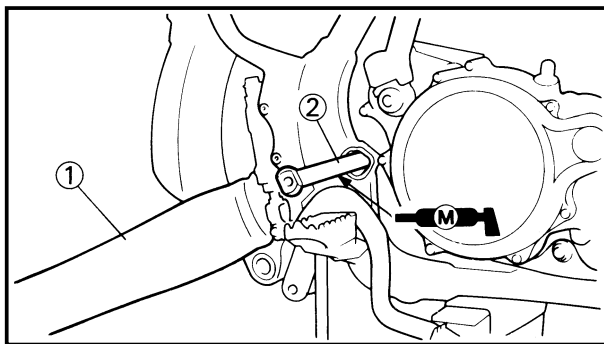
- Relay arm ①
- Bolt (relay arm) ②
- Plain washer ③
- Nut (relay arm) ④

To swingarm.

NOTE: _____

•Apply the molybdenum disulfide grease on the bolt.

•Do not tighten the nut yet.



6. Install:

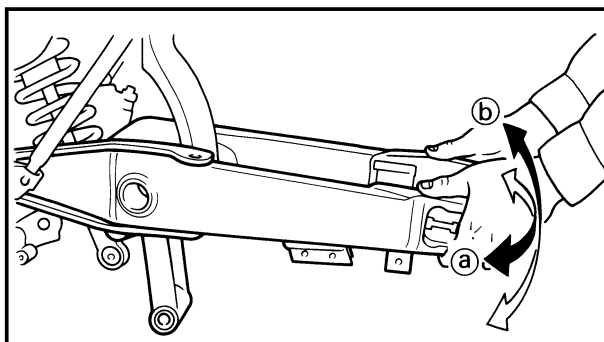
- Swingarm ①
- Pivot shaft ②

85 Nm (8.5 m•kg, 61 ft•lb)

NOTE: _____

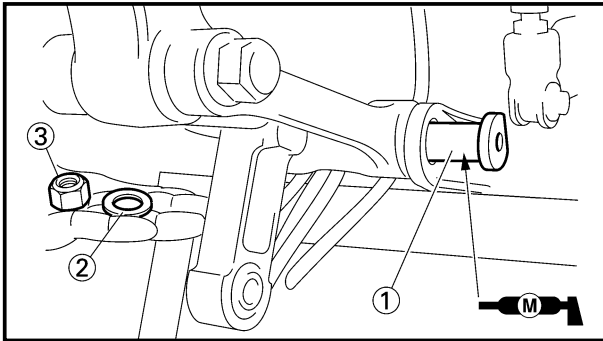
•Apply the molybdenum disulfide grease on the pivot shaft.

•Insert the pivot shaft from right side.



7. Check:

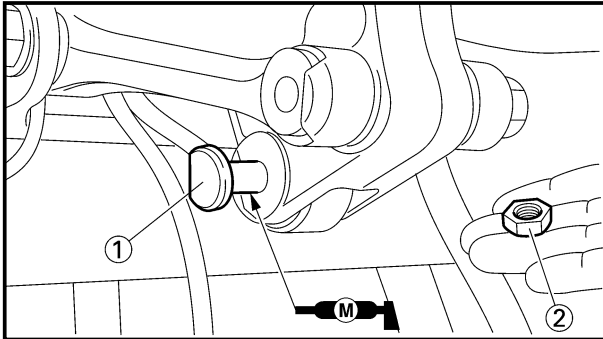
- Swingarm side play (a)
Free play exists → Replace thrust bearing.
- Swingarm up and down movement (b)
Unsmooth movement/Binding/Rough spots → Grease or replace bearings, bushes and collars.



8. Install:
- Bolt (connecting rod) ①
 - Plain washer ②
 - Nut (connecting rod) ③

NOTE: _____

- Apply the molybdenum disulfide grease on the bolt.
- Do not tighten the nut yet.

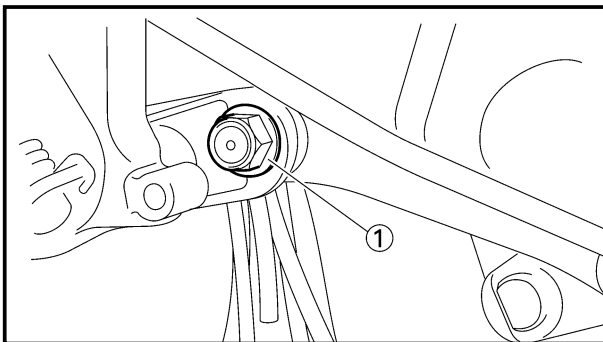


9. Install:
- Bolt (rear shock absorber-relay arm) ①
 - Nut (rear shock absorber-relay arm) ②

53 Nm (5.3 m•kg, 38 ft•lb)

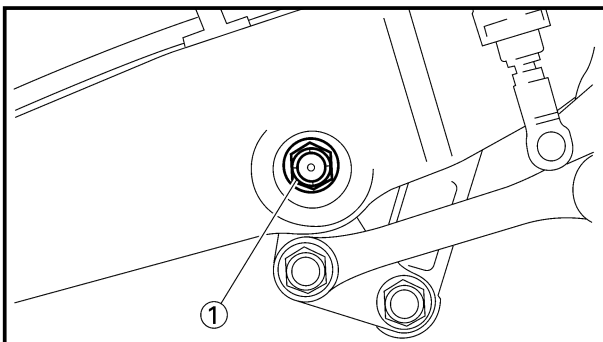
NOTE: _____

Apply the molybdenum disulfide grease on the bolt.



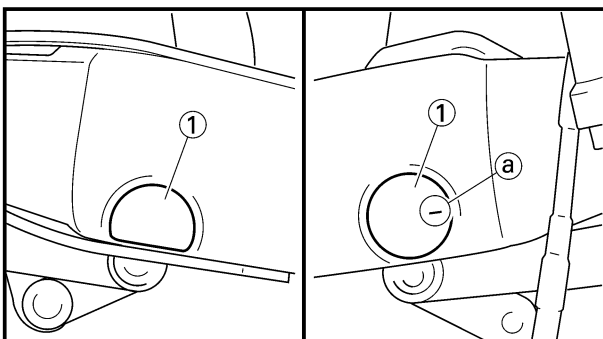
10. Tighten:
- Nut (connecting rod) ①

80 Nm (8.0 m•kg, 58 ft•lb)



11. Tighten:
- Nut (relay arm) ①

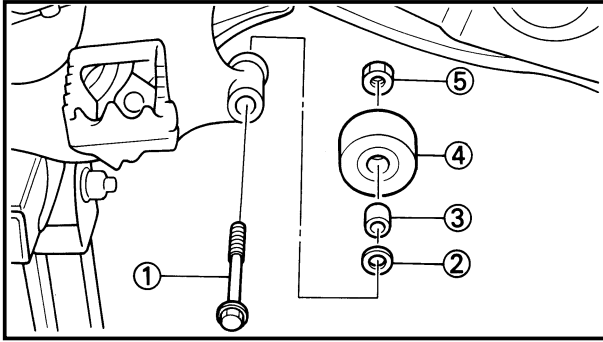
80 Nm (8.0 m•kg, 58 ft•lb)



12. Install:
- Cap ①

NOTE: _____

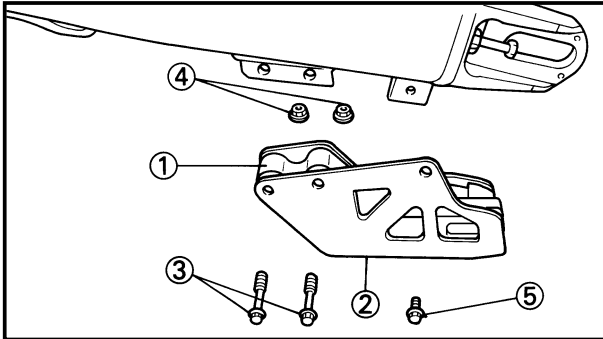
Install the cap (right) with its mark (a) facing forward.



13. Install:

- Bolt [chain tensioner (lower)] ①
- Plain washer ②
- Collar ③
- Chain tensioner ④
- Nut [chain tensioner (lower)] ⑤

19 Nm (1.9 m•kg, 13 ft•lb)



14. Install:

- Chain support ①
- Support cover ②
- Bolt {chain support [$\ell=50\text{mm}$ (1.97in)]} ③
- Nut (chain support) ④

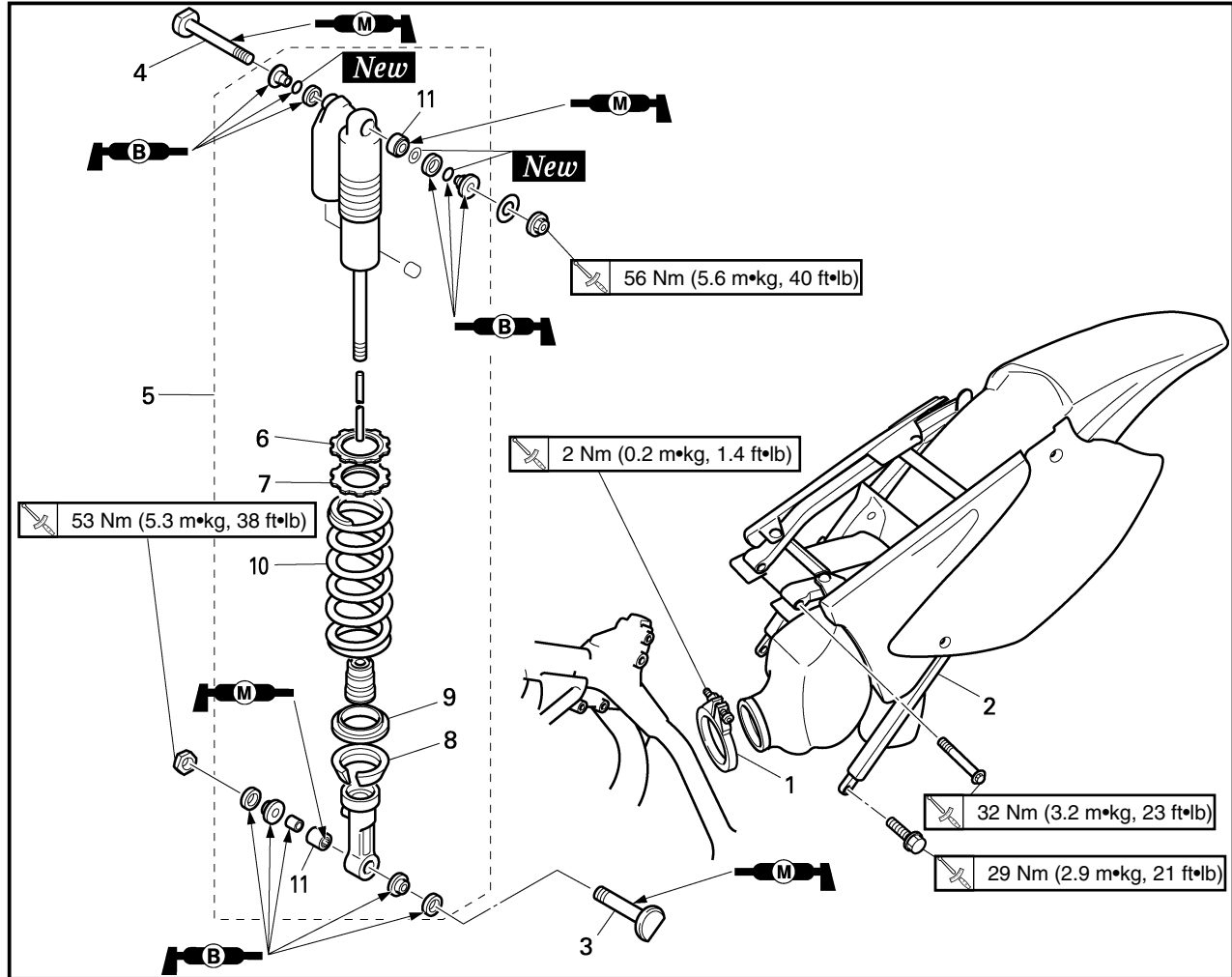
7 Nm (0.7 m•kg, 5.1 ft•lb)

- Bolt { support cover [$\ell=10\text{mm}$ (0.39in)]} ⑤

7 Nm (0.7 m•kg, 5.1 ft•lb)

EC580000

REAR SHOCK ABSORBER



Extent of removal: ① Rear shock absorber removal ② Rear shock absorber disassembly

Extent of removal	Order	Part name	Q'ty	Remarks
Preparation for removal		REAR SHOCK ABSORBER REMOVAL		⚠WARNING Support the machine securely so there is no danger of it falling over.
		Hold the machine by placing the suitable stand under the engine. Seat Silencer		Refer to "SEAT, FUEL TANK AND SIDE COVERS" section. Refer to "EXHAUST PIPE AND SILENCER" section.
<div style="display: flex; align-items: center;"> <div style="margin-right: 10px;"> ↑ ① ↓ </div> <div style="margin-right: 10px;"> ↑ ② ↓ </div> </div>	1	Clamp (air cleaner joint)	1	Loosen the bolt (air cleaner joint).
	2	Rear frame	1	
	3	Bolt (rear shock absorber-relay arm)	1	Hold the swingarm.
	4	Bolt (rear shock absorber-frame)	1	
	5	Rear shock absorber	1	
	6	Locknut	1	
	7	Adjuster	1	
	8	Spring guide (lower)	1	
	9	Spring guide (upper)	1	
	10	Spring (rear shock absorber)	1	
	11	Bearing	2	Refer to "REMOVAL POINTS".



EC586000

HANDLING NOTE

⚠WARNING

This shock absorber is provided with a separate type tank filled with high-pressure nitrogen gas. To prevent the danger of explosion, read and understand the following information before handling the shock absorber.

The manufacturer can not be held responsible for property damage or personal injury that may result from improper handling.

1. Never tamper or attempt to disassemble the cylinder or the tank.
2. Never throw the shock absorber into an open flame or other high heat. The shock absorber may explode as a result of nitrogen gas expansion and/or damage to the hose.
3. Be careful not to damage any part of the gas tank. A damaged gas tank will impair the damping performance or cause a malfunction.
4. Take care not to scratch the contact surface of the piston rod with the cylinder; or oil could leak out.
5. Never attempt to remove the plug at the bottom of the nitrogen gas tank. It is very dangerous to remove the plug.
6. When scrapping the shock absorber, follow the instructions on disposal.

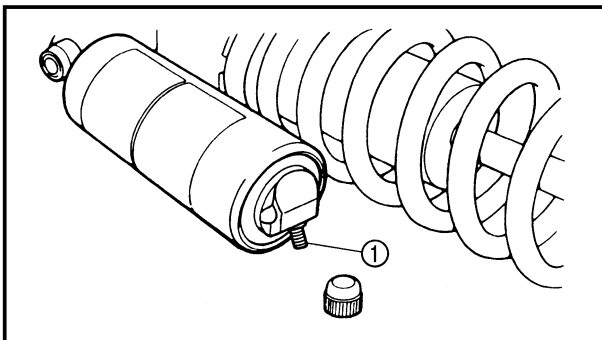
EC587000

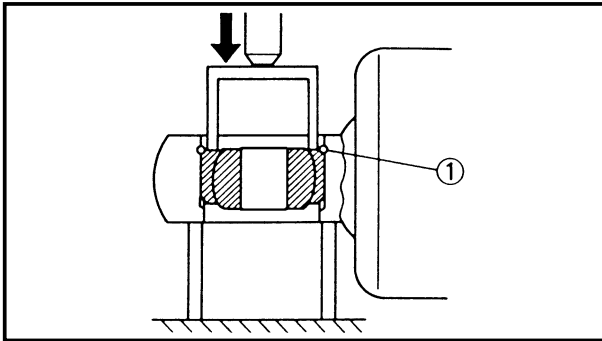
NOTES ON DISPOSAL (YAMAHA DEALERS ONLY)

Before disposing the shock absorber, be sure to extract the nitrogen gas from valve ①. Wear eye protection to prevent eye damage from escaping gas and/or metal chips.

⚠WARNING

To dispose of a damaged or worn-out shock absorber, take the unit to your Yamaha dealer for this disposal procedure.





EC583000

REMOVAL POINTS

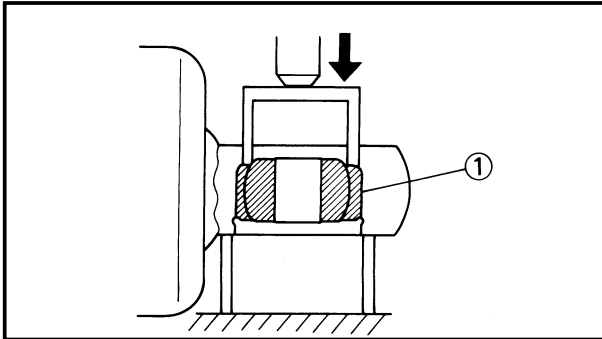
EC583320

Bearing

1. Remove:
 - Stopper ring (upper bearing) ①

NOTE:

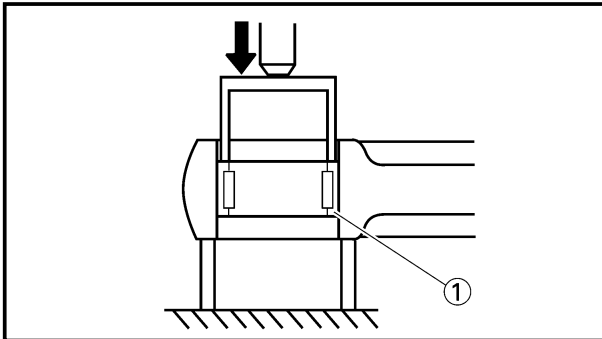
Press in the bearing while pressing its outer race and remove the stopper ring.



2. Remove:
 - Upper bearing ①

NOTE:

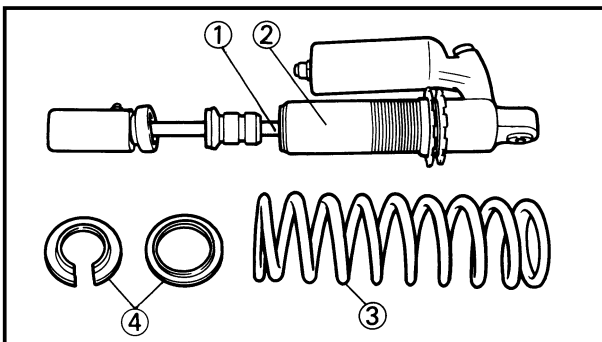
Remove the bearing by pressing its outer race.



3. Remove:
 - Lower bearing ①

NOTE:

Remove the bearing by pressing its outer race.



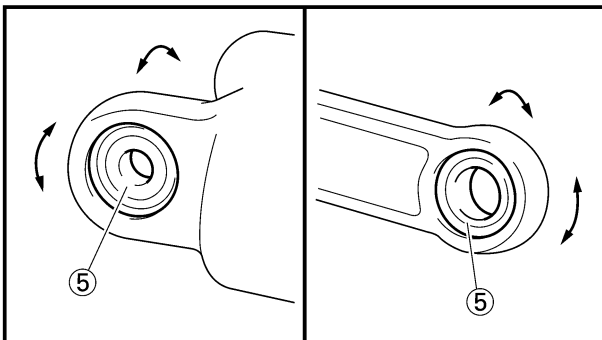
EC584000

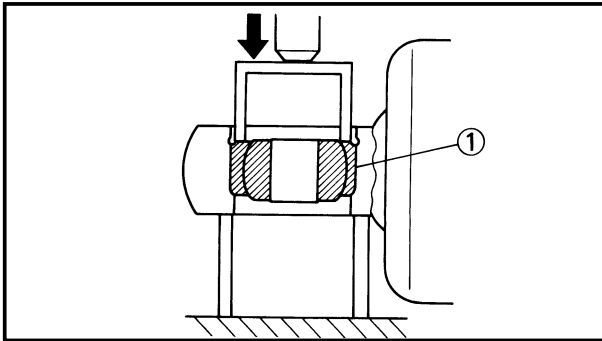
INSPECTION

EC584110

Rear shock absorber

1. Inspect:
 - Damper rod ①
Bends/Damage → Replace absorber assembly.
 - Shock absorber ②
Oil leaks → Replace absorber assembly.
Gas leaks → Replace absorber assembly.
 - Spring ③
Damage → Replace spring.
Fatigue → Replace spring.
Move spring up and down.
 - Spring guide ④
Wear/Damage → Replace spring guide.
 - Bearing ⑤
Free play exists/Unsmooth revolution/
Rust → Replace.





EC585000

ASSEMBLY AND INSTALLATION

EC585320

Bearing

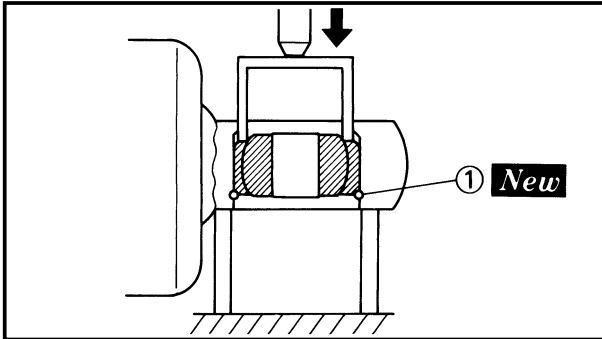
1. Install:
 - Upper Bearing ①

NOTE:

Install the bearing parallel until the stopper ring groove appears by pressing its outer race.

CAUTION:

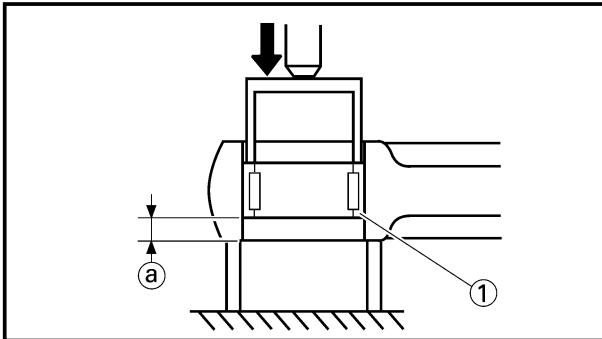
Do not apply the grease on the bearing outer race because it will wear the rear shock absorber surface on which the bearing is press fitted.



2. Install:
 - Stopper ring (upper bearing) ① **New**

NOTE:

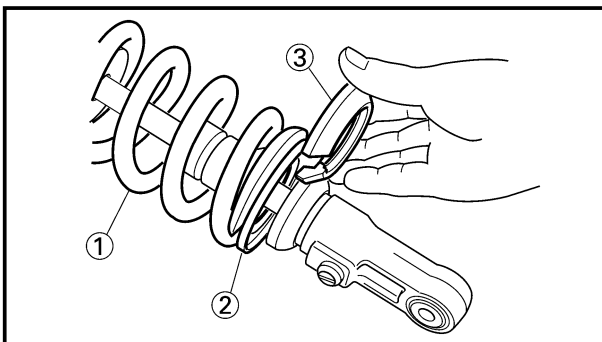
After installing the stopper ring, push back the bearing until it contacts the stopper ring.



3. Install:
 - Lower bearing ①

NOTE:

Install the bearing by pressing it on the side having the manufacture's marks or numbers.



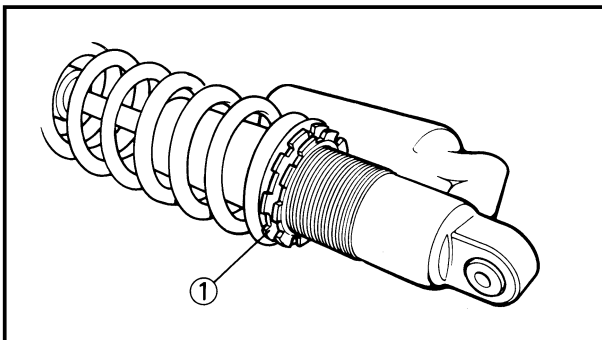
Installed depth of the bearing ①:
4 mm (0.16 in)

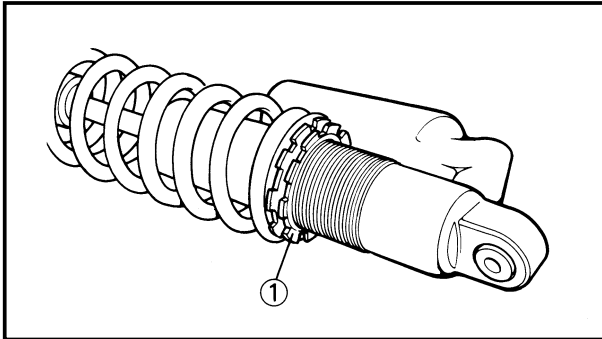
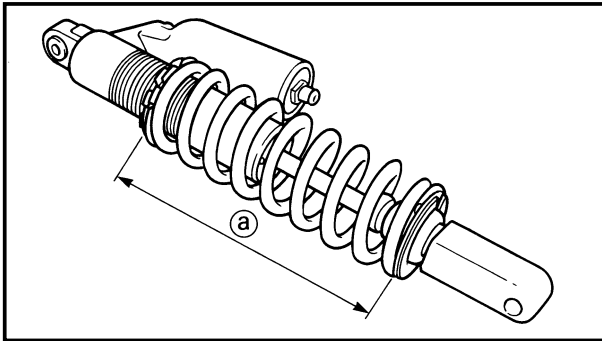
EC585111

Spring (rear shock absorber)

1. Install:
 - Spring ①
 - Spring guide (upper) ②
 - Spring guide (lower) ③

2. Tighten:
 - Adjuster ①





3. Adjust:
 - Spring length (installed) ②

Spring length (installed) ②:	
Standard length	Extent of adjustment
252 mm (9.92 in) *248 mm (9.76 in)	240.5~258.5 mm (9.47~10.18 in)

*For EUROPE

NOTE: _____

The length of the spring (installed) changes 1.5 mm (0.06 in) per turn of the adjuster.

CAUTION: _____

Never attempt to turn the adjuster beyond the maximum or minimum setting.

4. Tighten:
 - Locknut ①

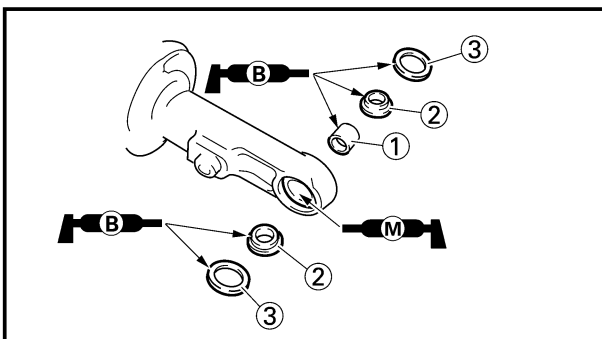
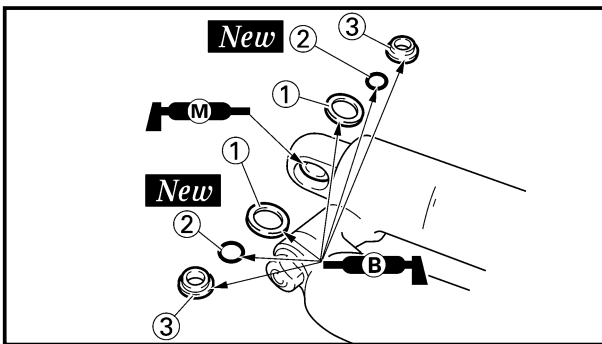
EC5852B5

Rear shock absorber

1. Install:
 - Dust seal ①
 - O-ring ② **New**
 - Collar ③

NOTE: _____

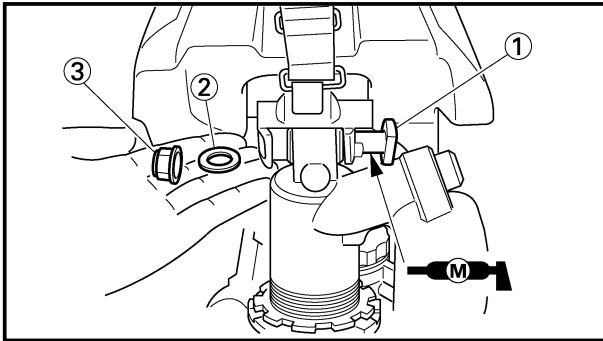
- Apply the molybdenum disulfide grease on the bearing.
- Apply the lithium soap base grease on the dust seals, O-rings and collars.



2. Install:
 - Bush ①
 - Collar ②
 - Dust seal ③

NOTE: _____

- Apply the molybdenum disulfide grease on the bearing.
- Apply the lithium soap base grease on the bush, collars and dust seals.
- Install the dust seals with their lips facing outward.

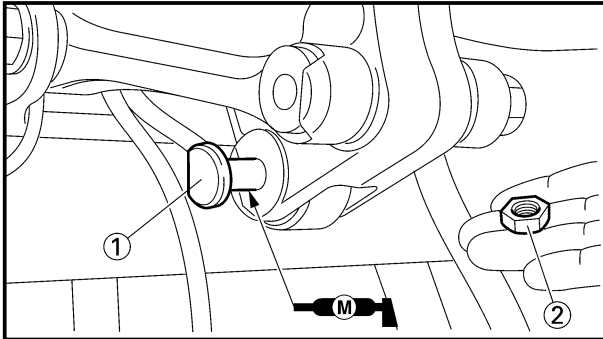


3. Install:
 - Rear shock absorber
4. Install:
 - Bolt (rear shock absorber-frame) ①
 - Plain washer ②
 - Nut (rear shock absorber-frame) ③

56 Nm (5.6 m•kg, 40 ft•lb)

NOTE: _____

Apply the molybdenum disulfide grease on the bolt.

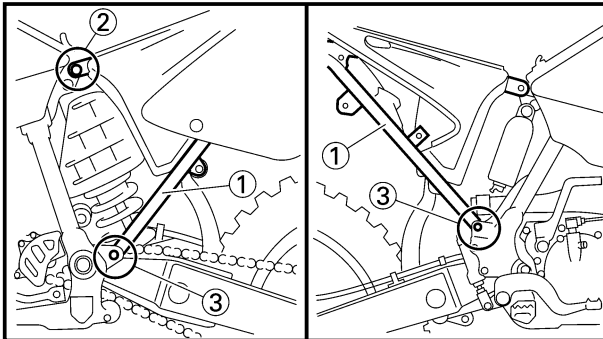


5. Install:
 - Bolt (rear shock absorber-relay arm) ①
 - Nut (rear shock absorber-relay arm) ②

53 Nm (5.3 m•kg, 38 ft•lb)

NOTE: _____

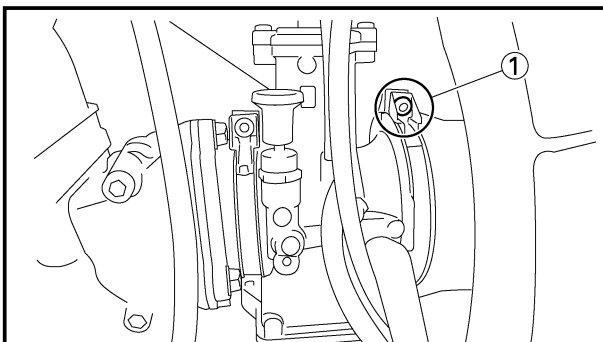
Apply the molybdenum disulfide grease on the bolt.



6. Install:
 - Rear frame ①
 - Bolt [rear frame (upper)] ②
 - Bolt [rear frame (lower)] ③

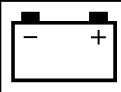
32 Nm (3.2 m•kg, 23 ft•lb)

29 Nm (2.9 m•kg, 21 ft•lb)



7. Tighten:
 - Bolt (air cleaner joint) ①

2 Nm (0.2 m•kg, 1.4 ft•lb)



EC600000

ELECTRICAL

EC610000

ELECTRICAL COMPONENTS AND WIRING DIAGRAM

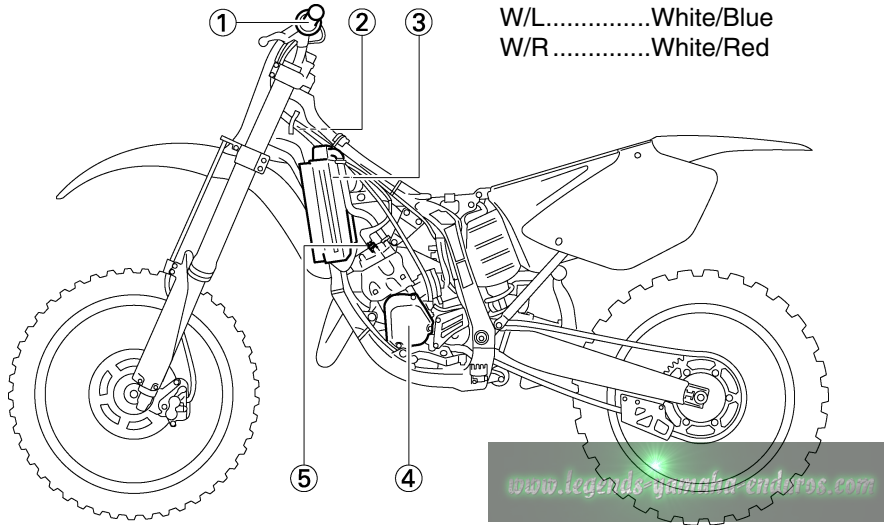
EC611000

ELECTRICAL COMPONENTS

- ① "ENGINE STOP" button
- ② CDI unit
- ③ Ignition coil
- ④ CDI magneto
- ⑤ Spark plug

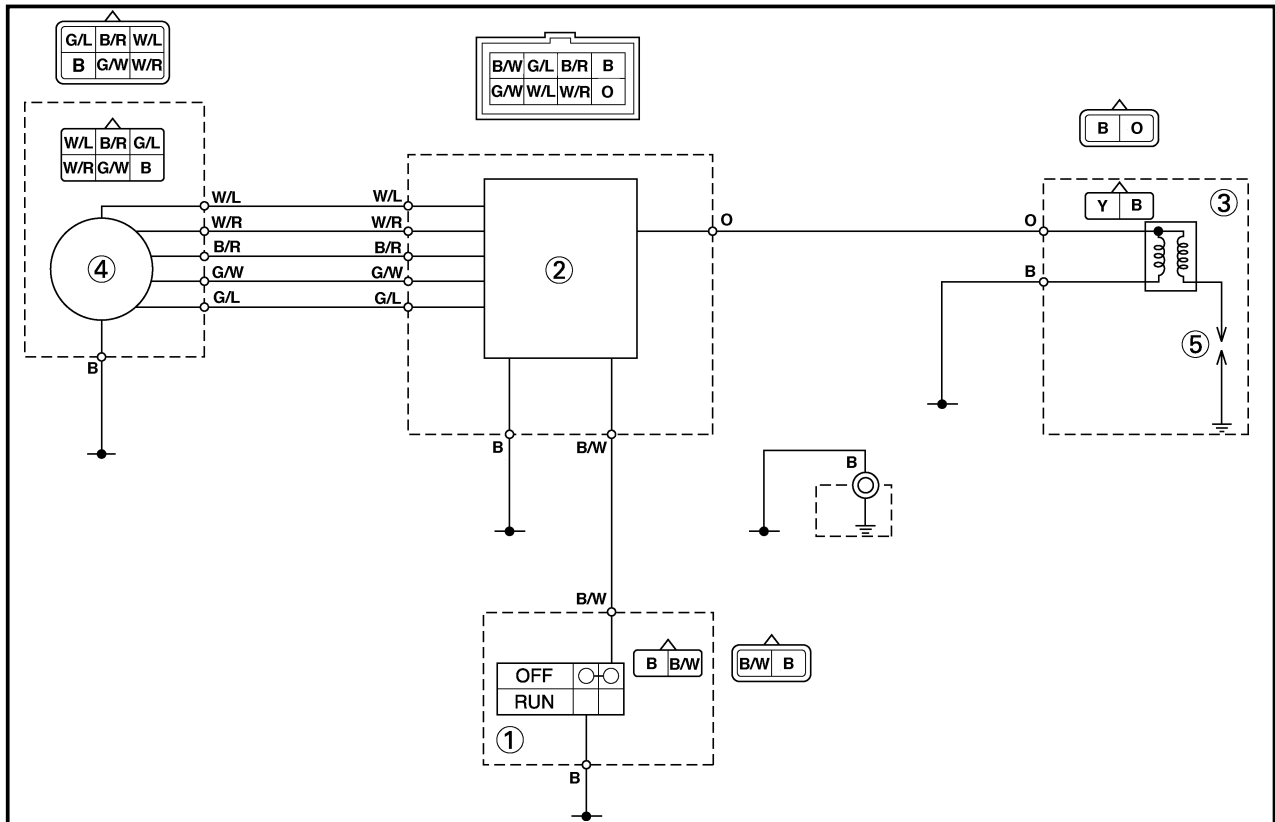
COLOR CODE

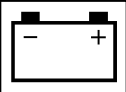
- B.....Black
- OOrange
- Y.....Yellow
- B/R.....Brack/Red
- B/WBlack/White
- G/LGreen/Blue
- G/W.....Green/White
- W/L.....White/Blue
- W/R.....White/Red



EC612000

WIRING DIAGRAM





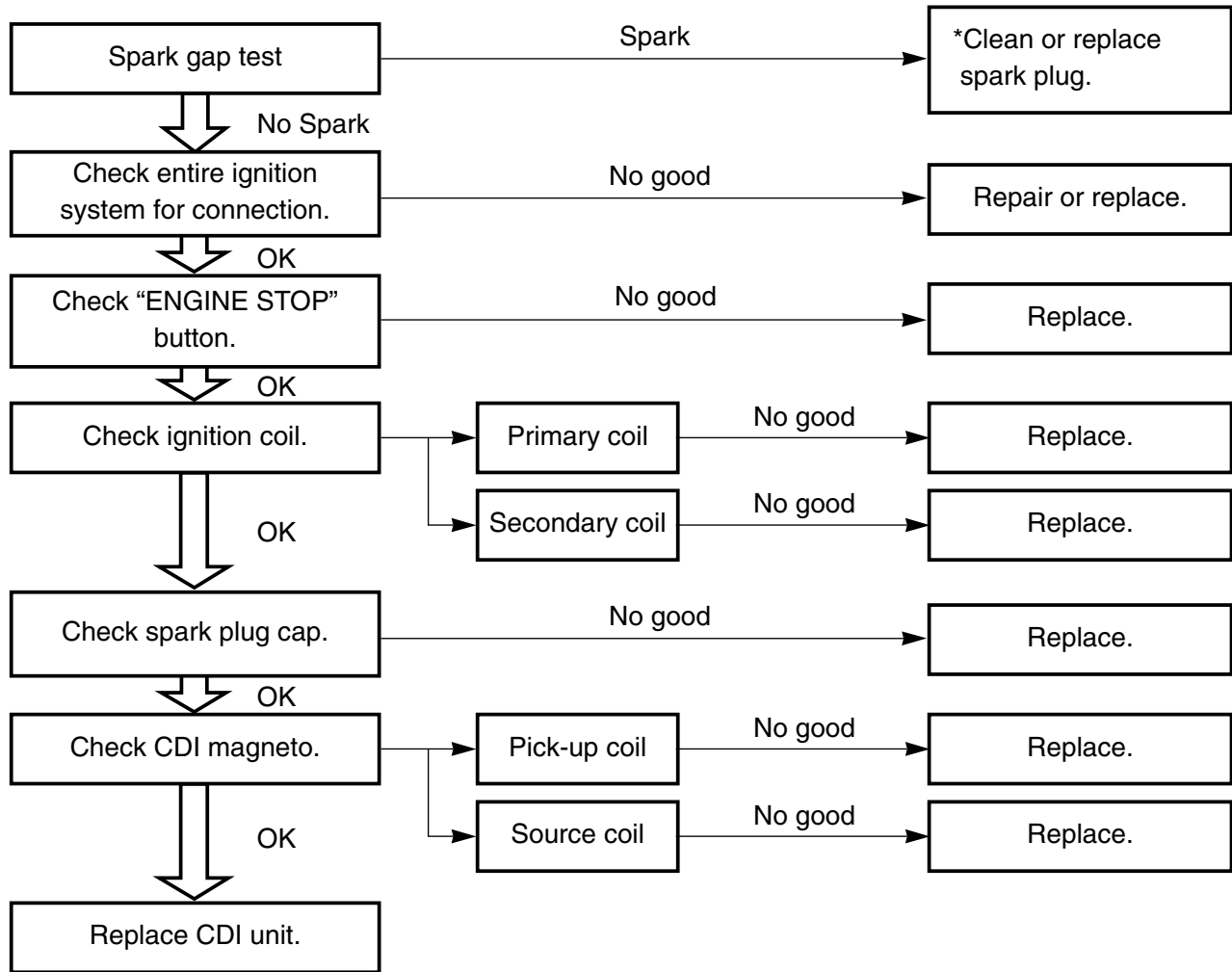
EC620000

IGNITION SYSTEM

EC621003

INSPECTION STEPS


Use the following steps for checking the possibility of the malfunctioning engine being attributable to ignition system failure and for checking the spark plug which will not spark.




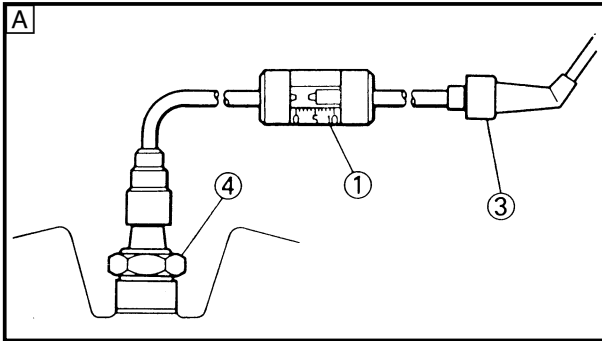
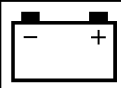
*marked: Only when the ignition checker is used.

NOTE:

- Remove the following parts before inspection.
 - 1) Seat
 - 2) Fuel tank
- Use the following special tools in this inspection.

	Dynamic spark tester: YM-34487 Ignition checker: 90890-06754
---	---

	Pocket tester: YU-3112-C/90890-03112
---	---



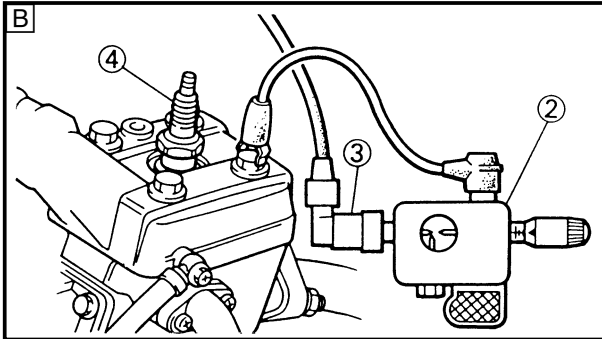
EC622001

SPARK GAP TEST

1. Disconnect the spark plug cap from spark plug.
2. Connect the dynamic spark tester (1) (ignition checker (2)) as shown.
 - Spark plug cap (3)
 - Spark plug (4)

A For USA and CDN

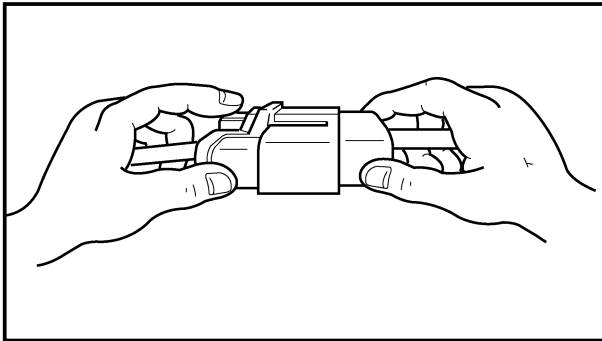
B Except for USA and CDN



3. Kick the kick starter.
4. Check the ignition spark gap.
5. Start engine, and increase spark gap until misfire occurs. (for USA and CDN only)



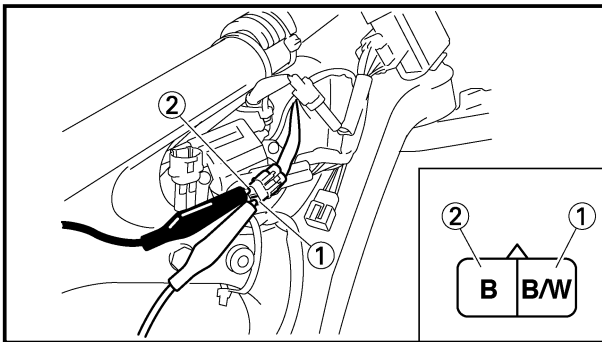
**Minimum spark gap:
6.0 mm (0.24 in)**



EC624000

COUPLERS AND LEADS CONNECTION INSPECTION

1. Check:
 - Couplers and leads connection
 - Rust/ Dust/ Looseness/Short-circuit → Repair or replace.



EC625002

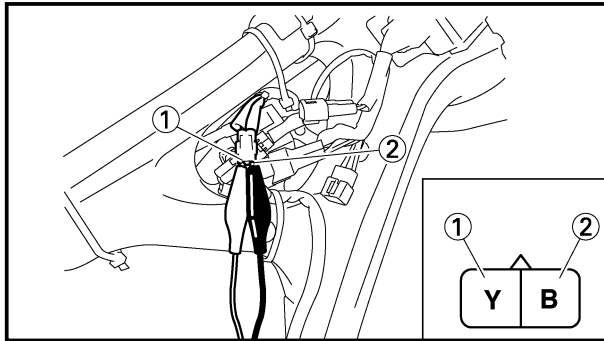
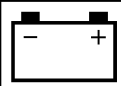
“ENGINE STOP” BUTTON INSPECTION

1. Inspect:
 - “ENGINE STOP” button conduct

Tester (+) lead → Black/White lead (1)
Tester (-) lead → Black lead (2)

Tester selector position	B/W	B	Tester selector position
	(1)	(2)	
PUSH IN	○	○	Ω × 1
FREE			

Not continuous while being pushed → Replace.
 Continuous while being freed → Replace.



EC626003

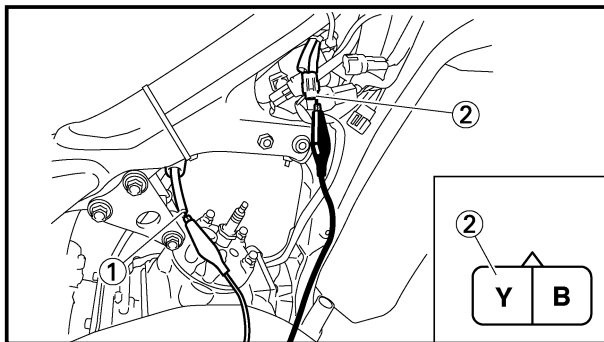
IGNITION COIL INSPECTION

1. Inspect:

- Primary coil resistance
Out of specification → Replace.

Tester (+) lead → Yellow lead ①
Tester (-) lead → Black lead ②

	Primary coil resistance	Tester selector position
	0.24~0.36Ω at 20°C (68°F)	Ω × 1

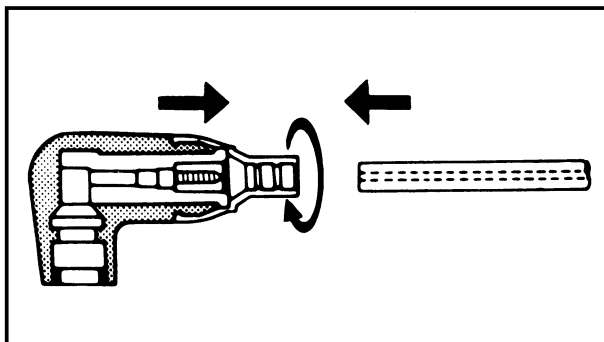


2. Inspect:

- Secondary coil resistance
Out of specification → Replace.

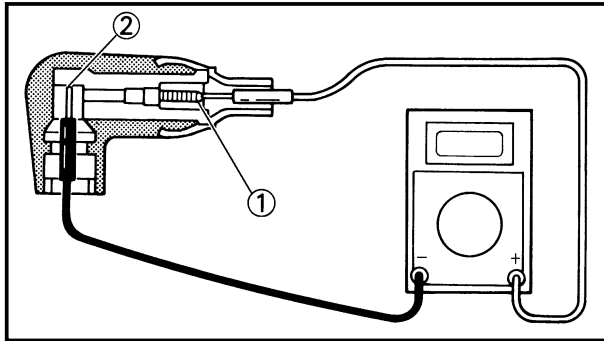
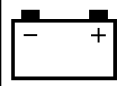
Tester (+) lead → Spark plug lead ①
Tester (-) lead → Yellow lead ②

	Secondary coil resistance	Tester selector position
	5.7~8.5kΩ at 20°C (68°F)	kΩ × 1



NOTE: _____

- Remove the spark plug cap by turning it counterclockwise and inspect.
- Install the spark plug cap by turning it clockwise until it is tight.




EC62B000

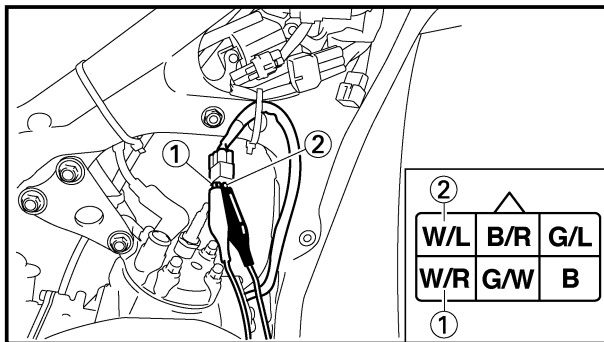
SPARK PLUG CAP INSPECTION

1. Inspect:

- Spark plug cap
Loose connection → Tighten.
Deteriorated/damaged → Replace.
- Spark plug cap resistance
Out of specification → Replace.

Tester (+) lead → Spark plug lead terminal ①
Tester (-) lead → Spark plug terminal ②

	Spark plug cap resistance	Tester selector position
	4~6kΩ at 20°C (68°F)	kΩ × 1




EC627011

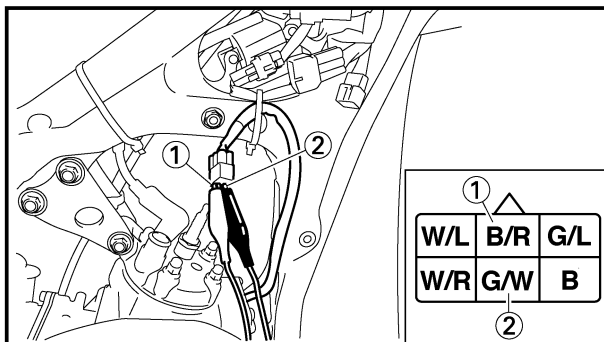
CDI MAGNETO INSPECTION

1. Inspect:

- Pick-up coil resistance
Out of specification → Replace.

Tester (+) lead → White/Red lead ①
Tester (-) lead → White/Blue lead ②


	Pick-up coil resistance	Tester selector position
	248~372Ω at 20°C (68°F)	Ω × 100

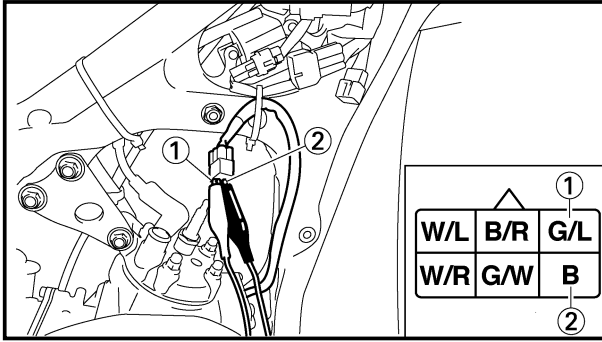
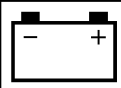


2. Inspect:

- Source coil 1 resistance
Out of specification → Replace.

Tester (+) lead → Black/Red lead ①
Tester (-) lead → Green/White lead ②

	Source coil 1 resistance	Tester selector position
	720~1,080Ω at 20°C (68°F)	Ω × 100



3. Inspect:

- Source coil 2 resistance

Out of specification → Replace.

Tester (+) lead → Green/Blue lead ①

Tester (-) lead → Black lead ②

	Source coil 2 resistance	Tester selector position
	44~66Ω at 20°C (68°F)	Ω × 10

EC628000

CDI UNIT INSPECTION

Check all electrical components. If no fault is found, replace the CDI unit. Then check the electrical components again.



EC700000

TUNING

EC710000

ENGINE

EC711001

Carburetor setting

- The role of fuel is to cool the engine, and in the case of a 2-stroke engine, to lubricate the engine in addition to power generation. Accordingly, if a mixture of air and fuel is too lean, abnormal combustion will occur, and engine seizure may result. If the mixture is too rich, spark plugs will get wet with oil, thus making it impossible to bring the engine into full play or if the worst comes to the worst, the engine may stall.
 - The richness of the air-fuel mixture required for the engine will vary with atmospheric conditions of the day and therefore, the settings of the carburetor must be properly suited to the atmospheric conditions (air pressure, humidity and temperature).
 - Finally, the rider himself must make a test-run and check his machine for conditions (pick-up of engine speed, road surface conditions) and for the discoloration of the spark plug(s). After taking these into consideration, he must select the best possible carburetor settings.
- ※ It is advisable to make a note of settings, atmospheric conditions, road surface condition, lap-time, etc. so that the memorandum can be used as a reference useful for future.

EC712000

Atmospheric conditions and carburetor setting

Air temp.	Humidity	Air pressure (altitude)	Mixture	Setting
High	High	Low (high)	Richer	Leaner
Low	Low	High (low)	Leaner	Richer

The reason for the above tendency is that the richness or leanness of a fuel mixture depends on the density of the air (i.e. the concentration of oxygen in it).



That is:

- Higher temperature expands the air with its resultant reduced density.
- Higher humidity reduces the amount of oxygen in the air by so much of the water vapor in the same air.
- Lower atmospheric pressure (at a high altitude) reduces the density of the air.



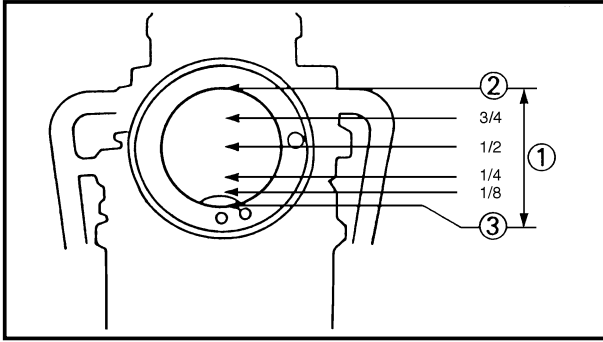
EC713001

Test run

After warming up the engine equipped with the standard type carburetor(s) and spark plug(s), run two or three laps of the circuit and check the smooth operation of the engine and discoloration of spark plug(s).

Discoloration	Condition of spark plug
Normal	Insulator is dry and burnt brown.
Over burned (too lean)	Insulator is whitish.
Oil fouled (too rich)	Insulator is sooty and wet.

- A Normal
- B Over burned (too lean)
- C Oil fouled (too rich)

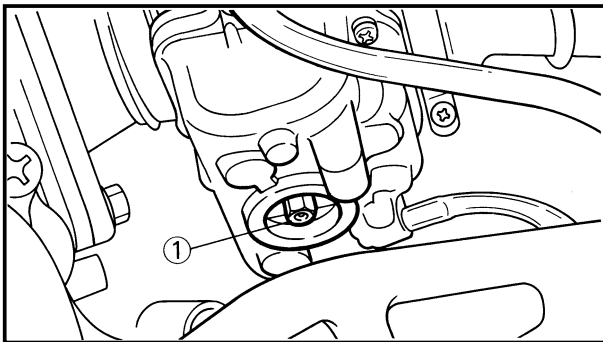


EC714060

Effect of setting parts in relation to throttle valve opening

Setting part	Throttle valve opening				
	Full-closed	1/4	1/2	3/4	Full-open
Pilot air screw	[Diagram showing narrow jet]				
Pilot jet	[Diagram showing wide jet]				
jet needle	[Diagram showing wide needle tip]				
Clip position	[Diagram showing wide clip]				
Throttle valve	[Diagram showing wide valve]				
Main jet	[Diagram showing wide jet]				

- ① Throttle valve opening
- ② Full-open
- ③ Full-closed



EC715002

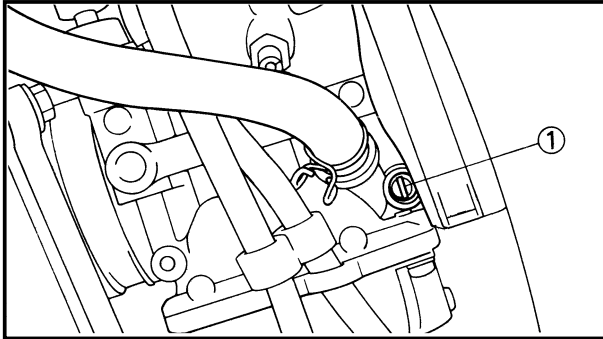
Main jet adjustment

The richness of air-fuel mixture with 1/2~4/4 throttle can be set by changing the main jet ①.

Standard main jet	#410 *#430
--------------------------	-----------------------------

*For EUROPE

1. Spark plug is too hot.
Select a main jet having higher calibrating No. than standard. (To be enriched)
2. Spark plug is wet.
Select a main jet having lower calibrating No. than standard. (To be leaned out)



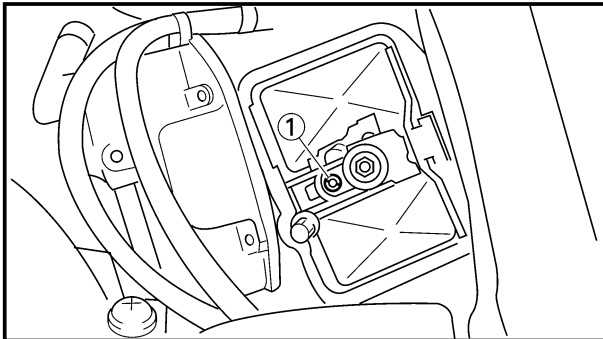
EC716001

Pilot air screw adjustment

The richness of air-fuel mixture with full closed to 1/4 throttle can be set by turning the pilot air screw ①.

Turning in the pilot air screw will enrich the mixture at low speeds, and turning out it will lean out the mixture.

Standard pilot air screw position	2-1/4 turns out
--	------------------------



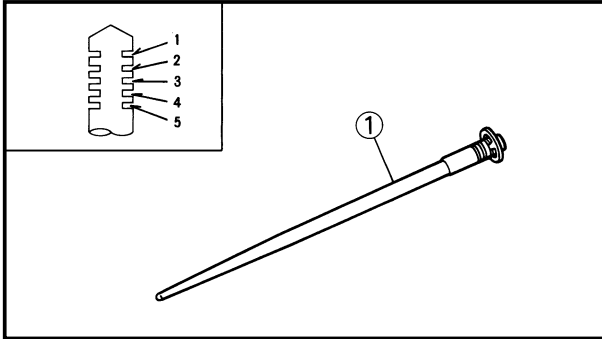
EC71R010

Pilot jet adjustment

The richness of air - fuel mixture with the throttle fully closed to 1/2 open can be set by turning the pilot jet ①.

It is changed when adjustment cannot be made by the pilot air screw alone.

Standard pilot jet	#40
---------------------------	------------



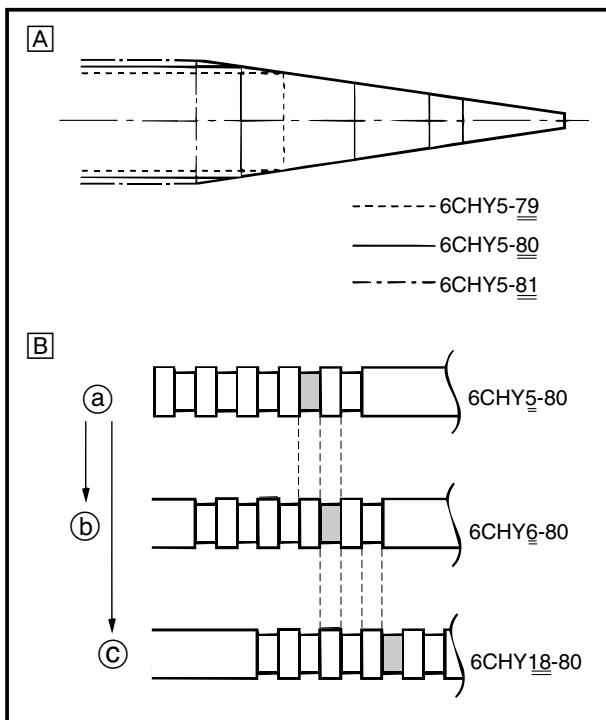
EC718010

Jet needle groove position adjustment

Should the engine be hard to run smoothly at intermediate speeds, the jet needle ① must be adjusted. If the mixture is too rich or too lean at intermediate speed operation, irregular engine operation and poor acceleration will result. Whether or not the richness of the mixture is proper is hard to be determined by means of the spark plug and therefore, it should be judged from your feeling of actual engine operation.

Standard clip position	No.4 groove
-------------------------------	--------------------

1. Too rich at intermediate speeds
Rough engine operation is felt and the engine will not pick up speed smoothly. In this case, step up the jet needle clip by one groove or 0.5 groove and move down the needle to lean out the mixture.
2. Too lean at intermediate speeds
The engine breathes hard and will not pick up speed quickly. In this case, step down the jet needle clip by one groove or 0.5 groove and move up the needle to enrich the mixture.



EC719072

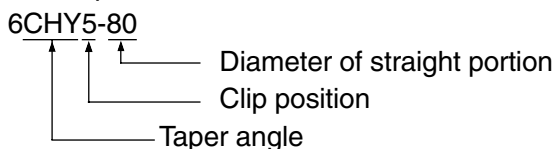
Jet needle adjustment

On the carburetors used in the YZ125, the main nozzle is a non disassembly type, so it can not be replaced. Therefore, carburetor setting requires the change of the jet needle.

1. The jet needle setting parts, having the same taper angle, are available in different straight portion diameters and in different taper starting positions.

Standard jet needle	6CHY5-80
----------------------------	-----------------

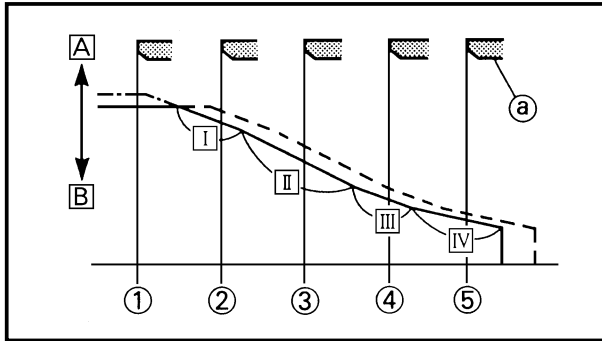
<Example>



In the case of the same number of clip position, changing from 6CHY5-80 to 6CHY6-80 has the same effect as a rising of 0.5-clip position. And in the case of the same number of clip position, changing from 6CHY5-80 to 6CHY18-80 has the same effect as a rising of 2-clip position.

- [A] Difference in straight portion dia.
- [B] Difference in clip position
- (a) Reference needle
- (b) 0.5 richer
- (c) 2 richer

Clip position		Diameter of straight portion		Rich ← → Lean		
		Rich	Lean	Rich	Lean	Rich
		ø2.78 mm (0.1094 in)	ø2.79 mm (0.1098 in)	ø2.80 mm (0.1102 in)	ø2.81 mm (0.1106 in)	ø2.82 mm (0.1110 in)
Rich ↑ ↓ Lean	1.5 richer	6CHY6-78-5	6CHY6-79-5	6CHY6-80-5	6CHY6-81-5	6CHY6-82-5
	1 richer	6CHY18-78-3	6CHY18-79-3	6CHY18-80-3	6CHY18-81-3	6CHY18-82-3
		6CHY5-78-5	6CHY5-79-5	6CHY5-80-5	6CHY5-81-5	6CHY5-82-5
	0.5 richer	6CHY6-78-4	6CHY6-79-4	6CHY6-80-4	6CHY6-81-4	6CHY6-82-4
	STD	6CHY5-78-4	6CHY5-79-4	6CHY5-80-4	6CHY5-81-4	6CHY5-82-4
	0.5 leaner	6CHY6-78-3	6CHY6-79-3	6CHY6-80-3	6CHY6-81-3	6CHY6-82-3
1 leaner	6CHY18-78-1	6CHY18-79-1	6CHY18-80-1	6CHY18-81-1	6CHY18-82-1	
	6CHY5-78-3	6CHY5-79-3	6CHY5-80-3	6CHY5-81-3	6CHY5-82-3	



EC71B040

Relationship with throttle opening

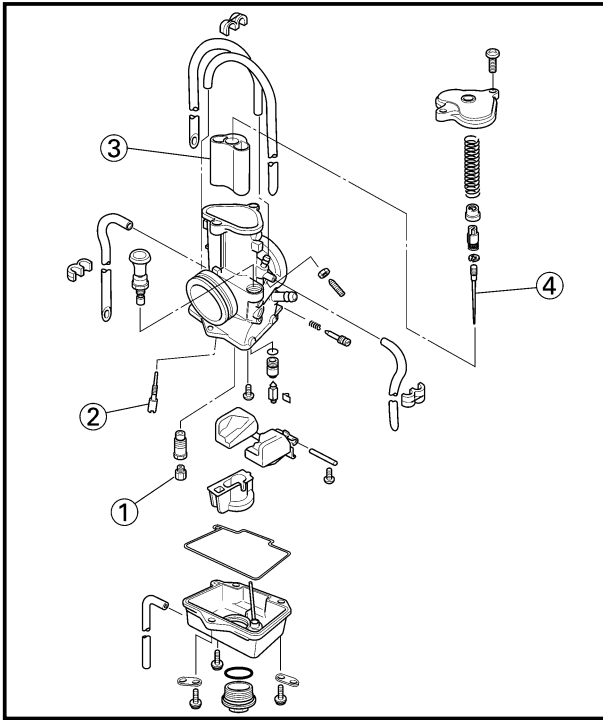
The flow of the fuel through the carburetor main system is controlled by the main jet and then, it is further regulated by the area between the main nozzle and the jet needle. On the relationship between the fuel flow and the throttle opening, the fuel flow relates to the straight portion of the jet needle at full closed~1/8 throttle, to the 1st tapered portion at 1/4 throttle, to the second tapered portion at 1/2 throttle, to the third tapered portion at 3/4 throttle and to the fourth tapered portion at full open.

Therefore, the fuel flow is balanced at each stage of throttle opening by a combination of the jet needle diameter and clip position.

<Example>

- 6CHY5-80-4th groove
- 6CHY5-80-3rd groove
- 6CHY5-81-4th groove

- [A] Lean (larger diameter)
- [B] Rich (smaller diameter)
- ① Full closed
- ② 1/4 throttle
- ③ 1/2 throttle
- ④ 3/4 throttle
- ⑤ Full open
- [I] 1st taper
- [II] 2nd taper
- [III] 3rd taper
- [IV] 4th taper
- (a) Main nozzle



EC71Q000

Carburetor setting parts

Part name	Size	Part number
Main jet ①	Lean	#390 137-14143-78
	↑	#400 137-14143-80
	(STD)	#410 137-14143-82
	↓	#420 137-14143-84
	*(STD)	#430 137-14143-86
	↓	#440 137-14143-88
	Rich	#450 137-14143-90
Pilot jet ②	Lean	#30 4KM-14142-30
	↑	#32.5 4KM-14142-32
	(STD)	#35 4KM-14142-35
	↓	#37.5 4KM-14142-37
	#40 4KM-14142-40	
	#42.5 4KM-14142-42	
	#45 4KM-14142-45	
	#47.5 4KM-14142-47	
	Rich	#50 4KM-14142-50
Throttle valve ③	Rich	
	(STD) ↑	4.0 1C3-14112-40
	↓ Lean	4.25 1C3-14112-42
Jet needle ④	Rich	6CHY18-78 284-14116-G3
	↑	6CHY18-79 284-14116-G4
	6CHY18-80 284-14116-G5	
	↓	6CHY18-81 284-14116-G6
	Lean	6CHY18-82 284-14116-G7
	Rich	6CHY6-78 284-14116-F3
	↑	6CHY6-79 284-14116-F4
	6CHY6-80 284-14116-F5	
	↓	6CHY6-81 284-14116-F6
	Lean	6CHY6-82 284-14116-F7
	Rich	6CHY5-78 284-14116-E3
	(STD) ↑	6CHY5-79 284-14116-E4
	6CHY5-80 284-14116-E5	
	↓	6CHY5-81 284-14116-E6
	Lean	6CHY5-82 284-14116-E7

*For EUROPE



EC71C020

Road condition and examples of carburetor setting

Conditions Parts	General condition			Sandy condition		
	Under 10°C (50°F) (Winter)	15~25°C (59~77°F) (Spring, Autumn)	Over 30°C (86°F) (Summer)	Under 10°C (50°F) (Winter)	15~25°C (59~77°F) (Spring, Autumn)	Over 30°C (86°F) (Summer)
Main jet	#420 *#440	#410 *#430	#410 *#420	#440 *#460	#430 *#450	#430 *#440
Jet needle	6CHY6-80-4	6CHY5-80-4	6CHY5-80-4	6CHY5-80-5 6CHY18-80-3	6CHY6-80-4	6CHY6-80-4
Pilot jet	#40	#40	#40	#40	#40	#40
Pilot air screw	2-1/4	2-1/4	2-1/4	2-1/4	2-1/4	2-1/4

*For EUROPE

EC71D040

Examples of carburetor setting depending on symptom

Symptom	Setting	Checking
At full throttle Stall at high speeds *Hard breathing Shearing noise Whitish spark plug ↓ Lean mixture	Increase main jet calibration No. (Gradually)	Discoloration of spark plug → If tan color, it is in good condition. If can not be normalized: Clogged float valve seat Clogged fuel hose Clogged fuel cock
At full-throttle Stop of speed pick-up Slow speed pick-up Slow response Sooty spark plug ↓ Rich mixture	Decrease main jet calibration No. (Gradually) *In case of racing slight enrichment of mixture reduces engine trouble.	Discoloration of spark plug → If tan color, it is in good condition. If not effect: Clogged air cleaner Fuel overflow from carburetor Clogged main air passage or clogged filter
Lean mixture	Lower jet needle clip position. (1 groove down)	
Rich mixture	Raise jet needle clip position. (1 groove up)	
1/4~3/4 throttle *Hard breathing Lack of speed	Lower jet needle clip position. (1 groove down)	
1/4~1/2 throttle Slow speed pick-up White smoke Poor acceleration	Raise jet needle clip position. (1 groove up)	

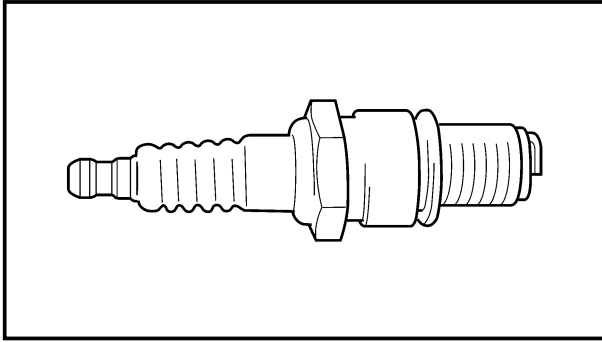
Clip position indicates the position of jet needle groove, to which the clip is fitted. The position is numbered from the top. If a change in the clip position (1 groove) is effective, try another jet needle that provides a difference of 0.5 in the clip position.



Symptom	Setting	Checking
0~1/4 throttle *Hard breathing Speed down	Use jet needle having a smaller diameter.	Number of turns-back → Correct properly Overflow from carburetor
0~1/4 throttle Poor acceleration White smoke	Use jet needle having a larger diameter.	
Unstable at low speeds Pinking noise	Lower jet needle clip position. (1 groove down) Turn in pilot air screw.	
Poor response at extremely low speed	Reduce pilot jet calibration No. Turn out pilot air screw. If not effect, reverse the above procedures.	Dragging brake Overflow from carburetor
Poor response in the range of low to intermediate speeds	Raise jet needle clip position. If no effect, reverse the above procedures.	
Poor response when throttle is opened quickly	Check overall settings. Use main jet having lower calibration No. Raise jet needle clip position. (1 groove up) If no effect, reverse the above procedures.	Check air cleaner for fouling.
Poor engine operation	Turn in pilot air screw.	Check throttle valve operation.

*In case of hard breathing, check the air vent hose for clogging.

- ※ This should be taken simply for an example. It is necessary to set the carburetor while checking the operating conditions of the engine and discoloration of spark plugs. Normally, carburetor setting is made by means of the main jet, jet needle clip position (including one with 0.5 difference), pilot jet and pilot air screw. If the result of setting is still unsatisfactory, it is advisable to change the diameter of the straight portion the jet needle.



EC71M010

Change of the heat range of spark plugs

Judging from the discoloration of spark plugs, if they are found improper, it can be corrected by the following two methods; changing carburetor settings and changing the heat range of spark plug.

Standard spark plug	BR9EG/NGK (resistance type)
----------------------------	--

- In principle, it is advisable to first use spark plugs of standard heat range, and judging from the discoloration of spark plugs, adjust carburetor settings.
- If the calibration No. of the main jet must be changed by ± 30 , it is advisable to change the heat range of spark plugs and newly select the proper main jet.

NOTE: _____

- When checking the discoloration of spark plugs, be sure to stop the engine immediately after a run and check.
- Avoid racing.
- When changing the heat range of spark plugs, never attempt to change it more than ± 1 rank.
- When using a spark plug other than standard, check its heat range against the standard and check that it is a resistance type.
- Note that even if the discoloration seems proper, it may slightly vary with the spark plug maker and oil in use.



EC720000

CHASSIS

EC71P002

Selection of the secondary reduction ratio (Sprocket)

$$\text{Secondary reduction ratio} = \frac{\text{Number of driven sprocket teeth}}{\text{Number of drive sprocket teeth}}$$

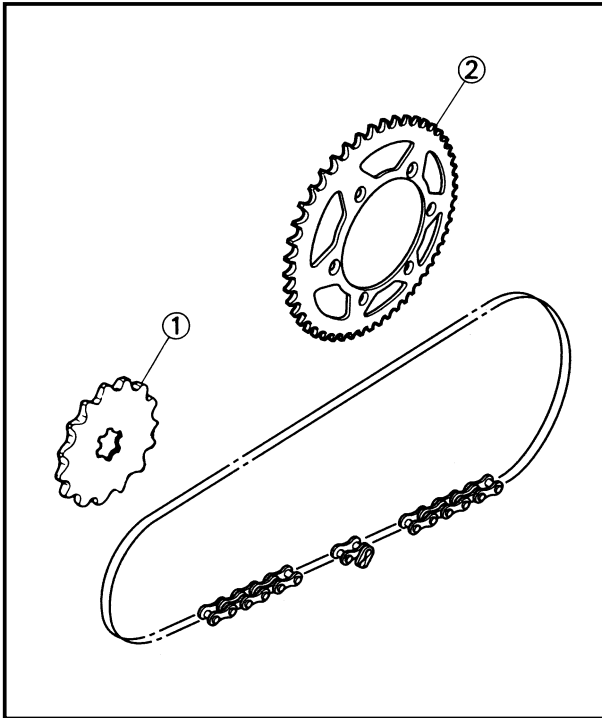
Standard secondary reduction ratio	48/13 (3.692)
---	----------------------

<Requirement for selection of secondary gear reduction ratio>

- It is generally said that the secondary gear ratio should be reduced for a longer straight portion of a speed course and should be increased for a course with many corners. Actually, however, as the speed depends on the ground condition of the day of the race, be sure to run through the circuit to set the machine suitable for the entire course.
- In actuality, it is very difficult to achieve settings suitable for the entire course and some settings may be sacrificed. Thus, the settings should be matched to the portion of the course that has the greatest effect on the race result. In such a case, run through the entire course while making notes of lap times to find the best balance; then, determine the secondary reduction ratio.
- If a course has a long straight portion where a machine can run at maximum speed, the machine is generally set such that it can develop its maximum revolutions toward the end of the straight line, with care taken to avoid the engine over-revving.

NOTE: _____

Riding technique varies from rider to rider and the performance of a machine also vary from machine to machine. Therefore, do not imitate other rider's settings from the beginning but choose your own setting according to the level of your riding technique.



EC72N000

Drive and driven sprockets setting parts

Part name	Size	Part number
Drive sprocket ① (STD)	13T	9383B-13218
Driven sprocket ② (STD)	47T	1C3-25447-00
	48T	1C3-25448-00
	49T	1C3-25449-00
	50T	1C3-25450-00
	51T	1C3-25451-00
	52T	1C3-25452-00

EC721003

Tire pressure

Tire pressure should be adjust to suit the road surface condition of the circuit.



Standard tire pressure:
100 kPa (1.0 kgf/cm², 15 psi)

- Under a rainy, muddy, sandy, or slippery condition, the tire pressure should be lower for a larger area of contact with the road surface.



Extent of adjustment:
60~80 kPa
(0.6~0.8 kgf/cm², 9.0~12 psi)

- Under a stony or hard road condition, the tire pressure should be higher to prevent a flat tire.



Extent of adjustment:
100~120 kPa
(1.0~1.2 kgf/cm², 15~18 psi)



EC722011

Front fork setting

The front fork setting should be made depending on the rider's feeling of an actual run and the circuit conditions.

The front fork setting includes the following three factors:

1. Setting of air spring characteristics
 - Change the fork oil amount.
2. Setting of spring preload
 - Change the spring.
 - Install the adjustment washer.
3. Setting of damping force
 - Change the compression damping.
 - Change the rebound damping.

The spring acts on the load and the damping force acts on the cushion travel speed.

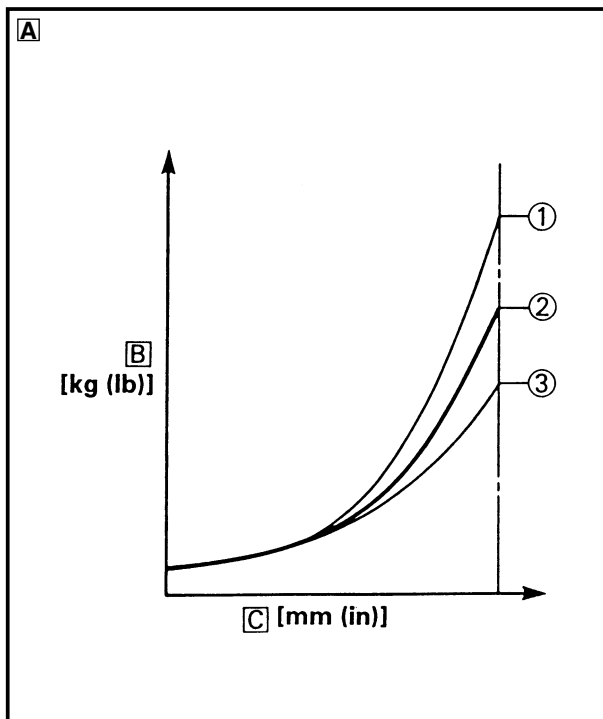
EC723001

Change in amount and characteristics of fork oil

Damping characteristic near the final stroke can be changed by changing the fork oil amount.

CAUTION:

Adjust the oil amount in 5 cm³ (0.2 Imp oz, 0.2 US oz) increments or decrements. Too small oil amount causes the front fork to produce a noise at full rebound or the rider to feel some pressure on his hands or body. Alternatively, too large oil amount will develop unexpectedly early oil lock with the consequent shorter front fork travel and deteriorated performance and characteristics. Therefore, adjust the front fork within the specified range.



Standard oil amount:

245 cm³ (8.62 Imp oz, 8.28 US oz)

*250 cm³ (8.80 Imp oz, 8.45 US oz)

Extent of adjustment:

200~300 cm³ (7.04~10.6 Imp oz,
6.76~10.1 US oz)

*For EUROPE

A Air spring characteristics in relation to oil amount change

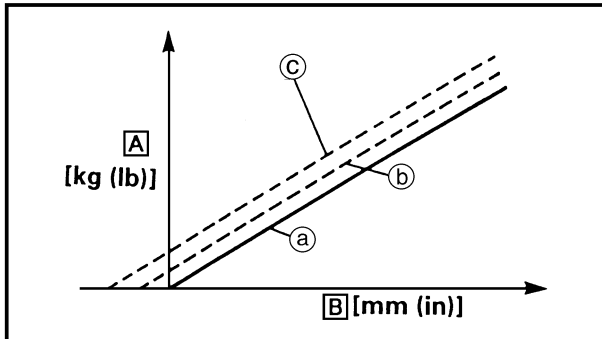
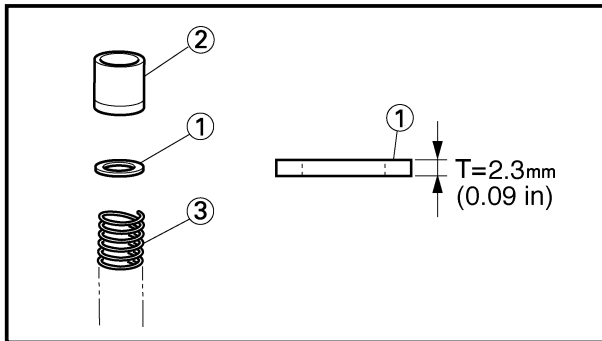
B Load

C Stroke

① Max. oil amount

② Standard oil amount

③ Min. oil amount



EC727030

Spring preload adjustment

The spring preload is adjusted by installing the adjustment washer (1) between the spacer (2) and fork spring (3).

CAUTION:

Do not install three or more adjustment washers for each front fork.

WARNING

Always adjust each front fork to the same setting. Uneven adjustment can cause poor handling and loss of stability.



Standard washer quantity:

Zero adjustment washers

Extent of adjustment:

Zero ~ 2 adjustment washers

A Load

B Fork stroke

a Without adjustment washer (standard)

b 1 adjustment washer

c 2 adjustment washers

EC72A001

Setting of spring after replacement

As the front fork setting can be easily affected by rear suspension, take care so that the machine front and rear are balanced (in position, etc.) when setting the front fork.

1. Use of soft spring

Generally a soft spring gives a soft riding feeling. Rebound damping tends to become stronger and the front fork may sink deeply over a series of gaps.

To set a soft spring:

- Change the rebound damping.

Turn out one or two clicks.

- Change the compression damping.

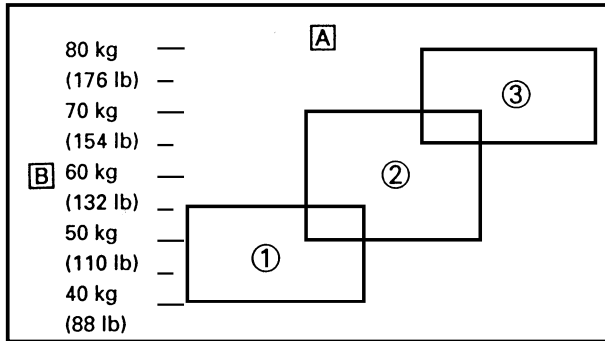
Turn in one or two clicks.

2. Use of stiff spring

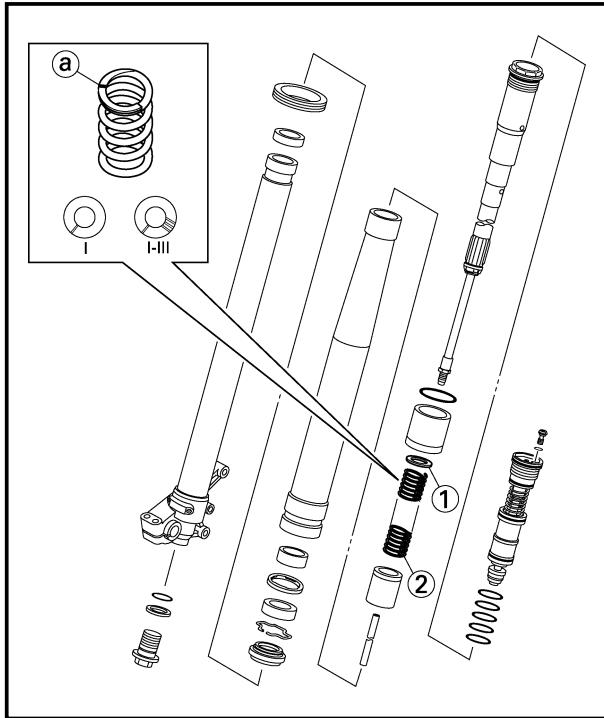
Generally a stiff spring gives a stiff riding feeling. Rebound damping tends to become weaker, resulting in lack of a sense of contact with the road surface or in a vibrating handlebar.

To set a stiff spring:

- Change the rebound damping.
Turn in one or two clicks.
- Change the compression damping.
Turn out one or two clicks.



- A** Coverage of spring by weight
- B** Rider weight
- ① Soft
- ② Standard
- ③ Stiff



EC72P010

Front fork setting parts

- Adjustment washer ①

TYPE (thickness)	PART NUMBER
T=2.3 mm (0.09 in)	1C3-23364-00

- Front fork spring ②

TYPE	SPRING RATE	SPRING PART NUMBER	I.D. MARK (slits)
SOFT	0.398	1C3-23141-00	I
*STD	0.408	1C3-23141-M0	-
STD	0.418	1C3-23141-L0	-
STIFF	0.428	1C3-23141-30	IIII
	0.438	1C3-23141-40	IIII
	0.449	1C3-23141-50	I-I
	0.459	1C3-23141-60	I-II
	0.469	1C3-23141-70	I-III
	0.479	1C3-23141-80	I-IIII

*For EUROPE

NOTE: _____

The I.D. mark (slits) ② is proved on the end of the spring.



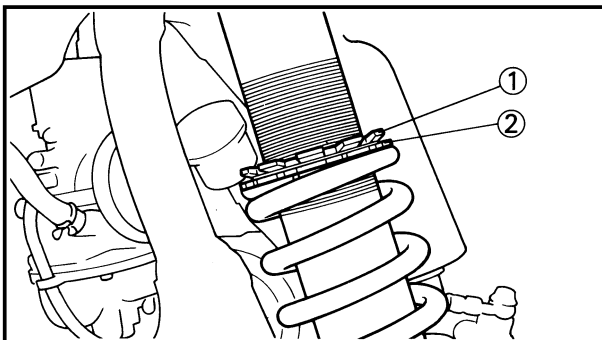
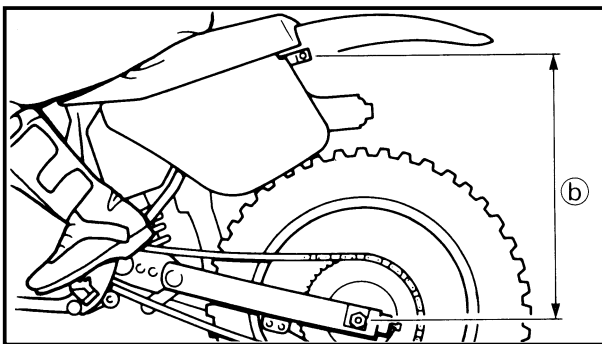
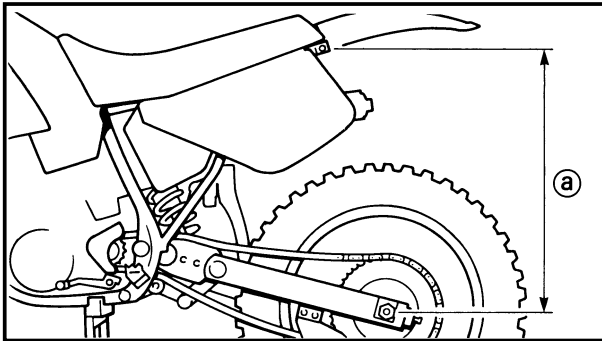
EC72B000

Rear suspension setting

The rear suspension setting should be made depending on the rider's feeling of an actual run and the circuit conditions.

The rear suspension setting includes the following two factors:

1. Setting of spring preload
 - Change the set length of the spring.
 - Change the spring.
2. Setting of damping force
 - Change the rebound damping.
 - Change the compression damping.



EC72C001

Choosing set length

1. Place a stand or block under the engine to put the rear wheel above the floor, and measure the length (a) between the rear wheel axle center and the rear fender holding bolt.
2. Remove the stand or block from the engine and with a rider astride the seat, measure the sunken length (b) between the rear wheel axle center and the rear fender holding bolt.
3. Loosen the locknut (1) and make adjustment by turning the spring adjuster (2) to achieve the standard figure from the subtraction of the length (b) from the length (a).



Standard figure:
90~100 mm (3.5~3.9 in)

**NOTE:** _____

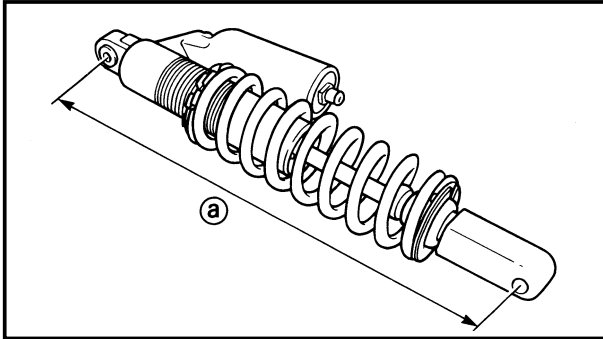
- If the machine is new and after it is broken in, the same set length of the spring may change because of the initial fatigue, etc. of the spring. Therefore, be sure to make re-evaluation.
 - If the standard figure cannot be achieved by adjusting the spring adjuster and changing the spring set length, replace the spring with an optional one and make re-adjustment.
-

EC72G020

Setting of spring after replacement

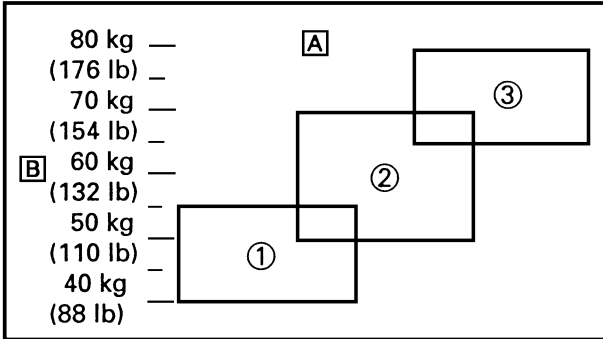
After replacement, be sure to adjust the spring to the set length [sunken length 90~100 mm (3.5~3.9 in)] and set it.

1. Use of soft spring
 - Set the soft spring for less rebound damping to compensate for its less spring load. Run with the rebound damping adjuster one or two clicks on the softer side and readjust it to suit your preference.
 2. Use of stiff spring
 - Set the soft spring for more rebound damping to compensate for its greater spring load. Run with the rebound damping adjuster one or two clicks on the stiffer side and readjust it to suit your preference.
- ※ Adjusting the rebound damping will be followed more or less by a change in the compression damping. For correction, turn the low compression damping adjuster on the softer side.



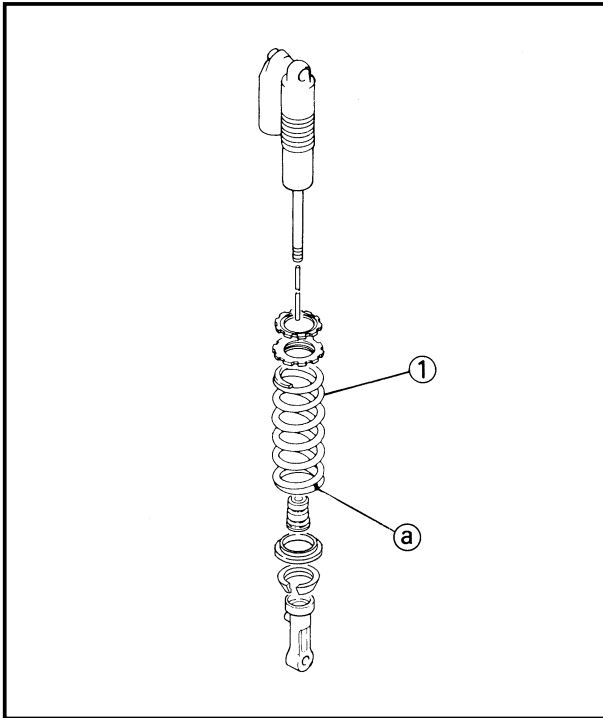
CAUTION: _____

When using a rear cushion other than currently installed, use the one whose overall length (a) does not exceed the standard as it may result in faulty performance. Never use one whose overall length is greater than standard.



Length (a) of standard shock:
490.5 mm (19.31 in)

- A** Coverage of spring by weight
- B** Rider weight
- ① Soft
- ② Standard
- ③ Stiff



EC72Q011

Rear shock absorber setting parts

- Rear shock spring ①

[Equal pitch spring]

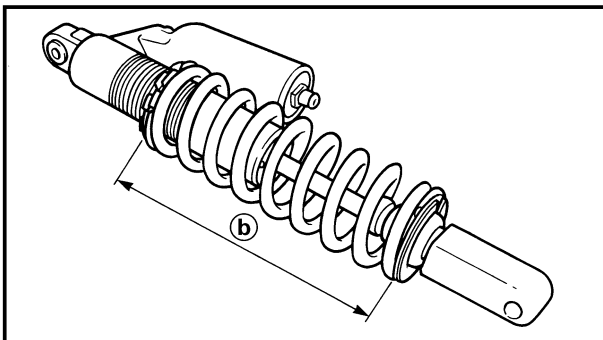
TYPE	SPRING RATE	SPRING PART NUMBER	I.D. COLOR /POINT	SPRING FREE LENGTH
SOFT	4.3	5UN-22212-00	Brown/1	260
	4.5	5UN-22212-10	Green/1	260
STD	4.7	5UN-22212-20	Red/1	260
STIFF	4.9	5UN-22212-30	Black/1	260
	5.1	5UN-22212-40	Blue/1	260
	5.3	5UN-22212-50	Yellow/1	260
	5.5	5UN-22212-60	Pink/1	260
	5.7	5UN-22212-70	White/1	260

[Unequal pitch spring]

TYPE	SPRING RATE (approx.)	SPRING PART NUMBER	I.D. COLOR /POINT	SPRING FREE LENGTH
SOFT	4.5	5UN-22212-A0	Green/2	275
	4.7	5UN-22212-B0	Red/2	275
	4.9	5UN-22212-C0	Black/2	275
	5.1	5UN-22212-D0	Blue/2	275
	5.3	5UN-22212-E0	Yellow/2	275
STIFF	5.5	5UN-22212-F0	Pink/2	275
	5.7	5UN-22212-G0	White/2	275

NOTE:

- The unequal pitch spring is softer in initial characteristic than the equal pitch spring and is difficult to bottom out under full compression.
- The I.D. color ② is marked at the end of the spring.



- Extent of adjustment (spring length)

SPRING FREE LENGTH	EXTENT OF ADJUSTMENT ②
260mm (10.24in)	240.5~258.5mm (9.47~10.18in)
275mm (10.83in)	255.5~273.5mm (10.06~10.77in)



EC72H010

Suspension setting

- Front fork

NOTE:

- If any of the following symptoms is experienced with the standard position as the base, make resetting by reference to the adjustment procedure given in the same chart.
- Before any change, set the rear shock absorber sunken length to the standard figure 90~100 mm (3.5~3.9 in).

Symptom	Section				Check	Adjust
	Jump	Large gap	Medium gap	Small gap		
Stiff over entire range	○	○	○		Compression damping Oil amount Spring	Turn adjuster counterclockwise (about 2 clicks) to decrease damping. Decrease oil amount by about 5~10 cm ³ (0.2~0.4 Imp oz, 0.2~0.3 US oz). Replace with soft spring.
Unsmooth movement over entire range	○	○	○	○	Outer tube Inner tube Slide metal Piston metal Under bracket tightening torque	Check for any bends, dents, and other noticeable scars, etc. If any, replace affected parts. Replace with a new one for extended use. Replace with a new one for extended use. Retighten to specified torque.
Poor initial movement				○	Rebound damping Oil seal	Turn adjuster counterclockwise (about 2 clicks) to decrease damping. Apply grease in oil seal wall.
Soft over entire range, bottoming out	○	○			Compression damping Oil amount Spring	Turn adjuster clockwise (about 2 clicks) to increase damping. Increase oil amount by about 5~10 cm ³ (0.2~0.4 Imp oz, 0.2~0.3 US oz). Replace with stiff spring.
Stiff toward stroke end	○				Oil amount	Decrease oil amount by about 5 cm ³ (0.2 Imp oz, 0.2 US oz).
Soft toward stroke end, bottoming out	○				Oil amount	Increase oil amount by about 5 cm ³ (0.2 Imp oz, 0.2 US oz).
Stiff initial movement	○	○	○	○	Compression damping	Turn adjuster counterclockwise (about 2 clicks) to decrease damping.
Low front, tending to lower front posture			○	○	Compression damping Rebound damping Balance with rear end Oil amount	Turn adjuster clockwise (about 2 clicks) to increase damping. Turn adjuster counterclockwise (about 2 clicks) to decrease damping. Set sunken length for 95~100 mm (3.7~3.9 in) when one passenger is astride seat (lower rear posture). Increase oil amount by about 5 cm ³ (0.2 Imp oz, 0.2 US oz).
"Obtrusive" front, tending to upper front posture			○	○	Compression damping Balance with rear end Spring Oil amount	Turn adjuster counterclockwise (about 2 clicks) to decrease damping. Set sunken length for 90~95 mm (3.5~3.7 in) when one passenger is astride seat (upper rear posture). Replace with soft spring. Decrease oil amount by about 5~10 cm ³ (0.2~0.4 Imp oz, 0.2~0.3 US oz).

- Rear shock absorber

NOTE:

- If any of the following symptoms is experienced with the standard position as the base, make resetting by reference to the adjustment procedure given in the same chart.
- Adjust the rebound damping in 2-click increments or decrements.
- Adjust the low compression damping in 1-click increments or decrements.
- Adjust the height compression damping in 1/6 turn increments or decrements.

Symptom	Section				Check	Adjust
	Jump	Large gap	Medium gap	Small gap		
Stiff, tending to sink			○	○	Rebound damping Spring set length	Turn adjuster counterclockwise (about 2 clicks) to decrease damping. Set sunken length for 90~100 mm (3.5~3.9 in) when one passenger is astride seat.
Spongy and unstable			○	○	Rebound damping Low compression damping Spring	Turn adjuster clockwise (about 2 clicks) to increase damping. Turn adjuster clockwise (about 1 click) to increase damping. Replace with stiff spring.
Heavy and dragging			○	○	Rebound damping Spring	Turn adjuster counterclockwise (about 2 clicks) to decrease damping. Replace with soft spring.
Poor road gripping				○	Rebound damping Low compression damping High compression damping Spring set length Spring	Turn adjuster counterclockwise (about 2 clicks) to decrease damping. Turn adjuster clockwise (about 1 click) to increase damping. Turn adjuster clockwise (about 1/6 turn) to increase damping. Set sunken length for 90~100 mm (3.5~3.9 in) when one passenger is astride seat. Replace with soft spring.
Bottoming out	○	○			High compression damping Spring set length Spring	Turn adjuster clockwise (about 1/6 turn) to increase damping. Set sunken length for 90~100 mm (3.5~3.9 in) when one passenger in astride seat. Replace with stiff spring.
Bouncing	○	○			Rebound damping Spring	Turn adjuster clockwise (about 2 clicks) to increase damping. Replace with soft spring.
Stiff travel	○	○			High compression damping Spring set length Spring	Turn adjuster counterclockwise (about 1/6 turn) to decrease damping. Set sunken length for 90~100 mm (3.5~3.9 in) when one passenger is astride seat. Replace with soft spring.

PROTECT YOUR INVESTMENT

Use Genuine YAMAHA Parts And Accessories



YAMAHA

PRINTED ON RECYCLED PAPER

YAMAHA MOTOR CO., LTD.
2500 SHINGAI IWATA SHIZUOKA JAPAN

PRINTED IN JAPAN
2004.5—2.8 × 1 
(E)

www.legends-yamaha-enduros.com