

YAMAHA

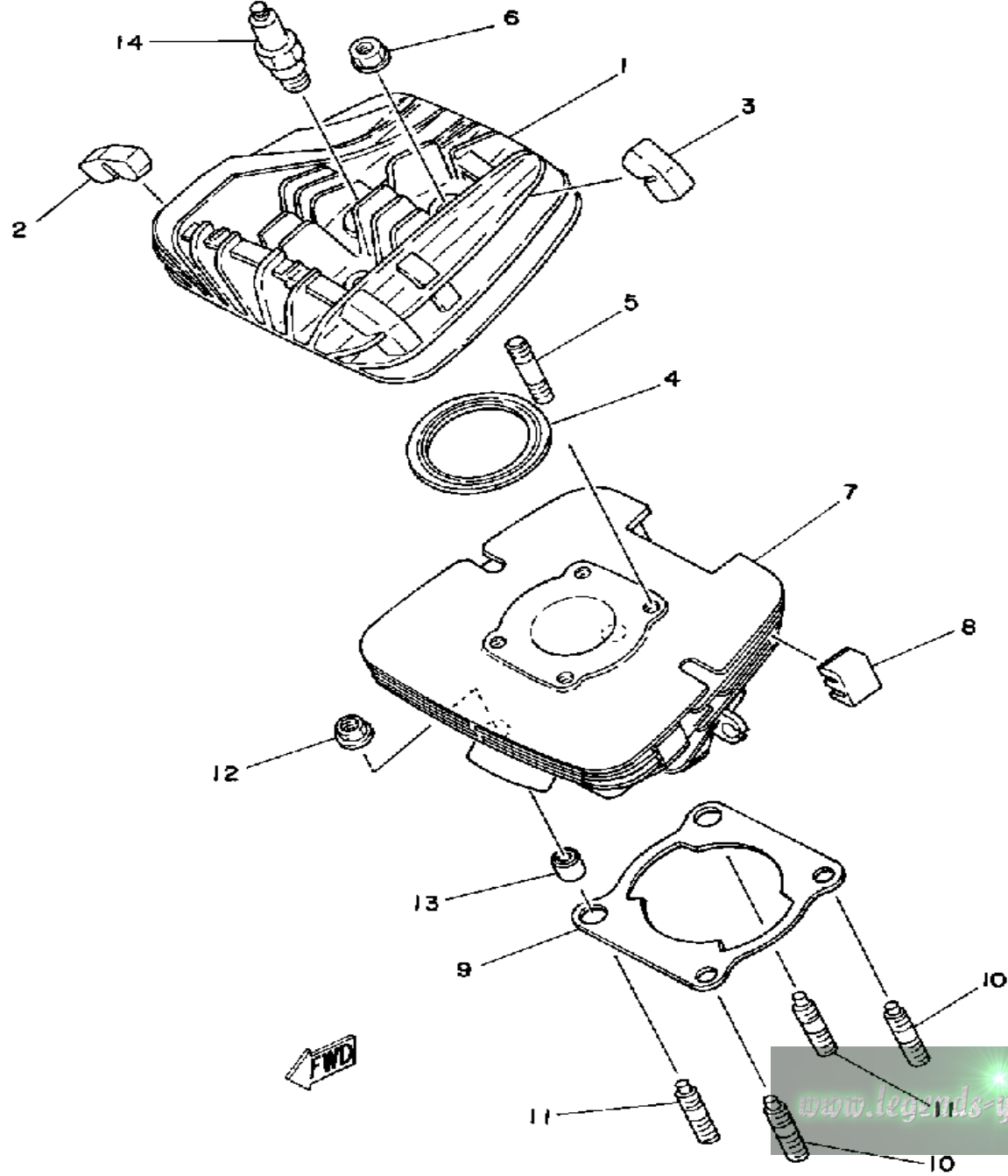
GENUINE

PARTS CATALOGUE

MOTORCYCLE

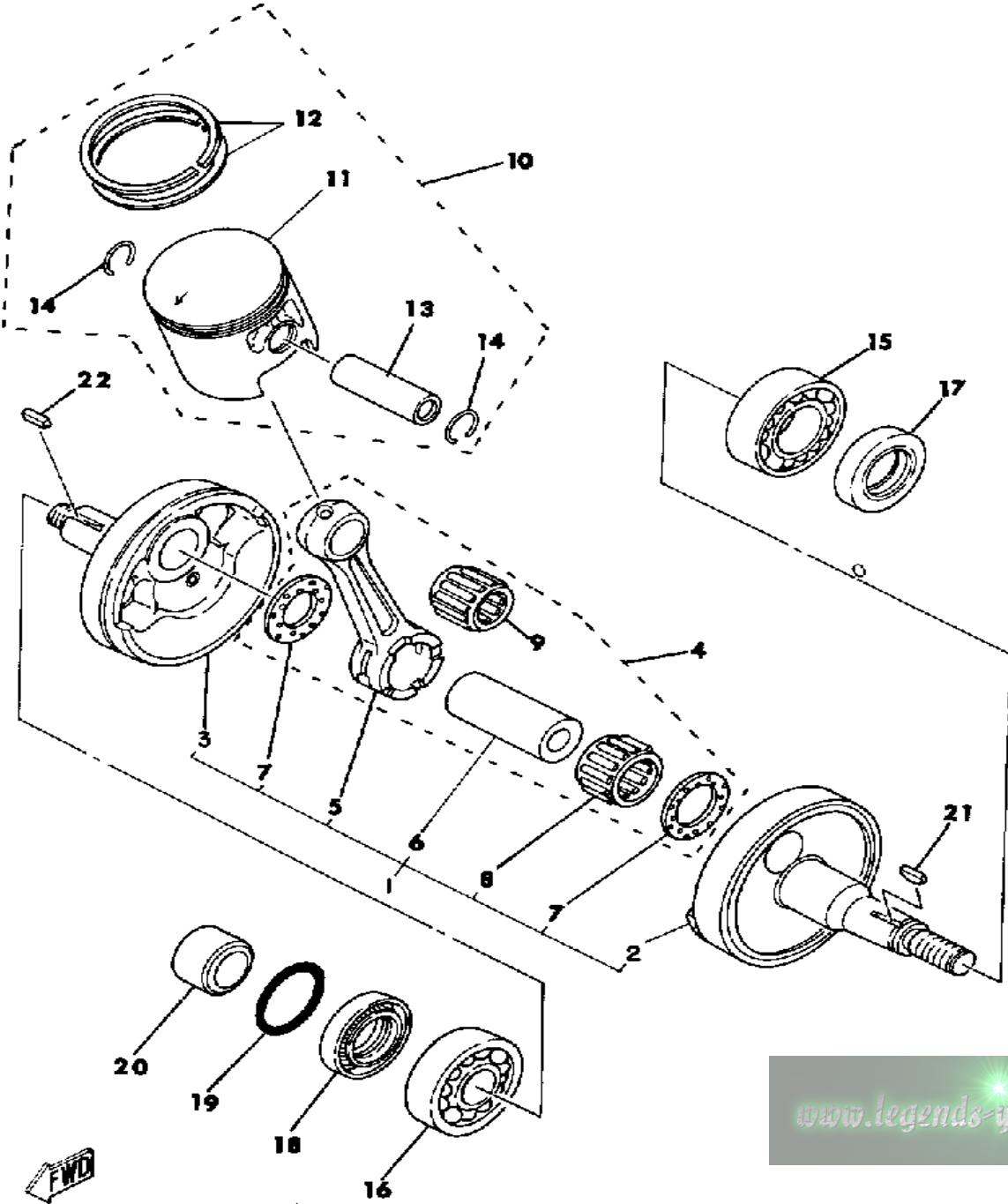
www.legends-yamaha-enduros.com

CYLINDER



Ref. No.	Part Number	Description	Qty	Remarks
1	3R9-11111-00-00	HEAD, CYLINDER 1	1	
2	1W2-11161-00-00	ABSORBER 1	2	
3	(1W2-11127-00-00)	ABSORBER 3	1	
4	2X3-11181-00-00	GASKET, CYLINDER HEAD 1 .	1	
5	90116-08321-00	BOLT, STUD	4	
6	90179-08491-00	NUT, FLANGE	4	
7	3R9-11311-00-00	CYLINDER 1	1	
8	3R9-11162-00-00	ABSORBER 2	5	
9	18G-11351-01-00	GASKET, CYLINDER	1	
10	90116-10278-00	BOLT, STUD	2	
11	90116-10279-00	BOLT, STUD	2	
12	95701-10500-00	NUT, FLANGE (95702-10500) ..	4	
13	99530-14016-00	PIN, DOWEL	2	
14	(CMP-N2G00-00-00)	CHAMPION N2G 10PK	1	

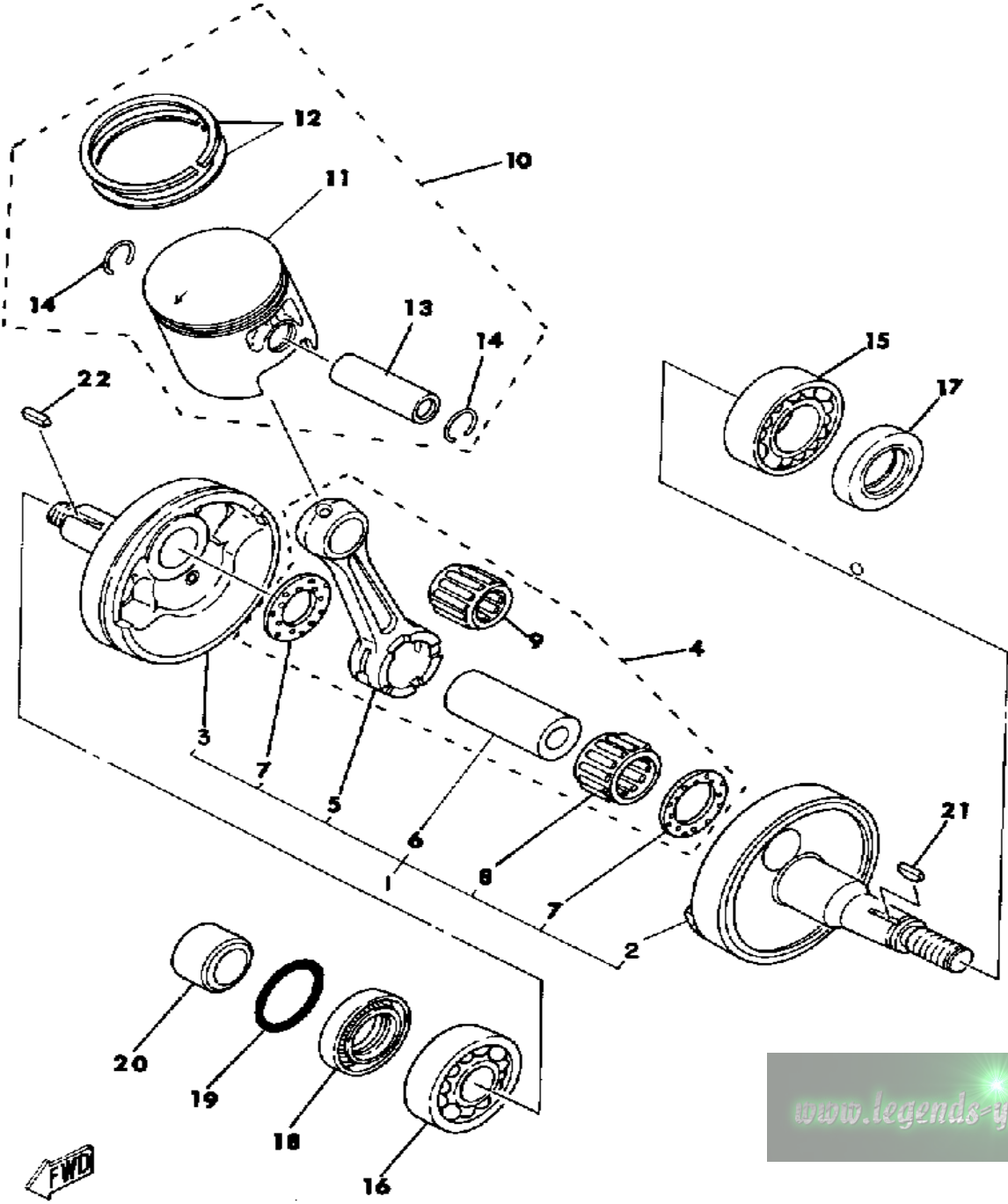
CRANKSHAFT - PISTON



Ref. No.	Part Number	Description	Qty	Remarks
1	3R9-11400-00-00	CRANKSHAFT ASSEMBLY	1	
2	1W1-11412-01-00	. CRANK 1	1	
3	1W1-11422-01-00	. CRANK 2	1	
4	3R2-11650-01-00	. CONNECTING ROD ASSEMBLY (3M5-11650-10)	1	
5	3R2-11651-01-00	. ROD, CONNECTING	1	
6	3M5-11681-00-00	. PIN, CRANK 1	1	
7	90209-22248-00	. WASHER	2	
8	93310-422H0-00	. BEARING, CYLINDER.# 0	1	
9	93310-216L2-00	. BEARING, CYLINDRICAL	1	
10	(3R9-11630-00-00)	PISTON KIT STD	1	
11	3R9-11631-00-96	. PISTON STD	1	
12	3R9-11610-00-00	. PISTON RINGSET STD	1	
13	137-11633-00-00	. PIN, PISTON	1	
14	93450-17044-00	CIRCLIP	2	
15	93062-05290-0	UNAVAILABLE IN PRICE BOOK	1	
16	93306-30421-00	BEARING (B6304C3)	1	
17	93103-25125-00	OIL SEAL, SW-TYPE	1	
18	93103-28011-00	OIL SEAL	1	
19	93210-180A6-00	O-RING	1	
20	90387-20488-00	COLLAR	1	
21	90280-03017-00	KEY, WOODRUFF	1	
22	(3R9-11630-20-00)	PISTON KIT 2ND	1	
	(3R9-11630-30-00)	PISTON KIT 3RD	1	
	(3R9-11630-40-00)	PISTON KIT 4TH	1	
	3R9-11610-10-00	PISTON RINGSET 1ST	1	
	3R9-11610-20-00	PISTON RINGSET 2ND	1	
	3R9-11610-30-00	PISTON RINGSET 3RD	1	
	3R9-11610-40-00	PISTON RINGSET 4TH	1	

CONTINUED ON NEXT FRAME ►

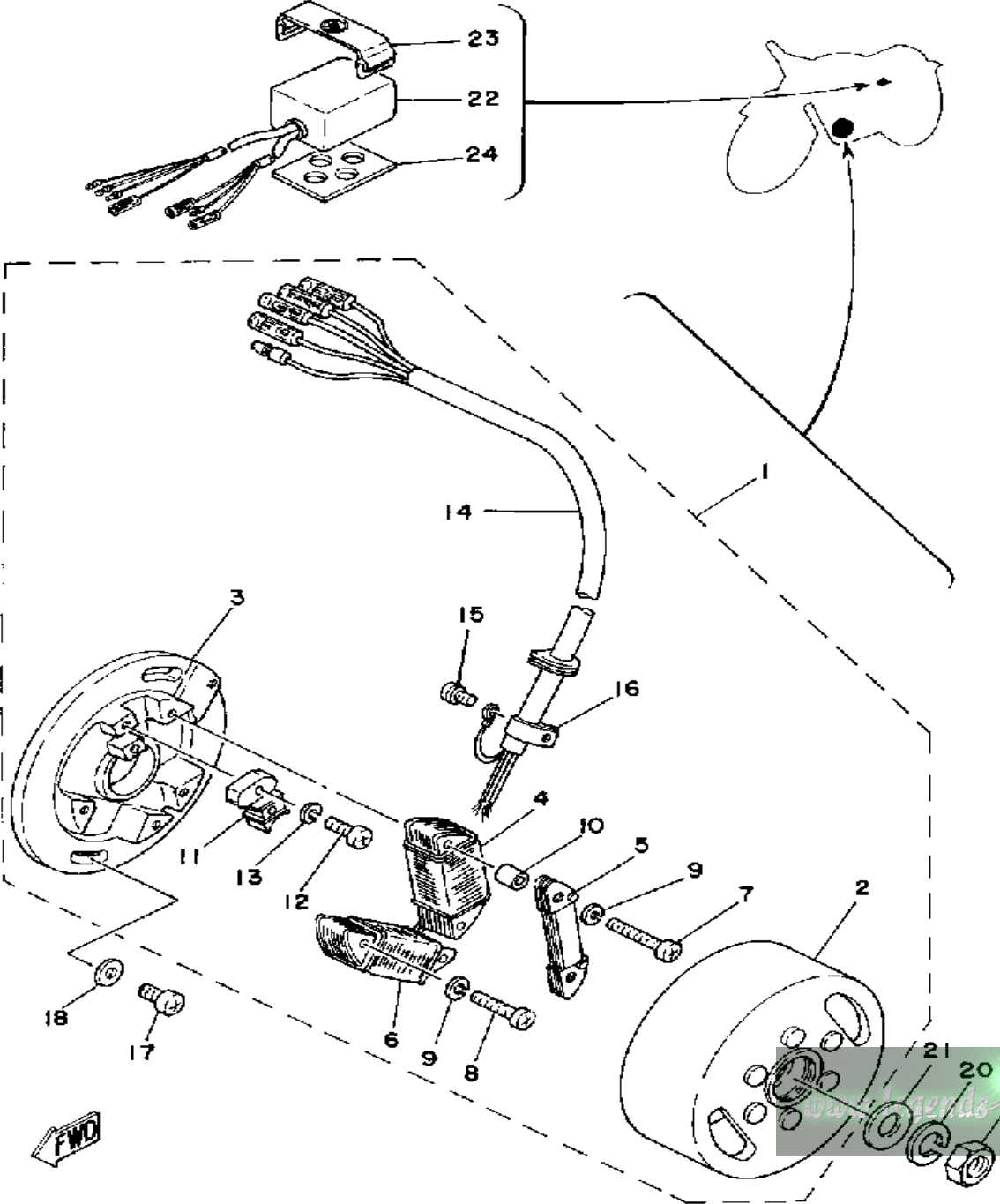
CRANKSHAFT - PISTON



Ref. No.	Part Number	Description	Qty	Remarks
22	3R9-11635-00-00	PISTON 1 O/S 0.5	1	
	3R9-11636-00-00	PISTON 2 O/S 0.0	1	
	3R9-11637-00-00	PISTON 3 O/S 0.5	1	
	3R9-11638-00-00	PISTON 4 O/S 1.0	1	
	90282-05005-00	KEY, STRAIGHT	1	

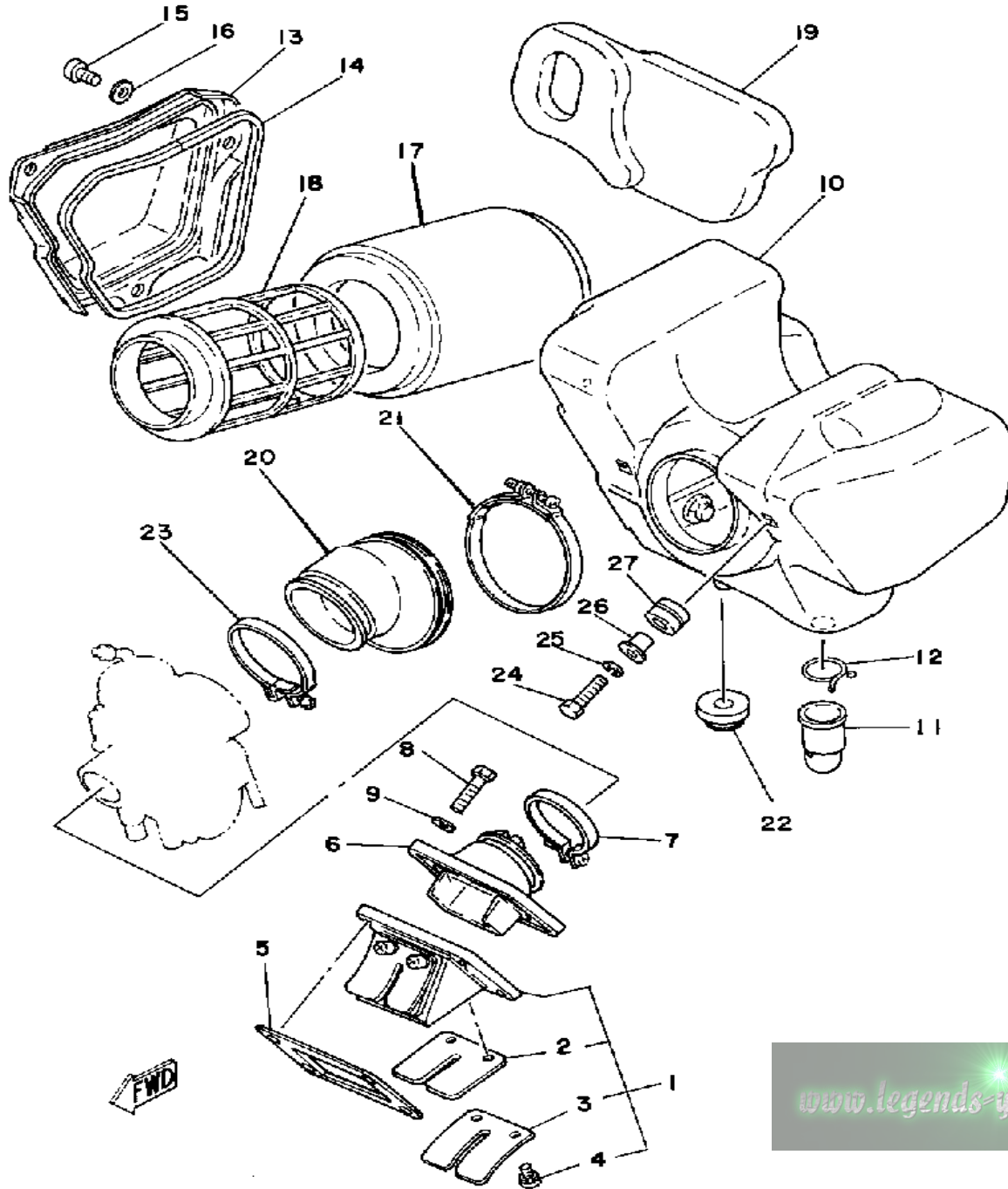
www.legends-yamaha-enduros.com

C - D - I - MAGNETO



Ref. No.	Part Number	Description	Qty	Remarks
1	2W6-85500-20-00	CDI MAGNETO ASSEMBLY ...	1	
2	(1W2-85550-20-00)	ROTOR ASSEMBLY	1	
3	1W2-85509-20-00	. BASE, MAGNETO	1	
4	2W6-85511-20-00	. COIL SOURCE 1	1	
5	2W6-85512-20-00	. COIL SOURCE 2	1	
6	1W2-85513-20-00	. COIL, LIGHTING 1	1	
7	98501-04035-00	. SCREW, PAN HEAD	2	
8	98511-04030-00	. SCREW, PAN HEAD	2	
9	92901-04100-00	. WASHER, SPRING	4	
10	1W2-85516-20-00	. SPACER	2	
11	4V6-85580-20-00	. COIL, PULSER	1	
12	98503-04014-00	. SCREW, PAN HEAD	2	
13	92901-04100-00	. WASHER, SPRING	2	
14	(2W6-85515-20-00)	LEAD WIRE ASSEMBLY	1	
15	97601-04106-00	. SCREW, PN/HD.W/WSHR ...	1	
16	445-81328-20-00	. CLAMP	1	
17	98503-06014-00	SCREW, PAN HEAD (92502-06016)	2	
18	92901-06600-00	WASHER	2	
19	90170-12347-00	NUT, HEXAGON	1	
20	92901-12100-00	WASHER, SPRING	1	
21	90201-12593-00	WASHER, PLATE	1	
22	2W6-85540-20-00	CDI UNIT ASSEMBLY	1	
23	21V-21376-00-00	BAND, TOOL	1	
24	2K7-85547-00-00	DAMPER	1	

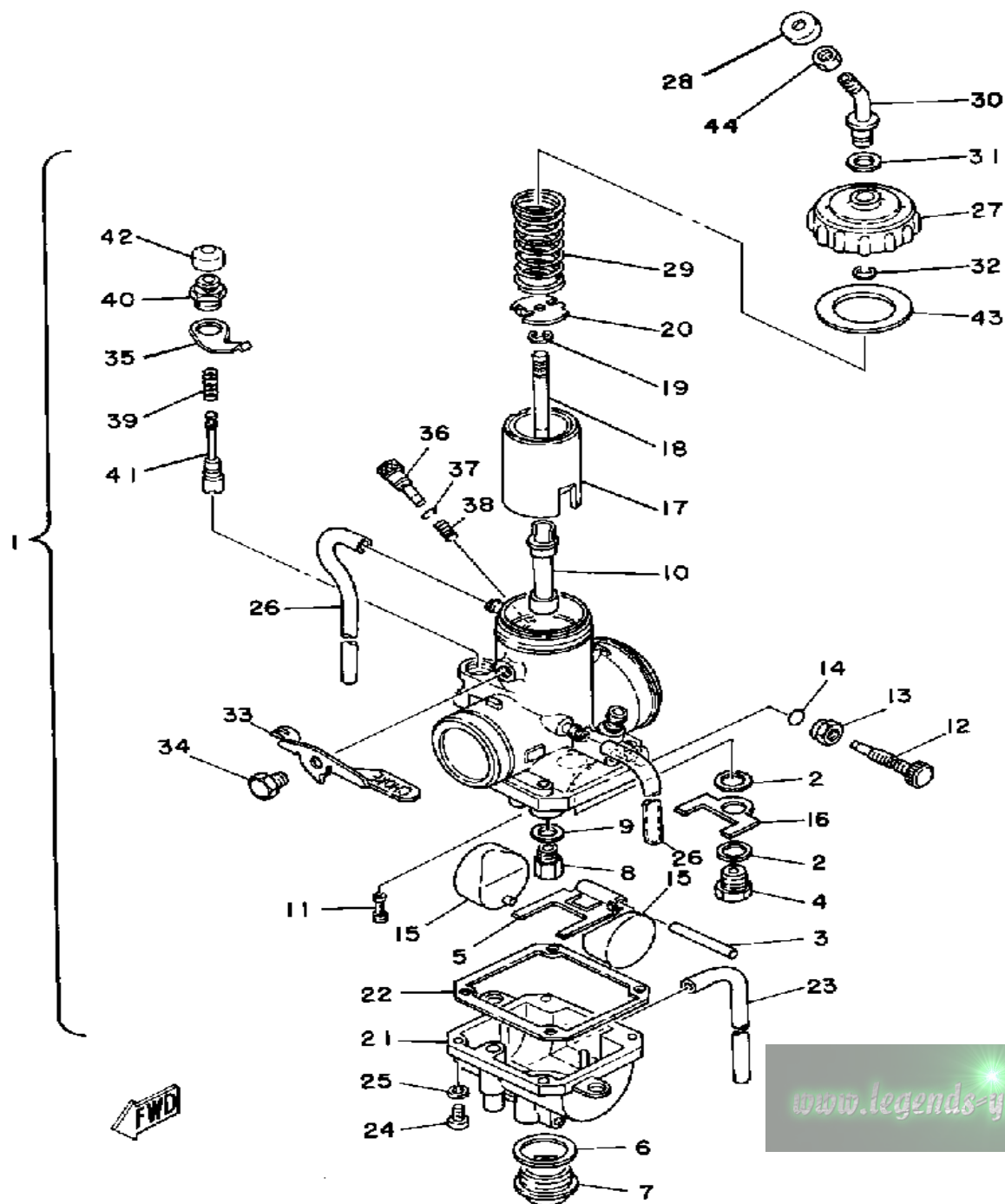
INTAKE



Ref. No.	Part Number	Description	Qty	Remarks
1	10V-13610-01-00	REED VALVE ASSEMBLY (885-13610-00)	1	
2	10V-13613-01-00	. REED, VALVE (1L8-13613-00)	2	
3	1UA-13616-00-00	. STOPPER REED VALVE VALVE (10V-13616-01)	2	
4	98580-03008-00	. SCREW, PAN HEAD	4	
5	3TT-13621-00-00	GASKET, VALVE SEAT	1	
6	537-13565-01-00	JOINT, CARBURETOR	1	
7	90460-43053-00	CLAMP, HOSE	1	
8	97011-06025-00	BOLT (97001-06025)	4	
9	92901-06600-00	WASHER	4	
10	(3R9-14401-00-00)	AIR CLNR CASE ASSEMBLY	1	
11	1W4-14457-00-00	SEAL	1	
12	90467-20030-00	CLIP	1	
13	3R9-14412-00-00	CAP, CLEANER CASE 1	1	
14	50M-14462-01-00	SEAL	1	
15	98580-06012-00	SCREW, PAN HEAD	3	
16	92901-06600-00	WASHER	3	
17	3R9-14451-00-00	ELEMENT, AIR CLNR (3R9-14450-00)	1	
18	3R9-14458-00-00	GUIDE, ELEMENT	1	
19	3R9-14468-00-00	PLATE, ELEMENT FTNG	1	
20	3R9-14453-00-00	JOINT, AIR CLNR 1	1	
21	90460-75020-00	CLAMP, HOSE	1	
22	90480-18171-00	GROMMET	1	
23	90460-53140-00	CLAMP, HOSE	1	
24	97011-06020-00	BOLT	2	
25	92995-06100-00	WASHER, SPRING	2	
26	90387-07391-00	COLLAR	2	
27	90480-14023-00	GROMMET	2	

www.legends-yamaha-enduro.com

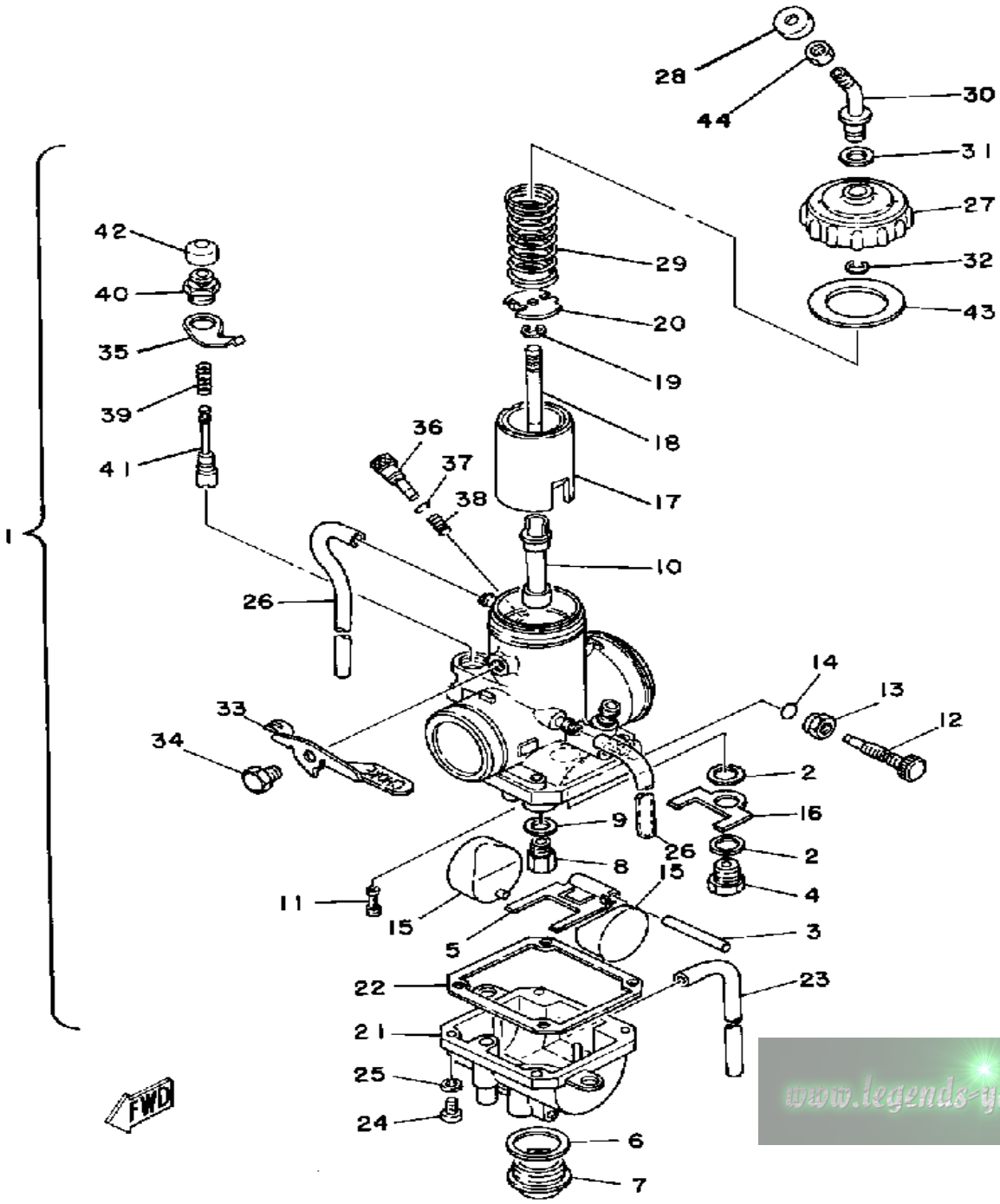
CARBURETOR



Ref. No.	Part Number	Description	Qty	Remarks
1	3R9-14101-00-00	CARBURETOR ASSEMBLY 1	1	
2	(2K5-14187-00-00)	ARM, FLOAT	1	
	214-14195-00-00	WASHER, NEEDLE VALVE	2	
3	537-14186-00-00	. PIN, FLOAT	1	
4	168-14190-28-00	. NEEDLE VALVE ASSEMBLY	1	
6	278-14117-00-00	. WASHER, PLUG SCREW	1	
7	(537-14115-00-00)	PLUG, SCREW	1	
8	137-14143-38-A0	. JET, MAIN #1 0	1	U.R.
	137-14143-40-A1	. JET, MAIN #2 0	1	U.R.STD
	137-14143-42-A1	. JET, MAIN #2 0	1	U.R.
9	(537-14153-00-00)	WASHER, MAIN JET	1	
10	278-14141-52-00	. NOZZLE, MAIN	1	
11	193-14142-40-A1	. JET, PILOT (# 40)	1	
12	537-14122-00-00	. SCREW, THROTTLE	1	
13	537-14161-00-00	. NUT, CABLE ADJUSTING	1	
14	214-14147-00-00	. O-RING	1	
15	280-14185-00-00	. FLOAT	2	
16	(537-14146-00-00)	PLATE	1	
17	(537-14112-20-00)	VALVE, THROTTLE 1	1	
18	1J4-14116-19-00	. NEEDLE	1	
19	164-14137-00-00	. CLIP	1	
20	537-14136-00-00	. SEAT, SPRING	1	
21	(537-14181-16-00)	BODY, FLOAT CHMBR 1	1	
22	537-14184-00-00	. GASKET, FLOAT CHMBR	1	
23	183-14197-01-00	. PIPE, AIRVENT	1	
24	98503-04014-00	. SCREW, PAN HEAD	4	
25	92901-04100-00	. WASHER, SPRING	4	
26	310-14196-00-00	. PIPE, OVERFLOW	2	
27	2K5-14158-00-00	. TOP, MIXING CHAMBER	1	

CONTINUED ON NEXT FRAME ►

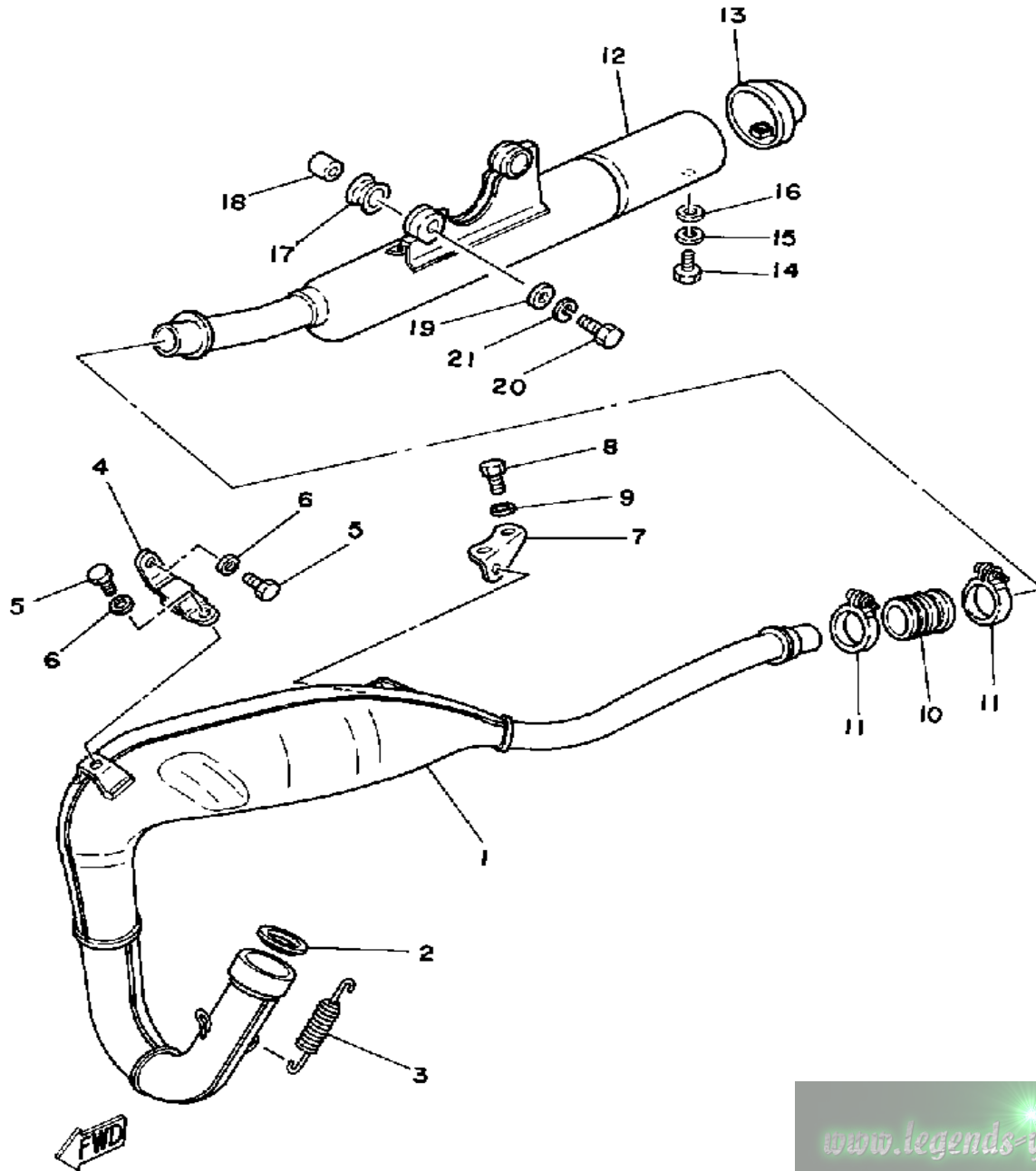
CARBURETOR



Ref. No.	Part Number	Description	Qty	Remarks
28	1M1-14169-00-00	. CAP	1	
29	537-14131-00-00	. SPRING, THRTL VALVE	1	
30	2K5-14155-00-00	. GUIDE, CABLE	1	
31	363-14198-00-00	. GASKET	1	
32	363-14137-00-00	. CLIP	1	
33	537-14175-00-00	. LEVER, STARTER 1	1	
34	537-14162-00-00	. BOLT, HOLDING	1	
35	537-14178-00-00	. PLATE, STARTER LVR	1	
36	10W-14104-00-00	. AIR SCREW SET	1	
37	354-14147-00-00	. O-RING	1	
38	174-14134-00-00	. SPRING, AIR ADJUSTING ...	1	
39	500-14135-00-00	. SPRING, PLUNGER	1	
40	802-14174-00-00	. CAP, PLUNGER	1	
41	174-14171-00-00	. PLUNGER, STARTER	1	
42	802-14173-00-00	. COVER, PLUNGER CAP	1	
43	2K5-14198-00-00	. GASKET	1	
44	127-14161-00-00	. NUT, CABLE ADJUSTING ...	1	

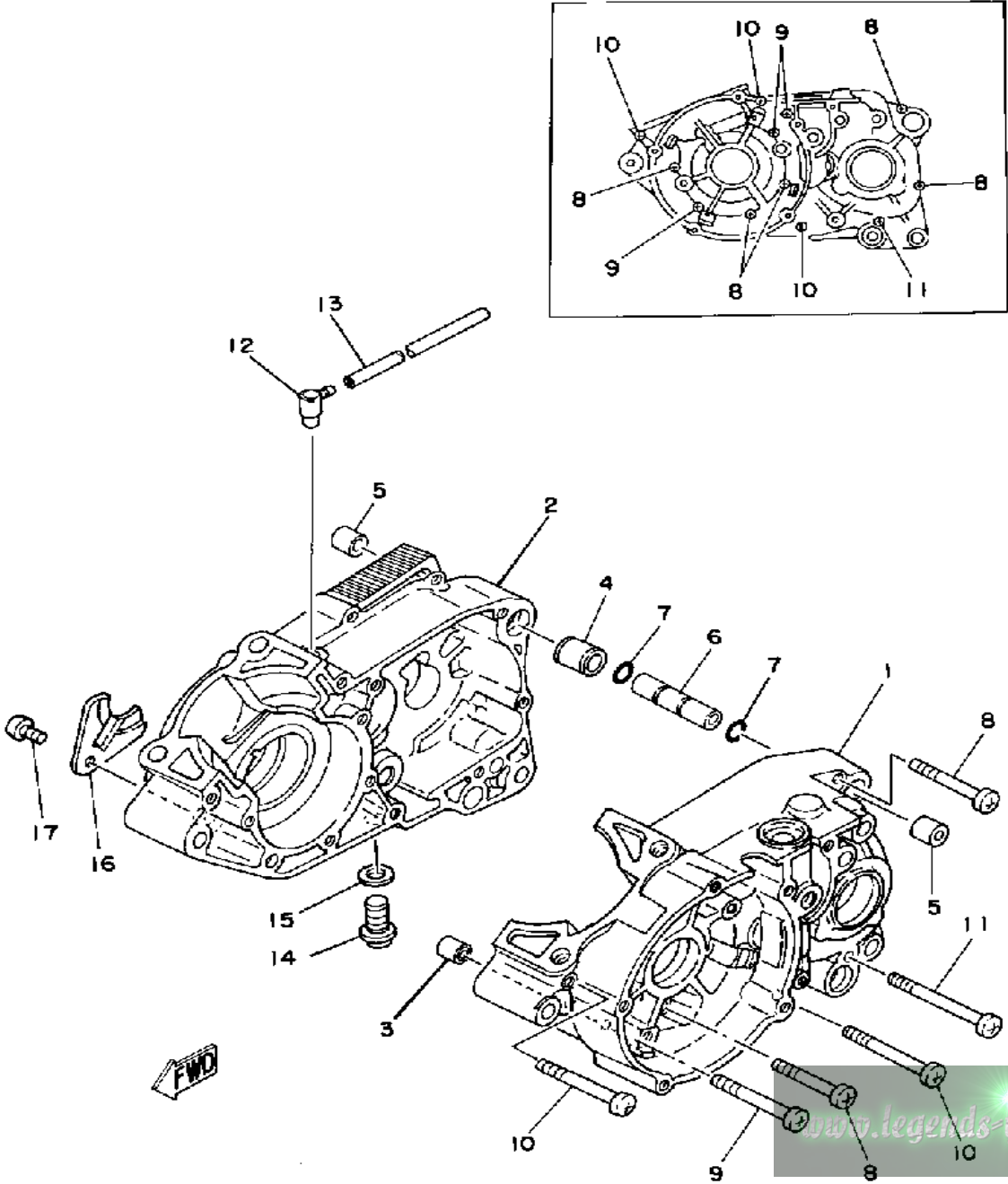
www.legends-yamaha-enduros.com

EXHAUST



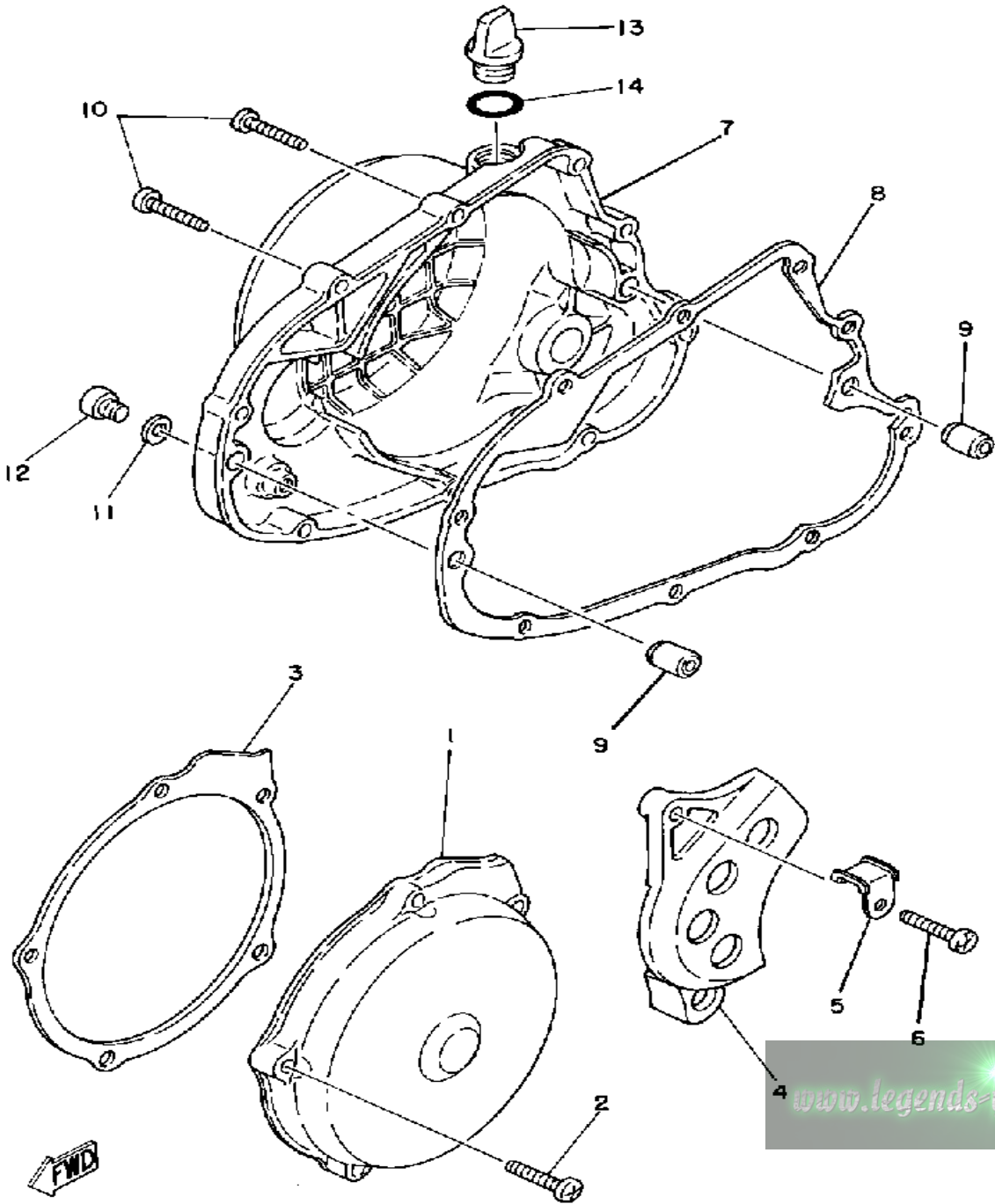
Ref. No.	Part Number	Description	Qty	Remarks
1	3R9-14610-00-00	EXHAUST PIPE ASSEMBLY L	1	
2	3R3-14613-00-00	GASKET, EXHAUST PIPE	1	
3	90507-20030-00	SPRING, TENSION	2	
4	1M1-14772-00-00	STAY, MUFFLER 2	1	
5	97013-06012-00	BOLT	2	
6	92901-06600-00	WASHER	2	
7	565-14771-00-00	STAY, MUFFLER 1	1	
8	97013-06012-00	BOLT	2	
9	92901-06600-00	WASHER	2	
10	1W2-14714-00-00	GASKET, MUFFLER	1	
11	90460-37026-00	CLAMP, HOSE	2	
12	3R9-14753-10-00	SILENCER, EXHAUST	1	
13	1W2-14787-00-00	CAP, SILENCER	1	
14	97013-06012-00	BOLT	1	
15	92995-06100-00	WASHER, SPRING	1	
16	92901-06600-00	WASHER	1	
17	90480-22269-00	GROMMET	2	
18	90387-081A3-00	COLLAR	2	
19	90201-085E6-00	WASHER PLATE	2	
20	97313-08030-00	BOLT, HEXAGON	2	
21	92990-08100-00	WASHER	2	

CRANKCASE



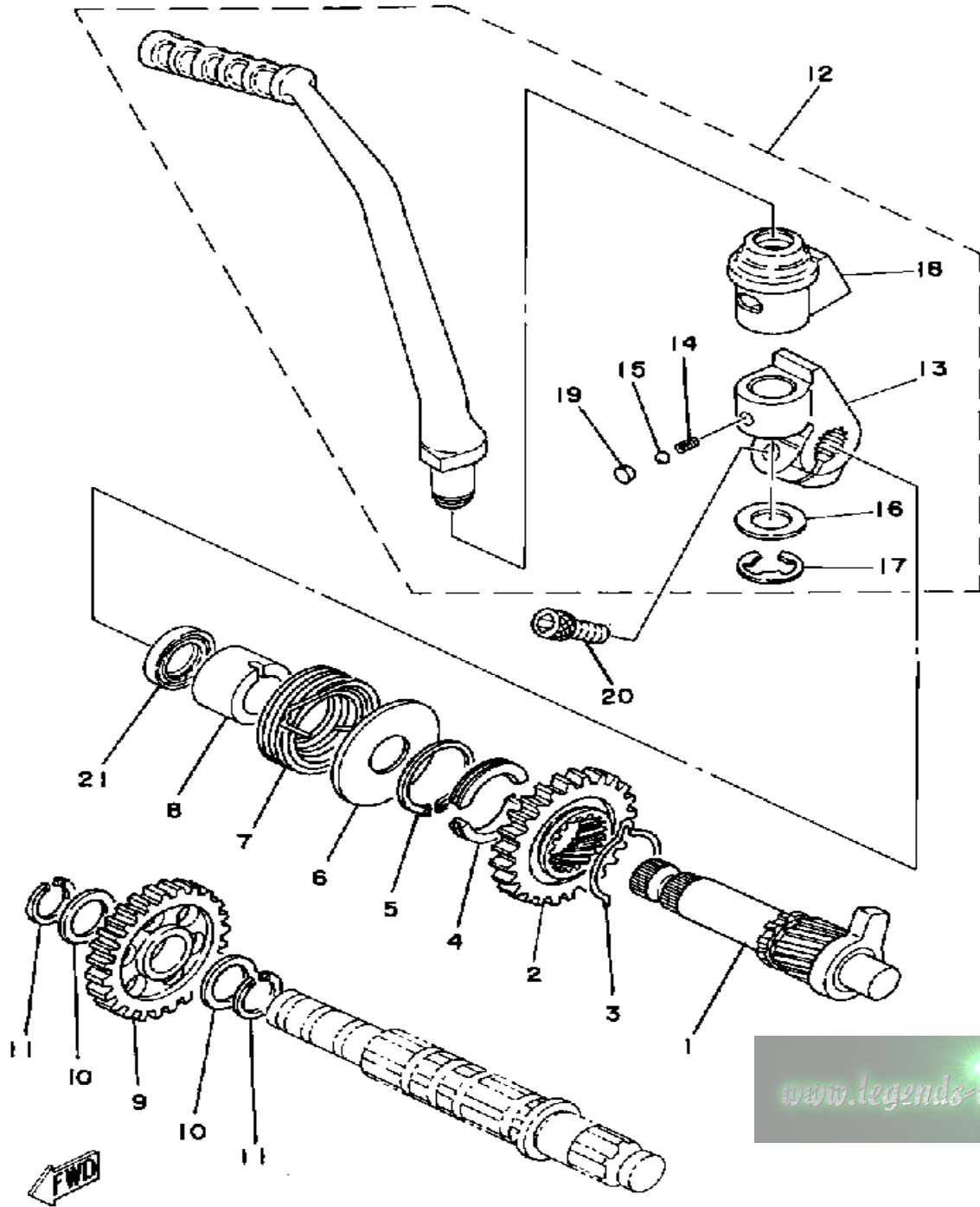
Ref. No.	Part Number	Description	Qty	Remarks
1	1W1-15111-02-00	CRANKCASE 1 (1W1-15111-00)	1	
2	1W1-15121-02-00	CRANKCASE 2 (1W1-15121-01)	1	
3	99530-10014-00	PIN, DOWEL	1	
4	99510-20020-00	PIN, DOWEL	1	
5	328-15316-00-00	DAMPER, ENG MOUNT 1 (328-15316-00)	2	
6	401-15317-00-00	SPACER, ENG MOUNT	1	
7	93210-11073-00	O-RING	2	
8	98506-06050-00	SCREW, PAN HEAD	5	
9	98506-06060-00	SCREW, PAN HEAD	3	
10	98506-06070-00	SCREW, PAN HEAD	3	
11	98506-06075-00	SCREW, PAN HEAD	1	
12	2N4-15371-00-00	BREATHER	1	
13	90445-07340-00	HOSE	1	
14	90340-12005-00	PLUG, DRAIN	1	
15	90430-12207-00	GASKET	1	
16	304-15128-00-00	HOLDER	1	
17	92501-08010-00	SCREW, PAN HEAD	1	

CRANKCASE COVER



Ref. No.	Part Number	Description	Qty	Remarks
1	1W1-15411-00-00	COVER, CRANKCASE L	1	
2	98516-06030-00	SCREW, PAN HEAD	5	
3	1W1-15455-00-00	GASKET 1	1	
4	2W5-15421-00-00	COVER, CRANKCASE R	1	
5	2A6-15484-01-00	CLAMP 2	1	
6	98516-06030-00	SCREW, PAN HEAD	1	
7	1W1-15431-00-00	COVER, CRANKCASE 3	1	
8	18G-15451-01-00	GASKET, CRCS. COVER	1	
9	99530-10014-00	PIN, DOWEL	2	
10	98516-06030-00	SCREW, PAN HEAD	9	
11	90430-06016-00	GASKET	1	
12	98506-06008-00	SCREW, PAN HEAD (92506-06008-00)	1	
13	1G8-15362-00-00	PLUG, OIL LEVEL	1	
14	93210-14104-00	O-RING	1	

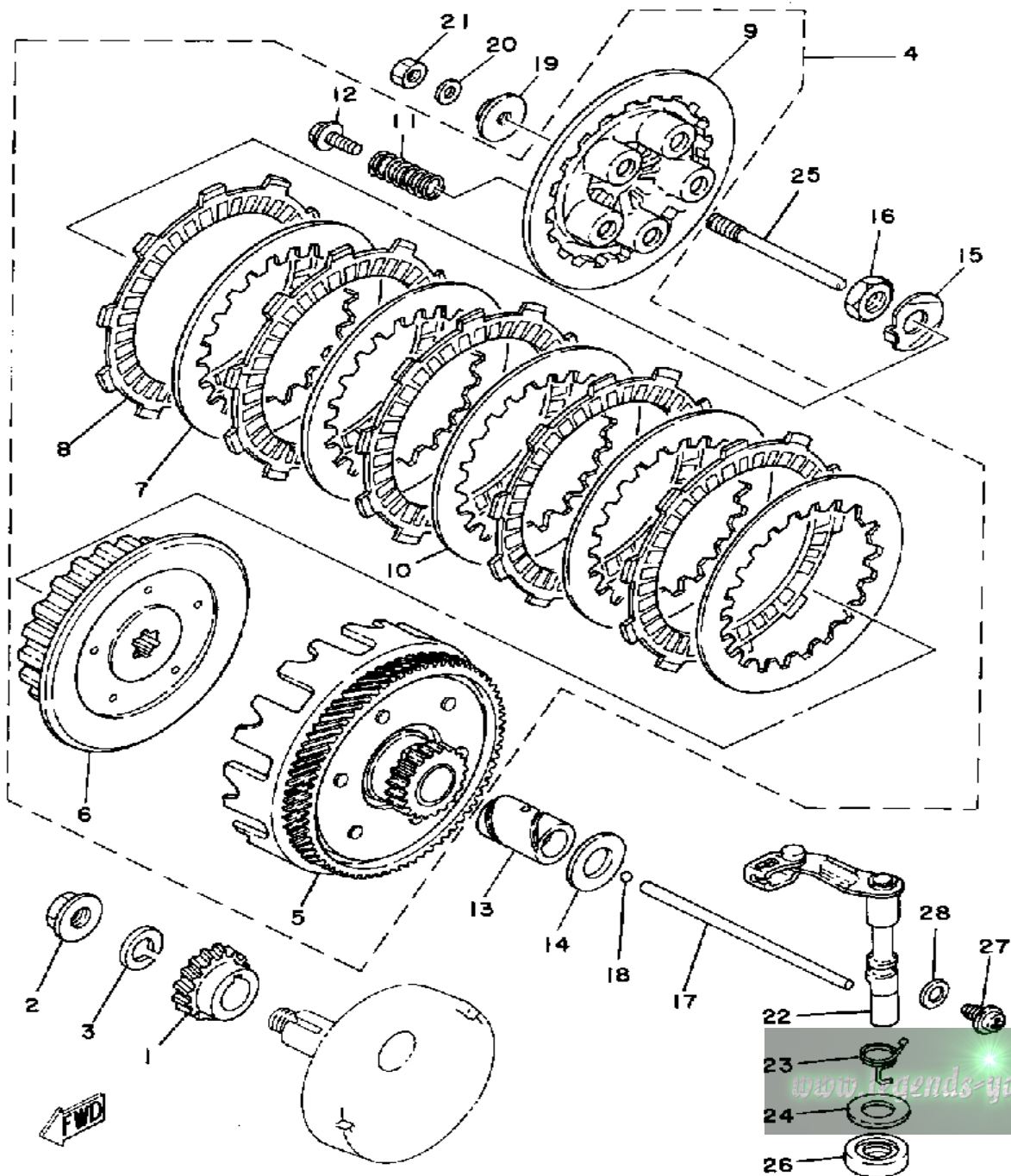
KICK STARTER



Ref. No.	Part Number	Description	Qty	Remarks
1	2A6-15660-01-00	KICK AXLE ASSEMBLY	1	
2	1W1-15641-00-00	GEAR, KICK (27T)	1	
3	90468-26048-00	CLIP	1	
4	248-15654-00-00	HOLDER, KICK GEAR	2	
5	99009-30400-00	CIRCLIP	1	
6	401-15676-00-00	COVER, SPRING	1	
7	90508-26346-00	SPRING, TORSION	1	
8	1W1-15666-00-00	SPACER	1	
9	525-15651-00-00	GEAR, KICK IDLE (25T)	1	
10	137-17417-00-05	SHIM 1 (0.5T)	2	U.N.
11	93440-15012-00	CIRCLIP	2	
12	1W1-15620-01-00	KICK CRANK ASSEMBLY (1W1-15611-02-33)	1	
13	1W1-15621-01-00	. BOSS, KICK CRANK	1	
14	90501-10459-00	. SPRING, COMPRESSION	1	
15	93503-16010-00	. BALL	1	
16	90201-12541-00	. WASHER, PLATE	1	
17	93430-08007-00	. CIRCLIP	1	
18	1W1-15618-01-00	. COVER, KICK LEVER	1	
19	90336-06030-00	. PLUG, TAPER	1	
20	91316-08025-00	BOLT, SOCKET HEAD	1	
21	93101-17062-00	OIL SEAL	1	

www.legends-yamaha-enduros.com

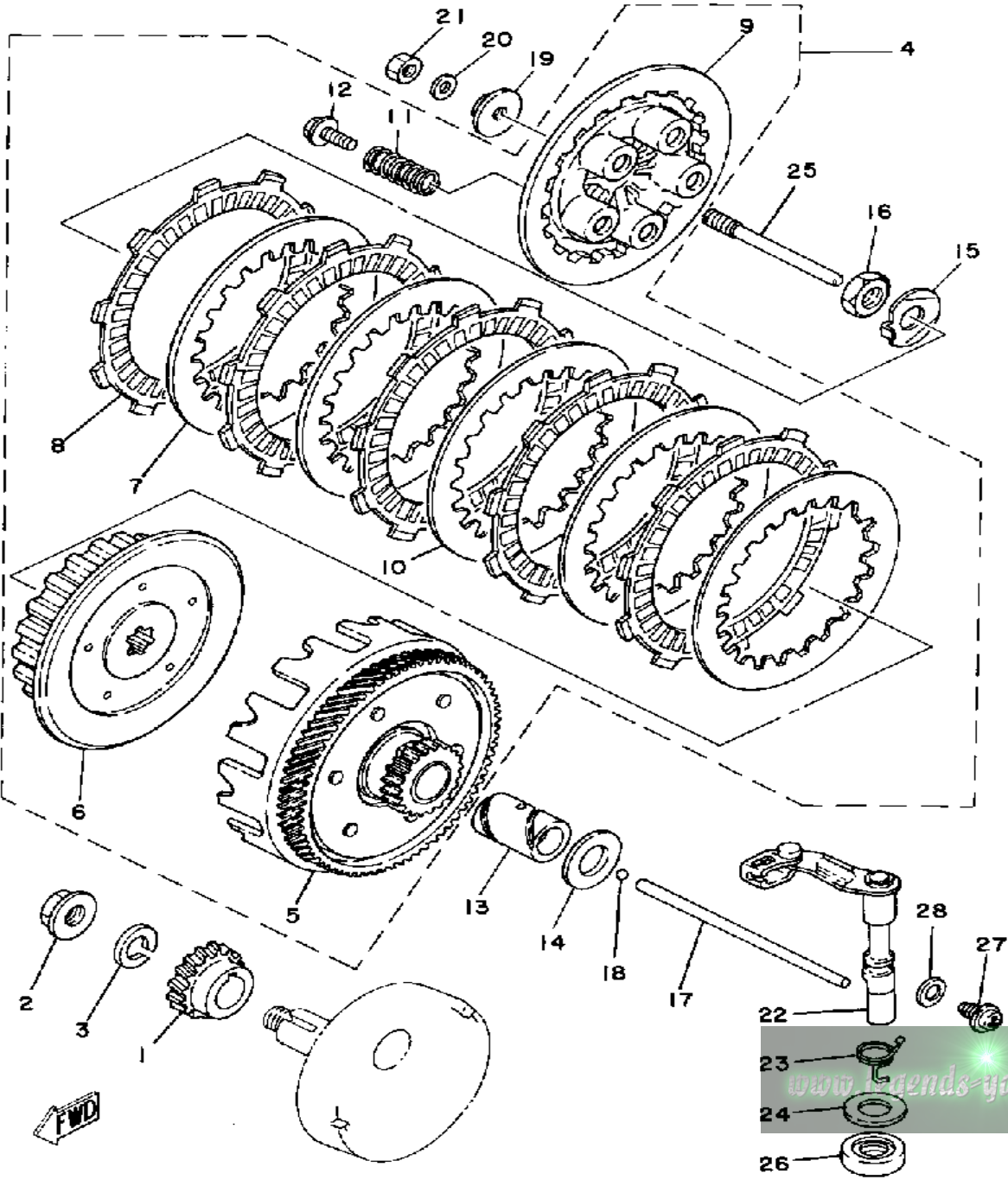
CLUTCH



Ref. No.	Part Number	Description	Qty	Remarks
1	1W1-16111-00-00	GEAR, PRI DRIVE	1	
2	90179-12244-00	NUT, SPEC'L SHAPE	1	
3	90204-12007-00	WASHER, SPRING	1	
4	(2X3-16300-00-00)	CLUTCH ASSEMBLY	1	
5	1W1-16150-01-00	. PRIMARY DRIVEN GEAR COMP. (71T)	1	
6	1G8-16371-00-00	. BOSS, CLUTCH	1	
7	137-16325-00-00	. PLATE, CLUTCH 2	4	
8	537-16321-00-00	. PLATE, FRICTION	5	
9	1W1-16351-00-00	. PLATE, PRESSURE 1	1	
10	137-16325-70-00	. PLATE, CLUTCH 2	1	
11	90501-20122-00	. SPRING, COMPRESSION (137-16333-00)	5	
12	90159-05011-00	. SCREW, WITH WASHER	5	
13	90560-17147-00	SPACER	1	
14	90201-174E1-00	WASHER, PLATE	2	
15	90215-14204-00	WASHER, LOCK	1	
16	90170-14171-00	NUT	1	
17	2X3-16357-00-00	ROD, PUSH 2	1	
18	93503-16010-00	BALL	1	
19	30X-16358-00-00	PLATE, PUSH	1	
20	92990-06200-00	WASHER	1	
21	95380-06600-00	NUT	1	
22	2X3-16380-01-00	PUSH LEVER ASSEMBLY	1	
23	90508-20345-00	SPRING, TORSION	1	
24	90201-14217-00	WASHER, PLATE	1	
25	1W1-16356-02-00	ROD, PUSH 1	1	
26	93104-14059-00	OIL SEAL, SO-TYPE	1	
27	90149-08108-00	SCREW, SPEC'L SHAPE	1	

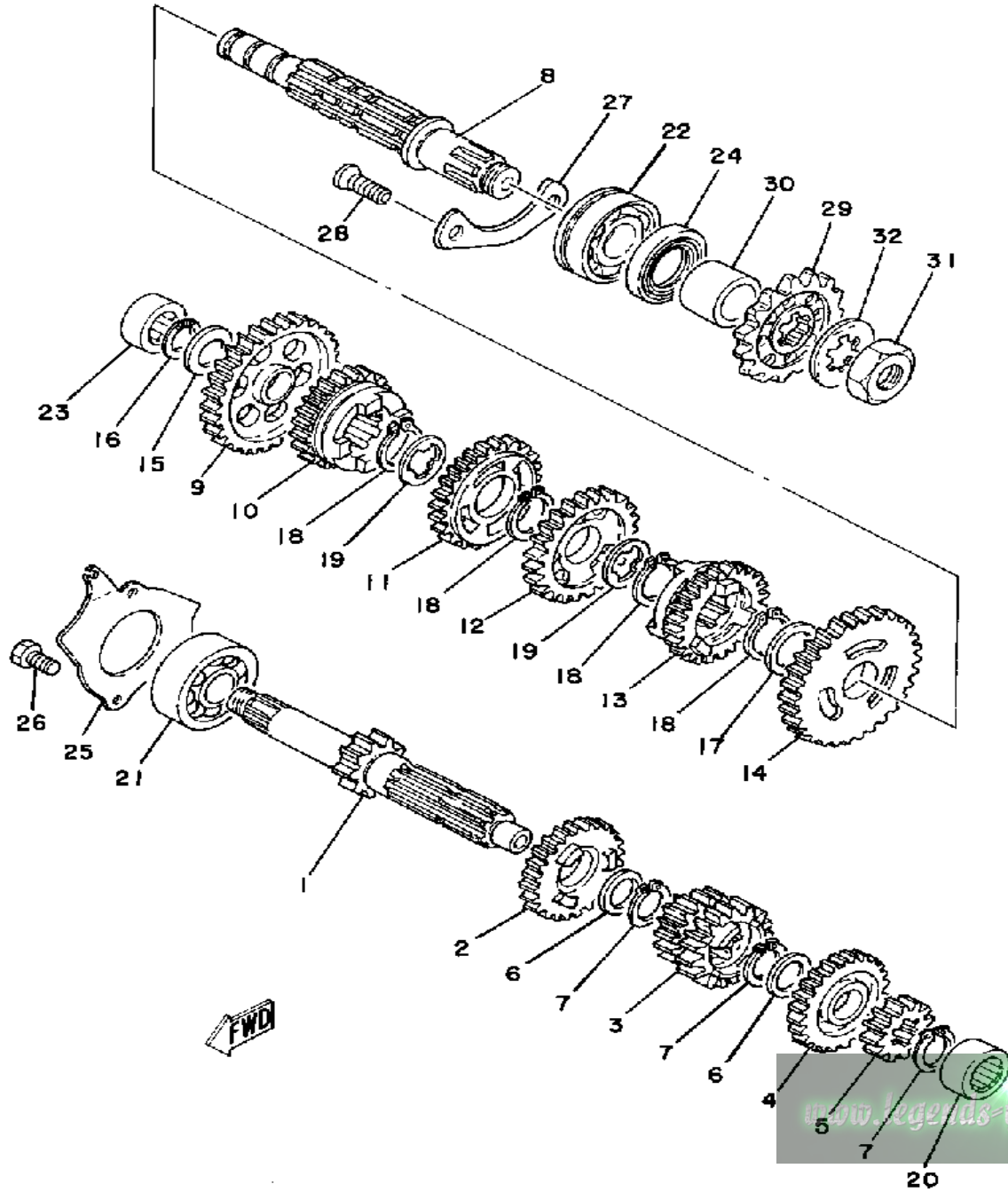
CONTINUED ON NEXT FRAME ►

CLUTCH



Ref. No.	Part Number	Description	Qty	Remarks
28	90430-08069-00	GASKET	1	

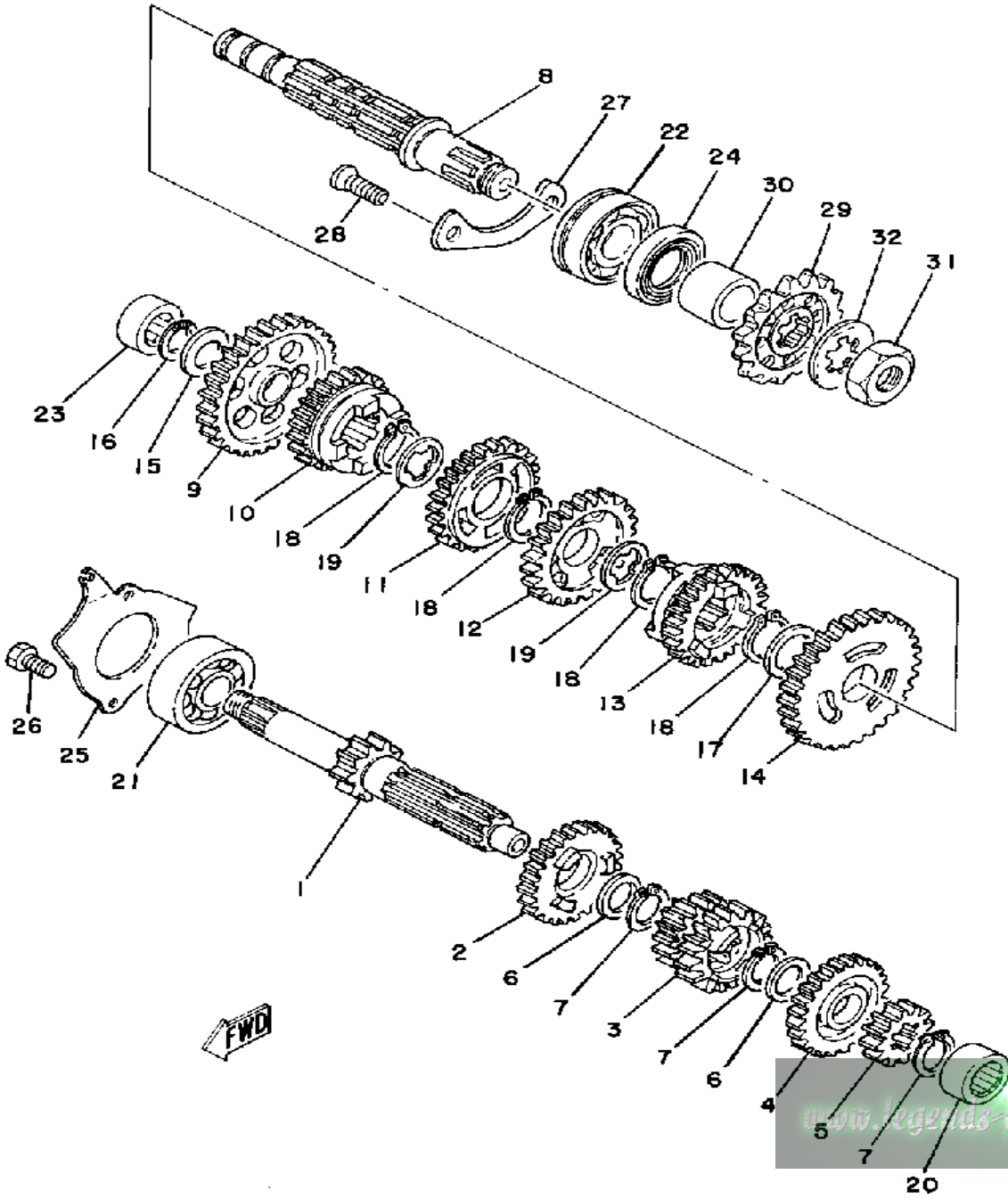
TRANSMISSION



Ref. No.	Part Number	Description	Qty	Remarks
1	1W2-17411-00-00	AXLE, MAIN	1	
2	1W2-17151-00-00	GEAR, 5TH PINION	1	
3	2W6-17131-01-00	GEAR, 3RD PINION	1	
4	1W2-17161-00-00	GEAR, 6TH PINION	1	
5	1W2-17121-00-00	GEAR, 2ND PINION	1	
6	90201-20266-00	WASHER, PLATE (1.0T)	2	
7	93410-20038-00	CIRCLIP	3	
8	1W1-17421-00-00	AXLE, DRIVE	1	
9	1W2-17211-01-00	GEAR, 1ST WHEEL	1	
10	2W6-17251-01-00	GEAR, 5TH WHEEL	1	
11	2W6-17231-01-00	GEAR, 3RD WHEEL	1	
12	1W2-17241-00-00	GEAR, 4TH WHEEL	1	
13	1W2-17261-00-00	GEAR, 6TH WHEEL	1	
14	1W2-17221-01-00	GEAR, 2ND WHEEL	1	
15	90201-15701-00	WASHER, PLATE (1.0T)	1	
16	93440-15012-00	CIRCLIP	1	
17	90201-22555-00	WASHER, PLATE	1	
18	93410-22039-00	CIRCLIP	4	
19	90209-18135-00	WASHER	2	
20	93311-41530-00	BEARING	1	
21	93306-30309-00	BEARING	1	
22	93306-30411-00	BEARING (B6304)	1	
23	93311-31567-00	BEARING, CYLINDRICAL	1	
24	93102-26042-00	OIL SEAL	1	
25	1W1-17471-01-00	PLATE, COVER	1	
26	97013-06012-00	BOLT	2	
27	1W1-15381-00-00	PLATE, BRNG COVER	1	
28	98603-06012-00	SCREW, OVAL HEAD (92701-06012)	2	

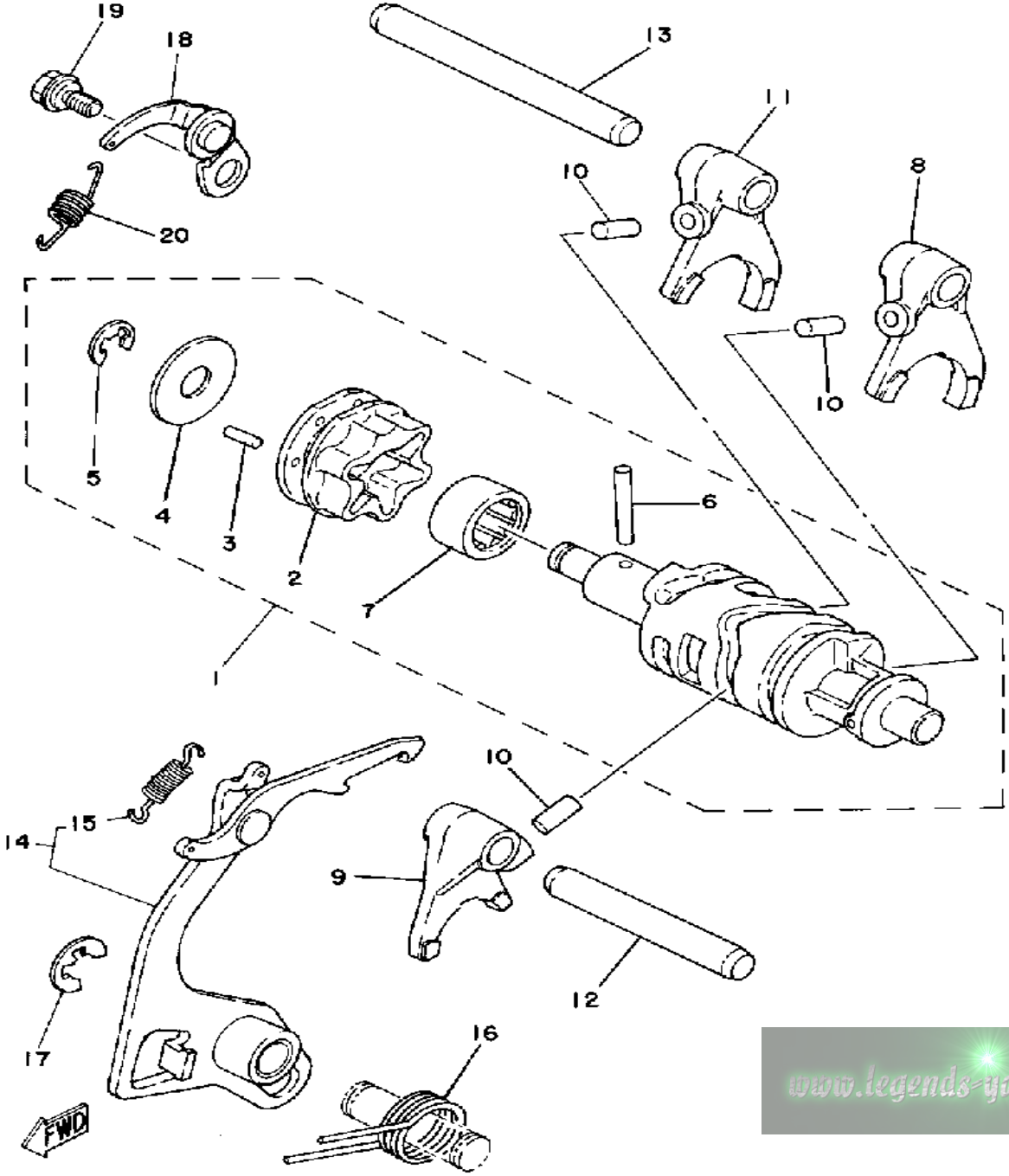
CONTINUED ON NEXT FRAME ►

TRANSMISSION



Ref. No.	Part Number	Description	Qty	Remarks
29	93832-11007-00	SPROCKET, DRIVE 11T	1	U.R.
	93832-12014-00	SPROCKET, DRIVE	1	U.R.STD
	93832-13027-00	SPROCKET, DRIVE	1	U.R.
30	90387-202A0-00	COLLAR	1	
31	90179-16226-00	NUT	1	
32	90215-16127-00	WASHER, LOCK	1	

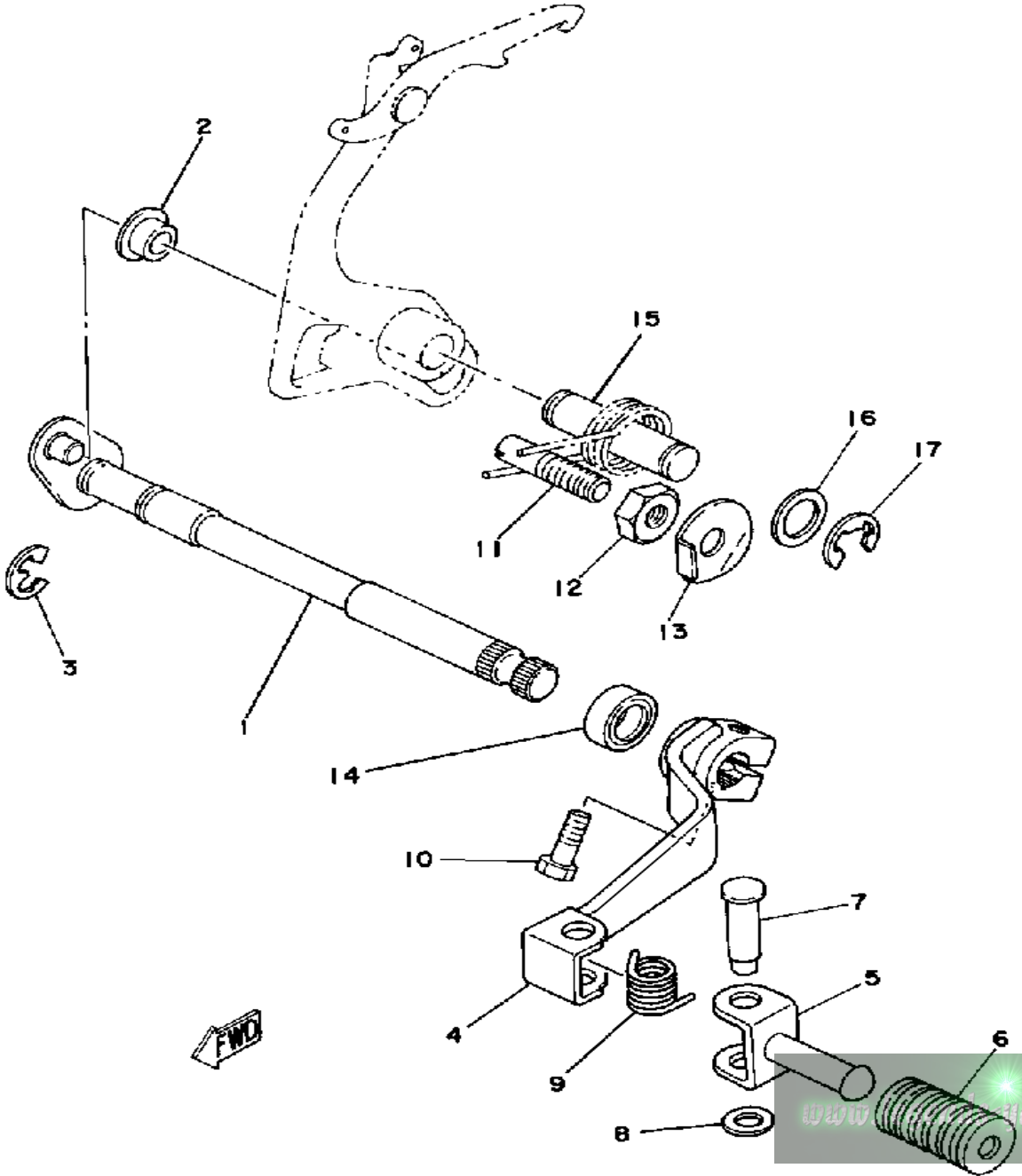
SHIFT CAM - FORK



Ref. No.	Part Number	Description	Qty	Remarks
1	(2W6-18540-00-00)	SHIFT CAM ASSEMBLY	1	
2	1W1-18185-00-00	. SEGMENT	1	
3	93604-12037-00	. PIN, DOWEL	6	
4	1W1-18561-00-00	. PLATE, SIDE 1	1	
5	99001-08600-00	. CIRCLIP	1	
6	93604-30018-00	. PIN, DOWEL	1	
7	93315-21813-00	. BEARING	1	
8	2W6-18511-00-00	FORK, SHIFT 1	1	
9	2W6-18512-00-00	FORK, SHIFT 2	1	
10	90250-06013-00	PIN, STRAIGHT	3	
11	2W6-18513-00-00	FORK, SHIFT 3	1	
12	2A6-18531-00-00	BAR, SHIFT FORK GUIDE 1	1	
13	2A6-18535-00-00	BAR, SHIF FRK GDE 2	1	
14	4F2-18120-00-00	SHIFT LEVER ASSEMBLY (2A6-18120-00)	1	
15	90506-08155-00	. SPRING, TENSION	1	
16	90508-32349-00	SPRING, TORSION	1	
17	99006-10600-00	CIRCLIP	1	
18	1W1-18140-00-00	STOPPER LEVER ASSEMBLY	1	
19	50W-21631-00-00	BOLT 1	1	
20	90506-09156-00	SPRING, TENSION	1	

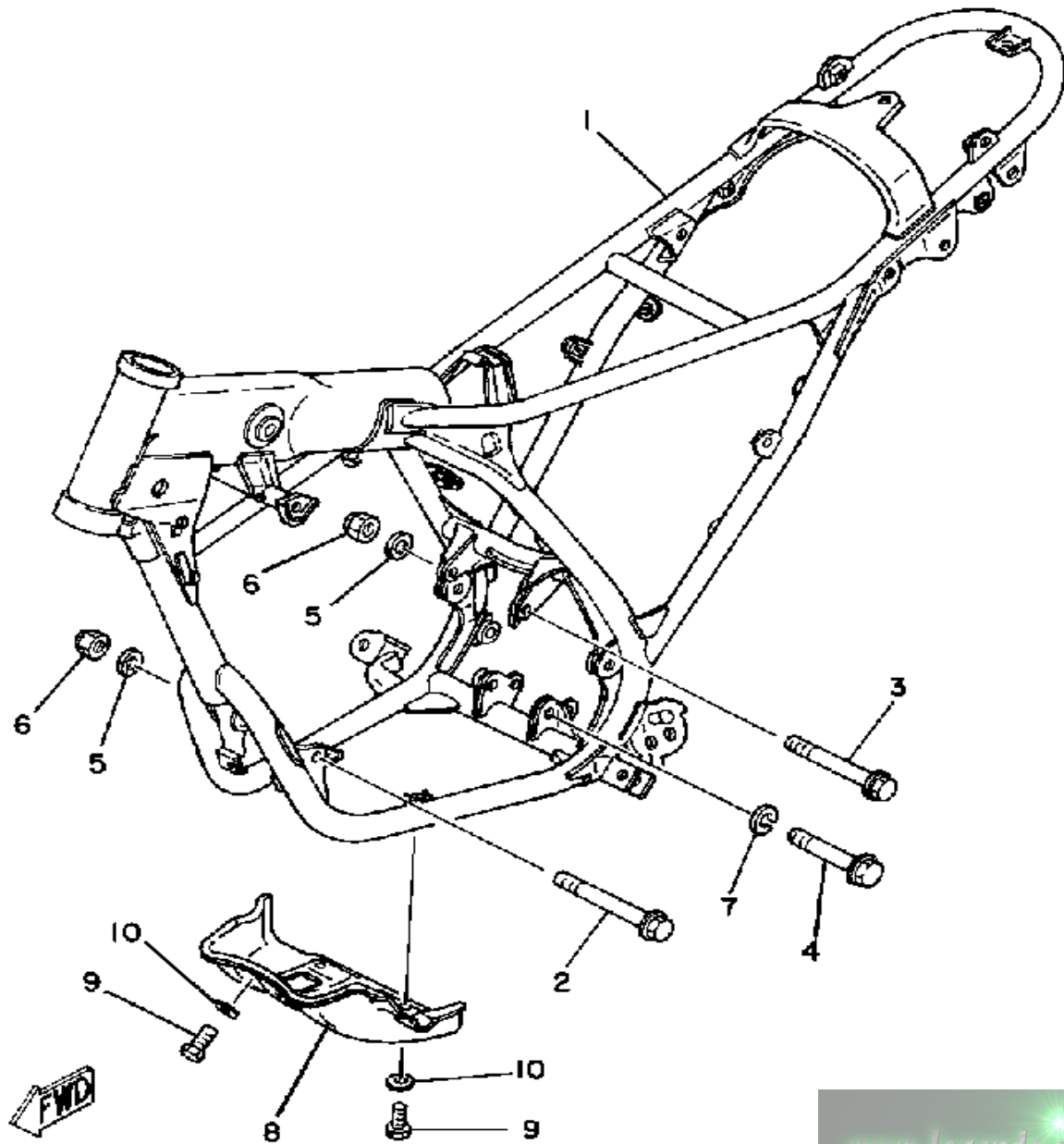
www.legends-yamaha-enduros.com

SHIFT SHAFT - PEDAL



Ref. No.	Part Number	Description	Qty	Remarks
1	4F2-18101-00-00	SHIFT SHAFT ASSEMBLY 1	1	
2	401-18178-00-00	ROLLER, SHIFT LEVER	1	
3	99006-10600-00	CIRCLIP	1	
4	2HF-18110-01-00	SHIFT PEDAL ASSEMBLY	1	
5	3R8-18162-00-00	PEDAL, SHIFT	1	
6	1W6-18113-00-00	COVER, SHIFT PEDAL	1	
7	90243-08019-00	PIN (90243-08017)	1	
8	90201-06042-00	WASHER, PLATE	1	
9	90508-20415-00	SPRING, TORSION	1	
10	97011-06020-00	BOLT	1	
11	90149-08111-00	SCREW, SPEC'L SHAPE	1	
12	90170-08029-00	NUT	1	
13	90215-08014-00	WASHER, LOCK	1	
14	93101-12060-00	OIL SEAL	1	
15	1W1-18197-01-00	SHAFT	1	
16	90201-12M34-00	WASHER, PLATE	1	
17	99006-10600-00	CIRCLIP	1	

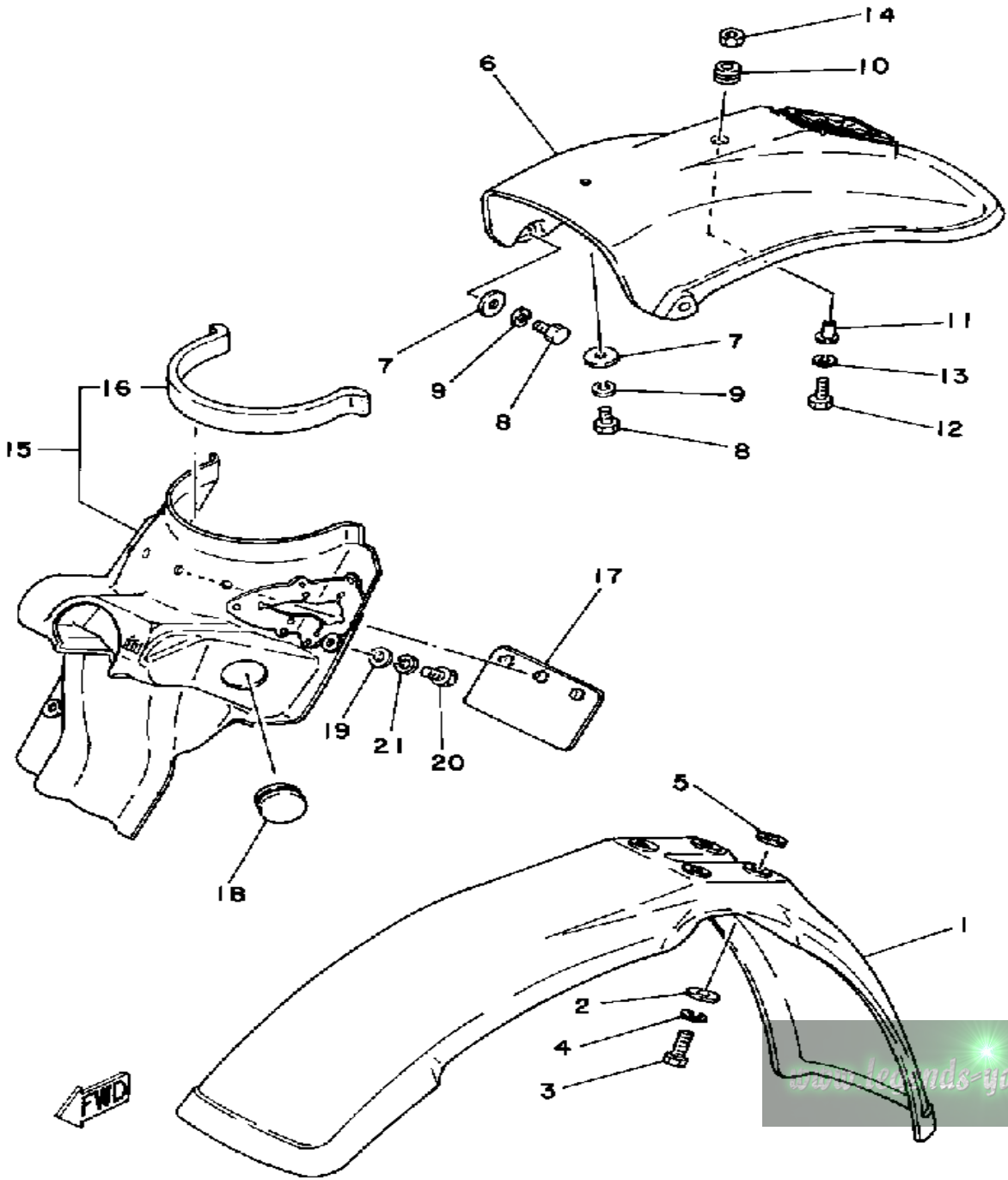
FRAME



Ref. No.	Part Number	Description	Qty	Remarks
1	(3R9-21110-03-33)	FRAME	1	
2	90105-08099-00	BOLT, WASHER BASED	1	
3	90105-08120-00	BOLT, WASHER BASED	1	
4	90105-10037-00	BOLT, WASHER BASED	1	
5	92990-08200-00	WASHER, PLAIN	2	
6	90185-08089-00	NUT, SELF-LOCKING	2	
7	92990-10100-00	WASHER, SPRING	1	
8	(3R9-21471-00-35)	PROTECTOR, ENGINE	1	SILVER
9	97013-06012-00	BOLT	4	
10	92901-06600-00	WASHER	1	

www.legends-yamaha-enduros.com

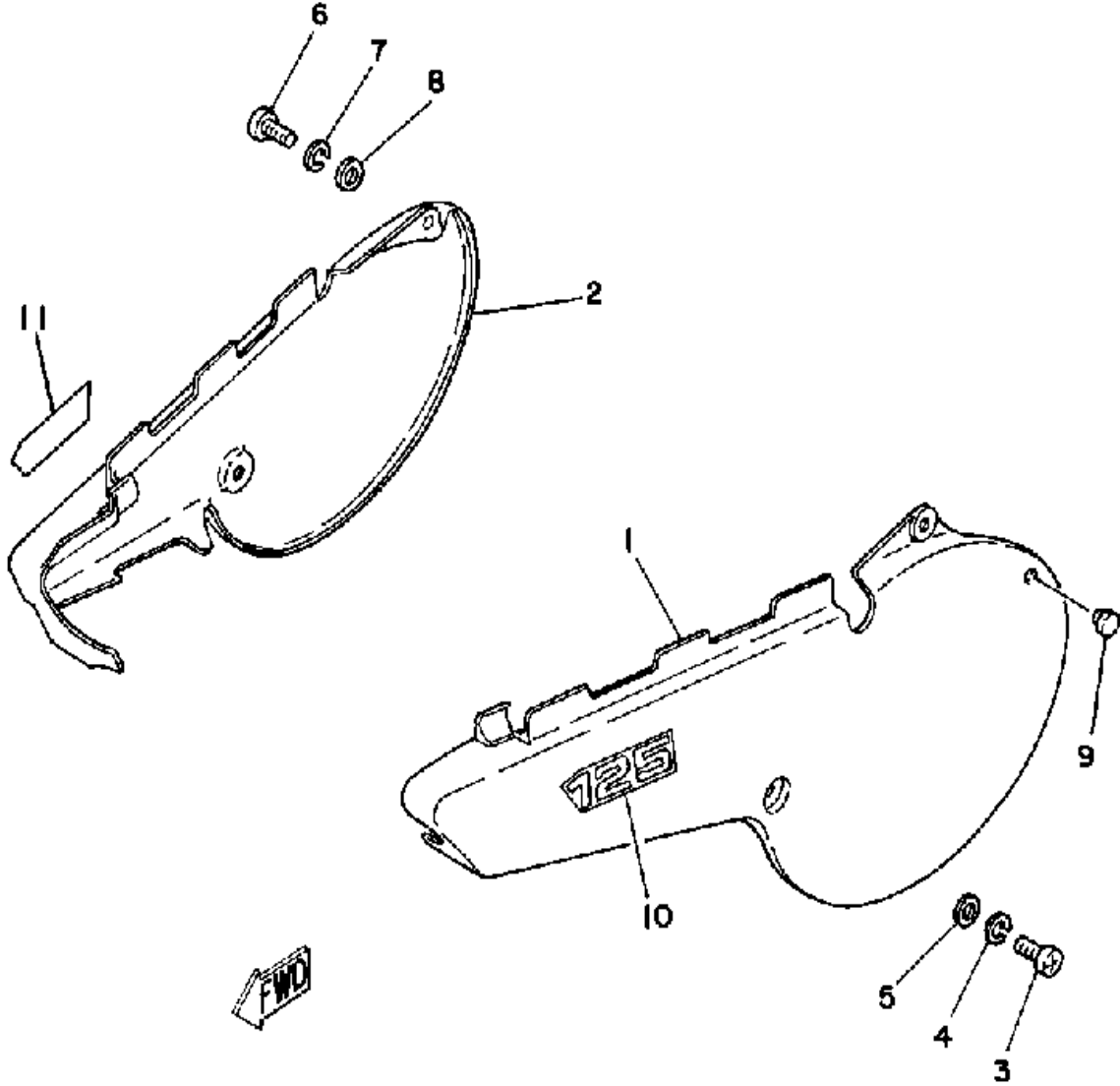
FRONT FENDER - REAR FENDER



Ref. No.	Part Number	Description	Qty	Remarks
1	5X6-21511-11-00	FENDER, FRONT	1	CLEAN WHITE
2	90201-06067-00	WASHER, PLATE	4	
3	97023-06020-00	BOLT (3XF)	4	
4	92995-06100-00	WASHER, SPRING	4	
5	90209-06187-00	WASHER	4	
6	(3R9-21610-01-00)	FENDER, REAR	1	CLEAN WHITE
7	90201-06067-00	WASHER, PLATE	3	
8	97301-06014-00	BOLT, HEXAGON	3	
9	92995-06100-00	WASHER, SPRING	3	
10	90480-14198-00	GROMMET	1	
11	90387-06388-00	COLLAR	1	
12	97021-06030-00	BOLT	1	
13	92995-06100-00	WASHER, SPRING	1	
14	95601-06100-00	NUT, U	1	
15	(3R9-21620-00-00)	GUARD, MUD	1	
16	2A6-21639-00-00	DAMPER 2	1	
17	1M1-21621-00-00	FLAP	1	
18	90480-01254-00	GROMMET	2	
19	90201-06067-00	WASHER, PLATE	3	
20	97301-06014-00	BOLT, HEXAGON	3	
21	92995-06100-00	WASHER, SPRING	3	

www.legends-yamaha-enduros.com

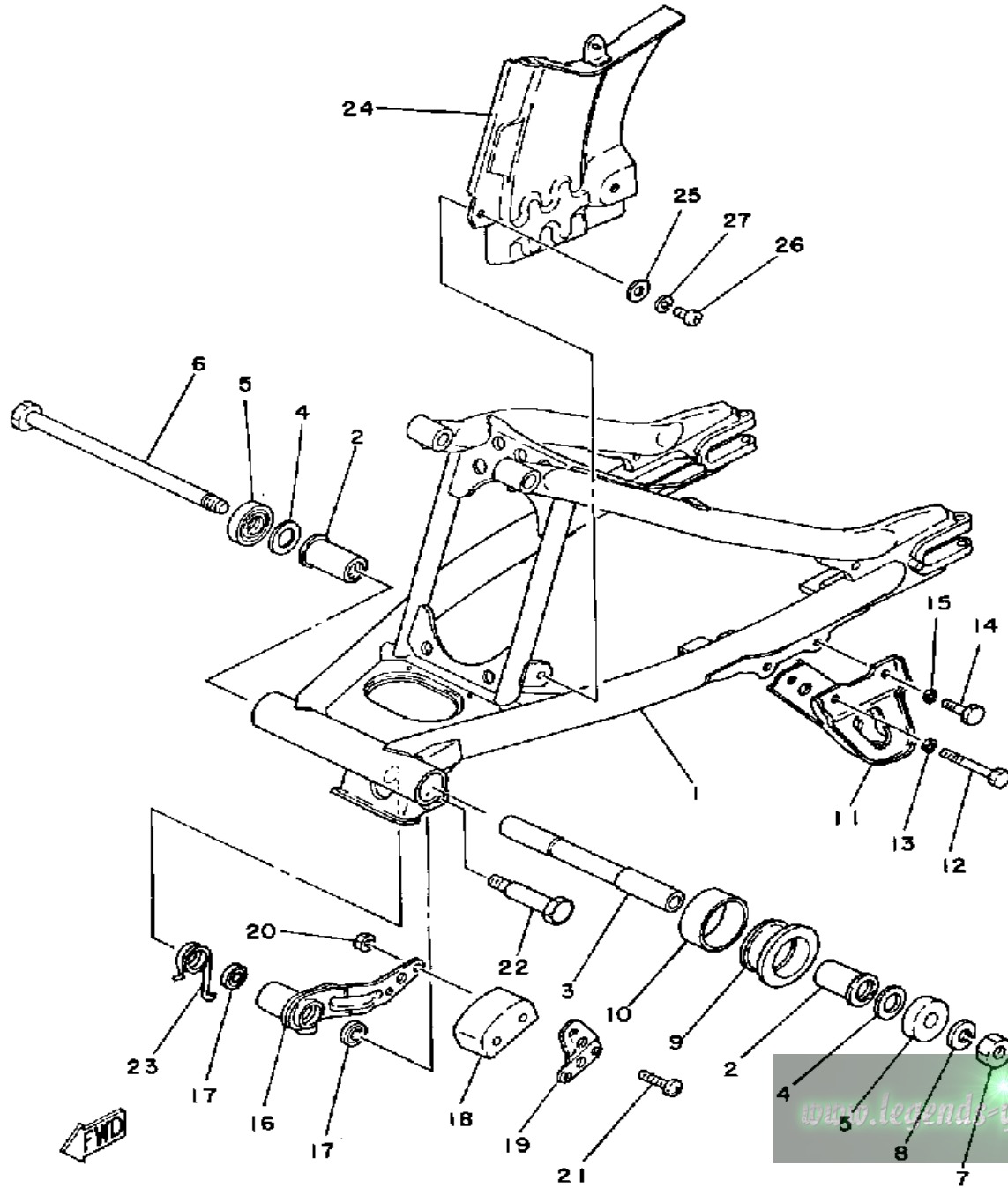
SIDE COVER



Ref. No.	Part Number	Description	Qty	Remarks
1	3R2-21711-10-26	COVER, SIDE 1	1	COMPETITIONYELLOW/WHITE
2	3R2-21721-10-26	COVER, SIDE 2	1	COMPETITIONYELLOW/WHITE
3	98503-06014-00	SCREW, PAN HEAD (92502-06016)	2	
4	92995-06100-00	WASHER, SPRING	2	
5	90201-06067-00	WASHER, PLATE	2	
6	98503-06014-00	SCREW, PAN HEAD (92502-06016)	2	
7	92995-06100-00	WASHER, SPRING	2	
8	90201-06067-00	WASHER, PLATE	2	
9	22W-24181-00-00	DAMPER, LOCATING 1	1	
10	3R9-21737-01-00	EMBLEM	1	
11	3R9-21737-01-00	EMBLEM	1	

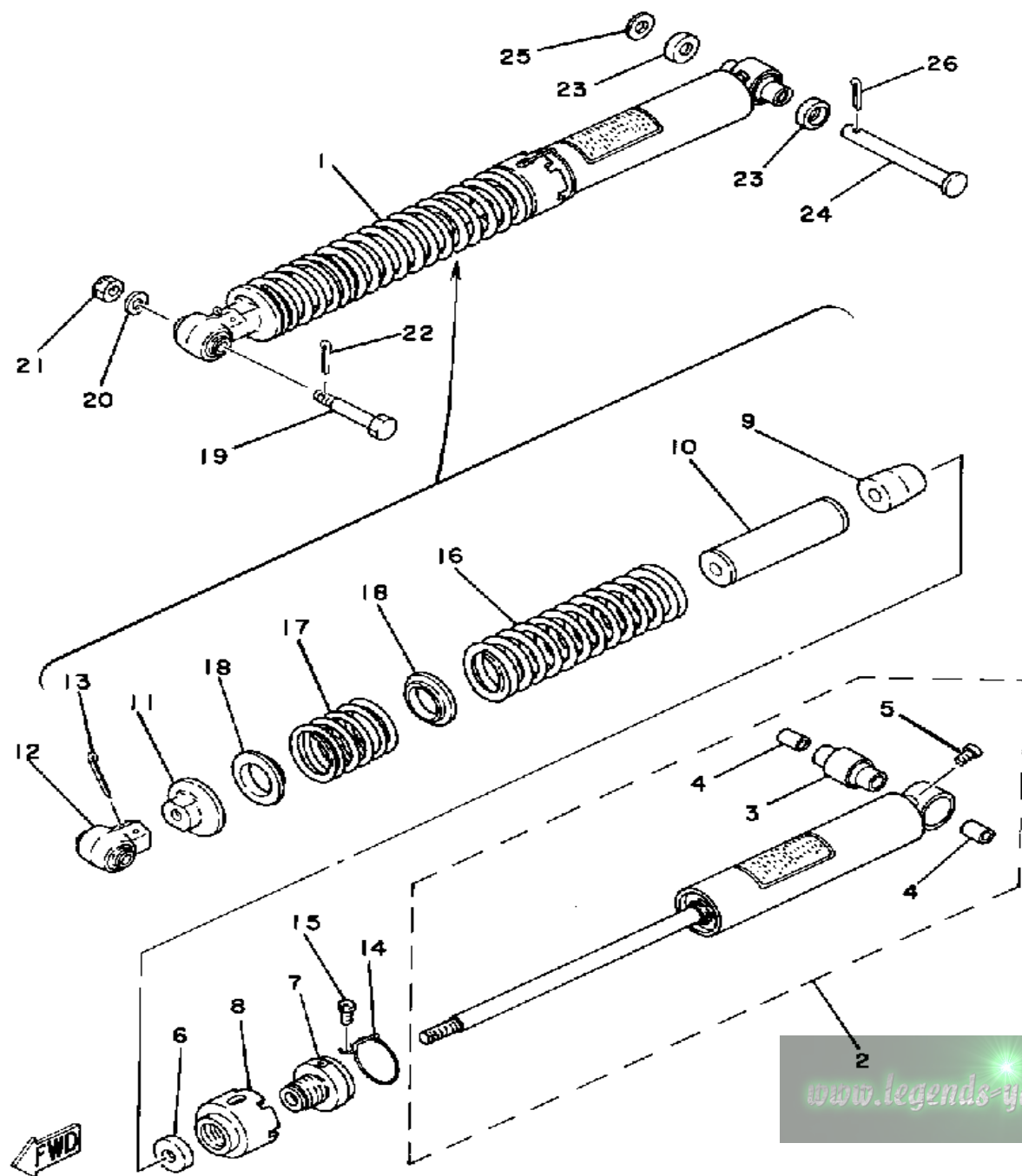
www.legends-yamaha-enduros.com

REAR ARM



Ref. No.	Part Number	Description	Qty	Remarks
1	(3R9-22110-00-35)	REAR ARM	1	SILVER
	ACC-11130-00-25	TENSIONER (2N0-22178-00-00)	1	
2	90386-18028-00	BUSH	2	
3	18G-22124-00-00	BUSH 2	1	
4	401-22127-00-00	SHIM	1	U.N.
5	401-22128-01-00	SEAL, GUARD	2	
6	2N4-22141-00-00	SHAFT, PIVOT	1	
7	90185-12046-00	NUT, SELF-LOCKING	1	
8	92901-12100-00	WASHER, SPRING	1	
9	2A6-22151-00-00	SEAL, GUARD	1	
10	2A6-22152-00-00	SEAL, GUARD	1	
11	2W6-22153-00-00	GUARD, CHAIN	1	
12	97313-06055-00	BOLT, HEXAGON (97322-06055)	1	
13	92995-06100-00	WASHER, SPRING	1	
14	97013-06012-00	BOLT	1	
15	92995-06100-00	WASHER, SPRING	1	
16	2A6-22179-00-00	ARM, TENSIONER	1	
17	93104-14044-00	OIL SEAL	2	
19	1W1-22187-00-00	GUIDE, CHAIN	1	
20	95311-05700-00	NUT	2	
21	98501-05035-00	SCREW, PAN HEAD	2	
22	90109-10483-00	BOLT (90109-10533-00)	1	
23	90508-35350-00	SPRING, TORSION	1	
24	(3R9-22311-00-33)	CASE, CHAIN	1	YAMAHA BLACK
25	92990-05200-00	WASHER, PLAIN	3	
26	98580-05010-00	SCREW, PAN HEAD	3	
27	92990-05100-00	WASHER, SPRING	3	

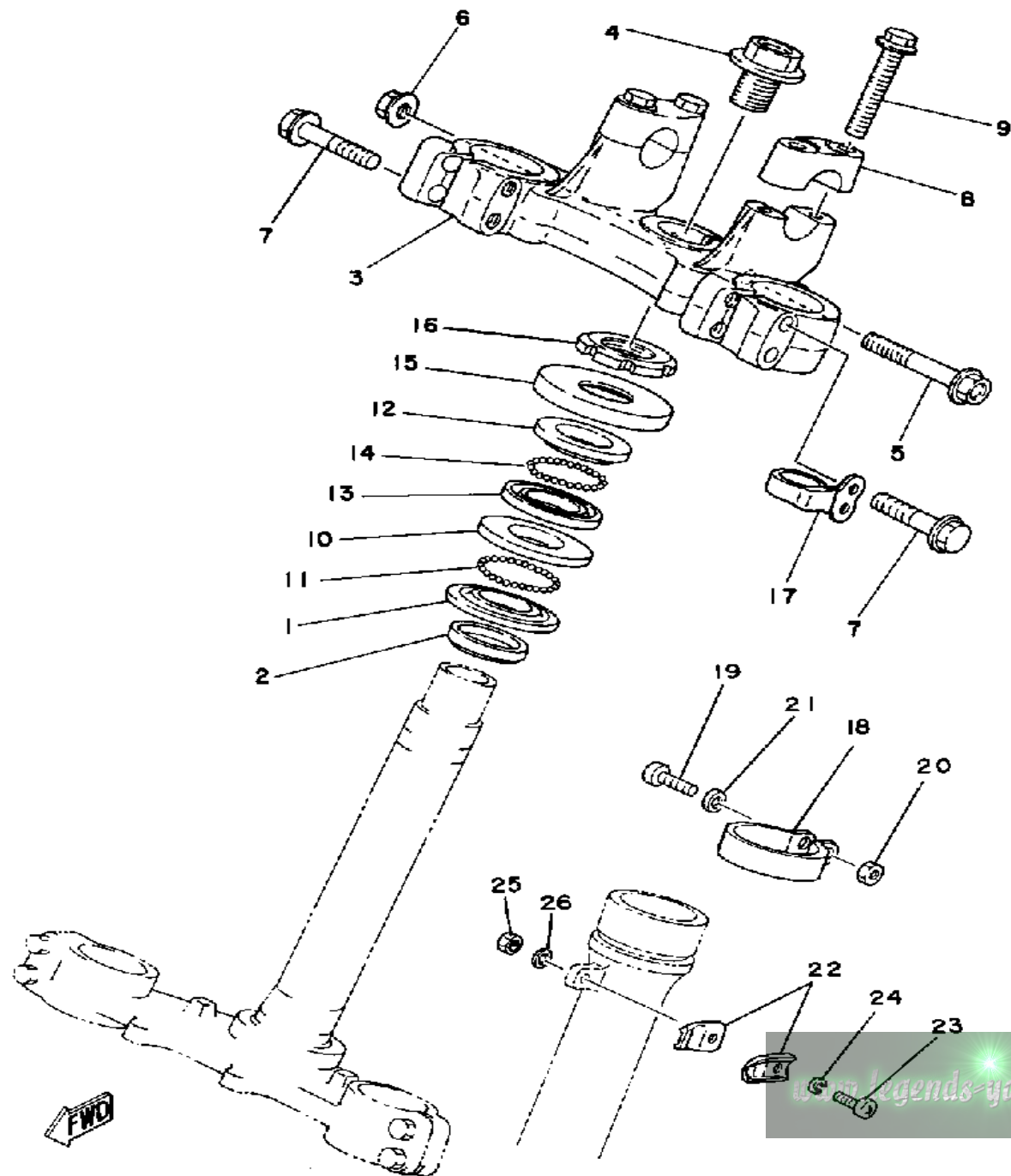
REAR SUSPENSION



Ref. No.	Part Number	Description	Qty	Remarks
1	(3R9-22496-00-00)	SLEEVE, ROD	1	
	3R9-22210-10-00	SHK/ABS ASSEMBLY, REAR	1	
2	(3R9-22401-10-00)	DAMPER SUB-ASSEMBLY.	1	
3	1W1-22226-00-00	.. BUSH, SHOCK ABS LWR	1	
4	90380-12051-00	.. BUSH, SOLID	2	
5	98511-04006-00	.. SCREW, PAN HEAD (98501-04005)	1	
6	(2A6-22482-00-00)	STOPPER	1	
7	(1M1-22472-01-00)	CAP, CASE	1	
8	(1M1-22223-00-00)	SEAT, SPRING LOWER	1	
9	(2A6-22493-00-00)	BUMP, STOP	1	
11	(1M1-22213-01-00)	SEAT, SPRING UPPER	1	
12	(1M1-22219-01-00)	BRACKET, UPPER	1	
13	91401-30040-00	. PIN, COTTER	1	
14	(1M1-22225-00-00)	RING, HOLD	1	
15	(90149-04109-00)	SCREW, SPEC'L SHAPE	1	
16	(3R9-22222-00-00)	SPRING, SHOCK ABS 2	1	
17	3R9-22212-00-00	. SPRING	1	
18	(3R9-22234-00-00)	GUIDE, SPRING 3	2	
19	90109-10550-00	BOLT (90109-10453-00)	1	
20	92990-10200-00	WASHER, PLAIN	1	
21	95303-10700-00	NUT	1	
22	91490-20025-00	PIN, SPLIT	1	
23	1W1-22128-00-00	COVER, THRUST 1	2	
24	90240-12059-00	PIN, CLEVIS	1	
25	92990-12600-00	WASHER, PLATE	1	
26	91401-30030-00	PIN, COTTER	1	

www.legends-yamaha-enduros.com

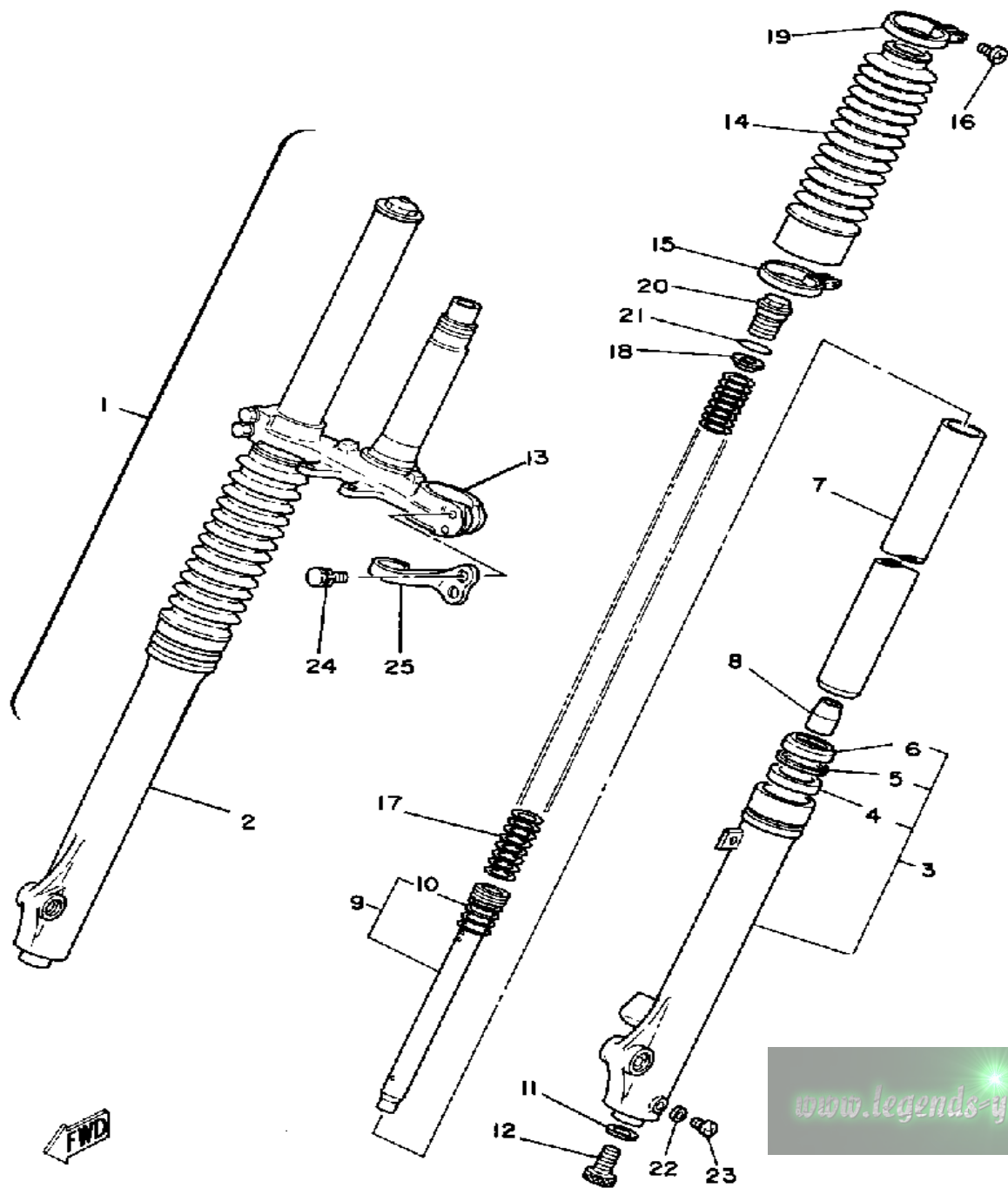
STEERING



Ref. No.	Part Number	Description	Qty	Remarks
1	156-23411-00-00	RACE, BALL 1	1	
2	164-23462-00-00	SEAL, STEERING	1	
3	(3R2-23435-00-98)	CROWN, HANDLE	1	LOW GLOSS BLK
4	90105-14136-00	BOLT, WASHER BASED	1	
5	95811-08055-00	BOLT, FLANGE	1	
6	95701-08500-00	NUT, FLANGE	1	
7	90105-08091-00	BOLT, WASHER BASED	4	
8	1E6-23441-00-00	HOLDER, HANDLE UPR	2	LOW GLOSS BLK
9	95811-08035-00	BOLT, FLANGE (95821-08035)	4	
10	156-23412-00-00	RACE, BALL 2	1	
11	93501-04011-00	BALL	19	
12	22F-23411-01-00	RACE, BALL 1	1	
13	22F-23412-01-00	RACE, BALL 2	1	
14	93503-16010-00	BALL	22	
15	10V-23416-01-00	COVER, BALL RACE 2	1	
16	90179-25033-00	NUT	1	
17	3R4-23317-00-00	HOLDER, CABLE	1	
18	3R9-23318-00-00	HOLDER, CABLE 1	1	
19	98501-05018-00	SCREW, PAN HEAD	1	
20	95380-05600-00	NUT	1	
21	92901-05600-00	WASHER, PLATE	1	
22	90462-14055-00	CLAMP	2	
23	98511-06025-00	SCREW PAN HEAD (92501-06025)	1	
24	92995-06100-00	WASHER, SPRING	1	
25	95380-06600-00	NUT	1	
26	92901-06600-00	WASHER	1	

usa-legends-yamaha-enduros.com

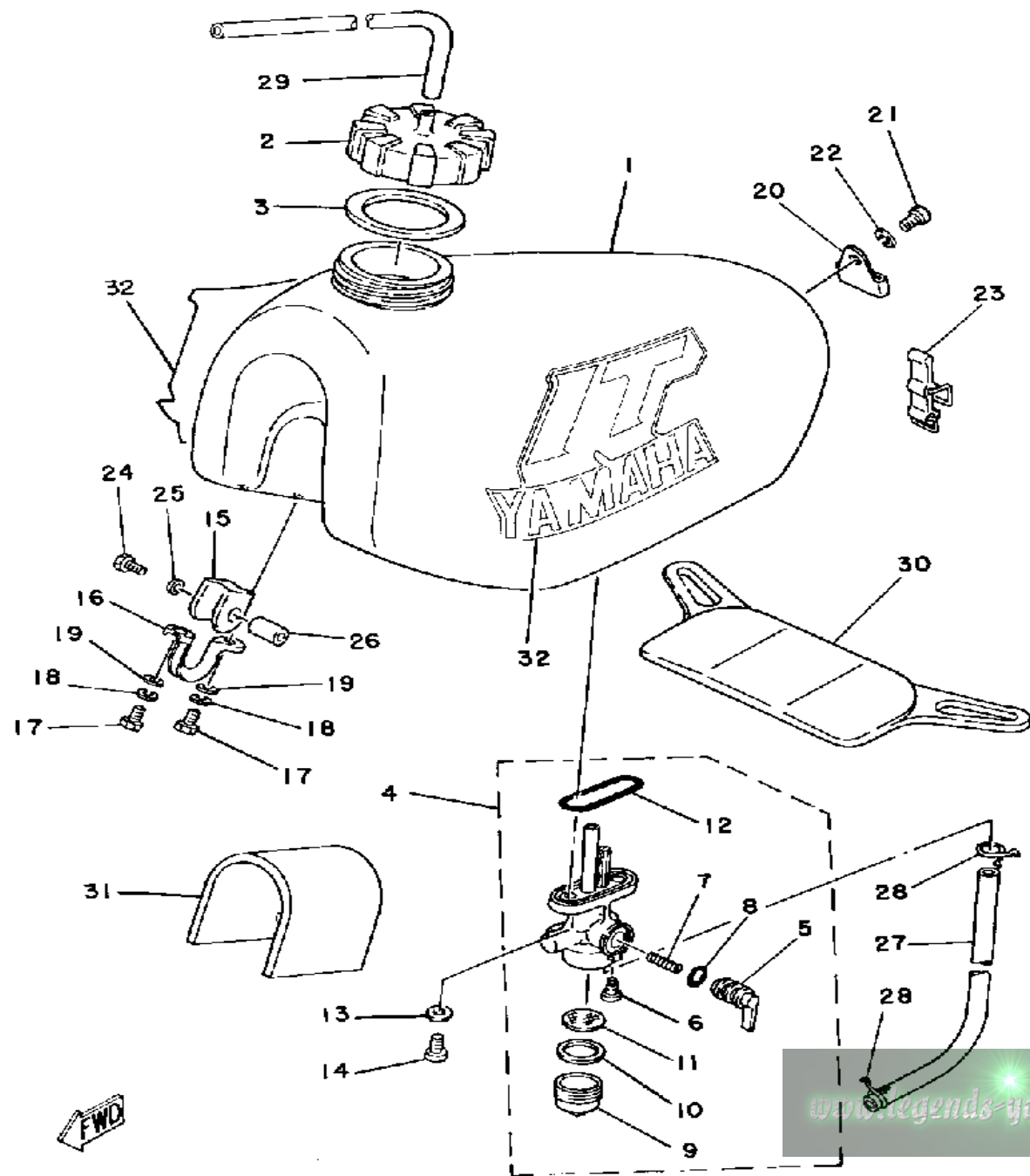
FRONT FORK



Ref. No.	Part Number	Description	Qty	Remarks
1	(3R9-23101-10-00)	FRONT FORK ASSEMBLY	1	
2	(3R2-23106-00-00)	OUTER TUBE LH	1	
3	(3R2-23107-01-00)	OUTER TUBE RH	1	
4	1T3-23145-00-00	. . OIL SEAL	2	
5	4A1-23156-00-00	. . CLIP, OIL SEAL	2	
6	4G0-23144-01-00	. . SEAL, dust	2	
7	(3R2-23110-00-00)	INNER TUBE 1	2	
8	1W1-23173-L0-00	. SPINDLE, TAPER	2	
9	(3R9-23170-10-00)	CYLINDER, FRTFRK	2	
10	509-23151-L0-00	. SPRING, REBOUND	2	
11	509-23158-L0-00	. GASKET	2	
12	278-23181-50-00	. BOLT, HEXAGON SOCKET HEAD	2	
13	(3R2-23340-00-33)	UNDER BRACKET	1	YAMAHA BLACK
14	(3R2-23191-M0-00)	BOOT, FRONT FORK	2	
15	341-92090-60-00	. BAND, BOOT	2	
16	509-23194-L0-00	. SCREW, BOOT BAND	2	
17	3R9-23141-L0-00	. UNAVAILABLE IN PRICE BOOK	2	
18	583-23142-00-00	. SEAT, SPRING UPPER	2	
19	(1W2-23118-10-00)	SPACER	2	
20	2W6-23111-00-00	. BOLT, CAP (583-23111-00)	2	
21	240-23114-00-00	. GASKET	2	
22	122-23129-00-00	. GASKET, DRAIN PLUG	2	
23	4H7-23119-00-00	. PLUG, DRAIN - (122-23119-01)	2	
24	5X6-23181-L0-00	. BOLT, HEX SCKT HEADSOCKET HEAD	4	
25	3R4-23389-00-00	. GUIDE, CABLE	1	

www.legends-yamaha-enduro.com

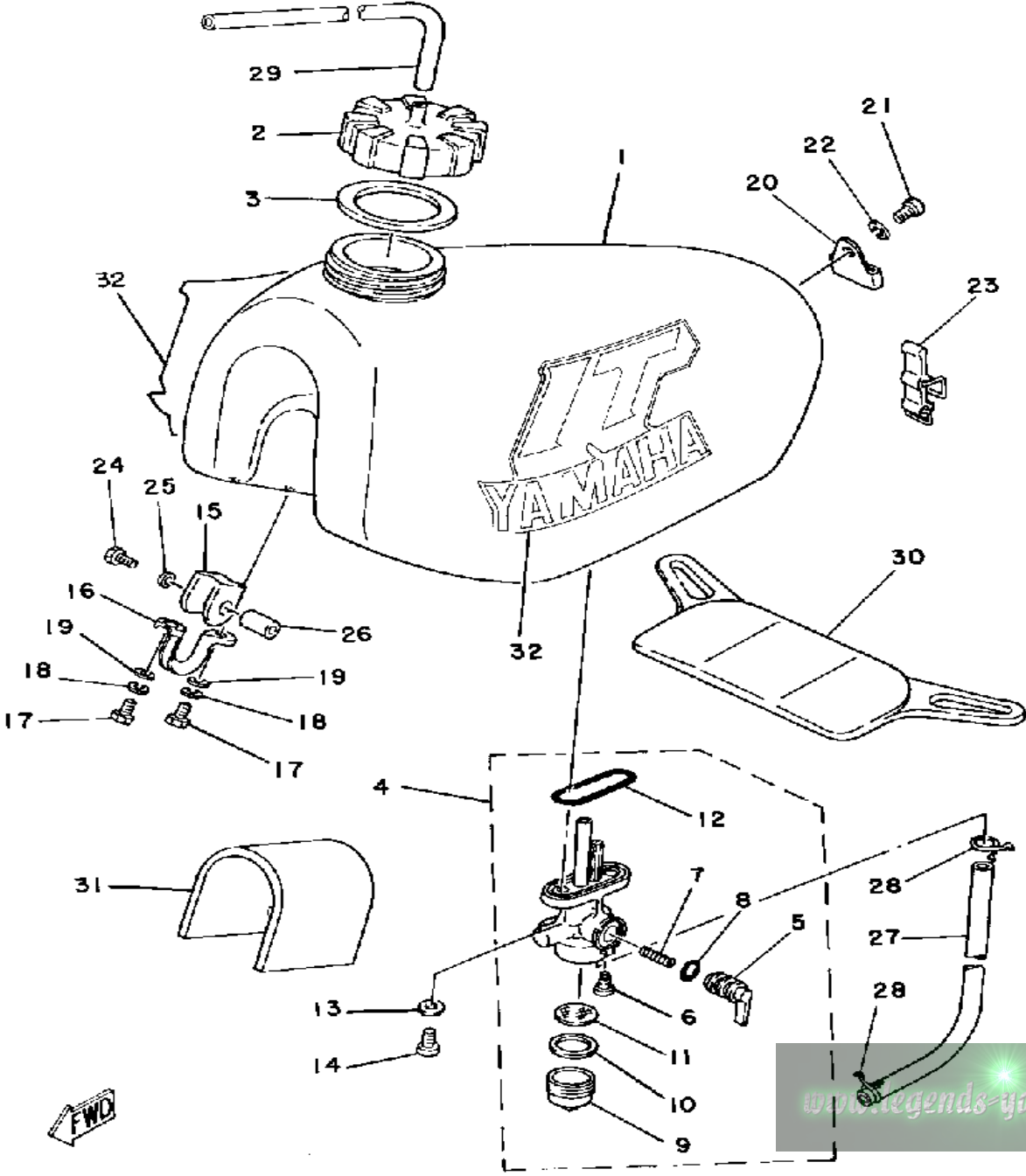
FUEL TANK



Ref. No.	Part Number	Description	Qty	Remarks
1	(3R9-24110-10-00)	FUEL TANK	1	
2	1K7-24611-01-00	BODY, CAP	1	
3	1K7-24612-02-00	GASKET, CAP	1	
4	3R9-24500-00-00	FUEL COCK ASSEMBLY 1 ...	1	
5	(2W6-24524-00-00)	LEVER, COCK	1	
6	2N3-24535-00-00	. SCREW, LVR FITTING	1	
7	2W6-24529-00-00	. SPRING	1	
8	2N3-24528-00-00	. GASKET	1	
9	(357-24521-10-00)	CUP, FILTER	1	
10	357-24522-10-00	. GASKET	1	
11	2W6-24561-00-00	. NET, FILTER	1	
12	2W6-24512-00-00	. O-RING	1	
13	90202-05187-00	WASHER, PLATE	2	
14	90149-06011-00	SCREW	2	
15	1W1-24182-01-00	DAMPER, LOCATING 2	2	
16	1W1-24144-01-00	HOLDER, DAMPER	2	
17	97013-06012-00	BOLT	4	
18	92995-06100-00	WASHER, SPRING	4	
19	92901-06600-00	WASHER	4	
20	2K5-24192-00-00	BRACKET, FUEL TNK 2	1	
21	98580-06012-00	SCREW, PAN HEAD	1	
22	98580-06012-00	SCREW, PAN HEAD	1	
23	2K5-24173-00-00	BAND, TNK FITTING 1	1	
24	90119-06022-00	BOLT, WITH WASHER	2	
25	90201-06407-00	WASHER, PLATE (90201-06747-00)	2	
26	90387-07393-00	COLLAR (308-84557-00)	2	
27	90445-11295-00	HOSE	1	
28	90467-10008-00	CLIP	2	

CONTINUED ON NEXT FRAME ►

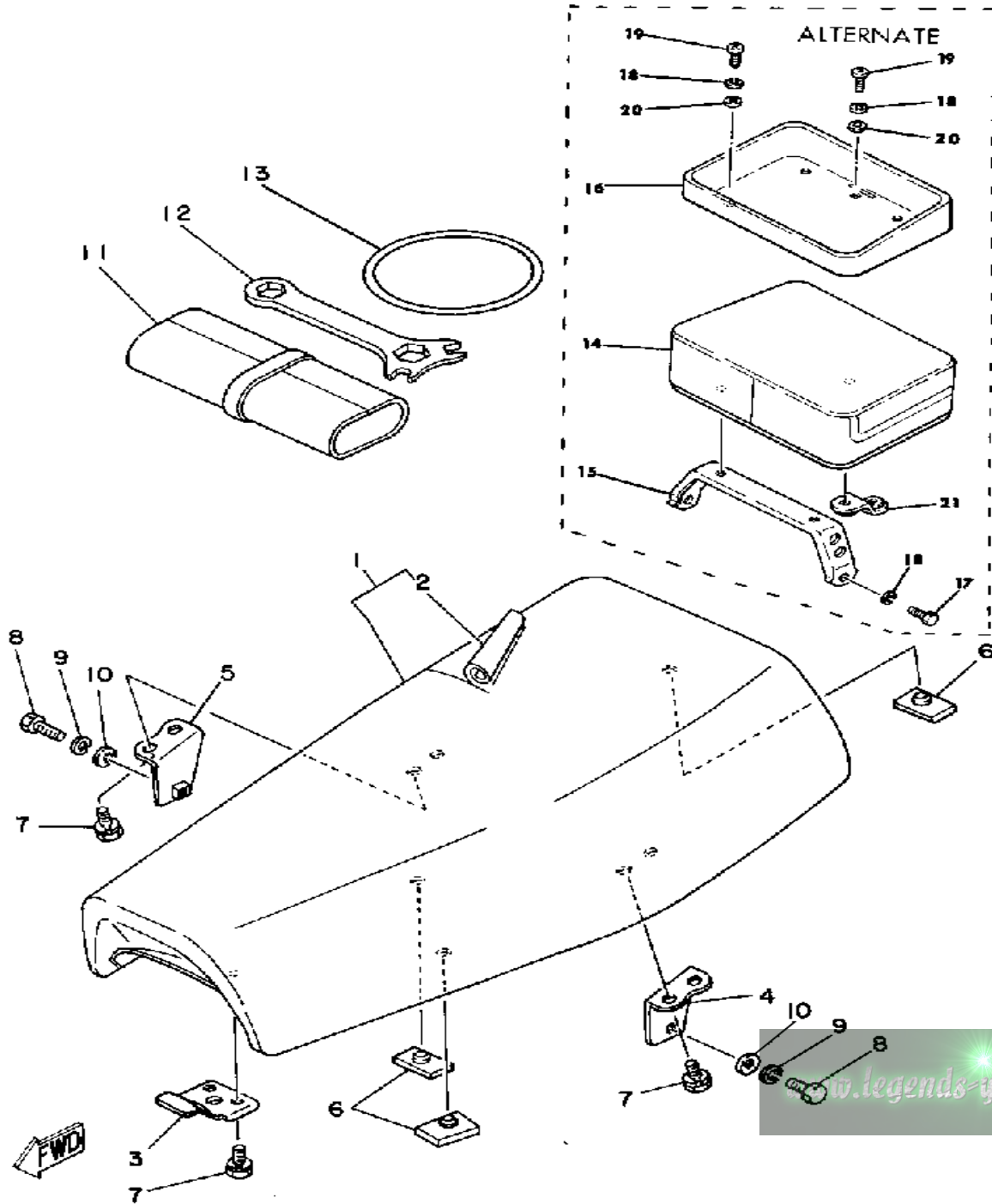
FUEL TANK



Ref. No.	Part Number	Description	Qty	Remarks
29	90445-09361-00	HOSE	1	
30	2K5-24181-00-00	DAMPER, LOCATING 1	1	
31	1W1-24183-00-00	DAMPER, LOCATING 3	1	
32	(3R9-24161-19-00)	EMBLEM 1	2	

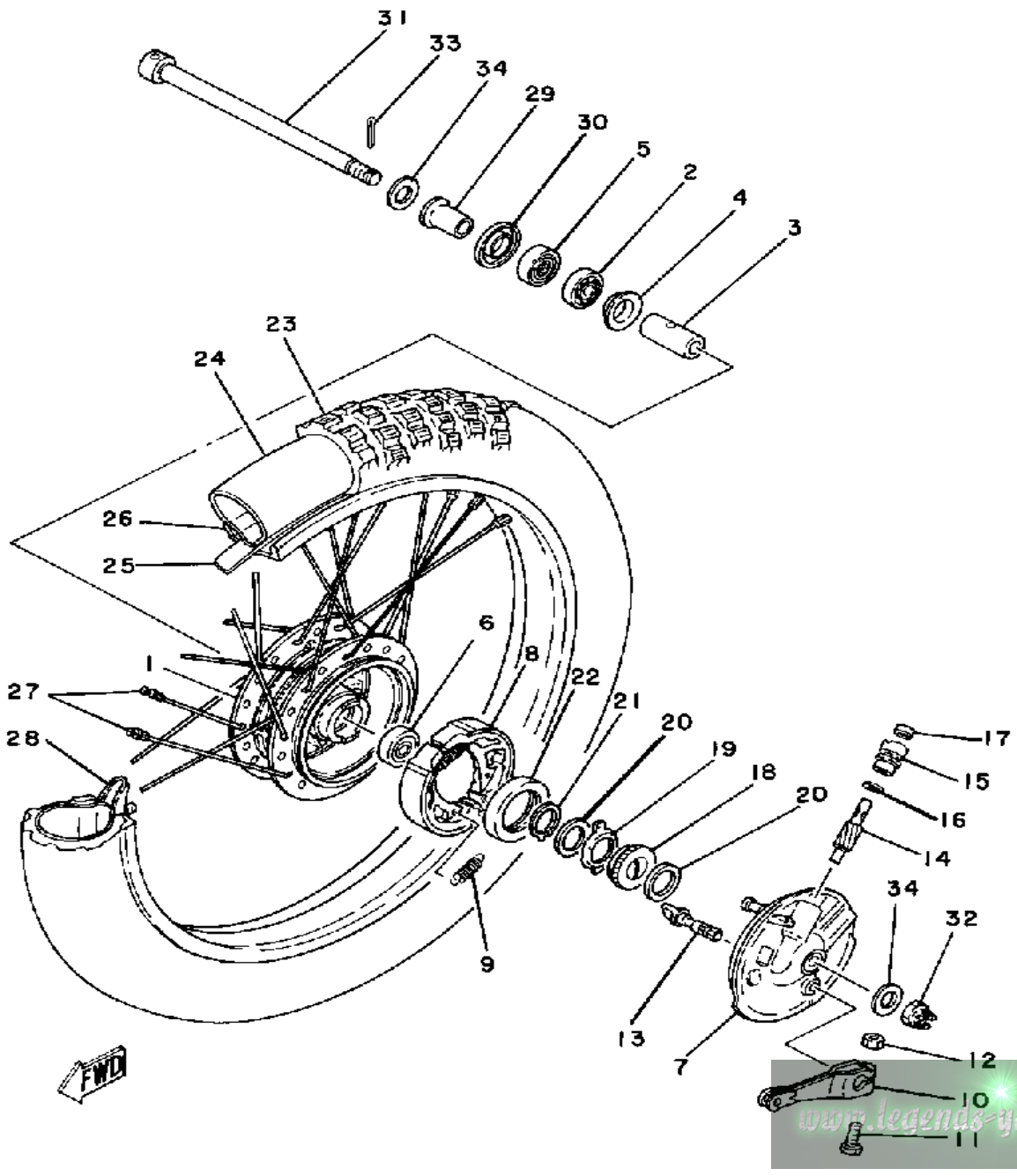
www.legends-yamaha-enduros.com

SEAT



Ref. No.	Part Number	Description	Qty	Remarks
1	3R9-W2473-00-00	SEMI-DBL-SEAT ASSEMBLY ..	1	
2	3R2-24771-00-00	. COVER, SM-DBL SEAT	1	
3	(2K5-24715-00-00)	STAY, FRONT	1	
4	(2K5-24716-00-00)	STAY, REAR	1	
5	(2K5-24719-00-00)	STAY, REAR	1	
6	509-24724-00-00	DAMPER, SEAT	6	
7	90101-06304-00	BOLT	6	
8	97313-06016-00	BOLT, HEXAGON	2	
9	92995-06100-00	WASHER, SPRING	2	
10	92901-06600-00	WASHER	2	
11	1W2-W2810-00-00	TOOL KIT	1	
12	(3R9-28136-00-00)	SPANNER, SPECIAL	1	
13	93210-98202-00	O-RING	1	
14	4V5-24850-00-00	CARRIER BOX ASSEMBLY ...	1	
15	(3W1-24832-00-00)	BRACKET, CARRIER 1	1	
16	4V5-24833-00-00	BRACKET, CARRIER 2	1	
17	97301-06014-00	BOLT, HEXAGON	2	
18	92995-06100-00	WASHER, SPRING	5	
19	98503-06014-00	SCREW, PAN HEAD (92502-06016)	3	
20	90201-06067-00	WASHER, PLATE	3	
21	(3W1-24819-00-00)	STAY, REAR	1	

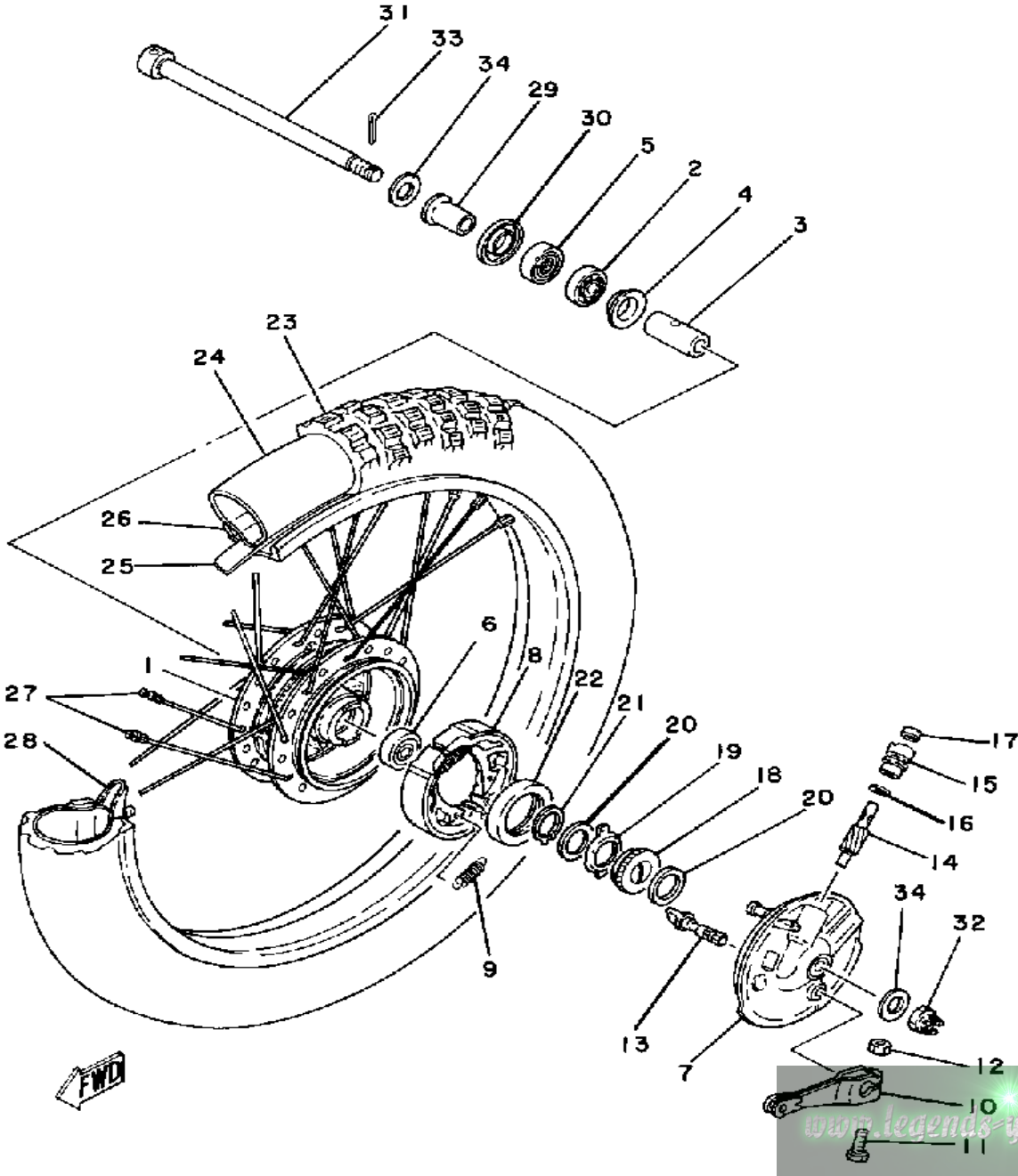
FRONT WHEEL



Ref. No.	Part Number	Description	Qty	Remarks
1	248-25111-00-98	HUB, FRONT	1	LOW GLOSS BLK
2	93306-30103-00	BEARING (B6301Z)	1	
3	90560-12261-00	SPACER	1	
4	109-25315-00-00	FLANGE, SPACER	1	
5	93102-18008-00	OIL SEAL	1	
6	93306-30103-00	BEARING (B6301Z)	1	
7	(3R9-25121-00-98)	PLATE, BRAKE SHOE	1	LOW GLOSS BLK
8	22F-W2534-00-00	BRAKESHOE SET	2	
9	90506-16150-00	SPRING, TENSION (102-25333-00)	2	
10	401-25155-11-00	LEVER, CAMSHAFT 1 (401-25155-00)	1	
11	90101-06278-00	BOLT	1	
12	95380-06600-00	NUT	1	
13	122-25351-02-00	CAMSHAFT	1	
14	(3R9-25138-00-00)	GEAR, METER	1	
15	109-25136-00-00	BUSH	1	
16	90201-07076-00	WASHER, PLATE	1	
17	93104-07003-00	OIL SEAL	1	
18	(3R9-25135-00-00)	GEAR, DRIVE	1	
19	183-25149-00-00	CLUTCH, METER	1	
20	90201-20269-00	WASHER, PLATE	2	
21	99009-20400-00	CIRCLIP	1	
22	93105-47007-00	OIL SEAL	1	
23	(94130-21554-00)	BS 300X21 M 1	1	
24	94227-21123-00	TUBE (2.75-21)	1	
25	94330-21084-00	BAND, RIM (3.00-21)	1	
26	94416-21265-00	RIM 1.60X 1	1	
27	345-25104-01-00	SPOKE SET, FRONT	1	

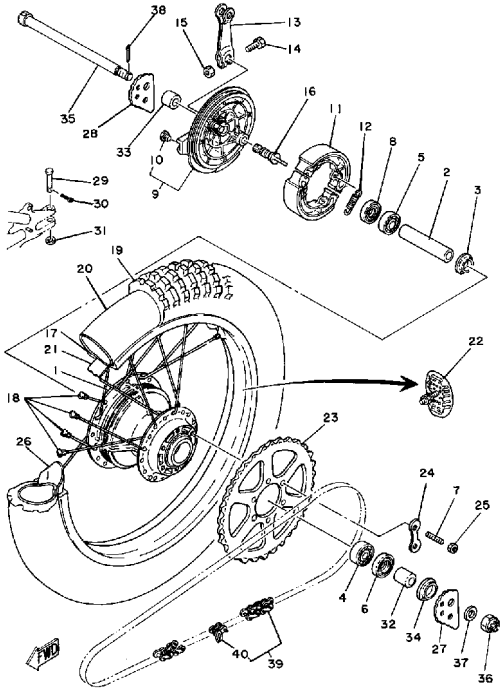
CONTINUED ON NEXT FRAME ►

FRONT WHEEL



Ref. No.	Part Number	Description	Qty	Remarks
28	1T1-25194-00-00	SPACER, BEAD	1	
29	90387-12265-00	COLLAR (183-25183-00)	1	
30	2K5-25118-00-00	COVER, HUB DUST	1	
31	353-25381-00-00	AXLE, WHEEL	1	
32	90171-10004-00	NUT, CASTLE	1	
33	91490-20020-00	PIN, COTTER	1	
34	90201-122A7-00	WASHER, PLATE	2	

REAR WHEEL

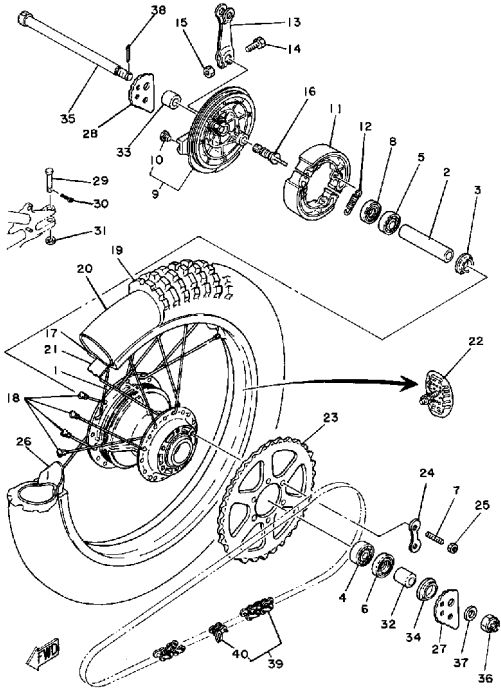


Ref. No.	Part Number	Description	Qty	Remarks
1	1W1-25311-00-98	HUB, REAR	1	LOW GLOSS BLK
2	90560-15313-00	SPACER	1	
3	146-25115-00-00	FLANGE, SPACER 1	1	
4	93306-30202-00	BEARING	1	
5	93306-20209-00	BEARING (B6202)	1	
6	93106-26005-00	OIL SEAL	1	
7	90116-10221-00	BOLT, STUD	6	
8	93104-22018-00	OIL SEAL	1	
9	99999-02024-00	BRAKE SHOE PLT ASSEMBLY (2A6-25026-00-98)BRAKE SHOE PLAT	1	LOW GLOSS BLK
10	90480-10068-00	. GROMMET	1	
11	183-W2536-00-00	BRAKE SHOE SET	2	
12	90506-17328-00	SPRING, TENSION	2	
13	1E2-25155-00-00	LEVER, CAMSHAFT 1	1	
14	90101-06278-00	BOLT	1	
15	95380-06600-00	NUT	1	
16	2RH-25351-00-00	CAMSHAFT	1	
17	94418-18245-00	RIM 1.85X 8	1	
18	537-25304-01-00	SPOKE SET, REAR	1	
19	(94141-18649-00)	410-18 4PR M 2	1	
20	94241-18153-00	TUBE (4.10-18)	1	
21	94345-18081-00	BAND, RIM (4.50-18)	1	
22	2X3-25394-00-00	SPACER, BEAD	1	
23	(3R9-25444-10-33)	SPROCKET, DRIVN 44T	1	ALTERNATE PARTSYAMAHA BLACK
	3R9-25446-10-00	SPROCKET, DRIVN 46T	1	STDYAMAHA BLACK
	3R9-25448-10-00	SPROCKET, DRIVN 48T	1	ALTERNATE PARTSYAMAHA BLACK



CONTINUED ON NEXT FRAME ►

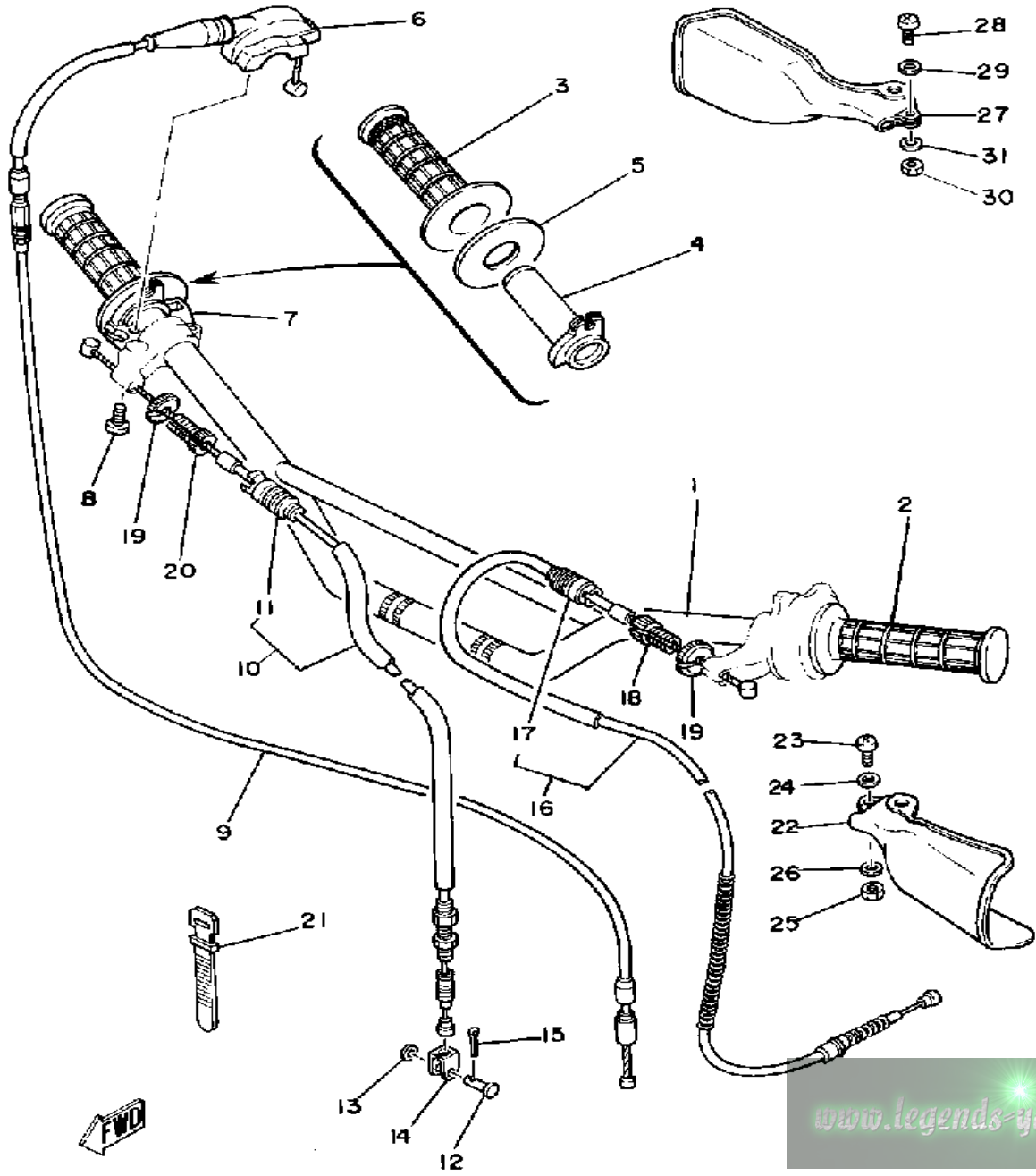
REAR WHEEL



Ref. No.	Part Number	Description	Qty	Remarks
24	1G8-25412-00-00	WASHER	3	
25	95701-10500-00	NUT, FLANGE (95702-10500)	6	
26	2X3-25394-00-00	SPACER, BEAD	1	
27	1W2-25388-01-00	PULLER, CHAIN 1	1	
28	1W2-25389-01-00	PULLER, CHAIN 2	1	
29	91701-06042-00	PIN, CLEVIS	2	
30	91490-20020-00	PIN, COTTER	2	
31	92901-06600-00	WASHER	2	
32	90387-15524-00	COLLAR	1	
33	90387-15524-00	COLLAR	1	
34	401-25367-00-00	COVER, HUB DUST	1	
35	5X3-25381-00-00	AXLE, WHEEL (2A6-25381-00-00)	1	
36	90171-14020-00	NUT, CASTLE	1	
37	90201-15238-00	WASHER, PLATE	1	
38	91401-30030-00	PIN, COTTER	1	
39	94585-20100-00	CHAIN 520DS-100L	1	
40	94685-20001-00	. JOINT CHAIN	1	



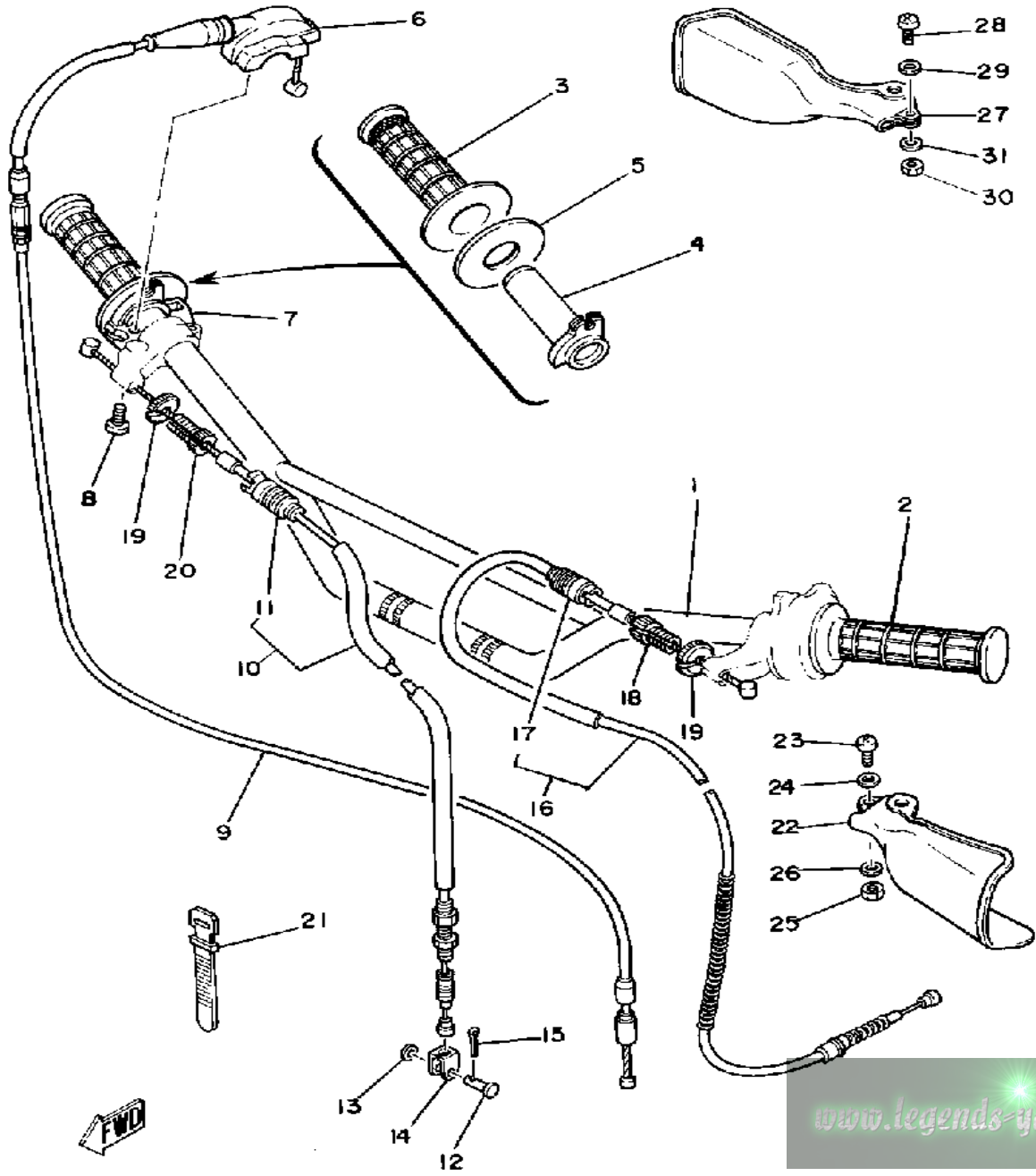
HANDLEBAR - CABLE



Ref. No.	Part Number	Description	Qty	Remarks
1	2A8-26111-00-00	HANDLEBAR	1	
2	4V4-26241-01-00	GRIP (L.H.) (4V4-26241-00) ...	1	
3	1LX-26242-01-00	GRIP (RIGHT)	1	
4	322-26243-00-00	TUBE, throttle guide	1	
5	1W1-26249-00-00	RING, leaf	1	
6	322-26281-00-98	CAP, GRIP UPPER	1	LOW GLOSS BLK
7	322-26282-00-00	CAP, GRIP LOWER	1	LOW GLOSS BLK
8	98580-05016-00	SCREW, PAN HEAD	2	
9	2K5-26311-02-00	CABLE, THROTTLE 1	1	
10	3R9-26341-00-00	CABLE, BRAKE	1	
11	1E6-26342-00-00	. BOOT, CABLE	1	
12	90240-08013-00	PIN, CLEVIS	1	
13	90201-08083-00	WASHER, PLATE	1	
14	156-26347-00-00	JOINT, CABLE	1	
15	91490-20020-00	PIN, COTTER	1	
16	3R9-26335-10-00	CABLE, CLUTCH	1	
17	1E6-26342-00-00	. BOOT, CABLE	1	
18	90123-08046-00	BOLT	1	
19	90179-08148-00	NUT	2	
20	90123-08046-00	BOLT	1	
21	437-83936-11-00	BAND, SWITCH CORD	1	
22	3Y0-26141-00-00	GUARD, BRUSH 1	1	WHITE
23	98503-06014-00	SCREW, PAN HEAD (92502-06016)	1	
24	92901-06600-00	WASHER	1	
25	95380-06700-00	NUT	1	
26	92990-06200-00	WASHER	1	
27	3Y0-26142-00-00	GUARD, BRUSH 2	1	WHITE
28	98503-06014-00	SCREW, PAN HEAD (92502-06016)	1	

CONTINUED ON NEXT FRAME ➤

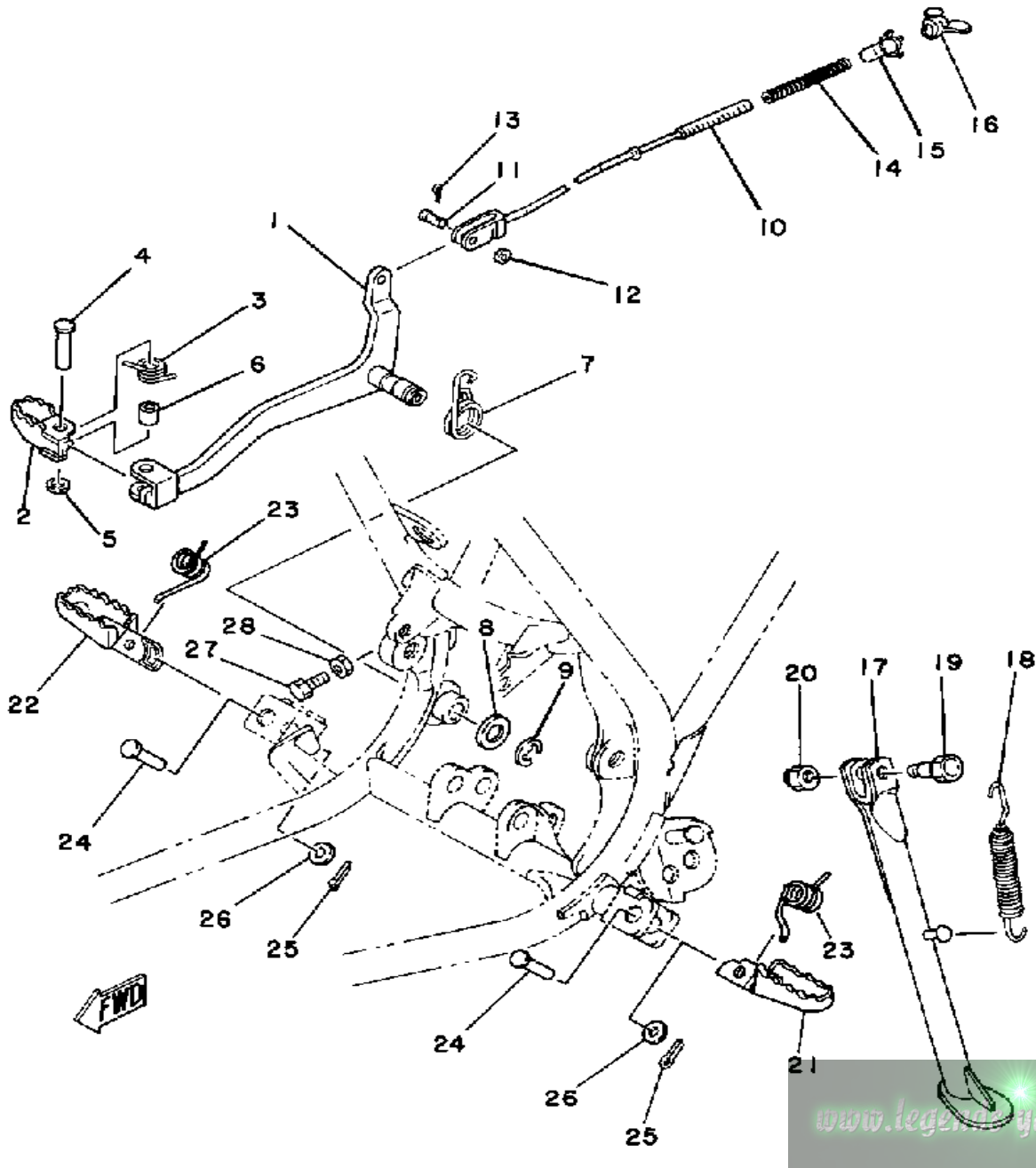
HANDLEBAR - CABLE



Ref. No.	Part Number	Description	Qty	Remarks
29	92901-06600-00	WASHER	1	
30	95380-06700-00	NUT	1	
31	92990-06200-00	WASHER	1	

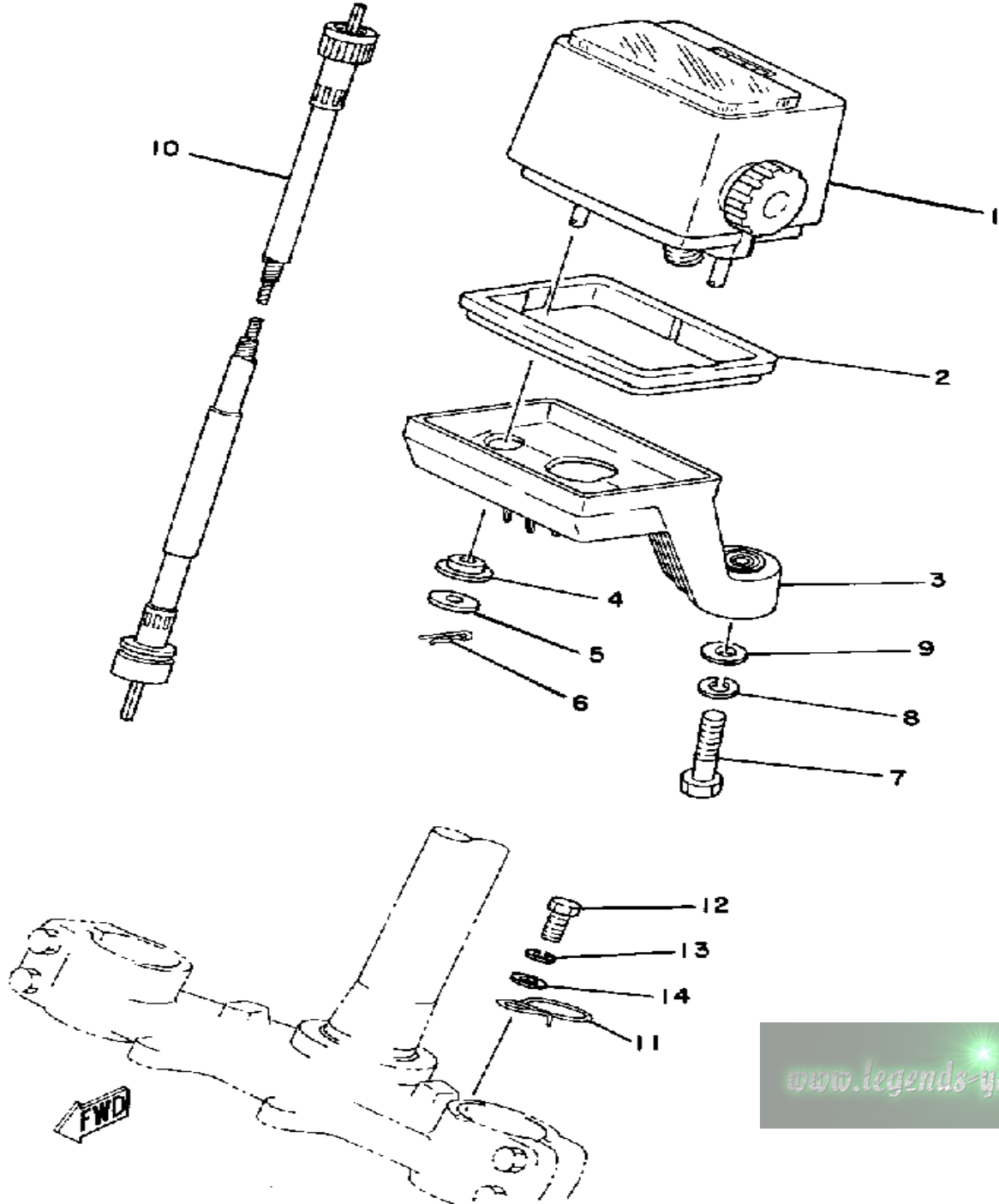
www.legends-yamaha-enduros.com

STAND - FOOTREST



Ref. No.	Part Number	Description	Qty	Remarks
1	(3R9-27211-00-00)	PEDAL, BRAKE	1	
2	(3R9-27242-00-00)	PEDAL, BRAKE	1	
3	(90508-20414-00)	SPRING, TORSION	1	
4	91701-08032-00	PIN, CLEVIS	1	
5	92901-08600-00	WASHER	1	
6	90387-08762-00	COLLAR	1	
7	90508-32354-00	SPRING, TORSION	1	
8	90201-14212-00	WASHER, PLATE	1	
9	93430-10015-00	CIRCLIP, E-TYPE	1	
10	2K5-27231-00-00	ROD, BRAKE	1	
11	90240-06006-00	PIN, CLEVIS	1	
12	92990-06200-00	WASHER	1	
13	91401-25020-00	PIN, COTTER	1	
14	90501-10245-00	SPRING, COMPRESSION	1	
15	90249-12008-00	PIN	1	
16	90179-06411-00	NUT	1	
17	3R9-27311-00-33	STAND, SIDE	1	YAMAHA BLACK
18	90507-29008-00	SPRING, TENSION	1	
19	90109-103A1-00	BOLT	1	
20	90185-10037-00	NUT, SELF-LOCKING	1	
21	3R4-27411-00-00	FOOTREST 1	1	
22	3R4-27421-00-00	FOOTREST 2	1	
23	90508-20023-00	SPRING, TORSION	2	
24	(91702-08040-00)	PIN, CLEVIS	2	
25	91401-25020-00	PIN, COTTER	2	
26	92901-08600-00	WASHER	2	
27	97011-06020-00	BOLT	1	
28	95380-06700-00	NUT	1	

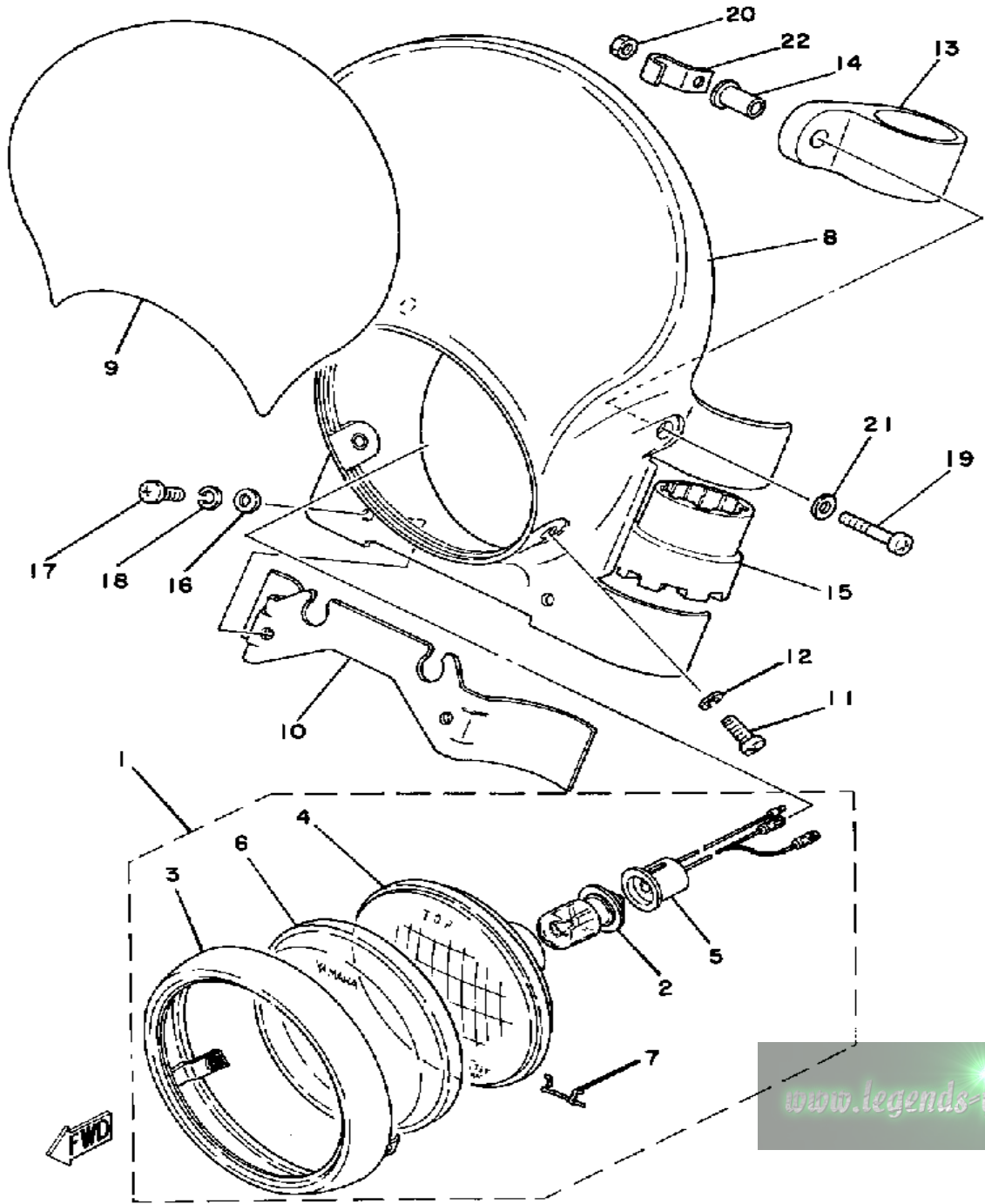
METER



Ref. No.	Part Number	Description	Qty	Remarks
1	3R8-83570-60-00	SPEEDOMETER ASSEMBLY ..	1	MILE/H
2	3R8-83513-00-00	DAMPER	1	
3	3R8-83519-00-00	BRACKET, METER	1	
4	1M1-83526-00-00	DAMPER 2	2	
5	90201-052E2-00	WASHER, PLATE	2	
6	90468-10050-00	CLIP	2	
7	97021-06030-00	BOLT	2	
8	92995-06100-00	WASHER, SPRING	2	
9	92901-06600-00	WASHER	2	
10	1JN-83550-01-00	SPEEDOMETER CABLE ASSEMBLY (3R9-83550-00-00) .	1	
11	(2A6-83595-00-00)	CLAMP	1	
12	97013-06012-00	BOLT	1	
13	92995-06100-00	WASHER, SPRING	1	
14	92901-06600-00	WASHER	1	

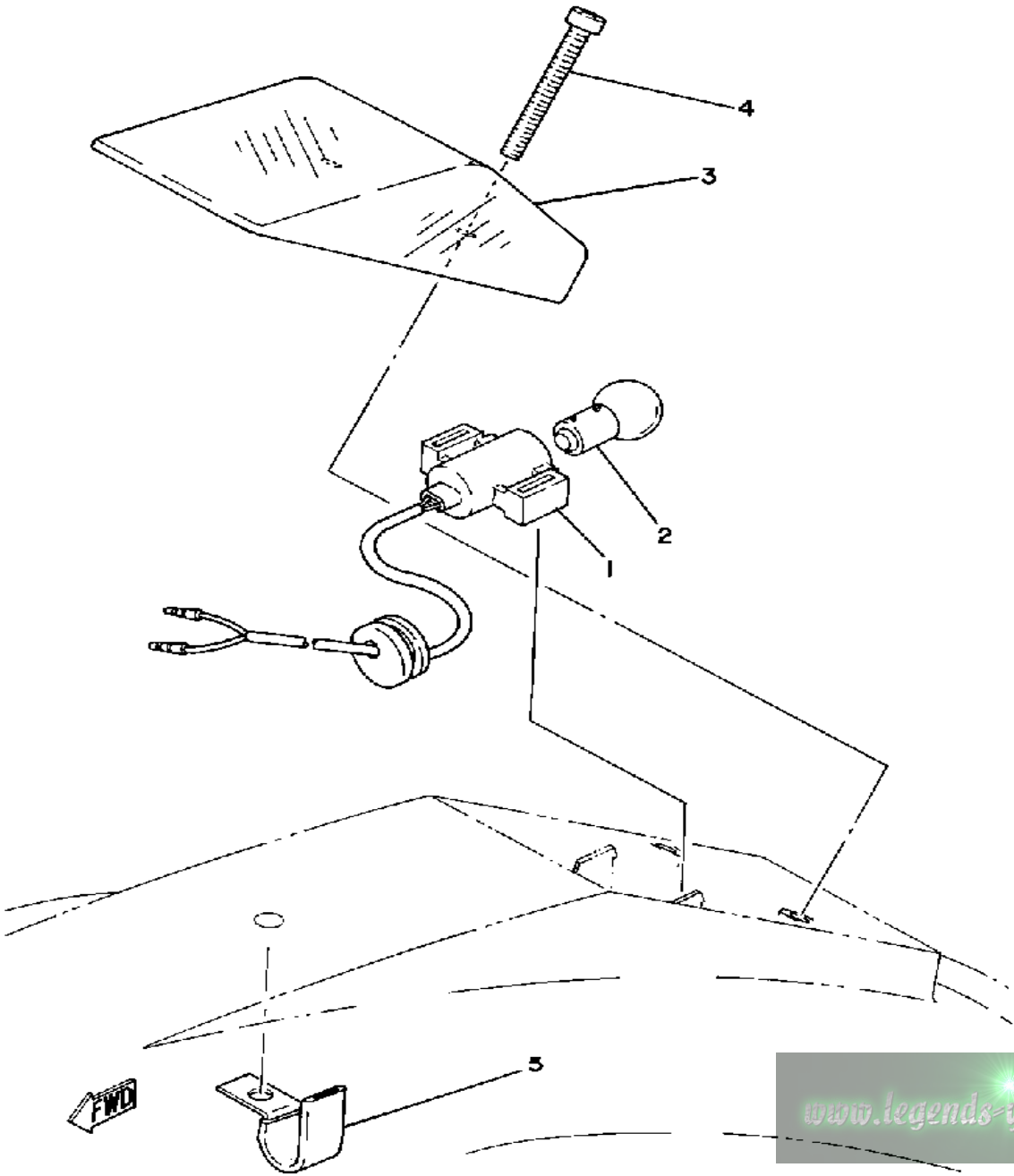
www.legends-yamaha-enduros.com

HEADLIGHT



Ref. No.	Part Number	Description	Qty	Remarks
1	3R8-84110-61-00	UNAVAILABLE IN PRICE BOOK	1	
2	527-84114-09-XX	. BULB, HL 6V25/25W	1	
3	3R8-84115-60-00	. RIM, HEADLIGHT	1	
4	3R8-84120-60-00	. LENS ASSEMBLY	1	
5	3R8-84140-61-00	. SOCKET CORD ASSEMBLY 0 1	1	
6	3R8-84144-60-00	. COVER, HEADLIGHT	1	
7	1W2-84324-60-00	. SPRING, REFLECTOR	4	
8	3R9-84130-10-00	BODY ASSEMBLY, HEADLIGHT	1	
9	3R8-84141-01-00	EMBLEM, HEADLIGHT	1	
10	(3R9-84181-00-00)	BRACKET, LOWER 1	1	
11	98580-05016-00	SCREW, PAN HEAD	2	
12	92990-05100-00	WASHER, SPRING	2	
13	(3R9-84163-10-00)	DAMPER	2	
14	3R8-84133-00-00	COLLAR, SCREW	2	
15	(3R9-84164-10-00)	DAMPER	2	
16	90201-06571-00	WASHER, PLATE	2	
17	98580-06012-00	SCREW, PAN HEAD	2	
18	92995-06100-00	WASHER, SPRING	2	
19	98580-06030-00	SCREW PAN HEAD	2	
20	90185-06062-00	NUT, SELF-LOCKING	2	
21	90201-06407-00	WASHER, PLATE (90201-06747-00)	2	
22	90462-05005-00	CLAMP	1	

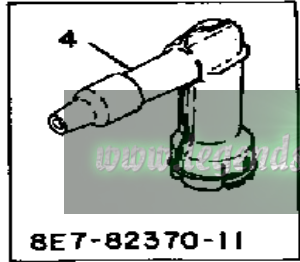
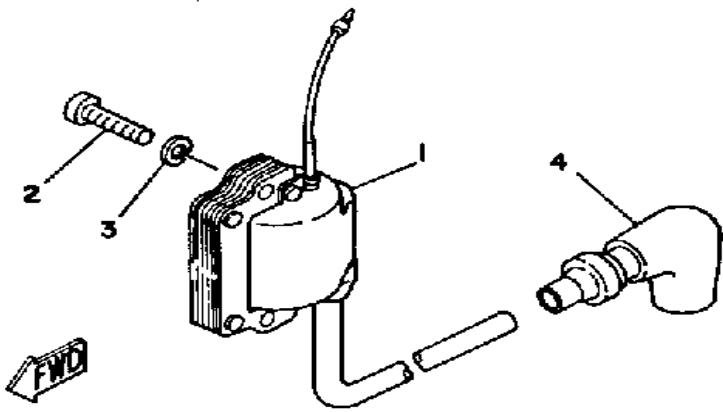
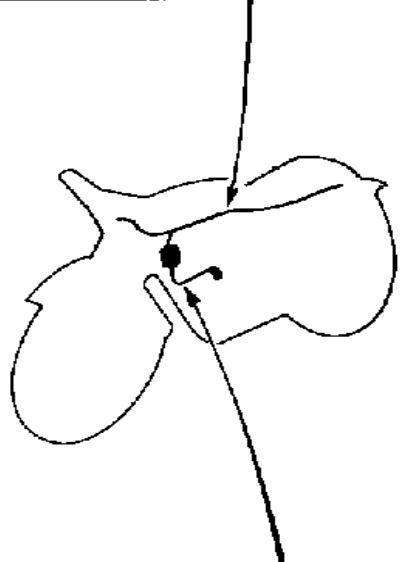
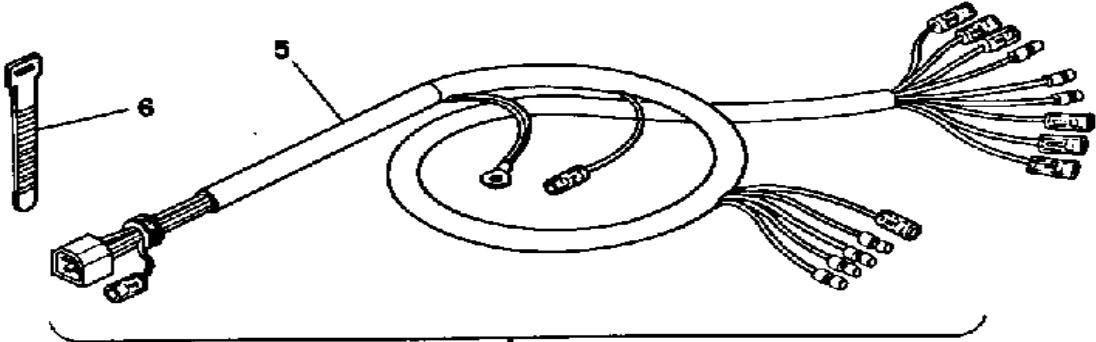
TAILLIGHT



Ref. No.	Part Number	Description	Qty	Remarks
1	54G-84530-00-00	SOCKET ASSEMBLY	1	
2	3R9-84514-00-00	BULB	1	
3	3R9-84521-00-00	LENS, TAILLIGHT	1	
4	98501-04035-00	SCREW, PAN HEAD	2	
5	90462-05005-00	CLAMP	1	

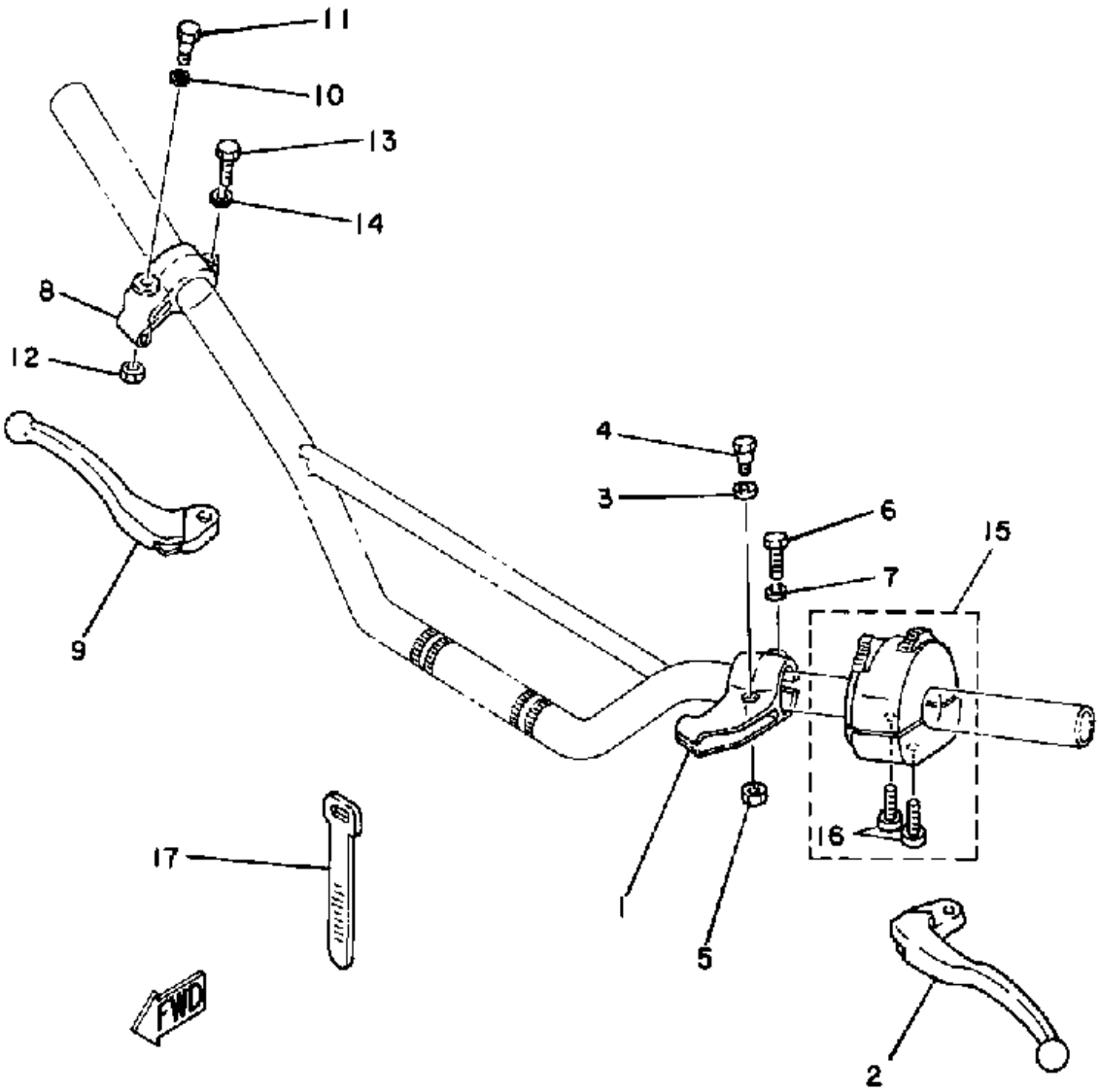
www.legends-yamaha-enduros.com

ELECTRICAL 1



Ref. No.	Part Number	Description	Qty	Remarks
1	5G4-82310-40-00	IGNITION COIL ASSEMBLY (J17-82310-21)	1	
2	98511-06025-00	SCREW PAN HEAD (92501-06025)	2	
3	92995-06100-00	WASHER, SPRING	2	
4	81E-82370-20-00	PLUG CAP ASSEMBLY	1	U.R.
	8E7-82370-11-00	PLUG CAP ASSEMBLY	1	U.R.W/NOISE SUPPRESSOR
5	(3R9-82590-01-00)	WIRE HARNESS ASSEMBLY	1	
6	437-83936-01-00	BAND, SWITCH CORD	4	

HANDLE SWITCH - LEVER



Ref. No.	Part Number	Description	Qty	Remarks
1	214-82911-01-00	HOLDER, LEVER 1	1	
2	23X-83912-00-00	LEVER 1	1	
3	90201-08083-00	WASHER, PLATE	1	
4	90109-06797-00	BOLT	1	
5	95601-06100-00	NUT, U	1	
6	97003-06022-00	BOLT, HEXAGON (97301-06022)	1	
7	92995-06100-00	WASHER, SPRING	1	
8	516-82921-30-00	HOLDER, LEVER 2	1	
9	23X-83922-00-00	LEVER 2	1	
10	90201-08083-00	WASHER, PLATE	1	
11	90109-06797-00	BOLT	1	
12	95601-06100-00	NUT, U	1	
13	97003-06022-00	BOLT, HEXAGON (97301-06022)	1	
14	92995-06100-00	WASHER, SPRING	1	
15	3R8-83973-00-00	SWITCH, HANDLE 3	1	
16	90157-05057-00	SCREW, PANHEAD	2	
17	437-83936-01-00	BAND, SWITCH CORD	2	

www.legends-yamaha-enduros.com

IT125H 1981 SERVICE DATA

MODEL - IBM I.D. NUMBER	IT125H	3R9
Initial Engine Number / Frame Number	3R9-050101 / 3R9-050101	
Basic Color(s)	White	
Fuel Type / Fuel Tank Capacity / Reserve Capacity	Premium / 8.5 Lit. (2.2 Gal.) / 1.3 Lit. (1.4 Qt.)	
Dry Vehicle Weight	92 kg (203 lbs.)	
ENGINE TYPE	2-Stroke, Air-Cooled, Reed Valve	
Bore/Stroke/Number Cylinders/Displacement	56mm / 50mm / 1 / 123cc	
Compression Ratio/Compression Pressure Min~Max	8.1:1 / \emptyset	
Piston Skirt Clearance New / Max	0.045 ~ 0.050mm / \emptyset	
Ring End Gap Top / 2nd / 3rd	0.3 ~ 0.5mm / 0.3 ~ 0.5mm / \emptyset	
Valve Clearance (Cold) Intake / Exhaust	\emptyset	
Oil Pressure Hot / rpm	\emptyset	
Oiling System	Premix (16:1 Using Yamalube R*)	
Capacity: Dry	\emptyset	
Oil and Filter Change	\emptyset	
Oil Change	\emptyset	
Lubricant: Temp. Above 5°C (40°F)	Yamalube R*	
Temp. Below 15°C (60°F)	Yamalube R*	
AUTOLUBE - Min. Stroke / Color Code	\emptyset	
Minimum Output @ 200 Cycles	\emptyset	
Maximum Output @ 200 Cycles	\emptyset	
CARBURETOR - Mfr. / Type / I.D. Number	Mikuni / VM30SS / 3R9-00	
Main Jet / Pilot Jet	200 / 35	
Needle Jet / Jet Needle-Clip Position	P-4 / 6DP19-2	
Slide Cutaway or Throttle Valve	2.0	
Float Level / Fuel Level	16.4 ± 1.0mm / NA	
Idle rpm	\emptyset	
Max CO* / Max HC* / Set CO	\emptyset	
SUSPENSION		
Front Forks: Oil Type / Level / Qty	10 Wt. Fork Oil* / \emptyset / 258cc	
Gas Pressure	0 kg/cm ²	
Spring Length Std	541.5mm	
Monoshock: Oil Type / Qty	Not Rebuildable	
Gas Pressure	12 kg/cm ² (171 psi)	
Minimum Brake Lining Thickness	Front: 2mm Rear: 2mm	
Tire Size (Nominal Pressure)	F: 3.00-21 (psi - Opt.) R: 4.10-18 (psi - Opt.)	
TRANSMISSION - Oil Type/Qty Chg/Qty Reassemble	SAE 10W30 SE / 850cc / 750cc	
Primary Drive Type / Teeth / Ratio	Helical Gear / 71-22 / 3.277	
Secondary Drive Type / Teeth / Chain	Chain Drive / 46-12 / DK520DS-100L	
Clutch Friction Plate Thickness Std ~ Min	3.0 ~ 2.7mm	
Clutch Spring Length Std ~ Min	34 ~ 33mm	
Middle Gear Case Capacity	\emptyset	
Final Gear Case Capacity	\emptyset	
Gear Case Lubricant: Temp. Above 5°C (40°F)	\emptyset	
Temp. Below 15°C (60°F)	\emptyset	
All Weather Conditions	\emptyset	

CHARGING SYSTEM	Flywheel Magneto
Battery: Model / Specific Gravity / Charge Rate	\emptyset
Maximum Output	\emptyset
TROUBLESHOOTING	
Field Coil Color Code / Ω	\emptyset
Charge Coil Color Code / Ω	\emptyset
IGNITION SYSTEM	Capacitor-Discharge Ignition
Ignition Timing	1.5mm BTDC
Spark Plug Type	Champion N-2G
Spark Plug Gap / Torque / Cap Ω	0.44 ~ 0.58mm / 2.5 m·kg / \emptyset
Point Gap / Condenser Capacitance	\emptyset / \emptyset
TROUBLESHOOTING	
Ignition Coil Test Gap / Primary Ω / Secondary Ω	6mm / 1.0 Ω ± 10% / 5.9K Ω ± 20%
Pulser Coil or Pickup Coil Color Code / Ω	Wht-Red ~ Blk / 12.4 Ω ± 10%
Source Coil Color Code / Ω	L: Bm ~ Blk / 420 Ω ± 10% H: Red ~ Blk / 13.8 Ω ± 10%
LIGHTING SYSTEM	
Headlight / Taillight / Signal Rating	6V25-25W / 6V5W / \emptyset
TROUBLESHOOTING	
Lighting Coil Color Code / Ω	Yel-Red ~ Blk / 0.48 Ω ± 10%
TORQUE VALUES	
Front Axle Nut	10 x 1.25: 4.9 m·kg
Front Axle Holder Nut	\emptyset
Rear Axle Nut	14 x 1.5: 8.5 m·kg
Rear Axle Pinch Bolt	\emptyset
Clutch Nut	14 x 1.0: 5.5 m·kg
Drain Plug	14 x 1.25: 2.0 m·kg
Cylinder Head Cover	\emptyset
Cylinder Head:	Nut 8 x 1.25: 2.5 m·kg
	Stud 8 x 1.25: 2.4 m·kg
Engine Mounting Bolts: Front	8 x 1.25: 3.0 m·kg
	Rear, Upper
	8 x 1.25: 3.0 m·kg
	Rear, Lower
	10 x 1.25: 4.9 m·kg

\emptyset = Does Not Apply To This Model

NA = Information Not Available

*Available From Yamaha Parts Distributors Inc.

*For Diagnostic Use Only

SERVICE COPY	SER MGR	MECH	MECH	MECH	BINDER
OFFICE COPY	GEN MGR	SALES	PARTS	BINDER	

PAGE 2 OF 2

CHARGING SYSTEM	Flywheel Magneto
Battery: Model / Specific Gravity / Charge Rate	∅
Maximum Output	∅
TROUBLESHOOTING	
Field Coil Color Code / Ω	∅
Charge Coil Color Code / Ω	∅
IGNITION SYSTEM	Capacitor-Discharge Ignition
Ignition Timing	1.5mm BTDC
Spark Plug Type	Champion N-2G
Spark Plug Gap / Torque / Cap Ω	0.44 ~ 0.58mm / 2.5 m-kG / ∅
Point Gap / Condenser Capacitance	∅ / ∅
TROUBLESHOOTING	
Ignition Coil Test Gap / Primary Ω / Secondary Ω	6mm / 1.0 Ω ± 10% / 5.9K Ω ± 20%
Pulser Coil or Pickup Coil Color Code / Ω	Wht-Red ~ Blk / 12.4 Ω ± 10%
Source Coil Color Code / Ω	L: Bm ~ Blk / 420 Ω ± 10% H: Red ~ Blk / 13.8 Ω ± 10%
LIGHTING SYSTEM	
Headlight / Taillight / Signal Rating	6V25-25W / 6V5W / ∅
TROUBLESHOOTING	
Lighting Coil Color Code / Ω	Yel-Red ~ Blk / 0.48 Ω ± 10%
TORQUE VALUES	
Front Axle Nut	10 x 1.25: 4.9 m-kG
Front Axle Holder Nut	∅
Rear Axle Nut	14 x 1.5: 8.5 m-kG
Rear Axle Pinch Bolt	∅
Clutch Nut	14 x 1.0: 5.5 m-kG
Drain Plug	14 x 1.25: 2.0 m-kG
Cylinder Head Cover	∅
Cylinder Head:	Nut 8 x 1.25: 2.5 m-kG Stud 8 x 1.25: 2.4 m-kG
Engine Mounting Bolts: Front	8 x 1.25: 3.0 m-kG
Rear, Upper	8 x 1.25: 3.0 m-kG
Rear, Lower	10 x 1.25: 4.9 m-kG

∅ = Does Not Apply To This Model
NA = Information Not Available

*Available From Yamaha Parts Distributors Inc.
*For Diagnostic Use Only

