

MODEL **HT1-B**

www.legends-yamaha-enduros.com

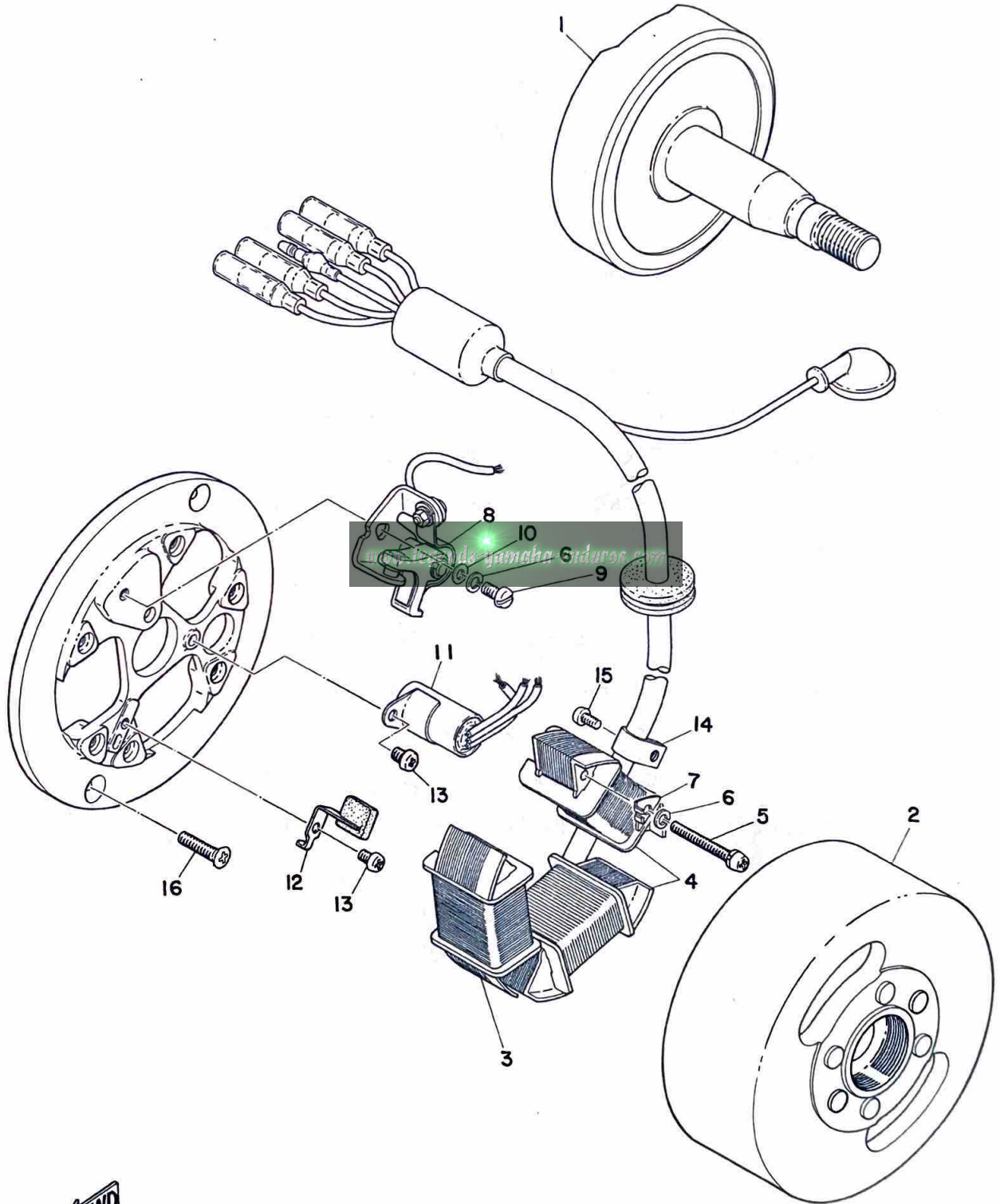
This Parts List is for the exclusive parts for the HT1-B
Please refer to HT1 parts List for the parts not listed in this publication.

CONTENTS

Fig. 1	Crank & Flywheel Magneto	1
Fig. 2	Frame, Rear Cushion & Rear Fender.....	3
Fig. 3	Front Fork	5
Fig. 4	Fuel Tank & Oil Tank	9
Fig. 5	Head Lamp, Tail Lamp & Speedometer	11
Fig. 6	Flasher Lamp	15
Fig. 7	Electrical	17

NUMERICAL INDEX

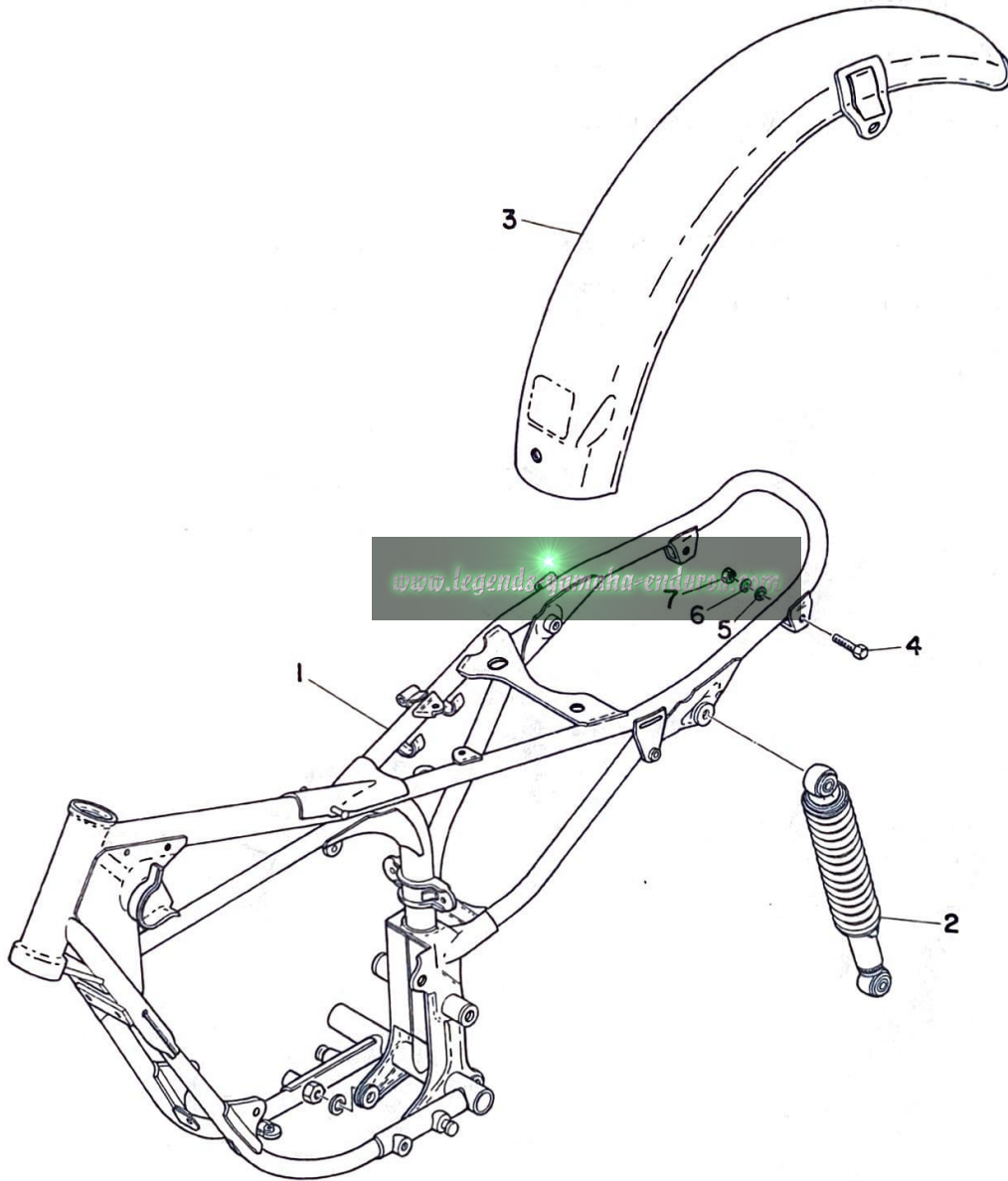
Fig. 1 CRANK & FLYWHEEL MAGNETO



CRANK & FLYWHEEL MAGNETO

Ref. No.	Part No.	Description	Q'ty	Applicable Machine No.	Remarks
1- 0-1	276-11400-01	CRANK ASS'Y	1		
1- 1	276-11412-01	. CRANK , left	1		
1- 0-2	277-81300-11	FLYWHEEL MAGNETO ASS'Y	1		
1- 2	277-81350-11	. ROTOR ASS'Y	1		
1- 3	277-81312-10	. COIL SOURCE	1		
1- 4	277-81313-11	. LIGHTING COIL ASS'Y	1		
1- 5	110-81348-20	. SCREW, pan head (4-25)	6		
1- 6	92901-04100	. WASHER, spring	7		
1- 7	277-81332-10	. PLATE, timing	1		
1- 8	207-81321-10	. CONTACT BREAKER ASS'Y	1		
1- 9	110-81347-20	. SCREW, pan head (4-12)	1		
1-10	92901-04200	. WASHER, plain	1		
1-11	277-81326-10	. CONDENSER	1		
1-12	207-81331-10	. LUBRICATOR	1		
1-13	110-81345-20	. SCREW, pan head (4-6)	2		
1-14	109-81328-10	. CLAMP, lead	1		
1-15	110-81345-20	. SCREW, pan head (4-6)	1		
1-16	98701-05015	. SCREW, flat head	2		

Fig. 2 FRAME, REAR CUSHION & REAR FENDER

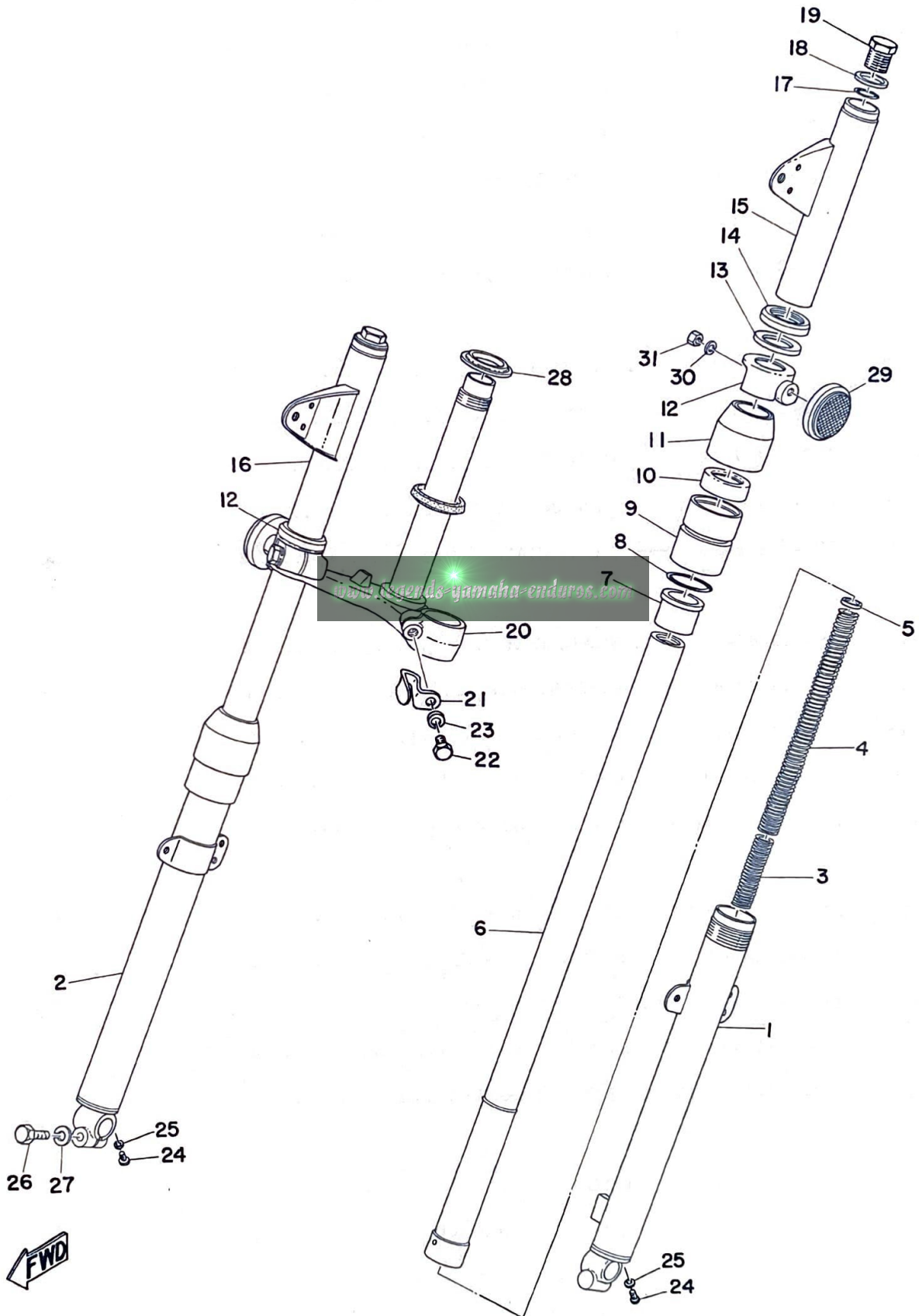


FRAME, REAR CUSHION & REAR FENDER

Ref. No.	Part No.	Description	Q'ty	Applicable Machine No.	Remarks
2- 1	277-21110-01-33	FRAME COMP.	1		
2- 2	276-22210-21	REAR CUSHION ASS'Y	2		
2- 3	277-21610-00-35	REAR FENDER COMP.	1		SILVER
2- 4	97201-08030	BOLT	2		
2- 5	92901-08200	WASHER, plain	2		
2- 6	92901-08100	WASHER, spring	2		
2- 7	98801-08100	NUT	2		

www.legends-yamaha-enduros.com

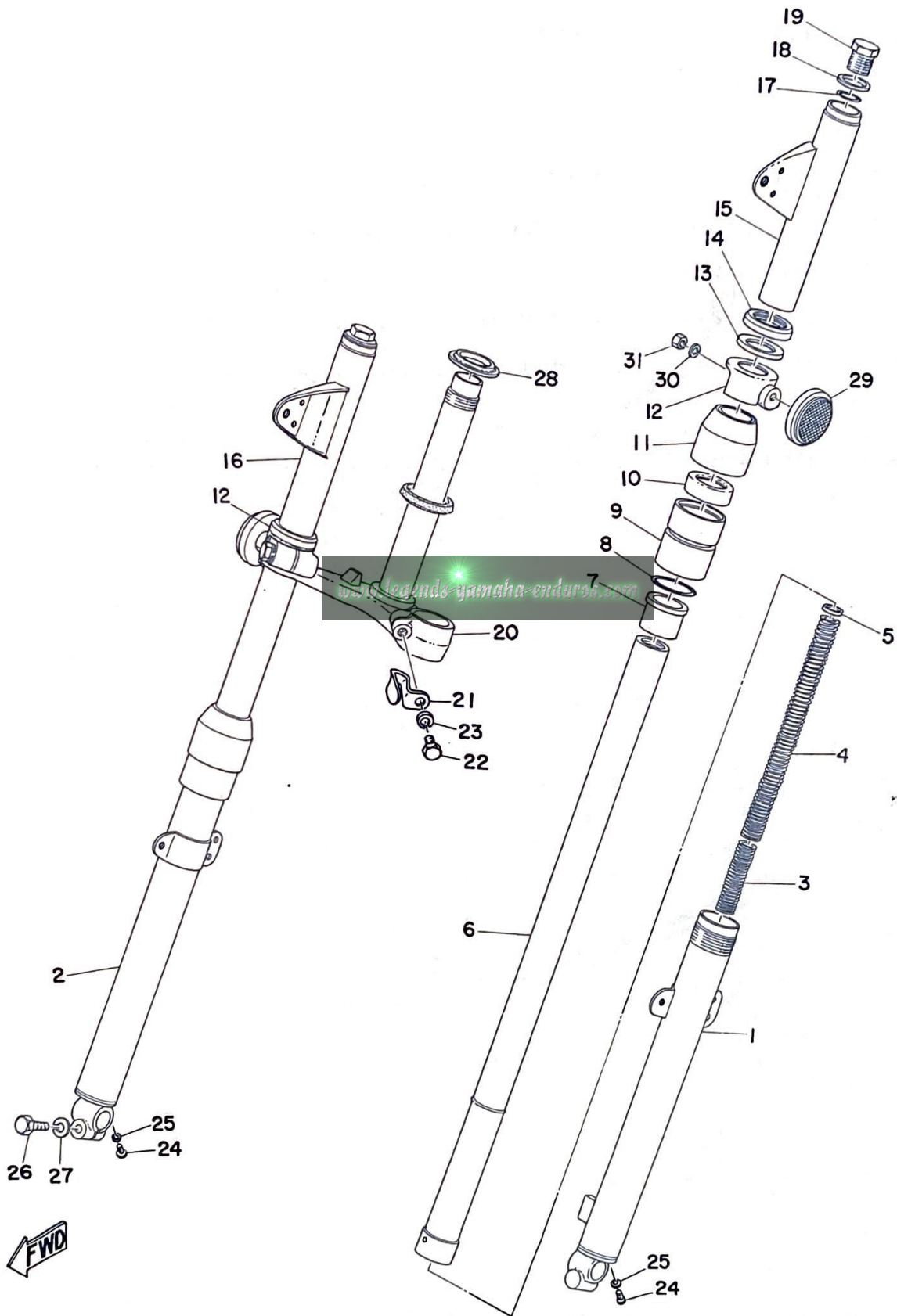
Fig. 3 FRONT FORK



FRONT FORK

Ref. No.	Part No.	Description	Q'ty	Applicable Machine No.	Remarks
3- 0-1	277-23100-61-02	FRONT FORK ASS'Y	1		Metalic Purple
3- 1	276-23126-50-35	. TUBE, outer left	1		SILVER
3- 2	276-23136-50-35	. TUBE, outer right	1		SILVER
3- 3	276-23151-50	. SPRING, fork 2	2		
3- 4	276-23141-50	. SPRING, fork 1	2		
3- 5	276-23149-50	. WASHER, spring upper	2		
3- 6	276-23124-50	. TUBE, inner	2		
3- 7	122-23125-00	. METAL, slide	2		
3- 8	122-23147-00	. O-RING	2		
3- 9	276-23150-50	. OUTER NUT COMP.	2		
3-10	276-23145-50 →	. OIL SEAL → Use 122-23145-00 <i>www.legends-yamaha-enduros.com</i>	2		
3-11	276-23144-50	. SEAL, dust	2		
3-12	277-23122-61	. COVER, outer	2		
3-13	122-23163-00	. PACKING (lamp stay)	2		
3-14	276-23116-50	. GUIDE, cover under	2		
3-15	276-23121-50-34	. COVER, upper upper left	1		Metalic Purple
3-16	276-23131-50-34	. COVER, upper (R.H)	1		Metalic Purple
3-17	122-23114-00	. PACKING (O-RING)	2		
3-18	276-23112-50	. WASHER, cap bolt	2		
3-19	205-23111-40	. BOLT, cap	2		
3-20	277-23340-60-33	. UNDER BRACKET COMP.	1		
3-21	256-23318-60	. HOLDER, wire	1		
3-22	122-23346-00	. BOLT, under bracket	2		
3-23	92901-10100	. WASHER, spring	2		

Fig. 3 FRONT FORK

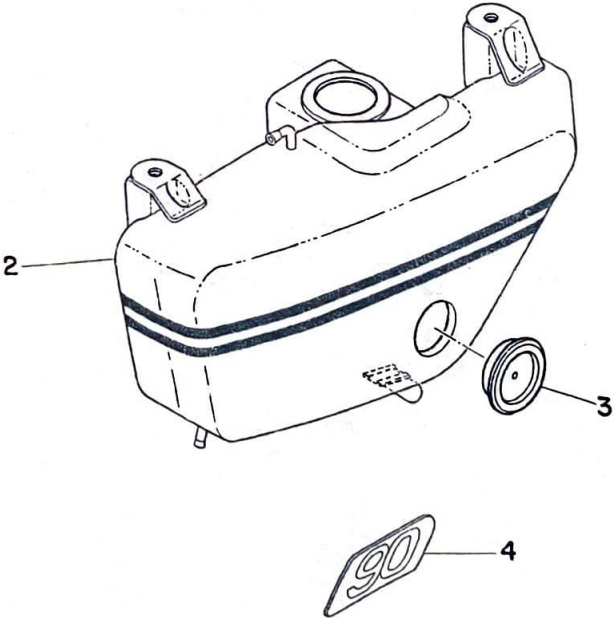
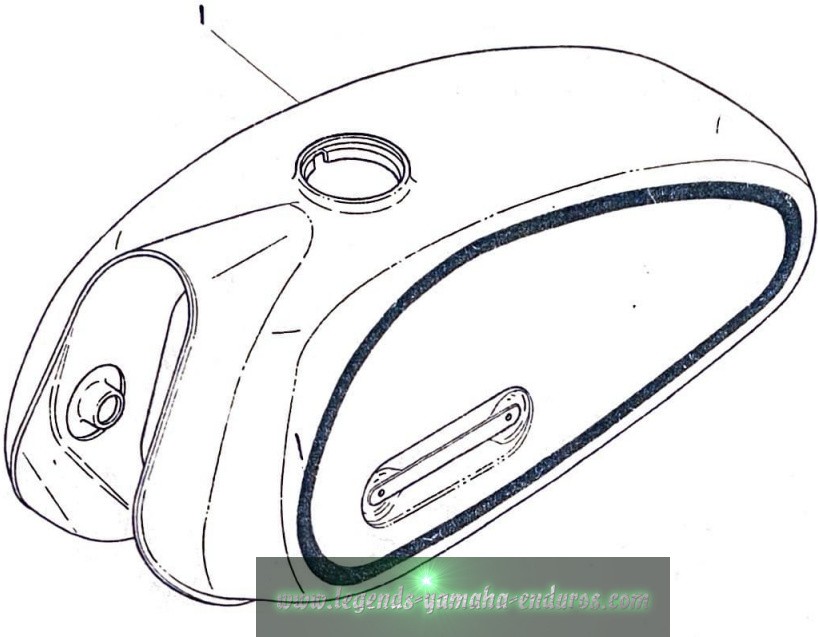


FRONT FORK

Ref. No.	Part No.	Description	Q'ty	Applicable Machine No.	Remarks
3-24	122-23119-01	. PLUG, drain	2		
3-25	122-23129-00	. GASKET, drain plug	2		
3-26	97201-08025	. BOLT	1		
3-27	92901-08100	. WASHER, spring	1		
3-28	156-23411-00	. RACE, ball 1	1		
3-29	256-85111-00	. REFLECTOR 1	2		
3-30	92901-05100	. WASHER, spring	2		
3-31	98801-05100	. NUT	2		

www.legends-yamaha-enduro.com

Fig. 4 FUEL TANK & OIL TANK

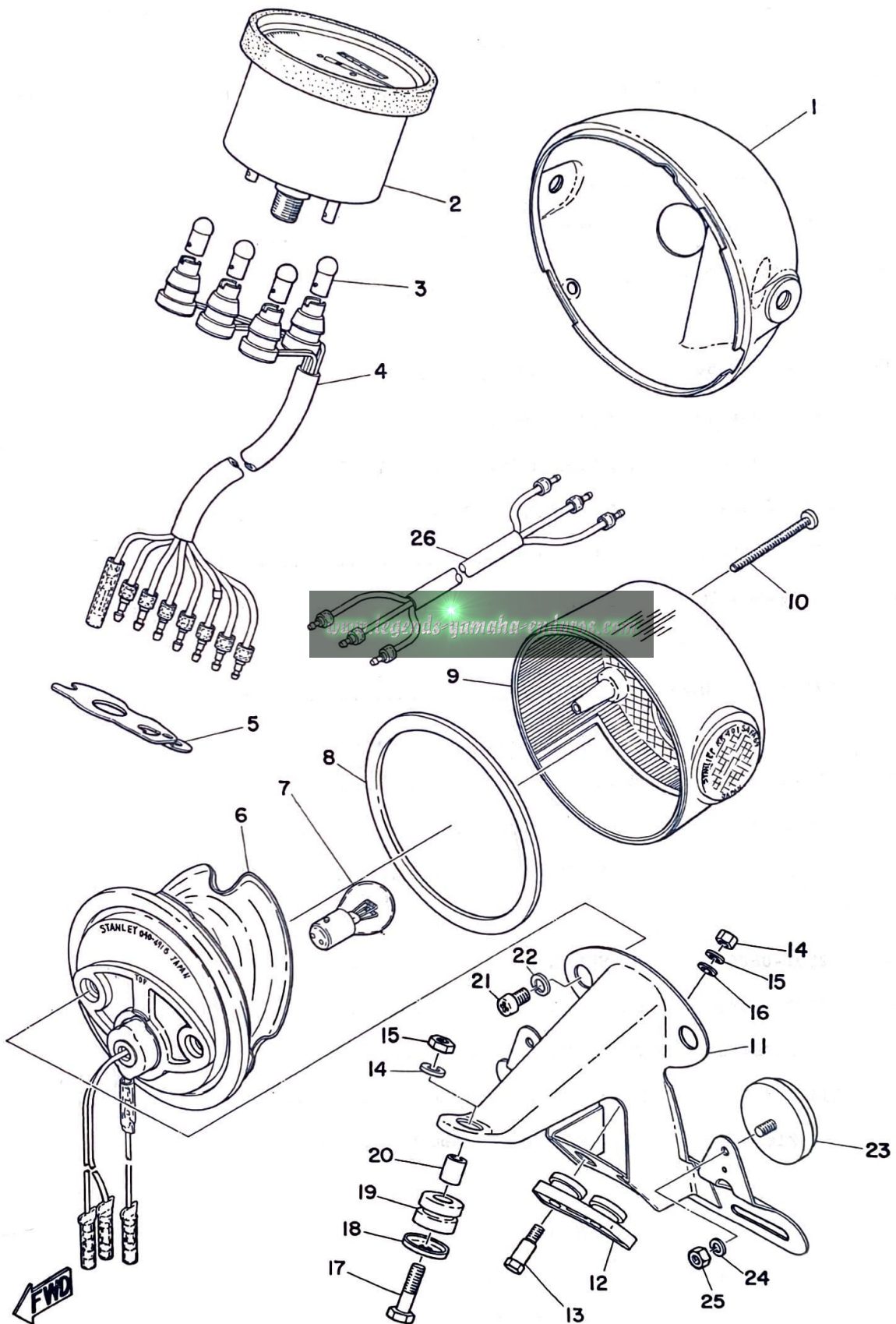


FUEL TANK & OIL TANK

Ref. No.	Part No.	Description	Q'ty	Applicable Machine No.	Remarks
4- 1	276-24110-00-04	FUEL TANK COMP.	1		Metalic Purple
4- 2	276-21705-00-02	OIL TANK ASS'Y	1		Metalic Purple
4- 3	214-21761-00	. GAUGE, level	1		
4- 4	277-21787-01	EMBLEM, oil tank	1		

www.legends-yamaha-enduros.com

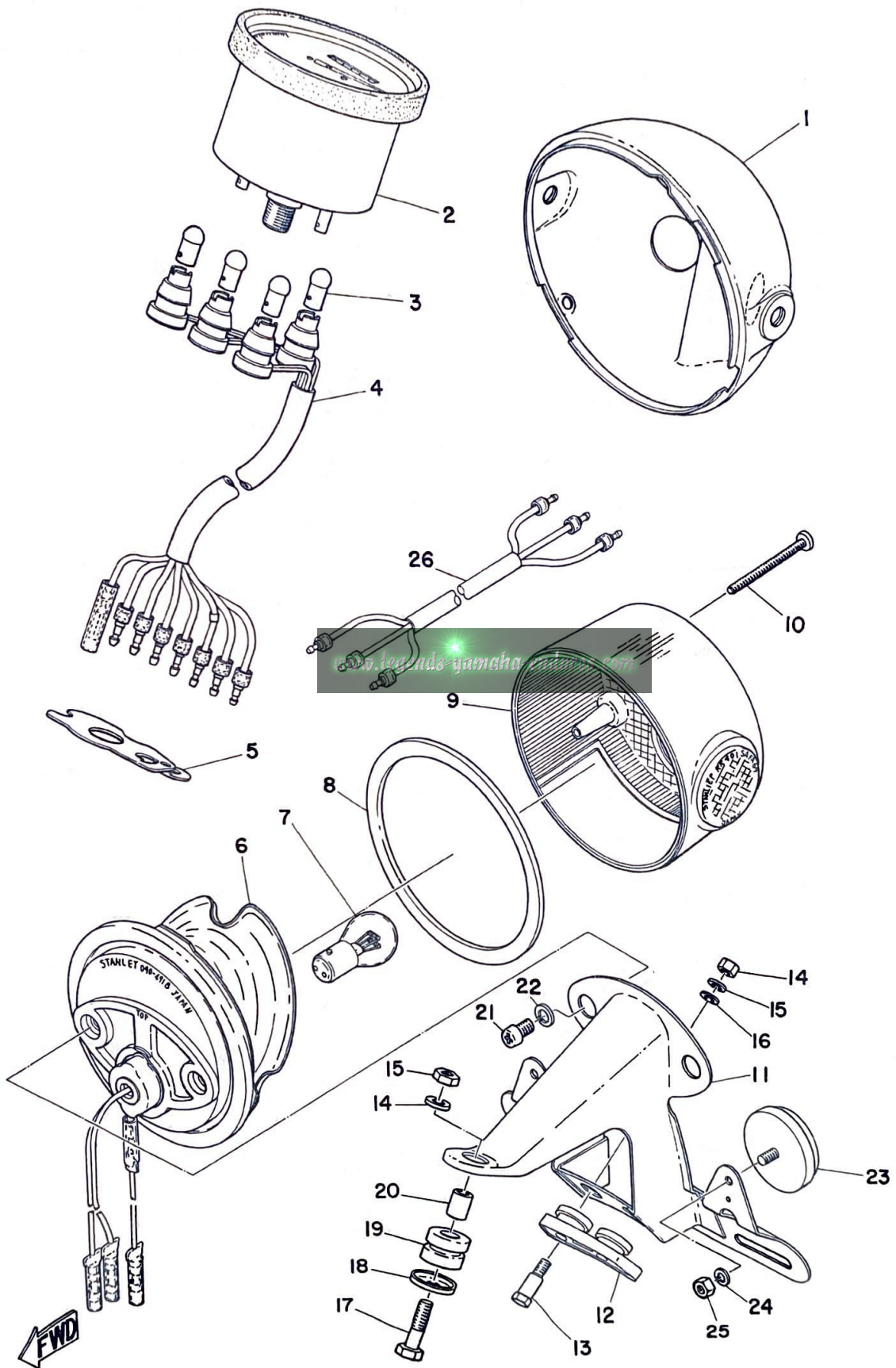
Fig. 5 HEAD LAMP, TAIL LAMP & SPEEDOMETER



HEAD LAMP, TAIL LAMP & SPEEDOMETER

Ref. No.	Part No.	Description	Q'ty	Applicable Machine No.	Remarks
5- 1	277-84130-60-34	BODY ASS'Y	1		Metalic Purple
5- 2	277-83510-61	SPEEDOMETER ASS'Y	1		mil/h
5- 3	122-83516-10	. BULB (6V ^{2W} 15/5.3W)	4		
5- 4	277-83520-61	. SOCKET ASS'Y	1		
5- 5	276-83519-01-33	BRACKET, meter	1		
5- 0-1	275-84510-60	TAIL LAMP UNIT ASS'Y	1		
5- 6	275-84511-60	. BASE, tail lamp	1		
5- 7	122-84514-30	. BULB, tail lamp (6V 17V/5.3W) .	1		
5- 8	275-84523-60	. GASKET, tail lens	1		
5- 9	275-84521-60	. LENS, tail lamp	1		
5-10	275-84524-60	. SCREW, lens fitting	3		
5-11	275-84551-60- ⁹³ 95	BRACKET, license	1		
5-12	214-84553-01	DAMPER	1		
5-13	168-21738-00	BOLT	2		
5-14	92801-06100	NUT	3		
5-15	92901-06100	WASHER, spring	3		
5-16	92901-08200	WASHER, plain	2		
5-17	91203-06025	BOLT	1		
5-18	102-28323-00	WASHER, legshield	1		
5-19	214-21717-00	DAMPER, battery box	1		
5-20	214-21633-00	COLLAR, fender mount	1		
5-21	²⁷⁵⁻⁸⁴⁵²⁶⁻⁶⁰⁻⁰⁰ 92501-06010	SCREW, pan head	2		
5-22	²⁷⁵⁻⁸⁴⁵²⁵⁻⁶⁰⁻⁰⁰ 92901-06100	NUT	2		
5-23	278-85111-00	REFLECTOR 1	2		

Fig. 5 HEAD LAMP, TAIL LAMP & SPEEDOMETER

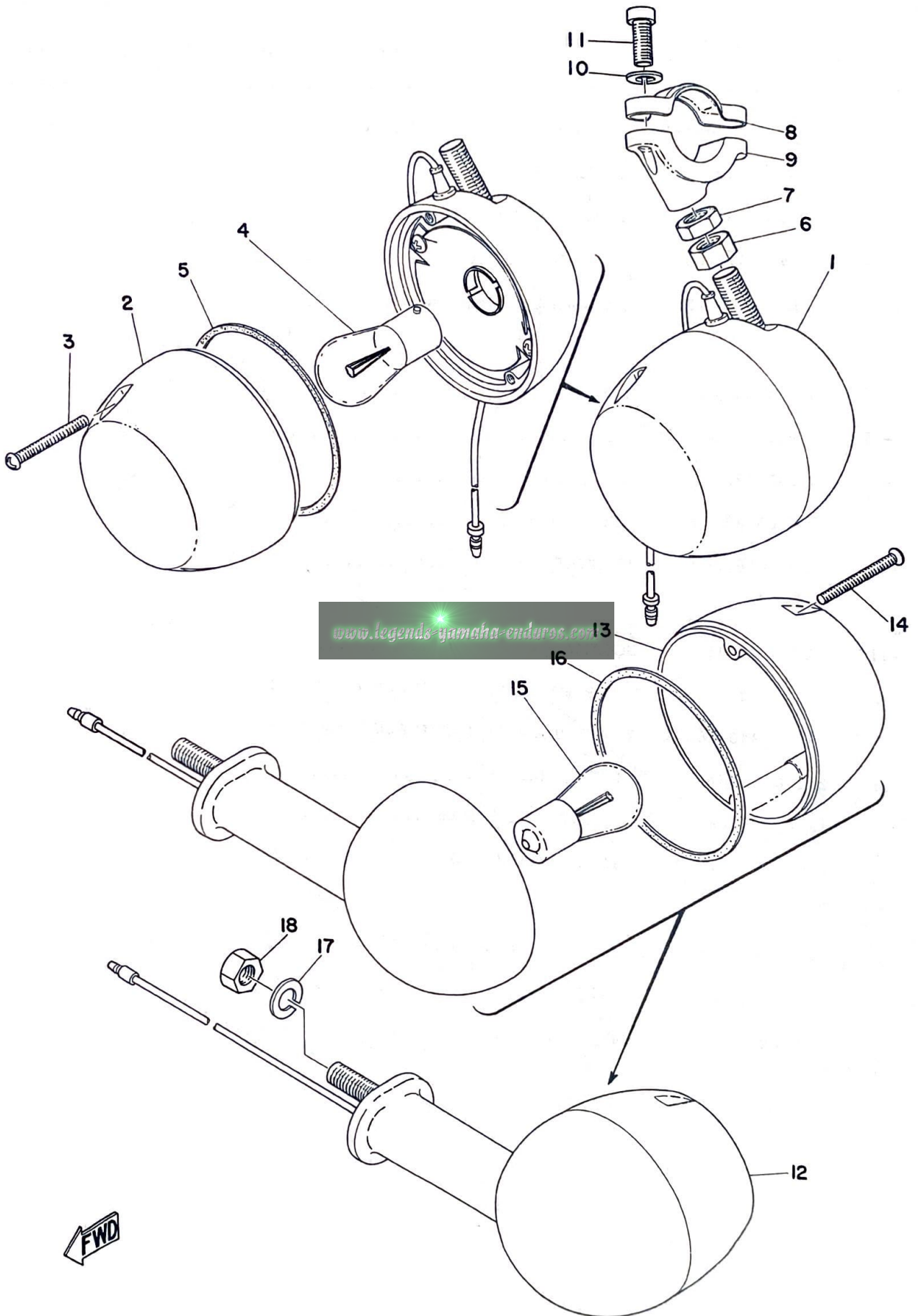


HEAD LAMP, TAIL LAMP & SPEEDOMETER

Ref. No.	Part No.	Description	Q'ty	Applicable Machine No.	Remarks
5-24	92903-05100	WASHER, spring	2		
5-25	⁵ 92603-05100-00	NUT	2		
5-26	277-84717-60	CORD, tail lamp	1		
5-27	275-84527-60	DAMPER 2 Pcs.			

www.legends-yamaha-enduros.com

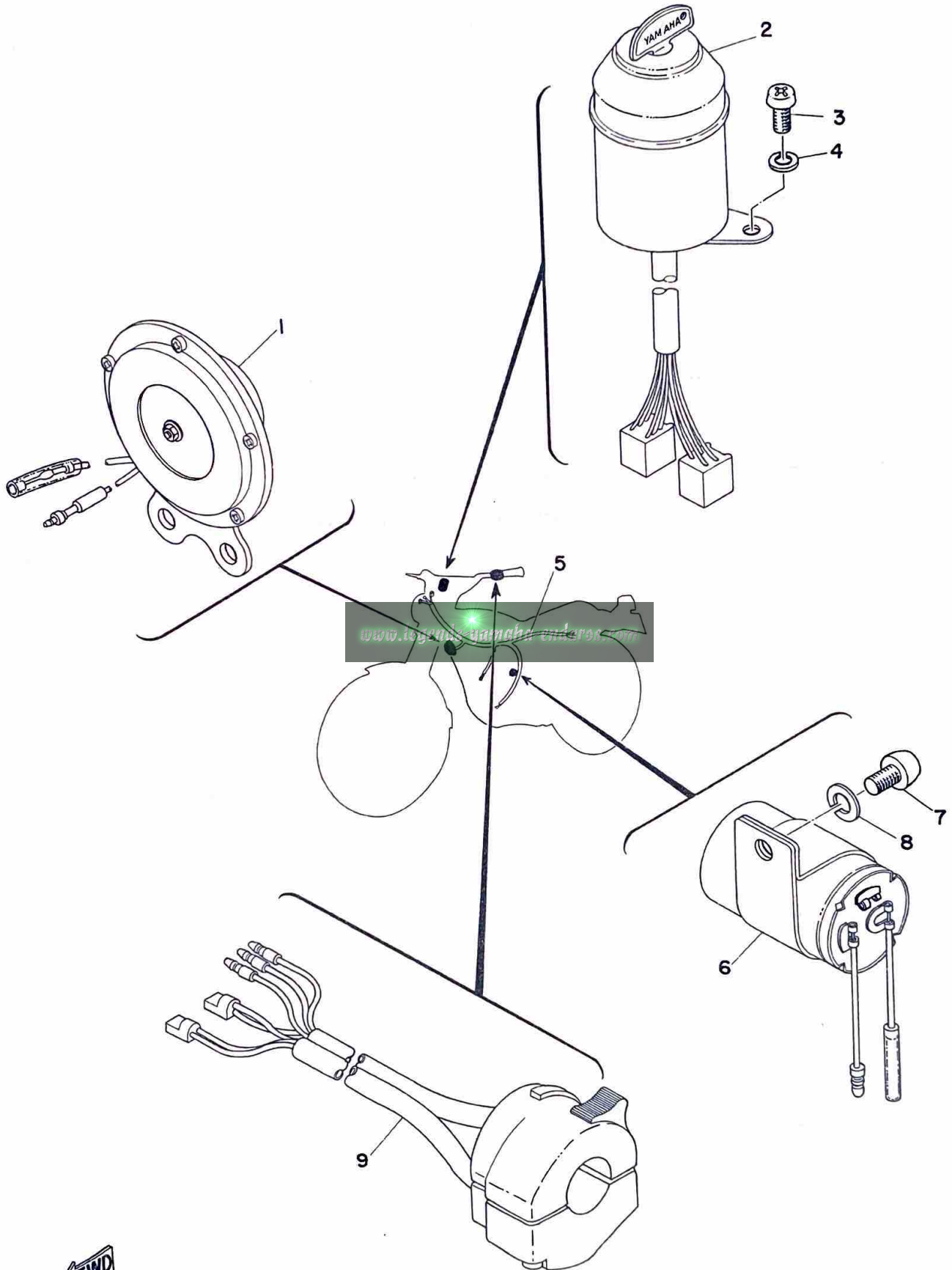
Fig. 6 FLASHER LAMP



FLASHER LAMP

Ref. No.	Part No.	Description	Q'ty	Applicable Machine No.	Remarks
6- 1	277-83310-60-93	FRONT FLASHER LAMP ASS'Y ...	2		AMBER
6- 2	183-83312-70	. LENS, flasher	2		
6- 3	183-83333-71	. SCREW, lens fitting	4		
6- 4	115-83311-60	. BULB, (6V 21CP)	2		
6- 5	183-83313-70	. GASKET, flasher lens	2		
6- 6	98803-08100	. NUT	2		
6- 7	98803-08300	NUT	2		
6- 8	275-83318-00	STAY, flasher 1	2		
6- 9	275-83328-00	STAY, flasher 2	2		
6-10	92901-06100	WASHER, spring	4		
6-11	92503-06015	SCREW, pan head	4		
6-12	277-83330-66-93	REAR FLASHER LAMP ASS'Y left	1		
	277-83340-66-93	REAR FLASHER LAMP ASS'Y right	1		
6-13	211-83332-75	. LENS, flasher	2		RED
6-14	183-83333-71	. SCREW, lens fitting	4		
6-15	115-83311-60	. BULB, (6V 21CP)	2		
6-16	183-83313-70	. GASKET, flasher lens	2		
6-17	92901-08100	WASHER, spring	2		
6-18	98801-08100	NUT	2		

Fig. 7 ELECTRICAL



ELECTRICAL

Ref. No.	Part No.	Description	Q'ty	Applicable Machine No.	Remarks
7- 1	214-83371-10	HORN	1		
7- 2	276-82508-20	MAIN SWITCH ASS'Y	1		
7- 3	92501-06010	SCREW, pan head	1		
7- 4	92901-06100	WASHER, spring	1		
7- 5	277-82590-21	WIRE HARNESS ASS'Y	1		
7- 6	115-83350-60	FLASHER RELAY ASS'Y	1		
7- 7	92501-06010	SCREW, pan head	1		
7- 8	92901-06100	WASHER, spring	1		
7- 9	233-83973-00	SWITCH, handle 3	1		

www.legends-yamaha-enduros.com

NUMERICAL INDEX

Ref No.	Parts No.	Ref No.	Parts No.	Ref No.	Parts No.
5-18	102-28323-00	6- 9	275-83328-00	1- 2	277-81350-11
1-14	109-81328-10	5- 0-1	275-84510-60	7- 5	277-82590-21
1-13	110-81345-20	5- 6	275-84511-60	6- 1	277-83310-60-93
1-15	110-81345-20	5- 9	275-84521-60	6-12	277-83330-66-93
1- 9	110-81347-20	5- 8	275-84523-60	6-12	277-83340-66-93
1- 5	110-81348-20	5-10	275-84524-60	5- 2	277-83510-61
6- 4	115-83311-60	5-11	275-84551-60-35	5- 4	277-83520-61
6-15	115-83311-60	1- 0-1	276-11400-01	5- 1	277-84130-60-34
7- 6	115-83350-60	1- 1	276-11412-01	5-26	277-84717-60
3-17	122-23114-00	4- 2	276-21705-00-02	5-23	278-85111-00
3-24	122-23119-01	2- 2	276-22210-21	5-17	91203-06025
3- 7	122-23125-00	3-19	276-23112-50	5-21	92501-06010
3-25	122-23129-00	3-14	276-23116-50	7- 3	92501-06010
3- 8	122-23147-00	3-15	276-23121-50-34	7- 7	92501-06010
3-13	122-23163-00	3- 6	276-23124-50	6-11	92503-06015
3-22	122-23346-00	3- 1	276-23126-50-35	5-25	92503-05100
5- 3	122-83516-10	3-16	276-23131-50-34	5-14	92801-06100
5- 7	122-84514-30	3- 2	276-23136-50-35	1- 6	92901-04100
3-28	156-23411-00	3- 4	276-23141-50	1-10	92901-04200
5-13	168-21738-00	3-11	276-23144-50	3-30	92901-05100
6- 2	183-83312-70	3-10	276-23145-50	5-15	92901-06100
6- 5	183-83313-70	3- 5	276-23149-50	5-22	92901-06100
6-16	183-83313-70	3- 9	276-23150-50	6-10	92901-06100
6- 3	183-83333-71	3- 3	276-23151-50	7- 4	92901-06100
6-14	183-83333-71	4- 1	276-24110-00-04	7- 8	92901-06100
3-18	205-23111-40	7- 2	276-82508-20	2- 6	92901-08100
1- 8	207-81321-10	5- 5	276-83519-01-33	3-27	92901-08100
1-12	207-81331-10	2- 1	277-21110-01-33	6-17	92901-08100
6-13	211-83332-75	2- 3	277-21610-00-35	2- 5	92901-08200
5-20	214-21633-00	4- 4	277-21787-01	5-16	92901-08200
5-18	214-21717-00	3- 0-1	277-23100-61-02	3-23	92901-10100
4- 3	214-21761-00	3-12	277-23122-61	5-24	92903-05100
7- 1	214-83371-10	3-20	277-23340-60-33	3-26	97201-08025
5-12	214-84553-01	1- 0-2	277-81300-11	2- 4	97201-08030
7- 9	233-83973-00	1- 3	277-81312-10	1-16	98701-05015
3-21	256-23318-60	1- 4	277-81313-11	3-31	98801-05100
3-29	256-85111-00	1-11	277-81326-10	2- 7	98801-08100
6- 8	275-83318-00	1- 7	277-81332-10	6-18	98801-08100

NUMERICAL INDEX

Ref No.	Parts No.	Ref No.	Parts No.	Ref No.	Parts No.
6- 6	98803-08100				
6- 7	98803-08300				

www.legends-yamaha-enduros.com