

YAMAHA

GENUINE

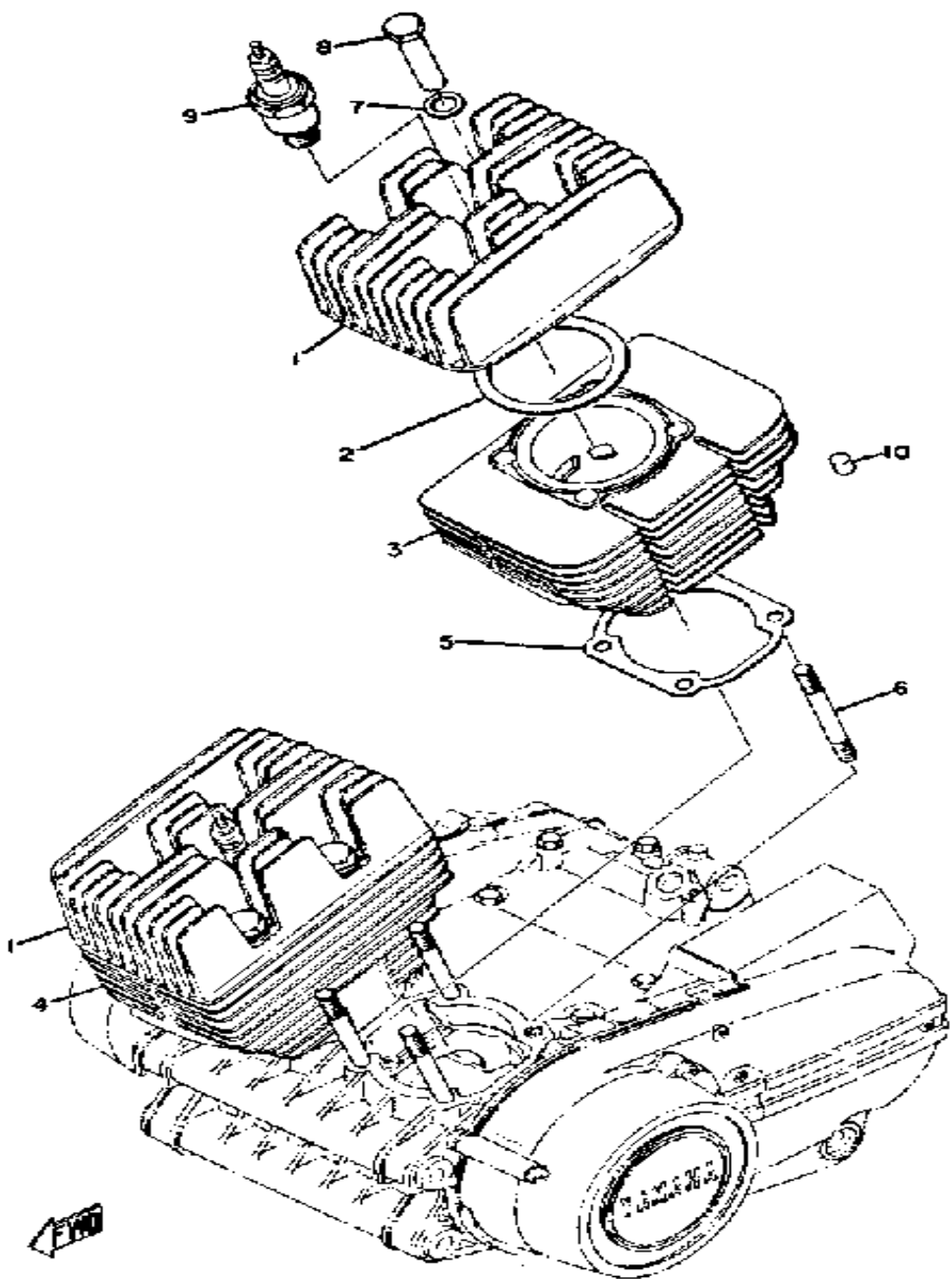
PARTS CATALOGUE

MOTORCYCLE

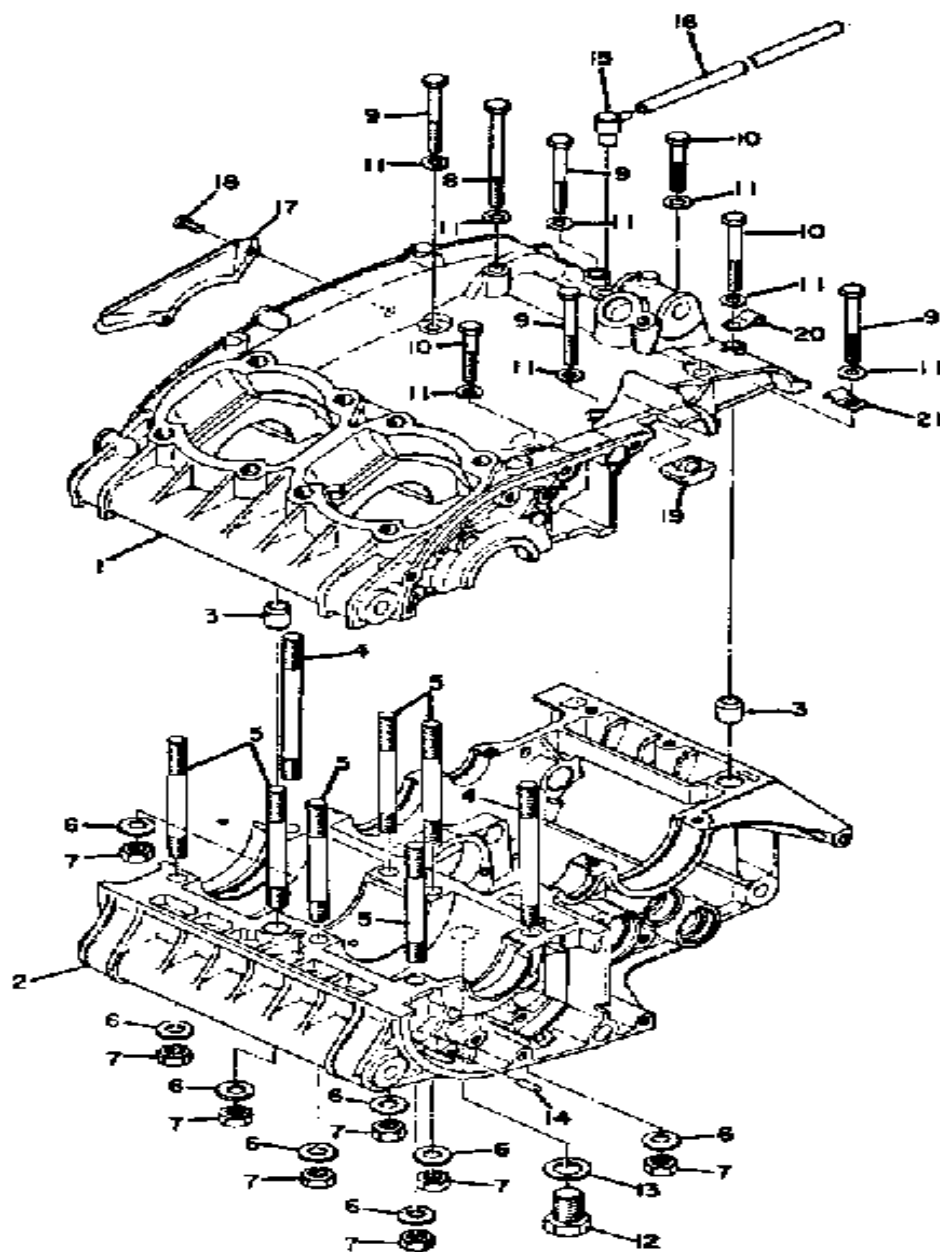
www.legends-yamaha-enduros.com

CYLINDER HEAD - CYLINDER

Ref. No.	Part Number	Description	Qty	Remarks
1	(361-11111-01-00)	HEAD, CYLINDER 1	2	
2	280-11181-01-00	GASKET, CYLINDER HEAD 1 .	2	
3	(280-11311-01-00)	CYLINDER 1	1	
4	(280-11321-01-00)	CYLINDER 2	1	
5	278-11351-01-00	GASKET, CYLINDER	2	
6	90116-08065-00	BOLT, STUD	8	
7	90201-12362-00	WASHER, PLATE	8	
8	90179-08026-00	NUT, SPEC'L SHAPE	8	
9	NGK-B9ES0-00-00	NGK B9ES 10PK	2	
10	(171-11161-00-00)	ABSORBER 1	2	



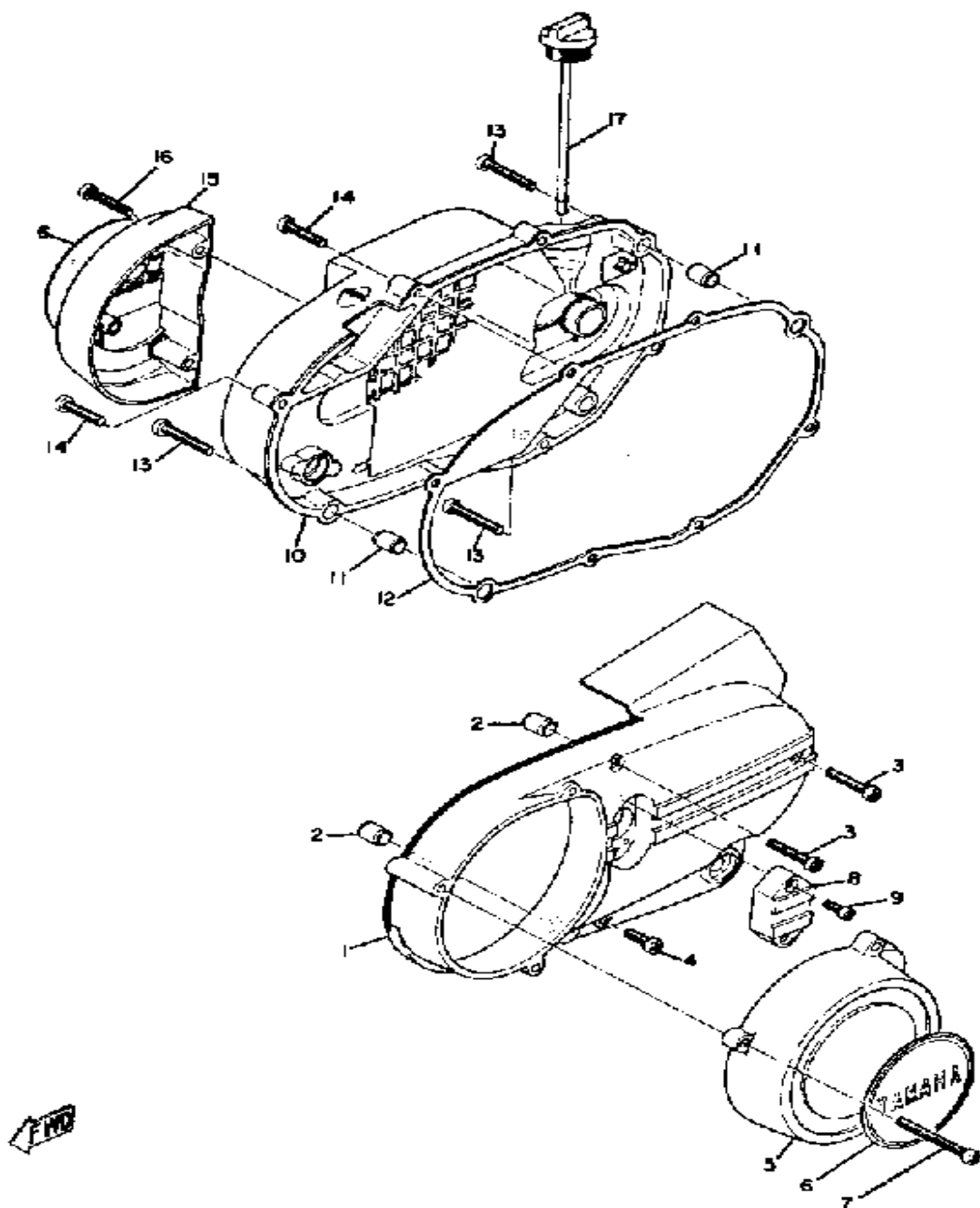
CRANKCASE



Ref. No.	Part Number	Description	Qty	Remarks
1	(278-15100-02-00)	CRANKCASE ASSEMBLY	1	
3	99510-12016-00	PIN, DOWEL	2	
4	90116-08232-00	BOLT, STUD	2	
5	90116-08064-00	BOLT, STUD	6	
6	92990-08200-00	WASHER, PLAIN	8	
7	95333-08600-00	NUT	8	
8	(97321-06085-00)	BOLT, HEXAGON	1	
9	97313-06055-00	BOLT, HEXAGON (97322-06055)	4	
10	97313-06045-00	BOLT, HEXAGON	3	
11	90201-06038-00	WASHER, PLATE	8	
12	90109-14385-00	BOLT	1	
13	137-15353-00-00	GASKET, DRAIN	1	
14	93603-14026-00	PIN, DOWEL	1	
15	583-15371-00-00	BREATHER	1	
16	90446-07241-00	HOSE (3AK)	1	
17	278-15492-01-00	COVER	1	
18	98580-05010-00	SCREW, PAN HEAD	2	
19	278-15441-00-00	HOLDER, CLCH CABLE	1	
20	(90462-05012-00)	CLAMP	1	
21	90462-05005-00	CLAMP	1	

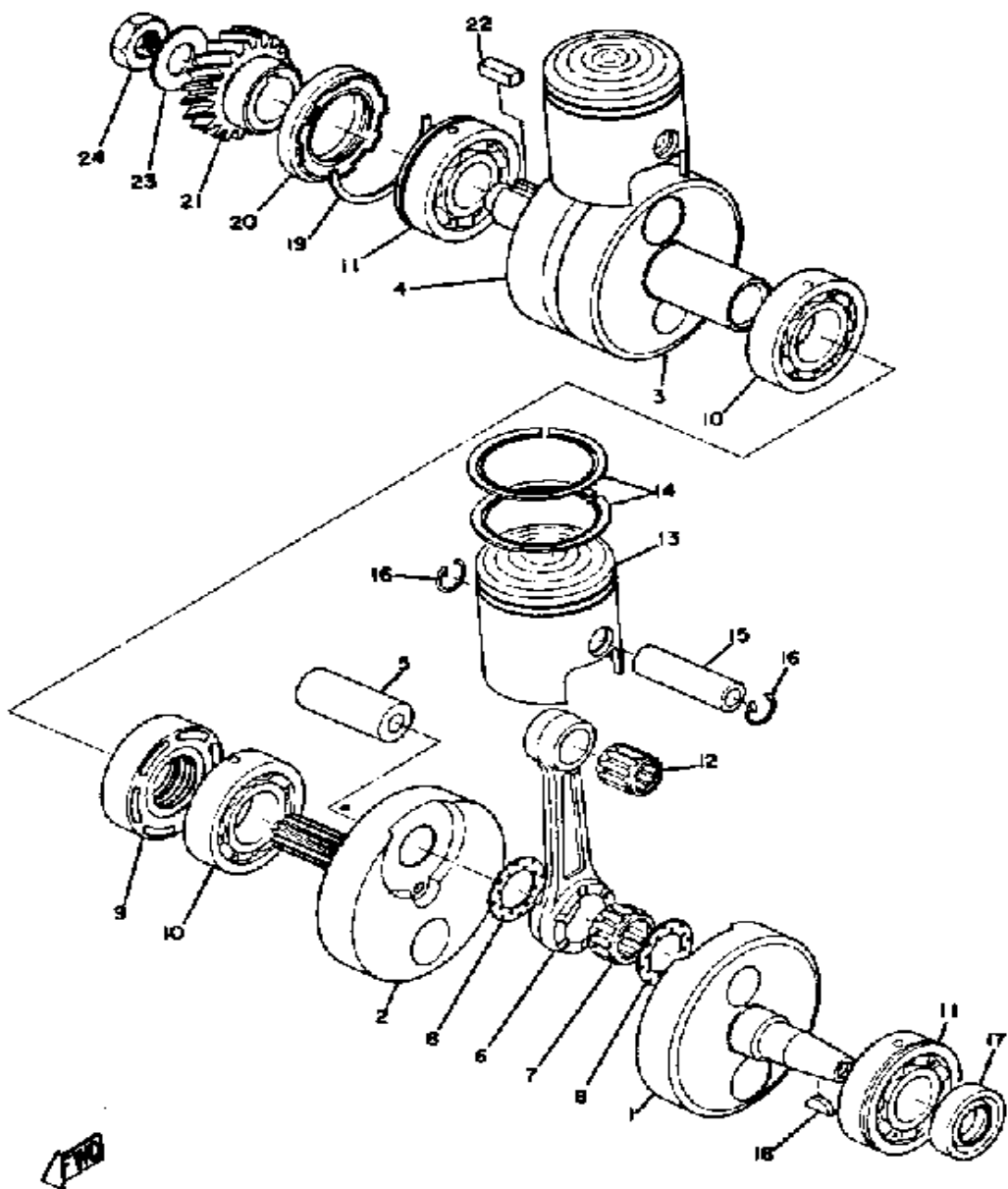
CRANKCASE COVER

Ref. No.	Part Number	Description	Qty	Remarks
1	(278-15411-00-00)	COVER, CRANKCASE L	1	
2	99510-12016-00	PIN, DOWEL	2	
3	92056-06035-00	UNAVAILABLE IN PRICE BOOK	2	
4	98516-06020-00	SCREW, PAN HEAD	1	
5	(278-15415-00-00)	COVER, GENERATOR	1	
6	(278-15425-00-00)	COVER, GENERATOR R	2	
7	98506-06060-00	SCREW, PAN HEAD	3	
8	(278-15417-00-00)	COVER, CAP	1	
9	98506-05020-00	SCREW, PAN HEAD	2	
10	278-15421-00-00	COVER, CRANKCASE R	1	
11	99510-12016-00	PIN, DOWEL	2	
12	278-15461-02-00	GASKET, CRCS CVR 2	1	
13	98506-06040-00	SCREW, PAN HEAD	2	
14	92060-63000-0	UNAVAILABLE IN PRICE BOOK	6	
15	278-15416-00-00	COVER, OIL PUMP	1	
16	98506-06035-00	SCREW, PAN HEAD	3	
17	278-15363-00-00	PLUG, OIL	1	



www.legends-yamaha-enduros.com

CRANK - PISTON

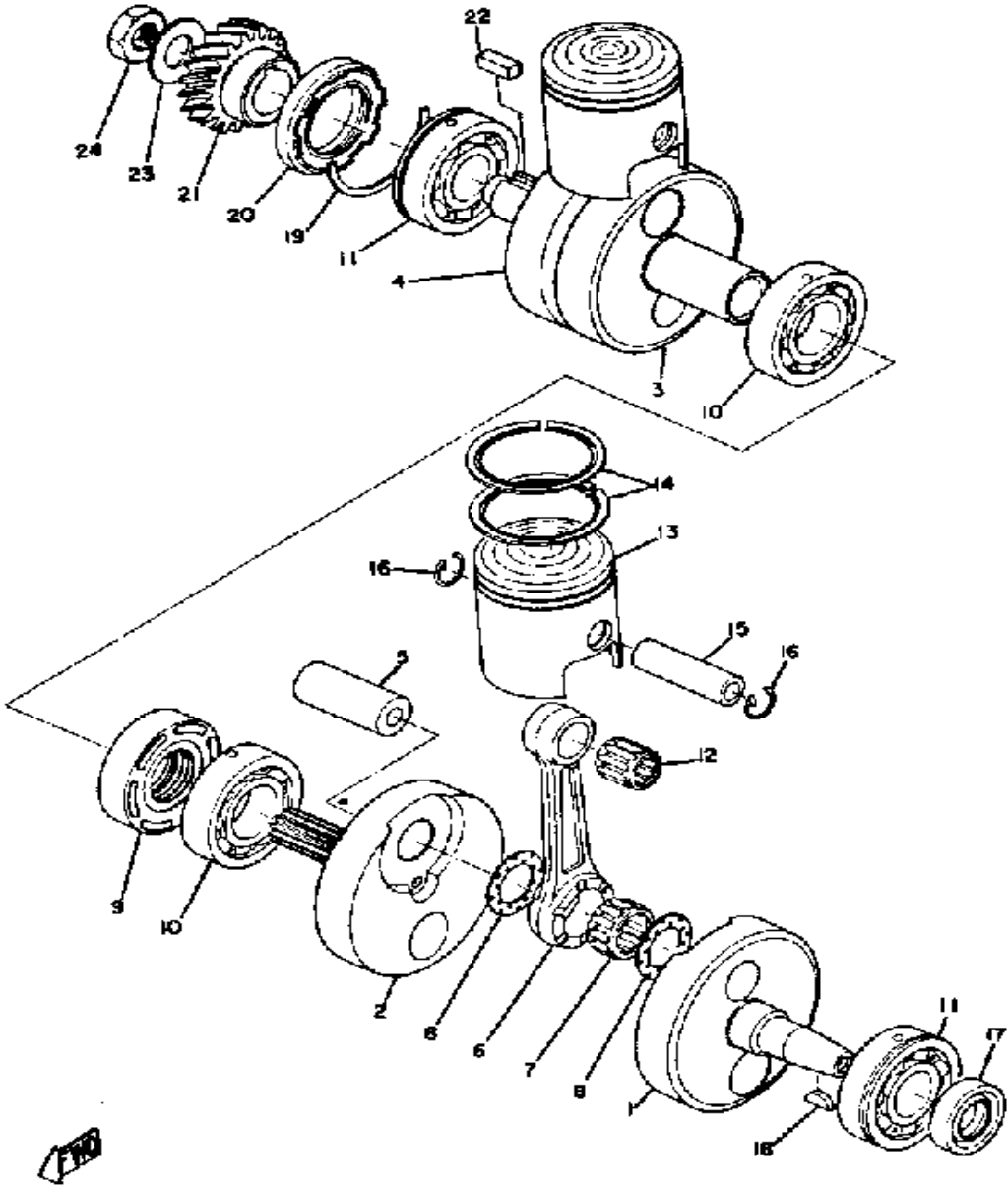


Ref. No.	Part Number	Description	Qty	Remarks
1	(278-11412-00-00)	CRANK 1	1	
	(360-11400-00-00)	CRANKSHAFT ASSEMBLY ...	1	
2	(278-11422-00-00)	CRANK 2	1	
3	(278-11432-00-00)	CRANK 3	1	
4	(278-11442-00-00)	CRANK 4	1	
5	8G8-11681-00-00	. PIN, CRANK 1	2	
6	34X-11651-00-00	. ROD, CONNECTING	2	
7	93310-42277-00	. BEARING, CYLINDER.#10 (93310-42231)	2	
8	90209-22248-00	. WASHER	4	
9	278-11515-00-00	. SEAL, LABYRINTH 1	1	
10	93306-20621-00	. BEARING	2	
11	93306-30549-00	. BEARING	2	
12	93310-216L2-00	BEARING, CYLINDRICAL	2	
13	280-11631-00-96	PISTON STD (53.96MM STD) ..	2	
	280-11635-00-00	PISTON 1 O/S 0.25 (54.25MM 1ST O.S)	2	ALTERNATE PART
	280-11636-00-00	PISTON 2 O/S 0.50 (54.50MM 2ND O.S)	2	ALTERNATE PART
14	280-11601-00-00	PISTON RINGSET STD (STD) .	2	
	280-11601-10-00	PISTON RINGSET 1ST (1ST O.S.)	2	ALTERNATE PART
	280-11601-20-00	PISTON RINGSET 2ND (2ND O.S.)	2	ALTERNATE PART
15	280-11633-00-00	PIN, PISTON	2	
16	93450-17025-00	CIRCLIP	4	
17	93103-20046-00	OIL SEAL, SW-TYPE	1	
18	90280-04005-00	KEY, WOODRUFF	1	
19	278-17424-01-00	CIRCLIP 1	1	
20	(93103-40058-00)	OIL SEAL, SW-TYPE	1	

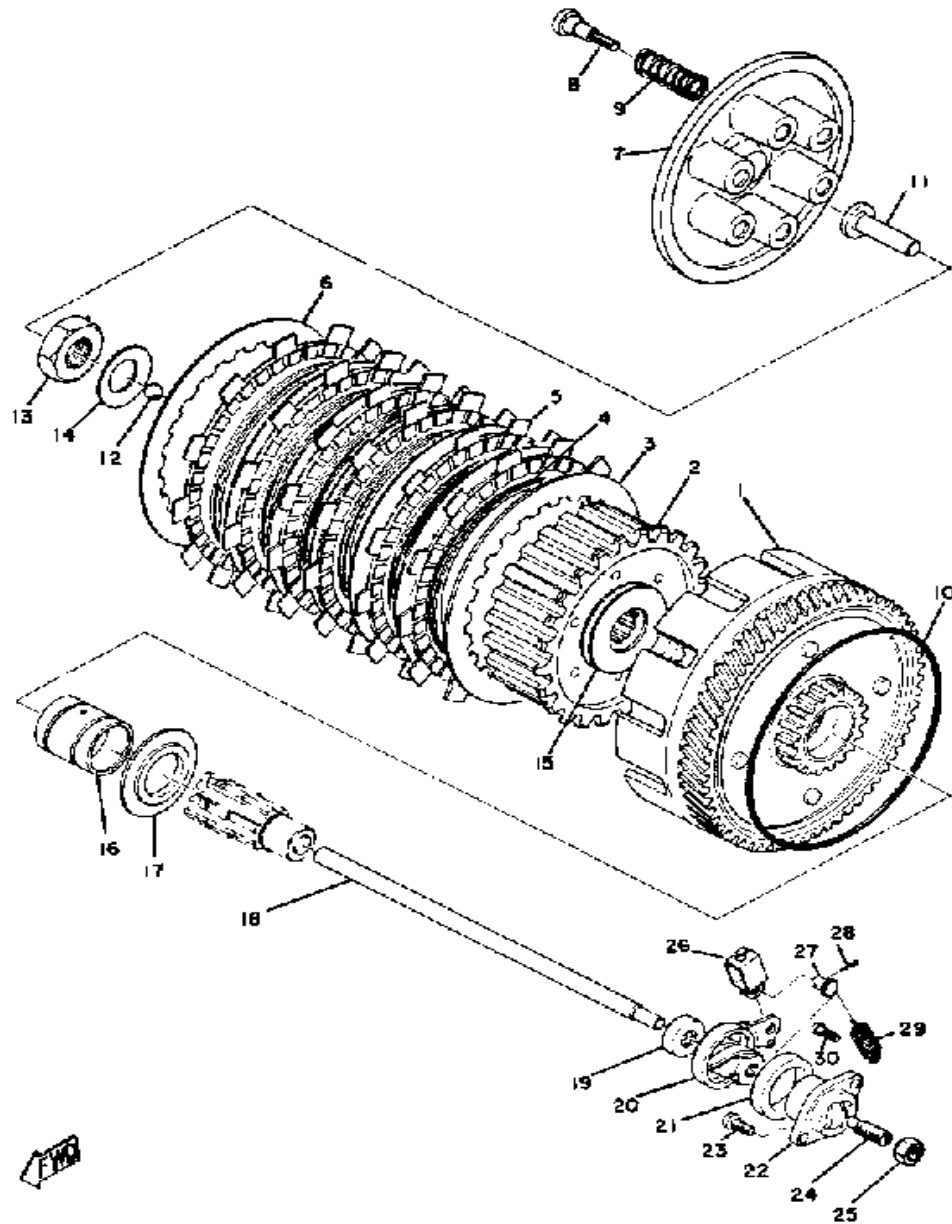
CONTINUED ON NEXT FRAME ►

CRANK - PISTON

Ref. No.	Part Number	Description	Qty	Remarks
21	(280-16111-01-00)	GEAR, PRI DRIVE 0 0	1	
22	90282-07023-00	KEY, STRAIGHT	1	
23	214-16119-00-00	SPRING, BELLEVILLE	1	
24	(280-11630-00-00)	PISTON KIT	2	
	(280-11630-10-00)	PISTON KIT	2	
	(280-11630-20-00)	PISTON KIT	2	
	90170-16182-00	NUT, HEXAGON	1	



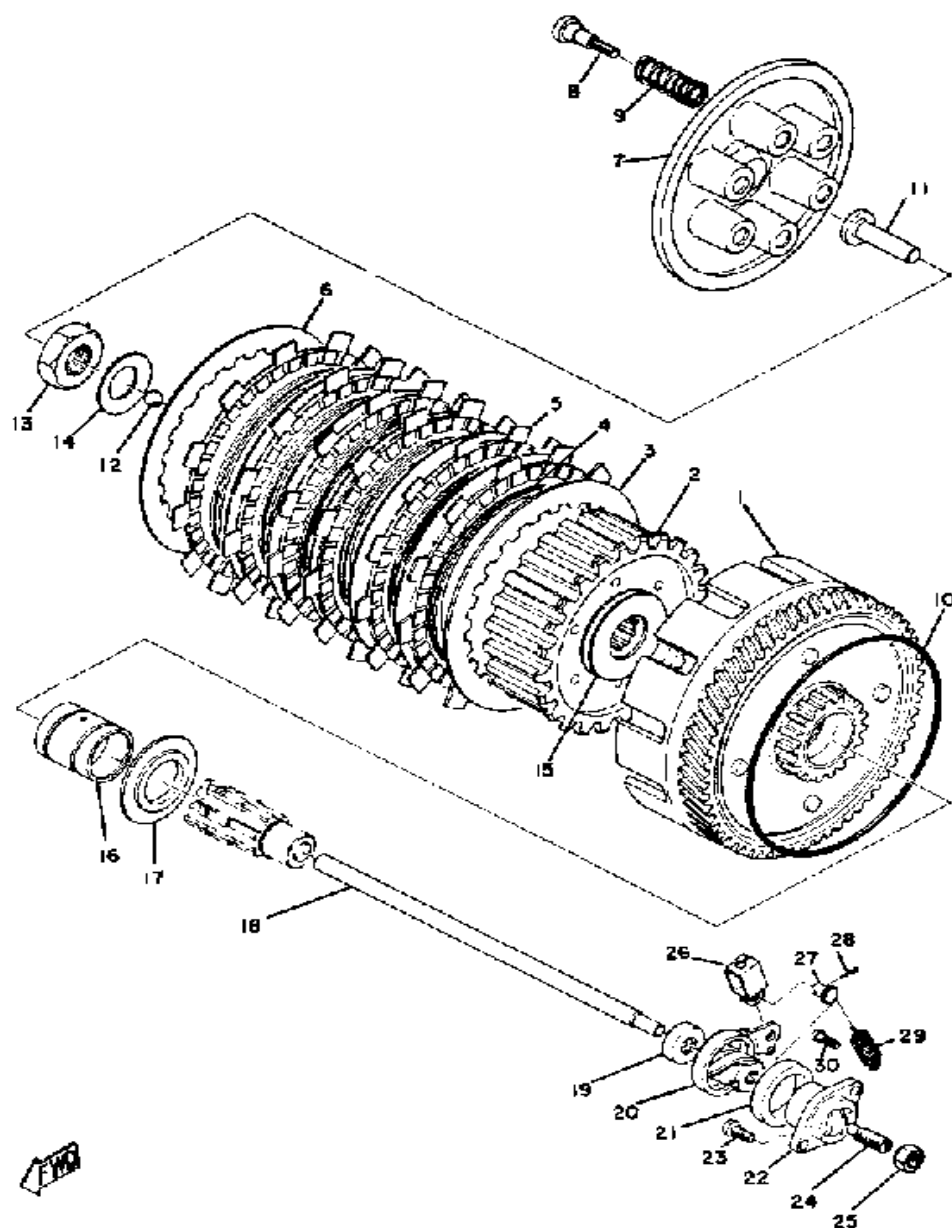
CLUTCH



Ref. No.	Part Number	Description	Qty	Remarks
1	(280-16150-01-00)	PRI DRVN GEAR	1	
	(280-16301-00-00)	CLUTCH ASSEMBLY	1	
2	360-16370-00-00	. CLUTCH BOSS ASSEMBLY 0 1 .	1	PN363
3	214-16324-00-00	. PLATE, CLUTCH 1	1	
4	168-16367-00-00	. RING, CUSHION	7	PN363
5	168-16321-10-00	. PLATE, FRICTION	7	PN363
6	360-16325-00-00	. PLATE, CLUTCH 2	7	PN363
	4H7-16325-00-00	. PLATE, CLUTCH 2	6	PN363
7	214-16351-00-00	. PLATE, PRESSURE 1	1	
8	(90149-05147-00)	SCREW, SPECL SHAPE	6	
9	90501-90123-00	. UNAVAILABLE IN PRICE BOOK (183-16333-70)	6	
10	93211-15149-00	. O-RING	1	
11	174-16356-00-00	ROD, PUSH 1	1	
12	93505-16006-00	BALL	1	
13	90170-18089-00	NUT	1	
14	214-16119-00-00	SPRING, BELLEVILLE	1	
15	170-16164-00-00	PLATE, THRUST 2	1	
16	278-16181-01-00	SPACER 1	1	
17	(278-16154-00-00)	PLATE, THRUST 1	1	
18	237-16357-01-00	ROD, PUSH 2	1	
19	93109-08061-00	OIL SEAL	1	
20	278-16340-00-00	PUSH LEVER ASSEMBLY	1	
21	214-16347-01-00	SEAL, DUST	1	
22	371-16396-00-00	HOUSING, PUSH SCREW	1	
23	98580-05012-00	SCREW, PAN HEAD	2	
24	90113-08021-00	BOLT, SET	1	
25	90179-08179-00	NUT	1	
26	214-16389-00-00	JOINT	1	

CONTINUED ON NEXT FRAME ►

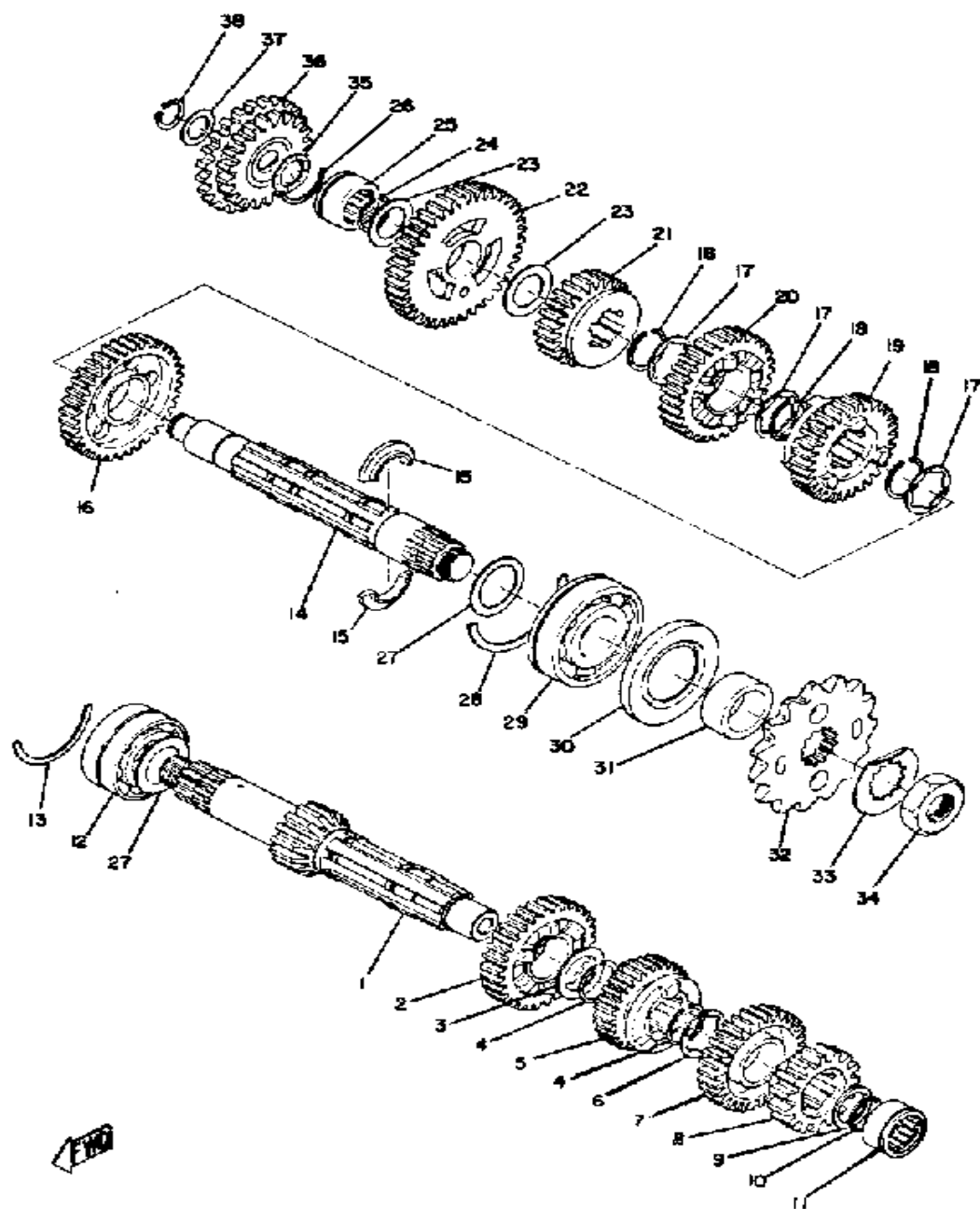
CLUTCH



Ref. No.	Part Number	Description	Qty	Remarks
27	90240-06005-00	PIN, CLEVIS	1	
28	91401-10015-00	PIN, COTTER	1	
29	90506-10023-00	SPRING, TENSION	1	
30	132-16346-00-00	HOOK, SPRING	1	

www.legends-yamaha-enduros.com

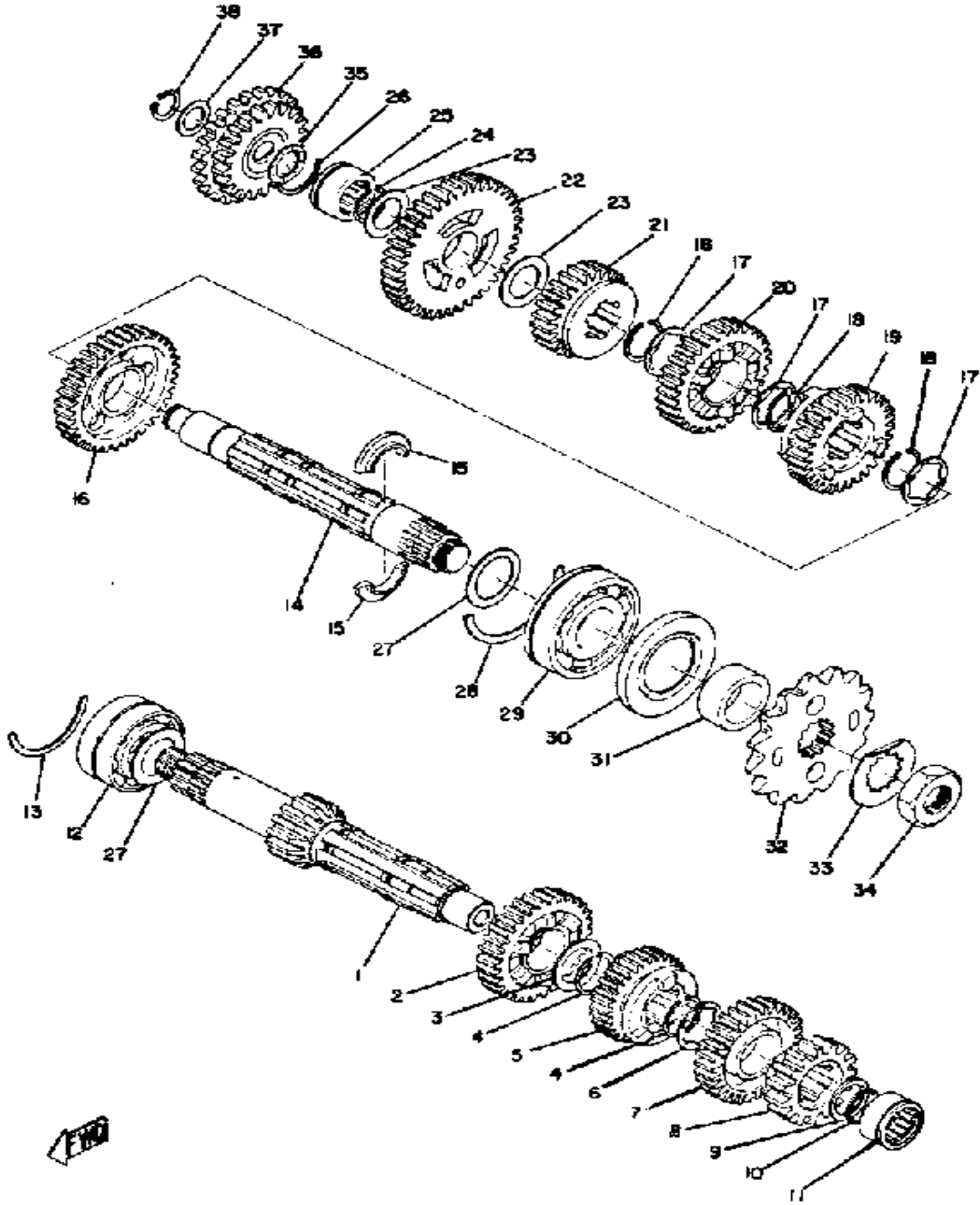
TRANSMISSION



Ref. No.	Part Number	Description	Qty	Remarks
1	(278-17411-00-00)	AXLE, MAIN	1	
2	(278-17151-00-00)	GEAR, 5TH PINION	1	
3	90201-25490-00	WASHER, PLATE	1	
4	93440-25084-00	CIRCLIP	2	
5	(278-17131-00-00)	GEAR, 3RD PINION	1	
6	90209-21106-00	WASHER, SPEC'L SHAP	1	
7	(278-17141-00-00)	GEAR, 4TH PINION	1	
8	(278-17121-00-00)	GEAR, 2ND PINION	1	
9	90201-20266-00	WASHER, PLATE (1.0T)	1	
10	99009-20400-00	CIRCLIP	1	
11	93311-22027-00	BEARING, CYLINDRICAL	1	
12	93305-20502-00	BEARING (93305-20508-00) ...	1	
13	(278-17414-09-00)	CLIP	1	
	278-17414-00-00	CLIP	1	
14	(278-17421-00-00)	AXLE, DRIVE	1	
15	156-17429-00-00	SPACER, DRIVE AXLE	2	
16	(278-17221-00-00)	GEAR, 2ND WHEEL	1	
17	90209-21106-00	WASHER, SPEC'L SHAP	3	
18	93440-25084-00	CIRCLIP	3	
19	(278-17241-00-00)	GEAR, 4TH WHEEL	1	
20	(278-17151-00-00)	GEAR, 5TH PINION	1	
21	(278-17251-00-00)	GEAR, 5TH WHEEL	1	
22	(278-17211-00-00)	GEAR, 1ST WHEEL	2	
23	90201-20278-00	WASHER, PLATE	2	
24	99009-20400-00	CIRCLIP	1	
25	93311-42045-00	BEARING (20NG3315NE)	1	
26	278-17425-00-00	CIRCLIP 2	1	
27	168-17428-01-03	SHIM 2 (25-34-0.3)	1	
	168-17428-01-05	SHIM 2 (25-34-0.5)	1	

CONTINUED ON NEXT FRAME ►

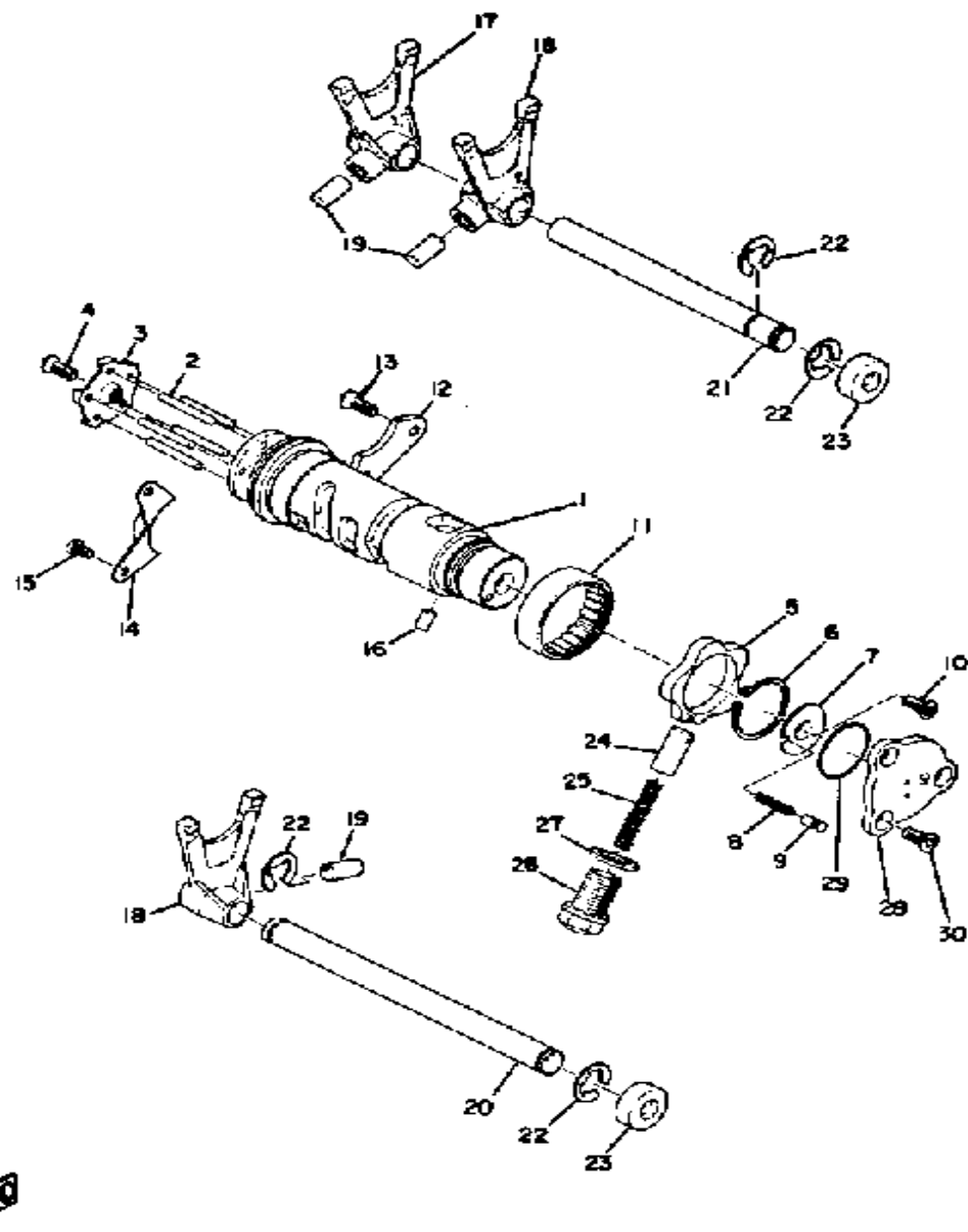
TRANSMISSION



Ref. No.	Part Number	Description	Qty	Remarks
28	278-17424-01-00	CIRCLIP 1	1	
29	93306-30506-00	BEARING (B6305N) (93306-30504-00)	1	
30	93102-35109-00	OIL SEAL (SD-35-62-6 HS)	1	
31	90387-25192-00	COLLAR	1	
32	(156-17461-60-00)	SPROCKET, DRIVE	1	U.R.
	(156-17461-70-00)	SPROCKET, DRIVE	1	U.R.
	9384E-15155-00	SPROCKET DRIVE (15T)	1	U.R.STD
33	90215-21022-00	WASHER, LOCK	1	
34	90179-18020-00	NUT	1	
35	90206-15021-00	WASHER, WAVE	1	
36	(278-15650-00-00)	IDLE GEAR ASSEMBLY	1	
37	164-17417-00-10	SHIM 1 (1.0T)	1	
38	99009-15400-00	CIRCLIP	1	

www.legends-yamaha-enduros.com

SHIFTER A



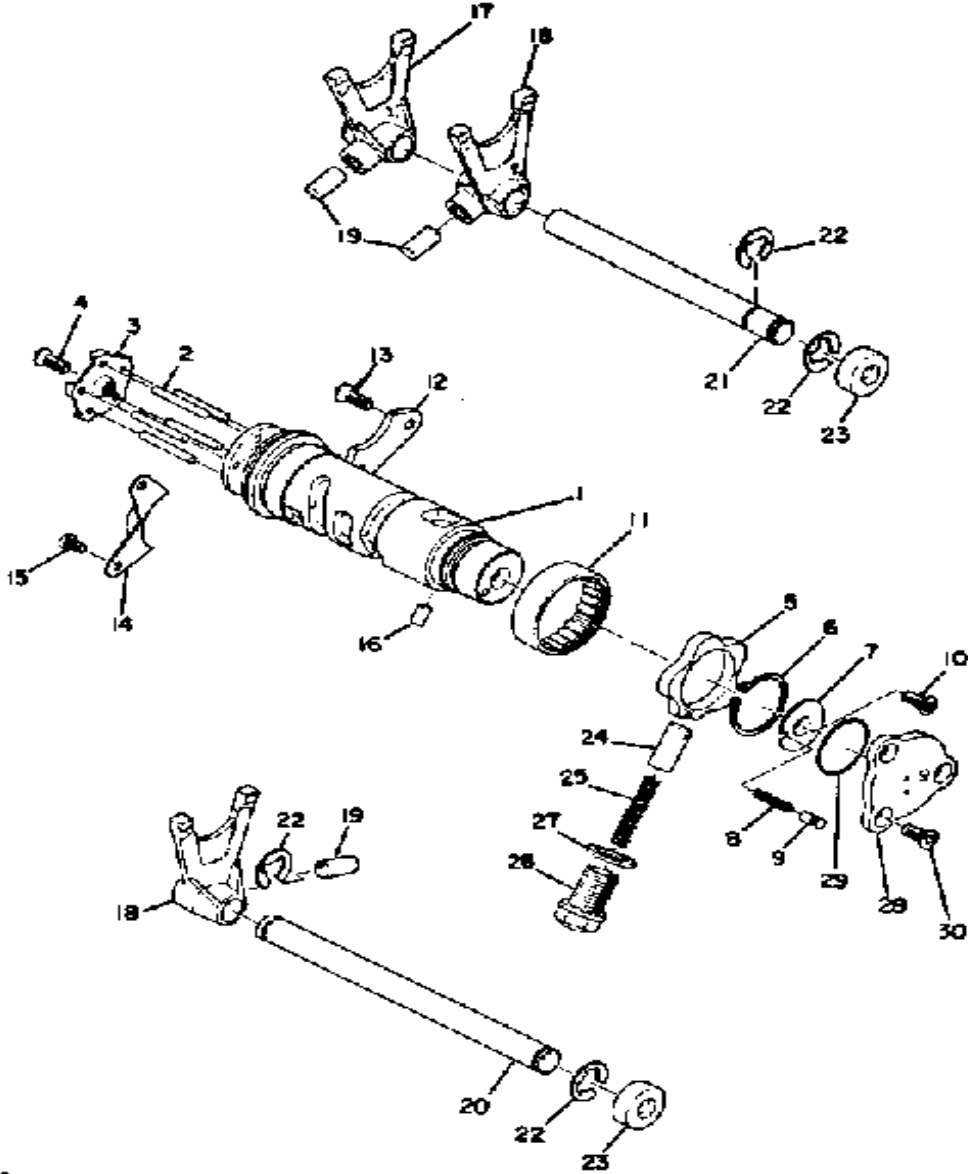
Ref. No.	Part Number	Description	Qty	Remarks
1	(278-18541-00-00)	CAM, SHIFT	1	
2	93604-22050-00	PIN, DOWEL	5	
3	(278-18561-00-00)	PLATE, SIDE 1	1	
4	98701-05012-00	SCREW, FLAT HEAD	1	
5	(278-18141-00-00)	PLATE, STOPPER	1	
6	99009-30400-00	CIRCLIP	1	
7	278-18566-00-00	PLATE, SIDE 2	1	
8	90501-06022-00	SPRING, COMPRESSION	1	
9	278-18542-00-00	POINT, NEUTRAL	1	
10	98701-05012-00	SCREW, FLAT HEAD	1	
11	93315-23612-00	BEARING	1	
12	(278-18562-00-00)	PLATE, STOPPER 2	1	
13	98701-06014-00	SCREW, FLAT HEAD	2	
14	(278-18179-00-00)	GUIDE	1	
15	98580-05010-00	SCREW, PAN HEAD	1	
16	93604-08071-00	PIN, DOWEL	1	
17	278-18511-00-00	FORK, SHIFT 1	1	
18	278-18512-00-00	FORK, SHIFT 2	2	
19	90250-08017-00	PIN, STRAIGHT	3	
20	278-18531-00-00	BAR, SHIF FRK GDE 1	1	
21	(278-18535-00-00)	BAR, SHIF FRK GDE 2	1	
22	99006-10600-00	CIRCLIP	4	
23	90338-22021-00	PLUG, SPEC'L SHAPE (371-18149-00)	2	
24	278-18547-02-00	STOPPER, CAM	1	
25	90501-10062-00	SPRING, COMPRESSION	1	
26	90109-14485-00	BOLT	1	
27	137-15353-00-00	GASKET, DRAIN	1	
28	1L9-82540-00-00	NEUTRAL SWITCH ASSEMBLY	1	

CONTINUED ON NEXT FRAME ►



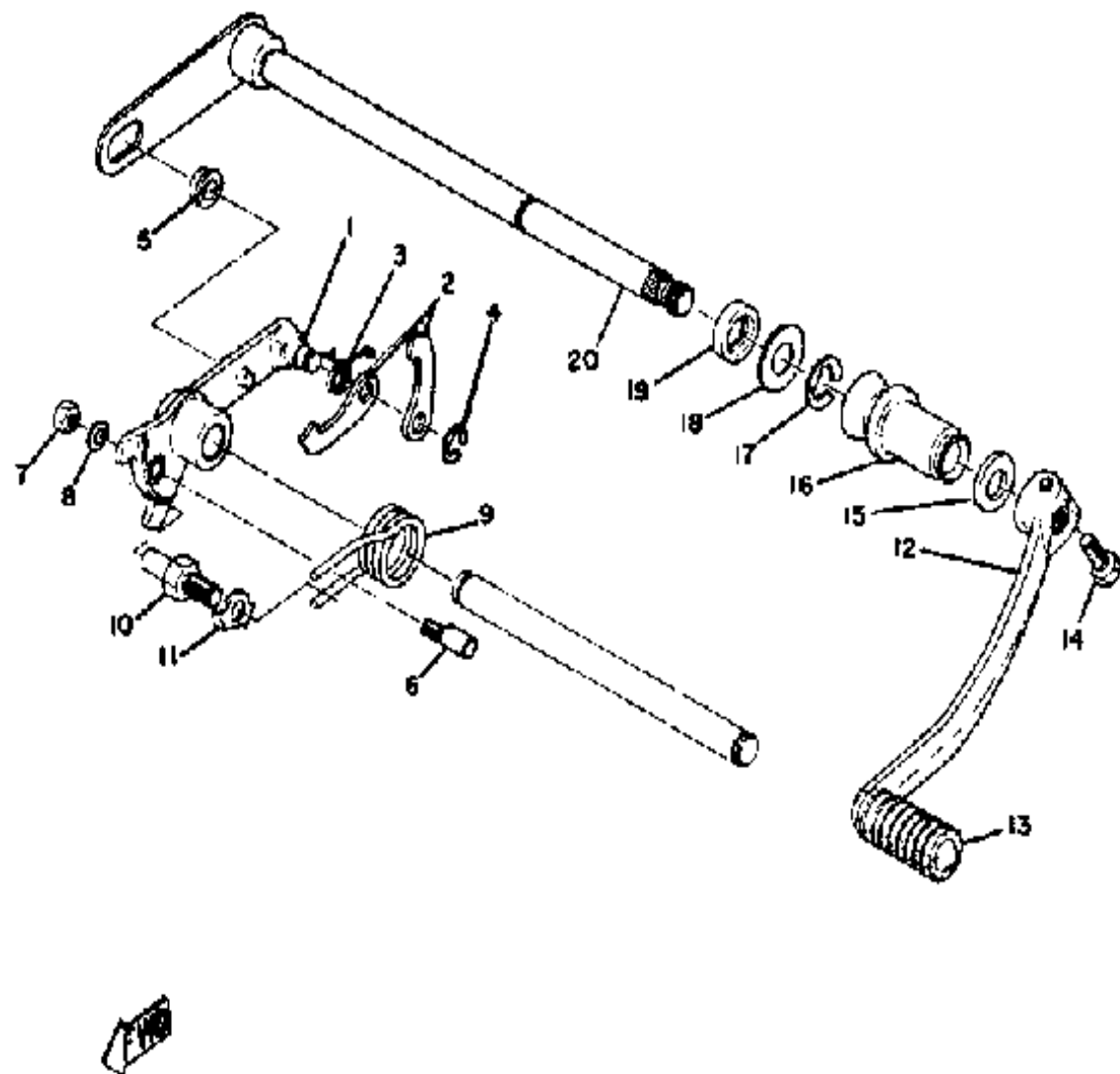
SHIFTER A

Ref. No.	Part Number	Description	Qty	Remarks
29	93210-29147-00	O-RING	1	
30	98701-05012-00	SCREW, FLAT HEAD	3	



www.legends-yamaha-enduros.com

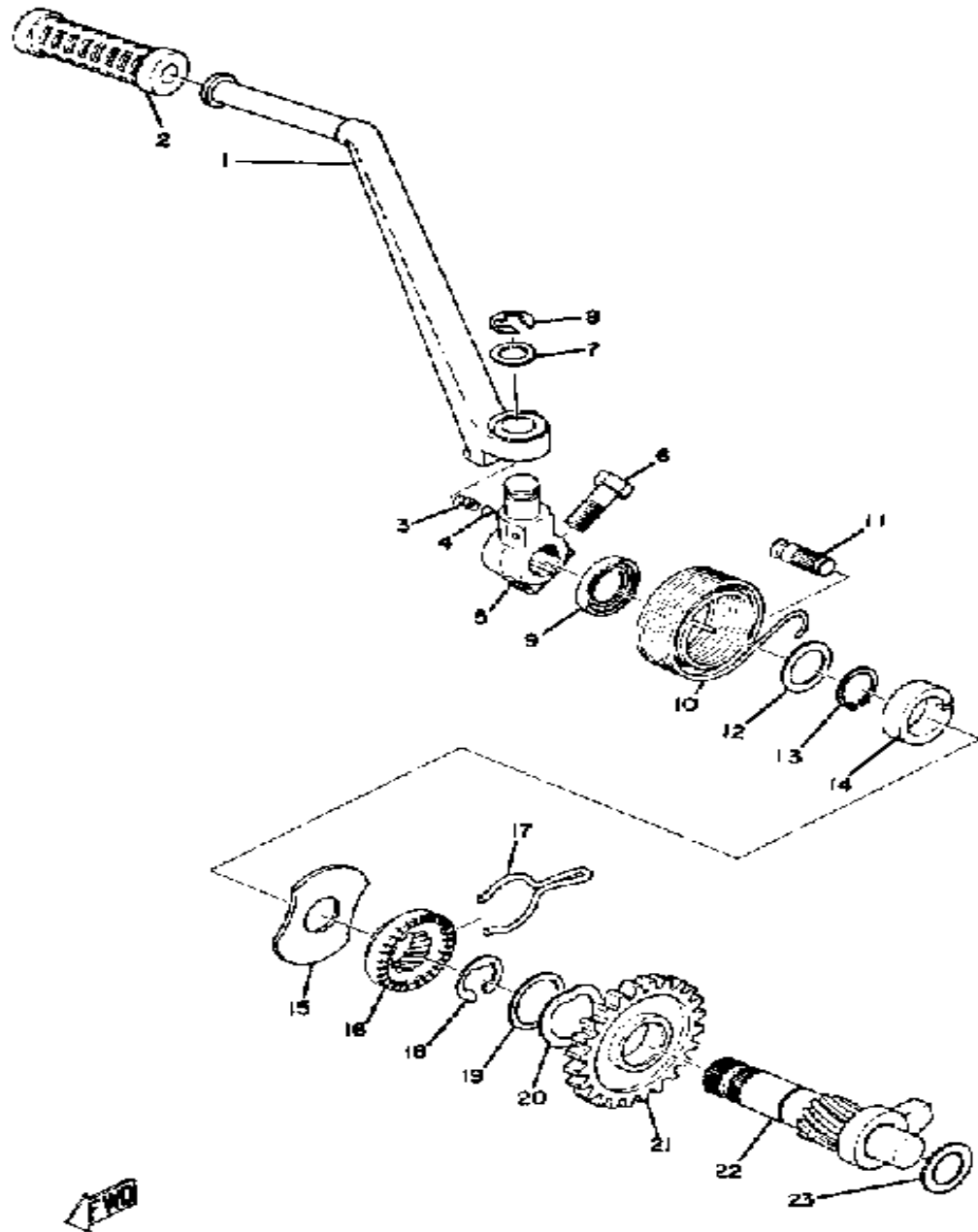
SHIFTER B



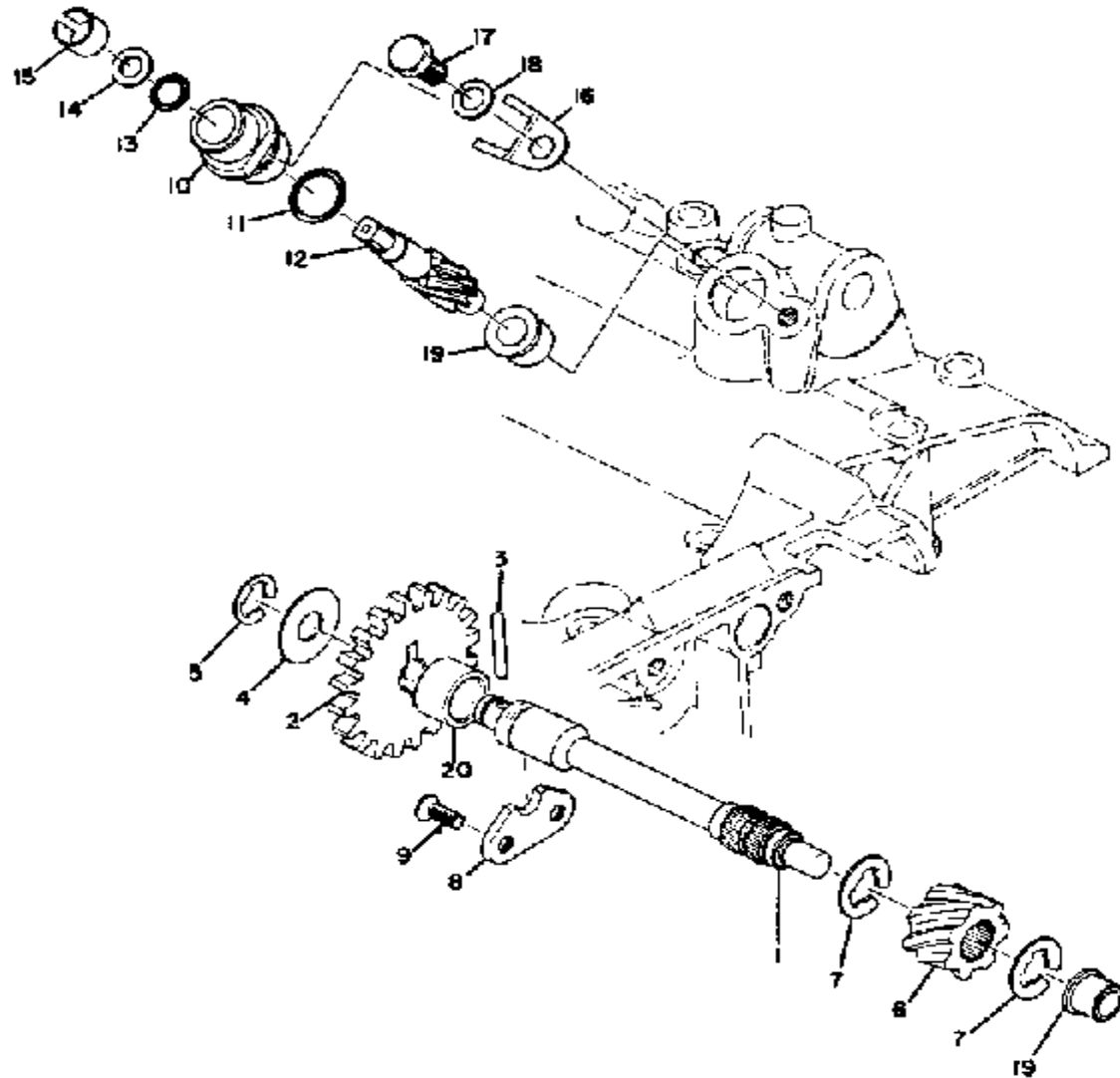
Ref. No.	Part Number	Description	Qty	Remarks
1	278-18128-00-00	UNAVAILABLE IN PRICE BOOK	1	
2	(278-18151-00-00)	LEVER, SHIFT 3	2	
3	90508-08007-00	SPRING, TORSION (214-18123-00)	1	
4	99080-07600-00	CIRCLIP	1	
5	214-18178-00-00	ROLLER, SHIFT LEVER	1	
6	90149-06017-00	SCREW, SPEC'L SHAPE (214-18186-00)	1	
7	95380-06600-00	NUT, HEXAGON	1	
8	92995-06100-00	WASHER, SPRING	1	
9	90508-32055-00	SPRING, TORSION	1	
10	278-18127-00-00	STOPPER, SCREW	1	
11	90215-08015-00	WASHER, LOCK (214-18139-00)	1	
12	278-18111-00-93	PEDAL, SHIFT	1	
13	132-18113-01-00	COVER, SHIFT PEDAL	1	
14	97011-06020-00	BOLT	1	
15	170-18132-00-00	SEAL, SHIFT SHAFT	1	
16	278-18131-00-00	BOOT, SEALING	1	
17	99006-10600-00	CIRCLIP	1	
18	90201-12575-00	WASHER, PLATE	1	
19	93102-12321-00	OIL SEAL, SD-TYPE	1	
20	278-18101-01-00	SHIFT SHAFT ASSEMBLY 1	1	

www.legends-yamaha-enduros.com

STARTER

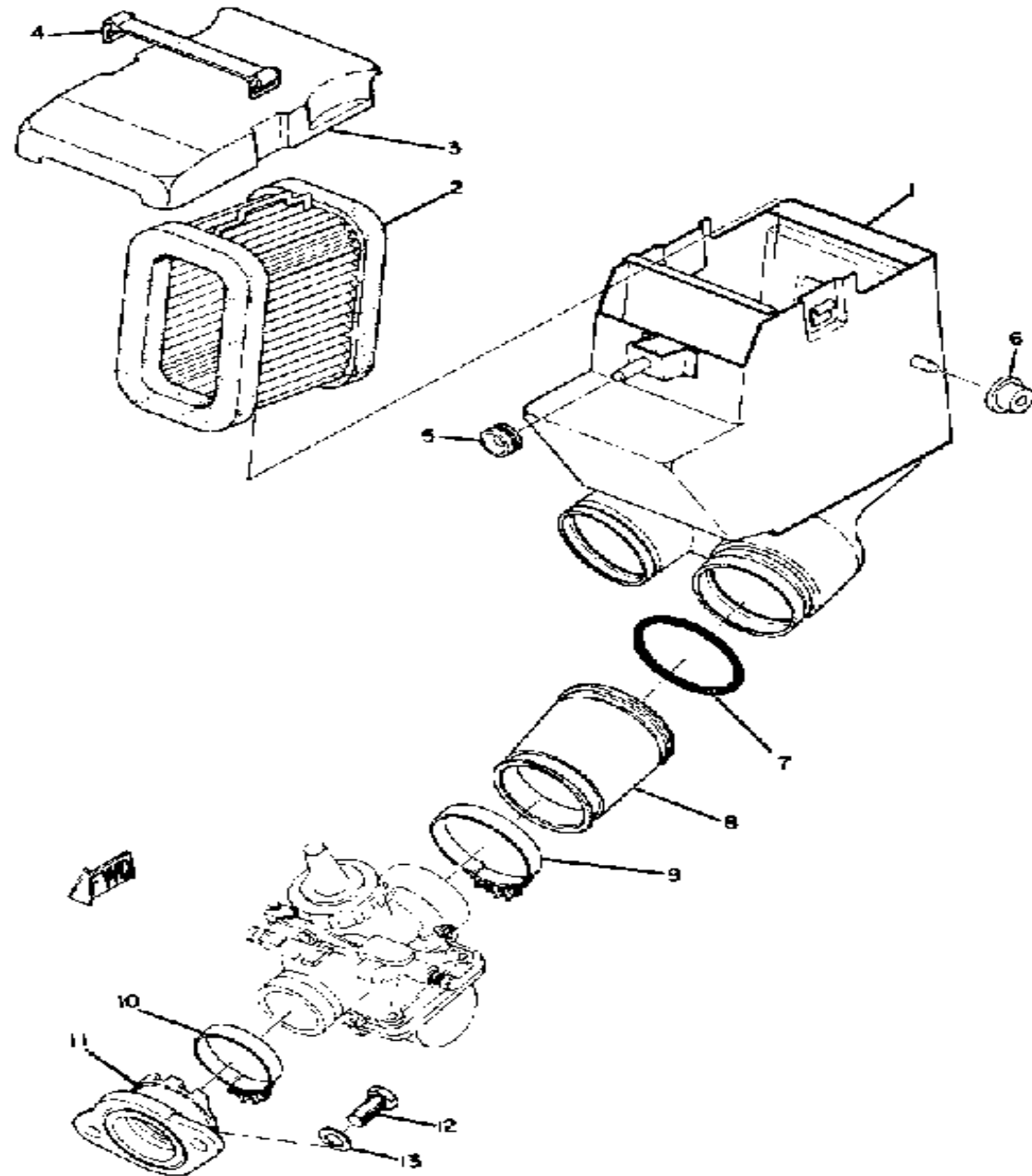


Ref. No.	Part Number	Description	Qty	Remarks
1	2F3-15611-00-93	CRANK, KICK	1	
2	156-15618-01-00	COVER, KICK LEVER	1	
3	90501-12081-00	SPRING, COMPRESSION	1	
4	93507-32031-00	BALL 7/ 2	1	
5	583-15621-00-00	BOSS, KICK CRANK	1	
6	97313-08030-00	BOLT, HEXAGON	3	
7	90201-15234-00	WASHER, PLATE	1	
8	99006-10600-00	CIRCLIP	1	
9	93104-20007-00	OIL SEAL, SO-TYPE	1	
10	90508-30051-00	SPRING, TORSION	1	
11	248-15668-00-00	STOPPER	1	
12	90201-20266-00	WASHER, PLATE (1.0T)	1	
13	99009-20400-00	CIRCLIP	1	
14	278-15666-00-00	SPACER (278-15666-01)	1	
15	278-15676-00-00	COVER, SPRING	1	
16	278-15671-01-00	WHEEL, RATCHET	1	
17	90468-26045-00	CLIP (256-15687-00)	1	
18	93440-25084-00	CIRCLIP	1	
19	90201-25490-00	WASHER, PLATE	1	
20	(90206-25029-00)	WASHER, WAVE	1	
21	278-15641-01-00	GEAR, KICK	1	
22	278-15660-01-00	KICK AXLE ASSEMBLY	1	
23	136-17417-00-10	SHIM 1	1	



TACHOMETER GEAR

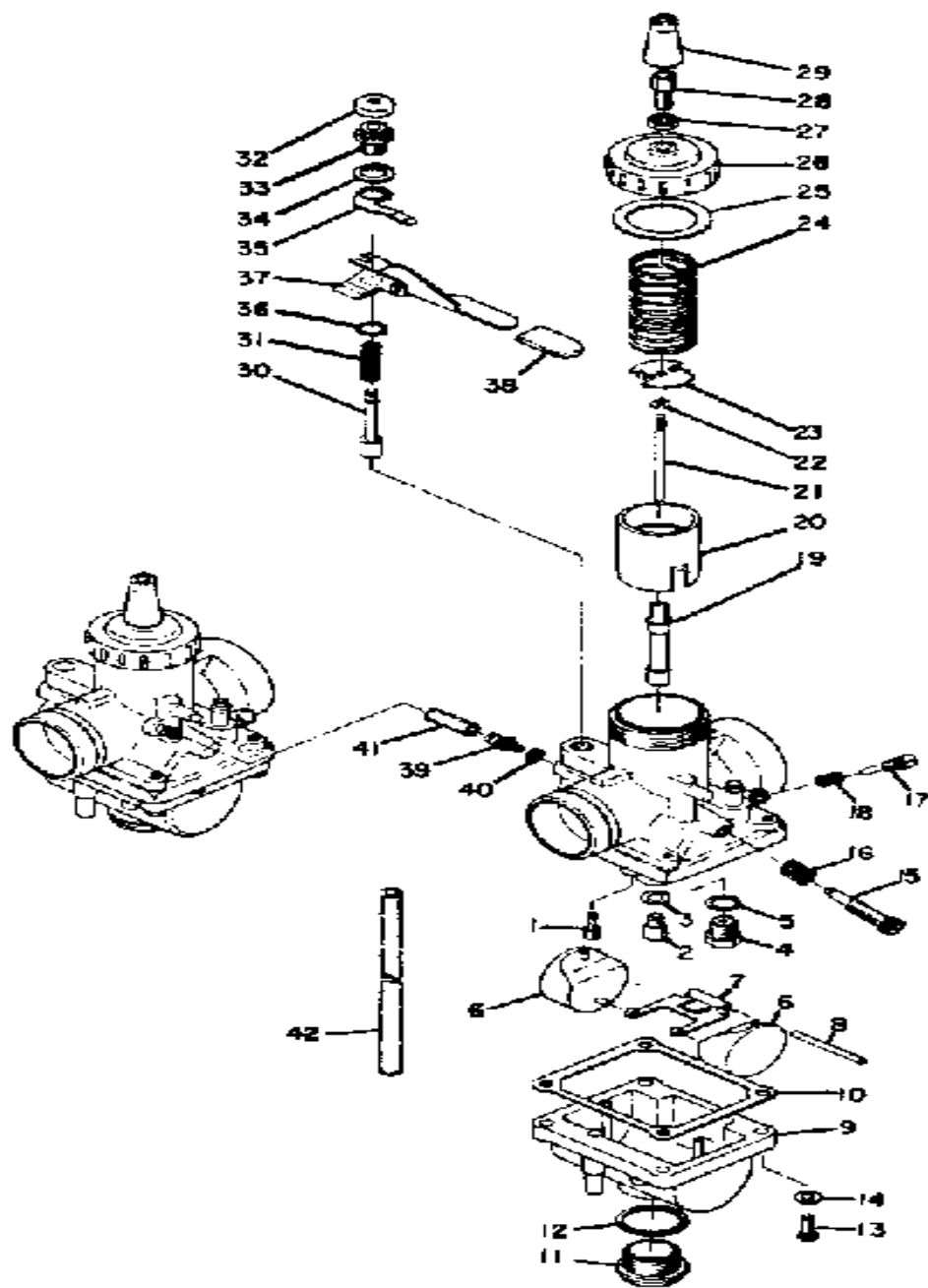
Ref. No.	Part Number	Description	Qty	Remarks
1	(278-17861-00-00)	AXLE, DRIVE GEAR	1	
2	(280-17851-00-00)	GEAR, PRIMARY	1	
3	93603-22028-00	PIN, DOWEL	1	
4	90201-105J4-00	WASHER, PLATE	1	
5	99001-08600-00	CIRCLIP	1	
6	(278-17831-00-00)	GEAR, DRIVE	1	
7	99006-10600-00	CIRCLIP	2	
8	(278-17812-00-00)	STOPPER	1	
9	98701-05012-00	SCREW, FLAT HEAD	2	
10	353-17810-00-00	HOUSING ASSEMBLY, TACH (214-17811-01)	1	
11	93210-13016-00	O-RING	1	
12	214-17841-01-00	GEAR, DRIVEN	1	
13	93210-07100-00	O-RING	1	
14	214-17847-00-00	SHIM (7.5-10.8-0.4)	1	
15	90383-10005-00	BUSH, FORMED (214-17815-00) 0 1	1	
16	5U7-17812-00-00	STOPPER	1	
17	97011-06010-00	BOLT (97002-06010)	1	
18	92995-06100-00	WASHER, SPRING	1	
19	90381-08002-00	BUSH, SOLID	2	
20	(90380-14040-00)	BUSH, SOLID	1	



AIR CLEANER

Ref. No.	Part Number	Description	Qty	Remarks
1	(278-14411-01-00)	CASE, AIR CLEANER 1	1	PN332
2	278-14451-00-00	ELEMENT, AIR CLNR	1	
3	(278-14412-01-00)	CAP, CLEANER CASE 1	1	PN332
4	278-14459-00-00	HOLDER, GUIDE	1	
5	90480-10091-00	GROMMET (214-21746-00)	1	
6	278-14426-00-00	DAMPER 2	2	
7	90506-06107-00	SPRING, TENSION (278-14456-00)	2	
8	278-14453-00-00	JOINT, AIR CLNR 1	2	
9	90460-49058-00	CLAMP, HOSE	2	
10	90460-39052-00	CLAMP, HOSE	2	
11	278-13555-00-00	MANIFOLD, INTAKE	2	
12	97313-08020-00	BOLT, HEXAGON	4	
13	92990-08100-00	WASHER, SPRING	4	

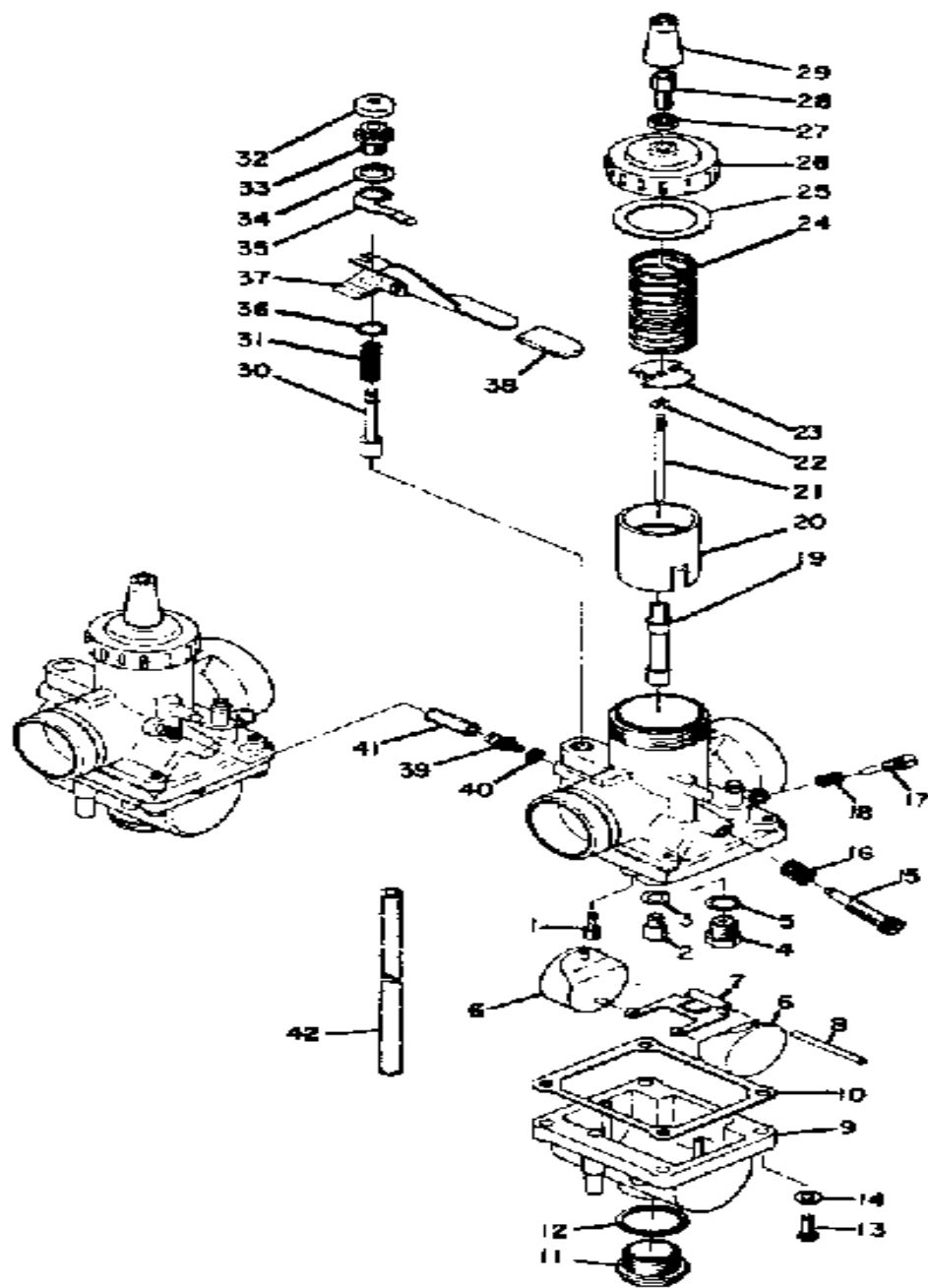
CARBURETOR



Ref. No.	Part Number	Description	Qty	Remarks
1	(278-14113-20-00)	VALVE, THROTTLE 2	1	
	(278-14183-00-00)	BODY, FLOAT CHMBR 2	1	
	(280-14101-01-00)	CARBURETOR ASSEMBLY 1	1	
	193-14142-30-A0	. JET, PILOT #30 (#30)	2	
	193-14142-40-A1	. JET, PILOT (# 40)	2	
2	(280-14102-01-00)	CARBURETOR ASSEMBLY 2	1	
	137-14143-20-00	. JET, MAIN #1 0	2	U.R.STD
	137-14143-22-A0	. JET, MAIN #1 0	2	U.R.
	137-14143-24-00	. JET, MAIN #120 (#120)	2	U.R.
	137-14143-26-A0	. JET, MAIN (#130)	2	U.R.
3	137-14153-00-00	. WASHER, MAIN JET	2	
4	168-14190-20-00	. VALVE, SEAT ASSY	2	
5	214-14195-00-00	. WASHER, NEEDLE VALVE	2	
6	280-14185-00-00	. FLOAT	4	
7	280-14187-00-00	. ARM, FLOAT	2	
8	127-14186-00-00	. PIN, FLOAT	2	
9	(278-14181-00-00)	BODY, FLOAT CHMBR 1	1	
10	278-14184-00-00	. GASKET, FLOAT CHAMBER	2	
11	(278-14115-00-00)	PLUG, SCREW	2	
12	278-14117-00-00	. WASHER, SCREW PLUG	2	
13	98503-04014-00	. SCREW, PAN HEAD	8	
14	92901-04100-00	. WASHER, SPRING	8	
15	24X-14103-00-00	. THROTTLE SCREW SET	2	
16	127-14134-00-00	. SPRING, AIR ADJUSTING	2	
17	23X-14104-00-00	. AIR SCREW SET	2	
18	137-14133-00-00	. SPRING, THROTTLE STOP	2	
19	(280-14141-30-00)	NOZZLE, MAIN	2	
20	(278-14112-20-00)	VALVE, THROTTLE 1	1	
21	168-14116-07-00	. NEEDLE	2	

CONTINUED ON NEXT FRAME ►

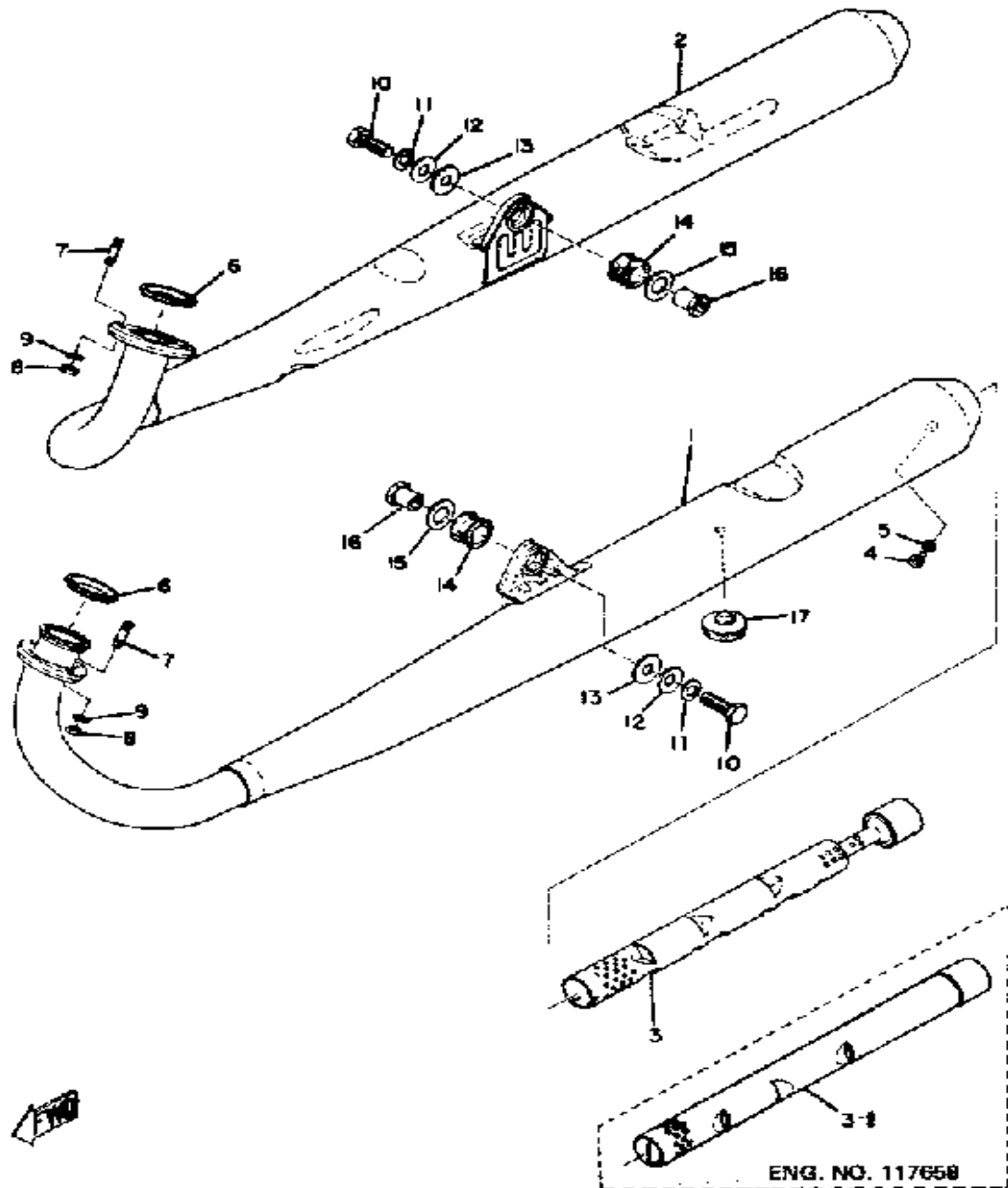
CARBURETOR



Ref. No.	Part Number	Description	Qty	Remarks
22	164-14137-00-00	. CLIP	2	
23	256-14936-00-00	. SEAT, SPRING	2	
24	204-14131-00-00	. SPRING, THRTL VALVE	2	
25	246-14126-00-00	. GASKET	2	
26	802-14158-00-00	. TOP, MIXING CHAMBER	2	
27	802-14161-00-00	. NUT, CABLE ADJUSTING	2	
28	12G-14106-00-00	. CBLE ADJUST SCREW SET	2	
29	802-14169-00-00	. CAP	2	
30	278-14171-00-00	. PLUNGER, STARTER	1	
31	256-14135-00-00	. SPRING, PLUNGER	1	
32	802-14173-00-00	. COVER, PLUNGER CAP	1	
33	(278-14174-00-00)	CAP, PLUNGER	1	
34	(132-14179-00-00)	WASHER, STARTER LVR	1	
35	(170-14178-00-00)	PLATE, STARTER LVR	1	
36	93220-09001-00	. O-RING	1	
37	360-14175-00-00	. LEVER, STARTER LH	1	
38	(278-14169-00-00)	CAP	1	
39	(278-14251-00-00)	NIPPLE	1	
40	(278-14151-00-00)	WASHER, NEEDLE	1	
41	90445-09055-00	HOSE	1	
42	278-14197-00-00	PIPE, AIR VENT	4	

www.legends-yamaha-enduros.com

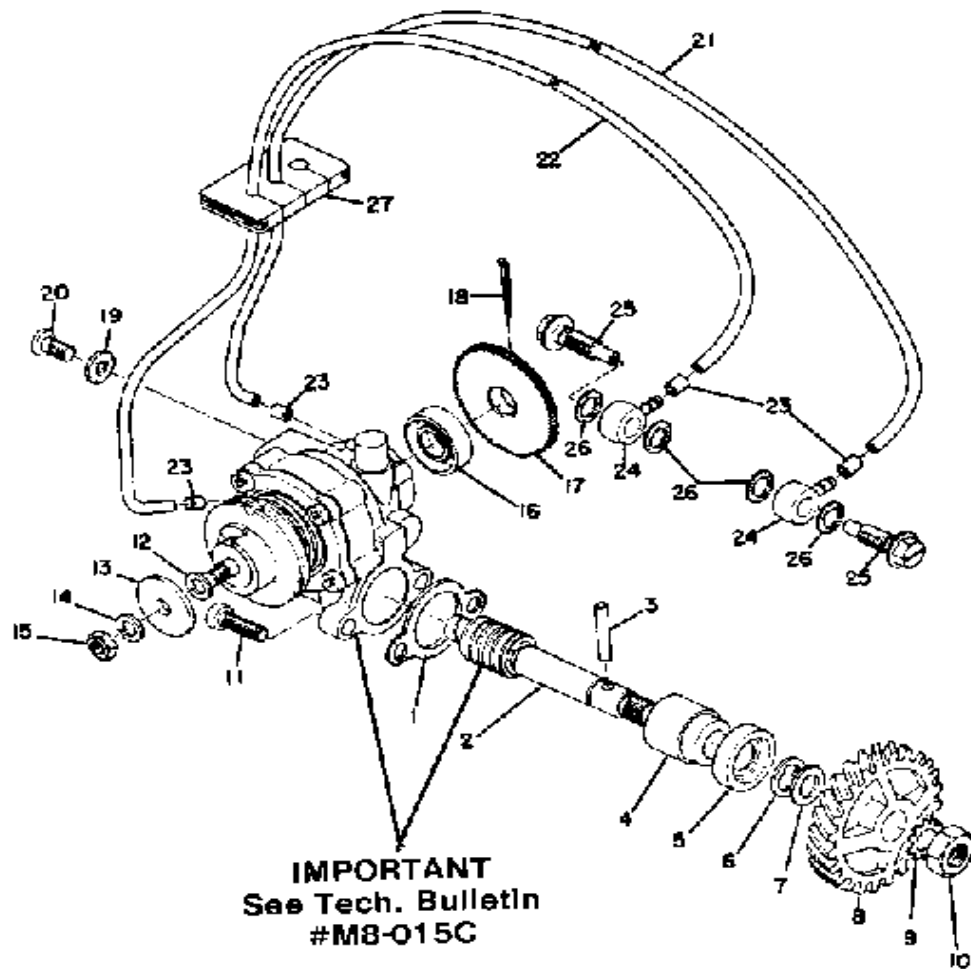
EXHAUST



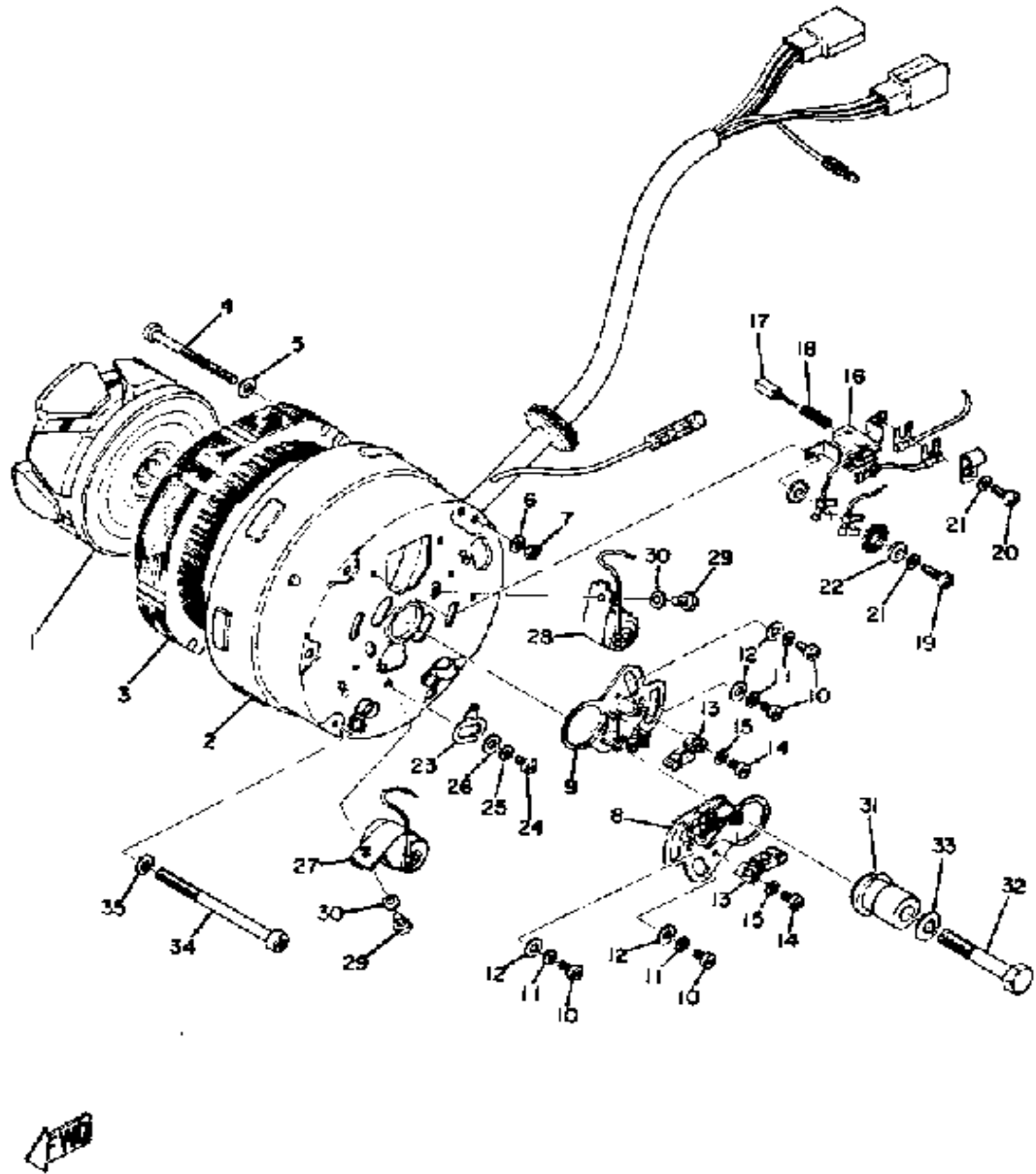
Ref. No.	Part Number	Description	Qty	Remarks
1	(278-14610-01-00)	EXHAUST PIPE ASSEMBLY L	1	658~ PN339
	(278-14610-61-00)	EXHAUST PIPE ASSEMBLY L	1	
2	(278-14620-51-00)	EXHAUST PIPE ASSEMBLY R	1	658~ PN339
	(278-14620-61-00)	EXHAUST PIPE ASSEMBLY R	1	
3	(278-14753-50-00)	. SILENCER, EXHAUST 0 2	2	658~ PN339
	278-14753-00-00	. SILENCER, EXHAUST	2	
4	98580-06010-00	. SCREW, PAN HEAD	2	
5	92995-06100-00	. WASHER, SPRING	2	
6	152-14613-00-00	GASKET, EXST PIPE	2	
7	90116-08166-00	BOLT, STUD	4	
8	95333-08600-00	NUT	4	
9	92990-08100-00	WASHER, SPRING	4	
10	90101-10257-00	BOLT	2	
11	92990-10100-00	WASHER, SPRING	2	
12	92990-10200-00	WASHER, PLAIN	2	
13	90201-10437-00	WASHER, PLATE	2	
14	168-21639-00-00	DAMPER 2	2	
15	90201-15239-00	WASHER, PLATE	2	
16	90179-10123-00	NUT, SPEC'L SHAPE	2	
17	278-27114-00-00	STOPPER, MAIN STAND	1	

OIL PUMP

Ref. No.	Part Number	Description	Qty	Remarks
1	3MT-13116-00-00	GASKET, PUMP CASE	1	
3	93603-22028-00	PIN, DOWEL	1	
4	1E7-13176-00-00	METAL, WRM SHAF OTR	1	
5	93101-10002-00	OIL SEAL	1	
6	99001-08600-00	CIRCLIP	1	
7	90201-105J4-00	WASHER, PLATE	1	
8	(280-13178-00-00)	GEAR, PUMP DRIVE	1	
9	92901-08400-00	WASHER, EX.TOOTH	1	
10	95303-08700-00	NUT	1	
11	98580-05016-00	SCREW, PAN HEAD	2	
12	137-13137-00-10	. SHIM, PLUNGER (1.0T)	1	
13	137-13138-01-00	. PLATE, ADJUSTING	1	
14	92990-05100-00	. WASHER, SPRING	1	
15	95380-05600-00	. NUT	1	
16	93101-10090-00	. OIL SEAL	1	
17	(137-13128-00-00)	PLATE, STARTER	1	
18	91401-12018-00	. PIN, COTTER	1	
19	90430-04004-00	. GASKET	1	
20	98901-04008-00	. SCREW, BIND	1	
21	90445-05034-00	. HOSE	1	
22	90445-05301-00	. HOSE (214-13161-01)	1	
23	90468-02033-00	. CLIP	4	
24	214-13162-01-00	BANJO, DLVRY PIPE	2	
25	90401-06001-00	BOLT, UNION	2	
26	90430-06011-00	GASKET (137-13167-00)	4	
27	278-13174-00-00	HOLDER, OIL PIPE	1	



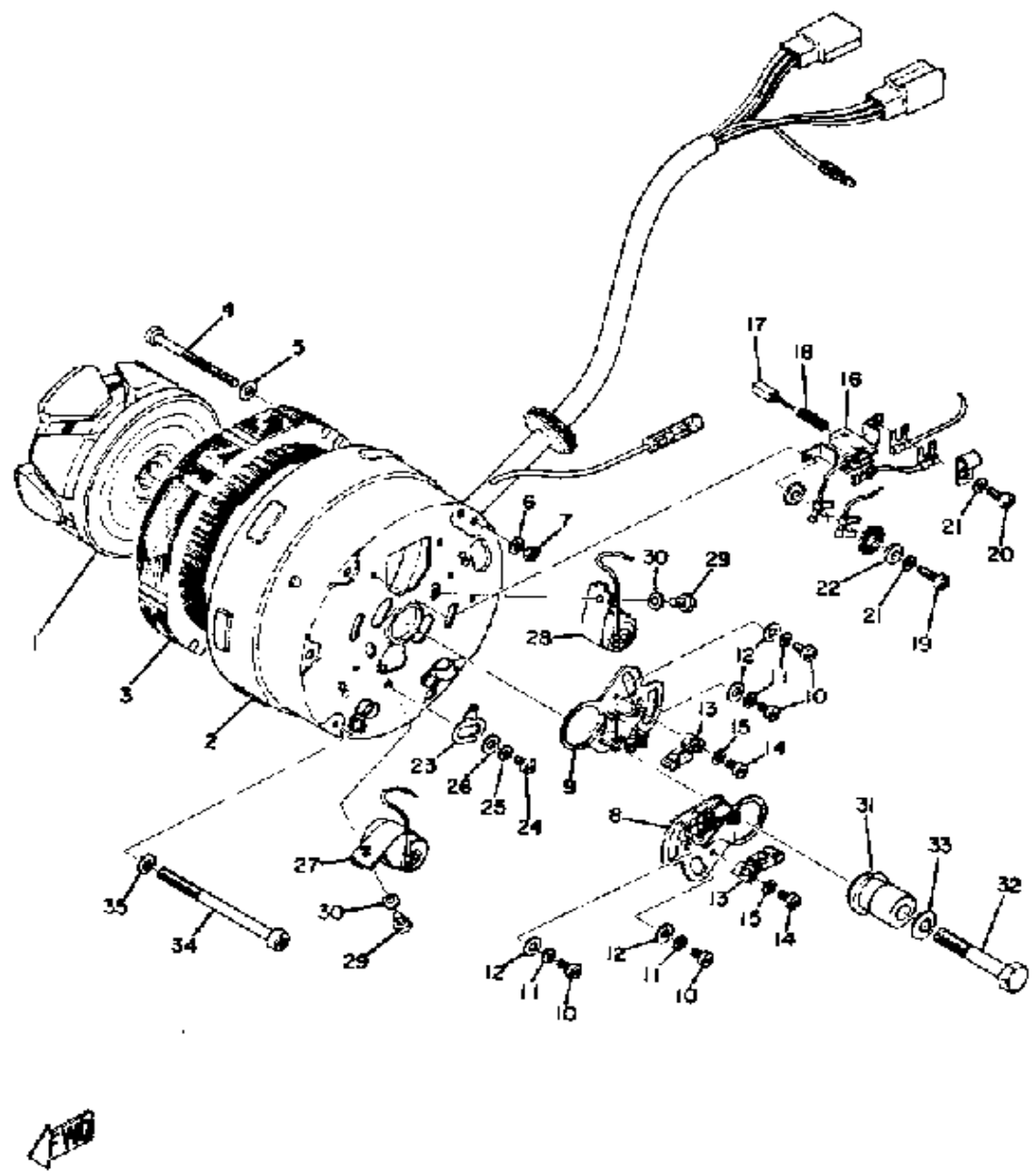
A - C - GENERATOR



Ref. No.	Part Number	Description	Qty	Remarks
1	(278-81650-20-00)	ROTOR ASSEMBLY	1	
	(360-81600-92-00)	AC GENERATOR ASSEMBLY .	1	
2	(278-81610-20-00)	STATOR ASSEMBLY	1	
3	(278-81640-20-00)	ARMATURE ASSEMBLY	1	
4	1M1-84524-60-00	.. SCREW, LENS FITTING	4	
5	92990-04200-00	.. WASHER, PLAIN	4	
6	92901-04100-00	.. WASHER, SPRING	4	
7	95301-04600-00	.. NUT	4	
8	278-81621-20-00	.. CONTACT BRKR ASSEMBLY	1	
9	278-81622-20-00	.. CONTACT BRKR ASSEMBLY	1	
10	98580-04008-00	.. SCREW, PAN HEAD	4	
11	92901-04100-00	.. WASHER, SPRING	4	
12	92990-04200-00	.. WASHER, PLAIN	4	
13	(131-81231-20-00)	LUBRICATOR	2	
14	98580-04008-00	.. SCREW, PAN HEAD	2	
15	92901-04100-00	.. WASHER, SPRING	2	
16	360-81619-20-00	.. BRUSH HOLDER ASSEMBLY	1	
17	278-81611-20-00	.. BRUSH 1	2	
18	278-81617-20-00	.. SPRING, BRUSH	2	
19	98511-04012-00	.. SCREW, PAN HEAD	1	
20	98580-04008-00	.. SCREW, PAN HEAD	1	
21	92901-04100-00	.. WASHER, SPRING	2	
22	92990-04200-00	.. WASHER, PLAIN	1	
23	(278-81632-20-00)	PLATE, TIMING	1	
24	97601-04106-00	.. SCREW, PN/HD.W/WSHR ..	1	
25	92901-04100-00	.. WASHER, SPRING	1	
26	92990-04200-00	.. WASHER, PLAIN	1	
27	278-81625-90-00	.. CONDENSER 1	1	
28	278-81626-20-00	.. CONDENSER 2	1	

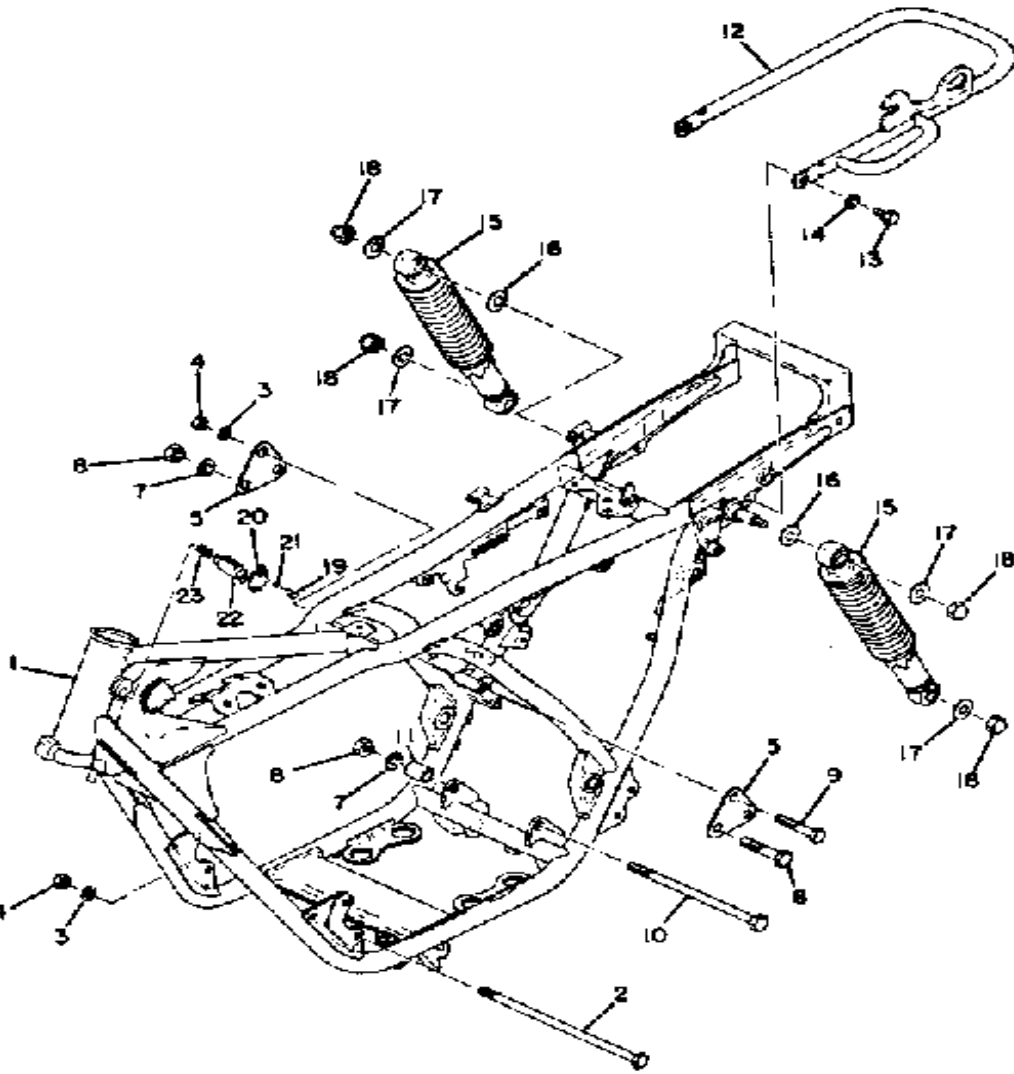
CONTINUED ON NEXT FRAME ►

A - C - GENERATOR



Ref. No.	Part Number	Description	Qty	Remarks
29	98580-04008-00	. . SCREW, PAN HEAD	2	
30	92901-04100-00	. . WASHER, SPRING	2	
31	278-81651-20-00	. CAM	1	
32	278-81652-20-00	. BOLT	1	
33	92990-08100-00	. WASHER, SPRING	1	
34	98501-05070-00	. SCREW, PAN HEAD	3	
35	92990-05100-00	. WASHER, SPRING	3	

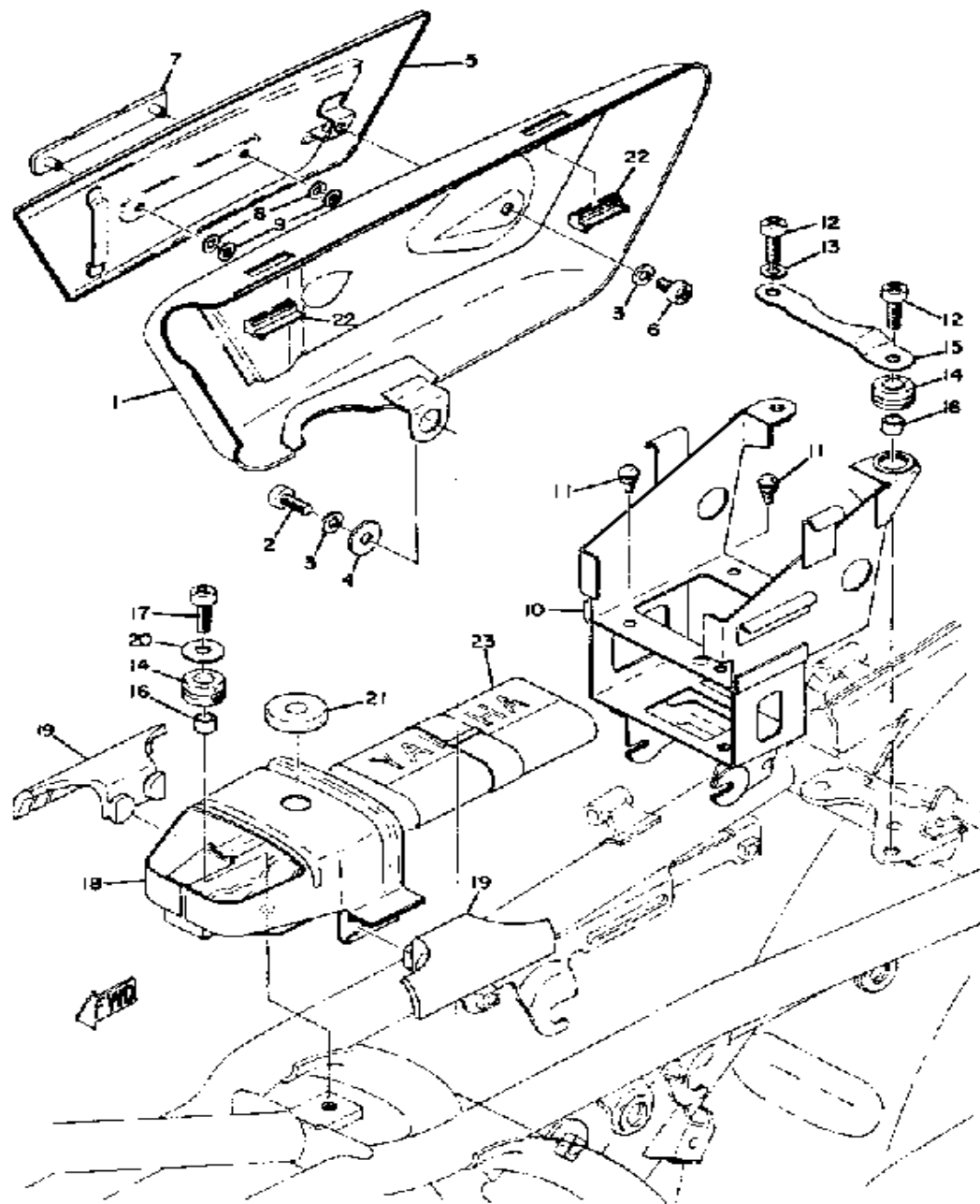
www.legends-yamaha-enduros.com



FRAME - REAR CUSHION

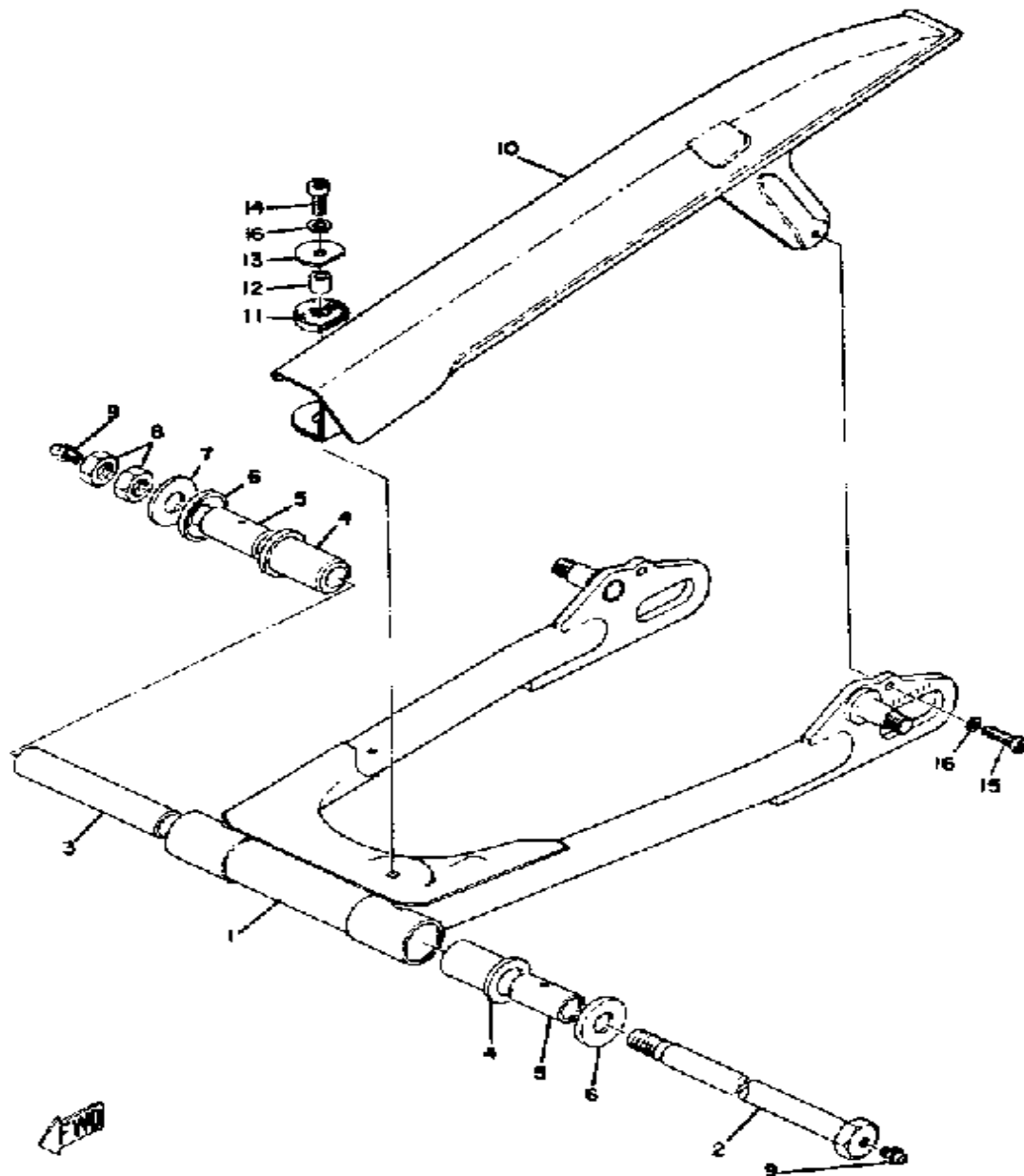
Ref. No.	Part Number	Description	Qty	Remarks
1	(278-21110-00-33)	FRAME	1	PN315
2	90105-08033-00	BOLT, WASHER BASED	2	
3	92990-08100-00	WASHER, SPRING	4	
4	95333-08600-00	NUT	4	
5	(248-21315-00-00)	STAY, ENGINE 2	2	
6	97313-10055-00	BOLT, HEXAGON (97322-10055)	1	
7	92990-10100-00	WASHER, SPRING	2	
8	95303-10600-00	NUT	2	
9	97313-08055-00	BOLT, HEXAGON	2	
10	95821-10200-00	BOLT, FLANGE	1	
11	90387-12101-10	UNAVAILABLE IN PRICE BOOK (278-21472-00)	1	
12	(278-21645-00-00)	STAY, REAR	1	
13	97313-08020-00	BOLT, HEXAGON	2	
14	92990-08100-00	WASHER, SPRING	2	
15	(278-22210-22-00)	SHK/ABS ASSEMBLY, REAR ..	2	
16	90201-14218-00	WASHER, PLATE	2	
17	90201-10437-00	WASHER, PLATE	4	
18	95303-10800-00	NUT (CROWN)	4	
19	90269-04003-00	RIVET	1	
20	(134-23484-10-00)	CAP, HANDLE LOCK	1	
21	90206-04003-00	WASHER, WAVE (214-23488-00)	1	
22	341-23408-01-00	STEERING LOCK ASSEMBLY (214-23480-00)	1	
23	90502-08005-00	SPRING, CONICAL (214-23485-00)	1	

SIDE COVER - TOOL BOX - BATTERY BOX



Ref. No.	Part Number	Description	Qty	Remarks
1	(278-21721-00-52)	COVER, SIDE 2	1	CANDY ORANGE
2	98580-06020-00	SCREW, PAN HEAD	1	
3	92995-06100-00	WASHER, SPRING	2	
4	90201-06067-00	WASHER, PLATE	1	
5	(278-21789-00-52)	GRAPHIC	1	CANDY ORANGE
6	98580-06010-00	SCREW, PAN HEAD	1	
7	(280-21786-02-52)	EMBLEM 6	1	CANDY ORANGE
8	90202-04003-00	WASHER, PLATE	2	
9	90183-04005-00	NUT, SPRING	2	
10	(278-21240-00-33)	BOX, BATT.	1	
11	141-21717-00-00	DAMPER	4	
12	98580-06020-00	SCREW, PAN HEAD	2	
13	92995-06100-00	WASHER, SPRING	1	
14	90480-14023-00	GROMMET	2	
15	(278-21388-00-00)	HOLDER, BATT BOX	1	
16	90387-065L7-00	COLLAR (51L) (214-21633-00)	2	
17	98580-06020-00	SCREW, PAN HEAD	1	
18	(278-21170-00-33)	BOX, TOOL	1	
19	(278-21746-00-00)	DAMPER	2	
20	90201-06067-00	WASHER, PLATE	1	
21	(296-23455-00-00)	DAMPER	1	
22	1KT-W2810-00-00	TOOL KIT	1	
	278-21717-00-00	DAMPER	2	

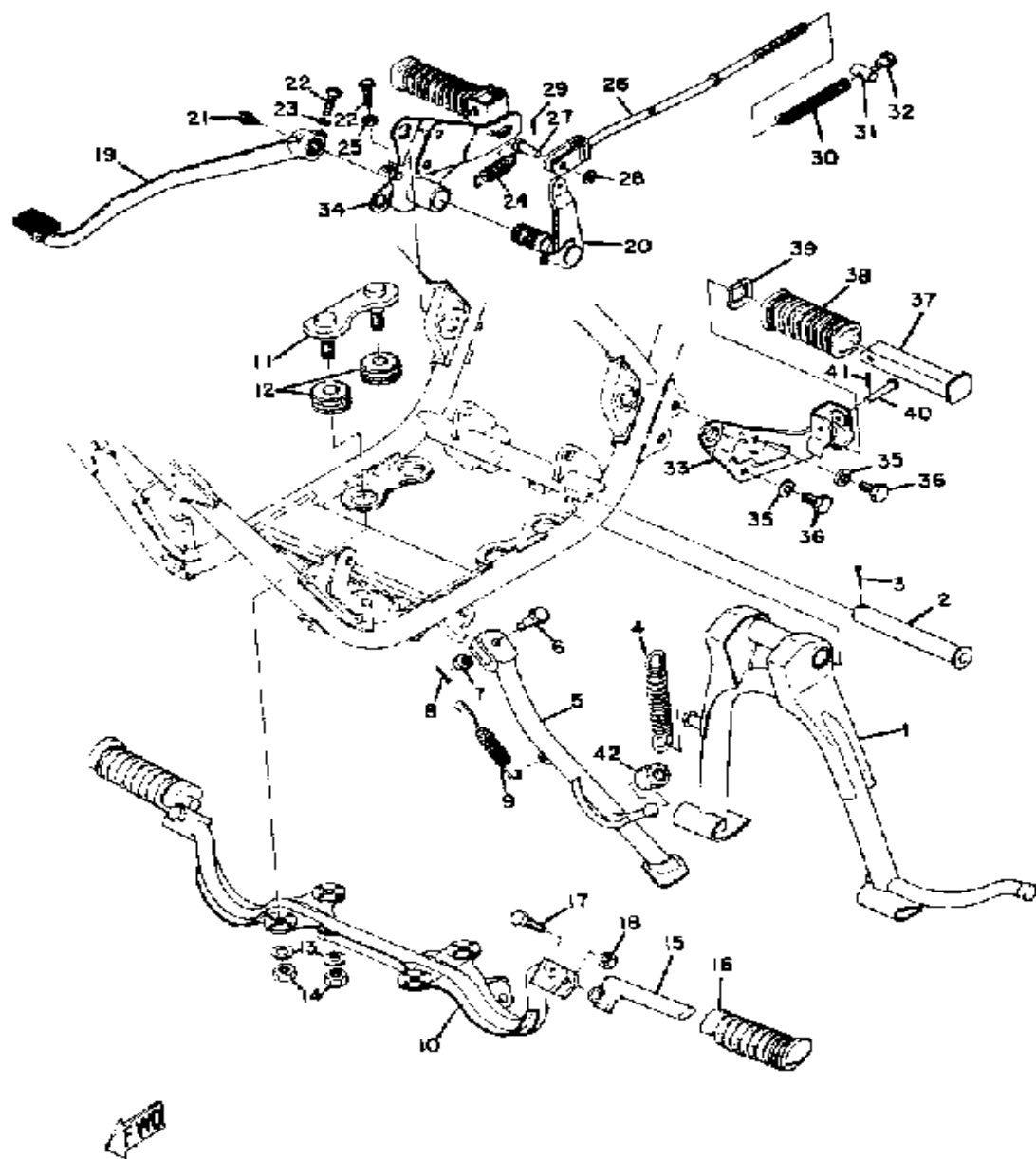
REAR ARM - CHAIN CASE



Ref. No.	Part Number	Description	Qty	Remarks
1	(278-22110-00-33)	REAR ARM	1	
2	156-22141-00-00	SHAFT, PIVOT	1	
3	90387-16128-00	COLLAR (150-22126-00)	1	
4	90386-22018-00	BUSH, SPEC"L NYLON (148-22123-00)	2	
5	90387-16226-00	COLLAR (150-22124-00)	2	
6	1A0-22128-00-00	COVER, THRUST 1	2	
7	240-22127-00-00	SHIM (0.3T)	1	
8	90170-14147-00	NUT, HEXAGON	2	
9	93700-06M03-00	NIPPLE, GREASE	2	
10	(278-22311-00-93)	CASE, CHAIN	1	
11	278-22332-00-00	DAMPER, CHAIN CASE	1	
12	90387-062N2-00	COLLAR	1	
13	90209-06034-00	WASHER, SPEC"L SHAP	1	
14	98580-06020-00	SCREW, PAN HEAD	1	
15	98580-06018-00	SCREW, PAN HEAD	1	
16	92995-06100-00	WASHER, SPRING	2	

www.legends-yamaha-enduros.com

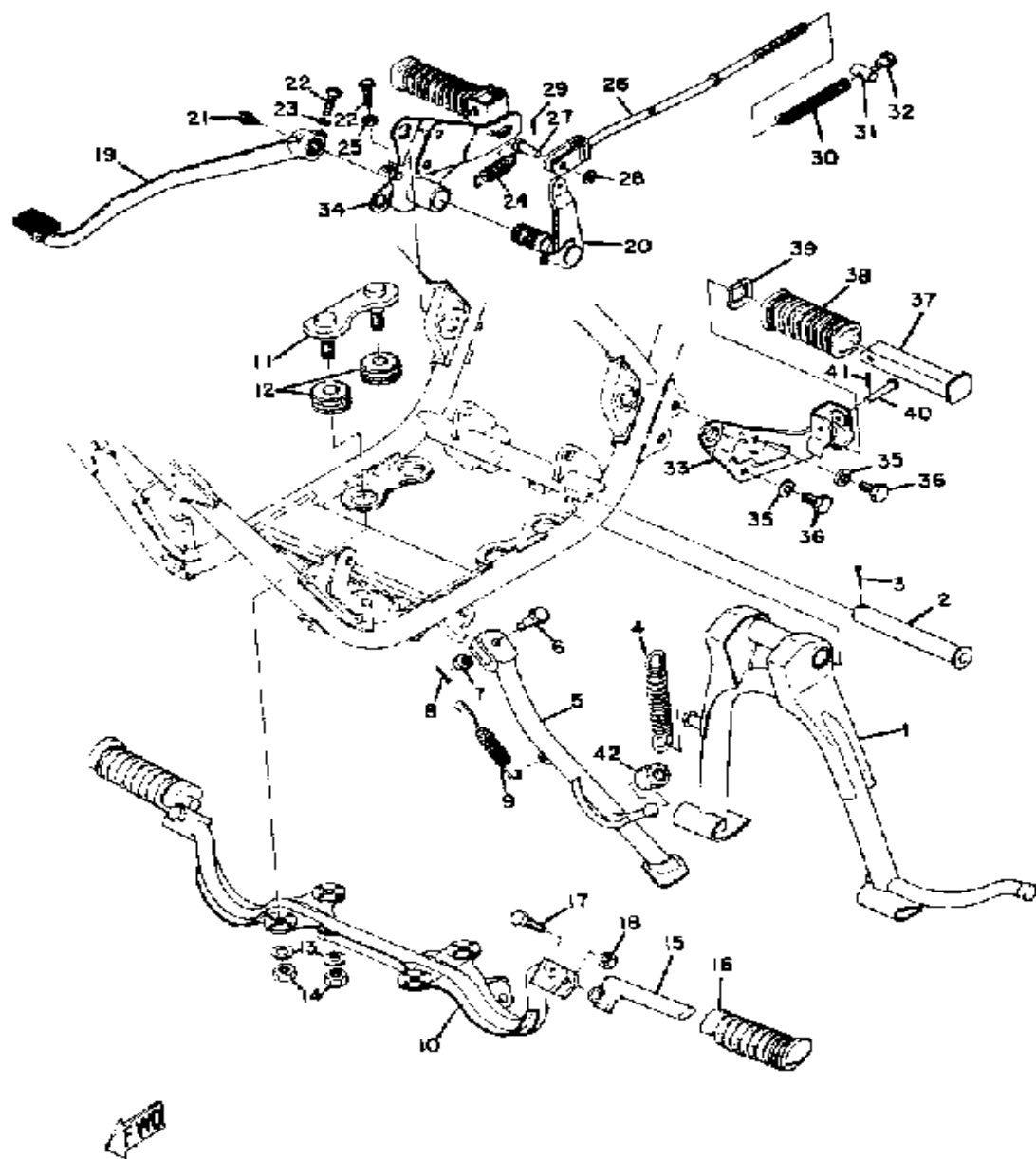
STAND - FOOT REST - BRAKE PEDAL



Ref. No.	Part Number	Description	Qty	Remarks
1	(278-27111-00-00)	STAND, MAIN	1	
2	278-27112-00-00	SHAFT, MAIN STAND	1	
3	91401-30030-00	PIN, COTTER	1	
4	90506-35058-00	SPRING, TENSION	1	
5	(278-27311-01-00)	STAND, SIDE	1	
6	90102-10006-00	BOLT, WITH HOLE (278-27317-00)	1	
7	95303-10900-00	NUT, SLOTTED	1	
8	91490-20025-00	PIN, COTTER (91490-20020-00)	1	
9	90507-29004-00	SPRING, TENSION (214-27316-00)	1	
10	(278-27412-00-00)	BRACKET, FOOTREST 1	1	
11	(278-27416-00-00)	BOLT, FOOTREST	2	
12	(99999-00961-00)	FOOTREST DAMP SET	2	
	(99999-00961-00)	FOOTREST DAMP SET	4	
13	92990-10100-00	WASHER, SPRING	4	
14	95303-10600-00	NUT	4	
15	(278-27451-00-00)	FOOTREST	2	
16	156-27413-00-00	COVER, FOOTREST	2	
17	90109-08376-00	BOLT (157-27416-00)	2	
18	95303-08700-00	NUT	2	
19	(278-27211-00-33)	PEDAL, BRAKE	1	
20	(1A0-27212-00-00)	SHAFT, BRAKE PEDAL	1	
21	93700-06M03-00	NIPPLE, GREASE	1	
22	97011-06025-00	BOLT (97001-06025)	2	
23	92995-06100-00	WASHER, SPRING	1	
24	90506-20042-00	SPRING, TENSION	1	
25	95380-06700-00	NUT	1	
26	276-27231-00-00	ROD, BRAKE	1	

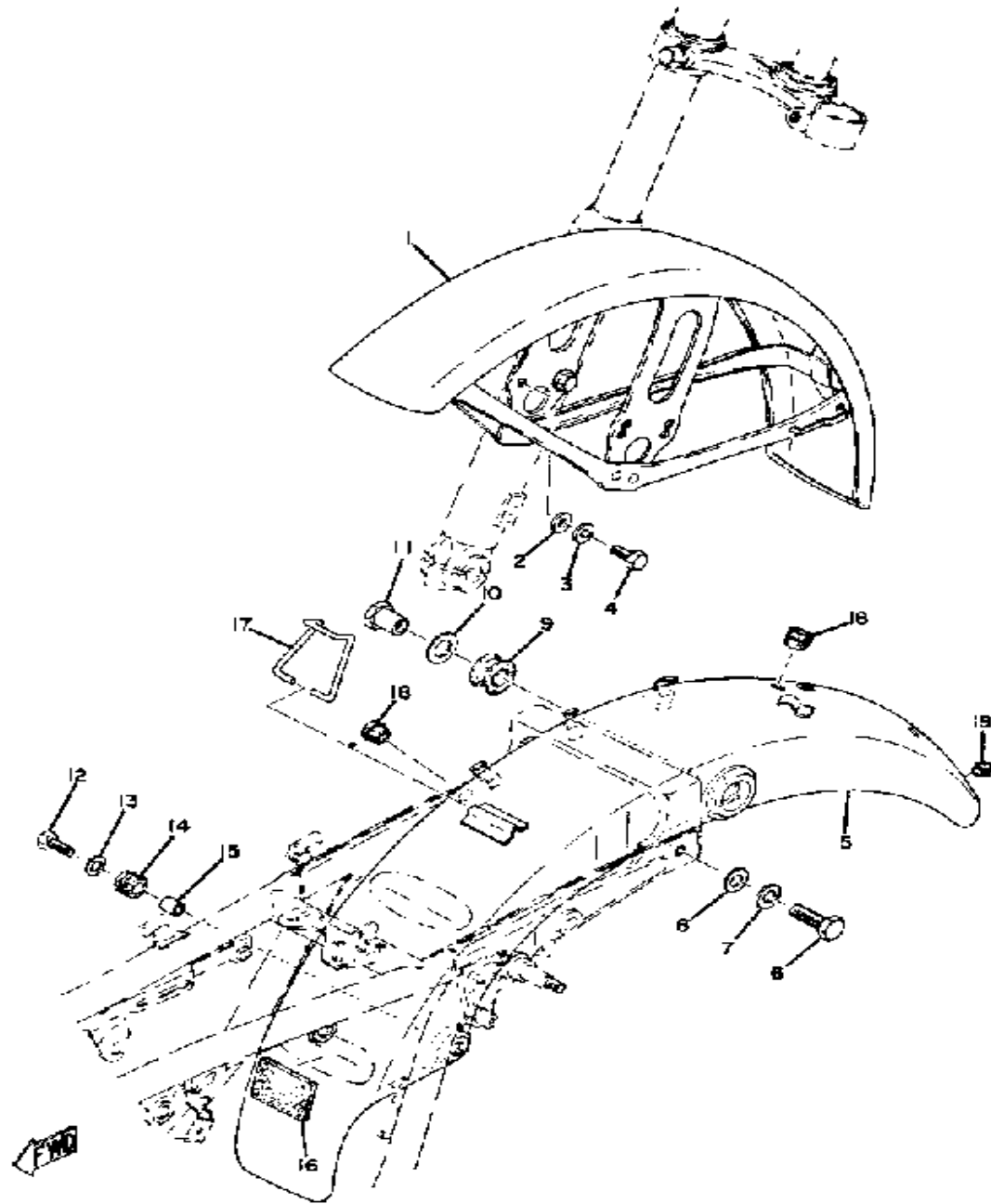
CONTINUED ON NEXT FRAME ►

STAND - FOOT REST - BRAKE PEDAL



Ref. No.	Part Number	Description	Qty	Remarks
27	90240-06006-00	PIN, CLEVIS	1	
28	90201-06038-00	WASHER, PLATE	1	
29	91401-25020-00	PIN, COTTER	1	
30	90501-10245-00	SPRING, COMPRESSION	1	
31	90249-12008-00	PIN	1	
32	90179-06411-00	NUT, SPECIAL SHAPE	1	
33	(278-21445-00-00)	STAY, MUFFLER 1	1	
34	(360-21446-00-00)	STAY, MUFFLER 2	1	
35	92990-08100-00	WASHER, SPRING	4	
36	97313-08020-00	BOLT, HEXAGON	4	
37	168-27431-10-00	FOOTREST, REAR 1		
38	307-27433-00-00	COVER, RR FOOTREST	2	
39	90209-18117-00	WASHER, SPEC'L SHAP (168-27437-10)	2	
40	91701-06035-00	PIN, CLEVIS	2	
41	91490-16020-00	PIN, COTTER (91402-16015) ..	2	
42	278-27314-00-00	STOPPER	1	

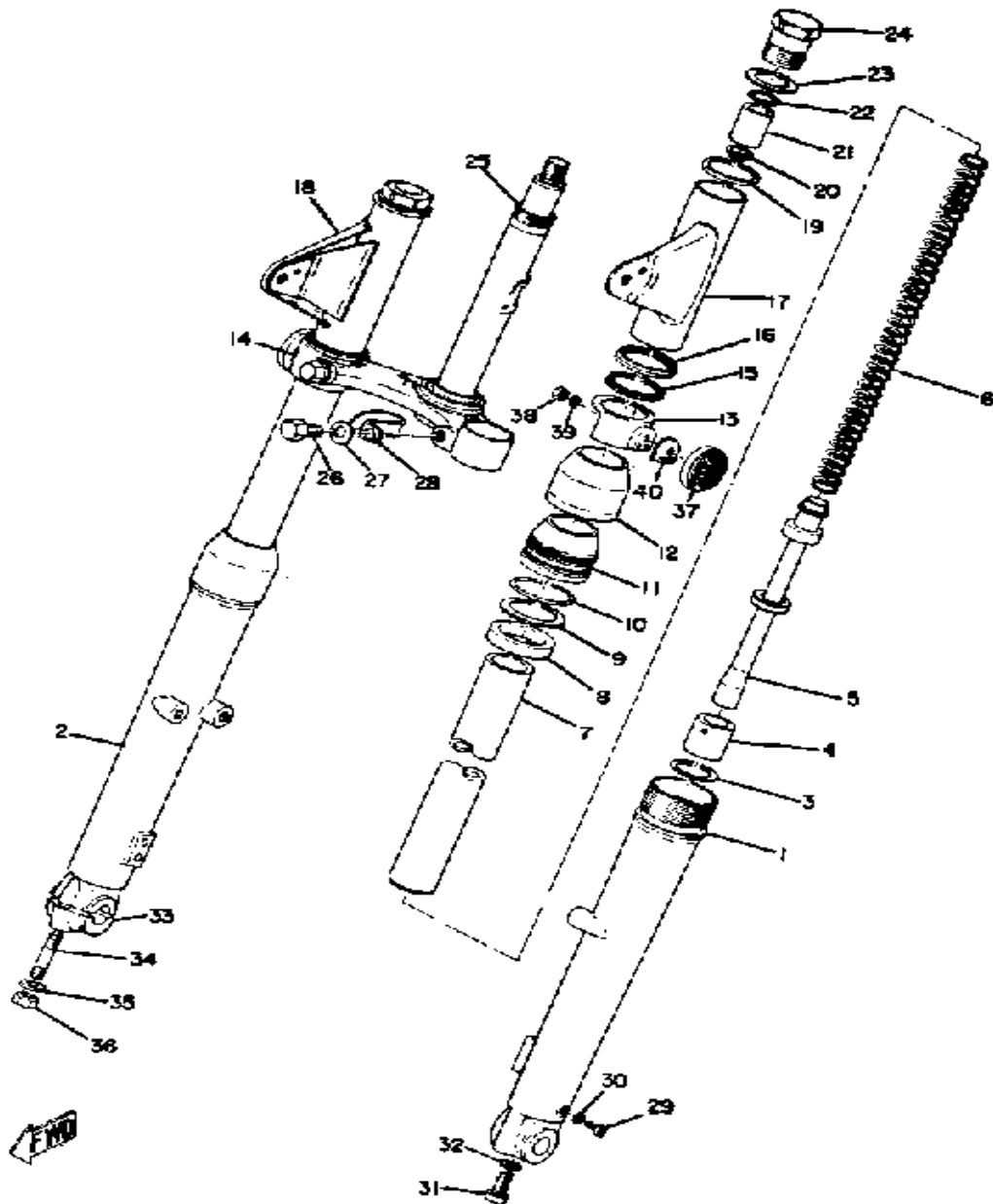
FRONT FENDER - REAR FENDER



Ref. No.	Part Number	Description	Qty	Remarks
1	(278-21510-00-93)	FENDER, FRONT	1	
2	92990-08200-00	WASHER, PLAIN	4	
3	92990-08100-00	WASHER, SPRING	4	
4	97313-08018-00	BOLT, HEXAGON	4	
5	(351-21610-00-93)	FENDER, REAR	1	
6	97023-10035-00	BOLT, HEXAGON	2	
7	92990-10100-00	WASHER, SPRING	2	
8	92990-10200-00	WASHER, PLAIN	2	
9	168-21639-00-00	DAMPER 2	2	
10	90201-15239-00	WASHER, PLATE	2	
11	90179-10123-00	NUT, SPEC'L SHAPE	2	
12	97011-06020-00	BOLT	2	
13	90201-06067-00	WASHER, PLATE	2	
14	90480-14023-00	GROMMET	2	
15	90387-065L7-00	COLLAR (51L) (214-21633-00) .	2	
16	(214-21268-00-00)	SEAL	1	
17	(278-21336-00-00)	CLAMP, WIRE HRNES 2	2	
18	90480-12013-00	GROMMET	2	
19	170-21746-00-00	DAMPER	1	

FRONT FORK

Ref. No.	Part Number	Description	Qty	Remarks
1	(278-23100-61-52)	FRONT FORK ASSEMBLY	1	CANDY ORANGE
	(278-23126-50-00)	TUBE, OUTER 1	1	
2	(278-23136-50-00)	TUBE, OUTER 2	1	
3	93450-30033-00	. CIRCLIP, INNER	2	
4	(278-23171-50-00)	PISTON, FRONT FORK	2	
5	(278-23170-50-00)	CYLINDER, FRTFRK	2	
6	(278-23141-50-00)	SPRING, FRONT FORK	2	
7	(278-23124-50-00)	TUBE, INNER 1	2	
8	278-23145-51-00	. OIL SEAL	2	
9	214-23146-00-00	. WASHER, OIL SEAL	2	
10	214-23156-00-00	. CLIP, OIL SEAL	2	
11	278-23144-50-00	. SEAL, DUST	2	
12	278-23148-50-00	. COVER, DUST SEAL	2	
13	(278-23122-61-00)	COVER, OUTER 1	1	
14	(278-23132-61-00)	COVER, OUTER 2	1	
15	291-23163-61-00	. GASKET (LAMP STAY)	2	
16	447-23116-52-00	. GUIDE, COVER LOWER	2	
17	(278-23121-50-52)	COVER, UPPER 1	1	CANDY ORANGE
18	(278-23131-50-52)	COVER, UPPER 2	1	CANDY ORANGE
19	168-23115-00-00	. GUIDE, COVER UPPER	2	
20	278-23142-50-00	. SEAT, SPRING UPPER	2	
21	(214-23118-00-00)	SPACER	2	
22	214-23114-00-00	. GASKET	2	
23	(256-23112-61-00)	WASHER, CAP	2	
24	(256-23111-60-00)	BOLT, CAP	2	
25	(278-23340-31-33)	UNDER BRACKET	1	
26	(278-23346-50-00)	BOLT 1	2	
27	92990-10100-00	. WASHER, SPRING	2	
28	(256-23318-60-00)	HOLDER, CABLE 1	1	

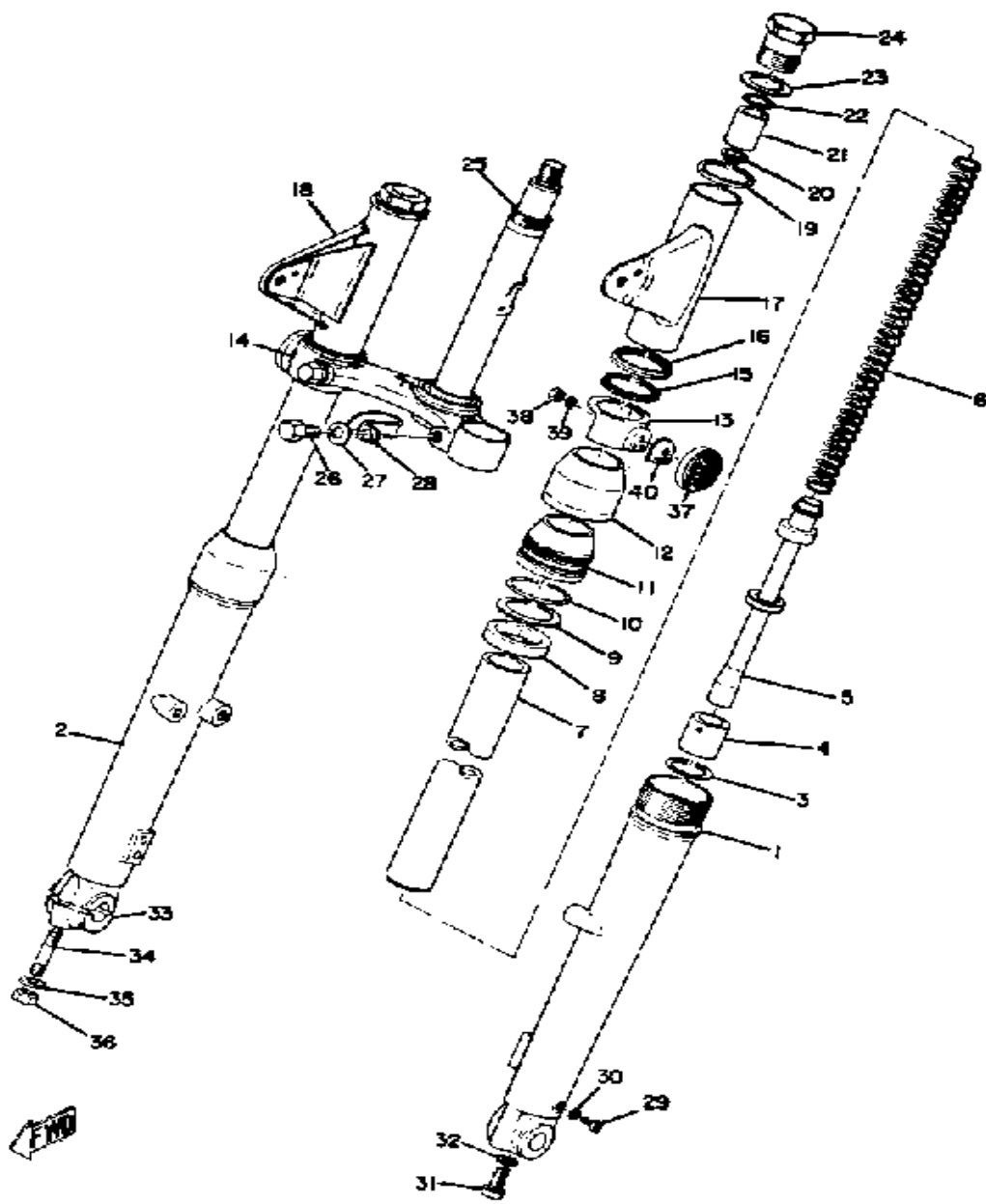


CONTINUED ON NEXT FRAME ►

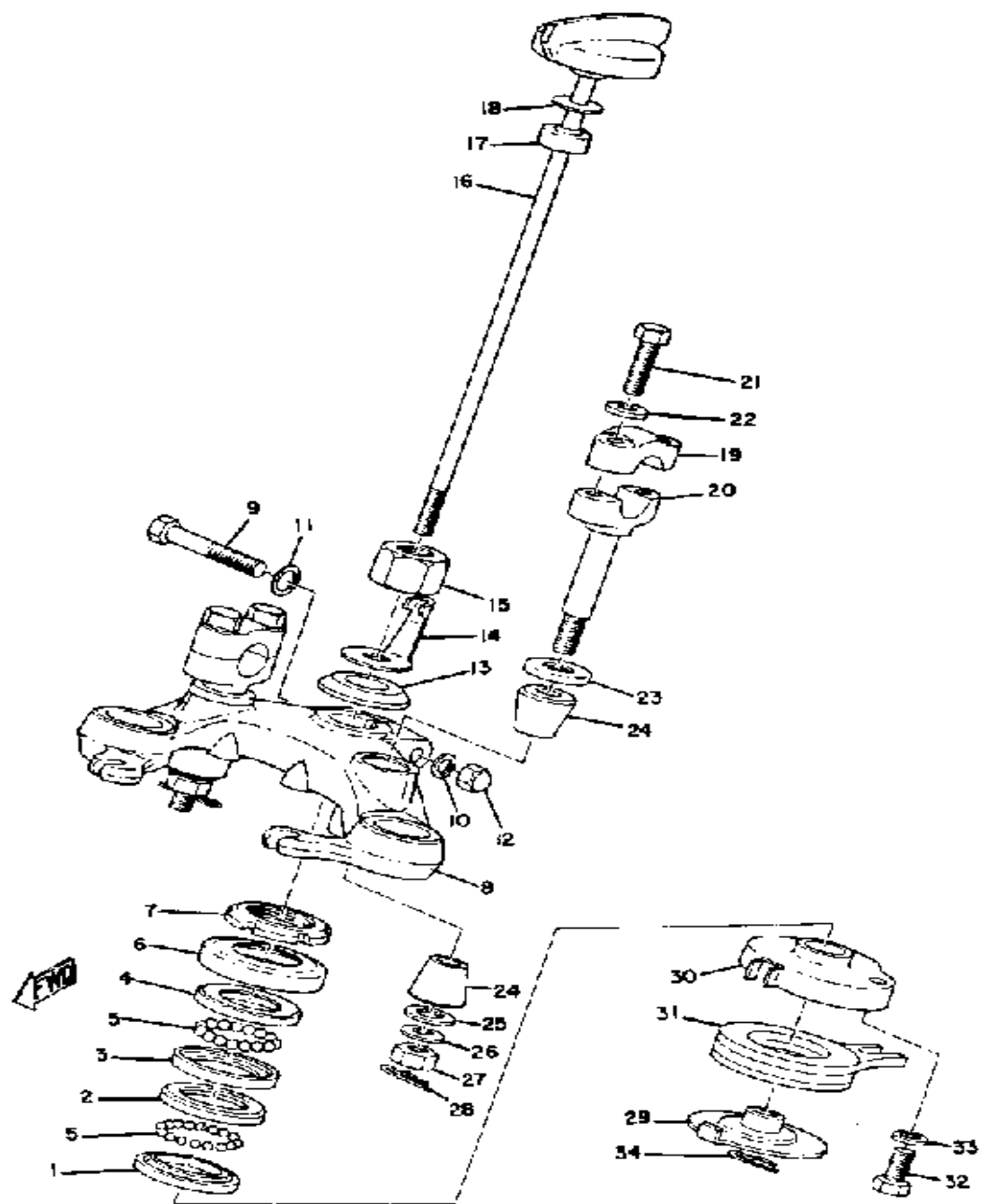


FRONT FORK

Ref. No.	Part Number	Description	Qty	Remarks
29	98580-04008-00	. SCREW, PAN HEAD	2	
30	122-23129-00-00	. GASKET, DRAIN PLUG	2	
31	278-23181-50-00	. BOLT, HEXAGON SOCKET HEAD	2	
32	509-23158-L0-00	. GASKET	2	
33	(278-23167-50-00)	HOLDER, AXLE	1	
34	90116-08261-00	. BOLT, STUD	2	
35	92990-08100-00	. WASHER, SPRING	2	
36	95333-08600-00	. NUT	2	
37	341-85111-00-00	REFLECTOR, FRONT 1	2	
38	95380-05600-00	NUT	2	
39	92990-05100-00	WASHER, SPRING	2	
40	(256-23162-60-00)	COVER, RFLCTR STAY	2	



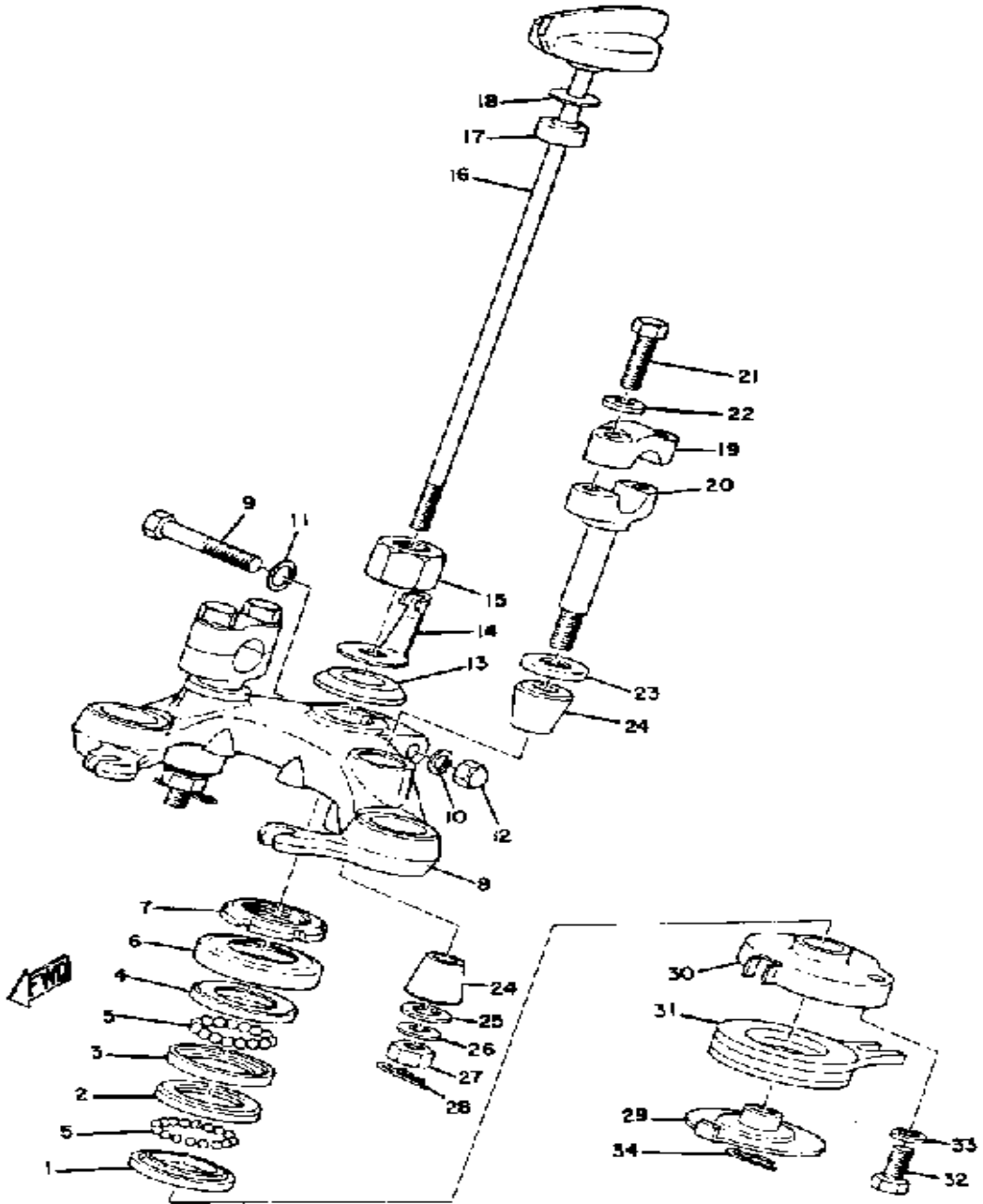
STEERING



Ref. No.	Part Number	Description	Qty	Remarks
1	156-23411-00-00	RACE, BALL 1	1	
2	156-23412-00-00	RACE, BALL 2	1	
3	183-23412-00-00	RACE, BALL 2	1	
4	183-23411-00-00	RACE, BALL 1	1	
5	93501-04011-00	BALL	38	
6	136-23415-00-00	COVER, BALL RACE 1	1	
7	90179-25033-00	NUT	1	
8	(278-23435-00-00)	CROWN, HANDLE	1	
9	97313-08055-00	BOLT, HEXAGON	1	
10	92990-08100-00	WASHER, SPRING	1	
11	90201-08083-00	WASHER, PLATE	1	
12	95303-08800-00	NUT (CROWN)	1	
13	90209-17057-00	WASHER, SPEC'L SHAP	1	
14	(246-23428-00-00)	SPRING	1	
15	95303-16600-00	NUT (95301-16600)	1	
16	278-23419-00-00	SHAFT, DAMPER	1	
17	90202-06008-00	WASHER, PLATE	1	
18	90201-20606-10	UNAVAILABLE IN PRICE BOOK (6.5-18-0.6) (156-23418-0)	1	
19	401-23441-00-98	HOLDER, HANDLE UPR	2	
20	256-23442-00-98	HOLDER, HANDLE LWR	2	
21	97313-08030-00	BOLT, HEXAGON	4	
22	92990-08100-00	WASHER, SPRING	4	
23	90209-12102-00	WASHER, SPEC'L SHAP	2	
24	(90385-12020-00)	BUSH, SPEC'L RUBBER	4	
25	90201-14218-00	WASHER, PLATE	2	
26	92990-10100-00	WASHER, SPRING	2	
27	95303-10700-00	NUT	2	
28	90468-12006-00	CLIP	2	

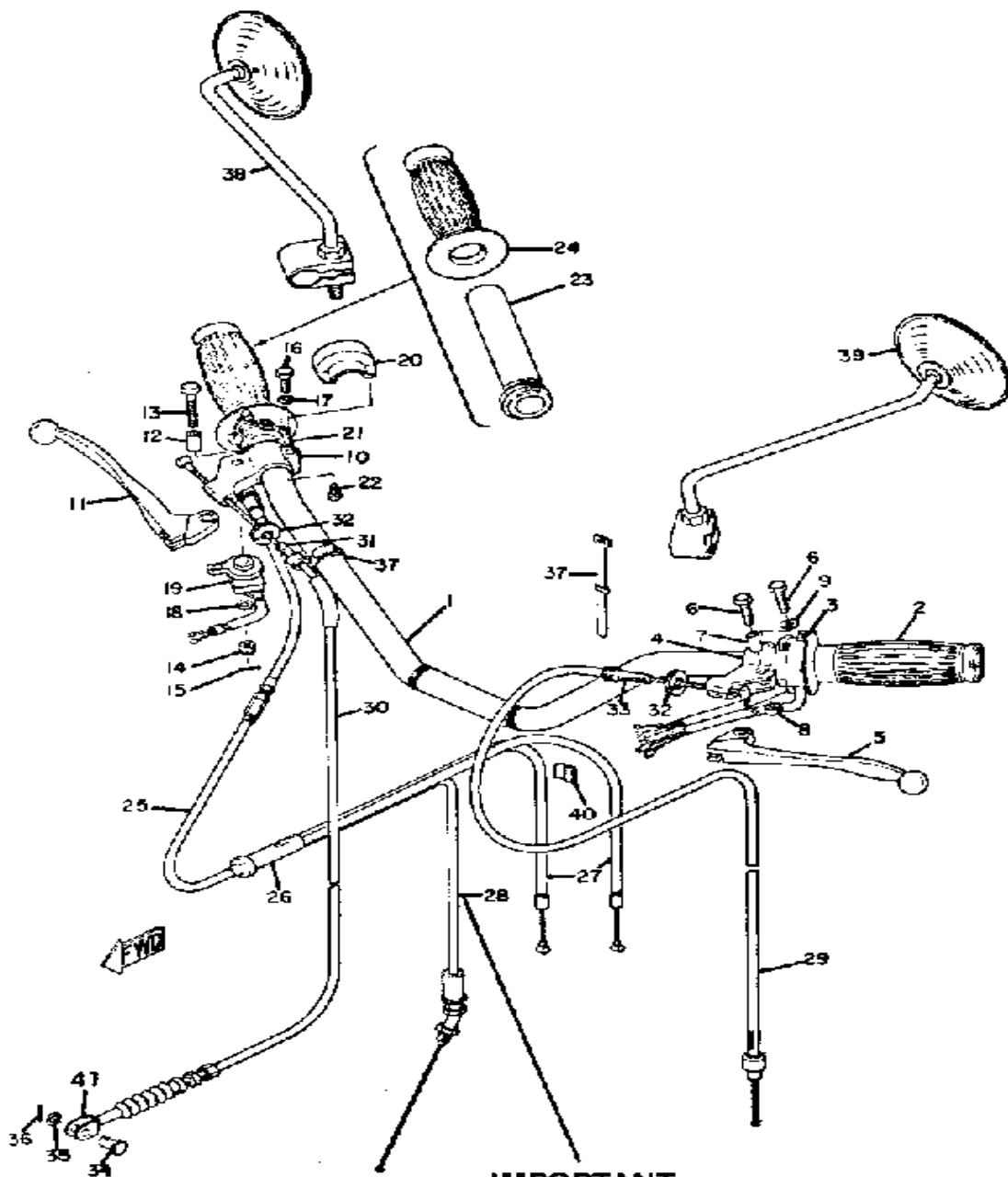
CONTINUED ON NEXT FRAME ►

STEERING



Ref. No.	Part Number	Description	Qty	Remarks
29	(169-23421-00-33)	PLATE, DAMPER 1	1	
30	(246-23423-00-00)	PLATE, DAMPER 3	1	PN374
31	(169-23422-01-00)	PLATE, DAMPER 2	1	PN374
32	97313-08012-00	BOLT, HEXAGON	1	
33	92990-08100-00	WASHER, SPRING	1	
34	90468-10050-00	CLIP	1	

HANDLE - WIRE

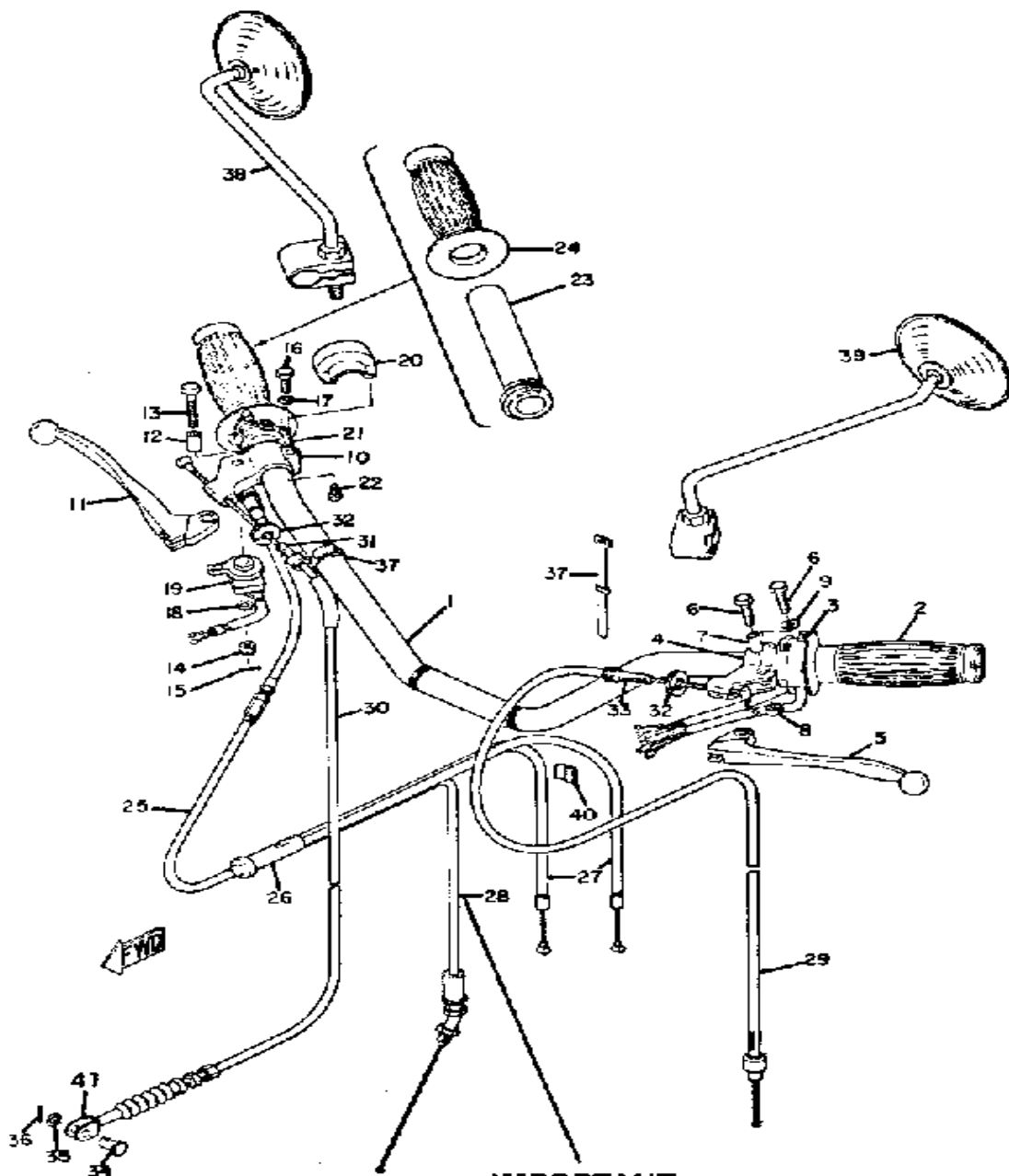


IMPORTANT
See Tech. Bulletin
#M8-015C

Ref. No.	Part Number	Description	Qty	Remarks
1	214-82910-07-00	LEVER HOLDER ASSEMBLY 1 (214-82910-05)	1	
	2L0-26111-00-00	HANDLEBAR	1	
2	233-82920-32-00	LEVER HOLDER ASSEMBLY 2	1	
	341-26241-00-00	GRIP LH	1	
3	235-83972-00-94	SWITCH, HANDLE 4	1	
4	214-82911-01-00	. HOLDER, LEVER 1	1	
5	214-83912-00-00	. LEVER 1	1	
6	97023-06020-00	. BOLT (3XF) (97302-06020)	2	
7	214-83913-00-00	. COLLAR, LEVER 1	1	
8	95380-06700-00	. NUT	1	
9	92995-06100-00	. WASHER, SPRING	1	
10	233-82921-31-00	. HOLDER, LEVER 2	1	
11	233-83922-30-00	. LEVER R	1	
12	214-83913-00-00	. COLLAR, LEVER 1	1	
13	90109-05197-00	. BOLT (233-81915-01)	1	
14	95301-05900-00	. NUT, SLOTTED	1	
15	91401-12018-00	. PIN, COTTER	1	
16	97023-06020-00	. BOLT (3XF) (97302-06020)	1	
17	92995-06100-00	. WASHER, SPRING	1	
18	92990-05200-00	. WASHER, PLAIN	1	
19	232-83980-30-00	STOP SWITCH ASSEMBLY	1	
20	(235-26281-00-00)	CAP, GRIP UPPER	1	
21	235-26282-01-00	CAP, GRIP LOWER	1	
22	98501-05018-00	SCREW, PAN HEAD	2	
23	214-26243-00-00	TUBE, THRTL GUIDE	1	
24	(306-26242-10-00)	GRIP RH	1	
25	235-26311-02-00	CABLE, THROTTLE 1	1	
26	156-26261-01-00	CONNECTOR, CABLE	1	

CONTINUED ON NEXT FRAME ►

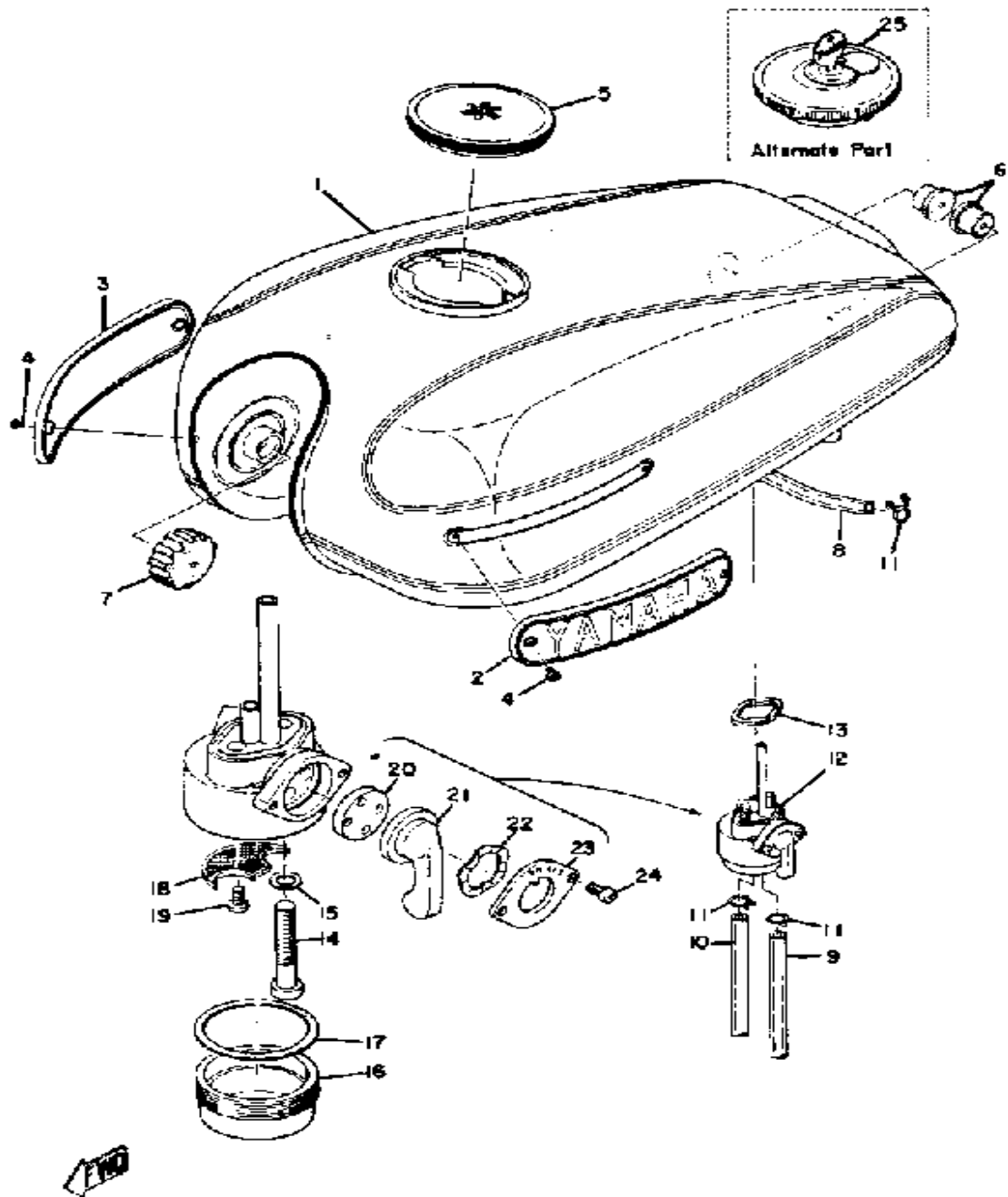
HANDLE - WIRE



IMPORTANT
See Tech. Bulletin
#M8-015C

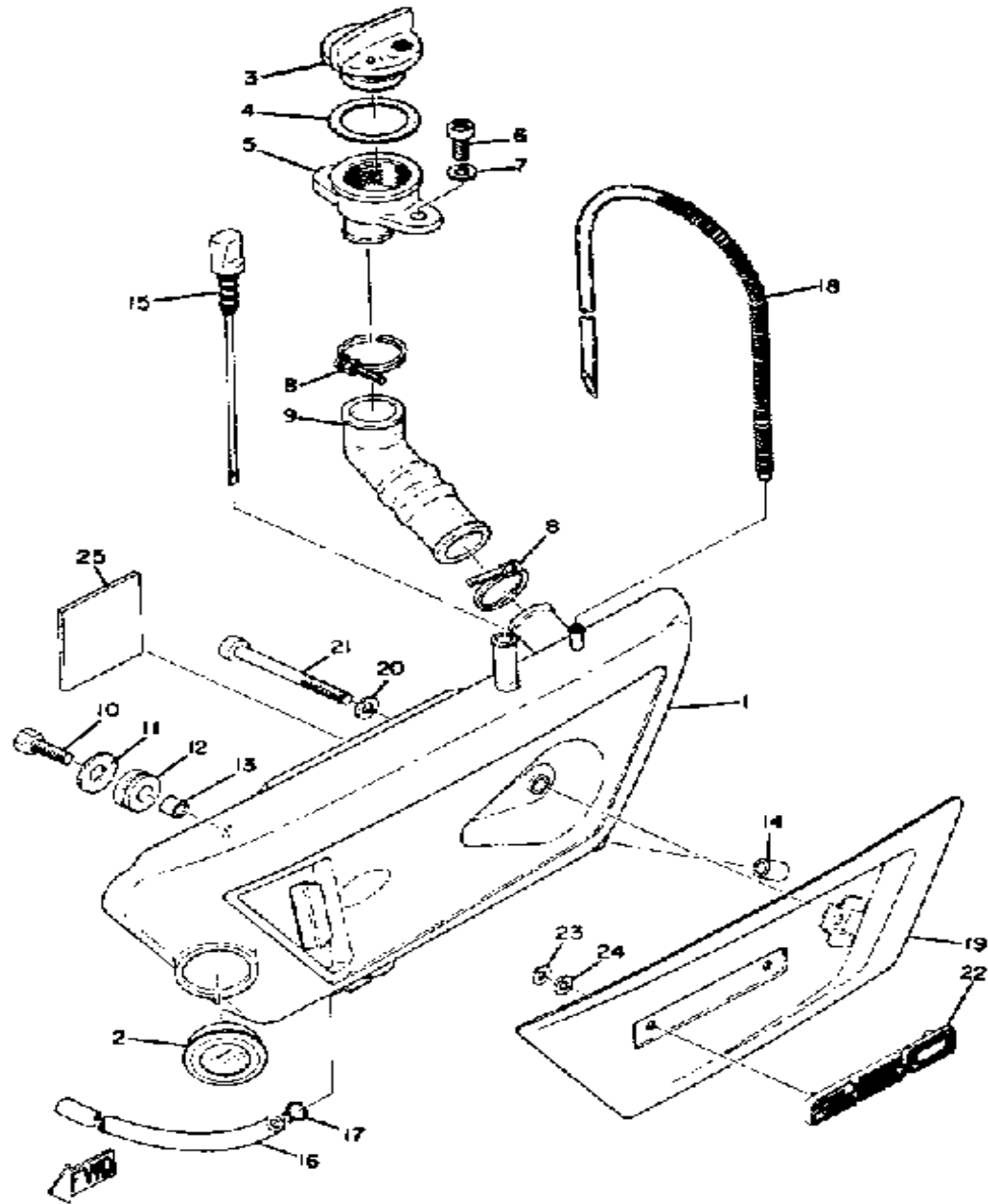
Ref. No.	Part Number	Description	Qty	Remarks
27	246-26312-00-00	CABLE, THROTTLE 2	2	
29	278-26335-00-00	CABLE, CLUTCH	1	
30	235-26341-30-00	CABLE, BRAKE	1	
31	90123-08013-00	BOLT	1	
32	90179-08148-00	NUT	2	
33	90123-08046-00	BOLT	1	
34	90240-08013-00	PIN, CLEVIS	1	
35	90201-08083-00	WASHER, PLATE	1	
36	91490-20020-00	PIN, COTTER (91401-20020-00)	1	
37	437-83936-01-00	BAND, SWITCH CORD	2	
38	253-26290-00-00	MIRROR ASSEMBLY	1	U.R.
39	253-26290-10-00	MIRROR ASSEMBLY LH	1	U.R.
40	90468-15009-00	CLIP	1	
41	156-26347-00-00	JOINT, CABLE	1	

FUEL TANK



Ref. No.	Part Number	Description	Qty	Remarks
1	(278-24110-00-05)	FUEL TANK	1	CANDY ORANGE
2	278-24161-60-00	EMBLEM 1	1	
3	278-24162-60-00	EMBLEM 2	1	
4	98580-04008-00	SCREW, PAN HEAD	4	
5	137-24610-00-00	CAP ASSEMBLY	1	
6	122-24182-01-00	DAMPER, LOCATING 2	2	
7	278-24181-00-00	DAMPER, LOCATING 1	2	
8	90445-09094-00	HOSE (90445-09221-00)	1	
9	90445-09083-00	HOSE	1	
10	90445-09089-00	HOSE	1	
11	90467-08003-00	CLIP	4	
12	360-24500-00-00	FUEL COCK ASSEMBLY 1 ...	1	
13	168-24512-00-00	. GASKET	1	
14	98580-06035-00	. SCREW, PAN HEAD (92501-06035)	2	
15	90430-06013-00	. GASKET (137-24513-00)	2	
16	360-24521-00-00	. CUP, FILTER	1	
17	168-24522-00-00	. GASKET	1	
18	168-24515-00-00	. NET, FILTER 2	1	
19	98580-03008-00	. SCREW, PAN HEAD (98501-03008-00)	1	
20	137-24523-00-00	. GASKET	1	
21	168-24524-00-00	LEVER, COCK	1	
22	132-24518-00-00	. WASHER, WAVE	1	
23	(132-24525-01-00)	PLATE, LVR FITTING	1	
24	98580-03008-00	. SCREW, PAN HEAD (98501-03008-00)	2	
25	137-24610-00-00	CAP ASSEMBLY	1	ALTERNATE PARTS

OIL TANK


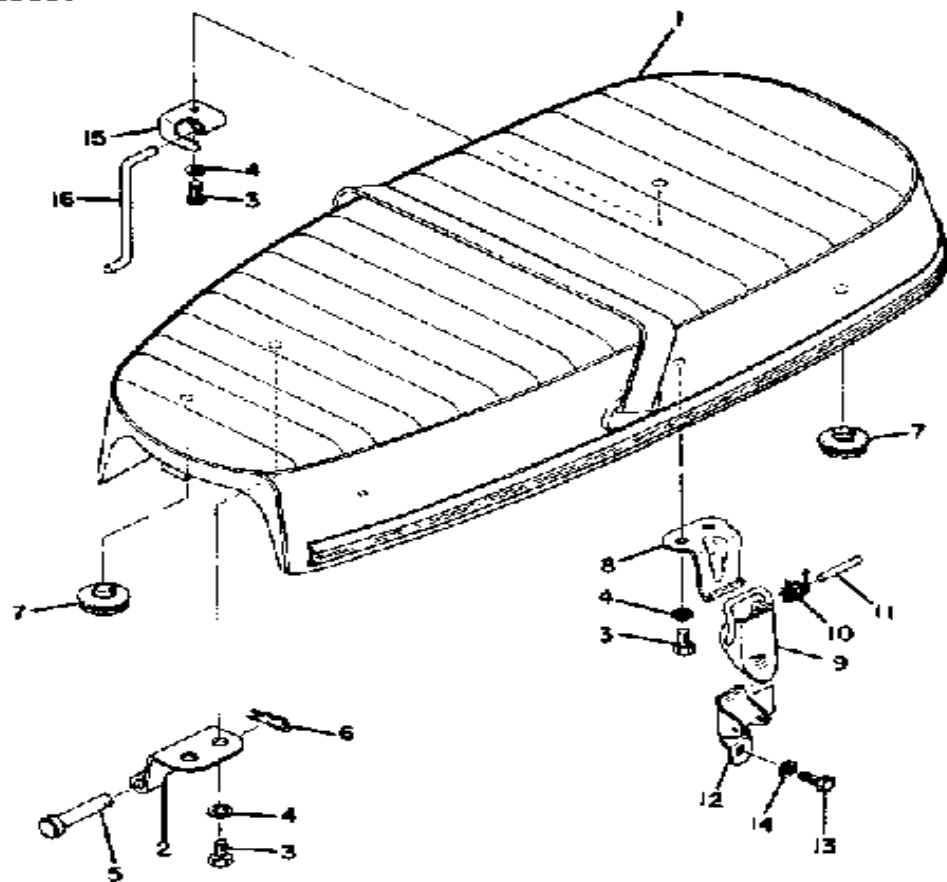


Ref. No.	Part Number	Description	Qty	Remarks
1	(278-21705-00-52)	OIL TANK ASSEMBLY	1	CANDY ORANGE
2	214-21761-00-00	. GAUGE, LEVEL	1	
3	214-21771-00-00	BODY, CAP	1	
4	90430-29114-00	GASKET	1	
5	278-21752-00-00	TUBE, FILLER 1	1	
6	98580-06020-00	SCREW, PAN HEAD	2	
7	92995-06100-00	WASHER, SPRING	2	
8	(90460-24005-00)	CLAMP, HOSE	2	
9	(278-21753-00-00)	BOSS, CONNECTOR	1	
10	97011-06020-00	BOLT	2	
11	90201-06067-00	WASHER, PLATE	2	
12	90480-14023-00	GROMMET	2	
13	90387-065L7-00	COLLAR (51L) (214-21633-00) .	2	
14	437-21779-00-00	DAMPER, LOCATING 2	1	
15	1A0-21792-00-00	GAUGE, OIL	1	
16	90445-09122-00	HOSE	1	
17	90467-08003-00	CLIP	1	
18	(278-21745-00-00)	PIPE, OIL TNK BRTHR	1	
19	(278-21788-00-52)	COVER	1	CANDY ORANGE
20	92995-06100-00	WASHER, SPRING	1	
21	98580-06565-00	SCREW, PAN HEAD	1	
22	(280-21786-02-52)	EMBLEM 6	1	
23	90183-04005-00	NUT, SPRING	2	CANDY ORANGE
24	90202-04003-00	WASHER, PLATE	2	
25	(214-21268-00-00)	SEAL	1	

SEAT

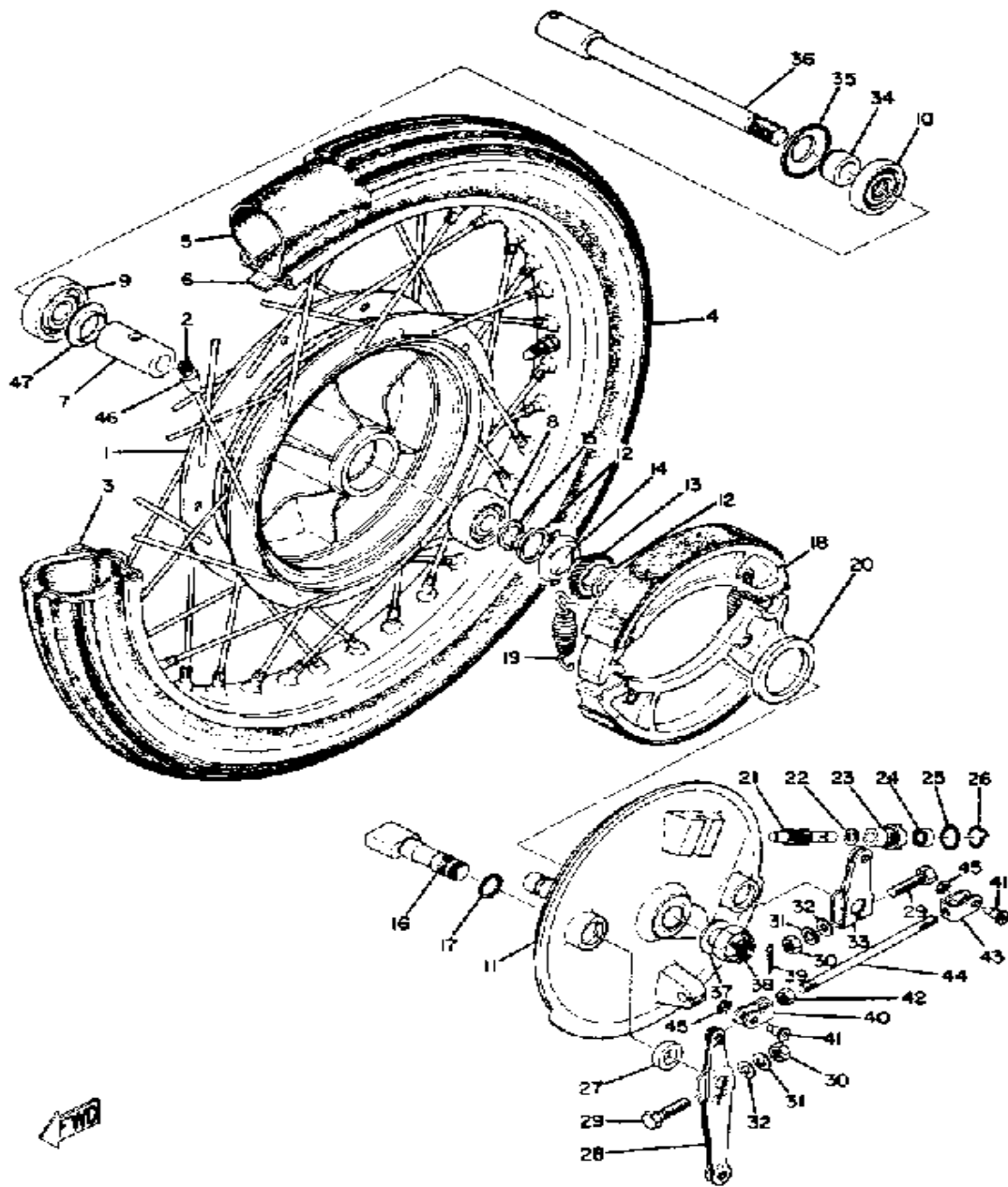
Ref. No.	Part Number	Description	Qty	Remarks
1	360-24730-06-00	DOUBLE SEAT ASSEMBLY ...	1	
2	248-24726-00-33	HINGE, SEAT	2	
3	97013-06012-00	BOLT	7	
4	92995-06100-00	WASHER, SPRING	7	
5	91701-05055-00	PIN, CLEVIS	2	
6	90468-10050-00	CLIP	2	
7	1L9-24741-00-00	PAD, SEAT	5	
8	278-24728-00-00	BRACKET, SEAT	1	
9	214-24776-00-33	LEVER, SEAT	1	
10	90508-10012-00	SPRING, TORSION	1	
11	90249-04068-00	PIN, SPECL SHAPE	1	
12	214-24718-00-00	BRACKET, SEAT	1	
13	97011-06010-00	BOLT (97002-06010)	1	
14	90201-06038-00	WASHER, PLATE	1	
15	(278-24748-00-00)	BRACKET, SEAT	1	
16	(278-24768-00-00)	STOPPER	1	

ENG. NO:
107036

www.legends-yamaha-enduros.com

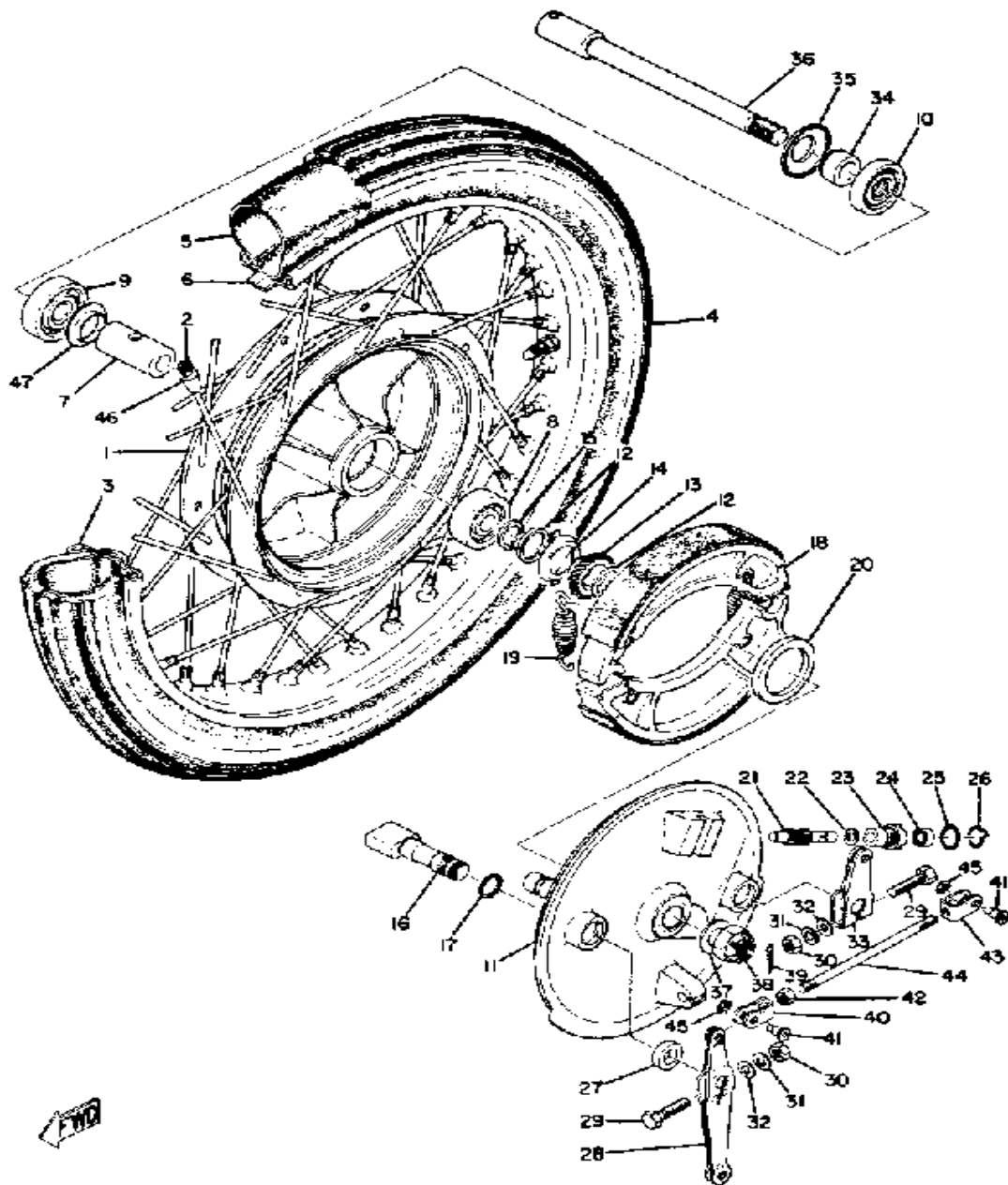
FRONT WHEEL



Ref. No.	Part Number	Description	Qty	Remarks
1	(246-25111-00-38)	HUB, FRONT	1	
2	152-25104-00-00	SPOKE SET, FRONT	1	
3	(94416-18013-00)	RIM 1.60X 8	1	
4	(94130-18363-00)	YOKO 300S18 Y9 6	1	
5	94230-18084-00	TUBE	1	
6	94325-18043-00	BAND, RIM	1	
7	90560-15136-00	SPACER (136-25317-00)	1	
8	93306-30202-00	BEARING	1	
9	93306-30202-00	BEARING	1	
10	93102-22014-00	OIL SEAL	1	
11	(361-25120-10-00)	BRAKE SHOE PLT ASSEMBLY	1	
12	90201-22283-00	WASHER, PLATE	2	
13	246-25135-00-00	GEAR, DRIVE	1	
14	246-25149-00-00	CLUTCH, METER	1	
15	93410-22014-00	CIRCLIP, S-TYPE	1	
16	(4R5-25151-00-00)	CAMSHAFT	2	
17	148-25353-00-00	SHIM, CAMSHAFT	2	
18	168-W2535-00-00	BRAKESHOE SET-2PCS	2	
19	90507-20002-00	SPRING, TENSION	2	
20	93105-53013-00	OIL SEAL, SDD-TYPE	1	
21	214-25138-00-00	GEAR, METER	1	
22	90201-07076-00	WASHER, PLATE	1	
23	109-25136-00-00	BUSH	1	
24	93104-07003-00	OIL SEAL	1	
25	93210-14104-00	O-RING	1	
26	102-25137-00-00	RING, STOP	1	
27	148-25359-00-00	SEAL, CAMSHAFT	2	
28	168-25155-00-00	LEVER, CAMSHAFT 1	1	
29	97313-06030-00	BOLT	2	

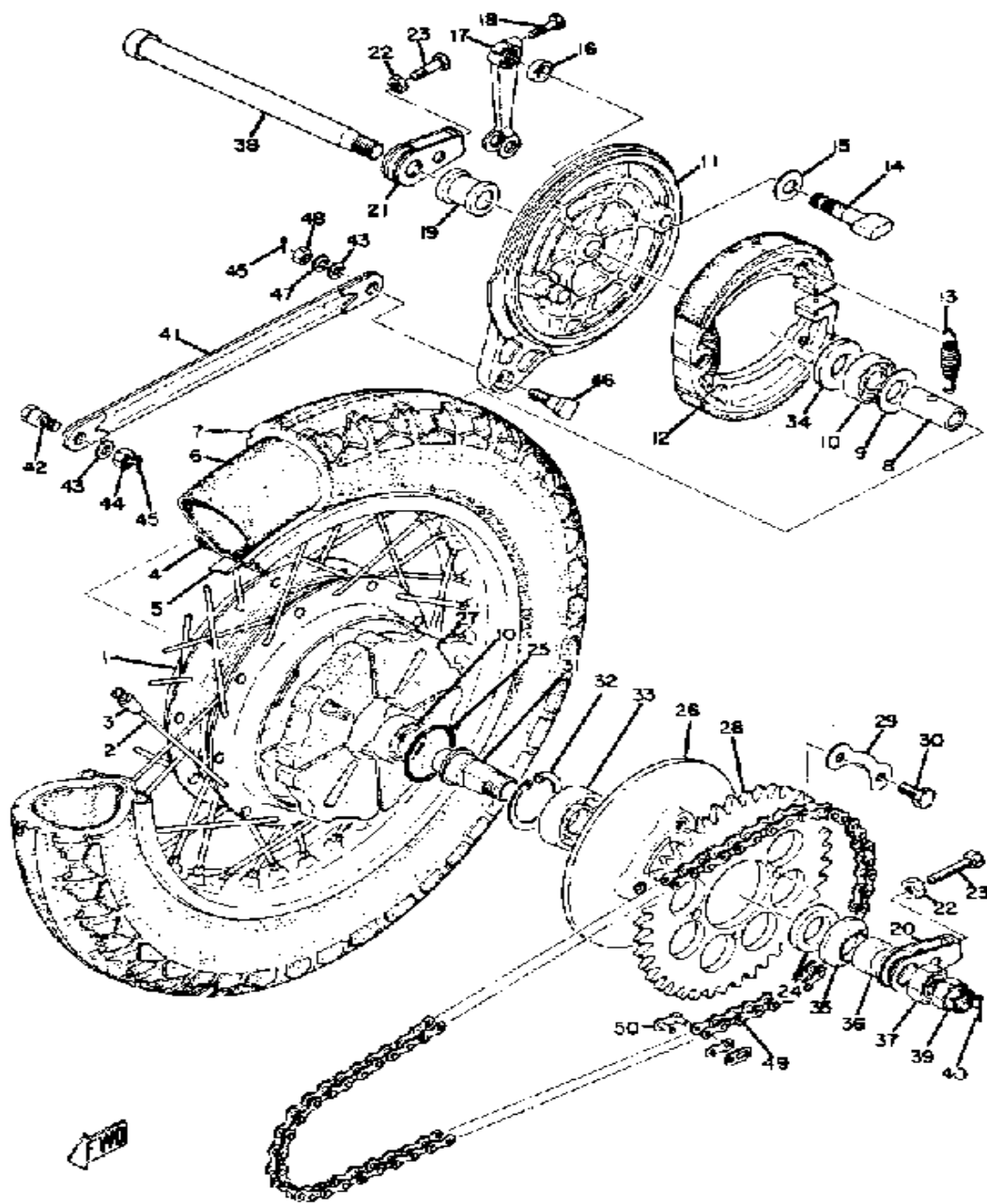
CONTINUED ON NEXT FRAME ►

FRONT WHEEL



Ref. No.	Part Number	Description	Qty	Remarks
30	95380-06600-00	NUT, HEXAGON	2	
31	92995-06100-00	WASHER, SPRING	2	
32	90201-06038-00	WASHER, PLATE	2	
33	246-25156-00-00	LEVER, CAMSHAFT 2	1	
34	(90387-15421-00)	COLLAR	1	
35	(246-25118-00-00)	COVER, HUB DUST	1	
36	(278-25181-00-00)	AXLE, WHEEL	1	
37	92990-14200-00	WASHER, PLAIN	1	
38	90171-14020-00	NUT, CASTLE	1	
39	91401-30030-00	PIN, COTTER	1	
40	152-25163-00-00	END, ROD 1	1	
41	90249-06095-00	PIN, SPEC'L SHAPE	2	
42	95380-06700-00	NUT	1	
43	152-25164-00-00	END, ROD 2	1	
44	(152-25161-00-00)	ROD, CONNECTING	1	
45	99080-04600-00	CIRCLIP (E)	2	
46	156-25398-00-00	BALANCER, WHEEL	1	
47	146-25115-00-00	FLANGE, SPACER 1	1	

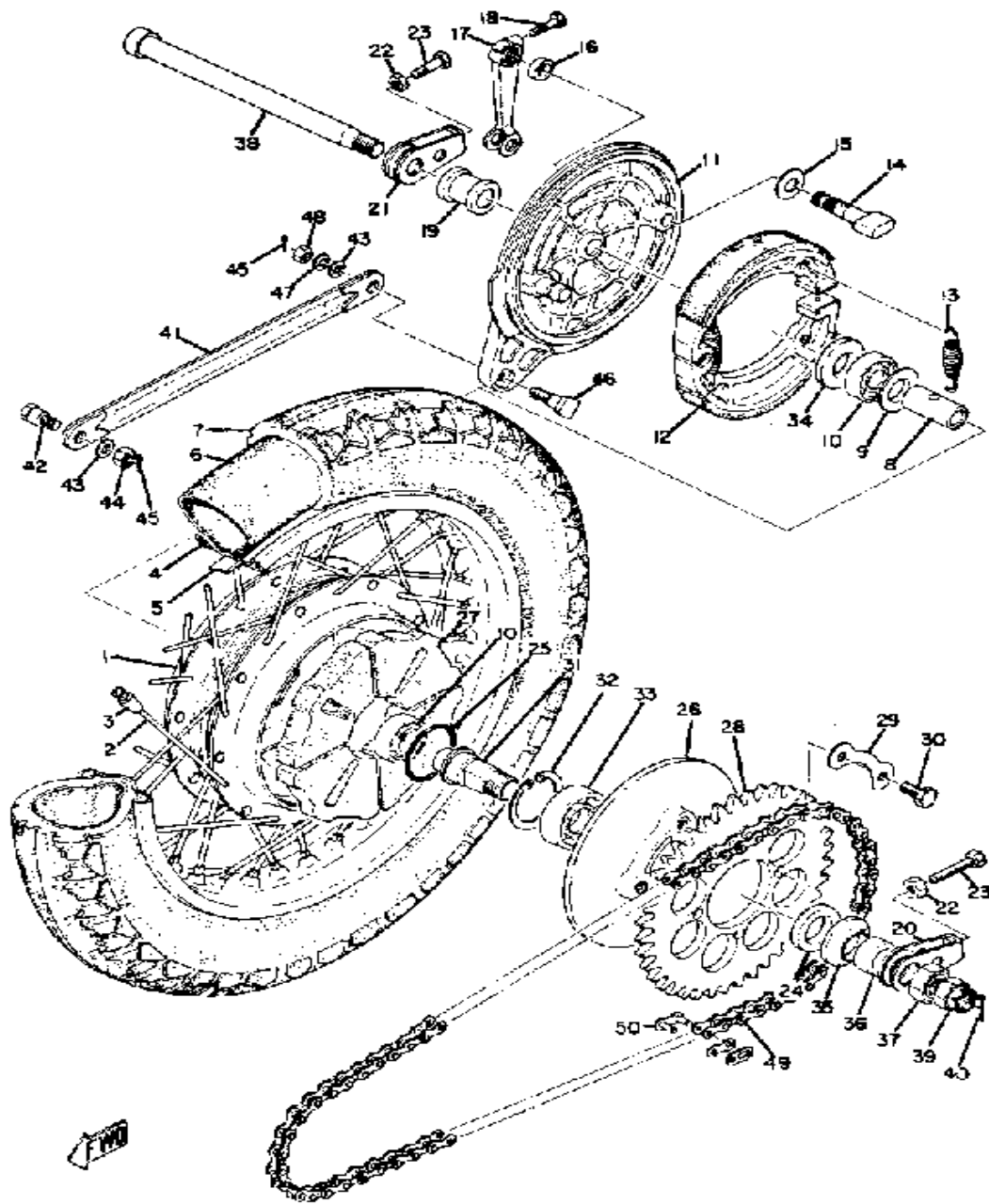
REAR WHEEL



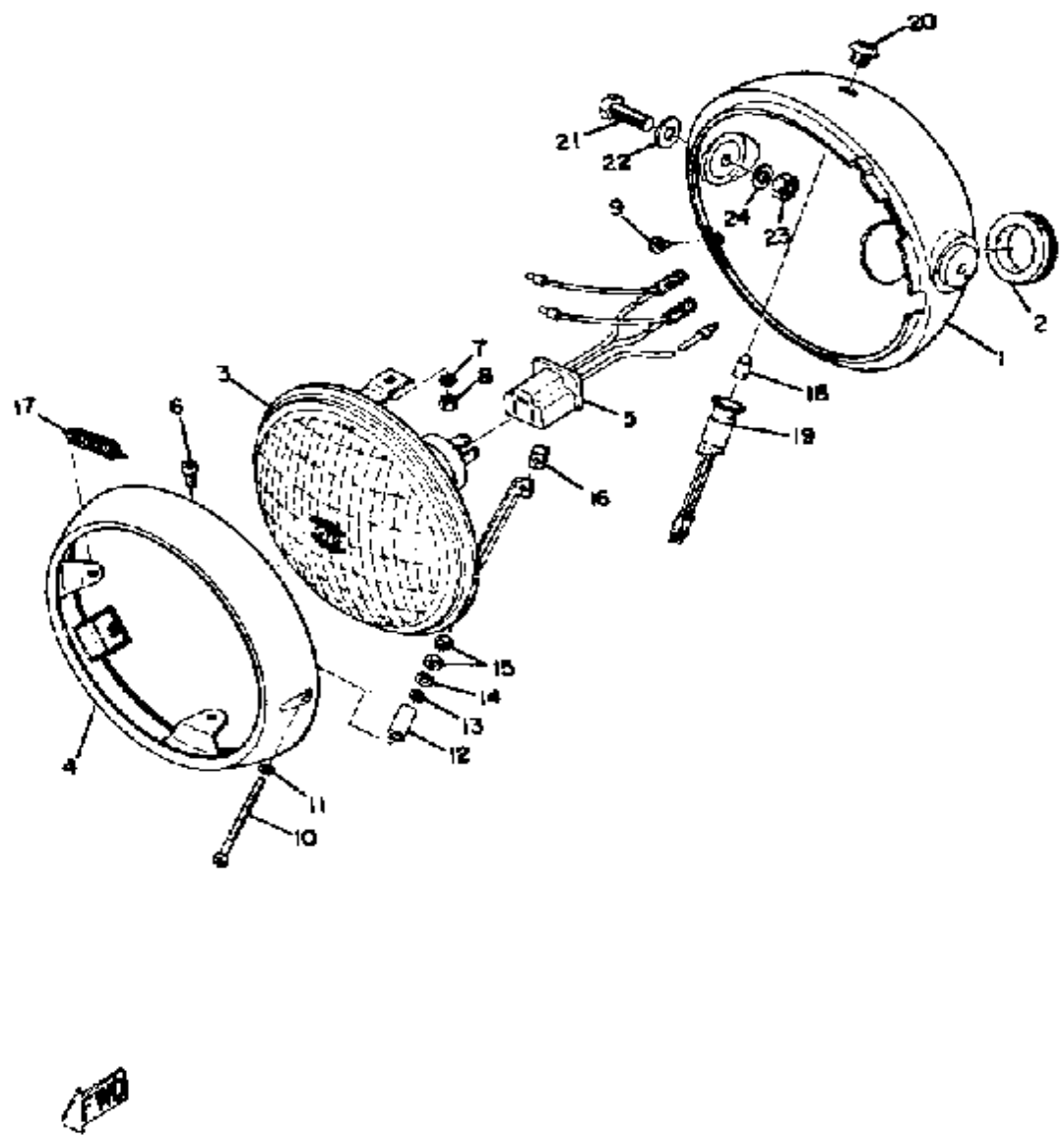
Ref. No.	Part Number	Description	Qty	Remarks
1	(278-25311-00-00)	HUB, REAR	1	
2	(278-25396-90-00)	SPOKE SET, INNER 2	1	
	(278-25397-90-00)	SPOKE SET, OUTER 2	1	
	278-25304-00-00	SPOKE SET, REAR	1	
3	156-25398-00-00	BALANCER, WHEEL	1	
4	94418-18026-00	RIM 1.85X 8	1	
5	94325-18043-00	BAND, RIM	1	
6	94230-18084-00	TUBE	1	
7	(94132-18338-00)	TIRE	1	
8	90506-17140-00	UNAVAILABLE IN PRICE BOOK (148-25317-00)	1	
9	146-25315-00-00	FLANGE, SPACER	1	
10	93306-30309-00	BEARING	2	
11	(360-25026-10-38)	BRAKE SHOE PLT ASSEMBLY	1	
12	4L0-W2536-00-00	BRAKESHOE SET-2PCS	2	
13	90507-20002-00	SPRING, TENSION	2	
14	4L0-25351-00-00	CAMSHAFT	1	
15	148-25353-00-00	SHIM, CAMSHAFT	1	
16	148-25359-00-00	SEAL, CAMSHAFT	1	
17	214-25355-00-00	LEVER, CAMSHAFT	1	
18	97011-06025-00	BOLT (97001-06025)	1	
19	148-25383-00-00	COLLAR, WHEEL	1	
20	(1A1-25389-00-00)	PULLER, CHAIN 2	1	
21	168-25389-00-00	PULLER, CHAIN 2	1	
22	95303-08700-00	NUT	2	
23	90101-08699-00	BOLT	2	
24	93104-25008-00	OIL SEAL, SO-TYPE	1	
25	93210-55051-00	O-RING (3-54.5)	1	
26	(168-25366-00-00)	CLUTCH, HUB	1	

CONTINUED ON NEXT FRAME ►

REAR WHEEL



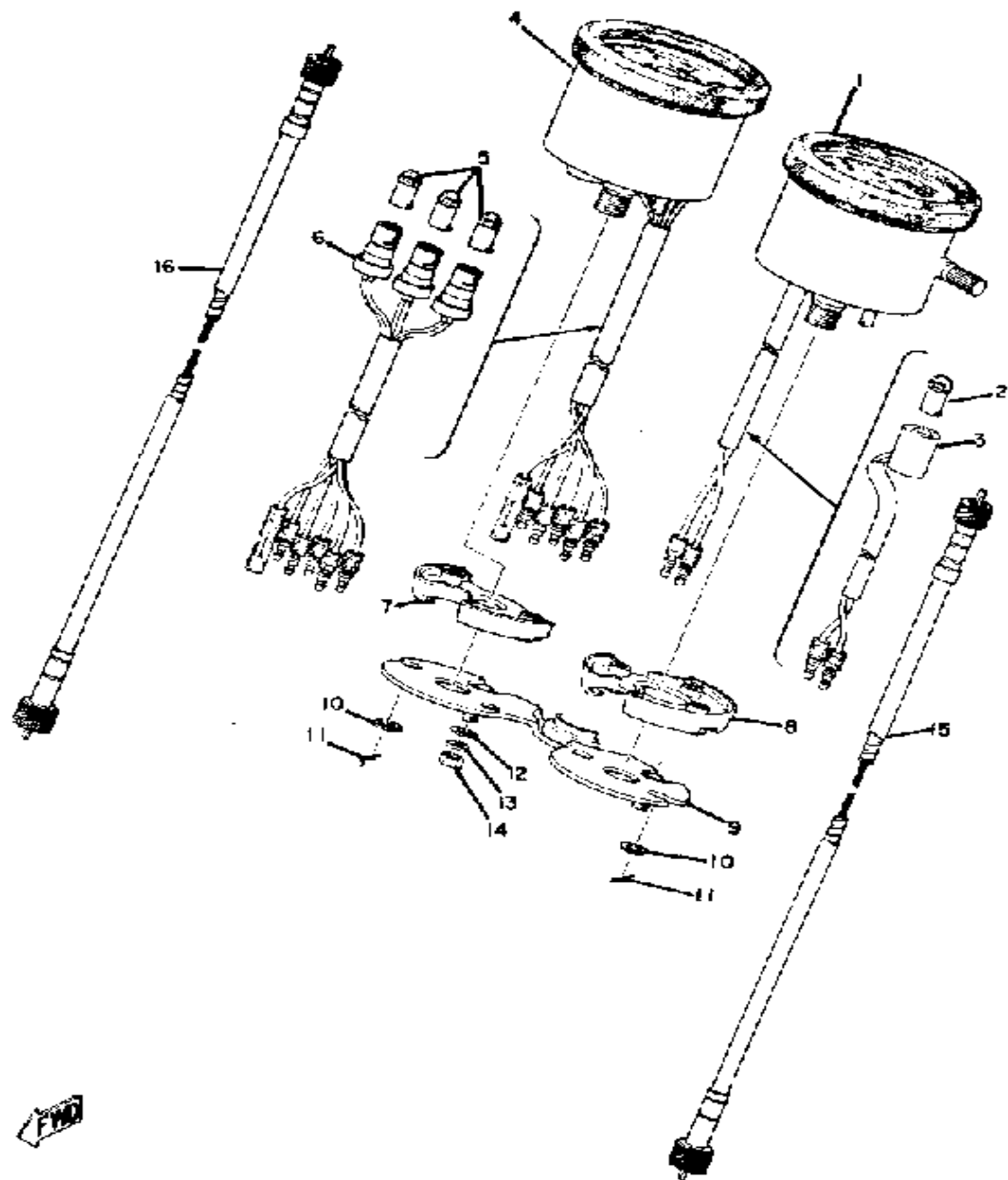
Ref. No.	Part Number	Description	Qty	Remarks
27	278-25364-00-00	DAMPER	4	
28	1A0-25440-20-00	SPROCKET, DRIVN 40T (40T) .	1	
29	148-25412-00-00	WASHER	2	
30	90105-10007-00	BOLT, WASHER BASED	4	
31	152-25387-00-00	AXLE, SPROCKET	1	
32	99009-52500-00	CIRCLIP	1	
33	93306-20503-00	BEARING (B6205Z SPECIAL) .	1	
34	93102-32037-00	OIL SEAL, SD-TYPE	1	
35	(168-25367-00-00)	COVER, HUB DUST	1	
36	90387-23441-00	COLLAR	1	
37	90170-22097-00	NUT, HEXAGON	1	
38	150-25381-00-00	AXLE, WHEEL	1	
39	90171-16007-00	NUT, CASTLE (275-25382-00) .	1	
40	91401-30030-00	PIN, COTTER	1	
41	(168-25371-00-00)	BAR, TENSION	1	
42	90109-08375-00	BOLT (168-25373-00)	1	
43	92990-08200-00	WASHER, PLAIN	2	
44	95333-08600-00	NUT	1	
45	91490-20020-00	PIN, COTTER (91401-20020-00)	2	
46	90109-08184-00	BOLT (168-25378-00)	1	
47	92990-08100-00	WASHER, SPRING	1	
48	95303-08700-00	NUT	1	
49	(94515-25092-00)	525T 92L	1	
50	(94615-25001-00)	MASTER LINKS	1	



HEAD LAMP

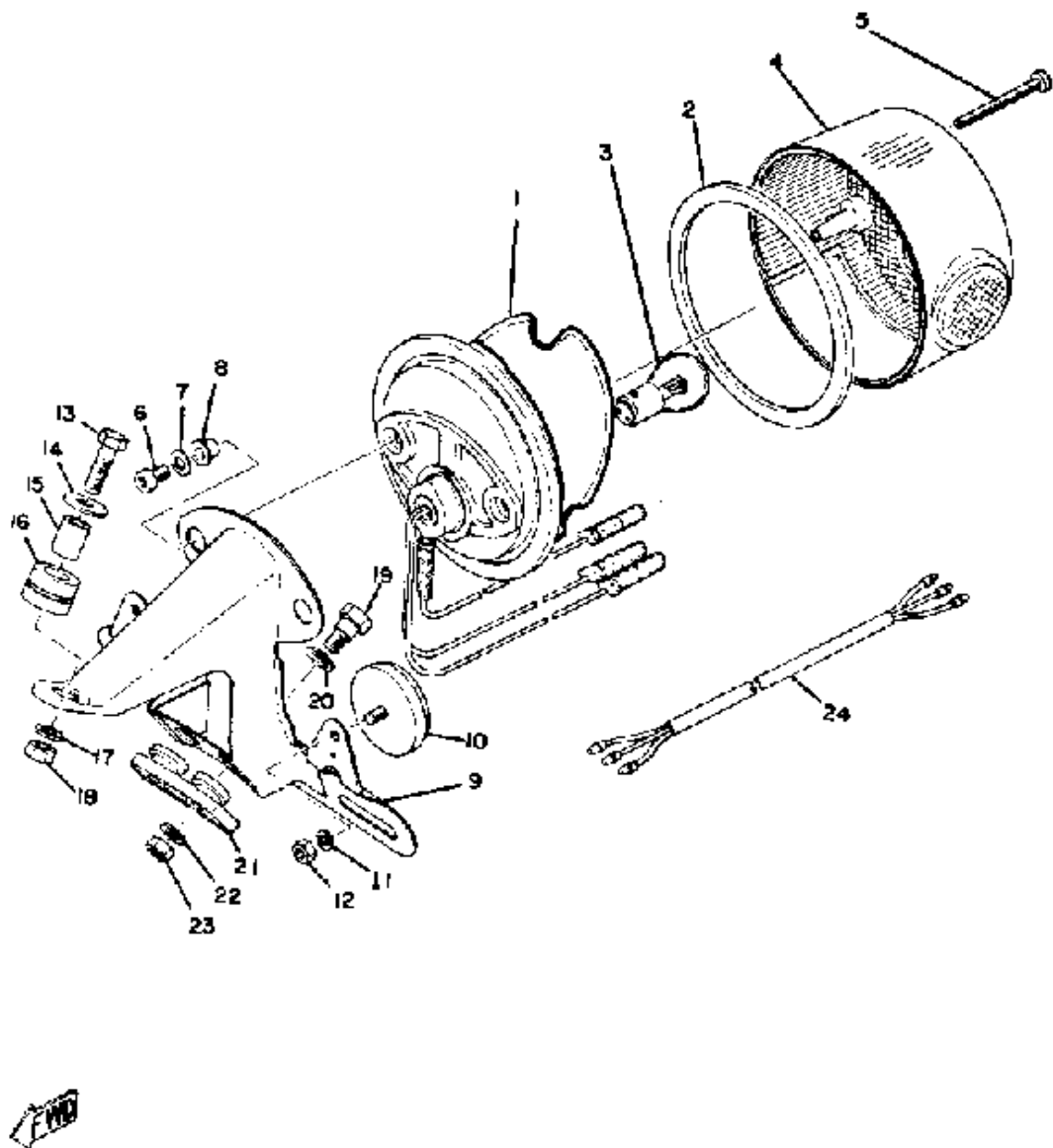
Ref. No.	Part Number	Description	Qty	Remarks
1	(246-84330-60-52)	BODY ASSEMBLY	1	CANDY ORANGE
2	214-84153-60-00	. GROMMET, WIREHERNESS .	1	
	256-84301-61-00	PILOT LIGHT ASSEMBLY 1 ...	1	
3	246-84320-60-00	. LENS ASSEMBLY	1	
4	235-84315-60-00	. RIM, HEADLIGHT	1	
5	246-84312-60-00	. SOCKET	1	
6	98580-05012-00	. SCREW, PAN HEAD	2	
7	92990-05100-00	. WASHER, SPRING	2	
8	95380-05600-00	. NUT	2	
9	90152-05005-00	. SCREW, COUNTERSUNK ...	1	
10	90157-04001-00	. SCREW, PAN HEAD	1	
11	233-84127-60-00	. WASHER, SPECIAL	1	
12	233-84133-60-00	. COLLAR, SCREW	1	
13	92990-04200-00	. WASHER, PLAIN	1	
14	168-84328-60-00	. SPACER	1	
15	95301-04600-00	. NUT	2	
16	198-84334-60-00	. NUT, ADJUSTING	1	
17	(132-84335-60-00)	SPRING	1	
18	256-84347-00-00	. BULB	1	PN315
19	256-84301-61-00	. PILOT LIGHT ASSEMBLY 1 ..	1	
20	256-84357-61-00	. BODY, PILOT LIGHT	1	
21	97013-08025-00	BOLT	2	
22	92990-08200-00	WASHER, PLAIN	2	
23	95333-08600-00	NUT	2	
24	92990-08100-00	WASHER, SPRING	2	

SPEEDOMETER - TACHOMETER



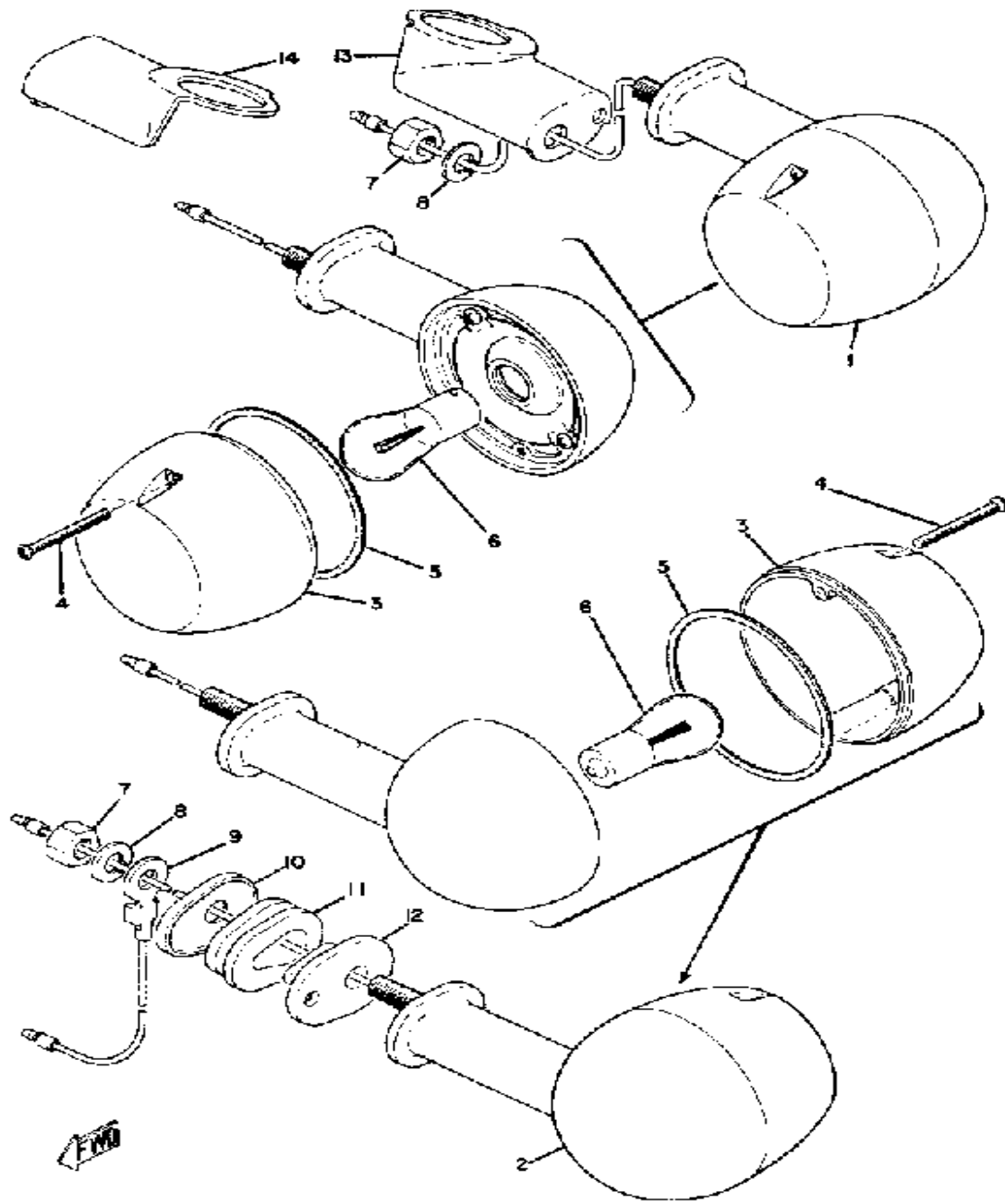
Ref. No.	Part Number	Description	Qty	Remarks
1	278-83570-40-00	SPEEDOMETER ASSEMBLY ..	1	MILE/H
2	123-83516-21-00	. BULB (12V-3.4W)	1	
3	(278-83536-20-00)	SOCKET, METER	1	
4	(307-83540-00-00)	TACHOMETER ASSEMBLY ...	1	
5	123-83516-21-00	. BULB (12V-3.4W)	3	
6	(278-83520-00-00)	SOCKET CORD ASSEMBLY ..	1	
7	(278-83523-00-00)	DAMPER	1	
8	(278-83526-00-00)	DAMPER 2	1	
9	(278-83519-00-00)	BRACKET, METER	1	
10	90209-05029-00	WASHER, SPEC'L SHAP (214-83524-00)	4	
11	90468-10050-00	CLIP	4	
12	90201-06038-00	WASHER, PLATE	2	
13	92995-06100-00	WASHER, SPRING	2	
14	95380-06600-00	NUT, HEXAGON	2	
15	2A6-83550-01-00	SPEEDOMETER CABLE (361-83550-00)	1	
16	278-83560-01-00	TACHOMETER CABLE (278-83560-00)	1	

TAIL LAMP



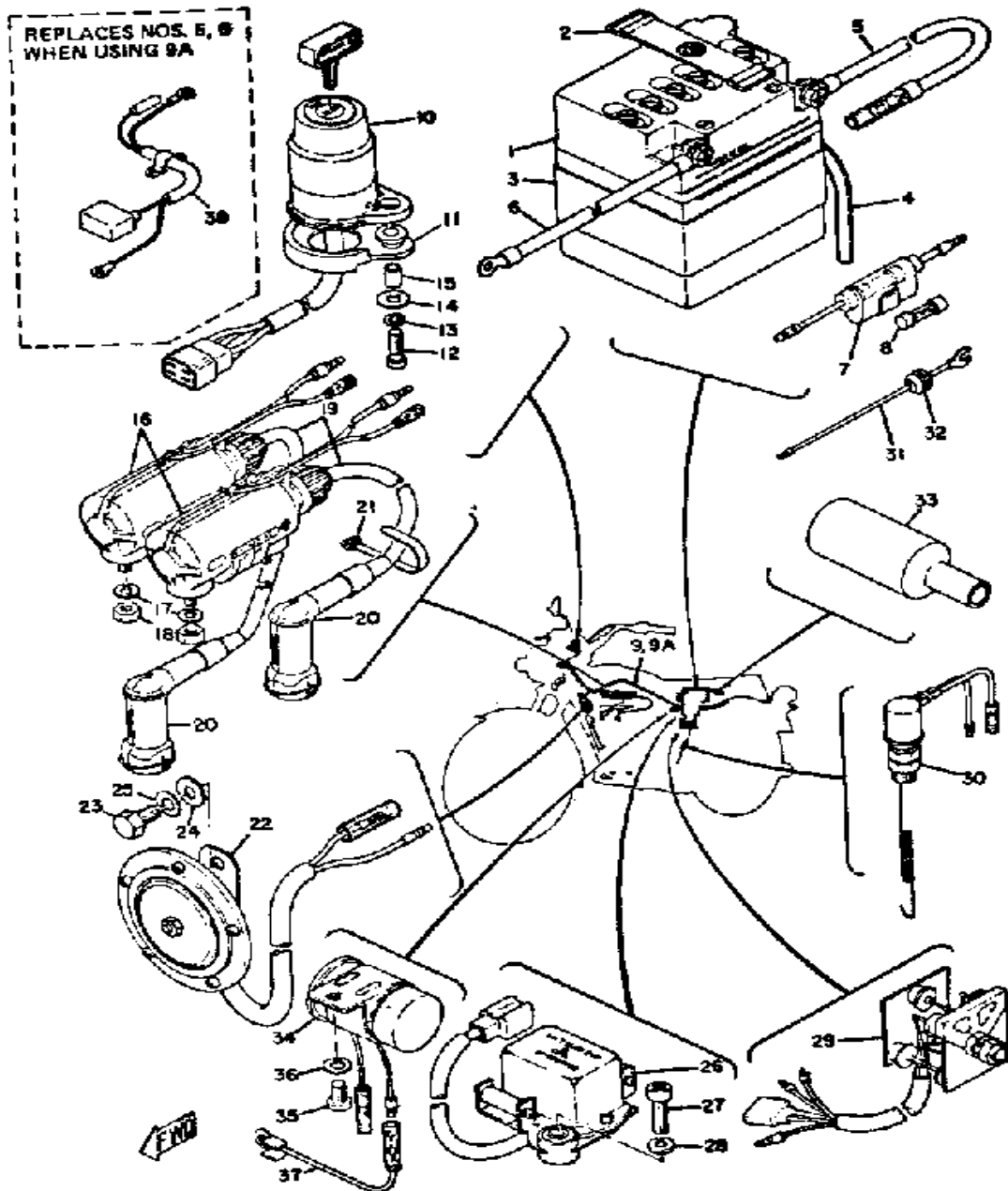
Ref. No.	Part Number	Description	Qty	Remarks
1	(275-84511-61-00)	BASE, TAILLIGHT	1	
	256-84710-61-00	TAILLIGHT UNIT ASSEMBLY	1	
2	275-84523-60-00	. GASKET, LENS	1	
3	256-84714-61-00	. BULB (12V-27/8W)	1	
4	(275-84521-60-00)	LENS, TAILLIGHT	1	
5	98501-04050-00	. SCREW, PAN HEAD	3	
6	(479-84526-00-00)	SCREW	2	
7	2H7-84754-00-00	. WASHER, SPECIAL	2	
8	275-84527-60-00	. DAMPER	2	
9	341-84751-61-93	BRACKET, LICENSE	1	
10	(278-85111-00-00)	REFLECTOR, FRONT 1	2	
11	92990-05100-00	WASHER, SPRING	2	
12	95380-05600-00	NUT	2	
13	97011-06025-00	BOLT (97001-06025)	1	
14	90209-06095-00	WASHER, SPEC'L SHAP (102-28323-00)	1	
15	90387-065L7-00	COLLAR (51L) (214-21633-00)	1	
16	90480-14023-00	GROMMET	1	
17	92995-06100-00	WASHER, SPRING	1	
18	95380-06600-00	NUT, HEXAGON	1	
19	90109-06017-00	BOLT	2	
20	92990-08200-00	WASHER, PLAIN	2	
21	214-84553-01-00	DAMPER	1	
22	92995-06100-00	WASHER, SPRING	2	PN315
23	95380-06600-00	NUT, HEXAGON	2	
24	251-84517-60-00	CORD, TAILLIGHT	1	

FLASHER LAMP



Ref. No.	Part Number	Description	Qty	Remarks
1	278-83310-71-93	FRT FLSHR LITE ASSEMBLY .	2	AMBER
2	(278-83330-76-93)	R FLSHR LITE ASSEMBLY ...	2	RED
3	183-83312-70-00	. LENS, FLASHER	2	AMBER
	211-83332-75-00	. LENS, FLASHER	2	RED
4	183-83333-71-00	. SCREW, LENS FITTING	8	
5	183-83313-70-00	. GASKET, FLSHR LENS	4	
6	256-83311-70-XX	. BULB (12V-27W)	4	
7	95333-08600-00	NUT	4	
8	92990-08100-00	WASHER, SPRING	4	
9	256-84313-01-00	WIRE, EARTH	2	
10	90209-08028-00	WASHER, SPEC'L SHAP	2	
11	256-83321-00-00	DAMPER, FLASHER 1	2	
12	256-83316-00-00	COLLAR, FLASHER 1	2	
13	278-83318-00-00	STAY, FLASHER 1	1	
14	278-83328-00-00	STAY, FLASHER 2	2	

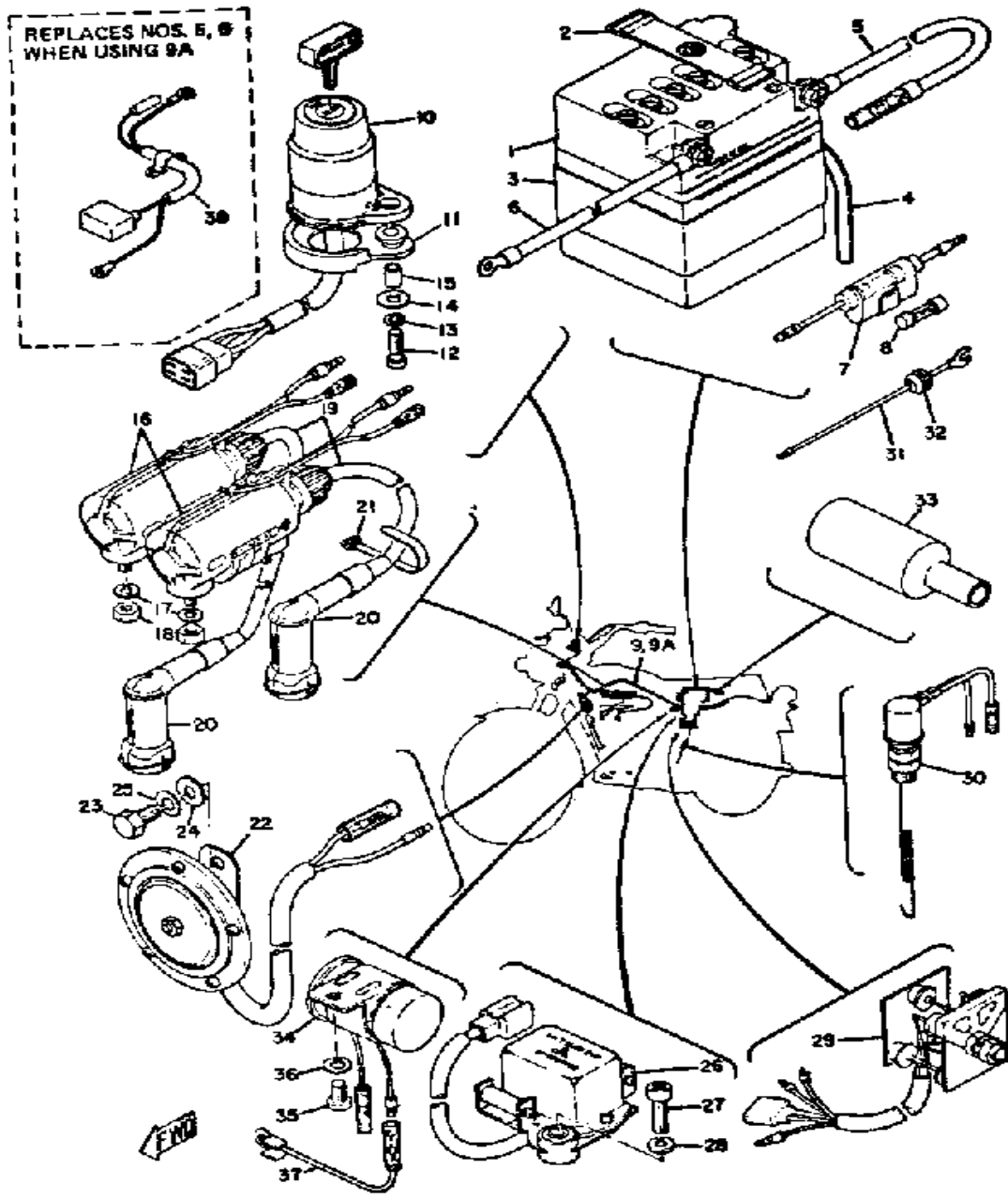
ELECTRICAL



Ref. No.	Part Number	Description	Qty	Remarks
1	(104-82111-20-00)	CAP, BATTERY	6	
	BTY-12N55-A3-B0	YUASA 12N5.5A-3B	1	
2	122-82131-00-00	BAND, BATTERY	1	
3	1UA-82124-00-00	BAND, BATTERY	1	
4	90445-08047-00	HOSE (168-82112-00)	1	
5	(278-82115-09-00)	WIRE, PLUS LEAD	1	
6	558-82116-00-00	WIRE, MINUS LEAD	1	
7	2UJ-82150-01-00	FUSE HOLDER ASSEMBLY (2UJ-82150-00-00)	1	
8	1A0-82161-00-00	. FUSE (20A) (148-82151-00-00)	2	
9	(278-82590-40-00)	WIRE HARNESS ASSEMBLY ..	1	
	9A--	UNAVAILABLE IN PRICE BOOK	1	USE W/#38
10	256-82508-31-00	MAIN SWITCH ASSEMBLY (366-82508-30)	1	
11	(256-82515-00-00)	DAMPER, MAIN SWITCH	1	
12	98580-05020-00	SCREW, PAN HEAD	2	
13	92990-05100-00	WASHER, SPRING	2	
14	90201-05031-00	WASHER, PLATE	2	
15	90387-05285-00	COLLAR (256-82517-00)	2	
16	254-82310-60-00	IGNITION COIL ASSEMBLY ...	2	
17	92995-06100-00	WASHER, SPRING	4	
18	95380-06600-00	NUT, HEXAGON	4	
19	278-82341-00-00	CORD, HIGH TENS 1	2	
20	808-82370-10-00	PLUG CAP ASSEMBLY	2	
21	437-83936-11-00	BAND, SWITCH CORD	3	
22	4V8-83371-30-00	HORN	1	
23	97313-08018-00	BOLT, HEXAGON	1	
24	92990-08200-00	WASHER, PLAIN	1	
25	92990-08100-00	WASHER, SPRING	1	

CONTINUED ON NEXT FRAME ►

REPLACES NOS. 5, 6
WHEN USING 9A



ELECTRICAL

Ref. No.	Part Number	Description	Qty	Remarks
26	278-81910-22-00	VOLTAGE REG ASSEMBLY ..	1	
27	98511-06025-00	SCREW PAN HEAD	2	
28	92995-06100-00	WASHER, SPRING	2	
29	278-81970-21-00	RECTIFIER ASSEMBLY	1	
30	278-82530-09-00	STOP SWITCH ASSEMBLY ...	1	
31	(164-82541-00-00)	WIRE, LEAD	1	
32	90480-01148-00	GROMMET	1	
33	(256-82599-00-00)	COVER, CONNECTER	1	
34	278-83350-71-00	FLASHER RELAY ASSEMBLY .	1	
35	98580-06012-00	SCREW, PAN HEAD (92501-06012-00)	1	
36	92995-06100-00	WASHER, SPRING	1	
37	(214-83354-00-00)	WIRE, EARTH LEAD 1	1	
38	(360-82117-00-00)	WIRE, LEAD 0 1	1	USE W/9A