

YAMAHA

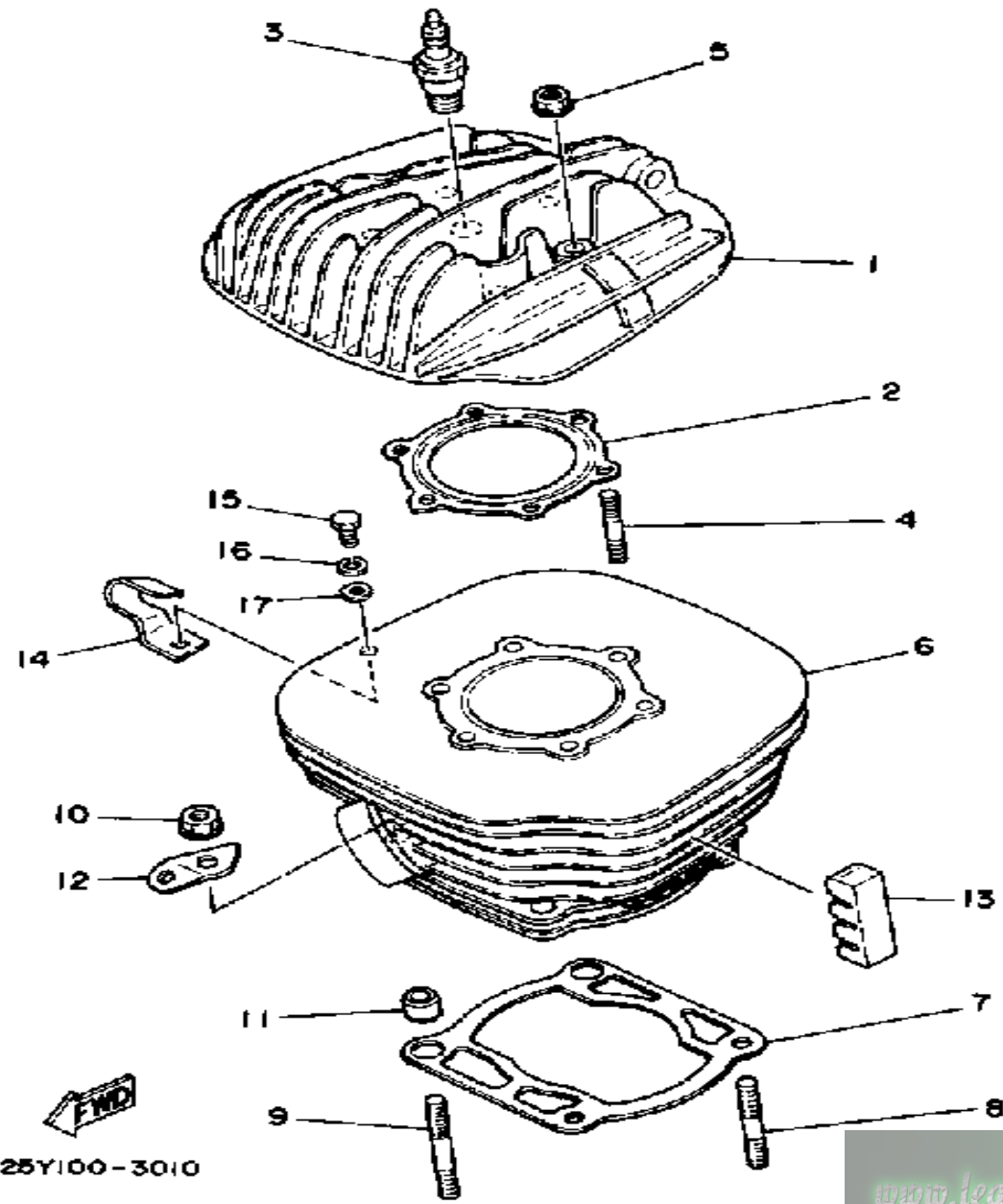
GENUINE

PARTS CATALOGUE

MOTORCYCLE

www.legends-yamaha-enduros.com

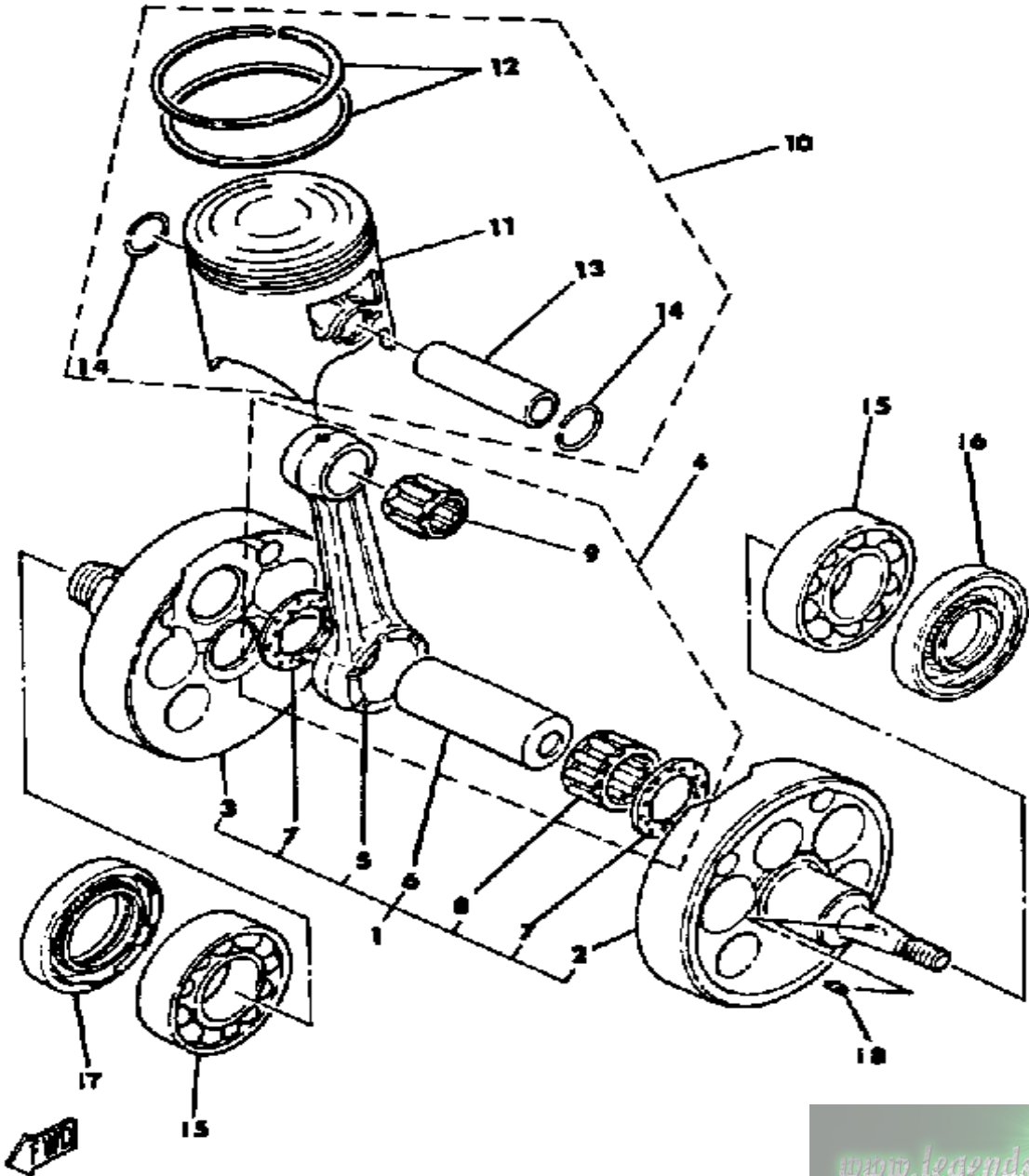
CYLINDER



Ref. No.	Part Number	Description	Qty	Remarks
1	25Y-11111-01-00	HEAD, CYLINDER 1	1	
2	25Y-11181-00-00	GASKET, CYLINDER HEAD 1	1	
3	NGK-B8EG0-00-00	PLUG, SPARK (NGK B8EG) (94702-00323-00)	1	U.R. LM FOR U.S.A.
4	90116-08394-00	BOLT, STUD	6	
5	90179-08491-00	NUT, FLANGE	6	
6	25Y-11311-00-00	CYLINDER 1	1	
7	3R4-11351-00-00	GASKET, CYLINDER	1	
8	90116-10313-00	BOLT, STUD	2	
9	90116-10314-00	BOLT, STUD	2	
10	95701-10500-00	NUT, FLANGE (95702-10500)	4	
11	99530-14016-00	PIN, DOWEL	2	
12	3R4-14619-01-00	HOOK, SPRING	1	
13	3R6-11162-00-00	ABSORBER 2	2	
14	26A-1131E-00-00	HOLDER 1	1	
15	97301-06014-00	BOLT, HEXAGON	1	
16	92995-06100-00	WASHER, SPRING	1	
17	90201-063J2-00	WASHER, PLATE	1	

www.legends-yamaha-enduros.com

CRANKSHAFT - PISTON

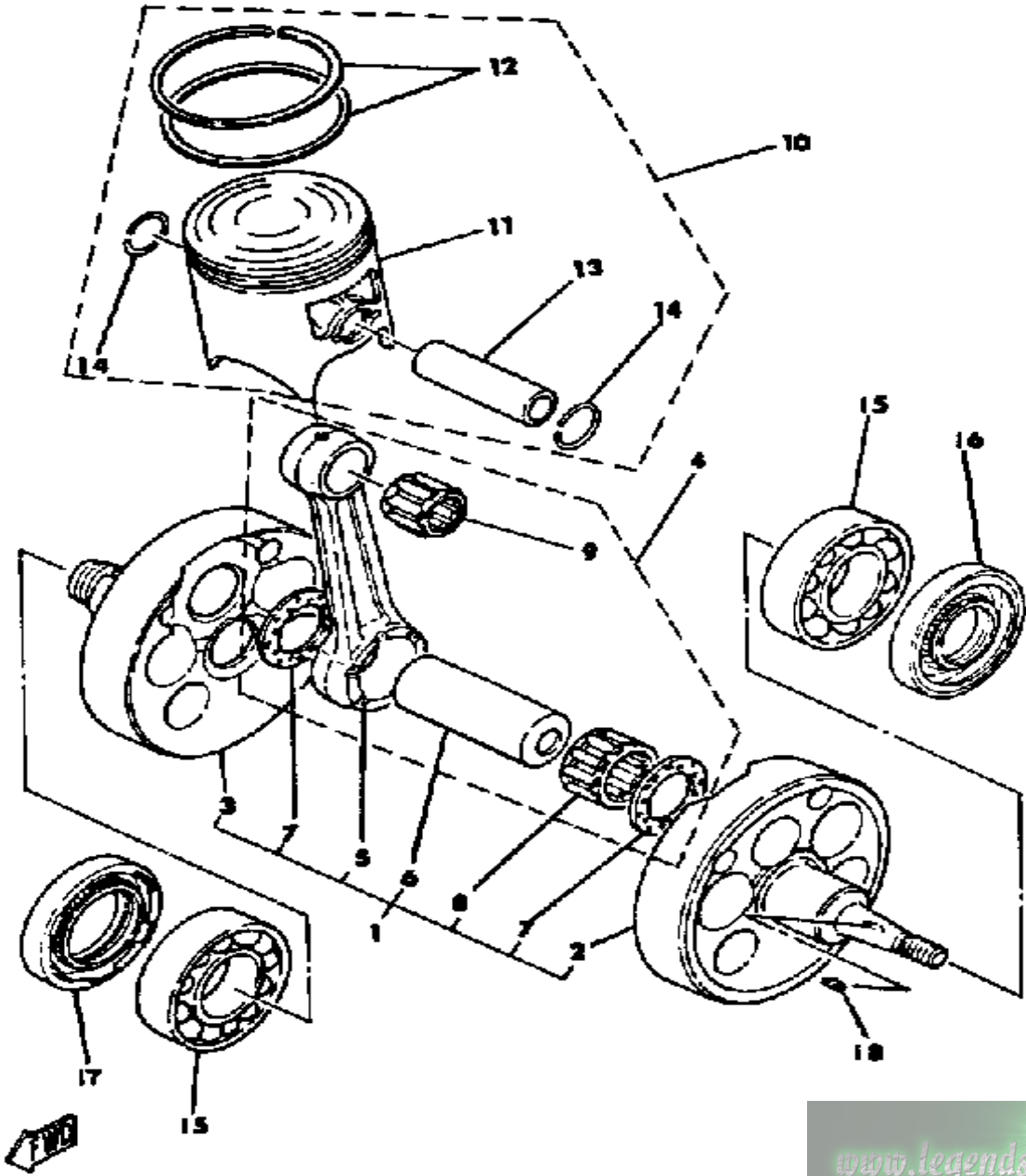


Ref. No.	Part Number	Description	Qty	Remarks
1	(25Y-11400-00-00)	CRANKSHAFT ASSEMBLY	1	
2	38W-11412-00-00	. CRANK 1	1	
3	25Y-11422-00-00	. CRANK 2	1	
4	24Y-11650-01-00	. CONNECTING ROD ASSEMBLY	1	
5	24Y-11651-01-00	.. ROD, CONNECTING	1	
6	2X4-11681-00-00	.. PIN, CRANK 1	1	
7	90209-25085-00	.. WASHER	2	
8	93310-425N4-00	.. BEARING, CYLINDER.# 0	1	
9	93310-418E9-00	. BEARING, CYLINDRICAL	1	
11	25Y-11630-00-00	PISTON KIT STD (STD)	1	
	25Y-11631-00-96	. PISTON STD (STD)	1	
12	25Y-11601-00-00	. PISTON RINGSET STD	1	
13	214-11633-00-00	. PIN, PISTON	1	
14	93450-19052-00	. CIRCLIP	2	
15	93306-20627-00	BEARING	2	
16	93103-30150-00	OIL SEAL (38W)	1	
17	93103-40091-00	OIL SEAL, SW-TYPE	1	
18	(25Y-11630-30-00)	PISTON KIT 3RD	1	ALTERNATE PARTS
	(25Y-11630-40-00)	PISTON KIT 4TH	1	ALTERNATE PARTS
	25Y-11601-10-00	PISTON RINGSET 1ST (1ST O/S)		ALTERNATE PARTS
	25Y-11601-20-00	PISTON RINGSET 2ND (2ND O/S)		ALTERNATE PARTS
	25Y-11601-30-00	PISTON RINGSET 3RD (3RD O/S)		ALTERNATE PARTS
	25Y-11601-40-00	PISTON RINGSET 4TH (4TH O/S)		ALTERNATE PARTS
	25Y-11630-10-00	PISTON KIT 1ST (1ST O/S)	1	ALTERNATE PARTS
	25Y-11630-20-00	PISTON KIT 2ND (2ND O/S)	1	ALTERNATE PARTS

www.legends-yamaha-enduro.com

CONTINUED ON NEXT FRAME ►

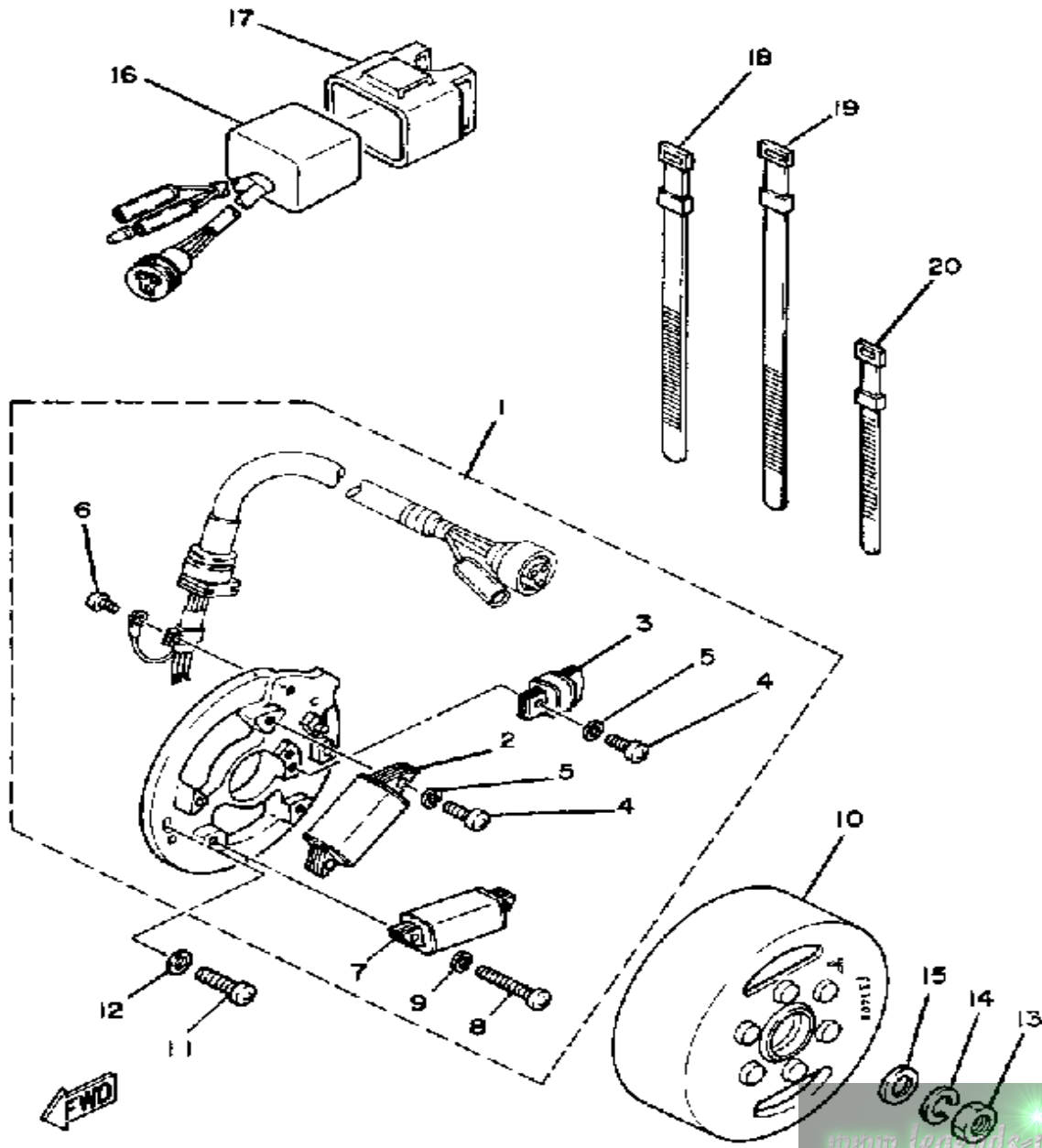
CRANKSHAFT - PISTON



Ref. No.	Part Number	Description	Qty	Remarks
18	25Y-11635-00-00	PISTON 1 O/S 0.25 (1ST O/S 0.25MM)	1	ALTERNATE PARTS
	25Y-11636-00-00	PISTON 2 O/S 0.50 (2ND O/S 0.50MM)	1	ALTERNATE PARTS
	25Y-11637-00-00	PISTON 3 O/S 0.75 (3RD O/S 0.75MM)	1	ALTERNATE PARTS
	25Y-11638-00-00	PISTON 4 O/S 1.00 (4TH O/S 1.00MM)	1	ALTERNATE PARTS
	90280-03017-00	KEY, WOODRUFF	1	

www.legends-yamaha-enduros.com

C - D - I - MAGNETO

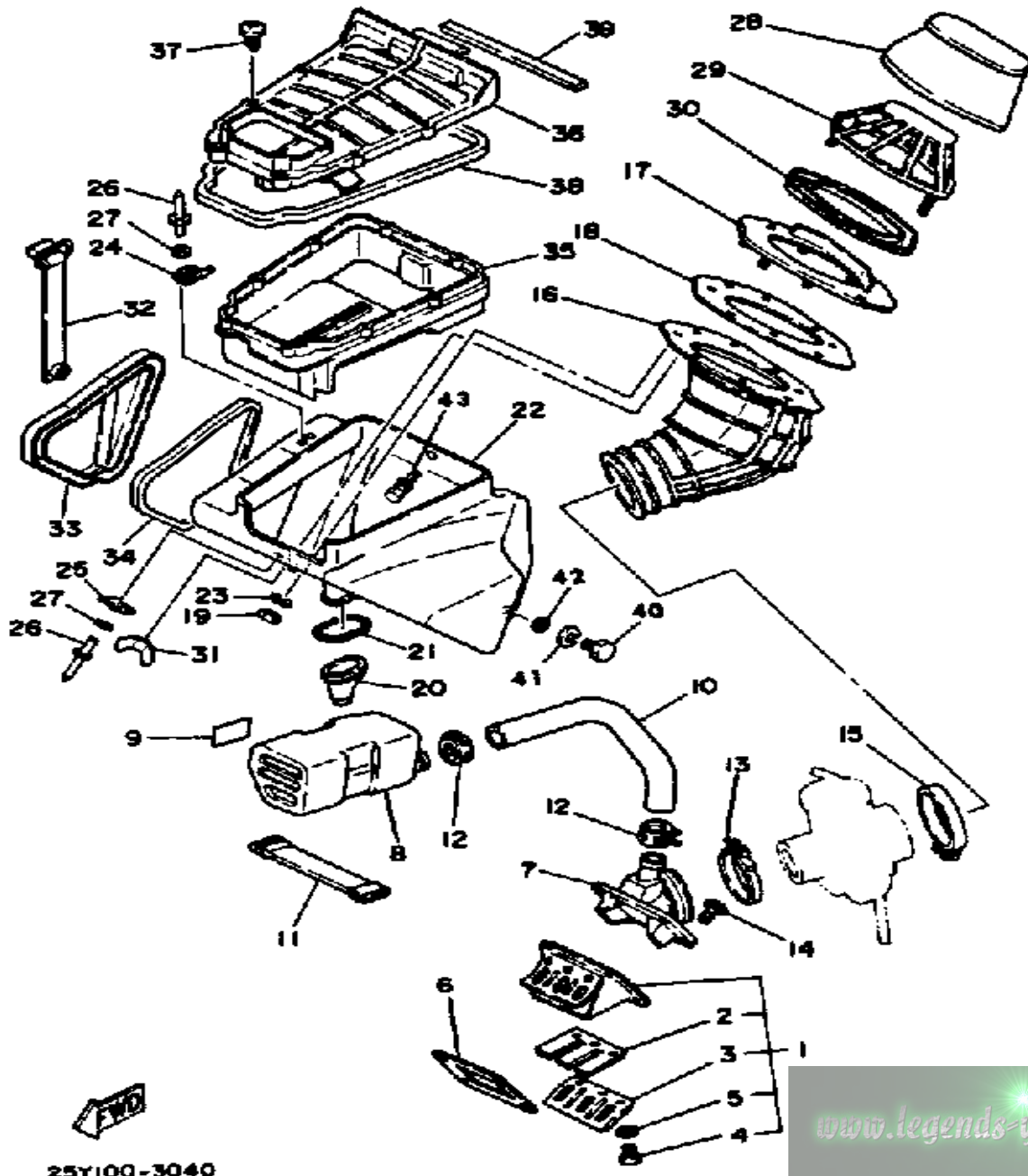


Ref. No.	Part Number	Description	Qty	Remarks
1	25Y-85510-21-00	STATOR ASSEMBLY	1	
2	25Y-85520-21-00	. COIL, CHARGE	1	
3	23X-85580-20-00	. COIL, PULSER	1	
4	98503-04014-00	. SCREW, PAN HEAD	3	
5	92901-04100-00	. WASHER, SPRING	3	
6	97601-04106-00	. SCREW, PN/HD.W/WSHR	1	
7	4V6-85513-20-00	. COIL, LIGHTING 1	1	
8	98511-04030-00	. SCREW, PAN HEAD	2	
9	92901-04100-00	. WASHER, SPRING	2	
10	23X-85550-20-00	ROTOR ASSEMBLY	1	
11	98580-06020-00	SCREW	2	
12	92901-06600-00	WASHER	2	
13	90170-12347-00	NUT, HEXAGON	1	
14	92901-12100-00	WASHER, SPRING	1	
15	90201-12593-00	WASHER, PLATE	1	
16	23X-85540-20-00	CDI UNIT ASSEMBLY	1	
17	2A7-85546-00-00	BAND	1	
18	437-83936-11-00	BAND, SWITCH CORD	1	
19	25G-83936-01-00	BAND, SWITCH CORD	1	
20	437-83936-01-00	BAND, SWITCH CORD	1	

25Y100-3030

www.legends-yamaha-enduros.com

INTAKE

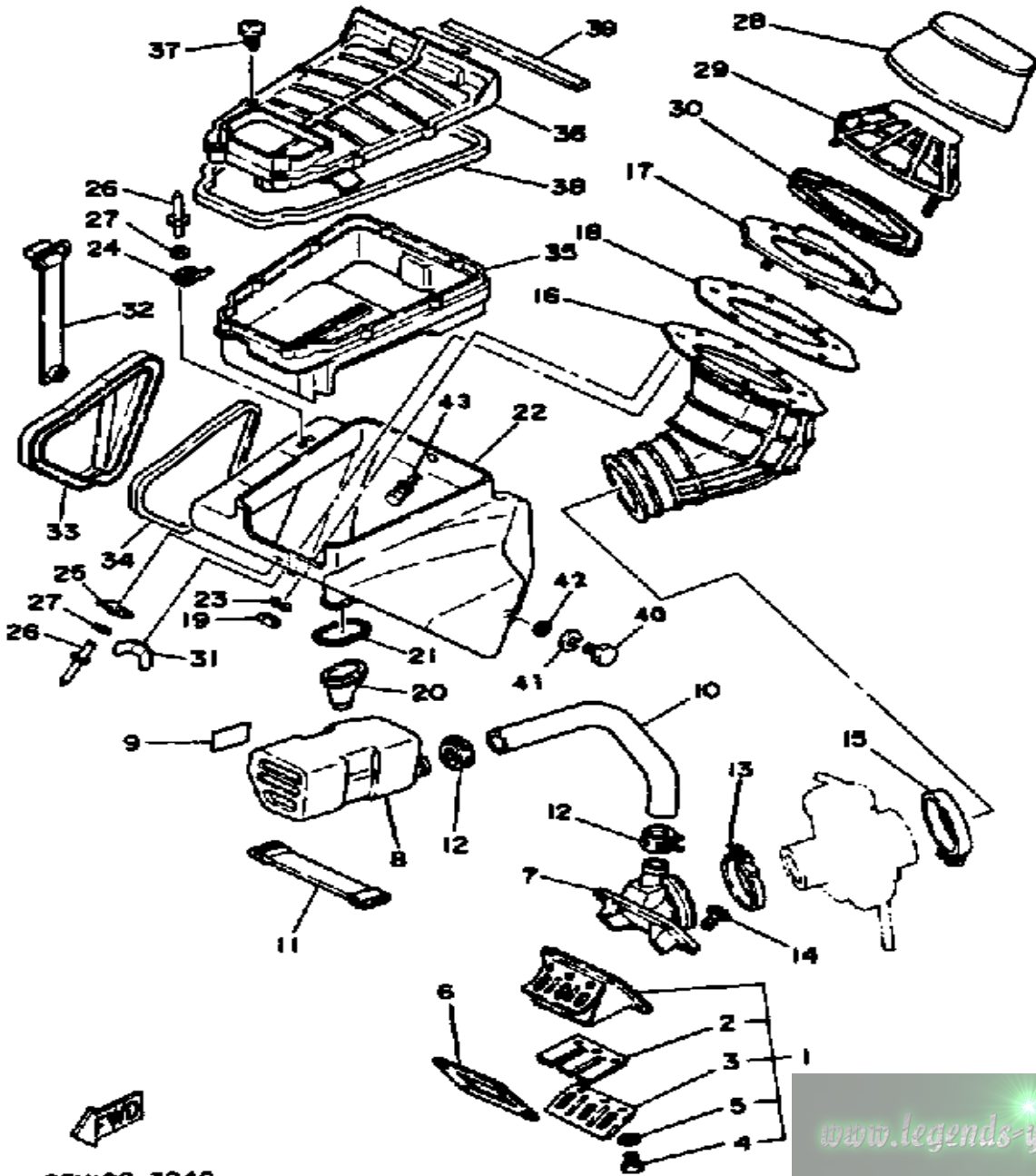


25Y100-3040

Ref. No.	Part Number	Description	Qty	Remarks
1	3R5-13610-00-00	REED VALVE ASSEMBLY	1	
2	3R5-13613-00-00	. REED, VALVE	2	
3	2X5-13616-00-00	. STOPPER, REED VALVE	2	
4	98580-03008-00	. SCREW, PAN HEAD	6	
5	92990-03100-00	. WASHER, SPRING (92901-03100)	6	
6	80L-13621-01-00	GASKET, VALVE SEAT	1	
7	25Y-13565-00-00	JOINT, CARBURETOR	1	
8	4V3-13581-00-00	CHAMBER, AIR	1	
9	4V3-1441K-00-00	EMBLEM	1	
10	25Y-14465-00-00	PIPE	1	
11	1E6-82131-00-00	BAND, BATTERY	1	
12	90467-20050-00	CLIP, SCISSOR	2	
13	90460-51109-00	CLAMP, HOSE	1	
14	91316-06020-00	BOLT, SOCKET HEAD	4	
15	90460-68231-00	CLAMP, HOSE	1	
16	26A-14453-00-00	JOINT, AIR CLNR 1	1	
17	26A-14477-00-00	PLATE	1	
18	26A-14462-00-00	SEAL	1	
19	95601-05100-00	NUT, U	6	
20	22W-14457-00-00	SEAL	1	
21	90504-03033-00	SPRING, COMPRESSION	1	
22	26A-14411-01-00	CASE, AIR CLEANER 1	1	
23	92990-05200-00	WASHER, PLAIN	6	
24	26A-14436-00-00	HOOK	1	
25	(26A-14484-00-00)	PLATE, CLNR CS FTNG	1	
26	90267-40077-00	RIVET, BLIND	4	
27	92990-04200-00	WASHER, PLAIN	4	
28	26A-W1442-00-00	ELEMENT, AIR CLNR	1	

CONTINUED ON NEXT FRAME ►

INTAKE

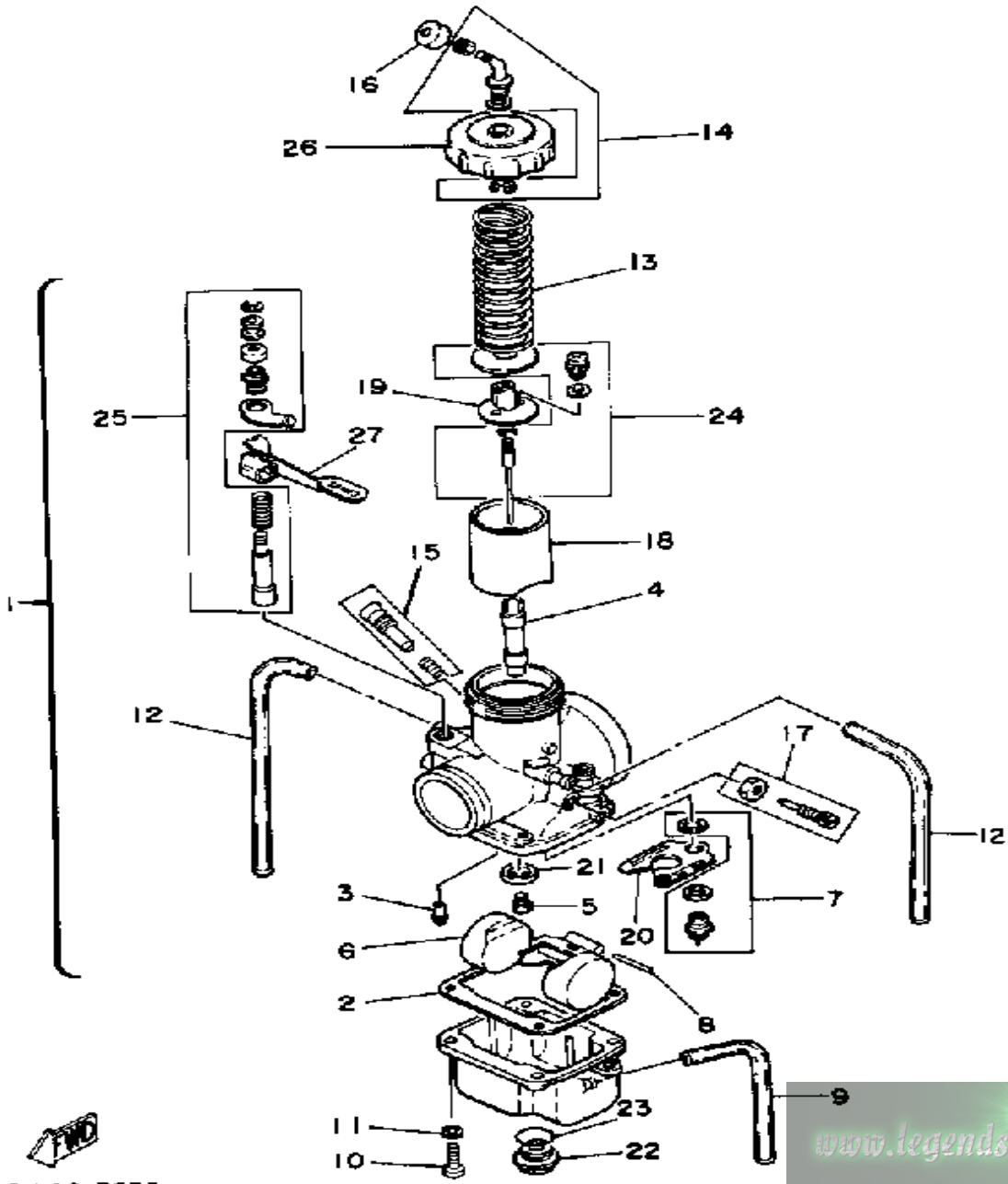


25Y100-3040

www.legends-yamaha-enduros.com

Ref. No.	Part Number	Description	Qty	Remarks
29	26A-14458-00-00	GUIDE, ELEMENT	1	
30	26A-14459-00-00	HOLDER, GUIDE	1	
31	90175-06015-00	NUT, WING	2	
32	26A-14455-00-00	BAND	1	
33	26A-14422-00-00	CAP, CLEANER CASE 2	1	
34	26A-14457-00-00	SEAL	1	
35	26A-14437-00-00	DUCT	1	
36	26A-14412-00-00	CAP, CLEANER CASE 1	1	
37	97780-40112-00	SCREW, TAPPING	8	
38	26A-14452-00-00	SEAL	1	
39	26A-14467-00-00	SEAL	1	
40	97313-06016-00	BOLT, HEXAGON	1	
41	92995-06100-00	WASHER, SPRING	1	
42	92901-06600-00	WASHER	1	
43	90119-06056-00	BOLT, WITH WASHER	1	

CARBURETOR



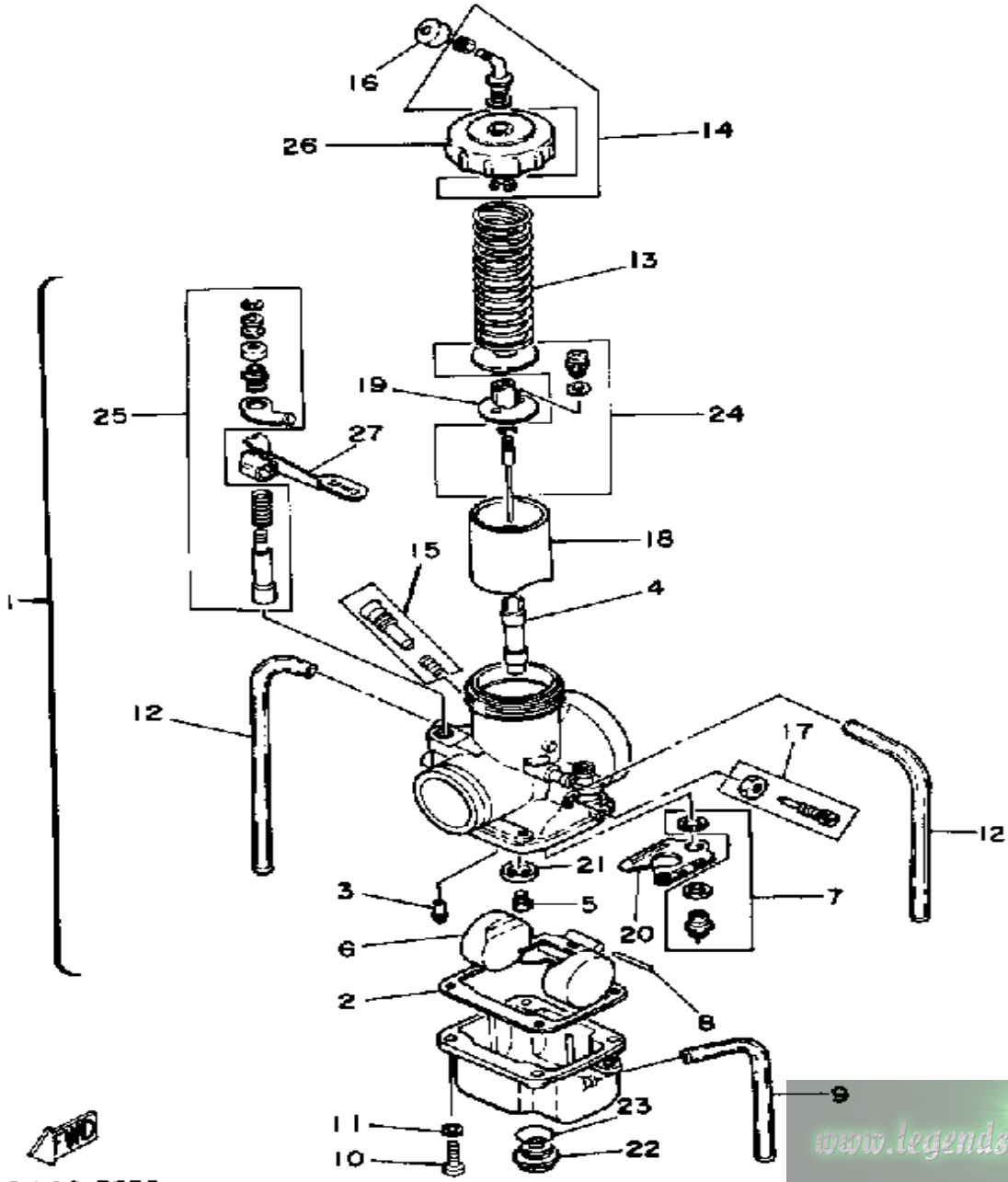
25Y100-3050

Ref. No.	Part Number	Description	Qty	Remarks
1	25Y-14101-00-00	CARBURETOR ASSEMBLY 1	1	
2	363-14184-00-00	. GASKET, FLOAT CHMBR	1	
3	193-14142-50-00	. JET, PILOT (# 50)	1	
4	239-14141-32-00	. NOZZLE, MAIN (0-2)	1	
5	137-14143-76-00	. JET, MAIN (#380)	1	U.R.
	137-14143-78-00	. JET, MAIN (#390)	1	STD
	137-14143-80-00	. JET, MAIN (#400)	1	U.R.
6	2N7-14185-00-00	. FLOAT	1	
7	24X-14107-30-00	. NEEDLE VALVE SET (239-14190-30) (3.0)	1	
8	537-14186-00-00	. PIN, FLOAT	1	
9	3Y3-14196-00-00	. PIPE, OVERFLOW	1	
10	98580-05016-00	. SCREW, PAN HEAD	4	
11	92990-05100-00	. WASHER, SPRING	4	
12	310-14197-00-00	. PIPE, AIRVENT	2	
13	363-14131-00-00	. SPRING, THROTTLE VALVE	1	
14	23X-14106-00-00	. CABLE ADJUST SCREW SET	1	
15	26A-14104-00-00	. AIR SCREW SET (1W3-14123-00)	1	
16	1M1-14169-00-00	. CAP	1	
17	23X-14103-00-00	. THROTTLE SCREW SET	1	
18	(2X7-14112-20-00)	VALVE, THROTTLE 2 0	1	
19	509-14274-00-00	. CONNECTOR	1	
20	3R4-14146-00-00	. PLATE	1	
21	(2X7-14194-00-00)	RING	1	
22	510-14115-00-00	. PLUG, SCREW	1	
23	558-14147-00-00	. O-RING	1	
24	25Y-1490J-00-00	. NEEDLE SET	1	
25	26A-1410A-00-00	. STARTER SET	1	

CONTINUED ON NEXT FRAME ►

CARBURETOR

Ref. No.	Part Number	Description	Qty	Remarks
26	1W3-14158-00-00	. TOP, MIXING CHAMBER 1	
27	1W3-14175-00-00	. COVER, PLUNGER CAP (1W3-14173-00-00) 1	

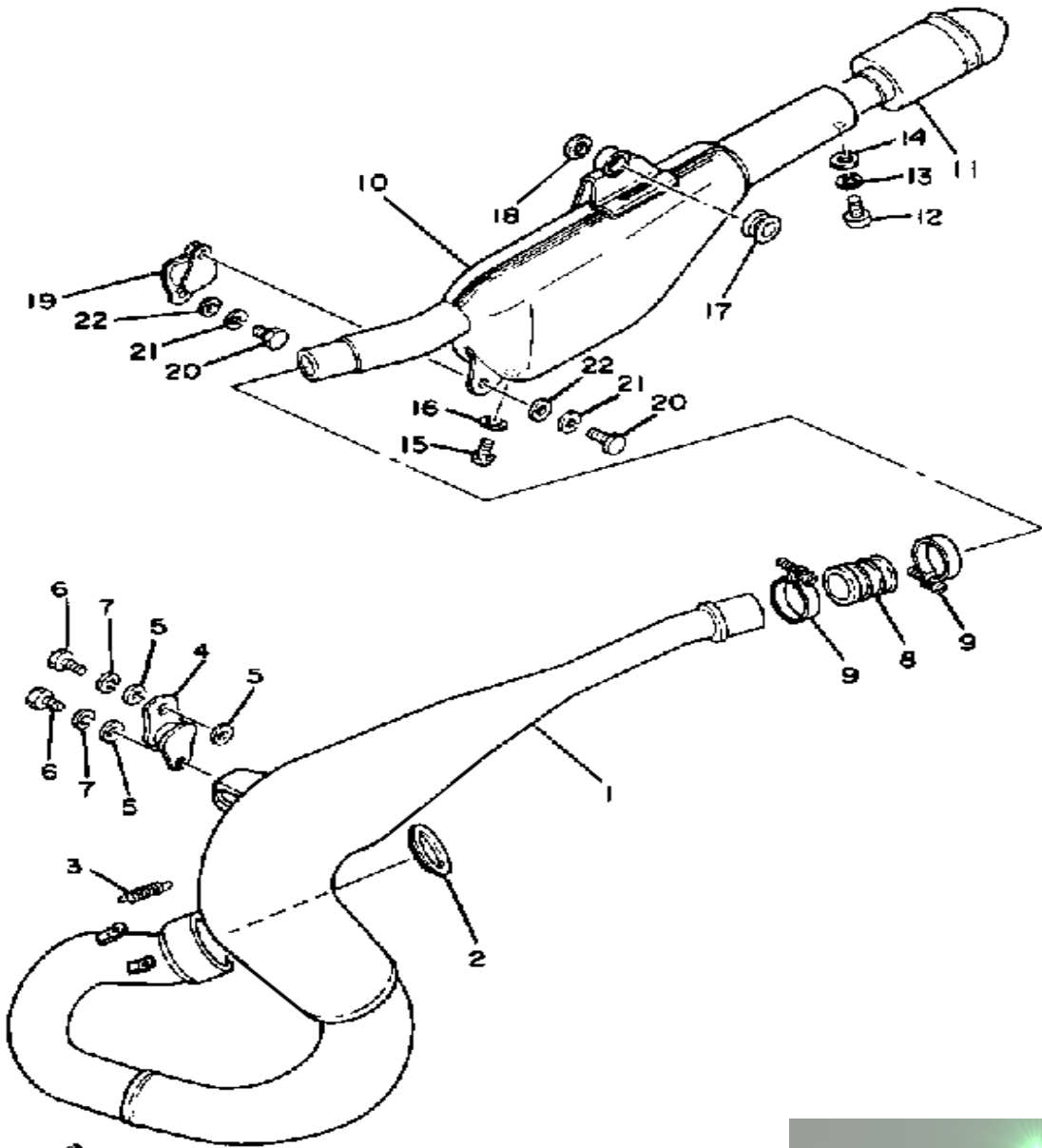


25Y100-3050

www.legends-yamaha-enduros.com

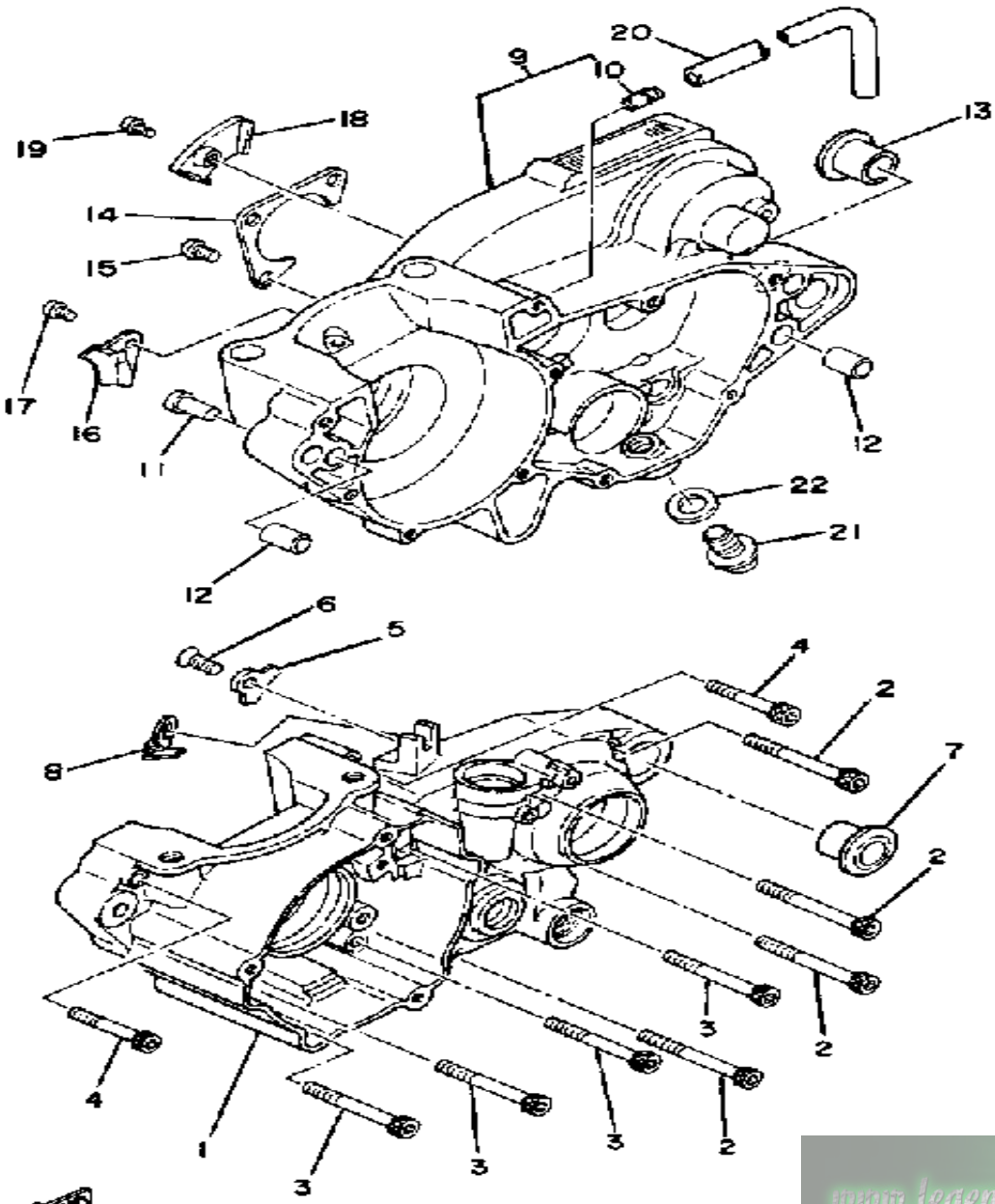
EXHAUST

Ref. No.	Part Number	Description	Qty	Remarks
1	25Y-14610-00-00	EXHAUST PIPE ASSEMBLY L	1	
2	3R4-14613-00-00	GASKET, EXST PIPE	1	
3	90507-20030-00	SPRING, TENSION	3	
4	3R4-14781-03-00	STAY, MUFFLER 2 (3R4-14781-01)	1	
5	90201-08730-00	WASHER, PLATE	3	
6	97313-08018-00	BOLT, HEXAGON (97301-08016)	2	
7	92990-08100-00	WASHER	2	
8	1M1-14714-00-00	GASKET, MUFFLER	1	
9	90460-43053-00	CLAMP, HOSE	2	
10	26A-14753-00-00	SILENCER, EXHAUST	1	
11	4V5-14752-00-00	PIPE, OUTLET	1	
12	98580-06012-00	SCREW, PAN HEAD	1	
13	92995-06100-00	WASHER, SPRING	1	
14	92901-06600-00	WASHER	1	
15	98580-06008-00	SCREW, PAN HEAD	1	
16	90202-05187-00	WASHER, PLATE	1	
17	90480-22269-00	GROMMET	1	
18	90201-14218-00	WASHER, PLATE	1	
19	565-14771-00-00	STAY, MUFFLER 1	1	
20	97313-06016-00	BOLT, HEXAGON	2	
21	92995-06100-00	WASHER, SPRING	2	
22	92901-06600-00	WASHER	2	



FWD
25Y100-3060

CRANKCASE

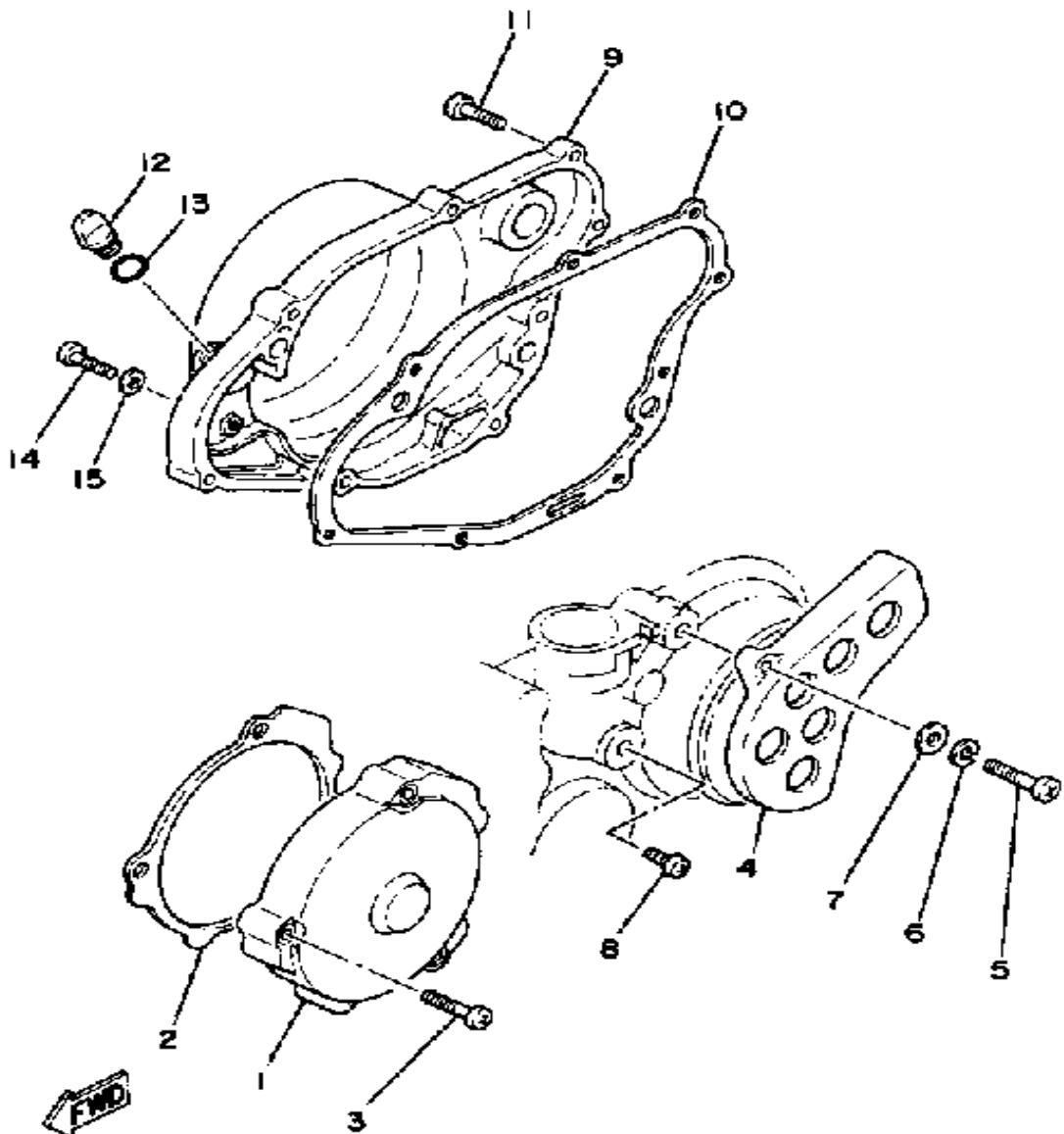


Ref. No.	Part Number	Description	Qty	Remarks
1	3R4-15111-03-00	CRANKCASE 1	1	
2	91316-06060-00	BOLT	4	
3	91316-06055-00	BOLT, SOCKET HEAD	4	
4	91316-06040-00	BOLT, SOCKET HEAD	2	
5	3AK-15383-01-00	PLATE, BRNG COVER	2	
6	98603-06012-00	SCREW, OVAL HEAD (92701-06012)	2	
7	90387-160H4-00	COLLAR	1	
8	23X-26393-00-00	HOLDER	1	
9	3R4-W1512-01-00	CRANKCASE 2 (3R4-15121-01)	1	
10	137-13115-00-00	. CONNECTOR, SUCTION PIPE	1	
11	90338-07011-00	PLUG, SPEC'L SHAPE	1	
12	99510-12016-00	PIN, DOWEL	4	
13	90387-160H4-00	COLLAR	1	
14	23X-15381-00-00	PLATE, BRNG COVER	1	
15	98580-06012-00	SCREW, PAN HEAD	3	
16	3R4-15118-00-00	HOLDER	1	
17	98580-06010-00	SCREW, PAN HEAD (92503-06010)	1	
18	3R4-15113-00-00	PLATE	1	
19	98580-06012-00	SCREW, PAN HEAD	1	
20	90445-08605-00	HOSE	1	
21	90340-12097-00	PLUG, STRAIGHT SCREW	1	
22	90430-12207-00	GASKET	1	

www.legends-yamaha-enduros.com

25Y100-3070

CRANKCASE COVER

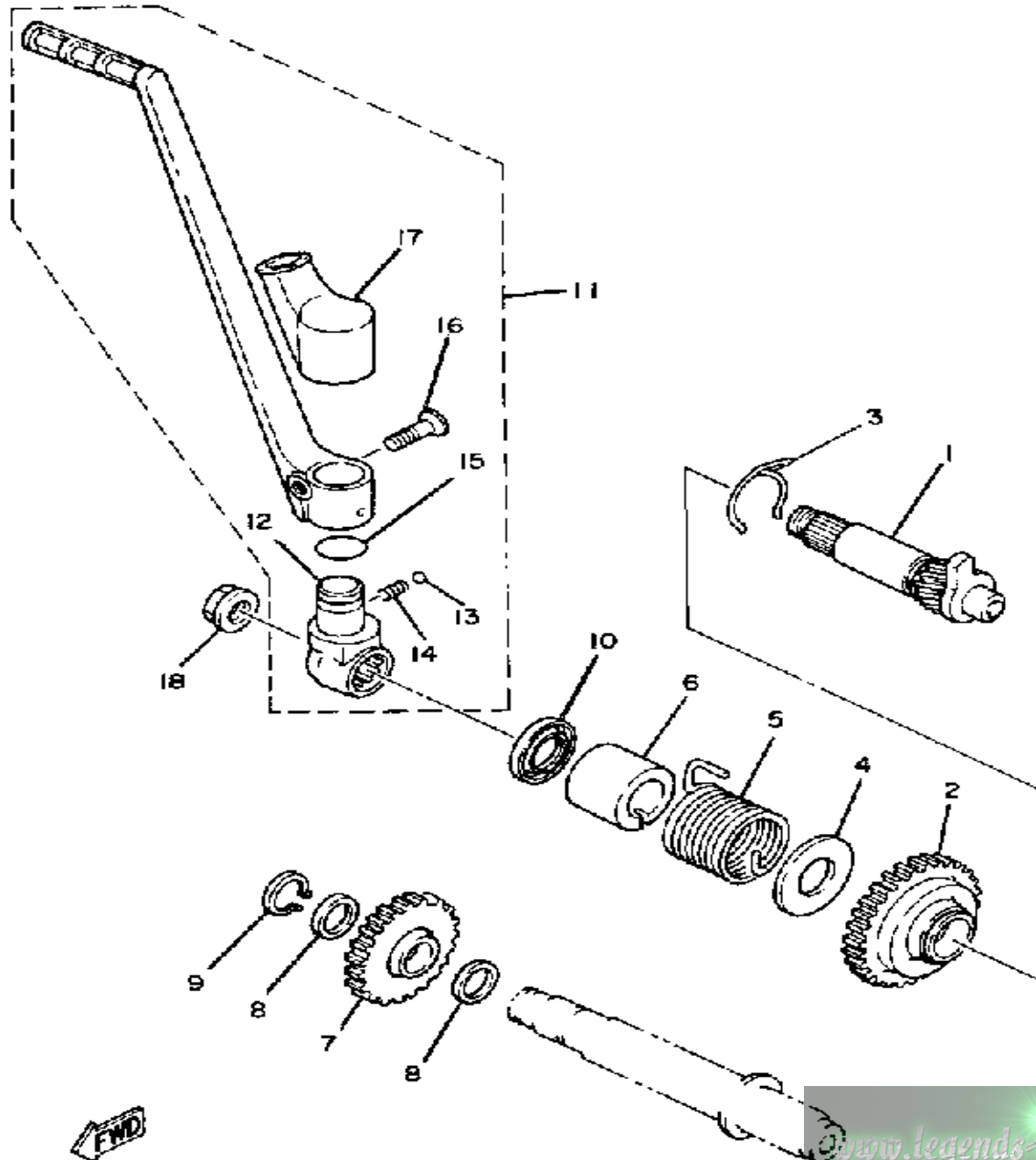


Ref. No.	Part Number	Description	Qty	Remarks
1	4V5-15411-00-00	COVER, CRANKCASE L	1	
2	4V5-15451-00-00	GASKET, CRCS COVER	1	
3	98506-06035-00	SCREW, PAN HEAD	3	
4	26A-15421-00-00	COVER, CRANKCASE R	1	
5	98506-06025-00	SCREW, PAN HEAD	1	
6	92906-06100-00	WASHER, SPRING	1	
7	92906-06600-00	WASHER	1	
8	98516-06012-00	SCREW, PAN HEAD	1	
9	3R4-15431-02-00	COVER, CRANKCASE 3 (3R4-15431-00)	1	
10	3R4-15462-00-00	GASKET, CRCS CVR 3COVER 3	1	
11	98506-06025-00	SCREW, PAN HEAD	8	
12	1G8-15362-00-00	PLUG, OIL LEVEL	1	
13	93210-14104-00	O-RING	1	
14	98506-06008-00	SCREW, PAN HEAD (92506-06008-00)	1	
15	90430-06016-00	GASKET	1	

www.legends-yamaha-enduros.com

25Y100-3080

KICK STARTER



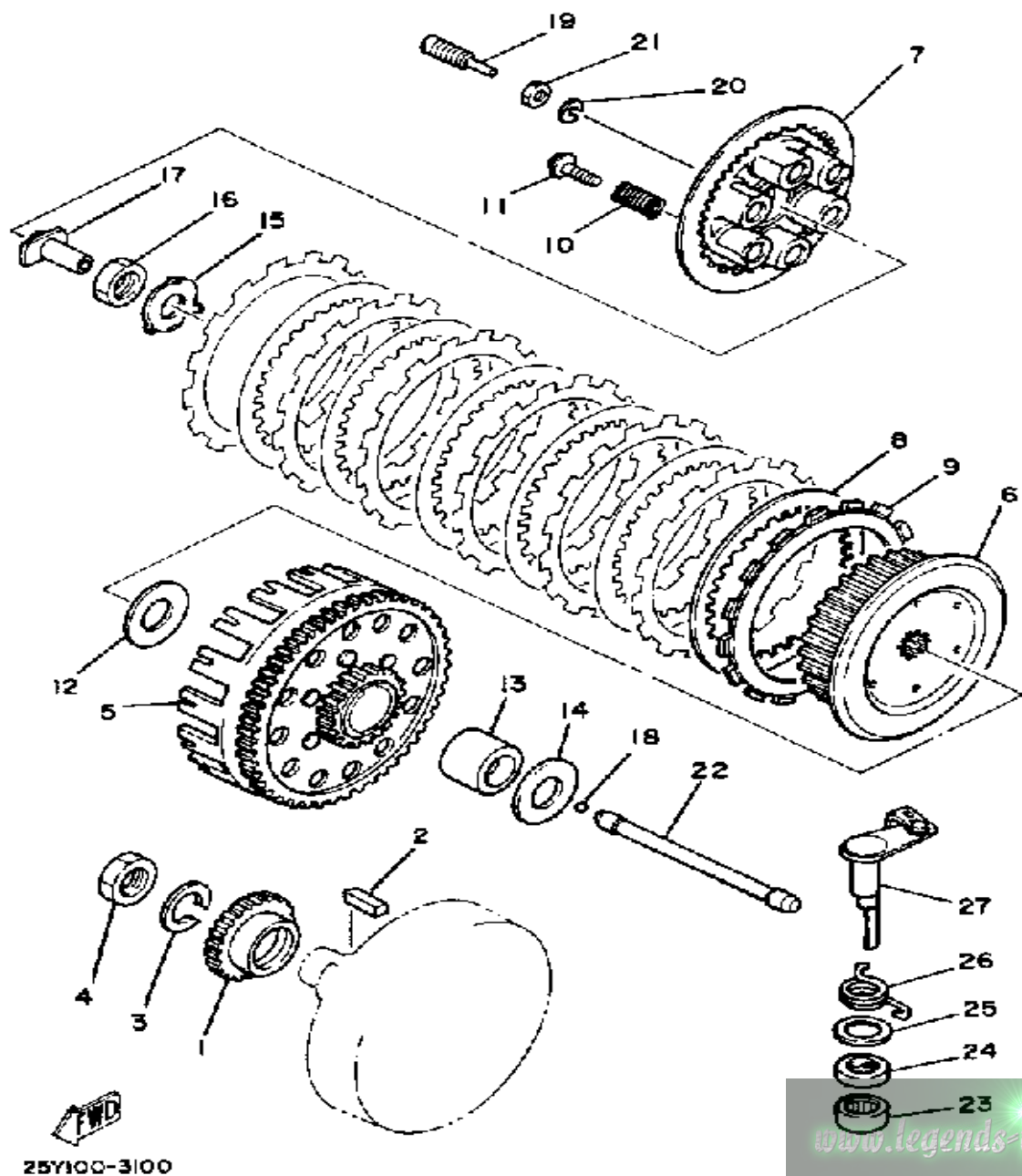
Ref. No.	Part Number	Description	Qty	Remarks
1	57H-15661-00-00	KICK AXLE ASSEMBLY	1	
2	3R4-15641-00-00	GEAR, KICK	1	
3	90468-26048-00	CLIP	1	
4	90201-20358-00	WASHER, PLATE	1	
5	90508-30422-00	SPRING, TORSION	1	
6	3R4-15664-00-00	GUIDE, SPRING	1	
7	3R4-15651-00-00	GEAR, KICK IDLE	1	
8	90201-17545-00	WASHER, PLATE	2	
9	99009-17400-00	CIRCLIP	1	
10	93102-20309-00	SEAL, OIL	1	
11	26A-15620-01-00	KICK CRANK ASSEMBLY	1	
12	26A-15621-00-00	. BOSS, KICK CRANK	1	
13	93501-04011-00	. BALL	1	
14	90501-13720-00	. SPRING, COMPRESSION	1	
15	93210-19501-00	. O-RING	1	
16	90157-06048-00	. SCREW, PAN HEAD - (90152-06010)	1	
17	23X-15618-00-00	. COVER, KICK LEVER	1	
18	90179-12244-00	NUT, SPEC'L SHAPE	1	



2EAI00-3090

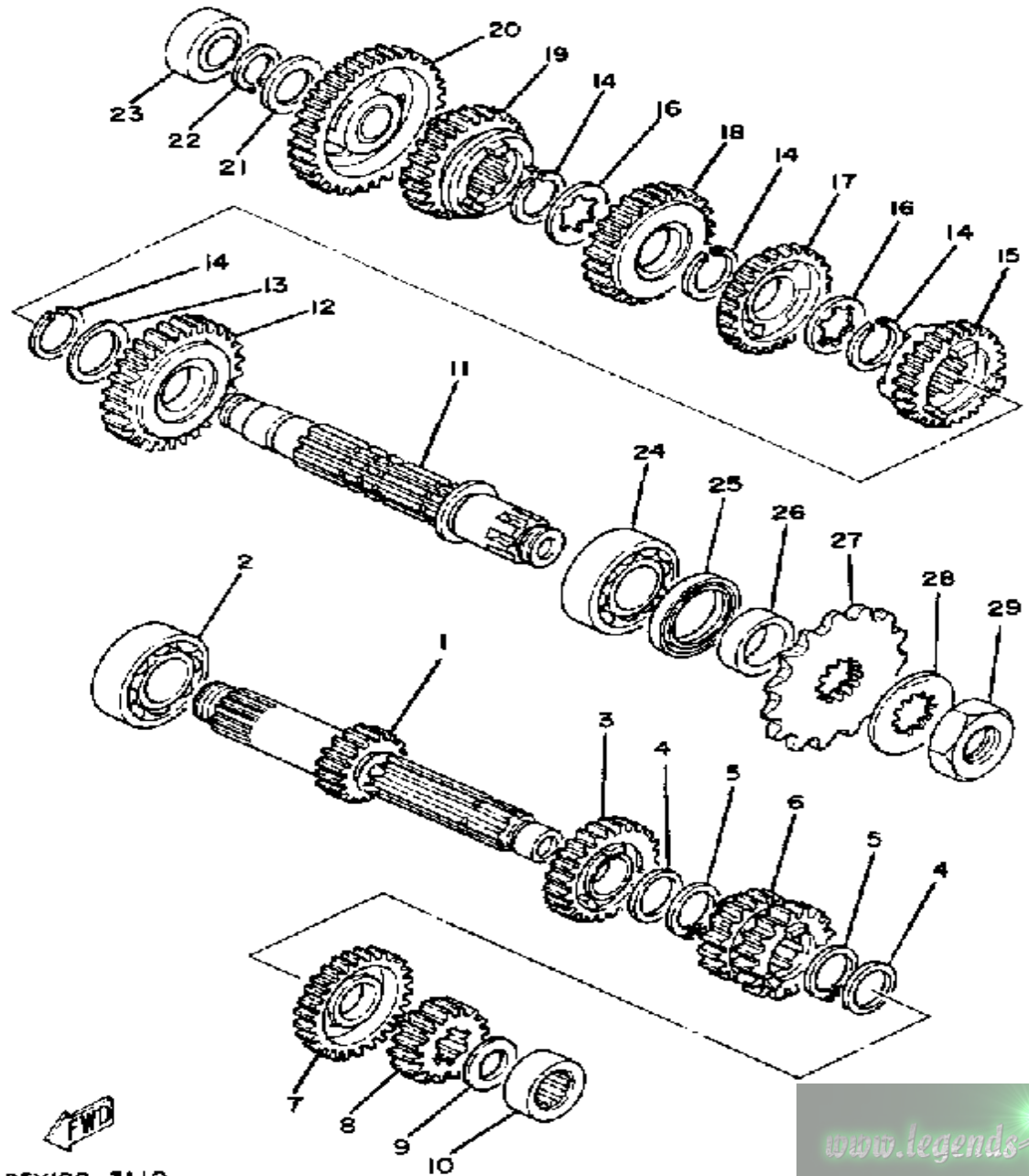
www.legends-yamaha-enduros.com

CLUTCH



Ref. No.	Part Number	Description	Qty	Remarks
1	(25Y-16111-00-00)	GEAR, PRI DRIVE	1	
2	90282-07019-00	KEY, STRAIGHT	1	
3	92901-18100-00	WASHER, SPRING	1	
4	90170-18089-00	NUT, HEXAGON	1	
5	39X-16150-00-00	PRI DRVN GEAR GEAR COMP	1	
6	23X-16371-00-00	BOSS, CLUTCH	1	
7	23X-16351-00-00	PLATE, PRESSURE 1	1	
8	4H7-16325-00-00	PLATE, CLUTCH 2	6	
9	5X5-16321-00-00	PLATE, FRICTION	7	
10	90501-23138-00	SPRING, COMPRESSION	6	
11	90159-06016-00	SCREW, WITH WASHER	6	
12	2K7-16154-00-00	PLATE, THRUST 1	1	
13	2K7-16181-00-00	SPACER 1	1	
14	2K7-16154-00-00	PLATE, THRUST 1	1	
15	90215-20212-00	WASHER, LOCK	1	
16	90170-20255-00	NUT	1	
17	23X-16356-00-00	ROD, PUSH 1	1	
18	93515-32029-00	BALL	1	
19	90149-06179-00	SCREW, SPEC'L SHAPE	1	
20	92995-06100-00	WASHER, SPRING	1	
21	95380-06600-00	NUT	1	
22	2K7-16357-01-00	ROD, PUSH 2	1	
23	93315-21721-00	BEARING, CYLINDER.# 5	1	
24	93102-17263-00	OIL SEAL	1	
25	90201-17327-00	WASHER, PLATE	1	
26	90508-14423-00	SPRING, TORSION	1	
27	4V4-16380-00-00	PUSH LEVER ASSEMBLY	1	

TRANSMISSION



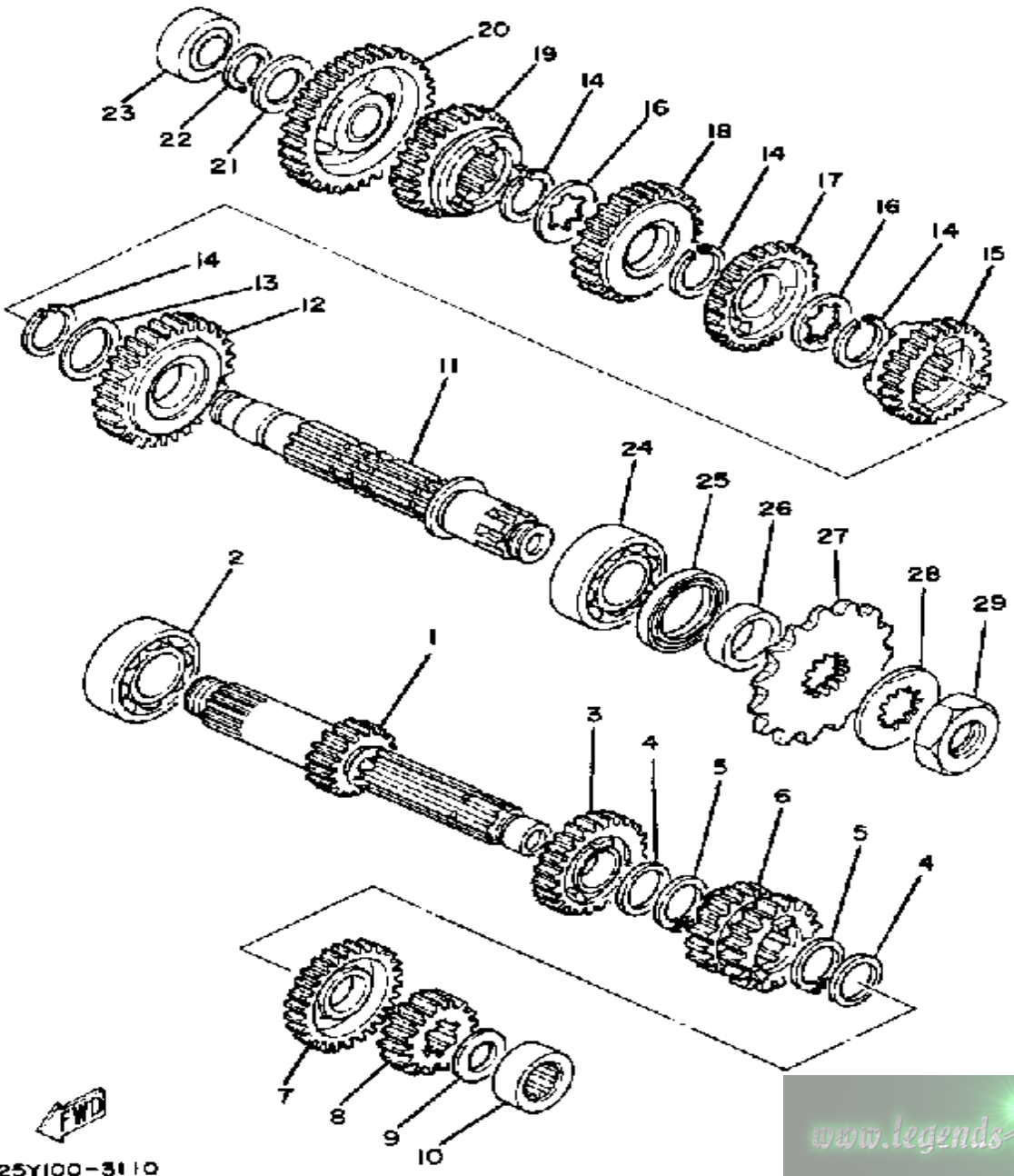
Ref. No.	Part Number	Description	Qty	Remarks
1	25Y-17411-00-00	AXLE, MAIN	1	
2	93300-20501-00	BEARING	1	
3	25Y-17151-00-00	GEAR, 5TH PINION	1	
4	90201-22555-00	WASHER, PLATE	2	
5	93410-22039-00	CIRCLIP	2	
6	25Y-17131-00-00	GEAR, 3RD PINION	1	
7	25Y-17161-00-00	GEAR, 6TH PINION	1	
8	25Y-17121-00-00	GEAR, 2ND PINION	1	
9	90209-17311-00	WASHER, SPEC'L SHAP	1	
10	93311-41734-00	BEARING, CYLINDER.# 1	1	
11	3R4-17421-00-00	AXLE, DRIVE	1	
12	25Y-17221-00-00	GEAR, 2ND WHEEL	1	
13	90201-253K0-00	WASHER, PLATE (T=1.0)	1	
14	93440-25084-00	CIRCLIP	4	
15	25Y-17261-00-00	GEAR, 6TH WHEEL	1	
16	90209-22082-00	WASHER (0.5T)	2	
17	25Y-17241-00-00	GEAR, 4TH WHEEL	1	
18	25Y-17231-00-00	GEAR, 3RD WHEEL	1	
19	25Y-17251-00-00	GEAR, 5TH WHEEL	1	
20	25Y-17211-00-00	GEAR, 1ST WHEEL	1	
21	90201-20278-00	WASHER, PLATE	1	
22	93410-20038-00	CIRCLIP	1	
23	93311-62035-00	BEARING, CYLINDER.# 1	1	
24	93300-20501-00	BEARING	1	
25	93102-32M07-00	OIL SEAL	1	
26	90387-25663-00	COLLAR	1	
27	93834-13030-00	SPROCKET, DRIVE 13T (23X1746130)	1	STD
	93834-14051-00	SPROCKET, DRIVE (23X-17461-40)	1	ALTERNATE PART

CONTINUED ON NEXT FRAME ➤

25Y100-3110

www.legends-yamaha-enduro.com

TRANSMISSION

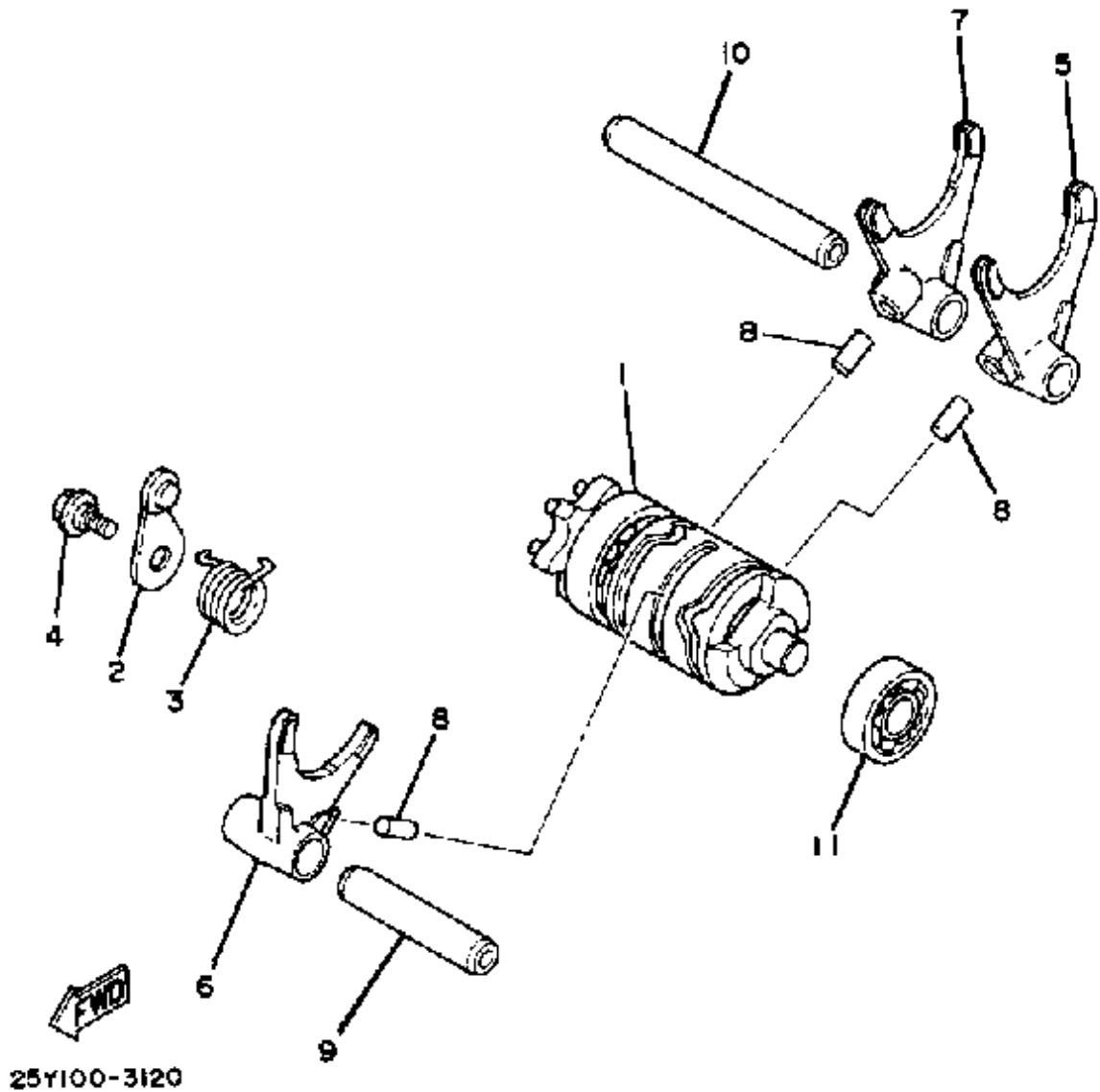


Ref. No.	Part Number	Description	Qty	Remarks
27	93834-15078-00	SPROCKET, DRIVE	1	ALTERNATE PART
28	90215-21239-00	WASHER, LOCK	1	
29	90179-20255-00	NUT	1	

25Y100-3110

www.legends-yamaha-enduros.com

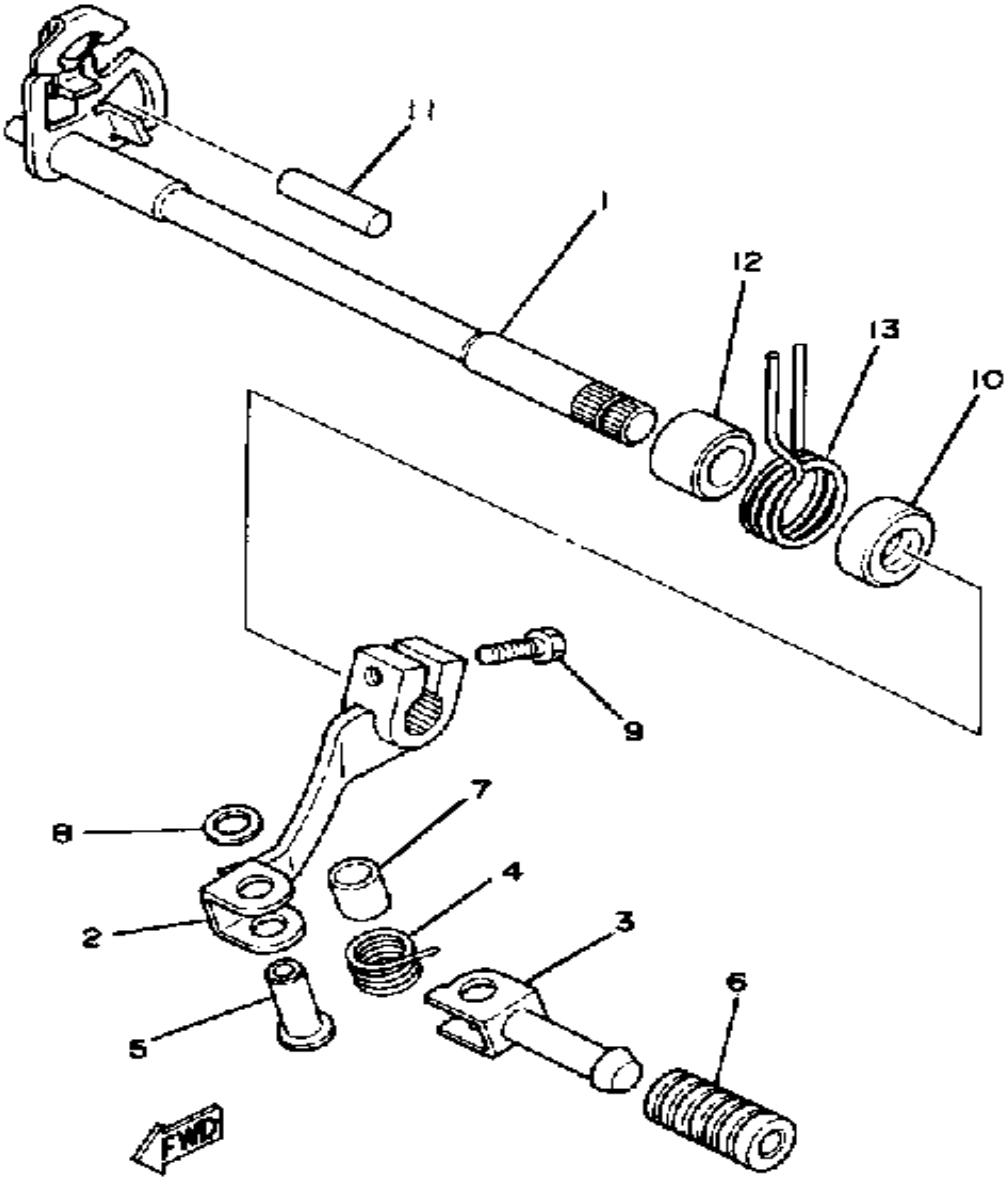
SHIFT CAM - FORK



Ref. No.	Part Number	Description	Qty	Remarks
1	25Y-18540-00-00	SHIFT CAM ASSEMBLY	1	
2	3R4-18140-00-00	STOPPER LEVER ASSEMBLY	1	
3	90508-26421-00	SPRING, TORSION	1	
4	50W-21631-00-00	BOLT 1	1	
5	3R4-18511-01-00	FORK, SHIFT 1	1	
6	3R4-18512-01-00	FORK, SHIFT 2	1	
7	25Y-18513-00-00	FORK, SHIFT 3	1	
8	93606-14154-00	PIN, DOWEL	3	
9	5X5-18531-01-00	BAR, SHIFT FORK GUIDE 1	1	
10	5X5-18535-00-00	BAR, SHIF FRK GDE 2	1	
11	93306-20110-00	BEARING (B6201)	1	

www.legends-yamaha-enduros.com

SHIFT SHAFT - PEDAL

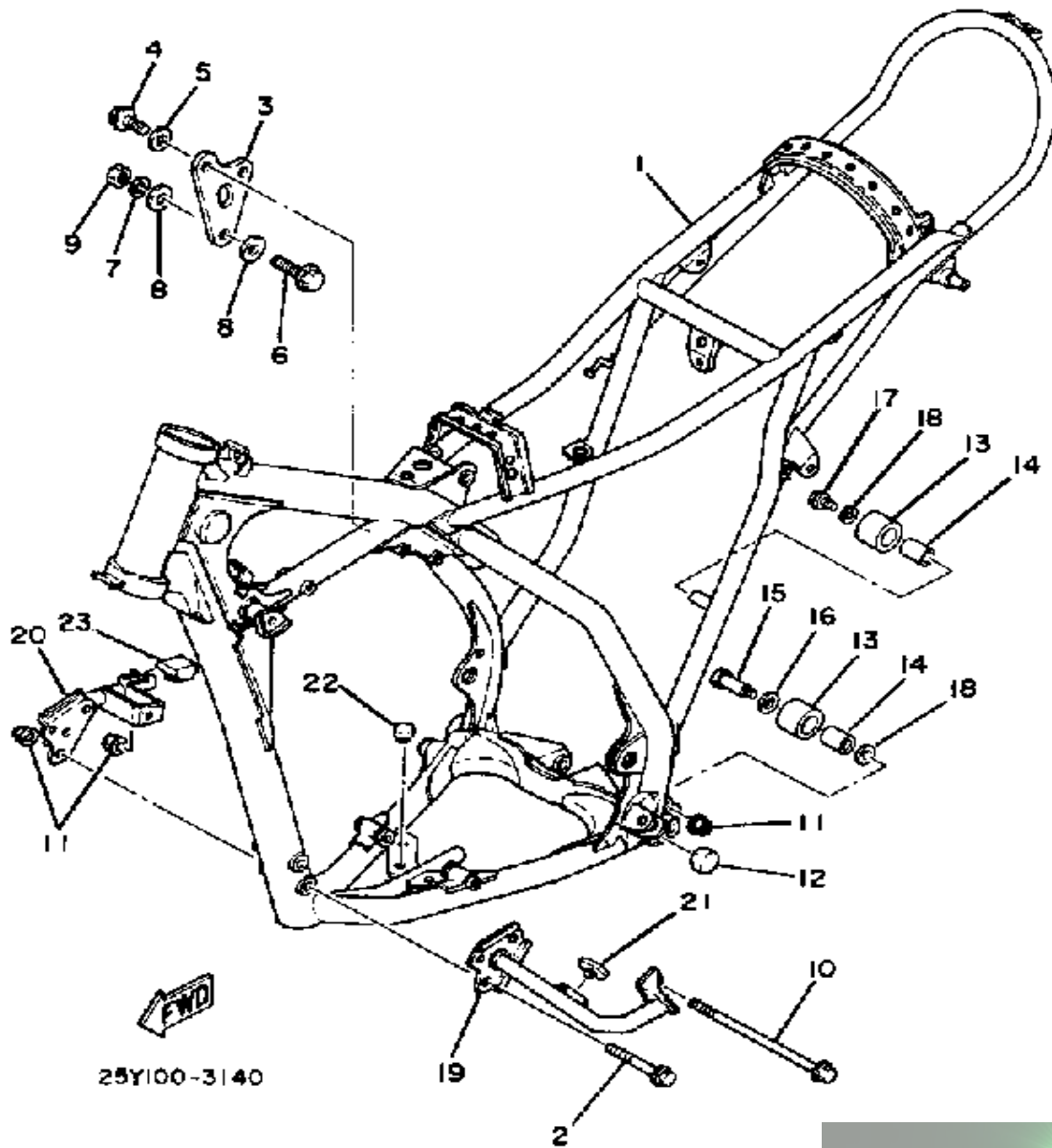


Ref. No.	Part Number	Description	Qty	Remarks
1	23X-18101-01-00	SHIFT SHAFT ASSEMBLY 1	1	
2	5X6-18110-00-00	PEDAL, SHIFT	1	
3	(5X4-18162-00-00)	PEDAL, SHIFT	1	
4	90508-16558-00	SPRING, TORSION (90508-14516)	1	
5	90243-08020-00	PIN	1	
6	1W6-18113-00-00	COVER, SHIFT PEDAL	1	
7	90446-11180-00	HOSE	1	
8	90201-06042-00	WASHER, PLATE	1	
9	97011-06020-00	BOLT	1	
10	93102-12321-00	OIL SEAL, SD-TYPE	1	
11	93608-25150-00	PIN, DOWEL	1	
12	90560-12171-00	SPACER	1	
13	90508-29361-00	SPRING, TORSION	1	

26A100-3130



FRAME

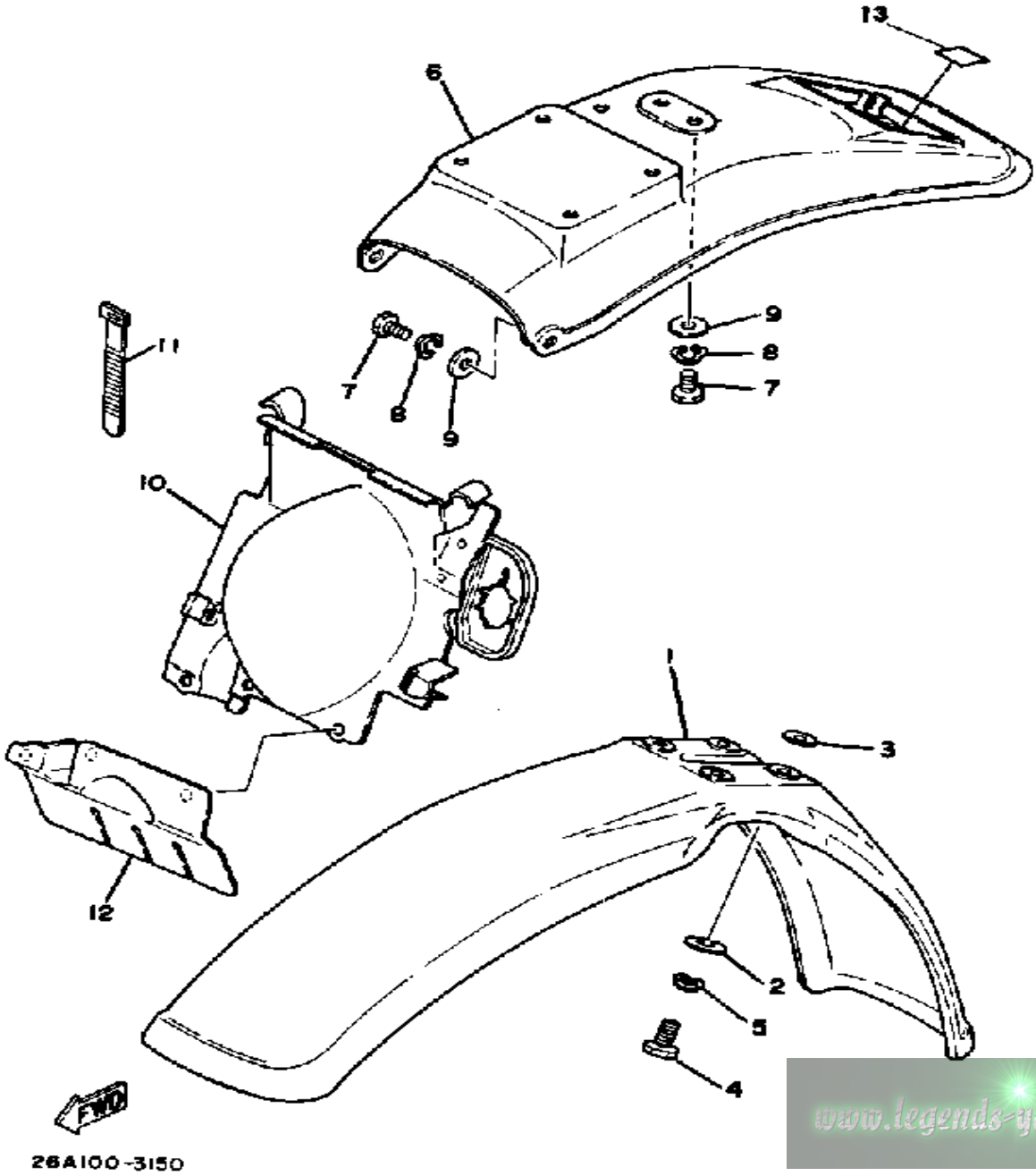


25Y100-3140

www.legends-yamaha-enduros.com

Ref. No.	Part Number	Description	Qty	Remarks
1	(26A-21110-00-33)	FRAME	1	YAMAHA BLACK
2	95811-08070-00	BOLT, FLANGE	3	
3	25Y-21425-00-00	BRACKET, REAR UPR 1	1	
4	95821-08025-00	BOLT, FLANGE	2	
5	90202-08022-00	WASHER, PLATE	2	
6	95811-10060-00	BOLT, FLANGE	1	
7	92990-10200-00	WASHER, PLAIN	1	
8	90201-100A1-00	WASHER, PLATE	2	
9	95601-10200-00	NUT, SELF-LOCKING	1	
10	95811-08175-00	BOLT, FLANGE	1	
11	95601-08200-00	NUT, U	4	
12	90336-25040-00	PLUG, TAPER	1	
13	30X-22178-00-00	TENSIONER	2	
14	4V4-22184-00-00	BUSH	2	
15	90109-08733-00	BOLT	1	
16	90201-13202-00	WASHER, PLATE	1	
17	95811-08016-00	BOLT, FLANGE	1	
18	90201-08753-00	WASHER, PLATE	2	
19	26A-2147A-00-33	GUARD, ENGINE 1	1	
20	(26A-2147E-00-33)	GUARD, ENGINE 2	1	
21	2J5-21732-00-00	SEAL 1	1	
22	22W-24181-00-00	DAMPER, LOCATING 1	2	
23	26A-21485-00-00	DAMPER, RUBBER 1	1	

FRONT FENDER - REAR FENDER

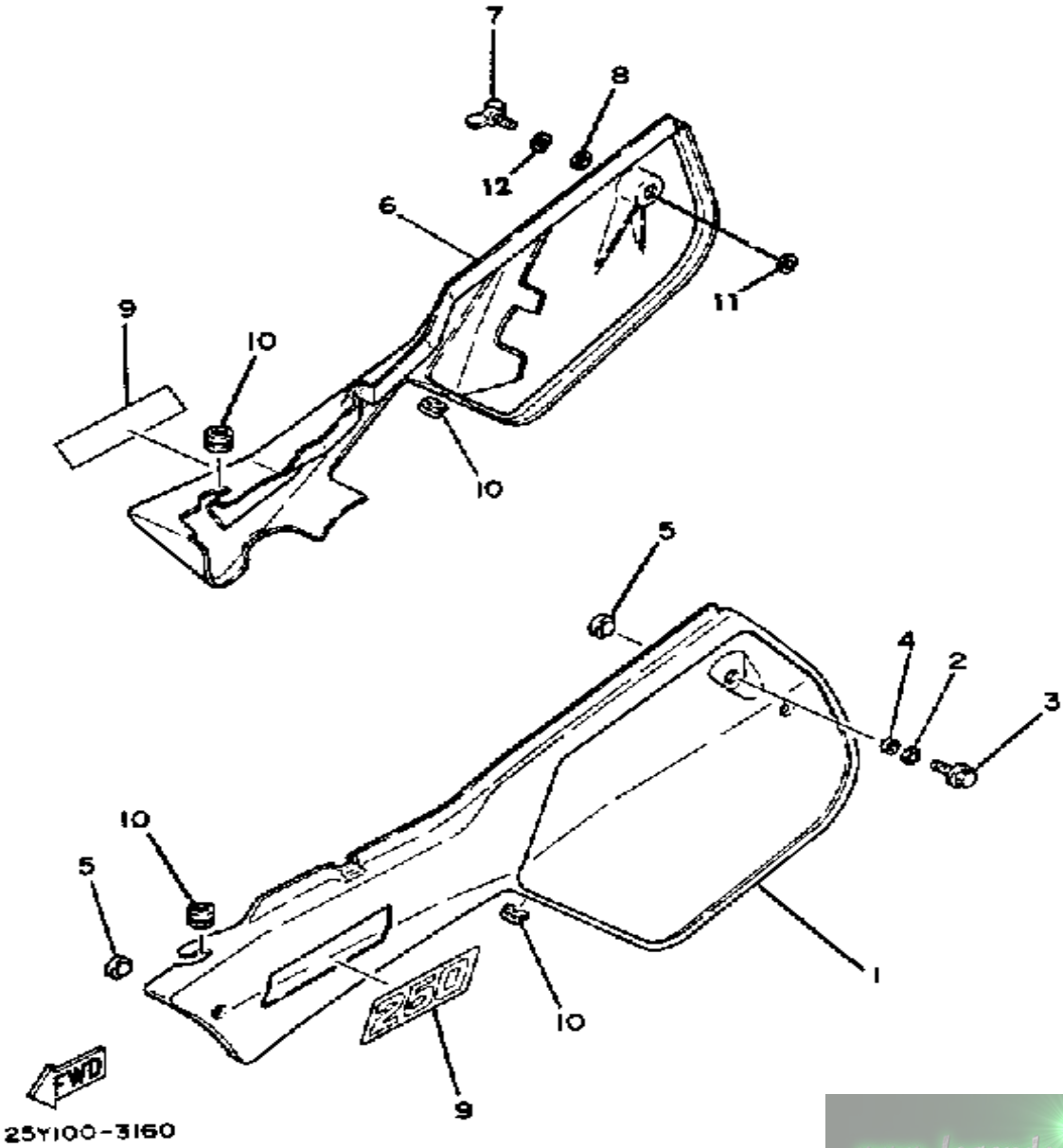


Ref. No.	Part Number	Description	Qty	Remarks
1	3R9-21511-11-00	FENDER, FRONT	1	SKY BLUE
2	90201-06571-00	WASHER, PLATE	4	
3	90209-06187-00	WASHER	4	
4	97023-06020-00	BOLT (3XF)	4	
5	92901-06700-00	WASHER, WAVE (92902-06700)	4	
6	26A-21610-00-00	FENDER, REAR	1	
7	97313-06016-00	BOLT, HEXAGON	4	
8	92901-06700-00	WASHER, WAVE (92902-06700)	4	
9	90201-06571-00	WASHER, PLATE	4	
10	26A-21620-00-00	GUARD, MUD	1	
11	437-83936-01-00	BAND, SWITCH CORD	2	
12	23X-21642-00-00	GUARD, FLAP	1	
13	2H7-21628-00-00	DAMPER 1 (4U5-2317J-00)	1	

www.legends-yamaha-enduros.com

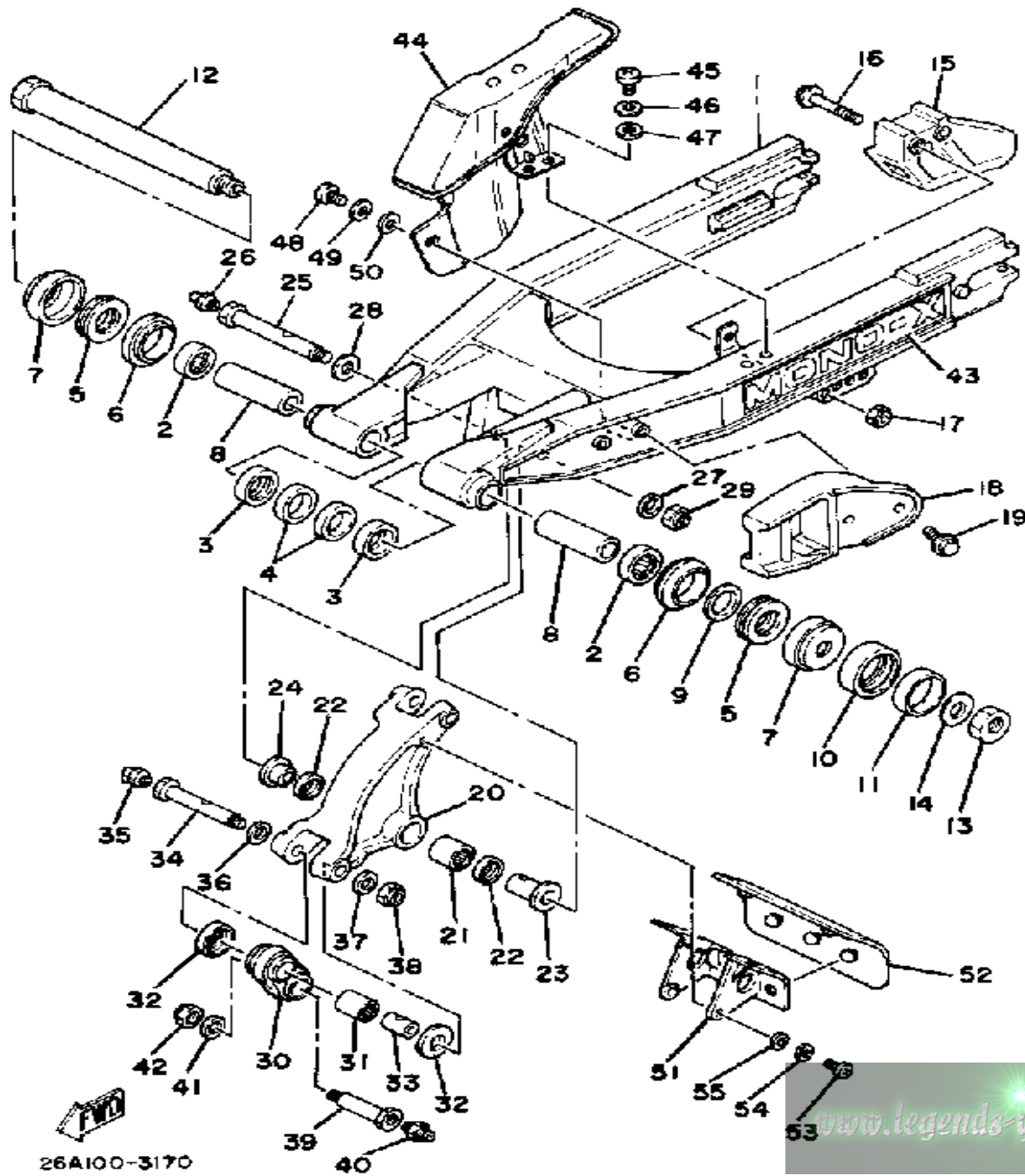
SIDE COVER

Ref. No.	Part Number	Description	Qty	Remarks
1	26A-21711-00-26	COVER, SIDE 1	1	COMPETITION YEL/SKY BLUE
2	92990-08200-00	WASHER, PLAIN	1	
3	95821-08020-00	BOLT, FLANGE (95801-08020)	1	
4	90387-083J6-00	COLLAR	1	
5	22W-24181-00-00	DAMPER, LOCATING 1	2	
6	26A-21721-00-26	COVER, SIDE 2	1	COMPETITION YEL/SKY BLUE
7	90122-06015-00	BOLT, WING	1	
8	90201-06571-00	WASHER, PLATE	1	
9	4V5-21737-00-00	EMBLEM	2	
10	90480-12053-00	GROMMET	4	
11	90179-06013-00	NUT, SPEC'L SHAPE	1	
12	92995-06100-00	WASHER, SPRING	1	



www.legends-yamaha-enduros.com

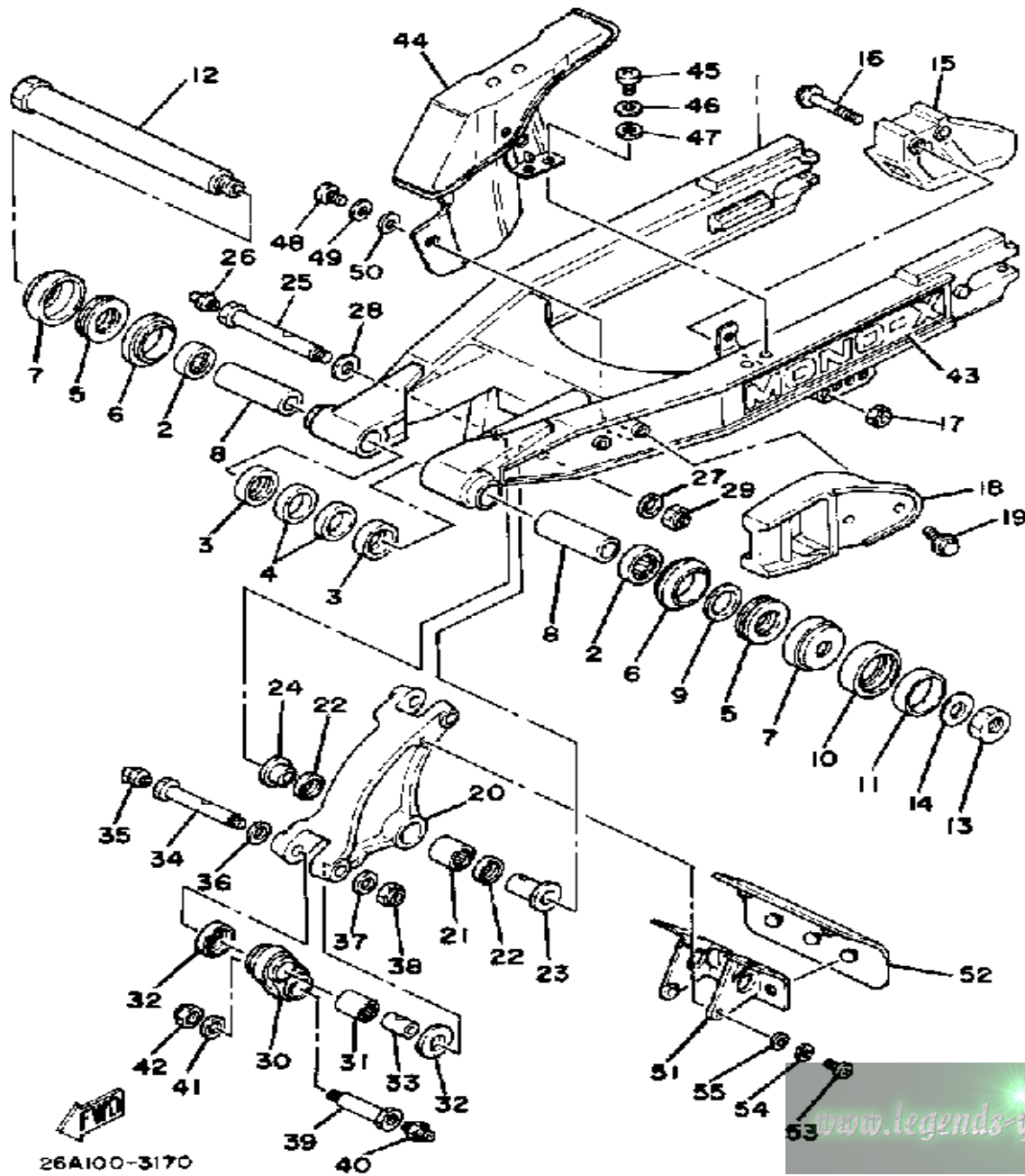
REAR ARM



Ref. No.	Part Number	Description	Qty	Remarks
1	(26A-22110-00-35)	REAR ARM	1	SILVER
2	93317-32231-00	BEARING	2	U.R.
3	90380-22111-00	BUSH, SOLID	2	
4	93106-22019-00	OIL SEAL (DC 22-28-8)	2	
5	93342-22208-00	BEARING, FLAT # 2	2	
6	93108-35004-00	OIL SEAL (35-41-8)	2	
7	3R4-22129-00-00	COVER, THRUST 2	2	
8	90380-16077-00	BUSH, SOLID	2	
9	240-22127-00-00	SHIM	1	
10	24X-22151-00-00	SEAL, GUARD	1	
11	90387-440G3-00	COLLAR	1	
12	5X6-22141-01-00	SHAFT, PIVOT	1	
13	90170-16111-00	NUT, HEXAGON	1	
14	90201-160F6-00	WASHER, PLATE	1	
15	23X-22199-00-00	SUPPORT, CHAIN	1	
16	95811-08055-00	BOLT, FLANGE	2	
17	95601-08200-00	NUT, U	2	
18	5X6-22147-01-00	PROTECTOR, CHAIN	1	
19	95811-06016-00	BOLT, FLANGE (95822-06016) .	2	
20	(23X-2217A-00-00)	ARM, RELAY	1	
21	93317-32034-00	BEARING, CYLINDER.# 7	1	
22	93109-20029-00	OIL SEAL, SDO-TYPE	2	
23	90387-147G6-00	COLLAR	1	
24	90387-147G7-00	COLLAR	1	
25	90109-12701-00	BOLT	1	
26	93700-06M03-00	NIPPLE, GREASE	1	
27	90201-120A5-00	WASHER, PLATE	1	
28	90201-142M6-00	WASHER, PLATE	1	
29	90185-12119-00	NUT, SELF-LOCKING	1	

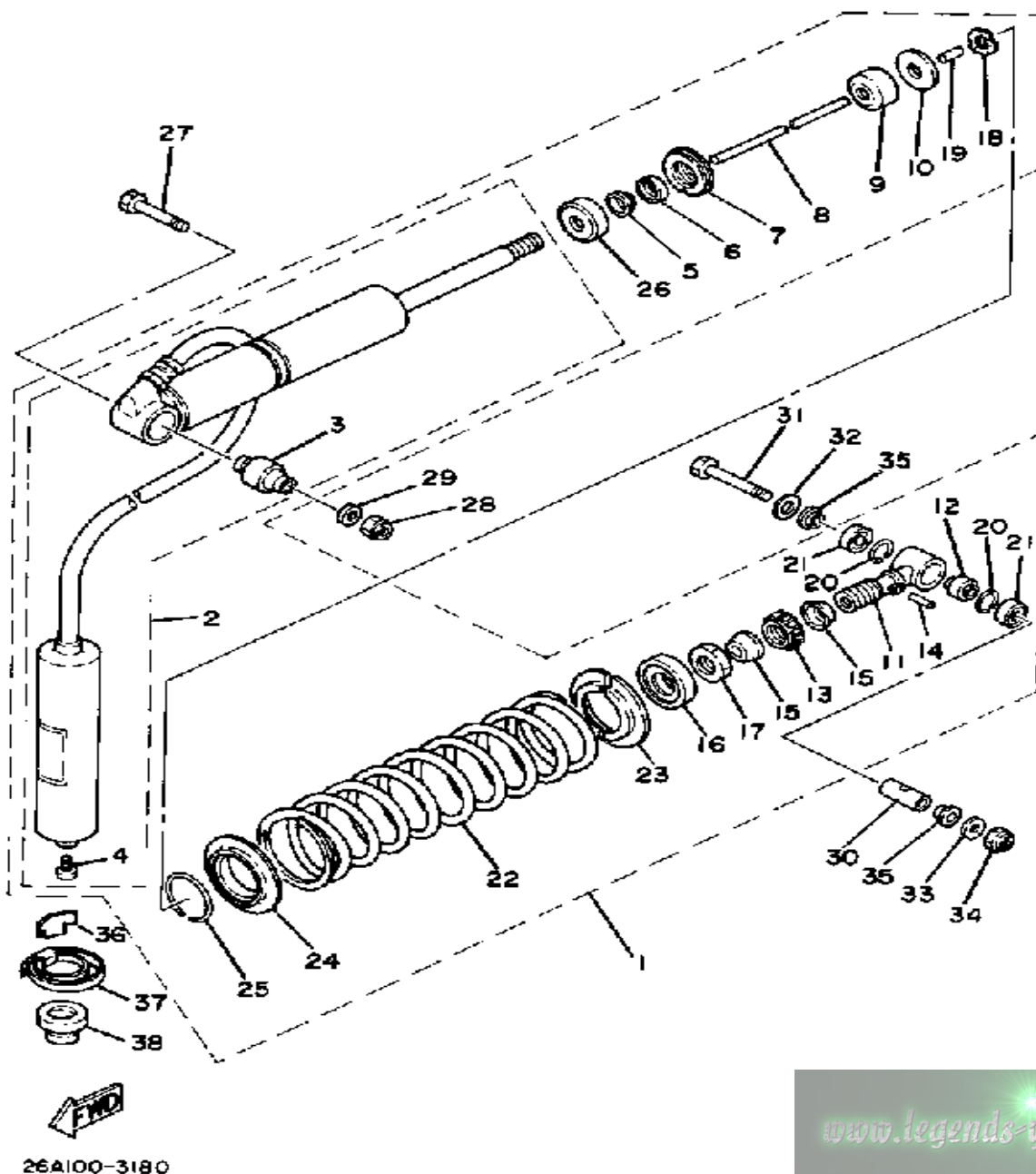
CONTINUED ON NEXT FRAME ➤

REAR ARM



Ref. No.	Part Number	Description	Qty	Remarks
30	23X-2217F-00-00	ROD, CONNECTING 1	1	
31	93315-31732-00	BEARING, CYLINDRICAL	2	
32	55K-22129-00-00	COVER, THRUST 2	4	
33	90387-121H1-00	COLLAR	2	
34	90109-10702-00	BOLT	1	
35	93700-06005-00	NIPPLE, GREASE	1	
36	90201-120E6-00	WASHER, PLATE	1	
37	90201-100E9-00	WASHER, PLATE	1	
38	90185-10120-00	NUT, SELF-LOCKING	1	
39	90109-10703-00	BOLT	1	
40	93700-06M03-00	NIPPLE, GREASE	1	
41	90201-100F7-00	WASHER, PLATE	1	
42	95611-10100-00	NUT, U	1	
43	5X6-2218A-00-00	EMBLEM	2	
44	26A-22310-00-00	CHAIN CASE ASSEMBLY	1	
45	98503-06014-00	SCREW, PAN HEAD (92502-06016)	2	
46	92995-06100-00	WASHER, SPRING	2	
47	92901-06600-00	WASHER	2	
48	98580-06012-00	SCREW, PAN HEAD	1	
49	92995-06100-00	WASHER, SPRING	1	
50	90201-06571-00	WASHER, PLATE	1	
51	23X-21652-00-00	PROTECTOR	1	
52	23X-21691-00-00	FLAP	1	
53	98580-05012-00	SCREW, PAN HEAD	2	
54	92990-05100-00	WASHER, SPRING	2	
55	92990-05200-00	WASHER, PLAIN	2	

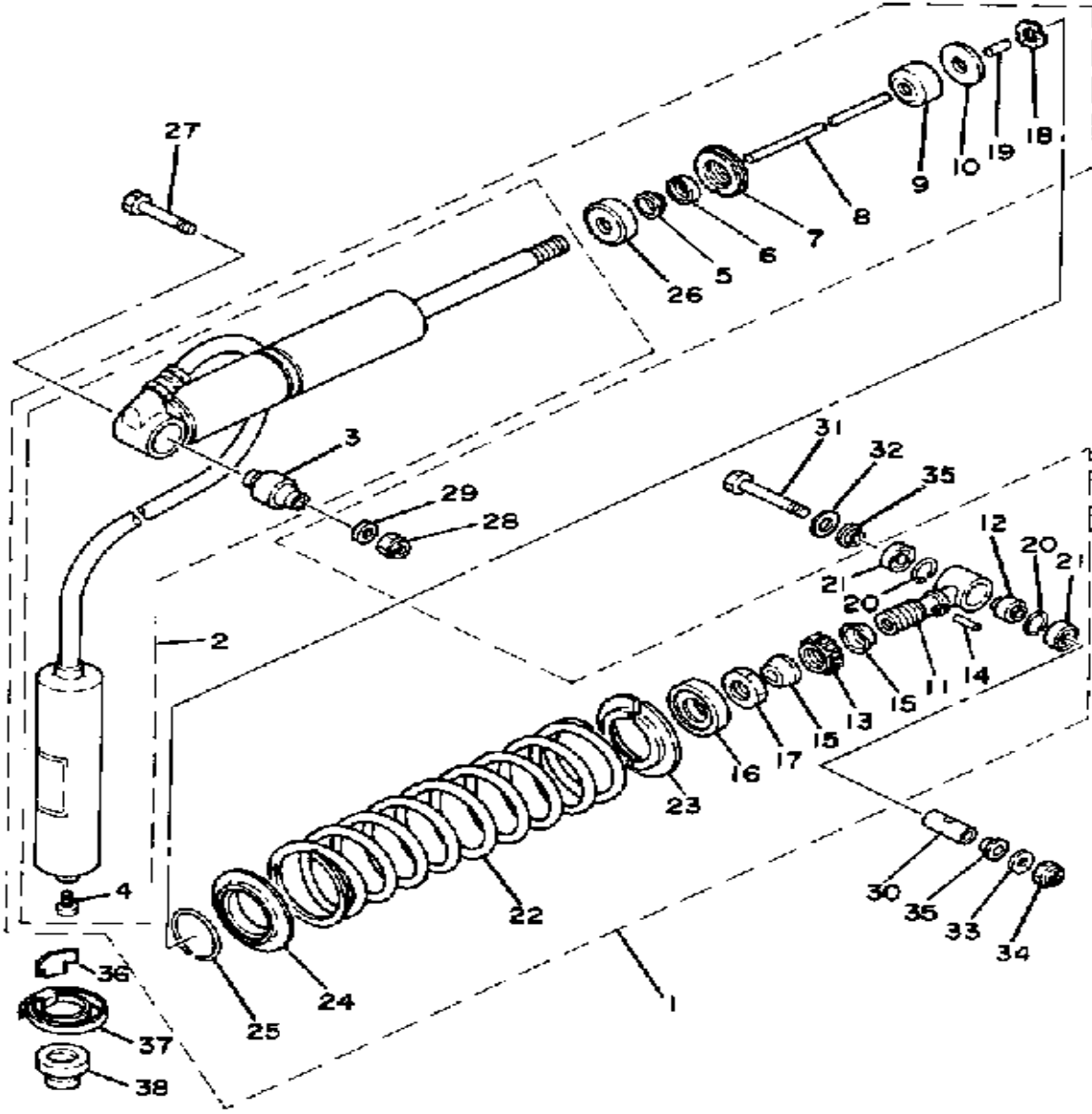
REAR SUSPENSION



Ref. No.	Part Number	Description	Qty	Remarks
1	(26A-22210-00-26)	SHK/ABS ASSEMBLY, REAR	1	COMPETITION YEL
2	26A-22401-00-00	. DAMPER SUB-ASSEMBLY.	1	
3	(5X6-22216-00-00)	BUSH, RR SHOCK ABS	1	
4	98511-04006-00	.. SCREW, PAN HEAD (98501-04005)	1	
5	23X-22475-00-00	. SEAL, DUST	1	
6	23X-22475-00-00	. SEAL, DUST	1	
7	26A-22472-00-00	. CAP, CASE	1	
8	23X-22489-00-00	. ROD, PUSH	1	
9	(23X-22493-00-00)	BUMP, STOP	1	
10	3R4-22228-00-00	. SUPPORT, BUMP STOP	1	
11	23X-22409-00-00	. UPPER BRKT SUB ASSEMBLYSUB ASSEMBLY	1	
12	93399-99911-00	. BEARING, SPECIAL	1	
13	5X3-22497-00-00	. NUT, ADJUSTING	1	
14	93604-26132-00	. PIN, DOWEL	1	
15	3R4-22221-01-00	. COVER	2	
16	23X-22213-00-00	. SEAT, SPRING UPPER	1	
17	90170-20320-00	. NUT	1	
18	90206-14067-00	. WASHER, WAVE	1	
19	93604-21193-00	. PIN, DOWEL	1	
20	93440-30113-00	. CIRCLIP	2	
21	93104-18077-00	. OIL SEAL	2	
22	(26A-22212-00-26)	SPRING	1	STD COMP. YEL.
	(26A-22212-10-26)	SPRING, MXS SOFT	1	U.R. COMP. YEL.
	23X-22212-00-26	SPRING	1	U.R. COMP. YEL.
	23X-22212-10-26	SPRING, MXS	1	U.R. COMP. YEL.
23	23X-22214-00-00	. GUIDE, SPRING 1	2	
24	23X-22223-00-00	. SEAT, SPRING LOWER	1	

CONTINUED ON NEXT FRAME ►

REAR SUSPENSION

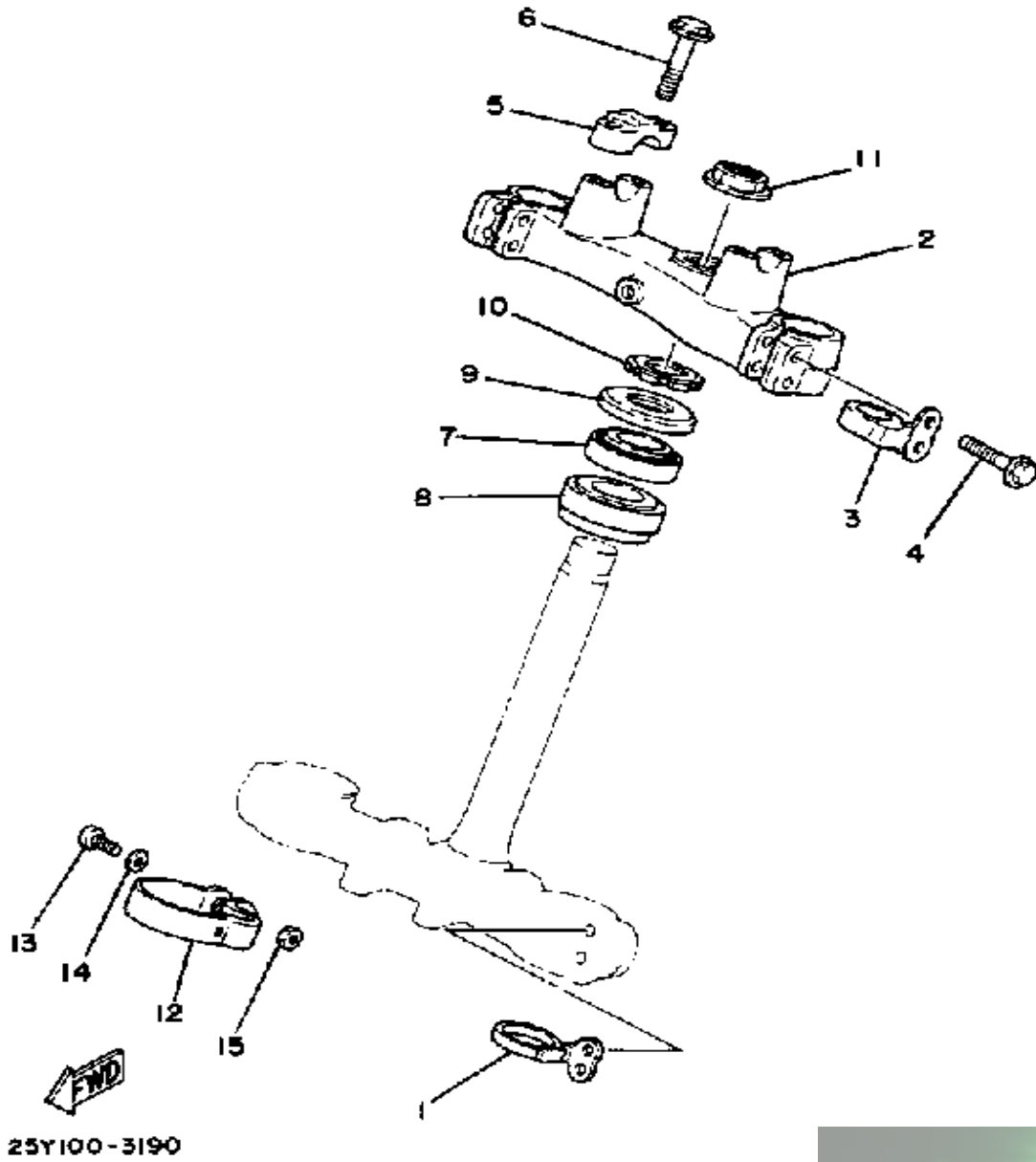


26A100-3180

Ref. No.	Part Number	Description	Qty	Remarks
25	93440-51103-00	. CIRCLIP, OUTER	1	
26	(1H3-22495-00-00)	SUPPORT, REBOUND	1	
27	90109-10690-00	BOLT	1	
28	90185-10120-00	NUT, SELF-LOCKING	1	
29	90201-100F7-00	WASHER, PLATE	1	
30	90380-12094-00	BUSH, SOLID	1	
31	90109-10700-00	BOLT	1	
32	90201-120E6-00	WASHER, PLATE	1	
33	90201-100E9-00	WASHER, PLATE	1	
34	90185-10120-00	NUT, SELF-LOCKING	1	
35	90387-126H8-00	COLLAR	2	
36	23X-22261-01-00	DAMPER, SUB TANK	1	
37	90460-55233-00	CLAMP, HOSE	1	
38	90480-22263-00	GROMMET	1	



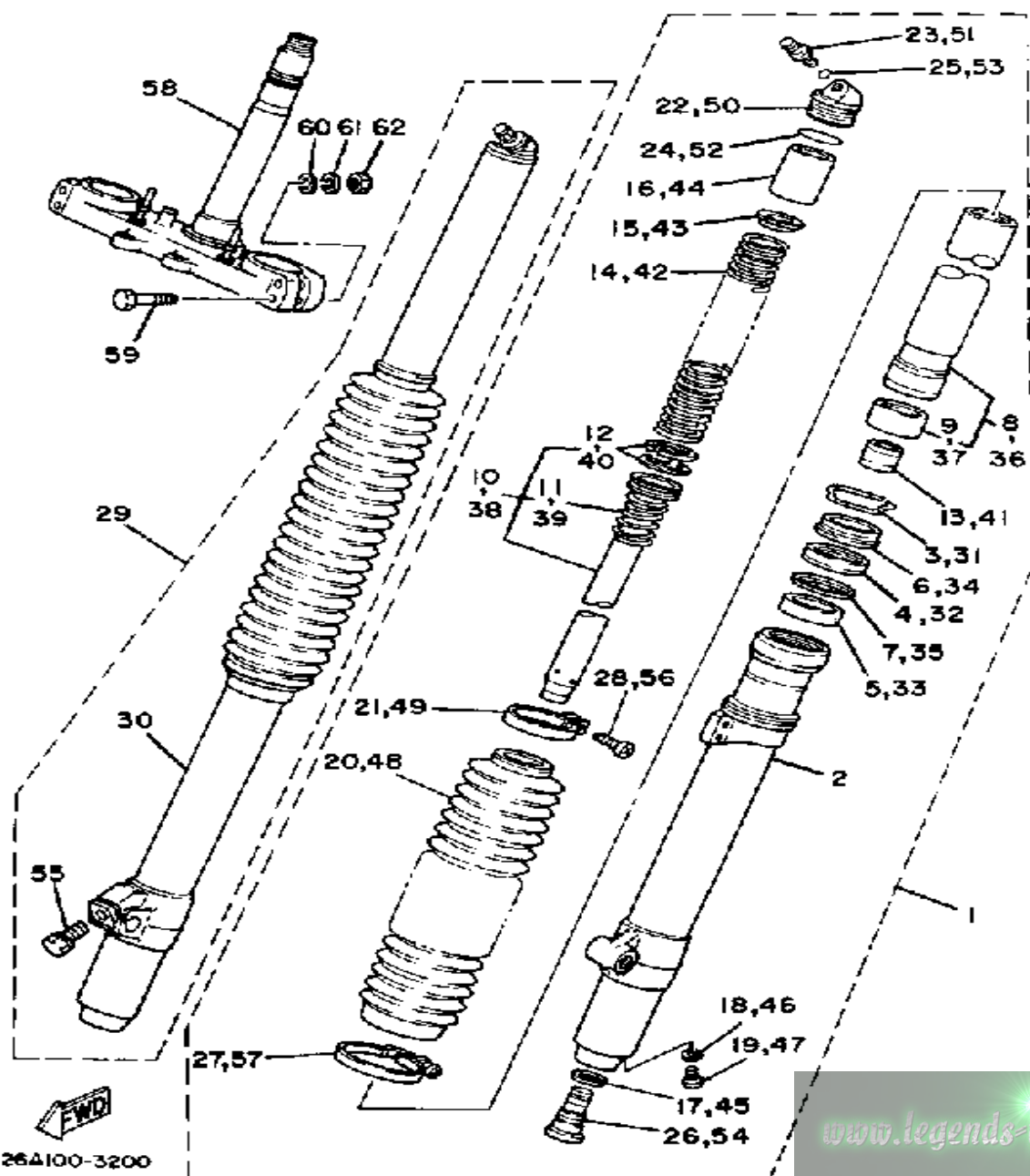
STEERING



Ref. No.	Part Number	Description	Qty	Remarks
1	3R4-23389-00-00	GUIDE, CABLE	1	
2	24Y-23435-00-98	CROWN, HANDLE	1	LOW GLOSS BLK
3	3R4-23317-00-00	HOLDER, CABLE	1	
4	90105-08091-00	BOLT, WASHER BASED	4	
5	1E6-23441-00-00	HOLDER, HANDLE UPR	2	
6	95811-08035-00	BOLT, FLANGE (95821-08035) .	4	
7	93332-00001-00	BEARING	1	
8	93332-00008-00	BEARING	1	
9	3HE-23416-00-00	COVER, BALL RACE 2	1	
10	90179-25033-00	NUT	1	
11	90179-22330-00	NUT, SPEC'L SHAPE	1	
12	26A-23318-00-00	HOLDER, CABLE 1	1	
13	98501-05018-00	SCREW, PAN HEAD	1	
14	92901-05600-00	WASHER, PLATE	1	
15	95380-05600-00	NUT	1	

www.legends-yamaha-enduros.com

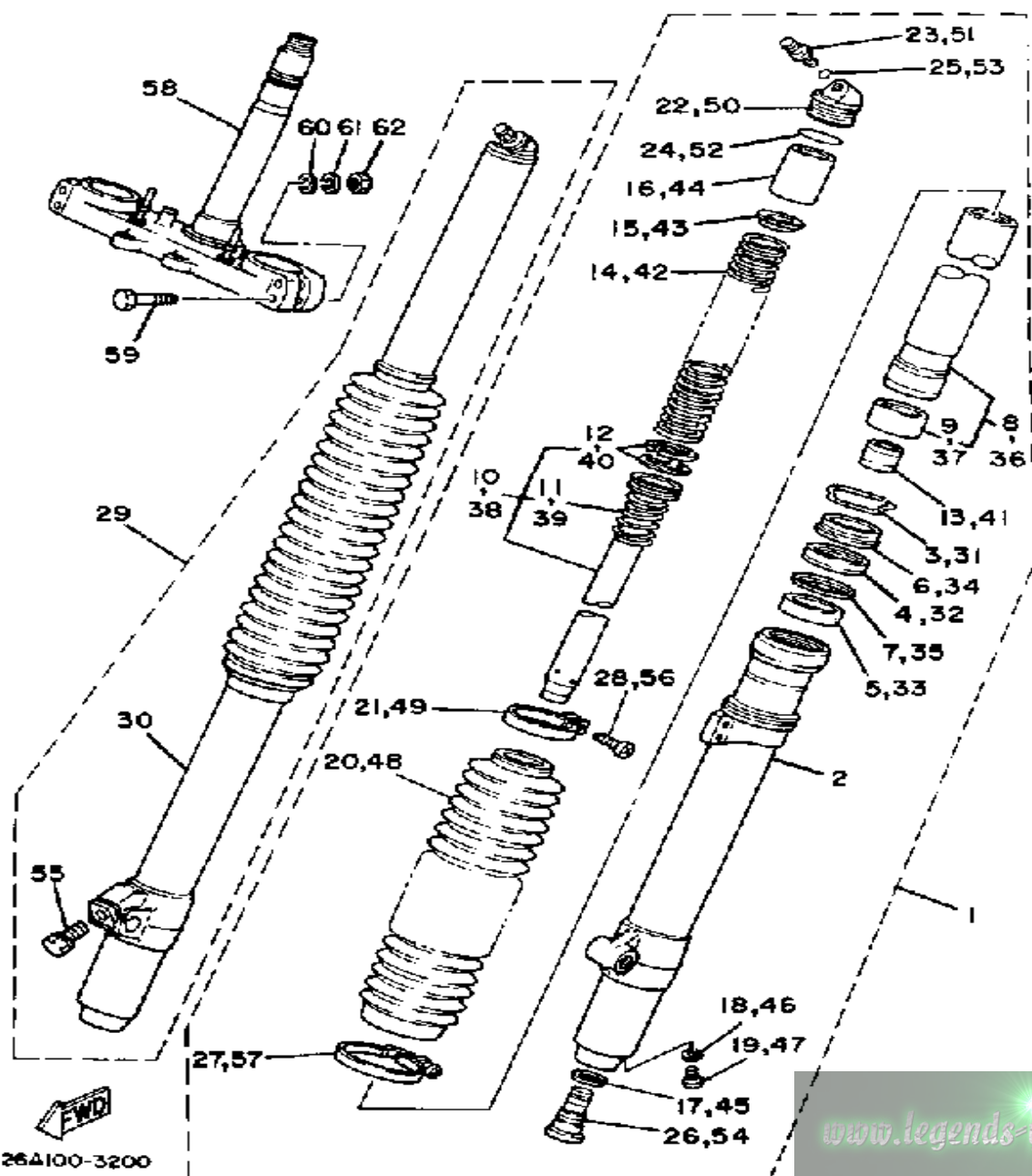
FRONT FORK



Ref. No.	Part Number	Description	Qty	Remarks
1	(26A-23102-L0-00)	FRONT FORK ASSEMBLY L	1	
2	(26A-23126-L0-00)	TUBE, OUTER 1	1	
3	4V4-23153-L0-00	. RING, SNAP	1	
4	23X-23145-L0-00	. OIL SEAL	1	
5	3XJ-23125-L0-00	. METAL, SLIDE 1	1	
6	23X-23144-L0-00	. SEAL, DUST	1	
7	4V4-23146-L0-00	. WASHER, OIL SEAL	1	
8	55U-23110-00-00	. INNER TUBE COMP.	1	
9	4V4-23171-L0-00	. . PISTON, FRONT FORK	1	
10	(26A-23170-L0-00)	CYLINDER, FRTRFK	1	
11	5X6-23152-L0-00	. . SPRING, SUB	1	
12	4V4-23157-L0-00	. . RING, PISTON FRTRFK	2	
13	23X-23173-L0-00	. SPINDLE, TAPER	1	
14	(23X-23141-10-00)	SPRING, FRONT FORK	1	U.R. (USE SPACER 5X6-23118-10)
	23X-23141-L0-00	SPRING, FRONT FORK	1	U.R. (USE SPACER 5X6-23118-10)
	23X-23141-M0-00	. SPRING, FRTRFK SOFT (K=0.290)	1	STD
15	4V4-23142-L0-00	. SEAT, SPRING UPPER	1	
16	5X6-23118-10-00	SPACER	1	U.R. (USE W/SOFT OR HARD SPRIN)
	5X6-23118-M0-00	. SPACER (L=110)	1	STD
17	23X-23158-L0-00	. GASKET	1	
18	122-23129-00-00	. GASKET, DRAIN PLUG	1	
19	4H7-23119-00-00	. PLUG, DRAIN - (122-23119-01)	1	
20	23X-23191-L0-00	. BOOT, FRONT FORK	1	
21	4V4-23192-L0-00	. BAND	1	
22	43M-23111-L0-00	. BOLT, CAP	1	
23	23X-23190-L0-00	. AIR VALVE COMP	1	

CONTINUED ON NEXT FRAME ►

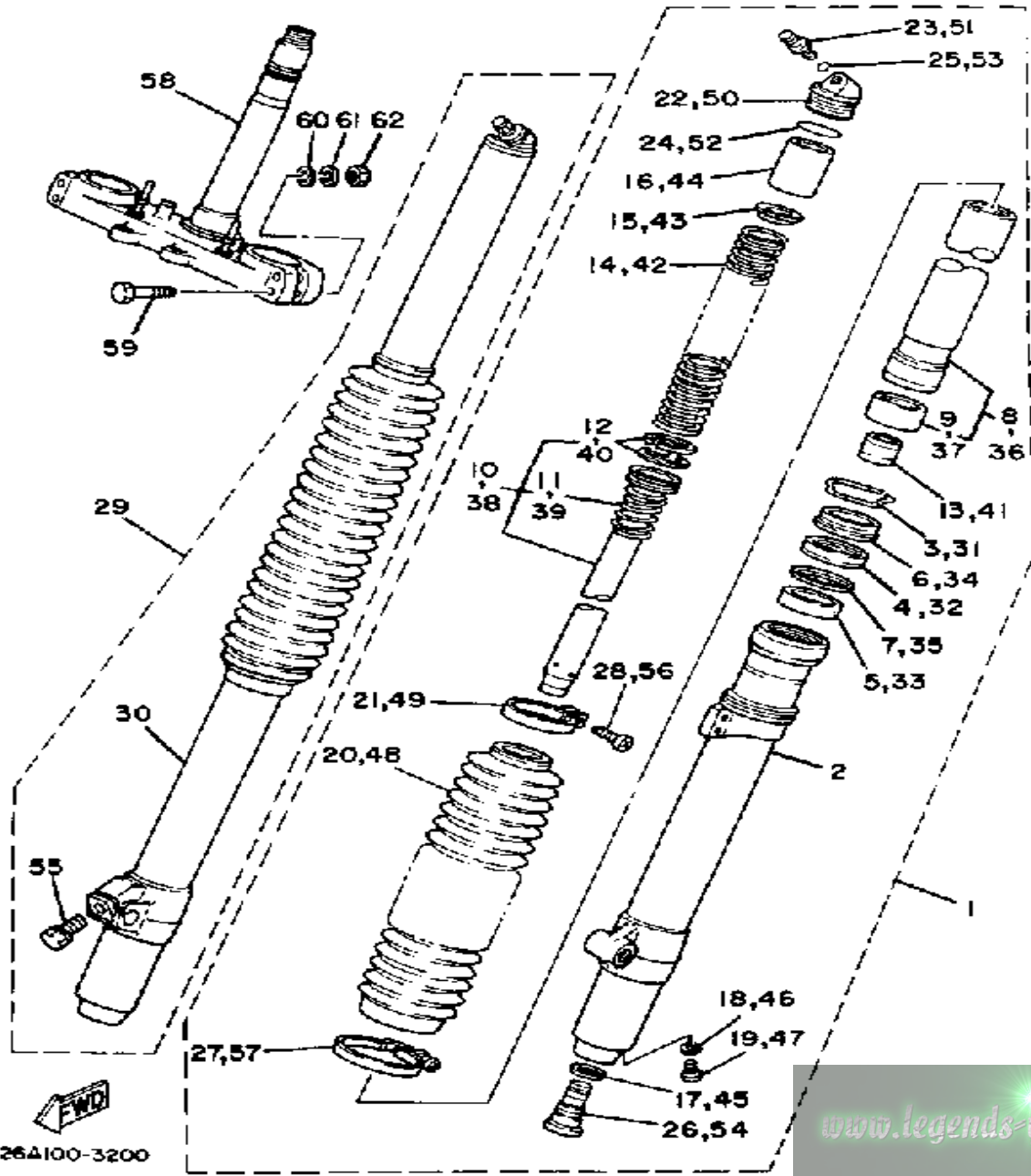
FRONT FORK



Ref. No.	Part Number	Description	Qty	Remarks
24	4V4-23188-L0-00	. O-RING	1	
25	3J2-23147-00-00	. O-RING	1	
26	(26A-2316A-L0-00)	VALVE	1	
27	23X-23489-L0-00	. BAND	1	
28	98506-04018-00	. SCREW, PAN HEAD	1	
29	(26A-23103-L0-00)	FRONT FORK ASSEMBLY R	1	
30	(26A-23136-L0-00)	TUBE, OUTER 2	1	
31	4V4-23153-L0-00	. RING, SNAP	1	
32	23X-23145-L0-00	. OIL SEAL	1	
33	3XJ-23125-L0-00	. METAL, SLIDE 1	1	
34	23X-23144-L0-00	. SEAL, DUST	1	
35	4V4-23146-L0-00	. WASHER, OIL SEAL	1	
36	55U-23110-00-00	. INNER TUBE COMP.	1	
37	4V4-23171-L0-00	. PISTON, FRONT FORK	1	
38	(26A-23170-L0-00)	CYLINDER, FRTRFRK	1	
39	5X6-23152-L0-00	. SPRING, SUB	1	
40	4V4-23157-L0-00	. RING, PISTON FRTRFRK	2	
41	23X-23173-L0-00	. SPINDLE, TAPER	1	
42	(23X-23141-10-00)	SPRING, FRONT FORK	1	U.R. (USE SPACER 5X6-23118-10)
	23X-23141-L0-00	SPRING, FRONT FORK	1	U.R. (USE SPACER 5X6-23118-10)
	23X-23141-M0-00	. SPRING, FRTRFRK SOFT (K=0.290)	1	STD
43	4V4-23142-L0-00	. SEAT, SPRING UPPER	1	
44	5X6-23118-10-00	SPACER	1	U.R. (USE W/SOFT OR HARD SPRIN)
	5X6-23118-M0-00	. SPACER (L=110)	1	STD
45	23X-23158-L0-00	. GASKET	1	
46	122-23129-00-00	. GASKET, DRAIN PLUG	1	

CONTINUED ON NEXT FRAME ►

FRONT FORK

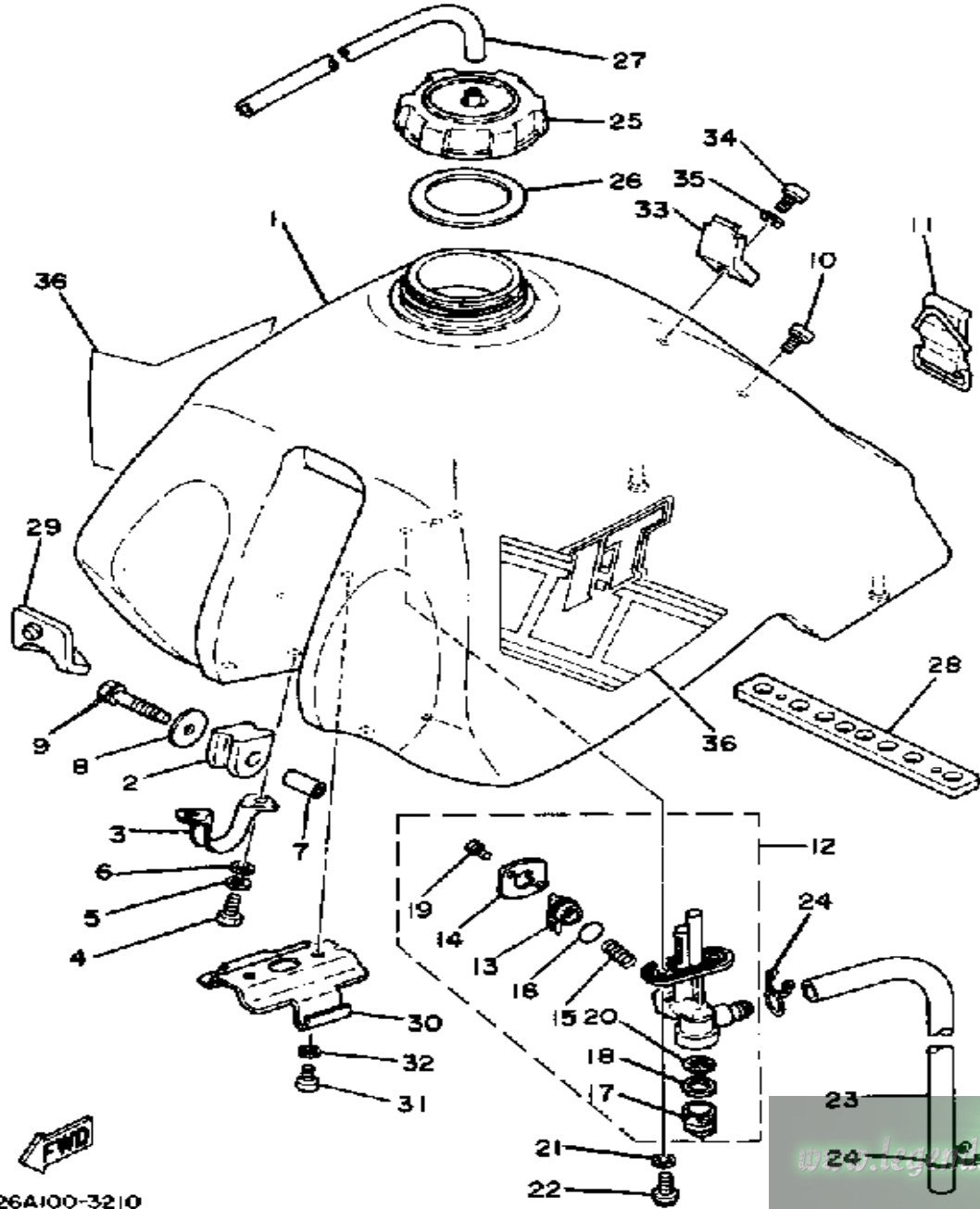


Ref. No.	Part Number	Description	Qty	Remarks
47	4H7-23119-00-00	. PLUG, DRAIN - (122-23119-01)	1	
48	23X-23191-L0-00	. BOOT, FRONT FORK	1	
49	4V4-23192-L0-00	. BAND	1	
50	43M-23111-L0-00	. BOLT, CAP	1	
51	23X-23190-L0-00	. AIR VALVE COMP	1	
52	4V4-23188-L0-00	. O-RING	1	
53	3J2-23147-00-00	. O-RING	1	
54	(26A-2316A-L0-00)	VALVE	1	
55	5X6-23181-L0-00	. BOLT, HEX SCKT HEADSOCKET HEAD	1	
56	98506-04018-00	. SCREW, PAN HEAD	1	
57	26A-23489-L0-00	. BAND	1	
58	34K-23340-00-39	UNDER BRACKETCOMP (26A-23340-L0-39)	1	
59	90101-08340-00	BOLT	4	
60	92901-08600-00	WASHER	3	
61	92990-08100-00	WASHER	4	
62	95333-08600-00	NUT	4	

26A100-3200

www.legends-yamaha-enduros.com

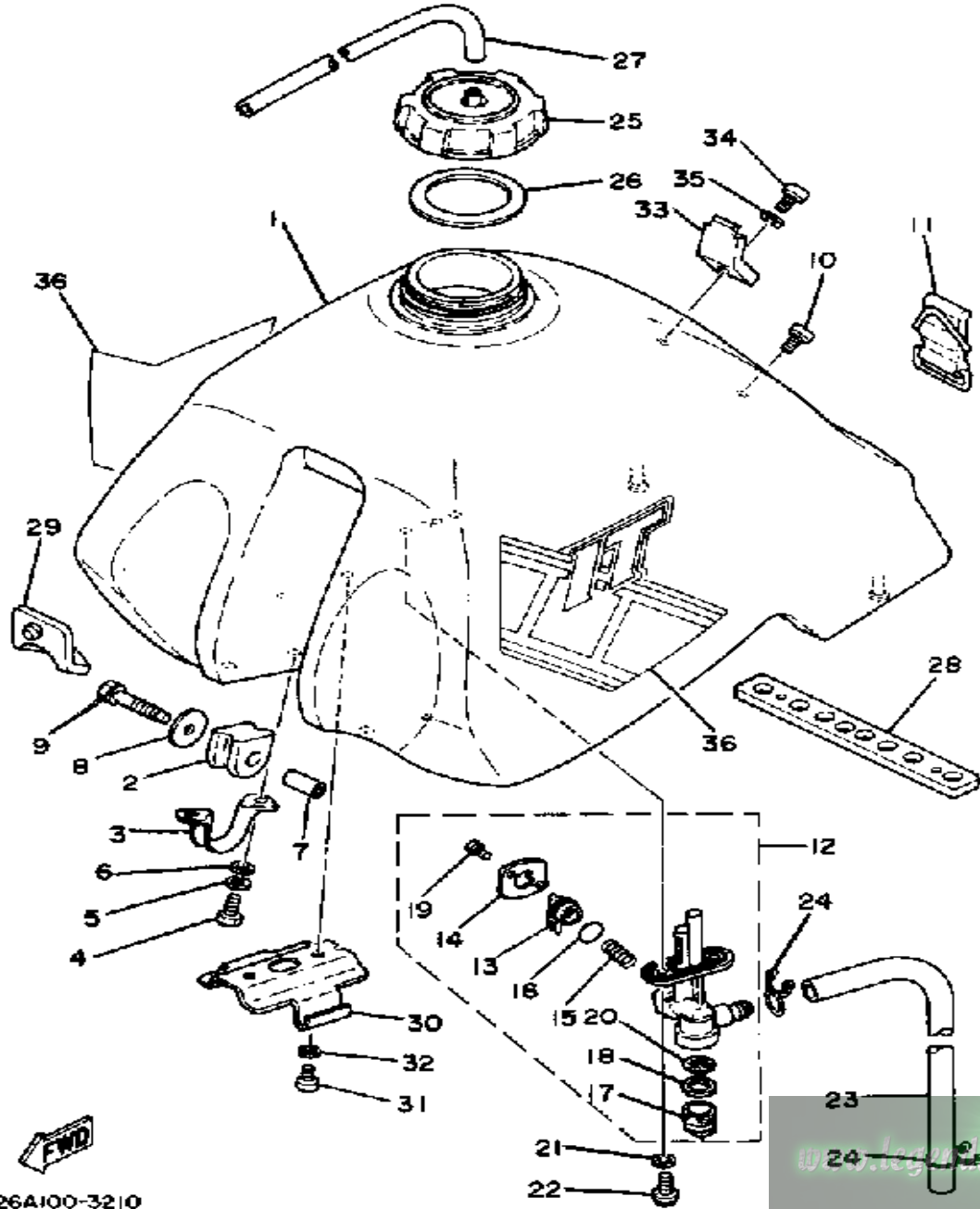
FUEL TANK



Ref. No.	Part Number	Description	Qty	Remarks
1	99999-01655-00	FUEL TANK	1	SKY BLUE
2	1W1-24182-01-00	DAMPER, LOCATING 2	2	
3	1W1-24144-01-00	HOLDER, DAMPER	2	
4	97013-06012-00	BOLT	4	
5	92995-06100-00	WASHER, SPRING	4	
6	92901-06600-00	WASHER	4	
7	90387-07393-00	COLLAR (308-84557-00)	2	
8	90201-06407-00	WASHER, PLATE (90201-06747-00)	2	
9	90119-06022-00	BOLT, WITH WASHER	2	
10	98903-06018-00	SCREW, BIND	1	
11	59V-24173-00-00	BAND, TANK FITTING 1	1	
12	4V5-24500-00-00	FUEL COCK ASSEMBLY 1	1	
13	(4V5-24524-00-00)	LEVER, COCK	1	
14	4V5-24525-00-00	. PLATE, LVR FITTING	1	
15	(357-24529-10-00)	SPRING	1	
16	4X8-24534-00-00	. SEAL, COCK	1	
17	4X8-24521-00-00	. CUP, FILTER	1	
18	4X8-24565-00-00	. GASKET	1	
19	4X8-24535-00-00	. SCREW, LVR FITTING	2	
20	4X8-24515-01-00	. NET, FILTER 2	1	
21	90202-05187-00	WASHER, PLATE	2	
22	90149-06011-00	SCREW	2	
23	90446-11345-00	HOSE	1	
24	90467-10008-00	CLIP	2	
25	1UY-24610-00-00	CAP ASSEMBLY	1	
26	3R9-24612-00-00	GASKET, CAP	1	
27	90445-09252-00	HOSE	1	
28	26A-24181-00-00	DAMPER, LOCATING 1	1	

CONTINUED ON NEXT FRAME ►

FUEL TANK

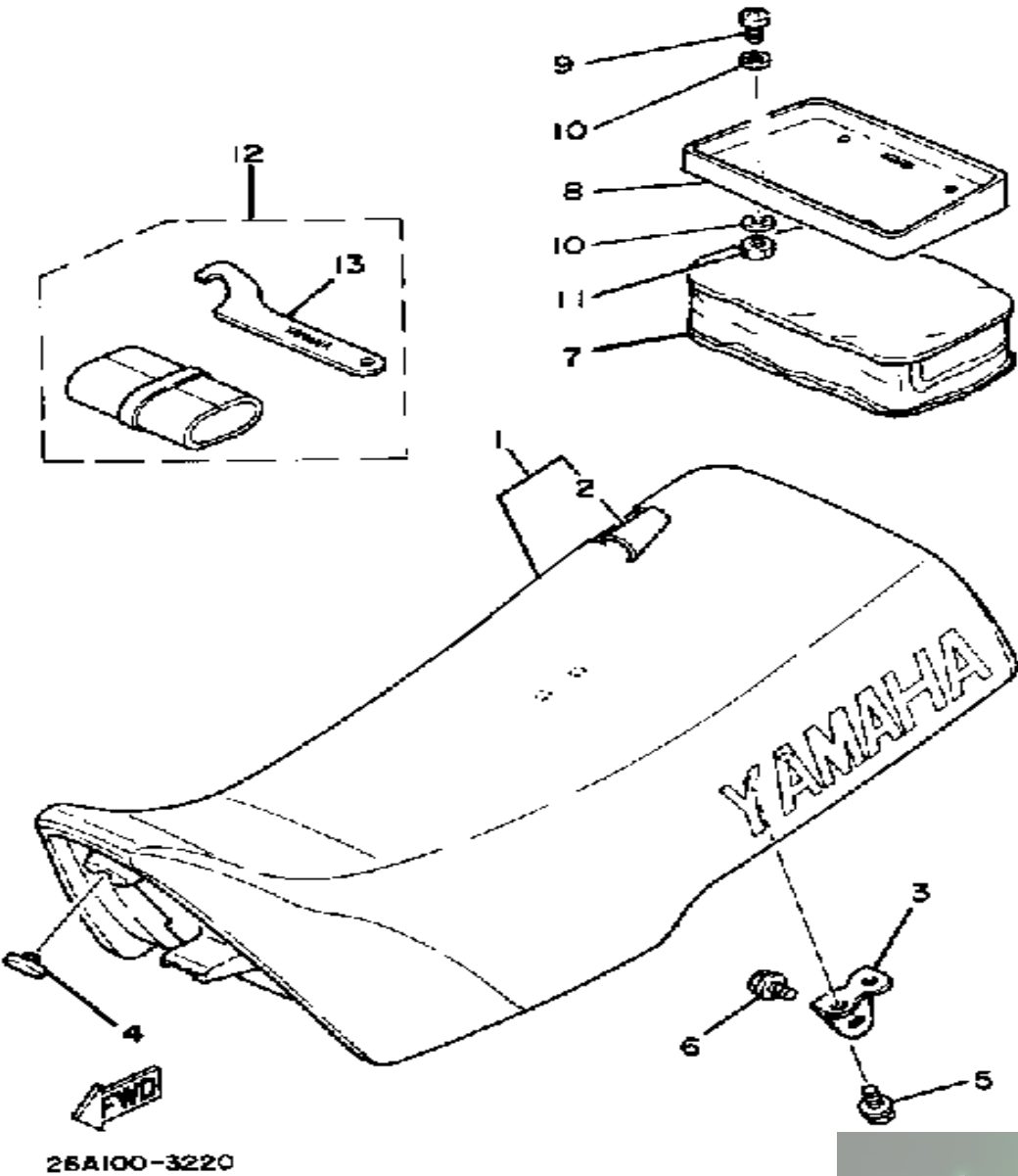


Ref. No.	Part Number	Description	Qty	Remarks
29	23X-24184-00-00	DAMPER, LOCATING 4	1	
30	5X6-2415F-01-00	STAY, CHAMBER	1	
31	98580-06010-00	SCREW, PAN HEAD (92503-06010)	2	
32	92901-06600-00	WASHER	2	
33	24Y-2412F-00-00	BRACKET, SEAT	1	
34	98580-06012-00	SCREW, PAN HEAD	1	
35	92995-06100-00	WASHER, SPRING	1	
36	(26A-24250-00-00)	GRAPHIC SET	1	



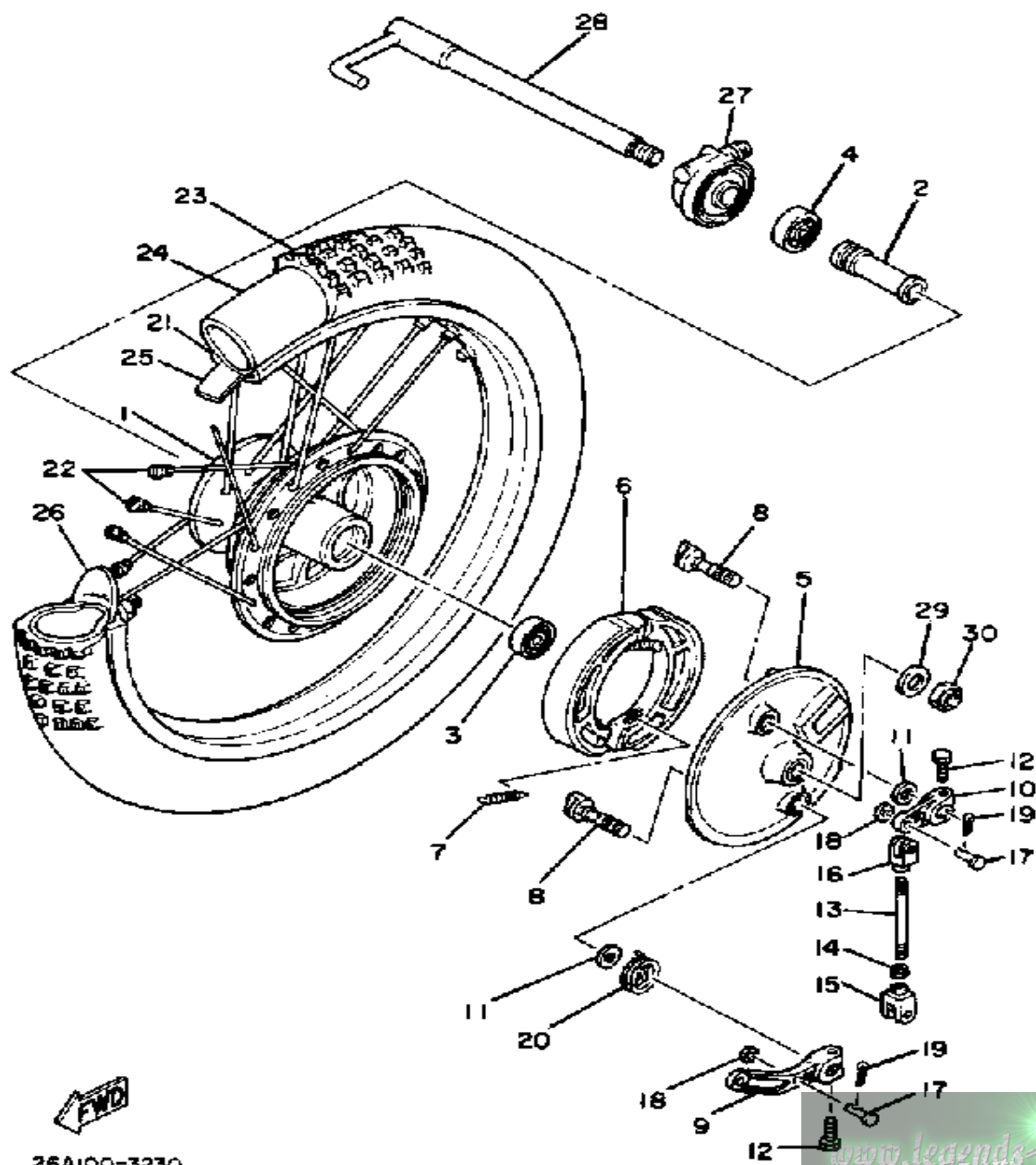
SEAT

Ref. No.	Part Number	Description	Qty	Remarks
1	(26A-W2473-00-00)	SEMI-DBL-SEAT ASSEMBLY ..	1	
2	26A-24731-00-00	. COVER, DOUBLE SEAT	1	
3	39W-24738-00-00	BRACKET, SEAT	2	
4	22W-24741-00-00	PAD, SEAT	2	
5	95811-06012-00	BOLT, FLANGE	4	
6	90119-06056-00	BOLT, WITH WASHER	2	
7	4V5-24850-00-00	CARRIER BOX ASSEMBLY ...	1	
8	4V5-24833-00-00	BRACKET, CARRIER 2	1	
9	98580-06020-00	SCREW	4	
10	90201-06571-00	WASHER, PLATE	8	
11	95601-06100-00	NUT, U	4	
12	26A-28100-00-00	TOOL KIT	1	
13	1HX-28135-00-00	SPANNER, SPECIAL	1	



www.legends-yamaha-enduros.com

FRONT WHEEL

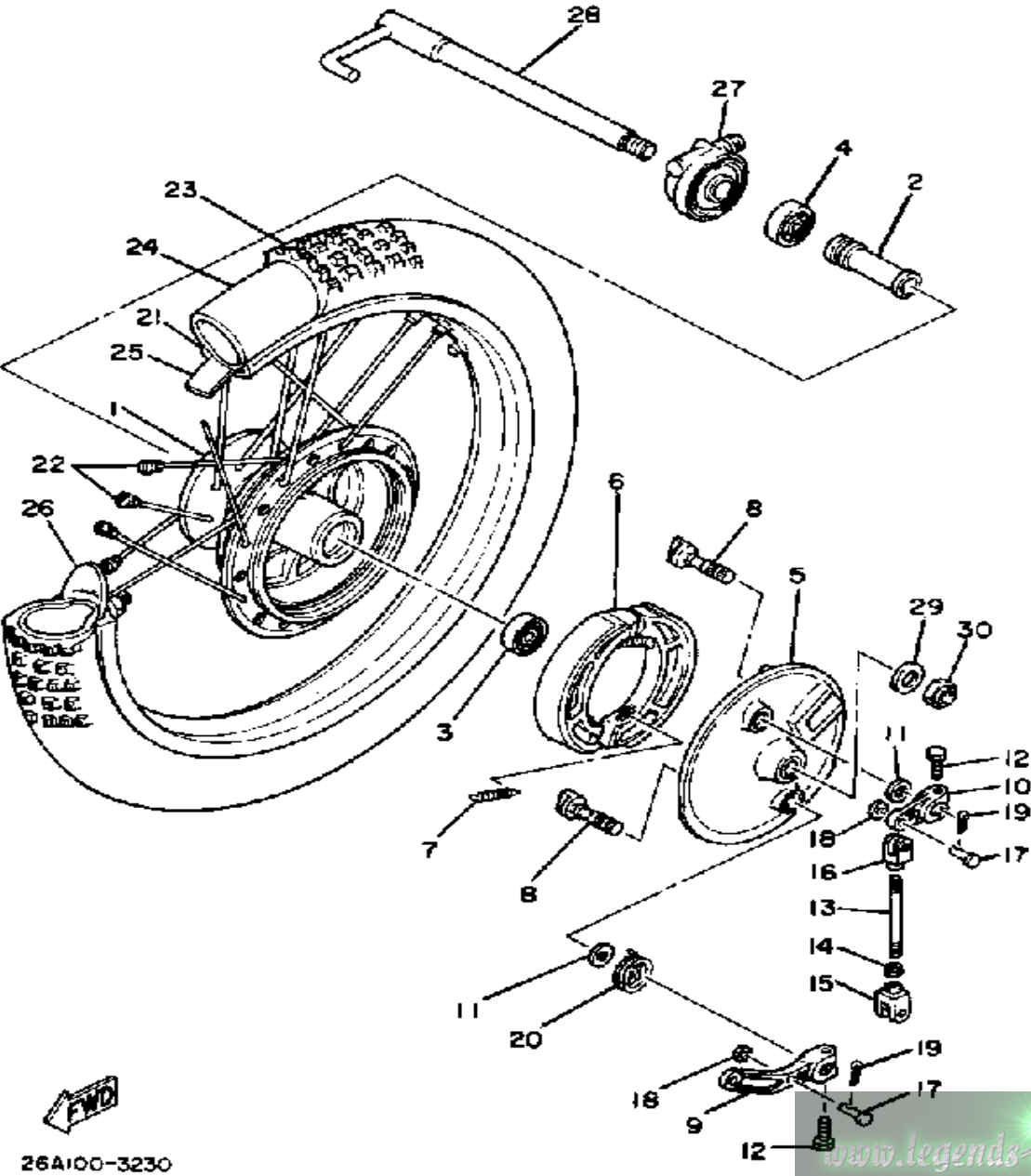


FWD
26A100-3230

Ref. No.	Part Number	Description	Qty	Remarks
1	23X-25111-00-98	HUB, FRONT	1	LOW GLOSS BLK
2	90560-15227-00	SPACER	1	
3	93306-20226-00	BEARING	1	
4	93306-20209-00	BEARING (B6202)	1	
5	5X6-25121-00-98	PLATE, BRAKE SHOE	1	LOW GLOSS BLK
6	3R5-W2535-00-00	BRAKESHOE SET-2PCS	2	
7	90506-17328-00	SPRING, TENSION	2	
8	23X-25151-00-00	CAMSHAFT	2	
9	99999-02061-00	LEVER, CAMSHAFT	1	
10	99999-02067-00	LEVER, CAMSHAFT 2	1	
11	137-25159-00-00	SEAL, CAMSHAFT	2	
12	90101-06291-00	BOLT	2	
13	3R5-25161-00-00	ROD, CONNECTING	1	
14	95380-06700-00	NUT	1	
15	3R5-25163-00-00	END, ROD 1	1	
16	3R5-25164-00-00	END, ROD 2	1	
17	90240-06006-00	PIN, CLEVIS	2	
18	92990-06200-00	WASHER	2	
19	91490-20020-00	PIN, COTTER	2	
20	90508-20425-00	SPRING, TORSION	1	
21	94416-21359-00	RIM 1.60X 1	1	
22	26A-25104-00-00	SPOKE SET, FRONT	1	
23	(94130-213A4-00)	300-21 M1B (TT)	1	INOUE
24	94230-21126-00	TUBE (3.00-21)	1	INOUE
25	(94330-21088-00)	BAND, RIM	1	INOUE
26	4V5-25194-00-00	SPACER, BEAD	1	
27	26A-25190-00-00	GEAR UNIT ASSEMBLY	1	
28	26A-25181-00-00	AXLE, WHEEL	1	
29	90201-15785-00	WASHER, PLATE	1	

CONTINUED ON NEXT FRAME ►

FRONT WHEEL

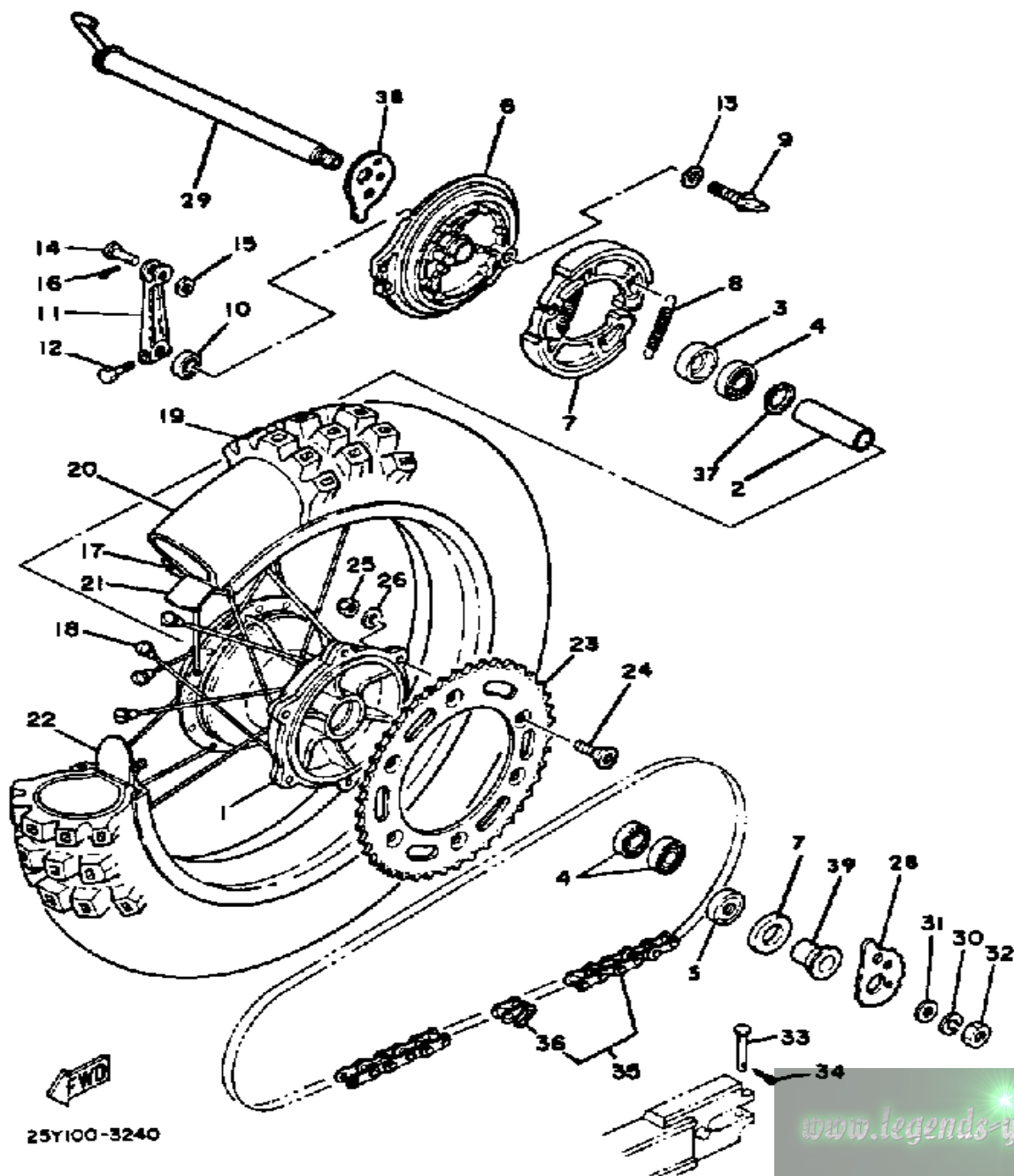


Ref. No.	Part Number	Description	Qty	Remarks
30	90185-14116-00	NUT, SELF-LOCKING	1	

FWD
26A100-3230

www.legends-yamaha-enduros.com

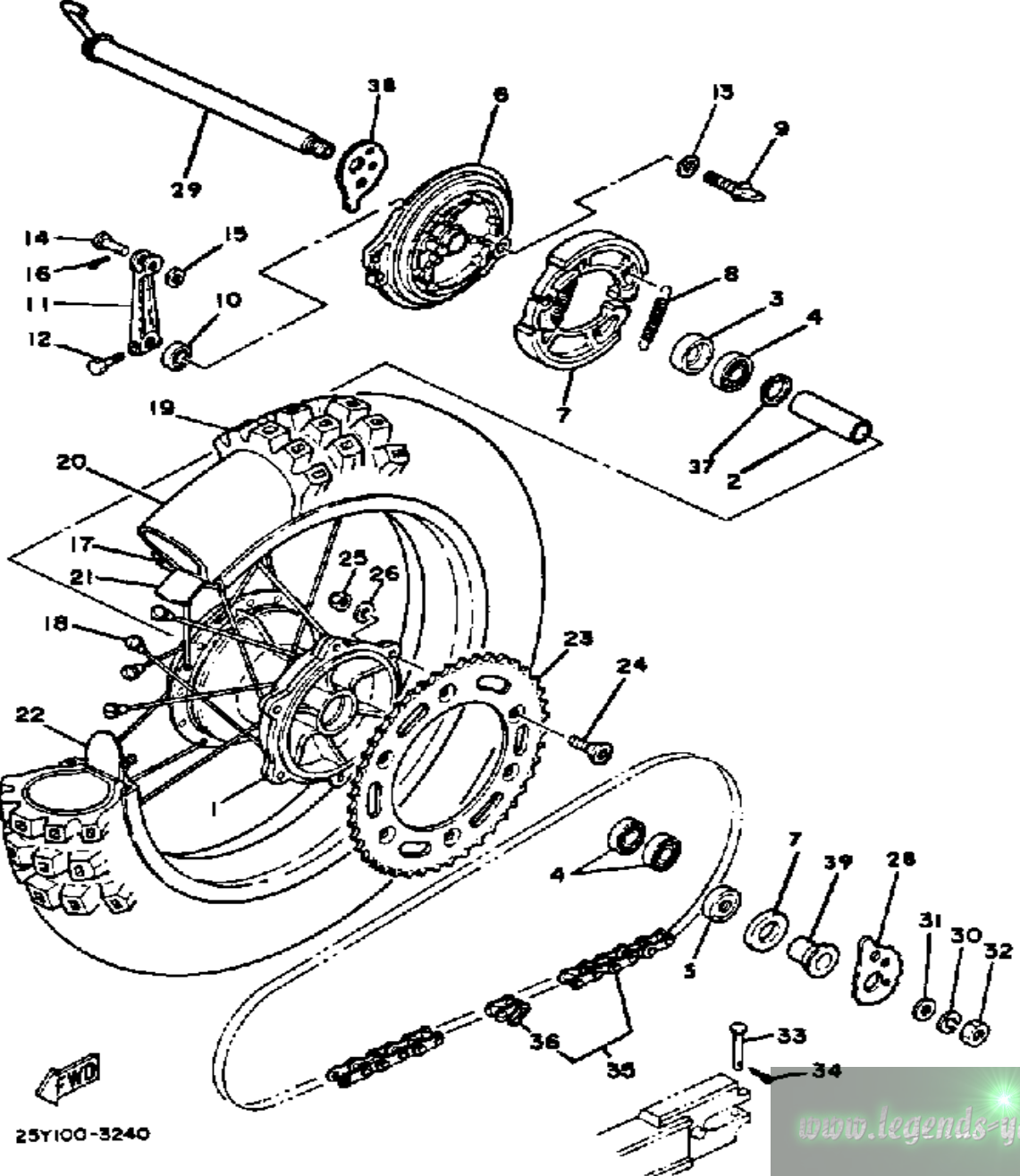
REAR WHEEL



Ref. No.	Part Number	Description	Qty	Remarks
1	4V4-25311-00-98	HUB, REAR	1	LOW GLOSS BLK
2	90560-20226-00	SPACER	1	
3	93306-00418-00	BEARING	1	
4	93306-00406-00	BEARING (B6004Z)	3	
5	93102-28022-00	OIL SEAL	1	
6	4V5-25321-01-98	PLATE, BRAKE SHOE	1	LOW GLOSS BLK
7	40T-W2536-00-00	BRAKESHOE SET-2PCS	2	
8	90507-20002-00	SPRING, TENSION	2	
9	5L4-25351-00-00	CAMSHAFT	1	
10	148-25359-00-00	SEAL, CAMSHAFT	1	
11	4V5-25355-00-00	LEVER, CAMSHAFT (168-25355-00)	1	
12	90101-06291-00	BOLT	1	
13	148-25353-00-00	SHIM, CAMSHAFT	1	
14	1W2-27237-00-00	PIN, CLEVIS	1	
15	90201-12631-00	WASHER, PLATE	1	
16	91401-25030-00	PIN, COTTER	1	
17	94425-18358-00	RIM 2.50X 8	1	
18	4V4-25304-00-00	SPOKE SET, REARALT. PART	1	
19	94114-186G1-00	140/90-18 M2A (TT)	1	INOUE
20	94245-18125-00	TUBE (4.50-18)	1	INOUE
21	94345-18081-00	BAND, RIM (4.50-18)	1	INOUE
22	2X5-25394-00-00	SPACER, BEAD	2	
23	26A-25442-50-00	SPROCKET, DRIVN 42T	1	ALTERNATE PART
	26A-25444-50-00	SPROCKET, DRIVEN (44T)	1	ALTERNATE PART
	26A-25446-50-33	SPROCKET, DRIVEN (46T) (26A-25446-50-00)	1	ALTERNATE PART
	26A-25448-50-00	SPROCKET, DRIVEN (48T)	1	STD
	26A-25450-50-00	SPROCKET, DRIVEN (50T)	1	ALTERNATE PART

CONTINUED ON NEXT FRAME ►

REAR WHEEL

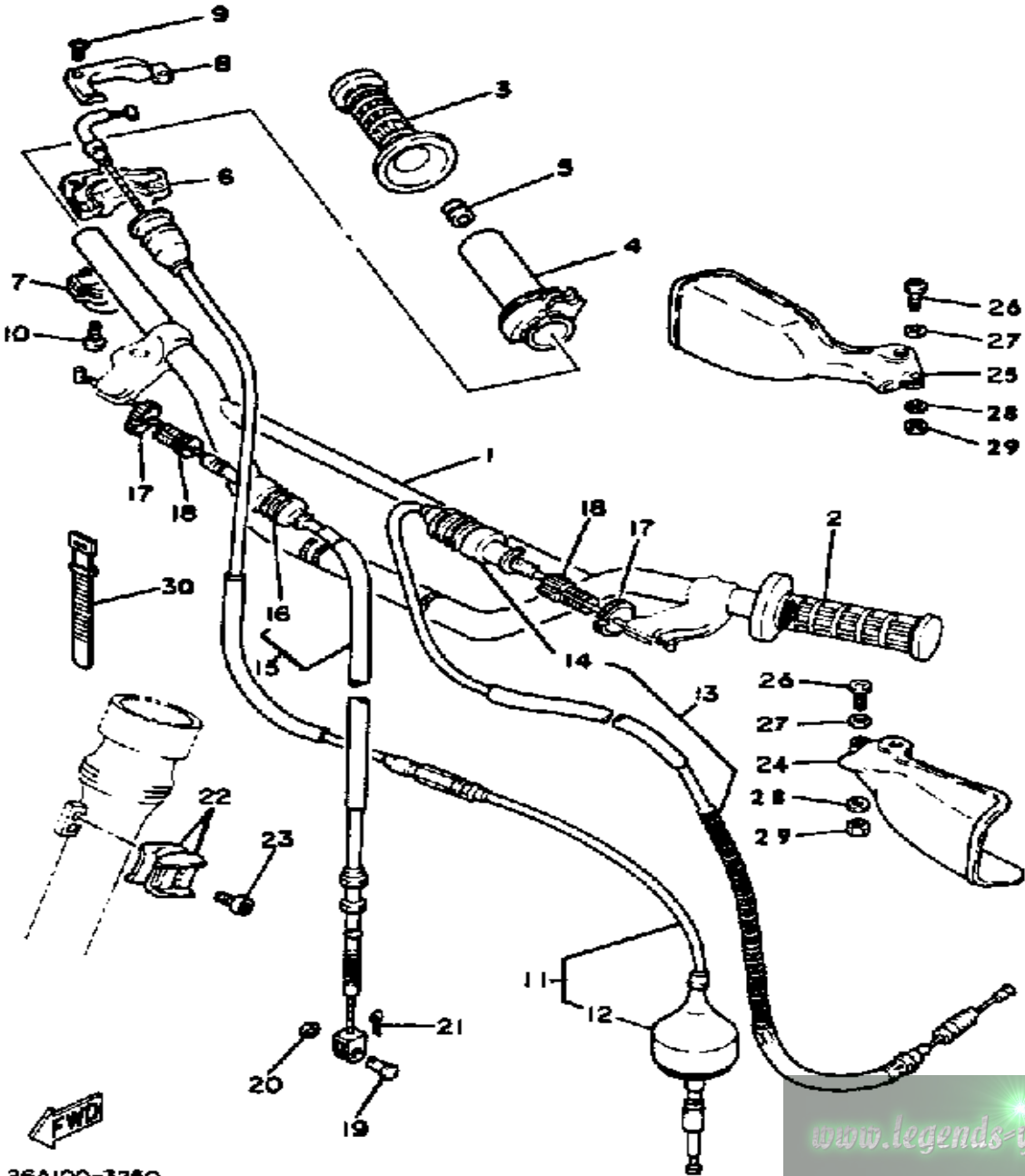


Ref. No.	Part Number	Description	Qty	Remarks
23	26A-25452-50-00	SPROCKET, DRIVEN (52T)	1	ALTERNATE PART
24	90110-08038-00	BOLT, HEX SKT HEAD	6	
25	90185-08089-00	NUT, SELF-LOCKING	6	
26	90201-081A6-00	WASHER, PLATE	6	
27	4V4-25367-00-00	COVER, HUB DUST	1	
28	4V5-25388-01-00	PULLER, CHAIN 1	1	
29	4V5-25381-00-00	AXLE, WHEEL	1	
30	92901-18100-00	WASHER, SPRING	1	
31	92901-20600-00	WASHER, WAVE	1	
32	90179-18332-00	NUT	1	
33	91701-05045-00	PIN, CLEVIS	2	
34	91490-16020-00	PIN, COTTER	2	
35	94580-40112-00	CHAIN (25Y)	1	
36	94680-50011-00	JOINT, CHAIN (34L) (D.I.D.50HDS)	1	
37	4V4-25315-00-00	FLANGE, SPACER	1	
38	4V5-25389-00-00	PULLER, CHAIN 2	1	
39	90387-201E6-00	COLLAR	1	

25Y100-3240

www.legends-yamaha-enduros.com

HANDLEBAR - CABLE

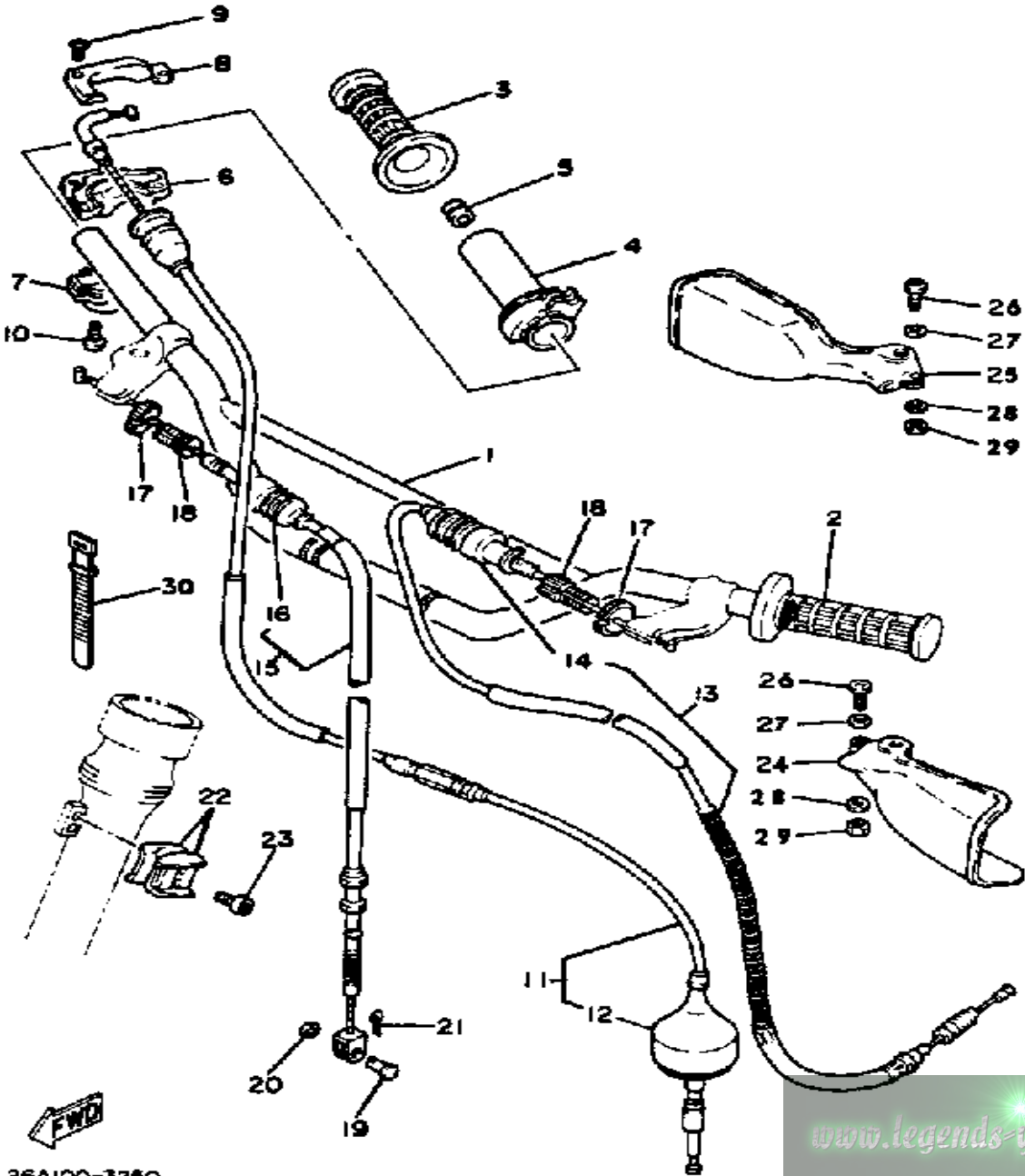


26A100-3250

Ref. No.	Part Number	Description	Qty	Remarks
1	23X-26111-00-00	HANDLEBAR	1	
2	4V4-26241-01-00	GRIP (L.H.) (4V4-26241-00) ...	1	
3	1LX-26242-01-00	GRIP (RIGHT)	1	
4	22W-26243-00-00	TUBE, THROTTLE GUIDE	1	
5	90338-12192-00	PLUG	1	
6	5X2-26281-00-00	CAP, GRIP UPPER	1	
7	322-26282-00-00	CAP, GRIP LOWER	1	LOW GLOSS BLK
8	5X2-2628H-01-00	CAP, WIRE	1	
9	98706-04012-00	SCREW, FLAT HEAD	2	
10	98586-05016-00	SCREW, PAN HEAD	2	
11	26A-26311-00-00	CABLE, THROTTLE 1	1	
12	510-26329-00-00	. CAP, RUBBER	1	
13	26A-26335-00-00	CABLE, CLUTCH	1	
14	1E6-26342-00-00	. BOOT, CABLE	1	
15	26A-26341-00-00	CABLE, BRAKE	1	
16	1E6-26342-00-00	. BOOT, CABLE	1	
17	90179-08401-00	NUT	2	
18	90123-08090-00	BOLT	2	
19	91701-06018-00	PIN, CLEVIS	1	
20	92990-06200-00	WASHER	1	
21	91490-20020-00	PIN, COTTER	1	
22	90465-16258-00	CLAMP	2	
23	91311-06016-00	BOLT, SOCKET HEAD	2	
24	3R9-26141-00-00	GUARD, BRUSH 1	1	SKY BLUE
25	3R9-26142-00-00	GUARD, BRUSH 2	1	SKY BLUE
26	98503-06014-00	SCREW, PAN HEAD (92502-06016)	2	
27	92901-06600-00	WASHER	2	
28	92990-06200-00	WASHER	2	

CONTINUED ON NEXT FRAME ►

HANDLEBAR - CABLE

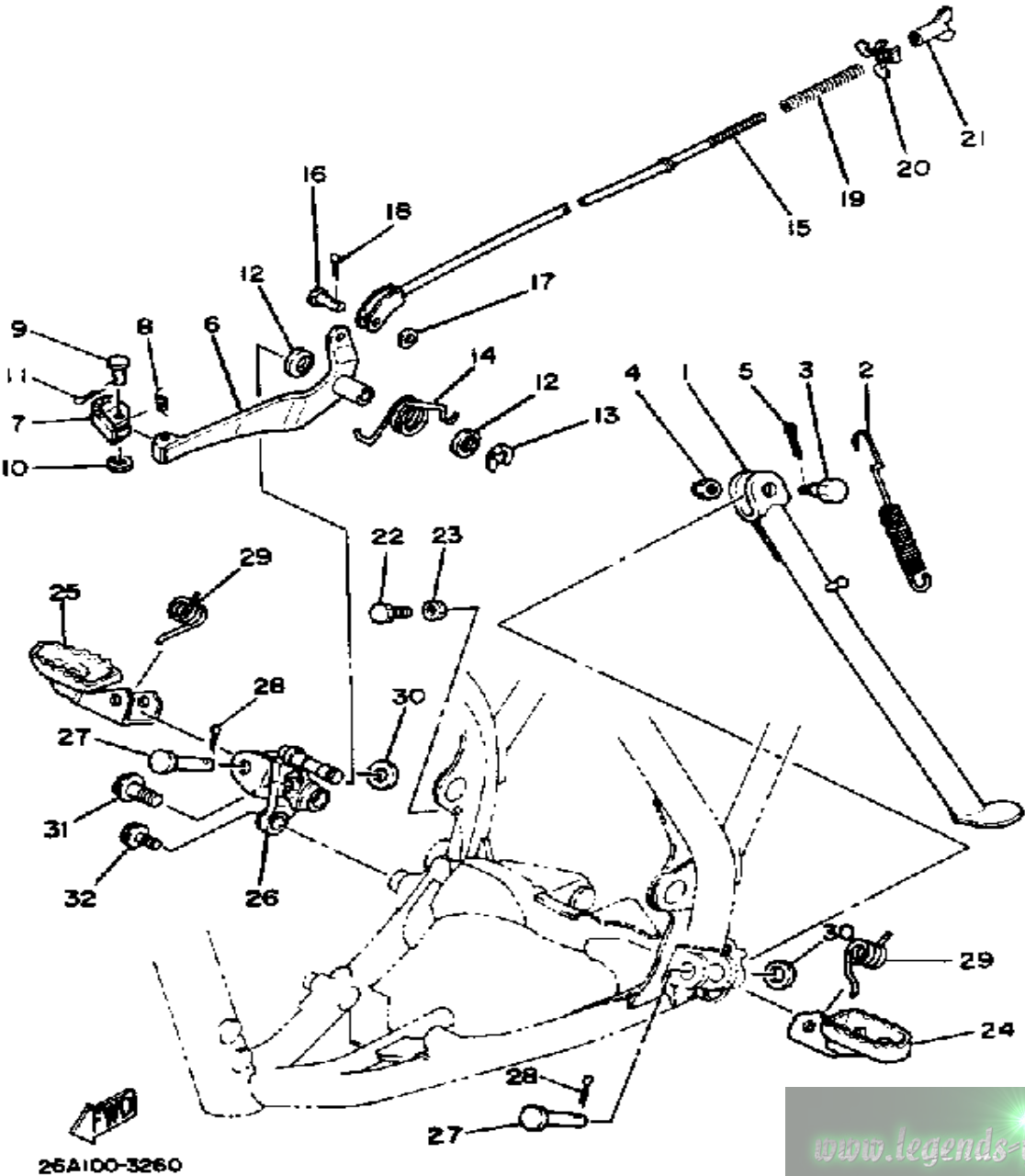


26A100-3250

www.legends-yamaha-enduros.com

Ref. No.	Part Number	Description	Qty	Remarks
29	95380-06700-00	NUT	2	
30	437-83936-11-00	BAND, SWITCH CORD	1	

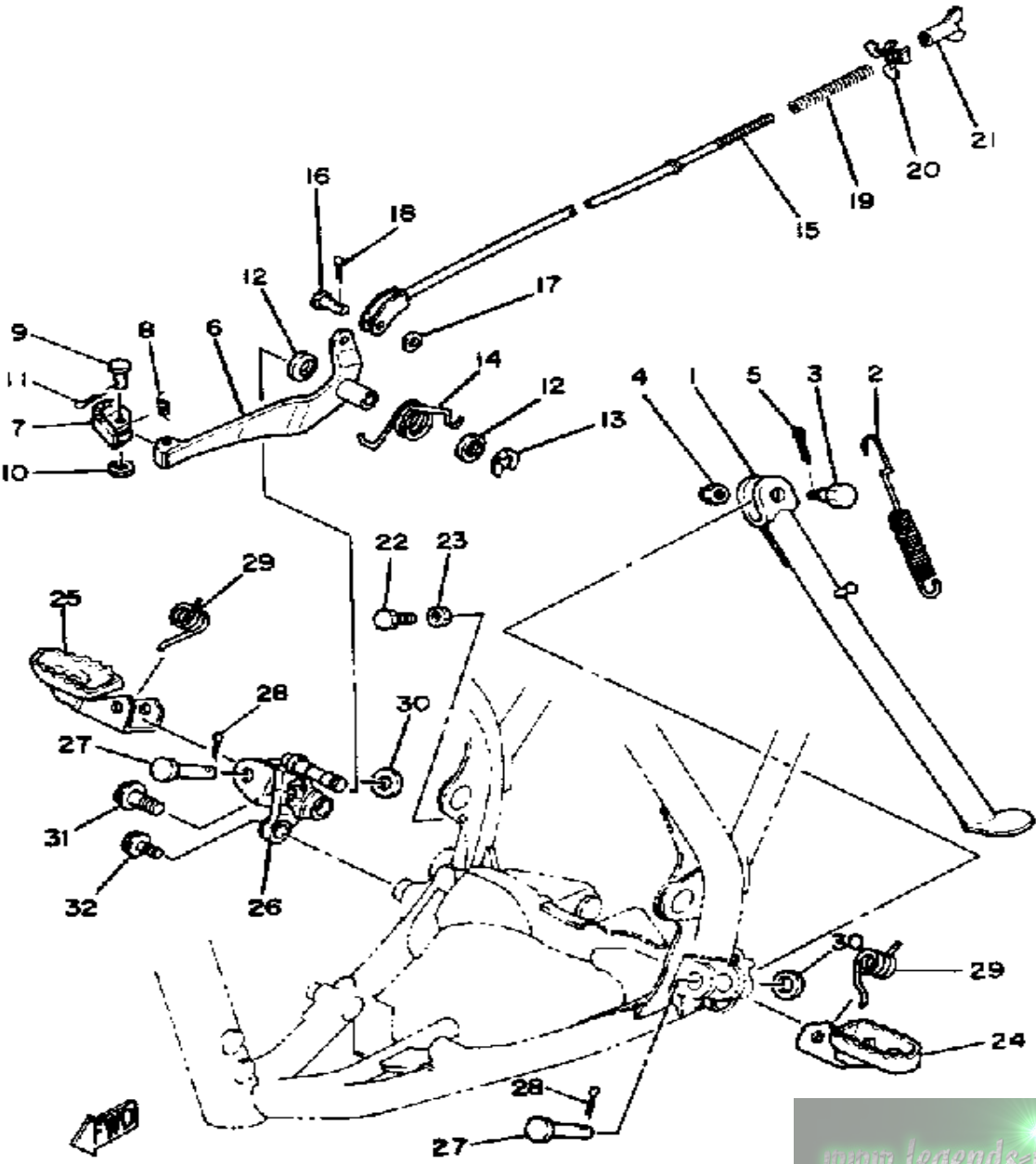
STAND - FOOTREST



Ref. No.	Part Number	Description	Qty	Remarks
1	26A-27311-02-33	STAND, SIDE	1	YAMAHA BLACK
2	90507-29008-00	SPRING, TENSION	1	
3	90102-10051-00	BOLT, WITH HOLE	1	
4	95303-10900-00	NUT, SLOTTED	1	
5	91490-20025-00	PIN, SPLIT	1	
6	29W-27211-00-00	PEDAL, BRAKE	1	
7	3R8-27242-00-00	PEDAL, BRAKE	1	
8	90508-14429-00	SPRING, TORSION	1	
9	91701-06028-00	PIN, CLEVIS	1	
10	92901-06600-00	WASHER	1	
11	91490-20020-00	PIN, COTTER	1	
12	26A-27286-00-00	COVER, DUST	2	
13	93430-08007-00	CIRCLIP	1	
14	90508-32589-00	SPRING, TORSION	1	
15	26A-27231-00-00	ROD, BRAKE	1	
16	90240-06103-00	PIN, CLEVIS	1	
17	92990-06200-00	WASHER	1	
18	91490-20020-00	PIN, COTTER	1	
19	90501-10245-00	SPRING, COMPRESSION	1	
20	1W2-27239-00-00	SEAT, SPRING	1	
21	20E-26343-00-00	NUT, ADJUSTING	1	
22	97011-06020-00	BOLT	1	
23	95380-06700-00	NUT	1	
24	23X-27411-02-00	FOOTREST 1	1	
25	23X-27421-03-00	FOOTREST 2	1	
26	(26A-27422-00-00)	BRACKET, FOOTREST 2	1	
27	90240-10101-00	PIN, CLEVIS	2	
28	91401-25020-00	PIN, COTTER	2	
29	90508-20583-00	SPRING, TORSION	2	

CONTINUED ON NEXT FRAME ►

STAND - FOOTREST



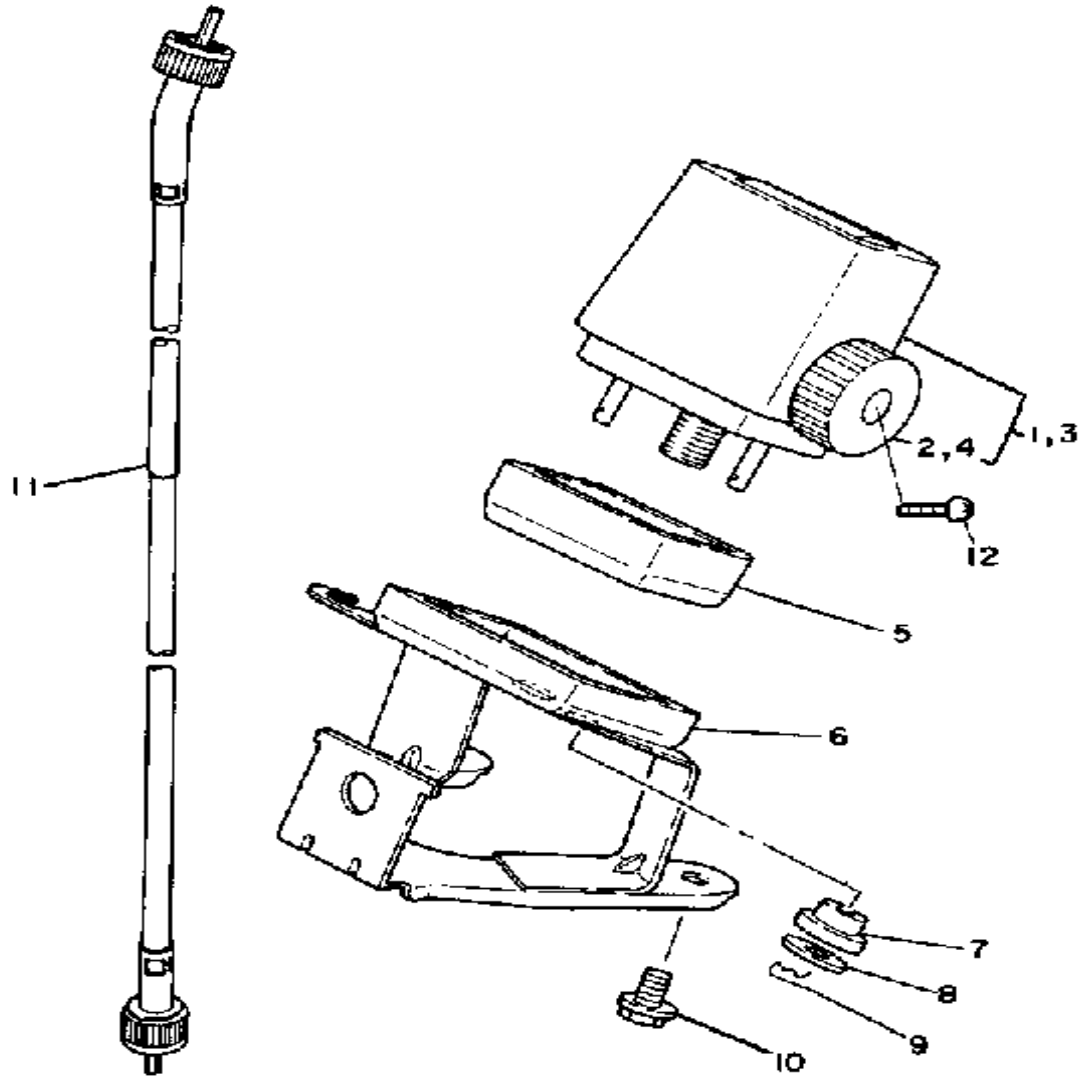
Ref. No.	Part Number	Description	Qty	Remarks
30	90201-10119-00	WASHER, PLATE	2	
31	90105-12096-00	BOLT, WASHER BASED	1	
32	95811-10020-00	BOLT, FLANGE (95822-10020-00)	1	

26A100-3260



METER

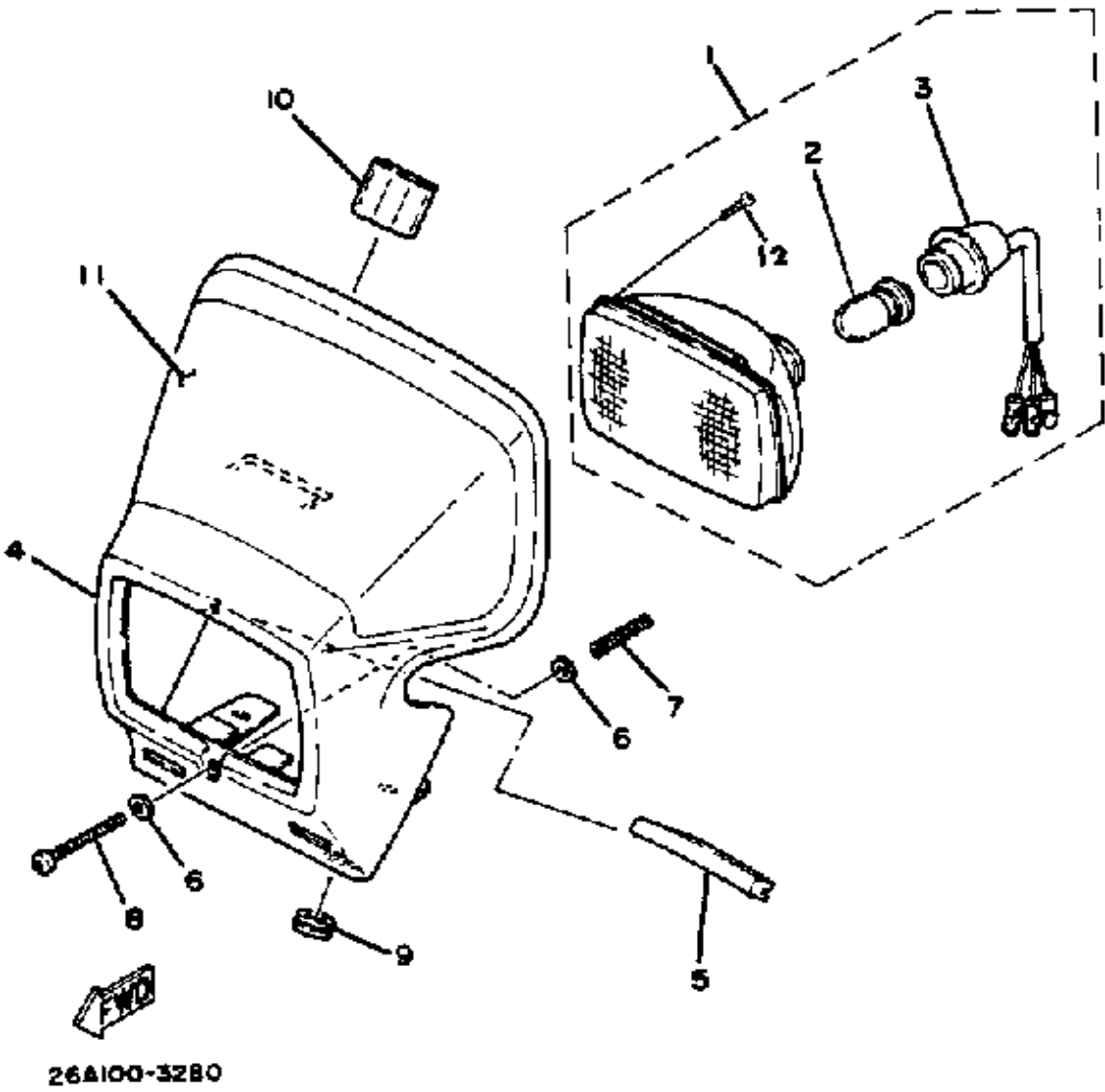
Ref. No.	Part Number	Description	Qty	Remarks
1	4V5-83505-60-00	TRIP METER CMPLT	1	U.R. MILE
2	4V5-83578-00-00	. KNOB, TRIP METER	1	
3	4V5-83505-F0-00	TRIP METER CMPLT	1	U.R. KM
4	4V5-83578-00-00	. KNOB, TRIP METER	1	
5	4V5-83513-00-00	DAMPER	1	
6	26A-83519-00-00	BRACKET, METER	1	
7	1M1-83526-00-00	DAMPER 2	2	
8	90201-052E2-00	WASHER, PLATE	2	
9	90468-10050-00	CLIP	2	
10	95811-06012-00	BOLT, FLANGE	2	
11	4V5-83550-01-00	SPEEDOMETER CABLE	1	
12	90157-02031-00	SCREW, PAN HEAD	1	



26A100-3270



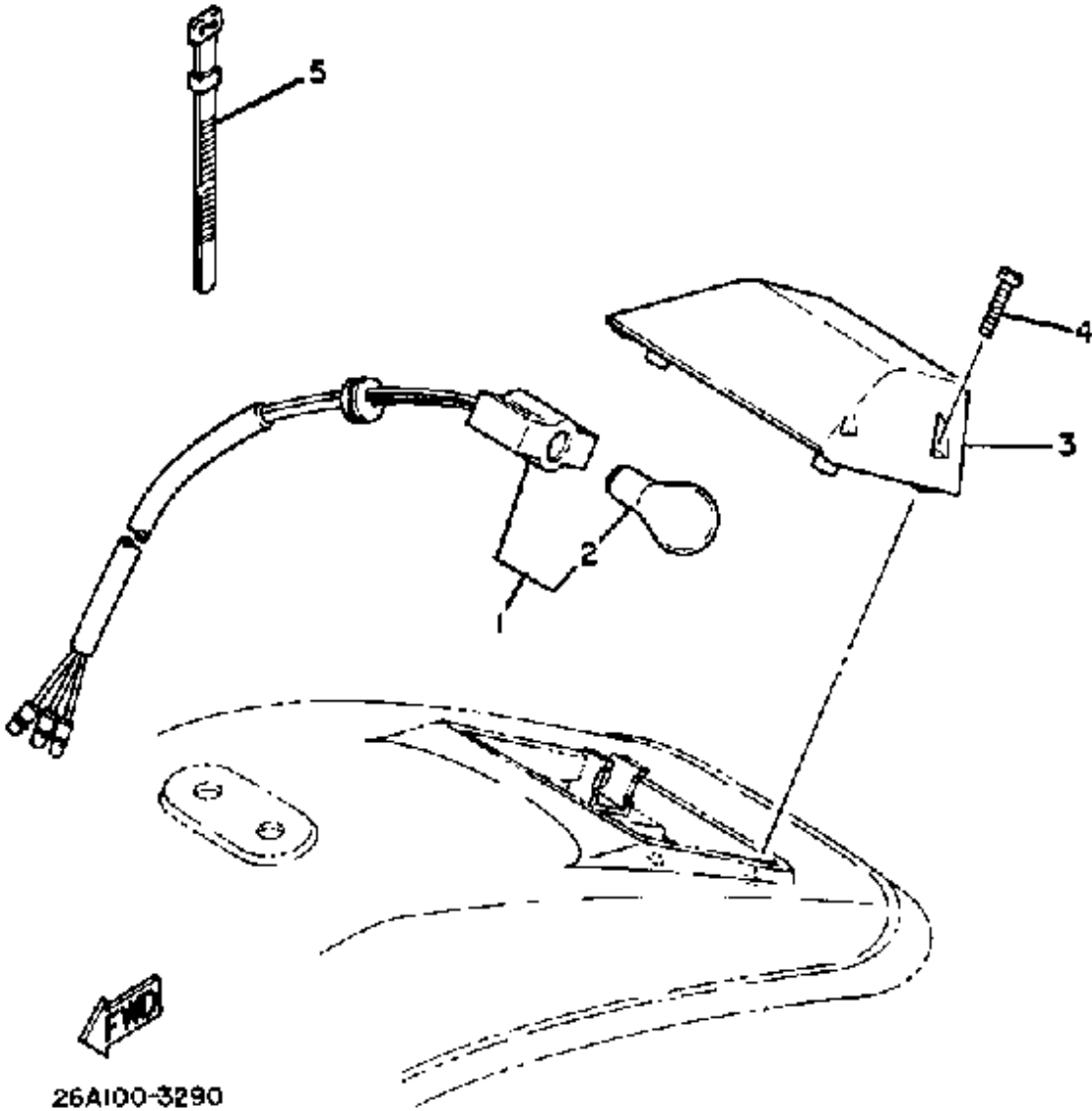
HEADLIGHT



Ref. No.	Part Number	Description	Qty	Remarks
1	18A-84120-00-00	LENS ASSEMBLY (26A-84110-00)	1	
2	527-84114-09-XX	. BULB, HL 6V25/25W	1	
3	26A-84140-00-00	. SOCKET CORD ASSEMBLY	1	
4	26A-84111-01-00	BODY, HEADLIGHT (26A-84111-00)	1	
5	26A-84143-00-00	DAMPER, HEADLIGHT STAY	1	
6	92901-04600-00	WASHER, PLATE	2	
7	18A-84132-00-00	SPRING, SCREW	1	
8	97701-40555-00	SCREW, RIM ADJUSTER (18A-84131-00-00)	1	
9	90480-12053-00	GROMMET	2	
10	4V5-83592-00-00	DAMPER	1	
11	26A-84141-00-00	EMBLEM, HEADLIGHT	1	
12	97701-40510-00	SCREW, TAPPING	2	

www.legends-yamaha-enduros.com

TAILLIGHT

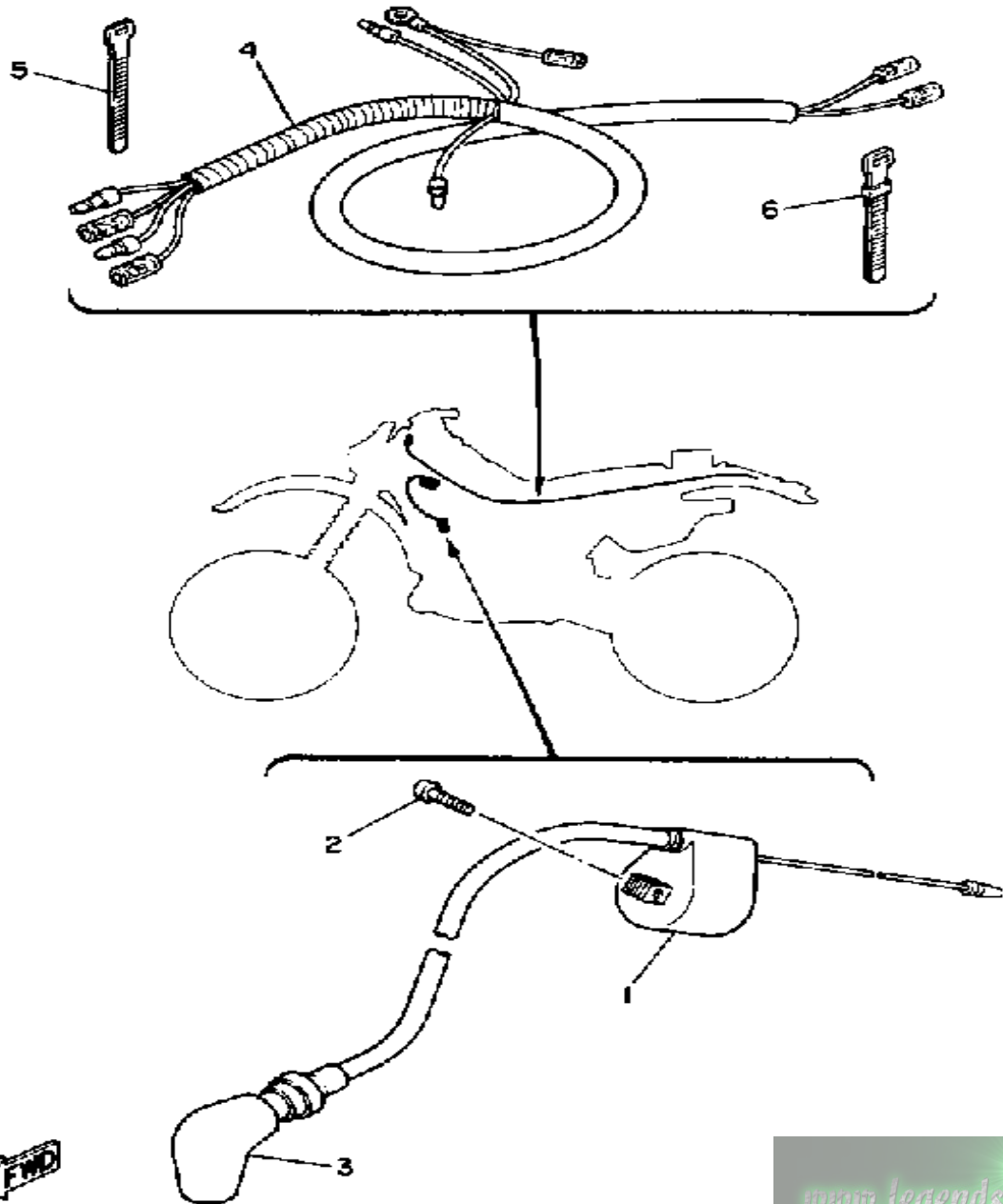


Ref. No.	Part Number	Description	Qty	Remarks
1	4V5-84536-00-00	SOCKET CORD ASSEMBLY ..	1	
2	122-84514-30-00	. BULB	1	
3	26A-84521-00-00	LENS, TAILLIGHT	1	
4	98511-04020-00	SCREW, PAN HEAD	4	
5	437-83936-01-00	BAND, SWITCH CORD	2	

www.legends-yamaha-enduros.com

ELECTRICAL - 1

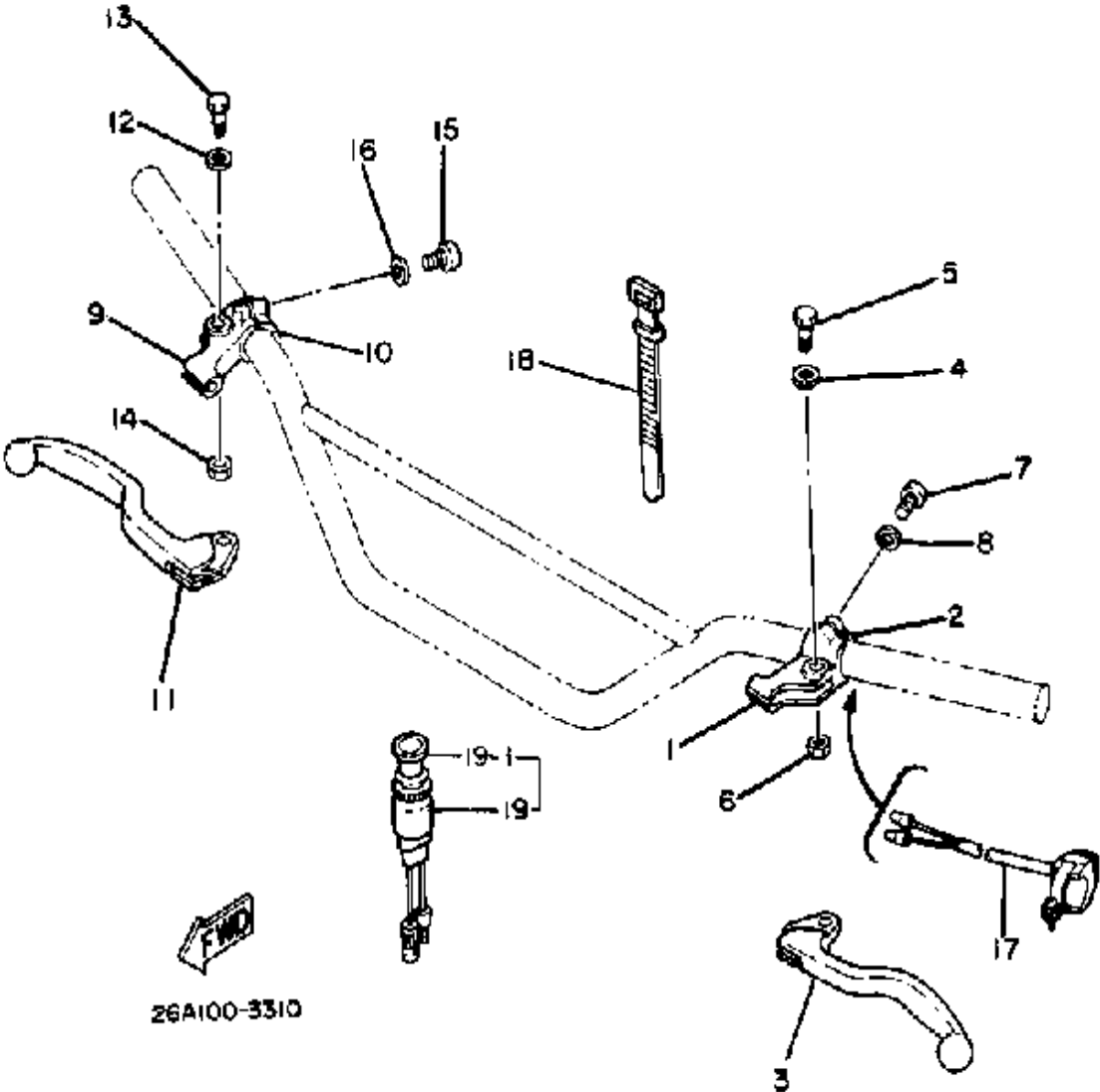
Ref. No.	Part Number	Description	Qty	Remarks
1	43G-82310-40-00	IGNITION COIL ASSEMBLY ...	1	
2	98580-06020-00	SCREW	2	
3	81E-82370-20-00	PLUG CAP ASSEMBLY	1	
4	26A-82590-00-00	WIRE HARNESS ASSEMBLY	1	
5	437-83936-01-00	BAND, SWITCH CORD	2	
6	437-83936-11-00	BAND, SWITCH CORD	2	



FWD
26A100-3300

www.legends-yamaha-enduros.com

HANDLE SWITCH - LEVER



26A100-3310

Ref. No.	Part Number	Description	Qty	Remarks
1	5F6-82911-00-00	HOLDER, LEVER 1	1	
2	4V4-82913-00-00	HOLDER, LEVER LOWER 1	1	
3	23X-83912-00-00	LEVER 1	1	
4	90201-08083-00	WASHER, PLATE	1	
5	90109-06797-00	BOLT	1	
6	95601-06100-00	NUT, U	1	
7	98506-05020-00	SCREW, PAN HEAD	2	
8	92906-05100-00	WASHER, SPRING	2	
9	38V-82921-00-00	HOLDER, LEVER 2	1	
10	4V4-82913-00-00	HOLDER, LEVER LOWER 1	1	
11	23X-83922-00-00	LEVER 2	1	
12	90201-08083-00	WASHER, PLATE	1	
13	90109-06797-00	BOLT	1	
14	95601-06100-00	NUT, U	1	
15	98506-05020-00	SCREW, PAN HEAD	2	
16	92906-05100-00	WASHER, SPRING	2	
17	23X-83976-00-00	SWITCH, HANDLE 1	1	
18	437-83936-01-00	BAND, SWITCH CORD	2	
19	4V5-82520-00-00	LIGHT SWITCH ASSEMBLY	1	
19-1	(4V5-00000-00-XX)	KNOB AND SCREW SET	1	

www.legends-yamaha-enduros.com

H-3
TY175B

MOTORCYCLE
M4-106

1975 SERVICE DATA

MODEL - IBM I.D. NUMBER	TY175B	525
Starting Engine and Frame Number	525-000102	
Basic Color (fuel tank)	White/Competition Yellow	
Net Weight	179 lbs.	
ENGINE (type, induction system)	2-stroke, 7-port, Single, Reed Valve, Air-cooled	
Bore x Stroke x Cylinder Displacement	66 x 50mm x1	171cc (10.43 CID)
Compression Ratio	5.8:1	
Piston Skirt Clearance (new/max.)	.040 ~ .045mm (.0016 ~ .0018")/0.1mm (.004")	
Ring End Gap (top/2nd/3rd)	0.3 ~ 0.5mm (.012 ~ .020")/Same/φ	
Ring Groove Clearance (top/2nd/3rd)	.03 ~ .08mm (.0012 ~ .0032")/Same/φ	
Valve Clearance (eng. cold) Intake/Exhaust	φ	
AUTOLUBE - Minimum Pump Stroke/Color Code	0.20 ~ 0.25mm (.008 ~ .010")	Sky Blue
CARBURETOR (mfr) (type) (I.D. number)	Mikuni VM22SS	52560
Main Jet	No. 240	
Needle Jet	0-0	
Jet Needle/Clip Position	4L64	
Cut Away	3.0	
Pilot Jet	No. 25	
Air Jet	2.5mm	
Starter Jet	No. 40	
Air Screw (turns out)	1 1/4	
Float Level	21.0 ± 1.0mm	
Air Filter (type x quantity)	Wet Foam Rubber x 1	
DRIVE - Primary (type) (teeth) (ratio)	Helical Gear	74/19 3.895
Secondary (type) (teeth) (ratio)	DID428H, 112L	51/13 3.923
Transmission Ratios 1st (teeth) (ratio) (O.A.)	34/11	3.091 47.227
2nd	32/13	2.462 37.611
3rd	30/16	1.875 28.649
4th	27/19	1.421 21.713
5th	23/23	1.000 15.279
6th	20/26	0.769 11.753
CAPACITIES - Transmission	650cc (22.0 oz.) SAE10W30 Oil (Yamalube 4-cycle)	
Oil Tank or Engine Sump	0.3 qts. Yamalube 2-cycle	
Fuel Tank	1.2 gals. Low Lead or Unleaded (Regular)	
Front Forks	126cc (4.3 oz.) 10, 20 or 30 wt. Fork Oil*	
Rear Shocks	φ	
Tires (size/nominal pressure)	Front: 2.75-21/13psi	Rear: 4.00-18/16psi
ELECTRICAL - Charging System (mfr) (type)	Hitachi	Flywheel Magneto F145-55
No Load Voltage Adj. (AC & DC generators)	φ	
Max. Generator (Magneto) Output	φ	
Field Coil (and/or) Charging Coil Resistance	φ	
Battery (mfr) (model) (rating)	φ	
Headlight/Taillight Ratings	6V25W/25W	6V5.3W
Ign. Coil Min. Spark Gap/Pri. Res./Sec. Res.	6mm 4.5Ω	6.0KΩ
Condenser Capacity	0.30 μf	
Point Gap /Spark Plug (type/gap)	0.3 ~ 0.4mm (.012 ~ .020")/NGK B-7ES/0.5 ~ 0.6mm	
Timing (advanced) (retarded)	1.8 ± 0.15mm BTDC/φ	

N/A = Information Not Available
φ = Does Not Apply to This Model

*Available from Yamaha Parts Distributors, Inc.

©YAMAHA INTERNATIONAL CORPORATION, BUENA PARK, CALIFORNIA 11/15/74 Page 1 of 1

H-3
TY175B

MOTORCYCLE
M4-106

1975 SERVICE DATA

MODEL - IBM I.D. NUMBER	TY175B	525
Starting Engine and Frame Number	525-000102	
Basic Color (fuel tank)	White/Competition Yellow	
Net Weight	179 lbs.	
ENGINE (type, induction system)	2-stroke, 7-port, Single, Reed Valve, Air-cooled	
Bore x Stroke x Cylinder Displacement	66 x 50mm x1	171cc (10.43 CID)
Compression Ratio	5.8:1	
Piston Skirt Clearance (new/max.)	.040 ~ .045mm (.0016 ~ .0018")/0.1mm (.004")	
Ring End Gap (top/2nd/3rd)	0.3 ~ 0.5mm (.012 ~ .020")/Same/φ	
Ring Groove Clearance (top/2nd/3rd)	.03 ~ .08mm (.0012 ~ .0032")/Same/φ	
Valve Clearance (eng. cold) Intake/Exhaust	φ	
AUTOLUBE - Minimum Pump Stroke/Color Code	0.20 ~ 0.25mm (.008 ~ .010")	Sky Blue
CARBURETOR (mfr) (type) (I.D. number)	Mikuni VM22SS	52560
Main Jet	No. 240	
Needle Jet	0-0	
Jet Needle/Clip Position	4L64	
Cut Away	3.0	
Pilot Jet	No. 25	
Air Jet	2.5mm	
Starter Jet	No. 40	
Air Screw (turns out)	1 1/4	
Float Level	21.0 ± 1.0mm	
Air Filter (type x quantity)	Wet Foam Rubber x 1	
DRIVE - Primary (type) (teeth) (ratio)	Helical Gear	74/19 3.895
Secondary (type) (teeth) (ratio)	DID428H, 112L	51/13 3.923
Transmission Ratios 1st (teeth) (ratio) (O.A.)	34/11	3.091 47.227
2nd	32/13	2.462 37.611
3rd	30/16	1.875 28.649
4th	27/19	1.421 21.713
5th	23/23	1.000 15.279
6th	20/26	0.769 11.753
CAPACITIES - Transmission	650cc (22.0 oz.) SAE10W30 Oil (Yamalube 4-cycle)	
Oil Tank or Engine Sump	0.3 qts. Yamalube 2-cycle	
Fuel Tank	1.2 gals. Low Lead or Unleaded (Regular)	
Front Forks	126cc (4.3 oz.) 10, 20 or 30 wt. Fork Oil*	
Rear Shocks	φ	
Tires (size/nominal pressure)	Front: 2.75-21/13psi	Rear: 4.00-18/16psi
ELECTRICAL - Charging System (mfr) (type)	Hitachi	Flywheel Magneto F145-55
No Load Voltage Adj. (AC & DC generators)	φ	
Max. Generator (Magneto) Output	φ	
Field Coil (and/or) Charging Coil Resistance	φ	
Battery (mfr) (model) (rating)	φ	
Headlight/Taillight Ratings	6V25W/25W	6V5.3W
Ign. Coil Min. Spark Gap/Pri. Res./Sec. Res.	6mm 4.5Ω	6.0KΩ
Condenser Capacity	0.30 μf	
Point Gap /Spark Plug (type/gap)	0.3 ~ 0.4mm (.012 ~ .020")/NGK B-7ES/0.5 ~ 0.6mm	
Timing (advanced) (retarded)	1.8 ± 0.15mm BTDC/φ	

N/A = Information Not Available
φ = Does Not Apply to This Model

*Available from Yamaha Parts Distributors, Inc.

©YAMAHA INTERNATIONAL CORPORATION, BUENA PARK, CALIFORNIA 11/15/74 Page 1 of 1