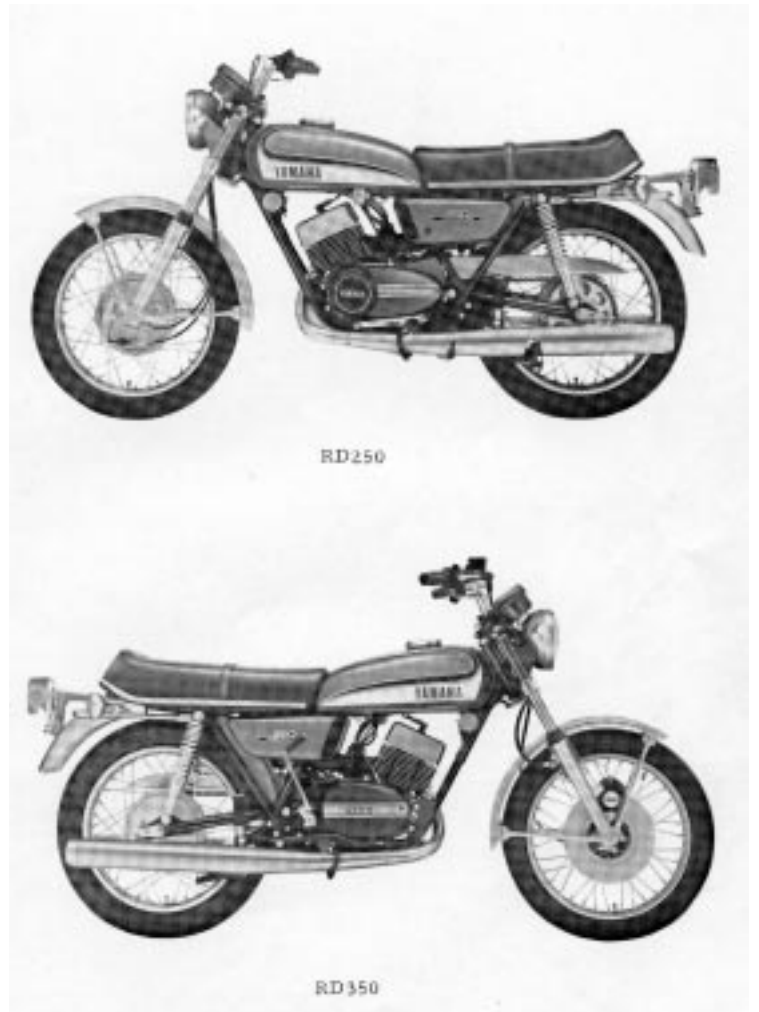


YAMAHA

PARTS LIST

MODEL RD250
MODEL RD350
Bj. 1973

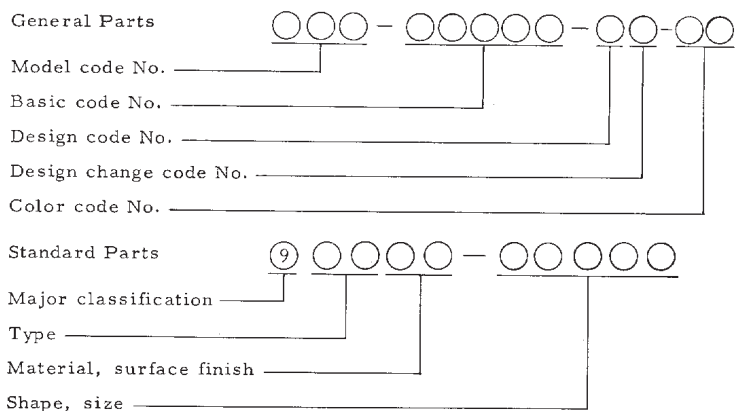


FOREWORD

This Parts List relates to the Parts in use for the YAMAHA SPORTS RD250, RD350. When you ordering replacement parts for RD250, RD350, refer to this Parts List and quote both parts numbers and part names correctly.

1. Structure of Part No.

Yamaha parts are divided largely into two categories; general parts and standard parts, and each part No. has the following structure:



Note: Every standard No. begins with 9.

2. How to Use this Parts List

(1) Except for steel balls (whose size is indicated in inches), the size of all parts is indicated in millimeters in the following manner.

- Pipe (rubber or vinyl) Inside diameter - length
- O-ring Section area - inside diameter
- Washer, shim, collar Inside diameter - outside diameter - thickness (length)

(2) Parts, which are to be supplied in the form of assemblies, are listed with an indentation of one letter's space, and a dot (.) is put

against the name of each part. If any two different assemblies (e.g., right and left side components) consist of almost the same type components, these two assemblies are listed in two lines, and then the names of component parts are listed in the subsequent lines with an indentation as mentioned earlier. The quantity of parts is given in the following manner; that is, in the case of parts being the same in type between the right and left, a total quantity of parts is given. On the other hand, if the right and left side parts are different in type, the quantity of part(s) on each side is given.

Example

Description	Q'ty
CARBURETOR ASS'Y, left	1
CARBURETOR ASS'Y, right	1
. JET, pilot	2
. NOZZLE, main	2
.....	
. LEVER, starter, left	1
. LEVER, starter, right	1

(3) Key to Symbols

- U. R. Use size (thickness) and/or number as required
- T Number of teeth in a gear
- V Voltage for light bulbs
- S "S" type oil seal or "S" type circlip
- SD "SD" type oil seal
- SO "SO" type oil seal
- SW "SW" type oil seal
- E "E" type circlip
- R "R" type circlip
- F/No. Frame No. (Applicable machine No.)

- (4) The right and left in relation to parts are determined on the basis of the rider facing toward the front.
- (5) This Parts List is based on the model in the production line on Dec., 1, 1972. Accordingly, if any modifications which have been made to parts will be announced in the Yamaha Parts News. It is advisable that according to the Yamaha Parts News, You will make necessary corrections to the Parts List on hand to keep it up-to dated.

CONTENTS

ENGINE

Fig. 1	Cylinder Head · Cylinder	1
Fig. 2	Crankcase	3
Fig. 3	Crankcase Cover	5
Fig. 4	Crank · Piston	7
Fig. 5	Clutch	11
Fig. 6	Transmission	15
Fig. 7	Shifter 1	19
Fig. 8	Shifter 2	23
Fig. 9	Kick Starter	25
Fig. 10	Tachometer Gear	27
Fig. 11	Intake	29
Fig. 12	Carburetor	31
Fig. 13	Exhaust	37
Fig. 14	Oil Pump	39
Fig. 15	A.C. Generator	43

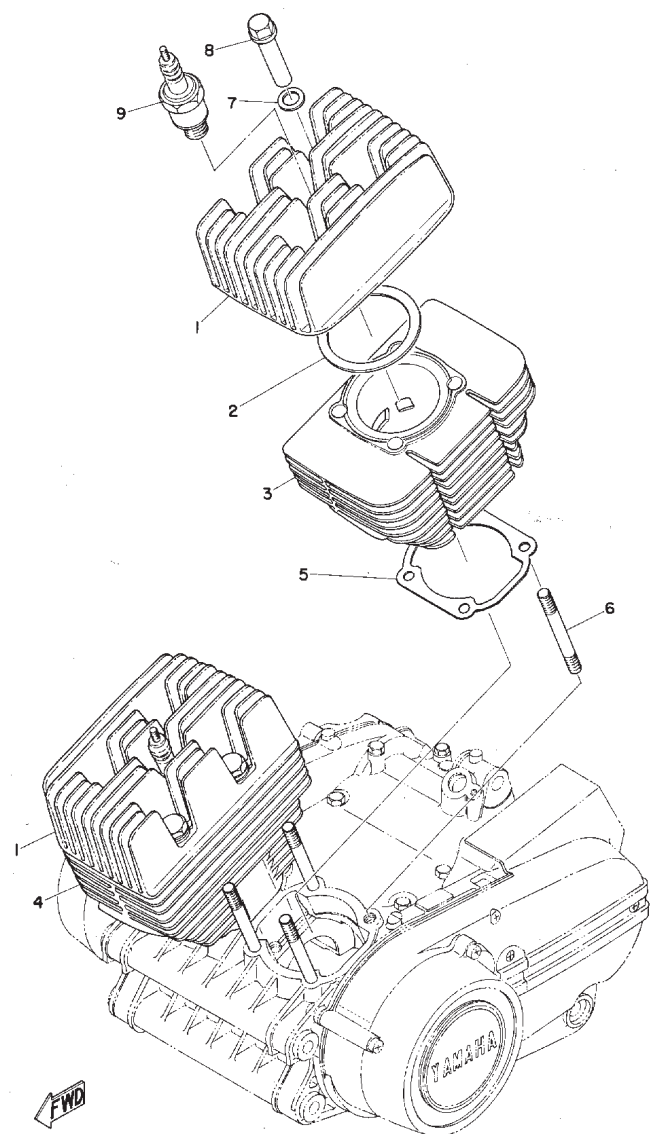
CHASSIS

Fig. 16	Frame	49
Fig. 17	Side Cover · Tool Box · Battery Box	51
Fig. 18	Rear Arm · Rear Cushion · Chain Case	53
Fig. 19	Stand · Footrest · Brake Pedal	55
Fig. 20	Front Fender · Rear Fender	59
Fig. 21	Front Fork (RD 250)	63
Fig. 22	Front Fork (RD 350)	67
Fig. 23	Steering	71
Fig. 24	Handle · Wire	75
Fig. 25	Master Cylinder · Brake Hose (RD 350)	79
Fig. 26	Fuel Tank	83

Fig. 27	Oil Tank	87
Fig. 28	Seat	91
Fig. 29	Front Wheel (RD 250)	93
Fig. 30	Front Wheel (RD 350)	97
Fig. 31	Disk Brake · Caliper (RD 350)	101
Fig. 32	Rear Wheel	103
Fig. 33	Head Lamp	109
Fig. 34	Speedometer · Tachometer	111
Fig. 35	Tail Lamp	113
Fig. 36	Flasher Lamp	115
Fig. 37	Electrical	117

NUMERICAL INDEX

Fig. 1 CYLINDER HEAD · CYLINDER

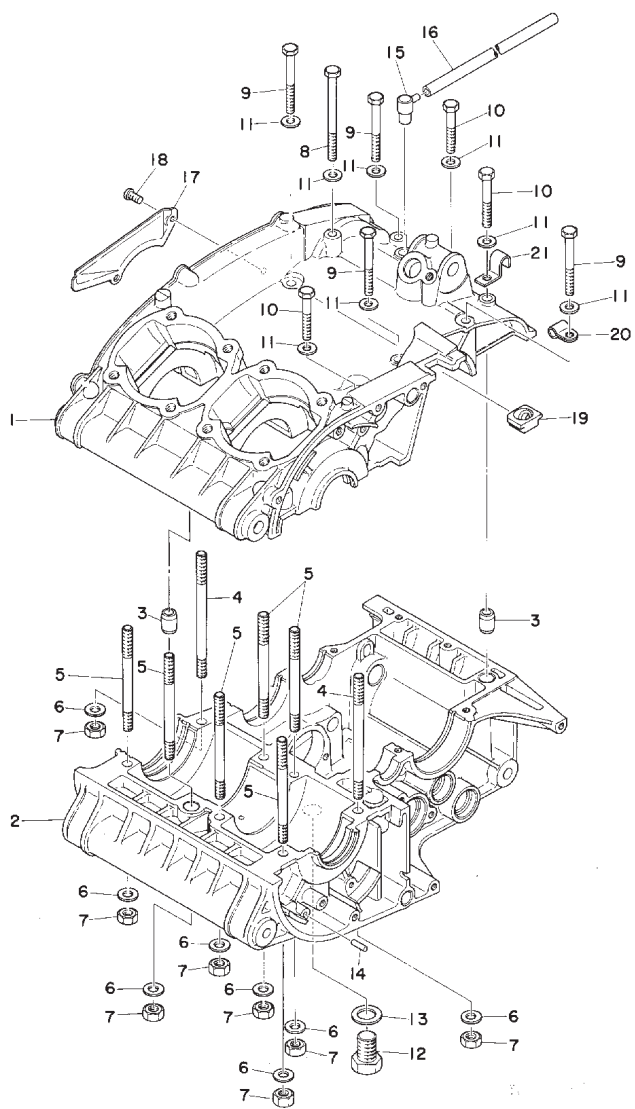


1

CYLINDER HEAD · CYLINDER

Ref. No.	Part No.	Description	Q'ty		Applicable Machine No.	Remarks
			RD250	RD350		
1- 1	361-11111-01	HEAD, cylinder	2			
	360-11111-01	HEAD, cylinder		2		
1- 2	280-11181-01	GASKET, cylinder head	2			
	278-11181-01	GASKET, cylinder head		2		
1- 3	361-11311-00	CYLINDER, left	1			
	360-11311-00	CYLINDER, left		1		
1- 4	361-11321-00	CYLINDER, right	1			
	360-11321-00	CYLINDER, right		1		
1- 5	278-11351-00	GASKET, cylinder	2	2		
1- 6	276-11361-00	BOLT, holding	8			
	248-11361-00	BOLT, holding		8		
1- 7	278-11175-00	WASHER, plain (12.5-24-2)	8	8		
1- 8	278-11171-00	NUT, holding	8	8		
1- 9	94701-00041	PLUG, spark (B-8HS)	2	2		

Fig. 2 CRANKCASE

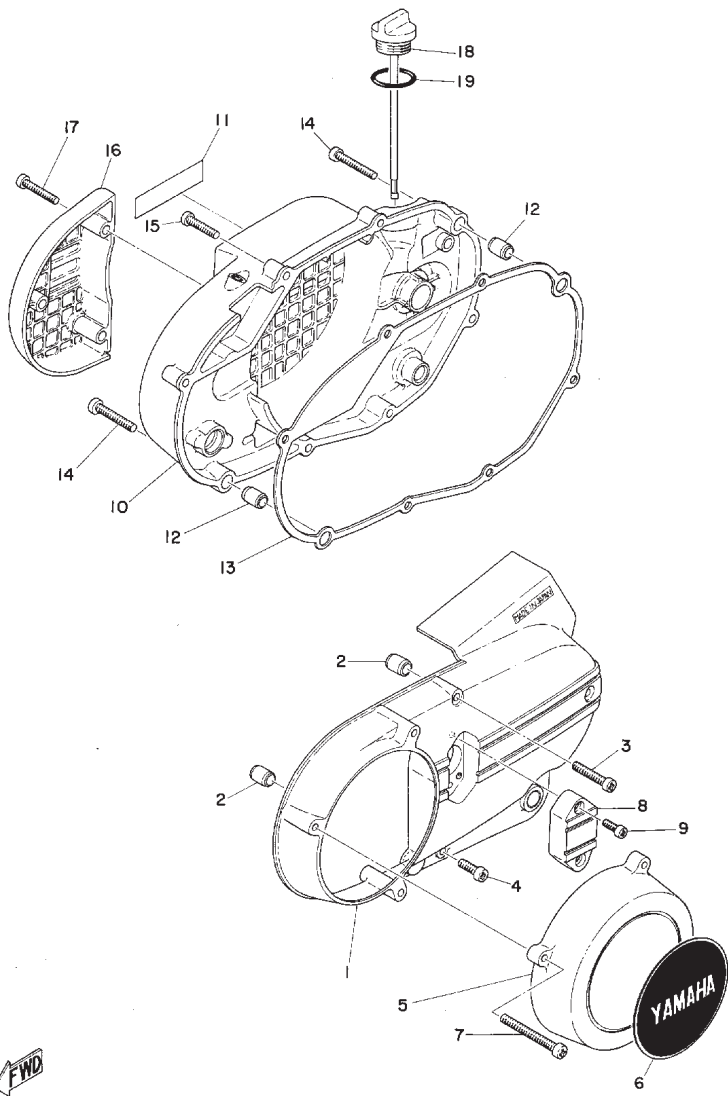


3

CRANKCASE

Ref. No.	Part No.	Description	Q'ty		Applicable Machine No.	Remarks
			RD250	RD350		
2- 0-1	278-15100-01	CRANKCASE ASS'Y	1	1		
2- 1	278-15111-01	CASE, crank upper	1	1		Not for sale
2- 2	278-15121-01	CASE, crank lower	1	1		Not for sale
2- 3	91810-05016	PIN, dowel (8.4-12-16)	2	2		
2- 4	256-15194-00	BOLT, crankcase stud 3	2	2		
2- 5	256-15193-00	BOLT, crankcase stud 2	6	6		
2- 6	92901-08200	WASHER, plain	8	8		
2- 7	98803-08200	NUT	8	8		
2- 8	91101-06090	BOLT	1	1		
2- 9	91101-06055	BOLT	4	4		
2-10	91101-06045	BOLT	3	3		
2-11	92901-06200	WASHER, plain	8	8		
2-12	214-15351-00	PLUG, drain	1	1		
2-13	137-15353-00	GASKET, drain plug (14-21-15)	1	1		
2-14	93603-14026	PIN, dowel (3-14)	1	1		
2-15	120-15371-00	BREATHER	1	1		
2-16	248-15373-00	PIPE, breather (5-150)	1	1		
2-17	278-15492-00	COVER	1	1		
2-18	98501-05010	SCREW, panhead	2	2		
2-19	278-15441-00	HOLDER, clutch wire	1	1		
2-20	164-82594-00	CLAMP	1	1		
2-21	278-15485-00	CLAMP	1	1		

Fig. 3 CRANKCASE COVER



CRANKCASE COVER

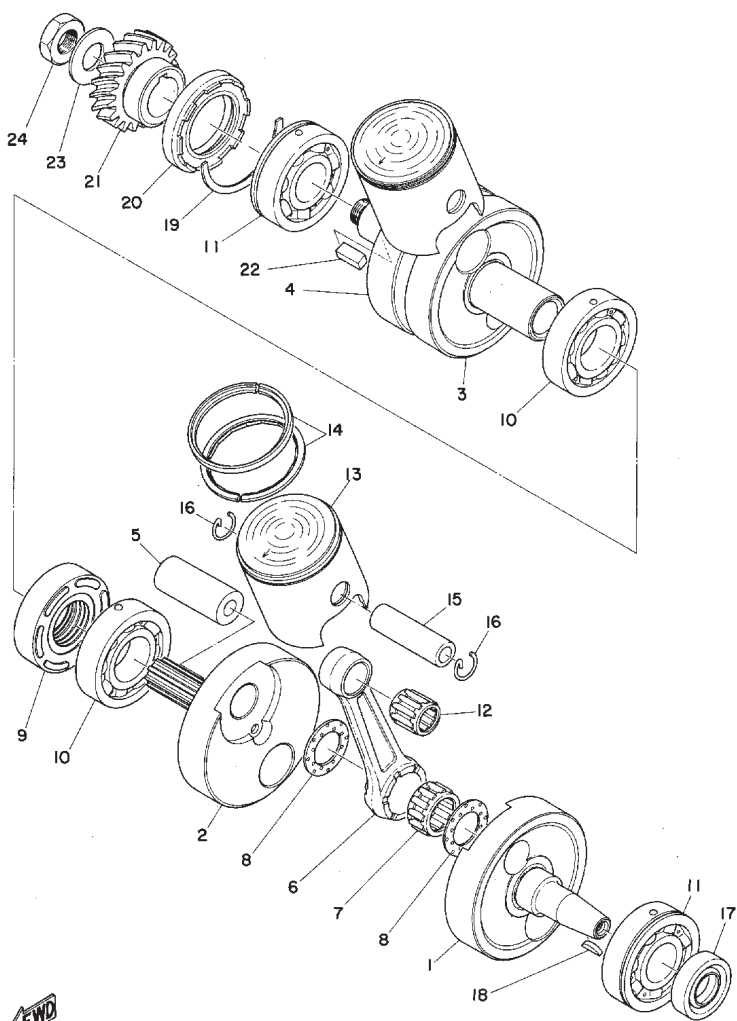
Ref. No.	Part No.	Description	Q'ty		Applicable Machine No.	Remarks
			RD250	RD350		
3- 1	360-15411-00	COVER, crankcase left	1	1		
3- 2	91810-05016	PIN, dowel (8.4-12-16)	2	2		
3- 3	92506-06035	SCREW, panhead	2	2		
3- 4	92506-06020	SCREW, panhead	1	1		
3- 5	360-15415-00	COVER, generator	1	1		
3- 6	360-15425-00	COVER	1	1		
3- 7	92506-06060	SCREW, panhead	3	3		
3- 8	360-15417-00	COVER, cap	1	1		
3- 9	98506-05020	SCREW, panhead	2	2		
3-10	360-15421-00	COVER, crankcase right	1	1		
3-11	360-15435-00	EMBLEM	1	1		
3-12	91810-05016	PIN, dowel (8.4-12-16)	2	2		
3-13	278-15461-00	GASKET, crankcase cover right	1	1		
3-14	92506-06040	SCREW, panhead	2	2		
3-15	92506-06030	SCREW, panhead	6	6		
3-16	360-15416-00	COVER, oil pump	1	1		
3-17	92506-06035	SCREW, panhead	3	3		
3-18	360-15363-00	PLUG, oil	1	1		
3-19	93210-27194	O-RING (2.5-27)	1	1		

5

YAMAHA MOTOR CO., LTD.

6

Fig. 4 CRANK · PISTON



CRANK · PISTON

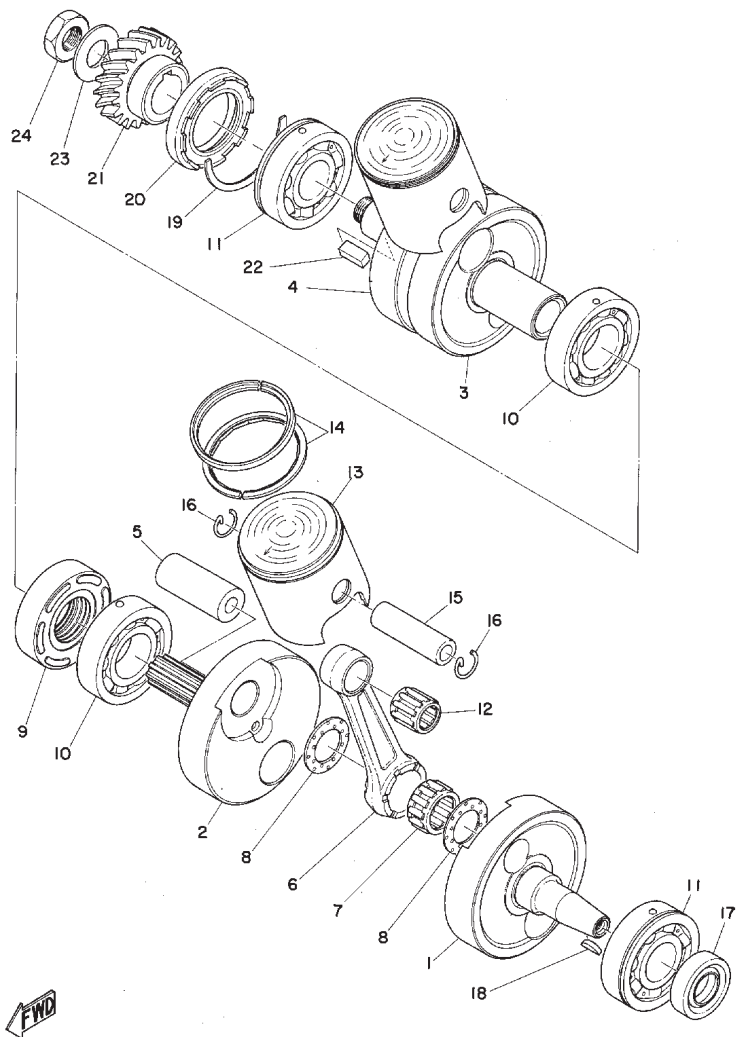
Ref. No.	Part No.	Description	Q'ty		Applicable Machine No.	Remarks
			RD250	RD350		
4- 0-1	278-11400-00	CRANK ASS'Y	1	1		
4- 1	278-11412-00	CRANK 1, left	1	1		
4- 2	278-11422-00	CRANK 1, right	1	1		
4- 3	278-11432-00	CRANK 2, left	1	1		
4- 4	278-11442-00	CRANK 2, right	1	1		
4- 5	278-11681-00	PIN, crank	2	2		
4- 6	278-11651-00	ROD, connecting	2	2		
4- 7	93310-42231	BEARING, con-rod big end (22-28-15.8)	2	2		
4- 8	164-11685-00	WASHER, crank pin	4	4		
4- 9	278-11515-00	SEAL, labyrinth	1	1		
4-10	93306-20604	BEARING (6206C3 special)	2	2		
4-11	93306-30508	BEARING (6305C3 special)	2	2		
4-12	93310-21680	BEARING, con-rod small end (16-20-19)	2	2		
	93310-21679	BEARING, con-rod small end (16-20-22)	2	2		
4-13	361-11631-00-96	PISTON (53.96mm STD)	2	2	U.R	
	361-11631-00-98	PISTON (53.98mm STD)	2	2	U.R	
	361-11635-00	PISTON (54.25mm 1st O.S)	2	2		Alternate Parts
	361-11636-00	PISTON (54.50mm 2nd O.S)	2	2		Alternate Parts
	360-11631-00-96	PISTON (63.96mm STD)	2	2	U.R	
	360-11631-00-98	PISTON (63.98mm STD)	2	2	U.R	
	360-11635-00	PISTON (64.25mm 1st O.S)	2	2		Alternate Parts
	360-11636-00	PISTON (64.50mm 2nd O.S)	2	2		Alternate Parts

7

YAMAHA MOTOR CO., LTD.

8

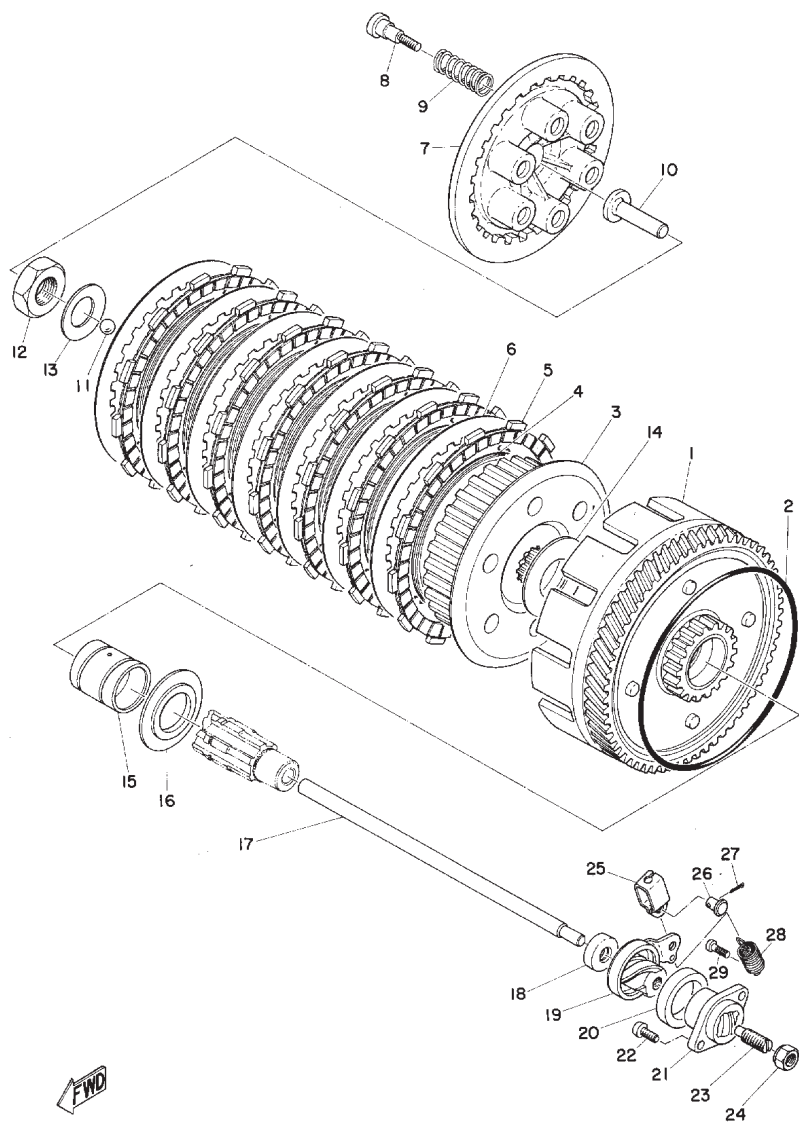
Fig. 4 CRANK · PISTON



CRANK · PISTON

Ref. No.	Part No.	Description	Q'ty RD250 RD350	Applicable Machine No.	Remarks
4-14	361-11610-01	PISTON RING SET (STD)	2s		
	361-11610-11	PISTON RING SET (1st O.S)	2s		Alternate Parts
	361-11610-21	PISTON RING SET (2nd O.S)	2s		Alternate Parts
	360-11610-01	PISTON RING SET (STD)	2s		
	360-11610-11	PISTON RING SET (1st O.S)	2s		Alternate Parts
	360-11610-21	PISTON RING SET (2nd O.S)	2s		Alternate Parts
4-15	280-11633-00	PIN, piston	2		
	278-11633-00	PIN, piston	2		
4-16	137-11634-00	CLIP, piston pin	4	4	
4-17	93103-20076	OIL SEAL (SW-20-40-10 special)	1	1	
4-18	150-11545-00	KEY, woodruff	1	1	
4-19	278-17424-00	CIRCLIP	1	1	
4-20	93103-40077	OIL SEAL (SW-40-62-10 special)	1	1	
4-21	280-16111-00	GEAR, drive (21T)	1		
	278-16111-00	GEAR, drive (23T)	1		
4-22	278-11546-00	KEY, woodruff	1	1	
4-23	214-16119-00	SPRING, belleville	1	1	
4-24	168-11555-00	NUT, crank shaft	1	1	
ALTERNATE PARTS					
4-0-2	361-11630-00	PISTON ASS'Y (STD)	2s		
	361-11630-10	PISTON ASS'Y (1st O.S)	2s		
	361-11630-20	PISTON ASS'Y (2nd O.S)	2s		
	360-11630-00	PISTON ASS'Y (STD)	2s		
	360-11630-10	PISTON ASS'Y (1st O.S)	2s		
	360-11630-20	PISTON ASS'Y (2nd O.S)	2s		

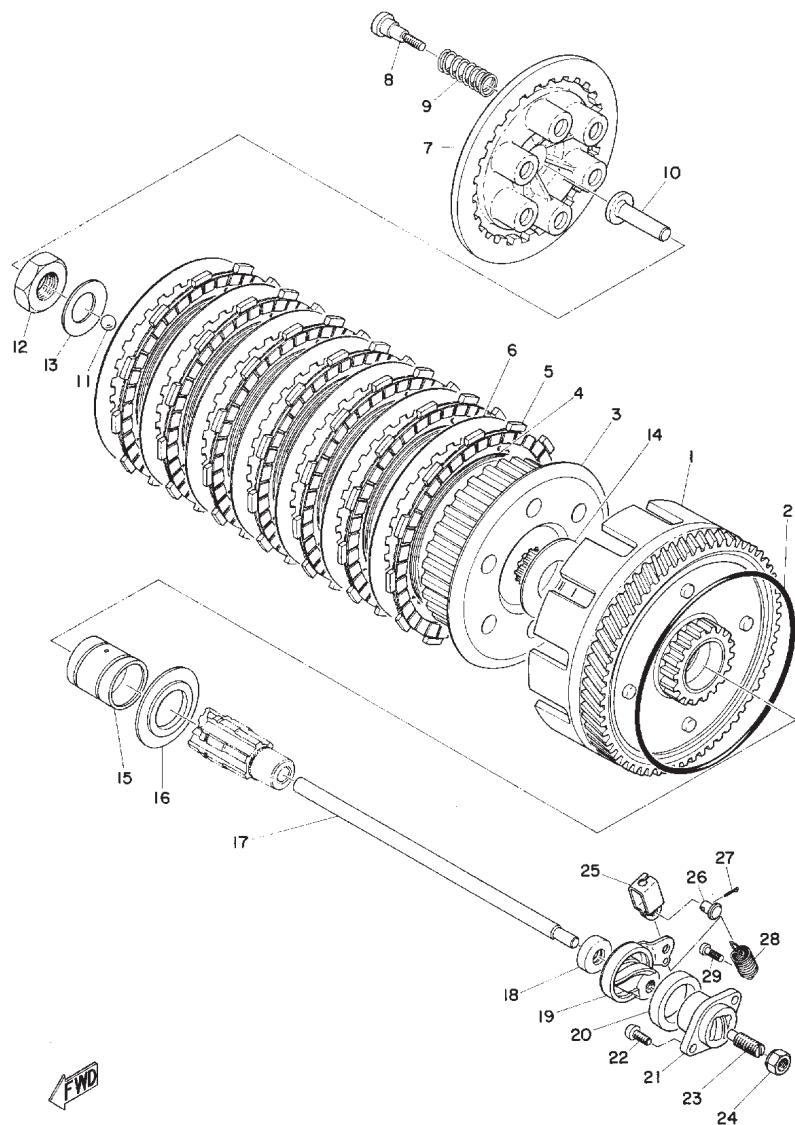
Fig. 5 CLUTCH



CLUTCH

Ref. No.	Part No.	Description	Q'ty RD250 RD350	Applicable Machine No.	Remarks
5-0-1	280-16301-00	CLUTCH ASS'Y	1		
	278-16301-00	CLUTCH ASS'Y	1		
5-1	280-16150-00	PRIMARY DRIVEN GEAR COMP. (68T)	1		
	278-16150-01	PRIMARY DRIVEN GEAR COMP. (66T)	1		
5-2	93211-15149	O-RING (5.7-114.6)	1	1	
5-3	360-16370-00	CLUTCH BOSS ASS'Y	1	1	
5-4	278-16367-00	RING, cushion	7	7	
5-5	360-16321-00	PLATE, friction	7	7	
5-6	360-16325-00	PLATE, clutch	7	7	
5-7	360-16351-00	PLATE, pressure	1	1	
5-8	137-16337-01	SCREW, spring	6	6	
5-9	183-16333-70	SPRING, clutch	6	6	
5-10	174-16356-00	ROD, push	1	1	
5-11	93505-16006	BALL (5/6 inch)	1	1	
5-12	156-16174-00	NUT, lock	1	1	
5-13	214-16119-00	SPRING, belleville	1	1	
5-14	170-16164-00	PLATE, thrust 2 (25-50-2)	1	1	
5-15	278-16181-01	SPACER	1	1	
5-16	278-16154-00	PLATE, thrust 1	1	1	
5-17	237-16357-01	ROD, push	1	1	
5-18	237-15389-00	SEAL, push rod	1	1	
5-19	360-16340-00	PUSH LEVER ASS'Y	1	1	
5-20	214-16347-01	SEAL, dust	1	1	

Fig. 5 CLUTCH



13

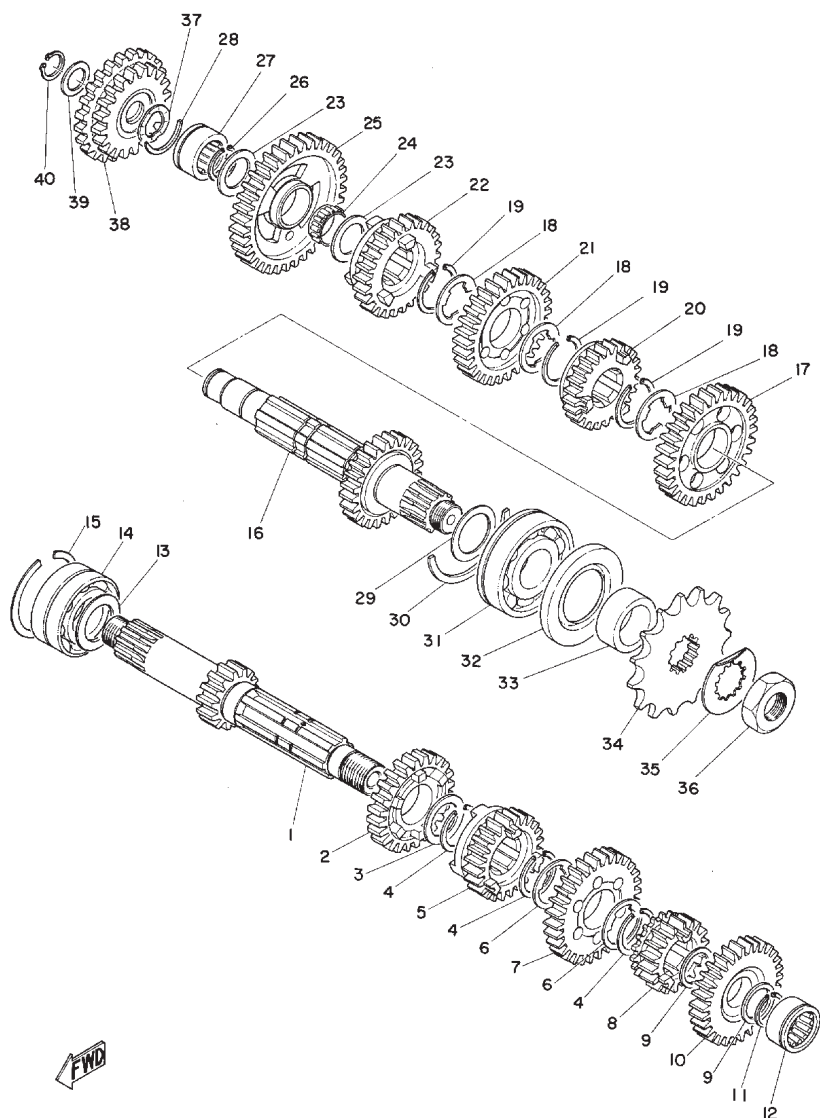
CLUTCH

Ref. No.	Part No.	Description	Q'ty RD250 RD350	Applicable Machine No.	Remarks
5-21	256-16396-01	HOUSING, push screw	1	1	
5-22	98501-05012	SCREW, panhead	2	2	
5-23	256-16343-01	SCREW, adjusting	1	1	
5-24	214-16344-00	NUT, adjusting	1	1	
5-25	214-16389-00	JOINT	1	1	
5-26	214-16379-00	PIN	1	1	
5-27	91401-10010	PIN, cotter	1	1	
5-28	360-16345-00	SPRING, return	1	1	
5-29	132-16346-00	HOOK, spring	1	1	

YAMAHA MOTOR CO., LTD.

14

Fig. 6 TRANSMISSION



15

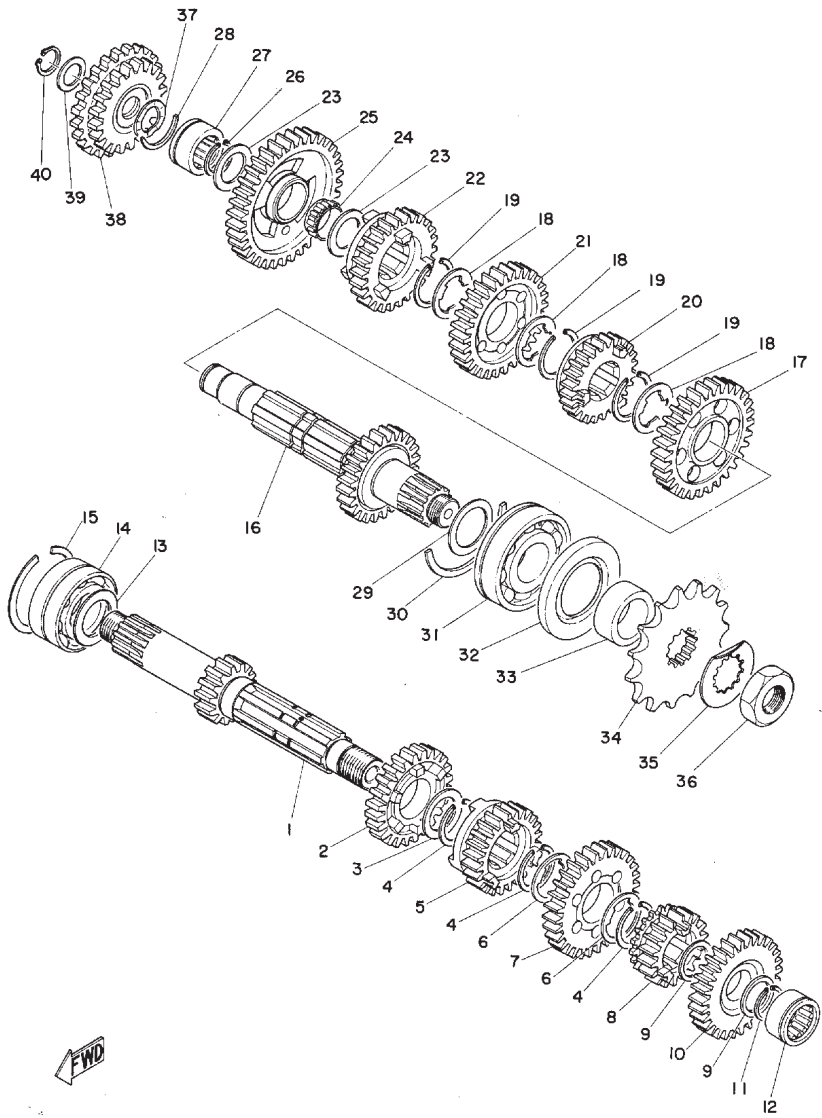
TRANSMISSION

Ref. No.	Part No.	Description	Q'ty RD250 RD350	Applicable Machine No.	Remarks
6- 1	360-17411-00	AXLE, main (14T)	1	1	
6- 2	360-17141-00	GEAR, 4th pinion (25T)	1	1	
6- 3	152-17226-00	WASHER, gear hold 2 (25-32-1)	1	1	
6- 4	93440-25008	CIRCLIP (25° special)	3	3	
6- 5	360-17131-00	GEAR, 3rd pinion (22T)	1	1	
6- 6	328-17216-00	WASHER, gear hold 1	2	2	
6- 7	360-17161-00	GEAR, 6th pinion (28T)	1	1	
6- 8	360-17121-00	GEAR, 2nd pinion (18T)	1	1	
6- 9	132-17216-00	WASHER, gear hold (22-25-1)	2	2	
6-10	360-17151-00	GEAR, 5th pinion (27T)	1	1	
6-11	93410-20009	CIRCLIP (S-20)	1	1	
6-12	93311-22005	BEARING (20-30-15)	1	1	
6-13	168-17428-01-03	SHIM, drive axle (25-34-0.3)	}	U.R U.R	
6-13	168-17428-01-05	SHIM, drive axle (25-34-0.5)			
6-14	93305-20502	BEARING (25-52-20.6)	1	1	
6-15	93440-52009	CIRCLIP	1	1	
6-16	360-17420-00	DRIVE AXLE COMP. (24T)	1	1	
6-17	360-17221-00	GEAR, 2nd wheel (32T)	1	1	
6-18	328-17216-00	WASHER, gear hold 1	3	3	
6-19	93440-25008	CIRCLIP (25° special)	3	3	
6-20	360-17261-00	GEAR, 6th wheel (22T)	1	1	
6-21	360-17231-00	GEAR, 3rd wheel (29T)	1	1	
6-22	360-17241-00	GEAR, 4th wheel (26T)	1	1	
6-23	328-17116-00	WASHER, gear hold (20.2-30-1)	2	2	

YAMAHA MOTOR CO., LTD.

16

Fig. 6 TRANSMISSION



17

TRANSMISSION

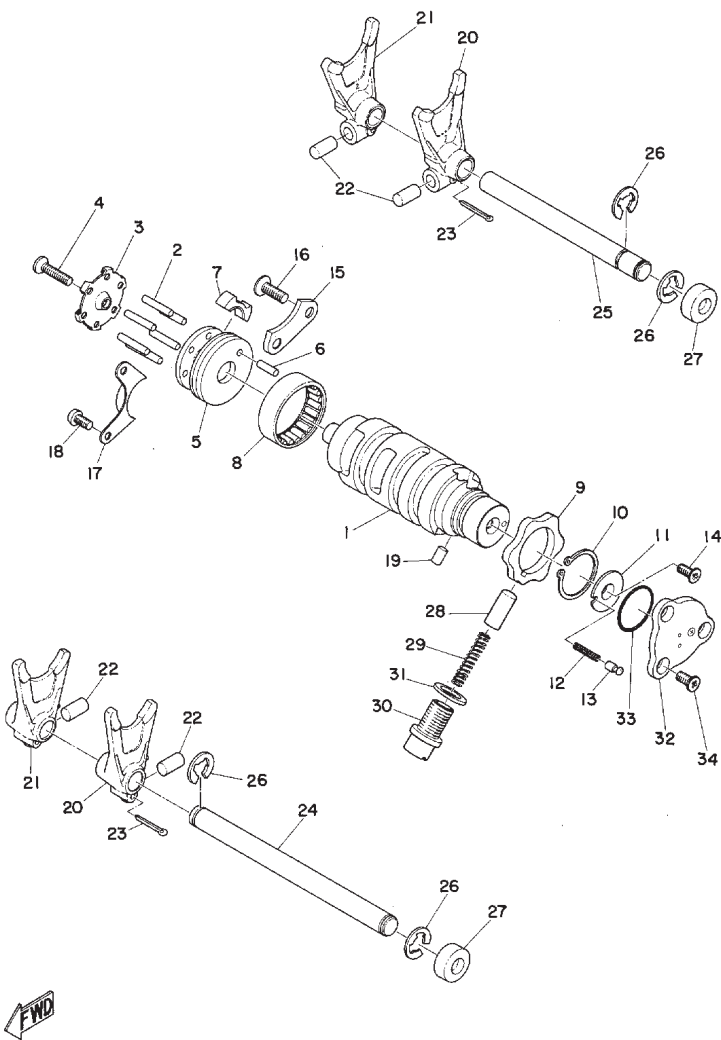
Ref. No.	Part No.	Description	Q'ty RD250 RD350	Applicable Machine No.	Remarks
6-24	93310-22057	BEARING (20-24-10)	1	1	
6-25	360-17211-00	GEAR, 1st wheel (36T)	1	1	
6-26	93410-20009	CIRCLIP (S-20)	1	1	
6-27	93311-42006	BEARING (20-33-15)	1	1	
6-28	278-17425-00	CIRCLIP	1	1	
6-29	168-17428-01-03	SHIM, drive axle (25-34-0.3)	}	U.R U.R	
	168-17428-01-05	SHIM, drive axle (25-34-0.5)			
6-30	278-17424-00	CIRCLIP	1	1	
6-31	93306-30504	BEARING (6305N special)	1	1	
6-32	93102-35054	OIL SEAL (SD-35-62-6)	1	1	
6-33	169-17462-00	COLLAR, distance (25-35-17.5)	1	1	
6-34	168-17461-40	SPROCKET (14T)	}	U.R U.R	
	168-17461-50	SPROCKET (15T)			
	168-17461-60	SPROCKET (16T)			
6-35	156-17464-01	WASHER, lock	1	1	
6-36	152-17463-00	NUT, lock	1	1	
6-37	137-15643-00	WASHER, wave	1	1	
6-38	278-15650-00	IDLER GEAR ASS'Y (22T & 27T)	1	1	
6-39	164-17417-00-10	SHIM, main axle (15.2-20-1)	1	1	
6-40	93410-15005	CIRCLIP (S-15)	1	1	

STD(RD250,RD350)

YAMAHA MOTOR CO., LTD.

18

Fig. 7 SHIFTER 1



19

SHIFTER 1

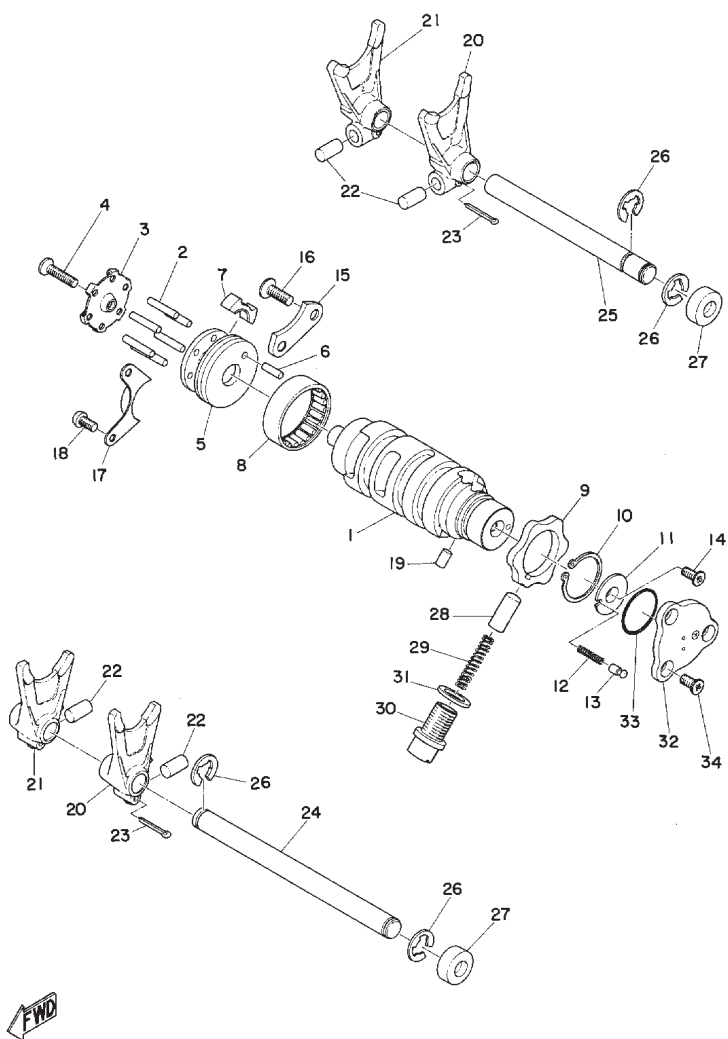
Ref. No.	Part No.	Description	Q'ty RD250 RD350	Applicable Machine No.	Remarks
7- 1	360-18541-00	CAM, shift	1	1	
7- 2	93604-22050	PIN, dowel (4-21.8)	6	6	
7- 3	328-18561-00	PLATE, side 1	1	1	
7- 4	98701-05020	SCREW, flathead	1	1	
7- 5	328-18185-00	SEGMENT	1	1	
7- 6	93604-14012	PIN, dowel	1	1	
7- 7	328-18352-10	PLATE, pawl	1	1	
7- 8	93315-23612	BEARING (36-46-12)	1	1	
7- 9	360-18141-01	PLATE, stopper	1	1	
7-10	93410-30012	CIRCLIP (S-30)	1	1	
7-11	278-18566-00	PLATE, side 2	1	1	
7-12	278-18545-00	SPRING	1	1	
7-13	278-18542-00	POINT, neutral	1	1	
7-14	98701-05012	SCREW, flathead	1	1	
7-15	328-18562-00	PLATE, stopper 2	1	1	
7-16	92701-06015	SCREW, flathead	2	2	
7-17	328-18179-00	GUIDE, change lever	1	1	
7-18	98501-05010	SCREW, panhead	2	2	
7-19	93604-08071	PIN, dowel (4-8)	1	1	
7-20	328-18511-00	FORK, shift 1	2	2	
7-21	328-18512-00	FORK, shift 2	2	2	
7-22	278-18552-00	PIN, cam follower	4	4	
7-23	91401-25020	PIN, cotter	4	4	

YAMAHA MOTOR CO., LTD.

20

Fig. 7 SHIFTER 1

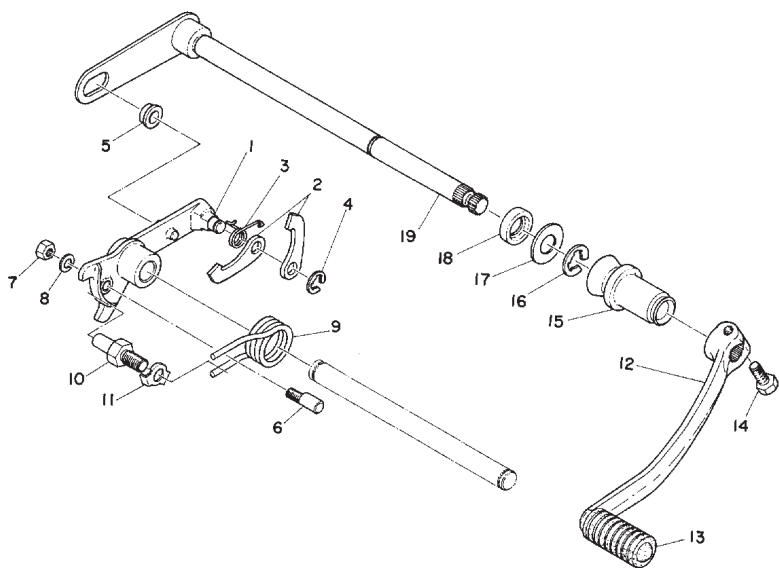
SHIFTER 1



Ref. No.	Part No.	Description	Q'ty		Applicable Machine No.	Remarks
			RD250	RD350		
7-24	278-18531-00	BAR, shift fork guide 1	1	1	
7-25	278-18535-00	BAR, shift fork guide 2	1	1	
7-26	93430-10016	CIRCLIP (E-10)	4	4	
7-27	278-18149-00	PLUG, blind	2	2	
7-28	278-18547-02	STOPPER, cam	1	1	
7-29	278-18557-00	SPRING, cam stopper	1	1	
7-30	278-18577-03	SCREW, spring	1	1	
7-31	137-15353-00	GASKET, drain plug (14-21-1.5)	1	1	
7-32	278-82540-01	NEUTRAL SWITCH ASS'Y	1	1	
7-33	93210-29147	O-RING (2.4-29.4)	1	1	
7-34	98701-05020	SCREW, flathead	3	3	

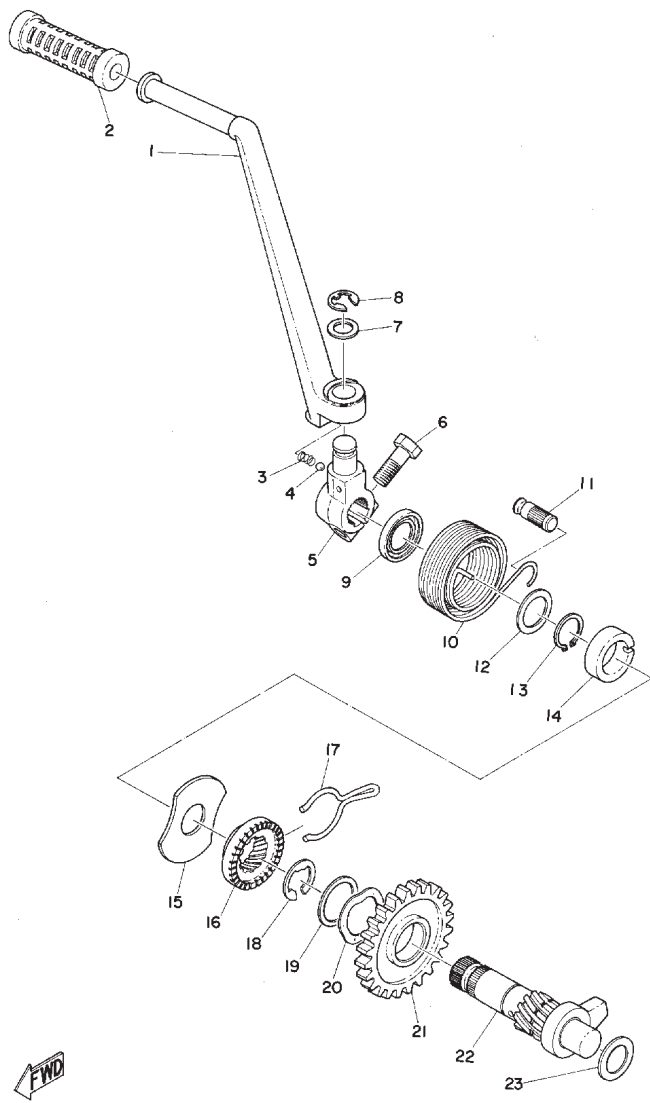
Fig. 8 SHIFTER 2

SHIFTER 2



Ref. No.	Part No.	Description	Q'ty		Applicable Machine No.	Remarks
			RD250	RD350		
8- 1	328-18128-00	BRACKET	1	1	
8- 2	328-18151-00	LEVER, change 3	2	2	
8- 3	214-18123-00	SPRING	1	1	
8- 4	93430-07012	CIRCLIP (E-7)	1	1	
8- 5	214-18178-00	ROLLER, change lever	1	1	
8- 6	214-18186-00	SCREW, adjusting	1	1	
8- 7	98801-06100	NUT	1	1	
8- 8	92901-06100	WASHER, spring	1	1	
8- 9	278-18124-00	SPRING, shaft return	1	1	
8-10	278-18127-00	STOPPER, screw	1	1	
8-11	214-18139-02	WASHER, lock	1	1	
8-12	278-18111-00-93	PEDAL, change	1	1	
8-13	132-18113-01	COVER, change pedal	1	1	
8-14	91101-06020	BOLT	1	1	
8-15	278-18131-00	BOOT, sealing	1	1	
8-16	93430-10016	CIRCLIP (E-10)	1	1	
8-17	132-18137-00	WASHER, change axle (12.1-26-1.6)	1	1	
8-18	93101-12004	OIL SEAL (S-21-22-5)	1	1	
8-19	278-18101-01	CHANGE SHAFT ASS'Y	1	1	

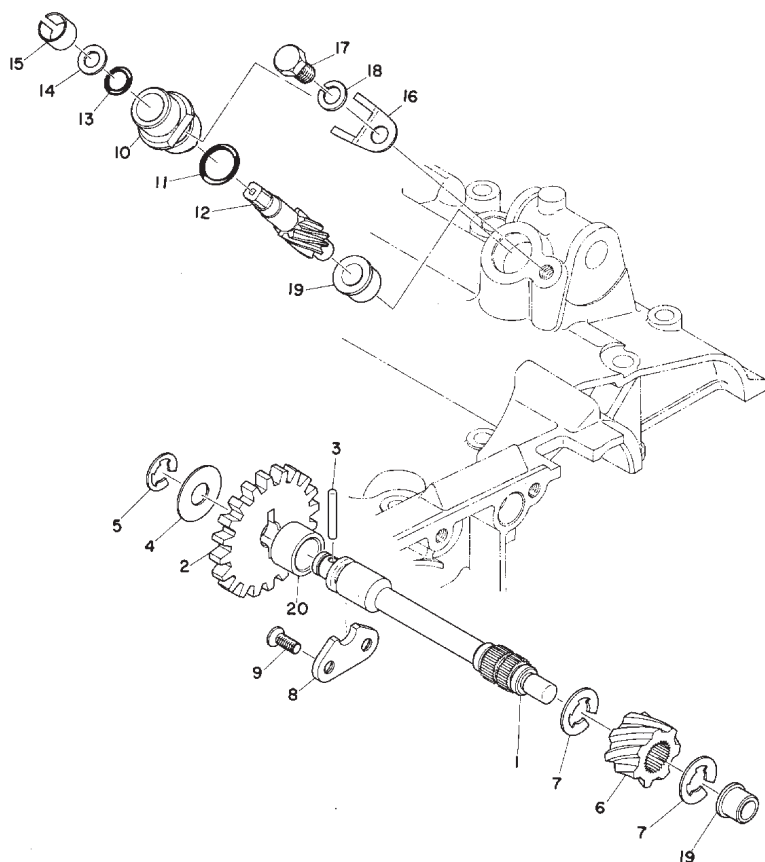
Fig. 9 KICK STARTER



KICK STARTER

Ref. No.	Part No.	Description	Q'ty RD250 RD350	Applicable Machine No.	Remarks
9- 1	278-15611-00-93	CRANK, kick	1	1	
9- 2	156-15618-01	COVER, kick lever	1	1	
9- 3	278-15622-00	SPRING, boss stopper	1	1	
9- 4	93507-32009	BALL (7/32 inch)	1	1	
9- 5	278-15621-00	BOSS, kick crank	1	1	
9- 6	97101-08030	BOLT	1	1	
9- 7	278-15613-00	WASHER (15.5-24-1.5)	1	1	
9- 8	93430-10016	CIRCLIP (E-10)	1	1	
9- 9	93104-20007	OIL SEAL (SO-20-30-4.5)	1	1	
9-10	278-15665-00	SPRING, kick	1	1	
9-11	248-15668-00	STOPPER, kick spring	1	1	
9-12	132-17216-00	WASHER, gear hold (20-25-1)	1	1	
9-13	93410-20009	CIRCLIP (S-20)	1	1	
9-14	278-15666-00	SPACER	1	1	
9-15	278-15676-00	COVER, spring	1	1	
9-16	278-15671-00	WHEEL, ratchet	1	1	
9-17	278-15687-00	CLIP	1	1	
9-18	93440-25008	CIRCLIP (25φ special)	1	1	
9-19	152-17226-00	WASHER, gear hold (25-32-1)	1	1	
9-20	278-15643-01	WASHER, wave	1	1	
9-21	278-15641-00	GEAR, kick (27T)	1	1	
9-22	278-15660-01	KICK AXLE ASS'Y	1	1	
9-23	136-17417-00-10	SHIM (17.2-28-1)	1	1	

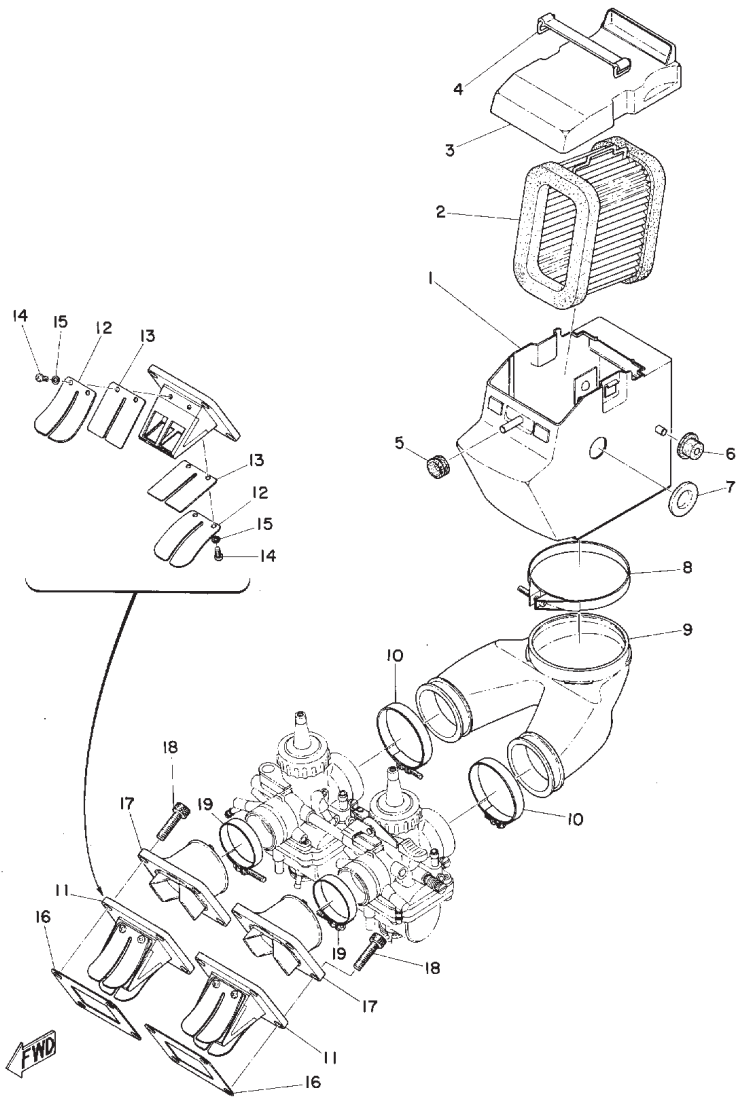
Fig. 10 TACHOMETER GEAR



TACHOMETER GEAR

Ref. No.	Part No.	Description	Q'ty RD250 RD350	Applicable Machine No.	Remarks
10- 1	278-17861-00	AXLE	1	1	
10- 2	280-17851-00	GEAR, primary	1		
	278-17851-00	GEAR, primary	1		
10- 3	93603-22028	PIN, dowel (3-21.8)	1	1	
10- 4	102-18138-00	WASHER (10.2-24-1)	1	1	
10- 5	93430-08006	CIRCLIP (E-8)	1	1	
10- 6	278-17831-00	GEAR, drive	1	1	
10- 7	93430-10016	CIRCLIP (E-10)	2	2	
10- 8	278-17812-00	STOPPER	1	1	
10- 9	98701-05012	SCREW, flathead	2	2	
10-10	214-17811-01	HOUSING	1	1	
10-11	93210-13016	O-RING (1.8-13)	1	1	
10-12	214-17841-01	GEAR, driven	1	1	
10-13	93210-07100	O-RING (2.2-7.2)	1	1	
10-14	214-17847-00	SHIM (7.5-10.8-0.4)	1	1	
10-15	214-17815-00	BUSHING	1	1	
10-16	214-17812-00	STOPPER	1	1	
10-17	91201-06010	BOLT	1	1	
10-18	92901-06100	WASHER, spring	1	1	
10-19	214-17843-00	BUSHING	2	2	
10-20	278-17833-00	BUSHING	1	1	

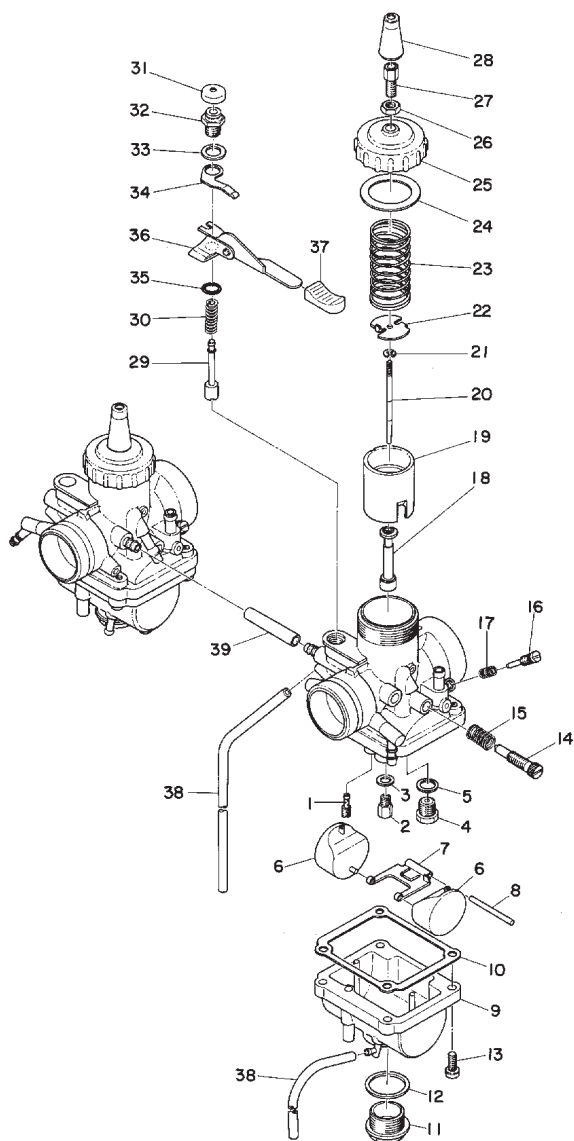
Fig. 11 INTAKE



INTAKE

Ref. No.	Part No.	Description	Q'ty RD250 RD350	Applicable Machine No.	Remarks
11- 1	360-14411-00	CASE, air cleaner	1	1	
11- 2	278-14451-00	ELEMENT	1	1	
11- 3	278-14412-01	CAP, case	1	1	
11- 4	278-14459-00	HOLDER	1	1	
11- 5	214-21746-00	DAMPER, tool box	1	1	
11- 6	278-14426-00	DAMPER 2	2	2	
11- 7	360-14435-00	GROMMET	2	2	
11- 8	360-14456-00	BAND	1	1	
11- 9	360-14453-00	JOINT	1	1	
11-10	278-14455-00	BAND	2	2	
11-11	345-13610-70	REED VALVE ASS'Y	2	2	
11-12	345-13616-70	. STOPPER, reed valve	4	4	
11-13	345-13613-70	. VALVE, reed	4	4	
11-14	98512-03008	. SCREW, panhead	8	8	
11-15	92901-03100	. WASHER, spring	8	8	
11-16	314-13621-01	PACKING, valve seat	2	2	
11-17	345-13565-71	JOINT	2	2	
11-18	91306-06025	BOLT	8	8	
11-19	304-14455-70	BAND	2	2	

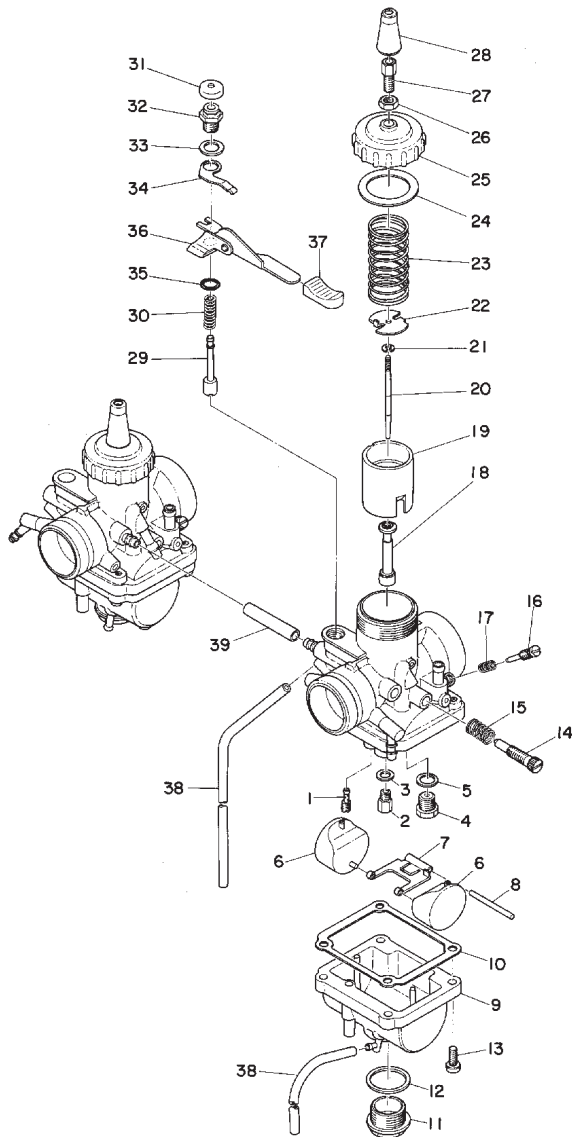
Fig. 12 CARBURETOR



CARBURETOR

Ref. No.	Part No.	Description	Q'ty RD250 RD350	Applicable Machine No.	Remarks
12- 0-1	361-14101-00	CARBURETOR ASS'Y, left	1		Black
	360-14101-00	CARBURETOR ASS'Y, left	1		Black
12- 0-2	361-14102-00	CARBURETOR ASS'Y, right	1		Black
	360-14102-00	CARBURETOR ASS'Y, right	1		Black
12- 1	193-14142-30	. JET, pilot (#30)	2		
	193-14142-25	. JET, pilot (#25)	2		
12- 2	137-14143-22	. JET, main (#110)	U.R U.R 2 2		STD(RD250)
	137-14143-24	. JET, main (#120)			
	137-14143-26	. JET, main (#130)			
	137-14143-28	. JET, main (#140)			STD(RD350)
	137-14143-30	. JET, main (#150)			
12- 3	137-14153-00	. WASHER, main jet	2	2	
12- 4	168-14190-25	. VALVE SEAT ASS'Y (#2.5)	2	2	
12- 5	214-14195-00	. WASHER, valve seat	2	2	
12- 6	278-14185-00	. FLOAT	4	4	
12- 7	280-14187-00	. ARM, float	2	2	
12- 8	137-14186-00	. PIN, float	2	2	
12- 9	360-14181-00-33	. BODY, float chamber left	1	1	
12- 9-1	360-14183-00-33	. BODY, float chamber right	1	1	
12-10	360-14184-00	. GASKET, float chamber	2	2	
12-11	278-14115-00-33	. PLUG, screw	2	2	
12-12	278-14117-00	. WASHER, screw plug	2	2	
12-13	308-14567-00-33	. SCREW, panhead	8	8	
12-14	204-14122-00-33	. SCREW, throttle	2	2	
12-15	127-14134-00	. SPRING, air adjusting	2	2	

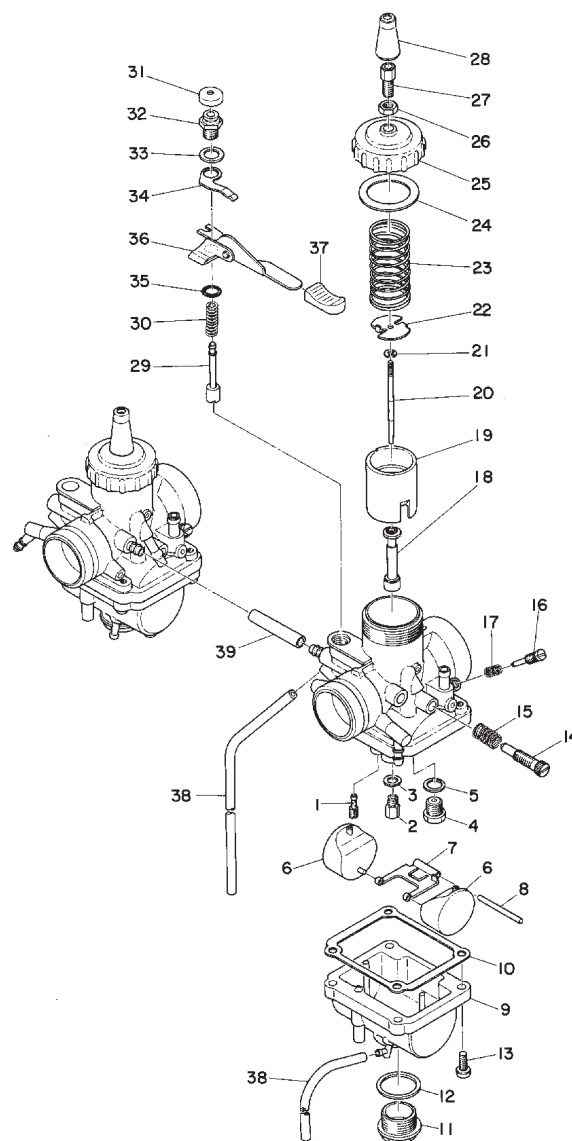
Fig. 12 CARBURETOR



CARBURETOR

Ref. No.	Part No.	Description	Q'ty RD250 RD350	Applicable Machine No.	Remarks
12-16	152-14123-00-33	. SCREW, air adjusting	2	2	
12-17	137-14133-00-33	. SPRING, throttle stop	2	2	
12-18	360-14141-38	. NOZZLE, main (0-8)	2	2	
12-19	360-14112-25	. VALVE, throttle left (#2.5)	1	1	
12-19-1	360-14113-25	. VALVE, throttle right (#2.5)	1	1	
12-20	360-14116-04	. NEEDLE (514-3)	2		
	360-14116-04	. NEEDLE (514-4)	2		
12-21	164-14137-00	. CLIP	2	2	
12-22	256-14936-00	. SEAT, spring	2	2	
12-23	360-14131-00	. SPRING, throttle valve	2	2	
12-24	246-14126-00	. PACKING	2	2	
12-25	316-14158-00-33	. TOP, mixing chamber	2	2	
12-26	802-14161-00	. NUT, wire adjusting	2	2	
12-27	360-14124-20	. SCREW, wire adjusting	2	2	
12-28	802-14169-00	. CAP	2	2	
12-29	278-14171-00	. PLUNGER, starter	1	1	
12-30	256-14135-00	. SPRING, plunger	1	1	
12-31	802-14173-00	. COVER, plunger cap	1	1	
12-32	278-14174-00-33	. CAP, plunger	1	1	
12-33	132-14179-00-33	. WASHER, starter lever	1	1	
12-34	170-14178-00-33	. PLATE, starter lever	1	1	
12-35	93220-09001	. O-RING	1	1	
12-36	278-14175-00-33	. LEVER, starter left	1	1	
12-37	360-14169-00	. CAP	1	1	

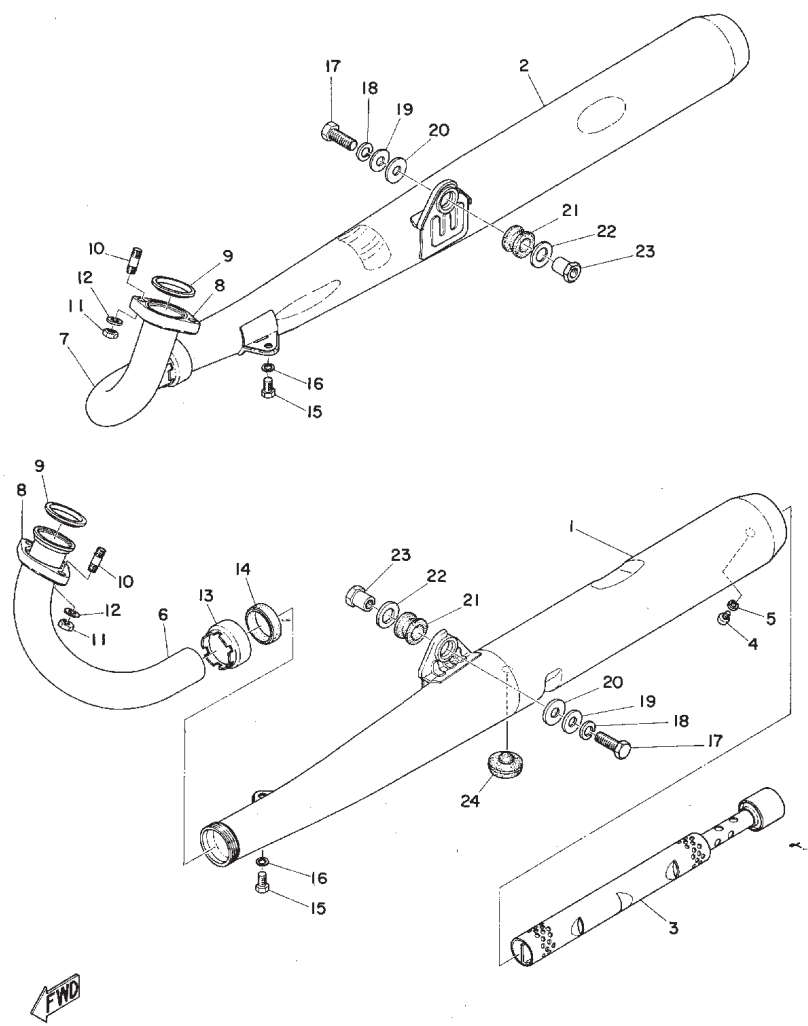
Fig. 12 CARBURETOR



CARBURETOR

Ref. No.	Part No.	Description	Q'ty RD250 RD350	Applicable Machine No.	Remarks
12-38	278-14197-00	. PIPE, air vent (3-320)	4	4	
12-39	360-14485-00	. PIPE, joint (5-39)	1	1	

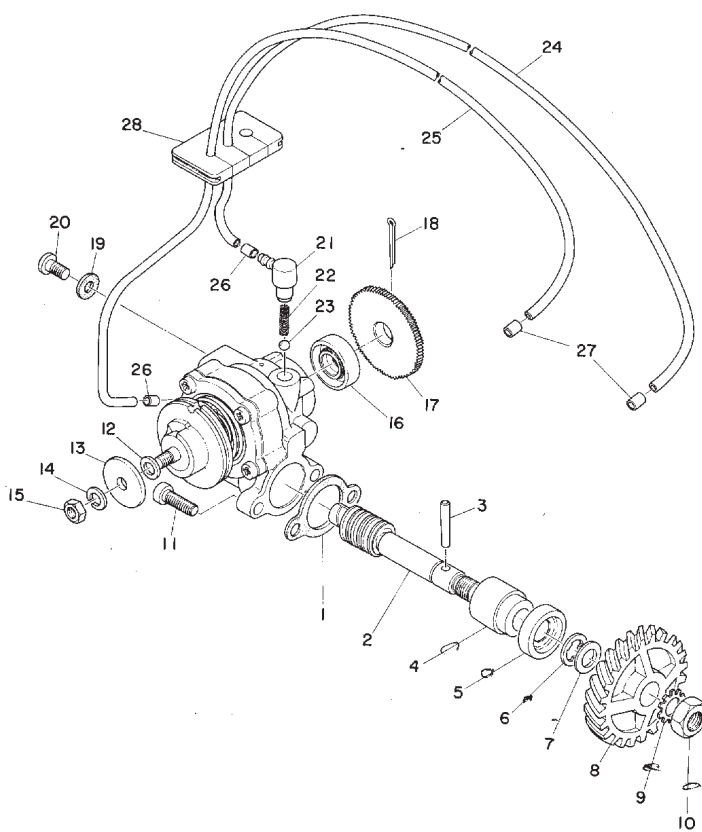
Fig. 13 EXHAUST



EXHAUST

Ref. No.	Part No.	Description	Q'ty		Applicable Machine No.	Remarks
			RD250	RD350		
13- 1	360-14710-01	MUFFLER ASS'Y, left	1	1		
13- 2	360-14720-01	MUFFLER ASS'Y, right	1	1		
13- 3	360-14753-00	. SILENCER	2	2		
13- 4	92501-06010	. SCREW, panhead	2	2		
13- 5	92901-06100	. WASHER, spring	2	2		
13- 6	278-14611-00	PIPE, exhaust left	1	1		
13- 7	278-14621-00	PIPE, exhaust right	1	1		
13- 8	246-14612-00	NUT, ring	2	2		
13- 9	152-14613-00	GASKET, exhaust	2	2		
13-10	246-14651-00	BOLT, exhaust pipe hold	4	4		
13-11	98803-08200	NUT	4	4		
13-12	92901-08100	WASHER, spring	4	4		
13-13	360-14713-00	NUT, muffler joint	2	2		
13-14	360-14714-00	GASKET, muffler joint	2	2		
13-15	97201-08015	BOLT	2	2		
13-16	92901-08100	WASHER, spring	2	2		
13-17	278-14777-00	BOLT	2	2		
13-18	92901-10100	WASHER, spring	2	2		
13-19	92901-10200	WASHER, plain	2	2		
13-20	102-22243-00	WASHER (10.5-27-2)	2	2		
13-21	168-21639-00	DAMPER, rear	2	2		
13-22	168-21615-00	WASHER, special (15.2-28-2)	2	2		
13-23	168-21635-00	NUT, rear fender	2	2		
13-24	278-27114-00	STOPPER, main stand	1	1		

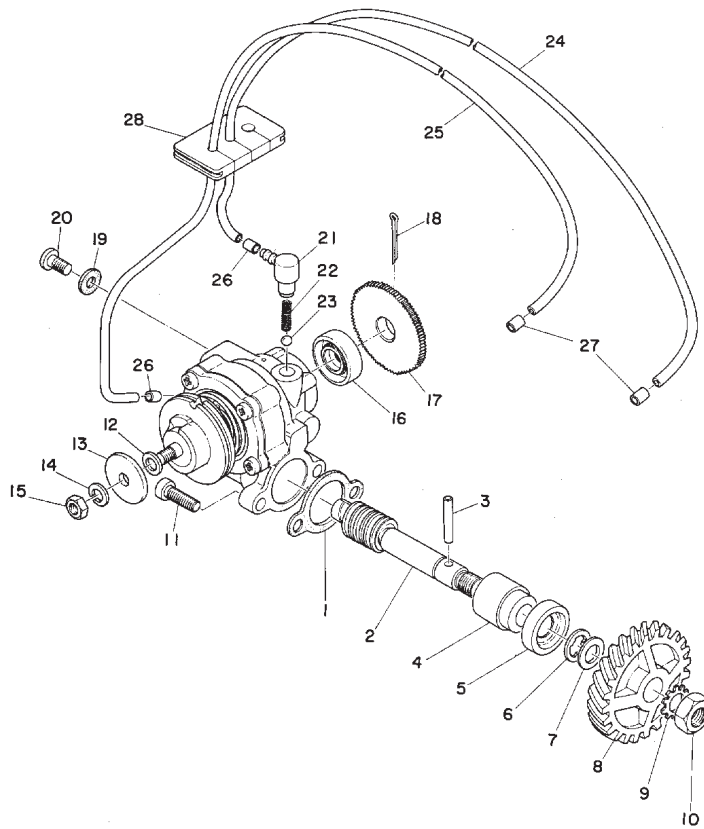
Fig. 14 OIL PUMP



OIL PUMP

Ref. No.	Part No.	Description	Q'ty		Applicable Machine No.	Remarks
			RD250	RD350		
14- 1	126-13116-00	GASKET, pump case	1	1		
14- 2	275-13175-00	SHAFT, worm	1			
	278-13175-00	SHAFT, worm	1			
14- 3	93603-22028	PIN, dowel (3-22)	1	1		
14- 4	137-13176-00	METAL, worm shaft outer	1	1		
14- 5	93101-10002	OIL SEAL (S-10-22-7)	1	1		
14- 6	93430-08006	CIRCLIP (E-8)	1	1		
14- 7	102-18138-00	WASHER (10.2-24-1)	1	1		
14- 8	280-13178-00	GEAR, pump drive (22T)	1			
	278-13178-00	GEAR, pump drive (21T)	1			
14- 9	92901-08400	WASHER, tooth	1	1		
14-10	98801-08300	NUT	1	1		
14-11	98501-05015	SCREW, panhead	2	2		
14- 0-1	361-13101-00	OIL PUMP ASS'Y	1			
	360-13101-00	OIL PUMP ASS'Y	1			
14-12	137-13137-00-03	. SHIM, plunger (5.8-10-0.3)			U.R U.R	
	137-13137-00-05	. SHIM, plunger (5.8-10-0.5)				
14-13	137-13138-01	. PLATE, adjusting	1	1		
14-14	92901-05100	. WASHER, spring	1	1		
14-15	98801-05200	. NUT	1	1		
14-16	93101-10001	. OIL SEAL (S-10-21-5)	1	1		
14-17	137-13128-00	. PLATE, starter	1	1		
14-18	91401-12018	. PIN, cotter	1	1		
14-19	137-13187-00	. GASKET, breather bolt	1	1		
14-20	98901-04008	. SCREW, bind	1	1		

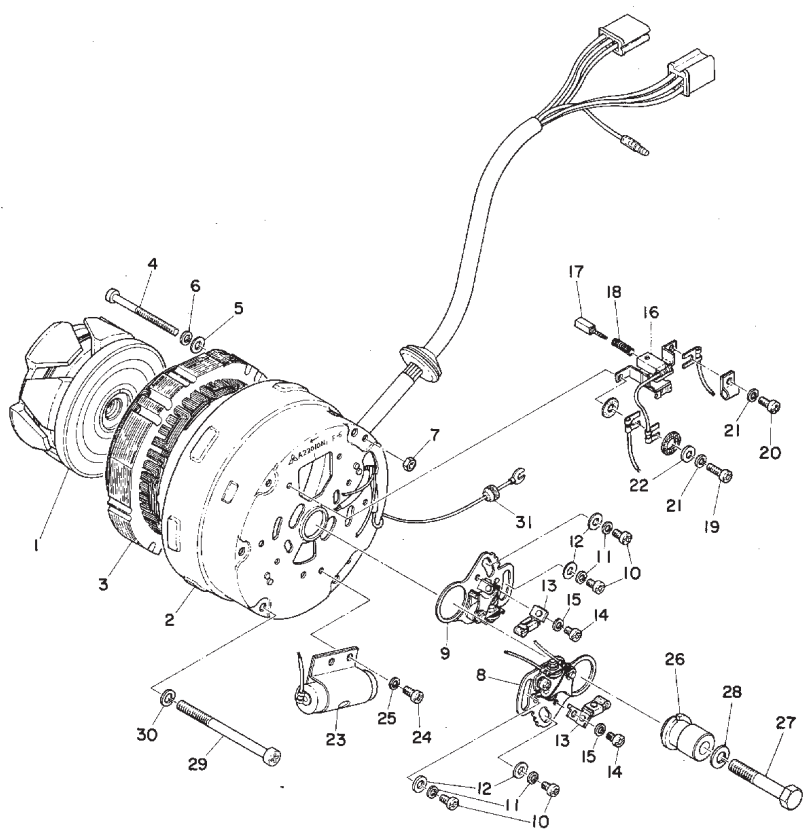
Fig. 14 OIL PUMP



OIL PUMP

Ref. No.	Part No.	Description	Q'ty RD250 RD350	Applicable Machine No.	Remarks
14-21	353-13552-00	. NOZZLE	2	2	
14-22	278-13169-00	. SPRING, check ball	2	2	
14-23	93505-32002	. BALL (5/32 inch)	2	2	
14-24	278-13161-00	. PIPE, delivery (3-420)	1	1	
14-25	214-13161-01	. PIPE, delivery (3-240)	1	1	
14-26	214-13164-00	. CLIP, delivery pipe	2	2	
14-27	214-13164-00	CLIP, delivery pipe	2	2	
14-28	278-13174-00	HOLDER, oil pipe	1	1	

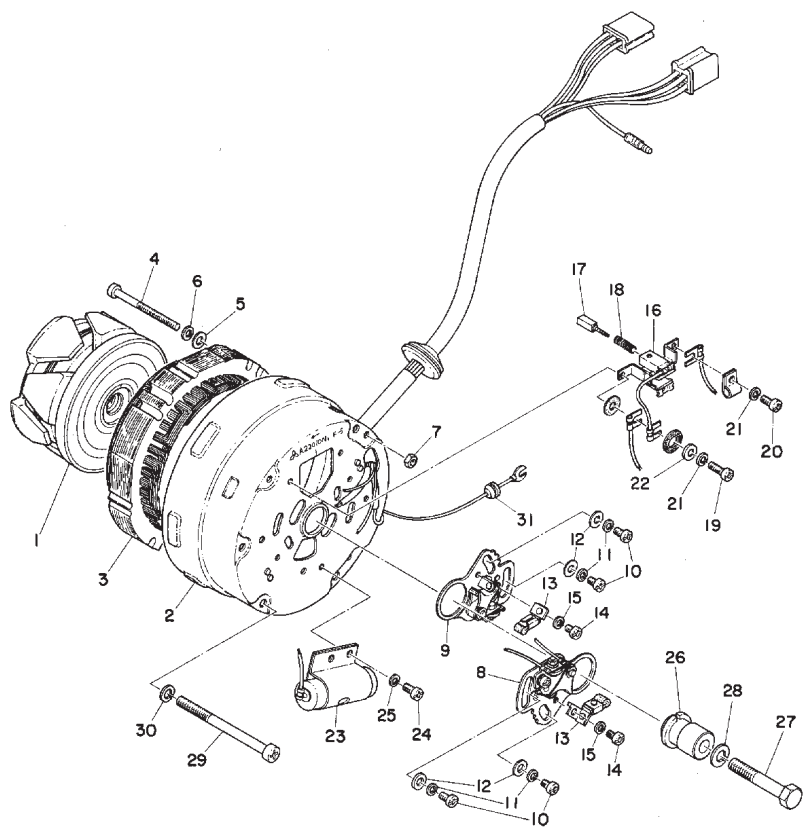
Fig. 15 A. C. GENERATOR



A.C.GENERATOR

Ref. No.	Part No.	Description	Q'ty RD250 RD350	Applicable Machine No.	Remarks
15- 0-1	360-81600-22	A. C. GENERATOR ASS'Y	1	1	
15- 1	360-81650-20	. ROTOR ASS'Y	1	1	
15- 2	360-81610-22	. STATOR ASS'Y	1	1	
15- 3	360-81640-20	. . ARMATURE ASS'Y	1	1	
15- 4	802-84131-00	. . SCREW, panhead	4	4	
15- 5	92901-04200	. . WASHER, plain	4	4	
15- 6	92901-04100	. . WASHER, spring	4	4	
15- 7	98801-04100	. . NUT	4	4	
15- 8	278-81621-20	. . CONTACT BREAKER ASS'Y left	1	1	
15- 9	278-81622-20	. . CONTACT BREAKER ASS'Y right	1	1	
15-10	98501-04008	. . SCREW, panhead	4	4	
15-11	92901-04100	. . WASHER, spring	4	4	
15-12	92901-04200	. . WASHER, plain	4	4	
15-13	131-81231-20	. . LUBRICATOR	2	2	
15-14	98501-04008	. . SCREW, panhead	2	2	
15-15	92901-04100	. . WASHER, spring	2	2	
15-16	360-81619-20	. . BRUSH HOLDER ASS'Y ...	1	1	
15-17	278-81611-20	. . BRUSH	2	2	
15-18	278-81617-20	. . . SPRING, brush	2	2	
15-19	98501-04012	. . SCREW, panhead	1	1	
15-20	98501-04008	. . SCREW, panhead	1	1	
15-21	92901-04100	. . WASHER, spring	2	2	
15-22	92901-04200	. . WASHER, plain	1	1	

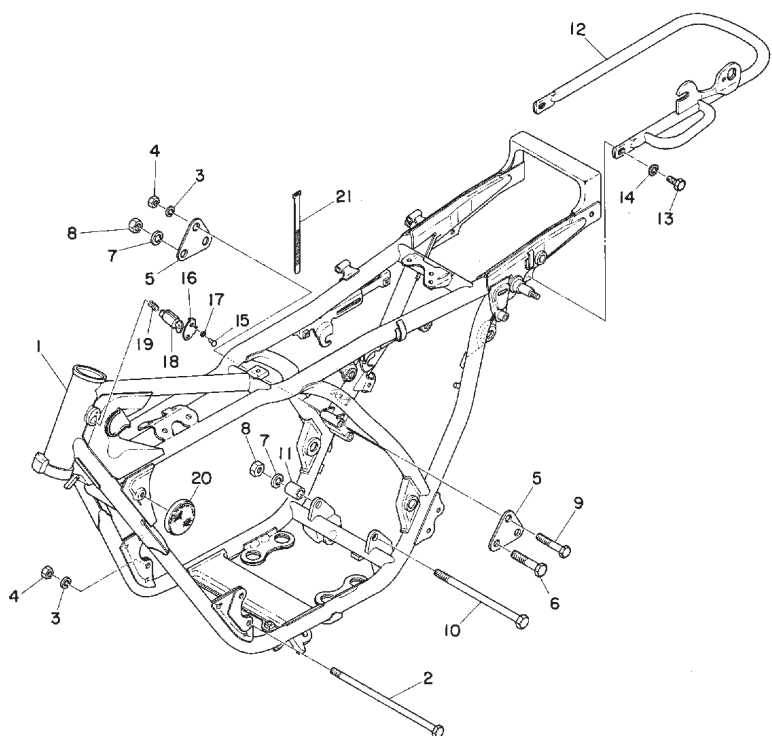
Fig. 15 A. C. GENERATOR



A.C.GENERATOR

Ref. No.	Part No.	Description	Q'ty		Applicable Machine No.	Remarks
			RD250	RD350		
15-23	360-81625-20	CONDENSER	1	1		
15-24	98501-04008	SCREW, panhead	2	2		
15-25	92901-04100	WASHER, spring	2	2		
15-26	278-81651-20	CAM	1	1		
15-27	278-81652-20	BOLT	1	1		
15-28	92901-08100	WASHER, spring	1	1		
15-29	168-81235-21	SCREW, stator	3	3		
15-30	92901-05100	WASHER, spring	3	3		
15-31	136-82545-00	GROMMET	1	1		

Fig. 16 FRAME

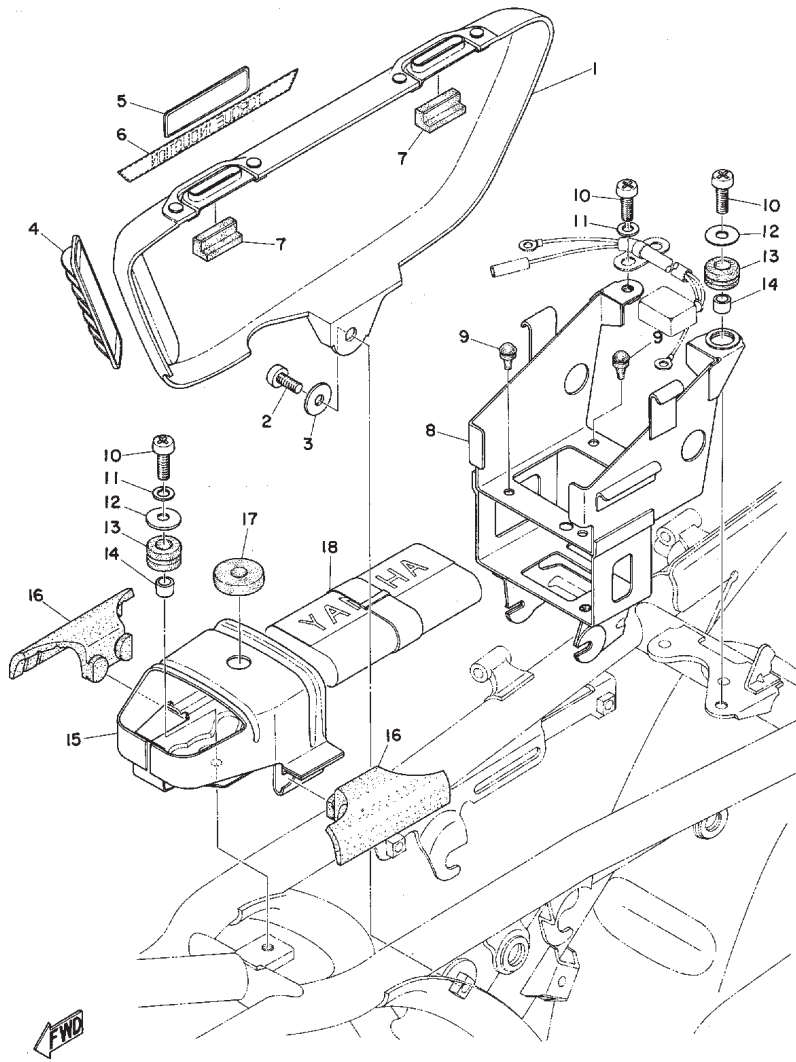


FRAME

Ref. No.	Part No.	Description	Q'ty		Applicable Machine No.	Remarks
			RD250	RD350		
16- 1	360-21110-00-33	FRAME COMP.	1	1		
16- 2	169-21482-00	BOLT, engine front	2	2		
16- 3	92901-08100	WASHER, spring	4	4		
16- 4	98801-08100	NUT	4	4		
16- 5	248-21315-00	STAY, engine rear upper	2	2		
16- 6	91201-10055	BOLT	1	1		
16- 7	92901-10100	WASHER, spring	2	2		
16- 8	92801-10200	NUT	2	2		
16- 9	97103-08055	BOLT	2	2		
16-10	91101-10195	BOLT	1	1		
16-11	278-21472-00	COLLAR, engine mount	1	1		
16-12	360-21645-00	STAY, rear	1	1		
16-13	97201-08020	BOLT	2	2		
16-14	92901-08100	WASHER, spring	2	2		
16-15	214-23483-00	RIVET, screw	1	1		
16-16	134-23484-10	CAP, handle lock	1	1		
16-17	214-23488-00	WASHER, wave	1	1		
16-18	341-23408-00	STEERING LOCK ASS'Y	1	1		
16-19	214-23485-00	SPRING	1	1		
16-20	341-85111-00	REFLECTOR	2	2		
16-21	803-82591-00	BAND	2	2		

Fig. 17 SIDE COVER · TOOL BOX · BATTERY BOX

SIDE COVER · TOOL BOX · BATTERY BOX



51

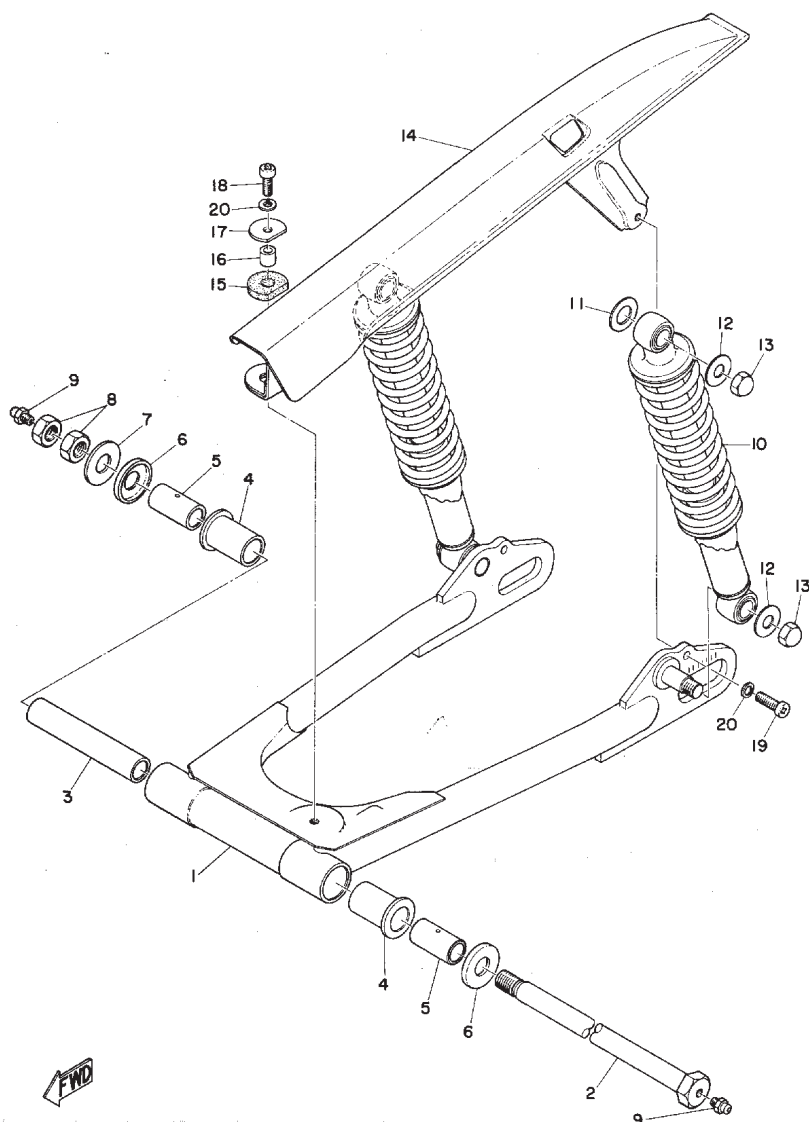
Ref. No.	Part No.	Description	Q'ty RD250 RD350	Applicable Machine No.	Remarks
17- 1	360-21721-00-F2	COVER, side right	1		Butterfly Blue
	360-21721-00-M2	COVER, side right	1		Gold Dust
	360-21721-00-A2	COVER, side right	1		Brandy Red
	360-21721-00-K1	COVER, side right	1		Competition Green
17- 2	92501-06020	SCREW, panhead	1	1	
17- 3	116-28324-00	WASHER, leg shield Z (6.5-20-1.6)	1	1	
17- 4	360-21782-00	MOLD, right	1	1	
17- 5	361-21786-00	EMBLEM 250	1		
	360-21786-00	EMBLEM 350	1		
17- 6	360-21787-00	EMBLEM, torque induction	1	1	
17- 7	360-21717-01	DAMPER, side cover	2	2	
17- 8	278-21240-00-33	BATTERY BOX COMP.	1	1	
17- 9	141-21717-00	DAMPER, side cover	4	4	
17-10	92501-06020	SCREW, panhead	3	3	
17-11	92901-06100	WASHER, spring	2	2	
17-12	116-28324-00	WASHER, leg shield Z (6.5-20-1.6)	2	2	
17-13	214-21717-00	DAMPER, battery box	2	2	
17-14	214-21633-00	COLLAR, fender mount	2	2	
17-15	278-21170-00-33	TOOL BOX COMP.	1	1	
17-16	278-21746-00	DAMPER, tool box	2	2	
17-17	190-23445-00	DAMPER, upper	1	1	
17-18	360-28100-10	TOOL ASS'Y	1	1	

YAMAHA MOTOR CO., LTD.

52

Fig. 18 REAR ARM · REAR CUSHION · CHAIN CASE

REAR ARM · REAR CUSHION · CHAIN CASE



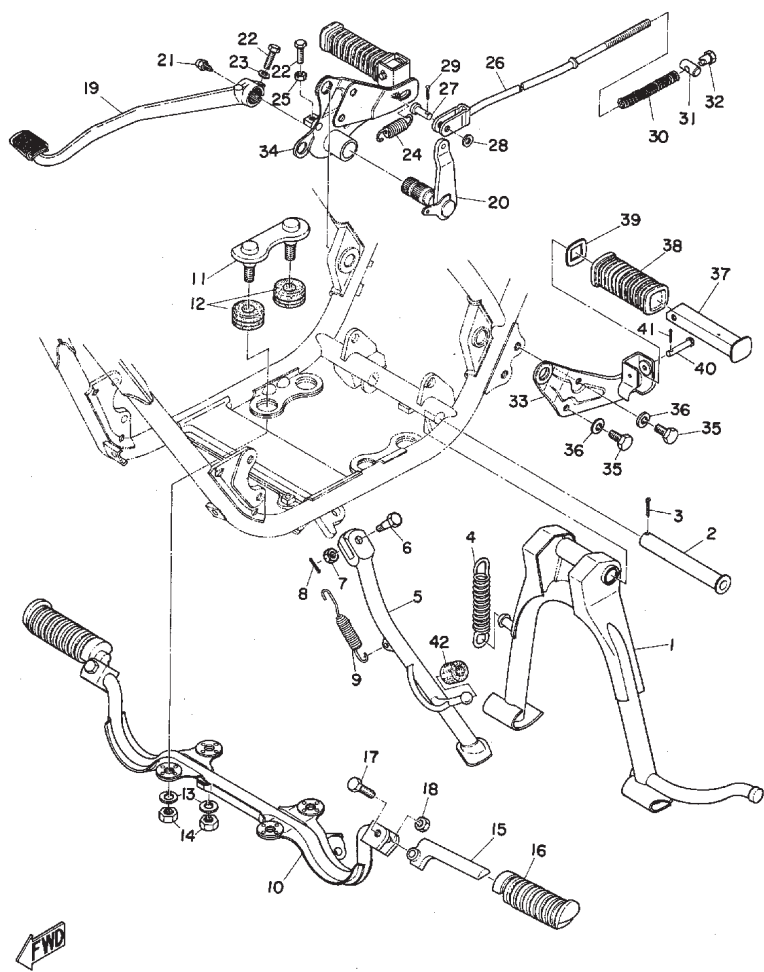
53

Ref. No.	Part No.	Description	Q'ty RD250 RD350	Applicable Machine No.	Remarks
18- 1	278-22110-00-33	REAR ARM COMP.	1	1	
18- 2	156-22141-00	SHAFT, pivot	1	1	
18- 3	150-22126-00	COLLAR, distance	1	1	
18- 4	148-22123-00	BUSHING, rear arm 1	2	2	
18- 5	150-22124-00	BUSHING, rear arm 2	2	2	
18- 6	150-22128-00	COVER, thrust	2	2	
18- 7	240-22127-00	SHIM, rear arm (26-34-0.1)	U.R	U.R	
18- 8	169-22143-00	NUT, pivot shaft	2	2	
18- 9	93700-06001	NIPPLE, grease	2	2	
18-10	278-22210-21	REAR CUSHION ASS'Y	2	2	
18-11	135-22243-00	WASHER, rear cushion (14.8-27-2)	2	2	
18-12	102-22243-00	WASHER, rear cushion (10-25-2)	4	4	
18-13	92803-10700	NUT, crown	4	4	
18-14	360-22311-00-93	CASE, chain	1	1	
18-15	278-22332-00	DAMPER, chain case	1	1	
18-16	256-21544-00	COLLAR, fender mount	1	1	
18-17	278-22316-00	WASHER, chain case	1	1	
18-18	92501-06020	SCREW, panhead	1	1	
18-19	92503-06018	SCREW, panhead	1	1	
18-20	92901-06100	WASHER, spring	2	2	

YAMAHA MOTOR CO., LTD.

54

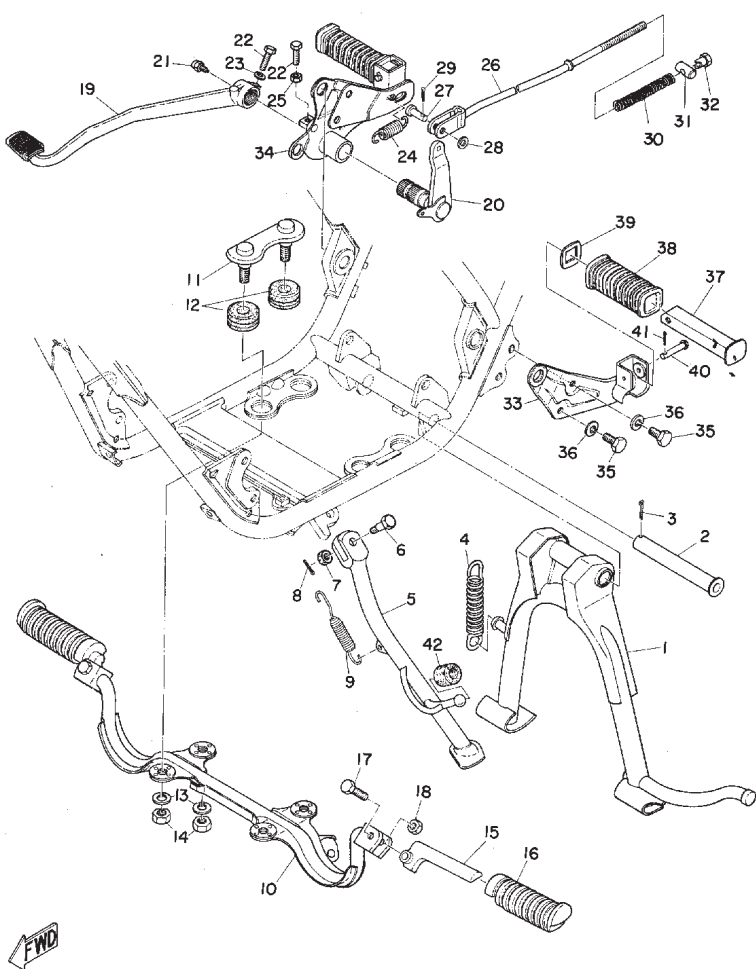
Fig. 19 STAND · FOOTREST · BRAKE PEDAL



STAND · FOOTREST · BRAKE PEDAL

Ref. No.	Part No.	Description	Q'ty		Applicable Machine No.	Remarks
			RD250	RD350		
19- 1	278-27111-00	STAND, main	1	1		
19- 2	278-27112-00	SHAFT, main stand	1	1		
19- 3	91401-30025	PIN, cotter	1	1		
19- 4	278-27116-00	SPRING, main stand	1	1		
19- 5	278-27311-00	STAND, side	1	1		
19- 6	278-27317-00	BOLT, side stand	1	1		
19- 7	92801-10500	NUT, slotted	1	1		
19- 8	91401-20025	PIN, cotter	1	1		
19- 9	214-27316-00	SPRING, side stand	1	1		
19-10	278-27412-00	FOOTREST	1	1		
19-11	278-27416-00	BOLT, footrest	2	2		
19-12	278-27414-01	DAMPER, footrest	4	4		
19-13	92901-10100	WASHER, spring	4	4		
19-14	92801-10200	NUT	4	4		
19-15	278-27451-00	FOOTREST	2	2		
19-16	156-27413-00	COVER, footrest	2	2		
19-17	172-27416-00	BOLT, footrest	2	2		
19-18	98801-08300	NUT	2	2		
19-19	278-27211-00-33	PEDAL, brake	1	1		
19-20	278-27212-00	SHAFT, brake	1	1		
19-21	93700-06001	NIPPLE, grease	1	1		
19-22	91101-06025	BOLT	2	2		
19-23	92901-06100	WASHER, spring	1	1		
19-24	146-27216-00	SPRING, return	1	1		

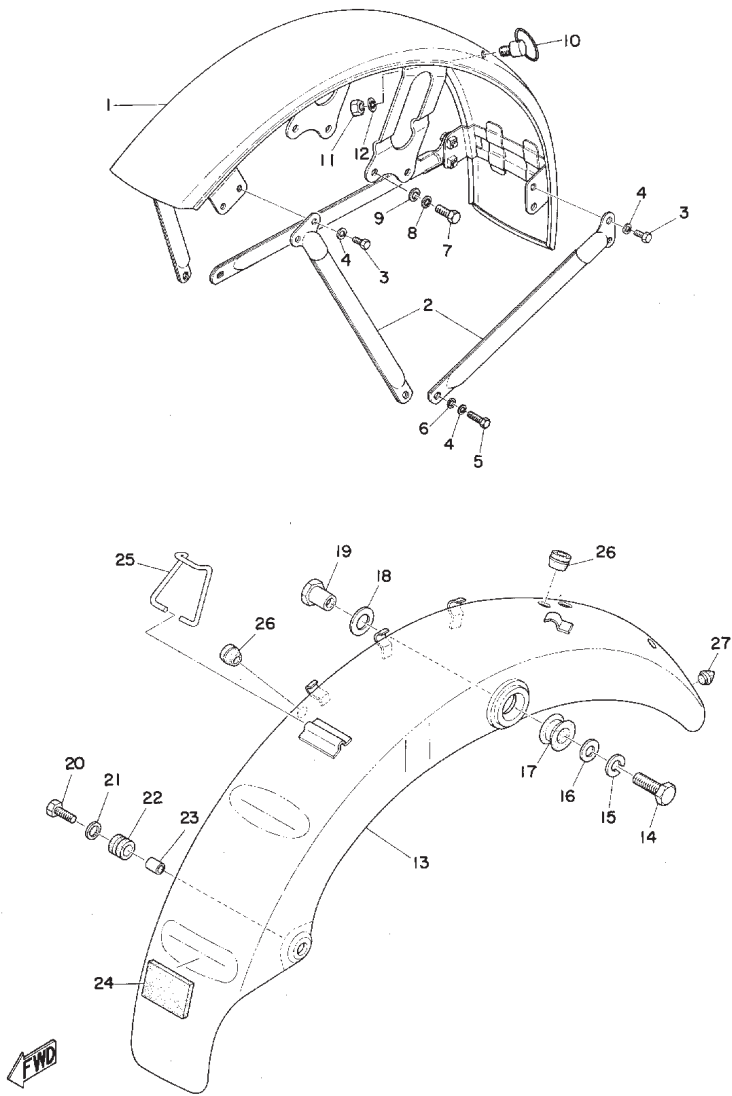
Fig. 19 STAND · FOOTREST · BRAKE PEDAL



STAND · FOOTREST · BRAKE PEDAL

Ref. No.	Part No.	Description	Q'ty		Applicable Machine No.	Remarks
			RD250	RD350		
19-25	98801-06300	NUT	1	1		
19-26	276-27231-00	ROD, brake	1	1		
19-27	248-27228-00	PIN, link joint	1	1		
19-28	92901-06200	WASHER, plain	1	1		
19-29	91401-25012	PIN, cotter	1	1		
19-30	180-27236-00	SPRING, rod	1	1		
19-31	156-27237-00	PIN, clevis	1	1		
19-32	206-27238-00	NUT, adjusting	1	1		
19-33	278-21445-00	STAY, muffler left	1	1		
19-34	278-21444-00	STAY, muffler right	1	1		
19-35	97201-08020	BOLT	4	4		
19-36	92901-08100	WASHER, spring	4	4		
19-37	168-27431-10	FOOTREST, rear	2	2		
19-38	168-27433-10	COVER, rear footrest	2	2		
19-39	168-27437-10	WASHER, special	2	2		
19-40	91501-06035	PIN, clevis	2	2		
19-41	91401-16012	PIN, cotter	2	2		
19-42	278-27314-00	STOPPER, side stand	1	1		

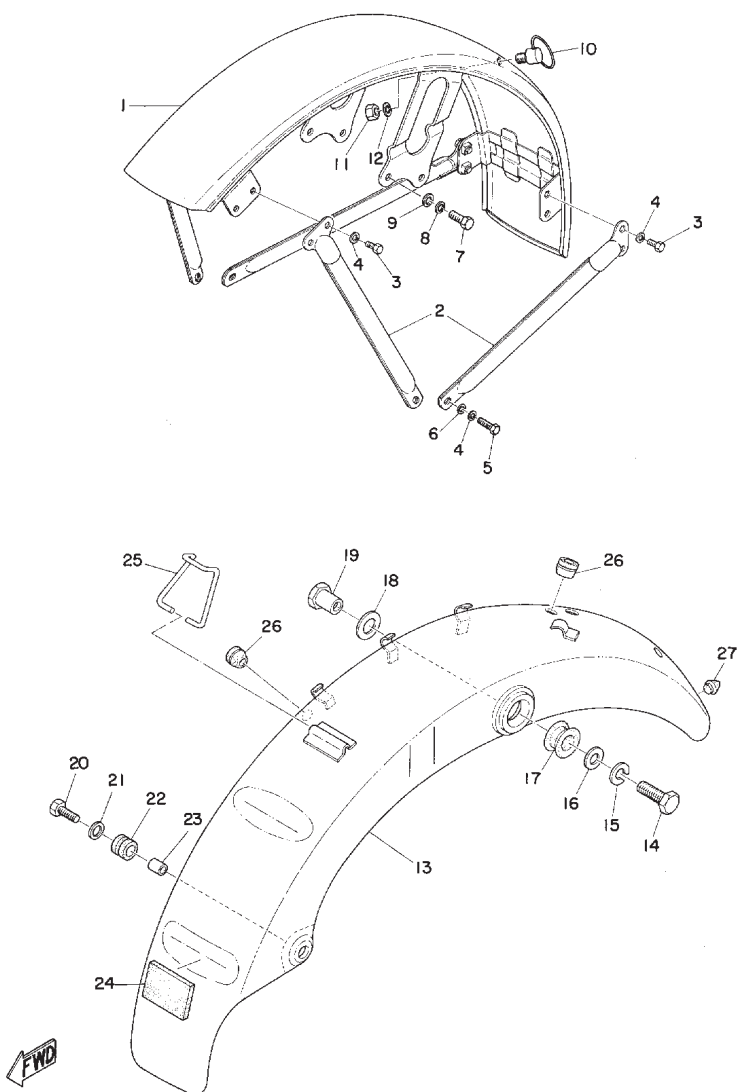
Fig. 20 FRONT FENDER · REAR FENDER



FRONT FENDER · REAR FENDER

Ref.No.	Part No.	Description	Q'ty		Applicable Machine No.	Remarks
			RD250	RD350		
20- 1	351-21510-00-93	FRONT FENDER COMP.	1	1	
20- 2	351-21513-00	STAY, fender	4	4	
20- 3	91103-06012	BOLT	8	8	
20- 4	92903-06100	WASHER, spring	12	12	
20- 5	91103-06015	BOLT	4	4	
20- 6	92903-06200	WASHER, plain	4	4	
20- 7	97101-08018	BOLT	4	4	
20- 8	92901-08100	WASHER, spring	4	4	
20- 9	92901-08200	WASHER, plain	4	4	
20-10	174-21518-00-93	HOLDER, wire	1	1	
20-11	98801-06100	NUT	1	1	
20-12	92901-06100	WASHER, spring	1	1	
20-13	351-21610-00-93	REAR FENDER COMP.	1	1	
20-14	91201-10035	BOLT	2	2	
20-15	92901-10100	WASHER, spring	2	2	
20-16	92901-10200	WASHER, plain	2	2	
20-17	168-21639-00	DAMPER, rear	2	2	
20-18	168-21615-00	WASHER, special (8-16-1)	2	2	
20-19	168-21635-00	NUT, rear fender	2	2	
20-20	91101-06020	BOLT	2	2	
20-21	116-28324-00	WASHER, leg shield 2 (6.5-20-1.6)	2	2	
20-22	214-21717-00	DAMPER, battery box	2	2	
20-23	214-21633-00	COLLAR, fender mount	2	2	

Fig. 20 FRONT FENDER · REAR FENDER

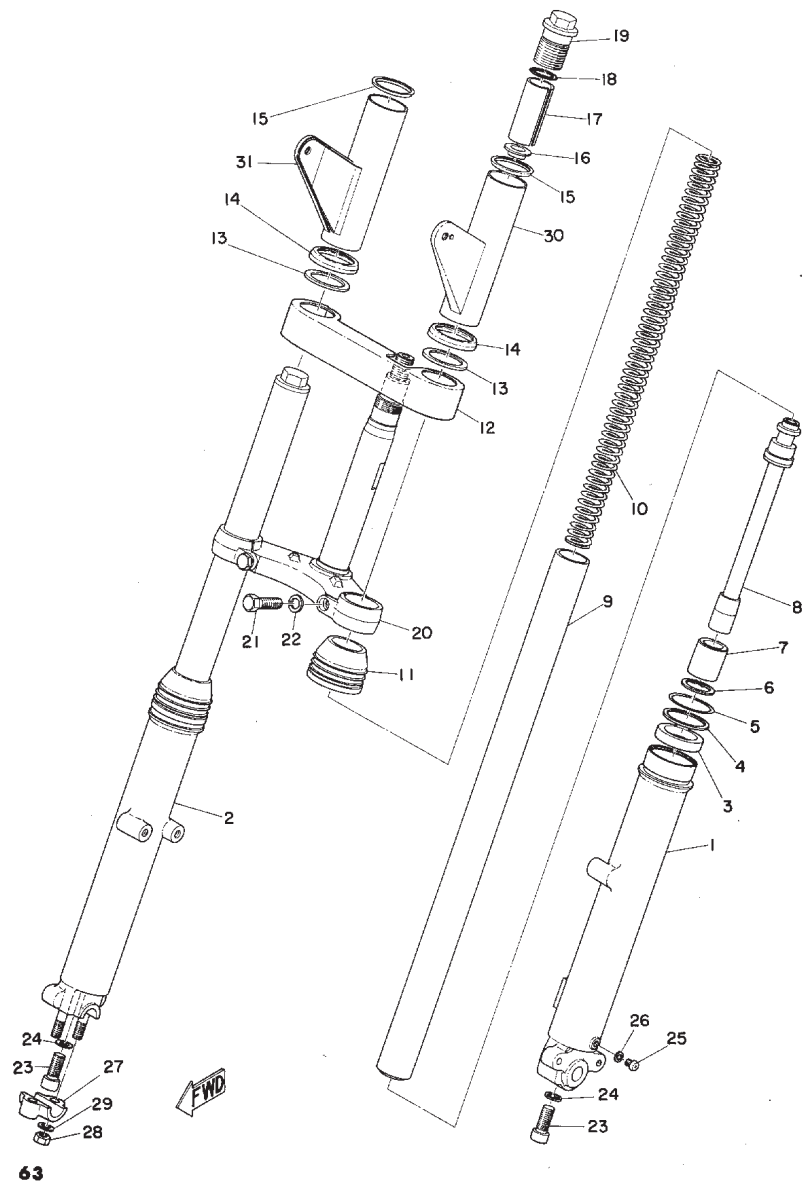


FRONT FENDER · REAR FENDER

Ref.No.	Part No.	Description	Q'ty		Applicable Machine No.	Remarks
			RD250	RD350		
20-24	214-21268-00	SEAL, battery box	1	1	
20-25	278-21336-00	CLAMP, harness	1	1	
20-26	152-84518-00	GROMMET, tail lamp	2	2	
20-27	170-21746-00	DAMPER, cleaner stop	1	1	

Fig. 21 FRONT FORK (RD250)

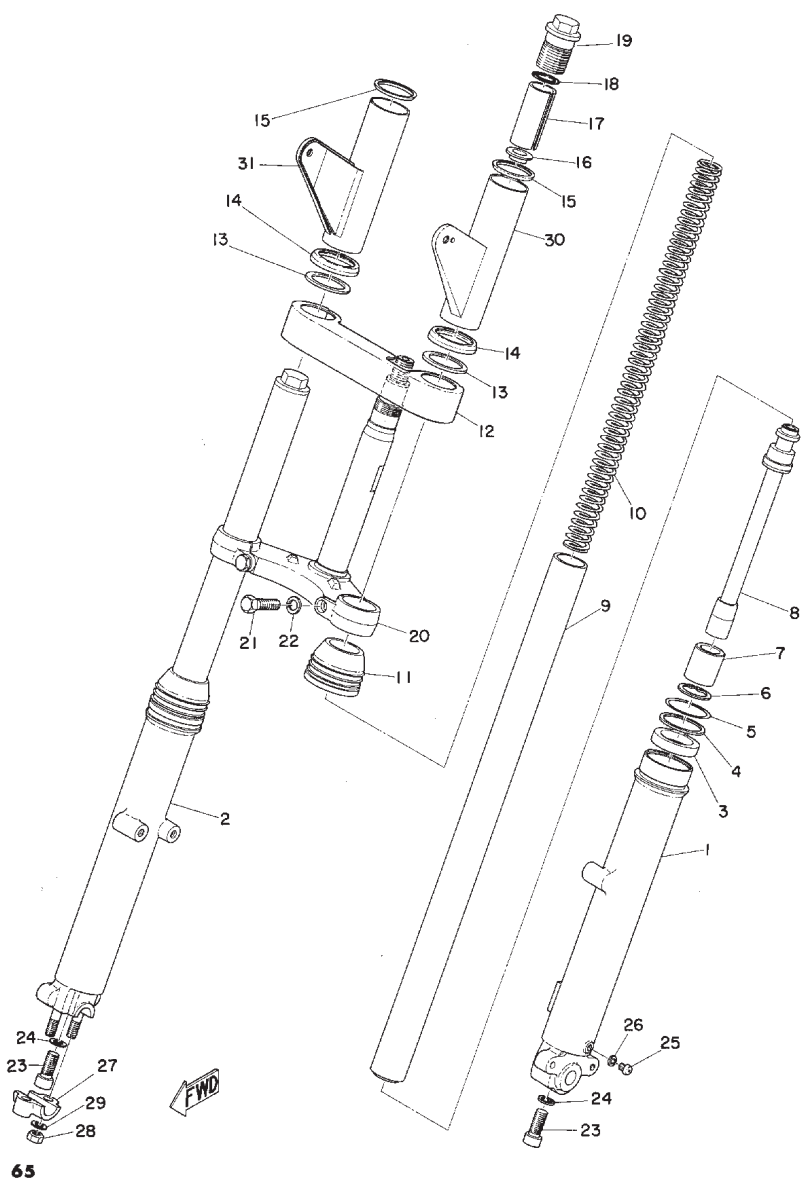
FRONT FORK (RD250)



Ref. No.	Part No.	Description	Q'ty RD250 RD350	Applicable Machine No.	Remarks
21- 0-1	361-23101-50	FRONT FORK ASS'Y	1		
21- 1	361-23126-50	. TUBE, outer left	1		
21- 2	361-23136-50	. TUBE, outer right	1		
21- 3	278-23145-50	. . OIL SEAL	2		
21- 4	214-23146-00	. . WASHER	2		
21- 5	214-23156-00	. . RING, snap	2		
21- 6	93420-28025	. CIRCLIP (R-28)	2		
21- 7	278-23171-50	. PISTON, front fork	2		
21- 8	278-23170-50	. CYLINDER COMP.	2		
21- 9	351-23124-50	. TUBE, inner	2		
21-10	278-23141-50	. SPRING, fork	2		
21-11	278-23144-50	. SEAL, dust	2		
21-12	361-23122-51	. COVER, outer	1		
21-13	291-23163-60	. PACKING	2		
21-14	278-23116-50	. GUIDE, cover under	2		
21-15	321-23115-50	. GUIDE, cover upper	2		
21-16	278-23142-50	. SEAT, spring upper	2		
21-17	291-23118-60	. SPACER	2		
21-18	214-23114-00	. PACKING	2		
21-19	291-23111-60	. BOLT, cap	2		
21-20	361-23340-50-33	. UNDERBRACKET COMP.	1		Yamaha Black
21-21	278-23346-50	. BOLT, underbracket	2		
21-22	92901-10100	. WASHER, spring	2		

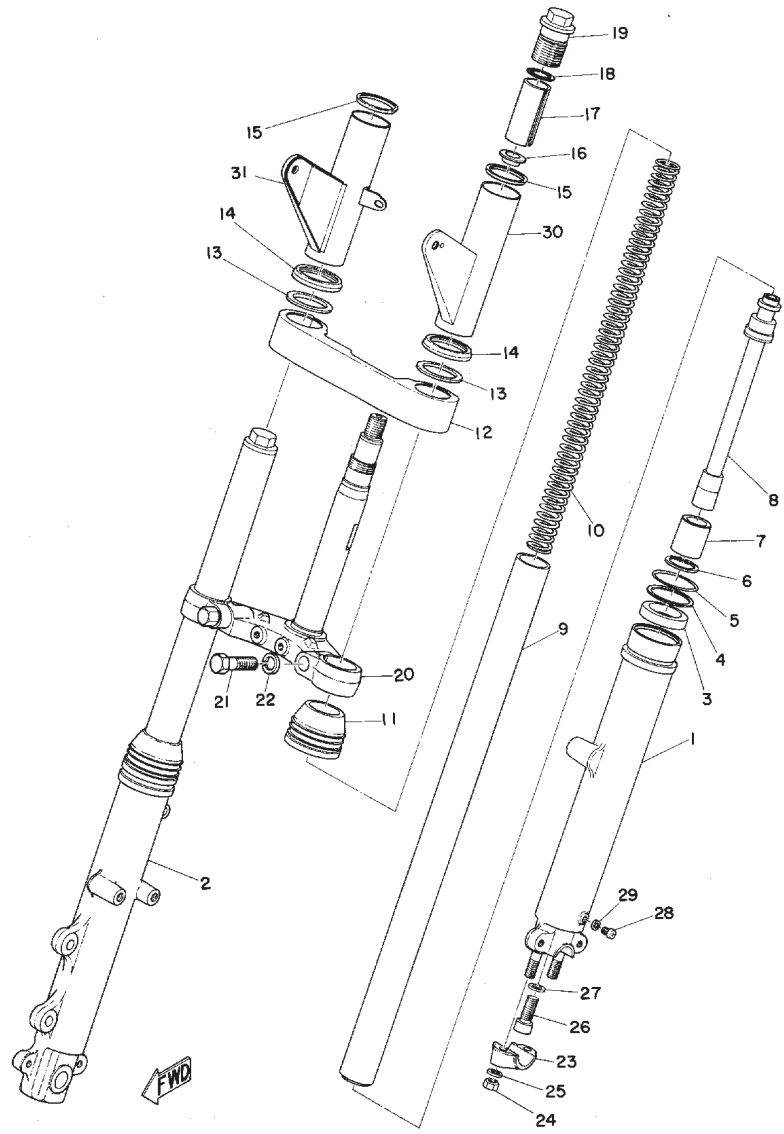
Fig. 21 FRONT FORK (RD250)

FRONT FORK (RD250)



Ref. No.	Part No.	Description	Q'ty RD250 RD350	Applicable Machine No.	Remarks
21-23	278-23181-50	. BOLT	2		
21-24	278-23158-50	. PACKING	2		
21-25	122-23119-01	. PLUG, drain	2		
21-26	122-23129-00	. GASKET, drain plug	2		
21-27	278-23167-50	. HOLDER, axle	1		
21-28	98801-08100	. NUT	2		
21-29	92901-08100	. WASHER, spring	2		
21-30	361-23121-50-F2	COVER, upper left	1		Butterfly Blue
	361-23121-50-M2	COVER, upper left	1		Gold Dust
21-31	361-23131-50-F2	COVER, upper right	1		Butterfly Blue
	361-23131-50-M2	COVER, upper right	1		Gold Dust

Fig. 22 FRONT FORK (RD350)



67

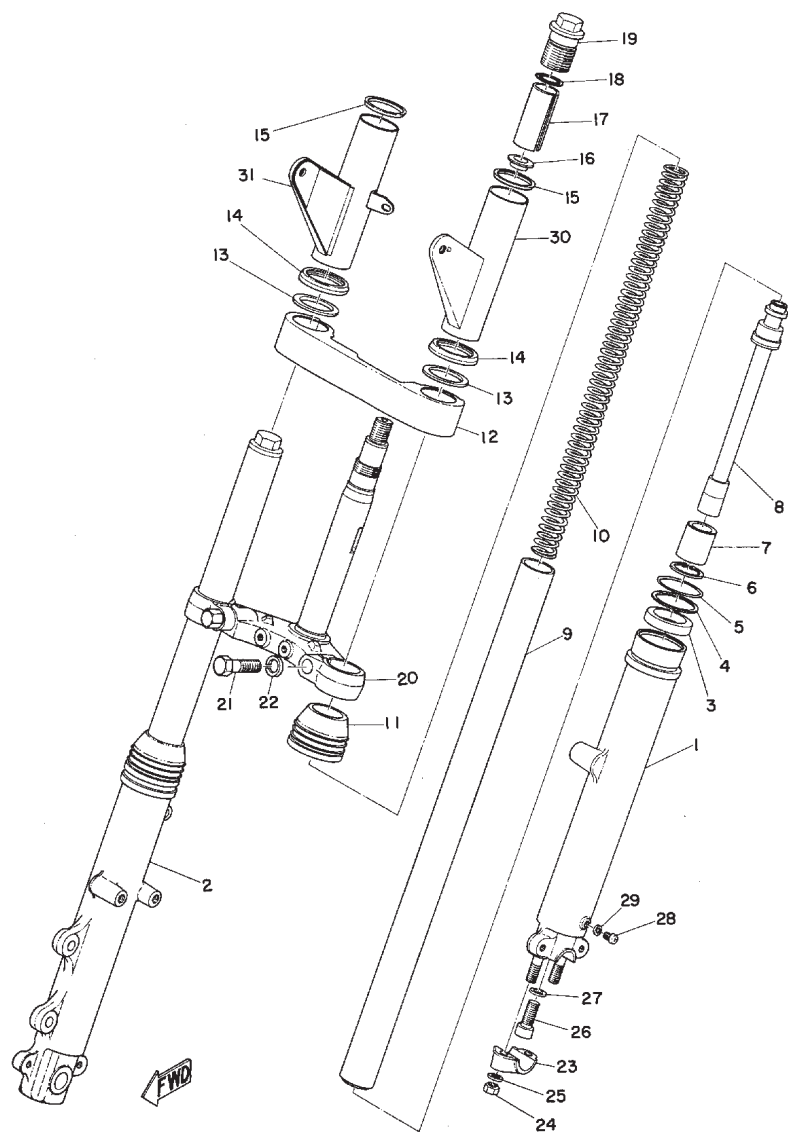
FRONT FORK (RD350)

Ref. No.	Part No.	Description	Q'ty RD250 RD350	Applicable Machine No.	Remarks
22- 0-1	360-23101-50	FRONT FORK ASS'Y	1		
22- 1	351-23126-50	. TUBE, outer left	1		
22- 2	351-23136-50	. TUBE, outer right	1		
22- 3	278-23145-50	. . OIL SEAL	2		
22- 4	214-23146-00	. . WASHER	2		
22- 5	214-23156-00	. . RING, snap	2		
22- 6	93420-28025	. CIRCLIP (R-28)	2		
22- 7	278-23171-50	. PISTON, front fork	2		
22- 8	278-23170-50	. CYLINDER COMP.	2		
22- 9	351-23124-50	. TUBE, inner	2		
22-10	278-23141-50	. SPRING, fork	2		
22-11	278-23144-50	. SEAL, dust	2		
22-12	360-23122-51	. COVER, outer	1		
22-13	291-23163-60	. PACKING	2		
22-14	278-23116-50	. GUIDE, cover under	2		
22-15	321-23115-50	. GUIDE, cover upper	2		
22-16	278-23142-50	. SEAT, spring upper	2		
22-17	291-23118-60	. SPACER	2		
22-18	214-23114-00	. PACKING	2		
22-19	291-23111-60	. BOLT, cap	2		
22-20	360-23340-50-33	. UNDERBRACKET COMP.	1		Yamaha Black
22-21	306-23346-60	. BOLT, underbracket	2		
22-22	92901-12100	. WASHER, spring	2		

YAMAHA MOTOR CO., LTD.

68

Fig. 22 FRONT FORK (RD350)



69

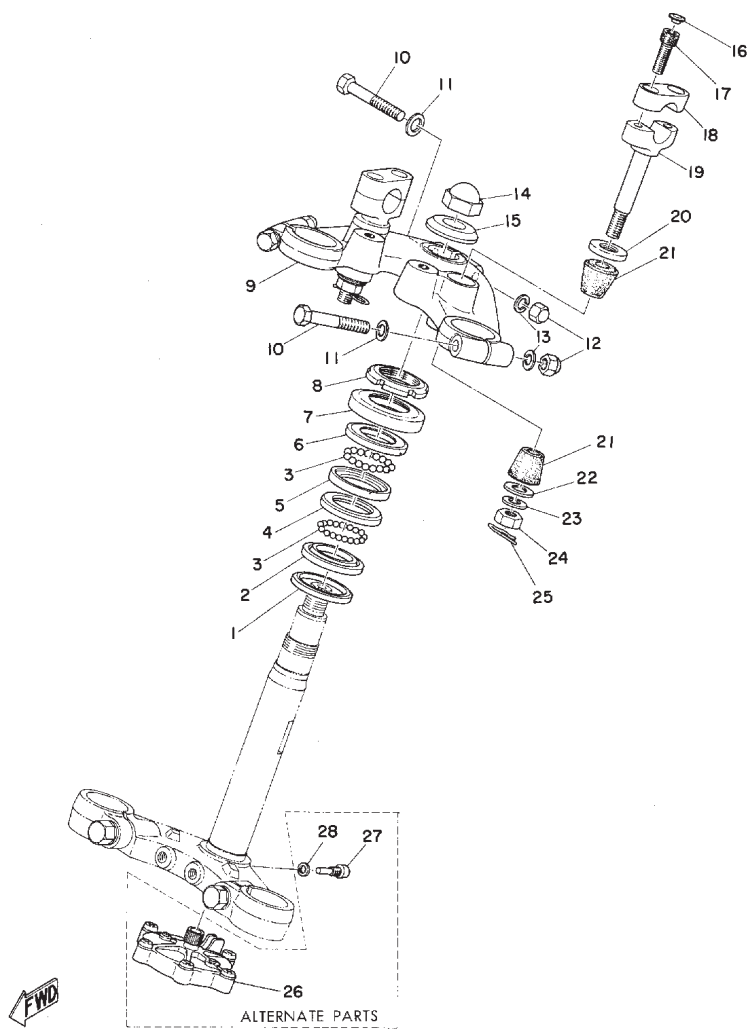
FRONT FORK (RD350)

Ref. No.	Part No.	Description	Q'ty RD250 RD350	Applicable Machine No.	Remarks
22-23	306-23167-60	. HOLDER, axle	1		
22-24	98801-08100	. NUT	2		
22-25	92901-08100	. WASHER, spring	2		
22-26	278-23181-50	. BOLT	2		
22-27	278-23158-50	. PACKING	2		
22-28	122-23119-01	. PLUG, drain	2		
22-29	122-23129-00	. GASKET, drain plug	2		
22-30	360-23121-50-A2	COVER, upper left	1		Brandy Red
	360-23121-50-K1	COVER, upper left	1		Competition Green
22-31	360-23131-50-A2	COVER, upper right	1		Brandy Red
	360-23131-50-K1	COVER, upper right	1		Competition Green

YAMAHA MOTOR CO., LTD.

70

Fig. 23 STEERING



71

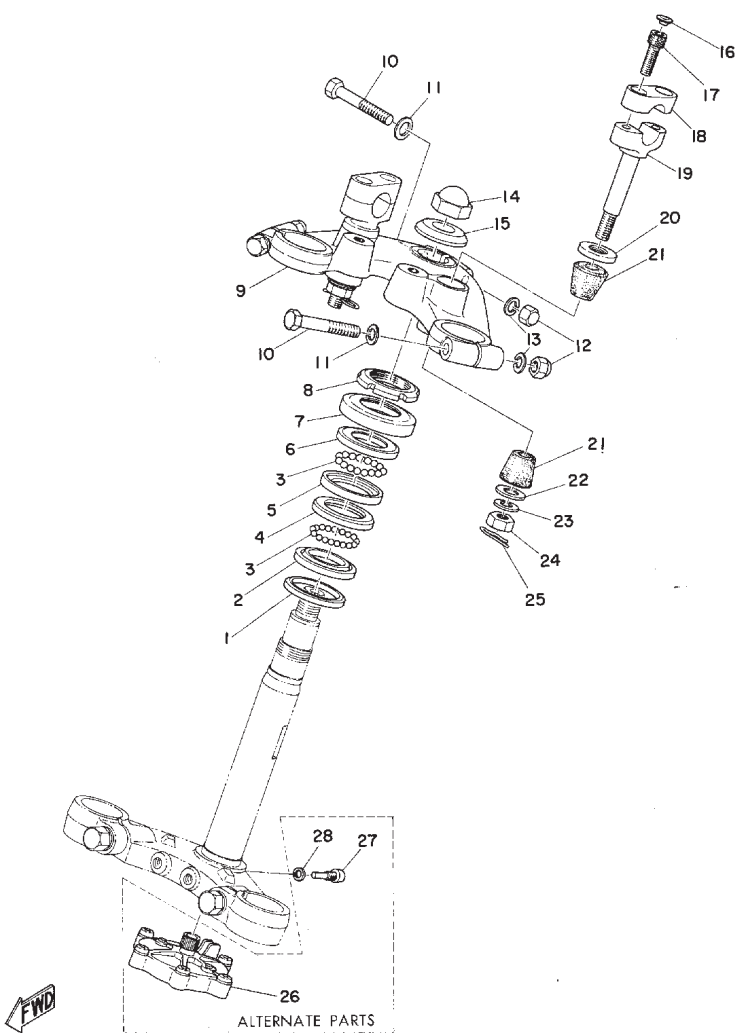
STEERING

Ref. No.	Part No.	Description	Q'ty		Remarks
			RD250	RD350	
23- 1	164-23462-00	SEAL, dust	1	1	
23- 2	156-23411-00	RACE, ball 1	1	1	
23- 3	93501-04011	BALL (1/4 inch)	38	38	
23- 4	156-23412-00	RACE, ball 2	1	1	
23- 5	183-23412-00	RACE, ball 2	1	1	
23- 6	183-23411-00	RACE, ball 1	1	1	
23- 7	136-23415-00	COVER, ball race	1	1	
23- 8	137-23454-00	NUT, fitting	1	1	
23- 9	361-23435-00-98	CROWN, handle	1		
	360-23435-00-98	CROWN, handle	1		
23-10	97203-08055	BOLT	3	3	
23-11	156-27226-00	WASHER, pedal link (8.2-13-0.6)	3	3	
23-12	98803-08700	NUT, crown	3	3	
23-13	92901-08100	WASHER, spring	3	3	
23-14	92803-16700	NUT, crown	1	1	
23-15	174-23443-00	WASHER, crown	1	1	
23-16	341-23469-00	CAP, bolt	4	4	
23-17	360-23452-00	BOLT, fitting	4	4	
23-18	360-23441-00-98	HOLDER, handle upper	2	2	
23-19	256-23442-00-98	HOLDER, handle under	2	2	
23-20	278-23448-00	WASHER, special	2	2	
23-21	278-23434-00	RUBBER, bush	4	4	
23-22	135-22244-00	WASHER, special (10.5-25-2.0)	2	2	
23-23	92901-10100	WASHER, spring	2	2	

YAMAHA MOTOR CO., LTD.

72

Fig. 23 STEERING



73

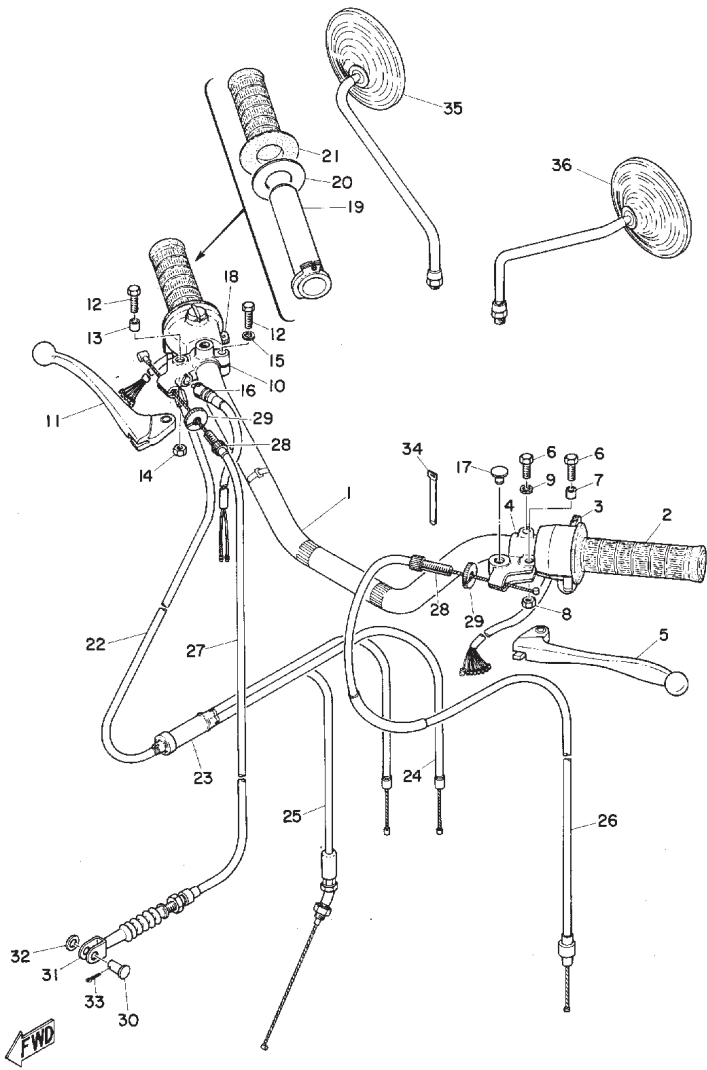
STEERING

Ref. No.	Part No.	Description	Q'ty		Remarks
			RD250	RD350	
23-24	92802-10300	NUT	2	2	
23-25	136-25375-00	CLIP, tension bar	2	2	
ALTERNATE PARTS					
23-26	214-23490-00	OIL DAMPER ASS'Y	1	1	
23-27	214-23492-00	BOLT	1	1	
23-28	92901-06100	WASHER, spring	1	1	

YAMAHA MOTOR CO., LTD.

74

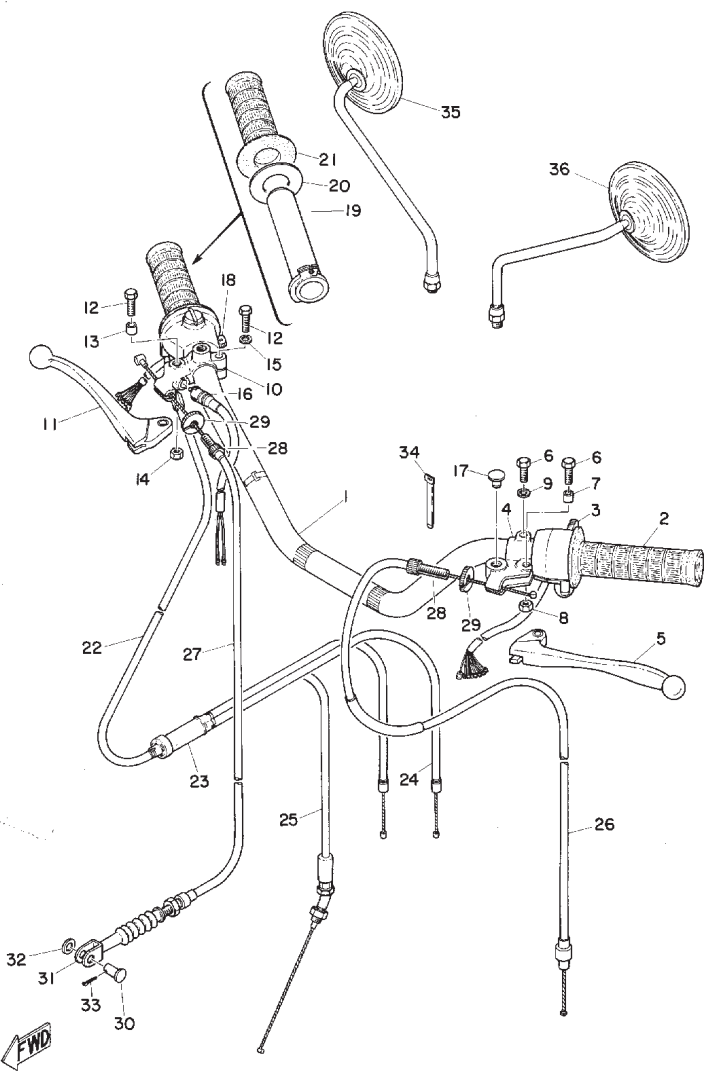
Fig. 24 HANDLE · WIRE



HANDLE · WIRE

Ref. No.	Part No.	Description	Q'ty RD250 RD350	Applicable Machine No.	Remarks
24- 1	278-26111-00	HANDLE	1	1	
24- 2	235-26241-10	GRIP, left	1	1	
24- 3	360-83972-01	SWITCH, handle 4	1	1	
24- 0-1	360-82910-00	LEVER HOLDER ASS'Y, left ...	1	1	
24- 4	341-82911-00	. HOLDER, lever left	1	1	
24- 5	214-83912-00	. LEVER, left	1	1	
24- 6	91203-06020	. BOLT	2	2	
24- 7	214-83913-00	. COLLAR, lever	1	1	
24- 8	98801-06300	. NUT	1	1	
24- 9	92903-06100	. WASHER, spring	1	1	
24- 0-2	361-82920-90	LEVER HOLDER ASS'Y, right ..	1		
24-10	361-82921-30	. HOLDER, lever right	1		
24-11	233-83922-30	. LEVER, right	1		
24-12	91203-06020	. BOLT	2		
24-13	214-83913-00	. COLLAR, lever	1		
24-14	98801-06300	. NUT	1		
24-15	92901-06100	. WASHER, spring	1		
24-16	361-83980-30	FRONT STOP SWITCH ASS'Y ...	1		
24-17	341-26329-00	PLUG, blind	1	1	
24-18	360-83975-01	SWITCH, handle 2	1	1	
24-19	214-26243-00	TUBE, guide	1	1	
24-20	278-26249-00	RING, leaf	1	1	
24-21	235-26242-10	GRIP, right	1	1	

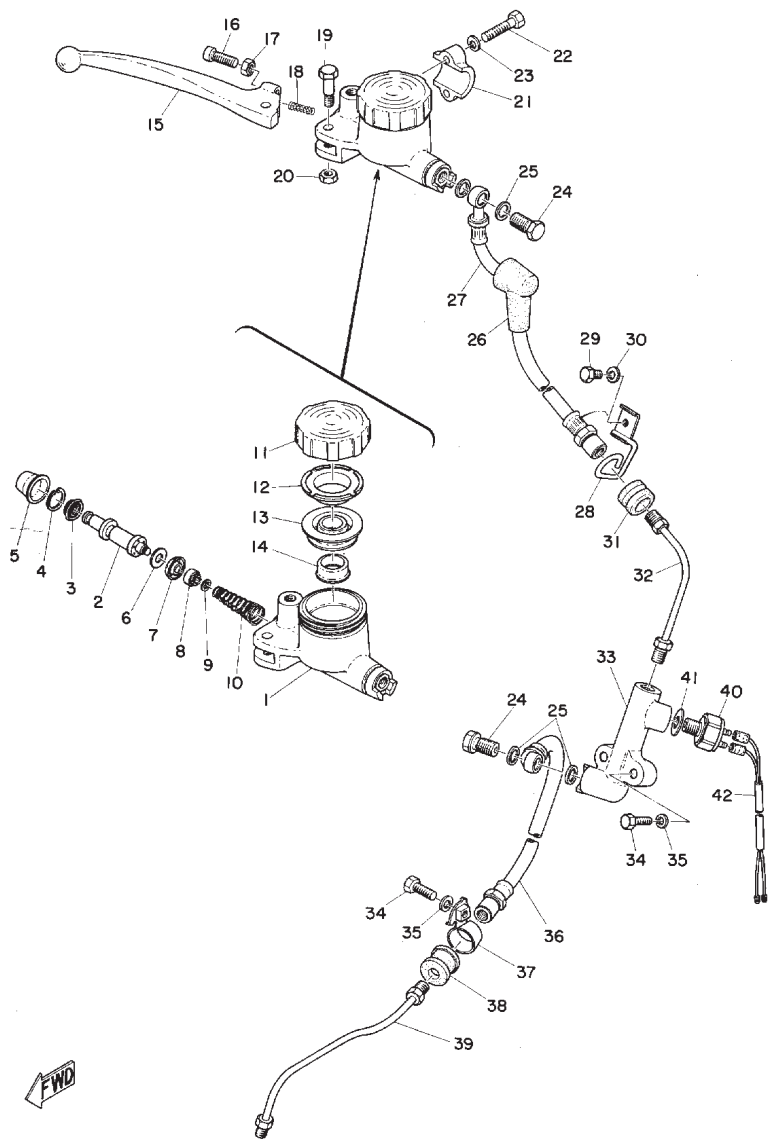
Fig. 24 HANDLE · WIRE



HANDLE · WIRE

Ref. No.	Part No.	Description	Q'ty RD250 RD350	Applicable Machine No.	Remarks
24-22	360-26311-00	WIRE, throttle 1	1	1	
24-23	360-26261-00	CYLINDER, wire	1	1	
24-24	360-26312-00	WIRE, throttle 2	2	2	
24-25	360-26321-00	WIRE, pump	1	1	
24-26	360-26335-00	WIRE, clutch	1	1	
24-27	361-26341-00	WIRE, brake front	1		
24-28	168-26337-00	BOLT, wire adjusting A	2	1	
24-29	168-26344-00	NUT, adjusting	2	1	
24-30	156-27229-00	PIN, link joint 2	1		
24-31	156-26347-00	JOINT, wire	1		
24-32	156-27226-00	WASHER, pedal link (8.2-13-0.6)	1		
24-33	91401-20012	PIN, cotter	1		
24-34	168-83936-01	BAND, switch cord	4	4	
24-35	341-26290-01	BACK MIRROR ASS'Y, right ...	1	1	Convex Mirror
	341-26290-40	BACK MIRROR ASS'Y, right ...	1	1	Alternate Parts Flat Mirror
24-36	341-26290-10	BACK MIRROR ASS'Y, left ...	1	1	Alternate Parts Convex Mirror
	341-26290-30	BACK MIRROR ASS'Y, left ...	1	1	Alternate Parts Flat Mirror

Fig. 25 MASTER CYLINDER · BRAKE HOSE (RD350)



79

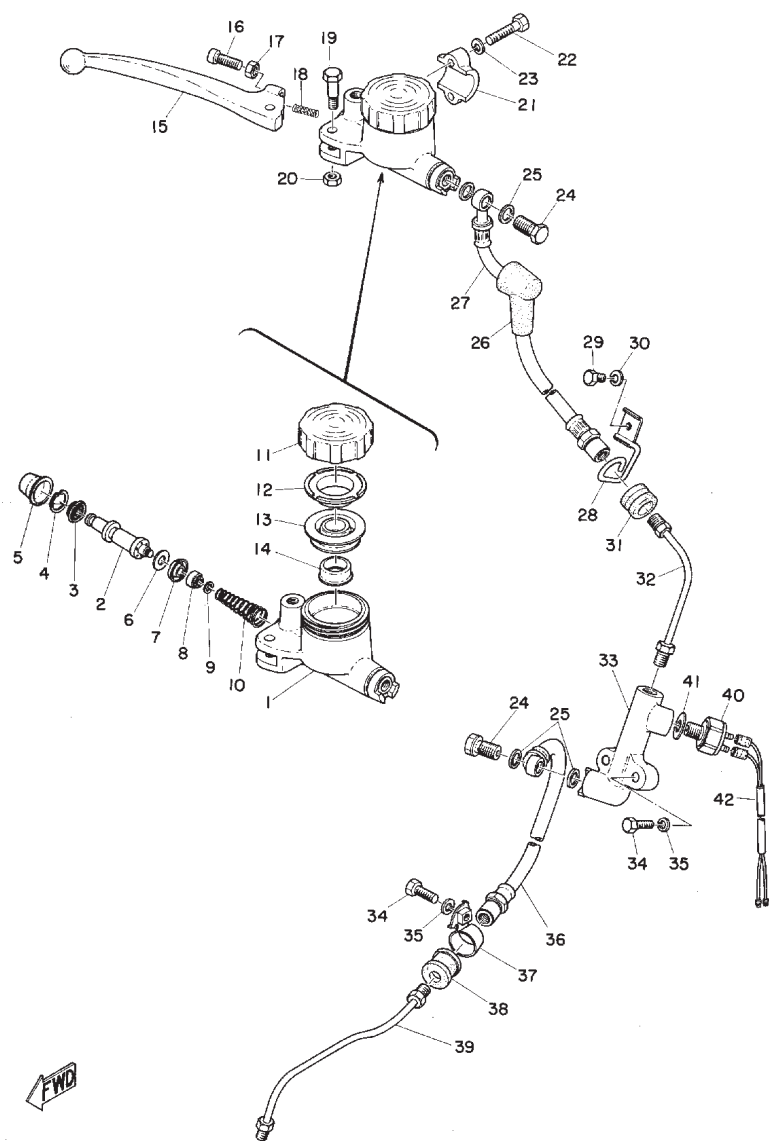
MASTER CYLINDER · BRAKE HOSE (RD350)

Ref. No.	Part No.	Description	Q'ty RD250 RD350	Applicable Machine No.	Remarks
25- 0-1	360-25850-00	MASTER CYLINDER ASS'Y	1		
25- 0-2	360-20000-10	. CYLINDER KIT (Ref.No.2~10)	1		
25- 0-3	360-20000-20	. CUP KIT (Ref.No.3~7 & 9)	1		
25-11	360-25852-00	. CAP, reservoir	1		
25-12	360-25855-00	. BUSHING diaphragm	1		
25-13	360-25854-00	. DIAPHRAGM, reservoir	1		
25-14	360-25853-00	. FLOAT, reservoir	1		
25-15	360-83922-00	LEVER, right	1		
25-16	306-83928-01	SCREW, adjusting	1		
25-17	306-83927-00	NUT, adjusting	1		
25-18	306-83924-00	SPRING, lever return	1		
25-19	341-83925-00	SCREW, lever fitting	1		
25-20	98801-06300	NUT	1		
25-21	306-25867-00-98	BRACKET, master	1		
25-22	91101-06025	BOLT	2		
25-23	92901-06100	WASHER, spring	2		
25-24	306-25877-00	BOLT, oil	2		
25-25	306-25878-00	WASHER, oil bolt	4		
25-26	360-25862-00	BOOT, master cylinder	1		
25-27	360-25872-00	HOSE, brake 1	1		
25-28	351-25887-01	HOLDER, brake hose 3	1		
25-29	91101-06012	BOLT	1		
25-30	92901-06100	WASHER, spring	1		
25-31	341-25881-00	RUBBER, brake hose	1		

YAMAHA MOTOR CO., LTD.

80

Fig. 25 MASTER CYLINDER · BRAKE HOSE (RD350)



81

MASTER CYLINDER · BRAKE HOSE (RD350)

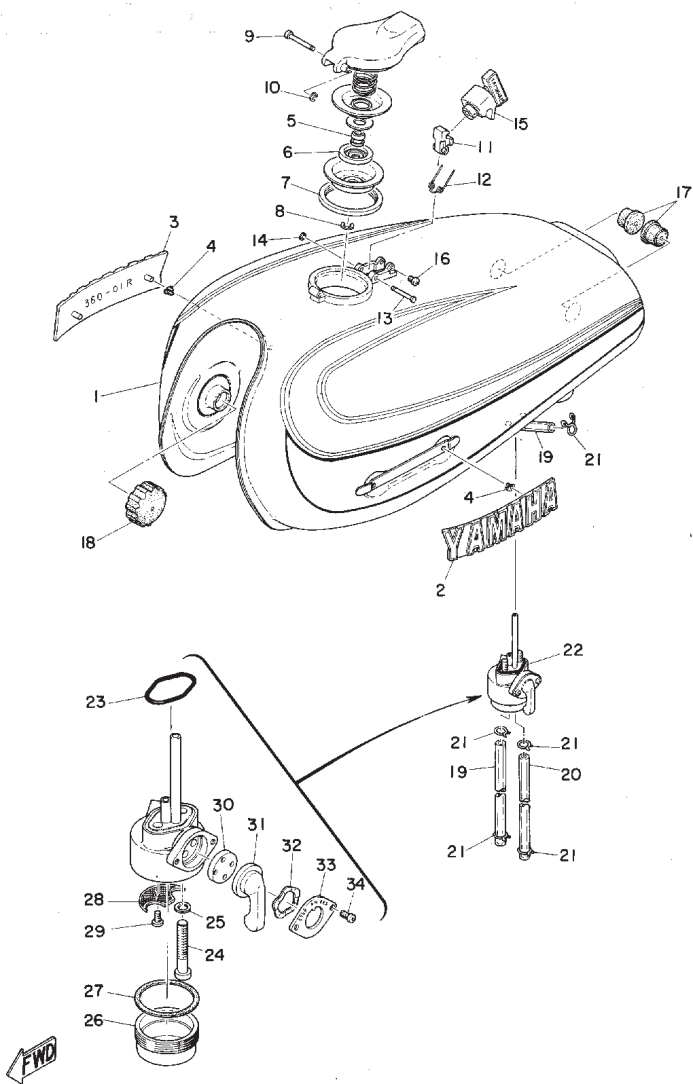
Ref. No.	Part No.	Description	Q'ty RD250 RD350	Applicable Machine No.	Remarks
25-32	351-25883-01	PIPE, brake 3	1		
25-33	341-25885-03	JOINT	1		
25-34	91101-06025	BOLT	3		
25-35	92901-06100	WASHER, spring	3		
25-36	351-25873-00	HOSE, brake 2	1		
25-37	306-25876-00	HOLDER, brake hose 2	1		
25-38	306-25881-00	RUBBER, brake hose	1		
25-39	306-25871-00	PIPE, brake 1	1		
25-40	341-83980-30	FRONT STOP SWITCH ASS'Y	1		
25-41	341-83909-00	WASHER, special	1		
25-42	351-82531-00	WIRE, lead	1		

YAMAHA MOTOR CO., LTD.

82

Fig. 26 FUEL TANK

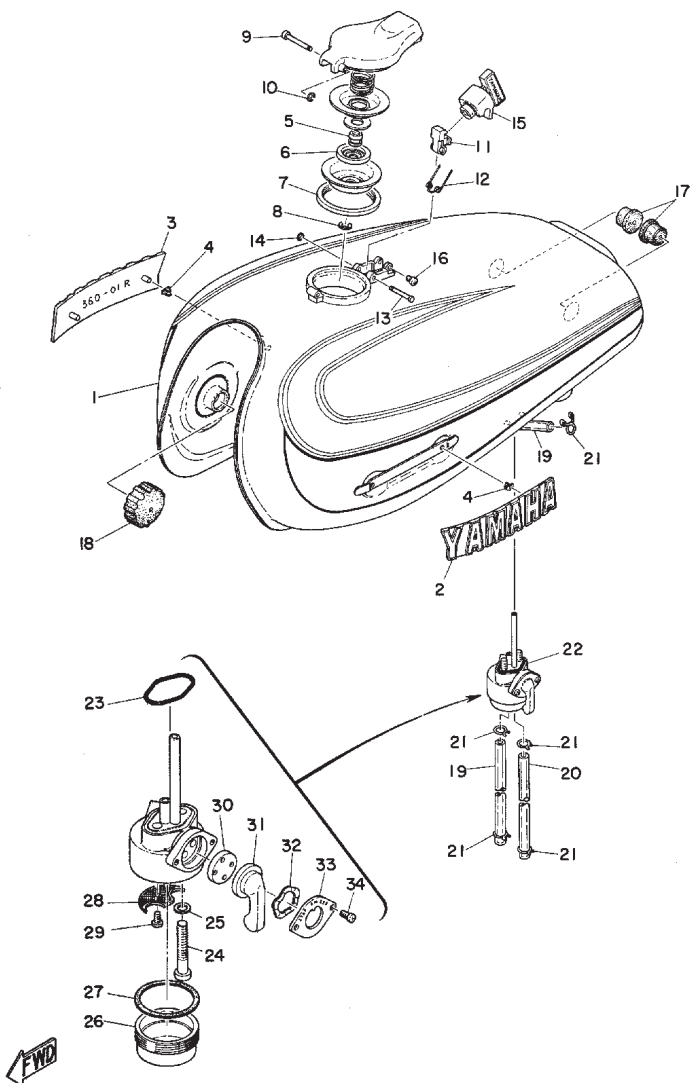
FUEL TANK



Ref. No.	Part No.	Description	Q'ty		Applicable Machine No.	Remarks
			RD250	RD350		
26-1	360-24110-11-04	FUEL TANK COMP.	1			Butterfly Blue
	360-24110-11-05	FUEL TANK COMP.	1			Gold Dust
	360-24110-11-01	FUEL TANK COMP.	1			Brandy Red
	360-24110-11-03	FUEL TANK COMP.	1			Competition Green
26-2	360-24161-11	EMBLEM, fuel tank left	1	1		
26-3	360-24162-11	EMBLEM, fuel tank right	1	1		
26-4	360-24143-00	NUT	4	4		
26-0-1	341-24653-00	CAP ASS'Y	1	1		
26-5	308-24642-00	GASKET, CAP 2	1	1		
26-6	308-24641-00	GASKET, CAP 1	1	1		
26-7	341-24612-00	PACKING, CAP	1	1		
26-8	93430-06005	CIRCLIP (E-6)	1	1		
26-9	308-24623-00	PIN 1	1	1		
26-10	93430-02001	CIRCLIP (E-2)	1	1		
26-11	341-24628-00	HOOK	1	1		
26-12	341-24637-00	SPRING	1	1		
26-13	308-24624-00	PIN 2	1	1		
26-14	93430-02001	CIRCLIP (E-2)	1	1		
26-15	341-24602-01	KEY COMP.	1	1		
26-16	92501-04018	SCREW, panhead	1	1		
26-17	122-24182-01	DAMPER, locating 2	2	2		
26-18	278-24181-00	DAMPER, locating	2	2		
26-19	168-24312-00	PIPE, fuel (5-210)	2	2		
26-20	174-24312-00	PIPE, fuel (5-170)	1	1		

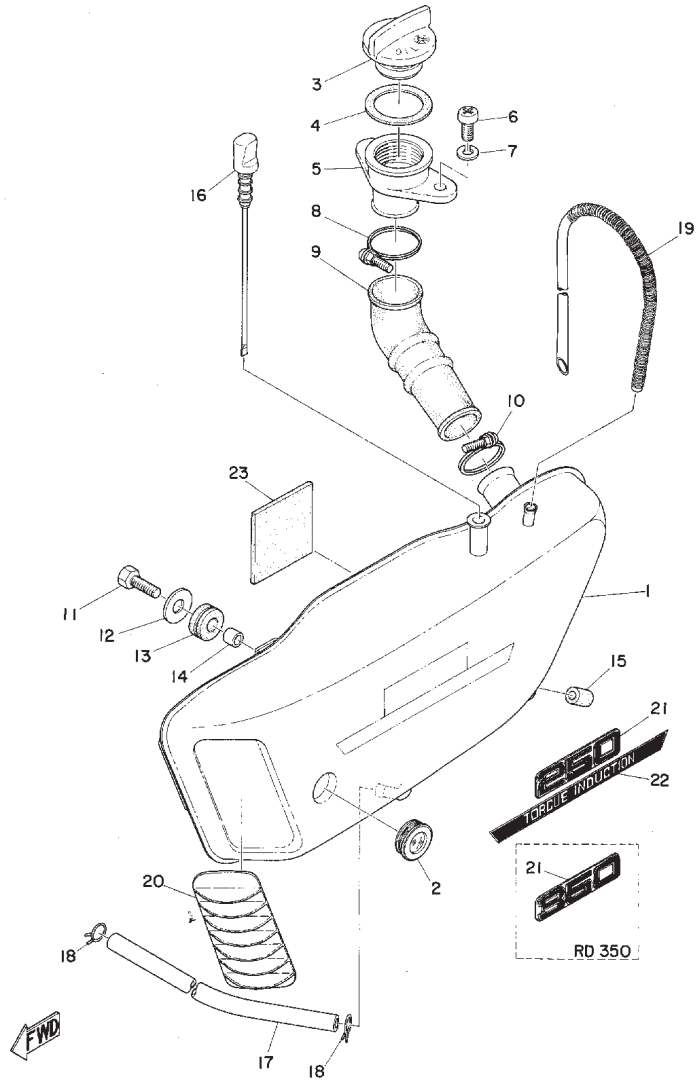
Fig. 26 FUEL TANK

FUEL TANK



Ref. No.	Part No.	Description	Q'ty		Applicable Machine No.	Remarks
			RD250	RD350		
26-21	101-24356-00	CLIP, pipe	6	6		
26-22	168-24500-01	FUEL COCK ASS'Y	1	1		
26-23	168-24512-00	GASKET, body	1	1		
26-24	92501-06035	SCREW, panhead	2	2		
26-25	137-24513-00	GASKET, cock fitting	2	2		
26-26	168-24521-00	CUP, filter	1	1		
26-27	168-24522-00	GASKET, filter	1	1		
26-28	168-24515-00	NET, filter	1	1		
26-29	193-81145-20	SCREW, panhead	1	1		
26-30	137-24523-00	VALVE	1	1		
26-31	168-24524-00	LEVER, cock	1	1		
26-32	132-24518-00	WASHER, wave	1	1		
26-33	132-24525-00	PLATE, lever fitting	1	1		
26-34	193-81145-20	SCREW, panhead	2	2		

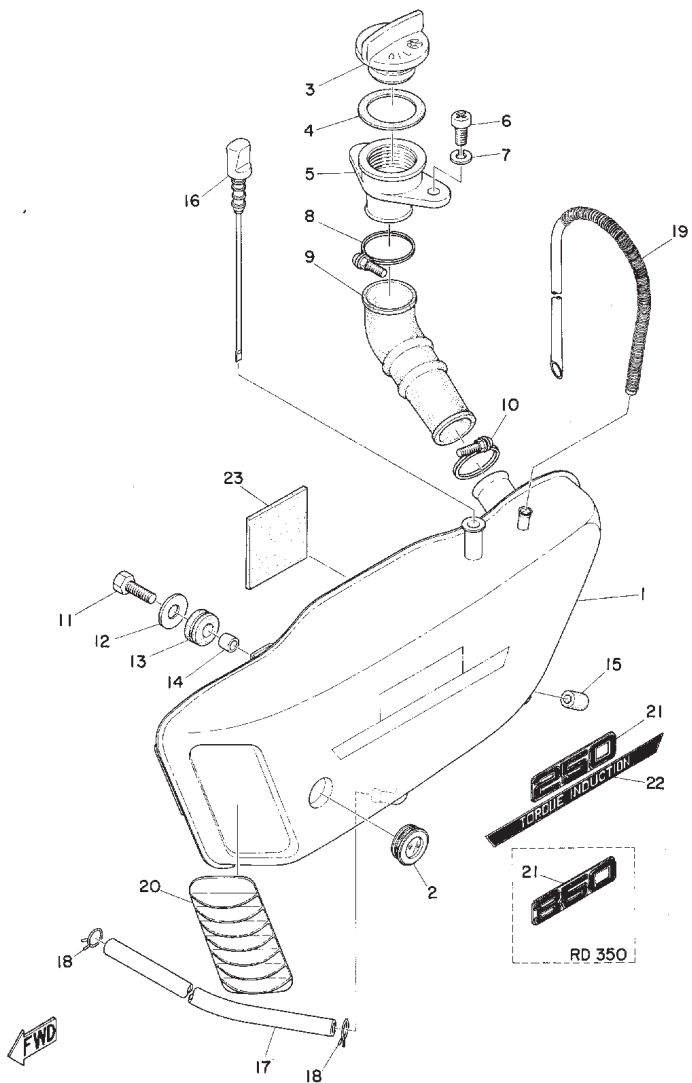
Fig. 27 OIL TANK



OIL TANK

Ref. No.	Part No.	Description	Q'ty		Applicable Machine No.	Remarks
			RD250	RD350		
27- 1	360-21705-00-F2	OIL TANK ASS'Y	1			Butterfly Blue
	360-21705-00-M2	OIL TANK ASS'Y	1			Gold Dust
	360-21705-00-A2	OIL TANK ASS'Y		1		Brandy Red
	360-21705-00-K1	OIL TANK ASS'Y		1		Competition Green
27- 2	360-21761-00	GAUGE, level	1	1		
27- 3	214-21771-00	CAP, oil tank	1	1		
27- 4	214-21772-00	GASKET, cap	1	1		
27- 5	360-21752-00	TUBE, filler	1	1		
27- 6	92501-06020	SCREW, panhead	2	2		
27- 7	92901-06100	WASHER, spring	2	2		
27- 8	360-21765-00	CLAMP, filler tube	1	1		
27- 9	360-21753-00	TUBE, oil connector	1	1		
27-10	360-21755-00	CLAMP, filler tube	1	1		
27-11	91101-06020	BOLT	2	2		
27-12	116-28324-00	WASHER, leg shield (6.5-20-1.6)	2	2		
27-13	214-21717-00	DAMPER, battery box 1	2	2		
27-14	214-21633-00	COLLAR, fender mount	2	2		
27-15	214-21779-00	DAMPER, oil tank 2	1	1		
27-16	278-21792-00	GAUGE, oil level	1	1		
27-17	278-21766-00	PIPE, oil (5-700)	1	1		
27-18	101-24356-00	CLIP, fuel pipe	2	2		
27-19	278-21745-00	PIPE, oil tank breather	1	1		
27-20	360-21781-00	MOLD, left	1	1		

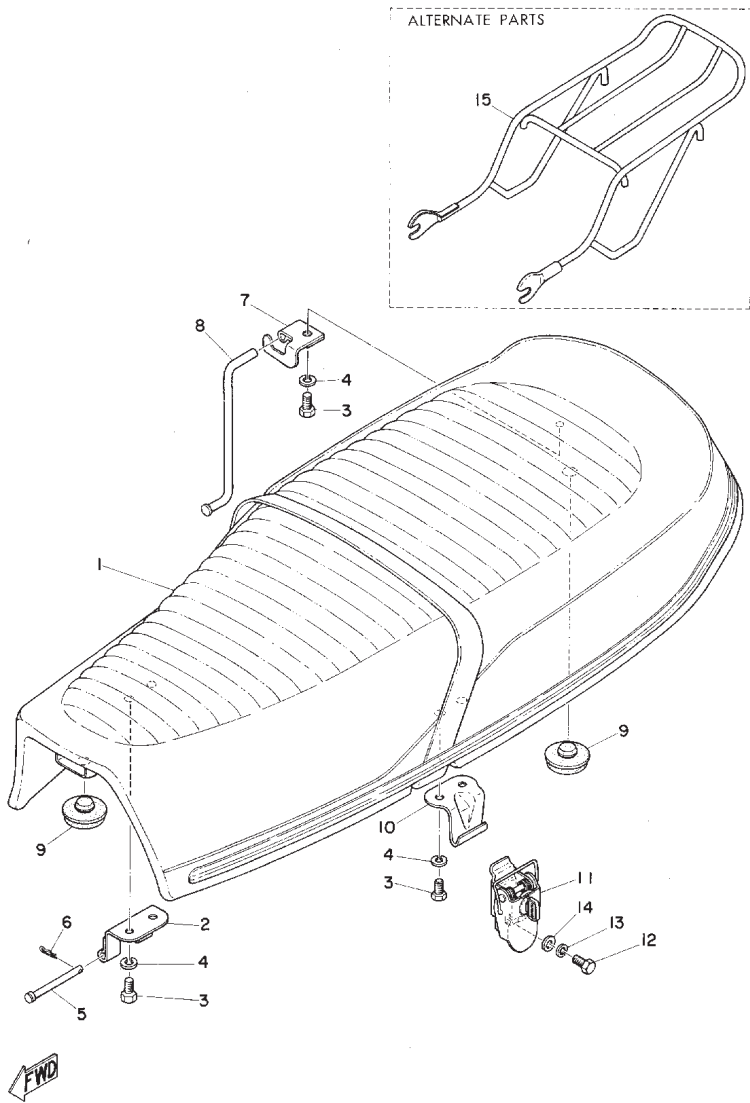
Fig. 27 OIL TANK



OIL TANK

Ref. No.	Part No.	Description	Q'ty		Applicable Machine No.	Remarks
			RD250	RD350		
27-21	361-21786-00	EMBLEM 250	1			
	360-21786-00	EMBLEM 350		1		
27-22	360-21787-00	EMBLEM, torque induction	1	1		
27-23	214-21268-00	SEAL, battery box	1	1		

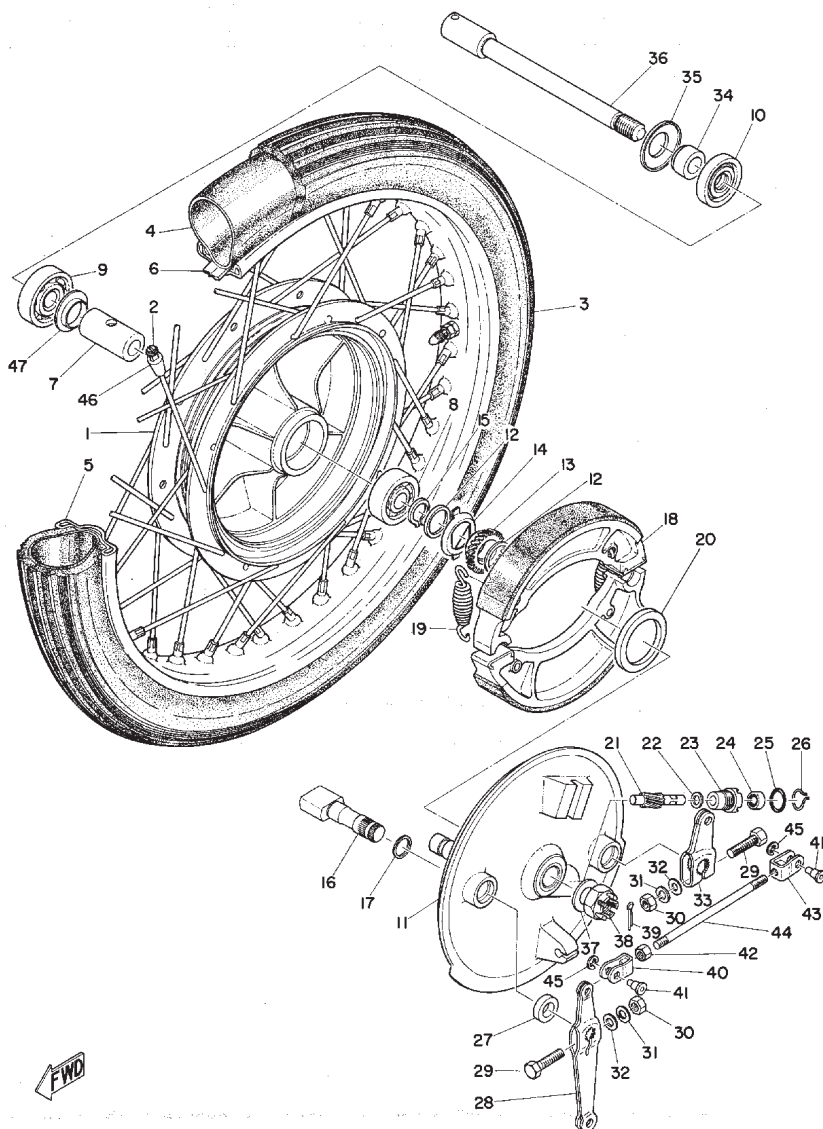
Fig. 28 SEAT



SEAT

Ref. No.	Part No.	Description	Q'ty		Applicable Machine No.	Remarks
			RD250	RD350		
28- 1	360-24730-10	DOUBLE SEAT ASS'Y	1	1		
28- 2	248-24726-00-33	HINGE, seat	2	2		
28- 3	91101-06012	BOLT	7	7		
28- 4	92901-06100	WASHER, spring	7	7		
28- 5	91501-05055	PIN, clevis	2	2		
28- 6	156-83525-00	CLIP	2	2		
28- 7	278-24748-00	BRACKET, seat stopper	1	1		
28- 8	278-24768-01	STOPPER, seat	1	1		
28- 9	174-24741-00	PAD, seat	4	4		
28-10	278-24728-00	BRACKET, seat	1	1		
28-11	353-24705-01	BRACKET SEAT ASS'Y	1	1		
28-12	91201-06010	BOLT	1	1		
28-13	92901-06100	WASHER, spring	1	1		
28-14	92901-06200	WASHER, plain	1	1		
ALTERNATE PARTS						
28-15	90890-55022	SUB-CARRIER ASS'Y	1	1		

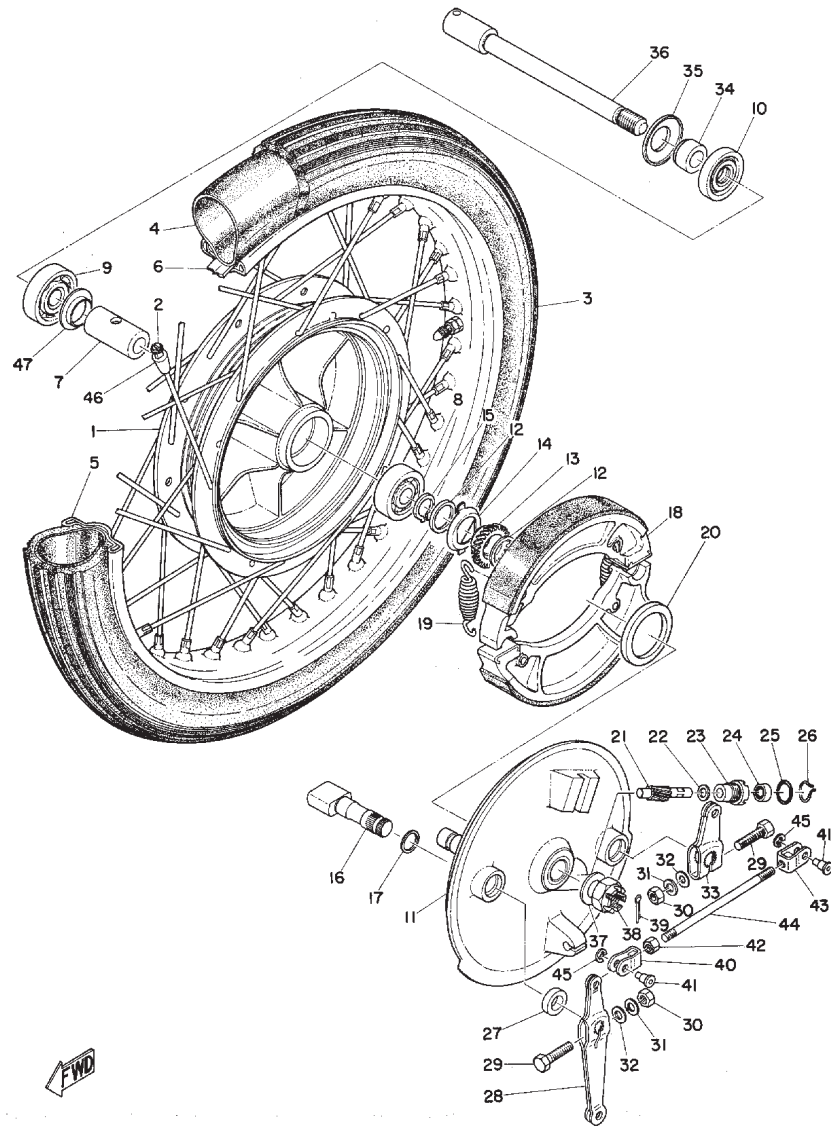
Fig. 29 FRONT WHEEL (RD250)



FRONT WHEEL (RD250)

Ref. No.	Part No.	Description	Q'ty		Applicable Machine No.	Remarks
			RD250	RD350		
29- 1	246-25111-00	HUB, front	1			
29- 2	152-25104-00	SPROKE SET	1s			
29- 3	94130-18039	TIRE, front (3.00-18-4PR)	1			
29- 4	94230-18012	TUBE (3.00-18)	1			
29- 5	94416-18013	RIM (1.60A-18)	1			
29- 6	94330-18010	BAND, rim (3.00-18)	1			
29- 7	136-25317-00	SPACER, bearing	1			
29- 8	93306-30201	BEARING (6302)	1			
29- 9	93306-30203	BEARING (6302Z)	1			
29-10	93102-22014	OIL SEAL (SD-22-42-7)	1			
29-11	278-25121-00	PLATE, brake shoe	1			
29-12	214-25147-00	WASHER, thrust 2 (22.5-29-1)	2			
29-13	246-25135-00	GEAR, drive (27T)	1			
29-14	246-25149-00	CLUTCH, meter	1			
29-15	93410-22014	CIRCLIP (S-22)	1			
29-16	246-25151-00	CAMSHAFT	2			
29-17	148-25353-00	SHIM, camshaft (14.2-24-0.5)	2			
29-18	168-25130-00	BRAKE SHOE COMP.	2			
29-19	246-25333-00	SPRING, return	2			
29-20	93105-53013	OIL SEAL (SDD-53-65-7)	1			
29-21	214-25138-00	GEAR, meter	1			
29-22	183-25146-00	WASHER, thrust 1 (7-12-0.8)	1			
29-23	109-25136-00	BUSHING	1			
29-24	93104-07003	OIL SEAL (SD-7-14-4)	1			

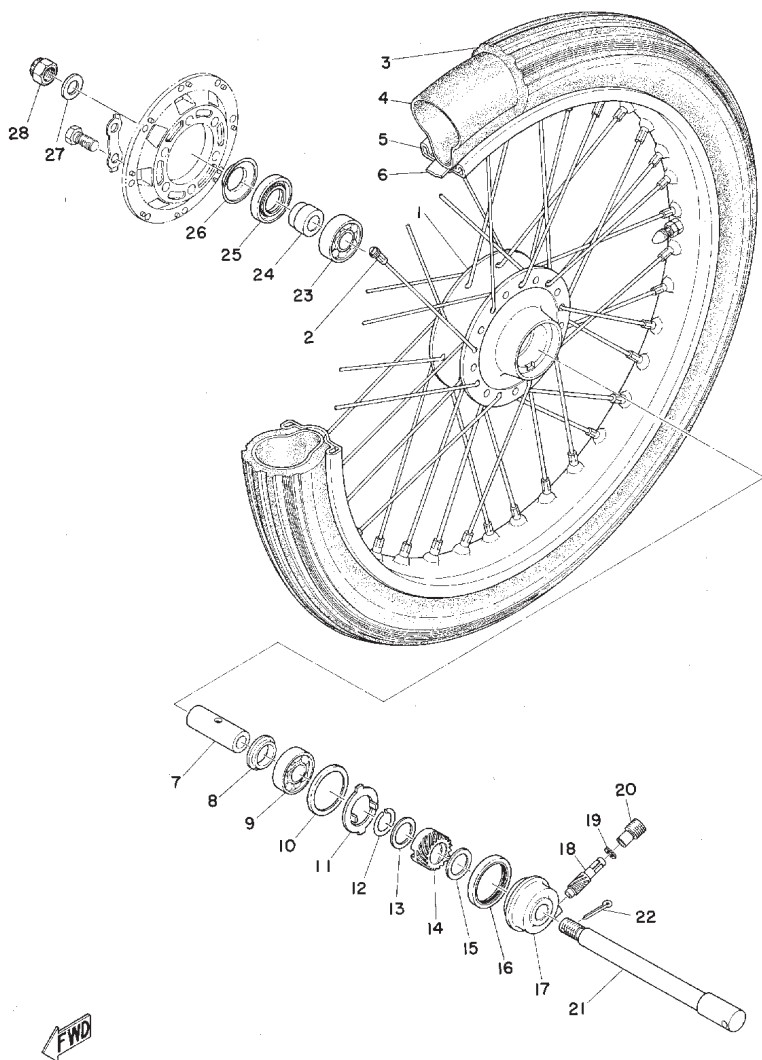
Fig. 29 FRONT WHEEL (RD250)



FRONT WHEEL (RD250)

Ref. No.	Part No.	Description	Q'ty RD250 RD350	Applicable Machine No.	Remarks
29-25	93210-14104	O-RING (2.4-13.8)	1		
29-26	102-25137-00	RING, stop	1		
29-27	148-25359-00	SEAL, camshaft	2		
29-28	168-25155-00	LEVER, camshaft 1	1		
29-29	91103-06030	BOLT	2		
29-30	98803-06100	NUT	2		
29-31	92901-06100	WASHER, spring	2		
29-32	92901-06200	WASHER, plain	2		
29-33	246-25156-00	LEVER, camshaft 2	1		
29-34	174-25183-00	COLLAR, wheel shaft	1		
29-35	246-25118-00	COVER, hub dust	1		
29-36	278-25181-00	SHAFT, wheel	1		
29-37	92901-14200	WASHER, plain	1		
29-38	214-25182-01	NUT, shaft	1		
29-39	91401-30028	PIN, cotter	1		
29-40	152-25163-00	END, rod 1	1		
29-41	152-25165-00	PIN, rod end	2		
29-42	92803-06300	NUT	1		
29-43	152-25164-00	END, rod 2	1		
29-44	152-25161-00	ROD, connecting	1		
29-45	93430-04003	CIRCLIP (E-4)	2		
29-46	156-25398-00	BALANCER, wheel	U.R		
29-47	148-25115-00	FLANGE, spacer	1		

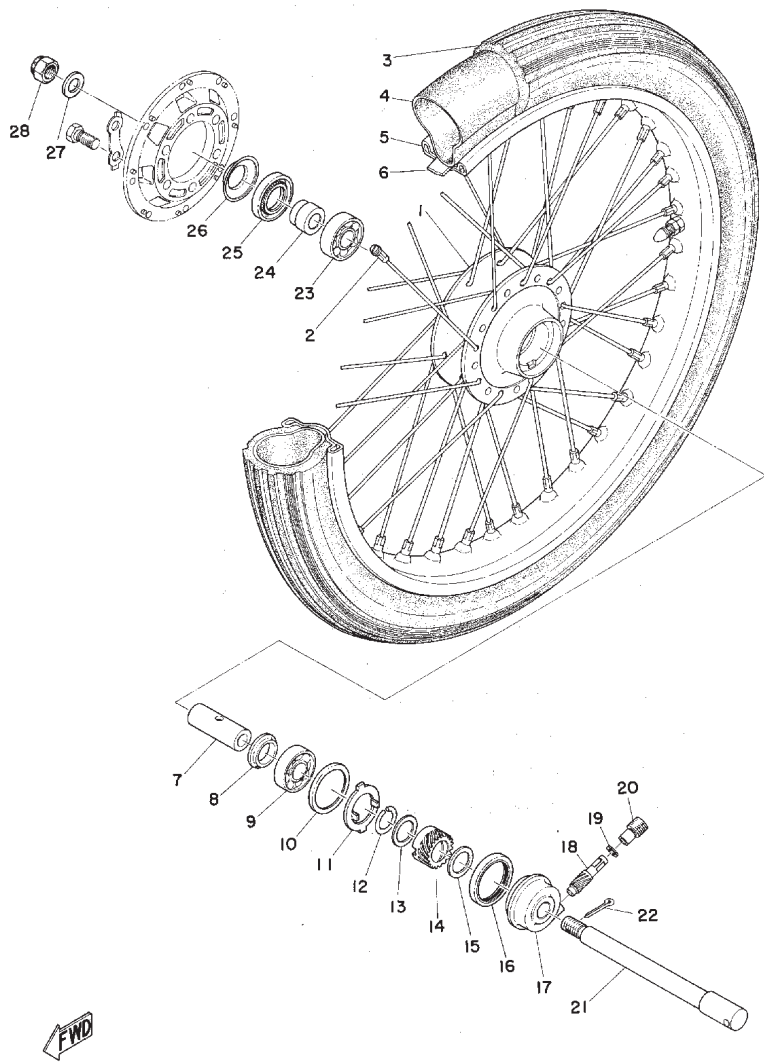
Fig. 30 FRONT WHEEL (RD350)



FRONT WHEEL (RD350)

Ref. No.	Part No.	Description	Q'ty RD250 RD350	Applicable Machine No.	Remarks
30- 1	351-25111-00	HUB, front	1		
30- 2	351-25104-00	SPOKE SET	1s		
30- 3	94130-18108	TIRE, front (3.00-18-4PR)	1		
30- 4	94230-18012	TUBE (3.00-18)	1		
30- 5	94416-18068	RIM (1.60A-18)	1		
30- 6	94330-18010	BAND, rim (3.00-18)	1		
30- 7	351-25117-00	SPACER, bearing	1		
30- 8	152-25115-00	FLANGE, spacer	1		
30- 9	93306-30303	BEARING (6303ZC3)	1		
30-10	341-25846-00	RETAINER, clutch meter	1		
30-11	341-25149-00	CLUTCH, meter	1		
30-12	341-25137-00	RING, stop	1		
30-13	341-25147-00	WASHER, thrust 2 (25-29-1.0)...	1		
30-14	351-25135-00	GEAR, drive	1		
30-15	152-17226-00	WASHER, thrust 1 (25-32-1.6)...	1		
30-16	93105-45017	OIL SEAL (SDD45-56-6)	1		
30-17	341-25191-01	HOUSING, gear unit	1		
30-18	351-25138-00	GEAR, meter	1		
30-19	102-18416-00	WASHER (6.2-9.5-0.8)	1		
30-20	306-25136-00	BUSHING	1		
30-21	351-25181-00	SHAFT, wheel	1		
30-22	91401-30028	PIN, cotter	1		
30-23	93306-30301	BEARING (6303)	1		
30-24	341-25183-00	COLLAR, wheel shaft	1		

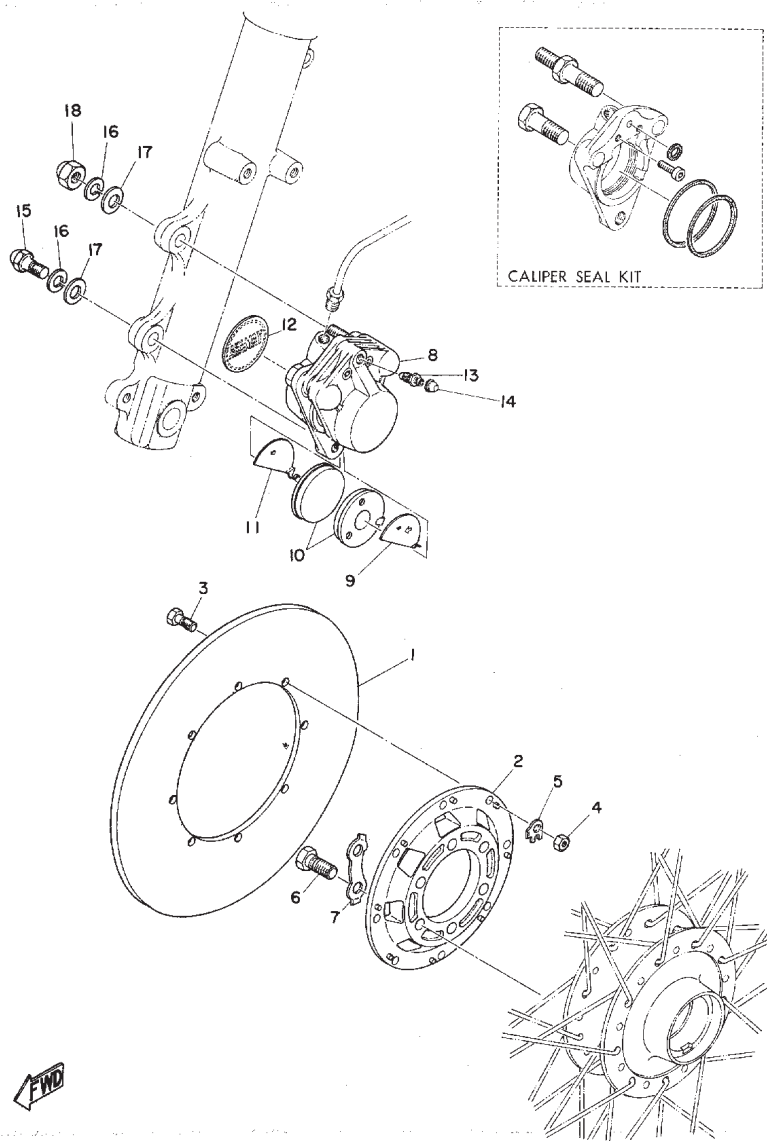
Fig. 30 FRONT WHEEL (RD350)



FRONT WHEEL (RD350)

Ref. No.	Part No.	Description	Q'ty		Applicable Machine No.	Remarks
			RD250	RD350		
30-25	93102-28022	OIL SEAL (SD28-47-7)	1		
30-26	341-25118-00	COVER, hub dust	1		
30-27	92901-14200	WASHER, plain	1		
30-28	214-25182-01	NUT, shaft	1		

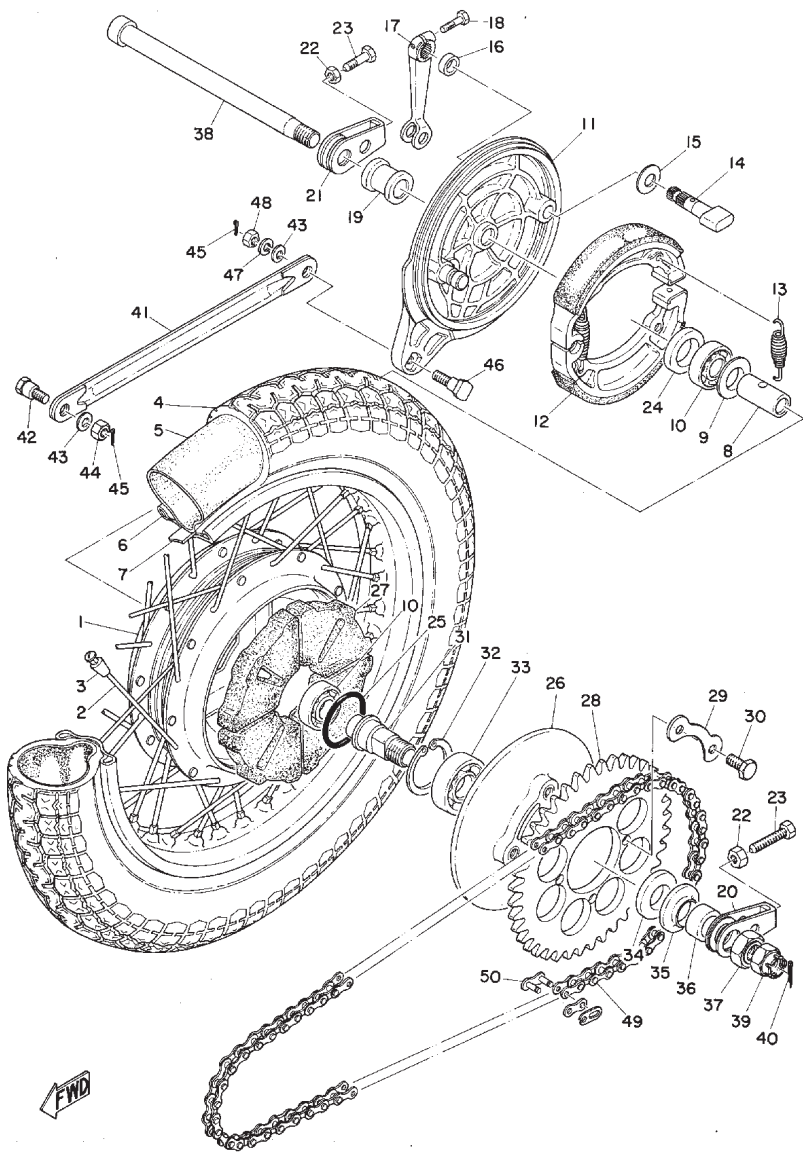
Fig. 31 DISK BRAKE · CALIPER (RD350)



DISK BRAKE · CALIPER (RD350)

Ref. No.	Part No.	Description	Q'ty		Applicable Machine No.	Remarks
			RD250	RD350		
31- 1	351-25831-00	DISK, brake	1		
31- 2	351-25832-00	BRACKET, disk	1		
31- 3	306-25833-00	BOLT, fitting	8		
31- 4	98801-06100	NUT	8		
31- 5	306-25834-00	WASHER, lock	8		
31- 6	341-25411-00	BOLT, fitting	6		
31- 7	341-25412-00	WASHER, lock	3		
31- 8	306-25810-01	CALIPER ASS'Y	1		
31- 9	306-25827-00	SHIM 1	1		
31-10	306-25811-00	PAD, caliper	2		
31-11	306-25828-00	SHIM 2	1		
31-12	306-25829-00	EMBLEM, caliper	1		
31-13	306-25824-00	SCREW, bleed	1		
31-14	306-25825-01	CAP	1		
31-15	306-25818-00	BOLT, fitting	1		
31-16	92901-10100	WASHER, spring	2		
31-17	92901-10200	WASHER, plain	2		
31-18	92803-10700	NUT, crown	1		
31- 0-1	306-29000-51	CALIPER SEAL KIT	1		Alternate Parts

Fig. 32 REAR WHEEL



103

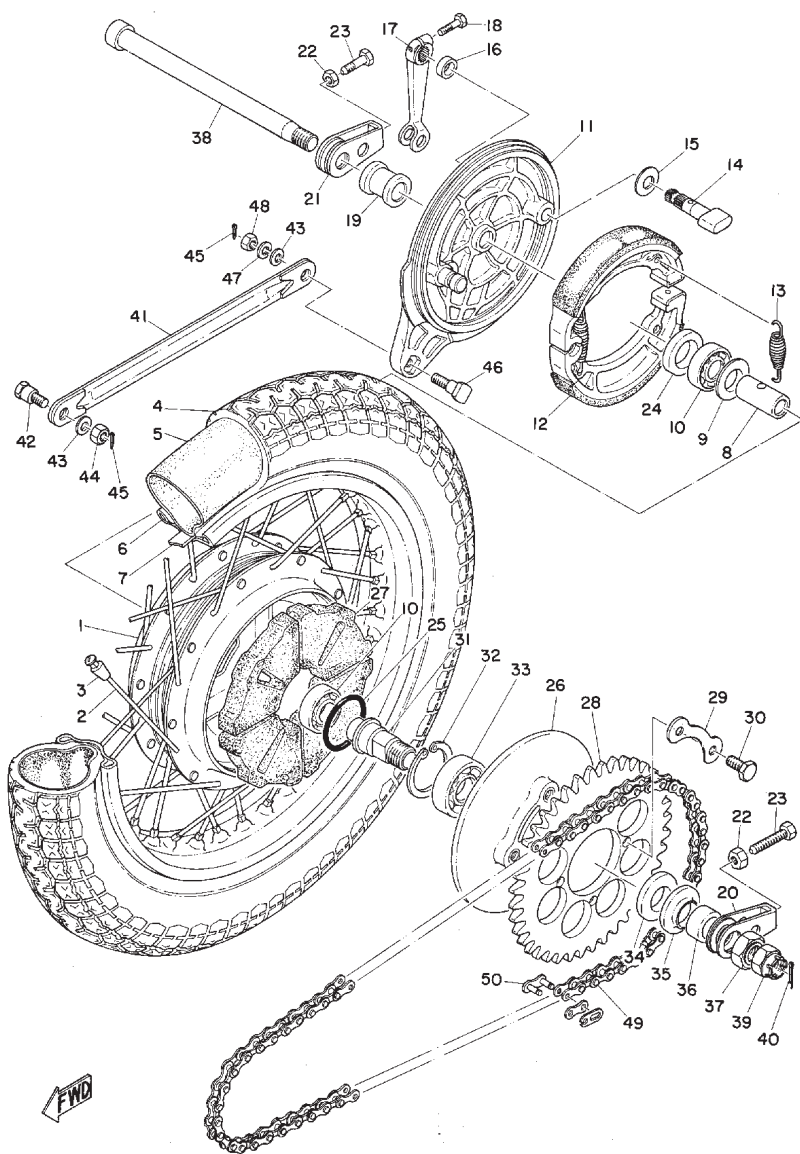
REAR WHEEL

Ref. No.	Part No.	Description	Q'ty RD250 RD350	Applicable Machine No.	Remarks
32- 1	278-25311-00	HUB, rear	1	1	
32- 2	278-25304-00	SPOKE SET	1s	1s	
32- 3	156-25398-00	BALANCER, wheel	U.R	U.R	
32- 4	94132-18089	TIRE, rear (3.25-18-4PR)	1		
	94135-18107	TIRE, rear (3.50-18-4PR)	1		
32- 5	94232-18020	TUBE (3.25-18)	1		
	94235-18022	TUBE (3.50-18)	1		
32- 6	94418-18026	RIM (1.85B-18)	1	1	
32- 7	94332-18016	BAND, rim (3.25-18)	1		
	94335-18018	BAND, rim (3.50-18)	1		
32- 8	148-25317-00	SPACER, bearing	1	1	
32- 9	148-25315-00	FLANGE, spacer	1	1	
32-10	93306-30303	BEARING (6303ZC3)	2	2	
32-11	278-25321-01	PLATE, brake shoe rear	1	1	
32-12	168-25330-00	BRAKE SHOE COMP.	2	2	
32-13	246-25333-00	SPRING, return	2	2	
32-14	278-25351-00	CAMSHAFT	1	1	
32-15	148-25353-00	SHIM, camshaft (14.2-24-0.5)	1	1	
32-16	148-25359-00	SEAL, camshaft	1	1	
32-17	214-25355-00	LEVER, camshaft	1	1	
32-18	91103-06025	BOLT	1	1	
32-19	148-25383-00	COLLAR, wheel shaft	1	1	
32-20	168-25388-00	PULLER, chain left	1	1	
32-21	168-25389-00	PULLER, chain right	1	1	

YAMAHA MOTOR CO., LTD.

104

Fig. 32 REAR WHEEL



105

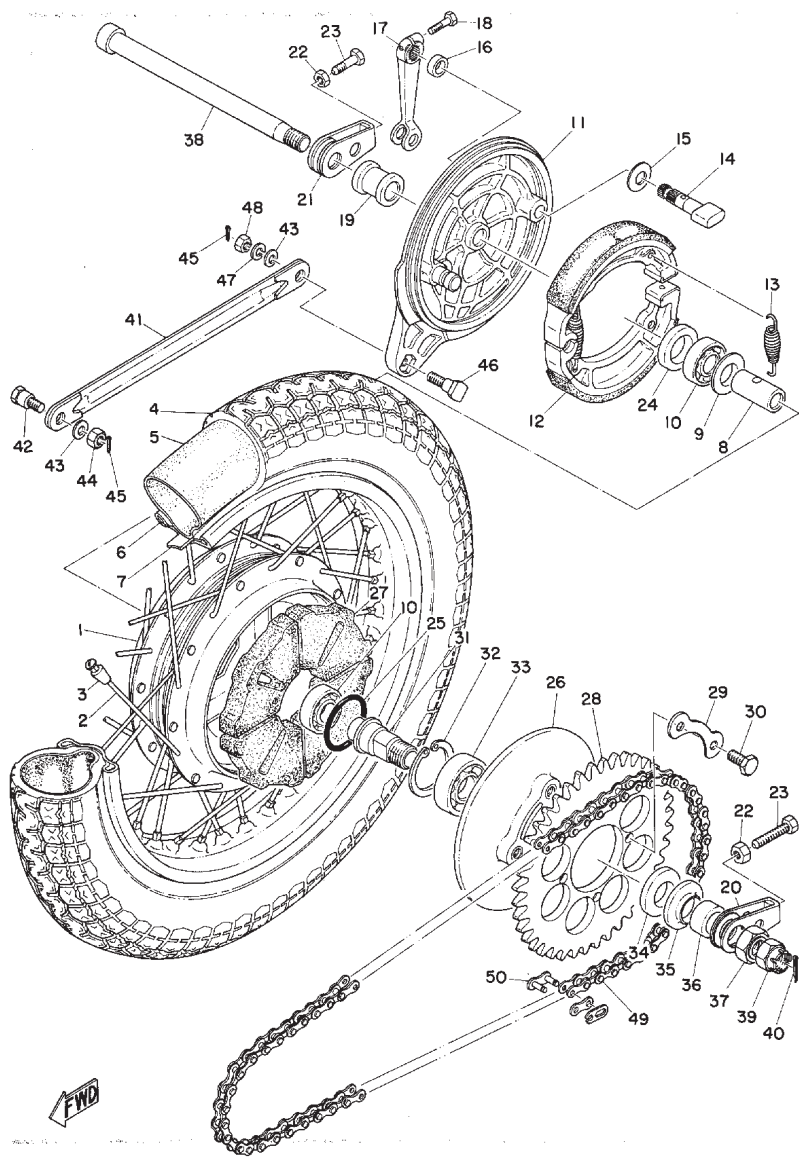
REAR WHEEL

Ref. No.	Part No.	Description	Q'ty RD250 RD350	Applicable Machine No.	Remarks
32-22	98801-08300	NUT	2	2	
32-23	168-25379-00	BOLT, chain puller	2	2	
32-24	93102-32037	OIL SEAL (SD-32-45-8)	1	1	
32-25	93210-55051	O-RING (3-54.5)	1	1	
32-26	168-25366-00	CLUTCH, hub	1	1	
32-27	278-25364-00	DAMPER, clutch	4	4	
32-28	360-25440-20	GEAR, sprocket wheel (40T)	1	1	
32-29	148-25412-00	WASHER, lock	2	2	
32-30	146-25411-00	BOLT, fitting	4	4	
32-31	152-25387-00	SHAFT, sprocket	1	1	
32-32	93420-52014	CIRCLIP (R-52)	1	1	
32-33	93306-20503	BEARING (6205ZC3)	1	1	
32-34	93104-25008	OIL SEAL (SD-25-47-5)	1	1	
32-35	168-25367-00	COVER, dust	1	1	
32-36	168-25386-00	COLLAR, sprocket shaft	1	1	
32-37	168-25385-00	NUT, sprocket shaft	1	1	
32-38	150-25381-00	SHAFT, wheel	1	1	
32-39	275-25382-00	NUT, shaft	1	1	
32-40	91401-30028	PIN, cotter	1	1	
32-41	168-25371-00	BAR, tension	1	1	
32-42	168-25373-00	BOLT, tension bar 1	1	1	
32-43	92901-08200	WASHER, plain	2	2	
32-44	98801-08100	NUT	1	1	
32-45	91401-20015	PIN, cotter	2	2	

YAMAHA MOTOR CO., LTD.

106

Fig. 32 REAR WHEEL



107

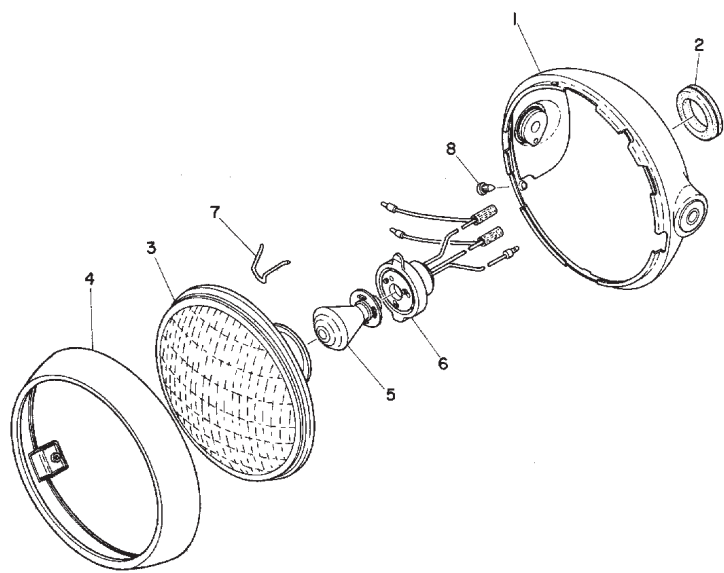
REAR WHEEL

Ref.No.	Part No.	Description	Q'ty		Applicable Machine No.	Remarks
			RD250	RD350		
32-46	168-25378-00	BOLT, tension bar 2	1	1		
32-47	92901-08100	WASHER, spring	1	1		
32-48	98801-08300	NUT	1	1		
32-49	94585-30092	CHAIN (DID530DS-92L)	1	1		
32-50	94685-30011	. JOINT, chain	1	1		

YAMAHA MOTOR CO., LTD.

108

Fig. 33 HEAD LAMP



HEAD LAMP

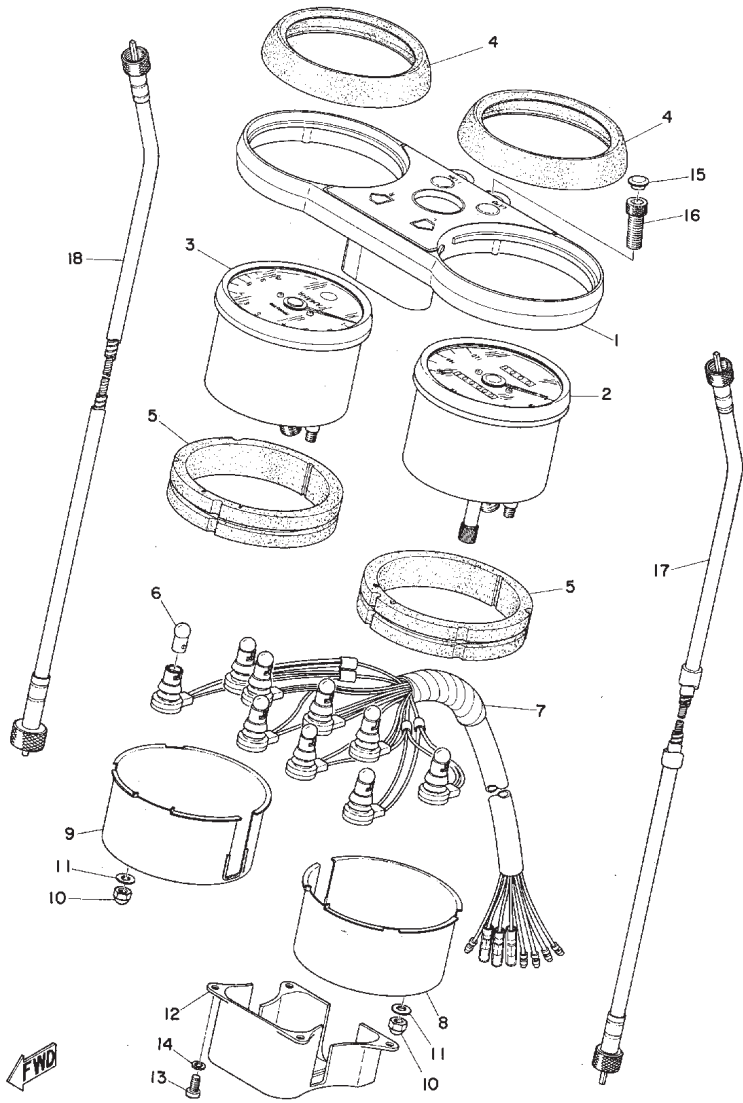
Ref.No.	Part No.	Description	Q'ty		Applicable Machine No.	Remarks
			RD250	RD350		
33- 1	360-84330-61-F2	BODY ASS'Y	1			Butterfly Blue
	360-84330-61-M2	BODY ASS'Y	1			Gold Dust
	360-84330-61-A2	BODY ASS'Y		1		Brandy Red
	360-84330-61-K1	BODY ASS'Y		1		Competition Green
33- 2	214-84153-60	. GROMMET	1	1		
33- 0-1	360-84310-00	HEAD LAMP UNIT ASS'Y	1	1		
33- 3	235-84320-00	. LENS ASS'Y	1	1		
33- 4	235-84315-00	. RIM, head lamp	1	1		
33- 5	235-84314-00	. BULB, head lamp (12V-35/25W)	1	1		
33- 6	235-84312-60	. SOCKET	1	1		
33- 7	148-84324-00	. SPRING, reflector set	4	4		
33- 8	195-84325-00	SCREW, rim fitting	1	1		

109

YAMAHA MOTOR CO., LTD.

110

Fig. 34 SPEEDOMETER · TACHOMETER



111

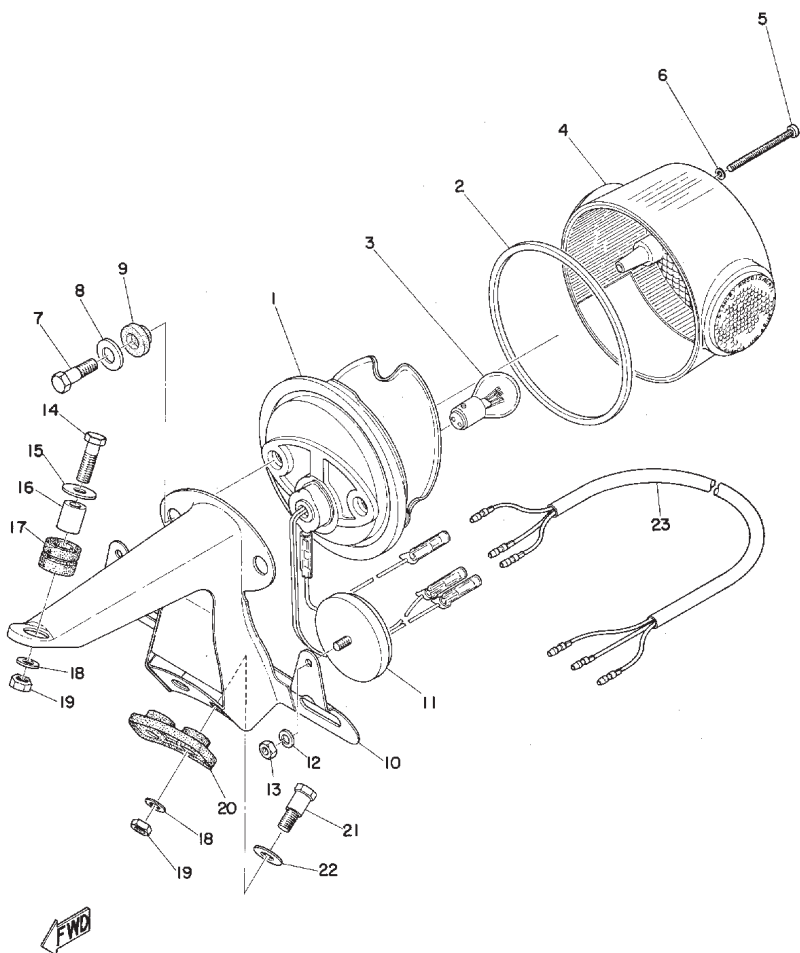
SPEEDOMETER · TACHOMETER

Ref. No.	Part No.	Description	Q'ty		Applicable Machine No.	Remarks
			RD250	RD350		
34- 1	360-83519-40-98	BRACKET, meter	1	1		
34- 2	360-83510-20	SPEEDOMETER ASS'Y	1	1	U,R U,R	KM/H
	360-83570-40	SPEEDOMETER ASS'Y				
34- 3	360-83540-00	TACHOMETER ASS'Y	1	1		MPH
34- 4	360-83513-00	DAMPER	2	2		
34- 5	360-83523-00	DAMPER	2	2		
34- 6	123-83516-20	BULB (12V-3W)	9	9		
34- 7	360-83509-40	SOCKET ASS'Y	1	1		
34- 8	360-83507-00	COVER, speedometer	1	1		
34- 9	360-83508-00	COVER, tachometer	1	1		
34-10	98803-05700	NUT, crown	4	4		
34-11	92903-05200	WASHER, plain	4	4		
34-12	360-83547-00	COVER, socket	1	1		
34-13	98501-04008	SCREW, panhead	4	4		
34-14	92901-04100	WASHER, spring	4	4		
34-15	341-23469-00	CAP, bolt	2	2		
34-16	360-23452-00	BOLT, fitting	2	2		
34-17	361-83550-00	SPEEDOMETER CABLE ASS'Y	1			
	351-83550-00	SPEEDOMETER CABLE ASS'Y		1		
34-18	360-83560-00	TACHOMETER CABLE ASS'Y	1	1		

YAMAHA MOTOR CO., LTD.

112

Fig. 35 TAIL LAMP



113

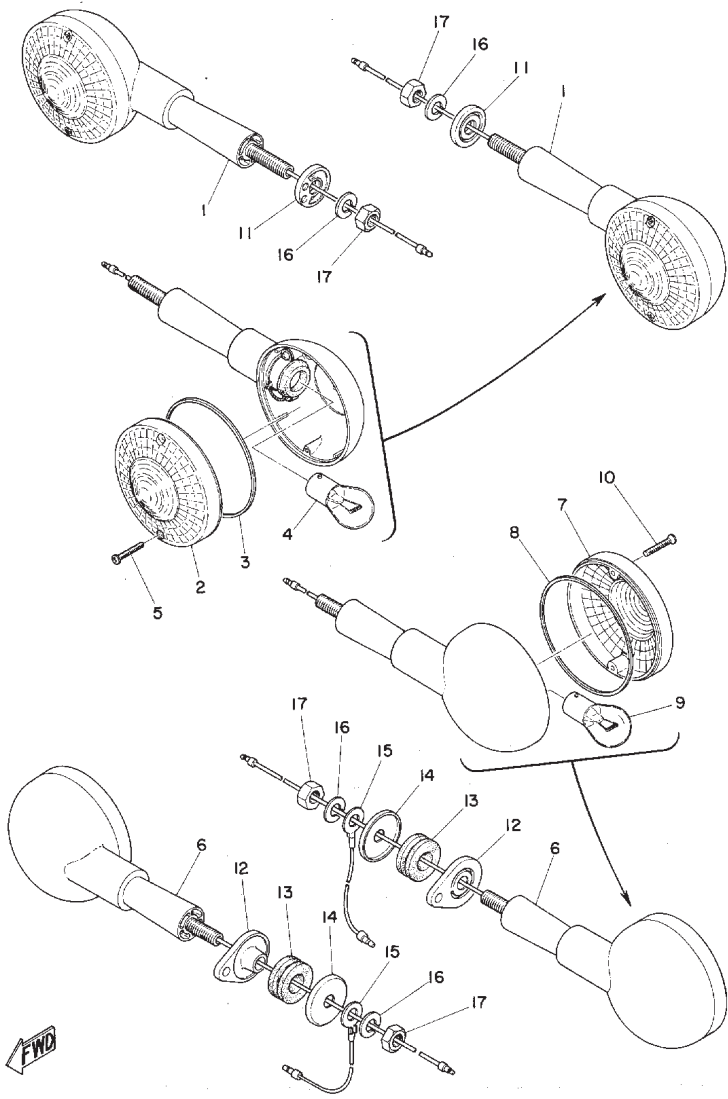
TAIL LAMP

Ref. No.	Part No.	Description	Q'ty		Applicable Machine No.	Remarks
			RD250	RD350		
35- 0-1	341-84710-00	TAIL LAMP UNIT ASS'Y	1	1		
35- 1	306-84711-60	BASE, tail lamp	1	1		
35- 2	275-84523-60	GASKET, tail lamp	1	1		
35- 3	137-84714-61	BULB, tail lamp (12V-23/8W)	1	1		
35- 4	341-84721-00	LENS, tail lamp	1	1		
35- 5	341-84724-60	SCREW, lens fitting	3	3		
35- 6	341-84722-60	WASHER	3	3		
35- 7	275-84526-60	SCREW	2	2		
35- 8	275-84525-60	WASHER, special	2	2		
35- 9	275-84527-60	DAMPER	2	2		
35-10	341-84751-61-93	BRACKET, license	1	1		
35-11	341-85111-60	REFLECTOR	2	2		
35-12	92903-05100	WASHER, spring	2	2		
35-13	98803-05100	NUT	2	2		
35-14	91203-06025	BOLT	1	1		
35-15	102-28323-00	WASHER, leg shield	1	1		
35-16	214-21633-00	COLLAR, fender mount	1	1		
35-17	214-21717-00	DAMPER, battery box	1	1		
35-18	92901-06100	WASHER, spring	3	3		
35-19	98801-06100	NUT	3	3		
35-20	214-84553-01	DAMPER	1	1		
35-21	168-21738-00	BOLT A	2	2		
35-22	92901-08200	WASHER, plain	2	2		
35-23	251-84517-60	CORD, tail lamp	1	1		

YAMAHA MOTOR CO., LTD.

114

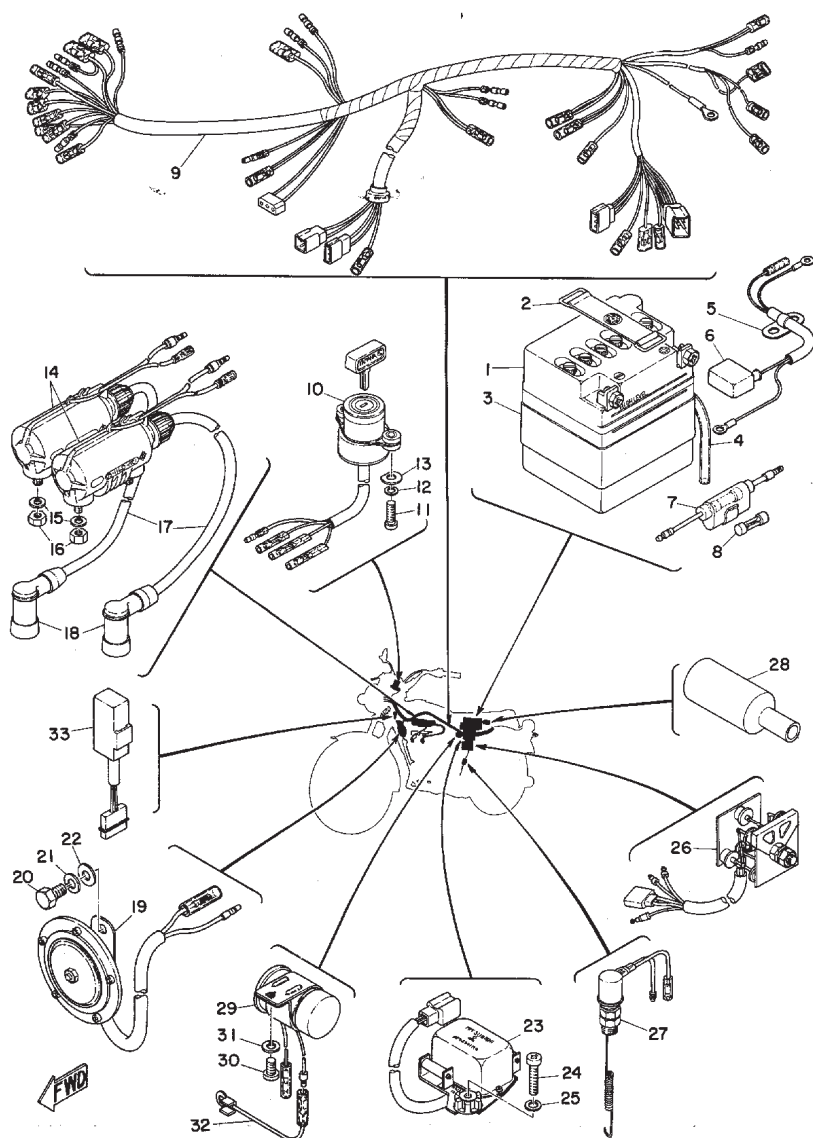
Fig. 36 FLASHER LAMP



FLASHER LAMP

Ref.No.	Part No.	Description	Q'ty RD250 RD350	Applicable Machine No.	Remarks
36- 1	360-83310-70-93	FRONT FLASHER LAMP ASS'Y	2	2	
36- 2	341-83312-70	. LENS, flasher	2	2	Amber
36- 3	341-83313-70	. GASKET, flasher lens	2	2	
36- 4	256-83311-70	. BULB, flasher (12V32CF)	2	2	
36- 5	341-83333-70	. SCREW, lens fitting	4	4	
36- 6	360-83330-20-93	REAR FLASHER LAMP ASS'Y	2	2	
36- 7	341-83312-70	. LENS, flasher	2	2	Amber
36- 8	341-83313-70	. GASKET, flasher lens	2	2	
36- 9	256-83311-70	. BULB, flasher (12V32CF)	2	2	
36-10	341-83333-70	. SCREW, lens fitting	4	4	
36-11	360-83316-00	COLLAR, flasher front	2	2	
36-12	360-83326-00	COLLAR, flasher rear	2	2	
36-13	360-83321-00	DAMPER, flasher	2	2	
36-14	341-83348-00	WASHER, special	2	2	
36-15	256-84313-01	WIRE, earth lead	2	2	
36-16	92901-08100	WASHER, spring	4	4	
36-17	98801-08100	NUT	4	4	

Fig. 37 ELECTRICAL



ELECTRICAL

Ref.No.	Part No.	Description	Q'ty RD250 RD350	Applicable Machine No.	Remarks
37- 1	118-82110-71	BATTERY ASS'Y	1	1	
37- 1-1	104-82111-20	. CAP, battery	6	6	
37- 2	122-82131-00	BAND, battery	1	1	
37- 3	235-82124-00	BAND, battery	1	1	
37- 4	168-82112-00	PIPE, breather (5-580)	1	1	
37- 5	360-82117-00	WIRE, lead	1	1	
37- 6	360-82119-00	. COVER, lead wire	1	1	
37- 7	164-82150-00	FUSE HOLDER ASS'Y	1	1	
37- 8	148-82151-00	. FUSE	2	2	
37- 9	360-82590-41	WIRE HARNESS ASS'Y	1	1	
37-10	360-82508-41	MAIN SWITCH ASS'Y	1	1	
37-11	98501-05018	SCREW, panhead	2	2	
37-12	92901-05100	WASHER, spring	2	2	
37-13	360-82517-00	WASHER, special	2	2	
37-14	254-82310-60	IGNITION COIL ASS'Y	2	2	
37-15	92901-06100	WASHER, spring	4	4	
37-16	98801-06200	NUT	4	4	
37-17	278-82341-00	CORD, high tension	2	2	
37-18	166-82370-20	PLUG CAP ASS'Y	2	2	
37-19	278-83371-20	HORN	1	1	
37-20	97201-08018	BOLT	1	1	
37-21	92901-08100	WASHER, spring	1	1	
37-22	92901-08200	WASHER, plain	1	1	
37-23	278-81910-21	VOLTAGE REGULATOR ASS'Y	1	1	

Fig. 37 ELECTRICAL

