

MODEL LTMX

NOTICE

ALL PART NUMBERS CONTAINED IN THIS CATALOGUE ARE COMPRISED OF TEN DIGITS. WHEN ORDERING, PLEASE ADD TWO ZEROS TO THE END OF EACH PART NUMBER REQUIRED TO CONVERT THE TEN DIGITS INTO THE NEW TWELVE DIGIT NUMBERS.

This Parts List is for the exclusive parts for LTMX.

Please refer to LT2 Parts List (for U.S.A. Model) for the parts not listed in this publication.

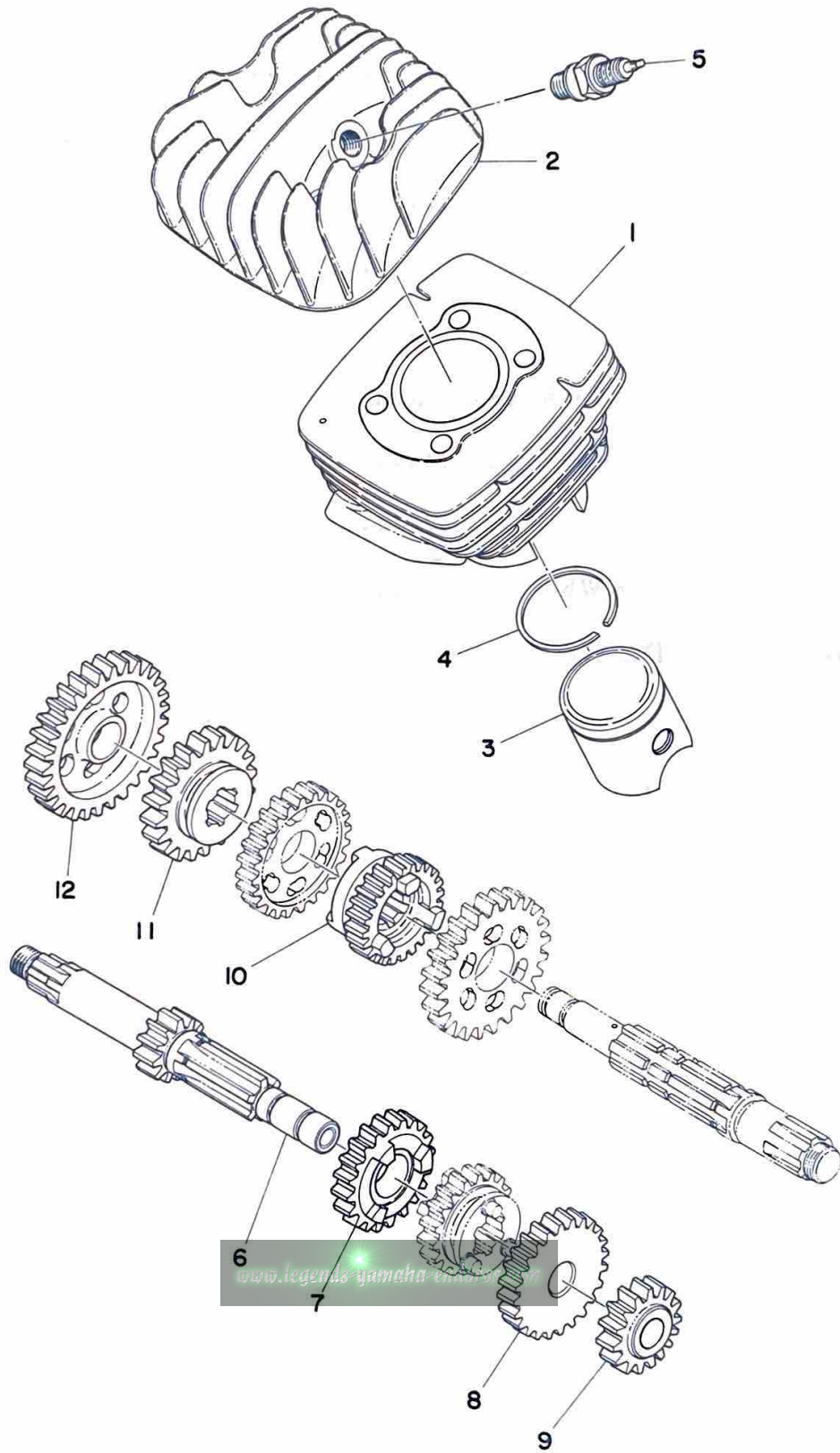
www.legends-yamaha-enduros.com

CONTENTS

Fig. 1	Engine	1
Fig. 2	Crankcase Cover • Kick Crank	3
Fig. 3	Intake	5
Fig. 4	Carburetor	7
Fig. 5	Exhaust	11
Fig. 6	Frame • Seat • Rear Cushion	13
Fig. 7	Fender • Handle	15
Fig. 8	Front Fork	19
Fig. 9	Front, Rear Wheel	23

NUMERICAL INDEX

Fig. 1 ENGINE



ENGINE

Ref. No.	Parts No.	Description	Q'ty	Applicable Machine No.	Remarks
1- 1	335-11311-00	CYLINDER	1		
1- 2	335-11111-01	HEAD, cylinder	1		
1- 3	335-11631-00-96	PISTON (51.96mm STD)	} U.R 1		
	335-11631-00-98	PISTON (51.98mm STD)			
	335-11635-00	PISTON (52.25mm 1st O.S)	1		Alternate Parts
	335-11636-00	PISTON (52.50mm 2nd O.S)	1		Alternate Parts
1- 4	335-11611-00	RING, piston (STD)	1		
	335-11611-10	RING, piston (1st O.S)	1		Alternate Parts
	335-11611-20	RING, piston (2nd O.S)	1		Alternate Parts
1- 5	94701-00060	PLUG, spark (B-9HV)	1		
1- 6	276-17411-00	AXLE, main (12T)	1		
1- 7	265-17141-00	GEAR, 4th pinion (22T)	1		
1- 8	265-17151-00	GEAR, 5th pinion (23T)	1		
1- 9	315-17121-00	GEAR, 2nd pinion (16T)	1		
1-10	315-17251-00	GEAR, 5th wheel (22T)	1		
1-11	265-17241-00	GEAR, 4th wheel (24T)	1		
1-12	265-17211-00	GEAR, 1st wheel (34T)	1		

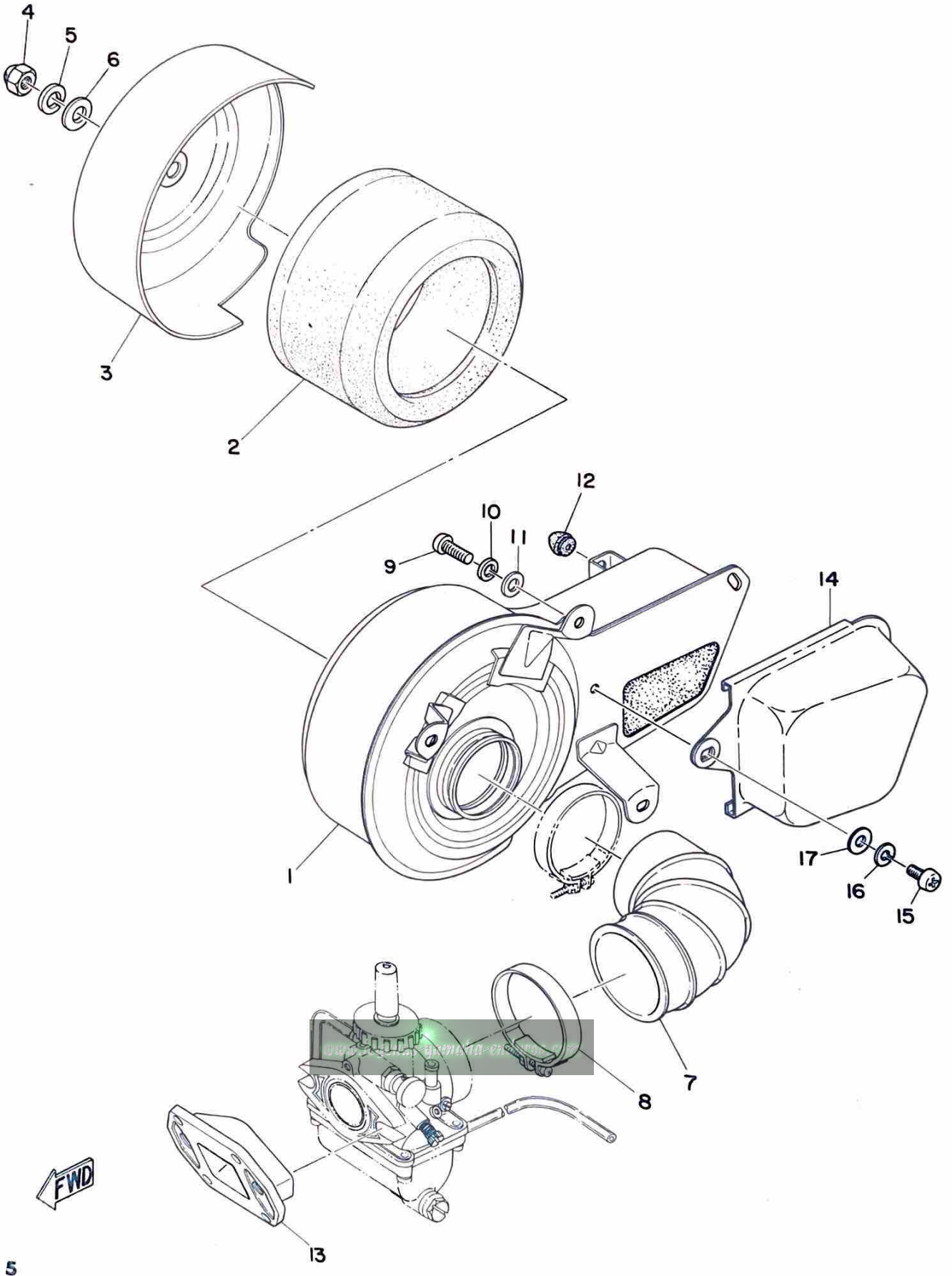
www.legends-yamaha-enduros.com

CRANKCASE COVER · KICK CRANK

Ref. No.	Parts No.	Description	Q'ty	Applicable Machine No.	Remarks
2- 1	335-15410-00	CRANKCASE COVER ASS'Y, left	1		
2- 2	335-15415-00	COVER, generator	1		
2- 3	335-15421-00	COVER, crankcase right	1		
2- 4	335-15416-00	COVER, oil pump	1		
2- 5	288-18588-00	PLUG, blind	1		
2- 6	136-82543-00	GASKET	1		
2- 7	278-15611-00	CRANK, kick	1		
2- 8	304-15621-00	BOSS, kick crank	1		
2- 9	93507-32009	BALL	1		
2-10	278-15622-00	SPRING, boss stopper	1		
2-11	93430-10016	CIRCLIP	1		
2-12	278-15613-00	WASHER	1		

www.legends-yamaha-enduros.com

Fig. 3 INTAKE

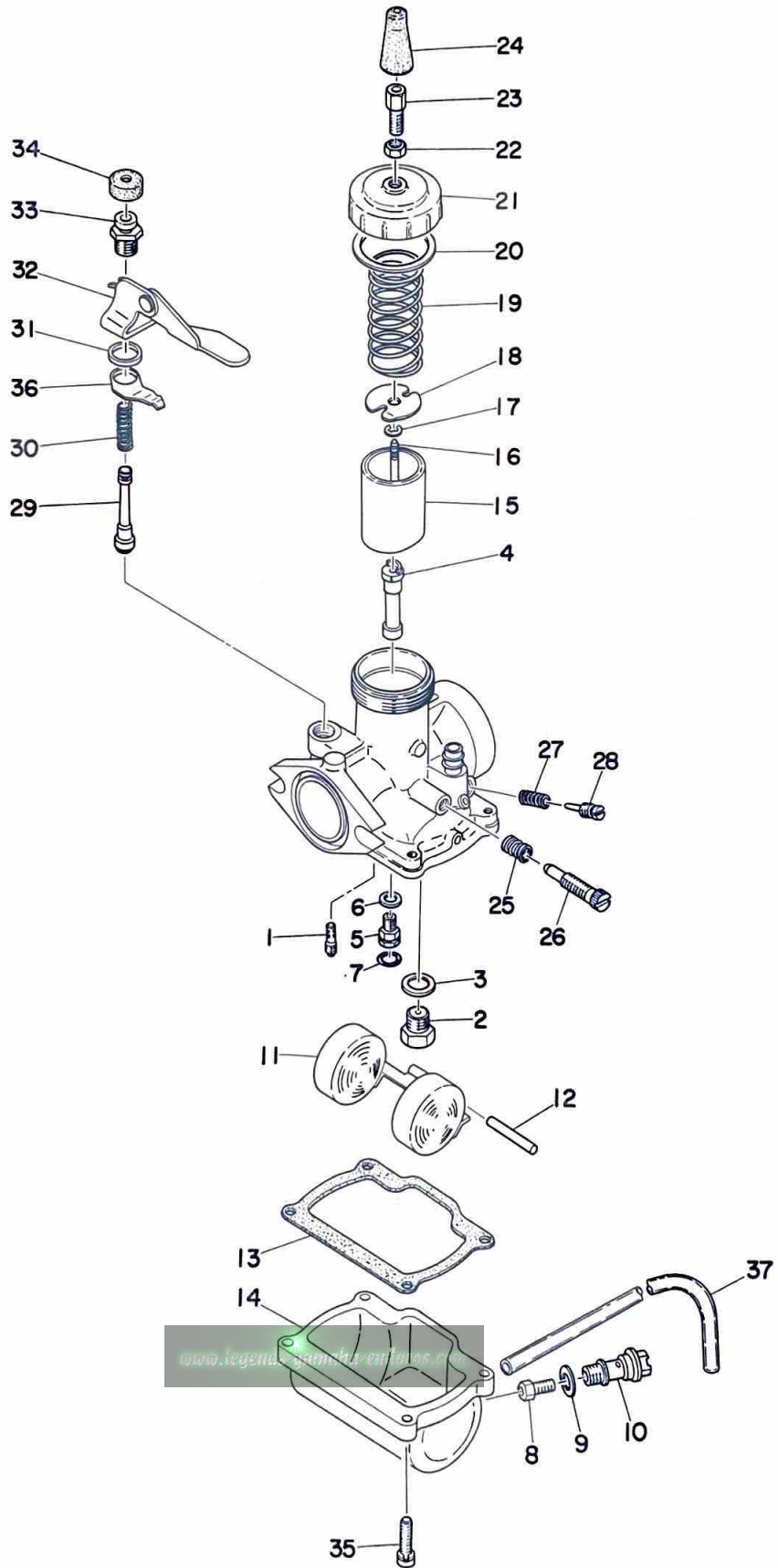


INTAKE

Ref. No.	Parts No.	Description	Q'ty	Applicable Machine No.	Remarks
3- 1	304-14411-00-33	CASE, air cleaner	1		Yamaha Black
3- 2	335-14451-00	ELEMENT, air cleaner	1		
3- 3	304-14412-00	CAP, air cleaner case	1		
3- 4	98803-08700	NUT, crown	1		
3- 5	92901-08100	WASHER, spring	1		
3- 6	92901-08200	WASHER, plain	1		
3- 7	304-14453-70	JOINT, air cleaner	1		
3- 8	304-14455-70	BAND	1		
3- 9	92501-06015	SCREW, panhead	3		
3-10	92901-06100	WASHER, spring	3		
3-11	92901-06200	WASHER, plain	3		
3-12	170-21746-00	DAMPER, cleaner stop	1		
3-13	304-13565-70	JOINT	1		
3-14	304-14437-10	DUCT	1		
3-15	92501-06010	SCREW, panhead	2		
3-16	92901-06100	WASHER, spring	2		
3-17	92901-06200	WASHER, plain	2		

www.legends-yamaha-enduros.com

Fig. 4 CARBURETOR

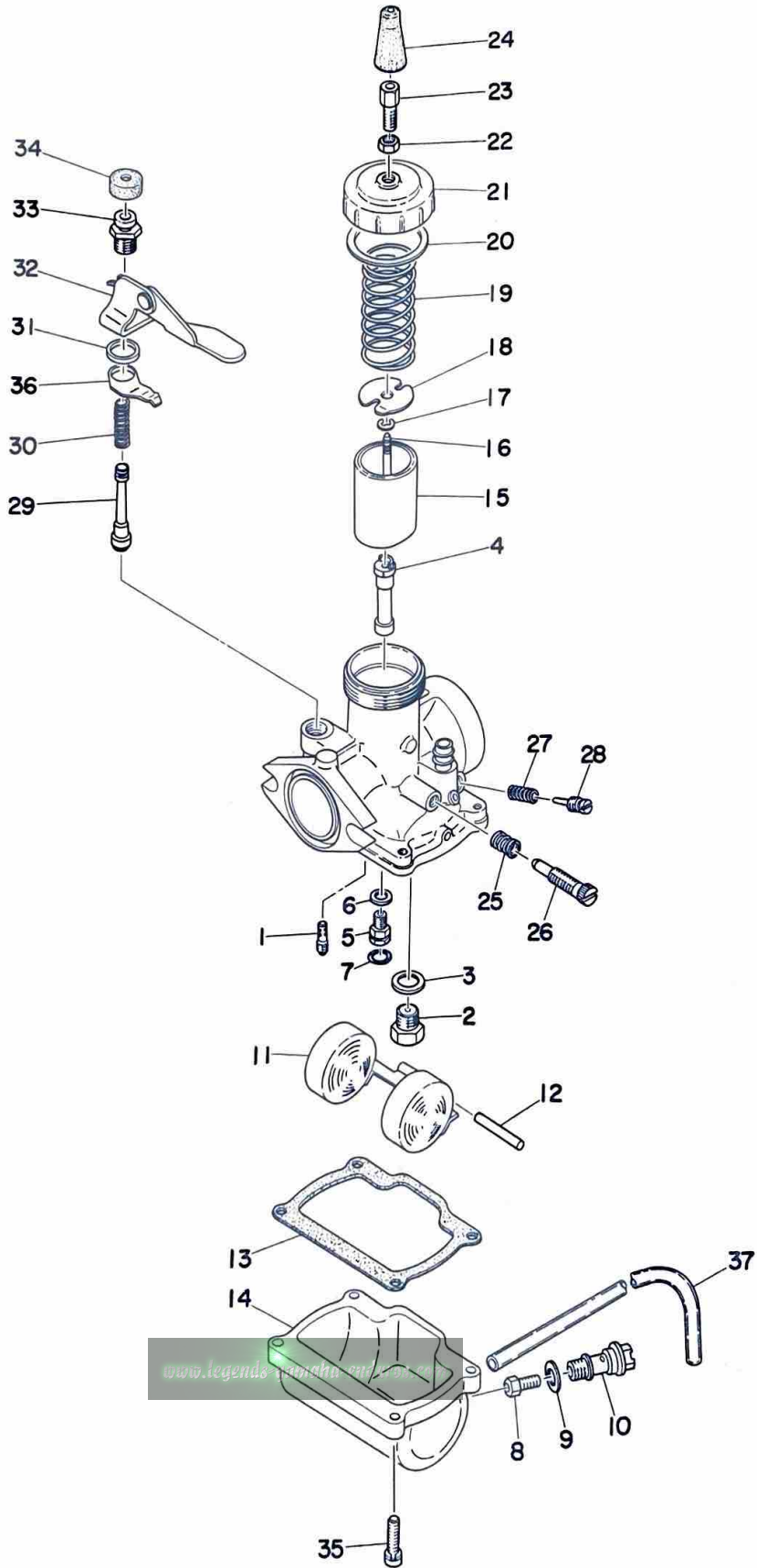


FWD

CARBURETOR

Ref. No.	Parts No.	Description	Q'ty	Applicable Machine No.	Remarks
4- 0-1	335-14101-00	CARBURETOR ASS'Y	1		
4- 1	193-14142-40	. JET, pilot (#40)	1		
4- 2	168-14190-25	. VALVE SEAT ASS'Y (#2.5) ...	1		
4- 3	214-14195-00	. WASHER, valve seat	1		
4- 4	261-14141-32	. NOZZLE, main (0-2)	1		
4- 5	248-14145-01	. SETTER, needle jet	1		
4- 6	137-14153-00	. WASHER, main jet	1		
4- 7	93210-04121	. O-RING	1		
4- 8	137-14143-30	. JET, main (#150)	} U.R 1		STD
	137-14143-32	. JET, main (#160)			
	137-14143-34	. JET, main (#170)			
4- 9	304-14198-00	. GASKET	1		
4-10	248-14166-00-33	. BOLT, banjo	1		
4-11	156-14185-00	. FLOAT	1		
4-12	137-14186-00	. PIN, float	1		
4-13	156-14184-00	. GASKET, float chamber	1		
4-14	304-14181-70-33	. BODY, float chamber	1		
4-15	204-14112-10	. VALVE, throttle (#1.0)	1		
4-16	152-14116-15	. NEEDLE (4F15-3)	1		
4-17	164-14137-00	. CLIP	1		
4-18	246-14132-00	. STOPPER, cable	1		
4-19	248-14131-00	. SPRING, throttle valve	1		
4-20	246-14126-00	. PACKING	1		

Fig. 4 CARBURETOR

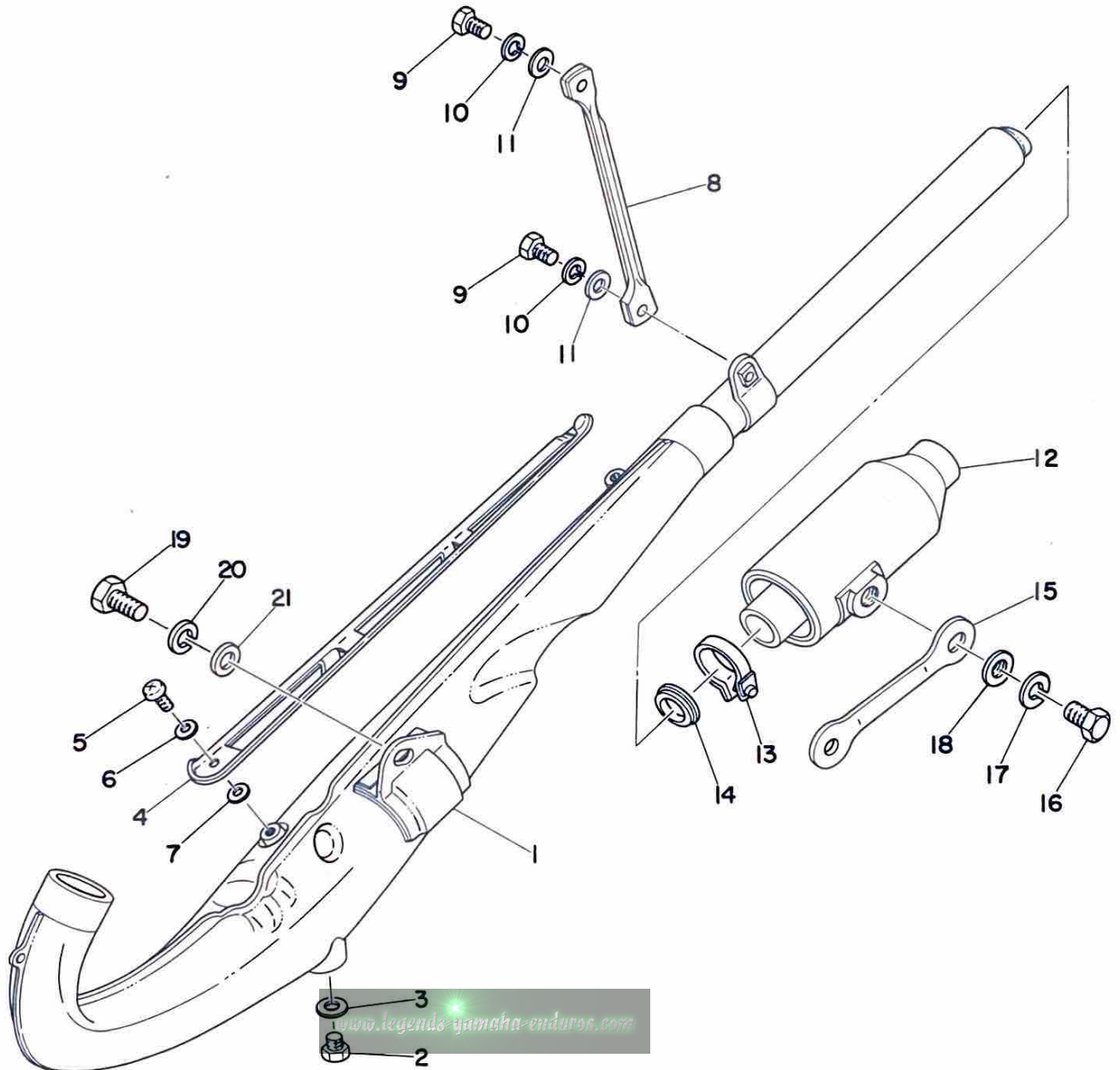


CARBURETOR

Ref. No.	Parts No.	Description	Q'ty	Applicable Machine No.	Remarks
4-21	802-14158-00-33	. TOP, mixing chamber	1		
4-22	802-14161-00	. NUT, wire adjusting	1		
4-23	127-14124-20	. SCREW, wire adjusting	1		
4-24	802-14169-00	. CAP	1		
4-25	137-14133-00-33	. SPRING, throttle stop	1		
4-26	204-14122-00-33	. SCREW, throttle	1		
4-27	127-14134-00	. SPRING, air adjusting	1		
4-28	152-14123-00-33	. SCREW, air adjusting	1		
4-29	132-14171-00	. PLUNGER, starter	1		
4-30	156-14135-00	. SPRING, plunger	1		
4-31	132-14179-00	. WASHER, starter lever	1		
4-32	214-14175-00-33	. LEVER, starter left	1		
4-33	132-14174-00-33	. CAP, plunger	1		
4-34	132-14173-00	. COVER, plunger cap	1		
4-35	308-14567-00-33	. SCREW, panhead	1		
4-36	170-14178-00-33	. PLATE, starter lever	4		
4-37	183-14196-00	. PIPE, over flow	1		

www.legends-yamaha-enduros.com

Fig. 5 EXHAUST

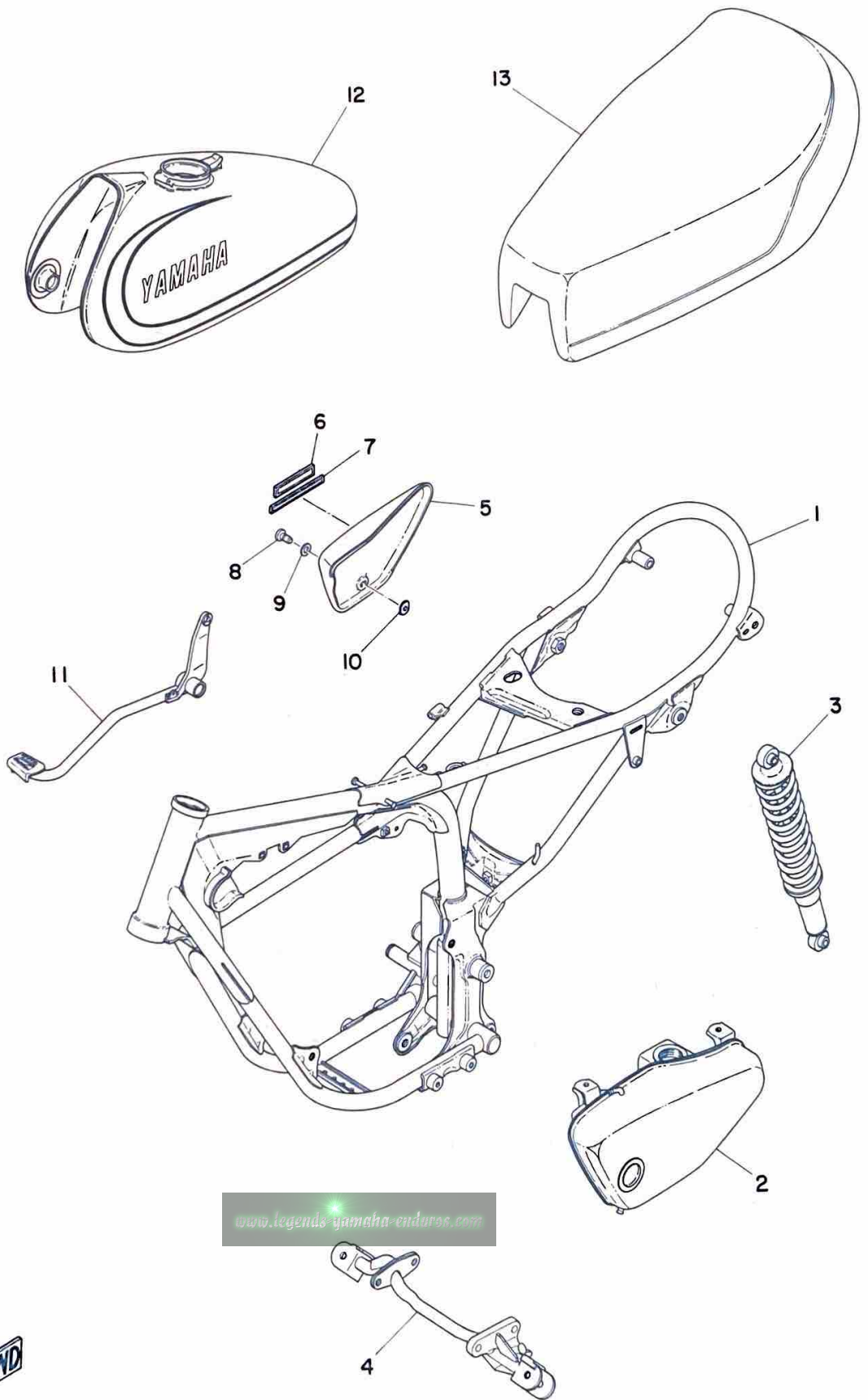


EXHAUST

Ref. No.	Parts No.	Description	Q'ty	Applicable Machine No.	Remarks
5- 1	335-14610-00	EXHAUST PIPE ASS'Y	1		
5- 2	91201-06010	. BOLT	1		
5- 3	178-14766-00	. WASHER, protector (6.2-12-1.5)	1		
5- 4	304-14718-00-93	PROTECTOR, muffler	1		
5- 5	91903-06012	SCREW, bind	3		
5- 6	178-14766-00	WASHER, protector	3		
5- 7	214-14766-00	WASHER, protector	3		
5- 8	304-14771-00	STAY, muffler	1		
5- 9	91201-06015	BOLT	2		
5-10	92901-06100	WASHER, spring	2		
5-11	92901-06200	WASHER, plain	2		
5-12	335-14753-00	SILENCER	1		
5-13	335-14788-00	BAND, silencer	1		
5-14	248-14623-00	GASKET	1		
5-15	335-14791-00	STAY, silencer	1		
5-16	97201-08012	BOLT	2		
5-17	92901-08100	WASHER, spring	2		
5-18	92901-08200	WASHER, plain	2		
5-19	97201-08018	BOLT	1		
5-20	92901-08100	WASHER, spring	1		
5-21	92901-08200	WASHER, plain	1		

www.legends-yamaha-enduros.com

Fig. 6 FRAME · SEAT · REAR CUSHION

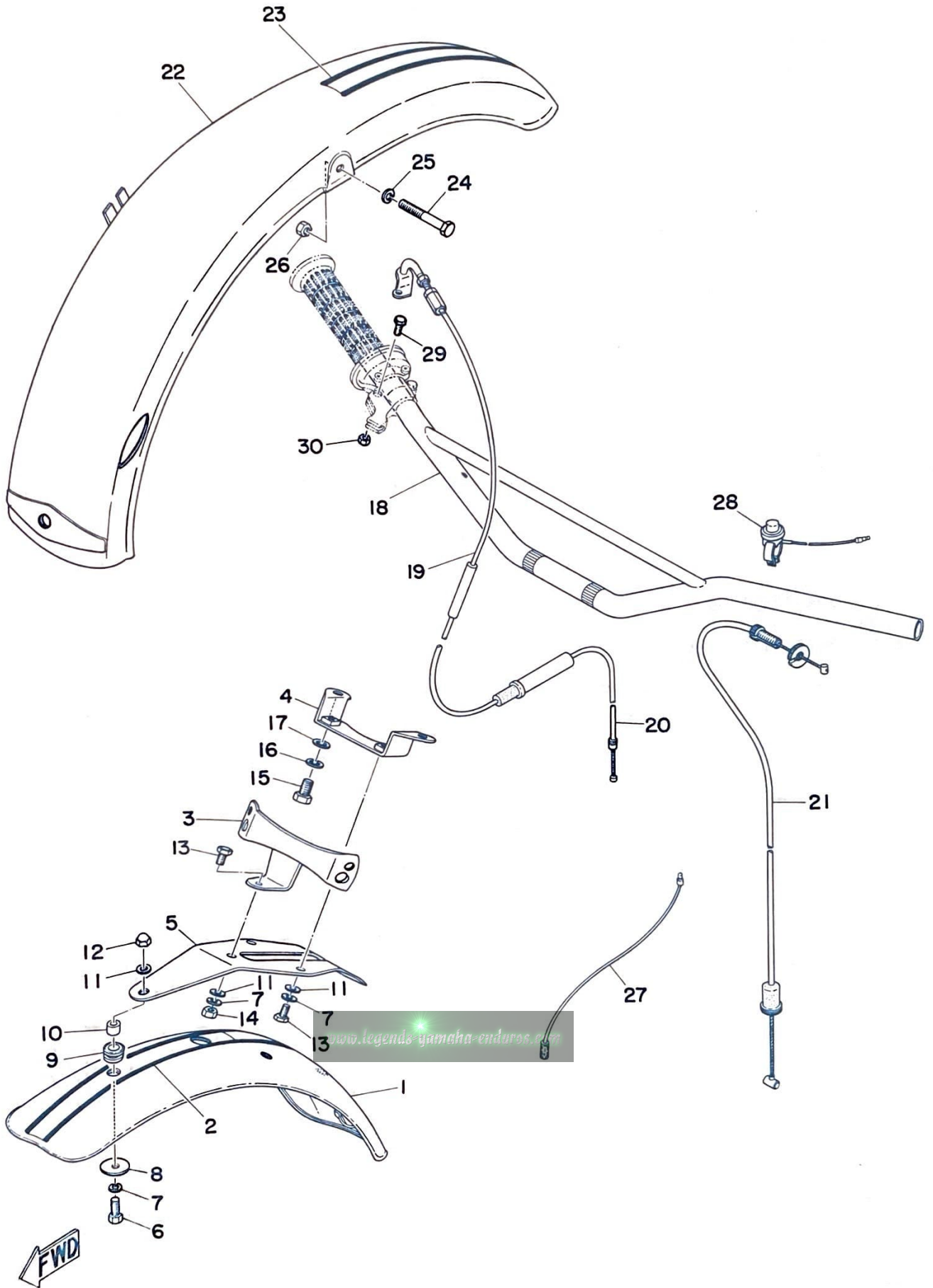


FRAME · SEAT · REAR CUSHION

Ref. No.	Parts No.	Description	Q'ty	Applicable Machine No.	Remarks
6- 1	335-21110-00-33	FRAME COMP.	1		Yamaha Black
6- 2	304-21705-01-Y1	OIL TANK ASS'Y	1		Silver Dust
6- 3	248-22210-21	REAR CUSHION ASS'Y	2		
6- 4	304-27411-00	FOOTREST	1		
6- 5	304-21711-00-Y1	COVER, side	1		Silver Dust
6- 6	305-21786-02	EMBLEM 100	1		
6- 7	305-21787-01	EMBLEM, torque induction	1		
6- 8	304-21714-00	KNOB, side cover	1		
6- 9	304-21715-00	WASHER, special	1		
6-10	136-21713-00	NUT, ratch clamp	1		
6-11	304-27211-00	PEDAL, brake	1		
6-12	305-24110-00-01	FUEL TANK COMP.	1		Silver Dust
6-13	335-24770-00	SEMI-DOUBLE SEAT ASS'Y ...	1		

www.legends-yamaha-enduros.com

Fig. 7 FENDER · HANDLE

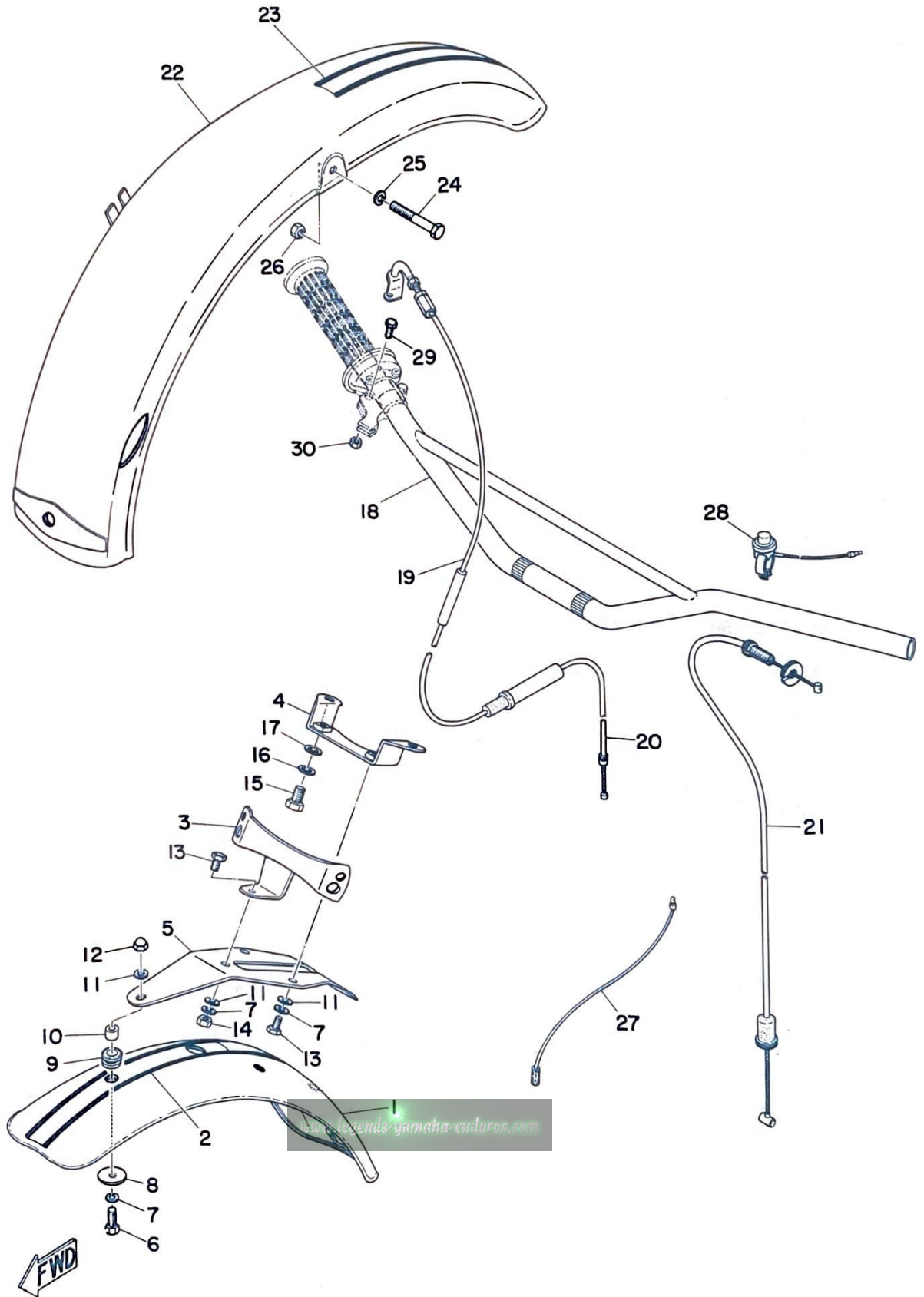


FENDER · HANDLE

Ref. No.	Parts No.	Description	Q'ty	Applicable Machine No.	Remarks
7- 1	284-21510-00-Y1	FRONT FENDER COMP.	1		Sliver Dust
7- 2	335-21519-00	STRIPE, fender	2		
7- 3	284-21513-00-Y1	STAY, fender 1	1		Silver Dust
7- 4	284-21514-00-Y1	STAY, fender	1		Silver Dust
7- 5	284-21512-00-Y1	BRACKET, fender	1		Silver Dust
7- 6	97201-06018	BOLT	2		
7- 7	92901-06100	WASHER, spring	5		
7- 8	116-28324-00	WASHER, leg shield (6.5-20-1.6)	2		
7- 9	256-21541-00	DAMPER, fender mount	2		
7-10	256-21544-00	COLLAR, fender mount	2		
7-11	92901-06200	WASHER, plain	5		
7-12	98801-06700	NUT, crown	2		
7-13	97201-06012	BOLT	3		
7-14	98801-06100	NUT	1		
7-15	97201-08015	BOLT	2		
7-16	92901-08100	WASHER, spring	2		
7-17	92901-08200	WASHER, plain	2		
7-18	304-26111-40	HANDLE	1		
7-19	304-26311-00	WIRE, throttle 1	1		
7-20	248-26312-00	WIRE, throttle 2	1		
7-21	304-26335-00	WIRE, clutch	1		
7-22	335-21610-00-Y1	REAR FENDER COMP.	1		Silver Dust
7-23	335-21519-00	STRIPE, fender	1		

www.legends-yamaha-enduros.com

Fig. 7 FENDER · HANDLE

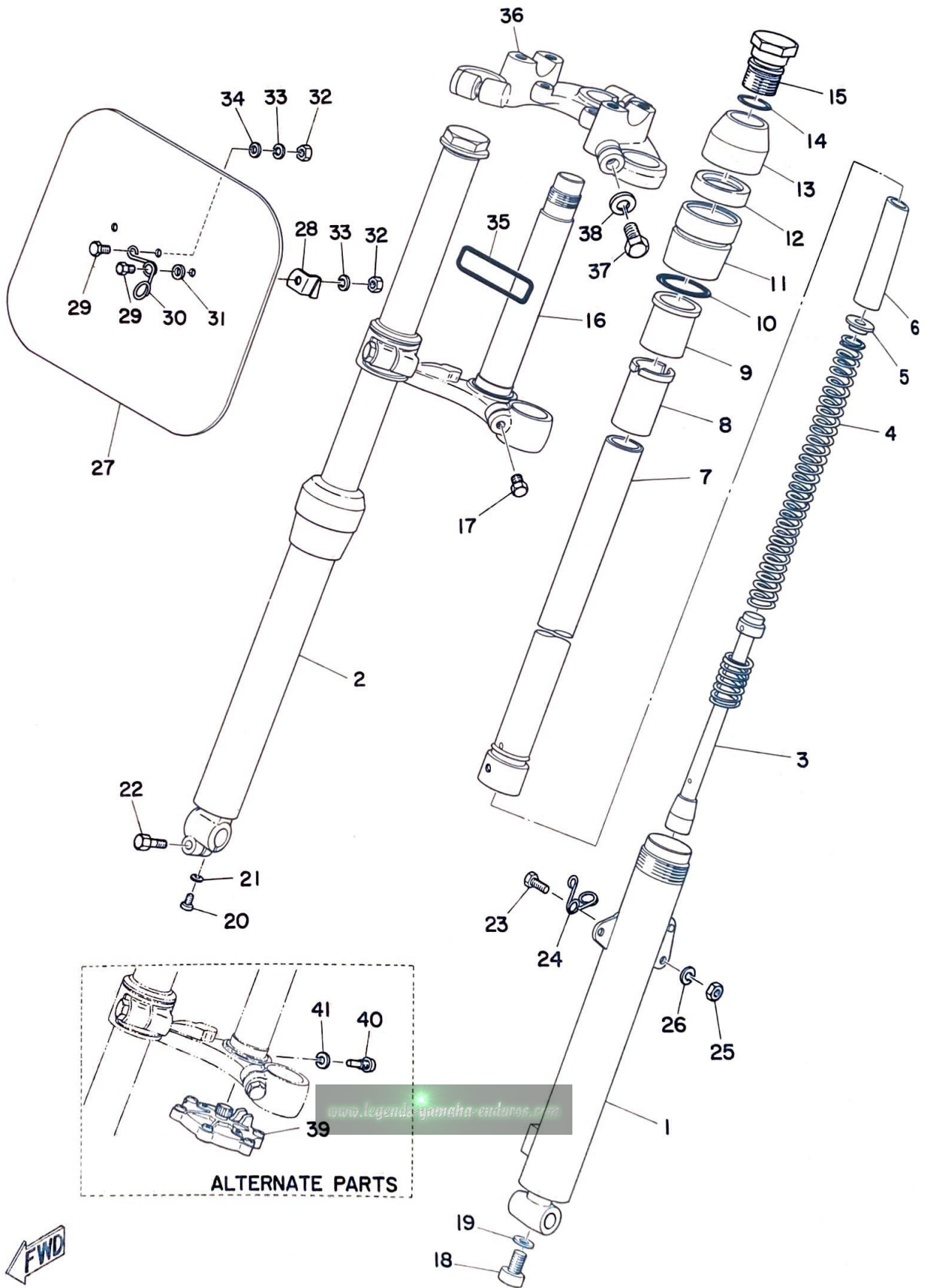


FENDER · HANDLE

Ref. No.	Parts No.	Description	Q'ty	Applicable Machine No.	Remarks
7-24	91201-08060	BOLT	2		
7-25	92901-08100	WASHER, spring	2		
7-26	92801-08100	NUT	2		
7-27	335-82319-00	WIRE, sub lead	1		
7-28	322-83976-00	SWITCH, handle 1	1		
7-29	91203-06020	BOLT	1		
7-30	98801-06300	NUT	1		

www.legends-yamaha-enduros.com

Fig. 8 FRONT FORK

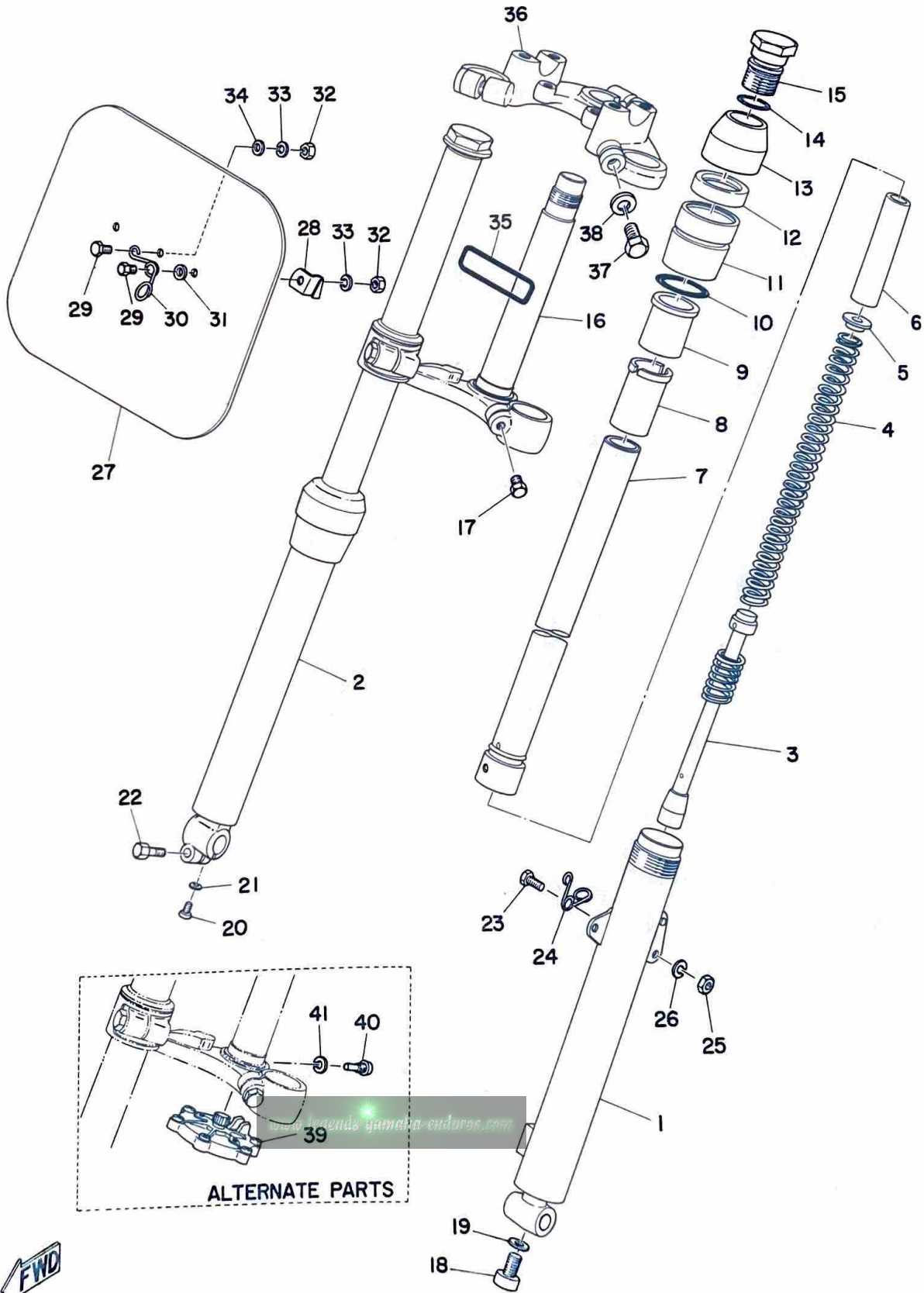


FRONT FORK

Ref. No.	Parts No.	Description	Q'ty	Applicable Machine No.	Remarks
8- 0-1	263-23101-02-35	FRONT FORK ASS'Y	1		Silver
8- 1	248-23126-00-35	. TUBE, outer left	1		Silver
8- 2	248-23136-00-35	. TUBE, outer right	1		Silver
8- 3	248-23170-01	. CYLINDER COMP.	2		
8- 4	248-23141-00	. SPRING, fork	2		
8- 5	248-23142-00	. SEAT, spring upper	2		
8- 6	248-23118-00	. SPACER	2		
8- 7	248-23124-01	. TUBE, inner	2		
8- 8	248-23166-00	. SPACER	2		
8- 9	137-23125-00	. METAL, slide	2		
8-10	137-23147-00	. O-RING	2		
8-11	193-23150-40	. OUTER NUT COMP.	2		
8-12	137-23145-00	. . OIL SEAL	2		
8-13	248-23144-00	. SEAL, dust	2		
8-14	146-23114-00	. O-RING	2		
8-15	248-23111-01	. BOLT, cap	2		
8-16	248-23340-01-33	. UNDER BRACKET COMP. ...	1		
8-17	275-23346-61	. BOLT, under bracket	2		
8-18	91311-08020	. BOLT	2		
8-19	214-23158-00	. PACKING	2		
8-20	122-23119-01	. PLUG, drain	2		
8-21	122-23129-00	. GASKET, drain plug	2		
8-22	122-23128-00	. BOLT	1		

www.legends-yamaha-enduros.com

Fig. 8 FRONT FORK

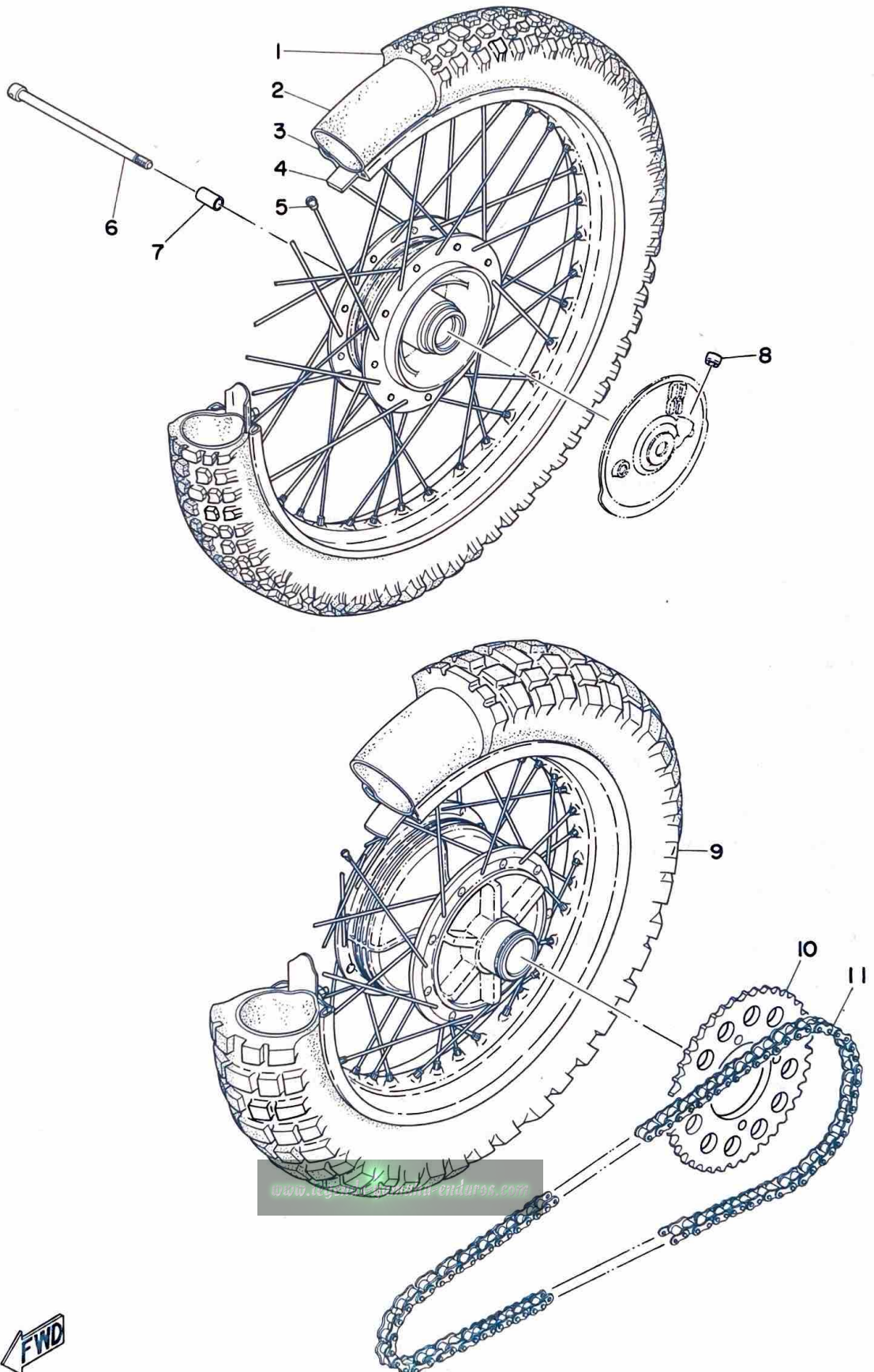


FRONT FORK

Ref. No.	Parts No.	Description	Q'ty	Applicable Machine No.	Remarks
8-23	91201-06015	. BOLT	1		
8-24	318-23319-00	. CLIP	1		
8-25	98801-06100	. NUT	1		
8-26	92901-06100	. WASHER, spring	1		
8-27	263-23485-00	PLATE, number	1		
8-28	318-23487-00	STAY, plate	2		
8-29	91201-06015	BOLT	3		
8-30	318-23319-00	HOLDER, wire	1		
8-31	156-24187-00	WASHER, special 2	2		
8-32	98801-06100	NUT	3		
8-33	92901-06100	WASHER, spring	3		
8-34	92901-06200	WASHER, plain	1		
8-35	93210-99184	O-RING	1		
8-36	248-23435-03-33	CROWN, handle	1		
8-37	91203-10030	BOLT	2		
8-38	92901-10100	WASHER, spring	2		
8-39	214-23490-00	OIL DAMPER ASS'Y	1		Alternate Parts
8-40	214-23492-00	BOLT	1		Alternate Parts
8-41	92901-06100	WASHER, spring	1		Alternate Parts

www.legends-yamaha-enduros.com

Fig. 9 FRONT, REAR WHEEL



FRONT, REAR WHEEL

Ref. No.	Parts No.	Description	Q'ty	Applicable Machine No.	Remarks
9- 1	94127-19095	TIRE, front (2.75-19-4PR)	1		
9- 2	94227-19037	TUBE (2.75-19)	1		
9- 3	94414-19056	RIM (1.40-19)	1		
9- 4	94327-19029	BAND, rim (2.75-19)	1		
9- 5	276-25104-10	SPOKE SET	1s		
9- 6	251-25181-00	SHAFT, wheel	1		
9- 7	251-25186-00	COLLAR	1		
9- 8	288-25139-00	PLUG, blind	1		
9- 9	94130-18041	TIRE, rear (3.00-18-4PR)	1		
9-10	276-25452-10	GEAR, sprocket wheel (52T) ...	1		
9-11	94504-28112	CHAIN (428-112L)	1		

www.legends-yamaha-enduros.com

NUMERICAL INDEX

Ref No.	Parts No.	Ref No.	Parts No.	Ref No.	Parts No.
7- 8	116-28324-00	4-26	204-14122-00-33	8-17	275-23346-61
8-20	122-23119-01	4-32	214-14175-00-33	1- 6	276-17411-00
8-22	122-23128-00	4- 3	214-14195-00	9- 5	276-25104-10
8-21	122-23129-00	5- 7	214-14766-00	9-10	276-25452-10
4-23	127-14124-20	8-19	214-23158-00	2- 7	278-15611-00
4-27	127-14134-00	8-39	214-23490-00	2-12	278-15613-00
4-29	132-14171-00	8-40	214-23492-00	2-10	278-15622-00
4-34	132-14173-00	4-20	246-14126-00	7- 1	284-21510-00-Y1
4-33	132-14174-00-33	4-18	246-14132-00	7- 5	284-21512-00-Y1
4-31	132-14179-00	4-19	248-14131-00	7- 3	284-21513-00-Y1
6-10	136-21713-00	4- 5	248-14145-01	7- 4	284-21514-00-Y1
2- 6	136-82543-00	4-10	248-14166-00-33	2- 5	288-18588-00
4-25	137-14133-00-33	5-14	248-14623-00	9- 8	288-25139-00
4- 8	137-14143-30	6- 3	248-22210-21	3-13	304-13565-70
4- 8	137-14143-32	8-15	248-23111-01	4-14	304-14181-70-33
4- 8	137-14143-34	8- 6	248-23118-00	4- 8	304-14198-00
4- 6	137-14153-00	8- 7	248-23124-01	3- 1	304-14411-00-33
4-12	137-14186-00	8- 1	248-23126-00-35	3- 3	304-14412-00
8- 9	137-23125-00	8- 2	248-23136-00-35	3-14	304-14437-10
8-12	137-23145-00	8- 4	248-23141-00	3- 7	304-14453-70
8-10	137-23147-00	8- 5	248-23142-00	3- 8	304-14455-70
8-14	146-23114-00	8-13	248-23144-00	5- 4	304-14718-00-93
4-16	152-14116-15	8- 8	248-23166-00	5- 8	304-14771-00
4-28	152-14123-00-33	8- 3	248-23170-01	2- 8	304-15621-00
4-30	156-14135-00	8-16	248-23340-01-33	6- 2	304-21705-01-Y1
4-13	156-14184-00	8-36	248-23435-03-33	6- 5	304-21711-00-Y1
4-11	156-14185-00	7-20	248-26312-00	6- 8	304-21714-00
8-31	156-24187-00	9- 6	251-25181-00	6- 9	304-21715-00
4-17	164-14137-00	9- 7	251-25186-00	7-18	304-26111-40
4- 2	168-14190-25	7- 9	256-21541-00	7-19	304-26311-00
4-36	170-14178-00-33	7-10	256-21544-00	7-21	304-26335-00
3-12	170-21746-00	4- 4	261-14141-32	6-11	304-27211-00
5- 3	178-14766-00	8- 0-1	263-23101-02-35	6- 4	304-27411-00
5- 6	178-14766-00	8-27	263-23485-00	6- 6	305-21786-02
4-37	183-14196-00	1- 7	265-17141-00	6- 7	305-21787-01
4- 1	193-14142-40	1- 8	265-17151-00	6-12	305-24110-00-01
8-11	193-23150-40	1-12	265-17211-00	4-35	308-14567-00-33
4-15	204-14112-10	1-11	265-17241-00	1- 9	315-17121-00

NUMERICAL INDEX

Ref No.	Parts No.	Ref No.	Parts No.	Ref No.	Parts No.
1-10	315-17251-00	7-29	91203-06020	9-11	94504-28112
8-24	318-23319-00	8-37	91203-10030	1- 5	94701-00060
8-30	318-23319-00	8-18	91311-08020	7-13	97201-06012
8-28	318-23487-00	5- 5	91902-06012	7- 6	97201-06018
7-28	322-83976-00	3-15	92501-06010	5-16	97201-08012
1- 2	335-11111-01	3- 9	92501-06015	7-15	97201-08015
1- 1	335-11311-00	7-26	92801-08100	5-19	97201-08018
1- 4	335-11611-00	3-10	92901-06100	7-14	98801-06100
1- 4	335-11611-10	3-16	92901-06100	8-25	98801-06100
1- 4	335-11611-20	5-10	92901-06100	8-32	98801-06100
1- 3	335-11631-00-96	7- 7	92901-06100	7-30	98801-06300
1- 3	335-11631-00-98	8-26	92901-06100	7-12	98801-06700
1- 3	335-11635-00	8-33	92901-06100	3- 4	98803-08700
1- 3	335-11636-00	8-41	92901-06100		
4- 0-1	335-14101-00	3-11	92901-06200		
3- 2	335-14451-00	3-17	92901-06200		
5- 1	335-14610-00	5-11	92901-06200		
5-12	335-14753-00	7-11	92901-06200		
5-13	335-14788-00	8-34	92901-06200		
5-15	335-14791-00	3- 5	92901-08100		
2- 1	335-15410-00	5-17	92901-08100		
2- 2	335-15415-00	5-20	92901-08100		
2- 4	335-15416-00	7-16	92901-08100		
2- 3	335-15421-00	7-25	92901-08100		
6- 1	335-21110-00-33	3- 6	92901-08200		
7- 2	335-21519-00	5-18	92901-08200		
7-23	335-21519-00	5-21	92901-08200		
7-22	335-21610-00-Y1	7-17	92901-08200		
6-13	335-24770-00	8-38	92901-10100		
7-27	335-82319-00	4- 7	93210-04121		
4-21	802-14158-00-33	8-35	93210-99184		
4-22	802-14161-00	2-11	93430-10016		
4-24	802-14169-00	2- 9	93507-32009		
5- 2	91201-06010	9- 1	94127-19095		
5- 9	91201-06015	9- 9	94130-18041		
8-23	91201-06015	9- 2	94227-19037		
8-29	91201-06015	9- 4	94327-19029		
7-24	91201-08060	9- 3	94414-19056		

www.legends-yamaha-enduros.com



YAMAHA MOTOR CO., LTD.

PRINTED IN JAPAN
Second edition Jun., 1972
(LIT-10013-35-01)
(335-82)