

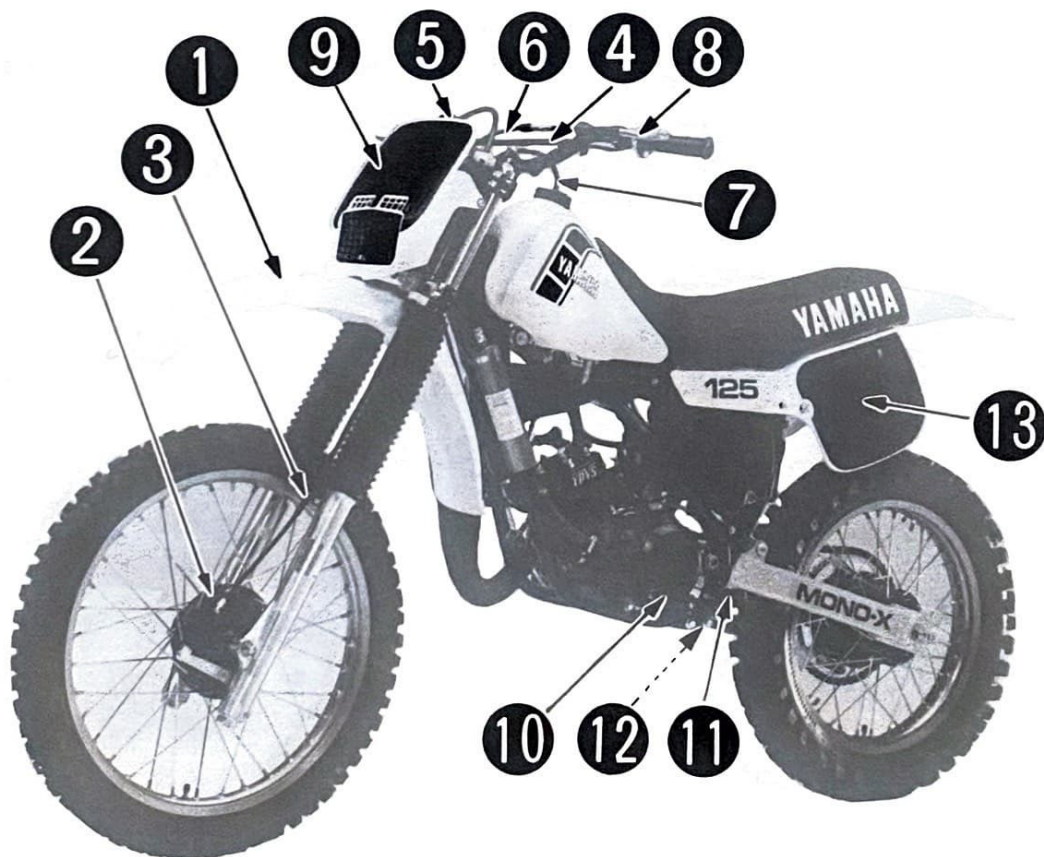


YAMAHA

www.legends-yamaha-enduros.com

YZ125J

SUPPLEMENTARY ASSEMBLY MANUAL



FOREWORD

This Supplementary assembly manual has been prepared to introduce the setup procedures and predelivery service for the YZ125J.

For complete information, it is necessary to use the YZ/IT series Basic assembly manual (LIT-11666-03-31) together with this Supplementary assembly manual.

NOTICE

The service specifications given in this Supplementary assembly manual are based on the model as manufactured. Modifications and significant changes in specifications and/or procedures will be forwarded to Authorized Yamaha Dealers. The procedures below are described in the order that the procedures are carried out correctly and completely. Failure to do so can result in poor performance and possible harm to the machine and/or rider.

CONCERNING CRATE DAMAGE: _____

Follow the instructions in the Dealer warranty handbook, Procedure section.

Particularly important information is distinguished in this manual by the following notations:

NOTE: A NOTE provides key information to make procedure easier or clearer .

CAUTION: A CAUTION indicates special procedures that must be followed to avoid damage to the machine.

WARNING: A WARNING indicates special procedures that must be followed to avoid injury to a machine operator or person inspecting or repairing the machine.

SERVICE DEPT.
INTERNATIONAL DIVISION
YAMAHA MOTOR CO., LTD.

YZ125J SUPPLEMENTARY ASSEMBLY MANUAL

© 1981 by Yamaha Motor Corporation, U.S.A.

1st edition, September 1981

All rights reserved. Any reprinting or
unauthorized use without the written permission
of Yamaha Motor Corporation, U.S.A., is
expressly prohibited.

Printed in U.S.A.

LIT-11666-03-11

GLOSSARY

(Symbols most commonly used)

- C:** The "C" marked parts are contained in the small carton box.
- S:** The "S" marked parts are contained in the styrofoam tray (Upper or Lower)
- V:** The "V" marked parts are contained in the vinyl bag.
- ***: The asterisked (*) parts are temporarily fitted on the machine.

www.legendsof-yamaha-enduros.com

SETUP PROCEDURES

NOTE:

Please read the following chapters in the Basic assembly manual before proceeding to the setup.

CHAPTER 1: INTRODUCTION

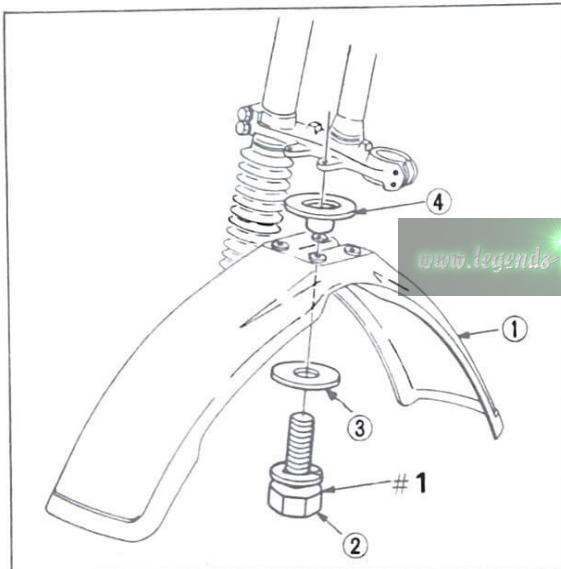
CHAPTER 2: SETUP AND PREDELIVERY CHECK

CHAPTER 3: TOOLS AND TORQUE SPECIFICATIONS

CHAPTER 4: CRATES

CHAPTER 5: INSTALLATION PROCEDURES

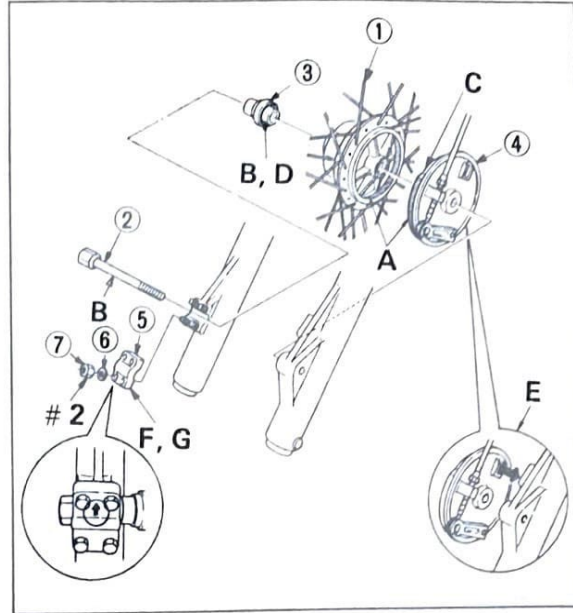
1 Front fender [F.F-D]



Parts list

No.	Part name	Q'ty	Locating mark	Remarks
1	Front fender	1	S	
2	Hexagon bolt with spring washer	2	V	d = 6 mm (0.24 in), ℓ = 20 mm (0.79 in)
3	Hexagon bolt with spring washer	2	V	d = 6 mm (0.24 in), ℓ = 35 mm (1.38 in)
4	Plain washer	4	V	d = 6 mm (0.24 in)
5	Special washer	4	V	d = 6 mm (0.24 in)

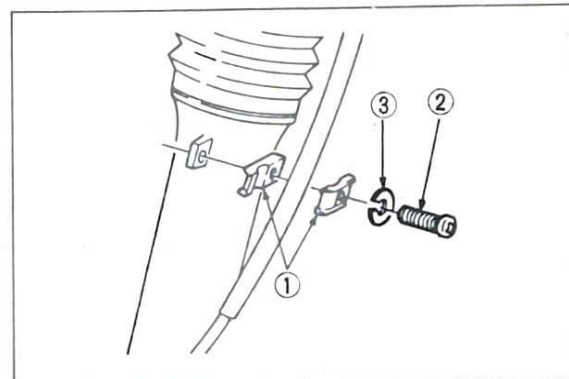
2 Front wheel [F.W-F]



Parts list

No.	Part name	Q'ty	Locating mark	Remarks
1	Front wheel	1	S	
2	Front wheel axle	1	*	d = 14 mm (0.55 in)
3	Wheel axle collar	1	V	d = 14 mm (0.55 in)
4	Brake shoe plate assembly	1	S	
5	Front wheel axle holder	1	*	
6	Spring washer	4	*	d = 8 mm (0.32 in)
7	Hexagon nut	4	*	d = 8 mm (0.32 in)

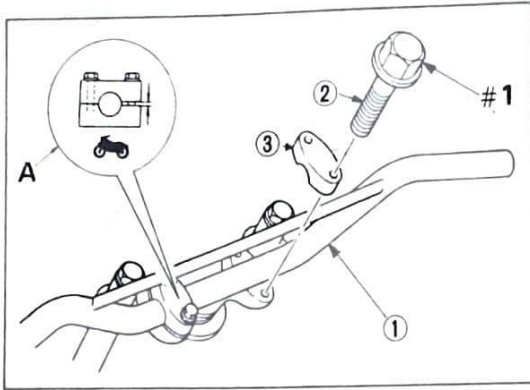
3 Cable holder (Left) [C.H.-D]



Parts list

No.	Part name	Q'ty	Locating mark	Remarks
1	Cable holder (Left and Right)	2	*	
2	Panhead screw	1	*	d = 6 mm (0.24 in), ℓ = 15 mm (0.59 in)
3	Spring washer	1	*	d = 6 mm (0.24 in)

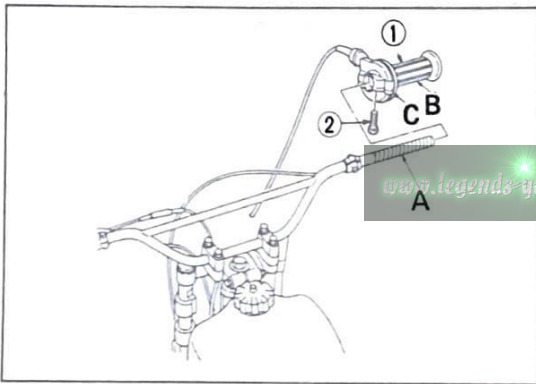
4 Handlebar [H.B-A]



Parts list

No.	Part name	Q'ty	Locating mark	Remarks
1	Handlebar	1	S	
2	Flange bolt	4	V	d = 8 mm (0.32 in), ℓ = 35 mm (1.38 in)
3	Handlebar upper holder	2	V	

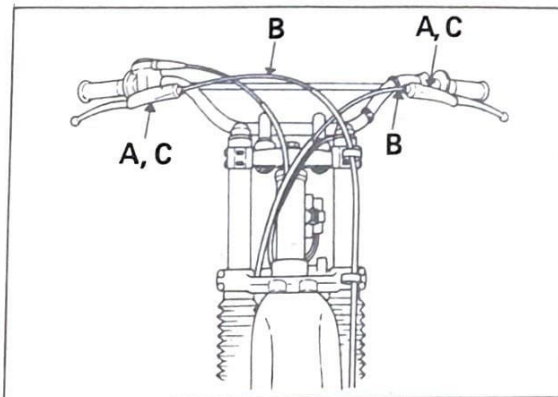
5 Throttle grip [T.G-B]



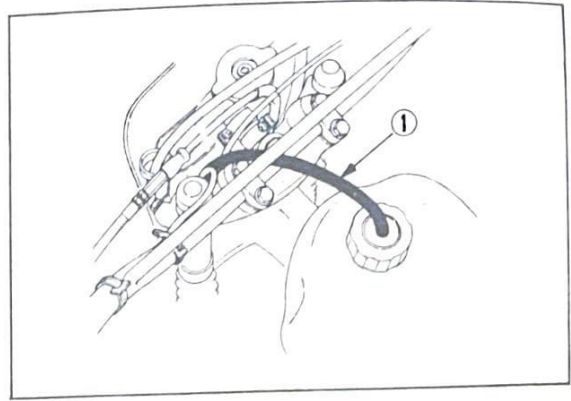
Parts list

No.	Part name	Q'ty	Locating mark	Remarks
1	Throttle grip	1	•	
2	Panhead screw	2	•	d = 5 mm (0.2 in), ℓ = 16 mm (0.63 in)

6 Brake and clutch calbe [B.C-A]



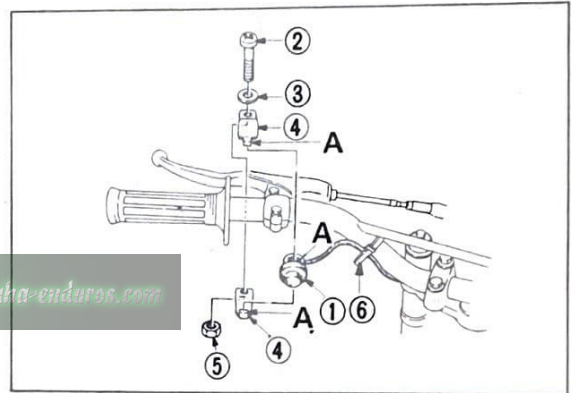
7 Fuel tank breather pipe [F.B-E]



Parts list

No.	Part name	Q'ty	Locating mark	Remarks
1	Fuel tank breather pipe	1	S	Rubber

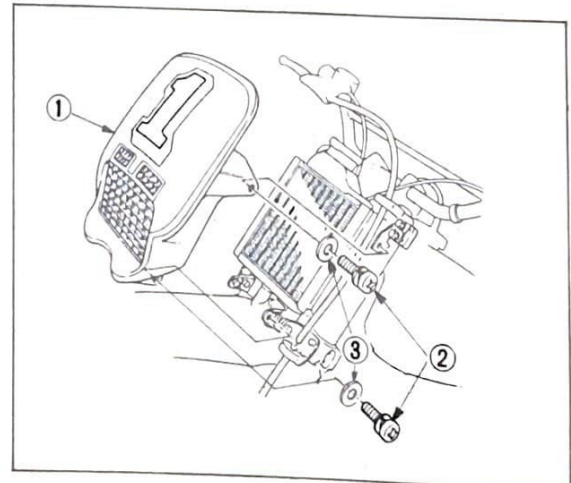
8 Engine stop switch [E.S-B]



Parts list

No.	Part name	Q'ty	Locating mark	Remarks
1	Engine stop switch	1	•	
2	Panhead screw	1	V	d = 3 mm (0.12 in)
3	Plain washer	1	V	d = 3 mm (0.12 in)
4	Engine stop switch holder (Upper and Lower)	2	V	
5	Hexagon nut	1	V	d = 3 mm (0.12 in)
6	Handlebar band	2	V	Plastic

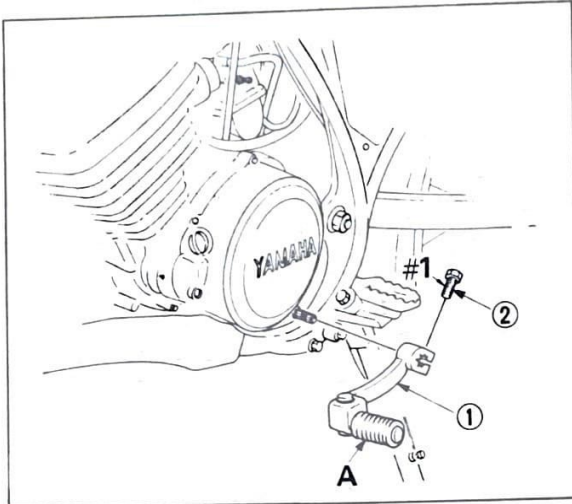
9 Number plate [N.P-D]



Parts list

No.	Part name	Q'ty	Locating mark	Remarks
1	Number plate	1	S	
2	Panhead screw with spring washer	4	V	d = 6 mm (0.24 in), ℓ = 16 mm (0.63 in)
3	Plain washer	4	V	d = 6 mm (0.24 in)

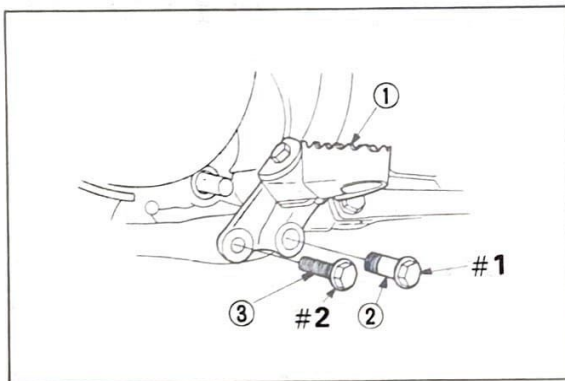
10 Change pedal [C.P-A]



Parts list

No.	Part name	Q'ty	Locating mark	Remarks
1	Change pedal	1	S	
2	Hexagon bolt	1	V	d = 6 mm (0.24 in), ℓ = 20 mm (0.79 in)

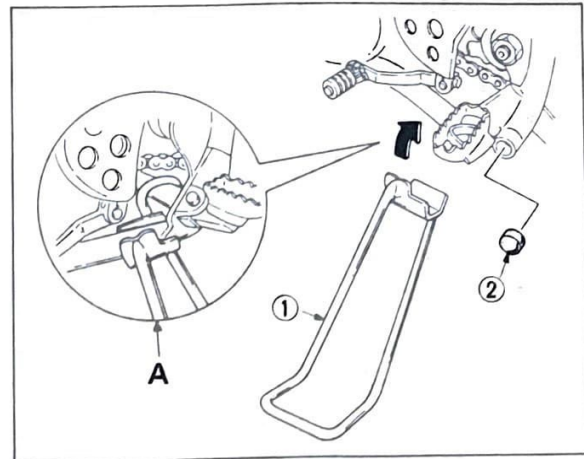
11 Footrest (Left) [F.R-D]



Parts list

No.	Part name	Q'ty	Locating mark	Remarks
1	Footrest (Left)	1	S	
2	Flange bolt	1	V	d = 12 mm (0.47 in), ℓ = 25 mm (0.98 in)
3	Flange bolt	1	V	d = 10 mm (0.4 in), ℓ = 20 mm (0.8 in)

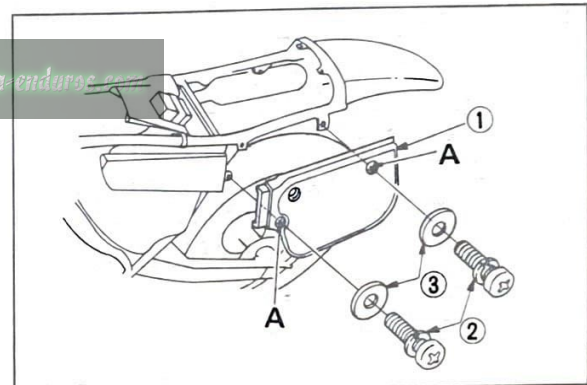
12 Side stand [S.S-B]



Parts list

No.	Part name	Q'ty	Locating mark	Remarks
1	Side stand	1	S	
2	Blind plug	1	V	Rubber

13 Side cover (Left) [S.C-C]



Parts list

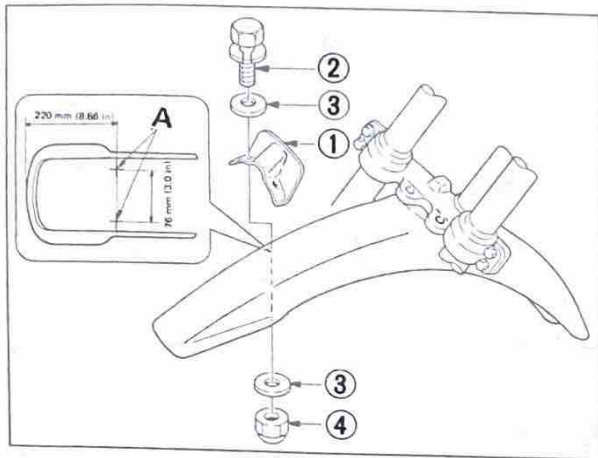
No.	Part name	Q'ty	Locating mark	Remarks
1	Side cover (Left)	1	S	
2	Panhead screw with spring washer	2	V	d = 6 mm (0.24 in), ℓ = 16 mm (0.63 in)
3	Plain washer	2	V	d = 6 mm (0.24 in)

Fender plate

This fender plate prevents the number plate grille from clogging with mud. It should be used only when you ride the machine in the rain.

NOTE:

Use this plate when it is raining.



Parts list

No.	Part name	Q'ty	Locating mark	Remarks
1	Fender plate	1	V	
2	Hexagon bolt with spring washer	2	V	d = 6 mm (0.24 in), ℓ = 16 mm (0.63 in)
3	Plain washer	4	V	d = 6 mm (0.24 in)
4	Self locking nut	2	V	d = 6 mm (0.24 in)

Setup points

A: Drill two 6 mm holes in the front fender with embossed crosses on the inside as a guide.

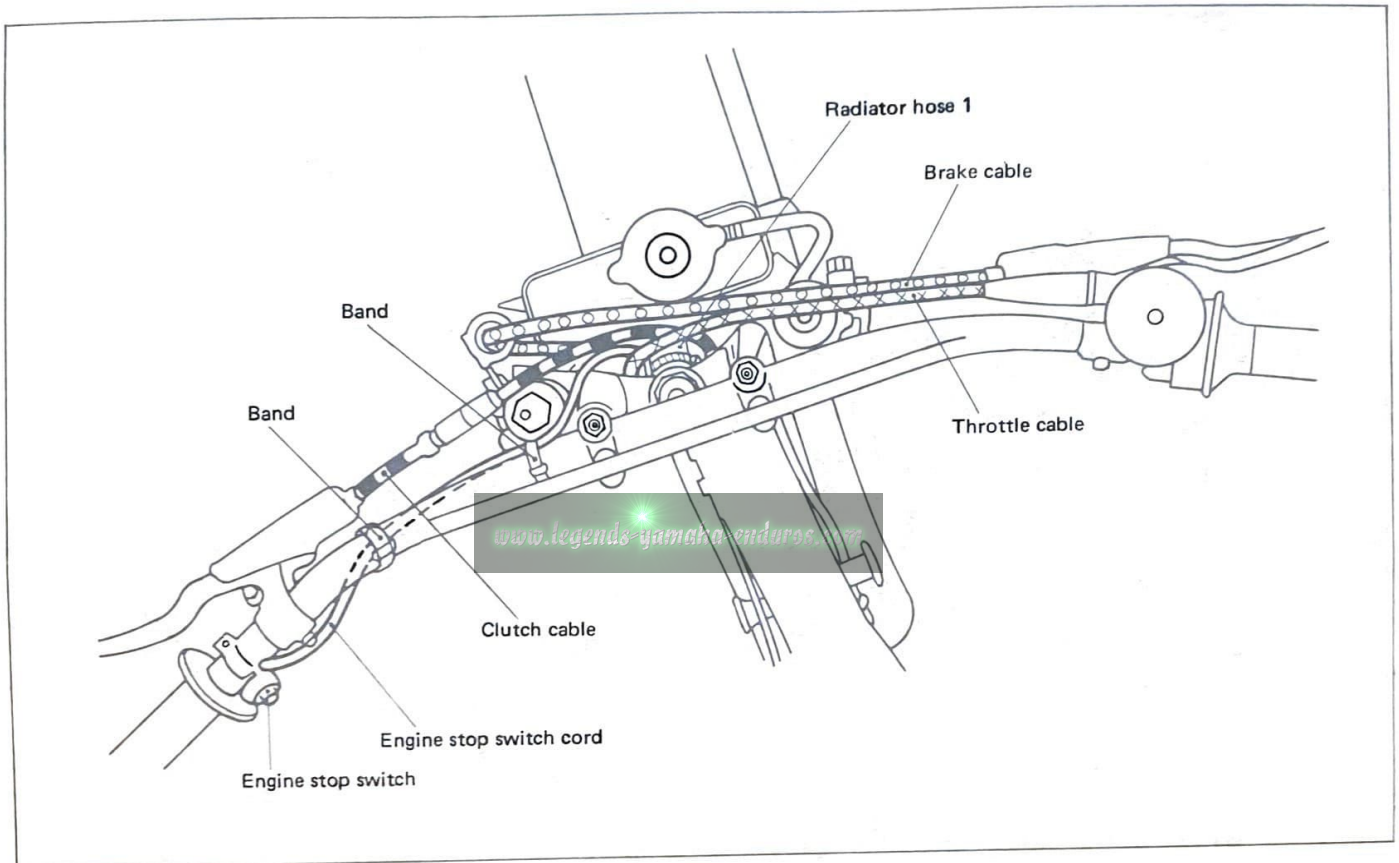
CAUTION:

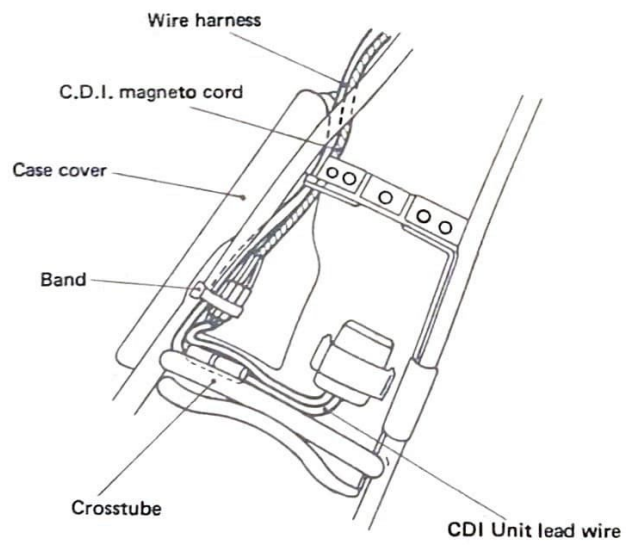
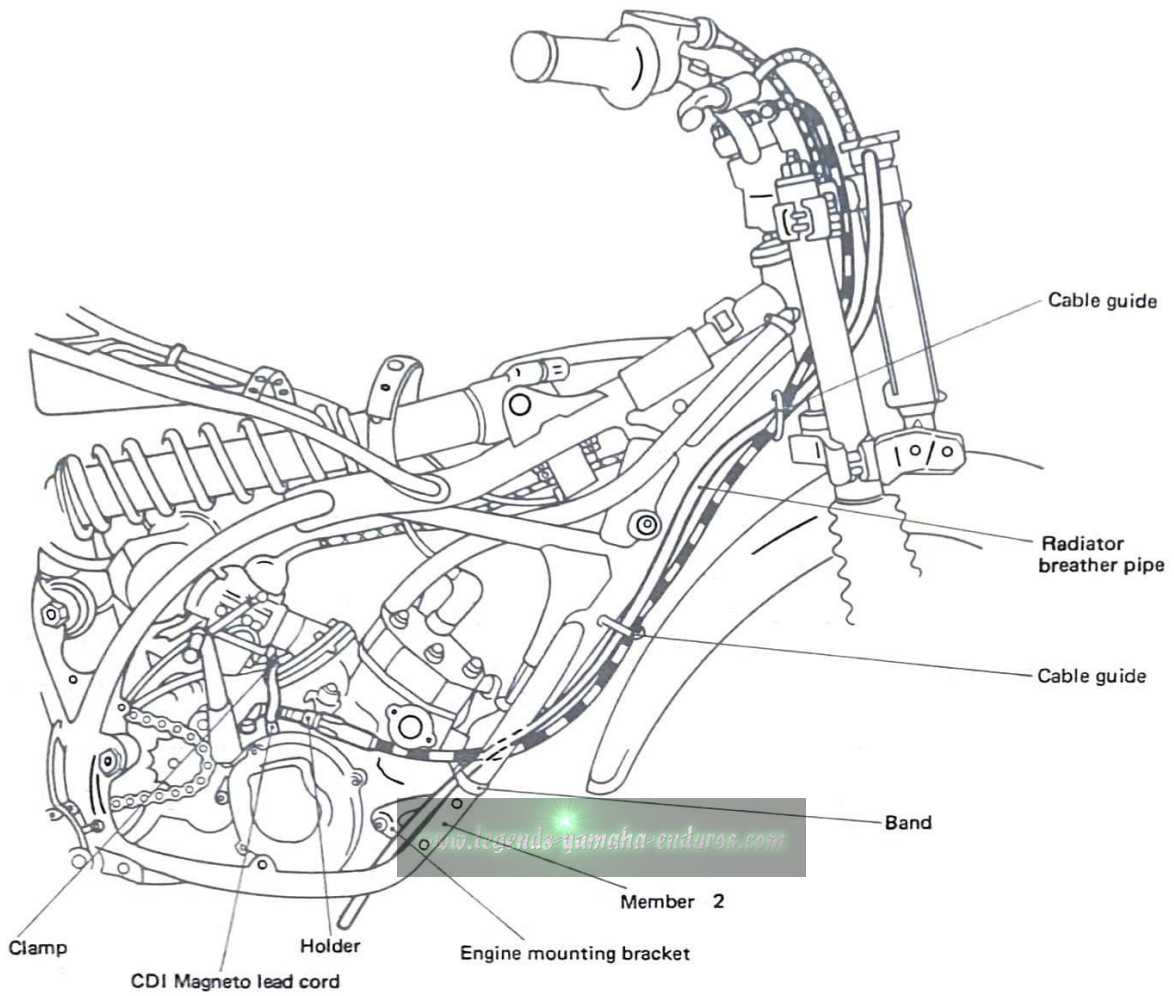
While drilling holes, hold the front fender steady.

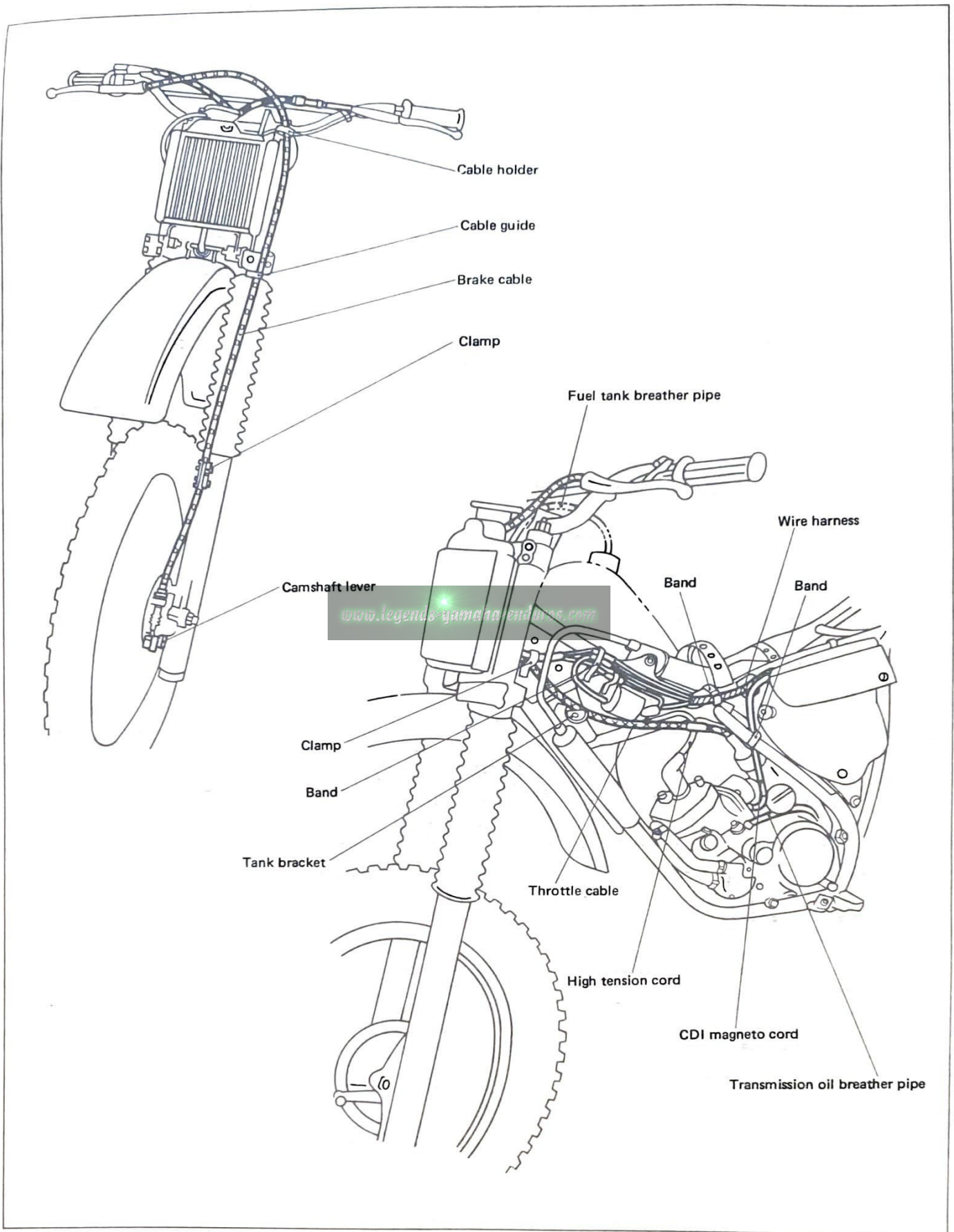
CABLE ROUTING

CAUTION:

Proper cable and lead routing is essential to insure safe vehicle operation. REFER TO "CABLE ROUTING".







ADJUSTMENTS AND PREDELIVERY SERVICE

NOTE:

Please read the following chapter in the Basic assembly manual before proceeding to the adjustments and predelivery service.
CHAPTER 6: APPENDICES

① Front brake adjustment [F.B-A]

Front brake lever free play:
5 ~ 8 mm (0.2 ~ 0.3 in)

② Rear brake adjustment [R.B-A]

Rear brake pedal free play:
20 ~ 30 mm (0.8 ~ 1.2 in)

③ Rear brake pedal position adjustment [R.P-A]

④ Clutch adjustment [C.A-A]

Clutch lever free play:
2 ~ 3 mm (0.08 ~ 0.12 in)

⑤ Throttle cable adjustment [T.C-A]

Throttle cable free play:
3 ~ 5 mm (0.12 ~ 0.21 in)

⑥ Fuel draining [F.D-A]

⑦ Transmission oil level check [T.L-A]

⑧ Drive chain tension check [D.C-A]

Drive chain deflection:
30 ~ 35 mm (1.2 ~ 1.4 in)

⑨ Troubleshooting [T.S-A]

⑩ Coolant level check [C.L-A]

SERVICE DATA

Idling engine speed:	As desired
Spark plug: Type Gap	N-84 (CHAMPION) 0.5 ~ 0.6 mm (0.020 ~ 0.024 in)
Fuel: Recommended fuel Fuel tank capacity	Premium gasoline (Mixed gas 24 : 1) 8.2 L (1.8 Imp gal, 2.2 US gal)
Engine oil: Recommended oil	Yamalube Racing 2-cycle oil (See Owner's manual)
Transmission oil: Recommended oil Oil quantity (Periodic oil change)	Yamalube 4-cycle oil or SAE 10W30 motor oil 800 cm ³ (0.70 Imp qt, 0.85 US qt)
Coolant: Recommended coolant Coolant and water mixed ratio Total amount	High quality ethylene glycol anti-freeze containing corrosion inhibitors for aluminum engine 1 : 1 (50% water, 50% coolant) 1 L (0.88 Imp qt, 1.06 US qt)
Tire pressure (Cold tire pressure): Front Rear	98 kPa (1.0 kg/cm ² , 14 psi) 98 kPa (1.0 kg/cm ² , 14 psi)

TORQUE SPECIFICATION CHART

Parts to be tightened	Tightening torque		
	Nm	m·kg	ft·lb
Engine:			
Spark plug M14	25	2.5	18
Drain plug M12	20	2.0	14
Chassis:			
Front fender M6 (F.F-D #1)	5	0.5	3.6
Front wheel axle M14 (F.W-F #1)	58	5.8	42
Front wheel axle holder M8 (F.W-F #2)	10	1.0	7.2
Handlebar upper holder M8 (B.C-A)	23	2.3	17
Throttle grip M5 (T.G-A)	5	0.5	3.6
Change pedal M6 (C.P-A)	11	1.1	8
Footrest M12 (F.R-D #1)	88	8.8	64
Footrest M10 (F.R-D #2)	64	6.4	46
Handle crown:			
Steering	125	12.5	90
Inner tube	23	2.3	17
Rear wheel axle	85	8.5	61
Rear shock absorber	32	3.2	23
Tension bar	23	2.3	17

OWNER'S TOOL KIT

No.	Part name	Q'ty
1	Owner's tool bag	1
2	Special spanner (19-22)	1
3	Spoke nipple wrench	1
4	Hexagon wrench (8)	1
5	Rotor puller	1
6	Special spanner (32)	1
7	Spark plug wrench	1
8	Air gauge	1

www.legends-yamaha-enduros.com



YAMAHA MOTOR CO., LTD.

IWATA, JAPAN

PRINTED IN USA