

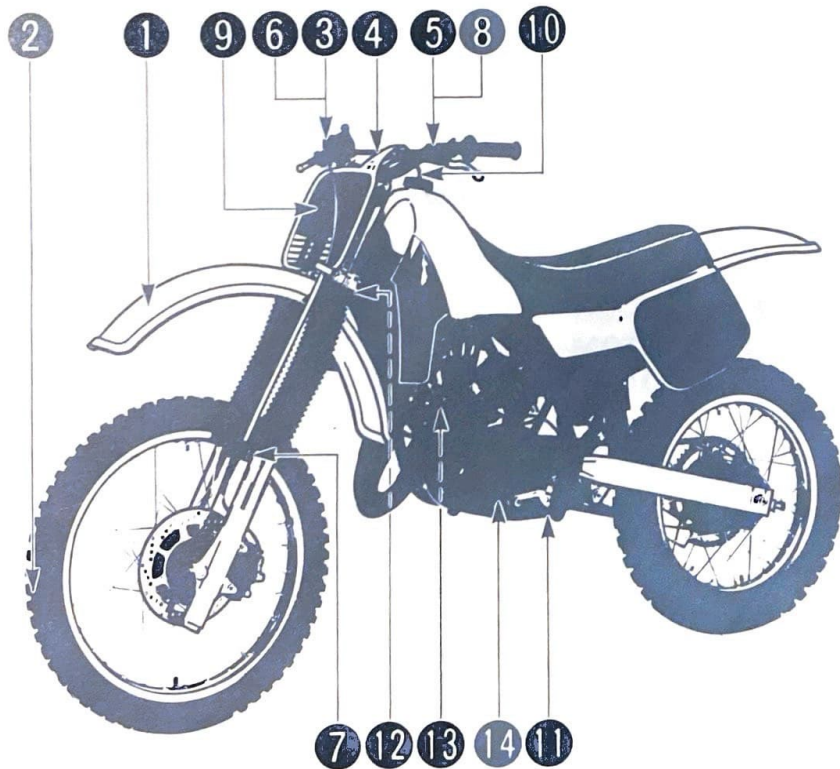


# YAMAHA

[www.legends-yamaha-enduros.com](http://www.legends-yamaha-enduros.com)

# YZ125N

## SUPPLEMENTARY ASSEMBLY MANUAL



## FOREWORD

This Supplementary assembly manual has been prepared to introduce the setup procedures and predelivery service for the YZ125N. For complete information, it is necessary to use the YZ/IT series Basic assembly manual (LIT-11666-03-31) together with this Supplementary assembly manual.

## NOTICE

The service specifications given in this Supplementary assembly manual are based on the model as manufactured. Modifications and significant changes in specifications and/or procedures will be forwarded to Authorized Yamaha Dealers. The procedures below are described in the order that the procedures are carried out correctly and completely. Failure to do so can result in poor performance and possible harm to the machine and/or rider.

**CONCERNING CRATE DAMAGE:** \_\_\_\_\_  
Follow the instructions in the Dealer warranty handbook, Procedure section.  
\_\_\_\_\_

Particularly important information is distinguished in this manual by the following notations:

**NOTE:** A NOTE provides key information to make procedure easier or clearer. [www.legend-yamaha-enduro.com](http://www.legend-yamaha-enduro.com)

**CAUTION:** A CAUTION indicates special procedures that must be followed to avoid damage to the machine.

**WARNING:** A WARNING indicates special procedures that must be followed to avoid injury to a machine operator or person inspecting or repairing the machine.

**TECHNICAL PUBLICATIONS  
SERVICE DIVISION  
MOTORCYCLE OPERATIONS  
YAMAHA MOTOR CO., LTD**

**YZ125N**

**SUPPLEMENTARY ASSEMBLY MANUAL**

**©1984 by Yamaha Motor Corporation, U.S.A.**

**1st edition, SEPTEMBER 1984**

**All rights reserved. Any reprinting or  
unauthorized use without the written permission  
of Yamaha Motor Corporation, U.S.A. is  
expressly prohibited.**

**Printed in U.S.A.**

**LIT-11666-04-78**

## **GLOSSARY**

**(Symbols most commonly used)**

- C: The "C" marked parts are contained in the small carton box.
- S: The "S" marked parts are contained in the styrofoam tray (Upper or Lower).
- V: The "V" marked parts are contained in the vinyl bag.
- \*: The asterisk (\*) parts are temporarily fitted on the machine.

[www.legends-yamaha-enduros.com](http://www.legends-yamaha-enduros.com)



## SETUP PROCEDURES

### NOTE:

Please read the following chapters in the Basic assembly manual before proceeding to the setup.

CHAPTER 1: INTRODUCTION

CHAPTER 2: SETUP AND PREDELIVERY CHECK

CHAPTER 3: TOOLS AND TORQUE SPECIFICATIONS

CHAPTER 4: CRATES

CHAPTER 5: INSTALLATION PROCEDURES

### Parts list

No.	Part name	Q'ty	Locating mark	Remarks
<b>1. Front fender</b> <span style="float: right;"><b>F.F-G</b></span>				
1	Front fender	1	S	
2	Hexagon bolt with spring washer and plain washer	4	V	d = 6 mm (0.24 in), ℓ = 20 mm (0.78 in)
3	Special washer	4	V	d = 6 mm (0.24 in), D = 18 mm (0.70 in)
<b>2. Front wheel</b> <span style="float: right;"><b>F.W-L</b></span>				
1	Front wheel	1	S	
2	Front wheel axle	1	*	d = 15 mm (0.59 in), ℓ = 187 mm (7.29 in)
3	Wheel axle collar	1	V	d = 15 mm (0.59 in)
4	Wheel axle collar	1	V	d = 15 mm (0.59 in)
5	Wheel axle holder	1	*	
6	Plain washer	4	*	d = 6 mm (0.24 in)
7	Spring washer	4	*	d = 6 mm (0.24 in)
8	Cap nut	4	*	d = 6 mm (0.24 in)
<b>3. Throttle grip</b> <span style="float: right;"><b>T.G-B</b></span>				
1	Throttle grip	1	*	
2	Panhead screw	2	*	d = 5 mm (0.20 in), ℓ = 15 mm (0.59 in)

### Parts list

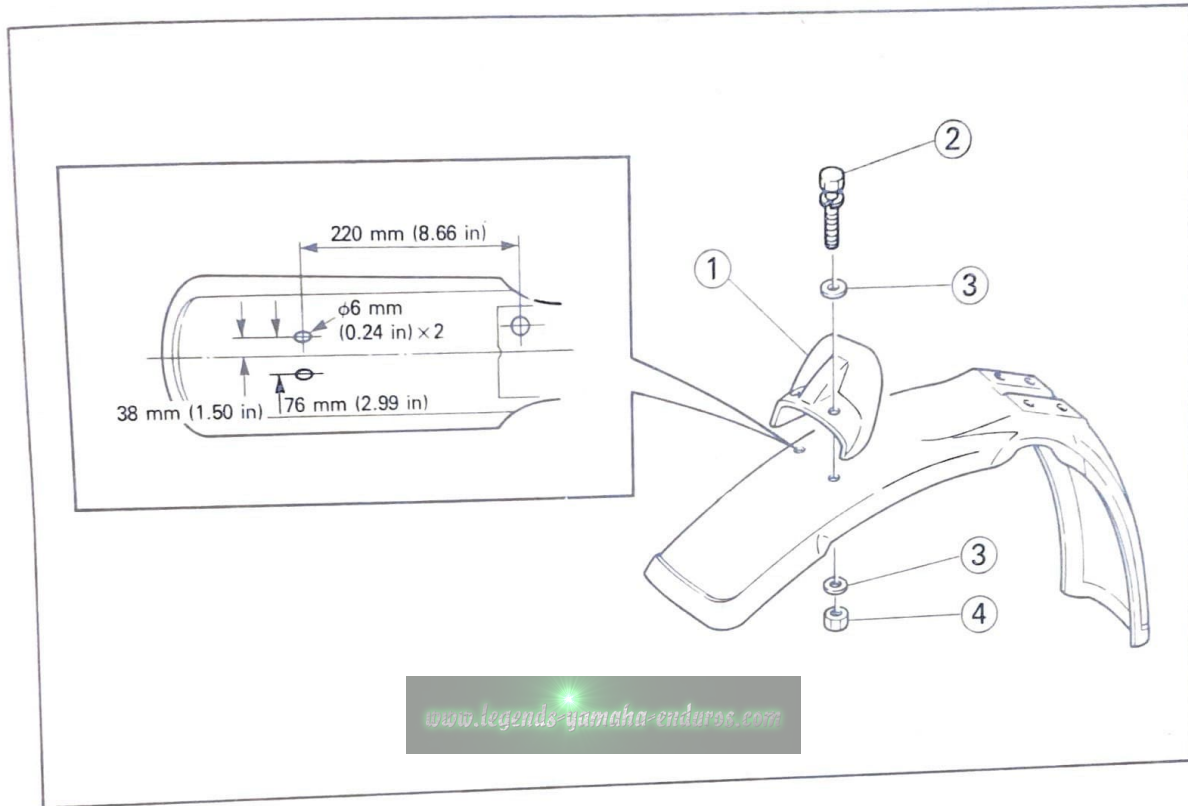
No.	Part name	Q'ty	Locating mark	Remarks
<b>4. Handlebar</b> <span style="float: right;"><b>H.B-B</b></span>				
1	Handlebar	1	S	
2	Flange bolt	4	V	d = 8 mm (0.32 in), ℓ = 35 mm (1.37 in)
3	Upper handlebar holder	2	V	
<b>5. Clutch cable</b> <span style="float: right;"><b>B.C-B</b></span>				
1	Clutch cable	1	*	
<b>6. Front brake master cylinder</b> <span style="float: right;"><b>M.S-A</b></span>				
1	Master cylinder	1	*	
2	Master cylinder bracket	1	V	
3	Hexagon bolt with plain washer	2	V	d = 6 mm (0.24 in), ℓ = 25 mm (0.98 in)
<b>7. Cable holder</b> <span style="float: right;"><b>C.H-F</b></span>				
1	Cable holder	2	*	
2	Plain washer	2	*	d = 7 mm (0.27 in), D = 11 mm (0.43 in)
3	Hexagon socket head bolt	2	*	d = 6 mm (0.24 in), ℓ = 15 mm (0.59 in)
<b>8. Engine stop switch</b> <span style="float: right;"><b>E.S-C</b></span>				
1	Engine stop switch	1	*	
2	Panhead screw	1	V	d = 3 mm (0.12 in), ℓ = 14 mm (0.55 in)
3	Spring washer	1	V	d = 3 mm (0.12 in)
4	Engine stop switch holder	2	V	
5	Handlebar band	2	S	Plastic
<b>9. Number plate</b> <span style="float: right;"><b>N.P-G</b></span>				
1	Number plate	1	S	
2	Panhead screw	1	V	d = 6 mm (0.24 in), ℓ = 12 mm (0.47 in)
3	Plain washer	1	V	d = 6 mm (0.24 in), D = 20 mm (0.78 in)
<b>10. Fuel tank breather pipe</b> <span style="float: right;"><b>F.B-F</b></span>				
1	Fuel tank breather pipe	1	S	Rubber
<b>11. Side stand</b> <span style="float: right;"><b>S.S-B</b></span>				
1	Side stand	1	S	
2	Blind plug	1	*	Rubber

## Parts list

No.	Part name	Q'ty	Locating mark	Remarks
<b>12. Side cover (Right)</b>				<b>S.C-I</b>
1	Special nut	2	V	d = 5 mm (0.20 in)
2	Radiator panel	1	S	Plastic
3	Panhead screw with spring washer and plain washer	1	V	d = 5 mm (0.20 in) ℓ = 16 mm (0.62 in)
4	Side cover	1	S	
5	Panhead screw with spring washer and plain washer	1	V	d = 5 mm (0.20 in) ℓ = 16 mm (0.62 in)
6	Plain washer	1	V	d = 5 mm (0.20 in) D = 14 mm (0.55 in)
7	Cap nut	1	V	d = 5 mm (0.20 in)
<b>13. Side cover (Left)</b>				<b>S.C-J</b>
1	Special nut	3	V	d = 5 mm (0.20 in)
2	Radiator panel	1	S	Plastic
3	Panhead screw with spring washer and plain washer	1	V	d = 5 mm (0.20 in) ℓ = 16 mm (0.62 in)
4	Side cover	1	S	
5	Panhead screw with spring washer and plain washer	2	V	d = 5 mm (0.20 in) ℓ = 16 mm (0.62 in)
<b>14. Footrest</b>				<b>F.R-A</b>
1	Footrest	1	V	
2	Clevis pin	1	V	
3	Return spring	1	V	
4	Plain washer	1	V	d = 10 mm (0.39 in) D = 16 mm (0.62 in)
5	Cotter pin	1	V	

## Fender plate

This fender plate prevents the number plate grille from clogging with mud. It should be used only when you ride the machine in the rain.



### Parts list

No.	Part name	Q'ty	Locating mark	Remarks
1	Fender plate	1	V	
2	Hexagon bolt with spring washer	2	V	d = 6 mm (0.24 in), ℓ = 20 mm (0.78 in)
3	Plain washer	4	V	d = 6 mm (0.24 in), D = 15 mm (0.59 in)
4	Self locknut	2	V	d = 6 mm (0.24 in)

### Setup points

A: Drill two 6 mm (0.24 in) holes in front fender, as shown.

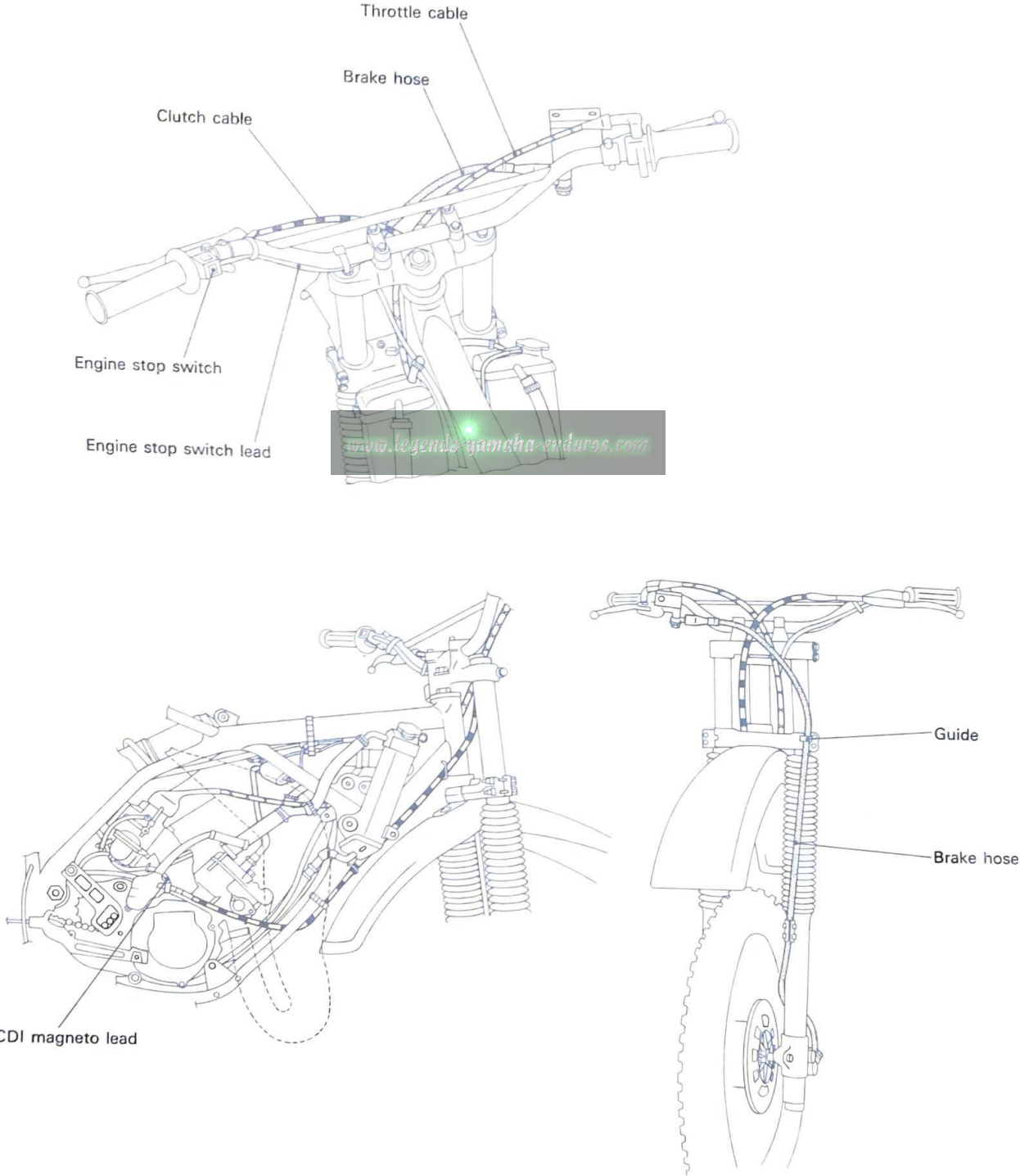
### CAUTION:

While drilling holes, hold the front fender steady.

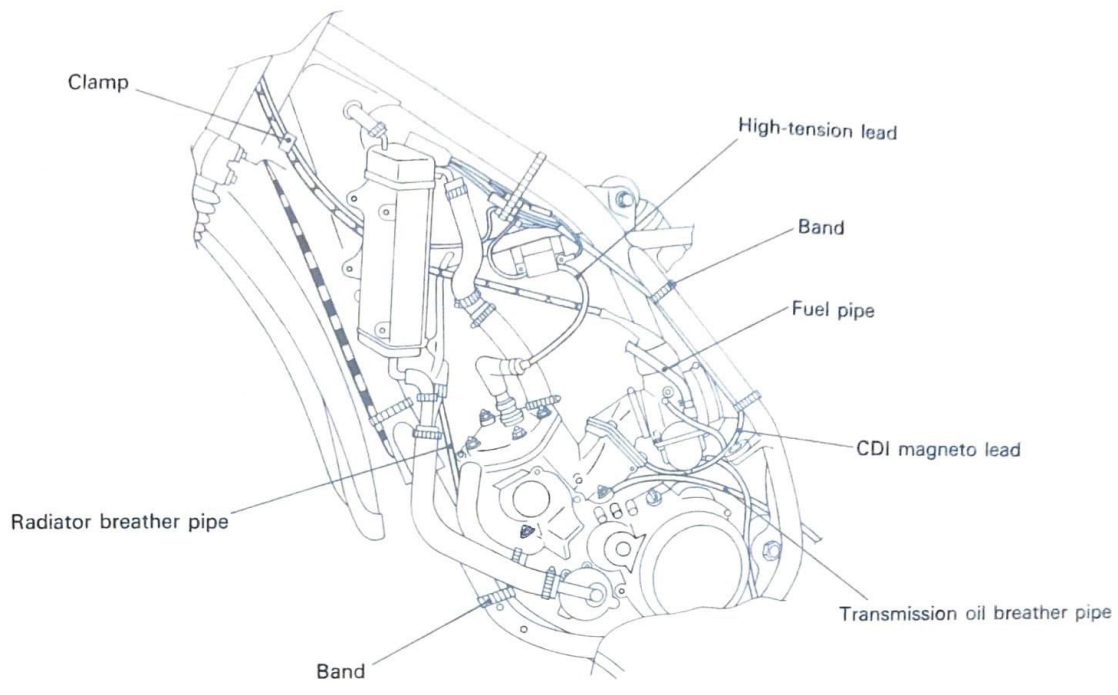
# CABLE ROUTING

**CAUTION:**

Proper cable and lead routing is essential to insure safe vehicle operation.







[www.legends-yamaha-enduros.com](http://www.legends-yamaha-enduros.com)



## ADJUSTMENTS AND PREDELIVERY SERVICE

**NOTE:** \_\_\_\_\_  
Please read the following chapter in the Basic assembly manual before proceeding to the adjustments and predelivery service.  
CHAPTER 6: APPENDICES

### 1. Front brake adjustment F.B-C

Free play: 5 ~ 8 mm (0.20 ~ 0.32 in)

### 2. Bleeding the brake system (Front brake) B.D-A

### 3. Brake fluid level check B.F-A

### 4. Rear brake adjustment R.B-A

Free play: 20 ~ 30 mm (0.8 ~ 1.2 in)

### 5. Rear brake pedal position adjustment R.P-C

Rear brake pedal position:  
0 ± 10 mm (0.0 ± 0.4 in)

### 6. Clutch adjustment C.A-B

Free play: 2 ~ 3 mm (0.08 ~ 0.12 in)

### 7. Throttle cable adjustment T.C-B

Free play: 3 ~ 5 mm (0.12 ~ 0.20 in)

### 8. Fuel draining F.D-A

### 9. Transmission oil level check T.L-A

Recommended oil:  
Yamalube 4-cycle oil or SAE 10W30 type SE motor oil  
Oil capacity  
Periodic oil change:  
0.80 L (0.70 Imp qt, 0.85 US qt)  
Total amount:  
0.85 L (0.74 Imp qt, 0.89 US qt)

### 10. Drive chain tension check D.C-A

Chain deflection:  
20 ~ 30 mm (0.8 ~ 1.2 in)

### 11. Troubleshooting T.S-A

### 12. Coolant level check C.L-A

Recommended coolant:  
High quality ethylene glycol antifreeze containing corrosion inhibitors for aluminum engine

Coolant capacity:  
0.5 L (0.44 Imp qt, 0.53 US qt)

Coolant and water mixed ratio:  
1 : 1 (50% water, 50% coolant)

# APPENDICES

## SERVICE DATA

Idling engine speed:	As desired	
Spark plug: Type Gap	N-84 (CHAMPION) 0.5~0.6 mm (0.020~0.024 in)	
Fuel: Recommended fuel Fuel tank capacity	Premium fuel with an octane rating of at least 90. (Mixing ratio, 24 : 1) 7.5 L (1.65 Imp gal, 1.98 US gal)	
Engine oil: Recommended oil	Yamalube Racing 2-cycle oil (See Owner's service manual)	
Tire pressure (Cold tire pressure):	<div style="border: 1px solid black; padding: 2px; display: inline-block;">Front</div> 98 kPa (1.0 kg/cm <sup>2</sup> , 14 psi)	<div style="border: 1px solid black; padding: 2px; display: inline-block;">Rear</div> 98 kPa (1.0 kg/cm <sup>2</sup> , 14 psi)

[www.legends-yamaha-enduros.com](http://www.legends-yamaha-enduros.com)

## TORQUE SPECIFICATION CHART

Parts to be tightened	Bolt/nut size	Tightening torque		
		Nm	m•kg	ft•lb
Engine:				
Spark plug	M14×1.25	25	2.5	18.0
Engine oil drain bolt	M12×1.5	20	2.0	14.0
Chassis:				
Front fender (F.F-G. #1)	M 6×1.0	5	0.5	3.6
Front wheel axle (F.W-L #1)	M14×1.5	60	6.0	43
Axle holder (F.W-L #2)	M 6×1.0	10	1.0	7.2
Handle crown-Inner tube	M 8×1.25	23	2.3	17
-Steering shaft	M22×1.0	85	8.5	61
-Handle holder (H.B-B #1)	M 8×1.25	23	2.3	17
Steering nut	M25×1.0	10	1.0	7.2
Brake disc	M 6×1.0	12	1.2	9
Caliper bolt	M 8×1.25	23	2.3	17
Caliper bracket	M 8×1.25	30	3.0	22
Brake hose	M10×1.25	26	2.6	19
Air bleed	M 8×1.25	6	0.6	4.3
Engine mount-Front, Frame	M 8×1.25	30	3.0	22
-Front, Engine	M 8×1.25	30	3.0	22
-Lower	M 8×1.25	30	3.0	22
-Rear, Upper	M 8×1.25	30	3.0	22
-Rear, Engine	M 8×1.25	30	3.0	22
Rear wheel axle	M16×1.25	85	8.5	61
Sprocket wheel-Hub	M 8×1.25	30	3.0	22
Rear shock -Frame	M10×1.25	32	3.2	23
Pivot shaft	M16×1.5	85	8.5	61
Torque arm	M 8×1.25	23	2.3	17
Brake cam lever	M 6×1.0	10	1.0	7.2
Relay arm-Swingarm	M12×1.25	60	6.0	43
-Rear shock	M10×1.25	32	3.2	23
-Connecting rod	M10×1.25	32	3.2	23
Frame, Connecting rod	M10×1.25	60	6.0	43

### OWNER'S TOOL KIT

No.	Part name	Q'ty
1	Owner's tool bag	1
2	Spark plug wrench	1
3	Hexagon wrench (5)	1
4	Spork nipple wrench	1
5	Special spanner	1
6	Rotor puller	1
7	Dowel pin	1

### STANDARD EQUIPMENT

No.	Part name	Q'ty
1	Main jet (#300)	1
2	Air gauge	1
3	Owner's manual	1

[www.legends-yamaha-enduro.com](http://www.legends-yamaha-enduro.com)



**YAMAHA MOTOR CO.,LTD.**

IWATA, JAPAN

PRINTED IN U.S.A.