



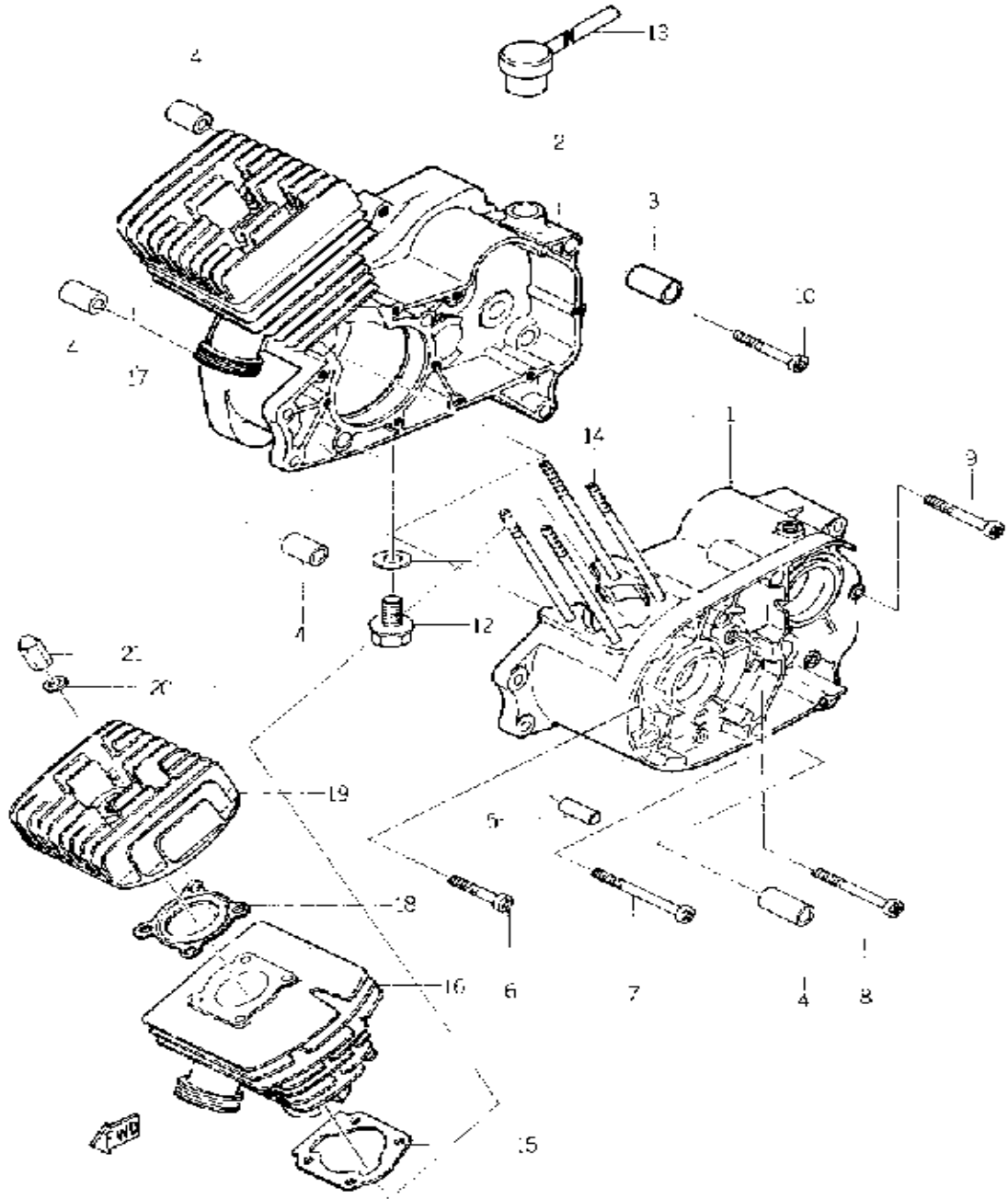
**YAMAHA**

**GENUINE**

**PARTS CATALOGUE**

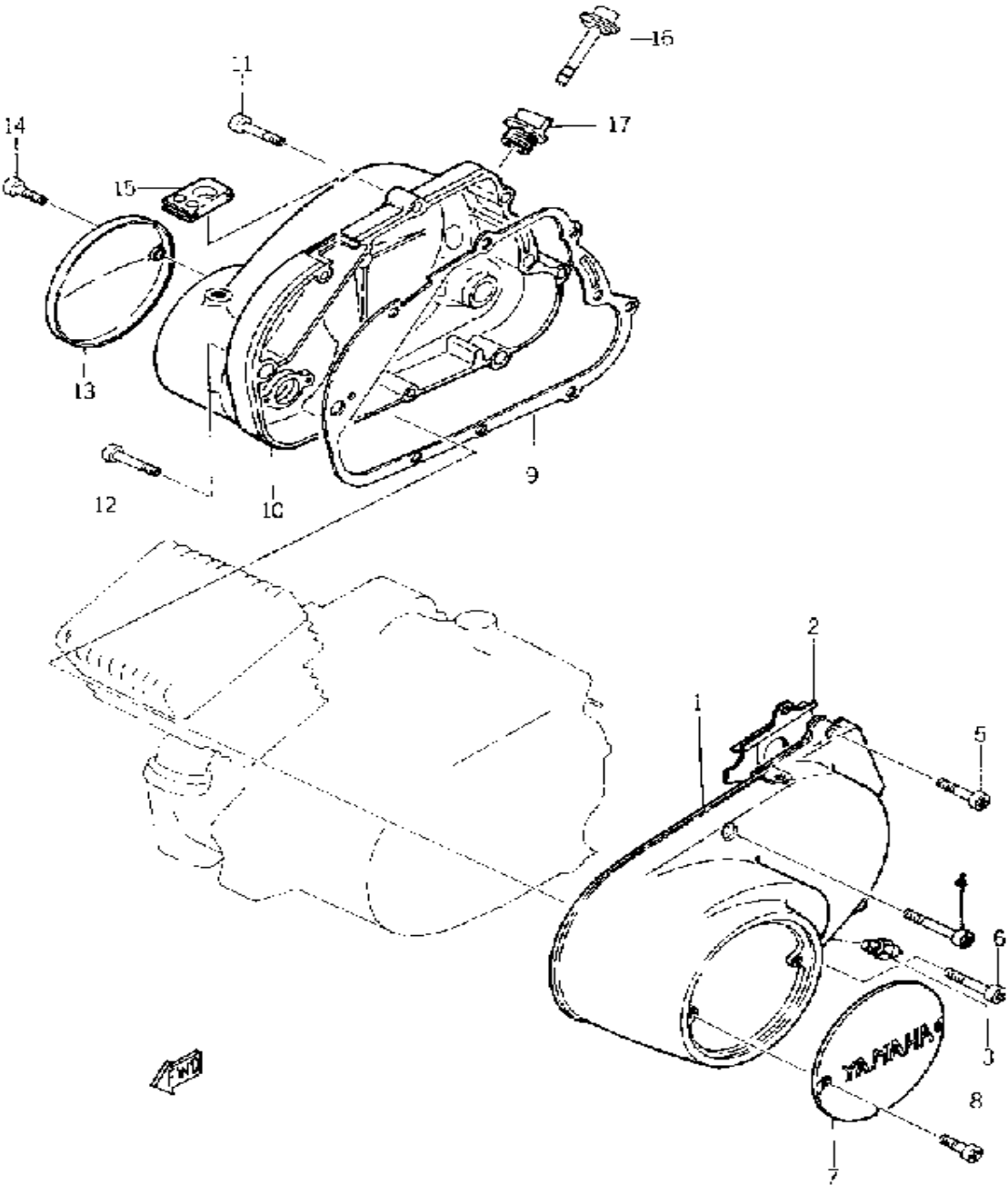
**MOTORCYCLE**

# CRANKCASE



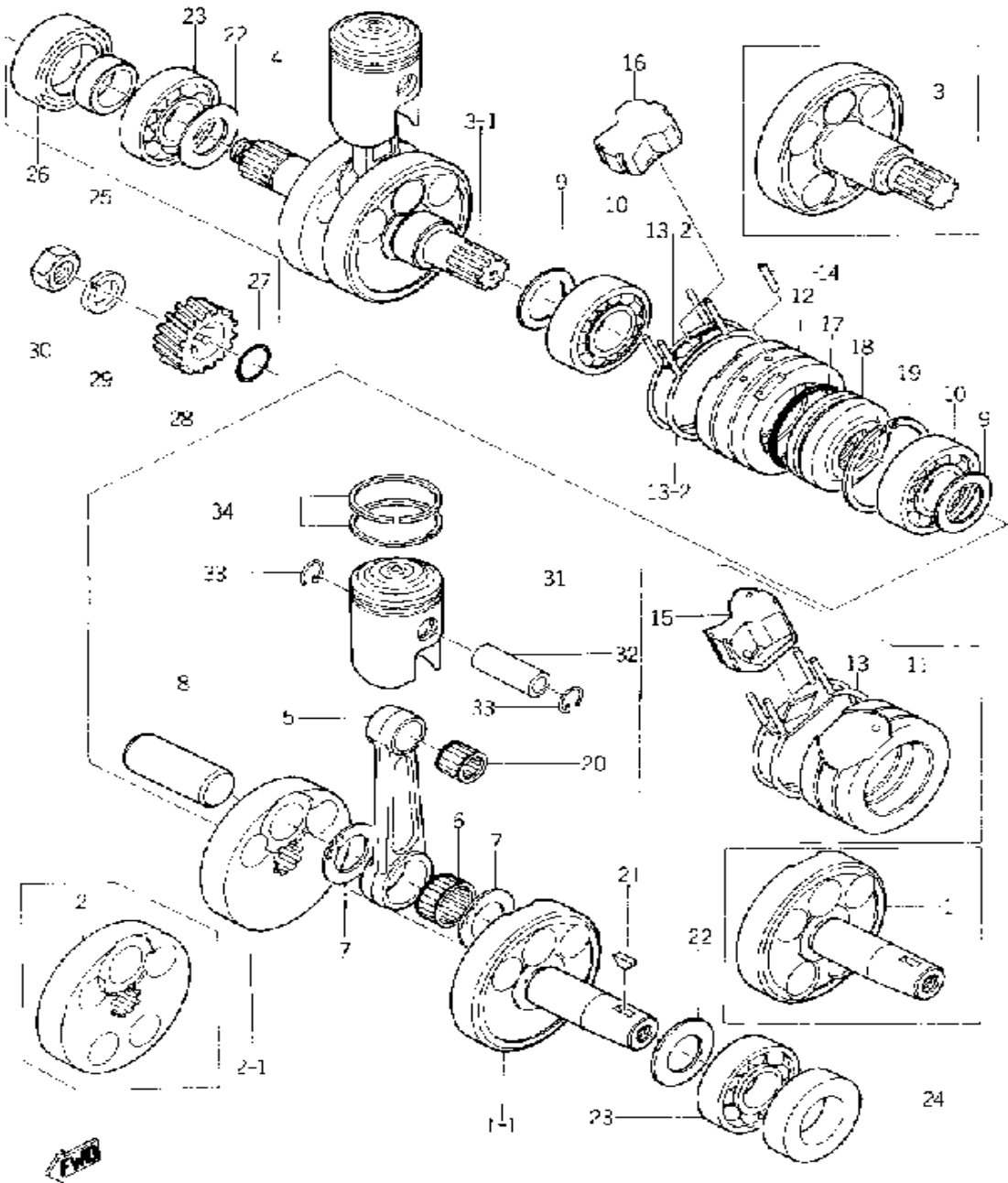
Ref. No.	Part Number	Description	Qty	Remarks
1	(132-15111-01-00)	CRANKCASE 1	1	
	(132-15111-03-00)	CRANKCASE 1	1	
2	(132-15121-01-00)	CRANKCASE 2	1	
3	99510-12016-00	PIN, DOWEL	2	
4	99530-10014-00	PIN, DOWEL	4	
5	93603-14026-00	PIN, DOWEL	1	
6	98580-06545-00	SCREW PAN HEAD	1	
7	98580-06580-00	SCREW, PAN HEAD	1	
8	98501-06070-00	SCREW, PAN HEAD	1	
9	92580-06560-00	SCREW PAN HEAD	8	
10	98580-06055-00	SCREW, PANHEAD	1	
11	90430-12207-00	GASKET	1	
12	90340-12005-00	PLUG, STRAIGHT SCREW	1	
13	206-15371-00-00	BREATHER	1	
14	90116-06026-00	BOLT, STUD	8	
15	195-11351-00-00	GASKET, CYLINDER	2	
16	(134-11311-01-00)	CYLINDER 1	1	
17	(134-11321-01-00)	CYLINDER 2	1	
18	134-11181-01-00	GASKET, CYLINDER HEAD 1	2	
19	(134-11111-01-00)	HEAD, CYLINDER 1	2	
20	92990-06200-00	WASHER, PLAIN	8	
21	90176-06002-00	NUT, CROWN	8	

# CRANKCASE COVER



Ref. No.	Part Number	Description	Qty	Remarks
1	(132-15410-02-00)	CRCS COVER ASSEMBLY L ..	1	
2	(132-15410-02-00)	CRCS COVER ASSEMBLY L ..	1	
3	93700-06M03-00	NIPPLE, GREASE .....	1	
4	98580-06550-00	SCREW PAN HEAD .....	2	
5	98580-06020-00	SCREW, PAN HEAD .....	2	
6	98580-06545-00	SCREW PAN HEAD .....	1	
7	(136-15415-00-00)	COVER, GENERATOR .....	1	
8	(92503-04008-00)	SCREW, PAN HEAD .....	2	
9	132-15451-00-00	GASKET, CRCS COVER .....	1	
10	(132-15421-01-00)	COVER, CRANKCASE R .....	1	
11	98580-06030-00	SCREW PAN HEAD .....	7	
12	98580-06040-00	SCREW, PAN HEAD .....	1	
13	(132-15416-00-00)	COVER, OIL PUMP .....	1	
14	92501-04010-00	SCREW, PAN HEAD .....	2	
15	(293-13174-00-00)	HOLDER, OIL PIPE .....	1	
16	(132-15361-00-00)	GAUGE, LEVEL .....	1	
17	116-15363-00-00	PLUG, OIL .....	1	

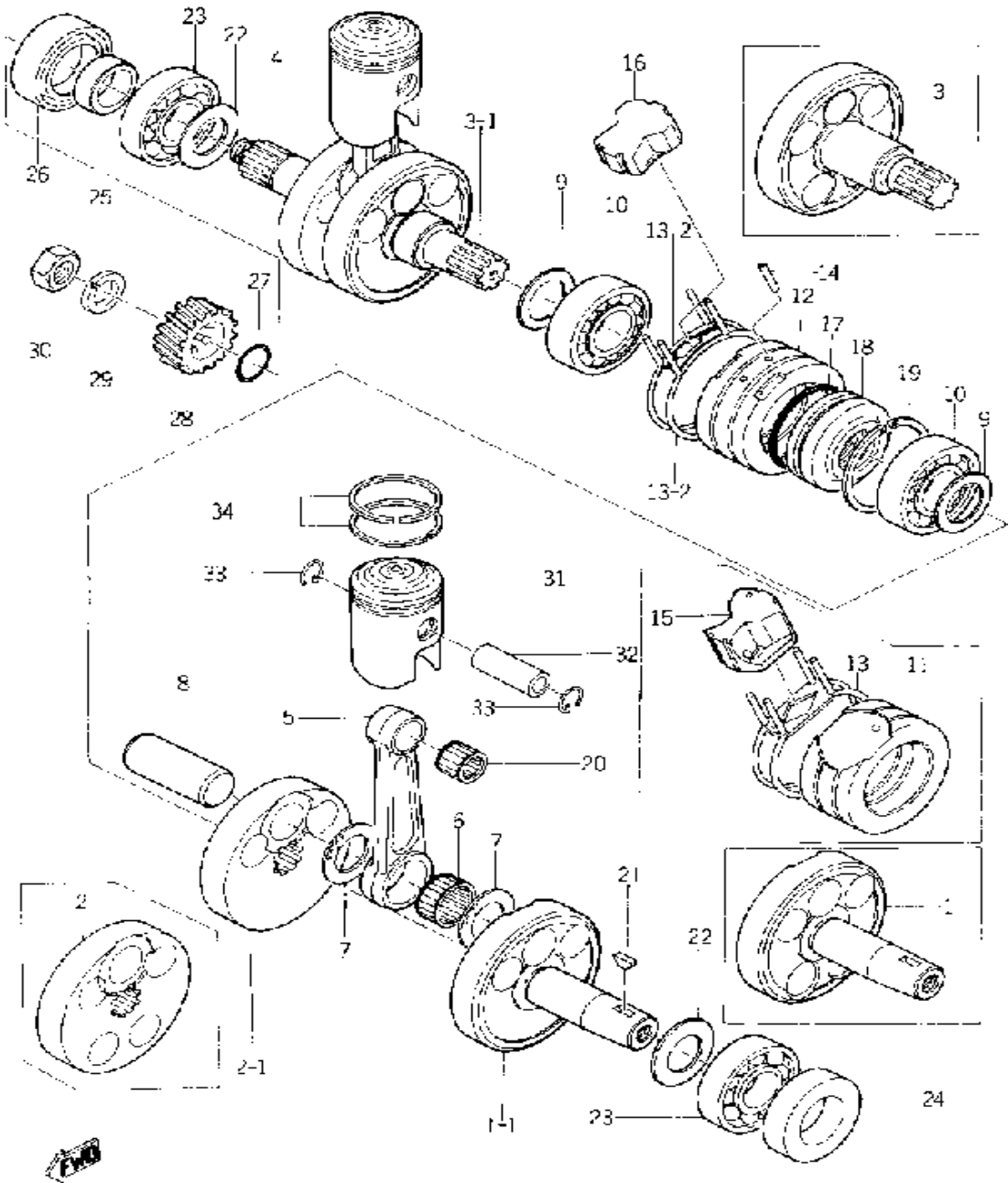
# CRANK - PISTON



Ref. No.	Part Number	Description	Qty	Remarks
1	(132-11412-02-00)	CRANK 1	1	
2	(132-11422-04-00)	CRANK 2	1	
3	(132-11432-02-00)	CRANK 3	1	
	(132-11432-03-00)	CRANK 3	1	
4	(132-11442-02-00)	CRANK 4	1	
5	3R1-11651-01-00	. ROD, CONNECTING	2	
6	93310-418T0-00	. BERING, CYLINDRICAL	2	
7	90209-18112-00	. WASHER	4	
8	3R1-11681-00-00	. PIN, CRANK 1	2	
9	132-11561-00-03	. SHIM, CRANK 1	2	
10	93306-00501-00	. BEARING (B6005)	2	
	93306-20529-00	. BEARING (B6205C4)	2	
11	(132-11511-02-00)	COVER, CRANK	1	
12	(132-11511-02-00)	COVER, CRANK	1	
13	(132-11512-01-00)	SEAL, CRANK COVER	1	
	(132-11512-01-00)	SEAL, CRANK COVER	2	
14	93604-18058-00	. PIN, DOWEL	2	
15	(132-11541-00-00)	METAL, FILLER	1	
16	(132-11541-01-00)	METAL, FILLER	1	
17	93210-41042-00	. O-RING	1	
	93210-48045-00	. O-RING	1	
18	(132-11515-00-00)	SEAL, LABYRINTH 1	1	
	132-11515-01-00	. SEAL, LABYRINTH 1	1	
19	(93450-47011-00)	CIRCLIP, INNER	1	
	93450-52010-00	. CIRCLIP	1	
20	93310-11296-00	BEARING, CYLINDER.# 0	2	
21	90280-03017-00	KEY, WOODRUFF	1	
22	136-11561-00-04	SHIM, CRANK 1	2	
23	93306-20458-00	BEARING	2	

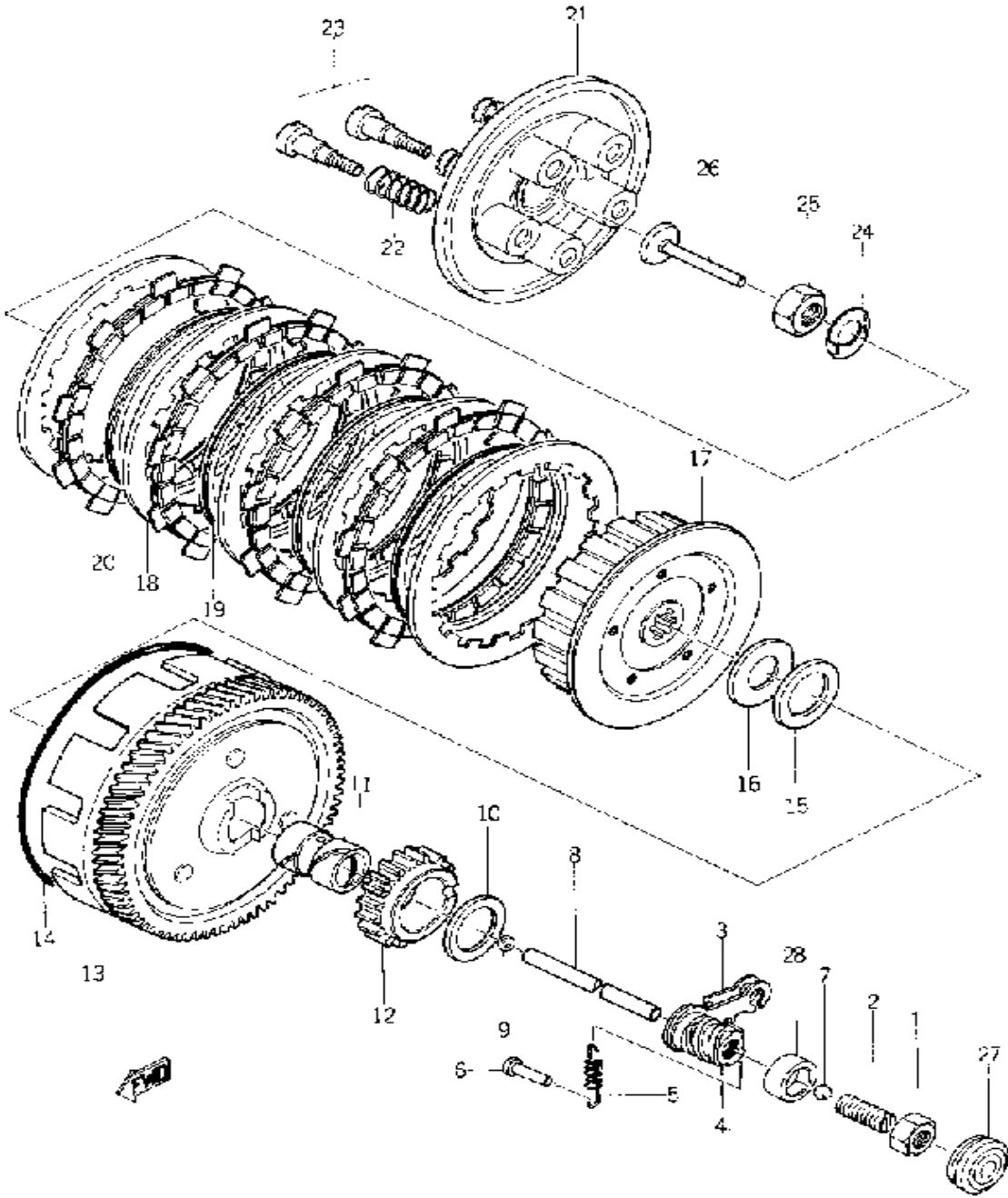
CONTINUED ON NEXT FRAME ➤

# CRANK - PISTON



Ref. No.	Part Number	Description	Qty	Remarks
23	93306-30421-00	BEARING (B6304C3)	2	
24	93102-20447-00	OIL SEAL	1	
25	90387-20345-00	COLLAR (132-16136-01)	1	
26	93103-28011-00	OIL SEAL	1	
27	93210-180A6-00	O-RING	1	
28	(122-16111-00-00)	GEAR, PRI DRIVE	1	
29	92901-12100-00	WASHER, SPRING	1	
30	90170-12060-00	NUT	1	
31	(134-11635-01-00)	PISTON 1 O/S 0.5	2	
	(134-11636-01-00)	PISTON 2 O/S 0.0	2	
	134-11631-01-96	PISTON STD	2	
32	(132-11633-00-00)	PIN, PISTON	2	ALTERNATE PARTS
33	93450-13022-00	CIRCLIP	4	ALTERNATE PARTS
34	(134-11610-10-00)	PISTON RINGSET 1ST	2	ALTERNATE PARTS
	(134-11610-20-00)	PISTON RINGSET 2ND	2	ALTERNATE PARTS
	134-11610-00-00	PISTON RINGSET STD	2	
-1	(132-11400-03-00)	CRANKSHAFT ASSEMBLY	1	

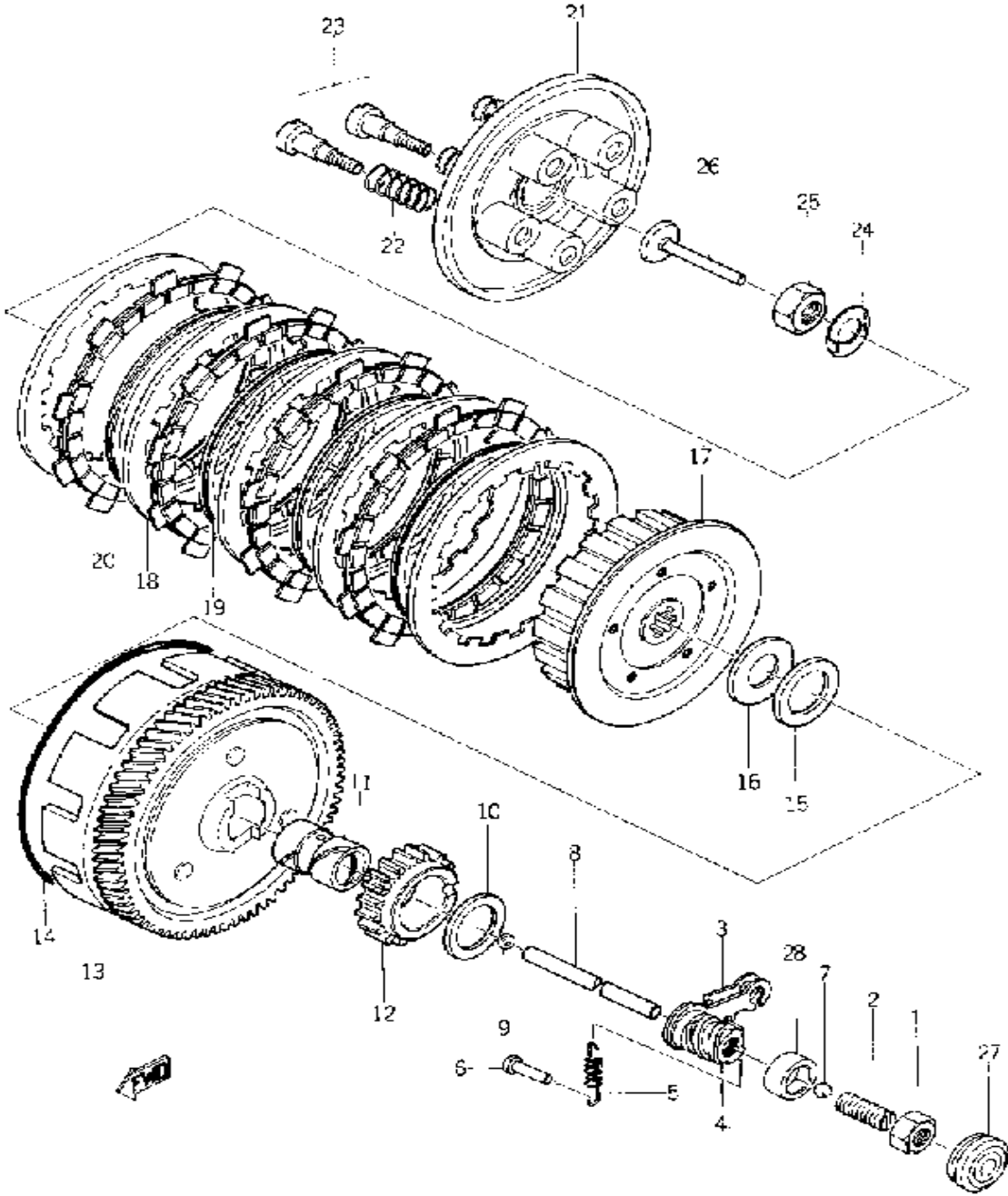
# CLUTCH



Ref. No.	Part Number	Description	Qty	Remarks
1	95303-10600-00	NUT .....	1	
2	(90113-10026-00)	BOLT, SET .....	1	
3	(132-16342-00-00)	LEVER, PUSH .....	1	
4	(137-16341-00-00)	SCREW, PUSH .....	1	
5	90506-10020-00	SPRING, TENSION (137-16345-00) .....	1	
6	132-16346-00-00	HOOK, SPRING .....	1	
7	93505-16006-00	BALL .....	1	
8	(132-16357-01-00)	ROD, PUSH 2 .....	1	
9	93501-04011-00	BALL .....	1	
10	122-16164-00-00	PLATE, THRUST 2 .....	1	
11	(132-16181-00-00)	SPACER 1 .....	1	
12	3AY-15620-00-00	KICK CRANK ASSEMBLY .....	1	
13	(132-16105-00-00)	PRI DRVN GEAR .....	1	
14	132-16369-00-00	. RING, FRICTION .....	1	
15	93341-22302-00	. BEARING .....	1	
16	131-16154-00-00	. PLATE, THRUST 1 .....	1	
17	132-16371-02-00	. BOSS, CLUTCH .....	1	
18	137-16324-00-00	. PLATE, CLUTCH 1 .....	5	
19	137-16367-00-00	. RING, CUSHION .....	4	
20	132-16321-01-00	. PLATE, FRICTION .....	4	
21	132-16351-00-00	. PLATE, PRESSURE 1 .....	1	
22	90501-20125-00	. SPRING, COMPRESSION .....	5	
23	(90149-05147-00)	SCREW, SPECL SHAPE .....	5	
24	90208-12015-00	WASHER, CONICAL SPRING ..	1	
25	90170-12060-00	NUT .....	1	
26	137-16356-00-00	ROD, PUSH 1 .....	1	
27	(132-15417-00-00)	COVER, CAP .....	1	
28	93108-15001-00	OIL SEAL, OSO-TYPE .....	1	

CONTINUED ON NEXT FRAME ►

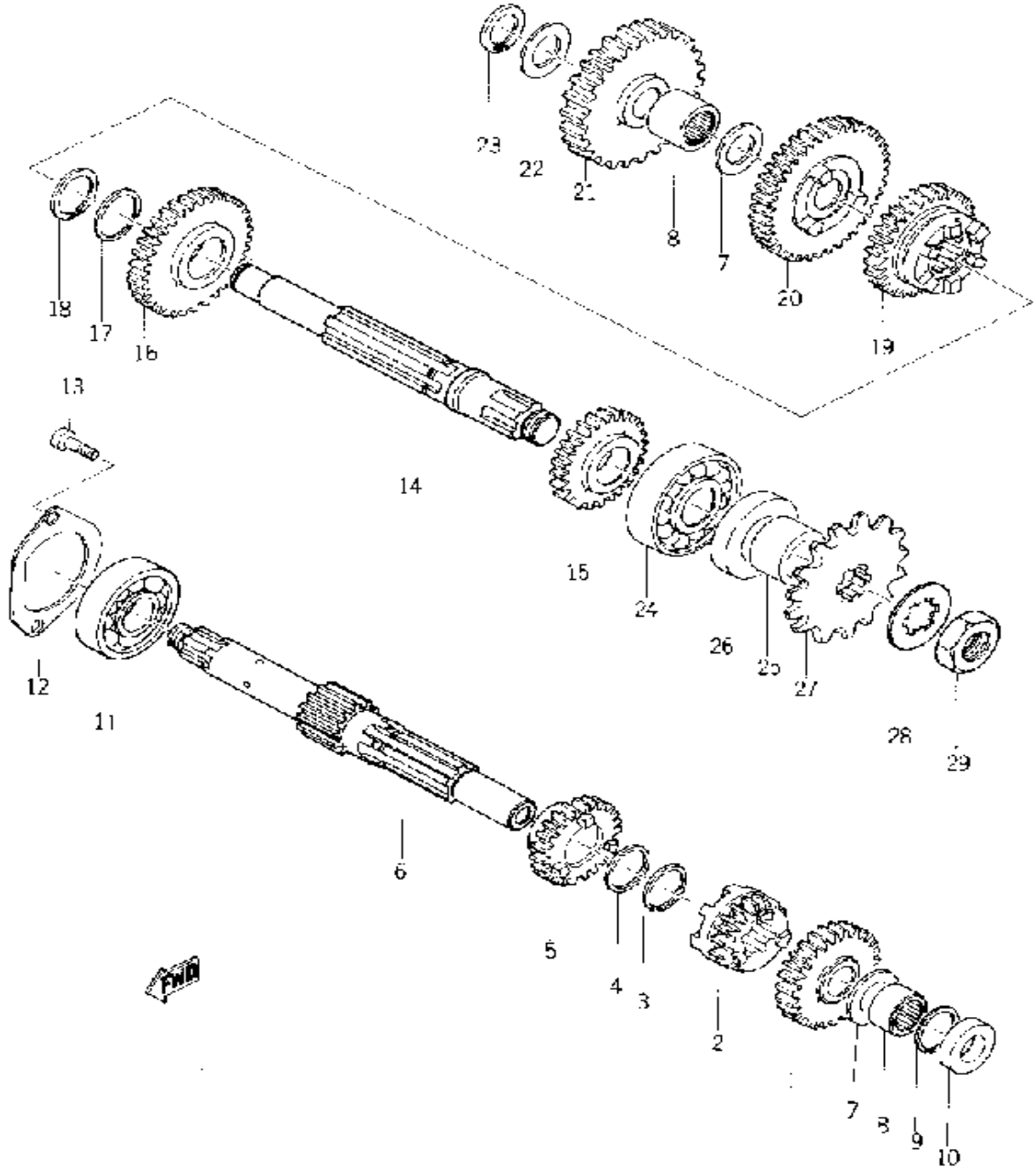
# CLUTCH



Ref. No.	Part Number	Description	Qty	Remarks
----------	-------------	-------------	-----	---------

-1	(132-16301-01-00)	CLUTCH ASSEMBLY	1	
----	-------------------	-----------------	---	--

# TRANSMISSION

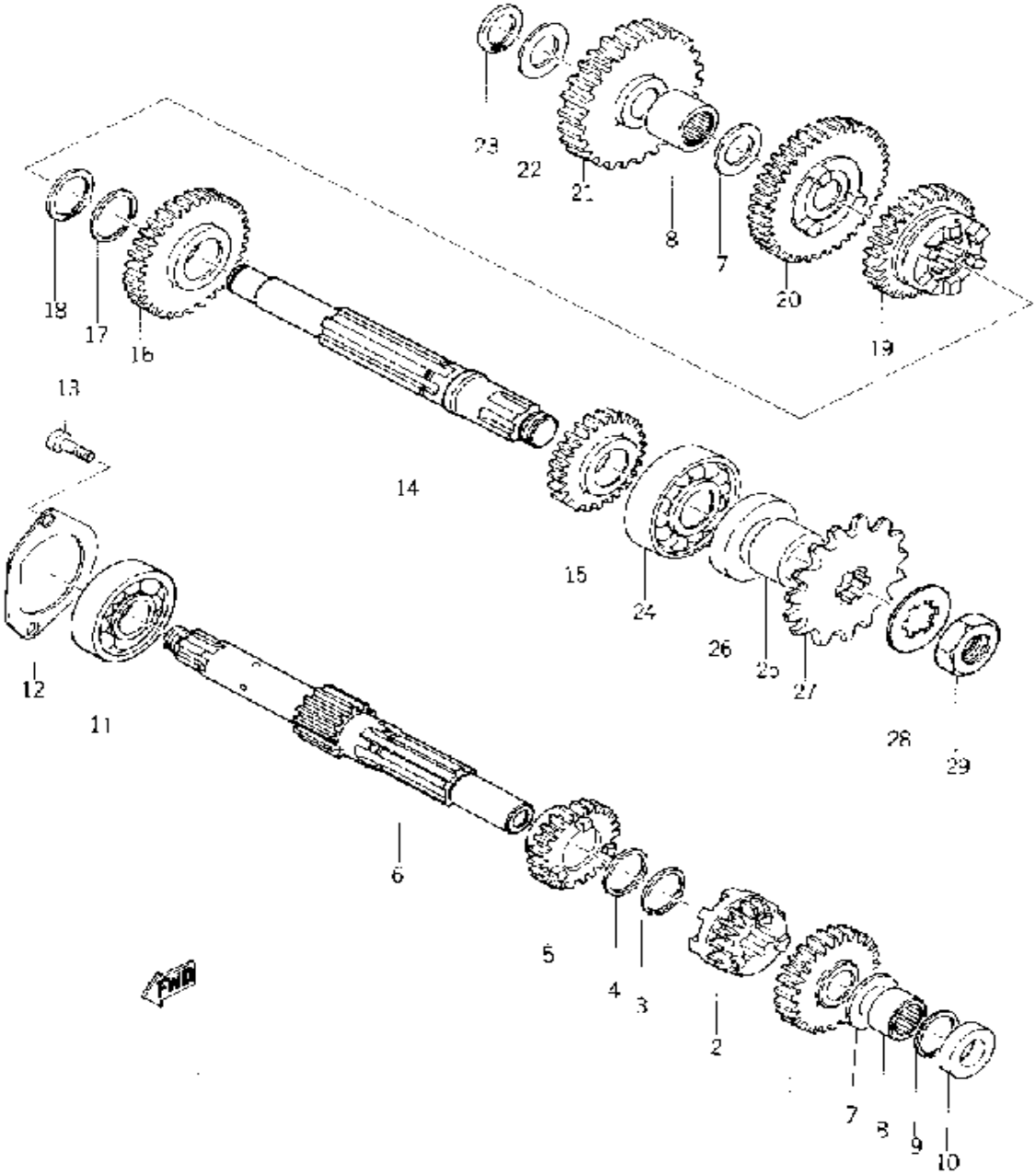


Ref. No.	Part Number	Description	Qty	Remarks
1	(132-17141-01-00)	GEAR, 4TH PINION	1	
2	(132-17121-00-00)	GEAR, 2ND PINION	1	
3	93410-20038-00	CIRCLIP	1	
4	90201-20266-00	WASHER, PLATE (1.0T)	1	
5	(132-17131-00-00)	GEAR, 3RD PINION	1	
6	(132-17411-01-00)	AXLE, MAIN	1	
	164-17427-00-06	SHIM 1 (0.6T)	2	
8	(93315-31501-00)	BEARING, CYLINDER.# 5	2	
	93315-31502-00	BEARING	2	
9	93420-22026-00	CIRCLIP, R-TYPE	1	
	93450-20026-00	CIRCLIP	1	
10	93109-06060-00	SEAL, PUSH ROD	1	
11	93306-30302-00	BEARING	1	
12	(132-17471-02-00)	PLATE, COVER	1	
13	98503-06014-00	SCREW, PAN HEAD	2	
14	(132-17421-02-00)	AXLE, DRIVE	1	
15	(132-17241-00-00)	GEAR, 4TH WHEEL	1	
16	(132-17221-00-00)	GEAR, 2ND WHEEL	1	
17	90201-20266-00	WASHER, PLATE (1.0T)	1	
18	93410-20038-00	CIRCLIP	1	
19	(132-17231-00-00)	GEAR, 3RD WHEEL	1	
20	(132-17211-01-00)	GEAR, 1ST WHEEL	1	
21	(132-15651-00-00)	GEAR, KICK IDLE	1	
22	(132-15653-00-10)	WASHER	1	
23	99009-13400-00	CIRCLIP	1	
24	93306-30421-00	BEARING (B6304C3)	1	
25	90387-20346-00	COLLAR (102-17462-00)	1	
26	93102-28021-00	OIL SEAL	1	
27	122-27461-51-00	UNAVAILABLE IN PRICE BOOK	1	

CONTINUED ON NEXT FRAME ➤

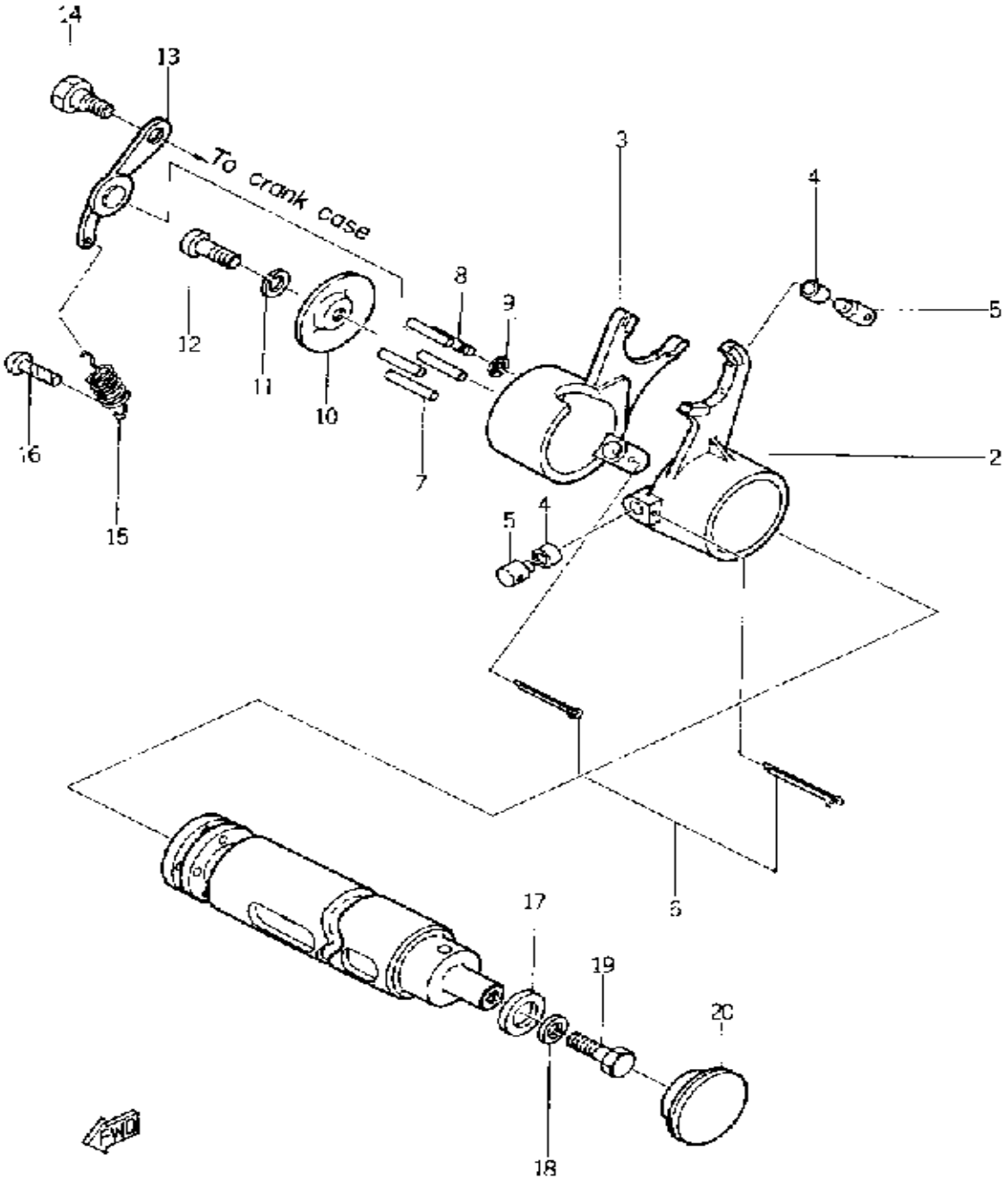


# TRANSMISSION



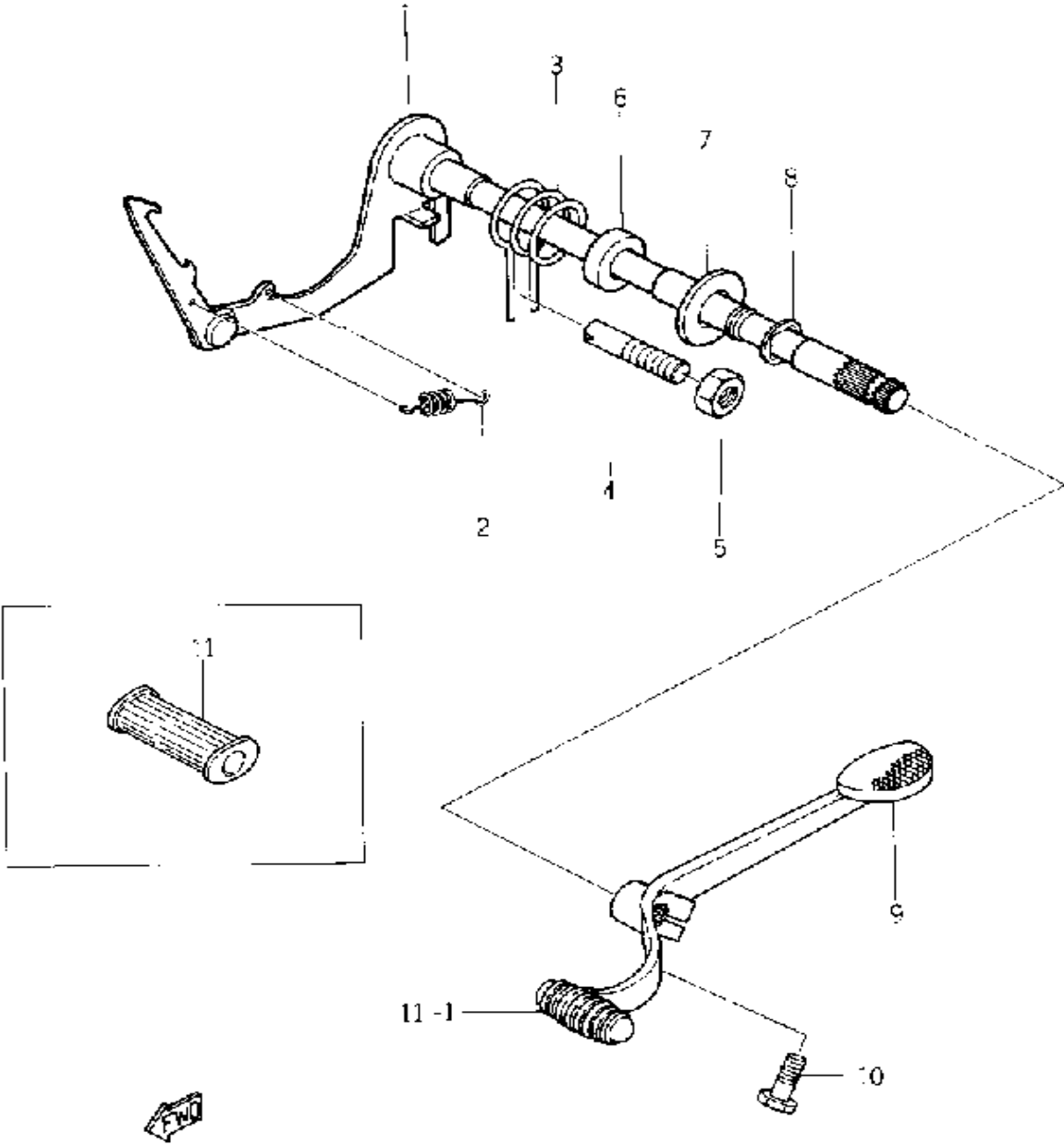
Ref. No.	Part Number	Description	Qty	Remarks
27	93812-14035-00	SPROCKET, DRIVE 14T (5171746142)	1	
	93812-16092-00	SPROCKET, DRIVE (166-17461-60)	1	
28	90215-16020-00	WASHER, LOCK	1	
29	90179-16018-00	NUT	1	
1-1	(132-17141-01-00)	GEAR, 4TH PINION	1	

# SHIFTER 1



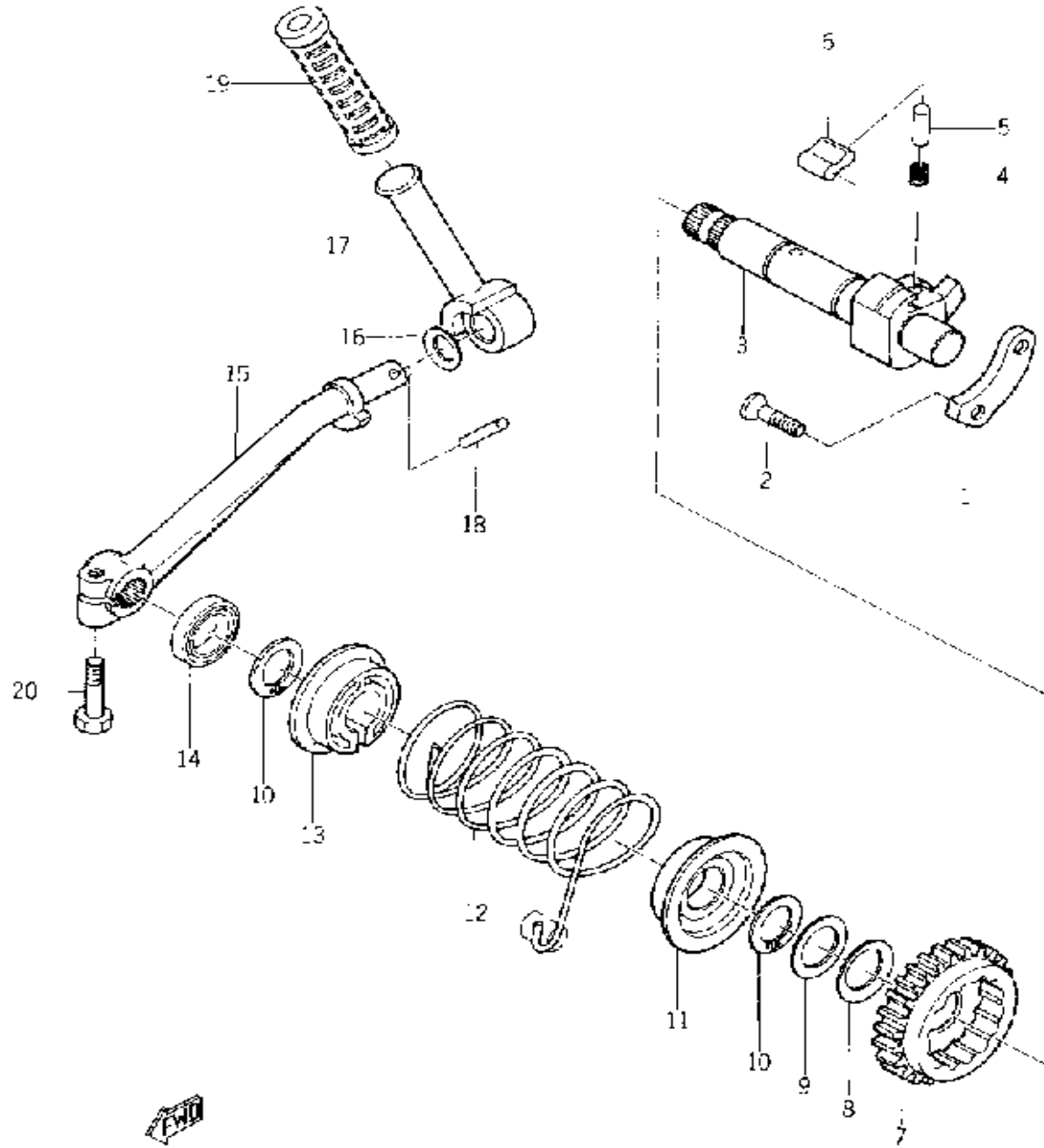
Ref. No.	Part Number	Description	Qty	Remarks
1	(134-18541-63-00)	CAM, SHIFT .....	1	
2	(132-18511-00-00)	FORK, SHIFT 1 .....	1	
3	(132-18512-00-00)	FORK, SHIFT 2 .....	1	
4	136-18551-00-00	. ROLLER, CAM FOLWR .....	2	
5	(90249-05035-00)	PIN, SPEC'L SHAPE .....	2	
6	91401-25020-00	. PIN, COTTER .....	2	
7	(93604-23027-00)	PIN, DOWEL .....	4	
8	90249-04039-00	. PIN, SPEC'L SHAPE (174-18544-00) .....	1	
9	93430-03014-00	. CIRCLIP, E-TYPE .....	1	
10	164-18561-00-00	. PLATE, SIDE 1 .....	1	
11	92990-05100-00	. WASHER, SPRING .....	1	
12	(92503-05012-00)	SCREW, PAN HEAD .....	1	
13	132-18140-01-00	STOPPER LEVER ASSEMBLY .	1	
14	90109-06001-00	BOLT .....	1	
15	90506-09112-00	SPRING, TENSION .....	1	
16	132-16346-00-00	HOOK, SPRING .....	1	
17	90201-065F3-00	WASHER, PLATE .....	1	
18	92995-06100-00	WASHER, SPRING .....	1	
19	97313-06016-00	BOLT, HEXAGON .....	1	
20	(307-18533-00-00)	PLUG, BLIND .....	1	
-1	(134-18500-02-00)	SHIFTER ASSEMBLY .....	1	

# SHIFTER 2



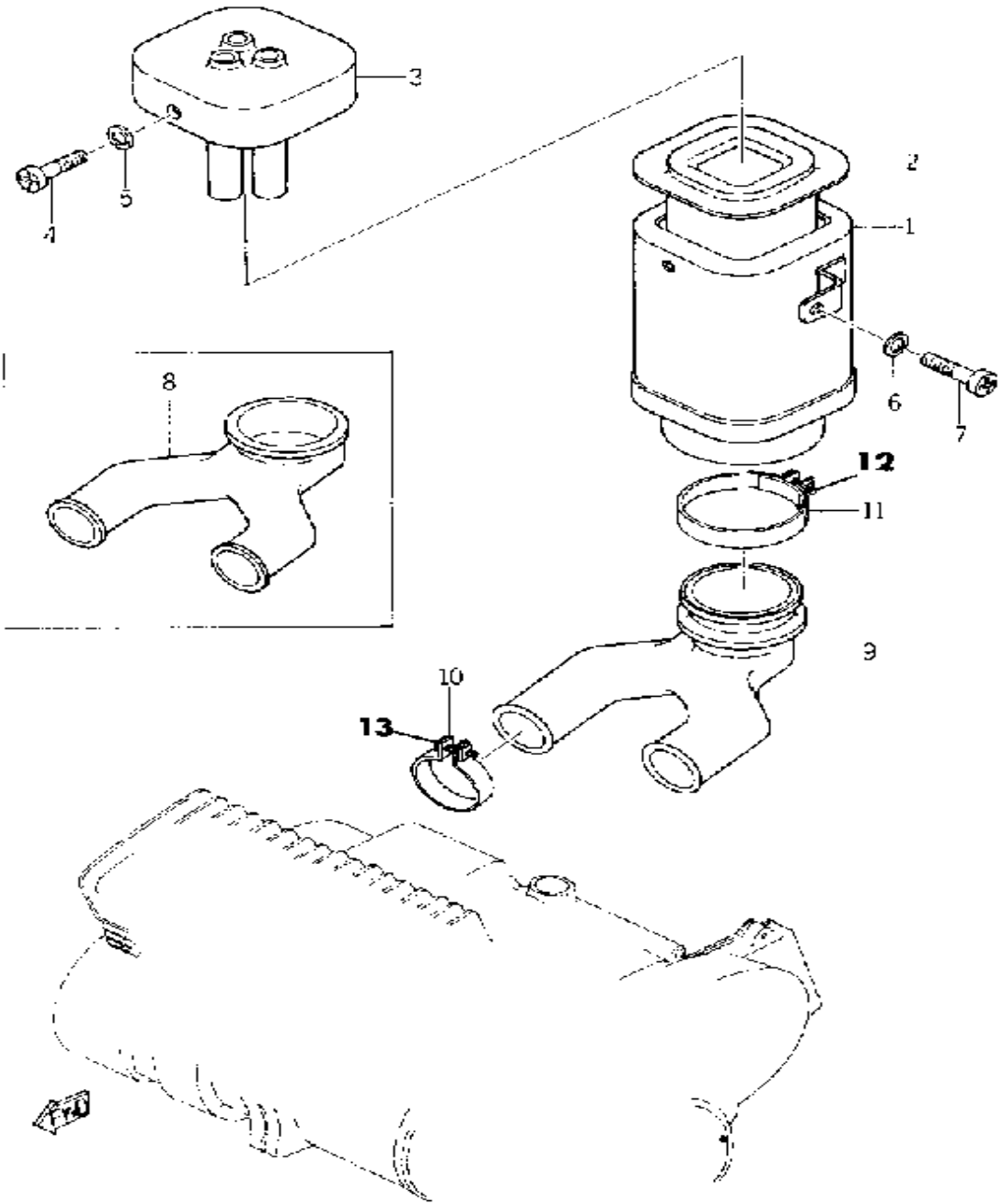
Ref. No.	Part Number	Description	Qty	Remarks
1	(132-18101-02-00)	SHIFT SHAFT ASSEMBLY 1	1	
2	90506-09009-00	SPRING, TENSION	1	
3	90508-32207-00	SPRING, TORSION (132-18124-00)	1	
4	90149-08094-00	SCREW	1	
5	95333-08600-00	NUT	1	
6	93102-12321-00	OIL SEAL	1	
7	90201-12575-00	WASHER, PLATE	1	
8	99006-10600-00	CIRCLIP	1	
9	132-18111-01-93	PEDAL, SHIFT	1	
10	97011-06020-00	BOLT	1	
11	132-18113-01-00	COVER, SHIFT PEDAL	1	

# KICK



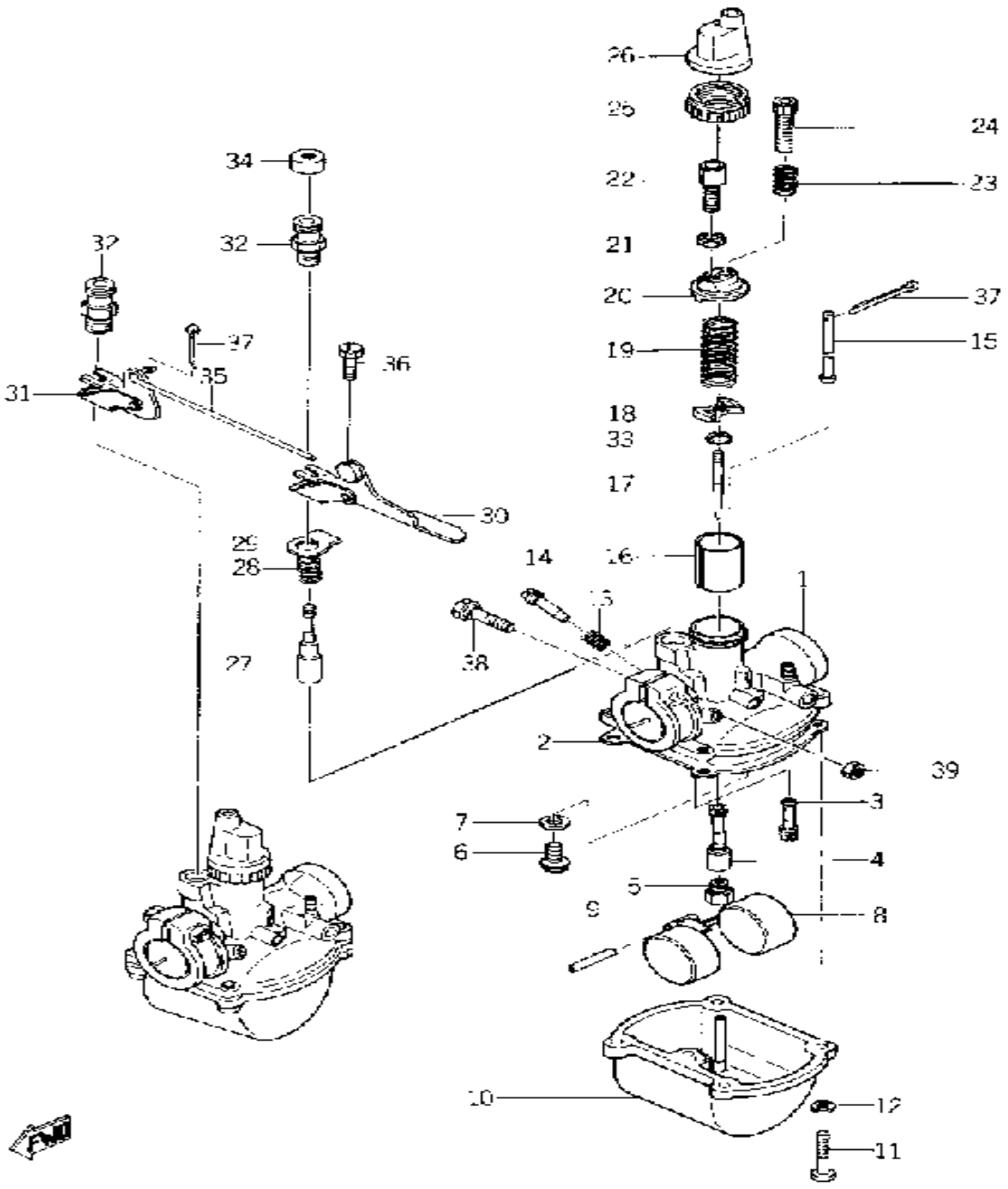
Ref. No.	Part Number	Description	Qty	Remarks
1	(131-15638-00-00)	STOPPER, PAWL	1	
2	98701-06014-00	SCREW, FLAT HEAD	2	
3	(132-15661-00-00)	AXLE, KICK	1	
4	(90501-05020-00)	SPRING, COMPRESSION	1	
5	(90250-05006-00)	PIN, STRAIGHT	1	
6	(131-15635-00-00)	PAWL, KICK	1	
7	(132-15641-00-00)	GEAR, KICK	1	
8	90206-15021-00	WASHER, WAVE	1	
9	132-15644-00-00	SHIM	1	
10	99009-15400-00	CIRCLIP	2	
11	132-15664-01-00	GUIDE, SPRING	1	
12	90508-26136-00	SPRING, TORSION	1	
13	132-15676-01-00	COVER, SPRING	1	
14	93109-15001-00	OIL SEAL	1	
15	3AY-15620-00-00	KICK CRANK ASSEMBLY	1	
16	90206-10014-00	WASHER, WAVE	1	
17	(214-15612-09-00)	LEVER, KICK	1	
18	(93604-18017-00)	PIN, DOWEL	1	
19	156-15618-01-00	COVER, KICK LEVER	1	
20	97011-06020-00	BOLT	1	

# AIR CLEANER



Ref. No.	Part Number	Description	Qty	Remarks
1	(132-14411-00-00)	CASE, AIR CLEANER 1	1	
	(132-14411-01-00)	CASE, AIR CLEANER 1	1	
2	(132-14451-01-00)	ELEMENT, AIR CLNR	1	
3	(132-14412-01-00)	CAP, CLEANER CASE 1	1	
4	98580-06010-00	SCREW, PAN HEAD	2	
5	92990-06200-00	WASHER, PLAIN	2	
6	92995-06100-00	WASHER, SPRING	2	
7	98580-06010-00	SCREW, PAN HEAD	1	
8	99999-01145-00	JOINT, RUBBER (132-14453-01)	1	
9	99999-01145-00	JOINT, RUBBER (132-14453-01)	1	
10	90460-33013-00	CLAMP, HOSE (353-14455-00-00)	2	
11	90460-56105-00	CLAMP, HOSE	1	
12	(92503-05025-00)	SCREW, PAN HEAD	2	
13	(92503-05012-00)	SCREW, PAN HEAD	2	

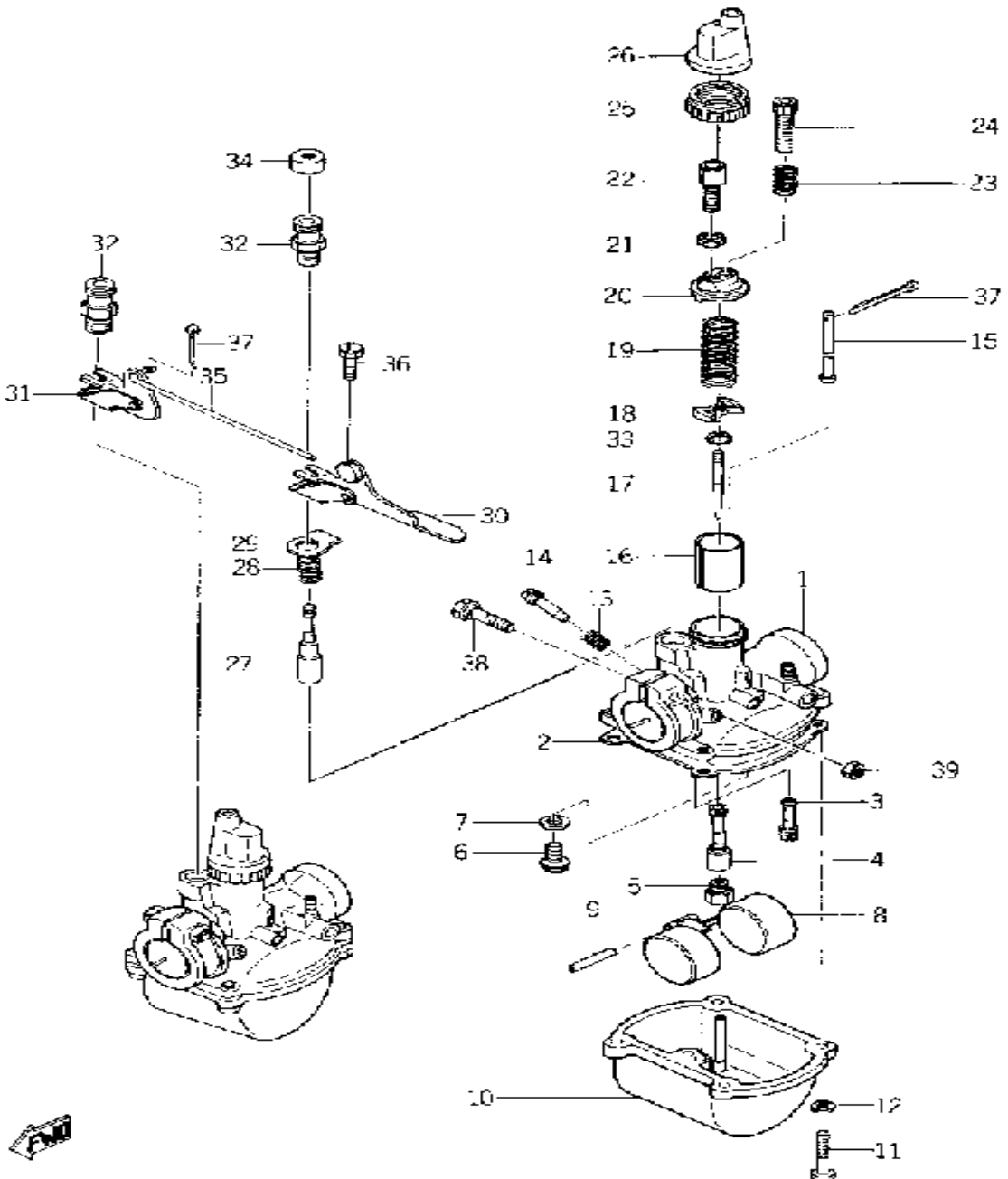
# CARBURETOR



Ref. No.	Part Number	Description	Qty	Remarks
2	127-14184-00-00	. GASKET, FLOAT CHMBR ...	2	
3	127-14142-17-00	. JET, PILOT #17 5 .....	2	
4	(132-14141-10-00)	NOZZLE, MAIN .....	2	
5	(127-14143-08-00)	JET, MAIN # 0 .....	2	U.R.U.R
	(127-14143-10-00)	JET, MAIN # 0 .....	2	U.R.U.R
	(127-14143-12-00)	JET, MAIN # 0 .....	2	U.R.U.R
	(127-14143-14-00)	JET, MAIN # 0 .....	2	U.R.U.R
	(127-14143-16-00)	JET, MAIN # 0 .....	2	U.R.U.R
6	2E9-14190-12-00	. NEEDLE VALVE ASSEMBLY (127-14190-12) .....	2	
7	127-14195-00-00	. WASHER, NEEDLE VALVE ..	2	
8	127-14185-00-00	. FLOAT .....	2	
9	127-14186-00-00	. PIN, FLOAT .....	2	
10	(127-14181-00-00)	BODY, FLOAT CHMBR 1 .....	2	
11	(92503-04020-00)	SCREW, PAN HEAD .....	8	
12	92901-04100-00	. WASHER, SPRING .....	8	
13	127-14134-00-00	. SPRING, AIR ADJUSTING ...	2	
14	127-W1412-00-00	. SCREW, AIR ADJUSTING.SET	2	
15	(127-14114-00-00)	BAR, THROTTLE .....	2	
16	(134-14112-15-00)	VALVE, THROTTLE 1 .....	2	
17	134-14116-03-00	. NEEDLE .....	2	
18	296-14136-00-00	. SEAT, SPRING .....	2	
19	(132-14131-00-00)	SPRING, THRTL VALVE .....	2	
20	(134-14158-00-00)	TOP, MIXING CHAMBER .....	2	
21	127-14161-00-00	. NUT, CABLE ADJUSTING ...	2	
22	12G-14106-00-00	. CBLE AJST SCRW SET .....	2	
23	127-14133-00-00	. SPRING, THRTL STOP .....	2	
24	(127-14121-00-00)	SCREW, THRTL STOP .....	2	
25	(134-14168-00-00)	CAP, MIXING CHAMBER .....	2	

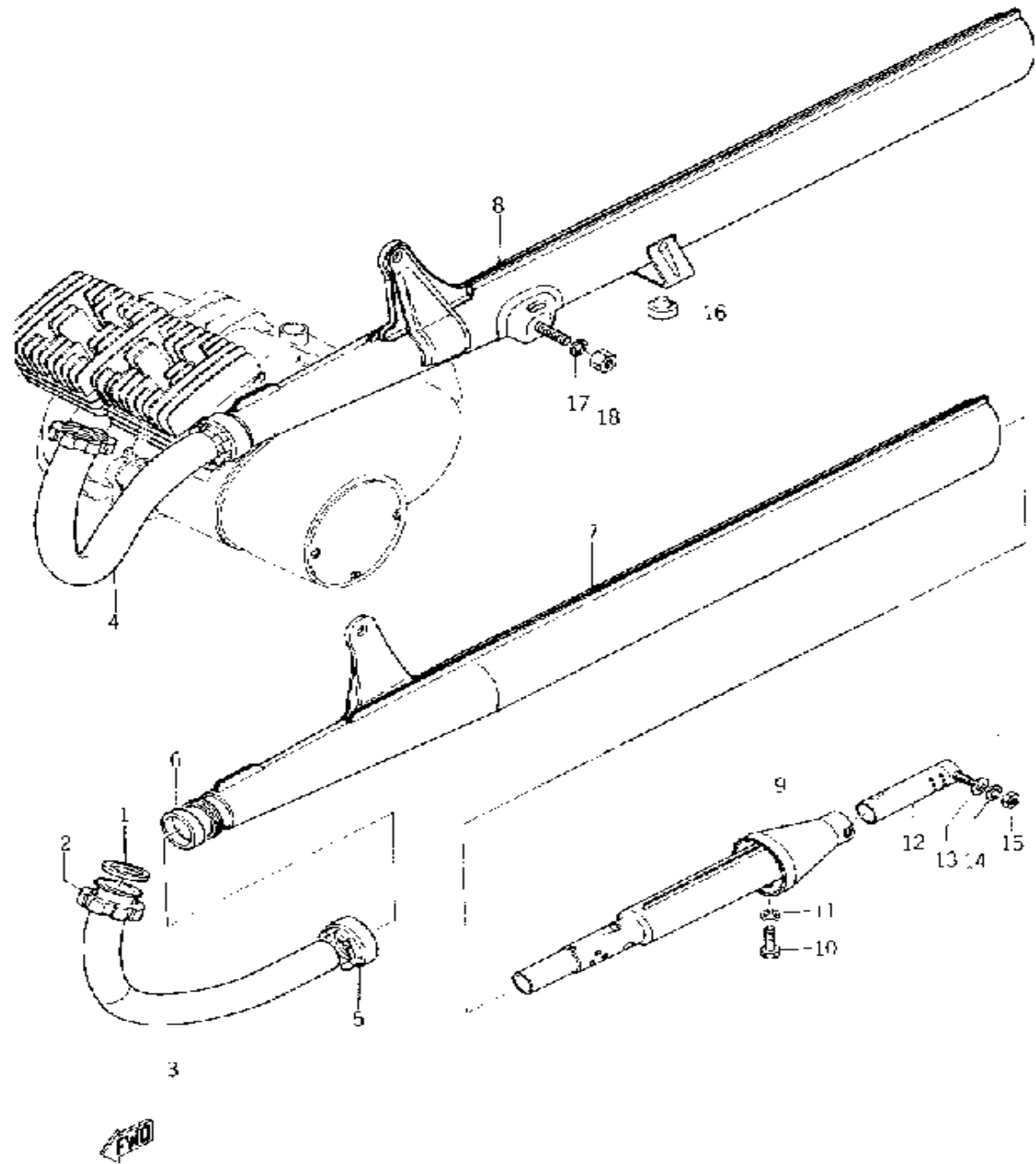
CONTINUED ON NEXT FRAME ►

# CARBURETOR



Ref. No.	Part Number	Description	Qty	Remarks
26	(132-14169-00-00)	CAP .....	2	
27	132-14171-00-00	. PLUNGER, STARTER .....	2	
28	132-14135-00-00	. SPRING, PLUNGER .....	2	
29	(132-14178-00-00)	PLATE, STARTER LVR .....	1	
30	(196-14175-00-00)	LEVER, STARTER 1 .....	1	
31	(132-14176-00-00)	LEVER, STARTER 2 .....	1	
32	(132-14174-00-00)	CAP, PLUNGER .....	2	
33	127-14137-00-00	. CLIP .....	2	
34	132-14173-00-00	. COVER, PLUNGER CAP .....	2	
35	(132-14177-00-00)	ROD, STARTER LEVER .....	1	
36	(132-14486-00-00)	SCREW, ROD .....	1	
37	91401-10015-00	. PIN, COTTER .....	3	
38	127-14125-01-00	. SCREW, BODY FITTING .....	2	
39	(127-14164-00-00)	NUT, HOLDING .....	2	
-1	(198-14101-00-00)	CARBURETOR ASSEMBLY 1 .	1	
-2	(198-14102-00-00)	CARBURETOR ASSEMBLY 2 .	1	
22-1	12G-14106-00-00	. CBLE AJST SCRW SET .....	2	

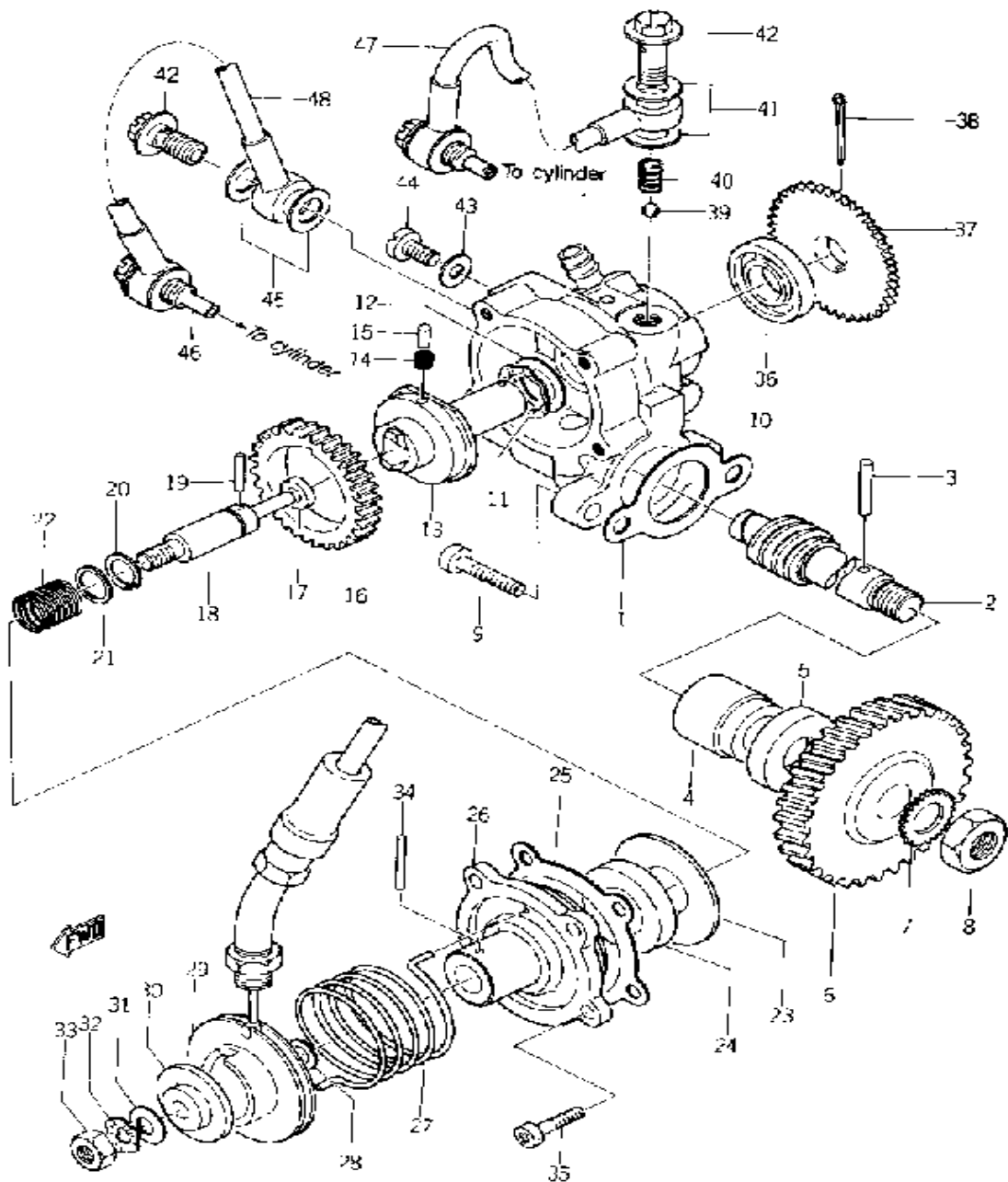
# MUFFLER



Ref. No.	Part Number	Description	Qty	Remarks
1	132-14613-00-00	GASKET, EXST PIPE .....	2	
2	(134-14612-62-93)	NUT, RING .....	2	
3	(134-14611-00-00)	PIPE, EXHAUST L .....	1	
4	(134-14621-00-00)	PIPE, EXHAUST R .....	1	
5	132-14713-00-00	NUT, MUFFLER JOINT .....	2	
6	3NA-14714-01-00	GASKET, MUFFLER .....	2	
7	(134-14710-22-00)	MUFFLER ASSEMBLY L .....	1	
8	(134-14720-22-00)	MUFFLER ASSEMBLY R .....	1	
9	(122-14786-20-00)	ARRESTER, SPARK .....	2	
10	97313-05010-00	. BOLT, HEXAGON .....	2	
11	92990-05100-00	. WASHER, SPRING .....	2	
12	(122-14785-20-00)	DIFFUSER .....	2	
13	92990-06200-00	. WASHER, PLAIN .....	2	
14	92995-06100-00	. WASHER, SPRING .....	2	
15	95380-06600-00	. NUT, HEXAGON .....	2	
16	1M3-27114-00-00	STOPPER, MAIN STAND .....	1	
17	92990-08100-00	WASHER, SPRING .....	2	
18	95333-08600-00	NUT .....	2	



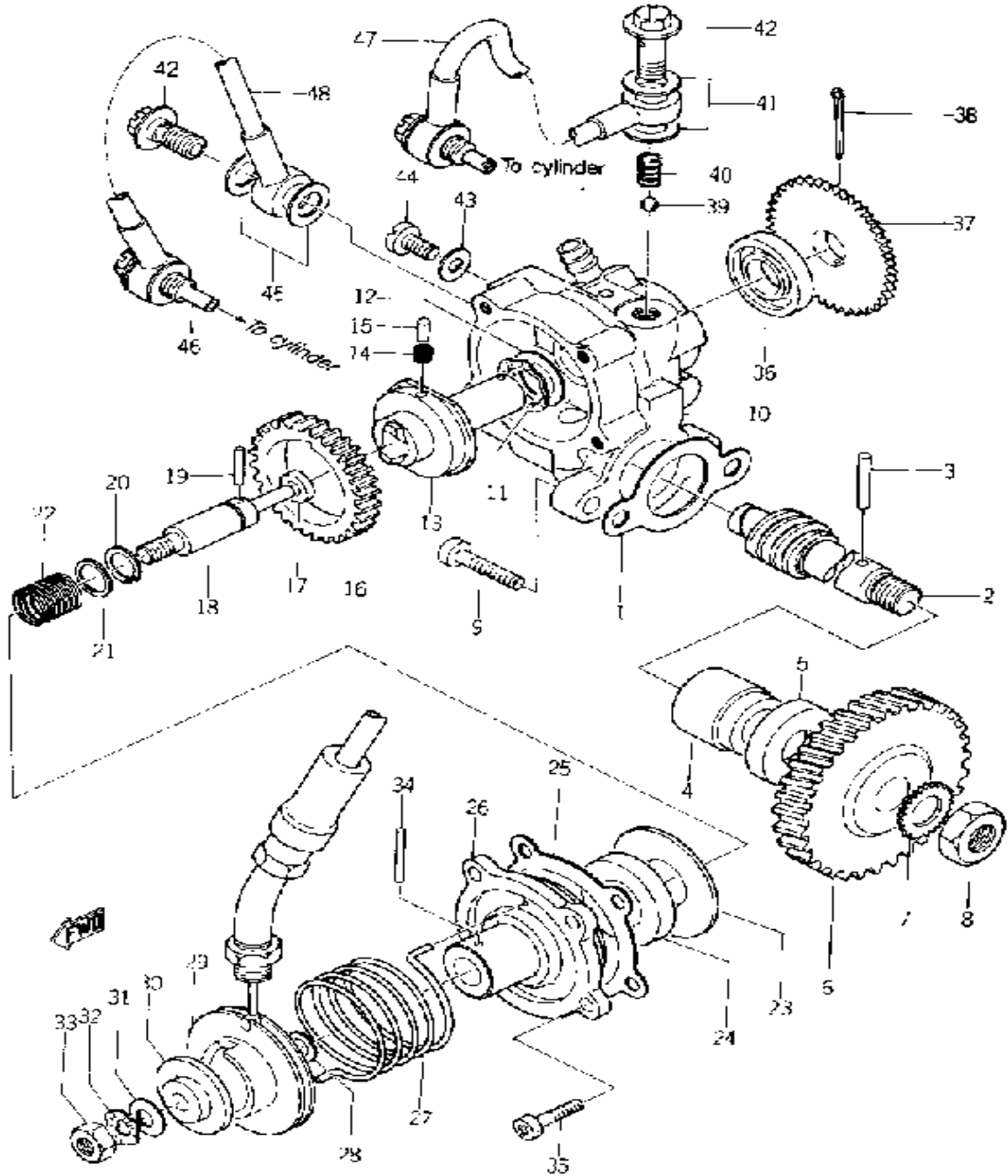
# OIL PUMP



Ref. No.	Part Number	Description	Qty	Remarks
1	3MT-13116-00-00	GASKET, PUMP CASE	1	
2	(132-13175-00-00)	SHAFT, WORM	1	
3	93603-22028-00	PIN, DOWEL	1	
4	1E7-13176-00-00	METAL, WRM SHAF OTR	1	
5	93101-10002-00	OIL SEAL	1	
6	(132-13178-01-00)	GEAR, PUMP DRIVE	1	
7	92901-08400-00	WASHER, EX.TOOTH	1	
8	95303-08700-00	NUT	1	
9	98580-05016-00	SCREW, PAN HEAD	2	
11	90206-10016-00	. UNAVAILABLE IN PRICE BOOK (137-13129-00)	1	
12	137-13148-00-00	. PLATE, CAM THRUST	1	
14	(90501-02016-00)	SPRING, COMPRESSION	2	
15	(93602-04029-00)	PIN, DOWEL	2	
16	(110-13124-00-00)	GEAR, WORM WHEEL	1	
17	93104-04001-00	. OIL SEAL, SO-TYPE	1	
19	93603-12030-00	. PIN, DOWEL	1	
20	93440-08001-00	. CIRCLIP, OUTER	1	
21	(137-13134-00-00)	SEAT, SPRING	2	
22	(137-13135-00-00)	SPRING, PLNGR RTRN	1	
23	(137-13127-00-00)	PLATE, WORM WHEEL	1	
24	93104-14059-00	. OIL SEAL	1	
25	137-13142-00-00	. GASKET	1	
27	90508-10013-00	. SPRING, TORSION (156-13145-00)	1	
28	137-13137-00-10	. SHIM (1.0T)	1	
29	(132-13144-00-00)	PULLEY, ADJUSTING	1	
30	137-13137-00-10	SHIM (1.0T)	1	
31	137-13137-00-10	. SHIM (1.0T)	2	

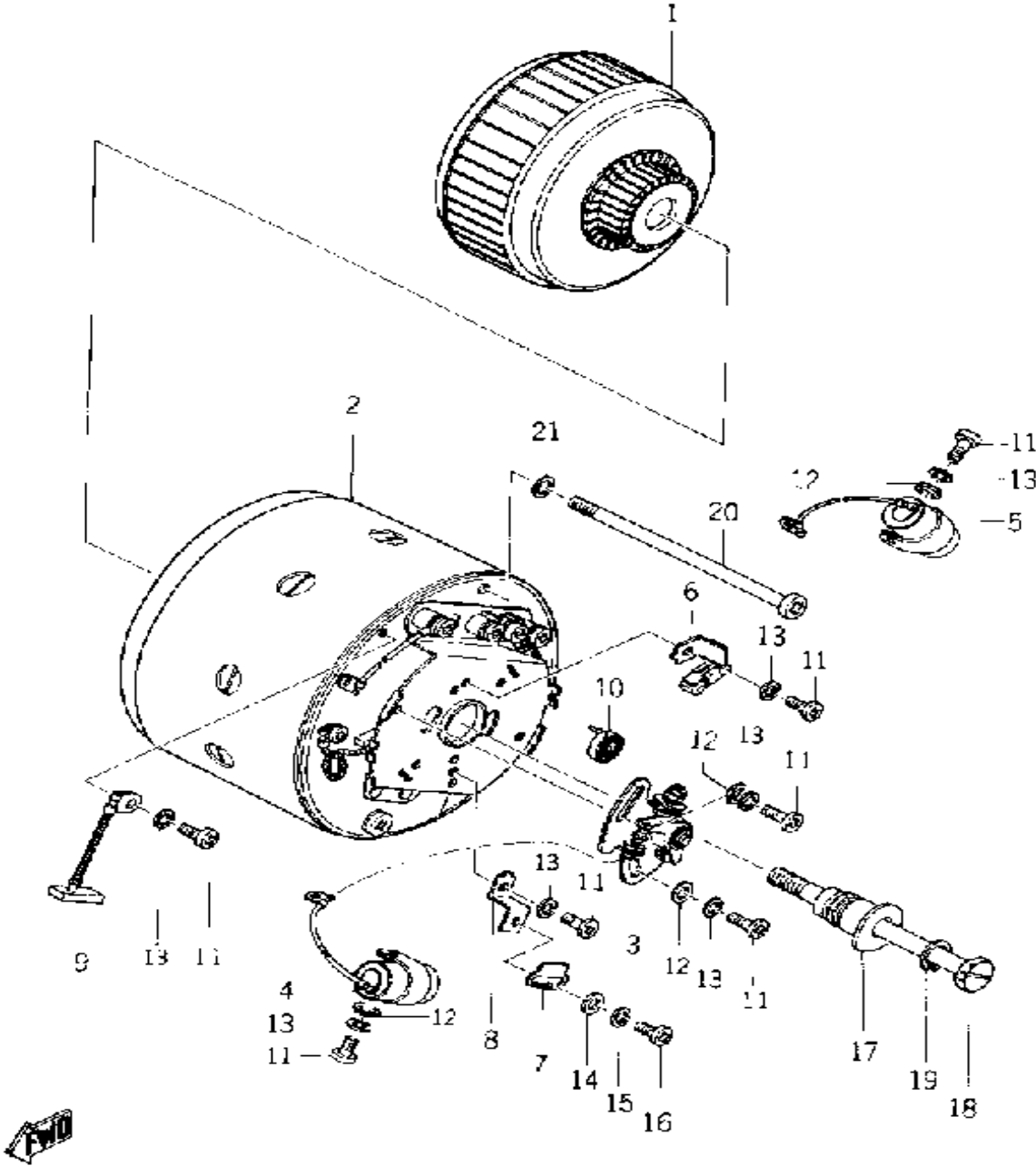
CONTINUED ON NEXT FRAME ►

# OIL PUMP



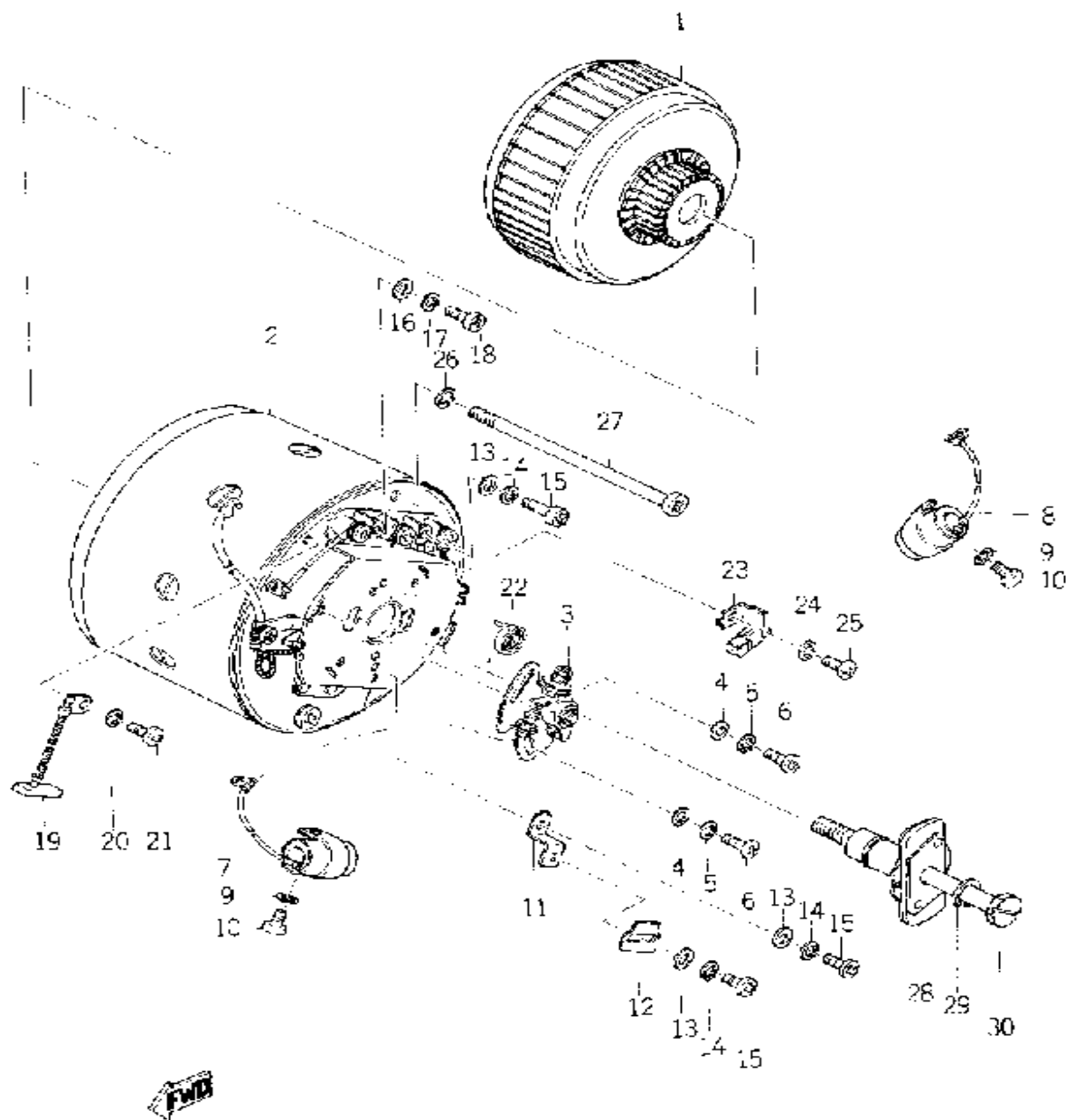
Ref. No.	Part Number	Description	Qty	Remarks
32	92990-05100-00	. WASHER, SPRING	1	
33	(137-13139-00-00)	NUT	1	
34	91608-20010-00	. PIN, SPRING	1	
35	92501-04010-00	. SCREW, PAN HEAD	4	
36	93101-10090-00	. OIL SEAL	1	
37	(137-13128-00-00)	PLATE, STARTER	1	
38	91401-12018-00	. PIN, COTTER	1	
39	93505-32002-00	. BALL	2	
40	(90501-02017-00)	SPRING, COMPRESSION	2	
41	90430-06011-00	. GASKET (137-13167-00)	4	
42	90401-06001-00	. BOLT, UNION	2	
43	90430-04004-00	. GASKET	1	
44	(164-81245-20-00)	SCREW, PAN HEAD	1	
45	90430-06011-00	GASKET (137-13167-00)	4	
46	90401-05011-00	UNAVAILABLE IN PRICE BOOK (132-13166-00)	2	
47	(132-13161-00-00)	PIPE, DELIVERY 1	1	
48	(132-13171-00-00)	PIPE, DELIVERY 2	1	
-1	(132-13101-02-00)	OIL PUMP ASSEMBLY	1	

# GENERATOR (YLI)



Ref. No.	Part Number	Description	Qty	Remarks
1	(132-81255-11-00)	ARMATURE .....	1	
2	(132-81210-11-00)	STATOR ASSEMBLY .....	1	
3	132-81221-10-00	.. CONTACT BRKR ASSEMBLY	2	
4	132-81226-90-00	.. CONDENSER 2 .....	1	
5	132-81225-90-00	.. CONDENSER 1 .....	1	
6	(132-81231-10-00)	LUBRICATOR .....	1	
7	(132-81232-10-00)	PLATE, TIMING .....	1	
8	(132-81233-10-00)	FIXTURE, TMNG PLATE .....	1	
9	132-81211-10-00	.. BRUSH .....	2	
10	141-81113-10-00	.. SPRING, BRUSH .....	2	
11	(92503-04008-00)	SCREW, PAN HEAD .....	13	
12	92990-04200-00	.. WASHER .....	8	
13	92901-04100-00	.. WASHER, SPRING .....	13	
14	92990-03200-00	.. WASHER (50H) .....	1	
15	92990-03100-00	.. WASHER, SPRING .....	1	
16	92503-03006-00	.. SCREW, PAN HEAD .....	1	
17	(132-81251-10-00)	CAM .....	1	
18	(132-81252-10-00)	BOLT .....	1	
19	92990-08100-00	. WASHER, SPRING .....	1	
20	(132-81435-10-00)	SCREW, STATOR .....	8	
21	92990-05100-00	. WASHER, SPRING .....	2	
-1	(198-81200-10-00)	DC GENERATOR ASSEMBLY	1	

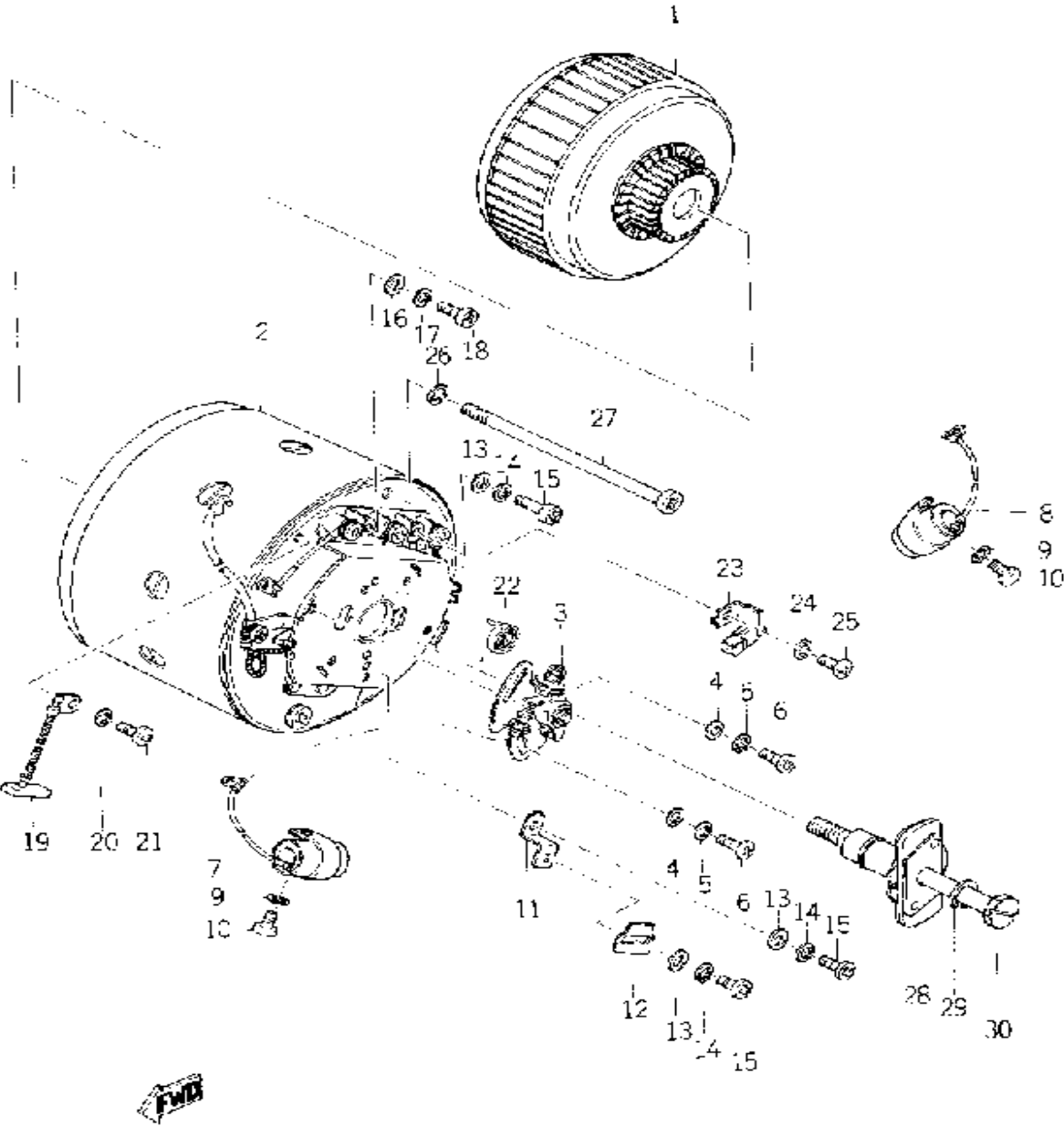
# GENERATOR (YL1E)



Ref. No.	Part Number	Description	Qty	Remarks
1	(176-81155-10-00)	ARMATURE .....	1	
2	(199-81110-10-00)	STATOR ASSEMBLY .....	1	
3	132-81221-10-00	.. CONTACT BRKR ASSEMBLY	2	
4	92990-04200-00	.. WASHER .....	4	
5	92901-04100-00	.. WASHER, SPRING .....	4	
6	(92503-04008-00)	SCREW, PAN HEAD .....	4	
7	132-81226-90-00	.. CONDENSER 2 .....	1	
8	132-81225-90-00	.. CONDENSER 1 .....	1	
9	92901-04100-00	.. WASHER, SPRING .....	2	
10	(92503-04008-00)	SCREW, PAN HEAD .....	2	
11	(133-81133-10-00)	FIXTURE, TMNG PLATE .....	1	
12	(133-81132-10-00)	PLATE, TIMING .....	1	
13	92990-04200-00	.. WASHER .....	5	
14	92901-04100-00	.. WASHER, SPRING .....	5	
15	(92503-04008-00)	SCREW, PAN HEAD .....	5	
16	92990-05200-00	.. WASHER, PLAIN .....	1	
17	92990-05100-00	.. WASHER, SPRING .....	1	
18	92503-05008-00	.. SCREW, PAN HEAD .....	1	
19	141-81111-10-00	.. BRUSH .....	4	
20	92901-04100-00	.. WASHER, SPRING .....	4	
21	(92503-04008-00)	SCREW, PAN HEAD .....	4	
22	141-81113-10-00	.. SPRING, BRUSH .....	4	
23	(132-81231-10-00)	LUBRICATOR .....	1	
24	92901-04100-00	.. WASHER, SPRING .....	1	
25	(92503-04008-00)	SCREW, PAN HEAD .....	1	
26	92990-05100-00	. WASHER, SPRING .....	2	
27	(132-81435-10-00)	SCREW, STATOR .....	2	
28	(133-81153-10-00)	GOVERNOR ASSEMBLY .....	1	
29	92990-08100-00	. WASHER, SPRING .....	1	

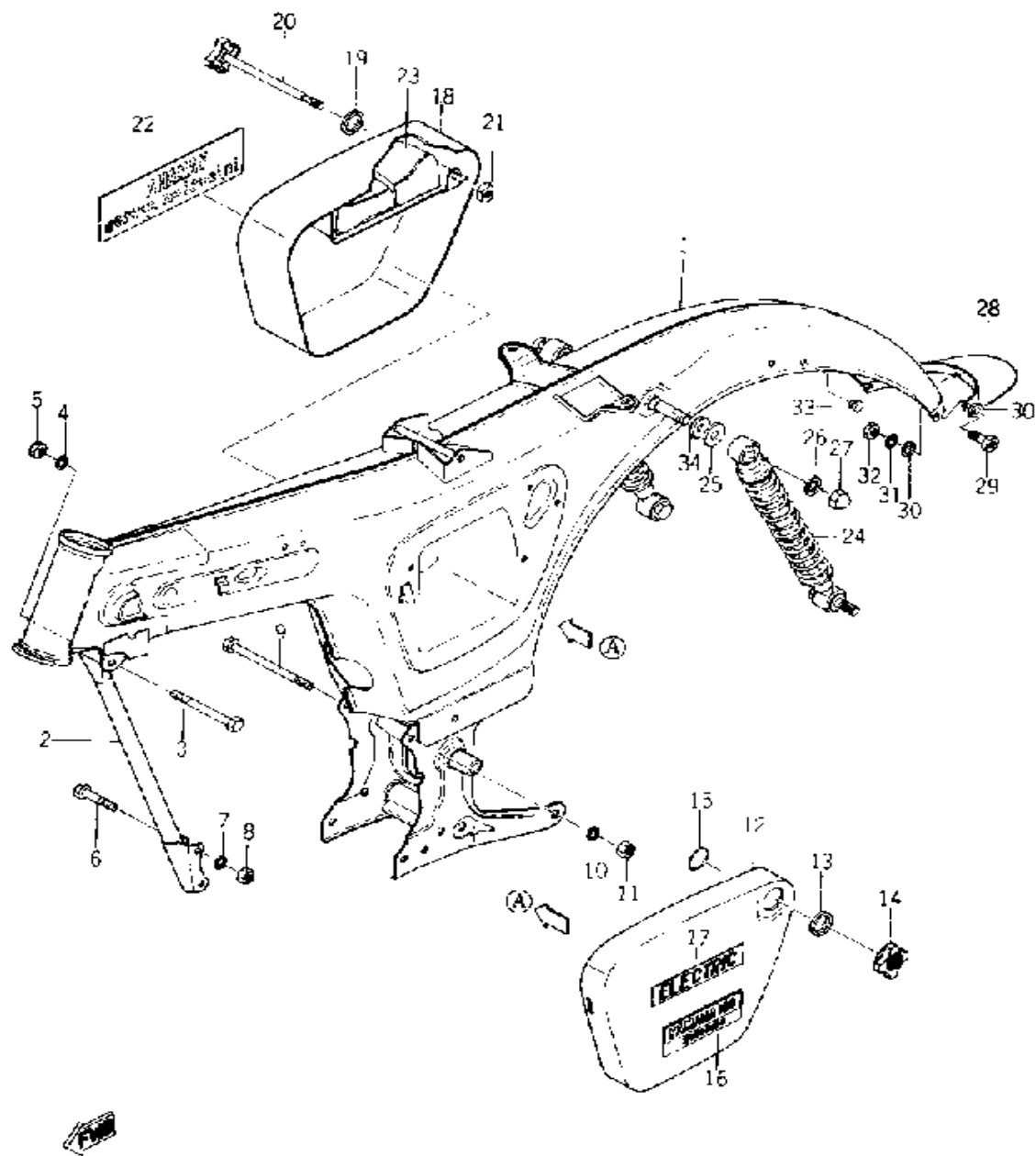
CONTINUED ON NEXT FRAME ➤

# GENERATOR (YLIE)



Ref. No.	Part Number	Description	Qty	Remarks
30	(133-81152-10-00)	BOLT .....	1	
-1	(199-81100-10-00)	STARTER GEN ASSEMBLY ...	1	

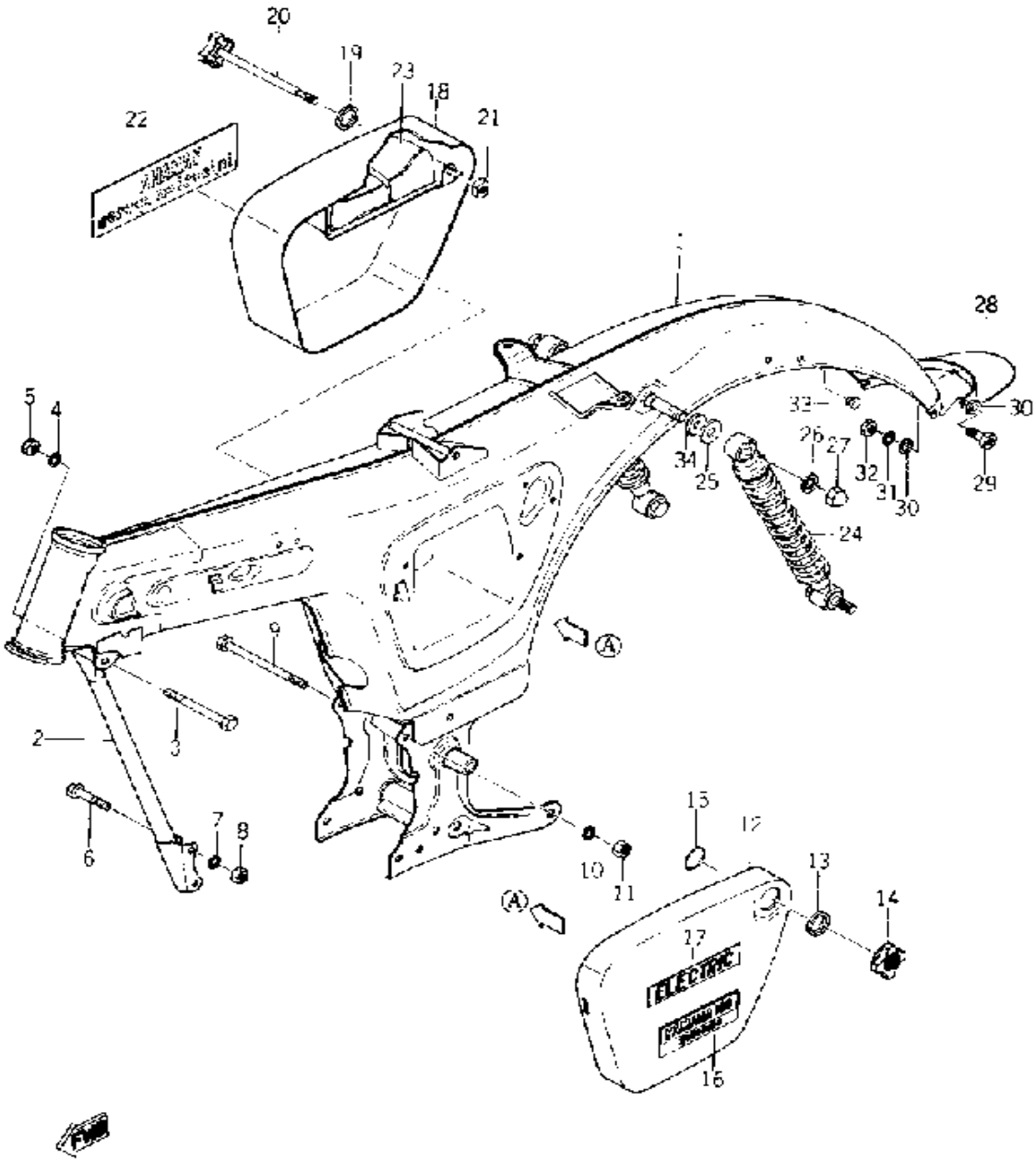
# FRAME



Ref. No.	Part Number	Description	Qty	Remarks
2	(134-21280-00-93)	TUBE, DOWN	1	
3	97021-08065-00	BOLT	1	
4	92990-08100-00	WASHER, SPRING	1	
5	95333-08600-00	NUT	1	
6	97313-08040-00	BOLT, HEXAGON (97322-08040)	2	
7	92990-08100-00	WASHER, SPRING	2	
8	95333-08600-00	NUT	2	
9	95811-08110-00	BOLT, FLANGE	1	
10	92990-08100-00	WASHER, SPRING	2	
11	95333-08600-00	NUT	2	
12	(122-21711-01-81)	COVER, SIDE 1	1	
13	90202-33041-00	WASHER, PLATE (122-21715-00)	1	
14	102-21714-00-00	KNOB, SIDE COVER 1	1	
15	(102-21718-00-00)	RING, STOP	1	
16	(134-21784-00-00)	EMBLEM 4	1	
17	(176-21787-00-00)	EMBLEM 7	1	
19	90202-07015-00	WASHER, PLATE (122-21725-00)	1	
20	(126-21724-00-00)	KNOB, SIDE COVER 2	1	
21	95380-06700-00	NUT	1	
22	(137-21782-60-00)	EMBLEM 2	1	
23	1E7-W2810-00-00	TOOL KIT	1	
24	(130-22210-00-00)	SHK/ABS ASSEMBLY, REAR	2	
25	90201-12190-00	WASHER, PLATE	4	
26	90201-12175-00	WASHER, PLATE	2	
27	(90176-12006-00)	NUT, CROWN	2	
28	(122-21621-00-00)	FLAP	1	
29	98503-06014-00	SCREW, PAN HEAD	3	

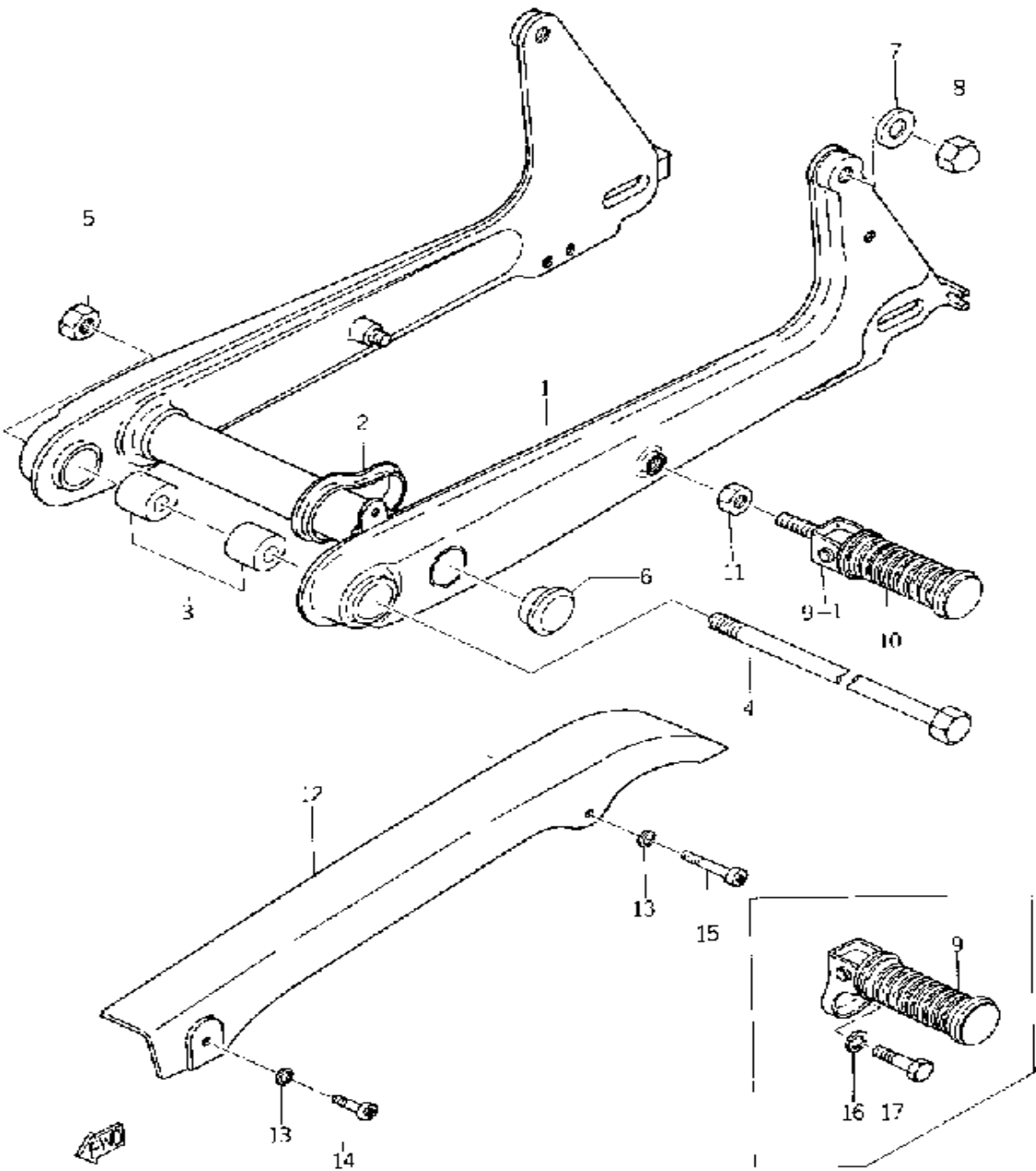
CONTINUED ON NEXT FRAME ►

# FRAME



Ref. No.	Part Number	Description	Qty	Remarks
30	92990-06200-00	WASHER, PLAIN	5	
31	92995-06100-00	WASHER, SPRING	3	
32	95380-06600-00	NUT, HEXAGON	2	
33	(90338-09060-00)	PLUG, SPEC'L SHAPE	2	
34	90201-12472-00	WASHER, PLATE	2	

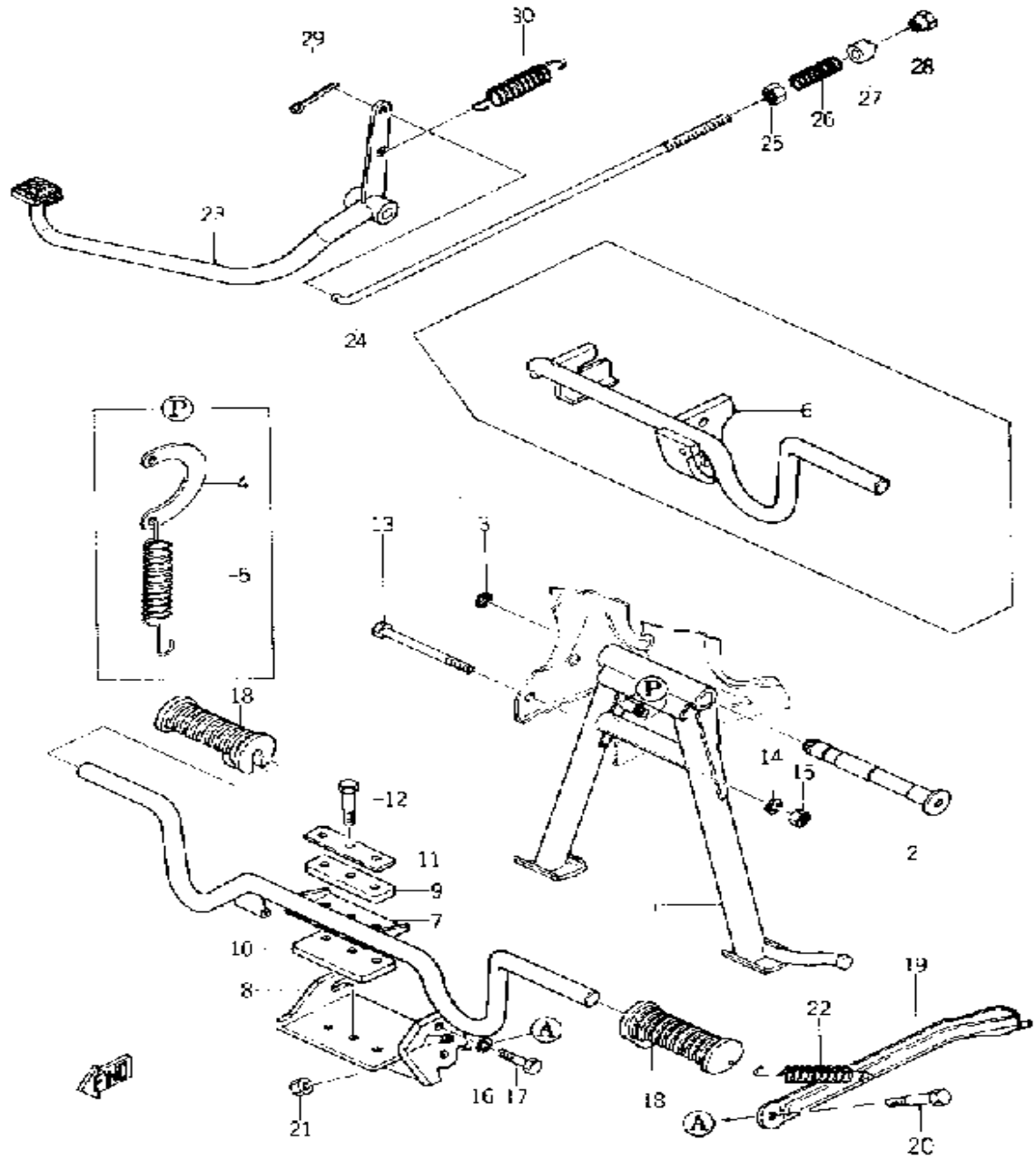
# REAR ARM AND CHAIN CASE



Ref. No.	Part Number	Description	Qty	Remarks
2	(296-22151-01-00)	SEAL, GUARD .....	1	
3	102-22123-00-00	BUSH 1 .....	2	
4	(109-22141-00-00)	SHAFT, PIVOT .....	1	
5	90185-10031-00	NUT, SELF-LOCKING .....	1	
6	(180-22117-00-00)	CAP .....	1	
7	90201-12190-00	WASHER, PLATE .....	2	
8	(90176-12006-00)	NUT, CROWN .....	2	
9	120-27430-00-00	RR FOOTREST ASSEMBLY 1 .	2	
10	120-27433-00-00	. COVER, REAR FOOTREST ..	2	
11	(90170-12061-00)	NUT, HEXAGON .....	2	
12	(128-22311-00-35)	CASE, CHAIN .....	1	
13	92990-05100-00	WASHER, SPRING .....	2	
14	92501-05006-00	SCREW, PAN HEAD .....	1	
15	98501-05018-00	SCREW, PAN HEAD .....	1	
16	92990-10100-00	WASHER, SPRING .....	2	
17	97011-10020-00	BOLT .....	2	
9-1	120-27430-01-00	RR FOOTREST ASSEMBLY 1 .	2	



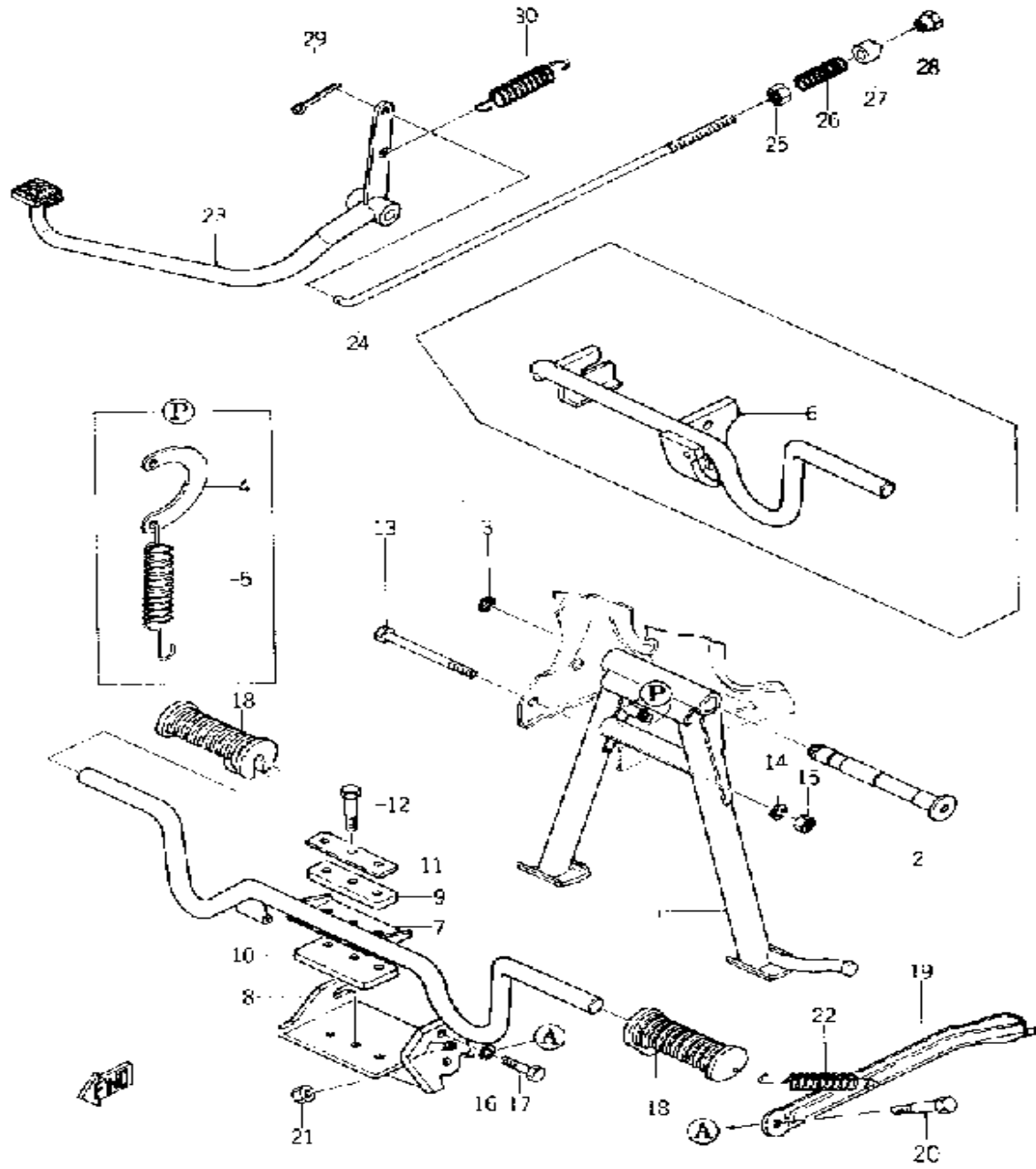
# STAND - BRAKE PEDAL



Ref. No.	Part Number	Description	Qty	Remarks
1	(132-27111-00-00)	STAND, MAIN	1	
2	(122-27112-00-00)	SHAFT, MAIN STAND	1	
3	93430-12008-00	CIRCLIP	1	
4	(137-27115-00-00)	LINK, MAIN STAND	1	
5	(90506-40061-00)	SPRING, TENSION	1	
6	(132-27411-01-00)	FOOTREST 1	1	YL1YL1E
7	(132-27411-01-00)	FOOTREST 1	1	YL1YL1E
8	(132-27412-00-00)	BRACKET, FOOTREST 1	1	YL1YL1E
9	(132-27414-00-00)	DAMPER, FOOTREST	1	YL1YL1E
10	(132-27424-00-00)	DAMPER, FOOTREST 2	1	YL1YL1E
11	(132-27417-00-00)	WASHER, FOOTREST	1	YL1YL1E
12	90109-08193-00	BOLT (132-27416-00)	3	YL1YL1E
13	95821-08130-00	BOLT, FLANGE (91101-08130)	1	
14	92990-08100-00	WASHER, SPRING	1	
15	95333-08600-00	NUT	1	
16	92990-08100-00	WASHER, SPRING	1	
17	97313-08020-00	BOLT, HEXAGON	1	
18	122-27413-00-00	COVER, FOOTREST	2	
19	(132-27311-01-00)	STAND, SIDE	1	
20	90109-08032-00	BOLT (122-27317-01)	1	
21	95303-08700-00	NUT	1	
22	90506-29052-00	SPRING, TENSION	1	
23	(132-27211-00-93)	PEDAL, BRAKE	1	
24	180-27231-01-00	ROD, BRAKE	1	
25	95380-06600-00	NUT, HEXAGON	1	
26	90501-10245-00	SPRING, COMPRESSION	1	
27	(148-27239-00-00)	SEAT, SPRING	1	
28	90179-06411-00	NUT	1	
29	91490-12012-00	PIN, COTTER	1	

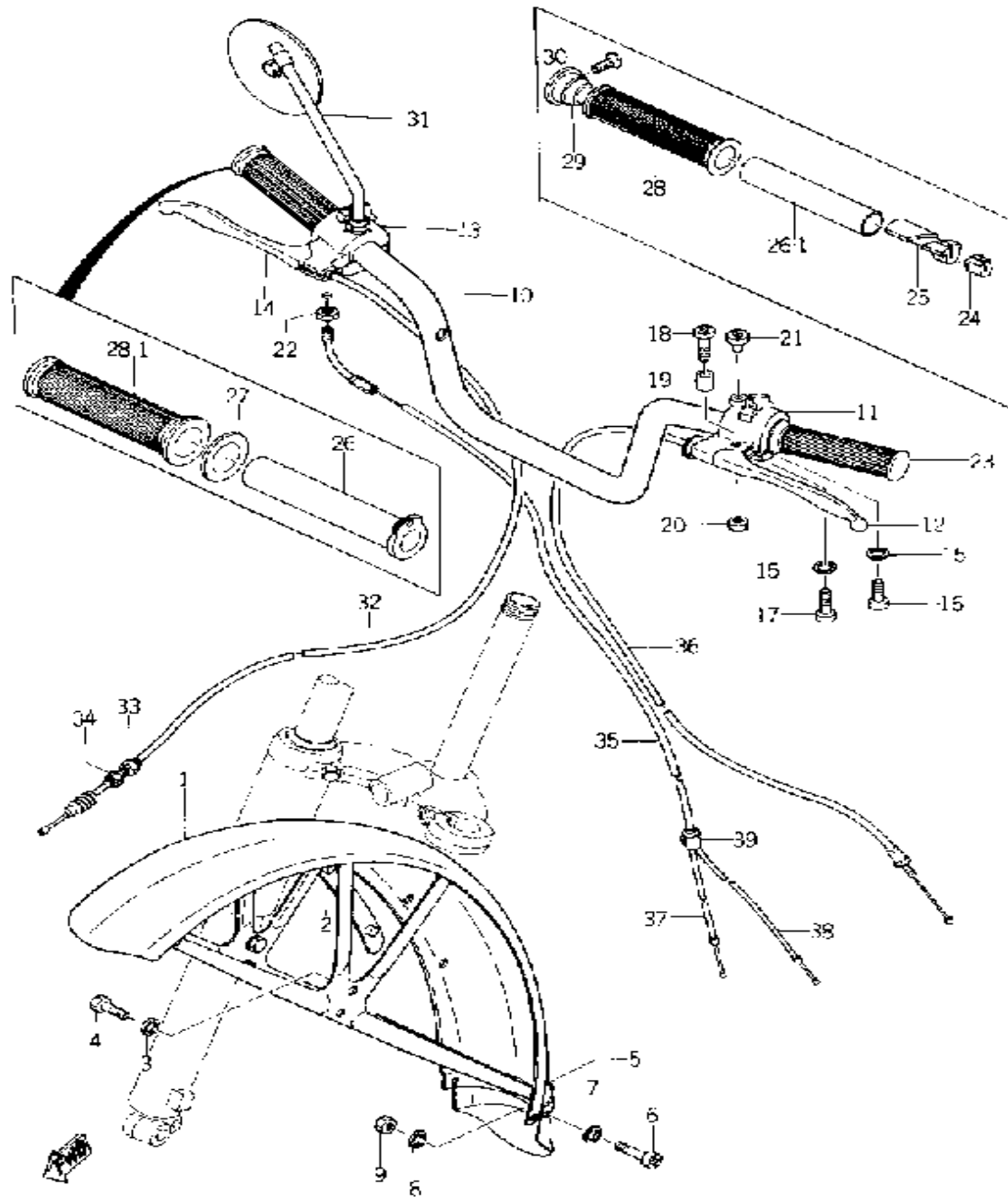
CONTINUED ON NEXT FRAME ➤

# STAND - BRAKE PEDAL



Ref. No.	Part Number	Description	Qty	Remarks
30	90506-20041-00	SPRING, TENSION .....	1	

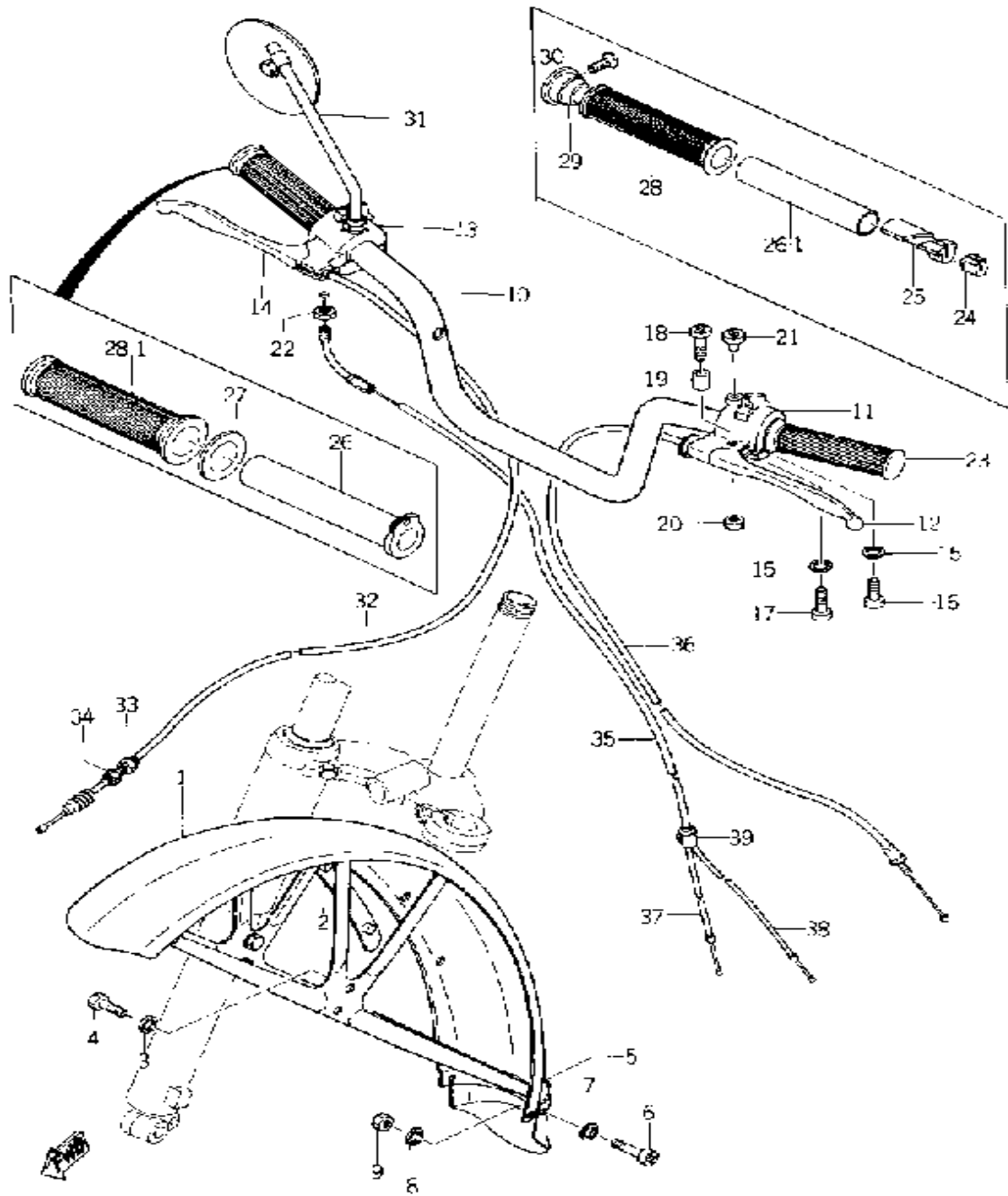
# HANDLE & FRONT FENDER



Ref. No.	Part Number	Description	Qty	Remarks
2	(122-21517-00-00)	PAD, CABLE .....	1	
3	92990-08100-00	WASHER, SPRING .....	4	
4	97313-08012-00	BOLT, HEXAGON .....	4	
5	(129-21521-00-33)	FLAP, FRONT FENDER .....	1	
6	98580-06010-00	SCREW, PAN HEAD .....	3	
7	92995-06100-00	WASHER, SPRING .....	3	
8	92995-06100-00	WASHER, SPRING .....	3	
9	95380-06700-00	NUT .....	3	
10	(132-26111-00-00)	HANDLEBAR .....	1	
	(132-26111-10-00)	HANDLEBAR .....	1	
	(137-26111-11-93)	HANDLEBAR .....	1	
11	353-82910-01-00	LEVER HOLDER ASSEMBLY 1	1	
12	137-83912-02-38	. LEVER L .....	1	
13	164-82620-10-94	LEVER HOLDER ASSEMBLY 2 (UP) (164-82620-10) .....	1	
	167-82820-11-94	LEVER HOLDER ASSEMBLY 2	1	
14	137-83922-02-39	. UNAVAILABLE IN PRICE BOOK .....	1	
15	92990-05100-00	. WASHER, SPRING .....	6	
16	98501-05018-00	. SCREW, PAN HEAD .....	2	
17	(92503-05025-00)	SCREW, PAN HEAD .....	4	
18	(92503-05025-00)	SCREW, PAN HEAD .....	2	
19	137-83913-01-00	. COLLAR, LEVER 1 .....	2	
20	95311-05700-00	. NUT .....	2	
21	90338-07011-00	PLUG .....	1	
22	90170-10038-00	NUT, HEXAGON .....	1	
23	341-26241-00-00	GRIP LH .....	1	
24	(135-26245-00-00)	STOPPER, CABLE .....	1	
25	137-26244-00-00	SLIDER, THROTTLE .....	1	

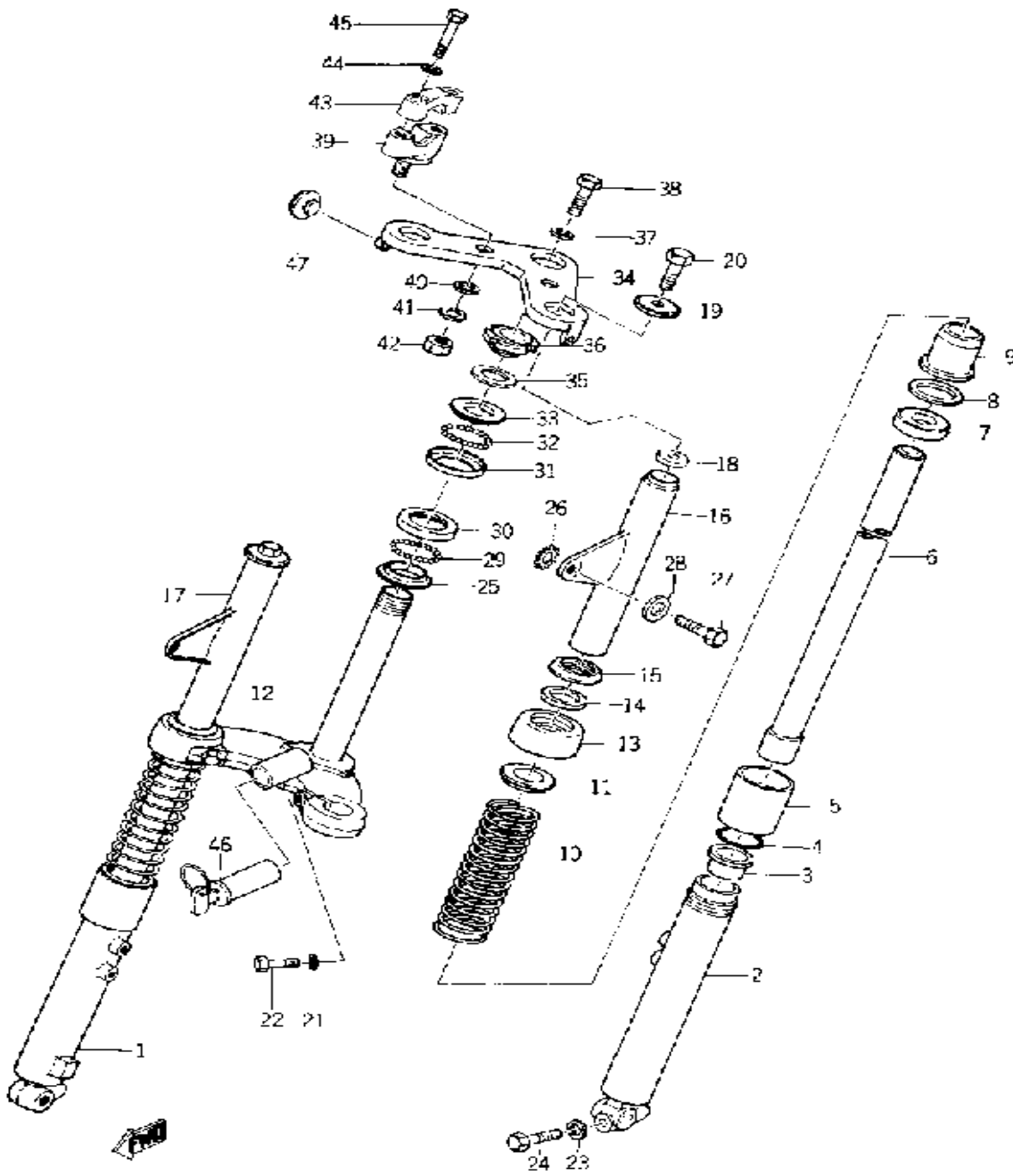
CONTINUED ON NEXT FRAME ►

# HANDLE & FRONT FENDER



Ref. No.	Part Number	Description	Qty	Remarks
26	(148-26243-00-00)	TUBE, THRTL GUIDE .....	1	
	1V1-26243-00-00	TUBE, THRTL GUIDE .....	1	
27	150-26249-00-00	RING, LEAF .....	1	
28	(136-26242-00-00)	GRIP RH .....	1	
	(137-26246-01-00)	END, GRIP .....	1	
29	(137-26246-01-00)	END, GRIP .....	1	
30	(92701-05008-00)	SCREW, FLAT HEAD .....	1	
31	(116-26290-02-00)	MIRROR .....	1	
32	109-26341-10-00	CABLE, BRAKE .....	1	
	209-26341-10-00	UNAVAILABLE IN PRICE BOOK	1	
33	90123-06011-00	BOLT .....	1	
34	90179-06143-00	NUT, SPEC'L SHAPE .....	1	
35	(132-26311-10-00)	CABLE, THROTTLE 1 .....	1	
	(176-26311-00-00)	CABLE, THROTTLE 1 .....	1	
36	(132-26335-10-00)	CABLE, CLUTCH .....	1	
37	(132-26321-00-00)	CABLE, PUMP .....	1	
38	(132-26312-00-00)	CABLE, THROTTLE 2 .....	2	
39	156-26261-01-00	CONNECTOR, CABLE .....	1	
40	164-26363-00-00	END, CABLE .....	1	

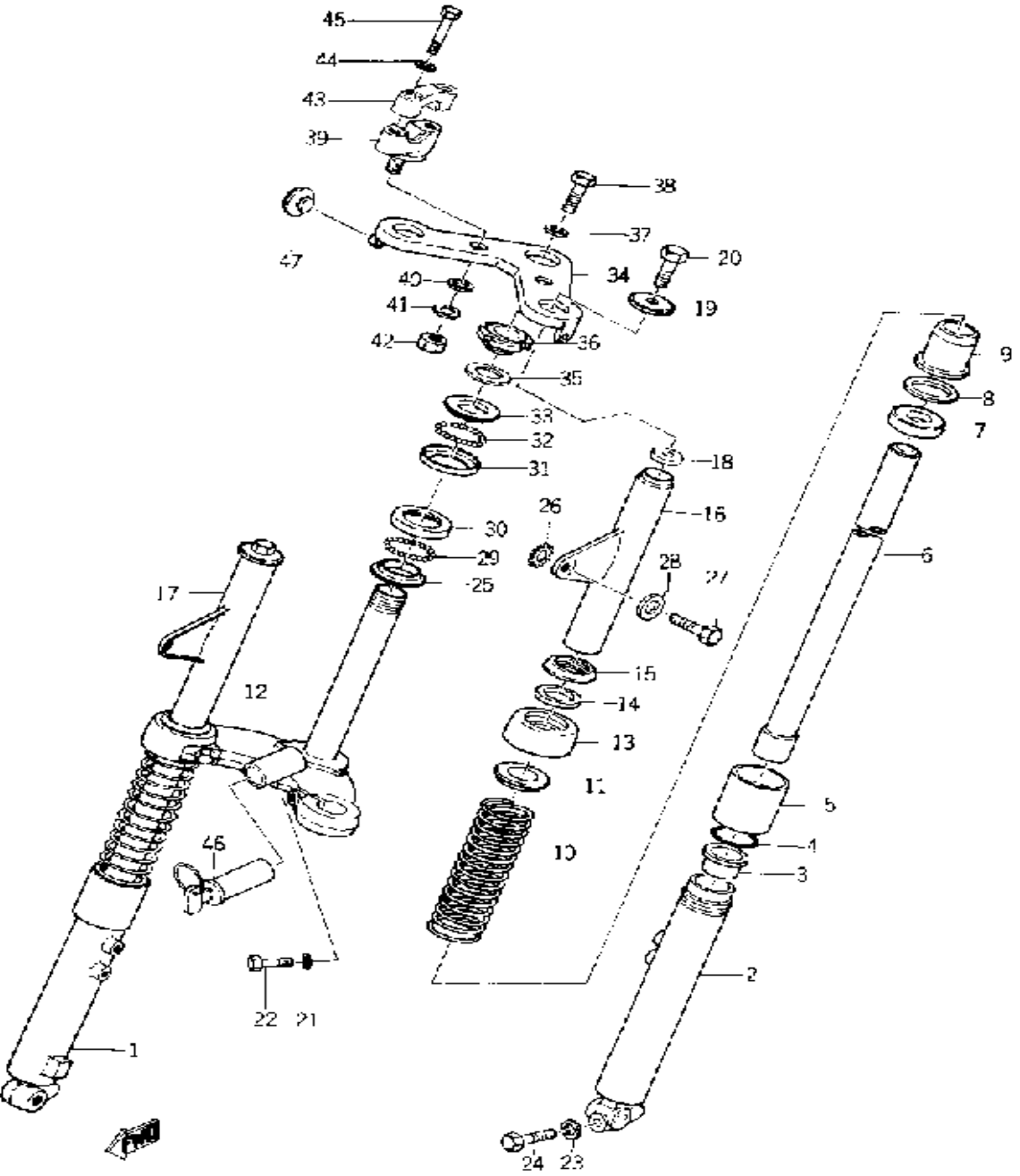
# FRONT FORK



Ref. No.	Part Number	Description	Qty	Remarks
1	(124-23136-00-81)	TUBE, OUTER 2	1	
2	(196-23126-40-81)	TUBE, OUTER 1	1	
3	(357-23125-90-00)	METAL, SLIDE 1	2	
4	122-23147-00-00	. O-RING	2	
5	(128-23150-00-00)	OUTER NUT	2	
6	(196-23124-40-00)	TUBE, INNER 1	2	
7	276-23146-51-00	. UNAVAILABLE IN PRICE BOOK	2	
8	(124-23146-00-00)	WASHER, OIL SEAL	2	
9	(122-23143-00-00)	SEAT, SPRING LOWER	2	
10	(132-23141-00-00)	SPRING, FRONT FORK	2	
11	(124-23142-00-00)	SEAT, SPRING UPPER	2	
12	(122-23340-00-33)	UNDER BRACKET	1	
13	(124-23122-00-00)	COVER, OUTER 1	2	
14	164-23163-00-00	. GASKET	2	
15	(122-23116-00-00)	GUIDE, COVER LOWER	2	
16	(122-23121-00-81)	COVER, UPPER 1	1	
17	(122-23131-00-81)	COVER, UPPER 2	1	
18	307-23114-00-00	. GASKET	2	
19	207-23112-00-00	. WASHER, CAP	2	
20	205-23111-40-00	. BOLT, CAP	2	
21	92990-10100-00	. WASHER, SPRING	2	
22	5J0-23346-00-00	. BOLT 1	2	
23	92990-08100-00	. WASHER, SPRING	1	
24	97013-08025-00	. BOLT	1	
25	156-23412-00-00	. RACE, BALL 2	1	
26	92901-08400-00	WASHER, EX.TOOTH	2	
27	97313-08018-00	BOLT, HEXAGON	2	
28	92990-08200-00	WASHER, PLAIN	2	

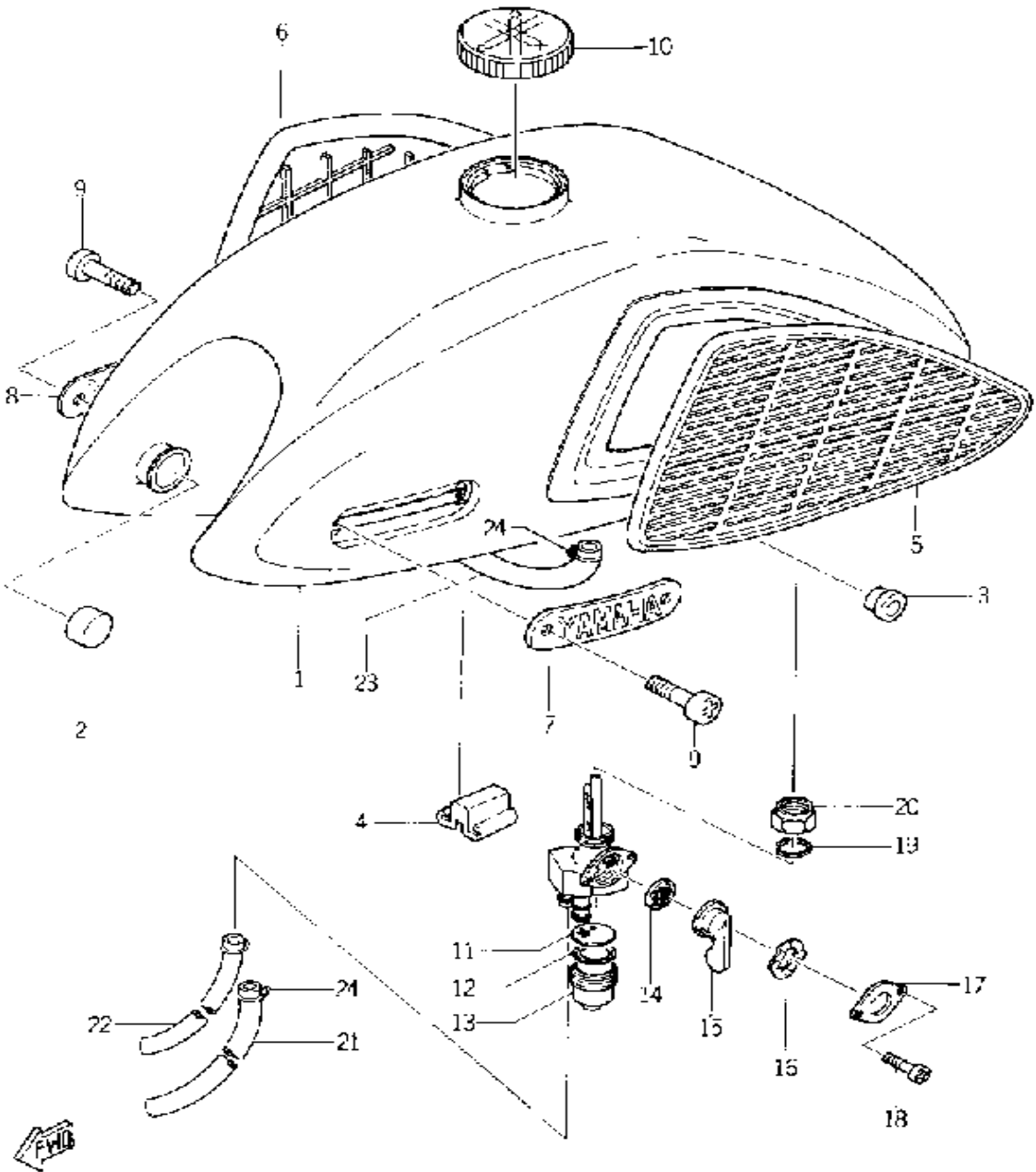
CONTINUED ON NEXT FRAME ►

# FRONT FORK



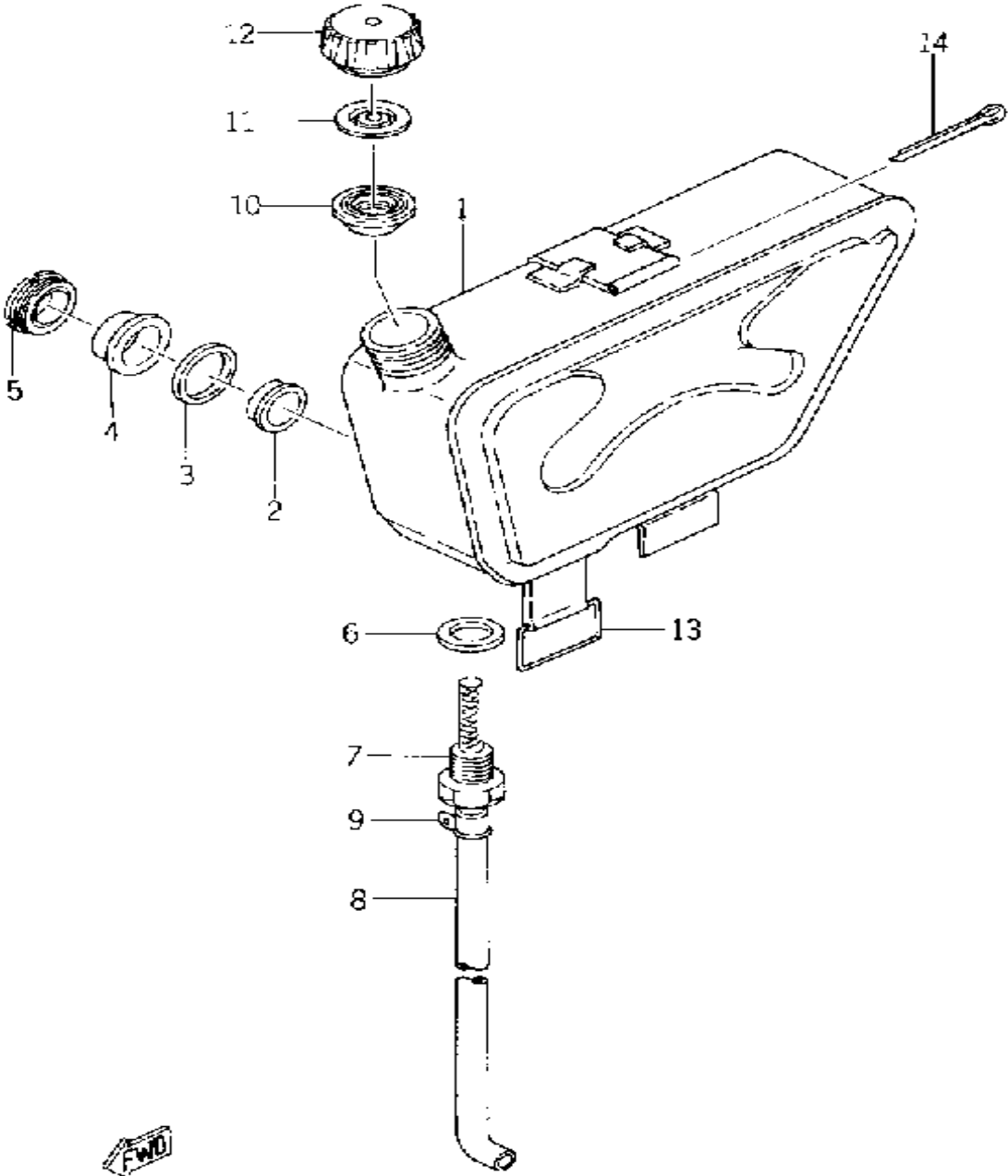
Ref. No.	Part Number	Description	Qty	Remarks
29	93501-04011-00	BALL .....	19	
30	156-23411-00-00	RACE, BALL 1 .....	1	
31	22F-23411-01-00	RACE, BALL 1 .....	1	
32	93503-16010-00	BALL .....	22	
33	22F-23412-01-00	RACE, BALL 2 .....	1	
34	(122-23435-01-33)	CROWN, HANDLE .....	1	
35	122-23416-00-00	COVER, BALL RACE 2 .....	1	
36	90179-25051-00	NUT .....	1	
37	90209-10021-00	WASHER, SPEC'L SHAP .....	1	
38	90105-10006-00	BOLT, WASHER BASED .....	1	
39	462-23442-00-98	HOLDER, HANDLE LWR .....	2	
40	92990-10200-00	WASHER .....	2	
41	92990-10100-00	WASHER, SPRING .....	2	
42	90185-10031-00	NUT, SELF-LOCKING .....	2	
43	462-23441-00-00	HOLDER, HANDLE UPR (122-23441-00) .....	2	
44	92995-06100-00	WASHER, SPRING .....	4	
45	97313-06040-00	BOLT, HEXAGON .....	4	
46	(122-23480-01-00)	STEERING LOCK ASSEMBLY .	1	
47	(90338-09060-00)	PLUG, SPEC'L SHAPE .....	3	

# FUEL TANK



Ref. No.	Part Number	Description	Qty	Remarks
1	(132-24110-01-81)	FUEL TANK .....	1	
2	122-24181-00-00	DAMPER, LOCATING 1 .....	2	
3	122-24182-01-00	DAMPER, LOCATING 2 .....	2	
4	(129-24183-00-00)	DAMPER, LOCATING 3 .....	1	
5	(132-24171-00-00)	GRIP, KNEE 1 .....	1	
6	(132-24172-00-00)	GRIP, KNEE 2 .....	1	
7	132-24161-00-00	EMBLEM 1 .....	1	
8	132-24161-00-00	EMBLEM 1 .....	1	
9	(92503-04008-00)	SCREW, PAN HEAD .....	4	
10	122-24610-01-00	CAP ASSEMBLY .....	1	
11	304-24515-00-00	. NET, FILTER 2 .....	1	
12	132-24522-00-00	. GASKET .....	1	
13	1A0-24521-01-00	. CUP, FILTER .....	1	
14	132-24523-00-00	. VALVE .....	1	
	137-24523-00-00	. GASKET .....	1	
15	(132-24524-00-00)	LEVER, COCK .....	1	
	168-24524-00-00	. LEVER, COCK .....	1	
16	132-24518-00-00	. WASHER, WAVE .....	1	
17	(132-24525-01-00)	PLATE, LVR FITTING .....	1	
18	92503-03006-00	. SCREW, PAN HEAD .....	2	
19	434-24532-00-00	. GASKET .....	1	
20	132-24531-00-00	. NUT .....	1	
21	(90445-09091-00)	HOSE .....	1	
22	90445-09078-00	HOSE .....	1	
23	90445-09083-00	HOSE .....	1	
24	90467-08003-00	CLIP .....	6	
-1	132-24500-02-00	FUEL COCK ASSEMBLY 1 ...	1	

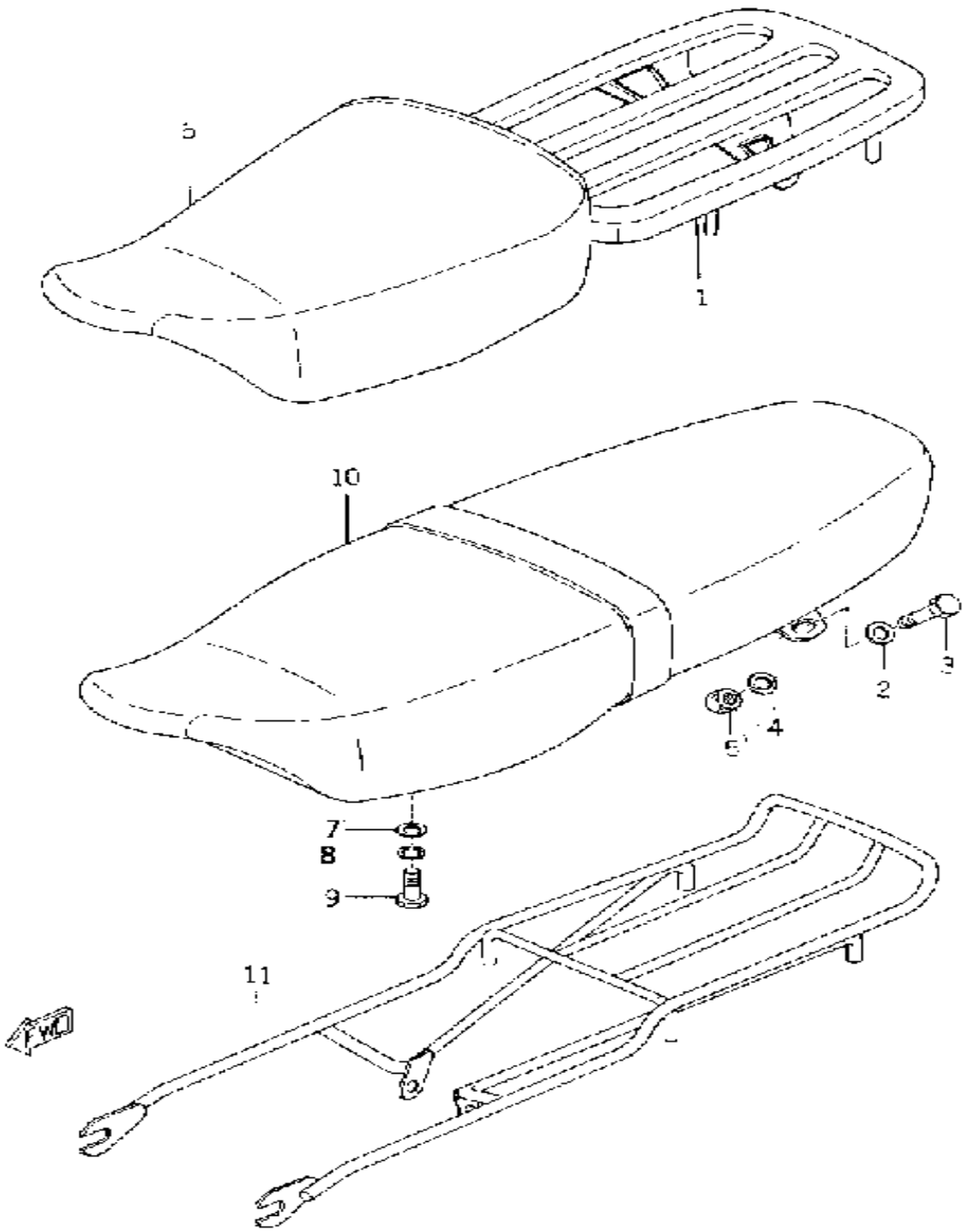
# OIL TANK



Ref. No.	Part Number	Description	Qty	Remarks
2	(137-21761-00-00)	GAUGE, LEVEL .....	1	
3	(137-21763-00-00)	GASKET, LEVEL GAUGE .....	1	
4	(126-21764-00-00)	LENS, LEVEL GAUGE .....	1	
5	(126-21762-00-00)	NUT, LEVEL GAUGE .....	1	
6	(90430-10029-00)	GASKET .....	1	
7	(137-21768-01-00)	SCREW, UNION .....	1	
8	132-24319-01-00	PIPE, OIL .....	1	
9	90467-08003-00	CLIP .....	2	
10	(126-21772-00-00)	GASKET, CAP .....	1	
11	(126-21765-00-00)	DISC, CAP .....	1	
12	(126-21771-00-00)	BODY, CAP .....	1	
13	(126-21776-00-00)	BAND, TANK FITTING .....	1	
14	91401-30040-00	PIN, COTTER .....	1	

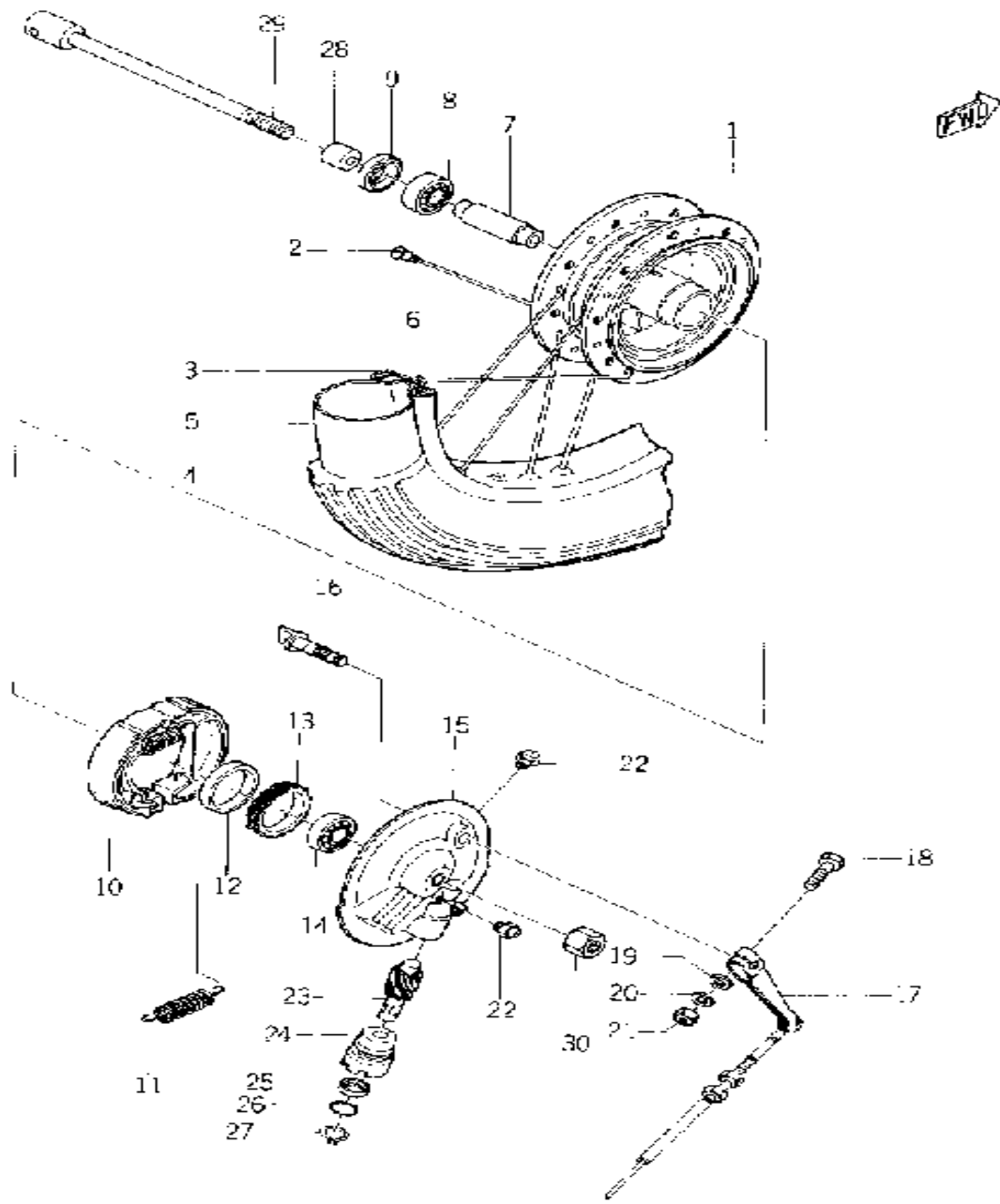


# SEAT - CARRIER



Ref. No.	Part Number	Description	Qty	Remarks
2	92990-08200-00	WASHER, PLAIN .....	2	
3	97313-08018-00	BOLT, HEXAGON .....	2	
4	92990-08100-00	WASHER, SPRING .....	2	
5	95333-08600-00	NUT .....	2	
6	(132-24710-00-00)	SINGLE SEAT ASSEMBLY ...	1	
7	92990-08200-00	WASHER, PLAIN .....	2	
8	92990-08100-00	WASHER, SPRING .....	2	
9	97313-08016-00	BOLT, HEXAGON .....	2	
10	(195-24730-00-00)	DOUBLE SEAT ASSEMBLY ...	1	
11	(122-24830-00-00)	SUB CARR YG1/Y 1 .....	1	
6-1	(132-24711-00-00)	COVER, SINGLE SEAT .....	1	
10-1	(134-24731-60-00)	COVER, DOUBLE SEAT .....	1	

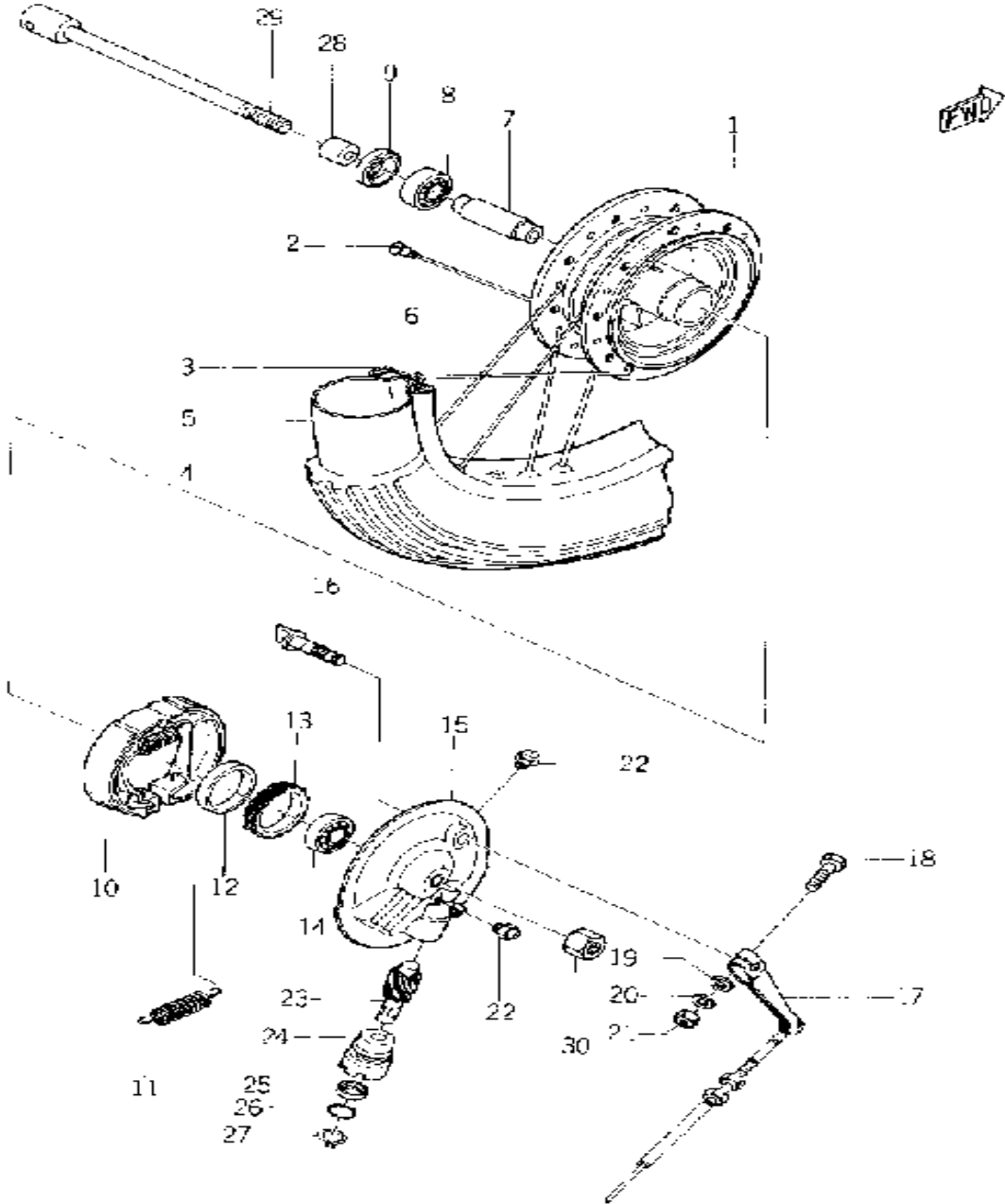
# FRONT WHEEL



Ref. No.	Part Number	Description	Qty	Remarks
1	(102-25111-01-38)	HUB, FRONT	1	
2	122-25121-02-38	PLATE, BRAKE SHOE	1	
3	(94414-17003-00)	RIM 1.40X 7	1	
4	(94125-17313-00)	250X17 FRNTRIB	1	
5	(94225-17082-00)	TUBE	1	
6	94332-17112-00	BAND, RIM	1	
7	(102-25111-01-38)	HUB, FRONT	1	
8	93306-20226-00	BEARING	1	
9	93102-20009-00	OIL SEAL	1	
10	296-W2536-00-00	BRAKESHOE SET-2PCS	1	
11	90506-26051-00	SPRING, TENSION	1	
12	93107-42001-00	OIL SEAL, OS-TYPE	1	
13	102-25137-00-00	RING, STOP	1	
14	93306-20226-00	BEARING	1	
15	122-25121-02-38	PLATE, BRAKE SHOE	1	
16	122-25351-02-00	CAMSHAFT	1	
17	109-25155-00-00	LEVER, CAMSHAFT 1	1	
18	97313-06030-00	BOLT, HEXAGON	1	
19	92990-06200-00	WASHER, PLAIN	1	
20	92995-06100-00	WASHER, SPRING	1	
21	95380-06600-00	NUT, HEXAGON	1	
22	93700-06M03-00	NIPPLE, GREASE	2	
23	122-25121-02-38	PLATE, BRAKE SHOE	1	
24	109-25136-00-00	BUSH	1	
25	93104-06108-00	OIL SEAL (1RY)	1	
26	93210-14104-00	O-RING	1	
27	102-25137-00-00	RING, STOP	1	
28	90387-10079-00	COLLAR	1	
29	99999-02188-00 (353-25181-03-00)	AXLE, WHEEL	1	

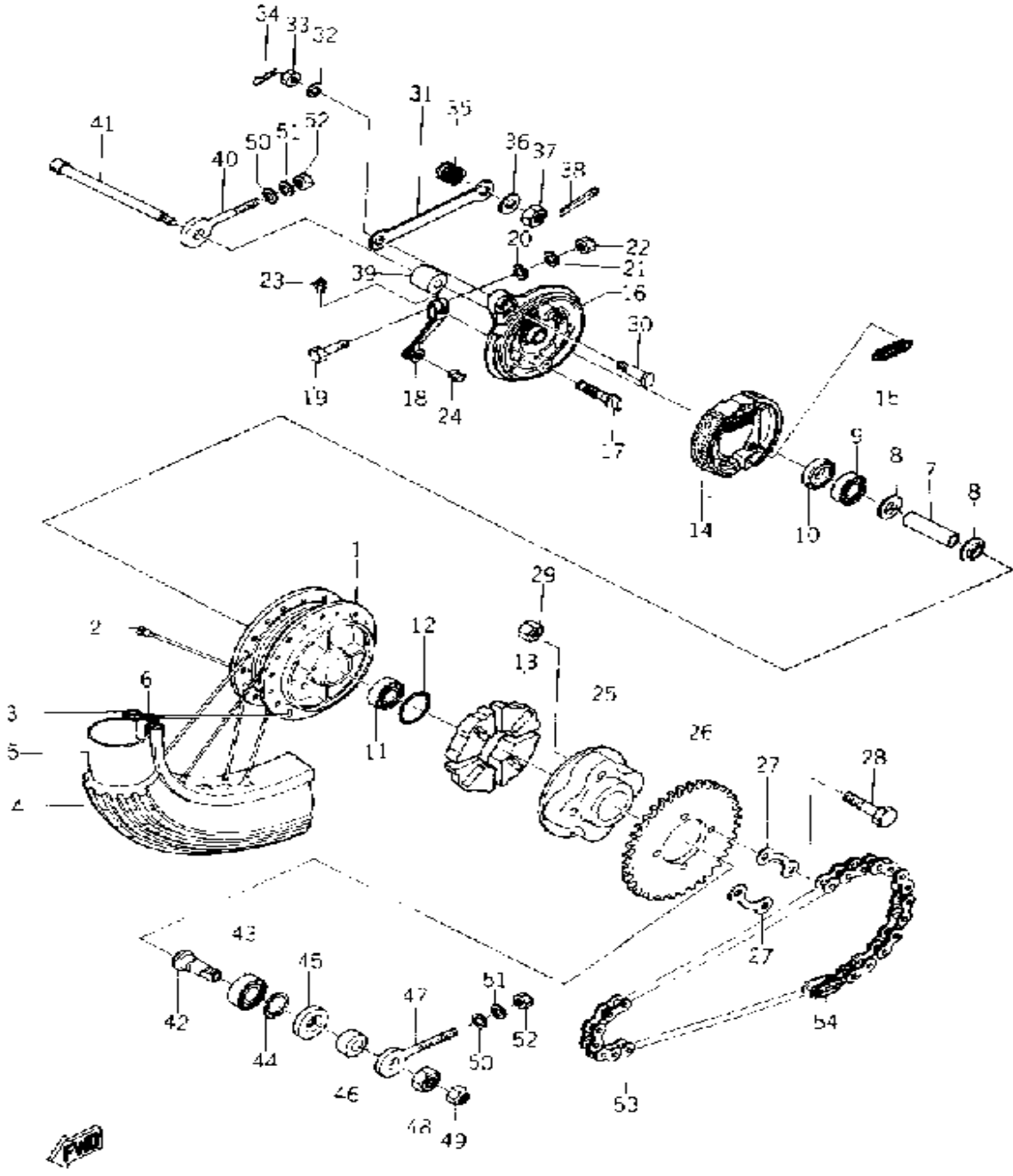
CONTINUED ON NEXT FRAME ➤

# FRONT WHEEL



Ref. No.	Part Number	Description	Qty	Remarks
30	90179-10123-00	NUT, SPEC'L SHAPE	1	

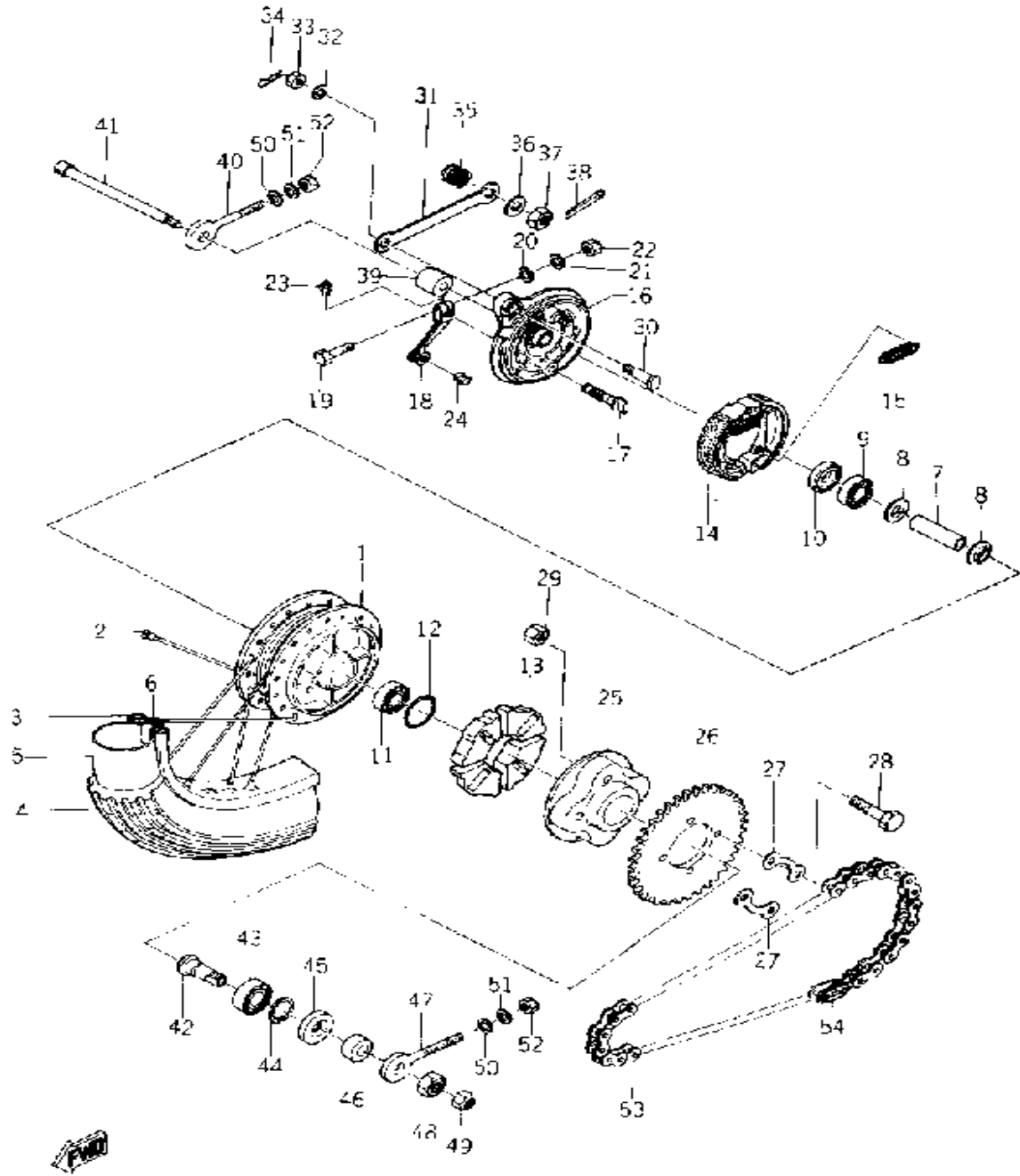
# REAR WHEEL



Ref. No.	Part Number	Description	Qty	Remarks
1	(102-25311-00-38)	HUB, REAR	1	
2	296-W2536-00-00	BRAKESHOE SET-2PCS	1	
3	(94414-17003-00)	RIM 1.40X 7	1	
4	(94125-17313-00)	250X17 FRNTRIB	1	
5	(94225-17082-00)	TUBE	1	
6	94332-17112-00	BAND, RIM	1	
7	90560-12145-00	SPACER	1	
8	109-25315-00-00	FLANGE, SPACER	2	
9	93306-30101-00	BEARING (B6301)	2	
10	93104-21016-00	OIL SEAL, SO-TYPE	1	
11	93306-30103-00	BEARING (B6301Z)	1	
12	93210-41041-00	O-RING	1	
13	(102-25366-00-00)	CLUTCH, HUB	4	
14	296-W2536-00-00	BRAKESHOE SET-2PCS	2	
15	90506-16150-00	SPRING, TENSION	2	
16	(339-25320-10-00)	BRAKE SHOE PLT ASSEMBLY	1	
17	122-25351-02-00	CAMSHAFT	1	
18	122-25355-00-00	LEVER, CAMSHAFT	1	
19	97313-06030-00	BOLT, HEXAGON	1	
20	92990-06200-00	WASHER, PLAIN	1	
21	92995-06100-00	WASHER, SPRING	1	
22	95380-06600-00	NUT, HEXAGON	1	
23	93700-06M03-00	NIPPLE, GREASE	1	
24	90249-12008-00	PIN	1	
25	(102-25366-00-00)	CLUTCH, HUB	1	
26	(122-25433-10-00)	SPROCKET, DRIVN 33T	1	U.R.U.R.
	122-25437-10-33	SPROCKET, DRIVN 37T	1	U.R.U.R.
	5A7-25435-00-00	SPROCKED, DRIVN	1	U.R.U.R.
27	102-25412-00-00	WASHER	2	

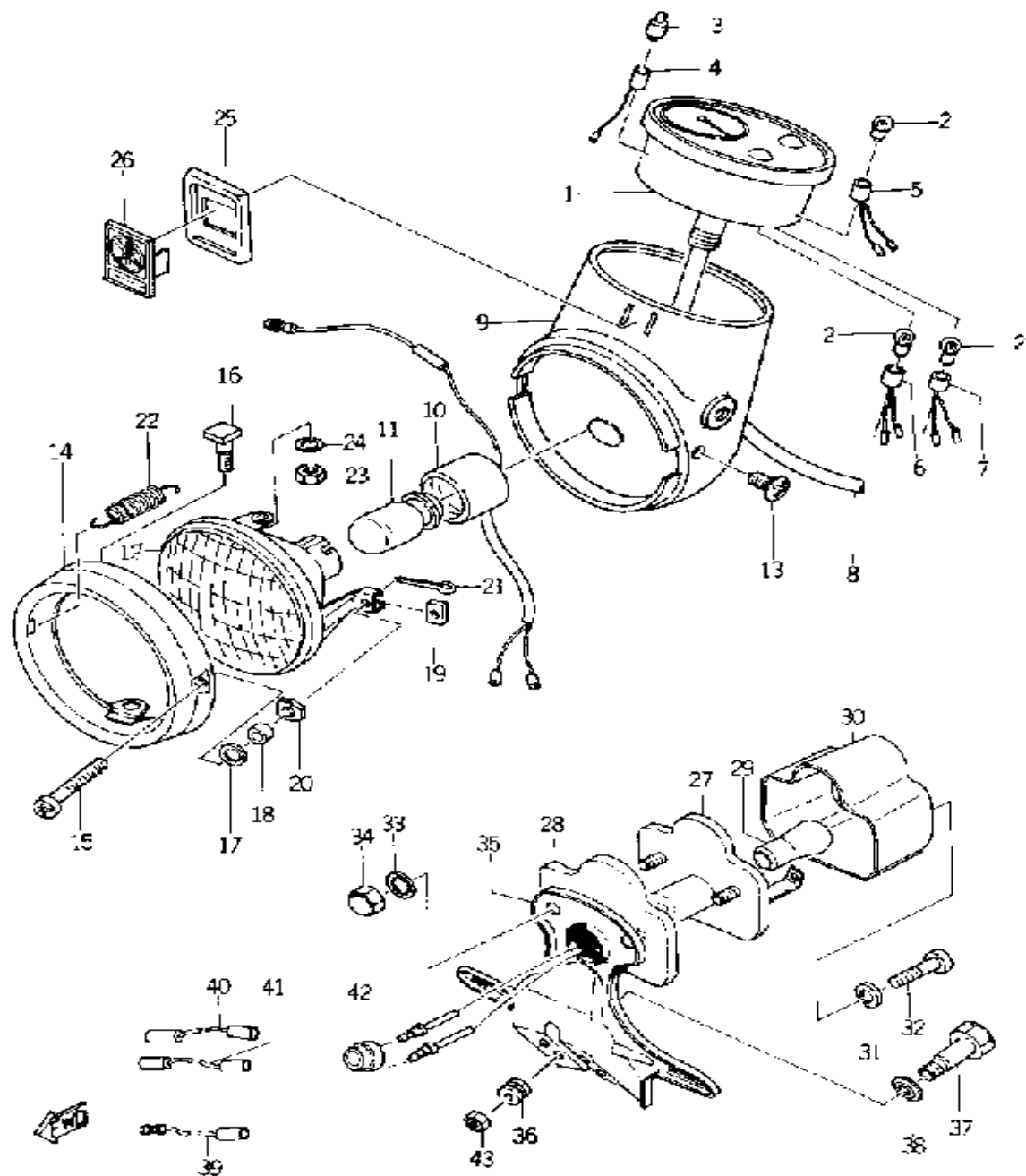
CONTINUED ON NEXT FRAME ➤

# REAR WHEEL



Ref. No.	Part Number	Description	Qty	Remarks
28	90101-08672-00	BOLT	4	
29	95333-08600-00	NUT	4	
30	90109-08183-00	BOLT	1	
31	90109-08183-00	BOLT	1	
32	92990-08100-00	WASHER, SPRING	1	
33	95303-08700-00	NUT	1	
34	90468-10050-00	CLIP	1	
35	90501-20122-00	SPRING, COMPRESSION (137-16333-00)	1	
36	92990-08200-00	WASHER, PLAIN	1	
37	95303-08700-00	NUT	1	
38	91490-20020-00	PIN, COTTER	1	
39	90387-12412-00	COLLAR	1	
40	102-25389-00-00	PULLER, CHAIN 2	1	
41	357-25181-00-00	AXLE, WHEEL	1	
42	(102-25387-02-00)	AXLE, SPROCKET	1	
43	93306-00406-00	BEARING (B6004Z)	1	
44	99009-42500-00	CIRCLIP	1	
45	93106-30004-00	OIL SEAL	1	
46	90387-18144-00	COLLAR	1	
47	1NX-25388-00-00	PULLER, CHAIN 1	1	
48	90170-18165-00	NUT	1	
49	90179-10123-00	NUT, SPEC'L SHAPE	1	
50	92990-06200-00	WASHER, PLAIN	2	
51	92995-06100-00	WASHER, SPRING	2	
52	95380-06600-00	NUT, HEXAGON	2	
53	94580-52106-00	420-106L (94504-20106)	1	
54	94680-52001-00	. JOINT, CHAIN (DID 420M)	1	

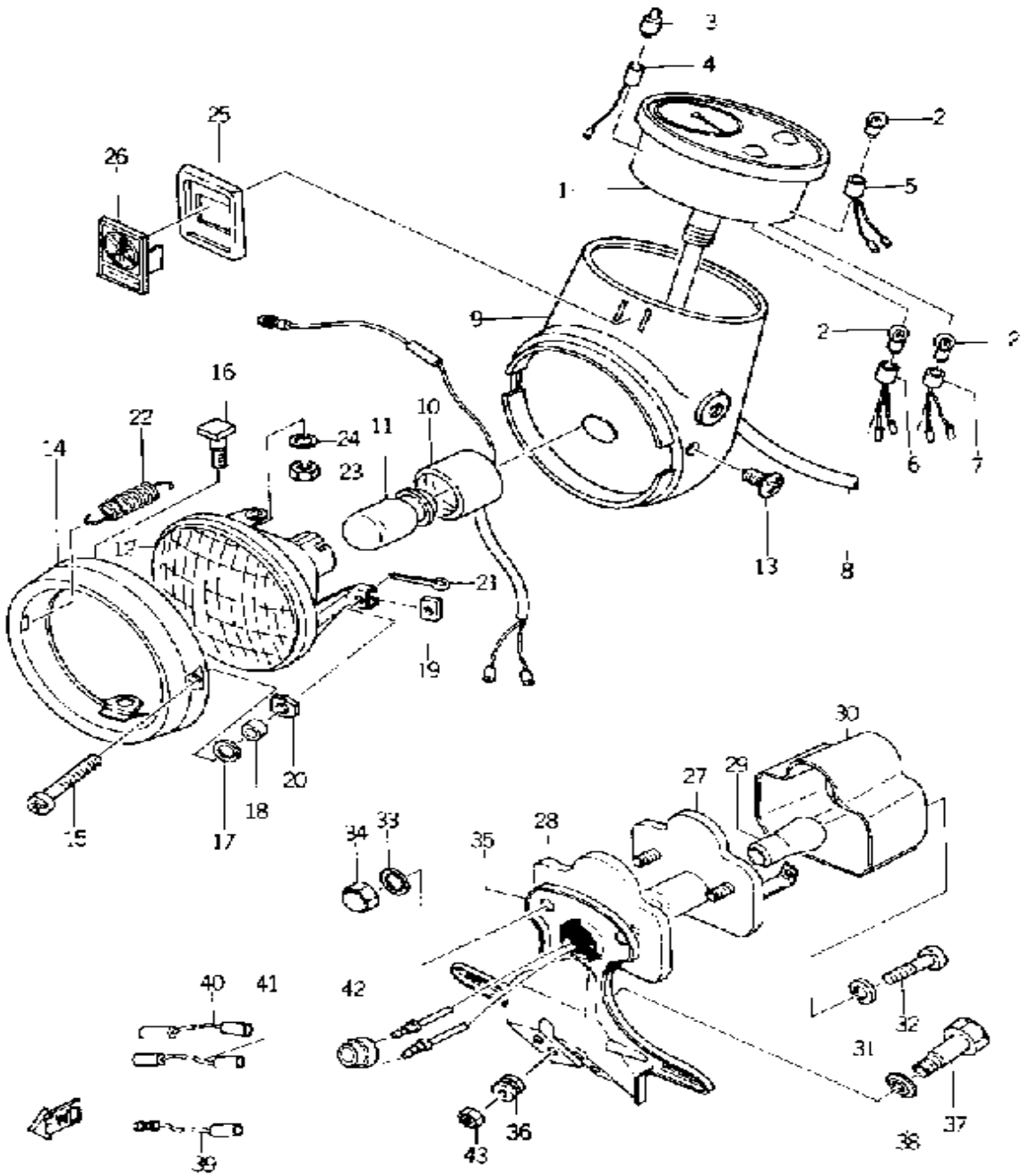
# HEAD LAMP - TAIL LAMP



Ref. No.	Part Number	Description	Qty	Remarks
1	(198-81200-10-00)	DC GENERATOR ASSEMBLY	1	MPH
2	123-83516-21-00	. BULB (12V-3.4W)	3	
3	256-84347-00-00	. BULB	1	
4	(122-83536-10-00)	SOCKET, METER	1	
5	(122-83537-10-00)	SOCKET, NEUTRAL	1	
6	(132-83539-20-00)	SOCKET, CHARGE	1	
7	(122-83538-10-00)	SOCKET, FLASHER	1	
8	166-83550-01-00	SPEEDOMETER CABLE	1	
9	(132-84330-60-35)	BODY ASSEMBLY	1	
10	(122-84112-60-00)	SOCKET	1	
11	102-84314-00-00	. BULB (12V-25/25W)	1	
12	(132-84320-60-00)	LENS ASSEMBLY	1	
13	(150-84125-00-00)	SCREW, RIM FITTING	1	
14	(132-84315-60-00)	RIM, HEADLIGHT	1	
15	(132-84331-60-00)	SCREW, RIM ADJUSTING	1	
16	(132-84338-60-00)	COLLAR, BODY FTNG	2	
17	92990-04200-00	. WASHER	1	
18	132-84328-60-00	. SPACER	1	
19	(132-84334-61-00)	NUT, ADJUSTING	1	
20	(132-84326-60-00)	NUT	1	
21	91401-10015-00	. PIN, COTTER	1	
22	(132-84335-60-00)	SPRING	1	
23	(132-84326-60-00)	NUT	2	
24	92990-05100-00	. WASHER, SPRING	2	
25	(122-84142-00-00)	SEAT, EMBLEM	1	
26	(122-84141-01-00)	EMBLEM, HEADLIGHT	1	
	0.2---	UNAVAILABLE IN PRICE BOOK	1	
27	(197-84711-60-00)	BASE, TAILLIGHT	1	
28	(124-84512-60-00)	SEAT, BASE	1	

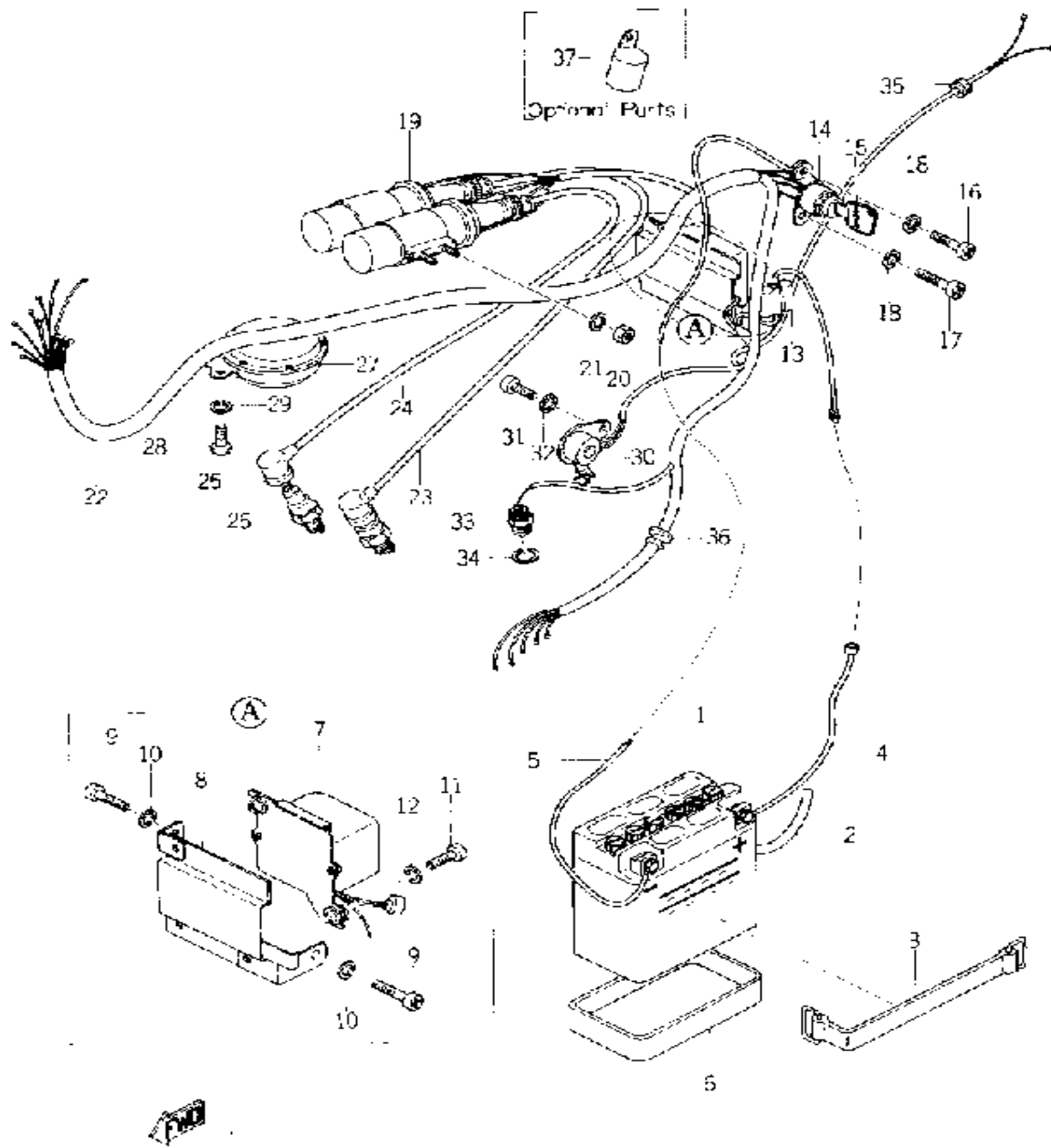
CONTINUED ON NEXT FRAME ►

# HEAD LAMP - TAIL LAMP



Ref. No.	Part Number	Description	Qty	Remarks
29	137-84714-61-00	. BULB, TL 12V23/8W (J50-83311-00)	1	
30	(124-84521-60-00)	LENS, TAILLIGHT	1	
31	(124-84522-60-00)	WASHER	2	
32	92503-04015-00	. SCREW, PAN HEAD	2	
33	92901-06300-00	. WASHER, IN.TOOTH	2	
34	95303-06800-00	. NUT (CROWN)	2	
35	(132-84751-61-35)	BRACKET, LICENSE	1	
36	(132-84753-60-00)	DAMPER	4	
37	90109-06017-00	BOLT	4	
38	(132-84754-60-00)	WASHER, SPECIAL	4	
39	(132-84756-60-00)	WIRE, EARTH LEAD	1	
40	(122-84148-00-00)	WIRE, LEAD 1	1	
41	(122-84148-00-00)	WIRE, LEAD 1	1	
42	90480-12013-00	GROMMET	1	
43	95380-06600-00	NUT, HEXAGON	4	
-1	(132-84310-60-00)	HEADLIGHT UNIT ASSEMBLY	1	
8-1	(122-83551-00-00)	WIRE, SPDMTR CABLE	1	

# ELECTRICAL

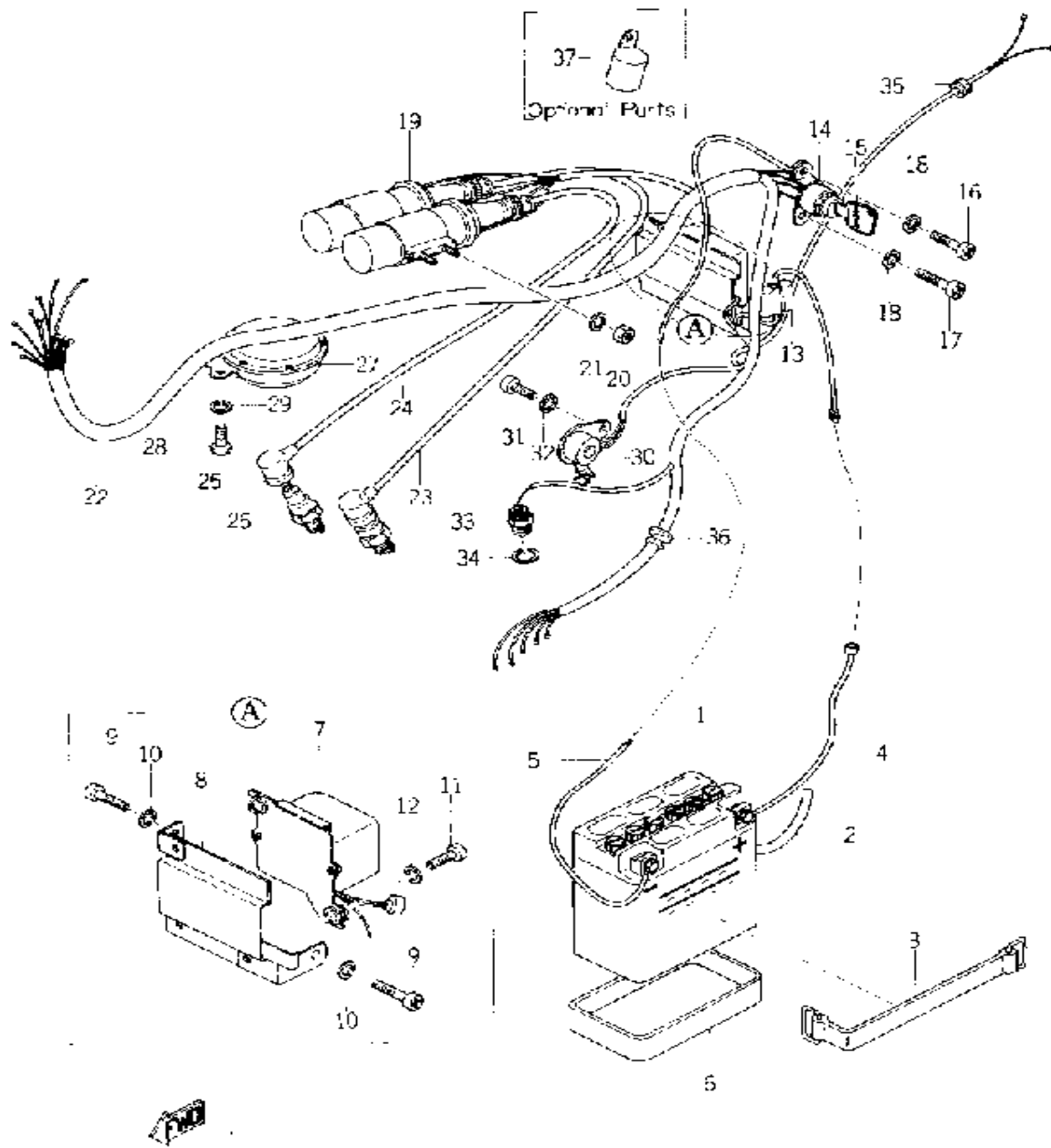


Ref. No.	Part Number	Description	Qty	Remarks
1	BTY-12N55-3B-00	YUASA 12N5.5-3B (131-82110-70)	1	
2	90445-08171-00	HOSE	1	
3	133-82131-00-00	BAND, BATTERY	1	
4	(131-82115-00-00)	WIRE, PLUS LEAD	1	
5	(131-82116-00-00)	WIRE, MINUS LEAD	1	
6	(102-82122-00-00)	SEAT, BATTERY	1	
7	(132-81910-11-00)	VOLTAGE REG ASSEMBLY	1	
8	(132-81915-00-00)	PLATE, REG FITTING	2	
9	98580-06012-00	SCREW, PAN HEAD	2	
10	92995-06100-00	WASHER, SPRING	2	
11	98580-06012-00	SCREW, PAN HEAD	2	
12	92995-06100-00	WASHER, SPRING	2	
13	2UJ-82150-01-00	FUSE HOLDER ASSEMBLY (2UJ-82150-00-00)	1	
14	(131-82508-10-00)	MAIN SWITCH ASSEMBLY	1	
16	98580-06010-00	SCREW, PAN HEAD	1	
17	98503-06014-00	SCREW, PAN HEAD	1	
18	92995-06100-00	WASHER, SPRING	2	
20	95380-06600-00	NUT, HEXAGON	4	
21	92995-06100-00	WASHER, SPRING	4	
22	136-82540-00-00	NEUTRAL SWITCH ASSEMBLY	1	
23	132-82341-00-00	INACTIVE PART NUMBER	1	
24	132-82341-00-00	INACTIVE PART NUMBER	1	
25	56J-82370-00-00	PLUG CAP ASSEMBLY	2	
26	NGK-B7HS0-00-00	NGK B7HS 10PK	2	
27	131-82271-22-00	UNAVAILABLE IN PRICE BOOK	1	
28	97313-08016-00	BOLT, HEXAGON	2	
29	92990-08100-00	WASHER, SPRING	2	

CONTINUED ON NEXT FRAME ►

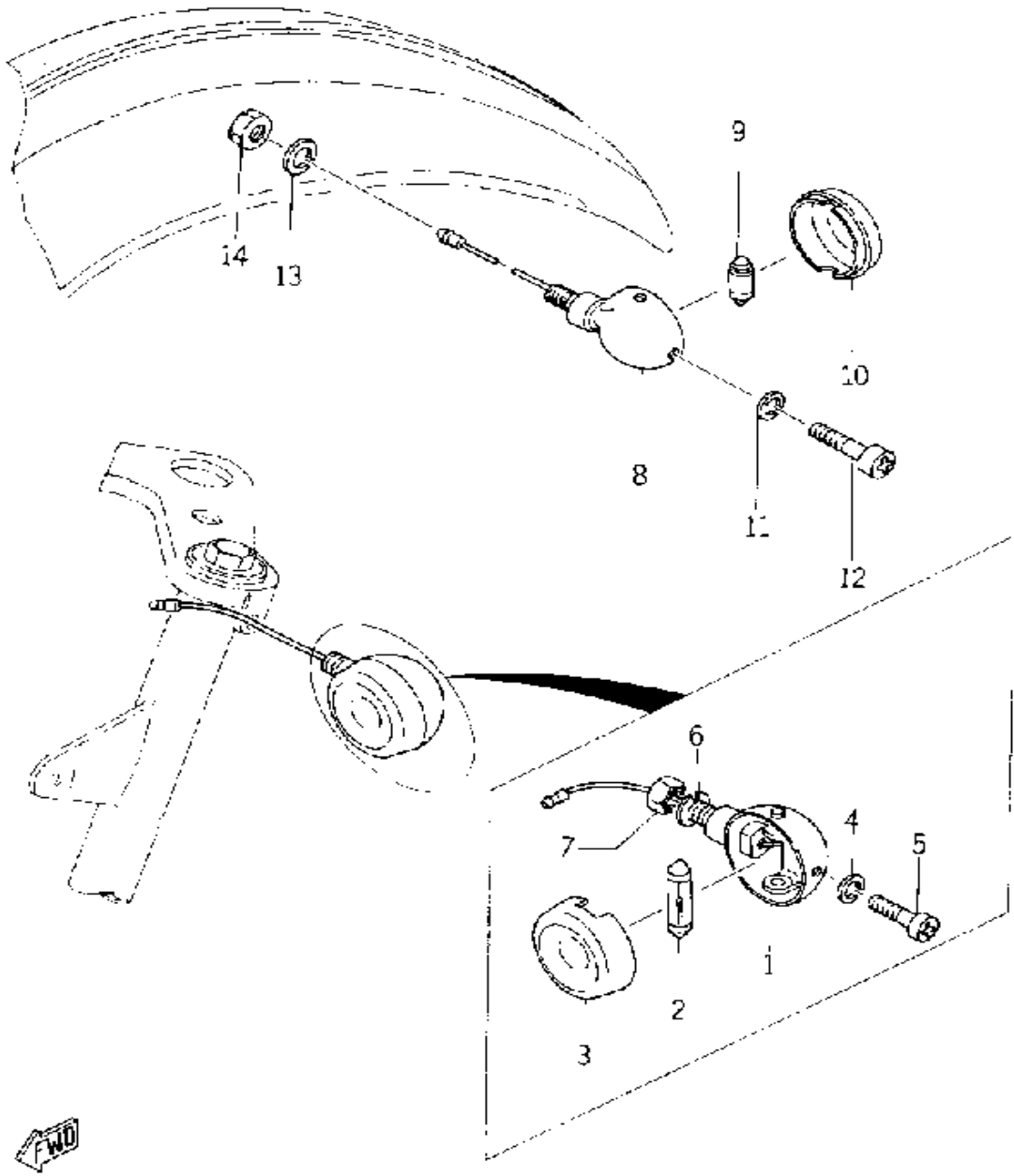


# ELECTRICAL



Ref. No.	Part Number	Description	Qty	Remarks
30	122-82530-01-00	STOP SWITCH ASSEMBLY	1	
31	(92503-05012-00)	SCREW, PAN HEAD	1	
32	92990-05100-00	WASHER, SPRING	1	
33	136-82540-00-00	NEUTRAL SWITCH ASSEMBLY	1	
34	37R-82543-00-00	GASKET (136-82543-00)	1	
35	(122-82596-00-00)	GROMMET	1	
36	(132-82597-00-00)	GROMMET	1	
37	(136-83350-20-00)	FLASHER RELAY ASSEMBLY	1	OPTIONAL PARTS
1-1	1A---	UNAVAILABLE IN PRICE BOOK	1	
	BTY-12N73-B0-00	YUASA 12N7-3B	1	
3-1	133-82131-00-00	BAND, BATTERY	1	
4-1	(123-82115-00-00)	WIRE, PLUS LEAD	1	
5-1	(123-82116-00-00)	WIRE, MINUS LEAD	1	
6-1	90445-08171-00	HOSE	1	
7-1	(176-81910-11-00)	VOLTAGE REG ASSEMBLY	1	
13-1	1A0-82161-00-00	. FUSE (20A) (148-82151-00-00)	3	
22-1	(133-82590-11-00)	WIRE HARNESS ASSEMBLY	1	

# FLASHER LAMP



Ref. No.	Part Number	Description	Qty	Remarks
2	(102-83331-20-00)	BULB, FLASHER .....	2	
4	92990-03100-00	. WASHER, SPRING .....	2	
5	92503-03006-00	. SCREW, PAN HEAD .....	2	
6	92990-08100-00	WASHER, SPRING .....	2	
7	95303-08700-00	NUT .....	2	
8	(102-83330-21-93)	R FLSHR LITE ASSEMBLY ...	2	
9	(102-83331-20-00)	BULB, FLASHER .....	2	
11	92990-03100-00	. WASHER, SPRING .....	2	
12	92503-03006-00	. SCREW, PAN HEAD .....	2	
13	92990-08100-00	WASHER, SPRING .....	2	
14	95303-08700-00	NUT .....	2	

