



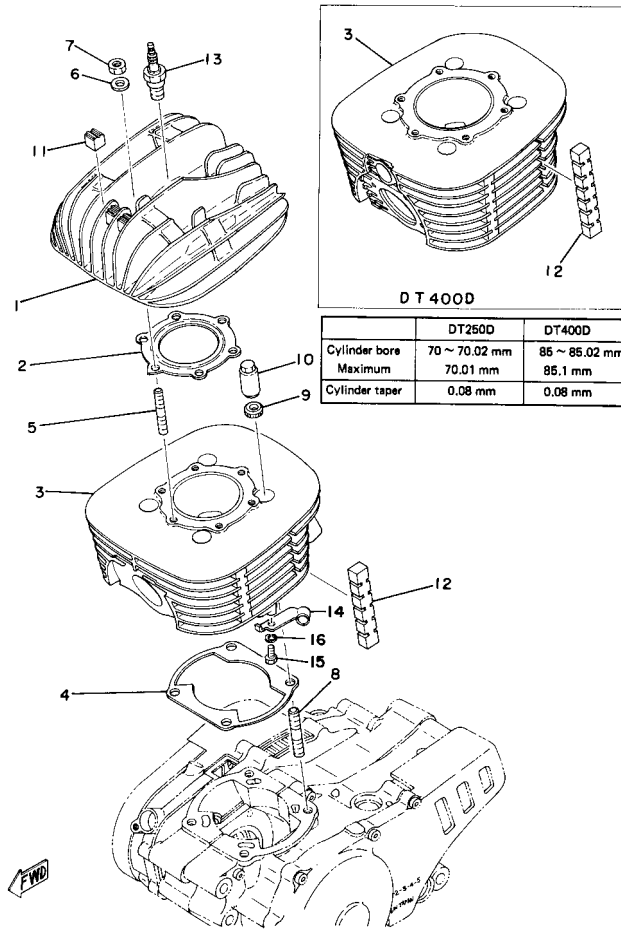
YAMAHA

GENUINE

PARTS CATALOGUE

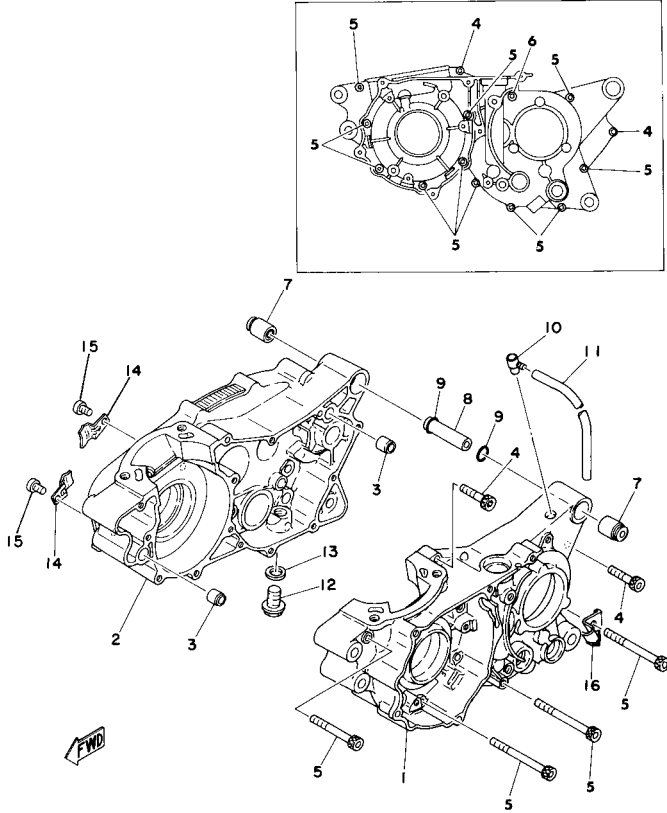
MOTORCYCLE

CYLINDER HEAD - CYLINDER



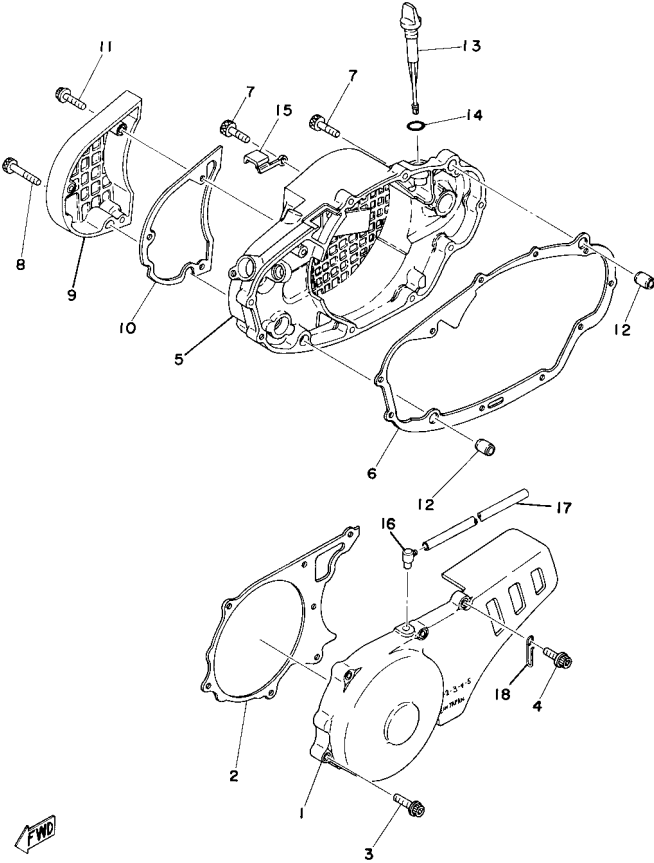
Ref. No.	Part Number	Description	Qty	Remarks
1	(1M1-11111-01-00)	HEAD, CYLINDER 1	1	
	(1M2-11111-00-00)	HEAD, CYLINDER 1	1	
2	434-11181-00-00	GASKET, CYLINDER HEAD 1	1	
	500-11181-00-00	GASKET, CYLINDER HEAD 1	1	
3	(1M1-11311-00-00)	CYLINDER 1	1	
	(1M2-11311-00-00)	CYLINDER 1	1	
4	1M1-11351-00-00	GASKET, CYLINDER	1	
	1M2-11351-00-00	GASKET, CYLINDER	1	
5	90116-08104-00	BOLT, STUD	6	
6	90201-08100-00	WASHER, PLATE	6	
7	95333-08600-00	NUT	6	
8	90116-10087-00	BOLT, STUD	4	
9	90201-11155-00	WASHER, PLATE (363-11175-00)	4	
10	90179-10201-00	NUT	4	
11	363-11161-00-00	ABSORBER 1 (363-11161-00)	3	
12	(1M1-11161-00-00)	ABSORBER 1	4	
	1M2-11161-00-00	ABSORBER 1	4	
13	NGK-B8ES0-00-00	PLUG, SPARK (NGK B8ES)	1	
14	1M1-15441-00-00	HOLDER, CLCH CABLE	1	
15	97011-06016-00	BOLT	1	
16	92995-06100-00	WASHER, SPRING	1	

CRANKCASE



Ref. No.	Part Number	Description	Qty	Remarks
1	(1M1-15111-01-00)	CRANKCASE 1	1	
	1M2-15111-01-00	CRANKCASE 1 (1M2-15111-00)	1	
2	(1M2-15121-01-00)	CRANKCASE 2	1	
	1M1-15121-00-00	CRANKCASE 2	1	
3	99510-12016-00	PIN, DOWEL	2	
4	91316-06035-00	BOLT	2	
5	91316-06060-00	BOLT	11	
6	91316-06080-00	BOLT	1	
7	328-15316-00-00	DAMPER, ENG MOUNT 1 (328-15316-00)	2	
8	438-15317-00-00	SPACER, ENG MOUNT	1	
9	93210-11073-00	O-RING	2	
10	583-15371-00-00	BREATHER	1	
11	90445-07340-00	HOSE	1	
12	90109-14385-00	BOLT	1	
13	137-15353-00-00	GASKET, DRAIN	1	
14	434-15118-00-00	HOLDER	2	
15	92501-08010-00	SCREW, PAN HEAD	2	
	98501-08012-00	SCREW, PAN HEAD	2	
16	(90465-14095-00)	CLAMP	1	

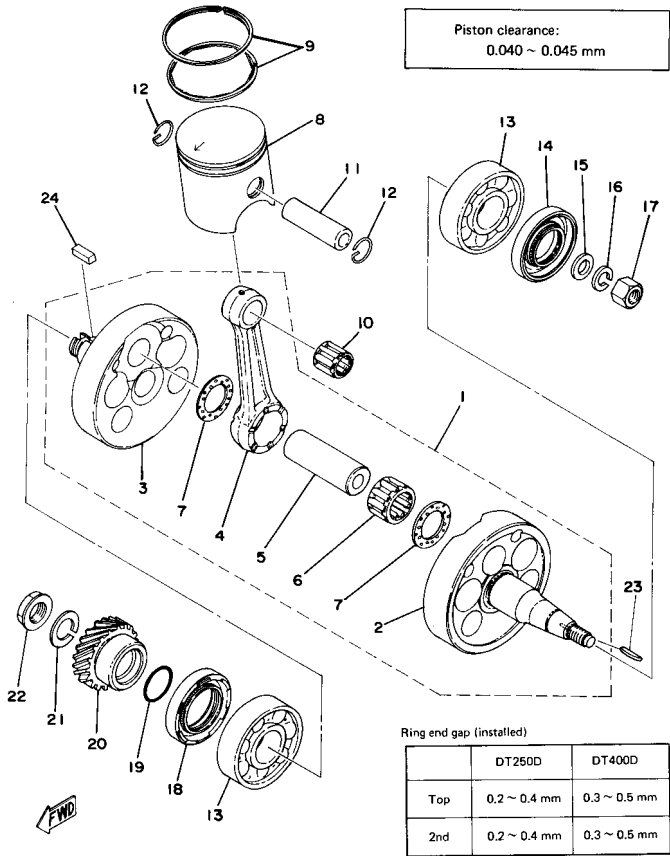
CRANKCASE COVER



Ref. No.	Part Number	Description	Qty	Remarks
1	1M2-15421-02-00	COVER, CRANKCASE R	1	
2	1M1-15451-00-00	GASKET, CRCS COVER	1	
3	90110-06138-00	BOLT, HEX SKT HEAD	5	
4	91316-06025-00	BOLT	2	
5	1M1-15431-00-00	COVER, CRANKCASE 3	1	
6	1M1-15461-00-00	GASKET, CRCS CVR 2	1	
7	91316-06025-00	BOLT	10	
8	91316-06040-00	BOLT, SOCKET HEAD	1	
9	1M1-15416-01-00	COVER, OIL PUMP	1	
10	1M1-15456-00-00	GASKET, O/PMP CVR 1	1	
11	90110-06138-00	BOLT, HEX SKT HEAD	3	
12	99510-12016-00	PIN, DOWEL	2	
13	1M1-15363-00-00	PLUG, OIL	1	
14	93210-14104-00	O-RING	1	
15	90465-10096-00	NO LONGER AVAILABLE	1	
16	583-15371-00-00	BREATHER	1	
17	90445-07040-00	HOSE	1	
18	90465-20035-00	CLAMP	1	

CRANK - PISTON

Crankshaft Specifications			Rod clearance				Unit : mm (in)	
Deflection tolerance (A)		Flywheel width (B)	Axial (C)		Side (D)			
Left side	Right side		New	Max.	Min.	Max.		
0.03 (0.0012)	0.03 (0.0012)	61 ~ 62 (2.401 ~ 2.404)	0.4 ~ 1.0 (0.016 ~ 0.04)	2.0 (0.08)	0.25 ~ 0.75 (0.01~0.03)	0.1 (0.04)		

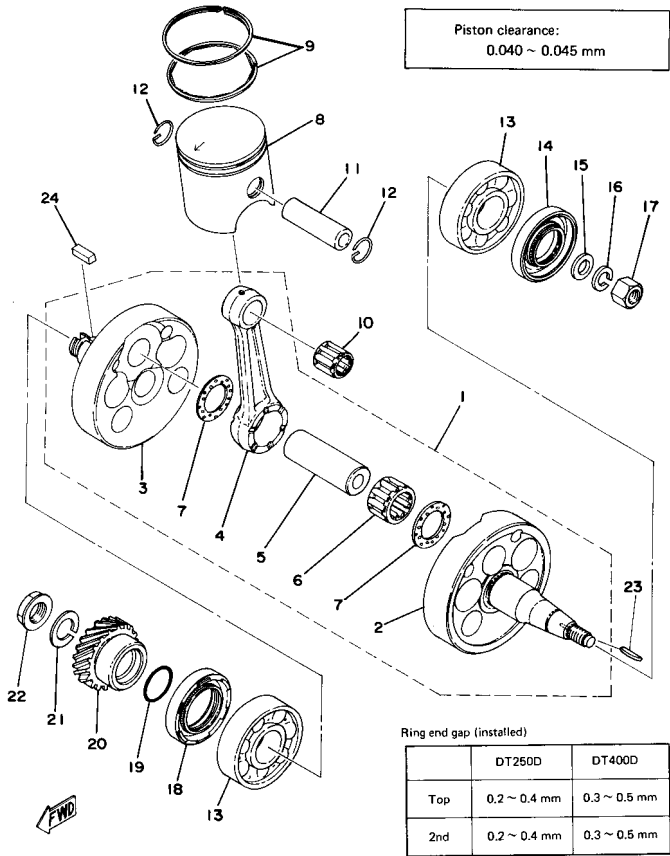


Ref. No.	Part Number	Description	Qty	Remarks
1	(1M1-11400-01-00)	CRANKSHAFT ASSEMBLY ...	1	
	(1M2-11400-00-00)	CRANKSHAFT ASSEMBLY ...	1	
2	(1M1-11412-00-00)	CRANK 1	1	
	(1M2-11412-01-00)	CRANK 1	1	
3	(1M1-11422-00-00)	CRANK 2	1	
	(1M2-11422-01-00)	CRANK 2	1	
4	498-11651-00-00	. ROD, CONNECTING	1	
5	2X4-11681-00-00	. PIN, CRANK 1	1	
6	93310-425N4-00	. BEARING, CYLINDER.# 0 ...	1	
7	90209-25085-00	. WASHER	2	
8	1M1-11631-01-96	PISTON STD (69.96MM STD) ..	1	
	1M1-11635-01-00	PISTON 1 O/S 0.25 (70.25MM 1ST O.S.)	1	ALTERNATE PARTS
	1M1-11636-01-00	PISTON 2 O/S 0.50 (70.50MM 2ND O.S.)	1	ALTERNATE PARTS
	1M1-11637-01-00	PISTON 3 O/S 0.75 (70.75MM 3RD O.S.)	1	ALTERNATE PARTS
	1M1-11638-01-00	PISTON 4 O/S 1.00 (4TH O.S.) .	1	ALTERNATE PARTS
	1M2-11631-01-96	PISTON STD (84.96MM STD) ..	1	
	1M2-11635-01-00	PISTON 1 O/S 0.25 (85.25MM 1ST O.S.)	1	ALTERNATE PARTS
	1M2-11636-01-00	PISTON 2 O/S 0.50 (85.50MM 2ND O.S.)	1	ALTERNATE PARTS
	1M2-11637-01-00	PISTON 3 O/S 0.75 (85.75MM 3RD O.S.)	1	ALTERNATE PARTS
	1M2-11638-01-00	PISTON 4 O/S 1.00 (86.00MM 4TH O.S.)	1	ALTERNATE PARTS
9	1M1-11610-00-00	PISTON RINGSET STD (STD) .	1	
	1M1-11610-10-00	PISTON RINGSET 1ST (1ST O.S.)	1	ALTERNATE PARTS
	1M1-11610-20-00	PISTON RINGSET 2ND (2ND O.S.)	1	ALTERNATE PARTS

CONTINUED ON NEXT FRAME ➤

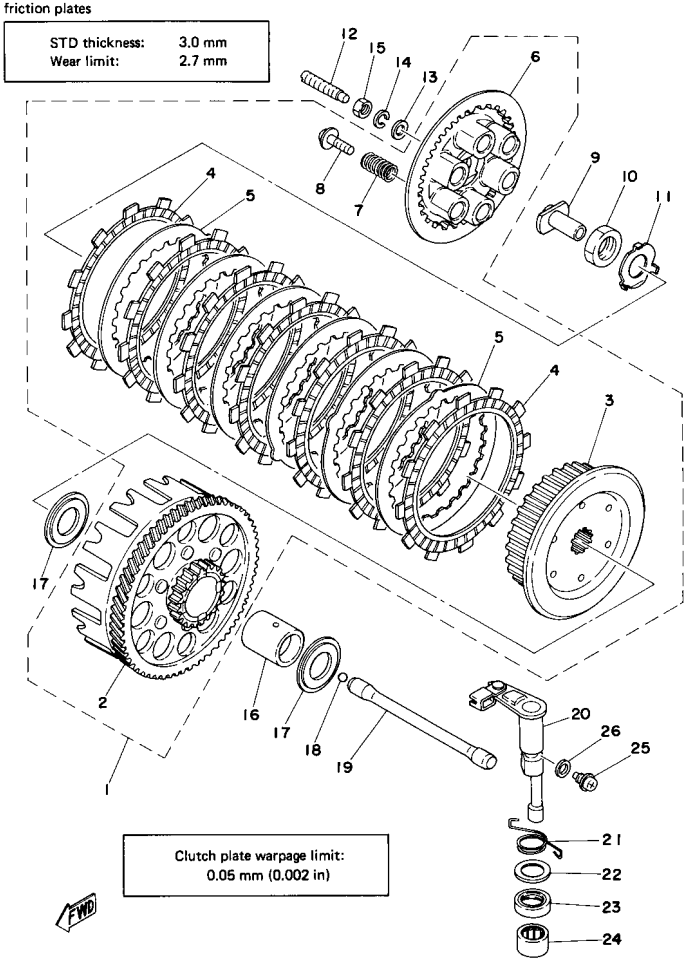
CRANK - PISTON

Crankshaft Specifications			Unit : mm (in)				
Deflection tolerance (A)		Flywheel width (B)	Rod clearance				
Left side	Right side		Axial (C)		Side (D)		
0.03 (0.0012)	0.03 (0.0012)	61 ~ 62 (2.401 ~ 2.404)	New 0.4 ~ 1.0 (0.016 ~ 0.04)	Max. 2.0 (0.08)	Min. 0.25 ~ 0.75 (0.01 ~ 0.03)	Max. 0.1 (0.04)	



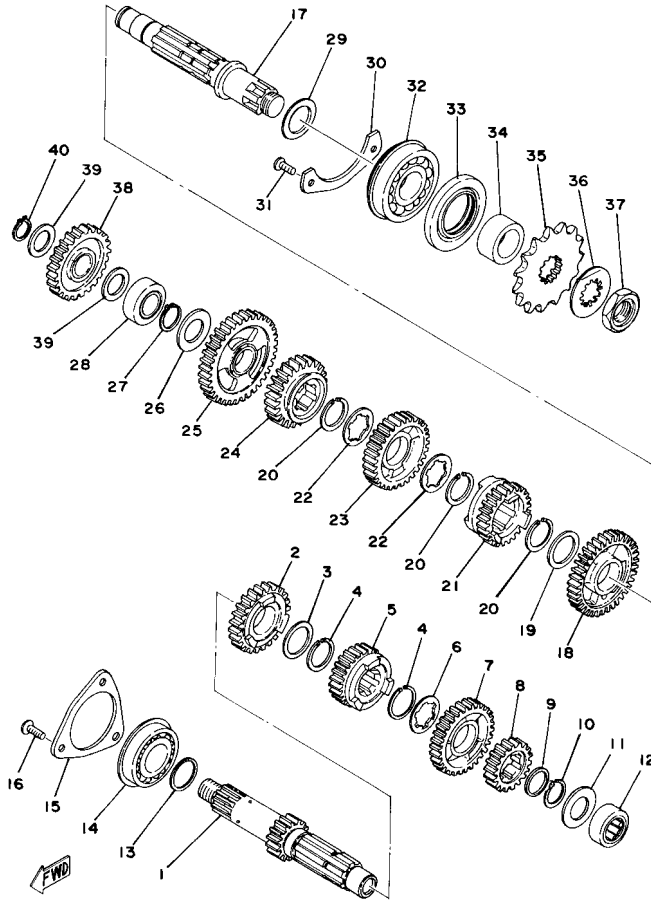
Ref. No.	Part Number	Description	Qty	Remarks
9	1M1-11610-30-00	PISTON RINGSET 3RD (3RD O.S.)	1	ALTERNATE PARTS
	1M1-11610-40-00	PISTON RINGSET 4TH (4TH O.S.)	1	ALTERNATE PARTS
	1M2-11610-01-00	PISTON RINGSET STD (STD)	1	
	1M2-11610-11-00	PISTON RINGSET 1ST (1ST O.S.)	1	ALTERNATE PARTS
	1M2-11610-21-00	PISTON RINGSET 2ND (2ND O.S.)	1	ALTERNATE PARTS
	1M2-11610-31-00	PISTON RINGSET 3RD (3RD O.S.)	1	ALTERNATE PARTS
	1M2-11610-41-00	PISTON RINGSET 4TH (4TH O.S.)	1	ALTERNATE PARTS
10	93310-218A6-00	BEARING	1	
11	214-11633-00-00	PIN, PISTON	1	
	275-11633-00-00	PIN, PISTON (1W4-11633-00)	1	
12	93450-20026-00	CIRCLIP	2	
13	93306-20622-00	BEARING	2	
	93306-30615-00	BEARING (B6306)	2	
14	93103-30150-00	OIL SEAL (38W)	1	
15	90201-12593-00	WASHER, PLATE	1	
16	92901-12100-00	WASHER, SPRING	1	
17	90170-12347-00	NUT, HEXAGON	1	
18	93103-40091-00	OIL SEAL, SW-TYPE	1	
19	93210-29282-00	O-RING	1	
20	(1M1-16111-00-00)	GEAR, PRI DRIVE	1	
21	92901-18100-00	WASHER, SPRING	1	
22	90179-18172-00	NUT	1	
23	90280-16053-00	KEY, WOODRUFF	1	
24	90282-07019-00	KEY, STRAIGHT	1	

CLUTCH



Ref. No.	Part Number	Description	Qty	Remarks
1	(2N6-16300-00-00)	CLUTCH ASSEMBLY	1	
2	2N6-16150-00-00	. NO LONGER AVAILABLEK (1M1-16150-00)	1	
3	509-16371-01-00	. BOSS, CLUTCH	1	
4	363-16321-00-00	. PLATE, FRICTION	7	
5	498-16325-00-00	. PLATE, CLUTCH 2	6	
6	1M1-16351-00-00	. PLATE, PRESSURE 1	1	
7	90501-23428-00	. SPRING, COMPRESSION	6	
8	90159-06010-00	. SCREW, WITH WASHER	6	
9	1M1-16356-00-00	ROD, PUSH 1	1	
10	90170-20195-00	NUT, HEXAGON	1	
11	90215-20125-00	WASHER, LOCK	1	
12	90149-08105-00	SCREW, SPEC'L SHAPE	1	
13	92990-08200-00	WASHER, PLAIN	1	
14	92990-08100-00	WASHER	1	
15	95311-08700-00	NUT	1	
16	1M1-16181-00-00	SPACER 1	1	
17	360-16154-00-00	PLATE, THRUST 1	2	
18	93515-32029-00	BALL	1	
19	1M1-16357-00-00	ROD, PUSH 2	1	
20	1W4-16380-00-00	PUSH LEVER ASSEMBLY	1	
21	90508-14360-00	SPRING, TORSION	1	
22	90201-17327-00	WASHER, PLATE	1	
23	93102-17004-00	OIL SEAL	1	
24	93315-11720-00	BEARING	1	
25	90149-08108-00	SCREW, SPEC'L SHAPE	1	
26	90430-08069-00	GASKET	1	

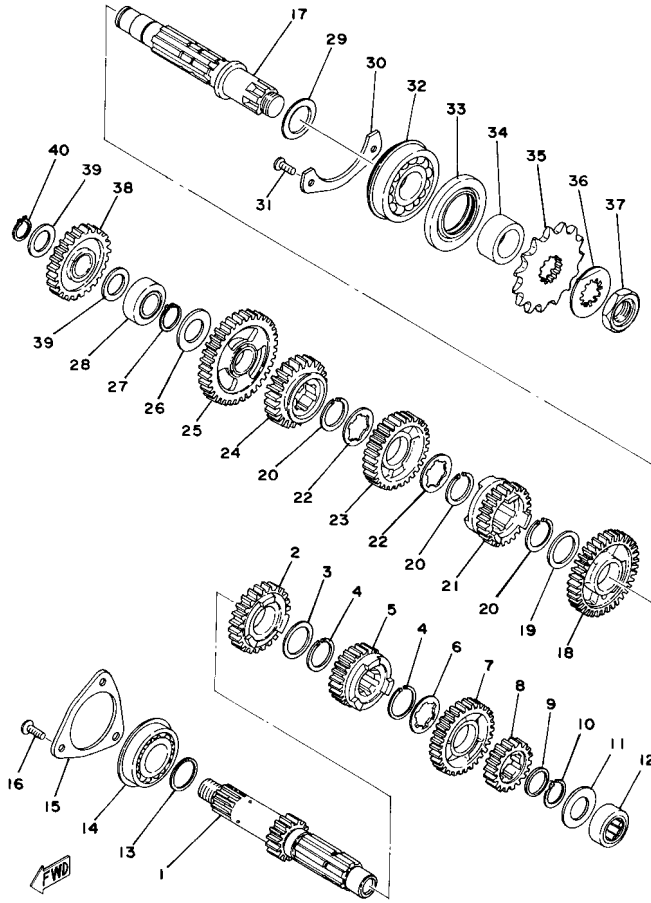
TRANSMISSION



Ref. No.	Part Number	Description	Qty	Remarks
1	(1M2-17411-00-00)	AXLE, MAIN	1	
	1M1-17411-00-00	AXLE, MAIN	1	
2	1M1-17141-01-00	GEAR, 4TH PINION	1	
3	90201-253K0-00	WASHER, PLATE (T=1.0)	1	
4	93440-25084-00	CIRCLIP	2	
5	(1M1-17131-01-00)	GEAR, 3RD PINION	1	
6	90209-22082-00	WASHER (0.5T)	1	
7	1M1-17151-00-00	GEAR, 5TH PINION	1	
8	(1M1-17121-01-00)	GEAR, 2ND PINION	1	
9	90201-20613-00	WASHER, PLATE	1	
10	93410-20038-00	CIRCLIP	1	
11	90201-20278-00	WASHER, PLATE	1	
12	93311-62035-00	BEARING, CYLINDER.# 1	1	
13	168-17428-01-03	SHIM 2 (25-34-0.3)	1	
	168-17428-01-05	SHIM 2 (25-34-0.5)	1	
14	93306-20535-00	BEARING (93306-20515)	1	
15	(363-15383-00-00)	PLATE, BRNG COVER	1	
16	98701-06014-00	SCREW, FLAT HEAD	3	
17	1M2-17421-00-00	AXLE, DRIVE	1	
18	1M1-17221-01-00	GEAR, 2ND WHEEL	1	
19	90201-253K0-00	WASHER, PLATE (T=1.0)	1	
20	93440-25084-00	CIRCLIP	3	
21	1M1-17251-01-00	GEAR, 5TH WHEEL	1	
22	90209-22082-00	WASHER (0.5T)	2	
23	1M1-17231-00-00	GEAR, 3RD WHEEL	1	
24	1M1-17241-01-00	GEAR, 4TH WHEEL	1	
25	(1M1-17211-00-00)	GEAR, 1ST WHEEL	1	
	(1M2-17211-00-00)	GEAR, 1ST WHEEL	1	
26	90201-20278-00	WASHER, PLATE	1	

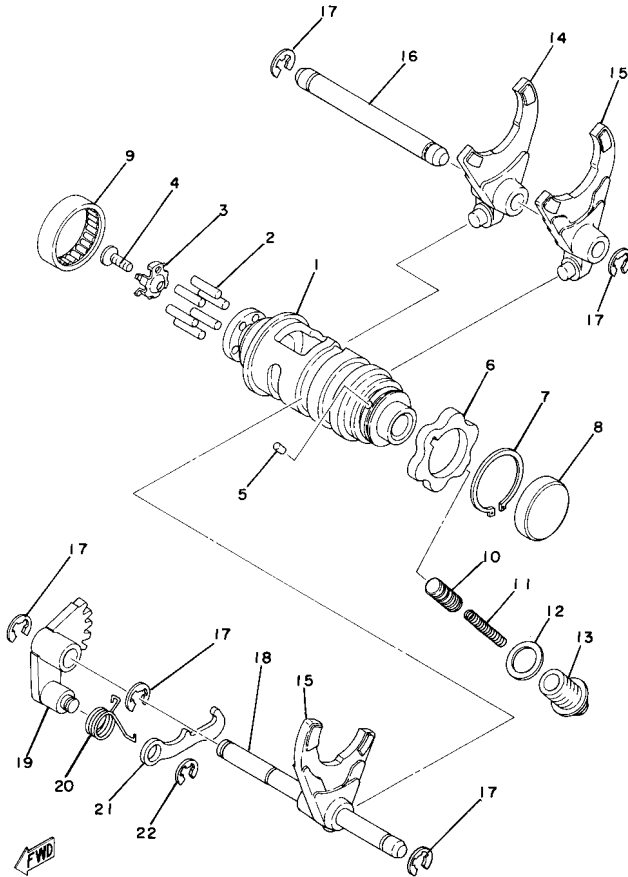
CONTINUED ON NEXT FRAME ➤

TRANSMISSION



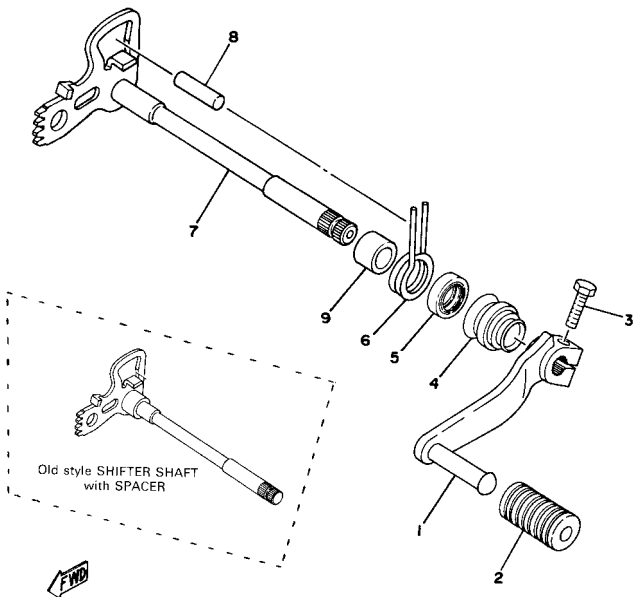
Ref. No.	Part Number	Description	Qty	Remarks
27	93410-20038-00	CIRCLIP	1	
28	93311-62035-00	BEARING, CYLINDER.# 1	1	
29	168-17428-01-03	SHIM 2 (25-34-0.3)	1	
	168-17428-01-05	SHIM 2 (25-34-0.5)	1	
30	509-15381-00-00	PLATE, BRNG COVER	1	
31	98603-06012-00	SCREW, OVAL HEAD (92701-06012)	2	
32	93306-30517-00	BEARING	1	
33	93102-35109-00	OIL SEAL (SD-35-62-6 HS)	1	
34	90387-25192-00	COLLAR	1	
35	93834-14051-00	SPROCKET, DRIVE (23X-17461-40)	1	
	93834-16100-00	SPROCKET, DRIVE 16T (3Y11746160)	1	
36	90215-21239-00	WASHER, LOCK	1	
37	90179-18020-00	NUT	1	
38	(1M1-15651-00-00)	GEAR, KICK IDLE	1	
39	90201-17255-00	WASHER, PLATE	2	
40	99009-17400-00	CIRCLIP	1	

SHIFTER 1



Ref. No.	Part Number	Description	Qty	Remarks
1	1W4-18541-00-00	CAM, SHIFT	1	
2	93604-18100-00	PIN, DOWEL	6	
3	434-18561-00-00	PLATE, SIDE 1	1	
4	98701-05012-00	SCREW, FLAT HEAD	1	
5	93604-08071-00	PIN, DOWEL	1	
6	1E6-18141-01-00	PLATE, STOPPER	1	
7	99009-30400-00	CIRCLIP	1	
8	90338-22030-00	PLUG, SPEC'L SHAPE (168-18149-01)	1	
9	93315-23208-00	BEARING	1	
10	353-18547-00-00	STOPPER, CAM	1	
11	90501-10062-00	SPRING, COMPRESSION	1	
12	137-15353-00-00	GASKET, DRAIN	1	
13	90109-14485-00	BOLT	1	
14	99999-01610-00	FORK, SHIFT 1	1	
15	99999-01609-00	FORK, SHIFT 2	2	
16	363-18535-00-00	BAR, SHIF FRK GDE 2	1	
17	99001-08600-00	CIRCLIP	5	
18	1M1-18531-00-00	BAR, SHIF FRK GDE 1	1	
19	434-18122-00-00	LEVER, SHIFT 2	1	
20	90508-08334-00	SPRING, TORSION	1	
21	498-18151-03-00	LEVER, SHIFT 3	1	
22	99080-07600-00	CIRCLIP (E)	1	

SHIFTER 2



Ref. No.	Part Number	Description	Qty	Remarks
1	1M1-18111-01-00	PEDAL, SHIFT	1	
2	132-18113-01-00	COVER, SHIFT PEDAL	1	
3	97011-06020-00	BOLT	1	
4	214-18131-00-00	BOOT, SEALING	1	
5	93102-12321-00	OIL SEAL, SD-TYPE	1	
6	90508-32318-00	SPRING, TORSION	1	
7	1M1-18101-01-00	SHIFT SHAFT ASSEMBLY 1 ..	1	SEE NOTE
8	93608-30152-00	PIN, DOWEL	1	
9	90560-12171-00	SPACER	1	

SHIFTER 2 (NOTES ONLY)

Ref. No.	Part Number	Description	Qty	Remarks
----------	-------------	-------------	-----	---------

NOTE: Early SHIFTER SHAFT, part number 1M1-18101-00-00, included

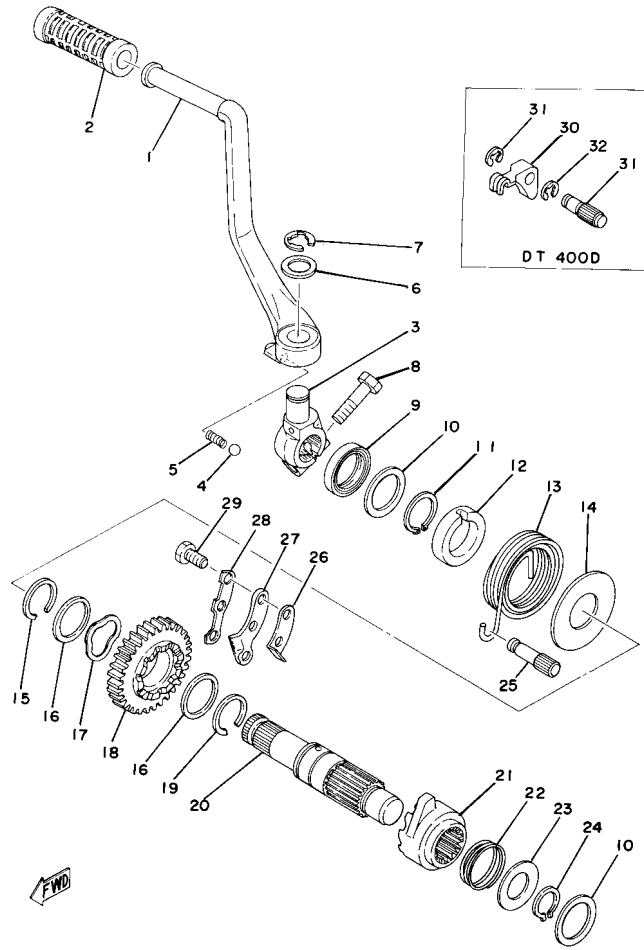
SPACER part number 90560-12171-00.

New SHIFTER SHAFT, part number 1M1-18101-01-00, does not include

SPACER. SPACER part number 90560-12171-00 must be ordered

separately.

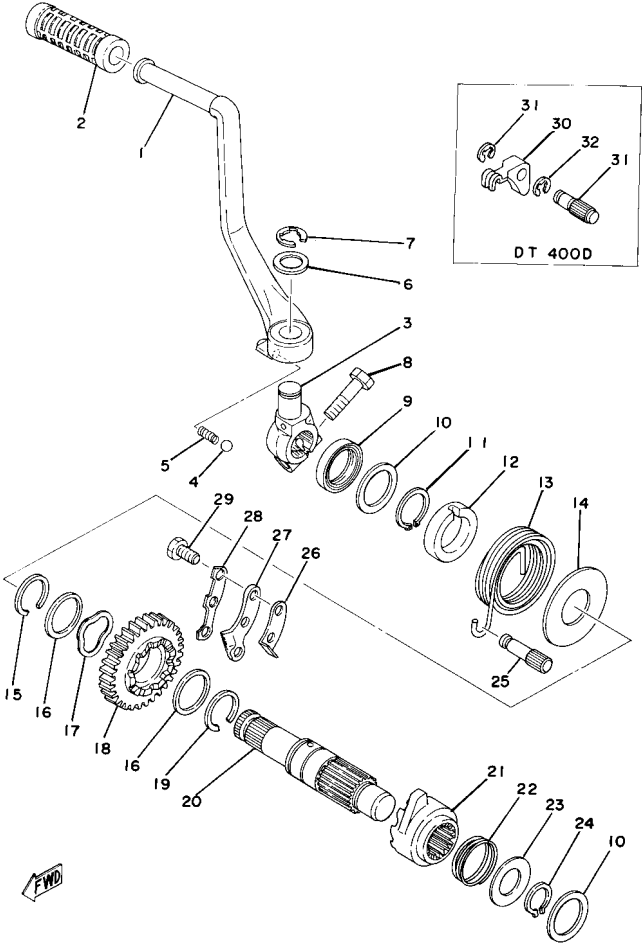
KICK STARTER



Ref. No.	Part Number	Description	Qty	Remarks
1	1M1-15620-02-00	KICK CRANK ASSEMBLY	1	
	1M1-15620-02-00	KICK CRANK ASSEMBLY	1	YAMAHA BLACK
	583-15621-00-00	BOSS, KICK CRANK	1	
2	156-15618-01-00	COVER, KICK LEVER	1	
3	583-15621-00-00	BOSS, KICK CRANK	1	YAMAHA BLACK
4	93507-32031-00	BALL	1	
5	90501-12081-00	SPRING, COMPRESSION	1	
6	90201-15234-00	WASHER, PLATE	1	
7	99006-10600-00	CIRCLIP	1	
8	97313-08030-00	BOLT, HEXAGON	1	
9	93102-20309-00	SEAL, OIL	1	
10	90201-20278-00	WASHER, PLATE	2	
11	93410-25010-00	CIRCLIP, S-TYPE	1	
12	(1M1-15664-00-00)	GUIDE, SPRING	1	
13	90508-32317-00	SPRING, TORSION	1	
14	(90201-25637-00)	WASHER, PLATE	1	
15	93440-25084-00	CIRCLIP	1	
16	90201-253K0-00	WASHER, PLATE (T=1.0)	2	
17	90206-25059-00	WASHER, WAVE	1	
18	(1M1-15641-00-00)	GEAR, KICK	1	
19	93440-25027-00	1CIRCLIP, OUTER	1	
20	1M1-15661-00-00	AXLE, KICK	1	
21	(1M1-15671-00-00)	WHEEL, RATCHET	1	
22	90501-23143-00	SPRING, COMPRESSION (363-15675-00)	1	
23	363-15676-00-00	COVER, SPRING	1	
24	93410-20038-00	CIRCLIP	1	
25	(1M1-15668-01-00)	STOPPER	1	
26	434-15668-00-00	STOPPER	1	

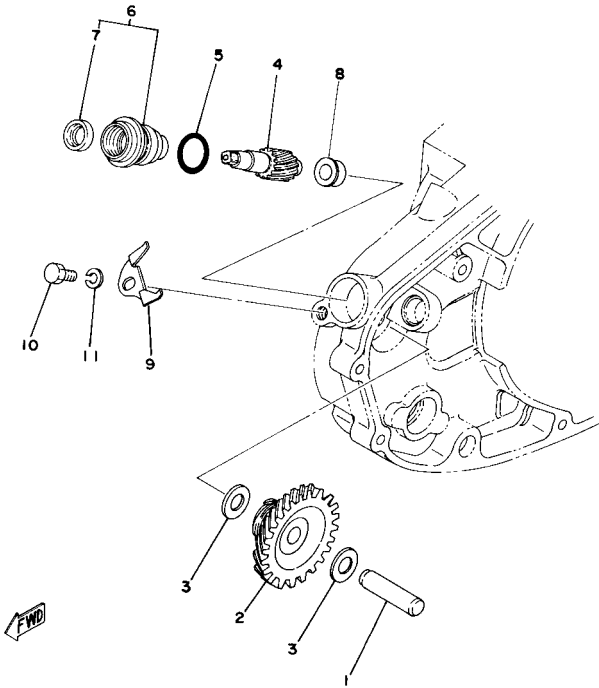
CONTINUED ON NEXT FRAME ►

KICK STARTER



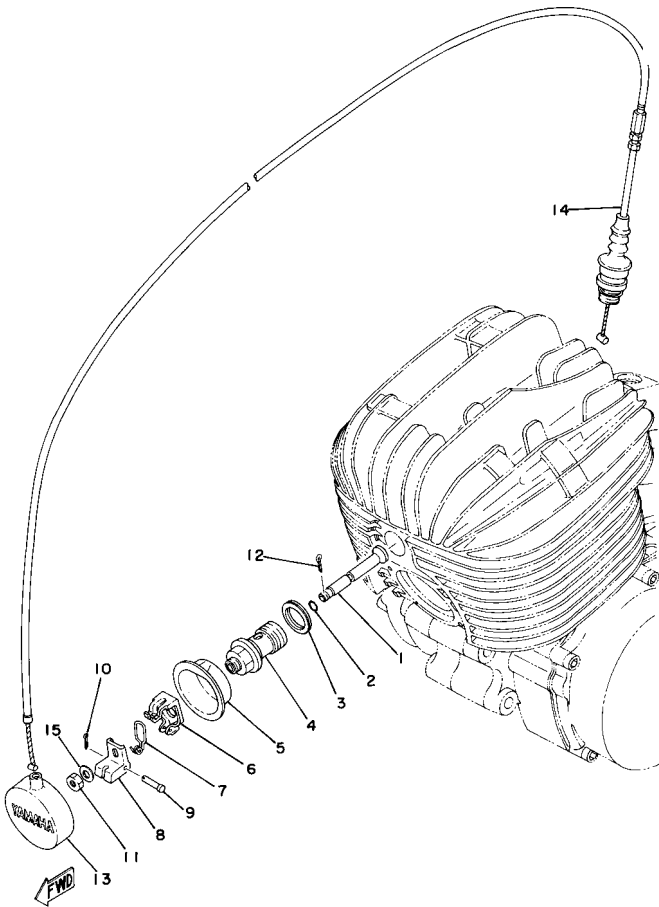
Ref. No.	Part Number	Description	Qty	Remarks
27	(363-15674-00-00)	GUIDE, RATCHET WHL	1	
28	363-15686-00-00	WASHER, LOCK	1	
29	97011-06016-00	BOLT	3	
30	363-15656-00-00	LINK	1	
31	363-15659-00-00	SHAFT	1	
32	99080-07600-00	CIRCLIP (E)	2	

TACHOMETER GEAR



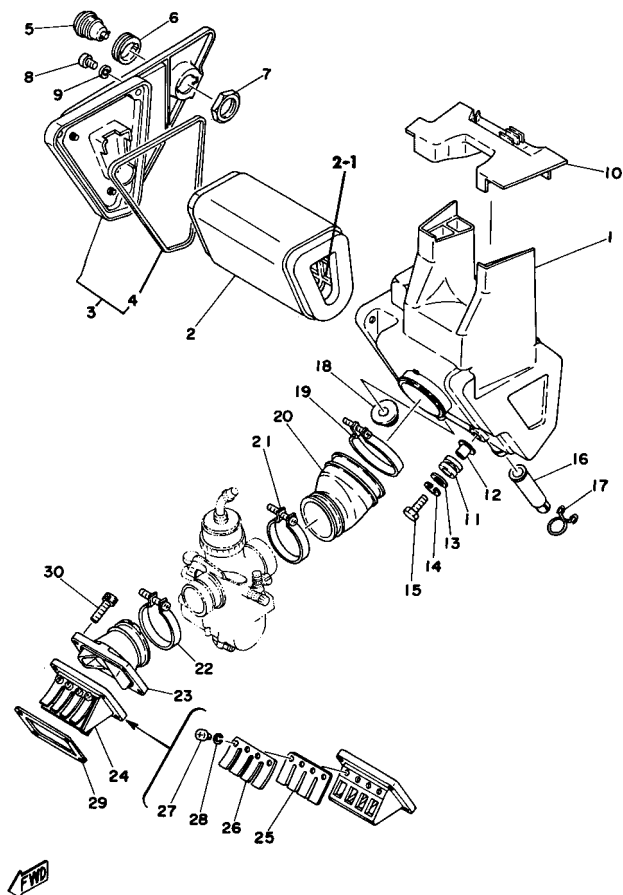
Ref. No.	Part Number	Description	Qty	Remarks
1	237-17861-00-00	AXLE, DRIVE GEAR	1	
2	1M1-17831-00-00	GEAR, DRIVE	1	
3	248-17837-00-00	SHIM	2	
4	443-17841-00-00	GEAR, DRIVEN	1	
5	93210-16314-00	O-RING	1	
6	438-17811-01-00	HOUSING, TACH GEAR	1	
7	93104-07036-00	. OIL SEAL, SO-TYPE	1	
8	90381-08002-00	BUSHING (214-17843-00)	1	
9	438-17812-00-00	STOPPER	1	
10	97013-06012-00	BOLT	1	
	97313-06016-00	BOLT, HEXAGON	1	
11	92995-06100-00	WASHER, SPRING	1	

DECOMPRESSION VALVE (DT400D)



Ref. No.	Part Number	Description	Qty	Remarks
1	363-12281-01-00	VALVE, DCOMP	1	
2	93210-05215-00	O-RING	1	
3	90430-22123-00	GASKET	1	
4	363-12283-01-00	BRACKET, DCOMP	1	
5	1K7-12278-00-00	COVER, DCOMPDECOMPRESSION ...	1	
6	363-12273-00-00	HOLDER, CABLE	1	
7	90508-10010-00	SPRING, TORSION (363-12287-00)	1	
8	363-12282-00-00	LEVER, DCOMP	1	
9	90240-03003-00	PIN, CLEVIS (363-12284-00) ...	1	
10	91490-16020-00	PIN, COTTER	1	
11	95311-05700-00	NUT	1	
12	91490-16020-00	PIN, COTTER	1	
13	1K7-12278-00-00	COVER, DCOMPDECOMPRESSION ...	1	
14	363-12292-02-00	CABLE, DCOMP (363-12292-01)	1	
15	92990-05200-00	WASHER, PLAIN	1	

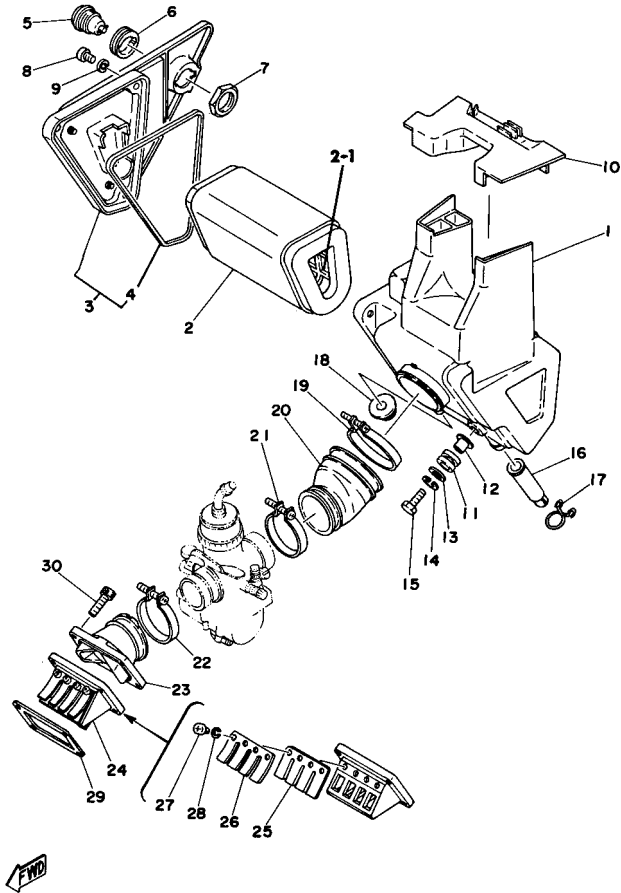
INTAKE



Ref. No.	Part Number	Description	Qty	Remarks
1	(1M1-14401-00-00)	AIR CLNR CASE ASSEMBLY .	1	
2	1M1-14451-00-00	ELEMENT, AIR CLNR	1	
3	1M1-21730-00-00	SIDE COVER ASSEMBLY 3 . . .	1	
4	4L0-14457-01-00	. SEAL	1	
5	1E6-21708-00-00	SIDE CVR LOCK ASSEMBLY .	1	
6	90480-24186-00	GROMMET	1	
7	90170-22187-00	NUT	1	
8	98580-05016-00	SCREW, PAN HEAD	3	
9	92901-05600-00	WASHER, PLATE	3	
10	(1M1-14418-00-00)	COVER 2	1	
11	90480-14023-00	GROMMET	2	
12	90387-07391-00	COLLAR	2	
13	90201-06067-00	WASHER, PLATE	2	
14	92995-06100-00	WASHER, SPRING	2	
15	97011-06025-00	BOLT (97001-06025)	2	
16	509-14457-00-00	SEAL (509-14457-01)	1	
17	90467-15012-00	CLIP, SCISSOR	1	
18	90480-18171-00	GROMMET	1	
19	90460-64065-00	CLAMP, HOSE	1	
20	1M1-14453-00-00	JOINT, AIR CLNR 1	1	
	1M2-14453-00-00	JOINT, AIR CLNR 1	1	
21	90460-49058-00	CLAMP, HOSE	1	
	90460-51059-00	CLAMP, HOSE	1	
22	90450-44046-00	HOSE CLAMP ASSEMBLY . . .	1	
	90460-51109-00	CLAMP, HOSE	1	
23	1M1-13565-01-00	JOINT, CARBURETOR	1	
	1M2-13565-01-00	JOINT, CARBURETOR	1	
24	1M1-13610-10-00	REED VALVE ASSEMBLY	1	
25	1M1-13613-10-00	. REED, VALVE	2	

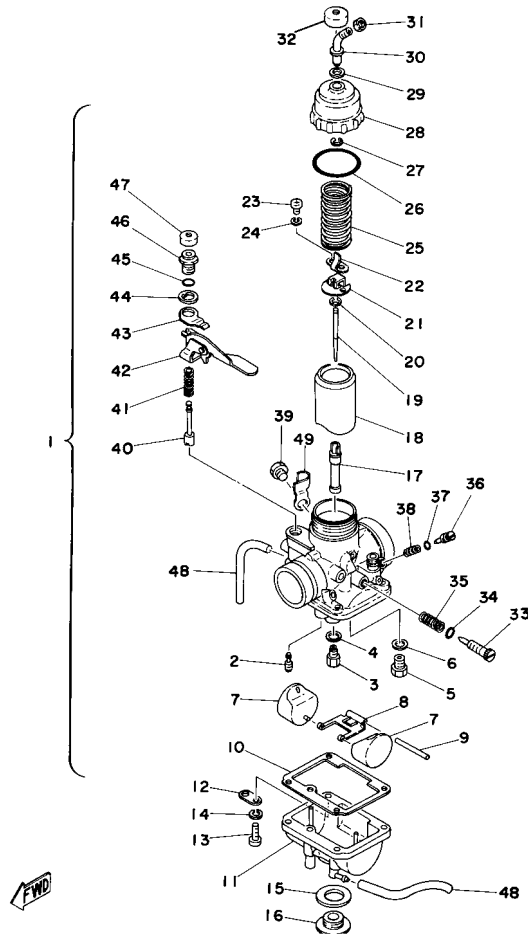
CONTINUED ON NEXT FRAME ►

INTAKE



Ref. No.	Part Number	Description	Qty	Remarks
26	1M1-13616-00-00	. STOPPER, REED VALVEVALVE	2	
27	98580-03008-00	. SCREW, PAN HEAD	8	
28	92990-03100-00	. WASHER, SPRING (92901-03100)	8	
29	8Y7-13556-01-00	GASKET, MANIFOLD	1	
30	91316-06025-00	BOLT	4	

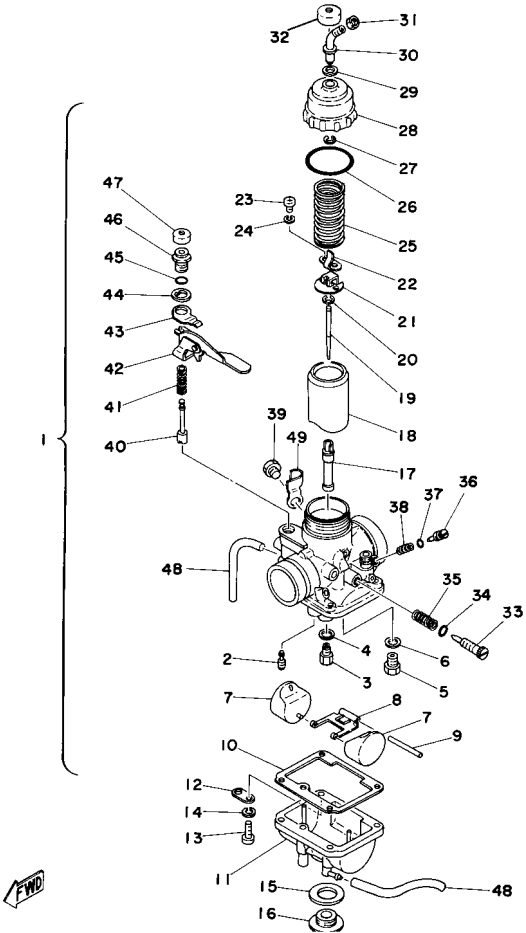
CARBURETOR (DT250D)



Ref. No.	Part Number	Description	Qty	Remarks
1	(1M1-14101-01-00)	CARBURETOR ASSEMBLY 1	1	
2	193-14142-50-00	. JET, PILOT (# 50)	1	
3	137-14143-28-A0	. JET, MAIN (#140)	1	U.R.
	137-14143-30-00	. JET, MAIN #1 0	1	U.R.STD
	137-14143-32-00	. JET, MAIN #1 0	1	U.R.
4	137-14153-00-00	. WASHER, MAIN JET	1	
5	168-14190-28-00	. NEEDLE VALVE ASSEMBLY	1	
6	214-14195-00-00	. WASHER, NEEDLE VALVE	1	
7	280-14185-00-00	. FLOAT	2	
8	280-14187-00-00	. ARM, FLOAT	1	
9	127-14186-00-00	. PIN, FLOAT	1	
10	360-14184-01-00	. GASKET, FLOAT CHMBR	1	
12	132-14146-00-00	. PLATE	1	
13	98503-04014-00	. SCREW, PAN HEAD	4	
14	92901-04100-00	. WASHER, SPRING	4	
15	278-14117-00-00	. WASHER, PLUG SCREW	1	
16	(278-14115-00-00)	PLUG, SCREW	1	
17	278-14141-28-00	. NO LONGER AVAILABLE	1	
18	(1M1-14112-15-00)	VALVE, THROTTLE 1	1	
19	168-14116-33-00	. NEEDLE	1	
20	164-14137-00-00	. CLIP	1	
21	(1A0-14243-00-00)	PLATE	1	
22	(1A0-14253-00-00)	SPRING	1	
23	98580-03010-00	. SCREW, PAN HEAD (98502-03010)	2	
24	92990-03100-00	. WASHER, SPRING (92901-03100)	2	
25	248-14131-00-00	. SPRING, THROTTLE VALVE	1	
26	361-14147-00-00	. O-RING	1	

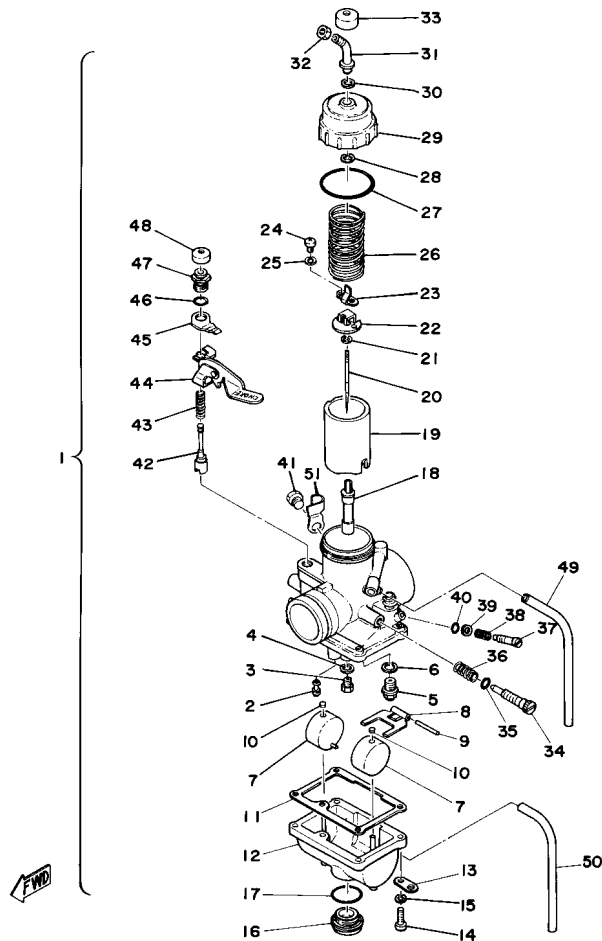
CONTINUED ON NEXT FRAME ►

CARBURETOR (DT250D)



Ref. No.	Part Number	Description	Qty	Remarks
27	363-14137-00-00	. CLIP	1	
28	498-14158-00-33	. TOP, MIXING CHAMBER (498-14158-00)	1	
29	509-14198-00-00	. GASKET	1	
30	23X-14106-00-00	. CABLE ADJUST SCREW SET	1	
31	127-14161-00-00	. NUT, CABLE ADJUSTING ...	1	
32	1M1-14169-00-00	. CAP	1	
33	493-14122-00-00	. SCREW, THROTTLE (443-14122-00)	1	
34	214-14147-00-00	. O-RING	1	
35	493-14133-00-00	. SPRING, THRTL STOP	1	
36	10W-14104-00-00	. AIR SCREW SET	1	
37	354-14147-00-00	. O-RING	1	
38	127-14134-00-00	. SPRING, AIR ADJUSTING ...	1	
39	1A0-14991-00-00	. SCREW	1	
40	1A0-14171-00-00	. PLUNGER, STARTER	1	
41	256-14135-00-00	. SPRING, PLUNGER	1	
42	(1A0-14175-00-00)	LEVER, STARTER 1	1	
43	(170-14178-00-00)	PLATE, STARTER LVR	1	
44	(1A0-14179-00-00)	WASHER, STARTER LVR	1	
45	93220-09001-00	. O-RING	1	
46	(500-14174-00-00)	CAP, PLUNGER	1	
47	802-14173-00-00	. COVER, PLUNGER CAP	1	
48	439-14197-00-00	. PIPE, AIRVENT	2	
49	90465-10108-00	CLAMP	1	

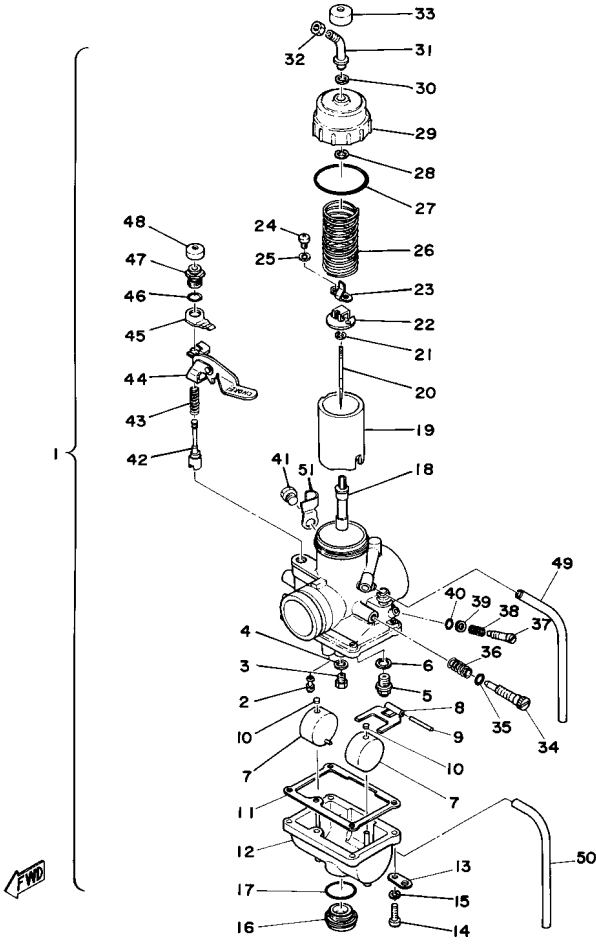
CARBURETOR(DT400D)



Ref. No.	Part Number	Description	Qty	Remarks
1	(1M2-14101-01-00)	CARBURETOR ASSEMBLY 1	1	
2	193-14142-80-00	. JET, PILOT (# 80)	1	
3	137-14143-36-A1	. JET, MAIN #1 0	1	U.R.
	137-14143-38-A0	. JET, MAIN #1 0	1	U.R.STD
	137-14143-40-A1	. JET, MAIN #2 0	1	U.R.
4	137-14153-00-00	. WASHER, MAIN JET	1	
5	500-14190-30-00	. NEEDLE VALVE ASSEMBLY (3.0)	1	
6	239-14195-00-00	. WASHER, NEEDLE VALVE	1	
7	275-14185-00-00	. FLOAT	2	
8	214-14187-00-00	. ARM, FLOAT	1	
9	127-14186-00-00	. PIN, FLOAT	1	
10	214-14118-00-00	. CAP	2	
11	500-14184-00-00	. GASKET, FLOAT CHMBR	1	
12	(1M2-14181-12-00)	BODY, FLOAT CHMBR 1	1	
13	500-14146-00-00	. PLATE	1	
14	98503-04014-00	. SCREW, PAN HEAD	4	
15	92901-04100-00	. WASHER, SPRING	4	
16	500-14115-00-00	. PLUG, SCREW	1	
17	(93210-18283-00)	O-RING	1	
18	(363-14141-32-00)	NOZZLE, MAIN	1	
19	(1M2-14112-25-00)	VALVE, THROTTLE 1	1	
20	239-14116-09-00	. NEEDLE	1	
21	164-14137-00-00	. CLIP	1	
22	(1A0-14243-00-00)	PLATE	1	
23	(1A0-14253-00-00)	SPRING	1	
24	98580-03010-00	. SCREW, PAN HEAD (98502-03010)	2	
25	92990-03100-00	. WASHER, SPRING (92901-03100)	2	

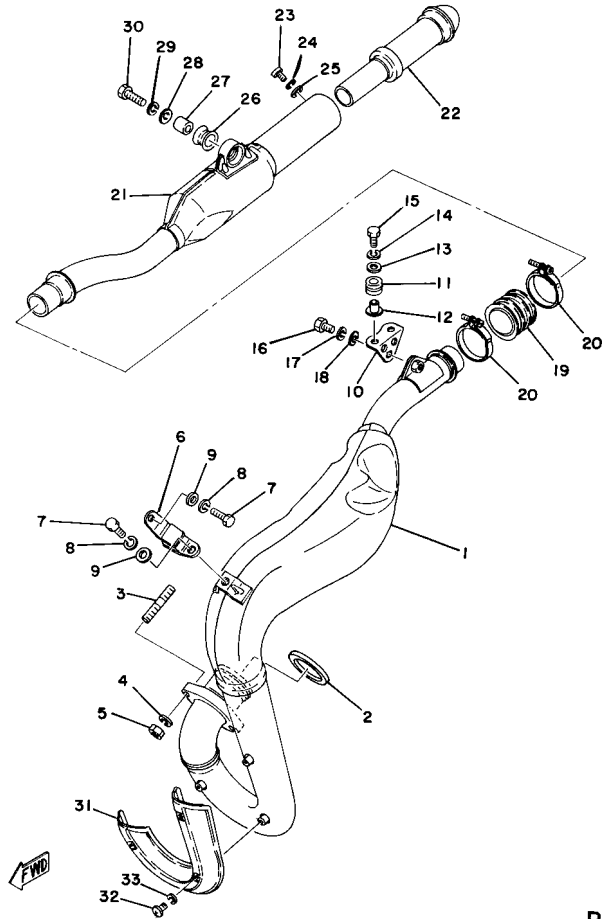
CONTINUED ON NEXT FRAME ►

CARBURETOR(DT400D)



Ref. No.	Part Number	Description	Qty	Remarks
26	363-14131-00-00	. SPRING, THROTTLE VALVE .	1	
27	(93210-40284-00)	O-RING	1	
28	363-14137-00-00	. CLIP	1	
29	500-14158-00-00	. TOP, MIXING CHAMBER (500-14158-00-33)	1	
30	509-14198-00-00	. GASKET	1	
31	500-14155-00-00	. GUIDE, CABLE	1	
32	127-14161-00-00	. NUT, CABLE ADJUSTING ...	1	
33	1M1-14169-00-00	. CAP	1	
34	493-14122-00-00	. SCREW, THROTTLE (443-14122-00)	1	
35	214-14147-00-00	. O-RING	1	
36	493-14133-00-00	. SPRING, THRTL STOP	1	
37	1G8-14123-00-00	. SCREW, AIR ADJUSTING ...	1	
38	137-14134-00-00	. SPRING, AIR ADJUSTING ...	1	
39	812-14235-00-00	. WASHER, NEEDLE	1	
40	812-14147-00-00	. O-RING	1	
41	1A0-14991-00-00	. SCREW	1	
42	(1M2-14171-00-00)	PLUNGER, STARTER	1	
43	500-14135-00-00	. SPRING, PLUNGER	1	
44	(1M2-14175-00-00)	LEVER, STARTER 1	1	
45	275-14178-00-00	. PLATE, STARTER LVR	1	
46	(93210-09285-00)	O-RING	1	
47	500-14135-00-00	. SPRING, PLUNGER	1	
48	(802-14175-00-00)	LEVER, STARTER 1	1	
49	(256-14197-01-00)	PIPE, AIRVENT	1	
50	(1M2-14196-00-00)	PIPE, OVERFLOW	1	
51	90465-10108-00	CLAMP	1	

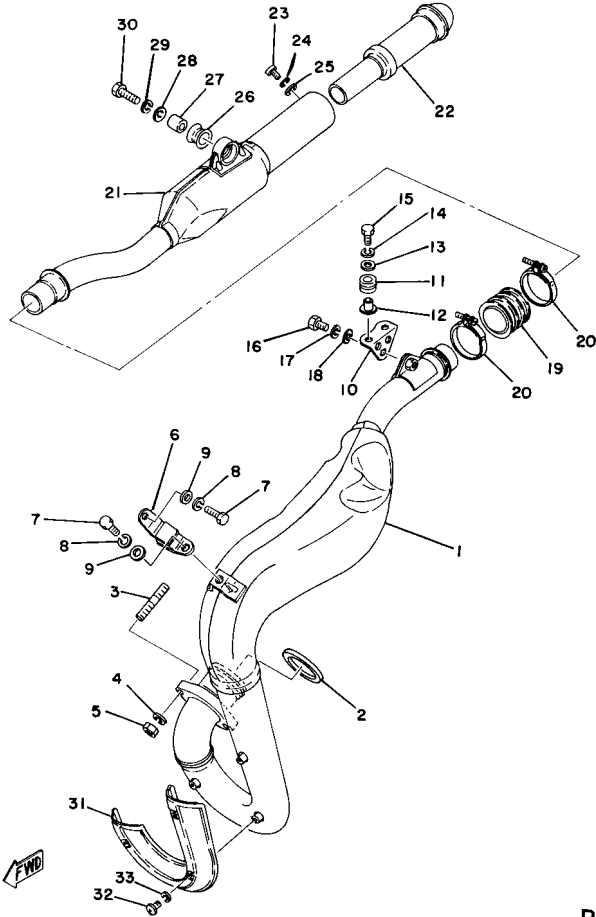
EXHAUST



Ref. No.	Part Number	Description	Qty	Remarks
1	(1M2-14610-03-00)	EXHAUST PIPE ASSEMBLY L	1	
	1N6-14610-00-00	EXHAUST PIPE ASSEMBLYL	1	
2	214-14613-00-00	GASKET, EXST PIPE	1	
3	90116-08042-00	BOLT, STUD	2	
4	92990-08100-00	WASHER	2	
5	95333-08600-00	NUT	2	
6	97011-06016-00	BOLT	1	
7	97011-06016-00	BOLT	2	
8	92995-06100-00	WASHER, SPRING	2	
9	92901-06600-00	WASHER	2	
10	1M1-14771-01-00	STAY, MUFFLER 1	1	
11	90480-14023-00	GROMMET	2	
12	90387-06388-00	COLLAR	2	
13	92901-06600-00	WASHER	2	
14	92995-06100-00	WASHER, SPRING	2	
15	97011-06025-00	BOLT (97001-06025)	2	
16	97313-08018-00	BOLT, HEXAGON (97301-08016)	1	
17	92990-08100-00	WASHER	1	
18	92901-08600-00	WASHER	1	
19	1M1-14714-00-00	GASKET, MUFFLER	1	
20	90460-43053-00	CLAMP, HOSE	2	
21	1M1-14753-00-00	SILENCER, EXHAUST	1	
22	1M1-14752-01-00	PIPE, OUTLET	1	
23	98580-06012-00	SCREW, PAN HEAD	1	
24	92995-06100-00	WASHER, SPRING	1	
25	92901-06600-00	WASHER	1	
26	565-14747-00-00	DAMPER, MUFFLER	1	
27	90387-08258-00	COLLAR	1	
28	90201-08753-00	WASHER, PLATE	1	

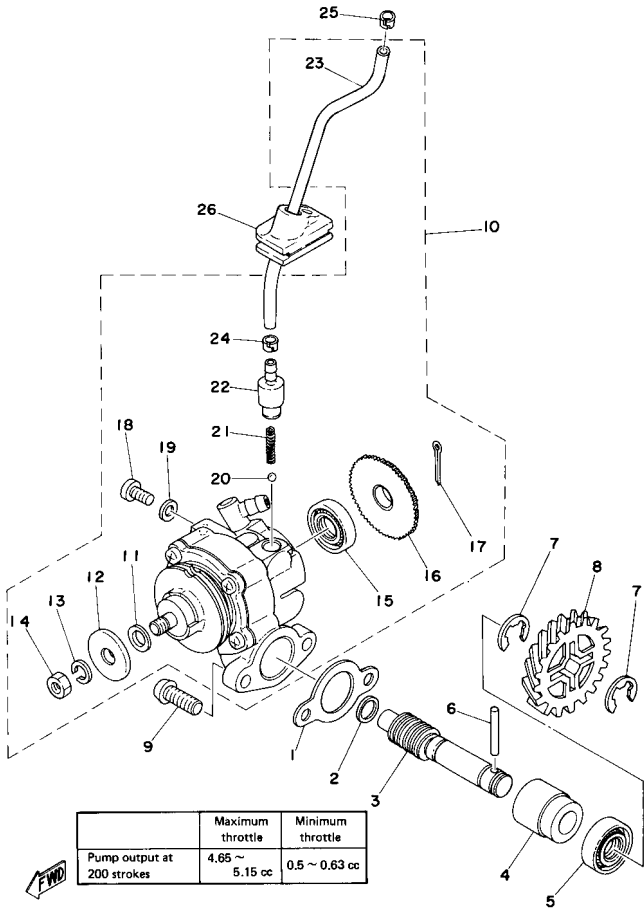
CONTINUED ON NEXT FRAME ►

EXHAUST



Ref. No.	Part Number	Description	Qty	Remarks
29	92990-08100-00	WASHER	1	
30	97313-08030-00	BOLT, HEXAGON	1	
31	1M1-14728-00-00	PROTECTOR, MUFF 2	1	
32	98906-06010-00	SCREW, BIND	3	
33	92906-06100-00	WASHER, SPRING	3	

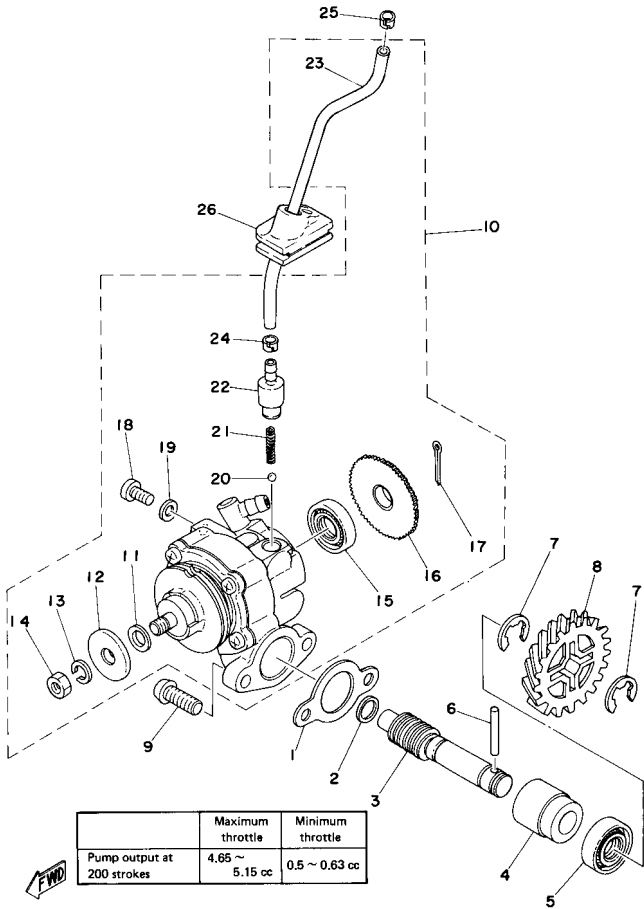
OIL PUMP



Ref. No.	Part Number	Description	Qty	Remarks
1	3MT-13116-00-00	GASKET, PUMP CASE (8Y0-13116-00)	1	
2	90201-08624-00	WASHER, PLATE	1	
3	(1M2-13175-00-00)	SHAFT, WORM	1	
	(525-13175-01-00)	SHAFT, WORM	1	
4	1E7-13176-00-00	METAL, WRM SHAF OTR	1	
5	93101-10090-00	OIL SEAL	1	
6	93603-22028-00	PIN, DOWEL	1	
7	99001-08600-00	CIRCLIP	2	
8	1M1-13178-00-00	GEAR, PUMP DRIVE	1	
9	98580-05016-00	SCREW, PAN HEAD	2	
10	1M1-13101-01-00	OIL PUMP ASSEMBLY	1	
	1M2-13101-01-00	OIL PUMP ASSEMBLY	1	
11	137-13137-00-03	. SHIM (0.3T)	1	
	137-13137-00-05	. SHIM (0.5T)	1	
	137-13137-00-10	. SHIM (1.0T)	1	
	137-13137-00-50	. SHIM, PLUNGER	1	
12	137-13138-01-00	. PLATE, ADJUSTING	1	
13	92990-05100-00	. WASHER, SPRING	1	
14	95380-05600-00	. NUT	1	
15	93101-10090-00	. OIL SEAL	1	
16	(137-13128-00-00)	PLATE, STARTER	1	
17	91401-12018-00	. PIN, COTTER	1	
18	98901-04008-00	. SCREW, BIND	1	
19	90430-04004-00	. GASKET	1	
20	93505-32002-00	. BALL	1	
21	90501-02018-00	. SPRING, COMPRESSION	1	
22	402-13552-00-00	. NOZZLE	1	
23	90445-05217-00	. HOSE	1	

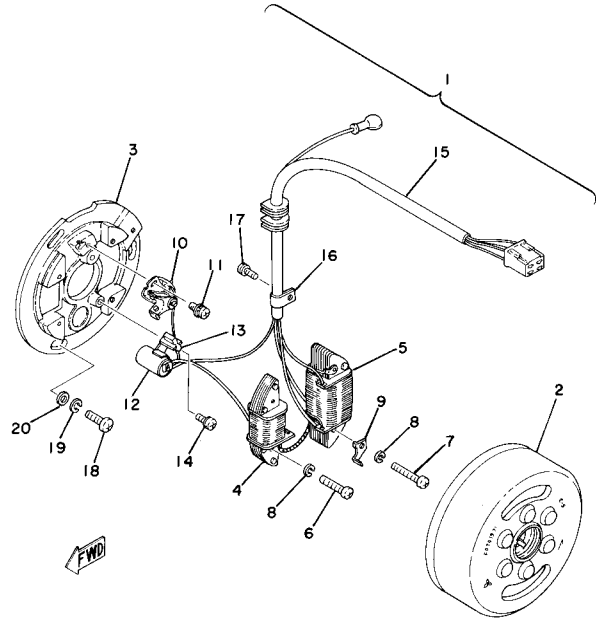
CONTINUED ON NEXT FRAME ►

OIL PUMP



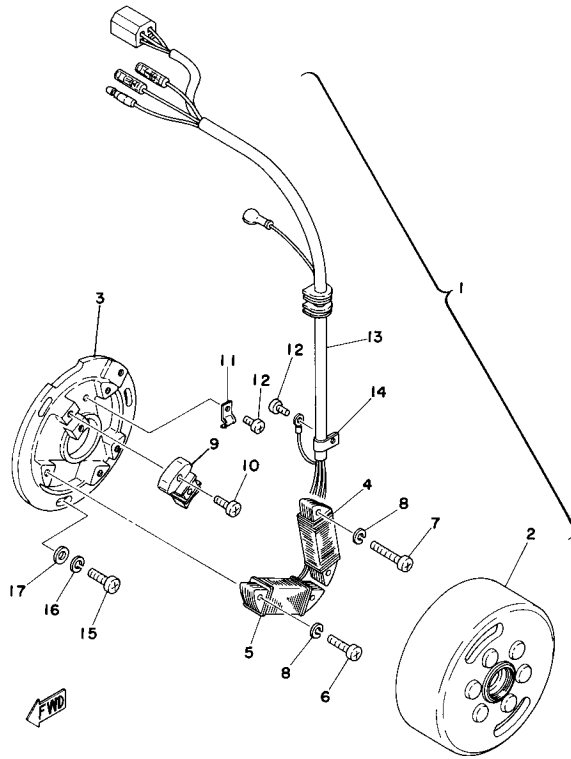
Ref. No.	Part Number	Description	Qty	Remarks
24	90468-02033-00	. CLIP	1	
25	90468-02033-00	CLIP	1	
26	(1M1-13174-00-00)	HOLDER, OIL PIPE	1	

FLYWHEEL MAGNETO (DT250D)



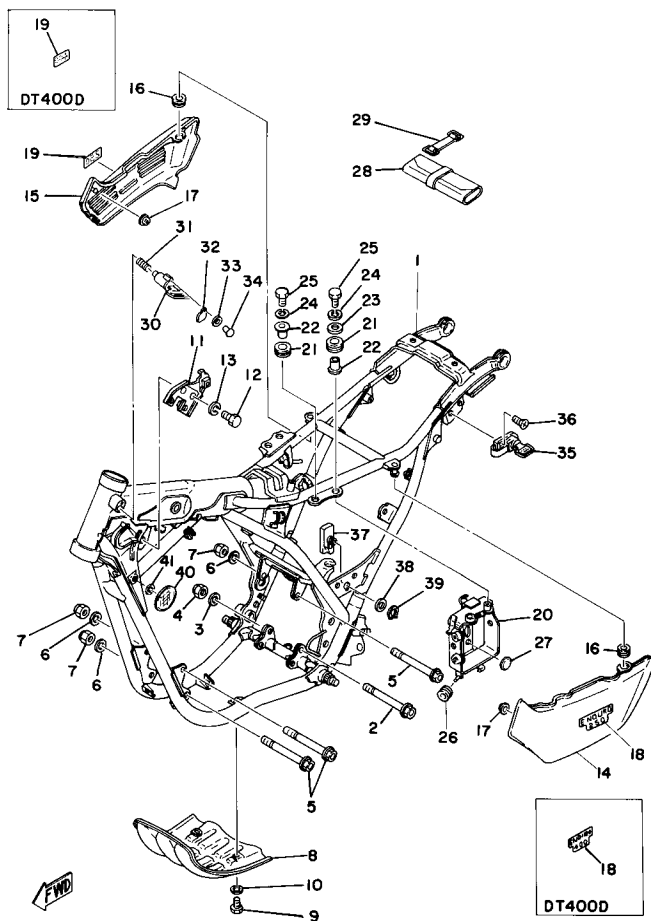
Ref. No.	Part Number	Description	Qty	Remarks
1	(1M1-81300-22-00)	FLYWHL MAGNETO ASSEMBLY	1	
2	1M1-81350-20-00	. ROTOR ASSEMBLY	1	
3	(438-81309-20-00)	BASE, MAGNETO	1	
4	498-81312-22-00	. COIL, SOURCE	1	
5	1M1-81313-21-00	. COIL, LIGHTING 1	1	
6	98503-05025-00	. SCREW, PAN HEAD (98501-05025)	2	
7	98501-05035-00	. SCREW, PAN HEAD	2	
8	92990-05100-00	. WASHER, SPRING	4	
9	(438-81332-20-00)	PLATE, TIMING	1	
10	1M1-81321-20-00	. CONTACT BRKR ASSEMBLY (R.H) (806-81322-20)	1	
11	110-81346-21-00	. SCREW, PAN HEAD	1	
12	654-81325-20-00	. CONDENSER 1	1	
13	116-81331-20-00	. LUBRICATOR	1	
14	110-81346-21-00	. SCREW, PAN HEAD	1	
15	(1M1-81315-21-00)	LEAD WIRE ASSEMBLY	1	
16	104-81328-20-00	. CLAMP	1	
17	97601-04106-00	. SCREW, PN/HD.W/WSHR	1	
18	98580-06020-00	SCREW	3	
19	92995-06100-00	WASHER, SPRING	3	
20	92901-06600-00	WASHER	3	

C - D - I - MAGNETO (DT400D)



Ref. No.	Part Number	Description	Qty	Remarks
1	(1M2-85500-22-00)	CDI MAGNETO ASSEMBLY ...	1	
2	(1M2-85550-21-00)	ROTOR ASSEMBLY	1	
3	1M2-85509-20-00	. BASE, MAGNETO	1	
4	1M2-85512-20-00	. COIL SOURCE 2	1	
5	1M2-85513-22-00	. COIL, LIGHTING 1	1	
6	98501-05035-00	. SCREW, PAN HEAD	2	
7	98503-05025-00	. SCREW, PAN HEAD (98501-05025)	2	
8	92990-05100-00	. WASHER, SPRING	4	
9	1M2-85580-20-00	. COIL, PULSER	1	
10	97602-04125-00	. SCREW, PN/HD.W/WSHR (4-25)	2	
11	(445-85528-20-00)	CLAMP, LEAD	1	
12	97601-04106-00	. SCREW, PN/HD.W/WSHR ...	2	
13	1M2-85515-21-00	. NO LONGER AVAILABLE ...	1	
14	445-81328-20-00	. CLAMP	1	
15	98580-06020-00	SCREW	3	
16	92995-06100-00	WASHER, SPRING	3	
17	92901-06600-00	WASHER	3	

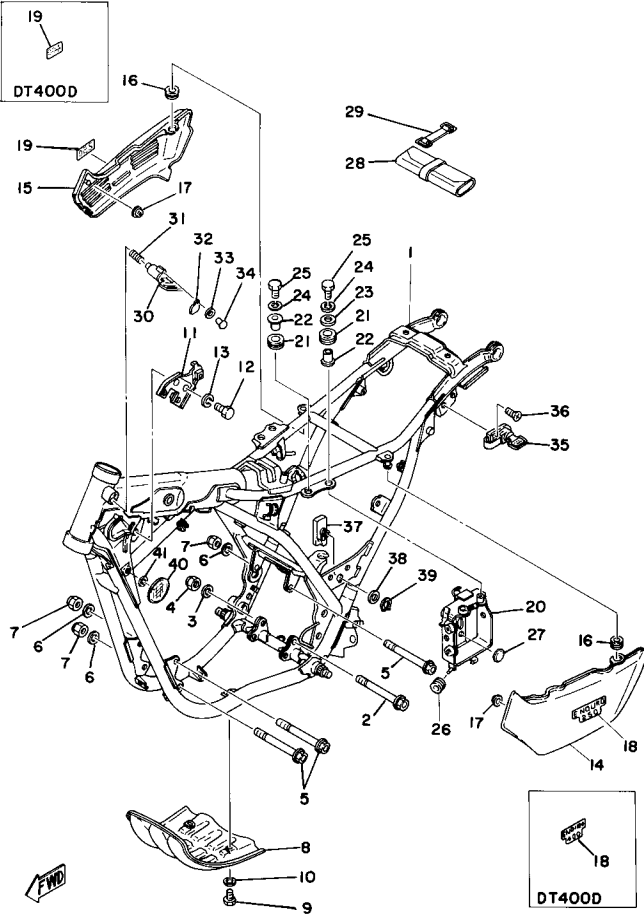
FRAME - SIDE COVER



Ref. No.	Part Number	Description	Qty	Remarks
1	(1M1-21110-01-33)	FRAME	1	YAMAHA BLACK
2	90105-10050-00	BOLT, WASHER BASED	1	
3	92990-10200-00	WASHER, PLAIN	1	
4	95601-10100-00	NUT, U (95602-10100-00)	1	
5	90105-08024-00	BOLT, WASHER BASED	3	
6	92990-08200-00	WASHER, PLAIN	3	
7	95611-08100-00	NUT, U	3	
8	1M1-21471-00-90	PROTECTOR, ENGINE	1	YAMAHA BLACK
9	97013-06012-00	BOLT	4	
10	92995-06100-00	WASHER, SPRING	4	
11	1M1-21471-00-90	PROTECTOR, ENGINE	1	
12	97301-06014-00	BOLT, HEXAGON	2	
13	92995-06100-00	WASHER, SPRING	2	
14	(1M1-21721-00-G6)	COVER, SIDE 2	1	BALBOA BLUE
	(1M2-21710-00-U4)	SIDE COVER ASSEMBLY 1 ...	1	BRICK RED
	1M1-21710-00-G6	SIDE COVER ASSEMBLY 1 ...	1	BALBOA BLUE
	1M2-21721-00-U4	COVER, SIDE 2	1	BRICK RED
16	90480-12053-00	GROMMET	4	
17	90480-13398-00	GROMMET	2	
18	(1M1-21787-00-00)	EMBLEM 7	1	
	(1M2-21787-00-00)	EMBLEM 7	1	
19	(1M1-21786-00-00)	EMBLEM 6	1	
	(1M2-21786-00-00)	EMBLEM 6	1	
20	(1M1-21240-00-00)	BOX, BATT.	1	
21	90480-14023-00	GROMMET	2	
22	90387-07391-00	COLLAR	2	
23	90201-06062-00	WASHER, PLATE	1	
24	92995-06100-00	WASHER, SPRING	2	
25	97011-06025-00	BOLT (97001-06025)	2	

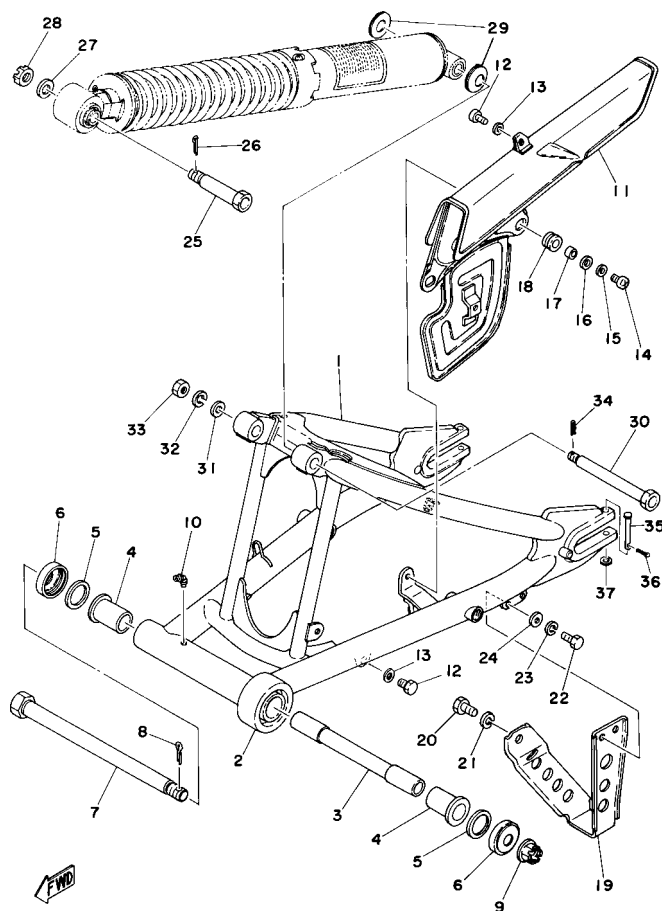
CONTINUED ON NEXT FRAME ➤

FRAME - SIDE COVER



Ref. No.	Part Number	Description	Qty	Remarks
26	90480-01176-00	GROMMET	1	
27	371-82121-00-00	PAD, BATTERY	4	
28	2A6-W2810-00-00	TOOL KIT	1	
29	21V-21376-00-00	BAND, TOOL	1	
30	2A6-23408-00-00	STEERING LOCK ASSEMBLY .	1	
31	90502-09024-00	SPRING, CONICAL	1	
32	3DM-23484-00-00	CAP, HANDLE LOCK	1	
33	90206-04003-00	WASHER, WAVE (214-23488-00)	1	
34	90269-04003-00	RIVET	1	
35	55E-21308-00-00	HELMET HANGER ASSEMBLY	1	
36	98603-06018-00	SCREW, OVAL HEAD	1	
37	583-22147-01-00	PROTECTOR, CHAIN	1	
38	90206-15023-00	WASHER, WAVE	1	
39	99009-15400-00	CIRCLIP	1	
40	355-85111-01-00	REFLECTOR, FRONT 1	2	
41	90430-06012-00	GASKET	2	

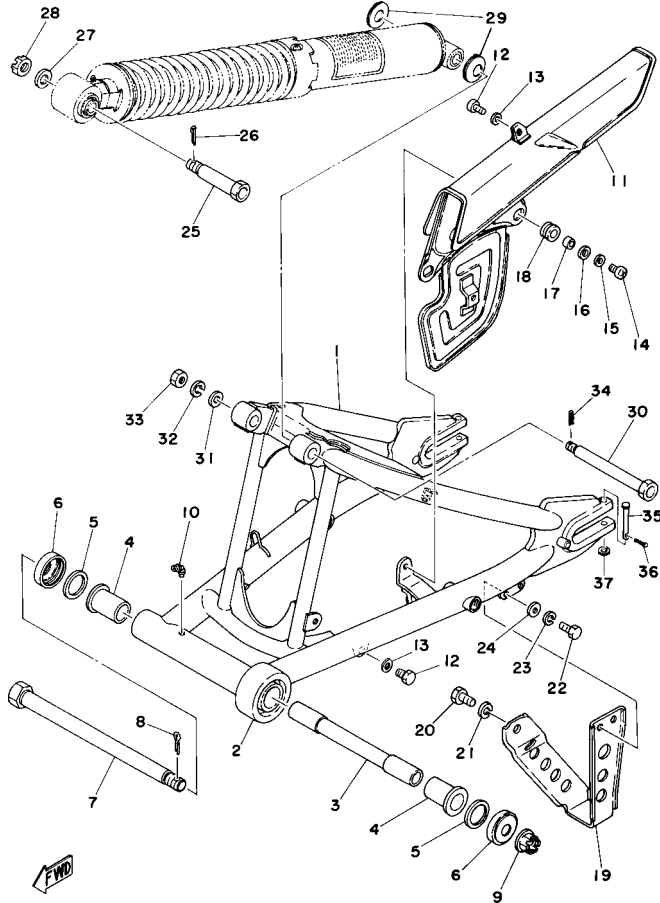
REAR ARM - CHAIN CASE



Ref. No.	Part Number	Description	Qty	Remarks
1	(2N6-22110-00-33)	REAR ARM	1	YAMAHA BLACK
2	1M1-22151-00-00	SEAL, GUARD	1	
3	90387-16398-00	COLLAR (322-22124-00)	1	
4	3Y1-22184-01-00	BUSH	2	
5	240-22127-00-00	SHIM	1	
6	322-22128-01-00	COVER, THRUST 1	2	
7	1M1-22141-00-00	SHAFT, PIVOT	1	
8	91401-30030-00	PIN, COTTER	1	
9	90179-14217-00	NUT, SPEC'L SHAPE	1	
10	93700-06M03-00	NIPPLE, GREASE	1	
11	(1M1-22311-01-33)	CASE, CHAIN	1	YAMAHA BLACK
12	97313-05010-00	BOLT, HEXAGON	2	
13	92901-05600-00	WASHER, PLATE	2	
14	98580-05010-00	SCREW, PAN HEAD	2	
15	92901-05600-00	WASHER, PLATE	2	
16	90201-06062-00	WASHER, PLATE	2	
17	90560-05001-00	SPACER	2	
18	90480-12096-00	GROMMET (141-82596-00)	2	
19	1M1-22318-00-00	GUARD, CHAIN	1	
20	97011-08016-00	BOLT	1	
21	92990-08100-00	WASHER	1	
22	97313-06016-00	BOLT, HEXAGON	2	
23	92995-06100-00	WASHER, SPRING	2	
24	92901-06600-00	WASHER	2	
25	90109-10550-00	BOLT (90109-10453-00)	1	
26	91490-20025-00	PIN, SPLIT	1	
27	92990-10200-00	WASHER, PLAIN	1	
28	95303-10900-00	NUT, SLOTTED	1	
29	483-22128-00-00	COVER, THRUST 1	2	

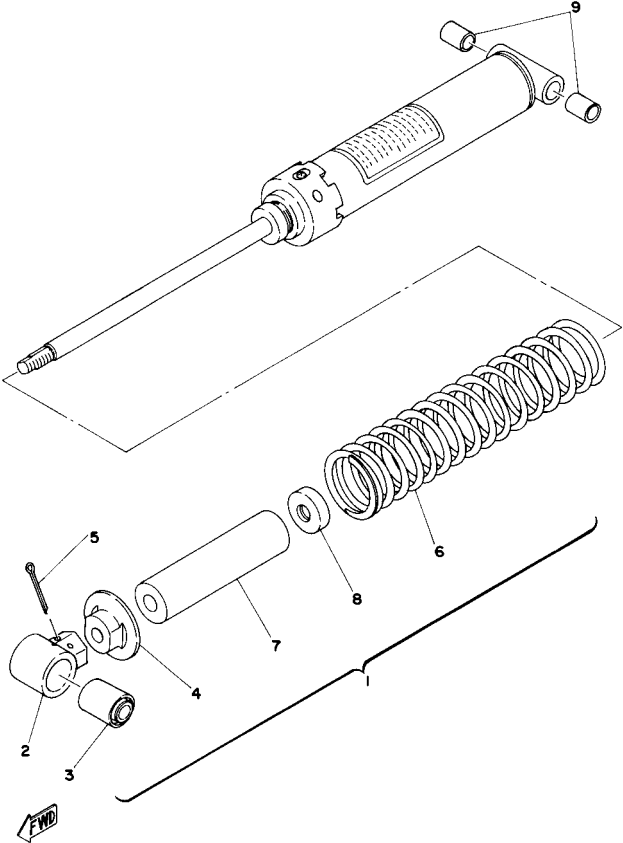
CONTINUED ON NEXT FRAME ➤

REAR ARM - CHAIN CASE



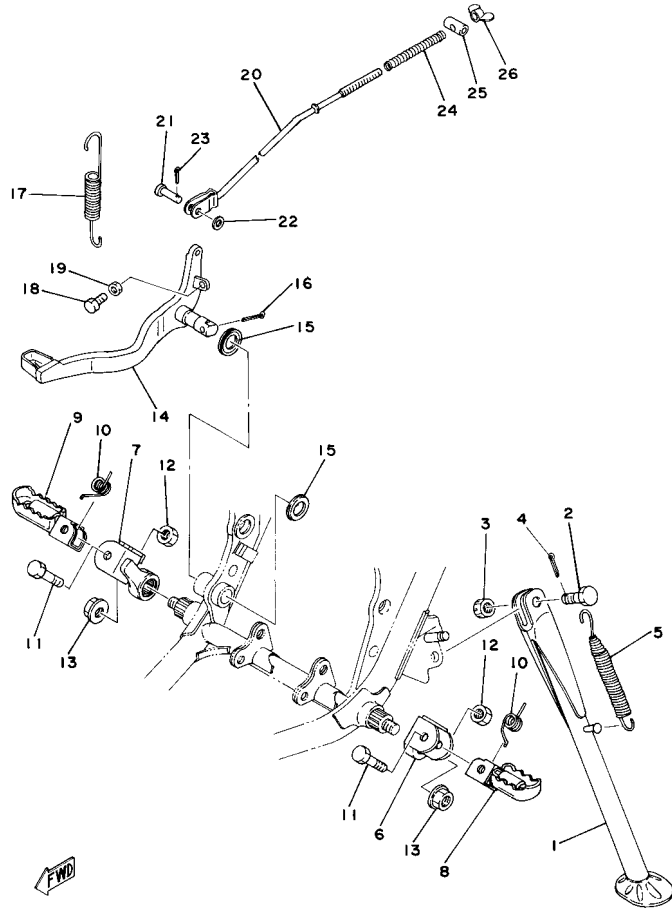
Ref. No.	Part Number	Description	Qty	Remarks
30	90109-08452-00	BOLT	1	
31	92990-08200-00	WASHER, PLAIN	1	
32	92990-08100-00	WASHER	1	
33	95303-08700-00	NUT	1	
34	90468-10050-00	CLIP	1	
35	91701-06042-00	PIN, CLEVIS	2	
36	91490-20020-00	PIN, COTTER	2	
37	92901-06600-00	WASHER	2	

REAR CUSHION



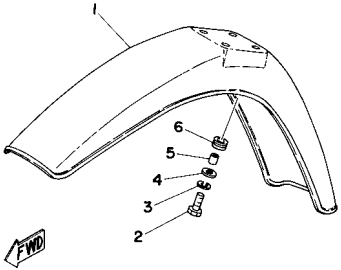
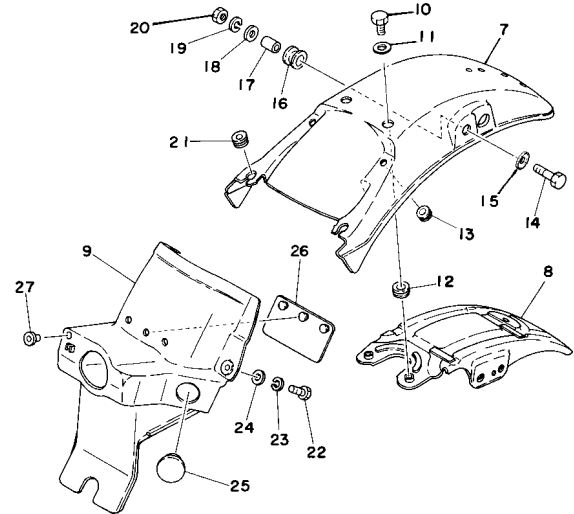
Ref. No.	Part Number	Description	Qty	Remarks
1	(1M1-22210-00-00)	SHK/ABS ASSEMBLY, REAR	1	
2	(1M1-22219-01-00)	BRACKET, UPPER	1	
3	1M1-22216-00-00	BUSH, REAR SHOCK ABSORBER	1	
4	(1M1-22213-01-00)	SEAT, SPRING UPPER	1	
5	91401-30040-00	PIN, COTTER	1	
6	(90501-95439-00)	SPRING, COMPRESSION	1	
7	(1M1-22496-01-00)	SLEEVE, ROD	1	
8	(1M1-22493-00-00)	BUMP, STOP	1	
9	90380-12051-00	BUSH, SOLID	2	

STAND - FOOTREST - BRAKE PEDAL



Ref. No.	Part Number	Description	Qty	Remarks
1	2Y0-27311-00-33	STAND, SIDE	1	
2	90102-10006-00	BOLT, WITH HOLE (278-27317-00)	1	
3	95303-10900-00	NUT, SLOTTED	1	
4	91490-20025-00	PIN, SPLIT	1	
5	90507-29009-00	SPRING, TENSION	1	
6	1M1-27412-00-00	BRACKET, FOOTREST 1	1	
7	(1M1-27422-00-00)	BRACKET, FOOTREST 2	1	
8	22W-27411-01-90	FOOTREST 1	1	YAMAHA BLACK
9	22W-27421-01-90	FOOTREST 2	1	YAMAHA BLACK
10	90508-20023-00	SPRING, TORSION	2	
11	(90101-08244-00)	BOLT	2	
12	95611-08100-00	NUT, U	2	
13	95701-12500-00	NUT, FLANGE	2	
14	1M1-27211-01-33	PEDAL, BRAKE	1	YAMAHA BLACK
15	498-27235-00-00	COVER, DUST	2	
16	91401-30030-00	PIN, COTTER	1	
17	90506-18289-00	SPRING, TENSION	1	
18	(90109-06339-00)	BOLT	1	
19	95380-06700-00	NUT	1	
20	483-27231-00-00	ROD, BRAKE	1	
21	90240-06103-00	PIN, CLEVIS	1	
22	92990-06200-00	WASHER	1	
23	91401-25020-00	PIN, COTTER	1	
24	90501-10245-00	SPRING, COMPRESSION	1	
25	90249-12008-00	PIN	1	
26	90179-06411-00	NUT	1	

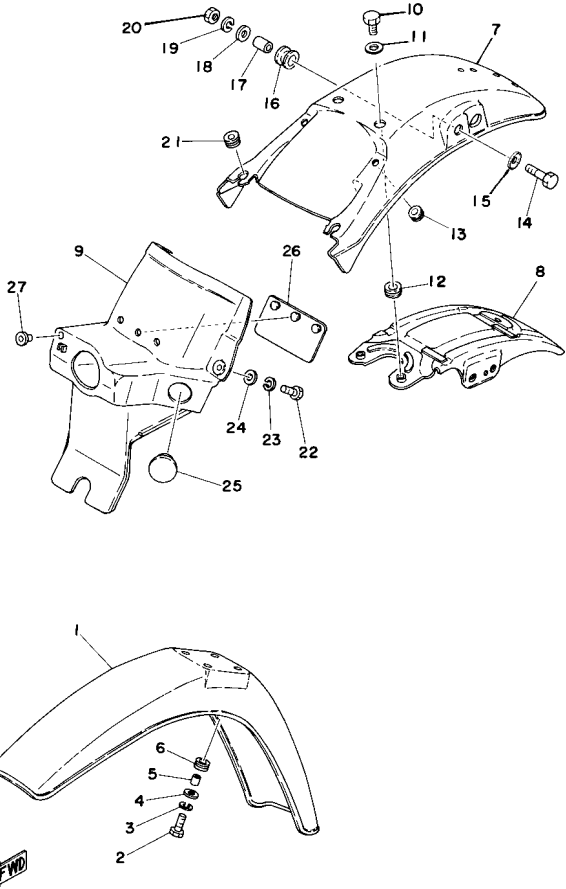
FRONT FENDER - REAR FENDER



Ref. No.	Part Number	Description	Qty	Remarks
1	(1M2-21511-00-U4)	FENDER, FRONT	1	BRICK RED
	453-21511-01-00	FENDER, FRONT	1	BALBOA BLUE
2	97011-06025-00	BOLT (97001-06025)	4	
3	92995-06100-00	WASHER, SPRING	4	
4	90201-06067-00	WASHER, PLATE	4	
5	90387-06388-00	COLLAR	4	
6	90480-14198-00	GROMMET	4	
7	(1M2-21611-00-U4)	FENDER, REAR	1	BRICK RED
	1M1-21611-00-G6	NO LONGER AVAILABLE	1	BALBOA BLUE
8	1R7-21617-00-00	BRACKET, FENDER	1	
9	(1M1-21620-00-00)	GUARD, MUD	1	
	(1M2-21620-00-00)	GUARD, MUD	1	
10	97011-06020-00	BOLT	2	
11	90201-06067-00	WASHER, PLATE	2	
12	90480-15058-00	GROMMET	2	
13	90480-10208-00	GROMMET	2	
14	97313-08030-00	BOLT, HEXAGON	2	
15	90209-09155-00	WASHER, SPEC'L SHAP	2	
16	565-14747-00-00	DAMPER, MUFFLER	2	
17	90387-08258-00	COLLAR	2	
18	92990-08200-00	WASHER, PLAIN	2	
19	92990-08100-00	WASHER	2	
20	95333-08600-00	NUT	2	
21	90480-12053-00	GROMMET	2	
22	97301-06014-00	BOLT, HEXAGON	3	
23	92995-06100-00	WASHER, SPRING	3	
24	90201-06067-00	WASHER, PLATE	3	
25	(90480-30202-00)	GROMMET	2	
26	1M1-21621-00-00	FLAP	1	

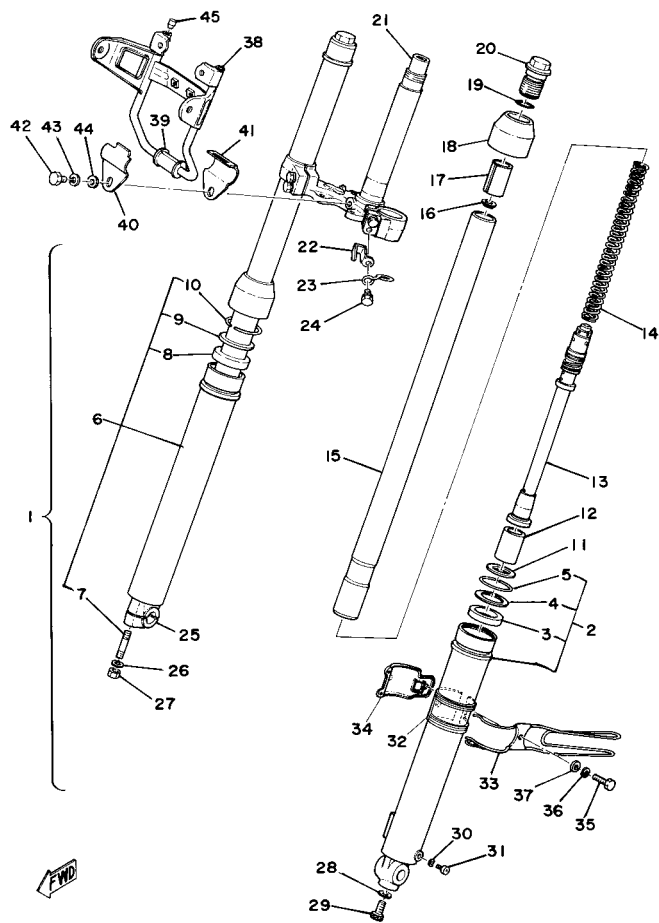
CONTINUED ON NEXT FRAME ➤

FRONT FENDER - REAR FENDER



Ref. No.	Part Number	Description	Qty	Remarks
27	(395-21638-00-00)	DAMPER 1	1	

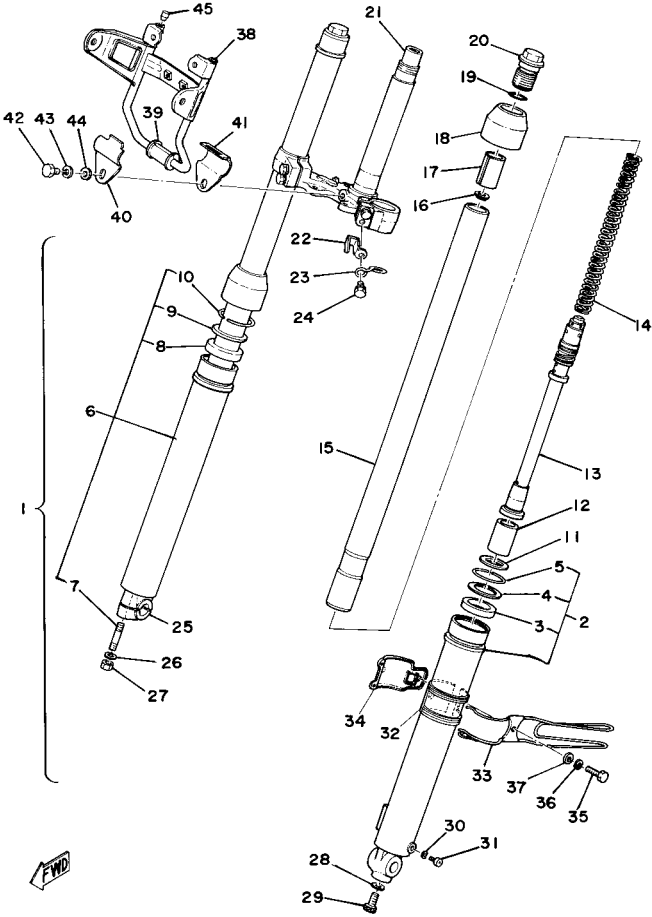
FRONT FORK



Ref. No.	Part Number	Description	Qty	Remarks
1	(1M1-23101-00-00)	FRONT FORK ASSEMBLY	1	
2	(1M1-23126-00-00)	TUBE, OUTER 1	1	
3	584-23145-50-00	.. OIL SEAL	1	
4	214-23146-00-00	.. WASHER, OIL SEAL	1	
5	214-23156-00-00	.. CLIP, OIL SEAL	1	
6	(1M1-23136-00-00)	TUBE, OUTER 2	1	
7	90116-08261-00	.. BOLT, STUD	2	
8	584-23145-50-00	.. OIL SEAL	1	
9	214-23146-00-00	.. WASHER, OIL SEAL	1	
10	214-23156-00-00	.. CLIP, OIL SEAL	1	
11	93450-30033-00	. CIRCLIP, INNER	2	
12	(509-23171-00-00)	PISTON, FRONT FORK	2	
13	(1M1-23170-00-00)	CYLINDER, FRTRFK	2	
14	(1M1-23141-01-00)	SPRING, FRONT FORK	2	
15	1M1-23124-00-00	. TUBE, INNER 1	2	
16	278-23142-50-00	. SEAT, SPRING UPPER	2	
17	(33Y-23118-00-00)	SPACER	2	
18	584-23144-50-00	. SEAL, DUST	2	
19	214-23114-00-00	. GASKET	2	
20	366-23111-60-00	. BOLT, CAP	2	
21	(1M1-23340-00-33)	UNDER BRACKET	1	YAMAHA BLACK
22	(256-23318-60-00)	HOLDER, CABLE 1	1	
23	(90468-20070-00)	CLIP	1	
24	18G-23128-00-00	. BOLT, W/WASHER	4	
25	291-23167-61-00	. HOLDER, AXLE (291-23167-60)	1	
26	92901-08600-00	. WASHER	2	
27	(90170-08176-00)	NUT, HEXAGON	2	
28	509-23158-L0-00	. GASKET	2	
29	278-23181-50-00	. BOLT, HEXAGON SOCKET HEAD	2	

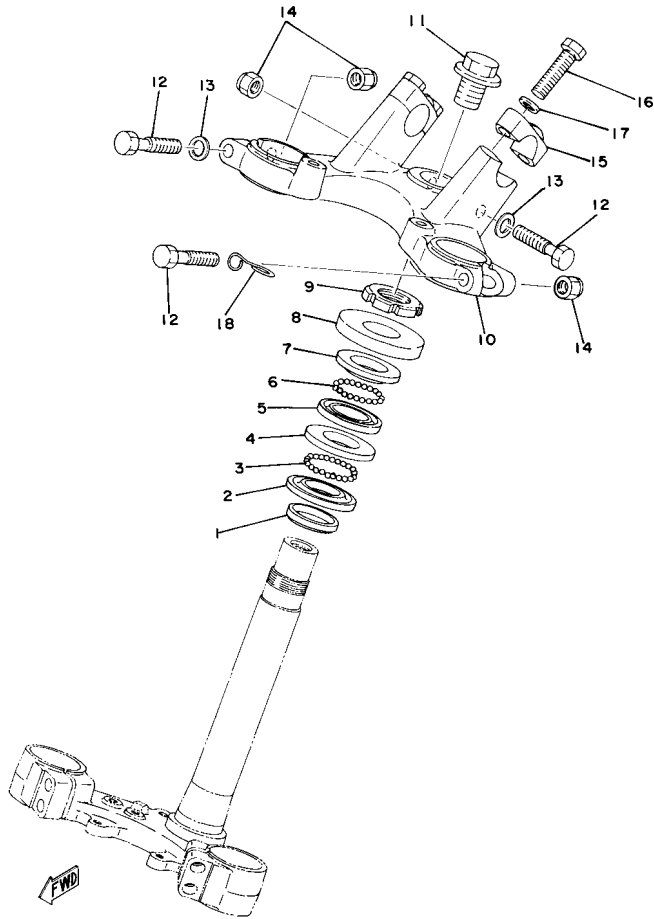
CONTINUED ON NEXT FRAME ➤

FRONT FORK



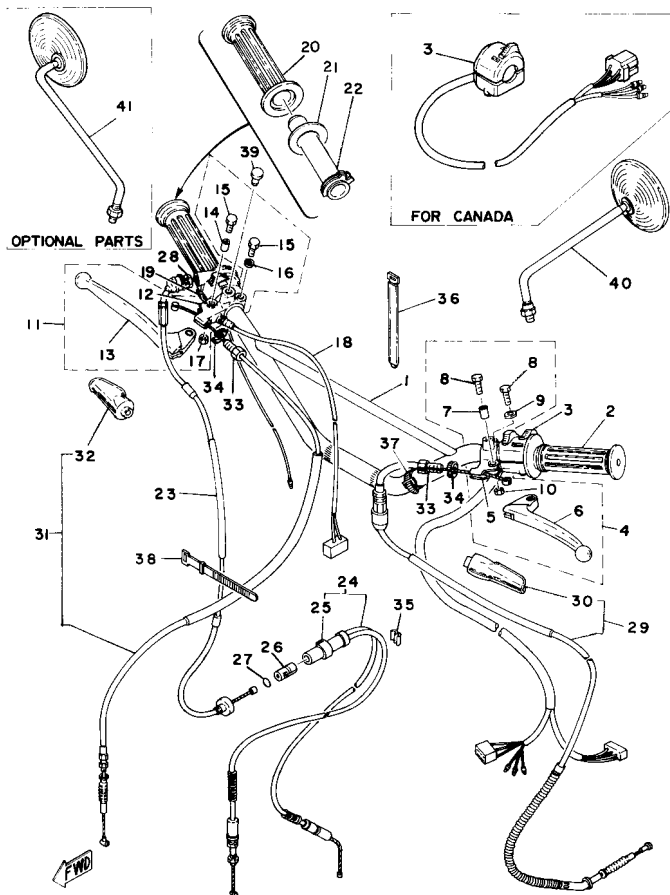
Ref. No.	Part Number	Description	Qty	Remarks
30	122-23129-00-00	. GASKET, DRAIN PLUG	2	
31	98580-04008-00	. SCREW, PAN HEAD	2	
32	(498-21541-01-00)	DAMPER 1	1	
33	(498-23318-01-00)	HOLDER, CABLE 1	1	
34	(498-23319-01-00)	HOLDER, CABLE 2	1	
35	97011-06025-00	BOLT (97001-06025)	1	
36	92995-06100-00	WASHER, SPRING	1	
37	92901-06600-00	WASHER	1	
38	(1M1-84118-01-33)	STAY, HEADLIGHT 1	1	YAMAHA BLACK
39	(1M1-84163-00-00)	DAMPER	1	
40	(1M1-84181-00-00)	BRACKET, LOWER 1	1	
41	(1M1-84182-00-00)	BRACKET, LOWER 2	1	
42	97011-06016-00	BOLT	1	
43	92995-06100-00	WASHER, SPRING	1	
44	92901-06600-00	WASHER	1	
45	(90339-05002-00)	PLUG	2	

STEERING



Ref. No.	Part Number	Description	Qty	Remarks
1	164-23462-00-00	SEAL, STEERING	1	
2	156-23411-00-00	RACE, BALL 1	1	
3	93501-04011-00	BALL	19	
4	156-23412-00-00	RACE, BALL 2	1	
5	22F-23412-01-00	RACE, BALL 2	1	
6	93503-16010-00	BALL	22	
7	22F-23411-01-00	RACE, BALL 1	1	
8	10V-23416-01-00	COVER, BALL RACE 2	1	
9	90179-25033-00	NUT	1	
10	(1M1-23435-01-98)	CROWN, HANDLE	1	LOW GLOSS BLK
11	90105-14136-00	BOLT, WASHER BASED	1	
12	97313-08055-00	BOLT, HEXAGON	3	
13	90201-08083-00	WASHER, PLATE	2	
14	95611-08100-00	NUT, U	3	
15	401-23441-00-98	HOLDER, HANDLE UPR	2	LOW GLOSS BLK
16	97313-08035-00	BOLT, HEXAGON	4	
17	92990-08100-00	WASHER	4	
18	(90468-20071-00)	CLIP	1	

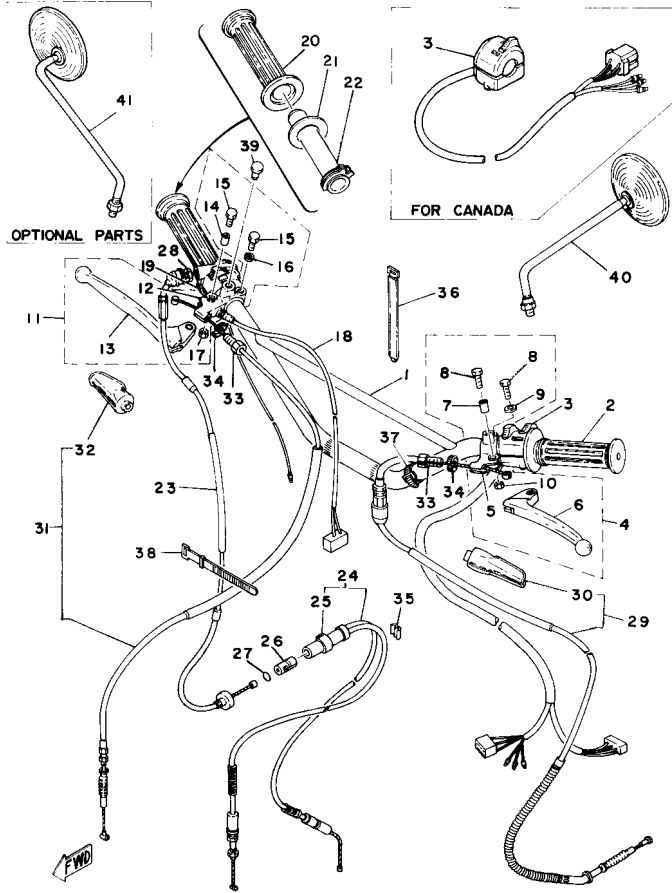
HANDLE - WIRE



Ref. No.	Part Number	Description	Qty	Remarks
1	2A8-26111-00-00	HANDLEBAR	1	
2	1E6-26241-00-00	GRIP LH	1	
3	1M1-83973-50-00	SWITCH, HANDLE 3	1	FOR CANADA
	1R6-83972-00-00	SWITCH, HANDLE 4 0 1	1	FOR U.S.A.
4	156-23412-00-00	RACE, BALL 2	1	
5	3Y6-82911-00-00	. HOLDER, LEVER 1	1	
6	1J3-83912-20-00	. LEVER L	1	
7	214-83913-00-00	. COLLAR, LEVER 1	1	
8	97003-06022-00	. BOLT, HEXAGON (97301-06022)	2	
9	92901-06600-00	. WASHER	1	
10	95601-06100-00	. NUT, U	1	
11	(361-82920-92-00)	LEVER HOLDER ASSEMBLY 2	1	
12	361-82920-93-00	. HOLDER, LEVER 2 (36182-92131-00)	1	
13	2A6-83922-00-00	. LEVER R	1	
14	214-83913-00-00	. COLLAR, LEVER 1	1	
15	97003-06022-00	. BOLT, HEXAGON (97301-06022)	2	
16	92901-06600-00	. WASHER	1	
17	95601-06100-00	. NUT, U	1	
18	1M1-83980-30-00	STOP SWITCH ASSEMBLY ...	1	
19	1R6-83976-01-00	SWITCH, HANDLE 1	1	
20	1A0-26242-01-00	GRIP (RIGHT)	1	
21	1M1-26249-01-00	RING, LEAF	1	
22	434-26243-00-00	TUBE, THROTTLE GUIDE	1	
23	1M1-26311-00-00	CABLE, THROTTLE 1 (750MM)	1	
	1M2-26311-00-00	CABLE, THROTTLE 1 (750MM)	1	
24	1M1-26312-01-00	CABLE, THROTTLE 2 (255MM)	1	
	1M2-26312-01-00	CABLE, THROTTLE 2 (245MM)	1	

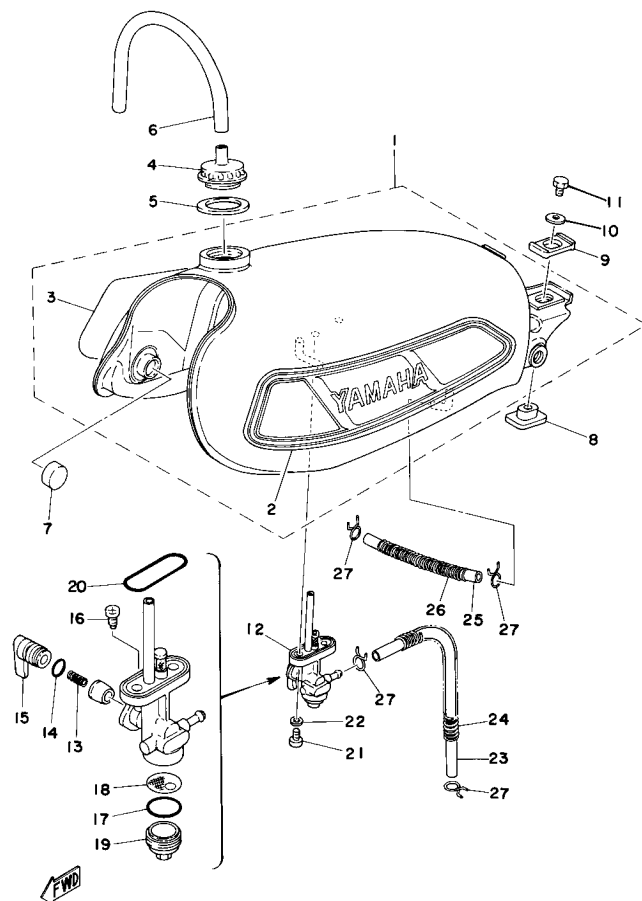
CONTINUED ON NEXT FRAME ►

HANDLE - WIRE



Ref. No.	Part Number	Description	Qty	Remarks
25	1M1-26339-00-00	BOOT	1	
26	1M1-26263-00-00	PIECE, CONNECTING	1	
27	93210-10118-00	O-RING	1	
28	90170-10038-00	NUT, HEXAGON	1	
29	1M1-26335-00-00	CABLE, CLUTCH	1	
30	382-26372-01-00	. COVER, HANDLE LEVER ...	1	
31	1M1-26341-00-00	CABLE, BRAKE (1180MM)	1	
32	498-26372-00-00	. COVER, HANDLE LEVER 1 ..	1	
33	90123-08046-00	BOLT	2	
34	90179-08148-00	NUT	2	
35	90468-15064-00	CLIP	2	
36	341-26397-01-00	BAND	2	
37	437-83936-01-00	BAND, SWITCH CORD	4	
38	437-83936-11-00	BAND, SWITCH CORD	1	
39	90338-09012-00	PLUG	1	
40	341-26290-10-00	MIRROR ASSEMBLY LH	1	
41	341-26290-01-00	BACK MIRROR RH (341-26290-01)	1	

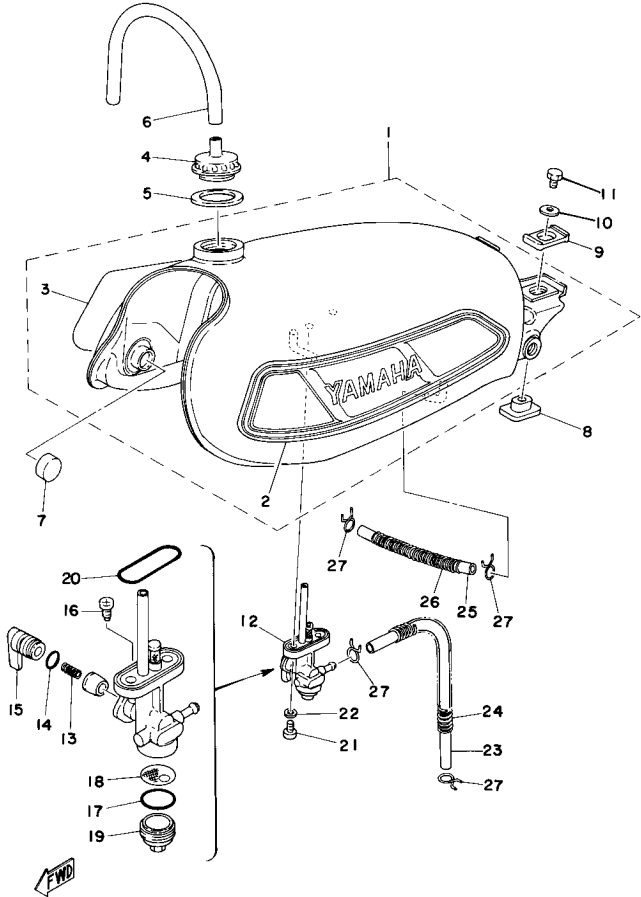
FUEL TANK



Ref. No.	Part Number	Description	Qty	Remarks
1	(1M1-24110-00-01)	FUEL TANK	1	BALBOA BLUE
	(1M1-24110-00-02)	FUEL TANK	1	
2	(1M1-24244-01-00)	GRAPHIC, FUEL TNK 1	1	
	1M2-24244-01-00	. NO LONGER AVAILABLE ...	1	
3	(1M1-24245-01-00)	GRAPHIC, FUEL TNK 2	1	
	1M2-14245-01-00	. UNAVAILABLE IN PRICE BOOK	1	
4	322-24611-02-00	BODY, CAP	1	
5	90430-35122-00	GASKET	1	
6	90445-09111-00	HOSE	1	
7	278-24181-00-00	DAMPER, LOCATING 1	2	
8	1A0-24181-00-00	DAMPER, LOCATING 1	2	
9	1A0-24186-00-00	WASHER, SPECIAL	2	
10	90209-06139-00	WASHER, SPEC'L SHAP	2	
11	97011-06010-00	BOLT	2	
12	1M1-24500-03-00	FUEL COCK ASSEMBLY 1 ...	1	
13	1A0-24529-01-00	. SPRING	1	
14	1A0-24512-00-00	. GASKET	1	
15	1A0-24524-01-00	. LEVER, COCK	1	
16	(1M1-24535-00-00)	SCREW, LVR FITTING	1	
17	498-24522-00-00	. GASKET	1	
18	304-24515-00-00	. NET, FILTER 2	1	
19	1A0-24521-01-00	. CUP, FILTER	1	
20	214-24512-00-00	. GASKET	1	
21	90149-06011-00	SCREW	2	
22	90202-05187-00	WASHER, PLATE	2	
23	(90445-10309-00)	HOSE	1	
24	90501-08430-00	SPRING, COMPRESSION	1	
25	90445-10308-00	HOSE	1	

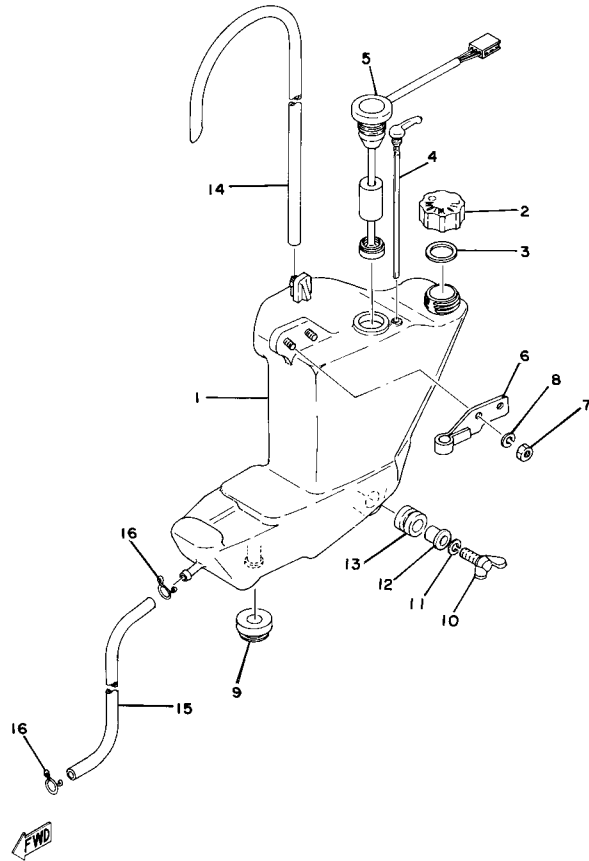
CONTINUED ON NEXT FRAME ►

FUEL TANK



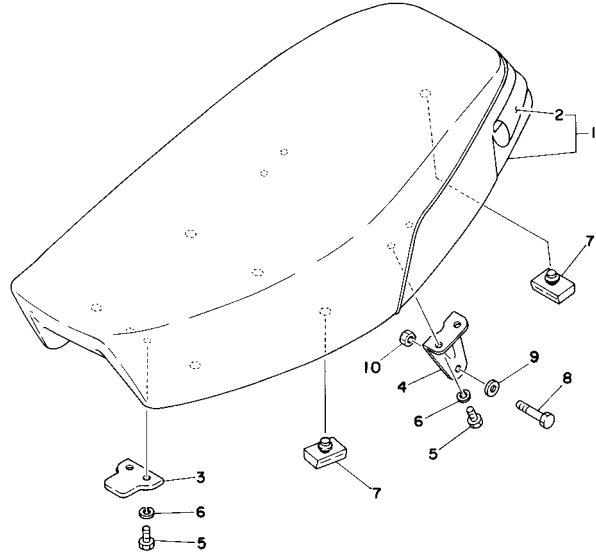
Ref. No.	Part Number	Description	Qty	Remarks
26	90501-08429-00	NO LONGER AVAILABLE 1	
27	90467-10008-00	CLIP 4	

OIL TANK



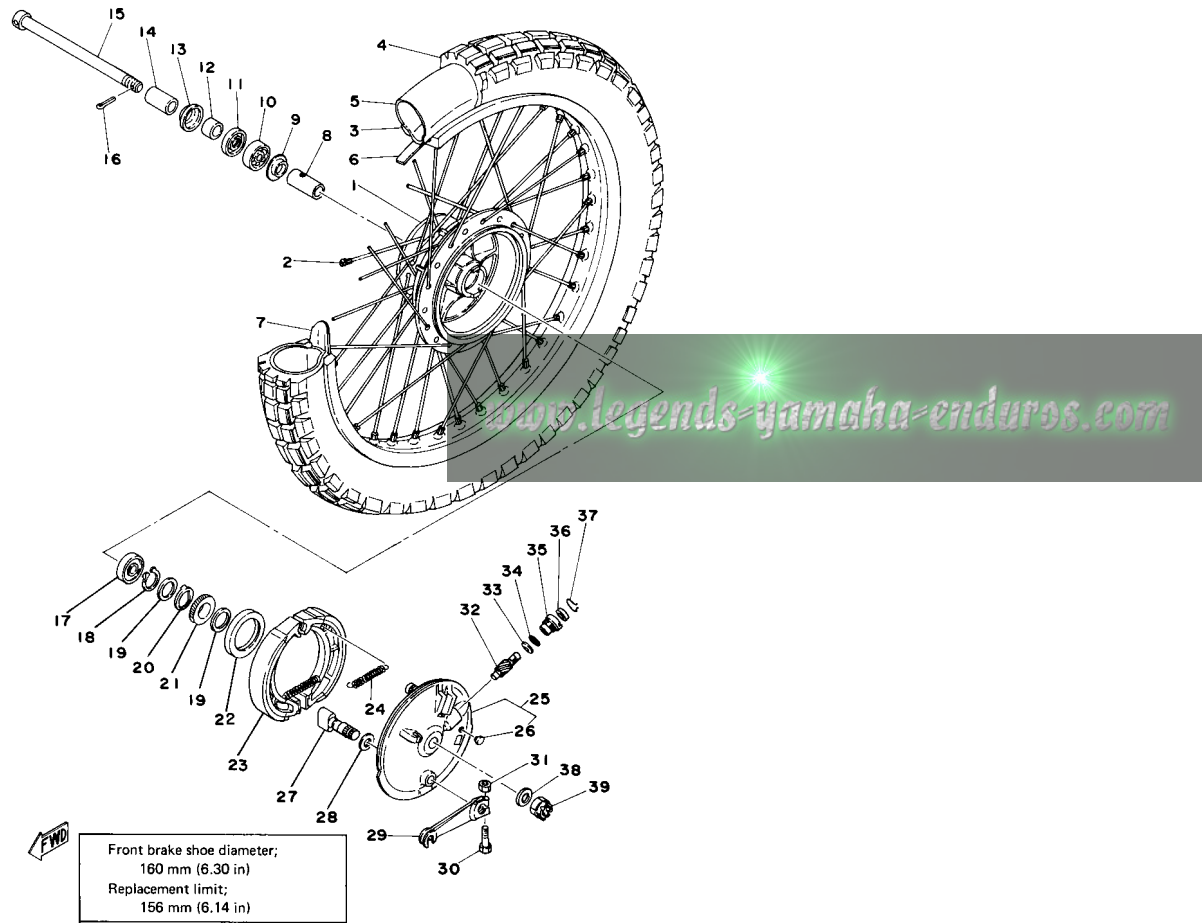
Ref. No.	Part Number	Description	Qty	Remarks
1	1M1-21751-01-00	TANK, OIL	1	
2	434-21771-00-00	BODY, CAP	1	
3	90430-18067-00	GASKET	1	
4	(1M1-21792-00-00)	GAUGE, OIL	1	
5	40X-85720-01-00	OIL LVL GAUGE ASSEMBLY ..	1	
6	(1M1-21796-00-00)	HINGE	1	
7	95380-05600-00	NUT	2	
8	92990-05100-00	WASHER, SPRING	2	
9	90480-18171-00	GROMMET	1	
10	90122-06021-00	BOLT, WING (38W)	1	
11	92995-06100-00	WASHER, SPRING	1	
12	90387-07391-00	COLLAR	1	
13	90480-14023-00	GROMMET	1	
14	(90445-09339-00)	HOSE	1	
15	90445-09112-00	HOSE	1	
16	(90467-10024-00)	CLIP, SCISSOR	2	

SEAT



FWD

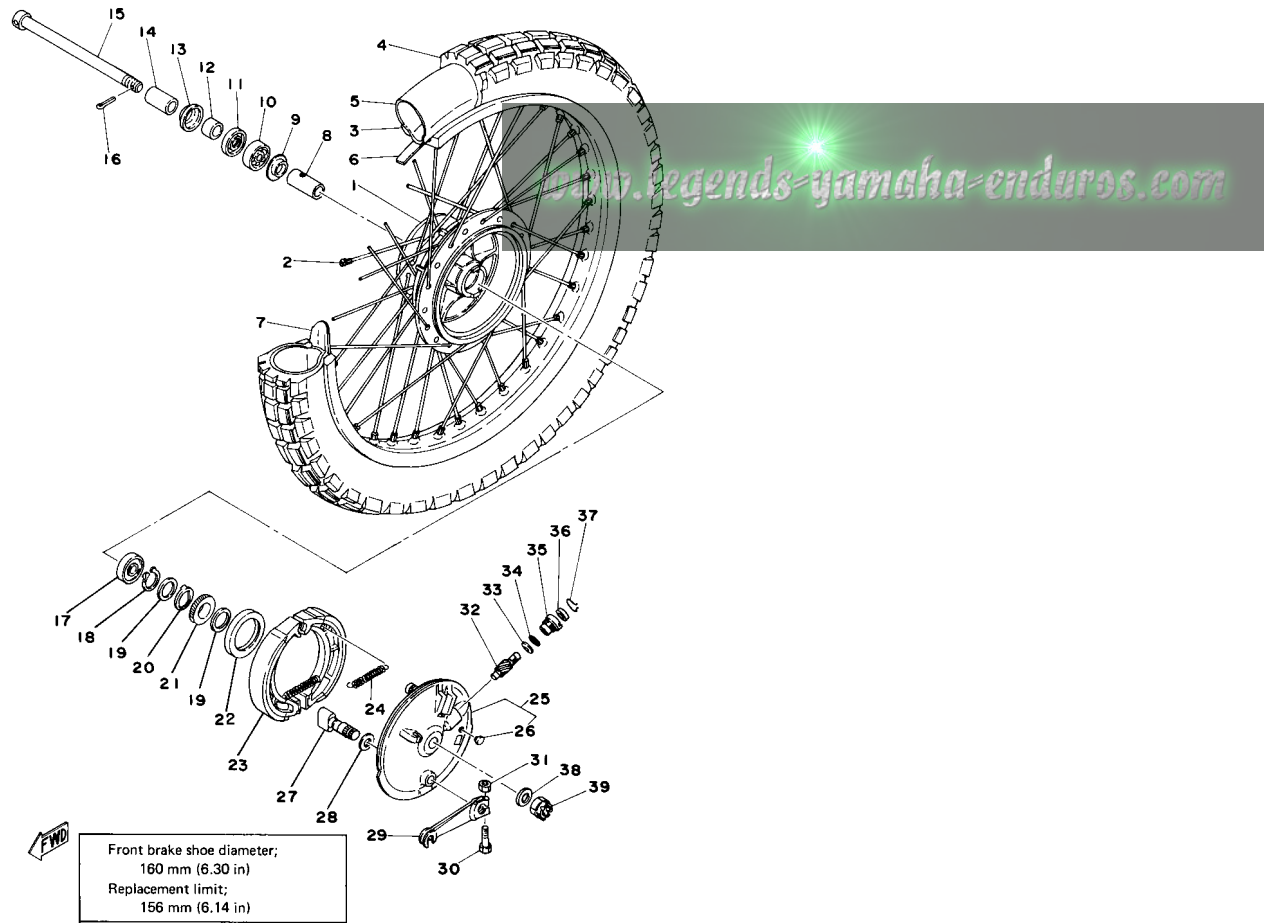
Ref. No.	Part Number	Description	Qty	Remarks
1	1M1-W2472-00-00	SINGLE SEAT ASSEMBLY.	1	
2	1M1-24711-00-00	. COVER, SINGLE SEAT	1	
3	1M1-24748-00-00	BRACKET, SEAT	1	
4	1M1-24738-00-00	BRACKET, SEAT	2	
5	97301-06014-00	BOLT, HEXAGON	6	
6	92995-06100-00	WASHER, SPRING	6	
7	214-24724-00-00	DAMPER, SEAT	6	
8	97313-06045-00	BOLT (97021-06045-00)	2	
9	92990-06200-00	WASHER	2	
10	95601-06100-00	NUT, U	2	



FRONT WHEEL

Ref. No.	Part Number	Description	Qty	Remarks
1	1E6-25111-00-98	HUB, FRONT	1	LOW GLOSS BLK
2	1E6-25104-01-00	SPOKE SET, FRONT	1	
3	94416-21326-00	RIM 1.60X 1	1	
4	(94130-21316-00)	300X21 DUN TRIUNI	1	
5	94227-21101-00	TUBE (80/100-21 TR4 BTL)	1	
6	(94327-21024-00)	BAND, RIM	1	
7	1T1-25194-00-00	SPACER, BEAD	1	
8	90560-15293-00	SPACER	1	
9	146-25116-00-00	FLANGE, SPACER 2	1	
10	93306-20209-00	BEARING (B6202)	1	
11	93102-20009-00	OIL SEAL	1	
12	90387-15418-00	COLLAR (322-25183-00)	1	
13	322-25118-00-00	COVER, HUB DUST	1	
14	90387-15556-00	COLLAR	1	
15	275-25181-00-00	AXLE, WHEEL	1	
16	91401-30030-00	PIN, COTTER	1	
17	93306-20204-00	BEARING (B6202Z)	1	
18	93410-22014-00	CIRCLIP, S-TYPE	1	
19	90201-22283-00	WASHER, PLATE	2	
20	214-25149-01-00	CLUTCH, METER	1	
21	308-25135-00-00	GEAR, DRIVE	1	
22	93105-50010-00	OIL SEAL, SDD-TYPE (SDD-50-62-7)	1	
23	431-W2536-00-00	BRAKESHOE SET-2PCS	2	
24	90507-20002-00	SPRING, TENSION	2	
25	(1E6-25016-10-98)	BRAKE SHOE PLT ASSEMBLY	1	LOW GLOSS BLK
26	90480-10068-00	. GROMMET	1	
27	1E6-25151-00-00	CAMSHAFT	1	
28	148-25353-00-00	SHIM, CAMSHAFT	1	

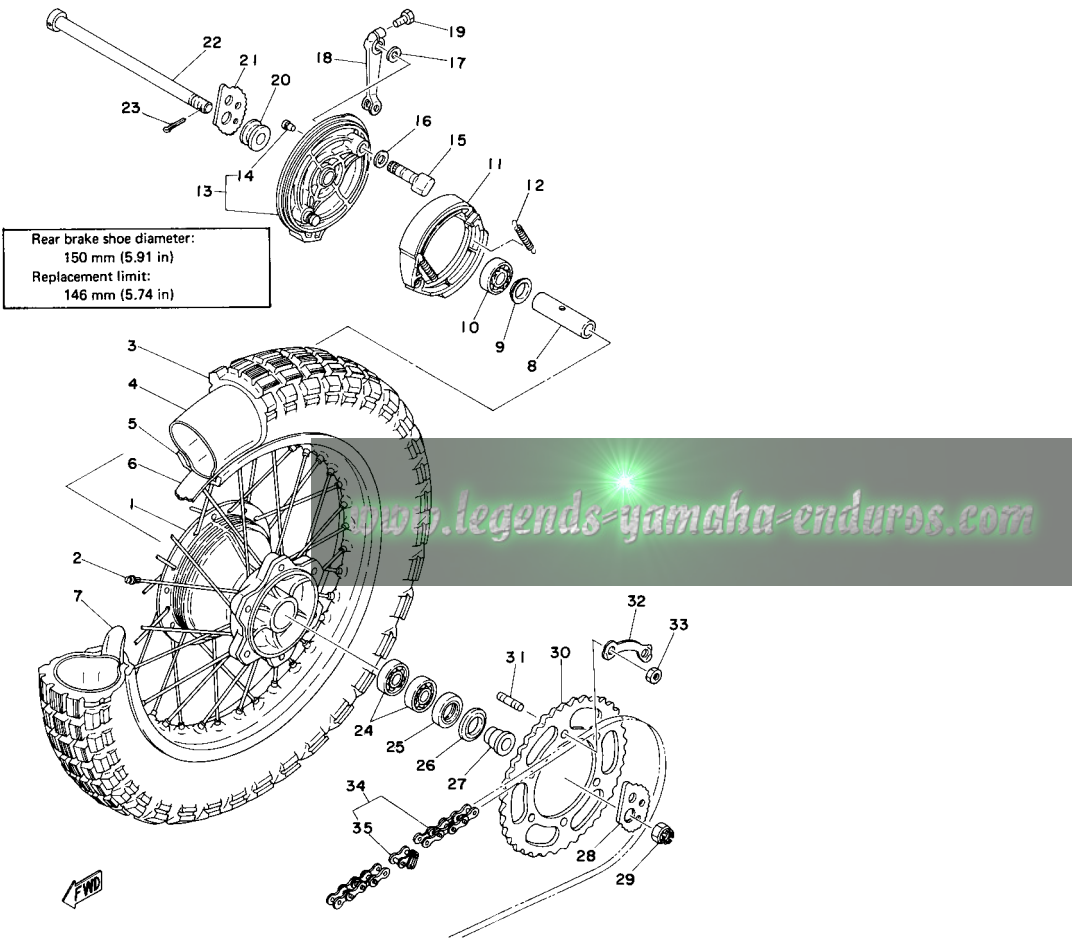
CONTINUED ON NEXT FRAME ►



FRONT WHEEL

Ref. No.	Part Number	Description	Qty	Remarks
29	2N6-25155-00-00	LEVER, CAMSHAFT 1	1	
30	90101-06278-00	BOLT	1	
31	95380-06600-00	NUT	1	
32	308-25138-00-00	GEAR, METER	1	
33	90201-07076-00	WASHER, PLATE	1	
34	93210-14104-00	O-RING	1	
35	109-25136-00-00	BUSH	1	
36	93104-07003-00	OIL SEAL	1	
37	102-25137-00-00	RING, STOP	1	
38	92990-14200-00	WASHER, PLAIN	1	
39	90171-14020-00	NUT, CASTLE	1	

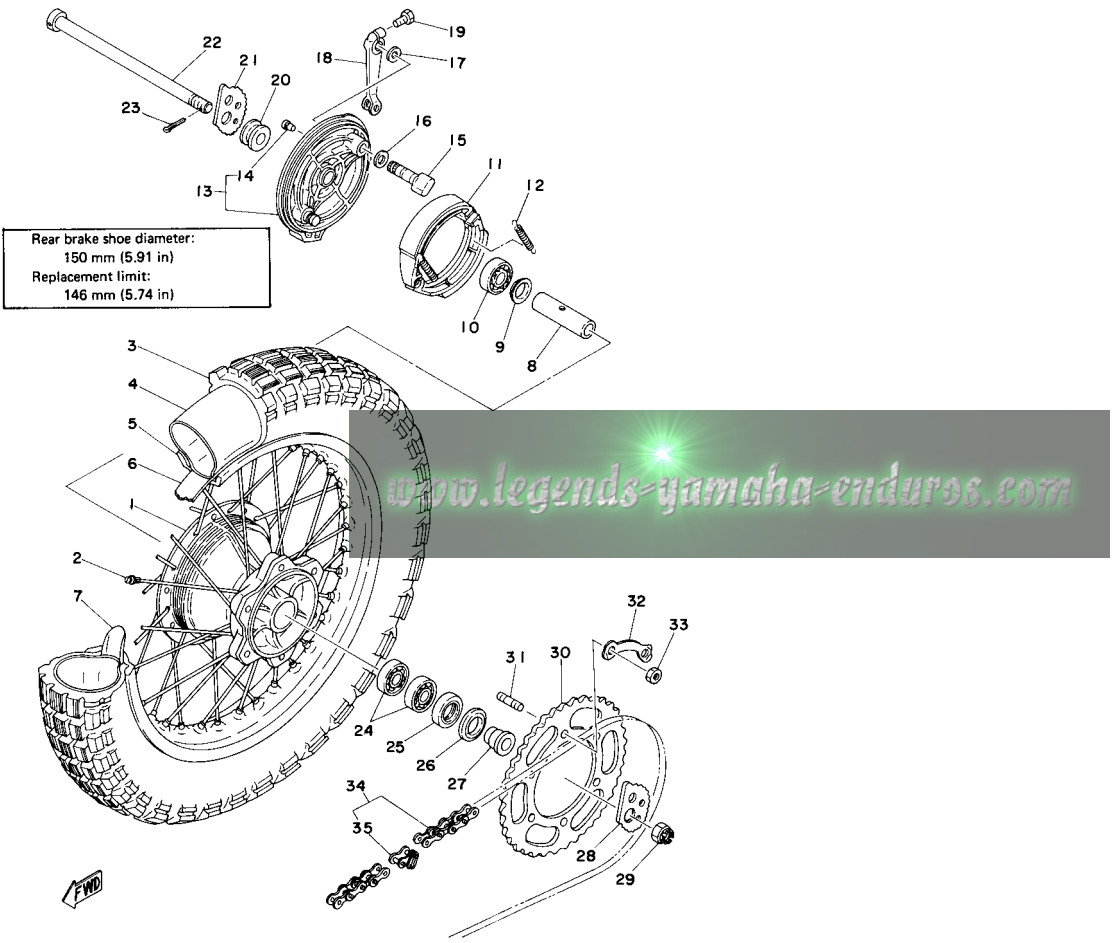
REAR WHEEL (DT250D)



Ref. No.	Part Number	Description	Qty	Remarks
1	(1M1-25311-00-98)	HUB, REAR	1	
2	1M1-25304-00-00	SPOKE SET, REAR	1	
3	(94140-18317-00)	400X18 DUN TRI UNI	1	
4	94240-18098-00	TUBE (4.00-18)	1	
5	(94418-18192-00)	RIM 1.85X 8	1	
6	94340-18022-00	BAND, RIM (4.00-18)	1	
7	1T2-25394-00-00	SPACER, BEAD	2	
8	90560-17233-00	SPACER	1	
9	483-25315-00-00	FLANGE, SPACER	1	
10	93306-20310-00	BEARING	1	
11	214-W2535-00-00	BRAKESHOE SET-2PCS	2	
12	90507-20002-00	SPRING, TENSION	2	
13	(1M1-25026-10-98)	BRAKE SHOE PLT ASSEMBLY	1	LOW GLOSS BLK
14	90480-10068-00	GROMMET	1	
15	214-25351-01-00	CAMSHAFT	1	
16	148-25353-00-00	SHIM, CAMSHAFT	1	
17	148-25359-00-00	SEAL, CAMSHAFT	1	
18	4V5-25355-00-00	LEVER, CAMSHAFT (168-25355-00)	1	
19	97011-06025-00	BOLT (97001-06025)	1	
20	90387-17141-00	COLLAR	1	
21	1M1-25389-01-00	PULLER, CHAIN 2	1	
22	150-25381-00-00	AXLE, WHEEL	1	
23	91401-30030-00	PIN, COTTER	1	
24	93306-20310-00	BEARING	2	
25	93106-25003-00	OIL SEAL, DD-TYPE (DD-25-40-9)	1	
26	431-25367-00-00	COVER, HUB DUST	1	
27	90387-17555-00	COLLAR	1	

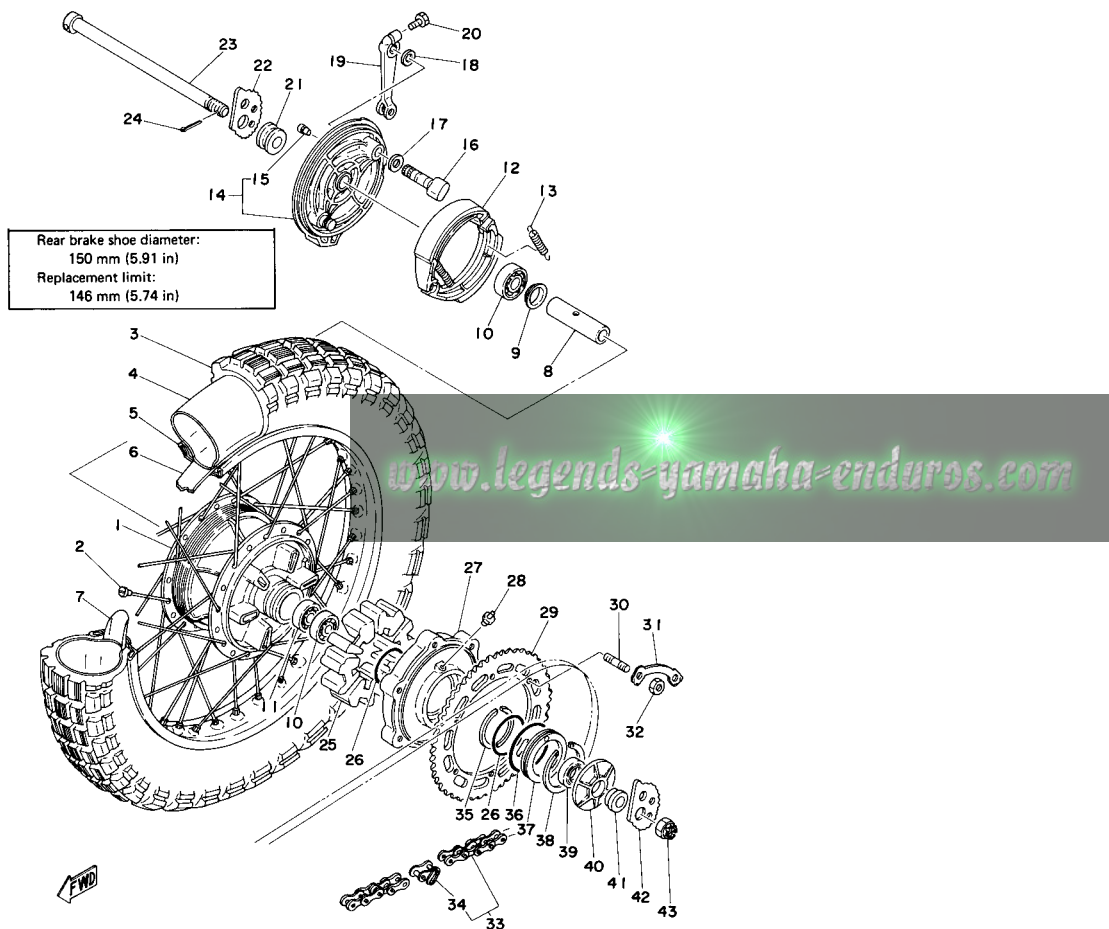
CONTINUED ON NEXT FRAME ►

REAR WHEEL (DT250D)



Ref. No.	Part Number	Description	Qty	Remarks
28	1M1-25388-01-00	PULLER, CHAIN 1	1	
29	90171-16007-00	NUT, CASTLE (275-25382-00)	1	
30	1M1-25447-10-00	SPROCKET, DRVN 47T	1	U.R.
	1M1-25447-10-00	SPROCKET, DRVN 47T	1	U.R.STD
31	90116-10234-00	BOLT, STUD	6	
32	1M1-25412-00-00	WASHER	3	
33	95311-10700-00	NUT	6	
34	9Y585-20103-00	CHAIN 520DS-104L	1	
35	94685-20001-00	JOINT CHAIN	1	

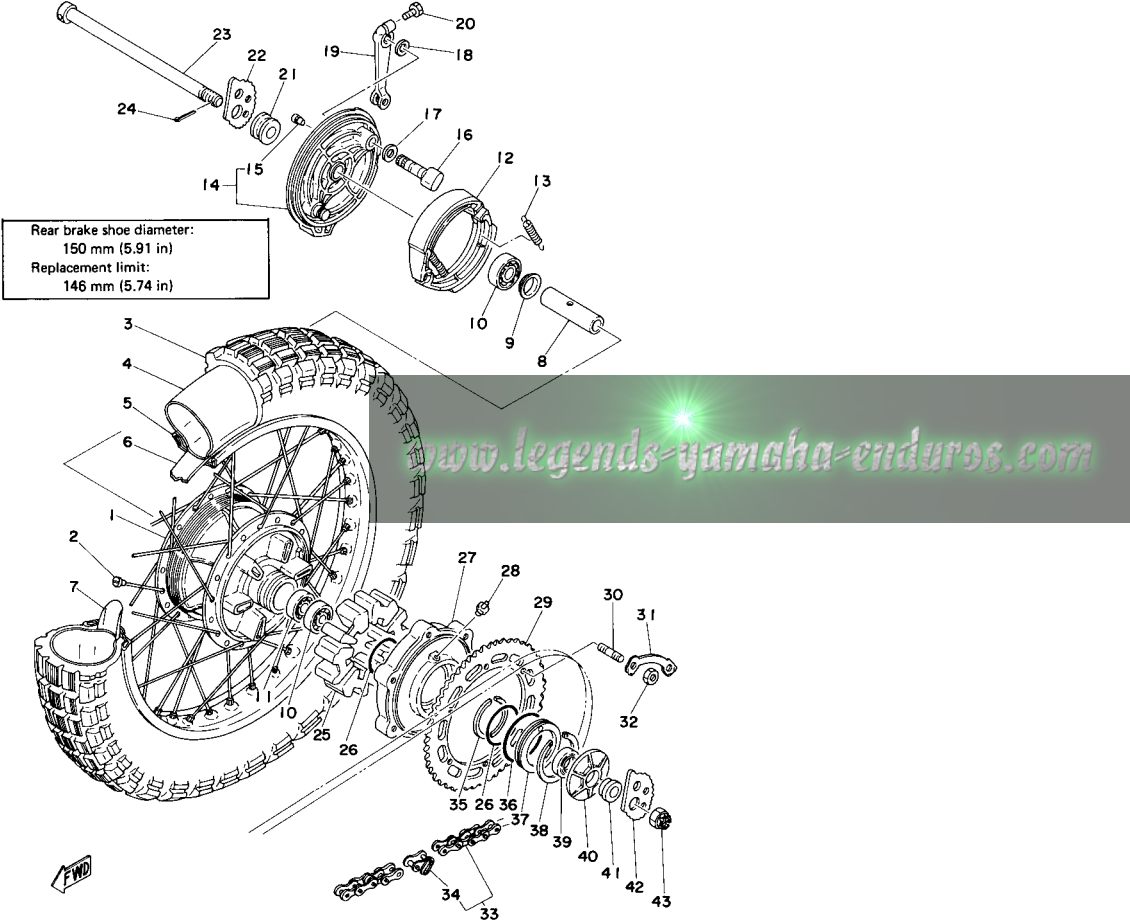
REAR WHEEL (DT400D)



Ref. No.	Part Number	Description	Qty	Remarks
1	(1E6-25311-00-98)	HUB, REAR	1	LOW GLOSS BLK
2	1E6-25304-00-00	SPOKE SET, REAR	1	
3	(94140-18317-00)	400X18 DUN TRI UNI	1	
4	94240-18098-00	TUBE (4.00-18)	1	
5	94418-18199-00	RIM 1.85X 8	1	
6	94340-18022-00	BAND, RIM (4.00-18)	1	
7	1T2-25394-00-00	SPACER, BEAD	2	
8	90560-17311-00	SPACER	1	
9	146-25315-00-00	FLANGE, SPACER	1	
10	93306-20310-00	BEARING	2	
11	93306-20310-00	BEARING	1	
12	214-W2535-00-00	BRAKESHOE SET-2PCS	2	
13	90507-20002-00	SPRING, TENSION	2	
14	(1M1-25026-10-98)	BRAKE SHOE PLT ASSEMBLY	1	
15	90480-10068-00	GROMMET	1	
16	214-25351-01-00	CAMSHAFT	1	
17	148-25353-00-00	SHIM, CAMSHAFT	1	
18	148-25359-00-00	SEAL, CAMSHAFT	1	
19	4V5-25355-00-00	LEVER, CAMSHAFT (168-25355-00)	1	
20	97011-06025-00	BOLT (97001-06025)	1	
21	90387-17141-00	COLLAR	1	
22	1M1-25389-01-00	PULLER, CHAIN 2	1	
23	150-25381-00-00	AXLE, WHEEL	1	
24	91401-30030-00	PIN, COTTER	1	
25	1E6-25364-00-00	DAMPER	6	
26	93210-52312-00	O-RING	2	
27	1E6-25366-00-98	CLUTCH, HUB	1	LOW GLOSS BLK
28	93700-06M03-00	NIPPLE, GREASE	1	

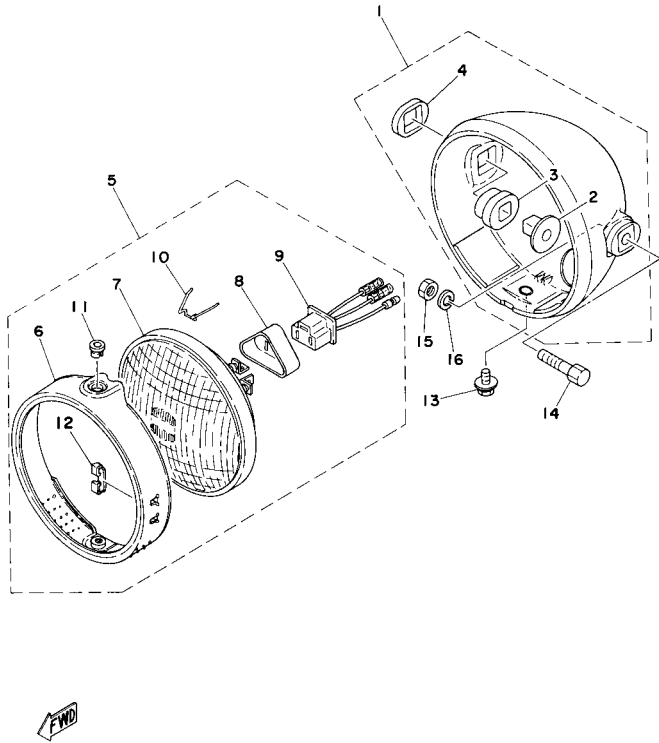
CONTINUED ON NEXT FRAME ►

REAR WHEEL (DT400D)



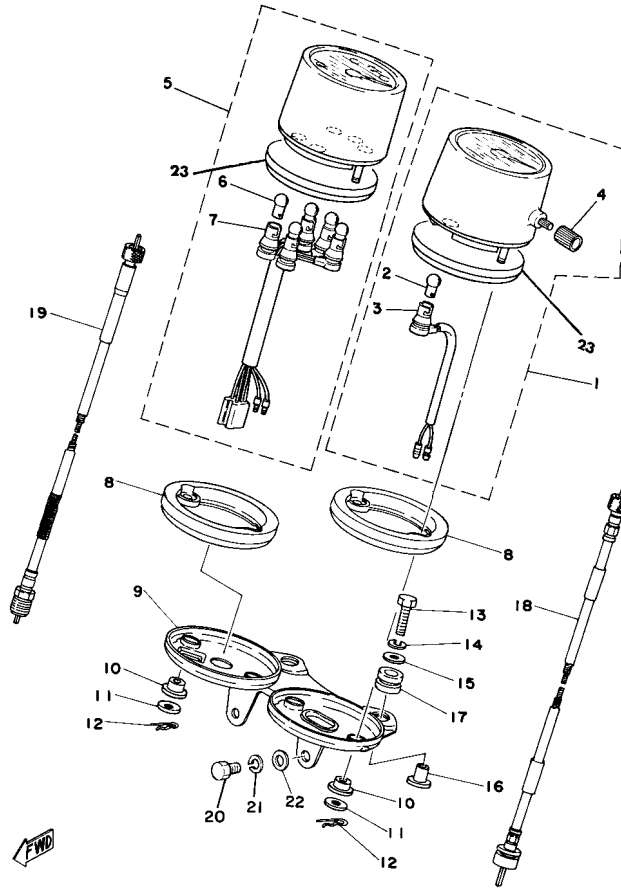
Ref. No.	Part Number	Description	Qty	Remarks
29	583-25440-10-00	SPROCKET, DRIVN 40T	1	U.R.STD
	583-25442-10-00	SPROCKET, DRIVN 42T	1	U.R.
30	90116-08218-00	BOLT, STUD	6	
31	583-25412-00-00	WASHER	3	
32	90170-08193-00	NUT, HEXAGON	6	
33	9Y585-20103-00	CHAIN 520DS-104L	1	
34	94685-20001-00	JOINT CHAIN	1	
35	1E6-25318-00-00	STOPPER, HUB	2	
36	93210-71311-00	O-RING	1	
37	1E6-25319-01-00	SEAL, HUB DUST	1	
38	93450-78080-00	CIRCLIP, INNER	1	
39	93102-25061-00	OIL SEAL, SD-TYPE	1	
40	1E6-25367-00-00	COVER, HUB DUST	1	
41	90387-17530-00	COLLAR	1	
42	1M1-25388-01-00	PULLER, CHAIN 1	1	
43	90171-16007-00	NUT, CASTLE (275-25382-00)	1	

HEAD LAMP



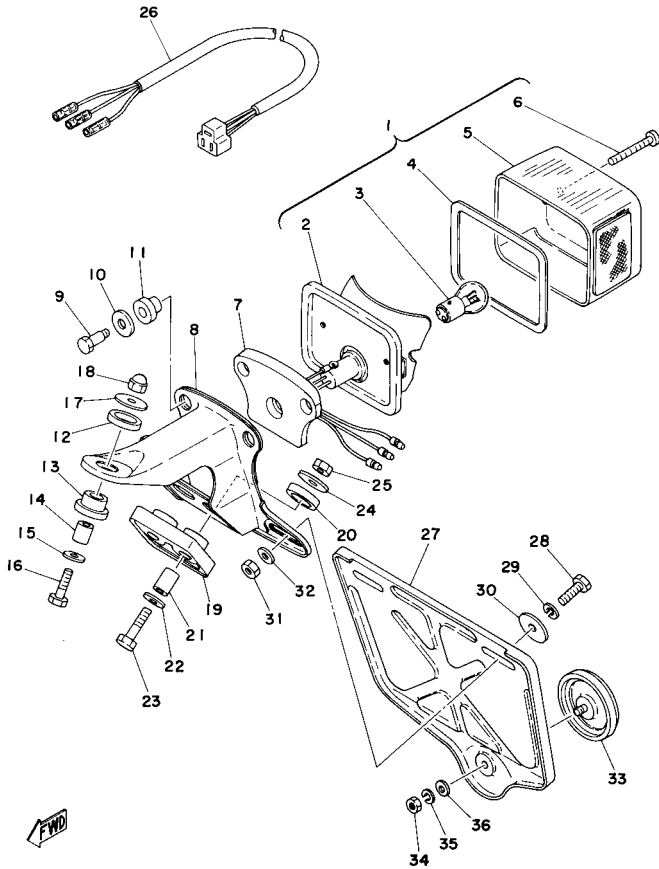
Ref. No.	Part Number	Description	Qty	Remarks
1	1M1-84130-60-00	BODY ASSEMBLY, HEADLIGHT (1M1-84130-60-98)	1	YAMAHA BLACK
2	498-84145-60-00	COLLAR, BODY FITTING	2	
3	498-84163-60-00	DAMPER	2	
4	1M1-84164-60-00	DAMPER	2	
6	1M1-84195-61-00	RING, RETAINING	1	
7	498-84120-61-00	LENS ASSEMBLY	1	
8	341-84397-61-00	COVER, SOCKET	1	
9	371-84312-60-00	SOCKET	1	
10	507-84324-60-00	SPRING, REFLECTOR	3	
11	1M1-84133-60-00	COLLAR, SCREW	1	
12	498-84128-60-00	SPACER	1	
13	1M1-84137-60-00	BOLT, SPECIAL	1	
14	90109-08448-00	BOLT	2	
15	95333-08600-00	NUT	2	
16	92990-08100-00	WASHER	2	

SPEEDOMETER - TACHOMETER



Ref. No.	Part Number	Description	Qty	Remarks
1	(1M1-83570-30-00)	SPEEDOMETER ASSEMBLY ..	1	
2	122-83516-10-00	BULB (122-83516-10)	1	
3	(1M1-83536-00-00)	SOCKET, METER	1	
4	1E6-83578-60-00	KNOB, TRIP METER	1	
5	(1M1-83540-F0-00)	TACHOMETER ASSEMBLY ...	1	
6	122-83516-10-00	BULB (122-83516-10)	5	
7	(1M1-83520-00-00)	SOCKET CORD ASSEMBLY ..	1	
8	1M1-83513-00-00	DAMPER	2	
9	1M1-83519-01-98	BRACKET, METER	1	LOW GLOSS BLK
10	1M1-83526-00-00	DAMPER 2	4	
11	90201-052E2-00	WASHER, PLATE	4	
12	90468-10050-00	CLIP	4	
13	97021-06030-00	BOLT	2	
14	92995-06100-00	WASHER, SPRING	2	
15	90201-06067-00	WASHER, PLATE	2	
16	90387-06388-00	COLLAR	2	
17	90480-14023-00	GROMMET	2	
18	1M1-83550-01-00	SPEEDOMETER CABLE (3H6-83550-00)	1	
19	1M1-83560-01-00	TACHOMETER CABLEASSEMBLY	1	
20	97013-06012-00	BOLT	2	
21	92995-06100-00	WASHER, SPRING	2	
22	92901-06600-00	WASHER	2	
23	2A6-83506-00-00	RING, METER COVER	2	

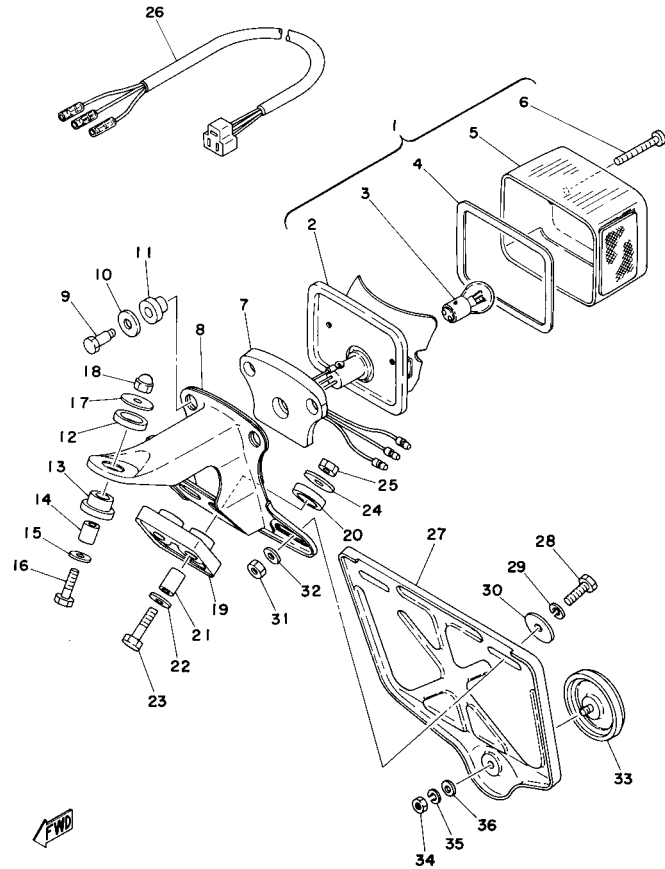
TAIL LAMP



Ref. No.	Part Number	Description	Qty	Remarks
1	1M1-84510-60-00	TAILLIGHT UNIT ASSEMBLY ..	1	
2	1M1-84511-60-00	BASE, TAILLIGHT	1	
3	1M1-84514-60-00	BULB	1	
4	1M1-84523-60-00	GASKET, LENS	1	
5	1M1-84521-60-00	LENS, TAILLIGHT	1	
6	1M1-84524-60-00	SCREW, LENS FITTING	2	
7	1M1-84512-60-00	SEAT, BASE	1	
8	1M1-84551-60-33	BRACKET, LICENCE	1	YAMAHA BLACK
9	1M1-84526-60-00	SCREW	2	
10	2H7-84754-00-00	WASHER, SPECIAL	2	
11	1M1-84527-60-00	DAMPER	2	
12	1M1-84553-10-00	DAMPER	1	
13	1M1-84553-20-00	DAMPER	1	
14	90387-06553-00	COLLAR	1	
15	92901-06600-00	WASHER	1	
16	97011-06025-00	BOLT (97001-06025)	1	
17	90201-06074-00	WASHER, PLATE	1	
18	95303-06800-00	NUT (CROWN)	1	
19	1M1-84553-00-00	DAMPER	1	
20	1M1-84553-10-00	DAMPER	2	
21	90387-06554-00	COLLAR	2	
22	92901-06600-00	WASHER	2	
23	97013-06035-00	BOLT	2	
24	90201-06074-00	WASHER, PLATE	2	
25	95380-06600-00	NUT	2	
26	1M1-84517-00-00	CORD, TAILLIGHT	1	
27	(1M1-85132-61-00)	BRACKET, REFLECT 1	1	
28	97011-06020-00	BOLT	2	
29	92995-06100-00	WASHER, SPRING	2	

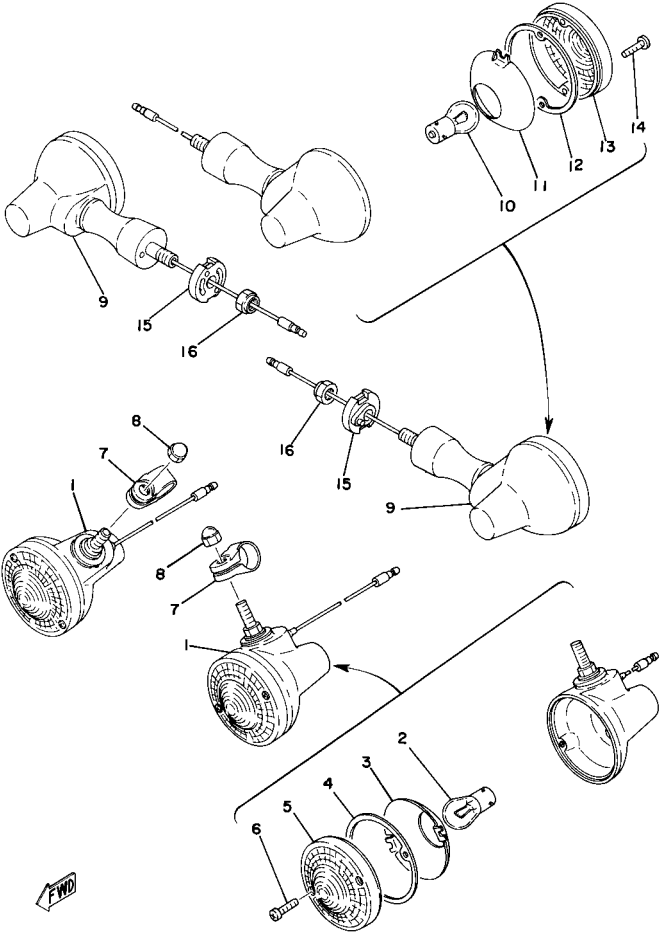
CONTINUED ON NEXT FRAME ►

TAIL LAMP



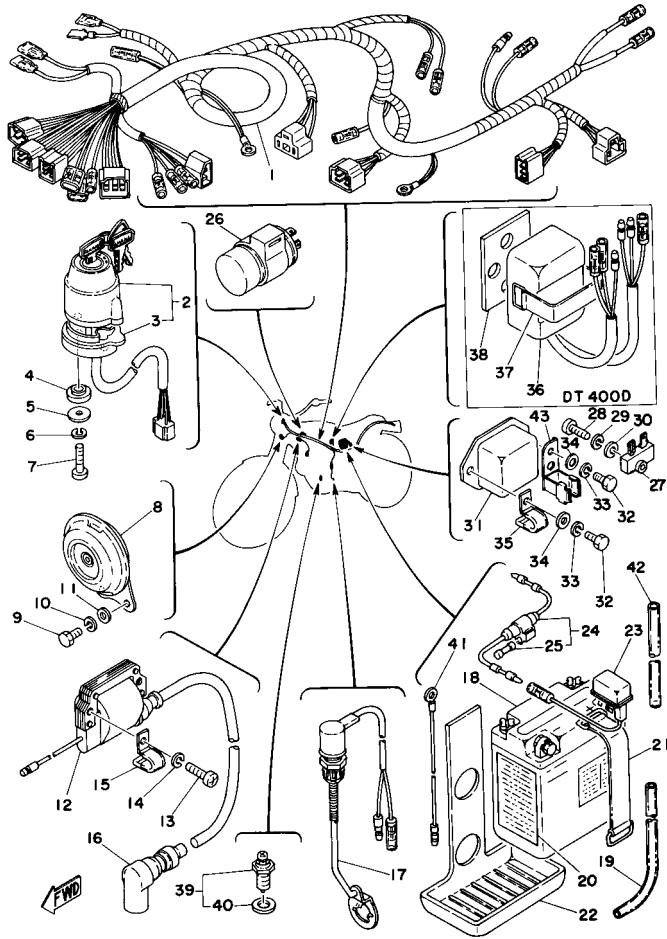
Ref. No.	Part Number	Description	Qty	Remarks
30	90201-06075-00	WASHER, PLATE	2	
31	95380-06600-00	NUT	2	
32	92901-06600-00	WASHER	2	
33	449-85131-02-00	REFLECTOR, REAR 1	1	
34	95380-05600-00	NUT	1	
35	92990-05100-00	WASHER, SPRING	1	
36	92990-05200-00	WASHER, PLAIN	1	

FLASHER LAMP



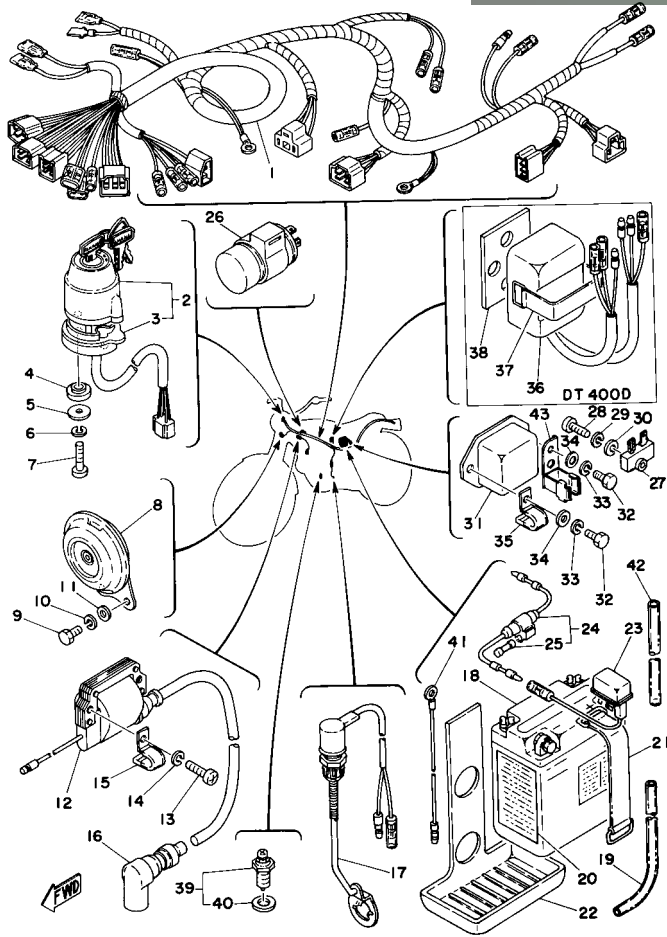
Ref. No.	Part Number	Description	Qty	Remarks
1	1M1-83310-60-00	FRT FLSHR LITE ASSEMBLY ASS'Y 1	2	
2	115-83311-60-00	BULB, FLASHER	2	
3	1M1-83309-60-00	REFLECTOR	2	
4	1M1-83313-60-00	GASKET, FLSHR LENS	2	
5	341-83312-70-00	LENS, FLASHER	2	
6	97780-30120-00	SCREW, PANHEAD TAP	4	
7	1M1-83318-00-00	STAY, FLASHER 1	2	
8	95303-08800-00	NUT (CROWN) (95301-08800)	2	
9	1M1-83330-60-00	R FLSHR LITE ASSEMBLY	2	
10	115-83311-60-00	BULB, FLASHER	2	
11	1M1-83309-60-00	REFLECTOR	2	
12	1M1-83313-60-00	GASKET, FLSHR LENS	2	
13	341-83332-70-00	LENS, FLASHER	2	
14	97780-30120-00	SCREW, PANHEAD TAP	4	
15	(1M1-83316-00-00)	COLLAR, FLASHER 1	2	
16	95601-10100-00	NUT, U (95602-10100-00)	2	

ELECTRICAL



Ref. No.	Part Number	Description	Qty	Remarks
1	(1M1-82590-21-00)	WIRE HARNESS ASSEMBLY ..	1	
	(1M2-82590-21-00)	WIRE HARNESS ASSEMBLY ..	1	
2	443-82508-21-00	MAIN SWITCH ASSEMBLY ...	1	
3	1M1-82555-00-00	DAMPER, MAIN SWCH 1	1	
4	1M1-82556-00-00	DAMPER, STOPPER	2	
5	90201-05033-00	WASHER, PLATE	2	
6	92990-05100-00	WASHER, SPRING	2	
7	98503-05025-00	SCREW, PAN HEAD (98501-05025)	2	
8	260-83371-12-00	HORN	1	
9	97013-06012-00	BOLT	2	
10	92995-06100-00	WASHER, SPRING	2	
11	92901-06600-00	WASHER	2	
12	1Y8-82310-40-00	IGNITION COIL ASSEMBLY ...	1	
13	98511-06025-00	SCREW PAN HEAD (92501-06025)	2	
14	92995-06100-00	WASHER, SPRING	2	
15	90462-05005-00	CLAMP	1	
16	81E-82370-20-00	PLUG CAP ASSEMBLY	1	
17	1M1-82530-02-00	STOP SWITCH ASSEMBLY ...	1	
18	BTY-6N63B-10-00	YUASA 6N6-3B-1 (1E6-82110-29)	1	
19	90445-08047-00	HOSE (168-82112-00)	1	
20	118-82141-09-00	LABEL, BATTERY	1	
21	120-82131-00-00	BAND, BATTERY	1	
22	1E6-82122-01-00	SEAT, BATTERY	1	
23	1M1-82115-00-00	WIRE, PLUS LEAD	1	
24	1E6-82150-00-00	FUSE HOLDER ASSEMBLY ...	1	
25	1E6-82151-00-00	FUSE (10A)	2	
26	1M1-83350-60-00	FLASHER RELAY ASSEMBLY .	1	

CONTINUED ON NEXT FRAME ►



ELECTRICAL

Ref. No.	Part Number	Description	Qty	Remarks
27	1M1-81970-60-00	RECTIFIER ASSEMBLY	1	
28	98580-05020-00	SCREW, PAN HEAD	1	
29	92990-05100-00	WASHER, SPRING	1	
30	92901-05600-00	WASHER, PLATE	1	
31	443-81910-62-00	VOLTAGE REG ASSEMBLY (498-81910-23)	1	
32	97013-06012-00	BOLT	2	
33	92995-06100-00	WASHER, SPRING	2	
34	92901-06600-00	WASHER	2	
35	90462-05005-00	CLAMP	1	
36	1M2-85540-20-00	CDI UNIT ASSEMBLY	1	
37	122-82131-00-00	BAND, BATTERY	1	
38	1M2-85547-00-00	DAMPER	1	
39	2H7-82540-00-00	NEUTRAL SWITCH ASSEMBLY	1	
40	341-82543-00-00	GASKET	1	
41	1H2-83346-00-00	CORD (1M1-82519-00)	1	
42	(90446-09119-00)	HOSE	1	
43	(1M1-82522-00-00)	CLAMP, COUPLER	1	

DT250D

1977 SERVICE DATA

MODEL - IBM I.D. NUMBER	DT250D	1M7
Starting Engine and Frame Number	1M1-000101	
Basic Color (fuel tank)	Balboa Blue	
Net Weight	260 lbs.	
ENGINE (type, induction system)	2-stroke, 7-port, single, air-cooled	
Bore x Stroke x Cylinder(s) Displacement	70 x 64mm x 1 246cc (15.01 CID)	
Compression Ratio (pressure)	6.7:1	
Piston Skirt Clearance (new/max.)	.035 ~ .040mm (.0014 ~ .0016") / 0.1mm (.004")	
Ring End Gap (top/2nd/3rd)	0.20 ~ 0.40mm (.008 ~ .016") / Same / ϕ	
Ring Groove Clearance (top/2nd/3rd)	0.03 ~ 0.08 (.0012 ~ .0031) / Same / ϕ	
Valve Clearance (eng. cold) Intake/Exhaust	ϕ	
AUTOLUBE - Minimum Pump Stroke/Color Code	0.25 ~ 0.30mm (.010 ~ .012") / Red	
CARBURETOR (mfr.) (type) (I.D. number)	Mikuni/VM28SC/1M100	
Main Jet	No. 150	
Needle Jet	N-8	
Jet Needle/Clip Position	5DP33-3	
Cutaway	1.5	
Pilot Jet	No. 50	
Air Jet	2.5mm I.D.	
Starter Jet	No. 60	
Air Screw (turns out) (idle speed)	1-3/4 1,200 rpm	
Float Level	16mm	
Air Filter (type x quantity)	Oiled Foam Rubber x 1	
DRIVE - Primary (type) (teeth) (ratio)	Helical Gear 65/23 2.826	
Secondary (type) (teeth) (ratio)	DK520DS, 103L 47/14 3.357	
Transmission Ratios 1st (teeth) (ratio) (O.A.)	33/13 2.538 24.077	
2nd	34/19 1.789 16.972	
3rd	26/20 1.300 12.333	
4th	23/23 1.000 9.487	
5th	20/26 0.769 7.295	
6th	ϕ	
CAPACITIES - Transmission	1,200cc (40 oz.) Yamalube 4-cycle* or SAE 10W/30 Oil	
Oil Tank or Engine Sump	1.2 qts. Yamalube 2-cycle*	
Fuel Tank	2.4 gals. Low Lead (Regular) or Unleaded	
Front Forks	190cc (6.4 oz.) 20 or 30 wt. Fork Oil*	
Rear Shocks	ϕ (DeCarbon monoshock)	
Tires (size/normal pressure)	Front: 3.00-21/18psi / Rear: 4.00-18/21 psi	
ELECTRICAL - Charging System (mfr.) (type)	Mitsubishi / Flywheel Magneto	
No Load Voltage Adj. (AC & DC generators)	ϕ	
Max. Generator (Magneto) Output	(day) 1.5±0.3A @ 2,500rpm/(night) 1.8±0.5A @ 8,000rpm	
Field Coil (and/or) Charging Coil Resistance	Yellow .19 Ω / Green-White .33 Ω	
Battery (mfr.) (model) (rating) (charge rate)	G.S. or F.B / 6N6-3B-6V6AH (.6A x 20 hrs.)	
Headlight/Tailight Ratings	6V30W/30W / 6V5.3W	
Ign. Coil Min. Spark Gap/Pri. Res./Sec. Res.	6mm @ 500 rpm / 1.0 Ω / 5.9K Ω	
Source Coil Res./Pulse Coil Res.	1.65 Ω / ϕ	
Condenser Capacity	.25 μ F	
Point Gap/Spark Plug (type/gap)	0.3~0.4mm(.012~.016")/NGK B-8ES / 0.6~0.7mm	
Timing (advanced) (retarded)	3.2 ± 0.15mm B.T.D.C.	

N/A = Information Not Available *Available from Yamaha Parts Distributors, Inc.
 ϕ = Does Not Apply To This Model

DT400D

1977 SERVICE DATA

MODEL - IBM I.D. NUMBER	DT400D	1M2
Starting Engine and Frame Number	1M2-000101	1M2-000101
Basic Color (fuel tank)	Brick Red	
Net Weight	268 lbs.	
ENGINE (type, induction system)	2-stroke, 7-port, single, air-cooled	
Bore x Stroke x Cylinder(s) Displacement	85 x 70mm x 1 397cc (24.22 CID)	
Compression Ratio (pressure)	6.4:1	
Piston Skirt Clearance (new/max.)	.040 ~ .045mm (.0016 ~ .0018")/0.1mm(.004")	
Ring End Gap (top/2nd/3rd)	0.3 ~ 0.5mm (.012 ~ .020")/Same/ ϕ	
Ring Groove Clearance (top/2nd/3rd)	.03 ~ .05mm(.0012 ~ .0020")/Same/ ϕ	
Valve Clearance (eng. cold) Intake/Exhaust	ϕ	
AUTOLUBE - Minimum Pump Stroke/Color Code	0.25 ~ 0.30 (.010 ~ .012")/Yellow	
CARBURETOR (mfr.) (type) (I.D. number)	Mikuni/VM34SC/1M200	
Main Jet	No. 170 (new specification)	
Needle Jet	0-2	
Jet Needle/Clip Position	6F9-5 (new specification)	
Cutaway	2.5	
Pilot Jet	No. 60 (new specification)	
Air Jet	2.5	
Starter Jet	No. 60	
Air Screw (turns out) (idle speed)	2.0 (new specification) Idle Speed 1,450 rpm	
Float Level	23mm	
Air Filter (type x quantity)	Oiled Foam Rubber x 1	
DRIVE - Primary (type) (teeth) (ratio)	Helical Gear 65/23 2.826	
Secondary (type) (teeth) (ratio)	DK520D 102L 43/16 2.688	
Transmission Ratios 1st (teeth) (ratio) (O.A.)	38/14 2.714 20.616	
2nd	34/19 1.789 13.589	
3rd	26/20 1.300 9.875	
4th	23/23 1.000 7.596	
5th	20/26 0.769 5.841	
6th	ϕ	
CAPACITIES - Transmission	1,200cc (40 oz.) Yamalube 4-cycle* or SAE 10W/30 Oil	
Oil Tank or Engine Sump	1.2 qt. Yamalube 2-cycle*	
Fuel Tank	2.4 gal. Low Lead (Regular) or Unleaded	
Front Forks	190cc (6.4 oz.) 20 or 30 wt. Fork Oil*	
Rear Shocks	ϕ (DeCarbon monoshock)	
Tires (size/normal pressure)	Front: 3.00-21/18 psi Rear: 4.00-18/21 psi	
ELECTRICAL - Charging System (mfr.) (type)	Mitsubishi/C.D.I. Magneto	
No Load Voltage Adj. (AC & DC generators)	ϕ	
Max. Generator (Magneto) Output	ϕ	
Field Coil (and/or) Charging Coil Resistance	Yellow: 0.22 Ω / Green/White: 0.38 Ω (all ± 10%)	
Battery (mfr.) (model) (rating) (charge rate)	G.S./6N6-3B-1/6V .6A x 10 hours	
Headlight/Tailight Ratings	6V 30/30W 5V 5.3W	
Ign. Coil Min. Spark Gap/Pri. Res./Sec. Res.	6mm @ 500rpm/1 Ω /5.9K Ω	
Source Coil Res.	Brown: 170 Ω ± 10%	
Pulse Coil Res.	Red/White: 3.4 Ω ± 10%	
Point Gap/Spark Plug (type/gap)	ϕ / NGK B8ES / 0.6 ~ 0.7mm	
Timing (advanced) (retarded)	2.9 ± 0.15mm B.T.D.C.	

N/A = Information Not Available *Available from Yamaha Parts Distributors, Inc.
 ϕ = Does Not Apply To This Model

1977 SERVICE DATA

MODEL – IBM I.D. NUMBER	DT400D	1M2
Starting Engine and Frame Number	1M2-000101	1M2-000101
Basic Color (fuel tank)	Brick Red	
Net Weight	268 lbs.	
ENGINE (type, induction system)	2-stroke, 7-port, single, air-cooled	
Bore x Stroke x Cylinder(s) Displacement	85 x 70mm x 1	397cc (24.22 CID)
Compression Ratio (pressure)	6.4:1	
Piston Skirt Clearance (new/max.)	.040 ~ .045mm (.0016 ~ .0018")/0.1mm(.004")	
Ring End Gap (top/2nd/3rd)	0.3 ~ 0.5mm (.012 ~ .020")/Same/φ	
Ring Groove Clearance (top/2nd/3rd)	.03 ~ .05mm(.0012 ~ .0020")/Same/φ	
Valve Clearance (eng. cold) Intake/Exhaust	φ	
AUTOLUBE – Minimum Pump Stroke/Color Code	0.25 ~ 0.30 (.010 ~ .012")/Yellow	
CARBURETOR (mfr.) (type) (I.D. number)	Mikuni/VM34SC/1M200	
Main Jet	No. 170 (new specification)	
Needle Jet	0-2	
Jet Needle/Clip Position	6F9-5 (new specification)	
Cutaway	2.5	
Pilot Jet	No. 60 (new specification)	
Air Jet	2.5	
Starter Jet	No. 60	
Air Screw (turns out) (idle speed)	2.0 (new specification) Idle Speed 1,450 rpm	
Float Level	23mm	
Air Filter (type x quantity)	Oiled Foam Rubber x 1	
DRIVE – Primary (type) (teeth) (ratio)	Helical Gear	65/23 2.826
Secondary (type) (teeth) (ratio)	DK520D 102L	43/16 2.688
Transmission Ratios 1st (teeth) (ratio) (O.A.)	38/14	2.714 20.616
2nd	34/19	1.789 13.589
3rd	26/20	1.300 9.875
4th	23/23	1.000 7.596
5th	20/26	0.769 5.841
6th	φ	
CAPACITIES – Transmission	1,200cc (40 oz.) Yamalube 4-cycle* or SAE 10W/30 Oil	
Oil Tank or Engine Sump	1.2 qt. Yamalube 2-cycle*	
Fuel Tank	2.4 gal. Low Lead (Regular) or Unleaded	
Front Forks	190cc (6.4 oz.) 20 or 30 wt. Fork Oil*	
Rear Shocks	φ (DeCarbon monoshock)	
Tires (size/normal pressure)	Front: 3.00-21/18 psi	Rear: 4.00-18/21 psi
ELECTRICAL – Charging System (mfr.) (type)	Mitsubishi/C.D.I. Magneto	
No Load Voltage Adj. (AC & DC generators)	φ	
Max. Generator (Magneto) Output	φ	
Field Coil (and/or) Charging Coil Resistance	Yellow: 0.22Ω /Green/White: 0.38Ω (all ± 10%)	
Battery (mfr.) (model) (rating) (charge rate)	G.S./6N6-3B-1/6V .6A x 10 hours	
Headlight/Taillight Ratings	6V 30/30W 5V 5.3W	
Ign. Coil Min. Spark Gap/Pri. Res./Sec. Res.	6mm @ 500rpm/1Ω/5.9KΩ	
Source Coil Res.	Brown: 170Ω ± 10%	
Pulse Coil Res.	Red/White: 3.4Ω ± 10%	
Point Gap/Spark Plug (type/gap)	φ / NGK B8ES / 0.6 ~ 0.7mm	
Timing (advanced) (retarded)	2.9 ± 0.15mm B.T.D.C.	

N/A = Information Not Available
φ = Does Not Apply To This Model

*Available from Yamaha Parts Distributors, Inc.