



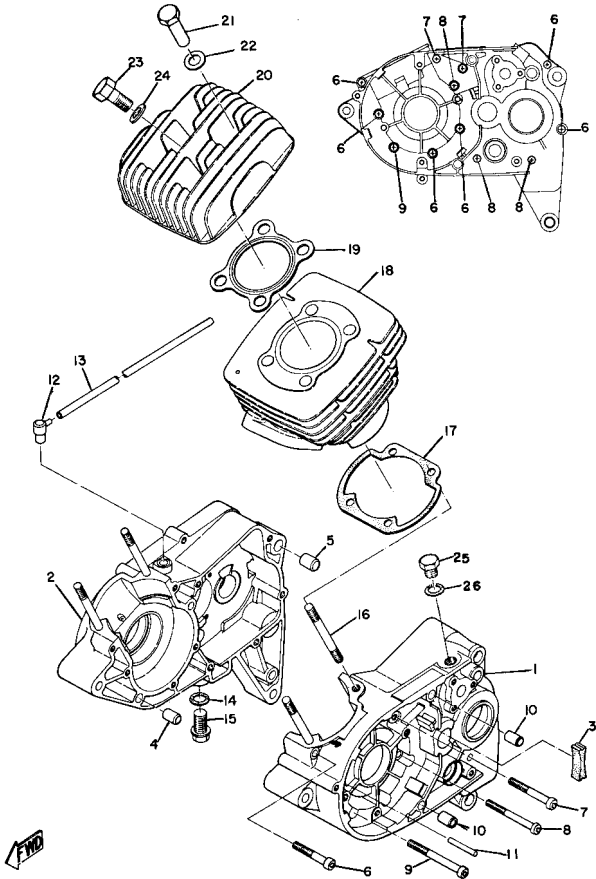
YAMAHA

GENUINE

PARTS CATALOGUE

MOTORCYCLE

CYLINDER - CRANKCASE

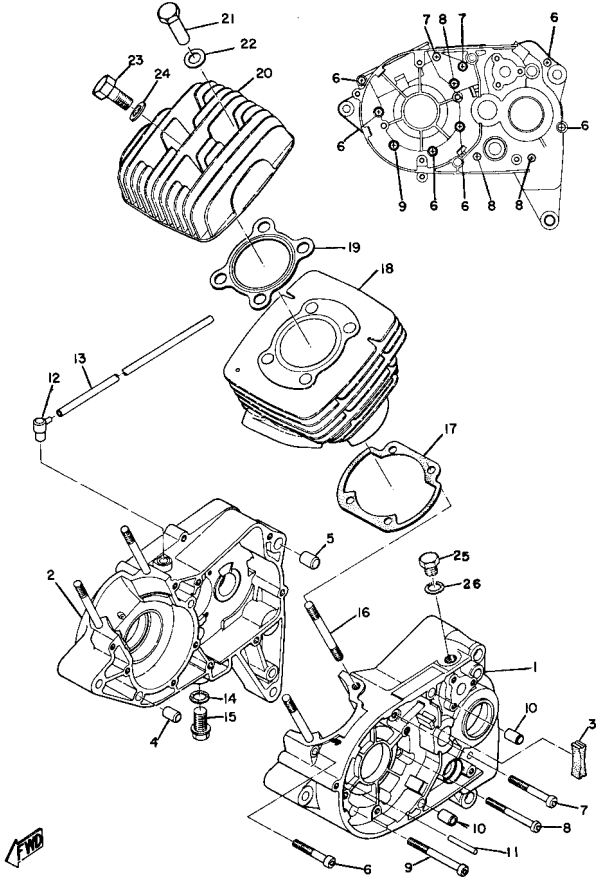


The standard clearance between the piston and the cylinder is 0.040-0.045mm.
(0.0016" and 0.0018")

Ref. No.	Part Number	Description	Qty	Remarks
1	(248-15111-02-00)	CRANKCASE 1	1	
2	(444-15121-01-00)	CRANKCASE 2	1	SEE NOTE PN336
3	248-15357-00-00	GROMMET	1	
4	99530-10014-00	PIN, DOWEL	1	
5	99530-14016-00	PIN, DOWEL	1	
6	98580-06545-00	SCREW PAN HEAD (92503-06045)	6	
7	98580-06055-00	SCREW, pan head (92501-06065-00)	2	
8	98580-06565-00	SCREW, PAN HEAD (92501-06065)	3	
9	98501-06070-00	SCREW, PAN HEAD	1	
10	99530-10014-00	PIN, DOWEL	2	
11	583-15371-00-00	BREATHER	1	
12	583-15371-00-00	BREATHER	1	
13	90446-07241-00	HOSE (3AK)	1	
14	90430-12207-00	GASKET	1	
15	90340-12005-00	PLUG, DRAIN	1	
16	90116-08064-00	BOLT, STUD	4	
17	248-11351-00-00	GASKET, CYLINDER	1	
18	(248-11311-00-00)	CYLINDER 1	1	
	(248-11311-70-00)	CYLINDER 1	1	
	(251-11311-00-00)	CYLINDER 1	1	
19	248-11181-00-00	GASKET, CYLINDER HEAD 1 .	1	
	251-11181-00-00	GASKET, CYLINDER HEAD 1 .	1	
20	(248-11111-02-00)	HEAD, CYLINDER 1	1	
	(248-11111-71-00)	HEAD, CYLINDER 1	1	
	(251-11111-00-00)	HEAD, CYLINDER 1	1	
21	90179-08303-00	NUT	4	
22	90201-12362-00	WASHER, PLATE	4	

CONTINUED ON NEXT FRAME ➤

CYLINDER - CRANKCASE



Ref. No.	Part Number	Description	Qty	Remarks
23	90340-14022-00	PLUG, STRAIGHT SCREW (214-11197-00)	1	
24	214-11198-01-00	GASKET	1	
25	90340-12004-00	PLUG, STRAIGHT SCREW	1	
26	(248-00000-20-00)	GASKET KIT A 1	1	ALTERNATE PARTS
	37R-82543-00-00	GASKET	1	
	90170-08029-00	NUT	1	
	90170-08029-00	NUT	1	
	90215-08014-00	WASHER, LOCK	1	
	93311-31567-00	BEARING, CYLINDRICAL	1	

The standard clearance between the piston and the cylinder is 0.040-0.045mm.
(0.0016" and 0.0018")

CYLINDER - CRANKCASE (NOTES ONLY)

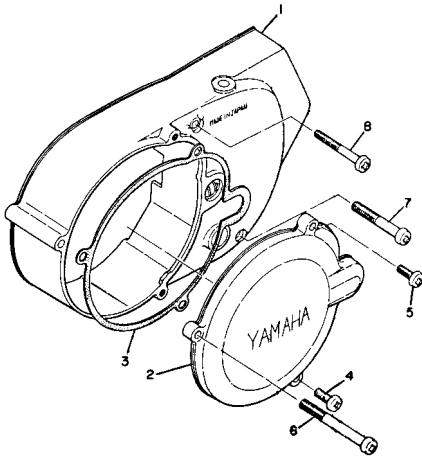
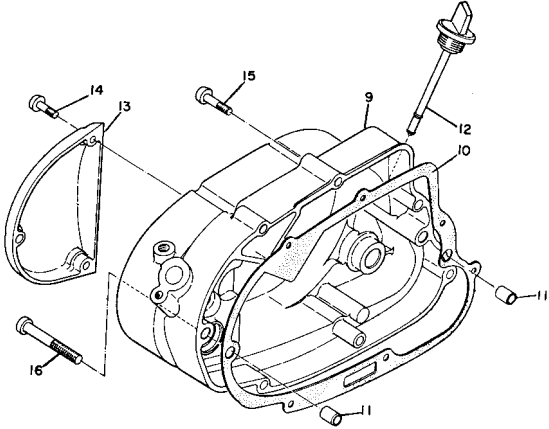
NOTE: Original Crankcase, right (248-00 and 248-01), has been discontinued. All Crankcase, tights, ordered will be 444-15121-01. This Crankcase is interchangeable if the following addition all parts are adhered to when ordering:

- 93311-31515-00 BEARING, drive axle.....1 pc.
- 90170-08029-00 NUT.....
- 93311-31515-00 BEARING, drive axle.....1 pc.
- 90170-08029-00 NUT.....1 pc. (Ref. grid B-3, #5-1)
- 90215-08014-00 WASHER, lock.....1 pc. (Ref. grid B-3, #12)

NOTE: If Crankcase, right, for AT2/CT2 (315-15121-01-00) is in you stock, it is also interchangeable with Bearing, drive axle (93311-31507).

Ref. No.	Part Number	Description	Qty	Remarks
----------	-------------	-------------	-----	---------

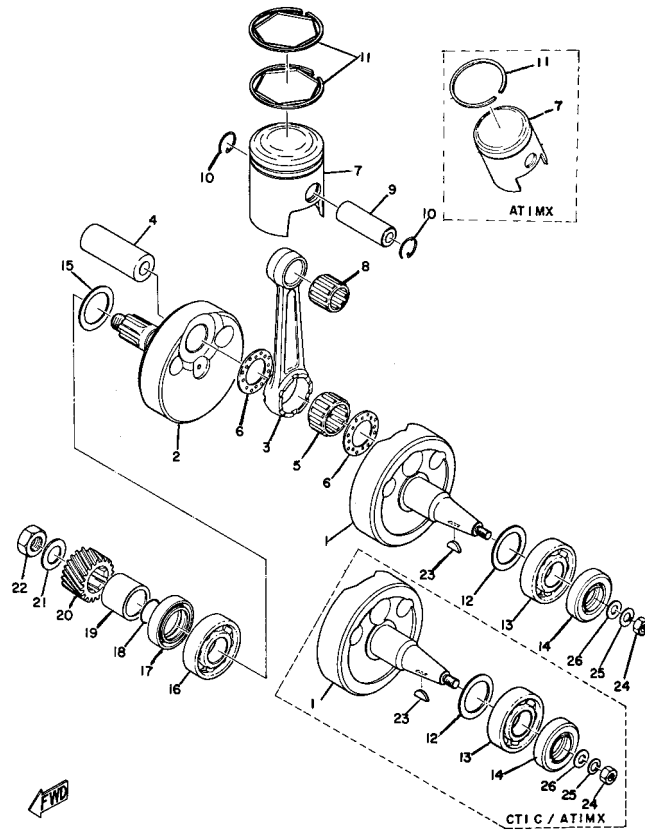
CRANKCASE COVER



END

Ref. No.	Part Number	Description	Qty	Remarks
1	(248-15410-01-00)	CRCS COVER ASSEMBLY L ..	1	
2	248-15415-01-00	COVER, GENERATOR	1	
	261-15415-61-00	COVER, GENERATOR	1	
3	248-15455-00-00	GASKET 1	1	
4	98580-06018-00	SCREW, PAN HEAD	1	
5	98580-06018-00	SCREW, PAN HEAD	1	
6	98501-06070-00	SCREW, PAN HEAD	1	
7	98580-06550-00	SCREW PAN HEAD (92503-06050)	2	
8	92580-06560-00	SCREW PAN HEAD	1	
9	(248-15421-01-00)	COVER, CRANKCASE R	1	
10	3GY-15451-00-00	GASKET, CRCS COVER 0 1 ..	1	
11	99530-10014-00	PIN, DOWEL	2	
12	180-15362-00-00	PLUG, OIL LEVEL	1	
13	(248-15416-01-Y4)	COVER, OIL PUMP	1	
14	98580-06018-00	SCREW, PAN HEAD	3	
15	98580-06035-00	SCREW, PAN HEAD	6	
16	92580-06560-00	SCREW PAN HEAD	1	
17	(241-17819-00-00)	CAP, HOUSING	1	
	(248-00000-20-00)	GASKET KIT A 1	1	ALTERNATE PARTS

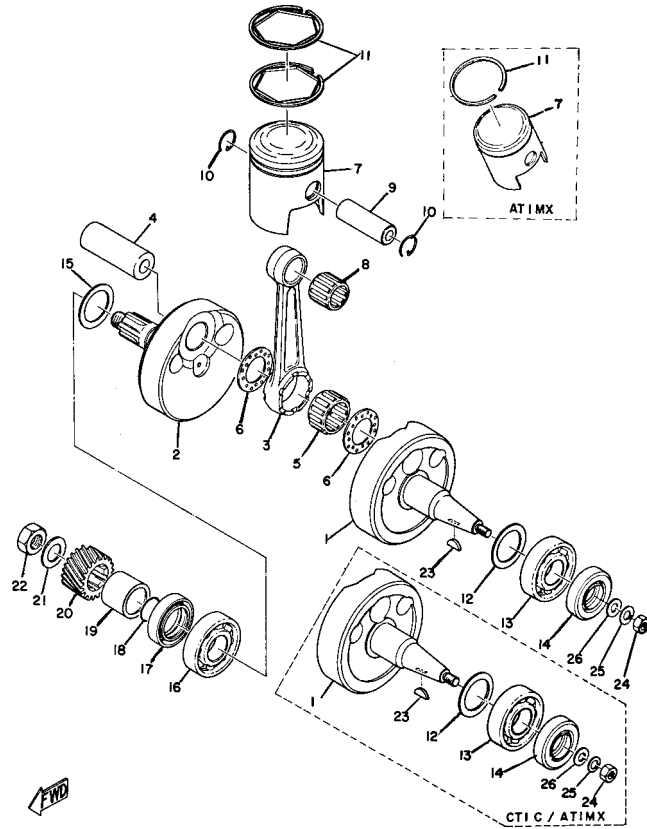
CRANK & PISTON



Ref. No.	Part Number	Description	Qty	Remarks
1	(248-11412-00-00)	CRANK 1	1	
	(316-11412-60-00)	CRANK 1	1	
2	(248-11422-00-00)	CRANK 2	1	
3	3R2-11651-01-00	. ROD, CONNECTING	1	
4	3M5-11681-00-00	. PIN, CRANK 1	1	
5	93310-42277-00	. BEARING, CYLINDER.#10 (93310-42231)	1	
6	90209-22248-00	. WASHER	2	
7	(248-11631-71-95)	PISTON STD	1	
	(248-11635-01-00)	PISTON 1 O/S 0.5	1	ALTERNATE PARTS
	(248-11635-71-00)	PISTON 1 O/S 0.5	1	ALTERNATE PARTS
	(248-11636-01-00)	PISTON 2 O/S 0.0	1	ALTERNATE PARTS
	(248-11636-71-00)	PISTON 2 O/S 0.0	1	ALTERNATE PARTS
	(248-11637-01-00)	PISTON 3 O/S 0.5	1	ALTERNATE PARTS
	(248-11637-71-00)	PISTON 3 O/S 0.5	1	ALTERNATE PARTS
	(248-11638-01-00)	PISTON 4 O/S 1.0	1	ALTERNATE PARTS
	(248-11638-71-00)	PISTON 4 O/S 1.0	1	ALTERNATE PARTS
	(251-11638-00-00)	PISTON 4 O/S 1.0	1	ALTERNATE PARTS
	248-11631-01-96	. PISTON STD	1	
	251-11631-00-96	PISTON STD	1	
	251-11635-00-00	PISTON 1 O/S 0.5	1	
	251-11635-00-00	PISTON 1 O/S 0.5	1	ALTERNATE PARTS
	251-11636-00-00	PISTON 2 O/S 0.0	1	ALTERNATE PARTS
	251-11637-00-00	PISTON 3 O/S 0.5	1	ALTERNATE PARTS
8	93310-216E1-00	BEARING	1	
	93310-216L2-00	BEARING, CYLINDRICAL	1	
9	137-11633-00-00	PIN, PISTON	1	
	251-11633-00-00	PIN, PISTON	1	
10	93450-17025-00	CIRCLIP	2	

CONTINUED ON NEXT FRAME ➤

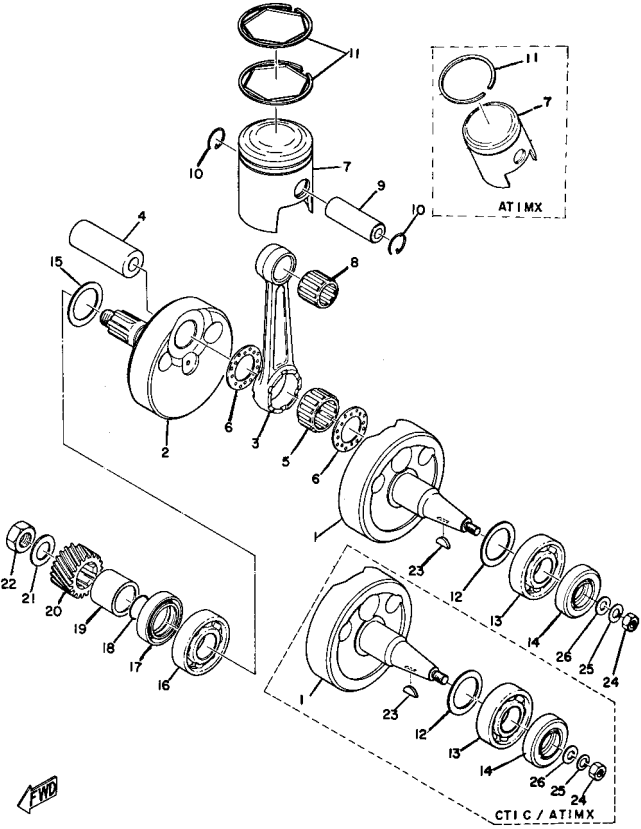
CRANK & PISTON



Ref. No.	Part Number	Description	Qty	Remarks
11	(248-11611-50-00)	RING, PISTON 3RD	1	ALTERNATE PARTS
	(248-11611-60-00)	RING, PISTON 4TH	1	ALTERNATE PARTS
	(248-11611-70-00)	RING, PISTON	1	
	(248-11611-80-00)	RING, PISTON 1ST	1	ALTERNATE PARTS
	248-11611-90-00	RING, PISTON 2ND	1	ALTERNATE PARTS
	251-11601-00-00	PISTON RINGSET STD	1	ALTERNATE PARTS
	251-11601-10-00	PISTON RINGSET 1ST	1	ALTERNATE PARTS
	251-11601-20-00	PISTON RINGSET 2ND	1	ALTERNATE PARTS
	251-11601-30-00	PISTON RINGSET 3RD	1	ALTERNATE PARTS
	251-11601-40-00	PISTON RINGSET 4TH	1	ALTERNATE PARTS
	479-11601-00-00	PISTON RING SETSTD	1	
	479-11601-10-00	PISTON RINGSET 1ST	1	ALTERNATE PARTS
	479-11601-20-00	PISTON RING SET2ND	1	ALTERNATE PARTS
	479-11601-30-00	PISTON RINGSET 3RD	1	ALTERNATE PARTS
	479-11601-40-00	PISTON RINGSET 4TH	1	ALTERNATE PARTS
12	132-11561-00-03	SHIM, CRANK 1	1	
13	93306-20529-00	BEARING (B6205C4)	1	
14	93102-25061-00	OIL SEAL, SD-TYPE	1	
15	136-11561-00-03	SHIM, CRANK 1	1	U.RU.RU.R
	136-11561-00-04	SHIM, CRANK 1	1	U.RU.RU.R
	136-11561-00-05	SHIM, CRANK 1	1	U.RU.RU.R
	136-11561-00-06	SHIM, CRANK 1	1	U.RU.RU.R
	136-11561-00-07	SHIM, CRANK 1	1	U.RU.RU.R
	136-11561-00-08	SHIM, CRANK 1	1	U.RU.RU.R
16	93306-30421-00	BEARING (B6304C3)	1	
17	93103-28011-00	OIL SEAL	1	
18	93210-180A6-00	O-RING	1	
19	90387-205E9-00	COLLAR	1	
20	(248-16111-00-00)	GEAR, PRI DRIVE	1	

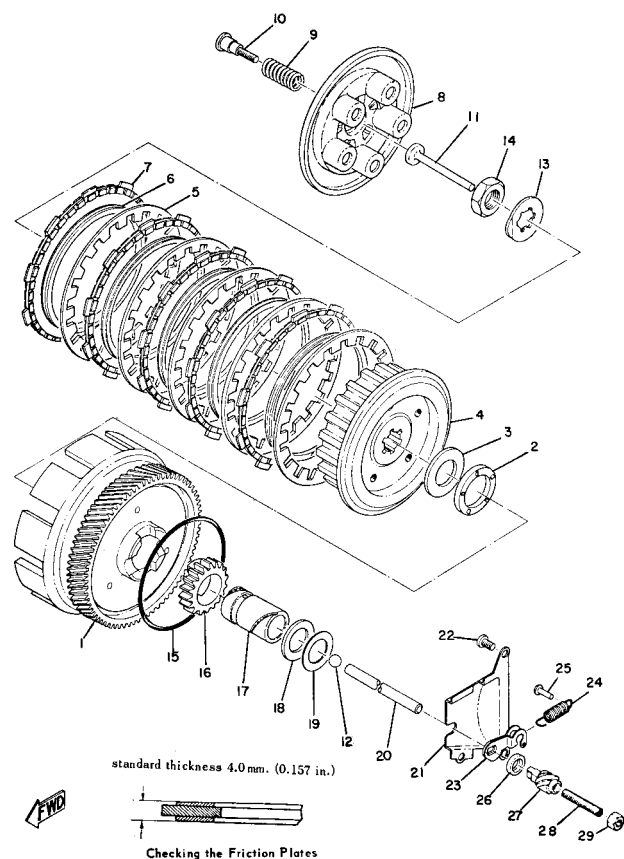
CONTINUED ON NEXT FRAME ➤

CRANK & PISTON



Ref. No.	Part Number	Description	Qty	Remarks
21	90208-12015-00	WASHER, CONICAL SPRING ..	1	
22	90170-12060-00	NUT	1	
23	90280-03017-00	KEY, WOODRUFF	1	
24	90170-12347-00	NUT, HEXAGON	1	
25	92901-12100-00	WASHER, SPRING	1	
26	90201-12535-00	WASHER, PLATE	1	
-1	(261-11400-60-00)	CRANKSHAFT ASSEMBLY ...	1	
-2	(248-11400-01-00)	CRANKSHAFT ASSEMBLY ...	1	

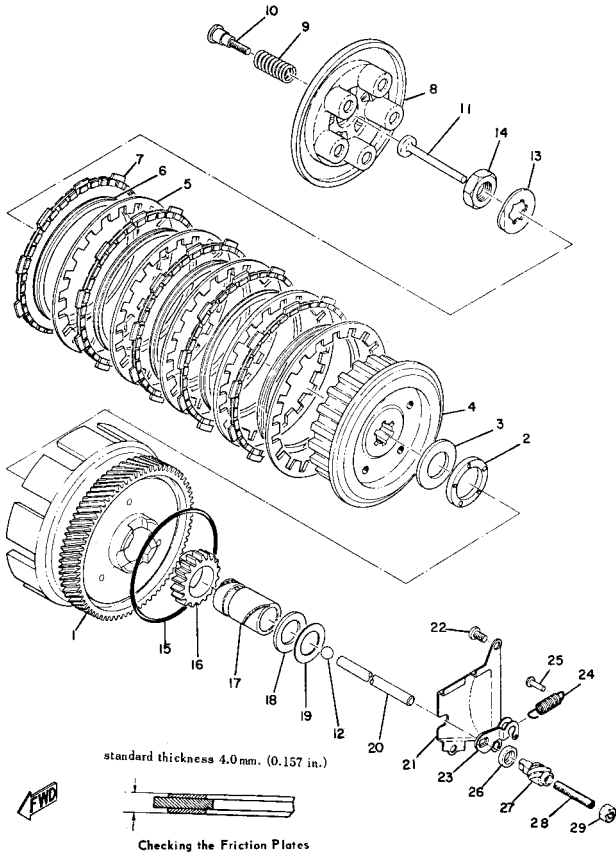
CLUTCH



Ref. No.	Part Number	Description	Qty	Remarks
1	(248-16150-02-00)	PRI DRVN GEAR	1	
2	93341-22603-00	. BEARING, FLAT # 1	1	
3	174-16154-00-00	. PLATE, THRUST 1	1	
4	174-16371-01-00	. BOSS, CLUTCH	1	
5	137-16324-00-00	. PLATE, CLUTCH 1	5	
6	137-16367-00-00	. RING, CUSHION	5	
7	132-16321-01-00	. PLATE, FRICTION	5	
8	132-16351-00-00	. PLATE, PRESSURE 1	1	
9	90501-20125-00	. SPRING, COMPRESSION	5	
10	(90149-05147-00)	SCREW, SPECL SHAPE	5	
11	137-16356-00-00	ROD, PUSH 1	1	
12	93501-04011-00	BALL	1	
13	90215-16020-00	WASHER, LOCK	1	
14	90179-16018-00	NUT	1	
15	93210-85075-00	O-RING	1	
16	261-15631-01-00	GEAR, KICK PINION	1	
17	90387-20439-00	COLLAR (174-16181-00)	1	
18	174-16164-00-00	PLATE, THRUST 2	1	
19	248-16164-01-00	PLATE, THRUST 2	1	
20	248-16357-00-00	ROD, PUSH 2	1	
21	(248-18428-00-00)	SEAL, DUST	1	
22	98580-05010-00	SCREW, PAN HEAD	3	
23	241-16342-00-00	LEVER, PUSH	1	
24	90506-10019-00	SPRING, TENSION	1	
25	132-16346-00-00	HOOK, SPRING	1	
26	93104-10085-00	OIL SEAL, SO-TYPE	1	
27	241-16341-01-00	SCREW, PUSH	1	
28	90113-06013-00	BOLT, SET	1	
29	95380-06700-00	NUT	1	

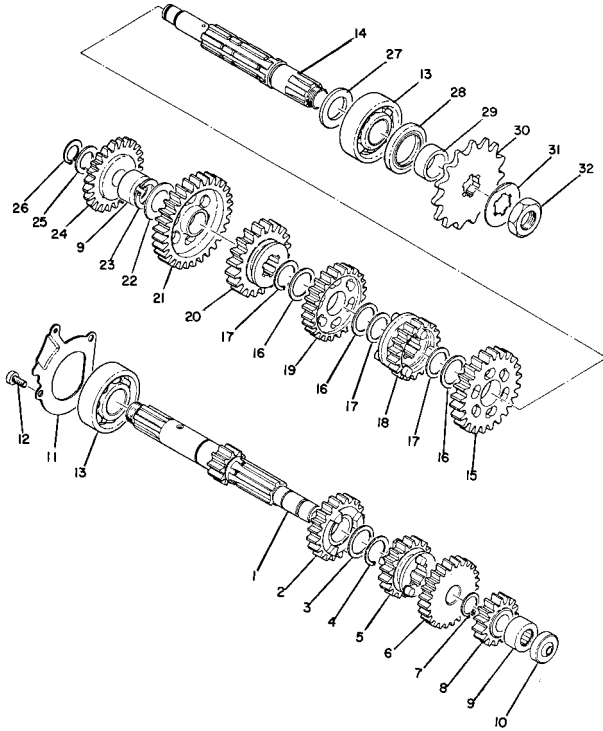
CONTINUED ON NEXT FRAME ➤

CLUTCH



Ref. No.	Part Number	Description	Qty	Remarks
-1	(248-16301-02-00)	CLUTCH ASSEMBLY	1	

TRANSMISSION

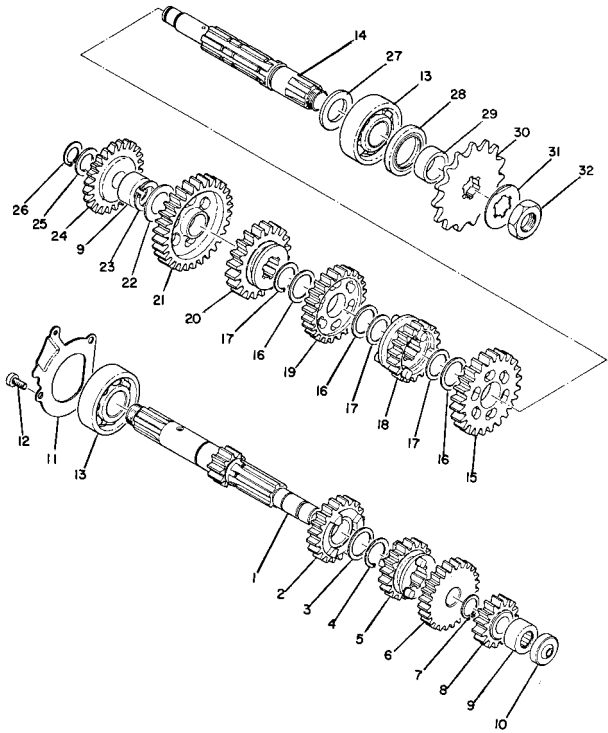


The primary reduction ratio is 74/19=3.895. Therefore the total reduction ratios will be:
 Primary reduction ratio × Transmission gear reduction × Secondary reduction ratio =
 Total reduction ratio.

Ref. No.	Part Number	Description	Qty	Remarks
1	(248-17411-01-00)	AXLE, MAIN	1	
	(265-17411-01-00)	AXLE, MAIN	1	
2	(248-17141-00-00)	GEAR, 4TH PINION	1	
	(265-17141-00-00)	GEAR, 4TH PINION	1	
3	90201-20266-00	WASHER, PLATE (1.0T)	1	
4	93410-20038-00	CIRCLIP	1	
5	248-17131-00-00	GEAR, 3RD PINION (19T)	1	
6	(248-17151-00-00)	GEAR, 5TH PINION	1	
	(265-17151-00-00)	GEAR, 5TH PINION	1	
7	99009-15400-00	CIRCLIP	1	
8	(248-17121-01-00)	GEAR, 2ND PINION	1	SEE NOTE
	(315-17121-00-00)	GEAR, 2ND PINION	1	
9	93315-31502-00	BEARING	2	FOR 248 CASE
	93315-31515-00	UNAVAILABLE IN PRICE BOOK	2	FOR 444 CASE
10	93109-06060-00	SEAL, PUSH ROD	1	
11	(248-17471-01-00)	PLATE, COVER	1	
12	98580-05012-00	SCREW, PAN HEAD	3	
13	93306-30421-00	BEARING (B6304C3)	2	
14	248-17421-00-00	AXLE, DRIVE	1	
15	(248-17221-00-00)	GEAR, 2ND WHEEL	1	
16	90201-20266-00	WASHER, PLATE (1.0T)	3	
17	93410-20038-00	CIRCLIP	3	
18	(265-17251-00-00)	GEAR, 5TH WHEEL	1	
	248-17251-00-00	GEAR, 5TH WHEEL (20T)	1	
19	248-17231-00-00	GEAR, 3RD WHEEL (26T)	1	
20	(265-17241-00-00)	GEAR, 4TH WHEEL	1	
	248-17241-00-00	GEAR, 4TH WHEEL (23T)	1	
21	(265-17211-00-00)	GEAR, 1ST WHEEL	1	
	248-17211-00-00	GEAR, 1ST WHEEL (35T)	1	

CONTINUED ON NEXT FRAME ➤

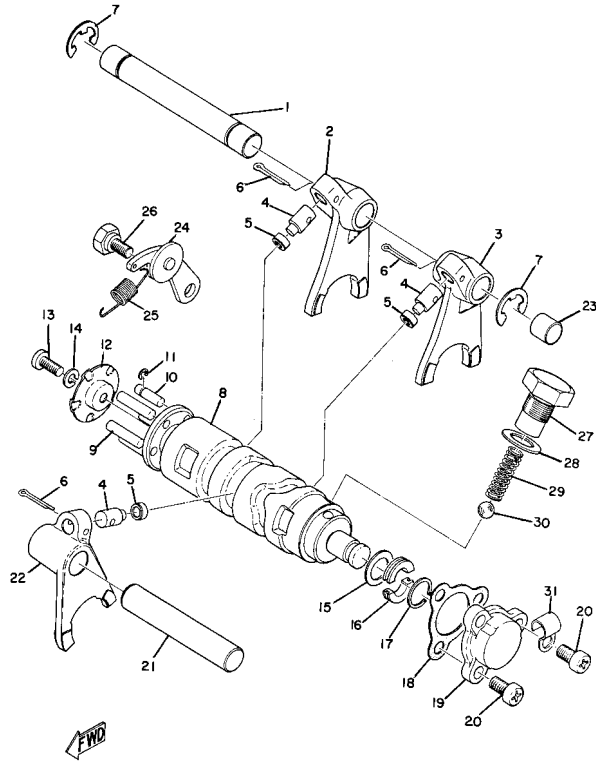
TRANSMISSION



The primary reduction ratio is 74/19=3.895. Therefore the total reduction ratios will be:
 Primary reduction ratio × Transmission gear reduction × Secondary reduction ratio =
 Total reduction ratio.

Ref. No.	Part Number	Description	Qty	Remarks
22	164-17427-00-06	SHIM 1 (0.6T)	1	
23	93440-15012-00	CIRCLIP	1	
24	261-15651-00-00	GEAR, KICK IDLE	1	
25	(132-15653-00-14)	WASHER	1	U.RU.RU.R
	132-15653-00-12	WASHER (13.3-22-1.2)	1	U.RU.RU.R
26	99009-13400-00	CIRCLIP (55X)	1	
27	90560-20038-00	SPACER	1	
28	93102-26042-00	OIL SEAL	1	
29	90387-20491-00	COLLAR	1	
30	93822-13024-00	SPROCKET, DRIVE 13T (1741746130)	1	U.RU.RU.R
	93822-14037-00	SPROCKET, DRIVE 14T (1741746140)	1	AT1MX)
	93822-15065-00	SPROCKET, DRIVE 15T (1741746150)	1	U.RU.RU.R
	93822-16093-00	SPROCKET, DRIVE	1	U.RU.RU.RSTD (CT1C)
31	90215-16020-00	WASHER, LOCK	1	
32	90179-16018-00	NUT	1	

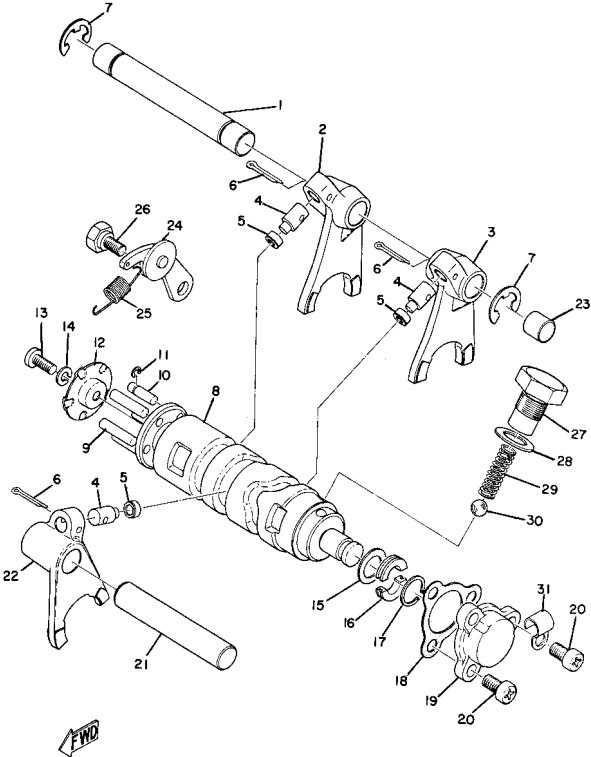
SHIFTER 1



Ref. No.	Part Number	Description	Qty	Remarks
1	214-18531-00-00	BAR, SHIFT FORK GUIDE 1 ...	1	
2	463-18513-00-00	FORK, SHIFT 3	1	USE WITH 4-1 SEE PN402
3	463-18511-00-00	FORK, SHIFT 1	1	USE WITH 4-1 SEE PN402
4	(90249-05035-00)	PIN, SPEC'L SHAPE	3	
5	136-18551-00-00	ROLLER, CAM FOLWR	3	
6	91401-25020-00	PIN, COTTER	3	
7	93430-10017-00	CIRCLIP	2	
8	315-18540-00-00	SHIFT CAM ASSEMBLY	1	PN355
9	93604-22050-00	PIN, DOWEL	4	
10	90249-04039-00	PIN, SPEC'L SHAPE (174-18544-00)	1	
11	93430-03014-00	CIRCLIP, E-TYPE	1	
12	164-18561-00-00	PLATE, SIDE 1	1	
13	98580-05012-00	SCREW, PAN HEAD	1	
14	92990-05100-00	WASHER, SPRING	1	
15	90201-12166-00	WASHER, PLATE	1	
16	164-18571-01-00	HOLDER, SHIFT CAM	2	
	307-18571-00-00	HOLDER, SHIFT CAM	2	PN320
17	93440-15012-00	CIRCLIP	1	DISCONTINUED
18	93440-15012-00	CIRCLIP	1	
19	164-18589-00-00	PLUG, BLIND	1	
20	98580-06012-00	SCREW, PAN HEAD	3	
21	(248-18531-00-00)	BAR, SHIF FRK GDE 1	1	
22	463-18512-00-00	FORK, SHIFT 2	1	USE WITH 4-1 SEE PN402
23	214-15385-00-00	PLUG, BLIND	1	
24	132-18140-01-00	STOPPER LEVER ASSEMBLY .	1	
25	90506-09112-00	SPRING, TENSION	1	

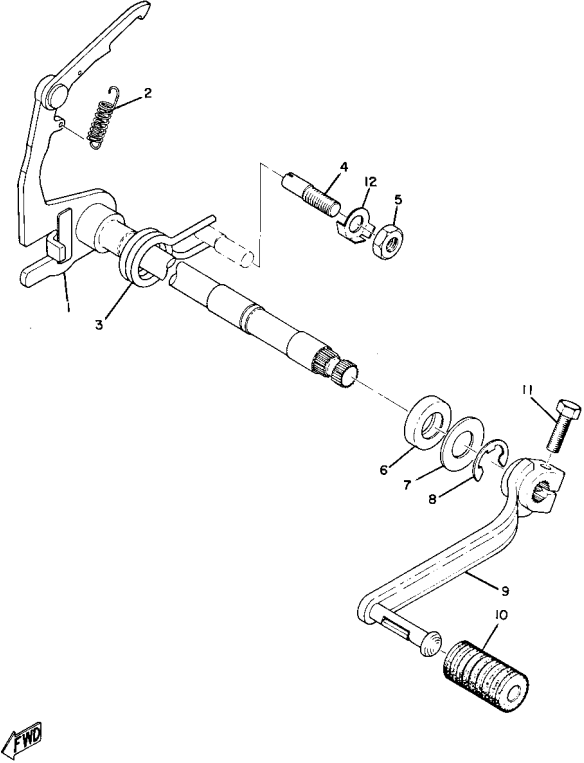
CONTINUED ON NEXT FRAME ►

SHIFTER 1



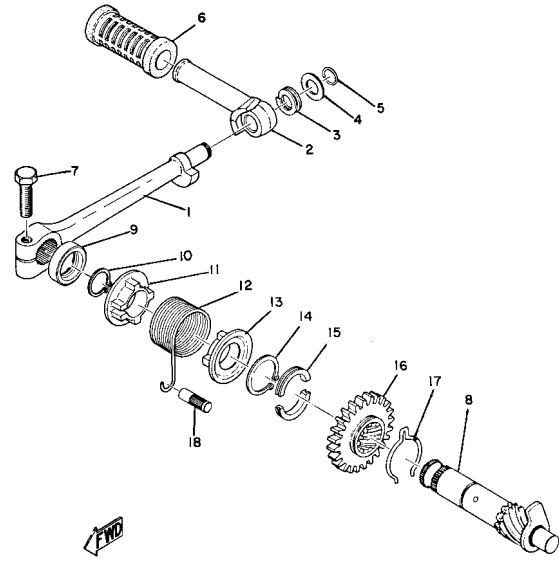
Ref. No.	Part Number	Description	Qty	Remarks
26	90109-06001-00	BOLT	1	
27	90109-14385-00	BOLT	1	
28	90501-12083-00	SPRING, COMPRESSION (174-18558-00)	1	
29	93505-16006-00	BALL	1	
30	93505-16006-00	BALL	1	
31	(90462-05012-00)	CLAMP	1	
4-1	90250-08017-00	PIN, STRAIGHT	3	

SHIFTER 2



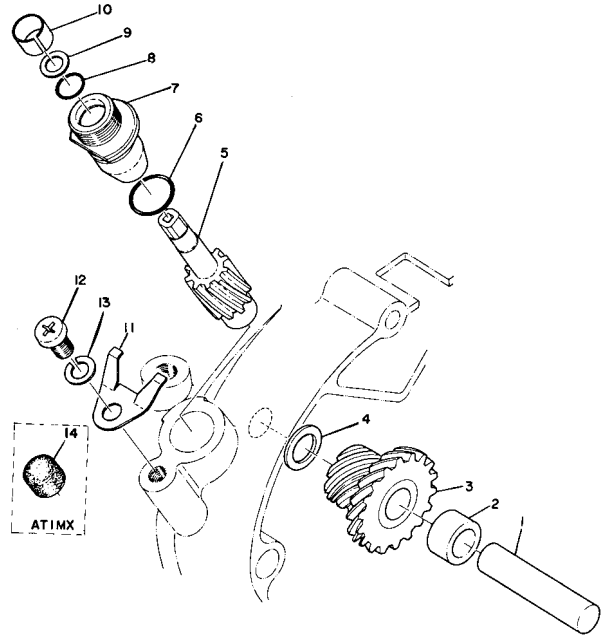
Ref. No.	Part Number	Description	Qty	Remarks
1	248-18101-02-00	SHIFT SHAFT ASSEMBLY. 1 ..	1	
2	90506-09009-00	SPRING, TENSION	1	
3	90508-32207-00	SPRING, TORSION (132-18124-00)	1	
4	90149-08094-00	SCREW	1	
5	95333-08600-00	NUT	1	
6	93109-14010-00	OIL SEAL, SDO-TYPE	1	
7	90201-14220-00	WASHER, PLATE	1	
8	99001-12600-00	CIRCLIP	1	
9	173-18111-01-93 367-18111-00-00	PEDAL, SHIFT	1	
10	132-18113-01-00	COVER, SHIFT PEDAL	1	
11	97023-06020-00	BOLT (3XF)	1	
12	90215-08014-00	WASHER, LOCK	1	
5-1	90170-08029-00	NUT	1	

KICK STARTER



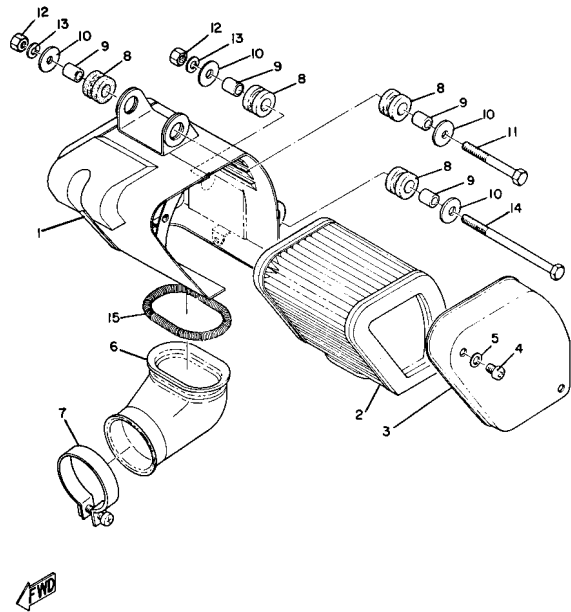
Ref. No.	Part Number	Description	Qty	Remarks
2	(214-15612-01-00)	LEVER, KICK	1	
3	90504-18009-00	. SPRING, COMPRESSION (214-15625-01)	1	
4	214-15616-00-00	. WASHER, KICK LEVER	1	
5	93440-11029-00	. CIRCLIP, OUTER	1	
6	214-15618-00-00	COVER, KICK LEVER	1	
7	97313-08030-00	BOLT, HEXAGON	1	
8	315-15660-01-00	KICK AXLE ASSEMBLY	1	
9	93104-20007-00	OIL SEAL, SO-TYPE	1	
10	99009-20400-00	CIRCLIP	1	
11	(214-15676-00-00)	COVER, SPRING	1	
12	90508-26136-00	SPRING, TORSION	1	
13	(214-15664-00-00)	GUIDE, SPRING	1	
14	99009-30400-00	CIRCLIP	1	
15	248-15654-00-00	HOLDER, KICK GEAR	2	
16	261-15641-00-00	GEAR, KICK	1	
	315-15641-00-00	GEAR, KICK (27T)	1	
17	90468-26048-00	CLIP	1	
18	248-15668-00-00	STOPPER	1	
-1	3V6-15620-00-00	KICK CRANK ASSEMBLY	1	

TACHOMETER GEAR



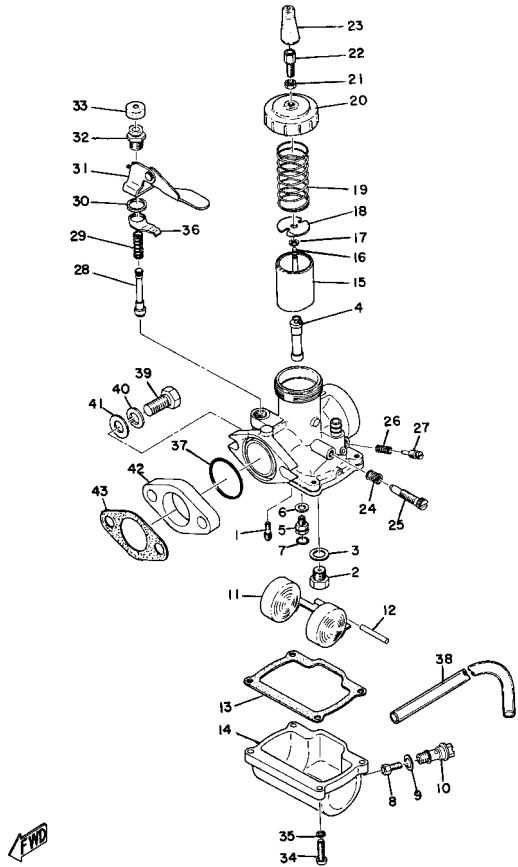
Ref. No.	Part Number	Description	Qty	Remarks
1	(248-17861-00-00)	AXLE, DRIVE GEAR	1	
2	90387-10087-00	COLLAR	1	
3	248-17831-02-00	GEAR, DRIVE	1	
4	248-17837-00-00	SHIM	1	
5	248-17837-00-00	SHIM	1	
6	93210-13016-00	O-RING	1	
7	353-17810-00-00	HOUSING ASSEMBLY, TACH (214-17811-01)	1	
8	93210-07100-00	O-RING	1	
9	214-17847-00-00	SHIM (7.5-10.8-0.4)	1	
10	90383-10005-00	BUSH, FORMED (214-17815-00) 0 1	1	
11	5U7-17812-00-00	STOPPER	1	
12	98580-06010-00	SCREW, PAN HEAD (92503-06010)	1	
13	92995-06100-00	WASHER, SPRING	1	
14	(241-17819-00-00)	CAP, HOUSING	1	

INTAKE



Ref. No.	Part Number	Description	Qty	Remarks
1	(248-14411-01-33)	CASE, AIR CLEANER 1	1	YAMAHA BLACK
2	248-14451-00-00	ELEMENT, AIR CLNR	1	
3	(248-14412-01-33)	CAP, CLEANER CASE 1	1	YAMAHA BLACK
4	98580-05010-00	SCREW, PAN HEAD	2	
5	92990-05200-00	WASHER, PLAIN	2	
6	248-14453-00-00	JOINT, AIR CLNR 1	1	
7	90460-49248-00	CLAMP, HOSE (1)	1	
8	90480-14023-00	GROMMET	4	
9	90387-065L7-00	COLLAR (51L) (214-21633-00)	4	
10	90201-06067-00	WASHER, PLATE	4	
11	97313-06070-00	NUT (97301-06070)	1	
12	95380-06600-00	NUT	2	
13	92995-06100-00	WASHER, SPRING	2	
14	97311-06090-00	BOLT, HEXAGON	1	
15	90506-06106-00	SPRING, TENSION	1	

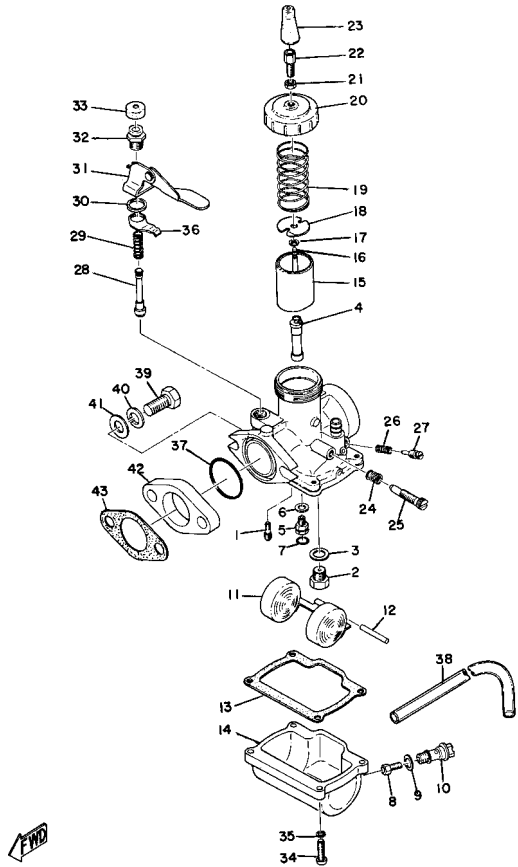
CARBURETOR



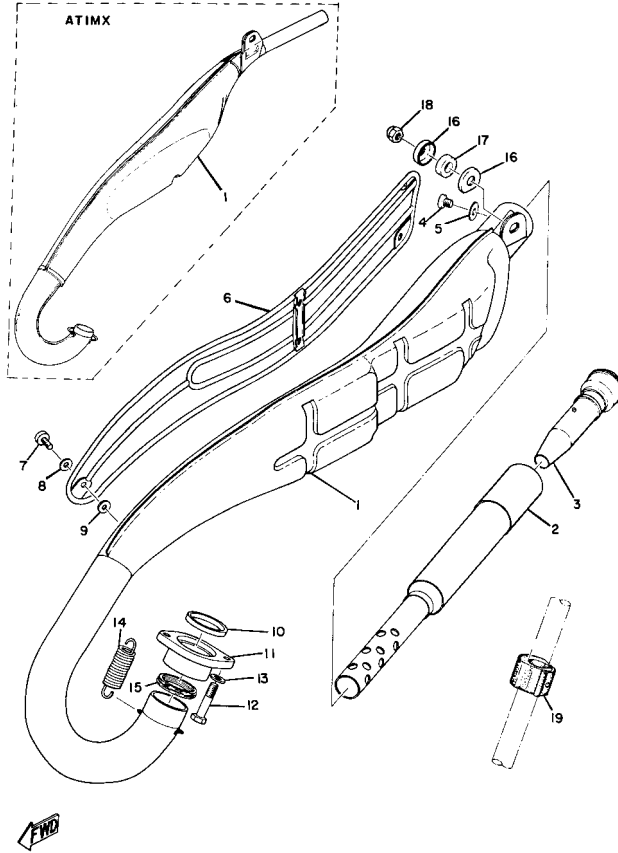
Ref. No.	Part Number	Description	Qty	Remarks
1	193-14142-30-A0	JET, PILOT #30 (#30)	1	
2	168-14190-20-00	. NEEDLE VALVE ASSEMBLY	1	
	23L-14107-25-00	. NEEDLE VALVE SET	1	
3	214-14195-00-00	. WASHER, NEEDLE VALVE	1	
4	(248-14141-28-00)	NOZZLE, MAIN	1	
	(261-14141-32-00)	NOZZLE, MAIN	1	
5	(248-14145-01-00)	SETTER, NEEDLE JET	1	
6	137-14153-00-00	WASHER, MAIN JET	1	
7	93210-04121-00	. O-RING	1	
8	137-14143-28-A0	. JET, MAIN (#140)	1	CT1C
	137-14143-30-00	. JET, MAIN #1 0	1	U.R.U.R
	137-14143-32-00	. JET, MAIN #1 0	1	U.R.U.R
	137-14143-36-A1	. JET, MAIN #1 0	1	U.RSTD (AT1MX)
	137-14143-38-A0	. JET, MAIN #1 0	1	U.R
	137-14143-40-A1	. JET, MAIN #2 0	1	U.R
9	248-14198-00-00	. GASKET	1	
10	248-14166-00-00	. BOLT, BANJO	1	
11	156-14185-00-00	. FLOAT	1	
12	127-14186-00-00	. PIN, FLOAT	1	
13	156-14184-00-00	. GASKET, FLOAT CHMBR	1	
14	(248-14181-01-00)	BODY, FLOAT CHMBR 1	1	
15	(204-14112-15-00)	VALVE, THROTTLE 1	1	
	204-14112-20-00	. VALVE, THROTTLE 1	1	
16	152-14116-15-00	. NEEDLE	1	
	156-14116-03-00	. NEEDLE	1	
17	137-14137-00-00	. CLIP	1	
	164-14137-00-00	. CLIP	1	
18	246-14132-00-00	. STOPPER, CABLE	1	

CONTINUED ON NEXT FRAME ►

CARBURETOR



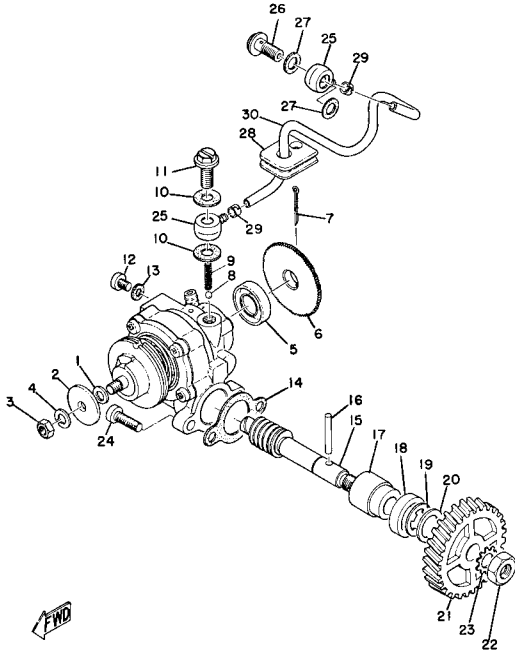
Ref. No.	Part Number	Description	Qty	Remarks
19	248-14131-00-00	. SPRING, THROTTLE VALVE .	1	
20	802-14158-00-00	. TOP, MIXING CHAMBER	1	
21	802-14161-00-00	. NUT, CABLE ADJUSTING . . .	1	
22	12G-14106-00-00	. CABLE ADJUST SCREW SET	1	
23	802-14169-00-00	. CAP	1	
24	137-14133-00-00	. SPRING, THRTL STOP	1	
25	24X-14103-00-00	. THROTTLE SCREW SET	1	
26	127-14134-00-00	. SPRING, AIR ADJUSTING . . .	1	
27	23X-14104-00-00	. AIR SCREW SET	1	
28	132-14171-00-00	. PLUNGER, STARTER	1	
29	156-14135-00-00	. SPRING, PLUNGER	1	
30	(132-14179-00-00)	WASHER, STARTER LVR	1	
31	(248-14175-00-00)	LEVER, STARTER 1	1	
32	(132-14174-00-00)	CAP, PLUNGER	1	
33	132-14173-00-00	. COVER, PLUNGER CAP	1	
34	98503-04014-00	. SCREW, PAN HEAD	4	
35	92901-04100-00	. WASHER, SPRING	4	
36	(170-14178-00-00)	PLATE, STARTER LVR	1	
37	248-14147-00-00	. O-RING	1	
38	90445-05013-00	HOSE (137-14197-00)	1	
39	97313-08030-00	BOLT, HEXAGON	2	
40	92990-08100-00	WASHER	2	
41	92990-08200-00	WASHER, PLAIN	2	
42	(248-13555-01-00)	MANIFOLD, INTAKE	1	
43	248-13556-70-00	GASKET, MANIFOLD	1	
-1	(248-14101-70-00)	CARBURETOR ASSEMBLY 1 . .	1	
	248-14101-01-00	CARBURETOR ASSEMBLY 1 . .	1	



EXHAUST

Ref. No.	Part Number	Description	Qty	Remarks
1	(248-14610-70-00)	EXHAUST PIPE ASSEMBLY L .	1	
	(261-14610-30-00)	EXHAUST PIPE ASSEMBLY L .	1	
2	214-14753-01-00	. SILENCER, EXHAUST	1	
3	261-14752-30-00	. PIPE, OUTLET	1	
4	97011-06010-00	. BOLT	1	
5	92990-06200-00	. WASHER	1	
6	(248-14718-30-00)	PROTECTOR, MUFF 1	1	
7	98903-06012-00	SCREW, BIND	5	
8	90202-05187-00	WASHER, PLATE	5	
9	90202-05005-00	WASHER, PLATE (218-14766-10)	5	
10	152-14613-00-00	GASKET, EXST PIPE	1	
11	(248-14612-30-00)	NUT, RING	1	
12	97011-06020-00	BOLT	2	
13	92995-06100-00	WASHER, SPRING	2	
14	90506-12029-00	SPRING, TENSION	2	
15	248-14623-00-00	GASKET, EXST PIPE	1	
16	(248-14794-00-00)	PLATE, MUFFLER	2	
17	90480-14329-00	GROMMET	1	
18	95301-08900-00	NUT, SLOTTED (98801-08500) .	1	
19	(248-00000-20-00)	GASKET KIT A 1	1	ALTERNATE PARTS
	(248-14747-01-00)	DAMPER, MUFFLER	1	

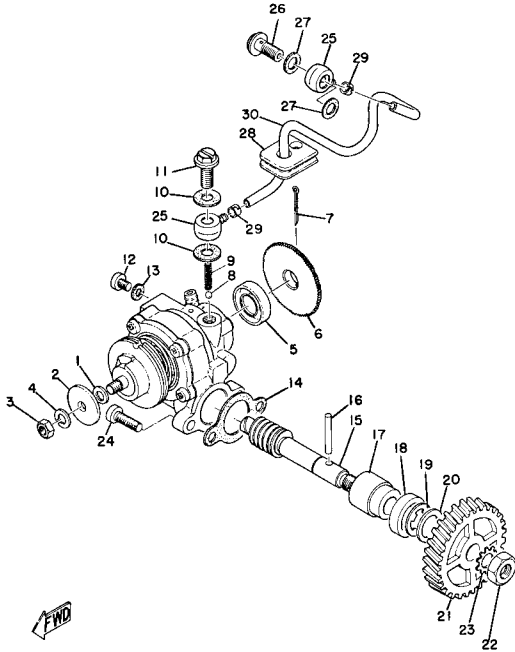
OIL PUMP



Ref. No.	Part Number	Description	Qty	Remarks
1	137-13137-00-10	. SHIM (1.0T)	1	
2	137-13138-01-00	. PLATE, ADJUSTING	1	
3	95380-05600-00	. NUT	1	
4	92990-05100-00	. WASHER, SPRING	1	
5	93101-10090-00	. OIL SEAL	1	
6	(137-13128-00-00)	PLATE, STARTER	1	
7	91401-12018-00	. PIN, COTTER	1	
8	93505-32002-00	. BALL	1	
9	(90501-02017-00)	SPRING, COMPRESSION	1	
10	90430-06011-00	. GASKET	2	
11	90401-06001-00	. BOLT, UNION	1	
12	98901-04008-00	. SCREW, BIND	1	
13	90430-04004-00	. GASKET	1	
14	3MT-13116-00-00	GASKET, PUMP CASE (8Y0-13116-00)	1	
15	(214-13175-01-00)	SHAFT, WORM	1	
16	93603-22028-00	PIN, DOWEL	1	
17	1E7-13176-00-00	METAL, WRM SHAF OTR	1	
18	93101-10002-00	OIL SEAL	1	
19	93430-08007-00	CIRCLIP	1	
20	90201-105J4-00	WASHER, PLATE (90201-106H1)	1	
21	248-13178-00-00	GEAR, DRIVE (28T)	1	
22	95303-08700-00	NUT	1	
23	92901-08400-00	WASHER, EX.TOOTH	1	
24	98580-05016-00	SCREW, PAN HEAD	2	
25	214-13162-01-00	BANJO, DLVRY PIPE	2	
26	90401-06001-00	BOLT, UNION	1	
27	90430-06011-00	GASKET	2	

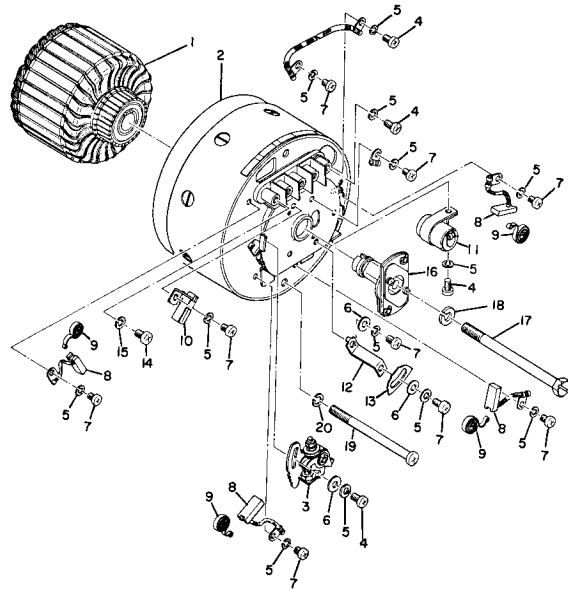
CONTINUED ON NEXT FRAME ►

OIL PUMP



Ref. No.	Part Number	Description	Qty	Remarks
28	248-13174-00-00	HOLDER, OIL PIPE	1	
29	90468-02033-00	CLIP	2	
30	90445-05301-00	HOSE (214-13161-01)	1	
-1	(214-13101-04-00)	OIL PUMP ASSEMBLY	1	

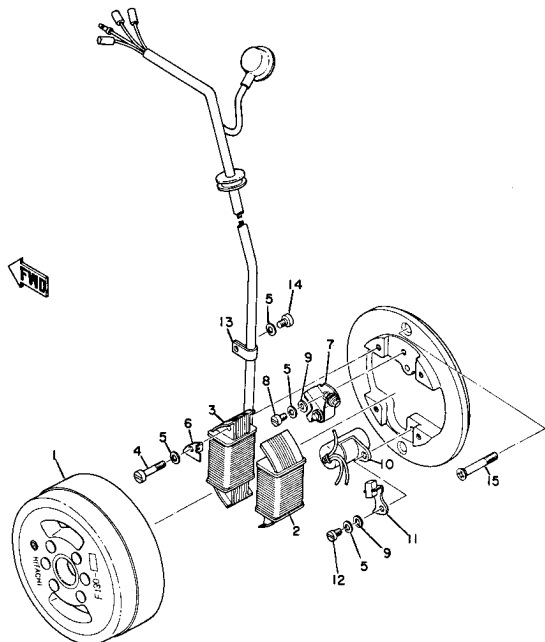
STARTER GENERATOR (AT1-C)



FWZ

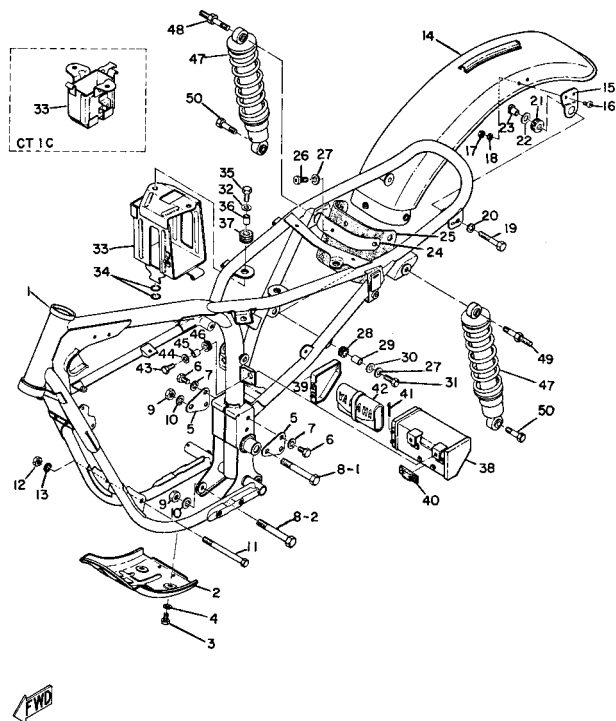
Ref. No.	Part Number	Description	Qty	Remarks
1	(261-81155-10-00)	ARMATURE	1	
2	(261-81110-10-00)	STATOR ASSEMBLY	1	
3	132-81221-10-00	.. CONTACT BRKR ASSEMBLY	1	
4	98580-04008-00	.. SCREW, PAN HEAD	7	
5	92901-04100-00	.. WASHER, SPRING	15	
6	92990-04200-00	.. WASHER, PLAIN	3	
7	98580-04008-00	.. SCREW, PAN HEAD	8	
8	101-81111-10-00	.. BRUSH	4	
9	141-81113-10-00	.. SPRING, BRUSH	4	
10	(132-81231-10-00)	LUBRICATOR	1	
11	148-81126-90-00	.. CONDENSER 2	1	
12	(199-81133-10-00)	FIXTURE, TMNG PLATE	1	
13	(133-81132-10-00)	PLATE, TIMING	1	
14	98580-05010-00	.. SCREW, PAN HEAD	1	
15	92990-05100-00	.. WASHER, SPRING	1	
16	173-81153-10-00	. GOVERNOR ASSEMBLY	1	
17	(148-81152-10-00)	BOLT	1	
18	92990-08100-00	. WASHER	1	
19	(261-81135-10-00)	SCREW, STATOR	2	
20	92990-05100-00	. WASHER, SPRING	2	
-1	(444-81100-10-00)	STARTER GEN ASSEMBLY ...	1	

FLYWHEEL MAGNETO (AT1CMX & CT1C)



Ref. No.	Part Number	Description	Qty	Remarks
1	(248-81350-10-00)	ROTOR ASSEMBLY	1	
2	185-81312-10-00	. COIL, SOURCE	1	
3	(248-81313-10-00)	COIL, LIGHTING 1	1	
	(251-81313-10-00)	COIL, LIGHTING 1	1	
4	97602-04125-00	. SCREW, PN/HD.W/WSHR (4-25)	4	
5	92901-04100-00	. WASHER, SPRING	7	
6	(185-81332-10-00)	PLATE, TIMING	1	
7	207-81321-90-00	. CONTACT BRKR ASSEMBLY	1	
8	110-81346-21-00	. SCREW, PAN HEAD	1	
9	92990-04200-00	. WASHER, PLAIN	1	
10	207-81326-90-00	. CONDENSER 2	1	
11	207-81331-10-00	. LUBRICATOR	1	
12	98580-04010-00	. SCREW, PAN HEAD	1	
13	109-81328-11-00	. CLAMP	1	
14	98580-04008-00	. SCREW, PAN HEAD	1	
15	98603-06012-00	SCREW, OVAL HEAD (92701-06012)	2	
-1	(248-81300-10-00)	FLYWHL MAGNETO ASSEMBLY	1	
	(251-81300-10-00)	FLYWHL MAGNETO ASSEMBLY	1	

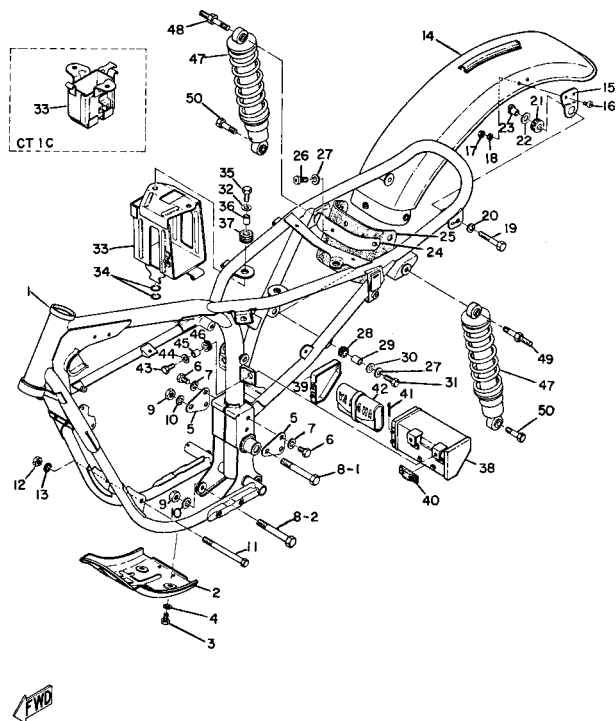
FRAME, REAR CUSHION & REAR FENDER



Ref. No.	Part Number	Description	Qty	Remarks
1	(261-21110-02-33)	FRAME	1	YAMAHA BLACK/N/A
2	(248-21471-00-33)	PROTECTOR, ENGINE	1	YAMAHA BLACK
3	97013-06012-00	BOLT	4	
4	92995-06100-00	WASHER, SPRING	4	
5	(248-21315-00-00)	STAY, ENGINE 2	2	
6	97313-08016-00	BOLT, HEXAGON	4	
7	92990-08100-00	WASHER	4	
8	97321-10090-00	BOLT, HEXAGON (91101-10090)	2	
9	95303-10600-00	NUT (95301-10600)	2	
10	92990-10100-00	WASHER, SPRING	2	
11	95811-08110-00	BOLT, FLANGE	1	
12	95333-08600-00	NUT	1	
13	92990-08100-00	WASHER	1	
14	(248-21610-00-35)	FENDER, REAR	1	SILVER
15	(248-21613-00-91)	STAY, FENDER 1	2	
16	98580-06012-00	SCREW, PAN HEAD	4	
17	95380-06600-00	NUT	4	
18	92995-06100-00	WASHER, SPRING	4	
19	97313-08045-00	BOLT	2	
20	92990-08100-00	WASHER	2	
21	168-21638-00-00	DAMPER 1	2	
22	90201-12472-00	WASHER, PLATE	2	
23	248-21635-00-00	NUT, REAR FENDER	2	
24	(248-21622-00-33)	BAND, FLAP	1	
25	(248-21629-00-00)	GUARD, MUD	1	
26	98580-06012-00	SCREW, PAN HEAD	1	
27	92990-06200-00	WASHER	3	
28	90480-14023-00	GROMMET	2	
29	90387-065L7-00	COLLAR (51L) (214-21633-00) .	2	

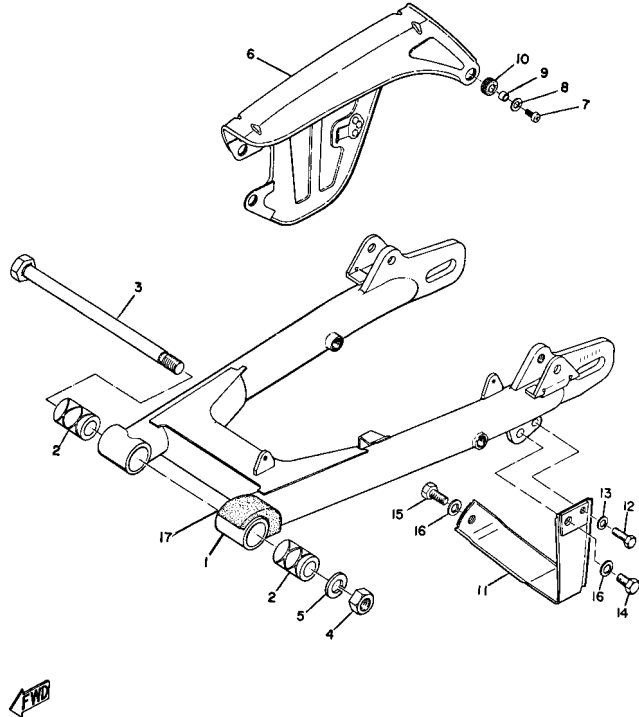
CONTINUED ON NEXT FRAME ►

FRAME, REAR CUSHION & REAR FENDER



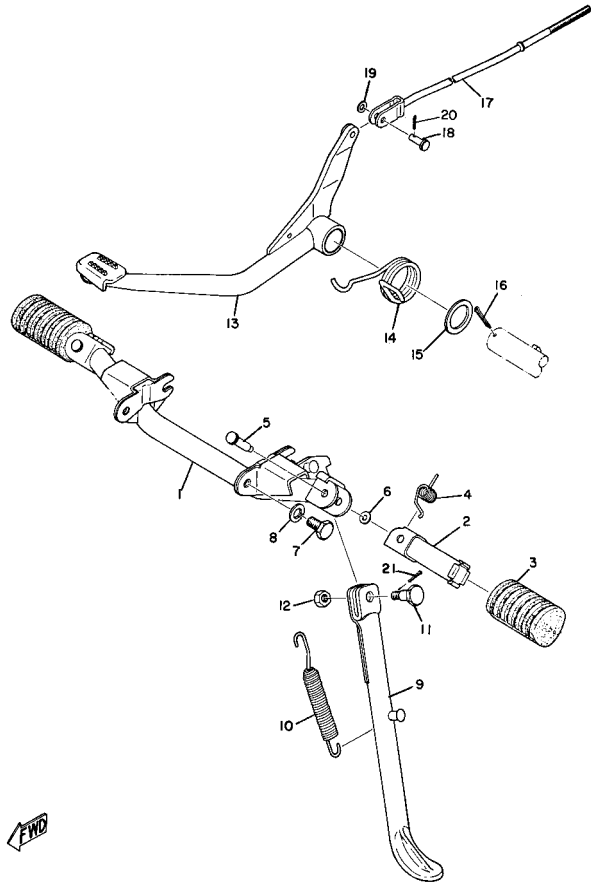
Ref. No.	Part Number	Description	Qty	Remarks
30	90201-06067-00	WASHER, PLATE	2	
31	97011-06025-00	BOLT (97001-06025)	2	
32	90201-06074-00	WASHER, PLATE	2	
	92990-06200-00	WASHER	2	
33	(248-21240-00-33)	BOX, BATT.	1	YAMAHA BLACK
	(261-21240-00-33)	BOX, BATT.	1	YAMAHA BLACK
34	93210-12014-00	O-RING	2	
35	97011-06025-00	BOLT (97001-06025)	2	
36	90387-065L7-00	COLLAR (51L) (214-21633-00)	2	
37	248-21717-00-00	DAMPER	2	
38	(248-21170-00-33)	BOX, TOOL	1	YAMAHA BLACK
39	(248-21399-00-00)	CAP, TOOL BOX	1	
40	(248-21746-00-00)	DAMPER	1	
41	91401-25030-00	PIN, COTTER	1	
42	(315-W2810-10-00)	TOOL KIT	1	
43	97011-06020-00	BOLT	2	
44	90201-06067-00	WASHER, PLATE	2	
45	90387-065L7-00	COLLAR (51L) (214-21633-00)	2	
46	90480-14023-00	GROMMET	2	
47	291-22210-71-00	SHK/ABS. ASSEMBLY, REAR	2	
48	(90116-10116-00)	BOLT, STUD	1	
49	(90116-10115-00)	BOLT, STUD	1	
	90106-10025-00	BOLT, DOME HEAD	1	
50	90106-10025-00	BOLT, DOME HEAD	2	
51	170-21746-00-00	DAMPER	2	
8-1	97021-10095-00	BOLT, HEXAGON	1	

REAR ARM & CHAIN CASE



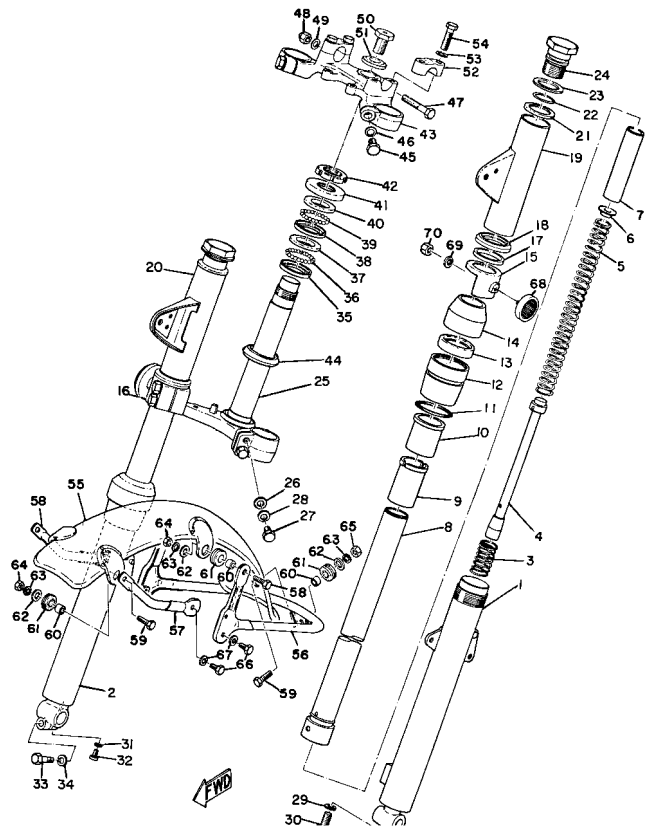
Ref. No.	Part Number	Description	Qty	Remarks
1	(248-22110-00-33)	REAR ARM	1	YAMAHA BLACK
2	174-22123-00-00	BUSH 1	2	
3	(248-22141-00-00)	SHAFT, PIVOT	1	
4	95312-14600-00	NUT	1	
5	92901-14100-00	WASHER, SPRING	1	
6	(248-22311-00-35)	CASE, CHAIN	1	SILVER
7	98580-05010-00	SCREW, PAN HEAD	3	
8	90201-06M08-00	WASHER, PLATE	3	
9	90560-05001-00	SPACER	3	
10	90480-12096-00	GROMMET (141-82596-00)	3	
11	(248-22318-00-33)	GUARD, CHAIN	1	YAMAHA BLACK
12	97011-06020-00	BOLT	1	
13	92995-06100-00	WASHER, SPRING	1	
14	97313-08018-00	BOLT, HEXAGON (97301-08016)	1	
15	97313-08020-00	BOLT, HEXAGON	1	
16	92990-08100-00	WASHER	2	
17	(248-22151-00-00)	SEAL, GUARD	1	

STAND, FOOT REST & REAR BRAKE PED



Ref. No.	Part Number	Description	Qty	Remarks
1	(261-27411-00-00)	FOOTREST 1	1	YAMAHA BLACK
	248-27411-00-00	FOOTREST 1	1	YAMAHA BLACK
2	214-27421-00-00	FOOTREST 2	2	
3	214-27413-00-00	COVER, FOOTREST	2	
4	90508-20023-00	SPRING, TORSION	2	
5	90243-08006-00	PIN	2	
6	90201-06042-00	WASHER, PLATE	2	
7	97021-10018-00	BOLT	2	
8	92990-10100-00	WASHER, SPRING	2	
9	248-27311-01-00	STAND, SIDE	1	YAMAHA BLACK
10	90507-29004-00	SPRING, TENSION (214-27316-00)	1	
11	90102-10006-00	BOLT, WITH HOLE (278-27317-00)	1	
12	95303-10900-00	NUT, SLOTTED	1	
13	248-27211-00-33	PEDAL, BRAKE	1	YAMAHA BLACK
14	90508-35070-00	SPRING, TORSION (248-27216-00)	1	
15	90201-25289-00	WASHER, PLATE	1	
16	91401-40040-00	PIN, COTTER	1	
17	248-27231-00-00	ROD, BRAKE	1	
18	90240-06006-00	PIN, CLEVIS	1	
19	92990-06200-00	WASHER	1	
20	91401-25020-00	PIN, COTTER	1	
21	91490-20025-00	PIN, SPLIT	1	

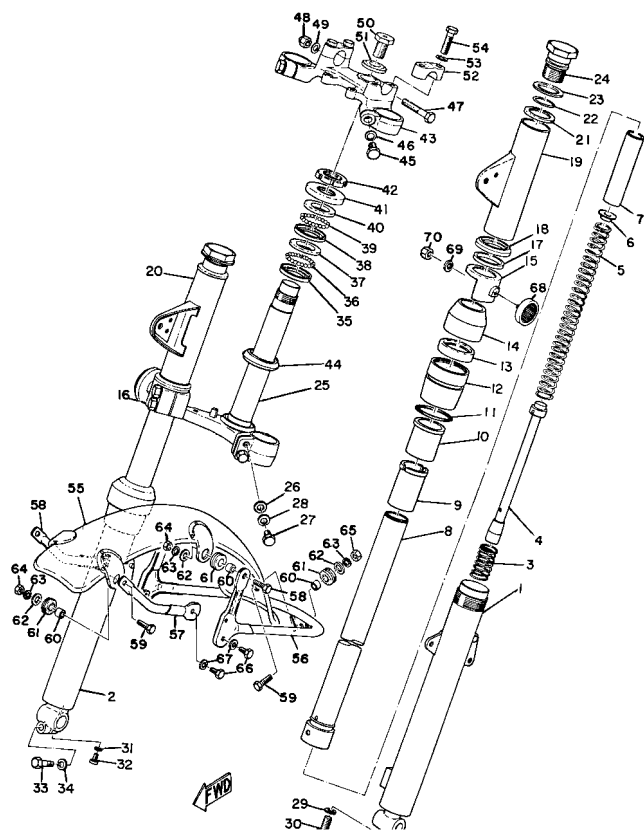
FRONT FORK & FRONT FENDER (AT1C-C)



Ref. No.	Part Number	Description	Qty	Remarks
1	(248-23126-00-35)	TUBE, OUTER 1	1	SILVER
2	(248-23136-00-35)	TUBE, OUTER 2	1	SILVER
3	(248-23152-00-00)	SPRING, SUB	2	
4	(248-23170-01-00)	CYLINDER, FRTRFK	2	
5	318-23141-00-00	SPRING, FRONT FORK	2	
6	(248-23142-00-00)	SEAT, SPRING UPPER	2	
7	(248-23118-00-00)	SPACER	2	
8	(248-23124-01-00)	TUBE, INNER 1	2	
9	(248-23166-00-00)	SPACER, OIL LOCK	2	
10	(137-23125-01-00)	METAL, SLIDE 1	2	
11	137-23147-00-00	O-RING	2	
12	(193-23150-40-00)	OUTER NUT	2	
13	137-23145-01-00	OIL SEAL	2	
14	248-23144-00-00	SEAL, DUST	2	
15	(261-23122-61-00)	COVER, OUTER 1	1	
16	(261-23122-61-00)	COVER, OUTER 1	1	
17	291-23163-61-00	GASKET (LAMP STAY)	2	
18	(248-23116-01-00)	GUIDE, COVER LOWER	2	
19	(248-23121-01-63)	COVER, UPPER 1	1	BRILLIANT RED
	(291-23121-60-52)	COVER, UPPER 1	1	CANDY ORANGE
20	(248-23131-01-63)	COVER, UPPER 2	1	BRILLIANT RED
	(291-23131-60-52)	COVER, UPPER 2		CANDY ORANGE
21	(248-23115-01-00)	GUIDE, COVER UPPER	2	
22	146-23114-00-00	GASKET	2	
23	(177-23112-00-00)	WASHER, CAP	2	
24	(2K5-23111-00-00)	BOLT, CAP	2	
25	(248-23340-51-33)	UNDER BRACKET	1	YAMAHA BLACK
26	92990-08200-00	WASHER, PLAIN	4	
27	18G-23128-00-00	BOLT, WWASHER	4	

CONTINUED ON NEXT FRAME ➤

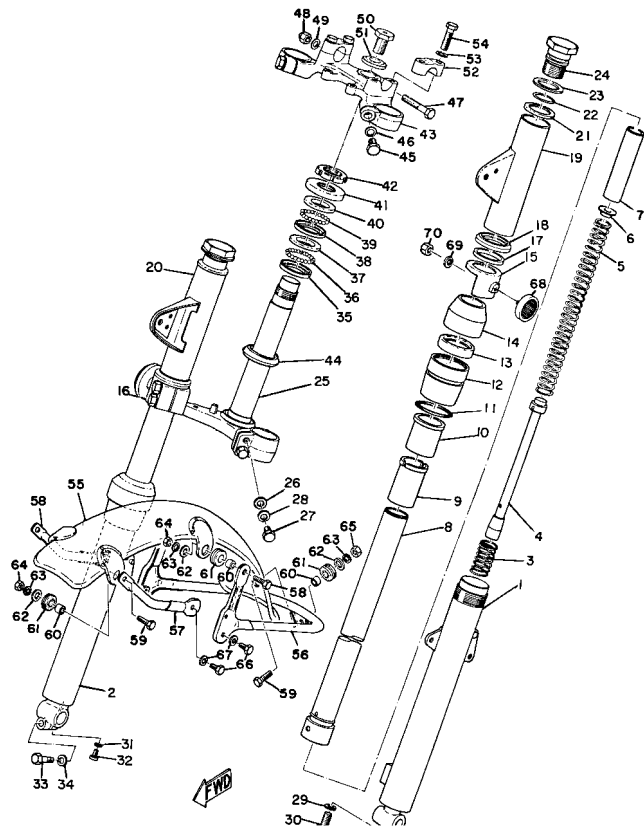
FRONT FORK & FRONT FENDER (AT1C-C)



Ref. No.	Part Number	Description	Qty	Remarks
28	92990-08100-00	WASHER	4	
29	(214-23158-00-00)	GASKET	2	
30	91311-08020-00	BOLT, SOCKET HEAD	2	
31	122-23129-00-00	GASKET, DRAIN PLUG	2	
32	98580-04008-00	SCREW, PAN HEAD	2	
33	97013-08025-00	BOLT	1	
34	92990-08100-00	WASHER	1	
35	156-23411-00-00	RACE, BALL 1	1	
36	93501-04011-00	BALL	19	
37	156-23412-00-00	RACE, BALL 2	1	
38	22F-23412-01-00	RACE, BALL 2	1	
39	93503-16010-00	BALL	22	
40	22F-23411-01-00	RACE, BALL 1	1	
41	122-23416-00-00	COVER, BALL RACE 2	1	
42	90179-25033-00	NUT	1	
43	(248-23435-03-33)	CROWN, HANDLE	1	
44	164-23462-00-00	SEAL, STEERING	1	
45	97013-10030-00	BOLT (8J7) (97303-10030)	2	
46	92990-10100-00	WASHER, SPRING	2	
47	97313-08050-00	BOLT, HEXAGON (90101-08125)	1	
48	95303-08800-00	NUT (CROWN) (95301-08800) .	1	
49	92990-08100-00	WASHER	1	
50	90101-14113-00	BOLT (214-23451-10)	1	
51	90209-14022-00	WASHER, SPEC'L SHAP (214-23443-00)	1	
52	(315-23441-00-93)	HOLDER, HANDLE UPR	2	
53	92990-08100-00	WASHER	4	
54	97313-08030-00	BOLT, HEXAGON	4	
55	(248-21510-00-35)	FENDER, FRONT	1	SILVER

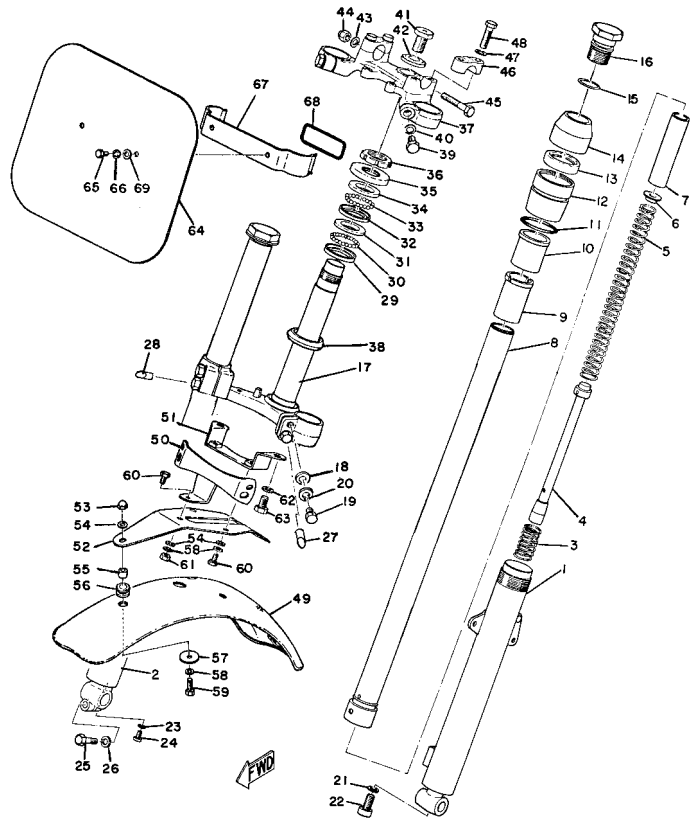
CONTINUED ON NEXT FRAME ►

FRONT FORK & FRONT FENDER (AT1C-C)



Ref. No.	Part Number	Description	Qty	Remarks
56	(248-21512-00-93)	BRACKET, FENDER	1	
57	(248-21513-00-00)	STAY, FENDER 1	1	
58	248-21514-00-00	STAY, FENDER 2	1	
59	97011-06020-00	BOLT	5	
60	90387-065L7-00	COLLAR (51L) (214-21633-00)	5	
61	90480-14023-00	GROMMET	5	
62	90201-06067-00	WASHER, PLATE	5	
63	92995-06100-00	WASHER, SPRING	5	
64	95380-06600-00	NUT	4	
65	95303-06800-00	NUT (CROWN)	1	
66	97013-06012-00	BOLT	4	
67	92995-06100-00	WASHER, SPRING	4	
68	341-85111-00-00	REFLECTOR, FRONT 1	2	
69	92990-05100-00	WASHER, SPRING	2	
70	95380-05600-00	NUT	2	
-1	(251-23100-61-03)	FRONT FORK ASSEMBLY	1	CANDY ORANGE
	(261-23100-61-56)	FRONT FORK ASSEMBLY	1	BRILLIANT RED

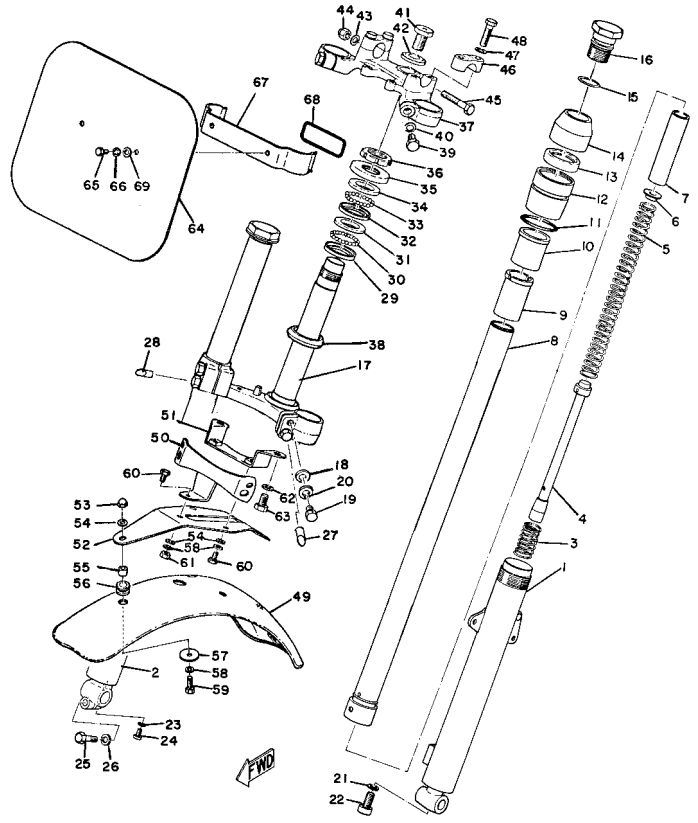
FRONT FORK & FRONT FENDER (AT1M)



Ref. No.	Part Number	Description	Qty	Remarks
1	(248-23126-00-35)	TUBE, OUTER 1	1	SILVER
2	(248-23136-00-35)	TUBE, OUTER 2	1	SILVER
3	(248-23152-00-00)	SPRING, SUB	2	
4	(248-23170-01-00)	CYLINDER, FRTRFK	2	
5	318-23141-00-00	. SPRING, FRONT FORK	2	
6	(248-23142-00-00)	SEAT, SPRING UPPER	2	
7	(248-23118-00-00)	SPACER	2	
8	(248-23124-00-00)	TUBE, INNER 1	2	
9	(248-23166-00-00)	SPACER, OIL LOCK	2	
10	(137-23125-01-00)	METAL, SLIDE 1	2	
11	137-23147-00-00	. O-RING	2	
12	(193-23150-40-00)	OUTER NUT	2	
13	137-23145-01-00	. . OIL SEAL	2	
14	248-23144-00-00	. SEAL, DUST	2	
15	146-23114-00-00	. GASKET	2	
16	(2K5-23111-00-00)	BOLT, CAP	2	
17	(248-23340-51-33)	UNDER BRACKET	2	
18	92990-08200-00	. WASHER, PLAIN	4	
19	18G-23128-00-00	. BOLT, W/WASHER	4	
20	92990-08100-00	. WASHER	4	
21	(214-23158-00-00)	GASKET	2	
22	91311-08020-00	. BOLT, SOCKET HEAD	2	
23	122-23129-00-00	. GASKET, DRAIN PLUG	2	
24	98580-04008-00	. SCREW, PAN HEAD	2	
25	97013-08025-00	. BOLT	1	
26	92990-08100-00	. WASHER	1	
27	(263-21581-00-00)	STAY, PLATE FTNG 1	1	
28	(263-21591-00-00)	STAY, PLATE FTNG 2	1	
29	156-23411-00-00	RACE, BALL 1	1	

CONTINUED ON NEXT FRAME ►

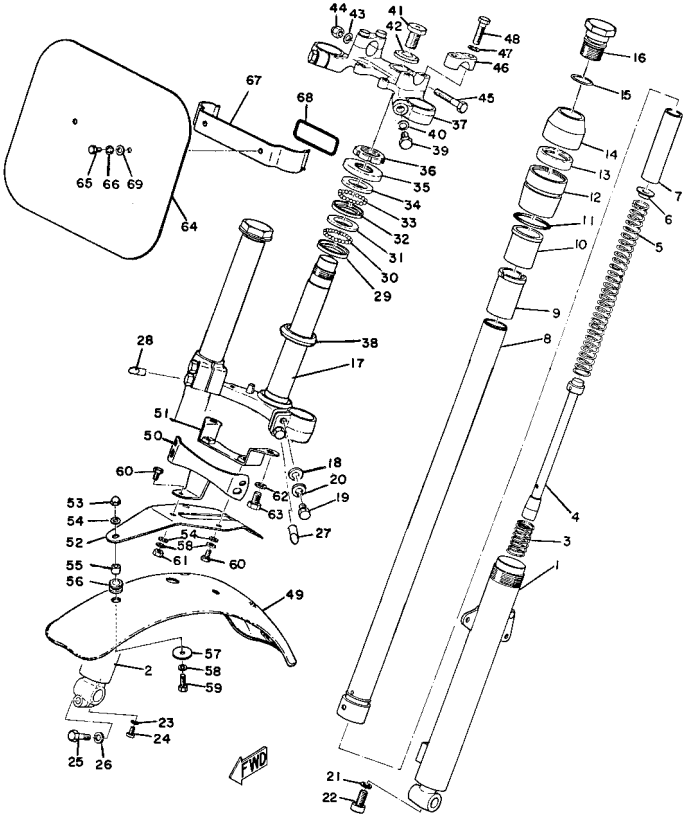
FRONT FORK & FRONT FENDER (AT1M)



Ref. No.	Part Number	Description	Qty	Remarks
30	93501-04011-00	BALL	19	
31	156-23412-00-00	RACE, BALL 2	1	
32	22F-23412-01-00	RACE, BALL 2	1	
33	93503-16010-00	BALL	22	
34	22F-23411-01-00	RACE, BALL 1	1	
35	122-23416-00-00	COVER, BALL RACE 2	1	
36	90179-25033-00	NUT	1	
37	(248-23435-03-33)	CROWN, HANDLE	1	
38	164-23462-00-00	SEAL, STEERING	1	
39	97013-10030-00	BOLT (8J7) (97303-10030)	2	
40	92990-10100-00	WASHER, SPRING	2	
41	90101-14113-00	BOLT (214-23451-10)	1	
42	90209-14022-00	WASHER, SPEC'L SHAP (214-23443-00)	1	
43	92990-08100-00	WASHER	1	
44	95303-08800-00	NUT (CROWN) (95301-08800) .	1	
45	97313-08050-00	BOLT, HEXAGON (90101-08125)	1	
46	(315-23441-00-93)	HOLDER, HANDLE UPR	2	
47	92990-08100-00	WASHER	4	
48	97313-08030-00	BOLT, HEXAGON	4	
49	(284-21510-00-35)	FENDER, FRONT	1	SILVER
50	(284-21513-00-35)	STAY, FENDER 1	1	SILVER
51	284-21514-00-35	STAY, FENDER 2	1	SILVER
52	(284-21512-00-35)	BRACKET, FENDER	1	SILVER
53	95303-06800-00	NUT (CROWN)	2	
54	92990-06200-00	WASHER	5	
55	90387-062N2-00	COLLAR	2	
56	90480-13163-00	GROMMET	2	
57	90201-06067-00	WASHER, PLATE	2	

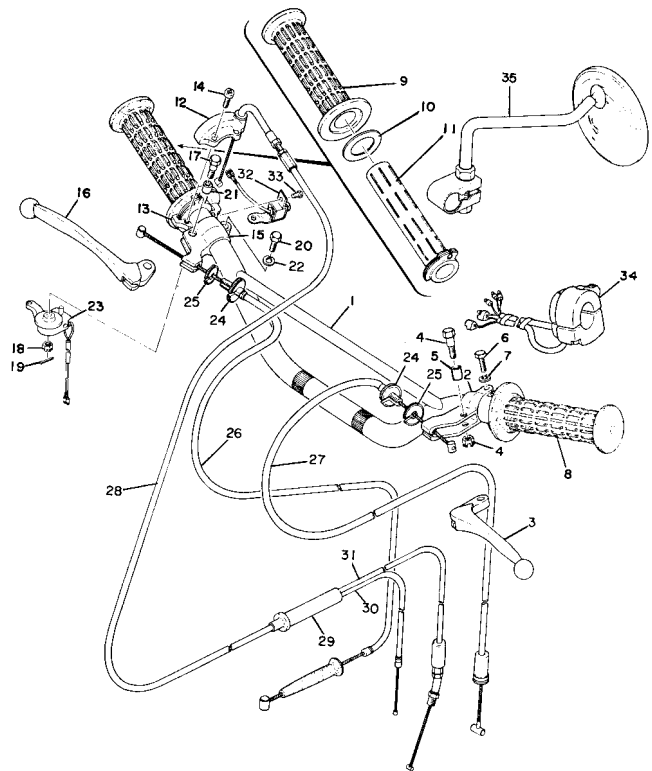
CONTINUED ON NEXT FRAME ►

FRONT FORK & FRONT FENDER (AT1M)



Ref. No.	Part Number	Description	Qty	Remarks
58	92995-06100-00	WASHER, SPRING	5	
59	97011-06020-00	BOLT	2	
60	97013-06012-00	BOLT	3	
61	95380-06600-00	NUT	1	
62	92990-08100-00	WASHER	2	
63	97313-08018-00	BOLT, HEXAGON (97301-08016)	2	
64	(263-23485-00-00)	PLATE, NUMBER	1	
65	97011-06016-00	BOLT	2	
66	92995-06100-00	WASHER, SPRING	2	
67	(263-23487-00-00)	STAY, PLATE	1	
68	(93210-67057-00)	O-RING	1	
69	92990-06200-00	WASHER	2	
-1	(263-23101-02-35)	FRONT FORK ASSEMBLY	1	SILVER

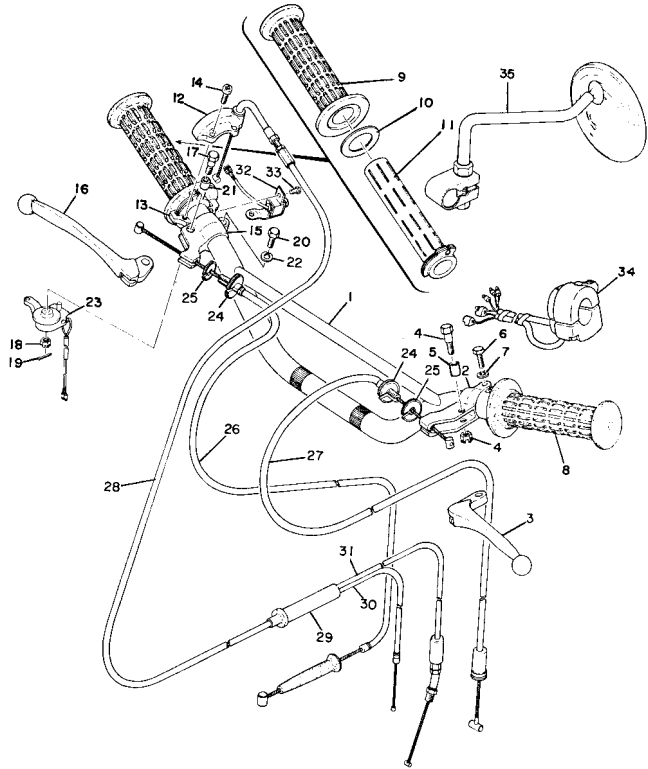
HANDLE & WIRE



Ref. No.	Part Number	Description	Qty	Remarks
1	438-26111-00-00	HANDLEBAR	1	
2	214-82911-01-00	. HOLDER, LEVER 1	1	
3	214-83912-00-00	. LEVER 1	1	
4	95380-06700-00	. NUT	1	
5	214-83913-00-00	. COLLAR, LEVER 1	1	
6	97023-06020-00	. BOLT (3XF)	2	
7	92995-06100-00	. WASHER, SPRING	1	
8	214-26241-00-00	GRIP LH	1	
9	1A0-26242-01-00	GRIP (RIGHT)	1	
	214-26242-00-00	GRIP RH	1	
10	150-26249-00-00	RING, LEAF	1	
11	214-26243-00-00	TUBE, THRTL GUIDE	1	
12	214-26281-01-00	CAP, GRIP UPPER	1	
13	248-26282-00-00	CAP, GRIP LOWER	1	
14	98580-05020-00	SCREW, PAN HEAD	1	
15	233-82921-31-00	. HOLDER, LEVER 2	1	
16	233-83922-30-00	. LEVER R	1	
17	90109-05197-00	. BOLT (233-81915-01)	1	
	97023-06020-00	. BOLT (3XF)	1	
18	95301-05900-00	. NUT, SLOTTED	1	
	95380-06700-00	. NUT	1	
19	91401-12018-00	. PIN, COTTER	1	DISCONTINUED
20	97023-06020-00	. BOLT (3XF)	1	
21	214-83913-00-00	. COLLAR, LEVER 1	1	
22	92995-06100-00	. WASHER, SPRING	1	
23	232-83980-30-00	STOP SWITCH ASSEMBLY ...	1	
24	90123-08046-00	BOLT	2	
25	90179-08148-00	NUT	2	
26	248-26341-00-00	CABLE, BRAKE	1	

CONTINUED ON NEXT FRAME ➤

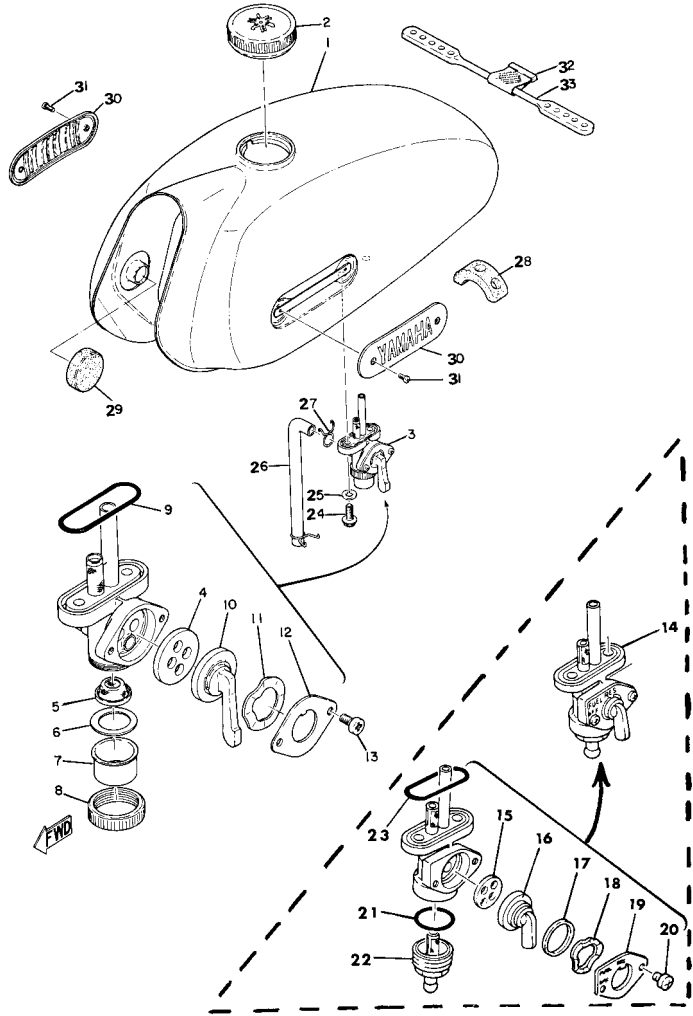
HANDLE & WIRE



Ref. No.	Part Number	Description	Qty	Remarks
27	248-26335-00-00	CABLE, CLUTCH	1	
28	248-26311-01-00	CABLE, THROTTLE 1	1	
29	214-26261-00-00	CONNECTOR, CABLE	1	
30	248-26312-00-00	CABLE, THROTTLE 2	1	
31	248-26321-00-00	CABLE, PUMP	1	
32	261-83976-00-00	SWITCH, HANDLE 1	1	
33	98580-03008-00	SCREW, PAN HEAD	2	
34	233-83973-00-94	SWITCH, HANDLE 3 (3)	1	
35	253-26290-00-00	MIRROR ASSEMBLY	1	ALTERNATE PARTS
	253-26290-10-00	MIRROR ASSEMBLY LH	1	
-1	214-82910-07-00	LEVER HOLDER ASSEMBLY 1 (214-82910-05)	1	
-2	(233-82920-03-00)	LEVER HOLDER ASSEMBLY 2	1	
	233-82920-32-00	LEVER HOLDER ASSEMBLY 2	1	

FWD

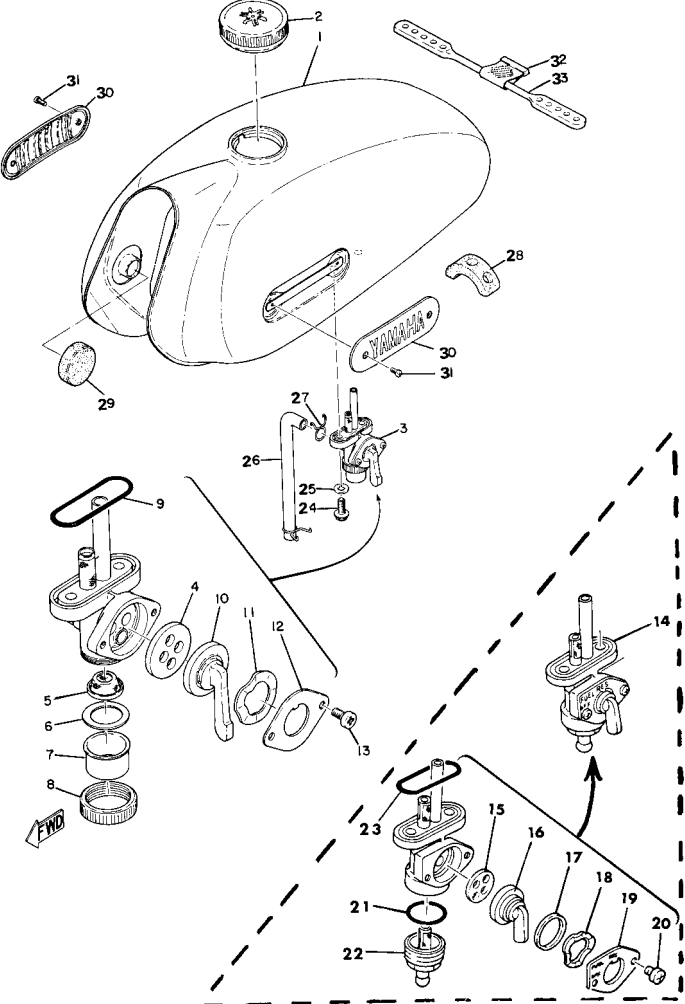
FUEL TANK



Ref. No.	Part Number	Description	Qty	Remarks
1	(248-24110-00-07)	FUEL TANK	1	BRILLIANT RED
	248-24110-00-06	FUEL TANK	1	CANDY ORANGE
2	122-24610-01-00	CAP ASSEMBLY	1	N/A. SEE REF. #14 FOR NEW PART
3	498-24500-01-00	FUEL COCK ASSEMBLY 1 (214-24500-02)	1	N/A. SEE REF. #14 FOR NEW PART
4	214-24523-00-00	. VALVE	1	N/A. SEE REF. #14 FOR NEW PART
5	214-24515-00-00	. NET, FILTER 2	1	
6	214-24522-00-00	. GASKET	1	
7	214-24521-00-00	. CUP, FILTER	1	
8	214-24531-00-00	. NUT	1	
9	214-24512-00-00	. GASKET	1	
10	(214-24524-01-00)	LEVER, COCK	1	
11	90206-18025-00	. WASHER, WAVE	1	
12	(214-24525-00-00)	PLATE, LVR FITTING	1	
13	214-24535-00-00	. SCREW, PAN HEAD	2	
14	498-24500-01-00	FUEL COCK ASSEMBLY 1 (214-24500-02)	1	
15	498-24523-00-00	. VALVE	1	
16	498-24524-01-00	. LEVER, COCK	1	
17	(498-24528-00-00)	GASKET	1	
18	90206-18025-00	. WASHER, WAVE	1	
19	498-24525-00-00	. PLATE, LVR FITTING	1	
20	214-24535-00-00	. SCREW, PAN HEAD	2	
21	498-24522-00-00	. GASKET	1	
22	(498-24521-00-00)	CUP, FILTER	1	
23	214-24512-00-00	. GASKET	1	
24	90149-06011-00	SCREW	2	

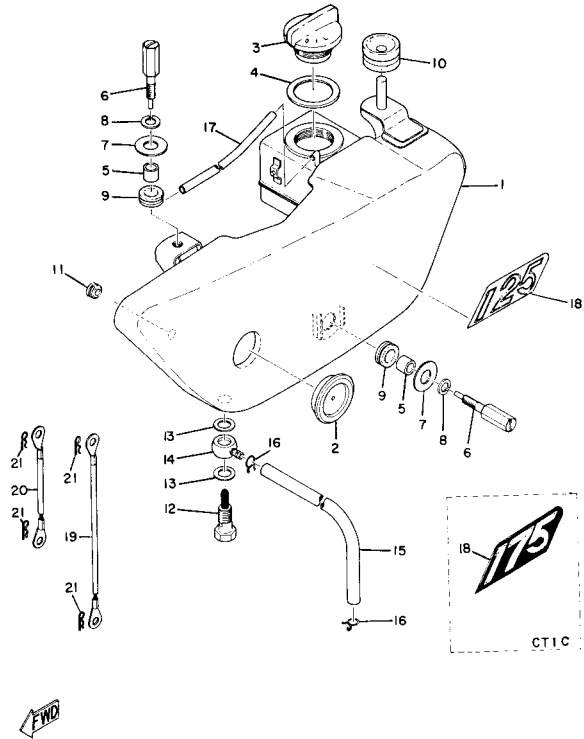
CONTINUED ON NEXT FRAME ➤

FUEL TANK



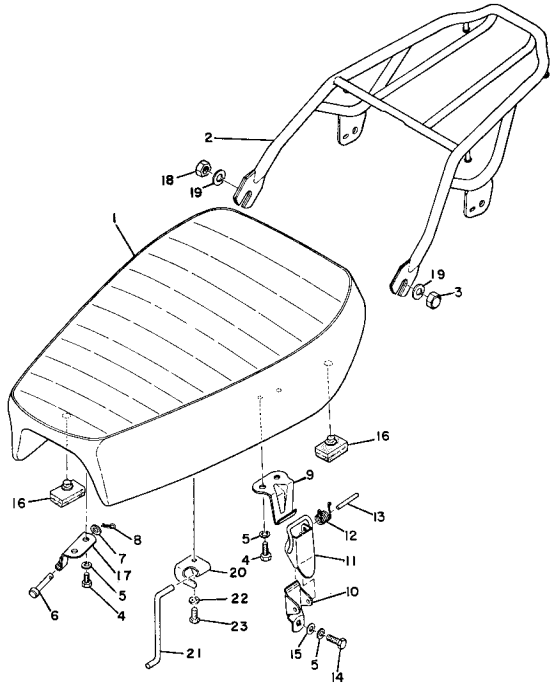
Ref. No.	Part Number	Description	Qty	Remarks
25	90202-05187-00	WASHER, PLATE	2	
26	214-24311-00-00	PIPE, FUEL 1 (7-190)	1	
27	90467-10008-00	CLIP	2	
28	(248-24183-00-00)	DAMPER, LOCATING 3	1	
29	278-24181-00-00	DAMPER, LOCATING 1	2	
30	227-24161-00-00	EMBLEM 1	2	
31	98580-04008-00	SCREW, PAN HEAD	4	
32	214-24173-00-00	BAND, TNK FITTING 1	1	
33	248-24173-00-00	BAND, TNK FITTING 1	1	

OIL TANK



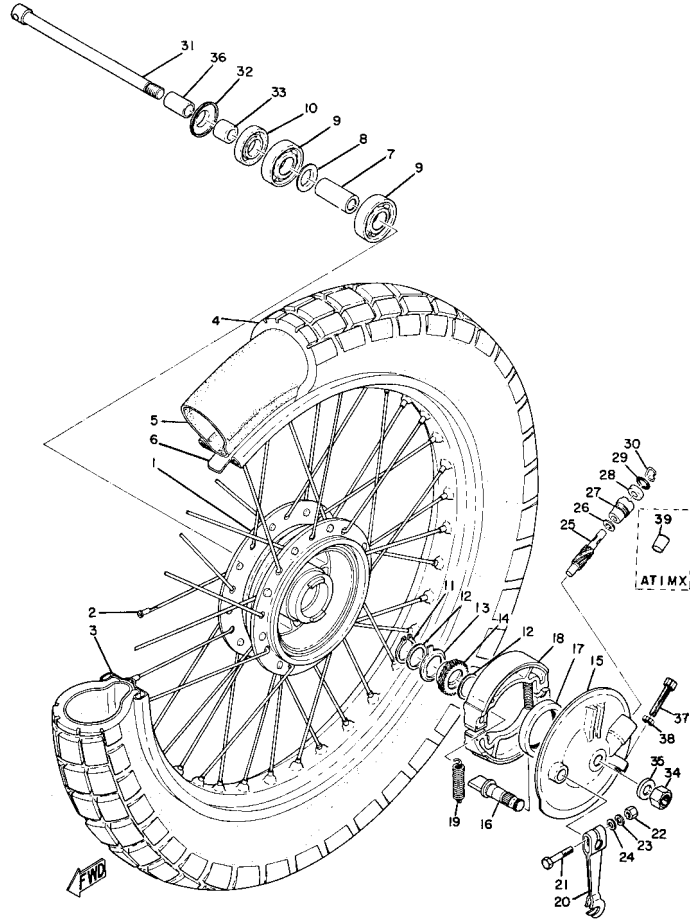
Ref. No.	Part Number	Description	Qty	Remarks
1	(248-21705-01-02)	OIL TANK ASSEMBLY	1	CANDY ORANGE
	(248-21705-01-06)	OIL TANK ASSEMBLY	1	BRILLIANT RED
2	214-21761-00-00	. GAUGE, LEVEL	1	
3	214-21771-00-00	BODY, CAP	1	
4	90430-29114-00	GASKET	1	
5	90387-065L7-00	COLLAR (51L) (214-21633-00) .	2	
6	97011-06025-00	BOLT (97001-06025)	2	
7	90201-06067-00	WASHER, PLATE	2	
8	92995-06100-00	WASHER, SPRING	2	
9	90480-14023-00	GROMMET	2	
10	(90480-16116-00)	GROMMET	1	
11	(137-21778-00-00)	DAMPER, LOCATING 1	1	
12	(214-21768-00-00)	SCREW, UNION	1	
13	(90430-10029-00)	GASKET	2	
14	214-21769-00-00	COLLAR, UNION SCREW	1	
15	90445-09111-00	HOSE	1	
16	90467-08003-00	CLIP	3	
17	(90446-06006-00)	HOSE	1	
	90446-09232-00	HOSE	1	
18	(251-21787-01-00)	EMBLEM 7	1	
	(261-21787-01-00)	EMBLEM 7	1	
19	(248-21775-00-00)	BOLT, TANK FITTING	1	
	(248-21775-00-00)	BOLT, TANK FITTING	2	
20	(261-21775-00-00)	BOLT, TANK FITTING	1	
21	90468-10050-00	CLIP	4	

SEAT & CARRIER



Ref. No.	Part Number	Description	Qty	Remarks
1	(261-24710-01-00)	SINGLE SEAT ASSEMBLY	1	
2	(444-24810-00-00)	CARRIER AT/CT	1	
3	95303-10800-00	NUT (CROWN) (92803-10700)	1	
4	97013-06012-00	BOLT	6	
5	92995-06100-00	WASHER, SPRING	7	
6	91701-05055-00	PIN, CLEVIS	2	
7	92990-05200-00	WASHER, PLAIN	2	
8	90468-10050-00	CLIP	2	
9	(214-24728-00-33)	BRACKET, SEAT	1	YAMAHA BLACK
10	214-24718-00-00	BRACKET, SEAT	1	
11	214-24776-00-33	LEVER, SEAT	1	YAMAHA BLACK
12	90508-10012-00	SPRING, TORSION	1	
13	90249-04068-00	PIN, SPECL SHAPE	1	
14	97011-06010-00	BOLT	2	
15	92990-06200-00	WASHER	1	
16	214-24724-00-00	DAMPER, SEAT	4	
17	248-24726-00-33	HINGE, SEAT	2	
18	95303-10700-00	NUT	1	
19	92990-10100-00	WASHER, SPRING	2	
20	(278-24748-00-00)	BRACKET, SEAT	1	
21	(278-24768-00-00)	STOPPER	1	
22	97013-06012-00	BOLT	1	
23	92995-06100-00	WASHER, SPRING	1	
1-1	(261-24711-00-00)	COVER, SINGLE SEAT	1	

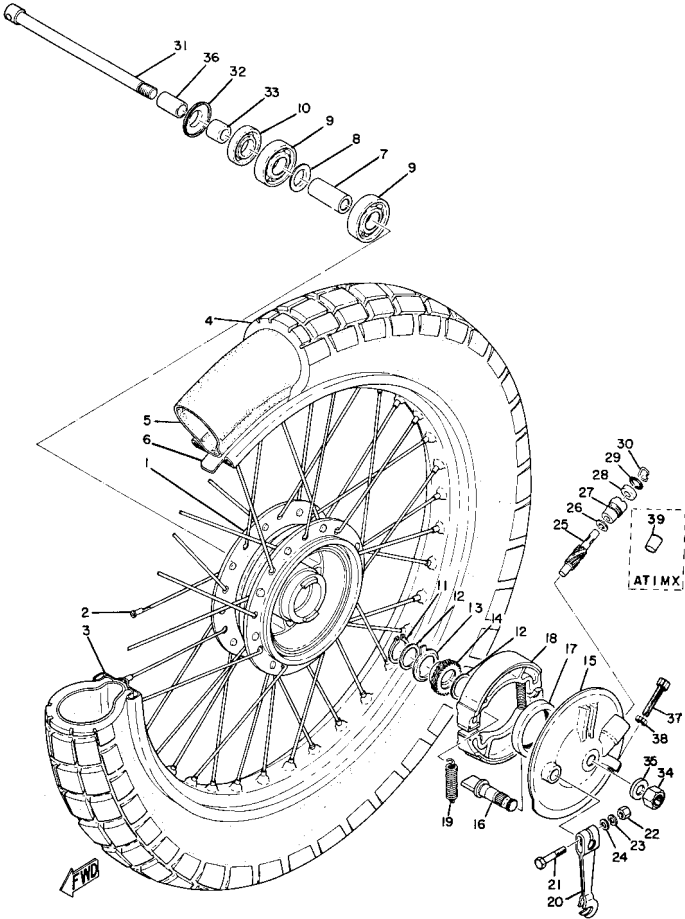
FRONT WHEEL



Ref. No.	Part Number	Description	Qty	Remarks
1	(248-25111-00-38)	HUB, FRONT	1	
2	(248-25104-00-00)	SPOKE SET, FRONT	1	
	(248-25196-90-00)	SPOKE SET, INNER 1	1	10 PK.
	(248-25197-90-00)	SPOKE SET, OUTER 1	1	10 PK.
3	(94416-18018-00)	RIM 1.60X 8	1	
	94414-18007-00	RIM (1.40X18)	1	
4	(94130-18322-00)	300X18 YOKO Y6 0	1	
	(94132-18320-00)	325X18 YOKO Y6 0	1	
5	94230-18084-00	TUBE	1	
6	94325-18043-00	BAND, RIM	1	
7	90560-12261-00	SPACER	1	
8	109-25315-00-00	FLANGE, SPACER	1	
9	93306-30103-00	BEARING (B6301Z)	2	
10	93102-18008-00	OIL SEAL	1	
11	99009-20400-00	CIRCLIP	1	
12	90201-20269-00	WASHER, PLATE	2	
13	183-25149-00-00	CLUTCH, METER	1	
14	301-25135-00-00	GEAR, DRIVE	1	
15	(437-25120-10-00)	BRAKE SHOE PLT ASSEMBLY	1	
16	122-25351-02-00	CAMSHAFT	1	
17	93105-47007-00	OIL SEAL	1	
18	296-W2536-00-00	BRAKESHOE SET-2PCS	2	
19	90506-16150-00	SPRING, TENSION (102-25333-00)	2	
20	137-25155-00-00	LEVER, CAMSHAFT 1	1	
21	97313-06030-00	BOLT, HEXAGON	1	
22	95380-06600-00	NUT	1	
23	92995-06100-00	WASHER, SPRING	1	
24	92990-06200-00	WASHER	1	

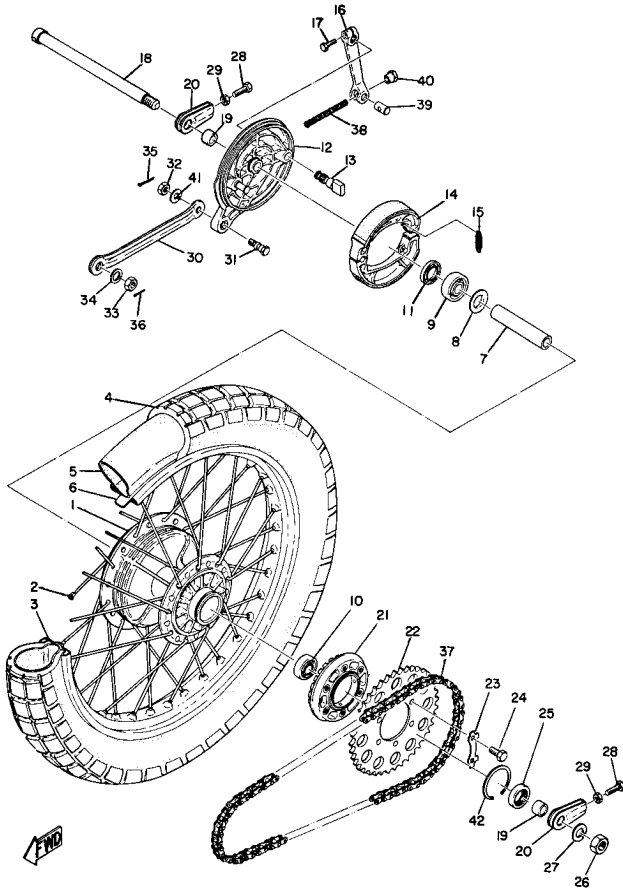
CONTINUED ON NEXT FRAME ►

FRONT WHEEL



Ref. No.	Part Number	Description	Qty	Remarks
25	301-25138-00-00	GEAR, METER	1	
26	90201-07076-00	WASHER, PLATE	1	
27	109-25136-00-00	BUSH	1	
28	93104-07003-00	OIL SEAL	1	
29	93210-14104-00	O-RING	1	
30	102-25137-00-00	RING, STOP	1	
31	427-25181-10-00	AXLE, WHEEL (427-25181-00) .	1	
32	2K5-25118-00-00	COVER, HUB DUST	1	
33	90387-12095-00	COLLAR	1	
34	95303-12600-00	NUT	1	
35	92901-12100-00	WASHER, SPRING	1	
36	90387-12099-00	COLLAR	1	
37	90123-06011-00	BOLT	1	
38	90179-06143-00	NUT, SPEC'L SHAPE	1	
39	(90336-18023-00)	PLUG, TAPER	1	

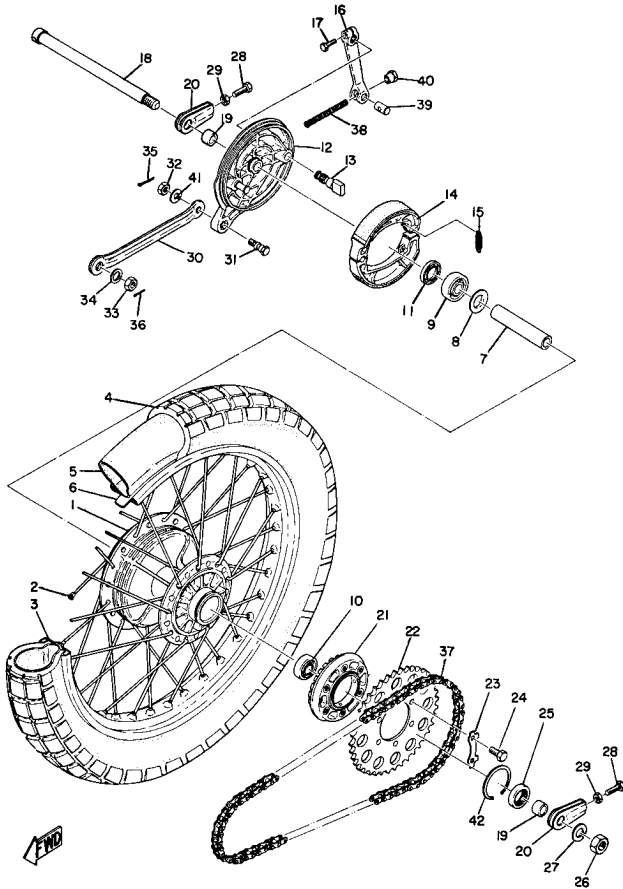
REAR WHEEL



Ref. No.	Part Number	Description	Qty	Remarks
1	(443-25311-00-00)	HUB, REAR	1	S/N 209/218
2	(248-25391-90-00)	SPOKE SET, INNER 1	1	10 PK.
	(248-25392-90-00)	SPOKE SET, OUTER 1	1	10 PK.
	(248-25396-90-00)	SPOKE SET, INNER 2	1	10 PK.
	(248-25397-90-00)	SPOKE SET, OUTER 2	1	10 PK.
	248-25304-00-00	SPOKE SET, REAR	1	
3	(94416-18040-00)	RIM 1.60X 8	1	
	94418-18171-00	RIM 1.85X 8	1	
4	(94132-18320-00)	325X18 YOKO Y6 0	1	
	(94135-18319-00)	350X18 YOKO Y6 0	1	
5	94230-18084-00	TUBE	1	
	94235-18085-00	TUBE	1	
6	94325-18043-00	BAND, RIM	1	
7	90560-15313-00	SPACER	1	
8	146-25115-00-00	FLANGE, SPACER 1	1	
9	93306-20211-00	BEARING (6202SH2-C3)	1	
10	93306-30202-00	BEARING	1	
11	93104-22018-00	OIL SEAL	1	
12	437-25026-10-35	BRAKE SHOE PLT ASSEMBLY ASSY (437-25320-10-38)	1	
13	2RH-25351-00-00	CAMSHAFT	1	
14	183-W2536-00-00	BRAKE SHOE SET	2	
15	90506-17328-00	SPRING, TENSION	2	
16	214-25355-00-00	LEVER, CAMSHAFT	1	
17	97023-06020-00	BOLT (3XF)	1	
18	401-25381-00-00	AXLE, WHEEL (2R7-25381-00)	1	
19	90387-15115-00	COLLAR	2	
20	248-25388-00-00	PULLER, CHAIN 1	2	

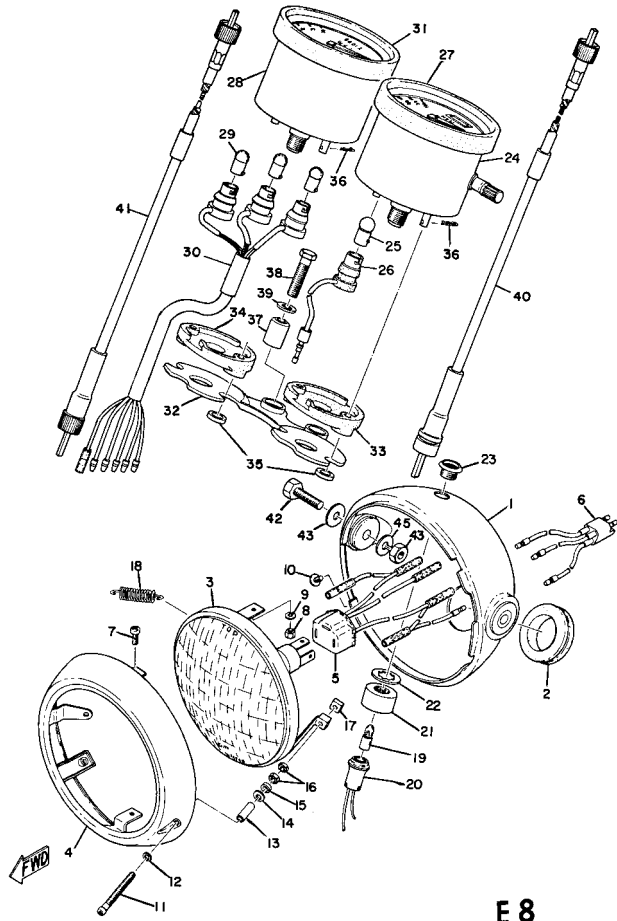
CONTINUED ON NEXT FRAME ►

REAR WHEEL



Ref. No.	Part Number	Description	Qty	Remarks
21	248-25364-00-00	DAMPER	1	
22	248-25445-11-00	SPROCKET, DRVN45T	1	U.R.U.R.U.R.STD
	248-25448-11-00	SPROCKET, DRVN 48T	1	U.R.U.R.U.R.
	4V1-25444-10-00	SPROCKET, DRVN 44T	1	U.R.U.R.U.R.
23	22W-25412-00-00	WASHER	3	
24	97313-08012-00	BOLT	6	
25	93106-26005-00	OIL SEAL	1	
26	95312-14600-00	NUT	1	
27	92901-14100-00	WASHER, SPRING	1	
28	90101-08699-00	BOLT	2	
29	95303-08700-00	NUT	2	
30	(248-25371-00-00)	BAR, TENSION	1	
31	90109-08063-00	BOLT	1	
32	95303-08700-00	NUT	1	
33	95303-10700-00	NUT	1	
34	92990-10200-00	WASHER, PLAIN	1	
35	91490-20020-00	PIN, COTTER	1	
36	91401-25020-00	PIN, COTTER	1	
37	94580-30114-00	428-110L (94524-28114)	1	
38	90501-10245-00	SPRING, COMPRESSION	1	
39	90249-12008-00	PIN	1	
40	90179-06411-00	NUT	1	
41	92990-08100-00	WASHER	1	
42	93410-52061-00	CIRCLIP	1	
37-1	94680-30001-00	. CHAIN JOINT	1	

HEAD LAMP, SPEEDOMETER & TACHOMETE

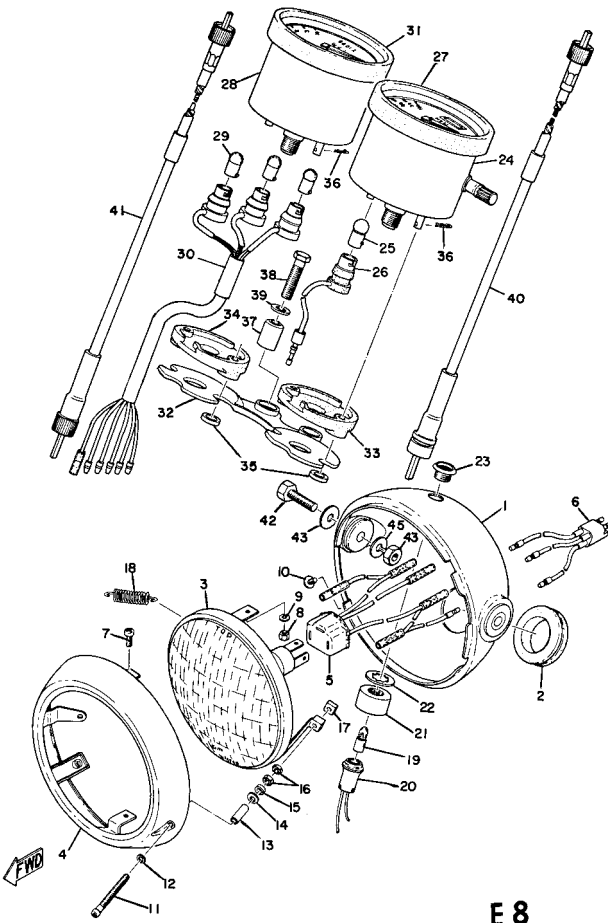


E 8

Ref. No.	Part Number	Description	Qty	Remarks
1	(261-84330-60-63)	BODY ASSEMBLY	1	BRILLIANT RED
2	214-84153-60-00	. GROMMET, WIREHERNESS .	1	
3	261-84320-61-00	. LENS ASSEMBLY	1	
4	261-84315-61-00	. RIM, HEADLIGHT	1	
5	261-84312-61-00	. SOCKET	1	
6	(214-84159-61-00)	CORD, HEADLIGHT	1	
7	98580-04010-00	. SCREW, PAN HEAD	2	
8	95301-04600-00	. NUT	2	
9	92901-04100-00	. WASHER, SPRING	2	
10	90152-05005-00	. SCREW, COUNTERSUNK ...	1	
11	(198-84331-60-00)	SCREW, RIM ADJUSTING	1	
12	233-84127-60-00	. WASHER, SPECIAL	1	
13	233-84133-60-00	. COLLAR, SCREW	1	
14	92990-04200-00	. WASHER, PLAIN	1	
15	132-84328-60-00	. SPACER	1	
16	95301-04600-00	. NUT	2	
17	198-84334-60-00	. NUT, ADJUSTING	1	
18	(132-84335-60-00)	SPRING	1	
19	256-84347-00-00	. BULB	1	
20	256-84301-61-00	. PILOT LIGHT ASSEMBLY 1 ..	1	
21	214-84101-61-00	. PILOT LIGHT ASSEMBLY ...	1	
22	(92901-12300-00)	WASHER, IN.TOOTH	1	
23	214-84101-61-00	. PILOT LIGHT ASSEMBLY ...	1	
24	(261-83570-41-00)	SPEEDOMETER ASSEMBLY ..	1	
25	123-83516-21-00	. BULB (12V-3.4W)	1	
26	(235-83536-21-00)	SOCKET, METER	1	
27	336-83513-00-00	. DAMPER	1	
28	(261-83540-20-00)	TACHOMETER ASSEMBLY ...	1	
29	123-83516-21-00	. BULB (12V-3.4W)	3	

CONTINUED ON NEXT FRAME ➤

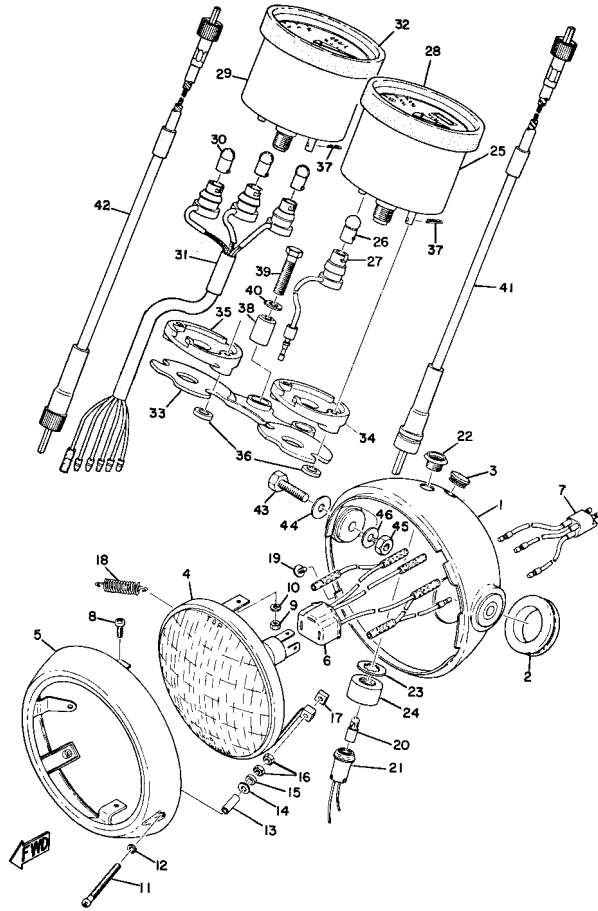
HEAD LAMP, SPEEDOMETER & TACHOMETE



E 8

Ref. No.	Part Number	Description	Qty	Remarks
30	(261-83520-01-00)	SOCKET CORD ASSEMBLY ..	1	
31	237-83523-00-00	. DAMPER	1	
32	(275-83519-00-33)	BRACKET, METER	1	
33	214-83523-00-00	DAMPER	1	
34	237-83523-00-00	DAMPER	1	
35	90209-05029-00	WASHER, SPEC'L SHAP (214-83524-00)	4	
36	90468-10050-00	CLIP	4	
37	90385-06001-00	BUSH, SPEC'L RUBBER (214-83528-00)	2	
38	97313-06030-00	BOLT, HEXAGON	2	
39	92990-06200-00	WASHER	2	
40	3J0-83550-00-00	SPEEDOMETER CABLEASSEMBLY	1	
41	3T2-83560-00-00	TACHOMETER CABLE	1	
42	97013-08025-00	BOLT	2	
43	92990-08200-00	WASHER, PLAIN	2	
44	95333-08600-00	NUT	2	
45	92990-08100-00	WASHER	2	
-2	256-84301-61-00	. PILOT LIGHT ASSEMBLY 1 ..	1	

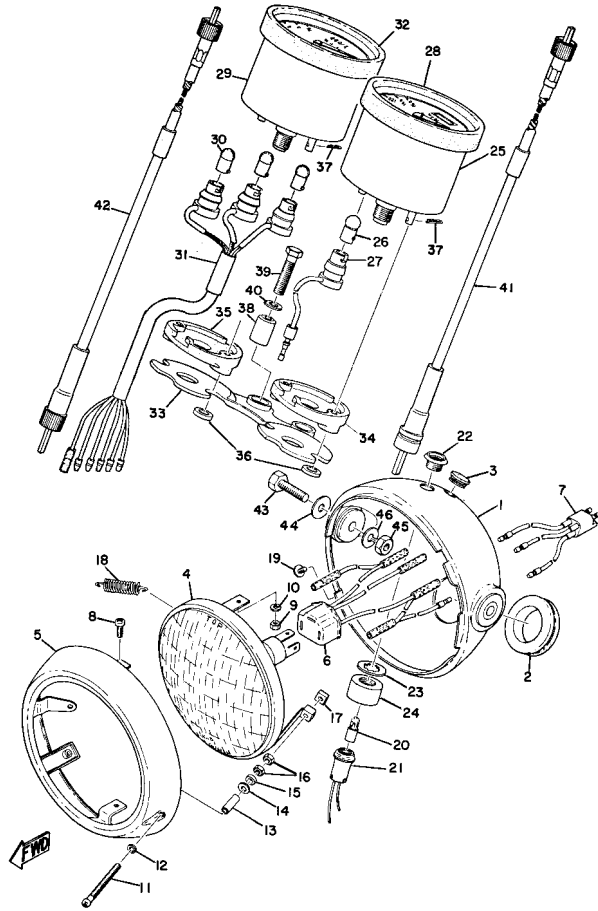
HEAD LAMP, SPEEDOMETER & TACHOMETER



Ref. No.	Part Number	Description	Qty	Remarks
1	(214-84130-61-52)	BODY ASSEMBLY, HEADLIGHT	1	CANDY ORANGE
2	214-84153-60-00	. GROMMET, WIREHERNESS	1	
3	214-84154-60-00	. GROMMET	1	
4	251-84120-61-00	. LENS ASSEMBLY	1	
5	233-84115-60-00	. RIM, HEADLIGHT	1	
6	261-84312-61-00	. SOCKET	1	
7	(214-84159-61-00)	CORD, HEADLIGHT	1	
8	98580-05012-00	. SCREW, PAN HEAD	2	
9	95380-05600-00	. NUT	2	
10	92990-05100-00	. WASHER, SPRING	2	
11	90157-04001-00	. SCREW, PAN HEAD	1	
12	233-84127-60-00	. WASHER, SPECIAL	1	
13	233-84133-60-00	. COLLAR, SCREW	1	
14	92990-04200-00	. WASHER, PLAIN	1	
15	132-84328-60-00	. SPACER	1	
16	95301-04600-00	. NUT	2	
17	198-84334-60-00	. NUT, ADJUSTING	1	
18	(132-84335-60-00)	SPRING	1	
19	90152-05005-00	. SCREW, COUNTERSUNK	1	
20	104-83517-10-00	. BULB (6V-1.5W)	1	
21	256-84301-61-00	. PILOT LIGHT ASSEMBLY 1	1	
23	(92901-12300-00)	WASHER, IN.TOOTH	1	
25	(233-83570-31-00)	SPEEDOMETER ASSEMBLY	1	
26	122-83516-10-00	. BULB (122-83516-10)	1	
27	(235-83536-21-00)	SOCKET, METER	1	
28	336-83513-00-00	. DAMPER	1	
29	(248-83540-02-00)	TACHOMETER ASSEMBLY	1	
30	122-83516-10-00	. BULB (122-83516-10)	3	
31	(261-83520-01-00)	SOCKET CORD ASSEMBLY	1	

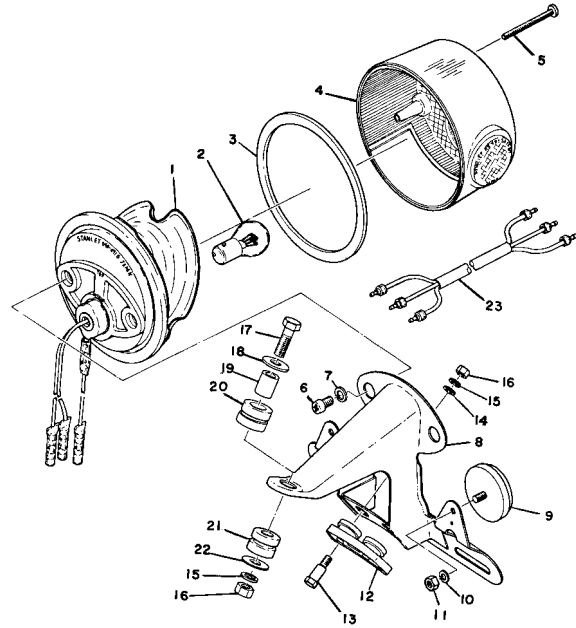
CONTINUED ON NEXT FRAME ➤

HEAD LAMP, SPEEDOMETER & TACHOMETE



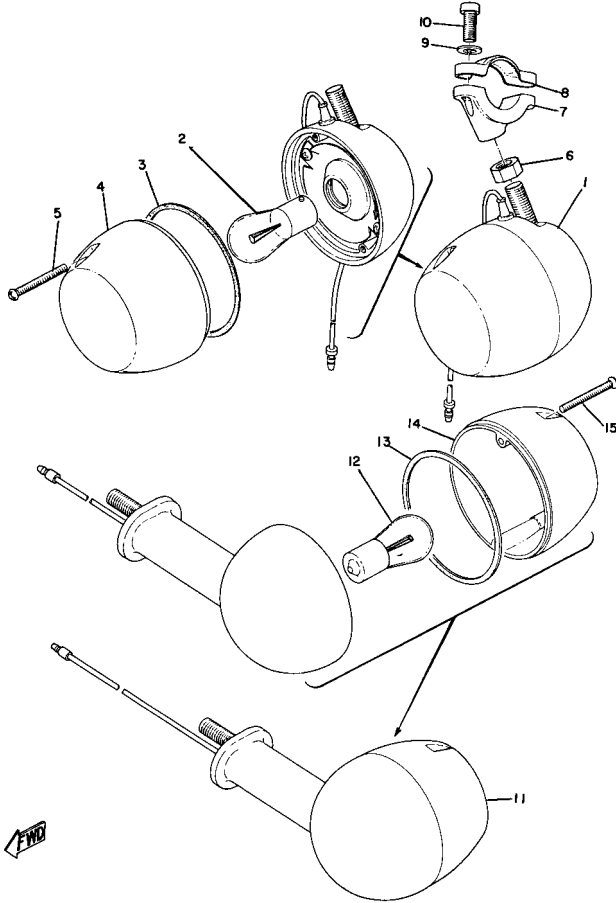
Ref. No.	Part Number	Description	Qty	Remarks
32	336-83513-00-00	. DAMPER	1	
33	(275-83519-00-33)	BRACKET, METER	1	
34	214-83523-00-00	DAMPER	1	
35	237-83523-00-00	DAMPER	1	
36	90209-05029-00	WASHER, SPEC'L SHAP (214-83524-00)	4	
37	90468-10050-00	CLIP	4	
38	90385-06001-00	BUSH, SPEC'L RUBBER (214-83528-00)	2	
39	97313-06030-00	BOLT, HEXAGON	2	
40	92990-06200-00	WASHER	2	
41	3J0-83550-00-00	SPEEDOMETER CABLEASSEMBLY	1	
42	3T2-83560-00-00	TACHOMETER CABLE	1	
43	97013-08025-00	BOLT	2	
44	92990-08200-00	WASHER, PLAIN	2	
45	95333-08600-00	NUT	2	
46	92990-08100-00	WASHER	2	
-2	214-84101-61-00	. PILOT LIGHT ASSEMBLY ...	1	

TAIL LAMP



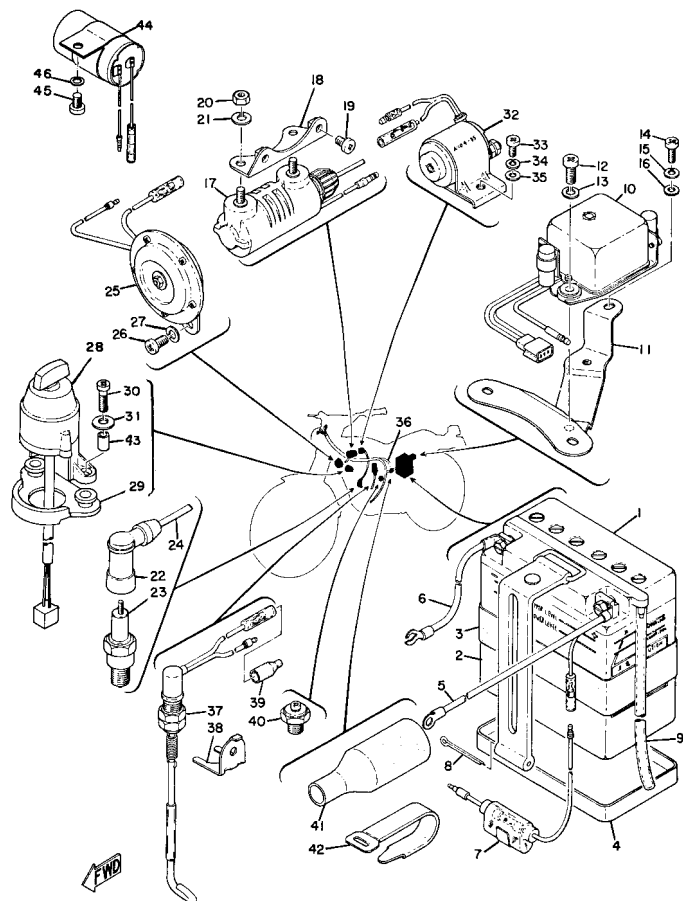
Ref. No.	Part Number	Description	Qty	Remarks
2	(275-84511-61-00)	BASE, TAILLIGHT	1	
	122-84514-30-00	. BULB	1	
3	275-84523-60-00	. GASKET, LENS	1	
4	(275-84521-60-00)	LENS, TAILLIGHT	1	
5	98501-04050-00	. SCREW, PAN HEAD	3	
6	98580-06010-00	SCREW, PAN HEAD (92503-06010)	2	
7	92995-06100-00	WASHER, SPRING	2	
8	(444-84751-60-20)	BRACKET, LICENSE	1	
9	(278-85111-00-00)	REFLECTOR, FRONT 1	2	
10	92990-05100-00	WASHER, SPRING	2	
11	95380-05600-00	NUT	2	
12	214-84553-01-00	DAMPER	1	
13	90109-06017-00	BOLT	2	
14	92990-06200-00	WASHER	2	
15	92995-06100-00	WASHER, SPRING	3	
16	95380-06600-00	NUT	3	
17	97013-06035-00	BOLT	1	
18	90209-06095-00	WASHER, SPEC'L SHAP (102-28323-00)	1	
19	90387-07039-00	COLLAR (275-84557-00)	1	
20	90480-14023-00	GROMMET	1	
21	90480-14104-00	GROMMET	1	
22	90201-06067-00	WASHER, PLATE	1	
23	251-84517-60-00	CORD, TAILLIGHT	1	
-1	(275-84510-61-00)	TAILLIGHT UNIT ASSEMBLY	1	
	(275-84511-61-00)	BASE, TAILLIGHT	1	
	256-84710-61-00	TAILLIGHT UNIT ASSEMBLY	1	

FLASHER LAMP



Ref. No.	Part Number	Description	Qty	Remarks
1	(261-83310-71-93)	FRT FLSHR LITE ASSEMBLY	2	AMBER
	275-83310-60-93	FRT FLSHR LITE ASSEMBLY (275-83320-60-93)	2	AMBER
2	115-83311-60-00	. BULB, FLASHER	2	
	256-83311-70-XX	. BULB, TS 12V27W	2	
3	183-83313-70-00	. GASKET, FLSHR LENS	2	
4	183-83312-70-00	. LENS, FLASHER	2	AMBER
5	183-83333-71-00	. SCREW, LENS FITTING	4	
6	95333-08600-00	NUT	2	
7	275-83318-00-00	STAY, FLASHER 1	2	
8	275-83328-00-00	STAY, FLASHER 2	2	
9	92901-06300-00	WASHER, IN.TOOTH	4	
10	98503-06014-00	SCREW, PAN HEAD (92502-06016)	4	
11	(251-83340-65-93)	R FLSHR LITE ASSEMBLY	1	RED
	(261-83340-76-93)	R FLSHR LITE ASSEMBLY	1	RED
12	115-83311-60-00	. BULB, FLASHER	2	
	256-83311-70-XX	. BULB, TS 12V27W	2	
13	183-83313-70-00	. GASKET, FLSHR LENS	2	
14	211-83332-75-00	. LENS, FLASHER	2	RED
15	183-83333-71-00	. SCREW, LENS FITTING	4	

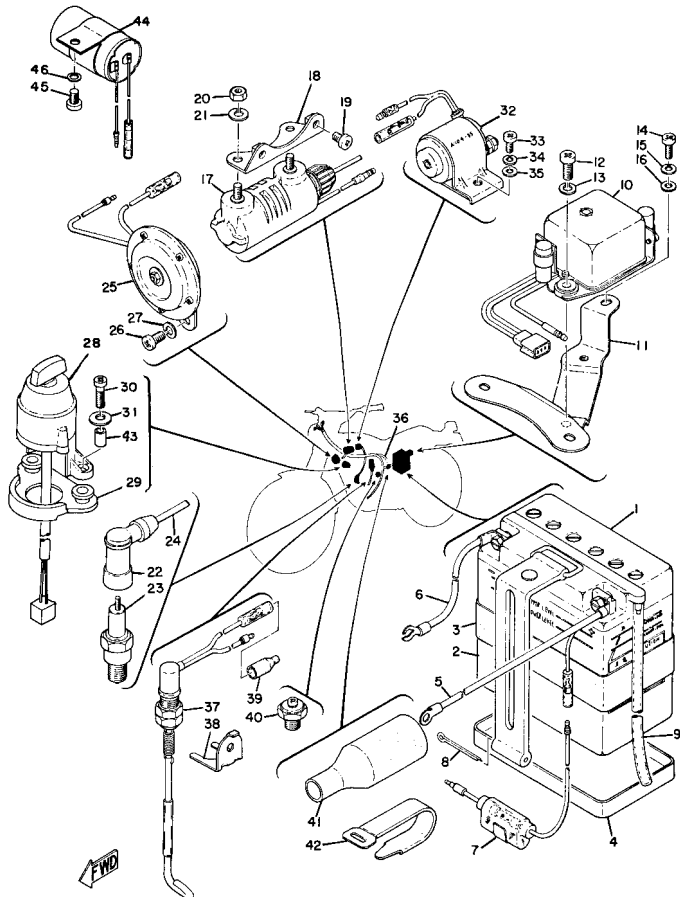
ELECTRICAL (AT1C)



Ref. No.	Part Number	Description	Qty	Remarks
1	BTY-12N73-B0-00	YUASA 12N7-3B	1	
2	261-82131-00-00	BAND, BATTERY	1	
3	1UA-82124-00-00	BAND, BATTERY	1	
4	(173-82122-00-00)	SEAT, BATTERY	1	
5	(261-82115-01-00)	WIRE, PLUS LEAD	1	
6	(261-82116-01-00)	WIRE, MINUS LEAD	1	
7	2UJ-82150-01-00	FUSE HOLDER ASSEMBLY (2UJ-82150-00-00)	1	
8	91401-40040-00	PIN, COTTER	1	
9	90445-08171-00	HOSE	1	
10	444-81910-10-00	VOLTAGE REG ASSEMBLY ..	1	
11	(261-81915-00-33)	PLATE, REG FITTING	1	
12	98503-06014-00	SCREW, PAN HEAD (92502-06016)	2	
13	92995-06100-00	WASHER, SPRING	2	
14	98580-05016-00	SCREW, PAN HEAD	1	
15	92990-05100-00	WASHER, SPRING	1	
16	92990-05200-00	WASHER, PLAIN	1	
17	254-82310-60-00	IGNITION COIL ASSEMBLY ...	1	
18	(248-82316-00-00)	BRACKET, IGN COIL	1	
19	98580-06010-00	SCREW, PAN HEAD (92503-06010)	2	
20	95380-06600-00	NUT	2	
21	92995-06100-00	WASHER, SPRING	2	
22	56J-82370-00-00	PLUG CAP ASSEMBLY	1	
23	NGK-B8ES0-00-00	PLUG, SPARK (NGK B8ES) ...	2	
24	137-82341-01-00	CORD, HIGH TENSION 1 (3AD-82341-00-00)	1	
25	326-83371-21-00	HORN	1	
26	98580-06012-00	SCREW, PAN HEAD	2	

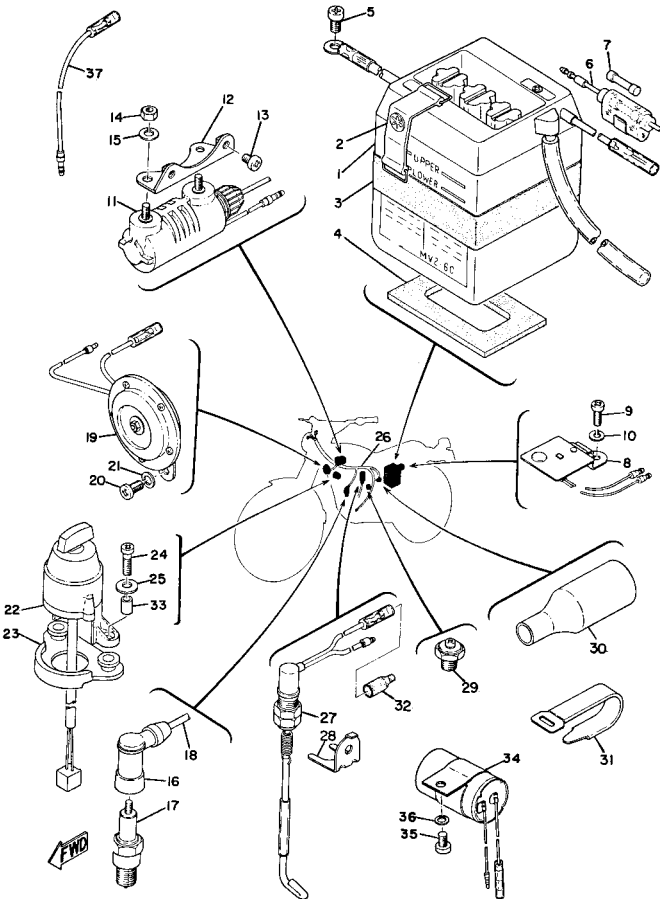
CONTINUED ON NEXT FRAME ►

ELECTRICAL (AT1C)



Ref. No.	Part Number	Description	Qty	Remarks
27	92995-06100-00	WASHER, SPRING	2	
28	(261-82508-11-00)	MAIN SWITCH ASSEMBLY ...	1	
29	(256-82515-00-00)	DAMPER, MAIN SWITCH	1	
30	98701-05012-00	SCREW, FLAT HEAD	2	
31	90201-05031-00	WASHER, PLATE	2	
32	261-81940-11-00	STARTER SWITCH ASSEMBLY	1	
33	98580-06010-00	SCREW, PAN HEAD (92503-06010)	1	
34	92995-06100-00	WASHER, SPRING	1	
35	92990-06200-00	WASHER	1	
36	261-82590-13-00	NO LONGER AVAILABLE	1	
37	248-82530-02-00	STOP SWITCH ASSEMBLY ...	1	
38	(248-82539-00-00)	STAY, STOP SWITCH	1	DISCONTINUED
39	(248-82599-00-00)	COVER, CONNECTER	1	
40	136-82540-00-00	NEUTRAL SWITCH ASSEMBLY	1	
41	(214-82599-00-00)	COVER, CONNECTER	1	
42	437-83936-01-00	BAND, SWITCH CORD	5	
43	90387-05285-00	COLLAR (256-82517-00)	2	
44	278-83350-71-00	FLASHER RELAY ASSEMBLY .	1	
45	98580-06012-00	SCREW, PAN HEAD	1	
46	92995-06100-00	WASHER, SPRING	1	
1-1	(104-82111-20-00)	CAP, BATTERY	6	
7-1	2UJ-82150-01-00	FUSE HOLDER ASSEMBLY (2UJ-82150-00-00)	2	

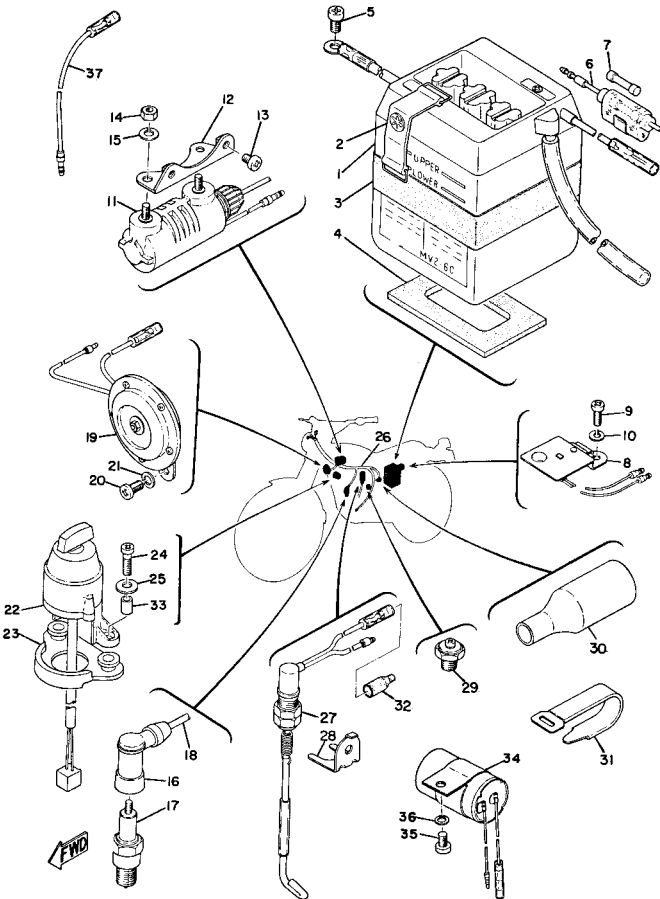
ELECTRICAL (AT1MX & CT1C)



Ref. No.	Part Number	Description	Qty	Remarks
1	BTG-6N22A-30-00	GS 6N2-2A 3	1	
2	122-82131-00-00	BAND, BATTERY	1	
3	214-82124-00-00	BAND, BATTERY	1	
4	(214-82122-00-00)	SEAT, BATTERY	1	
5	98580-05010-00	SCREW, PAN HEAD	1	
6	55K-82150-01-00	FUSE HOLDER ASS'Y (55K-82150-00-00)	1	
7	116-82151-00-00	. FUSE (10A)	2	
8	315-81970-61-00	RECTIFIER ASSEMBLY	1	
9	98580-05016-00	SCREW, PAN HEAD	1	
10	92990-05100-00	WASHER, SPRING	1	
11	248-82310-11-00	IGNITION COIL ASSEMBLY	1	
12	(248-82316-00-00)	BRACKET, IGN COIL	1	
13	98580-06010-00	SCREW, PAN HEAD (92503-06010)	2	
14	95380-06600-00	NUT	2	
15	92995-06100-00	WASHER, SPRING	2	
16	56J-82370-00-00	PLUG CAP ASSEMBLY	1	
17	(94701-00016-00)	SPARK PLUG B9EN	1	
	NGK-B8ES0-00-00	PLUG, SPARK (NGK B8ES)	1	
18	137-82341-01-00	CORD, HIGH TENSION 1 (3AD-82341-00-00)	1	
19	266-83371-12-00	HORN	1	
20	98580-06012-00	SCREW, PAN HEAD	2	
21	92995-06100-00	WASHER, SPRING	2	
22	251-82508-21-00	MAIN SWITCH ASSEMBLY	1	
23	(256-82515-00-00)	DAMPER, MAIN SWITCH	1	
24	98701-05012-00	SCREW, FLAT HEAD	2	
25	90201-05031-00	WASHER, PLATE	2	
26	(251-82590-23-00)	WIRE HARNESS ASSEMBLY	1	

CONTINUED ON NEXT FRAME ►

ELECTRICAL (AT1MX & CT1C)



Ref. No.	Part Number	Description	Qty	Remarks
27	248-82530-02-00	STOP SWITCH ASSEMBLY . . .	1	
28	(248-82539-00-00)	STAY, STOP SWITCH	1	DISCONTINUED
29	136-82540-00-00	NEUTRAL SWITCH ASSEMBLY	1	
30	(214-82599-00-00)	COVER, CONNECTER	1	
31	437-83936-01-00	BAND, SWITCH CORD	4	
	437-83936-11-00	BAND, SWITCH CORD	2	
32	(248-82599-00-00)	COVER, CONNECTER	1	
33	90387-05285-00	COLLAR (256-82517-00)	2	
34	(115-83350-62-00)	FLASHER RELAY ASSEMBLY .	1	
35	98580-06012-00	SCREW, PAN HEAD	2	
36	92995-06100-00	WASHER, SPRING	2	
37	(263-82319-00-00)	WIRE, SUB-LEAD	1	