

PARTS CATALOGUE

YZ80M (4ES9) U.S.A., EUROPE ALL

YZ80 (4GTG) JAPAN

YZ80LW (4LC7) EUROPE ALL

YZ80LW (4LBE) JAPAN



A3

FOREWORD

This Parts Catalogue is related to the parts for the model(s) in the below frame. When you are ordering replacement parts, please refer to this Parts Catalogue and quote both part numbers and part names correctly.

YZ80M(4ES9), YZ80(4GTG), YZ80LW(4LC7/4LBE)

1. Modifications or additions which have been made after issue of the Parts Catalogue will be announced in the Yamaha Parts News. It is advisable that you make necessary corrections to the Parts Catalogue according to the Yamaha Parts News.

2. Abbreviations
The Following abbreviations are used in this Parts Catalogue.

- "UR" Use specified parts number.
- "UN" Use as many as needed.
- "AP" Alternate Parts
- "LM" Local Made (Parts need to be ordered locally)
- "F#" Frame No. (Applicable machine No.)

3. Parts, which are to be supplied in an assembly, are listed with a dot(.) in front of the part name as shown below.

EXAMPLE
 CARBURETOR ASSY
 .JET, PILOT
 .NOZZLE, MAIN

4. Number of component for assembly
 The numeral appearing to the right of each component part indicates the quantity of parts for each assembly unit.

EXAMPLE

| PART NO. | DESCRIPTION | Q'TY | REMARKS |
|--------------|--------------------------|------|---------|
| 2F5-83310-60 | FRONT FLASHER LIGHT ASSY | 2 | |
| 115-83311-60 | .BULB (6V-18W) | 1 | |
| 1M1-83309-60 | .REFLECTOR | 1 | |

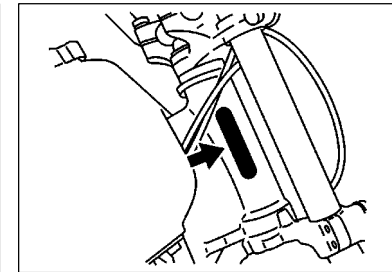
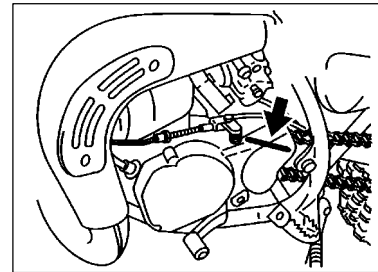
5. Applicable colors of graphics are represented in the "REMARKS" as shown below.

| PART NO. | DESCRIPTION | Q'TY | REMARKS |
|-----------------|---------------------|------|---------|
| 2N4-24110-00-X5 | .FUEL TANK COMP. | 2 | MXR |
| 3J1-24240-10 | .GRAPHIC, FUEL TANK | 1 | for MXR |

6. Applicable Serial No.

Engine Serial No.

Frame Serial No.



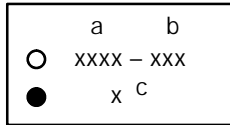
7. Note that the illustrations for reference in funding parts numbers, not to be used for assembling. When assembling, please use the applicable service manual.

8. The asterisk (*) before a reference number indicates modification items after the first edition.

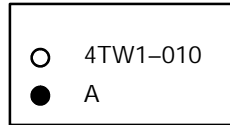
MODEL LABEL

(1) A label called "Model Label" is affixed in the location as indicated in (3) below.
When using this parts catalogue, please be sure to cross-refer the "model code – production code No." in the catalogue to the "model code – production code No." indicated on the Model Label affixed onto the product concerned.

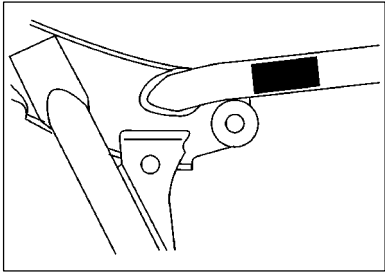
(2) "Model Label" Indication



a: Model Type Code
b: Production Code No.
c: Colouring Type



(3) Model Label Affixing Location



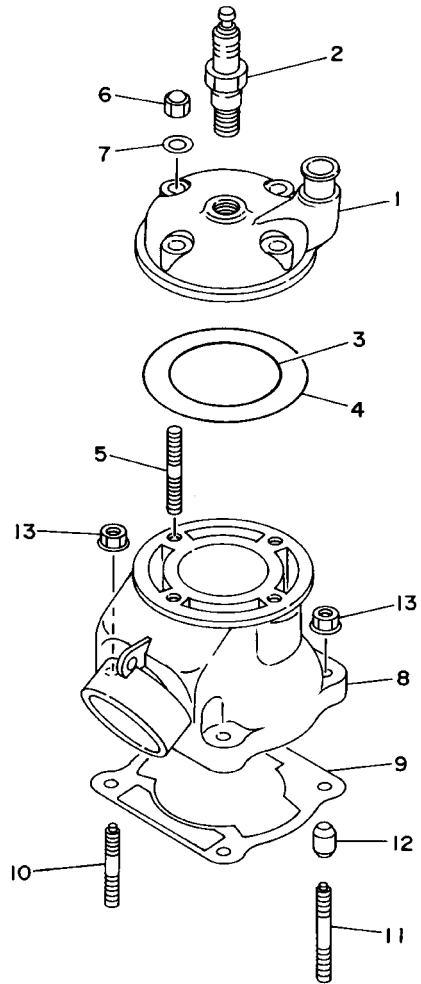
(4) Model Code – Production Code Number of Model Listed in This Parts Catalog

| Model Code | Production Code No. | Country (destination) | Model Code | Production Code No. | Country (destination) |
|------------|---------------------|-----------------------|------------|---------------------|-----------------------|
| 4ES9 | 010 | U.S.A. | 4LC7 | 070 | SWEDEN |
| | 020 | CANADA | 4LBE | 010 | JAPAN |
| | 030 | GERMANY | | | |
| | 040 | ESPAÑA | | | |
| | 050 | FRANCE | | | |
| | 060 | ENGLAND | | | |
| | 070 | ITALY | | | |
| | 090 | SWEDEN | | | |
| | 100 | SOUTH AFRICA | | | |
| 4GTG | 010 | JAPAN | | | |
| 4LC7 | 020 | GERMANY | | | |
| | 030 | ESPAÑA | | | |
| | 040 | FRANCE | | | |
| | 050 | ENGLAND | | | |
| | 060 | ITALY | | | |

(5) Colouring Information

| Model Code | Colouring type code | Colour code | Colour Name | Abbreviation |
|------------------------------|---------------------|-------------|-------------------------------|--------------|
| 4ES9 4GTG 4LC7 4LBE | A | 0583 | DEEP PURPLISH BLUE SOLID E | DPBSE |

FIG. 1 CYLINDER

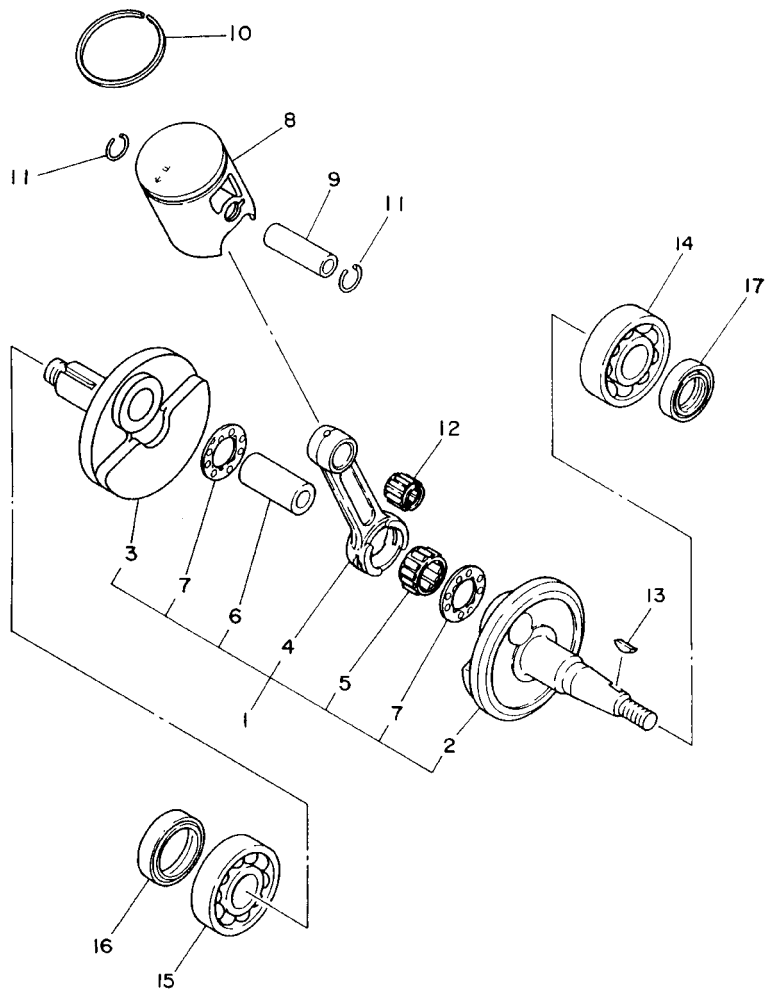


| REF. NO. | PART NO. | DESCRIPTION | 4ES9 | 4GTG | 4LC7 | 4LBE | REMARKS |
|----------|--------------|--------------------------|------|------|------|------|---------|
| 1 | 4LC-11111-00 | HEAD, CYLINDER 1 | 1 | | 1 | | |
| | 4LB-11111-00 | HEAD, CYLINDER 1 | | 1 | | 1 | |
| 2 | 94702-00368 | PLUG, SPARK (NGK BR10EG) | 1 | | 1 | | |
| | 90793-20136 | PLUG, SPARK (NGK BR10EG) | | 1 | | 1 | |
| 3 | 93210-56459 | O-RING | 1 | 1 | 1 | 1 | |
| 4 | 93210-84724 | O-RING | 1 | 1 | 1 | 1 | |
| 5 | 90116-08394 | BOLT, STUD | 4 | 4 | 4 | 4 | |
| 6 | 90176-08026 | NUT, CROWN | 4 | 4 | 4 | 4 | |
| 7 | 90201-08087 | WASHER, PLATE | 4 | 4 | 4 | 4 | |
| 8 | 4ES-11311-10 | CYLINDER 1 | 1 | | 1 | | |
| | 4GT-11311-10 | CYLINDER 1 | | 1 | | 1 | |
| 9 | 4ES-11351-00 | GASKET, CYLINDER | 1 | 1 | 1 | 1 | |
| 10 | 90116-08318 | BOLT, STUD | 2 | 2 | 2 | 2 | |
| 11 | 90116-08388 | BOLT, STUD | 2 | 2 | 2 | 2 | |
| 12 | 99530-10114 | PIN, DOWEL | 2 | 2 | 2 | 2 | |
| 13 | 90179-08299 | NUT | 4 | 4 | 4 | 4 | |
| | | | | | | | |
| | | | | | | | |
| | | | | | | | |
| | | | | | | | |



4ES1100-3010

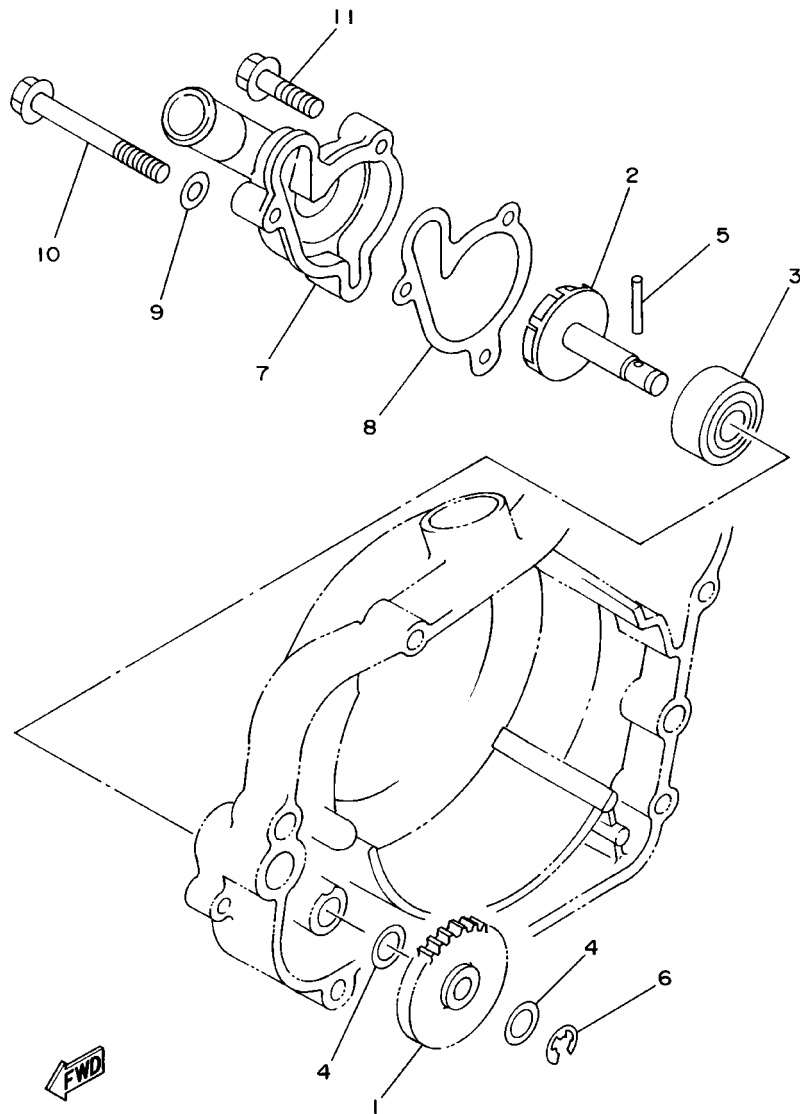
FIG. 2 CRANKSHAFT. PISTON



4ES1100-3020

| REF. NO. | PART NO. | DESCRIPTION | 4ES9 | 4GTG | 4LC7 | 4LBE | REMARKS |
|----------|-----------------|-------------------|------|------|------|------|-----------|
| 1 | 4ES-11400-02 | CRANKSHAFT ASSY | 1 | 1 | 1 | 1 | |
| 2 | 4ES-11412-00 | .CRANK 1 | 1 | 1 | 1 | 1 | |
| 3 | 4ES-11422-00 | .CRANK 2 | 1 | 1 | 1 | 1 | |
| 4 | 4ES-11651-01 | .ROD, CONNECTING | 1 | 1 | 1 | 1 | |
| 5 | 93310-320T3 | .BEARING | 1 | 1 | 1 | 1 | |
| 6 | 2RA-11681-00 | .PIN, CRANK 1 | 1 | 1 | 1 | 1 | |
| 7 | 90209-20159 | .WASHER | 2 | 2 | 2 | 2 | |
| 8 | 4ES-11631-01-A0 | PISTON (STD) | 1 | | 1 | | UR RED |
| | 4ES-11631-01-B0 | PISTON (STD) | 1 | | 1 | | UR ORANGE |
| | 4ES-11631-01-C0 | PISTON (STD) | 1 | | 1 | | UR GREEN |
| | 4ES-11631-01-D0 | PISTON (STD) | 1 | | 1 | | UR PURPLE |
| | 4GT-11631-01-A0 | PISTON (STD) | | 1 | | 1 | UR RED |
| | 4GT-11631-01-B0 | PISTON (STD) | | 1 | | 1 | UR ORANGE |
| | 4GT-11631-01-C0 | PISTON (STD) | | 1 | | 1 | UR GREEN |
| | 4GT-11631-01-D0 | PISTON (STD) | | 1 | | 1 | UR PURPLE |
| 9 | 4ES-11633-00 | PIN, PISTON | 1 | 1 | 1 | 1 | |
| 10 | 43K-11611-00 | RING, PISTON | 1 | | 1 | | |
| | 4GT-11611-00 | RING, PISTON | | 1 | | 1 | |
| 11 | 93450-16115 | CIRCLIP | 2 | 2 | 2 | 2 | |
| 12 | 93310-214F8 | BEARING | 1 | 1 | 1 | 1 | KOYO |
| 13 | 90280-03045 | KEY, WOODRUFF | 1 | 1 | 1 | 1 | |
| 14 | 93306-20438 | BEARING | 1 | 1 | 1 | 1 | |
| 15 | 93306-30421 | BEARING (B6304C3) | 1 | 1 | 1 | 1 | |
| 16 | 93103-28126 | OIL SEAL | 1 | 1 | 1 | 1 | |
| 17 | 93102-20447 | OIL SEAL | 1 | 1 | 1 | 1 | |

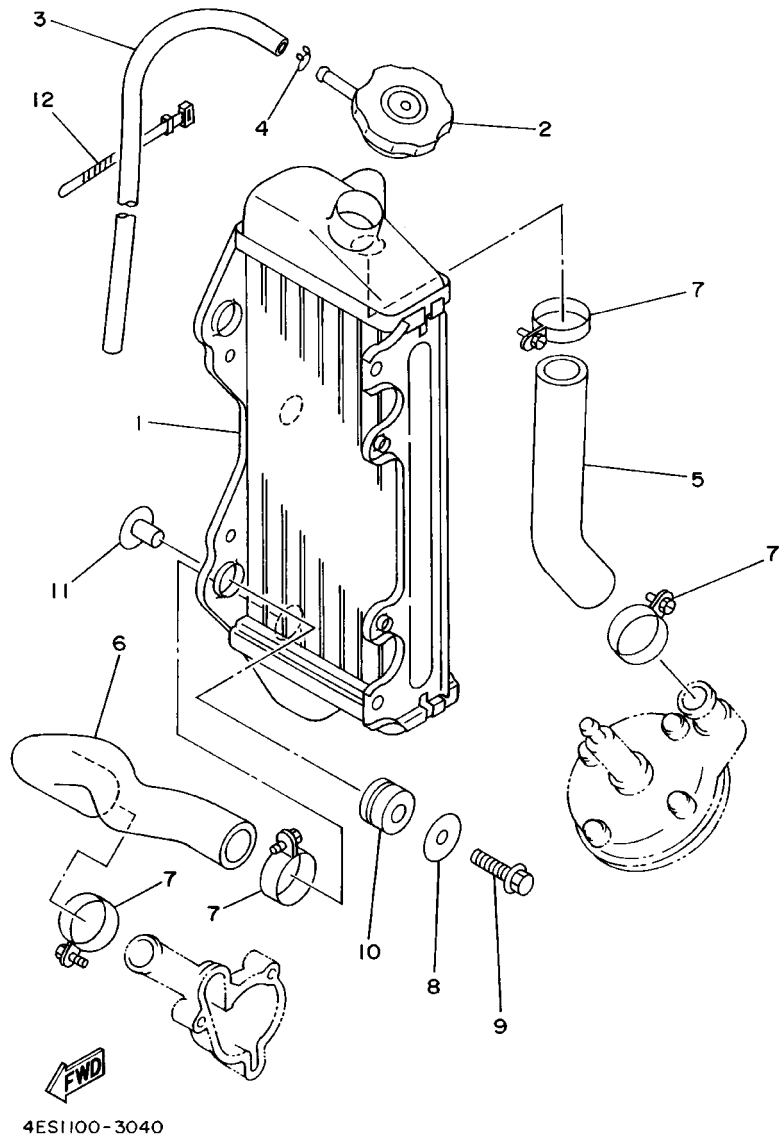
FIG. 3 WATER PUMP



4ES1100-3030

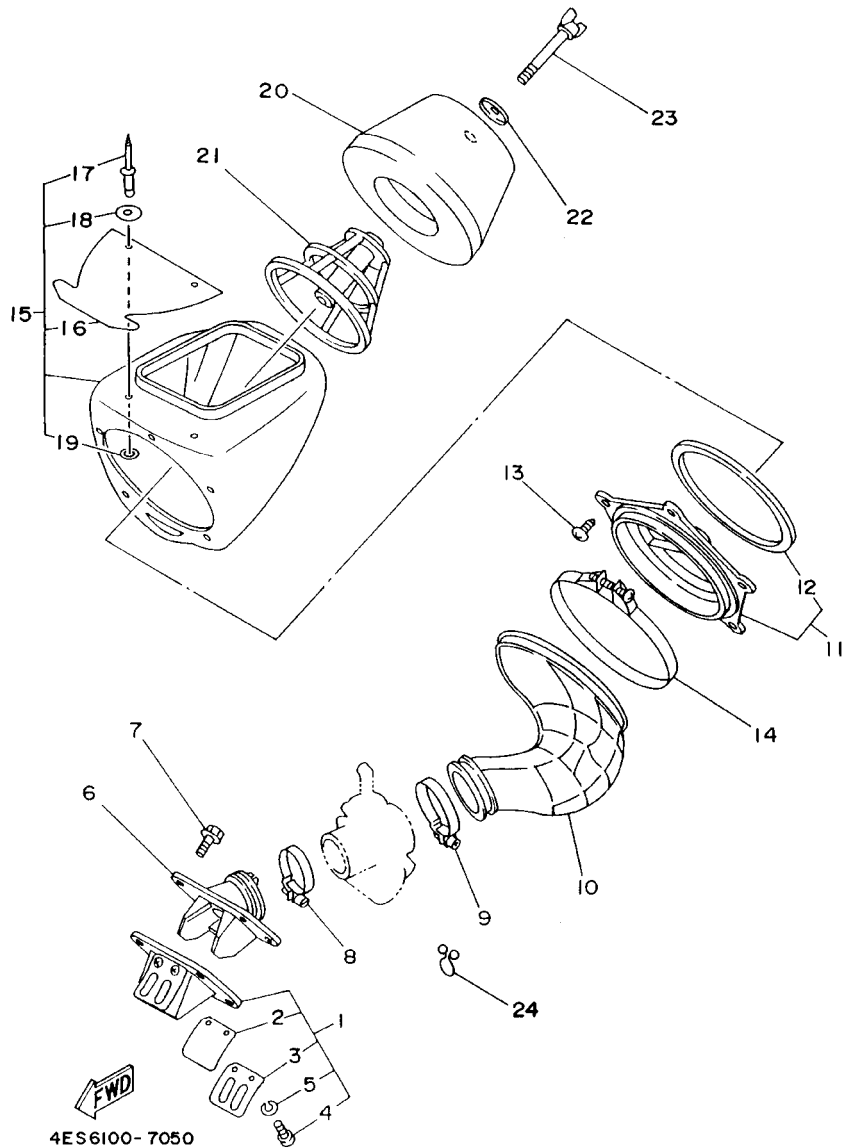
| REF. NO. | PART NO. | DESCRIPTION | 4ES9 | 4GTG | 4LC7 | 4LBE | REMARKS |
|----------|--------------|-------------------------|------|------|------|------|---------|
| 1 | 4ES-12459-00 | GEAR, IMPELLER SHAFT | 1 | 1 | 1 | 1 | |
| 2 | 36F-12450-00 | IMPELLER SHAFT ASSY | 1 | 1 | 1 | 1 | |
| 3 | 93103-10147 | OIL SEAL | 1 | 1 | 1 | 1 | |
| 4 | 90201-08512 | WASHER, PLATE | 2 | 2 | 2 | 2 | |
| 5 | 93603-22028 | PIN, DOWEL | 1 | 1 | 1 | 1 | |
| 6 | 99001-07600 | CIRCLIP | 1 | 1 | 1 | 1 | |
| 7 | 4BA-12422-00 | COVER, HOUSING | 1 | 1 | 1 | 1 | |
| 8 | 4BA-12428-00 | GASKET, HOUSING COVER 2 | 1 | 1 | 1 | 1 | |
| 9 | 90430-06166 | GASKET | 1 | 1 | 1 | 1 | |
| 10 | 95827-06060 | BOLT, FLANGE | 1 | 1 | 1 | 1 | |
| 11 | 95027-06025 | BOLT, FLANGE | 2 | 2 | 2 | 2 | |
| | | | | | | | |
| | | | | | | | |
| | | | | | | | |
| | | | | | | | |
| | | | | | | | |
| | | | | | | | |

FIG. 4 RADIATOR. HOSE



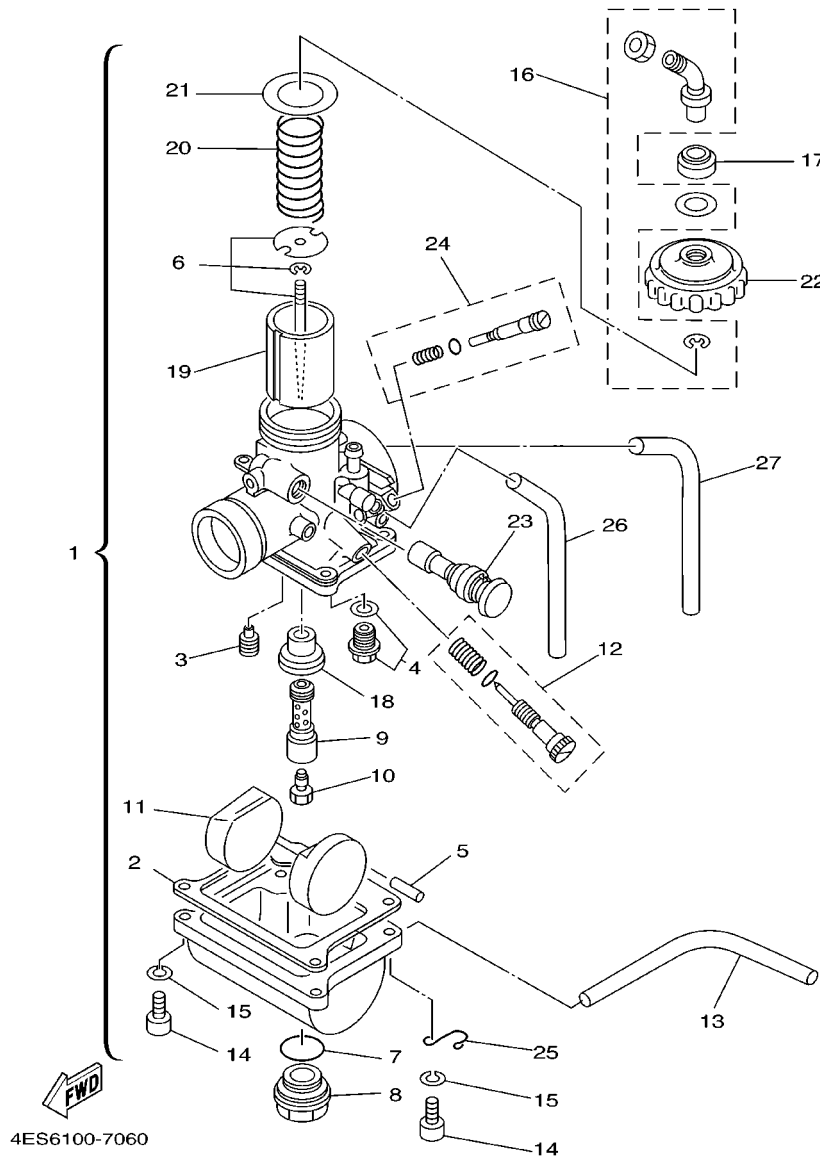
| REF. NO. | PART NO. | DESCRIPTION | 4ES9 | 4GTG | 4LC7 | 4LBE | REMARKS |
|----------|--------------|-------------------|------|------|------|------|---------|
| 1 | 4ES-12461-00 | RADIATOR ASSY | 1 | 1 | 1 | 1 | |
| 2 | 22W-12462-00 | CAP, RADIATOR | 1 | 1 | 1 | 1 | |
| 3 | 22W-12463-00 | PIPE, BREATHER | 1 | 1 | 1 | 1 | |
| 4 | 90467-08002 | CLIP | 1 | 1 | 1 | 1 | |
| 5 | 4ES-12481-00 | PIPE 1 | 1 | 1 | 1 | 1 | |
| 6 | 4ES-12482-00 | PIPE 2 | 1 | 1 | 1 | 1 | |
| 7 | 90450-28014 | HOSE CLAMP ASSY | 4 | 4 | 4 | 4 | |
| 8 | 90201-06071 | WASHER, PLATE | 3 | 3 | 3 | 3 | |
| 9 | 95027-06030 | BOLT, FLANGE | 3 | 3 | 3 | 3 | |
| 10 | 90480-15528 | GROMMET | 3 | 3 | 3 | 3 | |
| 11 | 90387-0614M | COLLAR | 3 | 3 | 3 | 3 | |
| 12 | 437-83936-01 | BAND, SWITCH CORD | 1 | 1 | 1 | 1 | |
| | | | | | | | |
| | | | | | | | |
| | | | | | | | |
| | | | | | | | |

FIG. 5 INTAKE



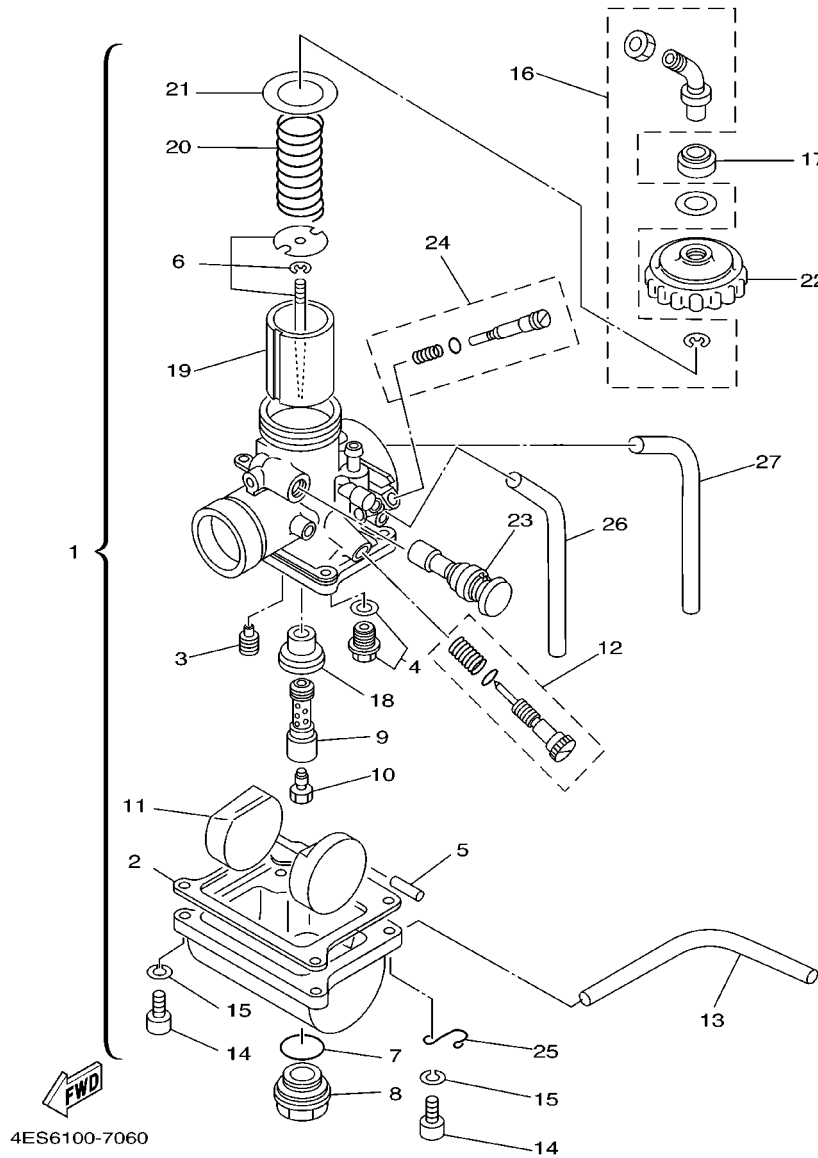
| REF. NO. | PART NO. | DESCRIPTION | 4ES9 | 4GTG | 4LC7 | 4LBE | REMARKS |
|----------|--------------|----------------------|------|------|------|------|---------|
| 1 | 4ES-13610-00 | REED VALVE ASSY | 1 | 1 | 1 | 1 | |
| 2 | 4ES-13613-00 | .REED, VALVE | 2 | 2 | 2 | 2 | |
| 3 | 4ES-13616-00 | .STOPPER, REED VALVE | 2 | 2 | 2 | 2 | |
| 4 | 98507-03008 | .SCREW, PAN HEAD | 4 | 4 | 4 | 4 | |
| 5 | 92907-03100 | .WASHER | 4 | 4 | 4 | 4 | |
| 6 | 4ES-13565-00 | JOINT, CARBURETOR | 1 | 1 | 1 | 1 | |
| 7 | 95027-06020 | BOLT, FLANGE | 4 | 4 | 4 | 4 | |
| 8 | 90450-45075 | HOSE CLAMP ASSY | 1 | 1 | 1 | 1 | |
| 9 | 90460-51059 | CLAMP, HOSE | 1 | 1 | 1 | 1 | |
| 10 | 4ES-14453-00 | JOINT, AIR CLEANER 1 | 1 | 1 | 1 | 1 | |
| 11 | 4ES-14459-00 | HOLDER, GUIDE | 1 | 1 | 1 | 1 | |
| 12 | 4ES-14462-00 | .SEAL | 1 | 1 | 1 | 1 | |
| 13 | 97707-50014 | SCREW, TAPPING | 5 | 5 | 5 | 5 | |
| 14 | 90450-99064 | HOSE CLAMP ASSY | 1 | 1 | 1 | 1 | |
| 15 | 4ES-14411-01 | CASE, AIR CLEANER 1 | 1 | 1 | 1 | 1 | |
| 16 | 4ES-14417-00 | .COVER 1 | 1 | 1 | 1 | 1 | |
| 17 | 90267-40077 | .RIVET, BLIND | 2 | 2 | 2 | 2 | |
| 18 | 90201-047A2 | .WASHER, PLATE | 2 | 2 | 2 | 2 | |
| 19 | 92907-04600 | .WASHER | 2 | 2 | 2 | 2 | |
| 20 | 4ES-14451-00 | ELEMENT, AIR CLEANER | 1 | 1 | 1 | 1 | |
| 21 | 4ES-14458-00 | GUIDE | 1 | 1 | 1 | 1 | |
| 22 | 90209-06096 | WASHER | 1 | 1 | 1 | 1 | |
| 23 | 90122-06038 | BOLT, WING | 1 | 1 | 1 | 1 | |
| 24 | 90464-16039 | CLAMP | 1 | 1 | 1 | 1 | |

FIG. 6 CARBURETOR



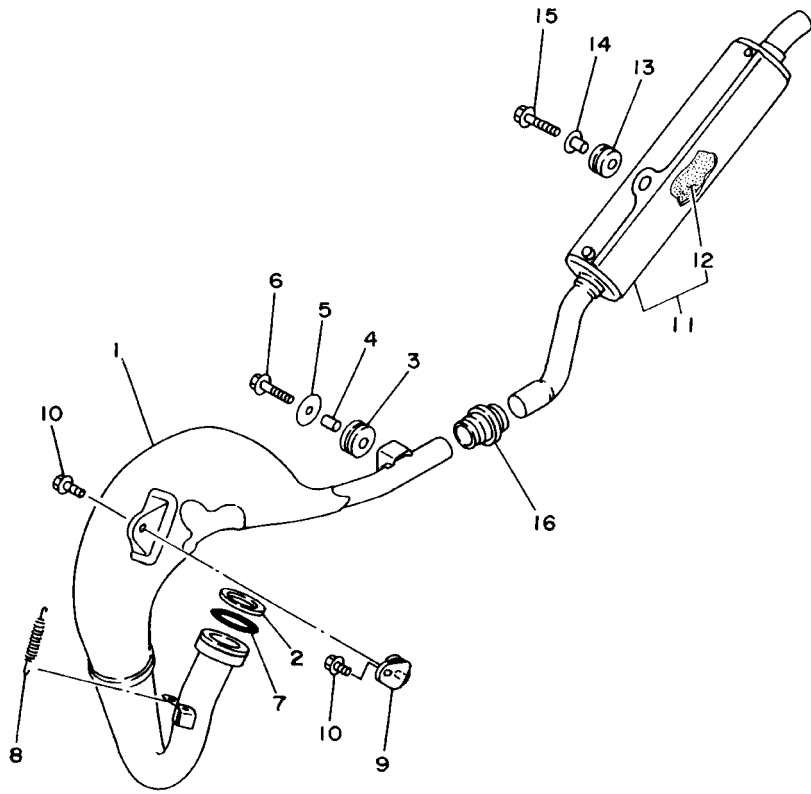
| REF. NO. | PART NO. | DESCRIPTION | 4ES9 | 4GTG | 4LC7 | 4LBE | REMARKS |
|----------|--------------|-------------------------|------|------|------|------|---------|
| 1 | 4ES-14101-10 | CARBURETOR ASSY 1 | 1 | 1 | 1 | 1 | |
| 2 | 304-14184-00 | .GASKET, FLOAT CHAMBER | 1 | 1 | 1 | 1 | |
| 3 | 260-14142-32 | .JET, PILOT (# 32.5) | 1 | 1 | 1 | 1 | STD |
| | 260-14142-30 | .JET, PILOT (# 30) | 1 | 1 | 1 | 1 | AP |
| | 260-14142-35 | .JET, PILOT (# 35) | 1 | 1 | 1 | 1 | AP |
| 4 | 23L-14107-25 | .NEEDLE VALVE SET | 1 | 1 | 1 | 1 | |
| 5 | 127-14186-00 | .PIN, FLOAT | 1 | 1 | 1 | 1 | |
| 6 | 58T-1490J-00 | .NEEDLE SET | 1 | 1 | 1 | 1 | |
| 7 | 93210-18288 | .O-RING | 1 | 1 | 1 | 1 | |
| 8 | 3R1-14115-00 | .PLUG, SCREW | 1 | 1 | 1 | 1 | |
| 9 | 3R1-14141-52 | .NOZZLE, MAIN | 1 | 1 | 1 | 1 | STD |
| | 3R1-14141-50 | .NOZZLE, MAIN | 1 | 1 | 1 | 1 | AP |
| | 3R1-14141-54 | .NOZZLE, MAIN | 1 | 1 | 1 | 1 | AP |
| 10 | 137-14143-60 | .JET, MAIN (#300) | 1 | 1 | 1 | 1 | STD |
| | 137-14143-58 | .JET, MAIN (#290) | 1 | 1 | 1 | 1 | AP |
| | 137-14143-62 | .JET, MAIN (#310) | 1 | 1 | 1 | 1 | AP |
| 11 | 314-14185-00 | .FLOAT | 1 | 1 | 1 | 1 | |
| 12 | 31J-14103-00 | .THROTTLE SCREW SET | 1 | 1 | 1 | 1 | |
| 13 | 10V-14196-00 | .PIPE | 1 | 1 | 1 | 1 | |
| 14 | 98507-04018 | .SCREW, PAN HEAD | 4 | 4 | 4 | 4 | |
| 15 | 92907-04100 | .WASHER, SPRING | 4 | 4 | 4 | 4 | |
| 16 | 22W-14106-00 | .CABLE ADJUST SCREW SET | 1 | 1 | 1 | 1 | |
| 17 | 3X3-14169-00 | .CAP | 1 | 1 | 1 | 1 | |
| 18 | 39K-14153-00 | .WASHER, MAIN JET | 1 | 1 | 1 | 1 | |
| 19 | 2X6-14112-30 | .VALVE, THROTTLE 1 | 1 | 1 | 1 | 1 | STD |
| | 2X6-14112-25 | .VALVE, THROTTLE 1 | 1 | 1 | 1 | 1 | AP |
| | 2X6-14112-35 | .VALVE, THROTTLE 1 | 1 | 1 | 1 | 1 | AP |

FIG. 6 CARBURETOR



| REF. NO. | PART NO. | DESCRIPTION | 4ES9 | 4GTG | 4LC7 | 4LBE | REMARKS |
|----------|--------------|-------------------------|------|------|------|------|---------|
| 20 | 248-14131-00 | .SPRING, THROTTLE VALVE | 1 | 1 | 1 | 1 | |
| 21 | 2A6-14126-00 | .GASKET | 1 | 1 | 1 | 1 | |
| 22 | 2A6-14158-00 | .TOP, MIXING CHAMBER | 1 | 1 | 1 | 1 | |
| 23 | 3SB-14171-00 | .PLUNGER, STARTER | 1 | 1 | 1 | 1 | |
| 24 | 10W-14104-00 | .AIR SCREW SET | 1 | 1 | 1 | 1 | |
| 25 | 25G-14937-00 | .CLIP | 2 | 2 | 2 | 2 | |
| 26 | 3JN-14196-00 | .PIPE | 1 | 1 | 1 | 1 | |
| 27 | 3Y1-14197-00 | .PIPE | 1 | 1 | 1 | 1 | |
| <hr/> | | | | | | | |
| <hr/> | | | | | | | |
| <hr/> | | | | | | | |
| <hr/> | | | | | | | |
| <hr/> | | | | | | | |
| <hr/> | | | | | | | |
| <hr/> | | | | | | | |

FIG. 7 EXHAUST

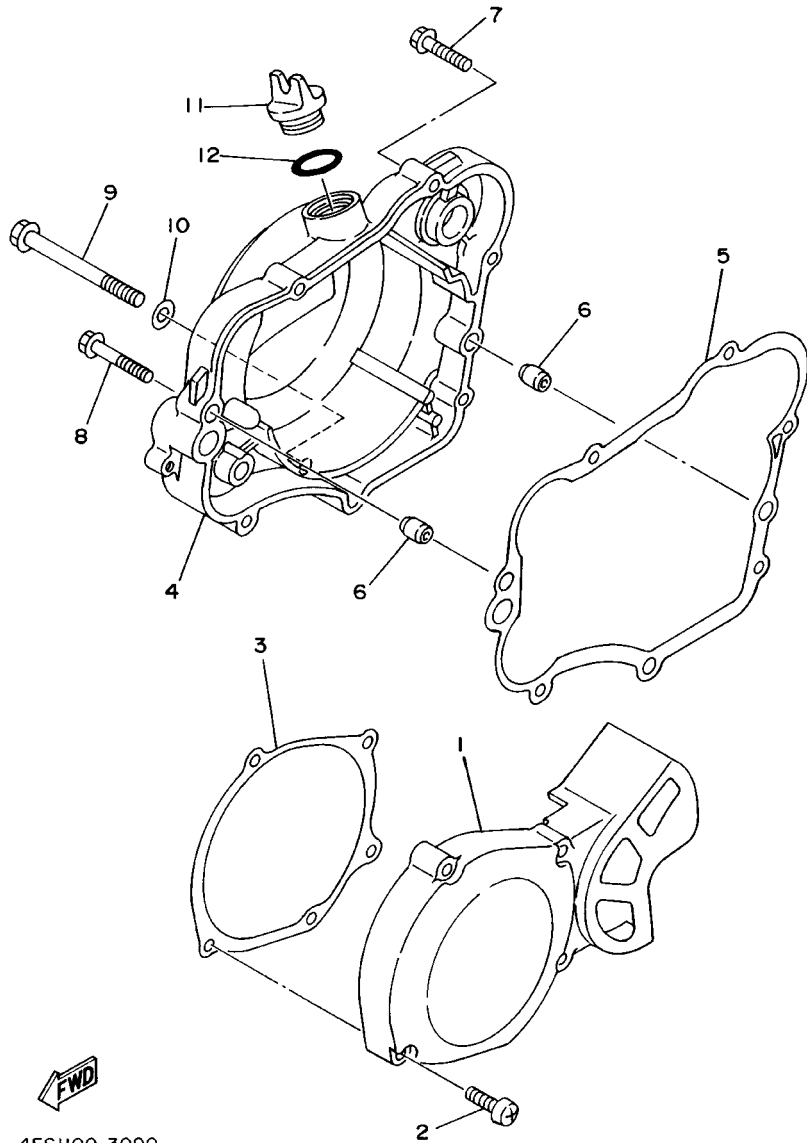


| REF. NO. | PART NO. | DESCRIPTION | 4ES9 | 4GTG | 4LC7 | 4LBE | REMARKS |
|----------|--------------|---------------------|------|------|------|------|---------|
| 1 | 4ES-14610-10 | EXHAUST PIPE ASSY 1 | 1 | 1 | 1 | 1 | |
| 2 | 90201-33299 | WASHER, PLATE | 1 | 1 | 1 | 1 | |
| 3 | 90480-18411 | GROMMET | 1 | 1 | 1 | 1 | |
| 4 | 90387-105L0 | COLLAR | 1 | 1 | 1 | 1 | |
| 5 | 90201-060A3 | WASHER, PLATE | 1 | 1 | 1 | 1 | |
| 6 | 95027-06025 | BOLT, FLANGE | 1 | 1 | 1 | 1 | |
| 7 | 93210-371A9 | O-RING | 1 | 1 | 1 | 1 | |
| 8 | 90507-20030 | SPRING, TENSION | 1 | 1 | 1 | 1 | |
| 9 | 565-14771-00 | STAY, MUFFLER 1 | 1 | 1 | 1 | 1 | |
| 10 | 95027-06012 | BOLT, FLANGE | 2 | 2 | 2 | 2 | |
| 11 | 4ES-14753-00 | SILENCER, EXHAUST | 1 | 1 | 1 | 1 | |
| 12 | 4ES-1469A-00 | .FIBER | 1 | 1 | 1 | 1 | |
| 13 | 90480-16561 | GROMMET | 1 | 1 | 1 | 1 | |
| 14 | 90387-063G3 | COLLAR | 1 | 1 | 1 | 1 | |
| 15 | 95027-06025 | BOLT, FLANGE | 1 | 1 | 1 | 1 | |
| 16 | 17W-14615-00 | JOINT, EXHAUST 1 | 1 | 1 | 1 | 1 | |



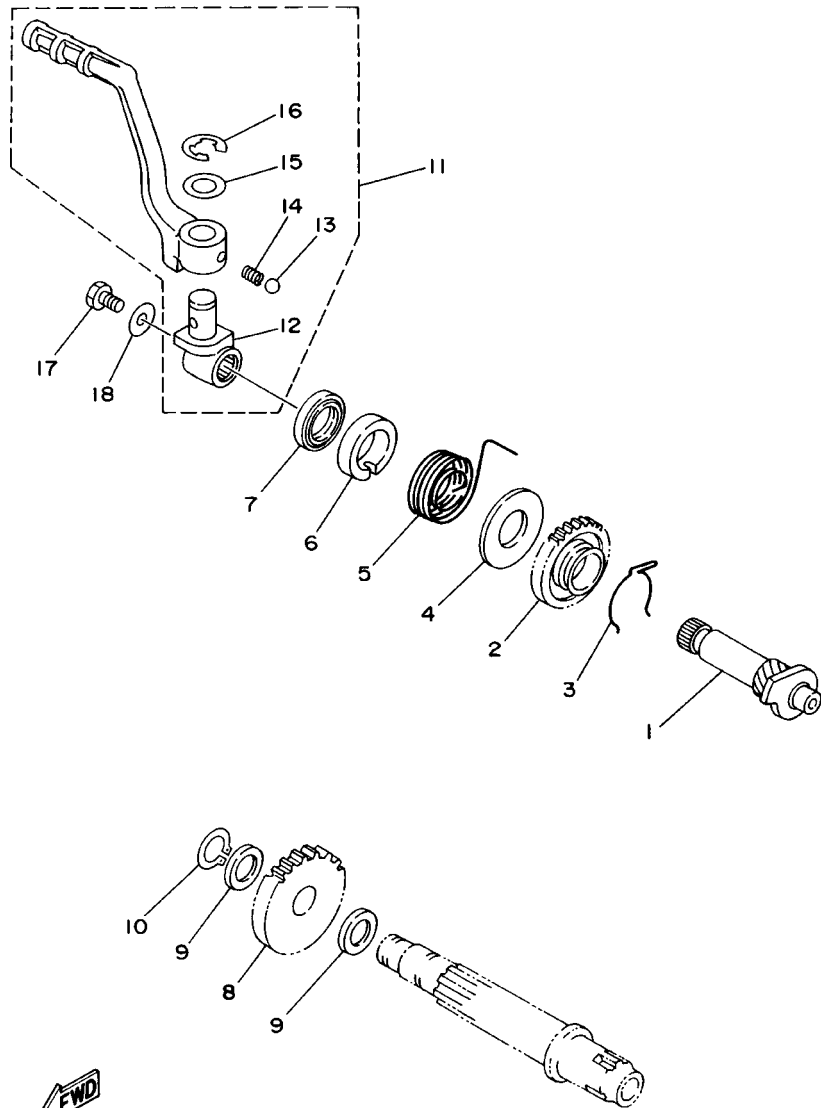
4ES3100-4070

FIG. 9 CRANKCASE COVER 1



| REF. NO. | PART NO. | DESCRIPTION | 4ES9 | 4GTG | 4LC7 | 4LBE | REMARKS |
|----------|--------------|---------------------------|------|------|------|------|---------|
| 1 | 4ES-15411-00 | COVER, CRANKCASE 1 | 1 | 1 | 1 | 1 | |
| 2 | 98507-06030 | SCREW, PAN HEAD | 4 | 4 | 4 | 4 | |
| 3 | 4ES-15451-00 | GASKET, CRANKCASE COVER 1 | 1 | 1 | 1 | 1 | |
| 4 | 4ES-15421-01 | COVER, CRANKCASE 2 | 1 | 1 | 1 | 1 | |
| 5 | 4ES-15461-00 | GASKET, CRANKCASE COVER 2 | 1 | 1 | 1 | 1 | |
| 6 | 99530-10014 | PIN, DOWEL | 2 | 2 | 2 | 2 | |
| 7 | 95027-06030 | BOLT, FLANGE | 4 | 4 | 4 | 4 | |
| 8 | 95027-06040 | BOLT, FLANGE | 1 | 1 | 1 | 1 | |
| 9 | 95027-08080 | BOLT, FLANGE | 1 | 1 | 1 | 1 | |
| 10 | 90430-08119 | GASKET | 1 | 1 | 1 | 1 | |
| 11 | 3Y1-15363-00 | PLUG, OIL | 1 | 1 | 1 | 1 | |
| 12 | 93210-19123 | O-RING | 1 | 1 | 1 | 1 | |
| | | | | | | | |
| | | | | | | | |
| | | | | | | | |
| | | | | | | | |
| | | | | | | | |
| | | | | | | | |

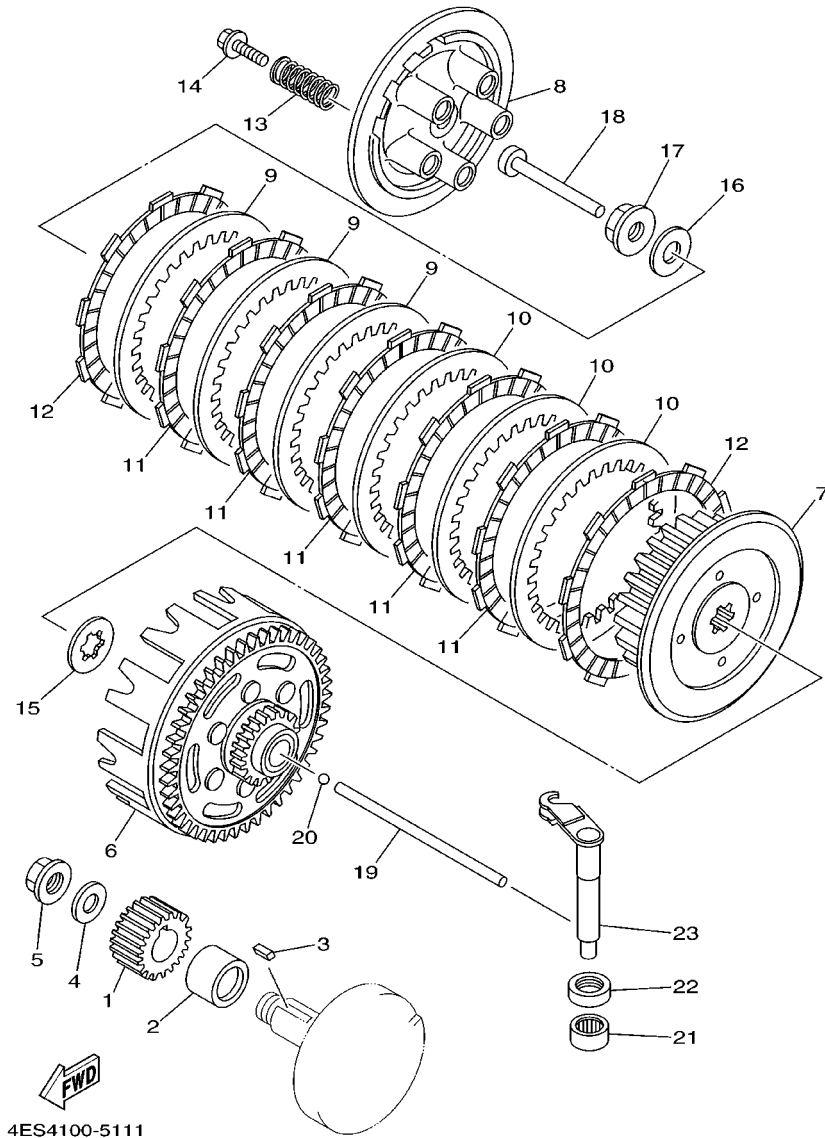
FIG. 10 STARTER



4ESI100-3100

| REF. NO. | PART NO. | DESCRIPTION | 4ES9 | 4GTG | 4LC7 | 4LBE | REMARKS |
|----------|--------------|---------------------|------|------|------|------|---------|
| 1 | 4ES-15660-00 | KICK AXLE ASSY | 1 | 1 | 1 | 1 | |
| 2 | 4ES-15641-00 | GEAR, KICK | 1 | 1 | 1 | 1 | |
| 3 | 90468-23194 | CLIP | 1 | 1 | 1 | 1 | |
| 4 | 90201-176L4 | WASHER, PLATE | 1 | 1 | 1 | 1 | |
| 5 | 90508-26750 | SPRING, TORSION | 1 | 1 | 1 | 1 | |
| 6 | 4ES-15664-00 | GUIDE, SPRING | 1 | 1 | 1 | 1 | |
| 7 | 93102-17263 | OIL SEAL | 1 | 1 | 1 | 1 | |
| 8 | 4ES-15651-00 | GEAR, KICK IDLE | 1 | 1 | 1 | 1 | |
| 9 | 90201-124F8 | WASHER, PLATE | 2 | 2 | 2 | 2 | |
| 10 | 99009-12400 | CIRCLIP | 1 | 1 | 1 | 1 | |
| 11 | 4ES-15620-00 | KICK CRANK ASSY | 1 | 1 | 1 | 1 | |
| 12 | 4ES-15621-00 | BOSS, KICK CRANK | 1 | 1 | 1 | 1 | |
| 13 | 93507-32009 | BALL | 1 | 1 | 1 | 1 | |
| 14 | 90501-12081 | SPRING, COMPRESSION | 1 | 1 | 1 | 1 | |
| 15 | 90201-12631 | WASHER, PLATE | 1 | 1 | 1 | 1 | |
| 16 | 93430-08007 | CIRCLIP | 1 | 1 | 1 | 1 | |
| 17 | 95027-06012 | BOLT, FLANGE | 1 | 1 | 1 | 1 | |
| 18 | 90201-06060 | WASHER, PLATE | 1 | 1 | 1 | 1 | |

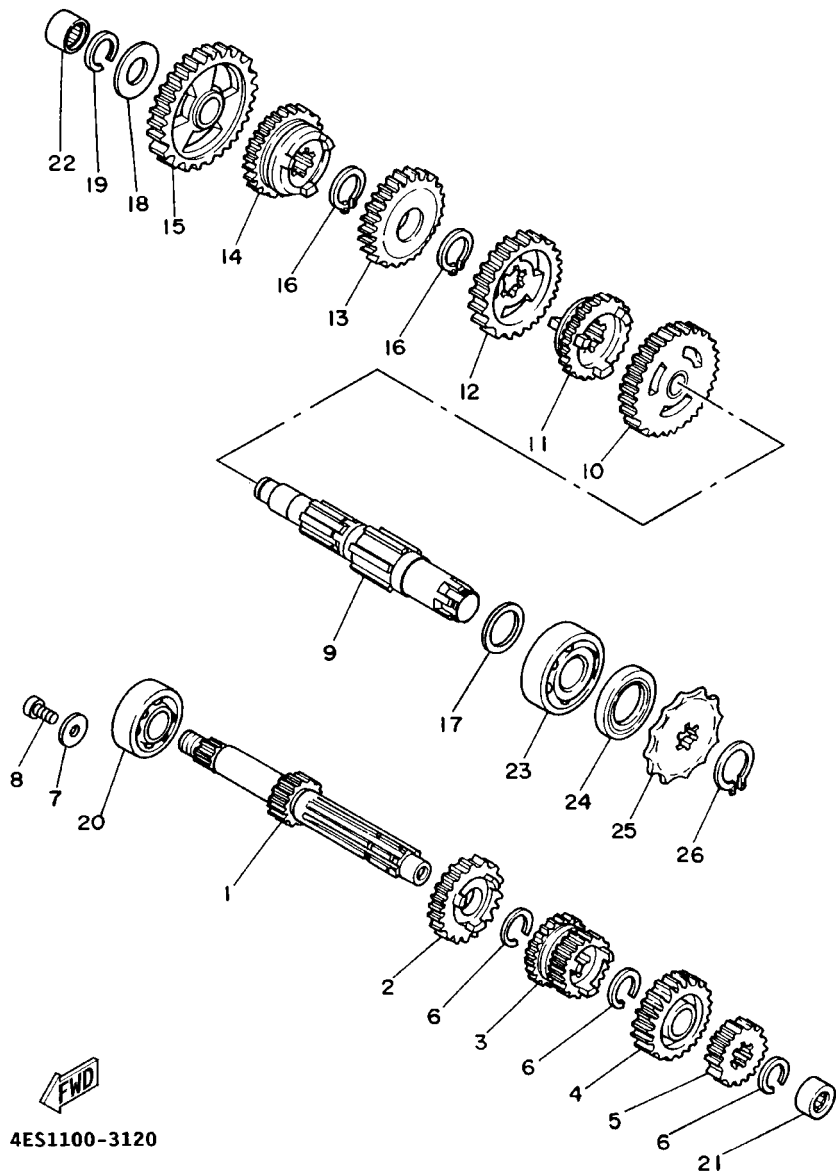
FIG. 11 CLUTCH



4ES4100-5111

| REF. NO. | PART NO. | DESCRIPTION | 4ES9 | 4GTG | 4LC7 | 4LBE | REMARKS |
|----------|--------------|---------------------------|------|------|------|------|---------|
| 1 | 4ES-16111-00 | GEAR, PRIMARY DRIVE | 1 | 1 | 1 | 1 | |
| 2 | 90387-20488 | COLLAR | 1 | 1 | 1 | 1 | |
| 3 | 90282-05001 | KEY, STRAIGHT (5MMX16MM) | 1 | 1 | 1 | 1 | |
| 4 | 90208-12015 | WASHER, CONICAL SPRING | 1 | 1 | 1 | 1 | |
| 5 | 90179-12659 | NUT | 1 | 1 | 1 | 1 | |
| 6 | 4ES-16150-11 | PRIMARY DRIVEN GEAR COMP. | 1 | 1 | 1 | 1 | |
| 7 | 37F-16371-01 | BOSS, CLUTCH | 1 | 1 | 1 | 1 | |
| 8 | 2TK-16351-00 | PLATE, PRESSURE 1 | 1 | 1 | 1 | 1 | |
| 9 | 257-16324-00 | PLATE, CLUTCH 1 | 3 | 3 | 3 | 3 | |
| 10 | 131-16324-00 | PLATE, CLUTCH 1 | 3 | 3 | 3 | 3 | |
| 11 | 4ES-16321-00 | PLATE, FRICTION | 5 | 5 | 5 | 5 | |
| 12 | 21V-16321-00 | PLATE, FRICTION | 2 | 2 | 2 | 2 | |
| 13 | 90501-20735 | SPRING, COMPRESSION | 5 | 5 | 5 | 5 | |
| 14 | 90119-05001 | BOLT, WITH WASHER | 5 | 5 | 5 | 5 | |
| 15 | 4V0-16154-00 | PLATE, THRUST 1 | 1 | 1 | 1 | 1 | |
| 16 | 90208-12015 | WASHER, CONICAL SPRING | 1 | 1 | 1 | 1 | |
| 17 | 90179-12659 | NUT | 1 | 1 | 1 | 1 | |
| 18 | 4ES-16356-00 | ROD, PUSH 1 | 1 | 1 | 1 | 1 | |
| 19 | 2RA-16357-00 | ROD, PUSH 2 | 1 | 1 | 1 | 1 | |
| 20 | 93503-16003 | BALL | 1 | 1 | 1 | 1 | |
| 21 | 93315-11206 | BEARING | 1 | 1 | 1 | 1 | |
| 22 | 93102-12224 | OIL SEAL | 1 | 1 | 1 | 1 | |
| 23 | 4ES-16381-00 | PUSH LEVER COMP. | 1 | 1 | 1 | 1 | |

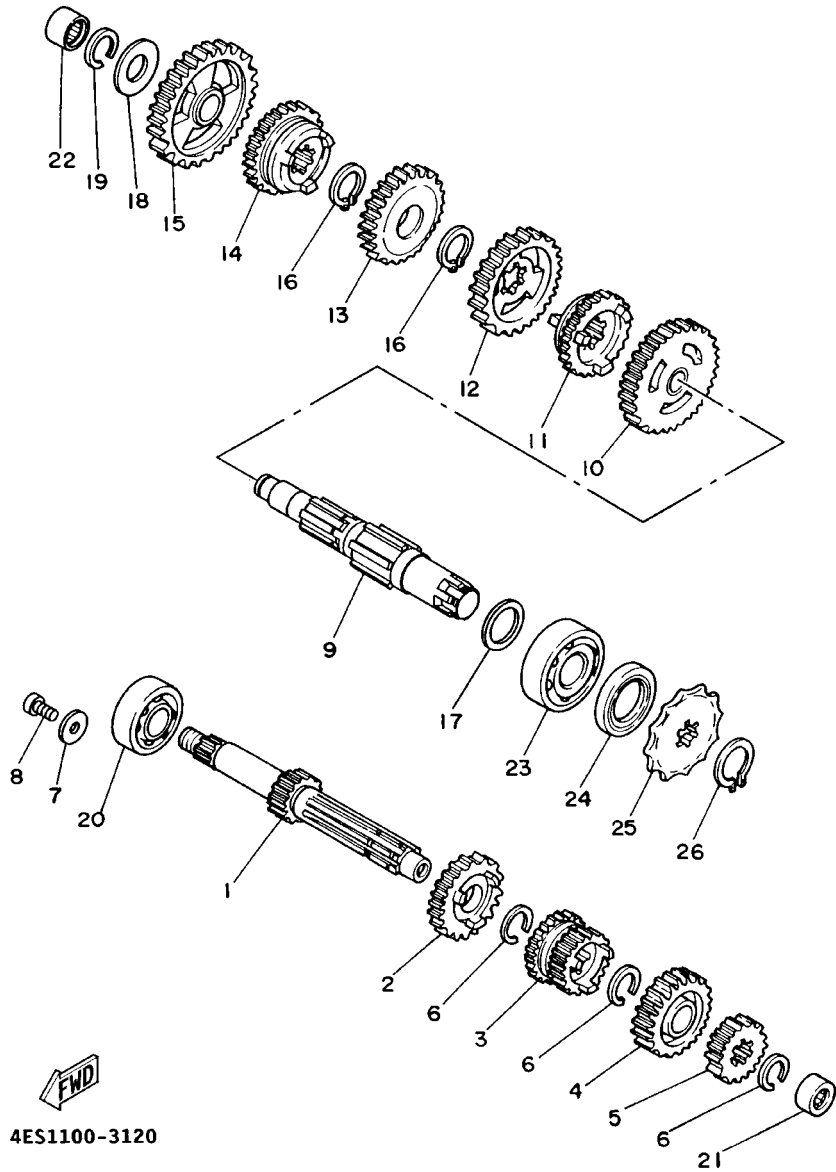
FIG. 12 TRANSMISSION



4ES1100-3120

| REF. NO. | PART NO. | DESCRIPTION | 4ES9 | 4GTG | 4LC7 | 4LBE | REMARKS |
|----------|-----------------|--------------------------------|------|------|------|------|---------|
| 1 | 4ES-17411-01 | AXLE, MAIN | 1 | 1 | 1 | 1 | |
| 2 | 4ES-17151-00 | GEAR, 5TH PINION | 1 | 1 | 1 | 1 | |
| 3 | 4ES-17131-00 | GEAR, 3RD PINION | 1 | 1 | 1 | 1 | |
| 4 | 4ES-17161-00 | GEAR, 6TH PINION | 1 | 1 | 1 | 1 | |
| 5 | 4ES-17121-01 | GEAR, 2ND PINION | 1 | 1 | 1 | 1 | |
| 6 | 93440-17064 | CIRCLIP | 3 | 3 | 3 | 3 | |
| 7 | 90201-06060 | WASHER, PLATE | 2 | 2 | 2 | 2 | |
| 8 | 90157-06071 | SCREW, PAN HEAD | 2 | 2 | 2 | 2 | |
| 9 | 4ES-17421-00 | AXLE, DRIVE | 1 | 1 | 1 | 1 | |
| 10 | 4ES-17221-01 | GEAR, 2ND WHEEL | 1 | 1 | 1 | 1 | |
| 11 | 4ES-17261-01 | GEAR, 6TH WHEEL | 1 | 1 | 1 | 1 | |
| 12 | 4ES-17231-01 | GEAR, 3RD WHEEL | 1 | 1 | 1 | 1 | |
| 13 | 4ES-17241-00 | GEAR, 4TH WHEEL | 1 | 1 | 1 | 1 | |
| 14 | 4ES-17251-00 | GEAR, 5TH WHEEL | 1 | 1 | 1 | 1 | |
| 15 | 4ES-17211-01 | GEAR, 1ST WHEEL | 1 | 1 | 1 | 1 | |
| 16 | 93410-20038 | CIRCLIP | 2 | 2 | 2 | 2 | |
| 17 | 90201-203E7 | WASHER, PLATE | 1 | 1 | 1 | 1 | |
| 18 | 164-17427-00-06 | SHIM 1 (0.6T) | 1 | 1 | 1 | 1 | UR |
| | 164-17427-00-08 | SHIM 1 (0.8T) | 1 | 1 | 1 | 1 | UR |
| | 164-17427-00-10 | SHIM 1 (1.0T) | 1 | 1 | 1 | 1 | UR |
| 19 | 93440-15012 | CIRCLIP | 1 | 1 | 1 | 1 | |
| 20 | 93306-20333 | BEARING | 1 | 1 | 1 | 1 | |
| 21 | 93317-11245 | BEARING | 1 | 1 | 1 | 1 | |
| 22 | 93315-31502 | BEARING | 1 | 1 | 1 | 1 | |
| 23 | 93306-20401 | BEARING (B6204) | 1 | 1 | 1 | 1 | |
| 24 | 93102-20143 | OIL SEAL | 1 | 1 | 1 | 1 | |
| 25 | 93822-14037 | SPROCKET,DRIVE 14T(1741746140) | 1 | 1 | | | STD |

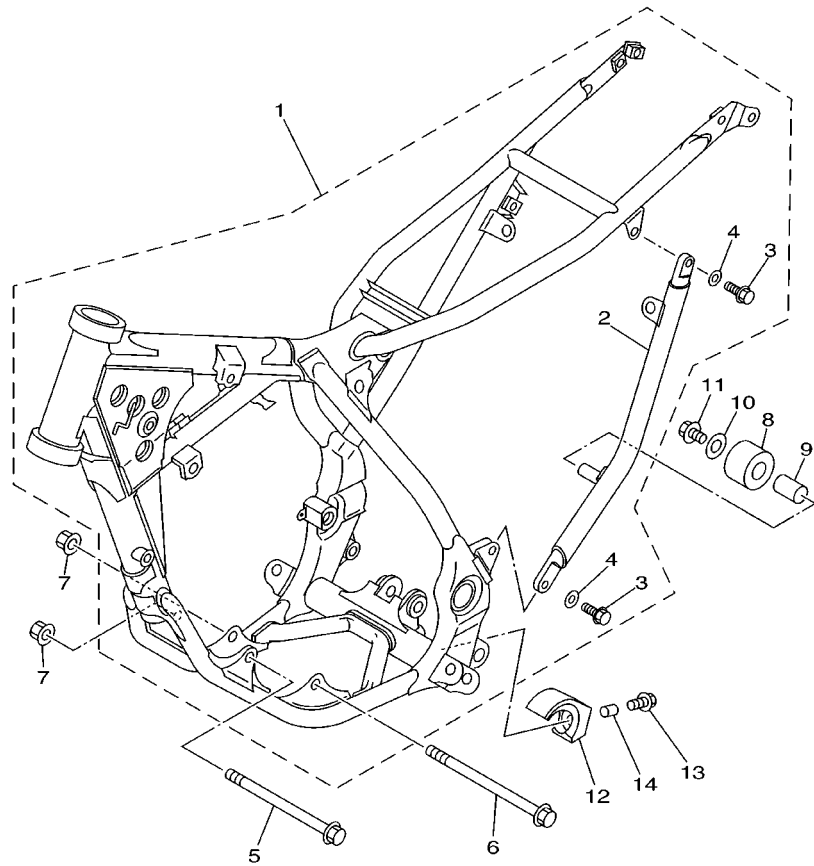
FIG. 12 TRANSMISSION



4ES1100-3120

| REF. NO. | PART NO. | DESCRIPTION | 4ES9 | 4GTG | 4LC7 | 4LBE | REMARKS |
|----------|-------------|--------------------------------|------|------|------|------|---------|
| 25 | 93822-13024 | SPROCKET,DRIVE 13T(1741746130) | | | 1 | 1 | STD |
| | 93822-12012 | SPROCKET,DRIVE 12T(1741746120) | 1 | 1 | 1 | 1 | AP |
| | 93822-13024 | SPROCKET,DRIVE 13T(1741746130) | 1 | 1 | | | AP |
| | 93822-14037 | SPROCKET,DRIVE 14T(1741746140) | | | 1 | 1 | AP |
| | 93822-15065 | SPROCKET,DRIVE 15T(1741746150) | 1 | 1 | 1 | 1 | AP |
| 26 | 99009-18400 | CIRCLIP | 1 | 1 | 1 | 1 | |

FIG. 15 FRAME

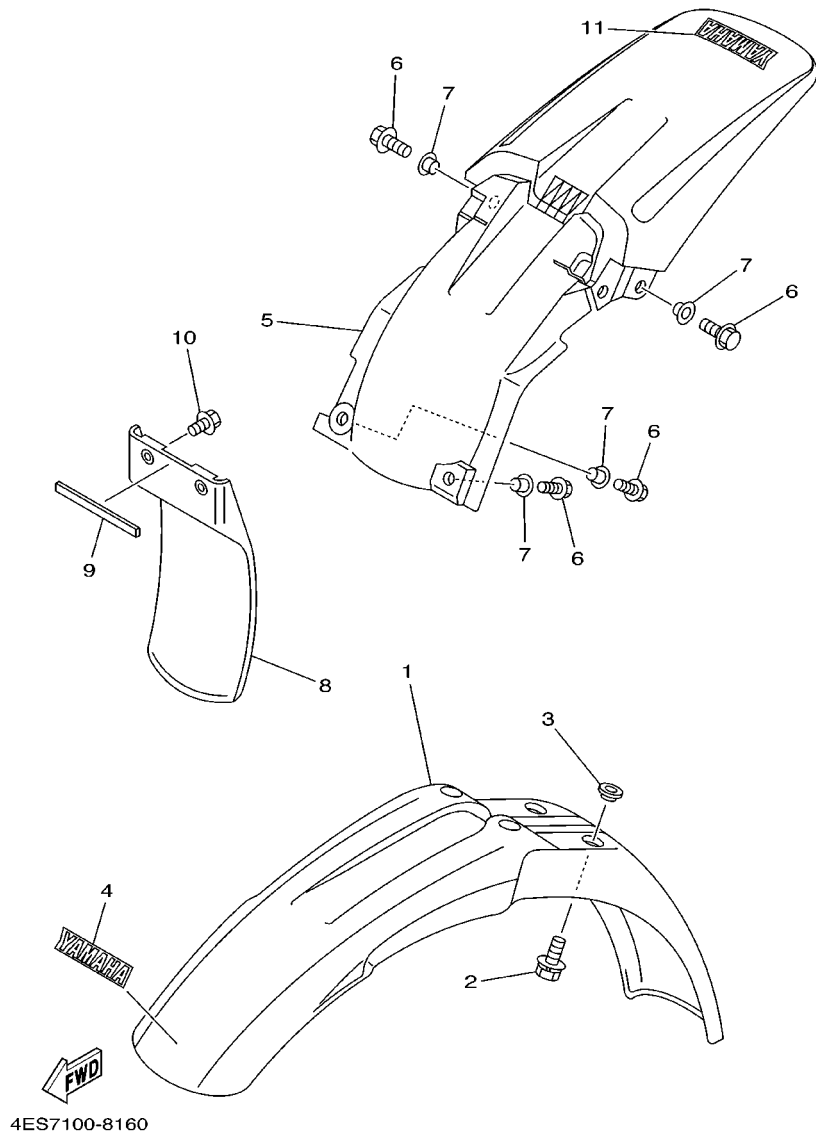


| REF. NO. | PART NO. | DESCRIPTION | 4ES9 | 4GTG | 4LC7 | 4LBE | REMARKS |
|----------|-----------------|-------------------|------|------|------|------|---------|
| 1 | 4ES-21110-02-P0 | FRAME COMP. | 1 | 1 | 1 | 1 | DPBMC |
| 2 | 4ES-21123-00-P2 | .BACK, STAY LH. | 1 | 1 | 1 | 1 | DPBMC |
| 3 | 95027-08020 | .BOLT, FLANGE | 2 | 2 | 2 | 2 | |
| 4 | 90201-080E2 | .WASHER, PLATE | 2 | 2 | 2 | 2 | |
| 5 | 95817-08125 | BOLT, FLANGE | 1 | 1 | 1 | 1 | |
| 6 | 95817-08135 | BOLT, FLANGE | 1 | 1 | 1 | 1 | |
| 7 | 95607-08200 | NUT, SELF-LOCKING | 2 | 2 | 2 | 2 | |
| 8 | 30X-22178-00 | TENSIONER | 1 | 1 | 1 | 1 | |
| 9 | 4V4-22184-00 | BUSH | 1 | 1 | 1 | 1 | |
| 10 | 90201-081R9 | WASHER, PLATE | 1 | 1 | 1 | 1 | |
| 11 | 95027-08012 | BOLT, FLANGE | 1 | 1 | 1 | 1 | |
| 12 | 4ES-22178-00 | TENSIONER | 1 | 1 | 1 | 1 | |
| 13 | 90119-06118 | BOLT, WITH WASHER | 1 | 1 | 1 | 1 | |
| 14 | 90387-060A3 | COLLAR | 1 | 1 | 1 | 1 | |



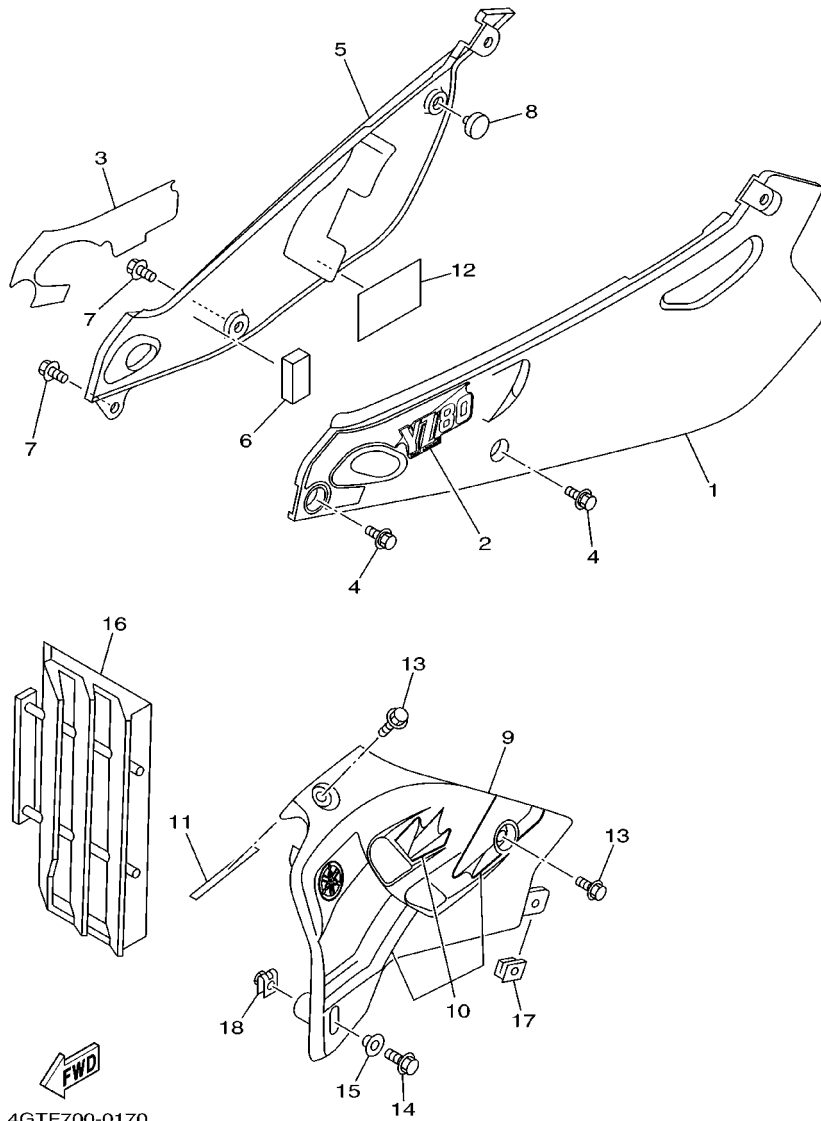
4GTF700-0150

FIG. 16 FENDER



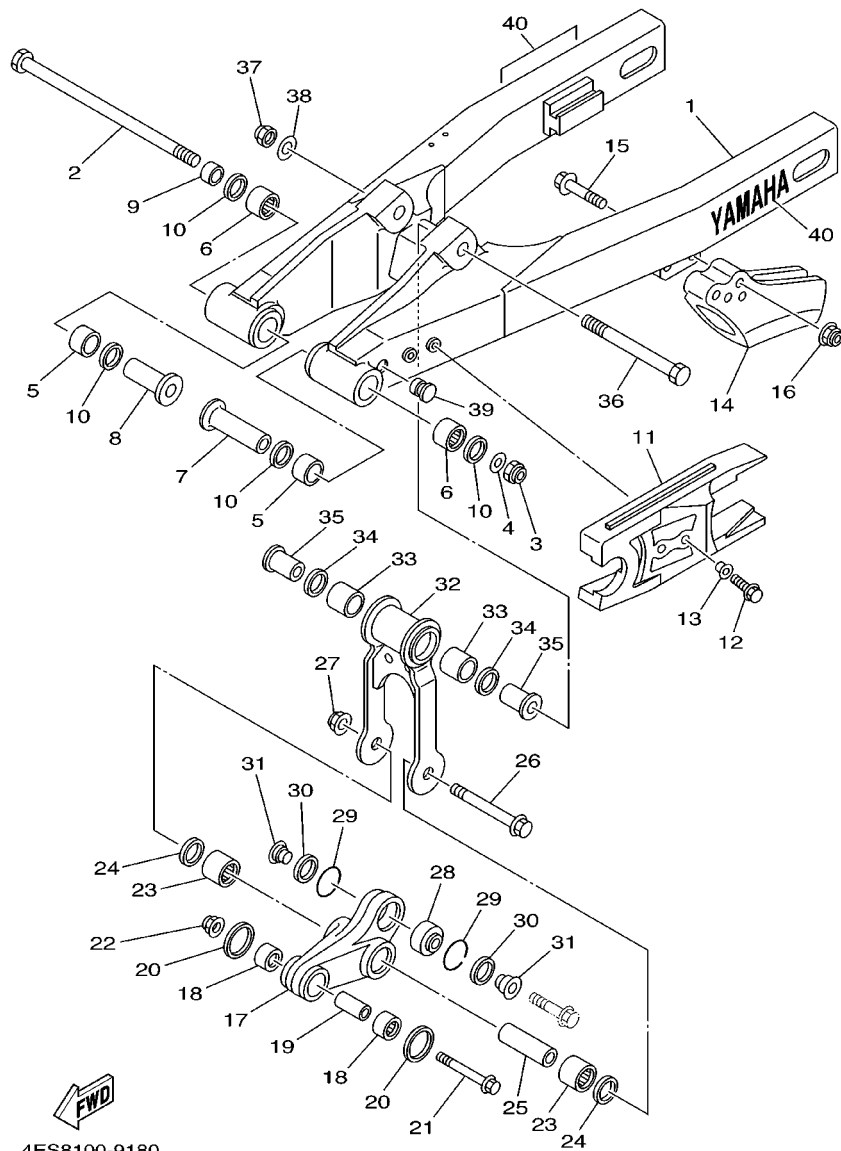
| REF. NO. | PART NO. | DESCRIPTION | 4ES9 | 4GTG | 4LC7 | 4LBE | REMARKS |
|----------|--------------|-------------------|------|------|------|------|-------------------|
| 1 | 4ES-21511-20 | FENDER, FRONT | 1 | 1 | 1 | 1 | |
| 2 | 90119-06063 | BOLT, WITH WASHER | 4 | 4 | 4 | 4 | |
| 3 | 90209-06187 | WASHER | 4 | 4 | 4 | 4 | |
| 4 | 99241-00080 | EMBLEM, YAMAHA | 1 | 1 | 1 | 1 | |
| 5 | 4ES-21611-10 | FENDER, REAR | 1 | 1 | 1 | 1 | |
| 6 | 95027-06016 | BOLT, FLANGE | 4 | 4 | 4 | 4 | |
| 7 | 90387-064X4 | COLLAR | 4 | 4 | 4 | 4 | |
| 8 | 4ES-21642-00 | GUARD, FLAP | 1 | 1 | 1 | 1 | |
| 9 | 25G-21575-00 | SEAL 1 | | | 1 | 1 | |
| 10 | 90119-06185 | BOLT, WITH WASHER | 2 | 2 | 2 | 2 | |
| 11 | 99241-00080 | EMBLEM, YAMAHA | 1 | 1 | 1 | 1 | EXPECT FOR CANADA |
| | | | | | | | |
| | | | | | | | |
| | | | | | | | |
| | | | | | | | |

FIG. 17 SIDE COVER



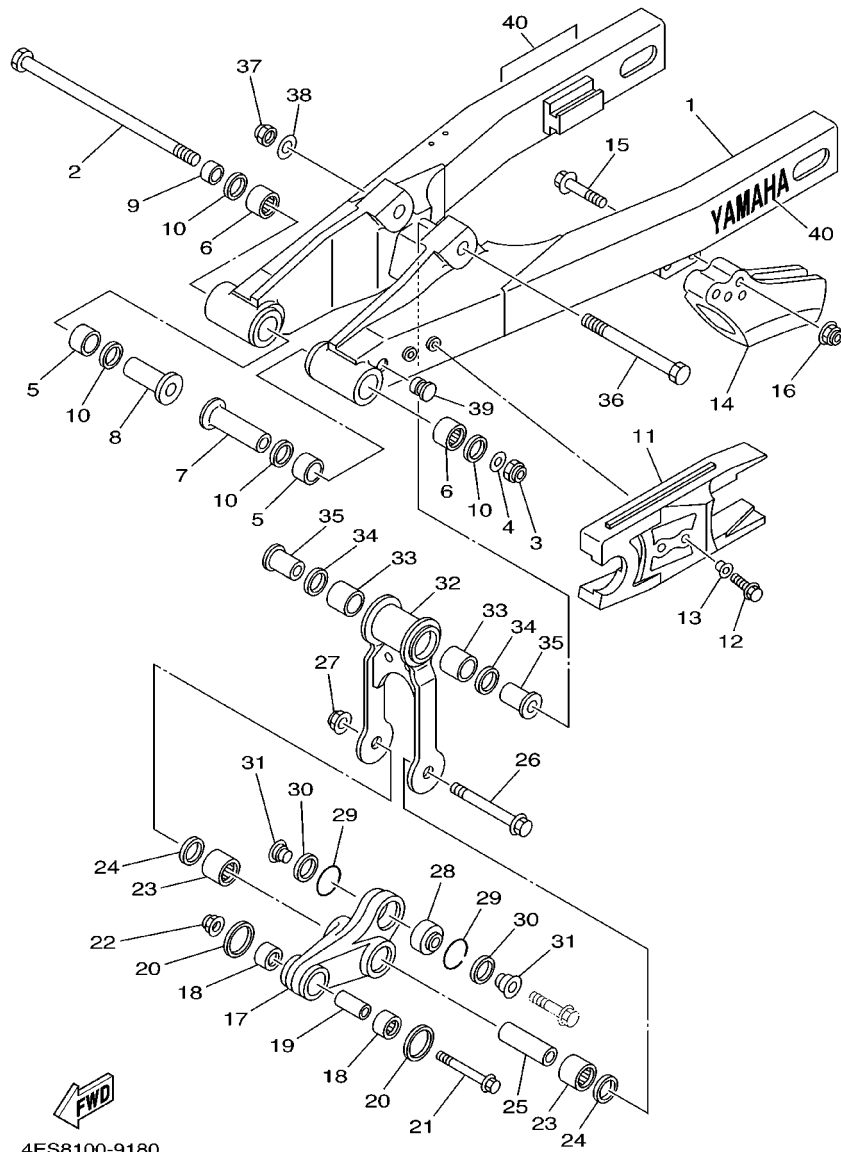
| REF. NO. | PART NO. | DESCRIPTION | 4ES9 | 4GTG | 4LC7 | 4LBE | REMARKS |
|----------|--------------|-----------------------|------|------|------|------|---------|
| 1 | 4ES-21711-00 | COVER, SIDE 1 | 1 | 1 | 1 | 1 | |
| 2 | 4ES-2173E-40 | GRAPHIC 1 | 1 | 1 | 1 | 1 | |
| 3 | 4ES-2173F-40 | GRAPHIC 2 | 1 | 1 | 1 | 1 | |
| 4 | 90119-06217 | BOLT, WITH WASHER | 2 | 2 | 2 | 2 | |
| 5 | 4ES-21721-00 | COVER, SIDE 2 | 1 | 1 | 1 | 1 | |
| 6 | 4ES-21735-00 | SEAL 2 | 1 | 1 | 1 | 1 | |
| 7 | 90119-06217 | BOLT, WITH WASHER | 2 | 2 | 2 | 2 | |
| 8 | 22W-24181-00 | DAMPER, LOCATING 1 | 1 | 1 | 1 | 1 | |
| 9 | 4ES-21731-20 | COVER, SIDE 3 | 1 | 1 | 1 | 1 | |
| 10 | 4ES-2173L-30 | GRAPHIC SET 1 | 1 | 1 | 1 | 1 | |
| 11 | 4ES-21732-00 | SEAL 1 | 1 | 1 | 1 | 1 | |
| 12 | 4DJ-2174A-00 | INSULATOR, SIDE COVER | 1 | 1 | 1 | 1 | |
| 13 | 90109-067F4 | BOLT | 2 | 2 | 2 | 2 | |
| 14 | 95027-06016 | BOLT, FLANGE | 1 | 1 | 1 | 1 | |
| 15 | 90387-062M9 | COLLAR | 1 | 1 | 1 | 1 | |
| 16 | 4EW-2172A-10 | PANEL 1 | 1 | 1 | 1 | 1 | |
| 17 | 90183-06023 | NUT, SPRING | 1 | 1 | 1 | 1 | |
| 18 | 90183-06069 | NUT, SPRING | 1 | 1 | 1 | 1 | |
| | | | | | | | |
| | | | | | | | |
| | | | | | | | |

FIG. 18 REAR ARM



4ES8100-9180

| REF. NO. | PART NO. | DESCRIPTION | 4ES9 | 4GTG | 4LC7 | 4LBE | REMARKS |
|----------|--------------|--------------------|------|------|------|------|---------|
| 1 | 4ES-22110-00 | REAR ARM COMP. | 1 | 1 | | | |
| | 4LB-22110-00 | REAR ARM COMP. | | | 1 | 1 | |
| 2 | 22W-25181-01 | AXLE, WHEEL | 1 | 1 | 1 | 1 | |
| 3 | 95617-12100 | NUT, U | 1 | 1 | 1 | 1 | |
| 4 | 90201-124G9 | WASHER, PLATE | 1 | 1 | 1 | 1 | |
| 5 | 90385-17042 | BUSH | 2 | 2 | 2 | 2 | |
| 6 | 93317-21746 | BEARING | 2 | 2 | 2 | 2 | |
| 7 | 90387-127J8 | COLLAR | 1 | 1 | 1 | 1 | |
| 8 | 90387-127J7 | COLLAR | 1 | 1 | 1 | 1 | |
| 9 | 90387-1200U | COLLAR | 1 | 1 | 1 | 1 | |
| 10 | 93109-17071 | OIL SEAL | 4 | 4 | 4 | 4 | |
| 11 | 4ES-22151-10 | SEAL, GUARD | 1 | 1 | 1 | 1 | |
| 12 | 95027-06014 | BOLT, FLANGE | 2 | 2 | 2 | 2 | |
| 13 | 90387-062X0 | COLLAR | 2 | 2 | 2 | 2 | |
| 14 | 39K-22199-00 | SUPPORT, CHAIN | 1 | 1 | 1 | 1 | |
| 15 | 90105-08310 | BOLT, WASHER BASED | 2 | 2 | 2 | 2 | |
| 16 | 95607-08200 | NUT, SELF-LOCKING | 2 | 2 | 2 | 2 | |
| 17 | 4ES-2217A-00 | ARM, RELAY | 1 | 1 | 1 | 1 | |
| 18 | 93315-21455 | BEARING | 2 | 2 | 2 | 2 | |
| 19 | 90380-10218 | BUSH, SOLID | 1 | 1 | 1 | 1 | |
| 20 | 4ES-22129-00 | COVER, THRUST 2 | 2 | 2 | 2 | 2 | |
| 21 | 90105-10582 | BOLT, WASHER BASED | 1 | 1 | 1 | 1 | |
| 22 | 95607-10200 | NUT, SELF-LOCKING | 1 | 1 | 1 | 1 | |
| 23 | 93317-31771 | BEARING | 2 | 2 | 2 | 2 | |
| 24 | 93101-17062 | OIL SEAL | 2 | 2 | 2 | 2 | |
| 25 | 90380-12219 | BUSH, SOLID | 1 | 1 | 1 | 1 | |
| 26 | 90105-12382 | BOLT, WASHER BASED | 1 | 1 | 1 | 1 | |

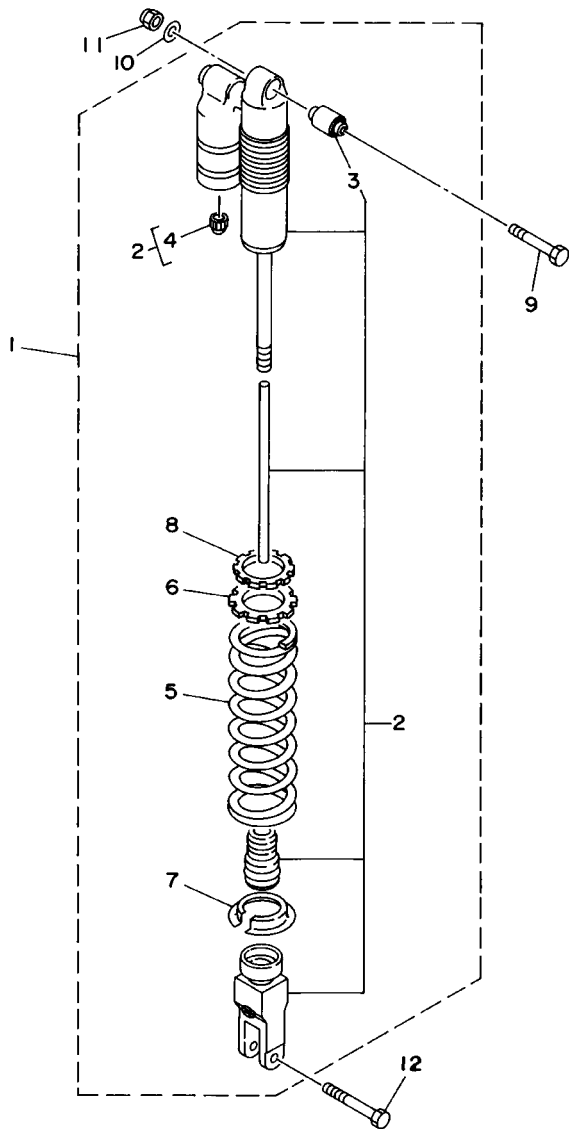


4ES8100-9180

FIG. 18 REAR ARM

| REF. NO. | PART NO. | DESCRIPTION | 4ES9 | 4GTG | 4LC7 | 4LBE | REMARKS |
|----------|--------------|-------------------|------|------|------|------|---------|
| 27 | 95607-12200 | NUT, SELF-LOCKING | 1 | 1 | 1 | 1 | |
| 28 | 93399-99921 | BEARING | 1 | 1 | 1 | 1 | |
| 29 | 93440-30113 | CIRCLIP | 2 | 2 | 2 | 2 | |
| 30 | 3XJ-22475-00 | SEAL, DUST | 2 | 2 | 2 | 2 | |
| 31 | 90387-103X9 | COLLAR | 2 | 2 | 2 | 2 | |
| 32 | 4ES-2217F-00 | ROD, CONNECTING 1 | 1 | 1 | 1 | 1 | |
| 33 | 93317-31771 | BEARING | 2 | 2 | 2 | 2 | |
| 34 | 93101-17062 | OIL SEAL | 2 | 2 | 2 | 2 | |
| 35 | 90381-12091 | BUSH, SOLID | 2 | 2 | 2 | 2 | |
| 36 | 90101-12755 | BOLT | 1 | 1 | 1 | 1 | |
| 37 | 90185-12119 | NUT, SELF-LOCKING | 1 | 1 | 1 | 1 | |
| 38 | 90201-12749 | WASHER, PLATE | 1 | 1 | 1 | 1 | |
| 39 | 90338-10150 | PLUG | 2 | 2 | 2 | 2 | |
| 40 | 99244-00140 | EMBLEM, YAMAHA | 2 | 2 | 2 | 2 | |

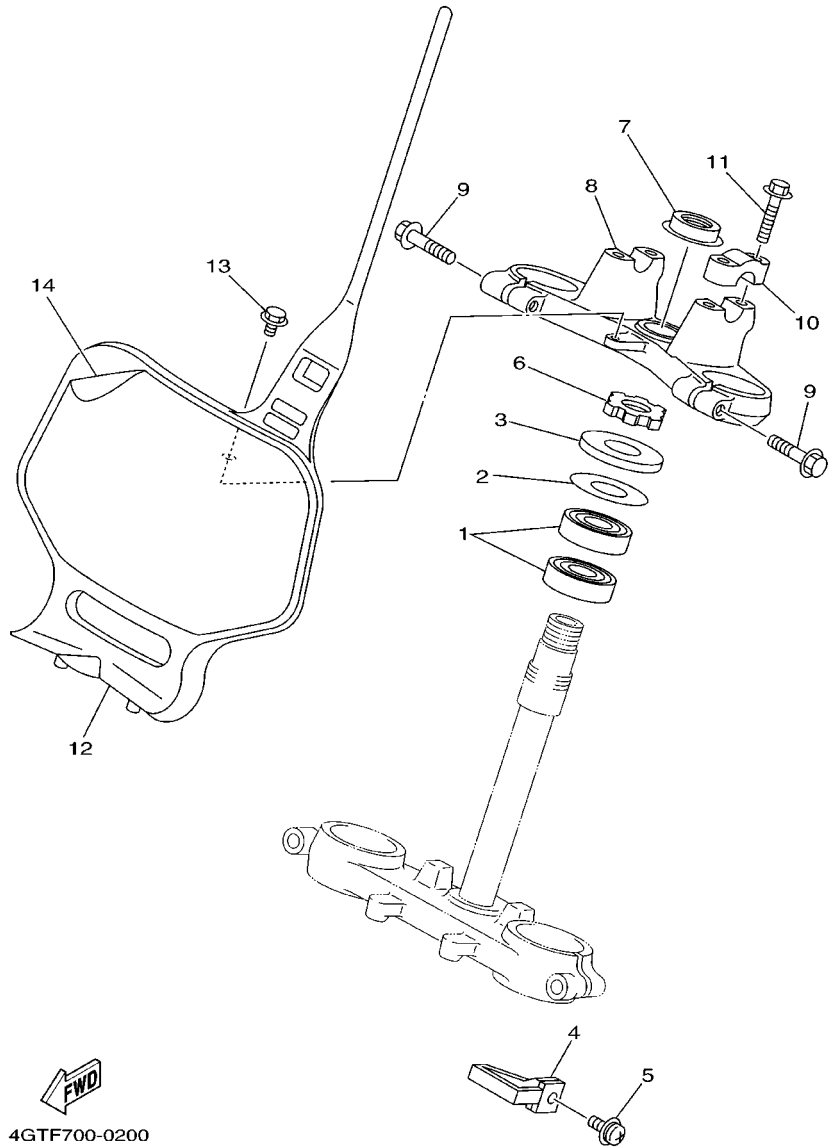
FIG. 19 REAR SUSPENSION



4ES1100-3190

| REF. NO. | PART NO. | DESCRIPTION | 4ES9 | 4GTG | 4LC7 | 4LBE | REMARKS |
|----------|--------------|-----------------------------|------|------|------|------|---------|
| 1 | 4ES-22210-C0 | SHOCK ABSORBER ASSY, REAR | 1 | | | | FOR USA |
| | 4ES-22210-D0 | SHOCK ABSORBER ASSY, REAR | 1 | | | | FOR CAN |
| | 4ES-22210-F0 | SHOCK ABSORBER ASSY, REAR | 1 | | | | FOR EUR |
| | 4GT-22210-40 | SHOCK ABSORBER ASSY, REAR | | 1 | | | |
| | 4LB-22210-70 | SHOCK ABSORBER ASSY, REAR | | | | 1 | |
| | 4LB-22210-80 | SHOCK ABSORBER ASSY, REAR | | | 1 | | |
| 2 | 4ES-22201-30 | .DAMPER SUB ASSY | 1 | | | | FOR USA |
| | 4ES-22201-40 | .DAMPER SUB ASSY | 1 | | | | FOR CAN |
| | 4ES-22201-60 | .DAMPER SUB ASSY | 1 | | | | FOR EUR |
| | 4GT-22201-10 | .DAMPER SUB ASSY | | 1 | | | |
| | 4LB-22201-50 | .DAMPER SUB ASSY | | | | 1 | |
| | 4LB-22201-60 | .DAMPER SUB ASSY | | | 1 | | |
| 3 | 4ES-22216-00 | ..BUSH, REAR SHOCK ABSORBER | 1 | 1 | 1 | 1 | |
| 4 | 58T-23184-L0 | ..CAP, AIR VALVE | 1 | 1 | 1 | 1 | |
| 5 | 4ES-22212-F0 | ..SPRING (K=5.0) | 1 | 1 | | | |
| | 4ES-22212-G0 | ..SPRING (K=4.8) | | | 1 | | |
| | 4ES-22212-H0 | ..SPRING (K=5.2) | | | | 1 | |
| | 4ES-22212-K0 | ..SPRING (K=4.6) | 1 | | | | FOR EUR |
| 6 | 4ES-22214-00 | ..GUIDE, SPRING 1 | 1 | 1 | 1 | 1 | |
| 7 | 3JD-22214-00 | ..GUIDE, SPRING 1 | 1 | 1 | 1 | 1 | |
| 8 | 4ES-22251-00 | ..NUT 1 | 1 | 1 | 1 | 1 | |
| 9 | 90109-10729 | BOLT | 1 | 1 | 1 | 1 | |
| 10 | 92907-10600 | WASHER, PLATE | 1 | 1 | 1 | 1 | |
| 11 | 90185-10110 | NUT, SELF-LOCKING | 1 | 1 | 1 | 1 | |
| 12 | 90105-10614 | BOLT, WASHER BASED | 1 | 1 | 1 | 1 | |

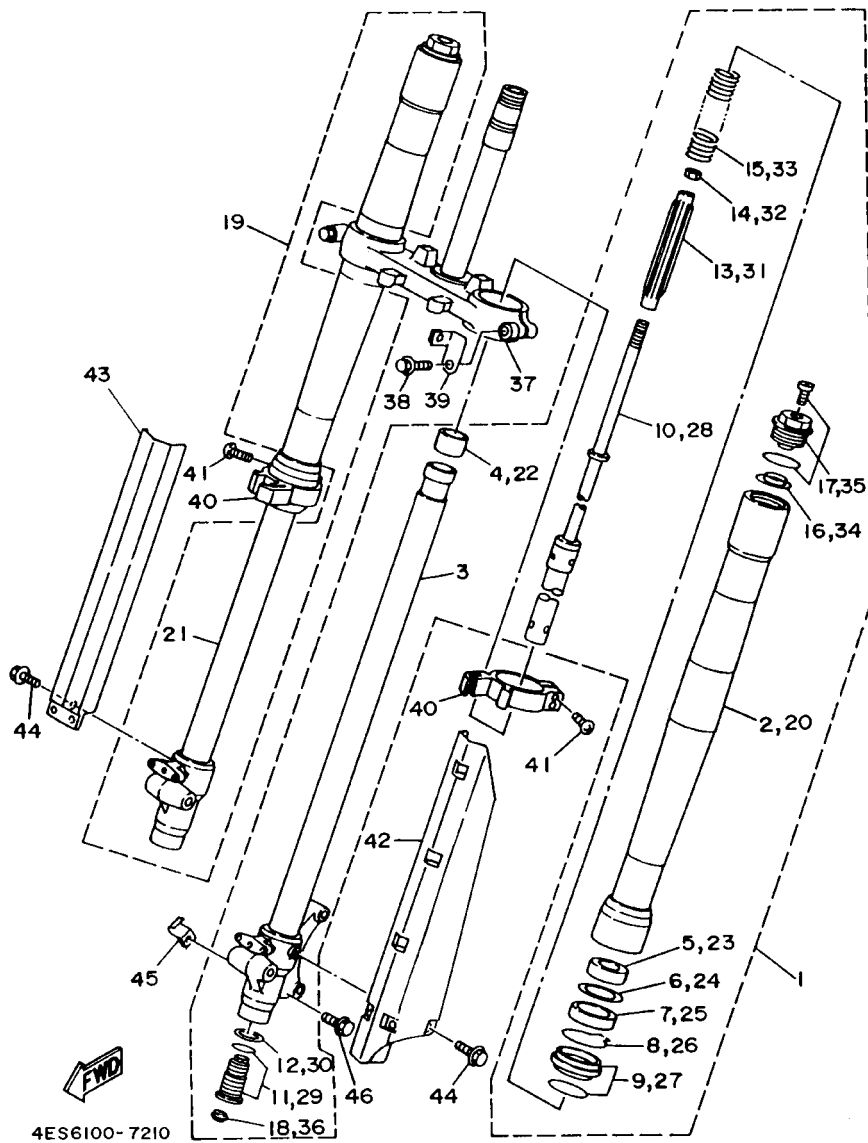
FIG. 20 STEERING




4GTF700-0200

| REF. NO. | PART NO. | DESCRIPTION | 4ES9 | 4GTG | 4LC7 | 4LBE | REMARKS |
|----------|--------------|----------------------|------|------|------|------|---------|
| 1 | 93332-00079 | BEARING | 2 | 2 | 2 | 2 | |
| 2 | 90201-256K5 | WASHER, PLATE (0.5T) | 1 | 1 | 1 | 1 | |
| 3 | 1J7-23415-00 | COVER, BALL RACE 1 | 1 | 1 | 1 | 1 | |
| 4 | 4DA-23389-00 | GUIDE, CABLE | 1 | 1 | 1 | 1 | |
| 5 | 90157-05079 | SCREW, PAN HEAD | 1 | 1 | 1 | 1 | |
| 6 | 90179-25033 | NUT | 1 | 1 | 1 | 1 | |
| 7 | 90179-22412 | NUT | 1 | 1 | 1 | 1 | |
| 8 | 4ES-23435-00 | CROWN, HANDLE | 1 | 1 | 1 | 1 | |
| 9 | 95807-08035 | BOLT, FLANGE | 2 | 2 | 2 | 2 | |
| 10 | 3SP-23441-00 | HOLDER, HANDLE UPPER | 2 | 2 | 2 | 2 | |
| 11 | 95027-08030 | BOLT, FLANGE | 4 | 4 | 4 | 4 | |
| 12 | 4ES-23485-20 | PLATE, NUMBER | 1 | 1 | 1 | 1 | |
| 13 | 95027-06012 | BOLT, FLANGE | 1 | 1 | 1 | 1 | |
| 14 | 4ES-2339E-00 | GRAPHIC 1 | 1 | 1 | 1 | 1 | |

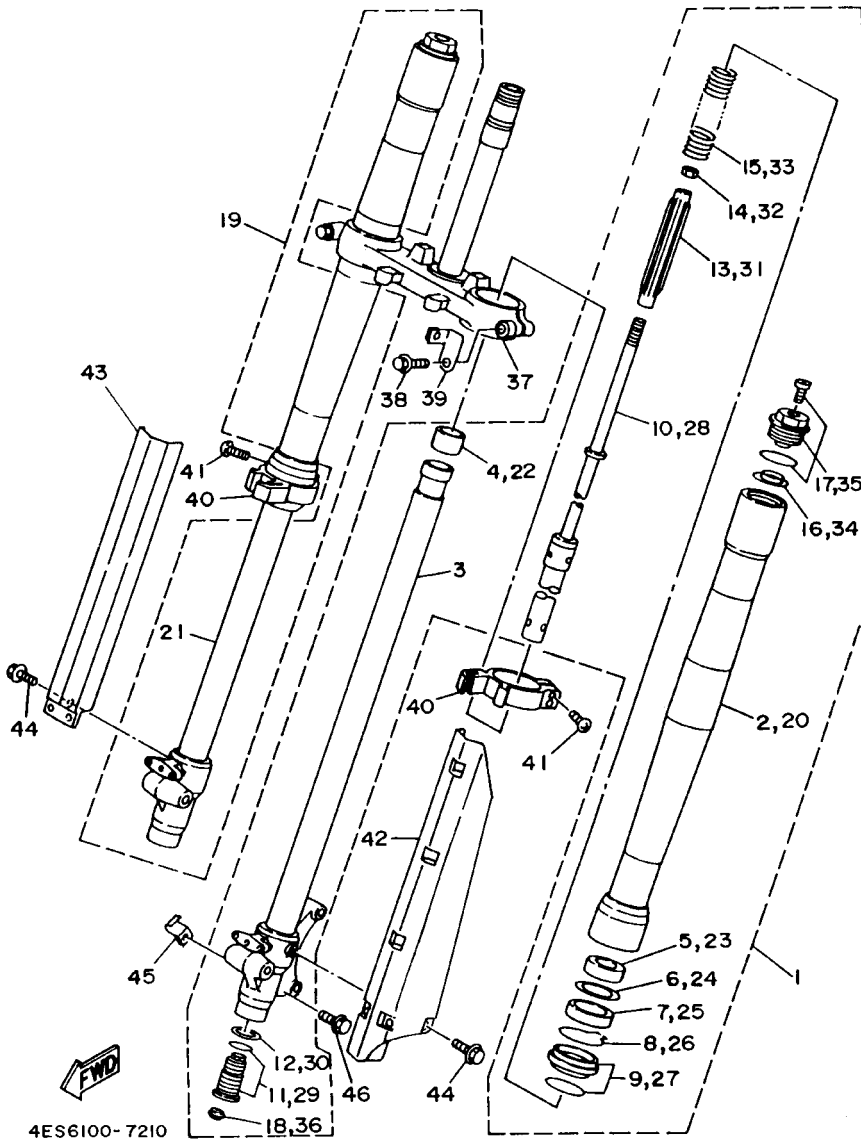
FIG. 21 FRONT FORK



4ES6100- 7210

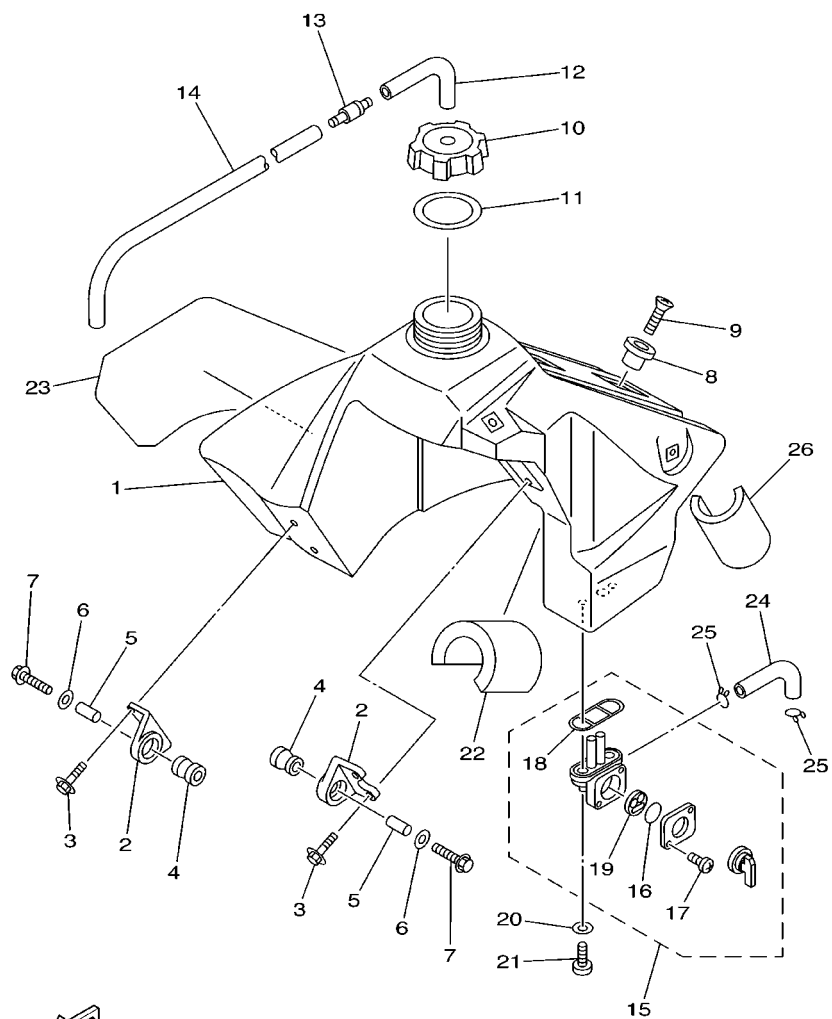
| REF. NO. | PART NO. | DESCRIPTION | 4ES9 | 4GTG | 4LC7 | 4LBE | REMARKS |
|----------|--------------|------------------------------|------|------|------|------|---------|
| 1 | 4ES-23102-20 | FRONT FORK ASSY (L.H) | 1 | 1 | | | |
| | 4LB-23102-20 | FRONT FORK ASSY (L.H) | | | 1 | 1 | |
| 2 | 4ES-23136-20 | .TUBE, OUTER (RIGHT) | 1 | 1 | 1 | 1 | |
| 3 | 4ES-23120-00 | .INNER TUBE COMP.2 | 1 | 1 | 1 | 1 | |
| 4 | 4ES-23171-00 | .PISTON, FRONT FORK | 1 | 1 | 1 | 1 | |
| 5 | 4ES-23125-00 | .METAL, SLIDE 1 | 1 | 1 | 1 | 1 | |
| 6 | 5K5-23149-00 | .WASHER, SPRING UPPER | 1 | 1 | 1 | 1 | |
| 7 | 4ES-23145-00 | .OIL SEAL | 1 | 1 | 1 | 1 | |
| 8 | 4A1-23156-00 | .CLIP, OIL SEAL | 1 | 1 | 1 | 1 | |
| 9 | 4ES-23144-00 | .SEAL, DUST | 1 | 1 | 1 | 1 | |
| 10 | 4ES-23170-10 | .CYLINDER COMP., FRONT FORK | 1 | 1 | 1 | 1 | |
| 11 | 4ES-2316A-10 | .VALVE COMP. | 1 | 1 | | | |
| | 4LB-2316A-20 | .VALVE COMP. | | | 1 | 1 | |
| 12 | 2HH-23158-L0 | .GASKET | 1 | 1 | 1 | 1 | |
| 13 | 4ES-23142-00 | .SEAT, SPRING UPPER | 1 | 1 | 1 | 1 | |
| 14 | 3XJ-23357-L0 | .NUT | 1 | 1 | 1 | 1 | |
| 15 | 4ES-23141-40 | .SPRING, FRONT FORK (K=0.29) | 1 | 1 | | | |
| | 4LB-23141-10 | .SPRING, FRONT FORK (K=0.30) | | | 1 | 1 | |
| 16 | 3GM-23142-00 | .SEAT, SPRING UPPER | 1 | 1 | 1 | 1 | |
| 17 | 4ES-23111-10 | .BOLT, CAP | 1 | 1 | 1 | 1 | |
| 18 | 3JD-2312G-L0 | .PLUG | 1 | 1 | 1 | 1 | |
| 19 | 4ES-23103-20 | FRONT FORK ASSY (R.H) | 1 | 1 | | | |
| | 4LB-23103-20 | FRONT FORK ASSY (R.H) | | | 1 | 1 | |
| 20 | 4ES-23136-20 | .TUBE, OUTER (RIGHT) | 1 | 1 | 1 | 1 | |
| 21 | 4ES-23110-00 | .INNER TUBE COMP.1 | 1 | 1 | 1 | 1 | |
| 22 | 4ES-23171-00 | .PISTON, FRONT FORK | 1 | 1 | 1 | 1 | |
| 23 | 4ES-23125-00 | .METAL, SLIDE 1 | 1 | 1 | 1 | 1 | |

FIG. 21 FRONT FORK



| REF. NO. | PART NO. | DESCRIPTION | 4ES9 | 4GTG | 4LC7 | 4LBE | REMARKS |
|----------|--------------|------------------------------|------|------|------|------|---------|
| 24 | 5K5-23149-00 | .WASHER, SPRING UPPER | 1 | 1 | 1 | 1 | |
| 25 | 4ES-23145-00 | .OIL SEAL | 1 | 1 | 1 | 1 | |
| 26 | 4A1-23156-00 | .CLIP, OIL SEAL | 1 | 1 | 1 | 1 | |
| 27 | 4ES-23144-00 | .SEAL, DUST | 1 | 1 | 1 | 1 | |
| 28 | 4ES-23170-10 | .CYLINDER COMP., FRONT FORK | 1 | 1 | 1 | 1 | |
| 29 | 4ES-2316A-10 | .VALVE COMP. | 1 | 1 | | | |
| | 4LB-2316A-20 | .VALVE COMP. | | | 1 | 1 | |
| 30 | 2HH-23158-L0 | .GASKET | 1 | 1 | 1 | 1 | |
| 31 | 4ES-23142-00 | .SEAT, SPRING UPPER | 1 | 1 | 1 | 1 | |
| 32 | 3XJ-23357-L0 | .NUT | 1 | 1 | 1 | 1 | |
| 33 | 4ES-23141-40 | .SPRING, FRONT FORK (K=0.29) | 1 | 1 | | | |
| | 4LB-23141-10 | .SPRING, FRONT FORK (K=0.30) | | | 1 | 1 | |
| 34 | 3GM-23142-00 | .SEAT, SPRING UPPER | 1 | 1 | 1 | 1 | |
| 35 | 4ES-23111-10 | .BOLT, CAP | 1 | 1 | 1 | 1 | |
| 36 | 3JD-2312G-L0 | .PLUG | 1 | 1 | 1 | 1 | |
| 37 | 4ES-23340-00 | UNDER BRACKET COMP. | 1 | 1 | 1 | 1 | |
| 38 | 95021-10040 | BOLT, FLANGE | 2 | 2 | 2 | 2 | |
| 39 | 4ES-2331E-00 | GUIDE, CABLE | 1 | 1 | 1 | 1 | |
| 40 | 4ES-2314F-00 | PROTECTOR GUIDE COMP., 1 | 2 | 2 | 2 | 2 | |
| 41 | 4V4-23194-L0 | SCREW, BOOT BAND | 4 | 4 | 4 | 4 | |
| 42 | 4ES-2314H-L1 | PROTECTOR COMP., 1 | 1 | 1 | 1 | 1 | |
| 43 | 4ES-2314J-L0 | PROTECTOR COMP., 2 | 1 | 1 | 1 | 1 | |
| 44 | 4DA-23346-L0 | BOLT 1 | 6 | 6 | 6 | 6 | |
| 45 | 4ES-23318-00 | HOLDER, CABLE 1 | 1 | 1 | 1 | 1 | |
| 46 | 95027-06016 | BOLT, FLANGE | 1 | 1 | 1 | 1 | |

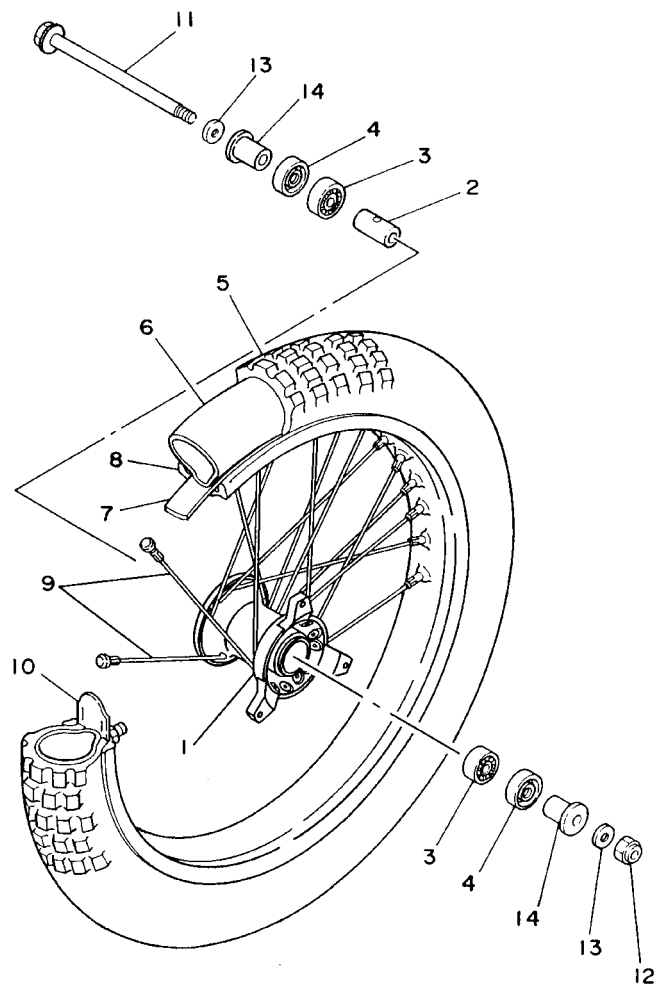
FIG. 22 FUEL TANK



FWD
4ES7100-8220

| REF. NO. | PART NO. | DESCRIPTION | 4ES9 | 4GTG | 4LC7 | 4LBE | REMARKS |
|----------|--------------|----------------------|------|------|------|------|---------|
| 1 | 4ES-24110-20 | FUEL TANK COMP. | 1 | 1 | 1 | 1 | |
| 2 | 24X-24144-00 | HOLDER, DAMPER | 2 | 2 | 2 | 2 | |
| 3 | 95027-06016 | BOLT, FLANGE | 4 | 4 | 4 | 4 | |
| 4 | 90480-18549 | GROMMET | 2 | 2 | 2 | 2 | |
| 5 | 90387-06027 | COLLAR | 2 | 2 | 2 | 2 | |
| 6 | 90201-06071 | WASHER, PLATE | 2 | 2 | 2 | 2 | |
| 7 | 95027-06030 | BOLT, FLANGE | 2 | 2 | 2 | 2 | |
| 8 | 4EW-2412F-00 | BRACKET, SEAT | 1 | 1 | 1 | 1 | |
| 9 | 98707-06025 | SCREW, FLAT HEAD | 1 | 1 | 1 | 1 | |
| 10 | 5X7-24611-01 | BODY, CAP | 1 | 1 | 1 | 1 | |
| 11 | 5X7-24612-00 | GASKET, CAP | 1 | 1 | 1 | 1 | |
| 12 | 90445-09220 | HOSE | 1 | 1 | 1 | 1 | |
| 13 | 3XJ-24380-00 | PIPE JOINT ASSY | 1 | 1 | 1 | 1 | |
| 14 | 90445-09100 | HOSE | 1 | 1 | 1 | 1 | |
| 15 | 4DP-24500-00 | FUEL COCK ASSY 1 | 1 | 1 | 1 | 1 | |
| 16 | 3AJ-24534-00 | .SEAL, COCK | 1 | 1 | 1 | 1 | |
| 17 | 97801-03008 | .SCREW, PAN HEAD | 2 | 2 | 2 | 2 | |
| 18 | 4X8-24512-00 | .O-RING | 1 | 1 | 1 | 1 | |
| 19 | 3AJ-24523-00 | .VALVE PACKING | 1 | 1 | 1 | 1 | |
| 20 | 90202-05193 | WASHER, PLATE | 2 | 2 | 2 | 2 | |
| 21 | 90149-06011 | SCREW | 2 | 2 | 2 | 2 | |
| 22 | 3Y0-24183-00 | DAMPER, LOCATING 3 | 1 | 1 | 1 | 1 | |
| 23 | 4ES-24244-00 | GRAPHIC, FUEL TANK 1 | 1 | 1 | 1 | 1 | |
| 24 | 4ES-24311-10 | PIPE, FUEL 1 | 1 | 1 | 1 | 1 | |
| 25 | 90467-10008 | CLIP | 2 | 2 | 2 | 2 | |
| 26 | 51L-28371-00 | DAMPÉR | 1 | 1 | 1 | 1 | |

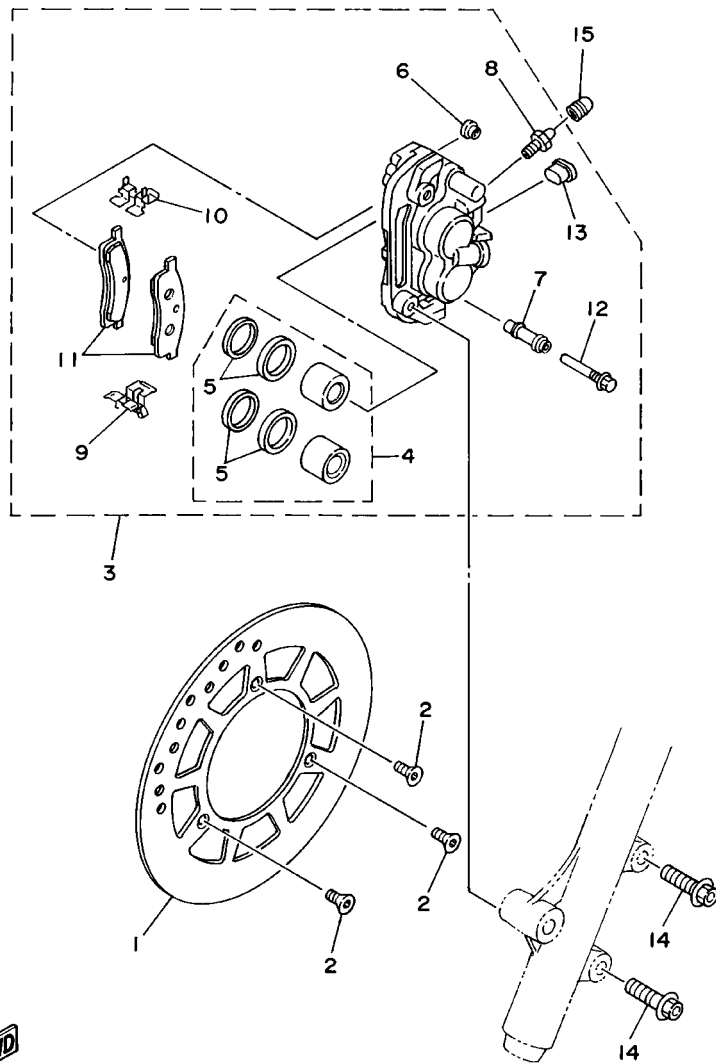
FIG. 24 FRONT WHEEL



4ES1100-3240

| REF. NO. | PART NO. | DESCRIPTION | 4ES9 | 4GTG | 4LC7 | 4LBE | REMARKS |
|----------|--------------|-----------------------------|------|------|------|------|-----------------------|
| 1 | 4ES-25111-00 | HUB, FRONT | 1 | 1 | 1 | 1 | |
| 2 | 90387-124H0 | COLLAR | 1 | 1 | 1 | 1 | |
| 3 | 93306-20120 | BEARING | 2 | 2 | 2 | 2 | |
| 4 | 93106-20031 | OIL SEAL | 2 | 2 | 2 | 2 | |
| 5 | 94107-1706B | TIRE (70/100-17 40M D752F) | 1 | | | | DUNLOP FOR CAN |
| | 94107-177Y5 | TIRE (70/100-17 40M K490) | 1 | 1 | | | DUNLOP EXCEPT FOR CAN |
| | 94107-1902L | TIRE (70/100-19 42M K490) | | | | 1 | DUNLOP |
| | 94107-1906D | TIRE (70/100-19 42M D752F) | | | 1 | | DUNLOP |
| 6 | 94207-17284 | TUBE (70/100-17 TR4) | 1 | 1 | | | DUNLOP |
| | 94207-19290 | TUBE (70/100-19 TR-4) | | | 1 | 1 | DUNLOP |
| 7 | 94307-17166 | BAND, RIM (80/90,70/100-17) | 1 | 1 | | | DUNLOP |
| | 94307-19170 | BAND, RIM (70/100-19) | | | 1 | 1 | DUNLOP |
| 8 | 94414-17530 | RIM (1.40-17) | 1 | 1 | | | |
| | 94414-19521 | RIM (1.40-19) | | | 1 | 1 | |
| 9 | 4ES-25104-20 | SPOKE SET, FRONT | 1 | 1 | | | |
| | 4LB-25104-00 | SPOKE SET, FRONT | | | 1 | 1 | |
| 10 | 1T1-25194-00 | SPACER, BEAD | 1 | 1 | 1 | 1 | |
| 11 | 4ES-25181-00 | AXLE, WHEEL | 1 | 1 | 1 | 1 | |
| 12 | 90185-12046 | NUT, SELF-LOCKING | 1 | 1 | 1 | 1 | |
| 13 | 90201-12362 | WASHER, PLATE | 2 | 2 | 2 | 2 | |
| 14 | 4ES-25183-10 | COLLAR, WHEEL | 2 | 2 | 2 | 2 | |

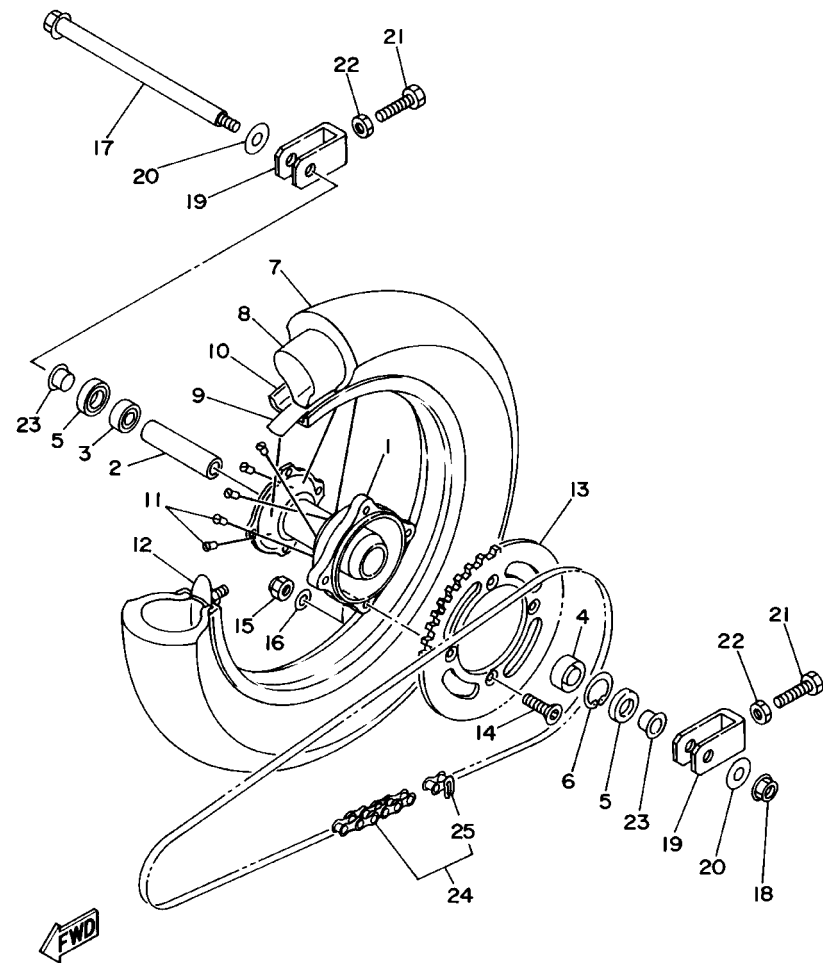
FIG. 25 FRONT BRAKE CALIPER



| REF. NO. | PART NO. | DESCRIPTION | 4ES9 | 4GTG | 4LC7 | 4LBE | REMARKS |
|----------|--------------|-----------------------|------|------|------|------|---------|
| 1 | 4ES-2582T-00 | DISC, BRAKE | 1 | 1 | 1 | 1 | |
| 2 | 90149-06327 | SCREW | 3 | 3 | 3 | 3 | |
| 3 | 4ES-2580T-20 | CALIPER ASSY (LEFT) | 1 | 1 | 1 | 1 | |
| 4 | 4ES-W0057-10 | .PISTON ASSY, CALIPER | 1 | 1 | 1 | 1 | |
| 5 | 4ES-W0047-10 | ..CALIPER SEAL KIT | 1 | 1 | 1 | 1 | |
| 6 | 5R2-25937-00 | .BOOT 2 | 1 | 1 | 1 | 1 | |
| 7 | 56A-25937-00 | .BOOT 2 | 1 | 1 | 1 | 1 | |
| 8 | 47X-25824-00 | .SCREW, BLEED | 1 | 1 | 1 | 1 | |
| 9 | 56A-25919-00 | .SUPPORT, PAD | 1 | 1 | 1 | 1 | |
| 10 | 56A-25919-10 | .SUPPORT, PAD | 1 | 1 | 1 | 1 | |
| 11 | 4ES-W0045-20 | .BRAKE PAD KIT | 1 | 1 | 1 | 1 | |
| 12 | 56A-25926-00 | .BOLT | 1 | 1 | 1 | 1 | |
| 13 | 34X-25845-00 | .CAP, INDICATOR | 1 | 1 | 1 | 1 | |
| 14 | 90105-08211 | BOLT, WASHER BASED | 2 | 2 | 2 | 2 | |
| 15 | 51L-25825-00 | CAP | 1 | 1 | 1 | 1 | |

FWD
4ES3100-4250

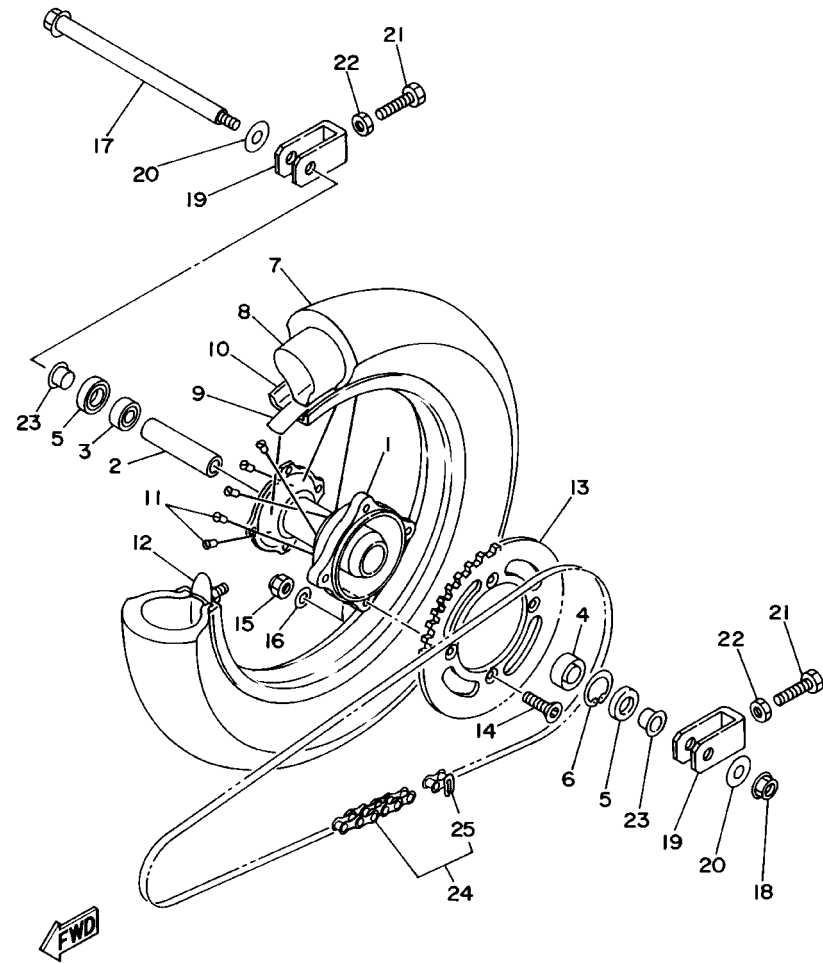
FIG. 26 REAR WHEEL



4ES1100-3260

| REF. NO. | PART NO. | DESCRIPTION | 4ES9 | 4GTG | 4LC7 | 4LBE | REMARKS |
|----------|--------------|---------------------------|------|------|------|------|-----------------------|
| 1 | 4ES-25311-00 | HUB, REAR | 1 | 1 | 1 | 1 | |
| 2 | 4ES-25383-00 | COLLAR, WHEEL | 1 | 1 | 1 | 1 | |
| 3 | 93306-00210 | BEARING | 1 | 1 | 1 | 1 | |
| 4 | 93306-20227 | BEARING | 1 | 1 | 1 | 1 | |
| 5 | 93102-20009 | OIL SEAL | 2 | 2 | 2 | 2 | |
| 6 | 99009-35500 | CIRCLIP | 1 | 1 | 1 | 1 | |
| 7 | 94109-1406C | TIRE (90/100-14 49M D752) | 1 | | | | DUNLOP FOR CAN |
| | 94109-147Y6 | TIRE (90/100-14 49M K695) | 1 | 1 | | | DUNLOP EXCEPT FOR CAN |
| | 94109-1602M | TIRE (90/100-16 52M K695) | | | | 1 | DUNLOP |
| | 94109-1606E | TIRE (90/100-16 52M D752) | | | 1 | | DUNLOP |
| 8 | 94208-14285 | TUBE (80-90/100-14 TR4) | 1 | 1 | | | DUNLOP |
| | 94209-16291 | TUBE (90/100-16 TR-4) | | | 1 | 1 | DUNLOP |
| 9 | 94308-14165 | BAND, RIM (80-90/100-14) | 1 | 1 | | | DUNLOP |
| | 94307-16171 | BAND, RIM (70-90/100-16) | | | 1 | 1 | DUNLOP |
| 10 | 94416-14529 | RIM (1.60-14) | 1 | 1 | | | |
| | 94418-16522 | RIM (1.85-16) | | | 1 | 1 | |
| 11 | 4ES-25304-20 | SPOKE SET, REAR | 1 | 1 | | | |
| | 4LB-25304-00 | SPOKE SET, REAR | | | 1 | 1 | |
| 12 | 5X2-25394-00 | SPACER, BEAD | 1 | 1 | | | |
| | 1T2-25394-00 | SPACER, BEAD | | | 1 | 1 | |
| 13 | 4ES-25447-20 | SPROCKET, DRIVEN (47T) | 1 | 1 | 1 | 1 | STD AFAM |
| | 4ES-25446-00 | SPROCKET, DRIVEN (46T) | 1 | 1 | 1 | 1 | AP |
| | 4ES-25448-00 | SPROCKET, DRIVEN (48T) | 1 | 1 | 1 | 1 | AP |
| 14 | 90109-081G2 | BOLT | 4 | 4 | 4 | 4 | |
| 15 | 95617-08100 | NUT, U | 4 | 4 | 4 | 4 | |
| 16 | 90201-086P8 | WASHER, PLATE | 4 | 4 | 4 | 4 | |
| 17 | 4ES-25381-01 | AXLE, WHEEL | 1 | 1 | 1 | 1 | |

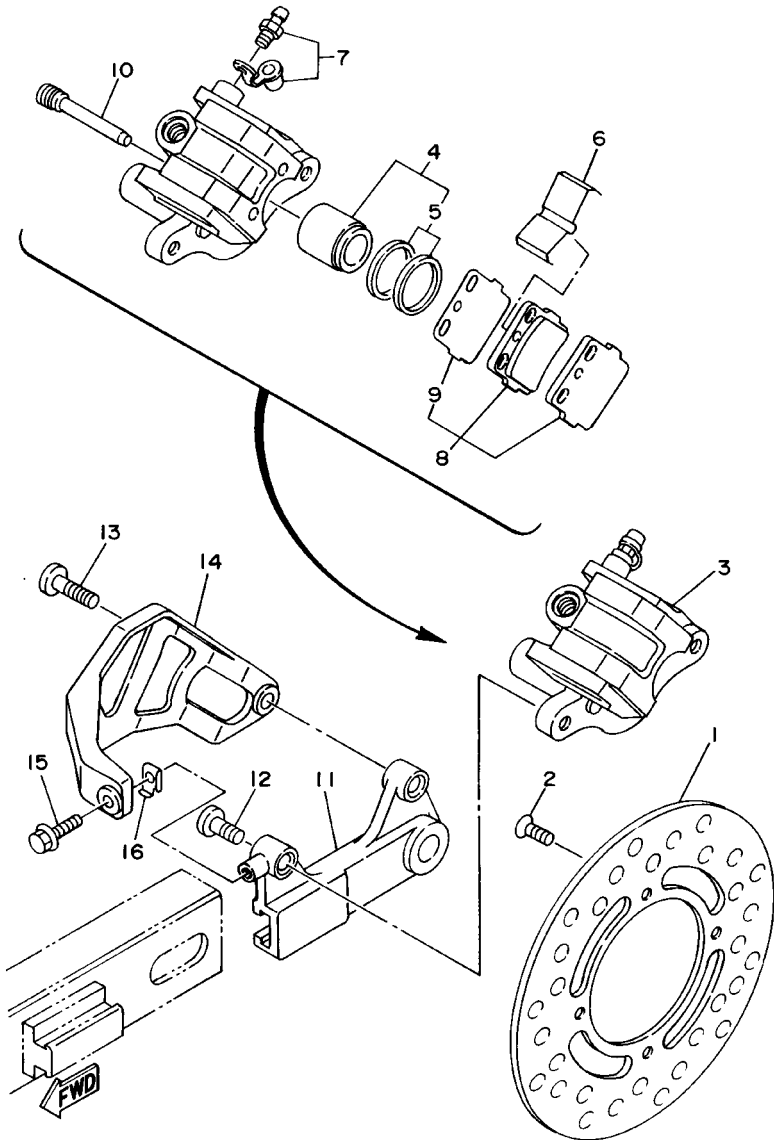
FIG. 26 REAR WHEEL



4ES1100-3260

| REF. NO. | PART NO. | DESCRIPTION | 4ES9 | 4GTG | 4LC7 | 4LBE | REMARKS |
|----------|--------------|-----------------------|------|------|------|------|---------|
| 18 | 95607-14200 | NUT, SELF-LOCKING | 1 | 1 | 1 | 1 | |
| 19 | 4ES-25388-00 | PULLER, CHAIN 1 | 2 | 2 | 2 | 2 | |
| 20 | 90201-161R1 | WASHER, PLATE | 2 | 2 | 2 | 2 | |
| 21 | 90101-08475 | BOLT | 2 | 2 | 2 | 2 | |
| 22 | 95307-08700 | NUT | 2 | 2 | 2 | 2 | |
| 23 | 4ES-25383-10 | COLLAR, WHEEL | 2 | 2 | 2 | 2 | |
| 24 | 9Y581-58117 | CHAIN (DID428G2 118L) | 1 | 1 | | | |
| | 9Y581-58119 | CHAIN (DID428G2 120L) | | | 1 | | |
| | 94581-58120 | CHAIN (DID428G2 120L) | | | | 1 | |
| 25 | 94681-58001 | JOINT, CHAIN | 1 | 1 | 1 | 1 | |

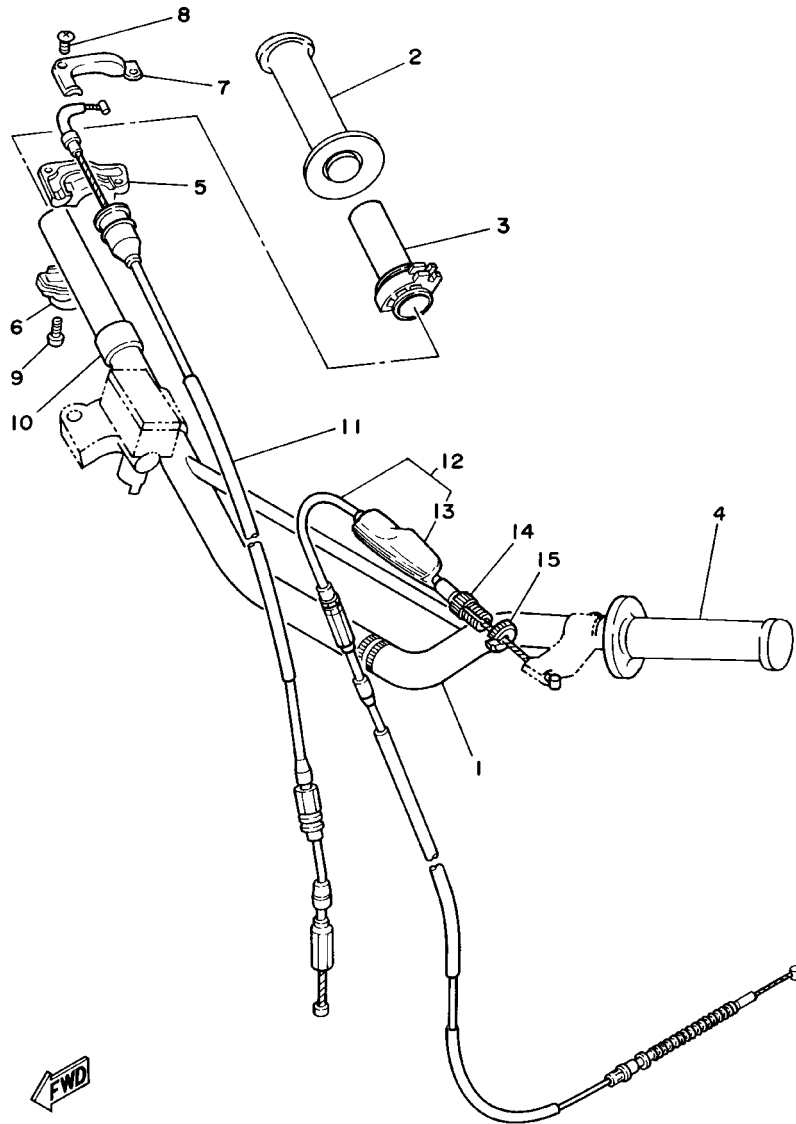
FIG. 27 REAR BRAKE CALIPER



4ES1100-3270

| REF. NO. | PART NO. | DESCRIPTION | 4ES9 | 4GTG | 4LC7 | 4LBE | REMARKS |
|----------|--------------|---------------------------|------|------|------|------|---------|
| 1 | 4ES-2582W-00 | DISC, REAR BRAKE 2 | 1 | 1 | 1 | 1 | |
| 2 | 90149-06327 | SCREW | 4 | 4 | 4 | 4 | |
| 3 | 4ES-2580W-00 | CALIPER ASSY, REAR 2 | 1 | 1 | 1 | 1 | |
| 4 | 4ES-W0057-00 | .PISTON ASSY, CALIPER | 1 | 1 | 1 | 1 | |
| 5 | 4ES-W0047-00 | ..CALIPER SEAL KIT | 1 | 1 | 1 | 1 | |
| 6 | 1UY-25919-51 | .SUPPORT, PAD | 1 | 1 | 1 | 1 | |
| 7 | 1UY-W0048-50 | .BLEED SCREW KIT | 1 | 1 | 1 | 1 | |
| 8 | 4ES-W0046-50 | .BRAKE PAD KIT 2 | 1 | 1 | 1 | 1 | |
| 9 | 3GD-25827-00 | ..SHIM, CALIPER | 1 | 1 | 1 | 1 | |
| 10 | 3GD-25933-00 | .PIN, PAD | 2 | 2 | 2 | 2 | |
| 11 | 4ES-25920-00 | SUPT. BRKT. ASSY. | 1 | 1 | 1 | 1 | |
| 12 | 90110-08096 | BOLT, HEXAGON SOCKET HEAD | 1 | 1 | 1 | 1 | |
| 13 | 90109-08718 | BOLT | 1 | 1 | 1 | 1 | |
| 14 | 4ES-27491-00 | PROTECTOR | 1 | 1 | 1 | 1 | |
| 15 | 95027-06012 | BOLT, FLANGE | 1 | 1 | 1 | 1 | |
| 16 | 4ES-27114-00 | STOPPER, MAIN STAND | 1 | 1 | 1 | 1 | |
| | | | | | | | |
| | | | | | | | |
| | | | | | | | |
| | | | | | | | |

FIG. 28 STEERING HANDLE. CABLE

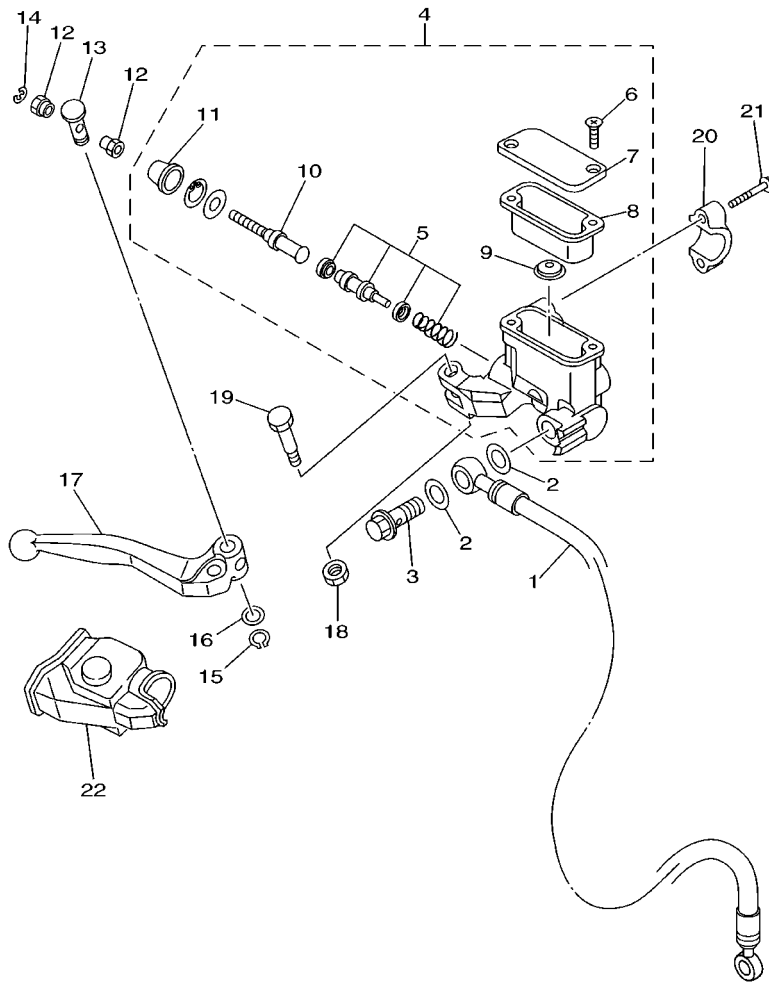


| REF. NO. | PART NO. | DESCRIPTION | 4ES9 | 4GTG | 4LC7 | 4LBE | REMARKS |
|----------|--------------|------------------------|------|------|------|------|---------|
| 1 | 4ES-26111-30 | HANDLEBAR | 1 | 1 | 1 | 1 | |
| 2 | 4GY-26242-00 | GRIP (RIGHT) | 1 | 1 | 1 | 1 | |
| 3 | 22W-26243-00 | TUBE, THROTTLE GUIDE | 1 | 1 | 1 | 1 | |
| 4 | 4GY-26241-00 | GRIP (LEFT) | 1 | 1 | 1 | 1 | |
| 5 | 5X2-26281-00 | CAP, GRIP UPPER | 1 | 1 | 1 | 1 | |
| 6 | 322-26282-00 | CAP, GRIP LOWER | 1 | 1 | 1 | 1 | |
| 7 | 5X2-2628H-01 | CAP, WIRE | 1 | 1 | 1 | 1 | |
| 8 | 98707-04012 | SCREW, FLAT HEAD | 2 | 2 | 2 | 2 | |
| 9 | 98507-05016 | SCREW, PAN HEAD | 2 | 2 | 2 | 2 | |
| 10 | 90387-220G4 | COLLAR | 1 | 1 | 1 | 1 | |
| 11 | 4ES-26311-01 | CABLE, THROTTLE 1 | 1 | 1 | 1 | 1 | |
| 12 | 4ES-26335-11 | CABLE, CLUTCH | 1 | 1 | 1 | 1 | |
| 13 | 498-26372-00 | .COVER, HANDLE LEVER 1 | 1 | 1 | 1 | 1 | |
| 14 | 90123-08046 | BOLT | 1 | 1 | 1 | 1 | |
| 15 | 90179-08148 | NUT | 1 | 1 | 1 | 1 | |



4ES6100-7280

FIG. 29 FRONT MASTER CYLINDER

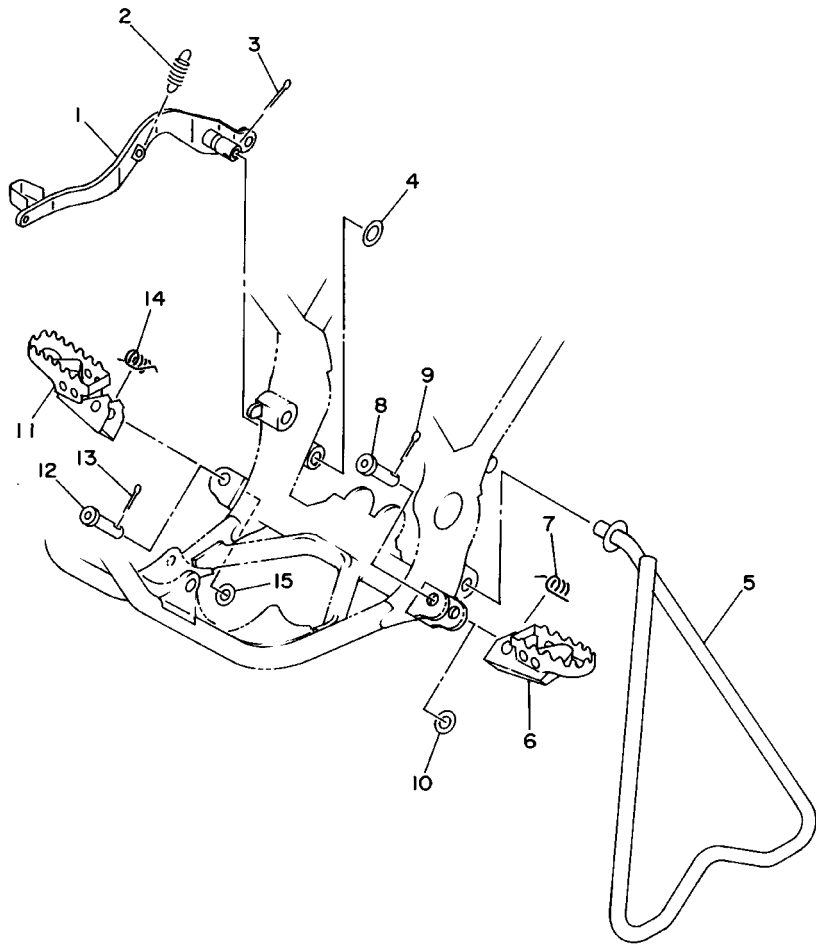


| REF. NO. | PART NO. | DESCRIPTION | 4ES9 | 4GTG | 4LC7 | 4LBE | REMARKS |
|----------|--------------|--------------------------|------|------|------|------|---------|
| 1 | 4ES-25872-02 | HOSE, BRAKE 1 | 1 | 1 | 1 | 1 | |
| 2 | 90201-10118 | WASHER, PLATE | 4 | 4 | 4 | 4 | |
| 3 | 90401-10168 | BOLT, UNION | 2 | 2 | 2 | 2 | |
| 4 | 4SS-W2587-01 | MASTER CYLINDER SUB ASSY | 1 | 1 | 1 | 1 | |
| 5 | 4SS-W0041-00 | .CYLINDER KIT, MASTER | 1 | 1 | 1 | 1 | |
| 6 | 98706-04012 | .SCREW, FLAT HEAD | 2 | 2 | 2 | 2 | |
| 7 | 4SS-25852-00 | .CAP, RESERVOIR | 1 | 1 | 1 | 1 | |
| 8 | 4SS-25854-00 | .DIAPHRAGM, RESERVOIR | 1 | 1 | 1 | 1 | |
| 9 | 4SS-25889-00 | .SEPARATOR ASSY | 1 | 1 | 1 | 1 | |
| 10 | 4SS-25880-00 | .PUSH ROD COMP. | 1 | 1 | 1 | 1 | |
| 11 | 4SS-25868-00 | .BOOT, MASTER CYLINDER | 1 | 1 | 1 | 1 | |
| 12 | 4SS-2538E-00 | NUT, ADJUSTING | 2 | 2 | 2 | 2 | |
| 13 | 4SS-83913-00 | COLLAR, LEVER 1 | 1 | 1 | 1 | 1 | |
| 14 | 3YX-25866-10 | CIRCLIP | 1 | 1 | 1 | 1 | |
| 15 | 4SS-25866-00 | CIRCLIP | 1 | 1 | 1 | 1 | |
| 16 | 4SS-2583G-00 | WASHER | 1 | 1 | 1 | 1 | |
| 17 | 4SS-83922-01 | LEVER 2 | 1 | 1 | 1 | 1 | |
| 18 | 95606-06100 | NUT, U | 1 | 1 | 1 | 1 | |
| 19 | 4SS-2589F-00 | BOLT, LEVER | 1 | 1 | 1 | 1 | |
| 20 | 3YK-25867-00 | BRACKET, MASTER CYLINDER | 1 | 1 | 1 | 1 | |
| 21 | 4SS-25833-00 | BOLT, FITTING | 2 | 2 | 2 | 2 | |
| 22 | 4SS-26372-00 | COVER, HANDLE LEVER 1 | 1 | 1 | 1 | 1 | |



4GTF700-0290

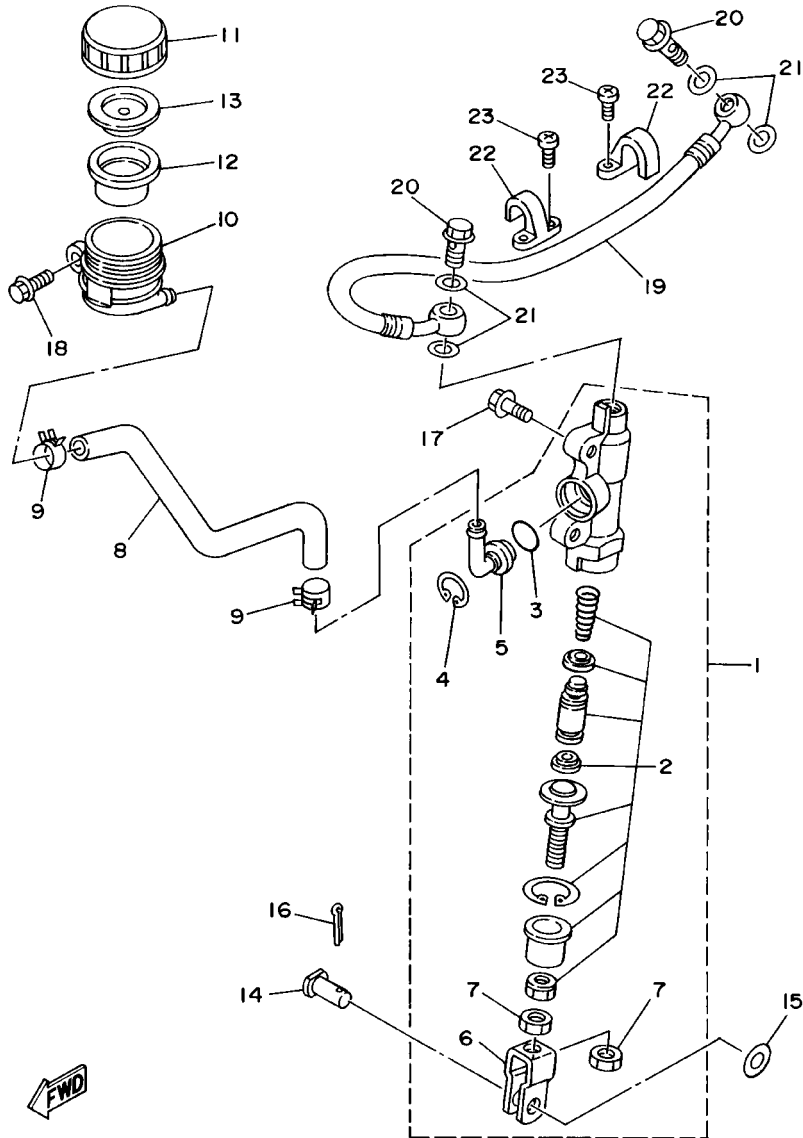
FIG. 30 STAND, FOOTREST



| REF. NO. | PART NO. | DESCRIPTION | 4ES9 | 4GTG | 4LC7 | 4LBE | REMARKS |
|----------|--------------|-----------------|------|------|------|------|---------|
| 1 | 4ES-27211-00 | PEDAL, BRAKE | 1 | 1 | 1 | 1 | |
| 2 | 90506-15480 | SPRING, TENSION | 1 | 1 | 1 | 1 | |
| 3 | 91401-20025 | PIN, COTTER | 1 | 1 | 1 | 1 | |
| 4 | 90201-15700 | WASHER, PLATE | 1 | 1 | 1 | 1 | |
| 5 | 4ES-27311-00 | STAND, SIDE | 1 | 1 | | | |
| | 4LB-27311-00 | STAND, SIDE | | | 1 | 1 | |
| 6 | 4DA-27411-00 | FOOTREST 1 | 1 | 1 | 1 | 1 | |
| 7 | 90508-28777 | SPRING, TORSION | 1 | 1 | 1 | 1 | |
| 8 | 90240-10117 | PIN, CLEVIS | 1 | 1 | 1 | 1 | |
| 9 | 91401-25015 | PIN, COTTER | 1 | 1 | 1 | 1 | |
| 10 | 90201-10119 | WASHER, PLATE | 1 | 1 | 1 | 1 | |
| 11 | 4DA-27421-00 | FOOTREST 2 | 1 | 1 | 1 | 1 | |
| 12 | 90240-10117 | PIN, CLEVIS | 1 | 1 | 1 | 1 | |
| 13 | 91401-25015 | PIN, COTTER | 1 | 1 | 1 | 1 | |
| 14 | 90508-28777 | SPRING, TORSION | 1 | 1 | 1 | 1 | |
| 15 | 90201-10119 | WASHER, PLATE | 1 | 1 | 1 | 1 | |
| | | | | | | | |
| | | | | | | | |
| | | | | | | | |


4ES1100-3300

FIG. 31 REAR MASTER CYLINDER

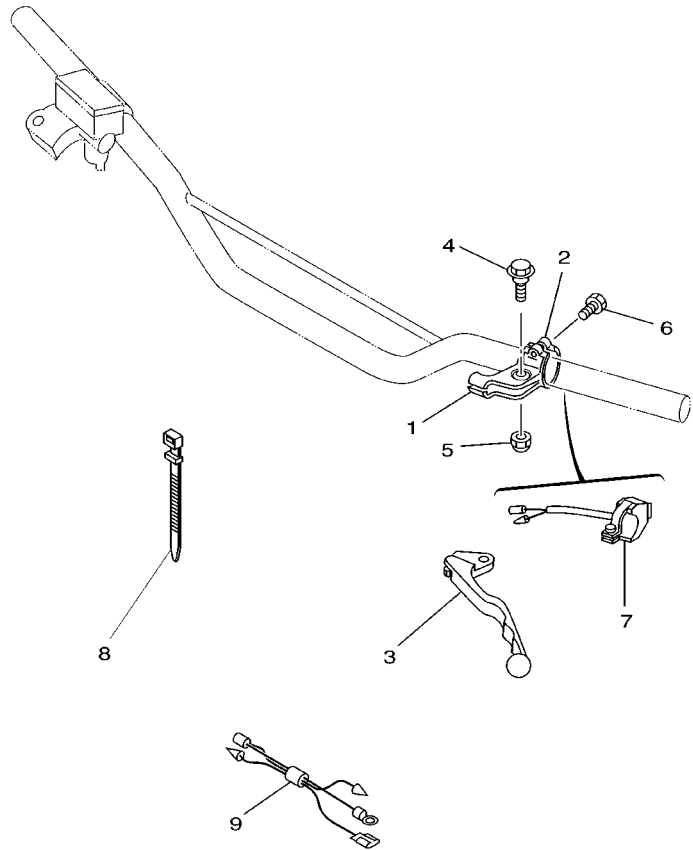


FWD
4ES1100-3310

| REF. NO. | PART NO. | DESCRIPTION | 4ES9 | 4GTG | 4LC7 | 4LBE | REMARKS |
|----------|--------------|---------------------------|------|------|------|------|---------|
| 1 | 4ES-2583V-00 | RR. MASTER CYLINDER ASSY. | 1 | 1 | 1 | 1 | |
| 2 | 1FK-W0042-50 | .CYLINDER KIT, MASTER | 1 | 1 | 1 | 1 | |
| 3 | 93210-15620 | .O-RING | 1 | 1 | 1 | 1 | |
| 4 | 2VN-25866-00 | .CIRCLIP | 1 | 1 | 1 | 1 | |
| 5 | 2VN-2582A-50 | .JOINT | 1 | 1 | 1 | 1 | |
| 6 | 2YK-27222-00 | .JOINT | 1 | 1 | 1 | 1 | |
| 7 | 95307-08600 | .NUT | 2 | 2 | 2 | 2 | |
| 8 | 4ES-25895-00 | HOSE, RESERVOIR | 1 | 1 | 1 | 1 | |
| 9 | 90467-11044 | CLIP | 2 | 2 | 2 | 2 | |
| 10 | 4EW-25894-00 | TANK, RESERVOIR | 1 | 1 | 1 | 1 | |
| 11 | 3XP-25852-50 | CAP, RESERVOIR | 1 | 1 | 1 | 1 | |
| 12 | 2VN-25854-00 | DIAPHRAGM, RESERVOIR | 1 | 1 | 1 | 1 | |
| 13 | 2VN-25855-00 | BUSH,DIAPHRAGM | 1 | 1 | 1 | 1 | |
| 14 | 90240-08124 | PIN, CLEVIS | 1 | 1 | 1 | 1 | |
| 15 | 90201-08083 | WASHER, PLATE | 1 | 1 | 1 | 1 | |
| 16 | 91401-16012 | PIN, COTTER | 1 | 1 | 1 | 1 | |
| 17 | 95027-06016 | BOLT, FLANGE | 2 | 2 | 2 | 2 | |
| 18 | 95027-06012 | BOLT, FLANGE | 1 | 1 | 1 | 1 | |
| 19 | 4ES-25873-01 | HOSE, BRAKE 2 | 1 | 1 | | | |
| | 4LB-25873-01 | HOSE, BRAKE 2 | | | 1 | 1 | |
| 20 | 90401-10168 | BOLT, UNION | 2 | 2 | 2 | 2 | |
| 21 | 90201-10118 | WASHER, PLATE | 4 | 4 | 4 | 4 | |
| 22 | 2VM-25876-00 | HOLDER, BRAKE HOSE 2 | 2 | 2 | 2 | 2 | |
| 23 | 97780-50510 | SCREW, TAPPING | 4 | 4 | 4 | 4 | |

D9

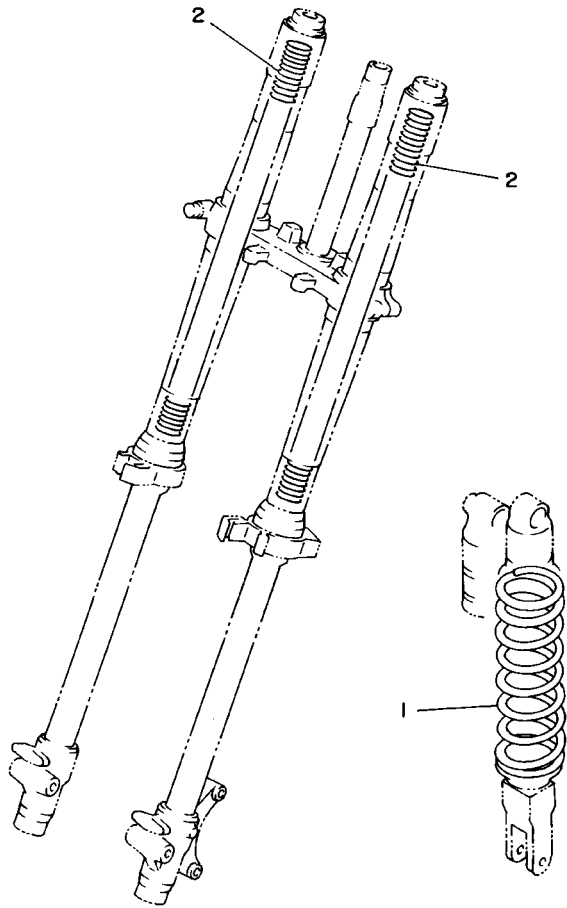
FIG. 33 HANDLE SWITCH. LEVER



| REF. NO. | PART NO. | DESCRIPTION | 4ES9 | 4GTG | 4LC7 | 4LBE | REMARKS |
|----------|--------------|-----------------------|------|------|------|------|---------|
| 1 | 38V-82911-00 | HOLDER, LEVER 1 | 1 | 1 | 1 | 1 | |
| 2 | 38V-82913-00 | HOLDER, LEVER LOWER 1 | 1 | 1 | 1 | 1 | |
| 3 | 4GY-83912-00 | LEVER 1 | 1 | 1 | 1 | 1 | |
| 4 | 90109-06799 | BOLT | 1 | 1 | 1 | 1 | |
| 5 | 95607-06100 | NUT, U | 1 | 1 | 1 | 1 | |
| 6 | 97007-05016 | BOLT | 2 | 2 | 2 | 2 | |
| 7 | 22W-83976-00 | SWITCH, HANDLE 1 | 1 | 1 | 1 | 1 | |
| 8 | 437-83936-01 | BAND, SWITCH CORD | 2 | 2 | 2 | 2 | |
| 9 | 4ES-82509-00 | WIRE, SUB LEAD | 1 | 1 | 1 | 1 | |
| | | | | | | | |
| | | | | | | | |
| | | | | | | | |
| | | | | | | | |
| | | | | | | | |
| | | | | | | | |
| | | | | | | | |


4ES6100-7330

FIG. 35 ALTERNATE (CHASSIS)



4ES1100-3350

| REF. NO. | PART NO. | DESCRIPTION | 4ES9 | 4GTG | 4LC7 | 4LBE | REMARKS |
|----------|--------------|-----------------------------|------|------|------|------|---------|
| 1 | 4ES-22212-G0 | SPRING (K=4.8) | 1 | 1 | | | AP SOFT |
| | 4ES-22212-M0 | SPRING (K=4.4) | 1 | | | | AP SOFT |
| | 4ES-22212-K0 | SPRING (K=4.6) | | | 1 | | AP SOFT |
| | 4ES-22212-F0 | SPRING (K=5.0) | | | 1 | 1 | AP SOFT |
| | 4ES-22212-H0 | SPRING (K=5.2) | 1 | 1 | | | AP HARD |
| | 4ES-22212-J0 | SPRING (K=5.4) | | | | 1 | AP HARD |
| 2 | 4ES-23141-50 | SPRING, FRONT FORK (K=0.28) | 2 | 2 | | | AP |
| | 4ES-23141-40 | SPRING, FRONT FORK (K=0.29) | | | 2 | 2 | AP |
| | 4ES-23141-60 | SPRING, FRONT FORK (K=0.30) | 2 | 2 | | | AP |
| | 4ES-23141-70 | SPRING, FRONT FORK (K=0.31) | | | 2 | 2 | AP |
| | | | | | | | |
| | | | | | | | |
| | | | | | | | |
| | | | | | | | |
| | | | | | | | |
| | | | | | | | |

FIG. 36 OPTIONAL PARTS 1

| REF. NO. | PART NO. | DESCRIPTION | 4ES9 | 4GTG | 4LC7 | 4LBE | REMARKS |
|----------|-----------------|---------------------|------|------|------|------|---------|
| 1 | 4ES-11630-01 | PISTON ASSY (STD) | 1 | | 1 | | |
| | 4GT-11630-01 | PISTON ASSY (STD) | | 1 | | 1 | |
| 2 | 4ES-11631-01-A0 | .PISTON (STD) | 1 | | 1 | | |
| | 4ES-11631-01-B0 | .PISTON (STD) | 1 | | 1 | | |
| | 4ES-11631-01-C0 | .PISTON (STD) | 1 | | 1 | | |
| | 4ES-11631-01-D0 | .PISTON (STD) | 1 | | 1 | | |
| | 4GT-11631-01-A0 | .PISTON (STD) | | 1 | | 1 | |
| | 4GT-11631-01-B0 | .PISTON (STD) | | 1 | | 1 | |
| | 4GT-11631-01-C0 | .PISTON (STD) | | 1 | | 1 | |
| | 4GT-11631-01-D0 | .PISTON (STD) | | 1 | | 1 | |
| 3 | 43K-11611-00 | .RING, PISTON | 1 | | 1 | | |
| | 4GT-11611-00 | .RING, PISTON | | 1 | | 1 | |
| 4 | 4ES-11633-00 | .PIN, PISTON | 1 | 1 | 1 | 1 | |
| 5 | 93450-16115 | .CIRCLIP | 2 | 2 | 2 | 2 | |
| 6 | 4ES-11650-01 | CONNECTING ROD ASSY | 1 | 1 | 1 | 1 | |
| 7 | 4ES-11651-01 | .ROD, CONNECTING | 1 | 1 | 1 | 1 | |
| 8 | 93310-320T3 | .BEARING | 1 | 1 | 1 | 1 | |
| 9 | 2RA-11681-00 | .PIN, CRANK 1 | 1 | 1 | 1 | 1 | |
| 10 | 90209-20159 | .WASHER | 2 | 2 | 2 | 2 | |
| 11 | 93310-214F8 | .BEARING | 1 | 1 | 1 | 1 | KOYO |

NUMERICAL INDEX

| PART NO. | GRID NO. | PART NO. | GRID NO. | PART NO. | GRID NO. | PART NO. | GRID NO. | PART NO. | GRID NO. | PART NO. | GRID NO. |
|-----------------|----------|--------------|----------|-----------------|----------|-----------------|----------|--------------|----------|--------------|----------|
| 4SS-W0041-00 | D - 7 | 4BA-12428-00 | B - 4 | 4ES-14462-00 | B - 6 | 164-17427-00-10 | B - 14 | 4ES-22212-F0 | C - 9 | 4A1-23156-00 | C - 11 |
| 1FK-W0042-50 | D - 9 | 36F-12450-00 | B - 4 | 4ES-14610-10 | B - 9 | 4ES-18101-00 | C - 3 | | D - 13 | | C - 12 |
| 4ES-W0045-20 | D - 2 | 4ES-12459-00 | B - 4 | 17W-14615-00 | B - 9 | 2HF-18110-01 | C - 3 | 4ES-22212-G0 | C - 9 | 2HH-23158-L0 | C - 11 |
| 4ES-W0046-50 | D - 5 | 4ES-12461-00 | B - 5 | 4ES-1469A-00 | B - 9 | 4BA-18140-00 | C - 3 | | D - 13 | | C - 12 |
| 4ES-W0047-00 | D - 5 | 22W-12462-00 | B - 5 | 4ES-14753-00 | B - 9 | 4ES-18511-02 | C - 2 | 4ES-22212-H0 | C - 9 | 4ES-2316A-10 | C - 11 |
| 4ES-W0047-10 | D - 2 | 22W-12463-00 | B - 5 | 565-14771-00 | B - 9 | 5R2-18512-00 | C - 2 | | D - 13 | | C - 12 |
| 1UY-W0048-50 | D - 5 | 4ES-12481-00 | B - 5 | 58T-1490J-00 | B - 7 | 4ES-18513-01 | C - 2 | 4ES-22212-J0 | D - 13 | 4LB-2316A-20 | C - 11 |
| 4ES-W0057-00 | D - 5 | 4ES-12482-00 | B - 5 | 25G-14937-00 | B - 8 | 4BA-18531-00 | C - 2 | 4ES-22212-K0 | C - 9 | | C - 12 |
| 4ES-W0057-10 | D - 2 | 4ES-13565-00 | B - 6 | 4ES-15111-00 | B - 10 | 4BA-18535-00 | C - 2 | | D - 13 | 4ES-23170-10 | C - 11 |
| 4SS-W2587-01 | D - 7 | 4ES-13610-00 | B - 6 | 4ES-15121-02 | B - 10 | 4ES-18540-00 | C - 2 | 4ES-22212-M0 | D - 13 | | C - 12 |
| 4LB-11111-00 | B - 2 | 4ES-13613-00 | B - 6 | 3Y1-15363-00 | B - 11 | 4ES-21110-02-P0 | C - 4 | 3JD-22214-00 | C - 9 | 4ES-23171-00 | C - 11 |
| 4LC-11111-00 | B - 2 | 4ES-13616-00 | B - 6 | 120-15371-00 | B - 10 | 4ES-21123-00-P2 | C - 4 | 4ES-22214-00 | C - 9 | 58T-23184-L0 | C - 9 |
| 4ES-11311-10 | B - 2 | 4ES-14101-10 | B - 7 | 4ES-15411-00 | B - 11 | 4ES-21511-20 | C - 5 | 4ES-22216-00 | C - 9 | 4V4-23194-L0 | C - 12 |
| 4GT-11311-10 | B - 2 | 31J-14103-00 | B - 7 | 4ES-15421-01 | B - 11 | 25G-21575-00 | C - 5 | 4ES-22251-00 | C - 9 | 4ES-2331E-00 | C - 12 |
| 10W-11351-00 | B - 2 | 10W-14104-00 | B - 8 | 4ES-15451-00 | B - 11 | 4ES-21611-10 | C - 5 | 3XJ-22475-00 | C - 8 | 4ES-23318-00 | C - 12 |
| 4ES-11400-02 | B - 3 | 22W-14106-00 | B - 7 | 4ES-15461-00 | B - 11 | 4ES-21642-00 | C - 5 | 4ES-23102-20 | C - 11 | 4ES-23340-00 | C - 12 |
| 4ES-11412-00 | B - 3 | 23L-14107-25 | B - 7 | 4ES-15620-00 | B - 12 | 4ES-21711-00 | C - 6 | 4LB-23102-20 | C - 11 | 4DA-23346-L0 | C - 12 |
| 4ES-11422-00 | B - 3 | 2X6-14112-25 | B - 7 | 4ES-15621-00 | B - 12 | 4EW-2172A-10 | C - 6 | 4ES-23103-20 | C - 11 | 3XJ-23357-L0 | C - 11 |
| 4GT-11611-00 | B - 3 | 2X6-14112-30 | B - 7 | 4ES-15641-00 | B - 12 | 4ES-21721-00 | C - 6 | 4LB-23103-20 | C - 11 | | C - 12 |
| | D - 14 | 2X6-14112-35 | B - 7 | 4ES-15651-00 | B - 12 | 4ES-2173E-40 | C - 6 | 4ES-23110-00 | C - 11 | 4DA-23389-00 | C - 10 |
| 43K-11611-00 | B - 3 | 3R1-14115-00 | B - 7 | 4ES-15660-00 | B - 12 | 4ES-2173F-40 | C - 6 | 4ES-23111-10 | C - 11 | 4ES-2339E-00 | C - 10 |
| | D - 14 | 2A6-14126-00 | B - 8 | 4ES-15664-00 | B - 12 | 4ES-2173L-30 | C - 6 | | C - 12 | 1J7-23415-00 | C - 10 |
| 4ES-11630-01 | D - 14 | 248-14131-00 | B - 8 | 4ES-16111-00 | B - 13 | 4ES-21731-20 | C - 6 | 3JD-2312G-L0 | C - 11 | 4ES-23435-00 | C - 10 |
| 4GT-11630-01 | D - 14 | 3R1-14141-50 | B - 7 | 4ES-16150-11 | B - 13 | 4ES-21732-00 | C - 6 | | C - 12 | 3SP-23441-00 | C - 10 |
| 4ES-11631-01-A0 | B - 3 | 3R1-14141-52 | B - 7 | 4V0-16154-00 | B - 13 | 4ES-21735-00 | C - 6 | 4ES-23120-00 | C - 11 | 4ES-23485-20 | C - 10 |
| | D - 14 | 3R1-14141-54 | B - 7 | 21V-16321-00 | B - 13 | 4DJ-2174A-00 | C - 6 | 4ES-23125-00 | C - 11 | 4ES-24110-20 | C - 13 |
| 4ES-11631-01-B0 | B - 3 | 260-14142-30 | B - 7 | 4ES-16321-00 | B - 13 | 4ES-22110-00 | C - 7 | 4ES-23136-20 | C - 11 | 4EW-2412F-00 | C - 13 |
| | D - 14 | 260-14142-32 | B - 7 | 131-16324-00 | B - 13 | 4LB-22110-00 | C - 7 | 4ES-2314F-00 | C - 12 | 24X-24144-00 | C - 13 |
| 4ES-11631-01-C0 | B - 3 | 260-14142-35 | B - 7 | 257-16324-00 | B - 13 | 4ES-22129-00 | C - 7 | 4ES-2314H-L1 | C - 12 | 22W-24181-00 | C - 6 |
| | D - 14 | 137-14143-58 | B - 7 | 2TK-16351-00 | B - 13 | 4ES-22151-10 | C - 7 | 4ES-2314J-L0 | C - 12 | 3Y0-24183-00 | C - 13 |
| 4ES-11631-01-D0 | B - 3 | 137-14143-60 | B - 7 | 4ES-16356-00 | B - 13 | 4ES-2217A-00 | C - 7 | 4ES-23141-40 | C - 11 | 4ES-24244-00 | C - 13 |
| | D - 14 | 137-14143-62 | B - 7 | 2RA-16357-00 | B - 13 | 4ES-2217F-00 | C - 8 | | C - 12 | 4ES-24311-10 | C - 13 |
| 4GT-11631-01-A0 | B - 3 | 39K-14153-00 | B - 7 | 37F-16371-01 | B - 13 | 30X-22178-00 | C - 4 | | D - 13 | 3XJ-24380-00 | C - 13 |
| | D - 14 | 2A6-14158-00 | B - 8 | 4ES-16381-00 | B - 13 | 4ES-22178-00 | C - 4 | 4ES-23141-50 | D - 13 | 4DP-24500-00 | C - 13 |
| 4GT-11631-01-B0 | B - 3 | 3X3-14169-00 | B - 7 | 4ES-17121-01 | B - 14 | 4V4-22184-00 | C - 4 | 4ES-23141-60 | D - 13 | 4X8-24512-00 | C - 13 |
| | D - 14 | 3SB-14171-00 | B - 8 | 4ES-17131-00 | B - 14 | 39K-22199-00 | C - 7 | 4ES-23141-70 | D - 13 | 3AJ-24523-00 | C - 13 |
| 4GT-11631-01-C0 | B - 3 | 304-14184-00 | B - 7 | 4ES-17151-00 | B - 14 | 4ES-22201-30 | C - 9 | 4LB-23141-10 | C - 11 | 3AJ-24534-00 | C - 13 |
| | D - 14 | 314-14185-00 | B - 7 | 4ES-17161-00 | B - 14 | 4ES-22201-40 | C - 9 | | C - 12 | 5X7-24611-01 | C - 13 |
| 4GT-11631-01-D0 | B - 3 | 127-14186-00 | B - 7 | 4ES-17211-01 | B - 14 | 4ES-22201-60 | C - 9 | 3GM-23142-00 | C - 11 | 5X7-24612-00 | C - 13 |
| | D - 14 | 10V-14196-00 | B - 7 | 4ES-17221-01 | B - 14 | 4GT-22201-10 | C - 9 | | C - 12 | 4ES-24728-00 | C - 14 |
| 4ES-11633-00 | B - 3 | 3JN-14196-00 | B - 8 | 4ES-17231-01 | B - 14 | 4LB-22201-50 | C - 9 | 4ES-23142-00 | C - 11 | 4ES-24731-40 | C - 14 |
| | D - 14 | 3Y1-14197-00 | B - 8 | 4ES-17241-00 | B - 14 | 4LB-22201-60 | C - 9 | | C - 12 | 4ES-24770-40 | C - 14 |
| 4ES-11650-01 | D - 14 | 4ES-14411-01 | B - 6 | 4ES-17251-00 | B - 14 | 4ES-22210-C0 | C - 9 | 4ES-23144-00 | C - 11 | 4ES-25104-20 | C - 15 |
| 4ES-11651-01 | B - 3 | 4ES-14417-00 | B - 6 | 4ES-17261-01 | B - 14 | 4ES-22210-D0 | C - 9 | | C - 12 | 4LB-25104-00 | C - 15 |
| | D - 14 | 4ES-14451-00 | B - 6 | 4ES-17411-01 | B - 14 | 4ES-22210-F0 | C - 9 | 4ES-23145-00 | C - 11 | 4ES-25111-00 | C - 15 |
| 2RA-11681-00 | B - 3 | 4ES-14453-00 | B - 6 | 4ES-17421-00 | B - 14 | 4GT-22210-40 | C - 9 | | C - 12 | 2W-25181-01 | C - 7 |
| | D - 14 | 4ES-14458-00 | B - 6 | 164-17427-00-06 | B - 14 | 4LB-22210-70 | C - 9 | 5K5-23149-00 | C - 11 | 4ES-25181-00 | C - 15 |
| 4BA-12422-00 | B - 4 | 4ES-14459-00 | B - 6 | 164-17427-00-08 | B - 14 | 4LB-22210-80 | C - 9 | | C - 12 | 4ES-25183-10 | C - 15 |

NUMERICAL INDEX

| PART NO. | GRID NO. | PART NO. | GRID NO. | PART NO. | GRID NO. | PART NO. | GRID NO. | PART NO. | GRID NO. | PART NO. | GRID NO. |
|--------------|----------|--------------|----------|-------------|----------|-------------|----------|-------------|----------|-------------|----------|
| 1T1-25194-00 | C - 15 | 4ES-25920-00 | D - 5 | 90105-10582 | C - 7 | 90201-10118 | D - 7 | 90401-10168 | D - 7 | 93109-17071 | C - 7 |
| 4ES-25304-20 | D - 2 | 56A-25926-00 | D - 2 | 90105-10614 | C - 9 | | D - 9 | | D - 9 | 93210-15620 | D - 9 |
| 4LB-25304-00 | D - 3 | 3GD-25933-00 | D - 5 | 90105-12382 | C - 7 | 90201-10119 | D - 8 | 90430-06166 | B - 4 | 93210-18288 | B - 7 |
| 4ES-25311-00 | D - 3 | 5R2-25937-00 | D - 2 | 90109-067F4 | C - 6 | 90201-10591 | D - 10 | 90430-08119 | B - 11 | 93210-19123 | B - 11 |
| 4SS-2538E-00 | D - 7 | 56A-25937-00 | D - 2 | 90109-06799 | D - 11 | 90201-12362 | C - 15 | 90445-09100 | C - 13 | 93210-371A9 | B - 9 |
| 4ES-25381-01 | D - 3 | 4ES-26111-30 | D - 6 | 90109-081G2 | D - 3 | 90201-124F8 | B - 12 | 90445-09220 | C - 13 | 93210-56459 | B - 2 |
| 4ES-25383-00 | D - 3 | 4GY-26241-00 | D - 6 | 90109-08718 | D - 5 | 90201-124G9 | C - 7 | 90446-07349 | B - 10 | 93210-84724 | B - 2 |
| 4ES-25383-10 | D - 4 | 4GY-26242-00 | D - 6 | 90109-10729 | C - 9 | 90201-12631 | B - 12 | 90450-28014 | B - 5 | 93306-00210 | D - 3 |
| 4ES-25388-00 | D - 4 | 22W-26243-00 | D - 6 | 90110-08096 | D - 5 | 90201-12749 | C - 8 | 90450-45075 | B - 6 | 93306-20120 | C - 15 |
| 1T2-25394-00 | D - 3 | 5X2-2628H-01 | D - 6 | 90116-08318 | B - 2 | 90201-15700 | D - 8 | 90450-99064 | B - 6 | 93306-20227 | D - 3 |
| 5X2-25394-00 | D - 3 | 5X2-26281-00 | D - 6 | 90116-08388 | B - 2 | 90201-161R1 | D - 4 | 90460-51059 | B - 6 | 93306-20333 | B - 14 |
| 4ES-25446-00 | D - 3 | 322-26282-00 | D - 6 | 90116-08394 | B - 2 | 90201-176L4 | B - 12 | 90464-16039 | B - 6 | 93306-20401 | B - 14 |
| 4ES-25447-20 | D - 3 | 4ES-26311-01 | D - 6 | 90119-05001 | B - 13 | 90201-203E7 | B - 14 | 90467-08002 | B - 5 | 93306-20438 | B - 3 |
| 4ES-25448-00 | D - 3 | 4ES-26335-11 | D - 6 | 90119-06063 | C - 5 | 90201-256K5 | C - 10 | 90467-10008 | C - 13 | 93306-30421 | B - 3 |
| 4ES-2580T-20 | D - 2 | 4SS-26372-00 | D - 7 | 90119-06118 | C - 4 | 90201-33299 | B - 9 | 90467-11044 | D - 9 | 93310-214F8 | B - 3 |
| 4ES-2580W-00 | D - 5 | 498-26372-00 | D - 6 | 90119-06185 | C - 5 | 90202-05193 | C - 13 | 90468-23194 | B - 12 | | D - 14 |
| 2VN-2582A-50 | D - 9 | 4ES-27114-00 | D - 5 | 90119-06217 | C - 6 | 90208-12015 | B - 13 | 90480-15528 | B - 5 | 93310-320T3 | B - 3 |
| 4ES-2582T-00 | D - 2 | 4ES-27211-00 | D - 8 | 90119-06225 | C - 14 | 90209-06096 | B - 6 | 90480-16561 | B - 9 | | D - 14 |
| 4ES-2582W-00 | D - 5 | 2YK-27222-00 | D - 9 | 90122-06038 | B - 6 | 90209-06187 | C - 5 | 90480-18411 | B - 9 | 93315-11206 | B - 13 |
| 47X-25824-00 | D - 2 | 4ES-27311-00 | D - 8 | 90123-08046 | D - 6 | 90209-20159 | B - 3 | 90480-18549 | C - 13 | 93315-21455 | C - 7 |
| 51L-25825-00 | D - 2 | 4LB-27311-00 | D - 8 | 90149-06011 | C - 13 | | D - 14 | 90501-12081 | B - 12 | 93315-31502 | B - 14 |
| 3GD-25827-00 | D - 5 | 4DA-27411-00 | D - 8 | 90149-06327 | D - 2 | 90240-08124 | D - 9 | 90501-20735 | B - 13 | 93317-11245 | B - 14 |
| 4SS-2583G-00 | D - 7 | 4DA-27421-00 | D - 8 | | D - 5 | 90240-10117 | D - 8 | 90506-15480 | D - 8 | 93317-21746 | C - 7 |
| 4ES-2583V-00 | D - 9 | 4ES-27491-00 | D - 5 | 90157-05079 | C - 10 | 90250-06013 | C - 2 | 90507-20030 | B - 9 | 93317-31771 | C - 7 |
| 4SS-25833-00 | D - 7 | 51L-28371-00 | C - 13 | 90157-06071 | B - 14 | 90267-40077 | B - 6 | 90508-242A6 | C - 3 | | C - 8 |
| 34X-25845-00 | D - 2 | 4KJ-82310-10 | D - 12 | 90176-08026 | B - 2 | 90280-03045 | B - 3 | 90508-26750 | B - 12 | 93332-00079 | C - 10 |
| 3XP-25852-50 | D - 9 | 1M1-82370-30 | D - 12 | 90179-08148 | D - 6 | 90282-05001 | B - 13 | 90508-28777 | D - 8 | 93399-99921 | C - 8 |
| 4SS-25852-00 | D - 7 | 4ES-82509-00 | D - 11 | 90179-08299 | B - 2 | 90338-10150 | C - 8 | 90508-32553 | C - 3 | 93410-20038 | B - 14 |
| 2VN-25854-00 | D - 9 | 38V-82911-00 | D - 11 | 90179-12659 | B - 13 | 90380-10218 | C - 7 | 90793-20136 | B - 2 | 93430-08007 | B - 12 |
| 4SS-25854-00 | D - 7 | 38V-82913-00 | D - 11 | 90179-22412 | C - 10 | 90380-12219 | C - 7 | 91401-16012 | D - 9 | 93440-15012 | B - 14 |
| 2VN-25855-00 | D - 9 | 4GY-83912-00 | D - 11 | 90179-25033 | C - 10 | 90381-12091 | C - 8 | 91401-20025 | D - 8 | 93440-17064 | B - 14 |
| 2VN-25866-00 | D - 9 | 4SS-83913-00 | D - 7 | 90183-06023 | C - 6 | 90385-17042 | C - 7 | 91401-25015 | D - 8 | 93440-30113 | C - 8 |
| 3YX-25866-10 | D - 7 | 4SS-83922-01 | D - 7 | 90183-06069 | C - 6 | 90387-060A3 | C - 4 | 92907-03100 | B - 6 | 93450-16115 | B - 3 |
| 4SS-25866-00 | D - 7 | 437-83936-01 | B - 5 | 90185-10110 | C - 9 | 90387-06027 | C - 13 | 92907-04100 | B - 7 | | D - 14 |
| 3YK-25867-00 | D - 7 | | D - 10 | 90185-12046 | C - 15 | 90387-0614M | B - 5 | 92907-04600 | B - 6 | 93503-16003 | B - 13 |
| 4SS-25868-00 | D - 7 | | D - 11 | 90185-12119 | C - 8 | 90387-062M9 | C - 6 | 92907-06600 | D - 10 | 93507-32009 | B - 12 |
| 4ES-25872-02 | D - 7 | 437-83936-11 | D - 12 | 90201-047A2 | B - 6 | 90387-062X0 | C - 7 | 92907-10600 | C - 9 | 93603-22028 | B - 4 |
| 4ES-25873-01 | D - 9 | 22W-83976-00 | D - 11 | 90201-060A3 | B - 9 | 90387-063G3 | B - 9 | 93101-12173 | C - 3 | 93822-12012 | B - 15 |
| 4LB-25873-01 | D - 9 | 4ES-85510-20 | D - 10 | 90201-06060 | B - 12 | 90387-064X4 | C - 5 | 93101-17062 | C - 7 | 93822-13024 | B - 15 |
| 2VM-25876-00 | D - 9 | 4ES-85540-20 | D - 12 | | B - 14 | 90387-103X9 | C - 8 | | C - 8 | 93822-14037 | B - 14 |
| 4SS-25880-00 | D - 7 | 2A7-85546-00 | D - 12 | 90201-06071 | B - 5 | 90387-105L0 | B - 9 | 93102-12224 | B - 13 | | B - 15 |
| 4SS-25889-00 | D - 7 | 4ES-85550-10 | D - 10 | | C - 13 | 90387-1200U | C - 7 | 93102-17263 | B - 12 | 93822-15065 | B - 15 |
| 4SS-2589F-00 | D - 7 | 9Y581-58117 | D - 4 | 90201-080E2 | C - 4 | 90387-124H0 | C - 15 | 93102-20009 | D - 3 | 94107-1706B | C - 15 |
| 4EW-25894-00 | D - 9 | 9Y581-58119 | D - 4 | 90201-08083 | D - 9 | 90387-126Y7 | C - 3 | 93102-20143 | B - 14 | 94107-177Y5 | C - 15 |
| 4ES-25895-00 | D - 9 | 90101-08475 | D - 4 | 90201-08087 | B - 2 | 90387-127J7 | C - 7 | 93102-20447 | B - 3 | 94107-1902L | C - 15 |
| 1UY-25919-51 | D - 5 | 90101-12755 | C - 8 | 90201-081R9 | C - 4 | 90387-127J8 | C - 7 | 93103-10147 | B - 4 | 94107-1906D | C - 15 |
| 56A-25919-00 | D - 2 | 90105-08211 | D - 2 | 90201-08512 | B - 4 | 90387-20488 | B - 13 | 93103-28126 | B - 3 | 94109-1406C | D - 3 |
| 56A-25919-10 | D - 2 | 90105-08310 | C - 7 | 90201-086P8 | D - 3 | 90387-220G4 | D - 6 | 93106-20031 | C - 15 | 94109-147Y6 | D - 3 |

NUMERICAL INDEX

| PART NO. | GRID NO. | PART NO. | GRID NO. | PART NO. | GRID NO. | PART NO. | GRID NO. | PART NO. | GRID NO. | PART NO. | GRID NO. |
|-------------|----------|-------------|----------|----------|----------|----------|----------|----------|----------|----------|----------|
| 94109-1602M | D - 3 | 95607-08200 | C - 7 | | | | | | | | |
| 94109-1606E | D - 3 | 95607-10200 | C - 7 | | | | | | | | |
| 94207-17284 | C - 15 | 95607-12200 | C - 8 | | | | | | | | |
| 94207-19290 | C - 15 | 95607-14200 | D - 4 | | | | | | | | |
| 94208-14285 | D - 3 | 95617-08100 | D - 3 | | | | | | | | |
| 94209-16291 | D - 3 | 95617-12100 | C - 7 | | | | | | | | |
| 94307-16171 | D - 3 | 95807-08035 | C - 10 | | | | | | | | |
| 94307-17166 | C - 15 | 95817-08125 | C - 4 | | | | | | | | |
| 94307-19170 | C - 15 | 95817-08135 | C - 4 | | | | | | | | |
| 94308-14165 | D - 3 | 95827-06060 | B - 4 | | | | | | | | |
| 94414-17530 | C - 15 | 97007-05016 | D - 11 | | | | | | | | |
| 94414-19521 | C - 15 | 97027-06020 | C - 3 | | | | | | | | |
| 94416-14529 | D - 3 | 97707-50014 | B - 6 | | | | | | | | |
| 94418-16522 | D - 3 | 97780-50510 | D - 9 | | | | | | | | |
| 94581-58120 | D - 4 | 97801-03008 | C - 13 | | | | | | | | |
| 94681-58001 | D - 4 | 98507-03008 | B - 6 | | | | | | | | |
| 94702-00368 | B - 2 | 98507-04018 | B - 7 | | | | | | | | |
| 95021-10040 | C - 12 | 98507-05016 | D - 6 | | | | | | | | |
| 95027-06012 | B - 9 | 98507-06016 | D - 10 | | | | | | | | |
| | B - 12 | 98507-06030 | B - 11 | | | | | | | | |
| | C - 10 | 98507-06040 | B - 10 | | | | | | | | |
| | C - 14 | 98507-06050 | B - 10 | | | | | | | | |
| | D - 5 | 98507-06060 | B - 10 | | | | | | | | |
| | D - 9 | 98706-04012 | D - 7 | | | | | | | | |
| 95027-06014 | C - 7 | 98707-04012 | D - 6 | | | | | | | | |
| 95027-06016 | C - 5 | 98707-06025 | C - 13 | | | | | | | | |
| | C - 6 | 99001-07600 | B - 4 | | | | | | | | |
| | C - 12 | 99001-10600 | C - 3 | | | | | | | | |
| | C - 13 | 99009-10400 | C - 2 | | | | | | | | |
| | D - 9 | 99009-12400 | B - 12 | | | | | | | | |
| | D - 12 | 99009-18400 | B - 15 | | | | | | | | |
| 95027-06020 | B - 6 | 99009-35500 | D - 3 | | | | | | | | |
| 95027-06025 | B - 4 | 99241-00080 | C - 5 | | | | | | | | |
| | B - 9 | 99244-00140 | C - 8 | | | | | | | | |
| 95027-06030 | B - 5 | 99530-10014 | B - 10 | | | | | | | | |
| | B - 11 | | B - 11 | | | | | | | | |
| | C - 13 | 99530-10114 | B - 2 | | | | | | | | |
| 95027-06040 | B - 11 | | | | | | | | | | |
| 95027-08012 | C - 4 | | | | | | | | | | |
| 95027-08020 | C - 4 | | | | | | | | | | |
| 95027-08030 | C - 10 | | | | | | | | | | |
| 95027-08080 | B - 11 | | | | | | | | | | |
| 95307-08600 | D - 9 | | | | | | | | | | |
| 95307-08700 | D - 4 | | | | | | | | | | |
| 95317-10600 | D - 10 | | | | | | | | | | |
| 95606-06100 | D - 7 | | | | | | | | | | |
| 95607-06100 | D - 11 | | | | | | | | | | |
| 95607-08200 | C - 4 | | | | | | | | | | |

CONTENTS

ENGINE

| | |
|--------------------------|-----|
| CYLINDER | B2 |
| CRANKSHAFT. PISTON | B3 |
| WATER PUMP | B4 |
| RADIATOR. HOSE | B5 |
| INTAKE | B6 |
| CARBURETOR | B7 |
| EXHAUST | B9 |
| CRANKCASE | B10 |
| CRANKCASE COVER 1 | B11 |
| STARTER | B12 |
| CLUTCH | B13 |
| TRANSMISSION | B14 |
| SHIFT CAM. FORK | C2 |
| SHIFT SHAFT | C3 |

CHASSIS

| | |
|------------------------------|-----|
| FRAME | C4 |
| FENDER | C5 |
| SIDE COVER | C6 |
| REAR ARM | C7 |
| REAR SUSPENSION | C9 |
| STEERING | C10 |
| FRONT FORK | C11 |
| FUEL TANK | C13 |
| SEAT | C14 |
| FRONT WHEEL | C15 |
| FRONT BRAKE CALIPER | D2 |
| REAR WHEEL | D3 |
| REAR BRAKE CALIPER | D5 |
| STEERING HANDLE. CABLE | D6 |
| FRONT MASTER CYLINDER | D7 |
| STAND. FOOTREST | D8 |

| | |
|----------------------------|-----|
| REAR MASTER CYLINDER | D9 |
| GENERATOR | D10 |
| HANDLE SWITCH. LEVER | D11 |
| ELECTRICAL 1 | D12 |
| ALTERNATE (CHASSIS) | D13 |
| OPTIONAL PARTS 1 | D14 |

INDEX

| | |
|-----------------------|----|
| NUMERICAL INDEX | M1 |
|-----------------------|----|