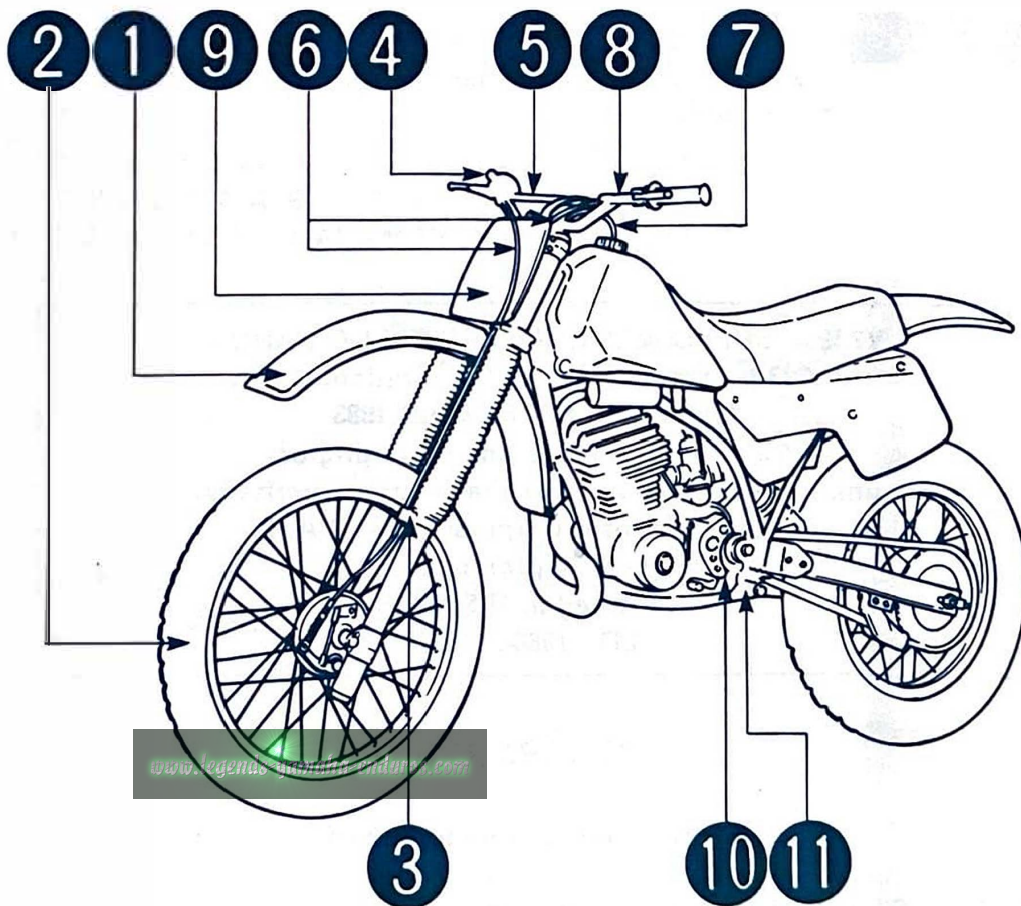




YZ490L

SUPPLEMENTARY ASSEMBLY MANUAL



FOREWORD

This Supplementary assembly manual has been prepared to introduce the setup procedures and predelivery service for the YZ490L.

For complete information, it is necessary to use the YZ/IT series Basic assembly manual (LIT-11666-03-31) together with this Supplementary assembly manual.

NOTICE

The service specifications given in this Supplementary assembly manual are based on the model as manufactured. Modifications and significant changes in specifications and/or procedures will be forwarded to Authorized Yamaha Dealers. The procedures below are described in the order that the procedures are carried out correctly and completely. Failure to do so can result in poor performance and possible harm to the machine and/or rider.

CONCERNING CRATE DAMAGE: _____

Follow the instructions in the Dealer warranty handbook, Procedure section.

Particularly important information is distinguished in this manual by the following notations:

NOTE: A NOTE provides key information to make procedure easier or clearer.

CAUTION: A CAUTION indicates special procedures that must be followed to avoid damage to the machine.

WARNING: A WARNING indicates special procedures that must be followed to avoid injury to a machine operator or person inspecting or repairing the machine.

OVERSEA'S SERVICE
OVERSEA'S OPERATION
YAMAHA MOTOR CO., LTD.

YZ490L SUPPLEMENTARY ASSEMBLY MANUAL

©1983 by Yamaha Motor Corporation, U.S.A.

1st edition, SEPTEMBER 1983

All rights reserved. Any reprinting or unauthorized use without the written permission of Yamaha Motor Corporation, U.S.A. is expressly prohibited.

Printed in U.S.A.

LIT-11666-04-25

www.legends-yamaha-enduros.com

GLOSSARY

(Symbols most commonly used)

- C: The "C" marked parts are contained in the small carton box.
- S: The "S" marked parts are contained in the styrofoam tray (Upper or Lower).
- V: The "V" marked parts are contained in the vinyl bag.
- *: The asterisk (*) parts are temporarily fitted on the machine.

SETUP PROCEDURES

NOTE: _____

Please read the following chapters in the Basic assembly manual before proceeding to the setup.

CHAPTER 1: INTRODUCTION

CHAPTER 2: SETUP AND PREDELIVERY CHECK

CHAPTER 3: TOOLS AND TORQUE SPECIFICATIONS

CHAPTER 4: CRATES

CHAPTER 5: INSTALLATION PROCEDURES

Parts list

www.legends-yamaha-enduros.com

No.	Part name	Q'ty	Locating mark	Remarks
1. Front fender F.F-A				
1	Front fender	1	S	
2	Hexagon bolt with spring washer	4	V	d = 6 mm (0.24 in), l = 20 mm (0.79 in)
3	Plain washer	4	V	d = 6 mm (0.24 in)
4	Special washer	4	V	d = 6 mm (0.24 in), D = 18 mm (0.71 in)
2. Front wheel F.W-E				
1	Front wheel	1	S	
2	Front wheel axle	1	*	d = 15 mm (0.59 in)
3	Wheel axle collar	1	V	d = 15 mm (0.59 in)
4	Brake shoe plate assembly	1	S	
5	Hexagon bolt	2	*	d = 8 mm (0.32 in), l = 30 mm (1.18 in)
6	Spring washer	2	*	d = 8 mm (0.32 in)
3. Cable holder C.H-E				
1	Cable holder	2	*	
2	Panhead screw with spring washer and plain washer	2	*	d = 6 mm (0.24 in), l = 15 mm (0.59 in)
4. Throttle grip T.G-B				
1	Throttle grip	1	*	
2	Panhead screw	2	*	d = 5 mm (0.2 in), l = 15 mm (0.59 in)
5. Handlebar H.B-B				
1	Handlebar	1	S	
2	Flange bolt	4	V	d = 8 mm (0.32 in), l = 35 mm (1.38 in)
3	Handlebar upper holder	2	V	

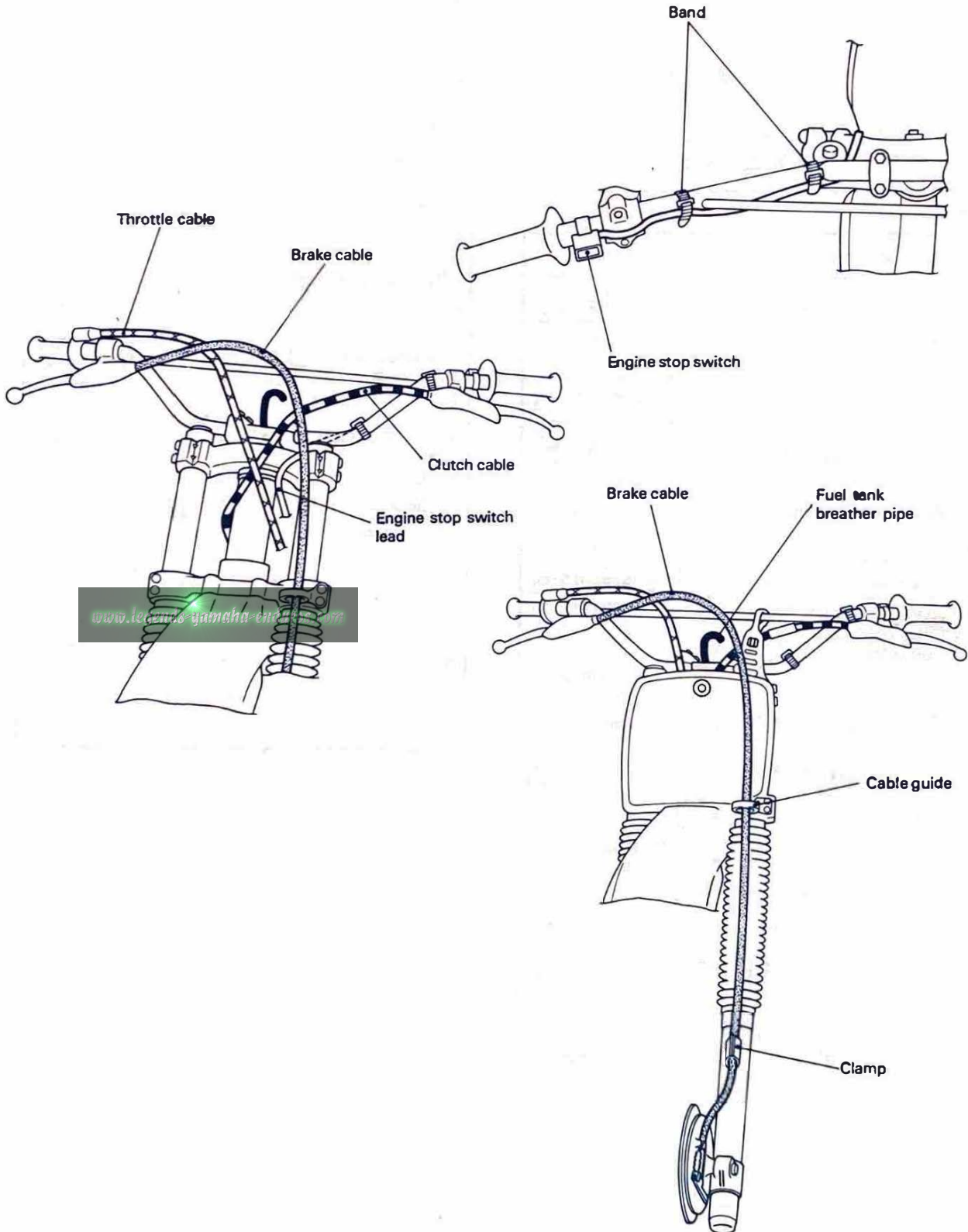
Parts list

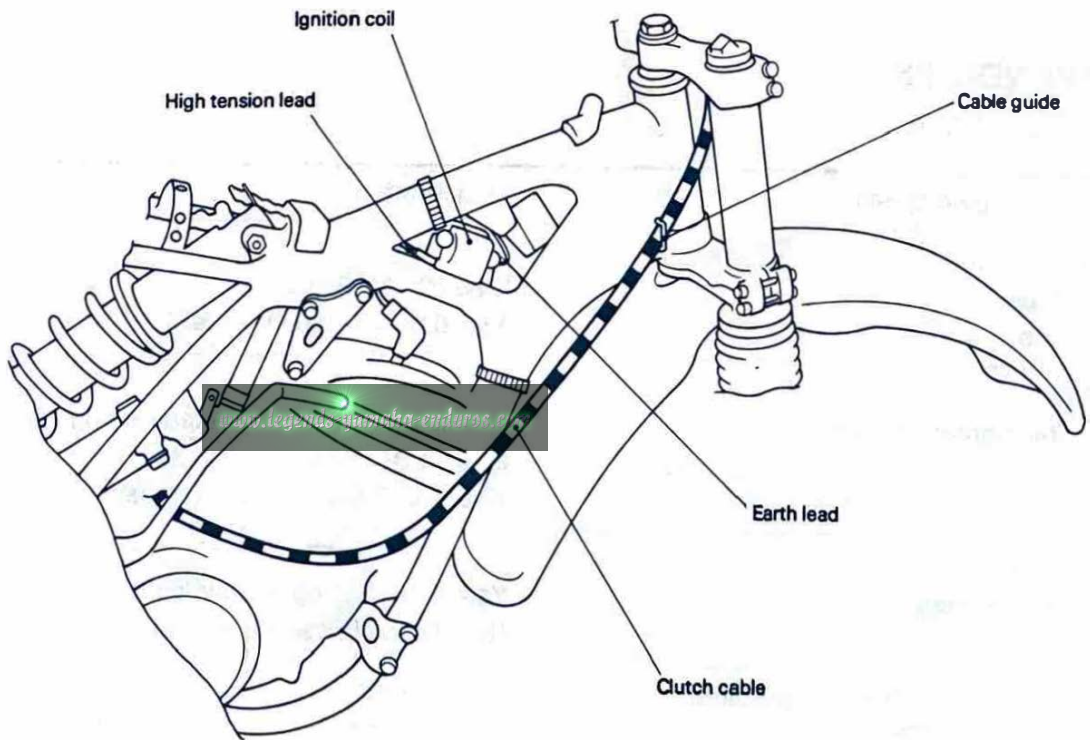
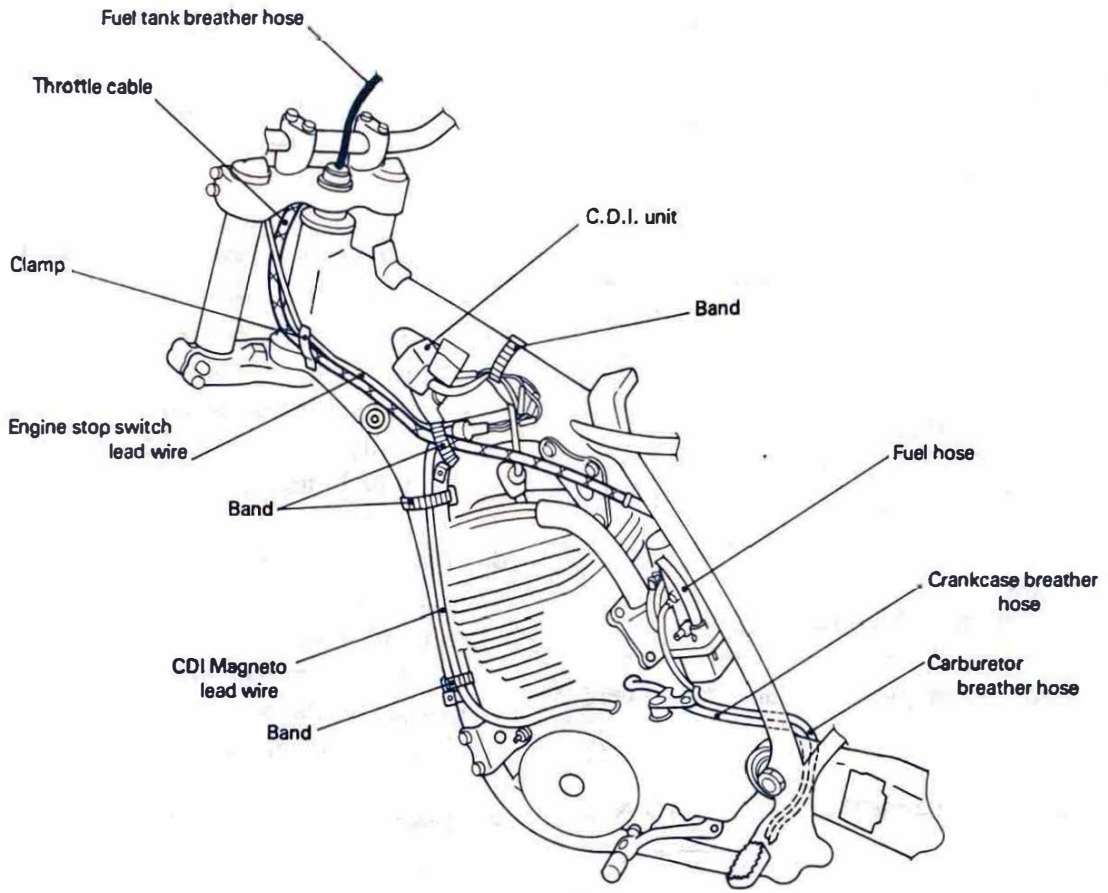
No.	Part name	Q'ty	Locating mark	Remarks
6. Clutch and brake cable B.C-A				
7. Fuel tank breather pipe F.B-F				
1	Fuel tank breather pipe	1	S	Rubber
8. Engine stop switch E.S-C				
1	Engine stop switch	1	*	
2	Panhead screw	1	V	d = 3 mm (0.12 in), l = 14 mm (0.55 in)
3	Spring washer	1	V	d = 3 mm (0.12 in)
4	Engine stop switch holder	2	V	
5	Handlebar band	2	S	Plastic
9. Number plate N.P-A				
1	Number plate	1	S	
2	Panhead screw	1	V	d = 6 mm (0.24 in), l = 16 mm (0.64 in)
3	Plain washer	1	V	d = 6 mm (0.24 in)
10. Footrest F.R-A				
1	Footrest	1	S	
2	Clevispin	1	V	d = 10 mm (0.39 in)
3	Return spring	1	V	
4	Plain washer	1	V	d = 10 mm (0.39 in), D = 16 mm (0.64 in)
5	Cotter pin	1	V	d = 2 mm (0.08 in), l = 18 mm (0.72 in)
11. Side stand S.S-B				
1	Side stand	1	S	
2	Blind plug	1	V	Rubber

CABLE ROUTING

CAUTION:

Proper cable and lead routing is essential to insure safe vehicle operation.





ADJUSTMENTS AND PREDELIVERY SERVICE

NOTE: _____

Please read the following chapter in the Basic assembly manual before proceeding to the adjustments and predelivery service.

CHAPTER 6: APPENDICES

1. Front brake adjustment **F.B-A**

Free play:
5~8 mm (0.20~0.32 in)

2. Rear brake adjustment **R.B-A**

Free play:
20~30 mm (0.8~1.2 in)

3. Rear brake pedal position adjustment

R.P-A

4. Clutch adjustment **C.A-B**

Free play:
2~3 mm (0.08~0.12 in)

5. Throttle cable adjustment **T.C-A**

Free play:
3~5 mm (0.12~0.20 in)

6. Fuel draining **F.D-A**

7. Transmission oil level check **T.L-A**

Recommended oil:
Yamalube 4-cycle oil or SAE 10W30
type SE motor oil or GL gear oil
Oil capacity (Total amount):
0.8 L (0.70 Imp qt, 0.85 US qt)

8. Transmission oil replacement **T.R-A**

Drain plug torque:
20 Nm (2.0 m·kg, 14.0 ft·lb)
Oil capacity (Periodic oil change):
0.75 L (0.66 Imp qt, 0.80 US qt)

9. Drive chain tension check **D.C-A**

Chain deflection:
20~30 mm (0.8~1.2 in)

APPENDICES

SERVICE DATA

Idling engine speed:	As desired	
Spark plug: Type Gap	N-86 (CHAMPION) 0.5~0.6 mm (0.020~0.024 in)	
Fuel: Recommended fuel Fuel tank capacity	Premium fuel with an octane rating of at least 90. (Mixing ratio, 24 : 1) 10.5 L (2.3 Imp gal, 2.8 US gal)	
Engine oil: Recommended oil	Yamalube Racing 2-cycle oil (See Owner's service manual)	
Tire pressure (Cold tire pressure):	Front 98 kPa (1.0 kg/cm ² , 14 psi)	Rear 98 kPa (1.0 kg/cm ² , 14 psi)

TORQUE SPECIFICATION CHART

Parts to be tightened	Bolt/nut size	Tightening torque		
		Nm	m · kg	ft · lb
Engine:				
Spark plug	M14 × 1.25	25	2.5	18.0
Engine oil drain bolt	M12 × 1.5	20	2.0	14.0
Change pedal	M 6 × 1.0	10	1.0	7.2
Chassis:				
Front fender (F.F-A #1)	M 6 × 1.0	5	0.5	3.6
Front wheel (F.W-E #1)	M14 × 1.5	58	5.8	42.0
Front wheel axle holder (F.W-E #2)	M 8 × 1.25	20	2.0	14.0
Handlebar (H.B-A #1)	M 8 × 1.25	23	2.3	17.0
Handle crown and inner tube	M 8 × 1.25	23	2.3	17.0
Handle crown and steering shaft	M22 × 1.0	125	12.5	90.0
Steering shaft and ring nut	M25 × 1.0	10	1.0	7.2
Engine mounting				
Engine stay (Front, upper) and frame	M 8 × 1.25	30	3.0	22.0
Engine stay (Front, upper) and engine Lower	M 8 × 1.25	30	3.0	22.0
Engine stay (Rear, upper) and frame	M 8 × 1.25	30	3.0	22.0
Engine stay (Rear, upper) and engine	M10 × 1.25	64	6.4	46.0
Rear wheel axle and nut	M18 × 1.5	105	10.5	75.0
Sprocket wheel and hub	M 8 × 1.25	30	3.0	22.0
Rear shock absorber and frame	M10 × 1.25	59	5.9	43.0
Pivot shaft and frame	M16 × 1.5	85	8.5	61.0
Camshaft lever and camshaft				
Front brake	M 6 × 1.0	10	1.0	7.2
Rear brake	M 6 × 1.0	10	1.0	7.2
"L" shape arm and rear arm	M12 × 1.25	59	5.9	43.0
"L" shape arm and rear shock absorber	M10 × 1.25	48	4.8	35.0
"L" shape arm and "I" shape arm	M10 × 1.25	48	4.8	35.0
Frame and "I" shape arm	M10 × 1.25	59	5.9	43.0

www.legends-yamaha-enduros.com

OWNER'S TOOL KIT

No.	Part name	Q'ty
1	Owner's tool bag	1
2	Spark plug wrench	1
3	Hexagon wrench (8)	1
4	Spork nipple wrench (9)	1
5	Special spanner	1
6	Air gauge	1

STANDARD EQUIPMENT

No.	Part name	Q'ty
1	Main jet (#420)	1
2	Main jet (#460)	1

www.legends-yamaha-enduros.com



YAMAHA MOTOR CO., LTD.

IWATA, JAPAN

PRINTED IN U.S.A.