

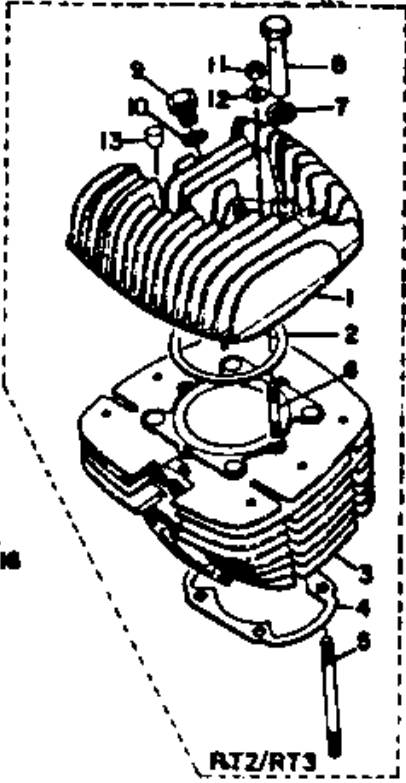
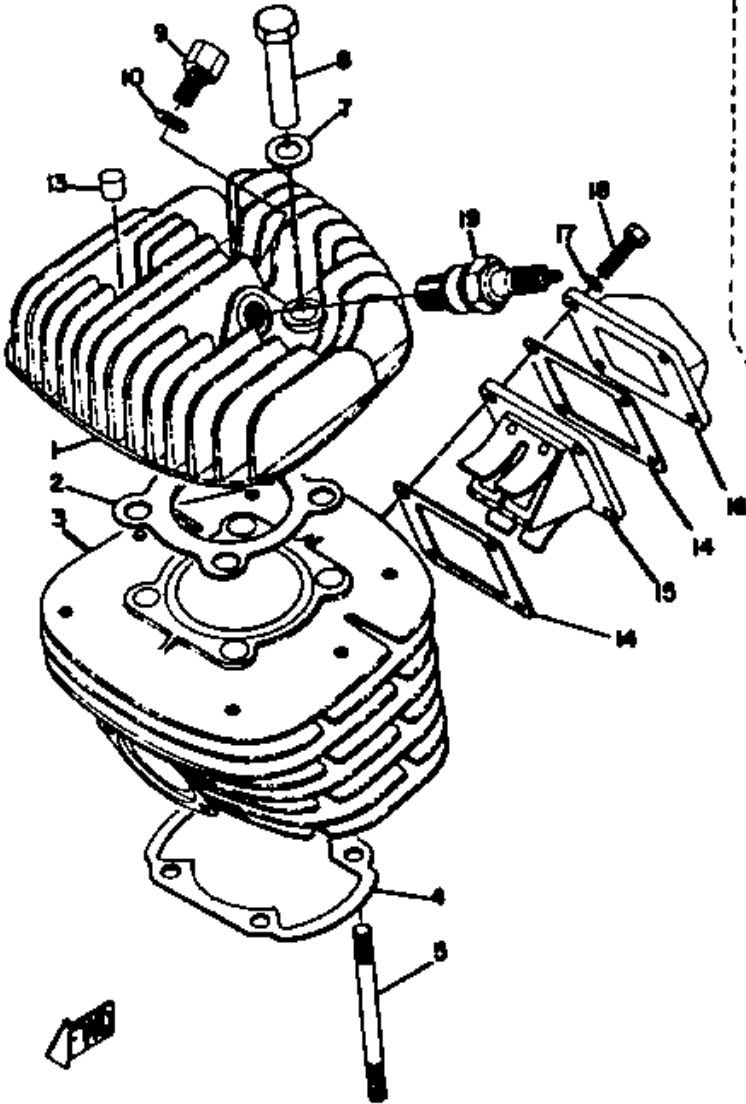
**YAMAHA**

**GENUINE**

**PARTS CATALOGUE**

**MOTORCYCLE**

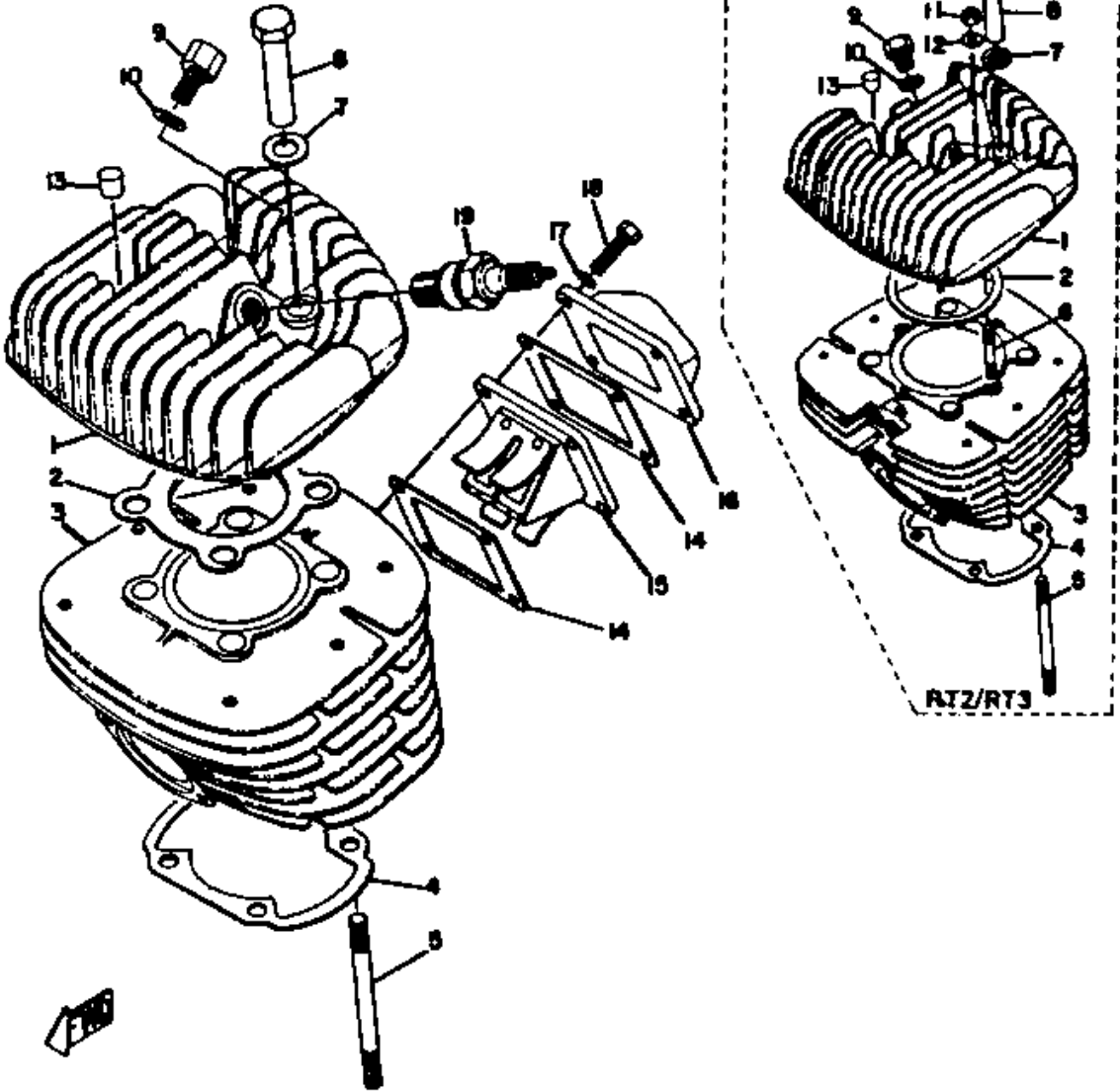
# CYLINDER HEAD - CYLINDER



Ref. No.	Part Number	Description	Qty	Remarks
1	(308-11111-00-00)	HEAD, CYLINDER 1	1	
	(311-11111-00-00)	HEAD, CYLINDER 1	1	
2	214-11181-01-00	GASKET, CYLINDER HEAD 1	1	
	90430-83065-00	GASKET (275-11181-00)	1	
3	(308-11311-02-00)	CYLINDER 1	1	
	(311-11311-01-00)	CYLINDER 1	1	
4	214-11351-00-00	GASKET, CYLINDER	1	
	275-11351-00-00	GASKET, CYLINDER	1	
5	90116-10089-00	BOLT, STUD (214-11361-00)	4	
6	90116-08054-00	BOLT, STUD (275-11179-00)	4	
7	90201-15797-00	WASHER, PLATE	4	
8	(90179-10182-00)	NUT, SPEC'L SHAPE	4	
	90179-10178-00	NUT, SPEC'L SHAPE (214-11171-00)	4	
9	90340-14022-00	PLUG, STRAIGHT SCRW (214-11197-00)	1	
10	214-11198-01-00	GASKET	1	
11	95333-08600-00	NUT	4	
12	92990-08200-00	WASHER, PLAIN	4	
13	(171-11161-00-00)	ABSORBER 1	4	
	(214-11161-00-00)	ABSORBER 1	4	
14	3TT-13621-00-00	GASKET, VALVE SEAT	2	
15	10V-13610-01-00	REED VALVE ASSEMBLY (885-13610-00)	1	
16	(311-13565-00-00)	JOINT, CARBURETOR	1	
17	92995-06100-00	WASHER, SPRING	4	
18	97011-06025-00	BOLT (97001-06025)	4	
19	NGK-B8ES0-00-00	PLUG, SPARK (NGK B8ES)	1	
	NGK-B9ES0-00-00	NGK B9ES 10PK	1	
15-1	(311-13611-00-00)	SEAT REED VALVE	1	

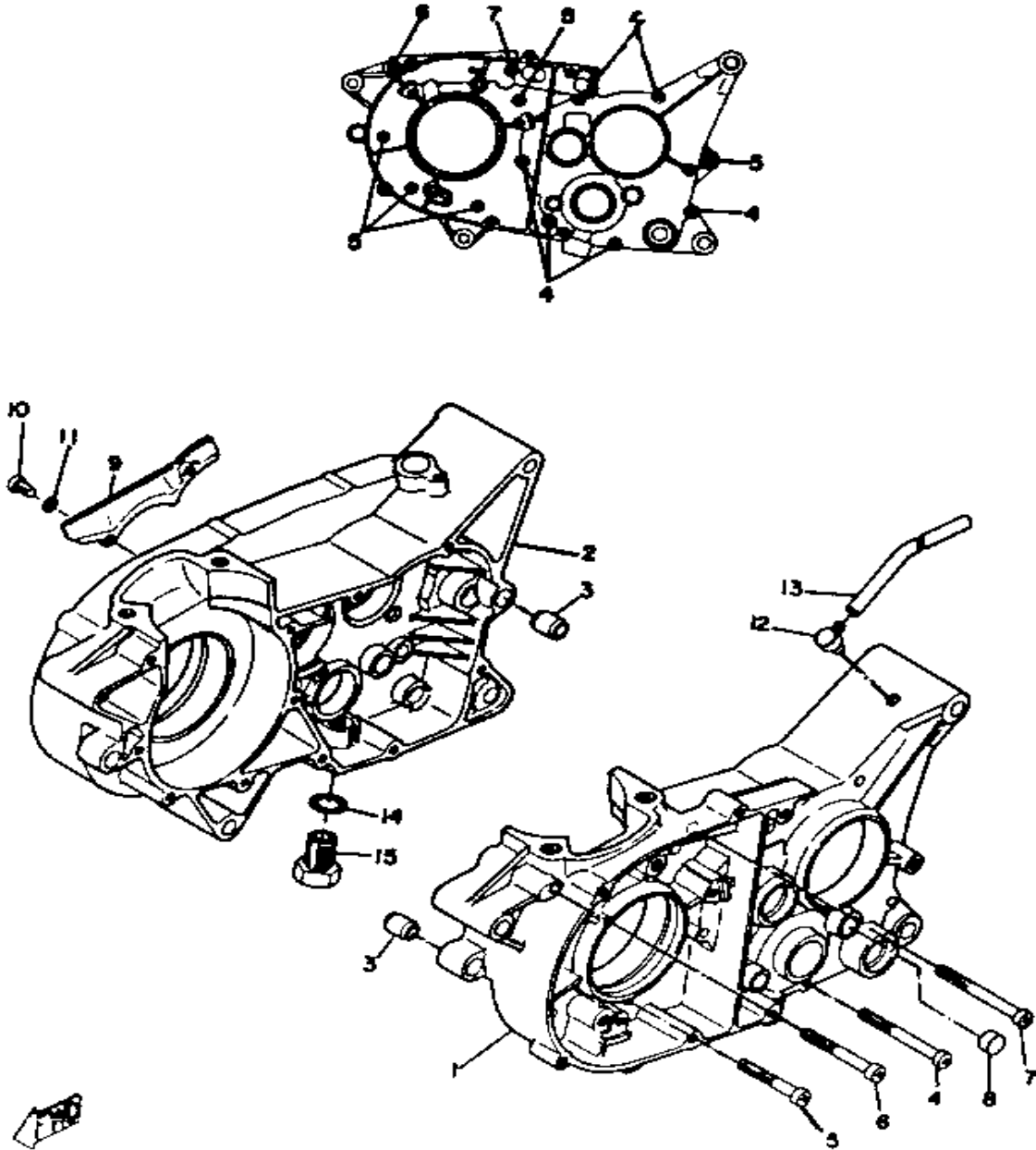
CONTINUED ON NEXT FRAME ►

# CYLINDER HEAD - CYLINDER



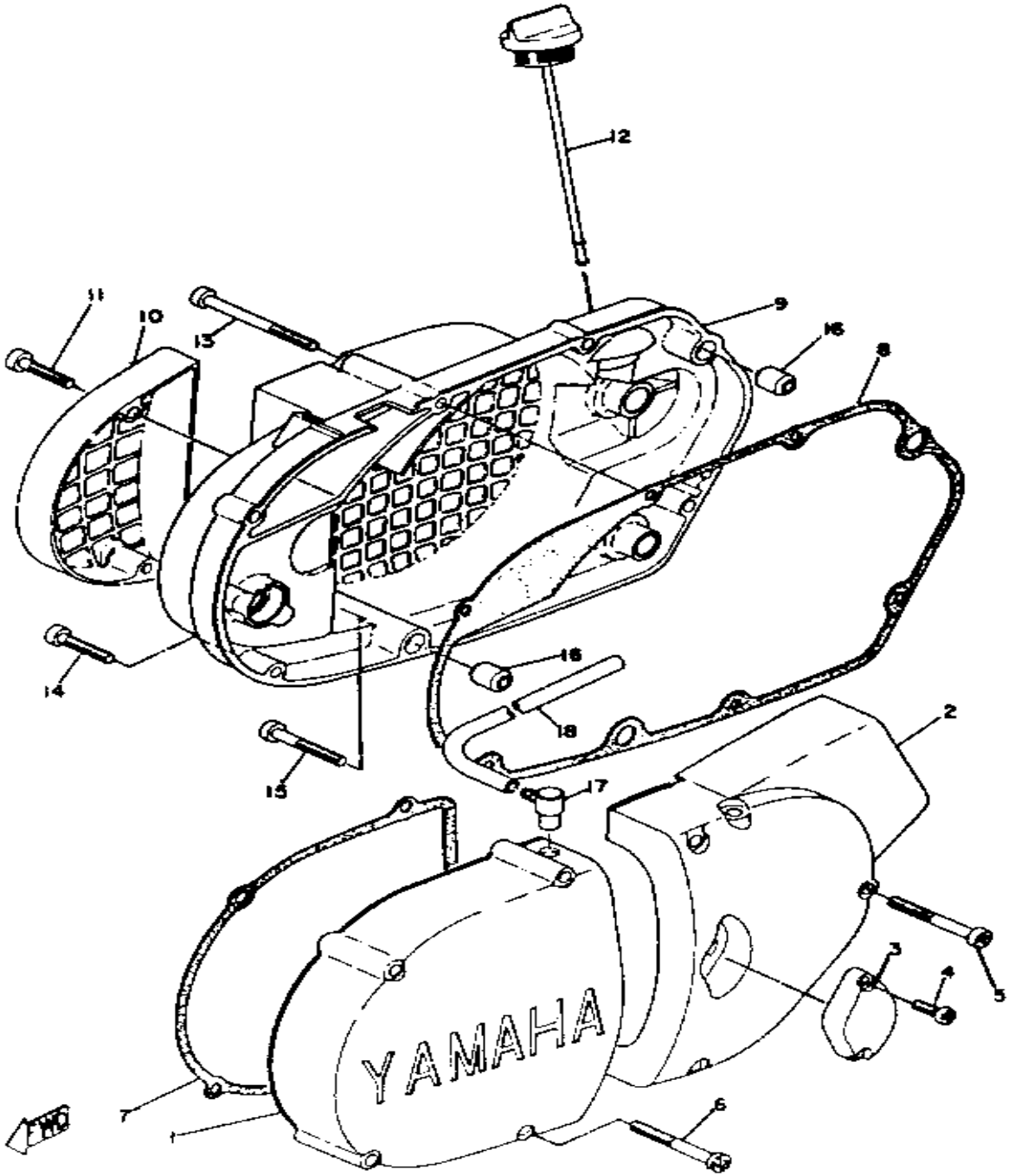
Ref. No.	Part Number	Description	Qty	Remarks
15-2	1L8-13613-00-00	REED, VALVE (311-13613-00)	1	
15-3	1UA-13616-00-00	STOPPER REED VALVE VALVE (10V-13616-01)	1	

# CRANKCASE



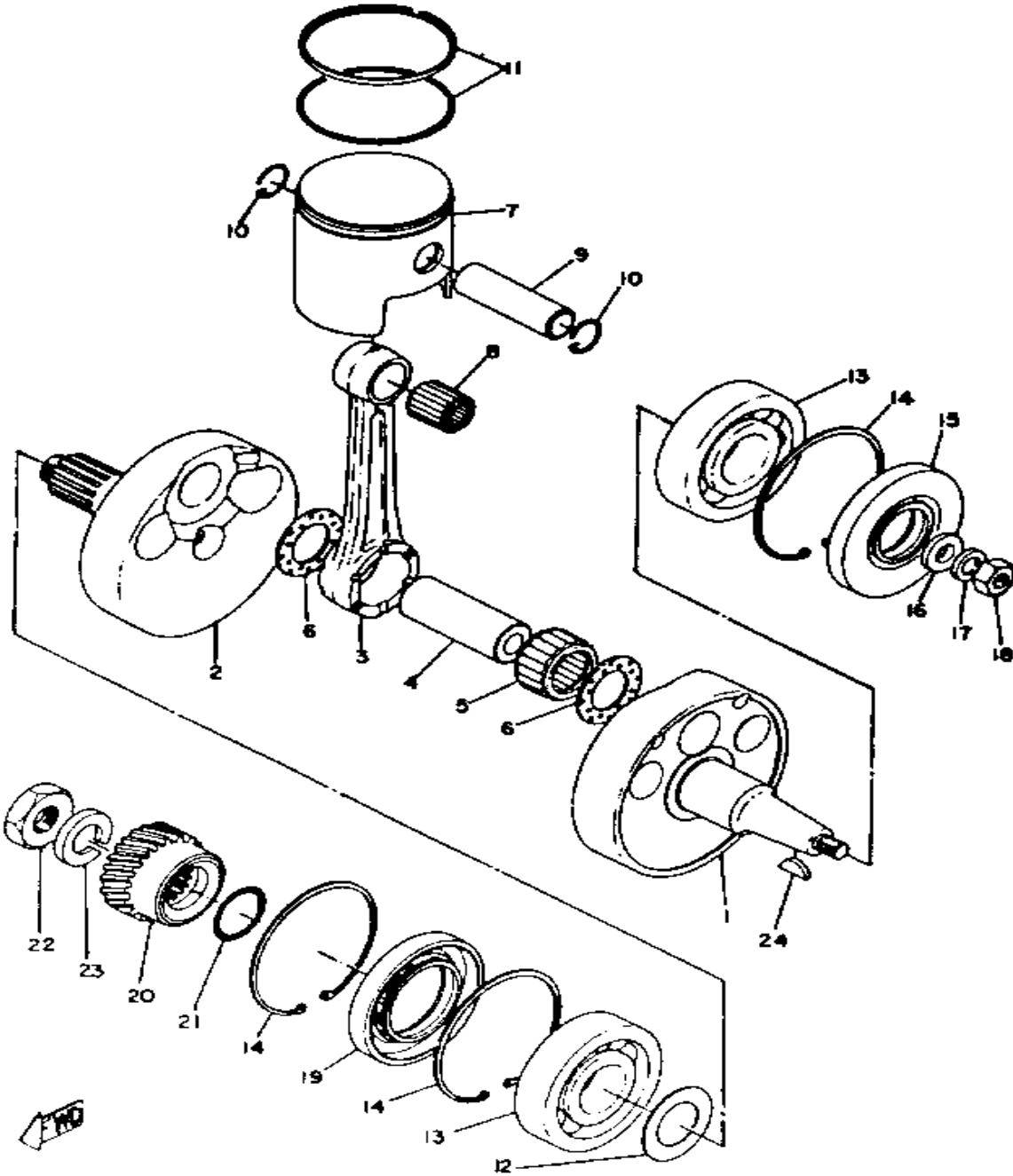
Ref. No.	Part Number	Description	Qty	Remarks
1	(275-15111-01-00)	CRANKCASE 1	1	
	(291-15111-00-00)	CRANKCASE 1	1	
2	(275-15121-01-00)	CRANKCASE 2	1	
	(291-15121-00-00)	CRANKCASE 2	1	
3	99510-12016-00	PIN, DOWEL	2	
4	98580-06565-00	SCREW, PAN HEAD (92501-06065)	6	
5	98580-06545-00	SCREW PAN HEAD (92503-06045)	5	
6	92580-06560-00	SCREW PAN HEAD	1	
7	98511-06025-00	SCREW PAN HEAD (92501-06025)	1	
	98580-06565-00	SCREW, PAN HEAD (92501-06065)	1	
8	214-15385-00-00	PLUG, BLIND	2	
9	(214-15492-00-00)	COVER	1	
10	98580-05010-00	SCREW, PAN HEAD	2	
11	92990-05100-00	WASHER, SPRING	2	
12	583-15371-00-00	BREATHER	1	
13	90446-07241-00	HOSE (3AK)	1	
14	137-15353-00-00	GASKET, DRAIN	1	
15	90109-14385-00	BOLT	1	

# CRANKCASE COVER



Ref. No.	Part Number	Description	Qty	Remarks
1	(291-15411-00-00)	COVER, CRANKCASE L	1	
2	233-15421-00-00	COVER, CRANKCASE R	1	
3	233-15417-00-00	COVER, CAP	1	
4	98580-05016-00	SCREW, PAN HEAD	2	
5	98580-06550-00	SCREW PAN HEAD (92503-06050)	3	
6	98580-06550-00	SCREW PAN HEAD (92503-06050)	4	
7	214-15451-02-00	GASKET, CRCS COVER	1	THICKNESS 0.6MM
8	308-15461-01-00	GASKET, CRCS CVR 2	1	
9	(291-15431-01-00)	COVER, CRANKCASE 3	1	
10	(291-15416-00-00)	COVER, OIL PUMP	1	
11	98580-06030-00	SCREW PAN HEAD	2	
12	278-15363-00-00	PLUG, OIL	1	
13	98580-06565-00	SCREW, PAN HEAD (92501-06065)	1	
14	98580-06030-00	SCREW PAN HEAD	5	
15	98580-06040-00	SCREW, pan head (92501-06040-00)	2	
16	99510-12016-00	PIN, DOWEL	2	
17	583-15371-00-00	BREATHER	1	
18	90446-07094-00	HOSE (5-500) (308-15373-00)	1	

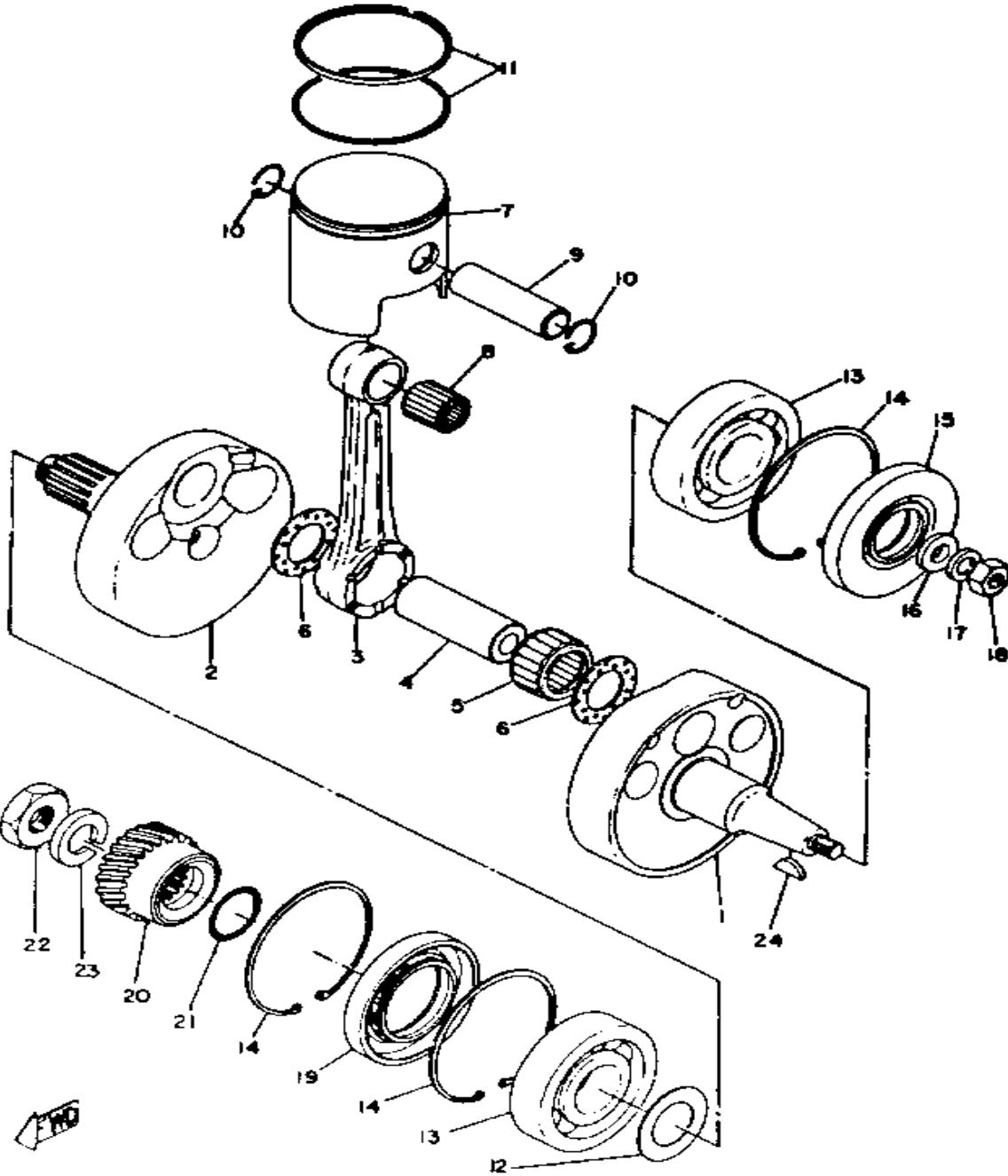
# CRANK - PISTON



Ref. No.	Part Number	Description	Qty	Remarks
1	(214-11412-01-00)	CRANK 1 .....	1	
	(214-11412-02-00)	CRANK 1 .....	1	
2	(214-11422-00-00)	CRANK 2 .....	1	
	(214-11422-01-00)	CRANK 2 .....	1	
	(275-11422-00-00)	CRANK 2 .....	1	
3	431-11651-00-00	. ROD, CONNECTING .....	1	
	510-11651-00-00	. ROD, CONNECTING .....	1	
4	214-11681-00-00	. PIN, CRANK 1 (DIA. 24MM) ..	1	
	2X4-11681-00-00	. PIN, CRANK 1 .....	1	
5	93310-425N4-00	. BEARING, CYLINDER.# 0 ...	1	
	93310-524K4-00	. BEARING .....	1	
6	90209-24073-00	. WASHER .....	2	
	90209-25085-00	. WASHER .....	2	
7	308-11631-01-96	PISTON STD (.96MM STD) ....	1	
	308-11635-01-00	PISTON 1 O/S 0.25 (0.25MM 1ST O.S) .....	1	ALTERNATE PARTS
	308-11636-01-00	PISTON 2 O/S 0.50 (0.50MM 2ND O.S) .....	1	ALTERNATE PARTS
	438-11631-01-96	PISTON STD (.96MM STD) (311-11631-00-96) .....	1	
	438-11635-01-00	PISTON 1 O/S 0.25 (0.25MM 1ST O.S) (438-11635-02) .....	1	ALTERNATE PARTS
	438-11636-01-00	PISTON 2 O/S 0.50 (0.50MM 2ND O.S) (438-11636-02) .....	1	ALTERNATE PARTS
8	93310-218A6-00	BEARING .....	1	
9	214-11633-00-00	PIN, PISTON .....	1	
	275-11633-00-00	PIN, PISTON (1W4-11633-00) ..	1	
10	93450-20026-00	CIRCLIP .....	2	
11	(308-11610-01-00)	PISTON RINGSET STD .....	1	

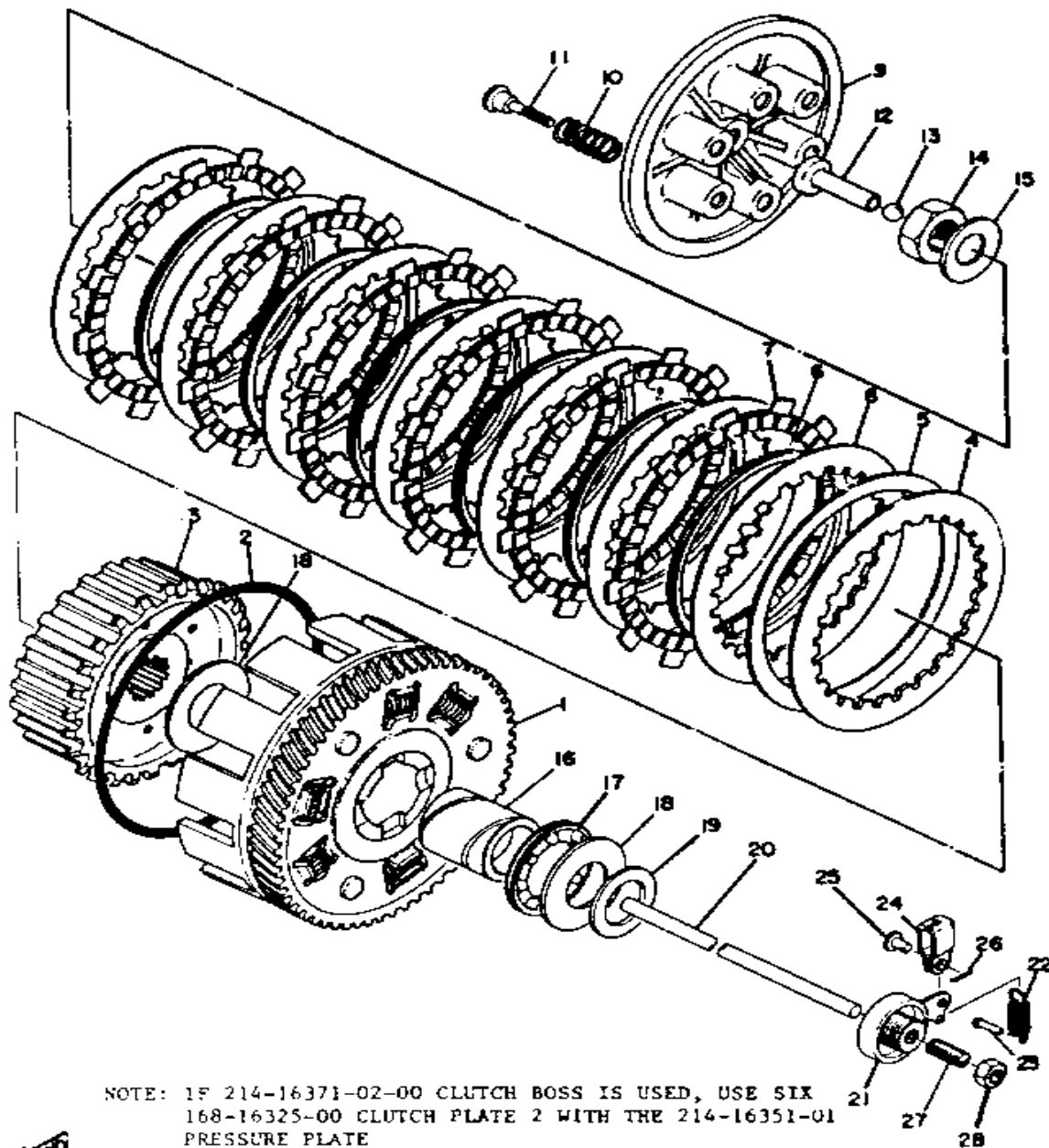
CONTINUED ON NEXT FRAME ➤

# CRANK - PISTON



Ref. No.	Part Number	Description	Qty	Remarks
11	308-11610-11-00	PISTON RINGSET 1ST (1ST O.S)	1	ALTERNATE PARTS
	308-11610-21-00	PISTON RINGSET 2ND (2ND O.S)	1	ALTERNATE PARTS
	311-11610-00-00	PISTON RINGSET STD (STD)	1	
	311-11610-10-00	PISTON RINGSET 1ST (1ST O.S)	1	ALTERNATE PARTS
	311-11610-20-00	PISTON RINGSET 2ND (2ND O.S)	1	ALTERNATE PARTS
12	156-11564-00-03	SHIM, CRANK 4 (25-44-0.3)	1	
	156-11564-00-04	SHIM, CRANK 4 (25-44-0.5)	1	
13	93306-30630-00	BEARING	2	
14	(93420-72023-00)	CIRCLIP, R-TYPE	3	
15	93103-30044-00	OIL SEAL, SW-TYPE (SW-30-72-10)	1	
16	90201-12535-00	WASHER, PLATE	1	
17	92901-12100-00	WASHER, SPRING	1	
18	90170-12347-00	NUT, HEXAGON	1	
19	93103-42045-00	OIL SEAL, SW-TYPE (SW-42-72-10)	1	
20	(214-16111-00-00)	GEAR, PRI DRIVE	1	
21	93210-25070-00	O-RING	1	
22	90170-18089-00	NUT, HEXAGON	1	
23	214-16119-00-00	SPRING, BELLEVILLE	1	
24	90280-16053-00	KEY, WOODRUFF	1	
25	90280-05014-00	KEY, WOODRUFF	1	
-1	(275-11400-00-00)	CRANKSHAFT ASSEMBLY	1	
	(311-11400-01-00)	CRANKSHAFT ASSEMBLY	1	

# CLUTCH

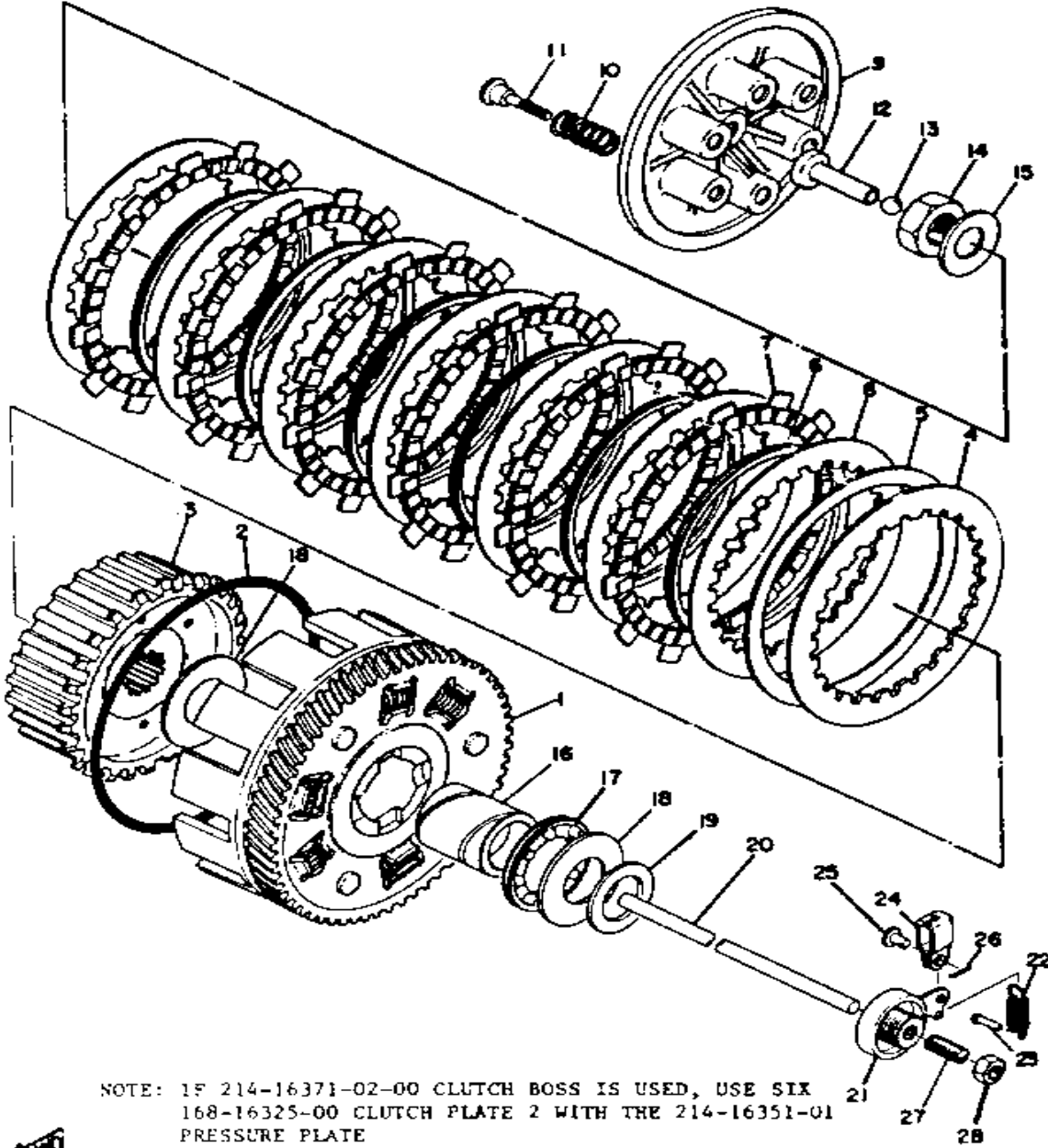


Ref. No.	Part Number	Description	Qty	Remarks
1	(214-16150-01-00)	PRI DRVN GEAR	1	
2	93211-15149-00	. O-RING	1	
3	(214-16371-02-00)	BOSS, CLUTCH	1	SEE NOTE BELOW
4	214-16324-00-00	. PLATE, CLUTCH 1	1	
5	(214-16332-00-00)	SPACER, CLUTCH SPR	1	
6	168-16367-00-00	. RING, CUSHION	6	
7	168-16367-00-00	. RING, CUSHION	7	
8	168-16321-10-00	. PLATE, FRICTION	6	
9	168-16321-10-00	. PLATE, FRICTION	7	
10	4H7-16325-00-00	. PLATE, CLUTCH 2	6	SEE NOTE BELOW
11	4H7-16325-00-00	. PLATE, CLUTCH 2	7	
12	(214-16351-01-00)	PLATE, PRESSURE 1	1	SEE NOTE BELOW
13	214-16351-00-00	. PLATE, PRESSURE 1	1	
14	90501-20124-00	. SPRING, COMPRESSION (137-16333-00)	6	
15	(90149-05147-00)	SCREW, SPECL SHAPE	6	
16	174-16356-00-00	ROD, PUSH 1	1	
17	93505-16006-00	BALL	1	
18	90170-18089-00	NUT, HEXAGON	1	
19	214-16119-00-00	SPRING, BELLEVILLE	1	
20	(214-16181-00-00)	SPACER 1	1	
21	93341-23307-00	BEARING, FLAT # 1	1	
22	170-16164-00-00	PLATE, THRUST 2	2	
23	90201-252K4-00	WASHER, PLATE	1	
24	183-16357-00-00	ROD, PUSH 2	1	
25	214-16340-00-00	PUSH LEVER ASSEMBLY	1	
26	90506-10020-00	SPRING, TENSION (137-16345-00)	1	
27	132-16346-00-00	HOOK, SPRING	1	
28				

CONTINUED ON NEXT FRAME ►

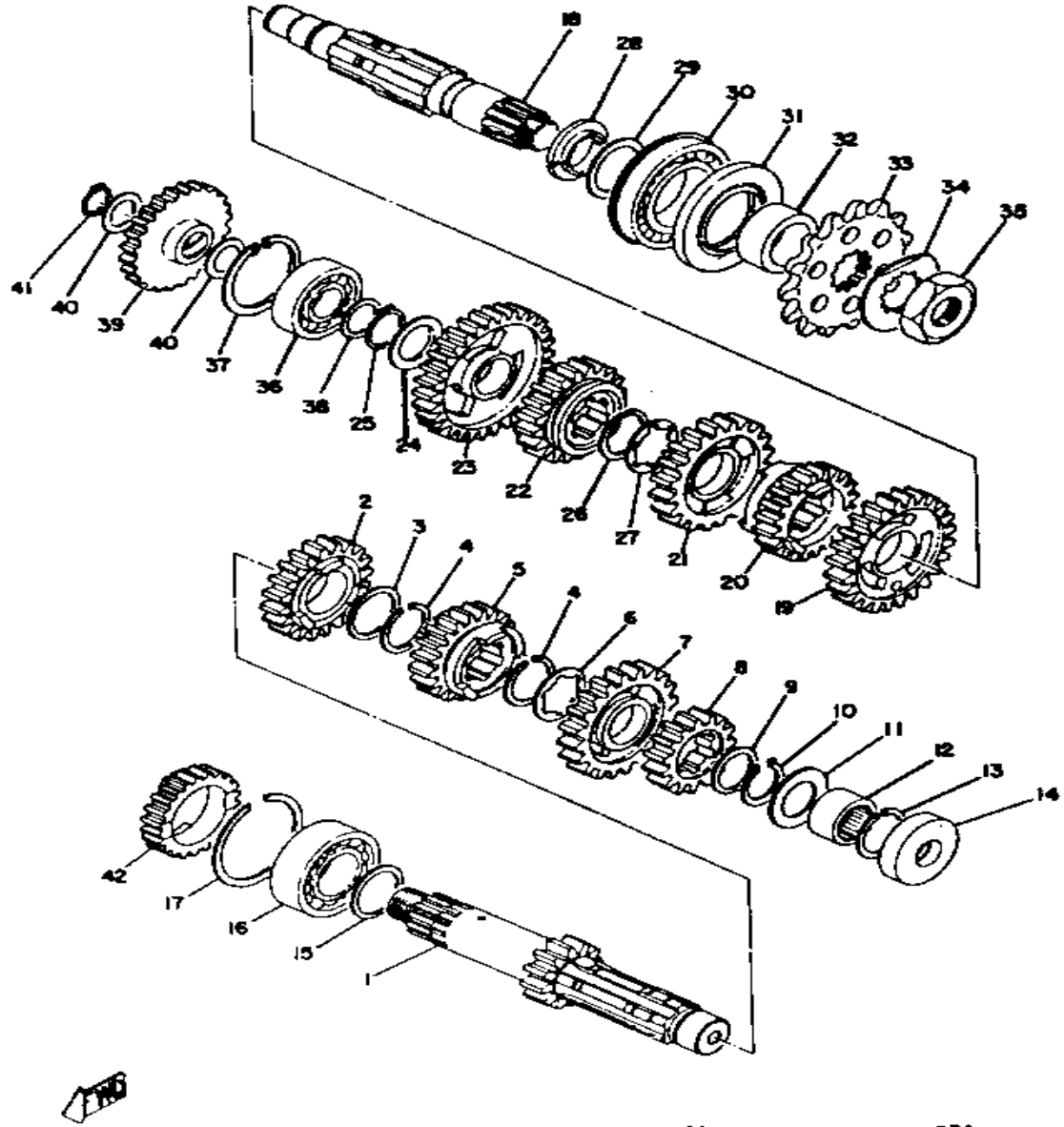


# CLUTCH



Ref. No.	Part Number	Description	Qty	Remarks
24	214-16389-00-00	JOINT .....	1	
25	90240-06005-00	PIN, CLEVIS .....	1	
26	91401-10015-00	PIN, COTTER .....	1	
27	90113-08017-00	BOLT, SET (214-16343-00) ....	1	
28	90179-08179-00	NUT .....	1	
-1	(214-16301-01-00)	CLUTCH ASSEMBLY .....	1	
	(275-16301-00-00)	CLUTCH ASSEMBLY .....	1	

# TRANSMISSION

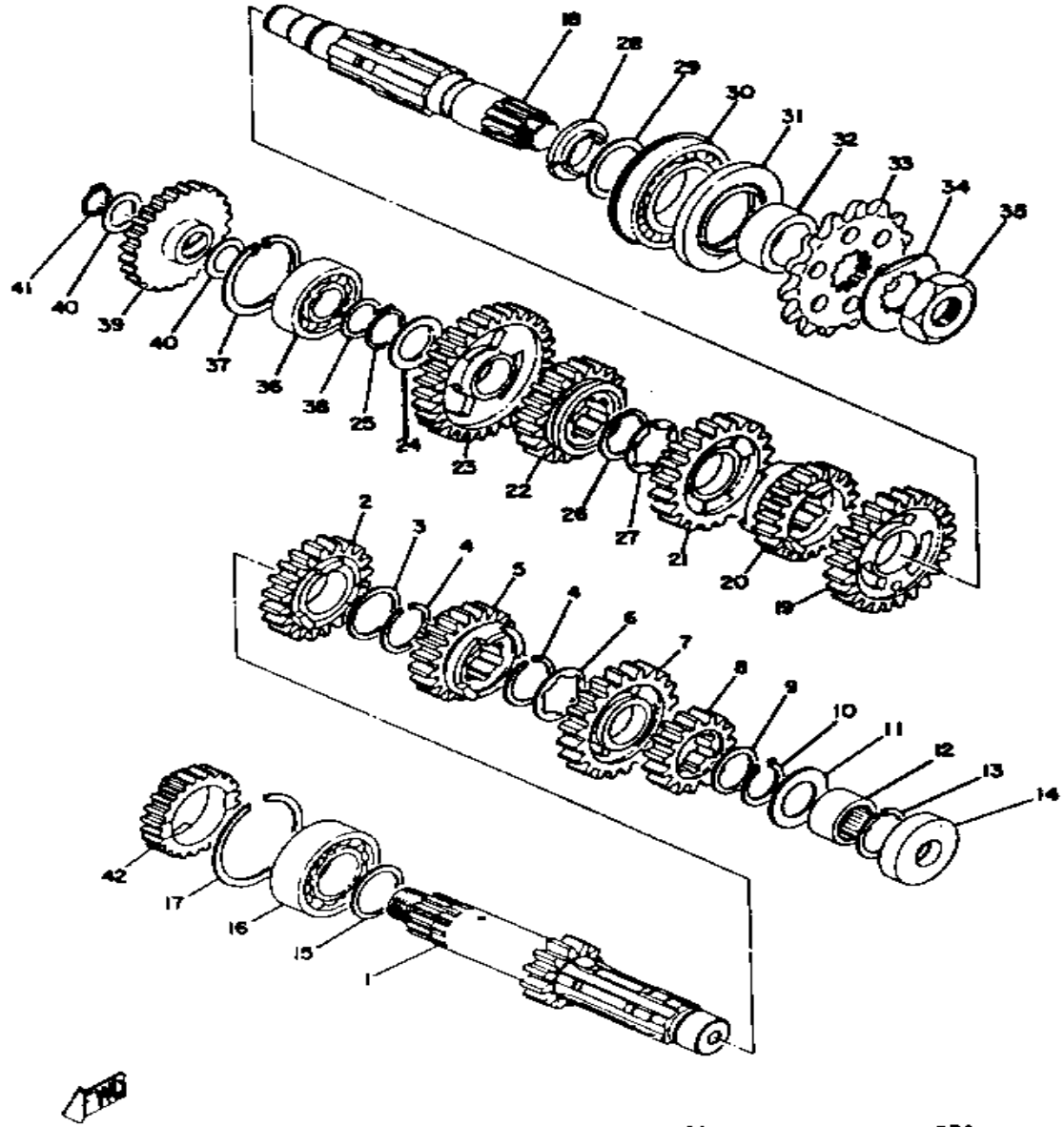


	DT2			RT2		
18. PRIMARY REDUCTION RATIO & METHOD	65/21	3.095	Gear	65/21	3.095	Gear
19. SECONDARY REDUCTION RATIO & METHOD	44/14	3.142	Chain	39/15	2.600	Chain
20. TRANS. GEAR RATIOS (1ST INTERNAL) (NO. TEETH) (OVERALL)	2.533	38/15	24.644	2.533	38/15	20.387
2ND	1.789	34/19	17.407	1.789	34/19	14.401
3RD	1.304	30/23	12.629	1.304	30/23	10.497
4TH	1.000	26/26	9.728	1.000	26/26	8.048
5TH	0.766	23/30	7.458	0.766	23/30	6.170

Ref. No.	Part Number	Description	Qty	Remarks
1	(214-17411-11-00)	AXLE, MAIN	1	
2	(214-17141-11-00)	GEAR, 4TH PINION	1	
3	90201-25490-00	WASHER, PLATE	1	
4	93440-25084-00	CIRCLIP	2	
5	(275-17131-12-00)	GEAR, 3RD PINION	1	
6	(214-17216-00-)	UNAVAILABLE IN PRICE BOOK (214-17216-00)	1	
7	(308-17151-10-00)	GEAR, 5TH PINION	1	
8	(214-17121-10-00)	GEAR, 2ND PINION	1	
9	90201-20266-00	WASHER, PLATE (1.0T)	1	
10	99009-19400-00	CIRCLIP	1	
11	(137-17427-00-09) 137-17427-00-12	SHIM 1 UNAVAILABLE IN PRICE BOOK (20.2-23-1.2)	1	N/A - USE 2 OF 137-17427-00-06
12	93315-22004-00	BEARING	1	
13	93420-26024-00	CIRCLIP, R-TYPE (R-26)	1	
14	93109-07009-00	OIL SEAL, SDO-TYPE (SDO-6.8-26-6)	1	
15	156-17417-00-01 156-17417-00-02 156-17417-00-03	SHIM 1 SHIM 1 (25.1-31-0.2) SHIM 1	1	U.R.U.R.U.R.U.R.
16	93306-20503-00	BEARING (B6205Z SPECIAL)	1	
17	(93450-52014-00)	CIRCLIP, INNER	1	
18	(291-17421-00-00)	AXLE, DRIVE	1	
19	(214-17221-19-00) 214-17221-10-00	GEAR, 2ND WHEEL GEAR, 2ND WHEEL	1	M4-101
20	(275-17251-10-00) (291-17251-10-00)	GEAR, 5TH WHEEL GEAR, 5TH WHEEL	1	
21	(291-17231-10-00)	GEAR, 3RD WHEEL	1	

CONTINUED ON NEXT FRAME ➤

# TRANSMISSION

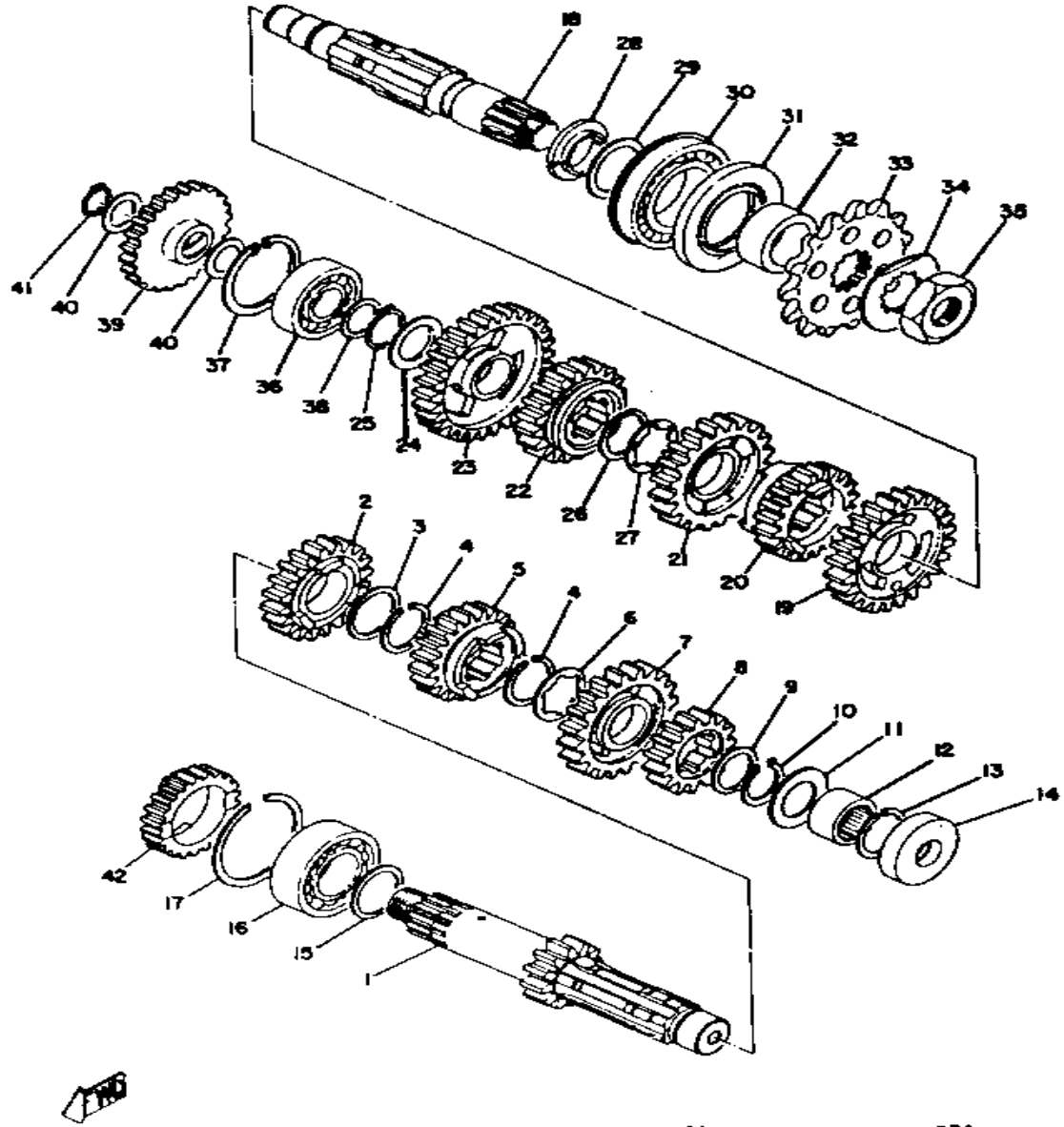


	DT2			RT2		
18. PRIMARY REDUCTION RATIO & METHOD	65/21	3.095	Gear	65/21	3.095	Gear
19. SECONDARY REDUCTION RATIO & METHOD	44/14	3.142	Chain	39/15	2.600	Chain
20. TRANS. GEAR RATIOS (1ST INTERNAL) (NO. TEETH) (OVERALL)	2.533	38/15	24.644	2.533	38/15	20.387
2ND	1.789	34/19	17.407	1.789	34/19	14.401
3RD	1.304	30/23	12.629	1.304	30/23	10.497
4TH	1.000	26/26	9.728	1.000	26/26	8.048
5TH	0.766	23/30	7.458	0.766	23/30	6.170

Ref. No.	Part Number	Description	Qty	Remarks
22	291-17251-11-00	UNAVAILABLE IN PRICE BOOK (26T) .....	1	
23	214-17211-10-00	GEAR, 1ST WHEEL (38T) .....	1	
24	90201-20278-00	WASHER, PLATE .....	1	
25	99009-19400-00	CIRCLIP .....	1	
26	93440-25084-00	CIRCLIP .....	1	
27	(90209-21080-00)	WASHER, SPEC'L SHAP .....	1	
28	156-17429-00-00	SPACER, DRIVE AXLE .....	2	
29	168-17428-01-03	SHIM 2 (25-34-0.3) .....	1	U.RU.RU.RU.R
	168-17428-01-05	SHIM 2 (25-34-0.5) .....	1	U.RU.RU.RU.R
30	93306-30506-00	BEARING (B6305N) (93306-30504-00) .....	1	
31	93102-35109-00	OIL SEAL (SD-35-62-6 HS) .....	1	
32	(90387-25193-00)	COLLAR .....	1	
33	9383E-13144-00	SPROCKET, DRIVE 13T (2141746130) .....	1	U.RU.RU.RU.R
	9383E-14145-00	SPROCKET, DRIVE (14T) .....	1	U.R U.RU.R U.RSTD (DT2)
	9383E-15082-00	SPROCKET, DRIVE (15T) .....	1	U.R U.RU.R U.RSTD (RT2)
	9383E-16106-00	SPROCKET, DRIVE 16T (16T) ..	1	U.RU.RU.RU.R
34	90215-21022-00	WASHER, LOCK .....	1	
35	90179-18020-00	NUT .....	1	
36	93306-20306-00	BEARING (B6203 SPECIAL) ..	1	
37	99009-42500-00	CIRCLIP .....	1	
38	(150-17417-00-03)	SHIM 1 .....	1	
	(150-17417-00-05)	SHIM 1 .....	1	
	(214-17428-00-07)	SHIM 2 .....	1	
	52G-17968-00-10	SHIM, (1.0T) .....	1	N/A - USE 3 OF 214-17428-00-03
39	275-15651-00-00	GEAR, KICK IDLE (23T) .....	1	

CONTINUED ON NEXT FRAME ➤

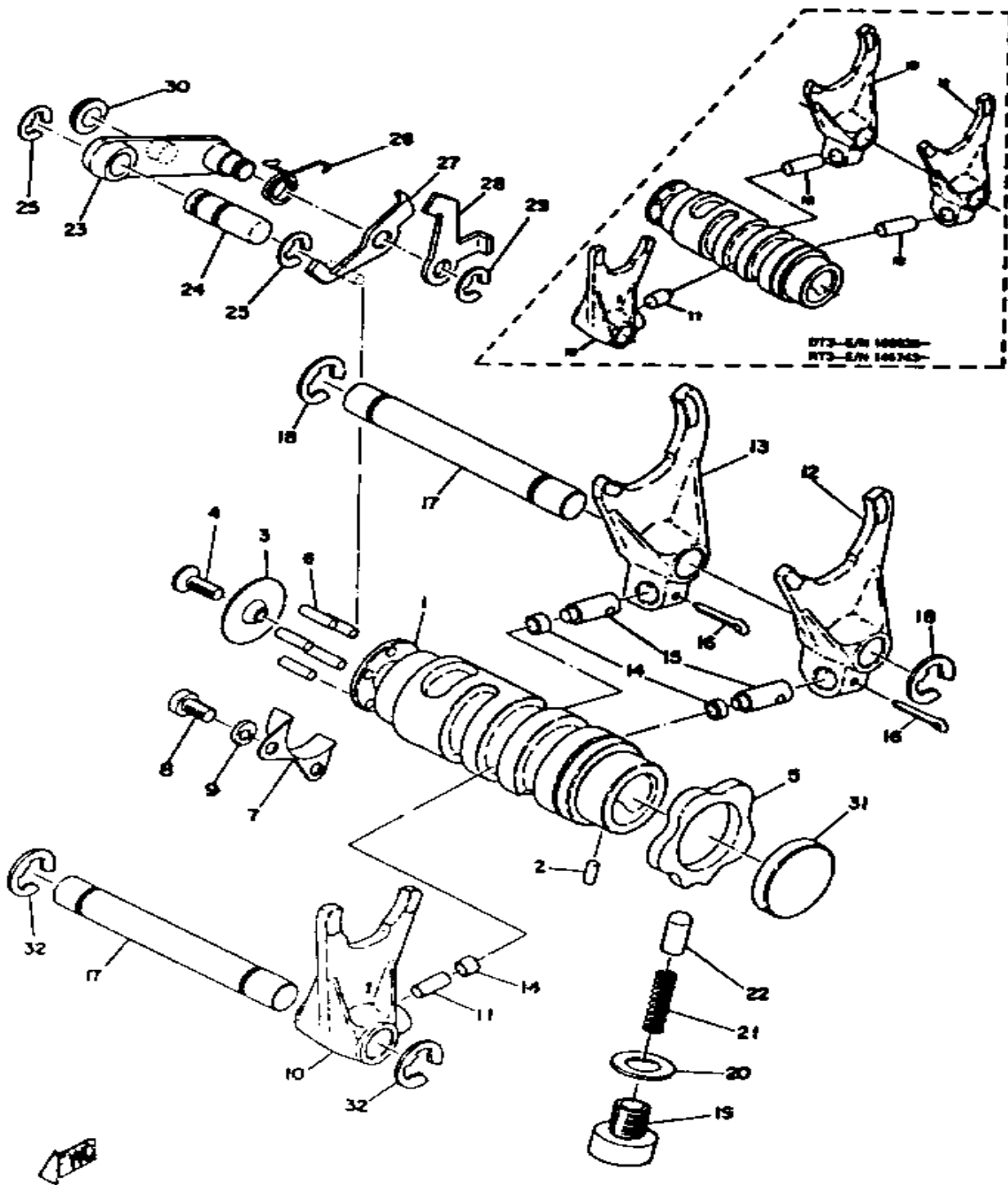
# TRANSMISSION



Ref. No.	Part Number	Description	Qty	Remarks
40	164-17417-00-10	SHIM 1 (1.0T)	2	
41	99009-15400-00	CIRCLIP	1	
42	(214-15631-00-00)	GEAR, KICK PINION	1	
	19A---	UNAVAILABLE IN PRICE BOOK	1	ALTERNATE PARTS31T
	1A---	UNAVAILABLE IN PRICE BOOK	1	ALTERNATE PARTS
	20A---	UNAVAILABLE IN PRICE BOOK	1	ALTERNATE PARTS24T
	21A---	UNAVAILABLE IN PRICE BOOK	1	ALTERNATE PARTS28T
	22A---	UNAVAILABLE IN PRICE BOOK	1	ALTERNATE PARTS26T
	23A---	UNAVAILABLE IN PRICE BOOK	1	ALTERNATE PARTS34T
	5A---	UNAVAILABLE IN PRICE BOOK	1	ALTERNATE PARTS24T
	7A---	UNAVAILABLE IN PRICE BOOK	1	ALTERNATE PARTS28T
	8A---	UNAVAILABLE IN PRICE BOOK	1	ALTERNATE PARTS22T

	DT2			RT2		
18. PRIMARY REDUCTION RATIO & METHOD	65/21	3.095	Gear	65/21	3.095	Gear
19. SECONDARY REDUCTION RATIO & METHOD	44/14	3.142	Chain	39/15	2.600	Chain
20. TRANS. GEAR RATIOS (1ST INTERNAL) (NO. TEETH) (OVERALL)	2.533	38/15	24.644	2.533	38/15	20.387
2ND	1.789	34/19	17.407	1.789	34/19	14.401
3RD	1.304	30/23	12.629	1.304	30/23	10.497
4TH	1.000	26/26	9.728	1.000	26/26	8.048
5TH	0.766	23/30	7.458	0.766	23/30	6.170

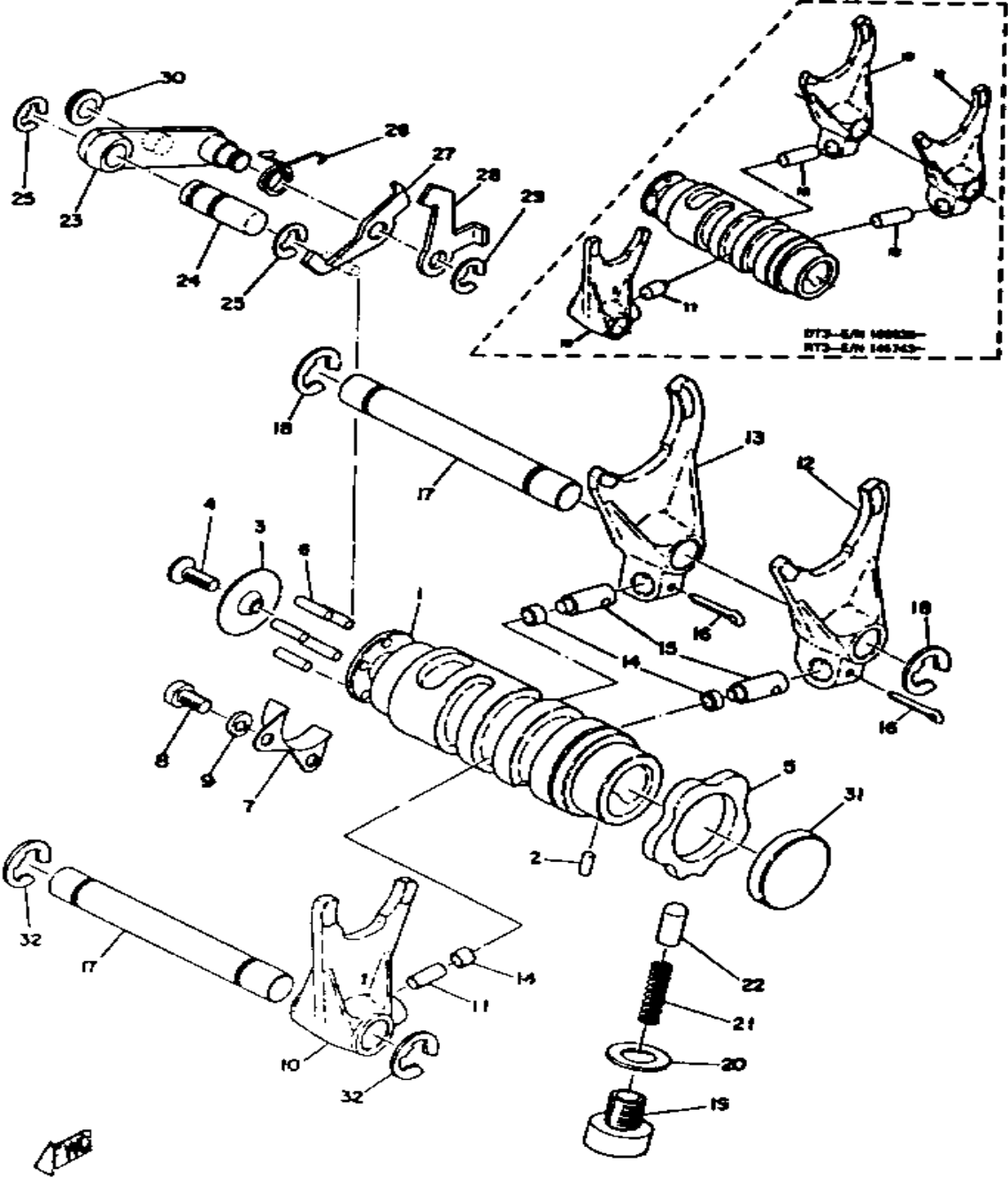
# SHIFTER A



Ref. No.	Part Number	Description	Qty	Remarks
1	308-18541-00-00	CAM, SHIFT .....	1	
2	93604-14012-00	. PIN, DOWEL .....	1	
3	214-18561-00-00	PLATE, SIDE 1 .....	1	
4	98701-05012-00	SCREW, FLAT HEAD .....	1	
5	(278-18141-00-00)	PLATE, STOPPER .....	1	
6	93604-14012-00	PIN, DOWEL .....	5	
7	214-18179-00-00	GUIDE .....	1	
8	98580-05010-00	SCREW, PAN HEAD .....	2	
9	92990-05100-00	WASHER, SPRING .....	2	
10	291-18511-01-00	FORK, SHIFT 1 .....	1	
11	(90249-08089-00)	PIN, SPEC'L SHAPE .....	1	
	(93605-13077-00)	PIN, DOWEL .....	1	
12	291-18512-02-00	FORK, SHIFT 2 .....	1	
13	(291-18513-02-00)	FORK, SHIFT 3 .....	1	
14	136-18551-00-00	ROLLER, CAM FOLWR .....	3	DISCONTINUED
15	90249-05042-00	PIN, SPEC'L SHAPE (214-18552-00) .....	2	
	90250-08017-00	PIN, STRAIGHT .....	2	
16	91401-25030-00	PIN, COTTER .....	2	DISCONTINUED
17	214-18531-00-00	BAR, SHIFT FORK GUIDE 1 ...	2	
18	99006-10600-00	CIRCLIP .....	2	
19	(308-18577-01-00)	SCREW, SPRING .....	1	
	90109-12198-00	BOLT .....	1	
20	90430-12207-00	GASKET .....	1	
21	(308-18557-00-00)	SPRING, CAM STOPPER .....	1	
	(90501-10066-00)	SPRING, COMPRESSION .....	1	
	90501-09050-00	SPRING, COMPRESSION (137-18557-00) .....	1	
22	137-18547-00-00	STOPPER, CAM .....	1	

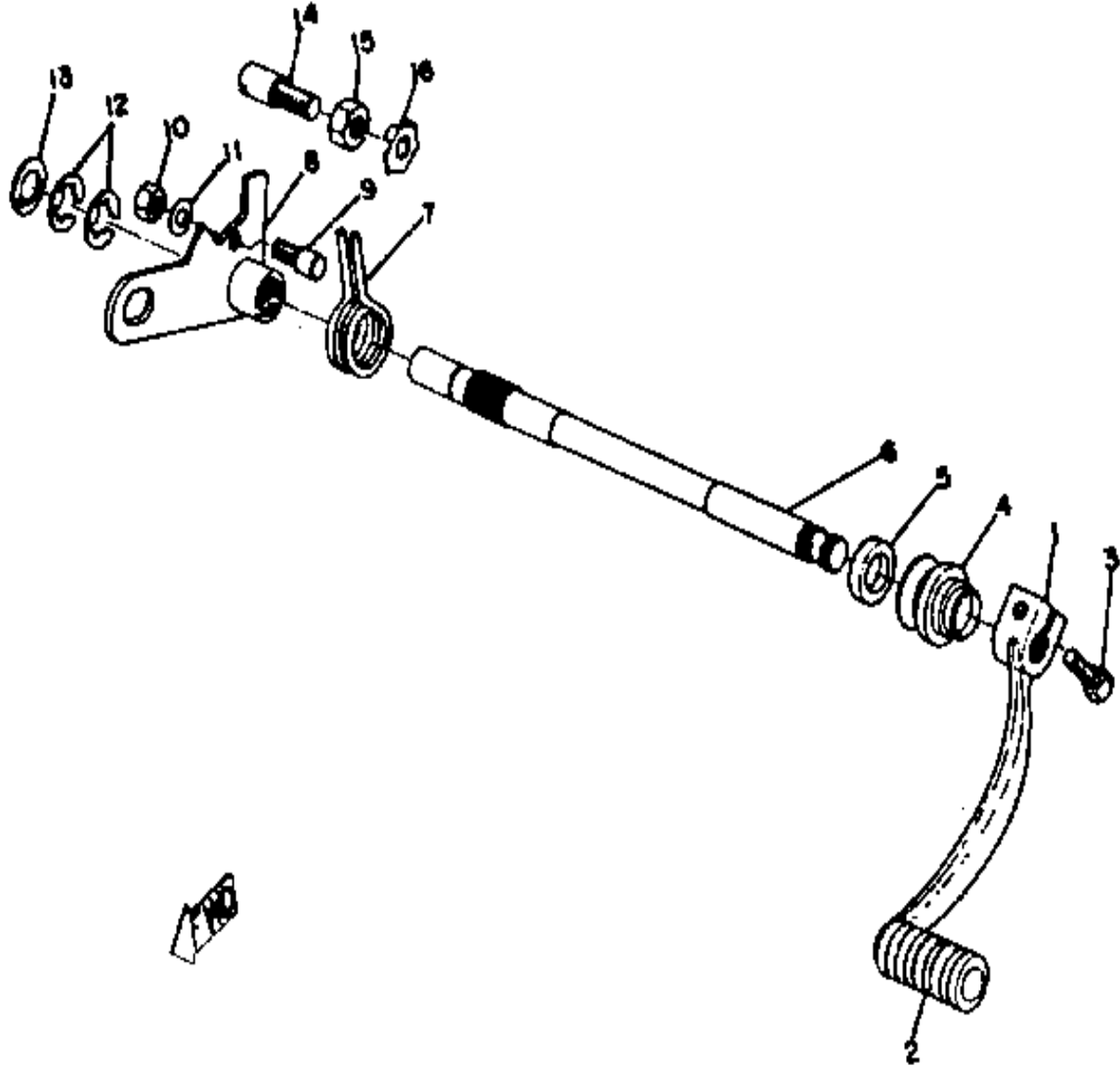
CONTINUED ON NEXT FRAME ►

# SHIFTER A



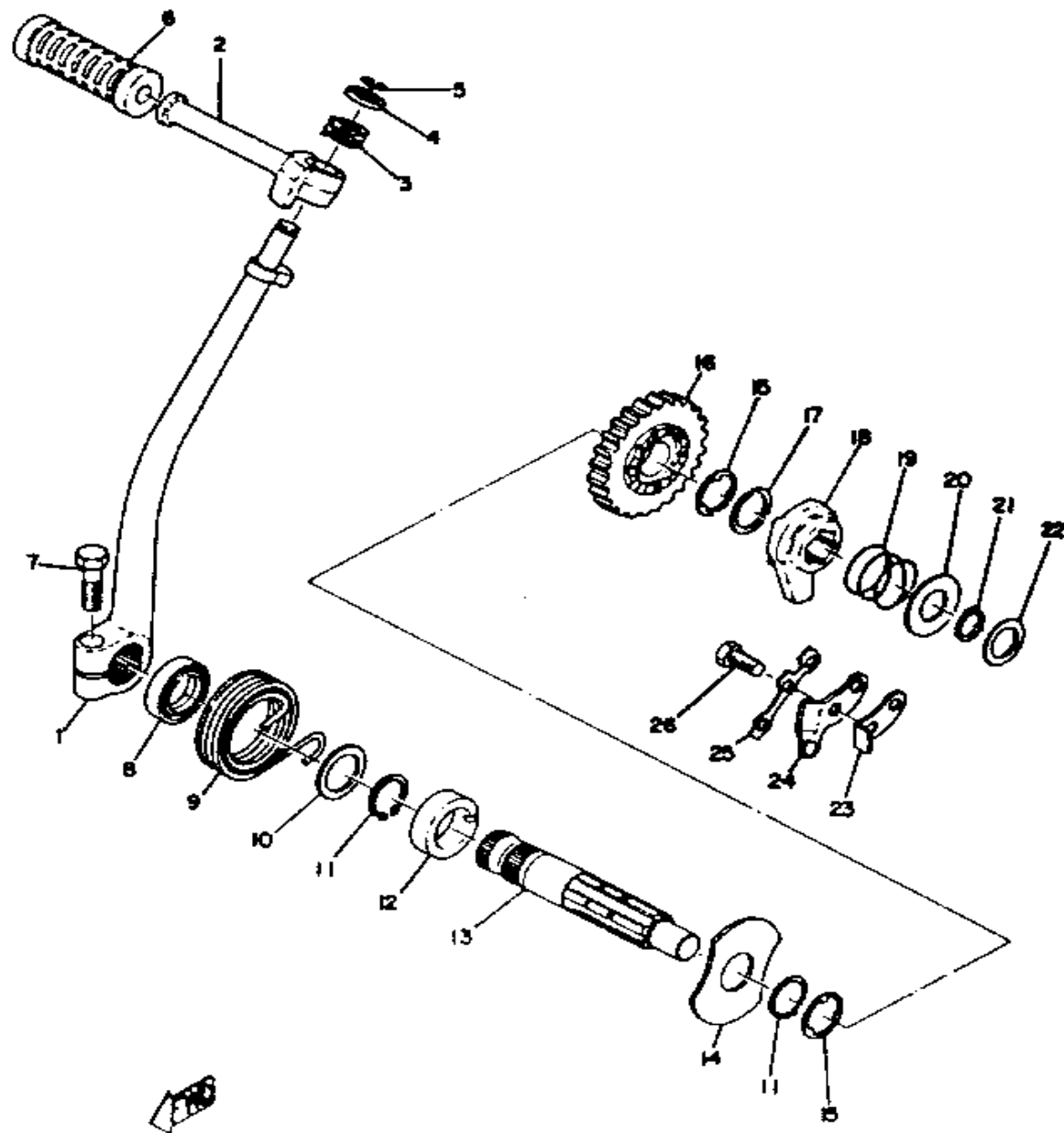
Ref. No.	Part Number	Description	Qty	Remarks
23	(214-18128-00-00)	BRACKET .....	1	
24	(214-18188-00-00)	AXLE, PAWL HOLDER .....	1	
25	99001-09600-00	CIRCLIP .....	2	
26	90508-08007-00	SPRING, TORSION (214-18123-00) .....	1	
27	(214-18152-00-00)	LEVER, SHIFT 4 .....	1	
28	(214-18151-00-00)	LEVER, SHIFT 3 .....	1	
29	99080-07600-00	CIRCLIP (E) .....	1	
30	214-18178-00-00	ROLLER, SHIFT LEVER .....	1	
31	(90338-32031-00)	PLUG, SPEC'L SHAPE .....	1	
32	93430-10017-00	CIRCLIP .....	2	

# SHIFTER B



Ref. No.	Part Number	Description	Qty	Remarks
1	214-18111-01-00	PEDAL, SHIFT .....	1	
2	132-18113-01-00	COVER, SHIFT PEDAL .....	1	
3	97023-06020-00	BOLT (3XF) .....	1	
4	214-18131-00-00	BOOT, SEALING .....	1	
5	93102-12321-00	OIL SEAL, SD-TYPE .....	1	
6	214-18125-01-00	SHAFT, SHIFT .....	1	
7	90508-32052-00	SPRING, TORSION (214-18124-00) .....	1	
8	(214-18121-01-00)	LEVER, SHIFT 1 .....	1	
9	90149-06017-00	SCREW, SPEC'L SHAPE (214-18186-00) .....	1	
10	95380-06600-00	NUT .....	1	
11	92995-06100-00	WASHER, SPRING .....	1	
12	99006-10600-00	CIRCLIP .....	2	
13	90201-12168-00	WASHER, PLATE (12.3-18-0.2) (150-18138-00) .....	1	
14	90149-08094-00	SCREW .....	1	
15	95303-08700-00	NUT .....	1	
16	90215-08015-00	WASHER, LOCK (214-18139-00)	1	

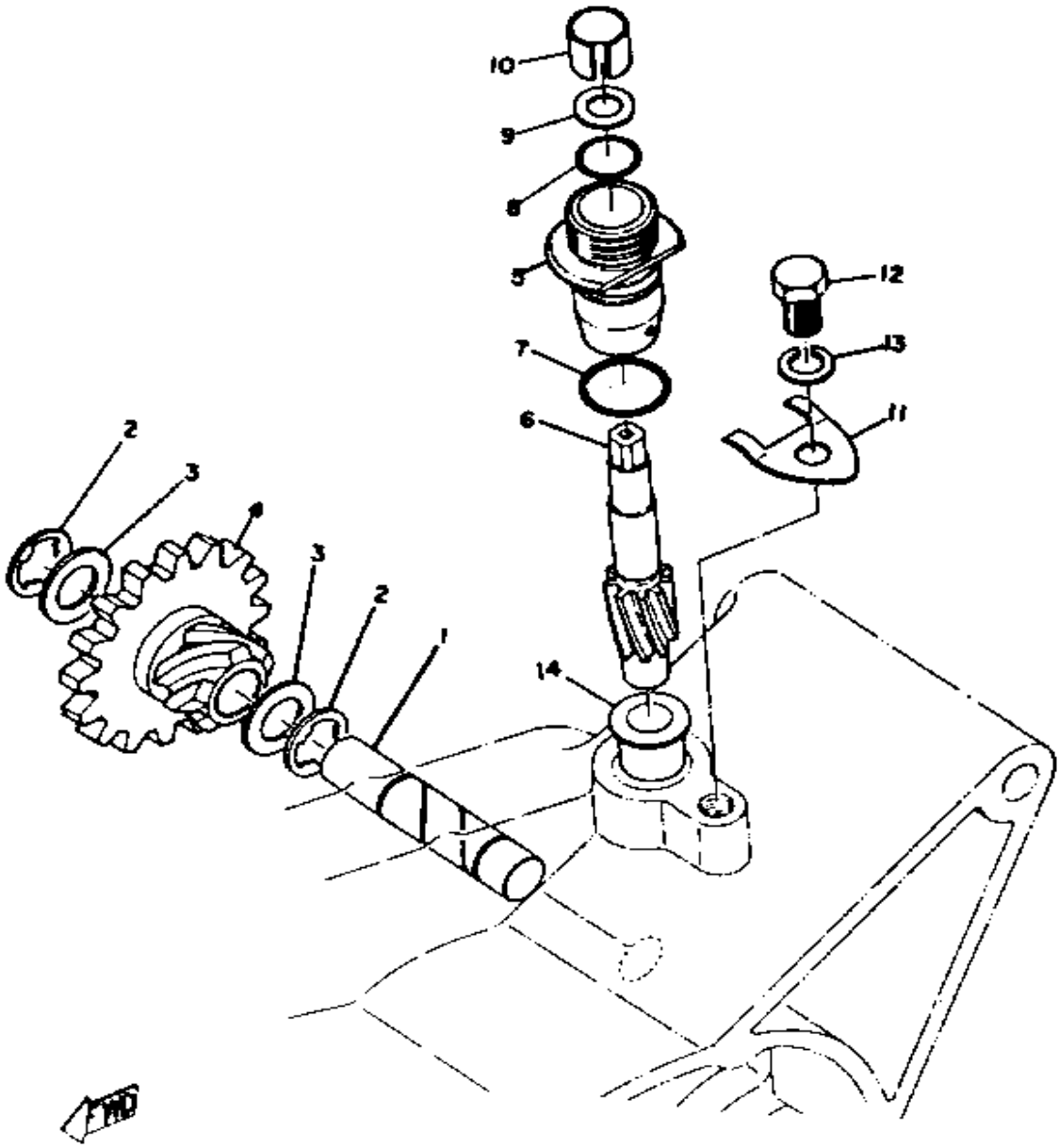
# STARTER



Ref. No.	Part Number	Description	Qty	Remarks
2	(214-15612-01-00)	LEVER, KICK .....	1	
3	90504-18009-00	. SPRING, COMPRESSION (214-15625-01) .....	1	
4	214-15616-00-00	. WASHER, KICK LEVER .....	1	
5	93440-11029-00	. CIRCLIP, OUTER .....	1	
6	214-15618-00-00	COVER, KICK LEVER .....	1	
7	97313-08030-00	BOLT, HEXAGON .....	1	
8	93101-20048-00	OIL SEAL .....	1	
9	90508-32061-00	SPRING, TORSION (291-15665-00) .....	1	
10	(137-17427-00-09)	SHIM 1 .....	1	
11	99009-20400-00	CIRCLIP .....	2	
12	278-15666-00-00	SPACER (278-15666-01) .....	1	
13	308-15661-00-00	AXLE, KICK .....	1	
14	278-15676-00-00	COVER, SPRING .....	1	
15	90214-16009-00	WASHER, CLAW (168-15653-00)	1	
	90214-16009-00	WASHER, CLAW (168-15653-00)	2	
16	308-15641-00-00	GEAR, KICK (24T) .....	1	
17	93410-20038-00	CIRCLIP .....	1	
18	(308-15671-00-00)	WHEEL, RATCHET .....	1	
19	90501-16107-00	SPRING, COMPRESSION .....	1	
20	90201-155K6-00	WASHER, PLATE .....	1	
21	99009-15400-00	CIRCLIP .....	1	
22	132-15644-00-00	SHIM .....	1	
23	214-15668-00-00	STOPPER .....	1	
24	(291-15674-00-00)	GUIDE, RATCHET WHL .....	1	
25	(291-15686-00-00)	WASHER, LOCK .....	1	
26	97023-06020-00	BOLT (3XF) .....	3	
-1	308-15610-00-93	KICK CRANK ASSEMBLY .....	1	

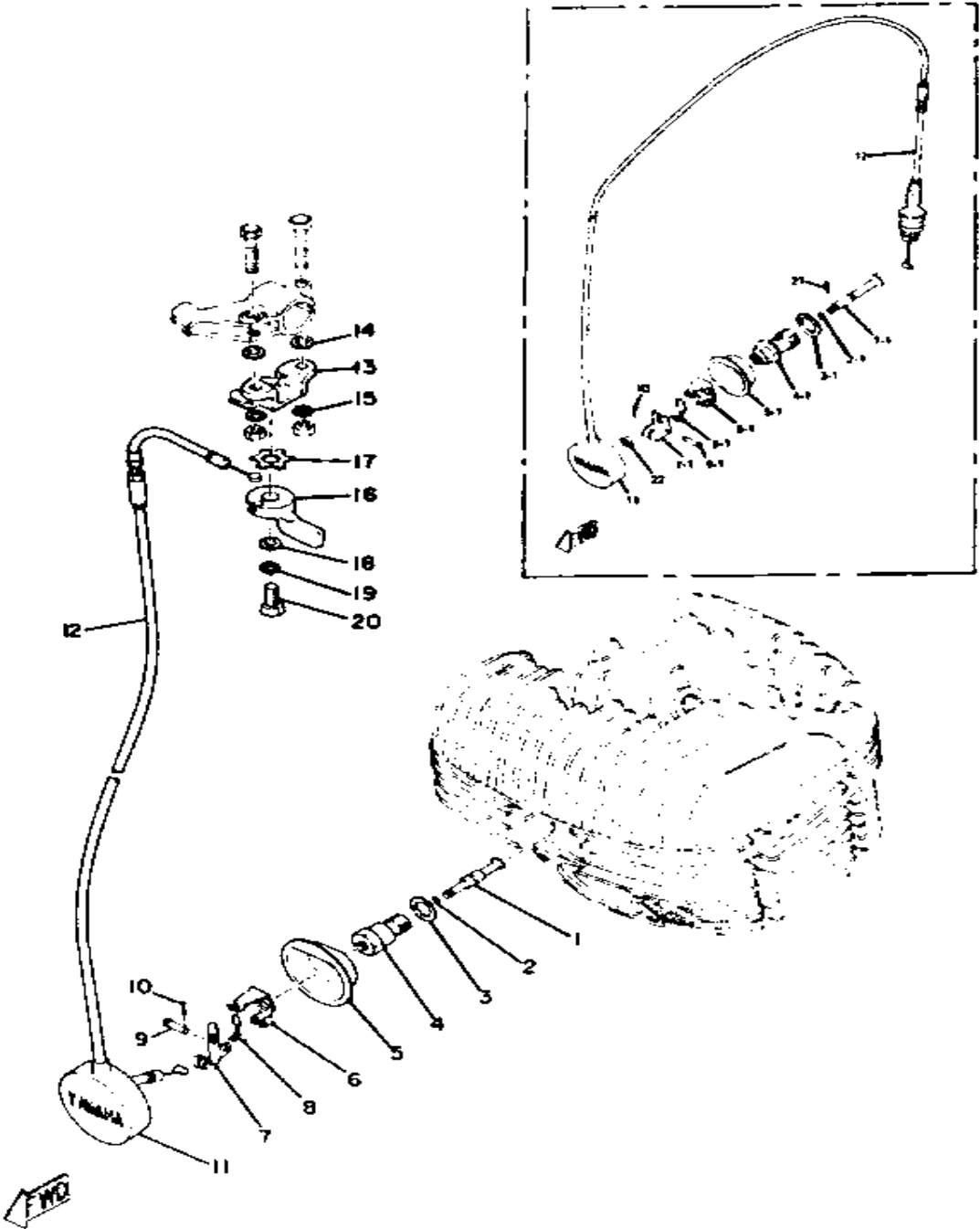


# TACHOMETER GEAR



Ref. No.	Part Number	Description	Qty	Remarks
1	(214-17861-00-00)	AXLE, DRIVE GEAR .....	1	
2	99001-09600-00	CIRCLIP .....	2	
3	214-17837-00-00	SHIM (10.2-16-1) .....	2	
4	(214-17831-01-00)	GEAR, DRIVE .....	1	
5	353-17810-00-00	HOUSING ASSEMBLY, TACH (214-17811-01) .....	1	
6	214-17841-01-00	GEAR, DRIVEN .....	1	
7	93210-13016-00	O-RING .....	1	
8	93210-07100-00	O-RING .....	1	
9	214-17847-00-00	SHIM (7.5-10.8-0.4) .....	1	
10	90383-10005-00	BUSH, FORMED (214-17815-00) 01 .....	1	
11	5U7-17812-00-00	STOPPER .....	1	
12	97011-06010-00	BOLT .....	1	
13	92995-06100-00	WASHER, SPRING .....	1	
14	90381-08002-00	BUSHING (214-17843-00) .....	1	

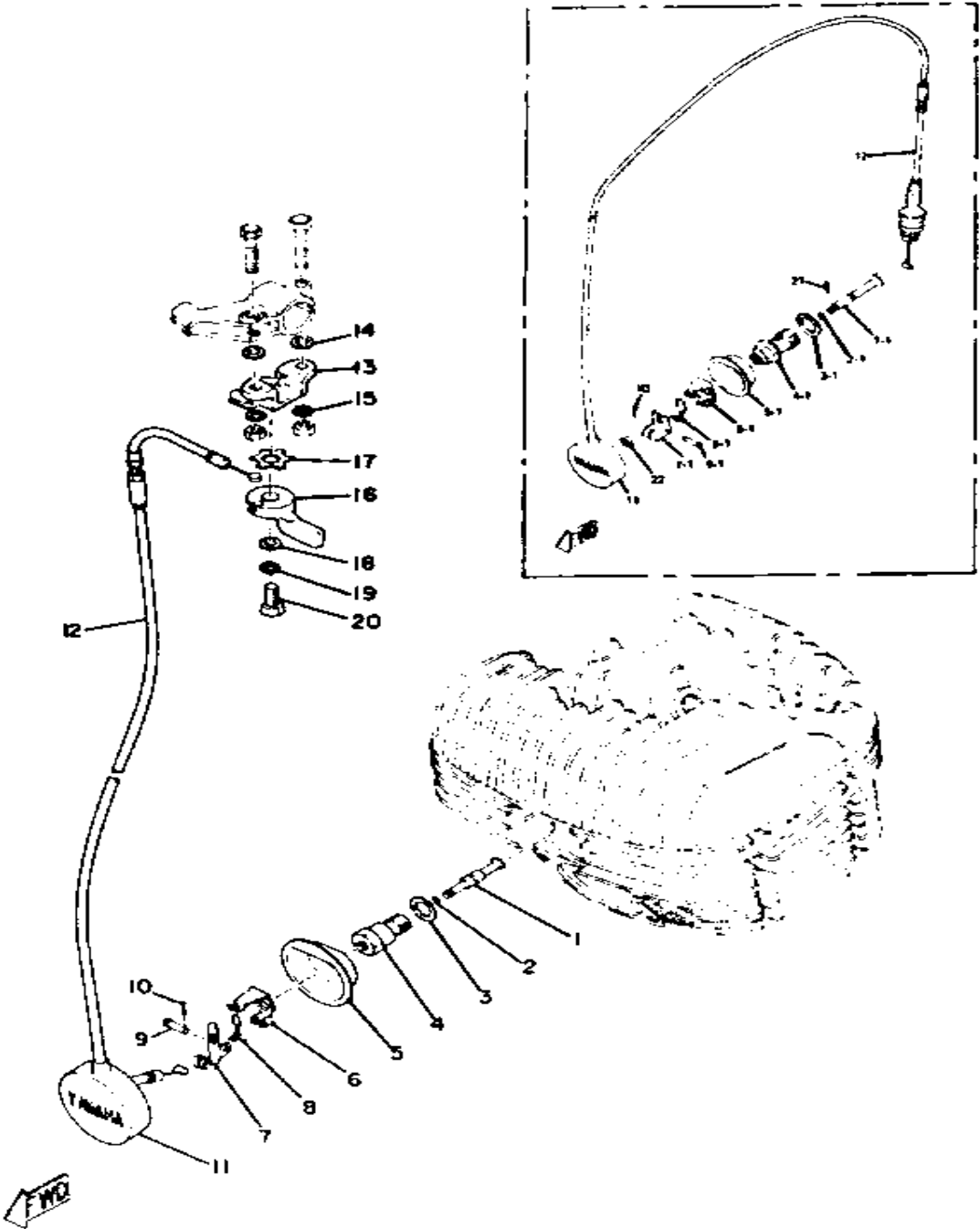
# DECOMPRESSION VALVE



Ref. No.	Part Number	Description	Qty	Remarks
1	(812-12281-00-00)	VALVE, DCOMP 0 1	1	
2	93210-04092-00	O-RING	1	
3	812-11198-00-00	GASKET	1	
4	(275-12283-00-00)	BRACKET, DCOMP	1	
5	275-12279-00-00	PLATE	1	
6	812-12273-00-00	HOLDER, CABLE	1	
7	275-12282-01-00	LEVER, DCOMP	1	
8	90508-10183-00	SPRING, TORSION	1	
9	90240-03002-00	PIN, CLEVIS	1	
10	91490-16020-00	PIN, COTTER	1	
11	275-12278-00-00	COVER, DCOMP	1	
12	275-26331-00-00	CABLE, STARTER 1	1	
13	(275-83984-00-00)	HOLDER, DCOMP LEVER	1	
14	(90202-06040-00)	WASHER, PLATE	2	
15	92995-06100-00	WASHER, SPRING	2	
16	275-83981-00-00	LEVER, DCOMP	1	
17	90209-10131-00	WASHER	1	
18	92990-06200-00	WASHER	1	
19	92995-06100-00	WASHER, SPRING	1	
20	97011-06016-00	BOLT	1	
21	91490-16020-00	PIN, COTTER	1	
22	95311-05700-00	NUT	1	
1-0	(363-12200-00-00)	DECOMP KIT	1	
1-1	363-12281-01-00	. VALVE, DCOMP	1	
2-1	93210-05215-00	. O-RING	1	
3-1	90430-22123-00	. GASKET	1	
4-1	363-12283-01-00	. BRACKET, DCOMP	1	
5-1	363-12279-00-00	. PLATE	1	
6-1	363-12273-00-00	. HOLDER, CABLE	1	

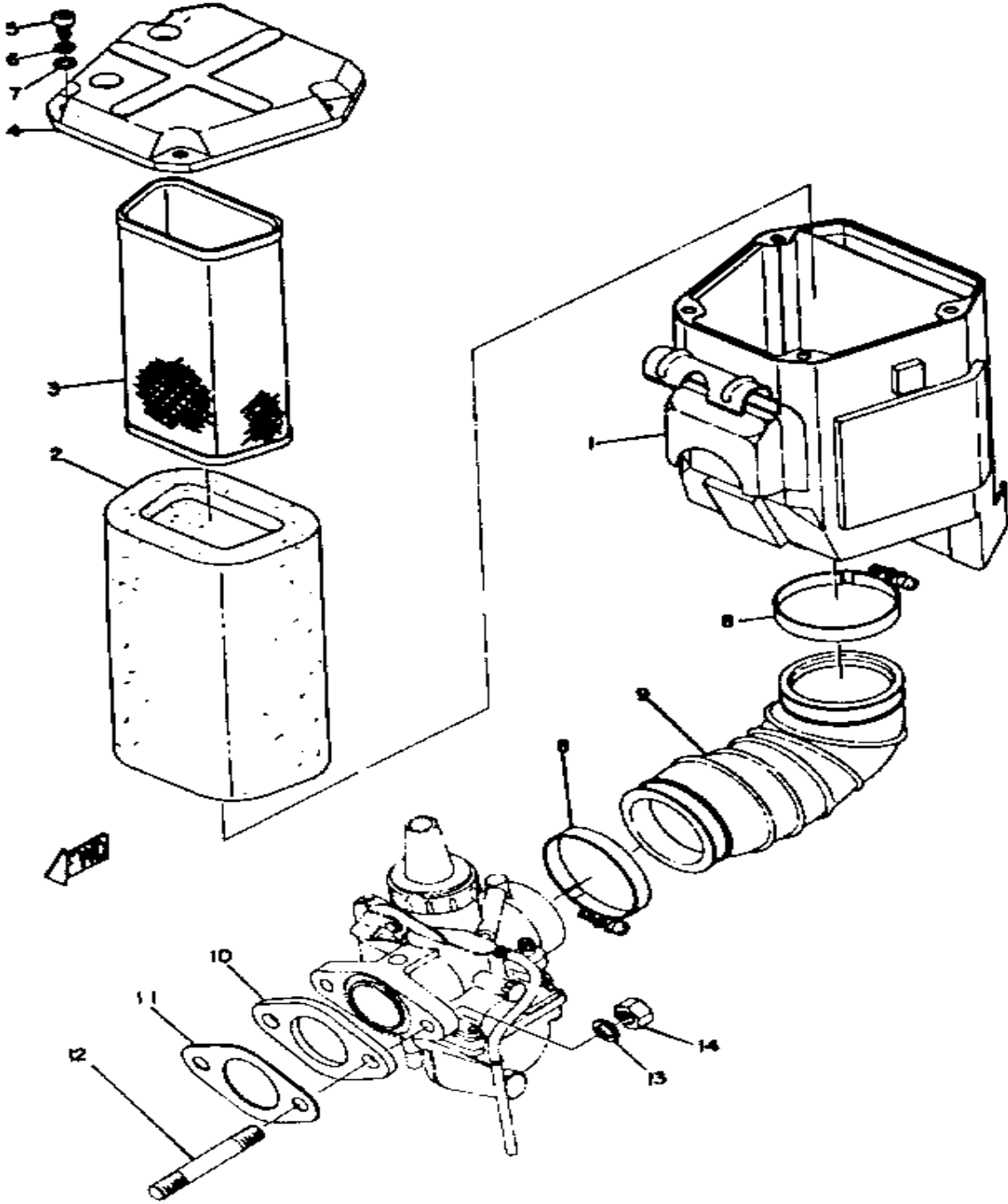
CONTINUED ON NEXT FRAME ►

# DECOMPRESSION VALVE



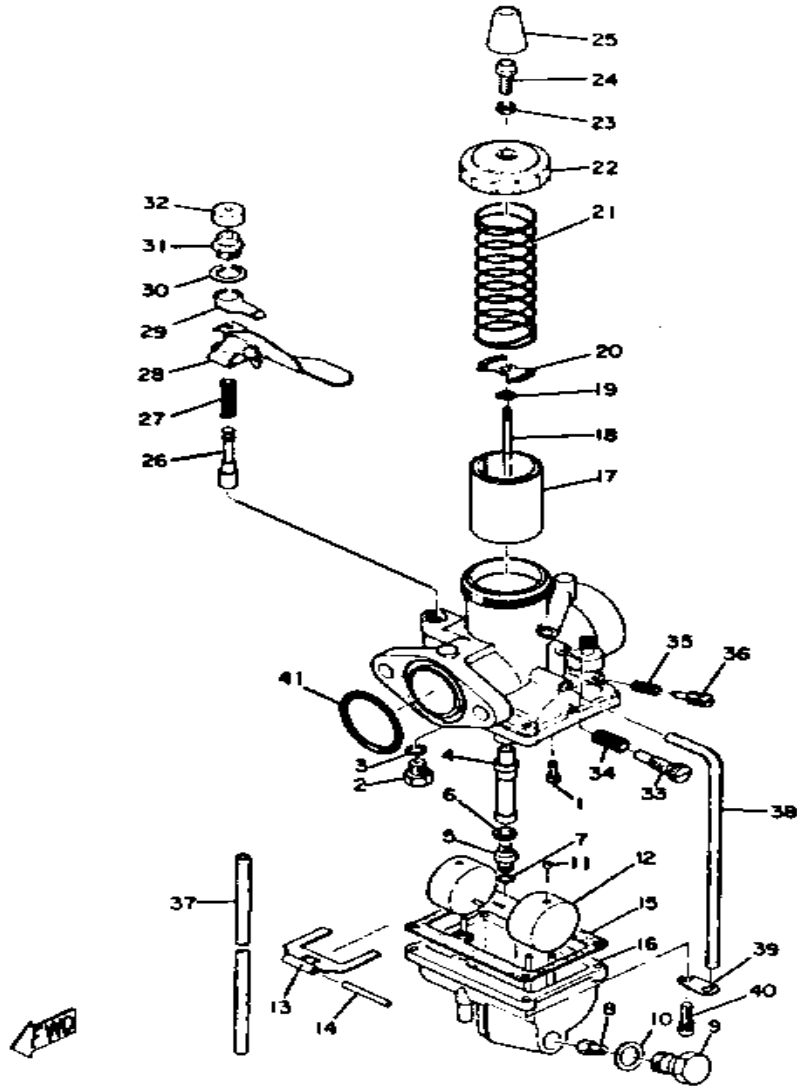
Ref. No.	Part Number	Description	Qty	Remarks
7-1	363-12282-00-00	. LEVER, DCOMP .....	1	
8-1	90508-10010-00	. SPRING, TORSION (363-12287-00) .....	1	
9-1	90240-03003-00	. PIN, CLEVIS (363-12284-00) ..	1	

# AIR CLEANER



Ref. No.	Part Number	Description	Qty	Remarks
1	(308-14411-00-00)	CASE, AIR CLEANER 1	1	
2	308-14451-09-00	ELEMENT, AIR CLNR	1	
3	308-14458-00-00	GUIDE, ELEMENT	1	
4	(308-14412-00-00)	CAP, CLEANER CASE 1	1	
5	98580-06010-00	SCREW, PAN HEAD (92503-06010)	4	
6	92995-06100-00	WASHER, SPRING	4	
7	92990-06200-00	WASHER	4	
8	90460-54062-00	CLAMP, HOSE (308-14455-00)	2	
9	308-14453-00-00	JOINT, AIR CLNR 1	1	
	311-14453-00-00	JOINT, AIR CLNR 1	1	
10	311-13555-00-00	MANIFOLD, INTAKE	1	
11	275-13556-00-00	GASKET, MANIFOLD	1	
12	90116-08166-00	BOLT, STUD (246-14651-00)	2	
13	92990-08100-00	WASHER	2	
14	95333-08600-00	NUT	2	

# CARBURETOR



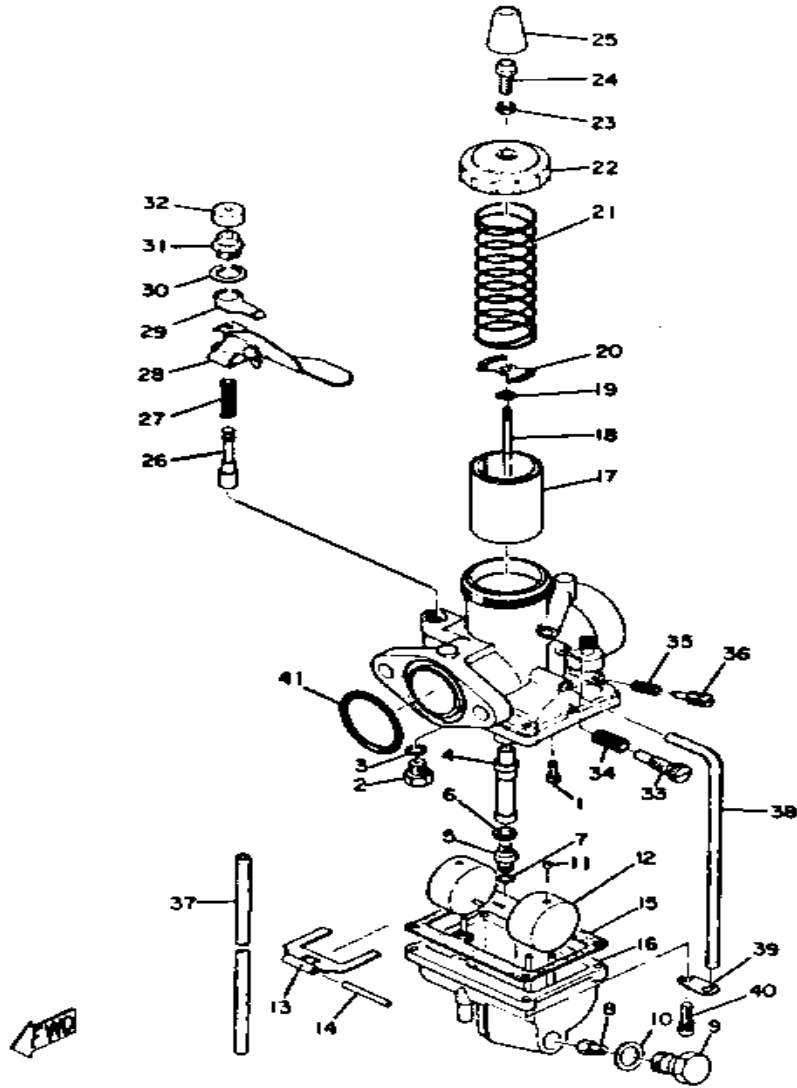
DT2 RT2 DT3 RT3

16. CARBURETOR TYPE & MANUFACTURER	VM26SH Mikuni	VM32SH Mikuni	Mikuni VM26SH	Mikuni VM32SH
MAIN JET (M.J.)	#160	#230	#160	#230
AIR JET (A.J.)	Dr:11 2.5mm	2.0	6	2.0
NEEDLE JET (N.J.)	N-6	P-0	N-8	2.0
JET NEEDLE-CLIP POSITION (J.N.)	5DP 7-3	6DH3-3	5DP 7-3	6DH 3-3
CUTAWAY (C.A.)	1.5	3.0	1.5	3.0
PILOT JET (P.J.)	#30	#45	#30	#45
AIR SCREW (TURNS OUT) (A.S.)	1 1/4	1 1/2	1-1/4	1 1/2
STARTER JET (S.J.)	#60	#60	#60	#60
FLOAT LEVEL (MM) (F.L.)	15.1mm	8.5mm	15.1mm	21.4mm

Ref. No.	Part Number	Description	Qty	Remarks
1	193-14142-30-A0	. JET, PILOT #30 (#30)	1	
	193-14142-45-A1	. JET, PILOT (# 45)	1	
2	168-14190-20-00	. NEEDLE VALVE ASSEMBLY	1	
	24X-14107-33-00	. NEEDLE VALVE SET (#3.3)	1	
3	136-14195-00-00	. WASHER, NEEDLE VLV	1	
	214-14195-00-00	. WASHER, NEEDLE VALVE	1	
4	(214-14141-28-00)	NOZZLE, MAIN	1	
	(275-14141-40-00)	NOZZLE, MAIN	1	
5	214-14145-00-00	. SETTER, NEEDLE JET	1	
6	137-14153-00-00	. WASHER, MAIN JET	1	
7	214-14147-00-00	. O-RING	1	
8	137-14143-30-00	. JET, MAIN #1 0		STD
	137-14143-32-00	. JET, MAIN #1 0	1	U.R.U.RSTD
	137-14143-34-00	. JET, MAIN #1 0	1	U.R.U.RSTD
	137-14143-42-A1	. JET, MAIN #2 0	1	U.R.U.RSTD
	137-14143-44-A1	. JET, MAIN #2 0	1	U.R.U.RSTD
	137-14143-46-A1	. JET, MAIN (#230)	1	U.R.U.RSTD
9	(214-14166-00-00)	BOLT, BANJO	1	BLACK
10	286-14198-00-00	. GASKET	1	
11	214-14118-00-00	. CAP	2	
12	214-14185-00-00	. FLOAT	2	
	275-14185-00-00	. FLOAT	2	
13	214-14187-00-00	. ARM, FLOAT	1	
14	127-14186-00-00	. PIN, FLOAT	1	
15	168-14184-00-00	. GASKET, FLOAT CHMBR		
16	(275-14181-12-00)	BODY, FLOAT CHMBR 1	1	
	214-14181-12-00	. BODY, FLOAT CHMBR 1	1	
17	(211-14112-15-00)	VALVE, THROTTLE 1	1	

CONTINUED ON NEXT FRAME ➤

# CARBURETOR

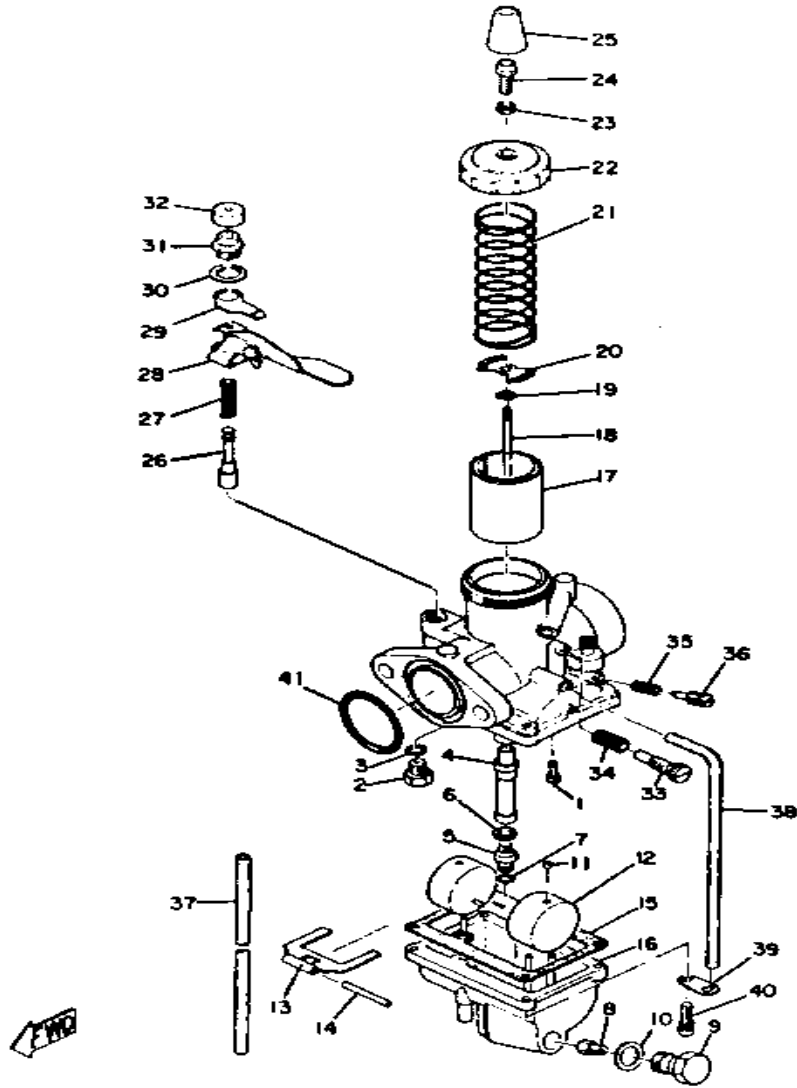


Ref. No.	Part Number	Description	Qty	Remarks
17	(275-14112-30-00)	VALVE, THROTTLE 1	1	
18	168-14116-07-00	. NEEDLE (5DP7-2)	1	
	308-14116-03-00	. NEEDLE (6DH3-3)	1	
19	164-14137-00-00	. CLIP	1	
20	(214-14136-00-00)	SEAT, SPRING	1	
	239-14136-00-00	. SEAT, SPRING	1	
21	(168-14131-00-00)	SPRING, THRTL VALVE	1	
	(275-14131-00-00)	SPRING, THRTL VALVE	1	
22	(214-14158-01-00)	TOP, MIXING CHAMBER	1	
	239-14158-00-00	. TOP, MIXING CHAMBER	1	
23	802-14161-00-00	. NUT, CABLE ADJUSTING	1	
24	12G-14106-00-00	. CABLE ADJUST SCREW SET	1	
25	802-14169-00-00	. CAP	1	
26	132-14171-00-00	. PLUNGER, STARTER	1	
	174-14171-00-00	. PLUNGER, STARTER	1	
27	156-14135-00-00	. SPRING, PLUNGER	1	
	256-14135-00-00	. SPRING, PLUNGER	1	
28	(248-14175-00-00)	LEVER, STARTER 1	1	
	(275-14175-00-00)	LEVER, STARTER 1	1	
29	(170-14178-00-00)	PLATE, STARTER LVR	1	
	275-14178-00-00	. PLATE, STARTER LVR	1	
30	(132-14179-00-00)	WASHER, STARTER LVR	1	
31	802-14174-00-00	. CAP, PLUNGER	1	
32	802-14173-00-00	. COVER, PLUNGER CAP	1	
33	24X-14103-00-00	. THROTTLE SCREW SET	1	
34	137-14133-00-00	. SPRING, THRTL STOP	1	
35	127-14134-00-00	. SPRING, AIR ADJUSTING	1	
36	23X-14104-00-00	. AIR SCREW SET	1	
37	214-14196-00-00	. INACTIVE PART NUMBER	1	

	DT2	RT2	DT3	RT3
16. CARBURETOR TYPE & MANUFACTURER	VM26SH Mikuni	VM32SH Mikuni	Mikuni VM26SH	Mikuni VM32SH
MAIN JET (M.J.)	#160	#230	#160	#230
AIR JET (A.J.)	Drill 2.5mm	2.0	2.0	2.0
NEEDLE JET (N.J.)	N-6	P-0	N-8	2.0
JET NEEDLE-CLIP POSITION (J.N.)	5DP7-3	6DH3-3	5DP7-3	6DH3-3
CUTAWAY (C.A.)	1.5	3.0	1.5	3.0
PILOT JET (P.J.)	#30	#45	#30	#45
AIR SCREW (TURNS OUT) (A.S.)	1 1/4	1 1/2	1-1/4	1 1/2
STARTER JET (S.J.)	#60	#60	#60	#60
FLOAT LEVEL (MM) (F.L.)	15.1mm	8.5mm	15.1mm	21.4mm

CONTINUED ON NEXT FRAME ➤

# CARBURETOR

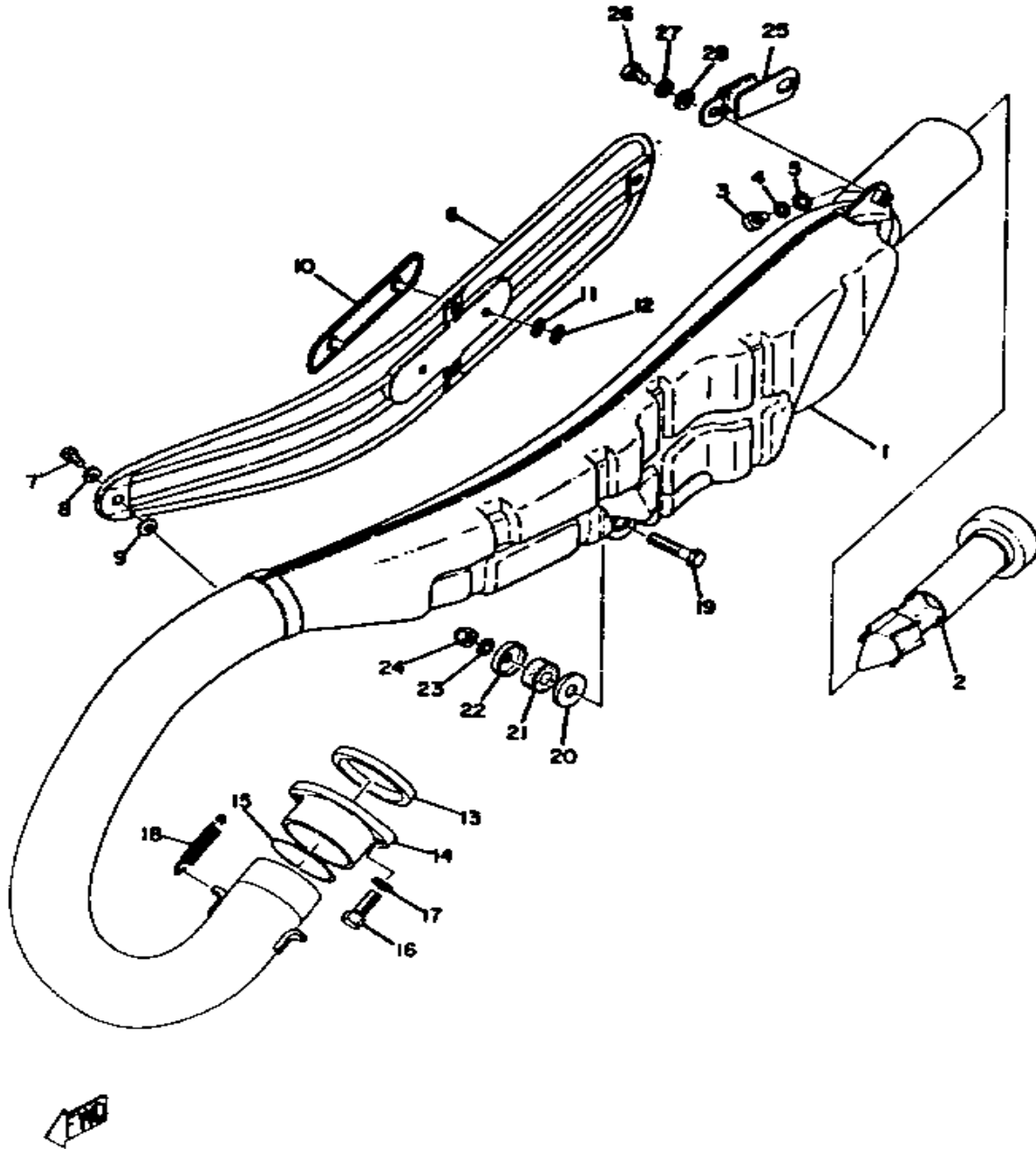


Ref. No.	Part Number	Description	Qty	Remarks
38	23F-14197-00-00	. PIPE, AIRVENT .....	1	
39	132-14146-00-00	. PLATE .....	1	
40	98503-04014-00	. SCREW, PAN HEAD .....	4	
41	93210-33139-00	. O-RING (311-14147-00) .....	1	
	93210-37140-00	. O-RING .....	1	
-1	(308-14101-60-00)	CARBURETOR ASSEMBLY 1	1	BLACK
	(311-14101-60-00)	CARBURETOR ASSEMBLY 1	1	BLACK

DT2                      RT2                      DT3                      RT3

16. CARBURETOR TYPE & MANUFACTURER	VM26SH Mikuni	VM32SH Mikuni	Mikuni VM26SH	Mikuni VM32SH
MAIN JET (M.J.)	≠160	≠230	≠160	≠230
AIR JET (A.J.)	Drill 2.5mm	2.0	ϕ	2.0
NEEDLE JET (N.J.)	N-6	P-0	N-8	2.0
JET NEEDLE-CLIP POSITION (J.N.)	5DP 7-3	6DH3-3	5DP 7-3	6DH 3-3
CUTAWAY (C.A.)	1.5	3.0	1.5	3.0
PILOT JET (P.J.)	≠30	≠45	≠30	≠45
AIR SCREW (TURNS OUT) (A.S.)	1 1/4	1 1/2	1-1/4	1 1/2
STARTER JET (S.J.)	≠60	≠60	≠60	≠60
FLOAT LEVEL (MM) (F.L.)	15.1mm	8.5mm	15.1mm	21.4mm

# EXHAUST

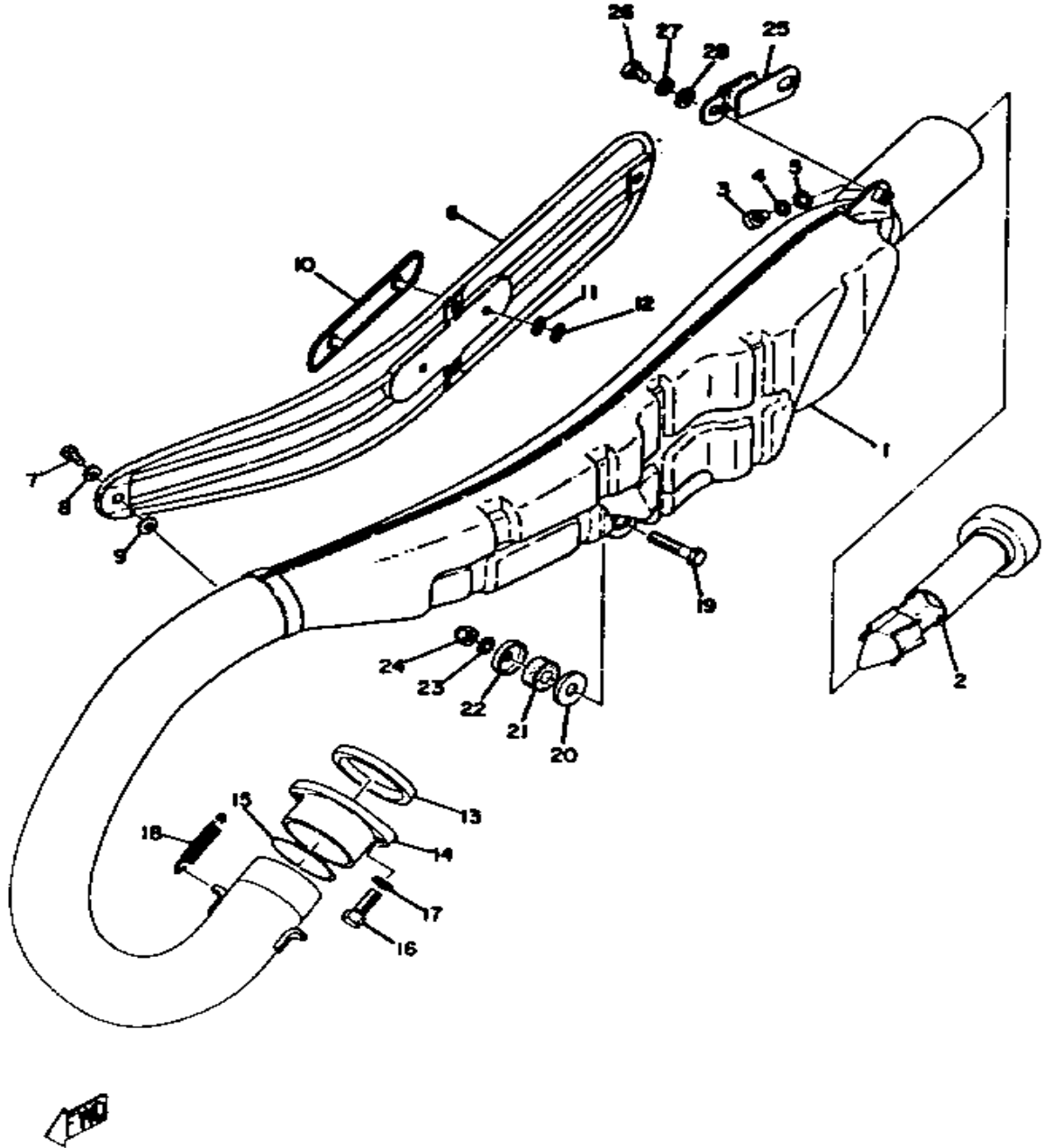


Ref. No.	Part Number	Description	Qty	Remarks
1	311-14610-30-00	EXHAUST PIPE ASSEMBLY L .	1	
2	291-14752-30-00	. PIPE, OUTLET . . . . .	1	
3	98580-06010-00	. SCREW, PAN HEAD (92503-06010) . . . . .	1	
4	92995-06100-00	. WASHER, SPRING . . . . .	1	
5	92990-06200-00	. WASHER . . . . .	1	
6	(312-14718-10-00)	PROTECTOR, MUFF 1 . . . . .	1	
7	98903-06012-00	SCREW, BIND . . . . .	4	
8	90202-05005-00	WASHER, PLATE (218-14766-10) . . . . .	4	
9	90202-05187-00	WASHER, PLATE . . . . .	4	
10	308-14729-00-00	EMBLEM, PROTECTOR . . . . .	1	
	311-14729-00-00	EMBLEM, PROTECTOR . . . . .	1	
11	90202-04003-00	WASHER, PLATE . . . . .	2	
12	90183-04005-00	NUT, SPRING . . . . .	2	
13	214-14613-00-00	GASKET, EXST PIPE . . . . .	1	
14	(291-14610-30-00)	EXHAUST PIPE ASSEMBLY L .	1	
15	248-14623-00-00	GASKET, EXST PIPE . . . . .	1	
16	97023-06020-00	BOLT (3XF) . . . . .	2	
17	92995-06100-00	WASHER, SPRING . . . . .	2	
18	90508-121A2-00	SPRING, TORSION . . . . .	2	
19	97013-06035-00	BOLT . . . . .	1	
20	(214-14793-01-00)	PLATE, MUFFLER . . . . .	1	
21	90480-14329-00	GROMMET . . . . .	1	
22	(214-14793-01-00)	PLATE, MUFFLER . . . . .	1	
23	92995-06100-00	WASHER, SPRING . . . . .	1	
24	90387-065L7-00	COLLAR (51L) (214-21633-00) .	1	
25	308-14771-00-00	STAY, MUFFLER 1 . . . . .	1	
26	97011-06016-00	BOLT . . . . .	1	

CONTINUED ON NEXT FRAME ►

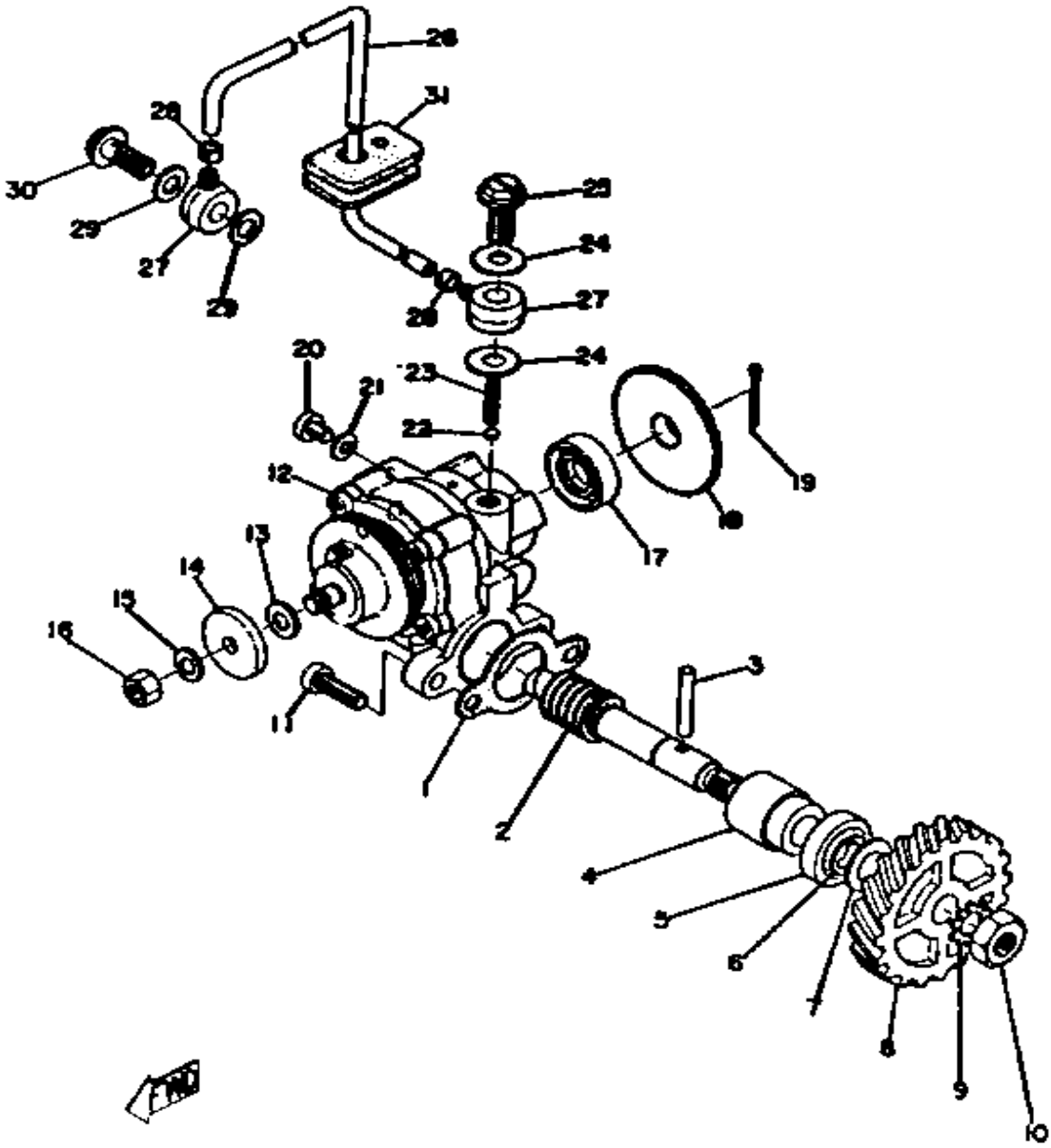


# EXHAUST



Ref. No.	Part Number	Description	Qty	Remarks
27	92995-06100-00	WASHER, SPRING .....	1	
28	92990-06200-00	WASHER .....	1	

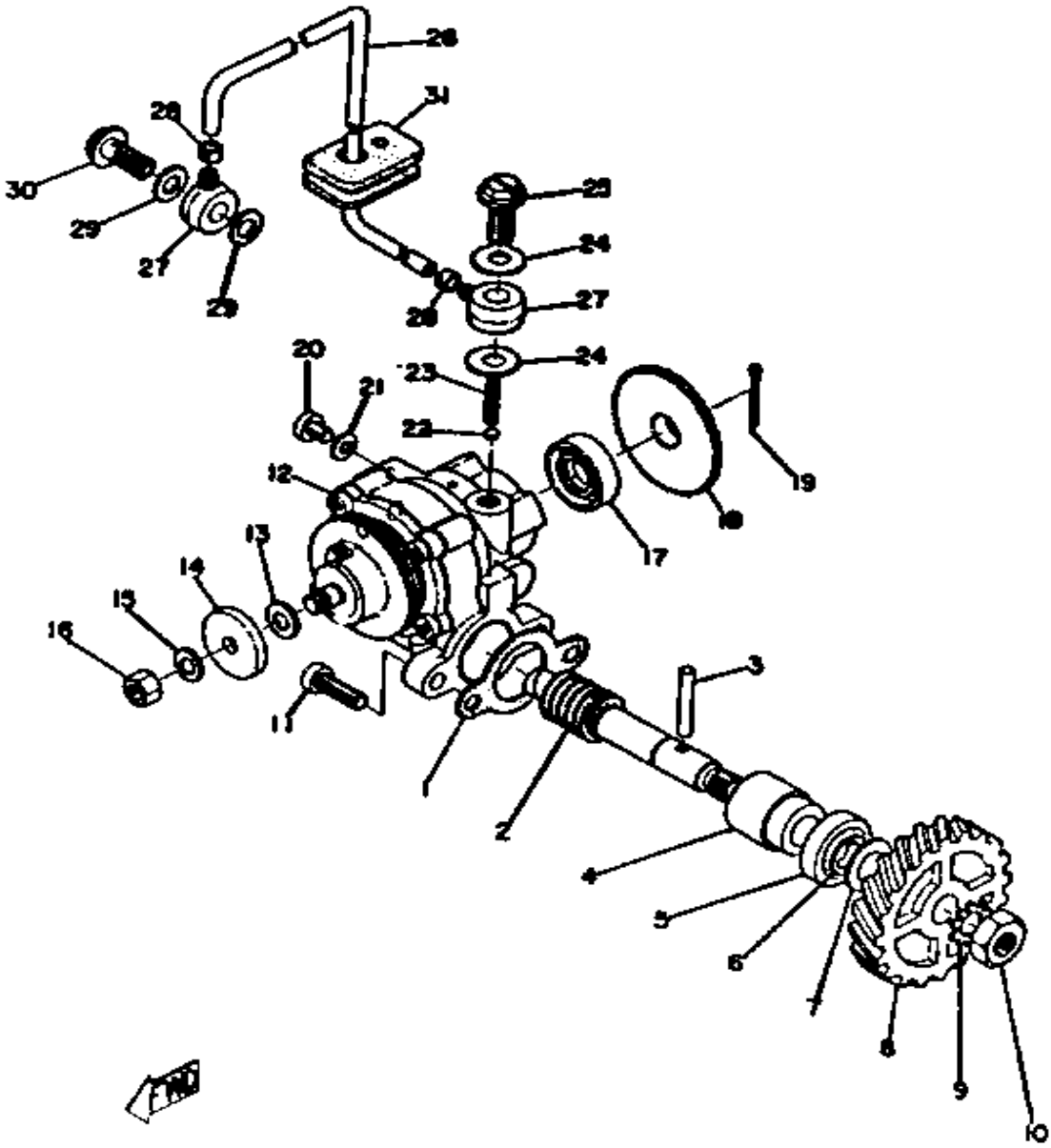
# OIL PUMP



Ref. No.	Part Number	Description	Qty	Remarks
1	3MT-13116-00-00	GASKET, PUMP CASE (8Y0-13116-00)	1	
2	(363-13174-00-00)	HOLDER, OIL PIPE	1	
	278-13175-01-00	SHAFT, WORM (278-13175-00)	1	
3	93603-22028-00	PIN, DOWEL	1	
4	(A00-67465-00-00)	BEARING, SHAFT	1	
5	93101-10002-00	OIL SEAL	1	
6	99001-08600-00	CIRCLIP	1	
7	90201-105J4-00	WASHER, PLATE (90201-106H1)	1	
8	(363-13174-00-00)	HOLDER, OIL PIPE	1	
9	92901-08400-00	WASHER, EX.TOOTH	1	
10	95303-08700-00	NUT	1	
11	98580-05016-00	SCREW, PAN HEAD	2	
13	137-13137-00-10	. SHIM (1.0T)	1	
14	137-13138-01-00	. PLATE, ADJUSTING	1	
15	92990-05100-00	. WASHER, SPRING	1	
16	95380-05600-00	. NUT	1	
17	93101-10090-00	. OIL SEAL	1	
18	(137-13128-00-00)	PLATE, STARTER	1	
19	91401-12018-00	. PIN, COTTER	1	
20	98901-04008-00	. SCREW, BIND	1	
21	90430-04004-00	. GASKET	1	
22	93505-32002-00	. BALL	1	
23	(90501-02017-00)	SPRING, COMPRESSION	1	
24	90430-06011-00	. GASKET	2	
25	90401-06001-00	. BOLT, UNION	1	
26	90445-05301-00	. HOSE (214-13161-01)	1	
27	214-13162-01-00	. BANJO, DLVRY PIPE	2	

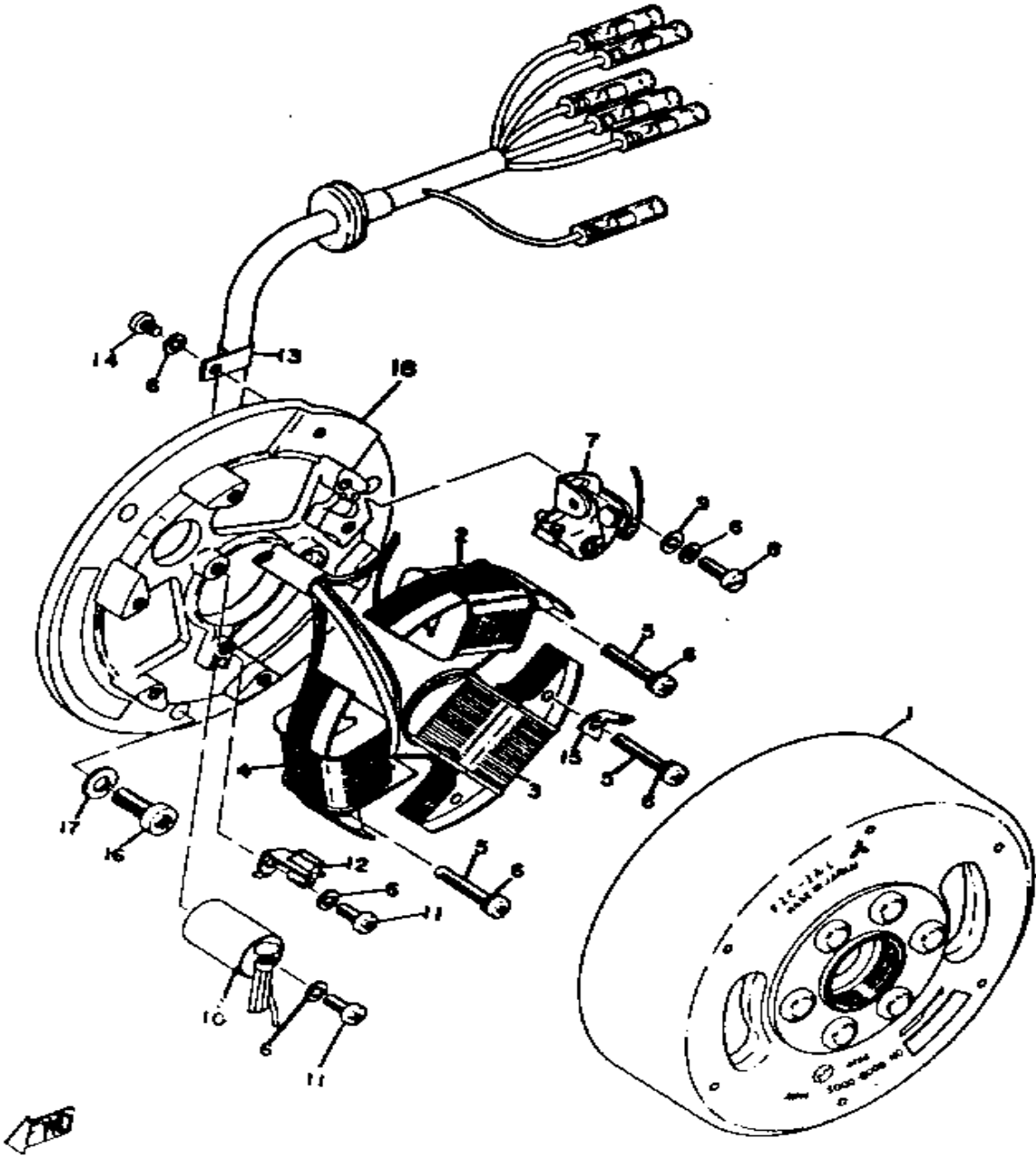
CONTINUED ON NEXT FRAME ►

# OIL PUMP



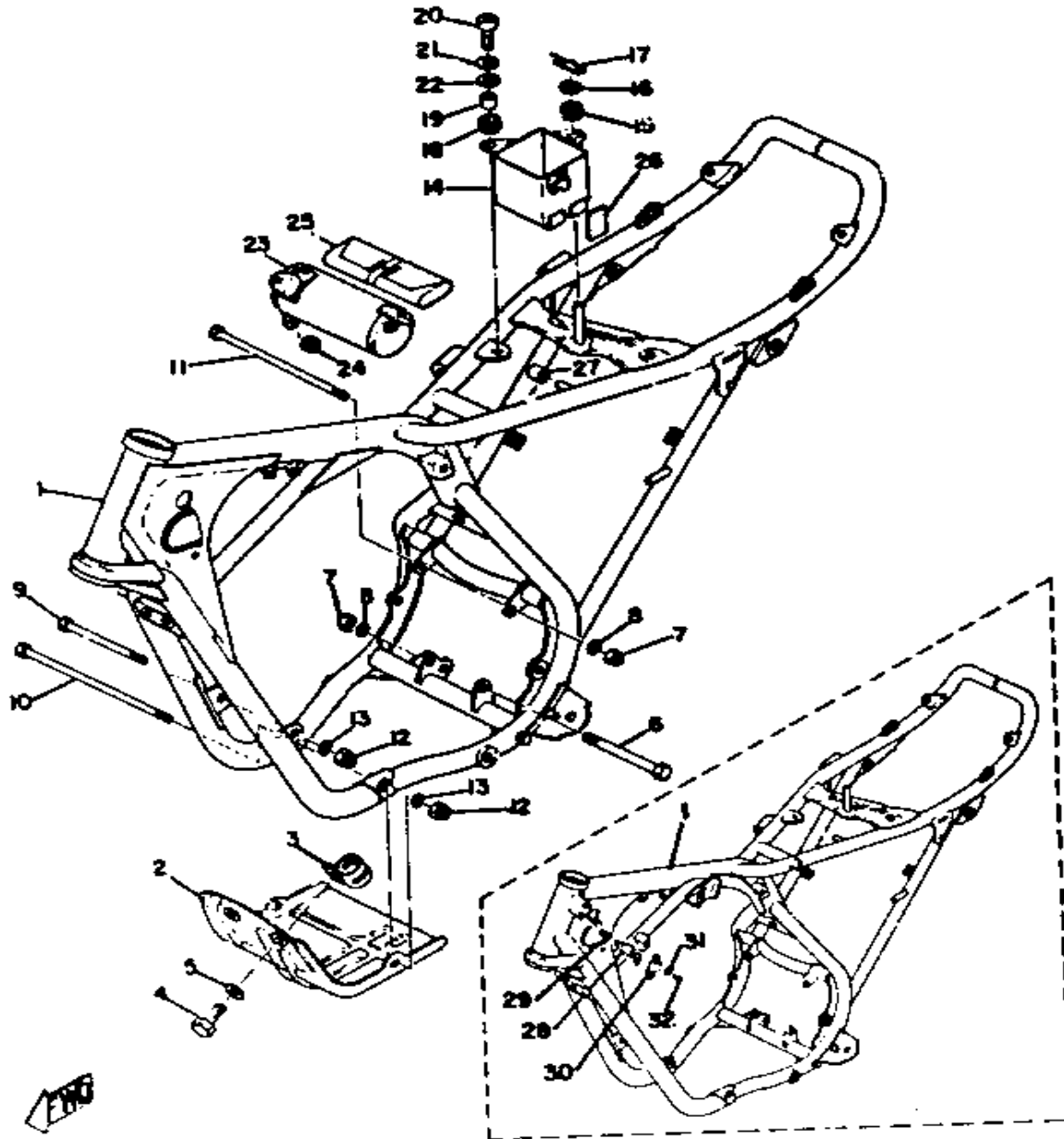
Ref. No.	Part Number	Description	Qty	Remarks
28	90468-02033-00	. CLIP .....	2	
29	90430-06011-00	GASKET .....	2	
30	90401-06001-00	BOLT, UNION .....	1	
31	(363-13174-00-00)	HOLDER, OIL PIPE .....	1	
-1	(214-13101-04-00)	OIL PUMP ASSEMBLY .....	1	
	(275-13101-03-00)	OIL PUMP ASSEMBLY .....	1	

# FLYWHEEL MAGNETO



Ref. No.	Part Number	Description	Qty	Remarks
1	(214-81350-22-00)	ROTOR ASSEMBLY	1	
2	214-81312-21-00	. COIL, SOURCE	1	
3	(233-81313-20-00)	COIL, LIGHTING 1	1	
4	233-81314-20-00	. COIL, LIGHTING 2	1	
5	97602-04125-00	. SCREW, PN/HD.W/WSHR (4-25)	6	
6	92901-04100-00	. WASHER, SPRING	10	
7	214-81321-20-00	. CONTACT BRKR ASSEMBLY	1	
8	110-81346-21-00	. SCREW, PAN HEAD	1	
9	92990-04200-00	. WASHER, PLAIN	1	
10	214-81326-90-00	. CONDENCER 2	1	
11	110-81346-21-00	. SCREW, PAN HEAD	2	
12	116-81331-20-00	. LUBRICATOR	1	
13	104-81328-20-00	. CLAMP	1	
14	97601-04106-00	. SCREW, PN/HD.W/WSHR	1	
15	(214-81332-21-00)	PLATE, TIMING	1	
16	98503-06014-00	SCREW, PAN HEAD (92502-06016)	3	
17	92995-06100-00	WASHER, SPRING	3	
18	(233-81309-20-00)	BASE, MAGNETO	1	M6-026
-1	(275-81300-20-00)	FLYWHL MAGNETO ASSEMBLY	1	

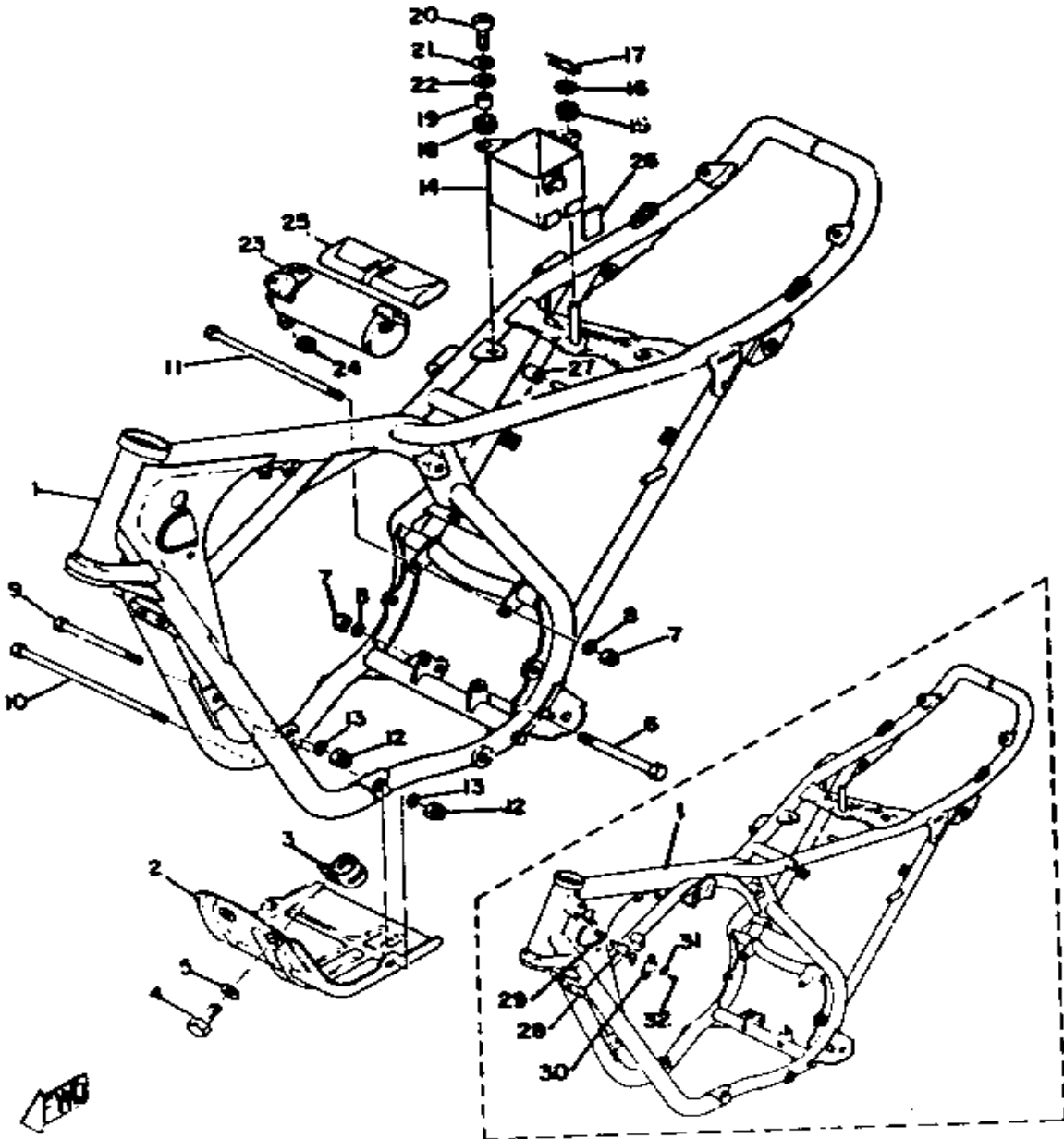
# FRAME



Ref. No.	Part Number	Description	Qty	Remarks
1	(309-21110-01-33)	FRAME .....	1	YAMAHA BLACK
2	(214-21471-01-00)	PROTECTOR, ENGINE .....	1	
3	(214-21433-00-33)	BRACKET, PROTC FRT .....	2	
4	97013-06012-00	BOLT .....	2	
5	92990-06200-00	WASHER .....	2	
6	90105-10051-00	BOLT, WASHER BASED .....	1	
7	90185-10031-00	NUT, SELF-LOCKING .....	2	
8	92990-10100-00	WASHER, SPRING .....	2	
9	95821-08115-00	BOLT, flange .....	1	
10	90109-08040-00	BOLT (214-21842-00) .....	1	
11	90105-10227-00	BOLT, WASHER BASED .....	1	
12	95611-08100-00	NUT, U .....	2	
13	92990-08100-00	WASHER .....	2	
14	(308-21240-00-33)	BOX, BATT. ....	1	YAMAHA BLACK
15	90480-14103-00	GROMMET (214-21747-00) ....	1	
16	(90209-05025-00)	WASHER, SPEC'L SHAP ....	1	
17	90468-10050-00	CLIP .....	1	
18	90480-14023-00	GROMMET .....	1	
19	90387-065L7-00	COLLAR (51L) (214-21633-00) .	1	
20	98511-06025-00	SCREW PAN HEAD (92501-06025) .....	1	
21	92995-06100-00	WASHER, SPRING .....	1	
22	90201-06067-00	WASHER, PLATE .....	1	
23	(214-21170-00-33)	BOX .....	1	YAMAHA BLACK
24	90480-10091-00	GROMMET (214-21746-00) ....	1	
25	(214-W2810-10-00)	TOOL KIT .....	1	
26	214-21268-00-00	NO LONGER AVAILABLE ....	1	
27	(214-21729-00-00)	CLAMP, DAMPER .....	1	
28	341-23408-01-00	. STEERING LOCK ASSEMBLY (214-23480-00) .....	1	

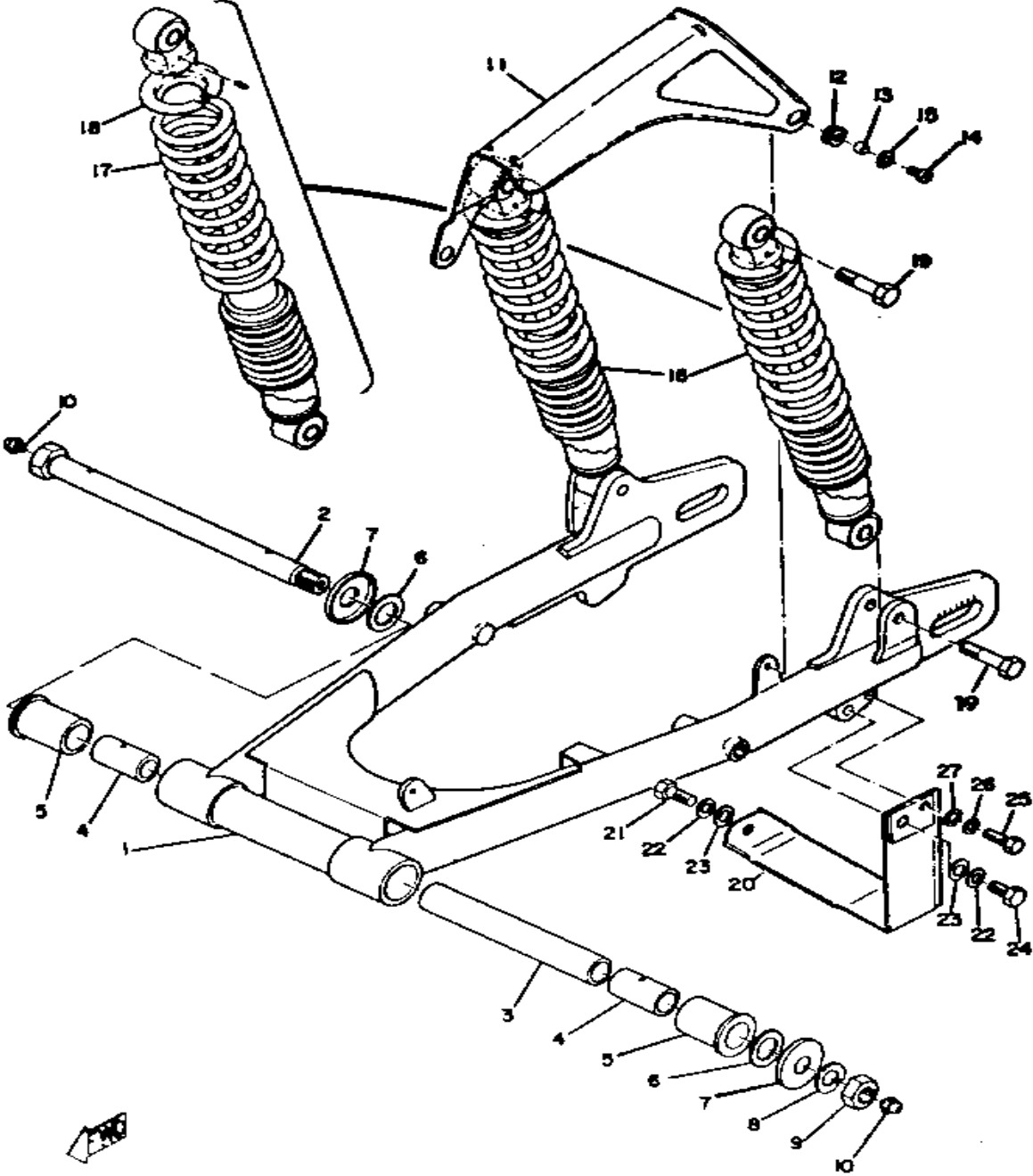
CONTINUED ON NEXT FRAME ►

# FRAME



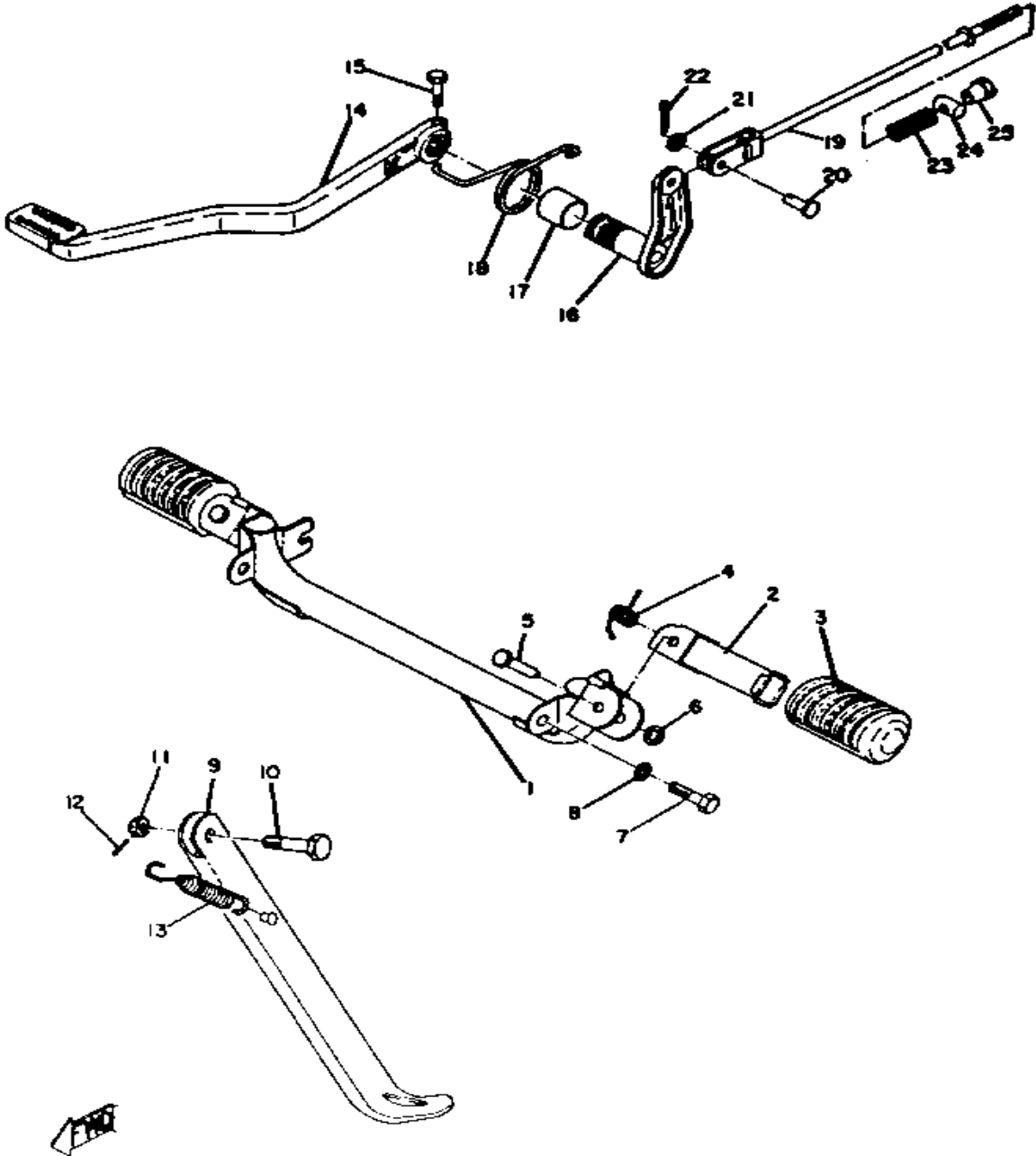
Ref. No.	Part Number	Description	Qty	Remarks
29	90502-08005-00	. SPRING, CONICAL (214-23485-00)	1	
30	(134-23484-10-00)	CAP, HANDLE LOCK	1	
31	90206-04003-00	WASHER, WAVE (214-23488-00)	1	
32	90269-04003-00	RIVET	1	

# REAR ARM - REAR CUSHION



Ref. No.	Part Number	Description	Qty	Remarks
1	(308-22110-00-33)	REAR ARM	1	YAMAHA BLACK
2	(308-22141-01-00)	SHAFT, PIVOT	1	
3	90387-16128-00	COLLAR (150-22126-00)	1	
4	90387-16226-00	COLLAR (150-22124-00)	2	
5	90386-22018-00	BUSH, SPEC'L NYLON (148-22123-00)	2	
6	240-22127-00-00	SHIM	1	
7	1A0-22128-00-00	COVER, THRUST 1	2	
8	92901-14100-00	WASHER, SPRING	1	
9	95312-14600-00	NUT	1	
10	93700-06M03-00	NIPPLE, GREASE	2	
11	(308-22311-00-35)	CASE, CHAIN	1	SILVER
12	90480-12096-00	GROMMET (141-82596-00)	2	
13	90560-05001-00	SPACER	2	
14	98580-05010-00	SCREW, PAN HEAD	2	
15	90201-06M08-00	WASHER, PLATE	2	
16	(308-22210-20-00)	SHK/ABS ASSEMBLY, REAR	2	
17	(308-22212-10-00)	SPRING	1	
	(308-22212-70-00)	SPRING	2	
18	(308-22213-20-00)	SEAT, SPRING UPPER	2	
19	90106-10025-00	BOLT, DOME HEAD	4	
20	(214-22318-01-33)	GUARD, CHAIN	1	ALTERNATE PARTS YAMAHA BLACK
21	97313-08016-00	BOLT, HEXAGON	1	ALTERNATE PARTS
22	92990-08200-00	WASHER, PLAIN	2	ALTERNATE PARTS
23	92990-08200-00	WASHER, PLAIN	2	ALTERNATE PARTS
24	97001-08025-00	BOLT (1NV)	1	ALTERNATE PARTS
25	97023-06020-00	BOLT (3XF)	1	ALTERNATE PARTS
26	92995-06100-00	WASHER, SPRING	1	ALTERNATE PARTS

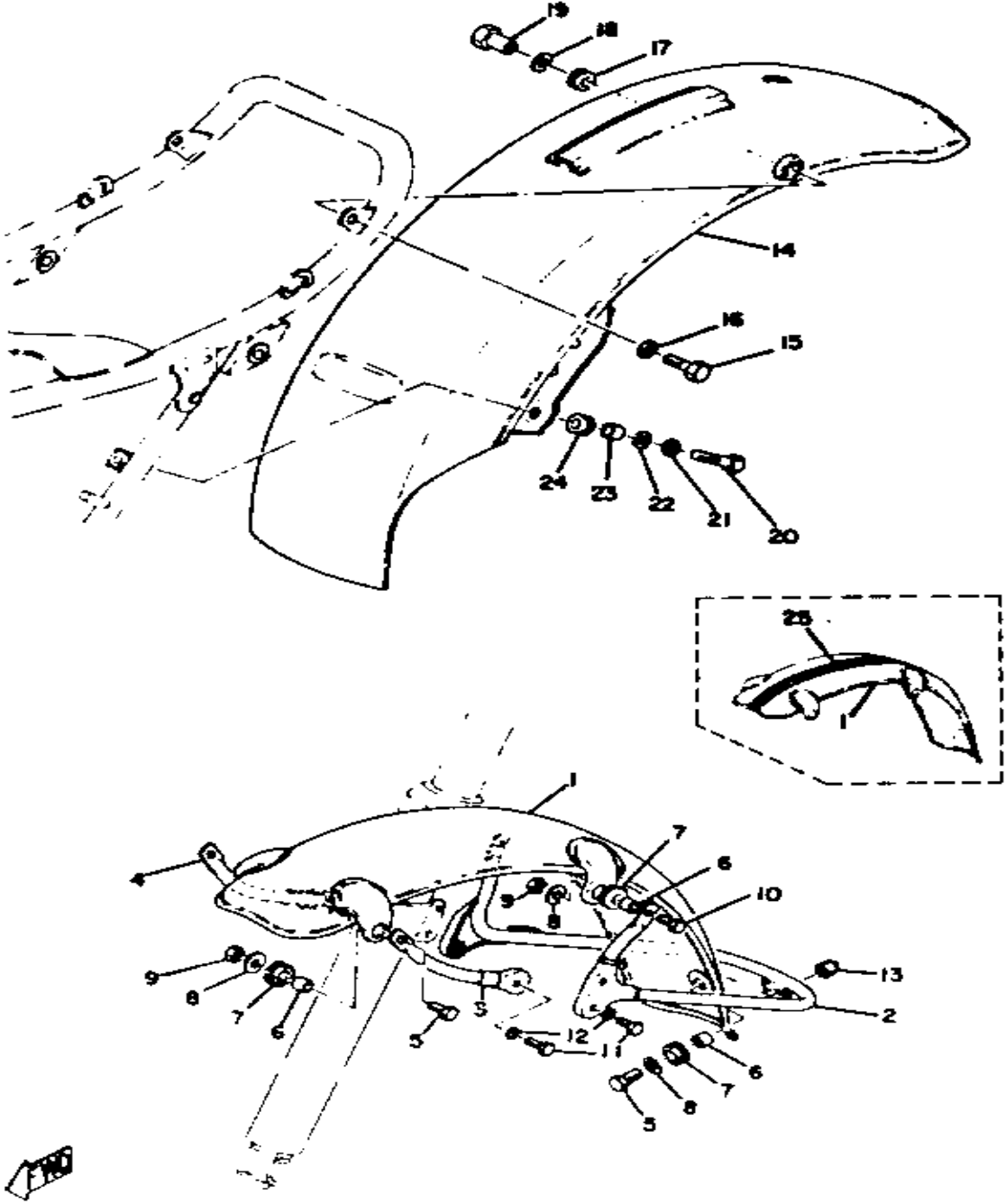
# STAND - FOOT REST - BRAKE PEDAL



Ref. No.	Part Number	Description	Qty	Remarks
1	214-27411-00-00	FOOTREST 1 .....	1	
2	214-27421-00-00	FOOTREST 2 .....	2	
3	214-27413-00-00	COVER, FOOTREST .....	2	
4	90508-20023-00	SPRING, TORSION .....	2	
5	90243-08006-00	PIN .....	2	
6	90201-06042-00	WASHER, PLATE .....	2	
7	97313-08020-00	BOLT, HEXAGON .....	2	
8	92990-08100-00	WASHER .....	2	
9	214-27311-01-00	STAND, SIDE .....	1	
10	90102-10006-00	BOLT, WITH HOLE (278-27317-00) .....	1	
11	95303-10900-00	NUT, SLOTTED .....	1	
12	91490-20025-00	PIN, SPLIT .....	1	
13	90507-29004-00	SPRING, TENSION (214-27316-00) .....	1	
14	(214-27211-00-33)	PEDAL, BRAKE .....	1	YAMAHA BLACK
15	97011-06025-00	BOLT (97001-06025) .....	1	
16	214-27212-00-00	SHAFT, BRAKE PEDAL .....	1	
17	(90387-20177-00)	COLLAR .....	1	
18	90508-40077-00	SPRING, TORSION (214-27216-00) .....	1	
19	275-27231-00-00	ROD, BRAKE .....	1	
20	90240-06006-00	PIN, CLEVIS .....	1	
21	92990-06200-00	WASHER .....	1	
22	91401-25020-00	PIN, COTTER .....	1	
23	90501-10245-00	SPRING, COMPRESSION .....	1	
24	90249-12008-00	PIN .....	1	
25	90179-06411-00	NUT .....	1	

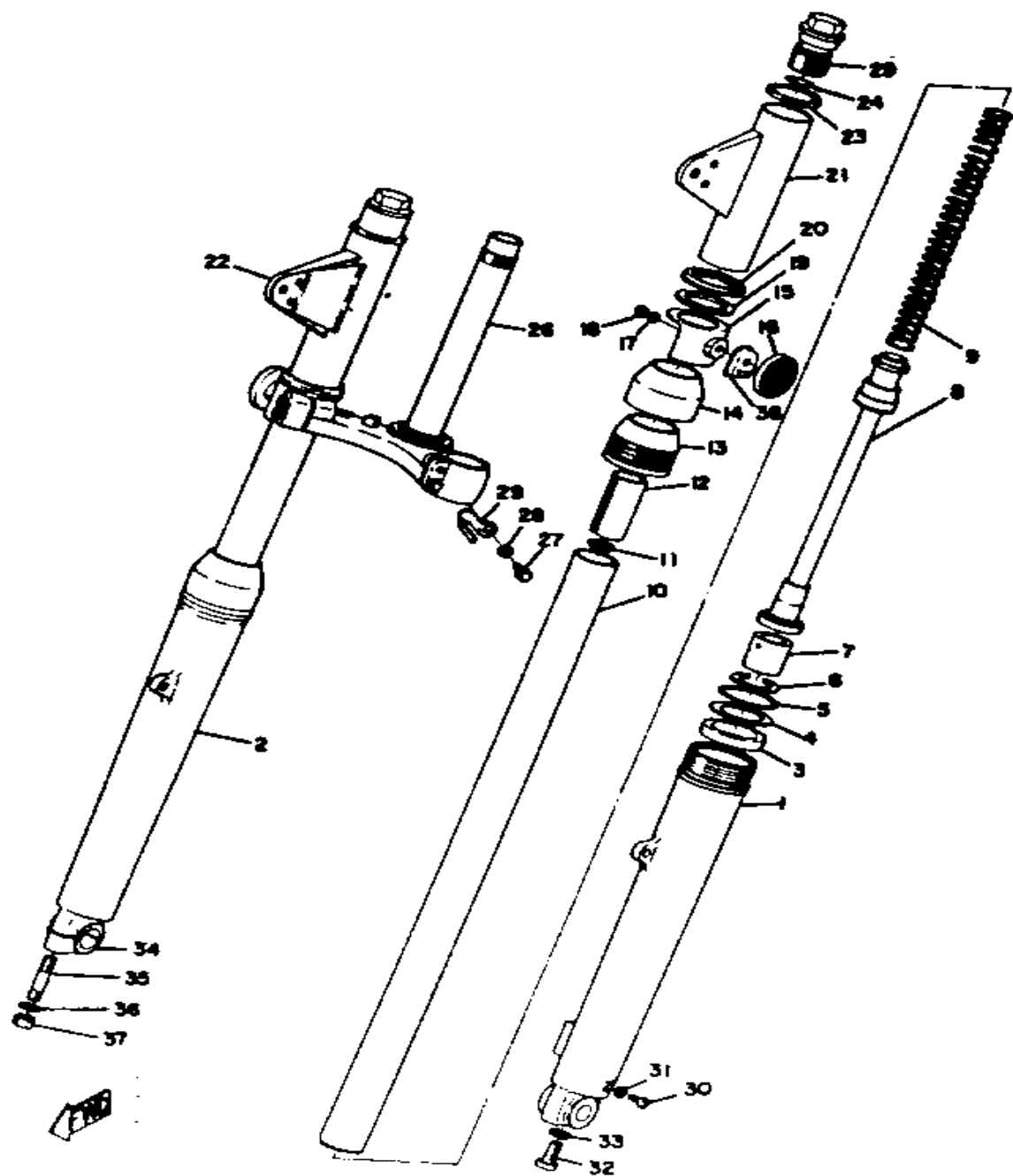


# FRONT FENDER - REAR FENDER



Ref. No.	Part Number	Description	Qty	Remarks
1	(214-21510-00-35)	FENDER, FRONT	1	SILVER
	(308-21510-00-35)	FENDER, FRONT	1	SILVER
2	(214-21512-00-93)	BRACKET, FENDER	1	
	(308-21512-00-93)	BRACKET, FENDER	1	
3	(214-21513-00-00)	STAY, FENDER 1	1	
4	(214-21514-00-00)	STAY, FENDER 2	1	
5	97023-06020-00	BOLT (3XF)	3	
6	90387-065L7-00	COLLAR (51L) (214-21633-00)	5	
7	90480-14023-00	GROMMET	5	
8	90201-06067-00	WASHER, PLATE	5	
9	95380-06600-00	NUT	4	
10	97011-06025-00	BOLT (97001-06025)	2	
	97023-06020-00	BOLT (3XF)	2	
11	97023-06020-00	BOLT (3XF)	4	
12	92995-06100-00	WASHER, SPRING	4	
13	95303-06800-00	NUT (CROWN)	1	
14	(275-21610-00-35)	FENDER, REAR	1	SILVER
	(308-21610-00-35)	FENDER, REAR	1	SILVER
15	97023-06020-00	BOLT (3XF)	2	
16	92995-06100-00	WASHER, SPRING	2	
17	168-21639-00-00	DAMPER 2	2	
18	90201-15239-00	WASHER, PLATE	2	
19	(275-21635-00-00)	NUT, REAR FENDER	2	
20	97011-06025-00	BOLT (97001-06025)	2	
21	92995-06100-00	WASHER, SPRING	2	
22	90201-06067-00	WASHER, PLATE	2	
23	90387-065L7-00	COLLAR (51L) (214-21633-00)	2	
24	90480-14023-00	GROMMET	2	
25	(308-21519-00-00)	MOLD, FENDER	2	

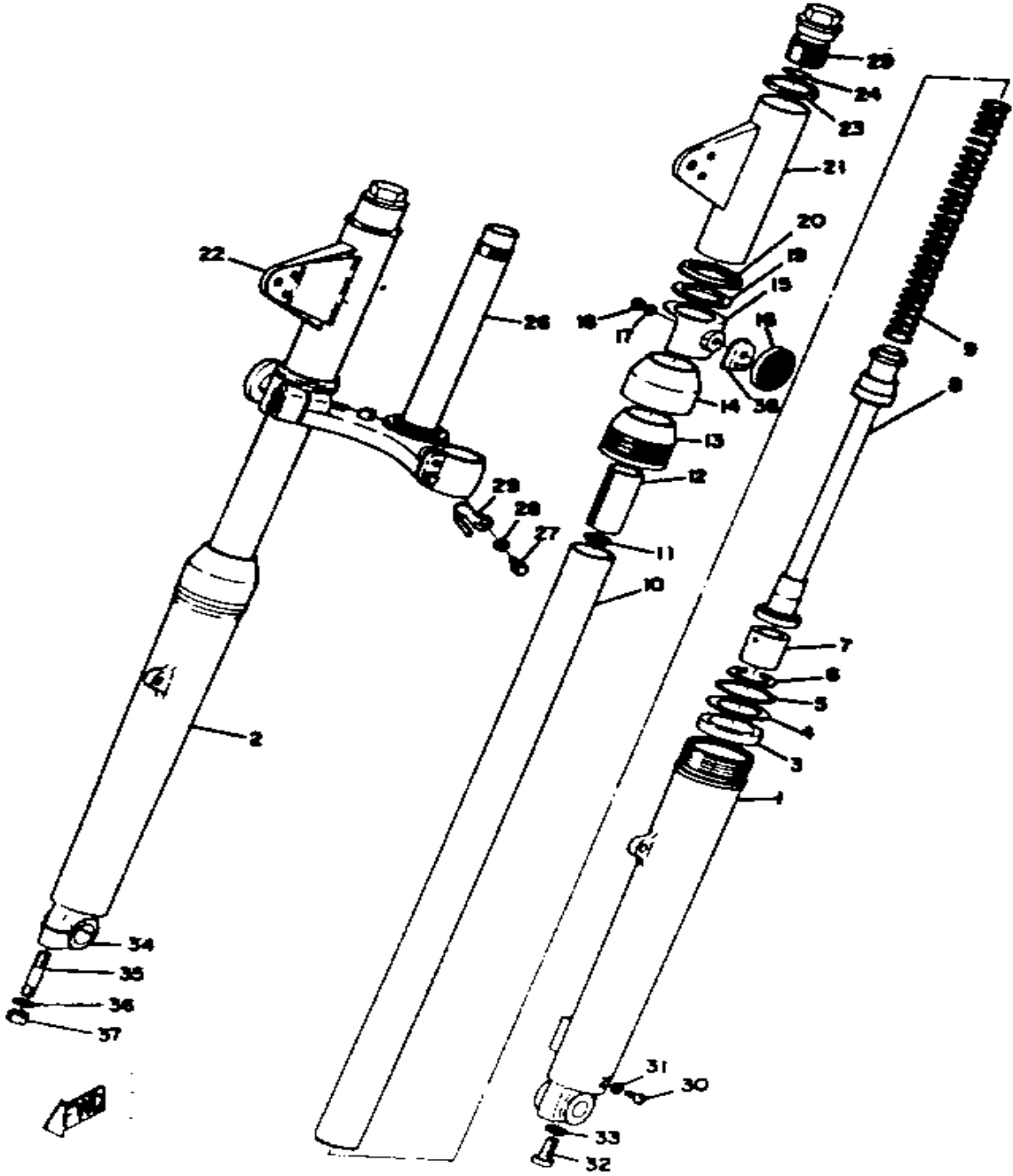
# FRONT FORK



Ref. No.	Part Number	Description	Qty	Remarks
2	(291-23136-60-00)	TUBE, OUTER 2 .....	1	
3	278-23145-51-00	.. OIL SEAL .....	2	
4	214-23146-00-00	.. WASHER, OIL SEAL .....	2	
5	214-23156-00-00	.. CLIP, OIL SEAL .....	2	
6	93450-30033-00	. CIRCLIP, INNER .....	2	
7	(278-23171-50-00)	PISTON, FRONT FORK .....	2	
8	(291-23170-60-00)	CYLINDER, FRTRFK .....	2	
9	214-23141-00-00	. SPRING, FRONT FORK .....	2	
10	291-23124-60-00	. TUBE, INNER 1 .....	2	
11	278-23142-50-00	. SEAT, SPRING UPPER .....	2	
12	(291-23118-60-00)	SPACER .....	2	
13	278-23144-50-00	. SEAL, DUST .....	2	
14	278-23148-50-00	. COVER, DUST SEAL .....	2	
15	(275-23122-60-00)	COVER, OUTER 1 .....	2	
16	341-85111-00-00	. REFLECTOR, FRONT 1 .....	2	
17	92990-05100-00	. WASHER, SPRING .....	2	
18	95380-05600-00	. NUT .....	2	
19	291-23163-61-00	. GASKET (LAMP STAY) .....	2	
20	447-23116-52-00	. GUIDE, COVER LOWER .....	2	
21	(291-23121-60-11)	COVER, UPPER 1 .....	1	PEARL YELLOW GOLD
	(291-23121-60-35)	COVER, UPPER 1 .....	1	SILVER
	(291-23121-60-K1)	COVER, UPPER 1 .....	1	COMP. GREEN
	(291-23121-60-M3)	COVER, UPPER 1 .....	1	BAJA BROWN
22	(291-23131-60-11)	COVER, UPPER 2 .....	1	PEARL YELLOW GOLD
	(291-23131-60-35)	COVER, UPPER 2 .....	1	SILVER
	(291-23131-60-K1)	COVER, UPPER 2 .....	1	COMP. GREEN
	(291-23131-60-M3)	COVER, UPPER 2 .....	1	BAJA BROWN

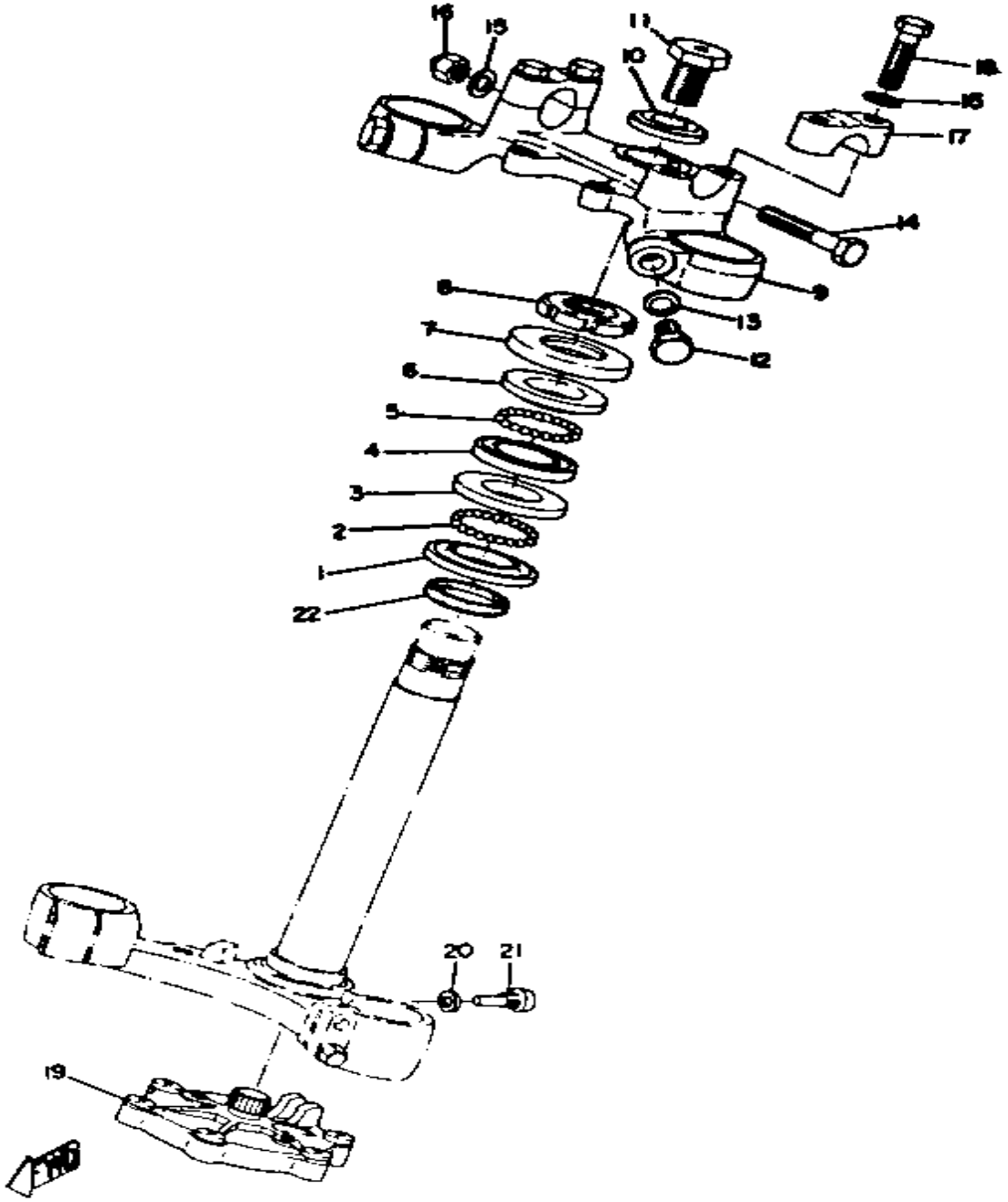
CONTINUED ON NEXT FRAME ►

# FRONT FORK



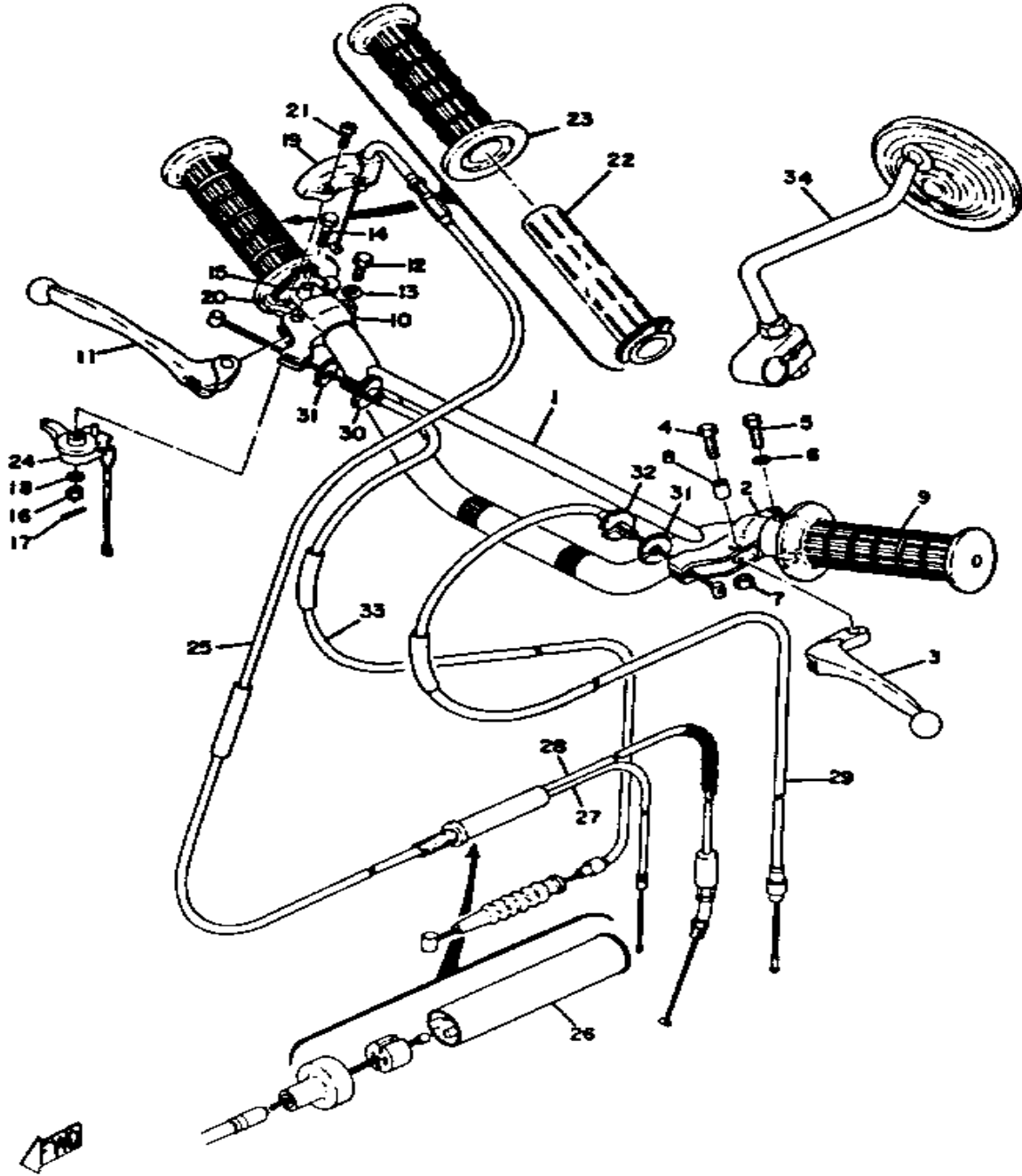
Ref. No.	Part Number	Description	Qty	Remarks
23	168-23115-00-00	. GUIDE, COVER UPPER	2	
24	214-23114-00-00	. GASKET	2	
25	(291-23111-60-00)	BOLT, CAP	2	
26	(291-23340-30-33)	UNDER BRACKET	1	YAMAHA BLACK
27	18G-23128-00-00	. BOLT, W/WASHER	4	
28	92990-08100-00	. WASHER	4	
29	(256-23318-60-00)	HOLDER, CABLE 1	1	
30	98580-04008-00	. SCREW, PAN HEAD	2	
31	122-23129-00-00	. GASKET, DRAIN PLUG	2	
32	278-23181-50-00	. BOLT, HEXAGON SOCKET HEAD	2	
33	509-23158-L0-00	. GASKET	2	
34	291-23167-61-00	. HOLDER, AXLE (291-23167-60)	1	
35	90116-08261-00	. BOLT, STUD	2	
36	92990-08100-00	. WASHER	2	
37	95333-08600-00	. NUT	2	
38	(256-23162-60-00)	COVER, RFLCTR STAY	2	
-1	(291-23101-20-00)	FRONT FORK ASSEMBLY	1	SILVER
	(291-23126-60-00)	TUBE, OUTER 1	1	

# STEERING



Ref. No.	Part Number	Description	Qty	Remarks
1	156-23411-00-00	RACE, BALL 1 .....	1	
2	93501-04011-00	BALL .....	19	
3	156-23412-00-00	RACE, BALL 2 .....	1	
4	22F-23412-01-00	RACE, BALL 2 .....	1	
5	93503-16010-00	BALL .....	22	
6	22F-23411-01-00	RACE, BALL 1 .....	1	
7	122-23416-00-00	COVER, BALL RACE 2 .....	1	
8	90179-25033-00	NUT .....	1	
9	(275-23435-02-33)	CROWN, HANDLE .....	1	YAMAHA BLACK
10	90209-14022-00	WASHER, SPEC'L SHAP (214-23443-00) .....	1	
11	90101-14113-00	BOLT (214-23451-10) .....	1	
12	97013-10030-00	BOLT (8J7) (97303-10030) .....	2	
13	92990-10100-00	WASHER, SPRING .....	2	
14	97313-08045-00	BOLT .....	1	
15	92990-08100-00	WASHER .....	5	
16	95303-08800-00	NUT (CROWN) (95301-08800) ..	1	
17	(315-23441-00-93)	HOLDER, HANDLE UPR .....	2	
18	97313-08030-00	BOLT, HEXAGON .....	4	
19	5G2-23490-00-00	HDLBR SMY DMPR ASSEMBLY	1	
20	92995-06100-00	WASHER, SPRING .....	1	
21	(214-23492-00-00)	BOLT .....	1	
22	164-23462-00-00	SEAL, STEERING .....	1	

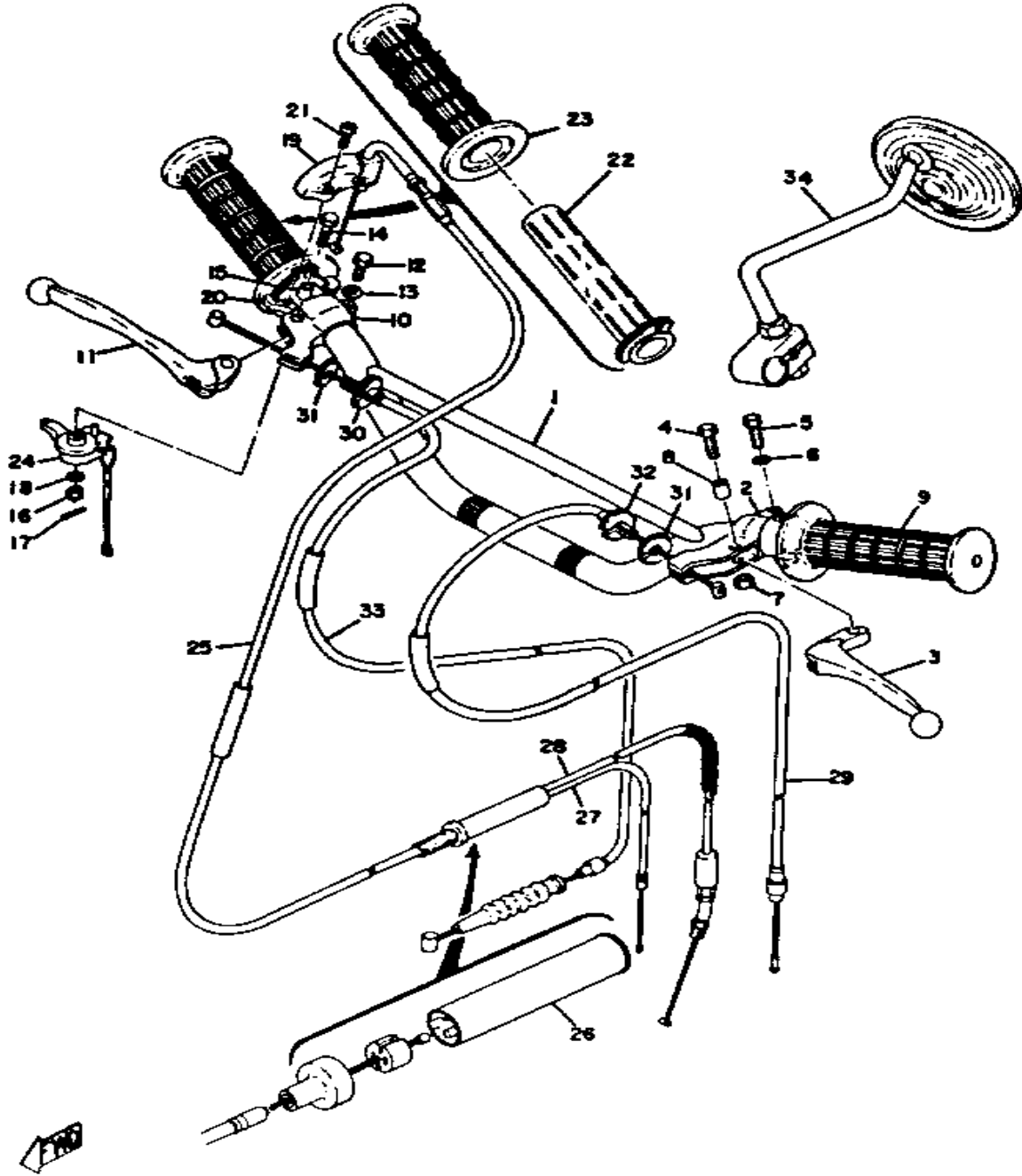
# HANDLE - WIRE



Ref. No.	Part Number	Description	Qty	Remarks
1	5V6-26111-00-00	HANDLEBAR	1	
2	214-82911-01-00	. HOLDER, LEVER 1	1	
3	214-83912-00-00	. LEVER 1	1	
4	97023-06020-00	. BOLT (3XF)	1	
	97313-06030-00	. BOLT, HEXAGON	1	
5	97013-06035-00	. BOLT	1	
	97023-06020-00	. BOLT (3XF)	1	
6	92995-06100-00	. WASHER, SPRING	1	
7	95380-06700-00	. NUT	1	
	95380-06700-00	. NUT	2	
8	214-83913-00-00	. COLLAR, LEVER 1	1	
9	214-26241-00-00	GRIP LH	1	
10	233-82921-31-00	. HOLDER, LEVER 2	1	
11	233-83922-31-00	. LEVER R	1	
12	97013-06035-00	. BOLT	1	
13	92995-06100-00	. WASHER, SPRING	1	
14	90109-05197-00	. BOLT (233-81915-01)	1	
15	214-83913-00-00	. COLLAR, LEVER 1	1	
16	95301-05900-00	. NUT, SLOTTED	1	
17	91401-12018-00	. PIN, COTTER	1	
18	92990-05200-00	. WASHER, PLAIN	1	
19	214-26281-01-00	CAP, GRIP UPPER	1	
20	214-26282-01-00	CAP, GRIP LOWER	1	
21	98580-05020-00	SCREW, PAN HEAD	2	
22	214-26243-00-00	TUBE, THRTL GUIDE	1	
23	214-26242-00-00	GRIP RH	1	
24	1A0-26242-01-00	GRIP (RIGHT)	1	
	232-83980-30-00	STOP SWITCH ASSEMBLY	1	
25	214-26311-02-00	CABLE, THROTTLE 1	1	

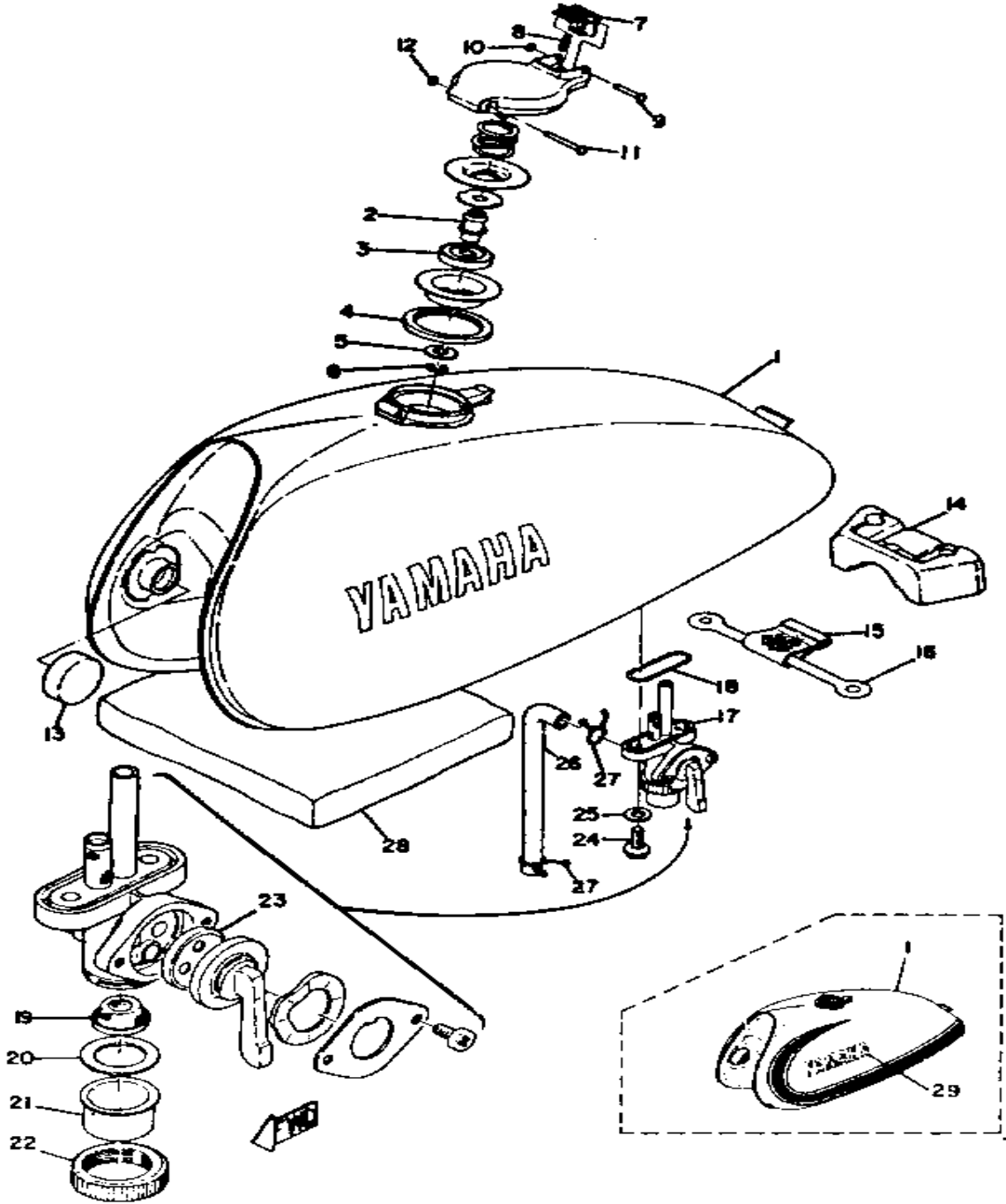
CONTINUED ON NEXT FRAME ➤

# HANDLE - WIRE



Ref. No.	Part Number	Description	Qty	Remarks
26	214-26261-00-00	CONNECTOR, CABLE .....	1	
27	214-26312-00-00	CABLE, THROTTLE 2 .....	1	
	275-26312-00-00	CABLE, THROTTLE 2 .....	1	
28	214-26321-00-00	CABLE, PUMP .....	1	
29	360-26335-00-00	CABLE, CLUTCH .....	1	
30	90123-08046-00	BOLT .....	1	
31	90179-08148-00	NUT .....	2	
32	90123-08046-00	BOLT .....	1	
33	214-26341-00-00	CABLE, BRAKE .....	1	
34	253-26290-00-00	MIRROR ASSEMBLY .....	1	ALTERNATE PARTS
	253-26290-10-00	MIRROR ASSEMBLY LH .....	1	
-1	(214-82910-04-00)	LEVER HOLDER ASSEMBLY 1	1	
	214-82910-07-00	LEVER HOLDER ASSEMBLY 1 (214-82910-05) .....	1	
-2	(233-82920-33-00)	LEVER HOLDER ASSEMBLY 2	1	

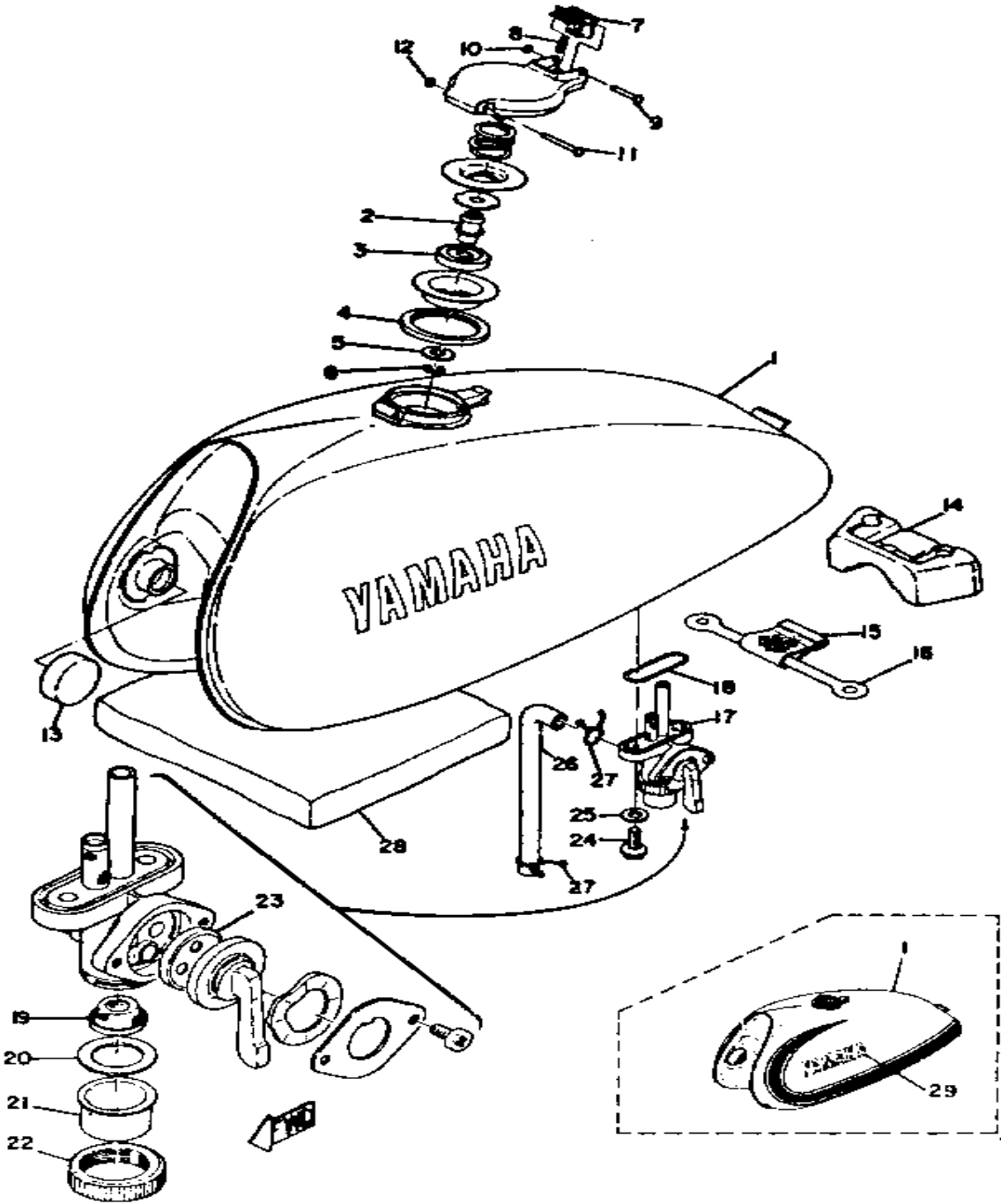
# FUEL TANK



Ref. No.	Part Number	Description	Qty	Remarks
1	(308-24110-00-01)	FUEL TANK .....	1	PEARL YELLOW GOLD
	(308-24110-00-03)	FUEL TANK .....	1	SILVER
	(308-24110-00-05)	FUEL TANK .....	1	BAJA BROWN
	(308-24110-00-06)	FUEL TANK .....	1	COMP. GREEN
2	(308-24642-00-00)	GASKET, CAP 2 .....	1	
3	(308-24641-00-00)	GASKET, CAP 1 .....	1	
4	308-24612-00-00	. GASKET, CAP .....	1	
5	92990-08200-00	. WASHER, PLAIN .....	1	
6	99009-06600-00	. CIRCLIP .....	1	
7	308-24628-00-00	. HOOK .....	1	
8	(90501-07301-00)	SPRING, COMPRESSION .....	1	
9	90249-03088-00	. PIN, SPEC'L SHAPE (308-24624-00) .....	1	
10	93430-02001-00	. CIRCLIP .....	1	
11	90249-03087-00	PIN, SPEC'L SHAPE (308-24623-00) .....	1	
12	93430-02001-00	CIRCLIP .....	1	
13	278-24181-00-00	DAMPER, LOCATING 1 .....	2	
14	214-24184-00-00	DAMPER, LOCATING 4 .....	1	
15	214-24173-00-00	BAND, TNK FITTING 1 .....	1	
16	248-24173-00-00	BAND, TNK FITTING 1 .....	1	
17	498-24500-01-00	FUEL COCK ASSEMBLY 1 (214-24500-02) .....	1	
18	214-24512-00-00	. GASKET .....	1	
19	214-24515-00-00	. NET, FILTER 2 .....	1	
20	214-24522-00-00	. GASKET .....	1	
21	214-24521-00-00	. CUP, FILTER .....	1	
22	214-24531-00-00	. NUT .....	1	
23	214-24523-00-00	. VALVE .....	1	

CONTINUED ON NEXT FRAME ►

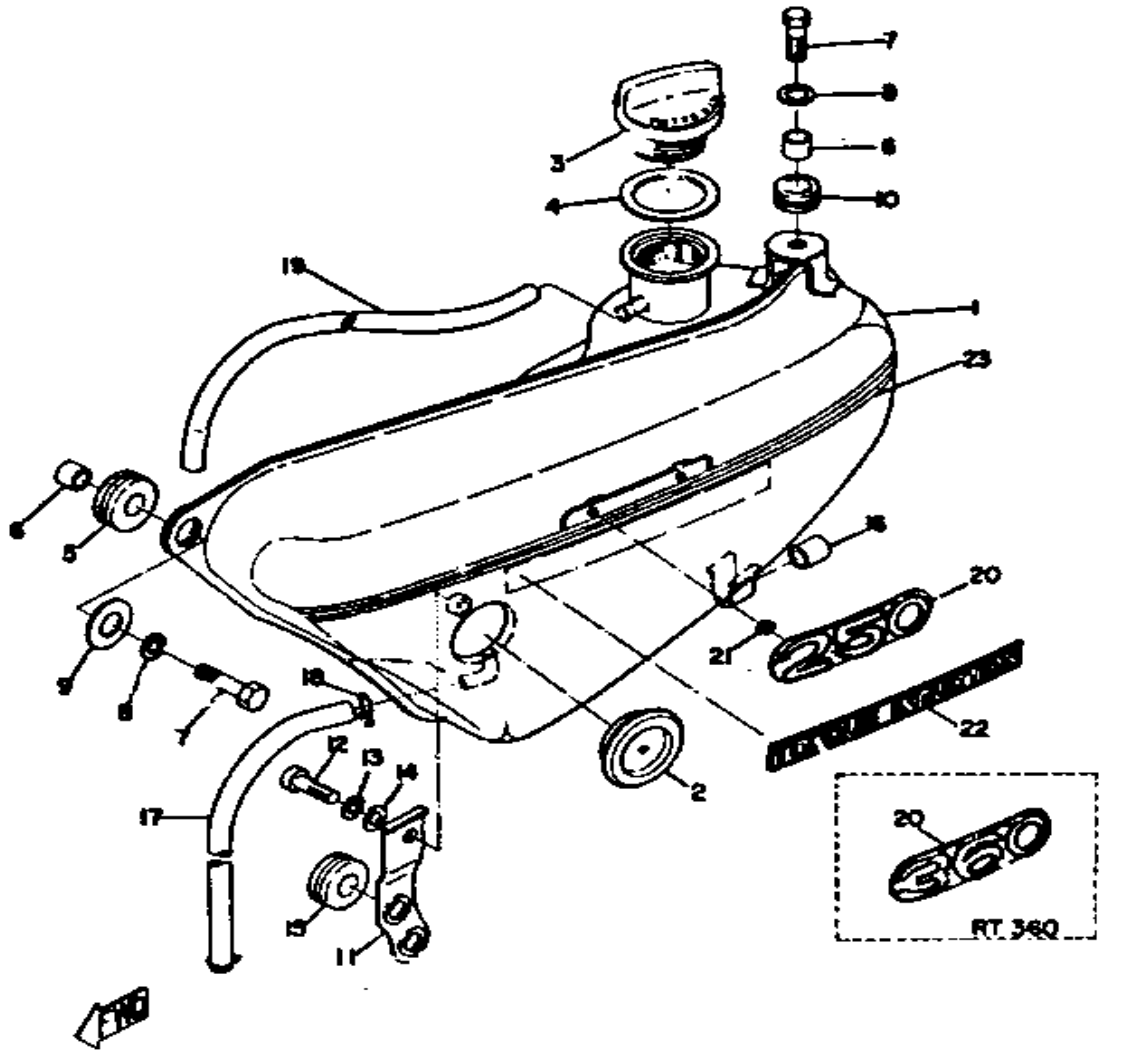
# FUEL TANK



Ref. No.	Part Number	Description	Qty	Remarks
24	90149-06011-00	SCREW	2	
25	90202-05187-00	WASHER, PLATE	2	
26	214-24311-00-00	PIPE, FUEL 1 (7-190)	1	
27	90467-10008-00	CLIP	2	
28	(214-21269-00-00)	SEAL	1	
29	(308-00000-05-00)	CAP BREATHER DT/RT	1	ALTERNATE PARTS
	322-24161-00-00	EMBLEM 1	1	
-1	(308-24610-00-00)	CAP ASSEMBLY	1	



# OIL TANK



DT2/RT2

22 OIL TANK OR ENGINE SUMP CAPACITY (QT.) (TYPE)	1.7
--	-----

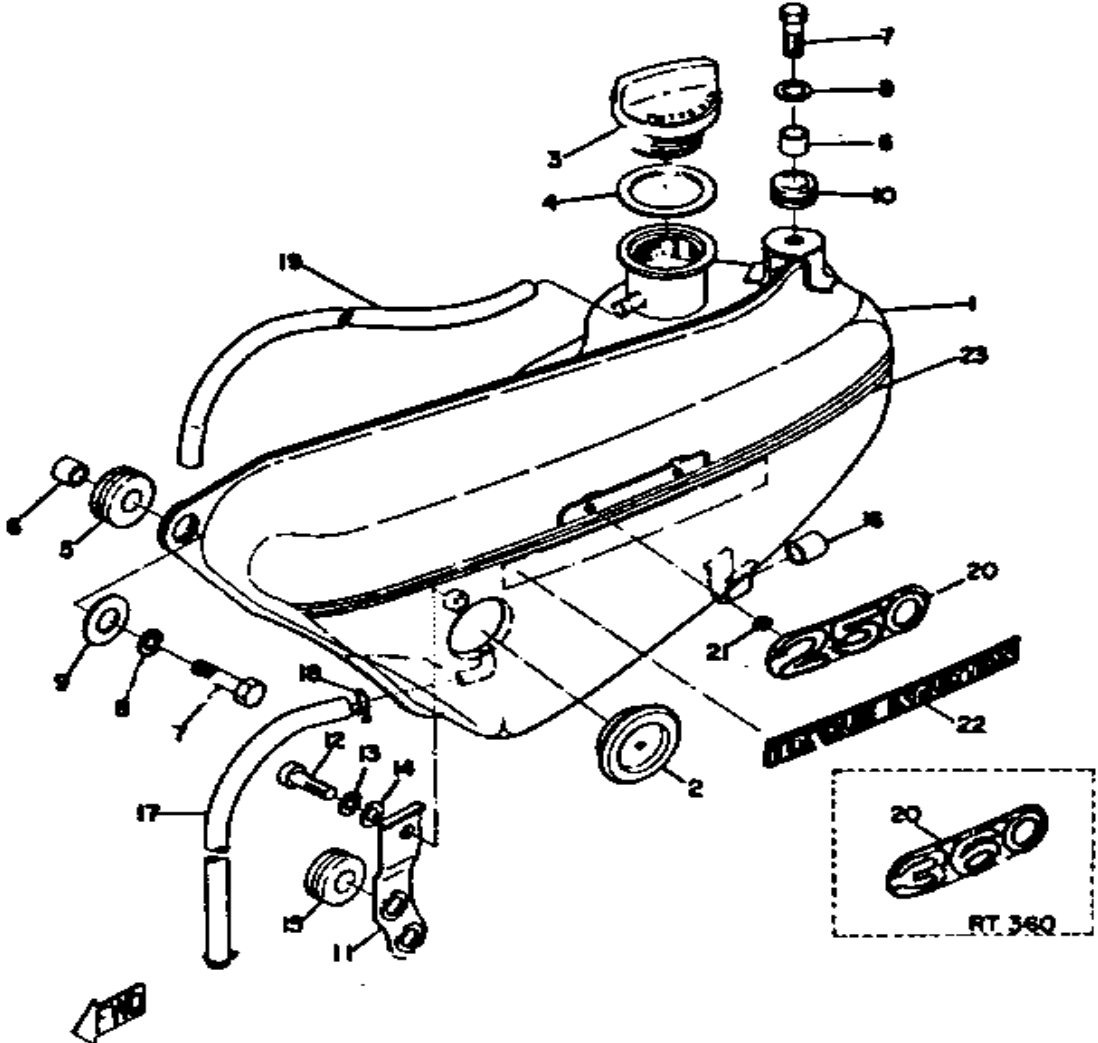
DT1J/RT3

OIL TANK OR ENGINE SUMP (QUANTITY) (TYPE)	1.6 qts.	Yamalube
---	----------	----------

Ref. No.	Part Number	Description	Qty	Remarks
1	(308-21705-01-11)	OIL TANK ASSEMBLY 0 1	108	872~(DT2) PEARL YELLOW GOLD
	(308-21705-01-35)	OIL TANK ASSEMBLY 0 0	1	784~(RT2) SILVER
	(308-21705-01-K1)	OIL TANK ASSEMBLY	1	COMP. GREEN
	(308-21705-01-M3)	OIL TANK ASSEMBLY	1	BAJA BROWN
2	214-21761-00-00	. GAUGE, LEVEL	1	
3	214-21771-00-00	BODY, CAP	1	
4	90430-29114-00	GASKET	1	
5	90480-14023-00	GROMMET	1	
6	90387-065L7-00	COLLAR (51L) (214-21633-00)	2	
7	97011-06025-00	BOLT (97001-06025)	2	
8	92995-06100-00	WASHER, SPRING	2	
9	90201-06067-00	WASHER, PLATE	1	
10	90480-14023-00	GROMMET	1	
11	(308-21351-00-33)	BRACKET, OIL TANK 1	1	YAMAHA BLACK
12	98580-06012-00	SCREW, PAN HEAD	1	
13	92995-06100-00	WASHER, SPRING	1	
14	92990-06200-00	WASHER	1	
15	90480-10091-00	GROMMET (214-21746-00)	1	
16	437-21779-00-00	DAMPER, LOCATING 2	1	
17	90445-09115-00	HOSE	1	
18	90467-08003-00	CLIP	2	
19	90446-09232-00	HOSE	1	
20	(308-21786-00-35)	EMBLEM 6	1	SILVER
	(311-21786-00-11)	EMBLEM 6	1	PEARL YELLOW GOLD
	(311-21786-02-00)	EMBLEM 6	1	
	308-21786-02-00	NO LONGER AVAILABLE	1	
21	(304-21791-00-00)	NUT	2	

CONTINUED ON NEXT FRAME ➤

# OIL TANK



Ref. No.	Part Number	Description	Qty	Remarks
22	(308-21787-00-00)	EMBLEM 7 .....	1	
	(308-21787-01-00)	EMBLEM 7 .....	1	
23	(308-21799-00-33)	GRAPHIC .....	1	YAMAHA BLACK

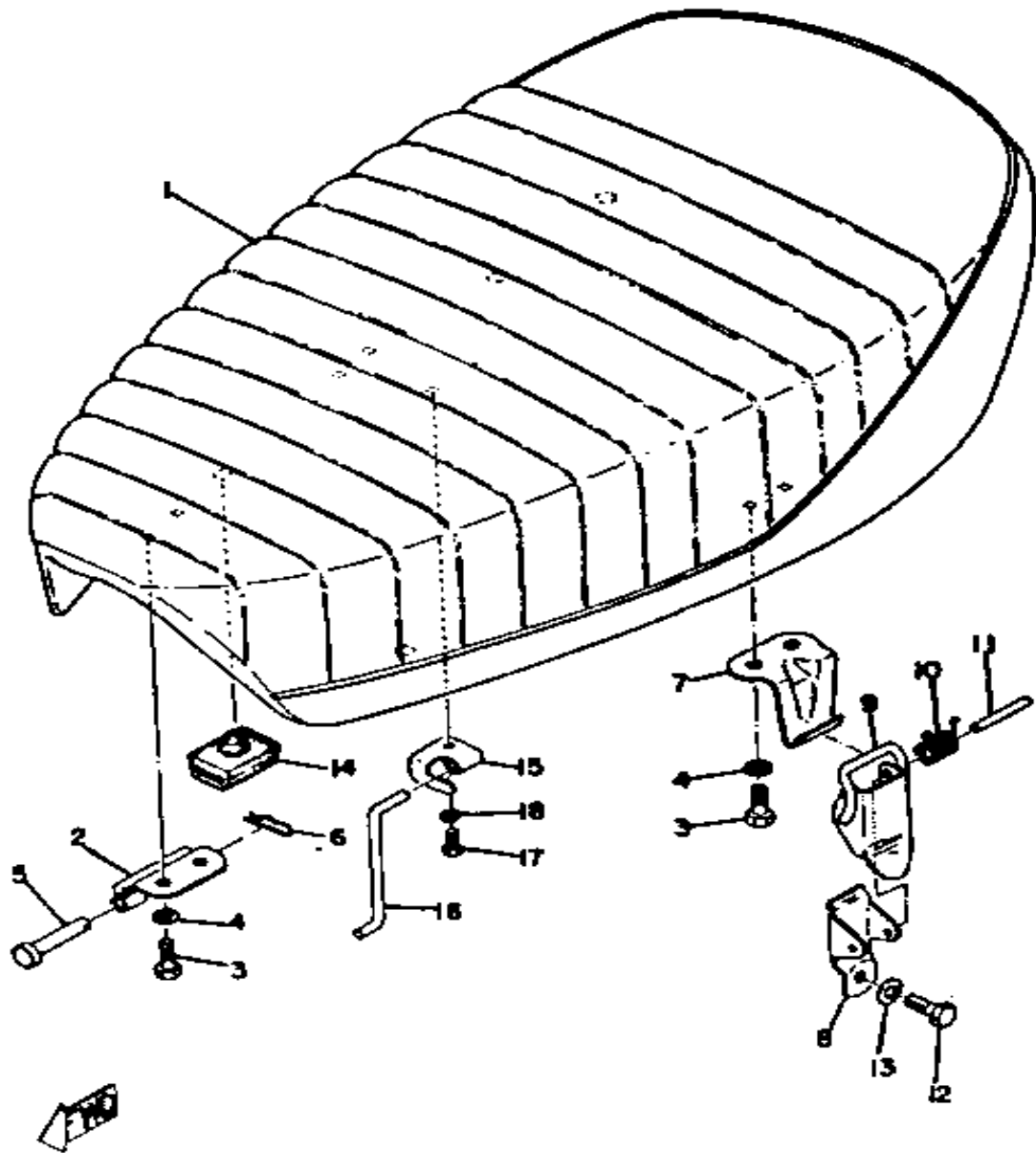
DT2/RT2

22. OIL TANK OR ENGINE SUMP CAPACITY (QT.) (TYPE)	1.7
---	-----

DT1J/RT3

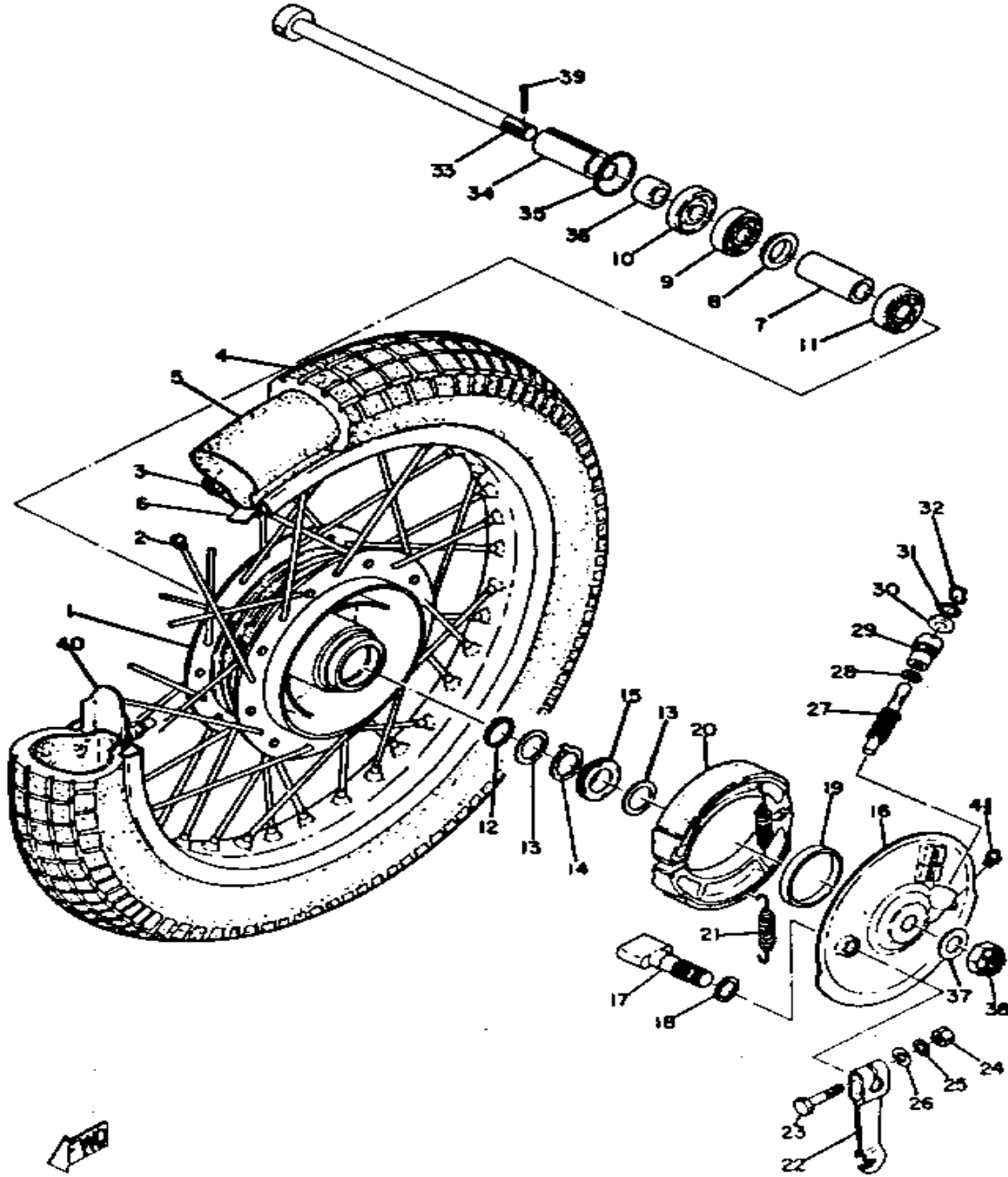
OIL TANK OR ENGINE SUMP (QUANTITY) (TYPE)	1.6 qts. Yamalube
---	-------------------

# SEAT



Ref. No.	Part Number	Description	Qty	Remarks
1	(308-24730-40-00)	DOUBLE SEAT ASSEMBLY ...	1	OPTIONAL PARTS
	309-24730-00-00	DOUBLE SEAT ASSEMBLY ...	1	STD
2	(214-24726-00-00)	HINGE, SEAT .....	2	
3	97013-06012-00	BOLT .....	6	
4	92995-06100-00	WASHER, SPRING .....	6	
5	91701-05055-00	PIN, CLEVIS .....	2	
6	90468-10050-00	CLIP .....	2	
7	(214-24728-00-33)	BRACKET, SEAT .....	1	
8	214-24718-00-00	BRACKET, SEAT .....	1	
9	214-24776-00-33	LEVER, SEAT .....	1	
10	90508-10012-00	SPRING, TORSION .....	1	
11	90249-04068-00	PIN, SPECL SHAPE .....	1	
12	97011-06010-00	BOLT .....	1	
13	92990-06200-00	WASHER .....	1	
14	214-24724-00-00	DAMPER, SEAT .....	3	
15	(278-24748-00-00)	BRACKET, SEAT .....	1	
16	(278-24768-00-00)	STOPPER .....	1	
17	97013-06012-00	BOLT .....	1	
18	92995-06100-00	WASHER, SPRING .....	1	
1-1	(308-24711-00-00)	COVER, SINGLE SEAT .....	1	

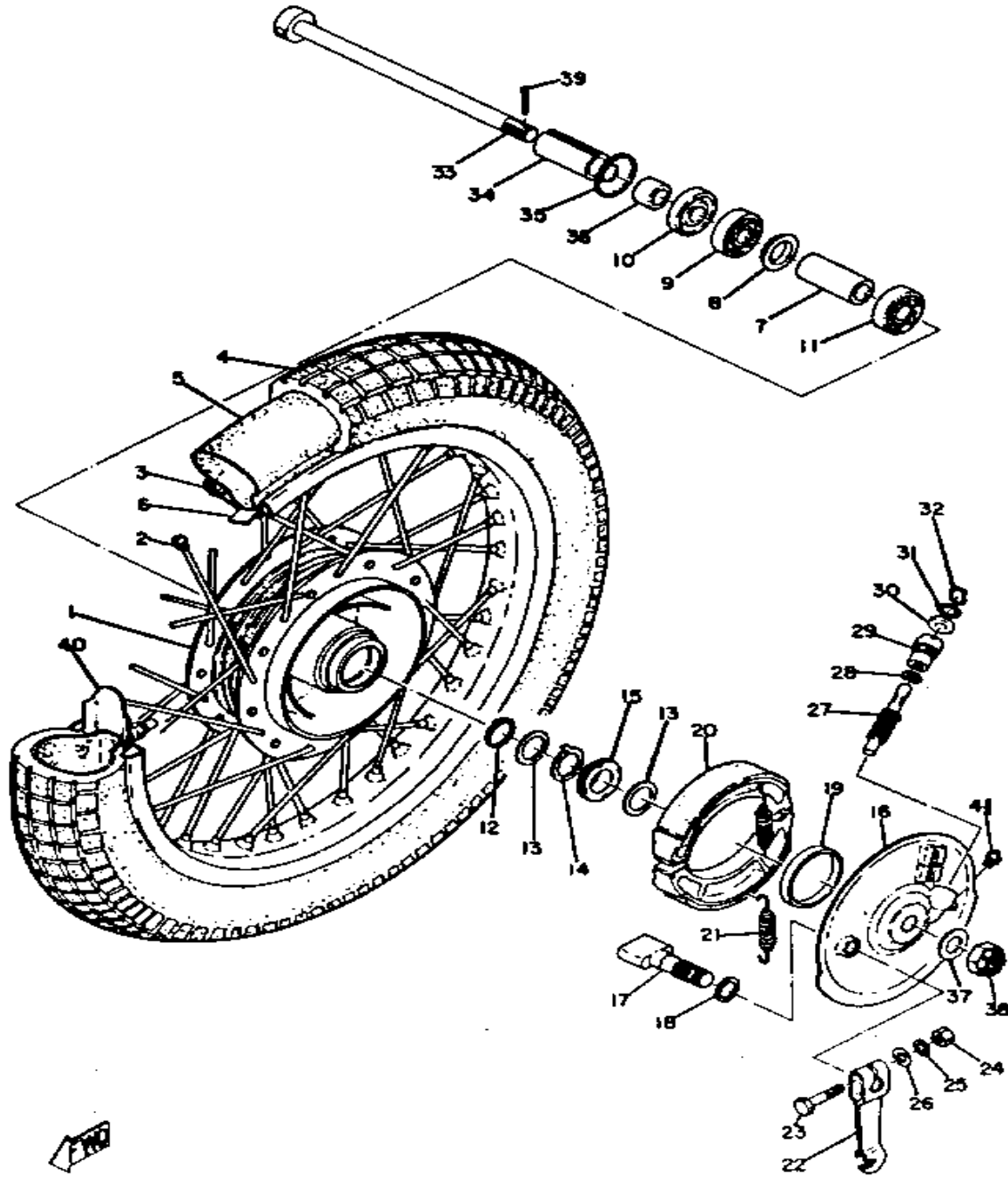
# FRONT WHEEL



Ref. No.	Part Number	Description	Qty	Remarks
1	(227-25111-00-00)	HUB, FRONT	1	
2	(214-25104-00-00)	SPOKE SET, FRONT	1	
	(214-25104-10-00)	SPOKE SET, FRONT	1	
3	(94416-19035-00)	RIM 1.60X 9	1	
	(94416-21038-00)	RIM 1.60X 1	1	
4	(94130-213A4-00)	300-21 M1B (TT)	1	
	(94132-19063-00)	325X19 DUNLP TRIAL	1	
5	(94232-19064-00)	TUBE	1	
	94227-21101-00	TUBE (80/100-21 TR4 BTL)	1	
6	(94327-21024-00)	BAND, RIM	1	
	94325-19027-00	BAND, RIM (3.50-19)	1	
	(94335-19026-00)		1	
7	90560-15293-00	SPACER	1	
8	146-25116-00-00	FLANGE, SPACER 2	1	
9	93306-20211-00	BEARING (6202SH2-C3)	1	
10	93102-20009-00	OIL SEAL	1	
11	93306-20204-00	BEARING (B6202Z)	1	
12	93410-22014-00	CIRCLIP, S-TYPE	1	
13	90201-22283-00	WASHER, PLATE	1	
	90201-22283-00	WASHER, PLATE	2	
14	214-25149-01-00	CLUTCH, METER	1	
15	214-25135-00-00	GEAR, DRIVE	1	
	308-25135-00-00	GEAR, DRIVE	1	
16	(438-25120-10-00)	BRAKE SHOE PLT ASSEMBLY	1	
17	(214-25151-00-00)	CAMSHAFT	1	
18	90201-25286-00	WASHER, PLATE	1	
	(341-25147-00)		1	
19	93105-50010-00	OIL SEAL, SDD-TYPE	1	
	(SDD-50-62-7)		1	
20	214-W2535-00-00	BRAKESHOE SET-2PCS	2	

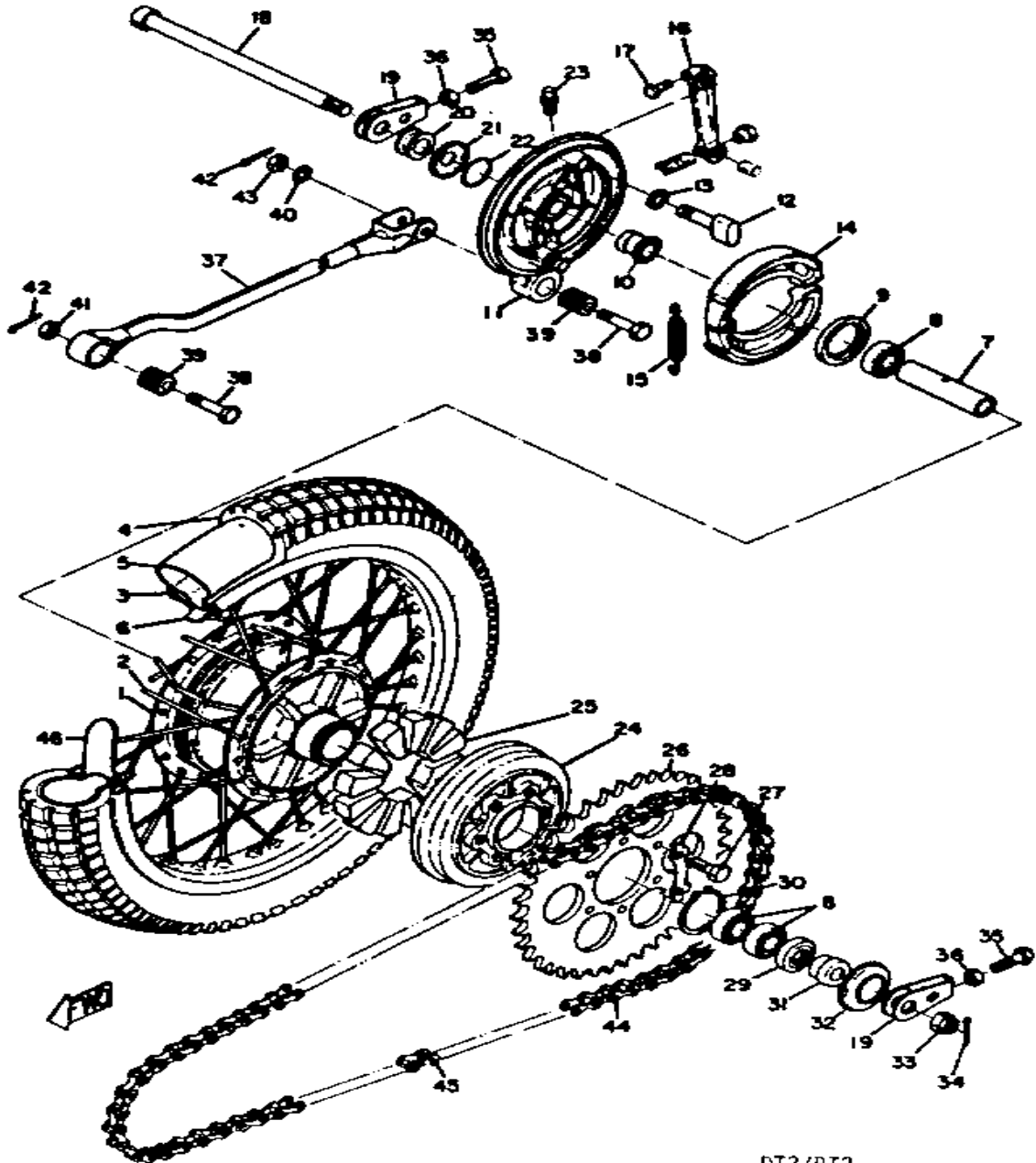
CONTINUED ON NEXT FRAME ►

# FRONT WHEEL



Ref. No.	Part Number	Description	Qty	Remarks
21	90507-20002-00	SPRING, TENSION	2	
22	214-25155-01-00	LEVER, CAMSHAFT 1	1	
23	97021-06030-00	BOLT	1	
24	95380-06600-00	NUT	1	
25	92995-06100-00	WASHER, SPRING	1	
26	92990-06200-00	WASHER	1	
27	214-25138-00-00	GEAR, METER	1	
	308-25138-00-00	GEAR, METER	1	
28	90201-07076-00	WASHER, PLATE	1	
29	109-25136-00-00	BUSH	1	
30	93104-07003-00	OIL SEAL	1	
31	93210-14104-00	O-RING	1	
32	102-25137-00-00	RING, STOP	1	
33	275-25181-00-00	AXLE, WHEEL	1	
34	90387-15117-00	COLLAR (275-25186-00)	1	
35	1R0-25118-00-00	COVER, HUB DUST	1	
36	90387-157G5-00	COLLAR (136-25183-00)	1	
37	92990-14200-00	WASHER, PLAIN	1	
38	90171-14020-00	NUT, CASTLE	1	
39	91401-30030-00	PIN, COTTER	1	
40	1T1-25194-00-00	SPACER, BEAD	1	
41	93700-06M03-00	NIPPLE, GREASE	1	
2-1	(214-25196-80-00)	SPOKE SET, INNER 1	1	
	(214-25196-90-00)	SPOKE SET, INNER 1	1	
2-2	(214-25197-80-00)	SPOKE SET, OUTER 1	1	
	(214-25197-90-00)	SPOKE SET, OUTER 1	1	

# REAR WHEEL



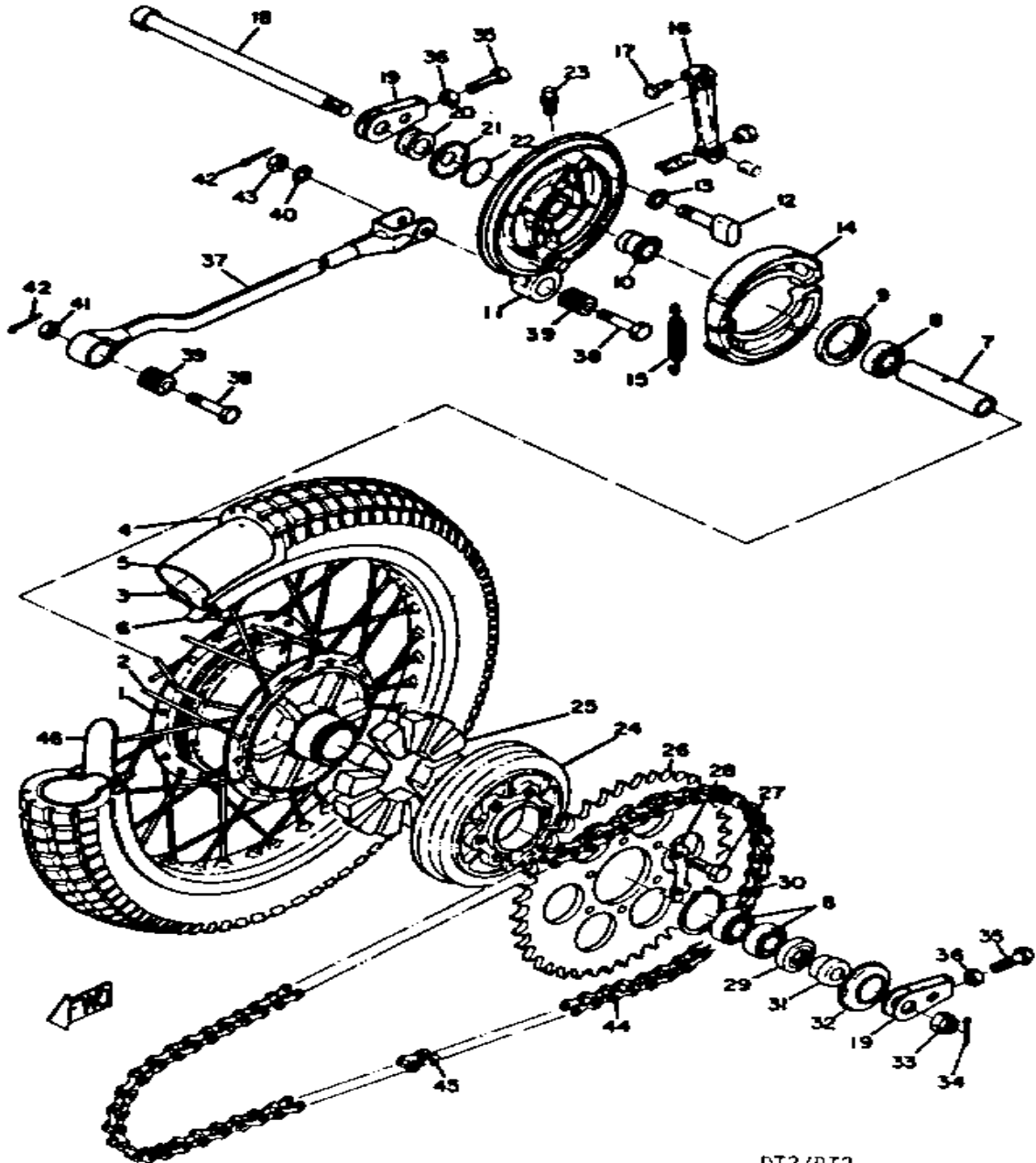
DT2/RT2

25. TIRE SIZE (FRONT) (TYPE TREAD)	3.25-19 4PR
(REAR) (TYPE TREAD)	4.00-18 4PR
26. TIRE PRESSURE (LBS.) (FRONT)	14
(REAR)	17

Ref. No.	Part Number	Description	Qty	Remarks
1	(275-25311-00-00)	HUB, REAR	1	
2	275-25304-00-00	SPOKE SET, REAR	1	
3	94418-18051-00	RIM 1.85X18 (1.85B-18)	1	
4	(94140-18317-00)	400X18 DUN TRI UNI	1	
5	94240-18098-00	TUBE (4.00-18)	1	
6	94340-18022-00	BAND, RIM (4.00-18)	1	
7	90560-17311-00	SPACER	1	
8	93306-20310-00	BEARING	3	
9	(93104-46029-00)	OIL SEAL, SO-TYPE	1	
10	(90387-17450-00)	COLLAR	1	
11	438-25304-00-00	SPOKE SET, REAR (275-25321-00)	1	
12	214-25351-01-00	CAMSHAFT	1	
13	148-25353-00-00	SHIM, CAMSHAFT	1	
14	214-W2535-00-00	BRAKESHOE SET-2PCS	2	
15	90507-20002-00	SPRING, TENSION	2	
16	4V5-25355-00-00	LEVER, CAMSHAFT (168-25355-00)	1	
17	97023-06020-00	BOLT (3XF)	1	
18	150-25381-00-00	AXLE, WHEEL	1	
19	168-25389-00-00	PULLER, CHAIN 2	2	
20	90387-17141-00	COLLAR	1	
21	275-25327-00-00	COVER, PLATE	1	
22	93210-31114-00	O-RING	1	
23	93700-06M03-00	NIPPLE, GREASE	1	
24	(275-25366-00-00)	CLUTCH, HUB	1	
25	275-25364-00-00	DAMPER	6	
26	(214-25440-10-33)	SPROCKET, DRIVN 40T	1	
	(214-25442-10-33)	SPROCKET, DRIVN 42T	1	

CONTINUED ON NEXT FRAME ►

# REAR WHEEL



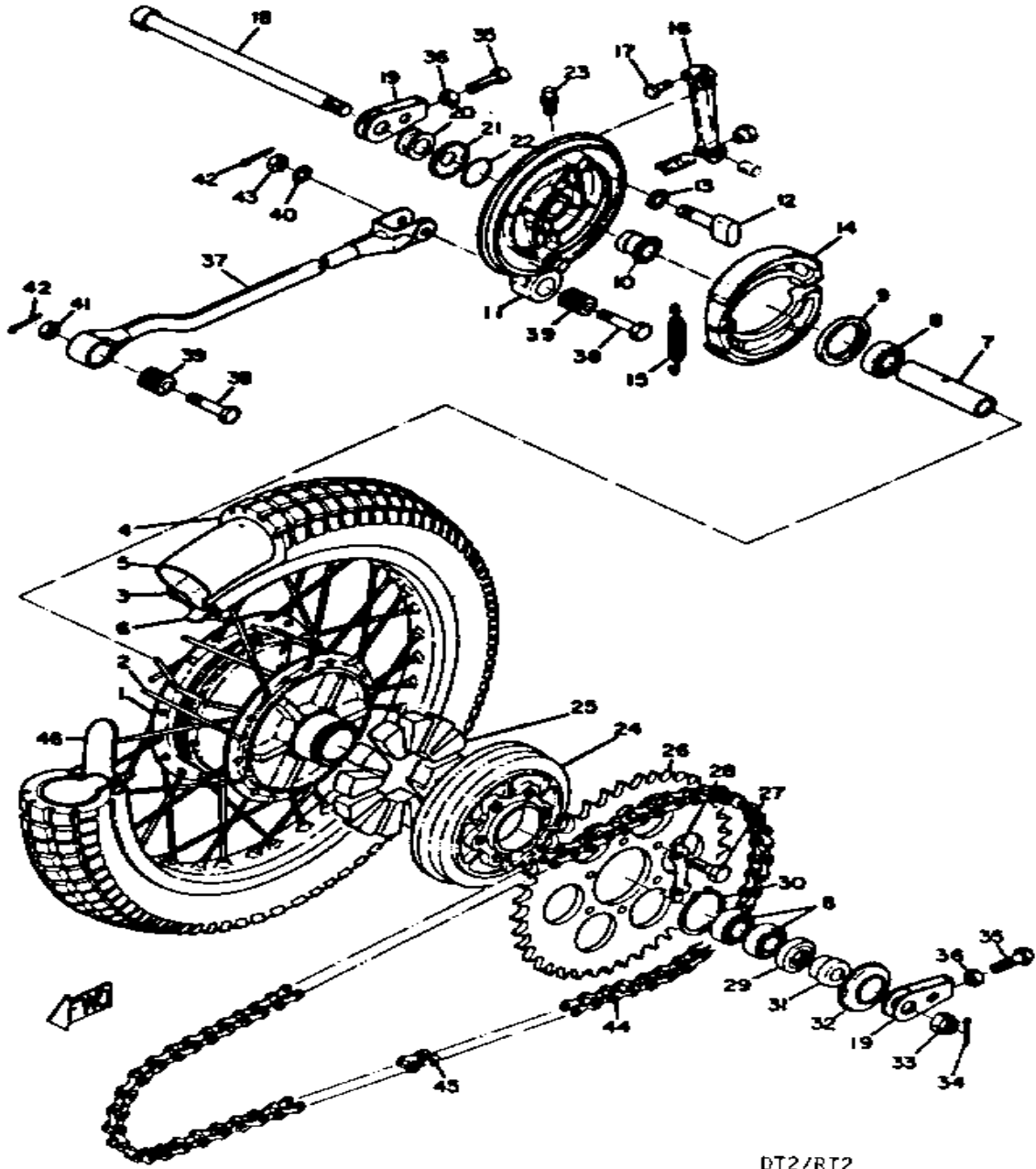
DT2/RT2

25. TIRE SIZE (FRONT) (TYPE TREAD)	3.25-19 4PR
(REAR) (TYPE TREAD)	4.00-18 4PR
26. TIRE PRESSURE (LBS.) (FRONT)	14
(REAR)	17

Ref. No.	Part Number	Description	Qty	Remarks
26	(214-25444-10-33)	SPROCKET, DRIVN 44T	1	STD (DT2/DT3)
	214-25439-10-33	SPROCKET, DRIVN 39T (39T) (214-25439-10)	1	STD (RT2/RT3)
	214-25447-10-00	SPROCKET, DRIVN 47T (46T) (214-25446-10)	1	
27	90109-08377-00	BOLT (214-25411-00)	6	
28	22W-25412-00-00	WASHER	3	
29	93106-25003-00	OIL SEAL, DD-TYPE (DD-25-40-9)	1	
30	93410-52061-00	CIRCLIP	1	
31	90387-17140-00	COLLAR (275-25377-00)	1	
32	275-25367-00-00	COVER, HUB DUST	1	
33	90171-16007-00	NUT, CASTLE (275-25382-00)	1	
34	91401-30030-00	PIN, COTTER	1	
35	90101-08699-00	BOLT	2	
36	95303-08700-00	NUT	2	
37	(275-25371-00-33)	BAR, TENSION	1	
38	(90102-10007-00)	BOLT, WITH HOLE	2	
39	(275-22123-00-00)	BUSH 1	2	
40	92990-10100-00	WASHER, SPRING	2	
41	95303-10900-00	NUT, SLOTTED	1	
42	91401-25020-00	PIN, COTTER	2	
43	95303-10700-00	NUT	1	
44	94585-20110-00	520 DS 110L (DK-520K-102L) (94535-20110)	1	
45	94680-11001-00	. JOINT CHAIN	1	
46	1T2-25394-00-00	SPACER, BEAD	2	
2-1	(275-25396-90-00)	SPOKE SET, INNER 2	1	
2-2	(275-25397-90-00)	SPOKE SET, OUTER 2	1	
2-3	(275-25391-90-00)	SPOKE SET, INNER 1	1	

CONTINUED ON NEXT FRAME ►

# REAR WHEEL



Ref. No.	Part Number	Description	Qty	Remarks
----------	-------------	-------------	-----	---------

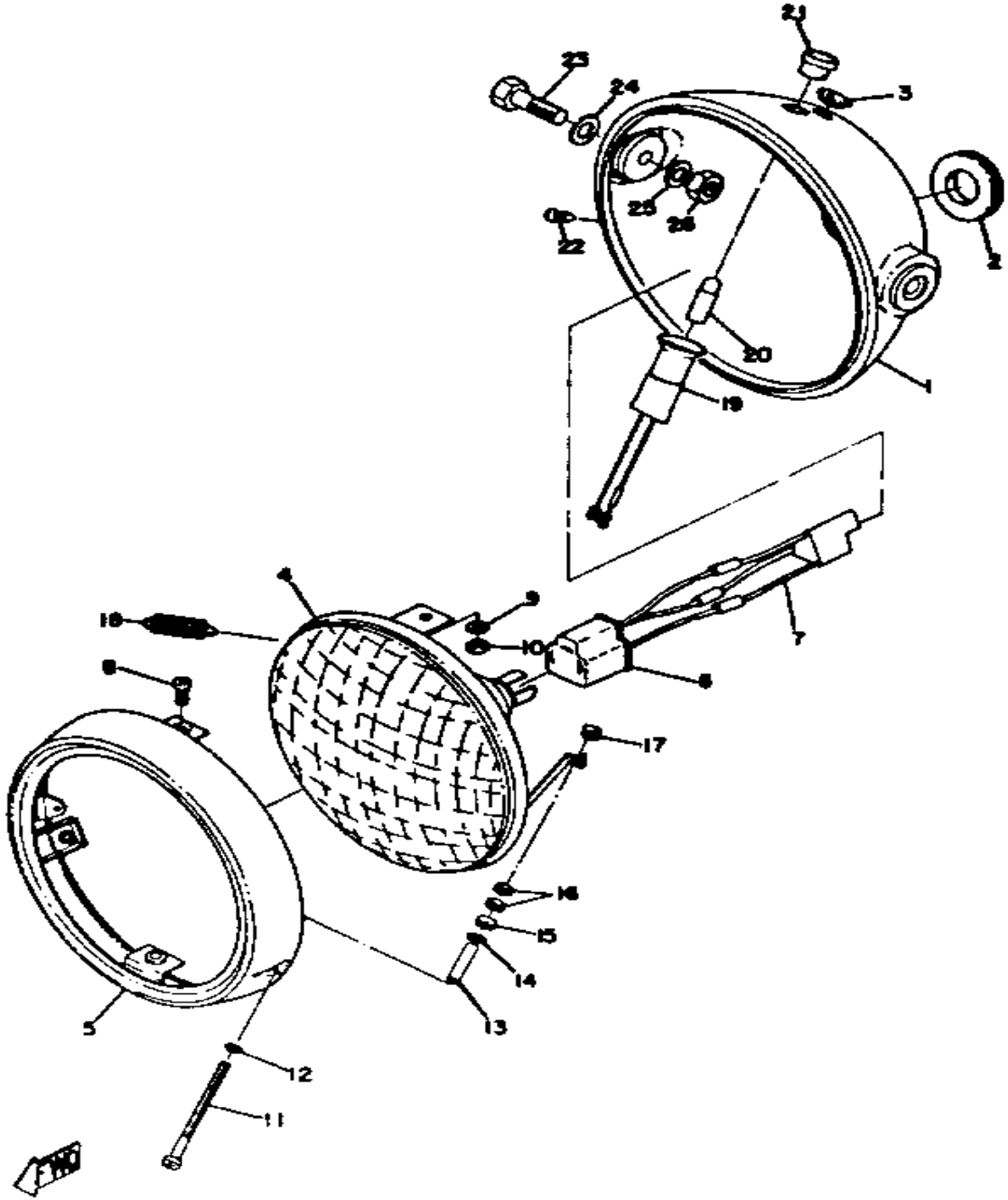
2-4 (275-25392-90-00) SPOKE SET, OUTER 1 ..... 1

DT2/RT2

25. TIRE SIZE (FRONT) (TYPE TREAD)	3.25-19 4PR
(REAR) (TYPE TREAD)	4.00-18 4PR
26. TIRE PRESSURE (LBS.) (FRONT)	14
(REAR)	17



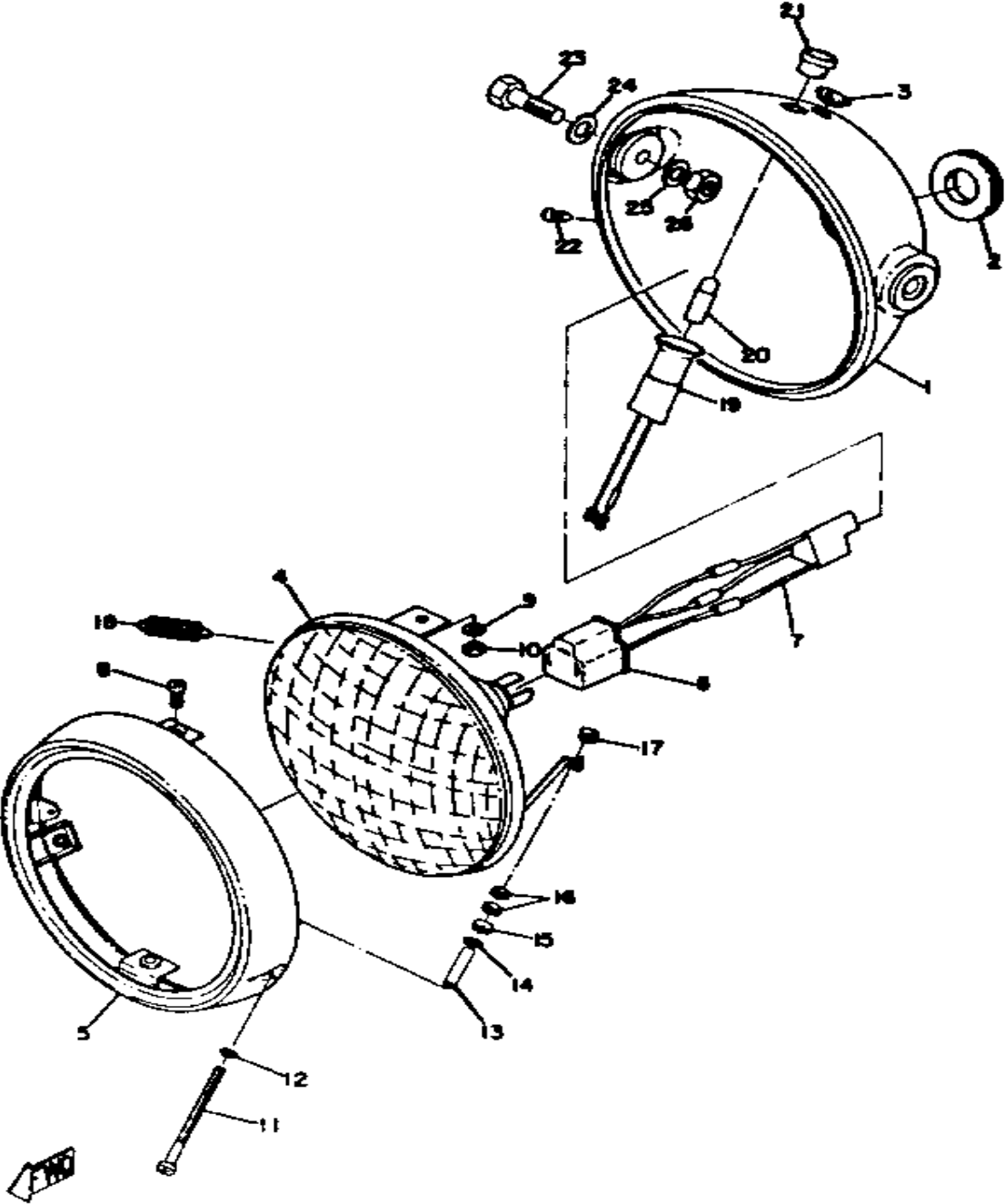
# HEAD LAMP



Ref. No.	Part Number	Description	Qty	Remarks
1	(214-84130-61-11)	BODY ASSEMBLY, HEADLIGHT	1	PEARL YELLOW GOLD
	(214-84130-61-35)	BODY ASSEMBLY, HEADLIGHT	1	SILVER
	(214-84130-61-K1)	BODY ASSEMBLY, HEADLIGHT	1	COMP. GREEN
	(214-84130-61-M3)	BODY ASSEMBLY, HEADLIGHT	1	BAJA BROWN
2	214-84153-60-00	. GROMMET, WIREHERNESS	1	
3	214-84154-60-00	. GROMMET	1	
4	233-84120-60-00	. LENS ASSEMBLY	1	
5	233-84115-60-00	. RIM, HEADLIGHT	1	
6	261-84312-61-00	. SOCKET	1	
7	(214-84159-61-00)	CORD, HEADLIGHT	1	
8	98580-05012-00	. SCREW, PAN HEAD	2	
9	92990-05100-00	. WASHER, SPRING	2	
10	95380-05600-00	. NUT	2	
11	90157-04001-00	. SCREW, PAN HEAD	1	
12	233-84127-60-00	. WASHER, SPECIAL	1	
13	233-84133-60-00	. COLLAR, SCREW	1	
14	92990-04200-00	. WASHER, PLAIN	1	
15	132-84328-60-00	. SPACER	1	
16	95301-04700-00	. NUT (95302-04700)	2	
17	198-84334-60-00	. NUT, ADJUSTING	1	
18	(132-84335-60-00)	SPRING	1	
19	214-84150-61-00	. SOCKET CORD ASSEMBLY 2	1	
20	104-83517-10-00	. BULB (6V-1.5W)	1	
21	256-84357-61-00	BODY, PILOT LIGHT	1	
22	90152-05005-00	SCREW, COUNTERSUNK	1	
23	97013-08025-00	BOLT	2	
24	92990-08200-00	WASHER, PLAIN	2	
25	92990-08100-00	WASHER	2	

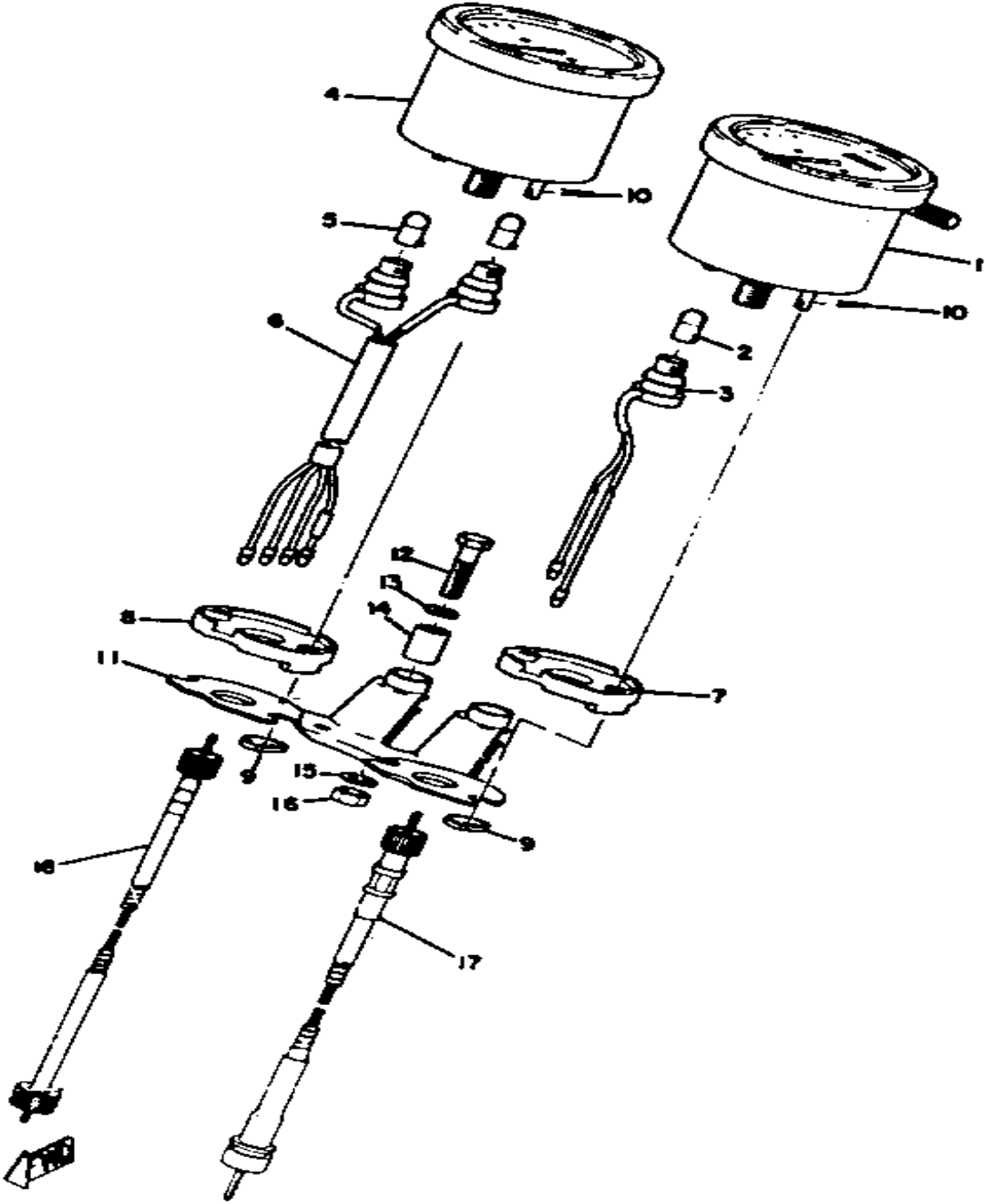
CONTINUED ON NEXT FRAME ►

# HEAD LAMP



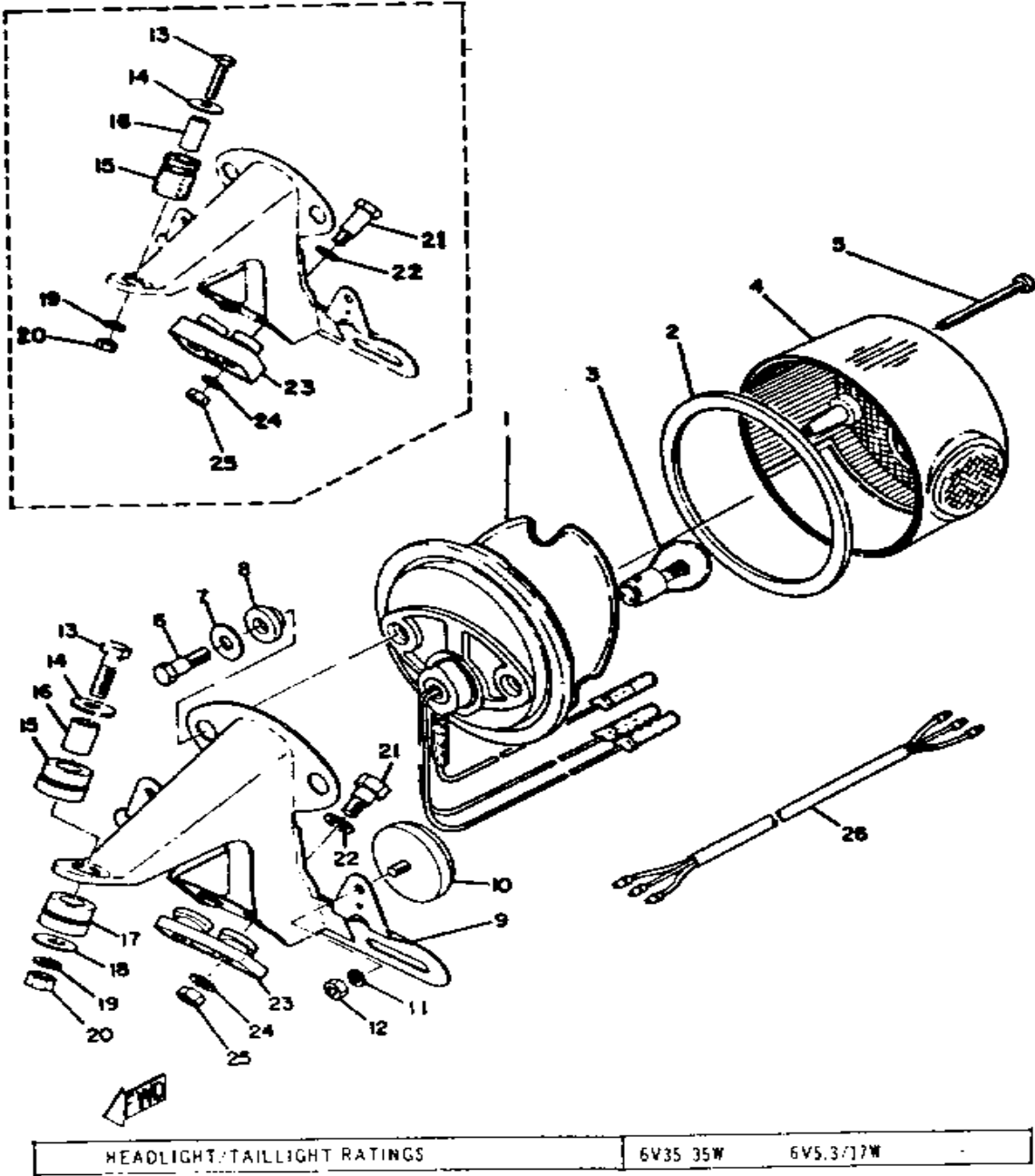
Ref. No.	Part Number	Description	Qty	Remarks
26	95333-08600-00	NUT .....	2	
-2	214-84101-61-00	PILOT LIGHT ASSEMBLY .....	1	

# SPEEDOMETER - TACHOMETER



Ref. No.	Part Number	Description	Qty	Remarks
1	(308-83570-30-00)	SPEEDOMETER ASSEMBLY ..	1	MILE/H
2	122-83516-10-00	. BULB (122-83516-10) .....	1	
3	(235-83536-21-00)	SOCKET, METER .....	1	
4	(308-83540-00-00)	TACHOMETER ASSEMBLY ...	1	
	(311-83540-00-00)	TACHOMETER ASSEMBLY ...	1	
5	122-83516-10-00	. BULB (122-83516-10) .....	2	
6	(308-83520-00-00)	SOCKET CORD ASSEMBLY ..	1	
7	214-83523-00-00	DAMPER .....	1	
8	237-83523-00-00	DAMPER .....	1	
9	90209-05029-00	WASHER, SPEC'L SHAP (214-83524-00) .....	4	
10	90468-10050-00	CLIP .....	4	
11	(275-83519-00-33)	BRACKET, METER .....	1	
12	97021-06030-00	BOLT .....	2	
13	92990-06200-00	WASHER .....	2	
14	90385-06001-00	BUSH, SPEC'L RUBBER (214-83528-00) .....	2	
16	95380-06600-00	NUT .....	2	
17	214-83550-01-00	SPEEDOMETER CABLE .....	1	
18	214-83560-00-00	TACHOMETER CABLE .....	1	
51	92995-06100-00	WASHER, SPRING .....	2	

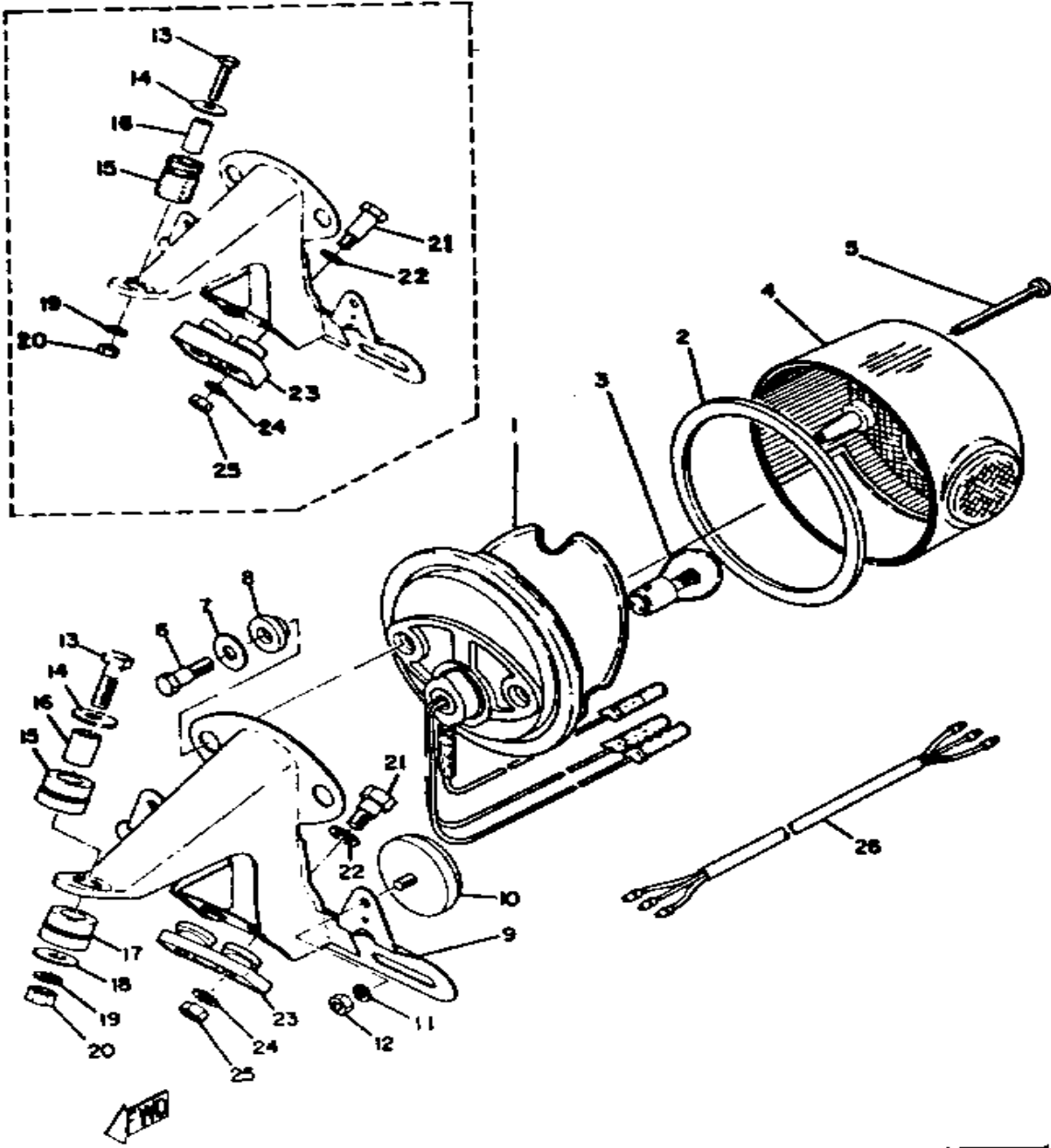
# TAIL LAMP



Ref. No.	Part Number	Description	Qty	Remarks
1	(275-84511-61-00)	BASE, TAILLIGHT	1	
2	275-84523-60-00	. GASKET, LENS	1	
3	122-84514-30-00	. BULB	1	
4	(275-84521-60-00)	LENS, TAILLIGHT	1	
5	98501-04050-00	. SCREW, PAN HEAD	3	
6	(479-84526-00-00)	SCREW	2	
7	275-84527-60-00	. DAMPER	2	
	2H7-84754-00-00	. WASHER, SPECIAL	2	
9	(444-84751-60-20)	BRACKET, LICENSE	1	SILVER
10	(278-85111-00-00)	REFLECTOR, FRONT 1	2	
11	92990-05100-00	WASHER, SPRING	2	
12	95380-05600-00	NUT	2	
13	97021-06030-00	BOLT	1	
	97313-06040-00	BOLT, HEXAGON	1	
14	90209-06095-00	WASHER, SPEC'L SHAP (102-28323-00)	1	
15	(90480-14106-00)	GROMMET	1	
	90480-14023-00	GROMMET	1	
16	90387-07039-00	COLLAR (275-84557-00)	1	
	90387-07393-00	COLLAR (308-84557-00)	1	
17	90480-14104-00	GROMMET	1	
18	90201-06067-00	WASHER, PLATE	1	
19	92995-06100-00	WASHER, SPRING	1	
20	95380-06600-00	NUT	1	
21	(168-21738-00-)	UNAVAILABLE IN PRICE BOOK (168-21738-00)	2	
	90109-06022-00	BOLT (338-84552-00)	2	
22	92990-08200-00	WASHER, PLAIN	2	
23	214-84553-01-00	DAMPER	1	

CONTINUED ON NEXT FRAME ►

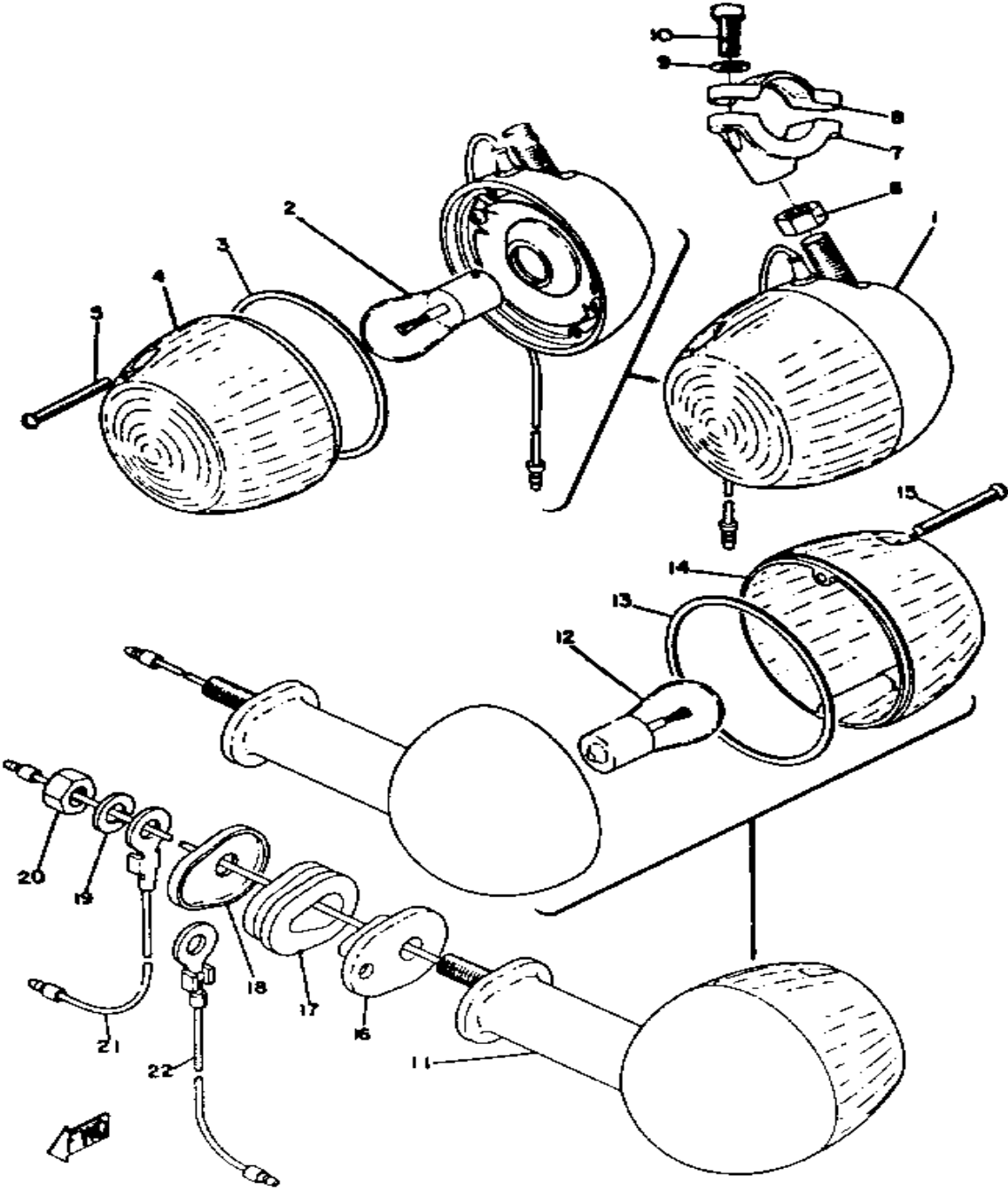
# TAIL LAMP



Ref. No.	Part Number	Description	Qty	Remarks
23	308-84553-00-00	DAMPER .....	1	
24	92995-06100-00	WASHER, SPRING .....	2	
	92995-06100-00	WASHER, SPRING .....	3	
25	95380-06600-00	NUT .....	2	
	95380-06600-00	NUT .....	3	
26	(275-84517-00-00)	CORD, TAILLIGHT .....	1	
-1	(275-84510-61-00)	TAILLIGHT UNIT ASSEMBLY ..	1	

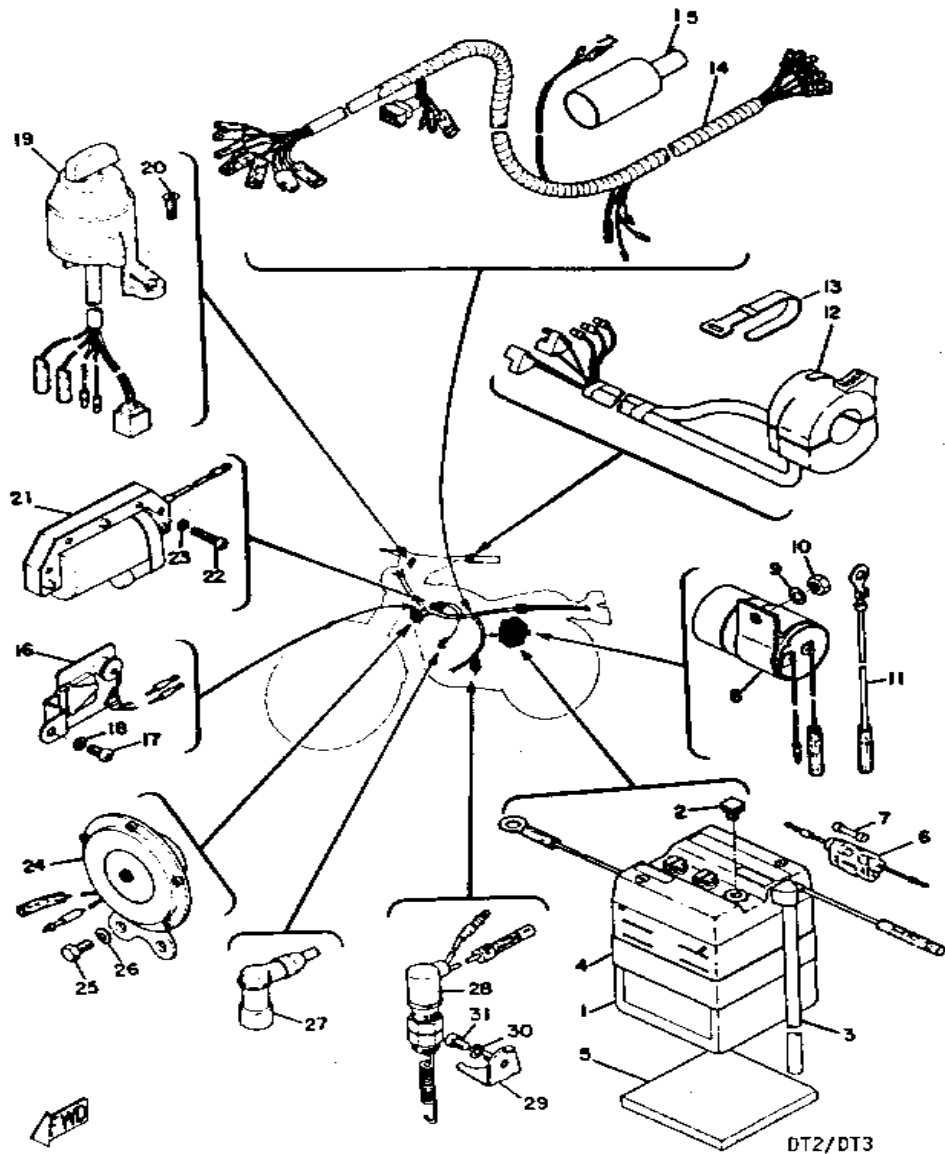
HEADLIGHT/TAILLIGHT RATINGS	6V35 35W	6V5.3/17W
-----------------------------	----------	-----------

# FLASHER LAMP



Ref. No.	Part Number	Description	Qty	Remarks
1	275-83310-60-93	FRT FLSHR LITE ASSEMBLY (275-83320-60-93)	1	AMBER
2	115-83311-60-00	. BULB, FLASHER	2	
3	183-83313-70-00	. GASKET, FLSHR LENS	2	
4	183-83312-70-00	. LENS, FLASHER	2	AMBER
5	183-83333-71-00	. SCREW, LENS FITTING	4	
6	95333-08600-00	NUT	2	
7	275-83318-00-00	STAY, FLASHER 1	2	
8	275-83328-00-00	STAY, FLASHER 2	2	
9	92901-06300-00	WASHER, IN.TOOTH	4	
10	98503-06014-00	SCREW, PAN HEAD (92502-06016)	4	
11	(275-83330-65-93)	R FLSHR LITE ASSEMBLY	1	RED
	275-83340-65-93	R FLSHR LITE ASSEMBLY	1	RED
12	115-83311-60-00	. BULB, FLASHER	2	
13	183-83313-70-00	. GASKET, FLSHR LENS	2	
14	211-83332-75-00	. LENS, FLASHER	2	RED
15	183-83333-71-00	. SCREW, LENS FITTING	4	
16	256-83316-00-00	COLLAR, FLASHER 1	2	
17	256-83321-00-00	DAMPER, FLASHER 1	2	
18	90209-08028-00	WASHER, SPEC'L SHAP	2	
19	92990-08100-00	WASHER	2	
20	95333-08600-00	NUT	2	
21	(275-83336-00-00)	CORD	1	
22	(275-83346-00-00)	CORD	1	

# ELECTRICAL



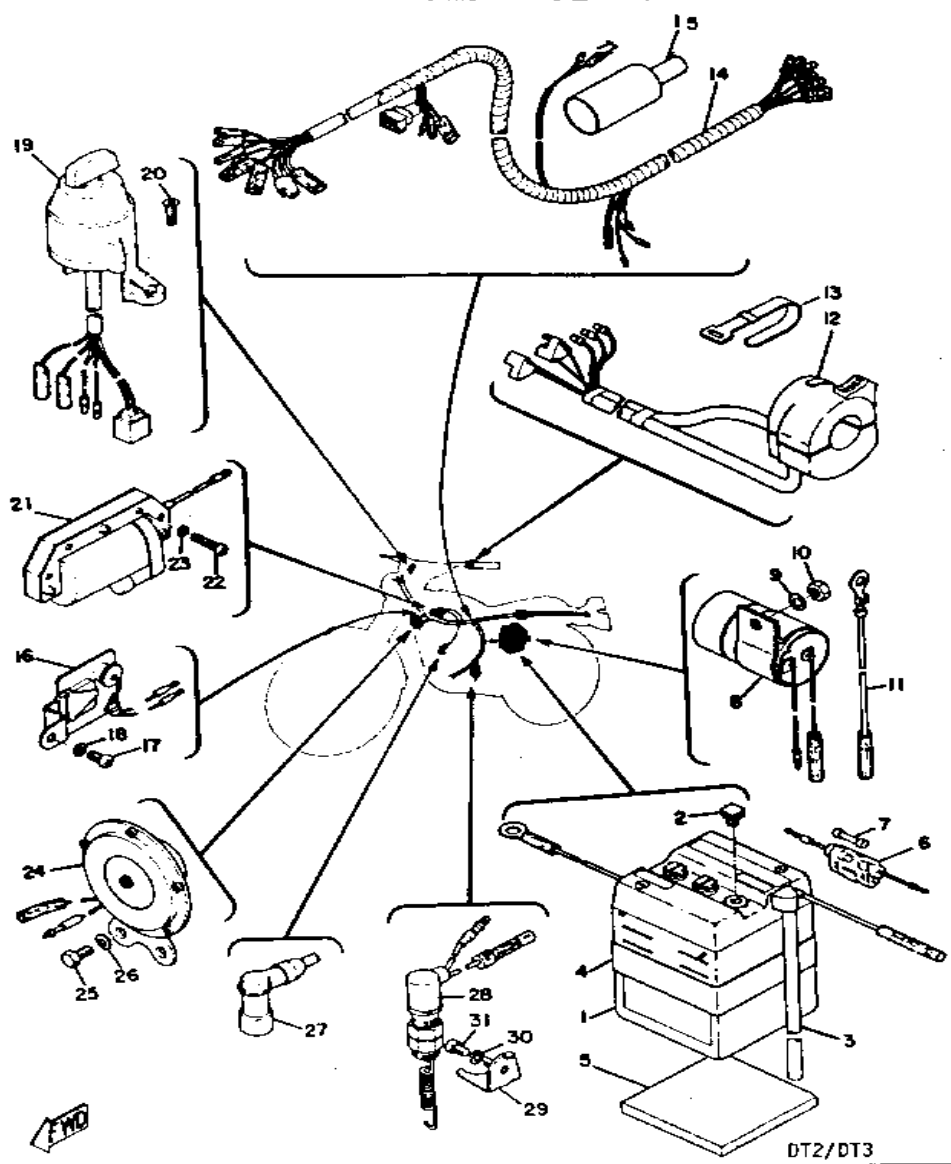
Ref. No.	Part Number	Description	Qty	Remarks
1	BTG-6N42A-20-00	GS 6N4-2A-2 (6N4-2A-2) (308-82110-10)	1	
2	(104-82111-10-00)	CAP, BATTERY	3	
3	(170-82112-00-00)	PIPE, BREATHER	1	
4	(308-82124-00-00)	BAND, BATTERY	1	
5	583-24182-00-00	DAMPER, LOCATING 2	1	
6	55K-82150-01-00	FUSE HOLDER ASS'Y (55K-82150-00-00)	1	
7	116-82151-00-00	FUSE (10A)	2	
8	(275-83350-61-00)	FLASHER RELAY ASSEMBLY	1	
9	92995-06100-00	WASHER, SPRING	1	
10	95380-06600-00	NUT	1	
11	(214-83354-00-00)	WIRE, EARTH LEAD 1	1	
12	233-83973-00-94	SWITCH, HANDLE 3 (3)	1	
13	437-83936-01-00	BAND, SWITCH CORD	2	
14	(308-82590-20-00)	WIRE HARNESS ASSEMBLY	1	
15	(214-82599-00-00)	COVER, CONNECTER	1	
16	315-81970-61-00	RECTIFIER ASSEMBLY	1	
17	98580-05010-00	SCREW, PAN HEAD	1	
18	92990-05100-00	WASHER, SPRING	1	
19	275-82508-71-00	MAIN SWITCH ASSEMBLY	1	
20	98701-05016-00	SCREW, FLAT HEAD	2	
21	308-82310-41-00	IGNITION COIL ASSEMBLY	1	
22	98580-05020-00	SCREW, PAN HEAD	2	
23	92990-05100-00	WASHER, SPRING	2	
24	266-83371-12-00	HORN	1	
25	97013-06012-00	BOLT	2	
26	92995-06100-00	WASHER, SPRING	2	
27	56J-82370-00-00	PLUG CAP ASSEMBLY	1	

ELECTRICAL - CHARGING SYSTEM (MFR) (TYPE)	
BATTERY (MFR) (MODEL) (RATING)	Mitsubishi Flywheel Magneto G.S. 6N4-2A-2 6V 4AH
HEADLIGHT/TAILLIGHT RATINGS	6V35/35W 6V5.3/17W
IGNITION COIL SPARK GAP (MIN)/PRI. RES./SEC. RES.	7mm .9Ω 6.5KΩ
CONDENSER CAPACITY	0.25uf
POINT GAP (NOMINAL)/SPARK PLUG (TYPE) (GAP)	.35-.05mm/NCKB-BES .5-.6mm/.020"-.023"
TIMING	3.0 ± .15mm BTDC

CONTINUED ON NEXT FRAME ►

# ELECTRICAL

Ref. No.	Part Number	Description	Qty	Remarks
28	214-82530-00-00	STOP SWITCH ASSEMBLY ...	1	
29	(214-82537-00-00)	ATTACH, STOP SWITCH .....	1	
30	92990-05100-00	WASHER, SPRING .....	1	
31	98580-05010-00	SCREW, PAN HEAD .....	1	



DT2/DT3

ELECTRICAL - CHARGING SYSTEM (MFR) (TYPE)	Mitsubishi Flywheel Magneto
BATTERY (MFR) (MODEL) (RATING)	G.S. 6N4-2A-2 6V 4AH
HEADLIGHT/TAILLIGHT RATINGS	6V35/35W 6V5.3/17W
IGNITION COIL SPARK GAP (MIN)/PRI. RES./SEC. RES.	7mm .9Ω 6.5KΩ
CONDENSER CAPACITY	0.25uf
POINT GAP (NOMINAL)/SPARK PLUG (TYPE) (GAP)	.35-.05mm/NCKB-BES .5-.6mm/.020"-.023"
TIMING	3.0 ± .15mm BTDC