

YAMAHA

PARTS CATALOGUE

www.legends-yamaha-enduros.com

YZ250LC'90 (3SP1)

EUROPE

YZ250A (3SP2) ✓

CANADA, OTHERS

YZ250 (3SP3)

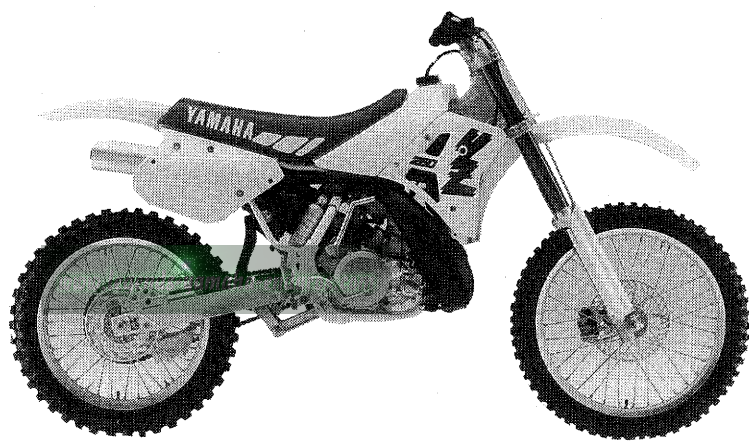
JAPAN

YZ250A (3SP4)

OCEANIA

103SP-100E1

www.legenda-yamaha-enduros.com





www.legenda-yamaha-enduros.com

FOREWORD

This Parts Catalogue is related to the parts in use for the Yamaha YZ250LC'90(3SP1)/YZ250A(3SP2)/YZ250(3SP3)/YZ250A(3SP4). When you are ordering replacement parts for the YZ250LC'90(3SP1)/YZ250A(3SP2)/YZ250(3SP3)/YZ250A(3SP4), refer to this Parts Catalogue and quote both part numbers and part names correctly.

1. Modifications or additions which have been made after issue of the Parts Catalogue will be announced in the Yamaha Parts News.

It is advisable that according to the Yamaha Parts News you make necessary corrections to the Parts Catalogue on hand to keep it up-to-date.

2. Abbreviations

The following abbreviations are used in this Parts Catalogue.

- U.R. Use size (thickness) and/or number as required.
- U.N. Use as many as you need.
- A.P. Alternate Parts
- L.M. Local Made
- F# Frame No. (Applicable machine No.)

3. The parts marked with (+) in the parts number column of this Catalogue are not supplied with by Yamaha, those have to be found locally.

4. Parts, which are to be supplied in the form of assemblies, are listed with an indention of one letter's space, and a dot (.) is put against the name of each part.

EXAMPLE CARBURETOR ASS'Y
 . JET, pilot
 . NOZZLE, main

5. Indication of No. of constituent parts for assembly

The numeral appearing to the right of each constituent part under the description indicates the quantity of such parts for each individual assembly unit.

EXAMPLE

Part No.	Description	Q'ty	Remarks
2F5-83310-60	FRONT FLASHER LIGHT ASS'Y	2	
115-83311-60	. BULB (6V-18W)	1	
1M1-83309-60	. REFLECTOR	1	

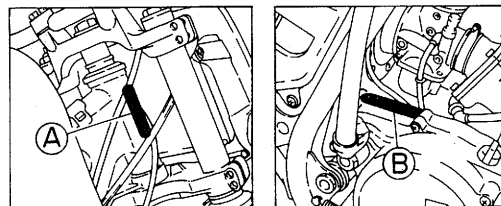
6. Initial Serial No. and Color Code

3SP1	(A) Frame Serial No.	3SP-000101 and following
	(B) Engine Serial No.	3SP-000101 and following

3SP2	(A) Frame Serial No.	3SP-010101 and following
	(B) Engine Serial No.	3SP-010101 and following

3SP3	(A) Frame Serial No.	3SP-024101 and following
	(B) Engine Serial No.	3SP

3SP4	(A) Frame Serial No.	3SP-025101 and following
	(B) Engine Serial No.	3SP-025101 and following



Color Code	Color Name	Abbreviate
36	CLEAN WHITE	W

7. Applicable colors of graphics are represented in the "Remarks" column by the letter(s) appropriately picked out of the full word(s) showing such colors.

EXAMPLE

Part No.	Description	Q'ty	Remarks
2N4-24110-00-X5	FUEL TANK COMP.	1	MAXIM RED
3J1-24240-10	. GRAPHIC, fuel tank set	1	for MXR

CONTENTS

ENGINE

Cylinder Head	B2 ~ B3
Governor	B4
Crankshaft, Piston	B5
Water Pump	B6
Radiator, Hose	B7
Intake	B8 ~ B9
Carburetor	B10 ~ B11
Exhaust	B12
Crankcase	B13
Crankcase Cover 1	B14
Starter	B15
Clutch	C2
Transmission	C3 ~ C4
Shift Cam. Fork	C5
Shifter	C6

CHASSIS

Frame	C7 ~ C8
Fender	C9
Side Cover	C10
Rear Arm	C11 ~ C12
Rear Suspension	C13
Steering	C14
Front Fork	C15 ~ D3
Fuel Tank	D4
Seat	D5
Front Wheel	D6
Front Brake Caliper	D7
Rear Wheel	D8 ~ D9

Rear Brake Caliper	D10
Steering Handle, Cable	D11
Front Master Cylinder	D12
Stand, Footrest	D13
Rear Master Cylinder	D14
Generator	D15
Handle Switch, Lever	E2
Electrical 1	E3

ALTERNATE PARTS

Alternate 1 (Chassis)	E4
-----------------------------	----

REPAIR KIT

Repair Kit	E5
------------------	----

INDEX

Numerical Index	M1 ~ M3
-----------------------	---------

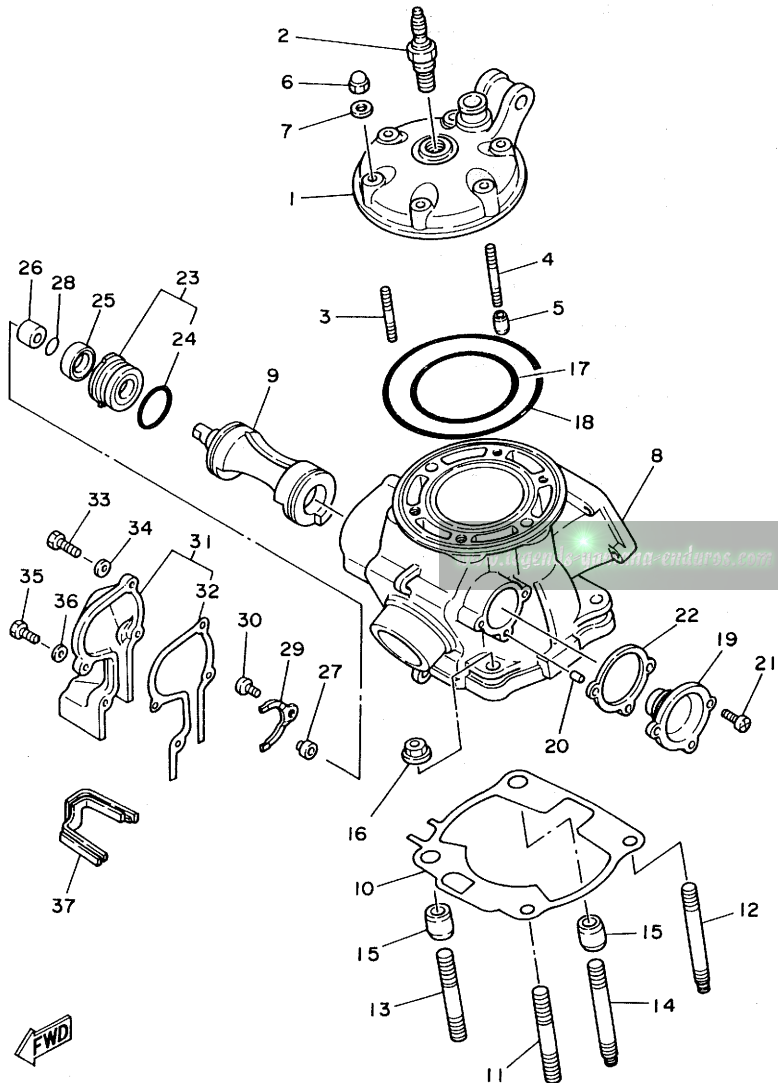
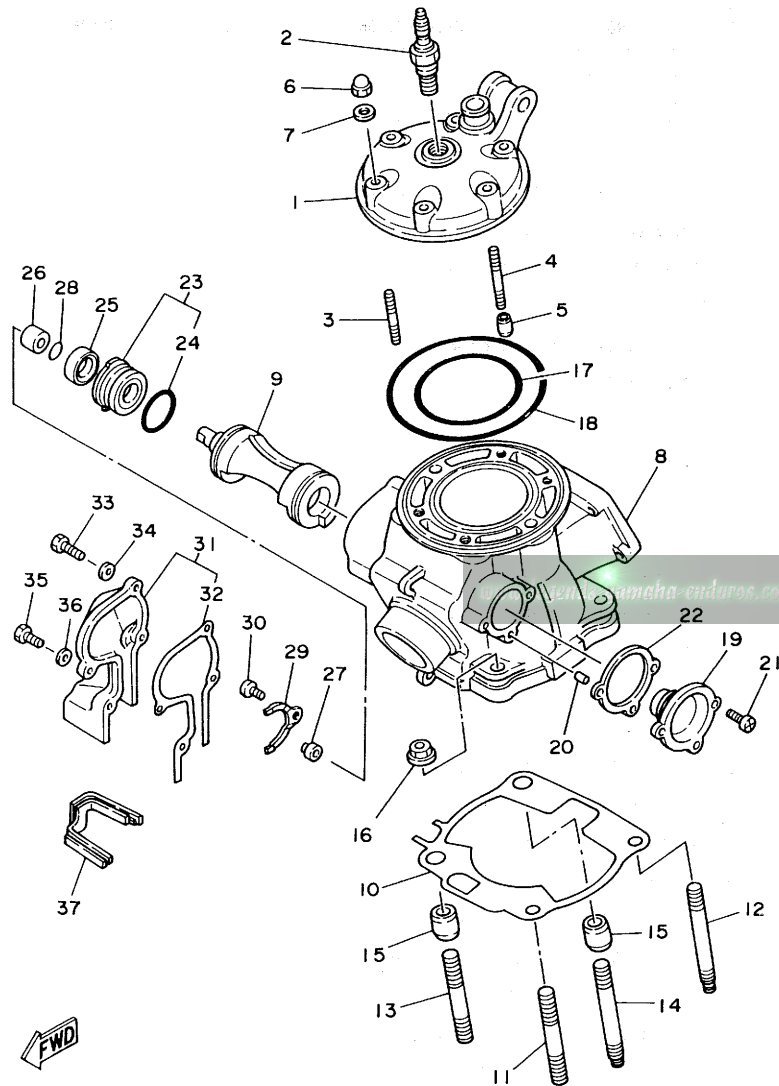


FIG. 1 CYLINDER HEAD

REF. NO.	PART NO.	DESCRIPTION	Q'TY	REMARKS
1	3SP-11111-00	HEAD, cylinder 1	1	
2	94702-00323	PLUG, spark (NGK B8EG)	1	UR
	94702-00326	PLUG, spark (NGK BR8EG)	1	UR FOR CANADA, S.AFRICA
	94709-00323	PLUG, spark (NGK B8EG)	1	UR FOR JAPAN
3	90116-08394	BOLT, stud	4	
4	90116-08392	BOLT, stud	2	
5	99510-10114	PIN, dowel	2	
6	90176-08026	NUT, crown	6	
7	90201-08087	WASHER, plate	6	
8	3SP-11311-00	CYLINDER 1	1	
9	3SP-1131A-00	VALVE 1	1	
10	2VM-11351-00	GASKET, cylinder	1	UR
	2VM-11351-10	GASKET, cylinder	1	UR FOR SWEDEN
11	90116-10314	BOLT, stud	1	
12	90116-10547	BOLT, stud	1	
13	90116-10314	BOLT, stud	1	
14	90116-10547	BOLT, stud	1	
15	99530-14016	PIN, dowel	2	
16	95701-10500	NUT, flange	4	
17	93210-77363	O-RING	1	
18	93211-11770	O-RING	1	
19	3JE-W1132-00	HOLDER 1	1	
20	93604-08071	PIN, dowel	1	
21	98501-05012	SCREW, pan head	2	
22	3JE-1131N-00	GASKET, holder	1	UR
	3JE-1131N-10	GASKET, holder	1	UR FOR SWEDEN
23	5X4-Y113F-00	HOLDER 2 ASSY	1	
24	93210-27244	O-RING	1	

FWD
3SP1100-0010

FIG. 1 CYLINDER HEAD



REF. NO.	PART NO.	DESCRIPTION	Q'TY	REMARKS
25	93104-16074	OIL SEAL	1	
26	90387-102W0	COLLAR	1	
27	3JE-11937-00	BOSS, lever	1	
28	93210-09192	O-RING	1	
29	1LX-11915-00	PLATE, thrust 1	1	
30	98506-05008	SCREW, pan head	1	
31	3SP-11992-00	HOUSING 2	1	UR
	3SP-11992-10	HOUSING 2	1	UR FOR SWEDEN
32	3SP-11993-00	.GASKET	1	UR
	3SP-11993-10	.GASKET	1	UR FOR SWEDEN
33	97021-05020	BOLT	2	
34	92901-05600	WASHER, plate	2	
35	97001-05016	BOLT	2	
36	92901-05600	WASHER, plate	2	
37	2VM-11995-00	SEAL, housing	1	

FWD
3SP1100-0010

B3

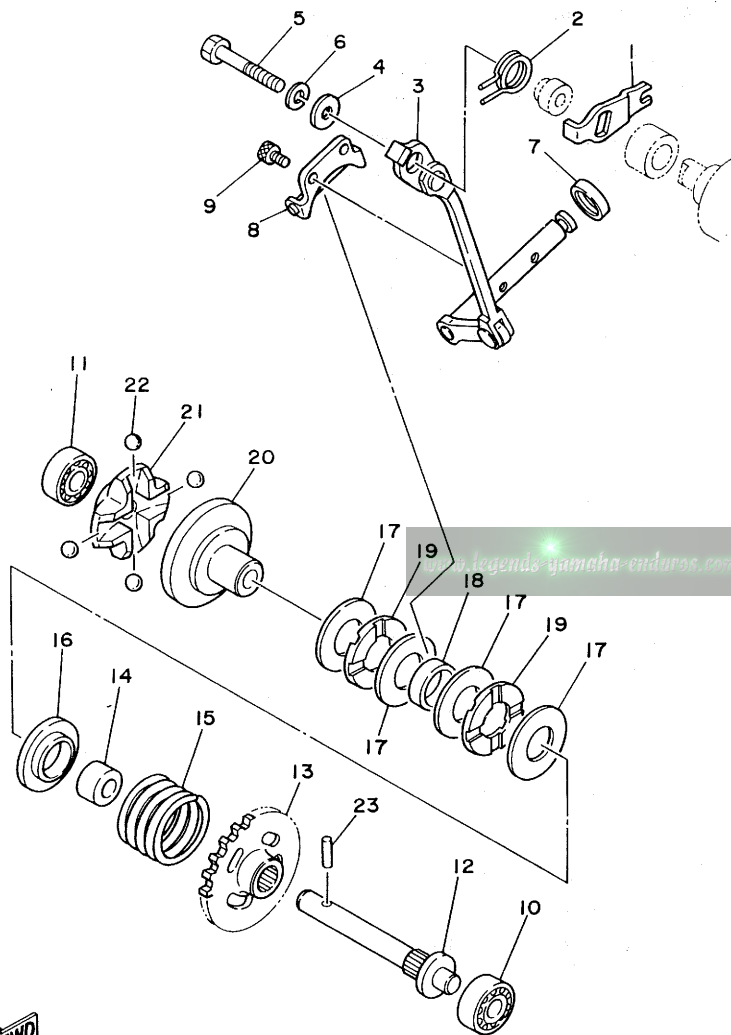


FIG. 2 GOVERNOR

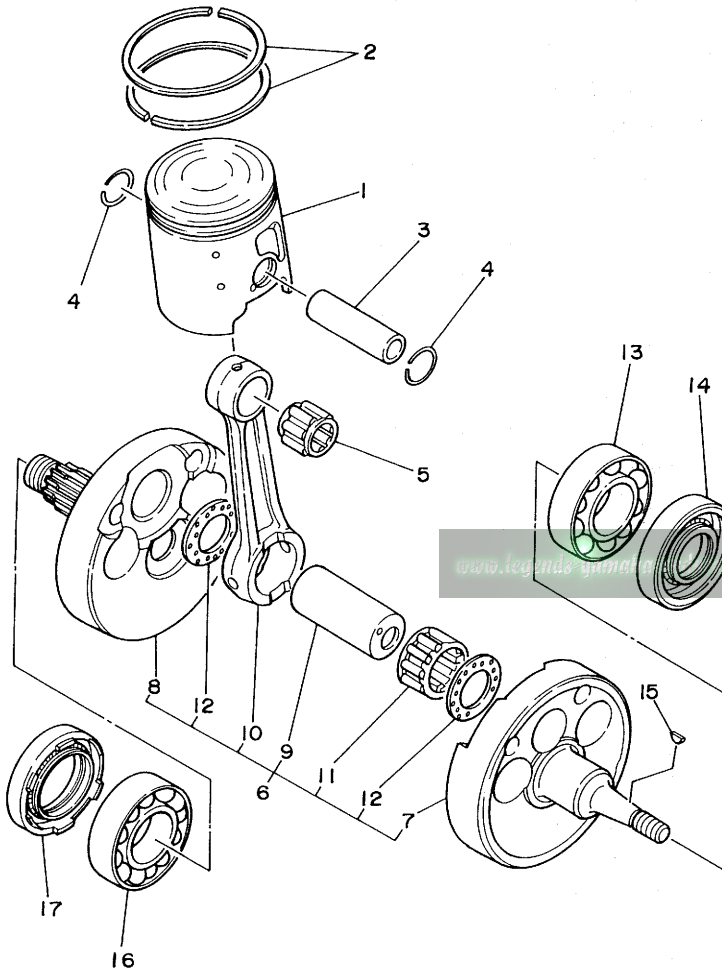
REF. NO.	PART NO.	DESCRIPTION	Q'TY	REMARKS
1	3JE-11931-00	LEVER	1	
2	90508-14783	SPRING, torsion	1	
3	3SP-11990-00	PUSH ROD ASSY	1	
4	90201-057H5	WASHER, plate	1	
5	97021-05030	BOLT	1	
6	92990-05100	WASHER, spring	1	
7	93104-08040	OIL SEAL	1	
8	3JE-11922-00	FORK, governor	1	
9	91316-04006	BOLT	2	
10	93300-60814	BEARING (608M4ML01)	1	NMB
11	93300-60814	BEARING (608M4ML01)	1	NMB
12	5X4-11921-02	SHAFT, governor	1	
13	24X-11953-01	GEAR, governor	1	
14	90560-08213	SPACER	1	
15	90501-240F4	SPRING, compression	1	
16	5X4-11952-00	PLATE	1	
17	90201-154E9	WASHER, plate	4	
18	90387-152F2	COLLAR	1	
19	90380-15104	BUSH, solid	2	
20	5X5-11912-01	RETAINER, weight	1	
21	5X5-11911-01	RETAINER	1	
22	93521-64032	BALL	4	
23	93603-14179	PIN, dowel	1	



3JE1010-9020

B4

FIG. 3 CRANKSHAFT. PISTON



REF. NO.	PART NO.	DESCRIPTION	Q'TY	REMARKS
1	3JE-11631-01-93	PISTON (STD)	1	UR
	3JE-11631-01-94	PISTON (STD)	1	UR
	3JE-11635-01	PISTON (0.25MM O/S)	1	AP
	3JE-11636-01	PISTON (0.50MM O/S)	1	AP
	3JE-11637-01	PISTON (0.75MM O/S)	1	AP
2	56A-11601-00	PISTON RING SET (STD)	1	
	56A-11601-10	PISTON RING SET (0.25MM O/S)	1	AP
	56A-11601-20	PISTON RING SET (0.50MM O/S)	1	AP
	56A-11601-30	PISTON RING SET (0.75MM O/S)	1	AP
3	2VM-11633-00	PIN, piston	1	
4	93450-19052	CIRCLIP	2	
5	93310-418E9	BEARING, cylindrical	1	
6	3SP-11400-00	CRANKSHAFT ASSY	1	
7	3JE-11412-00	.CRANK 1	1	
8	3JE-11422-00	.CRANK 2	1	
9	3JE-11681-00	.PIN, crank 1	1	
10	5X5-11651-01	.ROD, connecting	1	
11	93310-425T1	.BEARING, cylindrical	1	
12	90209-25085	.WASHER	2	
13	93306-37802	BEARING	1	
14	93102-22363	OIL SEAL	1	
15	90280-03045	KEY, woodruff	1	
16	93306-37802	BEARING	1	
17	93103-40091	OIL SEAL	1	



3SP1100-0030

B5

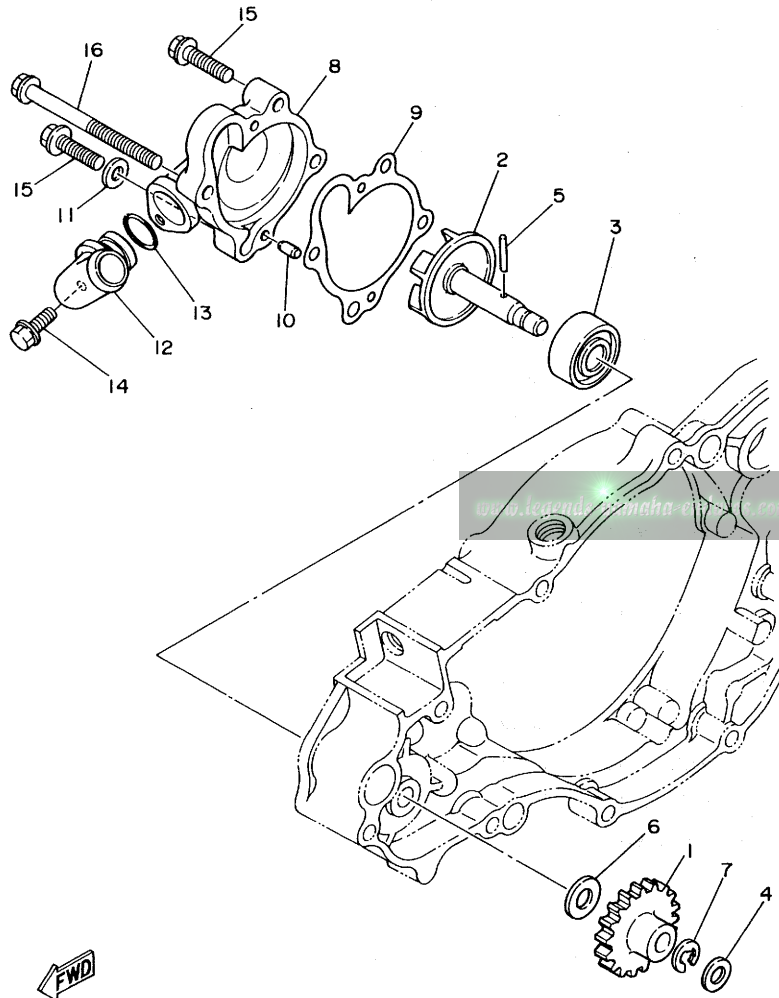


FIG. 4 WATER PUMP

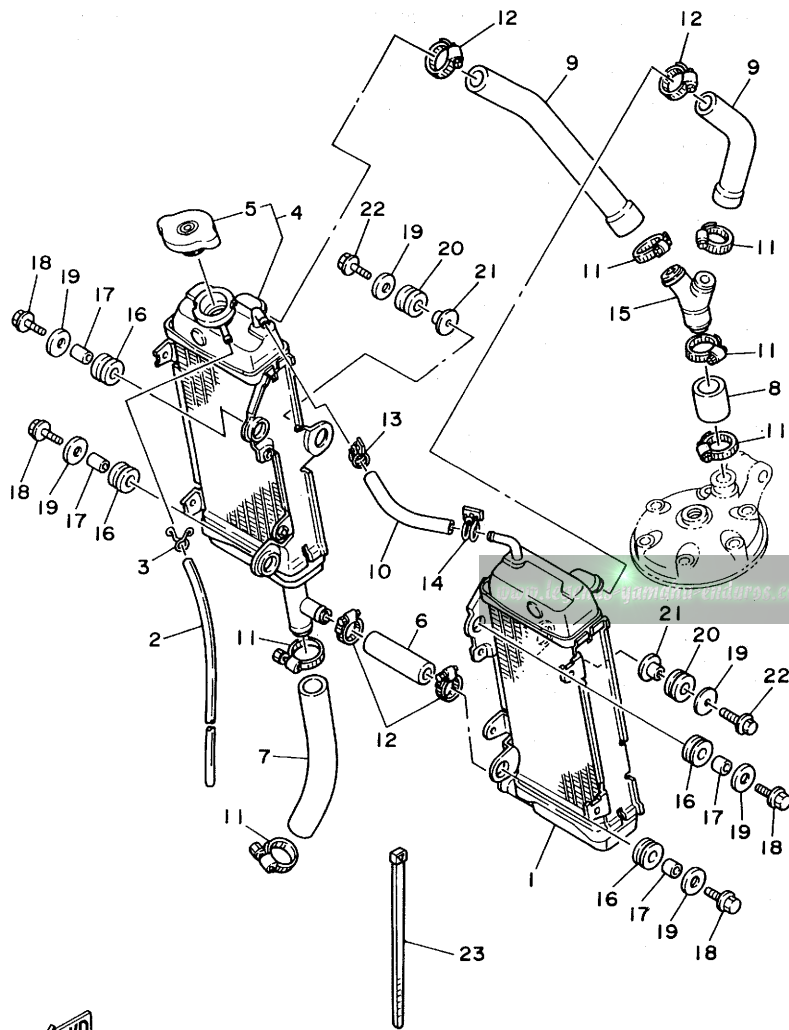
REF. NO.	PART NO.	DESCRIPTION	Q'TY	REMARKS
1	2VM-12459-00	GEAR, impeller shaft	1	
2	2VM-12450-00	IMPELLER SHAFT ASSY	1	
3	93103-10147	OIL SEAL	1	
4	90201-08759	WASHER, plate	1	
5	93603-22028	PIN, dowel	1	
6	90201-08784	WASHER, plate	1	
7	99009-06600	CIRCLIP	1	
8	3SP-12422-00	COVER, housing	1	
9	2VM-12428-00	GASKET, housing cover 2	1	UR
	2VM-12428-10	GASKET, housing cover 2	1	UR FOR SWEDEN
10	93604-10011	PIN, dowel	2	
11	90430-06166	GASKET	1	
12	10V-12469-01	JOINT 1	1	
13	93210-16275	O-RING	1	
14	95023-06025	BOLT	1	
15	95023-06025	BOLT	3	
16	95021-06080	BOLT, flange	1	



3SPI100-0040

B6

FIG. 5 RADIATOR. HOSE

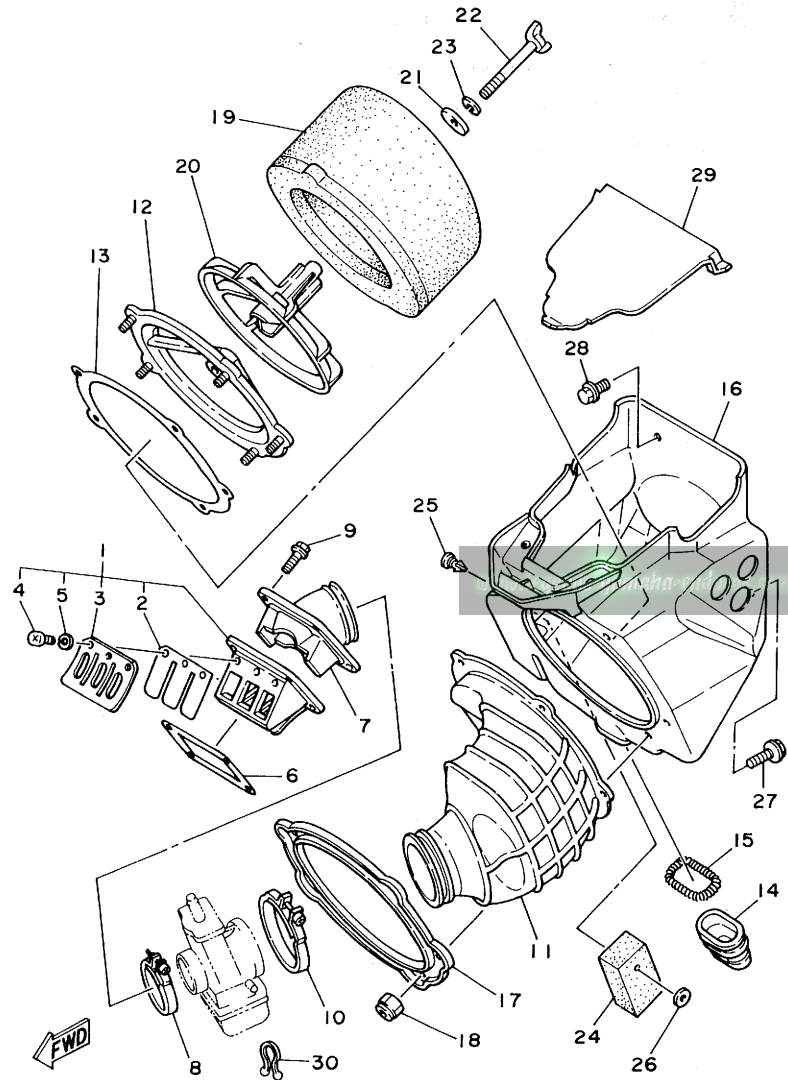


REF. NO.	PART NO.	DESCRIPTION	Q'TY	REMARKS
1	3SP-12460-00	RADIATOR ASSY	1	
2	90446-09079	HOSE	1	
3	90467-09006	CLIP	1	
4	3SP-1240A-00	RADIATOR ASSY 2	1	
5	22W-12462-00	.CAP, radiator	1	
6	3SP-12482-00	PIPE 2	1	
7	3SP-12483-00	PIPE 3	1	
8	3SP-12485-00	PIPE 5	1	
9	3SP-12476-00	PIPE 6	2	
10	3SP-1248A-00	PIPE 8	1	
11	90450-28014	HOSE CLAMP ASSY	6	
12	90450-22017	HOSE CLAMP ASSY	4	
13	90450-15041	HOSE CLAMP ASSY	1	
14	90450-17036	HOSE CLAMP ASSY	1	
15	24X-12469-00	JOINT 1	1	
16	90480-15528	GROMMET	4	
17	90387-074W0	COLLAR	4	
18	95023-06025	BOLT	4	
19	90201-06570	WASHER, plate	6	
20	90480-18276	GROMMET	2	
21	90387-064W1	COLLAR	2	
22	95023-06020	BOLT	2	
23	12R-82591-00	BAND	1	



3SP1100-0050

B7



3SPI100-0060

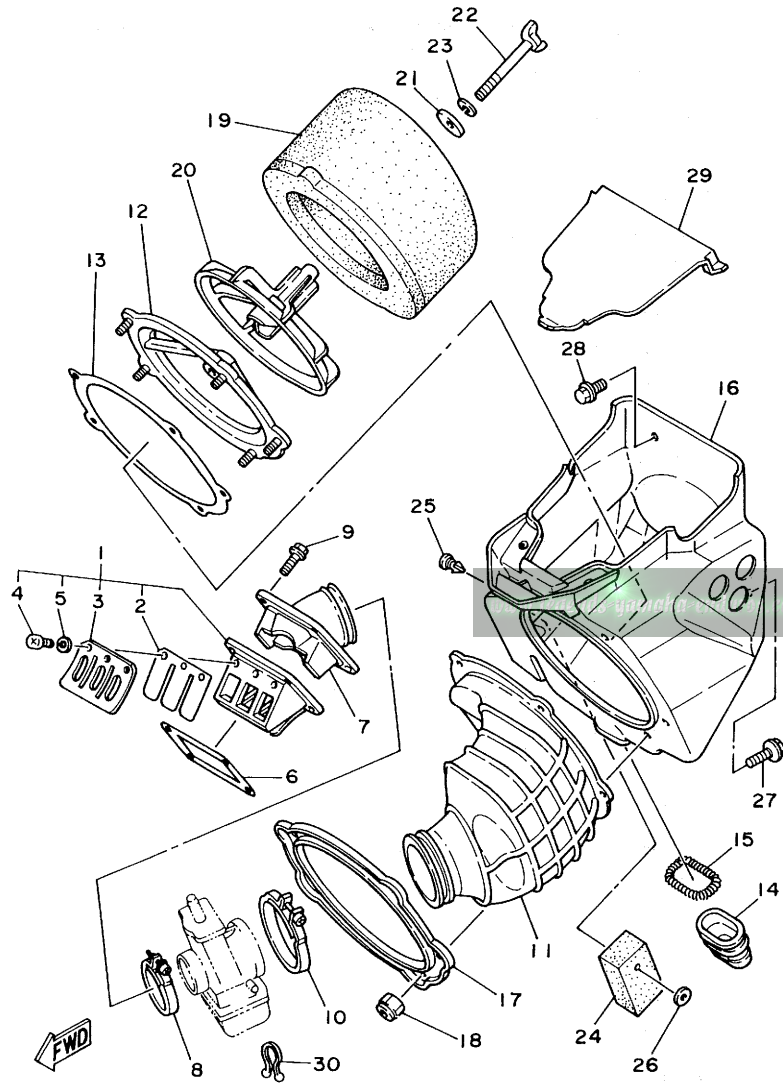
FIG. 6 INTAKE

REF. NO.	PART NO.	DESCRIPTION	Q'TY	REMARKS
1	3SP-13610-00	REED VALVE ASSY	1	
2	3SP-13613-00	.REED, valve	2	
3	3SP-13616-00	.STOPPER, reed valve	2	
4	98501-03008	.SCREW, pan head	6	
5	92990-03100	.WASHER, spring	6	
6	80L-13621-01	GASKET, valve seat	1	UR
	2K7-13621-10	GASKET, valve seat	1	UR FOR SWEDEN
7	3SP-13565-00	JOINT, carburetor	1	
8	90460-51109	CLAMP, hose	1	
9	95023-06020	BOLT	4	
10	90460-68230	CLAMP, hose	1	
11	3SP-14453-00	JOINT, air cleaner 1	1	
12	3JD-14459-00	HOLDER, guide	1	
13	3JD-14462-00	SEAL	1	
14	39K-14457-00	SEAL	1	
15	90504-03033	SPRING, compression	1	
16	3SP-W1441-00	AIR CLEANER CASE COMP.	1	
17	3JD-14477-00	PLATE	1	
18	95601-05100	NUT, u	5	
19	3JD-14451-00	ELEMENT, air cleaner	1	
20	3JD-14458-00	GUIDE	1	
21	90209-06096	WASHER	1	
22	90122-06030	BOLT, wing	1	
23	92990-06100	WASHER, spring	1	
24	3SP-14461-00	ELEMENT, air cleaner 2	1	
25	90269-11042	RIVET	1	
26	90201-08085	WASHER, plate	1	
27	95023-06012	BOLT	2	

B8

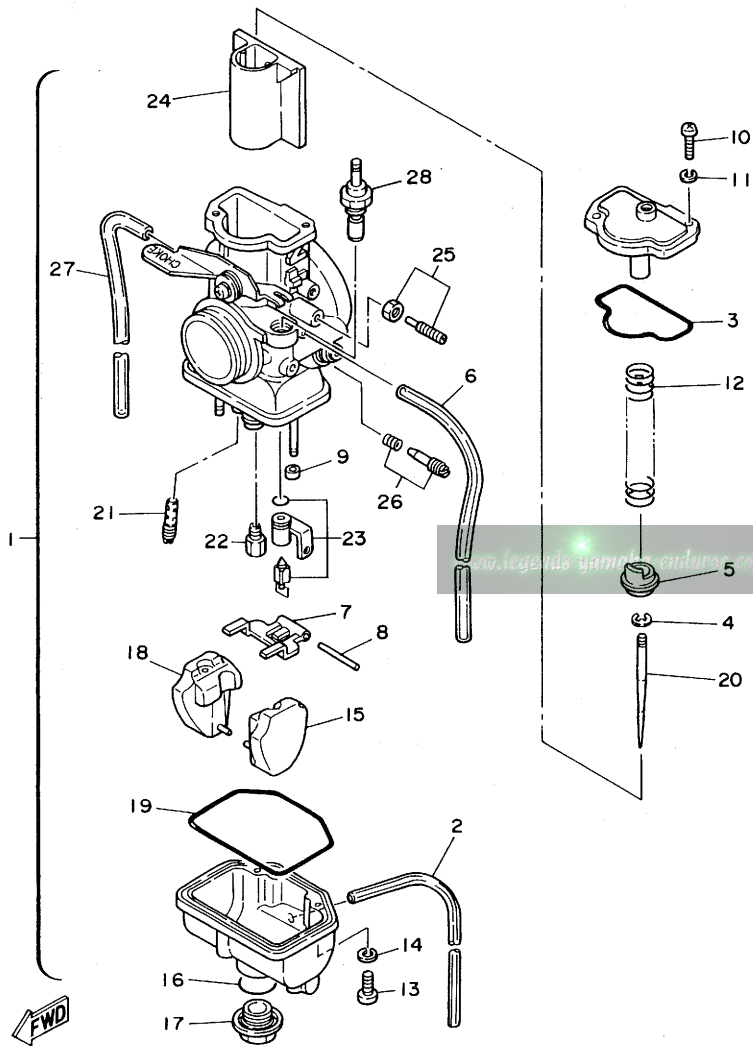
FIG. 6 INTAKE

REF. NO.	PART NO.	DESCRIPTION	Q'TY	REMARKS
28	90119-06185	BOLT, with washer	1	
29	3SP-1441A-00	COVER, cleaner case 1	1	AP
30	90464-16039	CLAMP	1	



3SP100-0060

B9



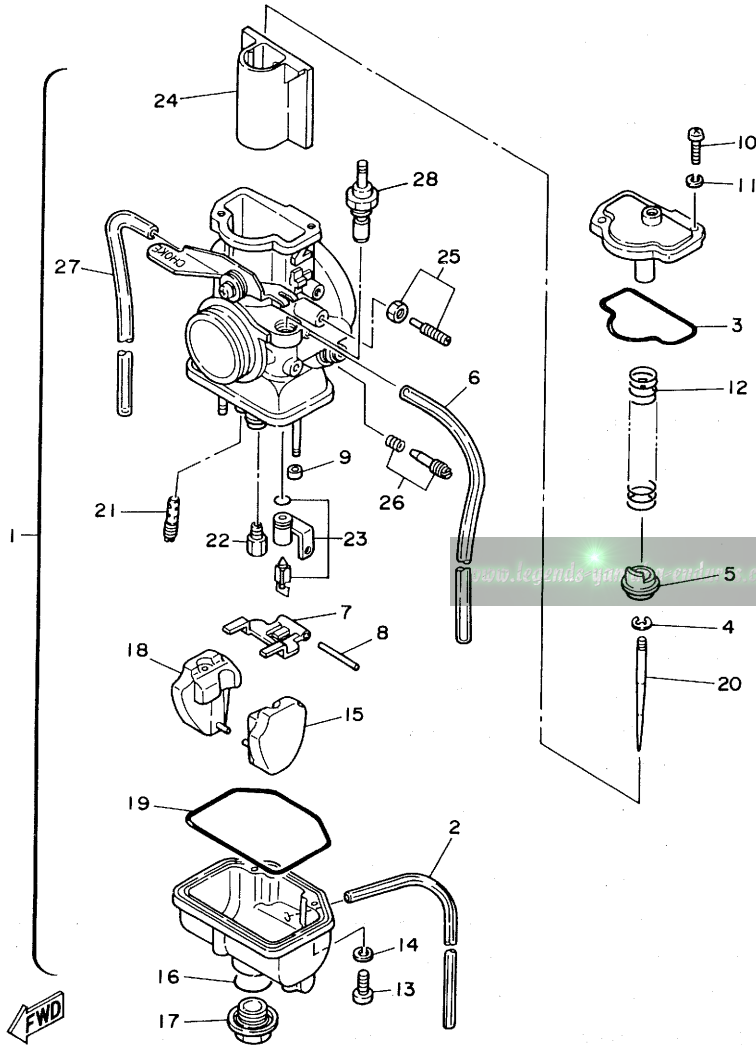
3SP1100-0070

FIG. 7 CARBURETOR

REF. NO.	PART NO.	DESCRIPTION	Q'TY	REMARKS
1	3SP-14101-00	CARBURETOR ASSY 1	1	UR
	3SP-14101-10	CARBURETOR ASSY 1	1	UR FOR EUROPE
	3SP-14101-20	CARBURETOR ASSY 1	1	UR FOR JAPAN
2	3X3-14197-00	.PIPE	1	
3	3JD-14147-00	.O-RING	1	
4	256-14919-00	.CLIP	1	
5	3JD-14194-00	.RING	1	
6	3SP-14149-00	.PIPE	1	
7	363-14187-00	.ARM, float	1	
8	353-14186-00	.PIN, float	1	
9	214-14118-00	.CAP	2	
10	98511-04012	.SCREW, pan head	2	
11	92902-04100	.WASHER, spring	2	
12	3JD-14131-00	.SPRING, throttle valve	1	
13	98501-03008	.SCREW, pan head	1	
14	92990-03100	.WASHER, spring	1	
15	3JD-14185-00	.FLOAT	1	
16	3JE-14561-00	.O-RING	1	
17	3JD-14115-00	.PLUG, screw	1	
18	3JE-14185-00	.FLOAT	1	
19	3JE-14147-00	.O-RING	1	
20	275-14116-E3	.NEEDLE	1	AP
	275-14116-A6	.NEEDLE (J8-6DJ8-59)	1	AP
	275-14116-A9	.NEEDLE (J8-6DJ8-60)	1	AP { FOR U.S.A, CANADA, STD EUROPE, OCEANIA, S.AFRICA, OTHERS
	275-14116-A7	.NEEDLE (J8-6DJ8-61)	1	AP
	275-14116-E0	.NEEDLE (J8-6DJ8-62)	1	AP
	275-14116-A8	.NEEDLE (J8-6DJ8-63)	1	AP STD FOR JAPAN
	275-14116-E1	.NEEDLE (J8-6DJ8-64)	1	AP

B10

FIG. 7 CARBURETOR



REF. NO.	PART NO.	DESCRIPTION	Q'TY	REMARKS
	275-14116-E2	.NEEDLE (J8-6DJ8-65)	1	AP
21	193-14142-35	.JET, pilot (# 35)	1	AP
	193-14142-40	.JET, pilot (# 40)	1	AP STD FOR EUROPE, JAPAN
	193-14142-45	.JET, pilot (# 45)	1	AP STD FOR U.S.A,CANADA,
	193-14142-50	.JET, pilot (# 50)	1	AP STD OCEANIA,S.AFRICA,
	193-14142-55	.JET, pilot (# 55)	1	AP OTHERS
22	137-14143-64	.JET, main (#320)	1	AP
	137-14143-66	.JET, main (#330)	1	AP
	137-14143-68	.JET, main (#340)	1	AP STD FOR JAPAN
	137-14143-70	.JET, main (#350)	1	AP STD FOR U.S.A,CANADA,
	137-14143-72	.JET, main (#360)	1	AP STD OCEANIA,S.AFRICA,
	137-14143-74	.JET, main (#370)	1	AP STD FOR EUROPE
	137-14143-76	.JET, main (#380)	1	AP
	137-14143-78	.JET, main (#390)	1	AP
23	3JD-14107-35	.NEEDLE VALVE SET	1	
24	3JD-14112-30	.VALVE, throttle (C.A 3.0)	1	AP
	3JD-14112-35	.VALVE, throttle (C.A 3.5)	1	AP STD FOR ALL
	3JD-14112-40	.VALVE, throttle (C.A 4.0)	1	AP
	3JD-14112-45	.VALVE, throttle (C.A 4.5)	1	AP
25	3JD-14103-00	.THROTTLE SCREW SET	1	
26	3JD-14104-00	.AIR SCREW SET	1	
27	3SP-14197-00	.PIPE	1	
28	3SP-1410A-00	.STARTER SET	1	

3SPI100-0070

B11

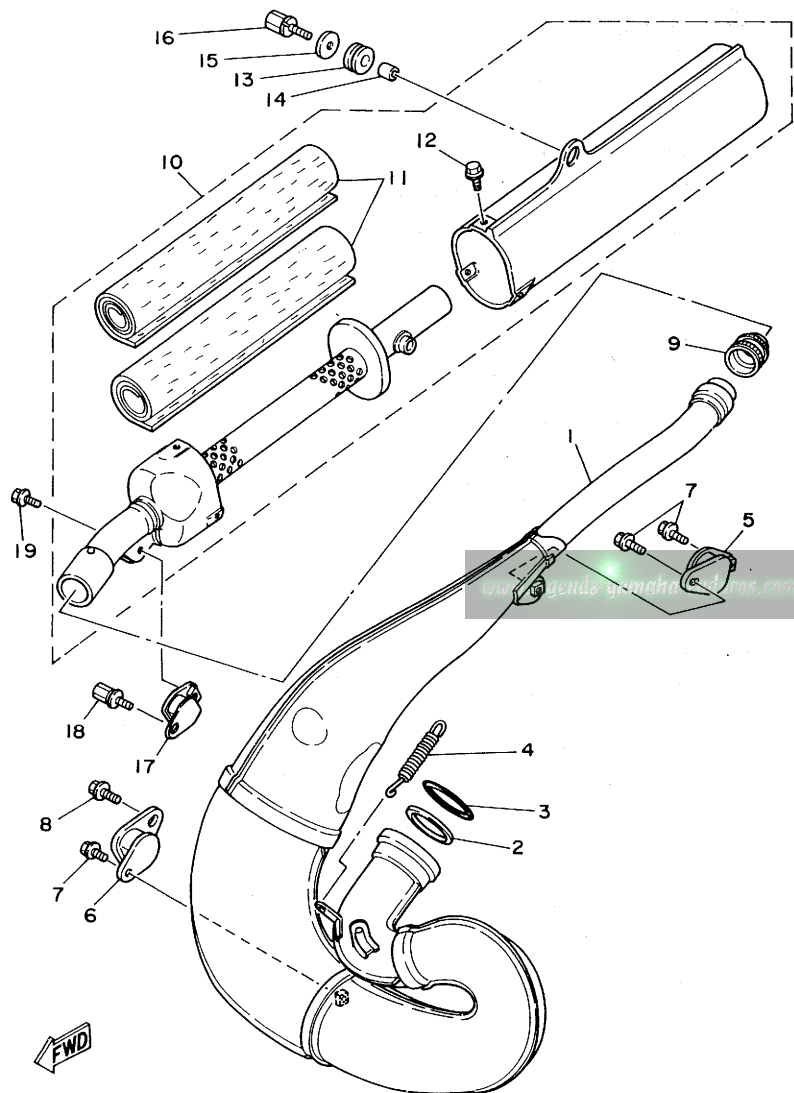
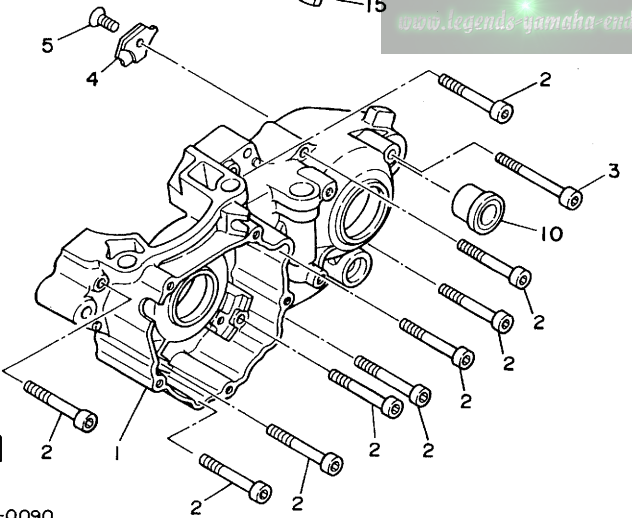
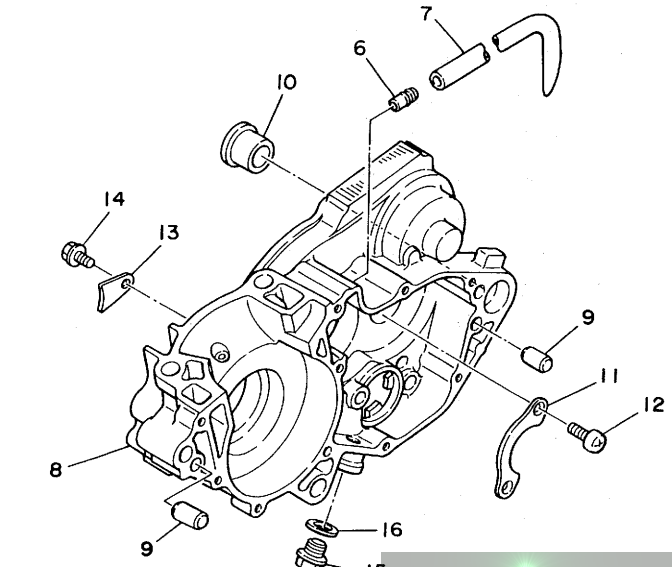


FIG. 8 EXHAUST

REF. NO.	PART NO.	DESCRIPTION	Q'TY	REMARKS
1	3SP-14610-00	EXHAUST PIPE ASSY 1	1	
2	3R4-14613-00	GASKET, exhaust pipe	1	
3	93210-56743	O-RING	1	
4	90507-20030	SPRING, tension	3	
5	565-14771-00	STAY, muffler 1	1	
6	483-14781-01	STAY, muffler 2	1	
7	95023-06012	BOLT	3	
8	95023-08012	BOLT	1	
9	3JE-14615-00	JOINT, exhaust 1	1	
10	3SP-14753-00	SILENCER, exhaust	1	
11	3SP-1469A-00	.FIBER	2	
12	95023-06008	.BOLT	3	
13	90480-18525	GROMMET	1	
14	90387-084E3	COLLAR	1	
15	90201-087H3	WASHER, plate	1	
16	90109-08512	BOLT	1	
17	565-14771-00	STAY, muffler 1	1	
18	90109-06551	BOLT	1	
19	95023-06012	BOLT	1	

3SPI100-0080

B12



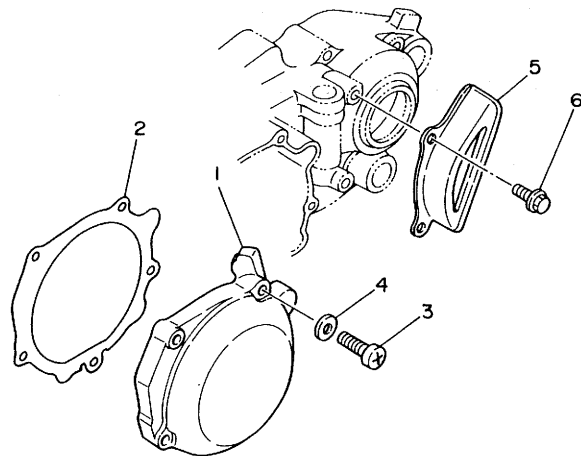
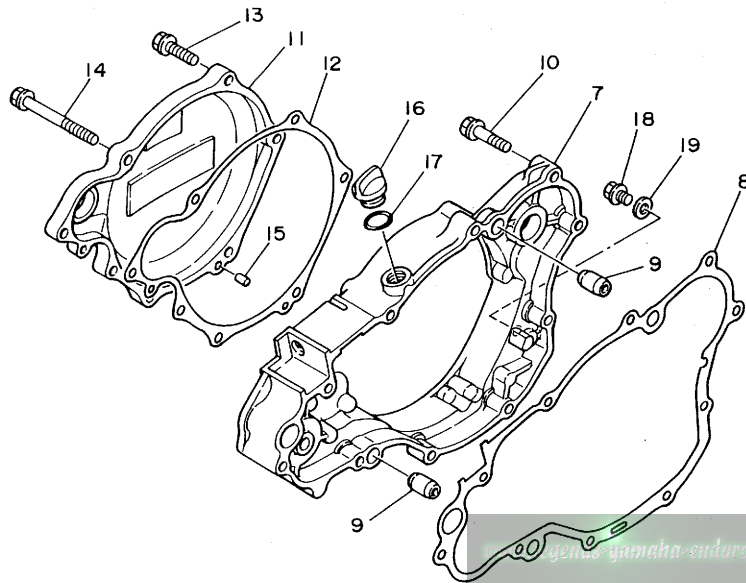
3SP1100-0090



FIG. 9 CRANKCASE

REF. NO.	PART NO.	DESCRIPTION	Q'TY	REMARKS
1	2VM-15111-01	CRANKCASE 1	1	
2	91316-06050	BOLT	9	
3	91316-06070	BOLT	1	
4	3SP-15381-00	PLATE, bearing cover	1	
5	92701-06012	SCREW, flat head	1	
6	353-13115-01	CONNECTOR, suction pipe	1	
7	90445-086A8	HOSE	1	
8	2VM-15121-00	CRANKCASE 2	1	
9	99510-12016	PIN, dowel	2	
10	90387-160H4	COLLAR	2	
11	4L0-17471-00	PLATE, cover	1	
12	92501-06012	SCREW, pan head	2	
13	4V4-15118-00	HOLDER	1	
14	91002-06010	BOLT, flange	1	
15	90340-12059	PLUG, straight screw	1	
16	90430-12038	GASKET	1	UR
	90430-12207	GASKET	1	UR FOR SWEDEN

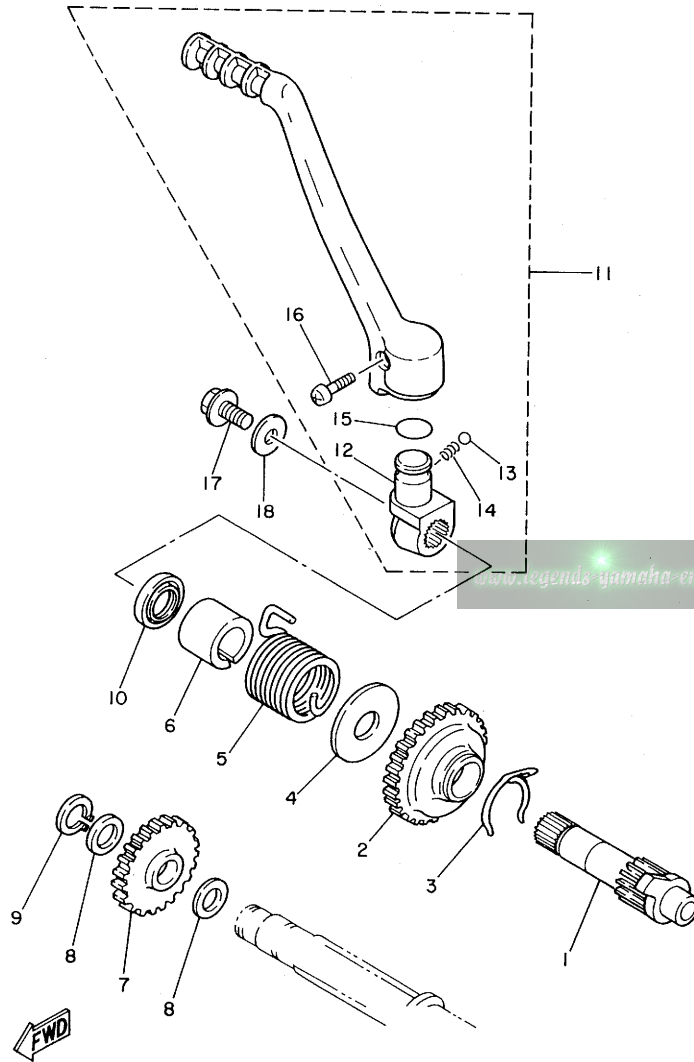
FIG. 10 CRANKCASE COVER 1



3SP1100-0100

REF. NO.	PART NO.	DESCRIPTION	Q'TY	REMARKS
1	2VM-15411-00	COVER, crankcase 1	1	
2	2VM-15451-00	GASKET, crankcase cover 1	1	UR
	2VM-15451-10	GASKET, crankcase cover 1	1	UR FOR SWEDEN
3	92501-06030	SCREW, pan head	5	
4	92901-06600	WASHER, plate	5	
5	2VM-15421-00	COVER, crankcase 2	1	
6	95023-06012	BOLT	2	
7	3SP-Y1543-00	COVER, crankcase 3	1	
8	2VM-15462-00	GASKET, crankcase cover 3	1	UR
	2VM-15462-10	GASKET, crankcase cover 3	1	UR FOR SWEDEN
9	99510-12016	PIN, dowel	2	
10	95023-06030	BOLT	7	
11	3SP-15415-00	COVER, generator	1	
12	3SP-15463-00	GASKET, carburetor cover 2	1	UR
	3SP-15463-10	GASKET, carburetor cover 2	1	UR FOR SWEDEN
13	95023-06025	BOLT	5	
14	95021-06070	BOLT, flange	2	
15	93604-10011	PIN, dowel	2	
16	1G8-15362-00	PLUG, oil level	1	
17	93210-14104	O-RING	1	
18	95023-06008	BOLT	1	
19	90430-06016	GASKET	1	

FIG. 11 STARTER

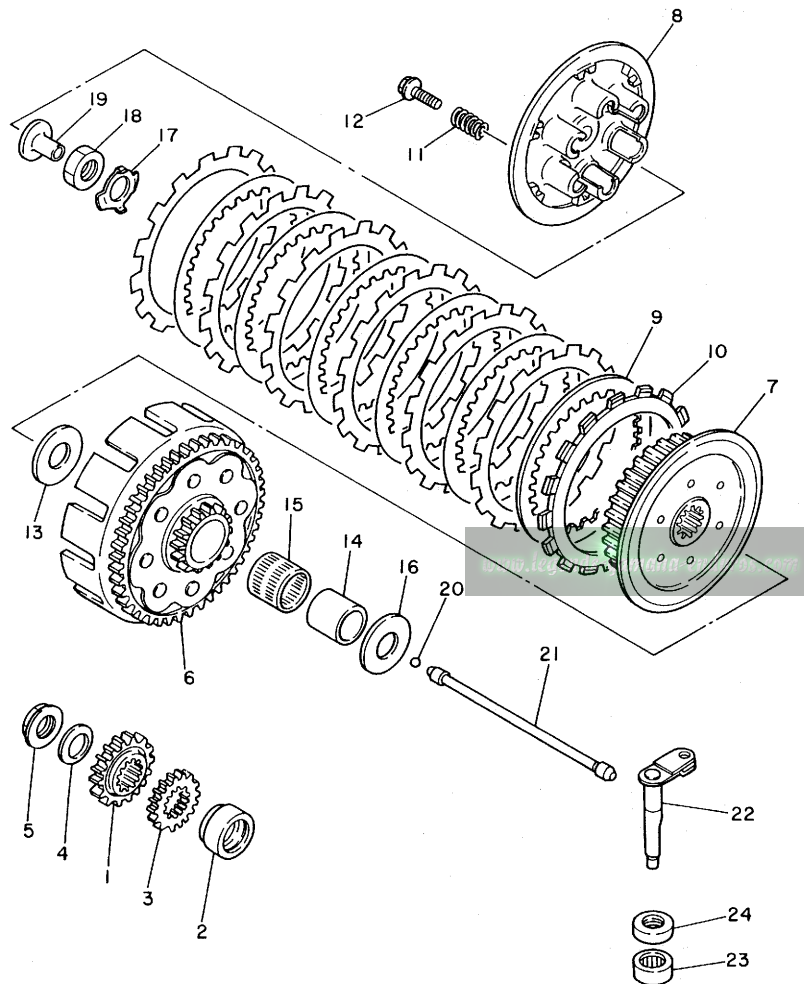


REF. NO.	PART NO.	DESCRIPTION	Q'TY	REMARKS
1	2VM-15661-00	AXLE, kick	1	
2	3R4-15641-00	GEAR, kick (26T)	1	
3	90468-26048	CLIP	1	
4	90201-20358	WASHER, plate	1	
5	90508-30743	SPRING, torsion	1	
6	2VM-15664-00	GUIDE, spring	1	
7	38V-15651-00	GEAR, kick idle (23T)	1	
8	90201-17545	WASHER, plate	2	
9	99009-17400	CIRCLIP	1	
10	93102-20309	OIL SEAL	1	
11	3SP-15620-00	KICK CRANK ASSY	1	
12	3SP-15621-00	.BOSS, kick crank	1	
13	93501-04011	.BALL	1	
14	90501-13720	.SPRING, compression	1	
15	93210-19216	.O-RING	1	
16	90157-06048	.SCREW, pan head	1	
17	95021-08020	BOLT, flange	1	
18	90201-087A9	WASHER, plate	1	

3SP1100-0110

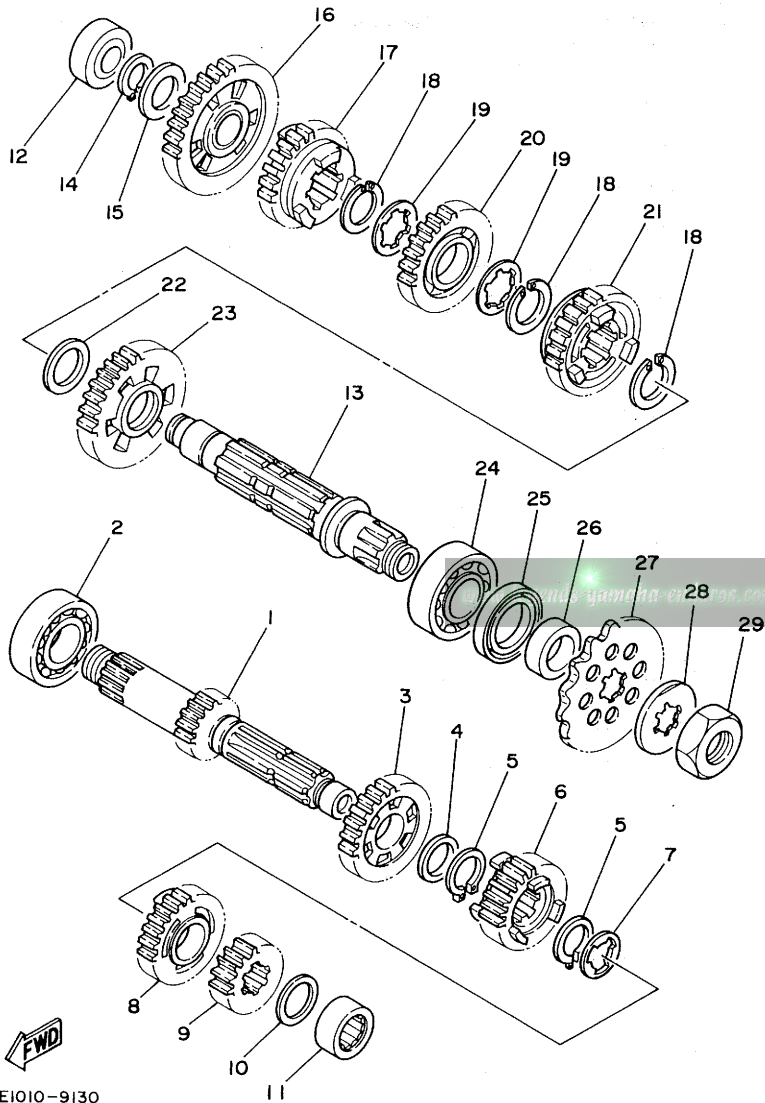
B15

FIG. 12 CLUTCH



REF. NO.	PART NO.	DESCRIPTION	Q'TY	REMARKS
1	2VM-16111-00	GEAR, primary drive	1	
2	90387-252F6	COLLAR	1	
3	2VM-11956-00	CLIP	1	
4	90208-18025	WASHER, conical spring	1	
5	90179-18172	NUT	1	
6	3SP-16150-00	PRIMARY DRIVEN GEAR COMP.	1	
7	2VM-16371-00	BOSS, clutch	1	
8	2VM-16351-00	PLATE, pressure 1	1	
9	4X7-16325-00	PLATE, clutch 2	6	
10	22U-16321-00	PLATE, friction	7	
11	90501-23598	SPRING, compression	6	
12	90159-06016	SCREW, with washer	6	
13	2K7-16154-00	PLATE, thrust 1	1	
14	2VM-16181-00	SPACER 1	1	
15	93310-230T7	BEARING, cylindrical	1	
16	3SP-16154-00	PLATE, thrust 1	1	
17	90215-20231	WASHER, lock	1	
18	90170-20255	NUT	1	
19	2VM-16356-00	ROD, push 1	1	
20	93511-32027	BALL	1	
21	3SP-16357-00	ROD, push 2	1	
22	2VM-16381-00	PUSH LEVER COMP.	1	
23	93315-11206	BEARING, cylindrical	1	
24	93102-12224	OIL SEAL	1	

FWD
2VM100-8120

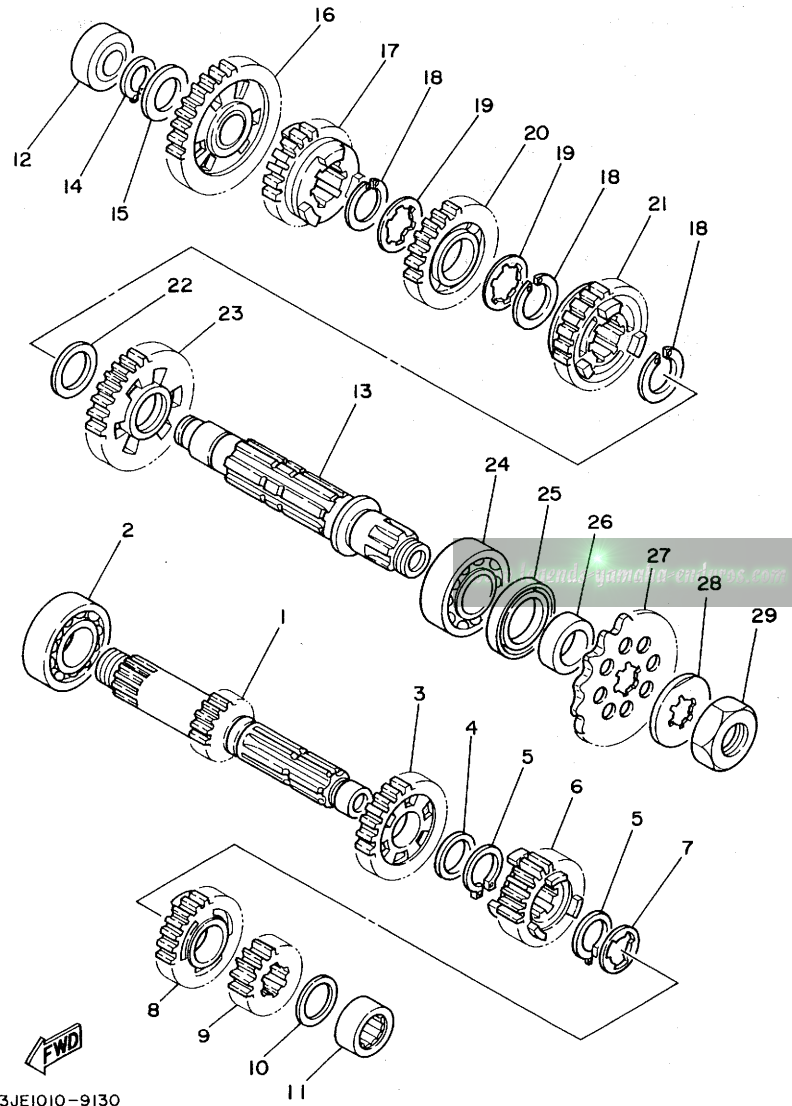


3JE1010-9130

FIG. 13 TRANSMISSION

REF. NO.	PART NO.	DESCRIPTION	Q'TY	REMARKS
1	2VM-17411-00	AXLE, main (15T)	1	
2	93306-20540	BEARING	1	
3	2VM-17151-00	GEAR, 5th pinion (23T)	1	
4	90201-22555	WASHER, plate	1	
5	93410-22039	CIRCLIP	2	
6	2VM-17131-00	GEAR, 3rd pinion (16T)	1	
7	90209-18135	WASHER	1	
8	2VM-17141-00	GEAR, 4th pinion (19T)	1	
9	2VM-17121-00	GEAR, 2nd pinion (17T)	1	
10	90209-17311	WASHER	1	
11	93311-41734	BEARING, cylindrical	1	
12	93311-62035	BEARING, cylindrical	1	
13	2VM-17421-00	AXLE, drive	1	
14	93410-20038	CIRCLIP	1	
15	90201-20278	WASHER, plate	1	
16	2VM-17211-00	GEAR, 1st wheel (31T)	1	
17	2VM-17251-01	GEAR, 5th wheel (21T)	1	
18	93440-25084	CIRCLIP	3	
19	90209-22082	WASHER	2	
20	2VM-17231-00	GEAR, 3rd wheel (22T)	1	
21	2VM-17241-00	GEAR, 4th wheel (22T)	1	
22	90201-253K0	WASHER, plate	1	
23	2VM-17221-00	GEAR, 2nd wheel (29T)	1	
24	93306-20574	BEARING	1	
25	93102-32M07	OIL SEAL	1	
26	90387-25663	COLLAR	1	
27	93834-14049	SPROCKET, drive 14T (1W41746140)	1	STD
	93834-13029	SPROCKET, drive 13T (1W41746130)	1	AP

C3



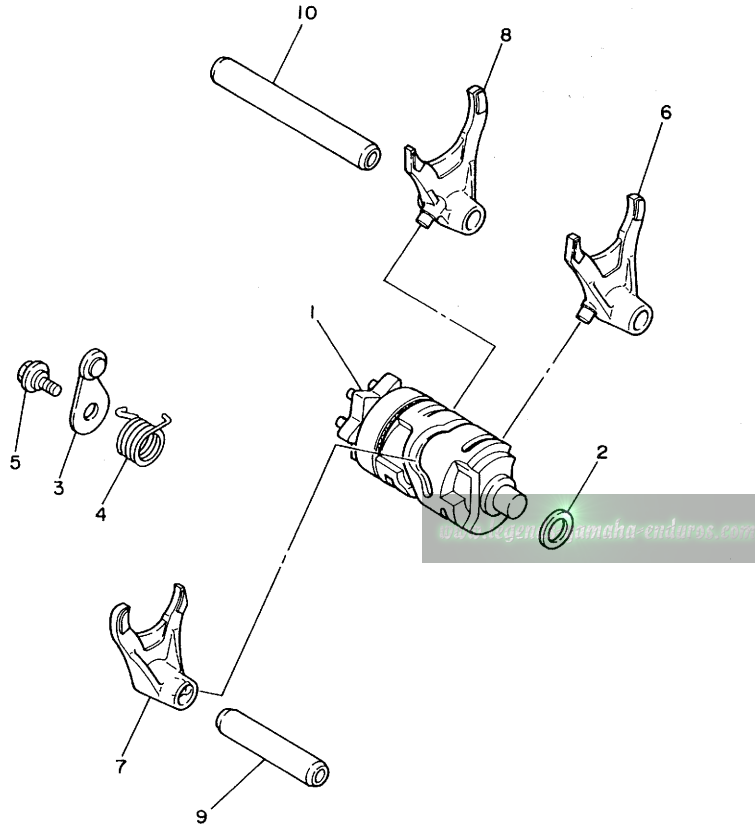
3JE1010-9130

FIG. 13 TRANSMISSION

REF. NO.	PART NO.	DESCRIPTION	Q'TY	REMARKS
27	93834-15075	SPROCKET, drive 15T (1W41746150)	1	AP
28	90215-21239	WASHER, lock	1	
29	90179-20255	NUT	1	

C4

FIG. 14 SHIFT CAM. FORK



REF. NO.	PART NO.	DESCRIPTION	Q'TY	REMARKS
1	2VM-18540-00	SHIFT CAM ASSY	1	
2	90201-12166	WASHER, plate	1	
3	22W-18140-00	STOPPER LEVER ASSY	1	
4	90508-26561	SPRING, torsion	1	
5	90109-063F7	BOLT	1	
6	2VM-18511-00	FORK, shift 1	1	
7	2VM-18512-00	FORK, shift 2	1	
8	2VM-18513-00	FORK, shift 3	1	
9	1LX-18531-00	BAR, shift fork guide 1	1	
10	34K-18535-00	BAR, shift fork guide 2	1	



2VM100-8140

C5

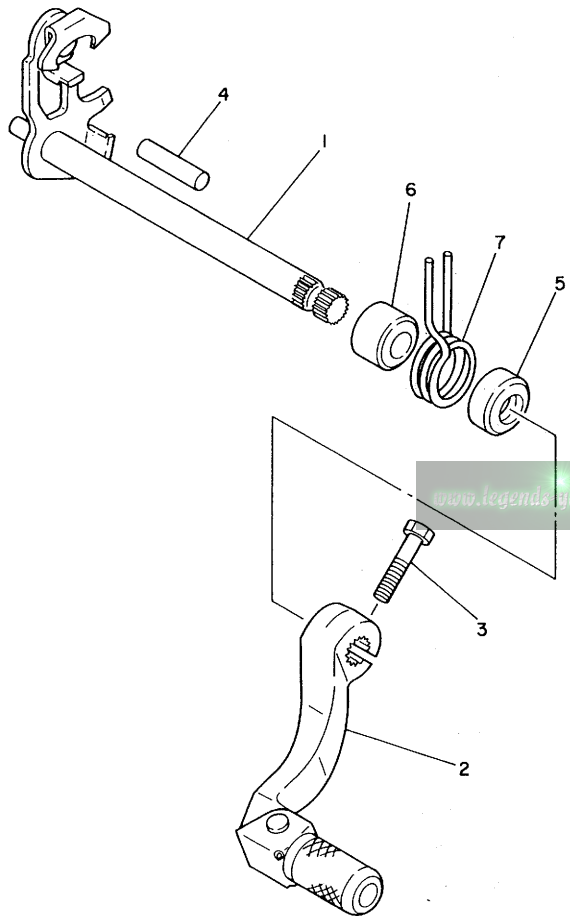


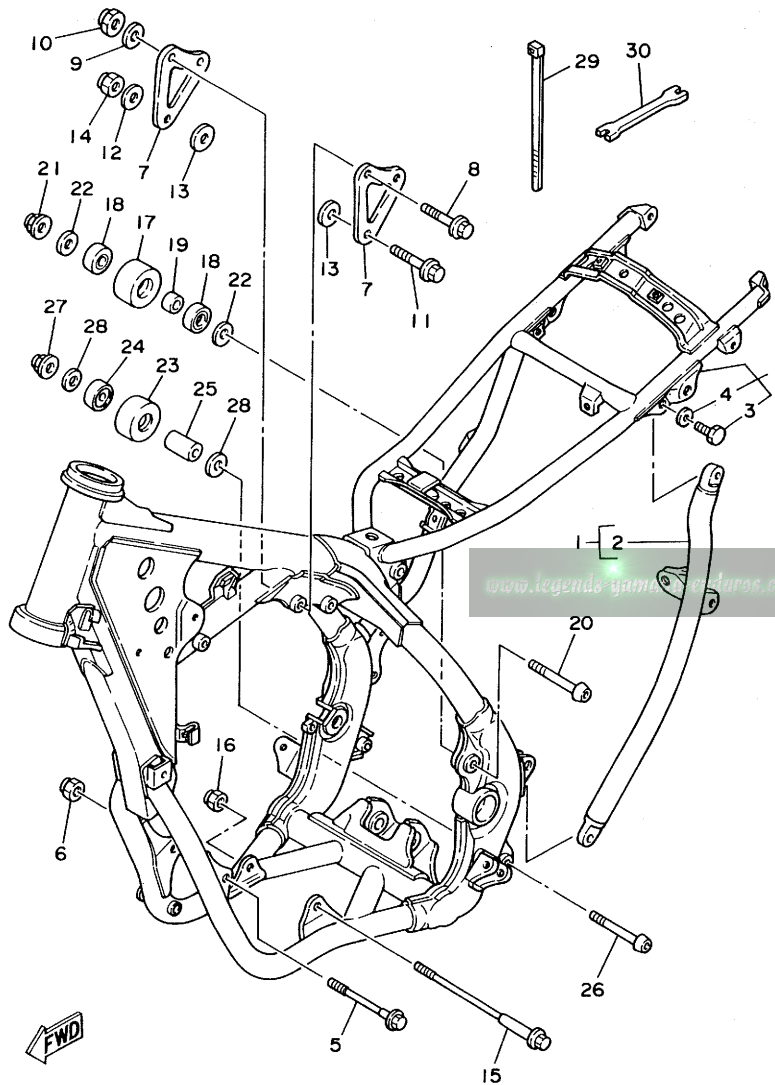
FIG. 15 SHIFTER

REF. NO.	PART NO.	DESCRIPTION	Q'TY	REMARKS
1	2VM-18101-00	SHIFT SHAFT ASSY	1	
2	2VM-18110-00	SHIFT PEDAL ASSY	1	
3	98021-06025	BOLT	1	
4	93608-33046	PIN, dowel	1	
5	93102-12106	OIL SEAL (SD 12-22-5 HS)	1	
6	90560-12171	SPACER	1	
7	90508-29742	SPRING, torsion	1	



2VM100-8150

C6



3SP1100-0160

FIG. 16 FRAME

REF. NO.	PART NO.	DESCRIPTION	Q'TY	REMARKS
1	3SP-21110-00-UJ	FRAME COMP.	1	RADICAL WHITE
2	3JD-21123-01-UJ	.BACK, stay (L.H)	1	RADICAL WHITE
3	90101-08461	.BOLT	2	
4	90201-080E2	.WASHER, plate	2	
5	90105-08592	BOLT, washer based	1	
6	95611-08200	NUT, self-locking	1	
7	3SP-21425-00	BRACKET, rear upper 1	2	
8	91011-08055	BOLT, flange	2	
9	90202-08022	WASHER, plate	2	
10	95601-08200	NUT, self-locking	2	
11	91011-10055	BOLT, flange	1	
12	92990-10200	WASHER, plain	1	
13	90201-101J1	WASHER, plate	2	
14	95601-10200	NUT, self-locking	1	
15	91011-10120	BOLT, flange	1	
16	95611-10200	NUT, self-locking	1	
17	3JD-22178-00	TENSIONER	1	
18	93300-60816	BEARING	2	
19	90387-087K5	COLLAR	1	
20	92011-08070	SCREW	1	
21	95601-08200	NUT, self-locking	1	
22	90201-081A6	WASHER, plate	2	
23	3JD-22178-10	TENSIONER	1	
24	93300-60816	BEARING	1	
25	90387-086N4	COLLAR	1	
26	92011-08070	SCREW	1	
27	95601-08200	NUT, self-locking	1	
28	90201-081A6	WASHER, plate	2	

C7

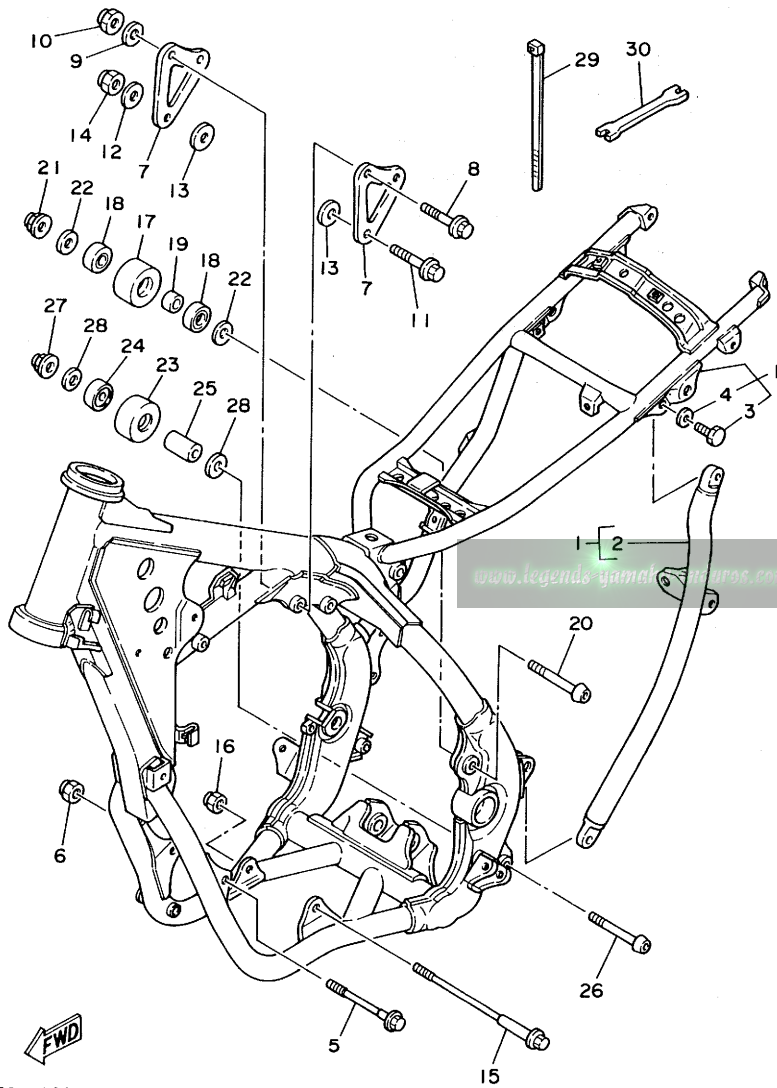


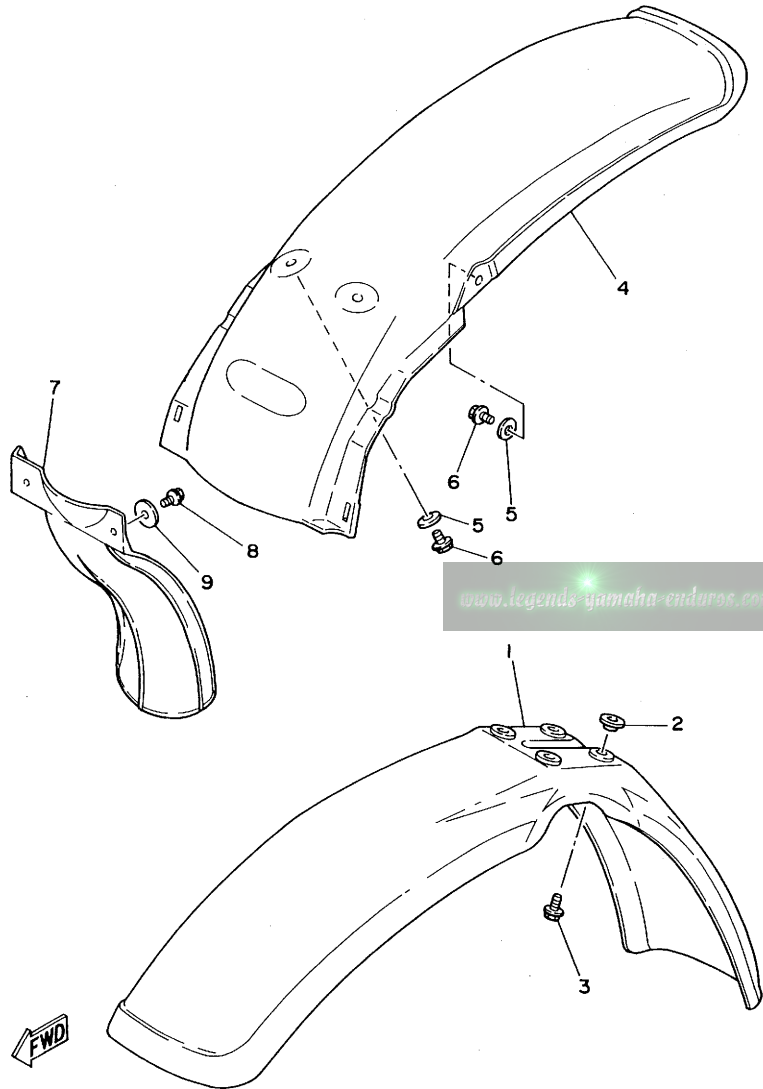
FIG. 16 FRAME

REF. NO.	PART NO.	DESCRIPTION	Q'TY	REMARKS
29	12R-82591-00	BAND	1	
30	56A-28166-00	WRENCH, hexagon	1	

3SP1100-0160



FIG. 17 FENDER



REF. NO.	PART NO.	DESCRIPTION	Q'TY	REMARKS
1	3JE-21511-00	FENDER, front	1	
2	90387-06681	COLLAR	4	
3	90119-06063	BOLT, with washer	4	
4	1LX-21611-00	FENDER, rear	1	WHITE
5	90201-06571	WASHER, plate	4	
6	90105-06553	BOLT, washer based	4	
7	39X-21642-00	GUARD, flap	1	
8	95023-06010	BOLT	2	
9	90201-06571	WASHER, plate	2	

3SPI100-0170

C9

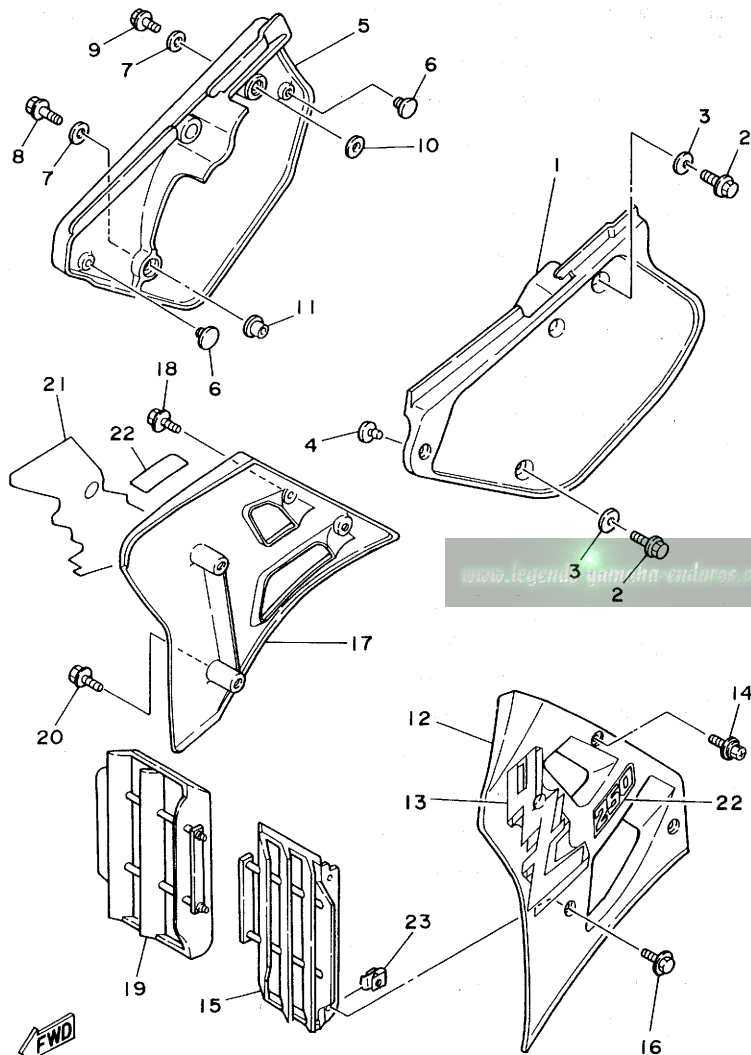
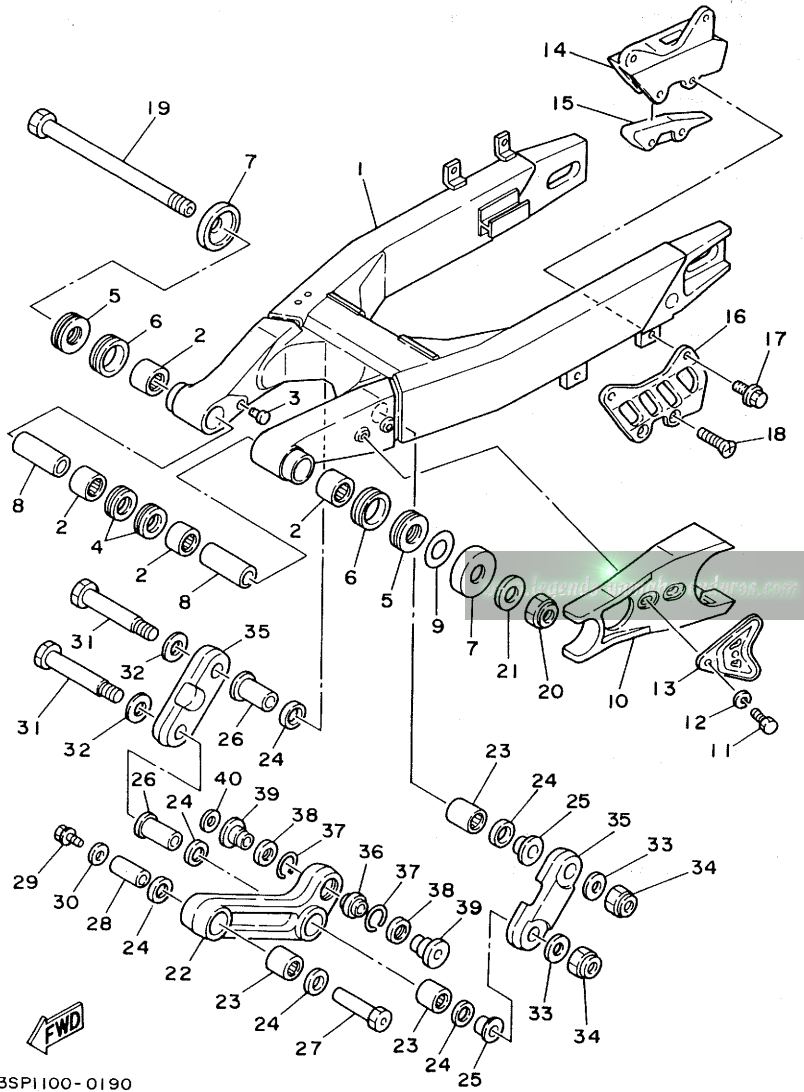


FIG. 18 SIDE COVER

REF. NO.	PART NO.	DESCRIPTION	Q'TY	REMARKS
1	3JD-21711-00	COVER, side 1	1	
2	95023-06012	BOLT	2	
3	90201-06571	WASHER, plate	2	
4	22W-24181-00	DAMPER, locating 1	1	
5	2VM-21721-00	COVER, side 2	1	
6	3JD-24181-00	DAMPER, locating 1	2	
7	90201-06571	WASHER, plate	2	
8	95023-06020	BOLT	1	
9	95023-06012	BOLT	1	
10	92901-08200	WASHER, plain	1	
11	90387-061F9	COLLAR	1	
12	3SP-21731-00	COVER, side 3	1	
13	3SP-24244-00	GRAPHIC, fuel tank 1	1	
14	90119-06192	BOLT, with washer	2	
15	3SP-2172A-00	PANEL 1	1	
16	90119-05193	BOLT, with washer	2	
17	3SP-21741-00	COVER, side 4	1	
18	90119-06192	BOLT, with washer	2	
19	3SP-2172A-00	PANEL 1	1	
20	90119-05193	BOLT, with washer	2	
21	3SP-24245-00	GRAPHIC, fuel tank 2	1	
22	3JE-24254-01	GRAPHIC, fuel tank 7	2	
23	22W-21791-00	NUT	4	

3SP1100-0180

FIG. 19 REAR ARM

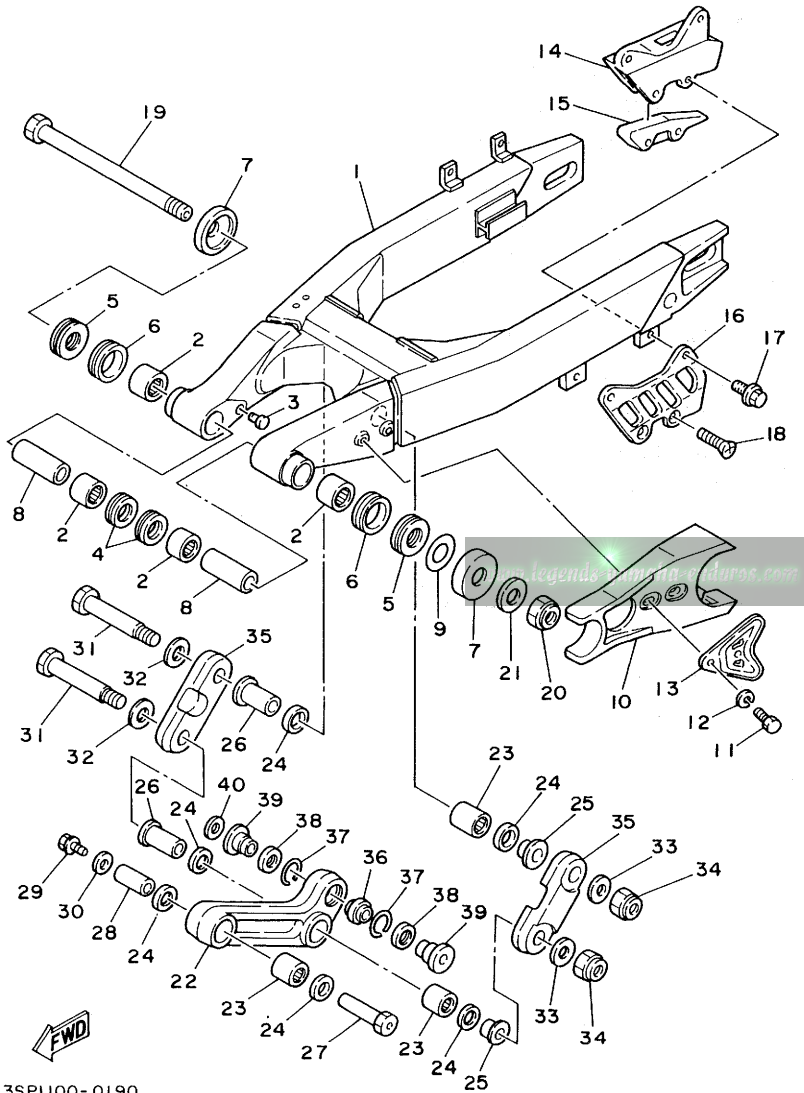


3SP1100-0190

REF. NO.	PART NO.	DESCRIPTION	Q'TY	REMARKS
1	3SP-22110-00	REAR ARM COMP.	1	
2	93317-22262	BEARING, cylindrical	4	UR
	93317-22263	BEARING, cylindrical	4	UR
3	90338-10150	PLUG	2	
4	93106-22019	OIL SEAL (DC 22-28-8)	2	
5	93342-22208	BEARING	2	
6	93108-35004	OIL SEAL (35-41-8)	2	
7	3R4-22129-00	COVER, thrust 2	2	
8	90380-16158	BUSH, solid	2	
9	156-22127-00	SHIM (0.3T)	1	UN
10	3JD-22151-00	SEAL, guard	1	
11	95023-06020	BOLT	2	
12	92990-06100	WASHER, spring	2	
13	3JD-22156-00	WASHER, plate	1	
14	3JD-22199-00	SUPPORT, chain	1	
15	3JD-22147-00	PROTECTOR, chain	1	
16	3JD-22128-00	COVER, thrust 1	1	
17	91001-06020	BOLT, flange	2	
18	92701-06035	SCREW, flat head	2	
19	1LX-22141-00	SHAFT, pivot	1	
20	90185-16127	NUT, self-locking	1	
21	90201-164H4	WASHER, plate	1	
22	3JD-2217A-00	ARM, relay	1	
23	93315-22046	BEARING, cylindrical	3	
24	93109-20029	OIL SEAL	6	
25	90387-164N2	COLLAR	2	
26	90387-164N3	COLLAR	2	
27	90179-10544	NUT	1	

C11

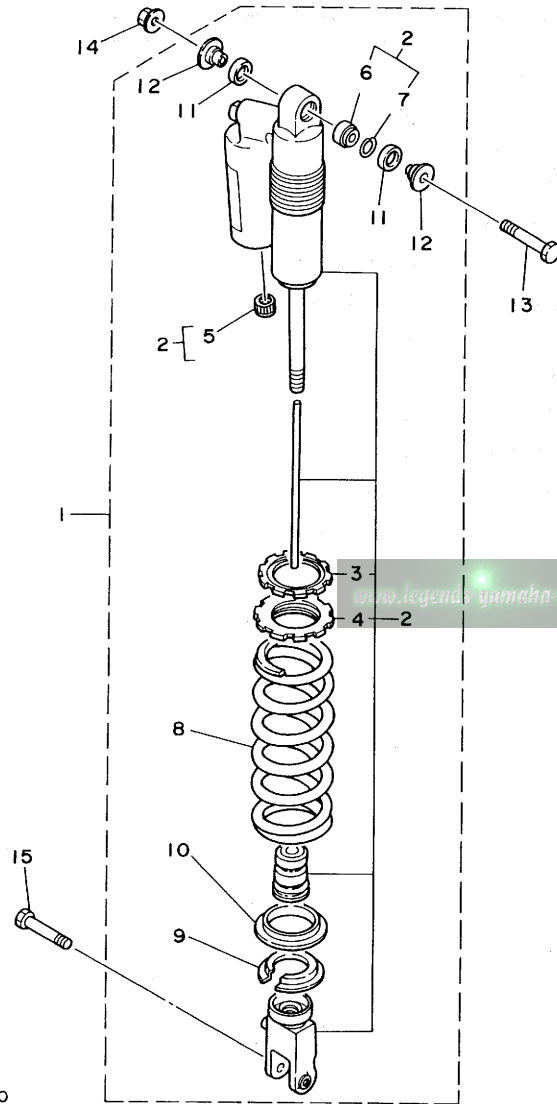
FIG. 19 REAR ARM



REF. NO.	PART NO.	DESCRIPTION	Q'TY	REMARKS
28	90387-167R5	COLLAR	1	
29	91011-10016	BOLT, flange	1	
30	90201-106F2	WASHER, plate	1	
31	90109-142F4	BOLT	2	
32	90201-164H4	WASHER, plate	2	
33	90201-14740	WASHER, plate	2	
34	90185-14070	NUT, self-locking	2	
35	3JD-2217F-00	ROD, connecting 1	2	
36	93399-99921	BEARING	1	
37	93440-30113	CIRCLIP	2	
38	93104-18077	OIL SEAL	2	
39	90387-102V0	COLLAR	2	
40	90201-08759	WASHER, plate	1	

3SPI100-0190

FIG. 20 REAR SUSPENSION



REF. NO.	PART NO.	DESCRIPTION	Q'TY	REMARKS
1	3SP-22210-00	SHOCK ABSORBER ASSY, rear	1	UR
	3SP-22210-10	SHOCK ABSORBER ASSY, rear	1	UR FOR EUROPE
2	3SP-22201-00	.DAMPER SUB ASSY	1	UR
	3SP-22201-10	.DAMPER SUB ASSY	1	UR FOR EUROPE
3	3SP-22234-00	..GUIDE, spring 3	1	
4	3SP-22213-00	..SEAT, spring upper	1	
5	24M-23184-00	..CAP, air valve	1	
6	3JD-22216-00	..BUSH, rear shock absorber	1	
7	43M-22274-00	..RING, stop	1	
8	3JD-22212-31	.SPRING (K=5.2)	1	UR
	3JE-22212-01	.SPRING (K=5.4)	1	UR FOR EUROPE
9	3JD-22214-00	.GUIDE, spring 1	1	
10	3JD-22224-00	.GUIDE, spring 2	1	
11	3JD-22475-00	.SEAL, dust	2	
12	3JD-22253-00	.COLLAR, distance	2	
13	3SP-22241-00	BOLT 1	1	
14	95611-10200	NUT, self-locking	1	
15	90109-107E9	BOLT	1	

3SP1100-0200



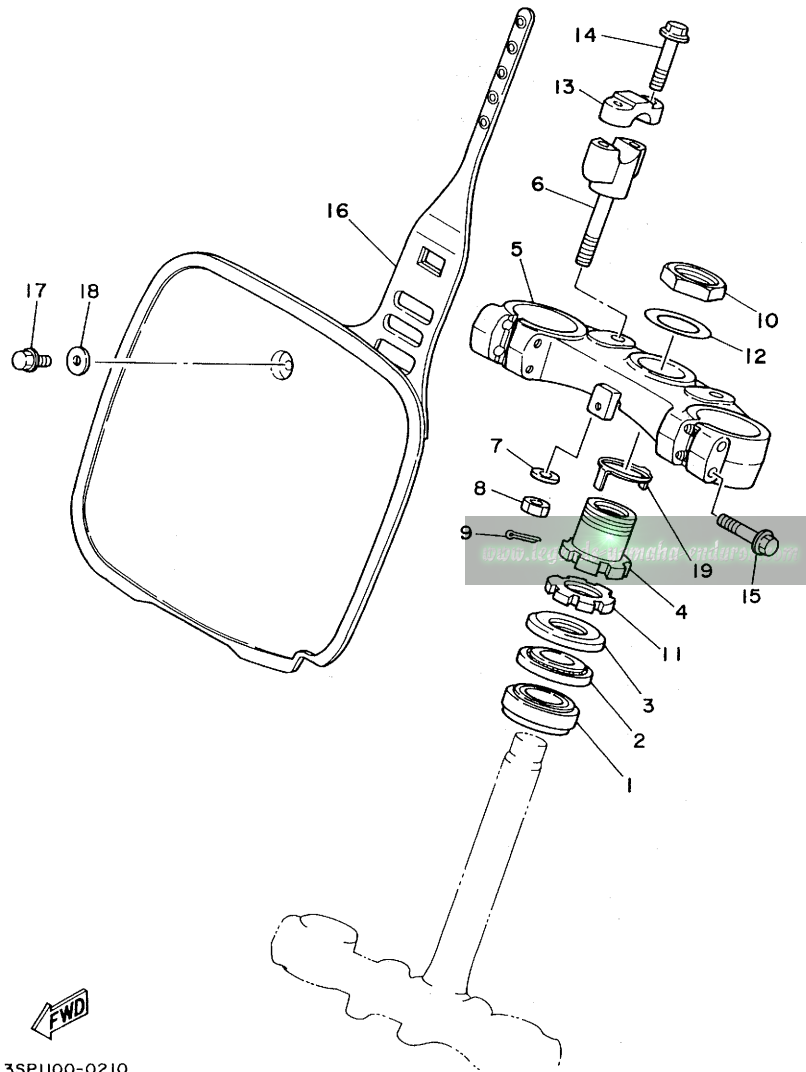


FIG. 21 STEERING

REF. NO.	PART NO.	DESCRIPTION	Q'TY	REMARKS
1	93332-00067	BEARING	1	
2	93332-00068	BEARING	1	
3	2HG-23416-00	COVER, ball race 2	1	
4	90179-28603	NUT	1	
5	3SP-23435-01	CROWN, handle	1	
6	3SP-23442-00	HOLDER, handle lower	2	
7	92990-12200	WASHER, plain	2	
8	95611-12100	NUT, u	2	
9	91401-25020	PIN, cotter	2	
10	90170-36394	NUT	1	
11	90179-28602	NUT	1	
12	90201-365M5	WASHER, plate	1	
13	3SP-23441-00	HOLDER, handle upper	2	
14	95023-08035	BOLT	4	
15	95023-08050	BOLT	4	
16	5X6-23485-11	PLATE, number	1	CLEAN WHITE
17	95023-06012	BOLT	1	
18	90201-06571	WASHER, plate	1	
19	3SP-23418-00	WASHER, special	1	



3SP1100-0210

C14

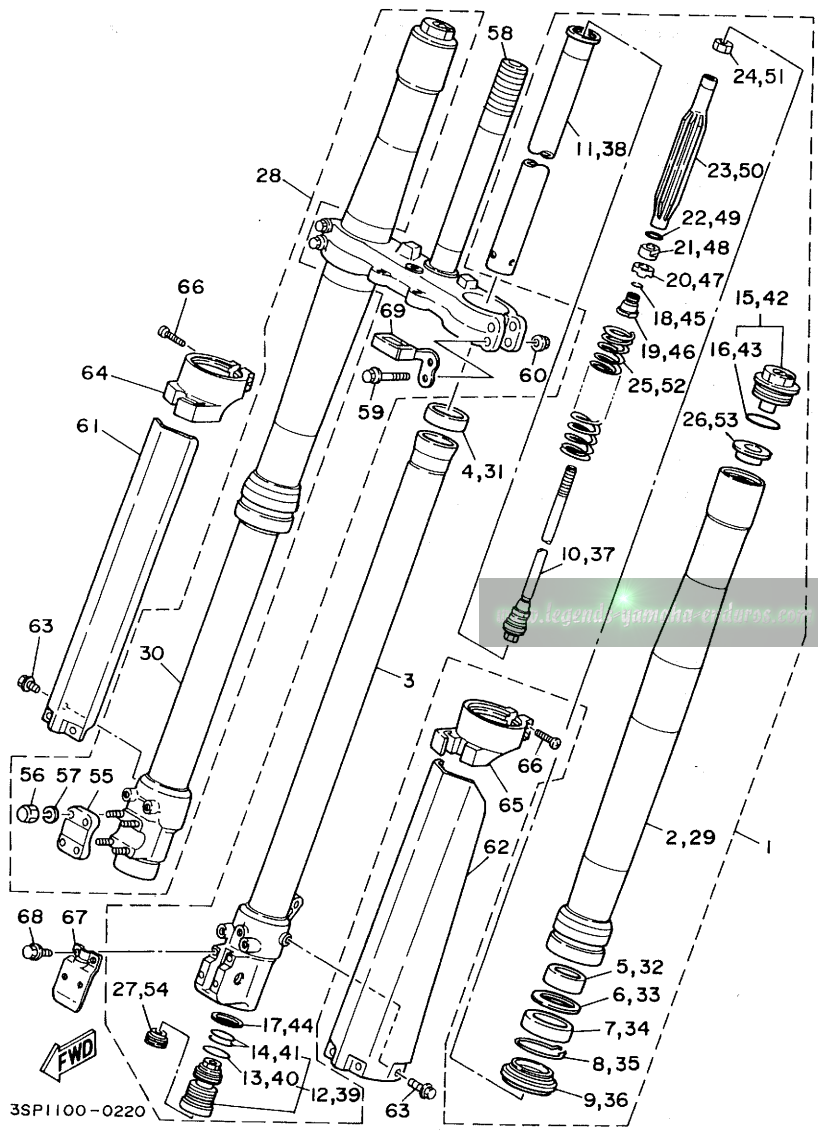
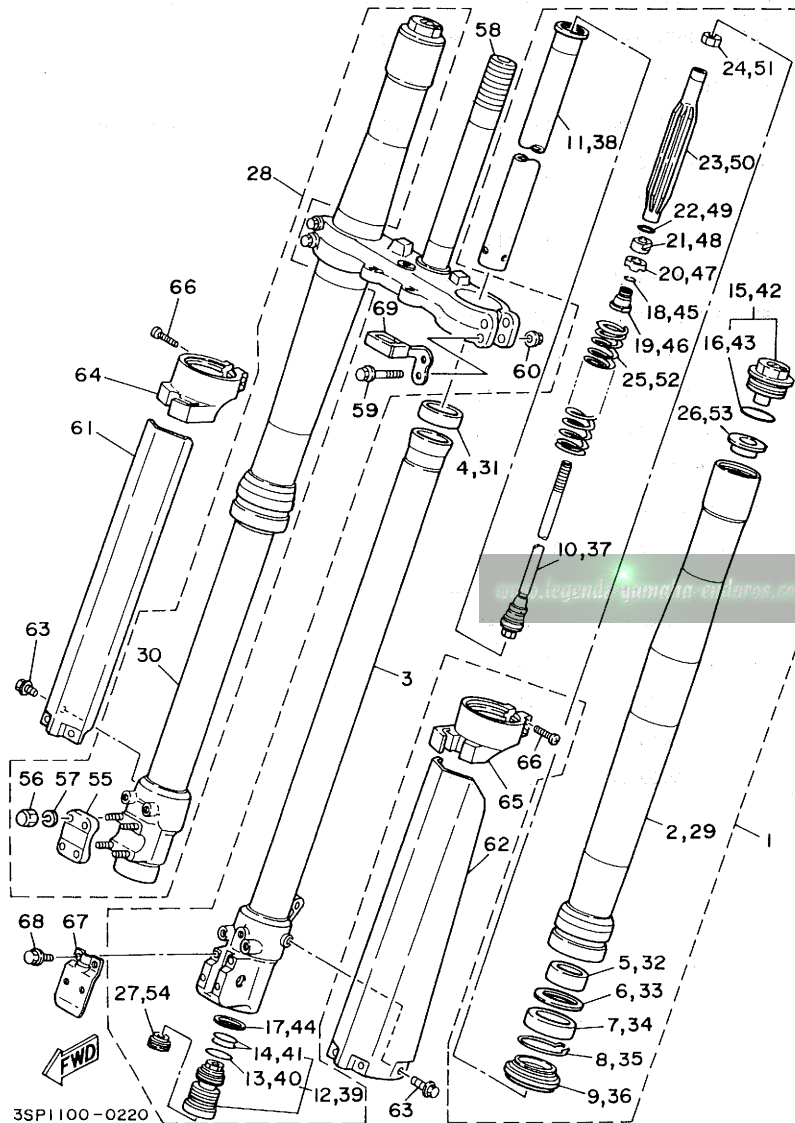


FIG. 22 FRONT FORK

REF. NO.	PART NO.	DESCRIPTION	Q'TY	REMARKS
1	3SP-23102-L0	FRONT FORK ASSY (L.H)	1	UR
	3SP-23102-M0	FRONT FORK ASSY (L.H)	1	UR FOR EUROPE
2	3SP-23136-L0	.TUBE, outer 2	1	
3	3SP-23120-L0	.INNER TUBE COMP. 2	1	
4	3JD-23171-L0	.PISTON, front fork	1	
5	3JD-23125-L0	.METAL, slide 1	1	
6	36Y-23146-10	.WASHER, oil seal	1	
7	3SP-23145-L0	.OIL SEAL	1	
8	26H-23156-00	.CLIP, oil seal	1	
9	3SP-23144-L0	.SEAL, dust	1	
10	3SP-2314A-L0	.PISTON ROD ASSY	1	
11	3SP-23170-L0	.CYLINDER COMP., front fork	1	
12	3SP-2316A-L0	.VALVE COMP.	1	UR
	3SP-2316A-M0	.VALVE COMP.	1	UR FOR EUROPE
13	3SP-23147-L0	.O-RING	1	
14	3JD-23147-M0	.O-RING	2	
15	3SP-23111-L0	.BOLT, cap	1	
16	3SP-23147-M0	.O-RING	1	
17	3JD-23158-L0	.GASKET	1	
18	3SP-23153-L0	.RING, snap	2	
19	3SP-23113-L0	.COLLAR	1	
20	3SP-23166-L0	.SPACER, oil lock	1	
21	3SP-23393-L0	.NUT, special	1	
22	3JD-23147-L0	.O-RING	1	
23	3SP-23142-L0	.SEAT, spring upper	1	
24	3SP-23357-L0	.NUT	1	
25	3SP-23141-L0	.SPRING, front fork (K=0.390)	1	UR
	3SP-23141-M0	.SPRING, front fork (K=0.410)	1	UR FOR EUROPE

C15

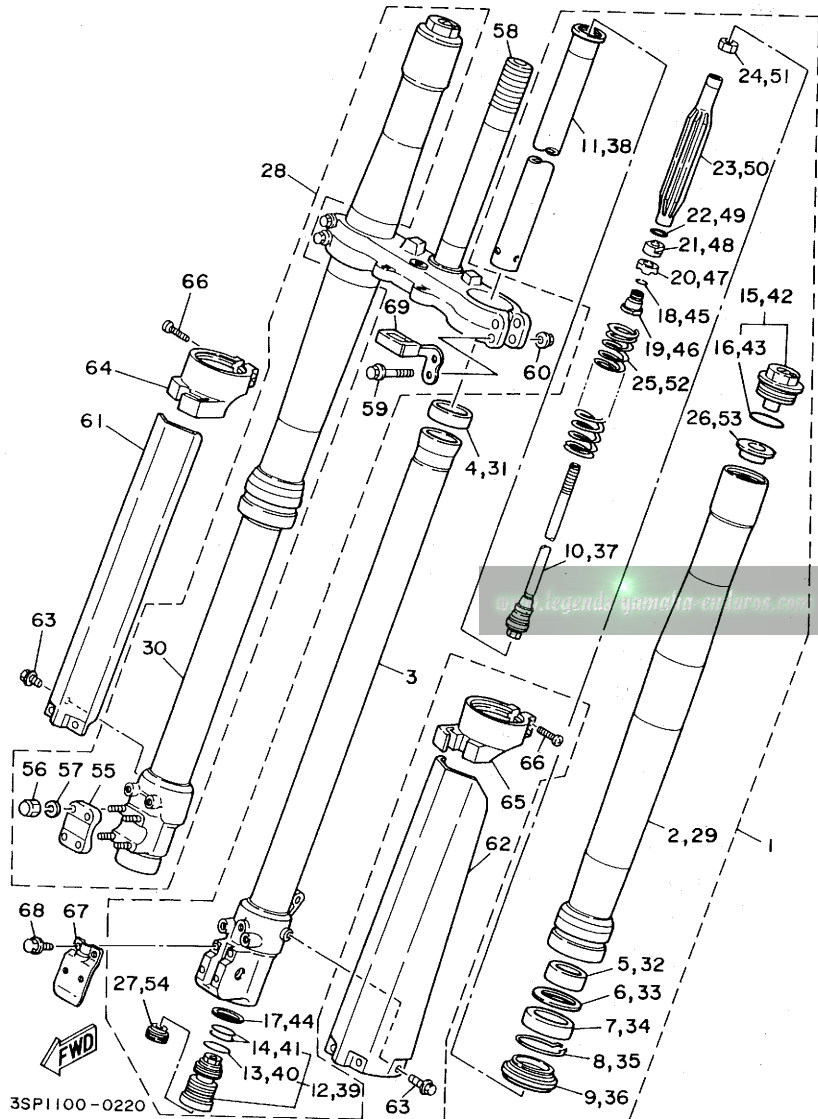
FIG. 22 FRONT FORK



REF. NO.	PART NO.	DESCRIPTION	Q'TY	REMARKS
26	3SP-23143-L0	.SEAT, spring lower	1	
27	3JD-23126-L0	.PLUG	1	
28	3SP-23103-L0	FRONT FORK ASSY (R.H)	1	UR
	3SP-23103-M0	FRONT FORK ASSY (R.H)	1	UR FOR EUROPE
29	3SP-23136-L0	.TUBE, outer 2	1	
30	3SP-23110-L0	.INNER TUBE COMP. 1	1	
31	3JD-23171-L0	.PISTON, front fork	1	
32	3JD-23125-L0	.METAL, slide 1	1	
33	36Y-23146-10	.WASHER, oil seal	1	
34	3SP-23145-L0	.OIL SEAL	1	
35	26H-23156-00	.CLIP, oil seal	1	
36	3SP-23144-L0	.SEAL, dust	1	
37	3SP-2314A-L0	.PISTON ROD ASSY	1	
38	3SP-23170-L0	.CYLINDER COMP., front fork	1	
39	3SP-2316A-L0	.VALVE COMP.	1	UR
	3SP-2316A-M0	.VALVE COMP.	1	UR FOR EUROPE
40	3SP-23147-L0	..O-RING	1	
41	3JD-23147-M0	..O-RING	2	
42	3SP-23111-L0	.BOLT, cap	1	
43	3SP-23147-M0	..O-RING	1	
44	3JD-23158-L0	.GASKET	1	
45	3SP-23153-L0	.RING, snap	2	
46	3SP-23113-L0	.COLLAR	1	
47	3SP-23166-L0	.SPACER, oil lock	1	
48	3SP-23393-L0	.NUT, special	1	
49	3JD-23147-L0	.O-RING	1	
50	3SP-23142-L0	.SEAT, spring upper	1	
51	3SP-23357-L0	.NUT	1	

D2

FIG. 22 FRONT FORK

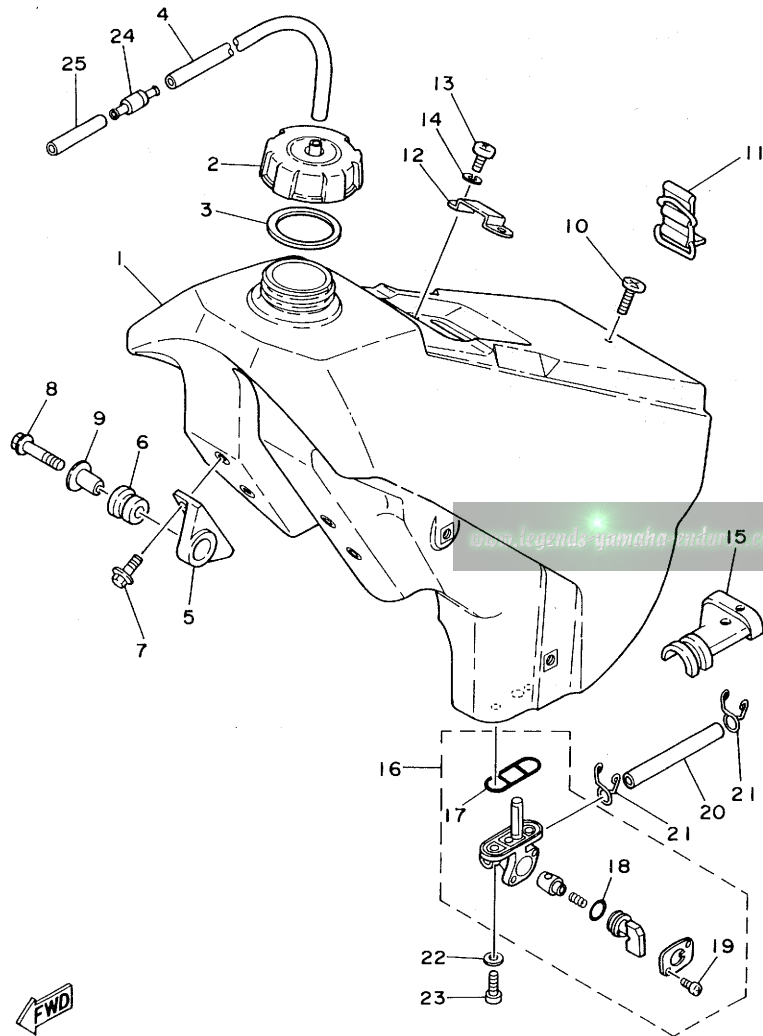


REF. NO.	PART NO.	DESCRIPTION	Q'TY	REMARKS
52	3SP-23141-L0	.SPRING, front fork (K=0.390)	1	UR
	3SP-23141-M0	.SPRING, front fork (K=0.410)	1	UR FOR EUROPE
53	3SP-23143-L0	.SEAT, spring lower	1	
54	3JD-2312G-L0	.PLUG	1	
55	4V2-23167-L0	.HOLDER, axle	1	
56	5Y3-23393-00	.NUT, special	4	
57	92990-06100	.WASHER, spring	4	
58	3JD-23340-L0	UNDER BRACKET COMP.	1	
59	95021-08060	BOLT, flange	4	
60	95701-08500	NUT, flange	4	
61	3SP-2314J-L0	PROTECTOR COMP., 2	1	
62	3SP-2314H-L0	PROTECTOR COMP., 1	1	
63	3SP-23356-L0	BOLT 2	6	
64	3SP-2314G-L0	PROTECTOR GUIDE COMP., 2	1	
65	3SP-2314F-L0	PROTECTOR GUIDE COMP., 1	1	
66	4V4-23194-L0	SCREW, boot band	4	
67	3SP-2314E-L0	COVER, hose	1	
68	3SP-23346-L0	BOLT 1	4	
69	3JD-23389-01	GUIDE, cable	1	

3SP1100-0220

D3

FIG. 23 FUEL TANK

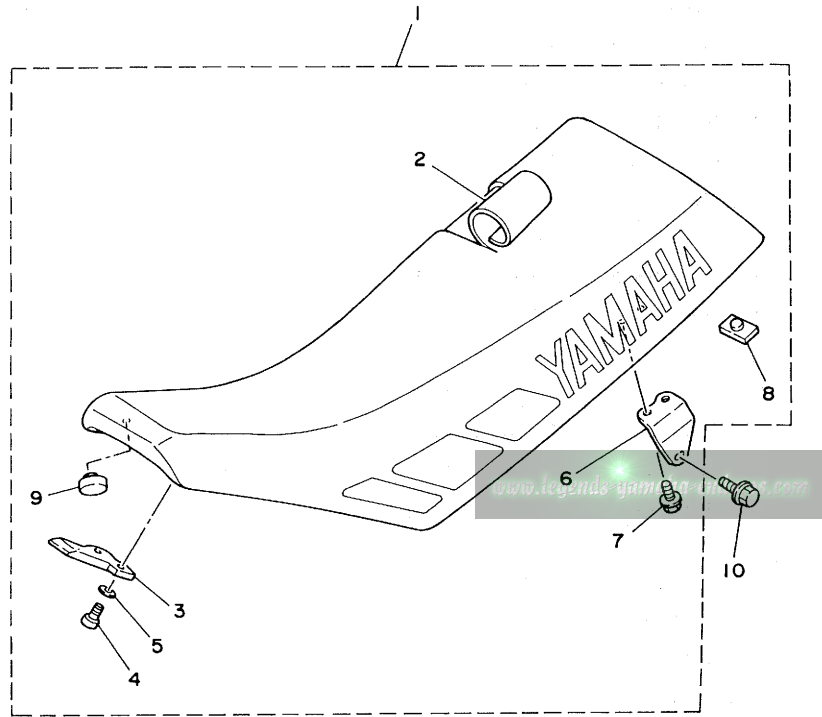


REF. NO.	PART NO.	DESCRIPTION	Q'TY	REMARKS
1	3SP-24110-00	FUEL TANK COMP.	1	
2	5X7-24611-01	BODY, cap	1	
3	5X7-24612-00	GASKET, cap	1	
4	90445-09100	HOSE	1	
5	24X-24144-00	HOLDER, damper	2	
6	90480-18354	GROMMET	2	
7	95023-06016	BOLT	4	
8	95023-06035	BOLT	2	
9	3JD-24186-00	WASHER, special	2	
10	96980-06020	SCREW, bind	1	
11	3SP-24173-00	BAND, tank fitting 1	1	
12	5X6-2412F-00	BRACKET, seat	1	
13	92501-06012	SCREW, pan head	2	
14	92990-06100	WASHER, spring	2	
15	1LX-24181-00	DAMPER, locating 1	1	
16	2VN-24500-00	FUEL COCK ASSY 1	1	
17	4X8-24512-00	.O-RING	1	
18	4X8-24534-00	.SEAL, cock	1	
19	98503-03008	.SCREW, pan head	2	
20	90445-11708	HOSE	1	
21	90467-10008	CLIP	2	
22	90202-06010	WASHER, plate	2	
23	90149-06011	SCREW	2	
24	4A0-24380-00	PIPE JOINT ASSY	1	
25	90445-09058	HOSE	1	

3SP1100-0230

D4

FIG. 24 SEAT



REF. NO.	PART NO.	DESCRIPTION	Q'TY	REMARKS
1	3JD-24770-10	SEMI-DOUBLE SEAT ASSY	1	UR
	3SP-24770-00	SEMI-DOUBLE SEAT ASSY	1	UR FOR JAPAN
2	3JD-24731-10	.COVER, seat	1	UR
	3SP-24771-00	.COVER, seat	1	UR FOR JAPAN
3	5X6-24748-10	.BRACKET, seat	1	
4	92501-06012	.SCREW, pan head	2	
5	92901-06200	.WASHER, plain	2	
6	1LX-24738-01	.BRACKET, seat	2	
7	95023-06012	.BOLT	4	
8	509-24724-00	.DAMPER, seat	1	
9	107-24741-00	.PAD, seat	2	
10	95023-08016	BOLT	2	



3SP1100-0240

D5

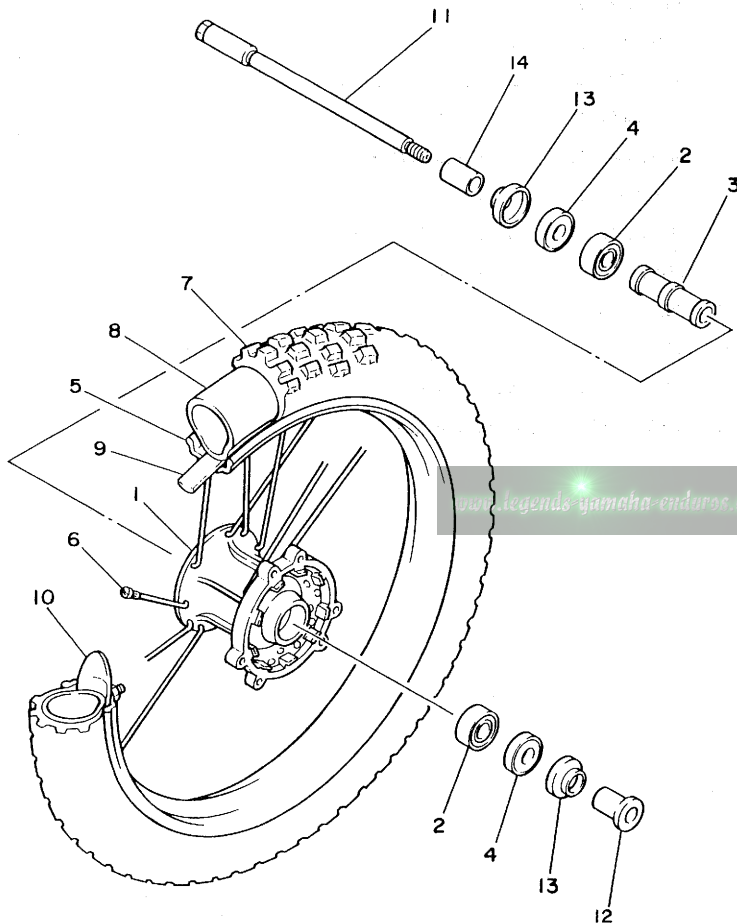


FIG. 25 FRONT WHEEL

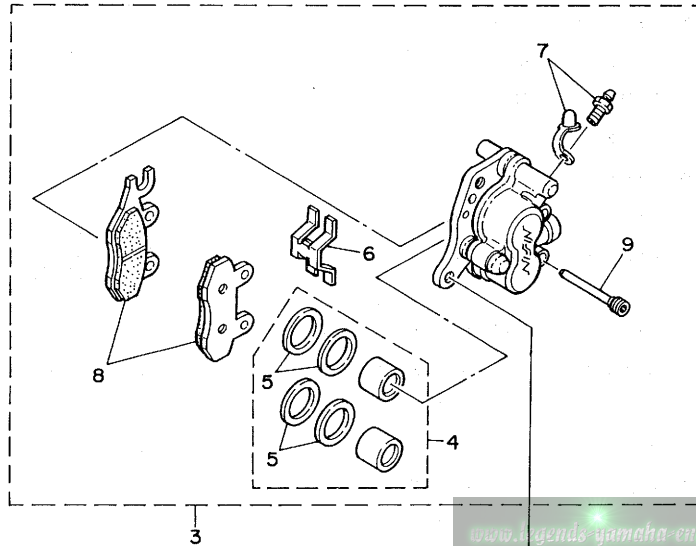
REF. NO.	PART NO.	DESCRIPTION	Q'TY	REMARKS
1	3SP-25111-00	HUB, front	1	
2	93306-20209	BEARING (B6202)	2	
3	90560-15352	SPACER	1	
4	93102-20281	OIL SEAL (SD 20-35-5)	2	
5	94416-21453	RIM (1.60-21)	1	
6	1LX-25104-00	SPOKE SET, front	1	
7	94108-215H9	TIRE (80/100-21-4PR)	1	UR BRIDGESTONE FOR U.S.A., CANADA, S.AFRICA, OTHERS
	94108-219U5	TIRE (80/100-21 K990)	1	UR DUNLOP FOR EUROPE
	94108-215N7	TIRE (80/100-21 51M K490GP)	1	UR DUNLOP FOR OCEANIA, JAPAN
8	94209-21229	TUBE (80/100C-21 TR4)	1	UR BRIDGESTONE FOR EUROPE
	94227-21123	TUBE (2.75-21)	1	UR BRIDGESTONE
9	94330-21084	BAND, rim (3.00-21)	1	UR BRIDGESTONE FOR EUROPE
	94307-21145	BAND, rim (70-80/100-21)	1	UR DUNLOP
10	5X2-25394-00	SPACER, bead	1	
11	55U-25181-01	AXLE, wheel	1	
12	90387-152V1	COLLAR	1	
13	322-25118-00	COVER, hub dust	2	
14	90387-151V9	COLLAR	1	



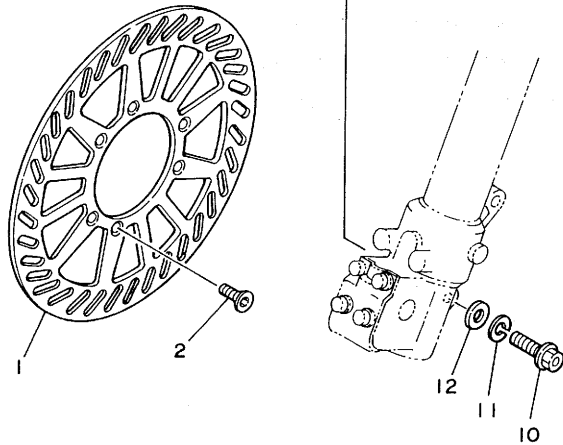
2HH100-7250

D6

FIG. 26 FRONT BRAKE CALIPER



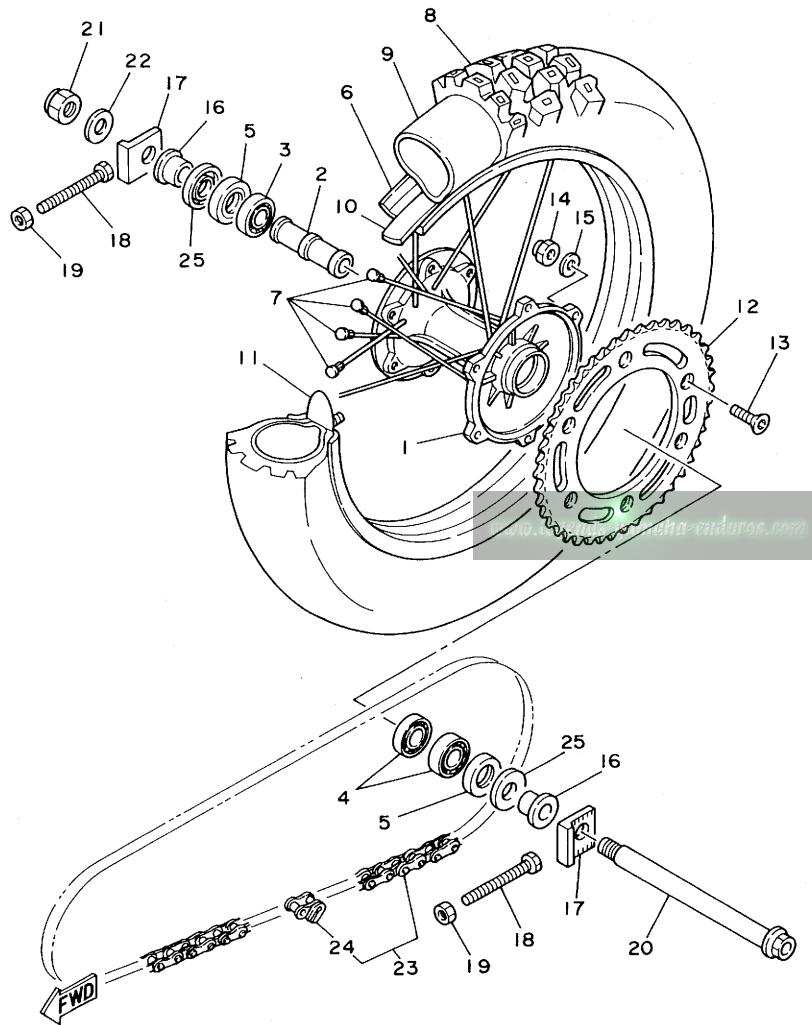
REF. NO.	PART NO.	DESCRIPTION	Q'TY	REMARKS
1	3SP-2582T-00	DISC, brake	1	
2	90149-06272	SCREW	6	
3	3SP-2580T-00	CALIPER ASSY (LEFT)	1	
4	3JD-W0057-00	.PISTON ASSY, caliper	1	
5	3JD-W0047-00	..CALIPER SEAL KIT	1	
6	3JD-25919-00	.SUPPORT, pad	1	
7	1UY-W0048-50	.BREED SCREW KIT	1	
8	3SP-W0045-00	.BRAKE PAD KIT	1	
9	3GD-25933-00	.PIN, pad	2	
10	97301-08040	BOLT	2	
11	92990-08100	WASHER, spring	2	
12	92901-08600	WASHER, plate	2	



3SP1100-0260

D7

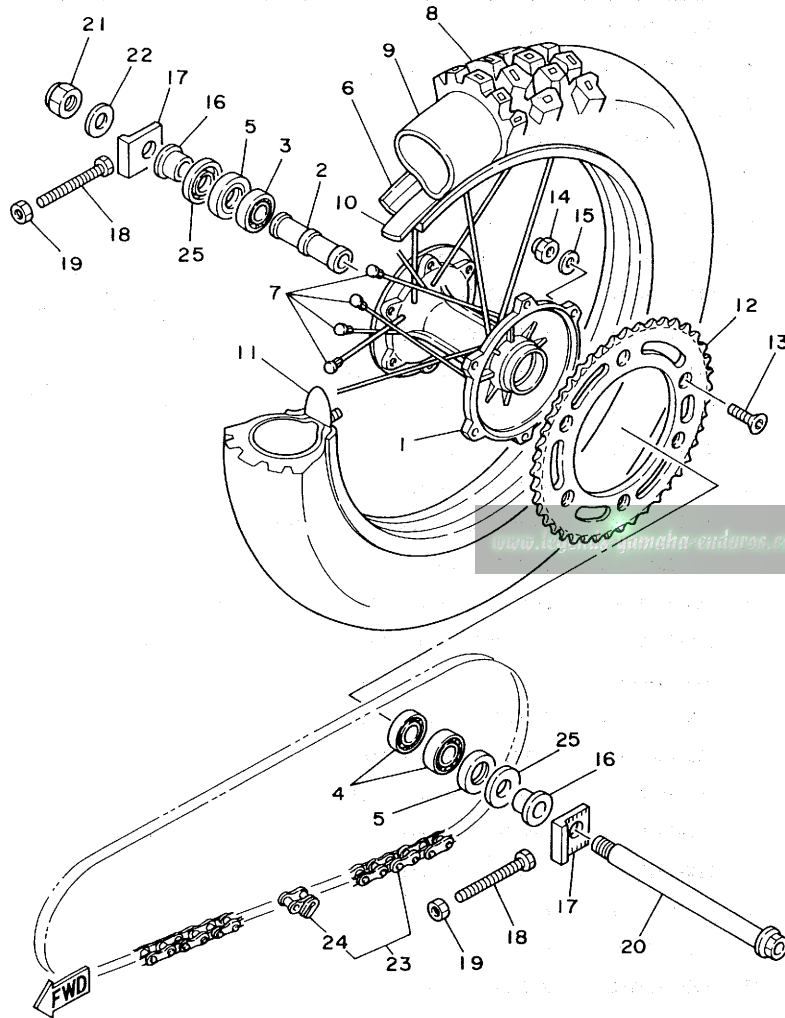
FIG. 27 REAR WHEEL



3SP1100-0270

REF. NO.	PART NO.	DESCRIPTION	Q'TY	REMARKS
1	3SP-25311-00	HUB, rear	1	
2	3JD-25317-00	SPACER, bearing	1	
3	93306-00418	BEARING	1	
4	93306-00438	BEARING	2	
5	93106-28023	OIL SEAL	2	
6	94421-19484	RIM (2.15-19)	1	
7	3JD-25304-00	SPOKE SET, rear	1	
8	94111-196W4	TIRE (110/90-19 M22)	1	UR BRIDGESTONE FOR U.S.A., CANADA, S.AFRICA, OTHERS
	94111-199U3	TIRE (110/90-19)	1	UR DUNLOP FOR EUROPE
	94111-196W5	TIRE (110/90-19 62M K695P)	1	UR DUNLOP FOR OCEANIA, JAPAN
9	94211-19274	TUBE (MCS 110/90-19 TR4)	1	UR BRIDGESTONE
	94211-19273	TUBE (110/90 110/100-19 TR4)	1	UR DUNLOP FOR EUROPE
10	94321-19157	BAND, rim (2.15-19)	1	UR BRIDGESTONE
	94311-19155	BAND, rim (110/90 110/100-19)	1	UR DUNLOP FOR EUROPE
11	3JE-25394-00	SPACER, bead	2	
12	2HH-25449-00	SPROCKET, driven (49T)	1	UR STD
	3JD-25451-01	SPROCKET, driven (51T)	1	UR STD FOR EUROPE
	39W-25444-01	SPROCKET, driven (44T)	1	AP
	39W-25445-01	SPROCKET, driven (45T)	1	AP
	39W-25446-01	SPROCKET, driven (46T)	1	AP
	39W-25448-00	SPROCKET, driven (48T)	1	AP
	39W-25450-00	SPROCKET, driven (50T)	1	AP
	39W-25452-01	SPROCKET, driven (52T)	1	AP
13	90109-08792	BOLT	6	
14	95611-08100	NUT, u	6	
15	90201-081A6	WASHER, plate	6	
16	90387-203V0	COLLAR	2	
17	3SP-25388-00	PULLER, chain 1	2	

FIG. 27 REAR WHEEL

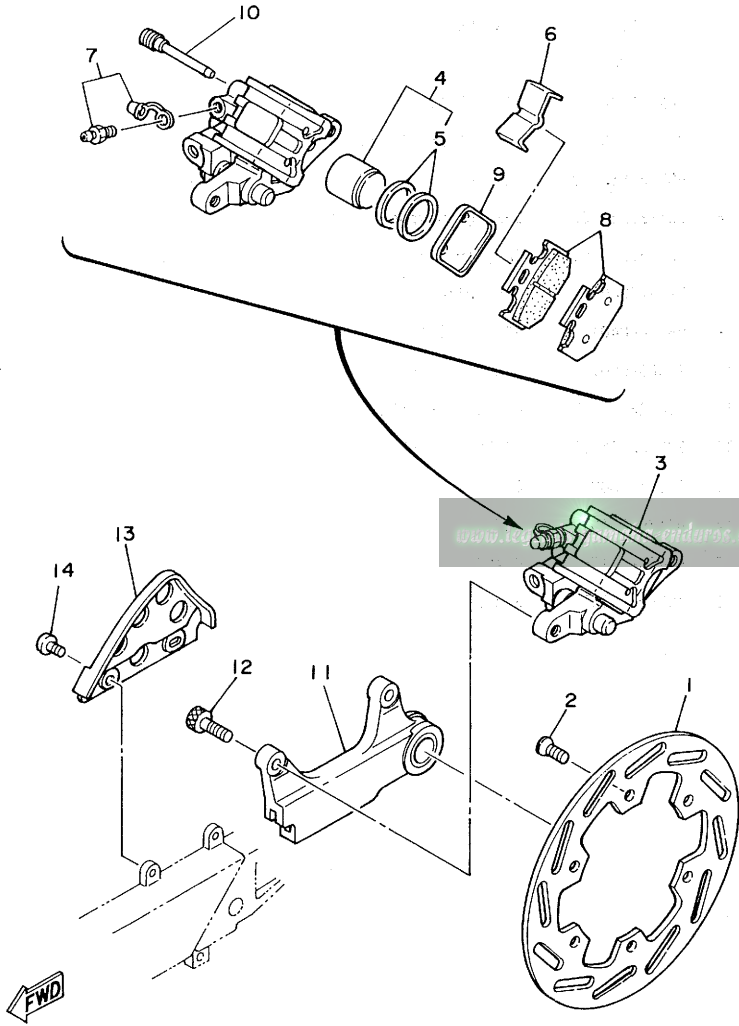


REF. NO.	PART NO.	DESCRIPTION	Q'TY	REMARKS
18	90101-08699	BOLT	2	
19	95701-08500	NUT, flange	2	
20	3JD-25381-01	AXLE, wheel	1	
21	90185-18104	NUT, self-locking	1	
22	92990-18600	WASHER	1	
23	94581-44116	CHAIN	1	
24	94681-44001	JOINT, chain	1	
25	4V4-25367-00	COVER, hub dust	2	

3SPI100-0270

D9

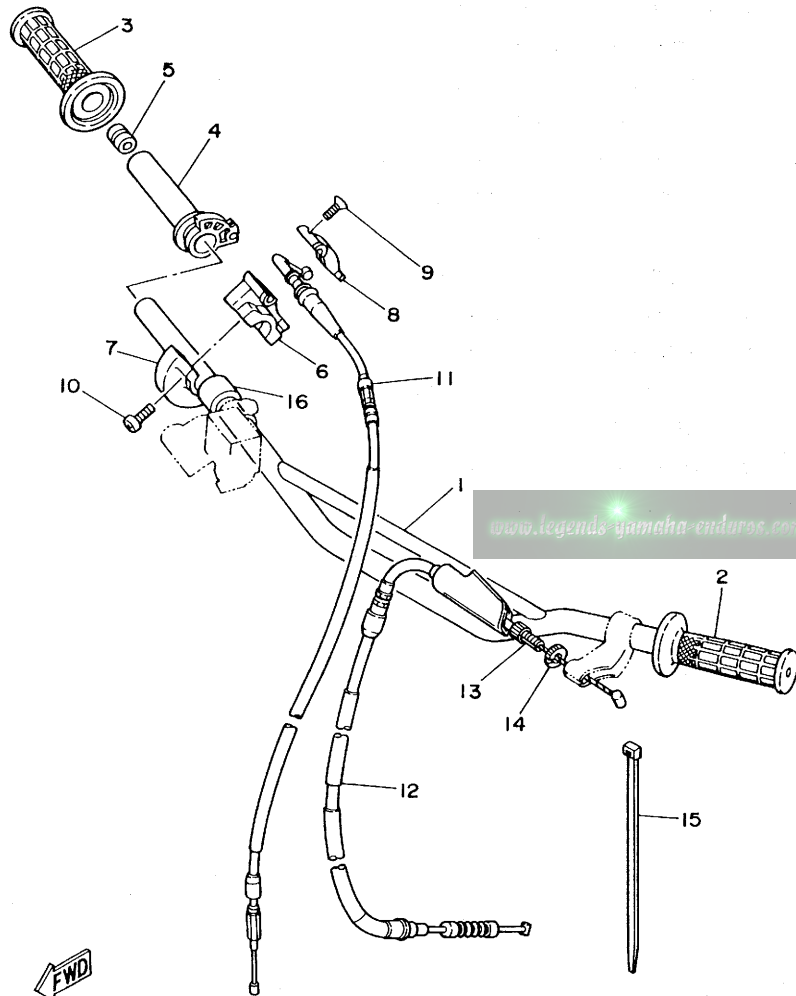
FIG. 28 REAR BRAKE CALIPER



REF. NO.	PART NO.	DESCRIPTION	Q'TY	REMARKS
1	3JD-2582W-00	DISC, rear brake 2	1	
2	90149-06272	SCREW	6	
3	3SP-2580W-00	CALIPER ASSY, rear 2	1	
4	3SP-W0057-50	.PISTON ASSY, caliper	1	
5	3JD-W0047-50	..CALIPER SEAL KIT	1	
6	3SP-25919-51	.SUPPORT, pad	1	
7	1UY-W0048-50	.BREED SCREW KIT	1	
8	3SP-W0046-00	.BRAKE PAD KIT, 2	1	
9	3GD-25827-00	.SHIM, caliper	1	
10	3SP-25924-51	.PIN, pad	2	
11	3SP-25920-00	SUPT. BRKT. ASSY	1	
12	91311-08025	BOLT	2	
13	3JD-27491-00	PROTECTOR	1	
14	92011-06012	SCREW	2	

3SP1100-0280

FIG. 29 STEERING HANDLE. CABLE



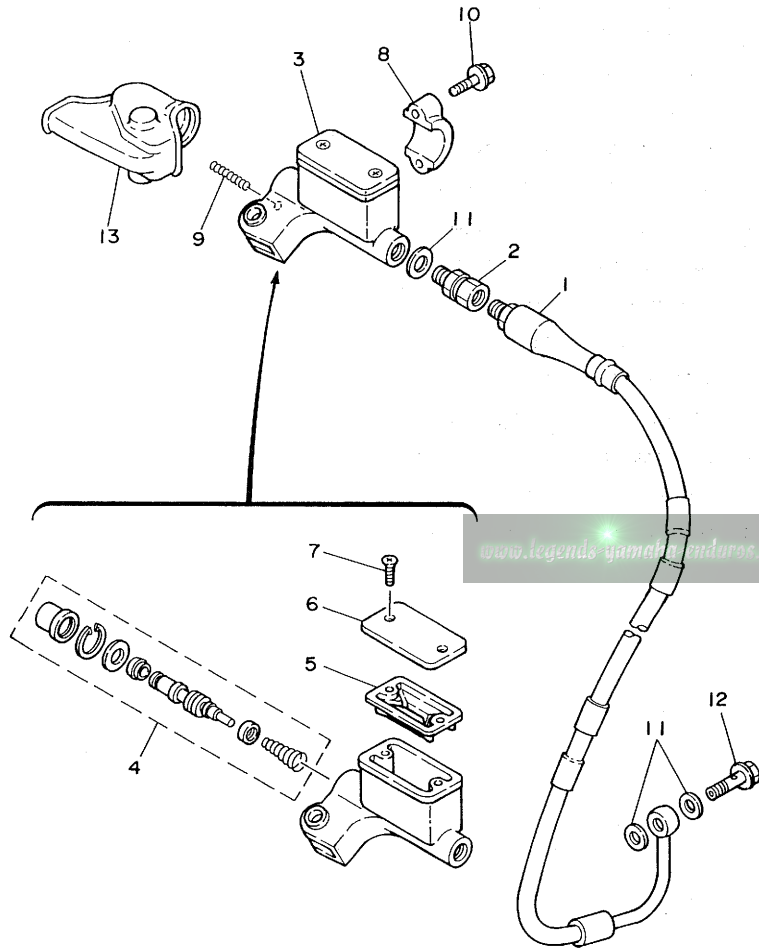
REF. NO.	PART NO.	DESCRIPTION	Q'TY	REMARKS
1	3SP-26111-00	HANDLEBAR	1	
2	1LX-26241-01	GRIP	1	
3	1LX-26242-01	GRIP (R.H)	1	
4	23X-26243-00	TUBE, throttle guide	1	
5	688-82535-00	GROMMET	1	
6	23X-26281-00	CAP, grip upper	1	
7	431-26282-01-98	CAP, grip lower	1	LOW GLOSS BLACK
8	5X2-2628H-01	CAP, wire	1	
9	98706-04012	SCREW, flat head	2	
10	98506-05016	SCREW, pan head	2	
11	3JD-26311-00	CABLE, throttle 1	1	
12	3JE-26335-00	CABLE, clutch	1	
13	90123-08090	BOLT	1	
14	90179-08401	NUT	1	
15	90465-13154	CLAMP	1	
16	90560-22281	SPACER	1	



3JE1010-9290

D11

FIG. 30 FRONT MASTER CYLINDER



REF. NO.	PART NO.	DESCRIPTION	Q'TY	REMARKS
1	3SP-25872-00	HOSE, brake 1	1	
2	3LC-25885-00	JOINT	1	
3	3SP-25870-00	MASTER CYLINDER SUB ASSY	1	
4	3SP-W0041-00	.CYLINDER KIT, master	1	
5	56A-25854-00	.DIAPHRAGM, reservoir	1	
6	2VN-25852-00	.CAP, reservoir	1	
7	98706-04012	.SCREW, flat head	2	
8	56A-25867-00	BRACKET, master cylinder	1	
9	90501-061G2	SPRING, compression	1	
10	95026-06025	BOLT, flange	2	
11	90201-10118	WASHER, plate	3	
12	90401-10034	BOLT, union	1	
13	56A-26372-00	COVER, handle lever 1	1	

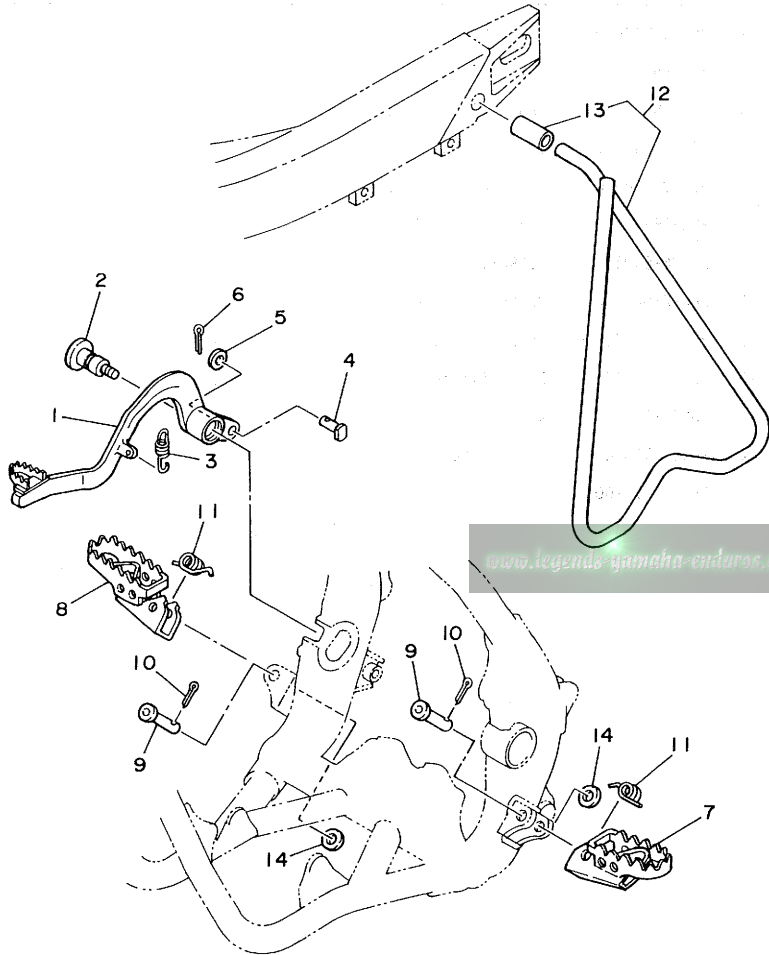


3SP1100-0300

D12

FIG. 31 STAND, FOOTREST

REF. NO.	PART NO.	DESCRIPTION	Q'TY	REMARKS
1	3SP-27200-00	PEDAL, brake	1	
2	3JD-27217-00	BOLT	1	
3	90506-14453	SPRING, tension	1	
4	90240-08120	PIN, clevis	1	
5	92901-08600	WASHER, plate	1	
6	91401-25015	PIN, cotter	1	
7	3SP-27411-00	FOOTREST 1	1	
8	3SP-27421-00	FOOTREST 2	1	
9	90240-10117	PIN, clevis	2	
10	91401-25015	PIN, cotter	2	
11	90508-28777	SPRING, torsion	2	
12	3SP-27300-00	SIDE STAND ASSY	1	
13	90445-162A0	.HOSE	1	
14	90201-10119	WASHER, plate	2	



www.legendas-yamaha-enduros.com

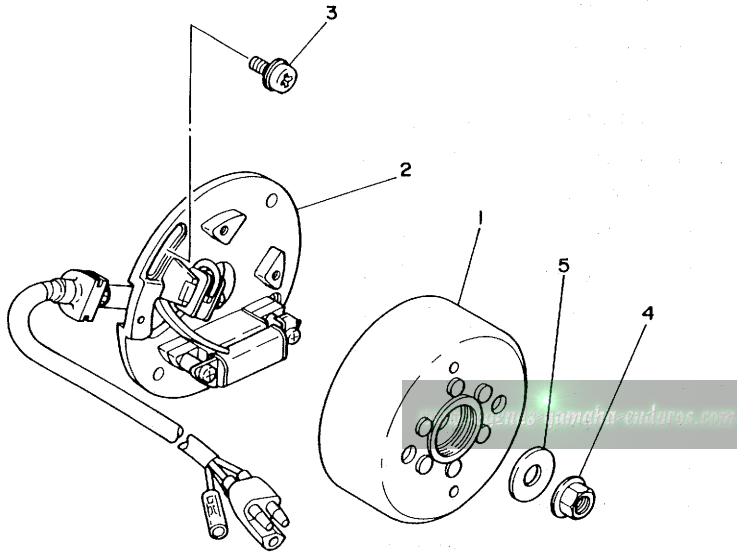


3SP1100-0310

D13

FIG. 33 GENERATOR

REF. NO.	PART NO.	DESCRIPTION	Q'TY	REMARKS
1	3SP-85550-10	ROTOR ASSY	1	
2	3SP-85560-10	BASE ASSY	1	
3	90149-06011	SCREW	2	
4	90179-10394	NUT	1	
5	90201-10774	WASHER, plate	1	

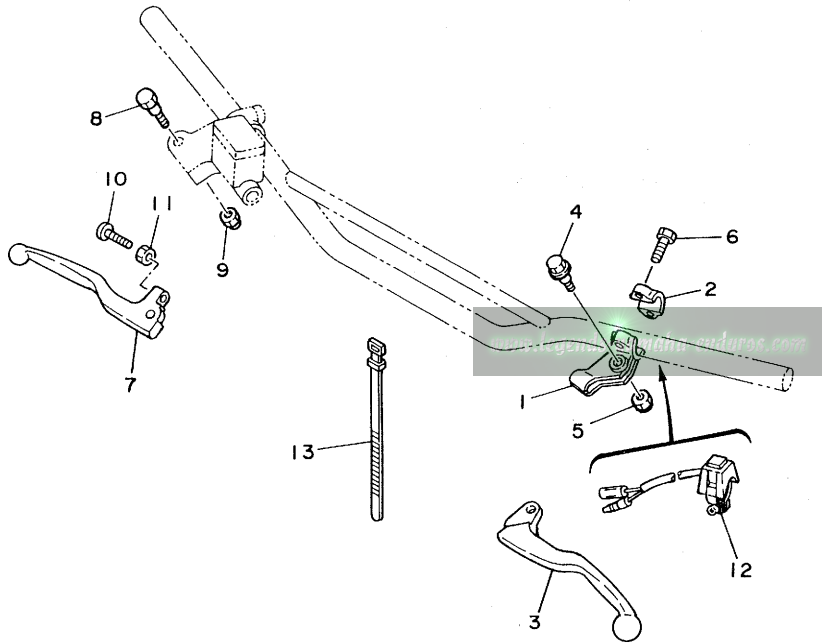


3SP1100-0330

D15

FIG. 34 HANDLE SWITCH. LEVER

REF. NO.	PART NO.	DESCRIPTION	Q'TY	REMARKS
1	38V-82911-00	HOLDER, lever 1	1	
2	38V-82913-00	HOLDER, lever lower 1	1	
3	23X-83912-00	LEVER 1	1	
4	90109-06799	BOLT	1	
5	95616-06100	NUT, u	1	
6	97006-05016	BOLT	2	
7	3SP-83922-00	LEVER 2	1	
8	90109-06577	BOLT	1	
9	95616-06100	NUT, u	1	
10	90149-06289	SCREW	1	
11	90170-06010	NUT	1	
12	23X-83976-00	SWITCH, handle 1	1	
13	437-83936-01	BAND, switch cord	2	



3SP1100-0340

E2

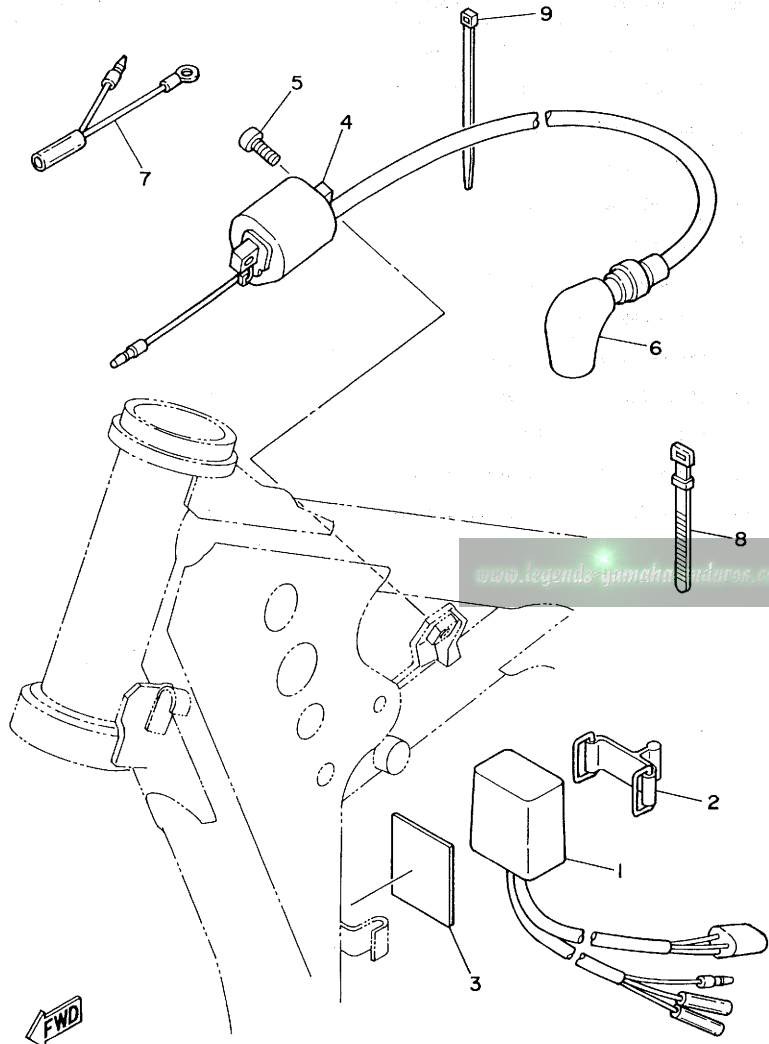


FIG. 35 ELECTRICAL 1

REF. NO.	PART NO.	DESCRIPTION	Q'TY	REMARKS
1	3RB-85540-10	C.D.I. UNIT ASSY	1	
2	5H9-21376-00	BAND, tool	1	
3	3RB-85547-00	DAMPER	1	
4	3SR-82310-10	IGNITION COIL ASSY	1	
5	92502-06016	SCREW, pan head	2	
6	3R0-82370-20	PLUG CAP ASSY	1	UR
	2TV-82370-00	PLUG CAP ASSY	1	UR WITH NOISE SUPPRESSOR
7	5X1-82519-01	WIRE, earth lead	1	
8	25G-83936-00	BAND, switch cord	1	
9	12R-82591-00	BAND	2	



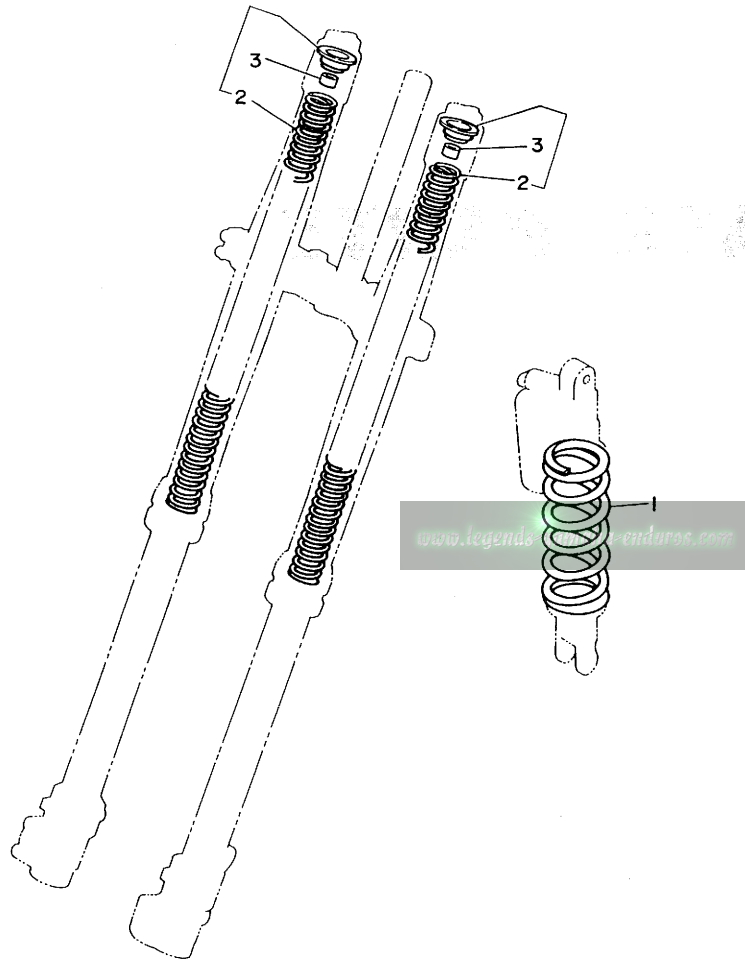
3SPI100-0350

E3

ALTERNATE PARTS

www.legends-yamaha-enduros.com

FIG. 36 ALTERNATE 1 (CHASSIS)



REF. NO.	PART NO.	DESCRIPTION	Q'TY	REMARKS
1	3JD-22212-21	SPRING (K=5.0)	1	AP (SOFT)
	3JD-22212-31	SPRING (K=5.2)	1	AP (SOFT) FOR EUROPE
	3JD-22212-41	SPRING (K=5.4)	1	AP (HARD)
	3JD-22212-51	SPRING (K=5.6)	1	AP (HARD) FOR EUROPE
2	3JD-23141-30	SPRING, front fork (K=0.380)	1	} WITH SET (SOFT)
	3SR-23143-L0	SEAT, spring lower	1	
	3SP-23141-50	SPRING, front fork (K=0.400)	1	} WITH SET (HARD)
	3SP-23143-L0	SEAT, spring lower	1	
	3SP-23141-70	SPRING, front fork (K=0.420)	1	} WITH SET (HARD) FOR EUROPE
	3SP-23143-L0	SEAT, spring lower	1	
3	3SP-23364-L0	COLLAR 2	1	UN



3SR2100-0360

E4

REPAIR KIT

www.legenda-yamaha-enduros.com

FIG. 37 REPAIR KIT

REF. NO.	PART NO.	DESCRIPTION	Q'TY	REMARKS
1	3JE-11630-00	PISTON ASSY (STD)	1	AP
2	3JE-11631-01-93	.PISTON (STD)	1	
3	56A-11601-00	.PISTON RING SET (STD)	1	
4	2VM-11633-00	.PIN, piston	1	
5	93450-19052	.CIRCLIP	2	
6	3JE-11630-10	PISTON ASSY (0.25MM O/S)	1	AP
7	3JE-11635-01	.PISTON (0.25MM O/S)	1	
8	56A-11601-10	.PISTON RING SET (0.25MM O/S)	1	
9	2VM-11633-00	.PIN, piston	1	
10	93450-19052	.CIRCLIP	2	
11	3JE-11630-20	PISTON ASSY (0.50MM O/S)	1	AP
12	3JE-11636-01	.PISTON (0.50MM O/S)	1	
13	56A-11601-20	.PISTON RING SET (0.50MM O/S)	1	
14	2VM-11633-00	.PIN, piston	1	
15	93450-19052	.CIRCLIP	2	
16	3JE-11630-30	PISTON ASSY (0.75MM O/S)	1	AP
17	3JE-11637-01	.PISTON (0.75MM O/S)	1	
18	56A-11601-30	.PISTON RING SET (0.75MM O/S)	1	
19	2VM-11633-00	.PIN, piston	1	
20	93450-19052	.CIRCLIP	2	
21	3SP-11650-00	CONNECTING ROD ASSY	1	AP
22	5X5-11651-01	.ROD, connecting	1	
23	3JE-11681-00	.PIN, crank 1	1	
24	90209-25085	.WASHER	2	
25	93310-425T1	.BEARING, cylindrical	1	
26	93310-418E9	.BEARING, cylindrical	1	

INDEX

www.legenda-yamaha-enduros.com

NUMERICAL INDEX

PART NO.	GRID NO.	PART NO.	GRID NO.	PART NO.	GRID NO.	PART NO.	GRID NO.	PART NO.	GRID NO.	PART NO.	GRID NO.
3SP-W0041-00	D-12	3JE-11637-01	B- 5	3SP-14101-20	B-10	3SP-14461-00	B- 8	2VM-17151-00	C- 3	3SP-22210-10	C-13
1FK-W0042-50	D-14		E- 5	3JD-14103-00	B-11	3JD-14462-00	B- 8	2VM-17211-00	C- 3	3JD-22212-21	E- 4
3SP-W0045-00	D-7	3SP-11650-00	E- 5	3JD-14104-00	B-11	3JD-14477-00	B- 8	2VM-17221-00	C- 3	3JD-22212-31	C-13
3SP-W0046-00	D-10	5X5-11651-01	B- 5	3JD-14107-35	B-11	3JE-14561-00	B-10	2VM-17231-00	C- 3		E- 4
3JD-W0047-00	D- 7		E- 5	3JD-14112-30	B-11	3SP-14610-00	B-12	2VM-17241-00	C- 3	3JD-22212-41	E- 4
3JD-W0047-50	D-10	3JE-11681-00	B- 5	3JD-14112-35	B-11	3R4-14613-00	B-12	2VM-17251-01	C- 3	3JD-22212-51	E- 4
1UY-W0048-50	D- 7		E- 5	3JD-14112-40	B-11	3JE-14615-00	B-12	2VM-17411-00	C- 3	3JD-22212-01	C-13
	D-10	5X5-11911-01	B- 4	3JD-14112-45	B-11	3SP-1469A-00	B-12	2VM-17421-00	C- 3	3SP-22213-00	C-13
3JD-W0057-00	D- 7	5X5-11912-01	B- 4	3JD-14115-00	B-10	3SP-14753-00	B-12	4L0-17471-00	B-13	3JD-22214-00	C-13
3SP-W0057-50	D-10	1LX-11915-00	B- 3	275-14116-A6	B-10	565-14771-00	B-10	2VM-18101-00	C- 6	3JD-22216-00	C-13
3JE-W1132-00	B- 2	5X4-11921-02	B- 4	275-14116-A7	B-10		B-12	2VM-18110-00	C- 6	3JD-22224-00	C-13
3SP-W1441-00	B- 8	3JE-11922-00	B- 4	275-14116-A8	B-10	483-14781-01	B-12	22W-18140-00	C- 5	3SP-22234-00	C-13
5X4-Y113F-00	B- 2	3JE-11931-00	B- 4	275-14116-A9	B-10	256-14919-00	B-10	2VM-18511-00	C- 5	3SP-22241-00	C-13
3SP-Y1543-00	B-14	3JE-11937-00	B- 3	275-14116-E0	B-10	2VM-15111-01	B-13	2VM-18512-00	C- 5	3JD-22253-00	C-13
3SP-11111-00	B- 2	5X4-11952-00	B- 4	275-14116-E1	B-10	4V4-15118-00	B-13	2VM-18513-00	C- 5	43M-22274-00	C-13
3SP-1131A-00	B- 2	24X-11953-01	B- 4	275-14116-E2	B-11	2VM-15121-00	B-13	1LX-18531-00	C- 5	3JD-22475-00	C-13
3JE-1131N-00	B- 2	2VM-11956-00	C- 2	275-14116-E3	B-10	1G8-15362-00	B-14	34K-18535-00	C- 5	3JE-23102-L0	C-15
3JE-1131N-10	B- 2	3SP-11990-00	B- 4	214-14118-00	B-10	3SP-15381-00	B-13	2VM-18540-00	C- 5	3SP-23102-M0	C-15
3SP-11311-00	B- 2	3SP-11992-00	B- 3	3JD-14131-00	B-10	2VM-15411-00	B-14	3SP-21110-00-UJ	C- 7	3JD-23103-L0	D- 2
2VM-11351-00	B- 2	3SP-11992-10	B- 3	193-14142-35	B-11	3SP-15415-00	B-14	3JD-21123-01-UJ	C- 7	3SP-23103-M0	D- 2
2VM-11351-10	B- 2	3SP-11993-00	B- 3	193-14142-40	B-11	2VM-15421-00	B-14	5H9-21376-00	E- 3	3SP-23110-L0	D- 2
3SP-11400-00	B- 5	3SP-11993-10	B- 3	193-14142-45	B-11	2VM-15451-00	B-14	3SP-21425-00	C- 7	3SP-23111-L0	C-15
3JE-11412-00	B- 5	2VM-11995-00	B- 3	193-14142-50	B-11	2VM-15451-10	B-14	3JE-21511-00	C- 9		D- 2
3JE-11422-00	B- 5	3SP-1240A-00	B- 7	193-14142-55	B-11	2VM-15462-00	B-14	1LX-21611-00	C- 9	3SP-23113-L0	C-15
56A-11601-00	B- 5	3SP-12422-00	B- 6	137-14143-64	B-11	2VM-15462-10	B-14	39X-21642-00	C- 9		D- 2
	E- 5	2VM-12428-00	B- 6	137-14143-66	B-11	3SP-15463-00	B-14	3JD-21711-00	C-10	3JD-2312G-L0	D- 2
56A-11601-10	B- 5	2VM-12428-10	B- 6	137-14143-68	B-11	3SP-15463-10	B-14	3SP-2172A-00	C-10		D- 3
	E- 5	2VM-12450-00	B- 6	137-14143-70	B-11	3SP-15620-00	B-15		C-10	3SP-23120-L0	C-15
56A-11601-20	B- 5	2VM-12459-00	B- 6	137-14143-72	B-11	3SP-15621-00	B-15	2VM-21721-00	C-10	3JD-23125-L0	C-15
	E- 5	3SP-12460-00	B- 7	137-14143-74	B-11	3R4-15641-00	B-15	3SP-21731-00	C-10		D- 2
56A-11601-30	B- 5	22W-12462-00	B- 7	137-14143-76	B-11	38V-15651-00	B-15	3SP-21741-00	C-10	3SP-23136-L0	C-15
	E- 5	10V-12469-01	B- 6	137-14143-78	B-11	2VM-15661-00	B-15	22W-21791-00	C-10		D- 2
3JE-11630-00	E- 5	24X-12469-00	B- 7	3JD-14147-00	B-10	2VM-15664-00	B-15	3SP-22110-00	C-11	3SP-2314A-L0	C-15
3JE-11630-10	E- 5	3SP-12476-00	B- 7	3JE-14147-00	B-10	2VM-16111-00	C- 2	156-22127-00	C-11		D- 2
3JE-11630-20	E- 5	3SP-1248A-00	B- 7	3SP-14149-00	B-10	3SP-16150-00	C- 2	3JD-22128-00	C-11	3SP-2314E-L0	D- 3
3JE-11630-30	E- 5	3SP-12482-00	B- 7	3JD-14185-00	B-10	2K7-16154-00	C- 2	3R4-22129-00	C-11	3SP-2314F-L0	D- 3
3JE-11631-01-93	B- 5	3SP-12483-00	B- 7	3JE-14185-00	B-10	3SP-16154-00	C- 2	1LX-22141-00	C-11	3SP-2314G-L0	D- 3
	E- 5	3SP-12485-00	B- 7	353-14186-00	B-10	2VM-16181-00	C- 2	3JD-22147-00	C-11	3SP-2314H-L0	D- 3
3JE-11631-01-94	B- 5	353-13115-01	B-13	363-14187-00	B-10	22U-16321-00	C- 2	3JD-22151-00	C-11	3SP-2314J-L0	D- 3
2VM-11633-00	B- 5	3SP-13565-00	B- 8	3JD-14194-00	B-10	4X7-16325-00	C- 2	3JD-22156-00	C-11	3JD-23141-30	E- 4
	E- 5	3SP-13610-00	B- 8	3SP-14197-00	B-11	2VM-16351-00	C- 2	3JD-2217A-00	C-11	3SP-23141-L0	C-15
	E- 5	3SP-13613-00	B- 8	3X3-14197-00	B-10	2VM-16356-00	C- 2	3JD-2217F-00	C-12		D- 3
	E- 5	3SP-13616-00	B- 8	3SP-1441A-00	B- 9	3SP-16357-00	C- 2	3JD-22178-00	C- 7	3SP-23141-M0	C-15
	E- 5	2K7-13621-10	B- 8	3JD-14451-00	B- 8	2VM-16371-00	C- 2	3JD-22178-10	C- 7		D- 3
3JE-11635-01	B- 5	80L-13621-01	B- 8	3SP-14453-00	B- 8	2VM-16381-00	C- 2	3JD-22199-00	C-11	3SP-23141-50	E- 4
	E- 5	3SP-1410A-00	B-11	39K-14457-00	B- 8	2VM-17121-00	C- 3	3SP-22201-00	C-13	3SP-23141-70	E- 4
3JE-11636-01	B- 5	3SP-14101-00	B-10	3JD-14458-00	B- 8	2VM-17131-00	C- 3	3SP-22201-10	C-13	3SP-23142-L0	C-15
	E- 5	3SP-14101-10	B-10	3JD-14459-00	B- 8	2VM-17141-00	C- 3	3SP-22210-00	C-13		D- 2

NUMERICAL INDEX

PART NO.	GRID NO.	PART NO.	GRID NO.	PART NO.	GRID NO.	PART NO.	GRID NO.	PART NO.	GRID NO.	PART NO.	GRID NO.
3SP-23143-L0	D- 2	2HG-23416-00	C-14	39W-25450-00	D- 8	3SR-82310-10	E- 3	90149-06272	D-10	90201-17545	B-15
	D- 3	3SP-23418-00	C-14	3JD-25451-01	D- 8	2TV-82370-00	E- 3	90149-06289	E- 2	90201-20278	C- 3
	E- 4	3SP-23435-01	C-14	39W-25452-01	D- 8	3R0-82370-20	E- 3	90157-06048	B-15	90201-20358	B-15
	E- 4	3SP-23441-00	C-14	3SP-2580T-00	D- 7	5X1-82519-01	E- 3	90159-06016	C- 2	90201-22555	C- 3
3SR-23143-L0	E- 4	3SP-23442-00	C-14	3SP-2580W-00	D-10	688-82535-00	D-11	90159-06056	D-14	90201-253K0	C- 3
3SP-23144-L0	C-15	5X6-23485-11	C-14	2VN-2582A-50	D-14	12R-82591-00	B- 7	90170-06010	E- 2	90201-365M5	C-14
	D- 2	3SP-24110-00	D- 4	3SP-2582T-00	D- 7		C- 8	90170-20255	C- 2	90202-06010	D- 4
3SP-23145-L0	C-15	5X6-2412F-00	D- 4	3JD-2582W-00	D-10		E- 3	90170-36394	C-14	90202-08022	C- 7
	D- 2	24X-24144-00	D- 4	3GD-25827-00	D-10	38V-82911-00	E- 2	90176-08026	B- 2	90208-18025	C- 2
36Y-23146-10	C-15	3SP-24173-00	D- 4	3SP-2583V-00	D-14	38V-82913-00	E- 2	90179-08401	D-11	90209-06096	B- 8
	D- 2	1LX-24181-00	D- 4	2VN-25852-00	D-12	23X-83912-00	E- 2	90179-10394	D-15	90209-17311	C- 3
3JD-23147-L0	C-15	22W-24181-00	C-10	2VN-25852-50	D-14	3SP-83922-00	E- 2	90179-10544	C-11	90209-18135	C- 3
	D- 2	3JD-24181-00	C-10	2VN-25854-00	D-14	25G-83936-00	E- 3	90179-18172	C- 2	90209-22082	C- 3
3JD-23147-M0	C-15	3JD-24186-00	D- 4	56A-25854-00	D-12	437-83936-01	E- 2	90179-20255	C- 4	90209-25085	B- 5
	D- 2	3SP-24244-00	C-10	2VN-25855-00	D-14	23X-83976-00	E- 2	90179-28602	C-14		E- 5
3SP-23147-L0	C-15	3SP-24245-00	C-10	2VN-25866-00	D-14	3R8-85540-10	E- 3	90179-28603	C-14	90215-20231	C- 2
	D- 2	3JE-24254-01	C-10	56A-25867-00	D-12	3R8-85547-00	E- 3	90185-14070	C-12	90215-21239	C- 4
3SP-23147-M0	C-15	4A0-24380-00	D- 4	3SP-25870-00	D-12	3SP-85550-10	D-15	90185-16127	C-11	90240-08120	D-13
	D- 2	2VN-24500-00	D- 4	3SP-25872-00	D-12	3SP-85560-10	D-15	90185-18104	D- 9	90240-10117	D-13
3SP-23153-L0	C-15	4X8-24512-00	D- 4	3SP-25873-00	D-14	90101-08461	C- 7	90201-057H5	B- 4	90269-11042	B- 8
	D- 2	4X8-24534-00	D- 4	2VN-25876-00	D-14	90101-08699	D- 9	90201-06570	B- 7	90280-03045	B- 5
26H-23156-00	C-15	5X7-24611-01	D- 4	3LC-25885-00	D-12	90105-06553	C- 9	90201-06571	C- 9	90338-10150	C-11
	D- 2	5X7-24612-00	D- 4		D-14	90105-08592	C- 7		C- 9	90340-12059	B-13
3JD-23158-L0	C-15	509-24724-00	D- 5	2VN-25894-00	D-14	90109-063F7	C- 5		C-10	90380-15104	B- 4
	D- 2	3JD-24731-10	D- 5	3JD-25895-00	D-14	90109-06551	B-12		C-10	90380-16158	C-11
3SP-2316A-L0	C-15	1LX-24738-01	D- 5	3JD-25919-00	D- 7	90109-06577	E- 2		C-14	90387-061F9	C-10
	D- 2	107-24741-00	D- 5	3SP-25919-51	D-10	90109-06799	E- 2	90201-080E2	C- 7	90387-064W1	B- 7
3SP-2316A-M0	C-15	5X6-24748-10	D- 5	3SP-25920-00	D-10	90109-08512	B-12	90201-08085	B- 8	90387-06681	C- 9
	D- 2	3JD-24770-10	D- 5	3SP-25924-51	D-10	90109-08792	D- 8	90201-08087	B- 2	90387-074W0	B- 7
3SP-23166-L0	C-15	3SP-24770-00	D- 5	3GD-25933-00	D- 7	90109-107E9	C-13	90201-081A6	C- 7	90387-084E3	B-12
	D- 2	3SP-24771-00	D- 5	3SP-26111-00	D-11	90109-142F4	C-12		C- 7	90387-086N4	C- 7
4V2-23167-L0	D- 3	1LX-25104-00	D- 6	1LX-26241-01	D-11	90116-08392	B- 2		D- 8	90387-087K5	C- 7
3SP-23170-L0	C-15	3SP-25111-00	D- 6	1LX-26242-01	D-11	90116-08394	B- 2	90201-087A9	B-15	90387-102Y0	C-12
	D- 2	322-25118-00	D- 6	23X-26243-00	D-11	90116-10314	B- 2	90201-087H3	B-12	90387-102W0	B- 3
3JD-23171-L0	C-15	55U-25181-01	D- 6	5X2-2628H-01	D-11		B- 2	90201-08759	B- 6	90387-151V9	D- 6
	D- 2	3JD-25304-00	D- 8	23X-26281-00	D-11	90116-10547	B- 2		C-12	90387-152F2	B- 4
24M-23184-00	C-13	3SP-25311-00	D- 8	431-26282-01-98	D-11		B- 2	90201-08784	B- 6	90387-152V1	D- 6
4V4-23194-L0	D- 3	3JD-25317-00	D- 8	3JD-26311-00	D-11	90119-05193	C-10	90201-101J1	C- 7	90387-160H4	B-13
3JD-23340-L0	D- 3	4V4-25367-00	D- 9	3JE-26335-00	D-11		C-10	90201-101I8	D-12	90387-164N2	C-11
3SP-23346-L0	D- 3	3JD-25381-01	D- 9	56A-26372-00	D-12	90119-06063	C- 9		D-14	90387-164N3	C-11
3SP-23356-L0	D- 3	3SP-25388-00	D- 8	3SP-27200-00	D-13	90119-06185	B- 9	90201-10119	D-13	90387-167R5	C-12
3SP-23357-L0	C-15	3JE-25394-00	D- 8	3JD-27217-00	D-13	90119-06192	C-10	90201-106F2	C-12	90387-203V0	D- 8
	D- 2	5X2-25394-00	D- 6	3SP-27222-00	D-14		C-10	90201-10774	D-15	90387-252F6	C- 2
3SP-23364-L0	E- 4	39W-25444-01	D- 8	3SP-27300-00	D-13	90122-06030	B- 8	90201-12166	C- 5	90387-25663	C- 3
3JD-23389-01	D- 3	39W-25445-01	D- 8	3SP-27411-00	D-13	90123-08090	D-11	90201-14740	C-12	90401-10034	D-12
3SP-23393-L0	C-15	39W-25446-01	D- 8	3SP-27421-00	D-13	90149-06011	D- 4	90201-154E9	B- 4		D-14
	D- 2	39W-25448-00	D- 8	3JD-27491-00	D-10		D-15	90201-164H4	C-11	90430-06016	B-14
5Y3-23393-00	D- 3	2HH-25449-00	D- 8	56A-28166-00	C- 8	90149-06272	D- 7		C-12	90430-06166	B- 6

NUMERICAL INDEX

PART NO.	GRID NO.	PART NO.	GRID NO.	PART NO.	GRID NO.	PART NO.	GRID NO.	PART NO.	GRID NO.	PART NO.	GRID NO.
90430-12038	B-13	91316-04006	B- 4	93106-28023	D- 8	93511-32027	C- 2	95023-06016	D- 4	98980-06020	D- 4
90430-12207	B-13	91316-06050	B-13	93108-35004	C-11	93521-64032	B- 4	95023-06020	B- 7	99009-06600	B- 6
90445-086A8	B-13	91316-06070	B-13	93109-20029	C-11	93603-14179	B- 4		B- 8	99009-17400	B-15
90445-09058	D- 4	91401-25015	D-13	93210-09192	B- 3	93603-22028	B- 6		C-10	99510-10114	B- 2
90445-09100	D- 4		D-13	93210-14104	B-14	93604-08071	B- 2		C-11	99510-12016	B-13
90445-11708	D- 4	91401-25020	C-14	93210-15620	D-14	93604-10011	B- 6	95023-06025	B- 6		B-14
90445-162A0	D-13	92011-06012	D-10	93210-16275	B- 6		B-14		B- 6	99530-14016	B- 2
90446-09079	B- 7	92011-08070	C- 7	93210-19216	B-15	93608-33046	C- 6		B- 7		
90450-15041	B- 7		C- 7	93210-27244	B- 2	93834-13029	C- 3		B-14		
90450-17036	B- 7	92013-06016	D-14	93210-56743	B-12	93834-14049	C- 3	95023-06030	B-14		
90450-22017	B- 7	92501-06012	B-13	93210-77363	B- 2	93834-15075	C- 4	95023-06035	D- 4		
90450-28014	B- 7		D- 4	93211-11770	B- 2	94108-215H9	D- 6	95023-08012	B-12		
90460-51109	B- 8		D- 5	93300-60814	B- 4	94108-215N7	D- 6	95023-08016	D- 5		
90460-68230	B- 8	92501-06030	B-14		B- 4	94108-219U5	D- 6	95023-08035	C-14		
90462-12195	D-14	92502-06016	E- 3	93300-60816	C- 7	94111-196W4	D- 8	95023-08050	C-14		
90464-16039	B- 9	92701-06012	B-13		C- 7	94111-196W5	D- 8	95026-06025	D-12		
90465-13154	D-11	92701-06035	C-11	93306-00418	D- 8	94111-199U3	D- 8	95303-08600	D-14		
90467-09006	B- 7	92901-05600	B- 3	93306-00438	D- 8	94209-21229	D- 6	95601-05100	B- 8		
90467-10008	D- 4		B- 3	93306-20209	D- 6	94211-19273	D- 8	95601-08200	C- 7		
90467-11044	D-14	92901-06200	D- 5	93306-20540	C- 3	94211-19274	D- 8		C- 7		
90468-26048	B-15	92901-06600	B-14	93306-20574	C- 3	94227-21123	D- 6		C- 7		
90480-15528	B- 7	92901-08200	C-10	93306-37802	B- 5	94307-21145	D- 6	95601-10200	C- 7		
90480-18276	B- 7	92901-08600	D- 7		B- 5	94311-19155	D- 8	95611-08100	D- 8		
90480-18354	D- 4		D-13	93310-23017	C- 2	94321-19157	D- 8	95611-08200	C- 7		
90480-18525	B-12	92902-04100	B-10	93310-418E9	B- 5	94330-21084	D- 6	95611-10200	C- 7		
90501-06162	D-12	92990-03100	B- 8		E- 5	94416-21453	D- 6		C-13		
90501-13720	B-15		B-10	93310-425T1	B- 5	94421-19484	D- 8	95611-12100	C-14		
90501-23598	C- 2	92990-05100	B- 4		E- 5	94581-44116	D- 9	95616-06100	E- 2		
90501-240F4	B- 4	92990-06100	B- 8	93311-41734	C- 3	94681-44001	D- 9		E- 2		
90504-03033	B- 8		C-11	93311-62035	C- 3	94702-00323	B- 2	95701-08500	D- 3		
90506-14453	D-13		D- 3	93315-11206	C- 2	94702-00326	B- 2		D- 9		
90507-20030	B-12		D- 4	93315-22046	C-11	94709-00323	B- 2	95701-10500	B- 2		
90508-14783	B- 4	92990-08100	D- 7	93317-22262	C-11	95021-06070	B-14	97001-05016	B- 3		
90508-26561	C- 5	92990-10200	C- 7	93317-22263	C-11	95021-06080	B- 6	97006-05016	E- 2		
90508-28777	D-13	92990-12200	C-14	93332-00067	C-14	95021-08020	B-15	97021-05020	B- 3		
90508-29742	C- 6	92990-18600	D- 9	93332-00068	C-14	95021-08060	D- 3	97021-05030	B- 4		
90508-30743	B-15	93102-12106	C- 6	93342-22208	C-11	95023-06008	B-12	97301-08040	D- 7		
90560-08213	B- 4	93102-12224	C- 2	93399-99921	C-12		B-14	98021-06025	C- 6		
90560-12171	C- 6	93102-20281	D- 6	93410-20038	C- 3		D-14	98501-03008	B- 8		
90560-15352	D- 6	93102-20309	B-15	93410-22039	C- 3	95023-06010	C- 9		B-10		
90560-22281	D-11	93102-22363	B- 5	93440-25084	C- 3	95023-06012	B- 8	98501-05012	B- 2		
91001-06020	C-11	93102-32M07	C- 3	93440-30113	C-12		B-12	98503-03008	D- 4		
91002-06010	B-13	93103-10147	B- 6	93450-19052	B- 5		B-12	98506-05008	B- 3		
91011-08055	C- 7	93103-40091	B- 5		E- 5		B-14	98506-05016	D-11		
91011-10016	C-12	93104-08040	B- 4		E- 5		C-10	98511-04012	B-10		
91011-10055	C- 7	93104-16074	B- 3		E- 5		C-10	98580-05010	D-14		
91011-10120	C- 7	93104-18077	C-12		E- 5		C-14	98706-04012	D-11		
91311-08025	D-10	93106-22019	C-11	93501-04011	B-15		D- 5		D-12		