

YAMAHA

166pgs

READ THIS MANUAL CAREFULLY!
It contains important safety information.

OWNER'S MANUAL

BANSHEE

YFZ350K

⚠WARNING This ATV should not be ridden by anyone under 16 years of age.

LIT-11626-10-95

3GG-28199-1G

Dear Yamaha ATV Owner: Please Review this IMPORTANT SAFETY CARD before operating your ATV (If card is not attached, call 1-800-344-6418).

Dear New Yamaha ATV Owner:

CONGRATULATIONS ON THE PURCHASE OF YOUR NEW YAMAHA ATV. You have purchased a quality Yamaha product that, with proper use and care, will provide hours of riding pleasure. **BEFORE YOU OPERATE YOUR NEW ATV, Yamaha recommends these important points:**

- READ YOUR OWNER'S MANUAL
- A CHILD UNDER 12 YEARS OLD SHOULD NOT OPERATE AN ATV WITH ENGINE SIZE 70CC OR GREATER
- A CHILD UNDER 16 YEARS OLD SHOULD NOT OPERATE AN ATV WITH ENGINE SIZE GREATER THAN 90CC
- TAKE THE FREE HANDS-ON TRAINING COURSE OFFERED BY YAMAHA — ASK YOUR DEALER FOR DETAILS OR CALL 1-800-887-2887

If you have any questions about these points, **or if you purchased your ATV from an authorized Yamaha dealership and were not informed of the age recommendation for your ATV by the dealership**, please fill out the information below and mail this card to Yamaha **today**.

Name:

ATV Model:

Purchase Date:

_____|_____|_____|
MO. DAY YR.

Address:

Primary I.D. (Engine Number):

_____|_____|_____|_____|_____|_____|_____|_____|_____|_____|

Telephone:

() _____

Dealer Name & Address:

READ CAREFULLY

This is not a warranty card



NO POSTAGE
NECESSARY
IF MAILED
IN THE
UNITED STATES

BUSINESS REPLY MAIL
FIRST CLASS PERMIT NO. 4 CYPRESS, CA

POSTAGE WILL BE PAID BY ADDRESSEE

**YAMAHA MOTOR CORPORATION U.S.A.
P.O. BOX 6555
CYPRESS, CALIFORNIA 90630-9989**

ATTN: SALES ADMINISTRATION



INTRODUCTION

Congratulations on your purchase of the Yamaha YFZ350. It represents the result of many years of Yamaha experience in the production of fine sporting, touring, and pacesetting racing machines. With the purchase of this Yamaha, you can now appreciate the high degree of craftsmanship and reliability that have made Yamaha a leader in these fields.

This manual will provide you with a good basic understanding of the features and operation of this machine. **This manual includes important safety information. It provides information about special techniques and skills necessary to ride your machine.** It also includes basic maintenance and inspection procedures. If you have any questions regarding the operation or maintenance of your machine, please consult a Yamaha dealer.

AN IMPORTANT SAFETY MESSAGE:

- READ THIS MANUAL TOGETHER WITH TIPS FOR THE ATV RIDER CAREFULLY AND COMPLETELY BEFORE OPERATING YOUR MACHINE. MAKE SURE YOU UNDERSTAND ALL INSTRUCTIONS.
- PAY CLOSE ATTENTION TO THE WARNING AND CAUTION LABELS ON THE MACHINE.
- NEVER OPERATE AN ATV WITHOUT PROPER TRAINING OR INSTRUCTION. FREE TRAINING IS AVAILABLE TO ANYONE WHO BUYS A NEW ATV. CALL 1-800-447-4700 FOR MORE INFORMATION.
- THIS ATV, AND ANY OTHER ATV OVER 90cc, SHOULD NOT BE RIDDEN BY ANYONE UNDER 16 YEARS OF AGE.
- THIS ATV IS A HIGH PERFORMANCE ATV FOR OFF-ROAD USE ONLY, FOR SPORT TYPE RECREATIONAL AND COMPETITIVE USE BY EXPERIENCED OPERATORS.

IMPORTANT MANUAL INFORMATION

FAILURE TO FOLLOW THE WARNINGS CONTAINED IN THIS MANUAL CAN RESULT IN SERIOUS INJURY OR DEATH.

Particularly important information is distinguished in this manual by the following notations:



The Safety Alert Symbol means ATTENTION! BECOME ALERT! YOUR SAFETY IS INVOLVED!

WARNING

Failure to follow WARNING instructions could result in severe injury or death to the machine operator, a bystander or a person inspecting or repairing the machine.

CAUTION:

A CAUTION indicates special precautions that must be taken to avoid damage to the machine.

NOTE:

A NOTE provides key information to make procedures easier or clearer.

IMPORTANT NOTICE

This machine is designed and manufactured for OFF-ROAD use only. It is illegal and unsafe to operate this machine on any public street, road or highway.

This machine complies with all applicable OFF-ROAD noise level and spark arrester laws and regulations in effect at the time of manufacture.

Please check your local riding laws and regulations before operating this machine.

EDA00000



AFFIX DEALER
LABEL HERE



EDA00100

YFZ350K
OWNER'S MANUAL
©1997 by Yamaha Motor Corporation,
U.S.A.
1st Edition, April 1997
All rights reserved. Any reprinting or
unauthorized use without the written
permission of Yamaha Motor Corporation,
U.S.A. is expressly prohibited.
Printed in Japan
P/N LIT-11626-10-95

⚠ WARNING

Indicates a potential hazard that could result in serious injury or death.

CONTENTS

1	LOCATION OF THE "WARNING AND SPECIFICATION LABELS"	1-1	4	CONTROL FUNCTIONS	4-1
2	SAFETY INFORMATION	2-1		Main switch	4-1
3	DESCRIPTION AND MACHINE IDENTIFICATION	3-1		Handlebar switches	4-2
	Identification numbers record	3-2		Throttle lever	4-3
	Key identification number	3-2		Throttle OverRide System	4-4
	Vehicle identification number	3-3		Speed limiter	4-4
	Model label	3-3		Clutch lever	4-6
				Front brake lever	4-6
				Rear brake pedal	4-7
				Parking brake	4-7
				Shift pedal	4-9
				Kick starter	4-9
				Fuel tank cap	4-10
				Fuel cock	4-10
				Starter "CHOKE"	4-11

Seat.....	4-12
Front shock absorber adjustment	4-13
Rear shock absorber adjustment	4-14

5 PRE-OPERATION CHECKS.....	5-1
Front and rear brakes	5-3
Fuel	5-5
Engine mixing oil	5-6
Transmission oil	5-7
Coolant.....	5-7
Chain	5-9
Throttle lever	5-9
Fittings and fasteners.....	5-9
Lights.....	5-9
Switches.....	5-9
Tires	5-10
How to measure tire pressure.....	5-11
Tire wear limit.....	5-12

6 OPERATION	6-1
Starting a cold engine	6-1
Starting a warm engine	6-3
Warming up	6-3
Shifting.....	6-4
To start out and accelerate:	6-5
To decelerate:.....	6-6
Engine break-in.....	6-7
Parking	6-8
Parking on a slope	6-9
Accessories and loading	6-10

7 RIDING YOUR MOTO-4.....	7-1
Getting to know your MOTO-4	7-3
Ride with care and good judgement.....	7-4
Be careful where you ride.....	7-16
Turning your MOTO-4	7-23
Climbing uphill	7-25
Riding downhill	7-30

Crossing a slope	7-32
Crossing through shallow water..	7-34
Riding over rough terrain	7-36
Sliding and skidding	7-38
What to do if... ..	7-40
What to do... ..	7-40

Inspecting the brake fluid level	8-25
Brake fluid replacement	8-26
Front brake lever free play adjustment	8-27
Rear brake adjustment	8-28
Parking brake adjustment	8-29
Clutch adjustment	8-31
Drive chain slack check	8-31
Drive chain slack adjustment	8-32
Drive chain cleaning and lubrication	8-33
Cable inspection and lubrication..	8-33
Brake and shift pedal/brake and clutch lever lubrication	8-34
Upper and lower arm pivot lubrication	8-34
Rear arm pivot lubrication	8-35
Wheel removal	8-36
Wheel installation.....	8-36
Replacing the headlight bulb.....	8-37
Headlight beam adjustment	8-38
Troubleshooting	8-39

8 PERIODIC MAINTENANCE AND

ADJUSTMENT.....	8-1
Owner's manual and tool kit.....	8-1
Periodic maintenance/Lubrication .	8-3
Transmission oil	8-5
Cooling system	8-7
Spark plug inspection	8-11
Air filter cleaning	8-12
Carburetor settings	8-15
Idle speed adjustment.....	8-22
Throttle lever adjustment	8-23
Front and rear brake pad inspection.....	8-24

Troubleshooting chart.....	8-40
No spark	8-41

9 CLEANING AND STORAGE.....	9-1
A. Cleaning.....	9-1
B. Storage	9-3

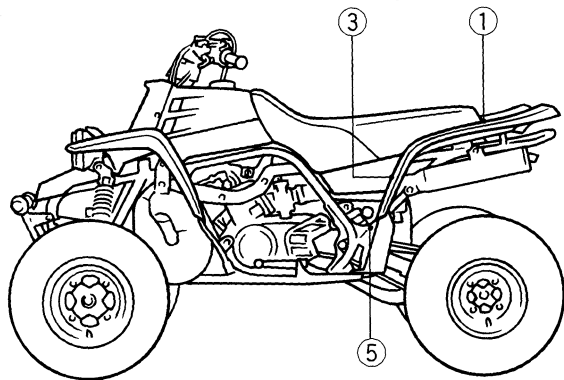
10 SPECIFICATIONS.....	10-1
-------------------------------	------

11 NOISE REGULATION	11-1
----------------------------------	------

12 MAINTENANCE RECORD.....	12-1
-----------------------------------	------

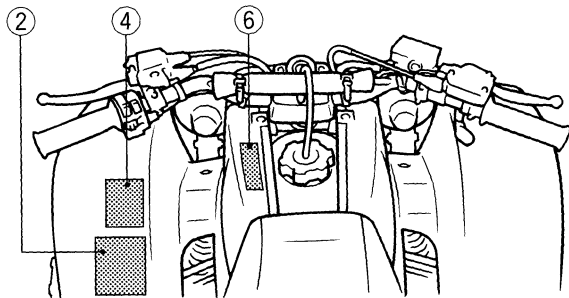
13 MOTO-4 LIMITED WARRANTY	13-1
-----------------------------------------	------

LOCATION OF THE “WARNING AND SPECIFICATION LABELS”



Read and understand all of the labels on your machine. They contain important information for safe and proper operation of your MOTO-4.

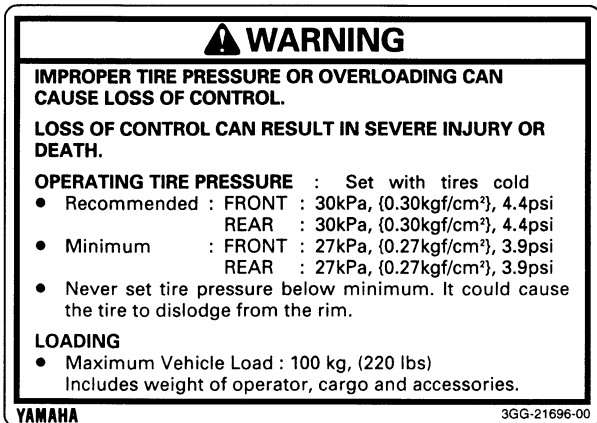
Never remove any labels from your MOTO-4. If a label becomes difficult to read or comes off, a replacement label is available from your Yamaha dealer.



①



③




②



1

④

⚠ WARNING



Operating this ATV if you are under the age of 16 increases your chance of severe injury or death.

NEVER operate this ATV if you are under age 16.

YAMAHA 3FA-2415A-00

⑤

⚠ WARNING

This unit contains high pressure nitrogen gas. Mishandling can cause explosion.

- Read owner's manual for instructions.
- Do not incinerate, puncture or open.

YAMAHA 4AA-22259-00

⑥

CAUTION

Use premium unleaded gasoline/oil premix only.

YAMAHA 3XJ-2415E-00



SAFETY INFORMATION

AN ATV IS NOT A TOY AND CAN BE HAZARDOUS TO OPERATE. An ATV handles differently from other vehicles including motorcycles and cars. A collision or rollover can occur quickly, even during routine maneuvers such as turning and riding on hills or over obstacles, if you fail to take proper precautions.

SEVERE INJURY OR DEATH can result if you do not follow these instructions:

- Read this manual and all labels carefully and follow the operating procedures described.
- Never operate an ATV without proper training or instruction. **Take a Training Course.** Beginners should receive training from a certified instructor. Contact an authorized ATV dealer or call 1-800-447-4700 to find out about the training courses nearest you.
- Always follow these age recommendation:
 - A child under 16 years old should never operate an ATV with engine size greater than 90cc.
- Never allow a child under age 16 to operate an ATV without adult supervision, and never allow continued use of an ATV by a child if he or she does not have the abilities to operate it safely.
- Never carry a passenger on an ATV.

- Always avoid operating an ATV on any paved surfaces, including sidewalks, driveways, parking lots and streets.
- Never operate an ATV on any public street, road or highway, even a dirt or gravel one.
- Never operate an ATV without wearing an approved motorcycle helmet that fits properly. You should also wear eye protection (goggles or face shield), gloves, boots, long-sleeved shirt or jacket, and long pants.
- Never consume alcohol or drugs before or while operating this ATV.
- Never operate at speeds too fast for your skills or the conditions. Always go at a speed that is proper for the terrain, visibility and operating conditions, and your experience.
- Never attempt wheelies, jumps, or other stunts.
- Always inspect your ATV each time you use it to make sure it is in safe operating condition. Always follow the inspection and maintenance procedures and schedules described in this manual.
- Always keep both hands on the handlebars and both feet on the footpegs of the ATV during operation.
- Always go slowly and be extra careful when operating on unfamiliar terrain. Always be alert to changing terrain conditions when operating the ATV.

- Never operate on excessively rough, slippery or loose terrain until you have learned and practiced the skills necessary to control the ATV on such terrain. Always be especially cautious on these kinds of terrain.
- Always follow proper procedures for turning as described in this manual. Practice turning at low speeds before attempting to turn at faster speeds. Do not turn at excessive speed.
- Never operate the ATV on hills too steep for the ATV or for your abilities. Practice on smaller hills before attempting larger hills.
- Always follow proper procedures for climbing hills as described in this manual. Check the terrain carefully before you start up any hill. Never climb hills with excessively slippery or loose surfaces. Shift your weight forward. Never open the throttle suddenly or make sudden gear changes. Never go over the top of a hill at high speed.
- Always follow proper procedures for going down hills and for braking on hills as described in this manual. Check the terrain carefully before you start down any hill. Shift your weight backward. Never go down a hill at high speed. Avoid going down a hill at an angle that would cause the vehicle to lean sharply to one side. Go straight down the hill where possible.
- Always follow proper procedures for crossing the side of a hill as described in this manual. Avoid hills with excessively slippery or loose surfaces. Shift your weight to the uphill side of the ATV. Never attempt to turn the ATV around on any hill until you have mastered the turning technique described in this manual on level ground. Avoid crossing the side of a steep hill if possible.

- Always use proper procedures if you stall or roll backwards when climbing a hill. To avoid stalling, use proper gear and maintain a steady speed when climbing a hill. If you stall or roll backwards, follow the special procedure for braking described in this manual. Dismount on the uphill side or to a side if pointed straight uphill. Turn the ATV around and remount, following the procedure described in this manual.
- Always check for obstacles before operating in a new area.
Never attempt to operate over large obstacles, such as large rocks or fallen trees. Always follow proper procedures when operating over obstacles as described in this manual.
- Always be careful when skidding or sliding. Learn to safely control skidding or sliding by practicing at low speeds and on level, smooth terrain. On extremely slippery surfaces, such as ice, go slowly and be very cautious in order to reduce the change of skidding or sliding out of control.
- Never operate an ATV in fast flowing water or in water deeper than that recommended in this manual. Remember that wet brakes may have reduced stopping ability. Test your brakes after leaving water. If necessary, apply them several times to let friction dry out the linings.
- Always use the size and type tires specified in this manual.
Always maintain proper tire pressure as described in this manual.
- Never modify an ATV through improper installation or use of accessories.

- Never exceed the stated load capacity for an ATV. Cargo should be properly distributed and securely attached. Reduce speed and follow instructions in this manual for carrying cargo or pulling a trailer. Allow greater distance for braking.

FOR MORE INFORMATION ABOUT ATV SAFETY, call the Consumer Products Safety Commission at 1-800-638-2772, or the ATV Distributor's Safety Hotline at 1-800-852-5344.

WARNING

POTENTIAL HAZARD

Improper handling of gasoline.

WHAT CAN HAPPEN

Gasoline can catch fire and you could be burned.

HOW TO AVOID THE HAZARD

Always turn off the engine when refueling.

Do not refuel right after the engine has been running and is still very hot.

Do not spill gasoline on the engine or exhaust pipe/muffler when refueling.

Never refuel while smoking, or while in the vicinity of sparks, open flames, or other sources of ignition such as the pilot lights of water heaters and clothes dryers.

When transporting the machine in another vehicle, be sure it is kept upright and that the fuel cock is in the "OFF" position. Otherwise, fuel may leak out of the carburetor or fuel tank.

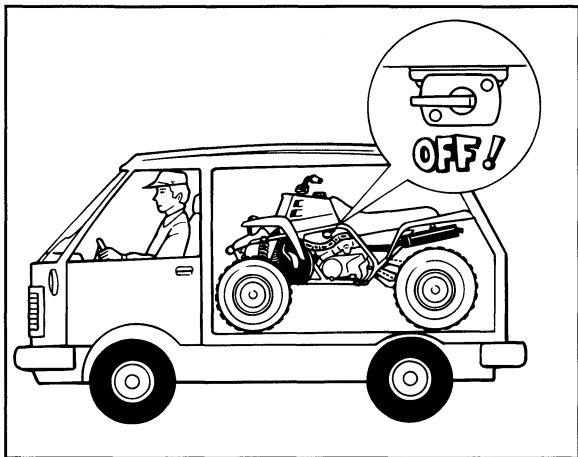
WHAT CAN HAPPEN

Gasoline is poisonous and can cause injuries.

HOW TO AVOID THE HAZARD

If you should swallow some gasoline or inhale a lot of gasoline vapor, or get some gasoline in your eyes, see your doctor immediately.

If gasoline spills on your skin, wash with soap and water. If gasoline spills on your clothing, change your clothes.



⚠ WARNING

POTENTIAL HAZARD

Starting or running the engine in a closed area.

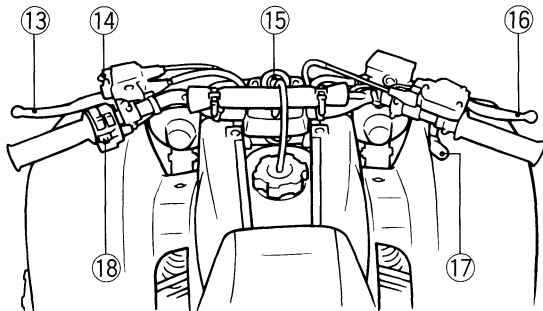
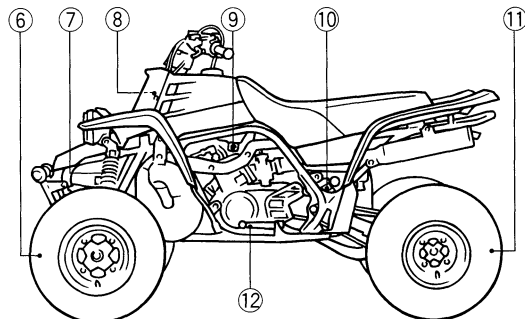
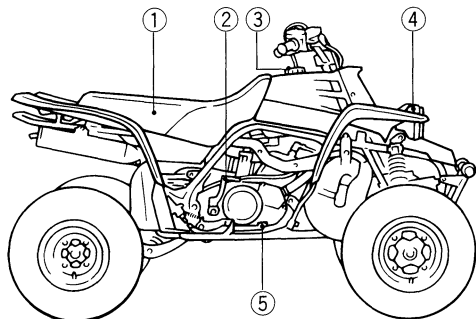
WHAT CAN HAPPEN

Exhaust fumes are poisonous and may cause loss of consciousness and death within a short time.

HOW TO AVOID THE HAZARD

Always operate your machine in an area with adequate ventilation.

DESCRIPTION AND MACHINE IDENTIFICATION



- | | |
|-------------------------|-------------------------|
| 1. Seat | 10. Rear shock absorber |
| 2. Kick starter | 11. Rear wheel |
| 3. Fuel tank cap | 12. Shift pedal |
| 4. Headlight | 13. Clutch lever |
| 5. Brake pedal | 14. Parking brake |
| 6. Front wheel | 15. Main switch |
| 7. Front shock absorber | 16. Front brake lever |
| 8. Radiator | 17. Throttle lever |
| 9. Fuel cock | 18. Handlebar switch |

NOTE: _____
 The machine you have purchased may differ slightly from those shown in the figures of this manual.

Identification numbers record

Record the key identification number, vehicle identification number and model label information in the spaces provided for assistance when ordering spare parts from a Yamaha dealer or for reference in case the vehicle is stolen.

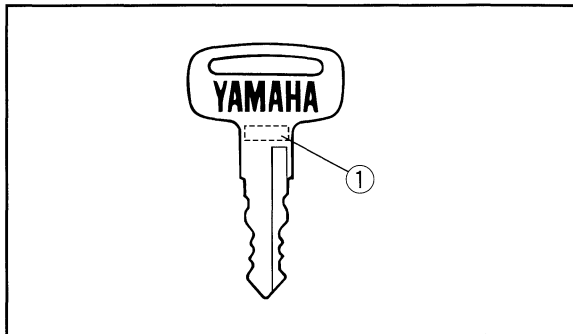
1. KEY IDENTIFICATION NUMBER:

2. VEHICLE IDENTIFICATION NUMBER:

3. MODEL LABEL INFORMATION:

Key identification number

The key identification number is stamped on the key as shown in the following illustration. This number can be used for ordering a new key.



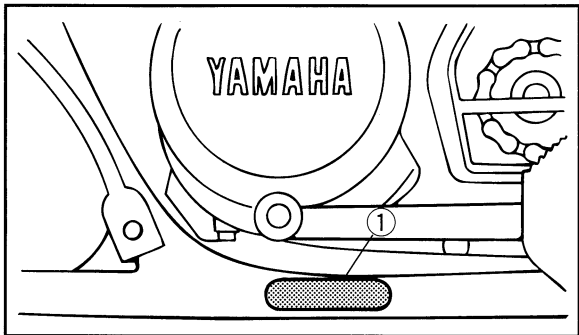
1. Key identification number

Vehicle identification number

The vehicle identification number is stamped into the frame.

NOTE:

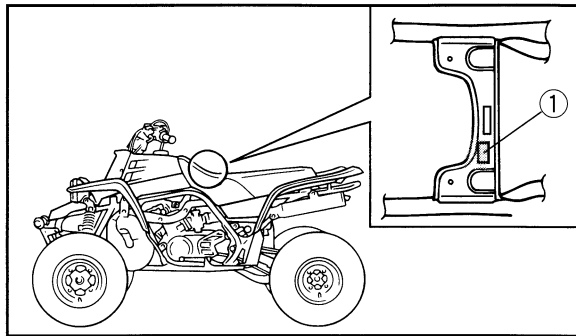
The vehicle identification number is used to identify your machine.



1. Vehicle identification number

Model label

The model label is affixed to the frame. Record the information on this label in the space provided. This information will be needed to order spare parts from your Yamaha dealer.



1. Model label

CONTROL FUNCTIONS

⚠ WARNING

Indicates a potential hazard that could result in serious injury or death.

EDB00100

Main switch

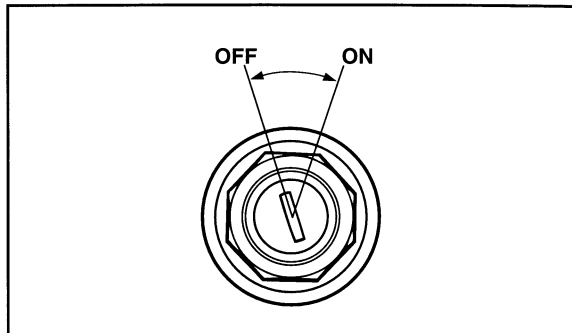
Functions of the respective switch positions are as follows:

ON:

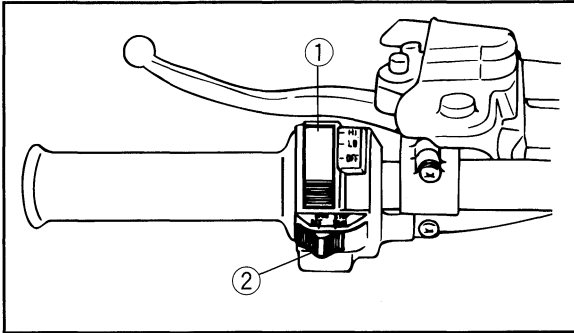
Engine can be started only at this position and the headlight and taillight come on when the light switch is on.

OFF:

All electrical circuits are switched off. The key can be removed in this position.



Handlebar switches



1. Lights switch "LIGHTS"
2. Engine stop switch "ENG. STOP"

Engine stop switch "ENG. STOP"

Make sure that the engine stop switch is in the "RUN" position. The engine stop switch has been equipped to ensure safety in an emergency such as when the machine is upset or trouble takes place in the throttle system. The engine will not start or run when the engine stop switch is turned to "OFF".

Lights switch "LIGHTS"

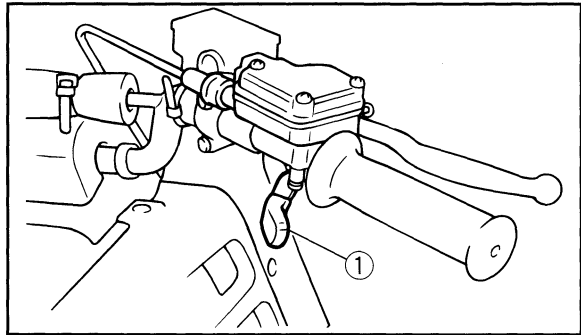
Turn the switch to "LO" for the low beam and the taillight. Turn the switch to "HI" for the high beam and the taillight.

NOTE: _____
 The headlight and taillight can be turned on only when the engine is started.

Throttle lever

Once the engine is running cleanly, movement of the throttle lever will increase the engine speed.

Regulate the speed of the machine by varying the throttle position. Because the throttle is spring-loaded, the machine will decelerate, and the engine will return to an idle any time the hand is removed from the throttle lever.



1. Throttle lever

Before starting the engine, check the throttle to be sure it is operating smoothly. Make sure it returns to the idle position as soon as the lever is released.

WARNING

POTENTIAL HAZARD

Malfunction of throttle.

WHAT CAN HAPPEN

The throttle could be hard to operate, making it difficult to speed up or slow down when you need to. This could cause an accident.

HOW TO AVOID THE HAZARD

Check the operation of the throttle lever before you start the engine. If it does not work smoothly, check for the cause. Correct the problem before riding the ATV. Consult a Yamaha dealer if you can't find or solve the problem yourself.

Throttle OverRide System

If during operation, the carburetor or the throttle cable should malfunction and will not close fully, take your thumb off the throttle lever.

The throttle override system immediately cuts off the ignition.

⚠ WARNING

POTENTIAL HAZARD

Continuing to ride the ATV after the Throttle OverRide System (T.O.R.S.) has stopped the engine.

WHAT CAN HAPPEN

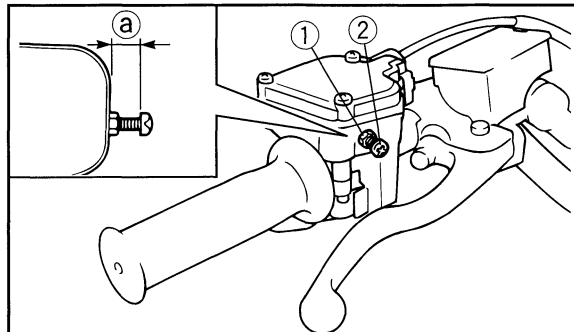
Riding with a malfunction increases the chance for an accident and injury.

HOW TO AVOID THE HAZARD

Make sure that the cause of the malfunction is corrected before restarting the engine. You should have the ATV inspected by a Yamaha dealer.

Speed limiter

The speed limiter keeps the throttle from fully opening even when the throttle lever is pushed to the maximum. Screwing in the adjuster lowers the engine power available and decreases the maximum speed of the ATV.



1. Locknut

2. Adjuster

a. 12 mm (0.47 in)

WARNING

POTENTIAL HAZARD

Improper adjustment of the speed limiter and throttle.

WHAT CAN HAPPEN

The throttle cable could be damaged. Improper throttle operation could result. You could lose control, have an accident or be injured.

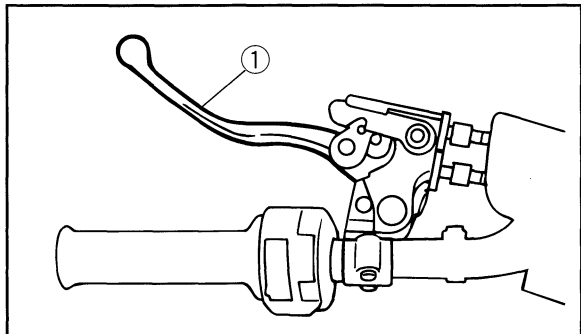
HOW TO AVOID THE HAZARD

Do not turn the speed adjuster out more than 12 mm (0.47 in). Always make sure the throttle lever free play is adjusted to 4 ~ 6 mm (0.16 ~ 0.42 in). See page 8-23.

Clutch lever

The clutch lever is located on the left handlebar.

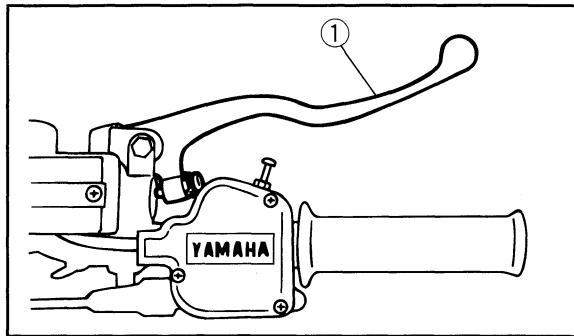
Pull the clutch lever to the handlebar to disengage the clutch, and release the lever to engage the clutch. The lever should be pulled rapidly and released slowly for smooth clutch operation.



1. Clutch lever

Front brake lever

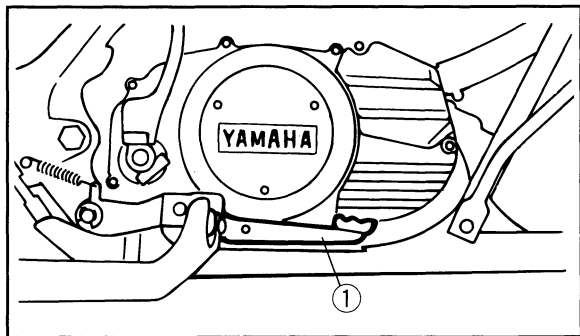
The front brake lever is located on the right handlebar. Pull it toward the handlebar to apply the front brake.



1. Front brake lever

Rear brake pedal

The brake pedal is located on the right side of the machine. Push down on the pedal to apply the rear brake.



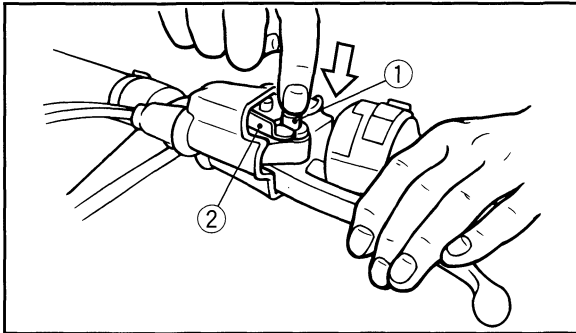
1. Rear brake pedal

Parking brake

Use the parking brake when you have to start the engine or park the machine, especially on a slope. Squeeze the clutch lever while pushing the button, then push in the lock plate to apply the parking brake. Squeeze the clutch lever to release the parking brake.

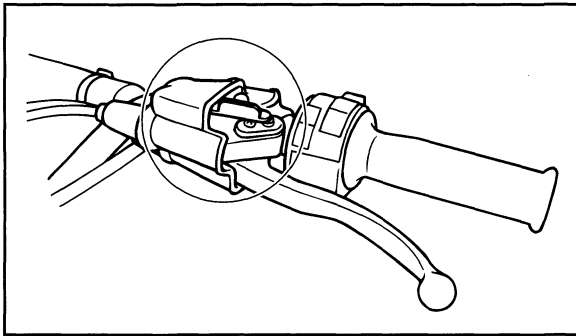
NOTE: _____

When the parking brake is used, engine speed is limited to 2,300 r/min. Be sure the parking brake is released before moving the throttle lever. Otherwise, the engine will misfire, preventing normal operation.



1. Button

2. Lock plate



⚠ WARNING

POTENTIAL HAZARD

Improper use of the parking brake.

WHAT CAN HAPPEN

The ATV could start moving unexpectedly if the parking brake is not applied before starting the engine. This could cause loss of control or a collision.

The brake disc could overheat if you ride the ATV without releasing the parking brake. You could lose braking performance which could cause an accident. You could also wear out the brakes prematurely.

HOW TO AVOID THE HAZARD

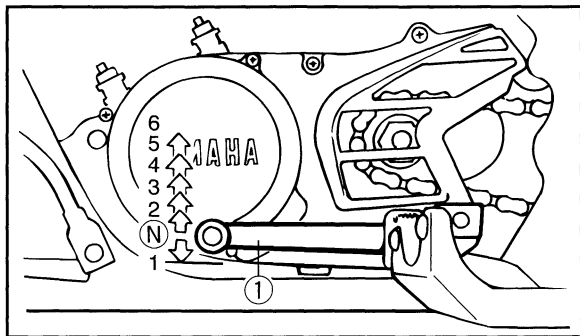
Always set the parking brake before starting the engine.

Always be sure you have released the parking brake before you begin to ride.

Shift pedal

This machine is equipped with a constant-mesh 6-speed transmission.

The shift pedal is located on the left side of the engine and is used in combination with the clutch when shifting.

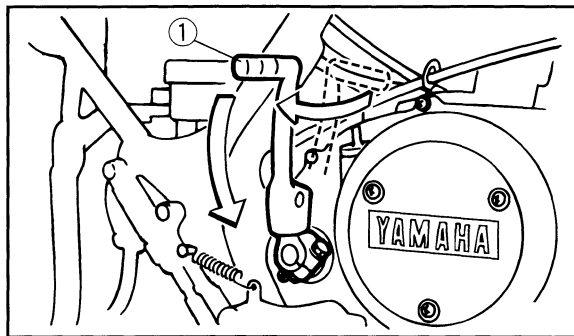


1. Shift pedal

N. Neutral

Kick starter

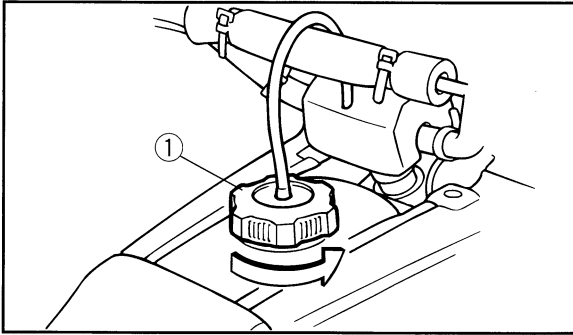
Rotate the kick starter away from the engine. Push the starter down lightly with your foot until the gears engage, then kick smoothly and forcefully to start the engine. This model has a primary-coupled kick starter so the engine can be started in any gear if the clutch is disengaged. However, shifting to neutral before starting is recommended.



1. Kick starter

Fuel tank cap

Remove the fuel tank cap by turning it counterclockwise.



1. Fuel tank cap

Fuel cock

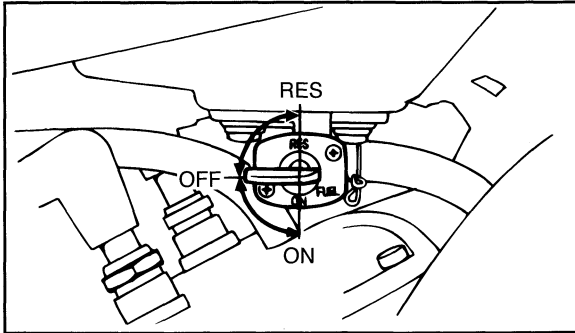
The fuel cock supplies fuel from the fuel tank to the carburetor.

The fuel cock has three positions.

OFF: With the lever in this position fuel will not flow. Always turn the lever to this position when the engine is not running.

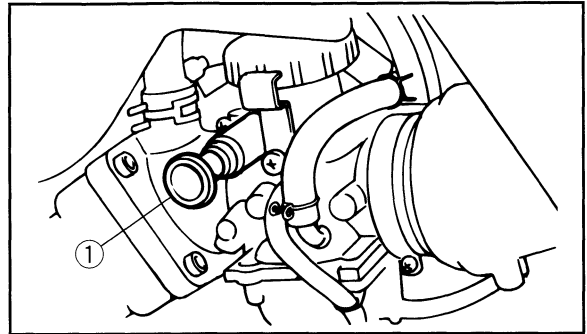
ON: With the lever in this position, fuel flows to the carburetor. Normal riding is done with the lever in this position.

RES: This indicates reserve. If you run out of fuel while riding, turn the lever to this position. **THEN FILL THE FUEL TANK AT THE FIRST OPPORTUNITY.** After refuelling, return the fuel cock lever to the "ON" position.



Starter "CHOKE"

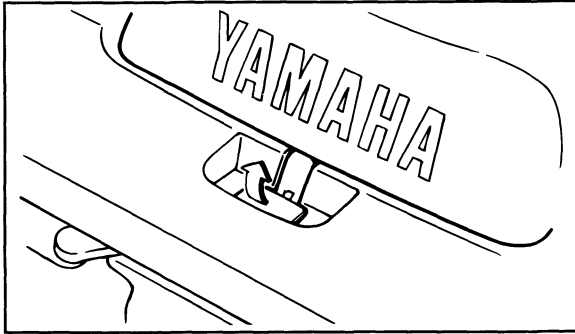
Starting a cold engine requires a richer air-fuel mixture. A separate starter circuit supplies this mixture. Pull the starter "CHOKE" out to open the circuit for starting. When the engine has warmed up, push the starter "CHOKE" in to close the circuit. Refer to "Starting a cold engine" for proper operation.



1. Starter "CHOKE"

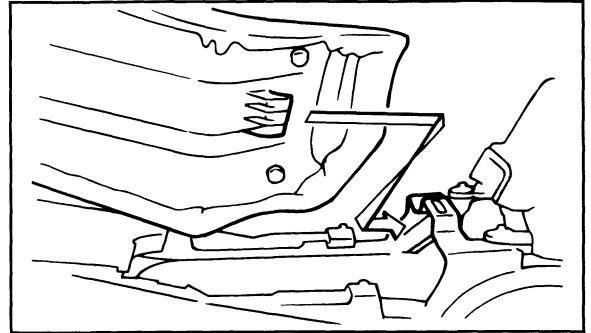
Seat

To remove the seat, pull the seat lock lever upward and pull up the seat at the rear.



To install the seat, insert the lobe on the seat front into the receptacle on the frame and push down the seat at the rear.

NOTE: _____
Make sure that the seat is securely fitted.



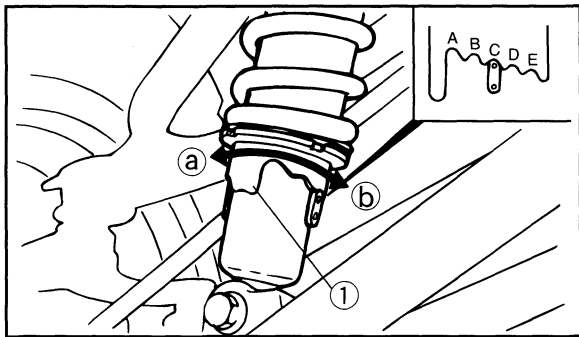
Front shock absorber adjustment

The spring preload can be adjusted to suit the rider's weight and riding conditions.

Spring preload adjustment

To increase the spring preload, turn the adjuster in direction (a).

To decrease the spring preload, turn the adjuster in direction (b).



1. Adjuster

a. Increase spring preload

b. Decrease spring preload

Standard position: C

A – Minimum (Soft)

E – Maximum (Hard)

WARNING

POTENTIAL HAZARD

Improper shock absorber adjustment.

WHAT CAN HAPPEN

Uneven adjustment can cause poor handling and loss of stability, which could lead to an accident.

HOW TO AVOID THE HAZARD

Always adjust the shock absorbers on the left and right side to the same setting.

Rear shock absorber adjustment

The spring preload, rebound damping and compression damping of the rear shock absorber can be adjusted to suit the rider's weight and riding conditions.

⚠ WARNING

POTENTIAL HAZARD

This shock absorber contains highly pressurized nitrogen gas.

WHAT CAN HAPPEN

The shock absorber could explode, causing injury or property damage.

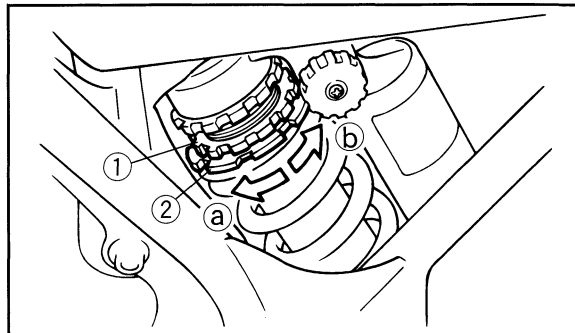
Cylinder damage could also result in poor handling which could cause an accident.

HOW TO AVOID THE HAZARD

- 1. Do not tamper with or attempt to open the cylinder assembly.**
- 2. Do not subject the shock absorber to an open flame or other high heat.**

- 3. Do not deform or damage the cylinder in any way.**
- 4. Do not dispose of a damaged or worn out shock absorber yourself. Take the unit to a Yamaha dealer.**

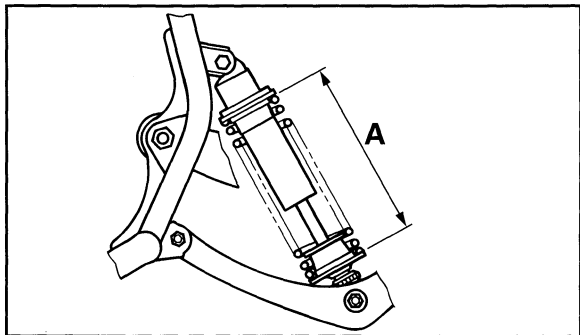
- Adjust spring preload as follows.
 - Loosen the locknut.
 - Turn adjuster in direction (a) to increase spring preload and in direction (b) to decrease spring preload.



- | | |
|----------------------------|----------------------------|
| 1. Locknut | 2. Adjuster |
| a. Increase spring preload | b. Decrease spring preload |

c. The length of the spring (installed) changes 1 mm (0.04 in) per turn of the adjuster.

Installed length:	Measurement A
Standard:	220.5 mm (8.7 in)
Minimum (Hard):	213.5 mm (8.4 in)
Maximum (Soft):	228.5 mm (9.0 in)



A. Spring length

CAUTION: _____

Never attempt to turn the adjuster beyond the maximum or minimum setting.

d. Tighten the locknut to the specified torque.

Tightening torque:

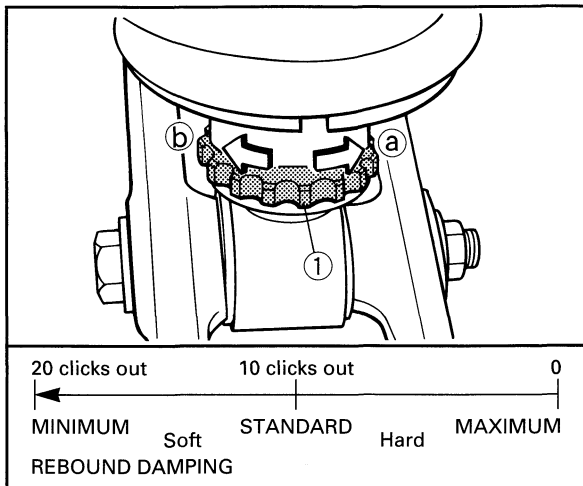
54 Nm (5.4 m•kg, 39 ft•lb)

CAUTION: _____

Always tighten the locknut against the spring adjuster and torque the locknut to specification.

2. Adjust rebound damping force as follows.

Turn adjuster in direction (a) to increase rebound damping force and in direction (b) to decrease rebound damping force.



1. Rebound damping adjuster
- a. Increase rebound damping
- b. Decrease rebound damping

	From the fully turned-in position
Standard:	10 clicks out
Minimum (Soft):	20 clicks out
Maximum (Hard):	0 clicks out

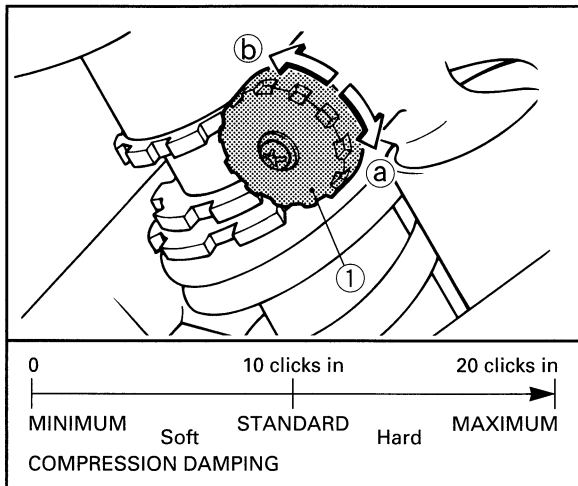
CAUTION:

Never attempt to turn the adjuster beyond the maximum or minimum setting.

3. Adjust compression damping force as follows.

Turn adjuster in direction (a) to increase compression damping force and in direction (b) to decrease compression damping force.

	From the fully turned-out position
Standard :	10 clicks in
Minimum (Soft):	0 clicks in
Maximum (Hard):	20 clicks in



1. Compression damping adjuster
 - a. Increase compression damping
 - b. Decrease compression damping

CAUTION:

Never attempt to turn the adjuster beyond the maximum or minimum setting.

⚠ WARNING

POTENTIAL HAZARD

Suspension components become hot during operation.

WHAT CAN HAPPEN

You could be burned.

HOW TO AVOID THE HAZARD

Never touch the compression adjuster or oil reservoir with your bare hand or skin until suspension components have cooled.

EDE00001

⚠ WARNING

Indicates a potential hazard that could result in serious injury or death.

PRE-OPERATION CHECKS

Before using this machine, check the following points:

ITEM	ROUTINE	PAGE
Brakes	<ul style="list-style-type: none"> • Check operation, free play, fluid level and fluid leakage. • Top-up with DOT 4 (or DOT 3) brake fluid if necessary. 	5-3 ~ 5-4 8-24 ~ 8-28
Clutch	<ul style="list-style-type: none"> • Check operation, condition and lever free play. 	8-31
Parking brake	<ul style="list-style-type: none"> • Check operation, condition and free play. 	8-29 ~ 8-30
Fuel tank	<ul style="list-style-type: none"> • Check fuel level. • Top-up as required. 	5-5 ~ 5-6
Transmission oil	<ul style="list-style-type: none"> • Check oil level. • Top-up as required. 	5-7, 8-5 ~ 8-7
Coolant reservoir tank	<ul style="list-style-type: none"> • Check coolant level. • Top-up as required. 	5-7 ~ 5-8, 8-7 ~ 8-10
Drive chain	<ul style="list-style-type: none"> • Check chain slack and condition. • Adjust if necessary. 	5-9, 8-31 ~ 8-32
Throttle	<ul style="list-style-type: none"> • Check for proper throttle cable operation. 	5-9, 8-23
Wheels and tires	<ul style="list-style-type: none"> • Check tire pressure, wear and damage. 	5-10 ~ 5-12, 8-36
Fittings and fasteners	<ul style="list-style-type: none"> • Check all fittings and fasteners. 	5-9
Lights	<ul style="list-style-type: none"> • Check for proper operation. 	5-9, 8-37 ~ 8-38

WARNING

POTENTIAL HAZARD

Failure to inspect the ATV before operating.

Failure to properly maintain the ATV.

WHAT CAN HAPPEN

Increases the possibility of an accident or equipment damage.

HOW TO AVOID THE HAZARD

Always inspect your ATV each time you use it to make sure the ATV is in safe operating condition.

Always follow the inspection and maintenance procedures and schedules described in the Owner's Manual.

Front and rear brakes

1. Brake lever and brake pedal

Check for correct free play in the front brake lever. If the free play is incorrect, adjust it. Check for correct rear brake pedal height. If the pedal height is incorrect, have a Yamaha dealer adjust it.

Check the operation of the lever and pedal. They should move smoothly and there should be a firm feeling when the brakes are applied. If not, have the machine inspected by a Yamaha dealer. (See pages 8-27 ~ 8-28.)

2. Brake fluid level

Check the brake fluid level.

Add fluid if necessary. (See pages 8-25 ~ 8-26.)

Recommended brake fluid: DOT 4

NOTE: _____
If DOT 4 is not available, DOT 3 can be used.

3. Brake fluid leakage

Check to see if any brake fluid is leaking out of the pipe joints or master cylinders. Apply the brakes firmly for one minute. If there is any leaking, have the machine inspected by a Yamaha dealer.

4. Brake operation

Test the brakes at slow speed after starting out to make sure they are working properly. If the brakes do not provide proper braking performance, inspect the brake pads for wear. See page 8-24.

WARNING

POTENTIAL HAZARD

Riding with improperly operating brakes.

WHAT CAN HAPPEN

You could lose braking ability, which could lead to an accident.

HOW TO AVOID THE HAZARD

Always check the brakes at the start of every ride. Do not ride the ATV if you find any problem with the brakes. If a problem cannot be corrected by the adjustment procedures provided in this manual, have the ATV inspected by a Yamaha dealer.

Fuel

Make sure there is sufficient gasoline in the tank.

Recommended fuel:

PREMIUM UNLEADED FUEL

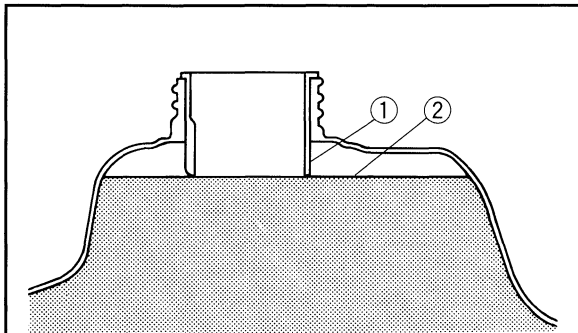
Fuel tank capacity:

Total:

12 L (2.6 Imp gal, 3.2 US gal)

Reserve:

2.5 L (0.5 Imp gal, 0.7 US gal)



1. Filler tube

2. Fuel level

Your Yamaha engine has been designed to use premium unleaded gasoline with a pump octane number ($[R+M]/2$) of 90 or higher, or research octane number of 95 or higher. If knocking or pinging occurs, use a different brand of gasoline. Unleaded fuel will give you longer spark plug life and reduced maintenance cost. If unleaded gasoline is not available, then leaded premium gasoline can be used.

Gasohol

There are two types of gasohol; gasohol containing ethanol and that containing methanol. Gasohol containing ethanol can be used if ethanol content does not exceed 10%. Gasohol containing methanol is not recommended by Yamaha because it may cause fuel system damage or vehicle performance problems.

WARNING

POTENTIAL HAZARD

Improper care when refueling.

WHAT CAN HAPPEN

Fuel can spill, which can cause a fire and severe injury.

Fuel expands when it heats up. If the fuel tank is overfilled, fuel could spill out due to heat from the engine or the sun.

HOW TO AVOID THE HAZARD

Do not overfill the fuel tank. Be careful not to spill fuel, especially on the engine or exhaust pipe. Wipe up any spilled fuel immediately. Be sure the fuel tank cap is closed securely.

Do not refuel right after the engine has been running and is still very hot.

Engine mixing oil

Recommended oil:

Yamalube "R"

(Yamalube Racing 2-cycle oil)

Mixing ratio: 24:1

If Yamalube "R" oil is not available, select an oil from the following list.

Recommended oil	Mixing ratio
Castrol R30 A545 A747	20:1

CAUTION:

Never mix two types of oil in the same batch. Always use the same type of oil to ensure maximum engine performance.

Transmission oil

Make sure the transmission oil is at the specified level. Add oil as necessary (see page 8-5).

Recommended oil:

Yamalube 4 (10W30) or SAE 10W30

Recommended oil classification:

API Service "SE", "SF" type or equivalent (e.g. "SF-SE", "SF-SE-CC", "SF-SE-SD" etc.)

Oil quantity:

Total amount

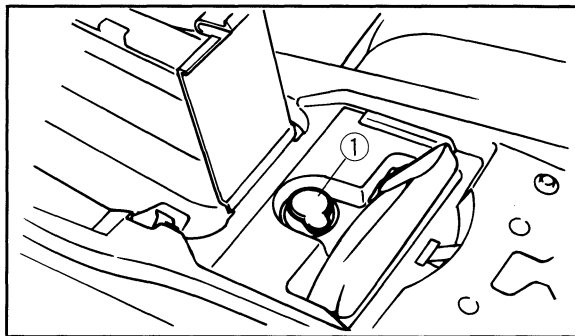
1.7 L (1.5 Imp qt, 1.8 US qt)

Periodic oil change

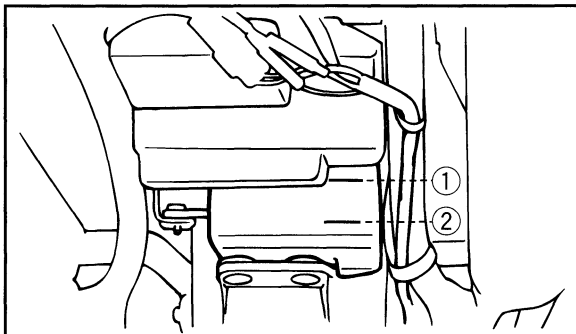
1.5 L (1.3 Imp qt, 1.6 US qt)

Coolant

Check the coolant level in the reservoir tank when the engine is cold. (The coolant level will vary with engine temperature.) The coolant level is satisfactory if it is between the "FULL" and "LOW" marks on the tank. If the coolant level is at or below the "LOW" level, add tap water (soft water) to bring the level up to "FULL". Change the coolant every two years. (See page 8-7 for details.)



1. Coolant reservoir tank cap



1. Maximum level mark "FULL"
2. Minimum level mark "LOW"

CAUTION:

Hard water or salt water is harmful to the engine. You may use distilled water if you can't get soft water.

Reservoir tank capacity:

0.28 L (0.25 Imp qt, 0.30 US qt)

From "LOW" to "FULL" level:

0.07 L (0.06 Imp qt, 0.07 US qt)

⚠ WARNING

POTENTIAL HAZARD

Removing the radiator cap when the engine and radiator are still hot.

WHAT CAN HAPPEN

You could be burned by hot fluid and steam blown out under pressure.

HOW TO AVOID THE HAZARD

Wait for the engine to cool before removing the radiator cap. Always use a thick rag over the cap. Allow any remaining pressure to escape before completely removing the cap.

EDE50001

Chain

Check the general condition of the chain and check the chain slack before every ride. Lubricate and adjust the chain as necessary. (See page 8-31 ~ 8-33 for details.)

EDE55000

Throttle lever

Check to see that the throttle lever operates correctly. It must open smoothly and spring back to idle position when released. Repair as necessary for proper operation.

EDE85001

Fittings and Fasteners

Always check the tightness of chassis fittings and fasteners before a ride. Take the machine to a Yamaha dealer or refer to the Service Manual for correct tightening torque.

EDE70000

Lights

Check the headlight and taillight to make sure they are in working condition. Repair as necessary for proper operation.

EDE70100

Switches

Check the operation of the headlight switch, engine stop switch and any other switches. Repair as necessary for proper operation.

Tires

WARNING

POTENTIAL HAZARD

Operating this ATV with improper tires, or with improper or uneven tire pressure.

WHAT CAN HAPPEN

Use of improper tires on this ATV, or operation of this ATV with improper or uneven tire pressure, may cause loss of control, increasing your risk of accident.

HOW TO AVOID THE HAZARD

1. The tires listed below have been approved by Yamaha Motor Co., Ltd. for this model. Other tire combinations are not recommended.

	Manufacturer	Size	Type
Front	DUNLOP	AT21 × 7-10	KT851A
Rear	DUNLOP	AT20 × 10-9	KT877

2. The tires should be set to the recommended pressure:

- Recommended tire pressure
Front 30 kPa (0.30 kgf/cm², 4.4 psi)
Rear 30 kPa (0.30 kgf/cm², 4.4 psi)
 - Check and adjust tire pressures when the tires are cold.
 - Tire pressures must be equal on both sides.
3. Tire pressure below the minimum specified could cause the tire to dislodge from the rim under severe riding conditions.
The following are minimums:
Front 27 kPa (0.27 kgf/cm², 3.9 psi)
Rear 27 kPa (0.27 kgf/cm², 3.9 psi)
 4. Use no more than the following pressures when seating the tire beads.
Front 250 kPa (2.5 kgf/cm², 36 psi)
Rear 250 kPa (2.5 kgf/cm², 36 psi)
Higher pressures may cause the tires to burst. Inflate the tires very slowly and carefully. Fast inflation could cause the tires to burst.

How to measure tire pressure

Use the low-pressure tire gauge.

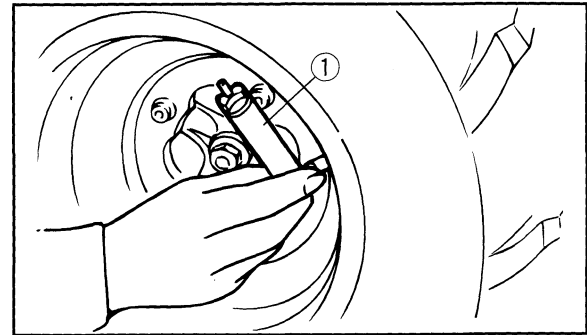
NOTE:

The low-pressure tire gauge is included as standard equipment. Make two measurements of the tire pressure and use the second reading. Dust or dirt in the gauge could cause the first reading to be incorrect.

Set pressure with tires cold.

Set tire pressures to the following specifications:

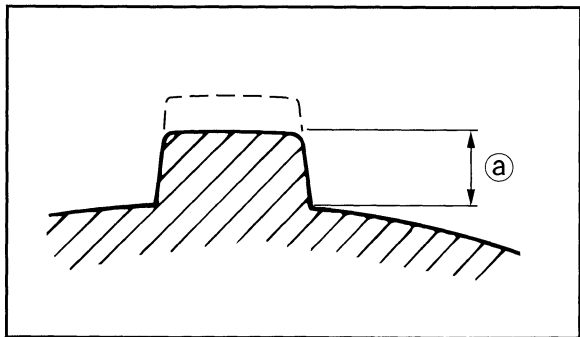
	Recommended pressure	Minimum	Maximum
Front	30 kPa (0.30 kgf/cm ² , 4.4 psi)	27 kPa (0.27 kgf/cm ² , 3.9 psi)	33 kPa (0.33 kgf/cm ² , 4.7 psi)
Rear	30 kPa (0.30 kgf/cm ² , 4.4 psi)	27 kPa (0.27 kgf/cm ² , 3.9 psi)	33 kPa (0.33 kgf/cm ² , 4.7 psi)



1. Low-pressure tire gauge

Tire wear limit

When the tire groove decreases to 3 mm (0.12 in) due to wear, replace the tire.



a. 3 mm (0.12 in)

OPERATION

⚠️ WARNING

Indicates a potential hazard that could result in serious injury or death.

⚠️ WARNING

POTENTIAL HAZARD

Operating ATV without being familiar with all controls.

WHAT CAN HAPPEN

Loss of control, which could cause an accident or injury.

HOW TO AVOID THE HAZARD

Read the Owner's Manual carefully. If there is a control or function you do not understand, ask your Yamaha dealer.

Starting a cold engine

⚠️ WARNING

POTENTIAL HAZARD

Freezing control cables in cold weather.

WHAT CAN HAPPEN

You could be unable to control the ATV, which could lead to an accident or collision.

HOW TO AVOID THE HAZARD

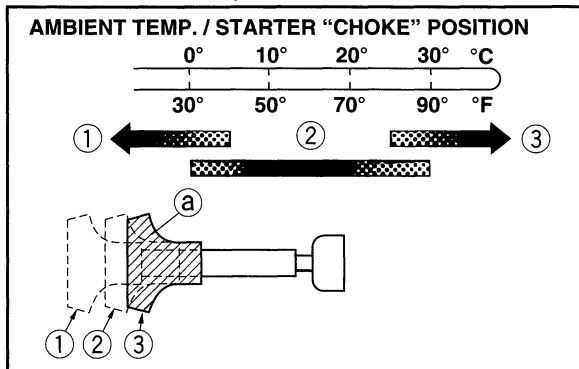
When riding in cold weather, always make sure all control cables work smoothly before you begin riding.

1. Turn the fuel cock to "ON".
2. Turn the main switch to "ON" and the engine stop switch to "RUN".
3. Shift the transmission into neutral.
4. Use the starter "CHOKE" in reference to the figure:

Position ①: Cold engine start-ambient temperature below 5°C (40°F).

Position ②: Cold engine start-ambient temperature at 0°C (30°F) ~ 30°C (90°F) and warming up position.

Position ③: Cold engine start-ambient temperature above 25°C (80°F) and warm engine start position.



1. Fully open
3. Closed

2. Half open
- a. Starter "CHOKE"

5. Completely close the throttle lever and start the engine by kicking the kick starter.

6. If the engine is started at position ①, the starter "CHOKE" should be returned to position ② (half-open) to warm up the engine. If the engine is started at position ②, keep it at this position to warm up the engine.

7. Continue warming up the engine until it idles smoothly and return the starter "CHOKE" to position ③ (closed) before riding.

CAUTION:

See the "Engine break-in" section prior to operating engine for the first time.

Starting a warm engine

To start a warm engine, refer to the "Starting a cold engine" section. The starter "CHOKE" should not be used. The throttle should be opened slightly.

Warming up

To get maximum engine life, always warm up the engine before starting off. Never accelerate hard with a cold engine! To see whether or not the engine is warm, check if it responds to the throttle normally with the starter "CHOKE" turned off.

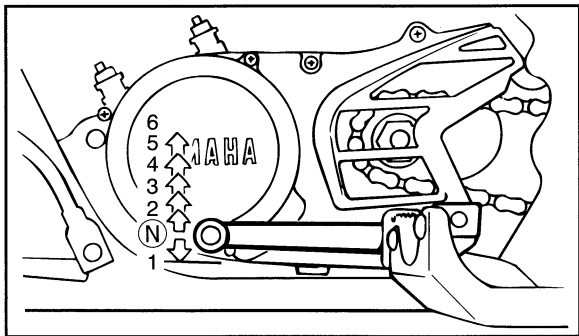
NOTE: _____

When the parking brake is used, engine speed is limited to 2,300 r/min. Be sure the parking brake is released before moving the throttle lever. Otherwise, the engine will misfire, preventing normal operation.

Shifting

This model has a 6-speed forward transmission. The transmission allows you to control the amount of power you have available at a given speed or for starting, accelerating, climbing hills, etc.

To shift into neutral, return the throttle lever to its original position, apply the clutch and repeatedly depress the shift pedal until it stops. When it stops, it will be in first gear. Raise the pedal slightly to neutral.



N. Neutral

CAUTION:

1. Do not coast for long periods with the engine off, and do not tow the machine a long distance. Even in neutral position, the transmission is only properly lubricated when the engine is running. Inadequate lubrication may cause damage.
2. Always use the clutch when changing gears. The engine, transmission and drive train are not designed to withstand the shock of forced shifting and can be damaged by shifting without the clutch.

To start out and accelerate:

1. Release the throttle lever.

CAUTION: _____

Always close the throttle while shifting gears. Otherwise, damage to the engine and drive train may result.

2. Pull the clutch lever to disengage the clutch.
3. Shift into first gear.
4. Open the throttle gradually and at the same time, release the clutch lever slowly.
5. Once the machine has attained adequate speed, release the throttle, and at the same time, quickly pull in the clutch lever.
6. Shift into second gear (be careful not to shift into neutral).

7. Open the throttle part way and gradually release the clutch lever.
8. Follow the same procedure when shifting to the next higher gear.

 **WARNING****POTENTIAL HAZARD**

Opening the throttle abruptly or releasing the clutch lever too quickly.

WHAT CAN HAPPEN

The machine could wheelie. This would increase the chance of an accident, including overturn.

HOW TO AVOID THE HAZARD

**Open the throttle gradually.
Release the clutch lever gradually.**

To decelerate:

When slowing down or stopping, release the throttle and apply the brakes smoothly and evenly. As you slow down, shift to a lower gear. Be sure that the engine has sufficiently slowed before engaging a lower gear. Improper use of the brakes or shifting can cause the tires to lose traction, reducing control and increasing the possibility of an accident.

 **WARNING****POTENTIAL HAZARD**

Engaging a lower gear when the engine speed is too high.

WHAT CAN HAPPEN

The wheels could stop rotating. This could cause loss of control, an accident and injury. It could also cause engine or drive train damage.

HOW TO AVOID THE HAZARD

Make sure the engine has sufficiently slowed before shifting to a lower gear.

Engine break-in

There is never a more important period in the life of your machine than the period between zero and 20 hours.

For this reason, we ask that you carefully read the following material. Because the engine is brand new, you must not put an excessive load on it for the first several hours of running. During the first 20 hours, the various parts in the engine wear and polish themselves to the correct operating clearances.

During this period, prolonged full throttle operation or any condition which might result in excessive engine heating must be avoided. However, momentary (2 ~ 3 seconds maximum) full throttle operation under load does not harm the engine.

Each full throttle acceleration sequence should be followed with a substantial rest period for the engine by cruising at lower r/min so the engine can rid itself of the temporary build up of heat.

If any abnormality is noticed during this period, consult a Yamaha dealer.

1. 0 ~ 10 hours:

Avoid continuous operation above half throttle. Allow a cooling off period of five to ten minutes after every hour of operation. Vary the speed of the machine from time to time. Do not operate it at one set throttle position.

2. 10 ~ 20 hours:

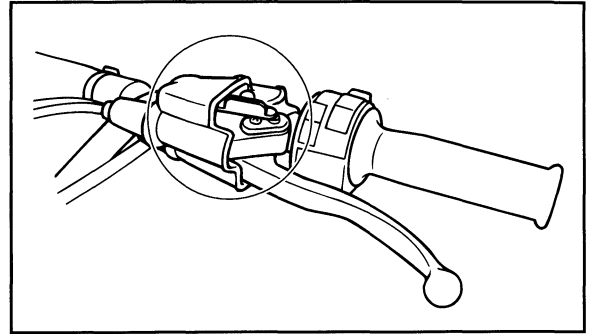
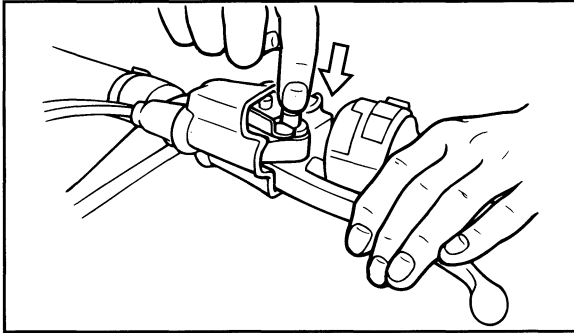
Avoid prolonged operation above 3/4 throttle. Rev the machine freely through the gears but do not use full throttle at any time.

3. After break-in:

Avoid prolonged full throttle operation. Vary speeds occasionally.

Parking

When parking, stop the engine and shift into low gear. Turn the fuel cock to "OFF" and apply the parking brake.



Parking on a slope

WARNING

POTENTIAL HAZARD

Parking on a hill or other incline.

WHAT CAN HAPPEN

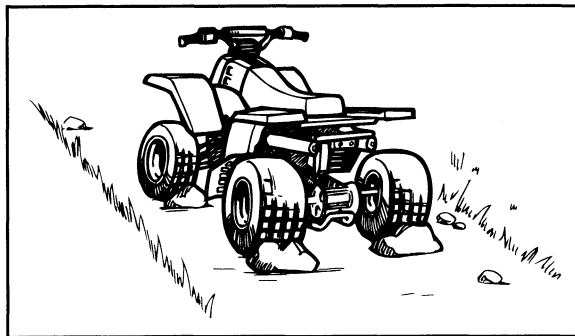
The ATV could roll out of control, increasing the chance of an accident.

HOW TO AVOID THE HAZARD

Avoid parking on hills or other inclines. If you must park on an incline, put the machine in low gear, apply the parking brake, and block the front and rear wheels with rocks or other objects.

Do not park the ATV at all on hills that are so steep you could not walk up them easily.

1. Bring the machine to a stop by applying the brakes in low gear.
2. Stop the engine and release the clutch lever.
3. With the front and rear brakes applied, apply the parking brake and slowly release the rear brake pedal.



Accessories and loading

Accessories

Accessories can affect the handling and control of your ATV. Keep the following in mind when considering an accessory or operating an ATV which has accessories.

- Choose only accessories designed for your ATV. Your Yamaha dealer has a variety of genuine Yamaha accessories. Other accessories may also be available on the market. However, it is not possible for Yamaha to test all non-Yamaha accessories, nor have any control over the quality of suitability of them. Choose a genuine Yamaha accessory, or one that is equivalent in design and quality.

- Accessories should be rigidly and securely mounted. An accessory which can shift position or come off while you are riding could affect your ability to control the ATV.
- Do not mount an accessory where it could interfere with your ability to control the ATV. Examples include (but are not limited to) a heavy or bulky object attached to the handlebars which could make steering difficult, an accessory that limits your ability to move around on the seat, or one that limits your view.
- Use extra caution when riding an ATV with accessories. The ATV may handle differently than it does without accessories.

Loading

As originally equipped, this ATV is not designed to carry cargo or tow a trailer. If you choose to add accessories so that you can carry cargo or tow a trailer, you must use common sense and good judgement. Keep the following points in mind:

- Never exceed the weight limits shown. An overloaded ATV can be unstable.

MAXIMUM LOADING LIMIT

Vehicle loading limit (total weight of cargo, rider and accessories):
100 kg (220 lbs)

- Load cargo on the carriers as close to the center of the vehicle as possible. Put cargo at the rear of the front carrier and at the front of the rear carrier. Center the load from side to side.

- Tie down cargo securely to the carriers. Make sure cargo in the trailer cannot move around. A shifting load can cause an accident.
- Make sure the load does not interfere with controls or your ability to see where you are going.
- Ride more slowly than you would without a load. The more weight you carry, the slower you should go. Although conditions vary, it is good practice not to exceed 2nd gear whenever you are carrying heavier loads or when towing a trailer.
- Allow more braking distance. A heavier vehicle takes longer to stop.
- Avoid making sharp turns unless at very slow speeds.
- Avoid hills and rough terrain. Choose terrain carefully. Added weight affects the stability and handling of the ATV.

WARNING

POTENTIAL HAZARD

Overloading this ATV or carrying or towing cargo improperly.

WHAT CAN HAPPEN

Could cause changes in vehicle handling which could lead to an accident.

HOW TO AVOID THE HAZARD

Never exceed the stated load capacity for this ATV.

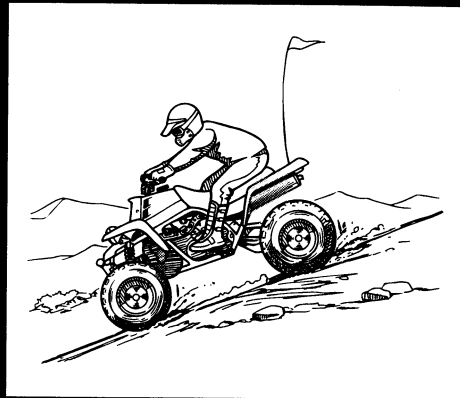
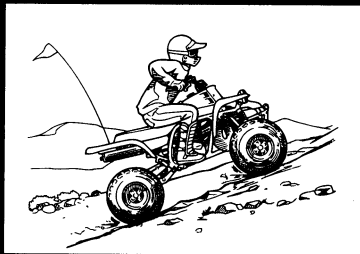
Cargo should be properly distributed and securely attached.

Reduce speed when carrying cargo or pulling a trailer. Allow greater distance for braking.

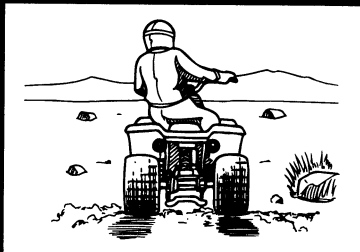
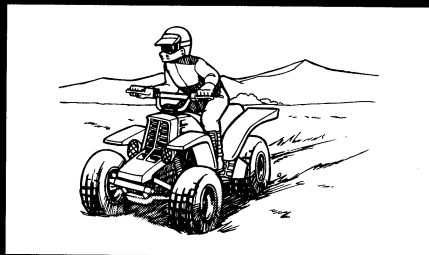
EDF55202



Indicates a potential hazard that could result in serious injury or death.



**Riding
Your
MOTO-4**



⚠️ WARNING

Indicates a potential hazard that could result in serious injury or death.

GETTING TO KNOW YOUR MOTO-4

This MOTO-4 is intended for recreational use by experienced operators only.

Even though you are an experienced operator of all other all terrain vehicles or motorcycles, riding the MOTO-4 requires special skills acquired through practice.

Take your time to fully learn techniques before attempting more difficult maneuvers.

Riding your new MOTO-4 can be a very enjoyable activity, providing you with hours of pleasure. But it is essential to familiarize yourself with the operation of the MOTO-4 to achieve the skill necessary to enjoy riding safely. Before you begin to

ride be sure you have read this Owner's Manual completely and understand the operation of the controls. Pay particular attention to the safety information on page 2-1 ~ 2-7. Please also read all caution and warning labels on your MOTO-4.

RIDE WITH CARE AND GOOD JUDGEMENT

Get training if you are inexperienced.

Beginners should get training from a certified instructor.

Become familiar with this ATV at slow speeds first, even if you are an experienced operator. Do not attempt to operate at maximum performance until you are totally familiar with the machine's handling and performance characteristics.

WARNING

POTENTIAL HAZARD

Operating this ATV without proper instruction.

WHAT CAN HAPPEN

The risk of an accident is greatly increased if the operator does not know how to operate the ATV properly in different situations and on different types of terrain.

HOW TO AVOID THE HAZARD

Beginning and inexperienced operators should complete the certified training course offered by Yamaha. They should then regularly practice the skills learned in the course and the operating techniques described in this Owner's Manual.

For more information about the training course, contact an authorized ATV dealer or call 1-800-447-4700.

Riding your machine requires skills acquired through practice over a period of time.

Take the time to learn the basic techniques well before attempting more difficult maneuvers.

Not recommended for children under 16 years of age.

⚠ WARNING

POTENTIAL HAZARD

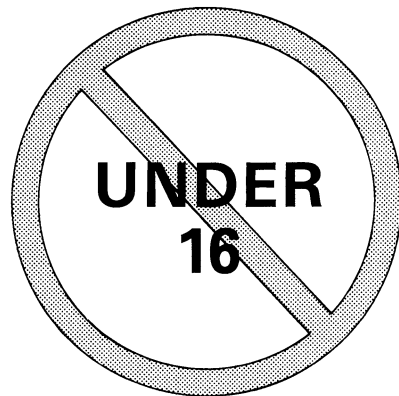
Failure to follow the age recommendations for this ATV.

WHAT CAN HAPPEN

Use by children of ATVs that are not recommended for their age can lead to severe injury or death of the child.

HOW TO AVOID THE HAZARD

A child under 16 should never operate an ATV with engine size greater than 90cc.



This machine is designed to carry operator only - passengers prohibited.

⚠ WARNING

POTENTIAL HAZARD

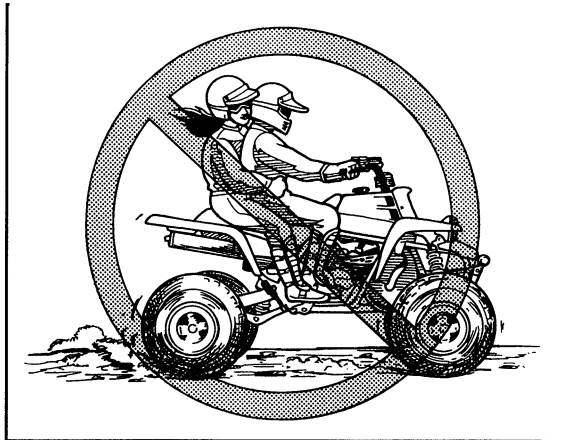
Carrying a passenger on this ATV.

WHAT CAN HAPPEN

Greatly reduces your ability to balance and control this ATV. Could cause an accident, resulting in harm to you and/or your passenger.

HOW TO AVOID THE HAZARD

Never carry a passenger. The long seat is to allow the operator to shift position as needed during operation. It is not for carrying passengers.



Apparel

WARNING

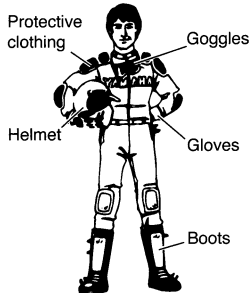
POTENTIAL HAZARD

Operating this ATV without wearing an approved motorcycle helmet, eye protection and protective clothing.

WHAT CAN HAPPEN

Operating without an approved motorcycle helmet increases your chances of a severe head injury or death in the event of an accident.

Operating without eye protection can result in an accident and increases your chances of a severe injury in the event of an accident.



Operating without protective clothing increases your chances of severe injury in the event of an accident.

HOW TO AVOID THE HAZARD

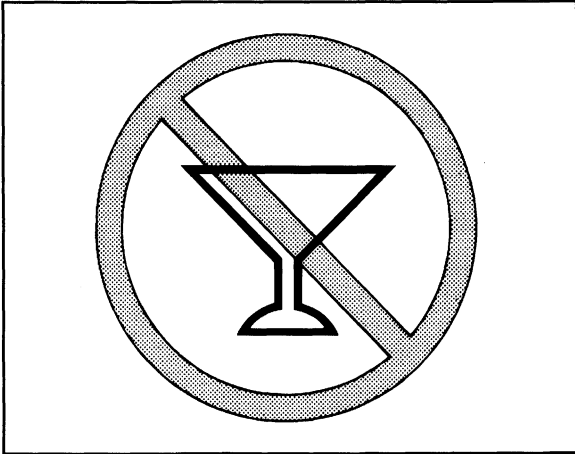
Always wear an approved motorcycle helmet that fits properly.

You should also wear:

- eye protection (goggles or face shield)
- gloves
- boots
- long-sleeved shirt or jacket
- long pants.

Do not operate after consuming alcohol or drugs.

Operator's performance capability is reduced by the influence of alcohol or drugs.



! WARNING

POTENTIAL HAZARD

Operating this ATV after consuming alcohol or drugs.

WHAT CAN HAPPEN

Could seriously affect your judgment.

Could cause you to react more slowly.

Could affect your balance and perception.

Could result in an accident.

HOW TO AVOID THE HAZARD

Never consume alcohol or drugs before or while driving this ATV.

Pre-Operation checks

Always perform the Pre-Operation checks listed on page 5-1 before riding for safety and proper care of the machine.

WARNING

POTENTIAL HAZARD

Failure to inspect the ATV before operating.

Failure to properly maintain the ATV.

WHAT CAN HAPPEN

Increases the possibility of an accident or equipment damage.

HOW TO AVOID THE HAZARD

Always inspect your ATV each time you use it to make sure the ATV is in safe operating condition.

Always follow the inspection and maintenance procedures and schedules described in the Owner's Manual.

WARNING

POTENTIAL HAZARD

Operating this ATV with improper tires, or with improper or uneven tire pressure.

WHAT CAN HAPPEN

Use of improper tires on this ATV, or operation of this ATV with improper or uneven tire pressure, may cause loss of control, increasing your risk of an accident.

HOW TO AVOID THE HAZARD

Always use the size and type tires specified in the Owner's Manual for this vehicle on page 5-10.

Always maintain proper tire pressure as described in the Owner's Manual on page 5-11.

⚠️ WARNING

Indicates a potential hazard that could result in serious injury or death.

Do not operate at speeds too fast for your skills or the conditions.

⚠️ WARNING

POTENTIAL HAZARD

Operating this ATV at speeds too fast for your skills or the conditions.

WHAT CAN HAPPEN

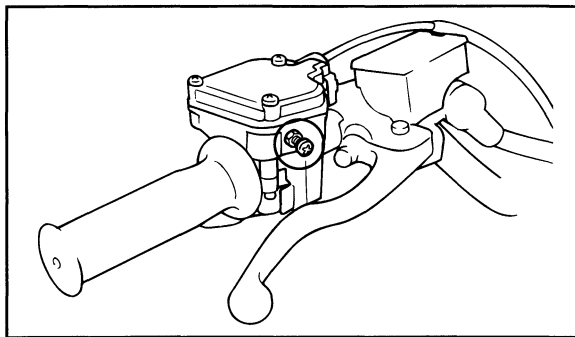
Increases your chances of losing control of the ATV, which can result in an accident.

HOW TO AVOID THE HAZARD

Always go at a speed that is proper for the terrain, visibility and operating conditions, and your experience.

Speed limiter

For riders inexperienced with this model, this model is equipped with a speed limiter in the throttle lever housing. The speed limiter limits the power and top speed of the machine. Turning the screw in decreases top speed, and turning it out increases top speed.



Loading and accessories

Use extra caution when riding the machine with additional loads, such as accessories or cargo. The machine's handling may be adversely affected. Reduce your speed when adding additional loads.

MAXIMUM LOADING LIMIT

Vehicle loading limit (total weight of rider, cargo and accessories):
100 kg (220 lbs)

WARNING

POTENTIAL HAZARD

Overloading this ATV or carrying or towing cargo improperly.

WHAT CAN HAPPEN

Could cause changes in vehicle handling which could lead to an accident.

HOW TO AVOID THE HAZARD

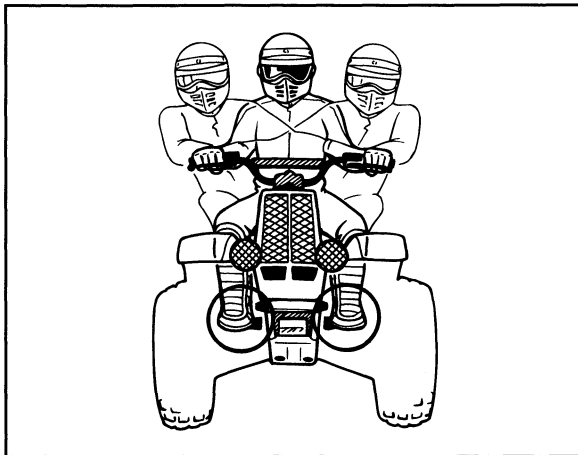
Never exceed the stated load capacity for this ATV.

Cargo should be properly distributed and securely attached. Reduce speed when carrying cargo or pulling a trailer. Allow greater distance for braking.

Always follow the instructions in your Owner's Manual for carrying cargo or pulling a trailer.

During operation

Always keep your feet on the footboards during operation. Otherwise your feet may contact the rear wheels.



⚠ WARNING

POTENTIAL HAZARD

Removing hands from handlebars or feet from footboards during operation.

WHAT CAN HAPPEN

Removing even one hand or foot can reduce your ability to control the ATV or could cause you to lose your balance and fall off of the ATV. If you remove a foot from a footboard, your foot or leg may come into contact with the rear wheels, which could injure you or cause an accident.

HOW TO AVOID THE HAZARD

Always keep both hands on the handlebars and both feet on the footboards of your ATV during operation.

Avoid wheelies and jumping. You may lose control of the machine or overturn.

! WARNING

POTENTIAL HAZARD

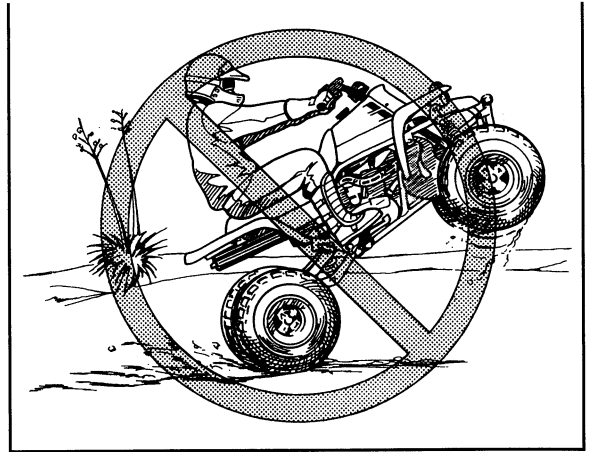
Attempting wheelies, jumps, and other stunts.

WHAT CAN HAPPEN

Increases the chance of an accident, including an overturn.

HOW TO AVOID THE HAZARD

Never attempt stunts, such as wheelies or jumps. Don't try to show off.



Modifications

WARNING

POTENTIAL HAZARD

Operating this ATV with improper modifications.

WHAT CAN HAPPEN

Improper installation of accessories or modification of this vehicle may cause changes in handling which in some situations could lead to an accident.

HOW TO AVOID THE HAZARD

Never modify this ATV through improper installation or use of accessories. All parts and accessories added to this vehicle should be genuine Yamaha or equivalent components designed for use on this ATV and should be installed and used according to instructions. If you have questions, consult an authorized ATV dealer.

Exhaust system

The exhaust system on the machine is very hot during and following operation. To prevent burns, avoid touching the exhaust system. Park the machine in a place where pedestrians or children are not likely to touch it.

⚠ WARNING

POTENTIAL HAZARD

Hot exhaust system.

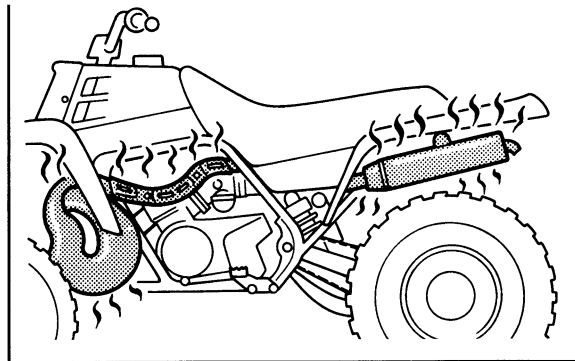
WHAT CAN HAPPEN

Someone touching the exhaust system during or after operation could be burned.

HOW TO AVOID THE HAZARD

Do not touch the hot exhaust system.

Do not park the machine in a place where others might be likely to touch it.



BE CAREFUL WHERE YOU RIDE:

This machine is designed for off-road use only. Riding on paved surfaces can cause loss of control.

⚠ WARNING

POTENTIAL HAZARD

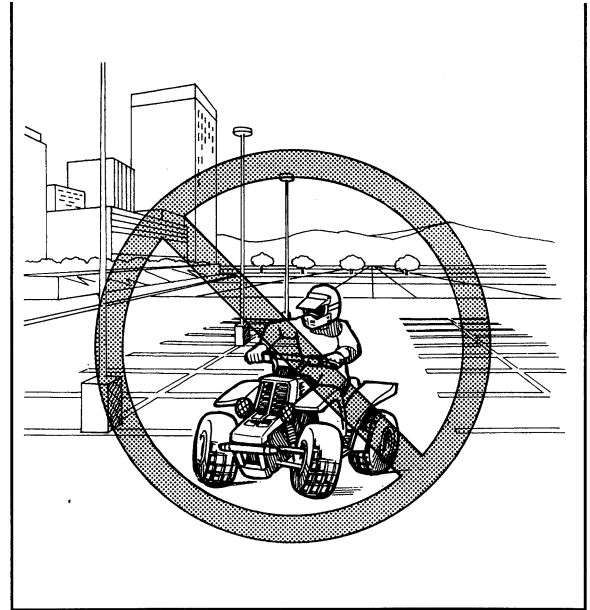
Operating this ATV on paved surfaces.

WHAT CAN HAPPEN

ATV's are designed for off-road use only. Paved surfaces may seriously affect handling and control of the ATV, and may cause the vehicle to go out of control.

HOW TO AVOID THE HAZARD

Always avoid paved surfaces, including sidewalks, driveways, parking lots and streets.



Do not ride on any public road, street, or highway.

Riding on public roads can result in collisions with other vehicles.

⚠ WARNING

POTENTIAL HAZARD

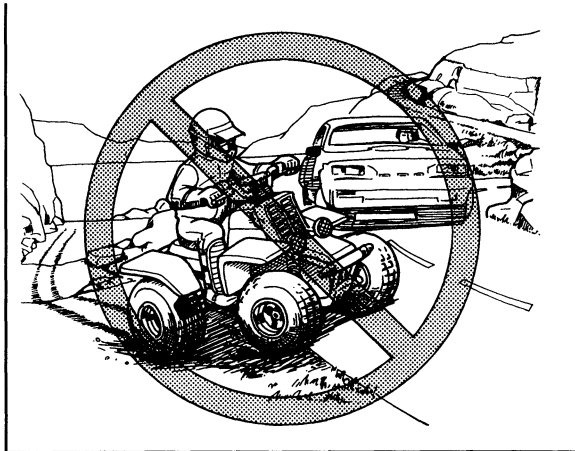
Operating this ATV on public streets, roads or highways.

WHAT CAN HAPPEN

You can collide with another vehicle.

HOW TO AVOID THE HAZARD

Never operate this ATV on any public street, road or highway, even a dirt or gravel one. In many states it is illegal to operate ATVs on public streets, roads and highways.



Know the terrain where you ride. Ride cautiously in unfamiliar areas.

Stay alert for **holes, rocks, or roots** in the terrain, and **other hidden hazards** which may cause the machine to upset.

⚠ WARNING

POTENTIAL HAZARD

Failure to use extra care when operating this ATV on unfamiliar terrain.

WHAT CAN HAPPEN

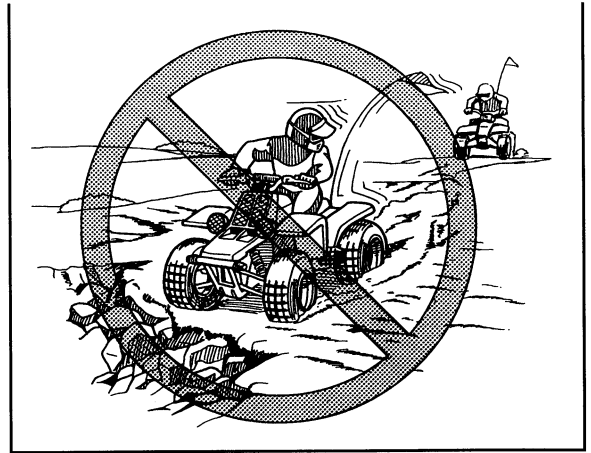
You can come upon hidden rocks, bumps, or holes, without enough time to react.

Could result in the ATV overturning or going out of control.

HOW TO AVOID THE HAZARD

Go slowly and be extra careful when operating on unfamiliar terrain.

Always be alert to changing terrain conditions when operating the ATV.



WARNING

POTENTIAL HAZARD

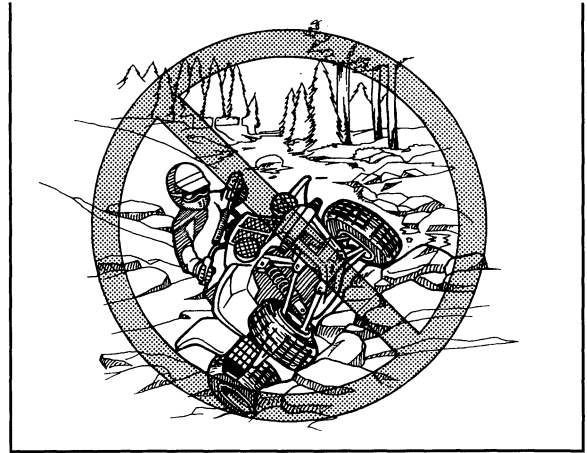
Failure to use extra care when operating on excessively rough, slippery or loose terrain.

WHAT CAN HAPPEN

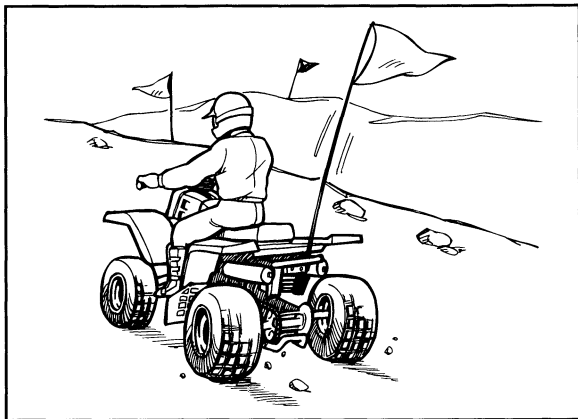
Could cause loss of traction or vehicle control, which could result in an accident, including an overturn.

HOW TO AVOID THE HAZARD

Do not operate on excessively rough, slippery or loose terrain until you have learned and practiced the skills necessary to control the **ATV** on such terrain. Always be especially cautious on these kinds of terrain.



When riding in an area where you might not easily be seen, such as desert terrain, mount a caution flag on the machine. DO NOT use the flag pole bracket as a trailer hitch.



⚠ WARNING

POTENTIAL HAZARD

Operating in areas where you might not be seen by other off-road vehicles.

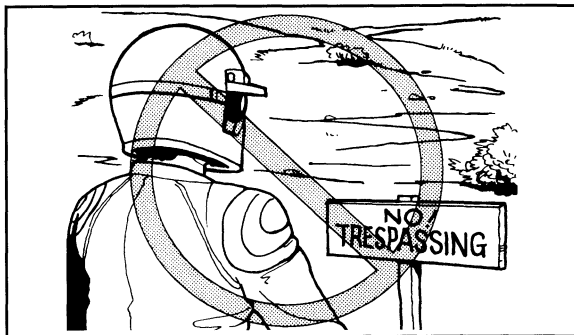
WHAT CAN HAPPEN

You could be in a collision. You could be injured.

HOW TO AVOID THE HAZARD

Always mount a caution flag on the machine to make you more visible. Watch carefully for other vehicles.

Do not ride in areas posted “no trespassing”. Do not ride on private property without getting permission.



Select a large, flat area off-road to become familiar with your MOTO-4. Make sure that this area is free of obstacles and other riders. You should practice control of the throttle, brakes, shifting procedures, and turning techniques in this area before trying more difficult terrain. Always avoid riding on paved surfaces: the MOTO-4 is designed for off-road use only, and handling maneuvers are more difficult to perform on pavement.

Set the parking brake and follow the instructions on page 6-1 to start the engine. Once it has warmed up you are ready to begin riding your MOTO-4. As you get on the MOTO-4, be sure not to accidentally move the shift pedal. Remember that the engine and exhaust pipe will be hot when riding and afterwards; do not allow skin or clothing to come in contact with these components.

With the engine idling, pull the clutch lever to disengage the clutch and shift into 1st gear, and then release the parking brake. Open the throttle gradually, and at the same time, release the clutch lever slowly. Once the MOTO-4 has attained adequate speed, release the throttle lever and at same time, quickly pull in the clutch lever and shift into 2nd gear. Open the throttle part way and gradually release the clutch. Use this same procedure as you move into the higher gears. Be sure to coordinate the use of the throttle and shift pedal properly. If the throttle is applied too abruptly or if the throttle is not released during shifting, or if the shift pedal is not released before applying the throttle, the front wheels may lift off the ground resulting in a loss of directional control. Avoid higher speeds until you are thoroughly familiar with the operation of your MOTO-4.

WARNING

POTENTIAL HAZARD

Opening the throttle abruptly or releasing the clutch lever too quickly.

WHAT CAN HAPPEN

The machine could wheelie. This would increase the chance of an accident, including overturn.

HOW TO AVOID THE HAZARD

Open the throttle gradually. Release the clutch lever gradually.

CAUTION:

Do not shift gears without releasing the throttle. Damage to the engine or drive train may occur.

When slowing down or stopping, release the throttle and apply the brakes smoothly

and evenly. As you slow down, shift to a lower gear. Be sure that the engine has sufficiently slowed before engaging a lower gear. Improper use of the brakes or shifting can cause the tires to lose traction, reducing control and increasing the possibility of an accident.

WARNING

POTENTIAL HAZARD

Engaging a lower gear when the engine speed is too high.

WHAT CAN HAPPEN

The wheels could stop rotating. This could cause loss of control, an accident and injury. It could also cause engine or drive train damage.

HOW TO AVOID THE HAZARD

Make sure the engine has sufficiently slowed before shifting to a lower gear.

TURNING YOUR MOTO-4

To achieve maximum traction while riding off-road, the two rear wheels are mounted solidly on one axle and turn together at the same speed. Therefore, unless the wheel on the inside of the turn is allowed to slip or lose some traction, the MOTO-4 will resist turning. A special turning technique must be used to allow the MOTO-4 to make turns quickly and easily. It is essential that this skill be learned first at low speed.

WARNING

POTENTIAL HAZARD

Turning improperly.

WHAT CAN HAPPEN

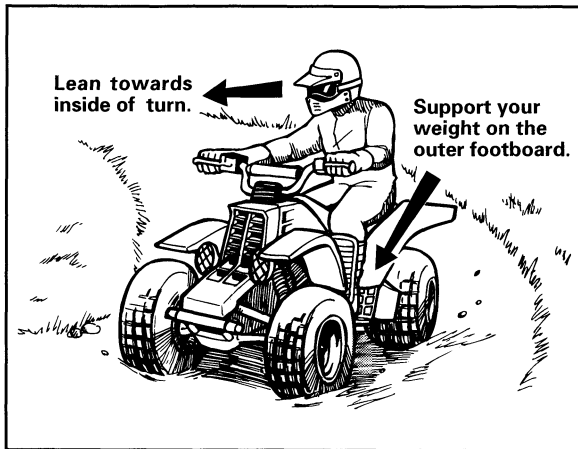
The ATV could go out of control, causing a collision or overturn.

HOW TO AVOID THE HAZARD

Always follow proper procedures for turning as described in this Owner's Manual.

Practice turning at low speeds before attempting to turn at faster speeds. Do not turn at speeds too fast for your skills or the conditions.

As you approach a curve, slow down and begin to turn the handlebars in the desired direction. As you do so, put your weight on the footboard to the outside of the turn (opposite your desired direction) and lean your upper body into the turn. Use the throttle to maintain an even speed through the turn. This maneuver will let the wheel on the inside of the turn slip slightly, allowing the MOTO-4 to make the turn properly.



This procedure should be practiced at slow speed many times in a large off-road area with no obstacles. If an incorrect technique is used, your MOTO-4 may continue to go straight. If the MOTO-4 doesn't turn, come to a stop and then practice the procedure again. If the riding surface is slippery or loose, it may help to position more of your weight over the front wheels by moving

forward on the seat. Once you have learned this technique you should be able to perform it at higher speeds or in tighter curves.

Improper riding procedures such as abrupt throttle changes, excessive braking, incorrect body movements, or too much speed for the sharpness of the turn may cause the MOTO-4 to tip. If the MOTO-4 begins to tip over to the outside while negotiating a turn, lean more to the inside. It may also be necessary to gradually let off on the throttle and steer to the outside of the turn to avoid tipping over.

Remember: Avoid higher speeds until you are thoroughly familiar with the operation of your MOTO-4.

CLIMBING UPHILL

Use proper riding techniques to avoid vehicle overturns on hills. Be sure that you can maneuver your MOTO-4 well on flat ground before attempting any incline and then practice riding first on gentle slopes. Try more difficult climbs only after you have developed your skill. In all cases avoid inclines with slippery or loose surfaces, or obstacles that might cause you to lose control.

WARNING

POTENTIAL HAZARD

Operating on excessively steep hills.

WHAT CAN HAPPEN

The vehicle can overturn more easily on extremely steep hills than on level surfaces or small hills.

HOW TO AVOID THE HAZARD

Never operate the ATV on hills too steep for the ATV or for your abilities.

Practice on smaller hills before attempting large hills.

It is important when climbing a hill to make sure that your weight is transferred forward on the MOTO-4. This can be accomplished by leaning forward and, on steeper inclines, standing on the footboards and leaning forward over the handlebars.

⚠ WARNING

POTENTIAL HAZARD

Climbing hills improperly.

WHAT CAN HAPPEN

Could cause loss of control or cause the ATV to overturn.

HOW TO AVOID THE HAZARD

Always follow proper procedures for climbing hills as described in this Owner's Manual.

Always check the terrain carefully before you start up any hill.

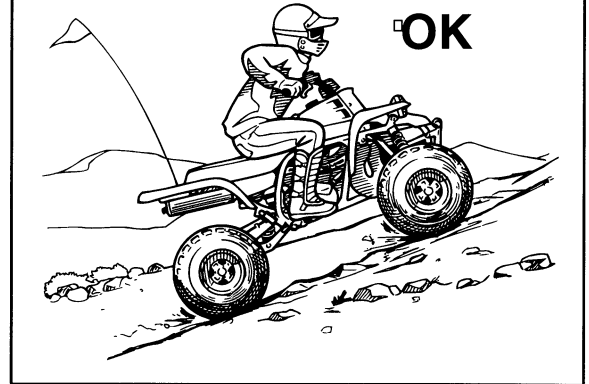
Never climb hills with excessively slippery or loose surfaces.

Shift your weight forward.

Never open the throttle suddenly or make sudden gear changes.

The ATV could flip over backwards.

Never go over the top of any hill at high speed. An obstacle, a sharp drop, or another vehicle or person could be on the other side of the hill.



If you are climbing a hill and you find that you have not properly judged your ability to make it to the top, you should turn the MOTO-4 around while you still have forward motion (provided you have the room to do so) and go down the hill.

⚠ WARNING

POTENTIAL HAZARD

Improperly crossing hills or turning on hills.

WHAT CAN HAPPEN

Could cause loss of control or cause the ATV to overturn.

HOW TO AVOID THE HAZARD

Never attempt to turn the ATV around on any hill until you have mastered the turning technique as described in the Owner's Manual on level ground. Be very careful when turning on any hill.

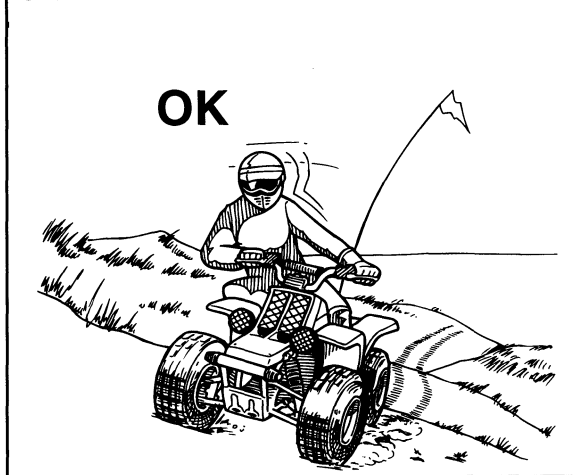
Avoid crossing the side of a steep hill if possible.

When crossing the side of a hill:

Always follow proper procedures as described in the Owner's Manual.

Avoid hills with excessively slippery or loose surfaces.

Shift your weight to the uphill side of the ATV.



If your MOTO-4 has stalled or stopped and you believe you can continue up the hill, restart carefully to make sure you do not lift the front wheels which could cause you to lose control. If you are unable to continue up the hill, dismount the MOTO-4 on the uphill side. Physically turn the MOTO-4 around and then descend the hill.

If you start to roll backwards, DO NOT use the rear brake to stop or try to put the MOTO-4 in gear. The MOTO-4 could easily tip over backwards. Instead, dismount the MOTO-4 immediately on the uphill side.

WARNING

POTENTIAL HAZARD

Stalling, rolling backwards or improperly dismounting while climbing a hill.

WHAT CAN HAPPEN

Could result in the ATV overturning.

HOW TO AVOID THE HAZARD

Use proper gear and maintain steady speed when climbing a hill.

If you lose all forward speed:

Keep weight uphill.

Apply the brakes.

Lock parking brake, after you are stopped.

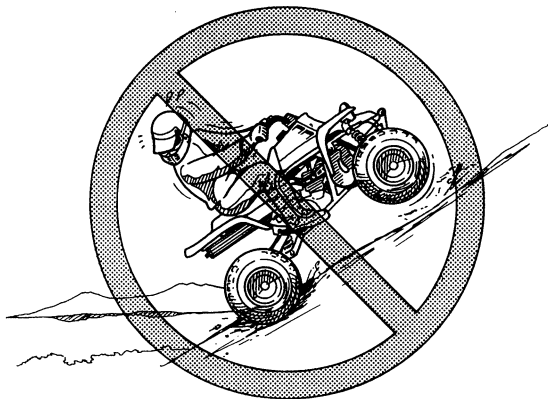
If you begin rolling backwards:

Keep weight uphill.

Never apply the rear brake while rolling backwards.

Apply the front brake.

When fully stopped, apply rear brake as well, and then lock parking brake. Dismount on uphill side or to a side if pointed straight uphill. Turn the ATV around and remount, following the procedure described in the Owner's Manual.



RIDING DOWNHILL

When riding your MOTO-4 downhill, shift your weight as far to the rear and uphill side of the MOTO-4 as possible. Move back on the seat and sit with your arms straight. Choose a low gear which will allow the engine compression to do most of the braking for you. Improper braking may cause a loss of traction.

Use caution while descending a hill with loose or slippery surfaces. Braking ability and traction may be adversely affected by these surfaces. Improper braking may also cause a loss of traction.

Whenever possible, ride your MOTO-4 straight downhill. Avoid sharp angles which could allow the MOTO-4 to tip or roll over. Carefully choose your path and ride no faster than you will be able to react to obstacles which may appear.

WARNING

POTENTIAL HAZARD

Going down a hill improperly.

WHAT CAN HAPPEN

Could cause loss of control or cause the ATV to overturn.

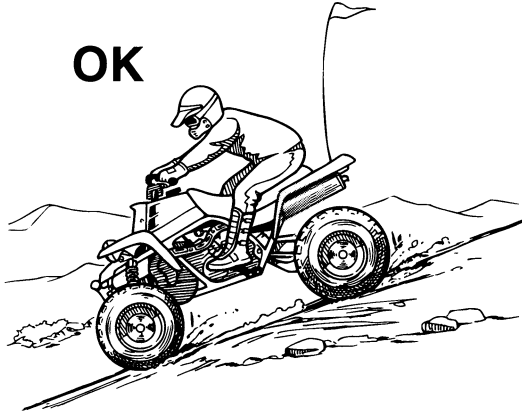
HOW TO AVOID THE HAZARD

Always follow proper procedures for going down hills as described in this Owner's Manual. Note: a special technique is required when braking as you go down a hill.

Always check the terrain carefully before you start down any hill.

Shift your weight backward. Never go down a hill at high speed. Avoid going down a hill at an angle that would cause the vehicle to lean sharply to one side. Go straight down the hill where possible.

OK



CROSSING A SLOPE

Traversing a sloping surface on your MOTO-4 requires you to properly position your weight to maintain proper balance. Be sure that you have learned the basic riding skills on flat ground before attempting to cross a sloping surface. Avoid slopes with slippery surfaces or rough terrain that may upset your balance.

As you travel across a slope, lean your body in the uphill direction. It may be necessary to correct the steering when riding on loose surfaces by pointing the front wheels slightly uphill. When riding on slopes be sure not to make sharp turns either up or down hill.

If your MOTO-4 does begin to tip over, gradually steer in the downhill direction if there are no obstacles in your path. As you regain proper balance, gradually steer again in the direction you wish to travel.

WARNING

POTENTIAL HAZARD

Improperly crossing hills or turning on hills.

WHAT CAN HAPPEN

Could cause loss of control or cause the ATV to overturn.

HOW TO AVOID THE HAZARD

Never attempt to turn the ATV around on any hill until you have mastered the turning technique as described in the Owner's Manual on level ground. Be very careful when turning on any hill. Avoid crossing the side of a steep hill if possible.

When crossing the side of a hill:

Always follow proper procedures as described in the Owner's Manual.

Avoid hills with excessively slippery or loose surfaces.

Shift your weight to the uphill side of the ATV.



CROSSING THROUGH SHALLOW WATER

The MOTO-4 can be used to cross slow moving, shallow water of up to a maximum of 35 cm (14 inches) in depth. Before entering the water, choose your path carefully. Enter where there is no sharp drop off, and avoid rocks or other obstacles which may be slippery or upset the MOTO-4. Drive slowly and carefully.

⚠ WARNING

POTENTIAL HAZARD

Operating this ATV through deep or fast flowing water.

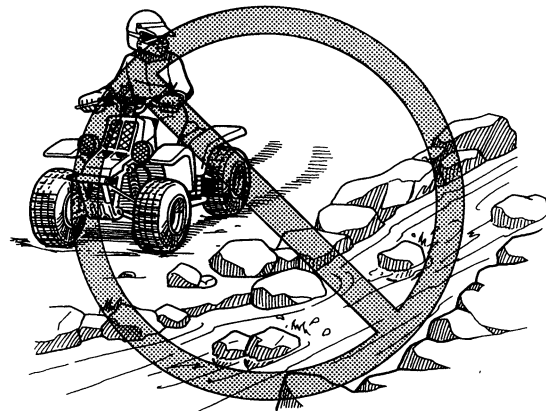
WHAT CAN HAPPEN

Tires may float, causing loss of traction and loss of control, which could lead to an accident.

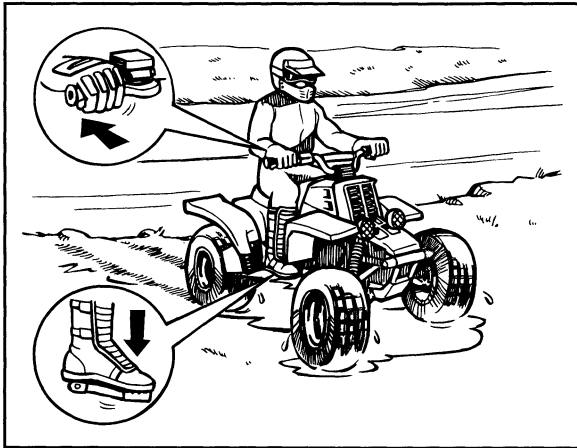
HOW TO AVOID THE HAZARD

Never operate this ATV in fast flowing water or in water deeper than that specified in your Owner's Manual.

Remember that wet brakes may have reduced stopping ability. Test your brakes after leaving water. If necessary, apply them several times to let friction dry out the linings.

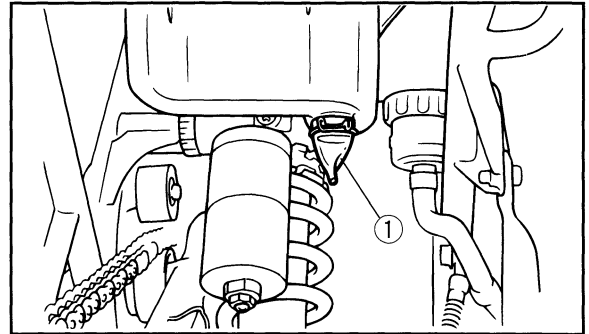


Test your brakes after leaving the water. Do not continue to ride your MOTO-4 without verifying that you have regained proper braking ability.



CAUTION:

After riding your MOTO-4 in water, be sure to drain the trapped water by removing the check hose at the bottom of the air filter case. Wash the MOTO-4 in fresh water if it has been operated in salt water or muddy conditions.



1. Check hose

RIDING OVER ROUGH TERRAIN

Riding over rough terrain should be done with caution. Look out for obstacles which could cause damage to the MOTO-4 or could lead to an upset or accident. Be sure to keep your feet firmly mounted on the footboards at all times. Avoid jumping the MOTO-4 as loss of control and damage to the MOTO-4 may result.

WARNING

POTENTIAL HAZARD

Improperly operating over obstacles.

WHAT CAN HAPPEN

Could cause loss of control or a collision. Could cause the ATV to overturn.

HOW TO AVOID THE HAZARD

Before operating in a new area, check for obstacles.

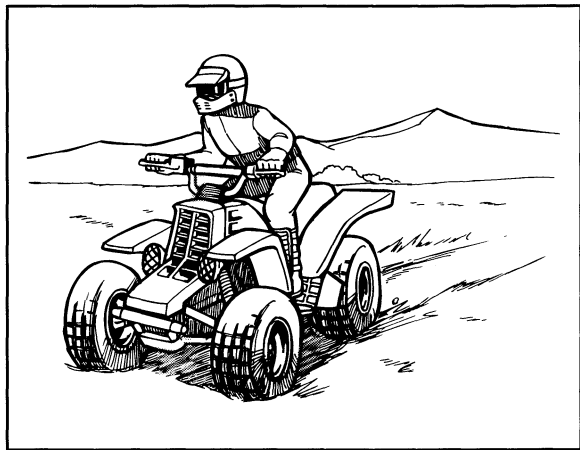
Never attempt to ride over large obstacles, such as large rocks or fallen trees.

When you go over obstacles, always follow proper procedures as described in the Owner's Manual.

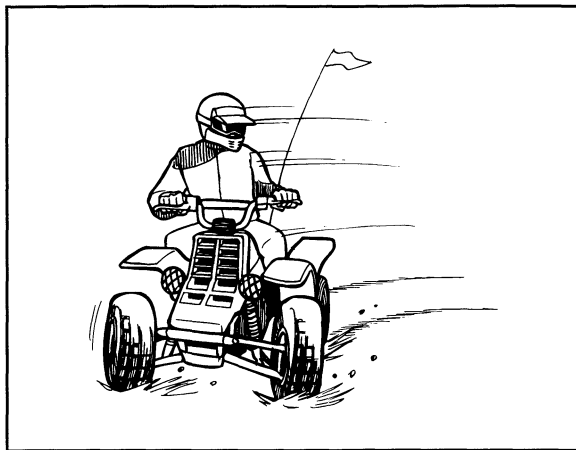
SLIDING AND SKIDDING

Care should be used when riding on loose or slippery surfaces since the MOTO-4 may slide. If unexpected and uncorrected, sliding could lead to an accident.

To reduce the tendency for the front wheels to slide in loose or slippery conditions, positioning your weight over the front wheels will sometimes help.



If the rear wheels of your MOTO-4 start to slide sideways, control can usually be regained (if there is room to do so) by steering in the direction of the slide. Applying the brakes or accelerating is not recommended until you have corrected the slide.



With practice, over a period of time, skill at controlled sliding can be developed. The terrain should be chosen carefully before attempting such maneuvers, since both stability and control are reduced. Bear in mind that sliding maneuvers should always be avoided on extremely slippery surfaces such as ice, since all control may be lost.

WARNING

POTENTIAL HAZARD

Skidding or sliding improperly.

WHAT CAN HAPPEN

You may lose control of this ATV.

You may also regain traction unexpectedly, which may cause the ATV to overturn.

HOW TO AVOID THE HAZARD

Learn to safely control skidding or sliding by practicing at low speeds and on level, smooth terrain.

On extremely slippery surfaces, such as ice, go slowly and be very cautious in order to reduce the chance of skidding or sliding out of control.

WHAT TO DO IF ...

This section is designed to be a reference guide only. Be sure to read each section on riding techniques completely.

WHAT TO DO ...

- If your MOTO-4 doesn't turn when you want it to:
Bring the MOTO-4 to a stop and practice the turning maneuvers again. Be sure you are putting your weight on the footboard to the outside of the turn. Position your weight over the front wheels for better control (see pages 7-23 ~ 7-24).
- If your MOTO-4 begins to tip while turning:
Lean more into the turn to regain balance. If necessary, gradually let off the throttle and/or steer to the outside of the turn (see pages 7-23 ~ 7-24).
- If your MOTO-4 starts to slide sideways:
Steer in the direction of the slide if you have the room.
Applying the brakes or accelerating is not recommended until you have corrected the slide (see pages 7-38 ~ 7-39).
- If your MOTO-4 can't make it up a hill you are trying to climb:
Turn the MOTO-4 around if you still have forward speed. If not, stop, dismount on the uphill side of the MOTO-4 and physically turn the MOTO-4 around. If the MOTO-4 starts to slip backwards DO NOT USE THE REAR BRAKE - the MOTO-4 may tip over on top of you. Dismount the MOTO-4 on the uphill side (see pages 7-25 ~ 7-29).

- If your MOTO-4 is traversing a sloping surface:
Be sure to ride with your weight positioned towards the uphill side of the MOTO-4 to maintain proper balance. If the MOTO-4 starts to tip, steer down the hill (if there are no obstacles in your way) to regain balance. If you discover that the MOTO-4 is going to tip over, dismount on the uphill side (see pages 7-32 ~ 7-33).
- If your MOTO-4 encounters shallow water:
Ride slowly and carefully through slow moving water, watching for obstacles. Be sure to let water drain from the MOTO-4 and **CHECK YOUR BRAKES FOR PROPER OPERATION** when you come out of the water. Do not continue to ride your MOTO-4 until you have regained adequate braking ability (see pages 7-34 ~ 7-35).

⚠ WARNING

Indicates a potential hazard that could result in serious injury or death.

PERIODIC MAINTENANCE AND ADJUSTMENT

Periodic inspection, adjustment, and lubrication will keep your machine in the safest and most efficient condition possible. Safety is an obligation of the machine owner. The most important points of machine inspection, adjustment, and lubrication are explained on the following pages.

! WARNING

POTENTIAL HAZARD

Servicing an engine while it is running.

WHAT CAN HAPPEN

Moving parts can catch clothing or parts of the body, causing injury.

Electrical components can cause shocks or can start fires.

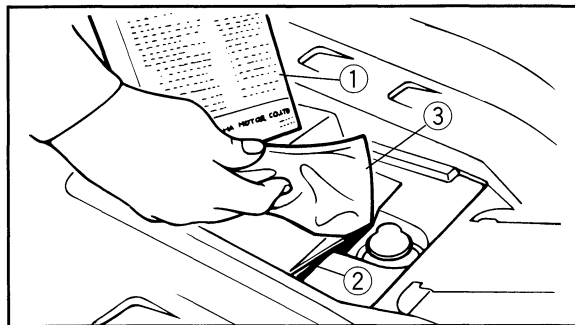
HOW TO AVOID THE HAZARD

Turn off the engine when performing maintenance unless otherwise specified. Have a Yamaha dealer perform service if you are not familiar with machine service.

EDH10800

Owner's manual and tool kit

You are recommended to put this owner's manual and low-pressure tire gauge in the vinyl bag and always carry them along with the owner's tool kit under the seat.



1. Owner's manual
2. Low-pressure tire gauge
3. Tool kit

The service information included in this manual is intended to provide you, the owner, with the necessary information for completing your own preventive maintenance and minor repairs. The tools provided in the Owner's tool kit are sufficient for this purpose, except that a torque wrench is also necessary to properly tighten nuts and bolts.

NOTE: _____

If you do not have a torque wrench available during a service operation requiring one, take your machine to a Yamaha dealer to check the torque settings and adjust them as necessary.

⚠ WARNING

POTENTIAL HAZARD

Operating this ATV with improper modifications.

WHAT CAN HAPPEN

Improper installation of accessories or modification of this vehicle may cause changes in handling which in some situations could lead to an accident.

HOW TO AVOID THE HAZARD

Never modify this ATV through improper installation or use of accessories. All parts and accessories added to this vehicle should be genuine Yamaha or equivalent components designed for use on this ATV and should be installed and used according to instructions. If you have questions, consult an authorized Yamaha ATV dealer.

PERIODIC MAINTENANCE/LUBRICATION

ITEM	ROUTINE	INITIAL			EVERY	
		1 month	3 months	6 months	6 months	1 year
Transmission	<ul style="list-style-type: none"> • Replace oil. 	<input type="radio"/>		<input type="radio"/>	<input type="radio"/>	<input type="radio"/>
Cooling system	<ul style="list-style-type: none"> • Check coolant leakage. • Repair if necessary. • Replace coolant every 24 months. 	<input type="radio"/>	<input type="radio"/>	<input type="radio"/>	<input type="radio"/>	<input type="radio"/>
Spark plug	<ul style="list-style-type: none"> • Check condition. • Clean or replace if necessary. 	<input type="radio"/>	<input type="radio"/>	<input type="radio"/>	<input type="radio"/>	<input type="radio"/>
Air filter	<ul style="list-style-type: none"> • Clean. • Replace if necessary. 	Every 20 ~ 40 hours. (More often in wet or dusty areas)				
*Carburetor	<ul style="list-style-type: none"> • Check idle speed / starter operation. • Adjust if necessary. 		<input type="radio"/>	<input type="radio"/>	<input type="radio"/>	<input type="radio"/>
*Fuel line	<ul style="list-style-type: none"> • Check fuel hose for cracks or damage. • Replace if necessary. 			<input type="radio"/>	<input type="radio"/>	<input type="radio"/>
Throttle operation	<ul style="list-style-type: none"> • Inspect and adjust free play if necessary. 	<input type="radio"/>	<input type="radio"/>	<input type="radio"/>	<input type="radio"/>	<input type="radio"/>
*Front and rear brake operation	<ul style="list-style-type: none"> • Check operation/fluid leakage/See NOTE Page 8-4. • Correct if necessary. 	<input type="radio"/>	<input type="radio"/>	<input type="radio"/>	<input type="radio"/>	<input type="radio"/>
*Front and rear brake pads	<ul style="list-style-type: none"> • Check pad wear. • Replace if necessary. 			<input type="radio"/>	<input type="radio"/>	<input type="radio"/>
*Clutch	<ul style="list-style-type: none"> • Inspect free play and operation. • Replace if necessary. 	<input type="radio"/>		<input type="radio"/>	<input type="radio"/>	<input type="radio"/>
Drive chain	<ul style="list-style-type: none"> • Check chain slack/alignment. • Adjust if necessary. • Clean and lube. • Replace if necessary. 	<input type="radio"/>		<input type="radio"/>	<input type="radio"/>	<input type="radio"/>
*Drive chain guard and rollers	<ul style="list-style-type: none"> • Check wear and replace if necessary. 			<input type="radio"/>	<input type="radio"/>	<input type="radio"/>

ITEM	ROUTINE	INITIAL			EVERY	
		1 month	3 months	6 months	6 months	1 year
*Steering system	• Inspect free play, clean and lubricate	○	○	○	○	○
*Front and rear suspension	• Inspect and lubricate.**	○	○	○	○	○
Tires, wheels	• Inspect air pressure, wheel runout, and tire wear. • *Inspect bearings. • *Replace bearings if necessary.	○	○	○	○	○
Throttle, control cable	• Check routing and connection. • Lubricate.	○	○	○	○	○
Outside nuts and bolts	• Retighten.	○	○	○	○	○
Frame	• Clean and inspect.	○	○	○	○	○
Lighting equipment	• Inspect.	○	○	○	○	○

* It is recommended that these items be serviced by a Yamaha dealer.

** Lithium soap base grease

NOTE: _____

Brake fluid replacement:

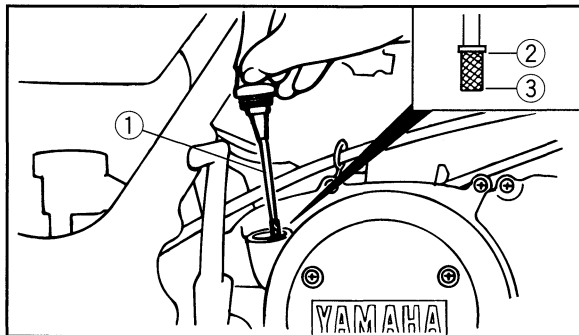
1. When disassembling the master cylinder or caliper cylinder, replace the brake fluid. Normally check the brake fluid level and add the fluid as required.
2. On the inner parts of the master cylinder and caliper cylinder, replace the oil seals every two years.
3. Replace the brake hoses every four years, or if cracked or damaged.

⚠ WARNING

Indicates a potential hazard that could result in serious injury or death.

Transmission oil

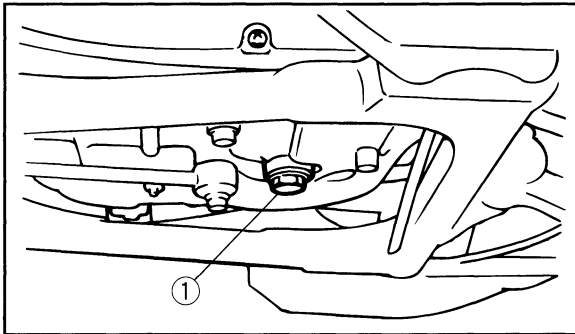
1. Transmission oil measurement
 - a. Place the machine on a level place.
 - b. Warm up the engine for several minutes, and stop it.
 - c. Remove the dipstick and wipe it off with a clean rag. Insert the dipstick in the filler hole without screwing it in.



1. Dipstick 2. Maximum level mark 3. Minimum level mark

NOTE: _____
 Wait a few minutes until the oil level settles before checking.

- d. Remove the dipstick and inspect the oil level.
 - e. The oil level should be between the maximum and minimum marks. If the level is low, add oil to raise it to the proper level.
 - f. Reinstall the dipstick.
2. Transmission oil replacement
 - a. Place the machine on a level place.
 - b. Warm up the engine for several minutes, and stop it.
 - c. Place a container under the engine.
 - d. Remove the dipstick and drain plug to drain the oil.



1. Drain plug

e. Reinstall the drain plug and tighten to specification.

Tightening torque:

Drain plug:

20 Nm (2.0 m•kg, 14 ft•lb)

f. Fill the engine with oil and install the dipstick.

Recommended oil:

Yamalube 4 (10W30) or SAE 10W30

Recommended oil classification:

API Service "SE", "SF" type or equivalent (e.g. "SF-SE", "SF-SE-CC", "SF-SE-SD" etc.)

Oil quantity:

Total amount

1.7 L (1.5 Imp qt, 1.8 US qt)

Periodic oil change

1.5 L (1.3 Imp qt, 1.6 US qt)

CAUTION:

- Do not put in any chemical additives. The transmission oil also lubricates the clutch and additives could cause clutch slippage.
- Be sure no foreign material enters the crankcase.

- g. Start the engine and warm up for a few minutes. While warming up, check for oil leakage. If oil leakage is found, stop the engine immediately, and check for the cause.
- h. Check the oil level.

EDH50001

Cooling system

⚠ WARNING

POTENTIAL HAZARD

Removing the radiator cap when the engine and radiator are still hot.

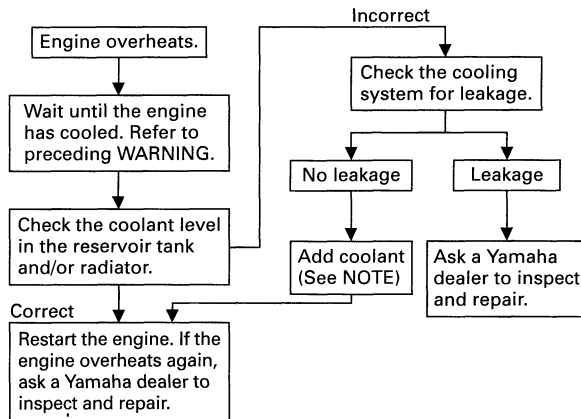
WHAT CAN HAPPEN

You could be burned by hot fluid and steam blown out under pressure.

HOW TO AVOID THE HAZARD

Wait for the engine to cool before removing the radiator cap. Always use a thick rag over the cap. Allow any remaining pressure to escape before completely removing the cap.

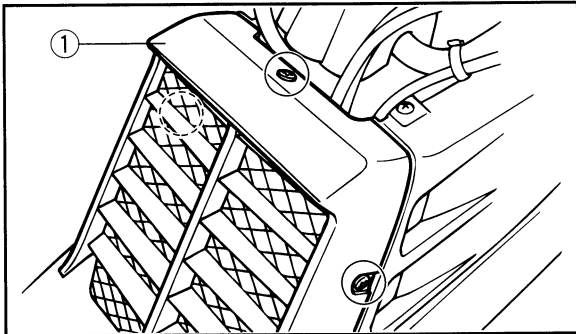
1. If your machine overheats, perform the following checks.



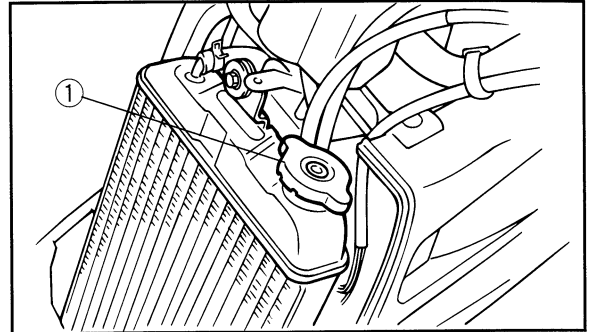
NOTE: _____
 If it is difficult to get the recommended coolant, tap water can be temporarily used, provided that it is changed to the recommended coolant as soon as possible.

2. Opening the radiator cap

To open the radiator cap, remove the radiator cover. When the engine has cooled, place a thick rag like a towel over the radiator cap, slowly rotate the cap counterclockwise to the detent. This procedure allows any residual pressure to escape. When the hissing has stopped, press down on the cap while turning counterclockwise and remove it.



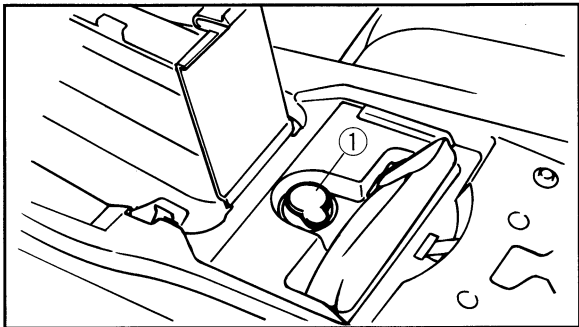
1. Radiator cover



1. Radiator cap

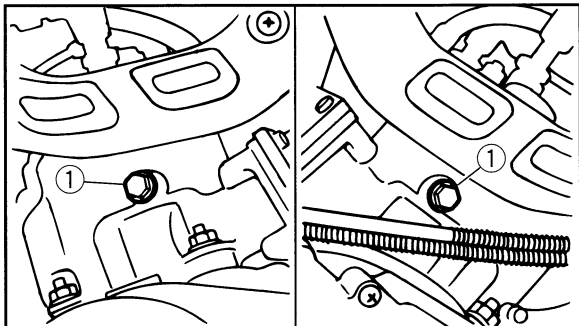
3. Changing the coolant

- a. Place a container under the engine.
- b. Remove the seat and reservoir tank cap.



1. Reservoir tank cap

- c. Remove the radiator cover and radiator cap.
- d. Remove the drain plugs.



1. Drain plug (x2)

- e. Drain the coolant completely, and thoroughly flush the cooling system with clean tap water.
- f. Retighten the drain plugs. If the gaskets are damaged, replace them.

Tightening torque:

Drain plug:

14 Nm (1.4 m•kg, 10 ft•lb)

- g. Pour the recommended coolant into the radiator until it's full.

Recommended coolant:

High quality ethylene glycol anti-freeze containing corrosion inhibitors for aluminum engines.

Coolant and water mix ratio:

50/50%

Total amount:

1.5 L (1.3 Imp qt, 1.6 US qt)

Reservoir tank capacity:

0.28 L (0.25 Imp qt, 0.30 US qt)

From "LOW" to "FULL" level:

0.07 L (0.06 Imp qt, 0.07 US qt)

CAUTION: _____

Hard water or salt water is harmful to the engine. Distilled water may be used if soft water isn't available.

- h. Reinstall the radiator cap.
- i. Run the engine several minutes and recheck the coolant level in the radiator. If it is low, add more coolant until it reaches the top of the radiator.
- j. Fill the reservoir tank with coolant up to the "FULL" level.
- k. Reinstall the reservoir tank cap and check for coolant leakage.

NOTE: _____
If you find any leaks, ask a Yamaha dealer to inspect.

- l. Install the radiator cover and the seat.

Spark plug inspection

The spark plugs are important engine components and are easy to inspect. The condition of the spark plugs can indicate the condition of the engine.

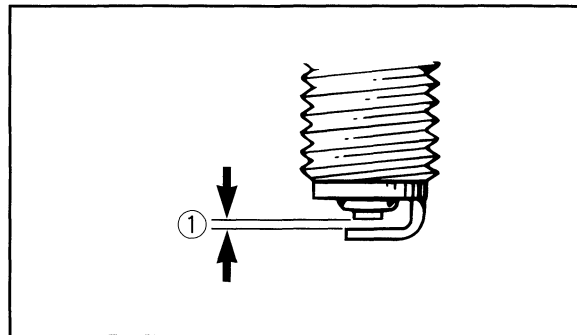
Normally, all spark plugs from the same engine should have the same color on the white porcelain insulator around the center electrode. The ideal color at this point is a medium to light tan color for a machine that is being ridden normally. If one spark plug shows a distinctly different color, there could be something wrong with the engine.

Do not attempt to diagnose such problems yourself. Instead, take the machine to a Yamaha dealer. You should periodically remove and inspect the spark plugs because heat and deposits will cause any spark plug to slowly break down and erode. If electrode erosion becomes excessive, or if carbon and other deposits are excessive, you should replace the spark plug with the specified plug.

Standard spark plug:
B8ES (NGK) or
W24ES (DENSO)

Before installing a spark plug, measure the electrode gap with a feeler gauge and adjust to specification.

Spark plug gap:
0.7 ~ 0.8 mm (0.028 ~ 0.031 in)



1. Spark plug gap

When installing a spark plug, always clean the gasket surface and use a new gasket. Wipe off any grime from the threads and tighten to specification.

Spark plug torque:
20 Nm (2.0 m•kg, 14 ft•lb)

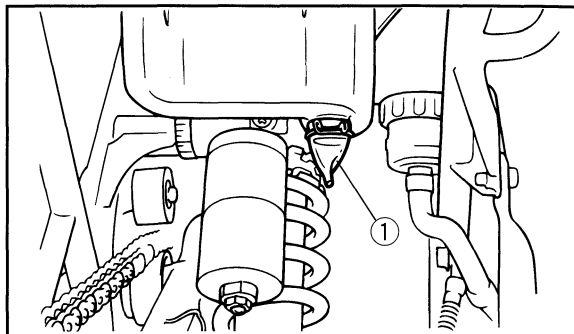
EDH60000

Air filter cleaning

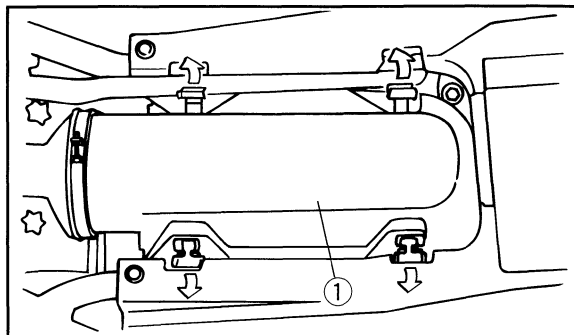
NOTE:

There is a check hose at the bottom of the air filter case. If dust or water collects in this hose, empty the hose and clean the air filter element and air filter case.

1. Remove the seat.
2. Remove the air filter case cover.

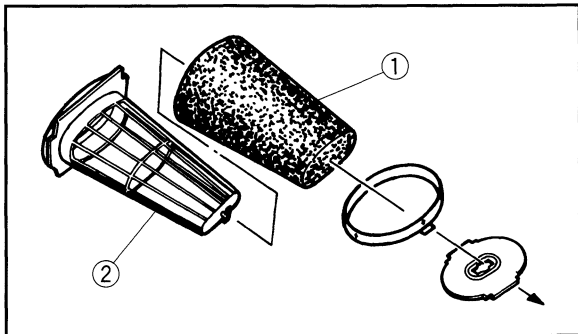
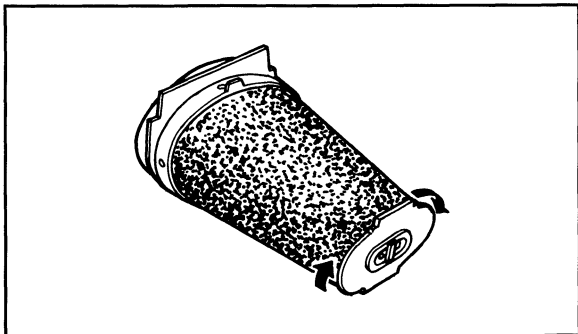


1. Check hose



1. Air filter case cover

3. Remove the air filter element, and separate it from the guide.



1. Air filter element

2. Element guide

4. Wash the element gently but thoroughly in solvent.

⚠ WARNING

POTENTIAL HAZARD

Using low flash point solvents or gasoline to clean the air filter element.

WHAT CAN HAPPEN

Low flash point solvents or gasoline can catch fire or explode.

HOW TO AVOID THE HAZARD

Use parts cleaning solvent to clean the air filter element.

5. Squeeze the excess solvent out of the filter and let it dry.

CAUTION: _____

Do not twist the filter element when squeezing it.

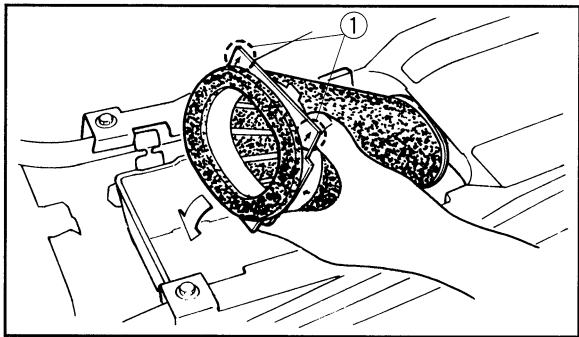
6. Inspect the element. If damaged, replace it.

7. Apply Yamaha foam air filter oil or other quality foam air filter oil to the element. If foam air filter oil is not available, motor oil may be used.

NOTE: _____

The element should be wet but not dripping.

8. Reinstall the element to the element guide.



1. Top side

9. Reinstall the element assembly and parts removed for access.

NOTE: _____

The air filter element should be cleaned every 20 ~ 40 hours. It should be cleaned and lubricated more often if the machine is operated in extremely dusty areas. Each time filter element maintenance is performed, check the air inlet to the filter case for obstructions. Check the air cleaner rubber joint to the carburetor and manifold fittings for an airtight seal. Tighten all fittings securely to avoid the possibility of unfiltered air entering the engine.

CAUTION: _____

Never operate the engine with the air filter element removed. This will allow unfiltered air to enter, causing rapid engine wear and possible engine damage. Additionally, operation without the filter element will affect carburetor jetting with subsequent poor performance and possible engine overheating.

Carburetor settings

In extremely cold weather, it is necessary to change the carburetor settings to maintain optimum engine performance and to prevent engine damage.

WARNING

POTENTIAL HAZARD

Improperly servicing or adjusting the carburetors.

WHAT CAN HAPPEN

The carburetors could malfunction. This could cause improper operation with the possibility of an accident.

The carburetors could leak fuel, which would be a fire hazard.

HOW TO AVOID THE HAZARD

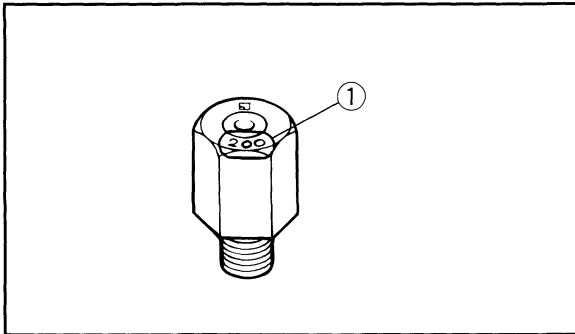
Carburetor adjustments should only be performed by a Yamaha dealer. Do not

attempt to perform these procedures unless you have mechanical knowledge and the necessary tools.

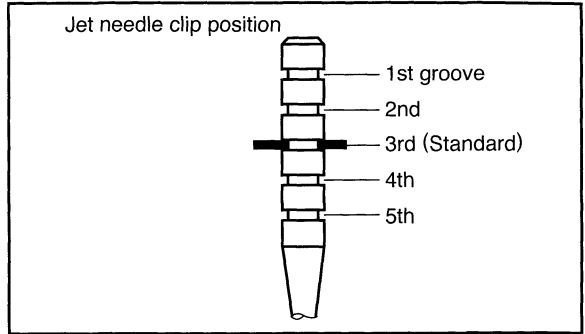
Do not perform these procedures while the engine is hot. Place a rag under each carburetor to catch any fuel. Wipe up any spilled fuel completely.

After servicing the carburetors, always check throttle operation before operating the ATV to make sure it is working correctly.

Standard settings	
Main jet	#200
Jet needle clip position	3rd groove
Pilot air screw	2.0 turns out



1. Main jet number



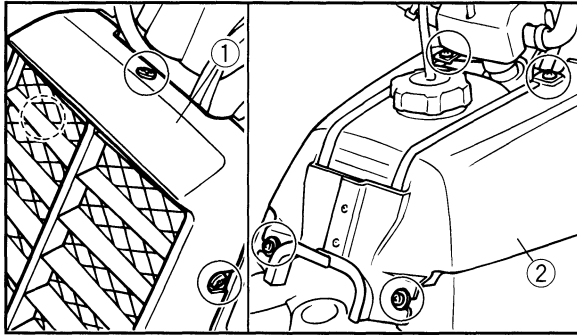
Carburetor setting chart

	Altitude					
	0 ~ 1,500 m (5,000 ft)			Above 1,500 m (5,000 ft)		
Temperature	Main jet	Jet needle	Pilot air screw	Main jet	Jet needle	Pilot air screw
Above 0°C (32°F)	#200	3rd groove	2.0 turns out	#190	3rd groove	2 1/2 turns out
+5°C ~ -15°C (41°F ~ (5°F)	#220	3rd groove	1 1/2 turns out	#200	3rd groove	2.0 turns out
-10°C ~ -30°C (14°F ~ (-22°F)	#240	4th groove	1 1/2 turns out	#220	3rd groove	1 1/2 turns out

Changing the carburetor settings

Disassembly

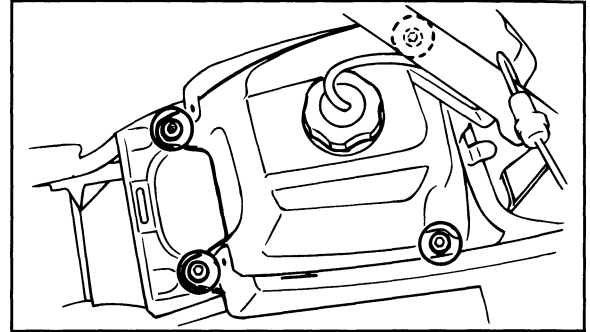
1. Turn the fuel cock to the "OFF" position.
2. Turn out the drain screw of each carburetor and drain the fuel.
3. Remove the seat.
4. Remove the radiator cover and side cover.



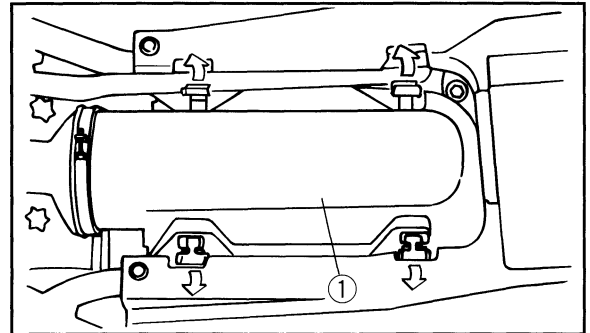
1. Radiator cover

2. Side cover

5. Disconnect the fuel hoses.
6. Remove the fuel tank.

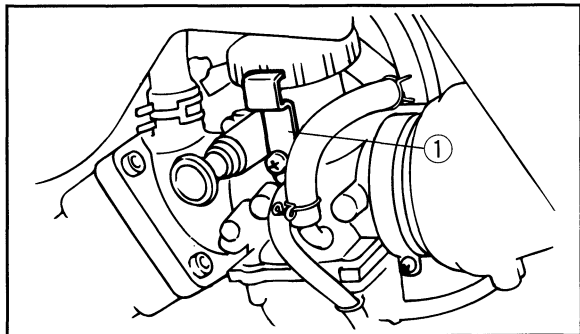


7. Remove the air filter case cover.



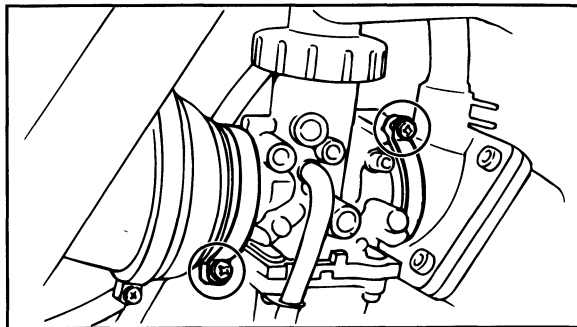
1. Air filter case cover

8. Remove the securing plate of each carburetor.



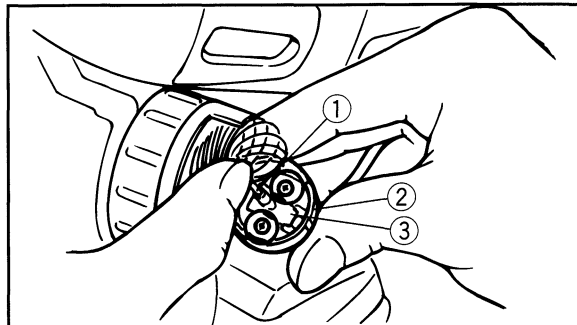
1. Carburetor cap securing plate

9. Loosen the joint screws of each carburetor.

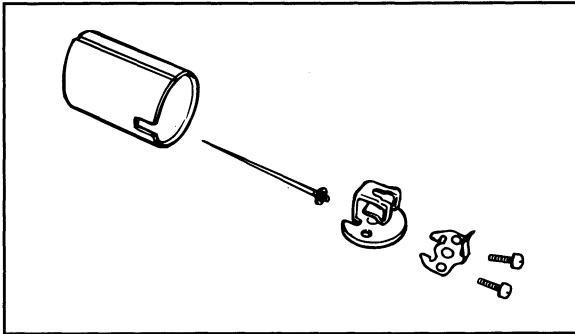


10. Remove each carburetor cap.

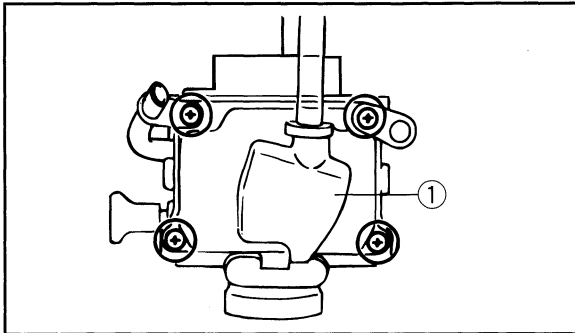
11. Remove the throttle cables from the throttle valves and then remove the holder.



8-18 1. Throttle cable 2. Throttle valve 3. Holder

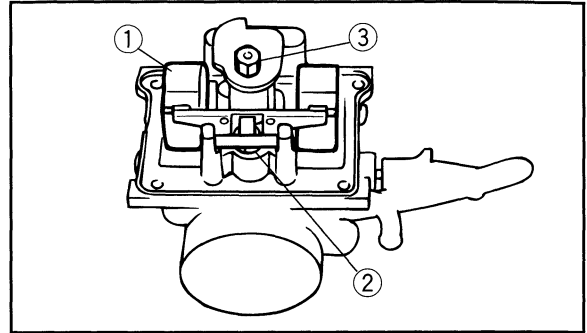


12. Remove the carburetors and then remove the float chambers.



1. Float chamber

13. Remove the floats and needle valves.



1. Float 2. Needle valve 3. Main jet

14. Change the main jets and the jet needle clip positions. (see page 8-16)

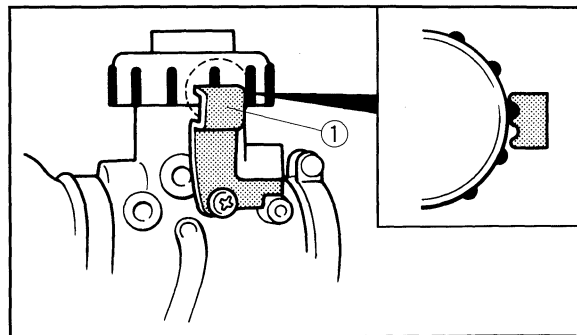
NOTE: _____
Optional main jets can be obtained at a Yamaha dealer.

Assembly

1. Reassemble the needle valves, floats and float chambers.
2. Install the the carburetors.
3. Reassemble the throttle valves.
4. Install the carburetor caps and tighten them securely to the specified torque.

Carburetor cap tightening torque:
4 Nm (0.4 m•kg, 2.9 ft•lb)

5. Install the securing plates. Match one of the projections on the carburetor cap with one of the indents on the securing plate.



1. Securing plate

CAUTION:

If the securing plate does not match a projection, tighten the carburetor cap until they align. Do not loosen.

6. Tighten the securing plate screw to the specified torque.

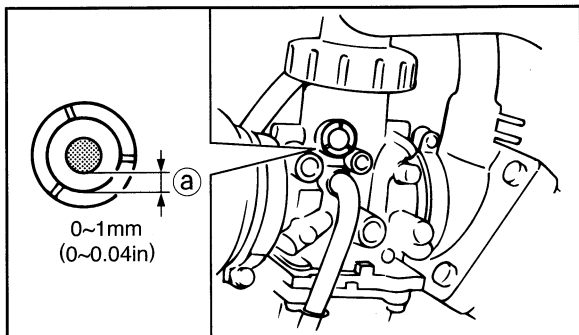
Tightening torque:
3.5 Nm (0.35 m•kg, 2.5 ft•lb)

7. Tighten the joint screws of each carburetor.

Throttle cable adjustment

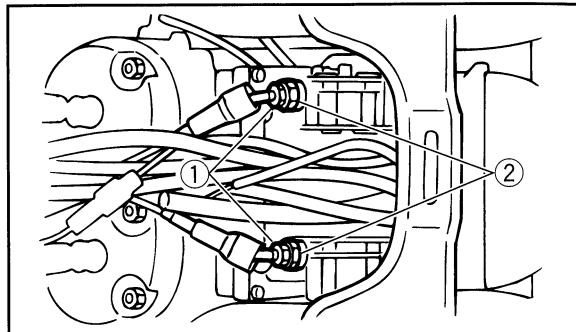
After the jet needle clip positions are changed, throttle cable adjustment may be necessary.

1. Move the throttle lever a few times.
2. Push the throttle lever forward until it stops and hold it in this position.
3. Check through the window of each carburetor to see if the punch mark on the throttle valve is at the specified position.



a. Specified position

4. If not, loosen the locknut and turn the adjuster until proper position is obtained.



1. Locknut (x2)

2. Adjuster (x2)

5. Move the throttle lever a few times and recheck the position.
6. Install the fuel tank, side cover, radiator cover and air filter case cover.
7. Reconnect the fuel hoses.
8. Install the seat.

Idle speed adjustment

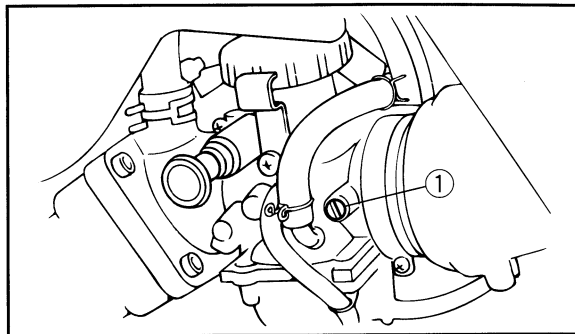
NOTE: _____

A diagnostic tachometer must be used for this procedure.

NOTE: _____

The throttle cables and carburetor synchronization must be set properly before adjusting the idle speed.

1. Adjust the pilot air screws.
 - Turn in both pilot air screws until they lightly seat.
 - Turn out both pilot air screws to specification. (Refer to the "Carburetor settings" section.)



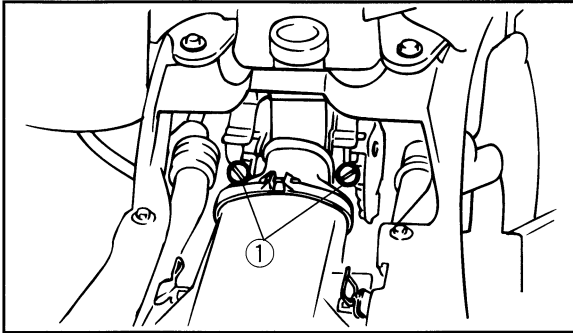
1. Pilot air screw
2. Remove the seat.
3. Start the engine and warm it up for a few minutes at approximately 1,000 to 2,000 r/min.
4. Connect the tachometer and set the idle to the specified idling speed by turning the idle adjust screws.

Specified idle speed:
1,450 ~ 1,550 r/min

Throttle lever adjustment

NOTE:

Adjust the engine idling speed before adjusting the throttle lever free play.

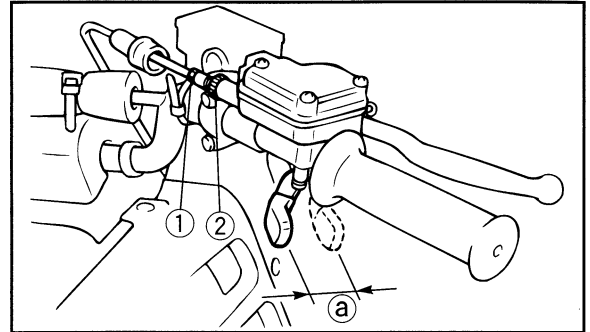


1. Idle speed adjust screw (x2)

CAUTION:

- Idle speed adjust screws were preset at the factory. When adjusting idle speed, turn the right and left idle speed adjust screws the same amount, or carburetor synchronization will be incorrect.
- The pilot air screws and idle speed adjust screws are separate adjustments but they must be adjusted at the same time to achieve optimum engine performance.

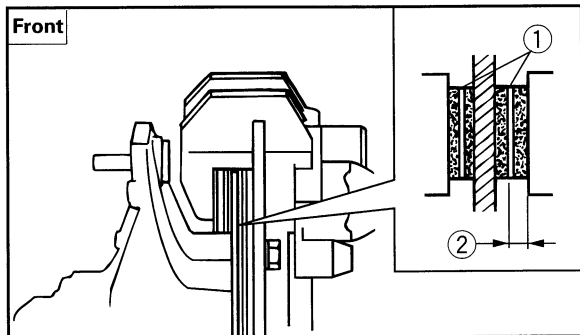
1. Loosen the locknut.
2. Turn the adjuster until the throttle lever free play is 4 ~ 6 mm (0.16 ~ 0.24 in).
3. Tighten the locknut.



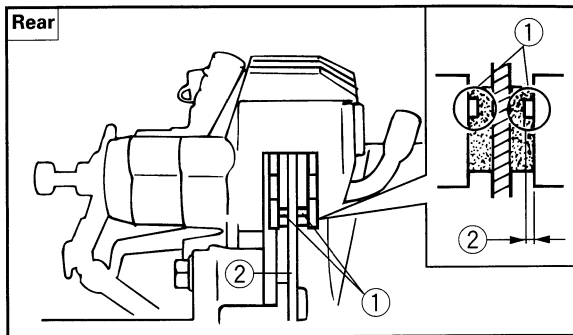
1. Adjuster 2. Locknut a. 4 ~ 6 mm (0.16 ~ 0.24 in)

Front and rear brake pad inspection

Each brake pad is provided with a wear indicator. The indicators allow checking of brake pad wear without disassembling the brake. Apply the brake and inspect the wear indicators. If they are **ALMOST** in contact with the disc plate, ask a Yamaha dealer to replace the pads.



1. Wear indicator (x2) 2. Wear limit 1.0 mm (0.039 in)



1. Wear indicator (x2) 2. Wear limit 1.0 mm (0.039 in)

Inspecting the brake fluid level

Insufficient brake fluid may let air enter the brake system, possibly causing the brakes to become ineffective.

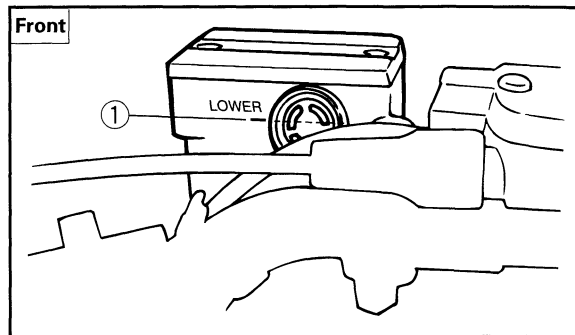
Before riding, check that the brake fluid is above the lower level and replenish when necessary.

Observe these precautions:

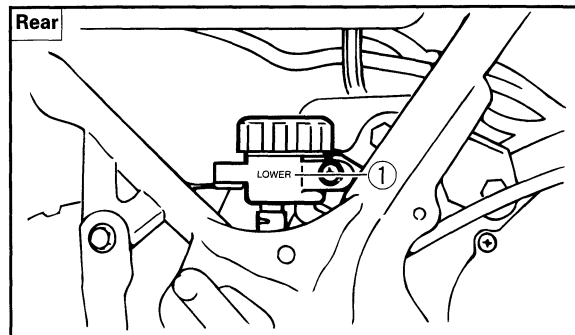
1. When checking the fluid level, make sure the top of the master cylinder is level by turning the handlebars.
2. Use only the designated quality brake fluid. Otherwise, the rubber seals may deteriorate, causing leakage and poor brake performance.

Recommended brake fluid: DOT 4

NOTE: _____
If DOT 4 is not available, DOT 3 can be used.



1. Minimum level mark "LOWER"



1. Minimum level mark "LOWER"

3. Refill with the same type of brake fluid. Mixing fluids may result in a harmful chemical reaction and lead to poor brake performance.
4. Be careful that water does not enter the master cylinder when refilling. Water will significantly lower the boiling point of the fluid and may result in vapor lock.
5. Brake fluid may deteriorate painted surfaces or plastic parts. Always clean up spilled fluid immediately.
6. Have a Yamaha dealer check the cause if the brake fluid level goes down.

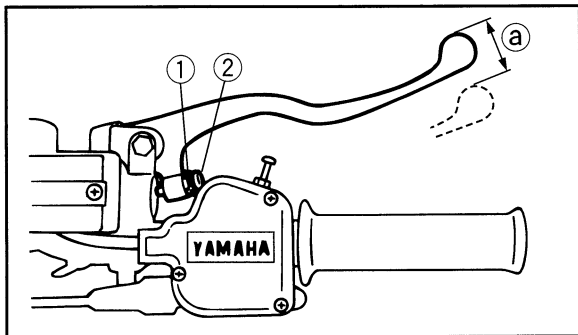
Brake fluid replacement

1. Complete fluid replacement should be done only by trained Yamaha service personnel.
2. Have a Yamaha dealer replace the following components during periodic maintenance or when they are damaged or leaking.
 - a. Replace all rubber seals every two years.
 - b. Replace all hoses every four years.

Front brake lever free play adjustment

The front brake lever free play should be 4 ~ 8 mm (0.16 ~ 0.31 in). If the free play is incorrect, adjust it as follows.

1. Loosen the locknut.
2. Turn the adjusting bolt so that the brake lever movement is 4 ~ 8 mm (0.16 ~ 0.31 in) before the adjusting bolt contacts the master cylinder piston.
3. Tighten the locknut.



1. Locknut
 2. Adjusting bolt
 a. 4 ~ 8 mm (0.16 ~ 0.31 in)

⚠ WARNING

POTENTIAL HAZARD

Operating with improperly serviced or adjusted brakes.

WHAT CAN HAPPEN

You could lose braking ability, which could lead to an accident.

HOW TO AVOID THE HAZARD

After servicing:

- **Make sure the brakes operate smoothly and that the free play is correct.**
- **Make sure the brakes do not drag.**
- **Make sure the brakes are not spongy. All air must be bled from the brake system.**

Replacement of brake components requires professional knowledge. These procedures should be performed by a Yamaha dealer.

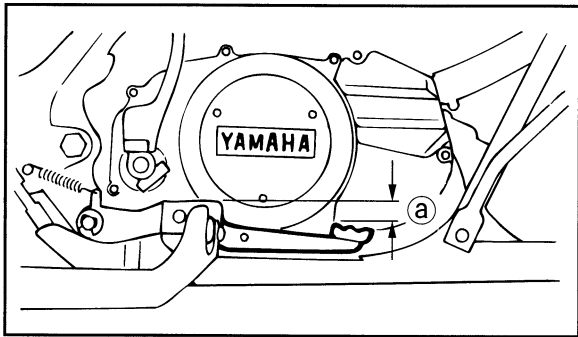
Rear brake adjustment

NOTE:

Adjust the rear brake before inspecting the rear brake pads.

Pedal height adjustment

The top of the brake pedal should be positioned 10 mm (0.39 in) below the top of the footrest. If not, ask a Yamaha dealer to adjust it.



a. 10 mm (0.39 in)

⚠ WARNING

POTENTIAL HAZARD

Operating with improperly serviced or adjusted brakes.

WHAT CAN HAPPEN

You could lose braking ability, which could lead to an accident.

HOW TO AVOID THE HAZARD

After servicing:

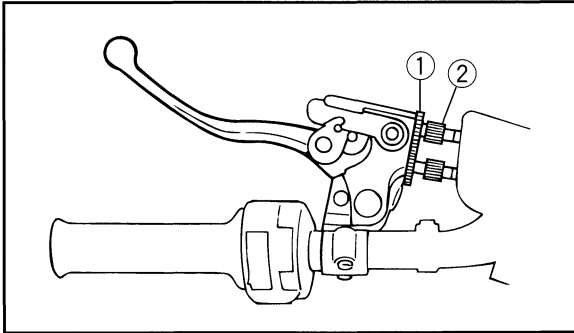
- Make sure the brakes operate smoothly and that the free play is correct.
- Make sure the brakes do not drag.
- Make sure the brakes are not spongy. All air must be bled from the brake system.

Replacement of brake components requires professional knowledge. These procedures should be performed by a Yamaha dealer.

Parking brake adjustment

Parking brake adjustment may be required if the parking brake does not hold properly.

1. Fully loosen the parking brake cable adjuster and locknut at the left lever holder.

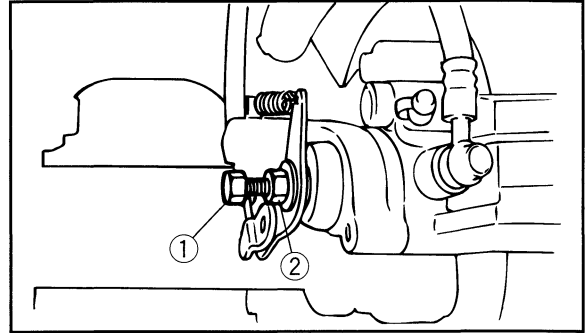


1. Locknut 2. Adjuster

2. Loosen the locknut and adjusting bolt on the rear brake caliper.
3. Screw in the adjusting bolt by hand until it feels tight, then screw it out 1/4 turn. Tighten the locknut.

Tightening torque:

16 Nm (1.6 m•kg, 11 ft•lb)



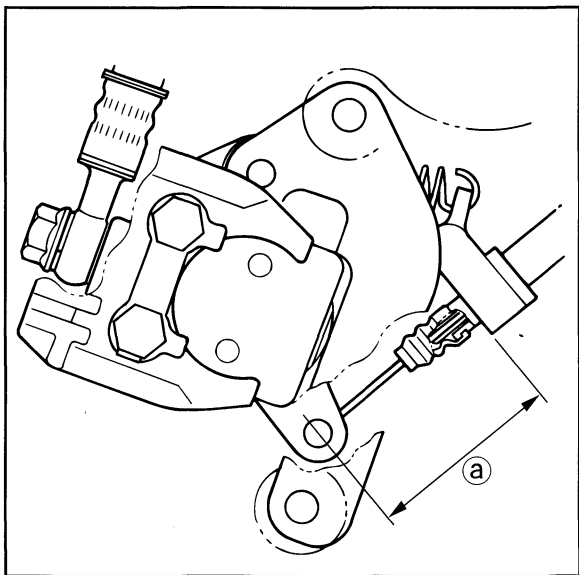
1. Adjusting bolt

2. Locknut

CAUTION:

When tightening the locknut, hold the adjusting bolt with a wrench so that the adjusting bolt does not turn together with the locknut.

4. Turn the adjuster on the lever holder so that cable length (a) is 46 ~ 50mm (1.81 ~ 1.97 in).
5. Tighten the locknut on the lever.



a. Cable length

! WARNING

POTENTIAL HAZARD

Operating with improperly adjusted brakes.

WHAT CAN HAPPEN

The brakes could malfunction, causing reduced braking performance. This could increase the chance of a collision or accident.

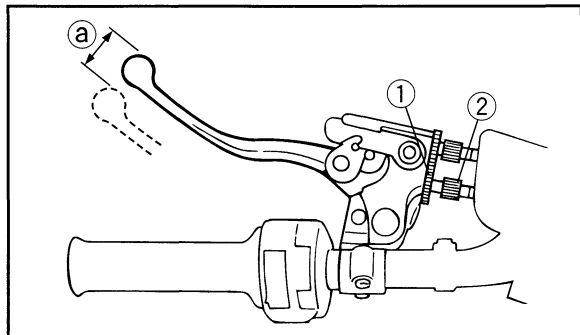
HOW TO AVOID THE HAZARD

After adjusting the parking brake, block the rear of the machine off the ground and spin the rear wheels. Check to make sure there is no brake drag. If brake drag is noticed, perform the adjustment again.

Clutch adjustment

The clutch lever free play should be 5 ~ 10 mm (0.20 ~ 0.39 in). If the free play is incorrect, adjust as follows.

1. Loosen the locknut.
2. Turn the adjuster so that clutch lever free play is 5 ~ 10 mm (0.20 ~ 0.39 in).
3. Tighten the locknut.



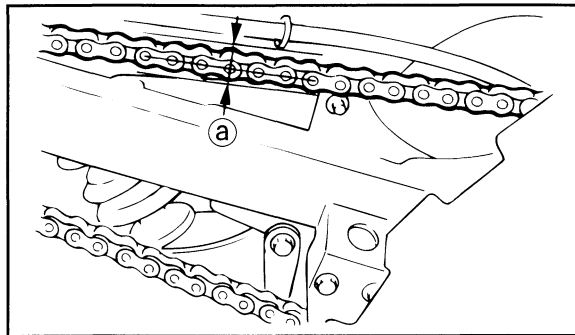
1. Locknut

2. Adjuster

a. 5 ~ 10 mm (0.20 ~ 0.39 in)

Drive chain slack check

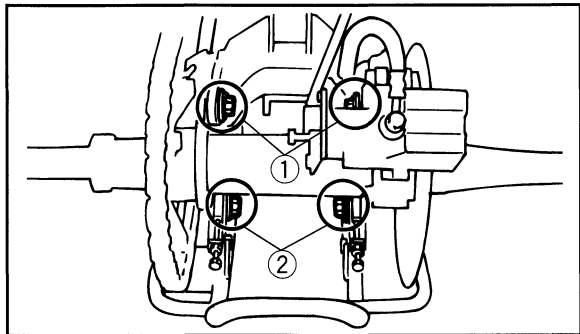
Inspect the drive chain while all tires are touching the ground. Check the slack at the position shown in the figure. The normal vertical deflection is approximately 15 ~ 20 mm (0.59 ~ 0.79 in). If the deflection exceeds 20 mm (0.79 in), adjust the chain slack.



a. 15 ~ 20 mm (0.59 ~ 0.79 in)

Drive chain slack adjustment

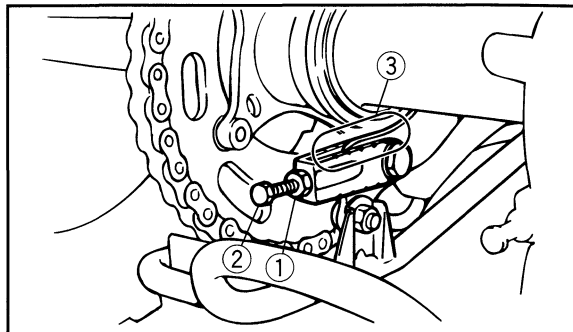
1. Loosen the rear wheel hub bolts.



1. Upper wheel hub bolt (x2)
2. Lower wheel hub bolt (x2)

2. Loosen the adjuster locknuts on each side. To tighten the chain, turn the chain adjuster clockwise. To loosen the chain, turn the adjuster counterclockwise and push the wheel forward. Turn each adjuster exactly the same amount to maintain correct axle alignment.

There are marks on each side of the swingarm and on each chain adjuster. Use them to check for proper alignment.



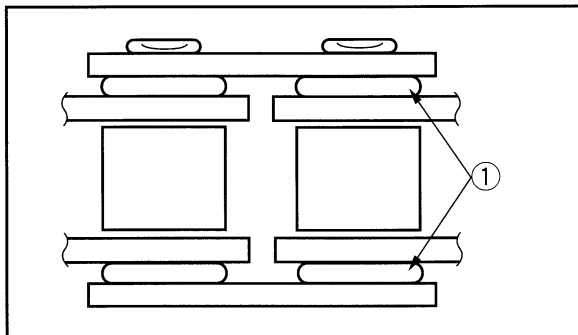
1. Locknut
2. Adjuster
3. Alignment marks

3. After adjusting, be sure to tighten the locknuts and the wheel hub bolts.

Upper wheel hub bolt:
120 Nm (12.0 m•kg, 85 ft•lb)
Lower wheel hub bolt:
60 Nm (6.0 m•kg, 43 ft•lb)

Drive chain cleaning and lubrication

The drive chain is equipped with rubber O-rings between the chain plates. Steam cleaning, high-pressure washes, and certain solvents can damage these O-rings. Use only kerosene to clean the drive chain. Wipe it dry, and thoroughly lubricate it with SAE 30 ~ 50 motor oil. Do not use any other lubricants on the drive chain. They may contain solvents that could damage the O-rings.



1. O-rings

Cable inspection and lubrication

⚠ WARNING

POTENTIAL HAZARD

Damaged control cables.

WHAT CAN HAPPEN

Corrosion can result when the outer covering of control cables becomes damaged. Cables can also become frayed or kinked. Operation of controls could be restricted, which could cause an accident or injury.

HOW TO AVOID THE HAZARD

Inspect cables frequently. Replace damaged cables.

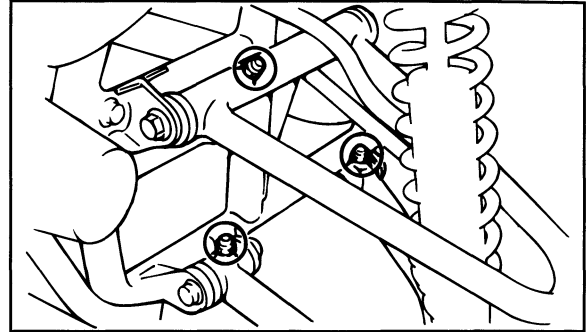
Lubricate the inner cable and the cable end. If they do not operate smoothly, ask a Yamaha dealer to replace them.

Recommended lubricant:
Yamaha chain and cable lube or
SAE 10W30 motor oil

EDI25001

Brake and shift pedal/brake and clutch lever lubrication

Lubricate the pivoting parts of each lever and pedal.

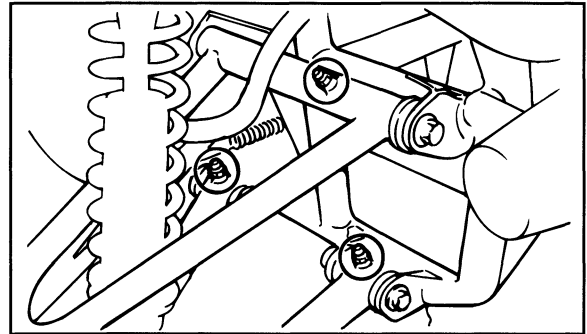


Recommended lubricant:
Yamaha chain and cable lube or
SAE 10W30 motor oil

EDI55600

Upper and lower arm pivot lubrication

Lubricate the upper and lower arm pivots.

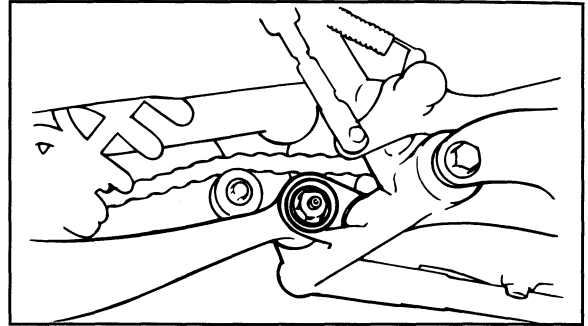
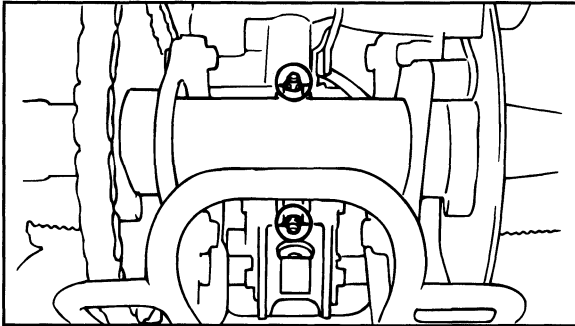


Recommended lubricant:
Lithium soap base grease

Rear arm pivot lubrication

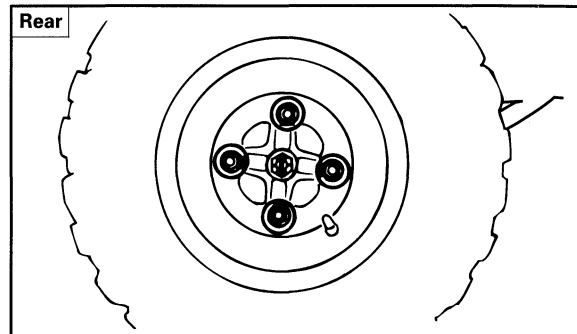
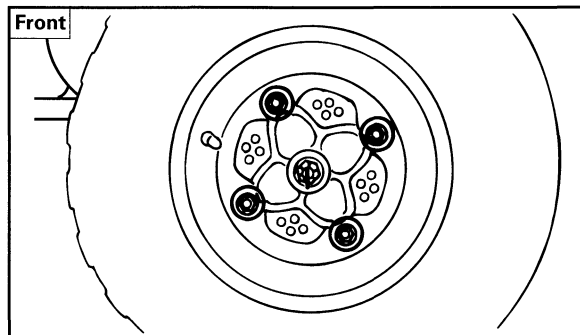
Lubricate the rear arm pivots.

Recommended lubricant:
Lithium soap base grease



Wheel removal

1. Elevate the wheel by placing a suitable stand under the frame.
2. Remove the nuts from the wheel.
3. Remove the wheel assembly.



EDJ20600

Wheel installation

When installing the wheels, reverse the removal procedure.

Tighten the wheel nuts to the specified torque.

Tightening torque:

Wheel nut:

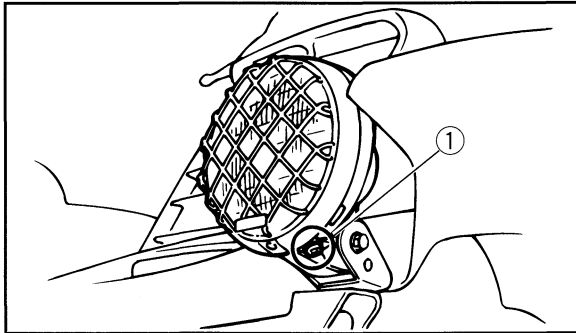
Front: 45 Nm (4.5 m•kg, 32 ft•lb)

Rear : 45 Nm (4.5 m•kg, 32 ft•lb)

Replacing the headlight bulb

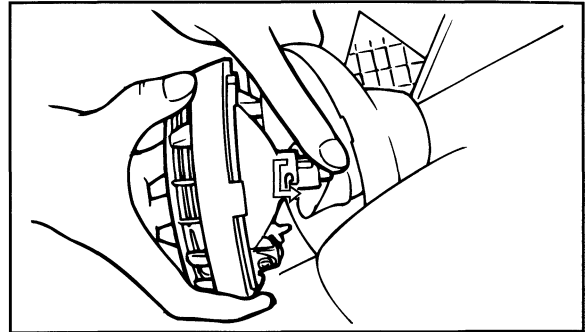
If the headlight bulb burns out, replace the bulb as follows:

1. Remove the screws holding the light unit assembly to the headlight body.



1. Screw

2. Turn the bulb holder counterclockwise and remove the defective bulb.



⚠ WARNING

POTENTIAL HAZARD

The headlight bulb is hot when it is on and immediately after it is turned off.

WHAT CAN HAPPEN

You can be burned, or a fire could start if the bulb touches something flammable.

HOW TO AVOID THE HAZARD

Wait for the bulb to cool before touching or removing it.

3. Put a new bulb into position and secure it in place with the bulb holder.
4. Reinstall the light unit assembly to the headlight body. Adjust the headlight beam if necessary.

ED180600

Headlight beam adjustment

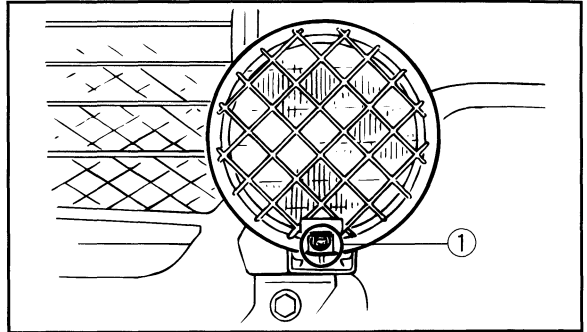
CAUTION:

It is advisable to have a Yamaha dealer make this adjustment.

1. Vertical adjustment:

To raise the beam, turn the adjusting screw clockwise.

To lower the beam, turn the screw counterclockwise.



1. Adjusting screw

Troubleshooting

Although Yamaha machines receive a rigid inspection before shipment from the factory, trouble may occur during operation.

Any problem in the fuel, compression, or ignition systems can cause poor starting and loss of power. The troubleshooting chart describes a quick, easy procedure for making checks. If your machine requires any repair, take it to a Yamaha dealer.

The skilled technicians at a Yamaha dealership have the tools, experience, and know-how to properly service your machine. Use only genuine Yamaha parts on your machine. Imitation parts may look like Yamaha parts, but they are often inferior. Consequently, they have a shorter service life and can lead to expensive repair bills.

WARNING

POTENTIAL HAZARD

Checking the fuel system while smoking or near an open flame.

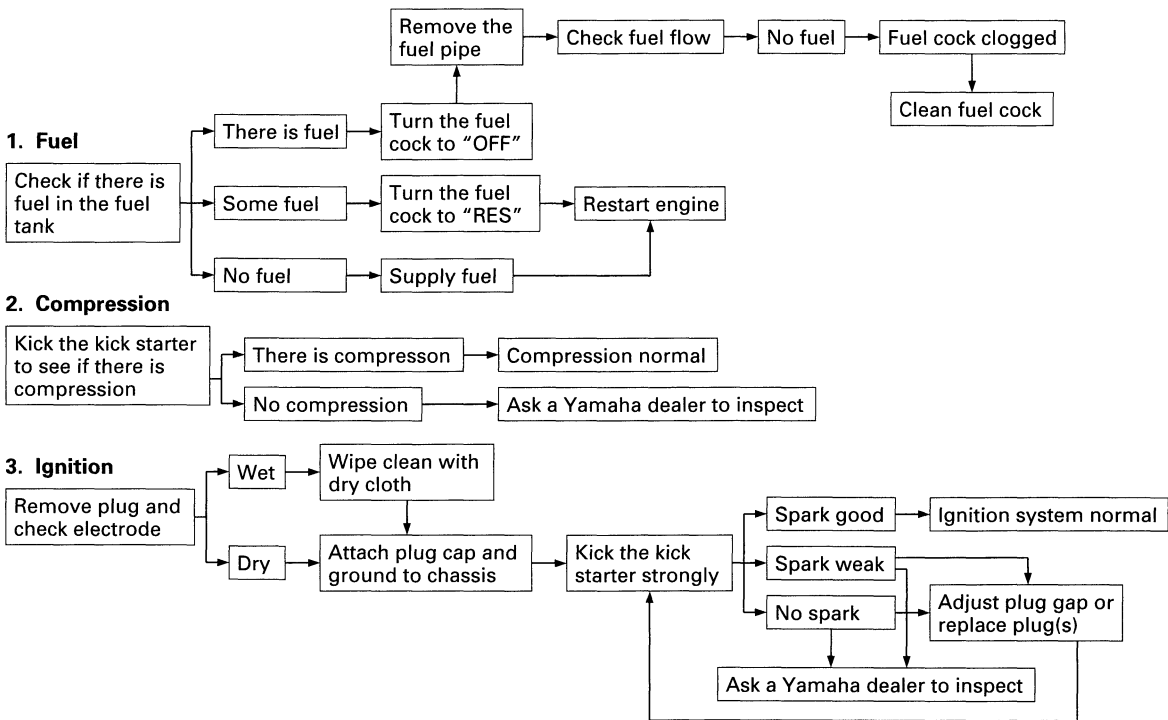
WHAT CAN HAPPEN

Fuel can ignite or explode, causing severe injury or property damage.

HOW TO AVOID THE HAZARD

Do not smoke when checking the fuel system. Make sure there are no open flames or sparks in the area, including pilot lights from water heaters or furnaces.

Troubleshooting chart



No spark

Throttle override system (T.O.R.S.) is incorporated in the ignition circuit, and if the system should fail, the spark plug will not spark.

 **WARNING****POTENTIAL HAZARD**

Testing for an ignition system problem by disconnecting the Throttle Over Ride System (T.O.R.S.).

WHAT CAN HAPPEN

With T.O.R.S. disconnected, the engine will not stop if the throttle does not close properly. This could cause loss of control and an accident.

You could be burned if you touch the hot exhaust pipe while disconnecting the wire coupler.

HOW TO AVOID THE HAZARD

Have the system checked by a Yamaha dealer.

Before bypassing T.O.R.S., be sure the throttle closes properly when the throttle lever is released.

If the machine must be ridden, ride as slowly as possible.

Do not touch the exhaust pipe when disconnecting the wire coupler.

CLEANING AND STORAGE

A. CLEANING

Frequent, thorough cleaning of your machine will not only enhance its appearance but will improve its general performance and extend the useful life of many components.

1. Before cleaning the machine:
 - a. Block off the end of the exhaust pipe to prevent water entry. A plastic bag and strong rubber band may be used.
 - b. Make sure the spark plugs and all filler caps are properly installed.
2. If the engine case is excessively greasy, apply degreaser with a paint brush. Do not apply degreaser to the chain, sprockets or wheel axles.
3. Rinse the dirt and degreaser off with a garden hose. Use only enough pressure to do the job.

CAUTION:

Excessive water pressure may cause water seepage and deterioration of wheel bearings, brakes, transmission seals and electrical devices. Many expensive repair bills have resulted from improper high pressure detergent applications such as those available in coin-operated car washers.

4. Once the majority of the dirt has been hosed off, wash all surfaces with warm water and mild, detergent-type soap. An old toothbrush or bottle brush is handy for hard-to-get-at places.
5. Rinse the machine off immediately with clean water and dry all surfaces with a chamois, clean towel or soft absorbent cloth.
6. Dry the chain and lubricate it to prevent rust.

7. Clean the seat with a vinyl upholstery cleaner to keep the cover pliable and glossy.
 8. Automotive type wax may be applied to all painted and chrome plated surfaces. Avoid combination cleaner-waxes. Many contain abrasives which may mar the paint or protective finish.
- When finished, start the engine and let it idle for several minutes.

WARNING

POTENTIAL HAZARD

Operation with wet brakes after washing.

WHAT CAN HAPPEN

Wet brakes may have reduced stopping ability, increasing the chance of an accident.

HOW TO AVOID THE HAZARD

Test the brakes after washing. Apply the brakes several times at slow speeds to let friction dry out the linings.

B. STORAGE

Long term storage (60 days or more) of your machine will require some preventive procedures to guard against deterioration. After thoroughly cleaning the machine, prepare for storage as follows:

1. Drain the fuel tank, fuel lines and carburetor float bowls.
2. Remove the spark plugs, pour about one tablespoon of SAE 10W30 or 20W40 motor oil in the spark plug holes and reinstall the spark plugs. Ground the spark plug wires and turn the engine over several times to coat the cylinder walls with oil.
3. Remove the drive chain. Clean it thoroughly and lubricate it (see page 8-32). Reinstall the chain or store it in a plastic bag tied to frame for safekeeping.
4. Lubricate all control cables.

5. Block up the frame to raise all wheels off the ground.
6. Tie a plastic bag over the exhaust pipe outlet to prevent moisture from entering.
7. If storing in a humid or salt-air atmosphere, coat all exposed metal surfaces with a light film of oil. Do not apply oil to any rubber parts or the seat cover.

NOTE: _____
Make any necessary repairs before storing the machine.

SPECIFICATIONS

Model	YFZ350
Dimension: Overall length Overall width Overall height Seat height Wheel base Minimum ground clearance Minimum turning radius:	1,855 mm (73.0 in) 1,100 mm (43.3 in) 1,080 mm (42.5 in) 800 mm (31.5 in) 1,280 mm (50.4 in) 135 mm (5.31 in) 3,600 mm (141.7 in)
Basic weight: With oil and full fuel tank	187 kg (412 lbs)
Engine: Type Cylinder arrangement Displacement Bore × Stroke Compression ratio Starting system Lubrication system	Liquid cooled, 2-stroke Forward inclined parallel 2-cylinder 347 cm ³ 64 × 54 mm (2.52 × 2.13 in) 6.5 : 1 Kick starter Premix

Model	YFZ350
Engine oil (2-cycle): Type Mixing ratio	Yamalube R, Castrol R30, A545, A747 See page 5-6.
Transmission oil: Type Capacity Periodic oil change Total amount	Yamalube 4 (10W30) or SAE 10W30 1.5 L (1.3 Imp qt, 1.6 US qt) 1.7 L (1.5 Imp qt, 1.8 US qt)
Radiator capacity: (Including all routes)	1.5 L (1.3 Imp qt, 1.6 US qt)
Air filter:	Wet type element
Fuel: Type Tank capacity Reserve amount	Premium unleaded fuel 12.0 L (2.6 Imp gal, 3.2 US gal) 2.5 L (0.5 Imp gal, 0.7 US gal)
Carburetor: Type/quantity Manufacturer	VM26SS/2 MIKUNI

Model	YFZ350
Spark plug: Type/manufacturer Spark plug gap	B8ES/NGK W24ES/DENSO 0.7 ~ 0.8 mm (0.028 ~ 0.031 in)
Clutch type:	Wet, multiple-disc
Transmission: Primary reduction system Primary reduction ratio Secondary reduction system Secondary reduction ratio Transmission type Operation Gear ratio 1st 2nd 3rd 4th 5th 6th	Helical gear 66/23 (2.869) Chain drive 41/14 (2.929) Constant mesh 6-speed Left foot operation 32/13 (2.461) 29/16 (1.812) 27/18 (1.500) 25/20 (1.250) 23/22 (1.045) 21/24 (0.875)

Model	YFZ350
Chassis: Frame type Caster angle Trail	Steel Tube Frame 9° 40 mm (1.57 in)
Tire: Type Size front rear	Tubeless AT21 × 7-10 AT20 × 10-9
Brake: Front brake type operation Rear brake type operation	Dual disc brake Right hand operation Single disc brake Right foot operation
Suspension: Front suspension Rear suspension	Double wishbone Swingarm (link suspension)
Shock absorber: Front shock absorber Rear shock absorber	Coil spring/Oil damper Coil spring/Gas-Oil damper

Model	YFZ350
Wheel travel: Front wheel travel Rear wheel travel	230 mm (9.1 in) 220 mm (8.7 in)
Electrical: Ignition system Generator system	C.D.I. Flywheel magneto
Headlight Type:	Quartz bulb (Halogen)
Bulb voltage, wattage × quantity: Headlight Taillight	12V, 30W/30W × 2 12V, 3.8W × 1

NOISE REGULATION

TAMPERING WITH NOISE CONTROL SYSTEM PROHIBITED:

Federal law prohibits the following acts or the causing thereof: (1) The removal or rendering inoperative by any person other than for purposes of maintenance, repair, or replacement of any device or element of design incorporated into any new vehicle for the purpose of noise control prior to its sale or delivery to the ultimate purchaser or while it is in use or (2) the use of the vehicle after such device or element of design has been removed or rendered inoperative by any person.

“AMONG THOSE ACTS PRESUMED TO CONSTITUTE TAMPERING ARE THE ACTS LISTED BELOW.”

These acts include tampering with the following systems; i.e., modification, removal, etc.

Exhaust system	Muffler Exhaust pipe Silencer
Intake system	Air cleaner case Air cleaner element Intake duct

MAINTENANCE RECORD

Copies of work orders and/or receipts for parts you purchase and install will be required to document maintenance done in accordance with the warranty. The chart below is printed only as a reminder to you that the maintenance work is required. It is not acceptable proof of maintenance work.

MAINTENANCE INTERVAL	DATE OF SERVICE	MILEAGE	SERVICING DEALER NAME AND ADDRESS	REMARKS
1 Month				
3 Months				
6 Months				
12 Months				
18 Months				
24 Months				
30 Months				
36 Months				
42 Months				
48 Months				
54 Months				
60 Months				

YAMAHA MOTOR CORPORATION, U.S.A.

MOTO-4 LIMITED WARRANTY

Yamaha Motor Corporation, U.S.A. hereby warrants that new Yamaha Moto-4 purchased from an authorized Yamaha Moto-4 dealer in the continental United States will be free from defects in material and workmanship for the period of time stated herein, subject to certain stated limitations.

THE PERIOD OF WARRANTY for all YFZ model Yamaha Moto-4s shall be ninety (90) days from the date of purchase.

DURING THE PERIOD OF WARRANTY any authorized Yamaha Moto-4 dealer will, free of charge, repair or replace, at Yamaha's option, any part adjudged defective by Yamaha due to faulty workmanship or material from the factory. Parts used in warranty repairs will be warranted for the balance of the product's warranty period. All parts replaced under warranty become property of Yamaha Motor Corporation U.S.A.

GENERAL EXCLUSIONS from this warranty shall include any failures caused by:

- a. Competition or racing use.
- b. Installation of parts or accessories that are not qualitatively equivalent to genuine Yamaha parts.
- c. Abnormal strain, neglect, or abuse.
- d. Lack of proper maintenance.
- e. Accident or collision damage.
- f. Modification to original parts.
- g. Damage due to improper transportation.

SPECIFIC EXCLUSIONS from this warranty shall include parts replaced due to normal wear or routine maintenance; such as spark plugs, oil, oil filter, air filter, and brake shoes.

THE CUSTOMER'S RESPONSIBILITY under this warranty shall be to:

1. Operate and maintain the Moto-4 as specified in the appropriate owner's manual;
2. Give notice to an authorized Yamaha Moto-4 dealer of any and all apparent defects within ten (10) days after discovery, and make the machine available at that time for inspection and repairs at such dealer's place of business.

WARRANTY TRANSFER: To transfer the warranty from the original purchaser to any subsequent purchaser(s), it is imperative that the machine be inspected and registered for warranty by an authorized Yamaha Moto-4 dealer. In order for this warranty to remain in effect, this inspection and registration must take place within ten (10) days after transfer. An inspection and registration fee will be charged for this service.

YAMAHA MOTOR CORPORATION, U.S.A. MAKES NO OTHER WARRANTY OF ANY KIND, EXPRESSED OR IMPLIED. ALL IMPLIED WARRANTIES OF MERCHANTABILITY AND FITNESS FOR A PARTICULAR PURPOSE WHICH EXCEED THE OBLIGA-

TIONS AND TIME LIMITS STATED IN THIS WARRANTY ARE HEREBY DISCLAIMED BY YAMAHA MOTOR CORPORATION, U.S.A. AND EXCLUDED FROM THIS WARRANTY.

SOME STATES DO NOT ALLOW LIMITATIONS ON HOW LONG AN IMPLIED WARRANTY LASTS, SO THE ABOVE LIMITATION MAY NOT APPLY TO YOU. ALSO EXCLUDED FROM THIS WARRANTY ARE ANY INCIDENTAL OR CONSEQUENTIAL DAMAGES INCLUDING LOSS OF USE. SOME STATES DO NOT ALLOW THE EXCLUSION OR LIMITATION OF INCIDENTAL OR CONSEQUENTIAL DAMAGES, SO THE ABOVE EXCLUSION MAY NOT APPLY TO YOU.

THIS WARRANTY GIVES YOU SPECIFIC LEGAL RIGHTS, AND YOU MAY ALSO HAVE OTHER RIGHTS WHICH VARY FROM STATE TO STATE.

YAMAHA MOTOR CORPORATION, U.S.A.
P.O. Box 6555
Cypress, California 90630

WARRANTY QUESTIONS AND ANSWERS

- Q: What costs are my responsibility during the warranty period?
- A: The customer's responsibility includes all costs of normal maintenance services, non-warranty repairs, accident and collision damage, and oil, oil filters, air filters, spark plugs, and brake shoes or pads.
- Q: What are some examples of "abnormal" strain, neglect, or abuse?
- A: These terms are general and overlap each other in areas. Specific examples include: Running the machine out of oil; sustained high-rpm, full-throttle use; operating the machine with a broken or damaged part which causes another part to fail; damage or failure due to improper or careless transportation and or tie down; and so on. If you have any specific questions on operation or maintenance, please contact your dealer for advice.
- Q: Does the warranty cover incidental costs such as towing or transportation due to a failure?
- A: No. The warranty is limited to repair of the machine itself.
- Q: May I perform any or all of the recommended maintenance shown in the Owner's Manual instead of having the dealer do them?
- A: Yes, if you are a qualified mechanic and follow the procedures specified in the Owner's and Service Manual. We do recommend, however, that items requiring special tools or equipment be done by a Yamaha Moto-4 dealer.
- Q: Will the warranty be void or cancelled if I do not operate or maintain my new Moto-4 exactly as specified in the Owner's Manual?
- A: No. The warranty on a new Moto-4 cannot be "voided" or "cancelled". **However, if a particular failure is caused by operation or maintenance other than as shown in the Owner's Manual, that failure may not be covered under warranty.**
- Q: What responsibility does my dealer have under this warranty?
- A: Each Yamaha Moto-4 dealer is expected to:
1. Completely set up every new machine before sale.
 2. Explain the operation, maintenance, and warranty requirements to your satisfaction at the time of sale, and upon your request at any later date.
- In addition, each Yamaha Moto-4 dealer is held responsible for his setup, service and warranty repair work.
- Q: Is the warranty transferable to second owners?
- A: Yes. The remainder of the existing warranty can be transferred upon request. The unit has to be inspected and re-registered by an authorized Yamaha Moto-4 dealer for the warranty coverage to remain effective.

CUSTOMER SERVICE

If your machine requires warranty service, you must take it to any authorized Yamaha Moto-4 dealer within the continental United States. Be sure to bring your warranty registration identification or other valid proof of the original date of purchase. If a question or problem arises regarding warranty, first contact the owner of the dealership. Since all warranty matters are handled at the dealer level, this person is in the best position to help you. If you are still not satisfied and require additional assistance, please write:

YAMAHA MOTOR CORPORATION U.S.A.
CUSTOMER RELATIONS DEPARTMENT
P.O. Box 6555
Cypress, California 90630

When contacting Yamaha Motor Corporation, U.S.A. don't forget to include any important information such as names, addresses, model, engine serial number, dates, and receipts.

CHANGE OF ADDRESS

The federal government requires each manufacturer of a motor vehicle to maintain a complete, up-to-date list of all first purchasers against the possibility of a safety-related defect and recall. This list is compiled from the purchases registrations sent to Yamaha Motor Corporation, U.S.A. by the selling dealer at the time of your purchase.

If you should move after you have purchased your new Moto-4, please advise us of your new address by sending a postcard listing your Moto-4 model name, engine serial number, dealer number (or dealer's name) as it is shown on your warranty identification, your name and new mailing address. Mail to:

YAMAHA MOTOR CORPORATION, U.S.A.
WARRANTY DEPARTMENT
P.O. Box 6555
Cypress, California 90630

This will ensure that Yamaha Motor Corporation, U.S.A. has an up-to-date registration record in accordance with federal law.

EDL20000



Indicates a potential hazard that could result in serious injury or death.

PROTECT YOUR INVESTMENT

Use Genuine YAMAHA Parts And Accessories

See your Authorized YAMAHA Dealer for a Genuine YAMAHA Service Manual.