



YAMAHA

PARTS CATALOGUE

YZ125T (2HG)

www.legends-yamaha-enduros.com

I 72HG-700E1

A2



www.legends-yamaha-enduros.com

A3

FOREWORD

This Parts Catalogue is related to the parts in use for the Yamaha YZ125T (2HG).
When you are ordering replacement parts for the YZ125T (2HG), refer to this Parts Catalogue and quote both part numbers and part names correctly.

1. Modifications or additions which have been made after issue of the Parts Catalogue will be announced in the Yamaha Parts News.
It is advisable that according to the Yamaha Parts News you make necessary corrections to the Parts Catalogue on hand to keep it up-to-date.

2. Abbreviations

The following abbreviations are used in this Parts Catalogue.

- U.R. Use size (thickness) and/or number as required.
- U.N. Use as many as you need.
- A.P. Alternate Parts
- L.M. Local Made
- F# Frame No. (Applicable machine No.)

3. The parts marked with (+) in the parts number column of this Catalogue are not supplied with by Yamaha, those have to be found locally.
4. Parts, which are to be supplied in the form of assemblies, are listed with an indentation of one letter's space, and a dot (.) is put against the name of each part.

EXAMPLE CARBURETOR ASS'Y
 . JET, pilot
 . NOZZLE, main

5. Indication of No. of constituent parts for assembly

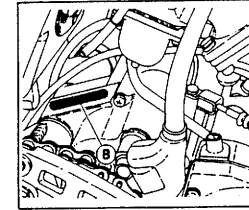
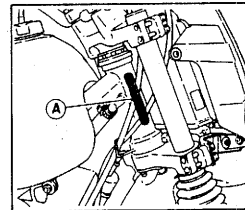
The numeral appearing to the right of each constituent part under the description indicates the quantity of such parts for each individual assembly unit.

EXAMPLE

| Part No. | Description | Q'ty | Remarks |
|--------------|---------------------------|------|---------|
| 2F5-83310-60 | FRONT FLASHER LIGHT ASS'Y | 2 | |
| 115-83311-60 | . BULB (6V-18W) | 1 | |
| 1M1-83309-60 | . REFLECTOR | 1 | |

6. Initial Serial No. and Color Code

| | |
|-----------------------|--------------------------|
| (A) Frame Serial No. | 2HG-000101 and following |
| (B) Engine Serial No. | 2HG-000101 and following |



| Color Code | Color Name | Abbreviate |
|------------|-------------|------------|
| 36 | CLEAN WHITE | W |

7. Applicable colors of graphics are represented in the "Remarks" column by the letter(s) appropriately picked out of the full word(s) showing such colors.

EXAMPLE

| Part No. | Description | Q'ty | Remarks |
|-----------------|--------------------------|------|-----------|
| 2N4-24110-00-X5 | FUEL TANK COMP. | 1 | MAXIM RED |
| 3J1-24240-10 | . GRAPHIC, fuel tank set | 1 | for MXR |

CONTENTS

ENGINE

| | |
|--------------------------|----------|
| Cylinder | B2 ~ B3 |
| Governor | B4 |
| Crankshaft. Piston | B5 |
| Water Pump | B6 |
| Radiator. Hose | B7 |
| Intake | B8 |
| Carburetor | B9 ~ B10 |
| Exhaust | B11 |
| Crankcase | B12 |
| Crankcase Cover 1 | B13 |
| Starter | B14 |
| Clutch | B15 |
| Transmission | C2 ~ C3 |
| Shift Cam. Fork | C4 |
| Shift Shaft | C5 |

CHASSIS

| | |
|---------------------------|-----------|
| Frame | C6 |
| Fender | C7 |
| Side Cover | C8 ~ C9 |
| Rear Arm | C10 ~ C11 |
| Rear Suspension | C12 |
| Steering | C13 |
| Front Fork | C14 ~ D2 |
| Fuel Tank | D3 ~ D4 |
| Seat | D5 |
| Front Wheel | D6 |
| Front Brake Caliper | D7 |
| Rear Wheel | D8 ~ D9 |

| | |
|------------------------------|-----|
| Steering Handle. Cable | D10 |
| Front Master Cylinder | D11 |
| Stand. Footrest | D12 |
| Generator | D13 |
| Handle Switch. Lever | D14 |
| Electrical 1 | D15 |

ALTERNATE PARTS

| | |
|-----------------------------|----|
| Alternate 1 (Chassis) | E2 |
|-----------------------------|----|

REPAIR KIT

| | |
|------------------|----|
| Repair Kit | E3 |
|------------------|----|

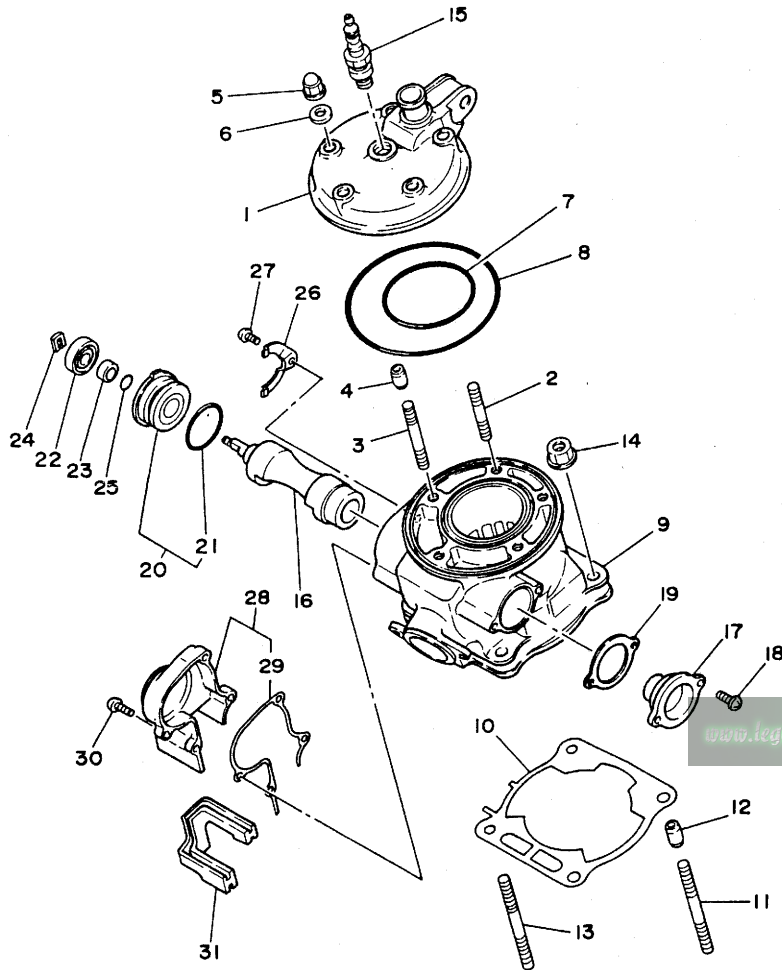
INDEX

| | |
|-----------------------|---------|
| Numerical Index | M1 ~ M3 |
|-----------------------|---------|

C6 www.legends-yamaha-enduros.com

FIG. 1 CYLINDER

| REF. NO. | PART NO. | DESCRIPTION | Q'TY | REMARKS |
|----------|--------------|------------------------------|------|---------------------|
| 1 | 1LX-11111-00 | HEAD, cylinder 1 | 1 | |
| 2 | 90116-08394 | BOLT, stud | 3 | |
| 3 | 90116-08392 | BOLT, stud | 2 | |
| 4 | 99510-10114 | PIN, dowel | 2 | |
| 5 | 90176-08026 | NUT, crown | 5 | |
| 6 | 90201-08087 | WASHER, plate | 5 | |
| 7 | 93210-65721 | O-RING | 1 | |
| 8 | 93211-07720 | O-RING | 1 | |
| 9 | 2HG-11311-00 | CYLINDER 1 | 1 | |
| 10 | 1LX-11351-00 | GASKET, cylinder | 1 | |
| 11 | 90116-08409 | BOLT, stud | 2 | |
| 12 | 99510-10114 | PIN, dowel | 2 | |
| 13 | 90116-08318 | BOLT, stud | 2 | |
| 14 | 90179-08246 | NUT | 4 | |
| 15 | * | PLUG, spark (CHAMPION N-84) | 1 | UR LM FOR OCEANIA |
| | * | PLUG, spark (CHAMPION QN-86) | 1 | UR LM FOR S. AFRICA |
| 16 | 1LX-1131A-01 | VALVE 1 | 1 | |
| 17 | 39W-W1132-00 | HOLDER 1 | 1 | |
| 18 | 98506-05012 | SCREW, pan head | 2 | |
| 19 | 5X4-1131N-00 | GASKET, holder | 1 | |
| 20 | 5X4-Y113F-00 | HOLDER 2 ASSY | 1 | |
| 21 | 93210-27244 | O-RING | 1 | |
| 22 | 93104-16074 | OIL SEAL | 1 | |
| 23 | 90387-102F3 | COLLAR | 1 | |
| 24 | 5X5-11937-00 | BOSS, lever | 1 | |
| 25 | 93210-09192 | O-RING | 1 | |
| 26 | 1LX-11915-00 | PLATE, thrust 1 | 1 | |
| 27 | 98506-05010 | SCREW, pan head | 1 | |

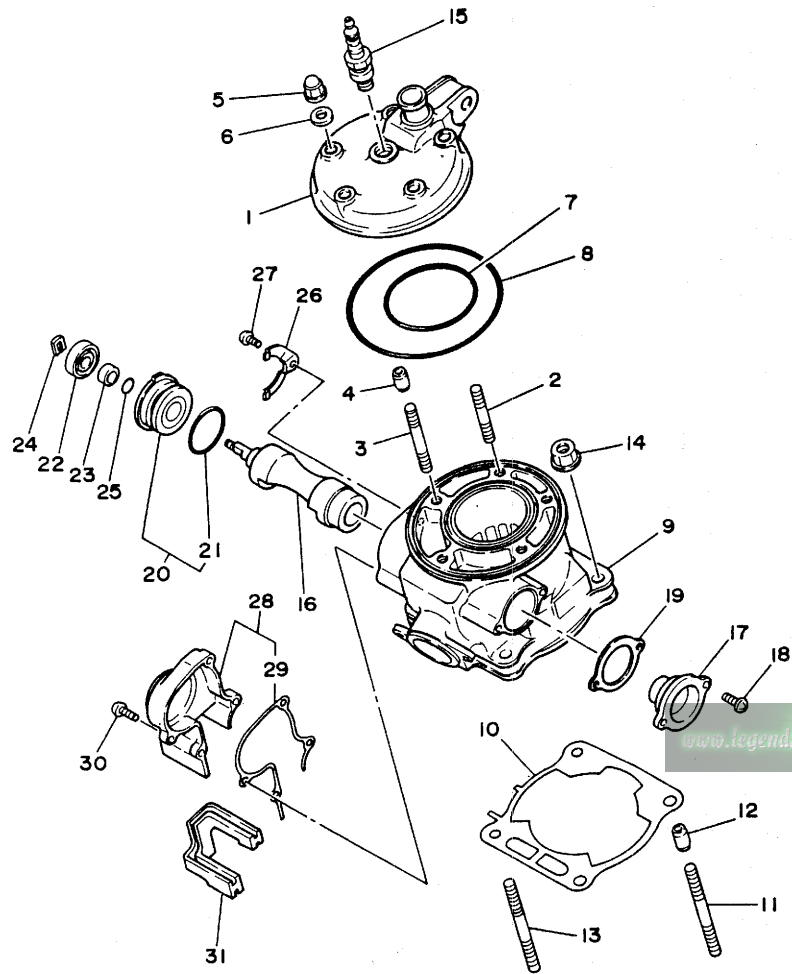


2HG100-7010

B2

FIG. 1 CYLINDER

| REF. NO. | PART NO. | DESCRIPTION | Q'TY | REMARKS |
|----------|--------------|-----------------|------|---------|
| 28 | 1LX-11992-00 | HOUSING 2 | 1 | |
| 29 | 1LX-11993-00 | .GASKET | 1 | |
| 30 | 98506-05014 | SCREW, pan head | 4 | |
| 31 | 1LX-11995-00 | SEAL, housing | 1 | |

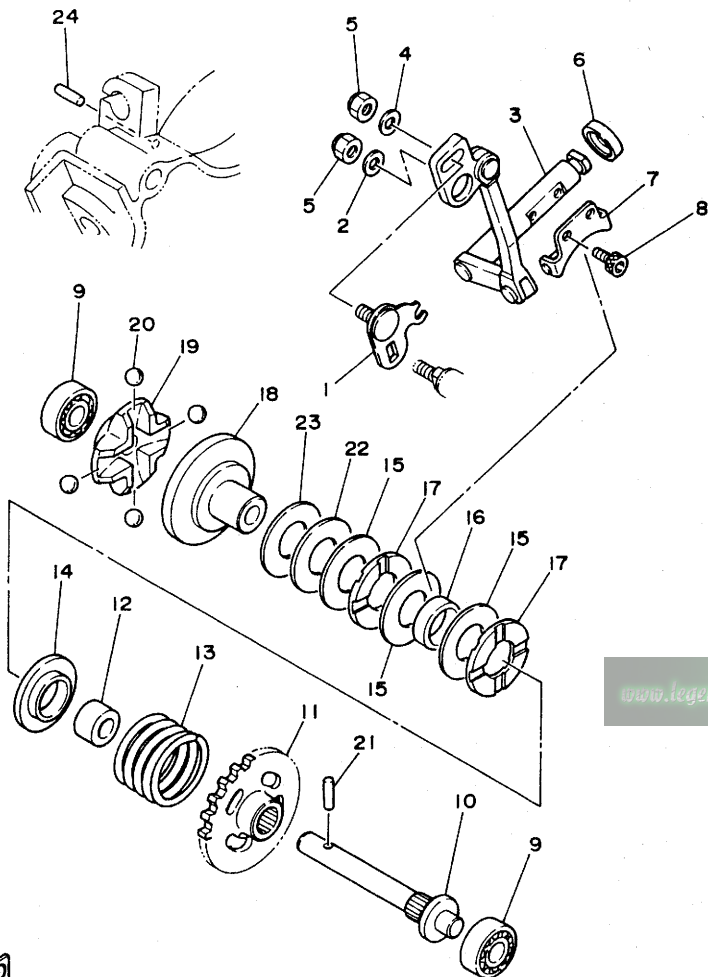


2HG100-7010

B3

FIG. 2 GOVERNOR

| REF. NO. | PART NO. | DESCRIPTION | Q'TY | REMARKS |
|----------|--------------|-----------------------|------|---------|
| 1 | 1LX-11931-00 | LEVER | 1 | |
| 2 | 90201-057K1 | WASHER, plate | 1 | |
| 3 | 1LX-11990-00 | PUSH ROD ASSY | 1 | |
| 4 | 92901-05600 | WASHER, plate | 1 | |
| 5 | 95601-05100 | NUT, u | 2 | |
| 6 | 93104-08040 | OIL SEAL | 1 | |
| 7 | 5X4-11922-00 | FORK, governor | 1 | |
| 8 | 91316-04006 | BOLT | 2 | |
| 9 | 93300-60814 | BEARING (608M4ML01) | 2 | NMB |
| 10 | 5X4-11921-01 | SHAFT, governor | 1 | |
| 11 | 24X-11953-01 | GEAR, governor | 1 | |
| 12 | 90560-08213 | SPACER | 1 | |
| 13 | 90501-240E7 | SPRING, compression | 1 | |
| 14 | 5X4-11952-00 | PLATE | 1 | |
| 15 | 90201-154E9 | WASHER, plate | 2 | |
| 16 | 90387-152F2 | COLLAR | 1 | |
| 17 | 90380-15104 | BUSH, solid | 2 | |
| 18 | 5X5-11912-01 | RETAINER, weight | 1 | |
| 19 | 5X5-11911-01 | RETAINER | 1 | |
| 20 | 93521-64032 | BALL | 4 | |
| 21 | 93603-14179 | PIN, dowel | 1 | |
| 22 | 90201-154E9 | WASHER, plate | 1 | UR |
| | 90201-154F5 | WASHER, plate (T=0.8) | 1 | UR |
| 23 | 90201-154F6 | WASHER, plate (T=0.2) | 1 | UN |
| 24 | 93603-13185 | PIN, dowel | 1 | |

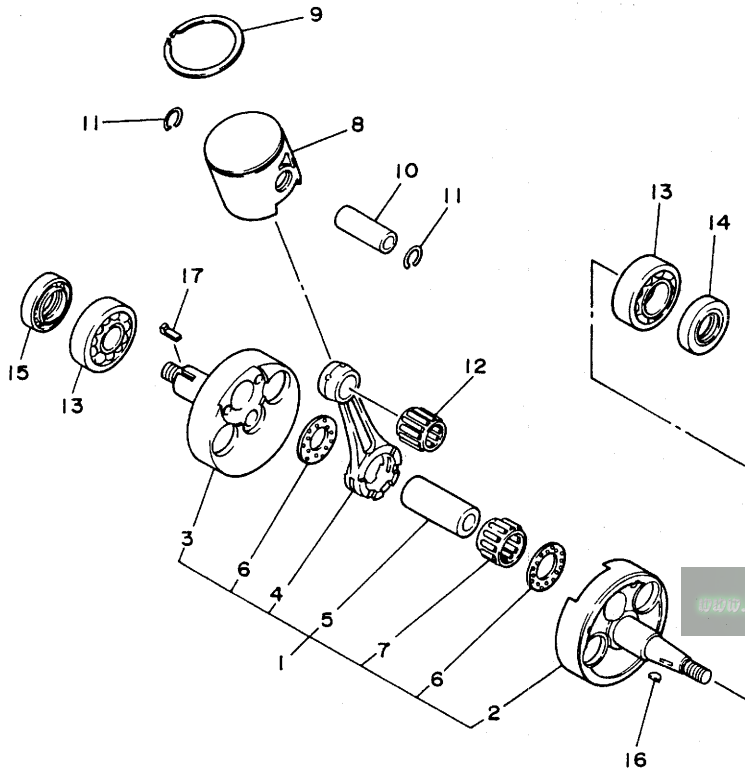


ILX010-6020

B4

FIG. 3 CRANKSHAFT. PISTON

| REF. NO. | PART NO. | DESCRIPTION | Q'TY | REMARKS |
|----------|-----------------|---------------------------|------|---------|
| 1 | 2HG-11400-00 | CRANKSHAFT ASSY | 1 | |
| 2 | 2HG-11412-00 | .CRANK 1 | 1 | |
| 3 | 2HG-11422-00 | .CRANK 2 | 1 | |
| 4 | 2HG-11651-00 | .ROD, connecting | 1 | |
| 5 | 36F-11681-00 | .PIN, crank 1 | 1 | |
| 6 | 90209-22292 | .WASHER | 2 | |
| 7 | 93310-522M4 | .BEARING, cylindrical | 1 | |
| 8 | 1LX-11631-00-94 | PISTON (STD) | 1 | UR |
| | 1LX-11631-00-95 | PISTON (STD) | 1 | UR |
| | 1LX-11635-00 | PISTON (0.25MM O/S) | 1 | AP |
| | 1LX-11636-00 | PISTON (0.50MM O/S) | 1 | AP |
| | 1LX-11637-00 | PISTON (0.75MM O/S) | 1 | AP |
| 9 | 5X4-11611-00 | RING, piston (STD) | 1 | |
| | 5X4-11611-10 | RING, piston (0.25MM O/S) | 1 | AP |
| | 5X4-11611-20 | RING, piston (0.50MM O/S) | 1 | AP |
| | 5X4-11611-30 | RING, piston (0.75MM O/S) | 1 | AP |
| 10 | 137-11633-00 | PIN, piston | 1 | |
| 11 | 4V2-11634-00 | CLIP, piston pin | 2 | |
| 12 | 93310-216L2 | BEARING, cylindrical | 1 | |
| 13 | 93306-37204 | BEARING (63/22SH2-9TC4) | 2 | KOYO |
| 14 | 93102-22363 | OIL SEAL | 1 | |
| 15 | 93103-32099 | OIL SEAL | 1 | |
| 16 | 90280-03045 | KEY, woodruff | 1 | |
| 17 | 90282-05038 | KEY, straight | 1 | |

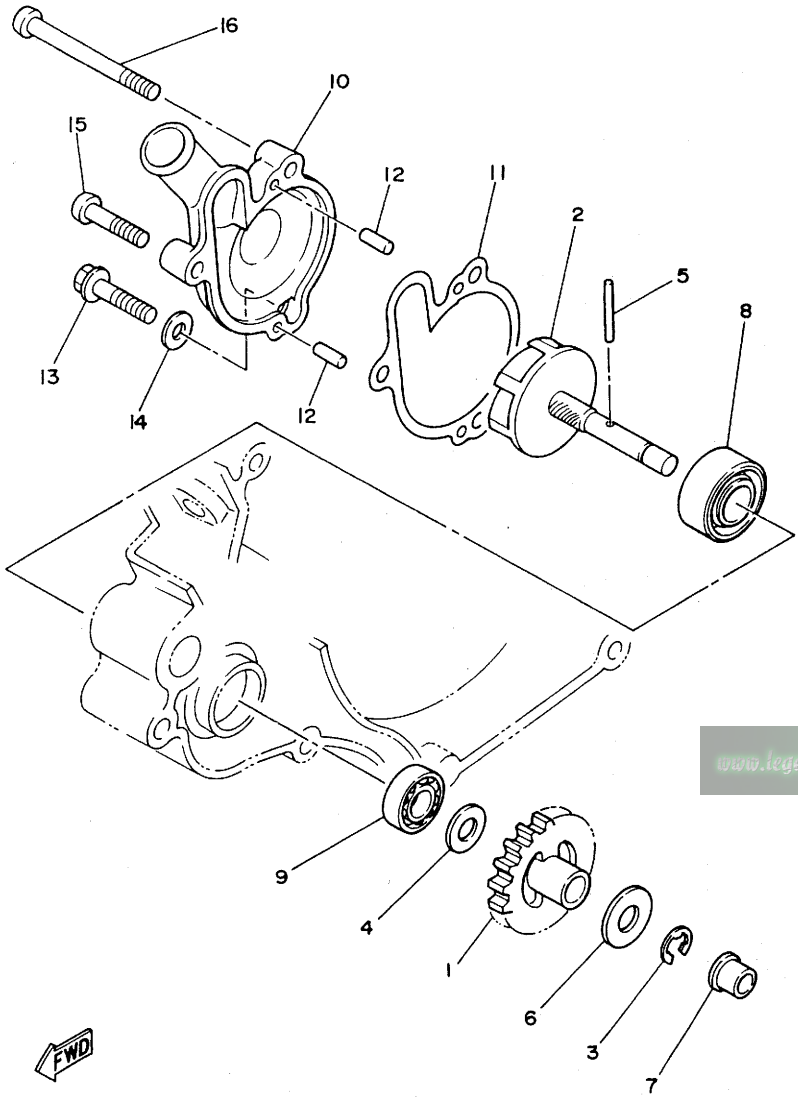


2HG100-7030

B5

FIG. 4 WATER PUMP

| REF. NO. | PART NO. | DESCRIPTION | Q'TY | REMARKS |
|----------|--------------|-------------------------|------|---------|
| 1 | 1LX-12459-00 | GEAR, impeller shaft | 1 | |
| 2 | 1LX-12450-00 | IMPELLER SHAFT ASSY | 1 | |
| 3 | 99001-07600 | CIRCLIP | 1 | |
| 4 | 90201-08512 | WASHER, plate | 1 | |
| 5 | 93603-22028 | PIN, dowel | 1 | |
| 6 | 90201-08784 | WASHER, plate | 1 | |
| 7 | 90381-08002 | BUSH, solid | 1 | |
| 8 | 93103-10147 | OIL SEAL | 1 | |
| 9 | 93300-60814 | BEARING (608M4ML01) | 1 | NMB |
| 10 | 1LX-12422-00 | COVER, housing | 1 | |
| 11 | 1LX-12428-00 | GASKET, housing cover 2 | 1 | |
| 12 | 93604-10011 | PIN, dowel | 2 | |
| 13 | 95816-06025 | BOLT, flange | 1 | |
| 14 | 90430-06166 | GASKET | 1 | |
| 15 | 92506-06025 | SCREW, pan head | 1 | |
| 16 | 92506-06060 | SCREW, pan head | 1 | |



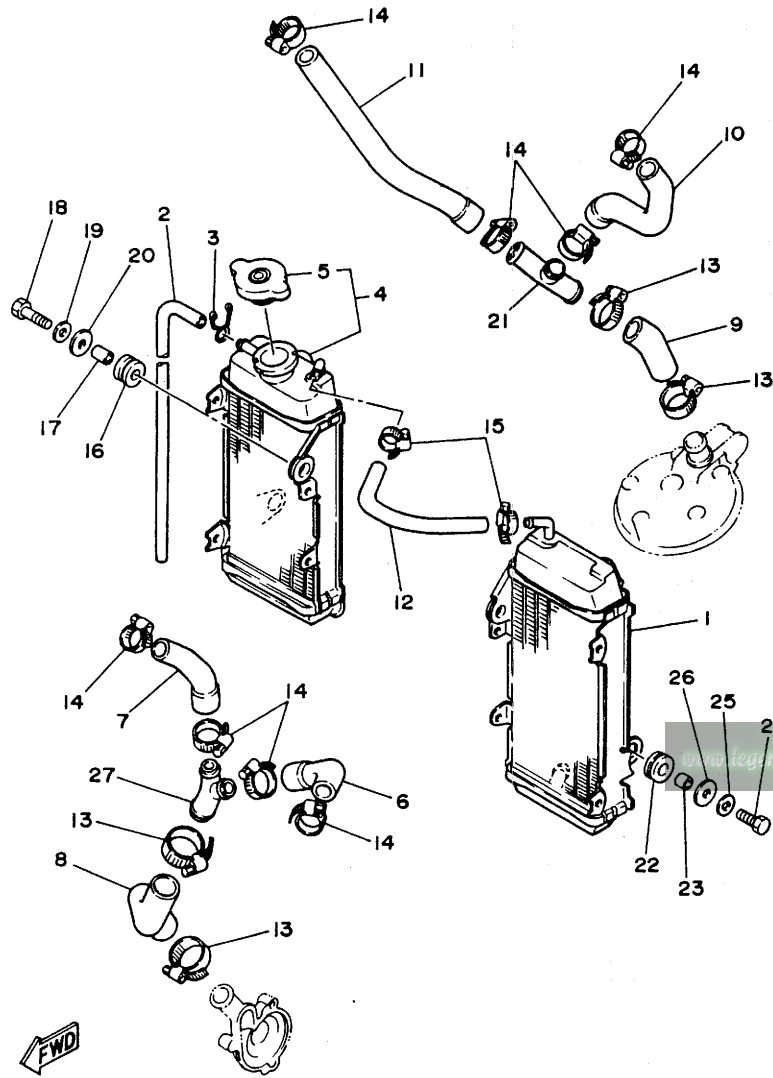
www.legends-yamaha-enduros.com



2HG100-7040

B6

FIG. 5 RADIATOR. HOSE



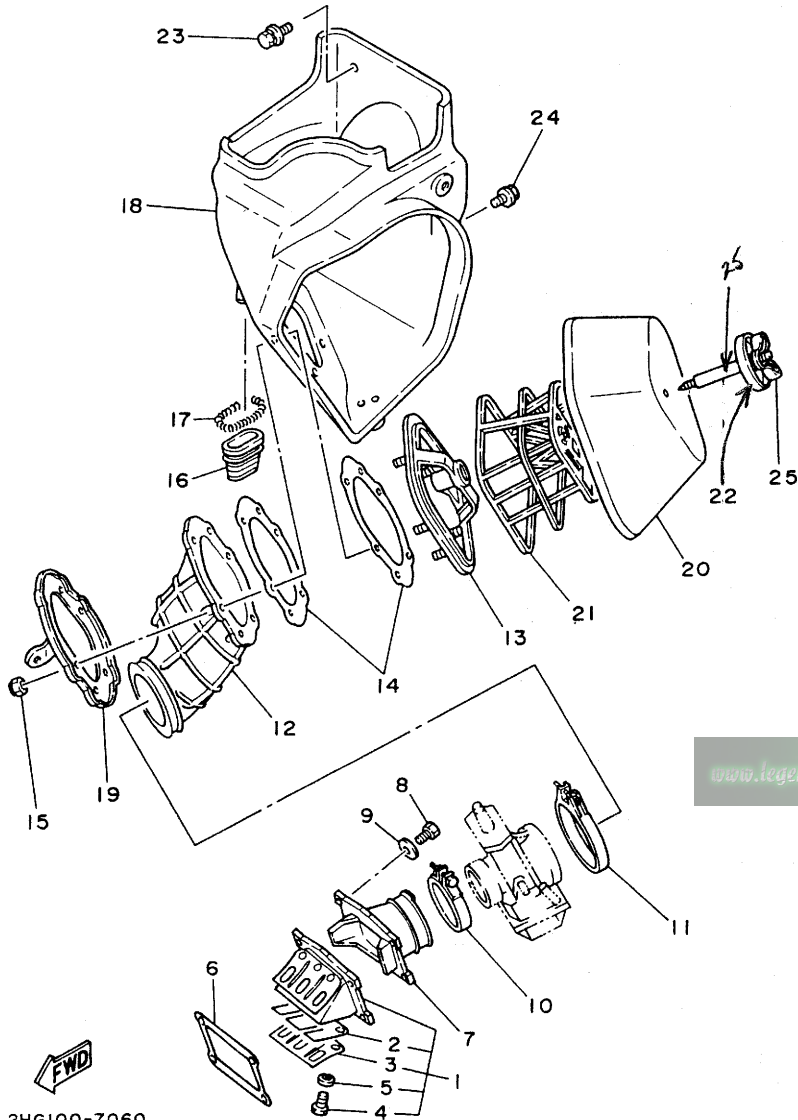
| REF. NO. | PART NO. | DESCRIPTION | Q'TY | REMARKS |
|----------|--------------|-----------------|------|---------|
| 1 | 1LX-12460-00 | RADIATOR ASSY | 1 | |
| 2 | 90446-09079 | HOSE | 1 | |
| 3 | 90467-09006 | CLIP | 1 | |
| 4 | 1LX-1240A-00 | RADIATOR ASSY 2 | 1 | |
| 5 | 22W-12462-00 | .CAP, radiator | 1 | |
| 6 | 1LX-12481-00 | PIPE 1 | 1 | |
| 7 | 1LX-12482-00 | PIPE 2 | 1 | |
| 8 | 1LX-12483-01 | PIPE 3 | 1 | |
| 9 | 1LX-12485-00 | PIPE 5 | 1 | |
| 10 | 1LX-12476-00 | PIPE 6 | 1 | |
| 11 | 1LX-12477-00 | PIPE 7 | 1 | |
| 12 | 1LX-1248A-00 | PIPE 8 | 1 | |
| 13 | 90460-31253 | CLAMP, hose | 4 | |
| 14 | 90460-25288 | CLAMP, hose | 8 | |
| 15 | 90460-12268 | CLAMP, hose | 2 | |
| 16 | 90480-15064 | GROMMET | 2 | |
| 17 | 90387-07392 | COLLAR | 2 | |
| 18 | 97001-06030 | BOLT | 2 | |
| 19 | 92901-06600 | WASHER, plate | 2 | |
| 20 | 90201-06570 | WASHER, plate | 2 | |
| 21 | 24X-12469-00 | JOINT 1 | 1 | |
| 22 | 90480-18276 | GROMMET | 2 | |
| 23 | 90387-07573 | COLLAR | 2 | |
| 24 | 97001-06020 | BOLT | 2 | |
| 25 | 92901-06600 | WASHER, plate | 2 | |
| 26 | 90201-06570 | WASHER, plate | 2 | |
| 27 | 24Y-12469-00 | JOINT 1 | 1 | |

2HG100-7050

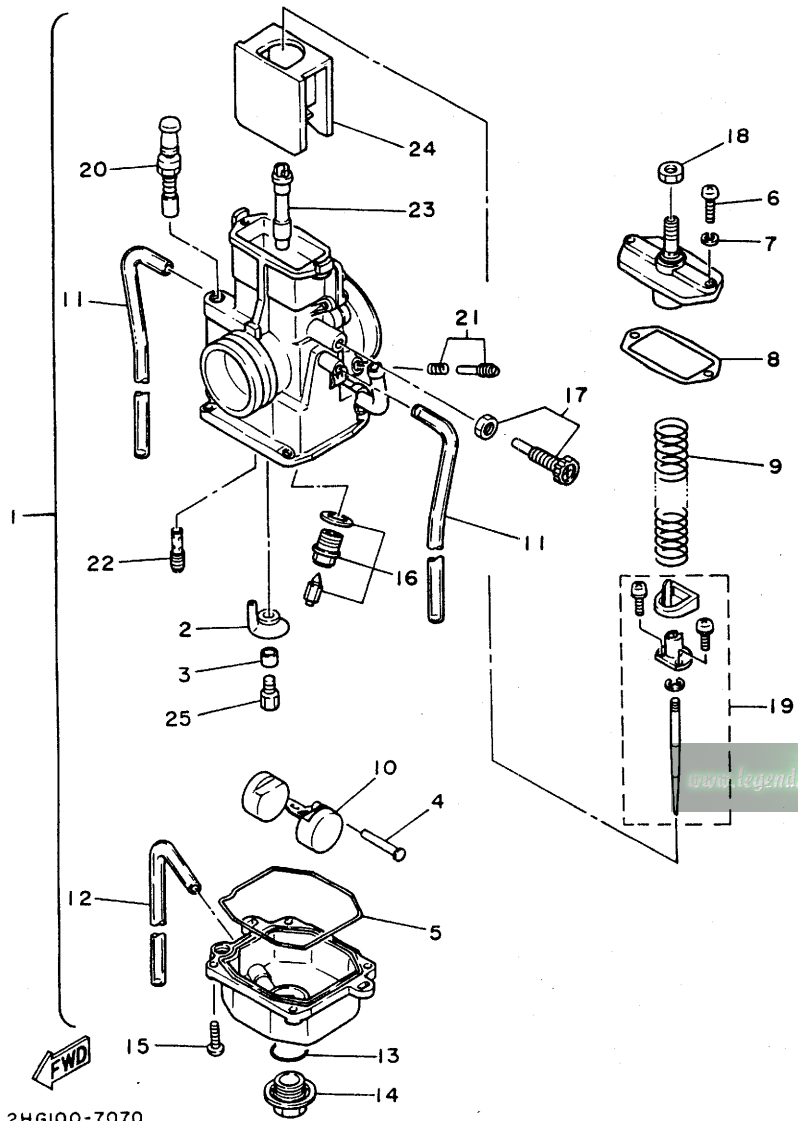
B7

FIG. 6 INTAKE

| REF. NO. | PART NO. | DESCRIPTION | Q'TY | REMARKS |
|----------|--------------|------------------------|------|---------|
| 1 | 1LX-13610-01 | REED VALVE ASSY | 1 | |
| 2 | 55Y-13613-00 | .REED, valve | 2 | |
| 3 | 55Y-13616-00 | .STOPPER, reed valve | 2 | |
| 4 | 98501-03008 | .SCREW, pan head | 6 | |
| 5 | 92990-03100 | .WASHER, spring | 6 | |
| 6 | 1LX-13621-00 | GASKET, valve seat | 1 | |
| 7 | 2HG-13565-00 | JOINT, carburetor | 1 | |
| 8 | 97301-06020 | BOLT | 4 | |
| 9 | 92901-06600 | WASHER, plate | 4 | |
| 10 | 90460-51109 | CLAMP, hose | 1 | |
| 11 | 90460-68199 | CLAMP, hose | 1 | |
| 12 | 2HG-14453-00 | JOINT, air cleaner 1 | 1 | |
| 13 | 56A-14459-00 | HOLDER, guide | 1 | |
| 14 | 39X-14462-00 | SEAL | 2 | |
| 15 | 95601-05100 | NUT, u | 6 | |
| 16 | 39K-14457-00 | SEAL | 1 | |
| 17 | 90504-03033 | SPRING, compression | 1 | |
| 18 | 1LU-W1441-00 | AIR CLEANER CASE COMP. | 1 | |
| 19 | 1LU-14477-00 | PLATE | 1 | |
| 20 | 2HH-14451-00 | ELEMENT, air cleaner | 1 | |
| 21 | 2HH-14458-00 | GUIDE | 1 | |
| 22 | 2HH-14468-00 | PLATE, element fitting | 1 | |
| 23 | 90119-06081 | BOLT, with washer | 2 | |
| 24 | 90119-06056 | BOLT, with washer | 1 | |
| 25 | 90122-06025 | BOLT, wing | 1 | |



2HG100-7060



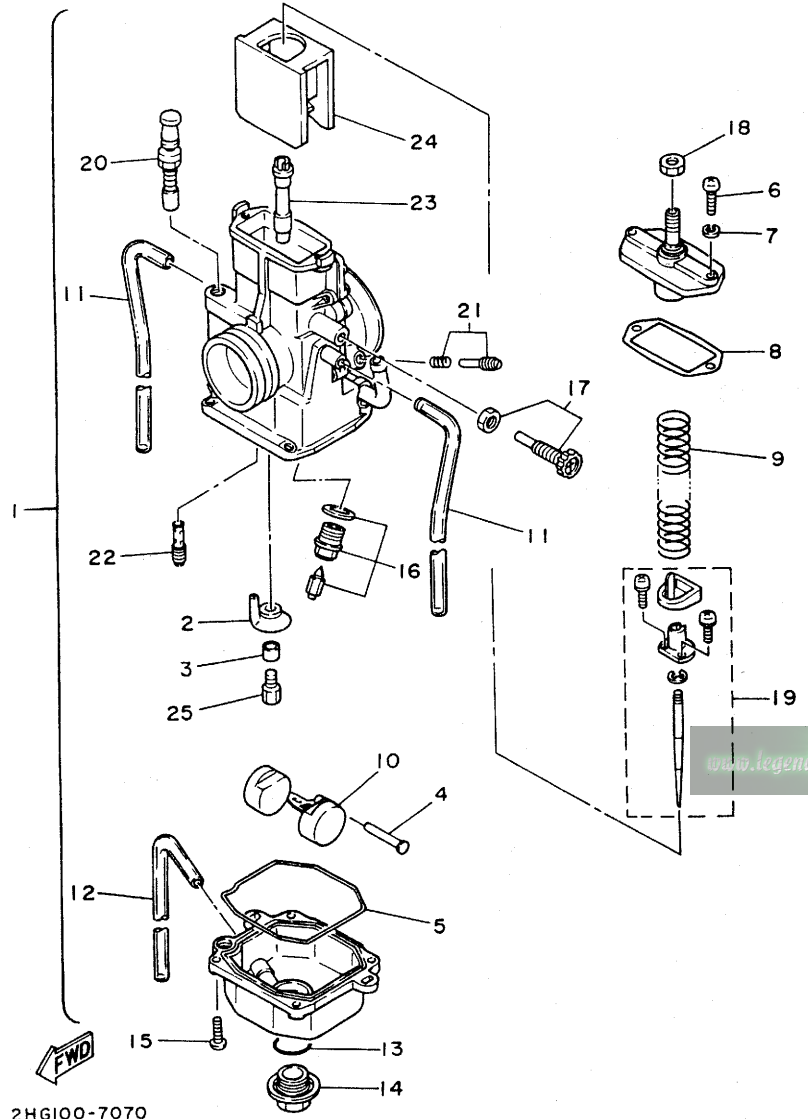
2HG100-7070

FIG. 7 CARBURETOR

| REF. NO. | PART NO. | DESCRIPTION | Q'TY | REMARKS |
|----------|--------------|-------------------------|-------|---------|
| 1 | 2HG-14101-00 | CARBURETOR ASSY 1 | 1 | |
| 2 | 1LX-14153-10 | .WASHER, main jet | 1 | |
| 3 | 509-14145-00 | .SETTER, needle jet | 1 | |
| 4 | 537-14186-00 | .PIN, float | 1 | |
| 5 | 1LX-14147-00 | .O-RING | 1 | |
| 6 | 98503-04014 | .SCREW, pan head | 2 | |
| 7 | 92902-04100 | .WASHER, spring | 2 | |
| 8 | 1LX-14198-00 | .GASKET | 1 | |
| 9 | 1LX-14131-00 | .SPRING, throttle valve | 1 | |
| 10 | 2HG-14185-00 | .FLOAT | 1 | |
| 11 | 432-14197-00 | .PIPE | 2 | |
| 12 | 3Y3-14196-00 | .PIPE | 1 | |
| 13 | 558-14147-00 | .O-RING | 1 | |
| 14 | 500-14115-00 | .PLUG, screw | 1 | |
| 15 | 98511-04012 | .SCREW, pan head | 4 | |
| 16 | 24X-14107-33 | .NEEDLE VALVE SET | 1 | |
| 17 | 40T-14103-00 | .THROTTLE SCREW SET | 1 | |
| 18 | 802-14161-00 | .NUT, cable adjusting | 1 | |
| 19 | 1LX-1490J-00 | .NEEDLE SET | 1 | |
| 20 | 24X-1410A-00 | .STARTER SET | 1 | |
| 21 | 1LX-14104-00 | .AIR SCREW SET | 1 | |
| 22 | 193-14142-50 | .JET, pilot (# 50) | 1 STD | |
| | 193-14142-45 | .JET, pilot (# 45) | 1 AP | |
| | 193-14142-55 | .JET, pilot (# 55) | 1 AP | |
| 23 | 1LX-14141-52 | .NOZZLE, main | 1 STD | |
| | 1LX-14141-50 | .NOZZLE, main (Q-0) | 1 AP | |
| | 1LX-14141-54 | .NOZZLE, main | 1 AP | |
| 24 | 1LX-14112-30 | .VALVE, throttle 1 | 1 STD | |

FIG. 7 CARBURETOR

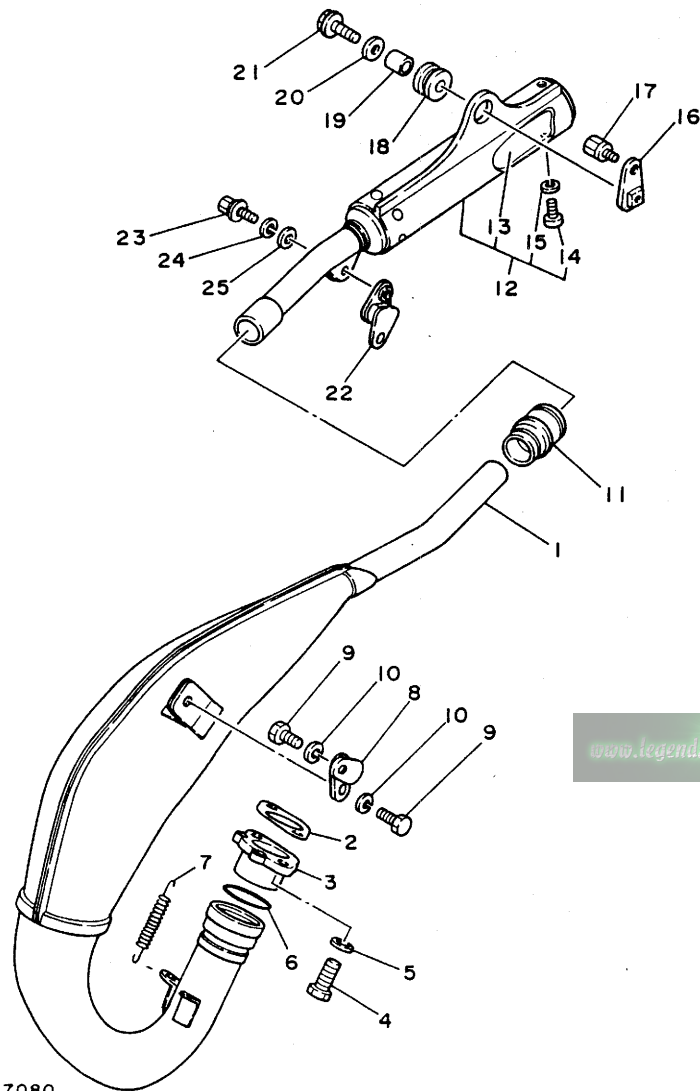
| REF. NO. | PART NO. | DESCRIPTION | Q'TY | REMARKS |
|----------|-----------------|--------------------------|------|---------|
| 24 | 1LX-14112-25 | .VALVE, throttle 1 | 1 | AP |
| | 1LX-14112-35 | .VALVE, throttle 1 (3.5) | 1 | AP |
| 25 | 137-14143-54 | .JET, main (#270) | 1 | STD |
| | 137-14143-50-A0 | .JET, main (#250) | 1 | AP |
| | 137-14143-52 | .JET, main (#260) | 1 | AP |
| | 137-14143-56-A0 | .JET, main (#280) | 1 | AP |
| | 137-14143-58-A0 | .JET, main (#290) | 1 | AP |



2HG100-7070

B10

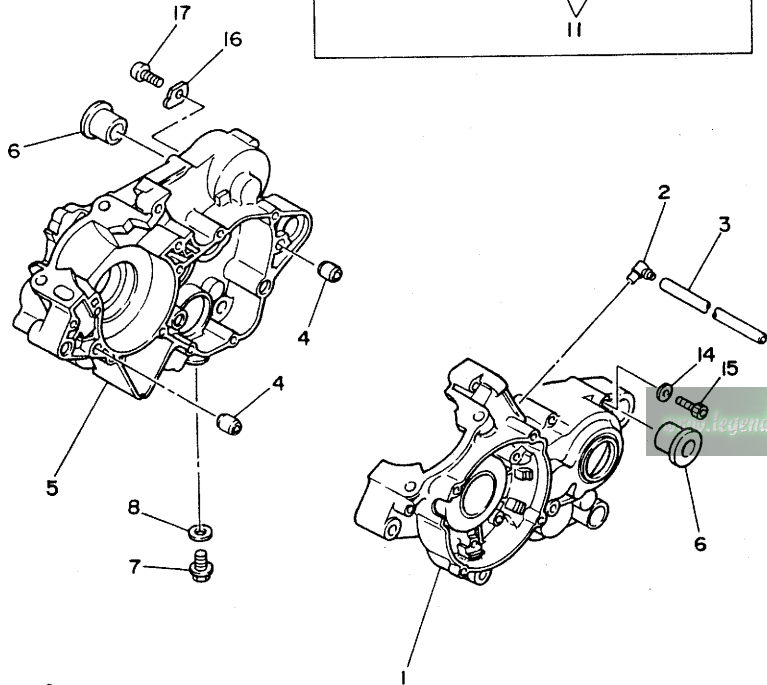
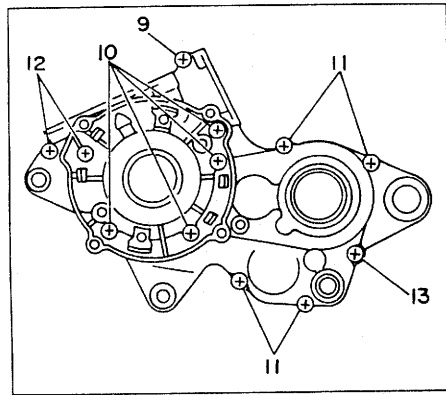
FIG. 8 EXHAUST



2HG100-7080

| REF. NO. | PART NO. | DESCRIPTION | Q'TY | REMARKS |
|----------|--------------|----------------------|------|---------|
| 1 | 2HG-14610-00 | EXHAUST PIPE ASSY 1 | 1 | |
| 2 | 1LX-14613-00 | GASKET, exhaust pipe | 1 | |
| 3 | 2HG-14614-00 | FLANGE, exhaust pipe | 1 | |
| 4 | 95021-08020 | BOLT, flange | 2 | |
| 5 | 92990-08100 | WASHER, spring | 2 | |
| 6 | 93210-42728 | O-RING | 1 | |
| 7 | 90507-20030 | SPRING, tension | 2 | |
| 8 | 24X-14771-00 | STAY, muffler 1 | 1 | |
| 9 | 97313-06016 | BOLT | 2 | |
| 10 | 92990-06100 | WASHER, spring | 2 | |
| 11 | 3M7-14615-00 | JOINT, exhaust 1 | 1 | |
| 12 | 2HG-14753-00 | SILENCER, exhaust | 1 | |
| 13 | 2HG-1469A-00 | .FIBER | 1 | |
| 14 | 92501-06010 | .SCREW, pan head | 2 | |
| 15 | 92990-06100 | .WASHER, spring | 2 | |
| 16 | 1LX-14744-00 | BRACKET | 1 | |
| 17 | 90109-08573 | BOLT | 1 | |
| 18 | 39X-14747-00 | DAMPER, muffler | 1 | |
| 19 | 90387-081A3 | COLLAR | 1 | |
| 20 | 90201-08612 | WASHER, plate | 1 | |
| 21 | 95821-08025 | BOLT, flange | 1 | |
| 22 | 565-14771-00 | STAY, muffler 1 | 1 | |
| 23 | 90109-06551 | BOLT | 1 | |
| 24 | 92990-06100 | WASHER, spring | 1 | |
| 25 | 92901-06600 | WASHER, plate | 1 | |

FIG. 9 CRANKCASE



| REF. NO. | PART NO. | DESCRIPTION | Q'TY | REMARKS |
|----------|--------------|-------------------------|------|---------|
| 1 | 1LX-15111-01 | CRANKCASE 1 | 1 | |
| 2 | 353-13115-01 | CONNECTOR, suction pipe | 1 | |
| 3 | 90445-08376 | HOSE | 1 | |
| 4 | 99530-12016 | PIN, dowel | 2 | |
| 5 | 1LX-15121-02 | CRANKCASE 2 | 1 | |
| 6 | 90387-16781 | COLLAR | 2 | |
| 7 | 90340-12095 | PLUG, straight screw | 1 | |
| 8 | 90430-12038 | GASKET | 1 | |
| 9 | 91316-06035 | BOLT | 1 | |
| 10 | 91316-06045 | BOLT | 4 | |
| 11 | 91316-06055 | BOLT | 4 | |
| 12 | 91316-06060 | BOLT | 2 | |
| 13 | 91316-06065 | BOLT | 1 | |
| 14 | 90209-06290 | WASHER | 1 | |
| 15 | 91316-05012 | BOLT | 1 | |
| 16 | 3R3-15128-01 | HOLDER | 1 | |
| 17 | 92501-08010 | SCREW, pan head | 1 | |



2HG100-7090

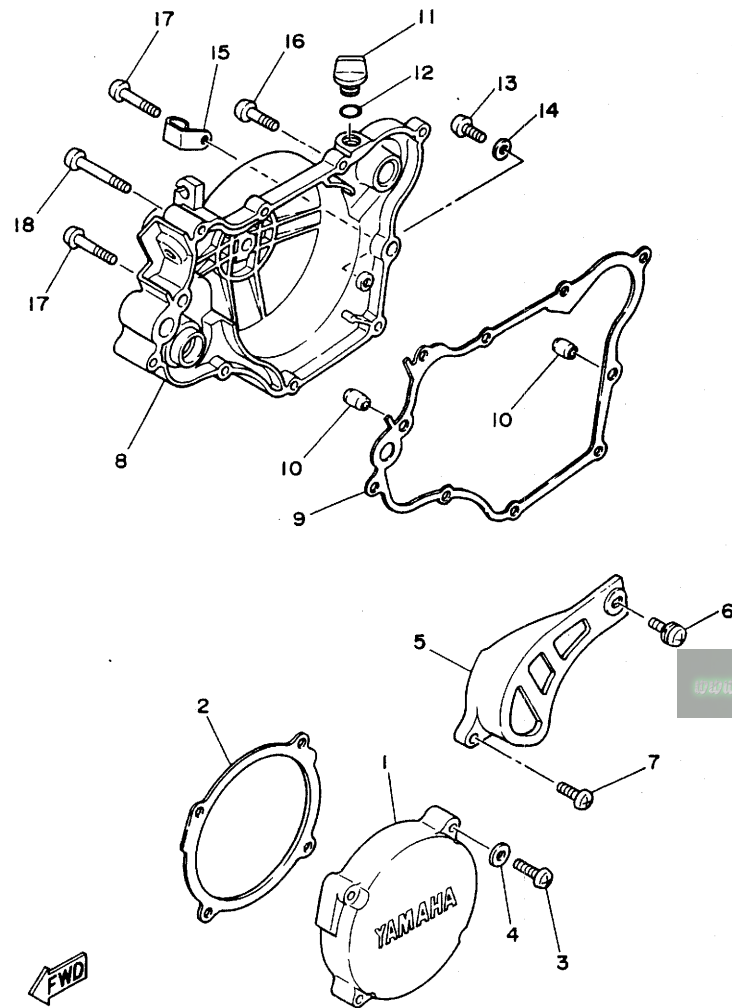


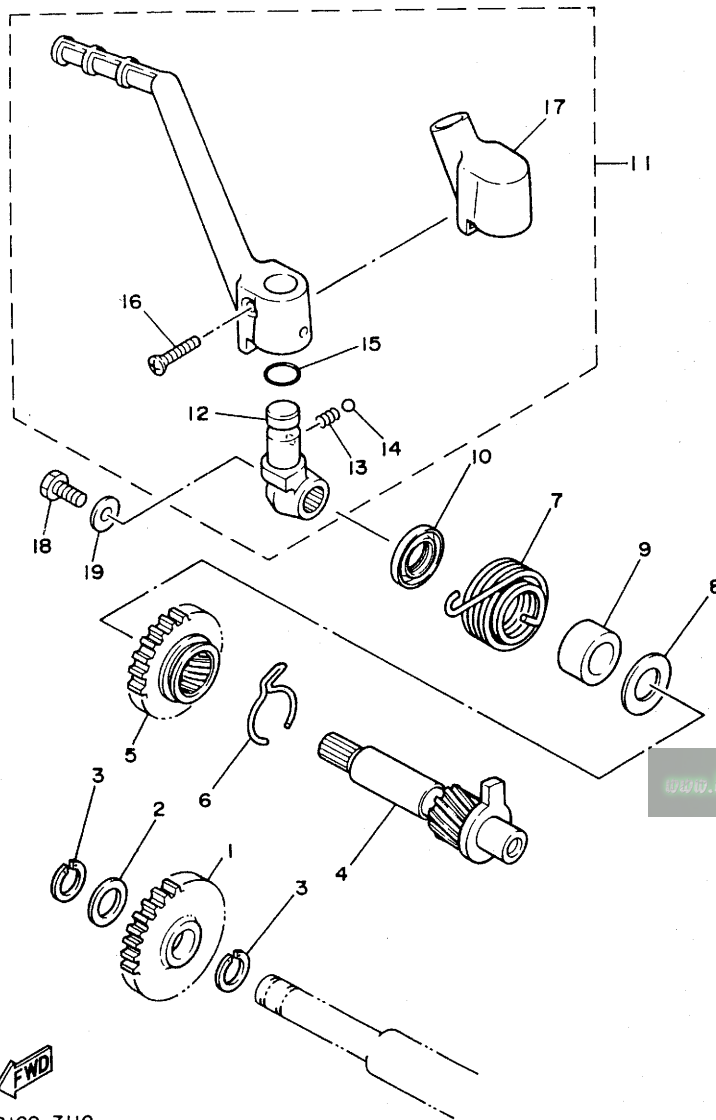
FIG. 10 CRANKCASE COVER 1

| REF. NO. | PART NO. | DESCRIPTION | Q'TY | REMARKS |
|----------|--------------|---------------------------|------|---------|
| 1 | 1LX-15411-00 | COVER, crankcase 1 | 1 | |
| 2 | 1LX-15451-00 | GASKET, crankcase cover 1 | 1 | |
| 3 | 92516-06030 | SCREW, pan head | 4 | |
| 4 | 92906-06600 | WASHER, plate | 4 | |
| 5 | 1LX-15421-00 | COVER, crankcase 2 | 1 | |
| 6 | 90159-06084 | SCREW, with washer | 1 | |
| 7 | 92506-06016 | SCREW, pan head | 1 | |
| 8 | 1LX-15431-00 | COVER, crankcase 3 | 1 | |
| 9 | 1LX-15462-00 | GASKET, crankcase cover 3 | 1 | |
| 10 | 99530-10014 | PIN, dowel | 2 | |
| 11 | 168-15362-00 | PLUG, oil level | 1 | |
| 12 | 93210-14104 | O-RING | 1 | |
| 13 | 92506-06008 | SCREW, pan head | 1 | |
| 14 | 90430-06016 | GASKET | 1 | |
| 15 | 1LX-15378-00 | HOLDER | 1 | |
| 16 | 92506-06025 | SCREW, pan head | 6 | |
| 17 | 92506-06035 | SCREW, pan head | 2 | |
| 18 | 92506-06045 | SCREW, pan head | 1 | |



2HG100-7100

FIG. 11 STARTER



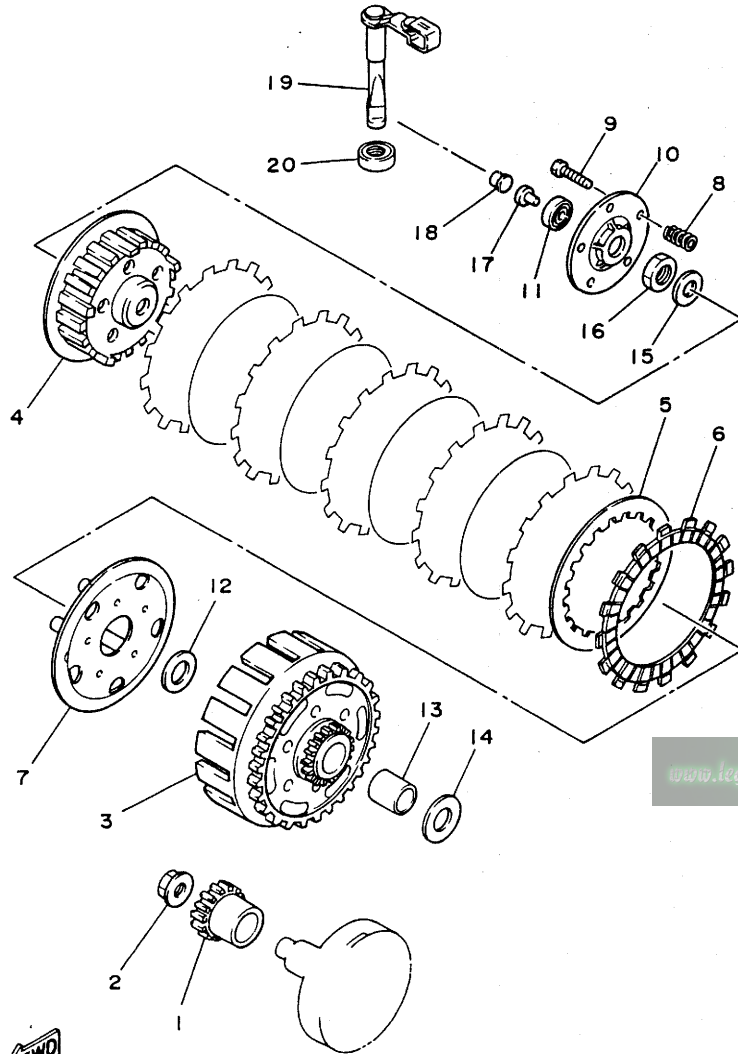
| REF. NO. | PART NO. | DESCRIPTION | Q'TY | REMARKS |
|----------|-----------------|----------------------|------|---------|
| 1 | 1LX-15651-00 | GEAR, kick idle | 1 | |
| 2 | 137-17417-00-05 | SHIM 1 (0.5T) | 1 | UN |
| 3 | 93440-15012 | CIRCLIP | 2 | |
| 4 | 1LX-15660-00 | KICK AXLE ASSY | 1 | |
| 5 | 1LX-15641-00 | GEAR, kick | 1 | |
| 6 | 90468-26048 | CLIP | 1 | |
| 7 | 90508-26700 | SPRING, torsion | 1 | |
| 8 | 90201-171G4 | WASHER, plate | 1 | |
| 9 | 90560-17279 | SPACER | 1 | |
| 10 | 93102-17263 | OIL SEAL | 1 | |
| 11 | 1LX-15620-00 | KICK CRANK ASSY | 1 | |
| 12 | 1LX-15621-00 | .BOSS, kick crank | 1 | |
| 13 | 90501-12081 | .SPRING, compression | 1 | |
| 14 | 93507-32031 | .BALL | 1 | |
| 15 | 93210-15151 | .O-RING | 1 | |
| 16 | 90152-06010 | .SCREW, countersunk | 1 | |
| 17 | 1LX-15618-00 | .COVER, kick lever | 1 | |
| 18 | 97313-06012 | BOLT | 1 | |
| 19 | 90201-06060 | WASHER, plate | 1 | |



2HG100-7110

B14

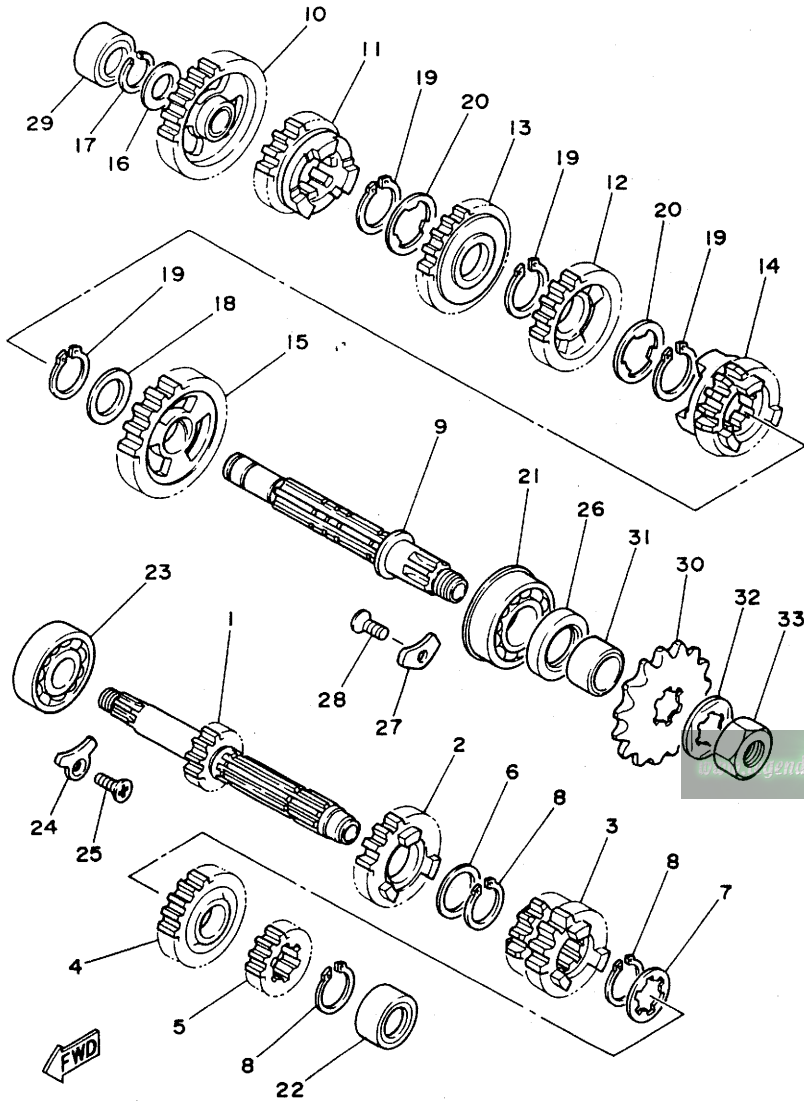
FIG. 12 CLUTCH



| REF. NO. | PART NO. | DESCRIPTION | Q'TY | REMARKS |
|----------|--------------|---------------------------|------|---------|
| 1 | 1LX-16111-00 | GEAR, primary drive | 1 | |
| 2 | 90179-12373 | NUT | 1 | |
| 3 | 1LX-16150-00 | PRIMARY DRIVEN GEAR COMP. | 1 | |
| 4 | 1LX-16371-00 | BOSS, clutch | 1 | |
| 5 | 1LX-16324-00 | PLATE, clutch 1 | 5 | |
| 6 | 1LX-16321-00 | PLATE, friction | 6 | |
| 7 | 1LX-16351-00 | PLATE, pressure 1 | 1 | |
| 8 | 90501-232E0 | SPRING, compression | 5 | |
| 9 | 90153-05060 | SCREW, hexagon | 5 | |
| 10 | 1LX-16352-00 | PLATE, pressure 2 | 1 | |
| 11 | 93300-60814 | BEARING (608M4ML01) | 1 | NMB |
| 12 | 90201-17166 | WASHER, plate | 1 | |
| 13 | 90560-17214 | SPACER | 1 | |
| 14 | 90201-17166 | WASHER, plate | 1 | |
| 15 | 90201-142J3 | WASHER, plate | 1 | |
| 16 | 90170-14171 | NUT | 1 | |
| 17 | 2HG-16357-00 | ROD, push 2 | 1 | |
| 18 | 2HG-16358-00 | PLATE, push | 1 | |
| 19 | 1LX-16380-00 | PUSH LEVER ASSY | 1 | |
| 20 | 93109-12012 | OIL SEAL | 1 | |

2HG100-7120

FIG. 13 TRANSMISSION

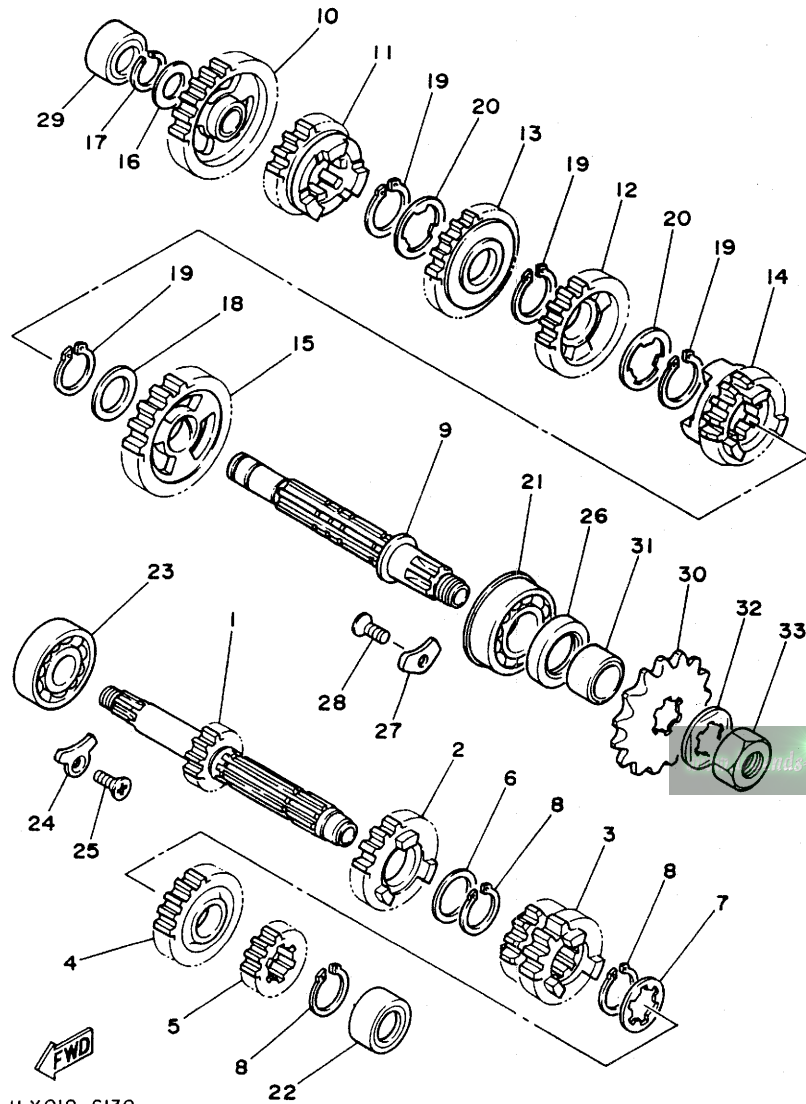


ILX010-6130

| REF. NO. | PART NO. | DESCRIPTION | Q'TY | REMARKS |
|----------|--------------|------------------------|------|---------|
| 1 | 2HG-17411-00 | AXLE, main (12T) | 1 | |
| 2 | 2HG-17151-00 | GEAR, 5th pinion (22T) | 1 | |
| 3 | 2HG-17131-00 | GEAR, 3rd pinion (15T) | 1 | |
| 4 | 2HG-17161-00 | GEAR, 6th pinion (23T) | 1 | |
| 5 | 2HG-17121-00 | GEAR, 2nd pinion (16T) | 1 | |
| 6 | 90201-20266 | WASHER, plate (1.0T) | 1 | |
| 7 | 90209-16255 | WASHER | 1 | |
| 8 | 93410-20038 | CIRCLIP | 3 | |
| 9 | 2HG-17421-00 | AXLE, drive | 1 | |
| 10 | 2HG-17211-00 | GEAR, 1st wheel (31T) | 1 | |
| 11 | 2HG-17251-00 | GEAR, 5th wheel (26T) | 1 | |
| 12 | 2HG-17231-00 | GEAR, 3rd wheel (24T) | 1 | |
| 13 | 2HG-17241-00 | GEAR, 4th wheel (20T) | 1 | |
| 14 | 2HG-17261-00 | GEAR, 6th wheel (25T) | 1 | |
| 15 | 2HG-17221-00 | GEAR, 2nd wheel (32T) | 1 | |
| 16 | 90201-15701 | WASHER, plate (1.0T) | 1 | |
| 17 | 93440-15012 | CIRCLIP | 1 | |
| 18 | 90201-22555 | WASHER, plate | 1 | |
| 19 | 93410-22039 | CIRCLIP | 4 | |
| 20 | 90209-18135 | WASHER | 2 | |
| 21 | 93306-30411 | BEARING (B6304) | 1 | |
| 22 | 93311-41530 | BEARING, cylindrical | 1 | |
| 23 | 93306-30309 | BEARING (B6303ZZ) | 1 | |
| 24 | 1LX-15383-00 | PLATE, bearing cover | 1 | |
| 25 | 92701-06012 | SCREW, flat head | 1 | |
| 26 | 93102-26042 | OIL SEAL | 1 | |
| 27 | 2K7-15383-00 | PLATE, bearing cover | 1 | |
| 28 | 92701-06012 | SCREW, flat head | 1 | |

FIG. 13 TRANSMISSION

| REF. NO. | PART NO. | DESCRIPTION | Q'TY | REMARKS |
|----------|--------------|-----------------------|------|---------|
| 29 | 93311-31515 | BEARING, cylindrical | 1 | |
| 30 | 2HG-17461-30 | SPROCKET, drive (13T) | 1 | STD |
| | 2HG-17461-20 | SPROCKET, drive (12T) | 1 | AP |
| | 2HG-17461-40 | SPROCKET, drive (14T) | 1 | AP |
| 31 | 90387-202A0 | COLLAR | 1 | |
| 32 | 90215-20261 | WASHER, lock | 1 | |
| 33 | 90179-16226 | NUT | 1 | |



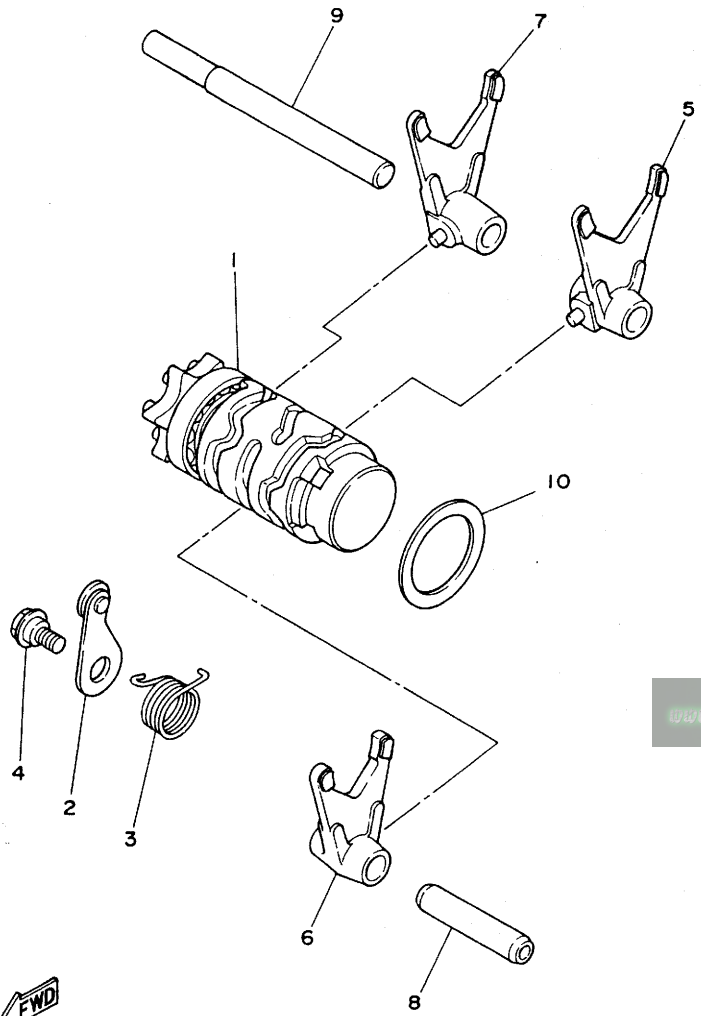
ILX010-6130



C3

FIG. 14 SHIFT CAM. FORK

| REF. NO. | PART NO. | DESCRIPTION | Q'TY | REMARKS |
|----------|--------------|-------------------------|------|---------|
| 1 | 1LX-18540-00 | SHIFT CAM ASSY | 1 | |
| 2 | 3R4-18140-00 | STOPPER LEVER ASSY | 1 | |
| 3 | 90508-26731 | SPRING, torsion | 1 | |
| 4 | 50W-21631-00 | BOLT 1 | 1 | |
| 5 | 1LX-18511-00 | FORK, shift 1 | 1 | |
| 6 | 1LX-18512-00 | FORK, shift 2 | 1 | |
| 7 | 1LX-18513-00 | FORK, shift 3 | 1 | |
| 8 | 1LX-18531-00 | BAR, shift fork guide 1 | 1 | |
| 9 | 1LX-18535-00 | BAR, shift fork guide 2 | 1 | |
| 10 | 90201-34683 | WASHER, plate | 1 | |



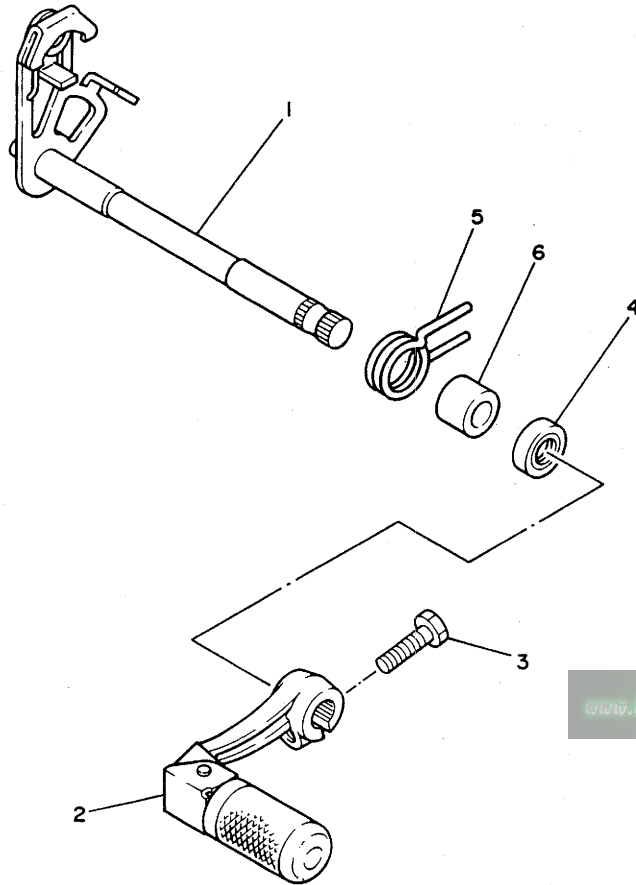
www.legends-yamaha-enduros.com



1LX010-6140

FIG. 15 SHIFT SHAFT

| REF. NO. | PART NO. | DESCRIPTION | Q'TY | REMARKS |
|----------|--------------|------------------|------|---------|
| 1 | 1LX-18101-01 | SHIFT SHAFT ASSY | 1 | |
| 2 | 1LX-18110-00 | SHIFT PEDAL ASSY | 1 | |
| 3 | 97311-06025 | BOLT | 1 | |
| 4 | 93109-12012 | OIL SEAL | 1 | |
| 5 | 90508-32535 | SPRING, torsion | 1 | |
| 6 | 90560-12280 | SPACER | 1 | |



www.legends-yamaha-enduros.com



ILX010-6150

C5

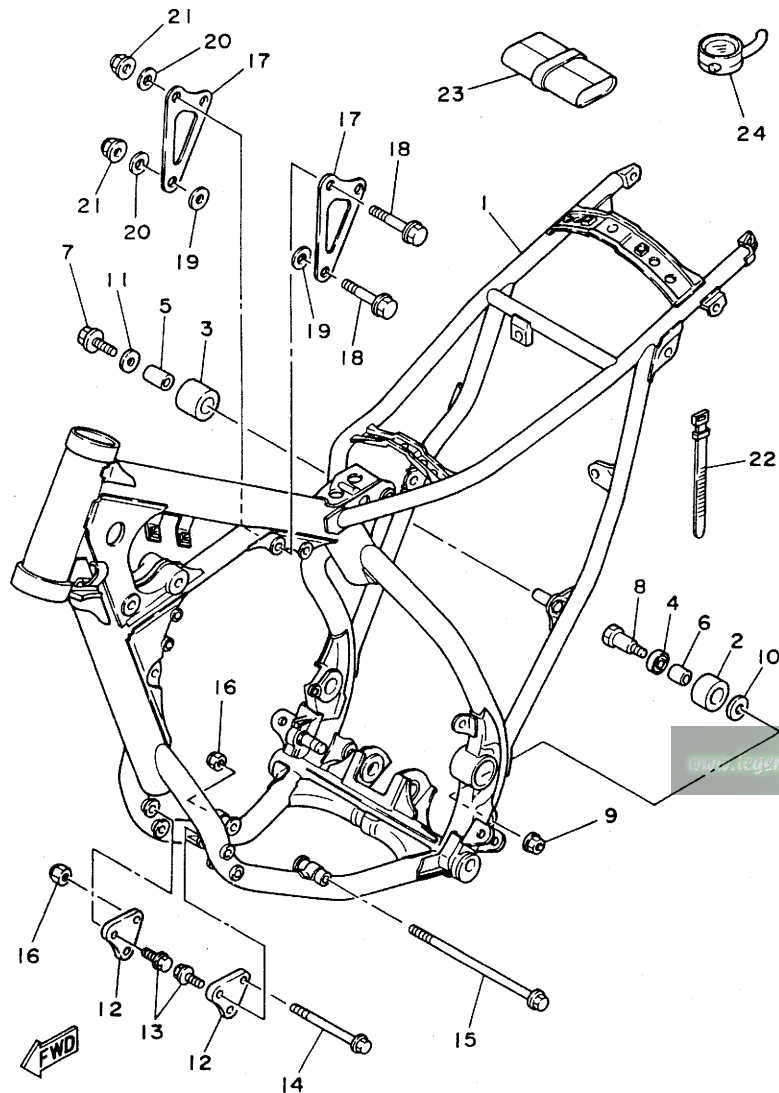


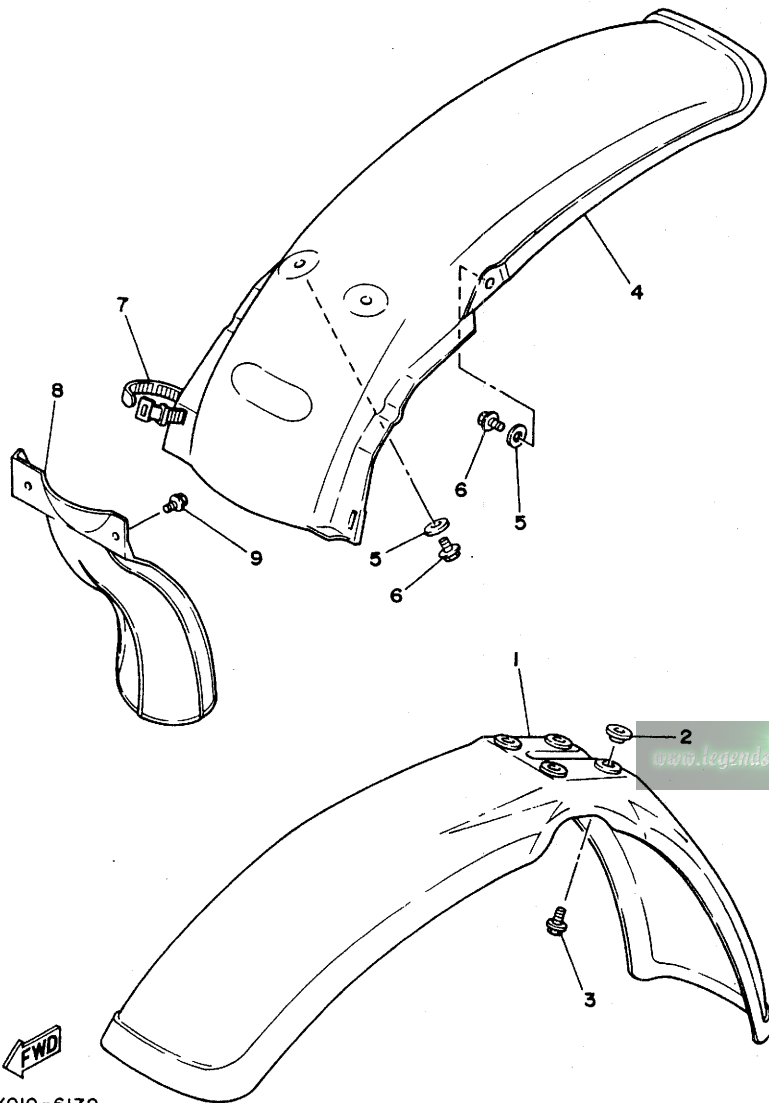
FIG. 16 FRAME

| REF. NO. | PART NO. | DESCRIPTION | Q'TY | REMARKS |
|----------|-----------------|-----------------------|------|---------------|
| 1 | 2HG-21110-00-UJ | FRAME COMP. | 1 | RADICAL WHITE |
| 2 | 2HH-22178-00 | TENSIONER | 1 | |
| 3 | 30X-22178-00 | TENSIONER | 1 | |
| 4 | 93300-60816 | BEARING | 1 | |
| 5 | 4V4-22184-00 | BUSH | 1 | |
| 6 | 90387-086N4 | COLLAR | 1 | |
| 7 | 95802-08012 | BOLT, flange | 1 | |
| 8 | 95021-08045 | BOLT, flange | 1 | |
| 9 | 90185-08106 | NUT, self-locking | 1 | |
| 10 | 90201-081A6 | WASHER, plate | 1 | |
| 11 | 90201-08753 | WASHER, plate | 1 | |
| 12 | 1LX-21419-00 | BRACKET, engine 2 | 2 | |
| 13 | 95811-08040 | BOLT, flange | 4 | |
| 14 | 95811-08095 | BOLT, flange | 1 | |
| 15 | 95811-08185 | BOLT, flange | 1 | |
| 16 | 90185-08113 | NUT, self-locking | 2 | |
| 17 | 1LX-21425-00 | BRACKET, rear upper 1 | 2 | |
| 18 | 95811-08055 | BOLT, flange | 3 | |
| 19 | 90202-08022 | WASHER, plate | 2 | |
| 20 | 90201-085E6 | WASHER, plate | 3 | |
| 21 | 90185-08113 | NUT, self-locking | 3 | |
| 22 | 437-83936-10 | BAND, switch cord | 1 | |
| 23 | 1LU-28100-00 | TOOL KIT | 1 | |
| 24 | 2X4-2811A-01 | GAUGE, air | 1 | |

2HG100-7160

FIG. 17 FENDER

| REF. NO. | PART NO. | DESCRIPTION | Q'TY | REMARKS |
|----------|--------------|--------------------|------|---------|
| 1 | 5X6-21511-10 | FENDER, front | 1 | WHITE |
| 2 | 90387-06681 | COLLAR | 4 | |
| 3 | 90119-06063 | BOLT, with washer | 4 | |
| 4 | 1LX-21611-00 | FENDER, rear | 1 | WHITE |
| 5 | 90201-06570 | WASHER, plate | 4 | |
| 6 | 90105-06138 | BOLT, washer based | 4 | |
| 7 | 437-83936-00 | BAND, switch cord | 1 | |
| 8 | 39X-21642-00 | GUARD, flap | 1 | |
| 9 | 90119-06117 | BOLT, with washer | 2 | |

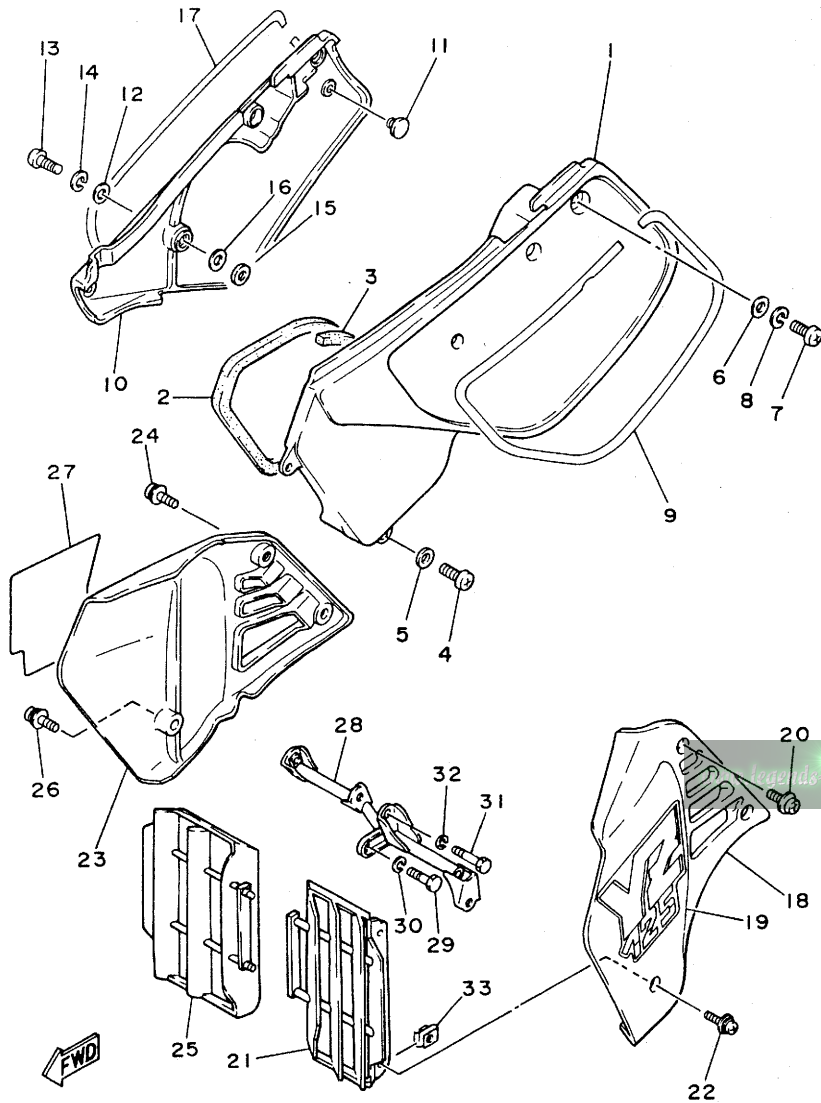


FWD

1LX010-6170

C7

FIG. 18 SIDE COVER

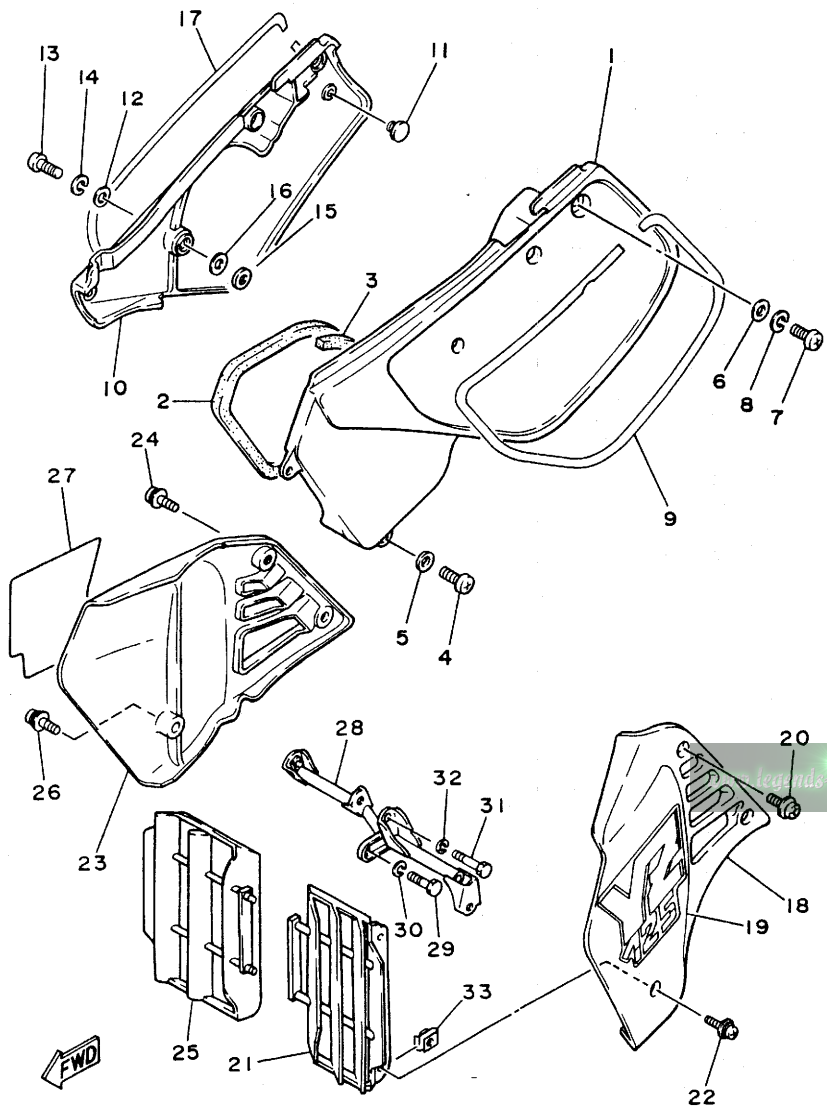


2HG100-7180

| REF. NO. | PART NO. | DESCRIPTION | Q'TY | REMARKS |
|----------|-----------------|----------------------|------|-----------------|
| 1 | 1LX-21711-01-98 | COVER, side 1 | 1 | LOW GLOSS BLACK |
| 2 | 1LX-14452-00 | SEAL | 1 | |
| 3 | 39X-14452-00 | SEAL | 1 | |
| 4 | 92506-06016 | SCREW, pan head | 3 | |
| 5 | 92906-06600 | WASHER, plate | 3 | |
| 6 | 90201-06571 | WASHER, plate | 1 | |
| 7 | 92501-06014 | SCREW, pan head | 1 | |
| 8 | 92990-06100 | WASHER, spring | 1 | |
| 9 | 2HH-2173L-00 | GRAPHIC SET 1 | 1 | |
| 10 | 1LX-21721-00 | COVER, side 2 | 1 | WHITE |
| 11 | 22W-24181-00 | DAMPER, locating 1 | 2 | |
| 12 | 90201-06571 | WASHER, plate | 2 | |
| 13 | 92501-06014 | SCREW, pan head | 2 | |
| 14 | 92990-06100 | WASHER, spring | 2 | |
| 15 | 90201-063A5 | WASHER, plate | 1 | |
| 16 | 92901-08200 | WASHER, plain | 2 | |
| 17 | 2HH-2174L-00 | GRAPHIC SET 2 | 1 | |
| 18 | 2HG-21731-00 | COVER, side 3 | 1 | |
| 19 | 2HG-24254-00 | GRAPHIC, fuel tank 7 | 1 | |
| 20 | 90159-06013 | SCREW, with washer | 2 | |
| 21 | 24Y-2172A-00 | PANEL 1 | 1 | |
| 22 | 90159-05100 | SCREW, with washer | 2 | |
| 23 | 2HG-21741-00 | COVER, side 4 | 1 | |
| 24 | 90159-06013 | SCREW, with washer | 2 | |
| 25 | 1LX-2172F-00 | PANEL 2 | 1 | |
| 26 | 90159-05100 | SCREW, with washer | 2 | |
| 27 | 2HG-24254-00 | GRAPHIC, fuel tank 7 | 1 | |
| 28 | 2HG-2174F-00 | GUARD, radiator | 1 | |

FIG. 18 SIDE COVER

| REF. NO. | PART NO. | DESCRIPTION | Q'TY | REMARKS |
|----------|--------------|----------------|------|---------|
| 29 | 97001-06012 | BOLT | 1 | |
| 30 | 92990-06100 | WASHER, spring | 1 | |
| 31 | 97313-06055 | BOLT | 1 | |
| 32 | 92990-06100 | WASHER, spring | 1 | |
| 33 | 22W-21791-00 | NUT | 4 | |

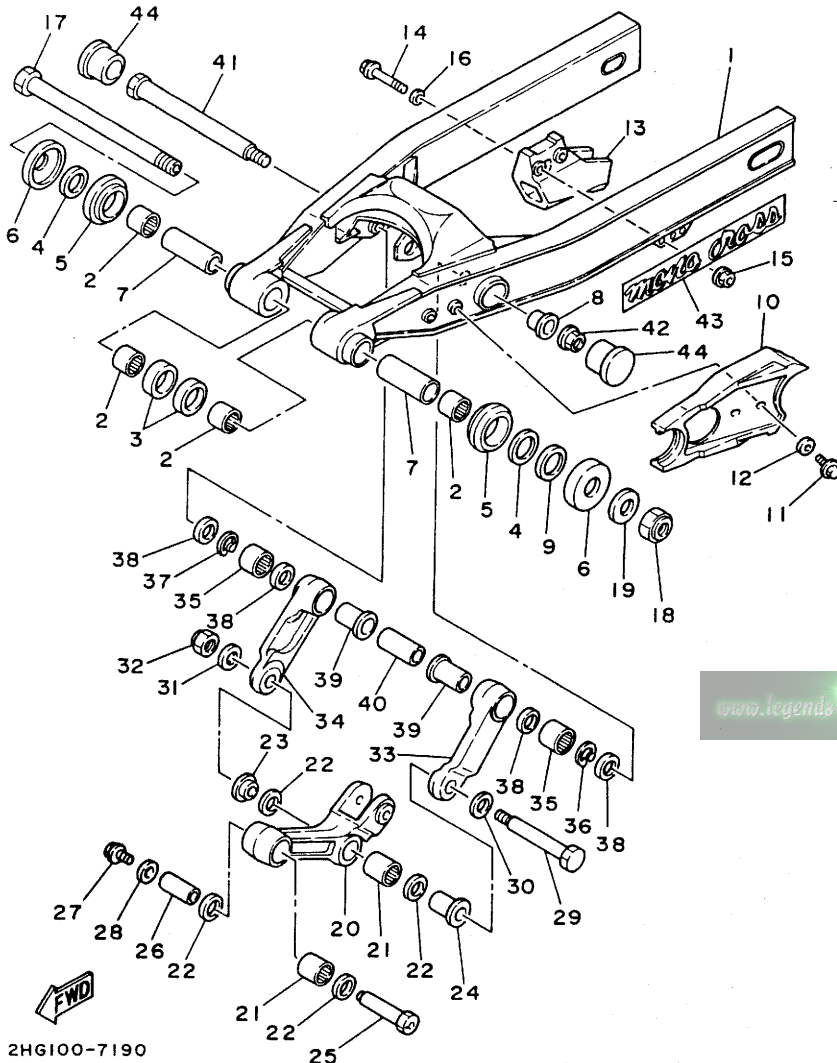


2HG100-7180



FIG. 19 REAR ARM

| REF. NO. | PART NO. | DESCRIPTION | Q'TY | REMARKS |
|----------|--------------|----------------------|------|---------|
| 1 | 2HG-22110-00 | REAR ARM COMP. | 1 | |
| 2 | 93317-32231 | BEARING, cylindrical | 4 | |
| 3 | 93106-22019 | OIL SEAL | 2 | |
| 4 | 93342-22208 | BEARING | 2 | |
| 5 | 93108-35004 | OIL SEAL | 2 | |
| 6 | 3R4-22129-00 | COVER, thrust 2 | 2 | |
| 7 | 90380-16056 | BUSH, solid | 2 | |
| 8 | 90381-16060 | BUSH, solid | 1 | |
| 9 | 156-22127-00 | SHIM (0.3T) | 1 | UN |
| 10 | 1LX-22151-00 | SEAL, guard | 1 | |
| 11 | 98001-06020 | BOLT | 2 | |
| 12 | 90201-06067 | WASHER, plate | 2 | |
| 13 | 39W-22199-01 | SUPPORT, chain | 1 | |
| 14 | 95802-08045 | BOLT, flange | 2 | |
| 15 | 90185-08106 | NUT, self-locking | 2 | |
| 16 | 92901-08200 | WASHER, plain | 2 | |
| 17 | 1LX-22141-00 | SHAFT, pivot | 1 | |
| 18 | 90185-16127 | NUT, self-locking | 1 | |
| 19 | 90201-164H4 | WASHER, plate | 1 | |
| 20 | 2HG-2217A-00 | ARM, relay | 1 | |
| 21 | 93315-22046 | BEARING, cylindrical | 2 | |
| 22 | 93109-20029 | OIL SEAL | 4 | |
| 23 | 90387-164N2 | COLLAR | 1 | |
| 24 | 90387-164N3 | COLLAR | 1 | |
| 25 | 90179-10544 | NUT | 1 | |
| 26 | 90387-167R5 | COLLAR | 1 | |
| 27 | 95811-10016 | BOLT, flange | 1 | |
| 28 | 90201-106F2 | WASHER, plate | 1 | |



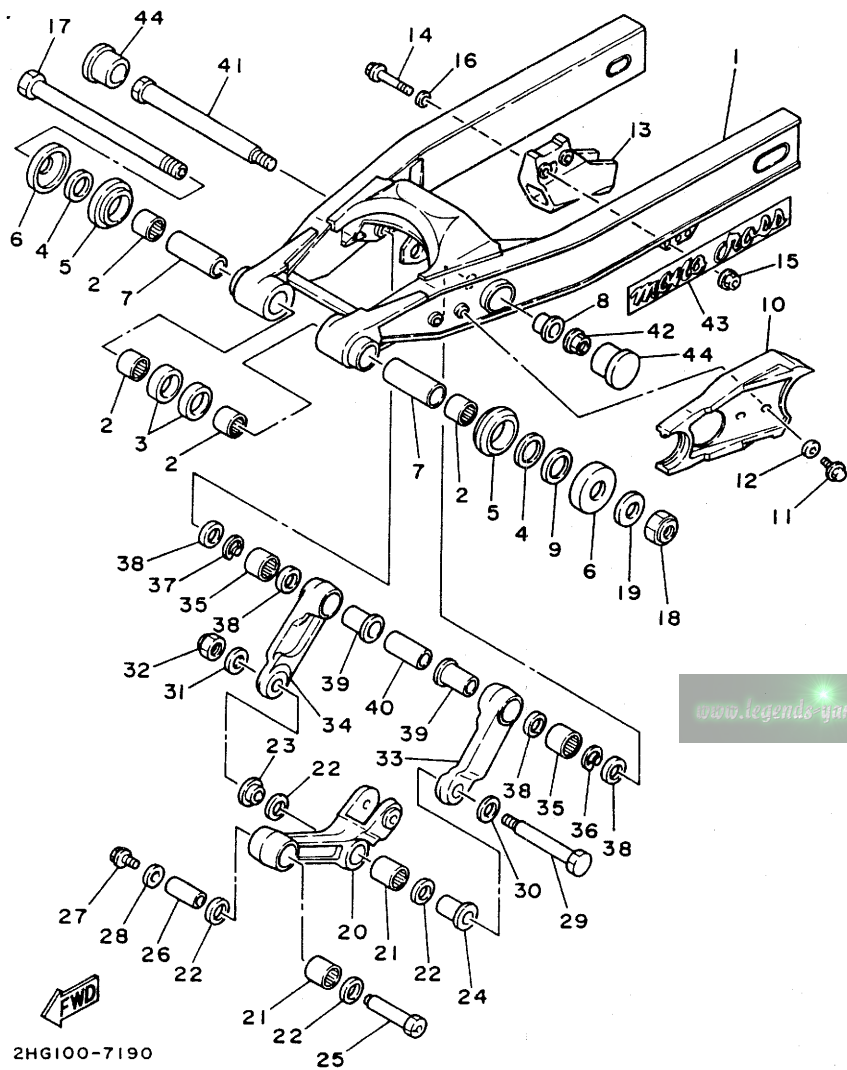


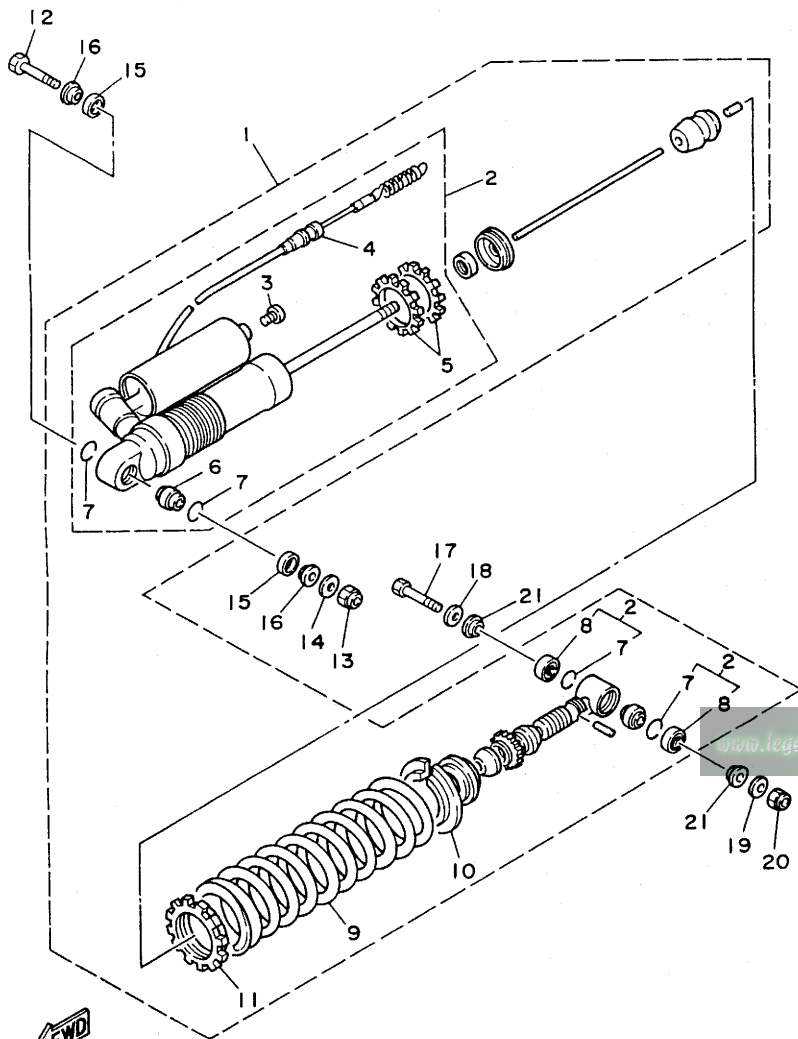
FIG. 19 REAR ARM

| REF. NO. | PART NO. | DESCRIPTION | Q'TY | REMARKS |
|----------|--------------|-----------------------|------|---------|
| 29 | 90109-142E5 | BOLT | 1 | |
| 30 | 90201-164H4 | WASHER, plate | 1 | |
| 31 | 90201-14740 | WASHER, plate | 1 | |
| 32 | 90185-14112 | NUT, self-locking | 1 | |
| 33 | 2HG-2217F-00 | ROD, connecting 1 | 1 | |
| 34 | 2HG-2217G-00 | ROD, connecting 2 | 1 | |
| 35 | 93315-22045 | BEARING (YT202720E01) | 2 | IKO |
| 36 | 93450-28063 | CIRCLIP | 1 | |
| 37 | 93450-28063 | CIRCLIP | 1 | |
| 38 | 93109-20029 | OIL SEAL | 4 | |
| 39 | 90387-164N3 | COLLAR | 2 | |
| 40 | 90387-167R4 | COLLAR | 1 | |
| 41 | 90109-142E7 | BOLT | 1 | |
| 42 | 90185-14096 | NUT, self-locking | 1 | |
| 43 | 2HH-2218A-00 | EMBLEM, rear arm | 2 | |
| 44 | 1HX-2135F-00 | COVER | 2 | |

www.legends-yamaha-enduros.com

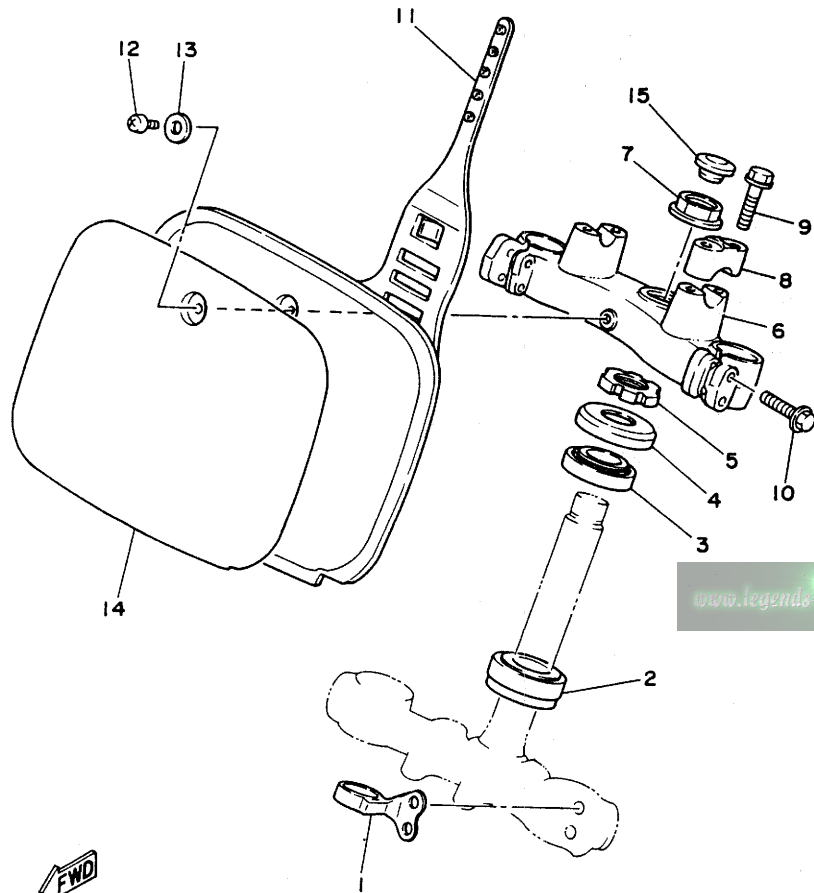
FIG. 20 REAR SUSPENSION

| REF. NO. | PART NO. | DESCRIPTION | Q'TY | REMARKS |
|----------|-----------------|---------------------------|------|------------|
| 1 | 2HG-22210-00-6W | SHOCK ABSORBER ASSY, rear | 1 | NATIVE RED |
| 2 | 2HG-22201-00 | .DAMPER SUB ASSY | 1 | |
| 3 | 98501-04006 | ..SCREW, pan head | 1 | |
| 4 | 1LX-22463-00 | ..CABLE, control 1 | 1 | |
| 5 | 1LX-22225-00 | ..RING, hold | 2 | |
| 6 | 93399-99916 | ..BEARING | 2 | |
| 7 | 93440-30113 | ..CIRCLIP | 4 | |
| 8 | 93104-18077 | ..OIL SEAL | 2 | |
| 9 | 1LX-22212-20-6W | .SPRING (K=4.75) | 1 | NATIVE RED |
| 10 | 5X6-22214-00 | .GUIDE, spring 1 | 2 | |
| 11 | 1LX-22223-00 | .SEAT, spring lower | 1 | |
| 12 | 90109-10704 | BOLT | 1 | |
| 13 | 90185-10120 | NUT, self-locking | 1 | |
| 14 | 90201-100F7 | WASHER, plate | 1 | |
| 15 | 23X-22211-00 | COVER | 2 | |
| 16 | 90387-127G8 | COLLAR | 2 | |
| 17 | 90109-102E6 | BOLT | 1 | |
| 18 | 90201-120E6 | WASHER, plate | 1 | |
| 19 | 90201-100E9 | WASHER, plate | 1 | |
| 20 | 90185-10120 | NUT, self-locking | 1 | |
| 21 | 90387-126H8 | COLLAR | 2 | |



2HG100-7200

FIG. 21 STEERING



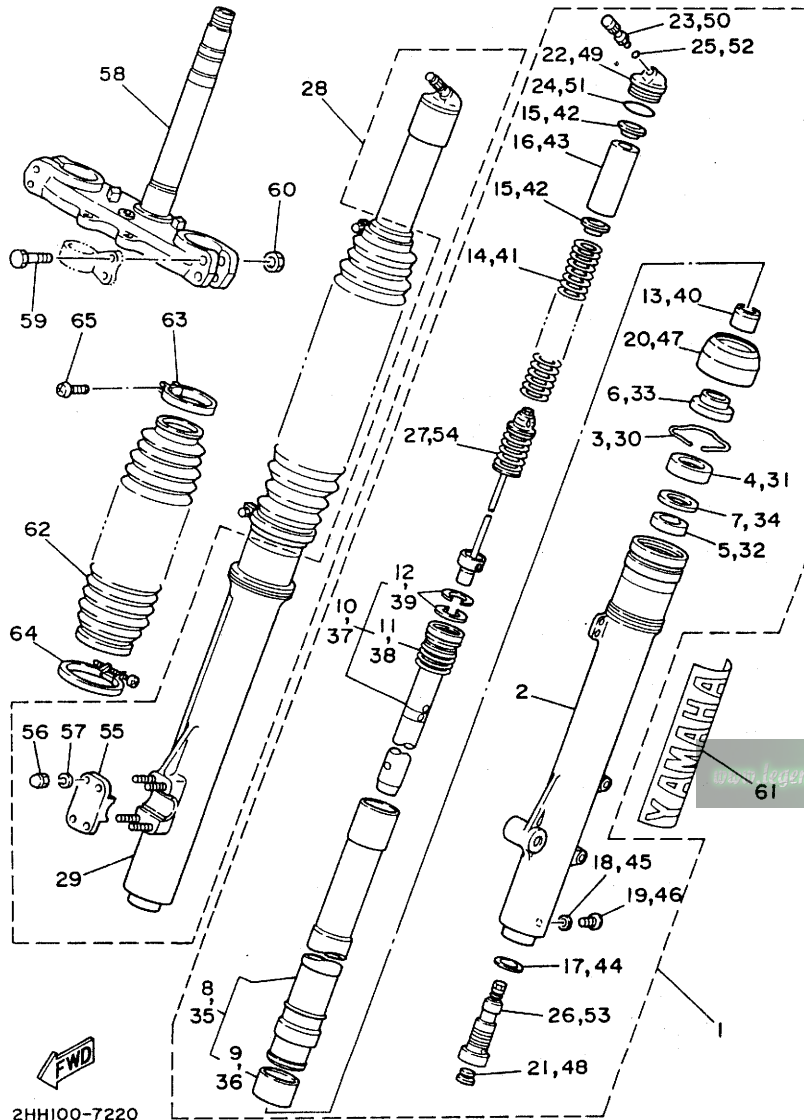
| REF. NO. | PART NO. | DESCRIPTION | Q'TY | REMARKS |
|----------|-----------------|----------------------|------|-----------------|
| 1 | 3R4-23389-00 | GUIDE, cable | 1 | |
| 2 | 93332-00067 | BEARING | 1 | |
| 3 | 93332-00068 | BEARING | 1 | |
| 4 | 2HG-23416-00 | COVER, ball race 2 | 1 | |
| 5 | 90179-28543 | NUT | 1 | |
| 6 | 2HG-23435-00-98 | CROWN, handle | 1 | LOW GLOSS BLACK |
| 7 | 90179-24542 | NUT | 1 | |
| 8 | 1E6-23441-00 | HOLDER, handle upper | 2 | |
| 9 | 95821-08035 | BOLT, flange | 4 | |
| 10 | 90105-08091 | BOLT, washer based | 4 | |
| 11 | 5X6-23485-11 | PLATE, number | 1 | CLEAN WHITE |
| 12 | 92501-06012 | SCREW, pan head | 1 | |
| 13 | 90201-06571 | WASHER, plate | 1 | |
| 14 | 1LX-23395-00 | EMBLEM | 1 | |
| 15 | 2HG-2319U-00 | CAP | 1 | |

www.legends-yamaha-enduros.com


ILX010-6210

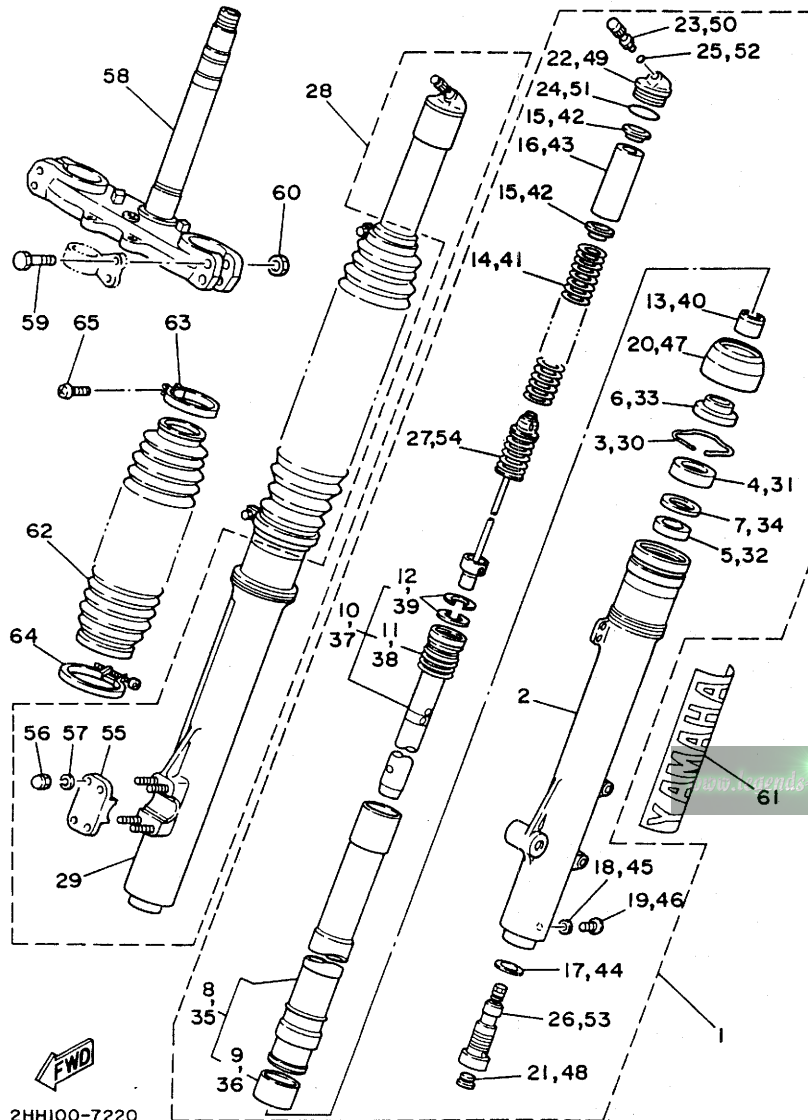
FIG. 22 FRONT FORK

| REF. NO. | PART NO. | DESCRIPTION | Q'TY | REMARKS |
|----------|--------------|-----------------------------|------|---------|
| 1 | 2HG-23102-L0 | FRONT FORK ASSY (L.H) | 1 | |
| 2 | 2HH-23126-L0 | .TUBE, outer 1 | 1 | |
| 3 | 4V4-23153-L0 | .RING, snap | 1 | |
| 4 | 23X-23145-L0 | .OIL SEAL | 1 | |
| 5 | 4V4-23125-L0 | .METAL, slide 1 | 1 | |
| 6 | 23X-23144-L0 | .SEAL, dust | 1 | |
| 7 | 4V4-23146-L0 | .WASHER, oil seal | 1 | |
| 8 | 2HH-23110-L0 | .INNER TUBE COMP.1 | 1 | |
| 9 | 4V4-23171-L0 | ..PISTON, front fork | 1 | |
| 10 | 2HH-23170-L0 | .CYLINDER COMP., front fork | 1 | |
| 11 | 2HH-23151-L0 | ..SPRING, rebound | 1 | |
| 12 | 4V4-23157-L0 | ..RING, piston | 2 | |
| 13 | 2HH-23173-L0 | .SPINDLE, taper | 1 | |
| 14 | 2HG-23141-L0 | .SPRING, front fork | 1 | |
| 15 | 4V4-23142-L0 | .SEAT, spring upper | 2 | |
| 16 | 1LV-23118-10 | .SPACER | 1 | |
| 17 | 2HH-23158-L0 | .GASKET | 1 | |
| 18 | 122-23129-00 | .GASKET, drain plug | 1 | |
| 19 | 4H7-23119-00 | .PLUG, drain | 1 | |
| 20 | 1LX-23144-L0 | .SEAL, dust | 1 | |
| 21 | 55Y-23126-M0 | .PLUG | 1 | |
| 22 | 43M-23111-L0 | .BOLT, cap | 1 | |
| 23 | 23X-23190-L0 | .AIR VALVE COMP. | 1 | |
| 24 | 4V4-23188-L0 | .O-RING | 1 | |
| 25 | 3J2-23147-00 | .O-RING | 1 | |
| 26 | 2HH-2316A-L0 | .VALVE COMP. | 1 | |
| 27 | 2HH-2318R-M0 | .ADJUSTER | 1 | |
| 28 | 2HG-23103-L0 | FRONT FORK ASSY (R.H) | 1 | |



2HH100-7220

FIG. 22 FRONT FORK

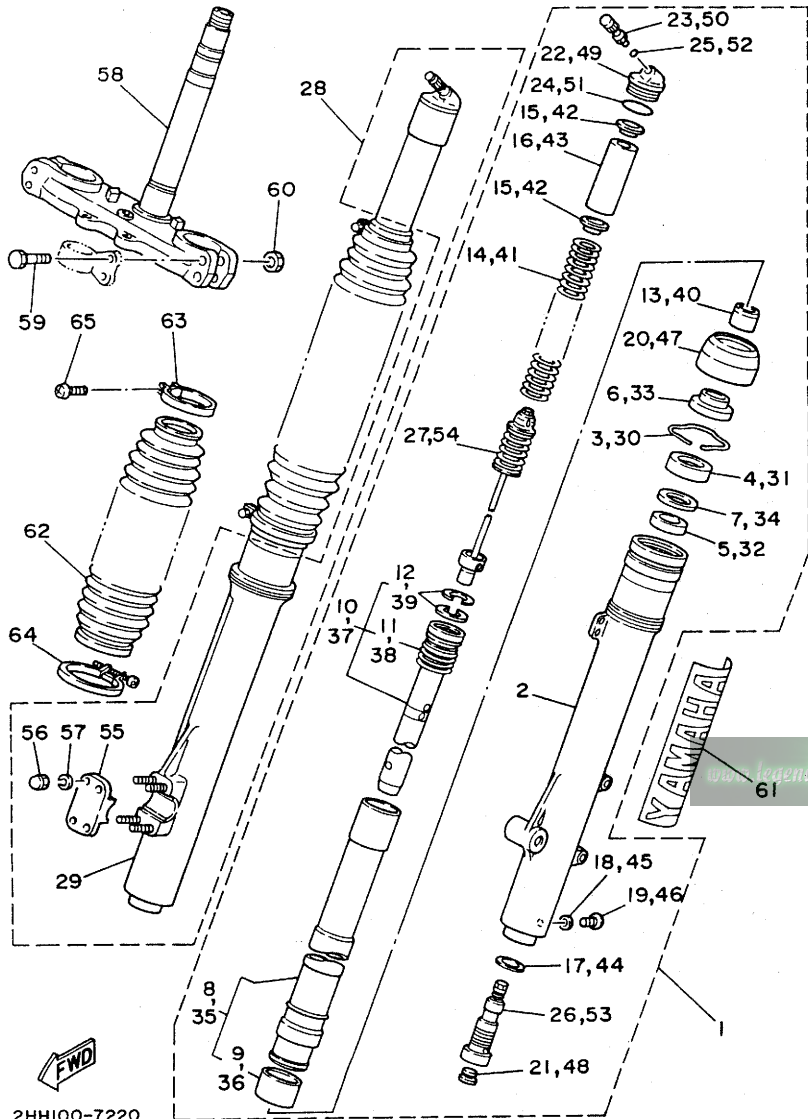


2HH100-7220

| REF. NO. | PART NO. | DESCRIPTION | Q'TY | REMARKS |
|----------|--------------|-----------------------------|------|---------|
| 29 | 2HH-23136-L0 | .TUBE, outer 2 | 1 | |
| 30 | 4V4-23153-L0 | .RING, snap | 1 | |
| 31 | 23X-23145-L0 | .OIL SEAL | 1 | |
| 32 | 4V4-23125-L0 | .METAL, slide 1 | 1 | |
| 33 | 23X-23144-L0 | .SEAL, dust | 1 | |
| 34 | 4V4-23146-L0 | .WASHER, oil seal | 1 | |
| 35 | 2HH-23110-L0 | .INNER TUBE COMP.1 | 1 | |
| 36 | 4V4-23171-L0 | ..PISTON, front fork | 1 | |
| 37 | 2HH-23170-L0 | .CYLINDER COMP., front fork | 1 | |
| 38 | 2HH-23151-L0 | ..SPRING, rebound | 1 | |
| 39 | 4V4-23157-L0 | ..RING, piston | 2 | |
| 40 | 2HH-23173-L0 | .SPINDLE, taper | 1 | |
| 41 | 2HG-23141-L0 | .SPRING, front fork | 1 | |
| 42 | 4V4-23142-L0 | .SEAT, spring upper | 2 | |
| 43 | 1LV-23118-10 | .SPACER | 1 | |
| 44 | 2HH-23158-L0 | .GASKET | 1 | |
| 45 | 122-23129-00 | .GASKET, drain plug | 1 | |
| 46 | 4H7-23119-00 | .PLUG, drain | 1 | |
| 47 | 1LX-23144-L0 | .SEAL, dust | 1 | |
| 48 | 55Y-2312G-M0 | .PLUG | 1 | |
| 49 | 43M-23111-L0 | .BOLT, cap | 1 | |
| 50 | 23X-23190-L0 | .AIR VALVE COMP. | 1 | |
| 51 | 4V4-23188-L0 | .O-RING | 1 | |
| 52 | 3J2-23147-00 | .O-RING | 1 | |
| 53 | 2HH-2316A-L0 | .VALVE COMP. | 1 | |
| 54 | 2HH-2318R-M0 | .ADJUSTER | 1 | |
| 55 | 1LX-23167-L0 | .HOLDER, axle | 1 | |
| 56 | 5Y3-23393-00 | .NUT, special | 4 | |

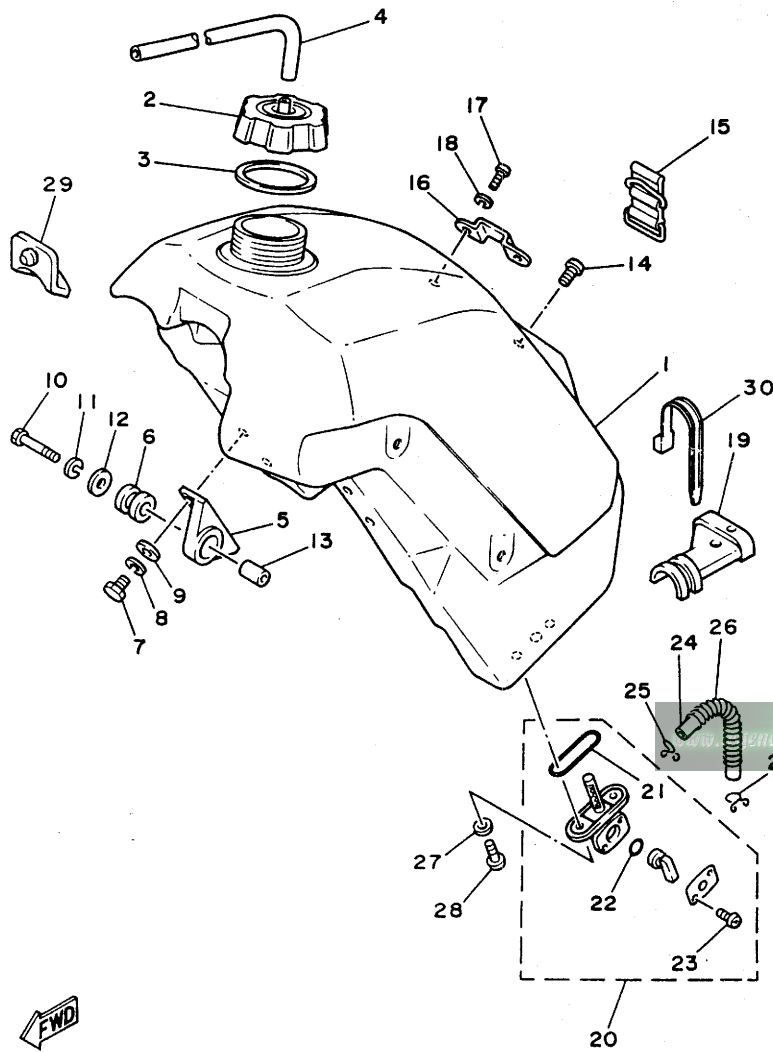
FIG. 22 FRONT FORK

| REF. NO. | PART NO. | DESCRIPTION | Q'TY | REMARKS |
|----------|-----------------|---------------------|------|------------------|
| 57 | 92990-06100 | .WASHER, spring | 4 | |
| 58 | 2HG-23340-L0-39 | UNDER BRACKET COMP. | 1 | CLEAR NO BUFFING |
| 59 | 90109-08397 | BOLT | 4 | |
| 60 | 95701-08500 | NUT, flange | 4 | |
| 61 | 1LX-23108-00 | EMBLEM | 2 | |
| 62 | 43M-23191-L0 | BOOT | 2 | RED |
| 63 | 43M-23192-L0 | BAND | 2 | |
| 64 | 43M-23489-L0 | BAND | 2 | |
| 65 | 98506-04018 | SCREW, pan head | 2 | |



2HH100-7220

FIG. 23 FUEL TANK



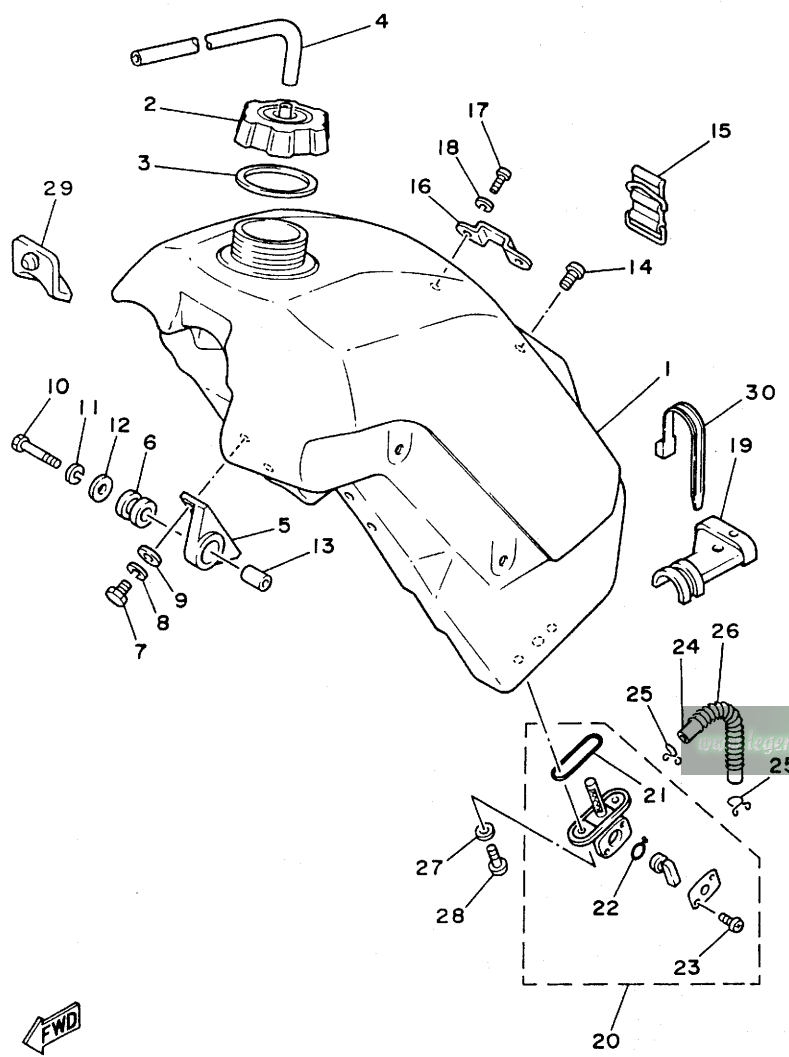
| REF. NO. | PART NO. | DESCRIPTION | Q'TY | REMARKS |
|----------|--------------|----------------------|------|---------|
| 1 | 1LX-24110-00 | FUEL TANK COMP. | 1 | |
| 2 | 5X7-24611-01 | BODY, cap | 1 | |
| 3 | 5X7-24612-00 | GASKET, cap | 1 | |
| 4 | 90445-09100 | HOSE | 1 | |
| 5 | 24X-24144-00 | HOLDER, damper | 2 | |
| 6 | 90480-18354 | GROMMET | 2 | |
| 7 | 97313-06016 | BOLT | 4 | |
| 8 | 92990-06100 | WASHER, spring | 4 | |
| 9 | 92901-06600 | WASHER, plate | 4 | |
| 10 | 97313-06035 | BOLT | 2 | |
| 11 | 92990-06100 | WASHER, spring | 2 | |
| 12 | 90201-06070 | WASHER, plate | 2 | |
| 13 | 90387-06387 | COLLAR | 2 | |
| 14 | 98980-06020 | SCREW, bind | 1 | |
| 15 | 23X-24173-00 | BAND, tank fitting 1 | 1 | |
| 16 | 5X6-2412F-00 | BRACKET, seat | 1 | |
| 17 | 92501-06012 | SCREW, pan head | 2 | |
| 18 | 92990-06100 | WASHER, spring | 2 | |
| 19 | 1LX-24181-00 | DAMPER, locating 1 | 1 | |
| 20 | 1LX-24500-00 | FUEL COCK ASSY 1 | 1 | |
| 21 | 4X8-24512-00 | .GASKET | 1 | |
| 22 | 4X8-24534-00 | .SEAL, cock | 1 | |
| 23 | 97801-03008 | .SCREW, pan head | 2 | |
| 24 | 90445-112E5 | HOSE | 1 | |
| 25 | 90467-10008 | CLIP | 2 | |
| 26 | 90501-062E7 | SPRING, compression | 1 | |
| 27 | 90202-06010 | WASHER, plate | 2 | |
| 28 | 90149-06011 | SCREW | 2 | |

2HG100-7230

D3

FIG. 23 FUEL TANK

| REF. NO. | PART NO. | DESCRIPTION | Q'TY | REMARKS |
|----------|--------------|--------------------|------|---------|
| 29 | 23X-24184-00 | DAMPER, locating 4 | 1 | |
| 30 | 90465-13154 | CLAMP | 1 | |

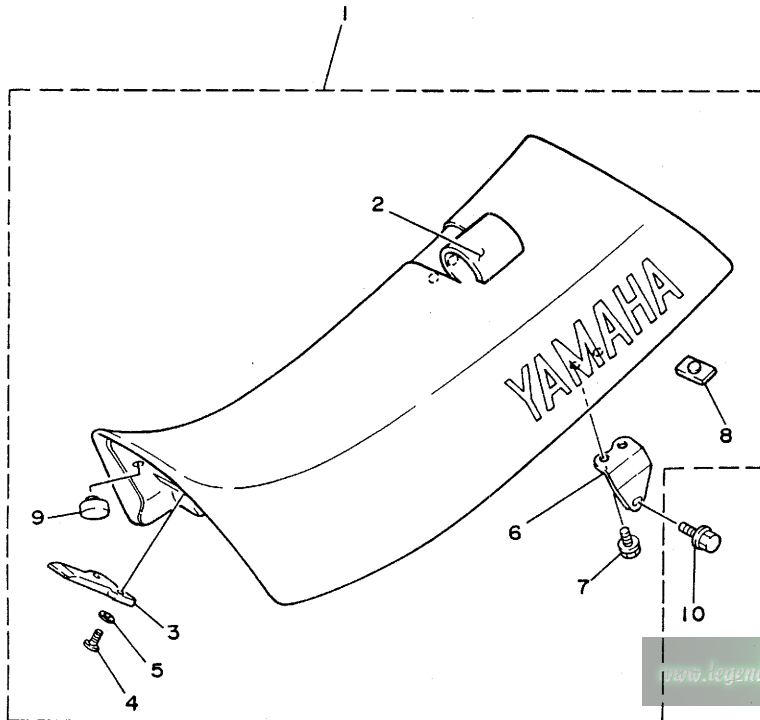


2HG100-7230

D4

FIG. 24 SEAT

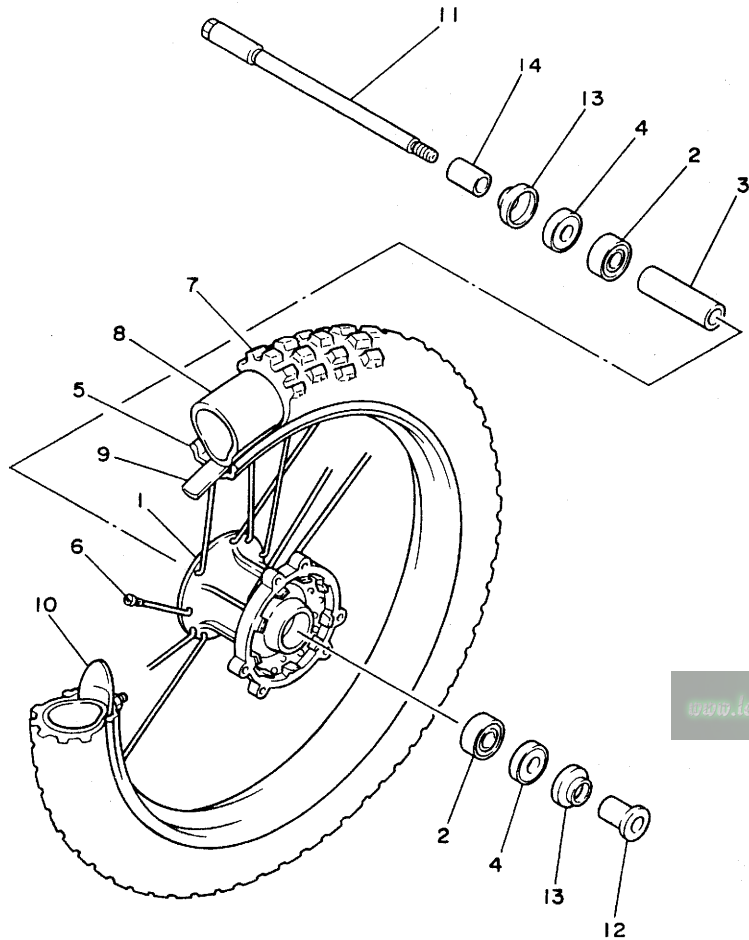
| REF. NO. | PART NO. | DESCRIPTION | Q'TY | REMARKS |
|----------|--------------|-----------------------|------|------------|
| 1 | 1LX-24770-00 | SEMI-DOUBLE SEAT ASSY | 1 | CHAPPY RED |
| 2 | 1LX-24731-00 | .COVER, seat | 1 | CHAPPY RED |
| 3 | 5X6-24748-10 | .BRACKET, seat | 1 | |
| 4 | 92501-06012 | .SCREW, pan head | 2 | |
| 5 | 92901-06600 | .WASHER, plate | 2 | |
| 6 | 1LX-24738-01 | .BRACKET, seat | 2 | |
| 7 | 95801-06012 | .BOLT, flange | 4 | |
| 8 | 509-24724-00 | .DAMPER, seat | 1 | |
| 9 | 107-24741-00 | .PAD, seat | 2 | |
| 10 | 95023-08016 | BOLT, flange | 2 | |



ILX010-6240

D5

FIG. 25 FRONT WHEEL



| REF. NO. | PART NO. | DESCRIPTION | Q'TY | REMARKS |
|----------|-----------------|--------------------------|------|-----------------|
| 1 | 2HH-25111-00-98 | HUB, front | 1 | LOW GLOSS BLACK |
| 2 | 93306-20209 | BEARING (B6202) | 2 | |
| 3 | 90560-15240 | SPACER | 1 | |
| 4 | 93102-20281 | OIL SEAL | 2 | |
| 5 | 94416-21435 | RIM (1.60-21) | 1 | GOLD |
| 6 | 1LX-25104-00 | SPOKE SET, front | 1 | |
| 7 | 94108-215N7 | TIRE | 1 | DUNLOP |
| 8 | 94227-21123 | TUBE (2.75-21) | 1 | BRIDGESTONE |
| 9 | 94307-21145 | BAND, rim (70-80/100-21) | 1 | DUNLOP |
| 10 | 2J5-25394-01 | SPACER, bead | 1 | |
| 11 | 55U-25181-00 | AXLE, wheel | 1 | |
| 12 | 90387-157L9 | COLLAR | 1 | |
| 13 | 322-25118-00 | COVER, hub dust | 2 | |
| 14 | 90387-156R7 | COLLAR | 1 | |

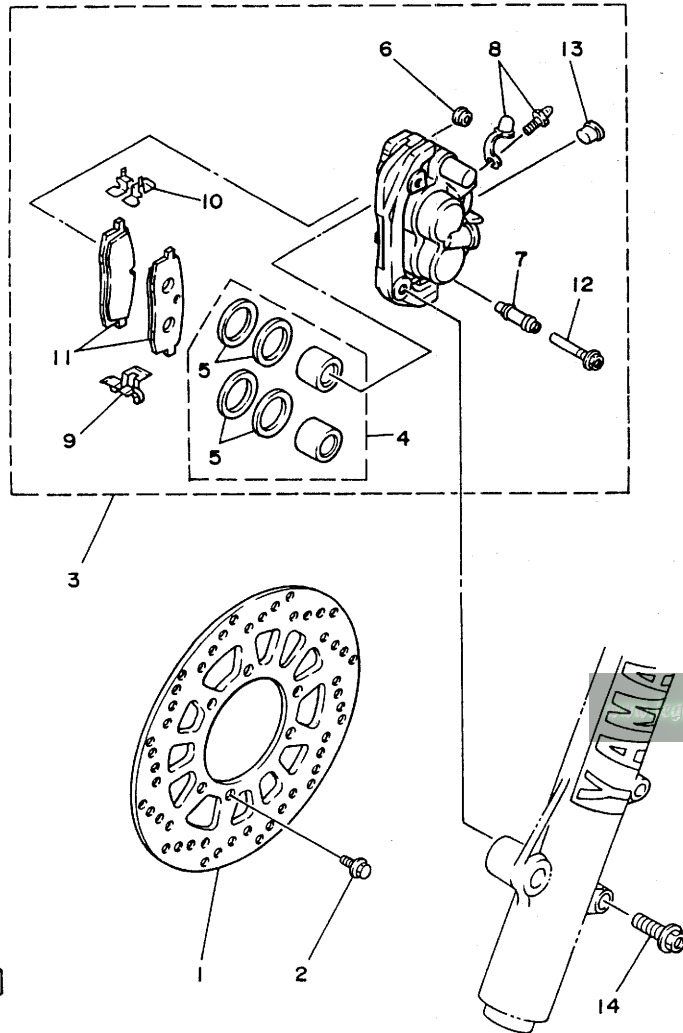
www.legends-yamaha-enduros.com



2HG100-7250

D6

FIG. 26 FRONT BRAKE CALIPER



| REF. NO. | PART NO. | DESCRIPTION | Q'TY | REMARKS |
|----------|--------------|-----------------------|------|---------|
| 1 | 1LX-25831-00 | DISC, brake (RIGHT) | 1 | |
| 2 | 90109-06757 | BOLT | 6 | |
| 3 | 2HH-25810-00 | CALIPER ASSY (RIGHT) | 1 | |
| 4 | 56A-W0057-00 | .PISTON ASSY, caliper | 1 | |
| 5 | 56A-W0047-00 | ..CALIPER SEAL KIT | 1 | |
| 6 | 5R2-25917-00 | .BOOT, caliper | 1 | |
| 7 | 56A-25937-00 | .BOOT 2 | 1 | |
| 8 | 51L-W0048-00 | .BLEED SCREW KIT | 1 | |
| 9 | 56A-25919-00 | .SUPPORT, pad | 1 | |
| 10 | 56A-25919-10 | .SUPPORT, pad | 1 | |
| 11 | 2HH-W0045-00 | .BRAKE PAD KIT, front | 1 | |
| 12 | 56A-25926-00 | .BOLT | 1 | |
| 13 | 34X-25845-00 | .CAP, indicator | 1 | |
| 14 | 95811-08045 | BOLT, flange | 2 | |

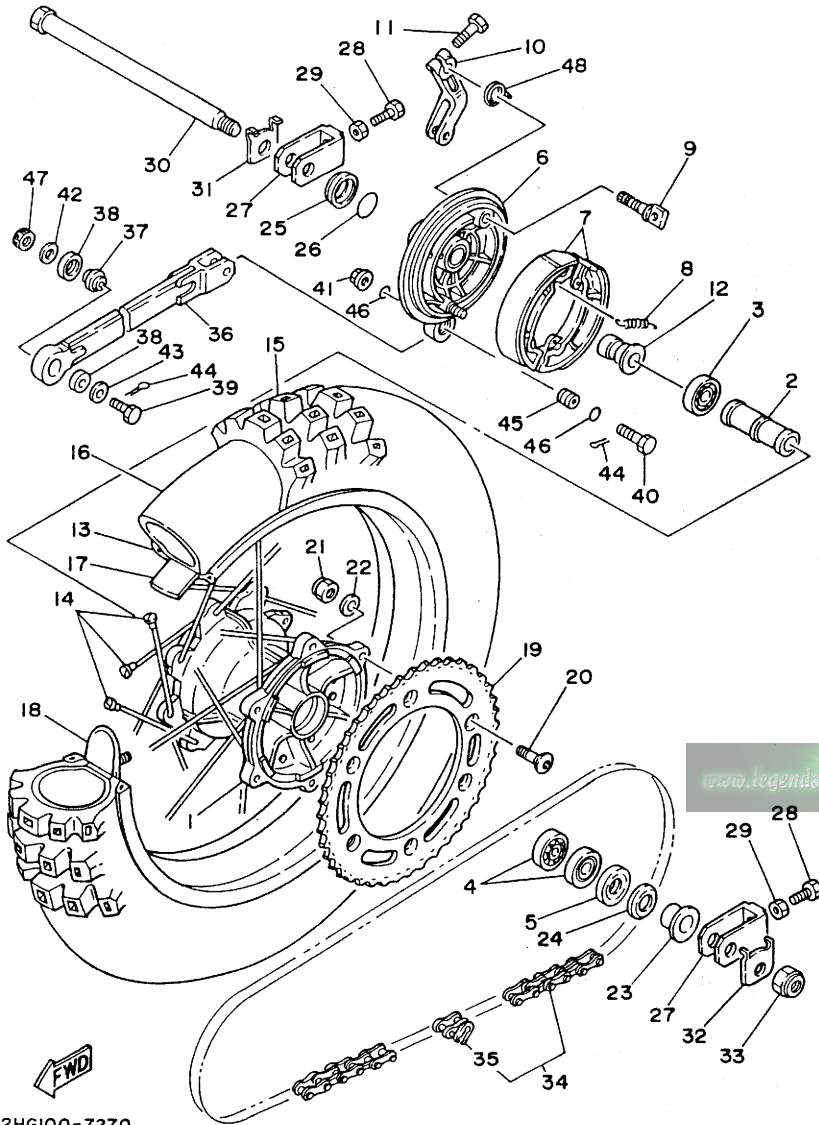


1LX010-6260

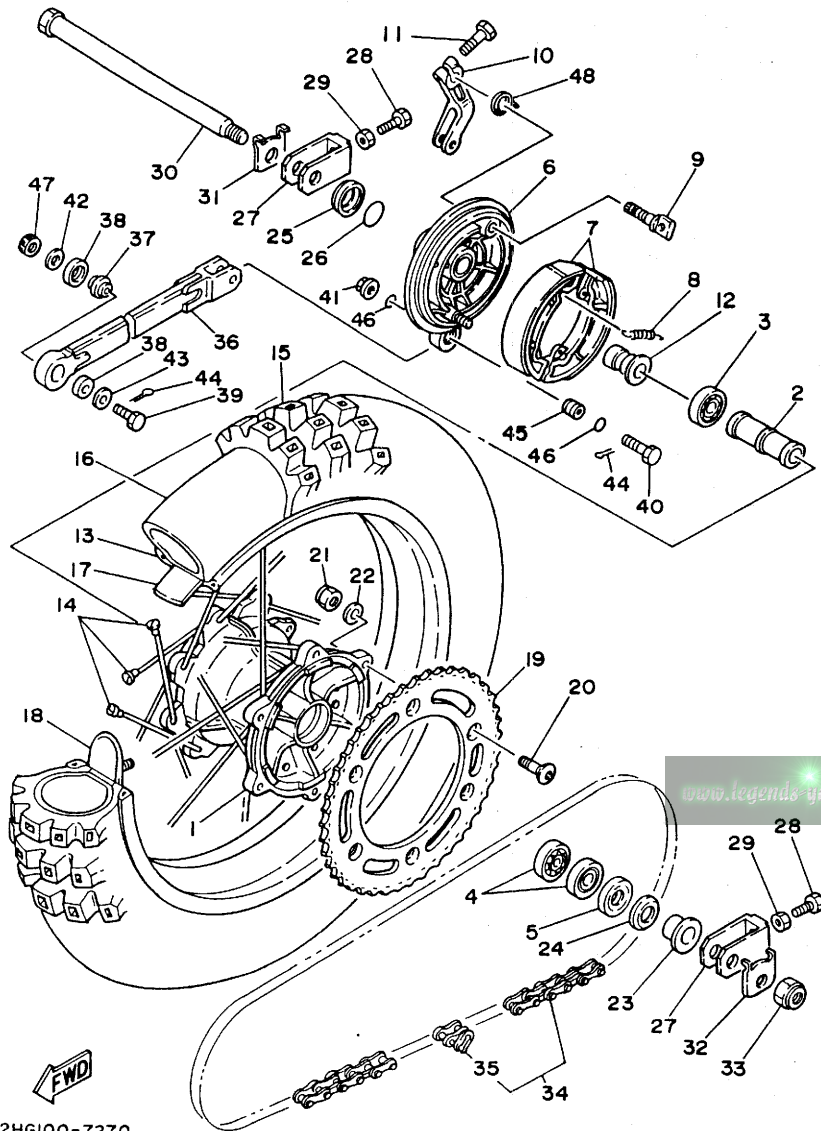
D7

FIG. 27 REAR WHEEL

| REF. NO. | PART NO. | DESCRIPTION | Q'TY | REMARKS |
|----------|-----------------|--------------------------|------|-----------------|
| 1 | 1LX-25311-01-98 | HUB, rear | 1 | LOW GLOSS BLACK |
| 2 | 90560-20278 | SPACER | 1 | |
| 3 | 93306-00418 | BEARING | 1 | |
| 4 | 93306-00406 | BEARING (B6004Z) | 2 | |
| 5 | 93106-28023 | OIL SEAL | 1 | |
| 6 | 23X-25321-00-98 | PLATE, brake shoe | 1 | LOW GLOSS BLACK |
| 7 | 23X-W2536-00 | BRAKE SHOE SET | 1 | |
| 8 | 90506-17328 | SPRING, tension | 2 | |
| 9 | 39X-25351-00 | CAMSHAFT | 1 | |
| 10 | 5X4-25355-00 | LEVER, camshaft | 1 | |
| 11 | 90101-06291 | BOLT | 1 | |
| 12 | 90387-200H1 | COLLAR | 1 | |
| 13 | 94418-18444 | RIM (1.85-18) | 1 | |
| 14 | 2HH-25304-00 | SPOKE SET, rear | 1 | |
| 15 | 94110-187N3 | TIRE | 1 | DUNLOP |
| 16 | 94211-18176 | TUBE (100-120/80-100-18) | 1 | DUNLOP |
| 17 | 94309-18146 | BAND, rim | 1 | DUNLOP |
| 18 | 2X3-25394-00 | SPACER, bead | 2 | |
| 19 | 39W-25450-00 | SPROCKET, driven (50T) | 1 | STD |
| | 39W-25444-00 | SPROCKET, driven (44T) | 1 | AP |
| | 39W-25445-00 | SPROCKET, driven (45T) | 1 | AP |
| | 39W-25446-00 | SPROCKET, driven (46T) | 1 | AP |
| | 39W-25448-00 | SPROCKET, driven (48T) | 1 | AP |
| | 39W-25452-00 | SPROCKET, driven (52T) | 1 | AP |
| | 2HH-25449-00 | SPROCKET, driven (49T) | 1 | AP |
| 20 | 90109-08792 | BOLT | 6 | |
| 21 | 90185-08089 | NUT, self-locking | 6 | |



2HG100-7270



2HG100-7270

FIG. 27 REAR WHEEL

| REF. NO. | PART NO. | DESCRIPTION | Q'TY | REMARKS |
|----------|--------------|-------------------------------|------|---------|
| 22 | 90201-081A6 | WASHER, plate | 6 | |
| 23 | 90387-200H2 | COLLAR | 1 | |
| 24 | 4V4-25367-00 | COVER, hub dust | 1 | |
| 25 | 23X-25327-00 | COVER, plate | 1 | |
| 26 | 93210-31114 | O-RING | 1 | |
| 27 | 56A-25388-01 | PULLER, chain 1 | 2 | |
| 28 | 90101-08475 | BOLT | 2 | |
| 29 | 95303-08700 | NUT | 2 | |
| 30 | 1LX-25381-00 | AXLE, wheel | 1 | |
| 31 | 90209-21243 | WASHER | 1 | |
| 32 | 90209-18244 | WASHER | 1 | |
| 33 | 90185-18104 | NUT, self-locking | 1 | |
| 34 | 94580-89112 | CHAIN (D.I.D. 520DS.6-112L) | 1 | |
| 35 | 94680-89001 | .JOINT, chain (D.I.D.520DS.6) | 1 | |
| 36 | 23X-25371-00 | BAR, tension | 1 | |
| 37 | 93399-99910 | BEARING | 1 | |
| 38 | 93112-19006 | OIL SEAL | 2 | |
| 39 | 90102-08063 | BOLT, with hole | 1 | |
| 40 | 90109-08370 | BOLT | 1 | |
| 41 | 90185-08113 | NUT, self-locking | 1 | |
| 42 | 92901-08600 | WASHER, plate | 1 | |
| 43 | 90201-08107 | WASHER, plate | 1 | |
| 44 | 91401-20015 | PIN, cotter | 2 | |
| 45 | 90387-083F0 | COLLAR | 1 | |
| 46 | 93210-14167 | O-RING | 2 | |
| 47 | 95301-08900 | NUT, slotted | 1 | |
| 48 | 90508-29596 | SPRING, torsion | 1 | |

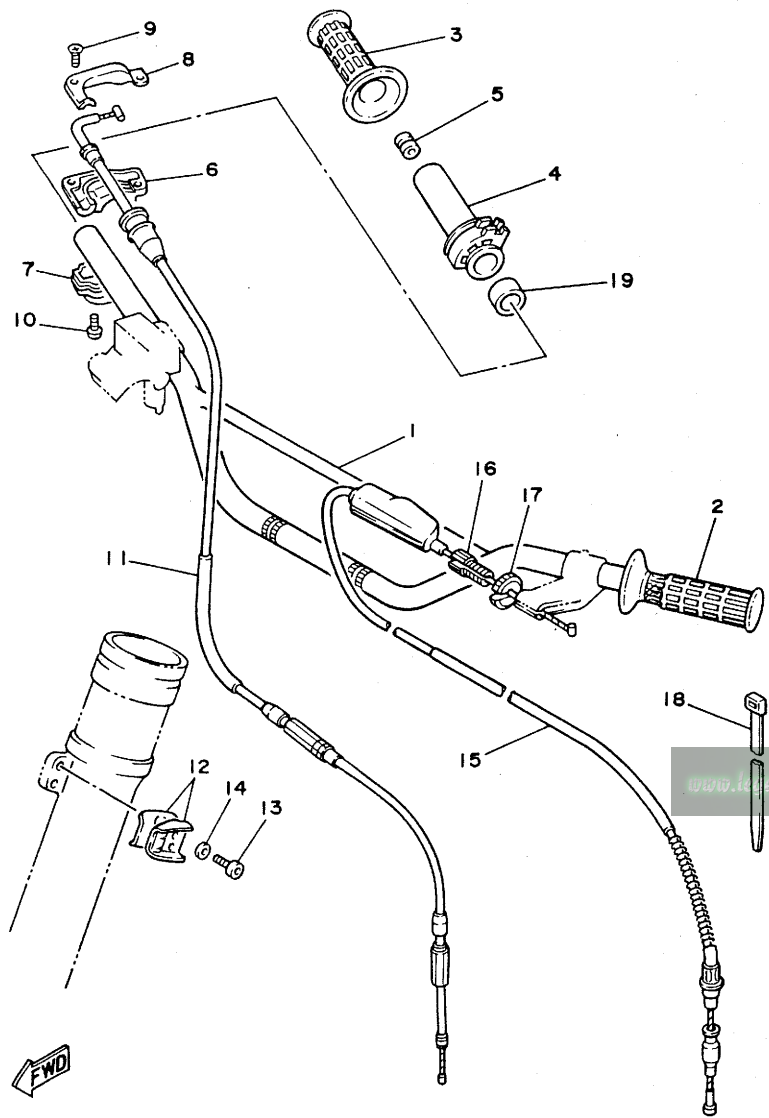
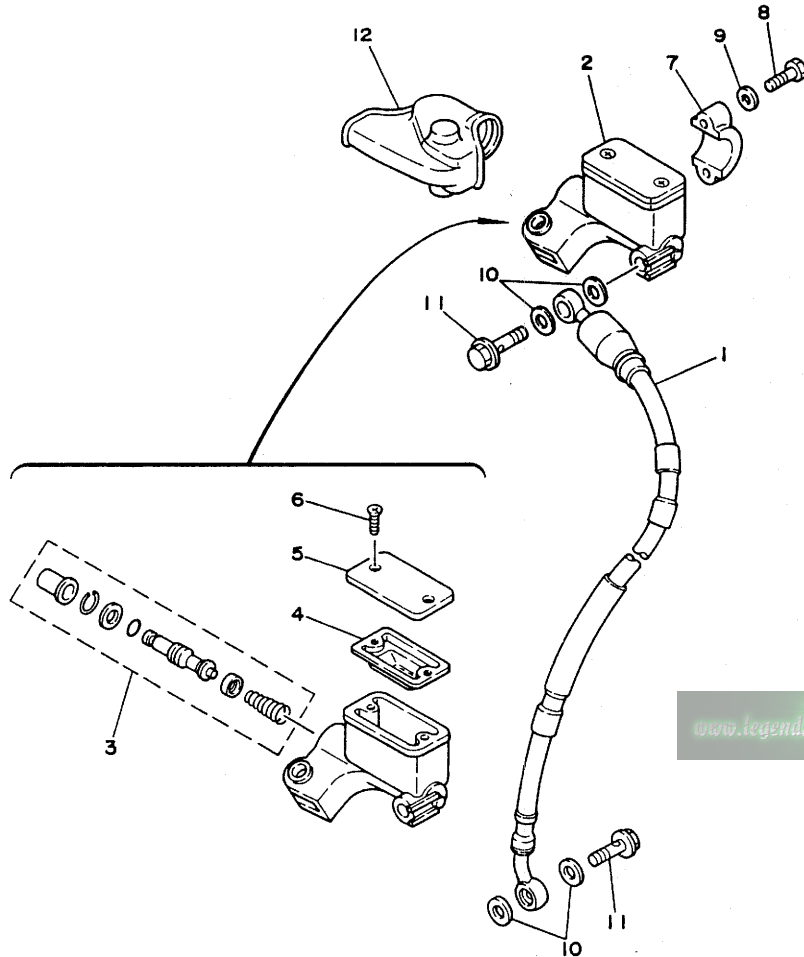


FIG. 28 STEERING HANDLE. CABLE

| REF. NO. | PART NO. | DESCRIPTION | Q'TY | REMARKS |
|----------|-----------------|----------------------|------|---------|
| 1 | 23X-26111-10 | HANDLEBAR | 1 | |
| 2 | 1LX-26241-01 | GRIP (L.H) | 1 | |
| 3 | 1LX-26242-01 | GRIP (R.H) | 1 | |
| 4 | 23X-26243-00 | TUBE, throttle guide | 1 | |
| 5 | 688-82535-00 | GROMMET | 1 | |
| 6 | 23X-26281-00 | CAP, grip upper | 1 | |
| 7 | 431-26282-01-98 | CAP, grip lower | 1 | |
| 8 | 5X2-2628H-01 | CAP, wire | 1 | |
| 9 | 98706-04012 | SCREW, flat head | 2 | |
| 10 | 98506-05016 | SCREW, pan head | 2 | |
| 11 | 2HG-26311-00 | CABLE, throttle l | 1 | |
| 12 | 90465-16258 | CLAMP | 2 | |
| 13 | 91311-06016 | BOLT | 2 | |
| 14 | 92901-06600 | WASHER, plate | 2 | |
| 15 | 1LX-26335-00 | CABLE, clutch | 1 | |
| 16 | 90123-08090 | BOLT | 1 | |
| 17 | 90179-08401 | NUT | 1 | |
| 18 | 90465-13154 | CLAMP | 1 | |
| 19 | 90560-22281 | SPACER | 1 | |

2HG100-7280

FIG. 29 FRONT MASTER CYLINDER



| REF. NO. | PART NO. | DESCRIPTION | Q'TY | REMARKS |
|----------|--------------|--------------------------|------|---------|
| 1 | 1RG-25872-10 | HOSE, brake 1 | 1 | |
| 2 | 2HH-25850-00 | MASTER CYLINDER ASSY | 1 | |
| 3 | 56A-W0041-00 | .CYLINDER KIT, master | 1 | |
| 4 | 56A-25854-00 | .DIAPHRAGM, reservoir | 1 | |
| 5 | 56A-25852-00 | .CAP, reservoir | 1 | |
| 6 | 98706-04012 | .SCREW, flat head | 2 | |
| 7 | 56A-25867-00 | BRACKET, master cylinder | 1 | |
| 8 | 97316-06025 | BOLT | 2 | |
| 9 | 92906-06600 | WASHER, plate | 2 | |
| 10 | 90201-10118 | WASHER, plate | 4 | |
| 11 | 90401-10034 | BOLT, union | 2 | |
| 12 | 56A-26372-00 | COVER, handle lever 1 | 1 | |

www.legends-yamaha-enduros.com

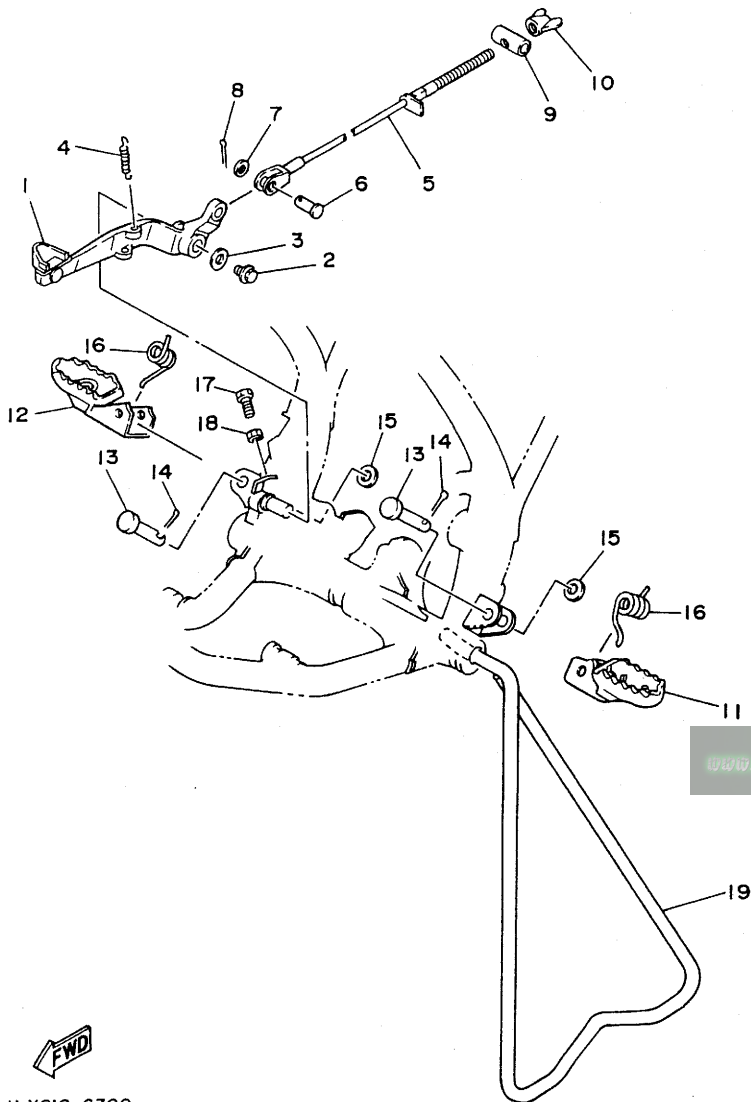


2HJ100-7260

D11

FIG. 30 STAND, FOOTREST

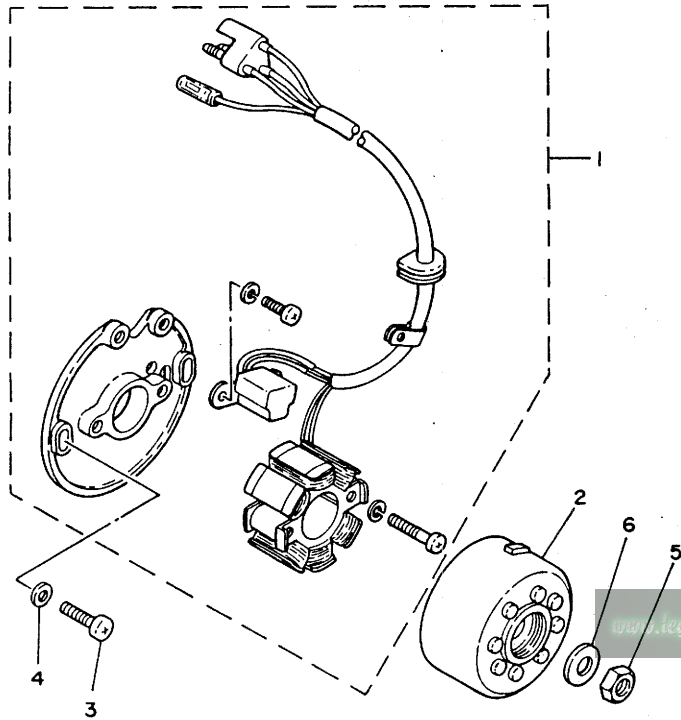
| REF. NO. | PART NO. | DESCRIPTION | Q'TY | REMARKS |
|----------|--------------|-----------------|------|---------|
| 1 | 1LX-27200-01 | PEDAL, brake | 1 | |
| 2 | 95021-08012 | BOLT, flange | 1 | |
| 3 | 90201-08730 | WASHER, plate | 1 | |
| 4 | 90506-16391 | SPRING, tension | 1 | |
| 5 | 39X-26351-00 | CABLE, brake | 1 | |
| 6 | 91790-08021 | PIN, clevis | 1 | |
| 7 | 90201-08544 | WASHER, plate | 1 | |
| 8 | 91401-25015 | PIN, cotter | 1 | |
| 9 | 90249-12008 | PIN | 1 | |
| 10 | 90175-06016 | NUT, wing | 1 | |
| 11 | 23X-27411-02 | FOOTREST 1 | 1 | |
| 12 | 23X-27421-03 | FOOTREST 2 | 1 | |
| 13 | 90240-10117 | PIN, clevis | 2 | |
| 14 | 91401-25015 | PIN, cotter | 2 | |
| 15 | 90201-10119 | WASHER, plate | 2 | |
| 16 | 90508-20583 | SPRING, torsion | 2 | |
| 17 | 90101-06392 | BOLT | 1 | |
| 18 | 95303-06700 | NUT | 1 | |
| 19 | 1LX-27311-00 | STAND, side | 1 | |



1LX010-6300

FIG. 31 GENERATOR

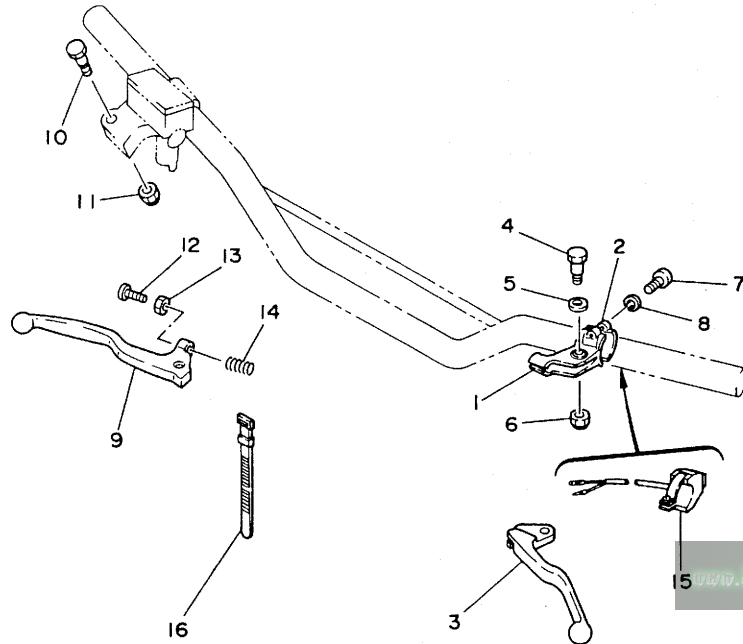
| REF. NO. | PART NO. | DESCRIPTION | Q'TY | REMARKS |
|----------|--------------|-----------------|------|---------|
| 1 | 2HG-85510-K0 | STATOR ASSY | 1 | |
| 2 | 2HG-85550-K0 | ROTOR ASSY | 1 | |
| 3 | 92501-06020 | SCREW, pan head | 2 | |
| 4 | 92901-06600 | WASHER, plate | 2 | |
| 5 | 95311-10600 | NUT | 1 | |
| 6 | 90201-10774 | WASHER, plate | 1 | |



2HG110-7310

D13

FIG. 32 HANDLE SWITCH. LEVER



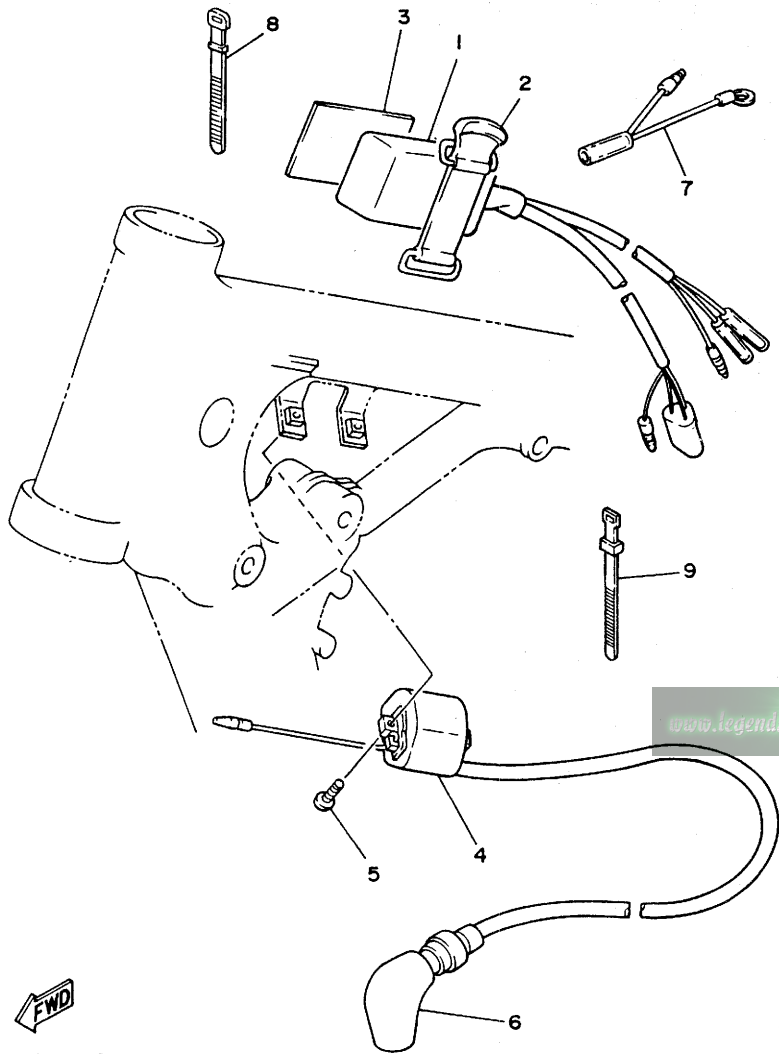
| REF. NO. | PART NO. | DESCRIPTION | Q'TY | REMARKS |
|----------|--------------|-----------------------|------|---------|
| 1 | 38V-82911-00 | HOLDER, lever 1 | 1 | |
| 2 | 38V-82913-00 | HOLDER, lever lower 1 | 1 | |
| 3 | 23X-83912-00 | LEVER 1 | 1 | |
| 4 | 90109-06797 | BOLT | 1 | |
| 5 | 90201-082A9 | WASHER, plate | 1 | |
| 6 | 95606-06100 | NUT, u | 1 | |
| 7 | 98506-05018 | SCREW, pan head | 2 | |
| 8 | 92906-05100 | WASHER, spring | 2 | |
| 9 | 55Y-83922-00 | LEVER 2 | 1 | |
| 10 | 90109-06577 | BOLT | 1 | |
| 11 | 95606-06100 | NUT, u | 1 | |
| 12 | 90149-06153 | SCREW | 1 | |
| 13 | 90170-06010 | NUT | 1 | |
| 14 | 90501-10312 | SPRING, compression | 1 | |
| 15 | 23X-83976-00 | SWITCH, handle 1 | 1 | |
| 16 | 437-83936-00 | BAND, switch cord | 2 | |

www.legends-yamaha-enduros.com



56A110-5320

FIG. 33 ELECTRICAL 1



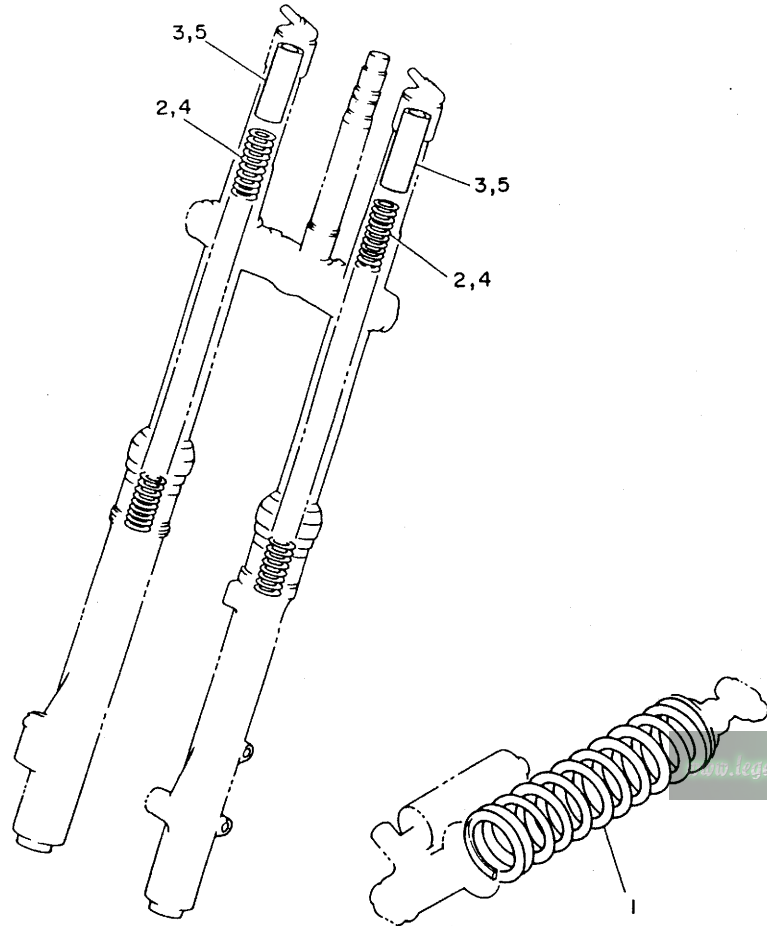
| REF. NO. | PART NO. | DESCRIPTION | Q'TY | REMARKS |
|----------|--------------|--------------------|------|--------------------------|
| 1 | 2HG-85540-K0 | C.D.I. UNIT ASSY | 1 | |
| 2 | 21V-21376-00 | BAND, tool | 1 | |
| 3 | 2K7-85547-00 | DAMPER | 1 | |
| 4 | 24X-82310-10 | IGNITION COIL ASSY | 1 | |
| 5 | 92502-06016 | SCREW, pan head | 2 | |
| 6 | 3R0-82370-20 | PLUG CAP ASSY | 1 | UR |
| | 1M1-82370-21 | PLUG CAP ASSY | 1 | UR WITH NOISE SUPPRESSOR |
| 7 | 5X1-82519-01 | WIRE, earth lead | 1 | |
| 8 | 25G-83936-00 | BAND, switch cord | 1 | |
| 9 | 437-83936-10 | BAND, switch cord | 1 | |



2HG100-7330

D15

FIG. 34 ALTERNATE 1 (CHASSIS)



| REF. NO. | PART NO. | DESCRIPTION | Q'TY | REMARKS |
|----------|-----------------|------------------------------|------|----------------------|
| 1 | 1LX-22212-00-6W | SPRING (K=4.50) | 1 | AP NATIVE RED (SOFT) |
| | 2HH-22212-20-6W | SPRING (K=5.00) | 1 | AP NATIVE RED (HARD) |
| 2 | 2HG-23141-00 | SPRING, front fork (K=0.325) | 2 | } (SOFT) WITH SET |
| 3 | 1LV-23118-10 | SPACER (L=90) | 2 | |
| 4 | 2HH-23141-L0 | SPRING, front fork (K=0.375) | 2 | } (HARD) WITH SET |
| 5 | 5X6-23118-L0 | SPACER (L=50) | 2 | |



2HH100-7340

E2

FIG. 35 REPAIR KIT

| REF. NO. | PART NO. | DESCRIPTION | Q'TY | REMARKS |
|----------|-----------------|----------------------------|------|---------|
| 1 | 1LX-11630-00 | PISTON ASSY (STD) | 1 | AP |
| 2 | 1LX-11631-00-94 | .PISTON (STD) | 1 | |
| 3 | 5X4-11611-00 | .RING, piston (STD) | 1 | |
| 4 | 137-11633-00 | .PIN, piston | 1 | |
| 5 | 4V2-11634-00 | .CLIP, piston pin | 2 | |
| 6 | 1LX-11630-10 | PISTON ASSY (1ST O/S) | 1 | AP |
| 7 | 1LX-11635-00 | .PISTON (0.25MM O/S) | 1 | |
| 8 | 5X4-11611-10 | .RING, piston (0.25MM O/S) | 1 | |
| 9 | 137-11633-00 | .PIN, piston | 1 | |
| 10 | 4V2-11634-00 | .CLIP, piston pin | 2 | |
| 11 | 1LX-11630-20 | PISTON ASSY (2ND O/S) | 1 | AP |
| 12 | 1LX-11636-00 | .PISTON (0.50MM O/S) | 1 | |
| 13 | 5X4-11611-20 | .RING, piston (0.50MM O/S) | 1 | |
| 14 | 137-11633-00 | .PIN, piston | 1 | |
| 15 | 4V2-11634-00 | .CLIP, piston pin | 2 | |
| 16 | 1LX-11630-30 | PISTON ASSY (3RD O/S) | 1 | AP |
| 17 | 1LX-11637-00 | .PISTON (0.75MM O/S) | 1 | |
| 18 | 5X4-11611-30 | .RING, piston (0.75MM O/S) | 1 | |
| 19 | 137-11633-00 | .PIN, piston | 1 | |
| 20 | 4V2-11634-00 | .CLIP, piston pin | 2 | |
| 21 | 2HG-11650-00 | CONNECTING ROD ASSY | 1 | AP |
| 22 | 2HG-11651-00 | .ROD, connecting | 1 | |
| 23 | 36F-11681-00 | .PIN, crank 1 | 1 | |
| 24 | 90209-22071 | .WASHER | 2 | |
| 25 | 93310-522M4 | .BEARING, cylindrical | 1 | |
| 26 | 93310-216L2 | .BEARING, cylindrical | 1 | |

www.legends-yamaha-enduros.com

NUMERICAL INDEX

| PART NO. | GRID NO. | PART NO. | GRID NO. | PART NO. | GRID NO. | PART NO. | GRID NO. | PART NO. | GRID NO. | PART NO. | GRID NO. |
|-----------------|----------|--------------|----------|-----------------|----------|-----------------|----------|-----------------|----------|--------------|----------|
| 56A-W0041-00 | D-11 | 2HG-11650-00 | E- 3 | 500-14115-00 | B- 9 | 1LX-15378-00 | B-13 | 1LX-18540-00 | C- 4 | 43M-23111-L0 | C-14 |
| 2HH-W0045-00 | D- 7 | 2HG-11651-00 | B- 5 | 1LX-14131-00 | B- 9 | 1LX-15383-00 | C- 2 | 2HG-21110-00-UJ | C- 6 | | C-15 |
| 56A-W0047-00 | D- 7 | | E- 3 | 1LX-14141-50 | B- 9 | 2K7-15383-00 | C- 2 | 1HX-2135F-00 | C-11 | 1LV-23118-10 | C-14 |
| 51L-W0048-00 | D- 7 | 36F-11681-00 | B- 5 | 1LX-14141-52 | B- 9 | 1LX-15411-00 | B-13 | 21V-21376-00 | D-15 | | C-15 |
| 56A-W0057-00 | D- 7 | | E- 3 | 1LX-14141-54 | B- 9 | 1LX-15421-00 | B-13 | 1LX-21419-00 | C- 6 | | E- 2 |
| 39W-W1132-00 | B- 2 | 5X5-11911-01 | B- 4 | 193-14142-45 | B- 9 | 1LX-15431-00 | B-13 | 1LX-21425-00 | C- 6 | 5X6-23118-L0 | E- 2 |
| 1LU-W1441-00 | B- 8 | 5X5-11912-01 | B- 4 | 193-14142-50 | B- 9 | 1LX-15451-00 | B-13 | 5X6-21511-10 | C- 7 | 4H7-23119-00 | C-14 |
| 23X-W2536-00 | D- 8 | 1LX-11915-00 | B- 2 | 193-14142-55 | B- 9 | 1LX-15462-00 | B-13 | 1LX-21611-00 | C- 7 | | C-15 |
| 5X4-Y113F-00 | B- 2 | 5X4-11921-01 | B- 4 | 137-14143-50-A0 | B-10 | 1LX-15618-00 | B-14 | 50W-21631-00 | C- 4 | 55Y-2312G-M0 | C-14 |
| 1LX-11111-00 | B- 2 | 5X4-11922-00 | B- 4 | 137-14143-52 | B-10 | 1LX-15620-00 | B-14 | 39X-21642-00 | C- 7 | | C-15 |
| 1LX-1131A-01 | B- 2 | 1LX-11931-00 | B- 4 | 137-14143-54 | B-10 | 1LX-15621-00 | B-14 | 1LX-21711-01-98 | C- 8 | 4V4-23125-L0 | C-14 |
| 5X4-1131N-00 | B- 2 | 5X5-11937-00 | B- 2 | 137-14143-56-A0 | B-10 | 1LX-15641-00 | B-14 | 24Y-2172A-00 | C- 8 | | C-15 |
| 2HG-11311-00 | B- 2 | 5X4-11952-00 | B- 4 | 137-14143-58-A0 | B-10 | 1LX-15651-00 | B-14 | 1LX-2172F-00 | C- 8 | 2HH-23126-L0 | C-14 |
| 1LX-11351-00 | B- 2 | 24X-11953-01 | B- 4 | 509-14145-00 | B- 9 | 1LX-15660-00 | B-14 | 1LX-21721-00 | C- 8 | 122-23129-00 | C-14 |
| 2HG-11400-00 | B- 5 | 1LX-11990-00 | B- 4 | 1LX-14147-00 | B- 9 | 1LX-16111-00 | B-15 | 2HH-2173L-00 | C- 8 | | C-15 |
| 2HG-11412-00 | B- 5 | 1LX-11992-00 | B- 3 | 558-14147-00 | B- 9 | 1LX-16150-00 | B-15 | 2HG-21731-00 | C- 8 | 2HH-23136-L0 | C-15 |
| 2HG-11422-00 | B- 5 | 1LX-11993-00 | B- 3 | 1LX-14153-10 | B- 9 | 1LX-16321-00 | B-15 | 2HG-2174F-00 | C- 8 | 2HG-23141-L0 | C-14 |
| 5X4-11611-00 | B- 5 | 1LX-11995-00 | B- 3 | 802-14161-00 | B- 9 | 1LX-16324-00 | B-15 | 2HH-2174L-00 | C- 8 | | C-15 |
| | E- 3 | 1LX-1240A-00 | B- 7 | 2HG-14185-00 | B- 9 | 1LX-16351-00 | B-15 | 2HG-21741-00 | C- 8 | 2HG-23141-00 | E- 2 |
| 5X4-11611-10 | B- 5 | 1LX-12422-00 | B- 6 | 537-14186-00 | B- 9 | 1LX-16352-00 | B-15 | 22W-21791-00 | C- 9 | 2HH-23141-L0 | E- 2 |
| | E- 3 | 1LX-12428-00 | B- 6 | 3Y3-14196-00 | B- 9 | 2HG-16357-00 | B-15 | 2HG-22110-00 | C-10 | 4V4-23142-L0 | C-14 |
| 5X4-11611-20 | B- 5 | 1LX-12450-00 | B- 6 | 432-14197-00 | B- 9 | 2HG-16358-00 | B-15 | 156-22127-00 | C-10 | | C-15 |
| | E- 3 | 1LX-12459-00 | B- 6 | 1LX-14198-00 | B- 9 | 1LX-16371-00 | B-15 | 3R4-22129-00 | C-10 | 1LX-23144-L0 | C-14 |
| 5X4-11611-30 | B- 5 | 1LX-12460-00 | B- 7 | 2HH-14451-00 | B- 8 | 1LX-16380-00 | B-15 | 1LX-22141-00 | C-10 | | C-15 |
| | E- 3 | 22W-12462-00 | B- 7 | 1LX-14452-00 | C- 8 | 2HG-17121-00 | C- 2 | 1LX-22151-00 | C-10 | 23X-23144-L0 | C-14 |
| 1LX-11630-00 | E- 3 | 24X-12469-00 | B- 7 | 39X-14452-00 | C- 8 | 2HG-17131-00 | C- 2 | 2HG-2217A-00 | C-10 | | C-15 |
| 1LX-11630-10 | E- 3 | 24Y-12469-00 | B- 7 | 2HG-14453-00 | B- 8 | 2HG-17151-00 | C- 2 | 2HG-2217F-00 | C-11 | 23X-23145-L0 | C-14 |
| 1LX-11630-20 | E- 3 | 1LX-12476-00 | B- 7 | 39K-14457-00 | B- 8 | 2HG-17161-00 | C- 2 | 2HG-2217G-00 | C-11 | | C-15 |
| 1LX-11630-30 | E- 3 | 1LX-12477-00 | B- 7 | 2HH-14458-00 | B- 8 | 2HG-17211-00 | C- 2 | 2HH-22178-00 | C- 6 | 4V4-23146-L0 | C-14 |
| 1LX-11631-00-94 | B- 5 | 1LX-1248A-00 | B- 7 | 56A-14459-00 | B- 8 | 2HG-17221-00 | C- 2 | 30X-22178-00 | C- 6 | | C-15 |
| | E- 3 | 1LX-12481-00 | B- 7 | 39X-14462-00 | B- 8 | 2HG-17231-00 | C- 2 | 2HH-2218A-00 | C-11 | 3J2-23147-00 | C-14 |
| 1LX-11631-00-95 | B- 5 | 1LX-12482-00 | B- 7 | 2HH-14468-00 | B- 8 | 2HG-17241-00 | C- 2 | 4V4-22184-00 | C- 6 | | C-15 |
| 137-11633-00 | B- 5 | 1LX-12483-01 | B- 7 | 1LU-14477-00 | B- 8 | 2HG-17251-00 | C- 2 | 39W-22199-01 | C-10 | 2HH-23151-L0 | C-14 |
| | E- 3 | 1LX-12485-00 | B- 7 | 2HG-14610-00 | B-11 | 2HG-17261-00 | C- 2 | 2HG-22201-00 | C-12 | | C-15 |
| | E- 3 | 353-13115-01 | B-12 | 1LX-14613-00 | B-11 | 2HG-17411-00 | C- 2 | 2HG-22210-00-6W | C-12 | 4V4-23153-L0 | C-14 |
| | E- 3 | 2HG-13565-00 | B- 8 | 2HG-14614-00 | B-11 | 137-17417-00-05 | B-14 | 23X-22211-00 | C-12 | | C-15 |
| | E- 3 | 1LX-13610-01 | B- 8 | 3M7-14615-00 | B-11 | 2HG-17421-00 | C- 2 | 1LX-22212-00-6W | E- 2 | 4V4-23157-L0 | C-14 |
| 4V2-11634-00 | B- 5 | 55Y-13613-00 | B- 8 | 2HG-1469A-00 | B-11 | 2HG-17461-20 | C- 3 | 1LX-22212-20-6W | C-12 | | C-15 |
| | E- 3 | 55Y-13616-00 | B- 8 | 1LX-14744-00 | B-11 | 2HG-17461-30 | C- 3 | 2HH-22212-20-6W | E- 2 | 2HH-23158-L0 | C-14 |
| | E- 3 | 1LX-13621-00 | B- 8 | 39X-14747-00 | B-11 | 2HG-17461-40 | C- 3 | 5X6-22214-00 | C-12 | | C-15 |
| | E- 3 | 24X-1410A-00 | B- 9 | 2HG-14753-00 | B-11 | 1LX-18101-01 | C- 5 | 1LX-22223-00 | C-12 | 2HH-2316A-L0 | C-14 |
| | E- 3 | 2HG-14101-00 | B- 9 | 24X-14771-00 | B-11 | 1LX-18110-00 | C- 5 | 1LX-22225-00 | C-12 | | C-15 |
| 1LX-11635-00 | B- 5 | 40T-14103-00 | B- 9 | 565-14771-00 | B-11 | 3R4-18140-00 | C- 4 | 1LX-22463-00 | C-12 | 1LX-23167-L0 | C-15 |
| | E- 3 | 1LX-14104-00 | B- 9 | 1LX-1490J-00 | B- 9 | 1LX-18511-00 | C- 4 | 2HG-23102-L0 | C-14 | 2HH-23170-L0 | C-14 |
| 1LX-11636-00 | B- 5 | 24X-14107-33 | B- 9 | 1LX-15111-01 | B-12 | 1LX-18512-00 | C- 4 | 2HG-23103-L0 | C-14 | | C-15 |
| | E- 3 | 1LX-14112-25 | B-10 | 1LX-15121-02 | B-12 | 1LX-18513-00 | C- 4 | 1LX-23108-00 | D- 2 | 4V4-23171-L0 | C-14 |
| 1LX-11637-00 | B- 5 | 1LX-14112-30 | B- 9 | 3R3-15128-01 | B-12 | 1LX-18531-00 | C- 4 | 2HH-23110-L0 | C-14 | | C-15 |
| | E- 3 | 1LX-14112-35 | B-10 | 168-15362-00 | B-13 | 1LX-18535-00 | C- 4 | | C-15 | 2HH-23173-L0 | C-14 |

NUMERICAL INDEX

| PART NO. | GRID NO. | PART NO. | GRID NO. | PART NO. | GRID NO. | PART NO. | GRID NO. | PART NO. | GRID NO. | PART NO. | GRID NO. |
|-----------------|----------|-----------------|----------|--------------|----------|-------------|----------|-------------|----------|-------------|----------|
| 2HH-23173-L0 | C-15 | 5X4-25355-00 | D- 8 | 688-82535-00 | D-10 | 90159-05100 | C- 8 | 90201-08753 | C- 6 | 90387-083F0 | D- 9 |
| 2HH-2318R-M0 | C-14 | 4V4-25367-00 | D- 9 | 38V-82911-00 | D-14 | 90159-06013 | C- 8 | 90201-08784 | B- 6 | 90387-086N4 | C- 6 |
| | C-15 | 23X-25371-00 | D- 9 | 38V-82913-00 | D-14 | | C- 8 | 90201-100E9 | C-12 | 90387-102F3 | B- 2 |
| 4V4-23188-L0 | C-14 | 1LX-25381-00 | D- 9 | 23X-83912-00 | D-14 | 90159-06084 | B-13 | 90201-100F7 | C-12 | 90387-126H8 | C-12 |
| | C-15 | 56A-25388-01 | D- 9 | 55Y-83922-00 | D-14 | 90170-06010 | D-14 | 90201-10118 | D-11 | 90387-127G8 | C-12 |
| 2HG-2319U-00 | C-13 | 2J5-25394-01 | D- 6 | 25G-83936-00 | D-15 | 90170-14171 | B-15 | 90201-10119 | D-12 | 90387-152F2 | B- 4 |
| 23X-23190-L0 | C-14 | 2X3-25394-00 | D- 8 | 437-83936-00 | C- 7 | 90175-06016 | D-12 | 90201-106F2 | C-10 | 90387-156R7 | D- 6 |
| | C-15 | 39W-25444-00 | D- 8 | | D-14 | 90176-08026 | B- 2 | 90201-10774 | D-13 | 90387-157L9 | D- 6 |
| 43M-23191-L0 | D- 2 | 39W-25445-00 | D- 8 | 437-83936-10 | C- 6 | 90179-08246 | B- 2 | 90201-120E6 | C-12 | 90387-164N2 | C-10 |
| 43M-23192-L0 | D- 2 | 39W-25446-00 | D- 8 | | D-15 | 90179-08401 | D-10 | 90201-142J3 | B-15 | 90387-164N3 | C-10 |
| 2HG-23340-L0-39 | D- 2 | 39W-25448-00 | D- 8 | 23X-83976-00 | D-14 | 90179-10544 | C-10 | 90201-14740 | C-11 | | C-11 |
| 3R4-23389-00 | C-13 | 2HH-25449-00 | D- 8 | 2HG-85510-K0 | D-13 | 90179-12373 | B-15 | 90201-154E9 | B- 4 | 90387-167R4 | C-11 |
| 5Y3-23393-00 | C-15 | 39W-25450-00 | D- 8 | 2HG-85540-K0 | D-15 | 90179-16226 | C- 3 | | B- 4 | 90387-167R5 | C-10 |
| 1LX-23395-00 | C-13 | 39W-25452-00 | D- 8 | 2K7-85547-00 | D-15 | 90179-24542 | C-13 | 90201-154F5 | B- 4 | 90387-167B1 | B-12 |
| 2HG-23416-00 | C-13 | 2HH-25810-00 | D- 7 | 2HG-85550-K0 | D-13 | 90179-28543 | C-13 | 90201-154F6 | B- 4 | 90387-200H1 | D- 8 |
| 2HG-23435-00-98 | C-13 | 1LX-25831-00 | D- 7 | 90101-06291 | D- 8 | 90185-08089 | D- 8 | 90201-15701 | C- 2 | 90387-200H2 | D- 9 |
| 1E6-23441-00 | C-13 | 34X-25845-00 | D- 7 | 90101-06392 | D-12 | 90185-08106 | C- 6 | 90201-164H4 | C-10 | 90387-202A0 | C- 3 |
| 5X6-23485-11 | C-13 | 2HH-25850-00 | D-11 | 90101-08475 | D- 9 | | C-10 | | C-11 | 90401-10034 | D-11 |
| 43M-23489-L0 | D- 2 | 56A-25852-00 | D-11 | 90102-08063 | D- 9 | 90185-08113 | C- 6 | 90201-171G4 | B-14 | 90430-06016 | B-13 |
| 1LX-24110-00 | D- 3 | 56A-25854-00 | D-11 | 90105-06138 | C- 7 | | C- 6 | 90201-171G6 | B-15 | 90430-06166 | B- 6 |
| 5X6-2412F-00 | D- 3 | 56A-25867-00 | D-11 | 90105-08091 | C-13 | | D- 9 | | B-15 | 90430-12038 | B-12 |
| 24X-24144-00 | D- 3 | 1RG-25872-10 | D-11 | 90109-06551 | B-11 | 90185-10120 | C-12 | 90201-20266 | C- 2 | 90445-08376 | B-12 |
| 23X-24173-00 | D- 3 | 5R2-25917-00 | D- 7 | 90109-06577 | D-14 | | C-12 | 90201-22555 | C- 2 | 90445-09100 | D- 3 |
| 1LX-24181-00 | D- 3 | 56A-25919-00 | D- 7 | 90109-06757 | D- 7 | 90185-14096 | C-11 | 90201-34683 | C- 4 | 90445-112E5 | D- 3 |
| 22W-24181-00 | C- 8 | 56A-25919-10 | D- 7 | 90109-06797 | D-14 | 90185-14112 | C-11 | 90202-06010 | D- 3 | 90446-09079 | B- 7 |
| 23X-24184-00 | D- 4 | 56A-25926-00 | D- 7 | 90109-08370 | D- 9 | 90185-16127 | C-10 | 90202-08022 | C- 6 | 90460-12268 | B- 7 |
| 2HG-24254-00 | C- 8 | 56A-25937-00 | D- 7 | 90109-08397 | D- 2 | 90185-18104 | D- 9 | 90209-06290 | B-12 | 90460-25288 | B- 7 |
| | C- 8 | 23X-26111-10 | D-10 | 90109-08573 | B-11 | 90201-057K1 | B- 4 | 90209-16255 | C- 2 | 90460-31253 | B- 7 |
| 1LX-24500-00 | D- 3 | 1LX-26241-01 | D-10 | 90109-08792 | D- 8 | 90201-06060 | B-14 | 90209-18135 | C- 2 | 90460-51109 | B- 8 |
| 4X8-24512-00 | D- 3 | 1LX-26242-01 | D-10 | 90109-102E6 | C-12 | 90201-06067 | C-10 | 90209-18244 | D- 9 | 90460-68199 | B- 8 |
| 4X8-24534-00 | D- 3 | 23X-26243-00 | D-10 | 90109-10704 | C-12 | 90201-06070 | D- 3 | 90209-21243 | D- 9 | 90465-13154 | D- 4 |
| 5X7-24611-01 | D- 3 | 5X2-2628H-01 | D-10 | 90109-142E5 | C-11 | 90201-063A5 | C- 8 | 90209-22071 | E- 3 | | D-10 |
| 5X7-24612-00 | D- 3 | 23X-26281-00 | D-10 | 90109-142E7 | C-11 | 90201-06570 | B- 7 | 90209-22292 | B- 5 | 90465-16258 | D-10 |
| 509-24724-00 | D- 5 | 431-26282-01-98 | D-10 | 90116-08318 | B- 2 | | B- 7 | 90215-20261 | C- 3 | 90467-09006 | B- 7 |
| 1LX-24731-00 | D- 5 | 2HG-26311-00 | D-10 | 90116-08392 | B- 2 | | C- 7 | 90240-10117 | D-12 | 90467-10008 | D- 3 |
| 1LX-24738-01 | D- 5 | 1LX-26335-00 | D-10 | 90116-08394 | B- 2 | 90201-06571 | C- 8 | 90249-12008 | D-12 | 90468-26048 | B-14 |
| 107-24741-00 | D- 5 | 39X-26351-00 | D-12 | 90116-08409 | B- 2 | | C- 8 | 90280-03045 | B- 5 | 90480-15064 | B- 7 |
| 5X6-24748-10 | D- 5 | 56A-26372-00 | D-11 | 90119-06056 | B- 8 | | C-13 | 90282-05038 | B- 5 | 90480-18276 | B- 7 |
| 1LX-24770-00 | D- 5 | 1LX-27200-01 | D-12 | 90119-06063 | C- 7 | 90201-08087 | B- 2 | 90340-12095 | B-12 | 90480-18354 | D- 3 |
| 1LX-25104-00 | D- 6 | 1LX-27311-00 | D-12 | 90119-06081 | B- 8 | 90201-081A6 | C- 6 | 90380-15104 | B- 4 | 90501-062E7 | D- 3 |
| 2HH-25111-00-98 | D- 6 | 23X-27411-02 | D-12 | 90119-06117 | C- 7 | | D- 9 | 90380-16056 | C-10 | 90501-10312 | D-14 |
| 322-25118-00 | D- 6 | 23X-27421-03 | D-12 | 90122-06025 | B- 8 | 90201-08107 | D- 9 | 90381-08002 | B- 6 | 90501-12081 | B-14 |
| 55U-25181-00 | D- 6 | 1LU-28100-00 | C- 6 | 90123-08090 | D-10 | 90201-082A9 | D-14 | 90381-16060 | C-10 | 90501-232E0 | B-15 |
| 2HH-25304-00 | D- 8 | 2X4-2811A-01 | C- 6 | 90149-06011 | D- 3 | 90201-085E6 | C- 6 | 90387-06387 | D- 3 | 90501-240E7 | B- 4 |
| 1LX-25311-01-98 | D- 8 | 24X-82310-10 | D-15 | 90149-06153 | D-14 | 90201-08512 | B- 6 | 90387-06681 | C- 7 | 90504-03033 | B- 8 |
| 23X-25321-00-98 | D- 8 | 1M1-82370-21 | D-15 | 90152-06010 | B-14 | 90201-08544 | D-12 | 90387-07392 | B- 7 | 90506-16391 | D-12 |
| 23X-25327-00 | D- 9 | 3R0-82370-20 | D-15 | 90153-05060 | B-15 | 90201-08612 | B-11 | 90387-07573 | B- 7 | 90506-17328 | D- 8 |
| 39X-25351-00 | D- 8 | 5X1-82519-01 | D-15 | 90159-05100 | C- 8 | 90201-08730 | D-12 | 90387-081A3 | B-11 | 90507-20030 | B-11 |

NUMERICAL INDEX

| PART NO. | GRID NO. | PART NO. | GRID NO. | PART NO. | GRID NO. | PART NO. | GRID NO. | PART NO. | GRID NO. | PART NO. | GRID NO. |
|-------------|----------|-------------|----------|-------------|----------|-------------|----------|-------------|----------|----------|----------|
| 90508-20583 | D-12 | 92901-06600 | B-11 | 93210-31114 | D- 9 | 94418-18444 | D- 8 | 98506-05016 | D-10 | | |
| 90508-26700 | B-14 | | D- 3 | 93210-42728 | B-11 | 94580-89112 | D- 9 | 98506-05018 | D-14 | | |
| 90508-26731 | C- 4 | | D- 5 | 93210-65721 | B- 2 | 94680-89001 | D- 9 | 98511-04012 | B- 9 | | |
| 90508-29596 | D- 9 | | D-10 | 93211-07720 | B- 2 | 95021-08012 | D-12 | 98706-04012 | D-10 | | |
| 90508-32535 | C- 5 | | D-13 | 93300-60814 | B- 4 | 95021-08020 | B-11 | | D-11 | | |
| 90560-08213 | B- 4 | 92901-08200 | C- 8 | | B- 6 | 95021-08045 | C- 6 | 98980-06020 | D- 3 | | |
| 90560-12280 | C- 5 | | C-10 | | B-15 | 95023-08016 | D- 5 | 99001-07600 | B- 6 | | |
| 90560-15240 | D- 6 | 92901-08600 | D- 9 | 93300-60816 | C- 6 | 95301-08900 | D- 9 | 99510-10114 | B- 2 | | |
| 90560-17214 | B-15 | 92902-04100 | B- 9 | 93306-00406 | D- 8 | 95303-06700 | D-12 | | B- 2 | | |
| 90560-17279 | B-14 | 92906-05100 | D-14 | 93306-00418 | D- 8 | 95303-08700 | D- 9 | 99530-10014 | B-13 | | |
| 90560-20278 | D- 8 | 92906-06600 | B-13 | 93306-20209 | D- 6 | 95311-10600 | D-13 | 99530-12016 | B-12 | | |
| 90560-22281 | D-10 | | C- 8 | 93306-30309 | C- 2 | 95601-05100 | B- 4 | | | | |
| 91311-06016 | D-10 | | D-11 | 93306-30411 | C- 2 | | B- 8 | | | | |
| 91316-04006 | B- 4 | 92990-03100 | B- 8 | 93306-37204 | B- 5 | 95606-06100 | D-14 | | | | |
| 91316-05012 | B-12 | 92990-06100 | B-11 | 93310-216L2 | B- 5 | | D-14 | | | | |
| 91316-06035 | B-12 | | B-11 | | E- 3 | 95701-08500 | D- 2 | | | | |
| 91316-06045 | B-12 | | B-11 | 93310-522M4 | B- 5 | 95801-06012 | D- 5 | | | | |
| 91316-06055 | B-12 | | C- 8 | | E- 3 | 95802-08012 | C- 6 | | | | |
| 91316-06060 | B-12 | | C- 8 | 93311-31515 | C- 3 | 95802-08045 | C-10 | | | | |
| 91316-06065 | B-12 | | C- 9 | 93311-41530 | C- 2 | 95811-08040 | C- 6 | | | | |
| 91401-20015 | D- 9 | | C- 9 | 93315-22045 | C-11 | 95811-08045 | D- 7 | | | | |
| 91401-25015 | D-12 | | D- 2 | 93315-22046 | C-10 | 95811-08055 | C- 6 | | | | |
| | D-12 | | D- 3 | 93317-32231 | C-10 | 95811-08095 | C- 6 | | | | |
| 91790-08021 | D-12 | | D- 3 | 93332-00067 | C-13 | 95811-08185 | C- 6 | | | | |
| 92501-06010 | B-11 | | D- 3 | 93332-00068 | C-13 | 95811-10016 | C-10 | | | | |
| 92501-06012 | C-13 | 92990-08100 | B-11 | 93342-22208 | C-10 | 95816-06025 | B- 6 | | | | |
| | D- 3 | 93102-17263 | B-14 | 93399-99910 | D- 9 | 95821-08025 | B-11 | | | | |
| | D- 5 | 93102-20281 | D- 6 | 93399-99916 | C-12 | 95821-08035 | C-13 | | | | |
| 92501-06014 | C- 8 | 93102-22363 | B- 5 | 93410-20038 | C- 2 | 97001-06012 | C- 9 | | | | |
| | C- 8 | 93102-26042 | C- 2 | 93410-22039 | C- 2 | 97001-06020 | B- 7 | | | | |
| 92501-06020 | D-13 | 93103-10147 | B- 6 | 93440-15012 | B-14 | 97001-06030 | B- 7 | | | | |
| 92501-08010 | B-12 | 93103-32099 | B- 5 | | C- 2 | 97301-06020 | B- 8 | | | | |
| 92502-06016 | D-15 | 93104-08040 | B- 4 | 93440-30113 | C-12 | 97311-06025 | C- 5 | | | | |
| 92506-06008 | B-13 | 93104-16074 | B- 2 | 93450-28063 | C-11 | 97313-06012 | B-14 | | | | |
| 92506-06016 | B-13 | 93104-18077 | C-12 | | C-11 | 97313-06016 | B-11 | | | | |
| | C- 8 | 93106-22019 | C-10 | 93507-32031 | B-14 | | D- 3 | | | | |
| 92506-06025 | B- 6 | 93106-28023 | D- 8 | 93521-64032 | B- 4 | 97313-06035 | D- 3 | | | | |
| | B-13 | 93108-35004 | C-10 | 93603-13185 | B- 4 | 97313-06055 | C- 9 | | | | |
| 92506-06035 | B-13 | 93109-12012 | B-15 | 93603-14179 | B- 4 | 97316-06025 | D-11 | | | | |
| 92506-06045 | B-13 | | C- 5 | 93603-22028 | B- 6 | 97801-03008 | D- 3 | | | | |
| 92506-06060 | B- 6 | 93109-20029 | C-10 | 93604-10011 | B- 6 | 98001-06020 | C-10 | | | | |
| 92516-06030 | B-13 | | C-11 | 94108-215N7 | D- 6 | 98501-03008 | B- 8 | | | | |
| 92701-06012 | C- 2 | 93112-19006 | D- 9 | 94110-187N3 | D- 8 | 98501-04006 | C-12 | | | | |
| | C- 2 | 93210-09192 | B- 2 | 94211-18176 | D- 8 | 98503-04014 | B- 9 | | | | |
| 92901-05600 | B- 4 | 93210-14104 | B-13 | 94227-21123 | D- 6 | 98506-04018 | D- 2 | | | | |
| 92901-06600 | B- 7 | 93210-14167 | D- 9 | 94307-21145 | D- 6 | 98506-05010 | B- 2 | | | | |
| | B- 7 | 93210-15151 | B-14 | 94309-18146 | D- 8 | 98506-05012 | B- 2 | | | | |
| | B- 8 | 93210-27244 | B- 2 | 94416-21435 | D- 6 | 98506-05014 | B- 3 | | | | |

17-0880
17-0880

www.legends-yamaha-enduros.com