

YAMAHA

PARTS CATALOGUE

www.legends-yamaha-enduros.com

YZ490S (1LV)

161LV-700E1

www.legends-yamaha-enduros.com



www.legends-yamaha-enduros.com





www.legends-yamaha-enduros.com



FOREWORD

This Parts Catalogue is related to the parts in use for the Yamaha YZ490S (1LV).
When you are ordering replacement parts for the YZ490S (1LV), refer to this Parts Catalogue and quote both part numbers and part names correctly.

1. Modifications or additions which have been made after issue of the Parts Catalogue will be announced in the Yamaha Parts News.
It is advisable that according to the Yamaha Parts News you make necessary corrections to the Parts Catalogue on hand to keep it up-to-date.

2. Abbreviations

The following abbreviations are used in this Parts Catalogue.

- U.R. Use size (thickness) and/or number as required.
- U.N. Use as many as you need.
- A.P. Alternate Parts
- L.M. Local Made
- F# Frame No. (Applicable machine No.)

3. The parts marked with (+) in the parts number column of this Catalogue are not supplied with by Yamaha, those have to be found locally.

4. Parts, which are to be supplied in the form of assemblies, are listed with an indentation of one letter's space, and a dot (.) is put against the name of each part.

EXAMPLE CARBURETOR ASS'Y
 . JET, pilot
 . NOZZLE, main

5. Indication of No. of constituent parts for assembly

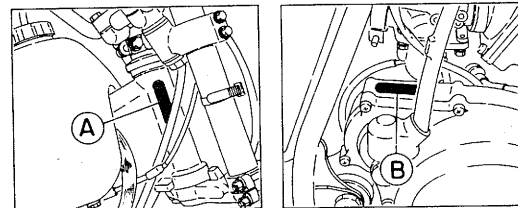
The numeral appearing to the right of each constituent part under the description indicates the quantity of such parts for each individual assembly unit.

EXAMPLE

Part No.	Description	Q'ty	Remarks
2F5-83310-60	FRONT FLASHER LIGHT ASS'Y	2	
115-83311-60	. BULB (6V-18W)	1	
1M1-83309-60	. REFLECTOR	1	

6. Initial Serial No. and Color Code

(A) Frame Serial No.	1LV-000101 and following
(B) Engine Serial No.	1LV-000101 and following



Color Code	Color Name	Abbreviate
36	Clean White	W

7. Applicable colors of graphics are represented in the "Remarks" column by the letter(s) appropriately picked out of the full word(s) showing such colors.

EXAMPLE

Part No.	Description	Q'ty	Remarks
2N4-24110-00-X5	FUEL TANK COMP.	1	MAXIM RED
3J1-24240-10	. GRAPHIC, fuel tank set	1	for MXR

CONTENTS

ENGINE

Cylinder	B2
Crankshaft · Piston	B3
Intake	B4
Carburetor	B5 ~ B6
Exhaust	B7
Crankcase	B8
Crankcase Cover 1	B9
Starter	B10
Clutch	B11
Transmission	B12 ~ B13
Shift Cam · Fork	B14
Shift Shaft	B15

CHASSIS

Frame	C2 ~ C3
Fender	C4
Side Cover	C5
Rear Arm	C6 ~ C7
Rear Suspension	C8 ~ C9
Steering	C10
Front Fork	C11 ~ C13
Fuel Tank	C14 ~ C15
Seat	D2
Front Wheel	D3
Front Brake · Caliper	D4
Rear Wheel	D5 ~ D6
Steering Handle · Cable	D7
Front Master Cylinder	D8
Stand · Footrest	D9

Generator	D10
Handle Switch · Lever	D11
Electrical 1	D12

ALTERNATE PARTS

Alternate 1(Chassis)	D13
----------------------------	-----

REPAIR KIT

Repair Kit	D14 ~ D15
------------------	-----------

INDEX

Numerical Index	M1 ~ M3
-----------------------	---------

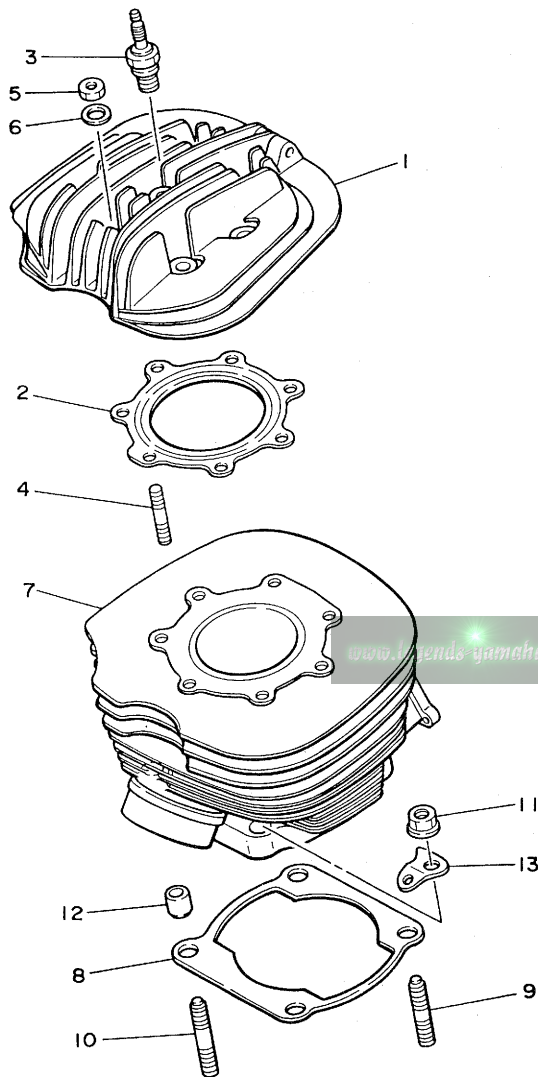
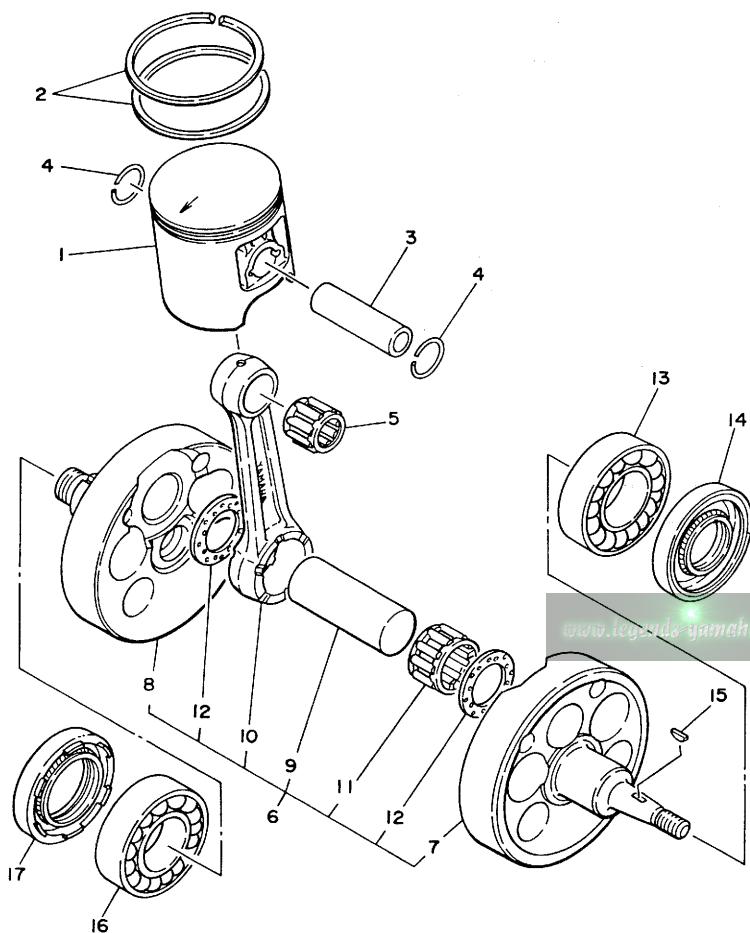


FIG. 1 CYLINDER

REF. NO.	PART NO.	DESCRIPTION	Q'TY	REMARKS
1	40T-11111-00	HEAD, cylinder 1	1	
2	40T-11181-00	GASKET, cylinder head 1	1	
3	*	PLUG, spark (CHAMPION N-86)	1	LM UR
	*	PLUG, spark (CHAMPION QN-86)	1	LM UR for S. AFRICA
4	90116-08394	BOLT, stud	7	
5	95301-08600	NUT	7	
6	90201-08649	WASHER, plate	7	
7	40T-11311-02	CYLINDER 1	1	
8	1LV-11351-00	GASKET, cylinder	1	
9	90116-12315	BOLT, stud	2	
10	90116-12316	BOLT, stud	2	
11	95701-12100	NUT, flange	4	
12	91810-17016	PIN, dowel	2	
13	40T-14619-01	HOOK, spring	1	



40T100-4010



5X6100-2021

FIG. 2 CRANKSHAFT, PISTON

REF. NO.	PART NO.	DESCRIPTION	Q'TY	REMARKS
1	40T-11631-00-93	PISTON (STD)	1	UR
	40T-11631-00-94	PISTON (STD)	1	UR
	40T-11635-00	PISTON (0.25MM O/S)	1	UR AP
	40T-11636-00	PISTON (0.50MM O/S)	1	UR AP
	40T-11637-00	PISTON (0.75MM O/S)	1	UR AP
	40T-11638-00	PISTON (1.00MM O/S)	1	UR AP
2	5X6-11601-00	PISTON RING SET (STD)	1	
	5X6-11601-10	PISTON RING SET (1ST O/S)	1	UR AP
	5X6-11601-20	PISTON RING SET (2ND O/S)	1	UR AP
	5X6-11601-30	PISTON RING SET (3RD O/S)	1	UR AP
	5X6-11601-40	PISTON RING SET (4TH O/S)	1	UR AP
3	275-11633-00	PIN, piston	1	
4	93450-19052	CIRCLIP	2	
5	93310-418E9	BEARING, cylindrical	1	
6	3R5-11400-00	CRANKSHAFT ASSY	1	
7	3R5-11412-00	.CRANK 1	1	
8	3R5-11422-00	.CRANK 2	1	
9	3R8-11681-00	.PIN, crank 1	1	
10	3R5-11651-00	.ROD, connecting	1	
11	93310-425N4	.BEARING, cylindrical	1	
12	90209-25085	.WASHER	2	
13	93306-30615	BEARING (B6306)	1	
14	93103-30150	OIL SEAL	1	
15	90280-03017	KEY, woodruff	1	
16	93306-30615	BEARING (B6306)	1	
17	93103-40091	OIL SEAL	1	

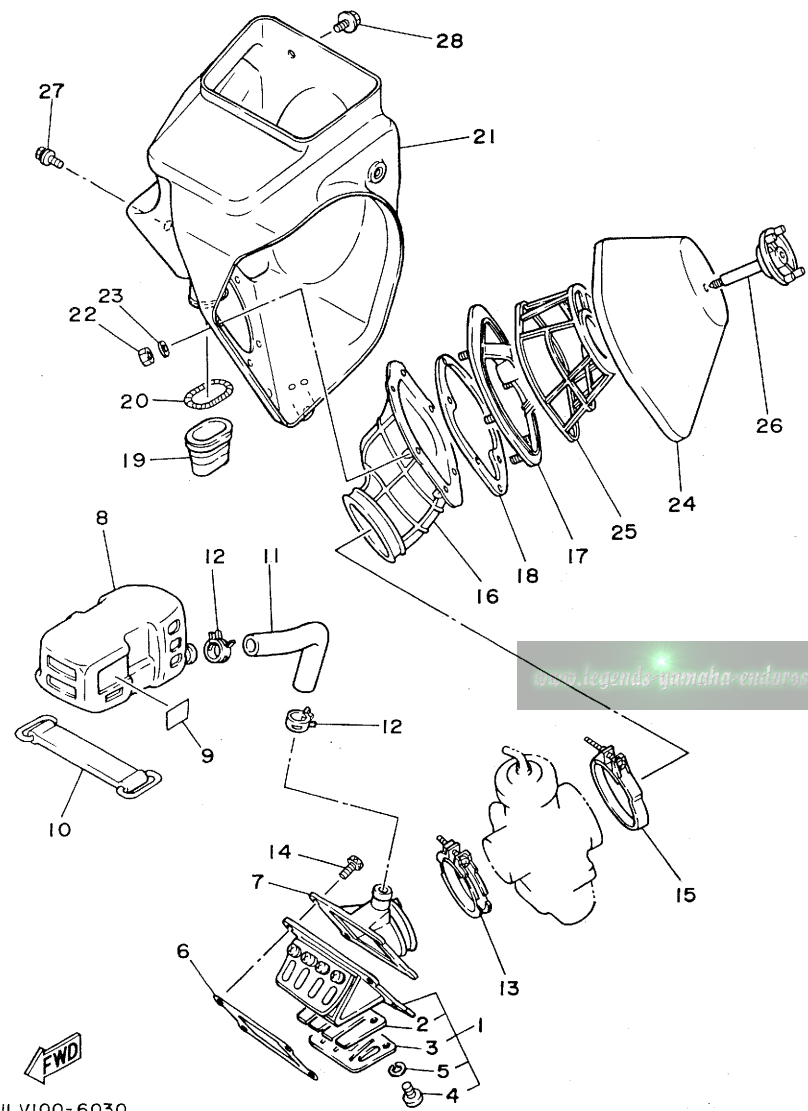


FIG. 3 INTAKE

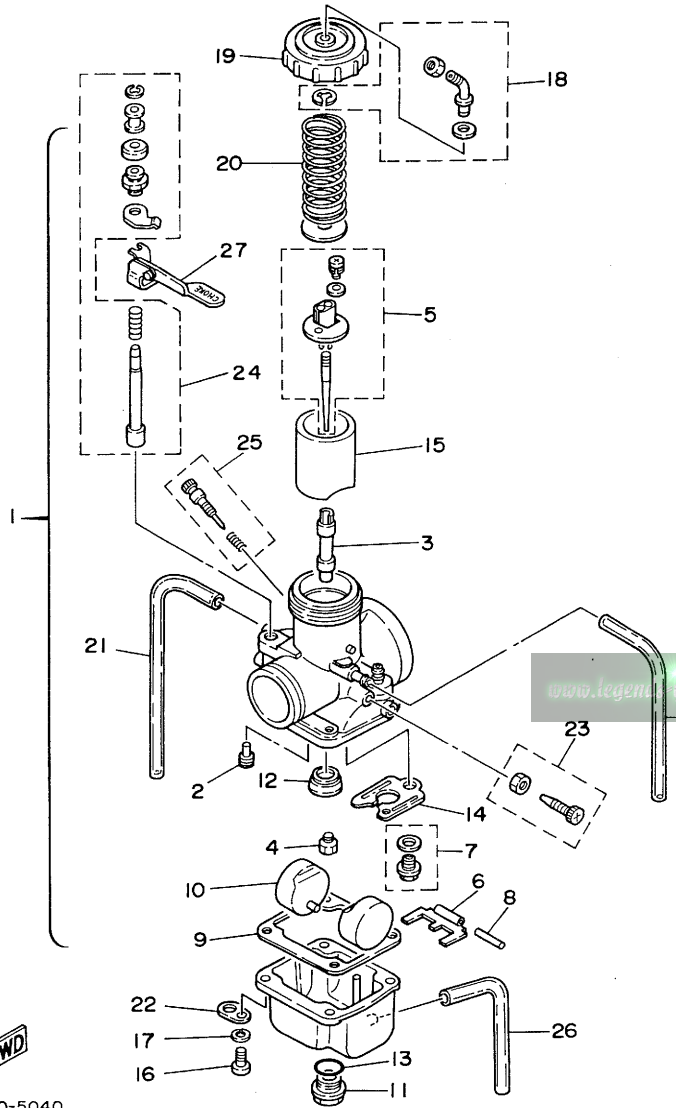
REF. NO.	PART NO.	DESCRIPTION	Q'TY	REMARKS
1	56A-13610-00	REED VALVE ASSY	1	
2	56A-13613-00	.REED, valve	2	
3	56A-13616-00	.STOPPER, reed valve	2	
4	98580-03008	.SCREW, pan head	8	
5	92990-03100	.WASHER, spring	8	
6	39X-13621-00	GASKET, valve seat	1	
7	40T-13565-00	JOINT, carburetor	1	
8	40T-13581-00	CHAMBER, air	1	
9	4V3-1441K-00	EMBLEM	1	
10	26A-13575-00	BAND	1	
11	1LV-13584-00	PIPE, intake manifold	1	
12	90467-23059	CLIP	2	
13	90460-56257	CLAMP, hose	1	
14	91316-06020	BOLT	6	
15	90460-74254	CLAMP, hose	1	
16	1LV-14453-00	JOINT, air cleaner 1	1	
17	1LX-14459-00	HOLDER, guide	1	
18	1LX-14462-00	SEAL	1	
19	39K-14457-00	SEAL	1	
20	90504-03033	SPRING, compression	1	
21	1LX-W1441-00	AIR CLEANER CASE COMP.	1	
22	95601-05100	NUT, u	6	
23	92990-05200	WASHER, plain	6	
24	1LX-14451-00	ELEMENT, air cleaner	1	
25	1LX-14458-00	GUIDE	1	
26	56A-14468-00	PLATE, element fitting	1	
27	90119-06081	BOLT, with washer	2	
28	90119-06056	BOLT, with washer	1	

FWD
ILV100-6030

B4

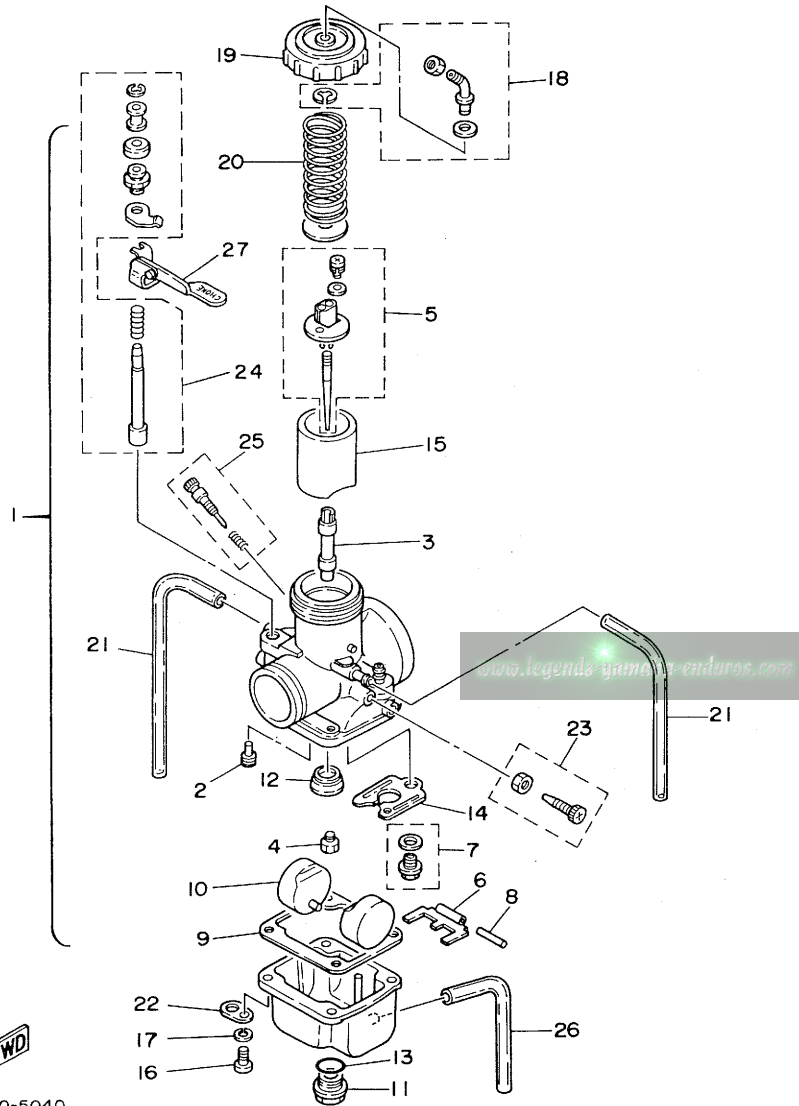
FIG. 4 CARBURETOR

REF. NO.	PART NO.	DESCRIPTION	Q'TY	REMARKS
1	1LV-14101-00	CARBURETOR ASSY 1	1	
2	193-14142-40	.JET, pilot (# 40)	1	UR STD
	193-14142-35	.JET, pilot (# 35)	1	UR AP
	193-14142-45	.JET, pilot (# 45)	1	UR AP
3	8A7-14141-56	.NOZZLE, main (Q-6)	1	UR STD
	8A7-14141-54	.NOZZLE, main (Q-4)	1	UR AP
	8A7-14141-58	.NOZZLE, main (Q-8)	1	UR AP
4	137-14143-92	.JET, main (#460)	1	UR STD
	137-14143-88	.JET, main (#440)	1	UR AP
	137-14143-90	.JET, main (#450)	1	UR AP
	137-14143-94	.JET, main (#470)	1	UR AP
	137-14143-96	.JET, main (#480)	1	UR AP
5	40T-1490J-00	.NEEDLE SET	1	
6	40T-14187-00	.ARM, float	1	
7	23X-14107-35	.NEEDLE VALVE SET	1	
8	537-14186-00	.PIN, float	1	
9	363-14184-00	.GASKET, float chamber	1	
10	214-14185-00	.FLOAT	2	
11	40T-14115-00	.PLUG, screw	1	
12	3R3-14153-00	.WASHER, main jet	1	
13	278-14117-00	.WASHER, plug screw	1	
14	40T-14146-00	.PLATE	1	
15	40T-14112-30	.VALVE, throttle 1	1	UR STD
	40T-14112-25	.VALVE, throttle 1	1	UR AP
	40T-14112-35	.VALVE, throttle 1	1	UR AP
16	98501-05016	.SCREW, pan head	4	
17	92901-05100	.WASHER, spring	4	
18	40T-14106-00	.CABLE ADJUST SCREW SET	1	



57H110-5040

FIG. 4 CARBURETOR

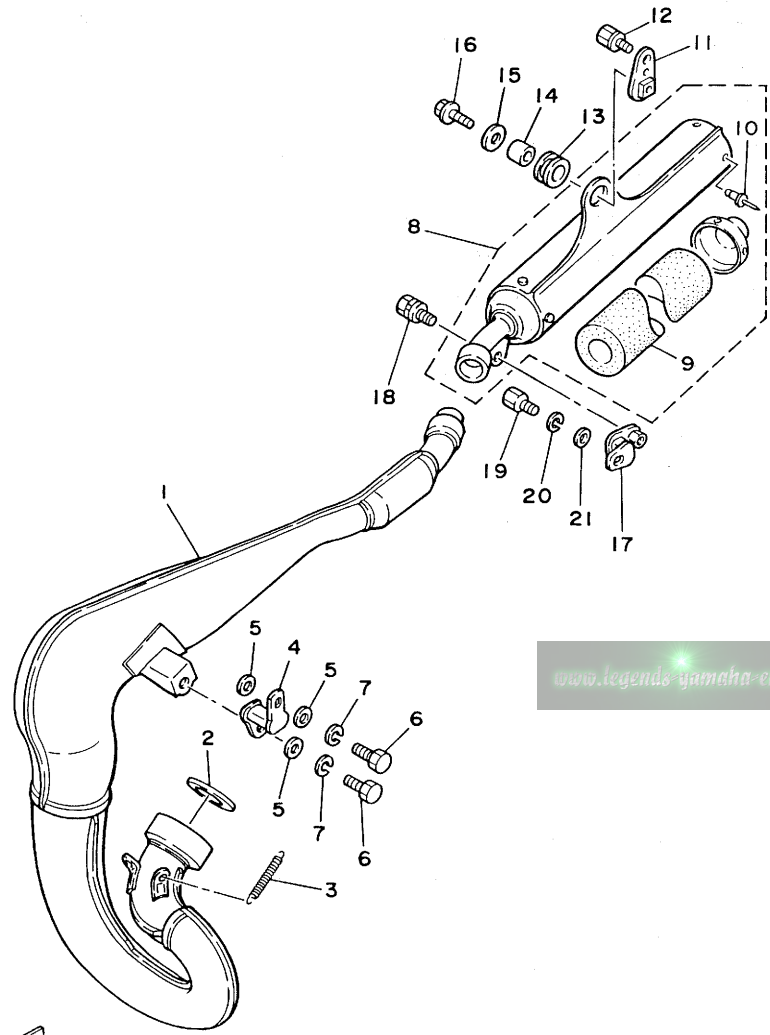


REF. NO.	PART NO.	DESCRIPTION	Q'TY	REMARKS
19	40T-14158-00	.TOP, mixing chamber	1	
20	8H0-14131-00	.SPRING, throttle valve	1	
21	310-14197-00	.PIPE	2	
22	313-14146-00	.PLATE	2	
23	40T-14103-00	.THROTTLE SCREW SET	1	
24	57H-1410A-00	.STARTER SET	1	
25	23X-14104-00	.AIR SCREW SET	1	
26	2K7-14197-00	.PIPE	2	
27	57H-14175-00	.LEVER, starter l	1	



57H110-5040

B6



FWD

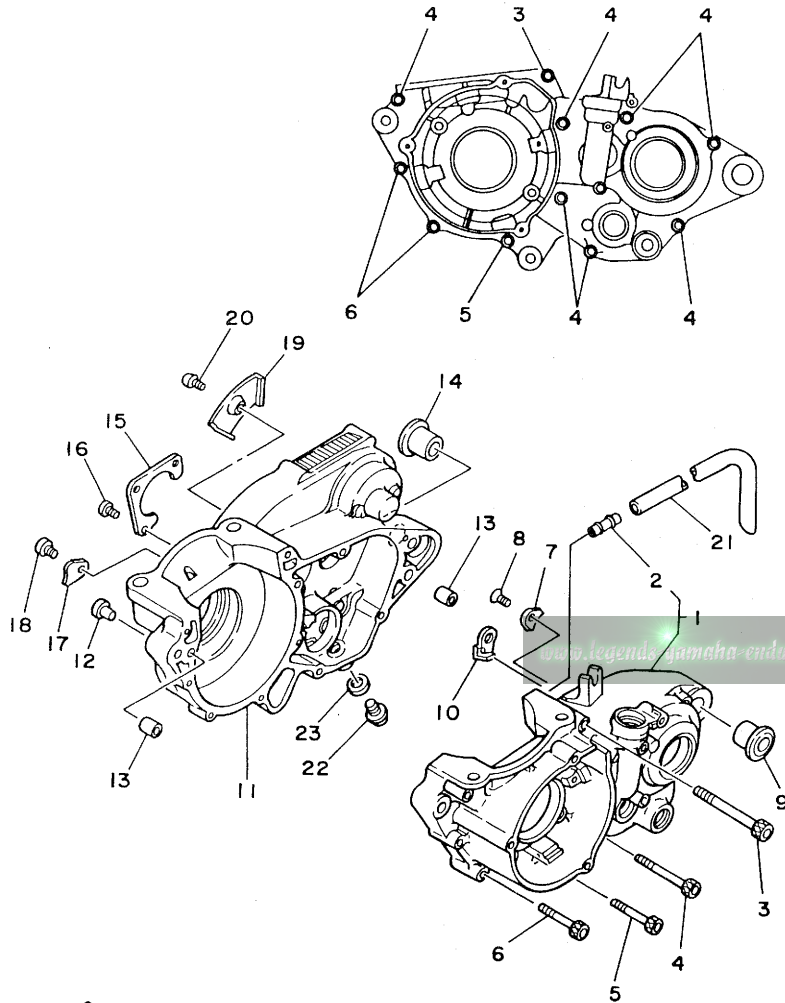
ILV100-6050

FIG. 5 EXHAUST

REF. NO.	PART NO.	DESCRIPTION	Q'TY	REMARKS
1	1LV-14610-00	EXHAUST PIPE ASSY 1	1	
2	40T-14613-00	GASKET, exhaust pipe	1	
3	90507-20030	SPRING, tension	3	
4	40T-14771-00	STAY, muffler 1	1	
5	90201-08730	WASHER, plate	3	
6	97301-08016	BOLT	2	
7	92990-08100	WASHER, spring	2	
8	43R-14753-10	SILENCER, exhaust	1	UR for n.s.w.
	40T-14753-01	SILENCER, exhaust	1	UR
9	40T-1469A-00	.FIBER	1	
10	90267-40115	.RIVET, blind	4	
11	1LX-14744-00	BRACKET	1	
12	90109-08573	BOLT	1	
13	39X-14747-00	DAMPER, muffler	1	
14	90387-081A3	COLLAR	1	
15	90201-08612	WASHER, plate	1	
16	95801-08025	BOLT, flange	1	
17	565-14771-00	STAY, muffler 1	1	
18	90109-06551	BOLT	1	
19	97301-06016	BOLT	1	
20	92990-06100	WASHER, spring	1	
21	92901-06600	WASHER, plate	1	

B7

FIG. 6 CRANKCASE



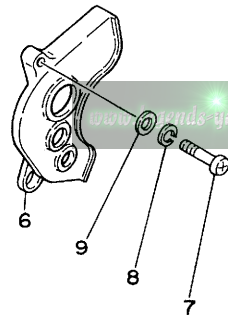
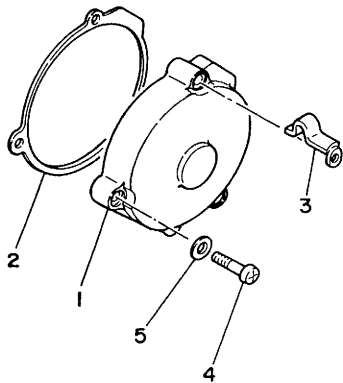
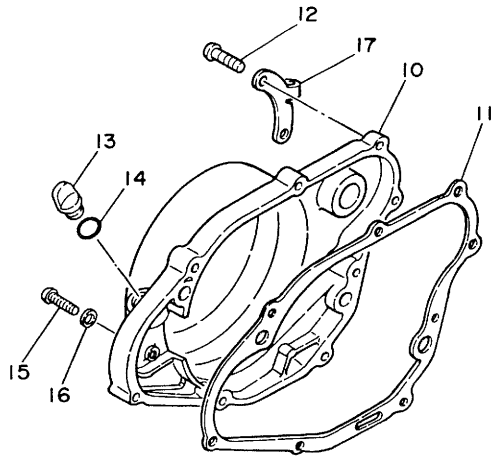
REF. NO.	PART NO.	DESCRIPTION	Q'TY	REMARKS
1	3R5-W1511-01	CRANKCASE 1	1	
2	137-13115-00	.CONNECTOR, suction pipe	1	
3	91316-06075	BOLT	1	
4	91316-06060	BOLT	7	
5	91316-06050	BOLT	1	
6	91316-06045	BOLT	2	
7	56A-15383-00	PLATE, bearing cover	1	
8	92701-06012	SCREW, flat head	1	
9	90387-160H4	COLLAR	1	
10	23X-26393-00	HOLDER	1	
11	3R5-15121-05	CRANKCASE 2	1	
12	90338-07011	PLUG	1	
13	99510-12016	PIN, dowel	4	
14	90387-160H4	COLLAR	1	
15	23X-15381-00	PLATE, bearing cover	1	
16	92501-06012	SCREW, pan head	3	
17	4V4-15118-00	HOLDER	1	
18	92501-06010	SCREW, pan head	1	
19	3R4-15113-00	PLATE	1	
20	92501-06012	SCREW, pan head	1	
21	90445-08605	HOSE	1	
22	90340-12095	PLUG, straight screw	1	
23	90430-12038	GASKET	1	



ILV100-6060

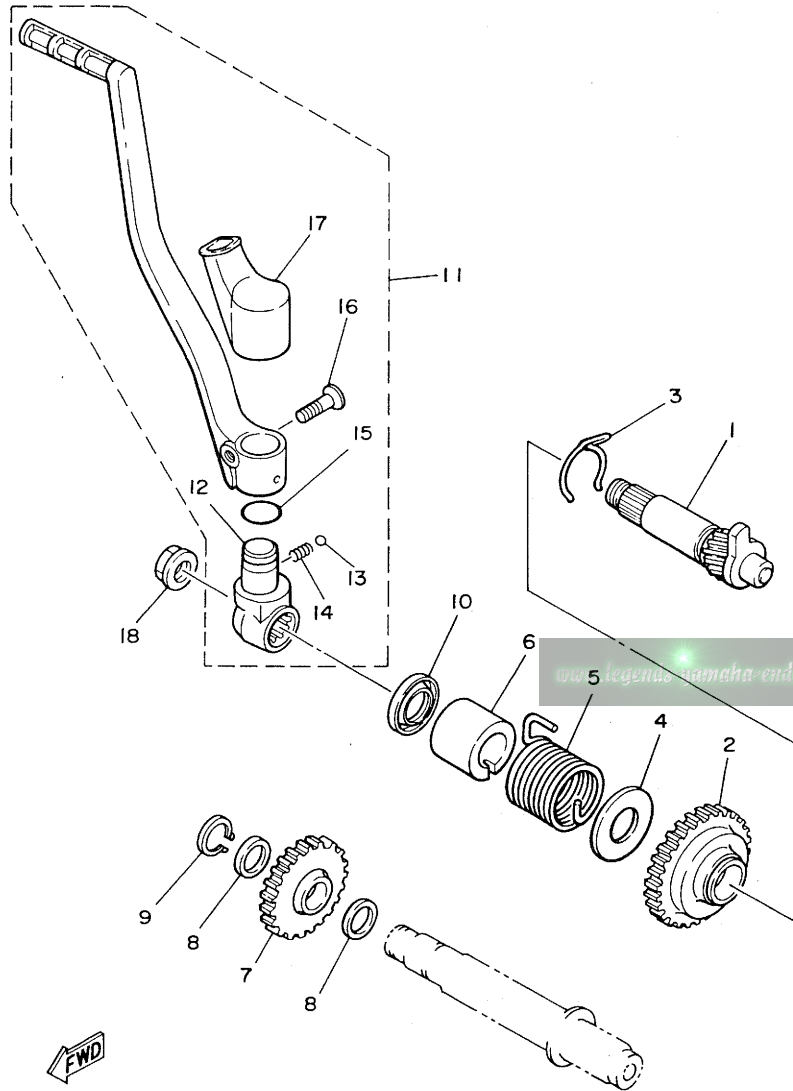
FIG. 7 CRANKCASE COVER 1

REF. NO.	PART NO.	DESCRIPTION	Q'TY	REMARKS
1	40T-15411-00	COVER, crankcase 1	1	
2	1LV-15451-00	GASKET, crankcase cover 1	1	
3	90465-06247	CLAMP	1	
4	92506-06035	SCREW, pan head	3	
5	92906-06600	WASHER, plate	3	
6	23X-15421-00	COVER, crankcase 2	1	
7	92506-06025	SCREW, pan head	1	
8	92906-06100	WASHER, spring	1	
9	92906-06600	WASHER, plate	1	
10	40T-15431-00	COVER, crankcase 3	1	
11	3R4-15462-00	GASKET, crankcase cover 3	1	
12	91316-06025	BOLT	8	
13	1G8-15362-00	PLUG, oil level	1	
14	93210-14104	O-RING	1	
15	92506-06008	SCREW, pan head	1	
16	90430-06016	GASKET	1	
17	56A-15378-00	HOLDER	1	



57H110-5070

FIG. 8 STARTER

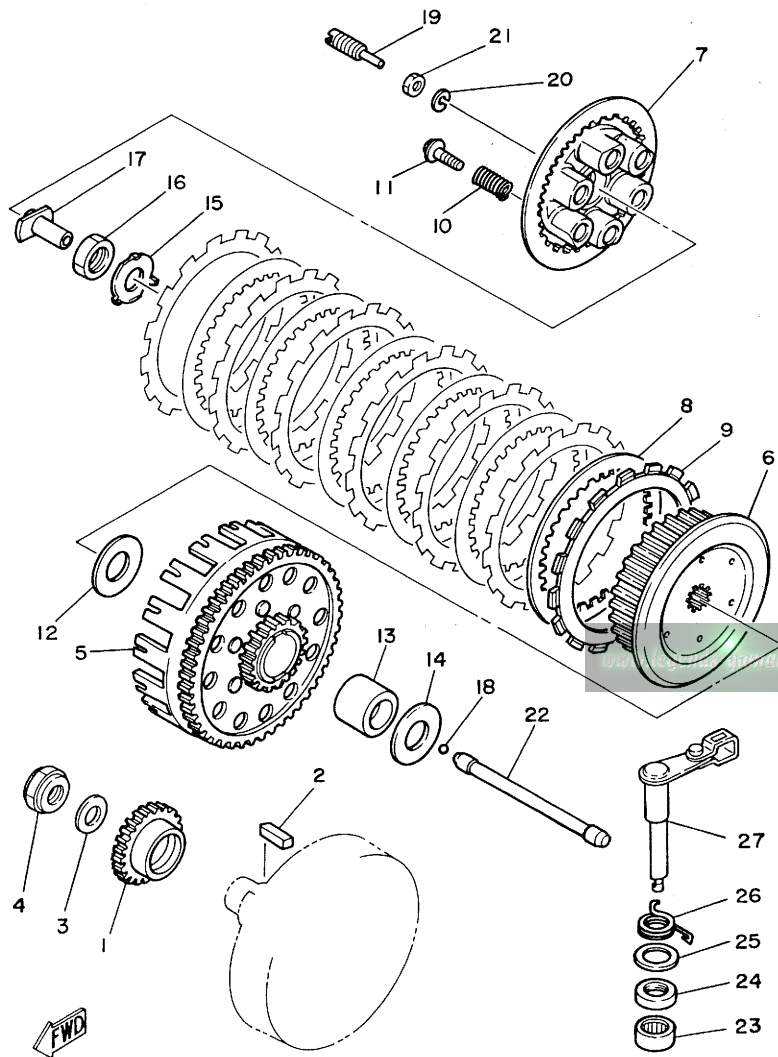


REF. NO.	PART NO.	DESCRIPTION	Q'TY	REMARKS
1	57H-15661-00	AXLE, kick	1	
2	23X-15641-00	GEAR, kick	1	
3	90468-26177	CLIP	1	
4	90201-20358	WASHER, plate	1	
5	90508-30422	SPRING, torsion	1	
6	40T-15664-00	GUIDE, spring	1	
7	23X-15651-00	GEAR, kick idle	1	
8	90201-17545	WASHER, plate	2	
9	99009-17400	CIRCLIP	1	
10	93102-20309	OIL SEAL	1	
11	40T-15620-01	KICK CRANK ASSY	1	
12	23X-15621-01	.BOSS, kick crank	1	
13	93501-04011	.BALL	1	
14	90501-13720	.SPRING, compression	1	
15	93210-19501	.O-RING	1	
16	90152-06010	.SCREW, countersunk	1	
17	23X-15618-00	.COVER, kick lever	1	
18	90179-12244	NUT	1	



23X100-3091

B10

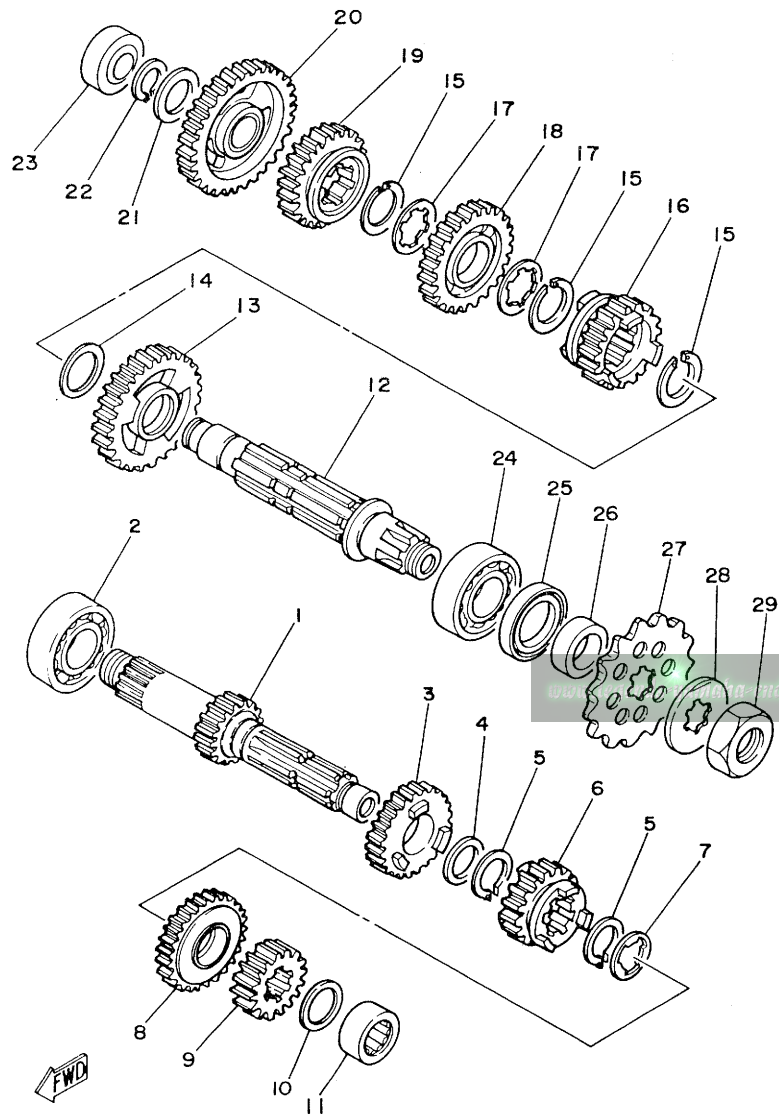


57H110-5090

FIG. 9 CLUTCH

REF. NO.	PART NO.	DESCRIPTION	Q'TY	REMARKS
1	23X-16111-00	GEAR, primary drive	1	
2	90282-07019	KEY, straight	1	
3	90201-186H3	WASHER, plate	1	
4	90185-18126	NUT, self-locking	1	
5	39X-16150-00	PRIMARY DRIVEN GEAR COMP.	1	
6	23X-16371-00	BOSS, clutch	1	
7	23X-16351-00	PLATE, pressure 1	1	
8	4H7-16325-00	PLATE, clutch 2	6	
9	5X5-16321-00	PLATE, friction	7	
10	90501-24408	SPRING, compression	6	
11	90159-06016	SCREW, with washer	6	
12	2K7-16154-00	PLATE, thrust 1	1	
13	2K7-16181-00	SPACER 1	1	
14	2K7-16154-00	PLATE, thrust 1	1	
15	90215-20212	WASHER, lock	1	
16	90170-20255	NUT	1	
17	23X-16356-00	ROD, push 1	1	
18	93515-32029	BALL	1	
19	90149-06179	SCREW	1	
20	92990-06100	WASHER, spring	1	
21	95301-06600	NUT	1	
22	3R5-16357-01	ROD, push 2	1	
23	93315-21721	BEARING, cylindrical	1	
24	93102-17263	OIL SEAL	1	
25	90201-17327	WASHER, plate	1	
26	90508-14423	SPRING, torsion	1	
27	1LV-16380-00	PUSH LEVER ASSY	1	

B11



ILV100-6100

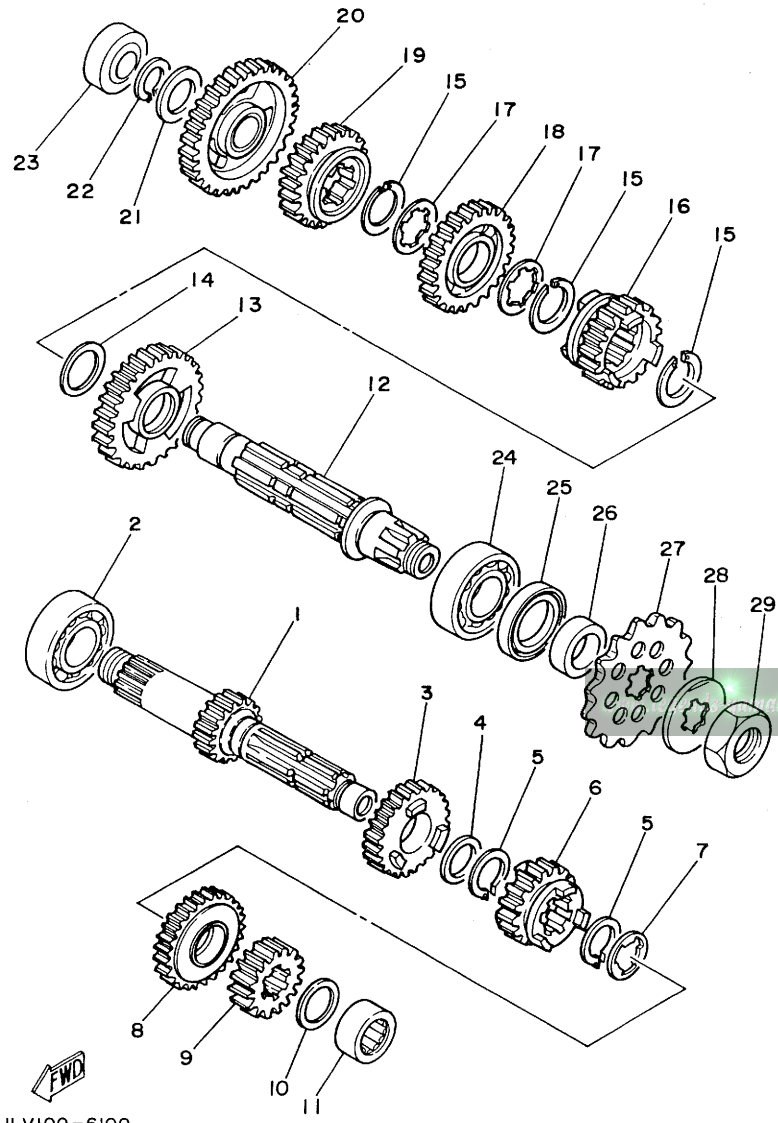
FIG. 10 TRANSMISSION

REF. NO.	PART NO.	DESCRIPTION	Q'TY	REMARKS
1	1LV-17411-00	AXLE, main (15T)	1	
2	93300-20501	BEARING	1	
3	1LV-17141-00	GEAR, 4th pinion (22T)	1	
4	90201-253K0	WASHER, plate	1	
5	93440-25084	CIRCLIP	2	
6	1LV-17131-00	GEAR, 3rd pinion (18T)	1	
7	90209-22082	WASHER	1	
8	1LV-17151-00	GEAR, 5th pinion (24T)	1	
9	1LV-17121-00	GEAR, 2nd pinion (16T)	1	
10	90209-20213	WASHER	1	
11	93311-62035	BEARING, cylindrical	1	
12	5X5-17421-00	AXLE, drive	1	
13	1LV-17221-00	GEAR, 2nd wheel (24T)	1	
14	90201-253K0	WASHER, plate	1	
15	93440-25084	CIRCLIP	3	
16	1LV-17251-00	GEAR, 5th wheel (20T)	1	
17	90209-22082	WASHER	2	
18	1LV-17231-00	GEAR, 3rd wheel (22T)	1	
19	1LV-17241-00	GEAR, 4th wheel (22T)	1	
20	1LV-17211-00	GEAR, 1st wheel (29T)	1	
21	90201-20278	WASHER, plate	1	
22	93410-20038	CIRCLIP	1	
23	93311-62035	BEARING, cylindrical	1	
24	93300-20501	BEARING	1	
25	93102-32M07	OIL SEAL	1	
26	90387-25663	COLLAR	1	
27	23X-17461-40	SPROCKET, drive (14T)	1	UR STD
	23X-17461-50	SPROCKET, drive (15T)	1	UR AP

B12

FIG. 10 TRANSMISSION

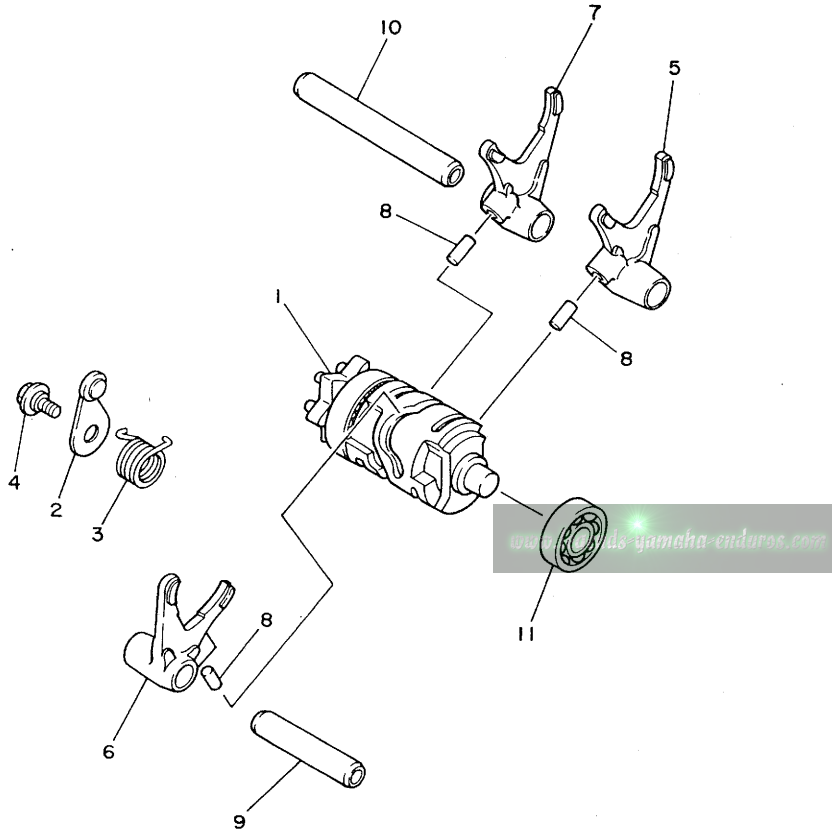
REF. NO.	PART NO.	DESCRIPTION	Q'TY	REMARKS
27	23X-17461-30	SPROCKET, drive (13T)	1	UR AP
28	90215-21239	WASHER, lock	1	
29	90179-20255	NUT	1	



ILV100-6100

B13

FIG. 11 SHIFT CAM. FORK



REF. NO.	PART NO.	DESCRIPTION	Q'TY	REMARKS
1	24Y-18540-00	SHIFT CAM ASSY	1	
2	3R4-18140-00	STOPPER LEVER ASSY	1	
3	90508-26421	SPRING, torsion	1	
4	1W1-18177-00	BOLT, stopper	1	
5	5X5-18511-00	FORK, shift 1	1	
6	3R5-18512-00	FORK, shift 2	1	
7	5X5-18513-00	FORK, shift 3	1	
8	93606-14154	PIN, dowel	3	
9	5X5-18531-01	BAR, shift fork guide 1	1	
10	5X5-18535-01	BAR, shift fork guide 2	1	
11	93306-20107	BEARING (B6201)	1	

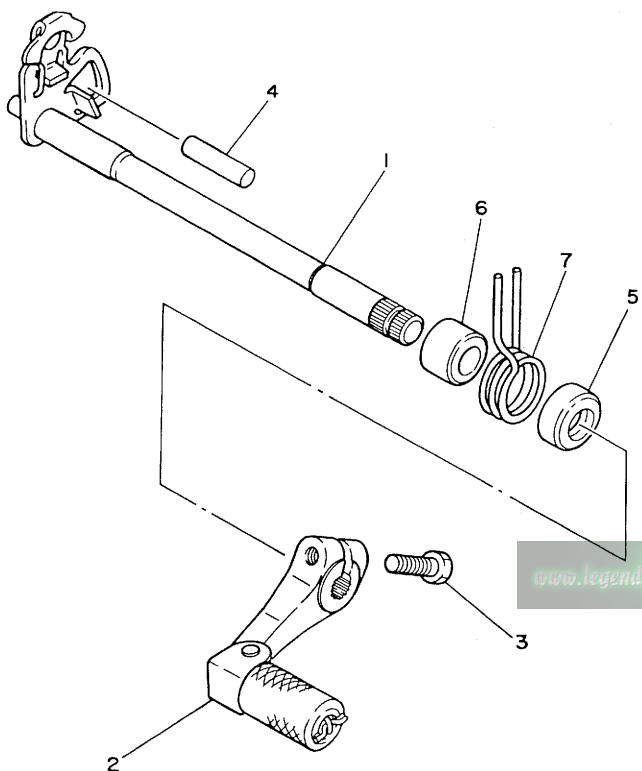


24Y100-3150

B14

FIG. 12 SHIFT SHAFT

REF. NO.	PART NO.	DESCRIPTION	Q'TY	REMARKS
1	23X-18101-00	SHIFT SHAFT ASSY	1	
2	23X-18110-01	SHIFT PEDAL ASSY	1	
3	97321-06025	BOLT	1	
4	93608-25150	PIN, dowel	1	
5	93102-12106	OIL SEAL	1	
6	90560-12171	SPACER	1	
7	90508-29361	SPRING, torsion	1	



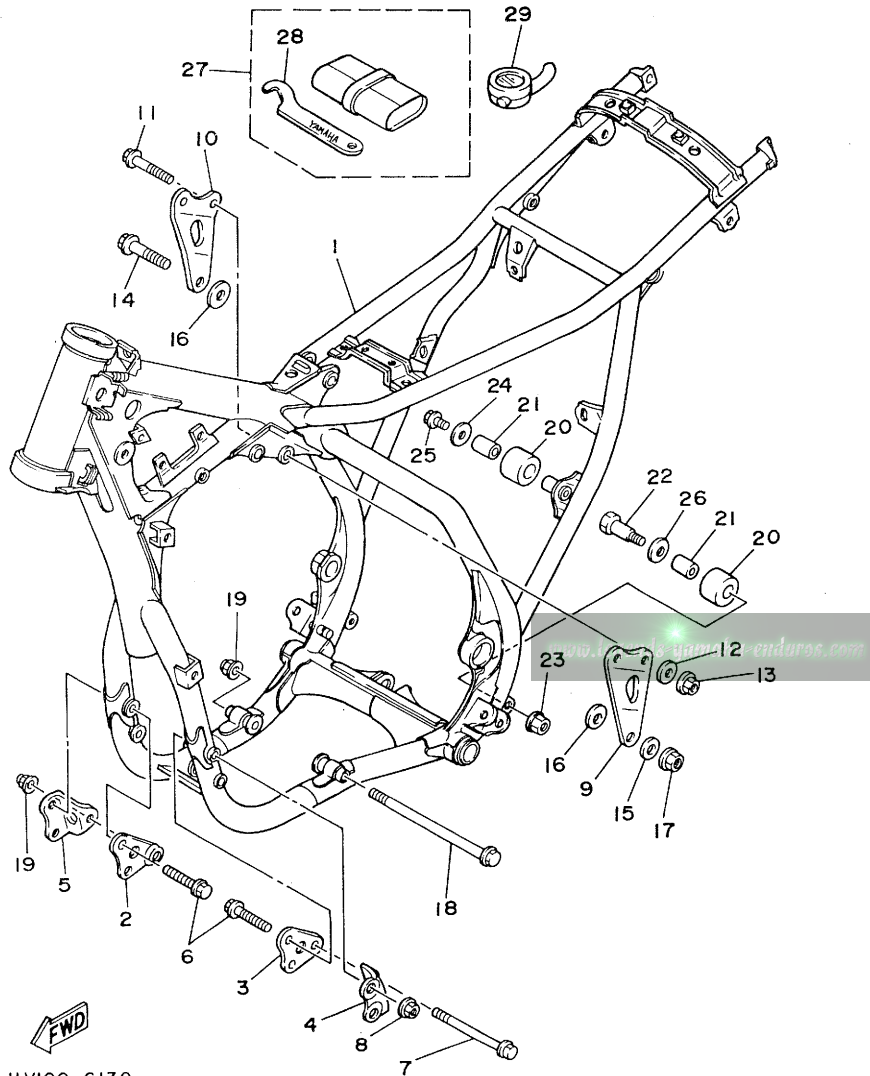
www.legends-yamaha-enduros.com



24Y100-3160

B15

FIG. 13 FRAME

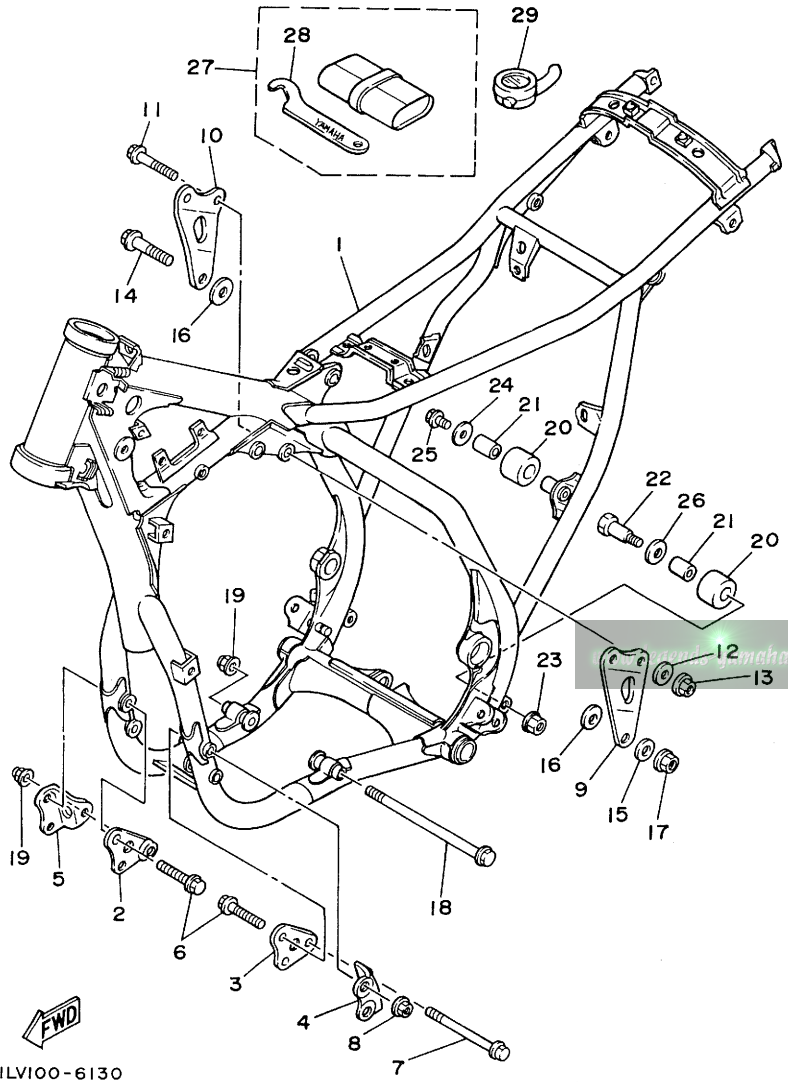


REF. NO.	PART NO.	DESCRIPTION	Q'TY	REMARKS
1	1LV-21110-10-FH	FRAME COMP.	1	fire red
2	40T-21416-00	BRACKET, front upper 2	1	
3	40T-21415-00	BRACKET, front upper 1	1	
4	40T-2141K-00	BRACKET, outer 1	1	
5	40T-2141L-00	BRACKET, outer 2	1	
6	95821-08060	BOLT, flange	4	
7	95811-08110	BOLT, flange	1	
8	90185-08113	NUT, self-locking	4	
9	1LV-21425-00	BRACKET, rear upper 1	1	
10	1LV-21426-00	BRACKET, rear upper 2	1	
11	95811-08055	BOLT, flange	2	
12	90202-08022	WASHER, plate	2	
13	90185-08113	NUT, self-locking	2	
14	95811-10065	BOLT, flange	1	
15	92901-10200	WASHER, plain	1	
16	90201-10139	WASHER, plate	2	
17	90179-10280	NUT	1	
18	95811-08180	BOLT, flange	1	
19	90185-08113	NUT, self-locking	2	
20	30X-22178-00	TENSIONER	2	
21	4V4-22184-00	BUSH	2	
22	90109-08705	BOLT	1	
23	90185-08106	NUT, self-locking	1	
24	90201-08753	WASHER, plate	1	
25	95802-08012	BOLT, flange	1	
26	90201-13202	WASHER, plate	1	
27	23X-28100-01	TOOL KIT	1	
28	23X-28135-00	.SPANNER, special	1	

ILVI00-6130

FIG. 13 FRAME

REF. NO.	PART NO.	DESCRIPTION	Q'TY	REMARKS
29	2X4-2811A-00	GAUGE, air	1	

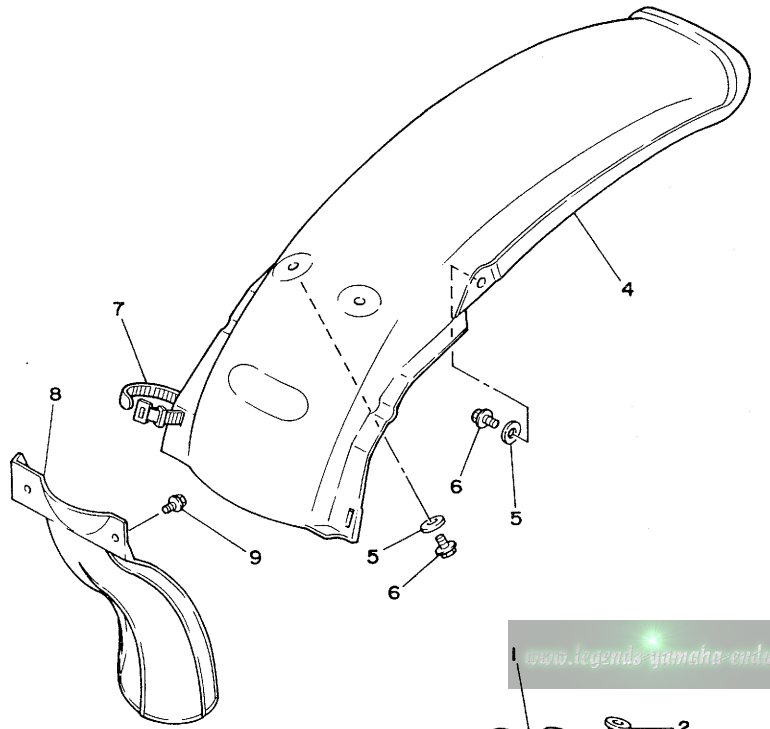


FWD
ILV100-6130

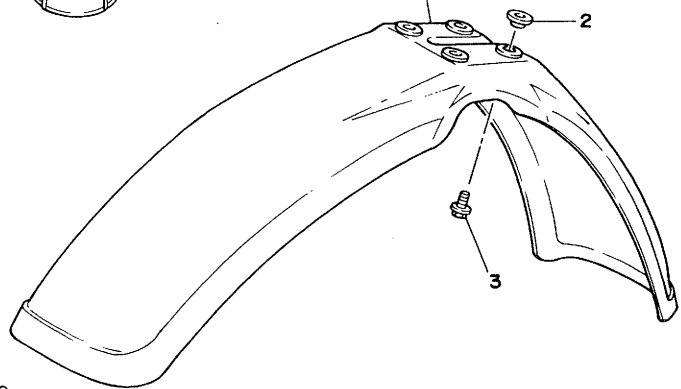
C3

FIG. 14 FENDER

REF. NO.	PART NO.	DESCRIPTION	Q'TY	REMARKS
1	5X6-21511-10	FENDER, front	1	white
2	90387-06681	COLLAR	4	
3	90119-06063	BOLT, with washer	4	
4	1LX-21611-00	FENDER, rear	1	white
5	90201-06571	WASHER, plate	4	
6	90105-06138	BOLT, washer based	4	
7	168-83936-01	BAND, switch cord	2	
8	39X-21642-00	GUARD, flap	1	
9	90119-06042	BOLT, with washer	2	



www.legends-yamaha-enduros.com



ILX010-6170

C4

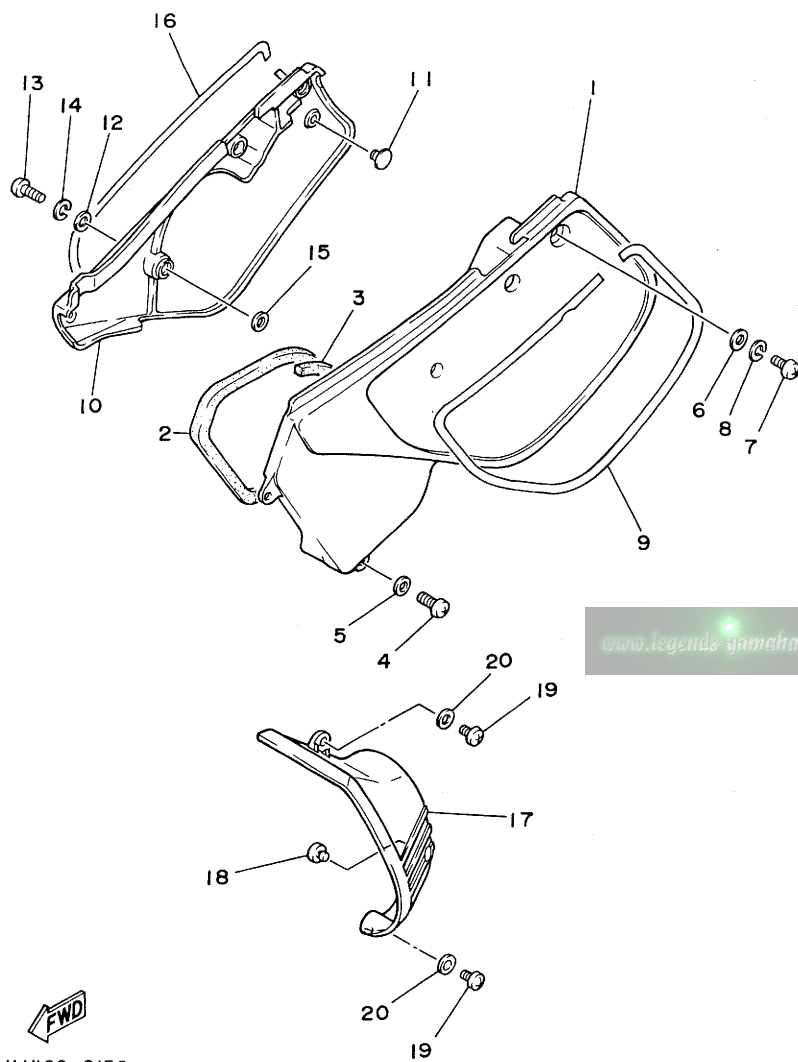
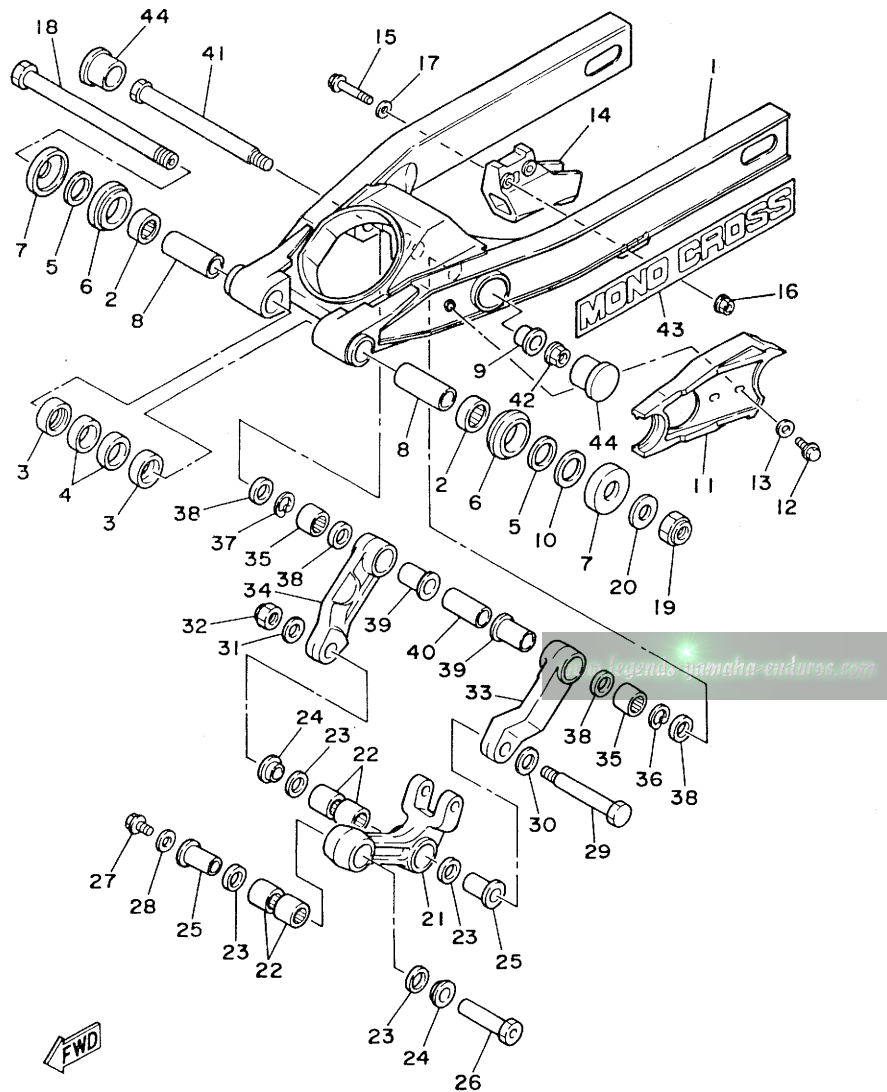


FIG. 15 SIDE COVER

REF. NO.	PART NO.	DESCRIPTION	Q'TY	REMARKS
1	1LX-21711-01-98	COVER, side 1	1	low gloss black
2	1LX-14452-00	SEAL	1	
3	39X-14452-00	SEAL	1	
4	92506-06016	SCREW, pan head	3	
5	92906-06600	WASHER, plate	3	
6	90201-06571	WASHER, plate	1	
7	92501-06014	SCREW, pan head	1	
8	92990-06100	WASHER, spring	1	
9	1LX-2173L-00	GRAPHIC SET 1	1	
10	1LX-21721-00	COVER, side 2	1	white
11	22W-24181-00	DAMPER, locating 1	2	
12	90201-06571	WASHER, plate	2	
13	92501-06014	SCREW, pan head	2	
14	92990-06100	WASHER, spring	2	
15	92901-08200	WASHER, plain	2	
16	1LX-2174L-00	GRAPHIC SET 2	1	
17	43R-2137W-00	SCOOP, air 1	1	
18	22W-24181-00	DAMPER, locating 1	1	
19	92506-06016	SCREW, pan head	2	
20	90201-061E8	WASHER, plate	2	



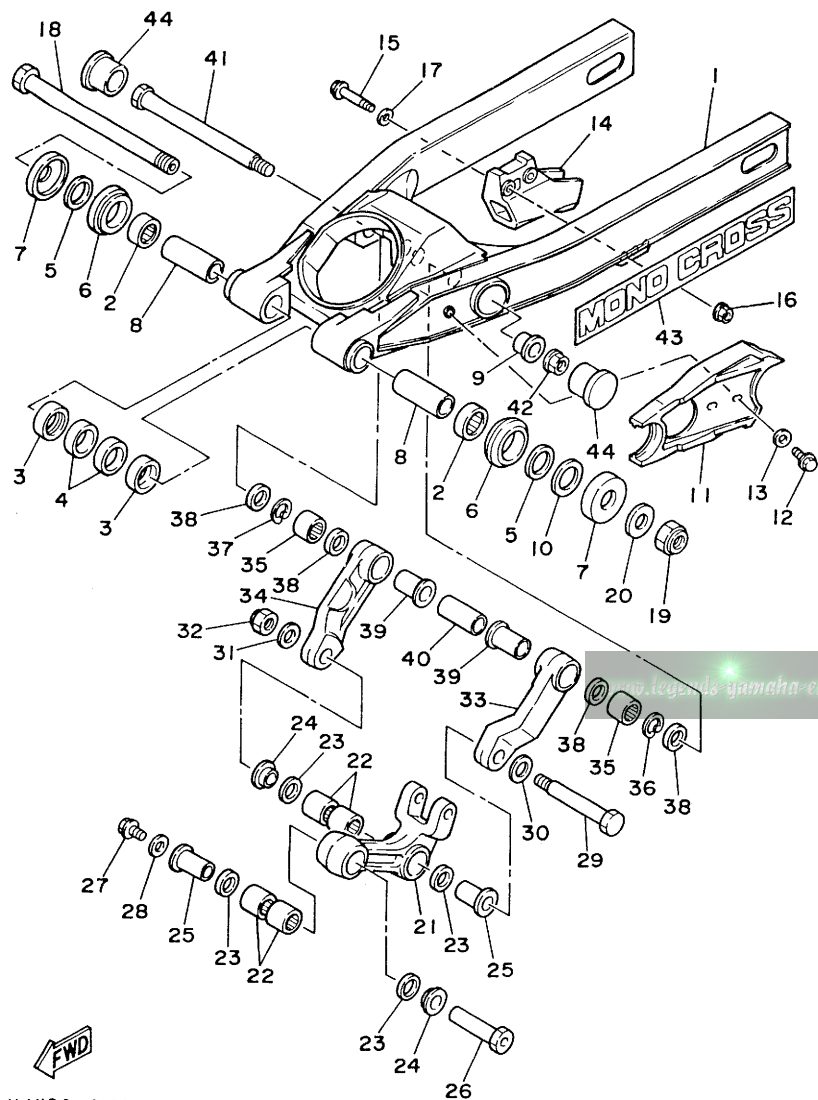
ILV100-6150



ILVI00-6160

FIG. 16 REAR ARM

REF. NO.	PART NO.	DESCRIPTION	Q'TY	REMARKS
1	1LV-22110-00	REAR ARM COMP.	1	
2	93317-32231	BEARING, cylindrical	2	
3	90380-22111	BUSH, solid	2	
4	93106-22019	OIL SEAL	2	
5	93342-22208	BEARING	2	
6	93108-35004	OIL SEAL	2	
7	3R4-22129-00	COVER, thrust 2	2	
8	90380-16158	BUSH, solid	2	
9	90381-16060	BUSH, solid	1	
10	156-22127-00	SHIM (0.3T)	1	UN
11	1LX-22151-00	SEAL, guard	1	
12	95801-06020	BOLT, flange	2	
13	90201-06067	WASHER, plate	2	
14	39W-22199-00	SUPPORT, chain	1	
15	95802-08045	BOLT, flange	2	
16	90185-08106	NUT, self-locking	2	
17	92901-08200	WASHER, plain	2	
18	1LX-22141-00	SHAFT, pivot	1	
19	90185-16127	NUT, self-locking	1	
20	90201-164H4	WASHER, plate	1	
21	1LX-2217A-00	ARM, relay	1	
22	93315-32044	BEARING (YT2015)	4	iko
23	93109-20029	OIL SEAL	4	
24	90387-164N2	COLLAR	2	
25	90387-164N3	COLLAR	2	
26	90402-10005	NUT, union	1	
27	95811-10016	BOLT, flange	1	
28	90201-106F2	WASHER, plate	1	

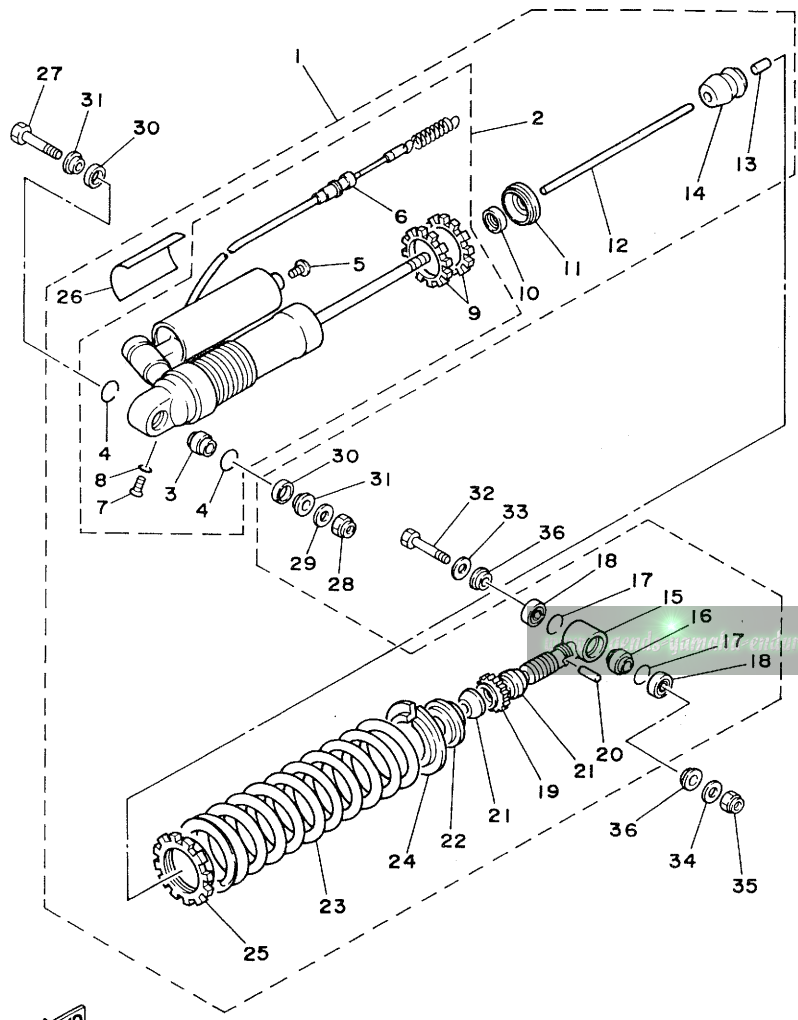


ILV100-6160

FIG. 16 REAR ARM

REF. NO.	PART NO.	DESCRIPTION	Q'TY	REMARKS
29	90101-14648	BOLT	1	
30	90201-164H4	WASHER, plate	1	
31	90201-140H8	WASHER, plate	1	
32	90185-14112	NUT, self-locking	1	
33	1LX-2217F-00	ROD, connecting 1	1	
34	1LX-2217G-00	ROD, connecting 2	1	
35	93315-22045	BEARING (YT202720E01)	2	iko
36	93450-28063	CIRCLIP	1	
37	93450-28063	CIRCLIP	1	
38	93109-20029	OIL SEAL	4	
39	90387-164N3	COLLAR	2	
40	90387-164N1	COLLAR	1	
41	90123-14104	BOLT	1	
42	90185-14096	NUT, self-locking	1	
43	5X3-2218A-00	EMBLEM, rear arm	2	
44	1HX-2135F-00	COVER	2	

FIG. 17 REAR SUSPENSION *SEAL KIT INT. 56A-W222A-02*



REF. NO.	PART NO.	DESCRIPTION	Q'TY	REMARKS
1	1LV-22210-00-6W	SHOCK ABSORBER ASSY, rear	1	native red
2	1LV-22401-00	.DAMPER SUB ASSY	1	
3	93399-99916	..BEARING	1	
4	93440-30113	..CIRCLIP	2	
5	98501-04006	..SCREW, pan head	1	
6	1LV-22463-00	..CABLE, control 1	1	
7	92701-06012	..SCREW, flat head	1	
8	93210-06632	..O-RING	1	
9	1LX-22225-00	..RING, hold	1	
10	23X-22475-00	.SEAL, dust	1	
11	26A-22472-00	.CAP, case	1	
12	1LX-22489-00	.ROD, push	1	
13	93604-21193	.PIN, dowel	1	
14	1LX-22493-00	.BUMP, stop	1	
15	1LX-22409-00	.UPPER BRACKET SUB ASSY	1	
16	93399-99916	.BEARING	1	
17	93440-30113	.CIRCLIP	2	
18	93104-18077	.OIL SEAL	2	
19	5X3-22497-00	.NUT, adjusting	1	
20	93604-26132	.PIN, dowel	1	
21	3R4-22221-01	.COVER	2	
22	1LX-22213-00	.SEAT, spring upper	1	
23	1LV-22212-00-6W	.SPRING (K=5.5)	1	native red
24	5X6-22214-00	.GUIDE, spring 1	2	
25	1LX-22223-00	.SEAT, spring lower	1	
26	1LV-22499-00	.LABEL, caution	1	
27	90109-10704	BOLT	2	
28	90185-10120	NUT, self-locking	1	



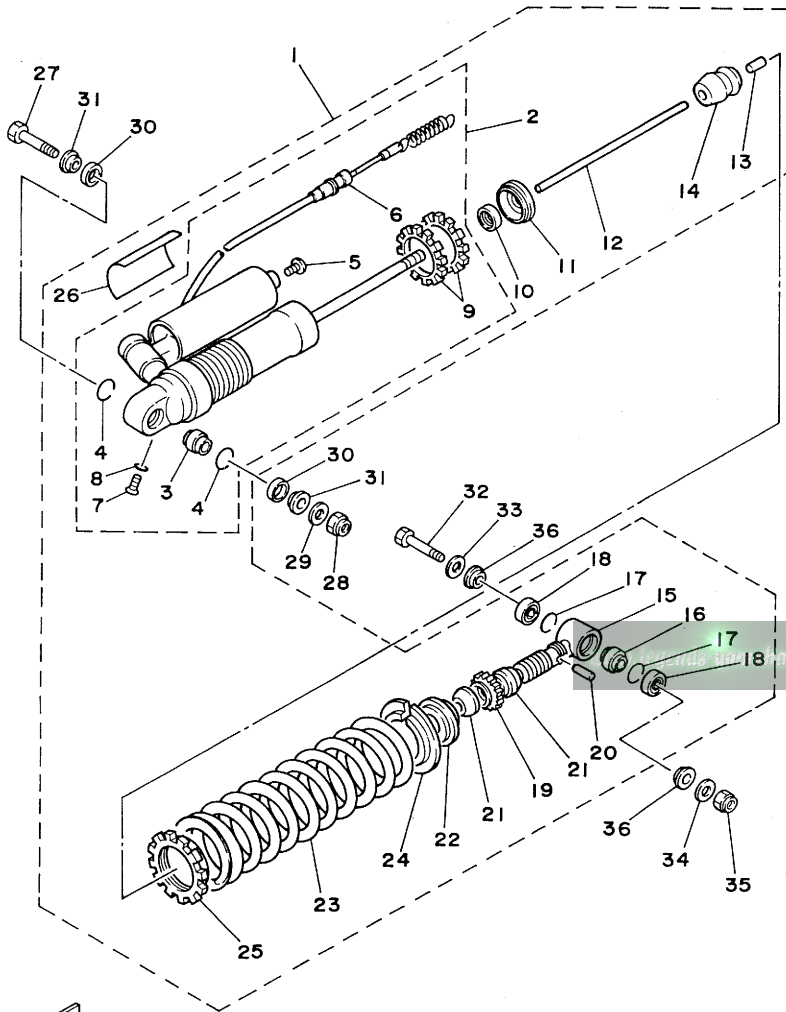
ILX010-6200

C8

60-116690-000 7M1 T01 0A2

FIG. 17 REAR SUSPENSION

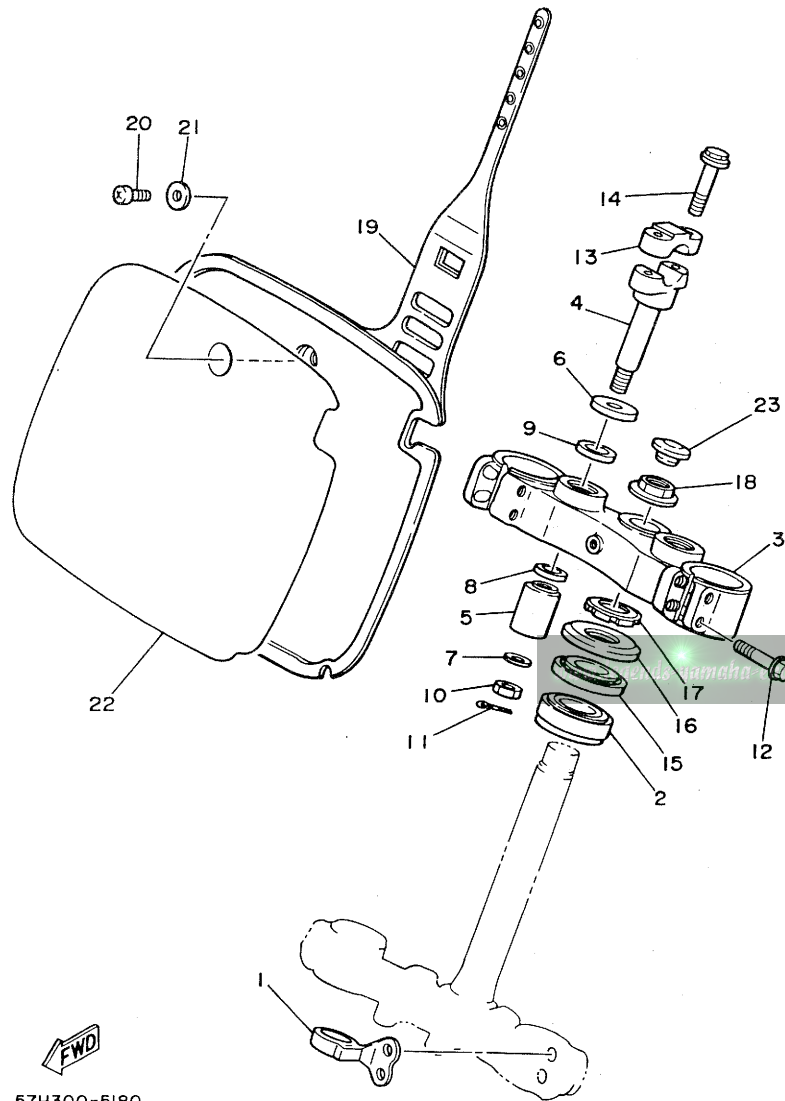
REF. NO.	PART NO.	DESCRIPTION	Q'TY	REMARKS
29	90201-10430	WASHER, plate	1	
30	23X-22211-00	COVER	2	
31	90387-127G8	COLLAR	2	
32	90109-10700	BOLT	1	
33	90201-120E6	WASHER, plate	1	
34	90201-100E9	WASHER, plate	1	
35	90185-10120	NUT, self-locking	1	
36	90387-126H8	COLLAR	2	



ILX010-6200

C9

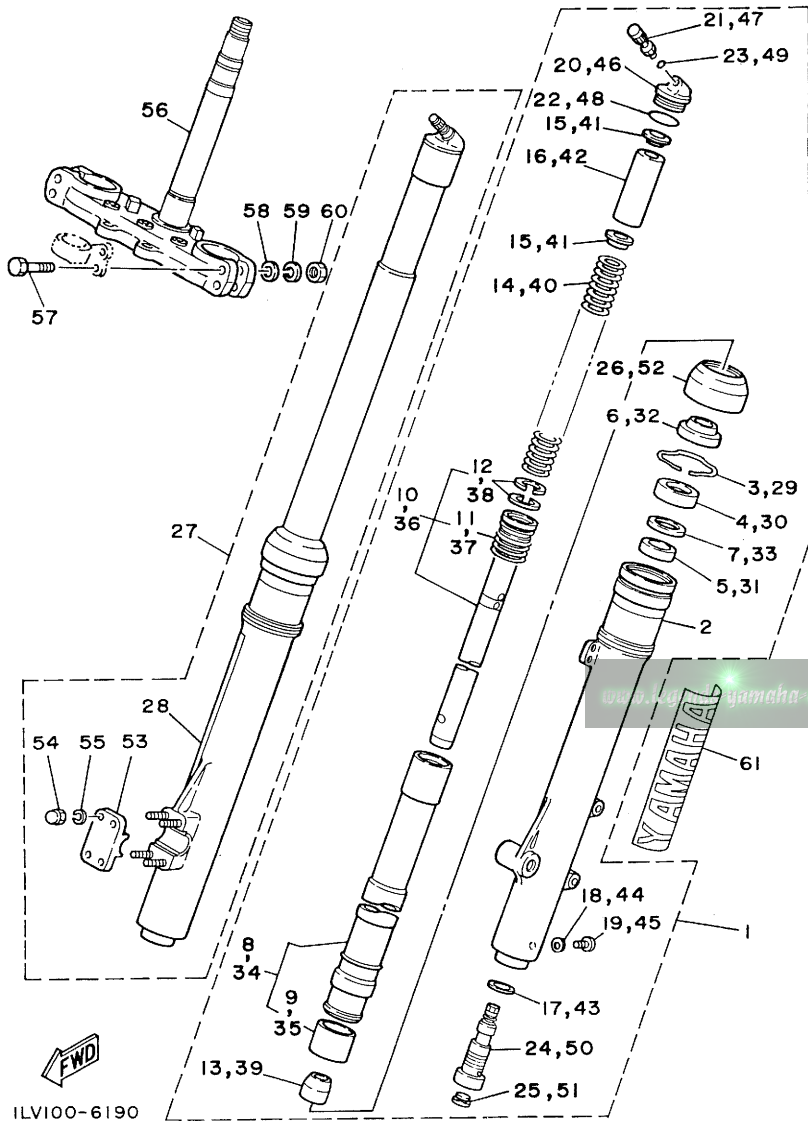
FIG. 18 STEERING



REF. NO.	PART NO.	DESCRIPTION	Q'TY	REMARKS
1	3R4-23389-00	GUIDE, cable	1	
2	93332-00008	BEARING	1	
3	40T-23435-00-98	CROWN, handle	1	low gloss black
4	1E6-23442-00	HOLDER, handle lower	2	
5	307-22123-00	BUSH 1	2	
6	90201-123E8	WASHER, plate	2	
7	90201-100A1	WASHER, plate	2	
8	90387-121E8	COLLAR	2	
9	90202-14077	WASHER, plate	2	
10	90185-10037	NUT, self-locking	2	
11	91401-20020	PIN, cotter	2	
12	95821-08040	BOLT, flange	4	
13	1E6-23441-00	HOLDER, handle upper	2	
14	95821-08035	BOLT, flange	4	
15	93332-00023	BEARING	1	
16	1W1-23416-00	COVER, ball race 2	1	
17	90179-25033	NUT	1	
18	90179-22330	NUT	1	
19	5X6-23485-11	PLATE, number	1	clean, white
20	92501-06012	SCREW, pan head	1	
21	90201-06571	WASHER, plate	1	
22	1LX-23395-00	EMBLEM	1	
23	34K-2319U-00	CAP	1	

57H300-5180

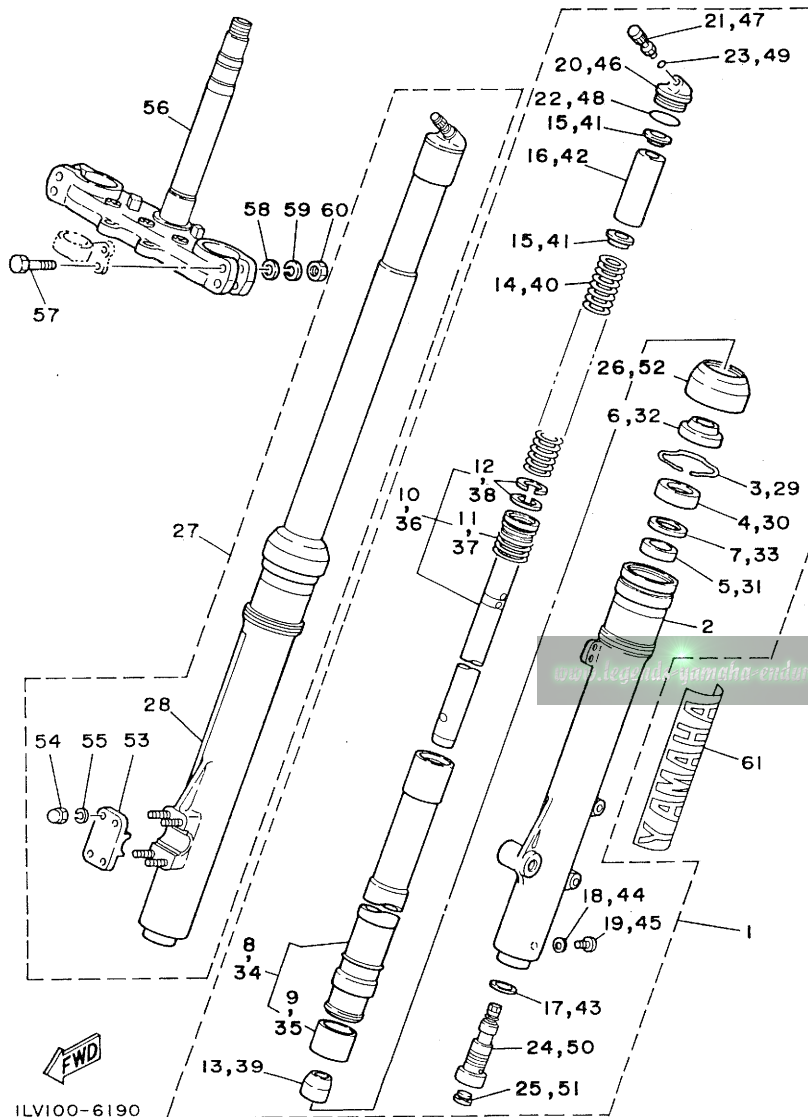
FIG. 19 FRONT FORK



ILV100-6190

REF. NO.	PART NO.	DESCRIPTION	Q'TY	REMARKS
1	1LV-23102-L0	FRONT FORK ASSY (L.H)	1	
2	1LX-23126-L0	.TUBE, outer 1	1	
3	4V4-23153-L0	.RING, snap	1	
4	23X-23145-L0	.OIL SEAL	1	
5	4V4-23125-L0	.METAL, slide i	1	
6	23X-23144-L0	.SEAL, dust	1	
7	4V4-23146-L0	.WASHER, oil seal	1	
8	1LX-23110-L0	.INNER TUBE COMP.1	1	
9	4V4-23171-L0	..PISTON, front fork	1	
10	1LV-23170-L0	.CYLINDER COMP., front fork	1	
11	55Y-23152-M0	..SPRING, sub	1	
12	4V4-23157-L0	..RING, piston	2	
13	23X-23173-L0	.SPINDLE, taper	1	
14	1LV-23141-00	.SPRING, front fork	1	
15	4V4-23142-L0	.SEAT, spring upper	2	
16	1LV-23118-L0	.SPACER	1	
17	23X-23158-L0	.GASKET	1	
18	122-23129-00	.GASKET, drain plug	1	
19	4H7-23119-00	.PLUG, drain	1	
20	43M-23111-L0	.BOLT, cap	1	
21	23X-23190-L0	.AIR VALVE COMP.	1	
22	4V4-23188-L0	.O-RING	1	
23	3J2-23147-00	.O-RING	1	
24	56A-2316A-L0	.VALVE COMP.	1	
25	55Y-2312G-M0	.PLUG	1	
26	1LX-23144-L0	.SEAL, dust	1	REF TO FIG 62, 63, 64-65
27	1LV-23103-L0	FRONT FORK ASSY (R.H)	1	
28	1LX-23136-L0	.TUBE, outer 2	1	

C11



ILVI00-6190

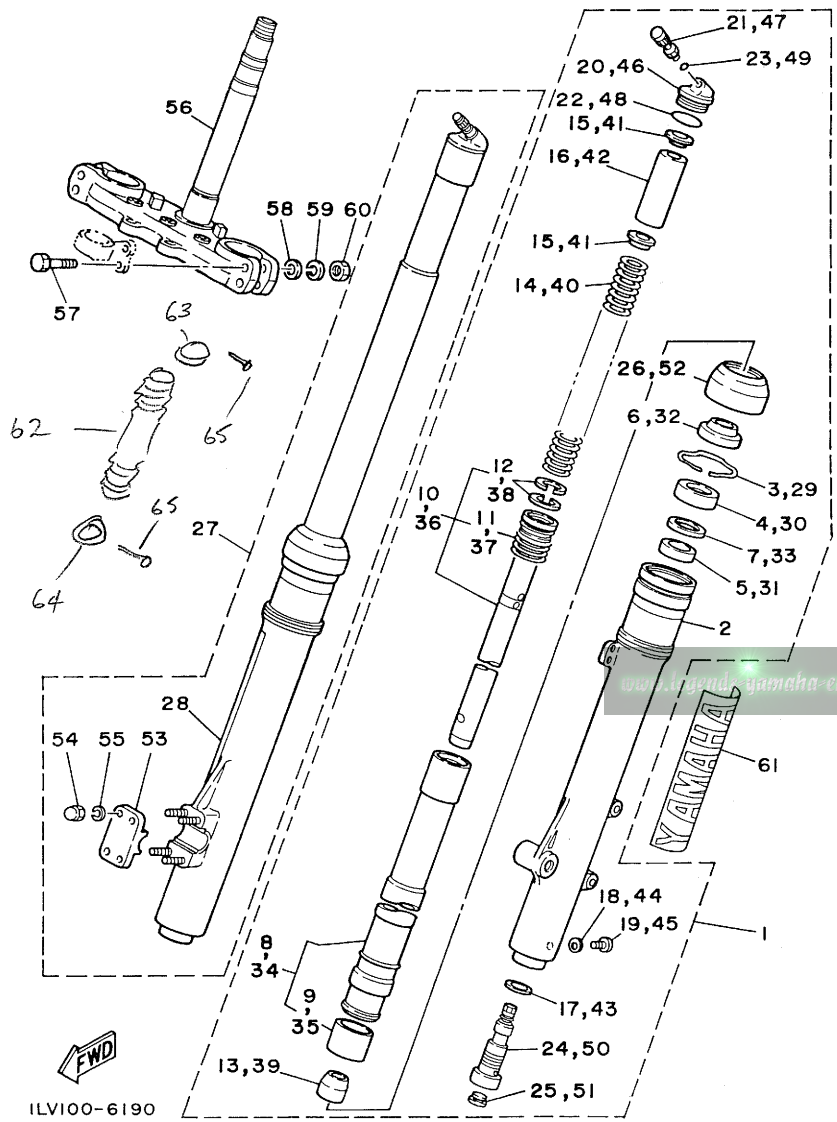
FIG. 19 FRONT FORK

REF. NO.	PART NO.	DESCRIPTION	Q'TY	REMARKS
29	4V4-23153-L0	.RING, snap	1	
30	23X-23145-L0	.OIL SEAL	1	
31	4V4-23125-L0	.METAL, slide 1	1	
32	23X-23144-L0	.SEAL, dust	1	
33	4V4-23146-L0	.WASHER, oil seal	1	
34	1LX-23110-L0	.INNER TUBE COMP.1	1	
35	4V4-23171-L0	..PISTON, front fork	1	
36	1LV-23170-L0	.CYLINDER COMP., front fork	1	
37	55Y-23152-M0	..SPRING, sub	1	
38	4V4-23157-L0	..RING, piston	2	
39	23X-23173-L0	.SPINDLE, taper	1	
40	1LV-23141-00	.SPRING, front fork	1	
41	4V4-23142-L0	.SEAT, spring upper	2	
42	1LV-23118-L0	.SPACER	1	
43	23X-23158-L0	.GASKET	1	
44	122-23129-00	.GASKET, drain plug	1	
45	4H7-23119-00	.PLUG, drain	1	
46	43M-23111-L0	.BOLT, cap	1	
47	23X-23190-L0	.AIR VALVE COMP.	1	
48	4V4-23188-L0	.O-RING	1	
49	3J2-23147-00	.O-RING	1	
50	56A-2316A-L0	.VALVE COMP.	1	
51	55Y-2312G-M0 <i>Not Used</i>	.PLUG	1	
52	1LX-23144-L0	.SEAL, dust	1	Refer fig 62,63,64+65
53	43M-23167-L0	.HOLDER, axle	1	
54	5Y3-23393-00	.NUT, special	4	
55	92990-06100	.WASHER, spring	4	
56	1LX-23340-L0	UNDER BRACKET COMP.	1	

C12

M/R. 86048

FIG. 19 FRONT FORK

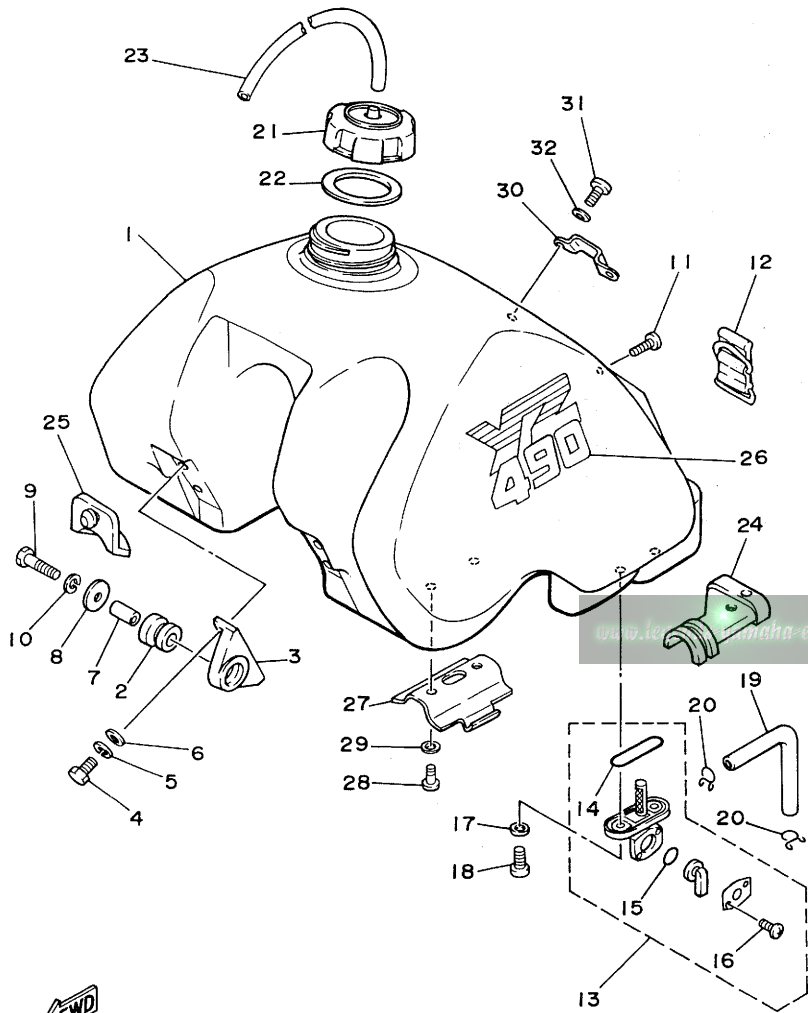


REF. NO.	PART NO.	DESCRIPTION	Q'TY	REMARKS
57	90109-08397	BOLT	4	
58	90201-08544	WASHER, plate	4	
59	92990-08100	WASHER, spring	4	
60	95311-08600	NUT	4	
61	1LX-23108-00	EMBLEM	2	
62	43M - 23191-Lo foot		2	
63	43M - 23192-Lo Band		1	
64	43M - 23489-Lo "		1	
65	9P506 04018	SCREWS	2	

FWD
ILV100-6190

FIG. 20 FUEL TANK

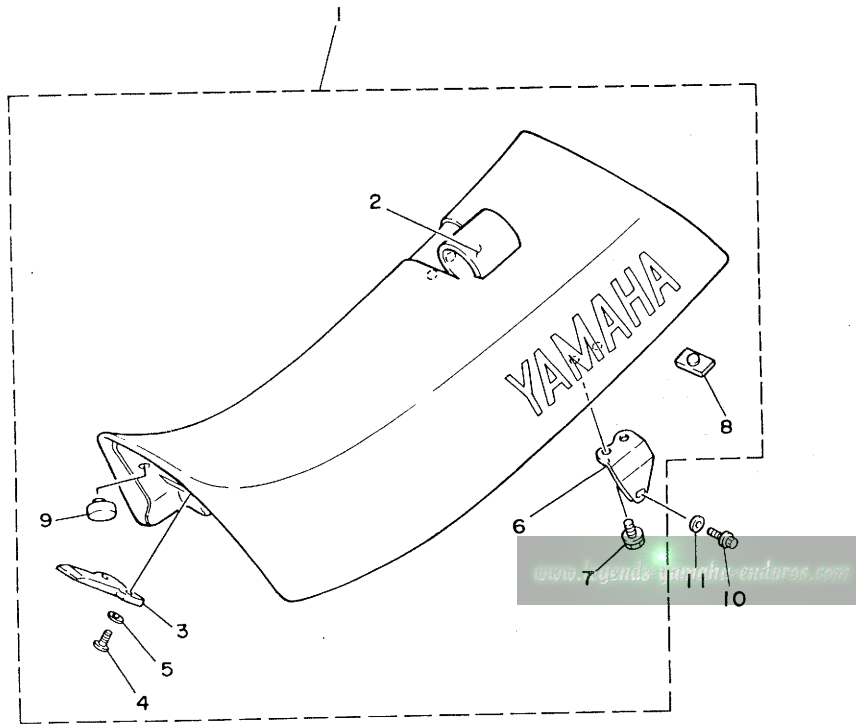
REF. NO.	PART NO.	DESCRIPTION	Q'TY	REMARKS
29	92901-06600	WASHER, plate	2	
30	40T-2412F-00	BRACKET, seat	1	
31	92501-06012	SCREW, pan head	2	
32	92901-06600	WASHER, plate	2	



ILV100-6200

C15

FIG. 21 SEAT



REF. NO.	PART NO.	DESCRIPTION	Q'TY	REMARKS
1	1LX-24770-00	SEMI-DOUBLE SEAT ASSY	1	
2	1LX-24731-00	.COVER, seat	1	
3	5X6-24748-10	.BRACKET, seat	1	
4	92501-06012	.SCREW, pan head	2	
5	92901-06600	.WASHER, plate	2	
6	1LX-24738-00	.BRACKET, seat	2	
7	95801-06012	.BOLT, flange	4	
8	509-24724-00	.DAMPER, seat	1	
9	107-24741-00	.PAD, seat	2	
10	95021-08016	BOLT, flange	2	
11	90201-087F0	WASHER, plate	2	

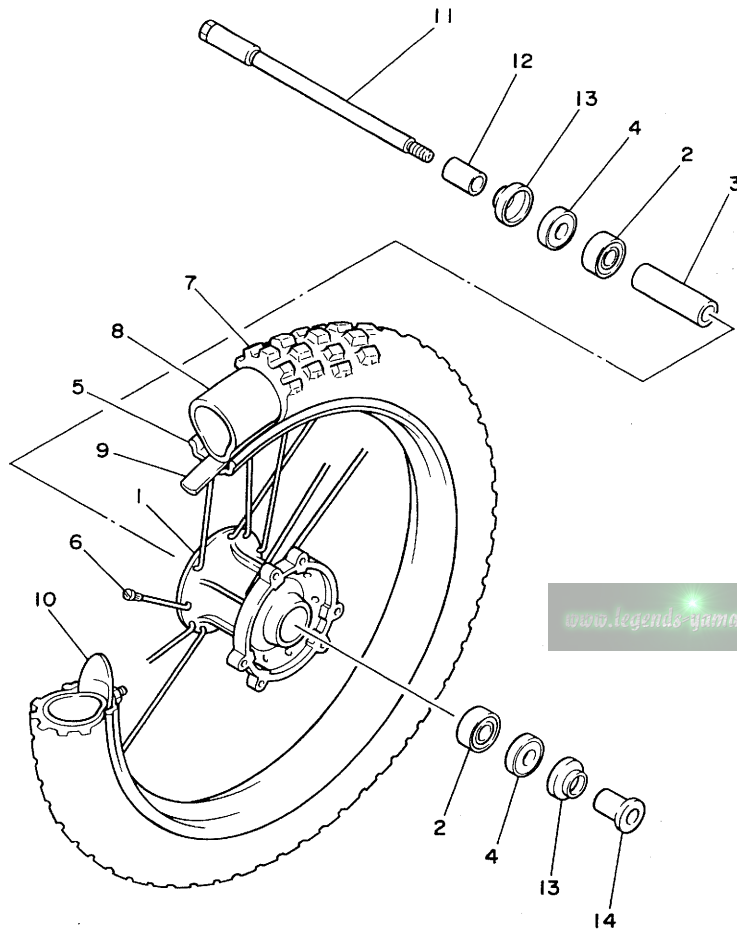


ILV100-6210

D2

FIG. 22 FRONT WHEEL

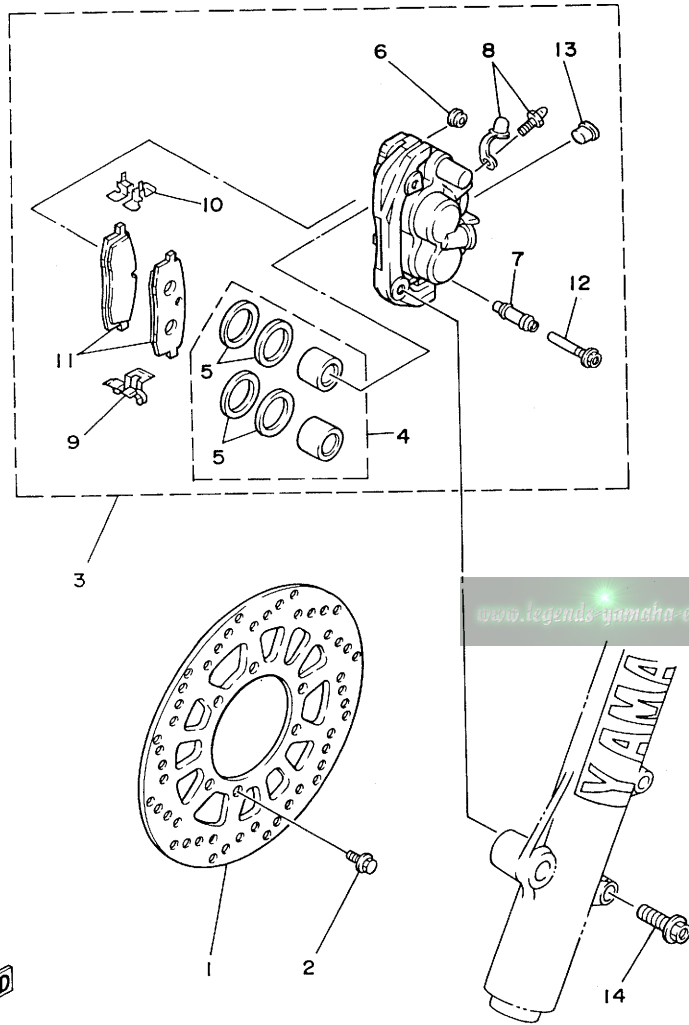
REF. NO.	PART NO.	DESCRIPTION	Q'TY	REMARKS
1	1LX-25111-00-98	HUB, front	1	low gloss black
2	93306-20209	BEARING (B6202)	2	
3	136-25117-00	SPACER, bearing	1	
4	93102-20281	OIL SEAL	2	
5	94416-21435	RIM (1.60-21)	1	gold
6	1LX-25104-00	SPOKE SET, front	1	
7	94108-213J9	TIRE (80/100-21)	1	dunlop
8	94227-21123	TUBE (2.75-21)	1	bridgestone
9	94307-21145	BAND, rim	1	dunlop
10	2J5-25394-01	SPACER, bead	1	
11	55U-25181-00	AXLE, wheel	1	
12	90387-15600	COLLAR	1	
13	322-25118-00	COVER, hub dust	2	
14	90387-154N4	COLLAR	1	



1LX010-6250

D3

FIG. 23 FRONT BRAKE CALIPER



REF. NO.	PART NO.	DESCRIPTION	Q'TY	REMARKS
1	1LX-25831-00	DISC, brake (RIGHT)	1	
2	90109-06757	BOLT	6	
3	1LX-25810-00	CALIPER ASSY (RIGHT)	1	
4	56A-W0057-00	.PISTON ASSY, caliper	1	
5	56A-W0047-00	..CALIPER SEAL KIT	1	
6	5R2-25917-00	.BOOT, caliper	1	
7	56A-25937-00	.BOOT 2	1	
8	51L-W0048-00	.BREED SCREW KIT	1	
9	56A-25919-00	.SUPPORT, pad	1	
10	56A-25919-10	.SUPPORT, pad	1	
11	1LX-W0045-00	.BRAKE PAD KIT, front	1	
12	56A-25926-00	.BOLT	1	
13	34X-25845-00	.CAP, indicator	1	
14	95811-08045	BOLT, flange	2	

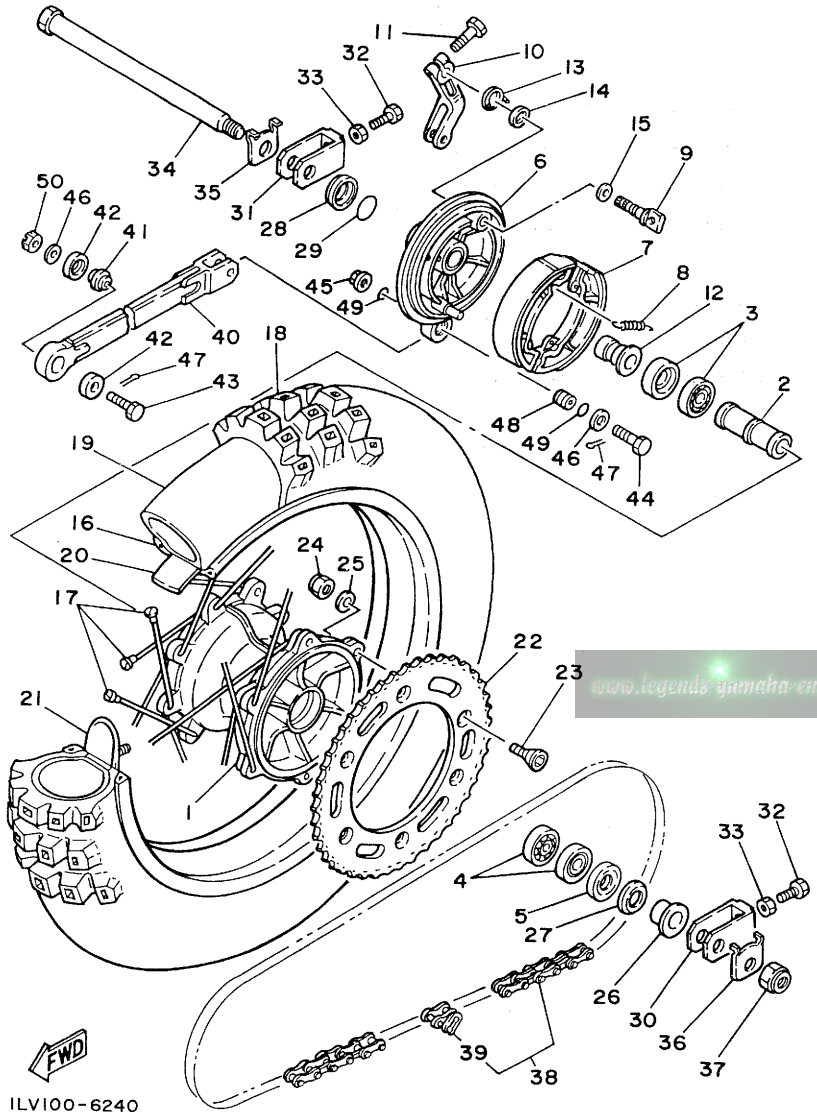


1LX010-6260

D4

FIG. 24 REAR WHEEL

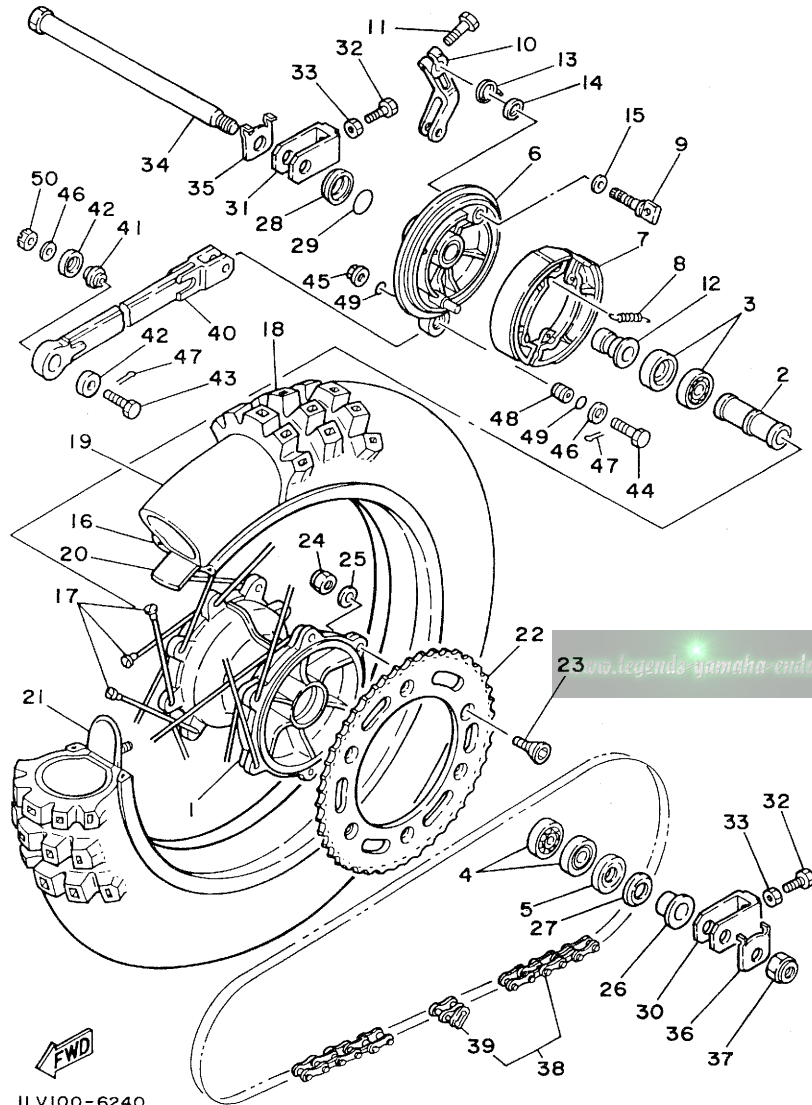
REF. NO.	PART NO.	DESCRIPTION	Q'TY	REMARKS
1	57H-25311-00-98	HUB, rear	1	low gloss black
2	90560-20226	SPACER	1	
3	93306-00418	BEARING	2	
4	93306-00406	BEARING (B6004Z)	2	
5	93106-28023	OIL SEAL	1	
6	40T-25321-00-98	PLATE, brake shoe	1	low gloss black
7	40T-25330-00	BRAKE SHOE COMP.	2	
8	90507-20002	SPRING, tension	2	
9	40T-25351-00	CAMSHAFT	1	
10	5X6-25355-00	LEVER, camshaft	1	
11	90101-06291	BOLT	1	
12	90387-200H1	COLLAR	1	
13	90508-29641	SPRING, torsion	1	
14	93109-14021	OIL SEAL	1	
15	148-25353-00	SHIM, camshaft	1	
16	94425-18415	RIM (2.50-18)	1	
17	57H-25304-00	SPOKE SET, rear	1	
18	94111-184J0	TIRE (110/100-21)	1	dunlop
19	94212-18188	TUBE (120/90-18)	1	dunlop
20	94309-18146	BAND, rim	1	dunlop
21	2X5-25394-00	SPACER, bead	2	
22	39W-25448-00	SPROCKET, driven (48T)	1	UR STD
	39W-25444-00	SPROCKET, driven (44T)	1	UR AP
	39W-25445-00	SPROCKET, driven (45T)	1	UR AP
	39W-25446-00	SPROCKET, driven (46T)	1	UR AP
	39W-25450-00	SPROCKET, driven (50T)	1	UR AP
	39W-25452-00	SPROCKET, driven (52T)	1	UR AP
23	90109-08706	BOLT	6	



ILV100-6240

D5

FIG. 24 REAR WHEEL

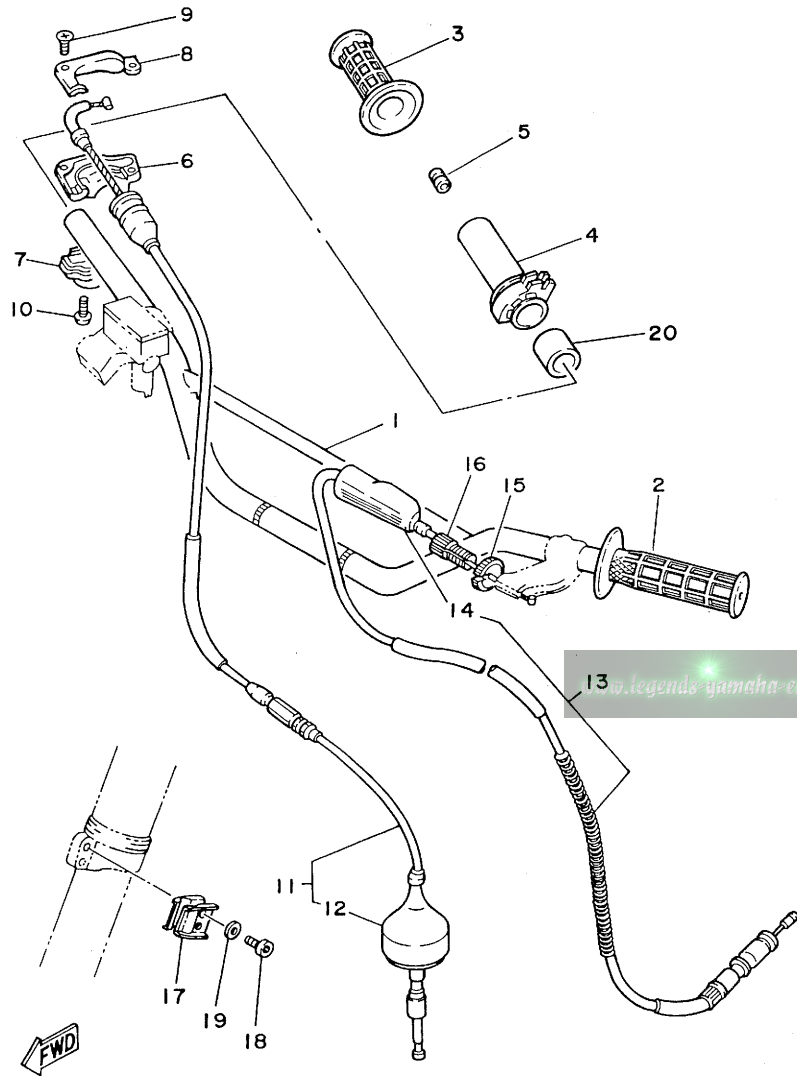


REF. NO.	PART NO.	DESCRIPTION	Q'TY	REMARKS
24	95611-08100	NUT, u	6	
25	90201-081A6	WASHER, plate	6	
26	90387-200H2	COLLAR	1	
27	4V4-25367-00	COVER, hub dust	1	
28	23X-25327-00	COVER, plate	1	
29	93210-31114	O-RING	1	
30	56A-25388-01	PULLER, chain 1	1	
31	57H-25389-01	PULLER, chain 2	1	
32	90101-08475	BOLT	2	
33	95301-08700	NUT	2	
34	23X-25381-00	AXLE, wheel	1	
35	90209-21243	WASHER	1	
36	90209-18244	WASHER	1	
37	90185-18104	NUT, self-locking	1	
38	94585-20112	CHAIN, drive (DID520DS 112L)	1	
39	94685-20001	JOINT, chain (D.I.D 520DS)	1	
40	23X-25371-00	BAR, tension	1	
41	93399-99910	BEARING	1	
42	93112-19006	OIL SEAL	2	
43	90102-08062	BOLT, with hole	1	
44	90109-08370	BOLT	1	
45	90185-08113	NUT, self-locking	1	
46	92901-08600	WASHER, plate	2	
47	91401-20015	PIN, cotter	2	
48	90387-083F0	COLLAR	1	
49	93210-14167	O-RING	2	
50	95301-08900	NUT, slotted	1	

FWD
ILV100-6240

D6

FIG. 25 STEERING HANDLE. CABLE

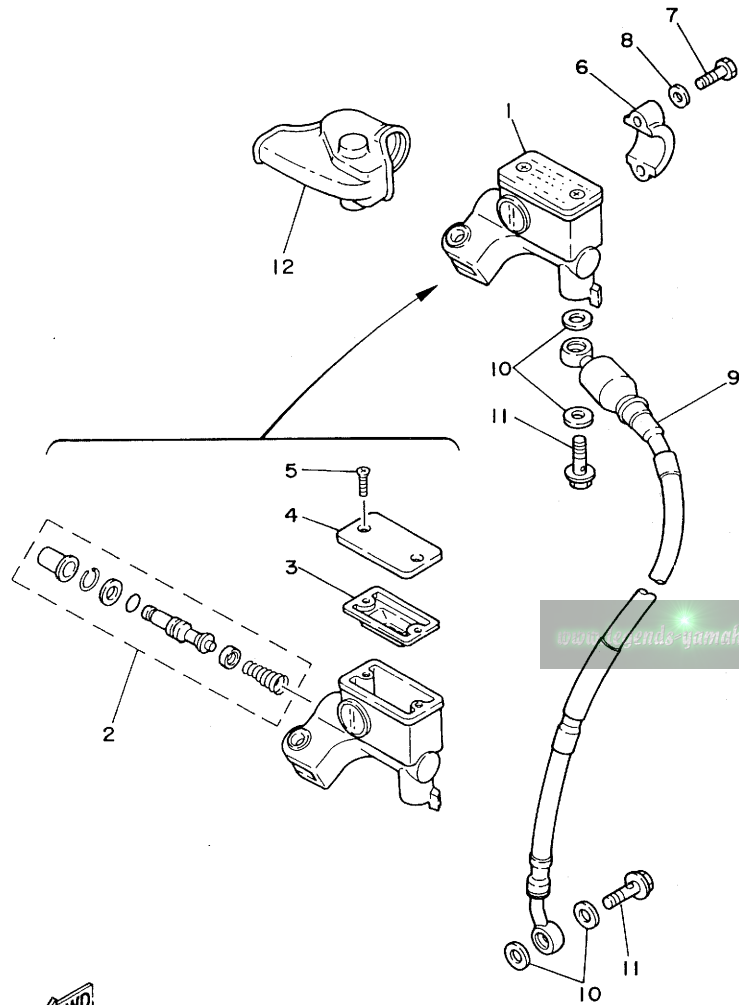


REF. NO.	PART NO.	DESCRIPTION	Q'TY	REMARKS
1	23X-26111-00	HANDLEBAR	1	
2	1LX-26241-00	GRIP (L.H)	1	
3	1LX-26242-00	GRIP (R.H)	1	
4	23X-26243-00	TUBE, throttle guide	1	
5	688-82535-00	GROMMET	1	
6	23X-26281-00	CAP, grip upper	1	
7	431-26282-01-98	CAP, grip lower	1	low gloss black
8	5X2-2628H-01	CAP, wire	1	
9	98706-04012	SCREW, flat head	2	
10	98506-05016	SCREW, pan head	2	
11	40T-26311-00	CABLE, throttle 1	1	
12	510-26329-00	.CAP, rubber	1	
13	40T-26335-00	CABLE, clutch	1	
14	382-26372-01	.COVER, handle lever 1	1	
15	90179-08401	.NUT	1	
16	90123-08090	BOLT	1	
17	90465-16258	CLAMP	2	
18	91311-06016	BOLT	2	
19	92901-06600	WASHER, plate	2	
20	90560-22281	SPACER	1	

ILV100-6250

D7

FIG. 26 FRONT MASTER CYLINDER



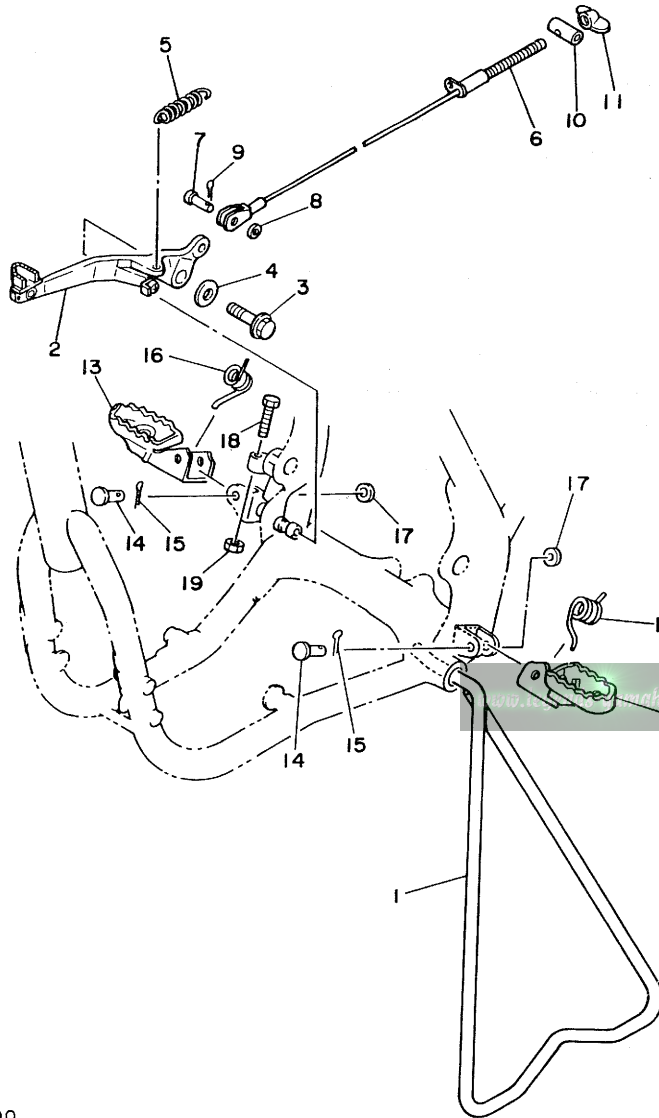
REF. NO.	PART NO.	DESCRIPTION	Q'TY	REMARKS
1	56A-25870-00	MASTER CYLINDER SUB ASSY	1	
2	56A-W0041-00	.CYLINDER KIT, master	1	
3	56A-25854-00	.DIAPHRAGM, reservoir	1	
4	56A-25852-00	.CAP, reservoir	1	
5	98706-04012	.SCREW, flat head	2	
6	56A-25867-00	BRACKET, master cylinder	1	
7	97326-06025	BOLT	2	
8	92906-06600	WASHER, plate	2	
9	56A-25872-00	HOSE, brake 1	1	
10	90201-10118	WASHER, plate	4	
11	90401-10034	BOLT, union	2	
12	56A-26372-00	COVER, handle lever 1	1	



56A110-5290

D8

FIG. 27 STAND, FOOTREST



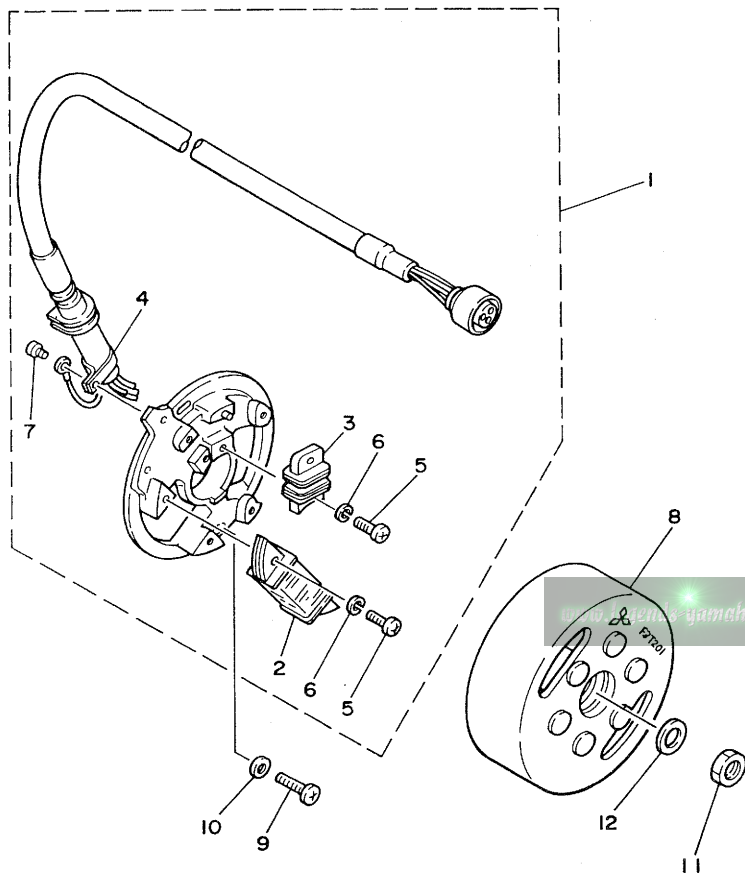
REF. NO.	PART NO.	DESCRIPTION	Q'TY	REMARKS
1	1LX-27311-00	STAND, side	1	
2	56A-27200-00	PEDAL, brake	1	
3	95021-08016	BOLT, flange	1	
4	90201-08730	WASHER, plate	1	
5	90506-16372	SPRING, tension	1	
6	40T-26351-00	CABLE, brake	1	
7	91790-08021	PIN, clevis	1	
8	90201-08544	WASHER, plate	1	
9	91401-25015	PIN, cotter	1	
10	90249-12008	PIN	1	
11	90175-06016	NUT, wing	1	
12	23X-27411-01	FOOTREST 1	1	
13	23X-27421-02	FOOTREST 2	1	
14	90240-10101	PIN, clevis	2	
15	91401-25015	PIN, cotter	2	
16	90508-20583	SPRING, torsion	2	
17	90201-10119	WASHER, plate	2	
18	97011-06020	BOLT	1	
19	95301-06700	NUT	1	



ILU010-6300

D9

FIG. 28 GENERATOR



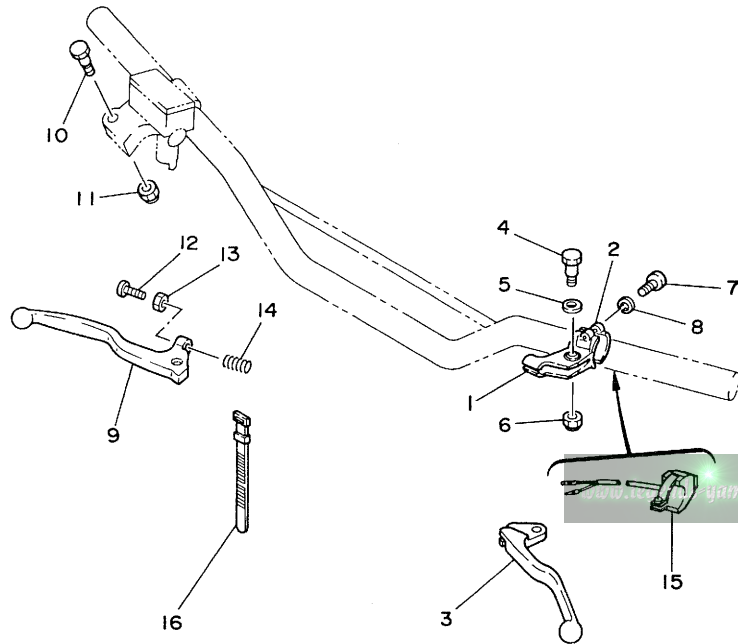
REF. NO.	PART NO.	DESCRIPTION	Q'TY	REMARKS
1	23X-85510-21	STATOR ASSY	1	
2	23X-85520-21	.COIL, charge	1	
3	23X-85580-20	.COIL, pulser	1	
4	104-81328-20	.CLAMP	1	
5	98501-04016	.SCREW, pan head	3	
6	92901-04100	.WASHER, spring	3	
7	110-81345-21	.SCREW, pan head	1	
8	23X-85550-20	ROTOR ASSY	1	
9	92501-06020	SCREW, pan head	2	
10	92901-06600	WASHER, plate	2	
11	90170-12067	NUT	1	
12	90201-12593	WASHER, plate	1	



57H110-5280

D10

FIG. 29 HANDLE SWITCH. LEVER



REF. NO.	PART NO.	DESCRIPTION	Q'TY	REMARKS
1	38V-82911-00	HOLDER, lever 1	1	
2	38V-82913-00	HOLDER, lever lower 1	1	
3	23X-83912-00	LEVER 1	1	
4	90109-06797	BOLT	1	
5	90201-082A9	WASHER, plate	1	
6	95606-06100	NUT, u	1	
7	98506-05018	SCREW, pan head	2	
8	92906-05100	WASHER, spring	2	
9	55Y-83922-00	LEVER 2	1	
10	90109-06577	BOLT	1	
11	95606-06100	NUT, u	1	
12	90149-06153	SCREW	1	
13	90170-06010	NUT	1	
14	90501-10312	SPRING, compression	1	
15	23X-83976-00	SWITCH, handle 1	1	
16	437-83936-00	BAND, switch cord	2	

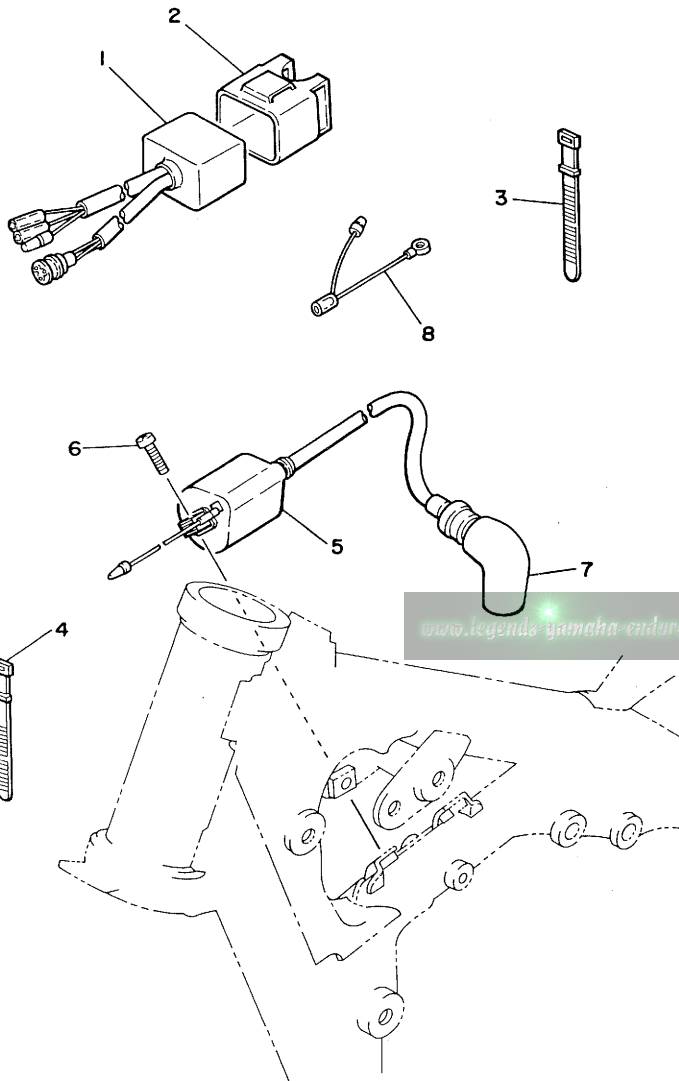


56A110-5320

D11

FIG. 30 ELECTRICAL 1

REF. NO.	PART NO.	DESCRIPTION	Q'TY	REMARKS
1	23X-85540-20	C.D.I. UNIT ASSY	1	
2	2A7-85546-00	BAND	1	
3	25G-83936-00	BAND, switch cord	2	
4	437-83936-10	BAND, switch cord	2	
5	43G-82310-40	IGNITION COIL ASSY	1	
6	92502-06016	SCREW, pan head	2	
7	3R0-82370-20	PLUG CAP ASSY	1	UR
	1M1-82370-21	PLUG CAP ASSY	1	UR with noise suppressor
8	5X1-82519-01	WIRE, earth lead	1	



www.legendary-yamaha-enduros.com



40T100-4280

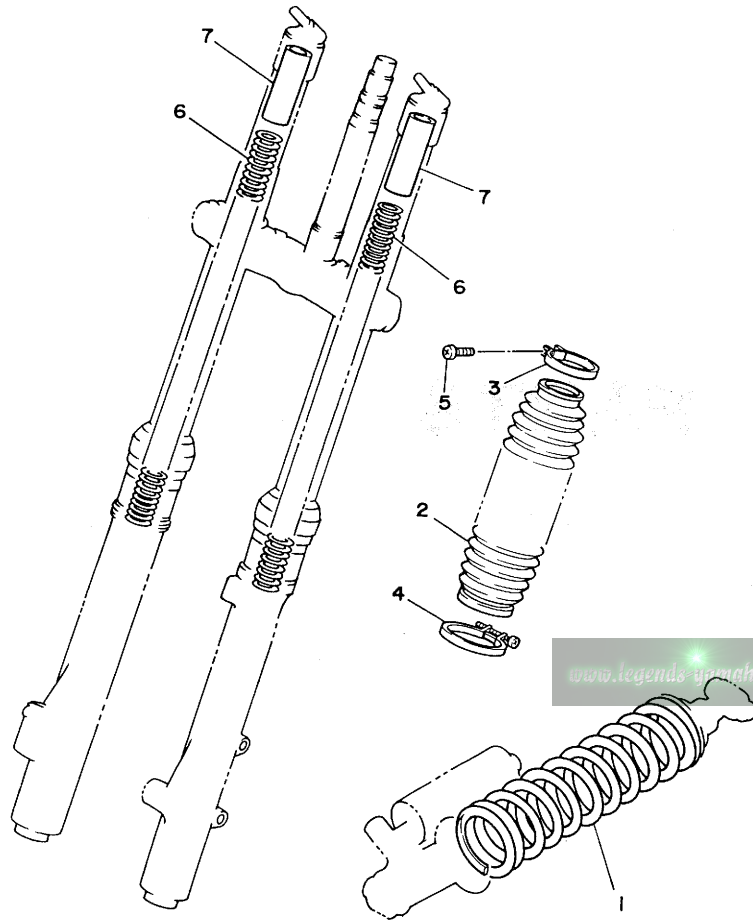
D12

www.legends-yamaha-enduros.com

ALTERNATE PARTS

www.legends-yamaha-enduros.com

FIG. 31 ALTERNATE 1 (CHASSIS)



REF. NO.	PART NO.	DESCRIPTION	Q'TY	REMARKS
1	1LV-22212-10-6W	SPRING (K=5.25)	1	AP native red (soft)
	1LV-22212-20-6W	SPRING (K=5.75)	1	AP native red (hard)
2	43M-23191-L0	BOOT	2	AP red
3	43M-23192-L0	BAND	2	AP
4	43M-23489-L0	BAND	2	AP
5	98506-04018	SCREW, pan head	2	AP
6	57H-23141-20	SPRING, front fork (K=0.345)	2	AP (soft) use spacer
	1LV-23141-20	SPRING, front fork (K=0.4)	2	AP (hard) non spacer
7	1LV-23118-10	SPACER	2	AP



ILX010-6340

D13

REPAIR KIT

www.legends-yamaha-enduros.com

FIG. 32 REPAIR KIT

REF. NO.	PART NO.	DESCRIPTION	Q'TY	REMARKS
1	40T-11630-00	PISTON ASSY (STD)	1	AP
	40T-11631-00-93	.PISTON (STD)	1	
2	5X6-11601-00	.PISTON RING SET (STD)	1	
3	275-11633-00	.PIN, piston	1	
4	93450-19052	.CIRCLIP	2	
5	40T-11630-10	PISTON ASSY (1ST O/S)	1	AP
6	40T-11635-00	.PISTON (0.25MM O/S)	1	
7	5X6-11601-10	.PISTON RING SET (1ST O/S)	1	
8	275-11633-00	.PIN, piston	1	
9	93450-19052	.CIRCLIP	2	
10	40T-11630-20	PISTON ASSY (2ND O/S)	1	AP
11	40T-11636-00	.PISTON (0.50MM O/S)	1	
12	5X6-11601-20	.PISTON RING SET (2ND O/S)	1	
13	275-11633-00	.PIN, piston	1	
14	93450-19052	.CIRCLIP	2	
15	40T-11630-30	PISTON ASSY (3RD O/S)	1	AP
16	40T-11637-00	.PISTON (0.75MM O/S)	1	
17	5X6-11601-30	.PISTON RING SET (3RD O/S)	1	
18	275-11633-00	.PIN, piston	1	
19	93450-19052	.CIRCLIP	2	
20	40T-11630-40	PISTON ASSY (4TH O/S)	1	AP
21	40T-11638-00	.PISTON (1.00MM O/S)	1	
22	5X6-11601-40	.PISTON RING SET (4TH O/S)	1	
23	275-11633-00	.PIN, piston	1	
24	93450-19052	.CIRCLIP	2	
25	3R5-11650-00	CONNECTING ROD ASSY	1	AP
26	3R5-11651-00	.ROD, connecting	1	
27	3R8-11681-00	.PIN, crank 1	1	

FIG. 32 REPAIR KIT

REF. NO.	PART NO.	DESCRIPTION	Q'TY	REMARKS
28	90209-25085	.WASHER	2	
29	93310-425N4	.BEARING, cylindrical	1	
30	93310-418E9	.BEARING, cylindrical	1	

www.legends-yamaha-enduros.com

www.legends-yamaha-enduros.com

INDEX

www.legends-yamaha-enduros.com

NUMERICAL INDEX

PART NO.	GRID NO.	PART NO.	GRID NO.	PART NO.	GRID NO.	PART NO.	GRID NO.	PART NO.	GRID NO.	PART NO.	GRID NO.
56A-W0041-00	D- 8	3R5-11651-00	D-14	1LX-14452-00	C- 5	23X-16371-00	B-11	1LX-2217A-00	C- 6	1LV-23141-20	D-13
1LX-W0045-00	D- 4	3R8-11681-00	B- 3	39X-14452-00	C- 5	1LV-16380-00	B-11	1LX-2217F-00	C- 7	57H-23141-20	D-13
56A-W0047-00	D- 4		D-14	1LV-14453-00	B- 4	1LV-17121-00	B-12	1LX-2217G-00	C- 7	4V4-23142-L0	C-11
51L-W0048-00	D- 4	137-13115-00	B- 8	39K-14457-00	B- 4	1LV-17131-00	B-12	30X-22178-00	C- 2		C-12
56A-W0057-00	D- 4	40T-13565-00	B- 4	1LX-14458-00	B- 4	1LV-17141-00	B-12	5X3-2218A-00	C- 7	1LX-23144-L0	C-11
1LX-W1441-00	B- 4	26A-13575-00	B- 4	1LX-14459-00	B- 4	1LV-17151-00	B-12	4V4-22184-00	C- 2		C-12
3R5-W1511-01	B- 8	40T-13581-00	B- 4	1LX-14462-00	B- 4	1LV-17211-00	B-12	39W-22199-00	C- 6	23X-23144-L0	C-11
40T-11111-00	B- 2	1LV-13584-00	B- 4	56A-14468-00	B- 4	1LV-17221-00	B-12	1LV-22210-00-6W	C- 8		C-12
40T-11181-00	B- 2	56A-13610-00	B- 4	1LV-14610-00	B- 7	1LV-17231-00	B-12	23X-22211-00	C- 9	23X-23145-L0	C-11
40T-11311-02	B- 2	56A-13613-00	B- 4	40T-14613-00	B- 7	1LV-17241-00	B-12	1LV-22212-00-6W	C- 8		C-12
1LV-11351-00	B- 2	56A-13616-00	B- 4	40T-14619-01	B- 2	1LV-17251-00	B-12	1LV-22212-10-6W	D-13	4V4-23146-L0	C-11
3R5-11400-00	B- 3	39X-13621-00	B- 4	40T-1469A-00	B- 7	1LV-17411-00	B-12	1LV-22212-20-6W	D-13		C-12
3R5-11412-00	B- 3	57H-1410A-00	B- 6	1LX-14744-00	B- 7	5X5-17421-00	B-12	1LX-22213-00	C- 8	3J2-23147-00	C-11
3R5-11422-00	B- 3	1LV-14101-00	B- 5	39X-14747-00	B- 7	23X-17461-30	B-13	5X6-22214-00	C- 8		C-12
5X6-11601-00	B- 3	40T-14103-00	B- 6	40T-14753-01	B- 7	23X-17461-40	B-12	3R4-22221-01	C- 8	55Y-23152-M0	C-11
	D-14	23X-14104-00	B- 6	43R-14753-10	B- 7	23X-17461-50	B-12	1LX-22223-00	C- 8		C-12
5X6-11601-10	B- 3	40T-14106-00	B- 5	40T-14771-00	B- 7	23X-18101-00	B-15	1LX-22225-00	C- 8	4V4-23153-L0	C-11
	D-14	23X-14107-35	B- 5	56S-14771-00	B- 7	23X-18110-01	B-15	1LV-22401-00	C- 8		C-12
5X6-11601-20	B- 3	40T-14112-25	B- 5	40T-1490J-00	B- 5	3R4-18140-00	B-14	1LX-22409-00	C- 8	4V4-23157-L0	C-11
	D-14	40T-14112-30	B- 5	3R4-15113-00	B- 8	1W1-18177-00	B-14	1LV-22463-00	C- 8		C-12
5X6-11601-30	B- 3	40T-14112-35	B- 5	4V4-15118-00	B- 8	5X5-18511-00	B-14	26A-22472-00	C- 8	23X-23158-L0	C-11
	D-14	40T-14115-00	B- 5	3R5-15121-05	B- 8	3R5-18512-00	B-14	23X-22475-00	C- 8		C-12
5X6-11601-40	B- 3	278-14117-00	B- 5	1G8-15362-00	B- 9	5X5-18513-00	B-14	1LX-22489-00	C- 8	56A-2316A-L0	C-11
	D-14	8H0-14131-00	B- 6	56A-15378-00	B- 9	5X5-18531-01	B-14	1LX-22493-00	C- 8		C-12
40T-11630-00	D-14	8A7-14141-54	B- 5	23X-15381-00	B- 8	5X5-18535-01	B-14	5X3-22497-00	C- 8	43M-23167-L0	C-12
40T-11630-10	D-14	8A7-14141-56	B- 5	56A-15383-00	B- 8	24Y-18540-00	B-14	1LV-22499-00	C- 8	1LV-23170-L0	C-11
40T-11630-20	D-14	8A7-14141-58	B- 5	40T-15411-00	B- 9	1LV-21110-10-FH	C- 2	1LV-23102-L0	C-11		C-12
40T-11630-30	D-14	193-14142-35	B- 5	23X-15421-00	B- 9	1HX-2135F-00	C- 7	1LV-23103-L0	C-11	4V4-23171-L0	C-11
40T-11630-40	D-14	193-14142-40	B- 5	40T-15431-00	B- 9	43R-2137W-00	C- 5	1LX-23108-00	C-13		C-12
40T-11631-00-93	B- 3	193-14142-45	B- 5	1LV-15451-00	B- 9	40T-2141K-00	C- 2	1LX-23110-L0	C-11	23X-23173-L0	C-11
	D-14	137-14143-88	B- 5	3R4-15462-00	B- 9	40T-2141L-00	C- 2		C-12		C-12
40T-11631-00-94	B- 3	137-14143-90	B- 5	23X-15618-00	B-10	40T-21415-00	C- 2	43M-23111-L0	C-11	4V4-23188-L0	C-11
275-11633-00	B- 3	137-14143-92	B- 5	40T-15620-01	B-10	40T-21416-00	C- 2		C-12		C-12
	D-14	137-14143-94	B- 5	23X-15621-01	B-10	1LV-21425-00	C- 2	1LV-23118-L0	C-11	34K-2319U-00	C-10
	D-14	137-14143-96	B- 5	23X-15641-00	B-10	1LV-21426-00	C- 2		C-12	23X-23190-L0	C-11
	D-14	313-14146-00	B- 6	23X-15651-00	B-10	5X6-21511-10	C- 4	1LV-23118-10	D-13		C-12
	D-14	40T-14146-00	B- 5	57H-15661-00	B-10	1LX-21611-00	C- 4	4H7-23119-00	C-11	43M-23191-L0	D-13
	D-14	3R3-14153-00	B- 5	40T-15664-00	B-10	39X-21642-00	C- 4		C-12	43M-23192-L0	D-13
40T-11635-00	B- 3	40T-14158-00	B- 6	23X-16111-00	B-11	1LX-21711-01-98	C- 5	55Y-2312G-M0	C-11	1LX-23340-L0	C-12
	D-14	57H-14175-00	B- 6	39X-16150-00	B-11	1LX-21721-00	C- 5		C-12	3R4-23389-00	C-10
40T-11636-00	B- 3	363-14184-00	B- 5	2K7-16154-00	B-11	1LX-2173L-00	C- 5	4V4-23125-L0	C-11	5Y3-23393-00	C-12
	D-14	214-14185-00	B- 5		B-11	1LX-2174L-00	C- 5		C-12	1LX-23395-00	C-10
40T-11637-00	B- 3	537-14186-00	B- 5	2K7-16181-00	B-11	1LV-22110-00	C- 6	1LX-23126-L0	C-11	1W1-23416-00	C-10
	D-14	40T-14187-00	B- 5	5X5-16321-00	B-11	307-22123-00	C-10	122-23129-00	C-11	40T-23435-00-98	C-10
40T-11638-00	B- 3	2K7-14197-00	B- 6	4H7-16325-00	B-11	156-22127-00	C- 6		C-12	1E6-23441-00	C-10
	D-14	310-14197-00	B- 6	23X-16351-00	B-11	3R4-22129-00	C- 6	1LX-23136-L0	C-11	1E6-23442-00	C-10
3R5-11650-00	D-14	4V3-1441K-00	B- 4	23X-16356-00	B-11	1LX-22141-00	C- 6	1LV-23141-00	C-11	5X6-23485-11	C-10
3R5-11651-00	B- 3	1LX-14451-00	B- 4	3R5-16357-01	B-11	1LX-22151-00	C- 6		C-12	43M-23489-L0	D-13

PART NO.	GRID NO.	PART NO.	GRID NO.	PART NO.	GRID NO.	PART NO.	GRID NO.	PART NO.	GRID NO.	PART NO.	GRID NO.
11V-24110-00	C-14	11X-25831-00	D-4	23X-83976-00	D-11	90185-08106	C-6	90201-20358	B-10	90445-09100	C-14
40T-2412F-00	C-15	34X-25845-00	D-4	23X-85510-21	D-10	90185-08113	C-2	90201-253K0	B-12	90445-112E9	C-14
24X-24144-00	C-14	56A-25852-00	D-8	23X-85520-21	D-10		C-2		B-12	90460-56257	B-4
5X6-2415F-01	C-14	56A-25854-00	D-8	23X-85540-20	D-12		C-2	90202-06010	C-14	90460-74254	B-4
59V-24173-00	C-14	56A-25867-00	D-8	2A7-85546-00	D-12		D-6	90202-08022	C-2	90465-06247	B-9
11X-24181-00	C-14	56A-25870-00	D-8	23X-85550-20	D-10	90185-10037	C-10	90202-14077	C-10	90465-16258	D-7
22W-24181-00	C-5	56A-25872-00	D-8	23X-85580-20	D-10	90185-10120	C-8	90209-18244	D-6	90467-10008	C-14
	C-5	5R2-25917-00	D-4	90101-06291	D-5		C-9	90209-20213	B-12	90467-23059	B-4
23X-24184-00	C-14	56A-25919-00	D-4	90101-08475	D-6	90185-14096	C-7	90209-21243	D-6	90468-26177	B-10
11V-24254-00	C-14	56A-25919-10	D-4	90101-14648	D-6	90185-14112	C-7	90209-22082	B-12	90480-18354	C-14
11X-24500-00	C-14	56A-25926-00	D-4	90102-08062	D-6	90185-16127	C-6		B-12	90501-10312	D-11
4X8-24512-00	C-14	56A-25937-00	D-4	90105-06138	C-4	90185-18104	D-6	90209-25085	B-3	90501-13720	B-10
4X8-24534-00	C-14	23X-26111-00	D-7	90109-06551	B-7	90185-18126	B-11		D-15	90501-24408	B-11
5X7-24611-01	C-14	11X-26241-00	D-7	90109-06577	D-11	90201-06067	C-6	90215-20212	B-11	90504-03033	B-4
5X7-24612-00	C-14	11X-26242-00	D-7	90109-06757	D-4	90201-06070	C-14	90215-21239	B-13	90506-16372	D-9
509-24724-00	D-2	23X-26243-00	D-7	90109-06797	D-11	90201-061E8	C-5	90240-10101	D-9	90507-20002	D-5
11X-24731-00	D-2	5X2-2628H-01	D-7	90109-08370	D-6	90201-06571	C-4	90249-12008	D-9	90507-20030	B-7
11X-24738-00	D-2	23X-26281-00	D-7	90109-08397	C-13		C-5	90267-40115	B-7	90508-14423	B-11
107-24741-00	D-2	431-26282-01-98	D-7	90109-08573	B-7		C-5	90280-03017	B-3	90508-20583	D-9
5X6-24748-10	D-2	40T-26311-00	D-7	90109-08705	C-2		C-10	90282-07019	B-11	90508-26421	B-14
11X-24770-00	D-2	510-26329-00	D-7	90109-08706	D-5	90201-081A6	D-6	90338-07011	B-8	90508-29361	B-15
11X-25104-00	D-3	40T-26335-00	D-7	90109-10700	C-9	90201-0E2A9	D-11	90340-12095	B-8	90508-29641	D-5
11X-25111-00-98	D-3	40T-26351-00	D-9	90109-10704	C-8	90201-08544	C-13	90380-16158	C-6	90508-30422	B-10
136-25117-00	D-3	382-26372-01	D-7	90116-08394	B-2		D-9	90380-22111	C-6	90560-12171	B-15
322-25118-00	D-3	56A-26372-00	D-8	90116-12315	B-2	90201-08612	B-7	90381-16060	C-6	90560-20226	D-5
55U-25181-00	D-3	23X-26393-00	B-8	90116-12316	B-2	90201-08649	B-2	90387-06387	C-14	90560-22281	D-7
57H-25304-00	D-5	56A-27200-00	D-9	90119-06042	C-4	90201-087F0	D-2	90387-06681	C-4	91311-06016	D-7
57H-25311-00-98	D-5	11X-27311-00	D-9	90119-06056	B-4	90201-08730	B-7	90387-081A3	B-7	91316-06020	B-4
40T-25321-00-98	D-5	23X-27411-01	D-9	90119-06063	C-4		D-9	90387-083F0	D-6	91316-06025	B-9
23X-25327-00	D-6	23X-27421-02	D-9	90119-06081	B-4	90201-08753	C-2	90387-121E8	C-10	91316-06045	B-8
40T-25330-00	D-5	23X-28100-01	C-2	90123-08090	D-7	90201-100A1	C-10	90387-126H8	C-9	91316-06050	B-8
40T-25351-00	D-5	2X4-2811A-00	C-3	90123-14104	C-7	90201-100E9	C-9	90387-127G8	C-9	91316-06060	B-8
148-25353-00	D-5	23X-28135-00	C-2	90149-06011	C-14	90201-10118	D-8	90387-154N4	D-3	91316-06075	B-8
5X6-25355-00	D-5	104-81328-20	D-10	90149-06153	D-11	90201-10119	D-9	90387-15600	D-3	91401-20015	D-6
4V4-25367-00	D-6	110-81345-21	D-10	90149-06179	B-11	90201-10139	C-2	90387-160H4	B-8	91401-20020	C-10
23X-25371-00	D-6	436-82310-40	D-12	90152-06010	B-10	90201-10430	C-9		B-8	91401-25015	D-9
23X-25381-00	D-6	1M1-82370-21	D-12	90159-06016	B-11	90201-106F2	C-6	90387-164N1	C-7		D-9
56A-25388-01	D-6	3R0-82370-20	D-12	90170-06010	D-11	90201-120E6	C-9	90387-164N2	C-6	91790-08021	D-9
57H-25389-01	D-6	5X1-82519-01	D-12	90170-12067	D-10	90201-123E8	C-10	90387-164N3	C-6	91810-17016	B-2
2J5-25394-01	D-3	688-82535-00	D-7	90170-20255	B-11	90201-12593	D-10		C-7	92501-06010	B-8
2X5-25394-00	D-5	38V-82911-00	D-11	90175-06016	D-9	90201-13202	C-2	90387-200H1	D-5		C-14
39W-25444-00	D-5	38V-82913-00	D-11	90179-08401	D-7	90201-140H8	C-7	90387-200H2	D-6	92501-06012	B-8
39W-25445-00	D-5	23X-83912-00	D-11	90179-10280	C-2	90201-164H4	C-6	90387-25663	B-12		B-8
39W-25446-00	D-5	55V-83922-00	D-11	90179-12244	B-10		C-7	90401-10034	D-8		C-10
39W-25448-00	D-5	168-83936-01	C-4	90179-20255	B-13	90201-17327	B-11	90402-10005	C-6		C-15
39W-25450-00	D-5	256-83936-00	D-12	90179-22330	C-10	90201-17545	B-10	90430-06016	B-9		D-2
39W-25452-00	D-5	437-83936-00	D-11	90179-25033	C-10	90201-186H3	B-11	90430-12038	B-8	92501-06014	C-5
11X-25810-00	D-4	437-83936-10	D-12	90185-08106	C-2	90201-20278	B-12	90445-08605	B-8		C-5

NUMERICAL INDEX

PART NO.	GRID NO.	PART NO.	GRID NO.	PART NO.	GRID NO.	PART NO.	GRID NO.	PART NO.	GRID NO.	PART NO.	GRID NO.
92501-06020	D-10	93106-28023	D- 5	93501-04011	B-10	97321-06035	C-14				
92502-06016	D-12	93108-35004	C- 6	93515-32029	B-11	97326-06025	D- 8				
92506-06008	B- 9	93109-14021	D- 5	93604-21193	C- 8	97801-03008	C-14				
92506-06016	C- 5	93109-20029	C- 6	93604-26132	C- 8	98501-04006	C- 8				
	C- 5		C- 7	93606-14154	B-14	98501-04016	D-10				
92506-06025	B- 9	93112-19006	D- 6	93608-25150	B-15	98501-05016	B- 5				
92506-06035	B- 9	93210-06632	C- 8	94108-21339	D- 3	98506-04018	D-13				
92701-06012	B- 8	93210-14104	B- 9	94111-18430	D- 5	98506-05016	D- 7				
	C- 8	93210-14167	D- 6	94212-18188	D- 5	98506-05018	D-11				
92901-04100	D-10	93210-19501	B-10	94227-21123	D- 3	98580-03008	B- 4				
92901-05100	B- 5	93210-31114	D- 6	94307-21145	D- 3	98706-04012	D- 7				
92901-06600	B- 7	93300-20501	B-12	94309-18146	D- 5		D- 8				
	C-14		B-12	94416-21435	D- 3	98903-06018	C-14				
	C-15	93306-00406	D- 5	94425-18415	D- 5	99009-17400	B-10				
	C-15	93306-00418	D- 5	94585-20112	D- 6	99510-12016	B- 8				
	D- 2	93306-20107	B-14	94685-20001	D- 6						
	D- 7	93306-20209	D- 3	95021-08016	D- 2						
	D-10	93306-30615	B- 3		D- 9						
92901-08200	C- 5		B- 3	95301-06600	B-11						
	C- 6	93310-418E9	B- 3	95301-06700	D- 9						
92901-08600	D- 6		D-15	95301-08600	B- 2						
92901-10200	C- 2	93310-425N4	B- 3	95301-08700	D- 6						
92906-05100	D-11		D-15	95301-08900	D- 6						
92906-06100	B- 9	93311-62035	B-12	95311-08600	C-13						
92906-06600	B- 9		B-12	95601-05100	B- 4						
	B- 9	93315-21721	B-11	95606-06100	D-11						
	C- 5	93315-22045	C- 7		D-11						
	D- 8	93315-32044	C- 6	95611-08100	D- 6						
92990-03100	B- 4	93317-32231	C- 6	95701-12100	B- 2						
92990-05200	B- 4	93332-00008	C-10	95801-06012	D- 2						
92990-06100	B- 7	93332-00023	C-10	95801-06020	C- 6						
	B-11	93342-22208	C- 6	95801-08025	B- 7						
	C- 5	93399-99910	D- 6	95802-08012	C- 2						
	C- 5	93399-99916	C- 8	95802-08045	C- 6						
	C-12		C- 8	95811-08045	D- 4						
	C-14	93410-20038	B-12	95811-08055	C- 2						
	C-14	93440-25084	B-12	95811-08110	C- 2						
92990-08100	B- 7		B-12	95811-08180	C- 2						
	C-13	93440-30113	C- 8	95811-10016	C- 6						
93102-12106	B-15		C- 8	95811-10065	C- 2						
93102-17263	B-11	93450-19052	B- 3	95821-08035	C-10						
93102-20281	D- 3		D-14	95821-08040	C-10						
93102-20309	B-10		D-14	95821-08060	C- 2						
93102-32M07	B-12		D-14	97011-06020	D- 9						
93103-30150	B- 3		D-14	97301-06016	B- 7						
93103-40091	B- 3		D-14		C-14						
93104-18077	C- 8	93450-28063	C- 7	97301-08016	B- 7						
93106-22019	C- 6		C- 7	97321-06025	B-15						