



# PARTS CATALOGUE

**YZ250S '04** (5XF1) S.AFRICA

[www.legends-yamaha-enduros.com](http://www.legends-yamaha-enduros.com)



1C5XF-100E1

( 2C5XF-100E1 )



**A4**

# FOREWORD

This Parts Catalogue is related to the parts for the model(s) on the cover page. When you are ordering replacement parts, please refer to this Parts Catalogue and quote both part numbers and part names correctly.

1. Modifications or additions which have been made after the issue of the Parts Catalogue will be announced in the Parts News.

It is advisable that you make the necessary corrections to the Parts Catalogue according to the Parts News.

2. Abbreviations

The following abbreviations are used in this Parts Catalogue.

“UR” Use specified parts number.

“UN” Use as many as needed.

“AP” Alternate Parts

“LM” Locally Made (Parts need to be ordered locally)

“F#” Frame No. (Applicable machine No.)

“O/S” Over Size

3. The number of components for assembly

- Parts, which are to be supplied in an assembly, are listed with a dot (.) in front of the part name as shown below.
- The numeral appearing to the right of each component part indicates the quantity of parts for each assembly unit.

PART NO.	DESCRIPTION	Q'TY	REMARKS
2F5-83310-60	FRONT FLASHER LIGHT ASSY	2	
115-83311-60	.BULB (6V-18W)	1	

[www.legends-yamaha-enduros.com](http://www.legends-yamaha-enduros.com)

4. Applicable colours of graphics are represented in the “REMARKS” as shown below.

PART NO.	DESCRIPTION	Q'TY	REMARKS
2N4-24110-00-X5	FUEL TANK COMP.	2	MXR
3J1-24240-10	.GRAPHIC, FUEL TANK	1	FOR MXR

5. Note that the illustrations for reference in finding parts numbers are not to be used for assembling. When assembling, please use the applicable service manual.

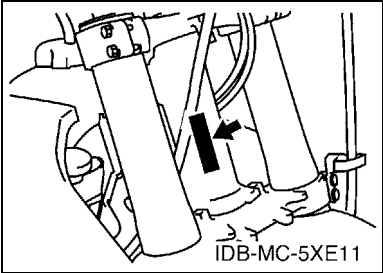
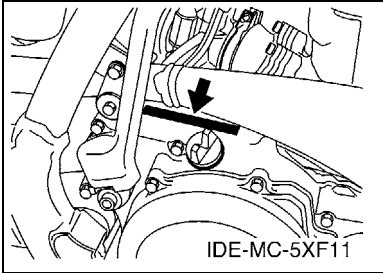
6. The asterisk (\*) before a reference number indicates modified items after the first edition.

# FOREWORD

7. Applicable Serial No.

Engine Serial No.

Frame Serial No.



8. Applicable Colour Code (The (\*) mark shows Model colour.)

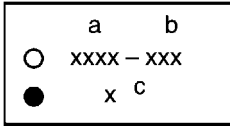
Abbreviation	Colour Name	Colour Code
DPBSE(*)	DEEP PURPLISH BLUE SOLID E	0583

[www.legendaryyamaha-enduros.com](http://www.legendaryyamaha-enduros.com)

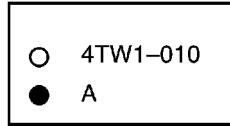
# MODEL LABEL

(1) A label called "Model Label" is affixed in the location as indicated in (3) below. When using this parts catalogue, please be sure to cross-reference the "model code – production code No." in the catalogue with the "model code – production code No." indicated on the Model Label affixed onto the product concerned.

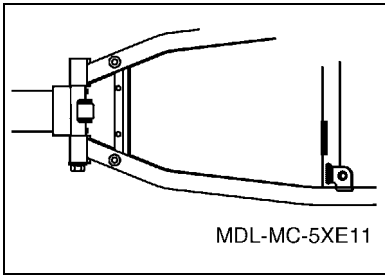
(2) "Model Label" Indication



a: Model Type Code  
b: Production Code No.  
c: Colouring Type



(3) Model Label Affixing Location



(4) Colouring Information

Model Code	Colouring Type Code	Colour Code	Colour Name	Abbreviation
5XF1	A	0583	DEEP PURPLISH BLUE SOLID E	DPBSE

(5) Model Code – Production Code Number of Model Listed in This Parts Catalogue

Model Code	Production Code No.	Country (destination)	Model Code	Production Code No.	Country (destination)
5XF1					
	030	SOUTH AFRICA			

# CONTENTS

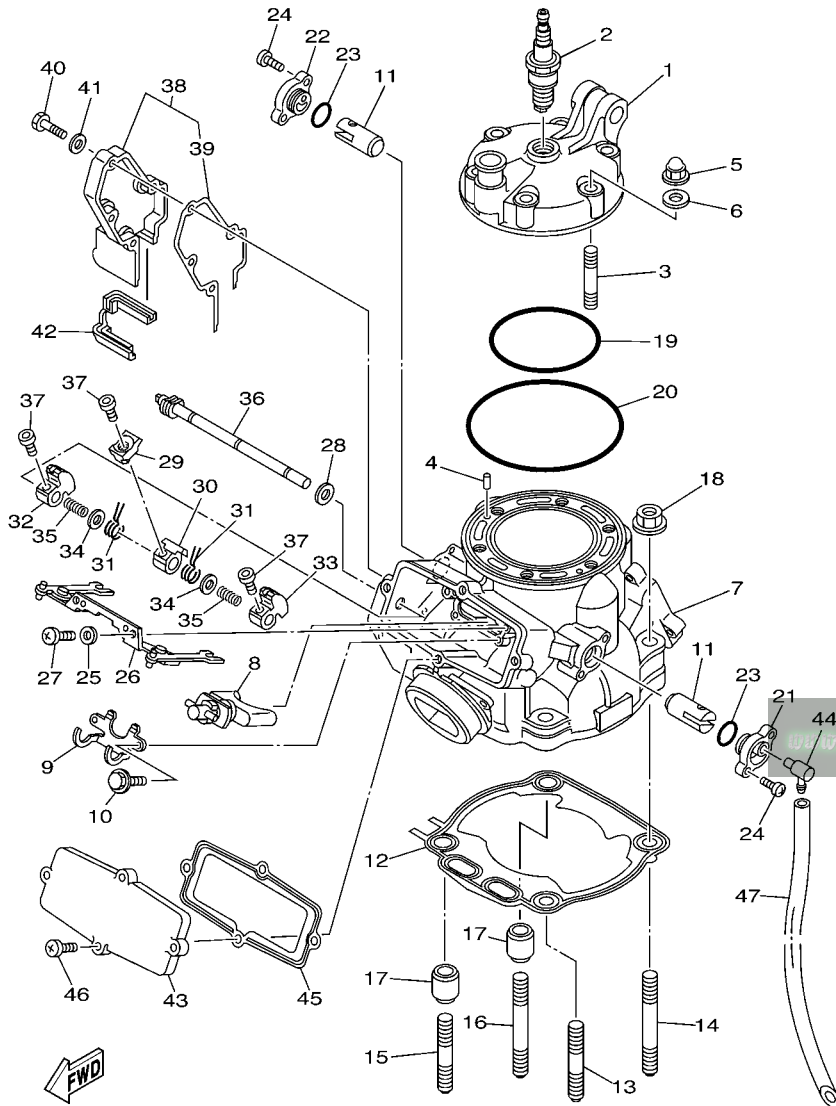
## ENGINE

CYLINDER HEAD .....	B2
GOVERNOR .....	B4
CRANKSHAFT & PISTON .....	B5
WATER PUMP .....	B6
RADIATOR & HOSE .....	B7
INTAKE .....	B8
CARBURETOR .....	B9
EXHAUST .....	B13
CRANKCASE .....	B14
CRANKCASE COVER 1 .....	B15
STARTER .....	C2
CLUTCH .....	C3
TRANSMISSION .....	C5
SHIFT CAM & FORK .....	C7
SHIFT SHAFT .....	C8

## CHASSIS

FRAME .....	C9
FENDER .....	C11
SIDE COVER .....	C12
REAR ARM .....	C13
REAR SUSPENSION .....	C15
STEERING .....	D3
FRONT FORK .....	D4
FUEL TANK .....	D7
SEAT .....	D8
FRONT WHEEL .....	D9
FRONT BRAKE CALIPER .....	D10
REAR WHEEL .....	D11
REAR BRAKE CALIPER .....	D13
STEERING HANDLE & CABLE .....	D14
FRONT MASTER CYLINDER .....	D15
STAND & FOOTREST .....	E2
REAR MASTER CYLINDER .....	E3
GENERATOR .....	E4
HANDLE SWITCH & LEVER .....	E5
ELECTRICAL 1 .....	E6
ALTERNATE FOR CHASSIS .....	E7

[www.legends-yamaha-enduros.com](http://www.legends-yamaha-enduros.com)

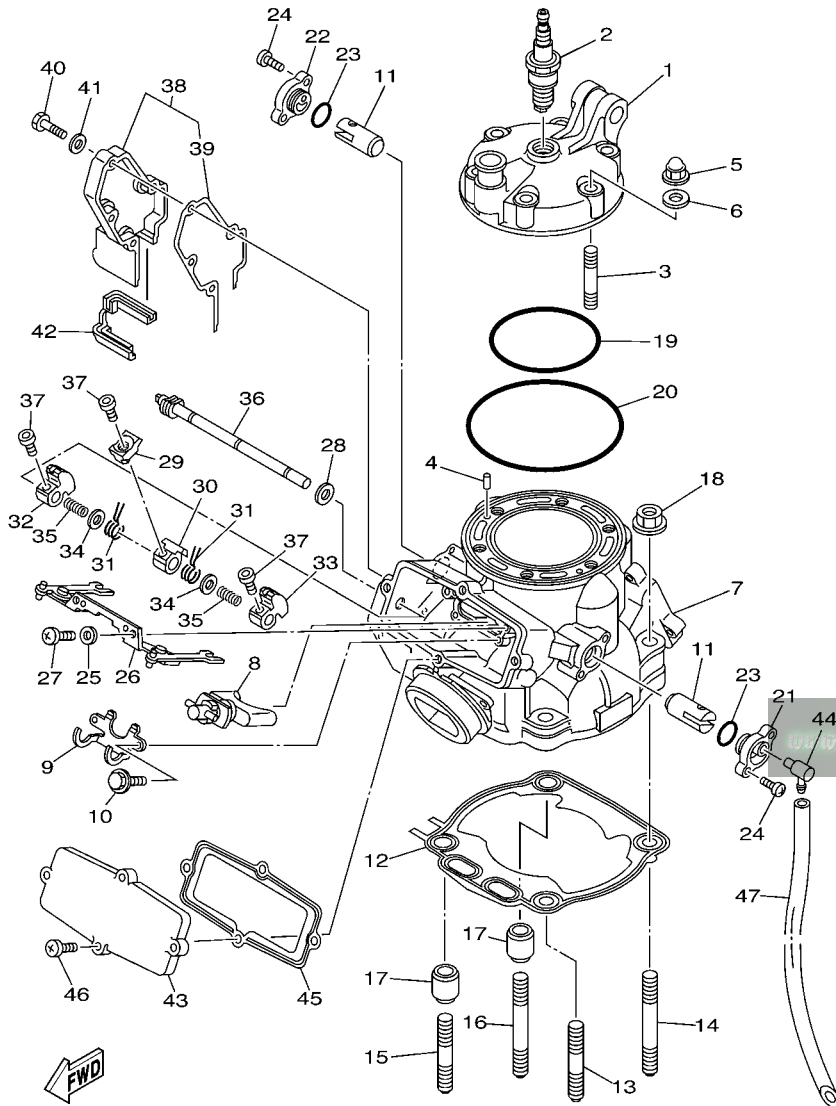


5NX1100-A010



FIG. 1 CYLINDER HEAD

REF. NO.	PART NO.	DESCRIPTION	5XF1				REMARKS
1	5UP-11111-00	HEAD, CYLINDER 1	1			1	
2	NGK-B8EG-PK4	PLUG, SPARK (NGK BR8EG)	1				
3	90116-08394	BOLT, STUD	6	6	6	6	
4	93604-08071	PIN, DOWEL	2	2	2	2	
5	90176-08026	NUT, CROWN	6	6	6	6	
6	90201-080L8	WASHER, PLATE	6	6	6	6	
7	5UP-11311-00	CYLINDER 1	1	1	1	1	
8	5XF-1131D-00	VALVE ASSY	1	1	1	1	
9	5CU-1131U-10	HOLDER 3	1	1	1	1	
10	90109-05001	BOLT	2	2	2	2	
11	5CU-1132A-00	VALVE 2	2	2	2	2	
12	5UP-11351-00	GASKET, CYLINDER	1	1	1	1	
13	90116-10314	BOLT, STUD	1	1	1	1	
14	95617-10660	BOLT, STUD	1	1	1	1	
15	90116-10314	BOLT, STUD	1	1	1	1	
16	95617-10660	BOLT, STUD	1	1	1	1	
17	99590-14016	PIN, DOWEL	2	2	2	2	
18	90179-10M35	NUT	4	4	4	4	
19	93210-74316	O-RING	1	1	1	1	
20	93211-02703	O-RING	1	1	1	1	
21	5CU-1131E-00	HOLDER 1	1	1	1	1	
22	5CU-1131P-00	HOLDER 4	1	1	1	1	
23	93210-15639	O-RING	2	2	2	2	
24	98507-05012	SCREW, PAN HEAD	4	4	4	4	
25	90201-057H5	WASHER, PLATE	2	2	2	2	

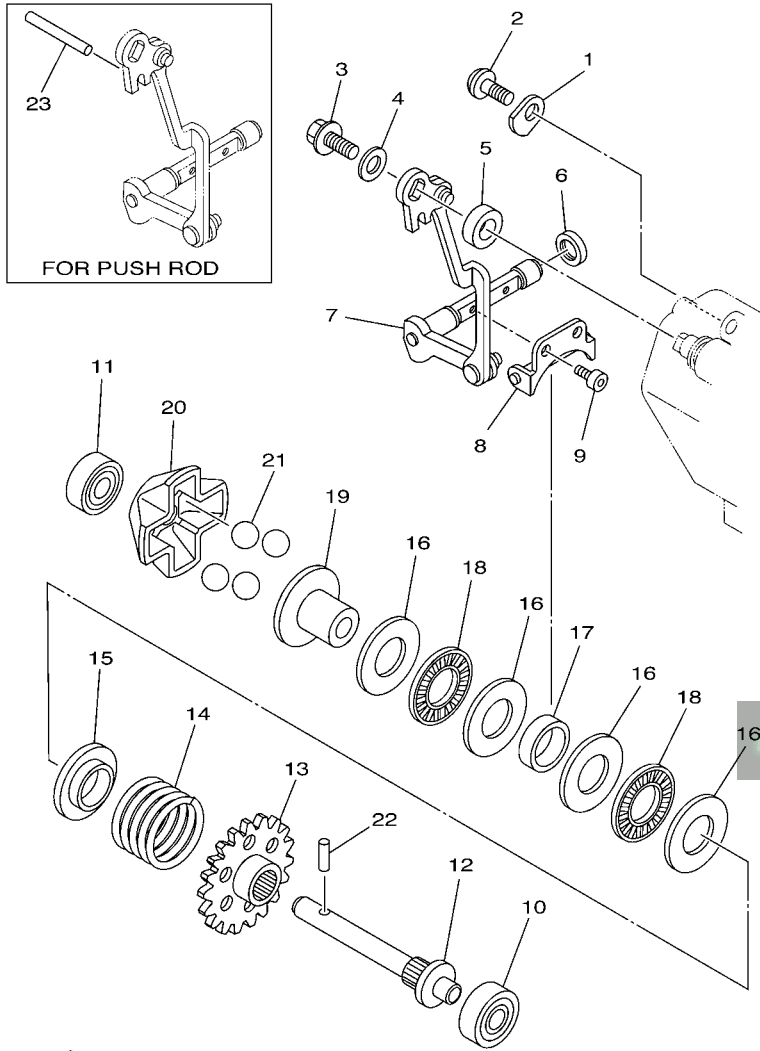


5NX1100-A010

FIG. 1 CYLINDER HEAD

REF. NO.	PART NO.	DESCRIPTION	5XF1	5XF2	5XF3	5XF4	REMARKS
26	5CU-11830-00	LINK ASSY	1	1	1	1	
27	98907-05012	SCREW, BIND	2	2	2	2	
28	93104-08040	OIL SEAL	1	1	1	1	
29	5NX-11395-00	HOLDER	1	1	1	1	
30	4SS-11832-00	LEVER, LINK	1	1	1	1	
31	90508-155B8	SPRING, TORSION	2	2	2	2	
32	5MW-1132E-00	PULLEY 1	1	1	1	1	
33	5MW-1132F-00	PULLEY 2	1	1	1	1	
34	90201-081G0	WASHER, PLATE	2	2	2	2	
35	90501-046L6	SPRING, COMPRESSION	2	2	2	2	
36	5CU-1131V-00	SHAFT 1	1	1	1	1	
37	91317-04008	BOLT	3	3	3	3	
38	5CU-11991-00	HOUSING 1	1	1	1	1	
39	5CU-11993-00	.GASKET	1	1	1	1	
40	97007-05020	BOLT	4	4	4	4	
41	92907-05600	WASHER, PLATE	4	4	4	4	
42	5CU-11995-00	SEAL, HOUSING	1	1	1	1	
43	5CU-1131M-00	COVER	1	1	1	1	
44	353-13115-01	CONNECTOR, SUCTION PIPE	1	1	1	1	
45	5CU-11354-00	GASKET	1	1	1	1	
46	98907-05016	SCREW, BIND	4	4	4	4	
47	90445-09777	HOSE (L300)	1	1	1	1	



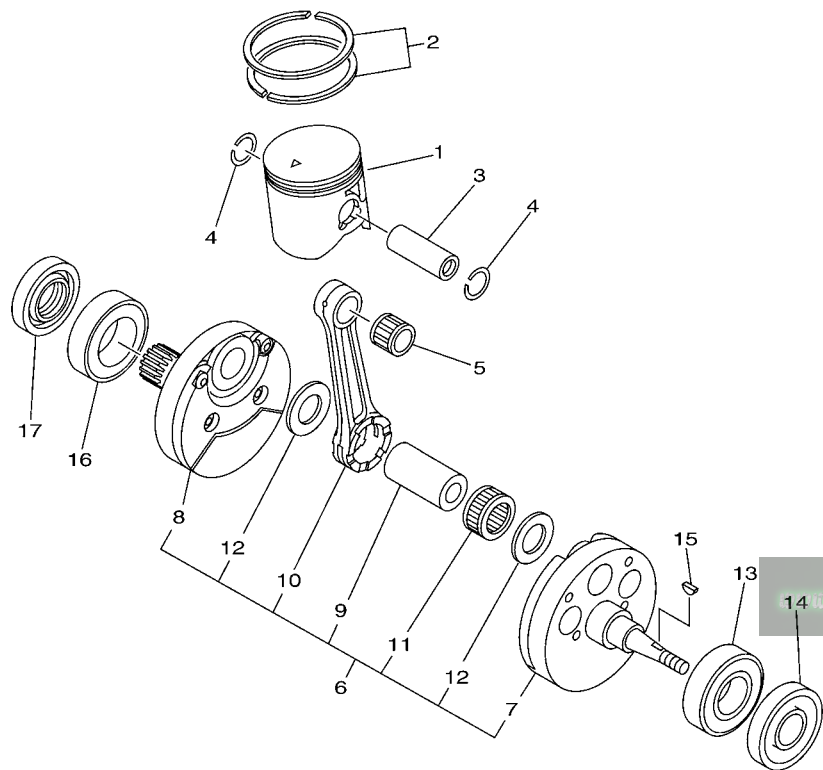


5NX1100-A020

FIG. 2 GOVERNOR

REF. NO.	PART NO.	DESCRIPTION	5XF1	5XF2	5XF3	5XF4	REMARKS
1	4JY-11915-01	PLATE, THRUST 1	1	1	1	1	
2	98907-05012	SCREW, BIND	1	1	1	1	
3	90105-05002	BOLT, FLANGE	1	1	1	1	
4	90201-057H5	WASHER, PLATE	1	1	1	1	
5	90387-085E1	COLLAR	1	1	1	1	
6	93104-08040	OIL SEAL	1	1	1	1	
7	5CU-11990-00	PUSH ROD ASSY	1	1	1	1	
8	3JE-11922-01	FORK, GOVERNOR	1	1	1	1	
9	91317-04006	BOLT	2	2	2	2	
10	93300-60801	BEARING (B0060)	1	1	1	1	KOYO
11	93300-60801	BEARING (B0060)	1	1	1	1	KOYO
12	5X4-11921-02	SHAFT, GOVERNOR	1	1	1	1	
13	5NY-11953-00	GEAR, GOVERNOR	1	1	1	1	
14	90501-256L2	SPRING, COMPRESSION	1	1	1	1	
15	5CU-11952-00	PLATE	1	1	1	1	
16	90201-150U6	WASHER, PLATE	4	4	4	4	
17	90387-152F2	COLLAR	1	1	1	1	
18	93340-21505	BEARING	2	2	2	2	
19	5CU-11912-00	RETAINER, WEIGHT	1	1	1	1	
20	5CU-11911-00	RETAINER	1	1	1	1	
21	93507-16020	BALL	4	4	4	4	
22	93603-14240	PIN, DOWEL	1	1	1	1	
23	93604-29184	PIN, DOWEL	1	1	1	1	AP

FIG. 3 CRANKSHAFT & PISTON

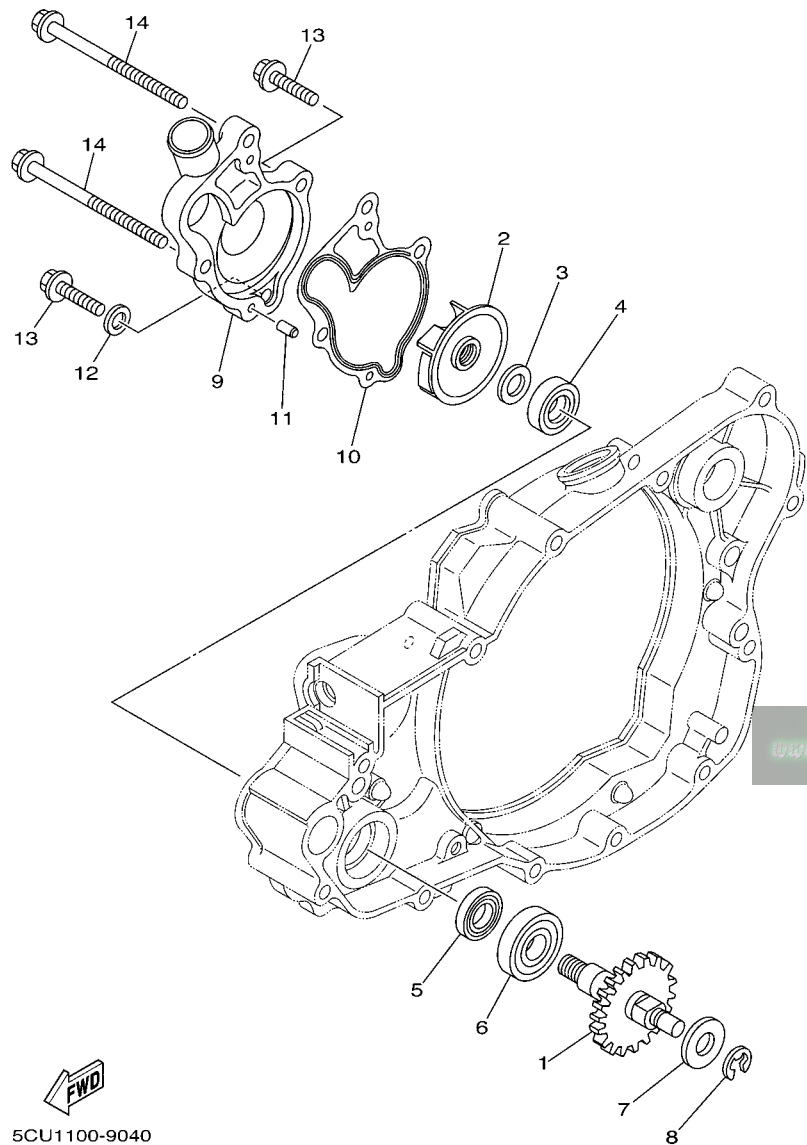


REF. NO.	PART NO.	DESCRIPTION	5XF1	5XF2	5XF3	5XF4	REMARKS
1	5NX-11631-00-A0	PISTON (STD)	1	1	1	1	UR RED
	5NX-11631-00-B0	PISTON (STD)	1	1	1	1	UR ORANGE
	5NX-11631-00-C0	PISTON (STD)	1	1	1	1	UR GREEN
	5NX-11631-00-D0	PISTON (STD)	1	1	1	1	UR PURPLE
2	5CU-11603-10	PISTON RING SET (STD)	1	1	1	1	
3	5UP-11633-00	PIN, PISTON	1	1	1	1	
4	93450-19052	CIRCLIP	2	2	2	2	
5	93310-218A6	BEARING	1	1	1	1	
6	5UP-11400-00	CRANKSHAFT ASSY	1	1	1	1	
7	5UP-11410-00	.CRANKSHAFT	1	1	1	1	
8	5MW-11420-00	.CRANKSHAFT	1	1	1	1	
9	5CU-11681-00	.PIN, CRANK 1	1	1	1	1	
10	5MW-11651-00	.ROD, CONNECTING	1	1	1	1	
11	93310-52406	.BEARING	1	1	1	1	
12	90209-24327	.WASHER	2	2	2	2	
13	93306-37808	BEARING	1	1	1	1	
14	93102-20485	OIL SEAL	1	1	1	1	
15	90280-03017	KEY, WOODRUFF	1	1	1	1	
16	93306-37808	BEARING	1	1	1	1	
17	93102-28004	OIL SEAL	1	1	1	1	



5MW1100-1030

**FIG. 4 WATER PUMP**

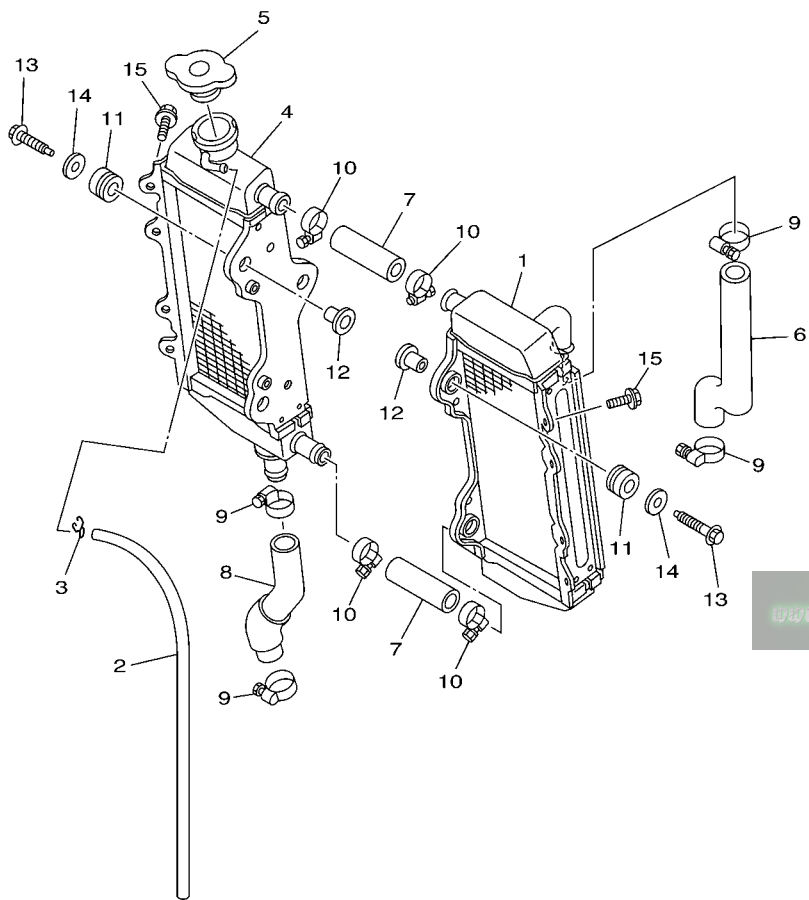


5CU1100-9040

REF. NO.	PART NO.	DESCRIPTION	5XF1	5XF2	5XF3	5XF4	REMARKS
1	5CU-12459-00	GEAR, IMPELLER SHAFT	1	1	1	1	
2	5DJ-12451-00	IMPELLER, WATER PUMP	1	1	1	1	
3	90201-08512	WASHER, PLATE	1	1	1	1	
4	93109-11073	OIL SEAL	1	1	1	1	
5	93102-12106	OIL SEAL (SD 12-22-5 HS)	1	1	1	1	
6	93306-00105	BEARING (B6001)	1	1	1	1	
7	90201-08784	WASHER, PLATE	1	1	1	1	
8	99001-06600	CIRCLIP	1	1	1	1	
9	5MW-12422-00	COVER, HOUSING	1	1	1	1	
10	5XF-12428-00	GASKET, HOUSING COVER 2	1	1	1	1	
11	93604-10011	PIN, DOWEL	2	2	2	2	
12	90430-06014	GASKET	1	1	1	1	
13	95027-06025	BOLT, FLANGE	2	2	2	2	
14	95027-06065	BOLT, FLANGE	2	2	2	2	

**B6**

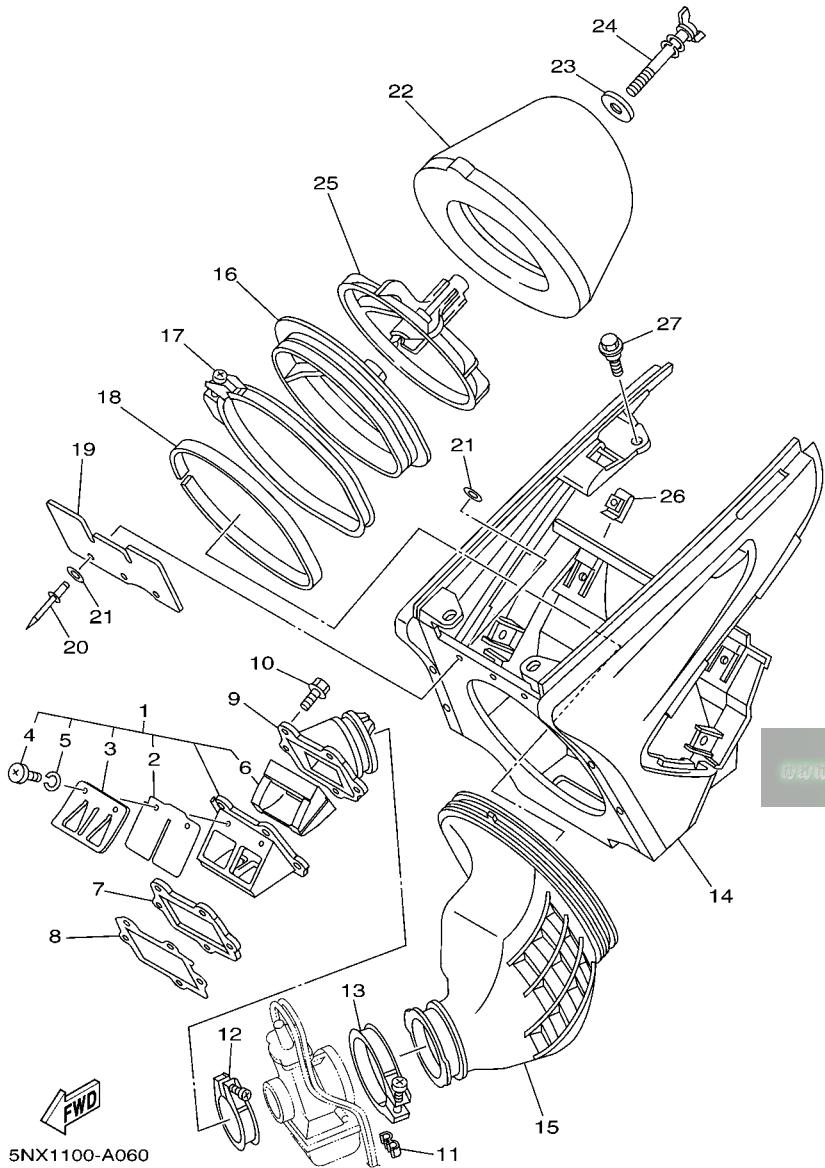
FIG. 5 RADIATOR & HOSE



www.legends-gamaha-enduros.com

REF. NO.	PART NO.	DESCRIPTION	5XF1	5XF2	5XF3	5XF4	REMARKS
1	5NX-1240A-00	RADIATOR ASSY	1	1	1	1	
2	91A20-05065	TUBE, FLEXIBLE VINYL	1	1	1	1	
3	90467-09006	CLIP	1	1	1	1	
4	5NX-12461-00	RADIATOR ASSY	1	1	1	1	
5	5HD-12462-00	CAP, RADIATOR	1	1	1	1	
6	5CU-12481-10	PIPE 1	1	1	1	1	
7	5NY-12482-00	PIPE 2	2	2	2	2	
8	5XF-12484-00	PIPE 4	1	1	1	1	
9	90450-28014	HOSE CLAMP ASSY	4	4	4	4	
10	90450-25037	HOSE CLAMP ASSY	4	4	4	4	
11	90480-15528	GROMMET	6	6	6	6	
12	90387-06065	COLLAR	6	6	6	6	
13	95027-06025	BOLT, FLANGE	6	6	6	6	
14	90201-06571	WASHER, PLATE	6	6	6	6	
15	95827-06010	BOLT, FLANGE	2	2	2	2	

FWD  
5XF1100-C050

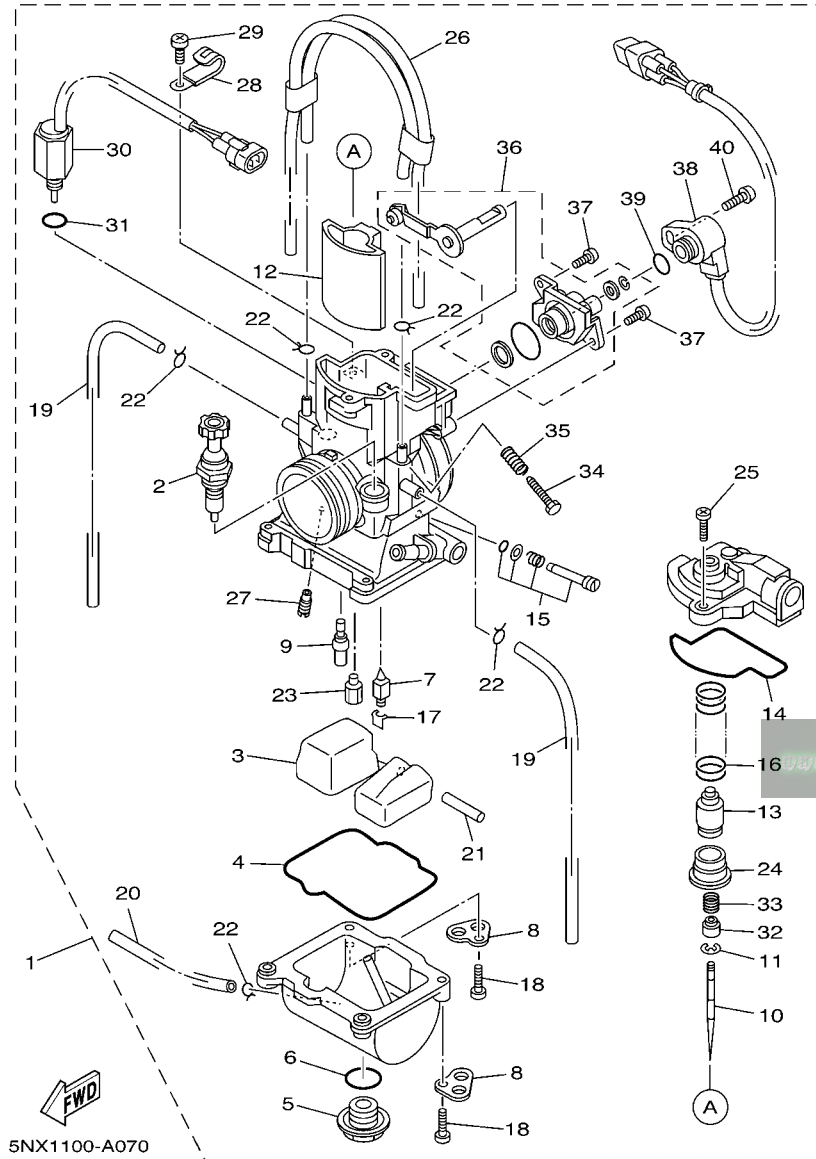


5NX1100-A060

FIG. 6 INTAKE

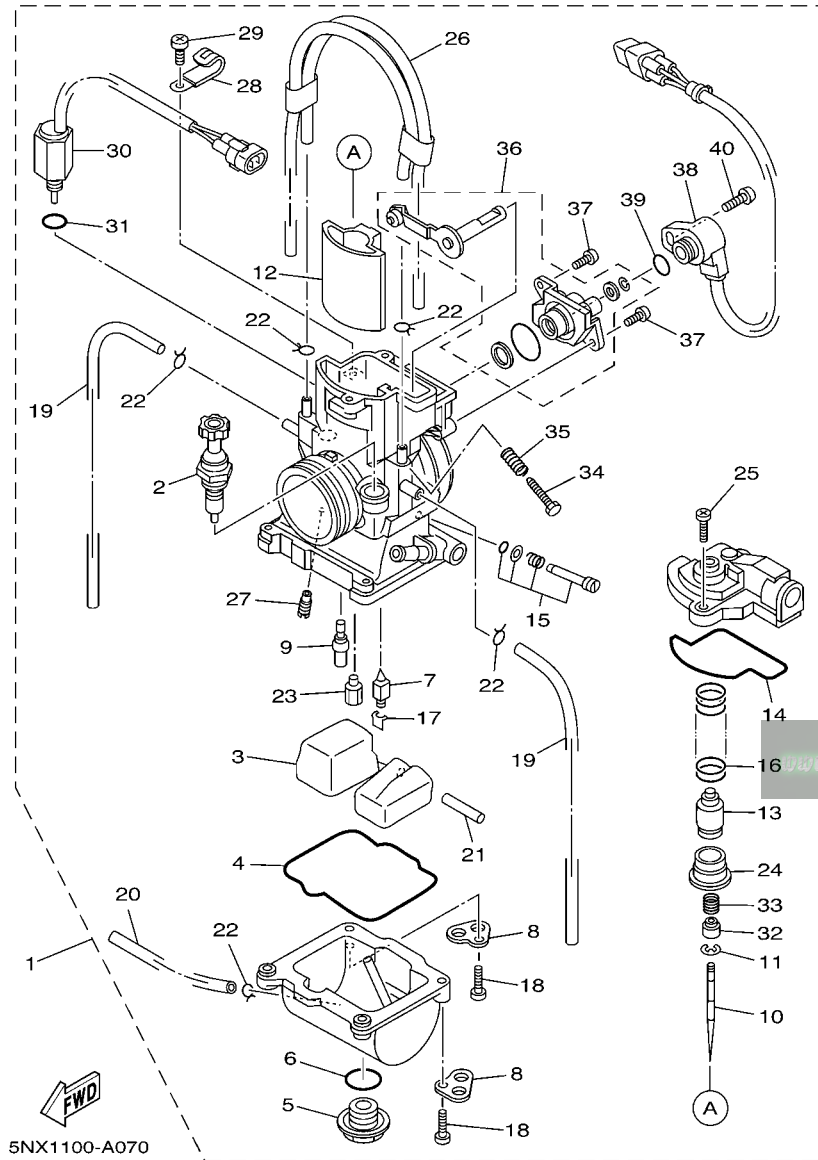
REF. NO.	PART NO.	DESCRIPTION	5XF1	5XF2	5XF3	5XF4	REMARKS
1	5NX-13610-00	REED VALVE ASSY	1	1	1	1	
2	5NX-13613-00	.REED, VALVE	2	2	2	2	
3	4XL-13616-00	.STOPPER, REED VALVE	2	2	2	2	
4	98507-03008	.SCREW, PAN HEAD	4	4	4	4	
5	92907-03100	.WASHER, SPRING	4	4	4	4	
6	4XL-13625-00	.SPACER, REED VALVE	1	1	1	1	
7	5NX-13624-00	PLATE, REED VALVE	1	1	1	1	
8	5XF-13622-00	GASKET, VALVE SEAT	1	1	1	1	
9	5NX-13565-00	JOINT, CARBURETOR	1	1	1	1	
10	91317-06025	BOLT	5	5	5	5	
11	90464-06214	CLAMP	2	2	2	2	
12	90450-51070	HOSE CLAMP ASSY	1	1	1	1	
13	90450-70072	HOSE CLAMP ASSY	1	1	1	1	
14	5NY-14401-01	AIR CLEANER CASE ASSY	1	1	1	1	
15	5NX-14453-00	JOINT, AIR CLEANER 1	1	1	1	1	
16	5NY-14459-00	HOLDER, GUIDE	1	1	1	1	
17	5NY-14455-10	BAND	1	1	1	1	
18	5NY-14442-00	SPACER	1	1	1	1	
19	5NY-14417-00	COVER 1	1	1	1	1	
20	90267-32070	RIVET, BLIND	3	3	3	3	
21	90201-03313	WASHER, PLATE	6	6	6	6	
22	4XM-14451-00	ELEMENT, AIR CLEANER	1	1	1	1	
23	90209-06096	WASHER	1	1	1	1	
24	90122-06035	BOLT, WING	1	1	1	1	
25	3JD-14458-01	GUIDE	1	1	1	1	
26	90183-06023	NUT, SPRING	4	4	4	4	
27	90109-067F4	BOLT	4	4	4	4	

FIG. 7 CARBURETOR



5NX1100-A070

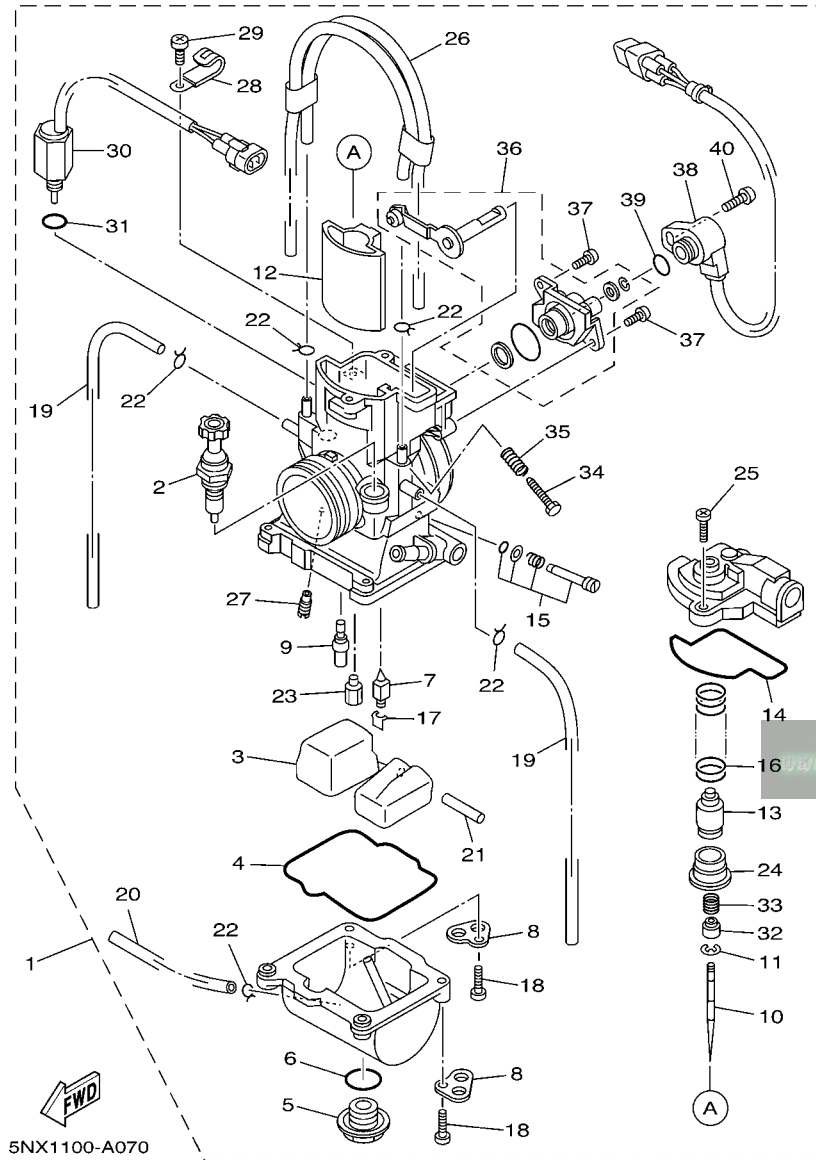
REF. NO.	PART NO.	DESCRIPTION	5XF1	5XF2	5XF3	5XF4	REMARKS
1	5NX-14101-00	CARBURETOR ASSY 1	1			1	
2	4JT-14171-00	.PLUNGER, STARTER	1	1	1	1	
3	4SR-14985-00	.FLOAT	1	1	1	1	
4	4JT-14984-00	.GASKET, FLOAT CHAMBER	1	1	1	1	
5	4MX-14115-00	.PLUG, SCREW	1	1	1	1	
6	4MX-14561-00	.O-RING	1	1	1	1	
7	4MX-14392-00	.VALVE, NEEDLE	1	1	1	1	
8	4XL-14146-00	.PLATE	2	2	2	2	
9	4MX-14948-07	.JET, SLOW (#50)	1		1	1	STD
	4MX-14948-02	.JET, SLOW (#38)	1	1	1	1	AP
	4MX-14948-03	.JET, SLOW (#40)	1	1	1	1	AP
	4MX-14948-04	.JET, SLOW (#42)	1	1	1	1	AP
	4MX-14948-05	.JET, SLOW (#45)	1	1	1	1	AP
	4MX-14948-06	.JET, SLOW (#48)	1	1	1	1	AP
	4MX-14948-08	.JET, SLOW (#52)	1		1	1	AP
	4MX-14948-09	.JET, SLOW (#55)	1	1	1	1	AP
	4MX-14948-10	.JET, SLOW (#58)	1	1	1	1	AP
	4MX-14948-11	.JET, SLOW (#60)	1	1	1	1	AP
	4MX-14948-12	.JET, SLOW (#62)	1	1	1	1	AP
10	4SR-14916-EJ	.NEEDLE (N3EJ)	1			1	STD
	4SR-14916-CK	.NEEDLE (N3CK)	1			1	AP
	4SR-14916-EW	.NEEDLE (N3EW)	1			1	AP



5NX1100-A070

FIG. 7 CARBURETOR

REF. NO.	PART NO.	DESCRIPTION	5XF1	5XF2	5XF3	5XF4	REMARKS
10	4SR-14916-EK	.NEEDLE (N3EK)	1			1	AP
	4SR-14916-RJ	.NEEDLE (N8RJ)	1			1	AP
	4SR-14916-CJ	.NEEDLE (N3CJ)	1	1	1	1	AP
	4SR-14916-RW	.NEEDLE (N8RW)	1	1	1	1	AP
11	4MX-14919-00	.CLIP	1	1	1	1	
12	5HC-14340-A7	.VALVE ASSY	1	1	1	1	
13	5HC-14261-00	.HOLDER	1	1	1	1	
14	5HC-14126-00	.GASKET	1	1	1	1	
15	4SR-14105-00	.PILOT SCREW SET	1	1	1	1	
16	5HC-14131-00	.SPRING, THROTTLE VALVE	1	1	1	1	
17	663-14159-00	.CLIP	1	1	1	1	
18	98502-04014	.SCREW, PAN HEAD	4	4	4	4	
19	4XL-14197-10	.PIPE	2	2	2	2	
20	4XL-14196-10	.PIPE	1	1	1	1	
21	676-14548-00	.PIN, FLOAT ARM	1	1	1	1	
22	3TJ-14137-40	.CLIP	5	5	5	5	
23	4MX-14943-93	.JET, MAIN (#178)	1		1	1	STD
	4MX-14943-90	.JET, MAIN (#162)	1	1	1	1	AP
	4MX-14943-40	.JET, MAIN (#165)	1	1	1	1	AP
	4MX-14943-91	.JET, MAIN (#168)	1	1	1	1	AP
	4MX-14943-41	.JET, MAIN (#170)	1	1	1	1	AP
	4MX-14943-92	.JET, MAIN (#172)	1	1	1	1	AP



5NX1100-A070

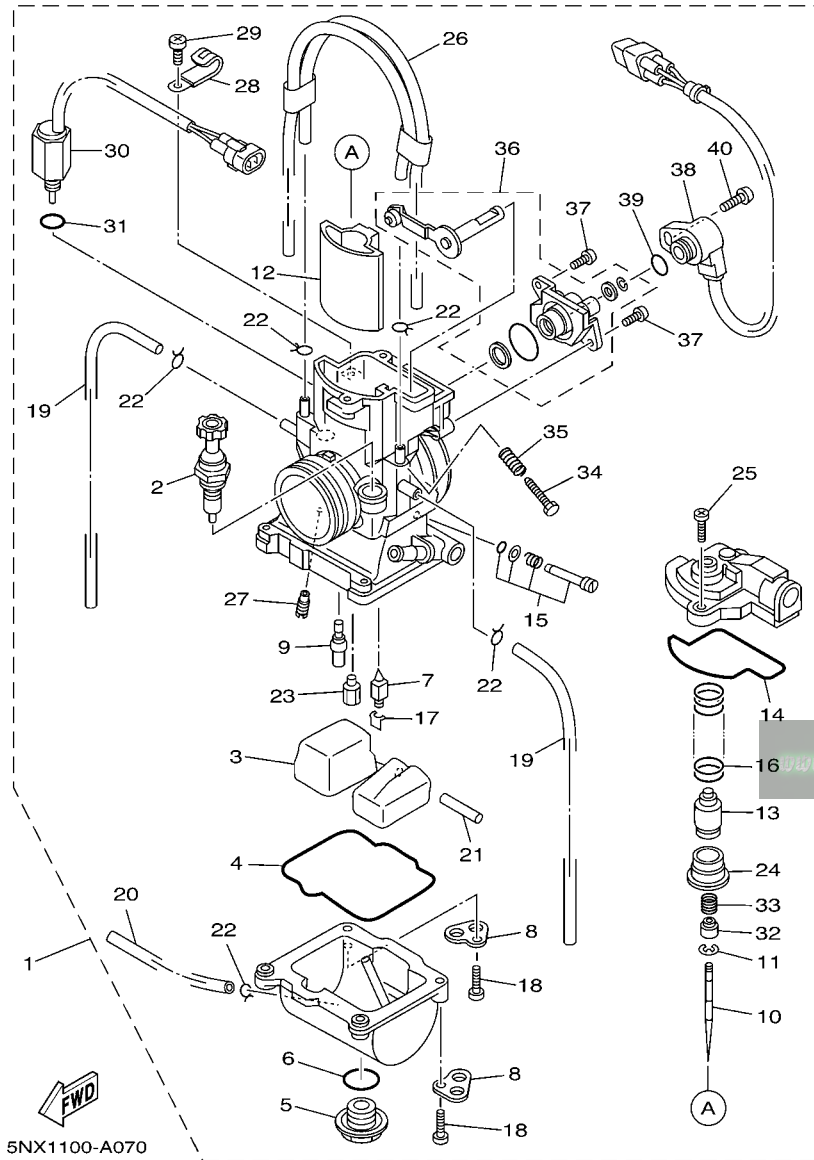


FIG. 7 CARBURETOR

REF. NO.	PART NO.	DESCRIPTION	5XF1	5XF2	5XF3	5XF4	REMARKS
23	4MX-14943-42	.JET, MAIN (#175)	1	1	1	1	AP
	4MX-14943-43	.JET, MAIN (#180)	1	1	1	1	AP
	4MX-14943-94	.JET, MAIN (#182)	1	1	1	1	AP
	4MX-14943-44	.JET, MAIN (#185)	1	1	1	1	AP
	4MX-14943-95	.JET, MAIN (#188)	1	1	1	1	AP
	4MX-14943-45	.JET, MAIN (#190)	1	1	1	1	AP
24	4MX-14194-00	.RING	1	1	1	1	
25	98502-04012	.SCREW, PAN HEAD	2	2	2	2	
26	4XL-1410E-00	.HOSE	1	1	1	1	
27	4JT-1494F-07	.JET (#50)	1	1	1	1	STD
	4JT-1494F-03	.JET (#40)	1	1	1	1	AP
	4JT-1494F-09	.JET (#55)	1	1	1	1	AP
	4JT-1494F-11	.JET (#60)	1	1	1	1	AP
	4JT-1494F-13	.JET (#65)	1	1	1	1	AP
	4JT-1494F-15	.JET (#70)	1	1	1	1	AP
28	5HC-14146-00	.PLATE	1	1	1	1	
29	98580-04006	.SCREW, PAN HEAD	1	1	1	1	
30	5NX-1410H-00	.FUEL CUT SOLENOID VALVE	1	1	1	1	
31	4JT-14147-00	.O-RING	1	1	1	1	
32	5HC-14264-00	.COLLAR	1	1	1	1	
33	5HC-14275-00	.SPRING	1	1	1	1	
34	5HC-14922-00	.SCREW, THROTTLE	1	1	1	1	
35	5HC-14934-00	.SPRING, THROTTLE STOP	1	1	1	1	
36	5NX-14208-00	.LEVER COMP. 1	1	1	1	1	
37	5HC-14216-00	.SCREW	2	2	2	2	
38	5NX-85885-00	.THROTTLE SENSOR ASSY	1	1	1	1	



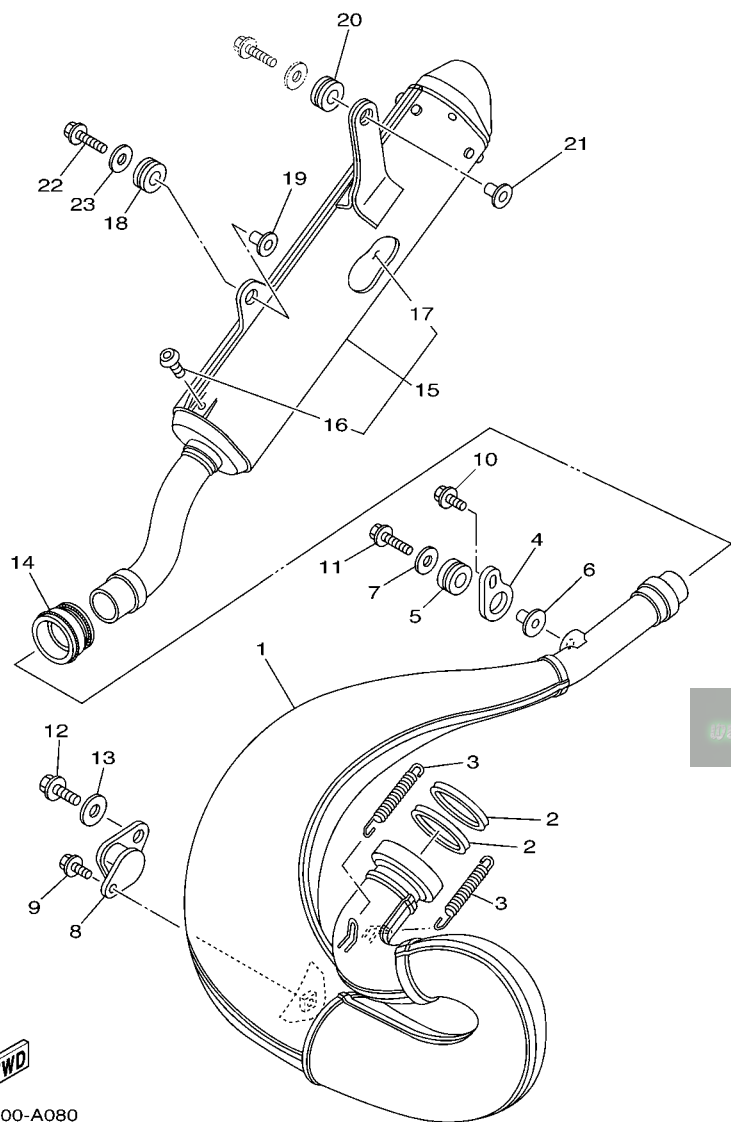
FIG. 7 CARBURETOR



5NX1100-A070

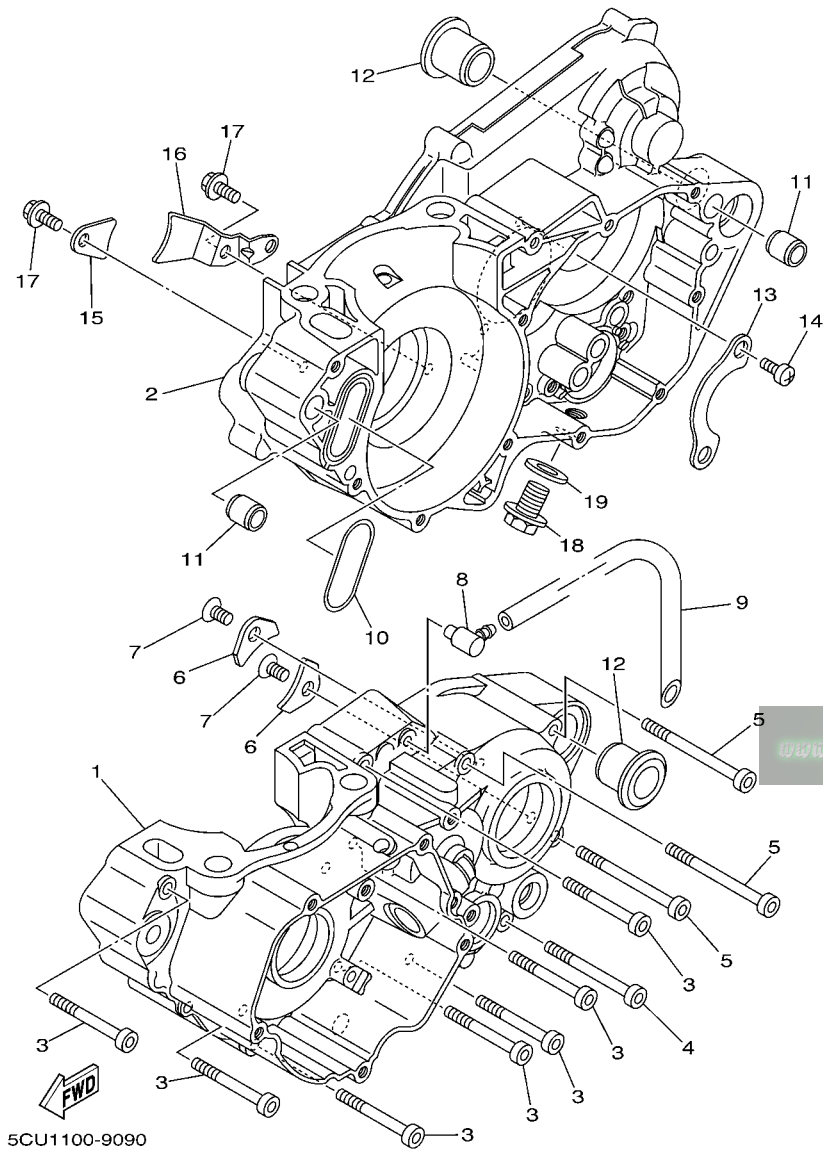
REF. NO.	PART NO.	DESCRIPTION	5XF1	5XF2	5XF3	5XF4	REMARKS
39	5NX-14562-00	.O-RING	1	1	1	1	
40	5NX-14216-00	.SCREW	1	1	1	1	

FIG. 8 EXHAUST



**FWD**  
5NX1100-A080

REF. NO.	PART NO.	DESCRIPTION	5XF1	5XF2	5XF3	5XF4	REMARKS
1	5MW-14610-10	EXHAUST PIPE ASSY 1	1		1	1	
2	5MW-14642-00	SEAL, EXHAUST	2	2	2	2	
3	90507-20052	SPRING, TENSION	2	2	2	2	
4	5CU-14771-00	STAY, MUFFLER 1	1	1	1	1	
5	90480-16561	GROMMET	1	1	1	1	
6	90387-063G3	COLLAR	1	1	1	1	
7	90201-06071	WASHER, PLATE	1	1	1	1	
8	5XF-14781-00	STAY, MUFFLER 2	1	1	1	1	
9	90119-06192	BOLT, WITH WASHER	1	1	1	1	
10	90119-06192	BOLT, WITH WASHER	1	1	1	1	
11	95027-06025	BOLT, FLANGE	1	1	1	1	
12	95027-08012	BOLT, FLANGE	1	1	1	1	
13	90201-08730	WASHER, PLATE	1	1	1	1	
14	3JE-14615-01	JOINT, EXHAUST 1	1	1	1	1	
15	5NX-14753-00	SILENCER, EXHAUST	1	1	1	1	
16	92017-06010	.BOLT, BUTTON HEAD	2	2	2	2	
17	5CU-1469A-00	.FIBER	1	1	1	1	
18	90480-16561	GROMMET	1	1	1	1	
19	90387-063G3	COLLAR	1	1	1	1	
20	90480-16404	GROMMET	1	1	1	1	
21	90387-06039	COLLAR	1	1	1	1	
22	95027-06025	BOLT, FLANGE	1	1	1	1	
23	90201-06071	WASHER, PLATE	1	1	1	1	

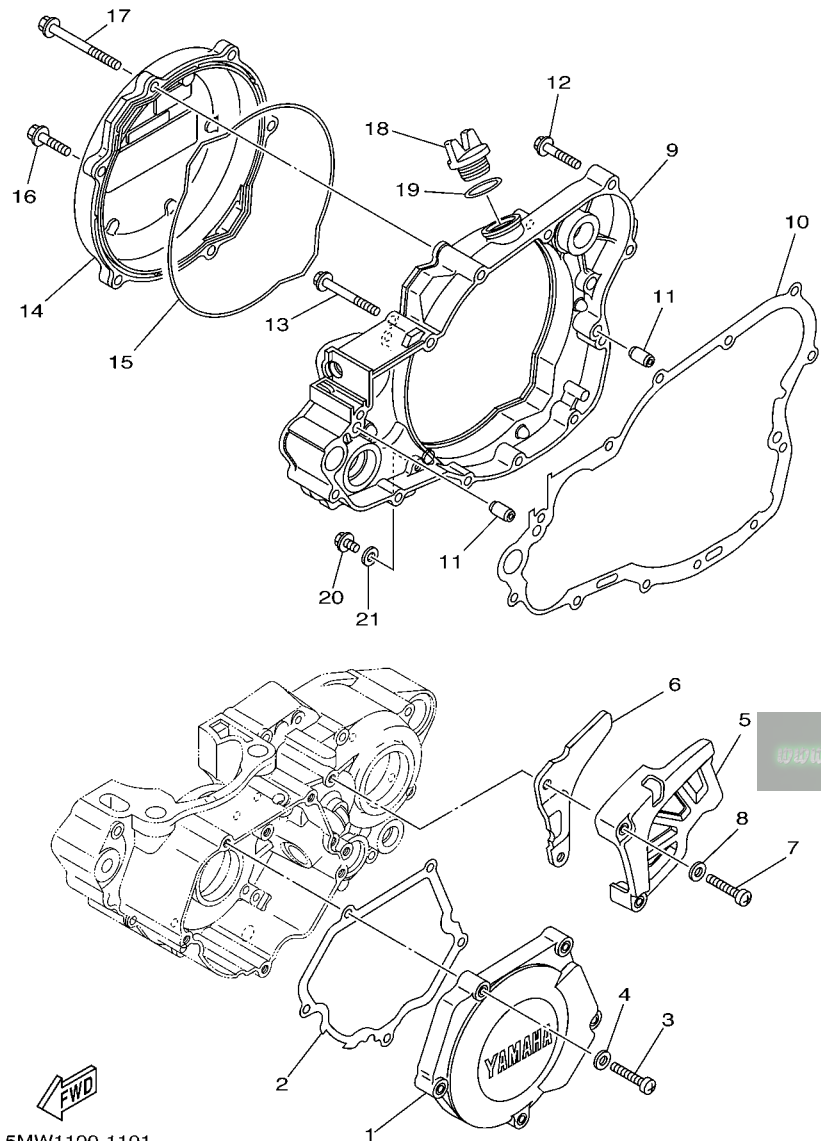


5CU1100-9090

FIG. 9 CRANKCASE

REF. NO.	PART NO.	DESCRIPTION	5XF1	5XF2	5XF3	5XF4	REMARKS
1	5NX-15111-00	CRANKCASE 1	1	1	1	1	
2	5NX-15121-00	CRANKCASE 2	1	1	1	1	
3	91317-06050	BOLT	7	7	7	7	
4	91317-06060	BOLT	1	1	1	1	
5	91317-06070	BOLT	3	3	3	3	
6	4JT-15381-01	PLATE, BEARING COVER	2	2	2	2	
7	90149-06326	SCREW	2	2	2	2	
8	353-13115-01	CONNECTOR, SUCTION PIPE	1	1	1	1	
9	90445-08376	HOSE (L330)	1	1	1	1	
10	5CU-15454-00	GASKET, AIR CLEANER COVER 1	1	1	1	1	
11	93612-16254	PIN, DOWEL	2	2	2	2	
12	90387-18007	COLLAR	2	2	2	2	
13	4L0-17471-00	PLATE, COVER	1	1	1	1	
14	90157-06077	SCREW, PAN HEAD	2	2	2	2	
15	4V4-15118-00	HOLDER	1	1	1	1	
16	5CU-15118-00	HOLDER	1	1	1	1	
17	90105-06556	BOLT, FLANGE	2	2	2	2	
18	90340-12059	PLUG, STRAIGHT SCREW	1	1	1	1	
19	90430-12227	GASKET	1	1	1	1	

FIG. 10 CRANKCASE COVER 1



5MW1100-1101

REF. NO.	PART NO.	DESCRIPTION	5XF1	5XF2	5XF3	5XF4	REMARKS
1	5CU-15411-00	COVER, CRANKCASE 1	1	1	1	1	
2	5CU-15451-00	GASKET, CRANKCASE COVER 1	1	1	1	1	
3	98507-06030	SCREW, PAN HEAD	5	5	5	5	
4	92907-06600	WASHER, PLATE	5	5	5	5	
5	5CU-15421-00	COVER, CRANKCASE 2	1	1	1	1	
6	5HC-17466-00	GUIDE, CHAIN	1	1	1	1	
7	98507-06035	SCREW, PAN HEAD	2	2	2	2	
8	92907-06600	WASHER, PLATE	2	2	2	2	
9	5NX-15431-00	COVER, CRANKCASE 3	1	1	1	1	
10	5CU-15462-00	GASKET, CRANKCASE COVER 3	1	1	1	1	
11	99530-08016	PIN, DOWEL	2	2	2	2	
12	95027-06030	BOLT, FLANGE	8	8	8	8	
13	95027-06050	BOLT, FLANGE	1	1	1	1	
14	5MW-15415-00	COVER, GENERATOR	1	1	1	1	
15	5CU-15463-00	GASKET, CARBURETOR COVER 2	1	1	1	1	
16	95027-06025	BOLT, FLANGE	5	5	5	5	
17	95027-06065	BOLT, FLANGE	1	1	1	1	
18	3Y1-15363-00	PLUG, OIL	1	1	1	1	
19	93210-19123	O-RING	1	1	1	1	
20	95027-06010	BOLT, FLANGE	1	1	1	1	
21	90430-06014	GASKET	1	1	1	1	

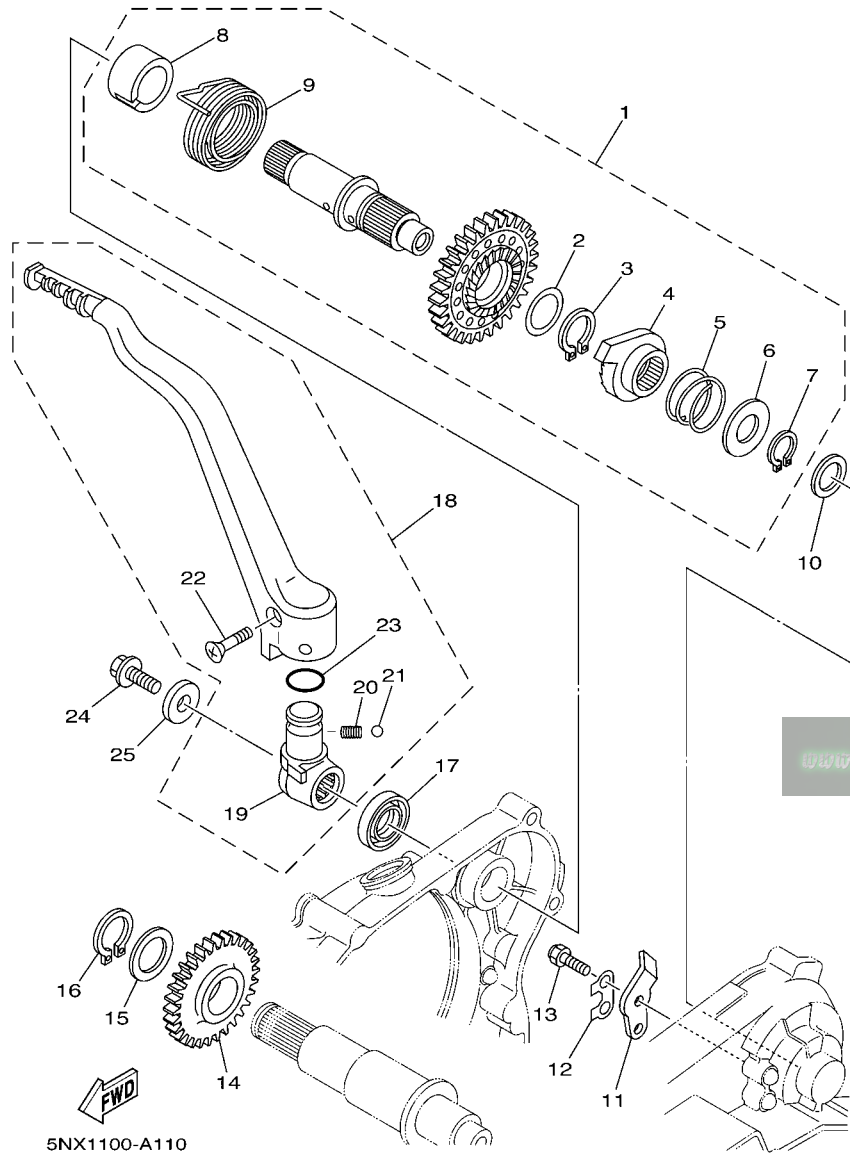
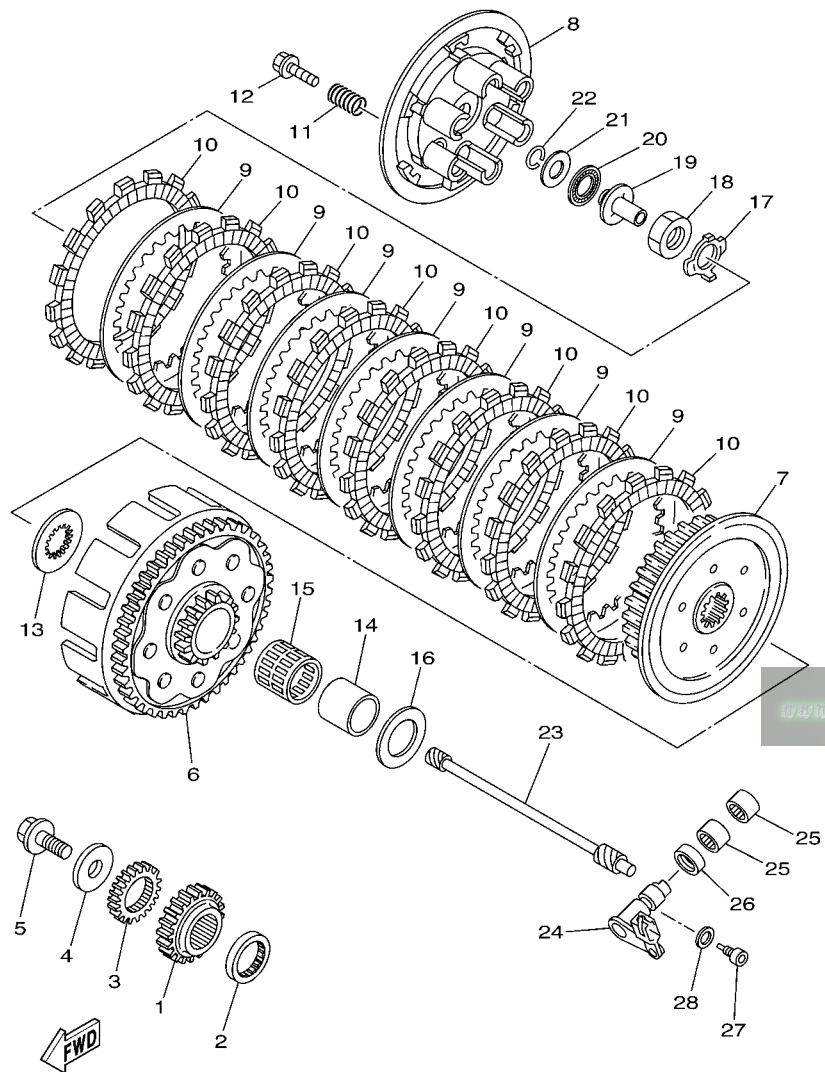


FIG. 11 STARTER

REF. NO.	PART NO.	DESCRIPTION	5XF1	5XF2	5XF3	5XF4	REMARKS
1	5NX-15601-10	KICK SHAFT ASSY	1	1	1	1	
2	90201-20685	.WASHER, PLATE (T=0.5)	1	1	1	1	
3	93410-20038	.CIRCLIP	1	1	1	1	
4	4GY-15671-00	.WHEEL, RATCHET	1	1	1	1	
5	90501-16016	.SPRING, COMPRESSION	1	1	1	1	
6	90201-167P7	.WASHER, PLATE	1	1	1	1	
7	99009-16400	.CIRCLIP	1	1	1	1	
8	5NL-15664-00	.GUIDE, SPRING	1	1	1	1	
9	90508-30743	.SPRING, TORSION	1	1	1	1	
10	90201-162H4	WASHER, PLATE	1	1	1	1	
11	214-15674-00	GUIDE, RATCHET WHEEL	1	1	1	1	
12	214-15686-00	WASHER, LOCK	1	1	1	1	
13	97027-06016	BOLT	2	2	2	2	
14	5CU-15651-00	GEAR, KICK IDLE	1	1	1	1	
15	90201-20276	WASHER, PLATE (T=1.0)	1	1	1	1	
16	99009-20400	CIRCLIP	1	1	1	1	
17	93102-18278	OIL SEAL	1	1	1	1	
18	5NX-15620-10	KICK CRANK ASSY	1	1	1	1	
19	5NX-15621-10	.BOSS, KICK CRANK	1	1	1	1	
20	90501-147A5	.SPRING, COMPRESSION	1	1	1	1	
21	93507-32009	.BALL	1	1	1	1	
22	90152-06010	.SCREW, COUNTERSUNK	1	1	1	1	
23	93210-17570	.O-RING	1	1	1	1	
24	90109-085E2	BOLT	1	1	1	1	
25	90201-08326	WASHER, PLATE	1	1	1	1	

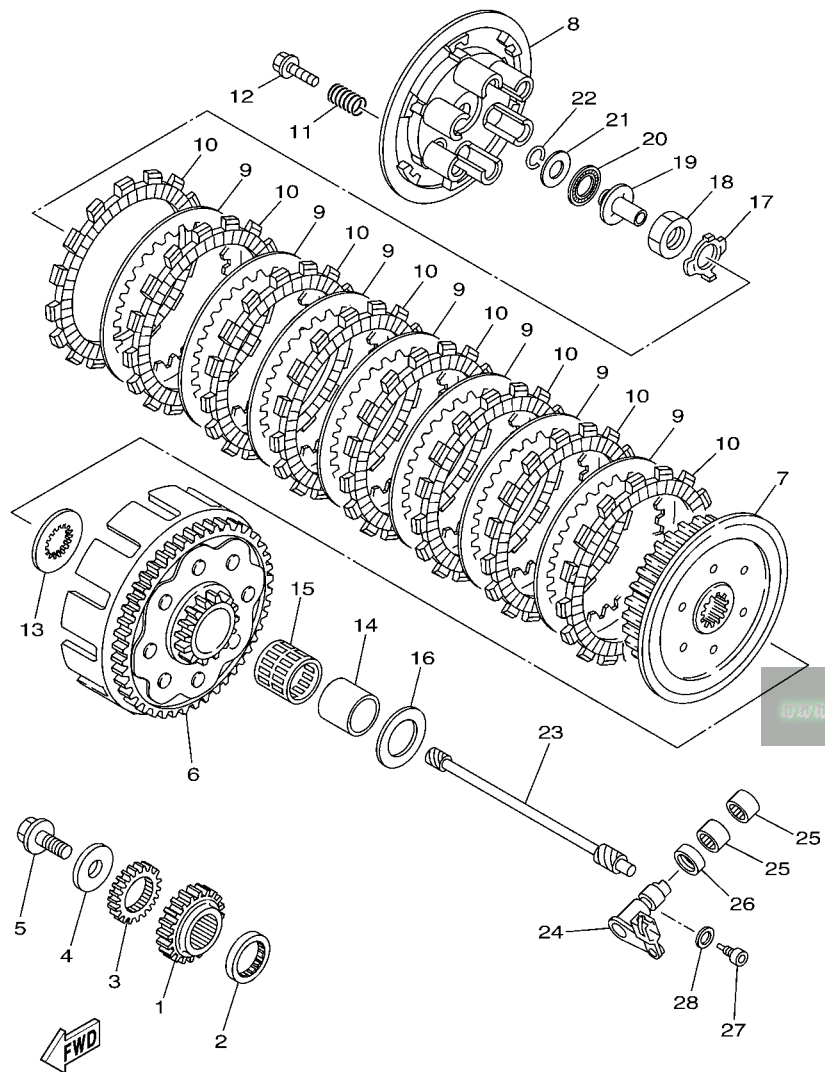
FIG. 12 CLUTCH



5NX1100-A120

REF. NO.	PART NO.	DESCRIPTION	5XF1	5XF2	5XF3	5XF4	REMARKS
1	5DJ-16111-00	GEAR, PRIMARY DRIVE	1	1	1	1	
2	5MW-16113-00	WASHER, THRUST 1	1	1	1	1	
3	5CU-11956-00	GEAR, GOVERNOR DRIVE	1	1	1	1	
4	90201-105P3	WASHER, PLATE	1	1	1	1	
5	90105-10445	BOLT, FLANGE	1	1	1	1	
6	5DJ-16150-00	PRIMARY DRIVEN GEAR COMP.	1	1	1	1	
7	5NX-16371-00	BOSS, CLUTCH	1	1	1	1	
8	5JG-16351-00	PLATE, PRESSURE 1	1	1	1	1	
9	4X7-16325-00	PLATE, CLUTCH 2	7	7	7	7	
10	3XK-16321-00	PLATE, FRICTION	8	8	8	8	
11	90501-237L0	SPRING, COMPRESSION	6	6	6	6	
12	90159-06010	SCREW, WITH WASHER	6	6	6	6	
13	5CU-16154-00	PLATE, THRUST 1	1	1	1	1	
14	2VM-16181-00	SPACER 1	1	1	1	1	
15	93310-230T7	BEARING	1	1	1	1	
16	2K7-16154-00	PLATE, THRUST 1	1	1	1	1	
17	90215-20231	WASHER, LOCK	1	1	1	1	
18	90170-20255	NUT	1	1	1	1	
19	4XL-16356-00	ROD, PUSH 1	1	1	1	1	
20	93340-21505	BEARING	1	1	1	1	
21	90201-125L6	WASHER, PLATE	1	1	1	1	
22	93440-10085	CIRCLIP	1	1	1	1	
23	5CU-16357-10	ROD, PUSH 2	1	1	1	1	
24	5CU-16380-10	PUSH LEVER ASSY	1	1	1	1	
25	93315-11206	BEARING	2	2	2	2	
26	93102-12224	OIL SEAL	1	1	1	1	
27	90109-056G0	BOLT	1	1	1	1	

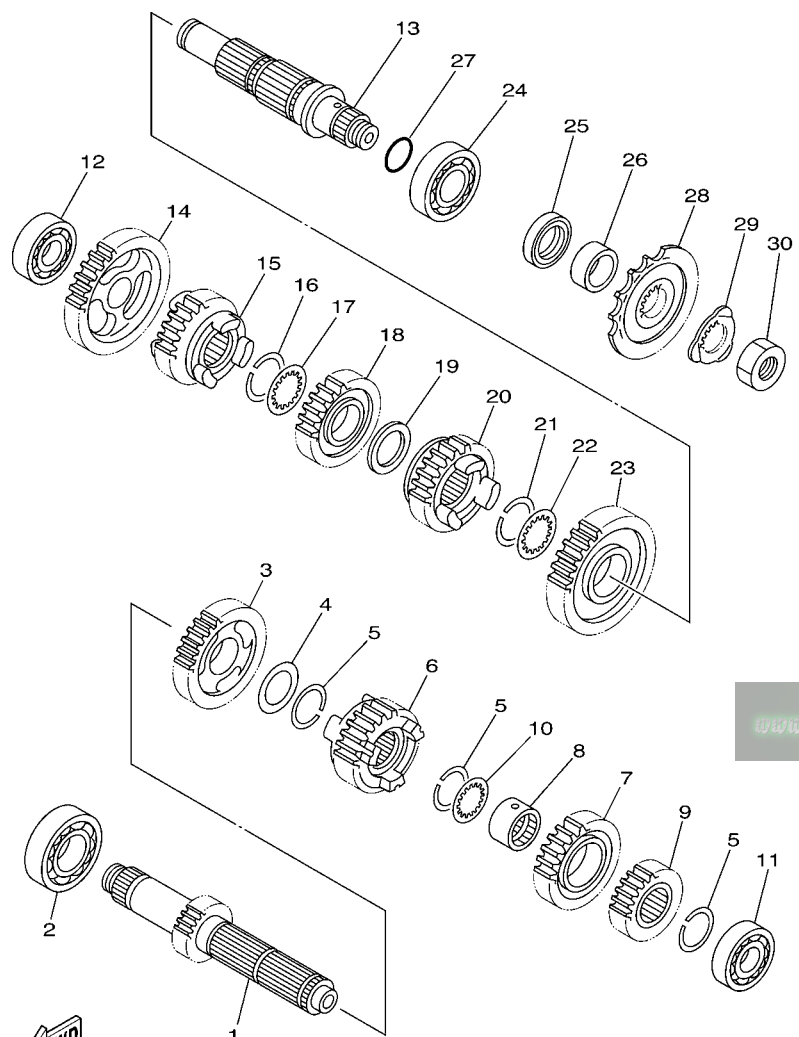
FIG. 12 CLUTCH



5NX1100-A120

REF. NO.	PART NO.	DESCRIPTION	5XF1	5XF2	5XF3	5XF4	REMARKS
28	90430-05242	GASKET	1	1	1	1	

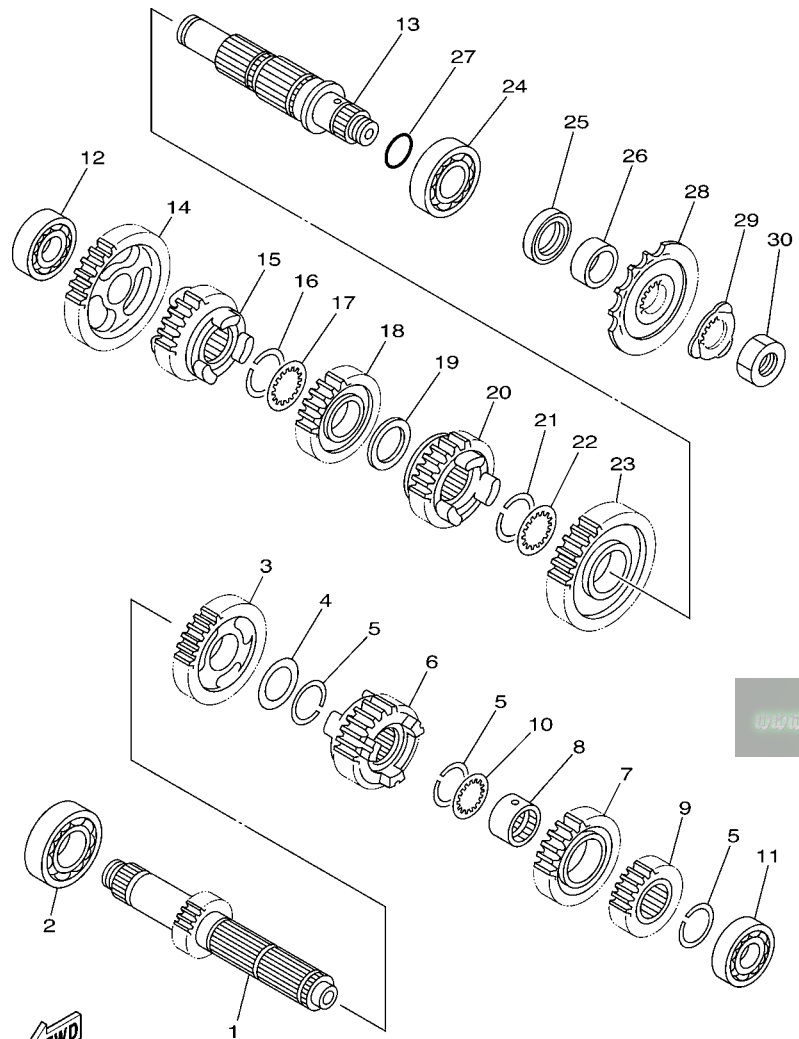
FIG. 13 TRANSMISSION



**FWD**  
5CU1100-9130

REF. NO.	PART NO.	DESCRIPTION	5XF1	5XF2	5XF3	5XF4	REMARKS
1	5BE-17411-00	AXLE, MAIN (14T)	1	1	1	1	
2	93306-20540	BEARING	1	1	1	1	
3	5BE-17151-00	GEAR, 5TH PINION (21T)	1	1	1	1	
4	90201-253K0	WASHER, PLATE (T=1.0)	1	1	1	1	
5	93440-25084	CIRCLIP	3	3	3	3	
6	5CU-17131-00	GEAR, 3RD PINION (18T)	1	1	1	1	
7	5BE-17141-30	GEAR, 4TH PINION (22T)	1	1	1	1	
8	90387-2113G	COLLAR	1	1	1	1	
9	5JG-17121-10	GEAR, 2ND PINION (15T)	1	1	1	1	
10	90209-21332	WASHER	1	1	1	1	
11	93306-00442	BEARING	1	1	1	1	
12	93306-00426	BEARING	1	1	1	1	
13	5BE-17402-00	DRIVE AXLE ASSY	1	1	1	1	
14	5BE-17211-00	GEAR, 1ST WHEEL (27T)	1	1	1	1	
15	5BE-17251-10	GEAR, 5TH WHEEL (20T)	1	1	1	1	
16	93440-25084	CIRCLIP	1	1	1	1	
17	90209-21332	WASHER	1	1	1	1	
18	5BE-17231-00	GEAR, 3RD WHEEL (23T)	1	1	1	1	
19	90201-253K0	WASHER, PLATE (T=1.0)	1	1	1	1	
20	5JG-17241-00	GEAR, 4TH WHEEL (24T)	1	1	1	1	
21	93440-28062	CIRCLIP	1	1	1	1	
22	90209-26348	WASHER	1	1	1	1	
23	5JG-17221-10	GEAR, 2ND WHEEL (23T)	1	1	1	1	
24	93306-20574	BEARING	1	1	1	1	
25	93102-32337	OIL SEAL	1	1	1	1	
26	90387-2515B	COLLAR	1	1	1	1	
27	93210-22298	O-RING	1	1	1	1	



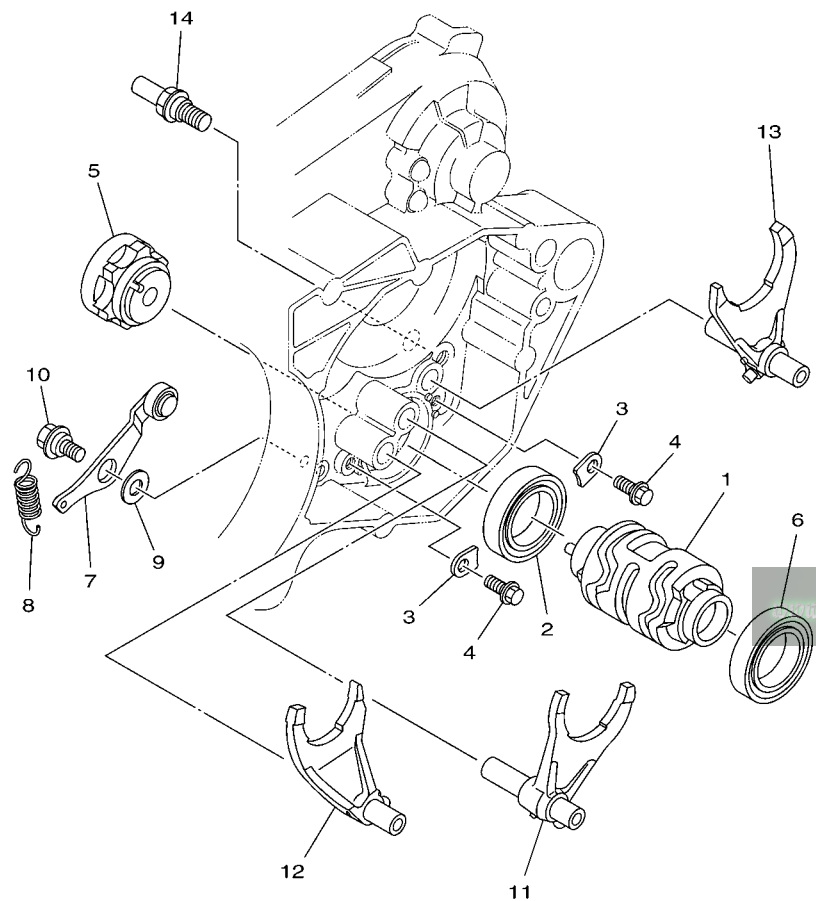


  
 5CU1100-9130

**FIG. 13 TRANSMISSION**

REF. NO.	PART NO.	DESCRIPTION	5XF1	5XF2	5XF3	5XF4	REMARKS
28	9383E-14215	SPROCKET, DRIVE (14T)	1	1	1	1	STD
	9383E-13144	SPROCKET,DRIVE (13T)	1	1	1	1	AP
29	90215-21256	WASHER, LOCK	1	1	1	1	
30	90179-20255	NUT	1	1	1	1	

FIG. 14 SHIFT CAM & FORK



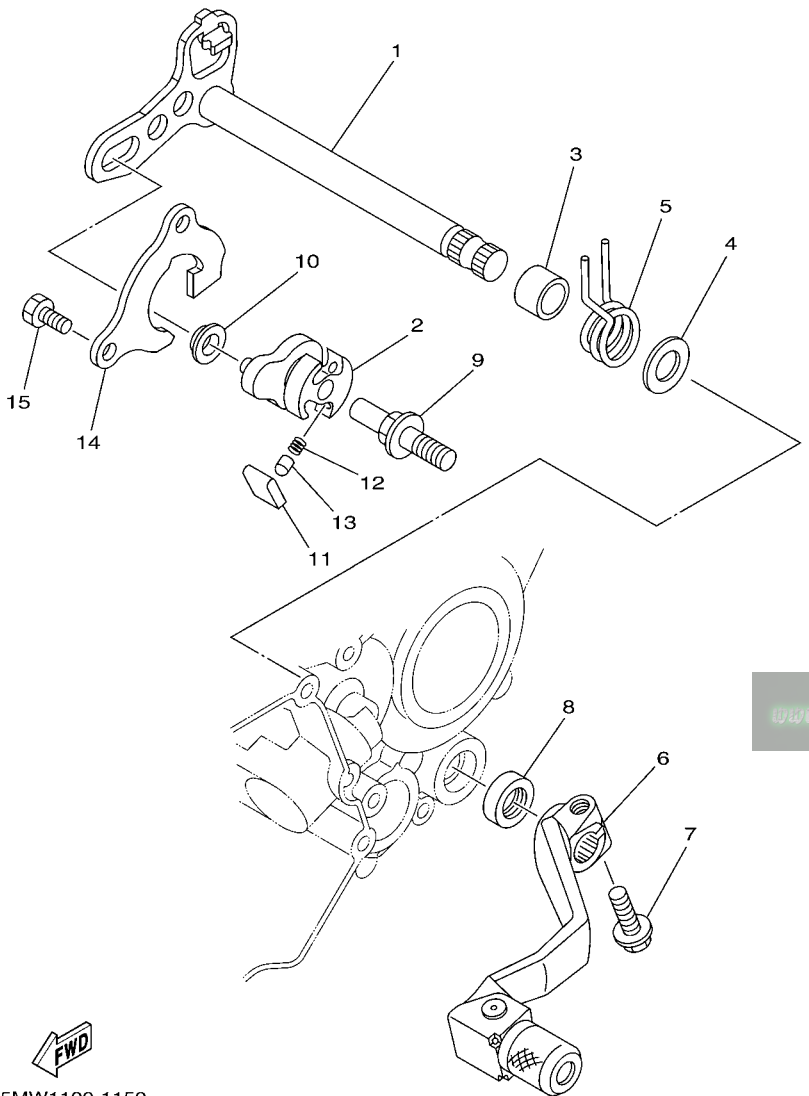
REF. NO.	PART NO.	DESCRIPTION	5XF1	5XF2	5XF3	5XF4	REMARKS
1	5MW-18541-00	CAM, SHIFT	1	1	1	1	
2	93306-90506	BEARING	1	1	1	1	
3	5DH-18562-00	PLATE, STOPPER 2	2	2	2	2	
4	90105-06553	BOLT, FLANGE	2	2	2	2	
5	4EW-18185-00	SEGMENT	1	1	1	1	
6	93306-90501	BEARING	1	1	1	1	
7	5CU-18140-01	STOPPER LEVER ASSY	1	1	1	1	
8	90507-14064	SPRING, TENSION	1	1	1	1	
9	90201-06013	WASHER, PLATE	1	1	1	1	
10	90109-066G1	BOLT	1	1	1	1	
11	5BE-18501-20	FORK, SHIFT 1	1	1	1	1	
12	5BE-18502-20	FORK, SHIFT 2	1	1	1	1	
13	5CU-18503-20	FORK, SHIFT 3	1	1	1	1	
14	4BR-18127-10	STOPPER, SCREW	1	1	1	1	

www.legends-gamoha-enduros.com



5MW1100-1140

FIG. 15 SHIFT SHAFT

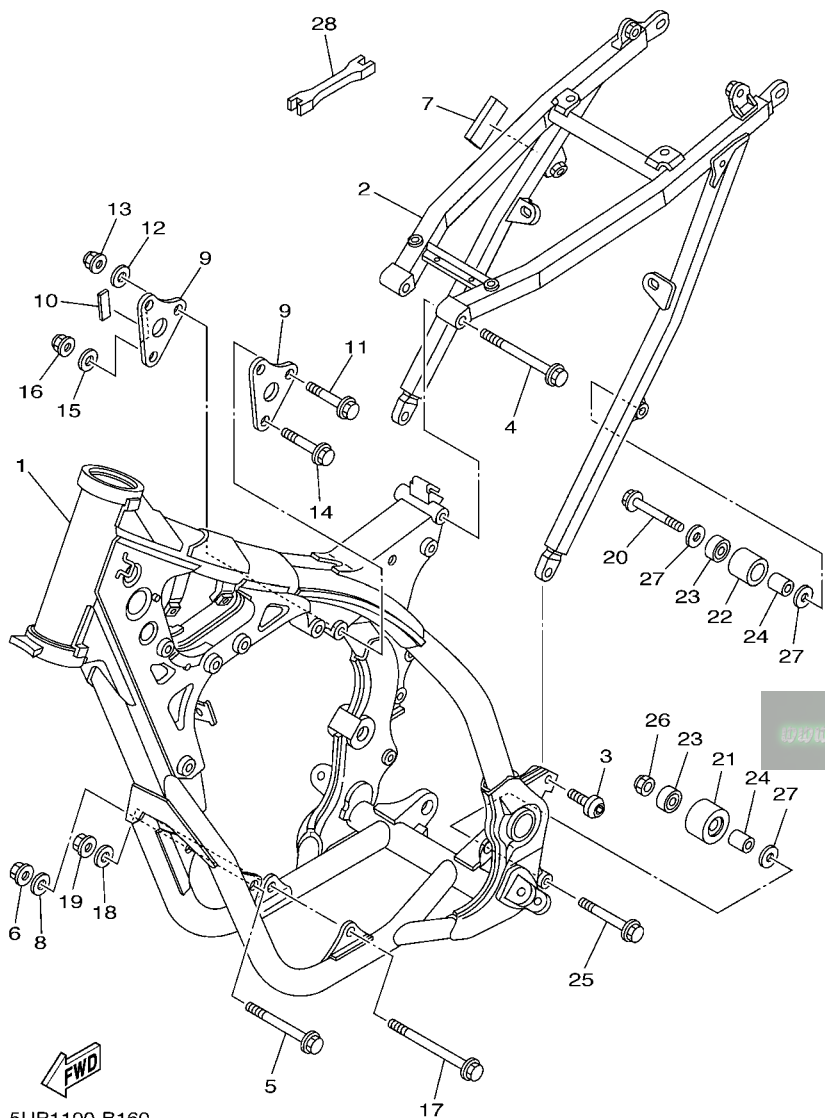


[www.legends-gamoha-enduros.com](http://www.legends-gamoha-enduros.com)

REF. NO.	PART NO.	DESCRIPTION	5XF1	5XF2	5XF3	5XF4	REMARKS
1	5CU-18101-10	SHIFT SHAFT ASSY	1	1	1	1	
2	5MW-18122-00	LEVER, SHIFT 2	1	1	1	1	
3	90387-124F4	COLLAR	1	1	1	1	
4	90201-12575	WASHER, PLATE	1	1	1	1	
5	90508-291A8	SPRING, TORSION	1	1	1	1	
6	5CU-18110-00	SHIFT PEDAL ASSY	1	1	1	1	
7	95027-06020	BOLT, FLANGE	1	1	1	1	
8	93102-12224	OIL SEAL	1	1	1	1	
9	3XJ-18173-00	PIN, SHIFT	1	1	1	1	
10	3XJ-18178-00	ROLLER, SHIFT LEVER	1	1	1	1	
11	3XJ-18182-00	PAWL, SHIFTER	2	2	2	2	
12	90501-052G5	SPRING, COMPRESSION	2	2	2	2	
13	3XJ-18184-00	PIN, PAWL	2	2	2	2	
14	5CU-18172-00	GUIDE, SHIFT	1	1	1	1	
15	90109-065G4	BOLT	2	2	2	2	

  
5MW1100-1150

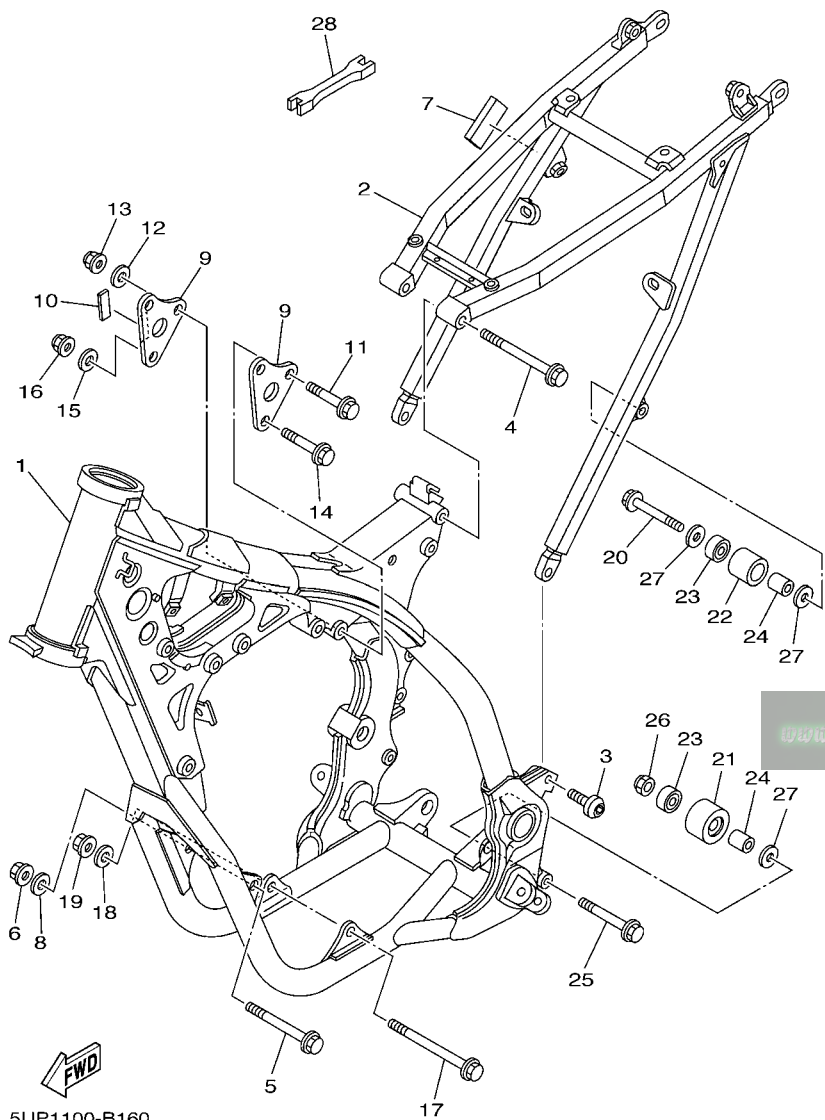
FIG. 16 FRAME



5UP1100-B160

REF. NO.	PART NO.	DESCRIPTION	5XF1	5XF2	5XF3	5XF4	REMARKS
1	5XF-21101-00	FRONT FRAME COMP.	1	1	1	1	
2	5XE-21190-00	REAR FRAME COMP.	1	1	1	1	
3	90111-08010	BOLT	2	2	2	2	
4	90105-08120	BOLT, FLANGE	1	1	1	1	
5	90105-10075	BOLT, FLANGE	1	1	1	1	
6	90179-10658	NUT	1	1	1	1	
7	5GJ-21717-00	DAMPER	1	1	1	1	
8	92907-10200	WASHER, PLAIN	1	1	1	1	
9	5NX-21425-00	BRACKET, REAR UPPER 1	2	2	2	2	
10	4GG-21488-00	DAMPER	1	1	1	1	
11	90105-08059	BOLT, FLANGE	2	2	2	2	
12	90201-08730	WASHER, PLATE	4	4	4	4	
13	90179-08674	NUT	2	2	2	2	
14	90105-10074	BOLT, FLANGE	1	1	1	1	
15	92907-10200	WASHER, PLAIN	1	1	1	1	
16	90179-10658	NUT	1	1	1	1	
17	90105-10072	BOLT, FLANGE	1	1	1	1	
18	92907-10200	WASHER, PLAIN	1	1	1	1	
19	90179-10658	NUT	1	1	1	1	
20	95027-08040	BOLT, FLANGE	1	1	1	1	
21	3JD-22178-10	TENSIONER	1	1	1	1	
22	4EW-22178-00	TENSIONER	1	1	1	1	
23	93300-60804	BEARING	2	2	2	2	
24	90387-086N4	COLLAR	2	2	2	2	
25	95027-08055	BOLT, FLANGE	1	1	1	1	
26	90185-08055	NUT, SELF-LOCKING	1	1	1	1	
27	90201-086P8	WASHER, PLATE	3	3	3	3	

FIG. 16 FRAME

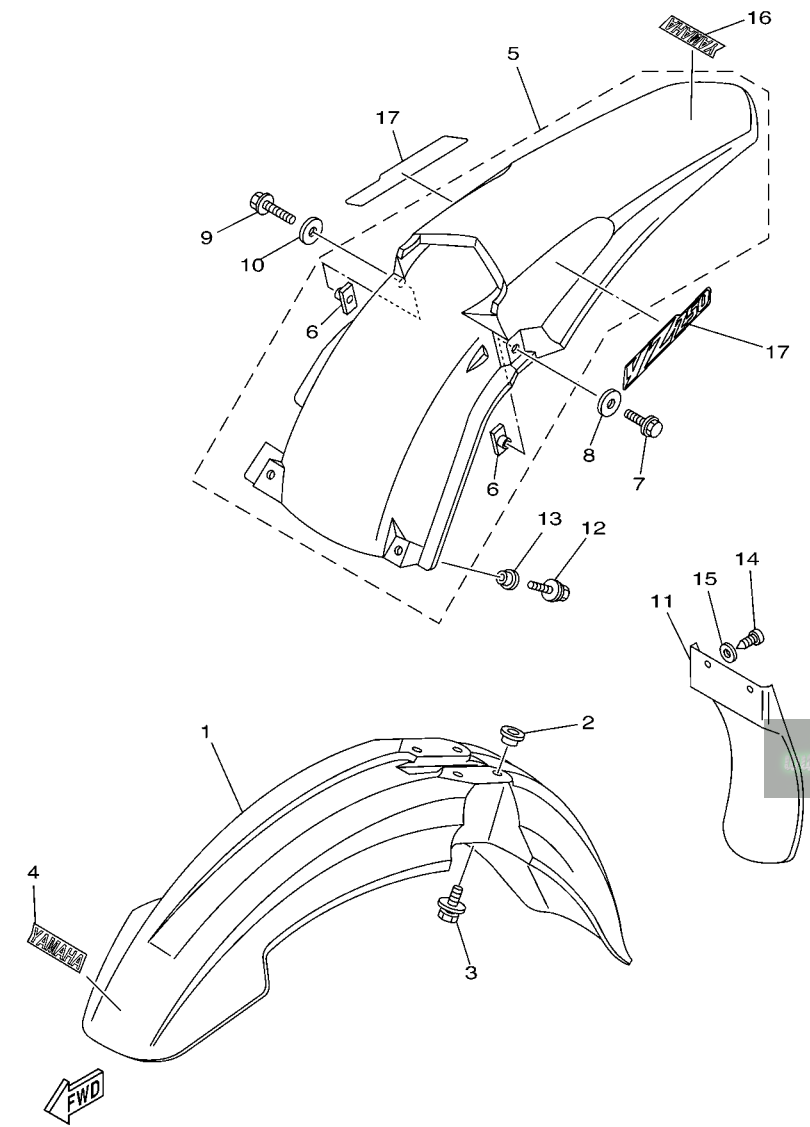


5UP1100-B160



REF. NO.	PART NO.	DESCRIPTION	5XF1	5XF2	5XF3	5XF4	REMARKS
28	5ET-28166-00	WRENCH, HEXAGON	1	1	1	1	

FIG. 17 FENDER

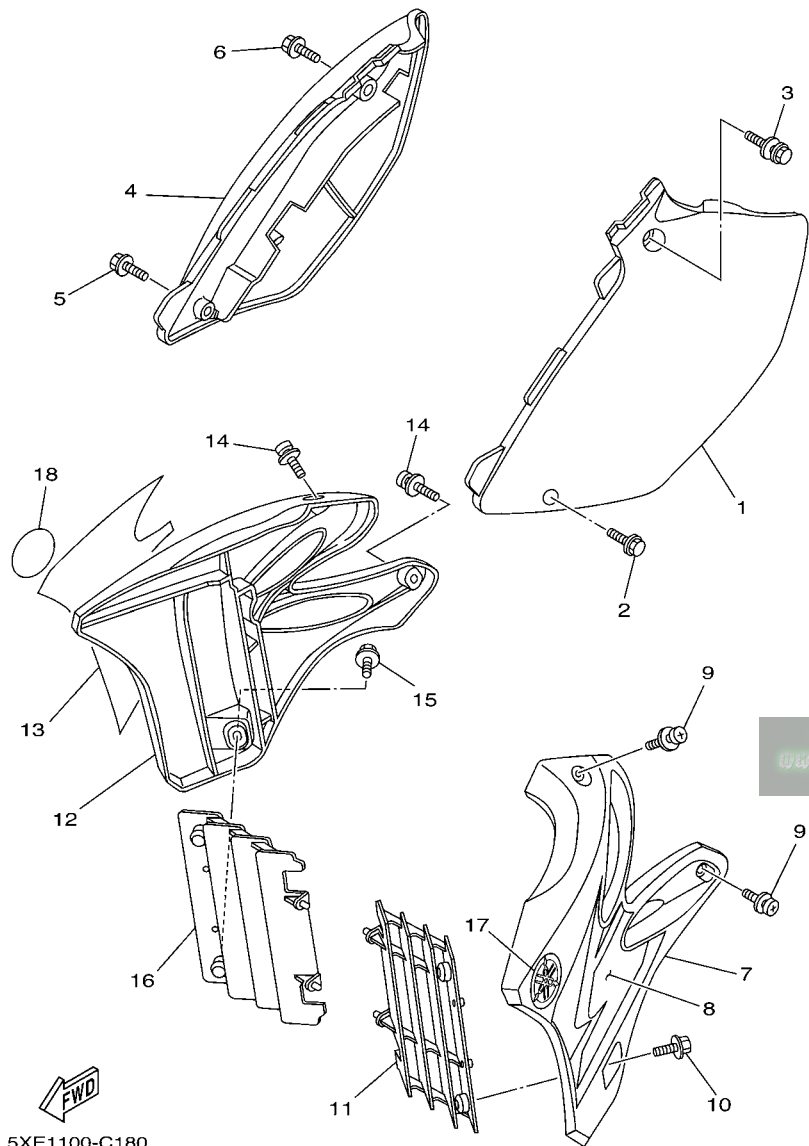


5XF1100-C170

REF. NO.	PART NO.	DESCRIPTION	5XF1	5XF2	5XF3	5XF4	REMARKS
1	5HD-21511-00	FENDER, FRONT	1	1	1	1	
2	3JD-21748-00	COLLAR	4	4	4	4	
3	90119-06096	BOLT, WITH WASHER	4	4	4	4	
4	4ES-2153E-01	EMBLEM, YAMAHA	1	1	1	1	
5	5XE-21610-00	REAR FENDER COMP.	1	1	1	1	
6	5XE-21635-00	.NUT, REAR FENDER	2	2	2	2	
7	90105-06045	BOLT, FLANGE	1	1	1	1	
8	90201-062A8	WASHER, PLATE	1	1	1	1	
9	90105-06046	BOLT, FLANGE	1	1	1	1	
10	90201-06071	WASHER, PLATE	1	1	1	1	
11	5TA-21642-00	GUARD, FLAP	1	1	1	1	
12	90119-06225	BOLT, WITH WASHER	2	2	2	2	
13	90387-06009	COLLAR	2	2	2	2	
14	97707-60016	SCREW, TAPPING	2	2	2	2	
15	90201-06557	WASHER, PLATE	2	2	2	2	
16	4ES-2153E-01	EMBLEM, YAMAHA	1	1	1	1	
17	5XF-2163G-00	EMBLEM 1	2	2	2	2	

C11

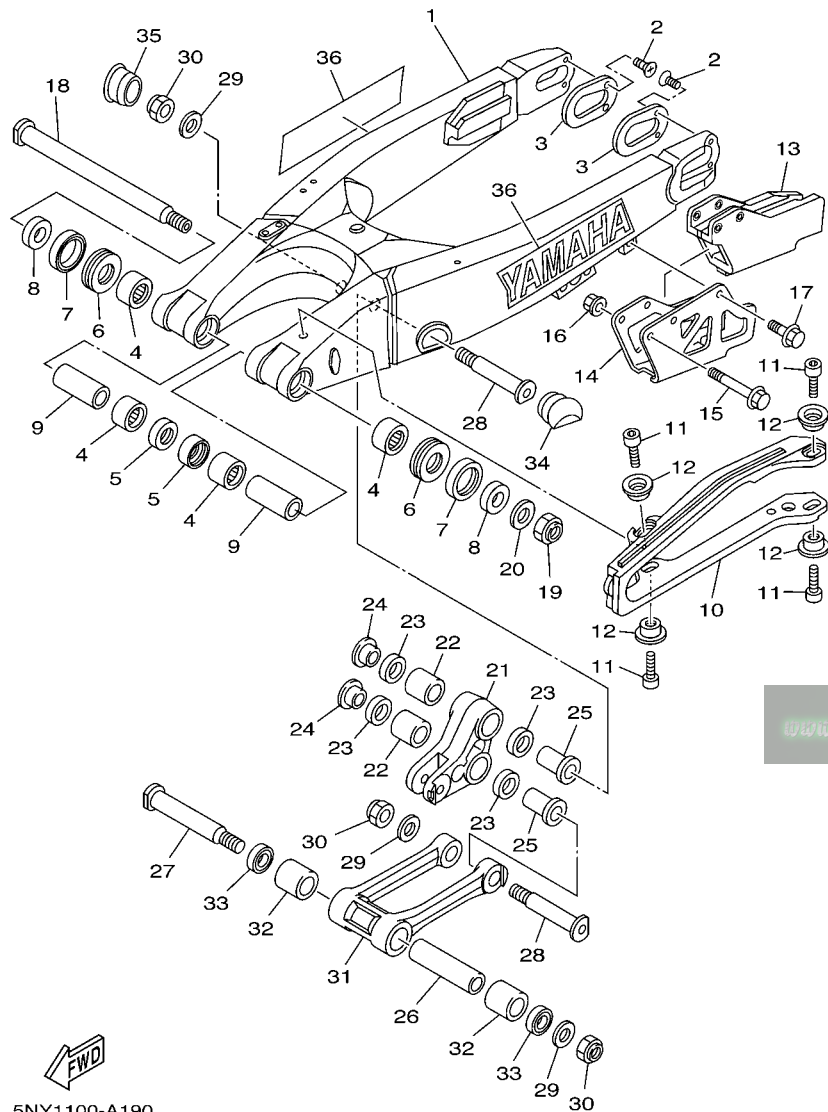
FIG. 18 SIDE COVER



  
5XE1100-C180

REF. NO.	PART NO.	DESCRIPTION	5XF1	5XF2	5XF3	5XF4	REMARKS
1	5NY-21711-00	COVER, SIDE 1	1	1	1	1	
2	95827-06016	BOLT, FLANGE	1	1	1	1	
3	90119-08238	BOLT, WITH WASHER	1	1	1	1	
4	5NY-21721-00	COVER, SIDE 2	1	1	1	1	
5	95827-06016	BOLT, FLANGE	1	1	1	1	
6	90119-08238	BOLT, WITH WASHER	1	1	1	1	
7	5XE-21730-00	SIDE COVER ASSY 3	1	1	1	1	
8	5XE-2173E-00	GRAPHIC 1	1	1	1	1	
9	90159-06182	SCREW, WITH WASHER	2	2	2	2	
10	90159-06078	SCREW, WITH WASHER	1	1	1	1	
11	5NL-2172A-11	PANEL 1	1	1	1	1	
12	5XE-21740-00	SIDE COVER ASSY 4	1	1	1	1	
13	5XE-2173F-00	GRAPHIC 2	1	1	1	1	
14	90159-06182	SCREW, WITH WASHER	2	2	2	2	
15	90159-06078	SCREW, WITH WASHER	1	1	1	1	
16	5NL-2172A-11	PANEL 1	1	1	1	1	
17	5MV-2175C-00	TUNING FORK MARK	1	1	1	1	
18	5MV-2175C-00	TUNING FORK MARK	1	1	1	1	

FIG. 19 REAR ARM

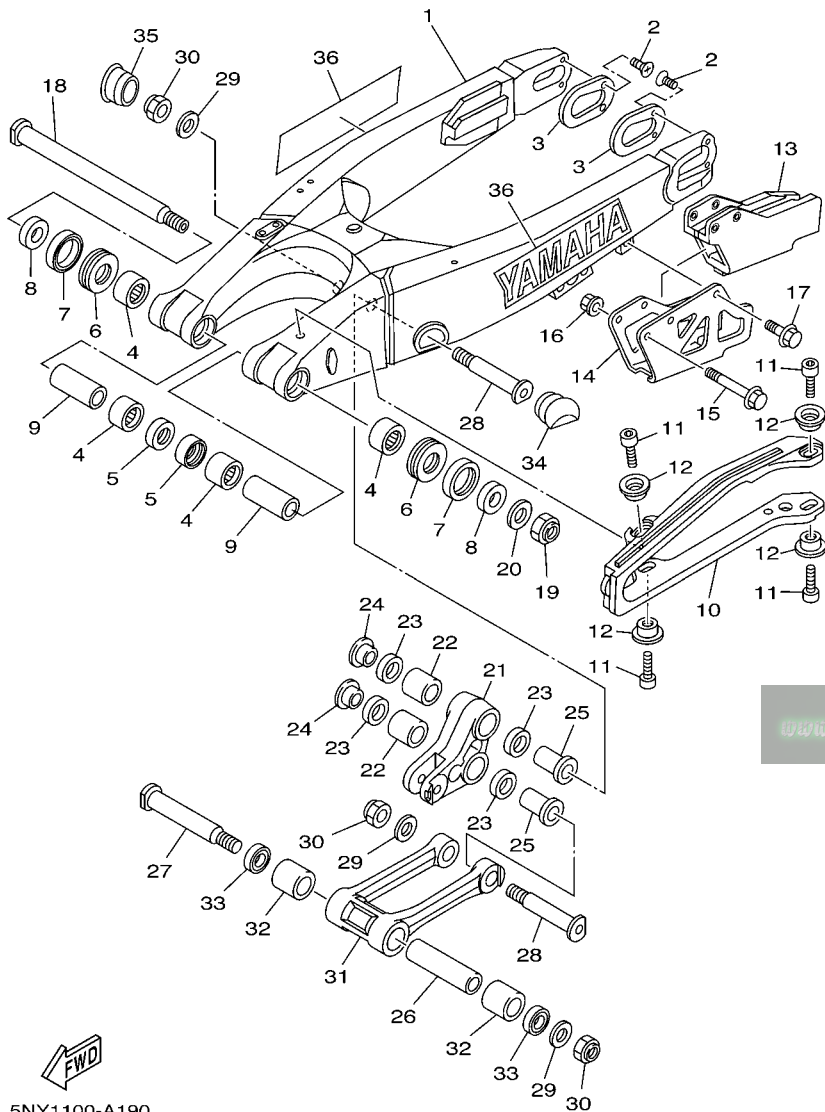


5NY1100-A190

REF. NO.	PART NO.	DESCRIPTION	5XF1	5XF2	5XF3	5XF4	REMARKS
1	5UN-22110-00	REAR ARM COMP.	1	1	1	1	
2	90151-04001	SCREW, COUNTERSUNK	4	4	4	4	
3	5UN-22355-00	PATCH	2	2	2	2	
4	93317-22262	BEARING	4	4	4	4	
5	93106-22019	OIL SEAL (DC 22-28-8)	2	2	2	2	
6	93342-22217	BEARING	2	2	2	2	
7	93109-28043	OIL SEAL	2	2	2	2	
8	90387-18005	COLLAR	2	2	2	2	
9	90387-18004	COLLAR	2	2	2	2	
10	5UN-22151-00	SEAL, GUARD	1	1	1	1	
11	91317-05008	BOLT	4	4	4	4	
12	5JG-22156-00	WASHER, PLATE	4	4	4	4	
13	5UN-22199-00	SUPPORT, CHAIN	1	1	1	1	
14	5UN-22128-00	COVER, THRUST 1	1	1	1	1	
15	95027-06050	BOLT, FLANGE	2	2	2	2	
16	90179-06568	NUT	2	2	2	2	
17	95027-06010	BOLT, FLANGE	1	1	1	1	
18	5NY-22141-01	SHAFT, PIVOT	1	1	1	1	
19	90185-16127	NUT, SELF-LOCKING	1	1	1	1	
20	90201-160F6	WASHER, PLATE	1	1	1	1	
21	5NY-2217A-00	ARM, RELAY	1	1	1	1	
22	93315-32056	BEARING	2	2	2	2	
23	93109-20076	OIL SEAL	4	4	4	4	
24	90387-16005	COLLAR	2	2	2	2	
25	90387-16007	COLLAR	2	2	2	2	
26	90387-167Y9	COLLAR	1	1	1	1	
27	5NY-22121-00	SHAFT 1	1	1	1	1	



FIG. 19 REAR ARM



5NY1100-A190

REF. NO.	PART NO.	DESCRIPTION	5XF1	5XF2	5XF3	5XF4	REMARKS
28	5XE-22122-00	SHAFT 2	2	2	2	2	
29	90201-14740	WASHER, PLATE	3	3	3	3	
30	90185-14007	NUT, SELF-LOCKING	3	3	3	3	
31	5XE-2217F-00	ROD, CONNECTING 1	1	1	1	1	
32	93315-32053	BEARING	2	2	2	2	
33	93109-20076	OIL SEAL	2	2	2	2	
34	5XE-2135F-00	COVER	1	1	1	1	
35	5HD-2135F-00	COVER	1	1	1	1	
36	5UN-2153A-00	EMBLEM, YAMAHA	2	2	2	2	

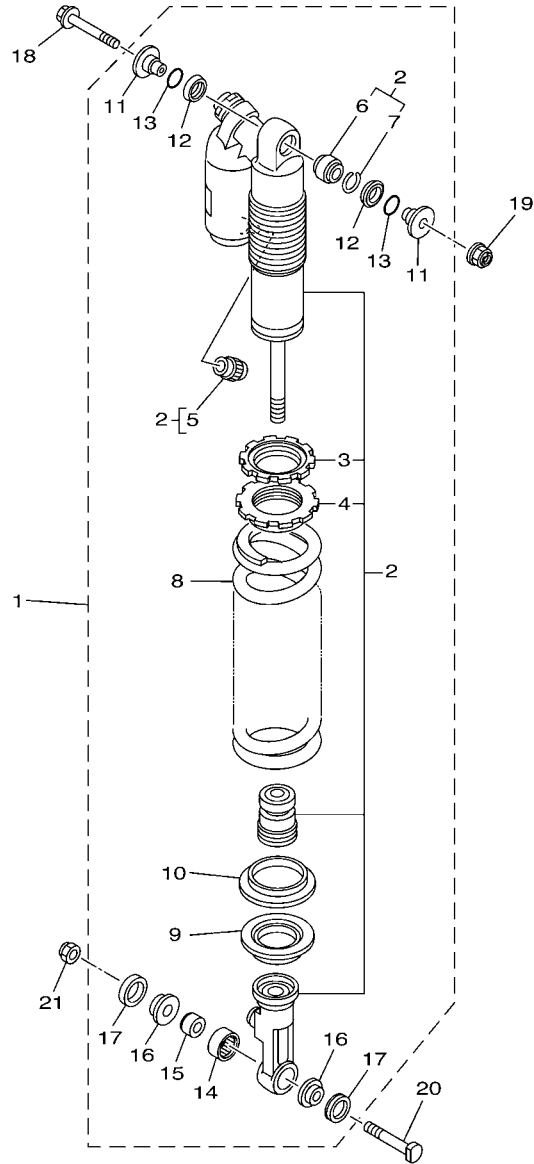
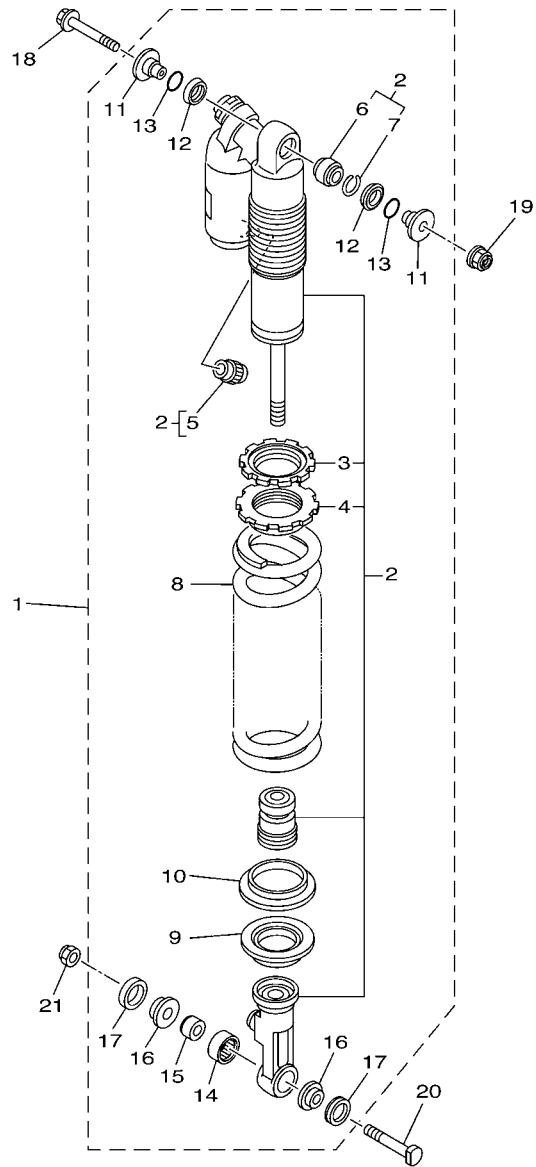


FIG. 20 REAR SUSPENSION

REF. NO.	PART NO.	DESCRIPTION	5XF1	5XF2	5XF3	5XF4	REMARKS
1	5XF-22210-40	SHOCK ABSORBER ASSY, REAR	1			1	FOR ZAF
2	5XF-22201-40	.DAMPER SUB ASSY	1				FOR ZAF
3	3SP-22234-00	..GUIDE, SPRING 3	1	1	1	1	
4	3SP-22213-00	..SEAT, SPRING UPPER	1	1	1	1	
5	509-23184-L0	..CAP, AIR VALVE	1	1	1	1	
6	4JX-22226-00	..BUSH, SHOCK ABSORBER LOWER	1	1	1	1	
7	5DH-23183-00	..CIRCLIP	1	1	1	1	
8	5UN-22212-20	..SPRING (K=46N/MM)	1		1	1	
9	5XE-22214-00	..GUIDE, SPRING 1	1	1	1	1	
10	5MV-22224-00	..GUIDE, SPRING 2	1	1	1	1	
11	5DH-22253-00	..COLLAR, DISTANCE	2	2	2	2	
12	3JE-22475-00	..SEAL, DUST	2	2	2	2	
13	4EW-22474-00	..SEAL, RING	2	2	2	2	
14	5MV-22176-00	..BEARING	1	1	1	1	
15	5MV-22184-00	..BUSH	1	1	1	1	
16	5MV-22253-00	..COLLAR, DISTANCE	2	2	2	2	
17	5NY-22475-00	..SEAL, DUST	2	2	2	2	
18	5XE-22242-00	BOLT 2	1	1	1	1	

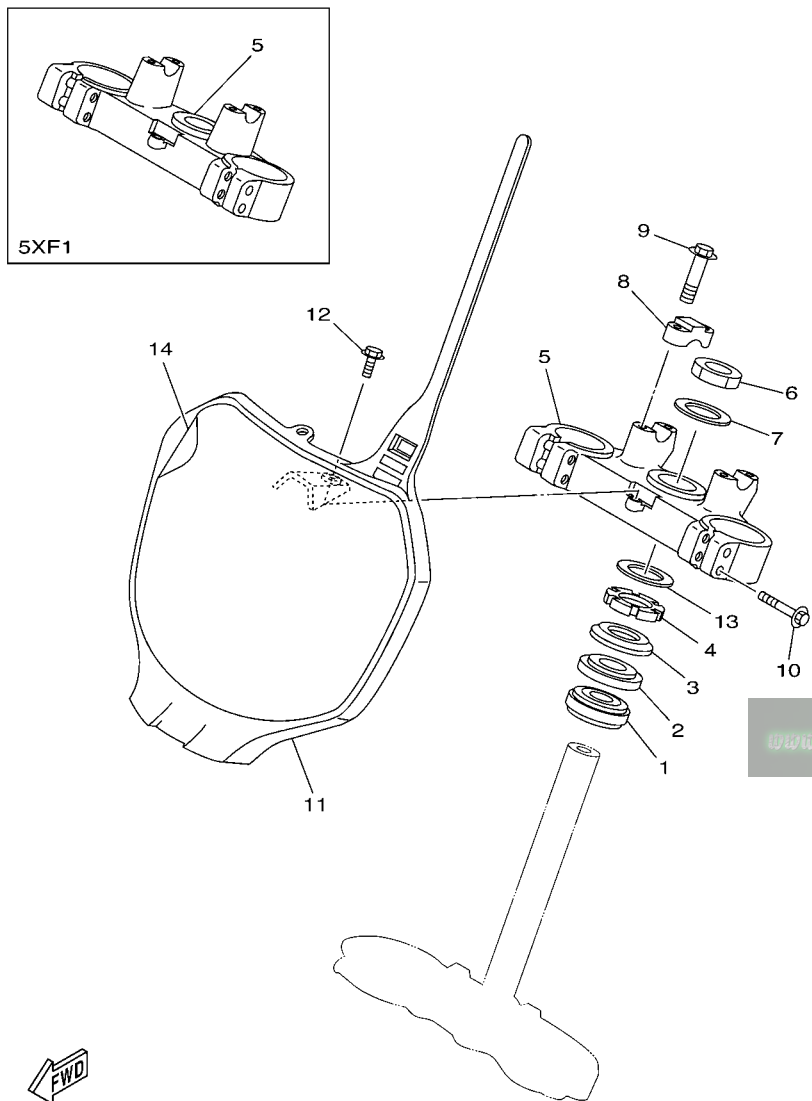


  
 5NY1100-A200

**FIG. 20 REAR SUSPENSION**

REF. NO.	PART NO.	DESCRIPTION	5XF1	5XF2	5XF3	5XF4	REMARKS
19	95607-10200	NUT, SELF-LOCKING	1	1	1	1	
20	5NY-22241-00	BOLT 1	1	1	1	1	
21	90185-10060	NUT, SELF-LOCKING	1	1	1	1	

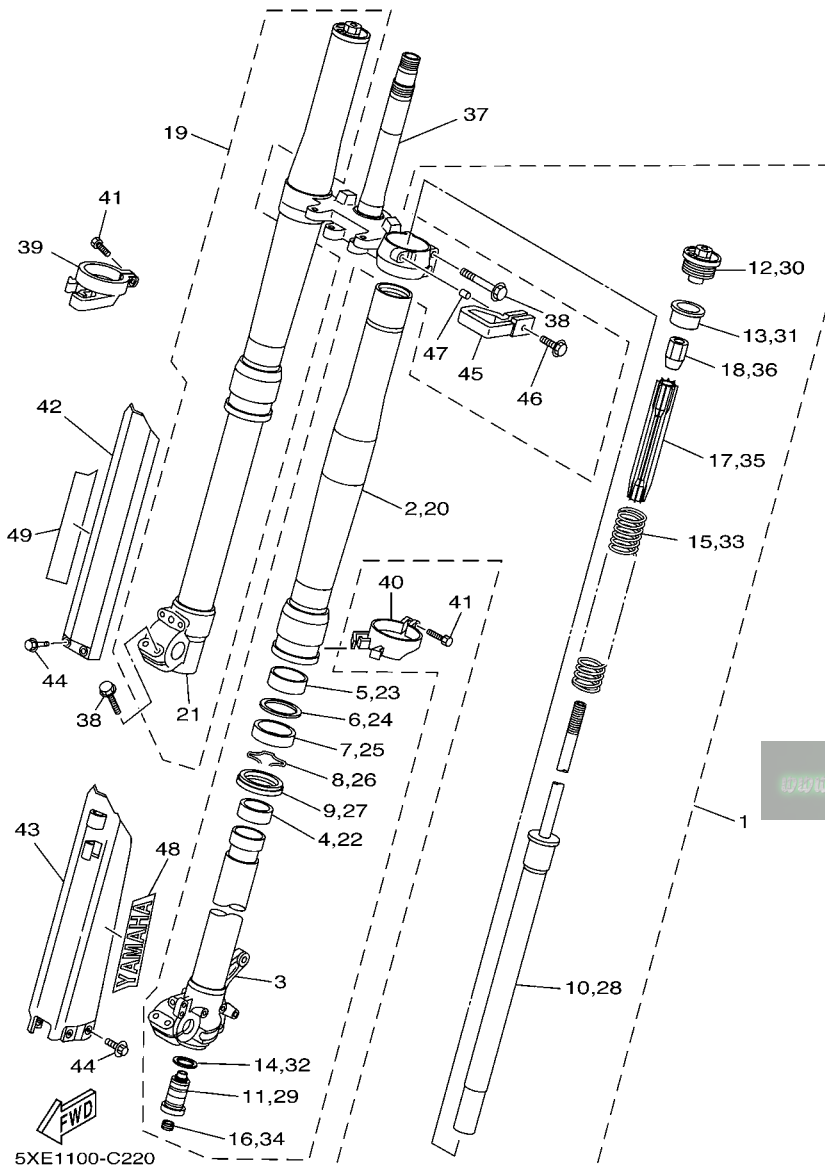
FIG. 21 STEERING



  
5XF1100-C210

REF. NO.	PART NO.	DESCRIPTION	5XF1	5XF2	5XF3	5XF4	REMARKS
1	93332-00081	BEARING	1	1	1	1	
2	93332-00068	BEARING	1	1	1	1	
3	4EW-23416-00	COVER, BALL RACE 2	1	1	1	1	
4	90179-28003	NUT	1	1	1	1	
5	5XE-23435-00	CROWN, HANDLE	1				
6	5TA-23357-00	NUT	1	1	1	1	
7	90201-247L2	WASHER, PLATE	1	1	1	1	
8	5XE-23441-00	HOLDER, HANDLE UPPER	2	2	2	2	
9	95027-08035	BOLT, FLANGE	4	4	4	4	
10	95027-08040	BOLT, FLANGE	4	4	4	4	
11	5HD-23485-00	PLATE, NUMBER	1	1	1	1	
12	95027-06014	BOLT, FLANGE	1	1	1	1	
13	90201-286K9	WASHER, PLATE	1	1	1	1	
14	5HD-2339E-00	GRAPHIC 1	1	1	1	1	

FIG. 22 FRONT FORK



REF. NO.	PART NO.	DESCRIPTION	5XF1	5XF2	5XF3	5XF4	REMARKS
1	5XF-23102-00	FRONT FORK ASSY (L.H)	1		1	1	
2	5XD-23136-L0	.TUBE, OUTER (RIGHT)	1		1	1	
3	5XE-23120-L0	.INNER TUBE COMP.2	1	1	1	1	
4	5XE-23171-L0	.PISTON, FRONT FORK	1	1	1	1	
5	5XE-23125-L0	.METAL, SLIDE 1	1	1	1	1	
6	5XE-23146-L0	.WASHER, OIL SEAL	1	1	1	1	
7	5XE-23145-L0	.OIL SEAL	1	1	1	1	
8	5XE-23153-L0	.RING, SNAP	1	1	1	1	
9	5XE-23144-L0	.SEAL, DUST	1	1	1	1	
10	5XF-23170-L0	.CYLINDER COMP., FRONT FORK	1		1	1	
11	5XF-2316A-L0	.VALVE COMP.	1		1	1	
12	5XE-23111-L0	.BOLT, CAP	1	1	1	1	
13	5XE-23117-L0	.GUIDE, SPRING	1	1	1	1	
14	4SS-23158-L0	.GASKET	1	1	1	1	
15	5XF-23141-L0	.SPRING, FRONT FORK (K=4.3N/MM	1				
16	3JD-2312G-L0	.PLUG	1	1	1	1	
17	5XE-23142-L0	.SEAT, SPRING UPPER	1	1	1	1	
18	5XE-23393-L0	.NUT, SPECIAL	1	1	1	1	
19	5XF-23103-00	FRONT FORK ASSY (R.H)	1		1	1	
20	5XD-23136-L0	.TUBE, OUTER (RIGHT)	1		1	1	

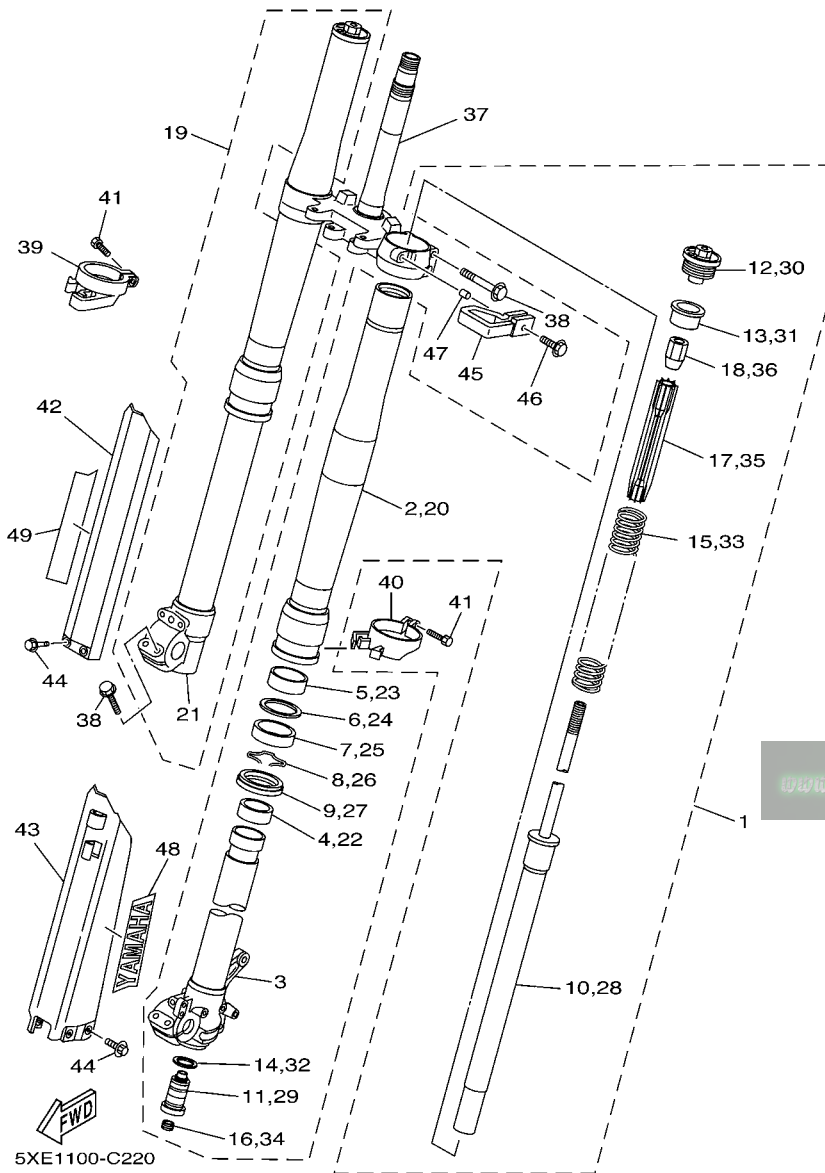
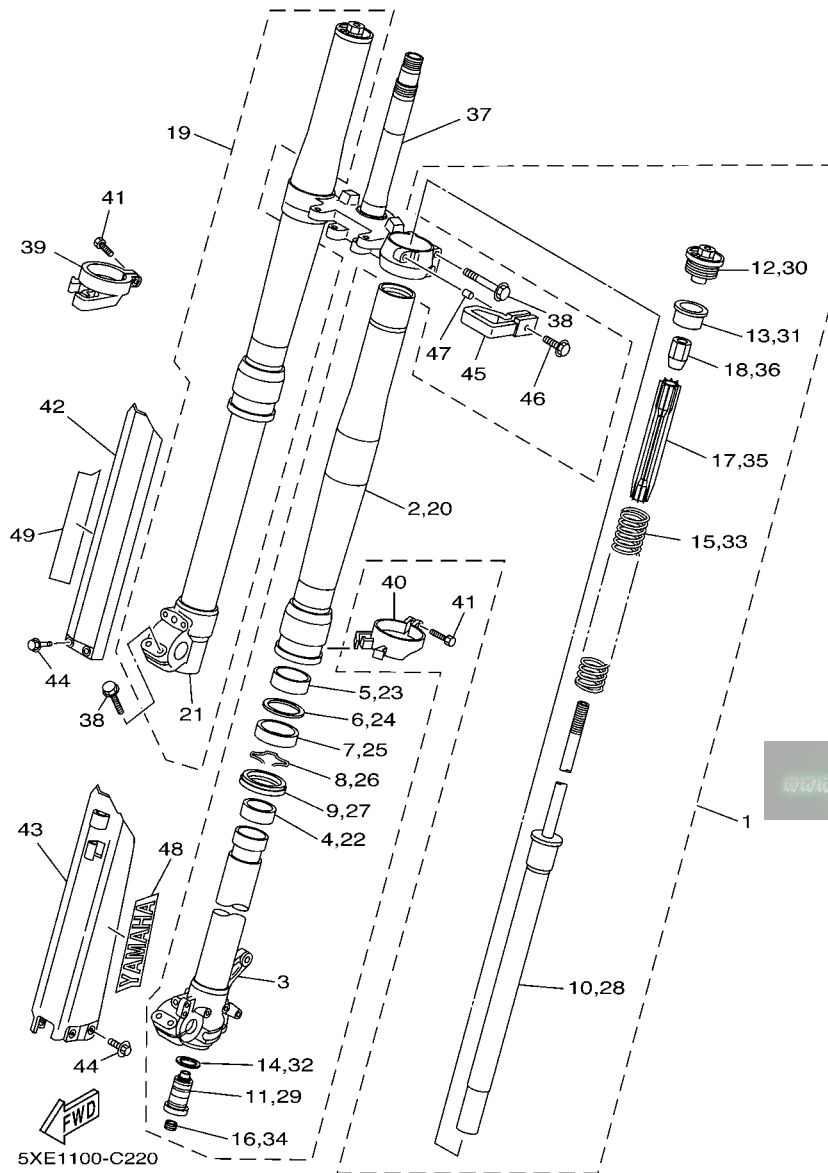


FIG. 22 FRONT FORK

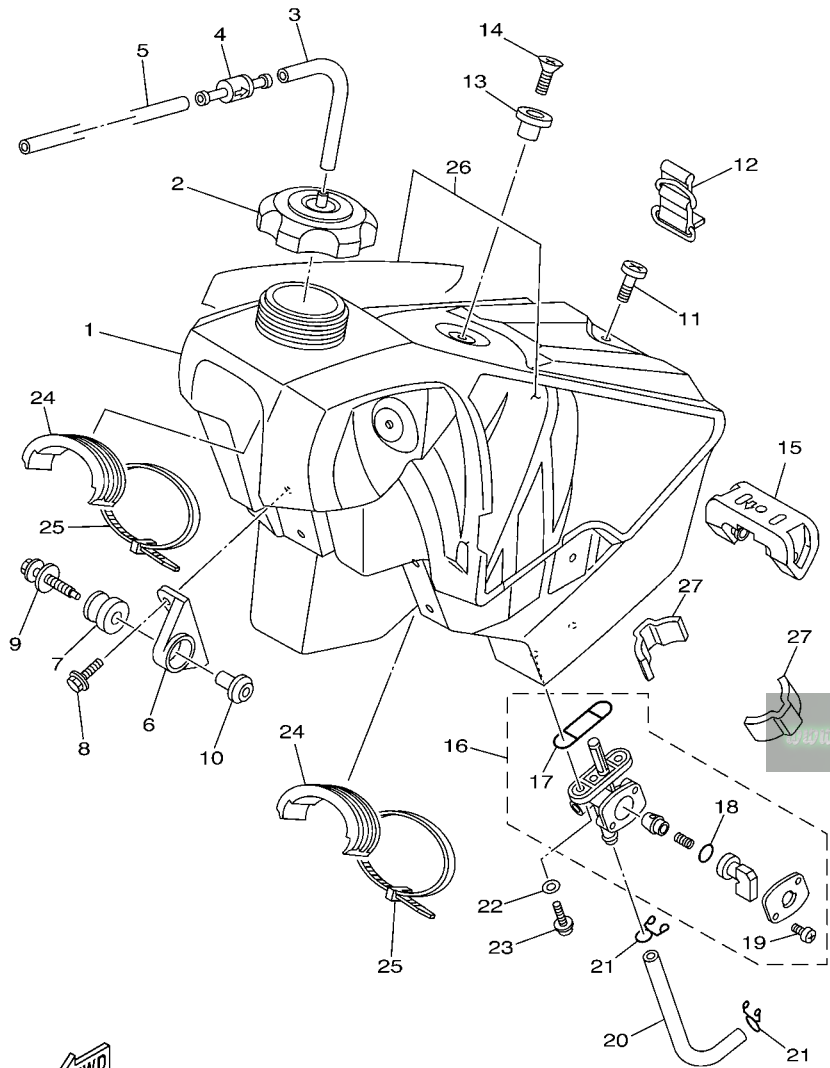
REF. NO.	PART NO.	DESCRIPTION	5XF1	5XF2	5XF3	5XF4	REMARKS
21	5XE-23110-L0	.INNER TUBE COMP.1	1	1	1	1	
22	5XE-23171-L0	.PISTON, FRONT FORK	1	1	1	1	
23	5XE-23125-L0	.METAL, SLIDE 1	1	1	1	1	
24	5XE-23146-L0	.WASHER, OIL SEAL	1	1	1	1	
25	5XE-23145-L0	.OIL SEAL	1	1	1	1	
26	5XE-23153-L0	.RING, SNAP	1	1	1	1	
27	5XE-23144-L0	.SEAL, DUST	1	1	1	1	
28	5XF-23170-L0	.CYLINDER COMP., FRONT FORK	1		1	1	
29	5XF-2316A-L0	.VALVE COMP.	1		1	1	
30	5XE-23111-L0	.BOLT, CAP	1	1	1	1	
31	5XE-23117-L0	.GUIDE, SPRING	1	1	1	1	
32	4SS-23158-L0	.GASKET	1	1	1	1	
33	5XF-23141-L0	.SPRING, FRONT FORK (K=4.3N/MM	1				
34	3JD-2312G-L0	.PLUG	1	1	1	1	
35	5XE-23142-L0	.SEAT, SPRING UPPER	1	1	1	1	
36	5XE-23393-L0	.NUT, SPECIAL	1	1	1	1	
37	5XD-23340-L0	UNDER BRACKET COMP.			1	1	
	5XF-23340-L0	UNDER BRACKET COMP.	1			1	
38	5NY-23346-L0	BOLT 1	4	4	4	4	
39	5XE-2314G-L0	PROTECTOR GUIDE COMP, 2	1	1	1	1	
40	5XE-2314F-L0	PROTECTOR GUIDE COMP, 1	1	1	1	1	
41	4SS-23346-L0	BOLT 1	2	2	2	2	
42	5TA-2314J-00	PROTECTOR COMP., 2	1	1	1	1	
43	5TA-2314H-00	PROTECTOR COMP., 1	1	1	1	1	



**FIG. 22 FRONT FORK**

REF. NO.	PART NO.	DESCRIPTION	5XF1	5XF2	5XF3	5XF4	REMARKS
44	3SP-23356-L0	BOLT 2	6	6	6	6	
45	5XE-23389-00	GUIDE, CABLE	1	1	1	1	
46	95027-06020	BOLT, FLANGE	1	1	1	1	
47	5XE-23113-00	COLLAR	1	1	1	1	
48	4XL-2153A-10	EMBLEM, YAMAHA	1	1	1	1	
49	4XL-2153A-10	EMBLEM, YAMAHA	1	1	1	1	

FIG. 23 FUEL TANK



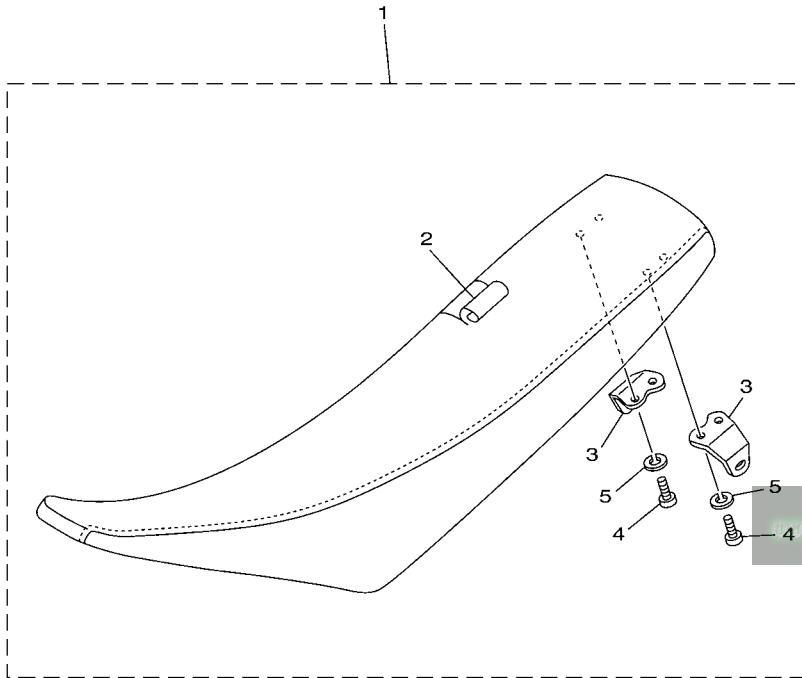
  
5XE1100-C230

REF. NO.	PART NO.	DESCRIPTION	5XF1	5XF2	5XF3	5XF4	REMARKS
1	5XE-24110-00	FUEL TANK COMP.	1	1	1	1	
2	5NY-24610-00	CAP ASSY	1	1	1	1	
3	90445-09220	HOSE (L30)	1	1	1	1	
4	3XJ-24380-00	PIPE JOINT ASSY	1	1	1	1	
5	90445-09104	HOSE	1	1	1	1	
6	5XE-24144-00	HOLDER, DAMPER	2	2	2	2	
7	90480-18549	GROMMET	2	2	2	2	
8	95027-06016	BOLT, FLANGE	4	4	4	4	
9	5XE-24176-00	BOLT 1	2	2	2	2	
10	5NY-24186-00	WASHER, SPECIAL	2	2	2	2	
11	98907-06025	SCREW, BIND	1	1	1	1	
12	3SP-24173-00	BAND, TANK FITTING 1	1	1	1	1	
13	4EW-2412F-00	BRACKET, SEAT	1	1	1	1	
14	98707-06025	SCREW, FLAT HEAD	1	1	1	1	
15	4SS-24181-00	DAMPER, LOCATING 1	1	1	1	1	
16	3JD-24500-01	FUEL COCK ASSY 1	1	1	1	1	
17	4X8-24512-00	.O-RING	1	1	1	1	
18	3AJ-24534-00	.SEAL, COCK	1	1	1	1	
19	97801-03008	.SCREW, PAN HEAD	2	2	2	2	
20	90445-111J0	HOSE (L145)	1	1	1	1	
21	90467-10008	CLIP	2	2	2	2	
22	90202-05193	WASHER, PLATE	2	2	2	2	
23	90149-06011	SCREW	2	2	2	2	
24	5NY-24182-00	DAMPER, LOCATING 2	2	2	2	2	
25	90465-13275	CLAMP	2	2	2	2	
26	5XE-24240-00	GRAPHIC SET	1	1	1	1	
27	5XE-24183-00	DAMPER, LOCATING 3	2	2	2	2	



FIG. 24 SEAT

REF. NO.	PART NO.	DESCRIPTION	5XF1	5XF2	5XF3	5XF4	REMARKS
1	5XE-24770-00	SEMI-DOUBLE SEAT ASSY	1	1	1	1	
2	5XE-2470F-00	.SEAT COVER COMP.	1	1	1	1	
3	5NY-24728-00	.BRACKET, SEAT	2	2	2	2	
4	97307-06012	.BOLT	4	4	4	4	
5	92907-06100	.WASHER, SPRING	4	4	4	4	

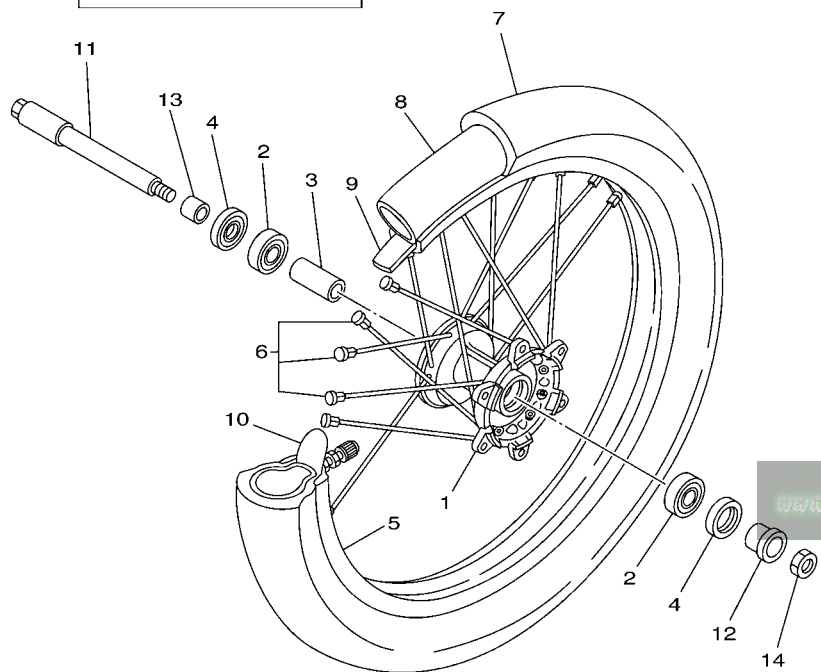


5NY1100-A240

D8

FIG. 25 FRONT WHEEL

REF.7  
 94108-21015 (D739FA)  
 FOR USA,AUS,NZL  
 94108-2112Y (D755F)  
 FOR CAN,EUR

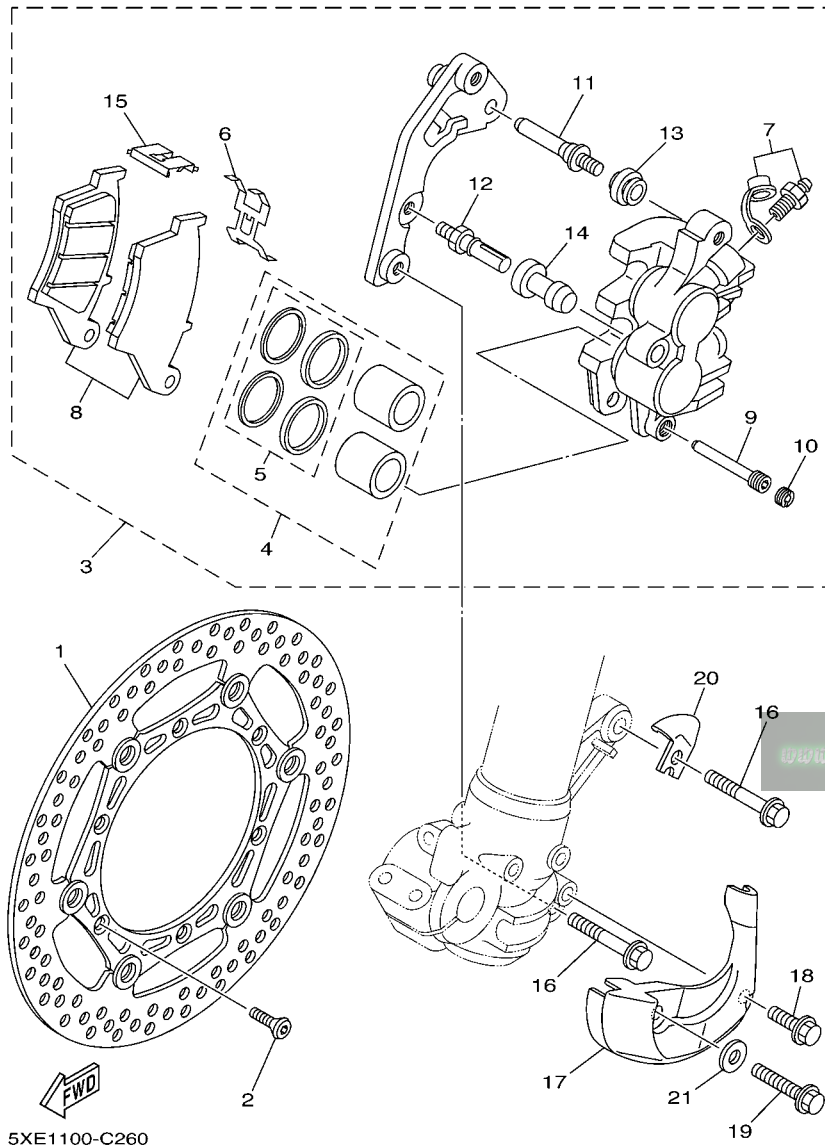


REF. NO.	PART NO.	DESCRIPTION	5XF1	5XF2	5XF3	5XF4	REMARKS
1	5NY-25111-00	HUB, FRONT	1	1	1	1	
2	93306-90403	BEARING	2	2	2	2	
3	5NY-25117-00	SPACER, BEARING	1	1	1	1	
4	93102-26468	OIL SEAL	2	2	2	2	
5	94416-21003	RIM (1.60-21)	1	1	1	1	
6	5NY-25104-00	SPOKE SET, FRONT	1	1	1	1	
7	L.M.	TYRE (80/100-21 51M D739FA)	1				
8	L.M.	TUBE (80/100-21 M/C TR4)	1				
9	94309-21161	BAND, RIM (1.60-21)	1	1		1	
10	5SF-25394-00	SPACER, BEAD	1	1	1	1	
11	5BE-25181-00	AXLE, WHEEL	1	1	1	1	
12	5NY-25183-00	COLLAR, WHEEL	1	1	1	1	
13	5NY-25186-00	COLLAR, WHEEL	1	1	1	1	
14	90179-16672	NUT	1	1	1	1	



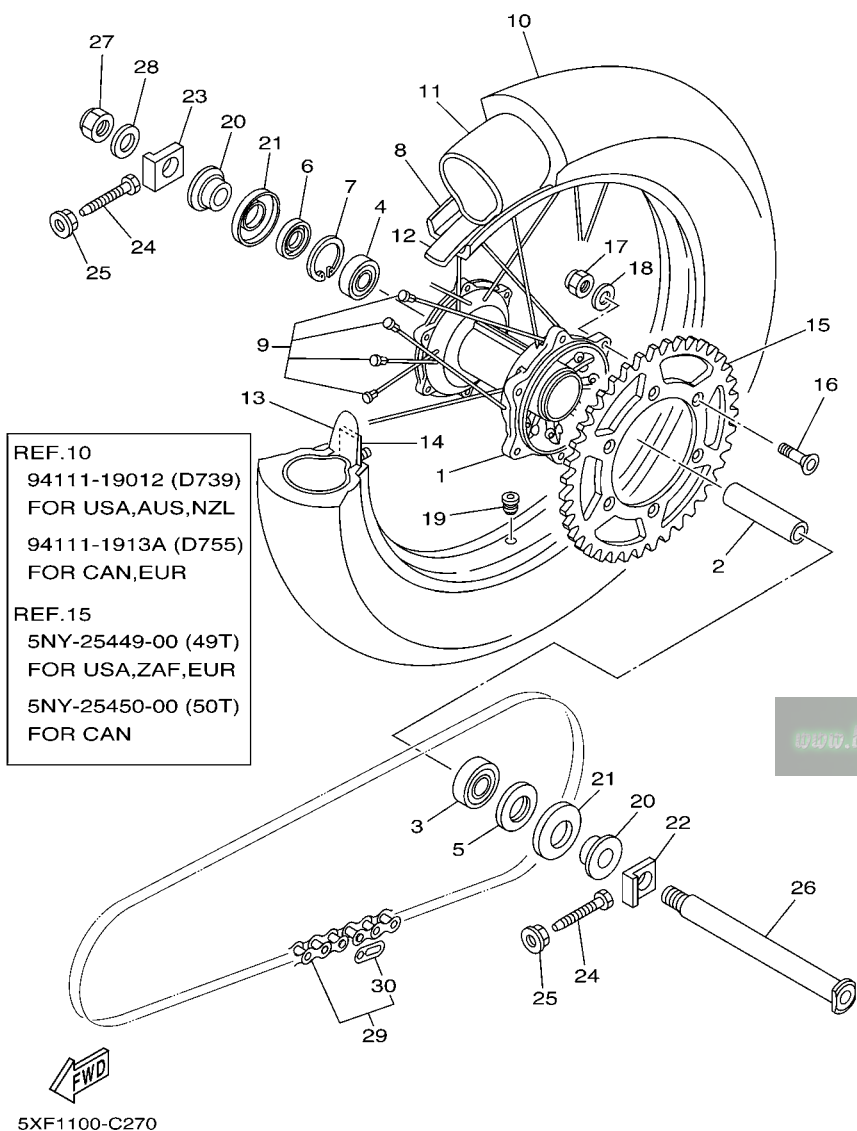
5XF1100-C250

FIG. 26 FRONT BRAKE CALIPER



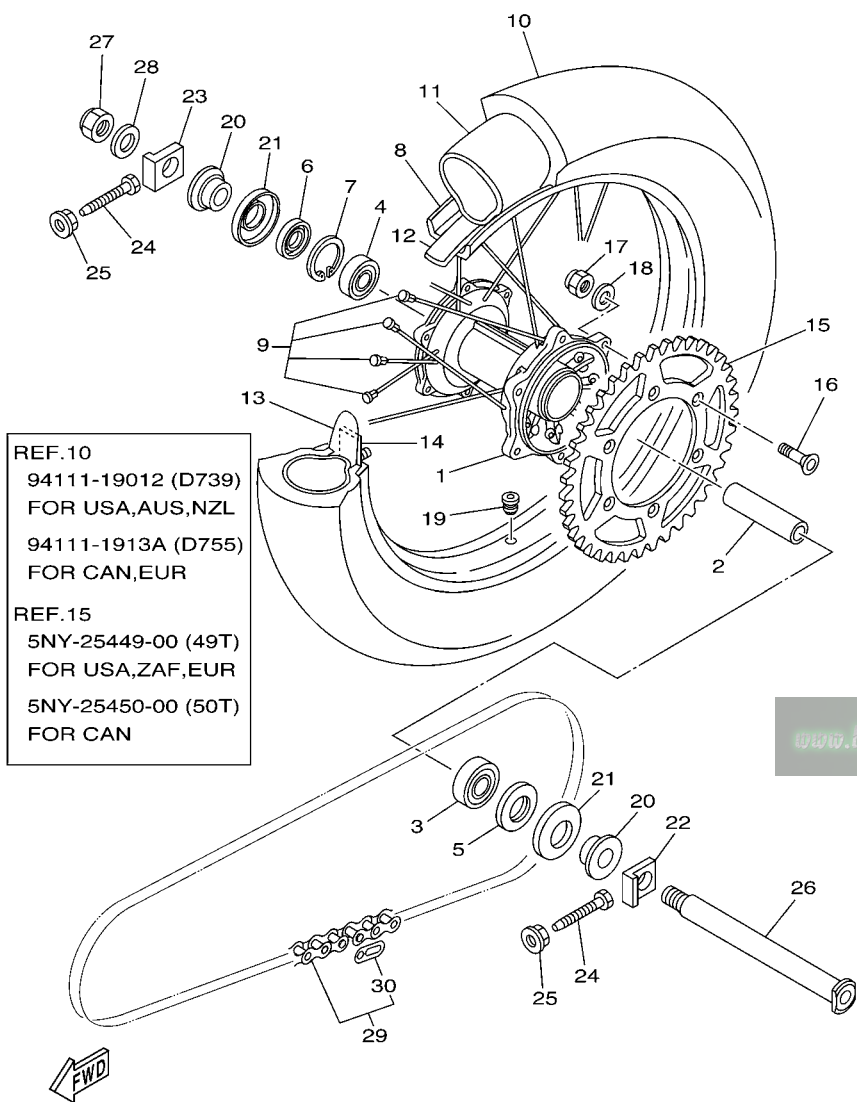
REF. NO.	PART NO.	DESCRIPTION	5XF1	5XF2	5XF3	5XF4	REMARKS
1	5MV-2581T-00	DISC BRAKE ASSY	1	1	1	1	
2	90149-06327	SCREW	6	6	6	6	
3	5UN-2580T-00	CALIPER ASSY (LEFT)	1	1	1	1	
4	5UN-W0057-00	.PISTON ASSY, CALIPER	1	1	1	1	
5	3JD-W0047-00	..CALIPER SEAL KIT	1	1	1	1	
6	5DH-25919-00	.SUPPORT, PAD	1	1	1	1	
7	1UY-W0048-50	.BLEED SCREW KIT	1	1	1	1	
8	5MV-W0045-01	.BRAKE PAD KIT	1	1	1	1	
9	5DH-25933-00	.WASHER, PAD PIN	1	1	1	1	
10	5DH-25916-00	.PLUG	1	1	1	1	
11	3SP-25926-51	.BOLT	1	1	1	1	
12	3SP-25914-51	.PIN, SLIDE	1	1	1	1	
13	3JD-25917-00	.BOOT, CALIPER	1	1	1	1	
14	1UY-25937-51	.BOOT 2	1	1	1	1	
15	5DH-25849-00	.RETAINER, CALIPER	1	1	1	1	
16	90105-08659	BOLT, FLANGE	2	2	2	2	
17	5DH-2314E-00	COVER, HOSE	1	1	1	1	
18	95827-06012	BOLT, FLANGE	1	1	1	1	
19	95027-08020	BOLT, FLANGE	1	1	1	1	
20	5DH-25875-00	HOLDER, BRAKE HOSE 1	1	1	1	1	
21	92907-08200	WASHER	1	1	1	1	

FIG. 27 REAR WHEEL



REF. NO.	PART NO.	DESCRIPTION	5XF1	5XF2	5XF3	5XF4	REMARKS
1	5ET-25311-00	HUB, REAR	1	1	1	1	
2	5ET-25317-00	SPACER, BEARING	1	1	1	1	
3	93306-27205	BEARING	1	1	1	1	
4	93306-07202	BEARING	1	1	1	1	
5	93106-30044	OIL SEAL	1	1	1	1	
6	93106-30045	OIL SEAL	1	1	1	1	
7	99009-45500	CIRCLIP	1	1	1	1	
8	94421-19602	RIM (2.15-19)	1	1	1	1	
9	5HD-25304-00	SPOKE SET, REAR	1	1	1	1	
10	L.M.	TYRE (110/90-19 62M D739)	1				
11	L.M.	TUBE (110/90-19 M/C TR4)	1				
12	94311-19155	BAND, RIM (2.15-19)	1	1		1	
13	3JE-25394-00	SPACER, BEAD	1	1	1	1	
14	4XM-25364-00	DAMPER	1	1	1	1	
15	5NY-25449-00	SPROCKET, DRIVEN (49T)	1	1			STD
	5NY-25450-00	SPROCKET, DRIVEN (50T)	1		1	1	
	5ET-25447-00	SPROCKET, DRIVEN (47T)	1	1	1	1	AP
	5NY-25448-00	SPROCKET, DRIVEN (48T)	1	1	1	1	AP
	5NY-25449-00	SPROCKET, DRIVEN (49T)	1		1	1	AP
	5NY-25451-00	SPROCKET, DRIVEN (51T)	1	1	1	1	AP
	5NY-25452-00	SPROCKET, DRIVEN (52T)	1	1	1	1	AP
16	90109-081G1	BOLT	6	6	6	6	

FIG. 27 REAR WHEEL



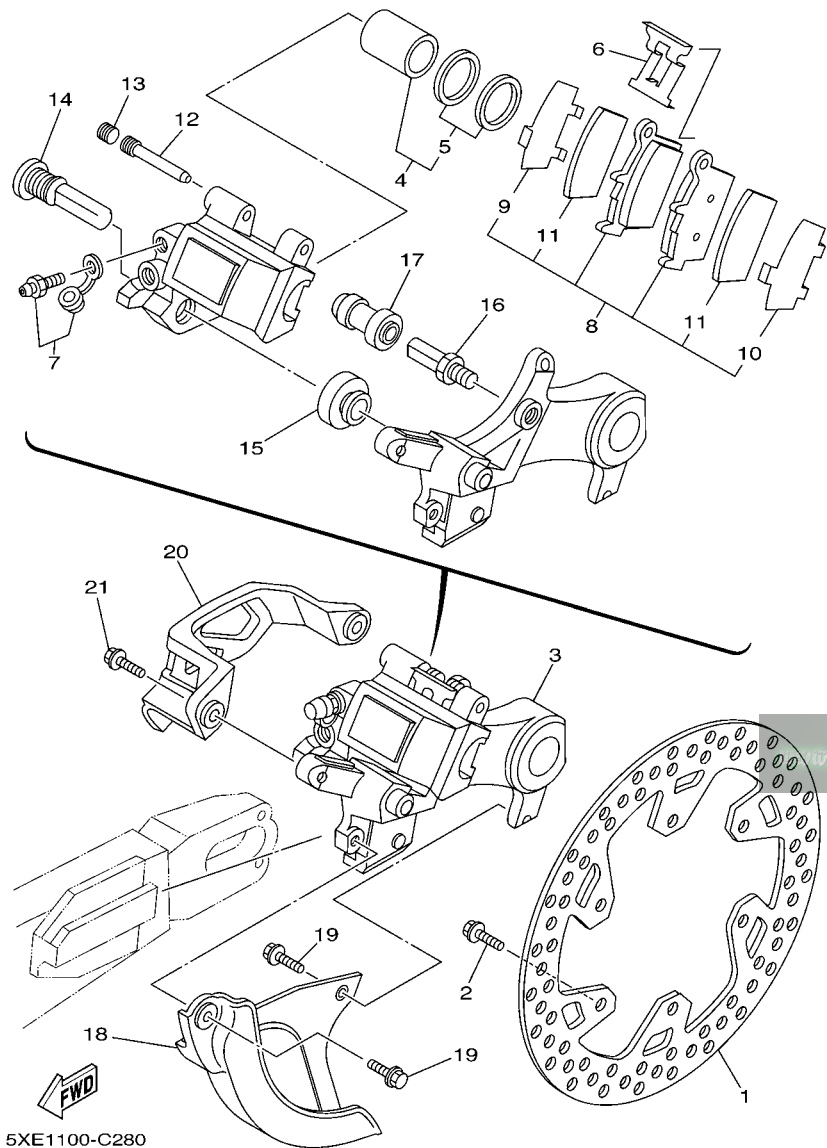
REF.10  
 94111-19012 (D739)  
 FOR USA,AUS,NZL  
 94111-1913A (D755)  
 FOR CAN,EUR

REF.15  
 5NY-25449-00 (49T)  
 FOR USA,ZAF,EUR  
 5NY-25450-00 (50T)  
 FOR CAN

5XF1100-C270

REF. NO.	PART NO.	DESCRIPTION	5XF1	5XF2	5XF3	5XF4	REMARKS
17	90185-08169	NUT, SELF-LOCKING	6	6	6	6	
18	90201-08326	WASHER, PLATE	6	6	6	6	
19	90480-08608	GROMMET	1	1	1	1	
20	5UN-25383-00	COLLAR, WHEEL	2	2	2	2	
21	5ET-25367-00	COVER, HUB DUST	2	2	2	2	
22	5NY-25388-00	PULLER, CHAIN 1	1	1	1	1	
23	5NY-25389-00	PULLER, CHAIN 2	1	1	1	1	
24	90101-08777	BOLT	2	2	2	2	
25	95707-08500	NUT, FLANGE	2	2	2	2	
26	5ET-25381-00	AXLE, WHEEL	1	1	1	1	
27	90185-20168	NUT, SELF-LOCKING	1	1	1	1	
28	90201-203U1	WASHER, PLATE	1	1	1	1	
29	9Y581-92113	CHAIN (DID 520D 114L)	1	1	1	1	
30	94681-68001	.JOINT,CHAIN (DID 520DM-RJ)	1	1	1	1	

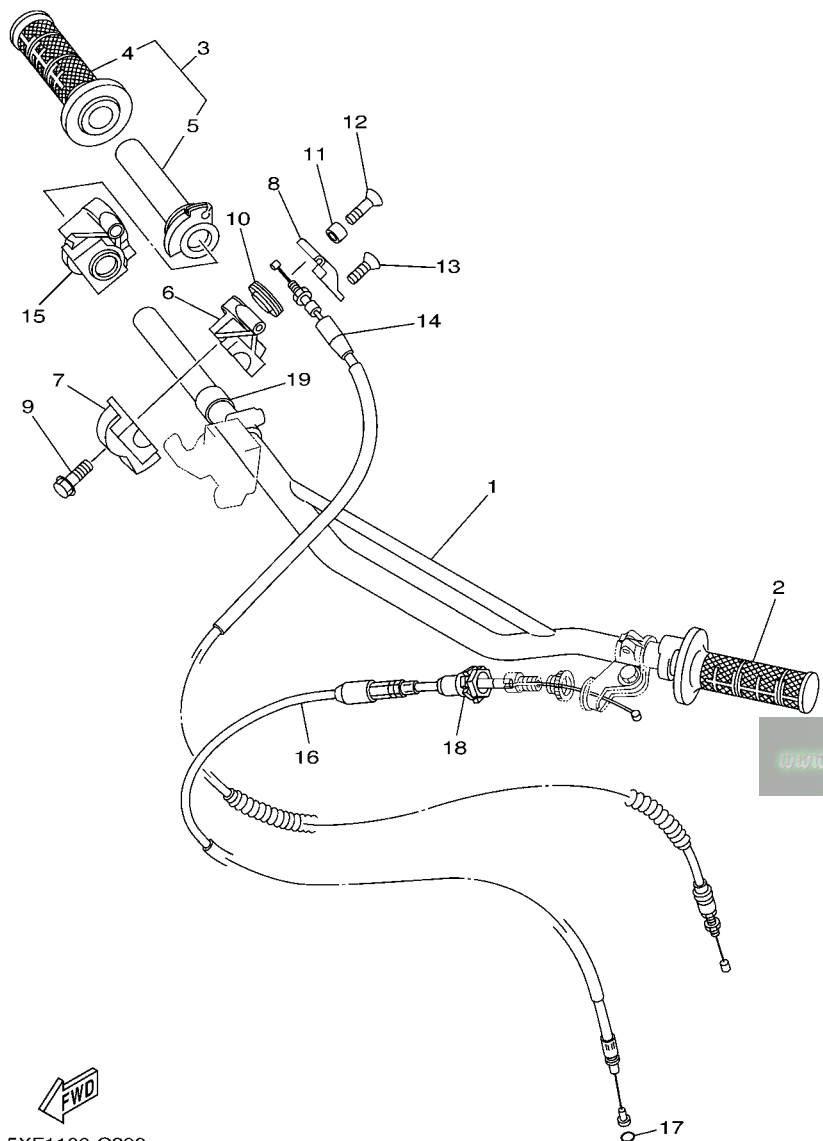
FIG. 28 REAR BRAKE CALIPER



5XE1100-C280

REF. NO.	PART NO.	DESCRIPTION	5XF1	5XF2	5XF3	5XF4	REMARKS
1	5NY-2582W-00	DISC, REAR BRAKE 2	1	1	1	1	
2	90109-065G4	BOLT	6	6	6	6	
3	5UN-2580W-20	CALIPER ASSY, REAR 2	1	1	1	1	
4	5UN-W0057-50	.PISTON ASSY, CALIPER	1	1	1	1	
5	5UN-W0047-50	..CALIPER SEAL KIT	1	1	1	1	
6	5DH-25919-50	..SUPPORT, PAD	1	1	1	1	
7	1UY-W0048-50	.BLEED SCREW KIT	1	1	1	1	
8	5UN-W0046-60	.BRAKE PAD KIT 2	1	1	1	1	
9	5UN-25828-60	..SHIM, CALIPER	1	1	1	1	
10	5UN-25827-60	..SHIM, CALIPER	1	1	1	1	
11	5UN-22898-60	..INSULATOR, HEAT	2	2	2	2	
12	8CR-25924-00	.PIN, PAD	1	1	1	1	
13	5DH-25916-00	.PLUG	1	1	1	1	
14	5DH-25914-50	.PIN, SLIDE	1	1	1	1	
15	3JD-25917-00	.BOOT, CALIPER	1	1	1	1	
16	5UN-25914-00	.PIN, SLIDE	1	1	1	1	
17	1UY-25937-51	.BOOT 2	1	1	1	1	
18	5DH-25718-01	PROTECTOR, DISK BRAKE	1	1	1	1	
19	95027-06012	BOLT, FLANGE	2	2	2	2	
20	5TA-27491-00	PROTECTOR	1	1	1	1	
21	95027-06016	BOLT, FLANGE	2	2	2	2	

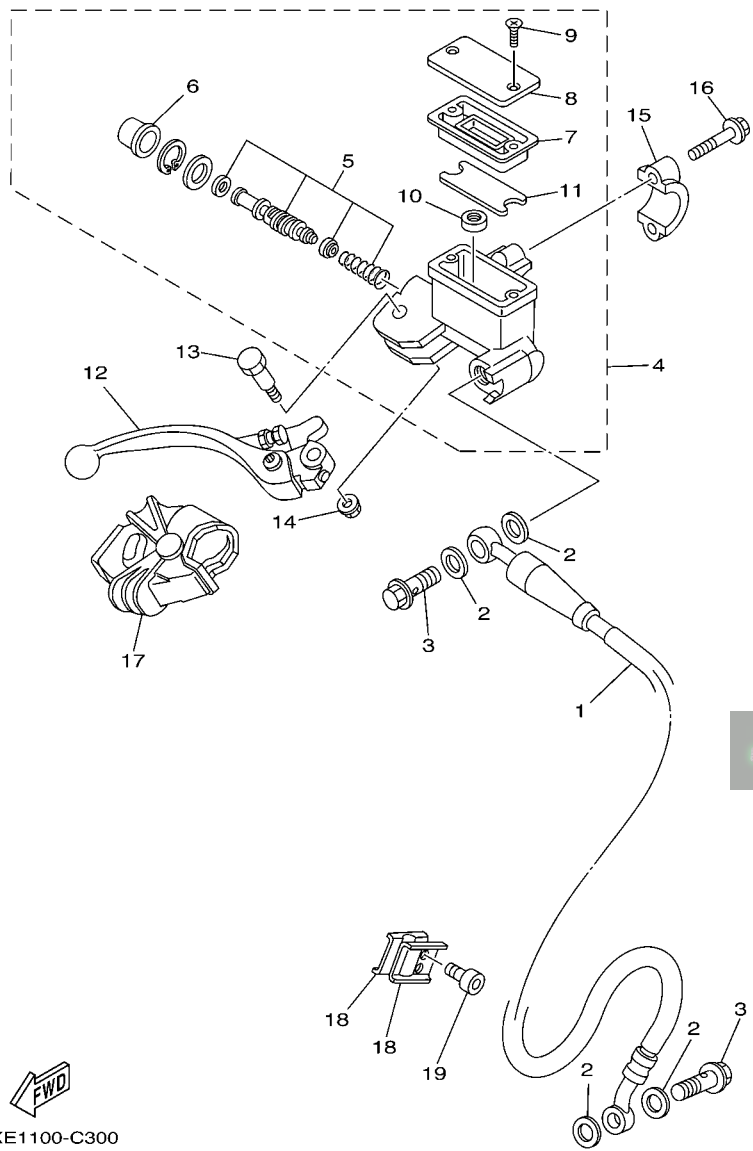
FIG. 29 STEERING HANDLE & CABLE



  
5XF1100-C290

REF. NO.	PART NO.	DESCRIPTION	5XF1	5XF2	5XF3	5XF4	REMARKS
1	5UN-26111-00	HANDLEBAR	1			1	
2	4GY-26241-00	GRIP	1	1	1	1	
3	4XM-26240-00	GRIP ASSY	1	1	1	1	
4	4GY-26242-00	.GRIP (RIGHT)	1	1	1	1	
5	4XM-26243-00	.TUBE, THROTTLE GUIDE	1	1	1	1	
6	4SS-26281-00	CAP, GRIP UPPER	1	1	1	1	
7	4SS-26282-10	CAP, GRIP LOWER	1	1	1	1	
8	4SS-2628H-00	CAP, WIRE	1	1	1	1	
9	95027-06025	BOLT, FLANGE	2	2	2	2	
10	5NY-26273-00	ROTOR	1	1	1	1	
11	4SS-26259-00	COLLAR	1	1	1	1	
12	4SS-26256-00	SCREW, GRIP END	1	1	1	1	
13	4SS-2632G-00	SCREW	1	1	1	1	
14	5HC-26311-00	CABLE, THROTTLE 1	1	1	1	1	
15	4SS-26287-01	COVER, CAP GRIP	1	1	1	1	
16	5XF-26335-00	CABLE, CLUTCH	1	1	1	1	
17	93210-06001	O-RING	1	1	1	1	
18	5HD-26342-00	BOOT, CABLE	1	1	1	1	
19	90387-227H7	COLLAR	1	1	1	1	

**FIG. 30 FRONT MASTER CYLINDER**

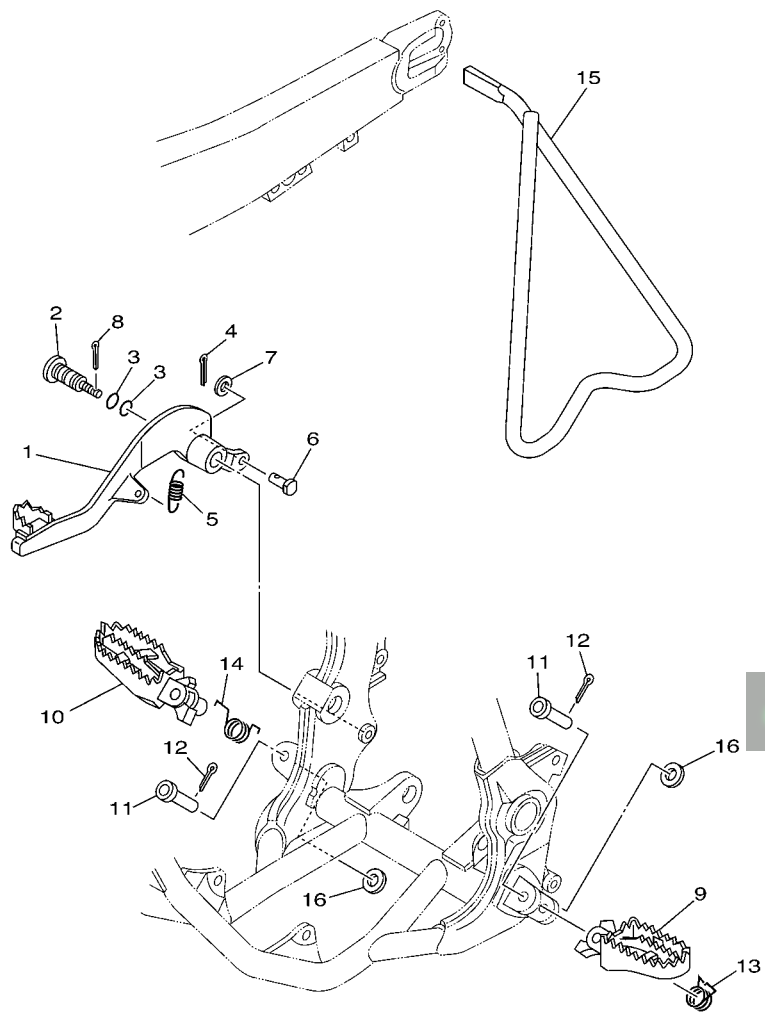


REF. NO.	PART NO.	DESCRIPTION					REMARKS
			5XF1	5XF2	5XF3	5XF4	
1	5ET-25872-00	HOSE, BRAKE 1	1				
2	90201-10118	WASHER, PLATE	4	4	4	4	
3	90401-10172	BOLT, UNION	2	2	2	2	
4	5XE-W2587-00	MASTER CYLINDER SUB ASSY	1	1	1	1	
5	5NY-W0041-00	.CYLINDER KIT, MASTER	1	1	1	1	
6	5NY-25868-00	.BOOT, MASTER CYLINDER	1	1	1	1	
7	5XE-25854-00	.DIAPHRAGM, RESERVOIR	1	1	1	1	
8	5MV-25852-01	.CAP, RESERVOIR	1	1	1	1	
9	98706-04012	.SCREW, FLAT HEAD	2	2	2	2	
10	5CG-25715-00	.SEPARATOR ASSY	1	1	1	1	
11	5XE-25853-00	.FLOAT, RESERVOIR	1	1	1	1	
12	5MV-83922-00	LEVER 2	1	1	1	1	
13	5MV-2589F-00	BOLT, LEVER	1	1	1	1	
14	95701-06500	NUT, FLANGE	1	1	1	1	
15	5MV-25867-00	BRACKET, MASTER CYLINDER	1	1	1	1	
16	5MV-25833-00	BOLT, FITTING	2	2	2	2	
17	5NY-26372-00	COVER, HANDLE LEVER 1	1	1	1	1	
18	90465-16258	CLAMP	2	2	2	2	
19	91317-06014	BOLT	2	2	2	2	

  
5XE1100-C300



FIG. 31 STAND & FOOTREST

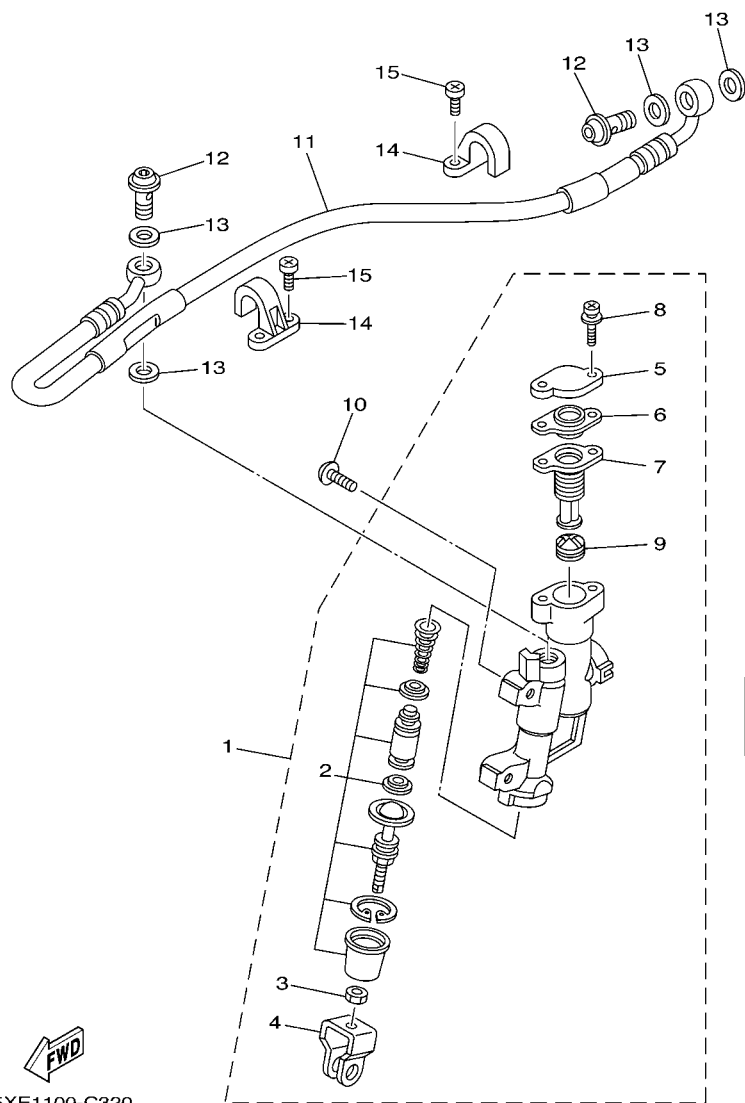


www.legends-gamaha-enduros.com

REF. NO.	PART NO.	DESCRIPTION	5XF1	5XF2	5XF3	5XF4	REMARKS
1	4XM-27200-00	PEDAL, BRAKE	1	1	1	1	
2	5JG-27217-00	BOLT	1	1	1	1	
3	93210-11073	O-RING	2	2	2	2	
4	91401-20012	PIN, COTTER	1	1	1	1	
5	90506-16500	SPRING, TENSION	1	1	1	1	
6	90240-08120	PIN, CLEVIS	1	1	1	1	
7	90201-08089	WASHER, PLATE	1	1	1	1	
8	90468-16191	CLIP	1	1	1	1	
9	5XE-27411-00	FOOTREST 1	1	1	1	1	
10	5XE-27421-00	FOOTREST 2	1	1	1	1	
11	90240-10142	PIN, CLEVIS	2	2	2	2	
12	91401-25015	PIN, COTTER	2	2	2	2	
13	90508-282B8	SPRING, TORSION	1	1	1	1	
14	90508-282B9	SPRING, TORSION	1	1	1	1	
15	5ET-27311-00	STAND, SIDE	1	1	1	1	
16	90201-10119	WASHER, PLATE	2	2	2	2	

FWD  
5NY1100-A310

**FIG. 32 REAR MASTER CYLINDER**

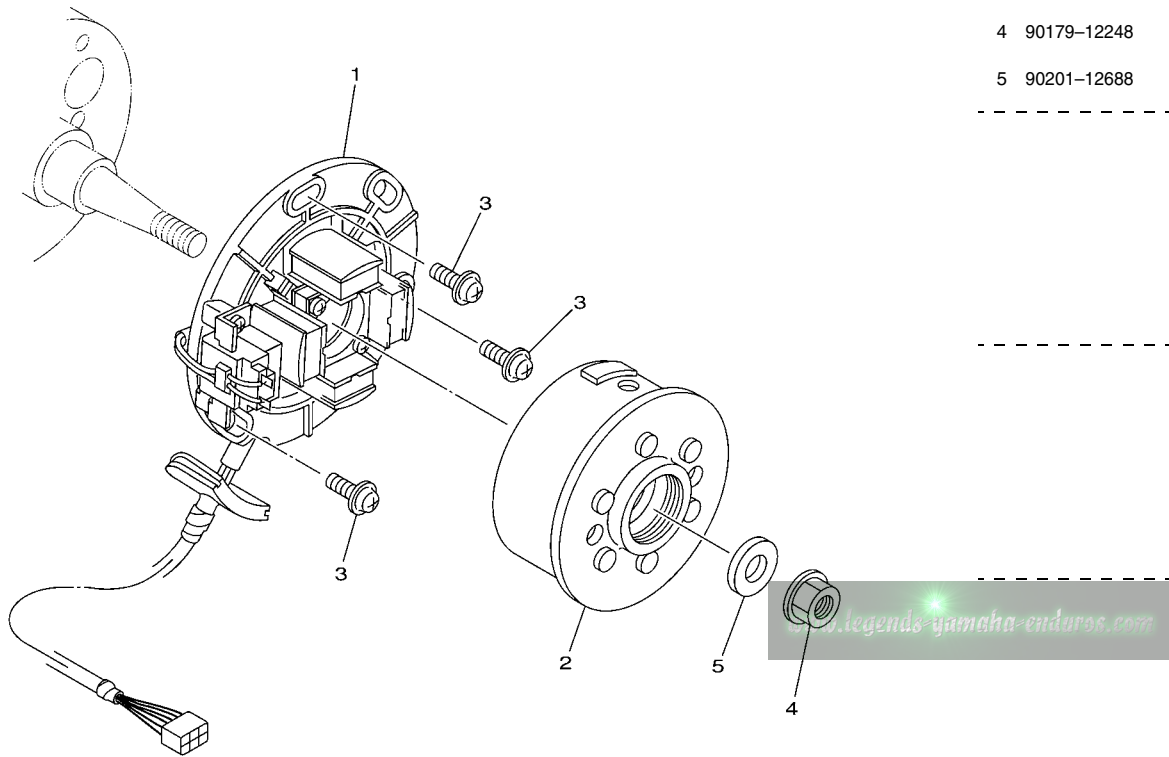


5XE1100-C320

REF. NO.	PART NO.	DESCRIPTION	5XF1	5XF2	5XF3	5XF4	REMARKS
1	5UN-2583V-00	RR. MASTER CYLINDER ASSY.	1	1	1	1	
2	5UN-W0042-50	.CYLINDER KIT, MASTER	1	1	1	1	
3	5UN-27218-00	.NUT	1	1	1	1	
4	5UN-27222-00	.JOINT	1	1	1	1	
5	5UN-25852-50	.CAP, RESERVOIR	1	1	1	1	
6	5UN-2585B-00	.PLATE, DIAPHRAGM	1	1	1	1	
7	5UN-25854-00	.DIAPHRAGM, RESERVOIR	1	1	1	1	
8	5UN-27217-00	.BOLT	2	2	2	2	
9	5CG-25715-00	.SEPARATOR ASSY	2	2	2	2	
10	90111-06029	BOLT	2	2	2	2	
11	5UN-25873-00	HOSE, BRAKE 2	1	1	1	1	
12	90401-10172	BOLT, UNION	2	2	2	2	
13	90201-10118	WASHER, PLATE	4	4	4	4	
14	2VM-25876-00	HOLDER, BRAKE HOSE 2	2	2	2	2	
15	98507-05010	SCREW, PAN HEAD	4	4	4	4	

FIG. 33 GENERATOR

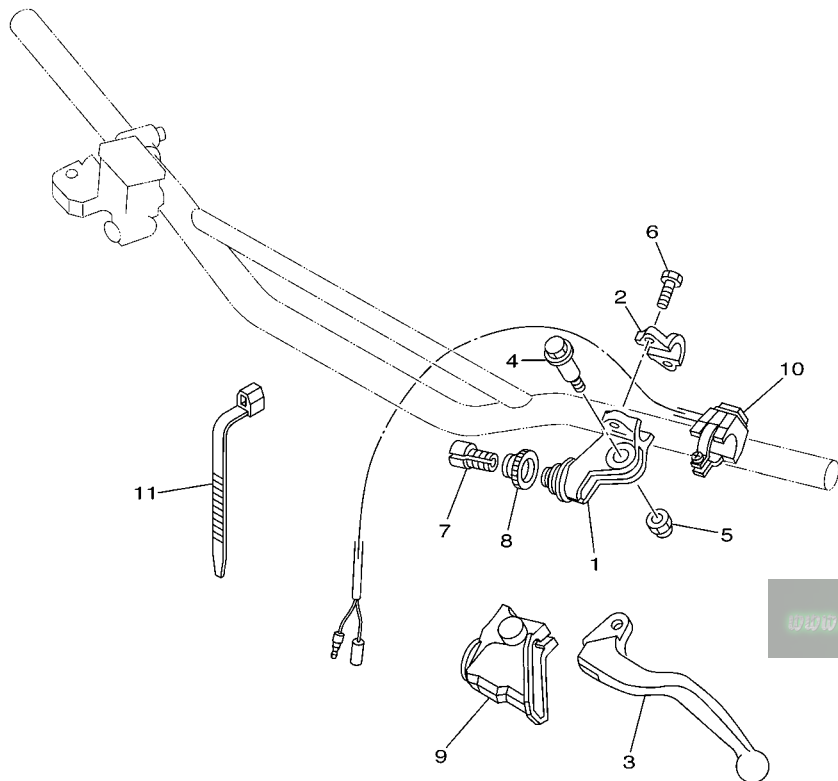
REF. NO.	PART NO.	DESCRIPTION	5XF1	5XF2	5XF3	5XF4	REMARKS
1	5CU-85560-02	BASE ASSY	1	1	1	1	
2	5UP-85550-00	ROTOR ASSY	1	1	1	1	
3	90149-06011	SCREW	3	3	3	3	
4	90179-12248	NUT	1	1	1	1	
5	90201-12688	WASHER, PLATE	1	1	1	1	
-----							
-----							
-----							
-----							
-----							
-----							
-----							
-----							



  
 5NX1100-A330

E4

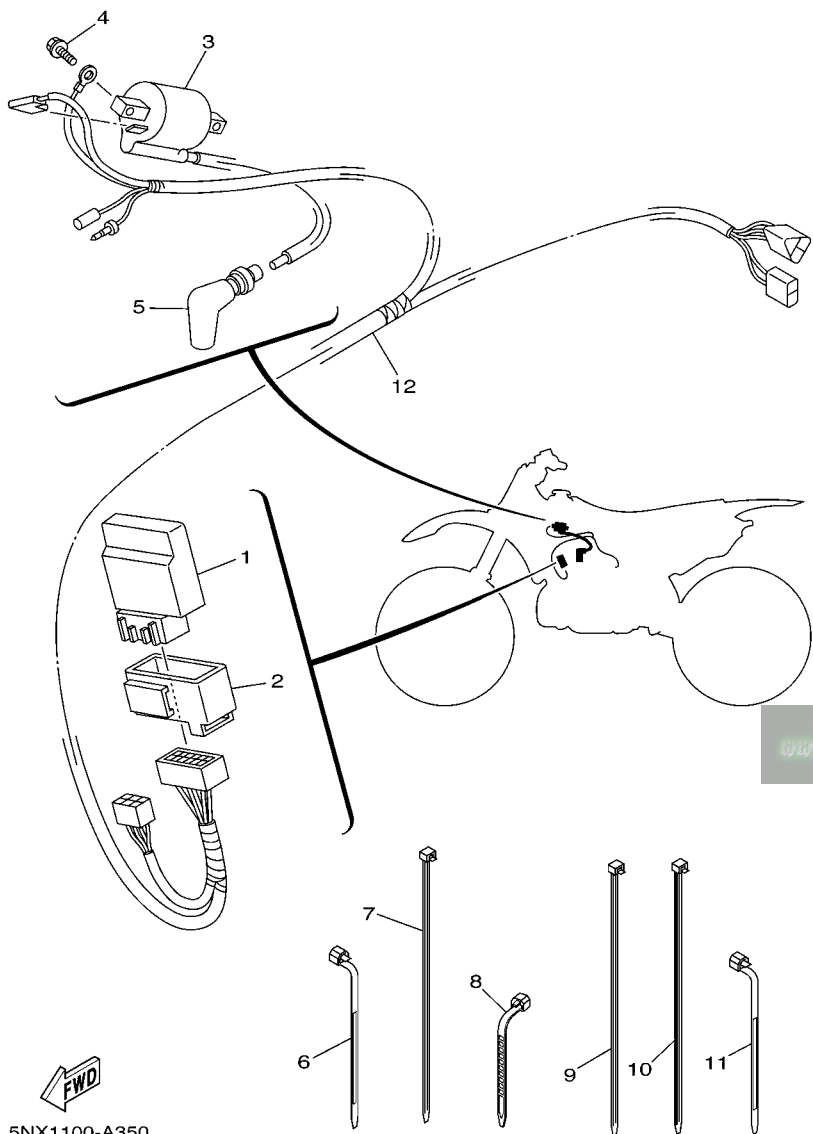
**FIG. 34 HANDLE SWITCH & LEVER**



REF. NO.	PART NO.	DESCRIPTION	5XF1	5XF2	5XF3	5XF4	REMARKS
1	5XE-82911-00	HOLDER, LEVER 1	1	1	1	1	
2	5TG-82913-00	HOLDER, LEVER LOWER 1	1	1	1	1	
3	5MV-83912-00	LEVER 1	1	1	1	1	
4	90109-06034	BOLT	1	1	1	1	
5	5LP-84126-10	NUT, LENS FITTING	1	1	1	1	
6	90101-05033	BOLT	2	2	2	2	
7	5TA-26337-00	BOLT, ADJUSTING	1	1	1	1	
8	5HD-83951-00	BOLT, CABLE ADJUSTING	1	1	1	1	
9	5HD-26372-00	COVER, HANDLE LEVER 1	1	1	1	1	
10	23X-83976-00	SWITCH, HANDLE 1	1	1	1	1	
11	90464-13077	CLAMP	3	3	3	3	

  
5NY1100-A340

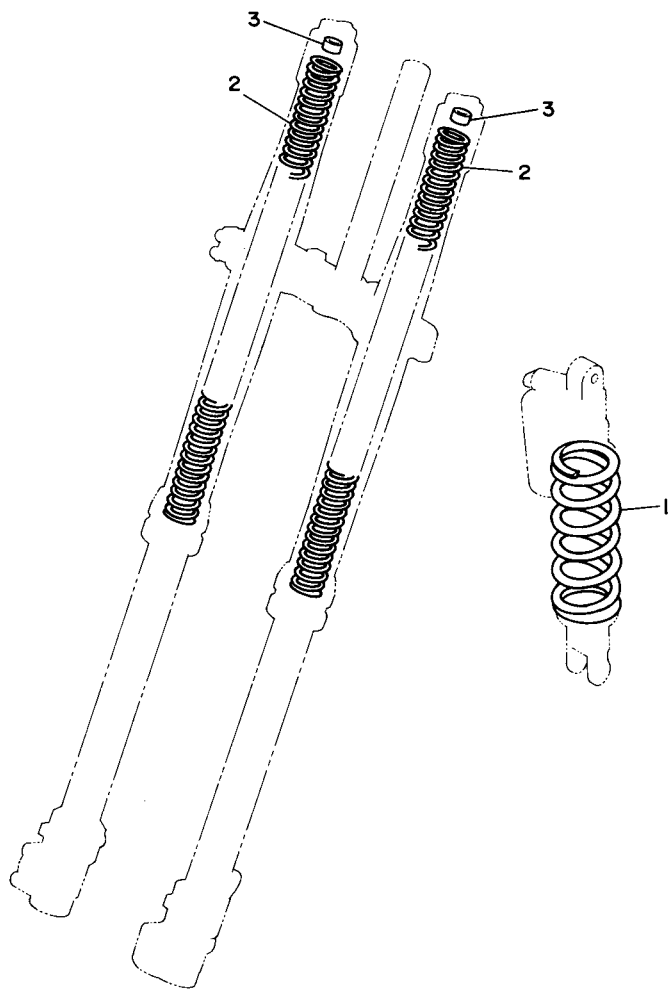
FIG. 35 ELECTRICAL 1



FWD  
5NX1100-A350

REF. NO.	PART NO.	DESCRIPTION	5XF1	5XF2	5XF3	5XF4	REMARKS
1	5NX-85540-01	C.D.I. UNIT ASSY	1	1	1	1	
2	5NY-85546-00	BAND	1	1	1	1	
3	4MX-82310-00	IGNITION COIL ASSY	1	1	1	1	
4	95027-06016	BOLT, FLANGE	2	2	2	2	
5	8DG-82370-00	PLUG CAP ASSY	1	1	1	1	
6	90464-15195	CLAMP	1	1	1	1	
7	90464-50255	CLAMP	2	2	2	2	
8	90464-13073	CLAMP	1	1	1	1	
9	90464-50255	CLAMP	1	1	1	1	
10	90464-50255	CLAMP	1	1	1	1	
11	90464-15195	CLAMP	1	1	1	1	
12	5XF-82509-00	WIRE, SUB LEAD	1	1	1	1	

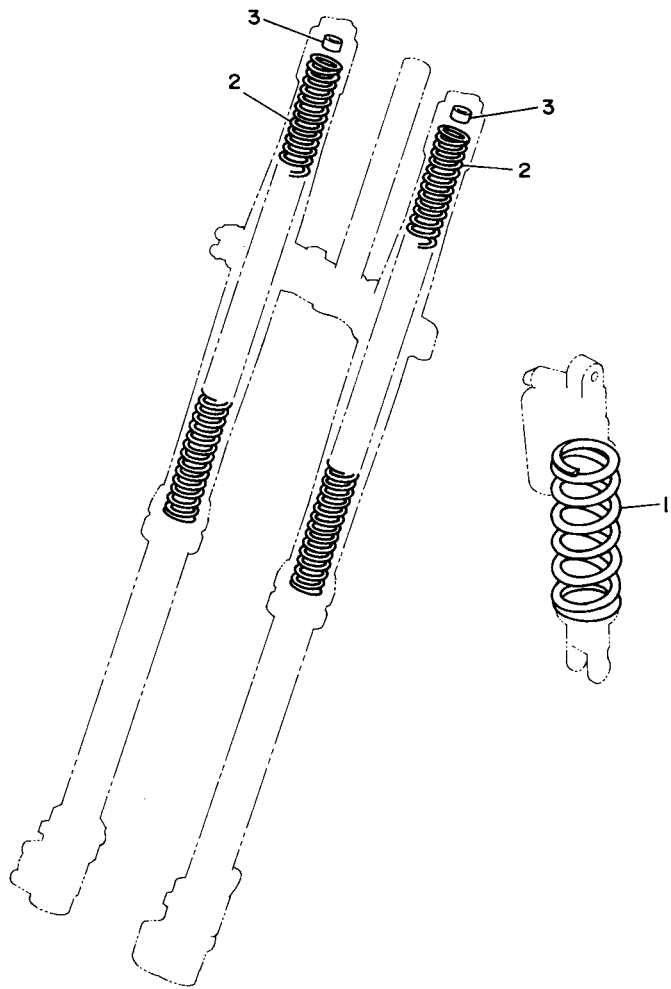
FIG. 36 ALTERNATE FOR CHASSIS



3XJ1100-I360

REF. NO.	PART NO.	DESCRIPTION	5XF1	5XF2	5XF3	5XF4	REMARKS
1	5UN-22212-00	SPRING (K=42N/MM)	1	1	1	1	AP
	5UN-22212-10	SPRING (K=44N/MM)	1	1	1	1	AP
	5UN-22212-20	SPRING (K=46N/MM)	1	1	1	1	AP
	5UN-22212-30	SPRING (K=48N/MM)	1	1	1	1	AP
	5UN-22212-40	SPRING (K=50N/MM)	1	1	1	1	AP
	5UN-22212-50	SPRING (K=52N/MM)	1	1	1	1	AP
	5UN-22212-60	SPRING (K=54N/MM)	1	1	1	1	AP
	5UN-22212-70	SPRING (K=56N/MM)	1	1	1	1	AP
	5UN-22212-A0	SPRING (K=APPROX.44N/MM)	1	1	1	1	AP
	5UN-22212-B0	SPRING (K=APPROX.46N/MM)	1	1	1	1	AP
	5UN-22212-C0	SPRING (K=APPROX.48N/MM)	1	1	1	1	AP
	5UN-22212-D0	SPRING (K=APPROX.50N/MM)	1	1	1	1	AP
	5UN-22212-E0	SPRING (K=APPROX.52N/MM)	1	1	1	1	AP
	5UN-22212-F0	SPRING (K=APPROX.54N/MM)	1	1	1	1	AP
	5UN-22212-G0	SPRING (K=APPROX.56N/MM)	1	1	1	1	AP
2	5XE-23141-00	SPRING (K=3.9N/MM)	2	2	2	2	AP
	5XE-23141-10	SPRING (K=4.0N/MM)	2	2	2	2	AP
	5XE-23141-20	SPRING (K=4.1N/MM)	2	2	2	2	AP
	5XE-23141-30	SPRING (K=4.2N/MM)	2	2	2	2	AP
	5XE-23141-40	SPRING (K=4.3N/MM)	2	2	2	2	AP
	5XE-23141-50	SPRING (K=4.4N/MM)	2	2	2	2	AP
	5XE-23141-60	SPRING (K=4.5N/MM)	2	2	2	2	AP
	5XE-23141-70	SPRING (K=4.6N/MM)	2	2	2	2	AP
	5XE-23141-80	SPRING (K=4.7N/MM)	2	2	2	2	AP
	5XE-23141-A0	SPRING (K=APPROX.3.9N/MM)	2	2	2	2	AP
	5XE-23141-B0	SPRING (K=APPROX.4.1N/MM)	2	2	2	2	AP
	5XE-23141-C0	SPRING (K=APPROX.4.3N/MM)	2	2	2	2	AP

FIG. 36 ALTERNATE FOR CHASSIS



[www.legends-gamaha-enduros.com](http://www.legends-gamaha-enduros.com)

REF. NO.	PART NO.	DESCRIPTION	5XF1	5XF2	5XF3	5XF4	REMARKS
2	5XE-23141-D0	SPRING (K=APPROX.4.5N/MM)	2	2	2	2	AP
	5XE-23141-E0	SPRING (K=APPROX.4.7N/MM)	2	2	2	2	AP
3	5XE-23364-00	COLLAR 2	1	1	1	1	UN

  
3XJ1100-1360





NUMERICAL INDEX

PART NO.	GRID NO.	PART NO.	GRID NO.	PART NO.	GRID NO.	PART NO.	GRID NO.	PART NO.	GRID NO.	PART NO.	GRID NO.
5MV-22224-00	C - 15	5TA-2314H-00	D - 5	5NY-25183-00	D - 9	5DH-25916-00	D - 10	5HD-83951-00	E - 5	90119-06225	C - 11
4JX-22226-00	C - 15	5TA-2314J-00	D - 5	5NY-25186-00	D - 9		D - 13	23X-83976-00	E - 5	90119-08238	C - 12
3SP-22234-00	C - 15	5XE-23153-L0	D - 4	5HD-25304-00	D - 11	3JD-25917-00	D - 10	5LP-84126-10	E - 5	90122-06035	B - 8
5NY-22241-00	D - 2	4SS-23158-L0	D - 4	5ET-25311-00	D - 11		D - 13	5NX-85540-01	E - 6	90149-06011	D - 7
5XE-22242-00	C - 15	5XF-2316A-L0	D - 4	5ET-25317-00	D - 11	5DH-25919-00	D - 10	5NY-85546-00	E - 6		E - 4
5DH-22253-00	C - 15	5XF-2316A-M0	D - 4	4XM-25364-00	D - 11	5DH-25919-50	D - 13	5UP-85550-00	E - 4	90149-06326	B - 14
5MV-22253-00	C - 15	5XF-23170-L0	D - 4	5ET-25367-00	D - 12	8CR-25924-00	D - 13	5CU-85560-02	E - 4	90149-06327	D - 10
5UN-22355-00	C - 13	5XF-23170-M0	D - 4	5ET-25381-00	D - 12	3SP-25926-51	D - 10	5NX-85885-00	B - 11	90151-04001	C - 13
4EW-22474-00	C - 15	5XE-23171-L0	D - 4	5UN-25383-00	D - 12	5DH-25933-00	D - 10	5NY-W0041-00	D - 15	90152-06010	C - 2
3JE-22475-00	C - 15	5DH-23183-00	C - 15	5NY-25388-00	D - 12	1UY-25937-51	D - 10	5UN-W0042-50	E - 3	90157-06077	B - 14
5NY-22475-00	C - 15	509-23184-L0	C - 15	5NY-25389-00	D - 12		D - 13	5MV-W0045-01	D - 10	90159-06010	C - 3
5UN-22898-60	D - 13	5XD-23340-L0	D - 5	3JE-25394-00	D - 11	4XM-26111-00	D - 14	5UN-W0046-60	D - 13	90159-06078	C - 12
5XF-23102-00	D - 4	5XF-23340-L0	D - 5	5SF-25394-00	D - 9	5UN-26111-00	D - 14	3JD-W0047-00	D - 10	90159-06182	C - 12
5XF-23102-10	D - 4	4SS-23346-L0	D - 5	5ET-25447-00	D - 11	4XM-26240-00	D - 14	5UN-W0047-50	D - 13	90170-20255	C - 3
5XF-23103-00	D - 4	5NY-23346-L0	D - 5	5NY-25448-00	D - 11	4GY-26241-00	D - 14	1UY-W0048-50	D - 10	90176-08026	B - 2
5XF-23103-10	D - 4	3SP-23356-L0	D - 6	5NY-25449-00	D - 11	4GY-26242-00	D - 14		D - 13	90179-06568	C - 13
5XE-23110-L0	D - 5	5TA-23357-00	D - 3	4XM-26450-00	D - 11	4XM-26243-00	D - 14	5UN-W0057-00	D - 10	90179-08674	C - 9
5XE-23111-L0	D - 4	5XE-23364-00	E - 8	5NY-25451-00	D - 11	4SS-26256-00	D - 14	5UN-W0057-50	D - 13	90179-10658	C - 9
5XE-23113-00	D - 6	5XE-23389-00	D - 6	5NY-25452-00	D - 11	4SS-26259-00	D - 14	5XE-W2587-00	D - 15	90179-10M35	B - 2
5XE-23117-L0	D - 4	5XE-23393-L0	D - 4	5CG-25715-00	D - 15	5NY-26273-00	D - 14	90101-05033	E - 5	90179-12248	E - 4
5XE-23120-L0	D - 4	5HD-2339E-00	D - 3		E - 3	4SS-26281-00	D - 14	90101-08777	D - 12	90179-16672	D - 9
5XE-23125-L0	D - 4	4EW-23416-00	D - 3	5DH-25718-01	D - 13	4SS-26282-10	D - 14	90105-05002	B - 4	90179-20255	C - 6
3JD-2312G-L0	D - 4	5XE-23435-00	D - 3	5UN-2580T-00	D - 10	4SS-26287-01	D - 14	90105-06045	C - 11	90179-28003	D - 3
5XD-23136-L0	D - 4	5XE-23435-10	D - 3	5UN-2580W-20	D - 13	4SS-2628H-00	D - 14	90105-06046	C - 11	90183-06023	B - 8
5XF-23136-L0	D - 4	5XE-23441-00	D - 3	5MV-2581T-00	D - 10	5HC-26311-00	D - 14	90105-06553	C - 7	90185-08055	C - 9
5XE-23141-00	E - 7	5HD-23485-00	D - 3	5UN-25827-60	D - 13	4SS-2632G-00	D - 14	90105-06556	B - 14	90185-08169	D - 12
5XE-23141-10	E - 7	5XE-24110-00	D - 7	5UN-25828-60	D - 13	5XF-26335-00	D - 14	90105-08059	C - 9	90185-10060	D - 2
5XE-23141-20	E - 7	4EW-2412F-00	D - 7	5NY-2582W-00	D - 13	5TA-26337-00	E - 5	90105-08120	C - 9	90185-14007	C - 14
5XE-23141-30	E - 7	5XE-24144-00	D - 7	5MV-25833-00	D - 15	5HD-26342-00	D - 14	90105-08659	D - 10	90185-16127	C - 13
5XE-23141-40	E - 7	3SP-24173-00	D - 7	5UN-2583V-00	E - 3	5HD-26372-00	E - 5	90105-10072	C - 9	90185-20168	D - 12
5XE-23141-50	E - 7	5XE-24176-00	D - 7	5DH-25849-00	D - 10	5NY-26372-00	D - 15	90105-10074	C - 9	90201-03313	B - 8
5XE-23141-60	E - 7	4SS-24181-00	D - 7	5MV-25852-01	D - 15	4XM-27200-00	E - 2	90105-10075	C - 9	90201-057H5	B - 2
5XE-23141-70	E - 7	5NY-24182-00	D - 7	5UN-25852-50	E - 3	5JG-27217-00	E - 2	90105-10445	C - 3		B - 4
5XE-23141-80	E - 7	5XE-24183-00	D - 7	5XE-25853-00	D - 15	5UN-27217-00	E - 3	90109-05001	B - 2	90201-06013	C - 7
5XE-23141-A0	E - 7	5NY-24186-00	D - 7	5UN-25854-00	E - 3	5UN-27218-00	E - 3	90109-056G0	C - 3	90201-06071	B - 13
5XE-23141-B0	E - 7	5XE-24240-00	D - 7	5XE-25854-00	D - 15	5UN-27222-00	E - 3	90109-06034	E - 5		C - 11
5XE-23141-C0	E - 7	3XJ-24380-00	D - 7	5UN-2585B-00	E - 3	5ET-27311-00	E - 2	90109-065G4	C - 8	90201-062A8	C - 11
5XE-23141-D0	E - 8	3JD-24500-01	D - 7	5MV-25867-00	D - 15	5XE-27411-00	E - 2		D - 13	90201-06557	C - 11
5XE-23141-E0	E - 8	4X8-24512-00	D - 7	5NY-25868-00	D - 15	5XE-27421-00	E - 2	90109-066G1	C - 7	90201-06571	B - 7
5XC-23141-L0	D - 4	3AJ-24534-00	D - 7	5ET-25872-00	D - 15	5TA-27491-00	D - 13	90109-067F4	B - 8	90201-08089	E - 2
5XF-23141-L0	D - 4	5NY-24610-00	D - 7	5HD-25872-00	D - 15	5ET-28166-00	C - 10	90109-081G1	D - 11	90201-080L8	B - 2
5XE-23142-L0	D - 4	5XE-2470F-00	D - 8	5UN-25873-00	E - 3	4MX-82310-00	E - 6	90109-085E2	C - 2	90201-081G0	B - 3
5XE-23144-L0	D - 4	5NY-24728-00	D - 8	5DH-25875-00	D - 10	8DG-82370-00	E - 6	90111-06029	E - 3	90201-08326	C - 2
5XE-23145-L0	D - 4	5XE-24770-00	D - 8	2VM-25876-00	E - 3	5XF-82509-00	E - 6	90111-08010	C - 9		D - 12
5XE-23146-L0	D - 4	5NY-25104-00	D - 9	5MV-2589F-00	D - 15	5XE-82911-00	E - 5	90116-08394	B - 2	90201-08512	B - 6
5DH-2314E-00	D - 10	5NY-25111-00	D - 9	5UN-25914-00	D - 13	5TG-82913-00	E - 5	90116-10314	B - 2	90201-086P8	C - 9
5XE-2314F-L0	D - 5	5NY-25117-00	D - 9	5DH-25914-50	D - 13	5MV-83912-00	E - 5	90119-06096	C - 11	90201-08730	B - 13
5XE-2314G-L0	D - 5	5BE-25181-00	D - 9	3SP-25914-51	D - 10	5MV-83922-00	D - 15	90119-06192	B - 13		C - 9

NUMERICAL INDEX

PART NO.	GRID NO.	PART NO.	GRID NO.	PART NO.	GRID NO.	PART NO.	GRID NO.	PART NO.	GRID NO.	PART NO.	GRID NO.
90201-08784	B - 6	90387-2515B	C - 5	91317-06014	D - 15	93306-37808	B - 5	94421-19602	D - 11	98580-04006	B - 11
90201-10118	D - 15	90401-10172	D - 15	91317-06025	B - 8	93306-90403	D - 9	94681-68001	D - 12	98706-04012	D - 15
	E - 3		E - 3	91317-06050	B - 14	93306-90501	C - 7	94702-00326	B - 2	98707-06025	D - 7
90201-10119	E - 2	90430-05242	C - 4	91317-06060	B - 14	93306-90506	C - 7	94709-00326	B - 2	98907-05012	B - 3
90201-105P3	C - 3	90430-06014	B - 6	91317-06070	B - 14	93310-218A6	B - 5	95027-06010	B - 15		B - 4
90201-12575	C - 8		B - 15	91401-20012	E - 2		E - 9		C - 13	98907-05016	B - 3
90201-125L6	C - 3	90430-12227	B - 14	91401-25015	E - 2	93310-230T7	C - 3	95027-06012	D - 13	98907-06025	D - 7
90201-12688	E - 4	90445-08376	B - 14	91A20-05065	B - 7	93310-52406	B - 5	95027-06014	D - 3	99001-06600	B - 6
90201-14740	C - 14	90445-09104	D - 7	92017-06010	B - 13		E - 9	95027-06016	D - 7	99009-16400	C - 2
90201-150U6	B - 4	90445-09220	D - 7	92907-03100	B - 8	93315-11206	C - 3		D - 13	99009-20400	C - 2
90201-160F6	C - 13	90445-09777	B - 3	92907-05600	B - 3	93315-32053	C - 14		E - 6	99009-45500	D - 11
90201-162H4	C - 2	90445-111J0	D - 7	92907-06100	D - 8	93315-32056	C - 13	95027-06020	C - 8	99530-08016	B - 15
90201-167P7	C - 2	90450-25037	B - 7	92907-06600	B - 15	93317-22262	C - 13		D - 6	99590-14016	B - 2
90201-20276	C - 2	90450-28014	B - 7	92907-08200	D - 10	93332-00068	D - 3	95027-06025	B - 6	9Y581-92113	D - 12
90201-203U1	D - 12	90450-51070	B - 8	92907-10200	C - 9	93332-00081	D - 3		B - 7		
90201-20685	C - 2	90450-70072	B - 8	93102-12106	B - 6	93340-21505	B - 4		B - 13		
90201-247L2	D - 3	90464-06214	B - 8	93102-12224	C - 3		C - 3		B - 15		
90201-253K0	C - 5	90464-13073	E - 6		C - 8	93342-22217	C - 13		D - 14		
90201-286K9	D - 3	90464-13077	E - 5	93102-18278	C - 2	93410-20038	C - 2	95027-06030	B - 15		
90202-05193	D - 7	90464-15195	E - 6	93102-20485	B - 5	93440-10085	C - 3	95027-06050	B - 15		
90209-06096	B - 8	90464-50255	E - 6	93102-26468	D - 9	93440-25084	C - 5		C - 13		
90209-21332	C - 5	90465-13275	D - 7	93102-28004	B - 5	93440-28062	C - 5	95027-06065	B - 6		
90209-24327	B - 5	90465-16258	D - 15	93102-32337	C - 5	93450-19052	B - 5		B - 15		
	E - 9	90467-09006	B - 7	93104-08040	B - 3		E - 9	95027-08012	B - 13		
90209-26348	C - 5	90467-10008	D - 7		B - 4	93507-16020	B - 4	95027-08020	D - 10		
90215-20231	C - 3	90468-16191	E - 2	93106-22019	C - 13	93507-32009	C - 2	95027-08035	D - 3		
90215-21256	C - 6	90480-08608	D - 12	93106-30044	D - 11	93603-14240	B - 4	95027-08040	C - 9		
90240-08120	E - 2	90480-15528	B - 7	93106-30045	D - 11	93604-08071	B - 2		D - 3		
90240-10142	E - 2	90480-16404	B - 13	93109-11073	B - 6	93604-10011	B - 6	95027-08055	C - 9		
90267-32070	B - 8	90480-16561	B - 13	93109-20076	C - 13	93604-29184	B - 4	95607-10200	D - 2		
90280-03017	B - 5	90480-18549	D - 7	93109-28043	C - 13	93612-16254	B - 14	95617-10660	B - 2		
90340-12059	B - 14	90501-046L6	B - 3	93210-06001	D - 14	9383E-13144	C - 6	95701-06500	D - 15		
90387-06009	C - 11	90501-052G5	C - 8	93210-11073	E - 2	9383E-14215	C - 6	95707-08500	D - 12		
90387-06039	B - 13	90501-147A5	C - 2	93210-15639	B - 2	94108-21012	D - 9	95827-06010	B - 7		
90387-06065	B - 7	90501-16016	C - 2	93210-17570	C - 2	94108-21015	D - 9	95827-06012	D - 10		
90387-063G3	B - 13	90501-237L0	C - 3	93210-19123	B - 15	94108-2112Y	D - 9	95827-06016	C - 12		
90387-085E1	B - 4	90501-256L2	B - 4	93210-22298	C - 5	94111-19011	D - 11	97007-05020	B - 3		
90387-086N4	C - 9	90506-16500	E - 2	93210-74316	B - 2	94111-19012	D - 11	97027-06016	C - 2		
90387-124F4	C - 8	90507-14064	C - 7	93211-02703	B - 2	94111-1913A	D - 11	97307-06012	D - 8		
90387-152F2	B - 4	90507-20052	B - 13	93300-60801	B - 4	94209-21229	D - 9	97707-60016	C - 11		
90387-16005	C - 13	90508-155B8	B - 3	93300-60804	C - 9	94211-19273	D - 11	97801-03008	D - 7		
90387-16007	C - 13	90508-282B8	E - 2	93306-00105	B - 6	94211-19274	D - 11	98502-04012	B - 11		
90387-167Y9	C - 13	90508-282B9	E - 2	93306-00426	C - 5	94227-21101	D - 9	98502-04014	B - 10		
90387-18004	C - 13	90508-291A8	C - 8	93306-00442	C - 5	94309-21161	D - 9	98507-03008	B - 8		
90387-18005	C - 13	90508-30743	C - 2	93306-07202	D - 11	94311-19155	D - 11	98507-05010	E - 3		
90387-18007	B - 14	91317-04006	B - 4	93306-20540	C - 5	94321-19157	D - 11	98507-05012	B - 2		
90387-2113G	C - 5	91317-04008	B - 3	93306-20574	C - 5	94330-21084	D - 9	98507-06030	B - 15		
90387-227H7	D - 14	91317-05008	C - 13	93306-27205	D - 11	94416-21003	D - 9	98507-06035	B - 15		