



YAMAHA

PARTS CATALOGUE

YZ125S (1LX)

www.legends-yamaha-enduros.com

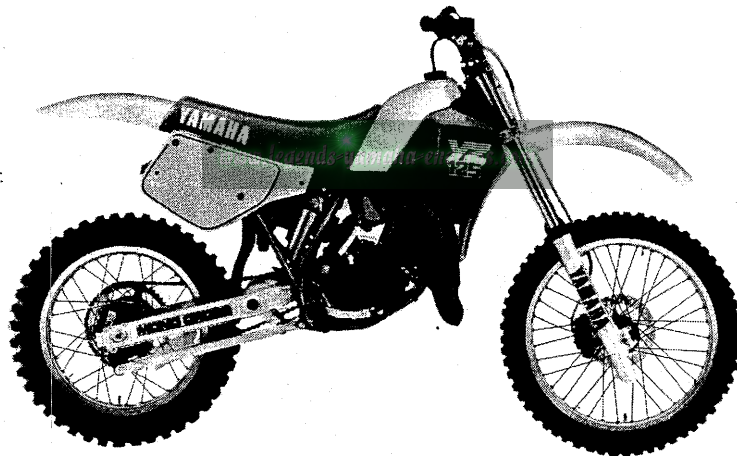
|61LX-700E1

A2

5/1/84



21 1-9 8000
5/1/84
M/C



A3

FOREWORD

This Parts Catalogue is related to the parts in use for the Yamaha YZ125S (1LX)/YZ125 (1LX). When you are ordering replacement parts for the YZ125S (1LX)/YZ125 (1LX), refer to this Parts Catalogue and quote both part numbers and part names correctly.

1. Modifications or additions which have been made after issue of the Parts Catalogue will be announced in the Yamaha Parts News.

It is advisable that according to the Yamaha Parts News you make necessary corrections to the Parts Catalogue on hand to keep it up-to-date.

2. Abbreviations

The following abbreviations are used in this Parts Catalogue.

- U.R. Use size (thickness) and/or number as required.
- U.N. Use as many as you need.
- A.P. Alternate Parts
- L.M. Local Made
- F# Frame No. (Applicable machine No.)

3. The parts marked with (+) in the parts number column of this Catalogue are not supplied with by Yamaha, those have to be found locally.

4. Parts, which are to be supplied in the form of assemblies, are listed with an indentation of one letter's space, and a dot (.) is put against the name of each part.

EXAMPLE CARBURETOR ASS'Y
 . JET, pilot
 . NOZZLE, main

5. Indication of No. of constituent parts for assembly

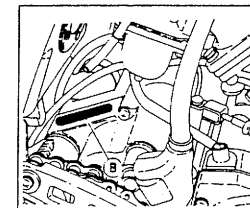
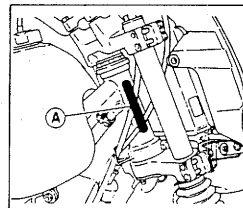
The numeral appearing to the right of each constituent part under the description indicates the quantity of such parts for each individual assembly unit.

EXAMPLE

Part No.	Description	Q'ty	Remarks
2F5-83310-60	FRONT FLASHER LIGHT ASS'Y	2	
115-83311-60	. BULB (6V-18W)	1	
1M1-83309-60	. REFLECTOR	1	

6. Initial Serial No. and Color Code

(A) Frame Serial No.	1LX-000101 and following
(B) Engine Serial No.	1LX-000101 and following



Color Code	Color Name	Abbreviate
36	Clean White	W

7. Applicable colors of graphics are represented in the "Remarks" column by the letter(s) appropriately picked out of the full word(s) showing such colors.

EXAMPLE

Part No.	Description	Q'ty	Remarks
2N4-24110-00-X5	FUEL TANK COMP.	1	MAXIM RED
3J1-24240-10	. GRAPHIC, fuel tank set	1	for MXR

CONTENTS

ENGINE

Cylinder	B2 ~ B3
Governor	B4
Crankshaft · Piston	B5
Water Pump	B6
Radiator · Hose	B7
Intake	B8
Carburetor	B9 ~ B10
Exhaust	B11
Crankcase	B12
Crankcase Cover 1	B13
Starter	B14
Clutch	B15
Transmission	C2 ~ C3
Shift Cam · Fork	C4
Shift Shaft	C5

CHASSIS

Frame	C6
Fender	C7
Side Cover	C8 ~ C9
Rear Arm	C10 ~ C11
Rear Suspension	C12 ~ C13
Steering	C14
Front Fork	C15 ~ D3
Fuel Tank	D4
Seat	D5
Front Wheel	D6
Front Brake Caliper	D7
Rear Wheel	D8 ~ D9

Steering Handle · Cable	D10
Front Master Cylinder	D11
Stand · Footrest	D12
Generator	D13
Handle Switch · Lever	D14
Electrical 1	D15

ALTERNATE PARTS

Alternate 1 (Chassis)	E2
-----------------------------	----

REPAIR KIT

Repair Kit	E3
------------------	----

INDEX

Numerical Index	M1 ~ M3
-----------------------	---------

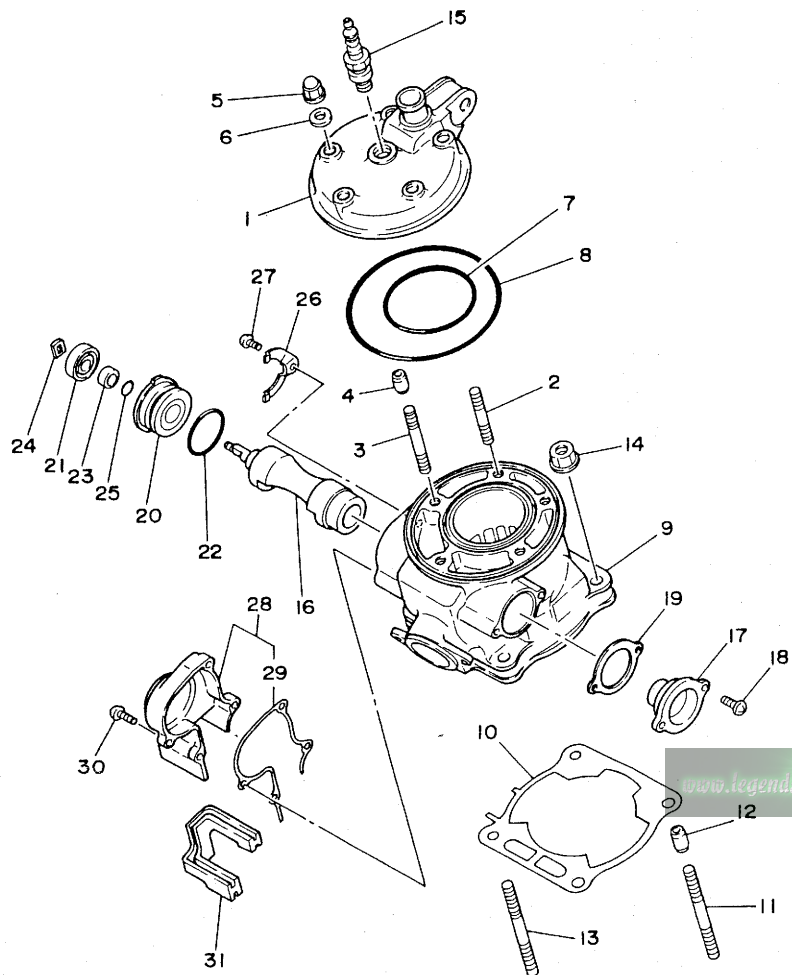


FIG. 1 CYLINDER

REF. NO.	PART NO.	DESCRIPTION	Q'TY	REMARKS
1	1LX-11111-00	HEAD, cylinder 1	1	
2	90116-08394	BOLT, stud	3	
3	90116-08392	BOLT, stud	2	
4	99510-10114	PIN, dowel	2	
5	90176-08026	NUT, crown	5	
6	90201-08087	WASHER, plate	5	
7	93210-65721	O-RING	1	
8	93211-07720	O-RING	1	
9	1LX-11311-00	CYLINDER 1	1	
10	1LX-11351-00	GASKET, cylinder	1	
11	90116-08409	BOLT, stud	2	
12	99510-10114	PIN, dowel	2	
13	90116-08318	BOLT, stud	2	
14	90179-08246	NUT	4	
15	*	PLUG, spark (CHAMPION N-84)	1	UR LM
	*	PLUG, spark (CHAMPION QN-86)	1	UR LM for S.AFRICA
16	1LX-1131A-00	VALVE 1	1	
17	39W-W1132-00	HOLDER 1	1	
18	98506-05012	SCREW, pan head	2	
19	5X4-1131N-00	GASKET, holder	1	
20	5X4-W1133-00	HOLDER 2	1	
21	93104-16074	OIL SEAL	1	
22	93210-27244	O-RING	1	
23	90387-102F3	COLLAR	1	
24	5X5-11937-00	BOSS, lever	1	
25	93210-09192	O-RING	1	
26	1LX-11915-00	PLATE, thrust 1	1	
27	98506-05010	SCREW, pan head	1	

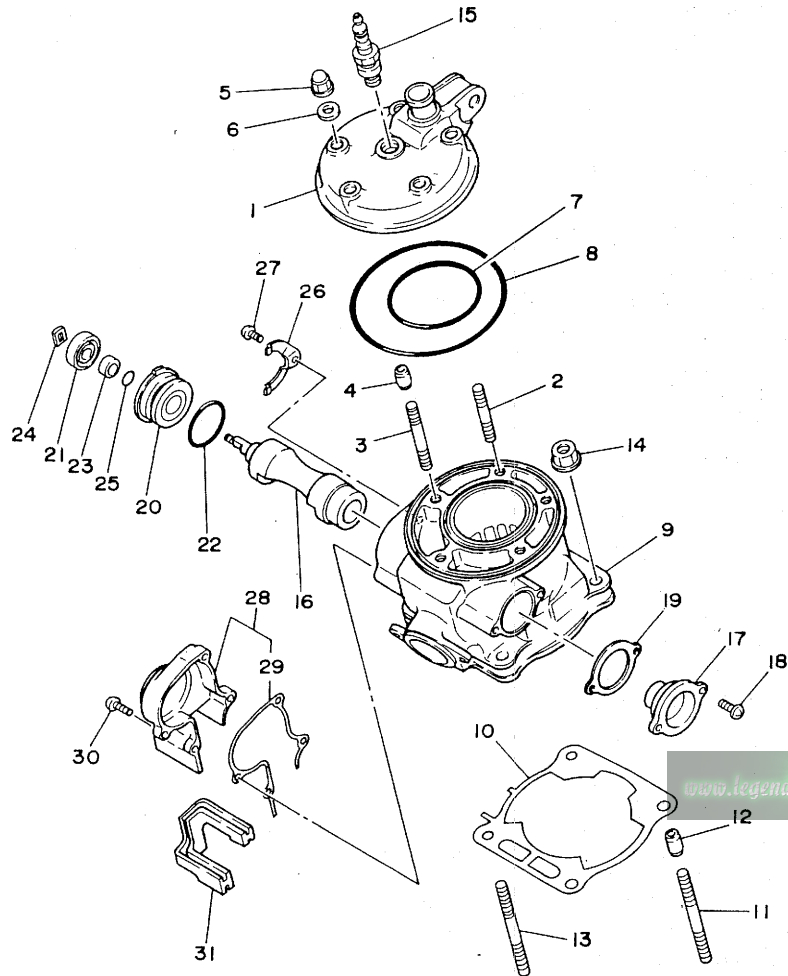


1LX010-6010

B2

FIG. 1 CYLINDER

REF. NO.	PART NO.	DESCRIPTION	Q'TY	REMARKS
28	1LX-11992-00	HOUSING 2	1	
29	1LX-11993-00	.GASKET	1	
30	98506-05016	SCREW, pan head	4	
31	1LX-11995-00	SEAL, housing	1	



www.legends-yamaha-enduros.com

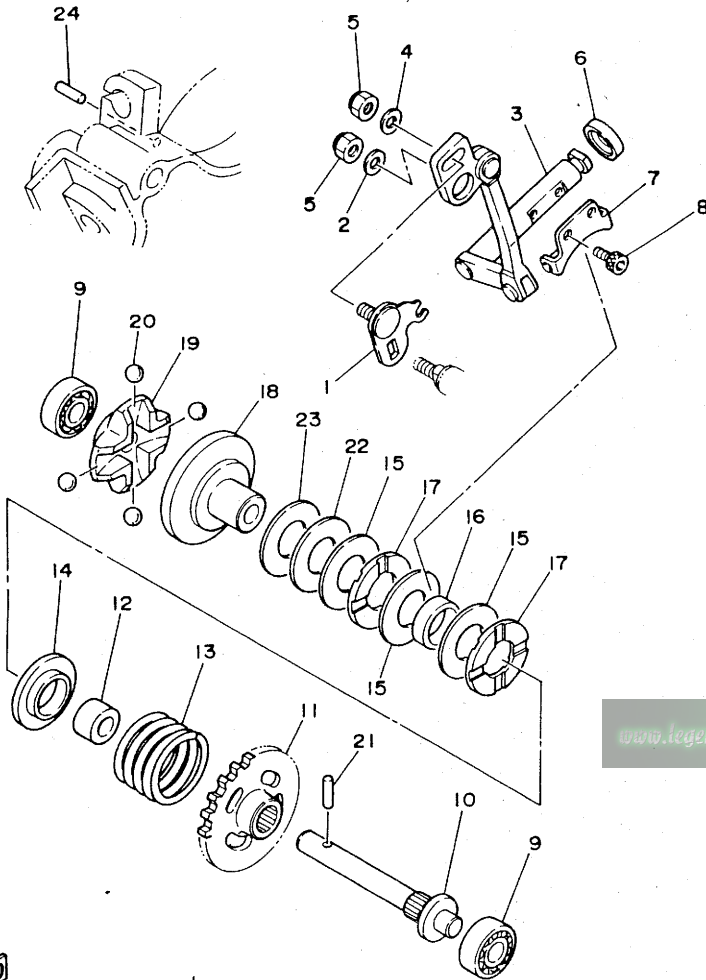


ILX010-6010

B3

FIG. 2 GOVERNOR

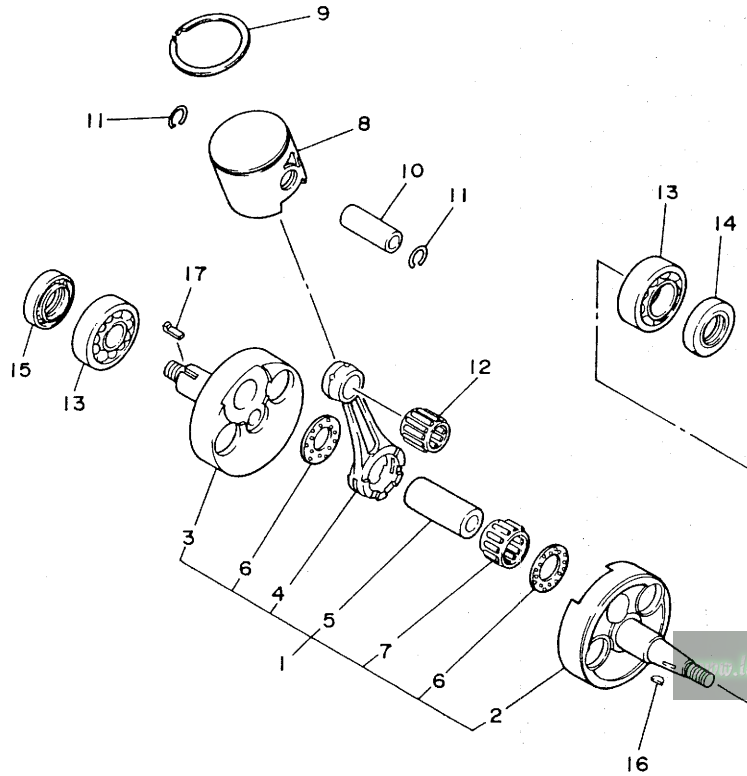
REF. NO.	PART NO.	DESCRIPTION	Q'TY	REMARKS
1	1LX-11931-00	LEVER	1	
2	90201-057H5	WASHER, plate	1	
3	1LX-11990-00	PUSH ROD ASSY	1	
4	92901-05600	WASHER, plate	1	
5	95601-05100	NUT, u	2	
6	93104-08040	OIL SEAL	1	
7	5X4-11922-00	FORK, governor	1	
8	91316-04006	BOLT	2	
9	93300-60801	BEARING (B0060)	2	UR koyo
	93300-60814	BEARING (608M4ML01)	2	UR nmb
10	5X4-11921-01	SHAFT, governor	1	
11	24X-11953-00	GEAR, governor	1	
12	90560-08213	SPACER	1	
13	90501-240E7	SPRING, compression	1	
14	5X4-11952-00	PLATE	1	
15	90201-151A7	WASHER, plate (T=1.0)	2	
16	90387-152F2	COLLAR	1	
17	90380-15104	BUSH, solid	2	
18	5X5-11912-01	RETAINER, weight	1	
19	5X5-11911-01	RETAINER	1	
20	93521-64032	BALL	4	
21	93603-14179	PIN, dowel	1	
22	90201-151A7	WASHER, plate (T=1.0)	1	UR
	90201-154F5	WASHER, plate (T=0.8)	1	UR
23	90201-154F6	WASHER, plate (T=0.2)	1	UN
24	93603-13185	PIN, dowel	1	



ILX010-6020

B4

FIG. 3 CRANKSHAFT. PISTON



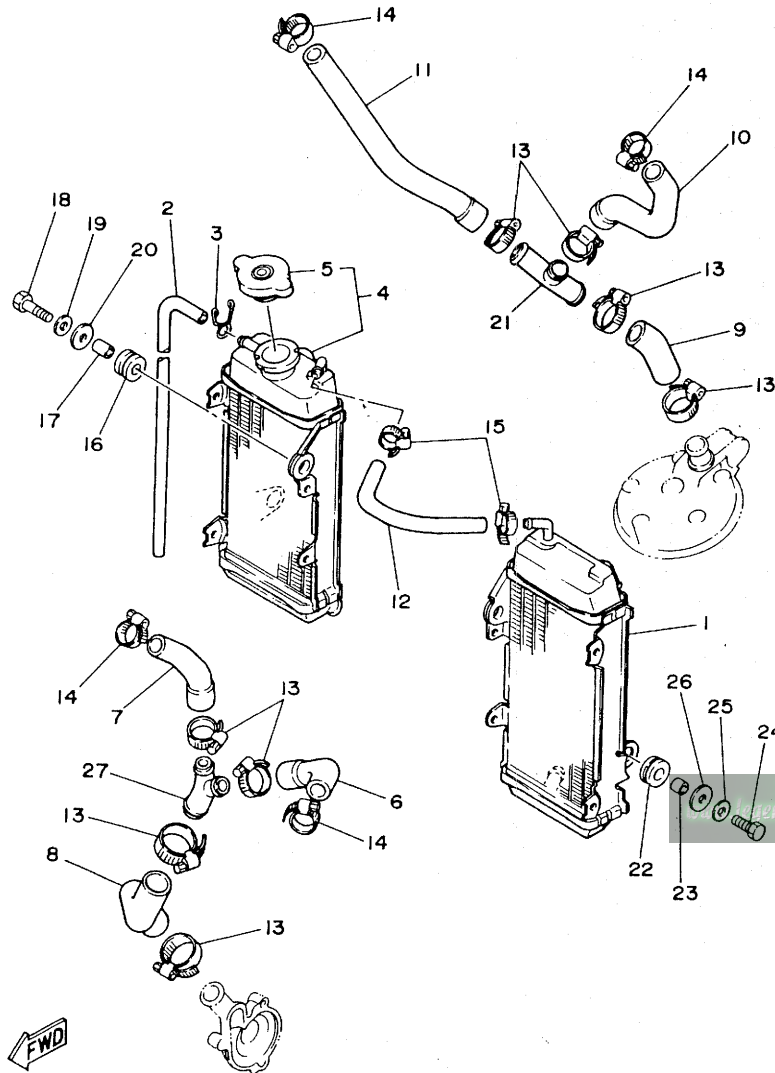
REF. NO.	PART NO.	DESCRIPTION	Q'TY	REMARKS
1	1LX-11400-00	CRANKSHAFT ASSY	1	
2	1LX-11412-00	.CRANK 1	1	
3	1LX-11422-00	.CRANK 2	1	
4	1LX-11651-00	.ROD, connecting	1	
5	36F-11681-00 22292	.PIN, crank 1	1	
6	90209-2277	.WASHER	2	
7	93310-522M4	.BEARING, cylindrical	1	
8	1LX-11631-00-94	PISTON (STD)	1	UR
	1LX-11631-00-95	PISTON (STD)	1	UR
	1LX-11635-00	PISTON (0.25MM O/S)	1	AP
	1LX-11636-00	PISTON (0.50MM O/S)	1	AP
	1LX-11637-00	PISTON (0.75MM O/S)	1	AP
9	5X4-11611-00	RING, piston (STD)	1	
	5X4-11611-10	RING, piston (0.25MM O/S)	1	AP
	5X4-11611-20	RING, piston (0.50MM O/S)	1	AP
	5X4-11611-30	RING, piston (0.75MM O/S)	1	AP
10	137-11633-00	PIN, piston	1	
11	4V2-11634-00	CLIP, piston pin	2	
12	93310-216L2	BEARING, cylindrical	1	
13	93306-37204	BEARING (63/22SH2-9TC4)	2	koyo
14	93102-22363	OIL SEAL	1	
15	93103-32099	OIL SEAL	1	
16	90280-03017	KEY, woodruff	1	
17	90282-05038	KEY, straight	1	



1LX010-6030

B5

FIG. 5 RADIATOR. HOSE



REF. NO.	PART NO.	DESCRIPTION	Q'TY	REMARKS
1	1LX-12460-00	RADIATOR ASSY	1	
2	90446-09079	HOSE	1	
3	90467-09006	CLIP	1	
4	1LX-1240A-00	RADIATOR ASSY 2	1	
5	22W-12462-00	.CAP, radiator	1	
6	1LX-12481-00	PIPE 1	1	
7	1LX-12482-00	PIPE 2	1	
8	1LX-12483-00	PIPE 3	1	
9	1LX-12485-00	PIPE 5	1	
10	1LX-12476-00	PIPE 6	1	
11	1LX-12477-00	PIPE 7	1	
12	1LX-1248A-00	PIPE 8	1	
13	90460-31253	CLAMP, hose	8	
14	90460-22252	CLAMP, hose	4	
15	90460-15227	CLAMP, hose	2	
16	90480-15064	GROMMET	2	
17	90387-07392	COLLAR	2	
18	97301-06030	BOLT	2	
19	92901-06600	WASHER, plate	2	
20	90201-06570	WASHER, plate	2	
21	24X-12469-00	JOINT 1	1	
22	90480-18276	GROMMET	2	
23	90387-07573	COLLAR	2	
24	97301-06020	BOLT	2	
25	92901-06600	WASHER, plate	2	
26	90201-06570	WASHER, plate	2	
27	24Y-12469-00	JOINT 1	1	

ILX010-6050

B7

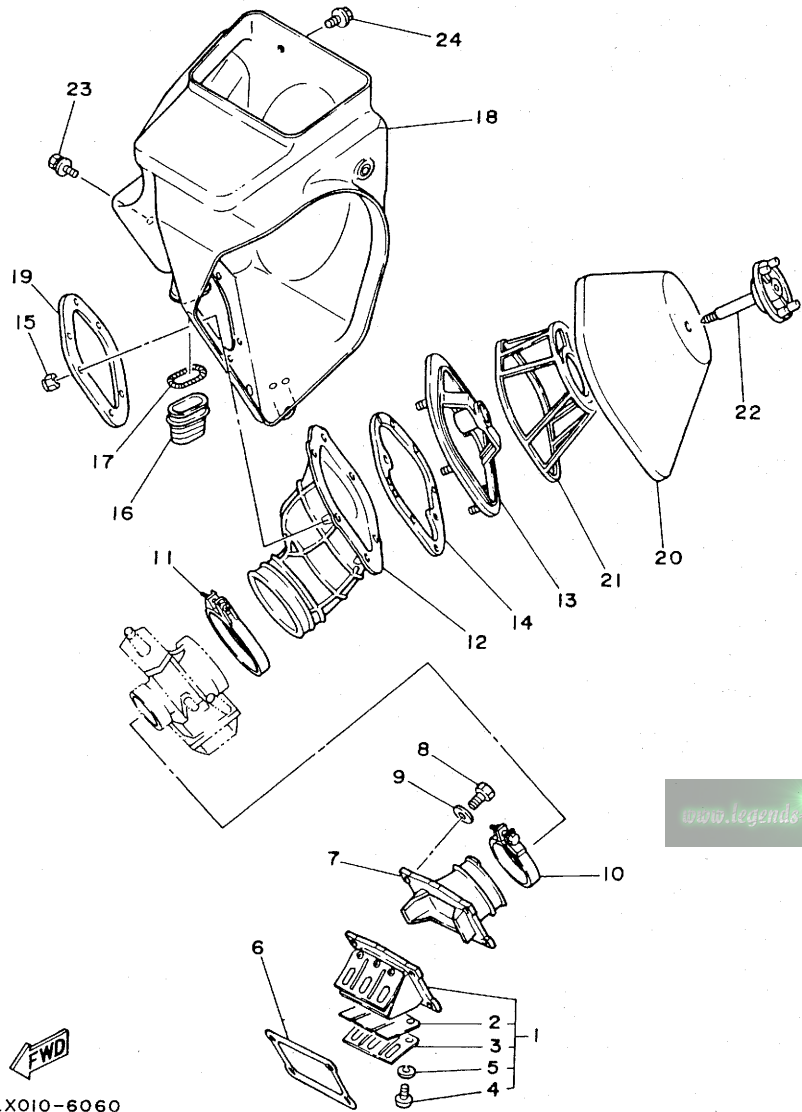


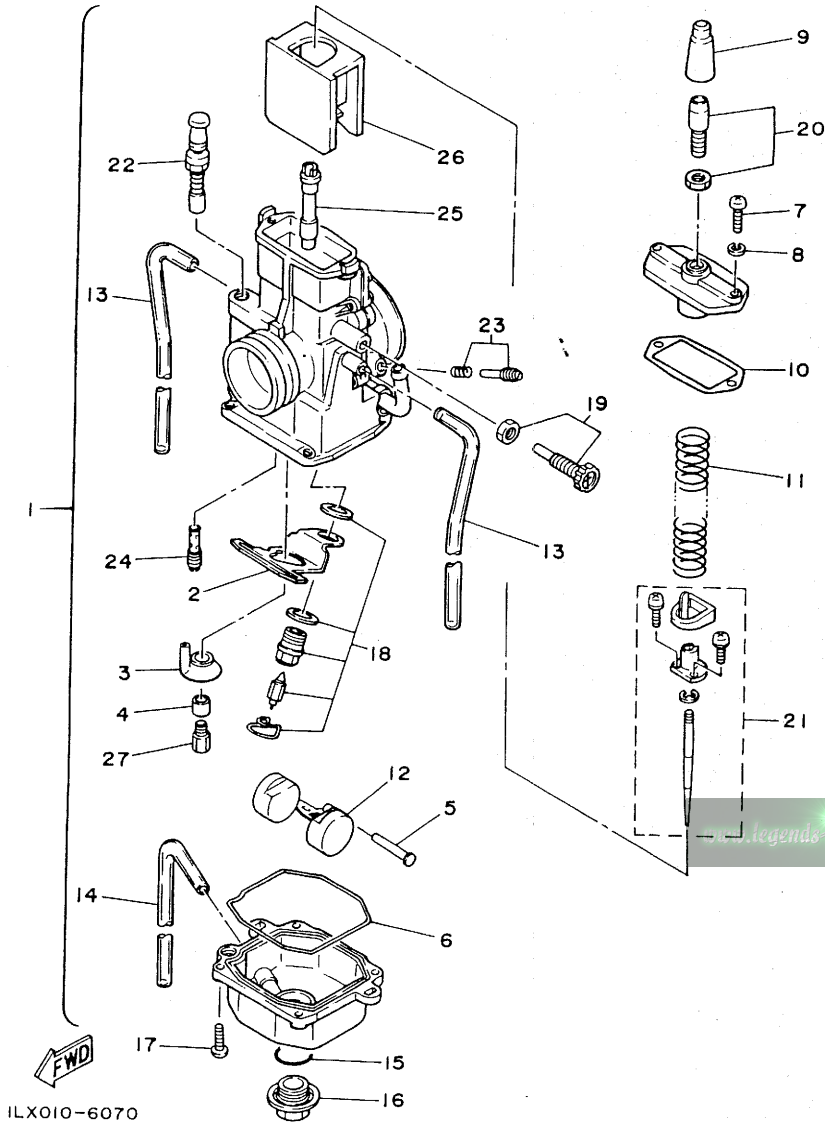
FIG. 6 INTAKE

REF. NO.	PART NO.	DESCRIPTION	Q'TY	REMARKS
1	1LX-13610-00	REED VALVE ASSY	1	
2	55Y-13613-00	.REED, valve	2	
3	55Y-13616-00	.STOPPER, reed valve	2	
4	98501-03008	.SCREW, pan head	6	
5	92990-03100	.WASHER, spring	6	
6	1LX-13621-00	GASKET, valve seat	1	
7	1LX-13565-00	JOINT, carburetor	1	
8	97301-06020	BOLT	4	
9	92901-06600	WASHER, plate	4	
10	90460-51109	CLAMP, hose	1	
11	90460-68199	CLAMP, hose	1	
12	1LX-14453-00	JOINT, air cleaner l	1	
13	1LX-14459-00	HOLDER, guide	1	
14	1LX-14462-00	SEAL	1	
15	95601-05100	NUT, u	6	
16	39K-14457-00	SEAL	1	
17	90504-03033	SPRING, compression	1	
18	1LX-W1441-00	AIR CLEANER CASE COMP.	1	
19	1LX-14477-00	PLATE	1	
20	1LX-14451-00	ELEMENT, air cleaner	1	
21	1LX-14458-00	GUIDE	1	
22	56A-14468-00	PLATE, element fitting	1	
23	90119-06081	BOLT, with washer	2	
24	90119-06056	BOLT, with washer	1	


ILX010-6060

FIG. 7 CARBURETOR

REF. NO.	PART NO.	DESCRIPTION	Q'TY	REMARKS
1	1LX-14101-00	CARBURETOR ASSY 1	1	
2	1LX-14146-00	.PLATE	1	
3	1LX-14153-10	.WASHER, main jet	1	
4	509-14145-00	.SETTER, needle jet	1	
5	537-14186-00	.PIN, float	1	
6	1LX-14147-00	.O-RING	1	
7	98511-04014	.SCREW, pan head	2	
8	92901-04100	.WASHER, spring	2	
9	307-14169-10	.CAP	1	
10	1LX-14198-00	.GASKET	1	
11	1LX-14131-00	.SPRING, throttle valve	1	
12	1LX-14185-00	.FLOAT	1	
13	310-14197-00	.PIPE	2	
14	3Y3-14196-00	.PIPE	1	
15	558-14147-00	.O-RING	1	
16	500-14115-00	.PLUG, screw	1	
17	98511-04012	.SCREW, pan head	4	
18	24X-14107-33	.NEEDLE VALVE SET	1	
19	40T-14103-00	.THROTTLE SCREW SET	1	
20	1LX-14106-00	.CABLE ADJUST SCREW SET	1	
21	1LX-1490J-00	.NEEDLE SET	1	
22	24X-1410A-00	.STARTER SET	1	
23	1LX-14104-00	.AIR SCREW SET	1	
24	193-14142-40	.JET, pilot (# 40)	1	STD
	193-14142-35	.JET, pilot (# 35)	1	AP
	193-14142-45	.JET, pilot (# 45)	1	AP
25	1LX-14141-48	.NOZZLE, main (P-8)	1	UR STD
	1LX-14141-46	.NOZZLE, main (P-6)	1	UR

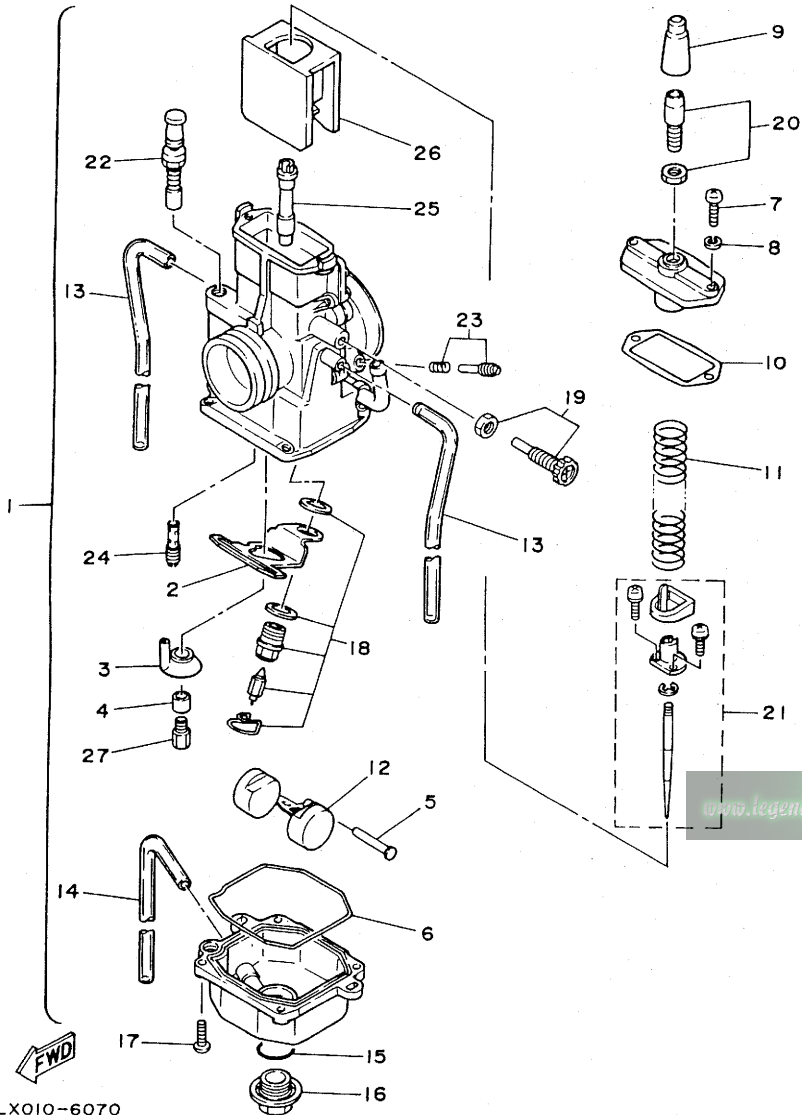


ILX010-6070

B9

FIG. 7 CARBURETOR

REF. NO.	PART NO.	DESCRIPTION	Q'TY	REMARKS
25	1LX-14141-50	.NOZZLE, main (Q-0)	1	UR
26	1LX-14112-40	.VALVE, throttle 1 (4.0)	1	UR STD
	1LX-14112-35	.VALVE, throttle 1 (3.5)	1	UR
	1LX-14112-45	.VALVE, throttle 1 (4.5)	1	UR
27	137-14143-54	.JET, main (#270)	1	STD
	137-14143-50	.JET, main (#250)	1	AP
	137-14143-52	.JET, main (#260)	1	AP
	137-14143-56-A0	.JET, main (#280)	1	AP
	137-14143-58	.JET, main (#290)	1	AP



www.legends-yamaha-enduros.com

ILX010-6070

B10

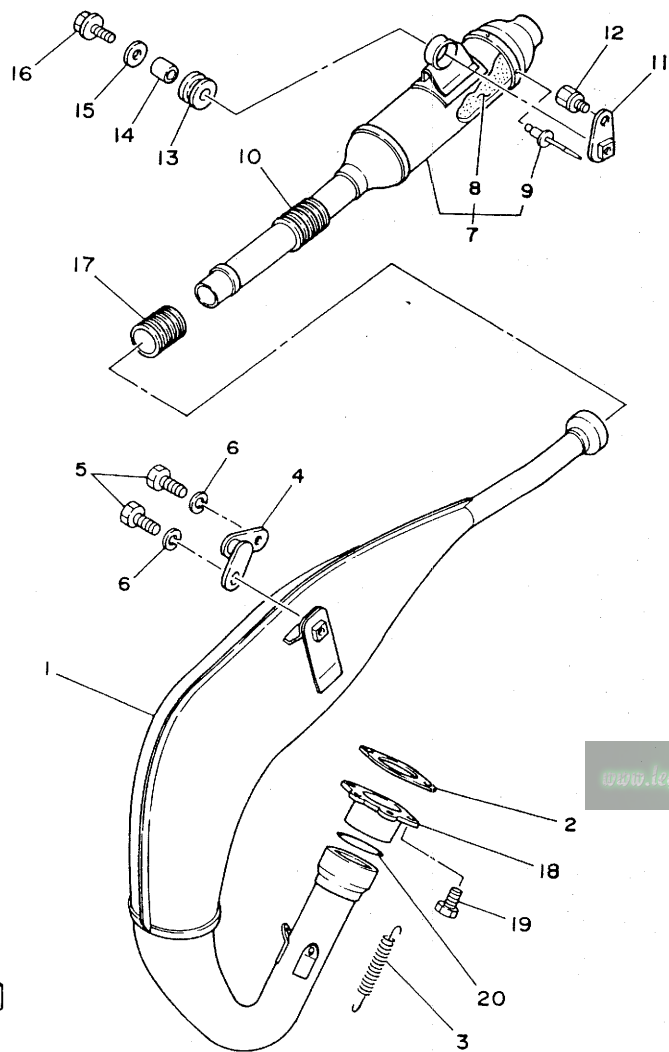


FIG. 8 EXHAUST

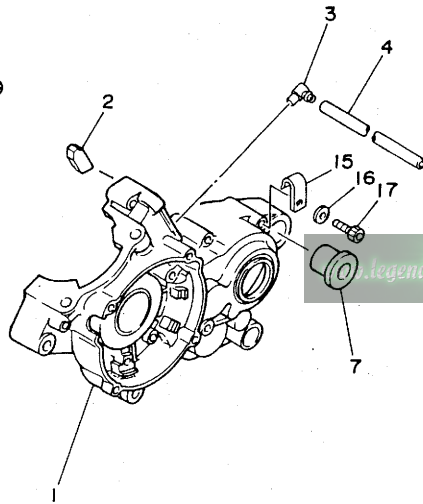
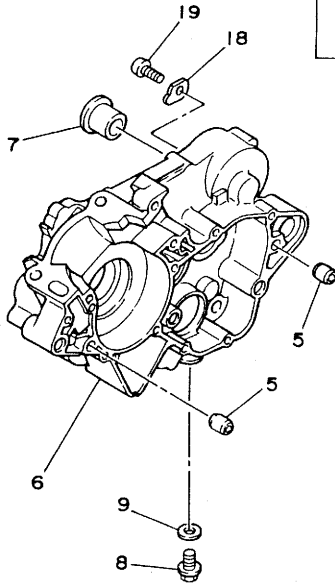
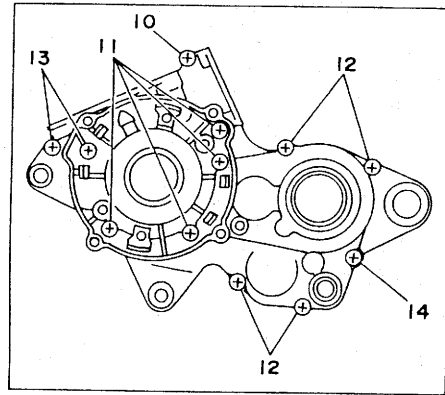
REF. NO.	PART NO.	DESCRIPTION	Q'TY	REMARKS
1	1LX-14610-00	EXHAUST PIPE ASSY 1	1	
2	1LX-14613-00	GASKET, exhaust pipe	1	
3	90507-20030	SPRING, tension	2	
4	24X-14771-00	STAY, muffler 1	1	
5	97301-06016	BOLT	2	
6	92990-06100	WASHER, spring	2	
7	1LX-14753-00	SILENCER, exhaust	1	
8	39W-1469A-00	.FIBER	1	
9	90267-40115	.RIVET, blind	4	
10	1LX-14714-00	GASKET, muffler	1	
11	1LX-14744-00	BRACKET	1	
12	90109-08573	BOLT	1	
13	90480-22269	GROMMET	1	
14	90387-081A3	COLLAR	1	
15	90201-085E6	WASHER, plate	1	
16	95801-08025	BOLT, flange	1	
17	1LX-14714-00	GASKET, muffler	1	
18	1LX-14614-00	FLANGE, exhaust pipe	1	
19	97021-08016	BOLT	2	
20	93210-42728	O-RING	1	



ILX010-6081

B11

FIG. 9 CRANKCASE



REF. NO.	PART NO.	DESCRIPTION	Q'TY	REMARKS
1	1LX-15111-00	CRANKCASE 1	1	
2	1LX-15167-00	PLUG, blind 1	1	
3	353-13115-01	CONNECTOR, suction pipe	1	
4	90445-08376	HOSE	1	
5	99530-12016	PIN, dowel	2	
6	1LX-15121-00	CRANKCASE 2	1	
7	90387-16781	COLLAR	2	
8	90340-12095	PLUG, straight screw	1	
9	90430-12038	GASKET	1	
10	91316-06035	BOLT	1	
11	91316-06045	BOLT	4	
12	91316-06055	BOLT	4	
13	91316-06060	BOLT	2	
14	91316-06065	BOLT	1	
15	90465-08028	CLAMP	1	
16	90209-06290	WASHER	1	
17	91316-05012	BOLT	1	
18	3R3-15128-01	HOLDER	1	
19	92501-08010	SCREW, pan head	1	

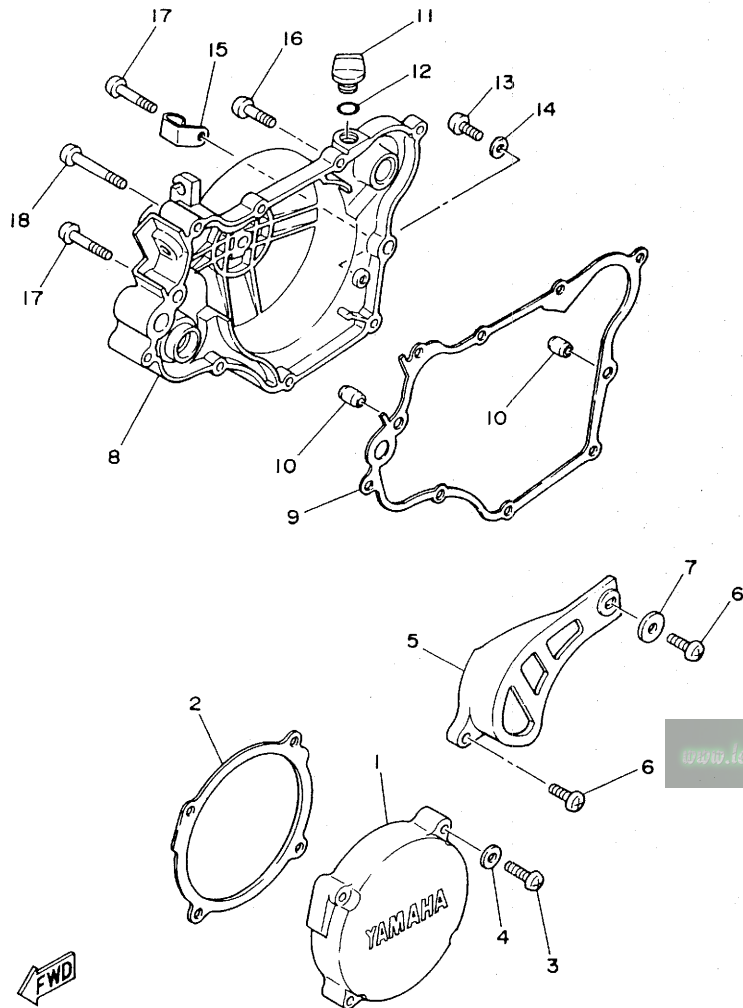


1LX010-6090

B12

FIG. 10 CRANKCASE COVER 1

REF. NO.	PART NO.	DESCRIPTION	Q'TY	REMARKS
1	1LX-15411-00	COVER, crankcase 1	1	
2	1LX-15451-00	GASKET, crankcase cover 1	1	
3	92506-06030	SCREW, pan head	4	
4	92906-06600	WASHER, plate	4	
5	1LX-15421-00	COVER, crankcase 2	1	
6	92501-06014	SCREW, pan head	2	
7	90201-06067	WASHER, plate	1	
8	1LX-15431-00	COVER, crankcase 3	1	
9	1LX-15462-00	GASKET, crankcase cover 3	1	
10	99530-10014	PIN, dowel	2	
11	1G8-15362-00	PLUG, oil level	1	
12	93210-14104	O-RING	1	
13	92506-06008	SCREW, pan head	1	
14	90430-06016	GASKET	1	
15	1LX-15378-00	HOLDER	1	
16	92506-06025	SCREW, pan head	6	
17	92506-06035	SCREW, pan head	2	
18	92506-06045	SCREW, pan head	1	

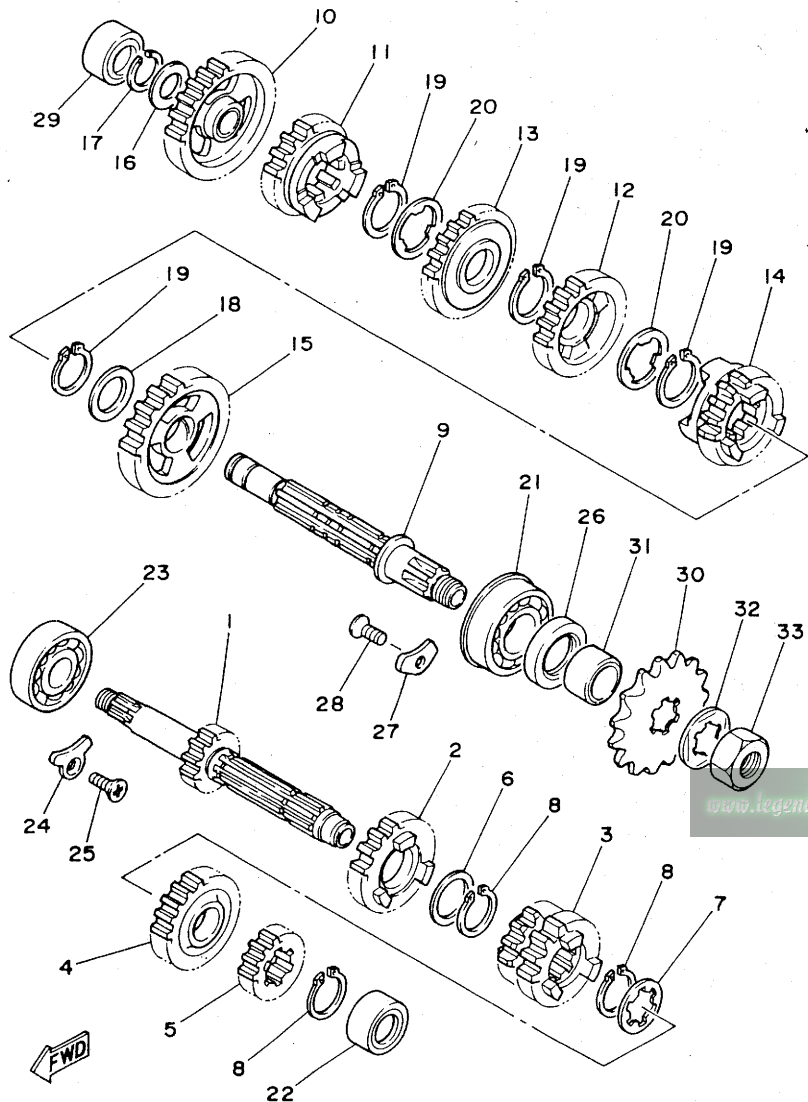


ILX010-6100

B13

FIG. 13 TRANSMISSION

REF. NO.	PART NO.	DESCRIPTION	Q'TY	REMARKS
1	1LX-17411-00	AXLE, main (13T)	1	
2	1LX-17151-00	GEAR, 5th pinion (20T)	1	
3	1LX-17131-00	GEAR, 3rd pinion (17T)	1	
4	1LX-17161-00	GEAR, 6th pinion (21T)	1	
5	1LX-17121-00	GEAR, 2nd pinion (15T)	1	
6	90201-20266	WASHER, plate (1.0T)	1	
7	90209-16255	WASHER	1	
8	93410-20038	CIRCLIP	3	
9	1LX-17421-00 JHG-17421-00	AXLE, drive (22T)	1	OLD TYPE (HEXAGONAL SPRING) USE NEW TYPE (INDOLUTE SPRING)
10	1LX-17211-00	GEAR, 1st wheel (30T)	1	
11	1LX-17251-00	GEAR, 5th wheel (23T)	1	
12	1LX-17241-00	GEAR, 4th wheel (22T)	1	
13	1LX-17231-00	GEAR, 3rd wheel (26T)	1	
14	1LX-17261-00	GEAR, 6th wheel (22T)	1	
15	1LX-17221-00	GEAR, 2nd wheel (28T)	1	
16	90201-15701	WASHER, plate (1.0T)	1	
17	93440-15012	CIRCLIP	1	
18	90201-22555	WASHER, plate	1	
19	93410-22039	CIRCLIP	4	
20	90209-18135	WASHER	2	
21	93306-30411	BEARING (B6304)	1	
22	93311-41530	BEARING, cylindrical	1	
23	93306-30303	BEARING (B6303Z)	1	
24	1LX-15383-00	PLATE, bearing cover	1	
25	92701-06012	SCREW, flat head	1	
26	93102-26042	OIL SEAL	1	
27	2K7-15383-00	PLATE, bearing cover	1	
28	92701-06012	SCREW, flat head	1	



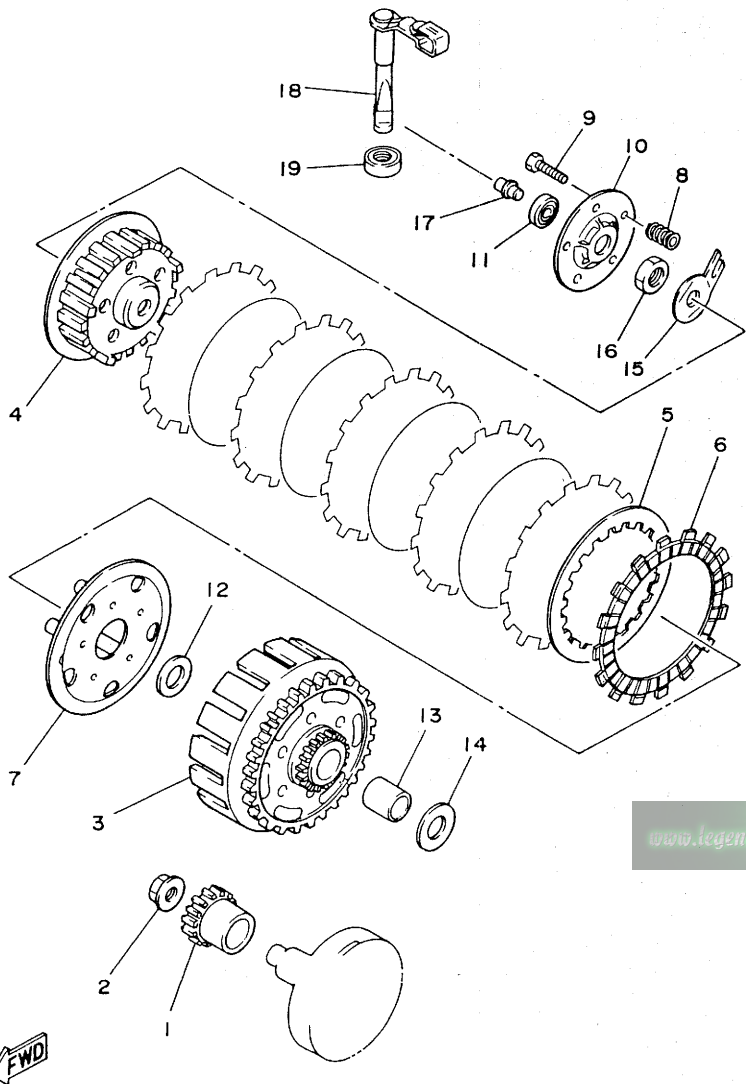
9999-01694 KIT
CONTENTS
NEW TYPES-REF 9, 30
+ 32

1LX010-6130

C2

* See diagram

FIG. 12 CLUTCH



REF. NO.	PART NO.	DESCRIPTION	Q'TY	REMARKS
1	1LX-16111-00	GEAR, primary drive	1	
2	90179-12373	NUT	1	
3	1LX-16150-00	PRIMARY DRIVEN GEAR COMP.	1	
4	1LX-16371-00	BOSS, clutch	1	
5	1LX-16324-00	PLATE, clutch 1	5	
6	1LX-16321-00	PLATE, friction	6	
7	1LX-16351-00	PLATE, pressure 1	1	
8	90501-232E0	SPRING, compression	5	
9	90153-05060	SCREW, hexagon	5	
10	1LX-16352-00	PLATE, pressure 2	1	
11	93300-60814	BEARING (608M4ML01)	1	UR nmb
	93300-60801	BEARING (80060)	1	UR koyo
12	90201-171G6	WASHER, plate	1	
13	90560-17214	SPACER	1	
14	90201-171G6	WASHER, plate	1	
15	90215-14257	WASHER, lock	1	
16	90170-14171	NUT	1	
17	1LX-16357-00	ROD, push 2	1	
18	1LX-16380-00	PUSH LEVER ASSY	1	
19	93109-12012	OIL SEAL	1	

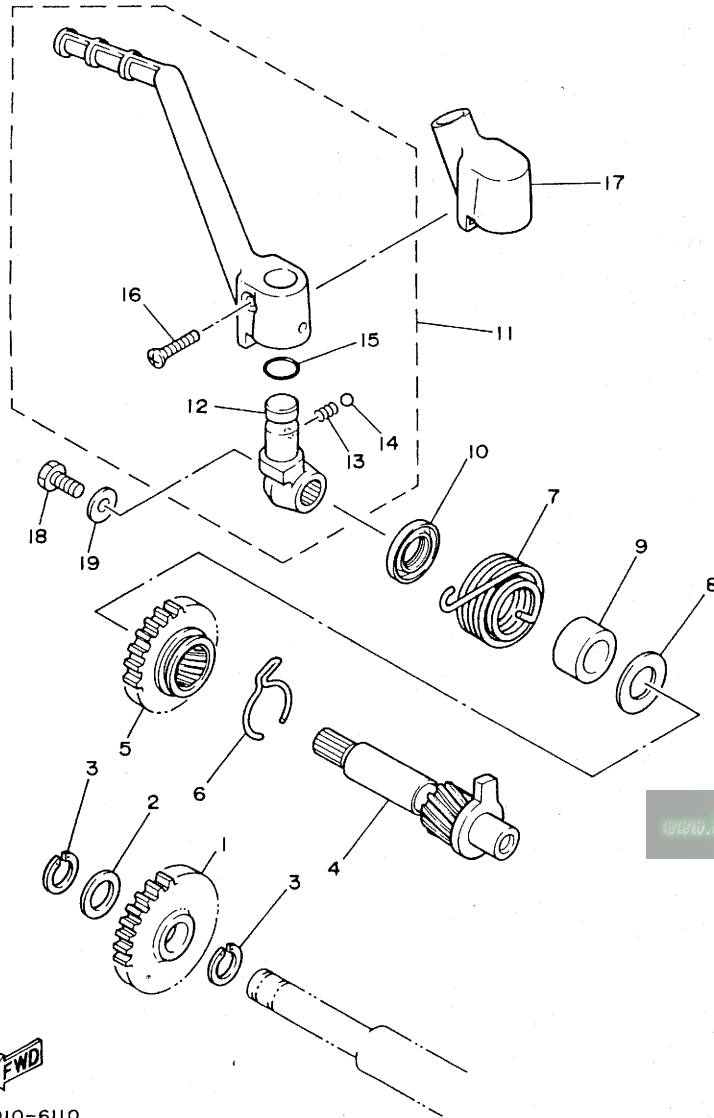
www.legends-yamaha-enduros.com



1LX010-6120

B15

FIG. 11 STARTER



REF. NO.	PART NO.	DESCRIPTION	Q'TY	REMARKS
1	1LX-15651-00	GEAR, kick idle	1	
2	137-17417-00-05	SHIM 1 (0.5T)	1	
3	93440-15012	CIRCLIP	2	
4	1LX-15660-00	KICK AXLE ASSY	1	
5	1LX-15641-00	GEAR, kick	1	
6	90468-26048	CLIP	1	
7	90508-26700	SPRING, torsion	1	
8	90201-17164	WASHER, plate	1	
9	90560-17279	SPACER	1	
10	93102-17263	OIL SEAL	1	
11	1LX-15620-00	KICK CRANK ASSY	1	
12	1LX-15621-00	.BOSS, kick crank	1	
13	90501-12081	.SPRING, compression	1	
14	93507-32009	.BALL	1	
15	93210-15151	.O-RING	1	
16	90152-06010	.SCREW, countersunk	1	
17	1LX-15618-00	COVER, kick lever	1	
18	97321-06012	BOLT	1	
19	90201-06060	WASHER, plate	1	

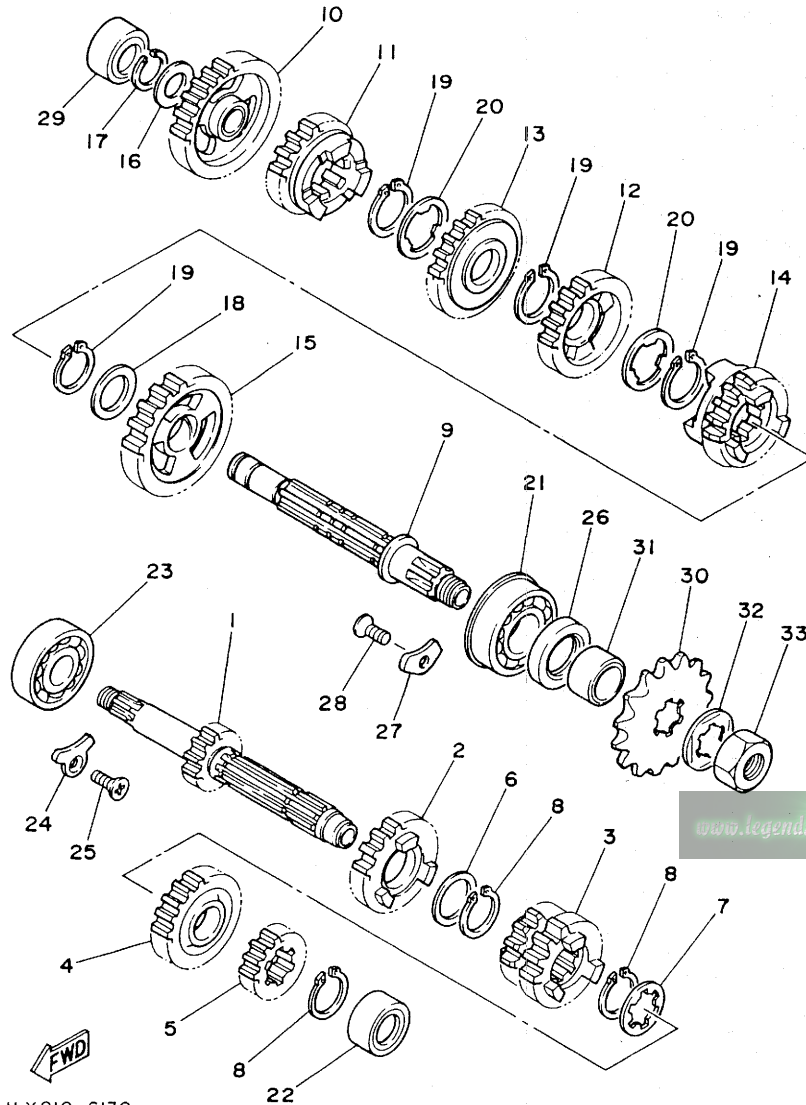
www.legends-yamaha-enduros.com



ILX010-6110

B14

FIG. 13 TRANSMISSION



REF. NO.	PART NO.	DESCRIPTION	Q'TY	REMARKS
29	93311-31515	BEARING, cylindrical	1	
30	1G8-17461-30	SPROCKET, drive (13T)	1	STD - OLD *
	<i>JHG-17461-30</i>	" " " "		1 - NEW Δ
	1G8-17461-20	SPROCKET, drive (12T)	1	AP OLD *
	<i>JHG-17461-20</i>	" " " "		1 - NEW Δ
	1G8-17461-40	SPROCKET, drive (14T)	1	AP OLD *
	<i>JHG-17461-40</i>	" " " "		1 - NEW Δ
31	90387-202A0	COLLAR	1	
32	90215-16127	WASHER, lock	1	OLD *
	<i>90215-20261</i>	" " "		1 - NEW Δ
33	90179-16226	NUT	1	

FOR
* HEXAGONAL

FOR
Δ INUOLUTE

DRIVE AXLE FIG 13 R349

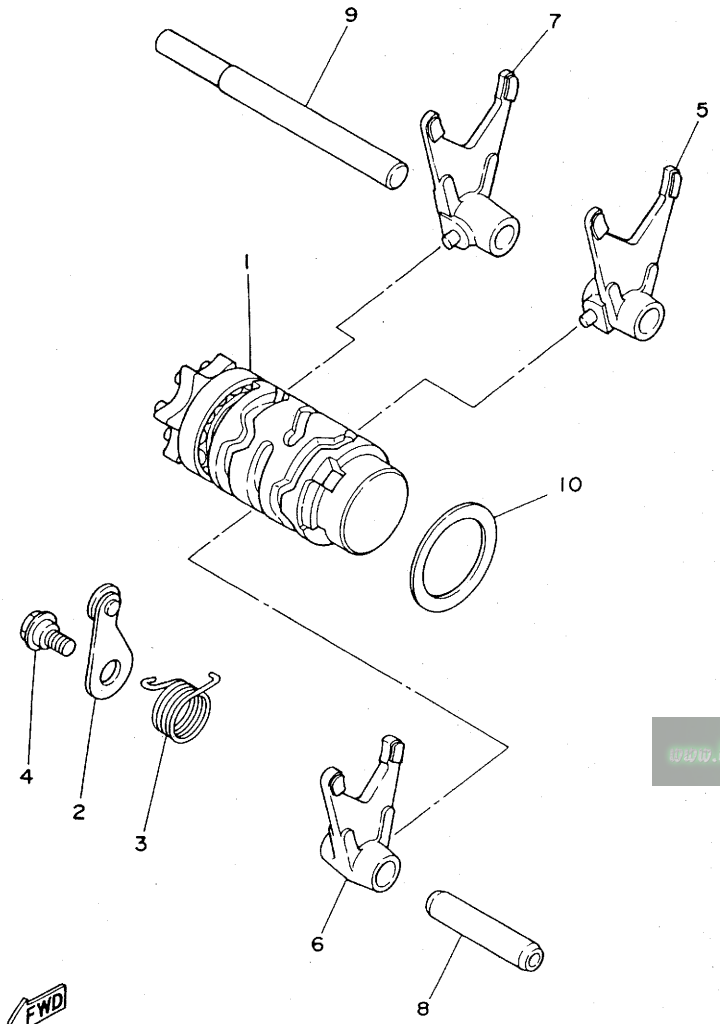
www.legends-yamaha-enduros.com

ILX010-6130

C3

FIG. 14 SHIFT CAM. FORK

REF. NO.	PART NO.	DESCRIPTION	Q'TY	REMARKS
1	1LX-18540-00	SHIFT CAM ASSY	1	
2	3R4-18140-00	STOPPER LEVER ASSY	1	
3	90508-26608	SPRING, torsion	1	
4	1W1-18177-00	BOLT, stopper	1	
5	1LX-18511-00	FORK, shift 1	1	
6	1LX-18512-00	FORK, shift 2	1	
7	1LX-18513-00	FORK, shift 3	1	
8	1LX-18531-00	BAR, shift fork guide 1	1	
9	1LX-18535-00	BAR, shift fork guide 2	1	
10	90201-34683	WASHER, plate	1	

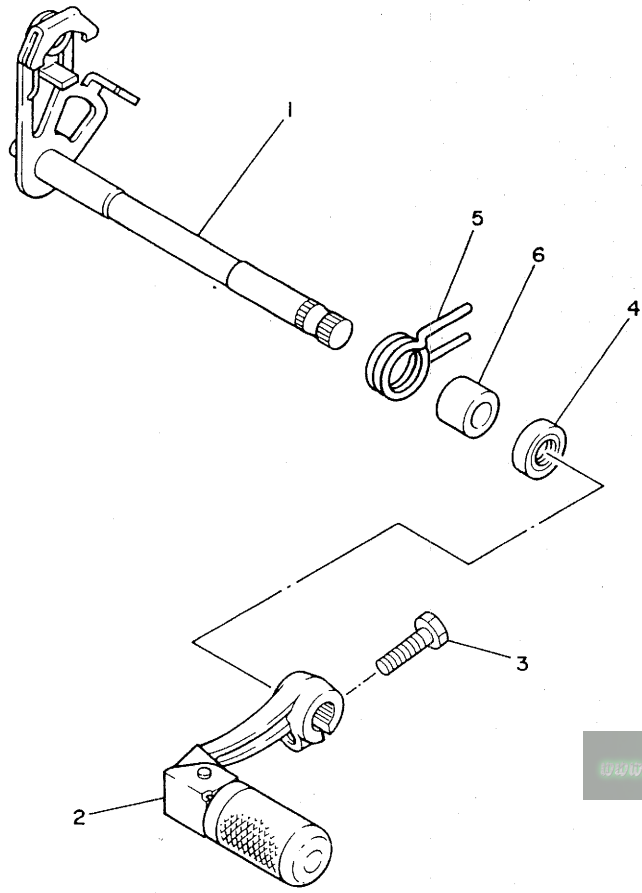


www.legends-yamaha-enduros.com



1LX010-6140

FIG. 15 SHIFT SHAFT



REF. NO.	PART NO.	DESCRIPTION	Q'TY	REMARKS
1	1LX-18101-00	SHIFT SHAFT ASSY	1	
2	1LX-18110-00	SHIFT PEDAL ASSY	1	
3	97321-06025	BOLT	1	
4	93109-12012	OIL SEAL	1	
5	90508-32535	SPRING, torsion	1	
6	90560-12280	SPACER	1	

www.legends-yamaha-enduros.com

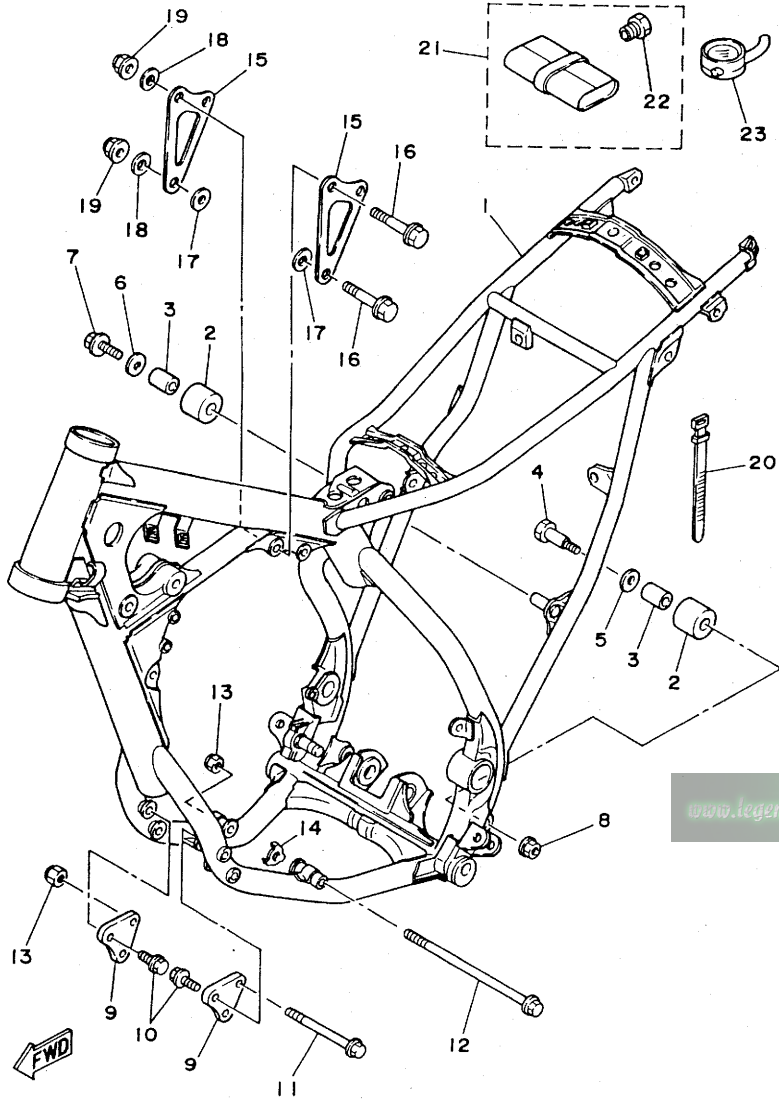


ILX010-6150

C5

FIG. 16 FRAME

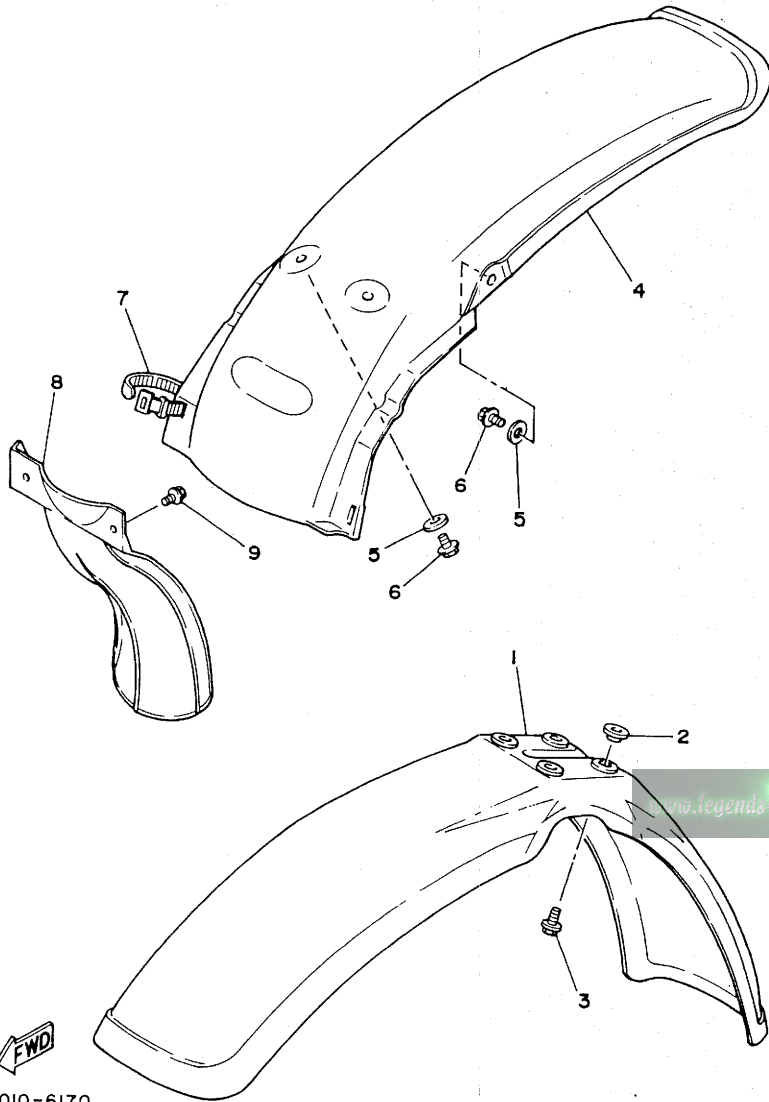
REF. NO.	PART NO.	DESCRIPTION	Q'TY	REMARKS
1	1LX-21110-10-FH	FRAME COMP.	1	fire red
2	30X-22178-00	TENSIONER	2	
3	4V4-22184-00	BUSH	2	
4	90109-08705	BOLT	1	
5	90201-13202	WASHER, plate	1	
6	90201-08753	WASHER, plate	1	
7	95802-08012	BOLT, flange	1	
8	90185-08106	NUT, self-locking	1	
9	1LX-21419-00	BRACKET, engine 2	2	
10	95811-08040	BOLT, flange	4	
11	95811-08095	BOLT, flange	1	
12	95811-08185	BOLT, flange	1	
13	90185-08113	NUT, self-locking	2	
14	90214-09019	WASHER, claw	1	
15	1LX-21425-00	BRACKET, rear upper 1	2	
16	95811-08055	BOLT, flange	3	
17	90202-08022	WASHER, plate	2	
18	90201-085E6	WASHER, plate	3	
19	90185-08113	NUT, self-locking	3	
20	7F6-82591-00	BAND	1	
21	1LX-28100-00	TOOL KIT	1	
22	2K7-85555-00	.PULLER, rotor	1	
23	2X4-2811A-00	GAUGE, air	1	



1LX010-6160

FIG. 17. FENDER

REF. NO.	PART NO.	DESCRIPTION	Q'TY	REMARKS
1	5X6-21511-10	FENDER, front	1	white
2	90387-06681	COLLAR	4	
3	90119-06063	BOLT, with washer	4	
4	1LX-21611-00	FENDER, rear	1	white
5	90201-06571	WASHER, plate	4	
6	90105-06138	BOLT, washer based	4	
7	168-83936-01	BAND, switch cord	2	
8	39X-21642-00	GUARD, flap	1	
9	90119-06042	BOLT, with washer	2	

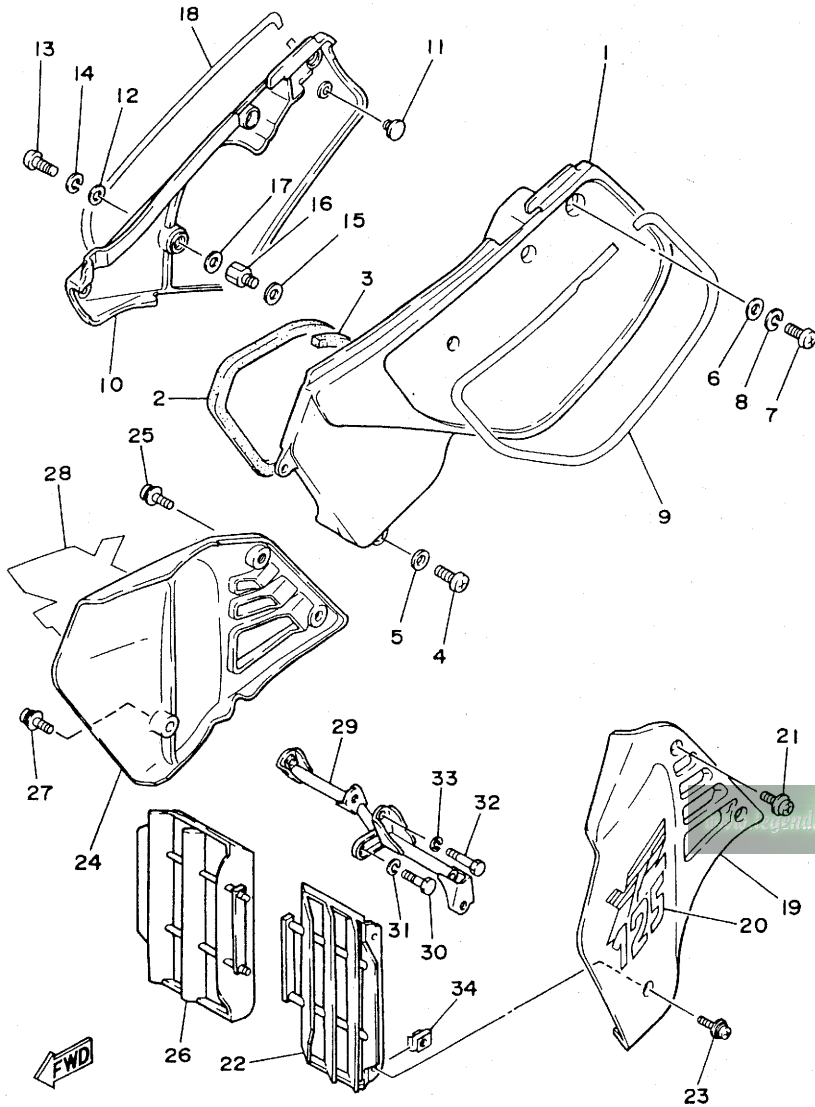


ILX010-6170

C7

FIG. 18 SIDE COVER

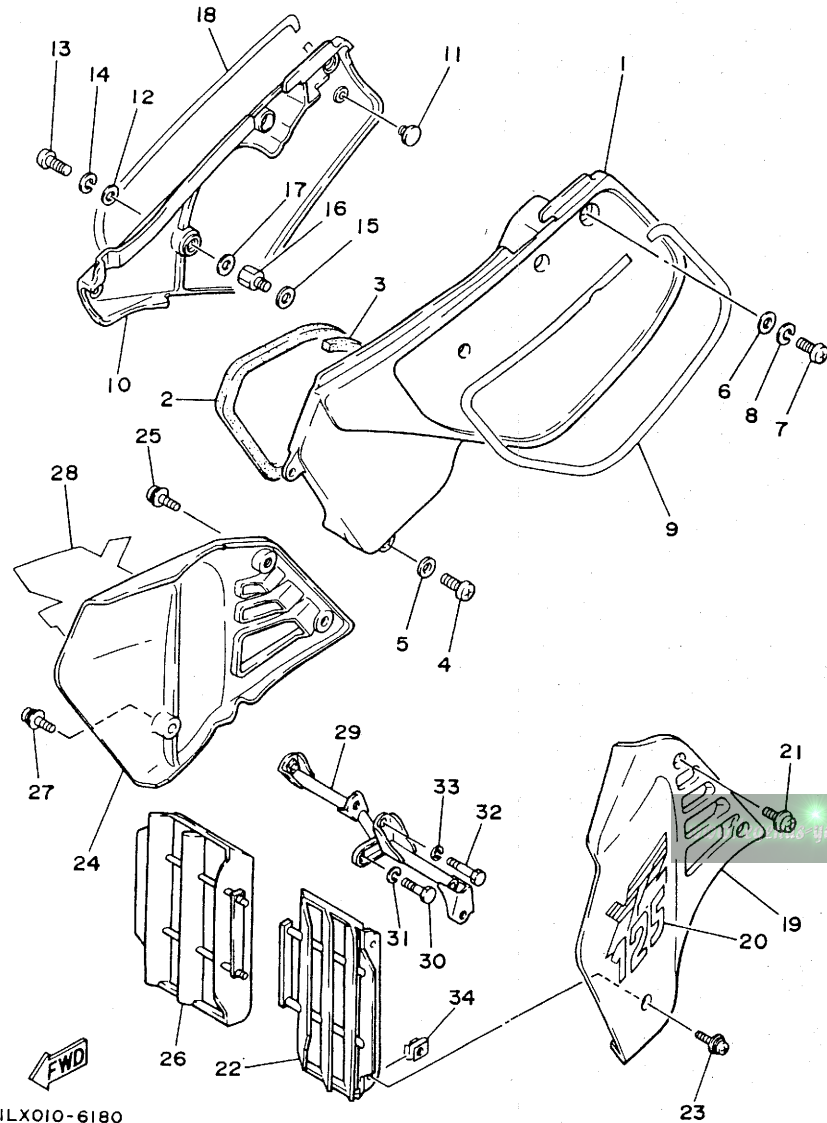
REF. NO.	PART NO.	DESCRIPTION	Q'TY	REMARKS
1	1LX-21711-01-98	COVER, side 1	1	low gloss black/white
2	1LX-14452-00	SEAL	1	
3	39X-14452-00	SEAL	1	
4	92506-06016	SCREW, pan head	3	
5	92906-06600	WASHER, plate	3	
6	90201-06571	WASHER, plate	1	
7	92501-06014	SCREW, pan head	1	
8	92990-06100	WASHER, spring	1	
9	1LX-2173L-00	GRAPHIC SET 1	1	
10	1LX-21721-00	COVER, side 2	1	white
11	22W-24181-00	DAMPER, locating 1	2	
12	90201-06571	WASHER, plate	2	
13	92501-06014	SCREW, pan head	2	
14	92990-06100	WASHER, spring	2	
15	90201-063A5	WASHER, plate	1	
16	90109-06551	BOLT	1	
17	92901-08200	WASHER, plain	2	
18	1LX-2174L-00	GRAPHIC SET 2	1	
19	1LX-21731-00	COVER, side 3	1	chappy red
20	1LX-24254-00	GRAPHIC, fuel tank 7	1	
21	90159-06013	SCREW, with washer	2	
22	24Y-2172A-00	PANEL 1	1	
23	90159-05100	SCREW, with washer	2	
24	1LX-21741-00	COVER, side 4	1	chappy red
25	90159-06013	SCREW, with washer	2	
26	1LX-2172F-00	PANEL 2	1	
27	90159-05100	SCREW, with washer	2	
28	1LX-24254-00	GRAPHIC, fuel tank 7	1	



1LX010-6180

C8

FIG. 18 SIDE COVER



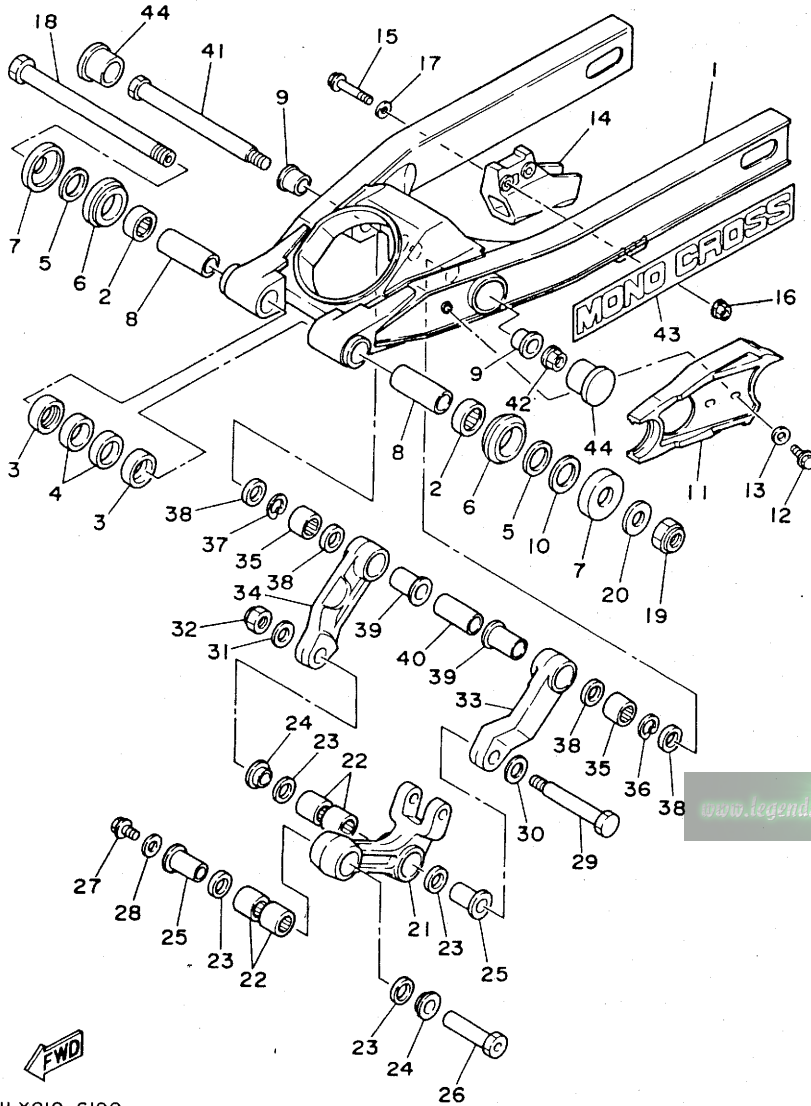
REF. NO.	PART NO.	DESCRIPTION	Q'TY	REMARKS
29	1LX-2174F-00	GUARD, radiator	1	
30	97301-06012	BOLT	1	
31	92990-06100	WASHER, spring	1	
32	97301-06055	BOLT	1	
33	92990-06100	WASHER, spring	1	
34	22W-21791-00	NUT	4	

ILX010-6180

C9

FIG. 19 REAR ARM

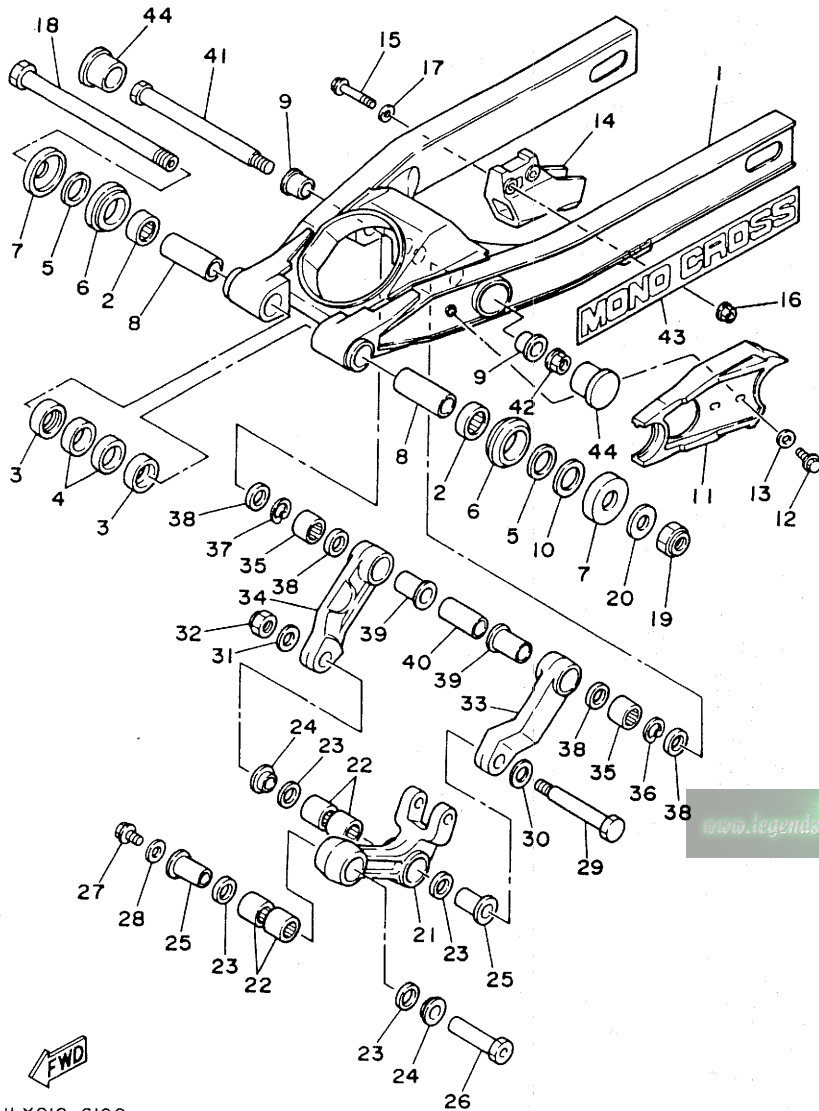
REF. NO.	PART NO.	DESCRIPTION	Q'TY	REMARKS
1	1LX-22110-00	REAR ARM COMP.	1	
2	93317-32231	BEARING, cylindrical	1	
3	90380-22111	BUSH, solid	2	
4	93106-22019	OIL SEAL	2	
5	93342-22208	BEARING	2	
6	93108-35004	OIL SEAL	2	
7	3R4-22129-00	COVER, thrust 2	2	
8	90380-16056	BUSH, solid	2	
9	90381-16060	BUSH, solid	2	
10	156-22127-00	SHIM (0.3T)	1 UN	
11	1LX-22151-00	SEAL, guard	1	
12	95801-06020	BOLT, flange	2	
13	90201-06067	WASHER, plate	2	
14	39W-22199-00	SUPPORT, chain	1	
15	95802-08045	BOLT, flange	2	
16	90185-08106	NUT, self-locking	2	
17	92901-08200	WASHER, plain	2	
18	1LX-22141-00	SHAFT, pivot	1	
19	90185-16127	NUT, self-locking	1	
20	90201-164H4	WASHER, plate	1	
21	1LX-2217A-00	ARM, relay	1	
22	93315-32044	BEARING (YT2015)	4 iko	
23	93109-20029	OIL SEAL	4	
24	90387-164N2	COLLAR	2	
25	90387-164N3	COLLAR	2	
26	90402-10005	NUT, union	1	
27	95811-10016	BOLT, flange	1	
28	90201-106F2	WASHER, plate	1	



ILX010-6190

FIG. 19 REAR ARM

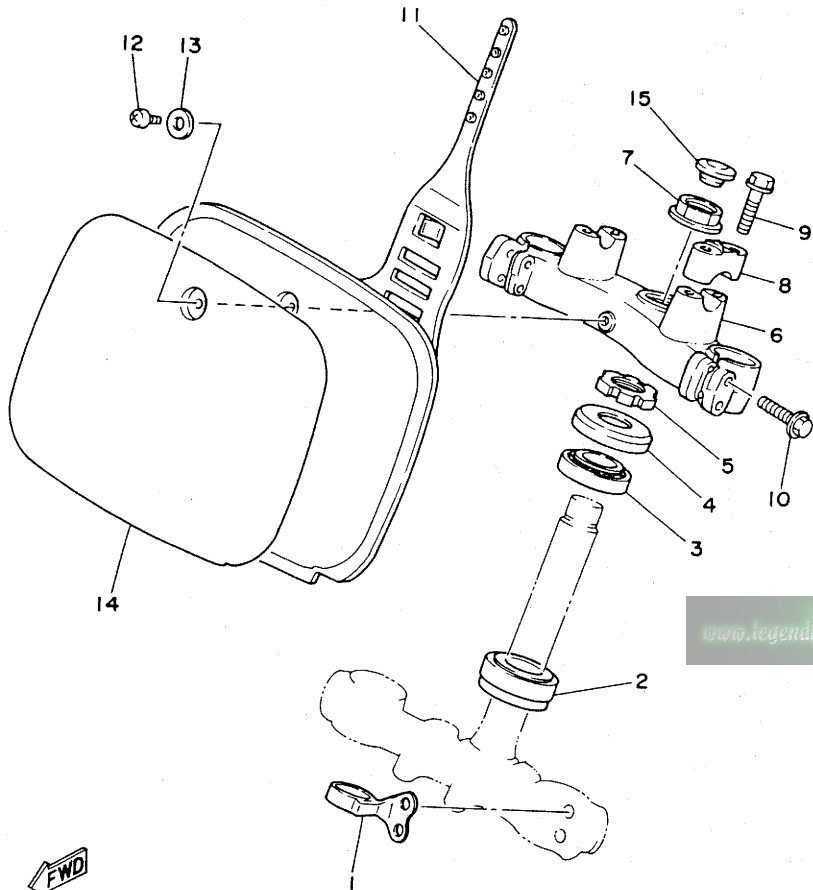
REF. NO.	PART NO.	DESCRIPTION	Q'TY	REMARKS
29	90101-14648	BOLT	1	
30	90201-164H4	WASHER, plate	1	
31	90201-140H8	WASHER, plate	1	
32	90185-14112	NUT, self-locking	1	
33	1LX-2217F-00	ROD, connecting 1	1	
34	1LX-2217G-00	ROD, connecting 2	1	
35	93315-22045	BEARING (YT202720E01)	2	iko
36	93450-28063	CIRCLIP	1	
37	93450-28063	CIRCLIP	1	
38	93109-20029	OIL SEAL	4	
39	90387-164N3	COLLAR	2	
40	90387-164N1	COLLAR	1	
41	90123-14104	BOLT	1	
42	90185-14096	NUT, self-locking	1	
43	5X3-2218A-00	EMBLEM, rear arm	2	
44	1HX-2135F-00	COVER	2	



FWD
ILX010-6190

FIG. 21 STEERING

REF. NO.	PART NO.	DESCRIPTION	Q'TY	REMARKS
1	3R4-23389-00	GUIDE, cable	1	
2	93332-00008	BEARING	1	
3	93332-00023	BEARING	1	
4	1W1-23416-00	COVER, ball race 2	1	
5	90179-25033	NUT	1	
6	39W-23435-01-98	CROWN, handle	1	low gloss black
7	90179-22330	NUT	1	
8	1E6-23441-00	HOLDER, handle upper	2	
9	95821-08035	BOLT, flange	4	
10	95821-08040	BOLT, flange	4	
11	5X6-23485-11	PLATE, number	1	clean white
12	92501-06012	SCREW, pan head	1	
13	90201-06571	WASHER, plate	1	
14	1LX-23395-00	EMBLEM	1	
15	34K-2319U-00	CAP	1	



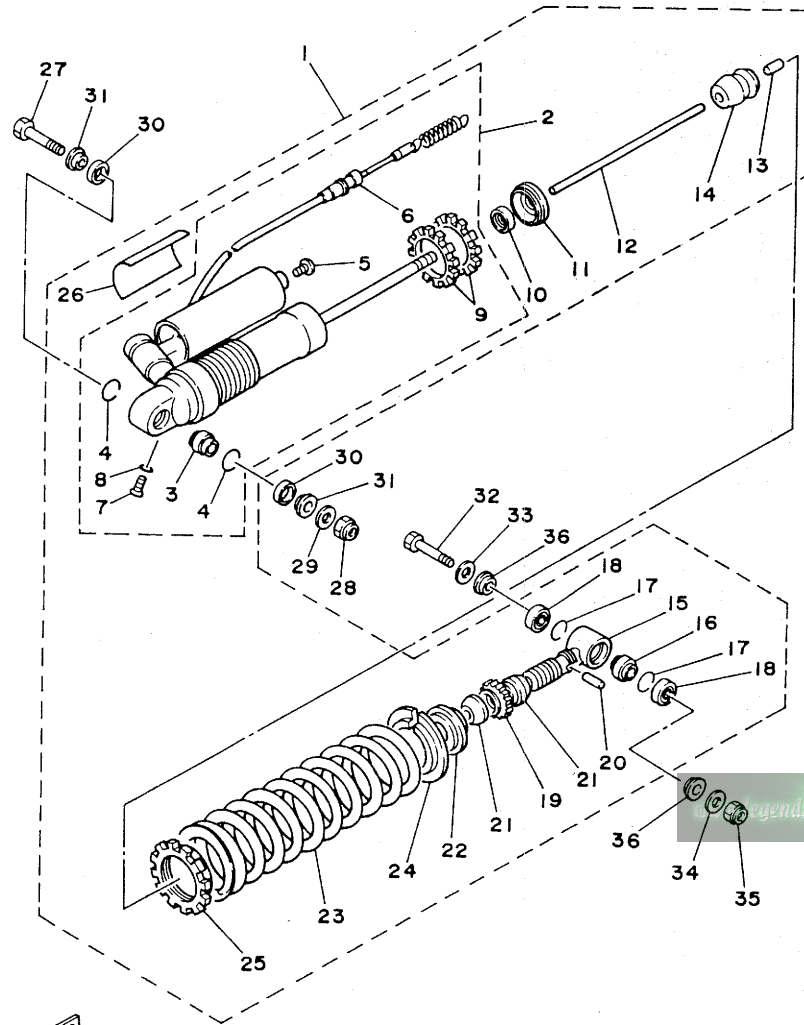
www.legends-yamaha-enduros.com



ILX010-6210

C14

FIG. 20 REAR SUSPENSION



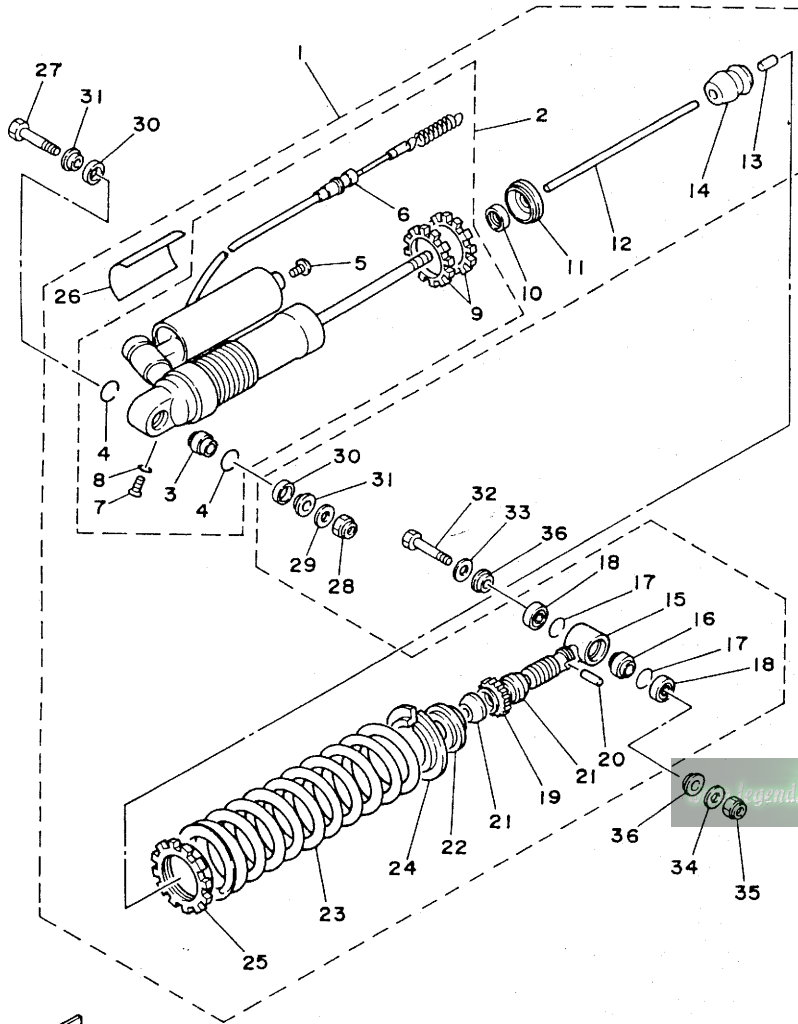
REF. NO.	PART NO.	DESCRIPTION	Q'TY	REMARKS
29	90201-10430	WASHER, plate	1	
30	23X-22211-00	COVER	2	
31	90387-127G8	COLLAR	2	
32	90109-10700	BOLT	1	
33	90201-120E6	WASHER, plate	1	
34	90201-100E9	WASHER, plate	1	
35	90185-10120	NUT, self-locking	1	
36	90387-126H8	COLLAR	2	



ILX010-6200

C13

FIG. 20 REAR SUSPENSION *SEAL KIT INT. 56A-W222A-02*



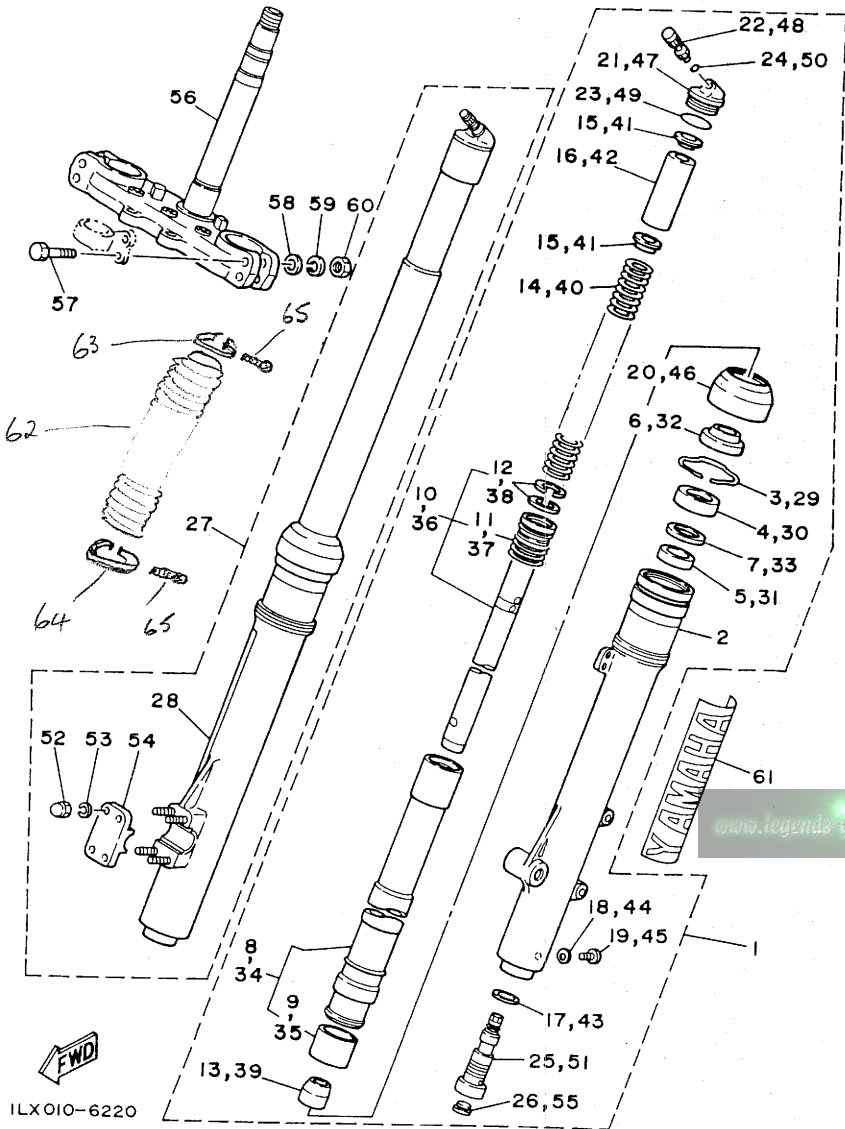
REF. NO.	PART NO.	DESCRIPTION	Q'TY	REMARKS
1	1LX-22210-00-6W	SHOCK ABSORBER ASSY, rear	1	native red
2	1LX-22401-00	.DAMPER SUB ASSY	1	
3	93399-99916	..BEARING	1	
4	93440-30113	..CIRCLIP	2	
5	98501-04006	..SCREW, pan head	1	
6	1LX-22463-00	..CABLE, control l	1	
7	92701-06012	..SCREW, flat head	1	
8	93210-05719	..O-RING	1	
9	1LX-22225-00	.RING, hold	2	
10	23X-22475-00	.SEAL, dust	1	
11	26A-22472-00	.CAP, case	1	
12	1LX-22489-00	.ROD, push	1	
13	93604-21193	.PIN, dowel	1	
14	1LX-22493-00	.BUMP, stop	1	
15	1LX-22409-00	.UPPER BRACKET SUB ASSY	1	
16	93399-99916	.BEARING	1	
17	93440-30113	.CIRCLIP	2	
18	93104-18077	.OIL SEAL	2	
19	5X3-22497-00	.NUT, adjusting	1	
20	93604-26132	.PIN, dowel	1	
21	3R4-22221-01	.COVER	2	
22	1LX-22213-00	.SEAT, spring upper	1	
23	1LX-22212-00-6W	.SPRING (k=4.0)	1	native red yellow/pink
24	5X6-22214-00	.GUIDE, spring l	2	
25	1LX-22223-00	.SEAT, spring lower	1	
26	1LX-22499-10	.LAVEL, caution	1	
27	90109-10704	BOLT	1	
28	90185-10120	NUT, self-locking	1	



ILX010-6200

C12

FIG. 22 FRONT FORK

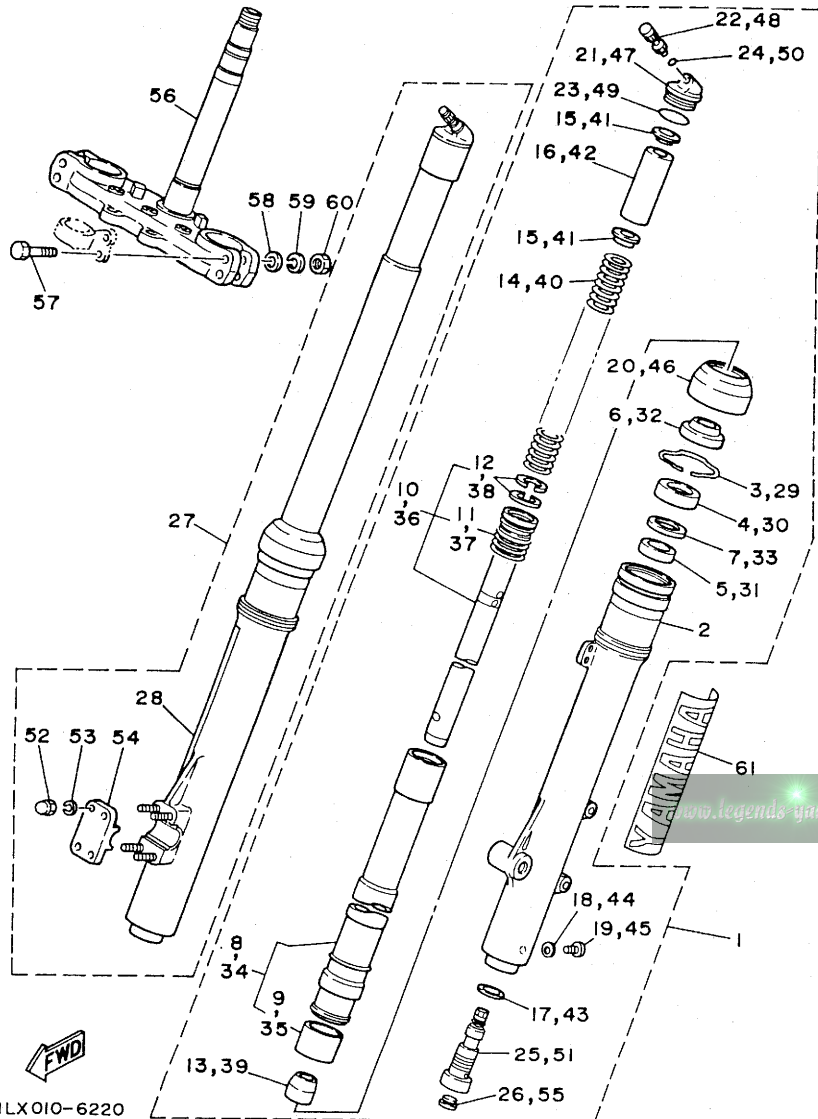


ILX010-6220

REF. NO.	PART NO.	DESCRIPTION	Q'TY	REMARKS
1	1LX-23102-L0	FRONT FORK ASSY (L.H)	1	
2	1LX-23126-L0	.TUBE, outer 1	1	
3	4V4-23153-L0	.RING, snap	1	
4	23X-23145-L0	.OIL SEAL	1	
5	4V4-23125-L0	.METAL, slide 1	1	
6	23X-23144-L0	.SEAL, dust	1	
7	4V4-23146-L0	.WASHER, oil seal	1	
8	1LX-23110-L0	.INNER TUBE COMP.1	1	
9	4V4-23171-L0	..PISTON, front fork	1	
10	1LX-23170-L0	.CYLINDER COMP., front fork	1	
11	55Y-23152-M0	..SPRING, sub	1	
12	4V4-23157-L0	..RING, piston	2	
13	23X-23173-L0	.SPINDLE, taper	1	
14	39X-23141-00	.SPRING, front fork (K=0.305)	1	
15	4V4-23142-L0	.SEAT, spring upper	2	
16	5X6-23118-10	.SPACER (L=80)	1	
17	23X-23158-L0	.GASKET	1	
18	122-23129-00	.GASKET, drain plug	1	
19	122-23119-01	.PLUG, drain	1	
20	<u>1LX-23144-L0</u>	.SEAL, dust <i>DISCONTINUED</i>	1	<i>USING REF 61, 62, 63, 64 + 65.</i>
21	43M-23111-L0	.BOLT, cap	1	
22	23X-23190-L0	.AIR VALVE COMP.	1	
23	4V4-23188-L0	.O-RING	1	
24	3J2-23147-00	.O-RING	1	
25	55Y-2316A-R0	.VALVE COMP.	1	
26	55Y-23126-M0	.PLUG	1	
27	1LX-23103-L0	FRONT FORK ASSY (R.H)	1	
28	1LX-23136-L0	.TUBE, outer 2	1	

C15

FIG. 22 FRONT FORK

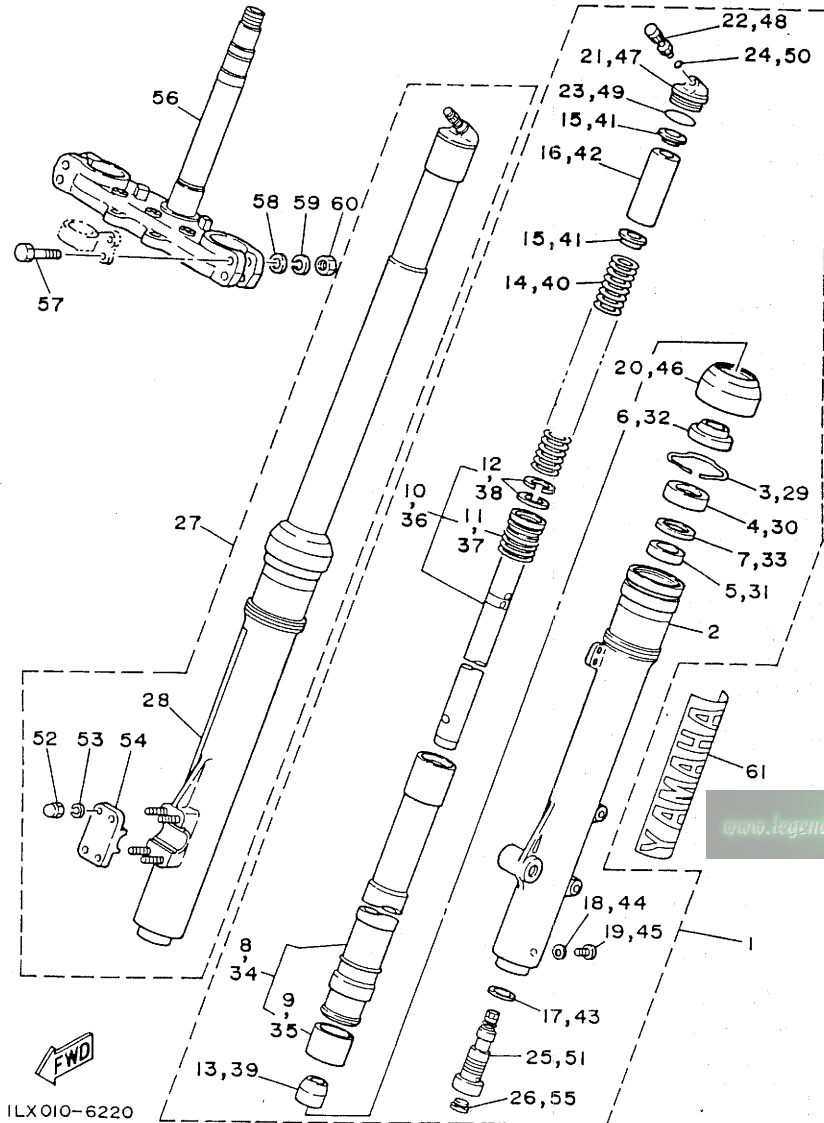


ILX010-6220

REF. NO.	PART NO.	DESCRIPTION	Q'TY	REMARKS
29	4V4-23153-L0	.RING, snap	1	
30	23X-23145-L0	.OIL SEAL	1	
31	4V4-23125-L0	.METAL, slide 1	1	
32	23X-23144-L0	.SEAL, dust	1	
33	4V4-23146-L0	.WASHER, oil seal	1	
34	1LX-23110-L0	.INNER TUBE COMP.1	1	
35	4V4-23171-L0	..PISTON, front fork	1	
36	1LX-23170-L0	.CYLINDER COMP., front fork	1	
37	55Y-23152-M0	..SPRING, sub	1	
38	4V4-23157-L0	..RING, piston	2	
39	23X-23173-L0	.SPINDLE, taper	1	
40	39X-23141-00	.SPRING, front fork (K=0.305)	1	
41	4V4-23142-L0	.SEAT, spring upper	2	
42	5X6-23118-10	.SPACER (L=80)	1	
43	23X-23158-L0	.GASKET	1	
44	122-23129-00	.GASKET, drain plug	1	
45	122-23119-01	.PLUG, drain	1	
46	1LX-23144-L0	.SEAL, dust	1	
47	43M-23111-L0	.BOLT, cap	1	
48	23X-23190-L0	.AIR VALVE COMP.	1	
49	4V4-23188-L0	.O-RING	1	
50	3J2-23147-00	.O-RING	1	
51	55Y-2316A-R0	.VALVE COMP.	1	
52	5Y3-23393-00	.NUT, special	4	
53	92990-06100	.WASHER, spring	4	
54	1LX-23167-L0	.HOLDER, axle	1	
55	55Y-23126-M0	.PLUG	1	
56	1LX-23340-L0	UNDER BRACKET COMP.	1	

D2

FIG. 22 FRONT FORK

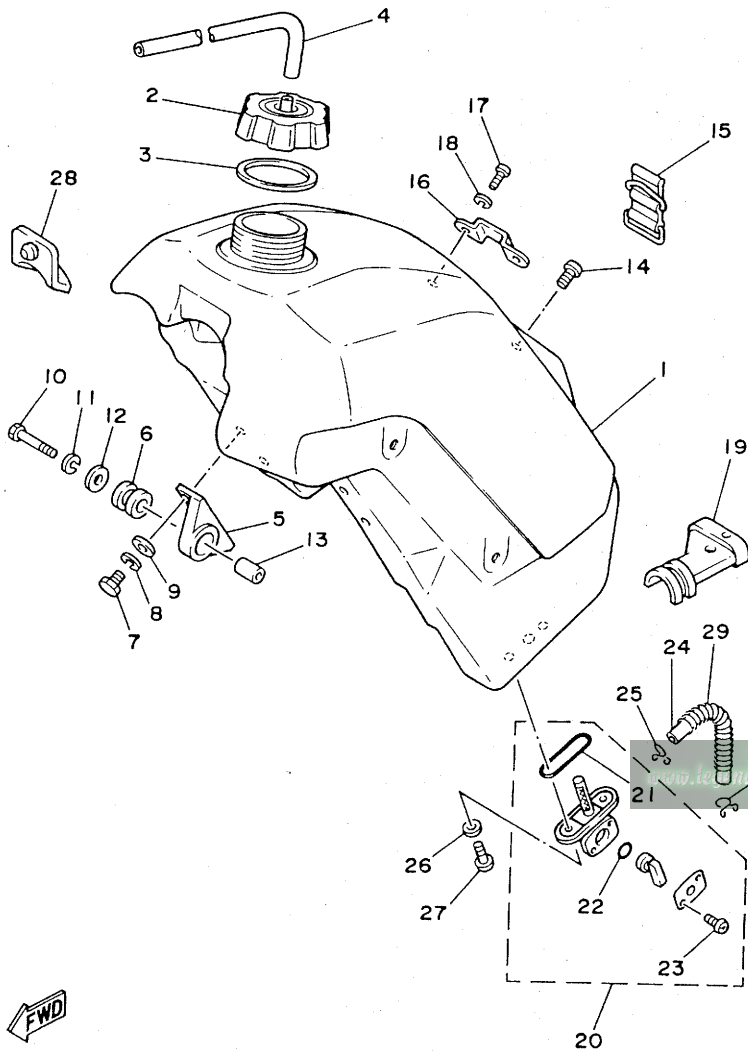


REF. NO.	PART NO.	DESCRIPTION	Q'TY	REMARKS
57	90109-08397	BOLT	4	
58	90201-08544	WASHER, plate	4	
59	92990-08100	WASHER, spring	4	
60	95311-08600	NUT	4	
61	1LX-23108-00	EMBLEM	2	
	62-43M-23191-LO	BOOT	2	
	63-43M-23192-LO	BAND	1	
	64-43M-23489-LO	BAND	1	
	65-98506-04018	SCREW	2	

1LX010-6220

D3

FIG. 23 FUEL TANK



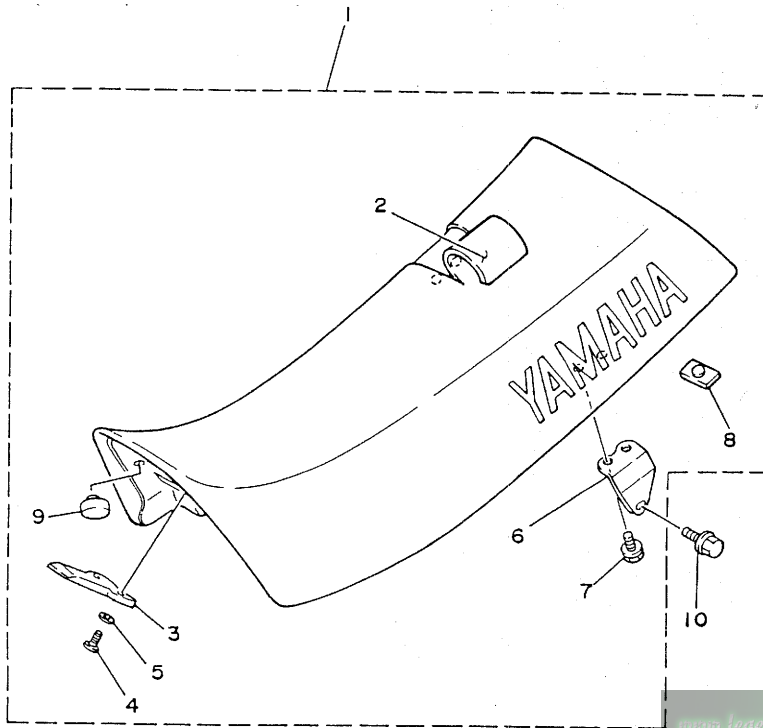
REF. NO.	PART NO.	DESCRIPTION	Q'TY	REMARKS
1	1LX-24110-00	FUEL TANK COMP.	1	
2	5X7-24611-01	BODY, cap	1	
3	5X7-24612-00	GASKET, cap	1	
4	90445-09100	HOSE	1	
5	24X-24144-00	HOLDER, damper	2	
6	90480-18354	GROMMET	2	
7	97301-06016	BOLT	4	
8	92990-06100	WASHER, spring	4	
9	92901-06600	WASHER, plate	4	
10	97321-06035	BOLT	2	
11	92990-06100	WASHER, spring	2	
12	90201-06070	WASHER, plate	2	
13	90387-06387	COLLAR	2	
14	98903-06018	SCREW, bind	1	
15	59V-24173-00	BAND, tank fitting 1	1	
16	5X6-2412F-00	BRACKET, seat	1	
17	92501-06012	SCREW, pan head	2	
18	92990-06100	WASHER, spring	2	
19	1LX-24181-00	DAMPER, locating 1	1	
20	1LX-24500-00	FUEL COCK ASSY 1	1	
21	4X8-24512-00	.GASKET	1	
22	4X8-24534-00	.SEAL, cock	1	
23	97801-03008	.SCREW, pan head	2	
24	90445-11452	HOSE	1	
25	90467-10008	CLIP	2	
26	90202-06010	WASHER, plate	2	
27	90149-06011	SCREW	2	
28	23X-24184-00	DAMPER, locating 4	1	
29	90504-06030	SPRING, compression	1	


 ILX010-6230

D4

FIG. 24 SEAT

REF. NO.	PART NO.	DESCRIPTION	Q'TY	REMARKS
1	1LX-24770-00	SEMI-DOUBLE SEAT ASSY	1	
2	1LX-24731-00	.COVER, seat	1	
3	5X6-24748-10	.BRACKET, seat	1	
4	92501-06012	.SCREW, pan head	2	
5	92901-06600	.WASHER, plate	2	
6	1LX-24738-00	.BRACKET, seat	2	
7	95801-06012	.BOLT, flange	4	
8	509-24724-00	.DAMPER, seat	1	
9	107-24741-00	.PAD, seat	2	
10	95021-08016	BOLT, flange	2	



www.legends-yamaha-enduros.com

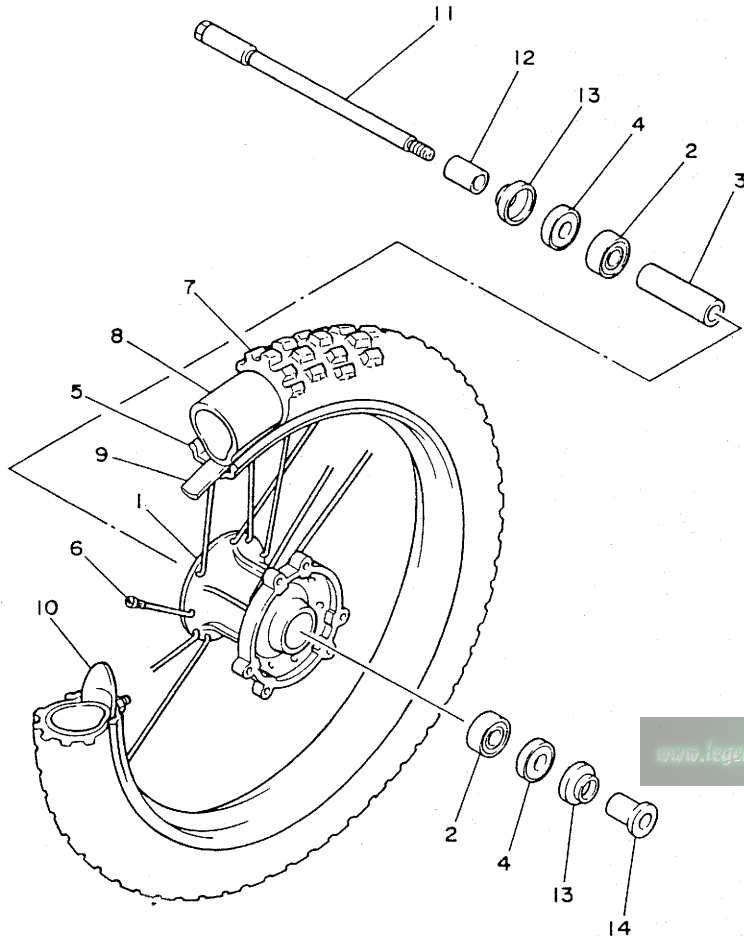


ILX010-6240

D5

FIG. 25 FRONT WHEEL

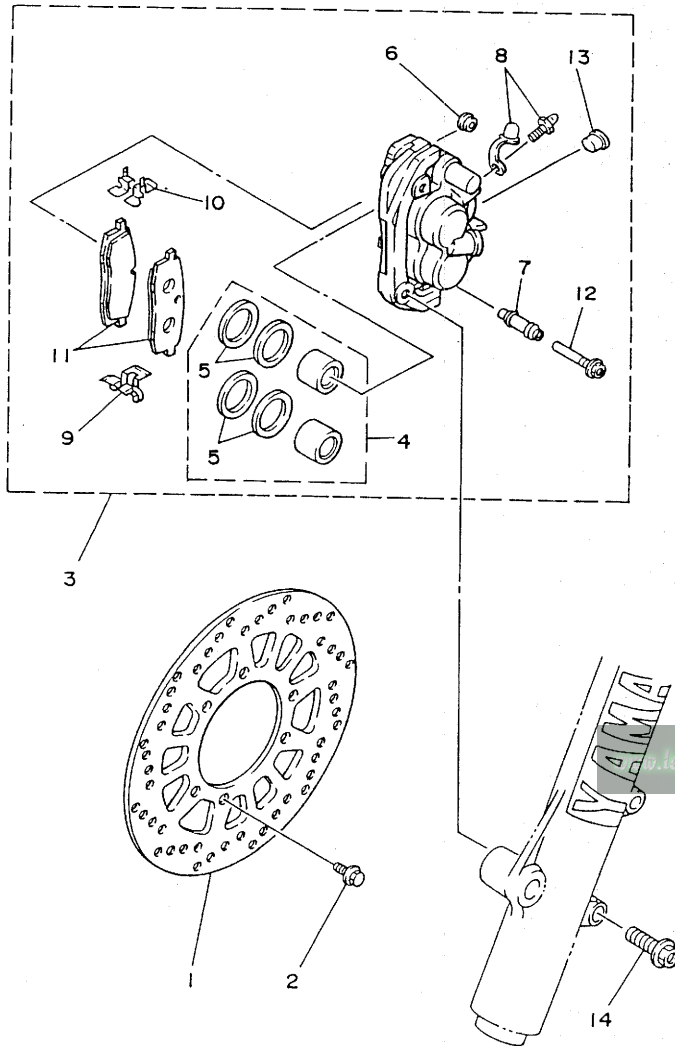
REF. NO.	PART NO.	DESCRIPTION	Q'TY	REMARKS
1	1LX-25111-00-98	HUB, front	1	low gloss black
2	93306-20209	BEARING (B6202)	2	
3	136-25117-00	SPACER, bearing	1	
4	93102-20281	OIL SEAL	2	
5	94416-21435	RIM (1.60-21)	1	gold
6	1LX-25104-00	SPOKE SET, front	1	
7	94108-213J9	TIRE (80/100-21 51M K990)	1	dunlop
8	94227-21123	TUBE (2.75-21)	1	bridgestone
9	94307-21145	BAND, rim (70-80/100-21)	1	dunlop
10	2J5-25394-01	SPACER, bead	1	
11	55U-25181-00	AXLE, wheel	1	
12	90387-15600	COLLAR	1	
13	322-25118-00	COVER, hub dust	2	
14	90387-154N4	COLLAR	1	



1LX010-6250

D6

FIG. 26 FRONT BRAKE CALIPER



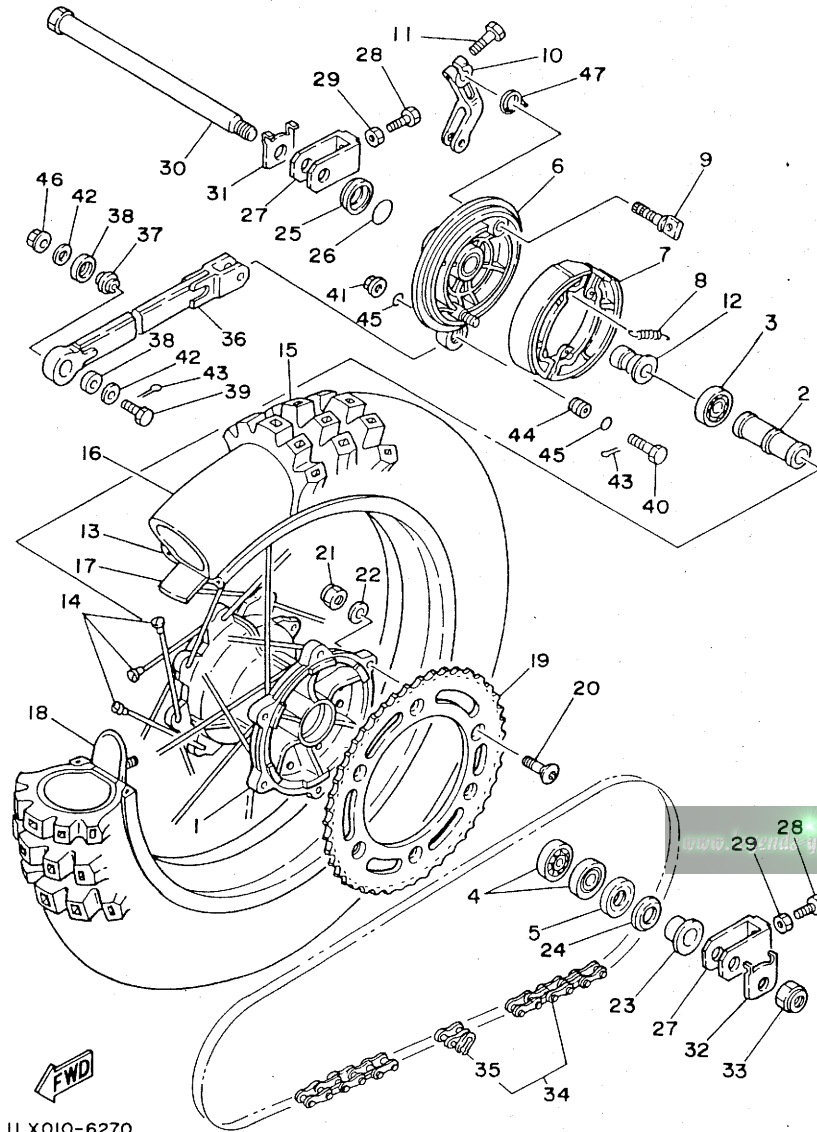
REF. NO.	PART NO.	DESCRIPTION	Q'TY	REMARKS
1	1LX-25831-00	DISC, brake (RIGHT)	1	
2	90109-06757	BOLT	6	
3	1LX-25810-00	CALIPER ASSY (RIGHT)	1	
4	56A-W0057-00	.PISTON ASSY, caliper	1	
5	56A-W0047-00	..CALIPER SEAL KIT	1	
6	5R2-25917-00	.BOOT, caliper	1	
7	56A-25937-00	.BOOT 2	1	
8	51L-W0048-00	.BREED SCREW KIT	1	
9	56A-25919-00	.SUPPORT, pad	1	
10	56A-25919-10	.SUPPORT, pad	1	
11	1LX-W0045-00	.BRAKE PAD KIT, front	1	
12	56A-25926-00	.BOLT	1	
13	34X-25845-00	.CAP, indicator	1	
14	95811-08045	BOLT, flange	2	



1LX010-6260

D7

FIG. 27 REAR WHEEL

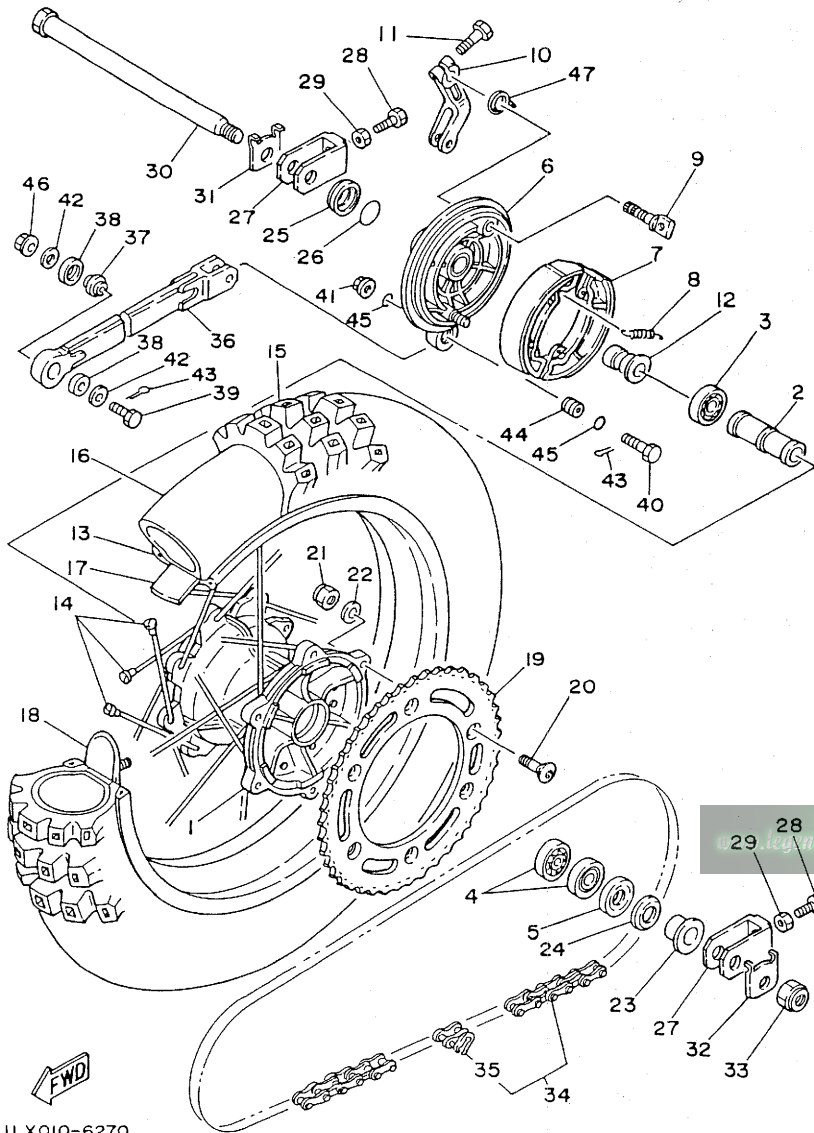


ILX010-6270

REF. NO.	PART NO.	DESCRIPTION	Q'TY	REMARKS
1	1LX-25311-00-98	HUB, rear	1	low gloss black
2	90560-20278	SPACER	1	
3	93306-00418	BEARING	1	
4	93306-00406	BEARING (B6004Z)	2	
5	93106-28023	OIL SEAL	1	
6	1LX-25321-00-98	PLATE, brake shoe	1	low gloss black
7	39W-25330-00	BRAKE SHOE COMP.	2	
8	90506-17328	SPRING, tension	2	
9	49T-25351-00	CAMSHAFT	1	
10	5X4-25355-00	LEVER, camshaft	1	
11	90101-06291	BOLT	1	
12	90387-200H1	COLLAR	1	
13	94418-18434	RIM (1.85-18)	1	gold
14	56A-25304-00	SPOKE SET, rear	1	
15	94110-183J7	TIRE (100/100-18 59M K990)	1	dunlop
16	94211-18176	TUBE (100-120/80-100-18)	1	dunlop
17	94309-18146	BAND, rim	1	dunlop
18	2X3-25394-00	SPACER, bead	2	
19	39W-25450-00	SPROCKET, driven (50T)	1	STD
	39W-25444-00	SPROCKET, driven (44T)	1	AP
	39W-25445-00	SPROCKET, driven (45T)	1	AP
	39W-25446-00	SPROCKET, driven (46T)	1	AP
	39W-25448-00	SPROCKET, driven (48T)	1	AP
	39W-25452-00	SPROCKET, driven (52T)	1	AP
20	90109-08792	BOLT	6	
21	90185-08089	NUT, self-locking	6	
22	90201-081A6	WASHER, plate	6	
23	90387-200H2	COLLAR	1	

D8

FIG. 27 REAR WHEEL

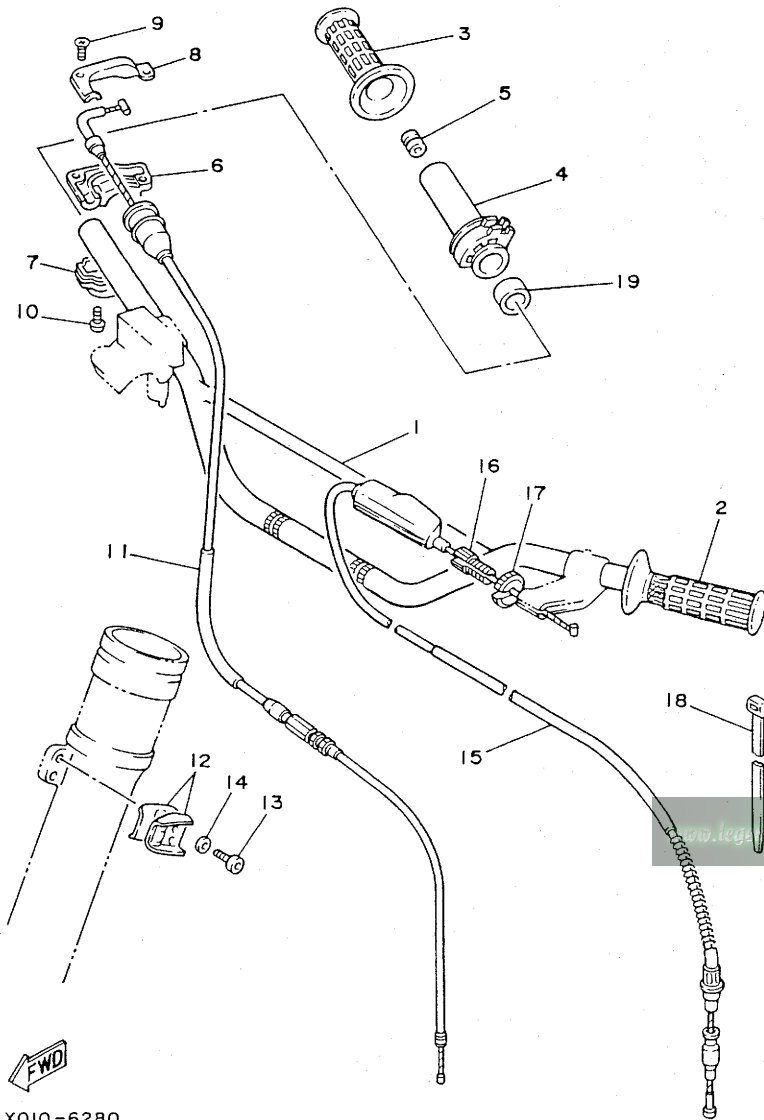


REF. NO.	PART NO.	DESCRIPTION	Q'TY	REMARKS
24	4V4-25367-00	COVER, hub dust	1	
25	23X-25327-00	COVER, plate	1	
26	93210-31114	O-RING	1	
27	56A-25388-01	PULLER, chain 1	2	
28	90101-08475	BOLT	2	
29	95301-08700	NUT	2	
30	1LX-25381-00	AXLE, wheel	1	
31	90209-21243	WASHER	1	
32	90209-18244	WASHER	1	
33	90185-18104	NUT, self-locking	1	
34	94580-89112	CHAIN (D.I.D.520DS.6-112L)	1	
35	94680-89001	.JOINT, chain (D.I.D.520DS.6)	1	
36	23X-25371-00	BAR, tension	1	
37	93399-99910	BEARING	1	
38	93112-19006	OIL SEAL	2	
39	90102-08062	BOLT, with hole	1	
40	90109-08370	BOLT	1	
41	90185-08113	NUT, self-locking	1	
42	92901-08600	WASHER, plate	2	
43	91401-20015	PIN, cotter	2	
44	90387-083F0	COLLAR	1	
45	93210-14167	O-RING	2	
46	95301-08900	NUT, slotted	1	
47	90508-29596	SPRING, torsion	1	

ILX010-6270

D9

FIG. 28 STEERING HANDLE. CABLE

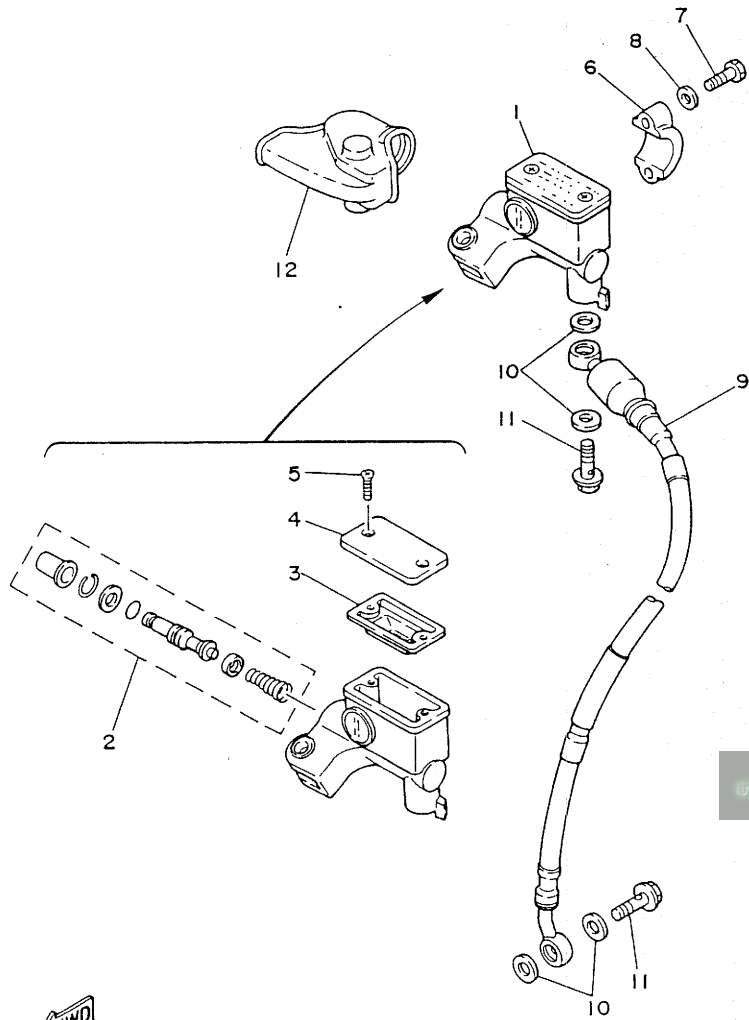


REF. NO.	PART NO.	DESCRIPTION	Q'TY	REMARKS
1	23X-26111-00	HANDLEBAR	1	
2	1LX-26241-00	GRIP (L.H)	1	
3	1LX-26242-00	GRIP (R.H)	1	
4	23X-26243-00	TUBE, throttle guide	1	
5	688-82535-00	GROMMET	1	
6	23X-26281-00	CAP, grip upper	1	
7	431-26282-01-98	CAP, grip lower	1	low gloss black
8	5X2-2628H-01	CAP, wire	1	
9	98706-04012	SCREW, flat head	2	
10	98506-05016	SCREW, pan head	2	
11	1LX-26311-00	CABLE, throttle 1	1	
12	90465-16258	CLAMP	2	
13	91311-06016	BOLT	2	
14	92901-06600	WASHER, plate	2	
15	1LX-26335-00	CABLE, clutch	1	
16	90123-08090	BOLT	1	
17	90179-08401	NUT	1	
18	90465-13275	CLAMP	1	
19	90560-22281	SPACER	1	

ILX010-6280

D10

FIG. 29 FRONT MASTER CYLINDER



REF. NO.	PART NO.	DESCRIPTION	Q'TY	REMARKS
1	56A-25870-00	MASTER CYLINDER SUB ASSY	1	
2	56A-W0041-00	.CYLINDER KIT, master	1	
3	56A-25854-00	.DIAPHRAGM, reservoir	1	
4	56A-25852-00	.CAP, reservoir	1	
5	98706-04012	.SCREW, flat head	2	
6	56A-25867-00	BRACKET, master cylinder	1	
7	97326-06025	BOLT	2	
8	92906-06600	WASHER, plate	2	
9	56A-25872-00	HOSE, brake 1	1	
10	90201-10118	WASHER, plate	4	
11	90401-10034	BOLT, union	2	
12	56A-26372-00	COVER, handle lever 1	1	

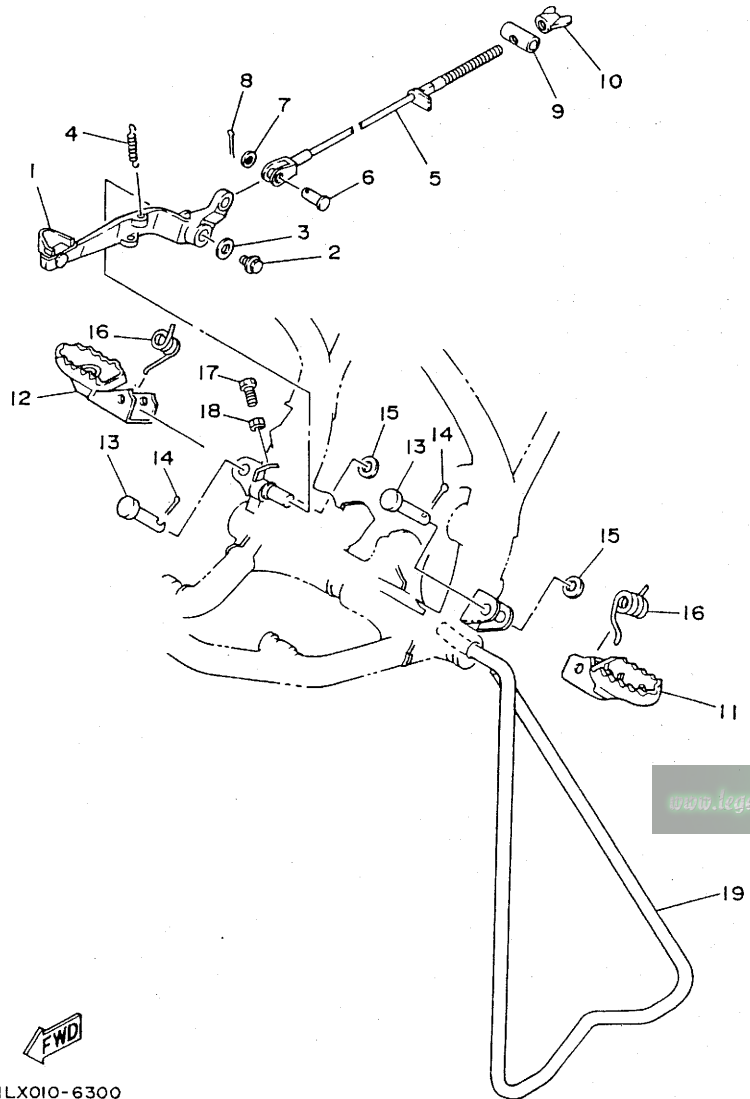
www.legends-yamaha-enduros.com



56A110-5290

D11

FIG. 30 STAND, FOOTREST



REF. NO.	PART NO.	DESCRIPTION	Q'TY	REMARKS
1	1LX-27200-00	PEDAL, brake	1	
2	95021-08016	BOLT, flange	1	
3	90201-08730	WASHER, plate	1	
4	90506-16391	SPRING, tension	1	
5	39X-26351-00	CABLE, brake	1	
6	91790-08021	PIN, clevis	1	
7	90201-08544	WASHER, plate	1	
8	91401-25015	PIN, cotter	1	
9	90249-12008	PIN	1	
10	90175-06016	NUT, wing	1	
11	23X-27411-01	FOOTREST 1	1	
12	23X-27421-02	FOOTREST 2	1	
13	90240-10101	PIN, clevis	2	
14	91401-25015	PIN, cotter	2	
15	90201-10119	WASHER, plate	2	
16	90508-20583	SPRING, torsion	2	
17	90101-06392	BOLT	1	
18	95301-06700	NUT	1	
19	1LX-27311-00	STAND, side	1	

www.legends-yamaha-enduros.com

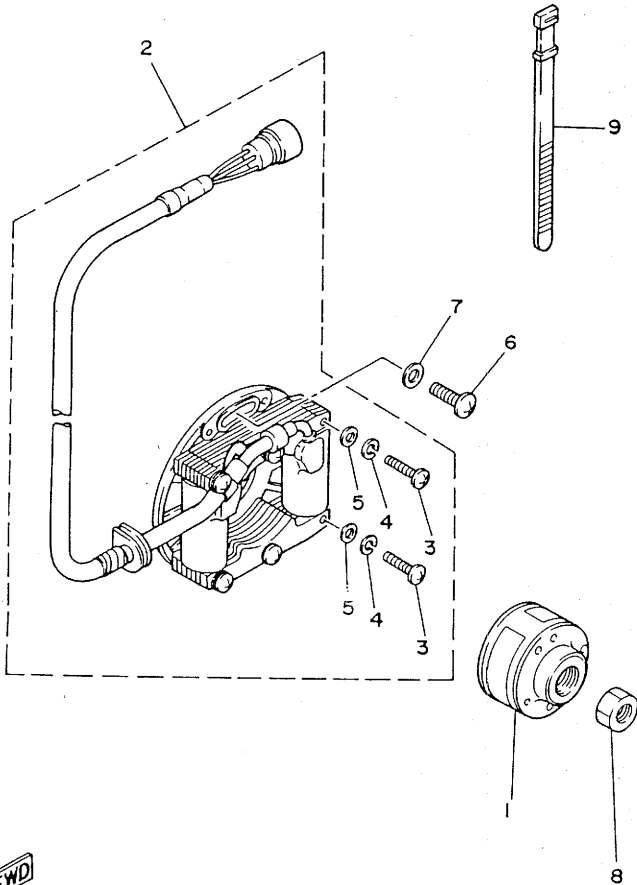


ILX010-6300

D12

FIG. 31 GENERATOR

REF. NO.	PART NO.	DESCRIPTION	Q'TY	REMARKS
1	1LX-85550-10	ROTOR ASSY	1	
2	1LX-85510-11	STATOR ASSY	1	
3	98502-05030	.SCREW, pan head	6	
4	92990-05100	.WASHER, spring	6	
5	92901-05600	.WASHER, plate	6	
6	92501-06014	SCREW, pan head	2	
7	92901-06600	WASHER, plate	2	
8	90179-10257	NUT	1	
9	7F6-82591-00	BAND	2	

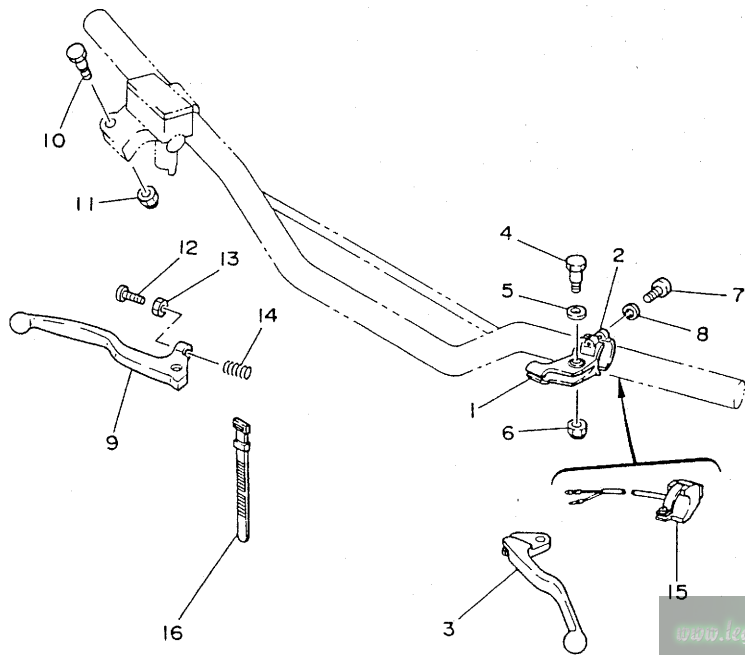


ILX010-6310

D13

FIG. 32 HANDLE SWITCH. LEVER

REF. NO.	PART NO.	DESCRIPTION	Q'TY	REMARKS
1	38V-82911-00	HOLDER, lever 1	1	
2	38V-82913-00	HOLDER, lever lower 1	1	
3	23X-83912-00	LEVER 1	1	
4	90109-06797	BOLT	1	
5	90201-082A9	WASHER, plate	1	
6	95606-06100	NUT, u	1	
7	98506-05018	SCREW, pan head	2	
8	92906-05100	WASHER, spring	2	
9	55Y-83922-00	LEVER 2	1	
10	90109-06577	BOLT	1	
11	95606-06100	NUT, u	1	
12	90149-06153	SCREW	1	
13	90170-06010	NUT	1	
14	90501-10312	SPRING, compression	1	
15	23X-83976-00	SWITCH, handle 1	1	
16	437-83936-00	BAND, switch cord	2	



www.legends-yamaha-enduros.com

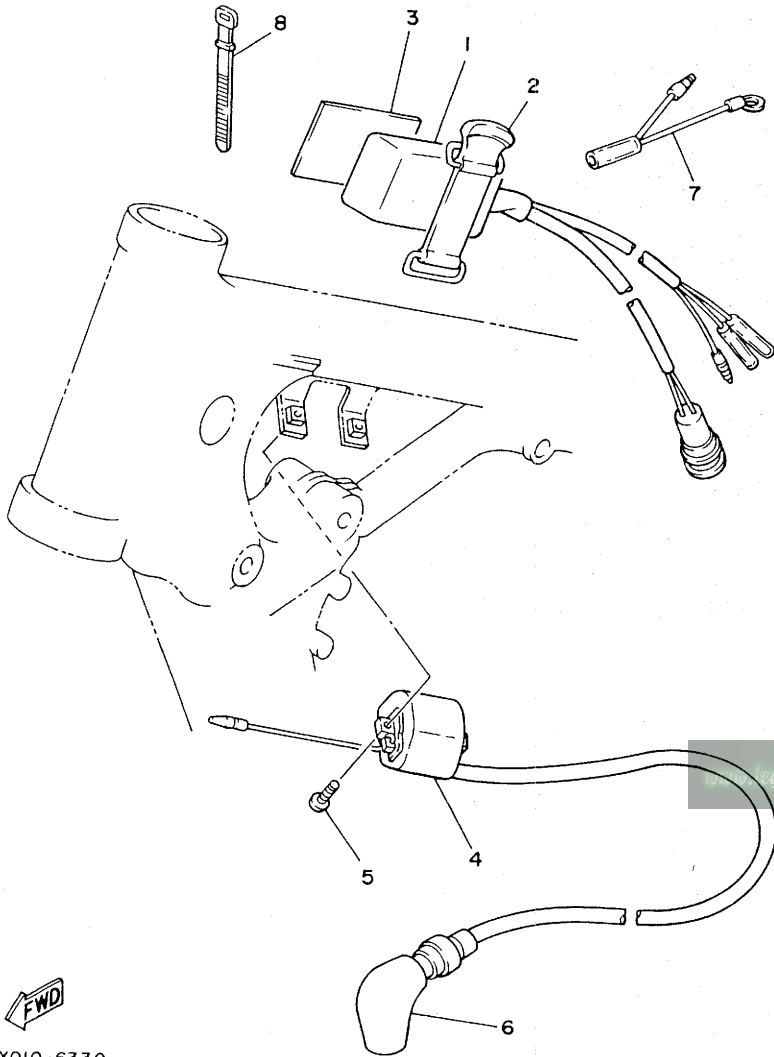


56A110-5320

D14

FIG. 33 ELECTRICAL 1

REF. NO.	PART NO.	DESCRIPTION	Q'TY	REMARKS
1	55Y-85540-10	C.D.I. UNIT ASSY	1	
2	21V-21376-00	BAND, tool	1	
3	2K7-85547-00	DAMPER	1	
4	24X-82310-10	IGNITION COIL ASSY	1	
5	92502-06016	SCREW, pan head	2	
6	3R0-82370-20	PLUG CAP ASSY	1	UR
	1M1-82370-21	PLUG CAP ASSY	1	UR for S.AFRICA
7	5X1-82519-01	WIRE, earth lead	1	
8	256-83936-00	BAND, switch cord	1	



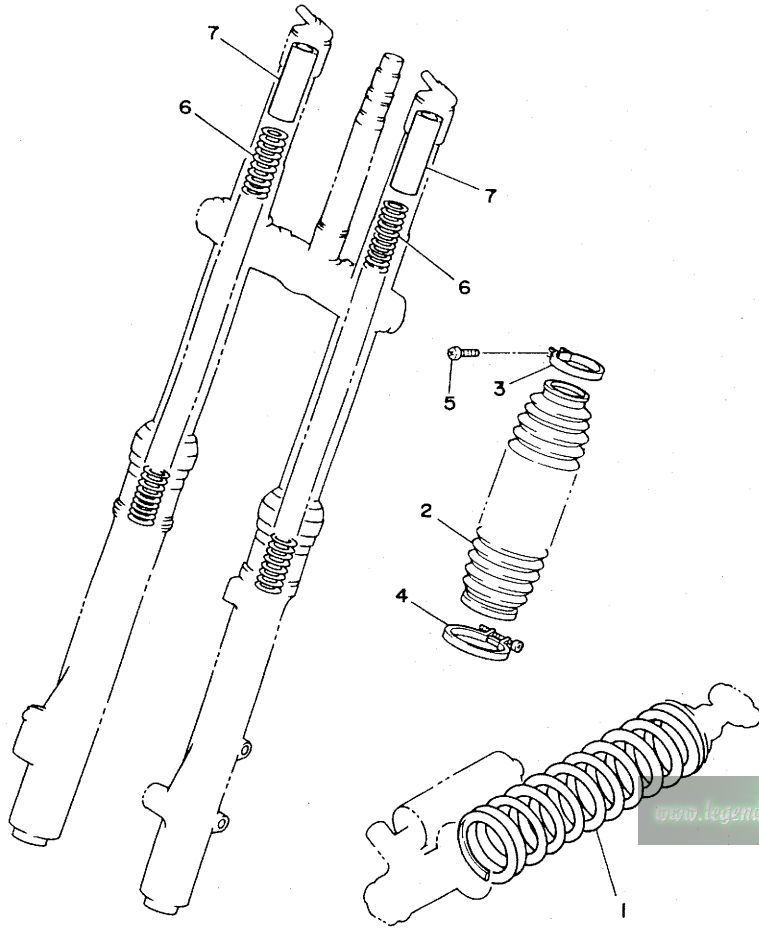
legends-yamaha-enduros.com



ILX010-6330

D15

FIG. 34 ALTERNATE 1 (CHASSIS)



REF. NO.	PART NO.	DESCRIPTION	Q'TY	REMARKS
1	1LX-22212-10-6W	SPRING (K=4.25)	1	AP native red (soft) yellow/white
	1LX-22212-20-6W	SPRING (K=4.75)	1	AP native red (hard) yellow/black
2	43M-23191-L0	BOOT	2	red
3	43M-23192-L0	BAND	2	
4	43M-23489-L0	BAND	2	
5	98506-04018	SCREW, pan head	2	
6	39X-23141-10	SPRING, front fork (K=0.275)	2	UR (soft)
	39X-23141-20	SPRING, front fork (K=0.325)	2	UR (hard)
7	1LX-23118-10	SPACER (L=85MM)	2	

www.legends-yamaha-enduros.com



ILX010-6340

E2

FIG. 35 REPAIR KIT

REF. NO.	PART NO.	DESCRIPTION	Q'TY	REMARKS
1	1LX-11630-00	PISTON ASSY (STD)	1	AP
2	1LX-11631-00-94	.PISTON (STD)	1	
3	5X4-11611-00	.RING, piston (STD)	1	
4	137-11633-00	.PIN, piston	1	
5	4V2-11634-00	.CLIP, piston pin	2	
6	1LX-11630-10	PISTON ASSY (1ST O/S)	1	AP
7	1LX-11635-00	.PISTON (0.25MM O/S)	1	
8	5X4-11611-10	.RING, piston (0.25MM O/S)	1	
9	137-11633-00	.PIN, piston	1	
10	4V2-11634-00	.CLIP, piston pin	2	
11	1LX-11630-20	PISTON ASSY (2ND O/S)	1	AP
12	1LX-11636-00	.PISTON (0.50MM O/S)	1	
13	5X4-11611-20	.RING, piston (0.50MM O/S)	1	
14	137-11633-00	.PIN, piston	1	
15	4V2-11634-00	.CLIP, piston pin	2	
16	1LX-11630-30	PISTON ASSY (3RD O/S)	1	AP
17	1LX-11637-00	.PISTON (0.75MM O/S)	1	
18	5X4-11611-30	.RING, piston (0.75MM O/S)	1	
19	137-11633-00	.PIN, piston	1	
20	4V2-11634-00	.CLIP, piston pin	2	
21	1LX-11650-00	CONNECTING ROD ASSY	1	AP
22	1LX-11651-00	.ROD, connecting	1	
23	36F-11681-00	.PIN, crank 1	1	
24	90209-22071	.WASHER	2	
25	93310-522M4	.BEARING, cylindrical	1	
26	93310-216L2	.BEARING, cylindrical	1	

www.legends-yamaha-enduros.com

NUMERICAL INDEX

PART NO.	GRID NO.	PART NO.	GRID NO.	PART NO.	GRID NO.	PART NO.	GRID NO.	PART NO.	GRID NO.	PART NO.	GRID NO.
*	B- 2	1LX-11637-00	E- 3	1LX-14112-40	B-10	3R3-15128-01	B-12	1LX-18513-00	C- 4	23X-22475-00	C-12
*	B- 2	1LX-11650-00	E- 3	1LX-14112-45	B-10	1LX-15167-00	B-12	1LX-18531-00	C- 4	1LX-22489-00	C-12
56A-W0041-00	D-11	1LX-11651-00	B- 5	500-14115-00	B- 9	1G8-15362-00	B-13	1LX-18535-00	C- 4	1LX-22493-00	C-12
1LX-W0045-00	D- 7		E- 3	1LX-14131-00	B- 9	1LX-15378-00	B-13	1LX-18540-00	C- 4	5X3-22497-00	C-12
56A-W0047-00	D- 7	36F-11681-00	B- 5	1LX-14141-46	B- 9	1LX-15383-00	C- 2	1LX-21110-10-FH	C- 6	1LX-22499-10	C-12
51L-W0048-00	D- 7		E- 3	1LX-14141-48	B- 9	2K7-15383-00	C- 2	1HX-2135F-00	C-11	1LX-23102-L0	C-15
56A-W0057-00	D- 7	5X5-11911-01	B- 4	1LX-14141-50	B-10	1LX-15411-00	B-13	21V-21376-00	D-15	1LX-23103-L0	C-15
39W-W1132-00	B- 2	5X5-11912-01	B- 4	193-14142-35	B- 9	1LX-15421-00	B-13	1LX-21419-00	C- 6	1LX-23108-00	D- 3
5X4-W1133-00	B- 2	1LX-11915-00	B- 2	193-14142-40	B- 9	1LX-15431-00	B-13	1LX-21425-00	C- 6	1LX-23110-L0	C-15
1LX-W1441-00	B- 8	5X4-11921-01	B- 4	193-14142-45	B- 9	1LX-15451-00	B-13	5X6-21511-10	C- 7		D- 2
1LX-11111-00	B- 2	5X4-11922-00	B- 4	137-14143-50	B-10	1LX-15462-00	B-13	1LX-21611-00	C- 7	43M-23111-L0	C-15
1LX-1131A-00	B- 2	1LX-11931-00	B- 4	137-14143-52	B-10	1LX-15618-00	B-14	39X-21642-00	C- 7		D- 2
5X4-1131N-00	B- 2	5X5-11937-00	B- 2	137-14143-54	B-10	1LX-15620-00	B-14	1LX-21711-01-98	C- 8	1LX-23118-10	E- 2
1LX-11311-00	B- 2	5X4-11952-00	B- 4	137-14143-56-A0	B-10	1LX-15621-00	B-14	24Y-2172A-00	C- 8	5X6-23118-10	C-15
1LX-11351-00	B- 2	24X-11953-00	B- 4	137-14143-58	B-10	1LX-15641-00	B-14	1LX-2172F-00	C- 8		D- 2
1LX-11400-00	B- 5	1LX-11990-00	B- 4	509-14145-00	B- 9	1LX-15651-00	B-14	1LX-21721-00	C- 8	122-23119-01	C-15
1LX-11412-00	B- 5	1LX-11992-00	B- 3	1LX-14146-00	B- 9	1LX-15660-00	B-14	1LX-2173L-00	C- 8		D- 2
1LX-11422-00	B- 5	1LX-11993-00	B- 3	1LX-14147-00	B- 9	1LX-16111-00	B-15	1LX-21731-00	C- 8	55Y-23126-M0	C-15
5X4-11611-00	B- 5	1LX-11995-00	B- 3	558-14147-00	B- 9	1LX-16150-00	B-15	1LX-2174F-00	C- 9		D- 2
	E- 3	1LX-1240A-00	B- 7	1LX-14153-10	B- 9	1LX-16321-00	B-15	1LX-2174L-00	C- 8	4V4-23125-L0	C-15
5X4-11611-10	B- 5	1LX-12422-00	B- 6	307-14169-10	B- 9	1LX-16324-00	B-15	1LX-21741-00	C- 8		D- 2
	E- 3	1LX-12428-00	B- 6	1LX-14185-00	B- 9	1LX-16351-00	B-15	22W-21791-00	C- 9	1LX-23126-L0	C-15
5X4-11611-20	B- 5	1LX-12450-00	B- 6	537-14186-00	B- 9	1LX-16352-00	B-15	1LX-22110-00	C-10	122-23129-00	C-15
	E- 3	1LX-12459-00	B- 6	3Y3-14196-00	B- 9	1LX-16357-00	B-15	156-22127-00	C-10		D- 2
5X4-11611-30	B- 5	1LX-12460-00	B- 7	310-14197-00	B- 9	1LX-16371-00	B-15	3R4-22129-00	C-10	1LX-23136-L0	C-15
	E- 3	22W-12462-00	B- 7	1LX-14198-00	B- 9	1LX-16380-00	B-15	1LX-22141-00	C-10	39X-23141-00	C-15
1LX-11630-00	E- 3	24X-12469-00	B- 7	1LX-14451-00	B- 8	1LX-17121-00	C- 2	1LX-22151-00	C-10		D- 2
1LX-11630-10	E- 3	24Y-12469-00	B- 7	1LX-14452-00	C- 8	1LX-17131-00	C- 2	1LX-2217A-00	C-10	39X-23141-10	E- 2
1LX-11630-20	E- 3	1LX-12476-00	B- 7	39X-14452-00	C- 8	1LX-17151-00	C- 2	1LX-2217F-00	C-11	39X-23141-20	E- 2
1LX-11630-30	E- 3	1LX-12477-00	B- 7	1LX-14453-00	B- 8	1LX-17161-00	C- 2	1LX-2217G-00	C-11	4V4-23142-L0	C-15
1LX-11631-00-94	B- 5	1LX-1248A-00	B- 7	39K-14457-00	B- 8	1LX-17211-00	C- 2	30X-22178-00	C- 6		D- 2
	E- 3	1LX-12481-00	B- 7	1LX-14458-00	B- 8	1LX-17221-00	C- 2	5X3-2218A-00	C-11	1LX-23144-L0	C-15
1LX-11631-00-95	B- 5	1LX-12482-00	B- 7	1LX-14459-00	B- 8	1LX-17231-00	C- 2	4V4-2218A-00	C- 6		D- 2
137-11633-00	B- 5	1LX-12483-00	B- 7	1LX-14462-00	B- 8	1LX-17241-00	C- 2	39W-22199-00	C-10	23X-23144-L0	C-15
	E- 3	1LX-12485-00	B- 7	56A-14468-00	B- 8	1LX-17251-00	C- 2	1LX-22210-00-6W	C-12		D- 2
	E- 3	353-13115-01	B-12	1LX-14477-00	B- 8	1LX-17261-00	C- 2	23X-22211-00	C-13	23X-23145-L0	C-15
	E- 3	1LX-13565-00	B- 8	1LX-14610-00	B-11	1LX-17411-00	C- 2	1LX-22212-00-6W	C-12		D- 2
	E- 3	1LX-13610-00	B- 8	1LX-14613-00	B-11	137-17417-00-05	B-14	1LX-22212-10-6W	E- 2	4V4-23146-L0	C-15
4V2-11634-00	B- 5	55Y-13613-00	B- 8	1LX-14614-00	B-11	1LX-17421-00	C- 2	1LX-22212-20-6W	E- 2		D- 2
	E- 3	55Y-13616-00	B- 8	39W-1469A-00	B-11	1G8-17461-20	C- 3	1LX-22213-00	C-12	3J2-23147-00	C-15
	E- 3	1LX-13621-00	B- 8	1LX-14714-00	B-11	1G8-17461-30	C- 3	5X6-22214-00	C-12		D- 2
	E- 3	24X-1410A-00	B- 9		B-11	1G8-17461-40	C- 3	3R4-22221-01	C-12	55Y-23152-M0	C-15
	E- 3	1LX-14101-00	B- 9	1LX-14744-00	B-11	1LX-18101-00	C- 5	1LX-22223-00	C-12		D- 2
1LX-11635-00	B- 5	40T-14103-00	B- 9	1LX-14753-00	B-11	1LX-18110-00	C- 5	1LX-22225-00	C-12	4V4-23153-L0	C-15
	E- 3	1LX-14104-00	B- 9	24X-14771-00	B-11	3R4-18140-00	C- 4	1LX-22401-00	C-12		D- 2
1LX-11636-00	B- 5	1LX-14106-00	B- 9	1LX-1490J-00	B- 9	1W1-18177-00	C- 4	1LX-22409-00	C-12	4V4-23157-L0	C-15
	E- 3	24X-14107-33	B- 9	1LX-15111-00	B-12	1LX-18511-00	C- 4	1LX-22463-00	C-12		D- 2
1LX-11637-00	B- 5	1LX-14112-35	B-10	1LX-15121-00	B-12	1LX-18512-00	C- 4	26A-22472-00	C-12	23X-23158-L0	C-15

NUMERICAL INDEX

PART NO.	GRID NO.	PART NO.	GRID NO.	PART NO.	GRID NO.	PART NO.	GRID NO.	PART NO.	GRID NO.	PART NO.	GRID NO.
23X-23158-L0	D- 2	136-25117-00	D- 6	23X-27411-01	D-12	90119-06081	B- 8	90201-082A9	D-14	90380-15104	B- 4
55Y-2316A-RO	C-15	322-25118-00	D- 6	23X-27421-02	D-12	90123-08090	D-10	90201-085E6	B-11	90380-16056	C-10
	D- 2	55U-25181-00	D- 6	1LX-28100-00	C- 6	90123-14104	C-11		C- 6	90380-22111	C-10
1LX-23167-L0	D- 2	56A-25304-00	D- 8	2X4-2811A-00	C- 6	90149-06011	D- 4	90201-08512	B- 6	90381-08002	B- 6
1LX-23170-L0	C-15	1LX-25311-00-98	D- 8	24X-82310-10	D-15	90149-06153	D-14	90201-08544	D- 3	90381-16060	C-10
	D- 2	1LX-25321-00-98	D- 8	1M1-82370-21	D-15	90152-06010	B-14		D-12	90387-06387	D- 4
4V4-23171-L0	C-15	23X-25327-00	D- 9	3R0-82370-20	D-15	90153-05060	B-15	90201-08730	D-12	90387-06681	C- 7
	D- 2	39W-25330-00	D- 8	5X1-82519-01	D-15	90159-05100	C- 8	90201-08753	C- 6	90387-07392	B- 7
23X-23173-L0	C-15	49T-25351-00	D- 8	688-82535-00	D-10		C- 8	90201-08784	B- 6	90387-07573	B- 7
	D- 2	5X4-25355-00	D- 8	7F6-82591-00	C- 6	90159-06013	C- 8	90201-100E9	C-13	90387-081A3	B-11
4V4-23188-L0	C-15	4V4-25367-00	D- 9		D-13		C- 8	90201-10118	D-11	90387-083F0	D- 9
	D- 2	23X-25371-00	D- 9	38V-82911-00	D-14	90170-06010	D-14	90201-10119	D-12	90387-102F3	B- 2
34K-2319U-00	C-14	1LX-25381-00	D- 9	38V-82913-00	D-14	90170-14171	B-15	90201-10430	C-13	90387-126H8	C-13
23X-23190-L0	C-15	56A-25388-01	D- 9	23X-83912-00	D-14	90175-06016	D-12	90201-106F2	C-10	90387-127G8	C-13
	D- 2	2J5-25394-01	D- 6	55Y-83922-00	D-14	90176-08026	B- 2	90201-120E6	C-13	90387-152F2	B- 4
43M-23191-L0	E- 2	2X3-25394-00	D- 8	168-83936-01	C- 7	90179-08246	B- 2	90201-13202	C- 6	90387-154N4	D- 6
43M-23192-L0	E- 2	39W-25444-00	D- 8	256-83936-00	D-15	90179-08401	D-10	90201-140H8	C-11	90387-15600	D- 6
1LX-23340-L0	D- 2	39W-25445-00	D- 8	437-83936-00	D-14	90179-10257	D-13	90201-151A7	B- 4	90387-164N1	C-11
3R4-23389-00	C-14	39W-25446-00	D- 8	23X-83976-00	D-14	90179-12373	B-15		B- 4	90387-164N2	C-10
5Y3-23393-00	D- 2	39W-25448-00	D- 8	1LX-85510-11	D-13	90179-16226	C- 3	90201-154F5	B- 4	90387-164N3	C-10
1LX-23395-00	C-14	39W-25450-00	D- 8	55Y-85540-10	D-15	90179-22330	C-14	90201-154F6	B- 4		C-11
1W1-23416-00	C-14	39W-25452-00	D- 8	2K7-85547-00	D-15	90179-25033	C-14	90201-15701	C- 2	90387-16781	B-12
39W-23435-01-98	C-14	1LX-25810-00	D- 7	1LX-85550-10	D-13	90185-08089	D- 8	90201-164H4	C-10	90387-200H1	D- 8
1E6-23441-00	C-14	1LX-25831-00	D- 7	2K7-85555-00	C- 6	90185-08106	C- 6		C-11	90387-200H2	D- 8
5X6-23485-11	C-14	34X-25845-00	D- 7	90101-06291	D- 8		C-10	90201-171G4	B-14	90387-202A0	C- 3
43M-23489-L0	E- 2	56A-25852-00	D-11	90101-06392	D-12	90185-08113	C- 6	90201-171G6	B-15	90401-10034	D-11
1LX-24110-00	D- 4	56A-25854-00	D-11	90101-08475	D- 9		C- 6		B-15	90402-10005	C-10
5X6-2412F-00	D- 4	56A-25867-00	D-11	90101-14648	C-11		D- 9	90201-20266	C- 2	90430-06016	B-13
24X-24144-00	D- 4	56A-25870-00	D-11	90102-08062	D- 9	90185-10120	C-12	90201-22555	C- 2	90430-06166	B- 6
59V-24173-00	D- 4	56A-25872-00	D-11	90105-06138	C- 7		C-13	90201-34683	C- 4	90430-12038	B-12
1LX-24181-00	D- 4	5R2-25917-00	D- 7	90109-06551	C- 8	90185-14096	C-11	90202-06010	D- 4	90445-08376	B-12
22W-24181-00	C- 8	56A-25919-00	D- 7	90109-06577	D-14	90185-14112	C-11	90202-08022	C- 6	90445-09100	D- 4
23X-24184-00	D- 4	56A-25919-10	D- 7	90109-06757	D- 7	90185-16127	C-10	90209-06290	B-12	90445-11452	D- 4
1LX-24254-00	C- 8	56A-25926-00	D- 7	90109-06797	D-14	90185-18104	D- 9	90209-16255	C- 2	90446-09079	B- 7
	C- 8	56A-25937-00	D- 7	90109-08370	D- 9	90201-057H5	B- 4	90209-18135	C- 2	90460-15227	B- 7
1LX-24500-00	D- 4	23X-26111-00	D-10	90109-08397	D- 3	90201-06060	B-14	90209-18244	D- 9	90460-22252	B- 7
4X8-24512-00	D- 4	1LX-26241-00	D-10	90109-08573	B-11	90201-06067	B-13	90209-21243	D- 9	90460-31253	B- 7
4X8-24534-00	D- 4	1LX-26242-00	D-10	90109-08705	C- 6		C-10	90209-22071	B- 5	90460-51109	B- 8
5X7-24611-01	D- 4	23X-26243-00	D-10	90109-08792	D- 8	90201-06070	D- 4		E- 3	90460-68199	B- 8
5X7-24612-00	D- 4	5X2-2628H-01	D-10	90109-10760	C-13	90201-063A5	C- 8	90214-09019	C- 6	90465-08028	B-12
509-24724-00	D- 5	23X-26281-00	D-10	90109-10704	C-12	90201-06570	B- 7	90215-14257	B-15	90465-13275	D-10
1LX-24731-00	D- 5	431-26282-01-98	D-10	90116-08318	B- 2		B- 7	90215-16127	C- 3	90465-16258	D-10
1LX-24738-00	D- 5	1LX-26311-00	D-10	90116-08392	B- 2	90201-06571	C- 7	90240-10101	D-12	90467-09006	B- 7
107-24741-00	D- 5	1LX-26335-00	D-10	90116-08394	B- 2		C- 8	90249-12008	D-12	90467-10008	D- 4
5X6-24748-10	D- 5	39X-26351-00	D-12	90116-08409	B- 2		C- 8	90267-40115	B-11	90468-26048	B-14
1LX-24770-00	D- 5	56A-26372-00	D-11	90119-06042	C- 7		C-14	90280-03017	B- 5	90480-15064	B- 7
1LX-25104-00	D- 6	1LX-27200-00	D-12	90119-06056	B- 8	90201-08087	B- 2	90282-05038	B- 5	90480-18276	B- 7
1LX-25111-00-98	D- 6	1LX-27311-00	D-12	90119-06063	C- 7	90201-081A6	D- 8	90340-12095	B-12	90480-18354	D- 4

NUMERICAL INDEX

PART NO.	GRID NO.	PART NO.	GRID NO.	PART NO.	GRID NO.	PART NO.	GRID NO.	PART NO.	GRID NO.	PART NO.	GRID NO.
90480-22269	B-11	92506-06060	B- 6	93210-05719	C-12	93603-13185	B- 4	97321-06012	B-14		
90501-10312	D-14	92701-06012	C- 2	93210-09192	B- 2	93603-14179	B- 4	97321-06025	C- 5		
90501-12081	B-14		C- 2	93210-14104	B-13	93603-22028	B- 6	97321-06035	D- 4		
90501-232E0	B-15		C-12	93210-14167	D- 9	93604-10011	B- 6	97326-06025	D-11		
90501-240E7	B- 4	92901-04100	B- 9	93210-15151	B-14	93604-21193	C-12	97801-03008	D- 4		
90504-03033	B- 8	92901-05600	B- 4	93210-16500	B- 6	93604-26132	C-12	98501-03008	B- 8		
90504-06030	D- 4		D-13	93210-27244	B- 2	94108-213J9	D- 6	98501-04006	C-12		
90506-16391	D-12	92901-06600	B- 7	93210-31114	D- 9	94110-183J7	D- 8	98502-05030	D-13		
90506-17328	D- 8		B- 7	93210-42728	B-11	94211-18176	D- 8	98506-04018	E- 2		
90507-20030	B-11		B- 8	93210-65721	B- 2	94227-21123	D- 6	98506-05010	B- 2		
90508-20583	D-12		D- 4	93211-07720	B- 2	94307-21145	D- 6	98506-05012	B- 2		
90508-26608	C- 4		D- 5	93300-60801	B- 4	94309-18146	D- 8	98506-05016	B- 3		
90508-26700	B-14		D-10		B- 6	94416-21435	D- 6		D-10		
90508-29596	D- 9		D-13		B-15	94418-18434	D- 8	98506-05018	D-14		
90508-32535	C- 5	92901-08200	C- 8	93300-60814	B- 4	94580-89112	D- 9	98511-04012	B- 9		
90560-08213	B- 4		C-10		B- 6	94680-89001	D- 9	98511-04014	B- 9		
90560-12280	C- 5	92901-08600	D- 9		B-15	95021-08016	D- 5	98706-04012	D-10		
90560-17214	B-15	92906-05100	D-14	93306-00406	D- 8		D-12		D-11		
90560-17279	B-14	92906-06600	B-13	93306-00418	D- 8	95301-06700	D-12	98903-06018	D- 4		
90560-20278	D- 8		C- 8	93306-20209	D- 6	95301-08700	D- 9	99001-07600	B- 6		
90560-22281	D-10		D-11	93306-30303	C- 2	95301-08900	D- 9	99510-10114	B- 2		
91311-06016	D-10	92990-03100	B- 8	93306-30411	C- 2	95311-08600	D- 3		B- 2		
91316-04006	B- 4	92990-05100	D-13	93306-37204	B- 5	95601-05100	B- 4	99530-10014	B-13		
91316-05012	B-12	92990-06100	B-11	93310-216L2	B- 5		B- 8	99530-12016	B-12		
91316-06035	B-12		C- 8		E- 3	95606-06100	D-14				
91316-06045	B-12		C- 8	93310-522M4	B- 5		D-14				
91316-06055	B-12		C- 9		E- 3	95801-06012	D- 5				
91316-06060	B-12		C- 9	93311-31515	C- 3	95801-06020	C-10				
91316-06065	B-12		D- 2	93311-41530	C- 2	95801-08025	B-11				
91401-20015	D- 9		D- 4	93315-22045	C-11	95802-08012	C- 6				
91401-25015	D-12		D- 4	93315-32044	C-10	95802-08045	C-10				
	D-12		D- 4	93317-32231	C-10	95811-08040	C- 6				
91790-08021	D-12	92990-08100	D- 3	93332-00008	C-14	95811-08045	D- 7				
92501-06012	C-14	93102-17263	B-14	93332-00023	C-14	95811-08055	C- 6				
	D- 4	93102-20281	D- 6	93342-22208	C-10	95811-08095	C- 6				
	D- 5	93102-22363	B- 5	93399-99910	D- 9	95811-08185	C- 6				
92501-06014	B-13	93102-26042	C- 2	93399-99916	C-12	95811-10016	C-10				
	C- 8	93103-10147	B- 6		C-12	95821-08035	C-14				
	C- 8	93103-32099	B- 5	93410-20038	C- 2	95821-08040	C-14				
	D-13	93104-08040	B- 4	93410-22039	C- 2	95826-06025	B- 6				
92501-08010	B-12	93104-16074	B- 2	93440-15012	B-14	97021-08016	B-11				
92502-06016	D-15	93104-18077	C-12		C- 2	97301-06012	C- 9				
92506-06008	B-13	93106-22019	C-10	93440-30113	C-12	97301-06016	B-11				
92506-06016	C- 8	93106-28023	D- 8		C-12		D- 4				
92506-06025	B- 6	93108-35004	C-10	93450-28063	C-11	97301-06020	B- 7				
	B-13	93109-12012	B-15		C-11		B- 8				
92506-06030	B-13		C- 5	93507-32009	B-14	97301-06030	B- 7				
92506-06035	B-13	93109-20029	C-10	93521-64032	B- 4	97301-06055	C- 9				
92506-06045	B-13		C-11								
		93112-19006	D- 9								

www.legends-yamaha-enduros.com