

YAMAHA

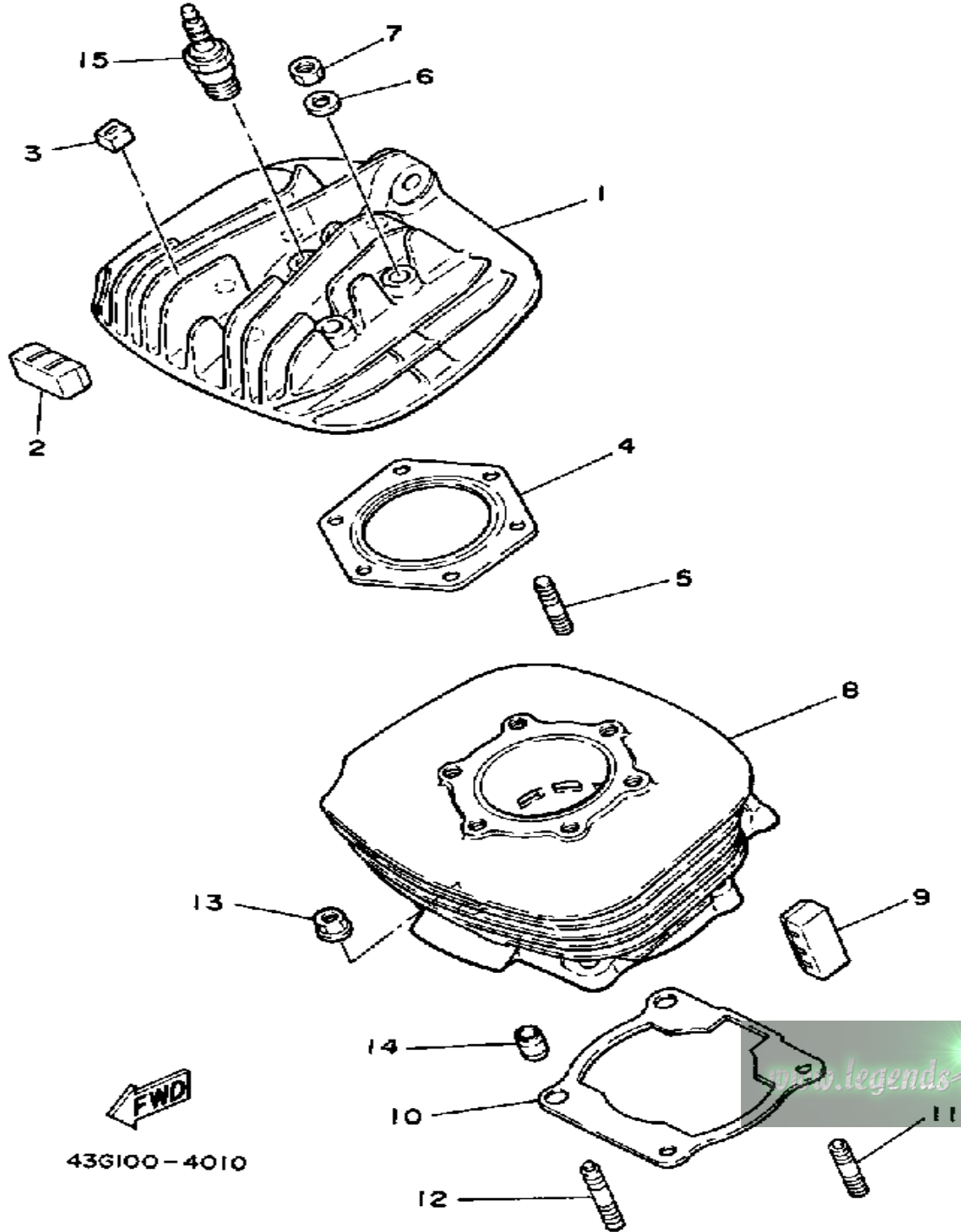
GENUINE

PARTS CATALOGUE

MOTORCYCLE

www.legends-yamaha-enduros.com

CYLINDER



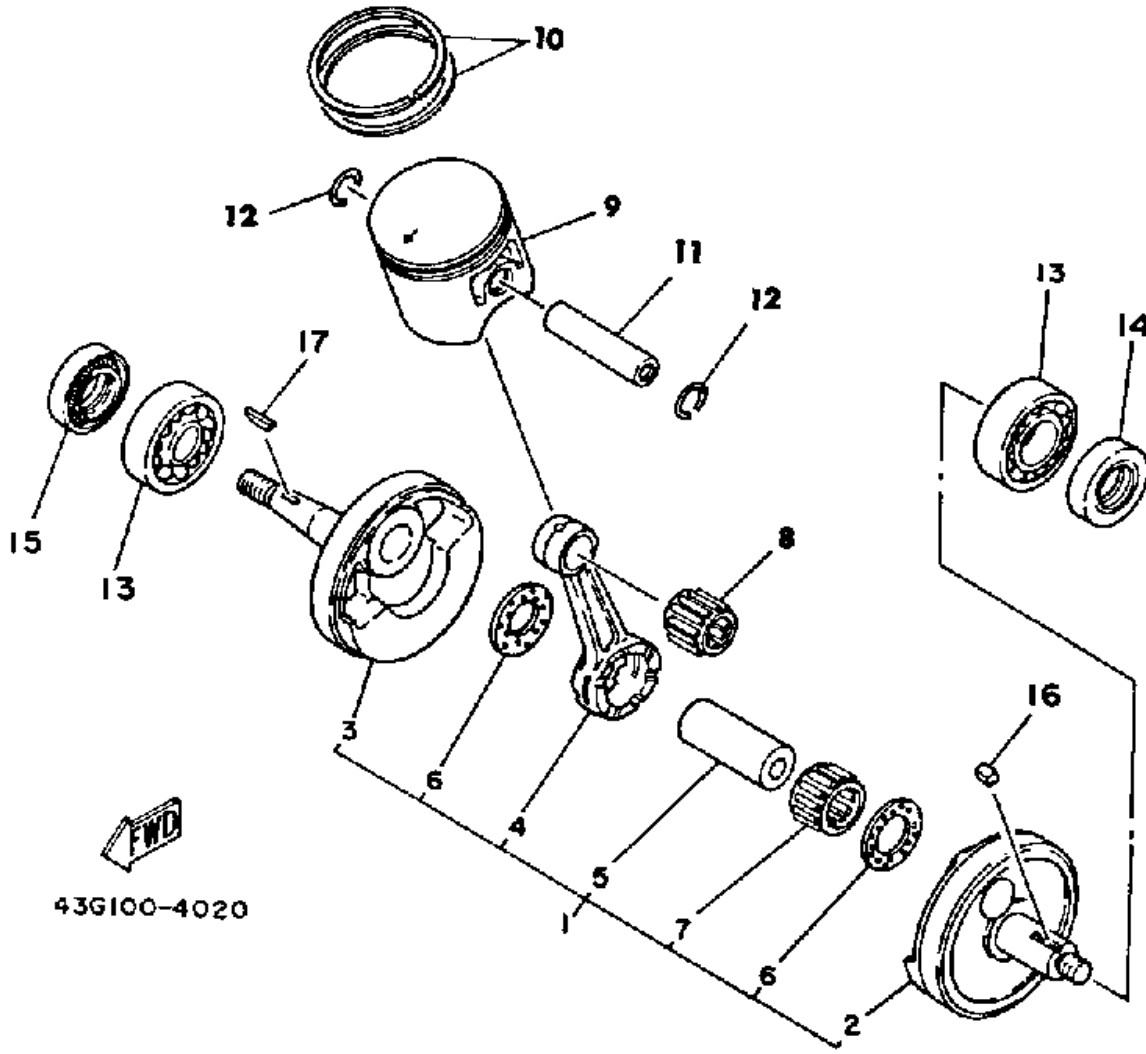
| Ref. No. | Part Number | Description | Qty | Remarks |
|----------|-----------------|---|-----|----------|
| 1 | 43G-11111-00-00 | HEAD, CYLINDER 1 | 1 | |
| 2 | 3R9-11162-00-00 | ABSORBER 2 | 2 | |
| 3 | 521-11161-01-00 | ABSORBER 1 | 5 | |
| 4 | 43G-11181-01-00 | GASKET, CYLINDER HEAD 1HEAD 1 | 1 | |
| 5 | 90116-08394-00 | BOLT, STUD | 6 | |
| 6 | 90201-08649-00 | WASHER, PLATE | 6 | |
| 7 | 95333-08600-00 | NUT | 6 | |
| 8 | 43G-11311-00-00 | CYLINDER 1 | 1 | |
| 9 | 3R6-11162-00-00 | ABSORBER 2 | 4 | |
| 10 | 43G-11351-01-00 | GASKET, CYLINDER | 1 | |
| 11 | 90116-08318-00 | BOLT, STUD | 2 | |
| 12 | 90116-08409-00 | BOLT, STUD | 2 | |
| 13 | 90179-08246-00 | NUT, SPEC'L SHAPE | 4 | |
| 14 | 99510-10114-00 | PIN, DOWEL | 2 | |
| 15 | NGK-B8EG0-00-00 | PLUG, SPARK (NGK B8EG) (94702-00323-00) | 1 | U.R.ä LM |

43G100-4010



www.legends-yamaha-enduros.com

CRANKSHAFT - PISTON



IT200L/IT200N

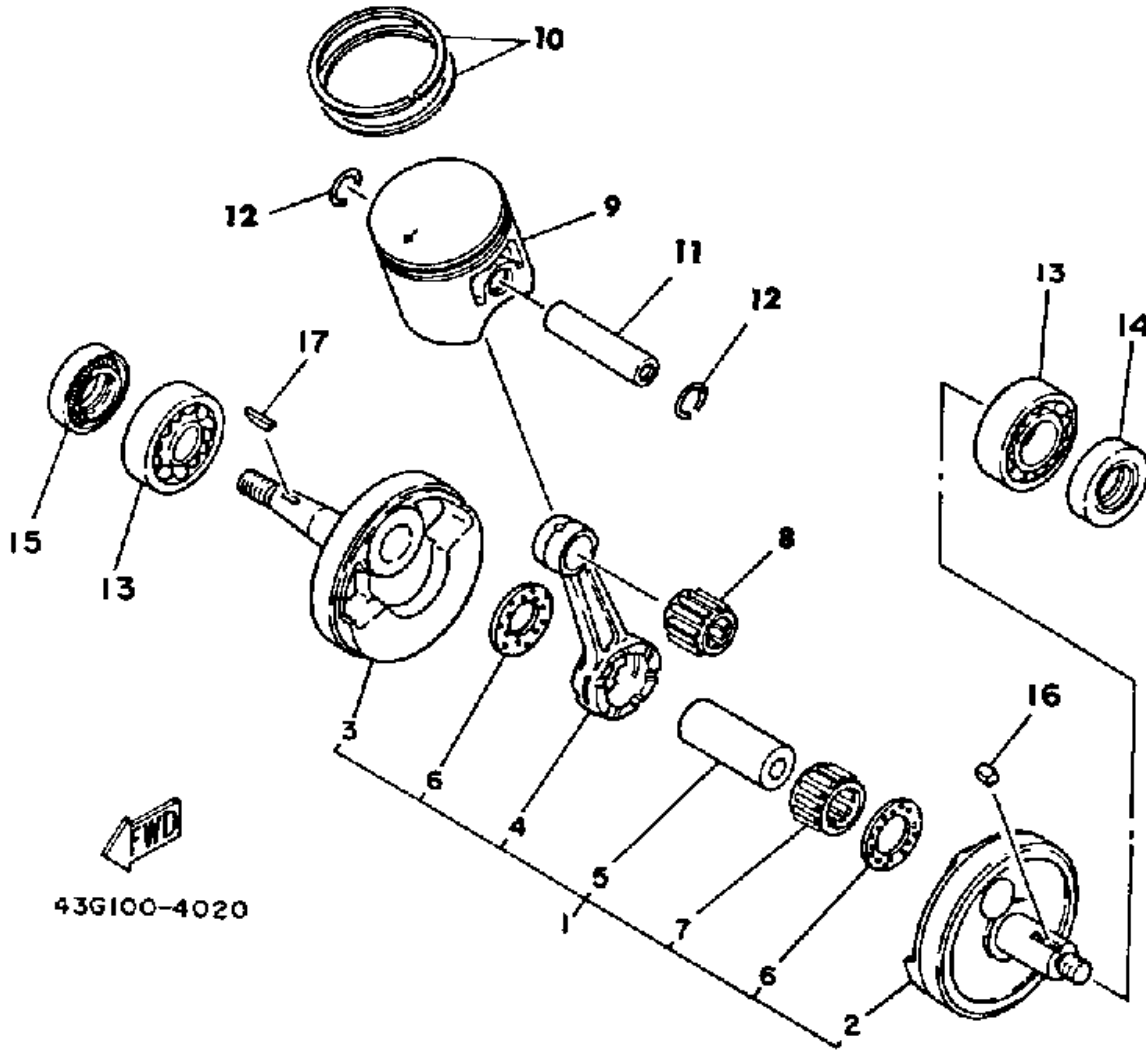
| | |
|----------------------------------|-----------------------------------|
| Piston Skirt Clearance New / Max | 0.050 ~ 0.055mm / 0.10mm |
| Ring End Gap Top / 2nd / 3rd | 0.20 ~ 0.35mm / 0.20 ~ 0.35mm / ø |

| Ref. No. | Part Number | Description | Qty | Remarks |
|----------|-----------------|------------------------------------|-----|---------|
| 1 | 43G-11400-00-00 | CRANKSHAFT ASSEMBLY | 1 | |
| 2 | 43G-11412-00-00 | . CRANK 1 | 1 | |
| 3 | 43G-11422-00-00 | . CRANK 2 | 1 | |
| 4 | 43G-11651-00-00 | ROD, CONNECTING | 1 | |
| 5 | 43G-11681-00-00 | PIN, CRANK 1 | 1 | |
| 6 | 90209-22248-00 | WASHER | 2 | |
| 7 | 93310-522M4-00 | BEARING, CYLINDRICAL | 1 | |
| 8 | 93310-316H6-00 | BEARING | 1 | |
| 9 | 43G-11631-00-95 | PISTON STD | 1 | |
| 10 | 3JM-11601-00-00 | PISTON RING SET (STD) | 1 | |
| 11 | 251-11633-00-00 | PIN, PISTON | 1 | |
| 12 | 93450-17129-00 | CIRCLIP | 2 | |
| 13 | 93306-20562-00 | BEARING | 2 | |
| 14 | 93103-32171-00 | OIL SEAL (93103-32099-00) | 1 | |
| 15 | 93102-25331-00 | OIL SEAL | 1 | |
| 16 | 90282-05034-00 | KEY, STRAIGHT | 1 | |
| 17 | 43G-11601-10-00 | PISTON RINGSET 1ST (1ST O/S) | 1 | |
| | 43G-11601-20-00 | PISTON RINGSET 2ND (2ND O/S) | 1 | |
| | 43G-11601-30-00 | PISTON RINGSET 3RD | 1 | |
| | 43G-11601-40-00 | PISTON RINGSET 4TH | 1 | |
| | 43G-11630-10-00 | PISTON KIT 1ST (1ST O/S) | 1 | |
| | 43G-11630-20-00 | PISTON KIT 2ND (2ND O/S) | 1 | |
| | 43G-11630-30-00 | PISTON KIT 3RD (3RD O/S) | 1 | |
| | 43G-11630-40-00 | PISTON KIT 4TH (4TH O/S) | 1 | |
| | 43G-11635-00-00 | PISTON 1 O/S 0.25 (1ST O/S 0.25MM) | 1 | |
| | 43G-11636-00-00 | PISTON 2 O/S 0.50 (2ND O/S 0.50MM) | 1 | |

www.legends-yamaha-enduros.com

CONTINUED ON NEXT FRAME ►

CRANKSHAFT - PISTON



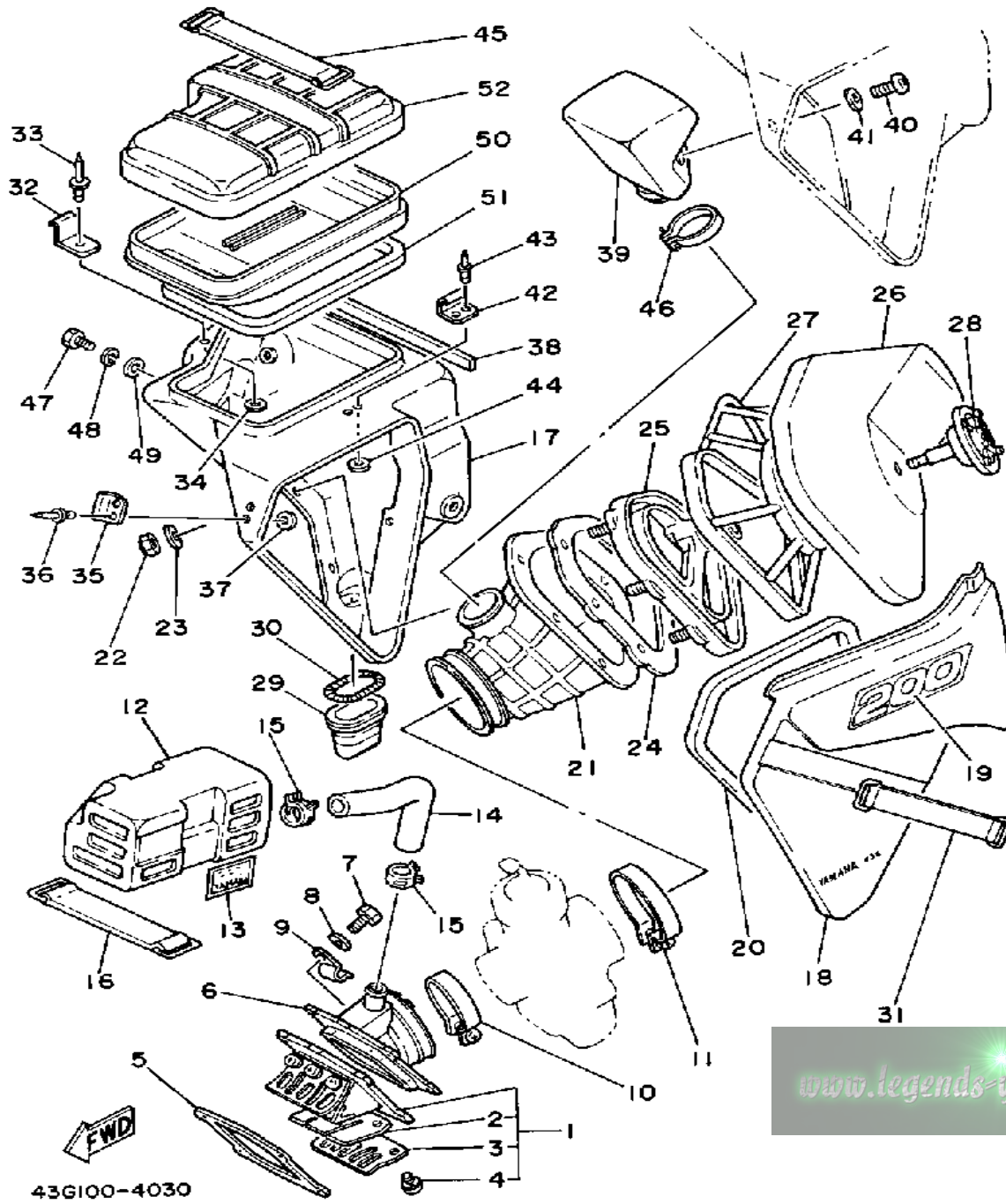
| Ref. No. | Part Number | Description | Qty | Remarks |
|----------|-----------------|------------------------------------|-----|---------|
| 17 | 43G-11637-00-00 | PISTON 3 O/S 0.75 (3RD O/S 0.75MM) | 1 | |
| | 43G-11638-00-00 | PISTON 4 O/S 1.00 (4TH O/S 1.00MM) | 1 | |
| | 90280-03017-00 | KEY, WOODRUFF | 1 | |

IT200L/IT200N

| | |
|----------------------------------|-----------------------------------|
| Piston Skirt Clearance New / Max | 0.050 ~ 0.055mm / 0.10mm |
| Ring End Gap Top / 2nd / 3rd | 0.20 ~ 0.35mm / 0.20 ~ 0.35mm / ø |



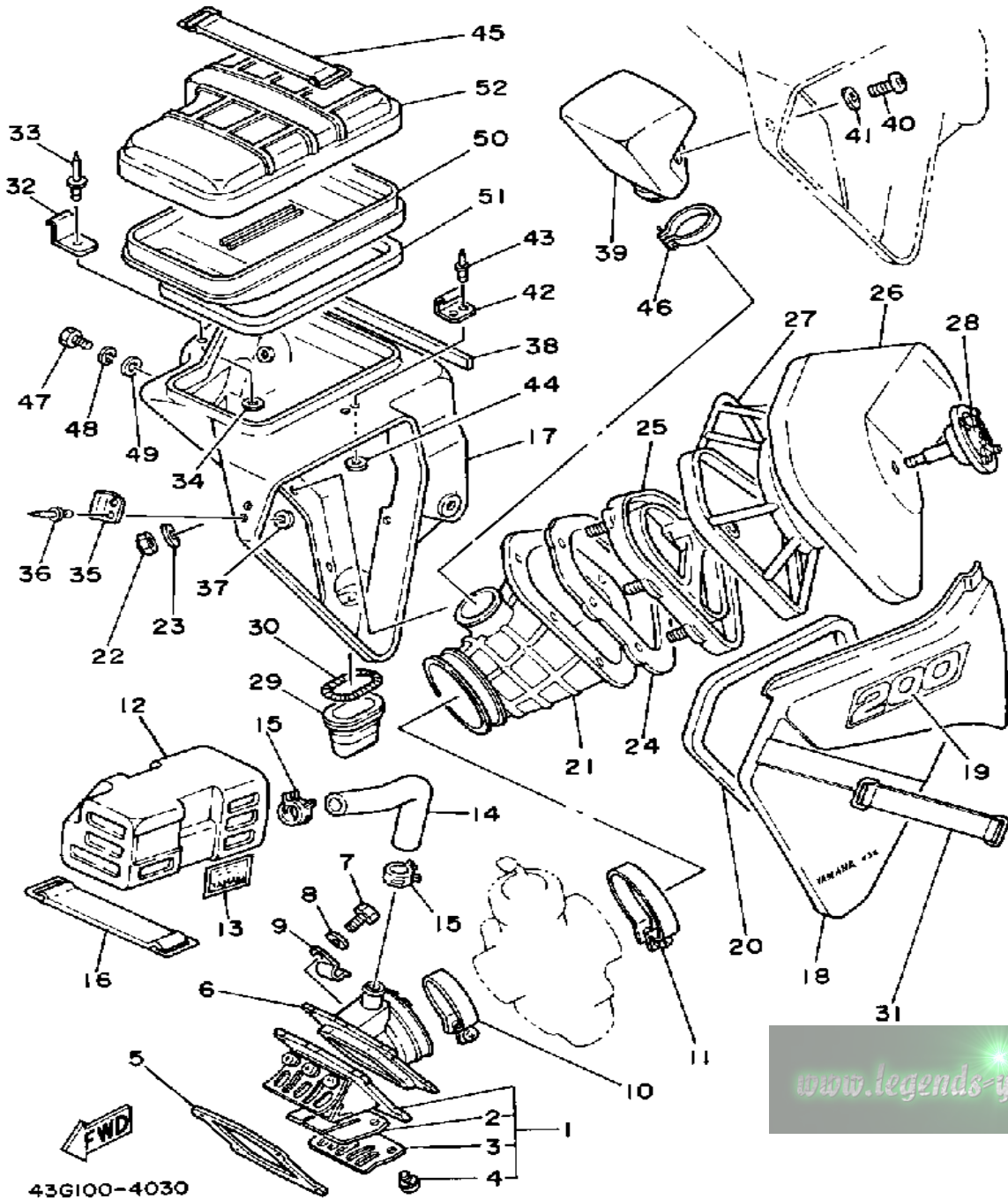
INTAKE



| Ref. No. | Part Number | Description | Qty | Remarks |
|----------|-----------------|-----------------------|-----|---------|
| 1 | 1LX-13610-01-00 | REED VALVE ASSEMBLY | 1 | |
| | 43G-13610-00-00 | REED VALVE ASSEMBLY | 1 | |
| 2 | 3R3-13613-00-00 | . REED, VALVE | 2 | |
| | 55Y-13613-00-00 | . REED, VALVE | 2 | |
| 3 | 43G-13616-00-00 | . STOPPER, REED VALVE | 2 | |
| | 55Y-13616-00-00 | . STOPPER, REED VALVE | 2 | |
| 4 | 98580-03008-00 | . SCREW, PAN HEAD | 6 | |
| 5 | 39W-13621-00-00 | GASKET, VALVE SEAT | 1 | |
| 6 | 43G-13565-00-00 | JOINT, CARBURETOR | 1 | |
| 7 | 97011-06025-00 | BOLT (97001-06025) | 4 | |
| 8 | 90201-061A5-00 | WASHER, PLATE | 4 | |
| 9 | 90462-05005-00 | CLAMP | 1 | |
| 10 | 90460-49058-00 | CLAMP, HOSE | 1 | |
| 11 | 90460-64065-00 | CLAMP, HOSE | 1 | |
| 12 | 5X8-13581-00-00 | CHAMBER, AIR | 1 | |
| 13 | 4V3-1441K-00-00 | EMBLEM | 1 | |
| 14 | 90445-210A6-00 | HOSE | 1 | |
| 15 | 90467-20050-00 | CLIP, SCISSOR | 2 | |
| 16 | 1E6-82131-00-00 | BAND, BATTERY | 1 | |
| 17 | 43G-14411-00-00 | CASE, AIR CLEANER 1 | 1 | |
| 18 | 43G-14412-00-00 | CAP, CLEANER CASE 1 | 1 | |
| 19 | 43G-21781-00-00 | EMBLEM 1 | 1 | |
| 20 | 43G-14452-00-00 | SEAL | 1 | |
| 21 | 43G-14453-00-00 | JOINT, AIR CLNR 1 | 1 | |
| 22 | 95601-05100-00 | NUT, U | 6 | |
| 23 | 92901-05600-00 | WASHER, PLATE | 6 | |
| 24 | 43G-14462-00-00 | SEAL | 1 | |
| 25 | 43G-14459-00-00 | HOLDER, GUIDE | 1 | |
| 26 | 43G-14451-00-00 | ELEMENT, AIR CLNR | 1 | |

CONTINUED ON NEXT FRAME ►

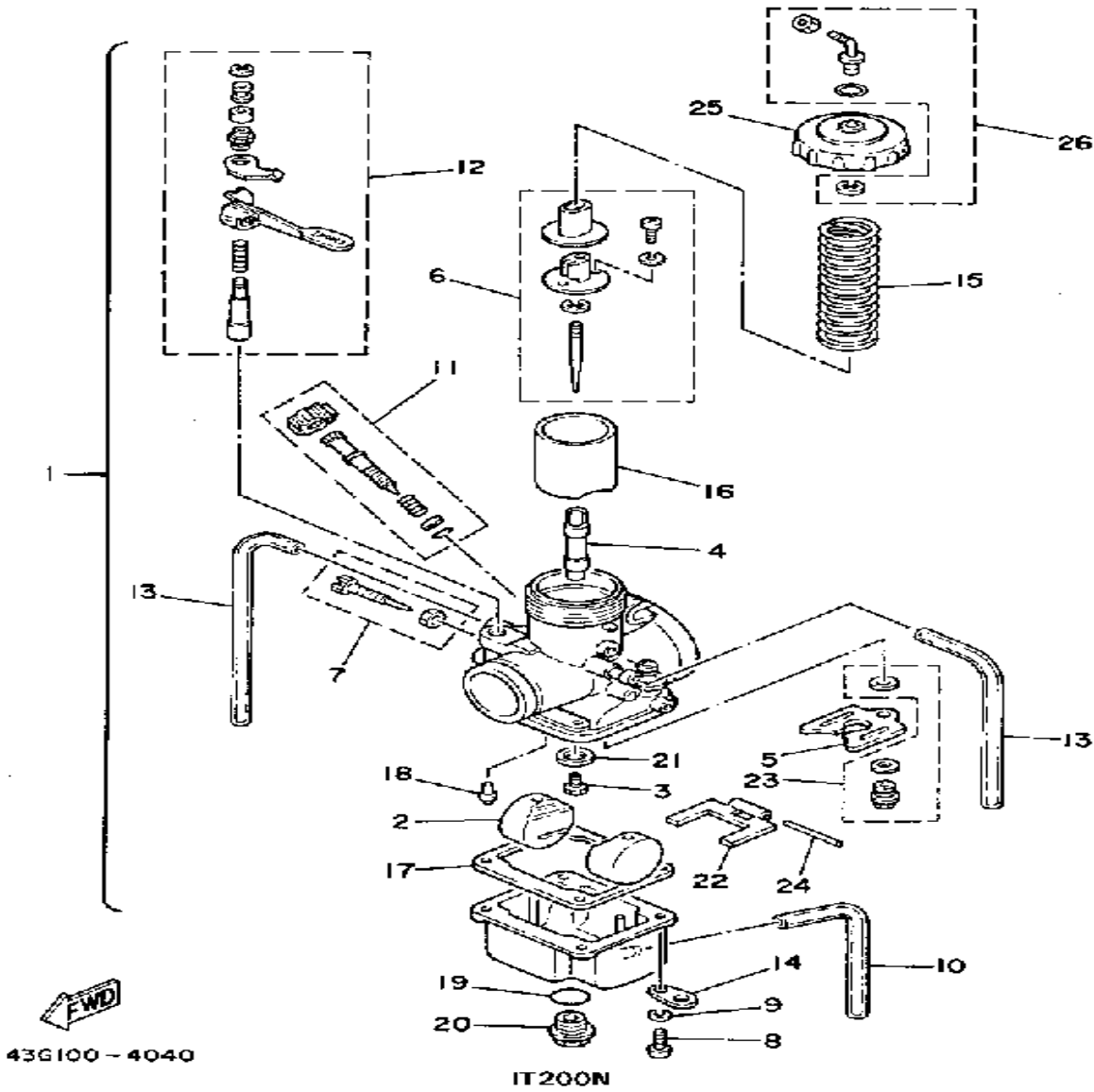
INTAKE



| Ref. No. | Part Number | Description | Qty | Remarks |
|----------|-------------------|--|-----|---------|
| 27 | 43G-14458-00-00 | GUIDE, ELEMENT | 1 | |
| 28 | 4V2-14468-02-00 | PLATE, ELEMENT FTNG (4V2-14468-01) | 1 | |
| 29 | 39K-14457-00-00 | SEAL | 1 | |
| 30 | 90504-03033-00 | SPRING, COMPRESSION | 1 | |
| 31 | 43G-14455-00-00 | BAND | 1 | |
| 32 | 34K-14484-00-00 | PLATE, CLNR CS FTNGFITTING | 2 | |
| 33 | 90267-40073-00 | RIVET, BLIND | 2 | |
| 34 | 92990-04200-00 | WASHER, PLAIN | 2 | |
| 35 | 26A-14436-00-00 | HOOK | 1 | |
| 36 | 90267-40073-00 | RIVET, BLIND | 2 | |
| 37 | 92990-04200-00 | WASHER, PLAIN | 2 | |
| 38 | 43G-14457-00-00 | SEAL | 1 | |
| 39 | (43G-13591-00-00) | CHAMBER, AIR 2 | 1 | |
| 40 | 98580-05010-00 | SCREW, PAN HEAD | 1 | |
| 41 | 92901-05600-00 | WASHER, PLATE | 1 | |
| 42 | (43G-14436-00-00) | HOOK | 1 | |
| 43 | 90267-40073-00 | RIVET, BLIND | 2 | |
| 44 | 92990-04200-00 | WASHER, PLAIN | 2 | |
| 45 | 133-82131-00-00 | BAND, BATTERY | 1 | |
| 46 | 90460-36174-00 | CLAMP, HOSE | 1 | |
| 47 | 97013-06012-00 | BOLT | 3 | |
| 48 | 92995-06100-00 | WASHER, SPRING | 3 | |
| 49 | 90201-061A5-00 | WASHER, PLATE | 3 | |
| 50 | 43G-14437-00-00 | DUCT | 1 | |
| 51 | 43G-14467-00-00 | SEAL | 1 | |
| 52 | 43G-14422-00-00 | CAP, CLEANER CASE 2 | 1 | |

www.legends-yamaha-outboards.com

CARBURETOR



43G100 - 4040

IT200N

| CARBURETOR - Manufacturer / Type / I.D. Number | Mikuni / VM34SS / 43G-10 |
|---|--------------------------|
| Main Jet / Pilot Jet / Pilot Screw (Turns Out) | 330 / 20 / 3/4 |
| Needle Jet / Jet Needle-Clip Position | Q-0 / 6F21-3 |
| Slide Cutaway | 2.0 |
| Float Level / Fuel Level | 23.5 ± 1.0mm / ø |
| Idle rpm | Rider's Preference |
| Max. CO _e / Max HC _e / Set CO | ø |

IT200L

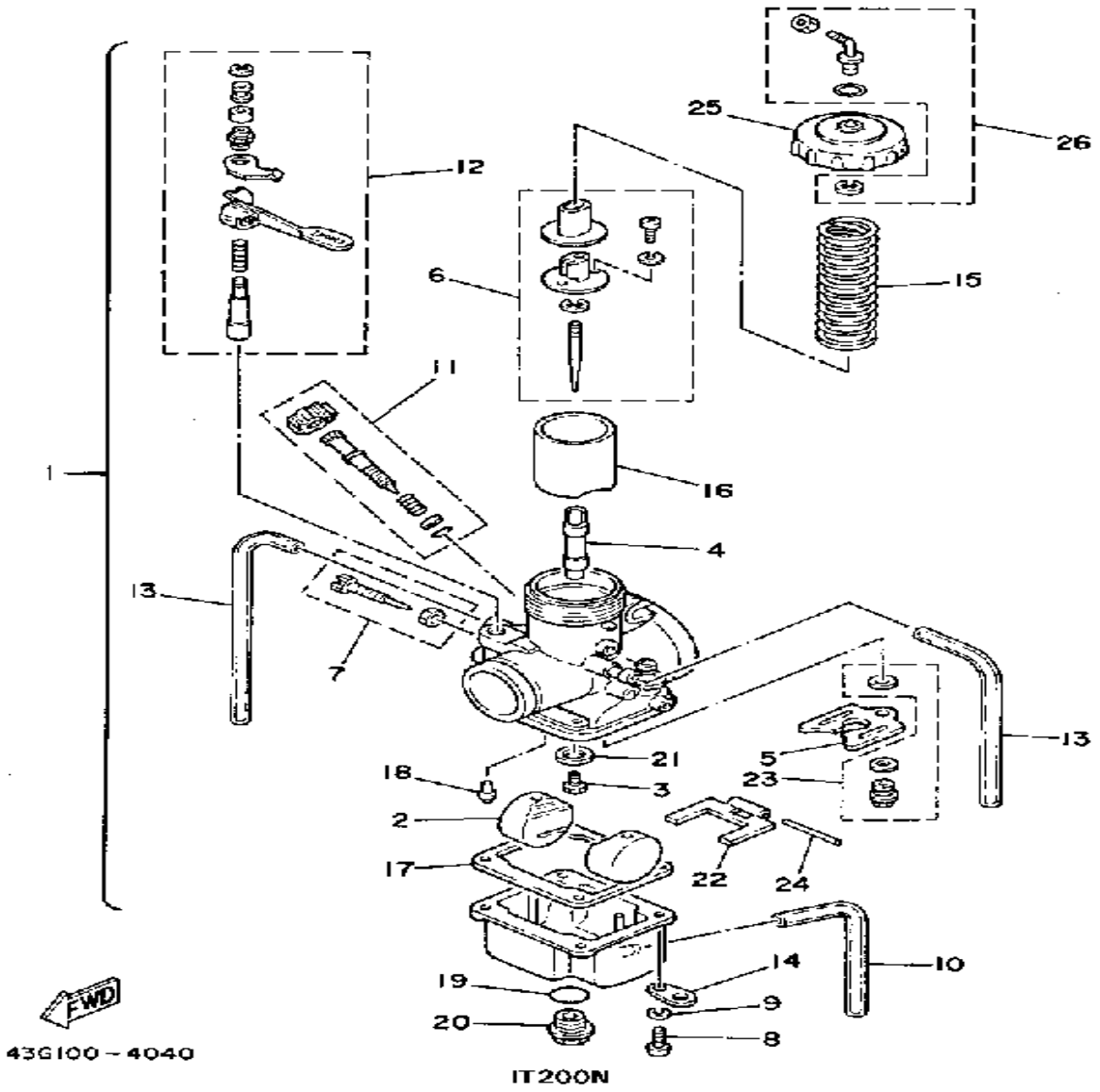
| CARBURETOR - Manufacturer / Type / I.D. Number | Mikuni / VM34SS / 43G-00 |
|--|--------------------------|
| Main Jet / Pilot Jet / Pilot Screw (Turns Out) | 330 / 35 / 1.0 |
| Needle Jet / Jet Needle-Clip Position | P-6 / 6F21-3 |
| Slide Cutaway | 2.0 |
| Float Level / Fuel Level | 23.5 ± 1.0mm / ø |
| Idle rpm | Rider's Preference |

| Ref. No. | Part Number | Description | Qty | Remarks |
|----------|-------------------|-----------------------------------|-----|---------|
| 1 | (43G-14101-00-00) | CARBURETOR ASSEMBLY 1 | 1 | |
| | 43G-14101-10-00 | CARBURETOR ASSEMBLY | 1 | |
| 2 | 310-14185-00-00 | . FLOAT | 2 | |
| 3 | 137-14143-66-A1 | . JET MAIN, (# 330) | 1 | |
| 4 | 239-14141-46-00 | . NOZZLE, MAIN P-6 (P-6) | 1 | |
| | 239-14141-50-00 | . NOZZLE, MAIN Q 0 | 1 | |
| 5 | 483-14146-00-00 | . PLATE | 1 | |
| 6 | 24X-1490J-00-00 | . NEEDLE SET | 1 | |
| 7 | 24X-14103-00-00 | . THROTTLE SCREW SET | 1 | |
| 8 | 98580-05016-00 | . SCREW, PAN HEAD | 4 | |
| 9 | 92990-05100-00 | . WASHER, SPRING | 4 | |
| 10 | 2J2-14196-00-00 | . PIPE | 1 | |
| 11 | 43G-14104-00-00 | . AIR SCREW SET (2X3-14123-00) | 1 | |
| 12 | 43G-1410A-00-00 | . STARTER SET | 1 | |
| 13 | 310-14197-00-00 | . PIPE, AIRVENT | 2 | |
| 14 | 313-14146-00-00 | . PLATE | 2 | |
| 15 | 363-14131-00-00 | . SPRING, THROTTLE VALVE | 1 | |
| 16 | 5X8-14112-20-00 | . VALVE, THROTTLE 1 | 1 | |
| 17 | 483-14184-00-00 | . GASKET, FLOAT CHMBR | 1 | |
| 18 | 193-14142-55-00 | . JET, PILOT #55 (# 55) | 1 | |
| | 193-14142-70-00 | . JET, PILOT (# 70) | 1 | |
| 19 | 558-14147-00-00 | . O-RING | 1 | |
| 20 | 500-14115-00-00 | . PLUG, SCREW | 1 | |
| 21 | (1G8-14153-00-00) | WASHER, MAIN JET | 1 | |
| 22 | 310-14187-00-00 | . ARM, FLOAT | 1 | |
| 23 | 24X-14107-33-00 | . NEEDLE VALVE SET (#3.3) | 1 | |
| 24 | 127-14186-00-00 | . PIN, FLOAT | 1 | |
| 25 | 3R3-14158-00-00 | . TOP, MIXING CHAMBER | 1 | |

CONTINUED ON NEXT FRAME ►

CARBURETOR

| Ref. No. | Part Number | Description | Qty | Remarks |
|----------|-----------------|-------------------------------------|-----|---------|
| 26 | 24X-14106-00-00 | . CBLE AJST SCRW SETSCREW SET | 1 | |

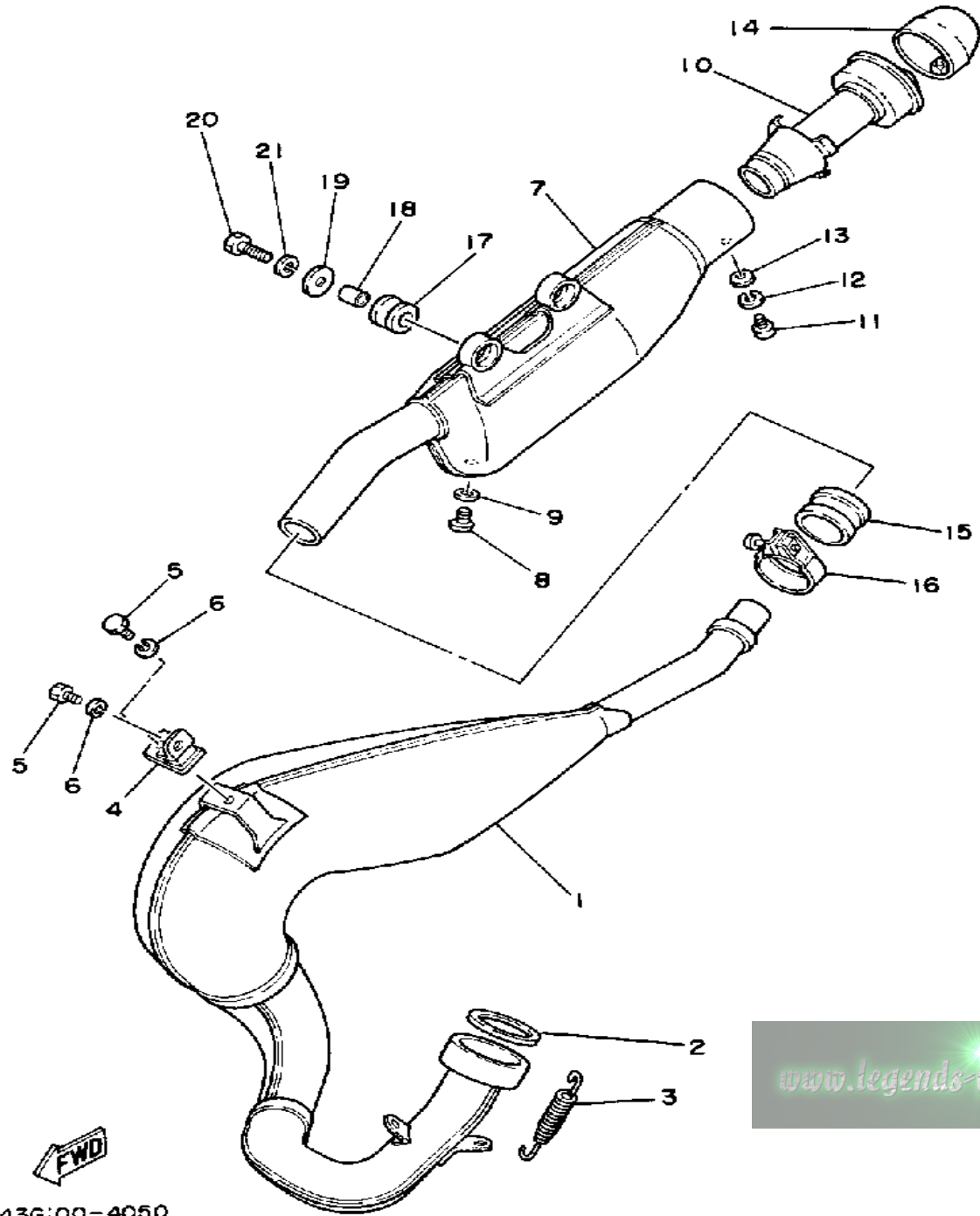


| | |
|---|--------------------------|
| CARBURETOR - Manufacturer / Type / I.D. Number | Mikuni / VM34SS / 43G-10 |
| Main Jet / Pilot Jet / Pilot Screw (Turns Out) | 330 / 20 / 1/4 |
| Needle Jet / Jet Needle-Clip Position | G-0 / 6F21-3 |
| Slide Cutaway | 2.0 |
| Float Level / Fuel Level | 23.5 ± 1.0mm / ø |
| Idle rpm | Rider's Preference |
| Max. CO ₂ / Max HC ₂ / Set CO | ø |

www.legendaryamaha-enduros.com

| | |
|---|--------------------------|
| CARBURETOR - Manufacturer / Type / I.D. Number | Mikuni / VM34SS / 43G-00 |
| Main Jet / Pilot Jet / Pilot Screw (Turns Out) | 330 / 35 / 1.0 |
| Needle Jet / Jet Needle-Clip Position | P-6 / 6F21-3 |
| Slide Cutaway | 2.0 |
| Float Level / Fuel Level | 23.5 ± 1.0mm / ø |
| Idle rpm | Rider's Preference |

EXHAUST

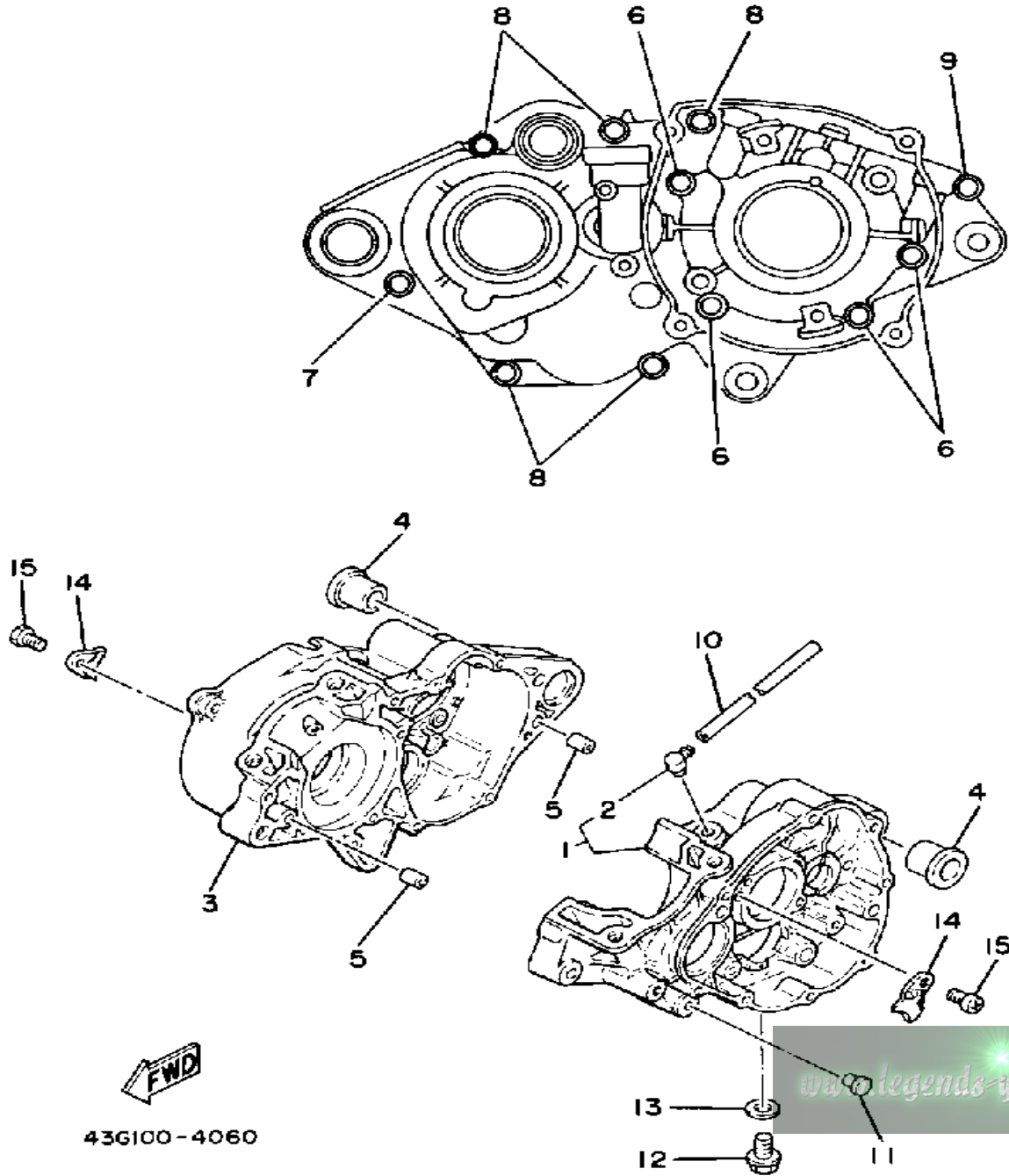


| Ref. No. | Part Number | Description | Qty | Remarks |
|----------|-------------------|-----------------------------|-----|---------|
| 1 | (43G-14610-00-00) | EXHAUST PIPE ASSEMBLY L . | 1 | |
| 2 | 3R6-14613-01-00 | GASKET, EXST PIPE | 1 | |
| 3 | 90507-20030-00 | SPRING, TENSION | 3 | |
| 4 | 1M1-14772-00-00 | STAY, MUFFLER 2 | 1 | |
| 5 | 97013-06012-00 | BOLT | 2 | |
| 6 | 92995-06100-00 | WASHER, SPRING | 2 | |
| 7 | 43G-14753-00-00 | SILENCER, EXHAUST | 1 | |
| 8 | 98580-06008-00 | SCREW, PAN HEAD | 1 | |
| 9 | 90202-05187-00 | WASHER, PLATE | 1 | |
| 10 | 5X8-14752-01-00 | PIPE, OUTLET | 1 | |
| 11 | 98580-06012-00 | SCREW, PAN HEAD | 1 | |
| 12 | 92995-06100-00 | WASHER, SPRING | 1 | |
| 13 | 90201-061A5-00 | WASHER, PLATE | 1 | |
| 14 | 1W2-14787-00-00 | CAP, SILENCER | 1 | |
| 15 | 1M1-14714-00-00 | GASKET, MUFFLER | 1 | |
| 16 | 90460-43053-00 | CLAMP, HOSE | 2 | |
| 17 | 90480-22269-00 | GROMMET | 2 | |
| 18 | 90387-081A3-00 | COLLAR | 2 | |
| 19 | 90201-085E6-00 | WASHER PLATE | 2 | |
| 20 | 97313-08030-00 | BOLT, HEXAGON | 2 | |
| 21 | 92990-08100-00 | WASHER | 2 | |

www.legends-yamaha-enduros.com

43G:00-4050

CRANKCASE

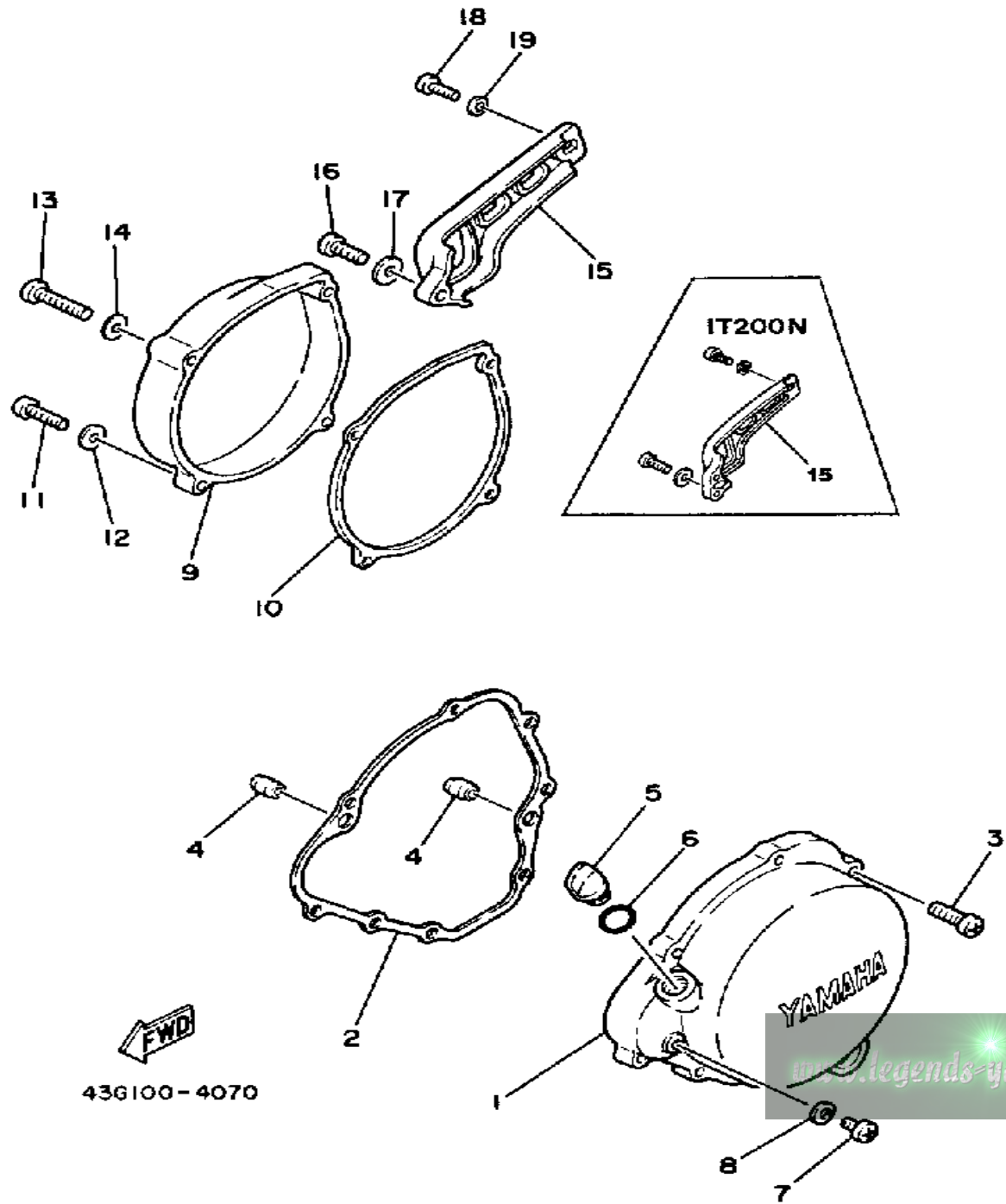


| Ref. No. | Part Number | Description | Qty | Remarks |
|----------|-----------------|---------------------------|-----|---------|
| 1 | 43G-15111-00-00 | CRANKCASE 1 | 1 | |
| 2 | 353-13115-01-00 | . CONNECTOR, SUCTION PIPE | 1 | |
| 3 | 43G-15121-00-00 | CRANKCASE 2 | 1 | |
| 4 | 90387-16781-00 | COLLAR | 2 | |
| 5 | 99530-10014-00 | PIN, DOWEL | 2 | |
| 6 | 91316-06035-00 | BOLT | 4 | |
| 7 | 91316-06050-00 | BOLT, SOCKET HEAD | 1 | |
| 8 | 90110-06138-00 | BOLT, HEX SKT HEAD | 5 | |
| 9 | 91316-06045-00 | BOLT, SOCKET HEAD | 1 | |
| 10 | 90445-08376-00 | HOSE | 1 | |
| 11 | 90338-07011-00 | PLUG, SPEC'L SHAPE | 1 | |
| 12 | 90340-12097-00 | PLUG, STRAIGHT SCREW | 1 | |
| 13 | 90430-12207-00 | GASKET | 1 | |
| 14 | 3R3-15128-01-00 | HOLDER | 2 | |
| 15 | 92501-08010-00 | SCREW, PAN HEAD | 2 | |

43G100-4060

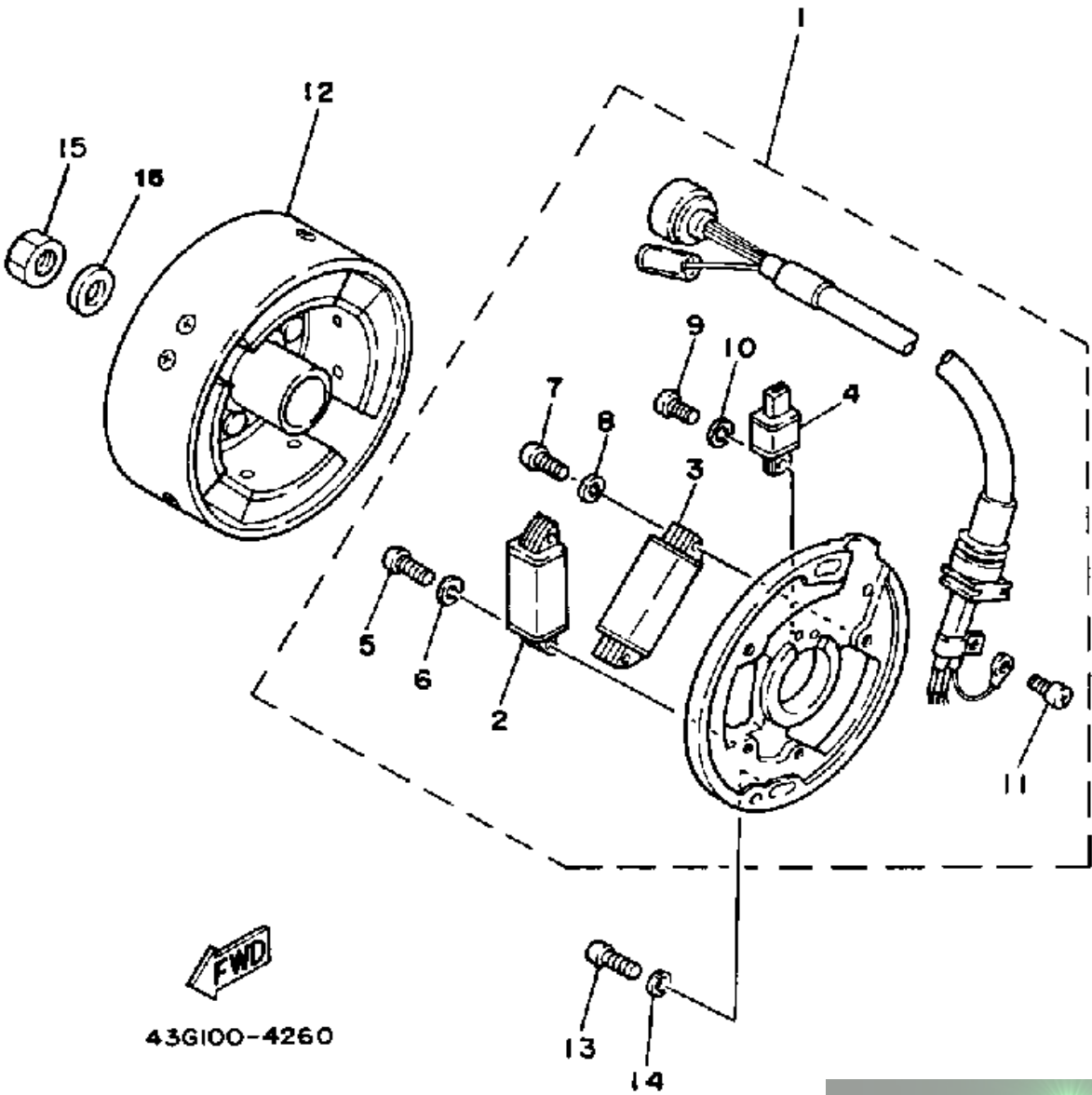
www.legends-yamaha-enduros.com

CRANKCASE COVER



| Ref. No. | Part Number | Description | Qty | Remarks |
|----------|-----------------|----------------------------------|-----|---------|
| 1 | 3R3-15411-01-00 | COVER, CRANKCASE L | 1 | |
| 2 | 3R3-15451-01-00 | GASKET, CRCS COVER | 1 | |
| 3 | 98506-06025-00 | SCREW, PAN HEAD | 8 | |
| 4 | 99530-10014-00 | PIN, DOWEL | 2 | |
| 5 | 1G8-15362-00-00 | PLUG, OIL LEVEL | 1 | |
| 6 | 93210-14104-00 | O-RING | 1 | |
| 7 | 98506-06008-00 | SCREW, PAN HEAD (92506-06008-00) | 1 | |
| 8 | 90430-06016-00 | GASKET | 1 | |
| 9 | 43G-15421-00-00 | COVER, CRANKCASE R | 1 | |
| 10 | 43G-15455-00-00 | GASKET 1 | 1 | |
| 11 | 98506-06025-00 | SCREW, PAN HEAD | 3 | |
| 12 | 92906-06600-00 | WASHER | 3 | |
| 13 | 98506-06035-00 | SCREW, PAN HEAD | 1 | |
| 14 | 92906-06600-00 | WASHER | 1 | |
| 15 | 55Y-15431-00-00 | COVER, CRANKCASE 3 | 1 | |
| 16 | 98503-06014-00 | SCREW, PAN HEAD (92502-06016) | 1 | |
| 17 | 90201-06067-00 | WASHER, PLATE | 1 | |
| 18 | 98580-06020-00 | SCREW | 1 | |
| 19 | 92990-06200-00 | WASHER | 1 | |

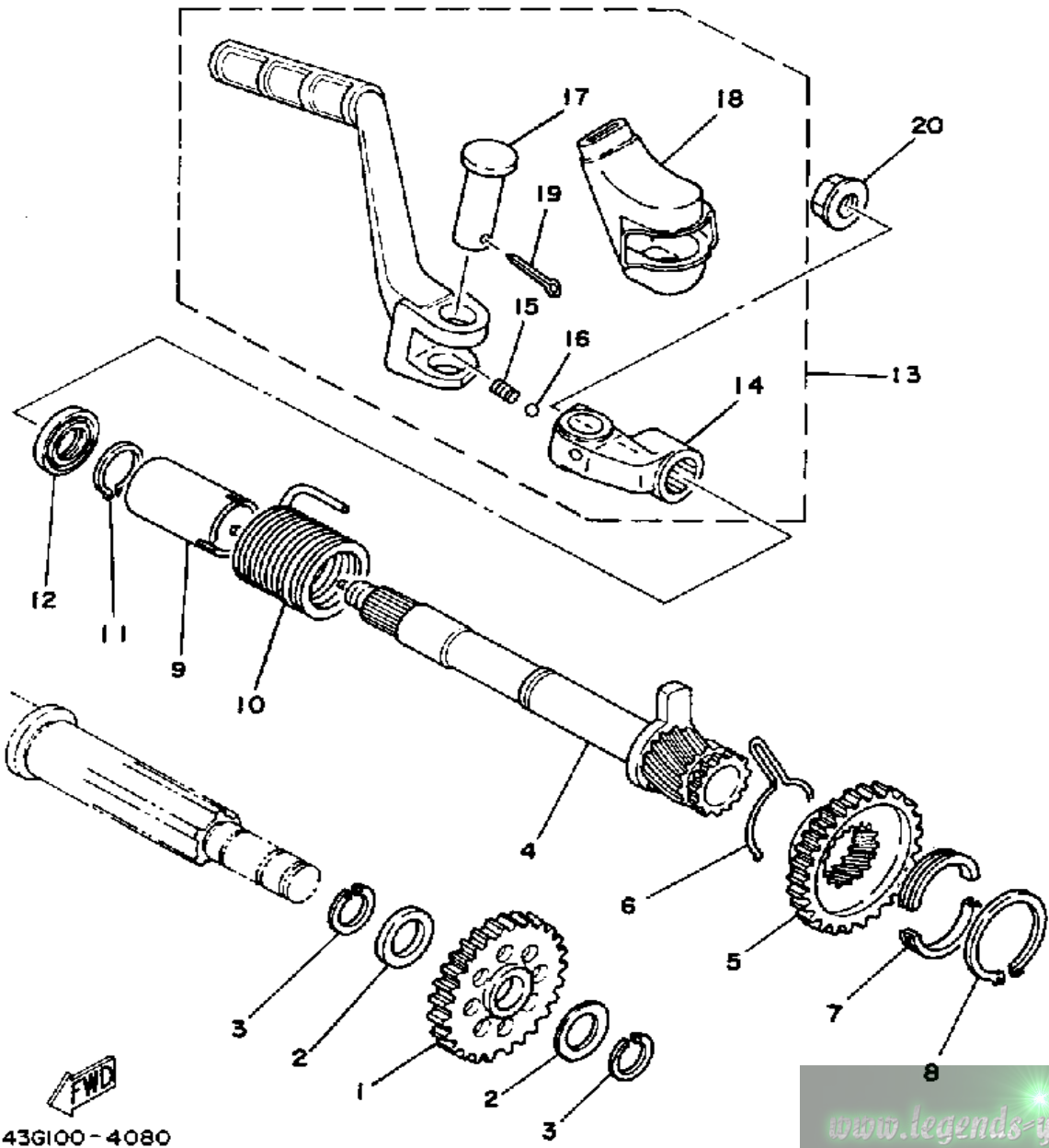
GENERATOR



| Ref. No. | Part Number | Description | Qty | Remarks |
|----------|-----------------|----------------------------------|-----|---------|
| 1 | 43G-85510-21-00 | STATOR ASSEMBLY | 1 | |
| 2 | 23X-85520-21-00 | . COIL, CHARGE | 1 | |
| 3 | 43G-85513-20-00 | . COIL, LIGHTING 1 | 1 | |
| 4 | 43G-85580-21-00 | . COIL, PULSER | 1 | |
| 5 | 98503-04014-00 | . SCREW, PAN HEAD | 2 | |
| 6 | 92901-04100-00 | . WASHER, SPRING | 2 | |
| 7 | 98511-04030-00 | . SCREW, PAN HEAD | 2 | |
| 8 | 92901-04100-00 | . WASHER, SPRING | 2 | |
| 9 | 98503-04014-00 | . SCREW, PAN HEAD | 1 | |
| 10 | 92901-04100-00 | . WASHER, SPRING | 1 | |
| 11 | 97601-04106-00 | . SCREW, PN/HD.W/WSHR | 1 | |
| 12 | 43G-85500-20-00 | ROTOR ASSEMBLY. | 1 | |
| | 43G-85550-21-00 | ROTOR ASSEMBLY | 1 | |
| 13 | 98503-06014-00 | SCREW, PAN HEAD (92502-06016) | 2 | |
| 14 | 90201-061A5-00 | WASHER, PLATE | 2 | |
| 15 | 90170-12347-00 | NUT, HEXAGON | 1 | |
| 16 | 90201-12593-00 | WASHER, PLATE | 1 | |

www.legends-yamaha-enduros.com

STARTER

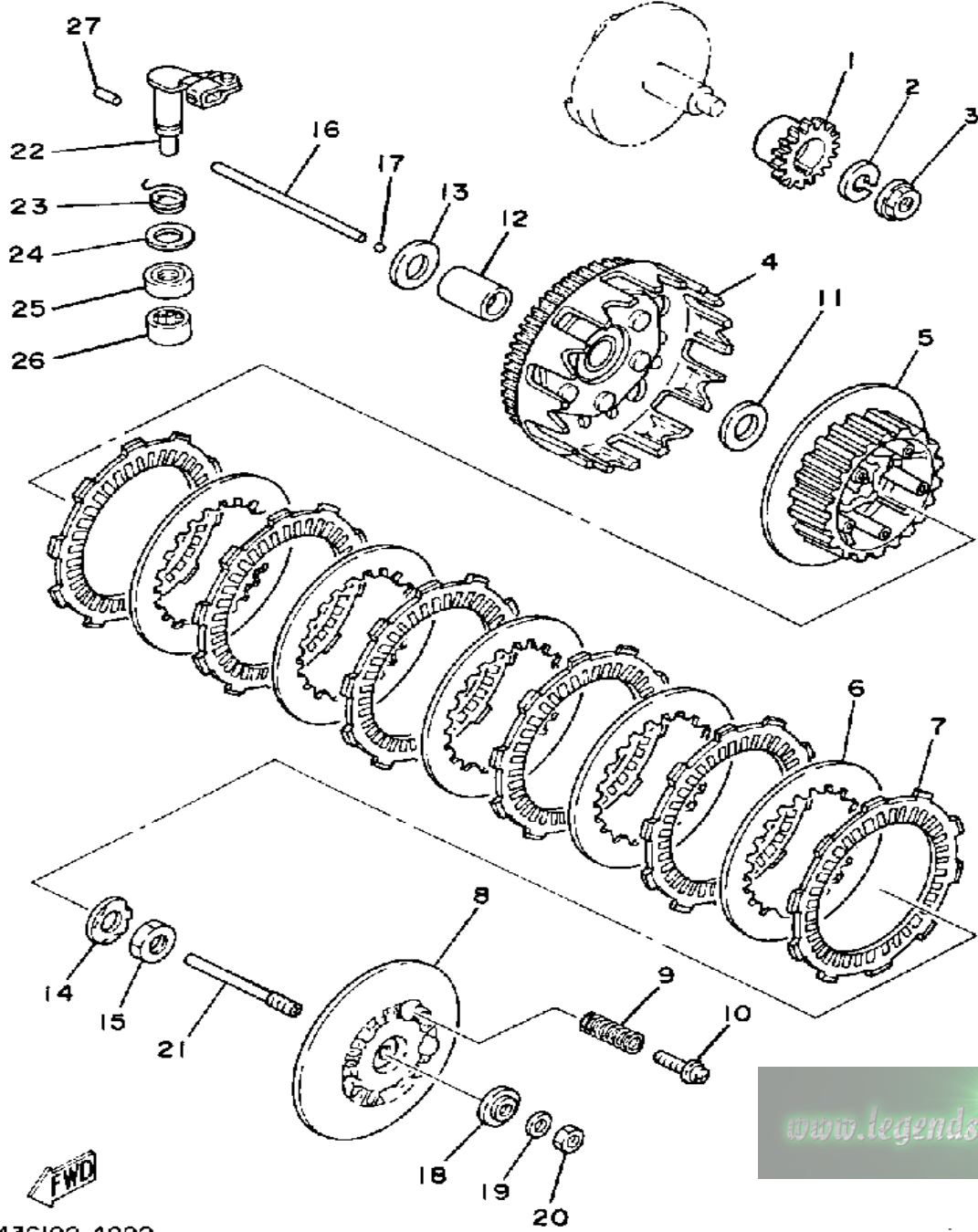


| Ref. No. | Part Number | Description | Qty | Remarks |
|----------|-------------------|---------------------------|-----|---------|
| 1 | 43G-15651-00-00 | GEAR, KICK IDLE | 1 | |
| 2 | 137-17417-00-05 | SHIM 1 (0.5T) | 1 | |
| 3 | 93440-15012-00 | CIRCLIP | 2 | |
| 4 | 39W-15660-00-00 | KICK AXLE ASSEMBLY | 1 | |
| 5 | 3R3-15641-00-00 | GEAR, KICK | 1 | |
| 6 | 90468-26048-00 | CLIP | 1 | |
| 7 | 248-15654-00-00 | HOLDER, KICK GEAR | 2 | |
| 8 | 99009-30400-00 | CIRCLIP | 1 | |
| 9 | 3R3-15666-00-00 | SPACER | 1 | |
| 10 | 90508-26427-00 | SPRING, TORSION | 1 | |
| 11 | 93410-17037-00 | CIRCLIP | 1 | |
| 12 | 93102-17263-00 | OIL SEAL | 1 | |
| 13 | 43G-15620-00-00 | KICK CRANK ASSEMBLY | 1 | |
| 14 | (5X3-15621-00-00) | BOSS, KICK CRANK | 1 | |
| 15 | 90501-12081-00 | . SPRING, COMPRESSION | 1 | |
| 16 | 93507-32031-00 | . BALL | 1 | |
| 17 | 91702-12040-00 | . PIN, CLEVIS | 1 | |
| 18 | 3R3-15618-01-00 | . COVER, KICK LEVER | 1 | |
| 19 | 91401-40020-00 | . PIN, COTTER | 1 | |
| 20 | 95701-10500-00 | NUT, FLANGE (95702-10500) | 1 | |

43G100-4080

www.legends-yamaha-enduros.com

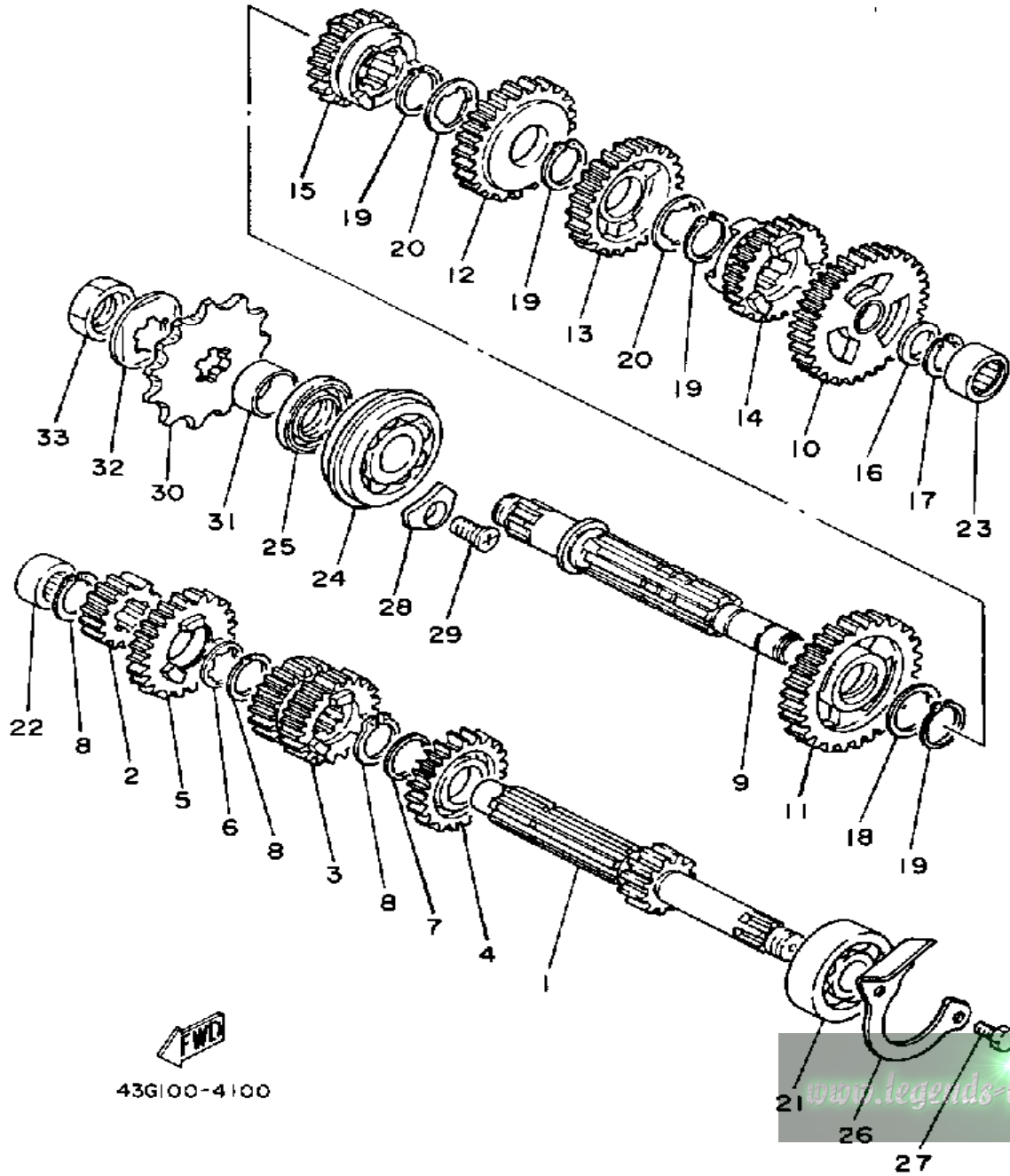
CLUTCH



| Ref. No. | Part Number | Description | Qty | Remarks |
|----------|-----------------|---------------------------------------|-----|---------|
| 1 | 43G-16111-00-00 | GEAR, PRI DRIVE (20T) | 1 | |
| 2 | 90204-12007-00 | WASHER, SPRING | 1 | |
| 3 | 90179-12335-00 | NUT | 1 | |
| 4 | 43G-16150-00-00 | PRI DRVN GEAR | 1 | |
| 5 | 43G-16371-00-00 | BOSS, CLUTCH | 1 | |
| 6 | 137-16325-70-00 | PLATE, CLUTCH 2 | 5 | |
| 7 | 537-16321-00-00 | PLATE, FRICTION | 6 | |
| 8 | 1W1-16351-00-00 | PLATE, PRESSURE 1 | 1 | |
| 9 | 90501-20124-00 | SPRING, COMPRESSION (137-16333-00) | 5 | |
| 10 | 90159-05011-00 | SCREW, WITH WASHER | 5 | |
| 11 | 90201-174E1-00 | WASHER, PLATE | 1 | |
| 12 | 90560-17335-00 | SPACER | 1 | |
| 13 | 90201-174E1-00 | WASHER, PLATE | 1 | |
| 14 | 90215-14204-00 | WASHER, LOCK | 1 | |
| 15 | 90170-14171-00 | NUT | 1 | |
| 16 | 353-16357-00-00 | ROD, PUSH 2 | 1 | |
| 17 | 93503-16010-00 | BALL | 1 | |
| 18 | 30X-16358-00-00 | PLATE, PUSH | 1 | |
| 19 | 92990-06200-00 | WASHER | 1 | |
| 20 | 95380-06600-00 | NUT | 1 | |
| 21 | 1W1-16356-02-00 | ROD, PUSH 1 | 1 | |
| 22 | 3R3-16380-02-00 | PUSH LEVER ASSEMBLY | 1 | |
| 23 | 90508-14426-00 | SPRING, TORSION | 1 | |
| 24 | 90201-14217-00 | WASHER, PLATE | 1 | |
| 25 | 93102-14308-00 | OIL SEAL, SD-TYPE | 1 | |
| 26 | 93315-21429-00 | BEARING | 1 | |
| 27 | 93604-16092-00 | PIN, DOWEL | 1 | |

43G100-4090

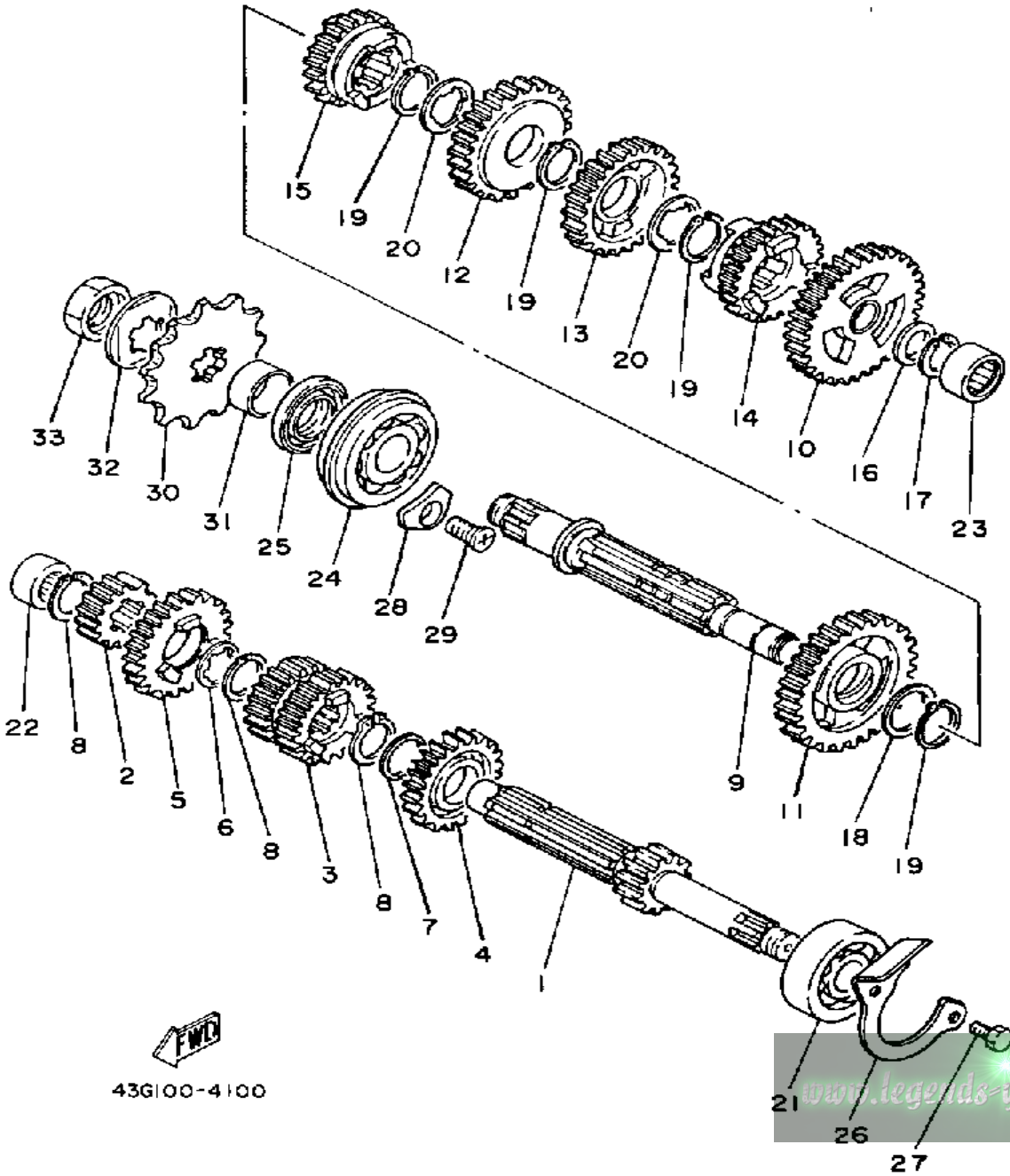
TRANSMISSION



| Ref. No. | Part Number | Description | Qty | Remarks |
|----------|-----------------|--------------------------------|-----|---------|
| 1 | 43G-17411-00-00 | AXLE, MAIN | 1 | |
| 2 | 43G-17121-00-00 | GEAR, 2ND PINION (14T) | 1 | |
| 3 | 43G-17131-00-00 | GEAR, 3RD PINION (16T/20T) | 1 | |
| 4 | 43G-17151-01-00 | GEAR, 5TH PINION (25T) | 1 | |
| 5 | 43G-17161-01-00 | GEAR, 6TH PINION (24T) | 1 | |
| 6 | 90209-16255-00 | WASHER, SPEC'L SHAP | 1 | |
| 7 | 90201-20266-00 | WASHER, PLATE (1.0T) | 1 | |
| 8 | 93410-20038-00 | CIRCLIP | 3 | |
| 9 | 43G-17421-00-00 | AXLE, DRIVE | 1 | |
| 10 | 43G-17211-00-00 | GEAR, 1ST WHEEL (33T) | 1 | |
| 11 | 43G-17221-00-00 | GEAR, 2ND WHEEL (26T) | 1 | |
| 12 | 43G-17231-01-00 | GEAR, 3RD WHEEL (24T) | 1 | |
| 13 | 43G-17241-01-00 | GEAR, 4TH WHEEL (25T) | 1 | |
| 14 | 43G-17251-00-00 | GEAR, 5TH WHEEL (27T) | 1 | |
| 15 | 43G-17261-00-00 | GEAR, 6TH WHEEL (21T) | 1 | |
| 16 | 90201-15701-00 | WASHER, PLATE (1.0T) | 1 | |
| 17 | 93440-15012-00 | CIRCLIP | 1 | |
| 18 | 90201-22555-00 | WASHER, PLATE | 1 | |
| 19 | 93410-22039-00 | CIRCLIP | 4 | |
| 20 | 90209-18135-00 | WASHER | 2 | |
| 21 | 93306-30309-00 | BEARING | 1 | |
| 22 | 93311-41530-00 | BEARING | 1 | |
| 23 | 93311-31567-00 | BEARING, CYLINDRICAL | 1 | |
| 24 | 93306-30411-00 | BEARING (B6304) | 1 | |
| 25 | 93102-26042-00 | OIL SEAL | 1 | |
| 26 | 3R3-17471-00-00 | PLATE, COVER | 1 | |
| 27 | 97013-06012-00 | BOLT | 2 | |
| 28 | 2K7-15383-00-00 | PLATE, BEARING COVER | 1 | |
| 29 | 98603-06012-00 | SCREW, OVAL HEAD (92701-06012) | 1 | |

CONTINUED ON NEXT FRAME ➤

TRANSMISSION



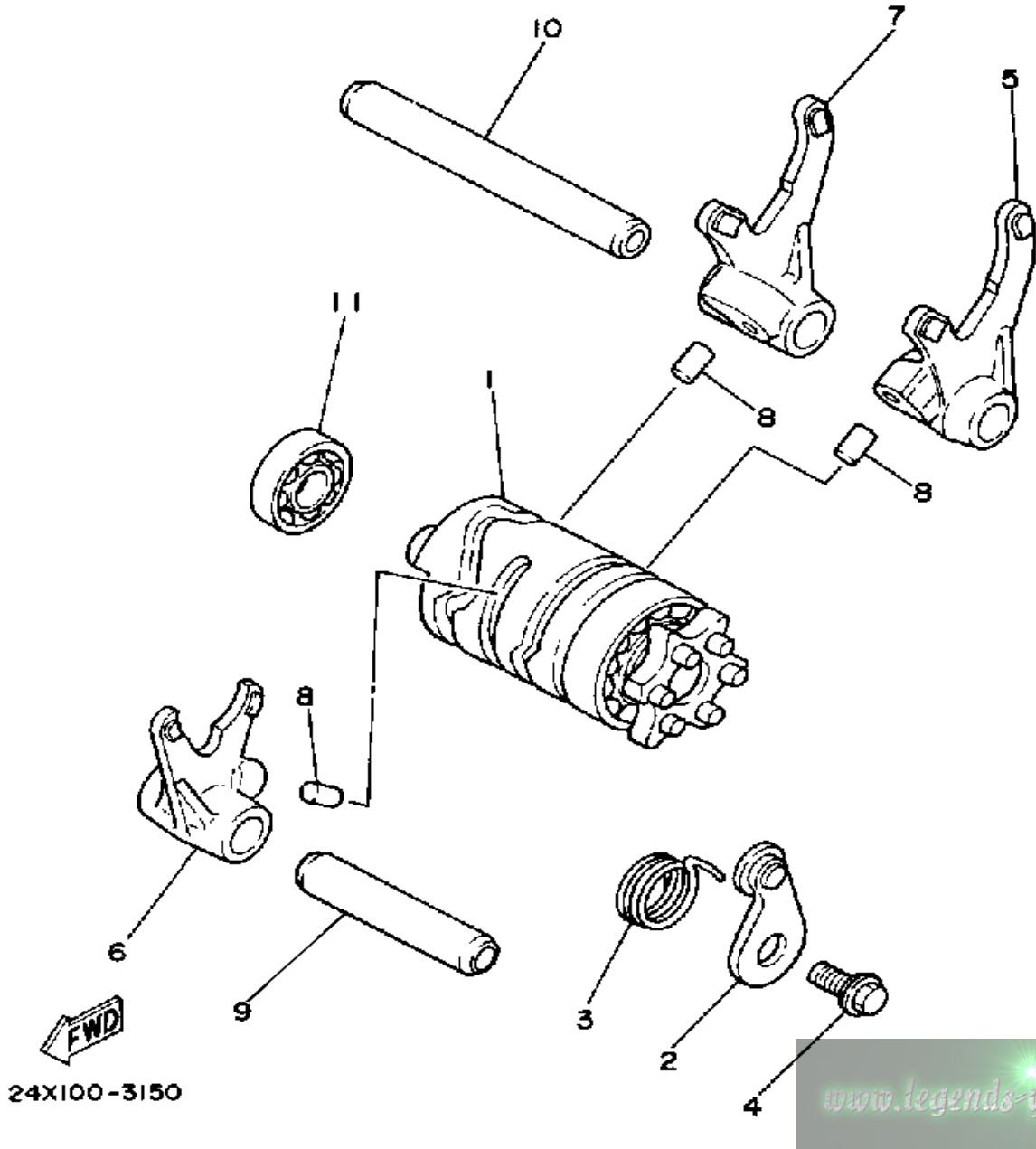
| Ref. No. | Part Number | Description | Qty | Remarks |
|----------|----------------|---------------------|-----|-----------|
| 30 | 93832-11007-00 | SPROCKET, DRIVE 11T | 1 | ALT. PART |
| | 93832-12014-00 | SPROCKET, DRIVE | 1 | U.R. |
| | 93832-13027-00 | SPROCKET, DRIVE | 1 | ALT. PART |
| 31 | 90387-202A0-00 | COLLAR | 1 | |
| 32 | 90215-16127-00 | WASHER, LOCK | 1 | |
| 33 | 90179-16226-00 | NUT | 1 | |

FWD
43G100-4100

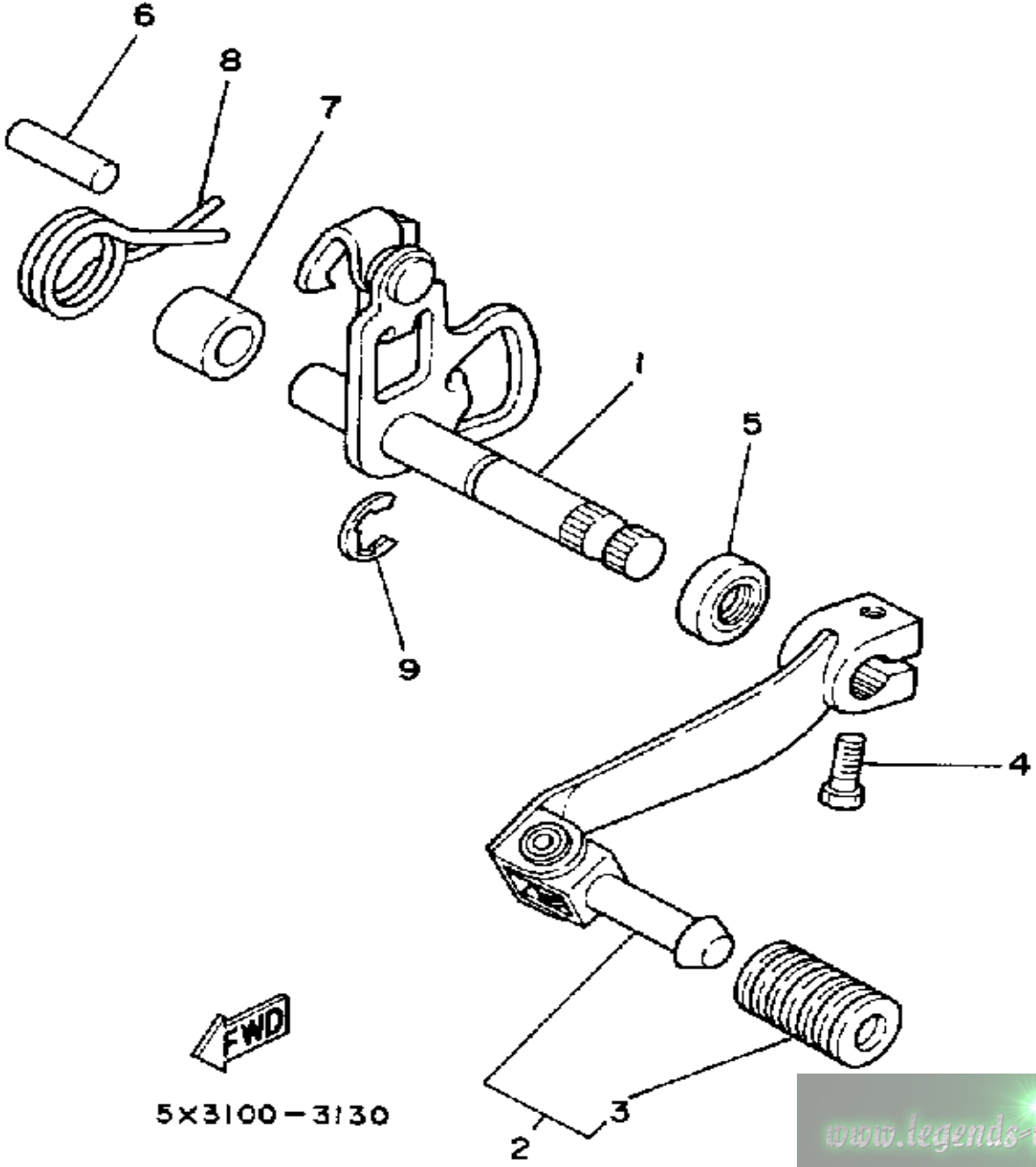
www.legends-yamaha-enduros.com

SHIFT CAM-FORK

| Ref. No. | Part Number | Description | Qty | Remarks |
|----------|-----------------|-------------------------|-----|---------|
| 1 | 24X-18540-00-00 | SHIFT CAM ASSEMBLY | 1 | |
| 2 | 3R3-18140-00-00 | STOPPER LEVER ASSEMBLY | 1 | |
| 3 | 90508-26435-00 | SPRING, TORSION | 1 | |
| 4 | 50W-21631-00-00 | BOLT 1 | 1 | |
| 5 | 43G-18511-00-00 | FORK, SHIFT 1 | 1 | |
| 6 | 43G-18512-00-00 | FORK, SHIFT 2 | 1 | |
| 7 | 43G-18513-00-00 | FORK, SHIFT 3 | 1 | |
| 8 | 90250-06013-00 | PIN, STRAIGHT | 3 | |
| 9 | 5X5-18531-01-00 | BAR, SHIFT FORK GUIDE 1 | 1 | |
| 10 | 5X5-18535-01-00 | BAR, SHIF FRK GDE 2 | 1 | |
| 11 | 93306-00106-00 | BEARING | 1 | |

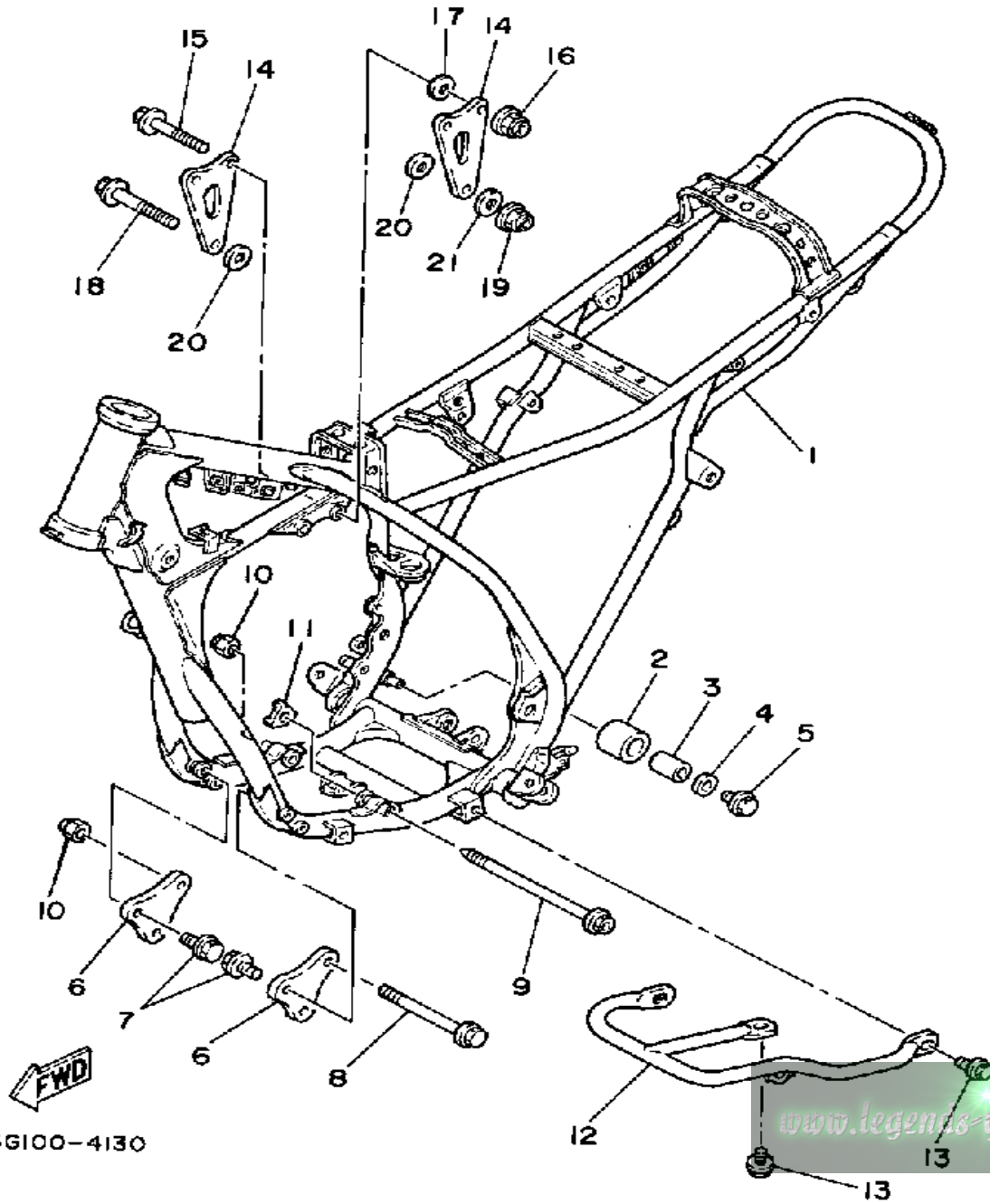


SHIFT SHAFT



| Ref. No. | Part Number | Description | Qty | Remarks |
|----------|-----------------|-------------------------------------|-----|---------|
| 1 | 24X-18101-01-00 | SHIFT SHAFT ASSEMBLY. 1 | 1 | |
| 2 | 5X4-18110-01-00 | SHIFT PEDAL ASSEMBLY (509-18111-01) | 1 | |
| 3 | 1W6-18113-00-00 | . COVER, SHIFT PEDAL | 1 | |
| 4 | 97011-06020-00 | BOLT | 1 | |
| 5 | 93101-12060-00 | OIL SEAL | 1 | |
| 6 | 93608-25150-00 | PIN, DOWEL | 1 | |
| 7 | 90560-11189-00 | SPACER | 1 | |
| 8 | 90508-29361-00 | SPRING, TORSION | 1 | |
| 9 | 99006-10600-00 | CIRCLIP | 1 | |

FRAME

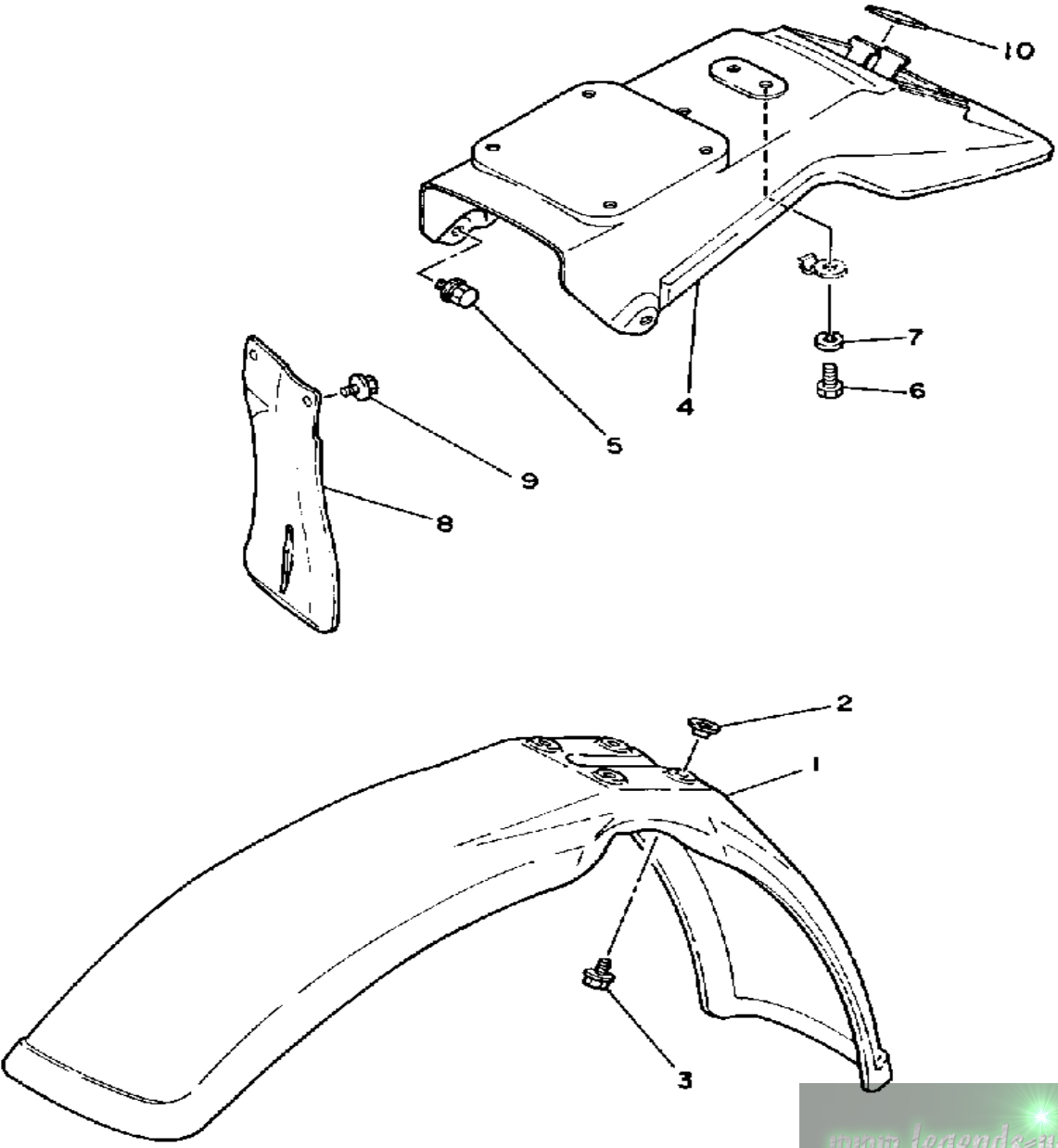


| Ref. No. | Part Number | Description | Qty | Remarks |
|----------|-------------------|--|-----|------------|
| 1 | (43G-21110-00-33) | FRAME | 1 | YAMAHA BLK |
| 2 | 30X-22178-00-00 | TENSIONER | 1 | |
| 3 | 4V4-22184-00-00 | BUSH | 1 | |
| 4 | 90201-08753-00 | WASHER, PLATE | 1 | |
| 5 | 95811-08012-00 | BOLT, FLANGE | 1 | |
| 6 | 24X-21419-01-00 | BRACKET, ENGINE 2 | 2 | |
| 7 | 95811-08016-00 | BOLT, FLANGE | 4 | |
| 8 | 95811-08095-00 | BOLT, FLANGE | 1 | |
| 9 | 90105-08326-00 | BOLT, WASHER BASED | 1 | |
| 10 | 95601-08200-00 | NUT, U | 2 | |
| 11 | 90214-09019-00 | WASHER, CLAW | 1 | |
| 12 | (43G-2147A-00-00) | GUARD, ENGINE 1 | 1 | |
| 13 | 95811-08012-00 | BOLT, FLANGE | 4 | |
| 14 | 43G-21425-00-00 | BRACKET, REAR UPR 1UPPER 1 | 2 | |
| 15 | 95811-08045-00 | BOLT, FLANGE (JN5) | 2 | |
| 16 | 95601-08200-00 | NUT, U | 2 | |
| 17 | 90202-08022-00 | WASHER, PLATE | 2 | |
| 18 | 95811-10050-00 | BOLT, FLANGE (95812-10050-00) | 1 | |
| 19 | 95601-10200-00 | NUT, SELF-LOCKING | 1 | |
| 20 | 90201-100A1-00 | WASHER, PLATE | 2 | |
| 21 | 92990-10200-00 | WASHER, PLAIN | 1 | |

43G100-4130

www.legendas-yamaha-enduros.com

FENDER



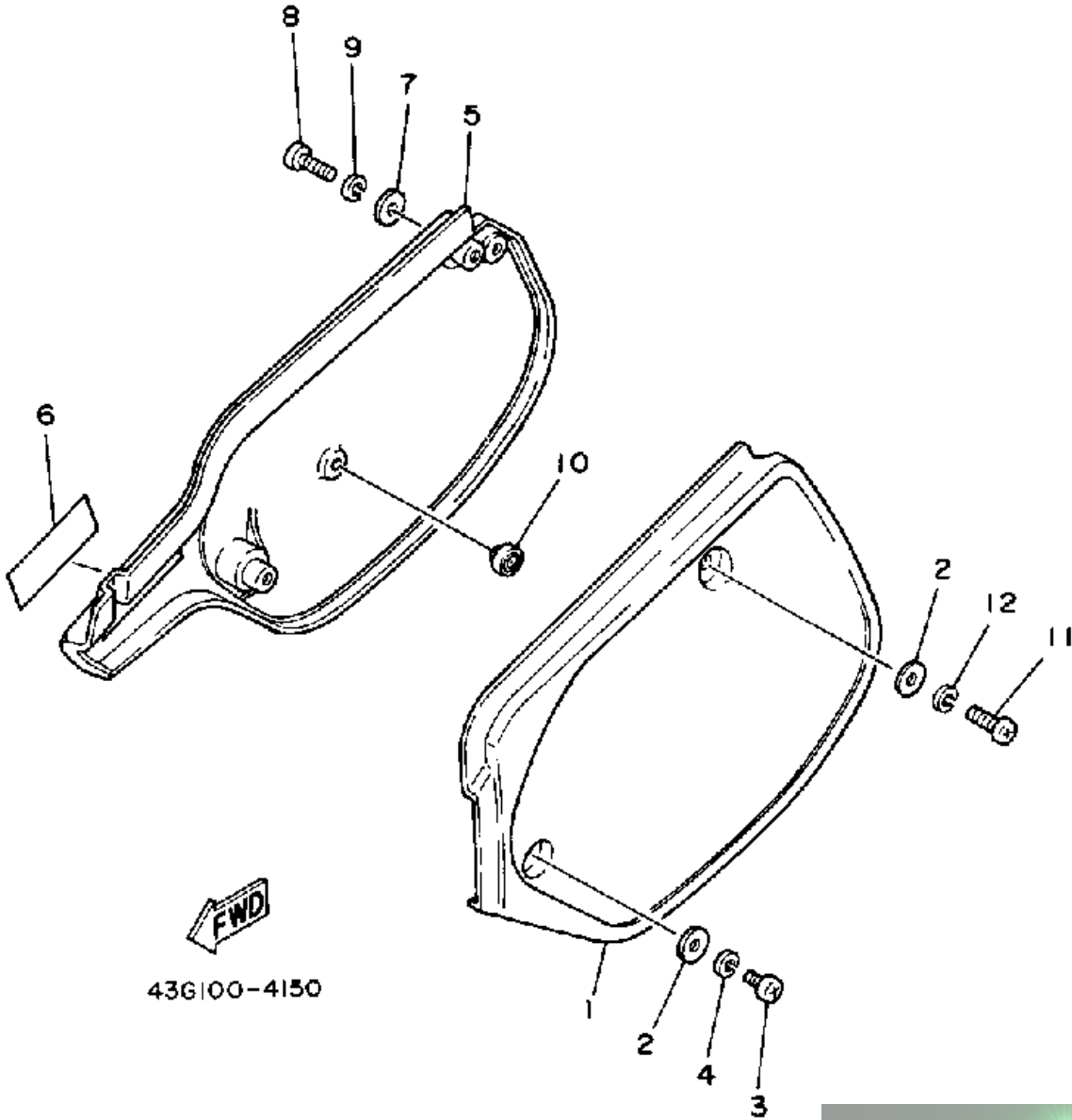
| Ref. No. | Part Number | Description | Qty | Remarks |
|----------|-----------------|-----------------------------|-----|----------|
| 1 | 3R9-21511-11-00 | FENDER, FRONT | 1 | SKY BLUE |
| 2 | 90387-06681-00 | COLLAR | 4 | |
| 3 | 90119-06063-00 | BOLT, WITH WASHER | 4 | |
| 4 | 43G-21610-00-00 | FENDER, REAR | 1 | |
| 5 | 90119-06056-00 | BOLT, WITH WASHER | 3 | |
| 6 | 97313-06016-00 | BOLT, HEXAGON | 1 | |
| 7 | 92995-06100-00 | WASHER, SPRING | 1 | |
| 8 | 43G-21642-00-00 | GUARD, FLAP | 1 | |
| 9 | 90119-06042-00 | BOLT, WITH WASHER | 2 | |
| 10 | 2H7-21628-00-00 | DAMPER 1 (4U5-2317J-00) ... | 1 | |

www.legends-yamaha-enduros.com



43G100-4141

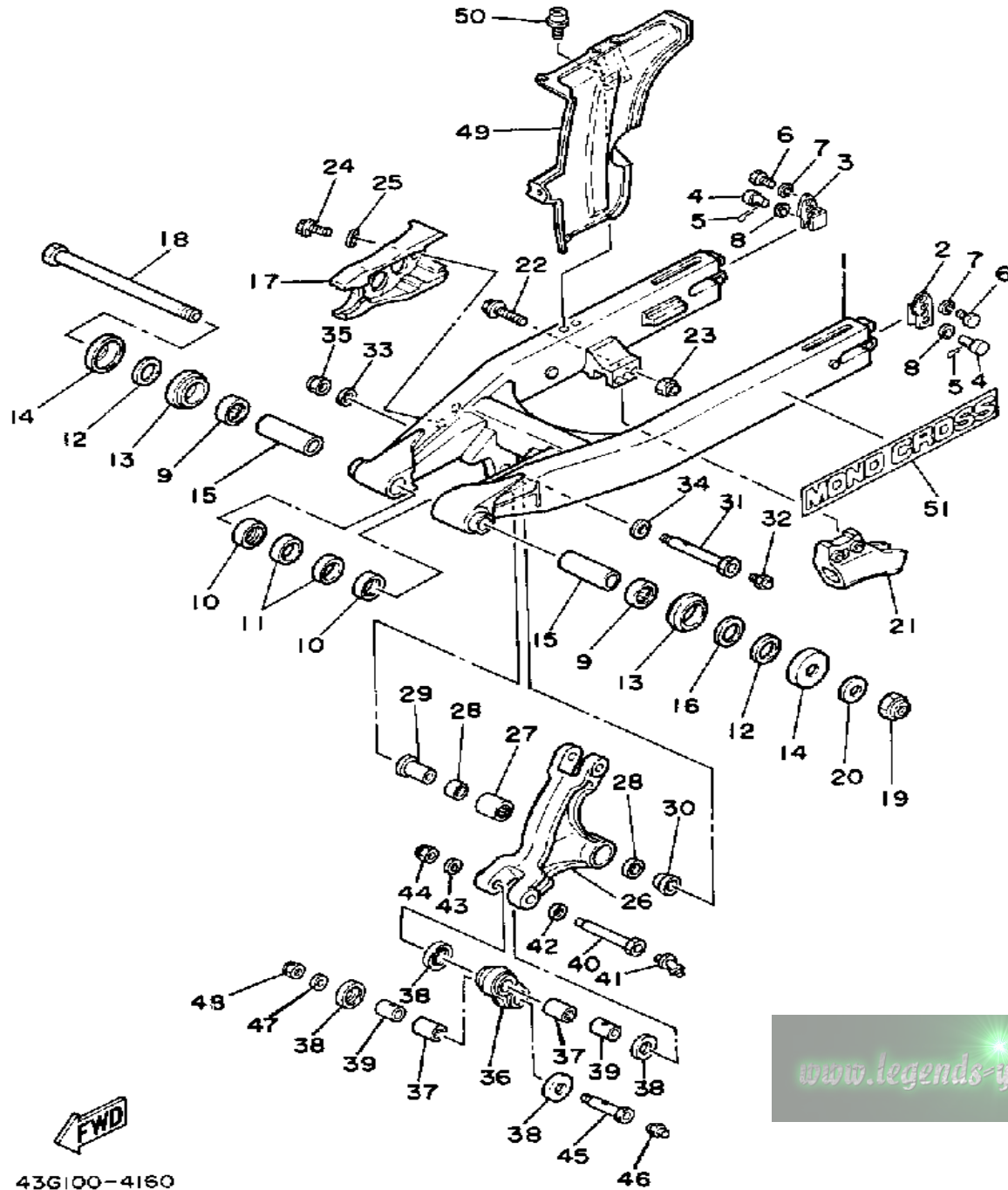
SIDE COVER



| Ref. No. | Part Number | Description | Qty | Remarks |
|----------|-----------------|------------------------------------|-----|--------------|
| 1 | 43G-21711-00-26 | COVER, SIDE 1 | 1 | COMP. YELLOW |
| 2 | 90201-06571-00 | WASHER, PLATE | 2 | |
| 3 | 98580-06020-00 | SCREW | 1 | |
| 4 | 92995-06100-00 | WASHER, SPRING | 1 | |
| 5 | 43G-21721-00-26 | COVER, SIDE 2 | 1 | COMP. YELLOW |
| 6 | 43G-21781-00-00 | EMBLEM 1 | 1 | |
| 7 | 90201-06571-00 | WASHER, PLATE | 2 | |
| 8 | 98511-06025-00 | SCREW PAN HEAD (92501-06025) | 2 | |
| 9 | 92995-06100-00 | WASHER, SPRING | 2 | |
| 10 | 22W-24181-00-00 | DAMPER, LOCATING 1 | 3 | |
| 11 | 98511-06025-00 | SCREW PAN HEAD (92501-06025) | 1 | |
| 12 | 92995-06100-00 | WASHER, SPRING | 1 | |

www.legends-yamaha-enduros.com

REAR ARM

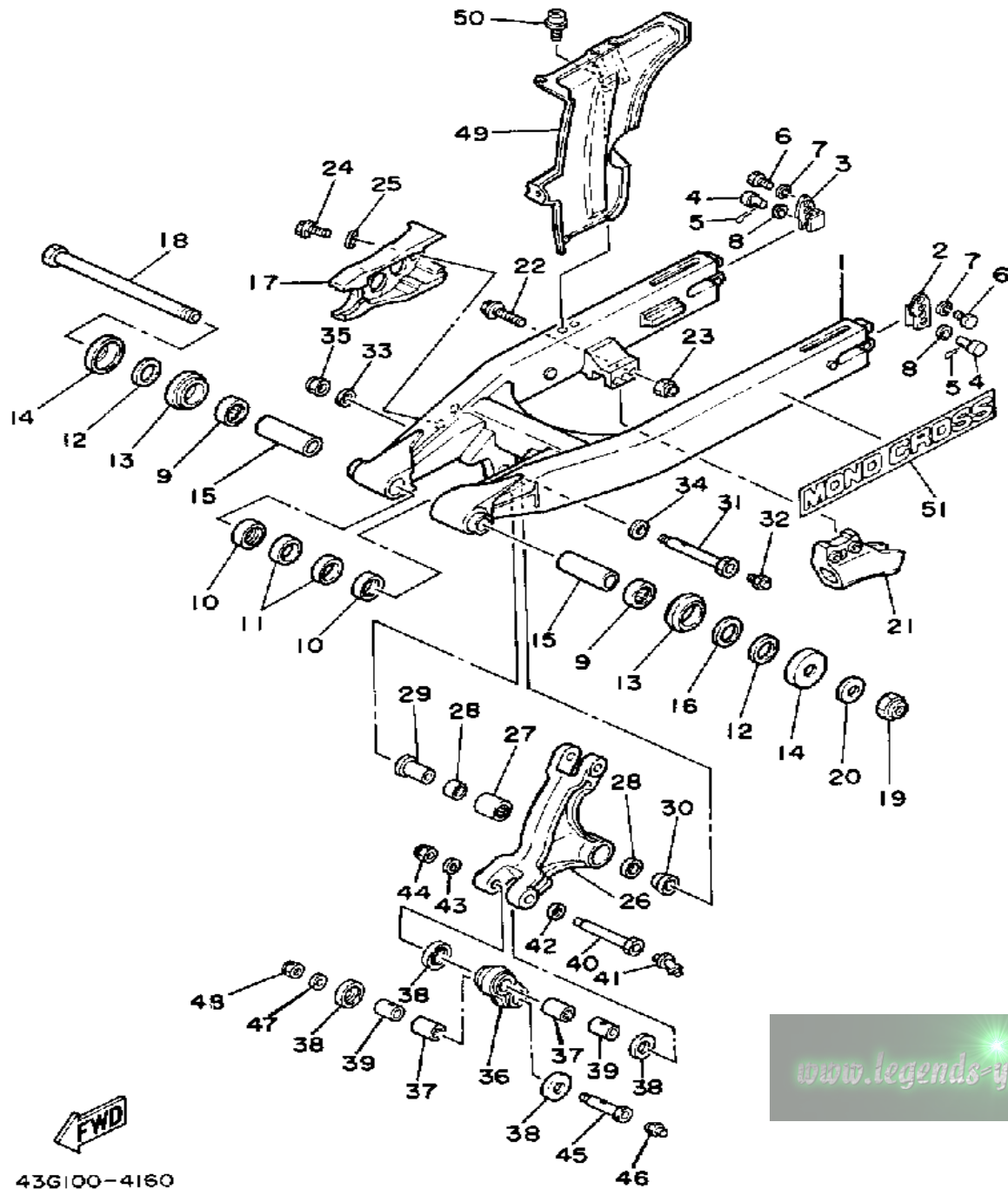


| Ref. No. | Part Number | Description | Qty | Remarks |
|----------|-------------------|-----------------------|-----|---------|
| 1 | (43G-22110-00-00) | REAR ARM | 1 | |
| 2 | 43G-2539F-00-00 | PLATE 1 | 1 | |
| 3 | 43G-2539G-00-00 | PLATE 2 | 1 | |
| 4 | 91701-05020-00 | PIN, CLEVIS | 2 | |
| 5 | 91490-16020-00 | PIN, COTTER | 2 | |
| 6 | 97313-06016-00 | BOLT, HEXAGON | 2 | |
| 7 | 92995-06100-00 | WASHER, SPRING | 2 | |
| 8 | 92901-05600-00 | WASHER, PLATE | 2 | |
| 9 | 93317-32231-00 | BEARING | 2 | |
| 10 | 90380-22111-00 | BUSH, SOLID | 2 | |
| 11 | 93106-22019-00 | OIL SEAL (DC 22-28-8) | 2 | |
| 12 | 90201-22680-00 | WASHER, PLATE | 2 | |
| 13 | 93108-35004-00 | OIL SEAL (35-41-8) | 2 | |
| 14 | 2K6-22128-01-00 | COVER, THRUST 1 | 2 | |
| 15 | 90380-16077-00 | BUSH, SOLID | 2 | |
| 16 | 240-22127-00-00 | SHIM | 1 | U.N. |
| 17 | 39W-22151-00-00 | SEAL, GUARD | 1 | |
| 18 | 5X4-22141-01-00 | SHAFT, PIVOT | 1 | |
| 19 | 90185-16127-00 | NUT, SELF-LOCKING | 1 | |
| 20 | 90201-160F6-00 | WASHER, PLATE | 1 | |
| 21 | 39W-22199-01-00 | SUPPORT, CHAIN | 1 | |
| 22 | 95811-08045-00 | BOLT, FLANGE (JN5) | 2 | |
| 23 | 95601-08200-00 | NUT, U | 2 | |
| 24 | 95811-06020-00 | BOLT, FLANGE | 2 | |
| 25 | 90201-06067-00 | WASHER, PLATE | 2 | |
| 26 | (43G-2217A-00-00) | ARM, RELAY | 1 | |
| 27 | 93317-32034-00 | BEARING, CYLINDER.# 7 | 1 | |
| 28 | 93109-20029-00 | OIL SEAL, SDO-TYPE | 2 | |
| 29 | 90387-147G6-00 | COLLAR | 1 | |

CONTINUED ON NEXT FRAME ►

43G100-4160

REAR ARM

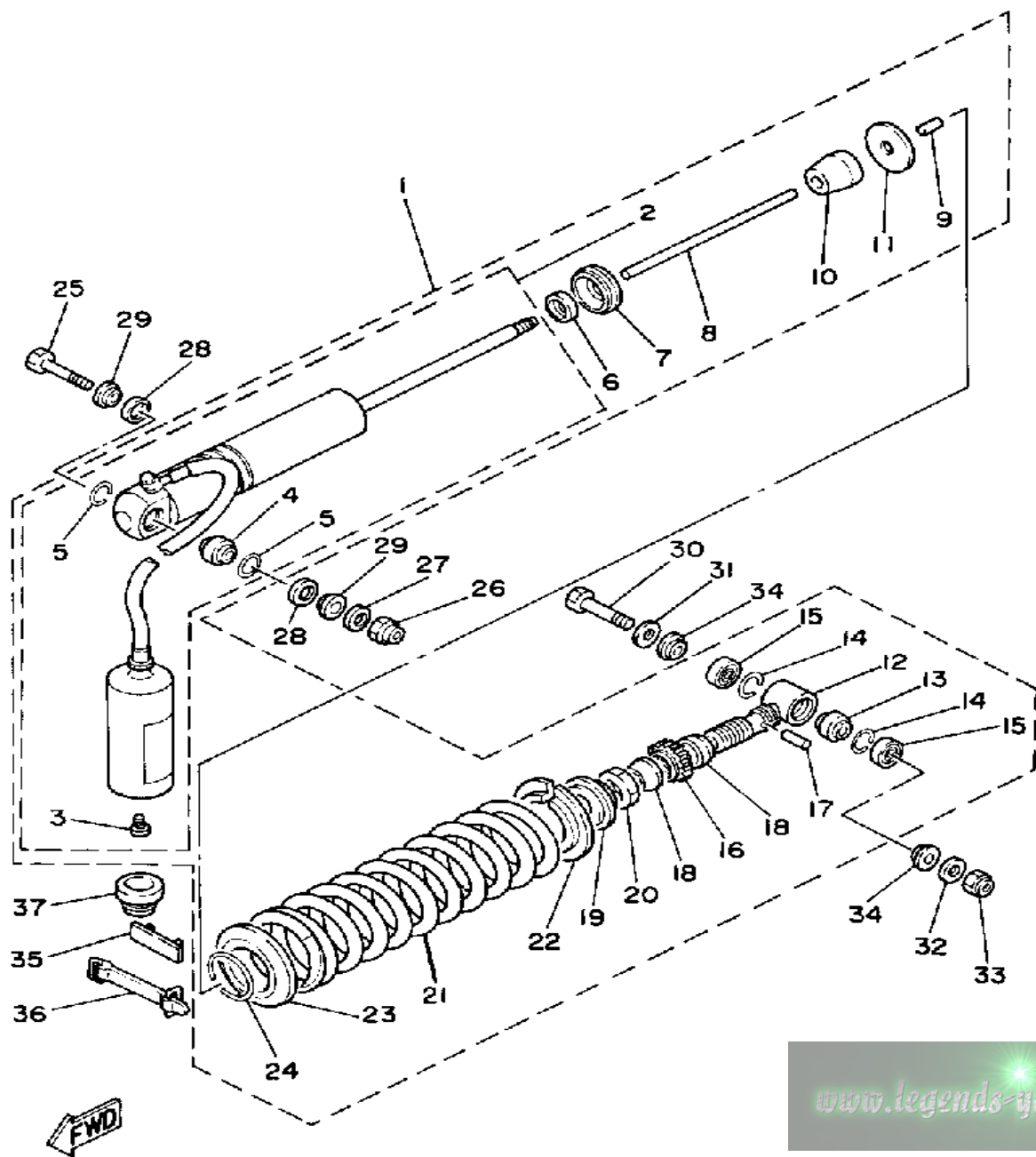


43G100-4160

| Ref. No. | Part Number | Description | Qty | Remarks |
|----------|-----------------|----------------------|-----|---------|
| 30 | 90387-147G7-00 | COLLAR | 1 | |
| 31 | 90109-12701-00 | BOLT | 1 | |
| 32 | 93700-06M03-00 | NIPPLE, GREASE | 1 | |
| 33 | 90201-120A5-00 | WASHER, PLATE | 1 | |
| 34 | 90201-142M6-00 | WASHER, PLATE | 1 | |
| 35 | 90185-12119-00 | NUT, SELF-LOCKING | 1 | |
| 36 | 23X-2217F-00-00 | ROD, CONNECTING 1 | 1 | |
| 37 | 93315-31732-00 | BEARING, CYLINDRICAL | 2 | |
| 38 | 55K-22129-00-00 | COVER, THRUST 2 | 4 | |
| 39 | 90387-121H1-00 | COLLAR | 2 | |
| 40 | 90109-10702-00 | BOLT | 1 | |
| 41 | 93700-06005-00 | NIPPLE, GREASE | 1 | |
| 42 | 90201-120E6-00 | WASHER, PLATE | 1 | |
| 43 | 90201-100E9-00 | WASHER, PLATE | 1 | |
| 44 | 90185-10120-00 | NUT, SELF-LOCKING | 1 | |
| 45 | 90109-10703-00 | BOLT | 1 | |
| 46 | 93700-06005-00 | NIPPLE, GREASE | 1 | |
| 47 | 90201-100F7-00 | WASHER, PLATE | 1 | |
| 48 | 95611-10100-00 | NUT, U | 1 | |
| 49 | 5X8-W2231-01-00 | CASE, CHAIN | 1 | |
| 50 | 90159-06016-00 | SCREW, WITH WASHER | 2 | |
| 51 | 5X8-2218A-00-00 | EMBLEM, REAR ARM | 2 | |



REAR SUSPENSION

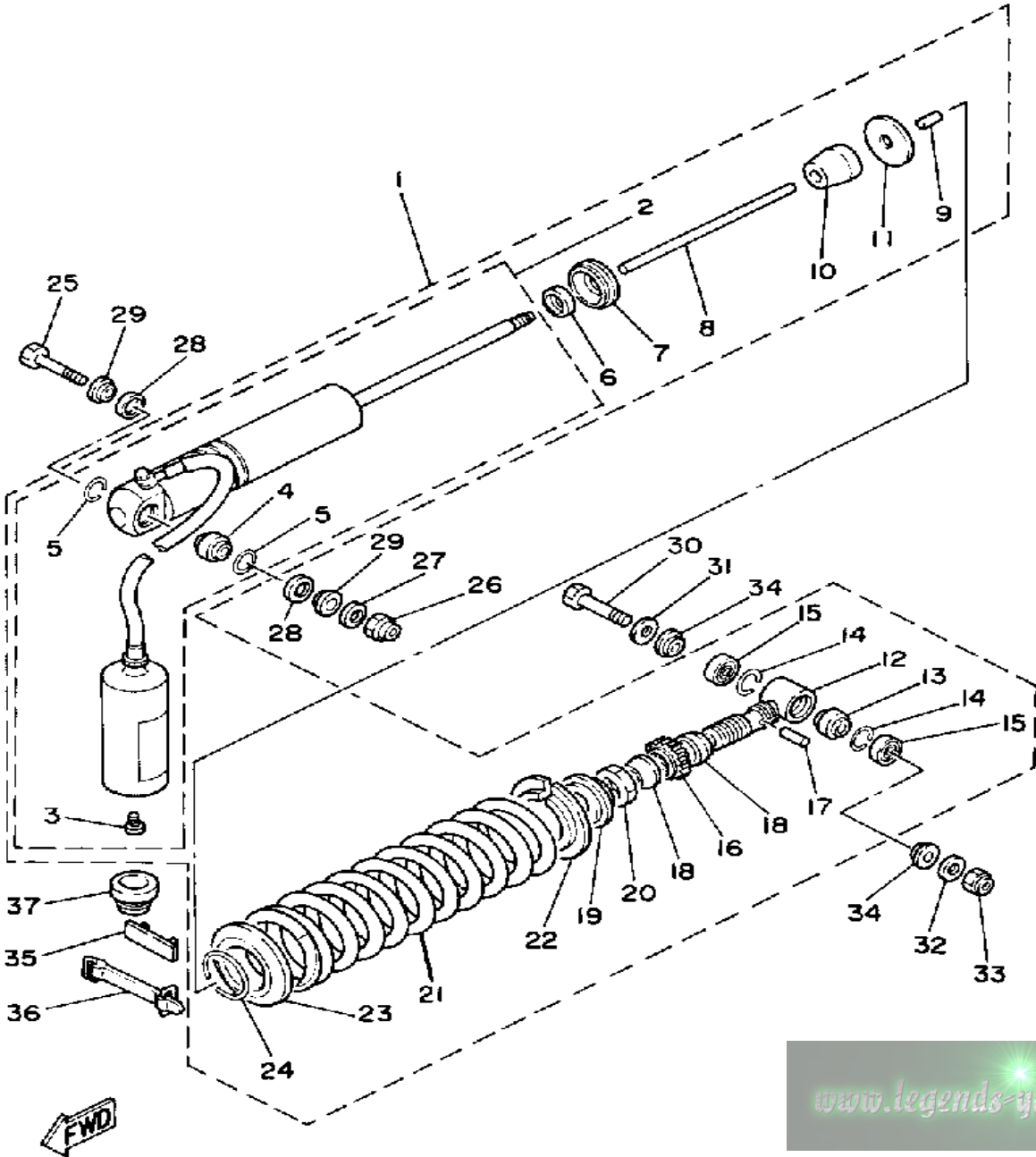


43G100-4170

| Ref. No. | Part Number | Description | Qty | Remarks |
|----------|-------------------|--------------------------------------|-----|--------------|
| 1 | 1TY-22210-00-26 | SHK/ABS ASSEMBLY, REARASSEMBLY, REAR | 1 | COMP. YELLOW |
| 2 | 43G-22401-00-00 | . DAMPER SUB-ASSEMBLY. | 1 | |
| 3 | 98511-04006-00 | . . SCREW, PAN HEAD (98501-04005) | 1 | |
| 4 | 93399-99934-00 | . . BEARING | 1 | |
| 5 | 93440-30113-00 | . . CIRCLIP | 2 | |
| 6 | 29L-22475-00-00 | . SEAL, DUST | 1 | |
| 7 | 39K-22472-00-00 | . CAP, CASE | 1 | |
| 8 | 39W-22489-00-00 | . ROD, PUSH | 1 | |
| 9 | 93604-21193-00 | . PIN, DOWEL | 1 | |
| 10 | 39X-22493-00-00 | . BUMP, STOP | 1 | |
| 11 | 5X2-22228-00-00 | . SUPPORT, BUMP STOP | 1 | |
| 12 | (39W-22409-00-00) | UPPER BRKT SUB ASSEMBLY | 1 | |
| 13 | 93399-99934-00 | . BEARING | 1 | |
| 14 | 93440-30113-00 | . CIRCLIP | 2 | |
| 15 | 93104-18077-00 | . OIL SEAL | 2 | |
| 16 | 5X3-22497-00-00 | . NUT, ADJUSTING | 1 | |
| 17 | 93604-26132-00 | . PIN, DOWEL | 1 | |
| 18 | 3R4-22221-01-00 | . COVER | 2 | |
| 19 | 3R4-22213-00-00 | . SEAT, SPRING UPPER | 1 | |
| 20 | 90170-20320-00 | . NUT | 1 | |
| 21 | (43G-22212-10-26) | SPRING, MXS SOFT | 1 | COMP. YELLOW |
| | 43G-22212-00-26 | . SPRING, MXS STD (K=5.5) | 1 | COMP. YELLOW |
| | 43G-22212-20-26 | SPRING, MXS HARD (K=6.0) | 1 | COMP. YELLOW |
| 22 | 22W-22214-01-00 | . GUIDE, SPRING 1 | 2 | |
| 23 | 38V-22223-00-00 | . SEAT, SPRING LOWER | 1 | |
| 24 | (93440-45135-00) | CIRCLIP, OUTER | 1 | |
| 25 | 90109-10704-00 | BOLT | 1 | |

CONTINUED ON NEXT FRAME ►

REAR SUSPENSION

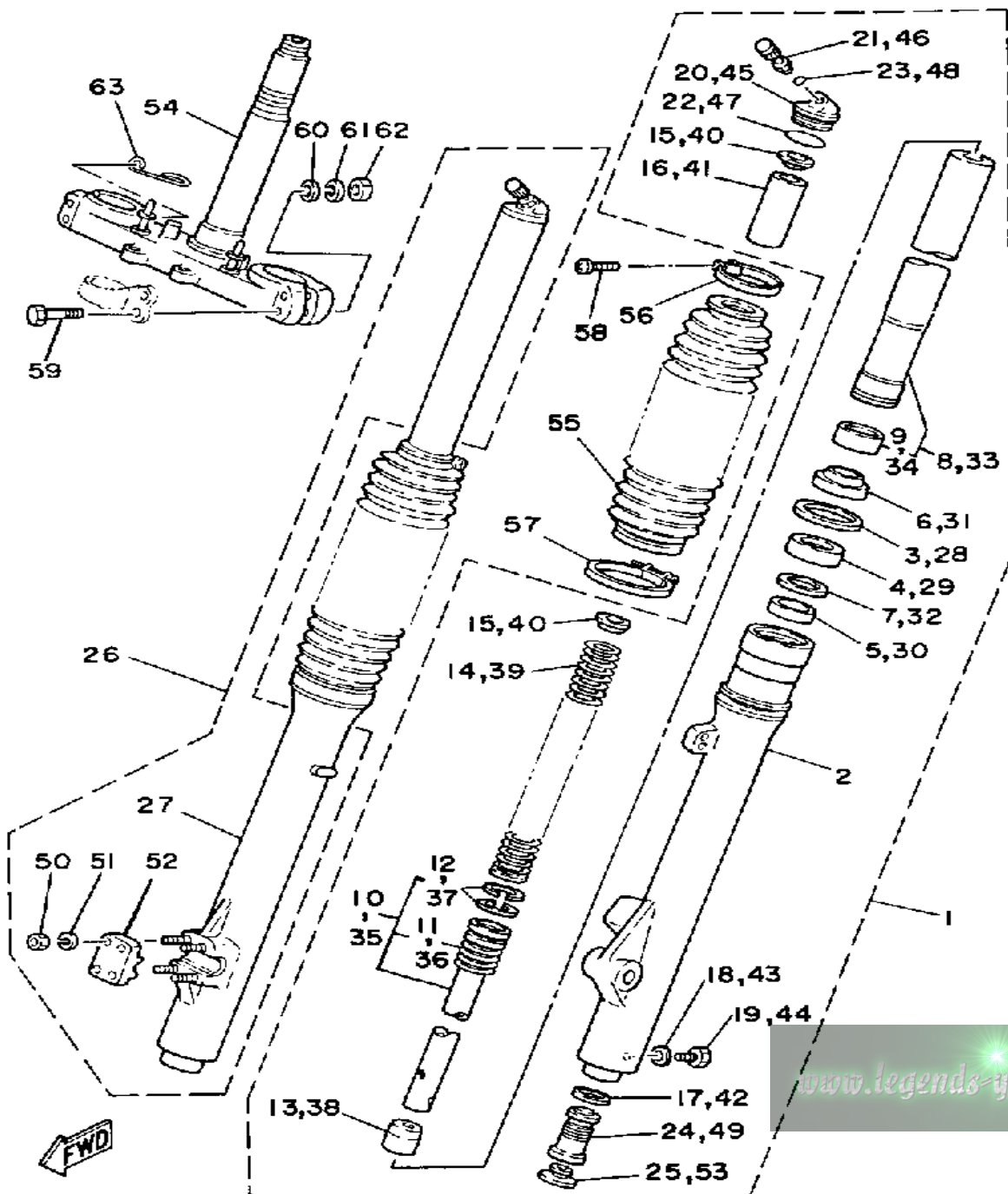


| Ref. No. | Part Number | Description | Qty | Remarks |
|----------|-----------------|-------------------|-----|---------|
| 26 | 90185-10120-00 | NUT, SELF-LOCKING | 1 | |
| 27 | 90201-100F7-00 | WASHER, PLATE | 1 | |
| 28 | 23X-22211-00-00 | COVER | 2 | |
| 29 | 90387-127G8-00 | COLLAR | 2 | |
| 30 | 90109-10700-00 | BOLT | 1 | |
| 31 | 90201-120E6-00 | WASHER, PLATE | 1 | |
| 32 | 90201-100E9-00 | WASHER, PLATE | 1 | |
| 33 | 90185-10120-00 | NUT, SELF-LOCKING | 1 | |
| 34 | 90387-126H8-00 | COLLAR | 2 | |
| 35 | 24X-22261-00-00 | DAMPER, SUB TANK | 1 | |
| 36 | 24X-22262-00-00 | HOLDER, SUB TANK | 1 | |
| 37 | 90480-22263-00 | GROMMET | 1 | |

www.legends-yamaha-enduros.com

43G100-4170

FRONT FORK

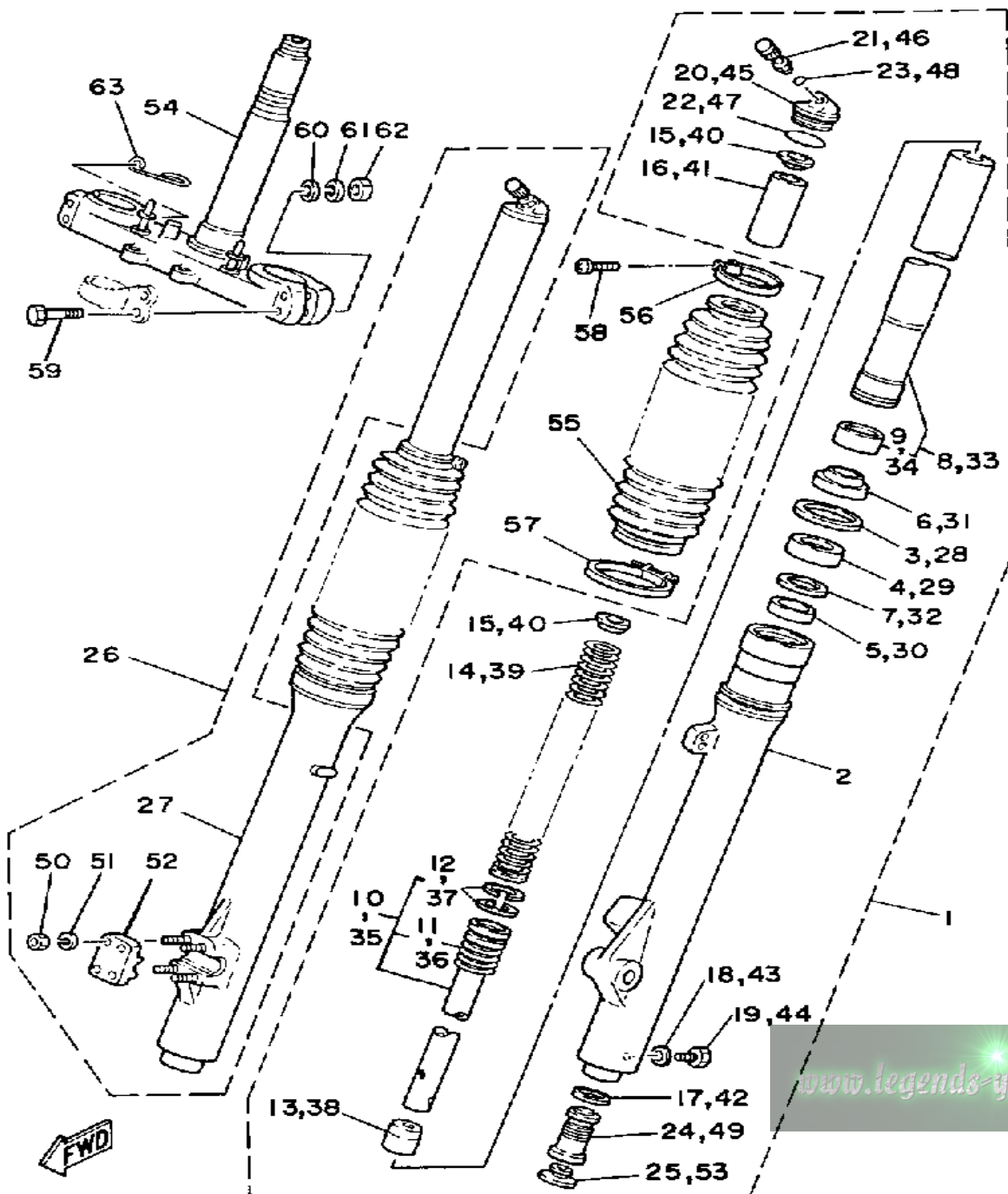


43G100-4190

| Ref. No. | Part Number | Description | Qty | Remarks |
|----------|-------------------|-------------------------------------|-----|-----------|
| 1 | (43G-23102-L0-00) | FRONT FORK ASSEMBLY L | 1 | |
| 2 | 43G-23126-L0-00 | . TUBE, OUTER 1 | 1 | |
| 3 | 4V4-23153-L0-00 | . RING, SNAP | 1 | |
| 4 | 23X-23145-L0-00 | . OIL SEAL | 1 | |
| 5 | 3XJ-23125-L0-00 | . METAL, SLIDE 1 | 1 | |
| 6 | 23X-23144-L0-00 | . SEAL, DUST | 1 | |
| 7 | 4V4-23146-L0-00 | . WASHER, OIL SEAL | 1 | |
| 8 | 43M-23110-L0-00 | . INNER TUBE 1COMP. 1 | 1 | |
| 9 | 4V4-23171-L0-00 | . PISTON, FRONT FORK | 1 | |
| 10 | 43G-23170-L0-00 | . CYLINDER, FRTRFKCOMP., FRONT FORK | 1 | |
| 11 | 5X6-23152-L0-00 | . SPRING, SUB | 1 | |
| 12 | 4V4-23157-L0-00 | . RING, PISTON FRTRFK | 2 | |
| 13 | 23X-23173-L0-00 | . SPINDLE, TAPER | 1 | |
| 14 | (43G-23141-10-00) | SPRING, FRTRFK SOFT | 1 | U.R. |
| | (43G-23141-20-00) | SPRING, FRTRFK HARD | 1 | U.R. |
| | 43G-23141-L0-00 | . SPRING, FRTRFK STD (K=0.3) | 1 | U.R.ä STD |
| 15 | 4V4-23142-L0-00 | . SEAT, SPRING UPPER | 2 | |
| 16 | (43G-23118-L0-00) | SPACER | 1 | |
| 17 | 23X-23158-L0-00 | . GASKET | 1 | |
| 18 | 122-23129-00-00 | . GASKET, DRAIN PLUG | 1 | |
| 19 | 4H7-23119-00-00 | . PLUG, DRAIN - (122-23119-01) | 1 | |
| 20 | 43M-23111-L0-00 | . BOLT, CAP | 1 | |
| 21 | 23X-23190-L0-00 | . AIR VALVE COMP | 1 | |
| 22 | 4V4-23188-L0-00 | . O-RING | 1 | |
| 23 | 3J2-23147-00-00 | . O-RING | 1 | |
| 24 | 43G-2316A-L0-00 | . VALVE | 1 | |
| 25 | 43M-2312G-L0-00 | . PLUG | 1 | |
| 26 | (43G-23103-L0-00) | FRONT FORK ASSEMBLY R | 1 | |

CONTINUED ON NEXT FRAME ►

FRONT FORK

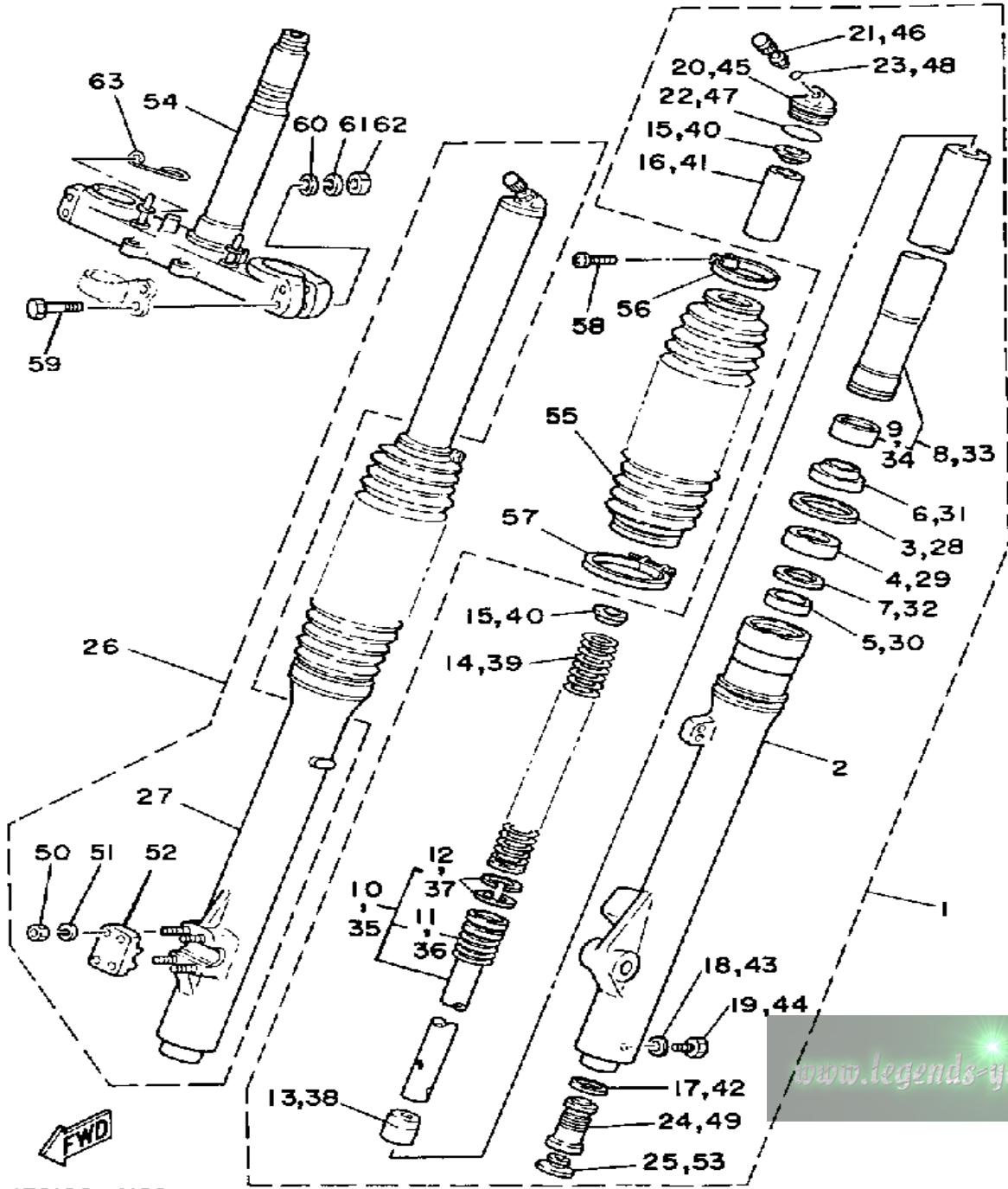


43G100-4190

| Ref. No. | Part Number | Description | Qty | Remarks |
|----------|-------------------|-------------------------------------|-----|----------|
| 27 | (43G-23136-L0-00) | TUBE, OUTER 2 | 1 | |
| 28 | 4V4-23153-L0-00 | . RING, SNAP | 1 | |
| 29 | 23X-23145-L0-00 | . OIL SEAL | 1 | |
| 30 | 3XJ-23125-L0-00 | . METAL, SLIDE 1 | 1 | |
| 31 | 23X-23144-L0-00 | . SEAL, DUST | 1 | |
| 32 | 4V4-23146-L0-00 | . WASHER, OIL SEAL | 1 | |
| 33 | 43M-23110-L0-00 | . INNER TUBE 1COMP. 1 | 1 | |
| 34 | 4V4-23171-L0-00 | . PISTON, FRONT FORK | 1 | |
| 35 | 43G-23170-L0-00 | . CYLINDER, FRTFRKCOMP., FRONT FORK | 1 | |
| 36 | 5X6-23152-L0-00 | . SPRING, SUB | 1 | |
| 37 | 4V4-23157-L0-00 | . RING, PISTON FRTFRK | 2 | |
| 38 | 23X-23173-L0-00 | . SPINDLE, TAPER | 1 | |
| 39 | (43G-23141-10-00) | SPRING, FRTFRK SOFT | 1 | U.R. |
| | (43G-23141-20-00) | SPRING, FRTFRK HARD | 1 | U.R. |
| | 43G-23141-L0-00 | . SPRING, FRTFRK STD (K=0.3) | 1 | U.R. STD |
| 40 | 4V4-23142-L0-00 | . SEAT, SPRING UPPER | 2 | |
| 41 | (43G-23118-L0-00) | SPACER | 1 | |
| 42 | 23X-23158-L0-00 | . GASKET | 1 | |
| 43 | 122-23129-00-00 | . GASKET, DRAIN PLUG | 1 | |
| 44 | 4H7-23119-00-00 | . PLUG, DRAIN - (122-23119-01) | 1 | |
| 45 | 43M-23111-L0-00 | . BOLT, CAP | 1 | |
| 46 | 23X-23190-L0-00 | . AIR VALVE COMP | 1 | |
| 47 | 4V4-23188-L0-00 | . O-RING | 1 | |
| 48 | 3J2-23147-00-00 | . O-RING | 1 | |
| 49 | 43G-2316A-L0-00 | . VALVE | 1 | |
| 50 | 95311-06600-00 | . NUT | 4 | |
| 51 | 92995-06100-00 | . WASHER, SPRING | 4 | |
| 52 | 43M-23167-L0-00 | . HOLDER, AXLE | 1 | |

CONTINUED ON NEXT FRAME ►

FRONT FORK

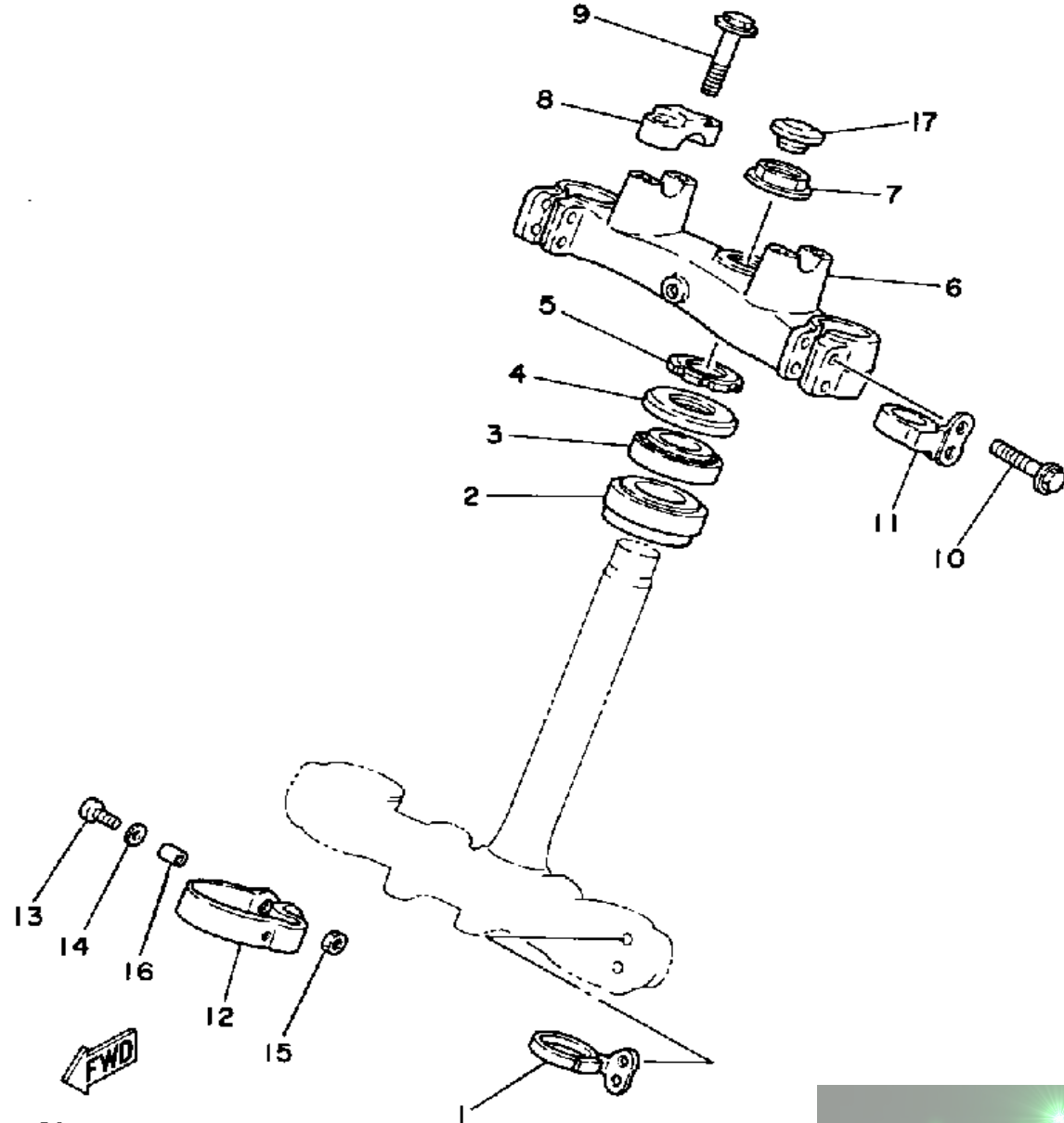


| Ref. No. | Part Number | Description | Qty | Remarks |
|----------|-----------------|--------------------|-----|---------|
| 53 | 43M-2312G-L0-00 | . PLUG | 1 | |
| 54 | 43G-23340-L0-00 | UNDER BRACKETCOMP. | 1 | |
| 55 | 39X-23191-00-00 | BOOT, FRONT FORK | 2 | YELLOW |
| 56 | 43M-23192-L0-00 | BAND | 2 | |
| 57 | 3LD-23489-00-00 | BAND | 2 | |
| 58 | 98506-04018-00 | SCREW, PAN HEAD | 2 | |
| 59 | 90101-08340-00 | BOLT | 4 | |
| 60 | 92901-08600-00 | WASHER | 3 | |
| 61 | 92990-08100-00 | WASHER | 4 | |
| 62 | 95333-08600-00 | NUT | 4 | |
| 63 | 4V5-23389-00-00 | GUIDE, CABLE | 1 | |

43G100-4190

www.legends-yamaha-enduros.com

STEERING

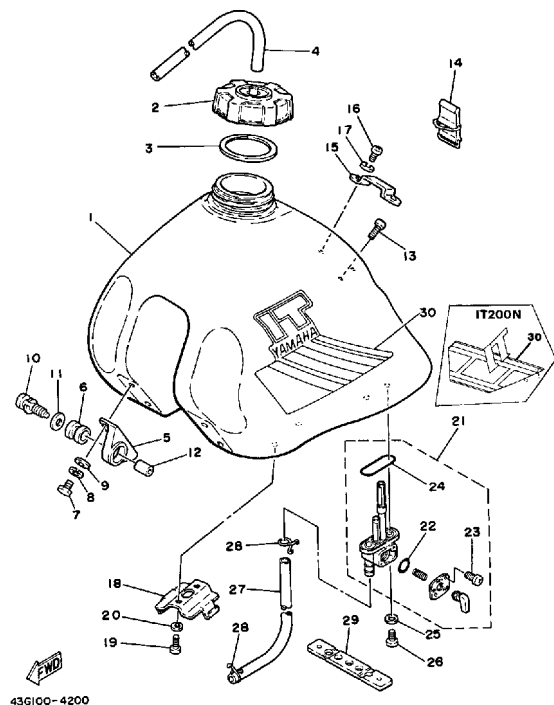


43G100-4180



| Ref. No. | Part Number | Description | Qty | Remarks |
|----------|-----------------|------------------------------|-----|---------------|
| 1 | 3R4-23389-00-00 | GUIDE, CABLE | 1 | |
| 2 | 93332-00008-00 | BEARING | 1 | |
| 3 | 93332-00001-00 | BEARING | 1 | |
| 4 | 3HE-23416-00-00 | COVER, BALL RACE 2 | 1 | |
| 5 | 90179-25033-00 | NUT | 1 | |
| 6 | 39W-23435-01-98 | CROWN, HANDLE | 1 | LOW GLOSS BLK |
| 7 | 90179-22330-00 | NUT, SPEC'L SHAPE | 1 | |
| 8 | 1E6-23441-00-00 | HOLDER, HANDLE UPR | 2 | |
| 9 | 95811-08035-00 | BOLT, FLANGE (95821-08035) . | 4 | |
| 10 | 90105-08091-00 | BOLT, WASHER BASED | 4 | |
| 11 | 3R4-23317-00-00 | HOLDER, CABLE | 1 | |
| 12 | 26A-23318-00-00 | HOLDER, CABLE 1 | 1 | |
| 13 | 98501-05030-00 | SCREW, PAN HEAD | 1 | |
| 14 | 92901-05600-00 | WASHER, PLATE | 1 | |
| 15 | 95380-05600-00 | NUT | 1 | |
| 16 | 90387-061G2-00 | COLLAR | 1 | |
| 17 | 34K-2319U-00-00 | CAP | 1 | |

FUEL TANK



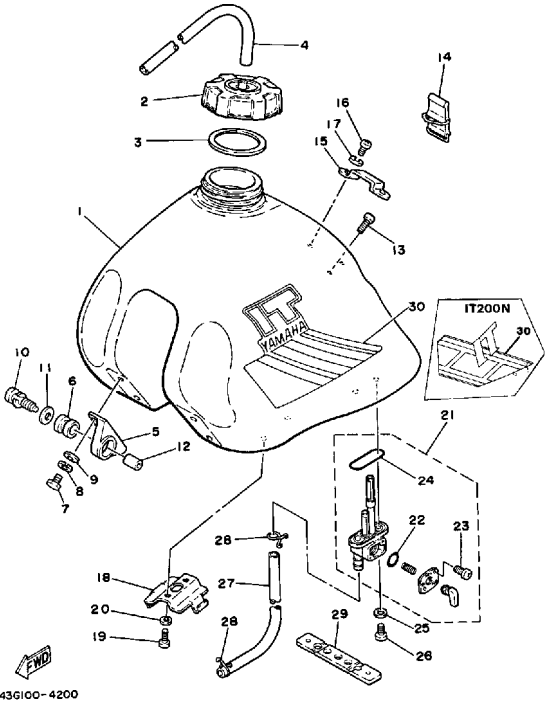
43G100-4200

| Ref. No. | Part Number | Description | Qty | Remarks |
|----------|-----------------|----------------------|-----|---------|
| 1 | 99999-01654-00 | FUEL TANK | 1 | |
| 2 | 1UY-24610-00-00 | CAP ASSEMBLY | 1 | |
| 3 | 3R9-24612-00-00 | GASKET, CAP | 1 | |
| 4 | 90445-09252-00 | HOSE | 1 | |
| 5 | 24X-24144-00-00 | HOLDER, DAMPER | 2 | |
| 6 | 90480-18354-00 | GROMMET | 2 | |
| 7 | 97313-06016-00 | BOLT, HEXAGON | 4 | |
| 8 | 92995-06100-00 | WASHER, SPRING | 4 | |
| 9 | 90201-061A5-00 | WASHER, PLATE | 4 | |
| 10 | 90119-06073-00 | BOLT, WITH WASHER | 2 | |
| 11 | 90201-06697-00 | WASHER, PLATE | 2 | |
| 12 | 90387-06553-00 | COLLAR | 2 | |
| 13 | 98903-06018-00 | SCREW, BIND | 1 | |
| 14 | 59V-24173-00-00 | BAND, TANK FITTING 1 | 1 | |
| 15 | 5X6-2412F-00-00 | BRACKET, SEAT | 1 | |
| 16 | 98580-06012-00 | SCREW, PAN HEAD | 2 | |
| 17 | 92995-06100-00 | WASHER, SPRING | 2 | |
| 18 | 5X6-2415F-01-00 | STAY, CHAMBER | 1 | |
| 19 | 98580-06012-00 | SCREW, PAN HEAD | 2 | |
| 20 | 92995-06100-00 | WASHER, SPRING | 2 | |
| 21 | 43G-24500-00-00 | FUEL COCK ASSEMBLY 1 | 1 | |
| 22 | 4X8-24534-00-00 | . SEAL, COCK | 1 | |
| 23 | 98580-03008-00 | . SCREW, PAN HEAD | 2 | |
| 24 | 4X8-24512-00-00 | . O-RING | 1 | |
| 25 | 90202-05187-00 | WASHER, PLATE | 2 | |
| 26 | 90149-06011-00 | SCREW | 2 | |
| 27 | 90445-11295-00 | HOSE | 1 | |
| 28 | 90467-10008-00 | CLIP | 2 | |
| 29 | 43G-24181-00-00 | DAMPER, LOCATING 1 | 1 | |

www.legends-yamaha-europe.com

CONTINUED ON NEXT FRAME ►

FUEL TANK

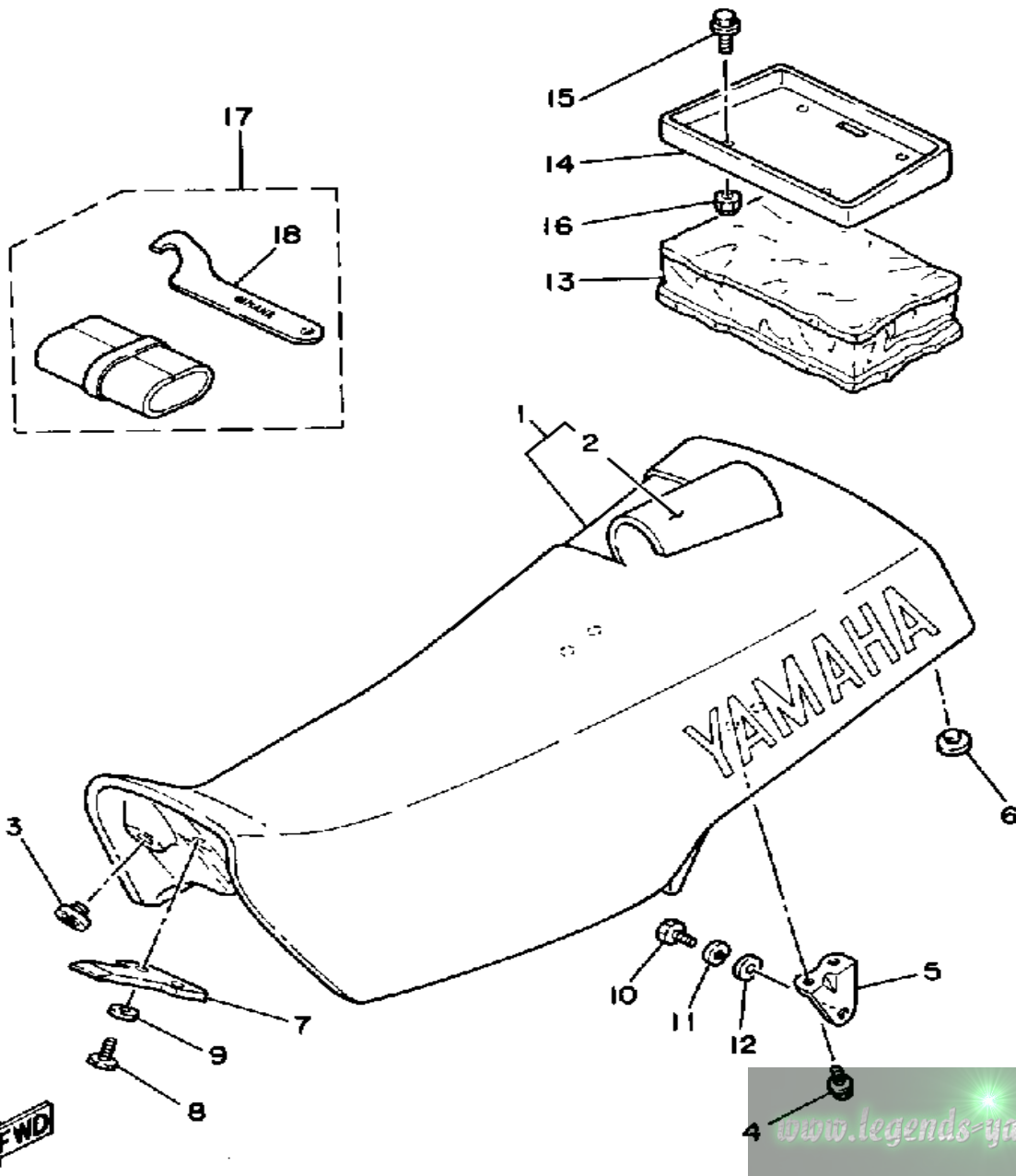


| Ref. No. | Part Number | Description | Qty | Remarks |
|----------|-------------------|-------------------|-----|---------|
| 30 | (49T-24250-00-00) | GRAPHIC SET | 1 | |
| | 1TY-24250-00-00 | GRAPHIC SET | 1 | |

www.legends-yamaha-enduros.com

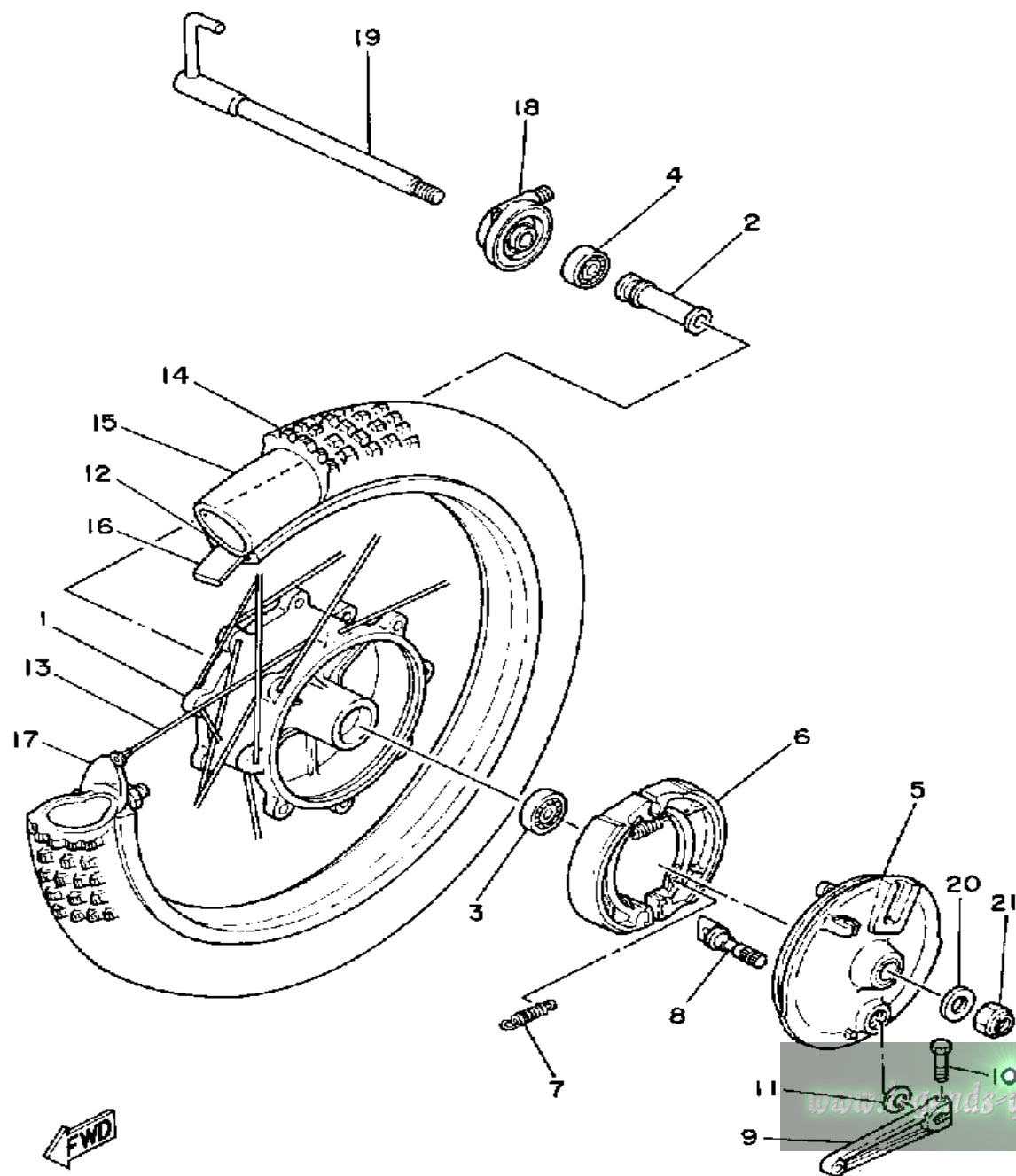
SEAT

| Ref. No. | Part Number | Description | Qty | Remarks |
|----------|-----------------|-------------------------------------|-----|---------|
| 1 | 43G-W2473-00-00 | SEMI-DBL-SEAT ASSEMBLYSEAT ASSEMBLY | 1 | |
| 2 | 43G-24731-00-00 | . COVER, DOUBLE SEAT | 1 | |
| 3 | 509-24724-00-00 | DAMPER, SEAT | 2 | |
| 4 | 95811-06012-00 | BOLT, FLANGE | 4 | |
| 5 | 39W-24738-00-00 | BRACKET, SEAT | 2 | |
| 6 | 509-24724-00-00 | DAMPER, SEAT | 1 | |
| 7 | 5X6-24748-10-00 | BRACKET, SEAT | 1 | |
| 8 | 97013-06012-00 | BOLT | 2 | |
| 9 | 92995-06100-00 | WASHER, SPRING | 2 | |
| 10 | 97313-08018-00 | BOLT, HEXAGON (97301-08016) | 2 | |
| 11 | 92990-08100-00 | WASHER | 2 | |
| 12 | 90201-087F0-00 | WASHER, PLATE | 2 | |
| 13 | 4V5-24850-00-00 | CARRIER BOX ASSEMBLY | 1 | |
| 14 | 4V5-24833-00-00 | BRACKET, CARRIER 2 | 1 | |
| 15 | 95811-06016-00 | BOLT, FLANGE (95822-06016) | 4 | |
| 16 | 95601-06200-00 | NUT, U FLANGE | 4 | |
| 17 | 26A-28100-00-00 | TOOL KIT | 1 | |
| 18 | 1HX-28135-00-00 | . SPANNER, SPECIAL | 1 | |



43G100-4211

FRONT WHEEL

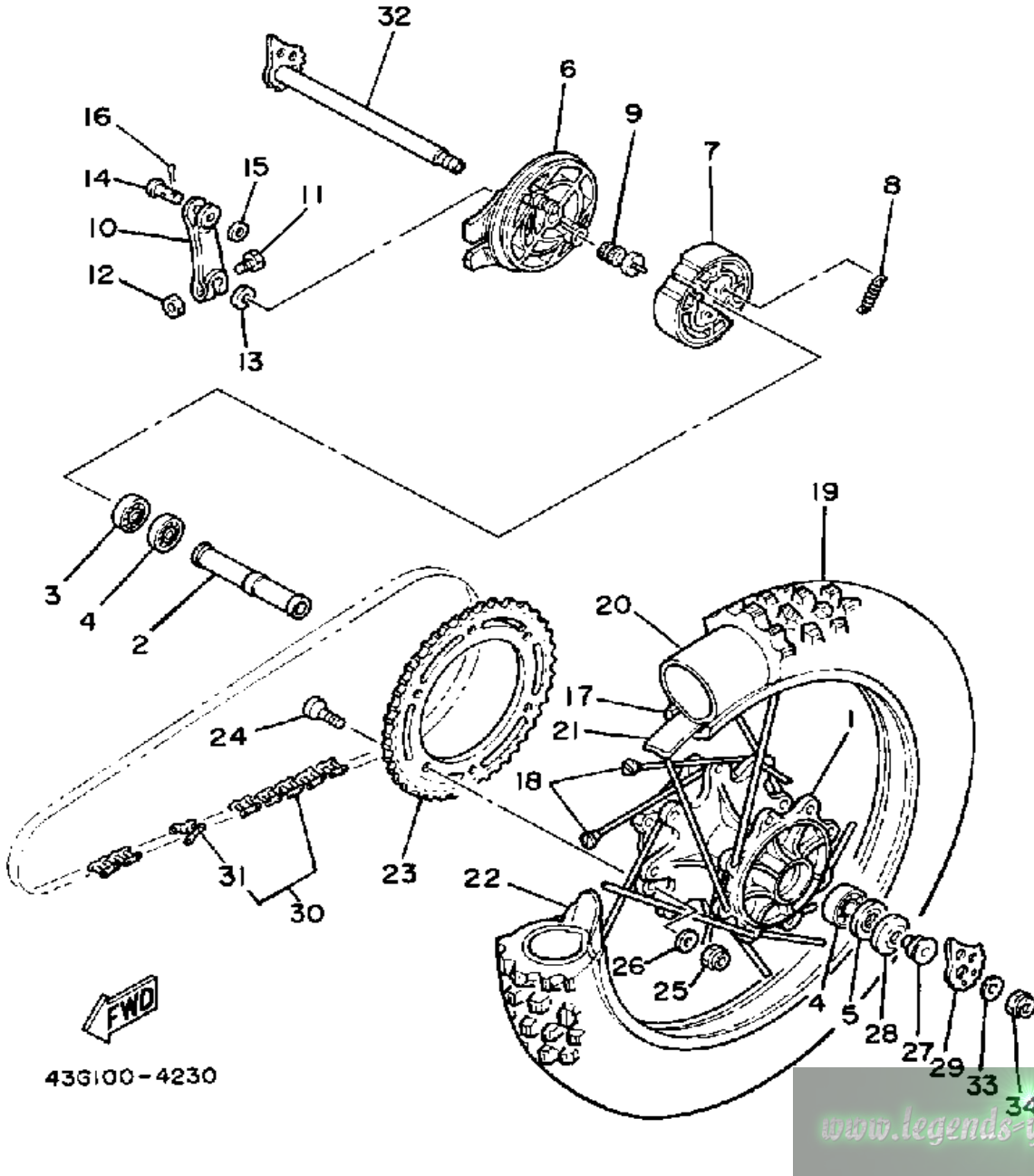


| Ref. No. | Part Number | Description | Qty | Remarks |
|----------|------------------|---|-----|---------------|
| 1 | 38V-25111-00-98 | HUB, FRONT | 1 | LOW GLOSS BLK |
| 2 | 90560-15227-00 | SPACER | 1 | |
| 3 | 93306-20226-00 | BEARING | 1 | |
| 4 | 93306-20209-00 | BEARING (B6202) | 1 | |
| 5 | 1W1-25016-11-98 | BRAKE SHOE PLT ASSEMBLY (1W1-25121-02-98) | 1 | LOW GLOSS BLK |
| 6 | 39W-W2536-00-00 | BRAKESHOE SET-2PCS | 2 | |
| 7 | 90506-17328-00 | SPRING, TENSION | 2 | |
| 8 | 49T-25151-00-00 | CAMSHAFT (39W-25151-00) | 1 | |
| 9 | 322-25155-00-00 | LEVER, CAMSHAFT 1 | 1 | |
| 10 | 90101-06291-00 | BOLT | 1 | |
| 11 | 93104-11056-00 | OIL SEAL, SO-TYPE | 1 | |
| 12 | 94416-21389-00 | RIM 1.60X 1 | 1 | |
| 13 | 43G-25104-00-00 | SPOKE SET, FRONT | 1 | |
| 14 | 94109-212F8-00 | 90/90-21 M2EA-TT | 1 | INOUE |
| 15 | 94230-21126-00 | TUBE (3.00-21) | 1 | INOUE |
| 16 | (94330-21088-00) | BAND, RIM | 1 | INOUE |
| 17 | 4V5-25194-00-00 | SPACER, BEAD | 1 | |
| 18 | 26A-25190-00-00 | GEAR UNIT ASSEMBLY | 1 | |
| 19 | 43G-25181-00-00 | AXLE, WHEEL | 1 | |
| 20 | 90201-15785-00 | WASHER, PLATE | 1 | |
| 21 | 90185-14070-00 | NUT, SELF-LOCKING | 1 | |

FWD

43G100-4220

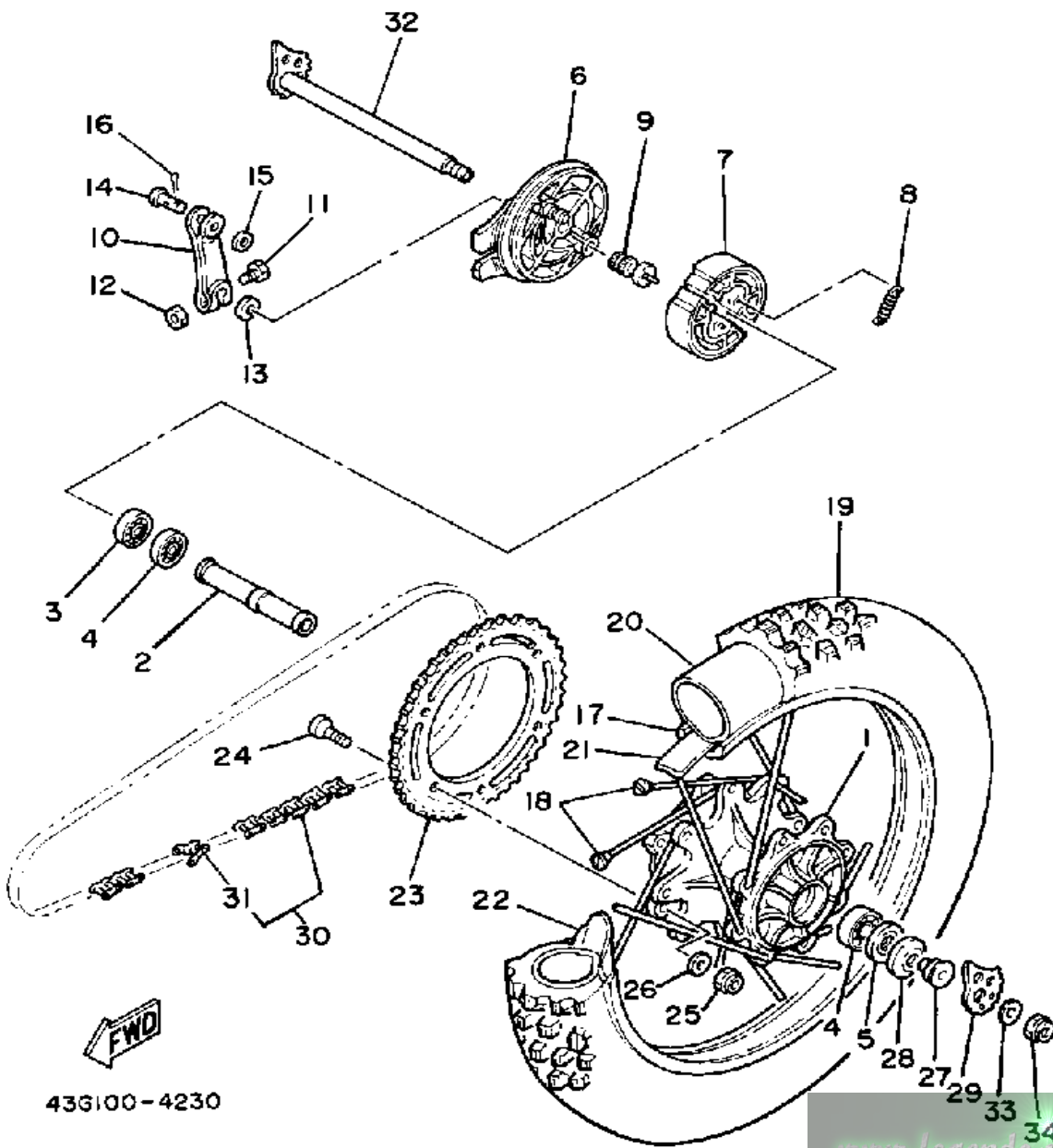
REAR WHEEL



| Ref. No. | Part Number | Description | Qty | Remarks |
|----------|------------------|--|-----|---------------|
| 1 | 55Y-25311-00-98 | HUB, REAR | 1 | |
| 2 | 90560-17231-00 | SPACER | 1 | |
| 3 | 93306-20310-00 | BEARING | 1 | |
| 4 | 93306-20310-00 | BEARING | 2 | |
| 5 | 93106-25022-00 | OIL SEAL, DD-TYPE | 1 | |
| 6 | 43G-25321-00-98 | PLATE, BRAKE SHOE | 1 | LOW GLOSS BLK |
| 7 | 39W-W2536-00-00 | BRAKESHOE SET-2PCS | 2 | |
| 8 | 90506-17328-00 | SPRING, TENSION | 2 | |
| 9 | 49T-25351-00-00 | CAMSHAFT | 1 | |
| 10 | 43G-25355-00-00 | LEVER, CAMSHAFT | 1 | |
| 11 | 90101-06278-00 | BOLT | 1 | |
| 12 | 95380-06600-00 | NUT | 1 | |
| 13 | 148-25359-00-00 | SEAL, CAMSHAFT | 1 | |
| 14 | 3R6-27237-00-00 | PIN, CLEVIS | 1 | |
| 15 | 90201-12631-00 | WASHER, PLATE | 1 | |
| 16 | 91401-25030-00 | PIN, COTTER | 1 | |
| 17 | 94181-84170-0 | UNAVAILABLE IN PRICE BOOK | 1 | |
| | 94418-18388-00 | RIM 1.85X 8 | 1 | |
| 18 | 43G-25304-00-00 | SPOKE SET, REAR | 1 | |
| | 55Y-25304-00-00 | SPOKE SET, REAR | 1 | |
| 19 | 94112-182F7-00 | 120/90-18 MK2-TT (110/90-18 61M) | 1 | INOUE |
| 20 | (94211-18209-00) | TUBE | 1 | INOUE |
| 21 | 94325-18043-00 | BAND, RIM | 1 | INOUE |
| 22 | 39W-25394-00-00 | SPACER, BEAD | 2 | |
| 23 | 26A-25442-50-00 | SPROCKET, DRIVN 42T | 1 | ALT. PART |
| | 26A-25444-50-00 | SPROCKET, DRIVEN (44T) | 1 | U.R. |
| | 26A-25446-50-33 | SPROCKET, DRIVEN (46T) (26A-25446-50-00) | 1 | ALT. PART |

CONTINUED ON NEXT FRAME ►

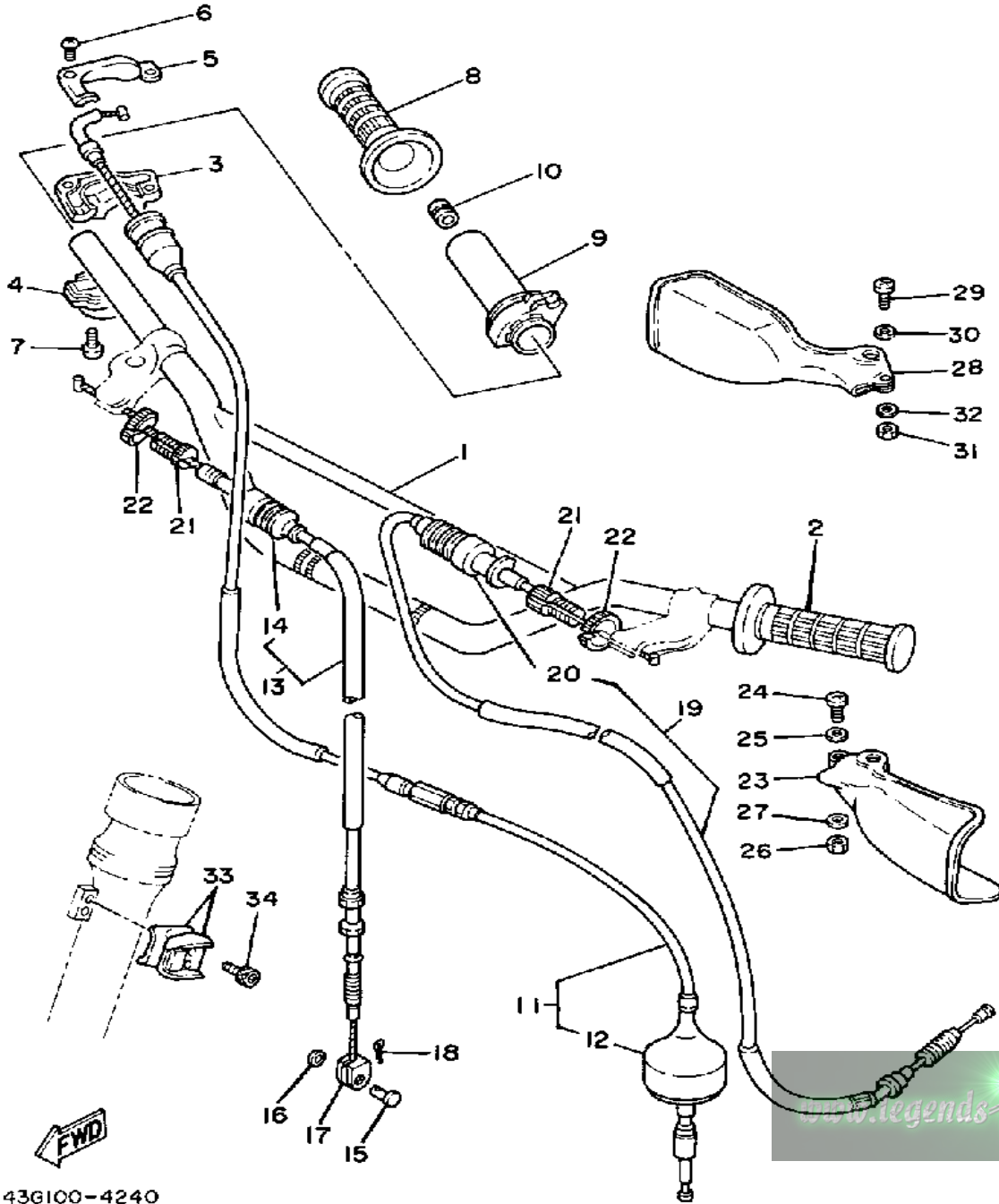
REAR WHEEL



| Ref. No. | Part Number | Description | Qty | Remarks |
|----------|-----------------|-------------------|-----|---------|
| 24 | 90109-08706-00 | BOLT | 6 | |
| 25 | 95611-08100-00 | NUT, U | 6 | |
| 26 | 90201-081A6-00 | WASHER, PLATE | 6 | |
| 27 | 90387-175K4-00 | COLLAR | 1 | |
| 28 | 24X-25367-00-00 | COVER, HUB DUST | 1 | |
| 29 | 1M1-25388-01-00 | PULLER, CHAIN 1 | 1 | |
| 30 | 94585-20106-00 | 520 DS 106L | 1 | |
| 31 | 94685-20001-00 | . JOINT CHAIN | 1 | |
| 32 | 43G-25381-00-00 | AXLE, WHEEL | 1 | |
| 33 | 90201-160F6-00 | WASHER, PLATE | 1 | |
| 34 | 90185-16103-00 | NUT, SELF-LOCKING | 1 | |

www.legends-yamaha-enduros.com

STEERING HANDLE-CABLE

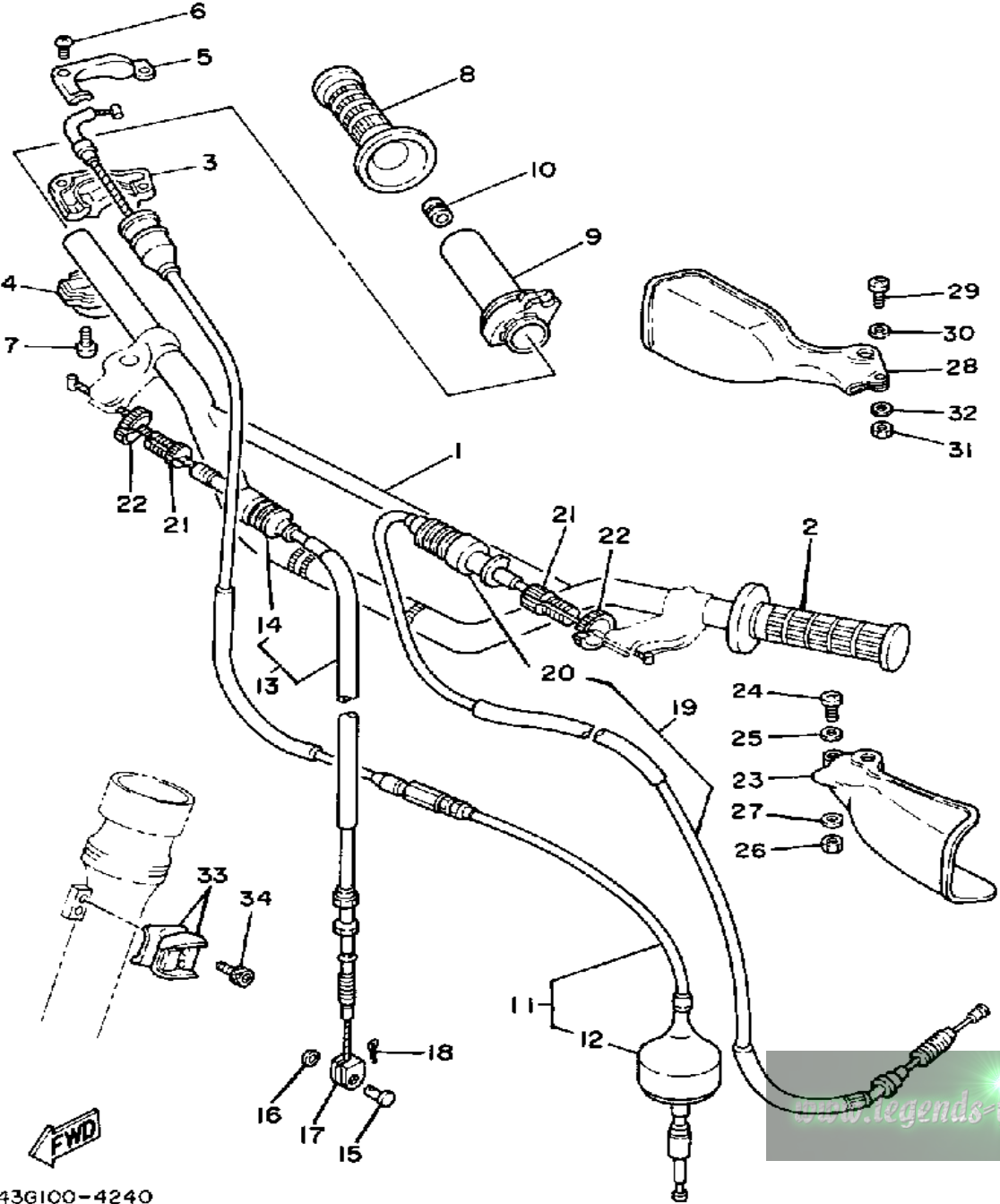


43G100-4240

| Ref. No. | Part Number | Description | Qty | Remarks |
|----------|-----------------|-------------------------------------|-----|---------------|
| 1 | 23X-26111-00-00 | HANDLEBAR | 1 | |
| 2 | 4V4-26241-01-00 | GRIP (L.H.) (4V4-26241-00) ... | 1 | |
| 3 | 5X2-26281-00-00 | CAP, GRIP UPPER | 1 | |
| 4 | 322-26282-00-00 | CAP, GRIP LOWER | 1 | LOW GLOSS BLK |
| 5 | 5X2-2628H-01-00 | CAP, WIRE | 1 | |
| 6 | 98706-04012-00 | SCREW, FLAT HEAD | 2 | |
| 7 | 98586-05016-00 | SCREW, PAN HEAD | 2 | |
| 8 | 1LX-26242-01-00 | GRIP (RIGHT) | 1 | |
| 9 | 22W-26243-00-00 | TUBE, THROTTLE GUIDE | 1 | |
| 10 | 90338-12192-00 | PLUG | 1 | |
| 11 | 43G-26311-00-00 | CABLE, THROTTLE 1 | 1 | |
| 12 | 500-26329-01-00 | . CAP, RUBBER | 1 | |
| 13 | 5X8-26341-00-00 | CABLE, BRAKE | 1 | |
| 14 | 1E6-26342-00-00 | . BOOT, CABLE | 1 | |
| 15 | 90240-08013-00 | PIN, CLEVIS | 1 | |
| 16 | 90201-08083-00 | WASHER, PLATE | 1 | |
| 17 | 156-26347-00-00 | JOINT, CABLE | 1 | |
| 18 | 91490-20020-00 | PIN, COTTER | 1 | |
| 19 | 43G-26335-00-00 | CABLE, CLUTCH | 1 | |
| 20 | 1E6-26342-00-00 | . BOOT, CABLE | 1 | |
| 21 | 90123-08090-00 | BOLT | 2 | |
| 22 | 90179-08401-00 | NUT | 2 | |
| 23 | 3R9-26141-00-00 | GUARD, BRUSH 1 | 1 | SKY BLUE |
| 24 | 98503-06014-00 | SCREW, PAN HEAD (92502-06016) | 1 | |
| 25 | 90201-061A5-00 | WASHER, PLATE | 1 | |
| 26 | 95380-06700-00 | NUT | 1 | |
| 27 | 92990-06200-00 | WASHER | 1 | |
| 28 | 3R9-26142-00-00 | GUARD, BRUSH 2 | 1 | SKY BLUE |

CONTINUED ON NEXT FRAME ►

STEERING HANDLE-CABLE

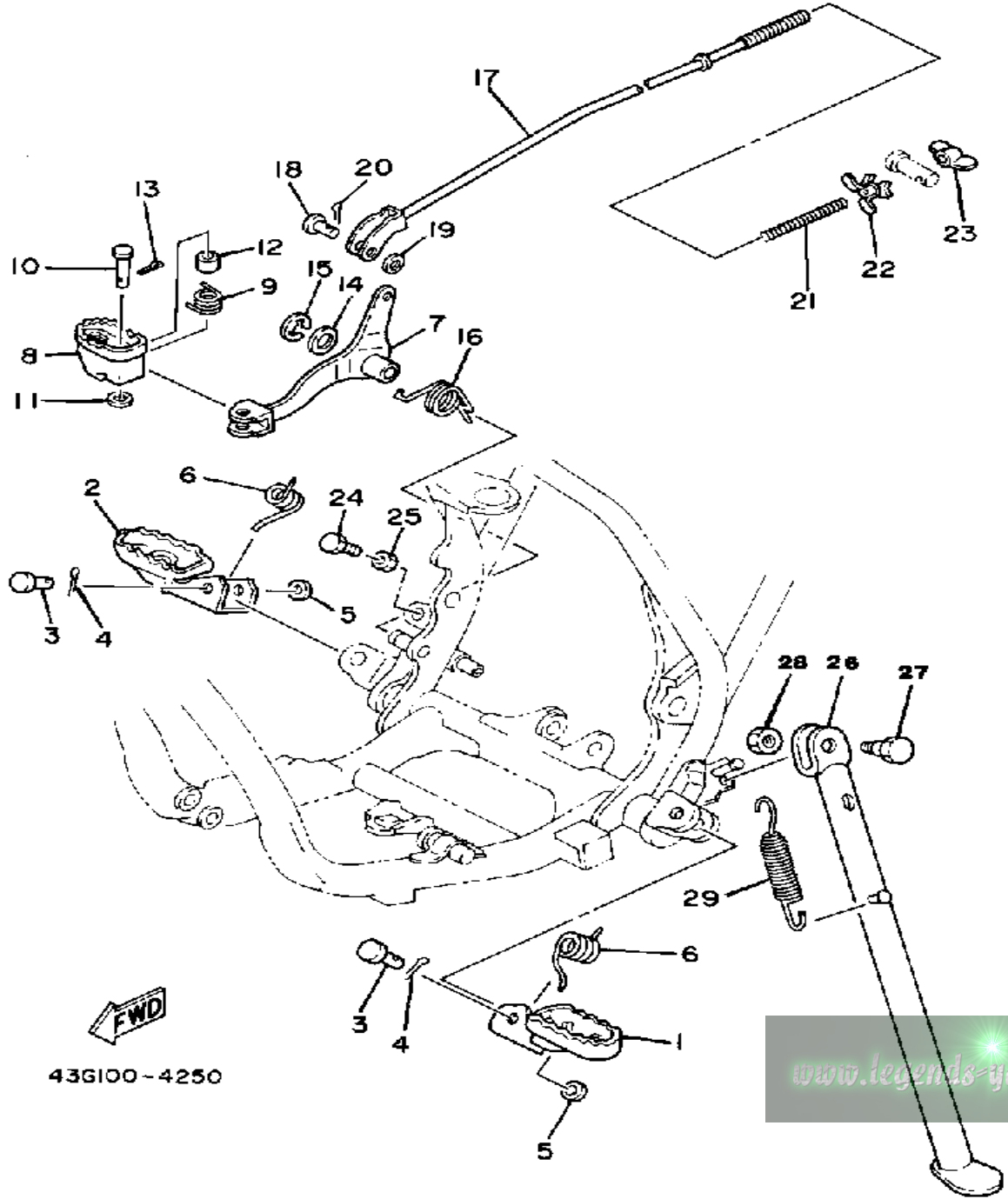


| Ref. No. | Part Number | Description | Qty | Remarks |
|----------|----------------|-------------------------------|-----|---------|
| 29 | 98503-06014-00 | SCREW, PAN HEAD (92502-06016) | 1 | |
| 30 | 90201-061A5-00 | WASHER, PLATE | 1 | |
| 31 | 95380-06700-00 | NUT | 1 | |
| 32 | 92990-06200-00 | WASHER | 1 | |
| 33 | 90465-16258-00 | CLAMP | 2 | |
| 34 | 91311-06016-00 | BOLT, SOCKET HEAD | 2 | |

43G100-4240

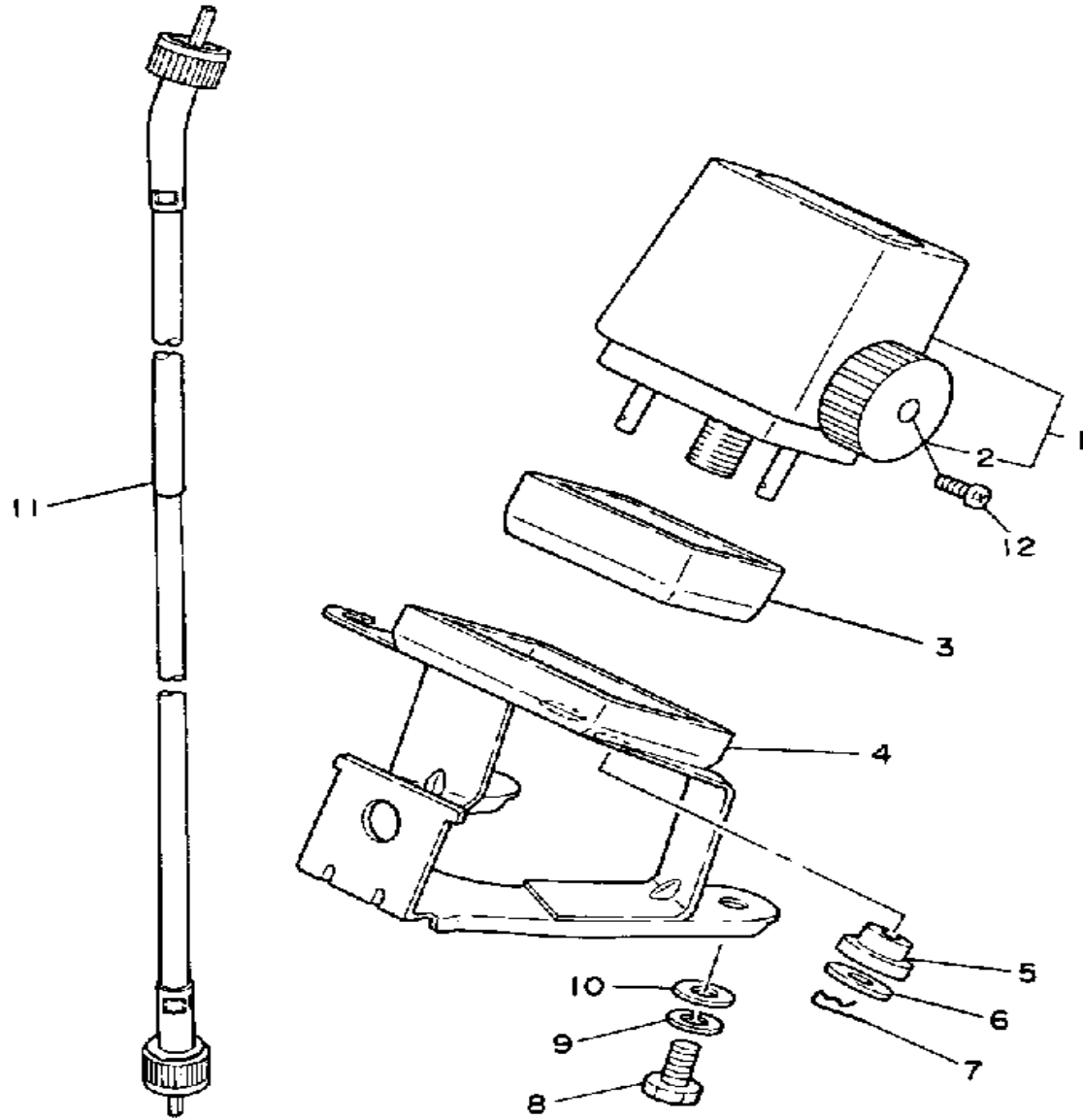
www.legends-yamaha-enduros.com

STAND-FOOTREST



| Ref. No. | Part Number | Description | Qty | Remarks |
|----------|-----------------|---------------------------|-----|------------|
| 1 | 23X-27411-02-00 | FOOTREST 1 | 1 | |
| 2 | 23X-27421-03-00 | FOOTREST 2 | 1 | |
| 3 | 90240-10101-00 | PIN, CLEVIS | 2 | |
| 4 | 91401-25020-00 | PIN, COTTER | 2 | |
| 5 | 90201-10119-00 | WASHER, PLATE | 2 | |
| 6 | 90508-20583-00 | SPRING, TORSION | 2 | |
| 7 | 49T-27211-00-00 | PEDAL, BRAKE | 1 | |
| 8 | 5X8-27242-00-00 | PEDAL, BRAKE | 1 | |
| 9 | 90508-20451-00 | SPRING, TORSION | 1 | |
| 10 | 91701-08032-00 | PIN, CLEVIS | 1 | |
| 11 | 92901-08600-00 | WASHER | 1 | |
| 12 | 90387-08762-00 | COLLAR | 1 | |
| 13 | 91401-25020-00 | PIN, COTTER | 1 | |
| 14 | 92990-12600-00 | WASHER, PLATE | 1 | |
| 15 | 93430-09038-00 | CIRCLIP | 1 | |
| 16 | 90508-32662-00 | SPRING, TORSION | 1 | |
| 17 | 43G-27231-00-00 | ROD, BRAKE | 1 | |
| 18 | 90240-06103-00 | PIN, CLEVIS | 1 | |
| 19 | 92990-06200-00 | WASHER | 1 | |
| 20 | 91490-20020-00 | PIN, COTTER | 1 | |
| 21 | 90501-10245-00 | SPRING, COMPRESSION | 1 | |
| 22 | 1W2-27239-00-00 | SEAT, SPRING | 1 | |
| 23 | 20E-26343-00-00 | NUT, ADJUSTING | 1 | |
| 24 | 97313-06016-00 | BOLT, HEXAGON | 1 | |
| 25 | 95380-06700-00 | NUT | 1 | |
| 26 | 43G-27311-00-33 | STAND, SIDE | 1 | YAMAHA BLK |
| 27 | 90109-08032-00 | BOLT (122-27317-01) | 1 | |
| 28 | 95303-08700-00 | NUT | 1 | |
| 29 | 90507-29009-00 | SPRING, TENSION | 1 | |

METER



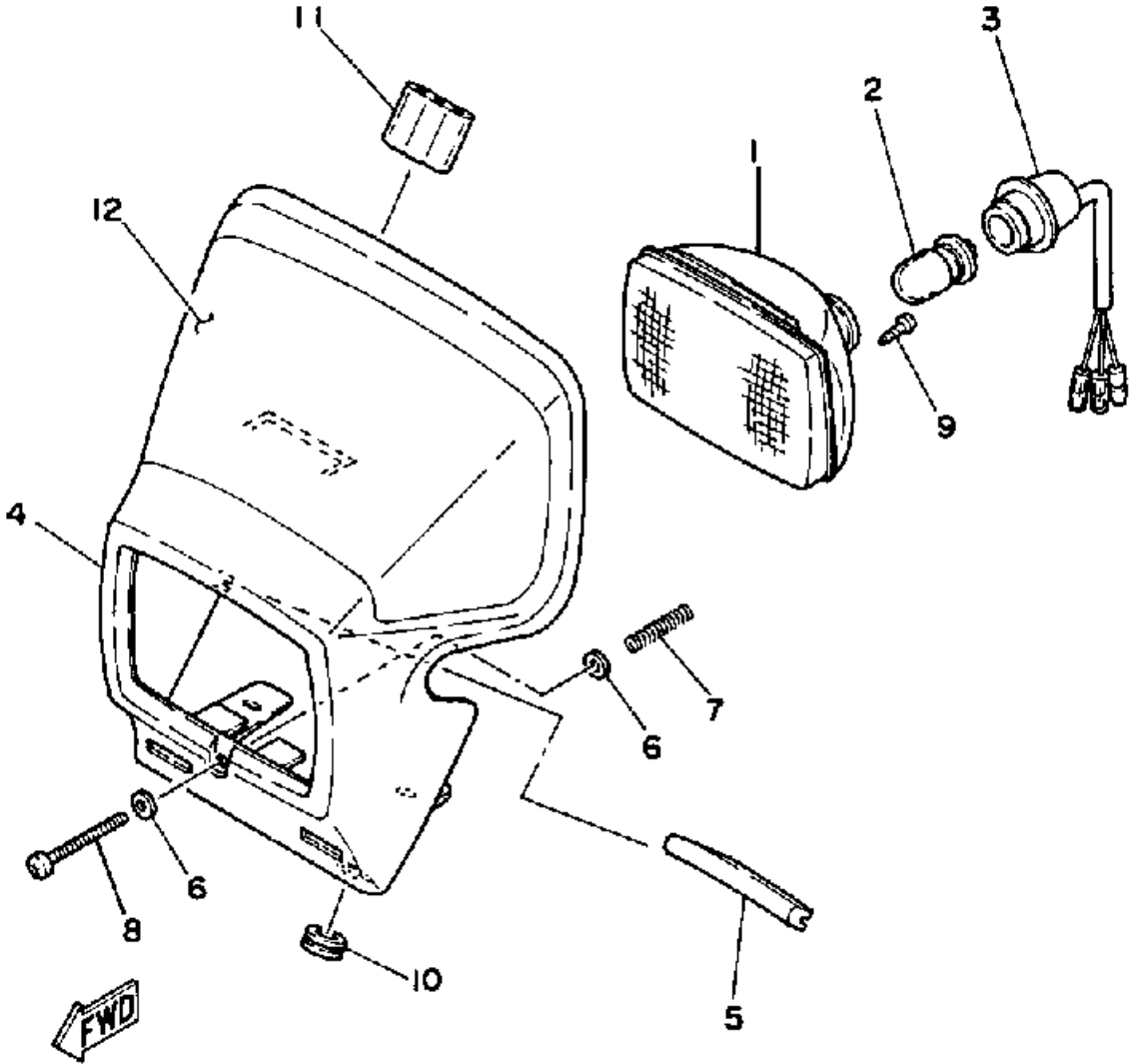
| Ref. No. | Part Number | Description | Qty | Remarks |
|----------|-----------------|--------------------------|-----|---------|
| 1 | 4V5-83505-60-00 | TRIP METER CMPLT | 1 | MILE |
| | 4V5-83505-F0-00 | TRIP METER CMPLT | 1 | U.R. KM |
| 2 | 4V5-83578-00-00 | . KNOB, TRIP METER | 1 | |
| 3 | 4V5-83513-00-00 | DAMPER | 1 | |
| 4 | 26A-83519-00-00 | BRACKET, METER | 1 | |
| 5 | 1M1-83526-00-00 | DAMPER 2 | 2 | |
| 6 | 90201-052E2-00 | WASHER, PLATE | 2 | |
| 7 | 90468-10050-00 | CLIP | 2 | |
| 8 | 97013-06012-00 | BOLT | 2 | |
| 9 | 92995-06100-00 | WASHER, SPRING | 2 | |
| 10 | 90201-061A5-00 | WASHER, PLATE | 2 | |
| 11 | 4V5-83550-01-00 | SPEEDOMETER CABLE | 1 | |



43G100-4270



HEADLIGHT

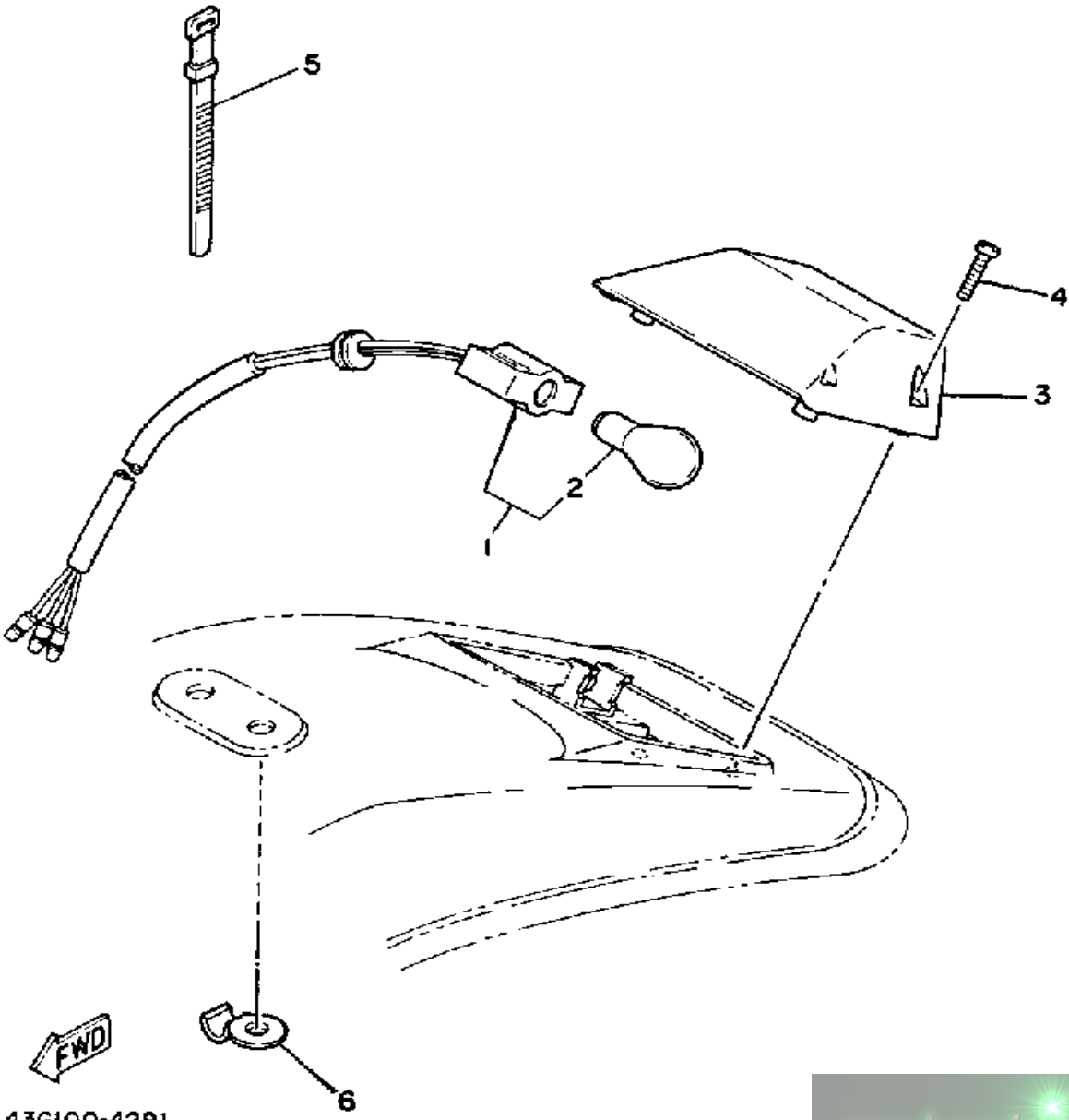


29W300-3280

| Ref. No. | Part Number | Description | Qty | Remarks |
|----------|-----------------|---------------------------------------|-----|---------|
| 1 | 18A-84120-00-00 | LENS ASSEMBLY (26A-84110-00) | 1 | |
| 2 | 527-84114-09-XX | BULB, HL 6V25/25W | 1 | |
| 3 | 26A-84140-00-00 | SOCKET CORD ASSEMBLY | 1 | |
| 4 | 26A-84111-01-00 | BODY, HEADLIGHT (26A-84111-00) | 1 | |
| 5 | 26A-84143-00-00 | DAMPER, HEADLIGHT STAY | 1 | |
| 6 | 92901-04600-00 | WASHER, PLATE | 2 | |
| 7 | 18A-84132-00-00 | SPRING, SCREW | 1 | |
| 8 | 97701-40555-00 | SCREW, RIM ADJUSTER (18A-84131-00-00) | 1 | |
| 9 | 97701-40510-00 | SCREW, TAPPING | 2 | |
| 10 | 90480-12053-00 | GROMMET | 2 | |
| 11 | 4V5-83592-00-00 | DAMPER | 1 | |
| 12 | 26A-84141-00-00 | EMBLEM, HEADLIGHT | 1 | |



TAILLIGHT

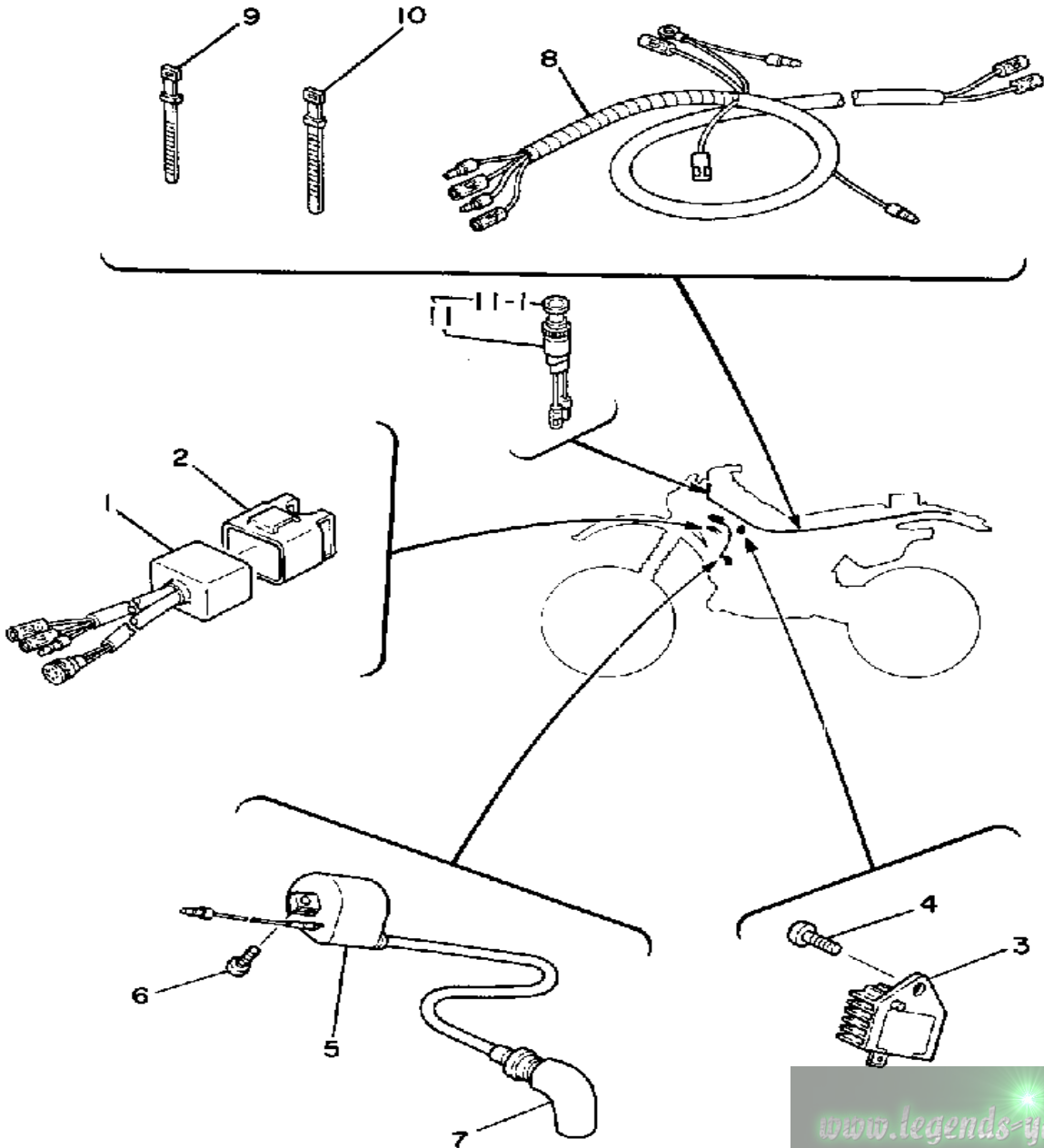


| Ref. No. | Part Number | Description | Qty | Remarks |
|----------|-----------------|-------------------------|-----|---------|
| 1 | 4V5-84536-00-00 | SOCKET CORD ASSEMBLY .. | 1 | |
| 2 | 122-84514-30-00 | . BULB | 1 | |
| 3 | 26A-84521-00-00 | LENS, TAILLIGHT | 1 | |
| 4 | 98511-04020-00 | SCREW, PAN HEAD | 4 | |
| 5 | 437-83936-01-00 | BAND, SWITCH CORD | 2 | |
| 6 | 34K-21615-00-00 | WASHER, SPECIAL 1 | 1 | |

www.legends-yamaha-enduros.com

43G100-4291

ELECTRICAL 1

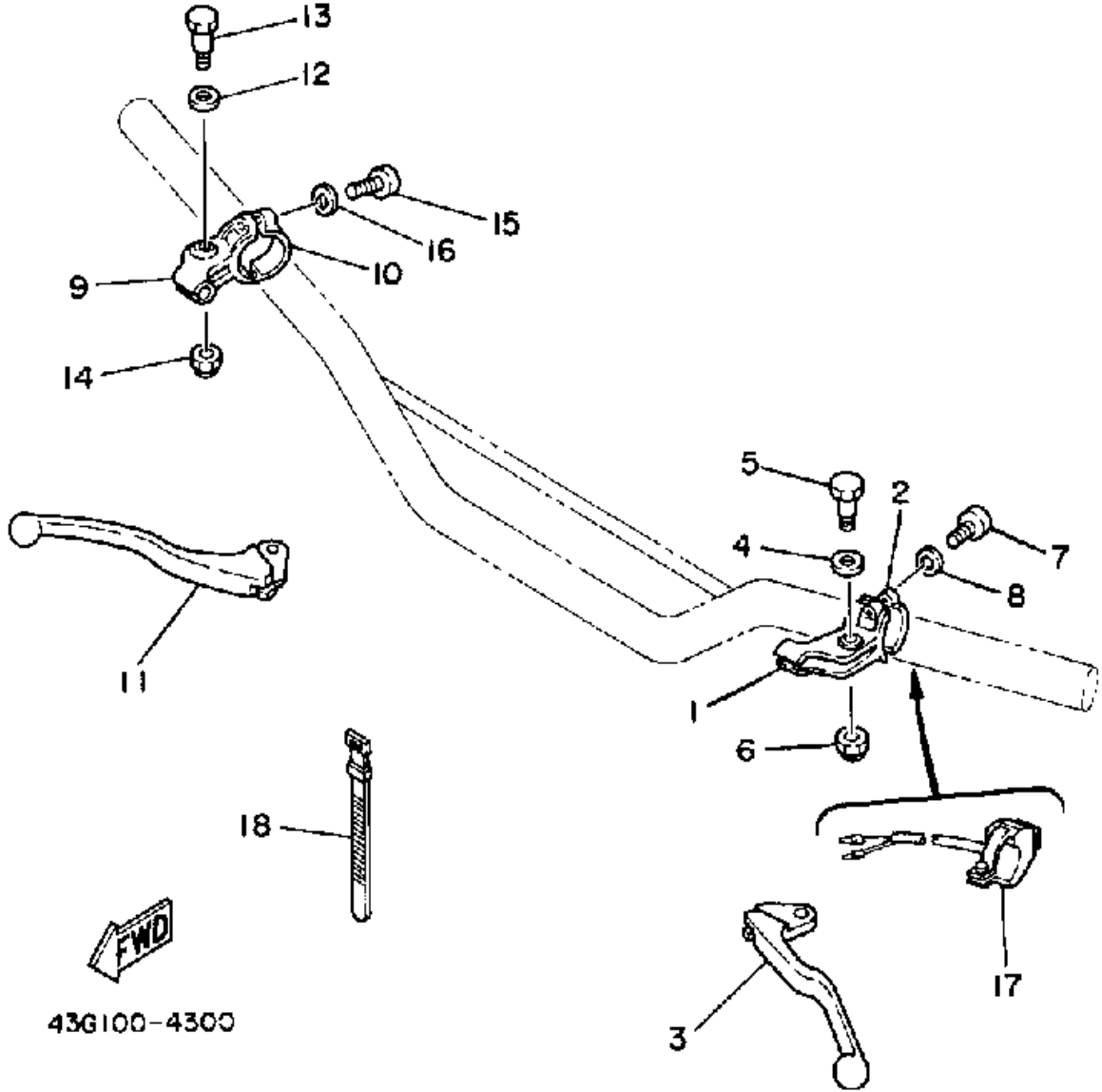


| Ref. No. | Part Number | Description | Qty | Remarks |
|----------|-------------------|-------------------------------------|-----|-------------------------|
| 1 | 23X-85540-20-00 | CDI UNIT ASSEMBLY | 1 | |
| 2 | 2A7-85546-00-00 | BAND | 1 | |
| 3 | 4F4-81910-60-00 | VOLTAGE REG ASSEMBLY .. | 1 | U.R. |
| 4 | 98503-06014-00 | SCREW, PAN HEAD (92502-06016) | 1 | |
| 5 | 43G-82310-40-00 | IGNITION COIL ASSEMBLY ... | 1 | |
| 6 | 98503-06014-00 | SCREW, PAN HEAD (92502-06016) | 2 | |
| 7 | 81E-82370-20-00 | PLUG CAP ASSEMBLY | 1 | U.R. |
| | 81E-82370-20-00 | PLUG CAP ASSEMBLY | 1 | U.R. W/NOISE SUPPRESSOR |
| 8 | (43G-82590-00-00) | WIRE HARNESS ASSEMBLY .. | 1 | |
| 9 | 25G-83936-01-00 | BAND, SWITCH CORD | 1 | |
| 10 | 437-83936-01-00 | BAND, SWITCH CORD | 4 | |
| 11 | 4V5-82520-00-00 | LIGHT SWITCH ASSEMBLY ... | 1 | |

www.legends-yamaha-enduros.com


43G100-4310

HANDLE SWITCH-LEVER



| Ref. No. | Part Number | Description | Qty | Remarks |
|----------|-----------------|-----------------------|-----|---------|
| 1 | 38V-82911-00-00 | HOLDER, LEVER 1 | 1 | |
| 2 | 38V-82913-00-00 | HOLDER, LEVER LOWER 1 | 1 | |
| 3 | 23X-83912-00-00 | LEVER 1 | 1 | |
| 4 | 90201-08083-00 | WASHER, PLATE | 1 | |
| 5 | 90109-06797-00 | BOLT | 1 | |
| 6 | 95601-06100-00 | NUT, U | 1 | |
| 7 | 98506-05018-00 | SCREW, PAN HEAD | 2 | |
| 8 | 92906-05100-00 | WASHER, SPRING | 2 | |
| 9 | 38V-82921-00-00 | HOLDER, LEVER 2 | 1 | |
| 10 | 38V-82913-00-00 | HOLDER, LEVER LOWER 1 | 1 | |
| 11 | 23X-83922-00-00 | LEVER 2 | 1 | |
| 12 | 90201-08083-00 | WASHER, PLATE | 1 | |
| 13 | 90109-06797-00 | BOLT | 1 | |
| 14 | 95601-06100-00 | NUT, U | 1 | |
| 15 | 98506-05018-00 | SCREW, PAN HEAD | 2 | |
| 16 | 92906-05100-00 | WASHER, SPRING | 2 | |
| 17 | 23X-83976-00-00 | SWITCH, HANDLE 1 | 1 | |
| 18 | 437-83936-11-00 | BAND, SWITCH CORD | 2 | |

43G100-4300

www.legends-yamaha-enduros.com

| | |
|------------|--------------|
| MOTORCYCLE | DATE 2/15/85 |
|------------|--------------|

IT200N 1985 SERVICE DATA

| | | |
|---|--|-----|
| MODEL - IBM I.D. NUMBER | IT200N | 43G |
| Initial Engine Number / Frame Number | 43G-007101 / JYA43G00()FA007101 | |
| Fuel Type / Total Fuel Tank Capacity / Reserve Cap. | Premlum / 11.0 Lit (3 gal) / 1.4 Lit (0.4 gal) | |
| ENGINE TYPE | 2-Stroke, Reed Valve | |
| Bore / Stroke / Number Cylinders / Displacement | 66.0mm / 57.0mm / 1 / 195cc | |
| Compression Ratio/Compression Pressure Min~Max | 8.4:1 / NA | |
| Piston Skirt Clearance New / Max | 0.050 ~ 0.055mm / 0.10mm | |
| Ring End Gap Top / 2nd / 3rd | 0.20 ~ 0.35mm / 0.20 ~ 0.35mm / ϕ | |
| Valve Clearance (Cold) Intake / Exhaust | ϕ | |
| Oiling System | Premix (24:1 Using Yamalube R*) | |
| Capacity: Dry | ϕ | |
| Oil & Filter Change / Oil Change Only | ϕ / ϕ | |
| Oil Filter Part Number | ϕ | |
| Lubricant: Temp Above 5°C (40°F) | Yamalube R* | |
| Temp Below 15°C (60°F) | Yamalube R* | |
| Cooling System / Capacity / Cap Opening Pressure | Air / ϕ / ϕ | |
| Coolant Type / Mixing Ratio | ϕ / ϕ | |
| AUTOLUBE - Min Stroke / Color Code | ϕ | |
| Minimum Output @ 200 Cycles | ϕ | |
| Maximum Output @ 200 Cycles | ϕ | |
| CARBURETOR - Manufacturer / Type / I.D. Number | Mikuni / VM34SS / 43G-10 | |
| Main Jet / Pilot Jet / Pilot Screw (Turns Out) | 330 / 70 / 3/4 | |
| Needle Jet / Jet Needle-Clip Position | Q-0 / 6F21-3 | |
| Slide Cutaway | 2.0 | |
| Float Level / Fuel Level | 23.5 ± 1.0mm / ϕ | |
| Idle rpm | Rider's Preference | |
| Max CO ₂ / Max HC ₂ / Set CO | ϕ | |
| SUSPENSION | | |
| Front: Oil Type / Level / Qty | 10 wt. Fork Oil* / 178mm / 560cc | |
| Gas Pressure Min ~ Max / Standard | 0 ~ 1.2 kg/cm ² (0~17 psi) / 0.0 kg/cm ² (0 psi) | |
| Spring Length Standard | 459.5mm | |
| Rear: Gas Pressure Min ~ Max / Standard | 12.0 ~ 20.0 kg/cm ² (170 psi ~ 284 psi) / 15.0 kg/cm ² (213 psi) | |
| Minimum Brake Lining Thickness Front / Rear | 2.0mm / 2.0mm | |
| Tire Size / Nominal Pressure: Front | 90/90-21 / (Rider's Preference) | |
| Rear | 120/90-18 / (Rider's Preference) | |
| TRANSMISSION - Oil Type / Qty Change / Qty Dry | SAE 10W30 SE or SF / 700cc / 800cc | |
| Secondary Drive Type / Teeth / Chain | Chain / 44-12 / DK520DS106L | |
| Middle Gear Case Capacity | ϕ | |
| Final Gear Case Capacity | ϕ | |
| Gear Case Lubricant | ϕ | |

| | | | | | |
|--------------|---------|-------|-------|--------|-------------|
| SERVICE COPY | SER MGR | MECH | MECH | MECH | BINDER |
| OFFICE COPY | GEN MGR | SALES | PARTS | BINDER | PAGE 1 OF 2 |

| | |
|---|--------|
| CHARGING SYSTEM | ϕ |
| Battery: Model / Specific Gravity / Charge Rate | ϕ |
| Maximum Output | ϕ |
| Field Coil Color Code / Ω | ϕ |
| Stator Coil Color Code / Ω | ϕ |
| Charge Coil Color Code / Ω | ϕ |

| | |
|--|---|
| IGNITION SYSTEM | Capacitor Discharge |
| Ignition Timing | 2.25 ~ 2.60mm BTDC |
| Spark Plug Type | Champion N-86 |
| Spark Plug Gap / Torque / Cap Ω | 0.5 ~ 0.6mm / 2.5 m-kG (18 ft-lbs) / 0 Ω |
| Ignition Coil Test Gap / Primary Ω / Secondary Ω | 6mm / 1.0 Ω ± 15% / 5.9K Ω ± 10% |
| Pulser Coil or Pickup Coil Color Code / Ω | Wht-Red ~ Blk / 12.4 Ω ± 10% |
| Source Coil Color Code / Ω | Brn ~ Blk / 420 Ω ± 10% |

| | |
|---------------------------------------|-------------------------------------|
| LIGHTING SYSTEM | |
| Headlight / Taillight / Signal Rating | 6V25-25W / 6V5 / ϕ |
| Lighting Coil Color Code / Ω | Yel-Red ~ Blk / 0.48 Ω ± 10% |

| | |
|------------------------|---------------------------|
| TORQUE VALUES | |
| Front Axle Nut | M14: 6.0 m-kG (43 ft-lbs) |
| Front Axle Holder Nut | M6: 1.0 m-kG (7.2 ft-lbs) |
| Rear Axle Nut | M16: 8.5 m-kG (61 ft-lbs) |
| Rear Axle Pinch Bolt | ϕ |
| Clutch Nut | 8 m-kG (58 ft-lbs) |
| Drain Plug | M12: 2.0 m-kG (14 ft-lbs) |
| Flywheel Nut | M12: 8.5 m-kG (61 ft-lbs) |
| Cylinder Head Cover | ϕ |
| Cylinder Head: | M8: 2.5 m-kG (18 ft-lbs) |
| Engine Mounting Bolts: | M8: 3.0 m-kG (22 ft-lbs) |
| | M10: 6.5 m-kG (47 ft-lbs) |

ϕ = Does Not Apply to This Model
NA = Information Not Available

* = Available from YPDI
 ϕ = For Diagnostic Use Only

SERVICE LITERATURE

| PUBLICATION | PART NUMBER | REMARKS |
|------------------------|-----------------|----------------|
| Owner's Service Manual | LIT-1162-04-58 | Same as IT200L |
| Assembly Manual | LIT-11666-04-17 | |

IT200L 1984 SERVICE DATA

| | | |
|---|----------------------------------|-----|
| MODEL - IBM I.D. NUMBER | IT200L | 43G |
| Initial Engine Number / Frame Number | 43G-000101 / JYA43G00()EA000101 | |
| Fuel Type / Total Fuel Tank Capacity / Reserve Cap. | Premium / 11.0 Lit / 1.4 Lit | |

| | | |
|---|--|--|
| ENGINE TYPE | 2-Stroke, Reed Valve | |
| Bore / Stroke / Number Cylinders / Displacement | 66.0mm / 57.0mm / 1 / 195cc | |
| Compression Ratio/Compression Pressure Min~Max | 8.4:1 / NA | |
| Piston Skirt Clearance New / Max | 0.050 ~ 0.055mm / 0.10mm | |
| Ring End Gap Top / 2nd / 3rd | 0.20 ~ 0.35mm / 0.20 ~ 0.35mm / ϕ | |
| Valve Clearance (Cold) Intake / Exhaust | ϕ | |
| Oiling System | Premix (24:1 Using Yamalube R*) | |
| Capacity: Dry | ϕ | |
| Oil and Filter Change | ϕ | |
| Oil Change Only | ϕ | |
| Lubricant: Temp Above 5°C (40°F) | Yamalube R* | |
| Temp Below 15°C (60°F) | Yamalube R* | |
| Cooling System / Capacity | Air / ϕ | |
| Coolant Type / Mixing Ratio | ϕ / ϕ | |

| | | |
|---|--------|--|
| AUTOLUBE - Min Stroke / Color Code | ϕ | |
| Minimum Output @ 200 Cycles | ϕ | |
| Maximum Output @ 200 Cycles | ϕ | |

| | | |
|---|--------------------------|--|
| CARBURETOR - Manufacturer / Type / I.D. Number | Mikuni / VM34SS / 43G-00 | |
| Main Jet / Pilot Jet / Pilot Screw (Turns Out) | 330 / 35 / 1.0 | |
| Needle Jet / Jet Needle-Clip Position | P-6 / 6F21-3 | |
| Slide Cutaway | 2.0 | |
| Float Level / Fuel Level | 23.5 ± 1.0mm / ϕ | |
| Idle rpm | Rider's Preference | |
| Max CO _e / Max HC _e / Set CO | ϕ | |

| | | |
|---|--|--|
| SUSPENSION | | |
| Front: Inner Tube Diameter | 43mm | |
| Oil Type / Level / Qty | 10 Wt. Fork Oil* / 178mm / 560cc | |
| Gas Pressure Min ~ Max / Standard | 0 ~ 1.2 kg/cm ² / 0 kg/cm ² | |
| Spring Length Standard | 459.5mm | |
| Rear: Gas Pressure Min ~ Max / Standard | 12.0 ~ 20.0 kg/cm ² / 15.0 kg/cm ² | |
| Minimum Brake Lining Thickness Front / Rear | 2.0mm / 2.0mm | |
| Tire Size (Nominal Pressure) Front / Rear | 90/90-21 / 120/90-18 (Rider's Preference) | |

| | | |
|---|------------------------------------|--|
| TRANSMISSION - Oil Type / Qty Change / Qty Dry | SAE 10W30 SE or SF / 700cc / 800cc | |
| Secondary Drive Type / Teeth / Chain | Chain / 44-12 / DK520DS106L | |
| Middle Gear Case Capacity | ϕ | |
| Final Gear Case Capacity | ϕ | |
| Gear Case Lubricant | ϕ | |

| | | | | | |
|--------------|---------|-------|-------|--------|-------------|
| SERVICE COPY | SER MGR | MECH | MECH | MECH | BINDER |
| OFFICE COPY | GEN MGR | SALES | PARTS | BINDER | PAGE 1 OF 2 |

| | | |
|---|--------|--|
| CHARGING SYSTEM | ϕ | |
| Battery: Model / Specific Gravity / Charge Rate | ϕ | |
| Maximum Output | ϕ | |
| Field Coil Color Code / Ω | ϕ | |
| Stator Coil Color Code / Ω | ϕ | |
| Charge Coil Color Code / Ω | ϕ | |

| | | |
|--|--|--|
| IGNITION SYSTEM | Capacitor Discharge Ignition | |
| Ignition Timing | 2.25 ~ 2.60mm BTDC | |
| Spark Plug Type | Champion N-86 | |
| Spark Plug Gap / Torque / Cap Ω | 0.5 ~ 0.6mm / 2.5 m·kg / 0 Ω | |
| Point Gap / Condenser Capacitance | ϕ | |
| Ignition Coil Test Gap / Primary Ω / Secondary Ω | 6mm / 1.0 Ω ± 15% / 5.9K Ω ± 15% | |
| Pulser Coil or Pickup Coil Color Code / Ω | Whi-Red ~ Blk / 12.4 Ω ± 10% | |
| Source Coil Color Code / Ω | Brn ~ Blk / 420 Ω ± 10% | |

| | | |
|---------------------------------------|-------------------------------------|--|
| LIGHTING SYSTEM | | |
| Headlight / Taillight / Signal Rating | 6V25-25W / 6V5 / ϕ | |
| Lighting Coil Color Code / Ω | Yel-Red ~ Blk / 0.48 Ω ± 10% | |

| | | |
|------------------------|---------------|--|
| TORQUE VALUES | | |
| Front Axle Nut | M14: 6.0 m·kg | |
| Front Axle Holder Nut | M6: 1.0 m·kg | |
| Rear Axle Nut | M16: 8.5 m·kg | |
| Rear Axle Pinch Bolt | ϕ | |
| Clutch Nut | NA | |
| Drain Plug | M12: 2.0 m·kg | |
| Flywheel Nut | M12: 8.5 m·kg | |
| Cylinder Head Cover | ϕ | |
| Cylinder Head: | M8: 2.5 m·kg | |
| | | |
| Engine Mounting Bolts: | M8: 3.0 m·kg | |
| | M10: 6.5 m·kg | |
| | | |
| | | |

ϕ = Does Not Apply to This Model
NA = Information Not Available

* = Available from YPDI
e = For Diagnostic Use Only

SERVICE LITERATURE

| PUBLICATION | PART NUMBER | REMARKS |
|---|------------------------------------|--|
| Owner's Service Manual Assembly Manual | LIT-11626-04-17 LIT-11666-04-17 | Supp. to YZ/IT Basic Assembly Manual (03-31) |

| | | |
|------------|--------------|-------------|
| MOTORCYCLE | DATE 1/20/84 | BUL M84-004 |
|------------|--------------|-------------|

| | |
|---|---|
| CHARGING SYSTEM | ∅ |
| Battery: Model / Specific Gravity / Charge Rate | ∅ |
| Maximum Output | ∅ |
| Field Coil Color Code / Ω | ∅ |
| Stator Coil Color Code / Ω | ∅ |
| Charge Coil Color Code / Ω | ∅ |

| | |
|--|--------------------------------|
| IGNITION SYSTEM | Capacitor Discharge Ignition |
| Ignition Timing | 2.25 ~ 2.60mm BTDC |
| Spark Plug Type | Champion N-86 |
| Spark Plug Gap / Torque / Cap Ω | 0.5 ~ 0.6mm / 2.5 m·kg / 0Ω |
| Point Gap / Condenser Capacitance | ∅ |
| Ignition Coil Test Gap / Primary Ω / Secondary Ω | 6mm / 1.0Ω ± 15% / 5.9KΩ ± 15% |
| Pulser Coil or Pickup Coil Color Code / Ω | Wht-Red ~ Blk / 12.4Ω ± 10% |
| Source Coil Color Code / Ω | Brn ~ Blk / 420Ω ± 10% |

| | |
|---------------------------------------|-----------------------------|
| LIGHTING SYSTEM | |
| Headlight / Taillight / Signal Rating | 6V25-25W / 6V5 / ∅ |
| Lighting Coil Color Code / Ω | Yel-Red ~ Blk / 0.48Ω ± 10% |

| | |
|------------------------|---------------|
| TORQUE VALUES | |
| Front Axle Nut | M14: 6.0 m·kg |
| Front Axle Holder Nut | M6: 1.0 m·kg |
| Rear Axle Nut | M16: 8.5 m·kg |
| Rear Axle Pinch Bolt | ∅ |
| Clutch Nut | NA |
| Drain Plug | M12: 2.0 m·kg |
| Flywheel Nut | M12: 8.5 m·kg |
| Cylinder Head Cover | ∅ |
| Cylinder Head: | M8: 2.5 m·kg |
| | |
| Engine Mounting Bolts: | M8: 3.0 m·kg |
| | M10: 6.5 m·kg |
| | |
| | |

∅ = Does Not Apply to This Model
 NA = Information Not Available

* = Available from YPDI
 * = For Diagnostic Use Only

SERVICE LITERATURE

| PUBLICATION | PART NUMBER | REMARKS |
|---|------------------------------------|--|
| Owner's Service Manual Assembly Manual | LIT-11626-04-17 LIT-11666-04-17 | Supp. to YZ/IT Basic Assembly Manual (03-31) |

