

YAMAHA

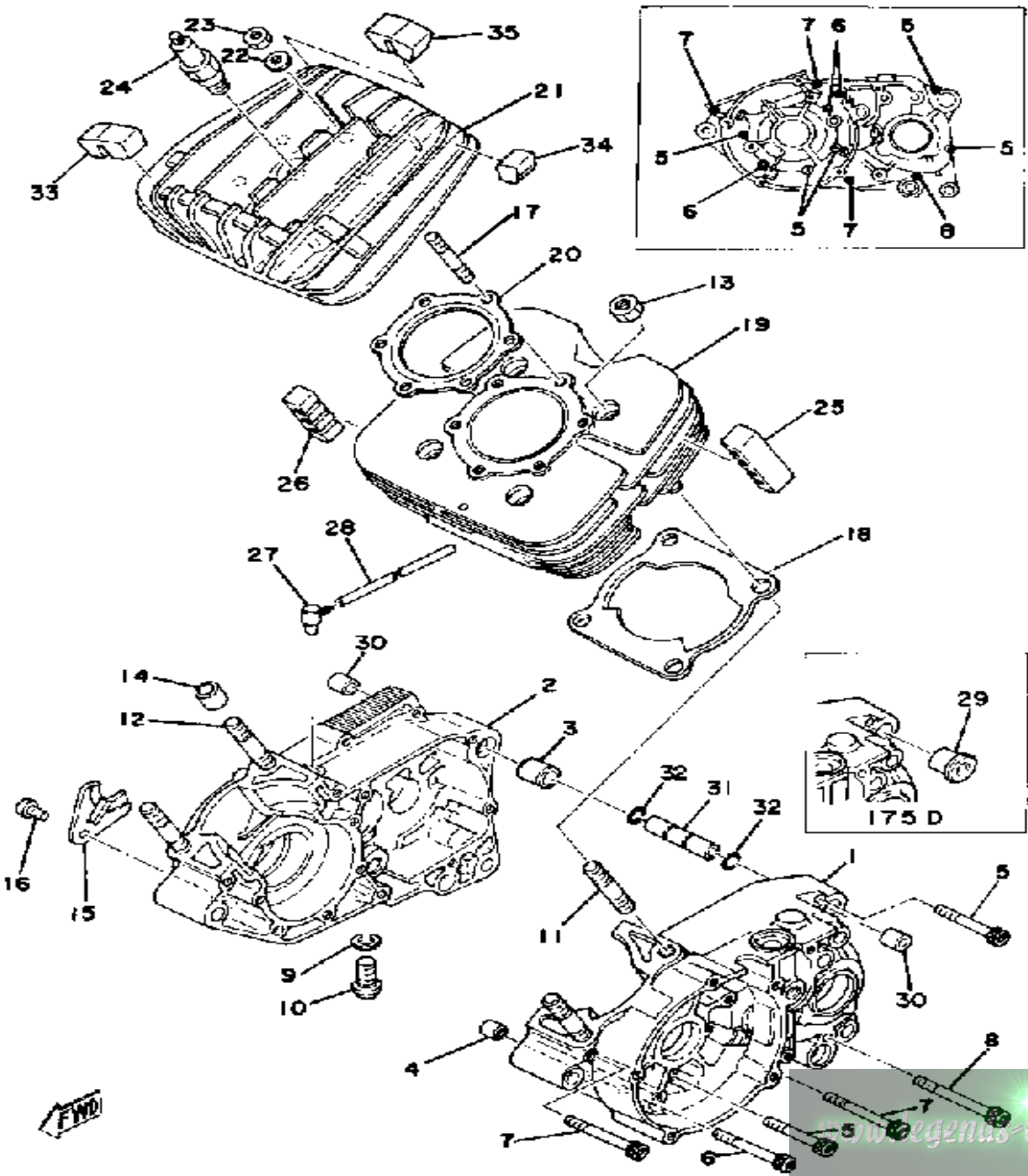
GENUINE

PARTS CATALOGUE

MOTORCYCLE

www.legends-yamaha-enduros.com

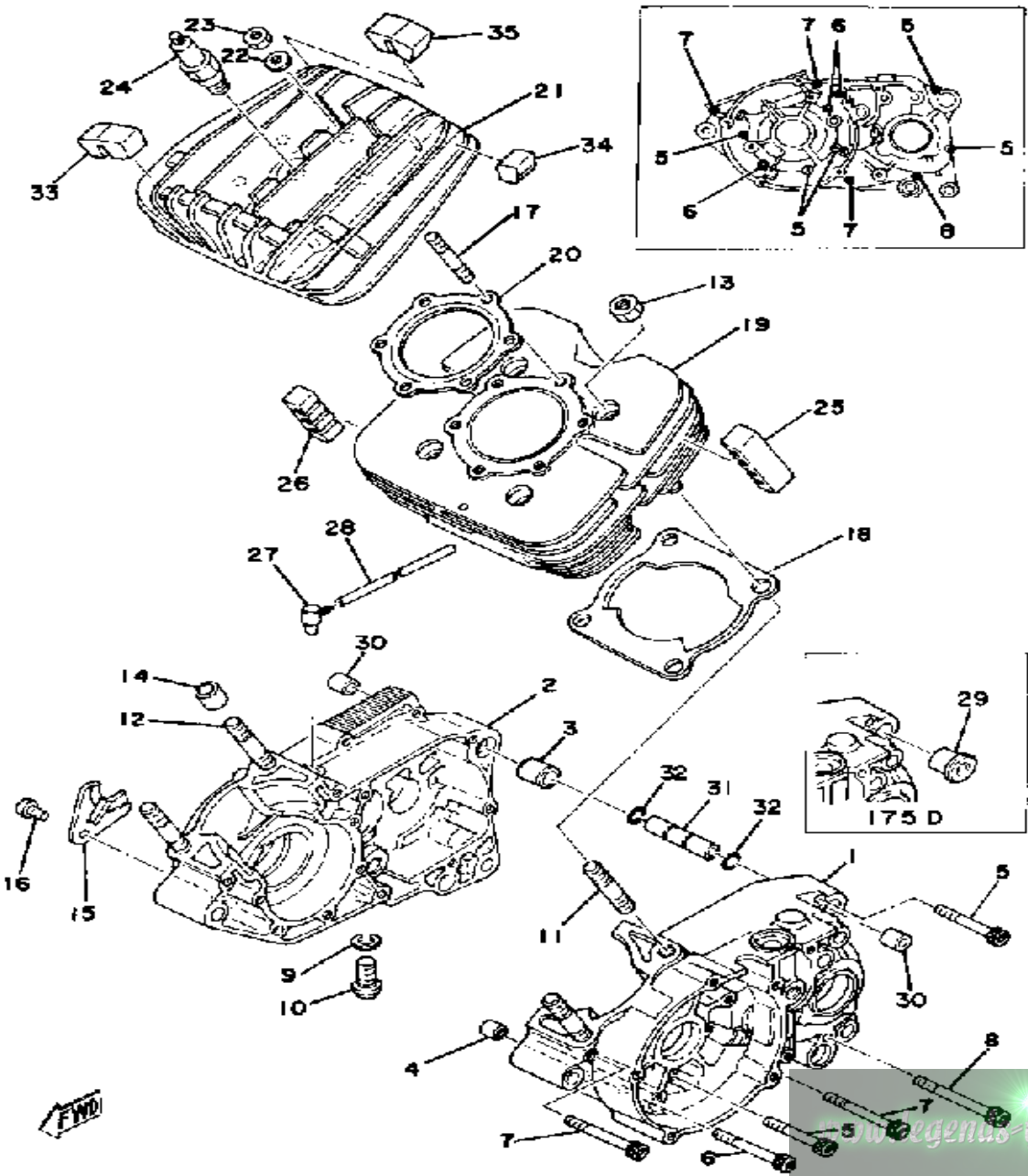
CRANKCASE - CYLINDER



| Ref. No. | Part Number | Description | Qty | Remarks |
|----------|-------------------|----------------------------|-----|-------------------|
| 1 | 1W2-15111-02-00 | CRANKCASE 1 | 1 | |
| 2 | 1W2-15121-02-00 | CRANKCASE 2 (1W2-15121-01) | 1 | |
| 3 | 99510-20020-00 | PIN, DOWEL | 1 | |
| 4 | 99530-10014-00 | PIN, DOWEL | 1 | |
| 5 | 91316-06050-00 | BOLT, SOCKET HEAD | 5 | |
| 6 | 91316-06060-00 | BOLT | 3 | |
| 7 | 91316-06070-00 | BOLT, SOCKET HEAD | 3 | |
| 8 | 91316-06075-00 | BOLT, SOCKET HEAD | 1 | |
| 9 | 90430-12207-00 | GASKET | 1 | |
| 10 | 90340-12005-00 | PLUG, DRAIN | 1 | |
| 11 | 90116-10257-00 | BOLT, STUD | 2 | M10-60L |
| 12 | 90116-10258-00 | BOLT, STUD | 2 | M10-70L |
| 13 | 90179-10201-00 | NUT | 4 | |
| 14 | 99530-14016-00 | PIN, DOWEL | 2 | |
| 15 | 304-15128-00-00 | HOLDER | 1 | |
| 16 | 92501-08010-00 | SCREW, PAN HEAD | 1 | |
| 17 | 90116-08104-00 | BOLT, STUD | 6 | M8-50L |
| 18 | 3TN-11351-00-00 | GASKET, CYLINDER | 1 | |
| 19 | 1W2-11311-00-00 | CYLINDER 1 | 1 | |
| 20 | 1W2-11181-00-00 | GASKET, CYLINDER HEAD 1 | 1 | |
| 21 | 1W2-11111-00-00 | HEAD, CYLINDER 1 | 1 | |
| 22 | 90201-08100-00 | WASHER, PLATE | 6 | |
| 23 | 95333-08600-00 | NUT | 6 | |
| 24 | (CMP-N2G00-00-00) | CHAMPION N2G 10PK | 1 | |
| 25 | 2A6-11127-00-00 | ABSORBER 3 | 2 | |
| 26 | 2A6-11127-00-00 | ABSORBER 3 | 2 | |
| 27 | 583-15371-00-00 | BREATHER | 1 | |
| 28 | 90445-07177-00 | HOSE (395-14197-00) | 1 | |
| 29 | (1W1-15317-00-00) | SPACER, ENG MOUNT | 2 | REF. 305 32 W/SET |

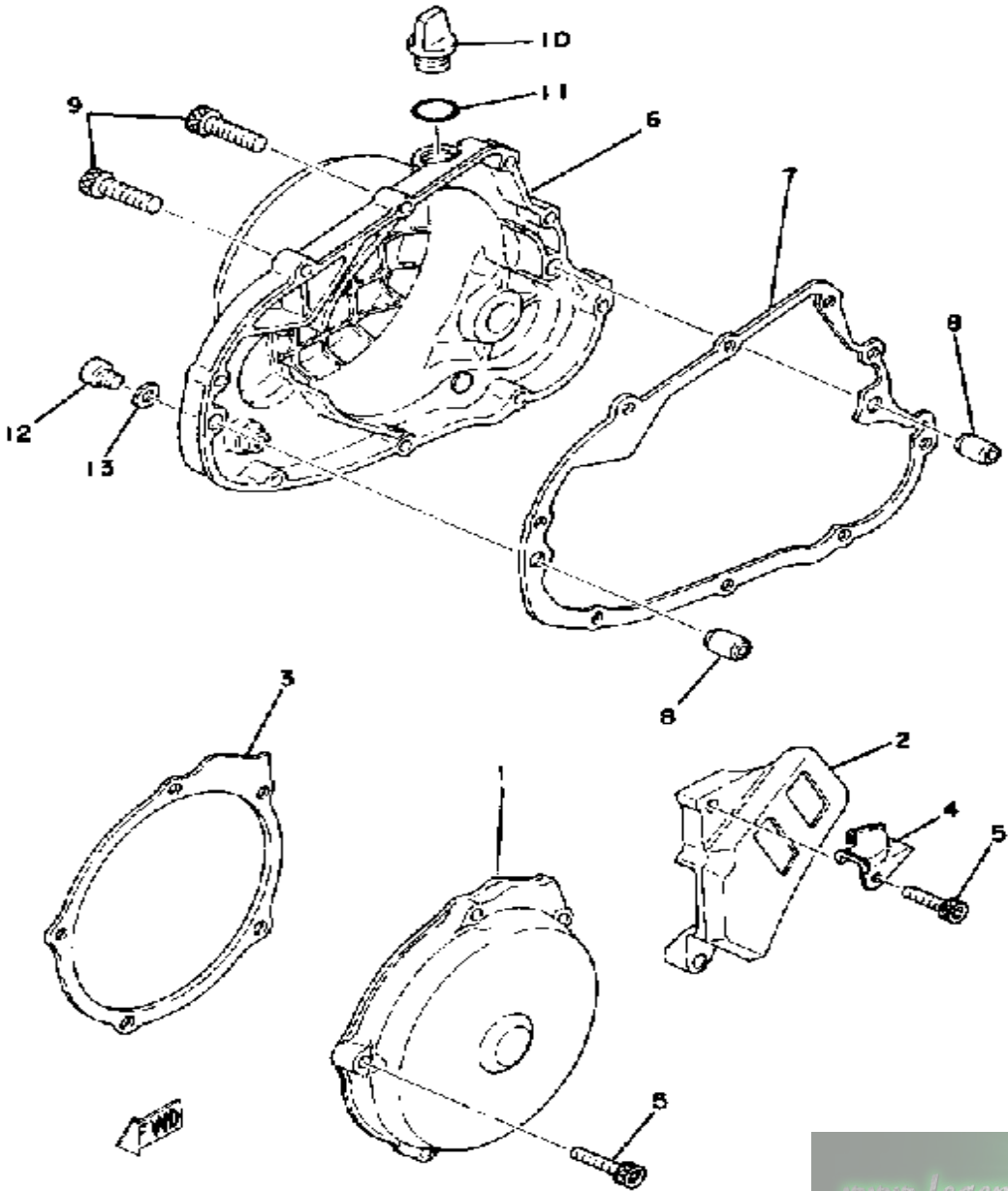
CONTINUED ON NEXT FRAME ➤

CRANKCASE - CYLINDER



| Ref. No. | Part Number | Description | Qty | Remarks |
|----------|-------------------|---------------------------------------|-----|---------|
| 30 | 328-15316-00-00 | DAMPER, ENG MOUNT 1 (328-15316-00) | 2 | |
| 31 | 401-15317-00-00 | SPACER, ENG MOUNT | 2 | |
| 32 | 93210-11073-00 | O-RING | 2 | |
| 33 | 1W2-11161-00-00 | ABSORBER 1 | 2 | |
| 34 | (1W2-11162-00-00) | ABSORBER 2 | 1 | |
| 35 | (1W2-11127-00-00) | ABSORBER 3 | 1 | |

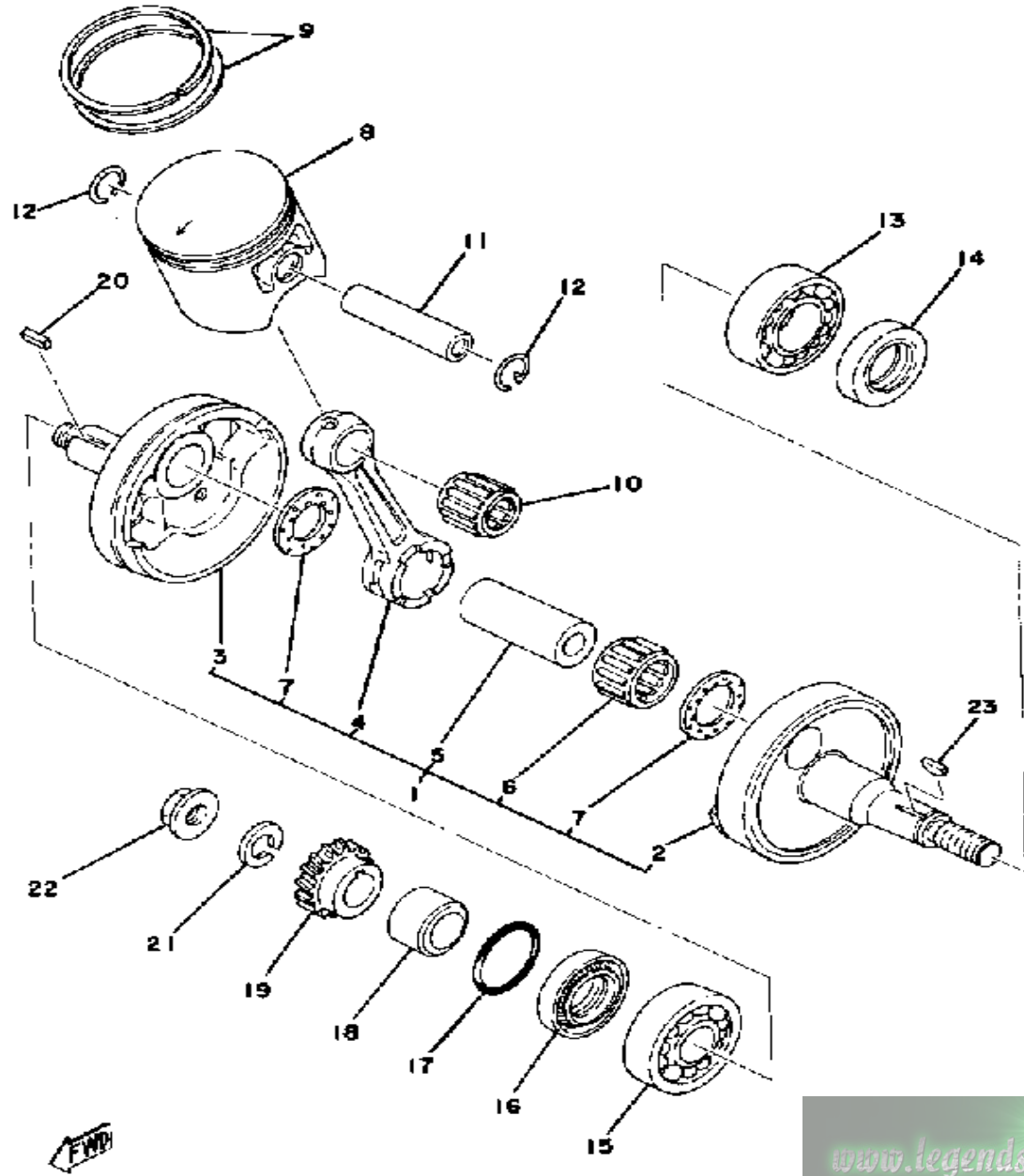
CRANKCASE COVER



| Ref. No. | Part Number | Description | Qty | Remarks |
|----------|-----------------|-------------------------------------|-----|---------|
| 1 | 1W1-15411-00-00 | COVER, CRANKCASE L | 1 | |
| 2 | 1W1-15421-01-00 | COVER, CRANKCASE R | 1 | |
| 3 | 1W1-15455-00-00 | GASKET 1 | 1 | |
| 4 | 90465-10119-00 | CLAMP | 1 | |
| 5 | 90110-06138-00 | BOLT, HEX SKT HEAD | 7 | |
| 6 | 1W1-15431-00-00 | COVER, CRANKCASE 3 | 1 | |
| 7 | 18G-15451-01-00 | GASKET, CRCS. COVER | 1 | |
| 8 | 99530-10014-00 | PIN, DOWEL | 2 | |
| 9 | 90110-06138-00 | BOLT, HEX SKT HEAD | 9 | |
| 10 | 1G8-15362-00-00 | PLUG, OIL LEVEL | 1 | |
| 11 | 93210-14104-00 | O-RING | 1 | |
| 12 | 98506-06008-00 | SCREW, PAN HEAD (92506-06008-00) | 1 | |
| 13 | 90430-06016-00 | GASKET | 1 | |

www.legends-yamaha-enduros.com

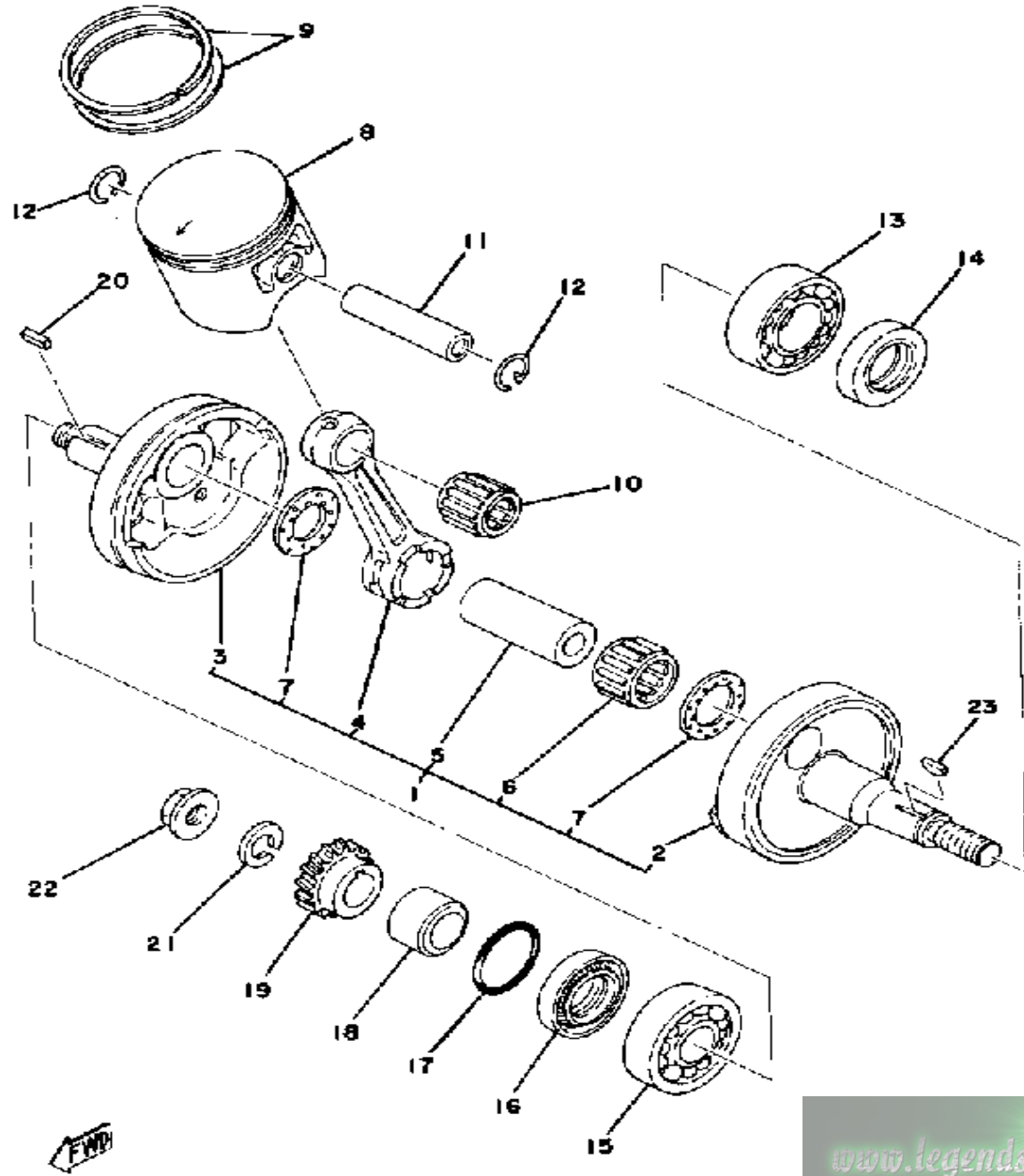
CRANKSHAFT - PISTON



| Ref. No. | Part Number | Description | Qty | Remarks |
|----------|-----------------|------------------------------------|-----|-----------|
| 1 | 2K5-11400-00-00 | CRANKSHAFT ASSEMBLY (1W1-11400-01) | 1 | |
| 2 | 1W1-11412-01-00 | . CRANK 1 | 1 | |
| 3 | 1W1-11422-01-00 | . CRANK 2 | 1 | |
| 4 | 3R2-11651-01-00 | . ROD, CONNECTING | 1 | |
| 5 | 3M5-11681-00-00 | . PIN, CRANK 1 | 1 | |
| 6 | 93310-422H0-00 | . BEARING, CYLINDER.# 0 | 1 | |
| 7 | 90209-22248-00 | . WASHER | 2 | |
| 8 | 1W2-11631-10-96 | PISTON STD | 1 | U.R. |
| | 1W2-11635-10-00 | PISTON 1 O/S 0.5 | 1 | ALT. PART |
| | 1W2-11636-10-00 | PISTON 2 O/S 0.0 | 1 | ALT. PART |
| | 1W2-11637-10-00 | PISTON 3 O/S 0.5 | 1 | ALT. PART |
| | 1W2-11638-10-00 | PISTON 4 O.S. 1.0 | 1 | ALT. PART |
| 9 | 1W2-11610-00-00 | PISTON RINGSET STD | 1 | |
| | 1W2-11610-10-00 | PISTON RINGSET 1ST | 1 | ALT. PART |
| | 1W2-11610-20-00 | PISTON RINGSET 2ND | 1 | ALT. PART |
| | 1W2-11610-30-00 | PISTON RINGSET 3RD | 1 | ALT. PART |
| | 1W2-11610-40-00 | PISTON RINGSET 4TH | 1 | ALT. PART |
| 10 | 93310-216E1-00 | BEARING | 1 | |
| 11 | 251-11633-00-00 | PIN, PISTON | 1 | |
| 12 | 93450-17025-00 | CIRCLIP | 2 | |
| 13 | 93306-20529-00 | BEARING (B6205C4) | 1 | |
| 14 | 93103-25125-00 | OIL SEAL, SW-TYPE | 1 | |
| 15 | 93306-30421-00 | BEARING (B6304C3) | 1 | |
| 16 | 93103-28011-00 | OIL SEAL | 1 | |
| 17 | 93210-180A6-00 | O-RING | 1 | |
| 18 | 90387-20488-00 | COLLAR | 1 | |
| 19 | 1W1-16111-00-00 | GEAR, PRI DRIVE | 1 | |
| 20 | 90282-05005-00 | KEY, STRAIGHT | 1 | |

CONTINUED ON NEXT FRAME ►

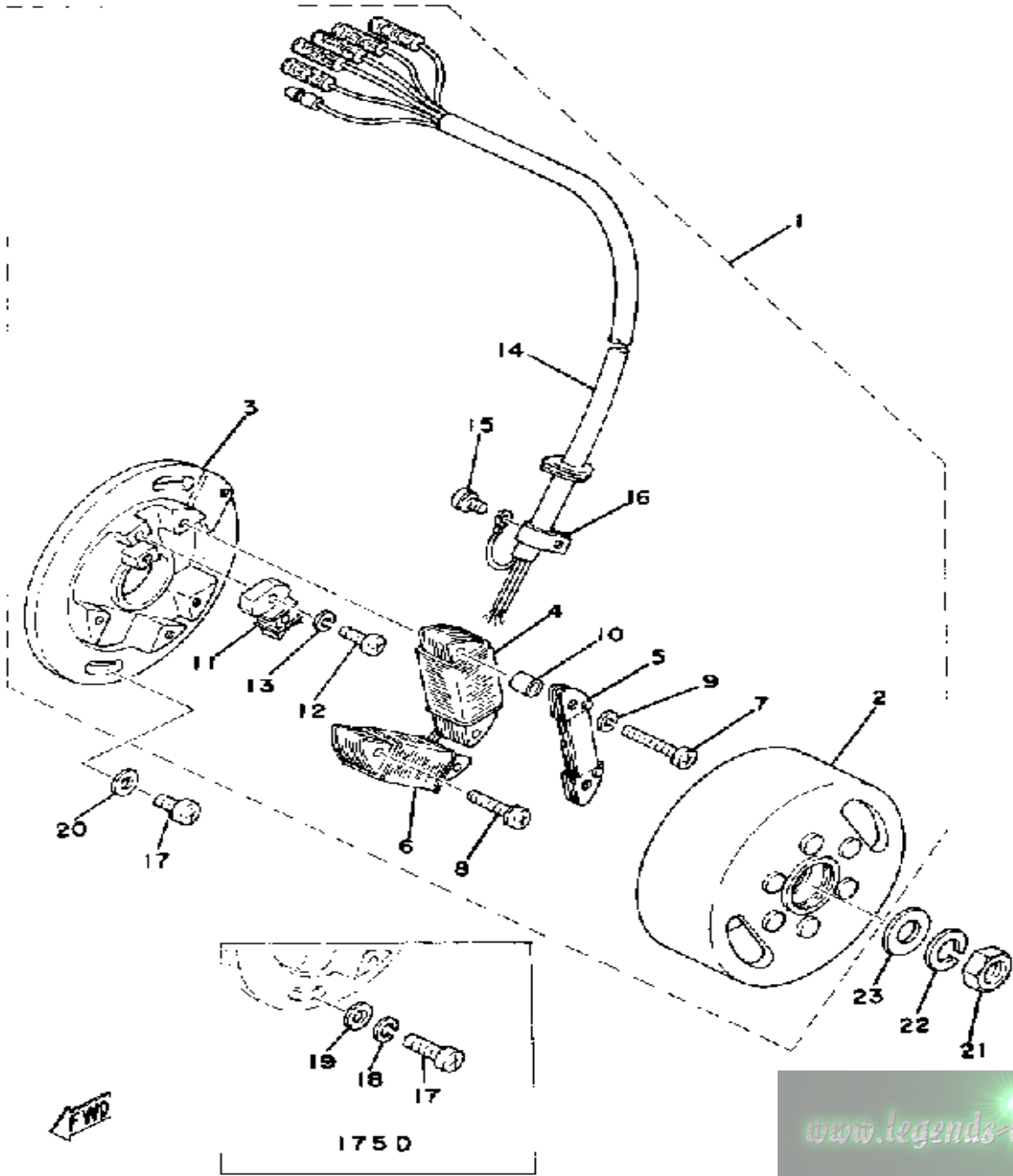
CRANKSHAFT - PISTON



| Ref. No. | Part Number | Description | Qty | Remarks |
|----------|----------------|-------------------------|-----|---------|
| 21 | 90204-12007-00 | WASHER, SPRING | 1 | |
| 22 | 90179-12244-00 | NUT, SPEC'L SHAPE | 1 | |
| 23 | 90280-03017-00 | KEY, WOODRUFF | 1 | |

www.legends-yamaha-enduros.com

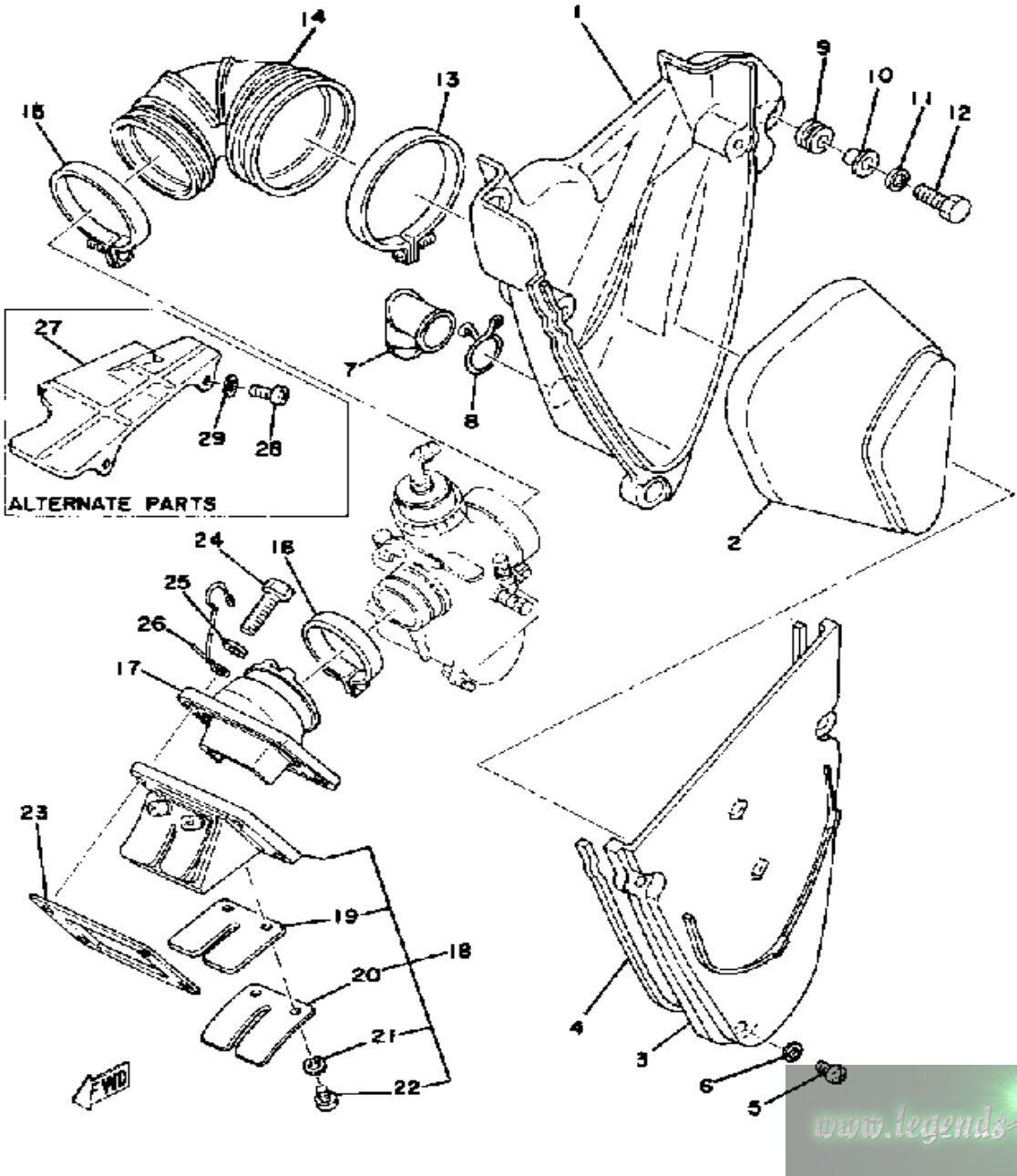
C - D - I - MAGNETO



| Ref. No. | Part Number | Description | Qty | Remarks |
|----------|-------------------|---------------------------------------|-----|---------|
| 1 | (1W2-85500-20-00) | CDI MAGNETO ASSEMBLY ... | 1 | |
| 2 | (1W2-85550-20-00) | ROTOR ASSEMBLY | 1 | |
| 3 | 1W2-85509-20-00 | . BASE, MAGNETO | 1 | |
| 4 | 2A7-85511-20-00 | . COIL SOURCE 1 | 1 | |
| 5 | 1W2-85512-20-00 | . COIL SOURCE 2 | 1 | |
| 6 | 1W2-85513-20-00 | . COIL, LIGHTING 1 | 1 | |
| 7 | 619-81345-20-00 | . SCREW, PAN HEAD (811-14125-0) | 2 | |
| 8 | 97602-04125-00 | . SCREW, PN/HD.W/WSHR (4-25) | 2 | |
| 9 | 92901-04100-00 | . WASHER, SPRING | 2 | |
| 10 | 1W2-85516-20-00 | . SPACER | 2 | |
| 11 | 1W2-85580-20-00 | . COIL, PULSER | 1 | |
| 12 | 98503-04014-00 | . SCREW, PAN HEAD | 2 | |
| 13 | 92901-04100-00 | . WASHER, SPRING | 2 | |
| 14 | (1W2-85515-20-00) | LEAD WIRE ASSEMBLY | 1 | |
| 15 | 97601-04106-00 | . SCREW, PN/HD.W/WSHR ... | 1 | |
| 16 | 445-81328-20-00 | . CLAMP | 1 | |
| 17 | 98503-06014-00 | SCREW, PAN HEAD (92502-06016) | 2 | |
| | 98580-06020-00 | SCREW | 2 | |
| 18 | 92995-06100-00 | WASHER, SPRING | 2 | |
| 19 | 90201-06643-00 | WASHER, PLATE | 2 | |
| 20 | 92901-06600-00 | WASHER | 2 | |
| 21 | 90170-12347-00 | NUT, HEXAGON | 1 | |
| 22 | 92901-12100-00 | WASHER, SPRING | 1 | |
| 23 | 90201-12593-00 | WASHER, PLATE | 1 | |

www.legends-yamaha-enduros.com

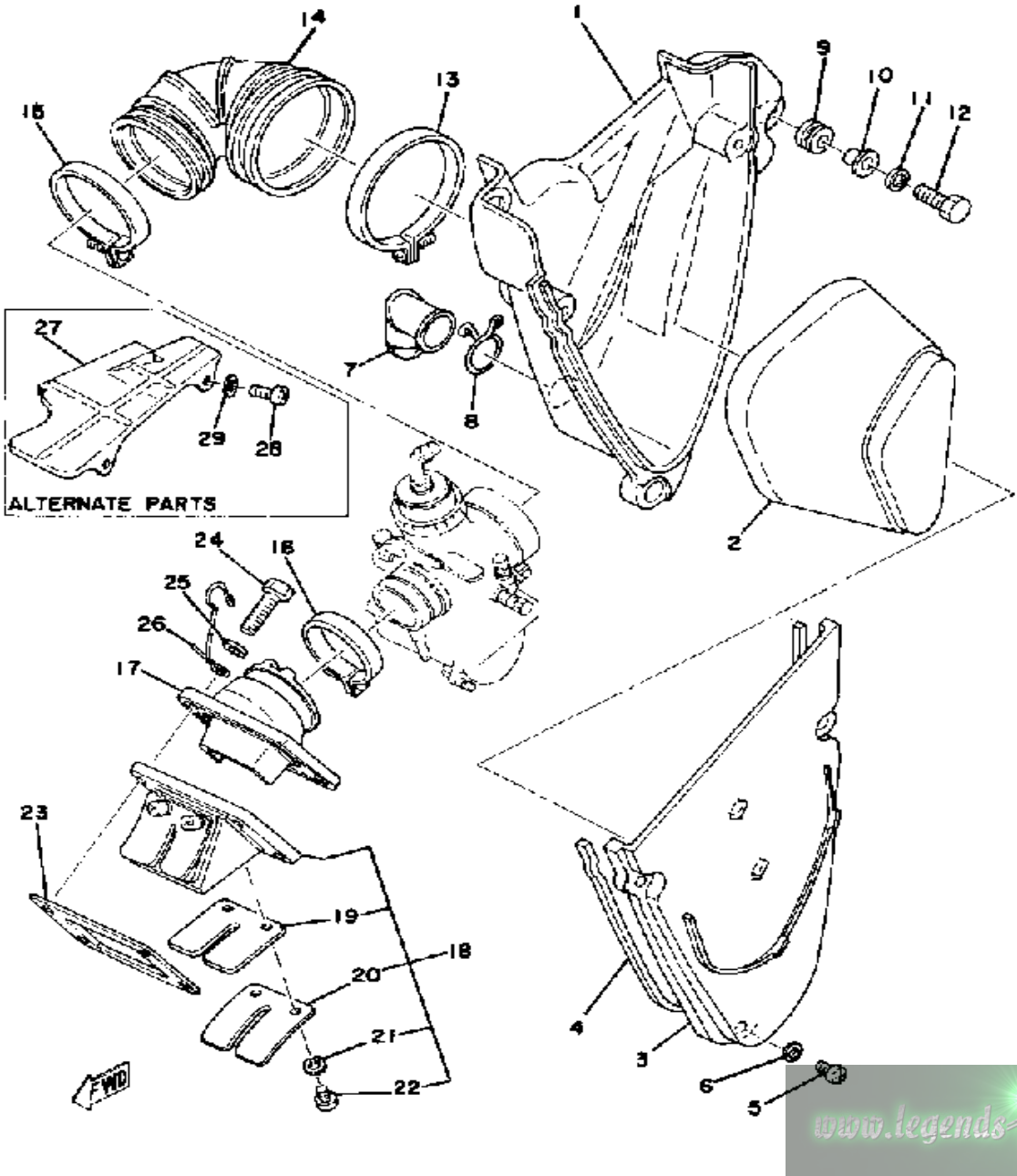
INTAKE



| Ref. No. | Part Number | Description | Qty | Remarks |
|----------|-------------------|---|-----|---------|
| 1 | (2W6-14411-00-00) | CASE, AIR CLEANER 1 | 1 | |
| 2 | 1W1-14450-02-00 | ELEMENT ASSEMBLY (1W1-14450-01) | 1 | |
| 3 | 1W2-14412-02-00 | CAP, CLEANER CASE 1 | 1 | |
| 4 | 3V6-14416-00-00 | GASKET, AIR CLEANER | 1 | |
| 5 | 98511-06025-00 | SCREW PAN HEAD (92501-06025) | 3 | |
| 6 | 92901-06600-00 | WASHER | 3 | |
| 7 | 1W1-14457-01-00 | SEAL | 1 | |
| 8 | 90467-20030-00 | CLIP | 1 | |
| 9 | 90480-14023-00 | GROMMET | 3 | |
| 10 | 90387-07391-00 | COLLAR | 3 | |
| 11 | 92995-06100-00 | WASHER, SPRING | 3 | |
| 12 | 97011-06025-00 | BOLT (97001-06025) | 3 | |
| 13 | 90460-77016-00 | CLAMP, HOSE | 1 | |
| 14 | (1W1-14453-00-00) | JOINT, AIR CLNR 1 | 1 | |
| 15 | 90460-64065-00 | CLAMP, HOSE | 1 | |
| 16 | 90460-49058-00 | CLAMP, HOSE | 1 | |
| 17 | 1W1-13565-00-00 | JOINT, CARBURETOR | 1 | |
| 18 | 10V-13610-01-00 | REED VALVE ASSEMBLY (885-13610-00) | 1 | |
| 19 | 10V-13613-01-00 | . REED, VALVE (1L8-13613-00) | 2 | |
| 20 | 1UA-13616-00-00 | . STOPPER REED VALVE VALVE (10V-13616-01) | 2 | |
| 21 | 92990-03100-00 | . WASHER, SPRING (92901-03100) | 4 | |
| 22 | 98580-03008-00 | . SCREW, PAN HEAD | 4 | |
| 23 | 3TT-13621-00-00 | GASKET, VALVE SEAT | 1 | |
| 24 | 97011-06025-00 | BOLT (97001-06025) | 4 | |
| 25 | 92901-06600-00 | WASHER | 4 | |

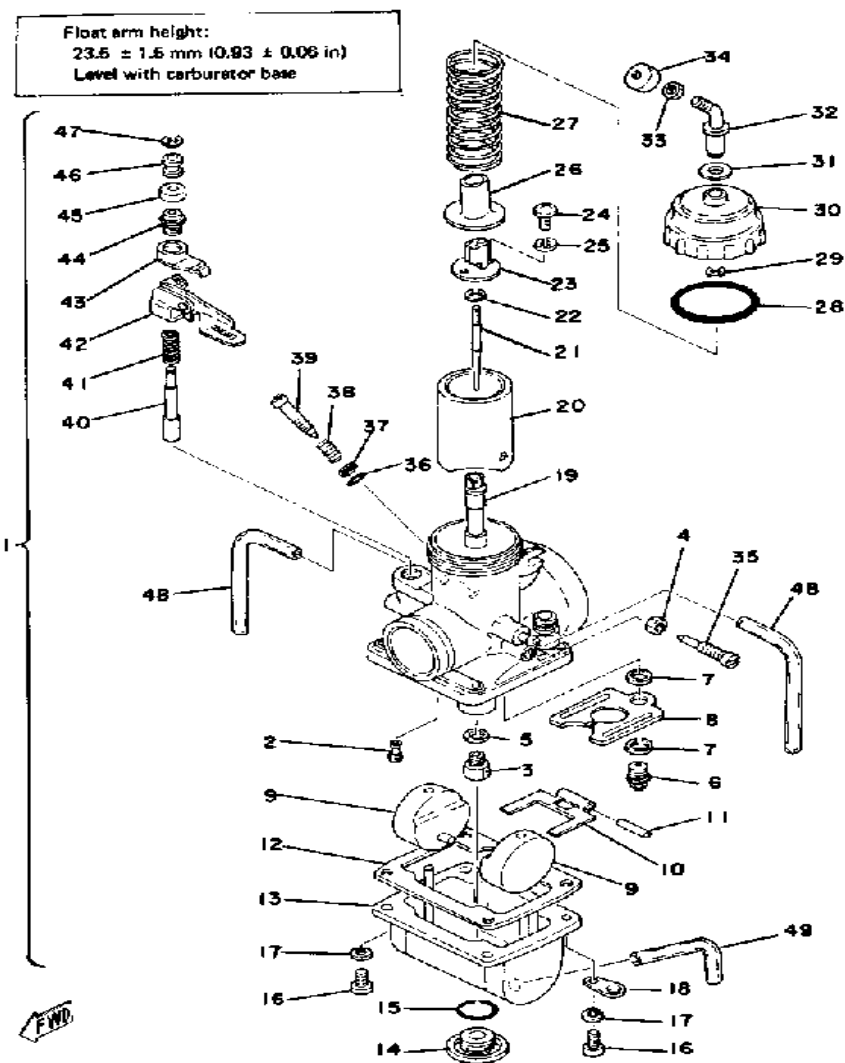
CONTINUED ON NEXT FRAME ➤

INTAKE



| Ref. No. | Part Number | Description | Qty | Remarks |
|----------|-------------------|-----------------------|-----|-----------|
| 26 | (90462-20034-00) | CLAMP | 1 | |
| 27 | (1W2-14477-10-00) | PLATE | 1 | ALT. PART |
| 28 | 98580-06012-00 | SCREW, PAN HEAD | 2 | ALT. PART |
| 29 | 92901-06600-00 | WASHER | 2 | ALT. PART |

CARBURETOR



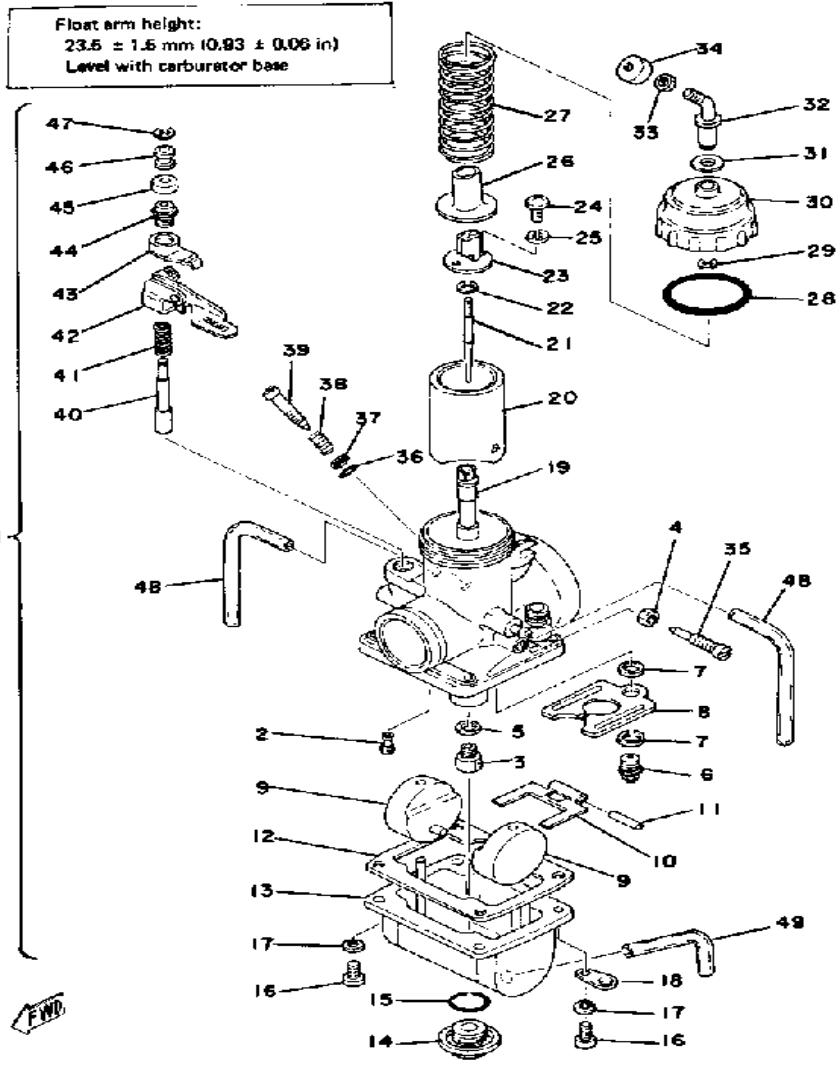
IT175D IT175E

| | |
|-------------------------------------|--------------------------|
| CARBURETOR — mfr./type/I.D. number | Mikuni / VM34SS / 1W2-00 |
| Main Jet/Pilot Jet | 360/80 |
| Needle Jet/Jet Needle-Clip Position | P-4 / 6F21-3 |
| Slide Cutaway or Throttle Valve | 2.0 |
| Float Level | 23.5 ± 1mm |
| Mixture Screw — turns out/idle rpm | 1 1/2 / φ |
| Pilot Jet | No. 60 |
| Air Jet | 2.5 |
| Starter Jet | No. 80 |

| Ref. No. | Part Number | Description | Qty | Remarks |
|----------|-------------------|--------------------------------|-----|----------|
| 1 | (1W2-14101-00-00) | CARBURETOR ASSEMBLY 1 | 1 | |
| 2 | 193-14142-60-00 | . JET, PILOT #60 (60) | 1 | |
| 3 | 137-14143-70-00 | . JET, MAIN (#350) | 1 | U.R. |
| | 137-14143-72-00 | . JET, MAIN (#360) | 1 | U.R. STD |
| | 137-14143-74-00 | . JET, MAIN (#370) | 1 | U.R. |
| 4 | 802-14161-00-00 | . NUT, CABLE ADJUSTING | 1 | |
| 5 | (1G8-14153-00-00) | WASHER, MAIN JET | 1 | |
| 6 | 24X-14107-33-00 | . NEEDLE VALVE SET (#3.3) | 1 | |
| 7 | 239-14195-00-00 | . WASHER, NEEDLE VALVE | 2 | |
| 8 | 483-14146-00-00 | . PLATE | 1 | |
| 9 | 310-14185-00-00 | . FLOAT | 2 | |
| 10 | 310-14187-00-00 | . ARM, FLOAT | 1 | |
| 11 | 127-14186-00-00 | . PIN, FLOAT | 1 | |
| 12 | 483-14184-00-00 | . GASKET, FLOAT CHMBR | 1 | |
| 13 | (310-14181-16-00) | BODY, FLOAT CHMBR 1 | 1 | |
| 14 | 500-14115-00-00 | . PLUG, SCREW | 1 | |
| 15 | 558-14147-00-00 | . O-RING | 1 | |
| 16 | 98580-05016-00 | . SCREW, PAN HEAD | 4 | |
| 17 | 92990-05100-00 | . WASHER, SPRING | 4 | |
| 18 | 313-14146-00-00 | . PLATE | 2 | |
| 19 | 239-14141-44-00 | . NOZZLE, MAIN P 4 | 1 | |
| 20 | (509-14112-20-00) | VALVE, THROTTLE 1 | 1 | |
| 21 | 239-14116-21-00 | . NEEDLE (6F21-3) | 1 | |
| 22 | 164-14137-00-00 | . CLIP | 1 | |
| 23 | 509-14274-00-00 | . CONNECTOR | 1 | |
| 24 | 98580-03008-00 | . SCREW, PAN HEAD | 2 | |
| 25 | 92990-03100-00 | . WASHER, SPRING (92901-03100) | 2 | |
| 26 | 509-14136-00-00 | . SEAT, SPRING | 1 | |

CONTINUED ON NEXT FRAME ►

CARBURETOR



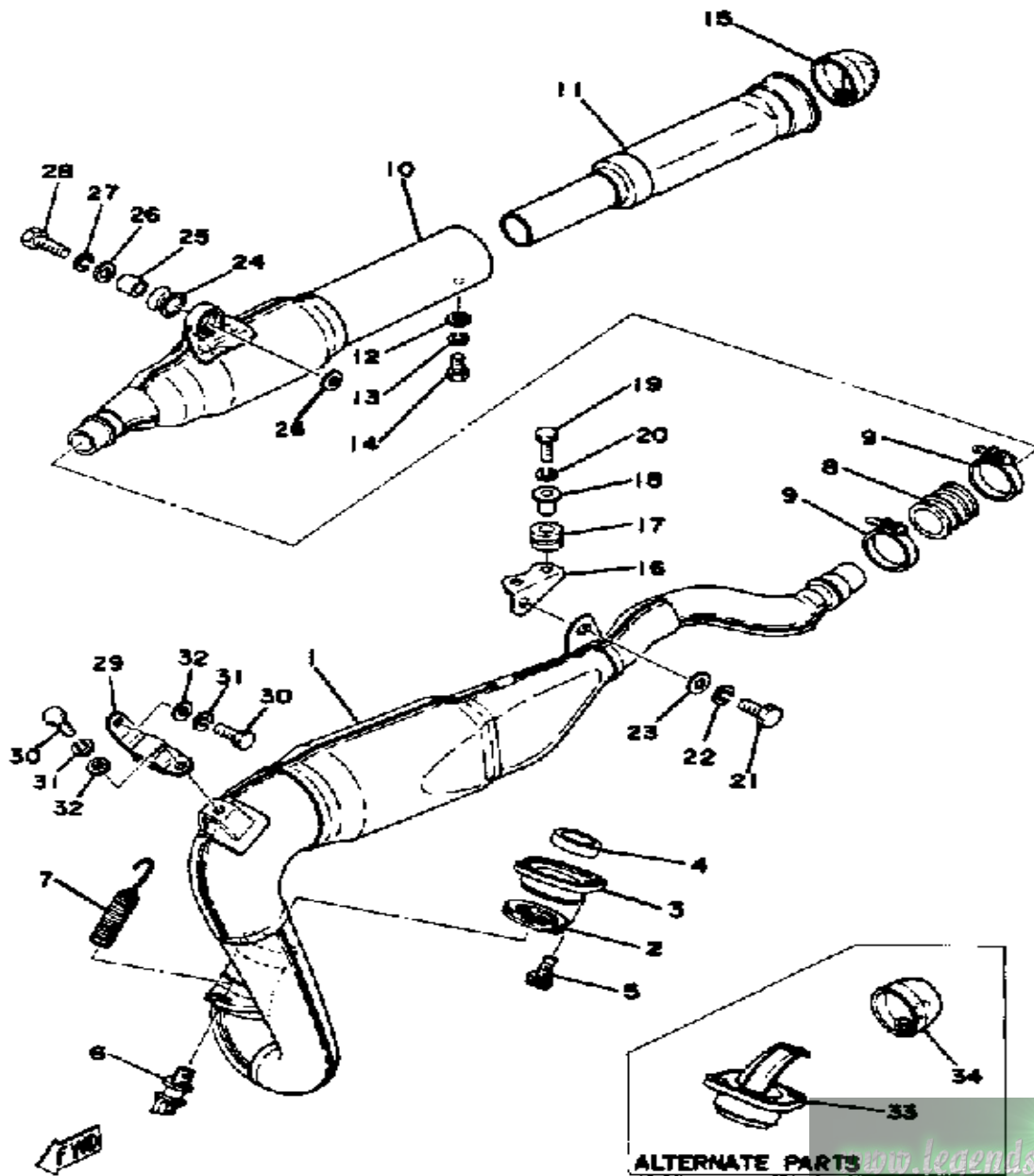
IT175D IT175E

| | |
|-------------------------------------|--------------------------|
| CARBURETOR — mfr./type/I.D. number | Mikuni / VM34SS / 1W2-00 |
| Main Jet/Pilot Jet | 360/80 |
| Needle Jet/Jet Needle-Clip Position | P-4 / 6F21-3 |
| Slide Cutaway or Throttle Valve | 2.0 |
| Float Level | 23.5 ± 1mm |
| Mixture Screw — turns out/idle rpm | 1 1/2 / φ |
| Pilot Jet | No. 60 |
| Air Jet | 2.5 |
| Starter Jet | No. 80 |

| Ref. No. | Part Number | Description | Qty | Remarks |
|----------|-----------------|---|-----|---------|
| 27 | 363-14131-00-00 | . SPRING, THROTTLE VALVE | 1 | |
| 28 | 93210-40289-00 | . O-RING | 1 | |
| 29 | 363-14137-00-00 | . CLIP | 1 | |
| 30 | 500-14158-00-00 | . TOP, MIXING CHAMBER (500-14158-00-33) | 1 | |
| 31 | 509-14198-00-00 | . GASKET | 1 | |
| 32 | 500-14155-00-00 | . GUIDE, CABLE | 1 | |
| 33 | 127-14161-00-00 | . NUT, CABLE ADJUSTING | 1 | |
| 34 | 1M1-14169-00-00 | . CAP | 1 | |
| 35 | 24X-14103-00-00 | . THROTTLE SCREW SET | 1 | |
| 36 | 812-14147-00-00 | . O-RING | 1 | |
| 37 | 812-14235-00-00 | . WASHER, NEEDLE | 1 | |
| 38 | 137-14134-00-00 | . SPRING, AIR ADJUSTING | 1 | |
| 39 | 1G8-14123-00-00 | . SCREW, AIR ADJUSTING | 1 | |
| 40 | 1W1-14171-00-00 | . PLUNGER, STARTER | 1 | |
| 41 | 256-14135-00-00 | . SPRING, PLUNGER | 1 | |
| 42 | 1W1-14175-01-00 | . LEVER, STARTER 1 | 1 | |
| 43 | 275-14178-00-00 | . PLATE, STARTER LVR | 1 | |
| 44 | 802-14174-00-00 | . CAP, PLUNGER | 1 | |
| 45 | 802-14173-00-00 | . COVER, PLUNGER CAP | 1 | |
| 46 | 583-14918-00-00 | . RING | 1 | |
| 47 | 737-14137-00-00 | . CLIP | 1 | |
| 48 | 310-14197-00-00 | . PIPE, AIRVENT | 2 | |
| 49 | 2J2-14196-00-00 | . PIPE | 1 | |

www.legends-yamaha-enduros.com

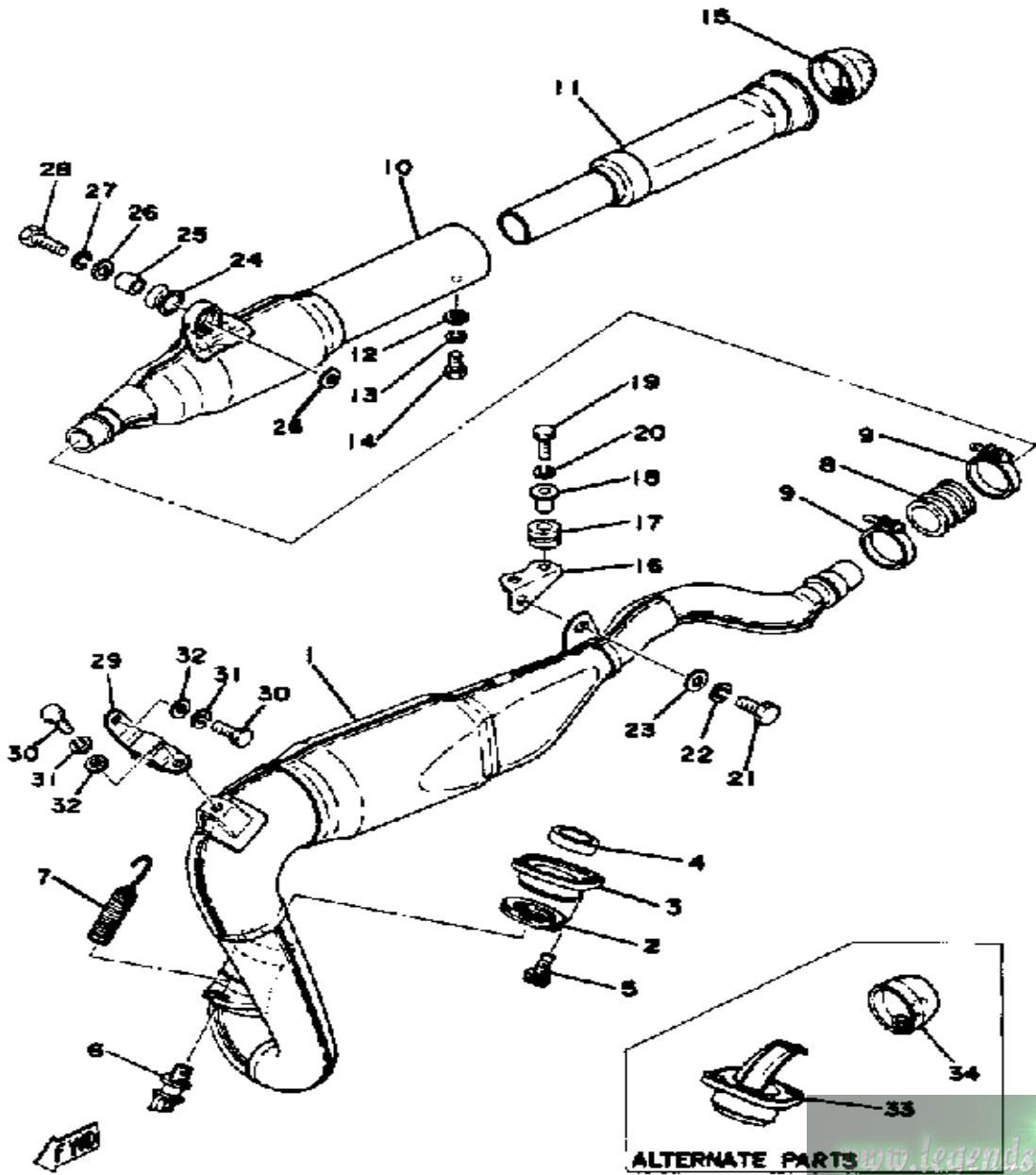
EXHAUST



| Ref. No. | Part Number | Description | Qty | Remarks |
|----------|-------------------|---|-----|---------|
| 1 | (2W6-14610-00-00) | EXHAUST PIPE ASSEMBLY L . | 1 | |
| 2 | 248-14623-00-00 | GASKET, EXST PIPE | 1 | |
| 3 | (1L8-14612-00-00) | NUT, RING | 1 | |
| 4 | 152-14613-00-00 | GASKET, EXST PIPE | 1 | |
| 5 | 91316-06016-00 | BOLT, SOCKET HEAD | 2 | |
| 6 | 409-14684-00-00 | BOLT, HOOK | 1 | |
| 7 | 90507-20012-00 | SPRING, TENSION (145-14683-00) | 1 | |
| 8 | 1W2-14714-00-00 | GASKET, MUFFLER | 1 | |
| 9 | 90460-37026-00 | CLAMP, HOSE | 2 | |
| 10 | (1W2-14753-00-00) | SILENCER, EXHAUST | 1 | |
| 11 | (1W2-14753-00-00) | SILENCER, EXHAUST | 1 | |
| 12 | 92901-06600-00 | WASHER | 1 | |
| 13 | 92995-06100-00 | WASHER, SPRING | 1 | |
| 14 | 97013-06012-00 | BOLT | 1 | |
| 15 | 1W2-14787-00-00 | CAP, SILENCER | 1 | |
| 16 | 1W2-14771-10-00 | STAY, MUFFLER 1 | 1 | |
| 17 | 90480-14023-00 | GROMMET | 2 | |
| 18 | 90387-06388-00 | COLLAR | 2 | |
| 19 | 97011-06025-00 | BOLT (97001-06025) | 2 | |
| 20 | 92995-06100-00 | WASHER, SPRING | 2 | |
| 21 | 97313-08018-00 | BOLT, HEXAGON (97301-08016) | 1 | |
| 22 | 92990-08100-00 | WASHER | 1 | |
| 23 | 92901-08600-00 | WASHER | 1 | |
| 24 | 565-14747-00-00 | DAMPER, MUFFLER | 1 | |
| 25 | 90387-08258-00 | COLLAR | 1 | |
| 26 | 90201-08753-00 | WASHER, PLATE | 2 | |
| 27 | 92990-08100-00 | WASHER | 1 | |
| 28 | 97313-08030-00 | BOLT, HEXAGON | 1 | |

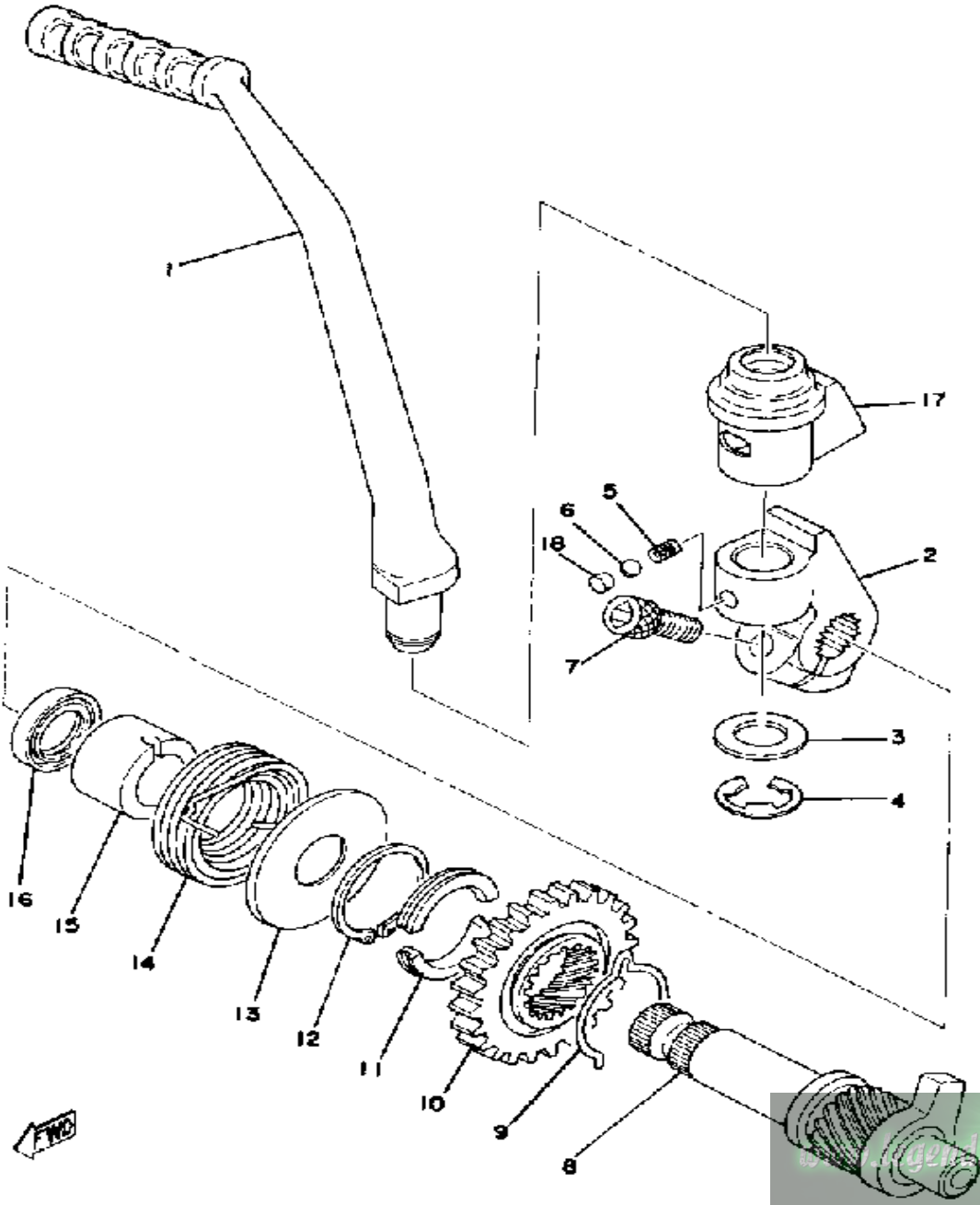
CONTINUED ON NEXT FRAME ►

EXHAUST



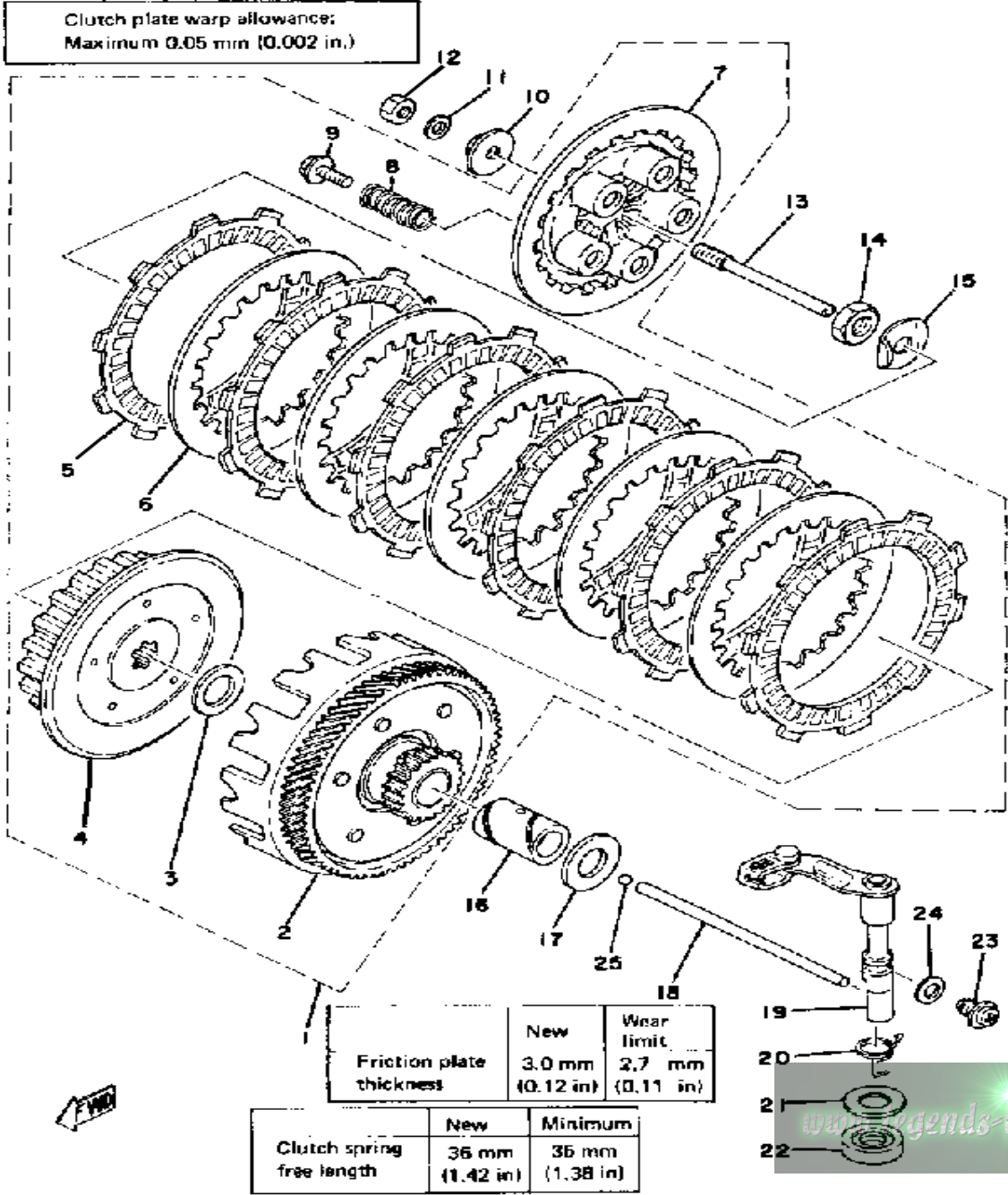
| Ref. No. | Part Number | Description | Qty | Remarks |
|----------|-------------------|-----------------------|-----|-----------|
| 29 | 1M1-14772-00-00 | STAY, MUFFLER 2 | 1 | |
| 30 | 97011-06016-00 | BOLT | 2 | |
| 31 | 92995-06100-00 | WASHER, SPRING | 2 | |
| 32 | 92901-06600-00 | WASHER | 2 | |
| 33 | (1W2-14612-10-00) | NUT, RING | 1 | ALT. PART |
| 34 | (1W2-14787-10-00) | CAP, SILENCER | 1 | ALT. PART |

KICK - STARTER



| Ref. No. | Part Number | Description | Qty | Remarks |
|----------|-----------------|---------------------------------------|-----|------------|
| 1 | 1W1-15620-01-00 | KICK CRANK ASSEMBLY (1W1-15611-02-33) | 1 | YAMAHA BLK |
| 2 | 1W1-15621-01-00 | BOSS, KICK CRANK | 1 | |
| 3 | 90201-12541-00 | WASHER, PLATE | 1 | |
| 4 | 93430-08007-00 | CIRCLIP | 1 | |
| 5 | 90501-10459-00 | SPRING, COMPRESSION | 1 | |
| 6 | 93503-16010-00 | BALL | 1 | |
| 7 | 91316-08025-00 | BOLT, SOCKET HEAD | 1 | |
| 8 | 1W1-15660-00-00 | KICK AXLE ASSEMBLY | 1 | |
| 9 | 90468-26048-00 | CLIP | 1 | |
| 10 | 1W1-15641-00-00 | GEAR, KICK (27T) | 1 | |
| 11 | 248-15654-00-00 | HOLDER, KICK GEAR | 2 | |
| 12 | 99009-30400-00 | CIRCLIP | 1 | |
| 13 | 401-15676-00-00 | COVER, SPRING | 1 | |
| 14 | 90508-26346-00 | SPRING, TORSION | 1 | |
| 15 | 1W1-15666-00-00 | SPACER | 1 | |
| 16 | 93101-17062-00 | OIL SEAL | 1 | |
| 17 | 1W1-15618-01-00 | COVER, KICK LEVER | 1 | |
| 18 | 90336-06030-00 | PLUG, TAPER | 1 | |

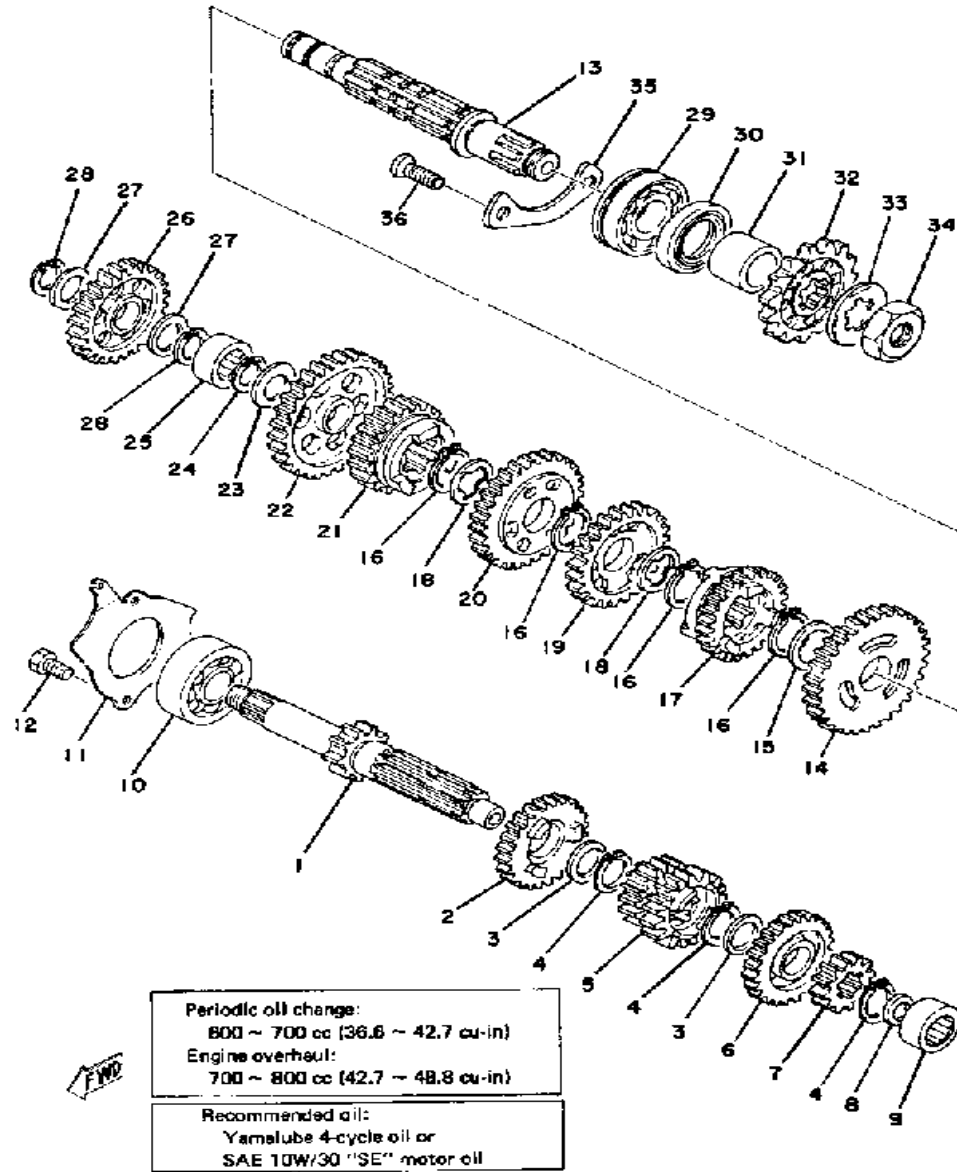
CLUTCH



| Ref. No. | Part Number | Description | Qty | Remarks |
|----------|-------------------|--------------------------------------|-----|---------|
| 1 | (1W1-16301-01-00) | CLUTCH ASSEMBLY | 1 | |
| 2 | 1W1-16150-01-00 | . PRIMARY DRIVEN GEAR COMP. (71T) | 1 | |
| 3 | 90201-174E1-00 | . WASHER, PLATE | 1 | |
| 4 | 1G8-16371-00-00 | . BOSS, CLUTCH | 1 | |
| 5 | 537-16321-00-00 | . PLATE, FRICTION | 6 | |
| 6 | 137-16325-70-00 | . PLATE, CLUTCH 2 | 5 | |
| 7 | 1W1-16351-00-00 | . PLATE, PRESSURE 1 | 1 | |
| 8 | 90501-20361-00 | . SPRING, COMPRESSION | 5 | |
| 9 | 90159-05011-00 | . SCREW, WITH WASHER | 5 | |
| 10 | 30X-16358-00-00 | PLATE, PUSH | 1 | |
| 11 | 92990-06200-00 | WASHER | 1 | |
| 12 | 95380-06600-00 | NUT | 1 | |
| 13 | 1W1-16356-02-00 | ROD, PUSH 1 | 1 | |
| 14 | 90170-14171-00 | NUT | 1 | |
| 15 | 90215-14204-00 | WASHER, LOCK | 1 | |
| 16 | 90560-17147-00 | SPACER | 1 | |
| 17 | 90201-174E1-00 | WASHER, PLATE | 1 | |
| 18 | 1W1-16357-00-00 | ROD, PUSH 2 | 1 | |
| 19 | (1W1-16380-00-00) | PUSH LEVER ASSEMBLY | 1 | |
| 20 | 90508-20345-00 | SPRING, TORSION | 1 | |
| 21 | 90201-14217-00 | WASHER, PLATE | 1 | |
| 22 | 93104-14059-00 | OIL SEAL, SO-TYPE | 1 | |
| 23 | 90149-08108-00 | SCREW, SPEC'L SHAPE | 1 | |
| 24 | 90430-08069-00 | GASKET | 1 | |
| 25 | 93503-16010-00 | BALL | 1 | |

www.legends-yamaha-enduros.com

TRANSMISSION

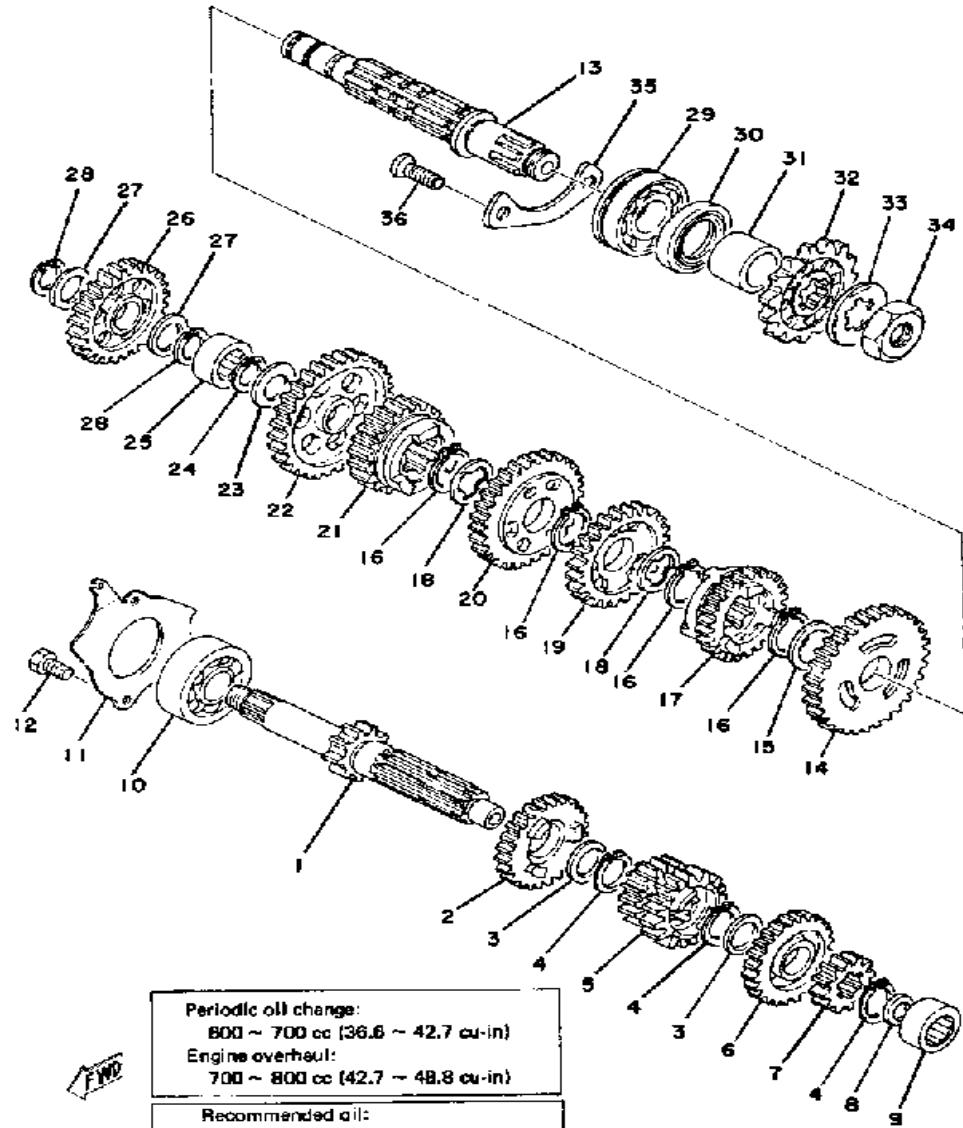


| Ref. No. | Part Number | Description | Qty | Remarks |
|----------|-----------------|-----------------------|-----|---------|
| 1 | 1W2-17411-00-00 | AXLE, MAIN | 1 | |
| 2 | 1W2-17151-00-00 | GEAR, 5TH PINION | 1 | |
| 3 | 90201-20266-00 | WASHER, PLATE (1.0T) | 2 | |
| 4 | 93410-20038-00 | CIRCLIP | 3 | |
| 5 | 2W6-17131-01-00 | GEAR, 3RD PINION | 1 | |
| 6 | 1W2-17161-00-00 | GEAR, 6TH PINION | 1 | |
| 7 | 1W2-17121-00-00 | GEAR, 2ND PINION | 1 | |
| 8 | 90201-15701-00 | WASHER, PLATE (1.0T) | 1 | |
| 9 | 93311-41530-00 | BEARING | 1 | |
| 10 | 93306-30309-00 | BEARING | 1 | |
| 11 | 1W1-17471-01-00 | PLATE, COVER | 1 | |
| 12 | 97013-06012-00 | BOLT | 2 | |
| 13 | 1W1-17421-00-00 | AXLE, DRIVE | 1 | |
| 14 | 1W2-17221-01-00 | GEAR, 2ND WHEEL | 1 | |
| 15 | 90201-22555-00 | WASHER, PLATE | 1 | |
| 16 | 93410-22039-00 | CIRCLIP | 4 | |
| 17 | 1W2-17261-00-00 | GEAR, 6TH WHEEL | 1 | |
| 18 | 90209-18135-00 | WASHER | 2 | |
| 19 | 1W2-17241-00-00 | GEAR, 4TH WHEEL | 1 | |
| 20 | 2W6-17231-01-00 | GEAR, 3RD WHEEL | 1 | |
| 21 | 2W6-17251-01-00 | GEAR, 5TH WHEEL | 1 | |
| 22 | 1W2-17211-01-00 | GEAR, 1ST WHEEL | 1 | |
| 23 | 90201-15701-00 | WASHER, PLATE (1.0T) | 1 | |
| 24 | 93440-15012-00 | CIRCLIP | 1 | |
| 25 | 93311-31567-00 | BEARING, CYLINDRICAL | 1 | |
| 26 | 525-15651-00-00 | GEAR, KICK IDLE (25T) | 1 | |
| 27 | 137-17417-00-05 | SHIM 1 (0.5T) | 2 | |
| 28 | 93440-15012-00 | CIRCLIP | 2 | |
| 29 | 93306-30411-00 | BEARING (B6304) | 1 | |

| | |
|--|--|
| TRANSMISSION — oil type/qty chg/qty reassemble | SAE20W40 (Yamalube 4*) / 600cc / 650cc |
| Primary drive type | Helical Gear |
| Secondary type/teeth/chain | Chain / 41-12 / DID520TR · 94L IT175E |

CONTINUED ON NEXT FRAME ►

TRANSMISSION

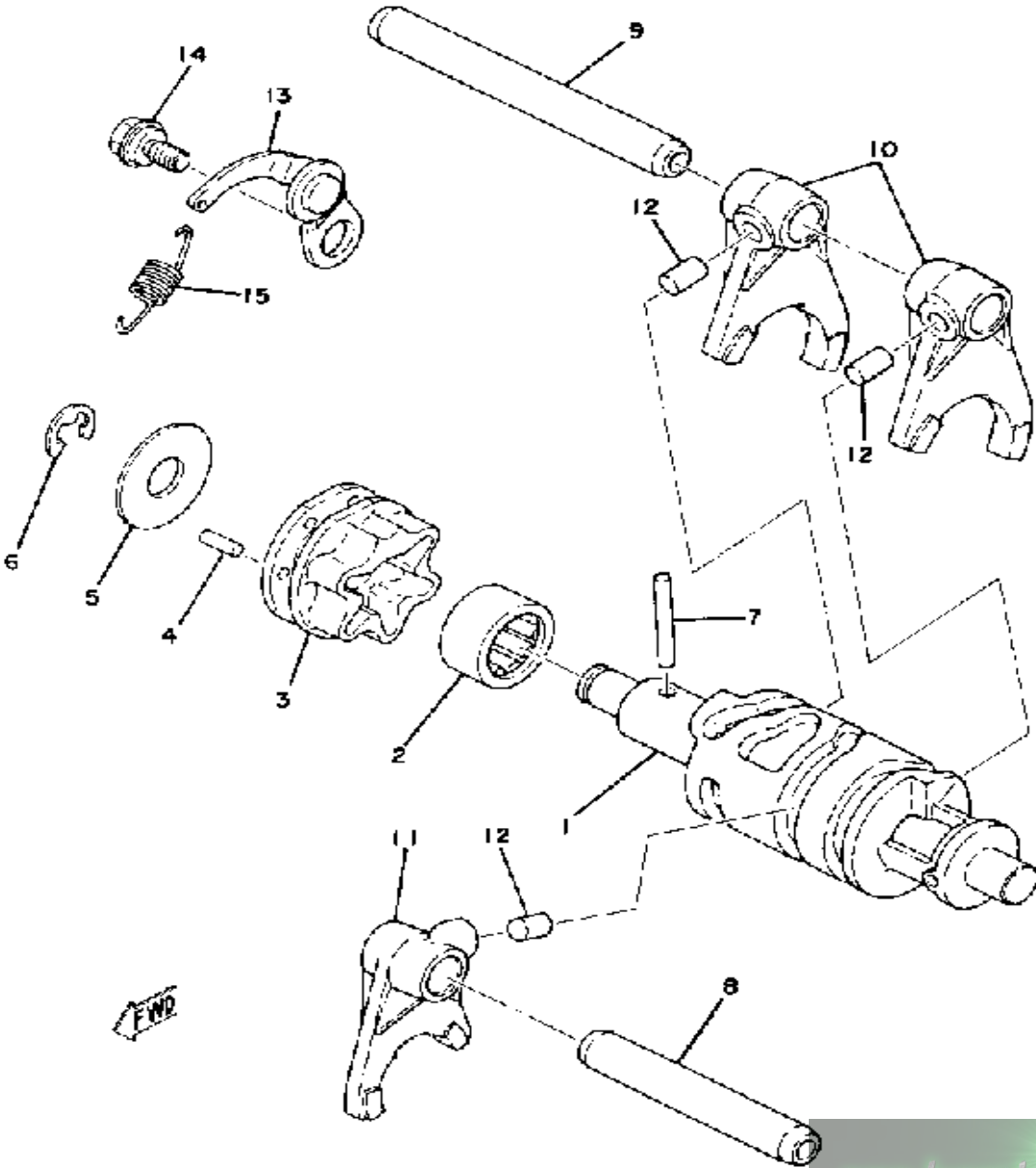


Periodic oil change:
 600 ~ 700 cc (36.6 ~ 42.7 cu-in)
 Engine overhaul:
 700 ~ 800 cc (42.7 ~ 48.8 cu-in)
 Recommended oil:
 Yamalube 4-cycle oil or
 SAE 10W/30 "SE" motor oil

| Ref. No. | Part Number | Description | Qty | Remarks |
|----------|-----------------|--------------------------------------|-----|---------|
| 30 | 93102-26042-00 | OIL SEAL | 1 | |
| 31 | 90387-205A0-00 | UNAVAILABLE IN PRICE BOOK | 1 | |
| 32 | 93832-11007-00 | SPROCKET, DRIVE 11T | 1 | U.R. |
| | 93832-12014-00 | SPROCKET, DRIVE | 1 | U.R. |
| | 93832-13027-00 | SPROCKET, DRIVE | 1 | U.R. |
| 33 | 90215-16127-00 | WASHER, LOCK | 1 | |
| 34 | 90179-16226-00 | NUT | 1 | |
| 35 | 1W1-15381-00-00 | PLATE, BRNG COVER | 1 | |
| 36 | 98603-06012-00 | SCREW, OVAL HEAD (92701-06012) | 2 | |

| | |
|--|--|
| TRANSMISSION — oil type/qty chg/qty reassemble | SAE20W40 (Yamalube 4*) / 600cc / 650cc |
| Primary drive type | Helical Gear |
| Secondary type/teeth/chain | Chain / 41-12 / DID520TR · 94L IT175E |

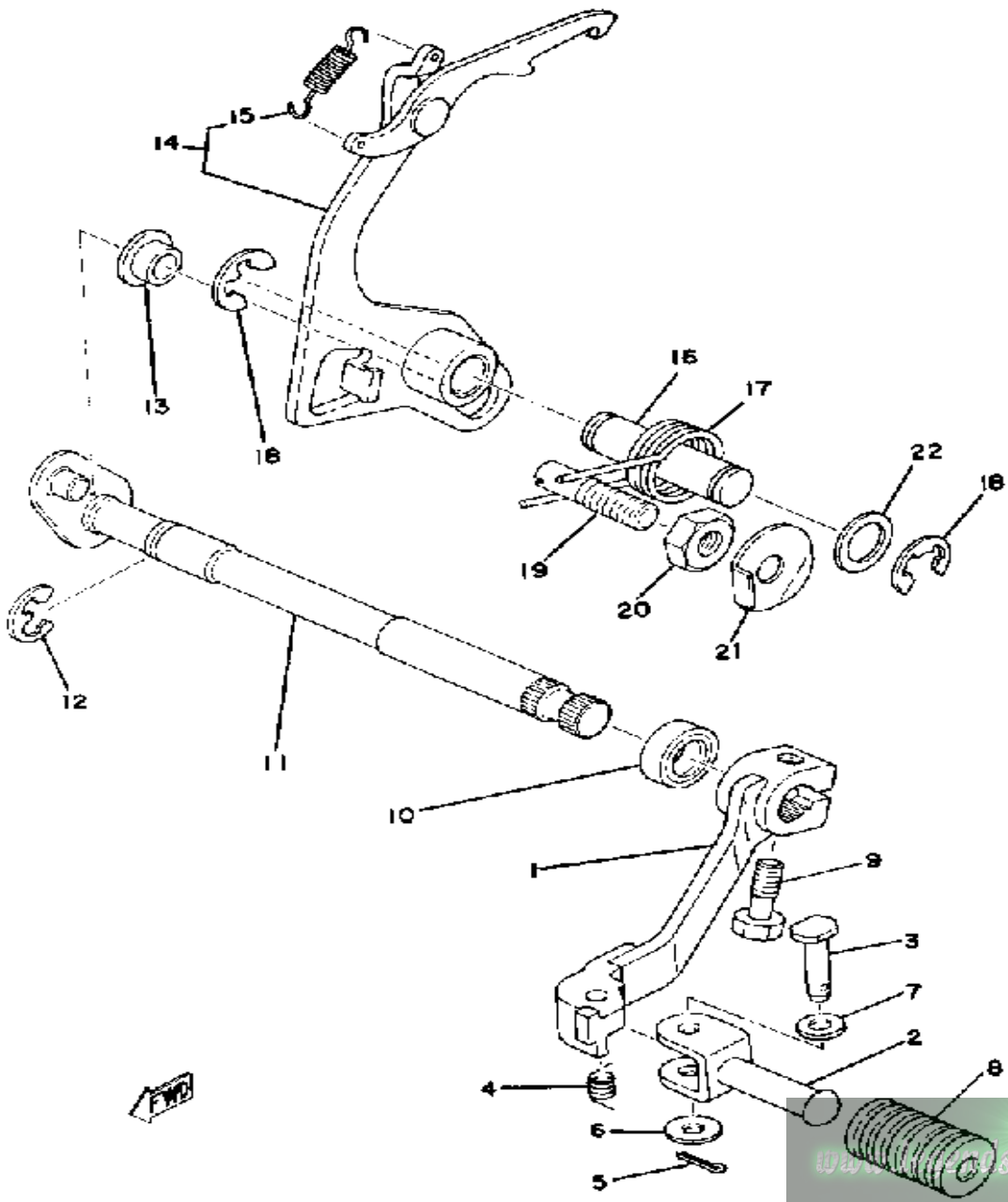
SHIFTER 1



| Ref. No. | Part Number | Description | Qty | Remarks |
|----------|-----------------|-------------------------|-----|---------|
| 1 | 1W1-18540-00-00 | SHIFT CAM ASSEMBLY | 1 | |
| 2 | 93315-21813-00 | BEARING | 1 | |
| 3 | 1W1-18185-00-00 | SEGMENT | 1 | |
| 4 | 93604-12037-00 | PIN, DOWEL | 6 | |
| 5 | 1W1-18561-00-00 | PLATE, SIDE 1 | 1 | |
| 6 | 99001-08600-00 | CIRCLIP | 1 | |
| 7 | 93604-30018-00 | PIN, DOWEL | 1 | |
| 8 | 2A6-18531-00-00 | BAR, SHIFT FORK GUIDE 1 | 1 | |
| 9 | 2A6-18535-00-00 | BAR, SHIF FRK GDE 2 | 1 | |
| 10 | 1W1-18511-01-00 | FORK, SHIFT 1 | 2 | |
| 11 | 2A6-18512-00-00 | FORK, SHIFT 2 | 1 | |
| 12 | 90250-06013-00 | PIN, STRAIGHT | 3 | |
| 13 | 1W1-18140-00-00 | STOPPER LEVER ASSEMBLY | 1 | |
| 14 | 50W-21631-00-00 | BOLT 1 | 1 | |
| 15 | 90506-09156-00 | SPRING, TENSION | 1 | |

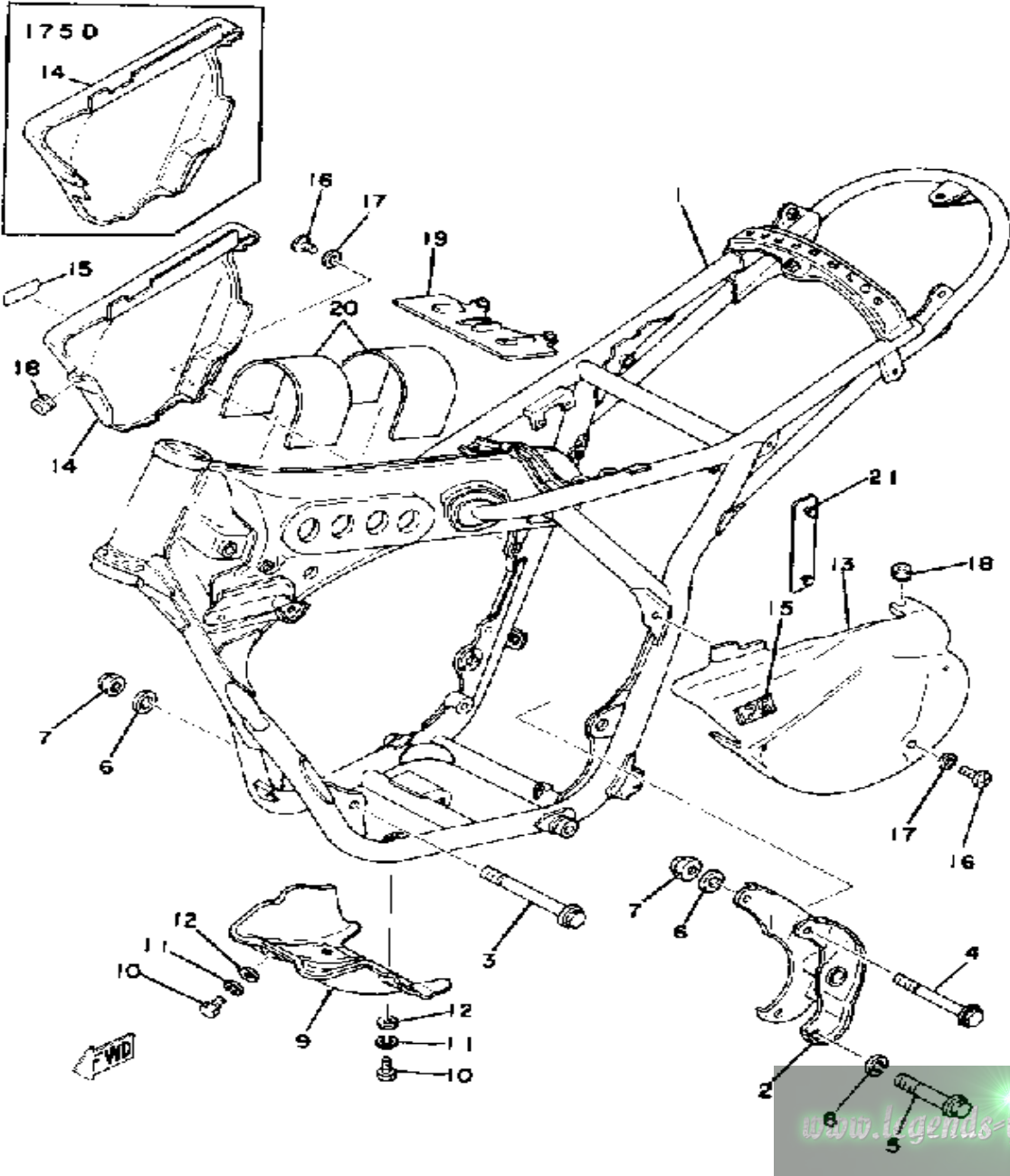
www.legends-yamaha-enduros.com

SHIFTER 2



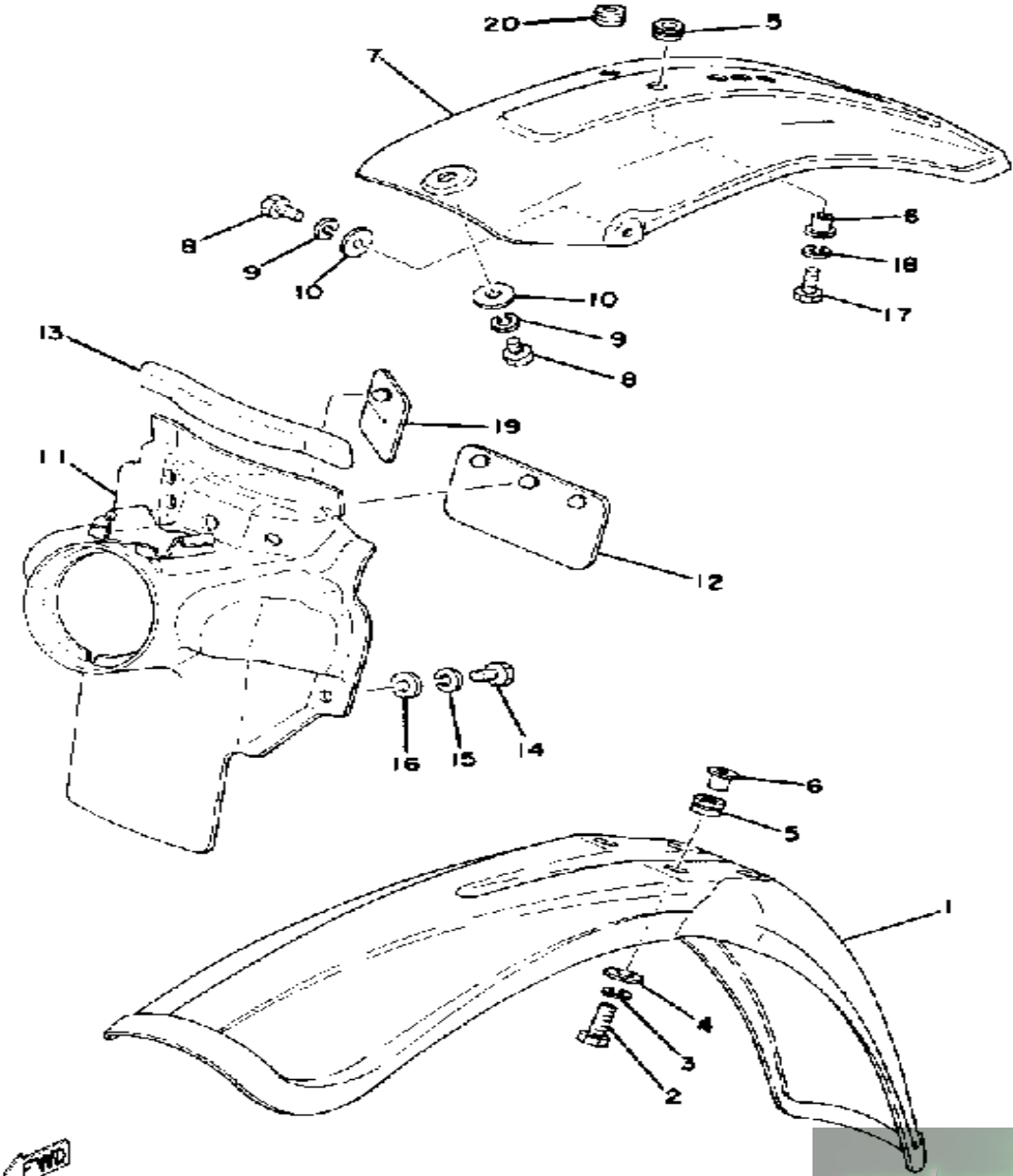
| Ref. No. | Part Number | Description | Qty | Remarks |
|----------|-----------------|-------------------------------------|-----|------------|
| 1 | 2HF-18110-01-00 | SHIFT PEDAL ASSEMBLY | 1 | YAMAHA BLK |
| 2 | 1W6-18162-00-00 | PEDAL, SHIFT | 1 | |
| 3 | 90240-06057-00 | PIN, CLEVIS | 1 | |
| 4 | 90508-16351-00 | SPRING, TORSION | 1 | |
| 5 | 91490-20020-00 | PIN, COTTER | 1 | |
| 6 | 92990-06200-00 | WASHER | 1 | |
| 7 | 92901-06600-00 | WASHER | 1 | |
| 8 | 1W6-18113-00-00 | COVER, SHIFT PEDAL | 1 | |
| 9 | 97011-06020-00 | BOLT | 1 | |
| 10 | 93101-12060-00 | OIL SEAL | 1 | |
| 11 | 1W1-18101-03-00 | . SHIFT SHAFT ASSEMBLY 1 | 1 | |
| | 99006-10600-00 | . CIRCLIP | 1 | |
| | 99999-01086-00 | CHANGE SHAFT1W101 (1W1-18101-01) | 1 | |
| 12 | 1W1-18136-00-00 | CLIP, SHIFT SHAFT | 1 | |
| 13 | 401-18178-00-00 | ROLLER, SHIFT LEVER | 1 | |
| 14 | 4F2-18120-00-00 | SHIFT LEVER ASSEMBLY (2A6-18120-00) | 1 | |
| 15 | 90506-08155-00 | . SPRING, TENSION | 1 | |
| 16 | 1W1-18197-01-00 | SHAFT | 1 | |
| 17 | 90508-32349-00 | SPRING, TORSION | 1 | |
| 18 | 99006-10600-00 | CIRCLIP | 2 | |
| 19 | 90149-08111-00 | SCREW, SPEC'L SHAPE | 1 | |
| 20 | 90170-08029-00 | NUT | 1 | |
| 21 | 90215-08014-00 | WASHER, LOCK | 1 | |
| 22 | 90201-12M34-00 | WASHER, PLATE | 1 | |

FRAME - SIDE COVER



| Ref. No. | Part Number | Description | Qty | Remarks |
|----------|-------------------|-----------------------------|-----|------------------------|
| 1 | (1W2-21110-01-33) | FRAME | 1 | |
| | (1W2-21110-03-33) | FRAME | 1 | |
| 2 | 1W1-21410-00-00 | ENGINE BRKT | 1 | |
| 3 | 90105-08099-00 | BOLT, WASHER BASED | 1 | M8-115L |
| 4 | 95811-08055-00 | BOLT, FLANGE | 1 | M8-95L |
| 5 | 90105-10037-00 | BOLT, WASHER BASED | 1 | M10-80L |
| 6 | 92990-08200-00 | WASHER, PLAIN | 2 | |
| 7 | 90185-08089-00 | NUT, SELF-LOCKING | 2 | |
| 8 | 92990-10100-00 | WASHER, SPRING | 1 | |
| 9 | (1W2-21471-00-00) | PROTECTOR, ENGINE | 1 | |
| 10 | 97313-08018-00 | BOLT, HEXAGON (97301-08016) | 4 | |
| 11 | 92990-08100-00 | WASHER | 4 | |
| 12 | 92901-08600-00 | WASHER | 4 | |
| 13 | 1W2-21711-00-00 | COVER, SIDE 1 | 1 | SKY BLUE/ COMP. YELLOW |
| 14 | (1W2-21721-01-00) | COVER, SIDE 2 | 1 | SKY BLUE/ COMP. YELLOW |
| 15 | 525-14729-20-00 | EMBLEM, PROTECTOR | 2 | |
| 16 | 98903-06012-00 | SCREW, BIND | 2 | |
| 17 | 90201-06067-00 | WASHER, PLATE | 2 | |
| 18 | 90480-12053-00 | GROMMET | 1 | |
| | 90480-12053-00 | GROMMET | 2 | |
| 19 | 1W1-21481-00-00 | UNAVAILABLE IN PRICE BOOK | 1 | |
| 20 | 1W1-24183-00-00 | DAMPER, LOCATING 3 | 2 | |
| 21 | 537-21732-00-00 | SEAL 1 | 2 | |

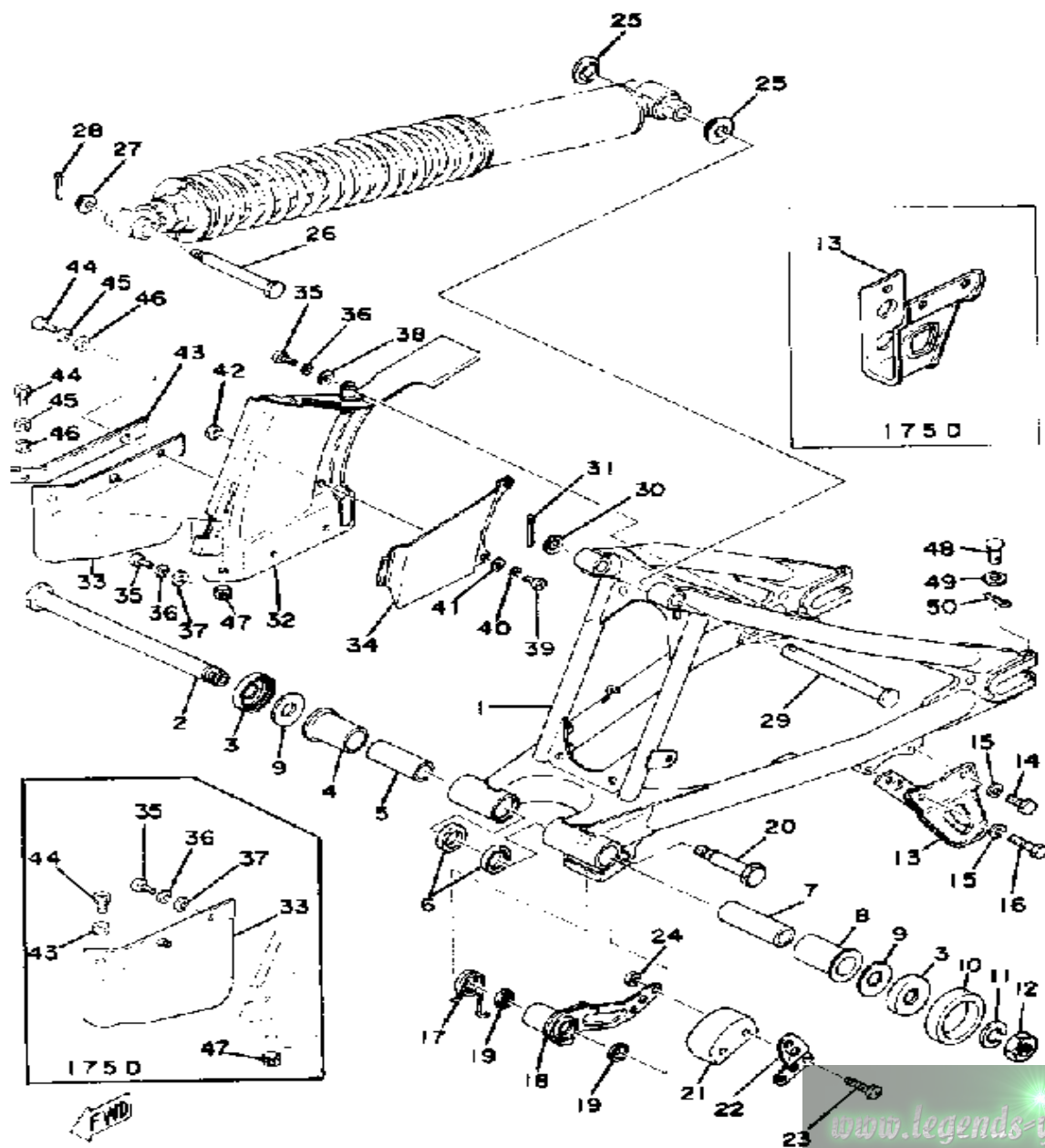
FRONT FENDER - REAR FENDER



| Ref. No. | Part Number | Description | Qty | Remarks |
|----------|-------------------|---------------------------|-----|----------|
| 1 | 99999-02158-00 | FENDER, FRONT SET | 1 | SKY BLUE |
| 2 | 97011-06025-00 | BOLT (97001-06025) | 4 | |
| 3 | 92995-06100-00 | WASHER, SPRING | 4 | |
| 4 | 90203-06067-00 | UNAVAILABLE IN PRICE BOOK | 4 | |
| 5 | 90480-14198-00 | GROMMET | 5 | |
| 6 | 90387-06388-00 | COLLAR | 5 | |
| 7 | 1W2-21611-00-00 | FENDER, REAR | 1 | SKY BLUE |
| 8 | 97301-06014-00 | BOLT, HEXAGON | 3 | |
| 9 | 92995-06100-00 | WASHER, SPRING | 3 | |
| 10 | 90201-06067-00 | WASHER, PLATE | 3 | |
| 11 | (1W2-21620-90-00) | GUARD, MUD | 1 | |
| 12 | 1M1-21621-00-00 | FLAP | 1 | |
| 13 | 565-21746-00-00 | DAMPER | 1 | |
| 14 | 97301-06014-00 | BOLT, HEXAGON | 2 | |
| 15 | 92995-06100-00 | WASHER, SPRING | 2 | |
| 16 | 90201-06067-00 | WASHER, PLATE | 2 | |
| 17 | 97011-06025-00 | BOLT (97001-06025) | 1 | |
| 18 | 92995-06100-00 | WASHER, SPRING | 1 | |
| 19 | (1W2-21621-00-00) | FLAP | 1 | |
| 20 | 90480-15058-00 | GROMMET | 1 | |

www.legends-yamaha-enduros.com

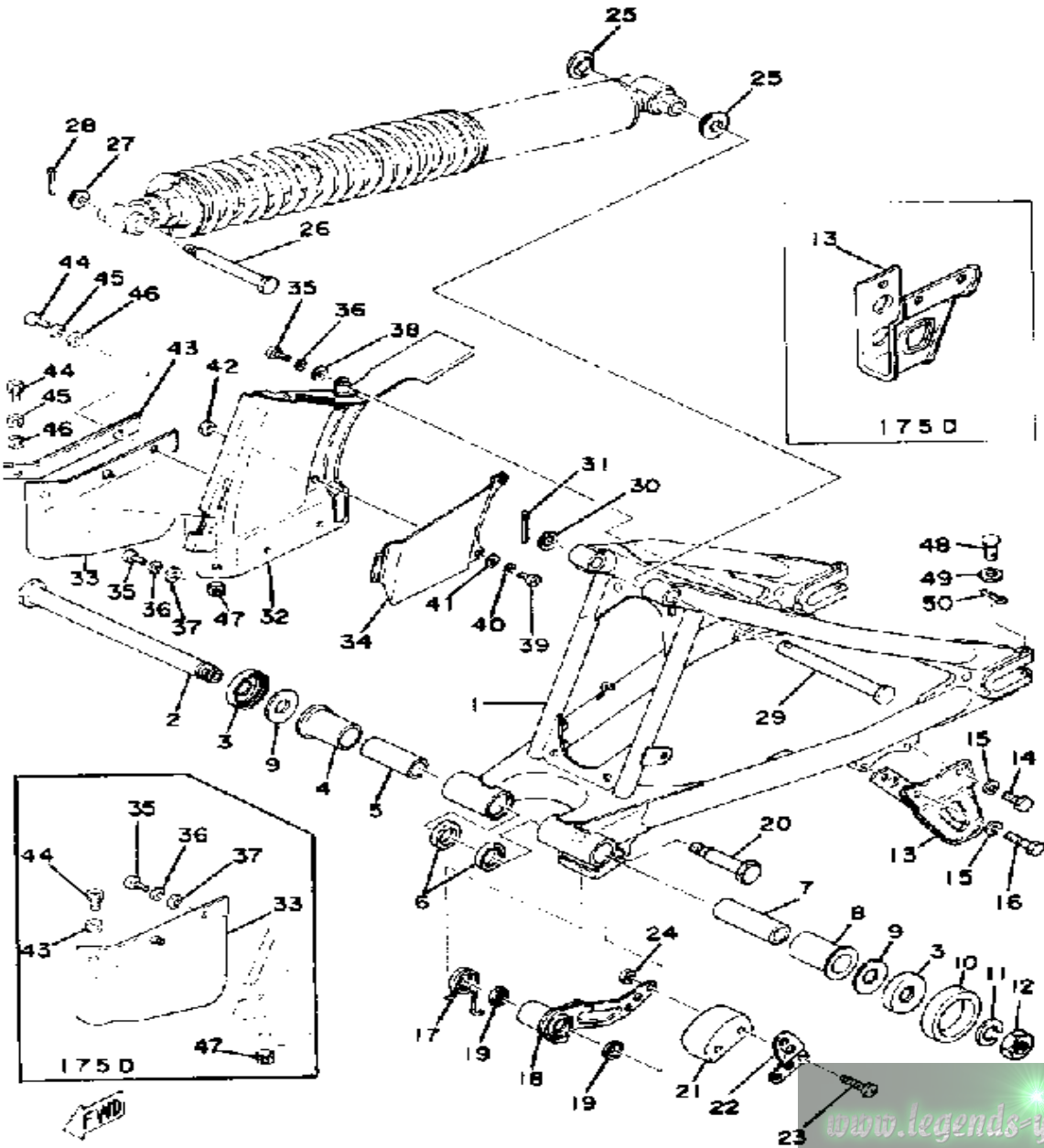
REAR ARM - CHAIN CASE



| Ref. No. | Part Number | Description | Qty | Remarks |
|----------|-------------------|-----------------------------|-----|------------|
| 1 | (1W2-22110-01-33) | REAR ARM | 1 | YAMAHA BLK |
| 2 | 1W1-22141-00-00 | SHAFT, PIVOT | 1 | |
| 3 | 322-22128-01-00 | COVER, THRUST 1 | 2 | |
| 4 | 90386-22102-00 | BUSH, SPEC'L NYLON | 1 | |
| 5 | 90380-16054-00 | BUSH, SOLID | 1 | |
| 6 | 93109-22019-00 | OIL SEAL, SDO-TYPE | 2 | |
| 7 | 90380-16055-00 | BUSH, SOLID | 1 | |
| 8 | 3Y1-22184-01-00 | BUSH | 1 | |
| 9 | 240-22127-00-00 | SHIM | 1 | |
| 10 | 1W1-22151-00-00 | SEAL, GUARD | 1 | |
| 11 | 92901-16100-00 | WASHER, SPRING | 1 | |
| 12 | 90170-16111-00 | NUT, HEXAGON | 1 | |
| 13 | 1K7-22153-01-00 | UNAVAILABLE IN PRICE BOOK | 1 | YAMAHA BLK |
| 14 | 97001-06018-00 | BOLT | 1 | |
| 15 | 92995-06100-00 | WASHER, SPRING | 2 | |
| 16 | 97313-06055-00 | BOLT, HEXAGON (97322-06055) | 1 | |
| 17 | 90508-35350-00 | SPRING, TORSION | 1 | |
| 18 | (1W1-22179-01-00) | ARM, TENSIONER | 1 | |
| 19 | 93104-14044-00 | OIL SEAL | 2 | |
| 20 | 90109-10483-00 | BOLT (90109-10533-00) | 1 | |
| 21 | 1W1-22178-00-00 | TENSIONER | 1 | |
| | ACC-11130-00-25 | TENSIONER (2N0-22178-00-00) | 1 | |
| 22 | 1W1-22187-00-00 | GUIDE, CHAIN | 1 | |
| 23 | 98580-05035-00 | SCREW, PAN HEAD | 2 | |
| 24 | 95311-05700-00 | NUT | 2 | |
| 25 | 1W1-22128-00-00 | COVER, THRUST 1 | 2 | |
| 26 | 90109-08480-00 | BOLT | 1 | |
| 27 | 90179-08243-00 | NUT, SPEC'L SHAPE | 1 | |
| 28 | 91490-20020-00 | PIN, COTTER | 1 | |

CONTINUED ON NEXT FRAME ►

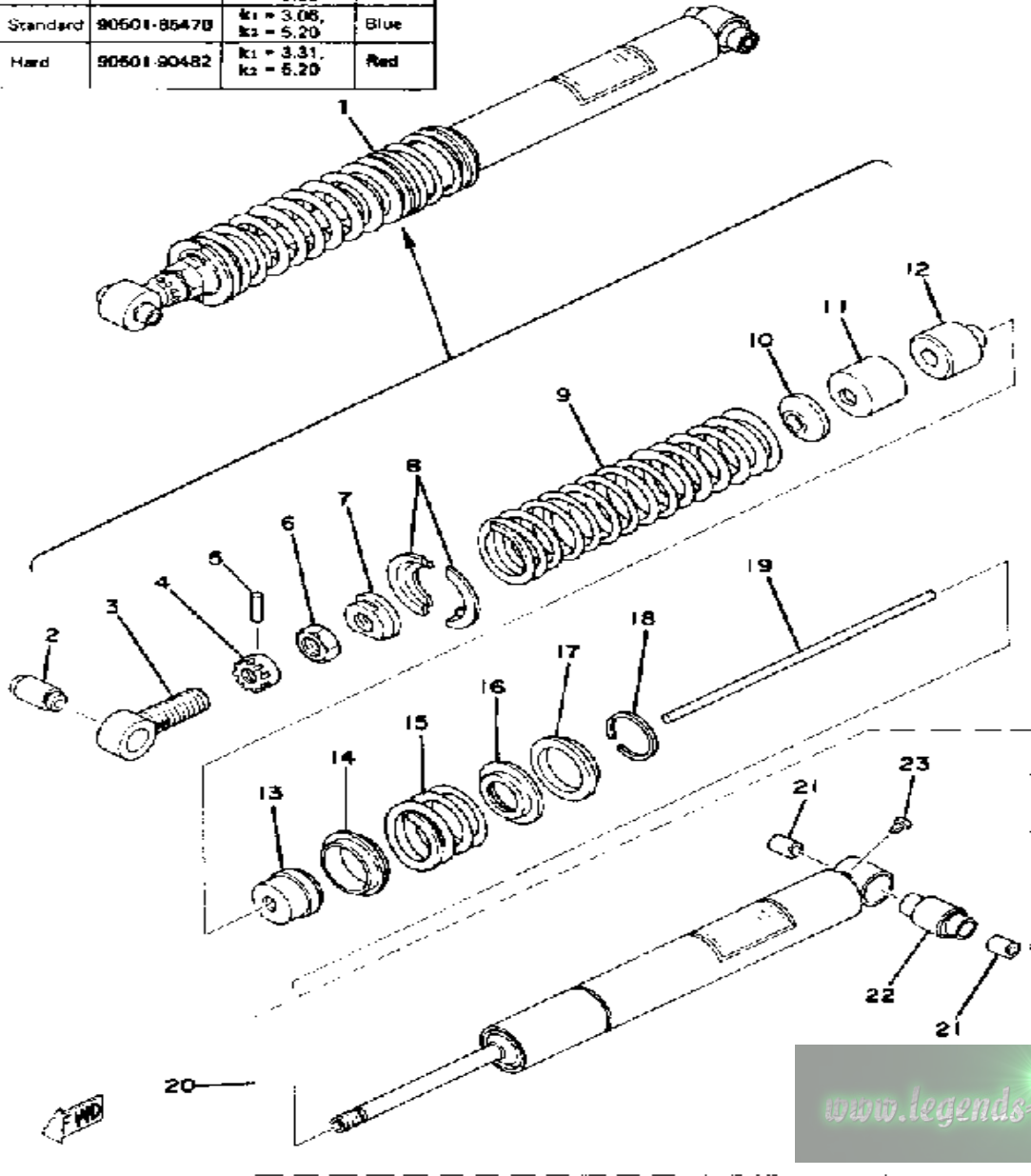
REAR ARM - CHAIN CASE



| Ref. No. | Part Number | Description | Qty | Remarks |
|----------|-------------------|--------------------------|-----|------------|
| 29 | 90240-12060-00 | PIN, CLEVIS | 1 | |
| 30 | 92990-12600-00 | WASHER, PLATE | 1 | |
| 31 | 91401-30030-00 | PIN, COTTER | 1 | |
| 32 | (1W2-22311-00-33) | CASE, CHAIN | 1 | YAMAHA BLK |
| 33 | (1W2-22313-00-00) | RUBBER, CHAIN CASE | 1 | |
| 34 | (1W2-22318-00-00) | GUARD, CHAIN | 1 | |
| 35 | 98580-05010-00 | SCREW, PAN HEAD | 2 | |
| | 98580-05010-00 | SCREW, PAN HEAD | 3 | |
| 36 | 92990-05100-00 | WASHER, SPRING | 2 | |
| | 92990-05100-00 | WASHER, SPRING | 3 | |
| 37 | 90201-05036-00 | WASHER, PLATE | 1 | |
| | 90201-05036-00 | WASHER, PLATE | 2 | |
| 38 | 90201-05029-00 | WASHER, PLATE | 1 | |
| 39 | 98580-05010-00 | SCREW, PAN HEAD | 2 | |
| 40 | 92990-05100-00 | WASHER, SPRING | 2 | |
| 41 | 92990-05200-00 | WASHER, PLAIN | 2 | |
| 42 | 95601-05100-00 | NUT, U | 2 | |
| 43 | (1W2-22347-00-00) | PLATE, CHN CS RUBR | 1 | |
| | 90201-05029-00 | WASHER, PLATE | 1 | |
| 44 | 98580-05010-00 | SCREW, PAN HEAD | 1 | |
| | 98580-05012-00 | SCREW, PAN HEAD | 2 | |
| 45 | 92990-05100-00 | WASHER, SPRING | 2 | |
| 46 | 92901-05600-00 | WASHER, PLATE | 2 | |
| 47 | 95601-05100-00 | NUT, U | 1 | |
| 48 | 91701-06042-00 | PIN, CLEVIS | 2 | |
| 49 | 92901-06600-00 | WASHER | 2 | |
| 50 | 91490-20020-00 | PIN, COTTER | 2 | |

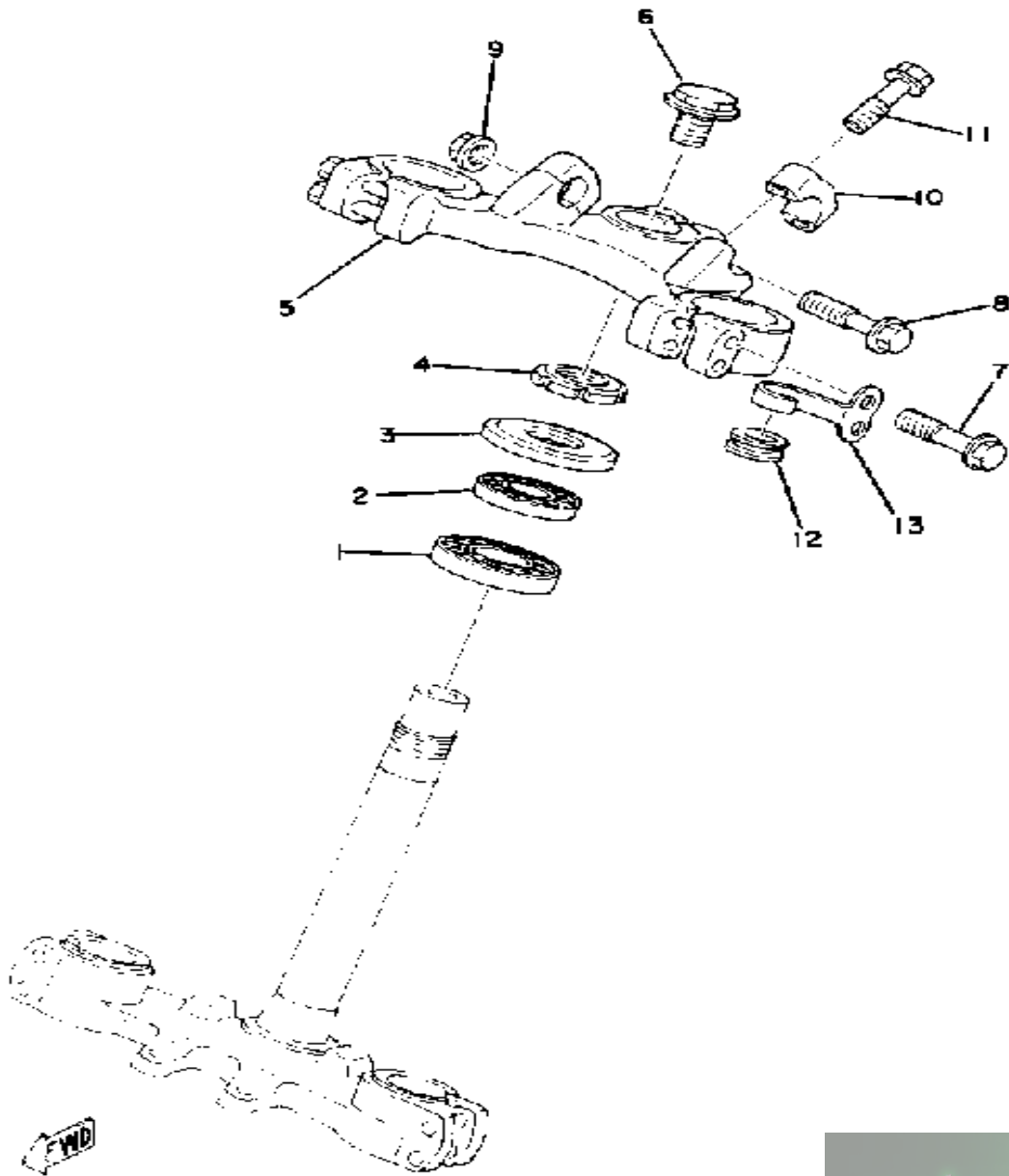
REAR CUSHION

| Type | Part No. | Spring rate (kg/mm) | Color code |
|----------|-------------|-------------------------|------------|
| Soft | 90501-80483 | k1 = 2.78, k2 = 5.20 | Yellow |
| Standard | 90501-85470 | k1 = 3.08, k2 = 5.20 | Blue |
| Hard | 90501-90482 | k1 = 3.31, k2 = 5.20 | Red |



| Ref. No. | Part Number | Description | Qty | Remarks |
|----------|-------------------|----------------------------------|-----|--------------|
| 1 | (1W2-22210-00-00) | SHK/ABS ASSEMBLY, REAR | 1 | |
| 2 | 1YW-22216-00-00 | . BUSH, RR SHOCK ABS | 1 | |
| 3 | (1W1-22219-00-00) | BRACKET, UPPER | 1 | |
| 4 | (1W1-22497-00-00) | NUT, ADJUSTING | 1 | |
| 5 | 93604-26132-00 | . PIN, DOWEL | 1 | |
| 6 | 90170-20320-00 | . NUT | 1 | |
| 7 | (1W1-22213-00-00) | SEAT, SPRING UPPER | 1 | |
| 8 | (1W1-22214-00-00) | GUIDE, SPRING 1 | 2 | |
| 9 | (90501-99471-00) | SPRING, COMPRESSION | 1 | PAINTED PINK |
| 10 | (1W1-22228-00-00) | SUPPORT, BUMP STOP | 1 | |
| 11 | (1W1-22221-00-00) | COVER | 1 | |
| 12 | (1W1-22493-00-00) | BUMP, STOP | 1 | |
| 13 | (1W1-22472-00-00) | CAP, CASE | 1 | |
| 14 | (1W2-22234-00-00) | GUIDE, SPRING 3 | 1 | |
| 15 | (90501-80483-00) | SPRING, COMPRESSION | 1 | |
| | (90501-85470-00) | SPRING, COMPRESSION | 1 | PAINTED BLUE |
| | (90501-90482-00) | SPRING, COMPRESSION | 1 | |
| 16 | (1W2-22224-00-00) | GUIDE, SPRING 2 | 1 | |
| 17 | (1W1-22223-00-00) | SEAT, SPRING LOWER | 1 | |
| 18 | (93440-50058-00) | CIRCLIP, OUTER | 1 | |
| 19 | (1W1-22489-00-00) | ROD, PUSH | 1 | |
| 20 | (1W2-22401-00-00) | DAMPER SUB-ASSEMBLY. | 1 | M7-032 |
| 21 | 90830-12051-00 | .. UNAVAILABLE IN PRICE BOOK | 2 | |
| 22 | 1W1-22226-00-00 | .. BUSH, SHOCK ABS LWR | 1 | |
| 23 | 98511-04006-00 | .. SCREW, PAN HEAD (98501-04005) | 1 | |

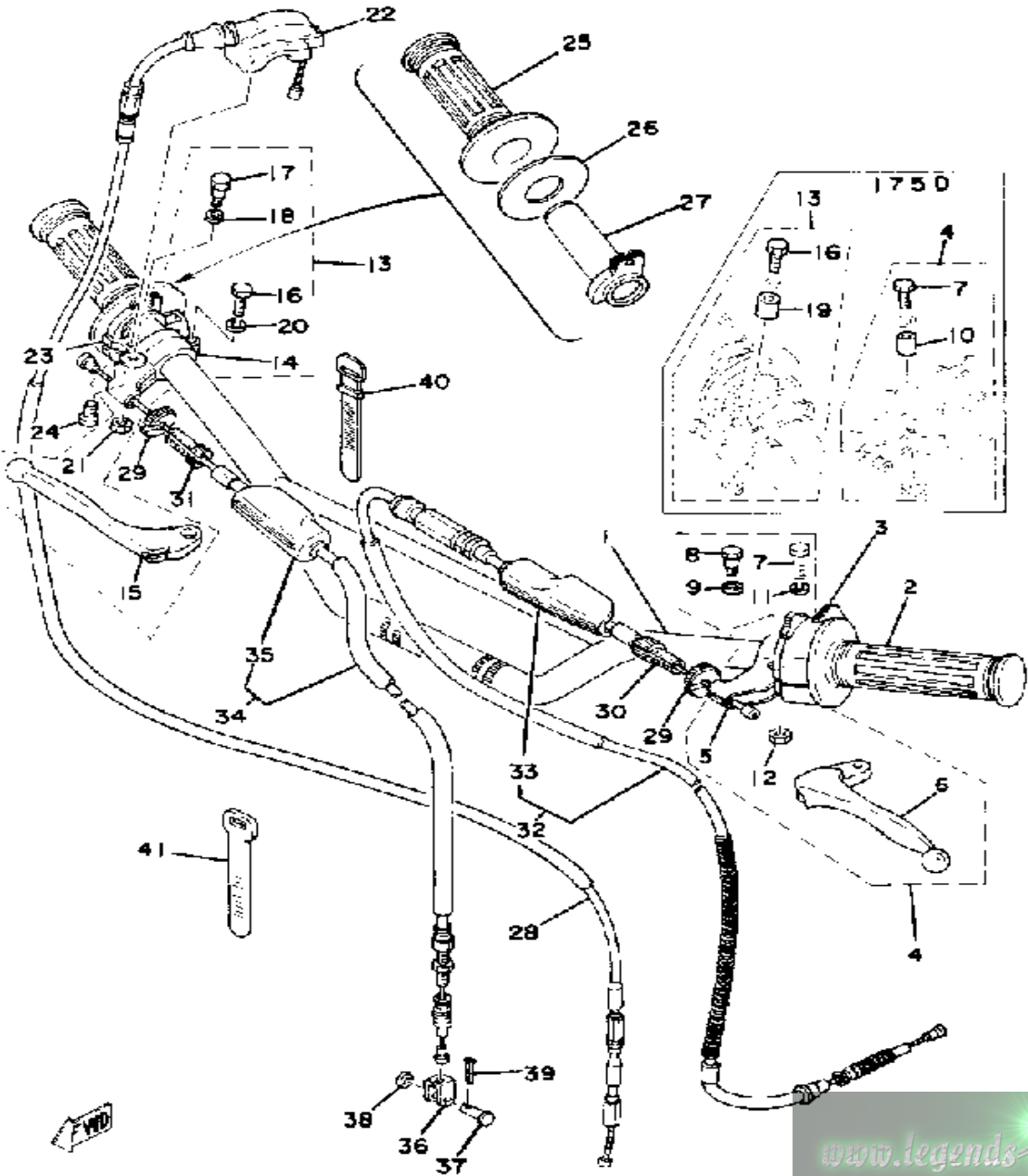
STEERING



| Ref. No. | Part Number | Description | Qty | Remarks |
|----------|-----------------|------------------------------|-----|---------------|
| 1 | 93332-00008-00 | BEARING | 1 | |
| 2 | 93332-00001-00 | BEARING | 1 | |
| 3 | 3HE-23416-00-00 | COVER, BALL RACE 2 | 1 | |
| 4 | 90179-25033-00 | NUT | 1 | |
| 5 | 5X3-23435-01-98 | CROWN, HANDLE | 1 | LOW GLOSS BLK |
| 6 | 90105-14136-00 | BOLT, WASHER BASED | 1 | |
| 7 | 90105-08091-00 | BOLT, WASHER BASED | 4 | |
| 8 | 95811-08055-00 | BOLT, FLANGE | 1 | |
| 9 | 95701-08500-00 | NUT, FLANGE | 1 | |
| 10 | 1E6-23441-00-00 | HOLDER, HANDLE UPR | 2 | |
| 11 | 95811-08035-00 | BOLT, FLANGE (95821-08035) . | 4 | |
| 12 | 1W1-23389-00-00 | GUIDE, CABLE | 1 | |
| 13 | 1W1-23317-01-00 | HOLDER, CABLE | 1 | |

www.legends-yamaha-enduros.com

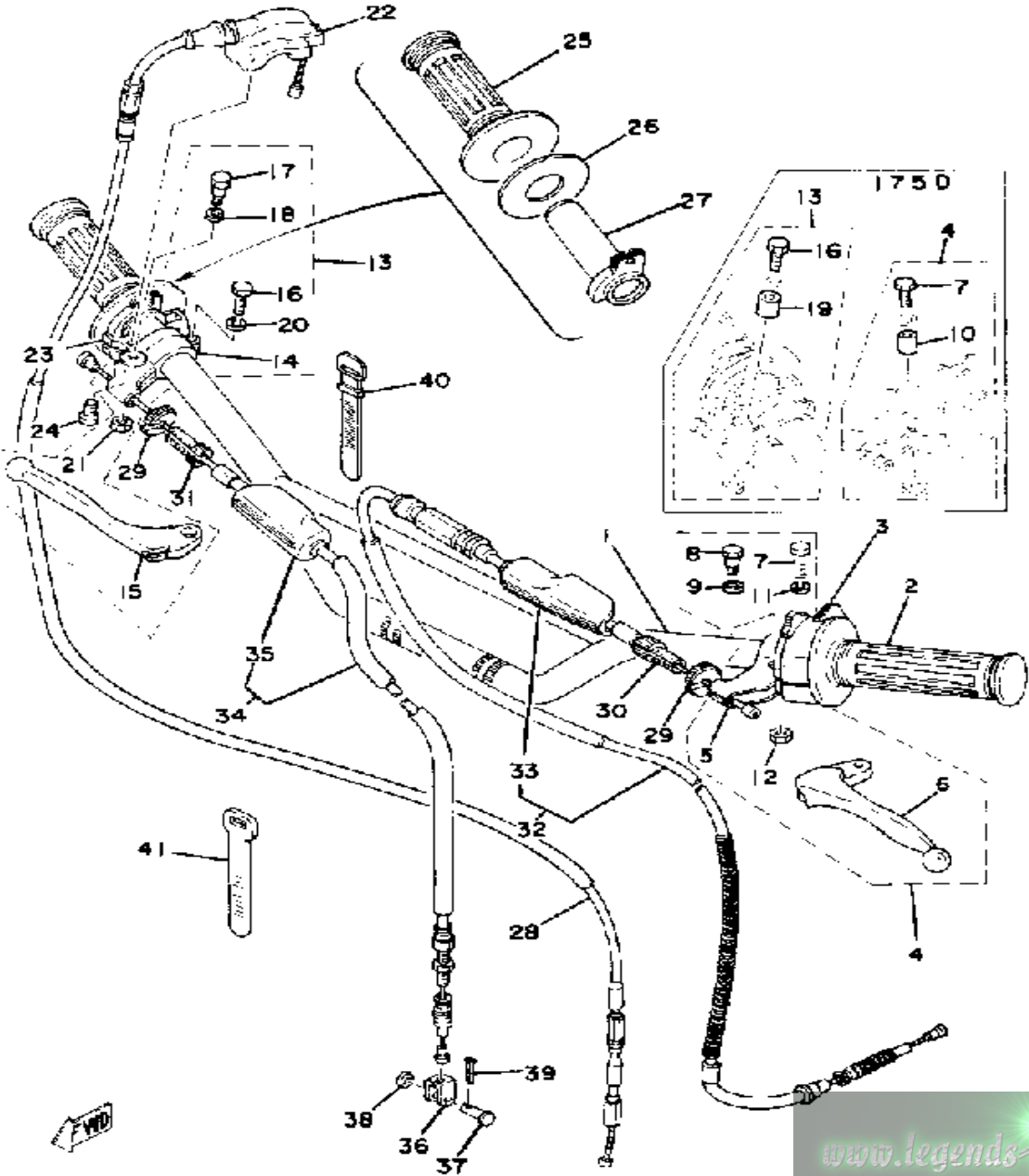
HANDLE - WIRE



| Ref. No. | Part Number | Description | Qty | Remarks |
|----------|-------------------|--|-----|---------------|
| 1 | 1W1-26111-03-00 | HANDLEBAR (1W1-26111-02) | 1 | |
| 2 | 1E6-26241-00-00 | GRIP LH | 1 | |
| 3 | 1W2-83973-00-98 | SWITCH, HANDLE 3 | 1 | LOW GLOSS BLK |
| 4 | 583-82910-11-00 | LEVER HOLDER ASSEMBLY 1 (583-82910-10) | 1 | |
| 5 | 214-82911-01-00 | . HOLDER, LEVER 1 | 1 | LOW GLOSS BLK |
| 6 | 1J3-83912-20-00 | . LEVER L | 1 | LOW GLOSS BLK |
| 7 | 97003-06022-00 | . BOLT, HEXAGON (97301-06022) | 1 | |
| | 97003-06022-00 | . BOLT, HEXAGON (97301-06022) | 2 | |
| 8 | 90109-06797-00 | . BOLT | 1 | |
| 9 | 90201-08083-00 | . WASHER, PLATE | 1 | |
| 10 | 214-83913-00-00 | . COLLAR, LEVER 1 | 1 | |
| 11 | 92995-06100-00 | . WASHER, SPRING | 1 | |
| 12 | 95601-06100-00 | . NUT, U | 1 | |
| 13 | (583-82920-11-00) | LEVER HOLDER ASSEMBLY 2 | 1 | |
| 14 | 516-82921-30-00 | . HOLDER, LEVER 2 | 1 | LOW GLOSS BLK |
| 15 | 2A6-83922-00-00 | . LEVER R | 1 | LOW GLOSS BLK |
| 16 | 97003-06022-00 | . BOLT, HEXAGON (97301-06022) | 1 | |
| | 97003-06022-00 | . BOLT, HEXAGON (97301-06022) | 2 | |
| 17 | 90109-06797-00 | . BOLT | 1 | |
| 18 | 90201-08083-00 | . WASHER, PLATE | 1 | |
| 19 | 214-83913-00-00 | . COLLAR, LEVER 1 | 1 | |
| 20 | 92995-06100-00 | . WASHER, SPRING | 1 | |
| 21 | 95601-06100-00 | . NUT, U | 1 | |
| 22 | 322-26281-00-98 | CAP, GRIP UPPER | 1 | |
| 23 | 322-26282-00-00 | CAP, GRIP LOWER | 1 | |

CONTINUED ON NEXT FRAME ➤

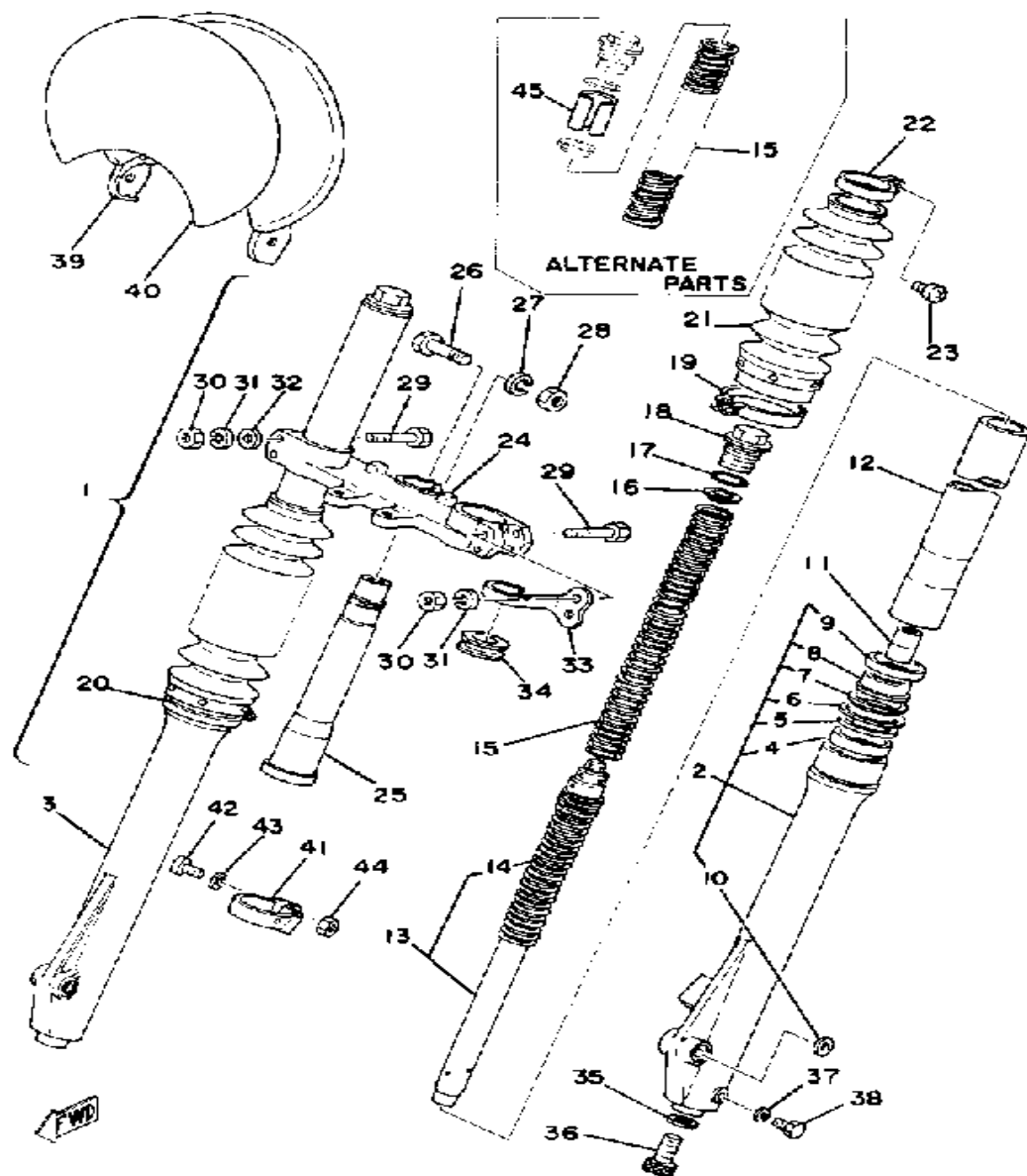
HANDLE - WIRE



| Ref. No. | Part Number | Description | Qty | Remarks |
|----------|-----------------|-----------------------|-----|---------|
| 24 | 98580-05016-00 | SCREW, PAN HEAD | 2 | |
| 25 | 583-26242-00-00 | GRIP RH | 1 | |
| 26 | 1W1-26249-00-00 | RING, leaf | 1 | |
| 27 | 322-26243-00-00 | TUBE, throttle guide | 1 | |
| 28 | 1W2-26311-02-00 | CABLE, THROTTLE 1 | 1 | |
| 29 | 90179-08148-00 | NUT | 2 | |
| 30 | 90123-08013-00 | BOLT | 1 | |
| | 90123-08013-00 | BOLT | 2 | |
| 31 | 90123-08046-00 | BOLT | 1 | |
| 32 | 1W1-26335-00-00 | CABLE, CLUTCH | 1 | |
| 33 | 382-26372-01-00 | . COVER, HANDLE LEVER | 1 | |
| 34 | 1W1-26341-00-00 | CABLE, BRAKE | 1 | |
| | 1W1-26341-01-00 | CABLE, BRAKE | 1 | |
| 35 | 382-26372-01-00 | . COVER, HANDLE LEVER | 1 | |
| 36 | 156-26347-00-00 | JOINT, CABLE | 1 | |
| 37 | 90240-08013-00 | PIN, CLEVIS | 1 | |
| 38 | 90201-08083-00 | WASHER, PLATE | 1 | |
| 39 | 91490-20020-00 | PIN, COTTER | 1 | |
| 40 | 437-83936-11-00 | BAND, SWITCH CORD | 1 | |
| 41 | 437-83936-01-00 | BAND, SWITCH CORD | 6 | |

www.legends-yamaha-enduros.com

FRONT FORK



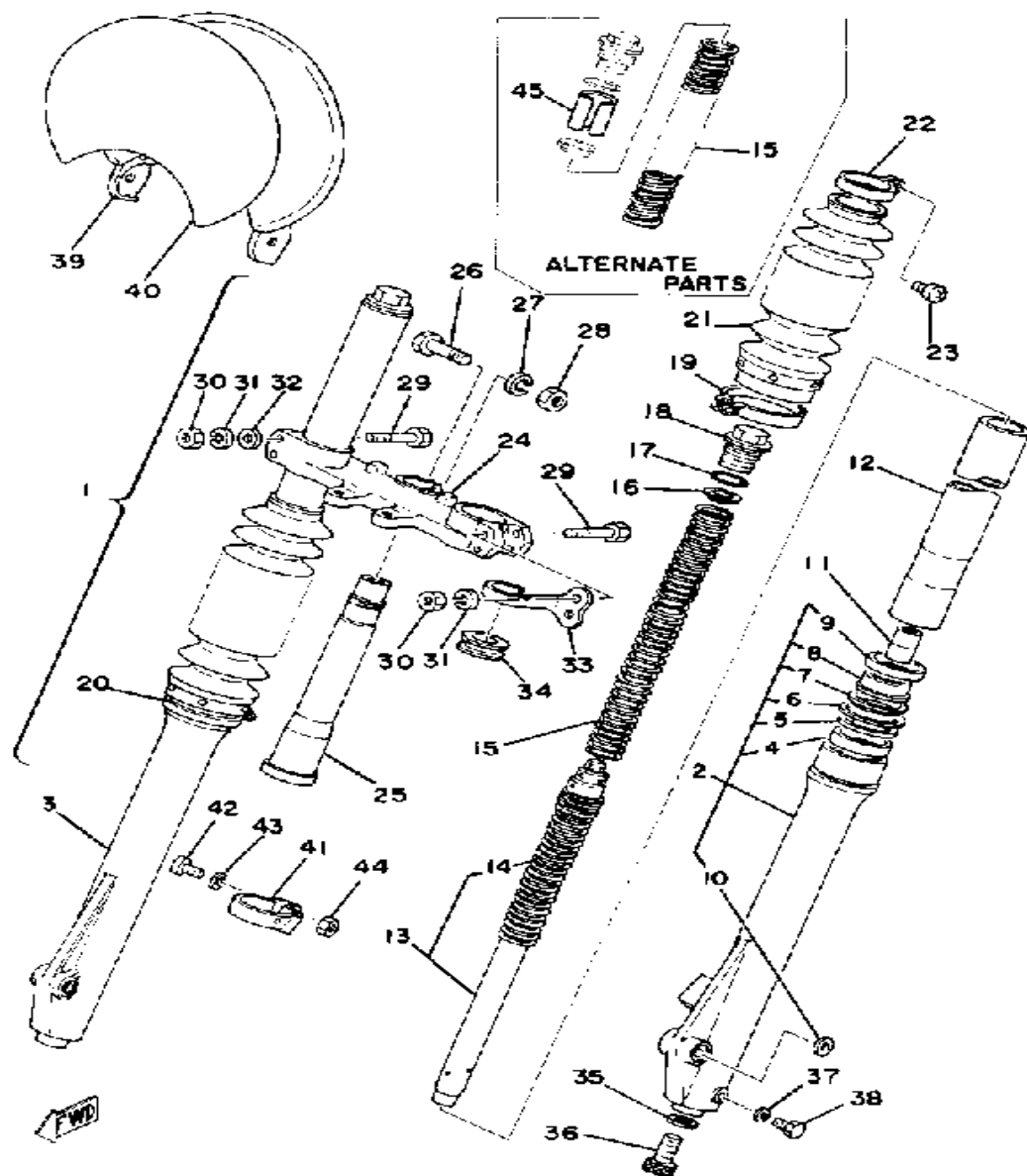
IT175D IT175E

| SUSPENSION | | |
|--------------|--------------------|----------------------------|
| Front Forks: | Oil type/level/qty | 20wt Fork Oil* / φ / 262cc |
| | Spring Length std | 566mm |

| Ref. No. | Part Number | Description | Qty | Remarks |
|----------|-------------------|----------------------------|-----|------------|
| 1 | (1W6-23101-00-00) | FRONT FORK ASSEMBLY | 1 | |
| 2 | (1W2-23126-01-00) | TUBE, OUTER 1 | 1 | |
| 3 | (1W2-23136-01-00) | TUBE, OUTER 2 | 1 | |
| 4 | 48Y-23145-00-00 | .. OIL SEAL | 2 | |
| 5 | (509-23146-L0-00) | WASHER, OIL SEAL | 2 | |
| 6 | 1W1-23156-L0-00 | .. CLIP, OIL SEAL | 2 | |
| 7 | 1W1-23153-L0-00 | .. RING, SNAP | 2 | |
| 8 | 1G8-23144-L1-00 | .. SEAL, DUST | 2 | |
| 9 | 99999-01510-00 | .. COVER, DUST SEAL | 2 | |
| 10 | 1W1-23168-L0-00 | .. CAP, FRONT FORK | 2 | |
| 11 | 1W1-23173-L0-00 | . SPINDLE, TAPER | 2 | |
| 12 | (1W2-23110-00-00) | INNER TUBE 1 | 2 | |
| 13 | (1W2-23170-00-00) | CYLINDER, FRTRFK | 2 | |
| 14 | (1G8-23151-L0-00) | SPRING, REBOUND | 2 | |
| 15 | (1W2-23141-00-00) | SPRING, FRONT FORK | 2 | |
| | (1W2-23141-10-00) | SPRING, FRONT FORK | 2 | |
| | (1W2-23141-20-00) | SPRING, FRONT FORK | 2 | |
| 16 | 583-23142-00-00 | . SEAT, SPRING UPPER | 2 | |
| 17 | 240-23114-00-00 | . GASKET | 2 | |
| 18 | 2W6-23111-00-00 | . BOLT, CAP (583-23111-00) | 2 | |
| 19 | 1W1-23318-L0-00 | . HOLDER, CABLE 1 | 1 | |
| 20 | 509-23489-L0-00 | . BAND | 1 | |
| 21 | (1W1-23191-L0-00) | BOOT, FRONT FORK | 2 | |
| 22 | 341-92090-60-00 | . BAND, BOOT | 2 | |
| 23 | 509-23194-L0-00 | . SCREW, BOOT BAND | 2 | |
| 24 | (1W1-23345-L0-33) | BRACKET, LOWER | 1 | YAMAHA BLK |
| 25 | (1W1-23341-L0-00) | SHAFT, STEERING | 1 | |
| 26 | (1W1-23356-L0-00) | BOLT 2 | 1 | |
| 27 | 92990-10100-00 | . WASHER, SPRING | 1 | |

CONTINUED ON NEXT FRAME ➤

FRONT FORK



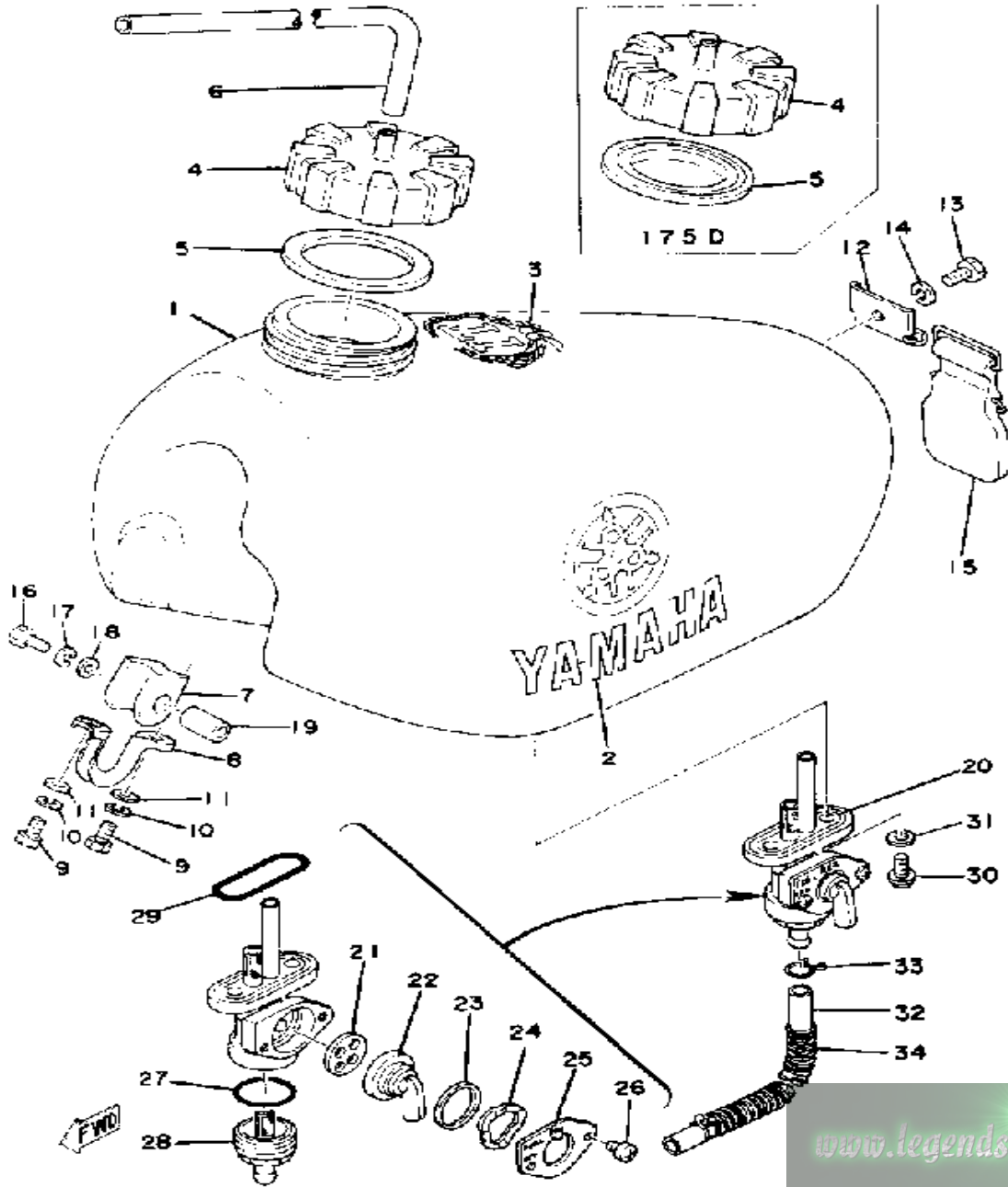
| Ref. No. | Part Number | Description | Qty | Remarks |
|----------|-------------------|-----------------------------|-----|---------|
| 28 | (322-23357-00-00) | NUT | 1 | |
| 29 | 90101-08340-00 | . BOLT | 4 | |
| 30 | 95333-08600-00 | . NUT | 4 | |
| 31 | 92990-08100-00 | . WASHER | 4 | |
| 32 | 92901-08600-00 | . WASHER | 2 | |
| 33 | 1W1-23317-01-00 | . HOLDER, CABLE | 1 | |
| 34 | 1W1-23389-00-00 | . GUIDE, CABLE | 1 | |
| 35 | 509-23158-L0-00 | . GASKET | 2 | |
| 36 | 1T3-23181-50-00 | . BOLT, HEX SCKT HEAD | 2 | |
| 37 | 122-23129-00-00 | . GASKET, DRAIN PLUG | 2 | |
| 38 | 98580-04008-00 | . SCREW, PAN HEAD | 2 | |
| 39 | 1W2-23485-00-00 | PLATE, NUMBER | 1 | |
| 40 | 1W2-23395-00-00 | EMBLEM | 1 | |
| 41 | 1W2-23318-00-00 | HOLDER, CABLE 1 | 1 | |
| 42 | 98501-05018-00 | SCREW, PAN HEAD | 1 | |
| 43 | 92901-05600-00 | WASHER, PLATE | 1 | |
| 44 | 95380-05600-00 | NUT | 1 | |
| 45 | (1W2-23118-10-00) | SPACER | 2 | |

IT175D IT175E

www.legends-yamaha-enduros.com

| SUSPENSION | | |
|--------------|--------------------|----------------------------|
| Front Forks: | Oil type/level/qty | 20wt Fork Oil* / φ / 262cc |
| | Spring Length std | 566mm |

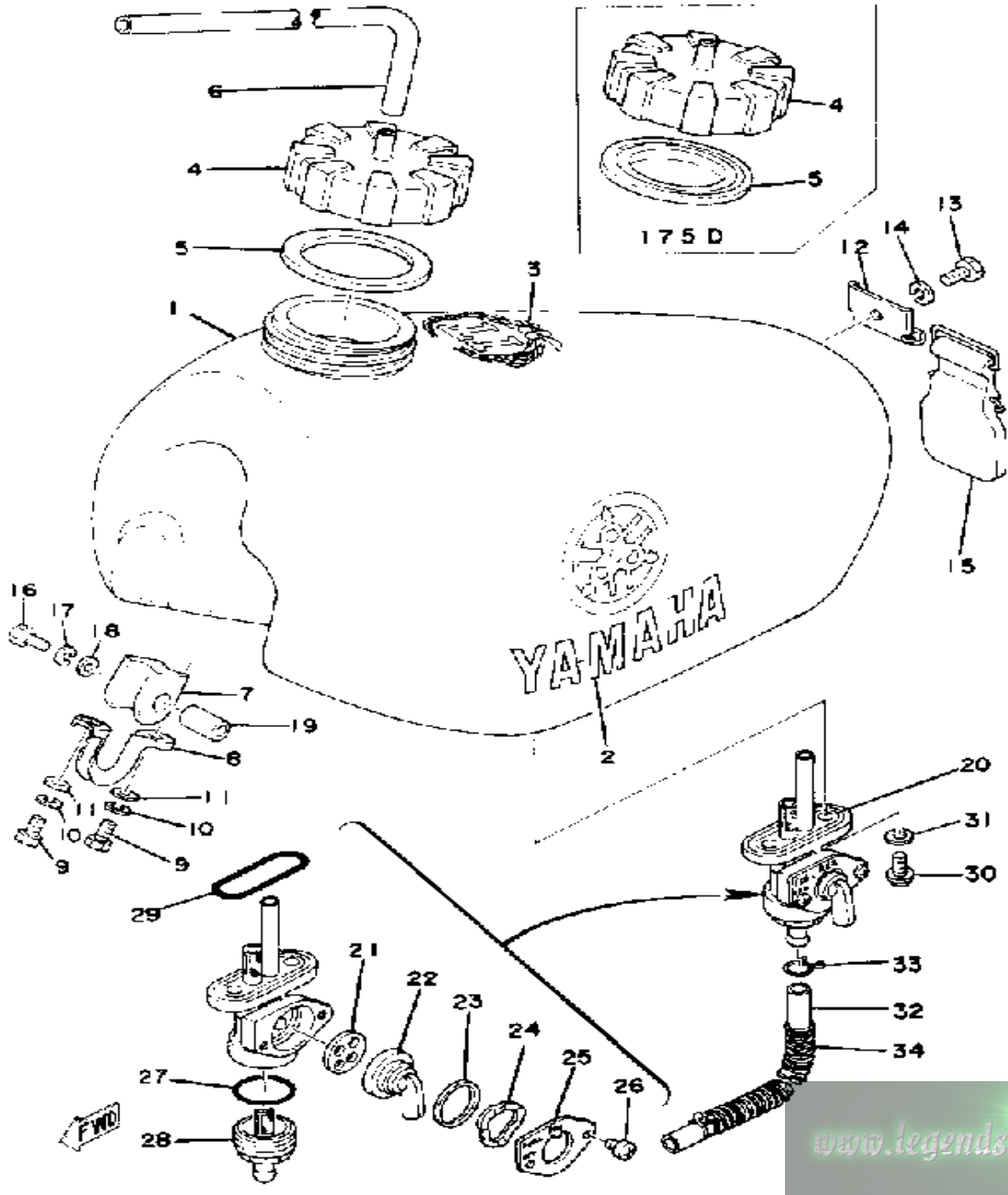
FUEL TANK



| Ref. No. | Part Number | Description | Qty | Remarks |
|----------|-------------------|---|-----|----------|
| 1 | (1W2-24110-00-00) | FUEL TANK | 1 | SKY BLUE |
| 2 | (1W2-24161-00-00) | EMBLEM 1 | 2 | |
| | (1W2-24161-01-00) | EMBLEM 1 | 2 | |
| 3 | (1W2-24162-00-00) | EMBLEM 2 | 1 | |
| 4 | 1K7-24611-01-00 | . BODY, CAP | 1 | |
| | 1K7-24612-02-00 | . GASKET, CAP | 1 | |
| | 99999-00973-00 | BODY FUEL TANK CAP (1K7-24611-00) | 1 | |
| 5 | 1K7-24612-01-00 | GASKET, CAP | 1 | |
| | 1K7-24612-02-00 | GASKET, CAP | 1 | |
| 6 | 90445-09361-00 | HOSE | 1 | |
| 7 | 1W1-24182-01-00 | DAMPER, LOCATING 2 | 2 | |
| 8 | 1W1-24144-01-00 | HOLDER, DAMPER | 2 | |
| 9 | 97013-06012-00 | BOLT | 4 | |
| 10 | 92995-06100-00 | WASHER, SPRING | 4 | |
| 11 | 92901-06600-00 | WASHER | 4 | |
| 12 | 1W1-24192-00-00 | BRACKET, FUEL TNK 2 | 1 | |
| 13 | 97013-06012-00 | BOLT | 1 | |
| 14 | 92995-06100-00 | WASHER, SPRING | 1 | |
| 15 | 1W1-24173-00-00 | BAND, TNK FITTING 1 | 1 | |
| 16 | 97013-06035-00 | BOLT | 2 | |
| 17 | 92995-06100-00 | WASHER, SPRING | 2 | |
| 18 | 90201-06407-00 | WASHER, PLATE (90201-06747-00) | 2 | |
| 19 | 90387-07393-00 | COLLAR (308-84557-00) | 2 | |
| 20 | 498-24500-01-00 | FUEL COCK ASSEMBLY 1 (214-24500-02) | 1 | |
| | 498-24523-00-00 | . VALVE | 1 | |
| | 498-24524-01-00 | . LEVER, COCK | 1 | |
| 23 | (498-24528-00-00) | GASKET | 1 | |

CONTINUED ON NEXT FRAME ►

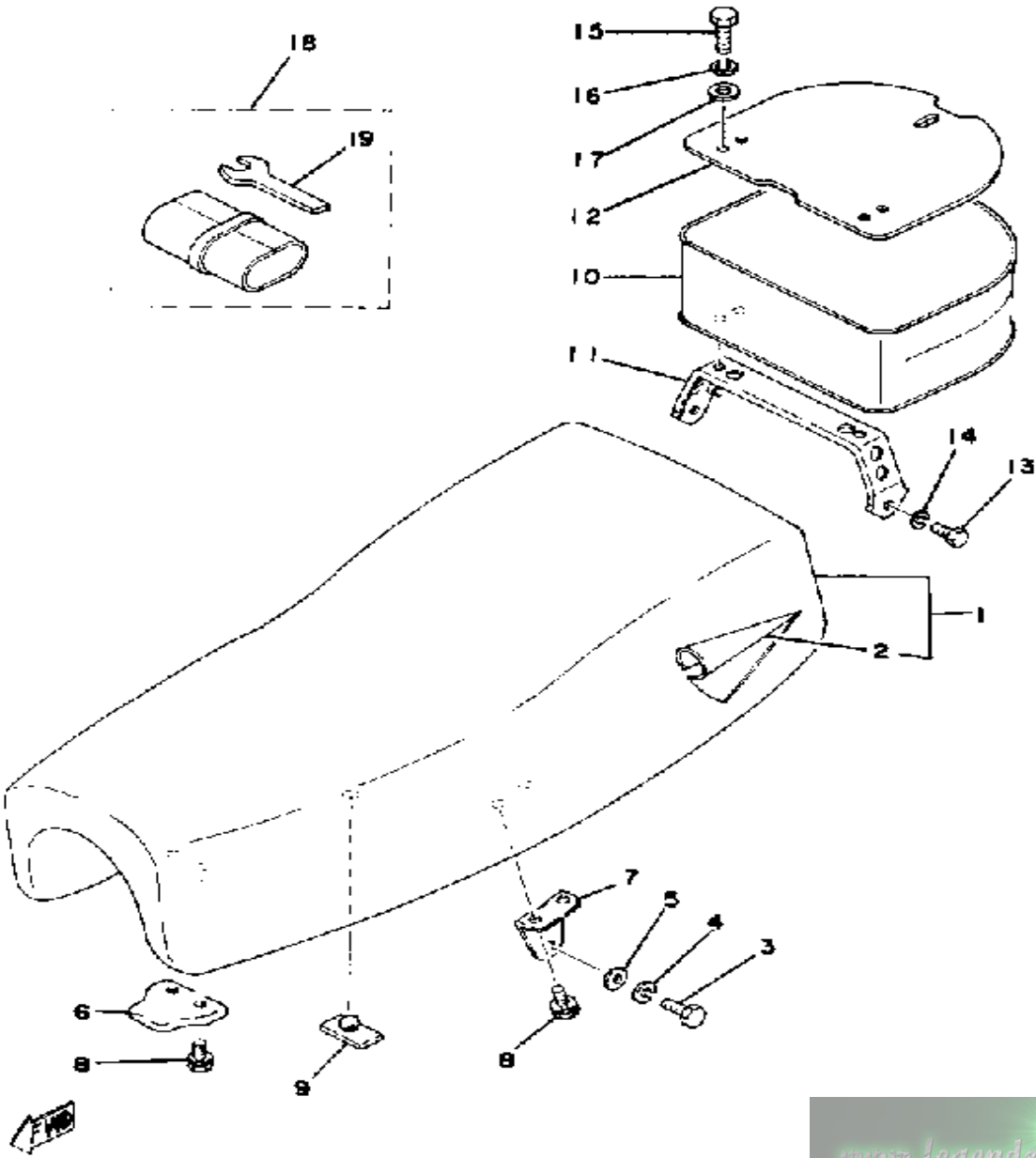
FUEL TANK



| Ref. No. | Part Number | Description | Qty | Remarks |
|----------|-------------------|----------------------------|-----|---------|
| 24 | 90206-18025-00 | . WASHER, WAVE | 1 | |
| 25 | 498-24525-00-00 | . PLATE, LVR FITTING | 1 | |
| 26 | 214-24535-00-00 | . SCREW, PAN HEAD | 2 | |
| 27 | 498-24522-00-00 | . GASKET | 1 | |
| 28 | (498-24521-00-00) | CUP, FILTER | 1 | |
| 29 | 214-24512-00-00 | . GASKET | 1 | |
| 30 | 90149-06011-00 | SCREW | 2 | |
| 31 | 90202-05187-00 | WASHER, PLATE | 2 | |
| 32 | 90445-11356-00 | HOSE | 1 | |
| 33 | 90467-10008-00 | CLIP | 2 | |
| 34 | 90501-08486-00 | SPRING, COMPRESSION | 1 | |

www.legends-yamaha-enduros.com

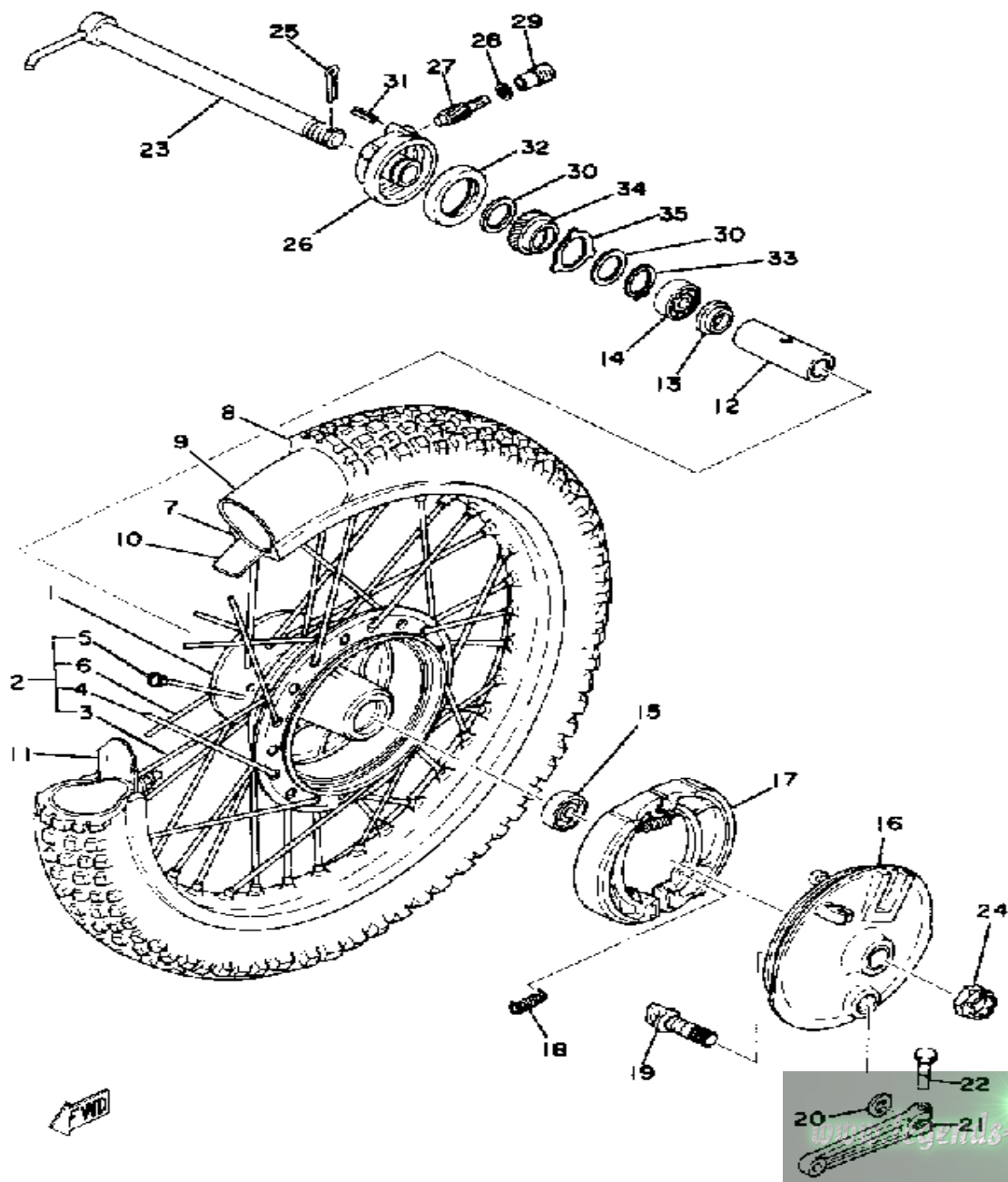
SEAT



| Ref. No. | Part Number | Description | Qty | Remarks |
|----------|-------------------|----------------------------|-----|---------|
| 1 | (2W6-W2473-00-00) | SEMI-DBL-SEAT ASSEMBLY .. | 1 | |
| 2 | 1W2-24771-00-00 | . COVER, SM-DBL SEAT | 1 | |
| 3 | 97301-06014-00 | BOLT, HEXAGON | 2 | |
| 4 | 92995-06100-00 | WASHER, SPRING | 2 | |
| 5 | 92901-06600-00 | WASHER | 2 | |
| 6 | 1M1-24748-00-00 | BRACKET, SEAT | 1 | |
| 7 | 509-24738-01-00 | BRACKET, SEAT | 2 | |
| 8 | 90101-06304-00 | BOLT | 6 | |
| 9 | 509-24724-00-00 | DAMPER, SEAT | 6 | |
| 10 | 1W2-24850-01-00 | CARRIER BOX ASSEMBLY ... | 1 | |
| 11 | (1W2-24832-00-00) | BRACKET, CARRIER 1 | 1 | |
| 12 | 1W2-24833-01-00 | BRACKET, CARRIER 2 | 1 | |
| 13 | 97301-06014-00 | BOLT, HEXAGON | 2 | |
| 14 | 92995-06100-00 | WASHER, SPRING | 2 | |
| 15 | 97001-06018-00 | BOLT | 3 | |
| 16 | 92995-06100-00 | WASHER, SPRING | 3 | |
| 17 | 90201-06067-00 | WASHER, PLATE | 3 | |
| 18 | 1W2-W2810-00-00 | TOOL KIT | 1 | |
| 19 | 10V-28135-00-00 | . SPANNER, SPECIAL | 1 | |

www.legends-yamaha-enduros.com

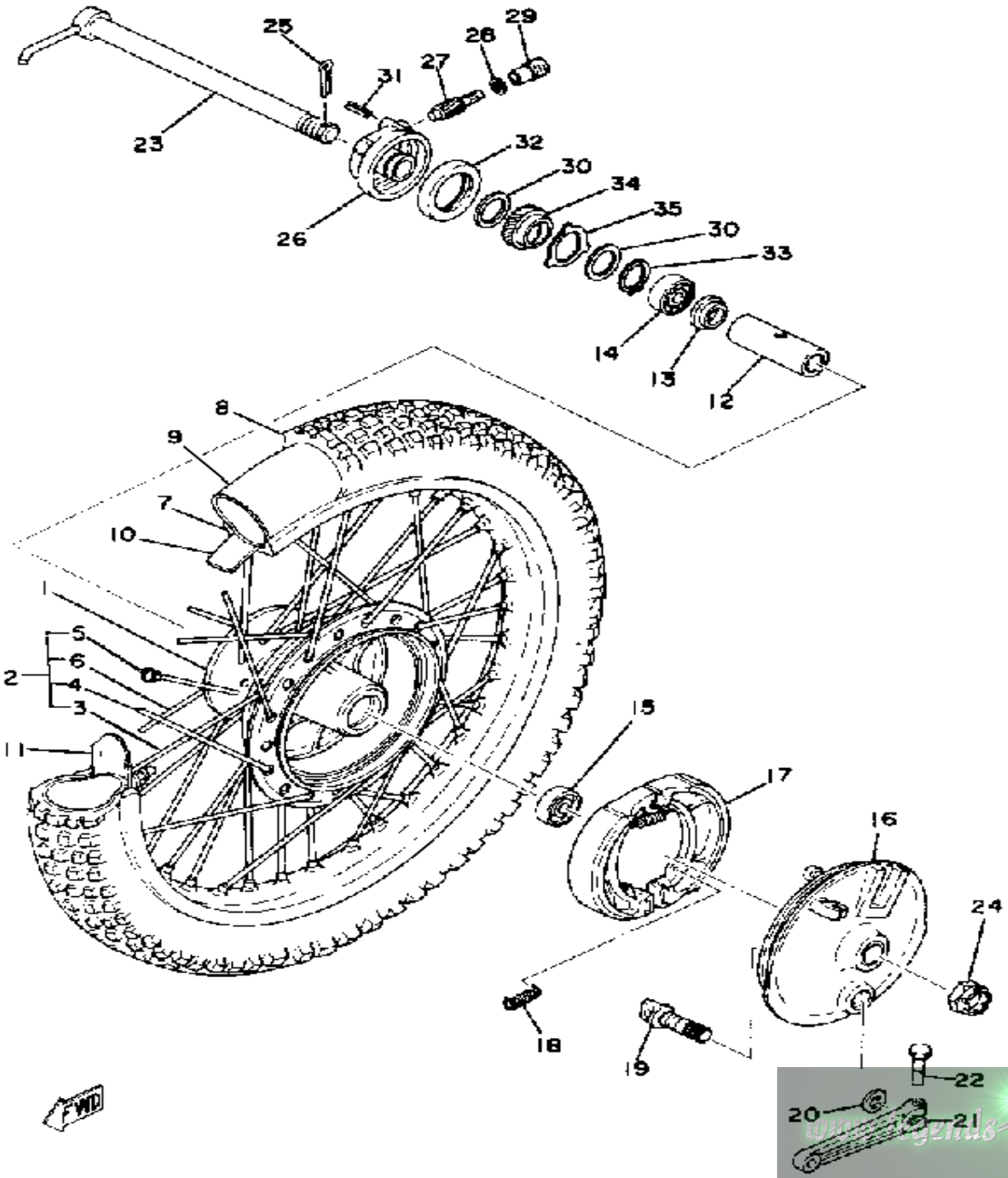
FRONT WHEEL



| Ref. No. | Part Number | Description | Qty | Remarks |
|----------|-------------------|---|-----|---------------|
| 1 | 1K7-25111-10-98 | HUB, FRONT | 1 | LOW GLOSS BLK |
| 2 | 2W6-25104-02-00 | SPOKE SET, FRONT | 1 | |
| 3 | (1K7-25196-90-00) | SPOKE SET, INNER 1 | 1 | |
| 4 | (1K7-25197-90-00) | SPOKE SET, OUTER 1 | 1 | |
| 5 | (1K7-25179-90-00) | SPOKE SET, INNER 2 | 1 | |
| 6 | (1K7-25189-90-00) | SPOKE SET, OUTER 2 | 1 | |
| 7 | 94416-21326-00 | RIM 1.60X 1 | 1 | |
| 8 | (94130-21226-00) | 300X21 BS 7 | 1 | |
| 9 | 94227-21123-00 | TUBE (2.75-21) | 1 | |
| 10 | (94327-21024-00) | BAND, RIM | 1 | |
| 11 | 1T1-25194-00-00 | SPACER, BEAD | 1 | |
| 12 | 90560-15116-00 | SPACER | 1 | |
| 13 | 146-25116-00-00 | FLANGE, SPACER 2 | 1 | |
| 14 | 93306-20209-00 | BEARING (B6202) | 1 | |
| 15 | 93306-20226-00 | BEARING | 1 | |
| 16 | 1W1-25016-11-98 | BRAKE SHOE PLT ASSEMBLY (1W1-25121-02-98) | 1 | LOW GLOSS BLK |
| 17 | 322-W2535-00-00 | BRAKESHOE SET-2PCS | 2 | |
| 18 | 90506-17328-00 | SPRING, TENSION | 2 | |
| 19 | 23X-25151-00-00 | CAMSHAFT | 1 | |
| 20 | 137-25159-00-00 | SEAL, CAMSHAFT | 1 | |
| 21 | 322-25155-00-00 | LEVER, CAMSHAFT 1 | 1 | |
| 22 | 90101-06291-00 | BOLT | 1 | |
| 23 | 1W2-25181-02-00 | AXLE, WHEEL | 1 | |
| 24 | 90171-14020-00 | NUT, CASTLE | 1 | |
| 25 | 91401-30030-00 | PIN, COTTER | 1 | |
| 26 | 1W2-25190-00-00 | GEAR UNIT ASSEMBLY | 1 | |
| 27 | 1W2-25138-00-00 | GEAR, METER | 1 | |
| 28 | 102-18416-00-00 | SHIM, ROD | 1 | |

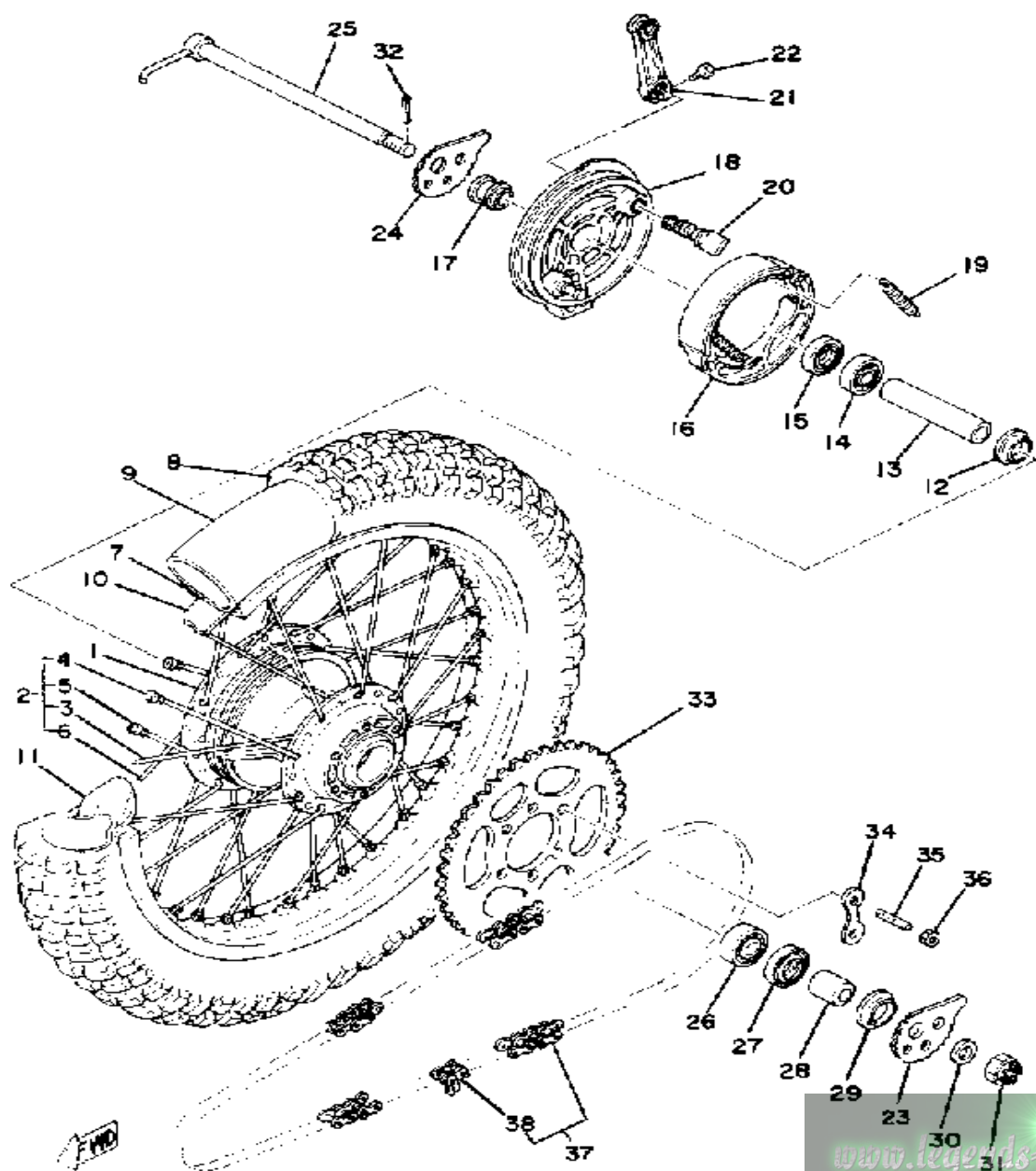
CONTINUED ON NEXT FRAME ►

FRONT WHEEL



| Ref. No. | Part Number | Description | Qty | Remarks |
|----------|-----------------|-----------------------|-----|---------|
| 29 | 306-25136-00-00 | BUSH | 1 | |
| 30 | 90201-22283-00 | WASHER, PLATE | 2 | |
| 31 | 91609-20014-00 | PIN, SPRING | 1 | |
| 32 | 93106-40027-00 | OIL SEAL | 1 | |
| 33 | 93410-22014-00 | CIRCLIP, S-TYPE | 1 | |
| 34 | 1W2-25135-00-00 | GEAR, DRIVE | 1 | |
| 35 | 1K7-25149-00-00 | CLUTCH, METER | 1 | |

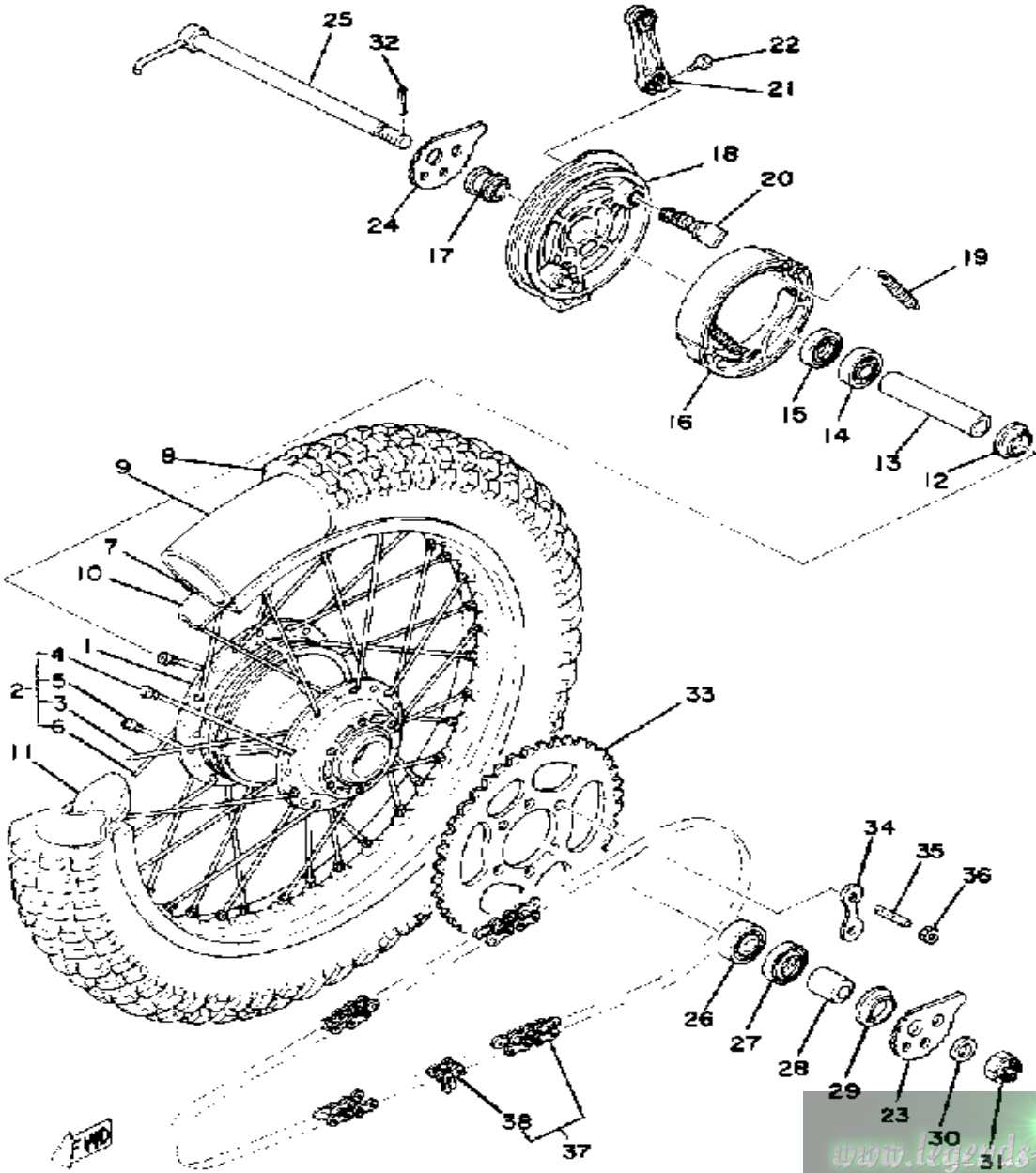
REAR WHEEL



| Ref. No. | Part Number | Description | Qty | Remarks |
|----------|-------------------|-----------------------------------|-----|---------------|
| 1 | 1W1-25311-00-98 | HUB, REAR | 1 | LOW GLOSS BLK |
| 2 | 537-25304-01-00 | SPOKE SET, REAR | 1 | |
| 3 | (537-25396-90-00) | SPOKE SET, INNER 2 | 1 | |
| 4 | (537-25397-90-00) | SPOKE SET, OUTER 2 | 1 | |
| 5 | (537-25391-90-00) | SPOKE SET, INNER 1 | 1 | |
| 6 | (537-25392-90-00) | SPOKE SET, OUTER 1 | 1 | |
| 7 | 94418-18245-00 | RIM 1.85X 8 | 1 | |
| 8 | (94141-18270-00) | 410X18 IRC MX | 1 | |
| 9 | 94230-18084-00 | TUBE | 1 | |
| 10 | 94325-18043-00 | BAND, RIM | 1 | |
| 11 | 2X3-25394-00-00 | SPACER, BEAD | 2 | |
| 12 | 146-25115-00-00 | FLANGE, SPACER 1 | 1 | |
| 13 | 90560-15313-00 | SPACER | 1 | |
| 14 | 93306-20226-00 | BEARING | 1 | |
| 15 | 93104-22018-00 | OIL SEAL | 1 | |
| 16 | 437-W2536-00-00 | BRAKESHOE SET-2PCS | 2 | |
| 17 | 90387-15623-00 | COLLAR | 1 | |
| 18 | (1W2-25321-00-98) | PLATE, BRAKE SHOE | 1 | |
| | (1W2-25321-02-98) | PLATE, BRAKE SHOE | 1 | |
| 19 | 90506-17328-00 | SPRING, TENSION | 2 | |
| 20 | 2A6-25310-10-0 | UNAVAILABLE IN PRICE BOOK | 1 | |
| | 401-25351-00-00 | CAMSHAFT | 1 | |
| 21 | 4V5-25355-00-00 | LEVER, CAMSHAFT (168-25355-00) | 1 | |
| 22 | 90101-06291-00 | BOLT | 1 | |
| 23 | 1W2-25388-01-00 | PULLER, CHAIN 1 | 1 | |
| 24 | 1W2-25389-01-00 | PULLER, CHAIN 2 | 1 | |
| 25 | 1W2-25381-00-00 | AXLE, WHEEL | 1 | |
| 26 | 93306-30202-00 | BEARING | 1 | |

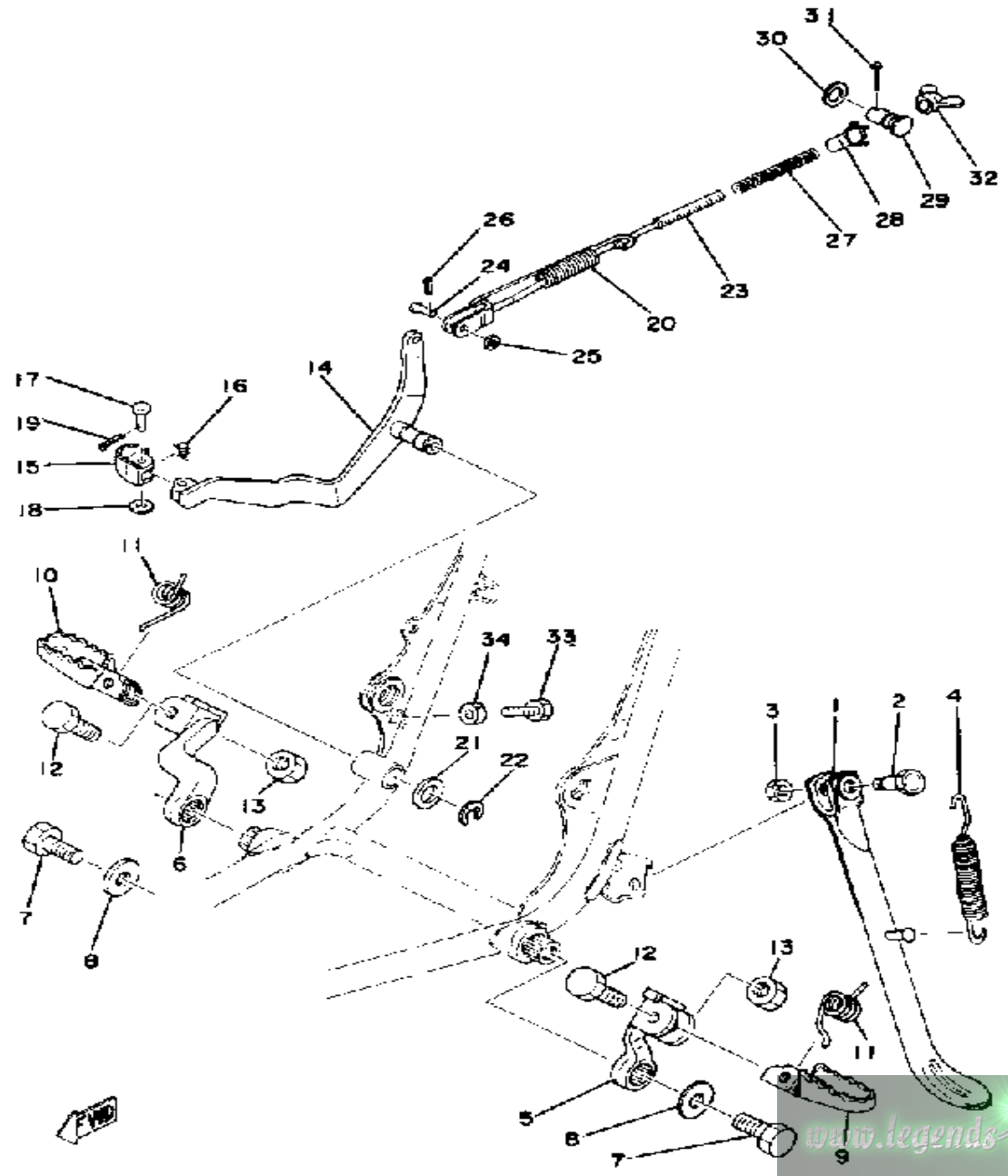
CONTINUED ON NEXT FRAME ►

REAR WHEEL



| Ref. No. | Part Number | Description | Qty | Remarks |
|----------|-----------------|--|-----|----------|
| 27 | 93106-26005-00 | OIL SEAL | 1 | |
| 28 | 90387-15524-00 | COLLAR | 1 | |
| 29 | 401-25367-00-00 | COVER, HUB DUST | 1 | |
| 30 | 90201-15238-00 | WASHER, PLATE | 1 | |
| 31 | 90171-14020-00 | NUT, CASTLE | 1 | |
| 32 | 91401-30030-00 | PIN, COTTER | 1 | |
| 33 | 1W2-25439-00-00 | SPROCKET, DRIVN 39T | 1 | U.R. |
| | 1W2-25441-00-00 | SPROCKET, DRIVN 41T | 1 | U.R.äSTD |
| | 1W2-25443-00-00 | SPROCKET, DRIVN 43T | 1 | U.R. |
| 34 | 1G8-25412-00-00 | WASHER | 3 | |
| 35 | 90116-10221-00 | BOLT, STUD | 6 | |
| 36 | 95701-10500-00 | NUT, FLANGE (95702-10500) .. | 6 | |
| 37 | 94585-20094-00 | CHAIN 520TR-94L (DK520TR-94L) | 1 | |
| 38 | 94680-11001-00 | . JOINT CHAIN | 1 | |

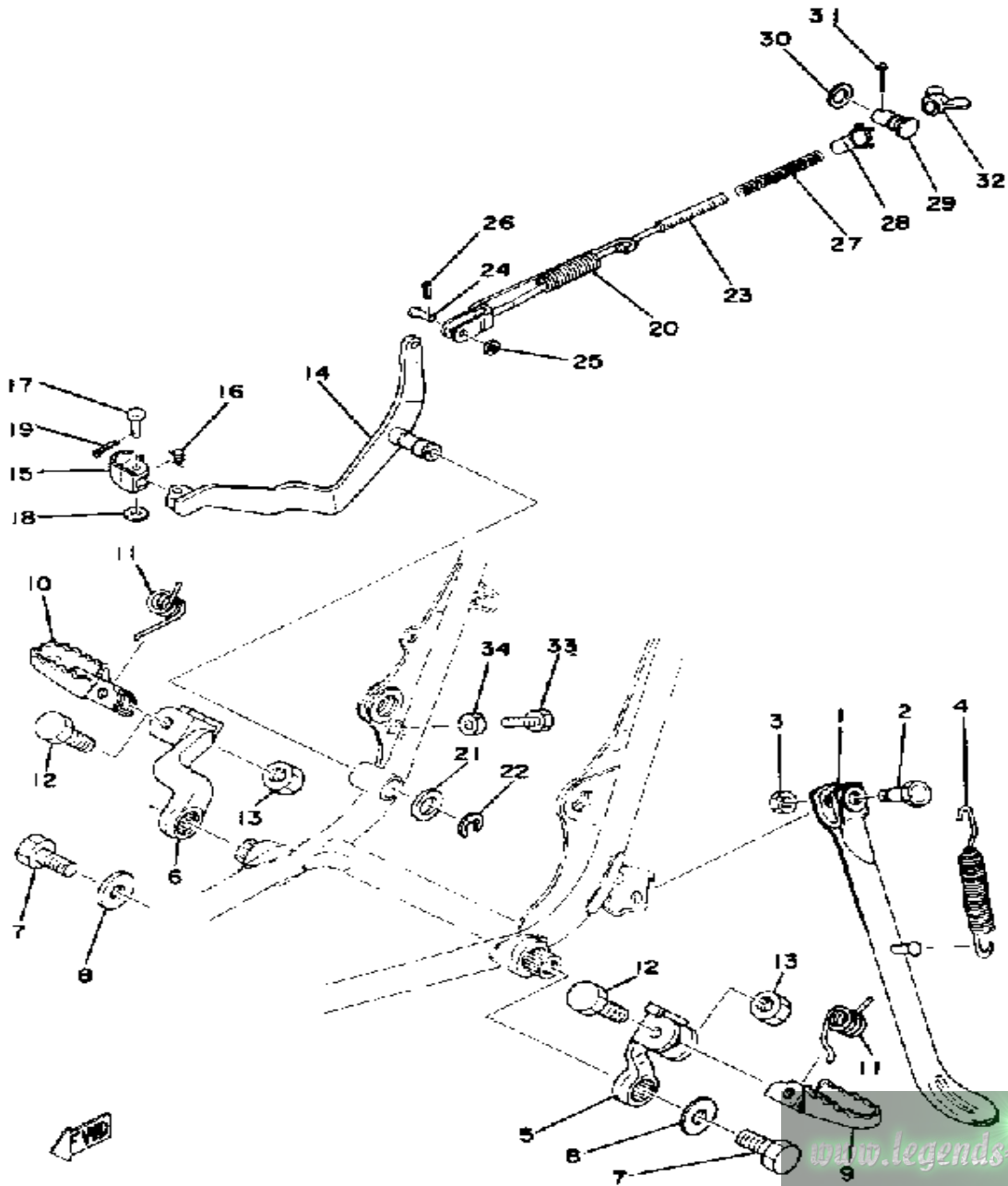
STAND - FOOTREST - BRAKE PEDAL



| Ref. No. | Part Number | Description | Qty | Remarks |
|----------|-------------------------------------|-------------------------|-----|-----------------------------------|
| 1 | 1W2-27311-01-00 | STAND, SIDE | 1 | |
| 2 | 90109-103A1-00 | BOLT | 1 | |
| 3 | 95303-10700-00 | NUT | 1 | |
| 4 | 90507-29008-00 | SPRING, TENSION | 1 | |
| 5 | (99999-01110-00) 1W1-27412-02-00 | BRACKET FOOTREST | 1 | . UNAVAILABLE IN PRICE BOOK |
| 6 | (99999-01108-00) 1W1-27422-02-00 | BRACKET, FOOTREST | 1 | . UNAVAILABLE IN PRICE BOOK |
| | 90101-08428-00 | . BOLT | 1 | |
| 7 | 97011-10016-00 | BOLT, HEXAGON | 2 | |
| 8 | 90201-10639-00 | WASHER, PLATE | 2 | |
| 9 | 1W4-27411-00-00 | FOOTREST 1 | 1 | |
| 10 | 1W4-27421-00-00 | FOOTREST 2 | 1 | |
| 11 | 90508-20023-00 | SPRING, TORSION | 2 | |
| 12 | 90101-08371-00 | BOLT | 2 | |
| 13 | 95611-08100-00 | NUT, U | 2 | |
| 14 | (2W6-27211-00-33) | PEDAL, BRAKE | 1 | YAMAHA BLK |
| 15 | 55V-27242-00-00 | PEDAL, BRAKE | 1 | |
| 16 | 90508-14352-00 | SPRING, TORSION | 1 | |
| 17 | 91701-06022-00 | PIN, CLEVIS | 1 | |
| 18 | 92901-06600-00 | WASHER | 1 | |
| 19 | 91490-20020-00 | PIN, COTTER | 1 | |
| 20 | 90506-18289-00 | SPRING, TENSION | 1 | |
| 21 | 90201-14212-00 | WASHER, PLATE | 1 | |
| 22 | 93430-10015-00 | CIRCLIP, E-TYPE | 1 | |
| 23 | 322-27231-00-00 | ROD, BRAKE | 1 | |
| 24 | 90240-06103-00 | PIN, CLEVIS | 1 | |

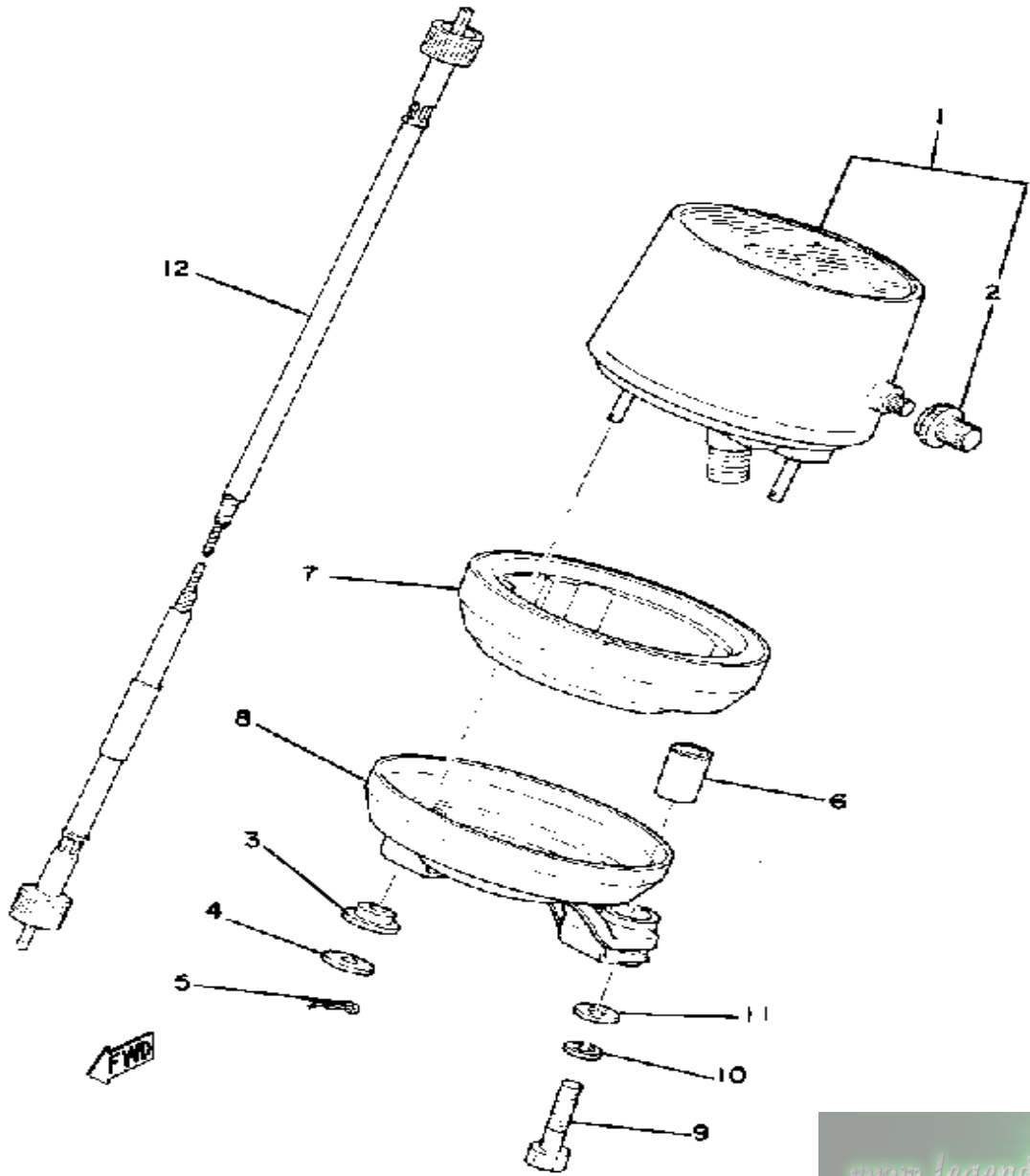
CONTINUED ON NEXT FRAME ➤

STAND - FOOTREST - BRAKE PEDAL



| Ref. No. | Part Number | Description | Qty | Remarks |
|----------|-----------------|---------------------------|-----|---------|
| 25 | 92990-06200-00 | WASHER | 1 | |
| 26 | 91490-20020-00 | PIN, COTTER | 1 | |
| 27 | 90501-10245-00 | SPRING, COMPRESSION | 1 | |
| 28 | 1W2-27239-00-00 | SEAT, SPRING | 1 | |
| 29 | 1W2-27237-00-00 | PIN, CLEVIS | 1 | |
| 30 | 90201-12631-00 | WASHER, PLATE | 1 | |
| 31 | 91401-25030-00 | PIN, COTTER | 1 | |
| 32 | 90179-06411-00 | NUT | 1 | |
| 33 | 97011-06020-00 | BOLT | 1 | |
| 34 | 95380-06700-00 | NUT | 1 | |

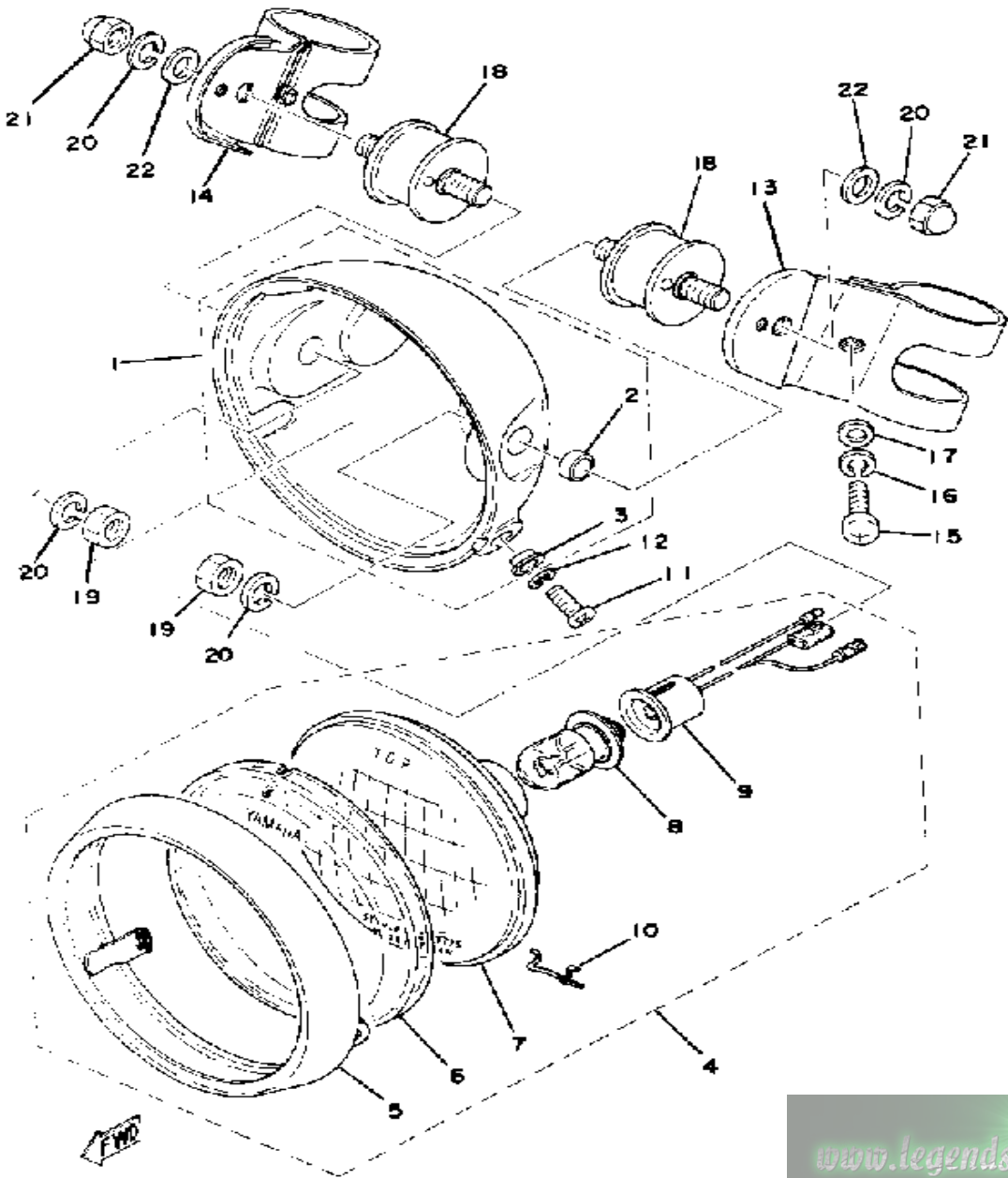
SPEEDOMETER



| Ref. No. | Part Number | Description | Qty | Remarks |
|----------|-------------------|---|-----|---------|
| 1 | (1W2-83510-30-00) | SPEEDOMETER ASSEMBLY .. | 1 | MILE/H |
| 2 | 1E6-83578-60-00 | . KNOB, TRIP METER | 1 | |
| 3 | 1M1-83526-00-00 | DAMPER 2 | 2 | |
| 4 | 90201-052E2-00 | WASHER, PLATE | 2 | |
| 5 | 90468-10050-00 | CLIP | 2 | |
| 6 | 90385-06001-00 | BUSH, SPEC'L RUBBER (214-83528-00) | 2 | |
| 7 | 1W2-83513-00-00 | DAMPER | 1 | |
| 8 | (1W2-83519-00-00) | BRACKET, METER | 1 | |
| 9 | 97021-06030-00 | BOLT | 2 | |
| 10 | 92995-06100-00 | WASHER, SPRING | 2 | |
| 11 | 92901-06600-00 | WASHER | 2 | |
| 12 | 3R8-83550-00-00 | SPEEDOMETER CABLE | 1 | |

www.legends-yamaha-enduros.com

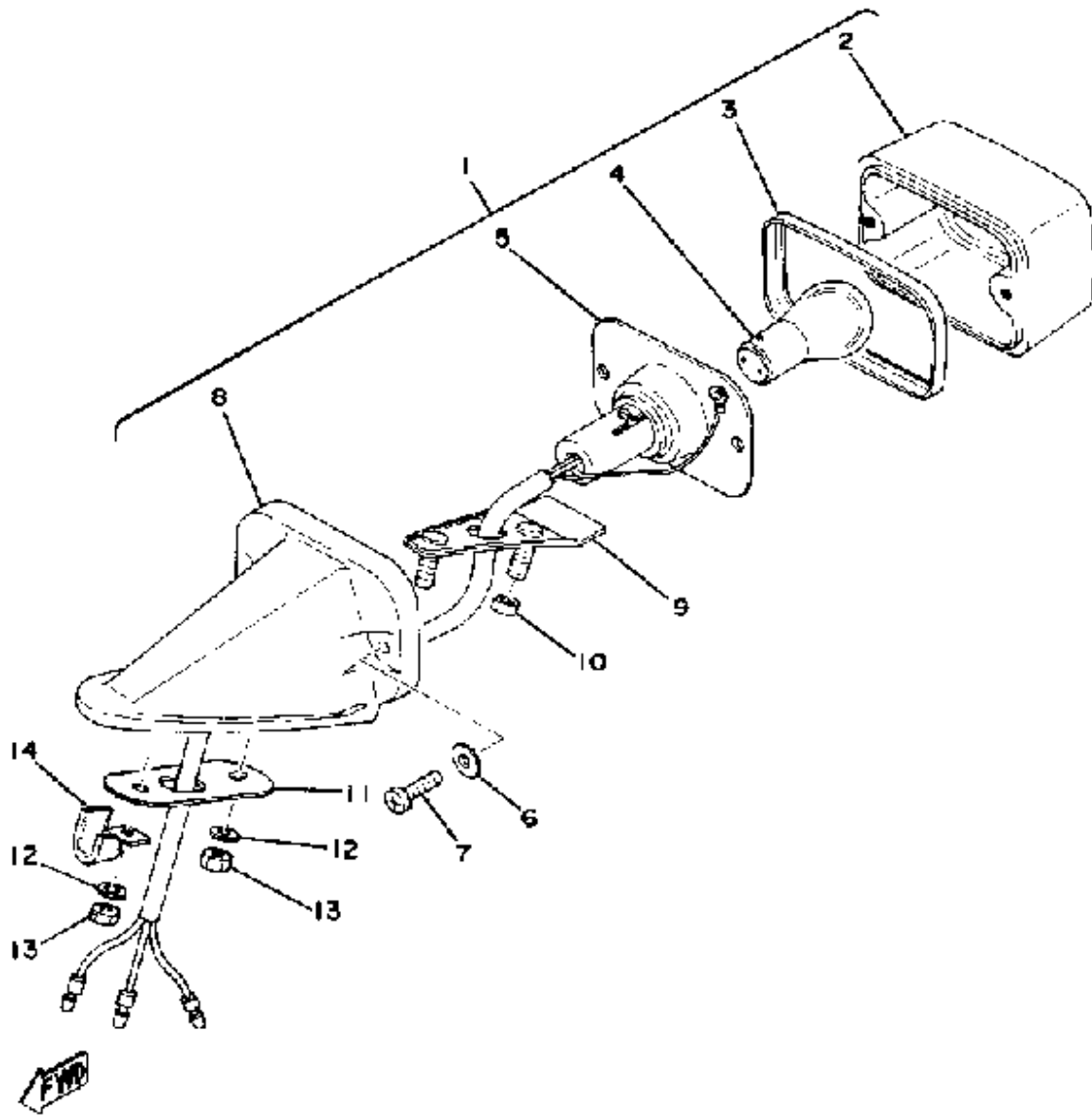
HEADLIGHT



| Ref. No. | Part Number | Description | Qty | Remarks |
|----------|---------------------|---------------------------|-----|------------|
| 1 | 1W2-84130-60-00 | BODY ASSEMBLY, HEADLIGHT | 1 | YAMAHA BLK |
| 2 | (1W2-84145-60-00) | COLLAR, BODY FTNG | 2 | |
| 3 | 1L9-84338-60-00 | . COLLAR, BODY FTNG | 2 | |
| 4 | UNA-VAILA-BL-EI 0 0 | | 11 | |
| 5 | (1W2-84115-60-00) | RIM, HEADLIGHT | 1 | |
| 6 | 1W2-84144-60-00 | . COVER, HEADLIGHT | 1 | |
| 7 | 3R8-84120-60-00 | . LENS ASSEMBLY | 1 | |
| 8 | 527-84114-09-XX | . BULB, HL 6V25/25W | 1 | |
| 9 | 1W2-84112-60-00 | . SOCKET | 1 | |
| 10 | 1W2-84324-60-00 | . SPRING, REFLECTOR | 4 | |
| 11 | 98580-05016-00 | SCREW, PAN HEAD | 1 | |
| 12 | 92990-05100-00 | WASHER, SPRING | 1 | |
| 13 | (1W2-84118-00-33) | STAY, HEADLIGHT 1 | 1 | YAMAHA BLK |
| 14 | (1W2-84119-00-33) | STAY, HEADLIGHT 2 | 1 | YAMAHA BLK |
| 15 | 98580-06020-00 | SCREW | 2 | |
| 16 | 92995-06100-00 | WASHER, SPRING | 2 | |
| 17 | 92901-06600-00 | WASHER | 2 | |
| 18 | 1W2-84143-00-00 | DAMPER, HDLT STAY | 2 | |
| 19 | 95333-08600-00 | NUT | 2 | |
| 20 | 92990-08100-00 | WASHER | 4 | |
| 21 | 95303-08800-00 | NUT (CROWN) (95301-08800) | 2 | |
| 22 | 92901-08600-00 | WASHER | 2 | |

www.legends-yamaha-enduros.com

TAILLIGHT



| Ref. No. | Part Number | Description | Qty | Remarks |
|----------|-------------------|-----------------------|-----|---------|
| 1 | 434-84500-64-00 | TAILLIGHT ASSEMBLY | 1 | |
| 2 | 434-84521-69-00 | . LENS, TAILLIGHT | 1 | |
| 3 | 434-84515-61-00 | . RIM, TAILLIGHT | 1 | |
| 4 | 122-84514-30-00 | . BULB | 1 | |
| 5 | 434-84517-61-00 | . CORD, TAILLIGHT | 1 | |
| 6 | 434-84522-62-00 | . WASHER | 2 | |
| 7 | 434-84524-61-00 | . SCREW, LENS FITTING | 2 | |
| 8 | 434-84519-64-00 | . BRACKET, TAILLIGHT | 1 | |
| 9 | 434-84500-64-00 | . TAILLIGHT ASSEMBLY | 1 | |
| 10 | (434-84557-60-00) | COLLAR | 2 | |
| 11 | 1W2-84525-00-00 | WASHER, SPECIAL | 1 | |
| 12 | 92990-05100-00 | WASHER, SPRING | 2 | |
| 13 | 95380-05600-00 | NUT | 2 | |
| 14 | 90462-05005-00 | CLAMP | 1 | |

www.legends-yamaha-enduros.com

D-3
IT175E MOTORCYCLE
1978 SERVICE DATA M7-048

| | |
|--|---|
| MODEL – IBM I.D. NUMBER | IT175E – 1W2 |
| Initial Engine Number/Frame Number | 1W2-020101 / 1W2-020101 |
| Basic Color(s) | Sky Blue |
| ENGINE TYPE | 2-stroke, air-cooled, reed valve |
| Bore/Stroke/Number Cylinders/Displacement (cc) | 66mm / 50mm / 1 / 171cc |
| Compression Ratio/Compression Pressure min.~max. | 7.4:1 / ϕ |
| Piston Skirt Clearance new/max. | .040 ~ .045mm / 0.1mm |
| Ring End Gap top/2nd/3rd | 0.3 ~ 0.5mm / same / ϕ |
| Valve Clearance (cold) Intake/Exhaust | ϕ |
| Oil Pressure hot/rpm | ϕ |
| Oil Tank or Engine Sump Capacity | Premix Yamalube R* 20:1 |
| AUTOLUBE – Min. stroke/Color code | ϕ |
| Minimum Output @ 200 strokes | ϕ |
| Maximum Output @ 200 strokes | ϕ |
| CARBURETOR – mfr./type/I.D. number | Mikuni / VM34SS / 1W2-00 |
| Main Jet/Pilot Jet | 360/60 |
| Needle Jet/Jet Needle-Clip Position | P-4 / 6F21-3 |
| Slide Cutaway or Throttle Valve | 2.0 |
| Float Level | 23.5 \pm 1mm |
| Mixture Screw – turns out/idle rpm | 1 1/2 / ϕ |
| SUSPENSION | |
| Front Forks: Oil type/level/qty | 20wt Fork Oil* / ϕ / 262cc |
| Gas Pressure | ϕ |
| Spring Length std | 566mm |
| Monoshock: Oil type/qty | ϕ |
| Gas Pressure | 18 kg/cm ² |
| TRANSMISSION – oil type/qty chg/qty reassemble | SAE20W40 (Yamalube 4*) / 600cc / 650cc |
| Primary drive type | Helical Gear |
| Secondary type/teeth/chain | Chain / 41-12 / DID520TR - 94L |
| Clutch Friction Plate Thickness std ~ min. | 3.0 ~ 2.7mm |
| Clutch Spring Length std ~ min. | 36.0 ~ 35.0mm |
| Tires size (nominal pressure) | Front: 3.00-21 (13psi) Rear: 4.10-18 (16psi) |
| ELECTRICAL – System/Type | AC Magneto / CDI |
| Maximum Output | ϕ |
| Field Coil Color Code/ Ω | ϕ |
| Charging Coil Color Code/ Ω | ϕ |
| Source Coil Color Code/ Ω | Brn ~ Blk / 420 Ω \pm 10% |
| Lighting Coil Color Code/ Ω | Yel-Red ~ Blk / 0.45 Ω \pm 10% / Blk-Red ~ 13.6 Ω \pm 10% |
| Pulse Coil or Pickup Coil Color Code/ Ω | Wht-red ~ Blk / 12.4 Ω \pm 10% |
| Ignition Coil test gap Primary Ω / Secondary Ω | 6mm / 1.0 Ω \pm 10% / 5.9K Ω \pm 20% |
| Battery—model/spec. grav./chg rate x hour | ϕ |
| Headlight/Tailight/Signal Rating | 6V25-25W / 6V 5.3W / ϕ |
| Point Gap/Condenser Capacitance | ϕ |
| Spark Plug Type | Champion N-2G |
| Spark Plug Gap/Torque/Cap Ω | 0.6 ~ 0.7mm / 2.0 m·kg / ϕ |
| Timing Static | 2.3mm \pm 0.15mm BTDC |
| Dynamic | Center line @ 2000 rpm |

ϕ = Does Not Apply To This Model * Available from Yamaha Parts Distributors, Inc.
©YAMAHA MOTOR CORPORATION, U. S. A., BUENA PARK, CALIFORNIA 9/7/77 Page 1 of 1

D-3
IT175E MOTORCYCLE
1978 SERVICE DATA M7-048

| | |
|--|---|
| MODEL – IBM I.D. NUMBER | IT175E – 1W2 |
| Initial Engine Number/Frame Number | 1W2-020101 / 1W2-020101 |
| Basic Color(s) | Sky Blue |
| ENGINE TYPE | 2-stroke, air-cooled, reed valve |
| Bore/Stroke/Number Cylinders/Displacement (cc) | 66mm / 50mm / 1 / 171cc |
| Compression Ratio/Compression Pressure min.~max. | 7.4:1 / ϕ |
| Piston Skirt Clearance new/max. | .040 ~ .045mm / 0.1mm |
| Ring End Gap top/2nd/3rd | 0.3 ~ 0.5mm / same / ϕ |
| Valve Clearance (cold) Intake/Exhaust | ϕ |
| Oil Pressure hot/rpm | ϕ |
| Oil Tank or Engine Sump Capacity | Premix Yamalube R* 20:1 |
| AUTOLUBE – Min. stroke/Color code | ϕ |
| Minimum Output @ 200 strokes | ϕ |
| Maximum Output @ 200 strokes | ϕ |
| CARBURETOR – mfr./type/I.D. number | Mikuni / VM34SS / 1W2-00 |
| Main Jet/Pilot Jet | 360/60 |
| Needle Jet/Jet Needle-Clip Position | P-4 / 6F21-3 |
| Slide Cutaway or Throttle Valve | 2.0 |
| Float Level | 23.5 \pm 1mm |
| Mixture Screw – turns out/idle rpm | 1 1/2 / ϕ |
| SUSPENSION | |
| Front Forks: Oil type/level/qty | 20wt Fork Oil* / ϕ / 262cc |
| Gas Pressure | ϕ |
| Spring Length std | 566mm |
| Monoshock: Oil type/qty | ϕ |
| Gas Pressure | 18 kg/cm ² |
| TRANSMISSION – oil type/qty chg/qty reassemble | SAE20W40 (Yamalube 4*) / 600cc / 650cc |
| Primary drive type | Helical Gear |
| Secondary type/teeth/chain | Chain / 41-12 / DID520TR - 94L |
| Clutch Friction Plate Thickness std ~ min. | 3.0 ~ 2.7mm |
| Clutch Spring Length std ~ min. | 36.0 ~ 35.0mm |
| Tires size (nominal pressure) | Front: 3.00-21 (13psi) Rear: 4.10-18 (16psi) |
| ELECTRICAL – System/Type | AC Magneto / CDI |
| Maximum Output | ϕ |
| Field Coil Color Code/ Ω | ϕ |
| Charging Coil Color Code/ Ω | ϕ |
| Source Coil Color Code/ Ω | Brn ~ Blk / 420 Ω \pm 10% |
| Lighting Coil Color Code/ Ω | Yel-Red ~ Blk / 0.45 Ω \pm 10% / Blk-Red ~ 13.6 Ω \pm 10% |
| Pulse Coil or Pickup Coil Color Code/ Ω | Wht-red ~ Blk / 12.4 Ω \pm 10% |
| Ignition Coil test gap Primary Ω / Secondary Ω | 6mm / 1.0 Ω \pm 10% / 5.9K Ω \pm 20% |
| Battery—model/spec. grav./chg rate x hour | ϕ |
| Headlight/Tailight/Signal Rating | 6V25-25W / 6V 5.3W / ϕ |
| Point Gap/Condenser Capacitance | ϕ |
| Spark Plug Type | Champion N-2G |
| Spark Plug Gap/Torque/Cap Ω | 0.6 ~ 0.7mm / 2.0 m·kg / ϕ |
| Timing Static | 2.3mm \pm 0.15mm BTDC |
| Dynamic | Center line @ 2000 rpm |

ϕ = Does Not Apply To This Model * Available from Yamaha Parts Distributors, Inc.
©YAMAHA MOTOR CORPORATION, U. S. A., BUENA PARK, CALIFORNIA 9/7/77 Page 1 of 1



TECHNICAL BULLETIN