

# YAMAHA

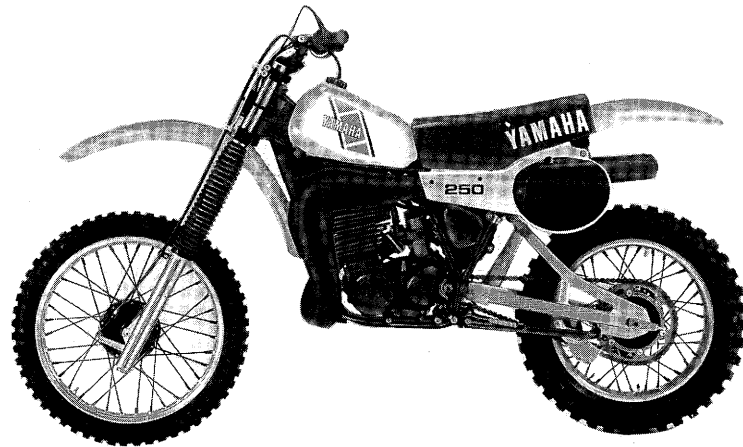
## PARTS CATALOGUE

[www.legends-yamaha-enduros.com](http://www.legends-yamaha-enduros.com)

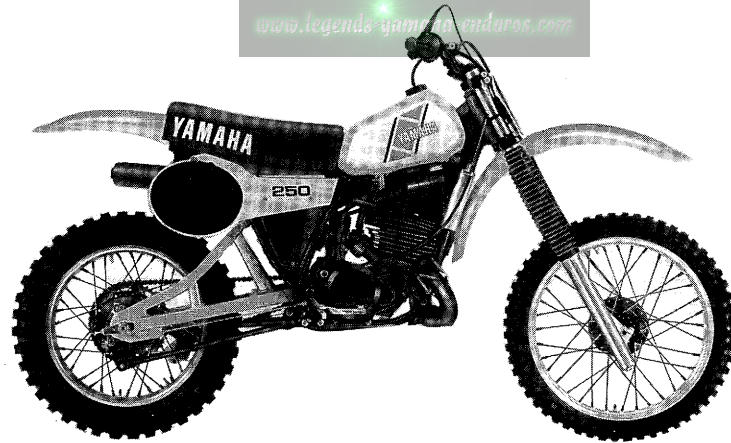
# YZ250H (4V3)

114V3-300E1

[www.legends-yamaha-enduros.com](http://www.legends-yamaha-enduros.com)



[www.legends-yamaha-enduros.com](http://www.legends-yamaha-enduros.com)





[www.legends-yamaha-enduros.com](http://www.legends-yamaha-enduros.com)

# FOREWORD

This Parts Catalogue is related to the parts in use for the Yamaha YZ 250H (4V3).  
When you are ordering replacement parts for the YZ 250H (4V3), refer to this Parts Catalogue and quote both part numbers and part names correctly.

1. Modifications or additions which have been made after issue of the Parts Catalogue will be announced in the Yamaha Parts News.

It is advisable that according to the Yamaha Parts News you make necessary corrections to the Parts Catalogue on hand to keep it up-to-date.

2. Abbreviations

The following abbreviations are used in this Parts Catalogue.

- U.R. Use size (thickness) and/or number as required.
- U.N. Use as many as you need.
- A.P. Alternate Parts
- L.M. Local Made
- F# Frame No. (Applicable machine No.)

3. The parts marked with (\*) in the parts number column of this Catalogue are not supplied with by Yamaha, those have to be found locally.

4. Parts, which are to be supplied in the form of assemblies, are listed with an indention of one letter's space, and a dot ( . ) is put against the name of each part.

**EXAMPLE** CARBURETOR ASS'Y  
     . JET, pilot  
     . NOZZLE, main

5. Indication of No. of constituent parts for assembly

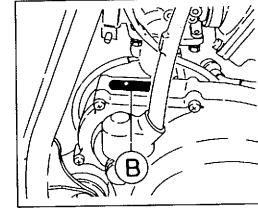
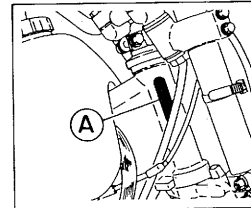
The numeral appearing to the right of each constituent part under the description indicates the quantity of such parts for each individual assembly unit.

**EXAMPLE**

Part No.	Description	Q'ty	Remarks
2F5-83310-60	FRONT FLASHER LIGHT ASS'Y	2	
115-83311-60	. BULB (6V-18W)	1	
1M1-83309-60	. REFLECTOR	1	

6. Initial Serial No. and Color Code

(A) Frame Serial No.	4V3-000101 and following
(B) Engine Serial No.	4V3-000101 and following



Color Code	Color Name	Abbreviate
	Clean White	

7. Applicable colors of graphics are represented in the "Remarks" column by the letter(s) appropriately picked out of the full word(s) showing such colors.

**EXAMPLE**

Part No.	Description	Q'ty	Remarks
2N4-24110-00-X5	FUEL TANK COMP.	1	MAXIM RED
3J1-24240-10	. GRAPHIC, fuel tank set	1	for MXR

# CONTENTS

## ENGINE

Fig. 1	Cylinder	1
Fig. 2	Crankshaft · Piston	2
Fig. 3	C.D.I Magneto	3
Fig. 4	Intake	4
Fig. 5	Carburetor	6
Fig. 6	Exhaust	8
Fig. 7	Crankcase	9
Fig. 8	Crankcase Cover	10
Fig. 9	Kick Starter	11
Fig. 10	Clutch	12
Fig. 11	Transmission	14
Fig. 12	Shift Cam · Fork	16
Fig. 13	Shift Shaft · Pedal	17

## CHASSIS

Fig. 14	Frame · Tool	18
Fig. 15	Front Fender · Rear Fender	19
Fig. 16	Side Cover	20
Fig. 17	Rear Arm	21
Fig. 18	Rear Suspension	23
Fig. 19	Steering	25
Fig. 20	Front Fork	26
Fig. 21	Fuel Tank	28
Fig. 22	Seat	29
Fig. 23	Front Wheel	30
Fig. 24	Rear Wheel	31
Fig. 25	Handlebar · Cable	33
Fig. 26	Stand · Footrest	35
Fig. 27	Electrical 1	36
Fig. 28	Handle Switch · Lever	37

## ALTERNATE PARTS

Fig. 29	Alternate (Chassis)	38
---------	---------------------	----

## REPAIR KIT

Fig. 30	Repair Kit	39
---------	------------	----

## INDEX

Numerical Index
Parts Name Index

FIG. 1 CYLINDER

REF. NO.	PART NO.	DESCRIPTION	Q'TY	REMARKS
1	3R4-11111-00	HEAD, cylinder 1	1	
2	3R4-11181-00	GASKET, cylinder head 1	1	
3	*	PLUG, sPark (CHAMPION N2G)	1	LM
4	90116-08321	BOLT, stud	6	
5	90179-08299	NUT	6	
6	4V3-11311-00	CYLINDER 1	1	
7	3R4-11351-00	GASKET, cylinder	1	
8	90116-10313	BOLT, stud	2	
9	90116-10314	BOLT, stud	2	
10	90179-10292	NUT	4	
11	91830-24016	PIN, dowel	2	

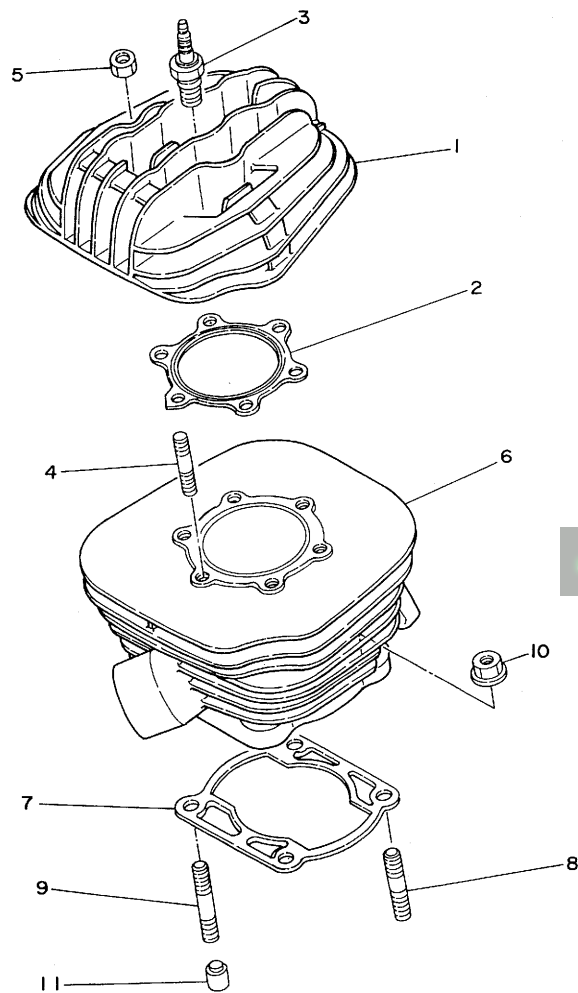
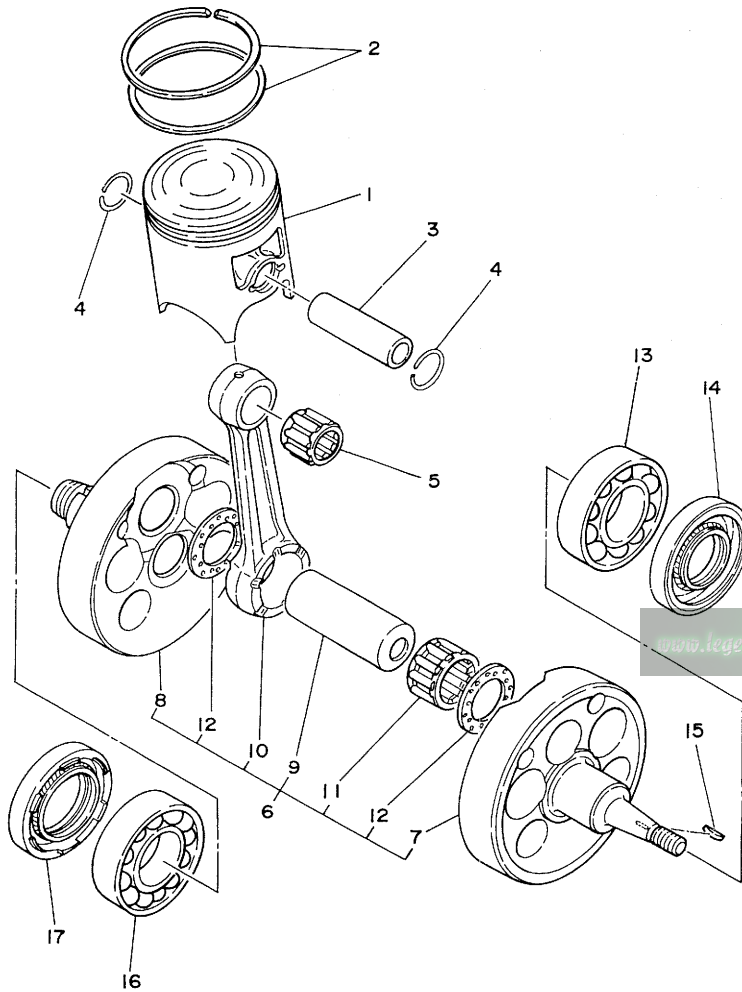


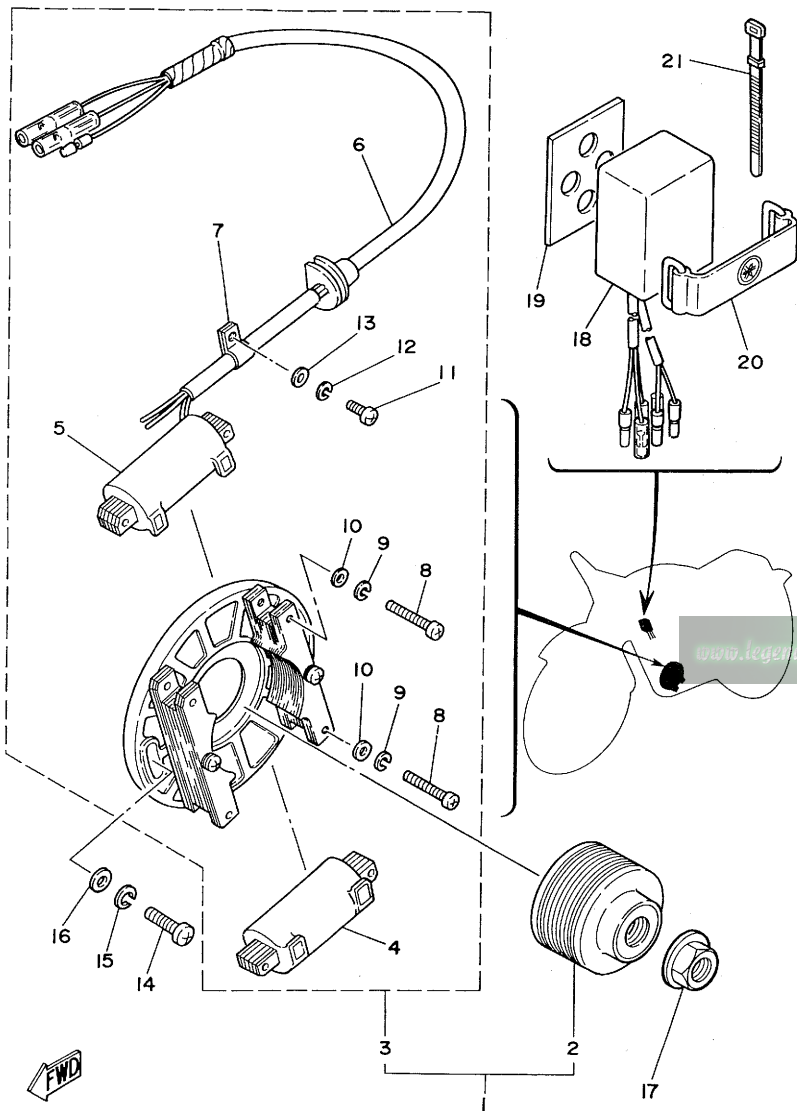
FIG. 2 CRANKSHAFT·PISTON



REF. NO.	PART NO.	DESCRIPTION	Q'TY	REMARKS
1	3R4-11631-10-95	PISTON (STD)	1	UR
	3R4-11631-10-96	PISTON (STD)	1	UR
	3R4-11635-10	PISTON (1ST O/S 0.25MM)	1	AP
	3R4-11636-10	PISTON (2ND O/S 0.50MM)	1	AP
	3R4-11637-10	PISTON (3RD O/S 0.75MM)	1	AP
	3R4-11638-10	PISTON (4TH O/S 1.00MM)	1	AP
2	2X7-11601-00	PISTON RING SET (STD)	1	
	2X7-11601-10	PISTON RING SET (1ST O/S)	1	AP
	2X7-11601-20	PISTON RING SET (2ND O/S)	1	AP
	2X7-11601-30	PISTON RING SET (3RD O/S)	1	AP
	2X7-11601-40	PISTON RING SET (4TH O/S)	1	AP
3	214-11633-00	PIN, Piston	1	
4	93450-19052	CIRCLIP	2	
5	93310-21874	BEARING, cylindrical	1	
6	3R4-11400-00	CRANKSHAFT ASSY	1	
7	3R4-11412-00	•CRANK 1	1	
8	3R4-11422-00	•CRANK 2	1	
9	2X4-11681-00	•PIN, crank 1	1	
10	498-11651-00	•ROD, connecting	1	
11	93310-42541	•BEARING, cylindrical	1	
12	90209-25085	•WASHER	2	
13	93306-20619	BEARING (B6206)	1	
14	93103-30092	OIL SEAL	1	
15	90280-03017	KEY, woodruff	1	
16	93306-20619	BEARING (B6206)	1	
17	93103-40091	OIL SEAL	1	



FIG. 3 C.D.I MAGNETO



REF. NO.	PART NO.	DESCRIPTION	Q'TY	REMARKS
1	3R4-85500- <del>10</del> 11	C.D.I. MAGNETO ASSY	1	
2	3R4-85550-10	•ROTOR ASSY	1	
3	3R4-85510- <del>10</del> 11	•STATOR ASSY	1	
4	REFER FIG3-1 CHARGE COIL ASSY	•CHARGE COIL ASSY	1	INCLUDES FIG3-4,5,6
5	REFER FIG3-1 CHARGE COIL ASSY	•COIL, charge 1	1	
6	REFER FIG3-1 CHARGE COIL ASSY	•COIL, charge 2	1	
7	109-81328-11	•LEAD WIRE ASSY	1	
8	98502-05030	•CLAMP	1	
9	92902-05100	•SCREW, Pan head	6	
10	92901-05600	•WASHER, sPring	6	
11	92901-04600	•WASHER, Plate	6	
12	98502-04008	•SCREW, Pan head	1	
13	92902-04100	•WASHER, sPring	1	
14	92901-04600	•WASHER, Plate	1	
15	92501-06025	SCREW, Pan head	2	
16	92901-06100	WASHER, sPring	2	
17	92901-06600	WASHER, Plate	2	
18	90179-10257	NUT	1	
19	3R4-85540-10	C.D.I. UNIT ASSY	1	
20	1M2-85547-00	DAMPER	1	
21	116-82131-00	BAND, battery	1	
	256-83936-00	BAND, switch cord	1	

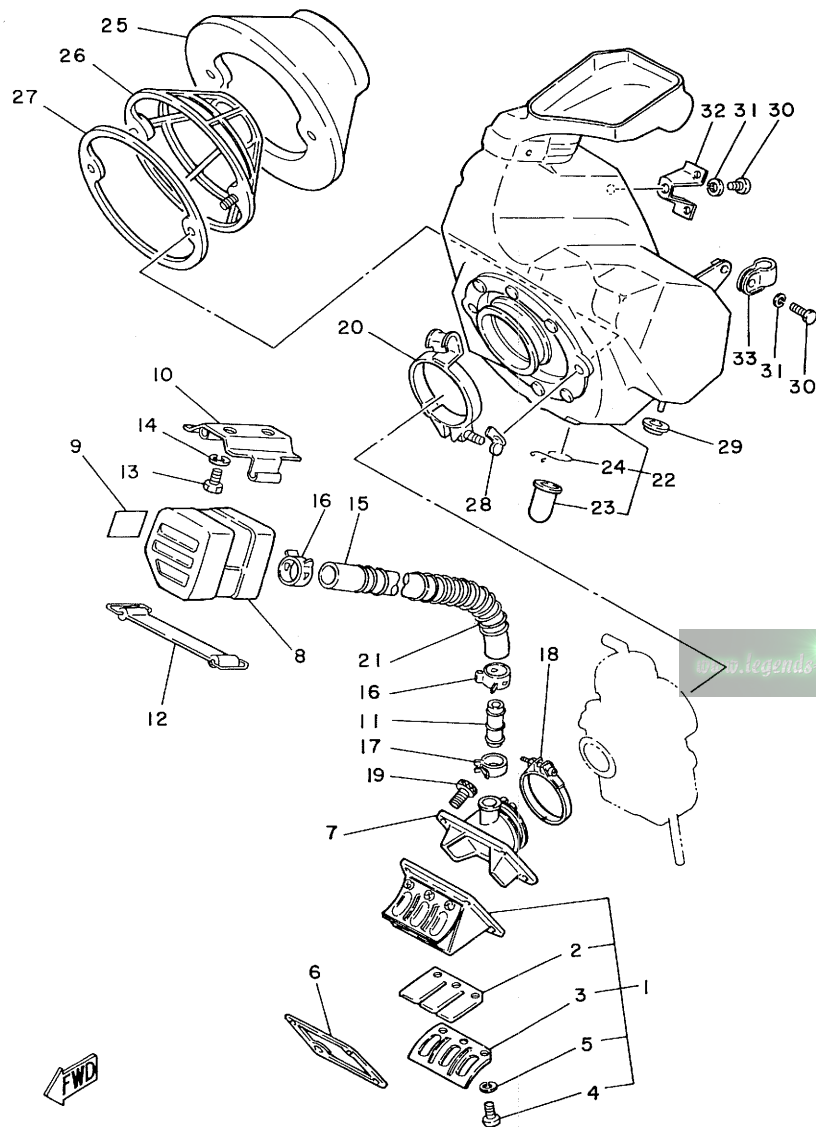


FIG. 4 INTAKE

REF. NO.	PART NO.	DESCRIPTION	Q'TY	REMARKS
1	2X5-13610-00	REED VALVE ASSY	1	
2	2K7-13613-00	•REED, valve	2	
3	2X5-13616-00	•STOPPER, reed valve	2	
4	98501-03008	•SCREW, Pan head	6	
5	92901-03100	•WASHER, sPring	6	
6	2K7-13621-00	GASKET, valve seat	1	
7	4V3-13565-00	JOINT, carburetor	1	
8	4V3-13581-00	CHAMBER, air	1	
9	4V3-1441K-00	EMBLEM	1	
10	4V3-14493-00	STAY 1	1	
11	4V3-13584-01	PIPE, manifold	1	
12	1E6-82131-00	BAND, battery	1	
13	97301-06010	BOLT	2	
14	92901-06100	WASHER, sPring	2	
15	90445-21562	HOSE	1	
16	90467-20050	CLIP	2	
17	90468-08104	CLIP	1	
18	90460-51109	CLAMP, hose	1	
19	91316-06020	BOLT	4	
20	90460-68120	CLAMP, hose	1	
21	90501-14633	SPRING, comPression	1	
22	4V4-W1441-00	AIR CLEANER CASE COMP.	1	
23	1W4-14457-00	•SEAL	1	
24	90467-20030	•CLIP	1	
25	3R4-W1442-01	ELEMENT, air cleaner	1	
26	3R4-14458-00	GUIDE	1	
27	4V4-14459-00	HOLDER, guide	1	
28	90175-06012	NUT, wing	2	

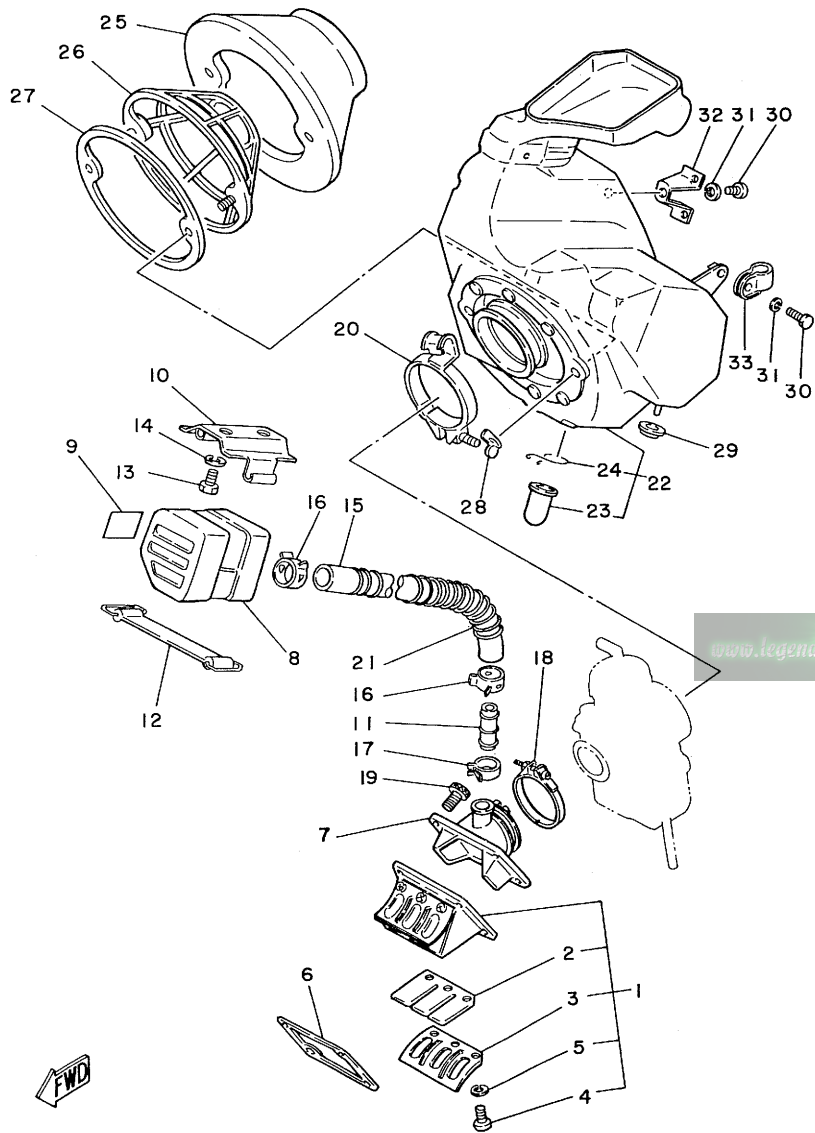


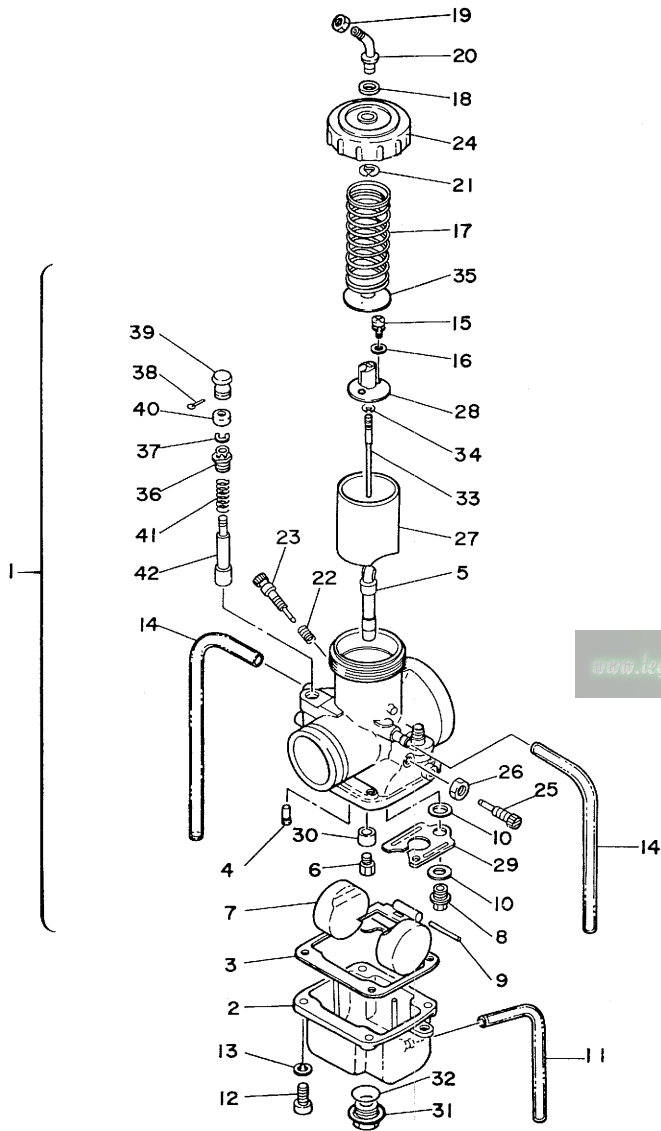
FIG. 4 INTAKE

REF. NO.	PART NO.	DESCRIPTION	Q'TY	REMARKS
29	90480-13197	GROMMET	1	
30	97301-06016	BOLT	4	
31	92901-06100	WASHER, sPring	4	
32	4V4-14484-00	PLATE, cleaner case fitting	1	
33	4V4-14499-00	STAY 2	1	



**B6**

FIG. 5 CARBURETOR

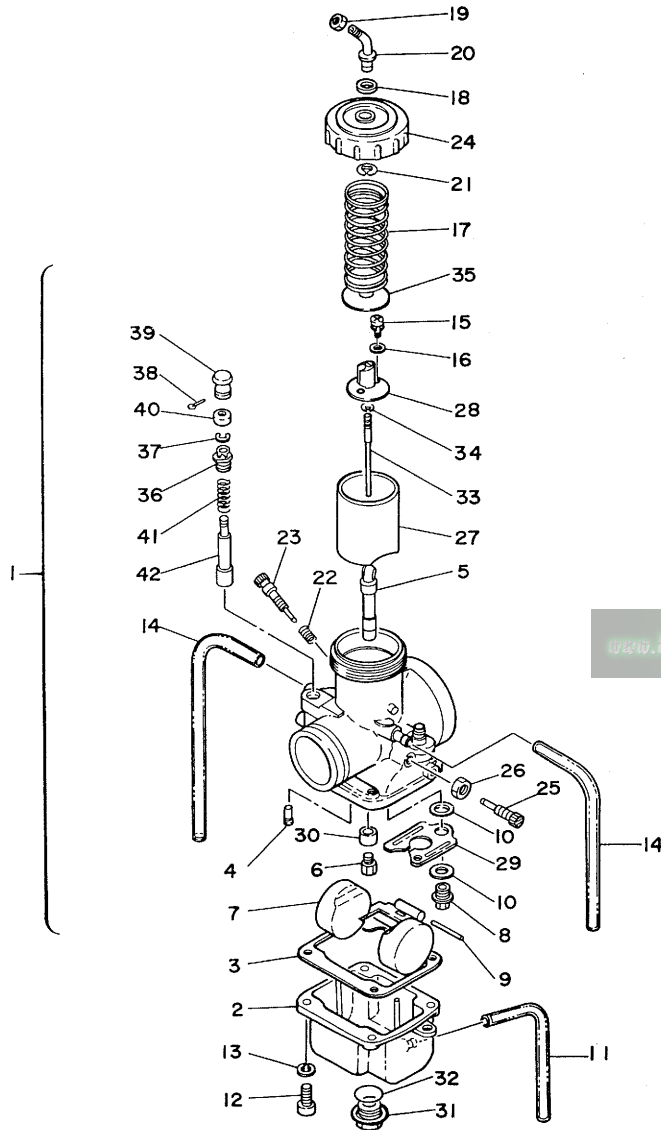


REF. NO.	PART NO.	DESCRIPTION	Q'TY	REMARKS
1	4V3-14101-00	CARBURETOR ASSY 1	1	
2	3R4-14181-16	•BODY, float chamber 1	1	
3	363-14184-00	•GASKET, float chamber	1	
4	193-14142-80	•JET, Pilot (#80.0)	1	
5	510-14141-50	•NOZZLE, main	1	
6	137-14143-76	•JET, main (#380)	1	UR STD
	137-14143-74	•JET, main (#370)	1	UR
	137-14143-78	•JET, main (#390)	1	UR
7	2N7-14185-00	•FLOAT	1	
8	363-14190-35	•NEEDLE VALVE ASSY	1	
9	537-14186-00	•PIN, float	1	
10	239-14195-00	•WASHER, needle valve	2	
11	2K7-14197-00	•PIPE	1	
12	98501-05016	•SCREW, Pan head	4	
13	92902-05100	•WASHER, spring	4	
14	310-14197-00	•PIPE	2	
15	97602-03108	•SCREW, Pan head with washer	2	
16	92902-03600	•WASHER	2	
17	363-14131-00	•SPRING, throttle valve	1	
18	8F2-14147-00	•O-RING	1	
19	127-14161-00	•NUT, cable adjusting	1	
20	3R4-14155-00	•GUIDE, cable	1	
21	363-14137-00	•CLIP	1	
22	127-14134-00	•SPRING, air adjusting	1	
23	152-14123-00	•SCREW, air adjusting	1	
24	3R4-14158-00	•TOP, mixing chamber	1	
25	2A0-14122-00	•SCREW, throttle	1	
26	802-14161-00	•NUT, cable adjusting	1	

FWD

B7

FIG. 5 CARBURETOR



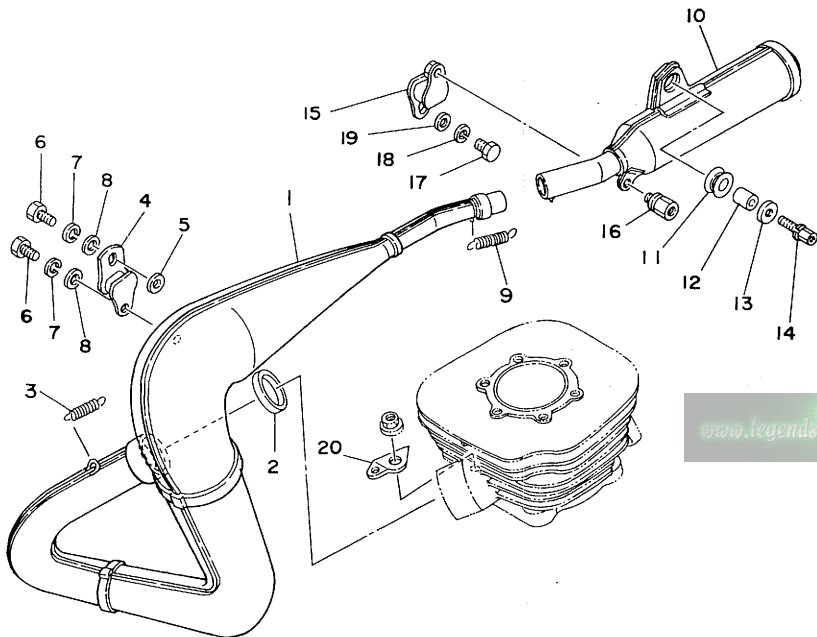
REF. NO.	PART NO.	DESCRIPTION	Q'TY	REMARKS
27	2X8-14112-30	•VALVE, throttle 1	1	
28	509-14274-00	•CONNECTOR	1	
29	3R4-14146-00	•PLATE	1	
30	2X8-14153-00	•WASHER, main Jet	1	
31	510-14115-00	•PLUG, screw	1	
32	558-14147-00	•O-RING	1	
33	239-14116-16	•NEEDLE	1	
34	164-14137-00	•CLIP	1	
35	509-14136-00	•SEAT, sPrin8	1	
36	152-14174-00	•CAP, Plun8er	1	
37	353-14138-00	•CLIP, Plun8er	1	
38	91402-16015	•PIN, cotter	1	
39	737-14261-00	•HOLDER	1	
40	637-14173-00	•COVER, Plun8er caP	1	
41	156-14135-00	•SPRING, Plun8er	1	
42	737-14171-00	•PLUNGER, starter	1	

www.legends-yamaha-enduros.com



**B8**

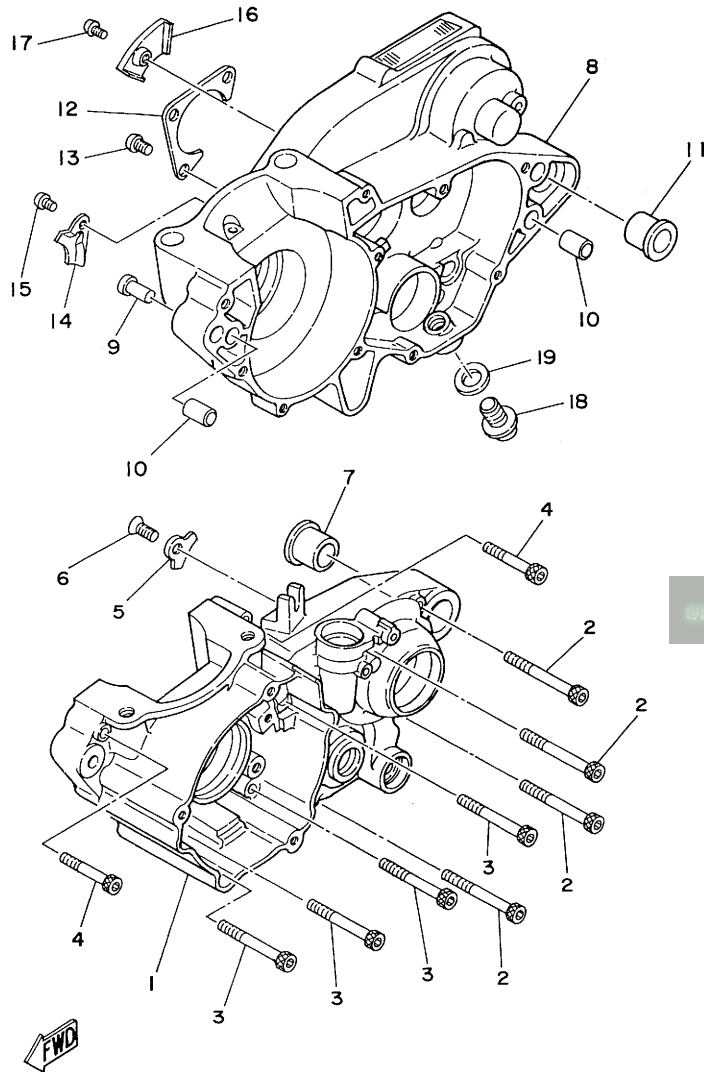
FIG. 6 EXHAUST



REF. NO.	PART NO.	DESCRIPTION	Q'TY	REMARKS
1	4V3-14610-00	EXHAUST PIPE ASSY 1	1	
2	3R4-14613-00	GASKET, exhaust Pipe	1	
3	90507-20030	SPRING, tension	3	
4	3R4-14781-02	STAY, muffler 2	1	
5	92901-08200	WASHER, Plain	1	
6	97301-08016	BOLT	2	
7	92901-08100	WASHER, sPring	2	
8	92901-08600	WASHER, Plate	2	
9	90506-20223	SPRING, tension	1	
10	4V3-14753-10	SILENCER, exhaust	1	
11	565-14747-00	DAMPER, muffler	1	
12	90387-08258	COLLAR	1	
13	90201-08114	WASHER, Plate	1	
14	90109-08512	BOLT	1	
15	565-14771-00	STAY, muffler 1	1	
16	90109-06551	BOLT	1	
17	97301-06016	BOLT	1	
18	92901-06100	WASHER, sPring	1	
19	92901-06600	WASHER, Plate	1	
20	3R4-14619-01	HOOK, sPring	1	



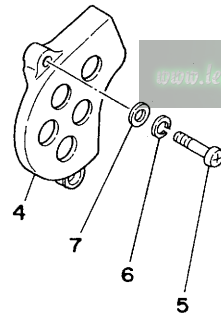
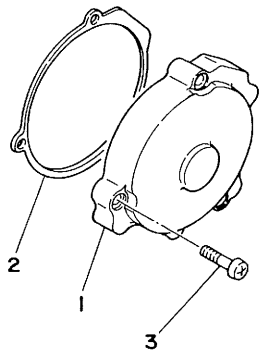
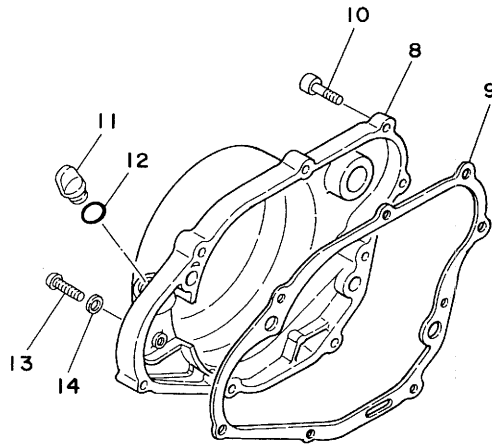
FIG. 7 CRANKCASE



REF. NO.	PART NO.	DESCRIPTION	Q'TY	REMARKS
1	3R4-15111-00	CRANKCASE 1	1	
2	91316-06060	BOLT	4	
3	91316-06055	BOLT	4	
4	91316-06040	BOLT	2	
5	3R4-15383-00	PLATE, bearing cover	1	
6	92701-06012	SCREW, flat head	1	
7	90387-16776	COLLAR	1	
8	3R4-15121-01	CRANKCASE 2	1	
9	90338-07011	PLUG	1	
10	91810-05016	PIN, dowel	4	
11	90387-16776	COLLAR	1	
12	3R4-15381-00	PLATE, bearing cover	1	
13	92501-06012	SCREW, Pan head	3	
14	3R4-15118-00	HOLDER	1	
15	92501-08010	SCREW, Pan head	1	
16	3R4-15113-00	PLATE	1	
17	92501-06012	SCREW, Pan head	1	
18	90340-12059	PLUG, straight screw	1	
19	90430-12038	GASKET	1	

FIG. 8 CRANKCASE COVER

REF. NO.	PART NO.	DESCRIPTION	Q'TY	REMARKS
1	3R4-15411-00	COVER, crankcase 1	1	
2	4V3-15451-00	GASKET, crankcase cover	1	
3	92506-06025	SCREW, Pan head	3	
4	3R4-15421-00	COVER, crankcase 2	1	
5	92506-06025	SCREW, Pan head	1	
6	92906-06100	WASHER, sPring	1	
7	92906-06600	WASHER, Plate	1	
8	3R4-15431-01	COVER, crankcase 3	1	
9	3R4-15462-00	GASKET, crankcase cover 3	1	
10	91316-06025	BOLT	8	
11	1G8-15362-00	PLUG, oil level	1	
12	93210-14104	O-RING	1	
13	92506-06008	SCREW, Pan head	1	
14	90430-06016	GASKET	1	

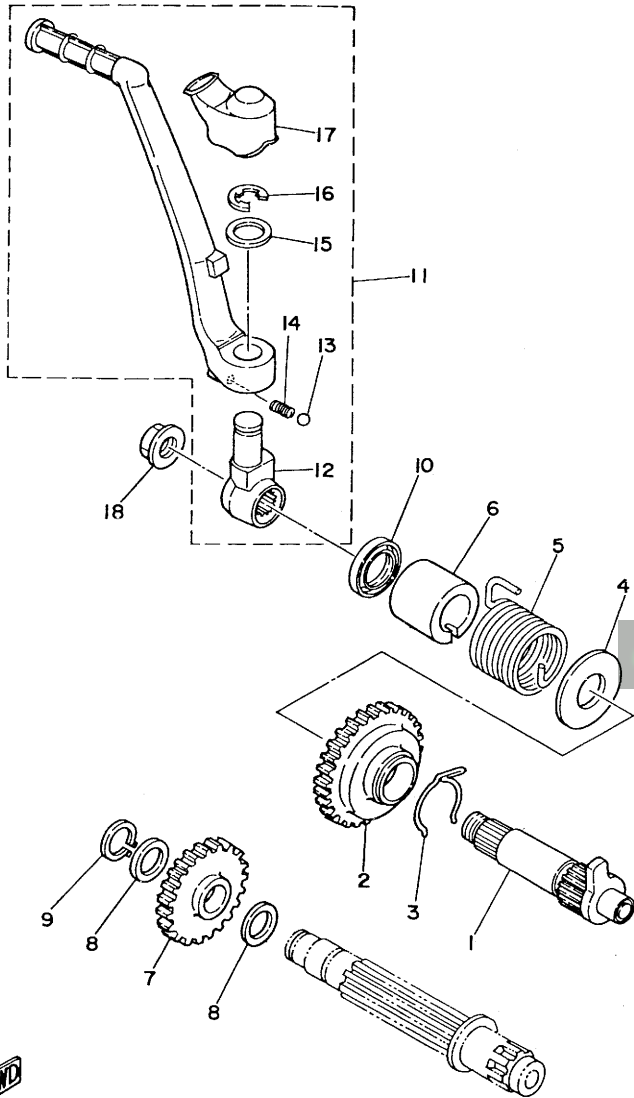


[www.legends-yamaha-enduros.com](http://www.legends-yamaha-enduros.com)





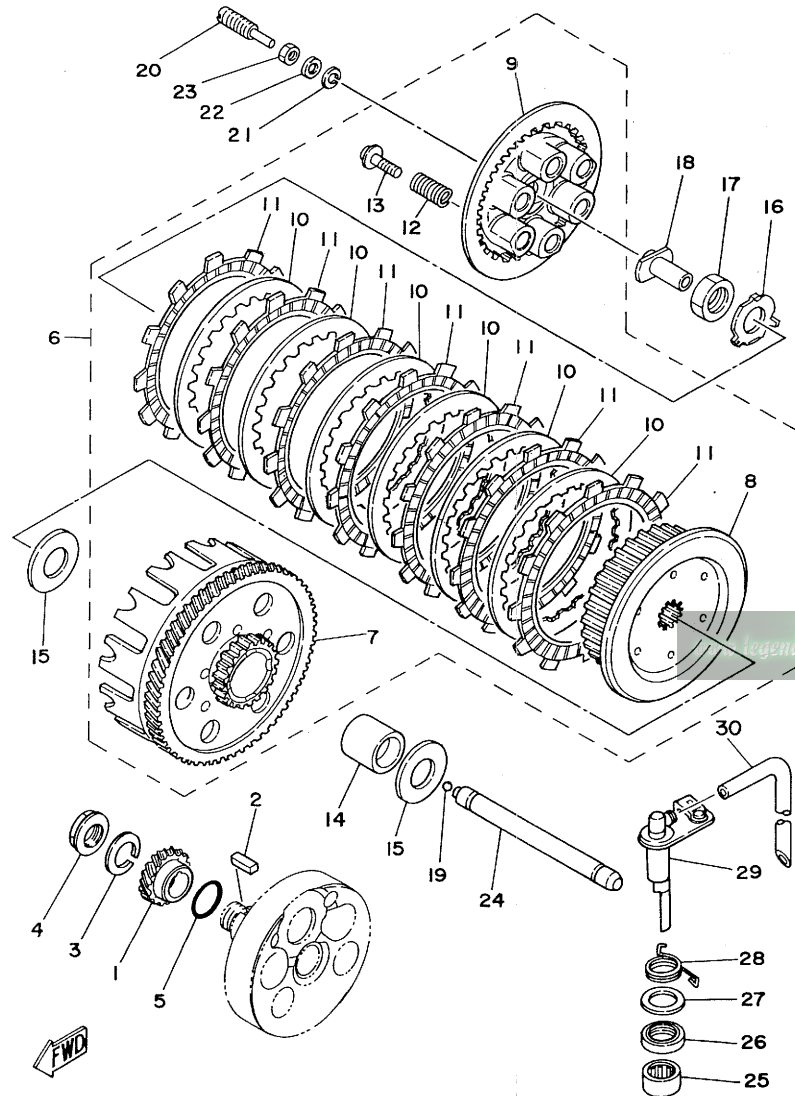
FIG. 9 KICK STARTER



REF. NO.	PART NO.	DESCRIPTION	Q'TY	REMARKS
1	3R4-15660-00	KICK AXLE ASSY	1	
2	3R4-15641-00	GEAR, kick (26T)	1	
3	90468-26048	CLIP	1	
4	90201-20358	WASHER, Plate	1	
5	90508-30422	SPRING, torsion	1	
6	3R4-15664-00	GUIDE, sPring	1	
7	3R4-15651-00	GEAR, sProcket idle (21T)	1	
8	90201-17545	WASHER, Plate	2	
9	93410-17008	CIRCLIP	1	
10	93109-20014	OIL SEAL	1	
11	3R4-15620-00	KICK CRANK ASSY	1	
12	3R4-15621-01	•BOSS, kick crank	1	
13	93507-32009	•BALL	1	
14	90501-12081	•SPRING, comPression	1	
15	90201-15234	•WASHER, Plate	1	
16	93430-10016	•CIRCLIP	1	
17	2K7-15618-00	•COVER, kick lever	1	
18	90179-12244	NUT	1	



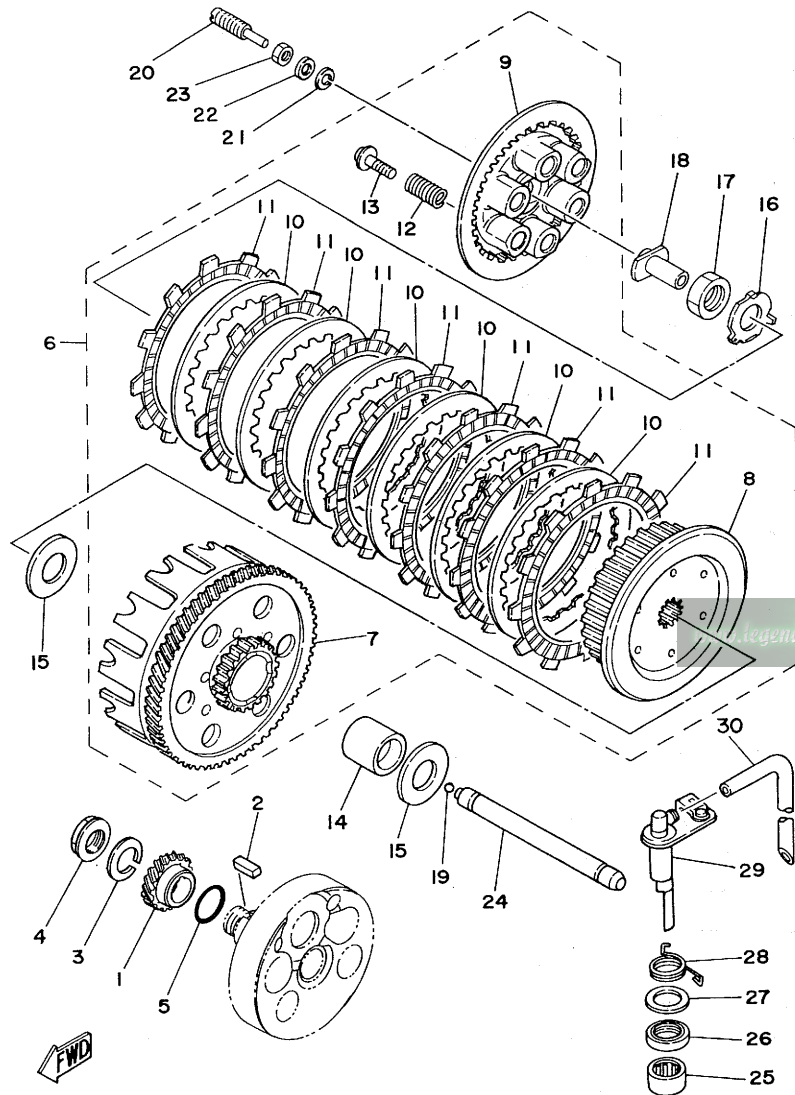
FIG. 10 CLUTCH



REF. NO.	PART NO.	DESCRIPTION	Q'TY	REMARKS
1	3R4-16111-00	GEAR, Primary drive (24T)	1	
2	90282-07019	KEY, straight	1	
3	92901-18100	WASHER, sPring	1	
4	90170-18089	NUT	1	
5	93210-29282	O-RING	1	
6	4V3-16300-00	CLUTCH ASSY	1	
7	3R4-16150-00	•PRIMARY DRIVEN GEAR COMP.(63T)	1	
8	3R4-16371-00	•BOSS, clutch	1	
9	1M1-16351-00	•PLATE, Pressure 1	1	
10	168-16325-00	•PLATE, clutch 2	6	
11	383-16321-00	•PLATE, friction	7	
12	90501-23138	•SPRING, comPression	6	
13	90159-06016	•SCREW, with washer	6	
14	2K7-16181-00	SPACER 1	1	
15	2K7-16154-00	PLATE, thrust 1	2	
16	90215-20125	WASHER, lock	1	
17	90170-20255	NUT	1	
18	3R4-16356-00	ROD, Push 1	1	
19	93515-32029	BALL	1	
20	90149-08143	SCREW	1	
21	92901-08100	WASHER, sPring	1	
22	90201-08092	WASHER, Plate	1	
23	95311-08700	NUT	1	
24	2K7-16357-00	ROD, Push 2	1	
25	93315-21721	BEARING, cylindrical	1	
26	93102-17004	OIL SEAL	1	
27	90201-17327	WASHER, Plate	1	
28	90508-14423	SPRING, torsion	1	

**B13**

FIG. 10 CLUTCH

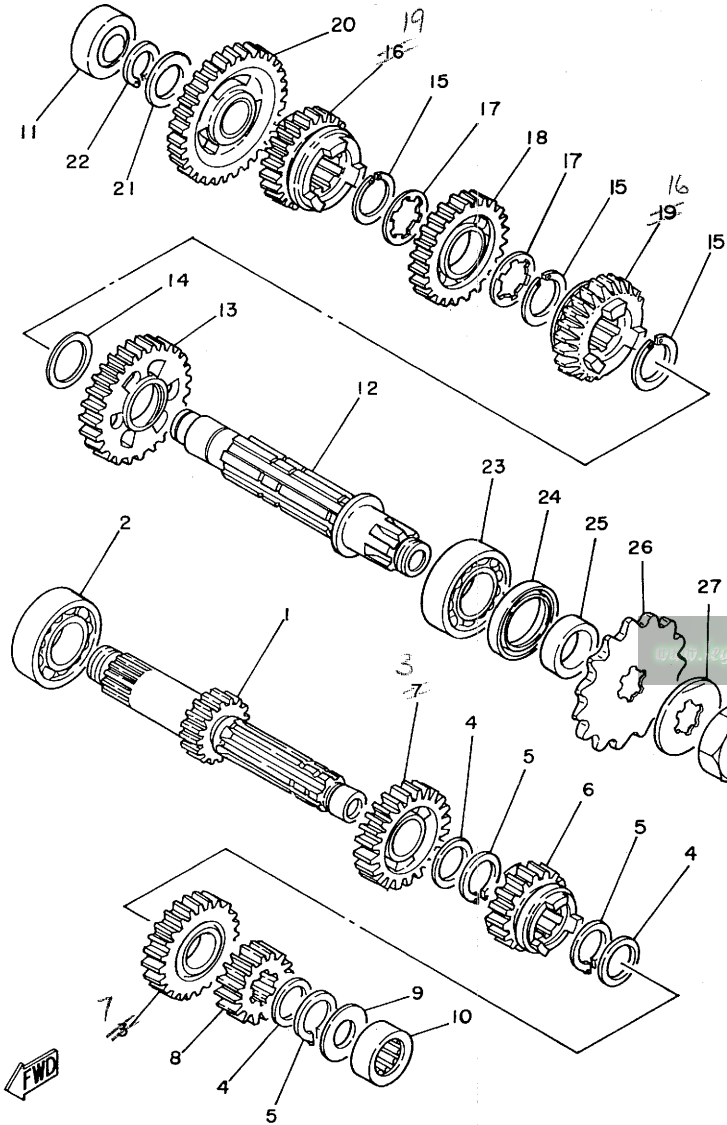


REF. NO.	PART NO.	DESCRIPTION	Q'TY	REMARKS
29	4V4-16380-00	PUSH LEVER ASSY	1	
30	90445-08577	HOSE	1	

**B14**

FIG. 11 TRANSMISSION

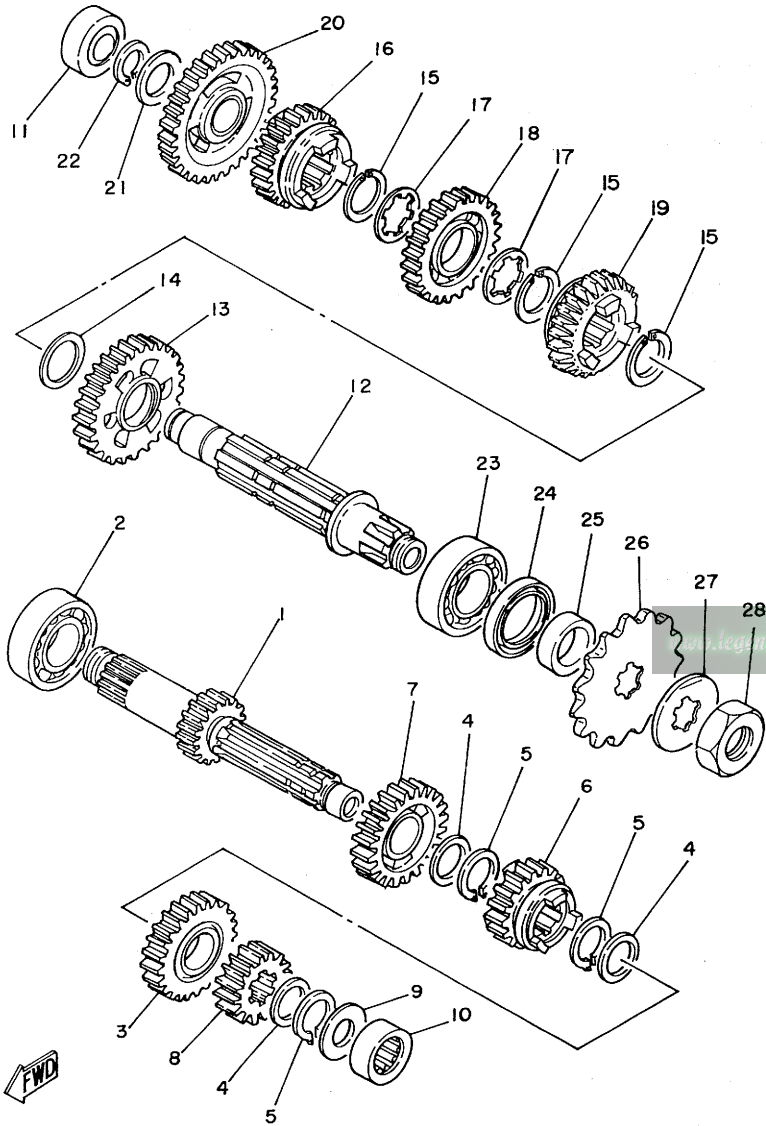
P/N m/c 81001 1-2



REF. NO.	PART NO.	DESCRIPTION	Q'TY	REMARKS
1	4V3-17411-00	AXLE, main (14T)	1	
2	93306-20542	BEARING	1	
3	4V3-17141-01	GEAR, 4th Pinion (21T)	1	
4	90201-22555	WASHER, Plate	3	
5	93410-22039	CIRCLIP	3	
6	4V3-17131-01	GEAR, 3rd Pinion (17T)	1	
7	4V3-17151-01	GEAR, 5th Pinion (23T)	1	
8	3R4-17121-00	GEAR, 2nd Pinion (16T)	1	
9	90201-17255	WASHER, Plate	1	
10	93311-41734	BEARING, cylindrical	1	
11	93311-62035	BEARING, cylindrical	1	
12	3R5-17421-00	AXLE, drive	1	
13	4V3-17221-01	GEAR, 2nd wheel (29T)	1	
14	90201-25287	WASHER, Plate	1	
15	93440-25084	CIRCLIP	3	
16	4V3-17251-01	GEAR, 5th wheel (22T)	1	
17	90209-22082	WASHER	2	
18	4V3-17231-01	GEAR, 3rd wheel (24T)	1	
19	4V3-17241-01	GEAR, 4th wheel (24T)	1	
20	4V3-17211-01	GEAR, 1st wheel (30T)	1	
21	90201-20278	WASHER, Plate	1	
22	93410-20038	CIRCLIP	1	
23	93306-20544	BEARING	1	
24	93102-32136	OIL SEAL	1	
25	90387-25663	COLLAR	1	
26	1W4-17461-30	SPROCKET, drive (13T)	1	STD FOR EUROPE
	1W4-17461-40	SPROCKET, drive (14T)	1	STD FOR OCEANIA - OTHERS
	1W4-17461-50	SPROCKET, drive (15T)	1	AP

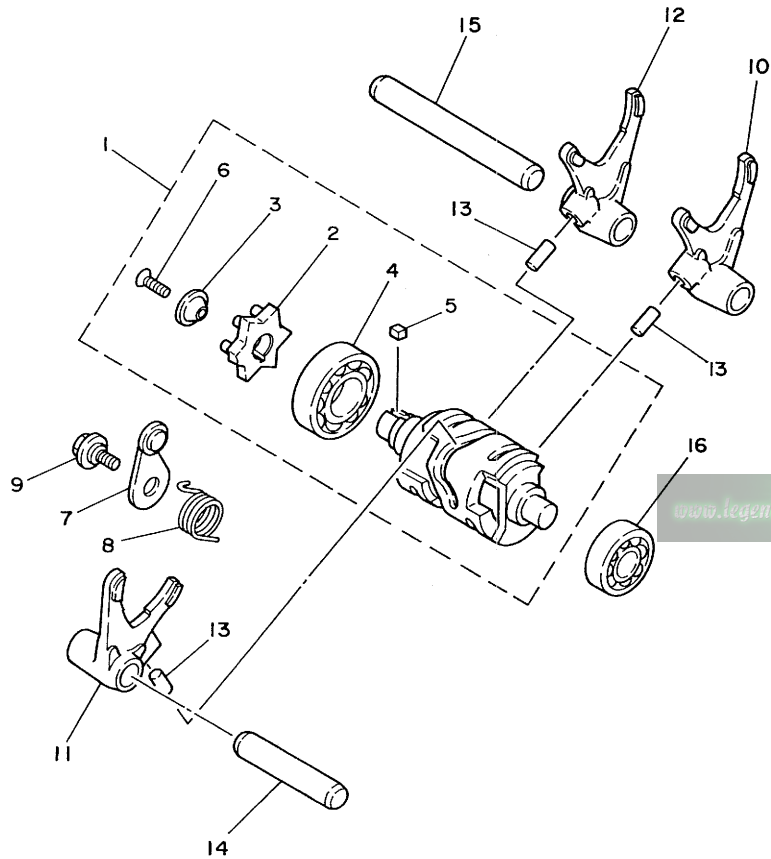
**B15**

FIG. 11 TRANSMISSION



REF. NO.	PART NO.	DESCRIPTION	Q'TY	REMARKS
27	90215-21121	WASHER, lock	1	
28	90179-20255	NUT	1	

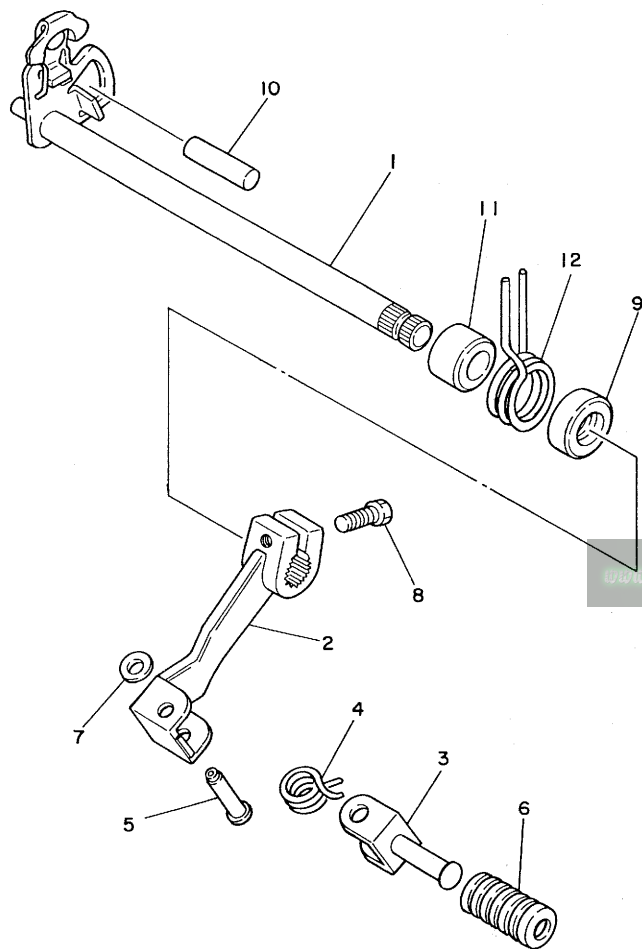
FIG. 12 SHIFT CAM•FORK



REF. NO.	PART NO.	DESCRIPTION	Q'TY	REMARKS
1	3R5-18540-01	SHIFT CAM ASSY	1	
2	3R4-18185-00	•SEGMENT	1	
3	3R4-18561-00	•PLATE, side 1	1	
4	93306-00422	•BEARING	1	
5	90282-04036	•KEY, straight	1	
6	98701-05016	•SCREW, flat head	1	
7	3R4-18140-00	STOPPER LEVER ASSY	1	
8	90508-26421	SPRING, torsion	1	
9	1W1-18177-00	BOLT, stopper	1	
10	3R5-18511-00	FORK, shift 1	1	
11	4V3-18512-00	FORK, shift 2	1	
12	3R5-18513-00	FORK, shift 3	1	
13	93606-14154	PIN, dowel	3	
14	4V4-18531-00	BAR, shift fork guide 1	1	
15	4V4-18535-00	BAR, shift fork guide 2	1	
16	93306-20107	BEARING (B6201)	1	



FIG. 13 SHIFT SHAFT•PEDAL



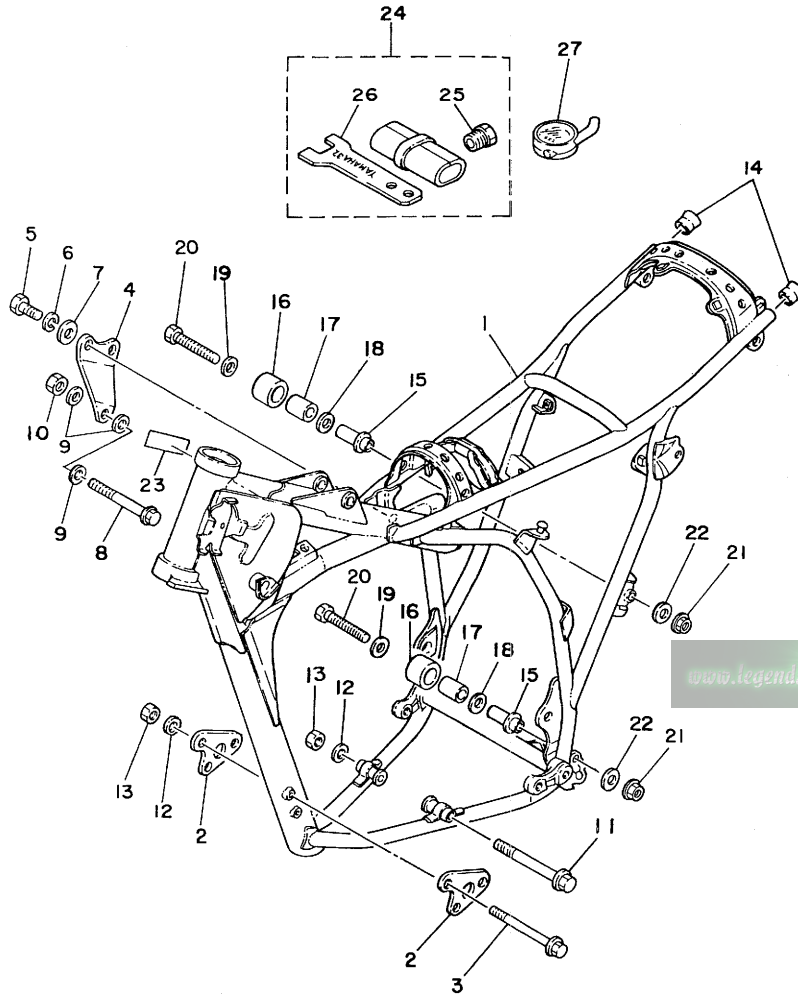
REF. NO.	PART NO.	DESCRIPTION	Q'TY	REMARKS
1	3R4-18101-01	SHIFT SHAFT ASSY	1	
2	4V3-18111-02	PEDAL, shift	1	
3	3R8-18162-00	PEDAL, shift	1	
4	90508-20415	SPRING, torsion	1	
5	90243-08017	PIN	1	
6	1W6-18113-00	COVER, shift Pedal	1	
7	90201-06042	WASHER, Plate	1	
8	97321-06020	BOLT	1	
9	93101-12004	OIL SEAL	1	
10	93608-25150	PIN, dowel	1	
11	90560-12171	SPACER	1	
12	90508-32374	SPRING, torsion	1	

www.legends-yamaha-enduros.com

FWD

C4

FIG. 14 FRAME. TOOL



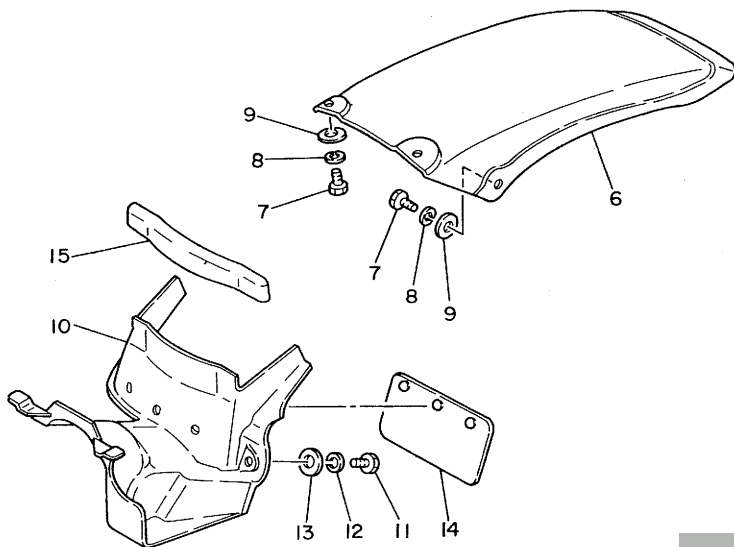
REF. NO.	PART NO.	DESCRIPTION	Q'TY	REMARKS
1	4V4-21110-00-33	FRAME COMP	1	yamaha black
2	3R4-21415-00	BRACKET, front upper 1	2	
3	95811-08075	BOLT, flange	3	
4	4V3-21425-00	BRACKET, rear upper 1	1	
5	97321-08025	BOLT	2	
6	92901-08100	WASHER, spring	2	
7	92901-08600	WASHER, Plate	2	
8	95811-10045	BOLT, flange	1	
9	92901-10200	WASHER, Plain	3	
10	95601-10100	NUT, u	1	
11	95811-08165	BOLT, flange	1	
12	92901-08200	WASHER, Plain	4	
13	90185-08054	NUT, self-locking	4	
14	90339-13005	PLUG	2	
15	2K7-2148A-00	SHAFT	2	
16	4V4-22178-00	TENSIONER	2	
17	4V4-22184-00	BUSH	2	
18	90201-13202	WASHER, Plate	2	
19	90201-08113	WASHER, Plate	2	
20	97301-08055	BOLT	2	
21	95702-08300	NUT, nylon	2	
22	90201-08638	WASHER, Plate	2	
23	3R4-2139W-00	COVER	1	
24	2K7-28100-10	TOOL KIT	1	
25	2K7-85555-00	•PULLER, rotor	1	
26	1W1-28135-10	•SPANNER, special	1	
27	2X4-2811A-00	GAUGE, air	1	





FIG. 15 FRONT FENDER•REAR FENDER

REF. NO.	PART NO.	DESCRIPTION	Q'TY	REMARKS
1	3R8-21511-01	FENDER, front	1	clean white
2	90201-06067	WASHER, Plate	4	
3	97302-06020	BOLT	4	
4	92902-06100	WASHER, sPring	4	
5	90209-06187	WASHER	4	
6	3R4-21611-10	FENDER, rear	1	clean white
7	97301-06015	BOLT	4	
8	92902-06100	WASHER, sPring	4	
9	90201-06067	WASHER, Plate	4	
10	3R4-21629-00	GUARD, mud	1	
11	97301-06015	BOLT	2	
12	92902-06100	WASHER, sPring	2	
13	90201-06067	WASHER, Plate	2	
14	1M1-21621-00	FLAP	1	
15	565-21746-00	SEAL, mud Guard	1	



[www.legends-yamaha-enduros.com](http://www.legends-yamaha-enduros.com)

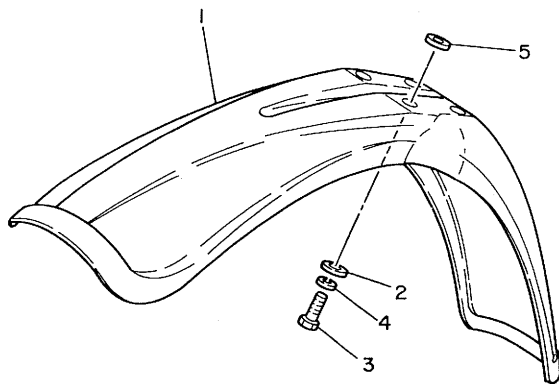


FIG. 16 SIDE COVER

REF. NO.	PART NO.	DESCRIPTION	Q'TY	REMARKS
1	3R4-21711-10-98	COVER, side (L.H)	1	low gloss black /clean white
2	92902-08200	WASHER	2	
3	92501-06015	SCREW, Pan head	2	
4	92901-06100	WASHER, sPring	2	
5	90201-06571	WASHER, Plate	2	
6	90480-12053	GROMMET	1	
7	431-24181-00	DAMPER, locating	4	
8	3R4-21721-10-98	COVER, side (R.H)	1	low gloss black /clean white
9	4V4-21746-00	DAMPER	1	
10	3R4-21732-00	SEAL 1	1	
11	3R4-2172A-00	PANEL 1	1	
12	97702-40512	SCREW, tapping	2	
13	92501-06012	SCREW, Pan head	2	
14	92901-06100	WASHER, sPring	2	
15	92901-06200	WASHER, Plain	3	
16	92501-06015	SCREW, Pan head	2	
17	92901-06100	WASHER, sPring	2	
18	90201-06571	WASHER, Plate	1	
19	2X4-21737-00	EMBLEM	2	

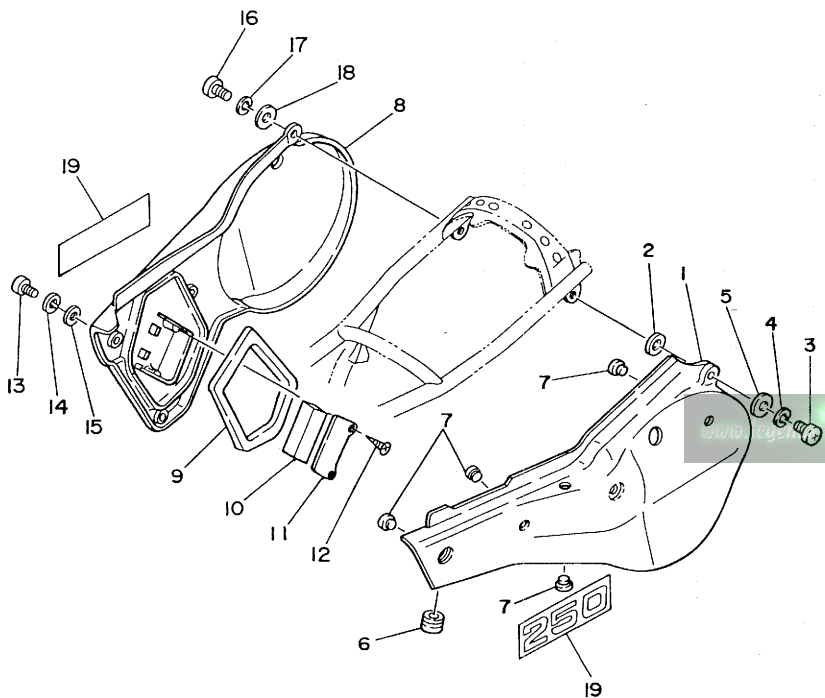
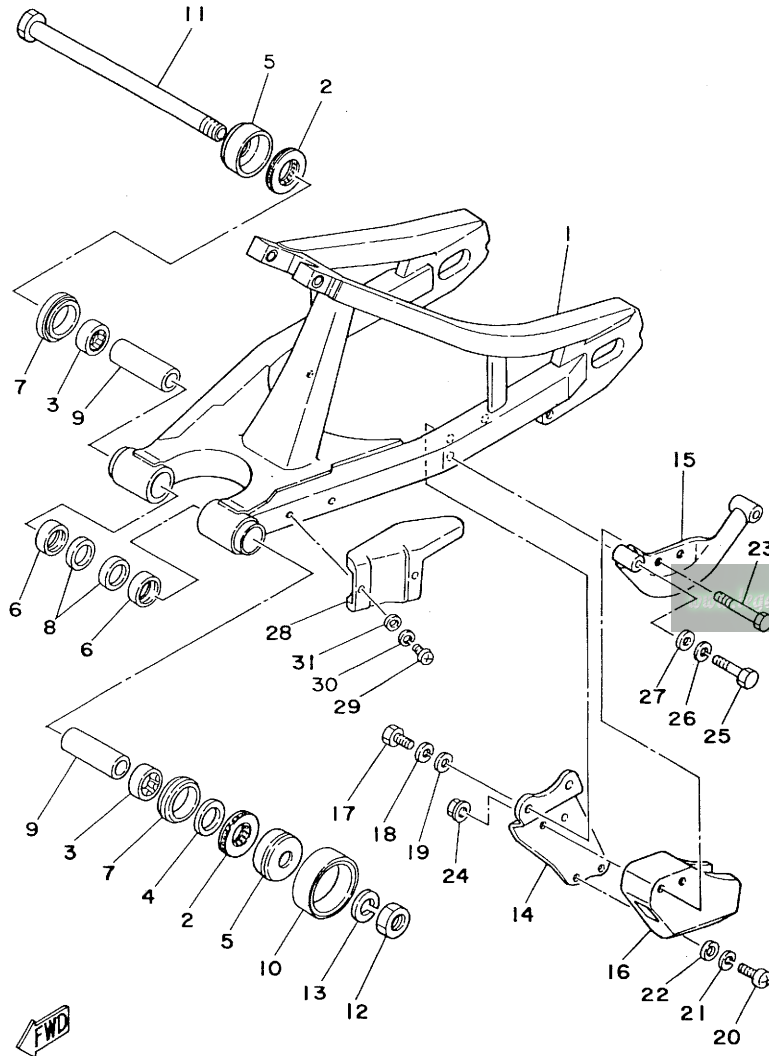


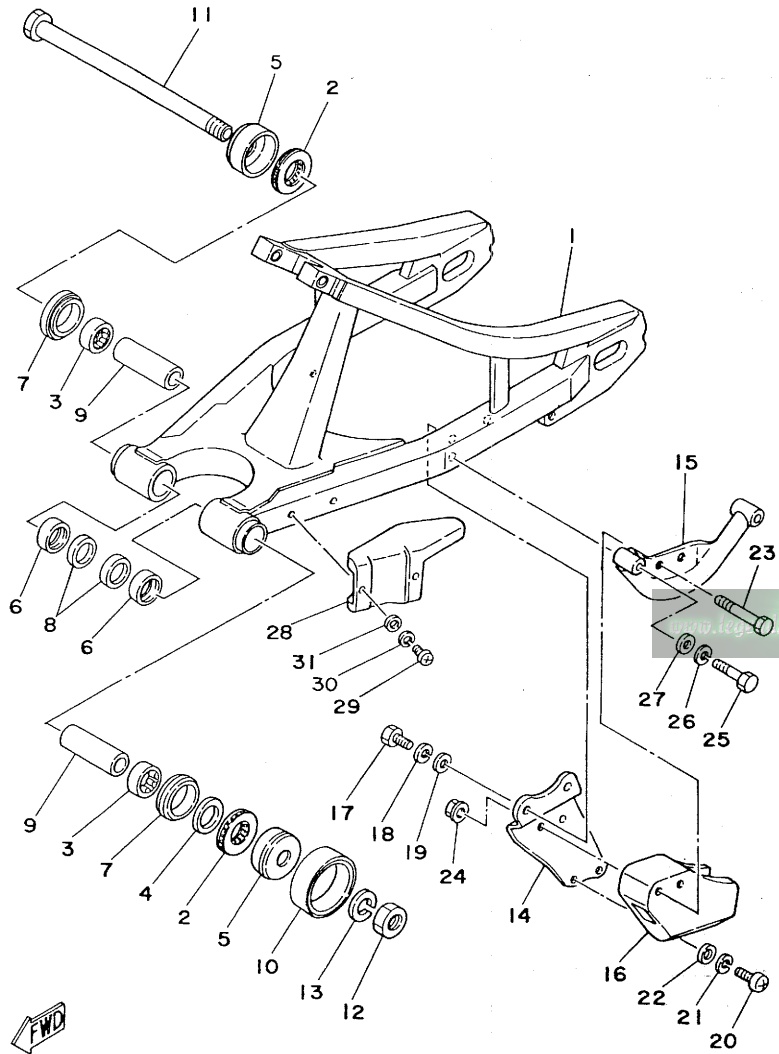
FIG. 17 REAR ARM



REF. NO.	PART NO.	DESCRIPTION	Q'TY	REMARKS
1	4V4-22110-00-35	REAR ARM COMP.		silver
2	93342-22208	BEARING	2	
3	93317-22214	BEARING, cylindrical	2	
4	648-45533-00-03	SHIM (0.3T)	1	UN
5	3R4-22129-00	COVER, thrust 2	2	
6	90386-22097	BUSH	2	
7	93108-35004	OIL SEAL	2	
8	93109-22018	OIL SEAL	2	
9	90380-16077	BUSH, solid	2	
10	431-22151-03	SEAL, guard	1	
11	3R4-22141-00	SHAFT, Pivot	1	
12	90170-16111	NUT	1	
13	92901-16100	WASHER, spring	1	
14	2X4-22179-00	ARM, tensioner	1	
15	3R5-22153-00	GUARD, chain	1	
16	2X4-22199-00	SUPPORT, chain	1	
17	97301-08016	BOLT	2	
18	92901-08100	WASHER, spring	2	
19	92901-08600	WASHER, Plate	2	
20	92501-06020	SCREW, Pan head	2	
21	92901-06100	WASHER, spring	2	
22	92901-06600	WASHER, Plate	2	
23	97301-06050	BOLT	2	
24	95702-06300	NUT, nylon	2	
25	97301-08035	BOLT	2	
26	92901-08100	WASHER, spring	2	
27	92901-08600	WASHER, Plate	2	
28	3R4-22147-00	PROTECTOR, chain	1	

FIG. 17 REAR ARM

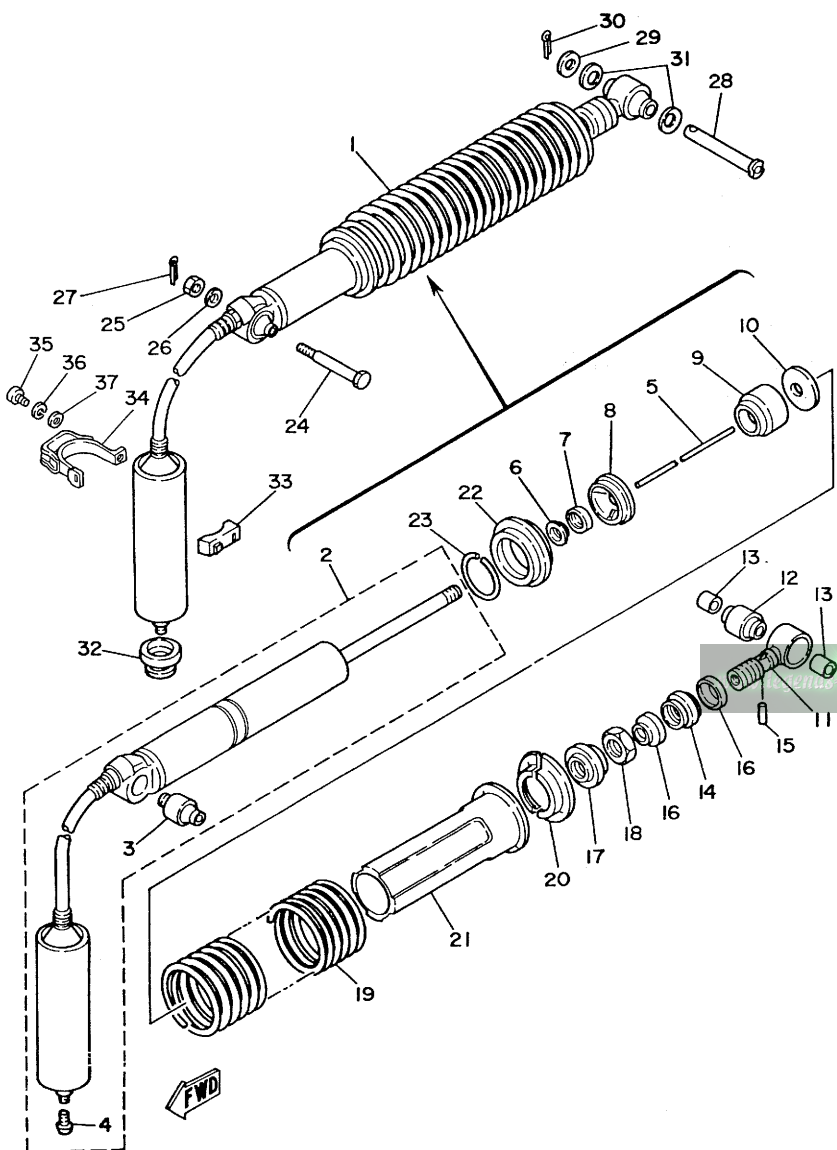
REF. NO.	PART NO.	DESCRIPTION	Q'TY	REMARKS
29	98501-05010	SCREW, Pan head	2	
30	92901-05100	WASHER, sPring	2	
31	92901-05200	WASHER, Plain	2	



C9

FIG. 18 REAR SUSPENSION

REF. NO.	PART NO.	DESCRIPTION	Q'TY	REMARKS
1	4V4-22210-10	SHOCK ABSORBER ASSY, rear	1	
2	4V4-22401-10	•DUMPER SUB ASSY	1	
3	1W1-22216-00	•BUSH, rear shock absorber	1	
4	98501-04005	•SCREW, Pan head	1	
5	3R4-22489-00	•ROD, Push	1	
6	3R4-22475-00	•SEAL, dust	1	
7	3R4-22473-00	•HOUSING, seal ring	1	
8	4L0-22472-00	•CAP, case	1	
9	2W6-22493-00	•BUMPER, stop	1	
10	3R4-22228-00	•SUPPORT, bump stop	1	
11	3R4-22409-00	•UPPER BRACKET SUB ASSY	1	
12	3R4-22226-00	•BUSH, shock absorber lower	1	
13	90380-12051	•BUSH, solid	2	
14	3R4-22497-00	•NUT, adjusting	1	
15	93604-26132	•PIN, dowel	1	
16	3R4-22221-01	•COVER	2	
17	3R4-22213-00	•SEAT, spring upper	1	
18	90170-20213	•NUT	1	
19	3R4-22212-10	•SPRING	1	(GREEN)
20	3R4-22214-00	•GUIDE, spring 1	2	
21	3R4-22224-00	•GUIDE, spring 2	1	
22	3R4-22223-00	•SEAT, spring lower	1	
23	93440-50078	•CIRCLIP	1	
24	90109-10550	BOLT	1	
25	95302-10700	NUT	1	
26	92902-10600	WASHER, Plate	1	
27	91401-20025	PIN, cotter	1	
28	90240-12074	PIN, clevis	1	



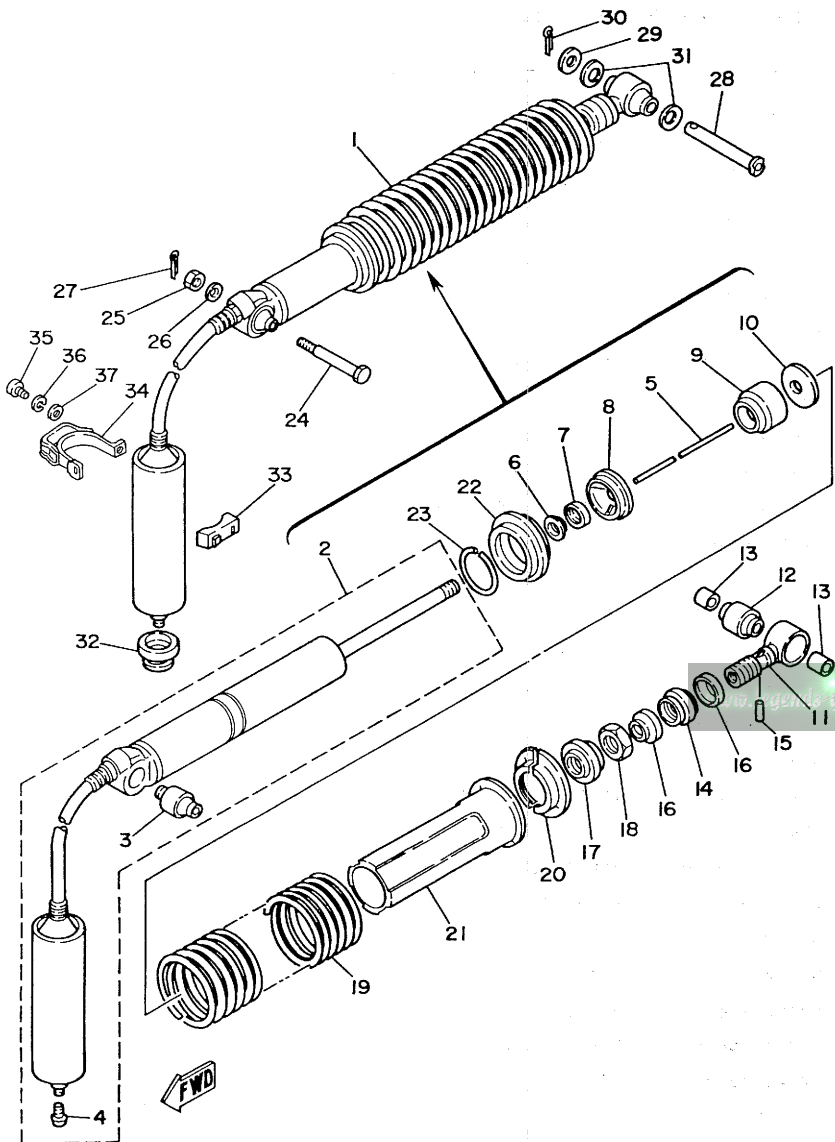
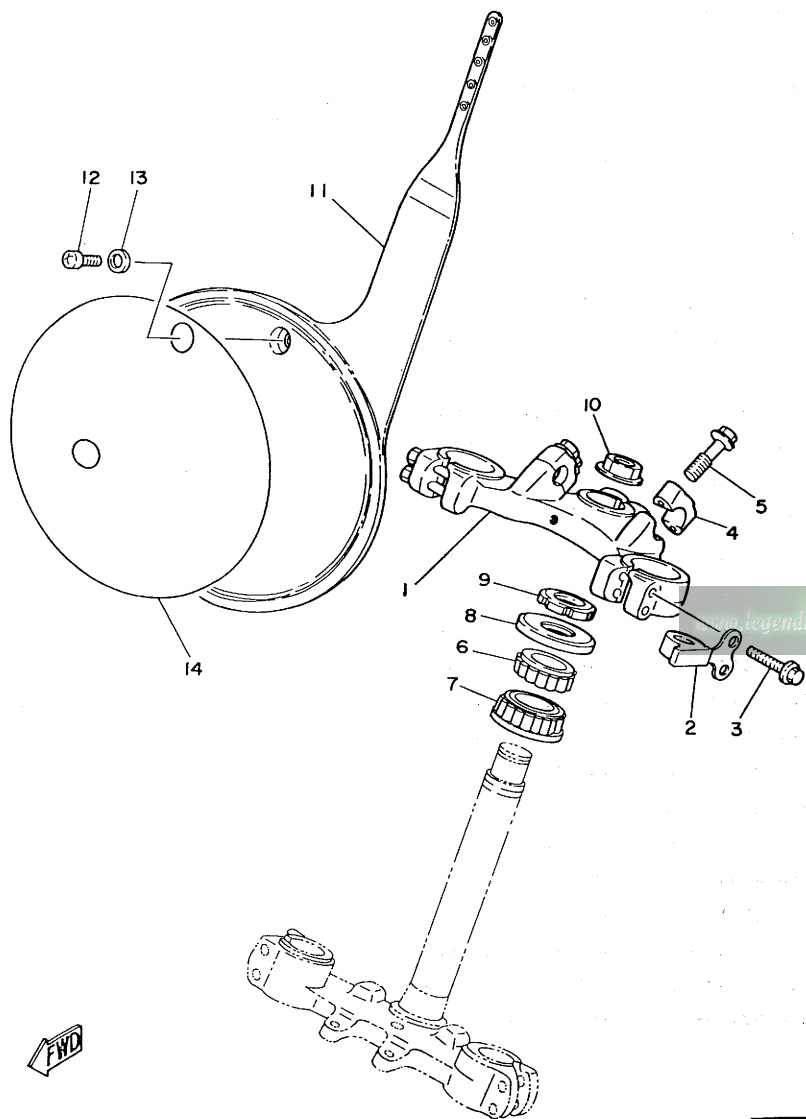


FIG. 18 REAR SUSPENSION

REF. NO.	PART NO.	DESCRIPTION	Q'TY	REMARKS
29	92901-12600	WASHER, Plate	1	
30	91401-30022	PIN, cotter	1	
31	1W1-22128-00	COVER, thrust 1	2	
32	90480-22263	GROMMET	1	
33	3R4-22261-00	DAMPER, sub tank	1	
34	4V4-22262-01	HOLDER, sub tank	1	
35	92502-06016	SCREW, Pan head	1	
36	92902-06100	WASHER, sPring	1	
37	92902-06600	WASHER	1	

FIG. 19 STEERING

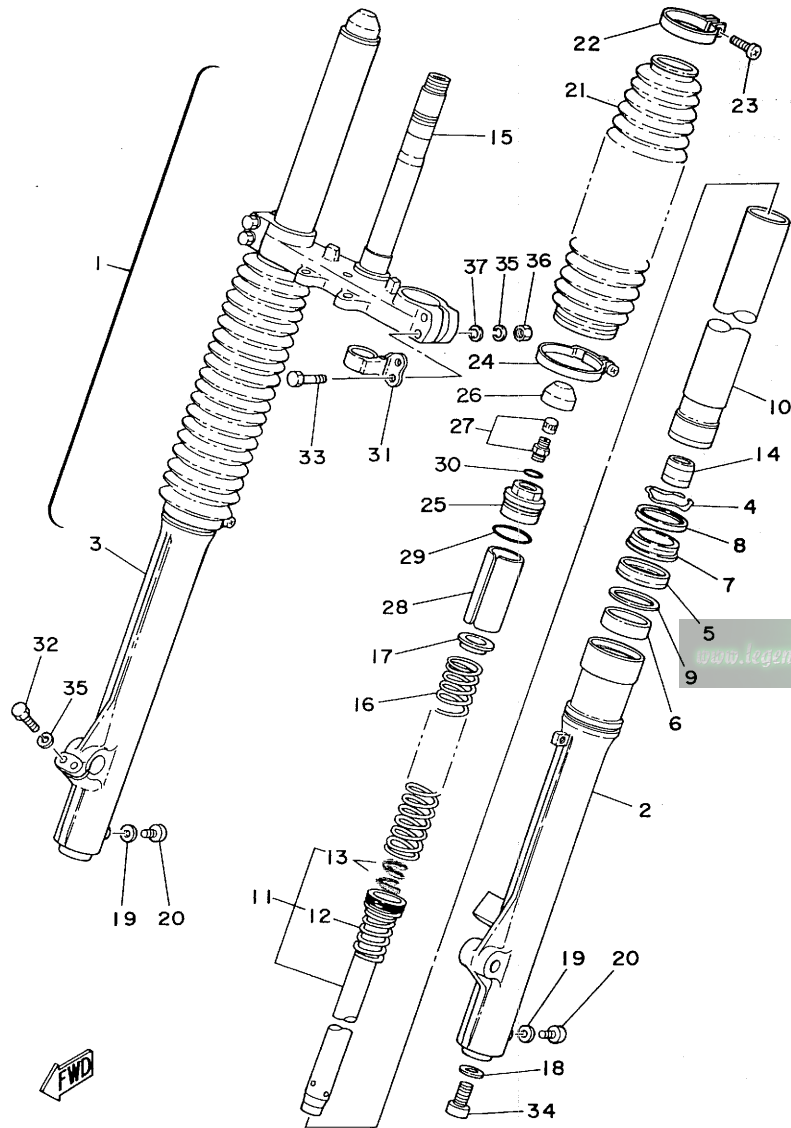


REF. NO.	PART NO.	DESCRIPTION	Q'TY	REMARKS
1	4V3-23435-00-98	CROWN, handle	1	low gloss black
2	3R4-23317-00	HOLDER, cable	1	
3	95821-08040	BOLT, flange	4	
4	1E6-23441-00-98	HOLDER, handle upper	2	low gloss black
5	95821-08035	BOLT, flange	4	
6	93332-00001	BEARING	1	
7	93332-00008	BEARING	1	
8	1W1-23416-00	COVER, ball race 2	1	
9	90179-25033	NUT	1	
10	90179-22330	NUT	1	
11	4V4-23485-10	PLATE, number	1	white
12	97801-06012	SCREW, Pan head	1	
13	90201-06067	WASHER, Plate	1	
14	4V4-21782-10	EMBLEM 2	1	



FIG. 20 FRONT FORK

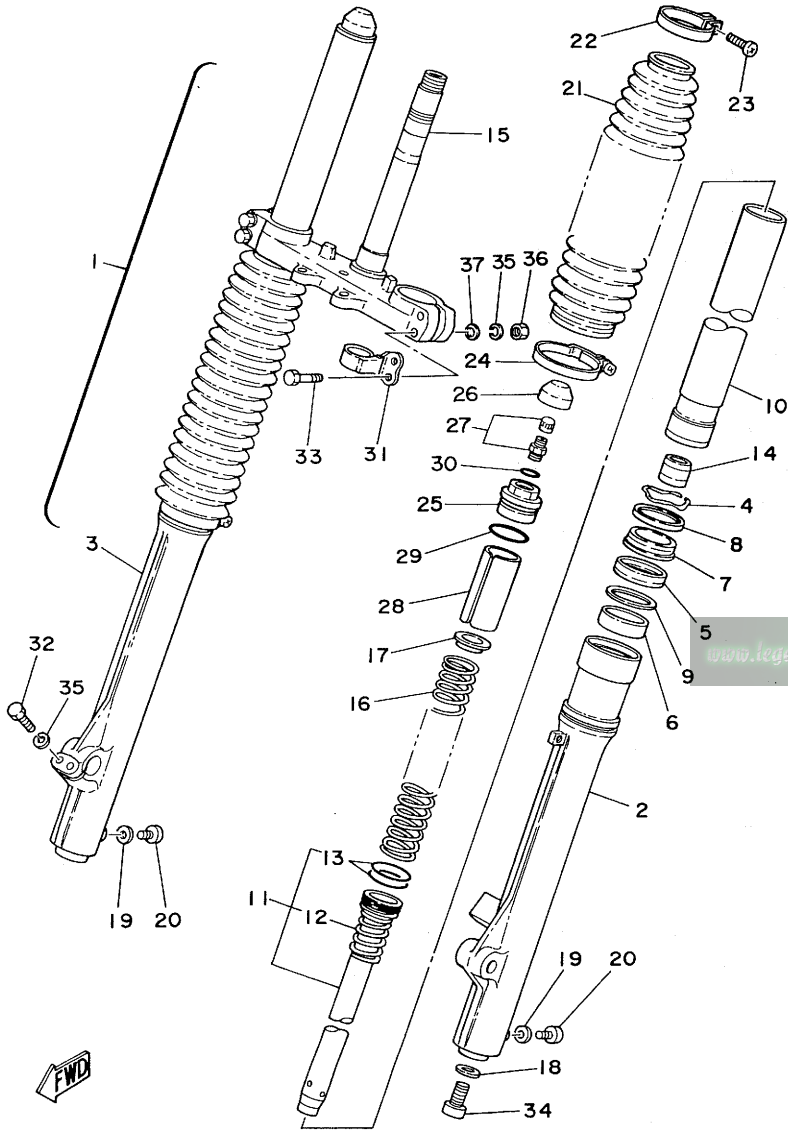
PN MC 81021 1-2



REF. NO.	PART NO.	DESCRIPTION	Q'TY	REMARKS
1	4V4-23101-M1	FRONT FORK ASSY	1	
2	4V4-23126-L1	•TUBE, outer 1	1	
3	4V4-23136-L1	•TUBE, outer 2	1	
4	4V4-23153-L0	•RING, unAp	2	
5	4V4-23145-L0	•OIL SEAL	2	
6	4V4-23125-L0	•METAL, slide 1	2	
7	4V4-23144-L0	•SEAL, dust	2	
8	4V4-23148-L0	•COVER, dust seal	2	
9	4V4-23146-L0	•WASHER, oil seal	2	
10	4V4-23110-L0	•INNER TUBE COMP.1	2	
11	4V4-23170-L0	•CYLINDER COMP., front fork	2	
12	4V4-23152-L0	••SPRING, sub	2	
13	4V4-23157-L0	••O-RING	4	
14	4V4-23173-L0	•SPINDLE, taPer	2	
15	4V4-23340-L0-33	•UNDER BRACKET COMP.	1	yamaha black
16	4V4-23141-M0	•SPRING, front fork (K=0.275)	2	
17	4V4-23142-L0	•SEAT, sPring uPPer	2	
18	4V4-23158-L0	•GASKET	2	
19	122-23129-00	•GASKET, drain Plug	2	
20	122-23119-01	•PLUG, drain	2	
21	4V4-23191-L0	•BOOT	2	
22	4V4-23192-L0	•BAND	2	
23	4V4-23194-L0	•SCREW, boot band	2	
24	4V4-23489-L0	•BAND	2	
25	4V4-23111-L0	•BOLT, caP	2	
26	1W1-23185-L0	•CAP, front fork	2	
27	4V4-23190-L0	•AIR VALVE COMP.	2	
28	4V4-23118-L0	•SPACER	2	



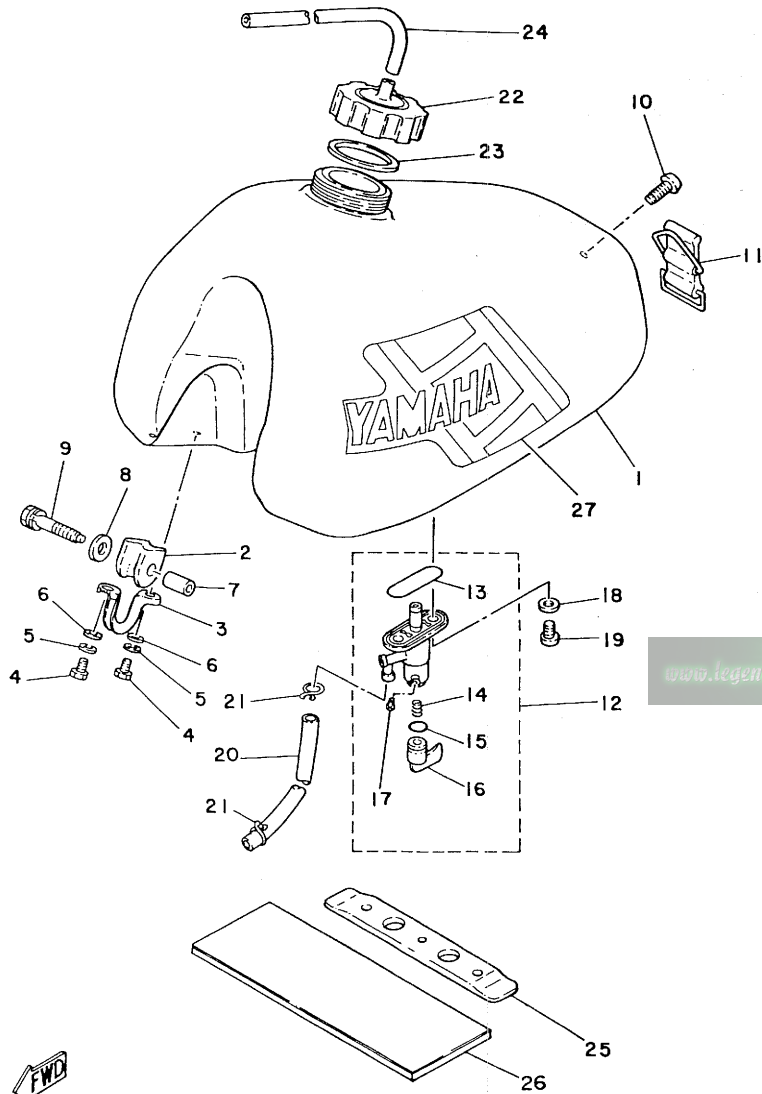
FIG. 20 FRONT FORK



REF. NO.	PART NO.	DESCRIPTION	Q'TY	REMARKS
29	4V4-23188-L0	•O-RING	2	
30	3J2-23147-00	•O-RING	2	
31	3R4-23389-00	•GUIDE, cable	1	
32	1W4-23128-L0	•BOLT, axle holder	2	
33	90109-08397	•BOLT 1	4	
34	4V4-23181-L0	•BOLT, hexagon socket head	2	
35	92901-08100	•WASHER, spring	6	
36	95311-08600	•NUT	4	
37	90201-08544	•WASHER, Plate	4	

**C14**

FIG. 21 FUEL TANK



REF. NO.	PART NO.	DESCRIPTION	Q'TY	REMARKS
1	4V3-24110-10	FUEL TANK COMP.	1	clean white
2	1W1-24182-01	DAMPER, locating 2	2	
3	1W1-24144-01	HOLDER, damPer	2	
4	97301-06012	BOLT	4	
5	92901-06100	WASHER, sPring	4	
6	92901-06600	WASHER, Plate	4	
7	90387-07393	COLLAR	2	
8	90201-06407	WASHER, Plate	2	
9	90119-06022	BOLT, with washer	2	
10	98902-06018	SCREW, bind	1	
11	3R3-24173-00	BAND, tank fitting 1	1	
12	2K5-24500-00	FUEL COCK ASSY 1	1	
13	214-24512-00	•GASKET	1	
14	1A0-24529-01	•SPRING	1	
15	1A0-24512-00	•O-RING	1	
16	1A0-24524-01	•LEVER, cock	1	
17	619-24535-00	•SCREW, lever fitting	1	
18	90202-06010	WASHER, Plate	2	
19	90149-06011	SCREW	2	
20	90445-11182	HOSE	1	
21	90467-10008	CLIP	2	
22	1W1-24611-00	BODY, caP	1	
23	1W1-24612-00	GASKET, caP	1	
24	90445-09300	HOSE	1	
25	3R4-24181-00	DAMPER, locating 1	1	
26	1W1-24183-00	DAMPER, locating 3	1	
27	4V3-24240-19	GRAPHIC SET	1	

FIG. 22 SEAT

REF. NO.	PART NO.	DESCRIPTION	Q'TY	REMARKS
1	3R4-W2473-00	SEMI-DOUBLE SEAT ASSY	1	
2	3R4-24771-00	COVER, semi-double seat	1	
3	1M1-24748-00	BRACKET, seat	1	
4	1W1-24738-00	BRACKET, seat	2	
5	90101-06304	BOLT	6	
6	509-24724-00	DAMPER, seat	2	
7	97302-06035	BOLT	2	
8	95601-06100	NUT, u	2	
9	92902-06200	WASHER	2	

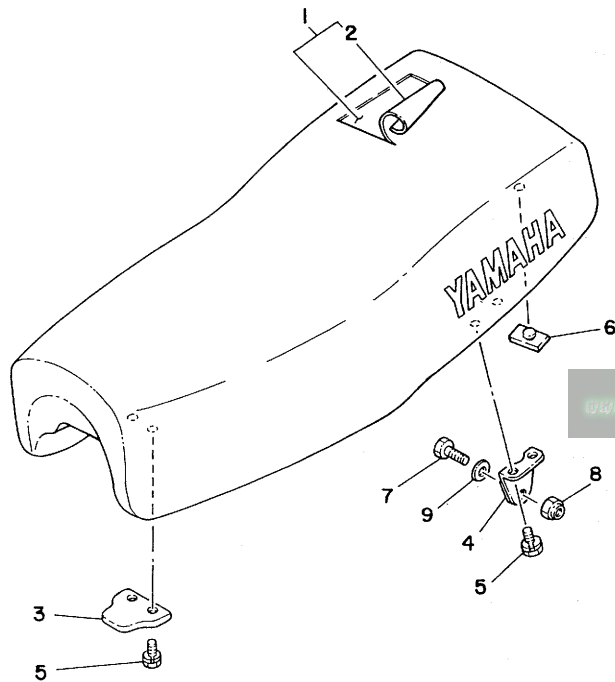
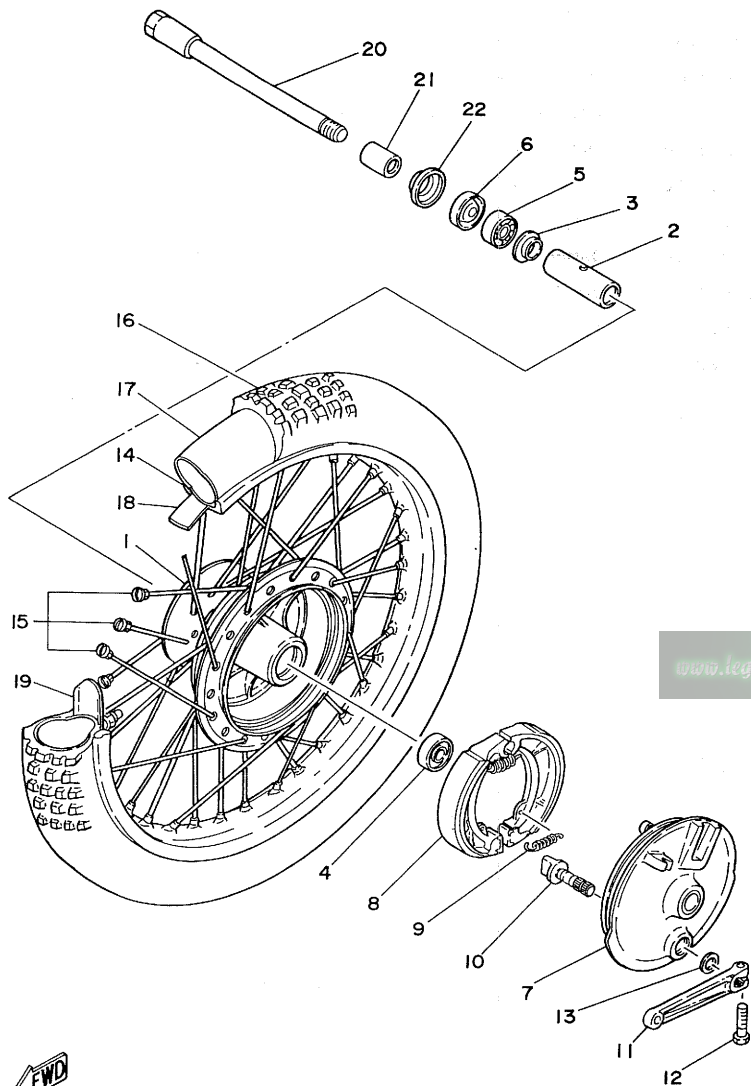


FIG. 23 FRONT WHEEL



FWD

D3

REF. NO.	PART NO.	DESCRIPTION	Q'TY	REMARKS
1	1K7-25111-10-98	HUB, front	1	low gloss black
2	90560-15116	SPACER	1	
3	146-25116-00	FLANGE, sPacer 2	1	
4	93306-20203	BEARING (B6202RS)	1	
5	93306-20205	BEARING (B6202)	1	
6	93102-20009	OIL SEAL	1	
7	1W1-25121-01-98	PLATE, brake shoe	1	low gloss black
8	322-25130-00	BRAKE SHOE COMP.	2	
9	90506-16036	SPRING, tension	2	
10	3R4-25151-00	CAMSHAFT	1	
11	322-25155-00	LEVER, camshaft 1	1	
12	90101-06291	BOLT	1	
13	137-25159-00	SEAL, camshaft	1	
14	94416-21234	RIM (1.60-21)	1	
15	2W6-25104-01	SPDKE SET, front	1	
16	94130-21659	TIRE (3.00-21)	1	
17	94227-21123	TUBE (2.75-21)	1	bs
18	94330-21084	BAND, rim (3.00-21)	1	bs
19	2J5-25394-00	SPACER, bead	1	
20	3R4-25181-00	AXLE, wheel	1	
21	90387-15535	COLLAR	1	
22	322-25118-00	COVER, hub dust	1	

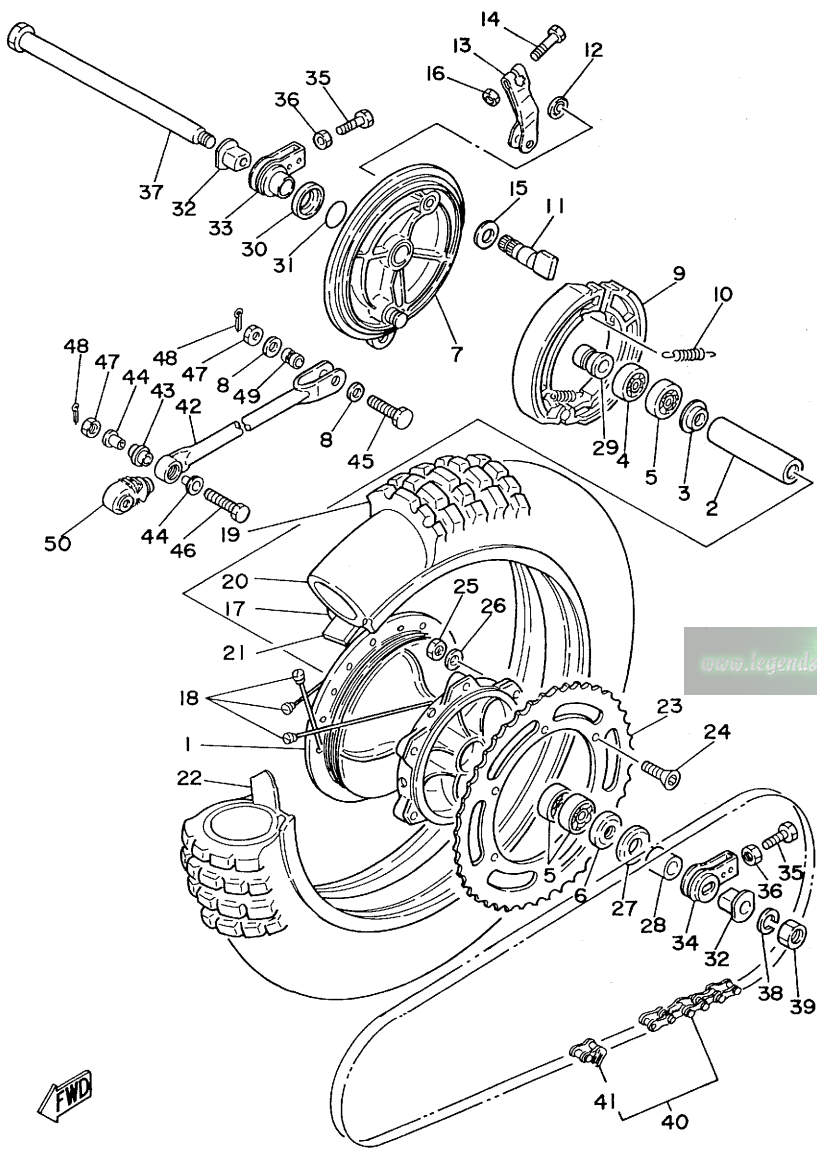
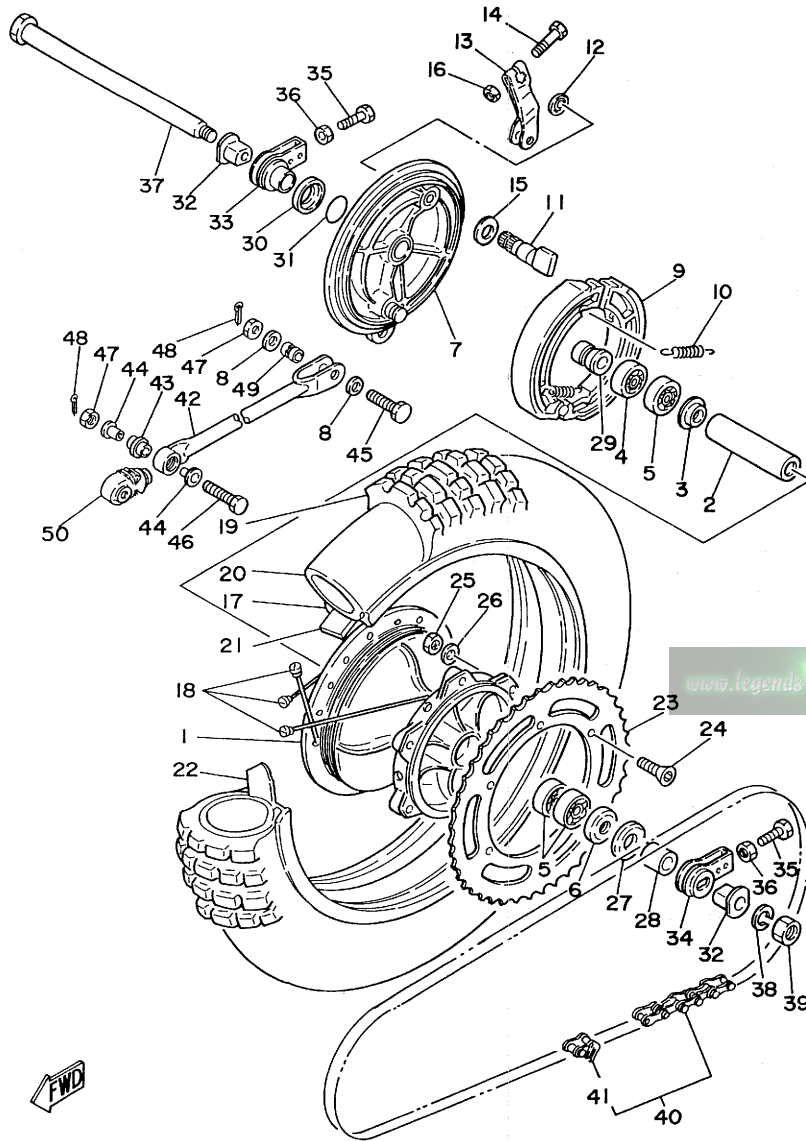


FIG. 24 REAR WHEEL

REF. NO.	PART NO.	DESCRIPTION	Q'TY	REMARKS
1	4V4-25311-00-98	HUB, rear	1	low gloss black
2	4V4-25317-00	SPACER, bearing	1	
3	4V4-25315-00	FLANGE, spacer	1	
4	93306-00418	BEARING	1	
5	93306-00406	BEARING (B6004Z)	3	
6	93102-28022	OIL SEAL	1	
7	4V4-25321-00-98	PLATE, brake shoe	1	low gloss black
8	93104-11056	OIL SEAL	2	
9	4V4-25330-00	BRAKE SHOE COMP.	2	
10	90507-20002	SPRING, tension	2	
11	1E2-25151-00	CAMSHAFT	1	
12	148-25359-00	SEAL, camshaft	1	
13	4V4-25355-00	LEVER, camshaft	1	
14	90101-06278	BOLT	1	
15	148-25353-00	SHIM, camshaft	1	
16	95301-06600	NUT	1	
17	94421-18235	RIM (2.15-18)	1	
18	4V3-25304-00	SPOKE SET, rear	1	
19	94151-18662	TIRE (5.10-18)	1	
20	94251-18150	TUBE (5.10-18)	1	
21	94340-18086	BAND, rim (4.00-18)	1	bs
22	1T1-25394-01	SPACER, bead	2	
23	3R4-25448-00	SPROCKET, driven (48T)	1	UR STD
	3R4-25446-00	SPROCKET, driven (46T)	1	AP
	3R4-25450-00	SPROCKET, driven (50T)	1	AP
	3R4-25452-00	SPROCKET, driven (52T)	1	AP
24	90110-08038	BOLT, hexagon socket head	6	
25	90185-08054	NUT, self-locking	6	



FIG. 24 REAR WHEEL

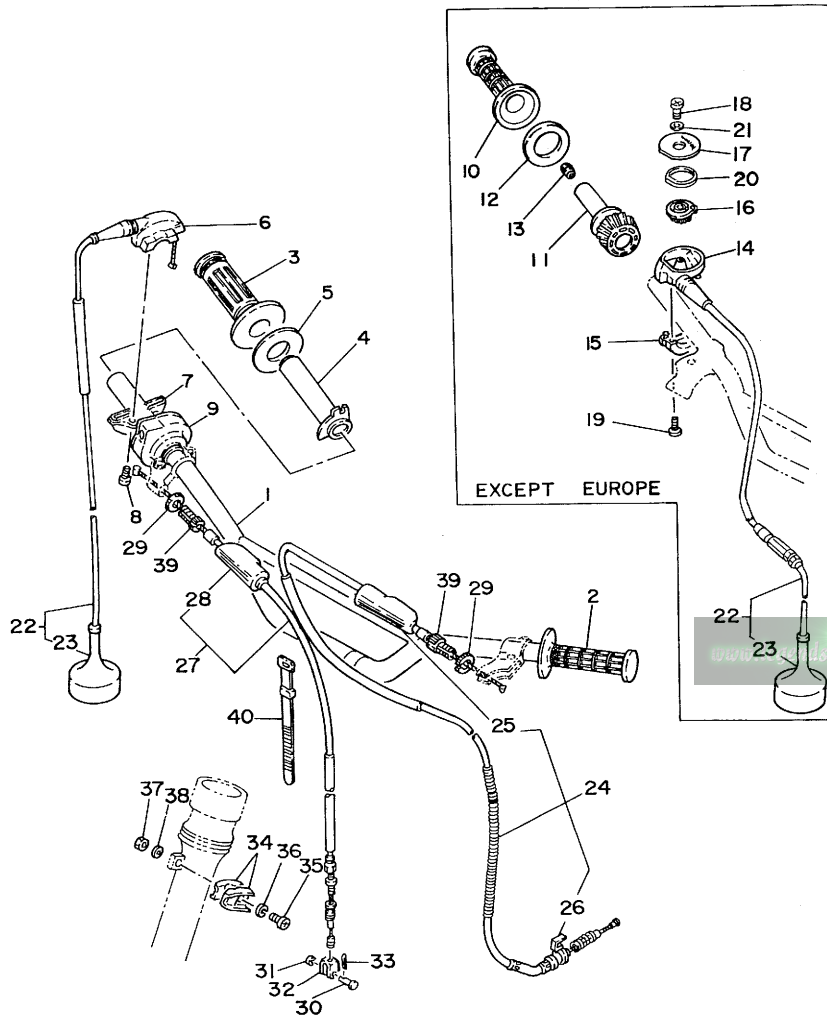


REF. NO.	PART NO.	DESCRIPTION	Q'TY	REMARKS
26	90201-081A6	WASHER, Plate	6	
27	4V4-25367-00	COVER, hub dust	1	
28	90387-201E4	COLLAR	1	
29	90387-201E3	COLLAR	1	
30	4V4-25327-00	COVER, Plate	1	
31	93210-33481	O-RING	1	
32	90381-20036	BUSH, solid	2	
33	4V4-25389-00	PULLER, chain 2	1	
34	4V4-25388-00	PULLER, chain 1	1	
35	90101-08475	BOLT	2	
36	95301-08700	NUT	2	
37	4V4-25381-00	AXLE, wheel	1	
38	92901-18100	WASHER, spring	1	
39	90170-18275	NUT	1	
40	94585-20110	CHAIN, drive (DID520DS 110L)	1	
41	94685-20001	JOINT, chain	1	
42	3R5-25371-01	BAR, tension	1	
43	93399-99905	BEARING	1	
44	90387-082E1	COLLAR	2	
45	90102-08034	BOLT, with hole	1	
46	90102-08043	BOLT, with hole	1	
47	95611-08100	NUT, u	2	
48	91401-20015	PIN, cotter	2	
49	90387-08699	COLLAR	1	
50	4V4-25335-00	CAP	1	



D5

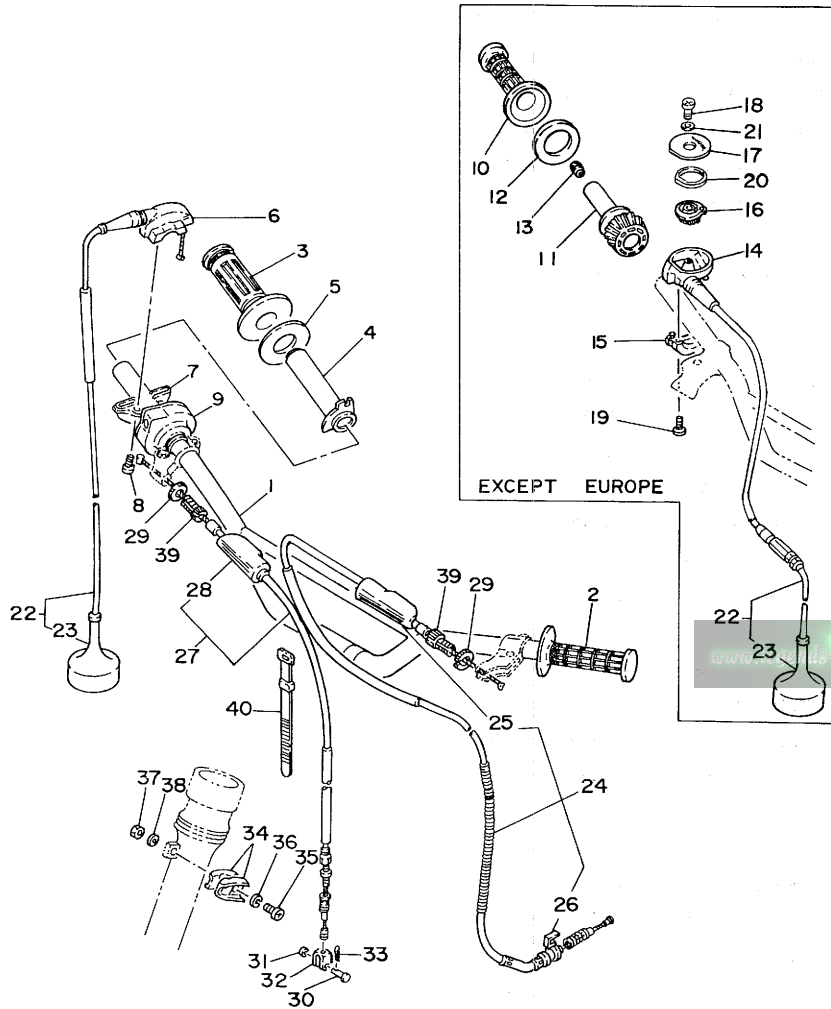
FIG. 25 HANDLEBAR CABLE



REF. NO.	PART NO.	DESCRIPTION	Q'TY	REMARKS
1	4V2-26111-00	HANDLEBAR	1	FOR EUROPE
	3R4-26111-00	HANDLEBAR	1	EXCEPT EUROPE
2	4V4-26241-00	GRIP (L.H)	1	
3	3R9-26242-00	GRIP (R.H)	1	
4	431-26243-00	TUBE, throttle guide	1	
5	1W1-26249-00	RING, leaf	1	
6	431-26281-01-98	CAP, grip upper	1	FOR EUROPE
7	431-26282-01-98	CAP, grip lower	1	
8	98501-05016	SCREW, Pan head	2	
9	3R8-26287-00	COVER, cap grip	1	
10	4V4-26242-00	GRIP (R.H)	1	
11	4V4-26243-00	TUBE, throttle guide	1	
12	4V4-26249-00	RING, leaf	1	
13	688-82535-00	GROMMET	1	
14	4V4-26281-00	CAP, grip upper	1	
15	4V4-26282-00	CAP, grip lower	1	EXCEPT EUROPE
16	4V4-2628E-00	GEAR, bevel	1	
17	4V4-2628F-00	CAP, gear	1	
18	98906-05010	SCREW, bind	1	
19	98501-05016	SCREW, Pan head	2	
20	4V4-2628G-00	PACKING	1	
21	90430-05009	GASKET	1	
22	2K8-26311-01	CABLE, throttle 1	1	FOR EUROPE
	4V4-26311-00	CABLE, throttle 1	1	EXCEPT EUROPE
23	510-26329-00	•CAP, rubber	1	
24	4V4-26335-00	CABLE, clutch	1	
25	382-26372-01	•COVER, handle lever	1	
26	3R4-26393-00	•HOLDER	1	
27	4V4-26341-00	CABLE, brake	1	



FIG. 25 HANDLEBAR-CABLE



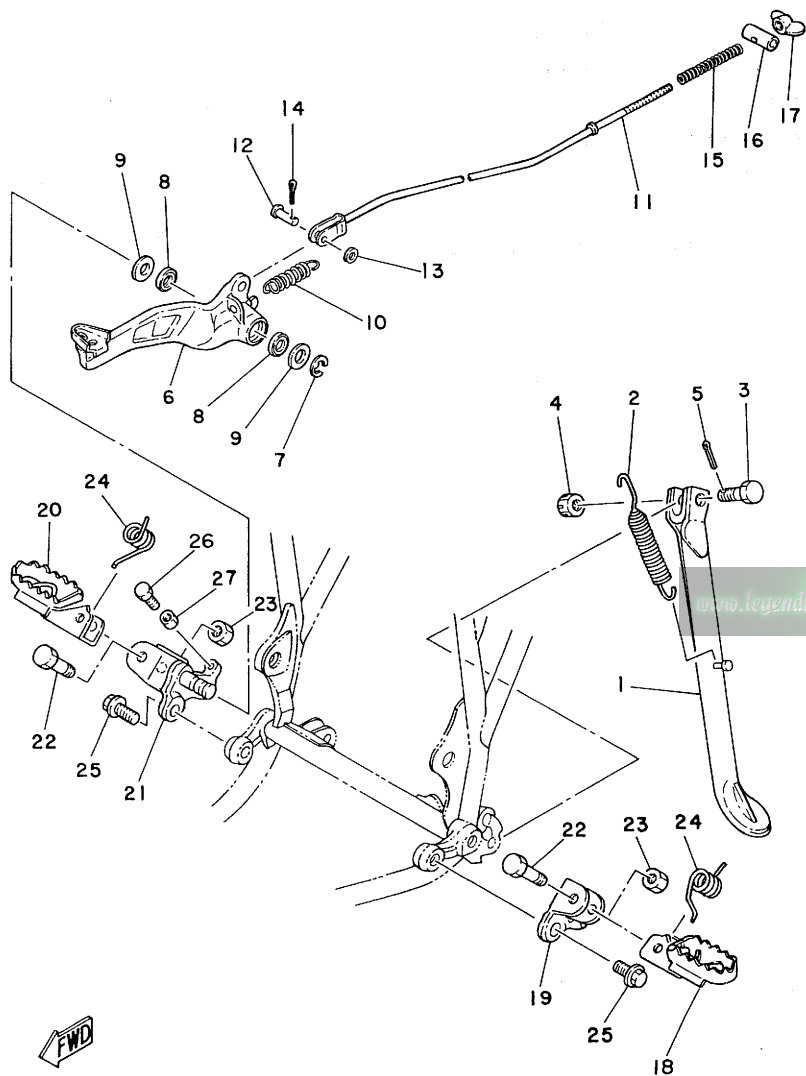
REF. NO.	PART NO.	DESCRIPTION	Q'TY	REMARKS
28	382-26372-01	COVER, handle lever	1	
29	90179-08148	NUT	2	
30	90240-08012	PIN, clevis	1	
31	90201-08083	WASHER, Plate	1	
32	156-26347-00	JOINT, cable	1	
33	91401-20012	PIN, cotter	1	
34	90462-14055	CLAMP	2	
35	92501-06025	SCREW, Pan head	1	
36	92901-06100	WASHER, spring	1	
37	95301-06600	NUT	1	
38	92901-06600	WASHER, Plate	1	
39	90123-08046	BOLT	2	
40	437-83936-10	BAND, switch cord	1	



D7



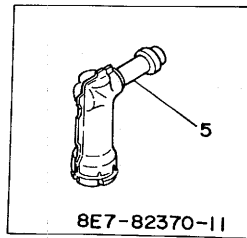
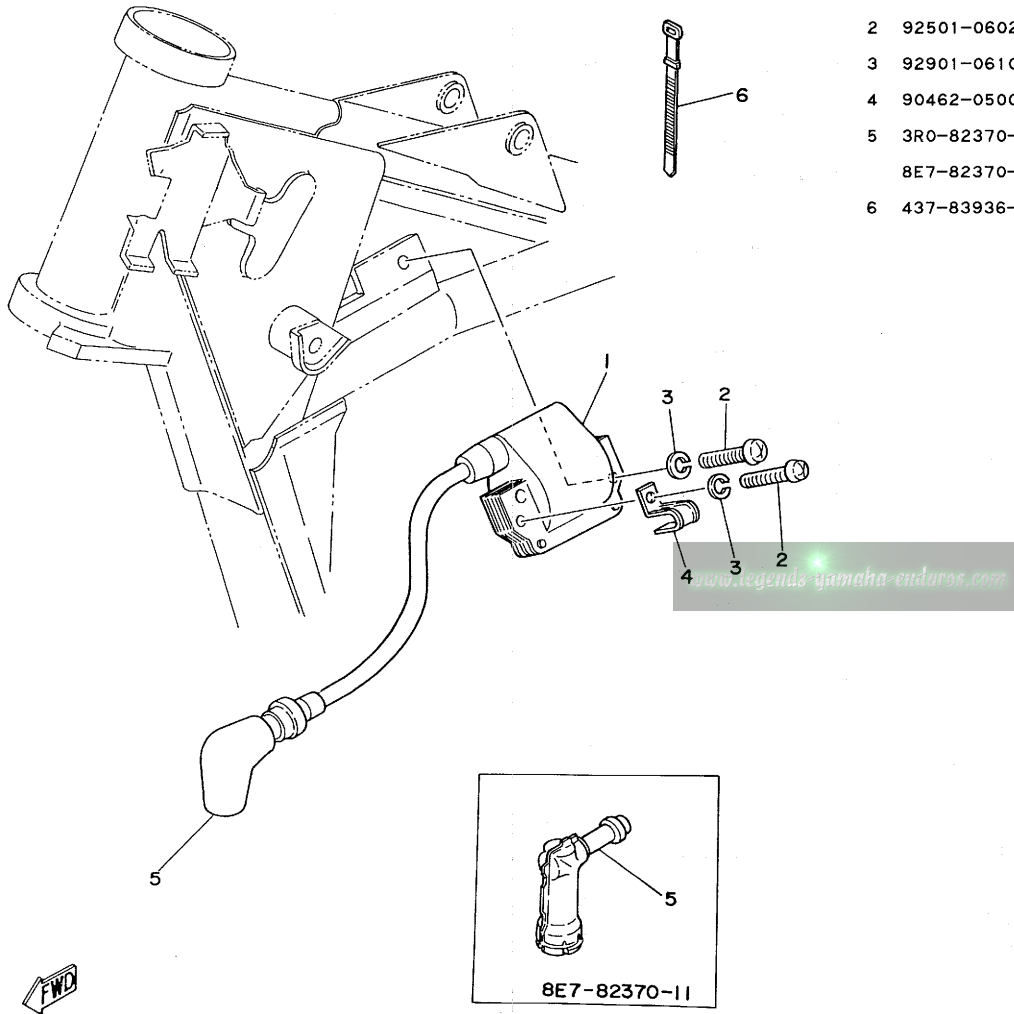
FIG. 26 STAND•FOOTREST



REF. NO.	PART NO.	DESCRIPTION	Q'TY	REMARKS
1	3R4-27311-00-33	STAND, side	1	yamaha black
2	90507-29008	SPRING, tension	1	
3	90102-10006	BOLT, with hole	1	
4	95302-10900	NUT, slotted	1	
5	91401-20025	PIN, cotter	1	
6	4V4-27200-00	PEDAL, brake	1	
7	93430-10015	CIRCLIP	1	
8	93109-14021	OIL SEAL	2	
9	90201-14536	WASHER, Plate	2	
10	90506-20192	SPRING, tension	1	
11	2X4-27231-01	ROD, brake	1	
12	90240-06040	PIN, clevis	1	
13	92901-06200	WASHER, Plain	1	
14	91401-20012	PIN, cotter	1	
15	90501-10245	SPRING, compression	1	
16	90249-12008	PIN	1	
17	90175-06013	NUT, wing	1	
18	4V4-27411-00	FOOTREST 1	1	
19	4V4-27412-00	BRACKET, footrest 1	1	
20	4V4-27421-00	FOOTREST 2	1	
21	4V4-27422-00	BRACKET, footrest 2	1	
22	90101-08428	BOLT	2	
23	95601-08100	NUT, u	2	
24	90508-20023	SPRING, torsion	2	
25	90105-12096	BOLT, washer based	4	
26	97301-06020	BOLT	1	
27	95301-06700	NUT	1	

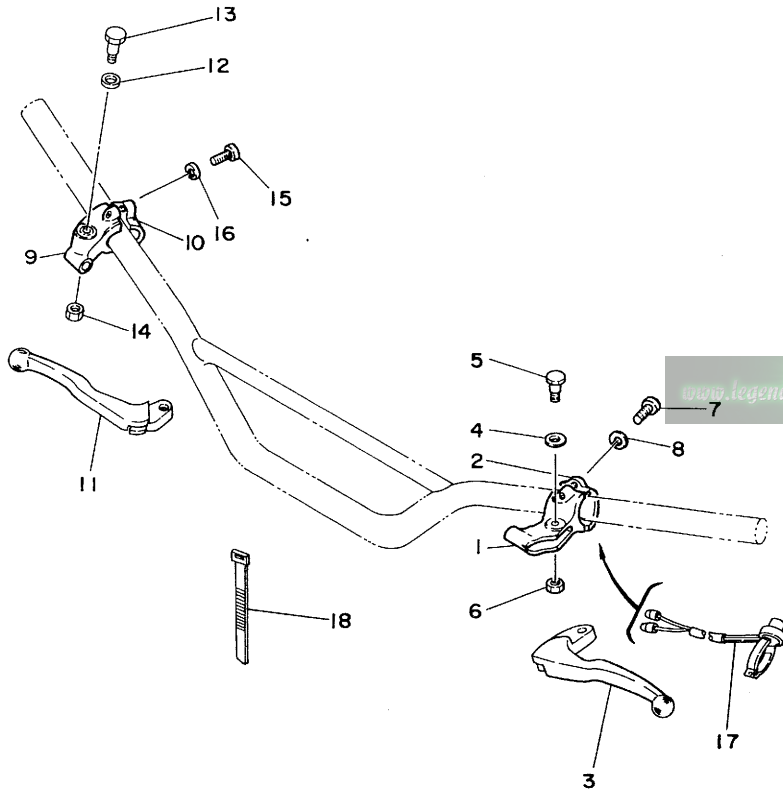
FIG. 27 ELECTRICAL 1

REF. NO.	PART NO.	DESCRIPTION	Q'TY	REMARKS
1	2K7-82310-10	IGNITION CDIL ASSY	1	
2	92501-06025	SCREW, Pan head	2	
3	92901-06100	WASHER, sPring	2	
4	90462-05005	CLAMP	1	
5	3R0-82370-20	PLUG CAP ASSY	1	UR
	8E7-82370-11	PLUG CAP ASSY	1	UR with noise suppressor
6	437-83936-00	BAND, switch cord	2	



**D9**

FIG. 28 HANDLE SWITCH•LEVER



REF. NO.	PART NO.	DESCRIPTION	Q'TY	REMARKS
1	4V4-82911-00	HOLDER, lever 1	1	
2	4V4-82913-00	HOLDER, lever lower 1	1	
3	3M2-83912-00	LEVER 1	1	
4	90201-08083	WASHER, Plate	1	
5	90109-06410	BOLT	1	
6	95601-06100	NUT, u	1	
7	98506-05020	SCREW, Pan head	2	
8	92906-05100	WASHER, sPring	2	
9	4V4-82921-00	HOLDER, lever 2	1	
10	4V4-82913-00	HOLDER, lever lower 1	1	
11	3M2-83922-00	LEVER 2	1	
12	90201-08083	WASHER, Plate	1	
13	90109-06410	BOLT	1	
14	95601-06100	NUT, u	1	
15	98506-05020	SCREW, Pan head	2	
16	92906-05100	WASHER, sPring	2	
17	3R4-83976-00	SWITCH, handle 1	1	
18	437-83936-00	BAND, switch cord	2	

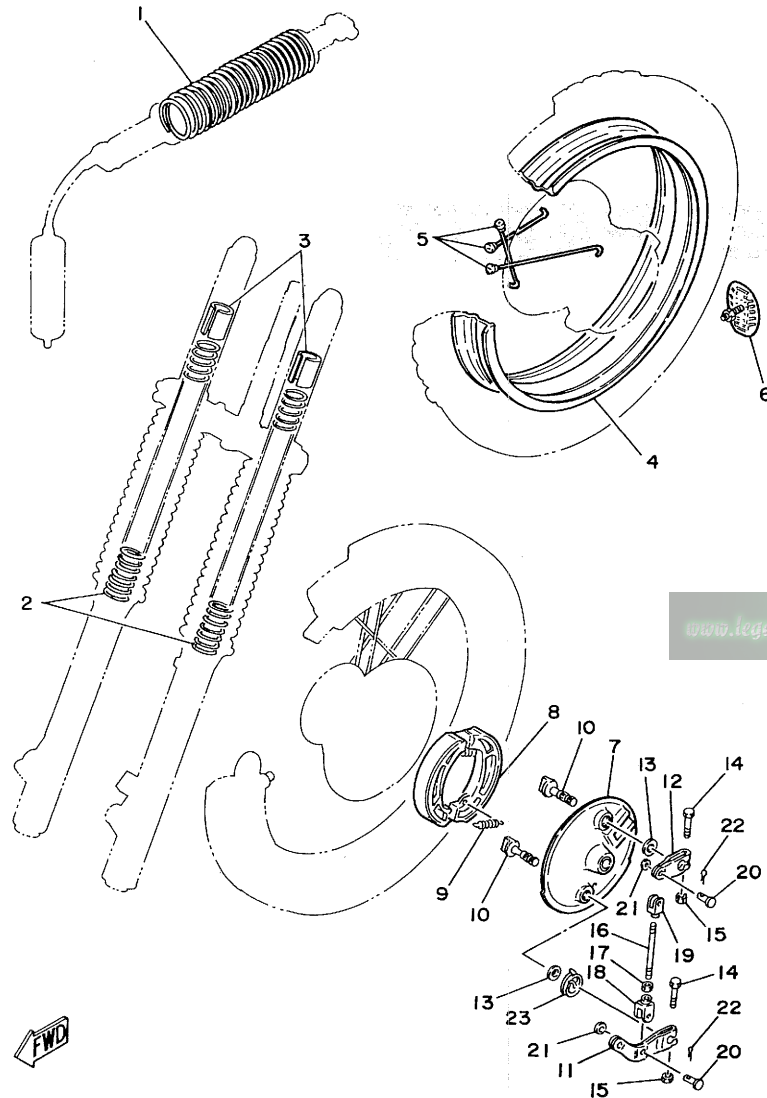
FWD

[www.legends-yamaha-enduros.com](http://www.legends-yamaha-enduros.com)

# ALTERNATE PARTS

[www.legends-yamaha-enduros.com](http://www.legends-yamaha-enduros.com)

FIG. 29 ALTERNATE (CHASSIS)



REF. NO.	PART NO.	DESCRIPTION	Q'TY	REMARKS
1	4V4-22212-10	SPRING	1	UR SOFT (PINK)
	3R4-22212-00	SPRING	1	UR HARD (NO PAINTED)
2	4V4-23141-10	SPRING, front fork (K=0.248)	2	UR SOFT (Use spacer 4V4-23118-M0 with set)
	4V4-23141-20	SPRING, front fork (K=0.31)	2	UR HARD (Use spacer 4V4-23118-L0 with set)
3	4V4-23118-M0	SPACER	2	
	4V4-23118-L0	SPACER	2	
4	94425-18280	RIM (2.50-18)	1	
5	4V4-25304-00	SPOKE SET, rear	1	
6	2X5-25394-00	SPACER, bead	2	
7	3R5-25121-00-98	PLATE, brake shoe	1	low gloss black
8	3R5-25130-00	BRAKE SHDE COMP.	2	
9	90506-16036	SPRING, tension	2	
10	322-25151-00	CAMSHAFT	2	
11	3R5-25155-00	LEVER, camshaft 1	1	
12	3R5-25156-00	LEVER, camshaft 2	1	
13	137-25159-00	SEAL, camshaft	2	
14	90101-06278	BOLT	2	
15	95301-06600	NUT	2	
16	3R5-25161-00	ROD, connecting	1	
17	95301-06700	NUT	1	
18	3R5-25163-00	END, rod 1	1	
19	3R5-25164-00	END, rod 2	1	
20	90240-06006	PIN, clevis	2	
21	92901-06200	WASHER, Plain	2	
22	91401-20012	PIN, cotter	2	
23	90508-20425	SPRING, torsion	1	

D11

# REPAIR KIT

[www.legends-yamaha-enduros.com](http://www.legends-yamaha-enduros.com)

FIG. 30 REPAIR KIT

REF. NO.	PART NO.	DESCRIPTION	Q'TY	REMARKS
1	3R4-11630-50	PISTON ASSY (STD)	1	
2	3R4-11631-10-95	•PISTON (STD)	1	UR
	3R4-11631-10-96	•PISTON (STD)	1	UR
3	2X7-11601-00	•PISTON RING SET (STD)	1	
4	214-11633-00	•PIN, Piston	1	
5	93450-19052	•CIRCLIP	2	
6	3R4-11630-60	PISTON ASSY (1ST O/S)	1	
7	3R4-11635-10	•PISTON (1ST O/S 0.25MM)	1	
8	2X7-11601-10	•PISTON RING SET (1ST O/S)	1	
9	214-11633-00	•PIN, Piston	1	
10	93450-19052	•CIRCLIP	2	
11	3R4-11630-70	PISTON ASSY (2ND O/S)	1	
12	3R4-11636-10	•PISTON (2ND O/S 0.50MM)	1	
13	2X7-11601-20	•PISTON RING SET (2ND O/S)	1	
14	214-11633-00	•PIN, Piston	1	
15	93450-19052	•CIRCLIP	2	
16	3R4-11630-80	PISTON ASSY (3RD O/S)	1	
17	3R4-11637-10	•PISTON (3RD O/S 0.75MM)	1	
18	2X7-11601-30	•PISTON RING SET (3RD O/S)	1	
19	214-11633-00	•PIN, Piston	1	
20	93450-19052	•CIRCLIP	2	
21	3R4-11630-90	PISTON ASSY (4TH O/S)	1	
22	3R4-11638-10	•PISTON (4TH O/S 1.00MM)	1	
23	2X7-11601-40	•PISTON RING SET (4TH O/S)	1	
24	214-11633-00	•PIN, Piston	1	
25	93450-19052	•CIRCLIP	2	
26	498-11650-00	CONNECTING ROD ASSY	1	
27	498-11651-00	•ROD, connectin	1	

[www.legends-yamaha-enduros.com](http://www.legends-yamaha-enduros.com)



FIG. 30 REPAIR KIT

REF. NO.	PART NO.	DESCRIPTION	Q'TY	REMARKS
28	2X4-11681-00	•PIN, crank 1	1	
29	93310-42541	•BEARING, cylindrical	1	
30	90209-25085	•WASHER	2	
31	93310-21874	•BEARING, cylindrical	1	
32	4V3-W0001-00	GASKET KIT	1	
33	3R4-11181-00	•GASKET, cylinder head 1	1	
34	3R4-11351-00	•GASKET, cylinder	1	
35	2K7-13621-00	•GASKET, valve seat	1	
36	363-14184-00	•GASKET, float chamber	1	
37	4V3-15451-00	•GASKET, crankcase cover	1	
38	3R4-15462-00	•GASKET, crankcase cover 3	1	
39	93210-14104	•O-RING	1	
40	90430-06016	•GASKET	1	
41	90430-12038	•GASKET	1	
42	93210-29282	•O-RING	1	
43	3R4-14613-00	•GASKET, exhaust Pipe	1	
44	2K7-W0003-00	OIL SEAL KIT	1	
45	93103-30092	•OIL SEAL	1	
46	93103-40091	•OIL SEAL	1	
47	93102-17004	•OIL SEAL	1	
48	93102-32136	•OIL SEAL	1	
49	93101-12004	•OIL SEAL	1	
50	93109-20014	•OIL SEAL	1	

[www.legends-yamaha-enduros.com](http://www.legends-yamaha-enduros.com)

[www.legends-yamaha-enduros.com](http://www.legends-yamaha-enduros.com)

# INDEX

[www.legends-yamaha-enduros.com](http://www.legends-yamaha-enduros.com)

NUMERICAL INDEX

PART NO.	REF. NO.	PART NO.	REF. NO.	PART NO.	REF. NO.
4V3-W0001-00	30-32	498-11651-00	2-10	2K7-14197-00	5-11
2K7-W0003-00	30-44		30-27	310-14197-00	5-14
4V4-W1441-00	4-22	2X4-11681-00	2- 9	737-14261-00	5-39
3R4-W1442-01	4-25		30-28	509-14274-00	5-28
3R4-W2473-00	22- 1	4V3-13565-00	4- 7	4V3-1441K-00	4- 9
3R4-11111-00	1- 1	4V3-13581-00	4- 8	1W4-14457-00	4-23
3R4-11181-00	1- 2	4V3-13584-01	4-11	3R4-14458-00	4-26
	30-33	2X5-13610-00	4- 1	4V4-14459-00	4-27
4V3-11311-00	1- 6	2K7-13613-00	4- 2	4V4-14484-00	4-32
3R4-11351-00	1- 7	2X5-13616-00	4- 3	4V3-14493-00	4-10
	30-34	2K7-13621-00	4- 6	4V4-14499-00	4-33
3R4-11400-00	2- 6		30-35	4V3-14610-00	6- 1
3R4-11412-00	2- 7	4V3-14101-00	5- 1	3R4-14613-00	6- 2
3R4-11422-00	2- 8	2X8-14112-30	5-27		30-43
2X7-11601-00	2- 2	510-14115-00	5-31	3R4-14619-01	6-20
	30- 3	239-14116-16	5-33	565-14747-00	6-11
2X7-11601-10	2- 2	2A0-14122-00	5-25	4V3-14753-10	6-10
	30- 8	152-14123-00	5-23	565-14771-00	6-15
2X7-11601-20	2- 2	363-14131-00	5-17	3R4-14781-02	6- 4
	30-13	127-14134-00	5-22	3R4-15111-00	7- 1
2X7-11601-30	2- 2	156-14135-00	5-41	3R4-15113-00	7-16
	30-18	509-14136-00	5-35	3R4-15118-00	7-14
2X7-11601-40	2- 2	164-14137-00	5-34	3R4-15121-01	7- 8
	30-23	363-14137-00	5-21	1G8-15362-00	8-11
3R4-11630-50	30- 1	353-14138-00	5-37	3R4-15381-00	7-12
3R4-11630-60	30- 6	510-14141-50	5- 5	3R4-15383-00	7- 5
3R4-11630-70	30-11	193-14142-80	5- 4	3R4-15411-00	8- 1
3R4-11630-80	30-16	137-14143-74	5- 6	3R4-15421-00	8- 4
3R4-11630-90	30-21	137-14143-76	5- 6	3R4-15431-01	8- 8
3R4-11631-10-95	2- 1	137-14143-78	5- 6	4V3-15451-00	8- 2
	30- 2	3R4-14146-00	5-29		30-37
3R4-11631-10-96	2- 1	558-14147-00	5-32	3R4-15462-00	8- 9
	30- 2	8F2-14147-00	5-18		30-38
214-11633-00	2- 3	2X8-14153-00	5-30	2K7-15618-00	9-17
	30- 4	3R4-14155-00	5-20	3R4-15620-00	9-11
	30- 9	3R4-14158-00	5-24	3R4-15621-01	9-12
	30-14	127-14161-00	5-19	3R4-15641-00	9- 2
	30-19	802-14161-00	5-26	3R4-15651-00	9- 7
	30-24	737-14171-00	5-42	3R4-15660-00	9- 1
3R4-11635-10	2- 1	637-14173-00	5-40	3R4-15664-00	9- 6
	30- 7	152-14174-00	5-36	3R4-16111-00	10- 1
3R4-11636-10	2- 1	3R4-14181-16	5- 2	3R4-16150-00	10- 7
	30-12	363-14184-00	5- 3	2K7-16154-00	10-15
3R4-11637-10	2- 1		30-36	2K7-16181-00	10-14
	30-17	2N7-14185-00	5- 7	4V3-16300-00	10- 6
3R4-11638-10	2- 1	537-14186-00	5- 9	383-16321-00	10-11
	30-22	363-14190-35	5- 8	168-16325-00	10-10
498-11650-00	30-26	239-14195-00	5-10	1M1-16351-00	10- 9

NUMERICAL INDEX

PART NO.	REF. NO.	PART NO.	REF. NO.	PART NO.	REF. NO.
4V4-22110-00-35	17- 1	4V4-23145-L0	20- 5	3R4-16356-00	10-18
1W1-22128-00	18-31	4V4-23146-L0	20- 9	2K7-16357-00	10-24
3R4-22129-00	17- 5	3J2-23147-00	20-30	3R4-16371-00	10- 8
3R4-22141-00	17-11	4V4-23148-L0	20- 8	4V4-16380-00	10-29
3R4-22147-00	17-28	4V4-23152-L0	20-12	3R4-17121-00	11- 8
431-22151-03	17-10	4V4-23153-L0	20- 4	4V3-17131-01	11- 6
3R5-22153-00	17-15	4V4-23158-L0	20-18	4V3-17141-01	11- 3
4V4-22178-00	14-16	4V4-23170-L0	20-11	4V3-17151-01	11- 7
2X4-22179-00	17-14	4V4-23173-L0	20-14	4V3-17211-01	11-20
4V4-22184-00	14-17	4V4-23181-L0	20-34	4V3-17221-01	11-13
2X4-22199-00	17-16	1W1-23185-L0	20-26	4V3-17231-01	11-18
4V4-22210-10	18- 1	4V4-23188-L0	20-13	4V3-17241-01	11-19
3R4-22212-00	29- 1		20-29	4V3-17251-01	11-16
3R4-22212-10	18-19	4V4-23190-L0	20-27	4V3-17411-00	11- 1
4V4-22212-10	29- 1	4V4-23191-L0	20-21	3R5-17421-00	11-12
3R4-22213-00	18-17	4V4-23192-L0	20-22	1W4-17461-30	11-26
4V4-22214-00	18-20	4V4-23194-L0	20-23	1W4-17461-40	11-26
1W1-22216-00	18- 3	3R4-23317-00	19- 2	1W4-17461-50	11-26
3R4-22221-01	18-16	4V4-23340-L0-33	20-15	3R4-18101-01	13- 1
3R4-22223-00	18-22			4V3-18111-02	13- 2
3R4-22224-00	18-21	3R4-23389-00	20-31	1W6-18113-00	13- 6
3R4-22226-00	18-12	1W1-23416-00	19- 8	3R4-18140-00	12- 7
3R4-22228-00	18-10	1E6-23435-00-98	19- 1	3R8-18162-00	13- 3
3R4-22261-00	18-33	1E6-23441-00-98	19- 4	1W1-18177-00	12- 9
4V4-22262-01	18-34	4V4-23485-10	19-11	3R4-18185-00	12- 2
4V4-22401-10	18- 2	4V4-23489-L0	20-24	3R5-18511-00	12-10
3R4-22409-00	18-11	4V3-24110-10	21- 1	4V3-18512-00	12-11
4L0-22472-00	18- 8	1W1-24144-01	21- 3	3R5-18513-00	12-12
3R4-22473-00	18- 7	3R3-24173-00	21-11	4V4-18531-00	12-14
3R4-22475-00	18- 6	3R4-24181-00	21-25	4V4-18535-00	12-15
3R4-22489-00	18- 5	431-24181-00	16- 7	3R5-18540-01	12- 1
2W6-22493-00	18- 9	1W1-24182-01	21- 2	3R4-18561-00	12- 3
3R4-22497-00	18-14	1W1-24183-00	21-26	4V4-21110-00-33	14- 1
4V4-23101-M1	20- 1	4V3-24240-19	21-27	3R4-2139W-00	14-23
4V4-23110-L0	20-10	2K5-24500-00	21-12	3R4-21415-00	14- 2
4V4-23111-L0	20-25	1A0-24512-00	21-15	4V3-21425-00	14- 4
4V4-23118-M0	29- 3	214-24512-00	21-13	2K7-2148A-00	14-15
4V4-23118-L0	20-28	1A0-24524-01	21-16	3R8-21511-01	15- 1
	29- 3	1A0-24529-01	21-14	3R4-21611-10	15- 6
122-23119-01	20-20	619-24535-00	21-17	1M1-21621-00	15-14
4V4-23125-L0	20- 6	1W1-24611-00	21-22	3R4-21629-00	15-10
4V4-23126-L1	20- 2	1W1-24612-00	21-23	3R4-21711-10-98	16- 1
1W4-23128-L0	20-32	509-24724-00	22- 6	3R4-2172A-00	16-11
122-23129-00	20-19	1W1-24738-00	22- 4	3R4-21721-10-98	16- 8
4V4-23136-L1	20- 3	1M1-24748-00	22- 3	3R4-21732-00	16-10
4V4-23141-M0	20-16	3R4-24771-00	22- 2	3R4-21737-00	16-19
4V4-23141-10	29- 2	2W6-25104-01	23-15	4V4-21746-00	16- 9
4V4-23141-20	29- 2	1K7-25111-10-98	23- 1	565-21746-00	15-15
4V4-23142-L0	20-17			4V4-21782-10	19-14
4V4-23144-L0	20- 7				

NUMERICAL INDEX

PART NO.	REF. NO.	PART NO.	REF. NO.
146-25116-00	23- 3	431-26243-00	25- 4
322-25118-00	23-22	1W1-26249-00	25- 5
1W1-25121-01-98	23- 7	4V4-26249-00	25-12
3R5-25121-00-98	29- 7	4V4-2628E-00	25-16
3R5-25130-00	29- 8	4V4-2628F-00	25-17
322-25130-00	23- 8	4V4-2628G-00	25-20
1E2-25151-00	24-11	4V4-26281-00	25-14
3R4-25151-00	23-10	431-26281-01-98	25- 6
322-25151-00	29-10	4V4-26282-00	25-15
3R5-25155-00	29-11	431-26282-01-98	25- 7
322-25155-00	23-11	3R8-26287-00	25- 9
3R5-25156-00	29-12	2K8-26311-01	25-22
137-25159-00	23-13	4V4-26311-00	25-22
	29-13	510-26329-00	25-23
3R5-25161-00	29-16	4V4-26335-00	25-24
3R5-25163-00	29-18	4V4-26341-00	25-27
3R5-25164-00	29-19	156-26347-00	25-32
3R4-25181-00	23-20	382-26372-01	25-25
4V3-25304-00	24-18		25-28
4V4-25304-00	29- 5	3R4-26393-00	25-26
4V4-25311-00-98	24- 1	4V4-27200-00	26- 6
4V4-25315-00	24- 3	2X4-27231-01	26-11
4V4-25317-00	24- 2	3R4-27311-00-33	26- 1
4V4-25321-00-98	24- 7	4V4-27411-00	26-18
4V4-25327-00	24-30	4V4-27412-00	26-19
4V4-25330-00	24- 9	4V4-27421-00	26-20
4V4-25335-00	24-50	4V4-27422-00	26-21
148-25353-00	24-15	2K7-28100-01	14-24
4V4-25355-00	24-13	2X4-2811A-00	14-27
148-25359-00	24-12	1W1-28135-01	14-26
4V4-25367-00	24-27	648-45533-00-03	17- 4
3R5-25371-01	24-42	109-81328-11	3- 7
4V4-25381-00	24-37	1E6-82131-00	4-12
4V4-25388-00	24-34	116-82131-00	3-20
4V4-25389-00	24-33	2K7-82310-10	27- 1
1T1-25394-01	24-22	3R0-82370-20	27- 5
2J5-25394-00	23-19	8E7-82370-11	27- 5
2X5-25394-00	29- 6	688-82535-00	25-13
3R4-25446-00	24-23	4V4-82911-00	28- 1
3R4-25448-00	24-23	4V4-82913-00	28- 2
3R4-25450-00	24-23		28-10
3R4-25452-00	24-23	4V4-82921-00	28- 9
3R4-26111-00	25- 1	3M2-83912-00	28- 3
4V2-26111-00	25- 1	3M2-83922-00	28-11
4V4-26241-00	25- 2	256-83936-00	3-21
3R9-26242-00	25- 3	437-83936-00	27- 6
4V4-26242-00	25-10		28-18
4V4-26243-00	25-11	437-83936-10	25-40
		3R4-83976-00	28-17

PART NO.	REF. NO.	PART NO.	REF. NO.
3R4-85500-10	3- 1	90101-06291	29-14
3R4-85510-10	3- 3	90101-06304	23-12
3R4-85515-10	3- 6	90101-06304	22- 5
3R4-85540-10	3-18	90101-08428	26-22
1M2-85547-00	3-19	90101-08475	24-35
3R4-85550-10	3- 2	90102-08034	24-45
2K7-85555-00	14-25	90102-08043	24-46
2X6-85566-10	3- 4	90102-10006	26- 3
2X6-85567-10	3- 5	90105-12096	26-25
90101-06278	24-14	90109-06410	28- 5
	29-14		28-13
	29-12	90109-06551	6-16
	23-12	90109-08397	20-33
	22- 5	90109-08512	6-14
	26-22	90109-10550	18-24
	24-35	90110-08038	24-24
	24-45	90116-08321	1- 4
	24-46	90116-10314	1- 8
	26- 3	90116-10314	1- 9
	26-25	90119-06022	21- 9
	28- 5	90123-08046	25-39
	28-13	90149-06011	21-19
	6-16	90149-08143	10-20
	20-33	90159-06016	10-13
	6-14	90170-16111	17-12
	18-24	90170-18089	10- 4
	24-24	90170-18275	24-39
	1- 4	90170-20213	18-18
	1- 8	90170-20255	10-17
	1- 9	90175-06012	4-28
	21- 9	90175-06013	26-17
	25-39	90179-08148	25-29
	90202-06010	90179-08299	1- 5
	90209-06187	90179-10257	3-17
	90209-22082	90179-10292	1-10
	90209-25085	90179-12244	9-18
		90179-20255	11-28
		90179-22330	19-10
		90179-25033	19- 9

PART NO.	REF. NO.	PART NO.	REF. NO.
90185-08054	14-13	90201-08092	10-22
	24-25	90201-081A6	24-26
90201-06042	13- 7	90201-08113	14-19
90201-06067	15- 2	90201-08114	6-13
	15- 9	90201-08544	20-37
	15-13	90201-08638	14-22
	19-13	90201-13202	14-18
90201-06407	21- 8	90201-14536	26- 9
90201-06571	16- 5	90201-15234	9-15
	16-18	90201-17255	11- 9
90201-08083	25-31	90201-17327	10-27
	28- 4	90201-17545	9- 8
	28-12	90201-20278	11-21
	10-22	90201-20358	9- 4
	24-26	90201-22555	11- 4
	14-19	90201-25287	11-14
	6-13	90202-06010	21-18
	20-37	90209-06187	15- 5
	14-22	90209-22082	11-17
	14-18	90209-25085	2-12
	26- 9		30-30
	9-15	90215-20125	10-16
	11- 9	90215-21121	11-27
	10-27	90240-06006	29-20
	9- 8	90240-06040	26-12
	11-21	90240-08012	25-30
	9- 4	90240-12074	18-28
	11- 4	90243-08017	13- 5
	11-14	90249-12008	26-16
	21-18	90280-03017	2-15
	15- 5	90282-04036	12- 5
	11-17	90282-07019	10- 2
	2-12	90338-07011	7- 9
	30-30	90339-13005	14-14
	10-16	90340-12059	7-18
	11-27		
	29-20		
	26-12		
	25-30		
	18-28		
	13- 5		
	26-16		
	2-15		
	12- 5		
	10- 2		
	7- 9		
	14-14		
	7-18		

NUMERICAL INDEX

PART NO.	REF. NO.	PART NO.	REF. NO.
90380-12051	18-13	90508-20415	13- 4
90380-16077	17- 9	90508-20425	29-23
90381-20036	24-32	90508-26421	12- 8
90386-22097	17- 6	90508-30422	9- 5
90387-07393	21- 7	90508-32374	13-12
90387-082E1	24-44	90560-12171	13-11
90387-08258	6-12	90560-15116	23- 2
90387-08699	24-49	91316-06020	4-19
90387-15535	23-21	91316-06025	8-10
90387-16776	7- 7	91316-06040	7- 4
	7-11	91316-06055	7- 3
90387-201E3	24-29	91316-06060	7- 2
90387-201E4	24-28	91401-20012	25-33
90387-25663	11-25		26-14
90430-05009	25-21		29-22
90430-06016	8-14	91401-20015	24-48
	30-40	91401-20025	18-27
90430-12038	7-19		26- 5
	30-41	91401-30022	18-30
90445-08577	10-30	91402-16015	5-38
90445-09300	21-24	91810-05016	7-10
90445-11182	21-20	91830-24016	1-11
90445-21562	4-15	92501-06012	7-13
90460-51109	4-18		7-17
90460-68120	4-20		16-13
90462-05005	27- 4	92501-06015	16- 3
90462-14055	25-34		16-16
90467-10008	21-21	92501-06020	17-20
90467-20030	4-24	92501-06025	3-14
90467-20050	4-16		25-35
90468-08104	4-17		27- 2
90468-26048	9- 3	92501-08010	7-15
90480-12053	16- 6	92502-06016	18-35
90480-13197	4-29	92506-06008	8-13
90480-22263	18-32	92506-06025	8- 3
90501-10245	26-15		8- 5
90501-12081	9-14	92701-06012	7- 6
90501-14633	4-21	92901-03100	4- 5
90501-23138	10-12	92901-04600	3-13
90506-16036	23- 9	92901-05100	17-30
	29- 9	92901-05200	17-31
	26-10	92901-05600	3-10
90506-20192	6- 9	92901-06100	3-15
90506-20223	24-10		4-14
90507-20002	6- 3		4-31
90507-20030	26- 2		6-18
90507-29008	10-28		16- 4
90508-14423	26-24		16-14
90508-20023			

NUMERICAL INDEX

PART NO.	REF. NO.	PART NO.	REF. NO.	PART NO.	REF. NO.	PART NO.	REF. NO.
92901-06100	16-17	93101-12004	30-49	93430-10016	9-16	95821-08040	19- 3
	17-21	93102-17004	10-26	93440-25084	11-15	97301-06010	4-13
	21- 5		30-47	93440-50078	18-23	97301-06012	21- 4
	25-36	93102-20009	23- 6	93450-19052	2- 4	97301-06015	15- 7
	27- 3	93102-28022	24- 6		30- 5		15-11
92901-06200	16-15	93102-32136	11-24		30-10	97301-06016	4-30
	26-13		30-48		30-15		6-17
	29-21	93103-30092	2-14		30-20	97301-06020	26-26
92901-06600	3-16		30-45		30-25	97301-06050	17-23
	6-19	93103-40091	2-17	93507-32009	9-13	97301-08016	6- 6
	17-22		30-46	93515-32029	10-19		17-17
	21- 6	93104-11056	24- 8	93604-26132	18-15	97301-08035	17-25
	25-38	93108-35004	17- 7	93606-14154	12-13	97301-08055	14-20
92901-08100	6- 7	93109-14021	26- 8	93608-25150	13-10	97302-06020	15- 3
	10-21	93109-20014	9-10	94130-21659	23-16	97302-06035	22- 7
	14- 6		30-50	94151-18662	24-19	97321-06020	13- 8
	17-18	93109-22018	17- 8	94227-21123	23-17	97321-08025	14- 5
	17-26	93210-14104	8-12	94251-18150	24-20	97602-03108	5-15
	20-35		30-39	94330-21084	23-18	97702-40512	16-12
		93210-29282	10- 5	94340-18086	24-21	97801-06012	19-12
92901-08200	6- 5		30-42	94416-21234	23-14	98501-03008	4- 4
	14-12	93210-33481	24-31	94421-18235	24-17	98501-04005	18- 4
92901-08600	6- 8	93306-00406	24- 5	94425-18280	29- 4	98501-05010	17-29
	14- 7	93306-00418	24- 4	94585-20110	24-40	98501-05016	5-12
	17-19	93306-00422	12- 4	94685-20001	24-41		25- 8
	17-27	93306-20107	12-16	*	1- 3		25-19
92901-10200	14- 9	93306-20203	23- 4	95301-06600	24-16	98502-04008	3-11
92901-12600	18-29	93306-20205	23- 5		25-37	98502-05030	3- 8
92901-16100	17-13	93306-20542	11- 2		29-15	98506-05020	28- 7
92901-18100	10- 3	93306-20544	11-23	95301-06700	26-27		28-15
	24-38	93306-20619	2-13		29-17	98701-05016	12- 6
92902-03600	5-16		2-16	95301-08700	24-36	98902-06018	21-10
92902-04100	3-12	93310-21874	2- 5	95302-10700	18-25	98906-05010	25-18
92902-05100	3- 9		30-31	95302-10900	26- 4		
	5-13	93310-42541	2-11	95311-08600	20-36		
92902-06100	15- 4		30-29	95311-08700	10-23		
	15- 8	93311-41734	11-10	95601-06100	22- 8		
	15-12	93311-62035	11-11		28- 6		
	18-36	93315-21721	10-25		28-14		
92902-06200	22- 9	93317-22214	17- 3	95601-08100	26-23		
92902-06600	18-37	93332-00001	19- 6	95601-10100	14-10		
92902-08200	16- 2	93332-00008	19- 7	95611-08100	24-47		
92902-10600	18-26	93342-22208	17- 2	95702-06300	17-24		
92906-05100	28- 8	93399-99905	24-43	95702-08300	14-21		
	28-16	93410-17008	9- 9	95811-08075	14- 3		
92906-06100	8- 6	93410-20038	11-22	95811-08165	14-11		
92906-06600	8- 7	93410-22039	11- 5	95811-10045	14- 8		
93101-12004	13- 9	93430-10015	26- 7	95821-08035	19- 5		

NUMERICAL INDEX

PART NO.	REF. NO.	PART NO.	REF. NO.
92901-06100	16-17	93101-12004	30-49
	17-21	93102-17004	10-26
	21- 5		30-47
	25-36	93102-20009	23- 6
	27- 3	93102-28022	24- 6
92901-06200	16-15	93102-32136	11-24
	26-13		30-48
	29-21	93103-30092	2-14
92901-06600	3-16		30-45
	6-19	93103-40091	2-17
	17-22		30-46
	21- 6	93104-11056	24- 8
	25-38	93108-35004	17- 7
92901-08100	6- 7	93109-14021	26- 8
	10-21	93109-20014	9-10
	14- 6		30-50
	17-18	93109-22018	17- 8
	17-26	93210-14104	8-12
	20-35		30-39
		93210-29282	10- 5
92901-08200	6- 5		30-42
	14-12	93210-33481	24-31
92901-08600	6- 8	93306-00406	24- 5
	14- 7	93306-00418	24- 4
	17-19	93306-00422	12- 4
	17-27	93306-20107	12-16
92901-10200	14- 9	93306-20203	23- 4
92901-12600	18-29	93306-20205	23- 5
92901-16100	17-13	93306-20542	11- 2
92901-18100	10- 3	93306-20544	11-23
	24-38	93306-20619	2-13
92902-03600	5-16		2-16
92902-04100	3-12	93310-21874	2- 5
92902-05100	3- 9		30-31
	5-13	93310-42541	2-11
92902-06100	15- 4		30-29
	15- 8	93311-41734	11-10
	15-12	93311-62035	11-11
	18-36	93315-21721	10-25
92902-06200	22- 9	93317-22214	17- 3
92902-06600	18-37	93332-00001	19- 6
92902-08200	16- 2	93332-00008	19- 7
92902-10600	18-26	93342-22208	17- 2
92906-05100	28- 8	93399-99905	24-43
	28-16	93410-17008	9- 9
92906-06100	8- 6	93410-20038	11-22
92906-06600	8- 7	93410-22039	11- 5
93101-12004	13- 9	93430-10015	26- 7

## PARTS NAME INDEX

DESCRIPTION	REF. NO.
AIR CLEANER CASE COMP. ....	4-22
AIR VALVE COMP. ....	20-27
ARM, tensioner ....	17-14
AXLE, drive ....	11-12
AXLE, main (14T) ....	11- 1
AXLE, wheel ....	23-20
* .....	24-37
BALL .....	9-13
* .....	10-19
BAND .....	20-22
* .....	20-24
BAND, battery .....	3-20
* .....	4-12
BAND, rim (3.00-21) .....	23-18
BAND, rim (4.00-18) .....	24-21
BAND, switch cord .....	3-21
* .....	25-40
* .....	27- 6
* .....	28-18
BAND, tank fitting 1 .....	21-11
BAR, shift fork Guide 1 .....	12-14
BAR, shift fork Guide 2 .....	12-15
BAR, tension .....	24-42
BEARING .....	11- 2
* .....	11-23
* .....	12- 4
* .....	17- 2
* .....	19- 6
* .....	19- 7
* .....	24- 4
* .....	24-43
BEARING (B6004Z) .....	24- 5
BEARING (B6201) .....	12-16
BEARING (B6202) .....	23- 5
BEARING (B6202RS) .....	23- 4
BEARING (B6206) .....	2-13
* .....	2-16
BEARING, cylindrical .....	2- 5
* .....	2-11
* .....	10-25
* .....	11-10
* .....	11-11
* .....	17- 3
* .....	30-29
* .....	30-31
BODY, cap .....	21-22
BODY, float chamber 1 .....	5- 2

## PARTS NAME INDEX

DESCRIPTION	REF. NO.
BOLT .....	4-13
* .....	4-19
* .....	4-30
* .....	6- 6
* .....	6-14
* .....	6-16
* .....	6-17
* .....	7- 2
* .....	7- 3
* .....	7- 4
* .....	8-10
* .....	13- 8
* .....	14- 5
* .....	14-20
* .....	15- 3
* .....	15- 7
* .....	15-11
* .....	17-17
* .....	17-23
* .....	17-25
* .....	18-24
* .....	21- 4
* .....	22- 5
* .....	22- 7
* .....	23-12
* .....	24-14
* .....	24-35
* .....	25-39
* .....	26-22
* .....	26-26
* .....	28- 5
* .....	28-13
* .....	29-14
BOLT 1 .....	20-33
BOLT, axle holder .....	20-32
BOLT, cap .....	20-25
BOLT, flange .....	14- 3
* .....	14- 8
* .....	14-11
* .....	19- 3
* .....	19- 5
BOLT, hexagon socket head .....	20-34
* .....	24-24
BOLT, stopper .....	12- 9
BOLT, stud .....	1- 4
* .....	1- 8
* .....	1- 9
BOLT, washer based .....	26-25

## PARTS NAME INDEX

DESCRIPTION	REF. NO.
BOLT, with hole .....	24-45
* .....	24-46
* .....	26- 3
BOLT, with washer .....	21- 9
BOOT .....	20-21
BOSS, clutch .....	10- 8
BOSS, kick crank .....	9-12
BRACKET, footrest 1 .....	26-19
BRACKET, footrest 2 .....	26-21
BRACKET, front upper 1 .....	14- 2
BRACKET, rear upper 1 .....	14- 4
BRACKET, seat .....	22- 3
* .....	22- 4
BRAKE SHOE COMP. ....	23- 8
* .....	24- 9
* .....	29- 8
BUMPER, stop .....	18- 9
BUSH .....	14-17
* .....	17- 6
BUSH, rear shock absorber .....	18- 3
BUSH, shock absorber lower .....	18-12
BUSH, solid .....	17- 9
* .....	18-13
* .....	24-32
C.D.I. MAGNETO ASSY .....	3- 1
C.D.I. UNIT ASSY .....	3-18
CABLE, brake .....	25-27
CABLE, clutch .....	25-24
CABLE, throttle 1 .....	25-22
* .....	25-22
CAMSHAFT .....	23-10
* .....	24-11
* .....	29-10
CAP .....	24-50
CAP, case .....	18- 8
CAP, front fork .....	20-26
CAP, gear .....	25-17
CAP, grip lower .....	25- 7
* .....	25-15
CAP, grip upper .....	25- 6
* .....	25-14
CAP, plunger .....	5-36
CAP, rubber .....	25-33
CARBURETOR ASSY 1 .....	5- 1
CHAIN, drive (DID520DS 110L) .....	24-40
CHAMBER, air .....	4- 8
CIRCLIP .....	2- 4
* .....	9- 9
* .....	9-16

## PARTS NAME INDEX

DESCRIPTION	REF. NO.
CIRCLIP	11- 5
*	11-15
*	11-22
*	18-23
*	26- 7
*	30- 5
*	30-10
*	30-15
*	30-20
*	30-25
CLAMP	3- 7
*	25-34
*	27- 4
CLAMP, hose	4-18
*	4-20
CLIP	4-16
*	4-17
*	4-24
*	5-21
*	5-34
*	9- 3
*	21-21
CLIP, Plunger	5-37
CLUTCH ASSY	10- 6
COIL, charge 1	3- 4
COIL, charge 2	3- 5
COLLAR	6-12
*	7- 7
*	7-11
*	11-25
*	21- 7
*	23-21
*	24-28
*	24-29
*	24-44
*	24-49
CONNECTING ROD ASSY	30-26
CONNECTOR	5-28
COVER	14-23
*	18-16
COVER, ball race 2	19- 8
COVER, caP grip	25- 9
COVER, crankcase 1	8- 1
COVER, crankcase 2	8- 4
COVER, crankcase 3	8- 8
COVER, dust seal	20- 8
COVER, handle lever	25-25
*	25-28

## PARTS NAME INDEX

DESCRIPTION	REF. NO.
COVER, hub dust	23-22
*	24-27
COVER, kick lever	9-17
COVER, Plate	24-30
COVER, Plunger caP	5-40
COVER, semi-double seat	22- 2
COVER, shift Pedal	13- 6
COVER, side (L.H)	16- 1
COVER, side (R.H)	16- 8
COVER, thrust 1	18-31
COVER, thrust 2	17- 5
CRANK 1	2- 7
CRANK 2	2- 8
CRANKCASE 1	7- 1
CRANKCASE 2	7- 8
CRANKSHAFT ASSY	2- 6
CROWN, handle	19-1
CYLINDER COMP., front fork	20-11
CYLINDER 1	1- 6
DAMPER	3-19
*	16- 9
DAMPER, locating 1	16- 7
*	21-25
DAMPER, locating 2	21- 2
DAMPER, locating 3	21-26
DAMPER, muffler	6-11
DAMPER, seat	22- 6
DAMPER, sub tank	18-33
DUMPER SUB ASSY	18- 2
ELEMENT, air cleaner	4-25
EMBLEM	4- 9
*	16-19
EMBLEM 2	19-14
END, rod 1	29-18
END, rod 2	29-19
EXHAUST PIPE ASSY 1	6- 1
FENDER, front	15- 1
FENDER, rear	15- 6
FLANGE, sPacer	24- 3
FLANGE, sPacer 2	23- 3
FLAP	15-14
FLOAT	5- 7
FOOTREST 1	26-18
FOOTREST 2	26-20
FORK, shift 1	12-10
FORK, shift 2	12-11
FORK, shift 3	12-12
FRAME COMP	14- 1

## PARTS NAME INDEX

DESCRIPTION	REF. NO.
FRONT FORK ASSY	20- 1
FUEL COCK ASSY 1	21-12
FUEL TANK COMP.	21- 1
GASKET	7-19
*	8-14
*	20-18
*	21-13
*	25-21
*	30-40
*	30-41
GASKET KIT	30-32
GASKET, caP	21-23
GASKET, crankcase cover	8- 2
*	30-37
GASKET, crankcase cover 3	8- 9
*	30-38
GASKET, cylinder	1- 7
*	30-34
GASKET, cylinder head 1	1- 2
*	30-33
GASKET, drain Plug	20-19
GASKET, exhaust Pipe	6- 2
*	30-43
GASKET, float chamber	5- 3
*	30-36
GASKET, valve seat	4- 6
*	30-35
GAUGE, air	14-27
GEAR, bevel	25-16
GEAR, kick (26T)	9- 2
GEAR, Primary drive (24T)	10- 1
GEAR, sProcket idle (21T)	9- 7
GEAR, 1st wheel (30T)	11-20
GEAR, 2nd Pinion (16T)	11- 8
GEAR, 2nd wheel (29T)	11-13
GEAR, 3rd Pinion (17T)	11- 6
GEAR, 3rd wheel (24T)	11-18
GEAR, 4th Pinion (21T)	11- 3
GEAR, 4th wheel (24T)	11-19
GEAR, 5th Pinion (23T)	11- 7
GEAR, 5th wheel (22T)	11-16
GRAPHIC SET	21-27
GRIP (L.H)	25- 2
GRIP (R.H)	25- 3
*	25-10
GROMMET	4-29
*	16- 6
*	18-32



## PARTS NAME INDEX

DESCRIPTION	REF. NO.
GROMMET	25-13
GUARD, chain	17-15
GUARD, mud	15-10
GUIDE	4-26
GUIDE, cable	5-20
*	20-31
GUIDE, sPring	9- 6
GUIDE, sPring 1	18-20
GUIDE, sPring 2	18-21
HANDLEBAR	25- 1
*	25- 1
HEAD, cylinder 1	1- 1
HOLDER	5-39
*	7-14
*	25-26
HOLDER, cable	19- 2
HOLDER, damPer	21- 3
HOLDER, guide	4-27
HOLDER, handle uPPer	19- 4
HOLDER, lever lower 1	28- 2
*	28-10
HOLDER, lever 1	28- 1
HOLDER, lever 2	28- 9
HOLDER, sub tank	18-34
HOOK, sPring	6-20
HOSE	4-15
*	10-30
*	21-20
*	21-24
HOUSING, seal ring	18- 7
HUB, front	23- 1
HUB, rear	24- 1
IGNITION COIL ASSY	27- 1
INNER TUBE COMP.1	20-10
JET, main (#370)	5- 6
JET, main (#380)	5- 6
JET, main (#390)	5- 6
JET, Pilot (#80.0)	5- 4
JOINT, cable	25-32
JOINT, carburetor	4- 7
JOINT, chain	24-41
KEY, straight	10- 2
*	12- 5
KEY, woodruff	2-15
KICK AXLE ASSY	9- 1
KICK CRANK ASSY	9-11
LEAD WIRE ASSY	3- 6
LEVER 1	28- 3

## PARTS NAME INDEX

DESCRIPTION	REF. NO.
LEVER 2	28-11
LEVER, camshaft	24-13
LEVER, camshaft 1	23-11
*	29-11
LEVER, camshaft 2	29-12
LEVER, cock	21-16
METAL, slide 1	20- 6
NEEDLE	5-33
NEEDLE VALVE ASSY	5- 8
NOZZLE, main	5- 5
NUT	1- 5
*	1-10
*	3-17
*	9-18
*	10- 4
*	10-17
*	10-23
*	11-28
*	17-12
*	18-18
*	18-25
*	19- 9
*	19-10
*	20-36
*	24-16
*	24-36
*	24-39
*	25-29
*	25-37
*	26-27
*	29-15
*	29-17
NUT, adjusting	18-14
NUT, cable adjusting	5-19
*	5-26
NUT, nylon	14-21
*	17-24
NUT, self-locking	14-13
*	24-25
NUT, slotted	26- 4
NUT, u	14-10
*	22- 8
*	24-47
*	26-23
*	28- 6
*	28-14
NUT, wing	4-28
*	26-17

## PARTS NAME INDEX

DESCRIPTION	REF. NO.
O-RING	5-18
*	5-32
*	8-12
*	10- 5
*	20-13
*	20-29
*	20-30
*	21-15
*	24-31
*	30-39
*	30-42
OIL SEAL	2-14
*	2-17
*	9-10
*	10-26
*	11-24
*	13- 9
*	17- 7
*	17- 8
*	20- 5
*	23- 6
*	24- 6
*	24- 8
*	26- 8
*	30-45
*	30-46
*	30-47
*	30-48
*	30-49
*	30-50
OIL SEAL KIT	30-44
PACKING	25-20
PANEL 1	16-11
PEDAL, brake	26- 6
PEDAL, shift	13- 2
*	13- 3
PIN	13- 5
*	26-16
PIN, clevis	18-28
*	25-30
*	26-12
*	29-20
PIN, cotter	5-38
*	18-27
*	18-30
*	24-48
*	25-33
*	26- 5
*	26-14

## PARTS NAME INDEX

DESCRIPTION	REF. NO.
PIN, cotter	29-22
PIN, crank 1	2- 9
*	30-28
PIN, dowel	1-11
*	7-10
*	12-13
*	13-10
*	18-15
PIN, float	5- 9
PIN, Piston	2- 3
*	30- 4
*	30- 9
*	30-14
*	30-19
*	30-24
PIPE	5-11
*	5-14
PIPE, manifold	4-11
PISTON (STD)	2- 1
*	2- 1
*	30- 2
*	30- 2
PISTON (1ST O/S 0.25MM)	2- 1
*	30- 7
PISTON (2ND O/S 0.50MM)	2- 1
*	30-12
PISTON (3RD O/S 0.75MM)	2- 1
*	30-17
PISTON (4TH O/S 1.00MM)	2- 1
*	30-22
PISTON ASSY (STD)	30- 1
PISTON ASSY (1ST O/S)	30- 6
PISTON ASSY (2ND O/S)	30-11
PISTON ASSY (3RD O/S)	30-16
PISTON ASSY (4TH O/S)	30-21
PISTON RING SET (STD)	2- 2
*	30- 3
PISTON RING SET (1ST O/S)	2- 2
*	30- 8
PISTON RING SET (2ND O/S)	2- 2
*	30-13
PISTON RING SET (3RD O/S)	2- 2
*	30-18
PISTON RING SET (4TH O/S)	2- 2
*	30-23
PLATE	5-29
*	7-16
PLATE, bearing cover	7- 5

## PARTS NAME INDEX

DESCRIPTION	REF. NO.
PLATE, bearing cover	7-12
PLATE, brake shoe	23- 7
*	24- 7
*	29- 7
PLATE, cleaner case fitting	4-32
PLATE, clutch 2	10-10
PLATE, friction	10-11
PLATE, number	19-11
PLATE, Pressure 1	10- 9
PLATE, side 1	12- 3
PLATE, thrust 1	10-15
PLUG	7- 9
*	14-14
PLUG CAP ASSY	27- 5
*	27- 5
PLUG, drain	20-20
PLUG, oil level	8-11
PLUG, screw	5-31
PLUG, sPark (CHAMPION N2G)	1- 3
PLUG, straight screw	7-18
PLUNGER, starter	5-42
PRIMARY DRIVEN GEAR COMP.(63T	10- 7
PROTECTOR, chain	17-28
PULLER, chain 1	24-34
PULLER, chain 2	24-33
PULLER, rotor	14-25
PUSH LEVER ASSY	10-29
REAR ARM COMP.	17- 1
REED VALVE ASSY	4- 1
REED, valve	4- 2
RIM (1.60-21)	23-14
RIM (2.15-18)	24-17
RIM (2.50-18)	29- 4
RING, leaf	25- 5
*	25-12
RING, snap	20- 4
ROD, brake	26-11
ROD, connecting	2-10
*	29-16
*	30-27
ROD, Push	18- 5
ROD, Push 1	10-18
ROD, Push 2	10-24
ROTOR ASSY	3- 2
SCREW	10-20
*	21-19
SCREW, air adjusting	5-23
SCREW, bind	21-10

## PARTS NAME INDEX

DESCRIPTION	REF. NO.
SCREW, bind	25-18
SCREW, boot band	20-23
SCREW, flat head	7- 6
*	12- 6
SCREW, lever fitting	21-17
SCREW, Pan head	3- 8
*	3-11
*	3-14
*	4- 4
*	5-12
*	7-13
*	7-15
*	7-17
*	8- 3
*	8- 5
*	8-13
*	16- 3
*	16-13
*	16-16
*	17-20
*	17-29
*	18- 4
*	18-35
*	19-12
*	25- 8
*	25-19
*	25-35
*	27- 2
*	28- 7
*	28-15
SCREW, Pan head with washer	5-15
SCREW, tapping	16-13
SCREW, throttle	5-25
SCREW, with washer	10-13
SEAL	4-23
SEAL 1	16-10
SEAL, camshaft	23-13
*	24-12
*	29-12
SEAL, dust	18- 6
*	20- 7
SEAL, Guard	17-10
SEAL, mud guard	15-15
SEAT, sPring	5-35
SEAT, sPring lower	18-22
SEAT, sPring upper	18-17
*	20-17
SEGMENT	12- 2

## PARTS NAME INDEX

DESCRIPTION	REF. NO.
SEMI-DOUBLE SEAT ASSY .....	22- 1
SHAFT .....	14-15
SHAFT, Pivot .....	17-11
SHIFT CAM ASSY .....	12- 1
SHIFT SHAFT ASSY .....	13- 1
SHIM (0.3T) .....	17- 4
SHIM, camshaft .....	24-15
SHOCK ABSORBER ASSY, rear .....	18- 1
SILENCER, exhaust .....	6-10
SPACER .....	13-11
* .....	20-28
* .....	23- 2
* .....	29- 3
* .....	29- 3
SPACER 1 .....	10-14
SPACER, bead .....	23-19
* .....	24-22
* .....	29- 6
SPACER, bearing .....	24- 2
SPANNER, special .....	14-26
SPINDLE, taPer .....	20-14
SPOKE SET, front .....	23-15
SPOKE SET, rear .....	24-18
* .....	29- 5
SPRING .....	18-19
* .....	21-14
* .....	29- 1
* .....	29- 1
SPRING, air adjustinG .....	5-22
SPRING, compression .....	4-21
* .....	9-14
* .....	10-12
* .....	26-15
SPRING, front fork (K=0.248) .....	29- 2
SPRING, front fork (K=0.275) .....	20-16
SPRING, front fork (K=0.31) .....	29- 2
SPRING, PlunGer .....	5-41
SPRING, sub .....	20-12
SPRING, tension .....	6- 3
* .....	6- 9
* .....	23- 9
* .....	24-10
* .....	26- 2
* .....	26-10
* .....	29- 9
SPRING, throttle valve .....	5-17
SPRING, torsion .....	9- 5
* .....	10-28
* .....	12- 8
* .....	13- 4

## PARTS NAME INDEX

DESCRIPTION	REF. NO.
SPRING, torsion .....	13-12
* .....	26-24
* .....	29-23
SPROCKET, drive (13T) .....	11-26
SPROCKET, drive (14T) .....	11-26
SPROCKET, drive (15T) .....	11-26
SPROCKET, driven (46T) .....	24-23
SPROCKET, driven (48T) .....	24-23
SPROCKET, driven (50T) .....	24-23
SPROCKET, driven (52T) .....	24-23
STAND, side .....	26- 1
STATOR ASSY .....	3- 3
STAY 1 .....	4-10
STAY 2 .....	4-33
STAY, muffler 1 .....	6-15
STAY, muffler 2 .....	6- 4
STOPPER LEVER ASSY .....	12- 7
STOPPER, reed valve .....	4- 3
SUPPORT, bump stoP .....	18-10
SUPPORT, chain .....	17-16
SWITCH, handle 1 .....	28-17
TENSIONER .....	14-16
TIRE (3.00-21) .....	23-16
TIRE (5.10-18) .....	24-19
TOOL KIT .....	14-24
TOP, mixing chamber .....	5-24
TUBE (2.75-21) .....	23-17
TUBE (5.10-18) .....	24-20
TUBE, outer 1 .....	20- 2
TUBE, outer 2 .....	20- 3
TUBE, throttle guide .....	25- 4
* .....	25-11
UNDER BRACKET CMP. ....	20-15
UPPER BRACKET SUB ASSY .....	18-11
VALVE, throttle 1 .....	5-27
WASHER .....	2-12
* .....	5-16
* .....	11-17
* .....	15- 5
* .....	16- 2
* .....	18-37
* .....	22- 9
* .....	30-30
WASHER, lock .....	10-16
* .....	11-27
WASHER, main Jet .....	5-30
WASHER, needle valve .....	5-10
WASHER, oil seal .....	20- 9

## PARTS NAME INDEX

DESCRIPTION	REF. NO.
WASHER, Plain .....	6- 5
* .....	14- 9
* .....	14-12
* .....	16-15
* .....	17-31
* .....	26-13
* .....	29-21
WASHER, Plate .....	3-10
* .....	3-13
* .....	3-16
* .....	6- 8
* .....	6-13
* .....	6-19
* .....	8- 7
* .....	9- 4
* .....	9- 8
* .....	9-15
* .....	10-22
* .....	10-27
* .....	11- 4
* .....	11- 9
* .....	11-14
* .....	11-21
* .....	13- 7
* .....	14- 7
* .....	14-18
* .....	14-19
* .....	14-22
* .....	15- 2
* .....	15- 9
* .....	15-13
* .....	16- 5
* .....	16-18
* .....	17-19
* .....	17-22
* .....	17-27
* .....	18-26
* .....	18-29
* .....	19-13
* .....	20-37
* .....	21- 6
* .....	21- 8
* .....	21-18
* .....	24-26
* .....	25-31
* .....	25-38
* .....	26- 9
* .....	28- 4

PARTS NAME INDEX

DESCRIPTION	REF. NO.
WASHER, Plate .....	28-12
WASHER, sPring .....	3- 9
*	3-12
*	3-15
*	4- 5
*	4-14
*	4-31
*	5-13
*	6- 7
*	6-18
*	8- 6
*	10- 3
*	10-21
*	14- 6
*	15- 4
*	15- 8
*	15-12
*	16- 4
*	16-14
*	16-17
*	17-13
*	17-18
*	17-21
*	17-26
*	17-30
*	18-36
*	20-35
*	21- 5
*	24-38
*	25-36
*	27- 3
*	28- 8
*	28-16

[www.legends-yamaha-enduros.com](http://www.legends-yamaha-enduros.com)