



YAMAHA

PARTS LIST

MODEL RD200 ('75)

MODEL RD200DX ('75)

(TYPE 397)

FOR EUROPE

YAMAHA MOTOR CO., LTD.



2.50

YAMAHA

PARTS LIST

MODEL RD200 ('75)

MODEL RD200DX ('75)

(TYPE 397)

FOR EUROPE

ARMY

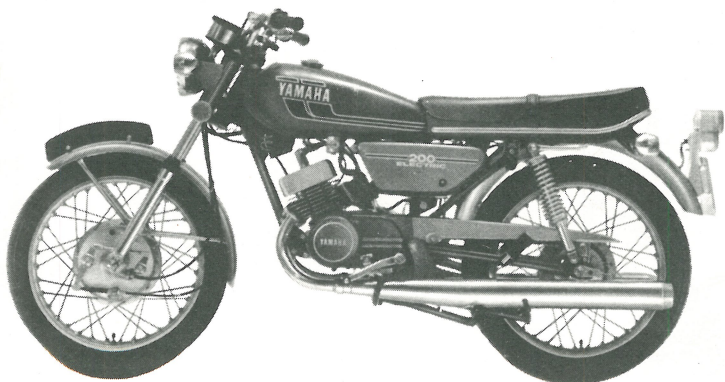
PARTS LIST

MODEL 1908 (20)

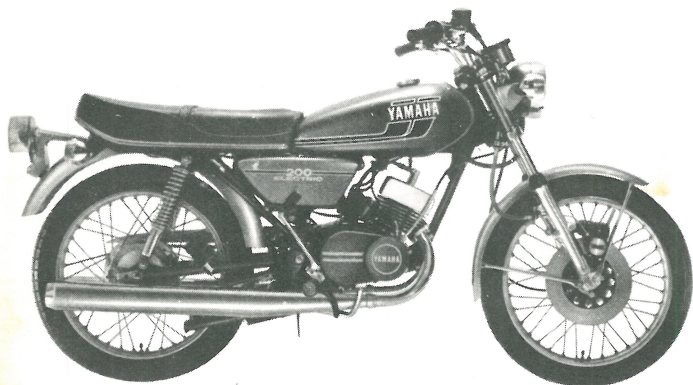
MODEL 1908 (20)

(1908 20)

FOR EUROPE



RD200



RD200DX

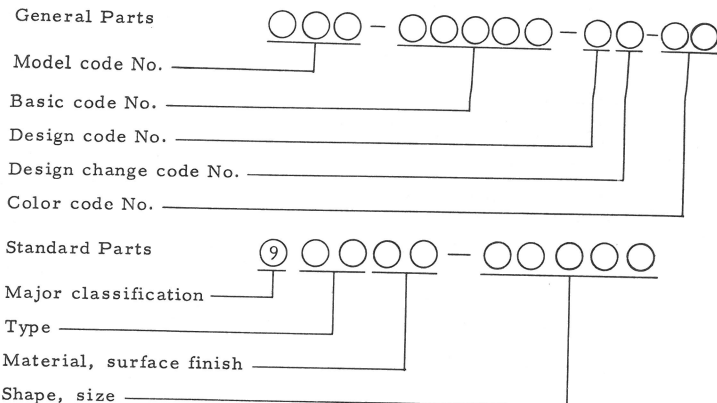


FOREWORD

This Parts List related to the parts in use for the YAMAHA RD200/RD200DX. When you ordering replacement parts for the RD200/RD200DX, refer to this Parts List and write both part numbers and part names correctly.

1. Structure of Part No.

Yamaha parts are divided largely into two categories; general parts and standard parts, and each part No. has the following structure:



Note: Every standard No. begins with 9.

2. How to Use this Parts List

(1) Except for steel balls (whose size is indicated in inches), the size of all parts is indicated in millimeters in the following manner.

Pipe (rubber or vinyl) Inside diameter - length

O-ring Section area - inside diameter

Washer, shim, collar Inside diameter - outside diameter - thickness (length)

(2) Parts, which are to be supplied in the form of assemblies, are listed with an indentation of one letter's space, and a dot (.) is put

against the name of each part. If any two different assemblies (e.g., right and left side components) consist of almost the same type components, these two assemblies are listed in two lines, and then the names of component parts are listed in the subsequent lines with an indention as mentioned earlier. The quantity of parts is given in the following manner; that is, in the case of parts being the same in type between the right and left, a total quantity of parts is given. On the other hand, if the right and left side parts are different in type, the quantity of part(s) on each side is given.

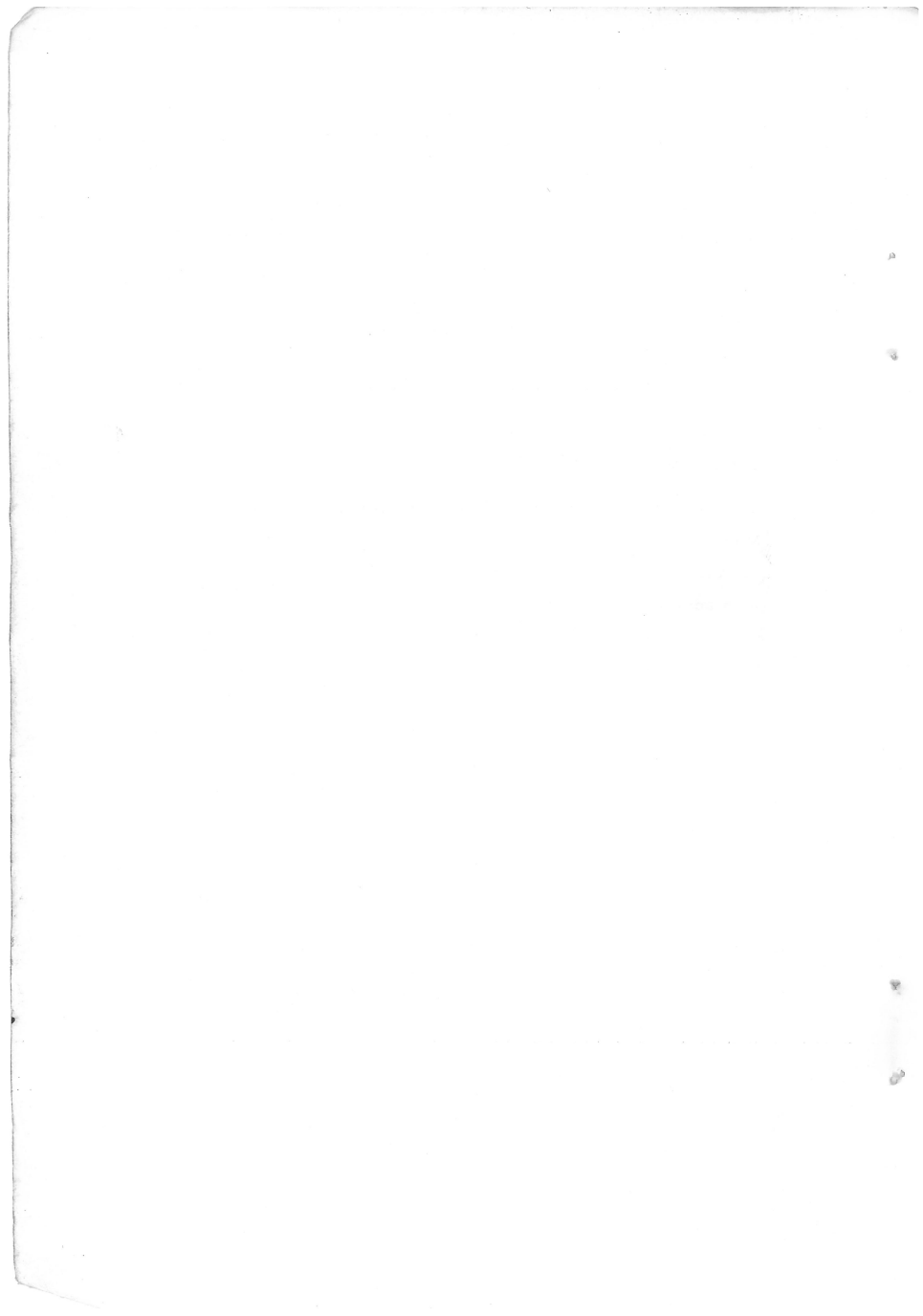
Example

Description	Q'ty
CARBURETOR ASS'Y, left	1
CARBURETOR ASS'Y, right	1
. JET, pilot	2
. NOZZLE, main	2
:	
:	
:	
. LEVER, starter, left	1
. LEVER, starter, right	1

(3) Key to Symbols

U.R.	Use size (thickness) and/or number as required
U.N.	Use as many as you need
T	Number of teeth in a gear
V	Voltage for light bulbs
S	"S" type oil seal or "S" type circlip
SD	"SD" type oil seal
SO	"SO" type oil seal
SW	"SW" type oil seal
E	"E" type circlip
R	"R" type circlip
F/No.	Frame No. (Applicable machine No.)

- (4) The parts marked with "X" in your country column are exclusive for your country, therefore, you should place an order only those parts. Meanwhile, the other parts are common for all European countries, and then we do not mention the names of countries.
- (5) This parts marked with * in the remark column of this list are not supplied with by Yamaha, those have to be found locally.
- (6) Please be advised that we supply you with Head Lamp Unit Ass'y, Tail Lamp Unit Ass'y and Flasher Lamp Ass'y without bulbs.
- (7) The right and left in relation to parts are determined on the basis of the rider facing toward the front.
- (8) This Parts List is based on the model in the production line on Mar., 10, 1975. Accordingly, if any modifications which have been made to parts will be announced in the Yamaha Parts News. It is advisable that according to the Yamaha Parts News, You will make necessary corrections to the Parts List on hand to keep it up-to dated.



CONTENTS

ENGINE

Fig. 1	Crankcase · Cylinder	1
Fig. 2	Crankcase Cover	5
Fig. 3	Crank · Piston	7
Fig. 4	Clutch	11
Fig. 5	Transmission	13
Fig. 6	Shifter 1	17
Fig. 7	Shifter 2	19
Fig. 8	Kick Starter	21
Fig. 9	Tachometer Gear	23
Fig. 10	Intake	25
Fig. 11	Carburetor	27
Fig. 12	Exhaust	31
Fig. 13	Oil Pump	33
Fig. 14	Starter Generator	35

CHASSIS

Fig. 15	Frame	39
Fig. 16	Side Cover · Battery Box	41
Fig. 17	Rear Arm · Rear Cushion · Chain Case	43
Fig. 18	Stand · Footrest · Braker Pedal	45
Fig. 19	Front Fender · Rear Fender	49
Fig. 20	Front Fork (England)	53
Fig. 21	Front Fork	55
Fig. 22	Steering	59
Fig. 23	Handle · Wire (England)	63
Fig. 24	Handle · Wire	67
Fig. 25	Master Cylinder Brake Hose	71
Fig. 26	Fuel Tank	75
Fig. 27	Oil Tank	77

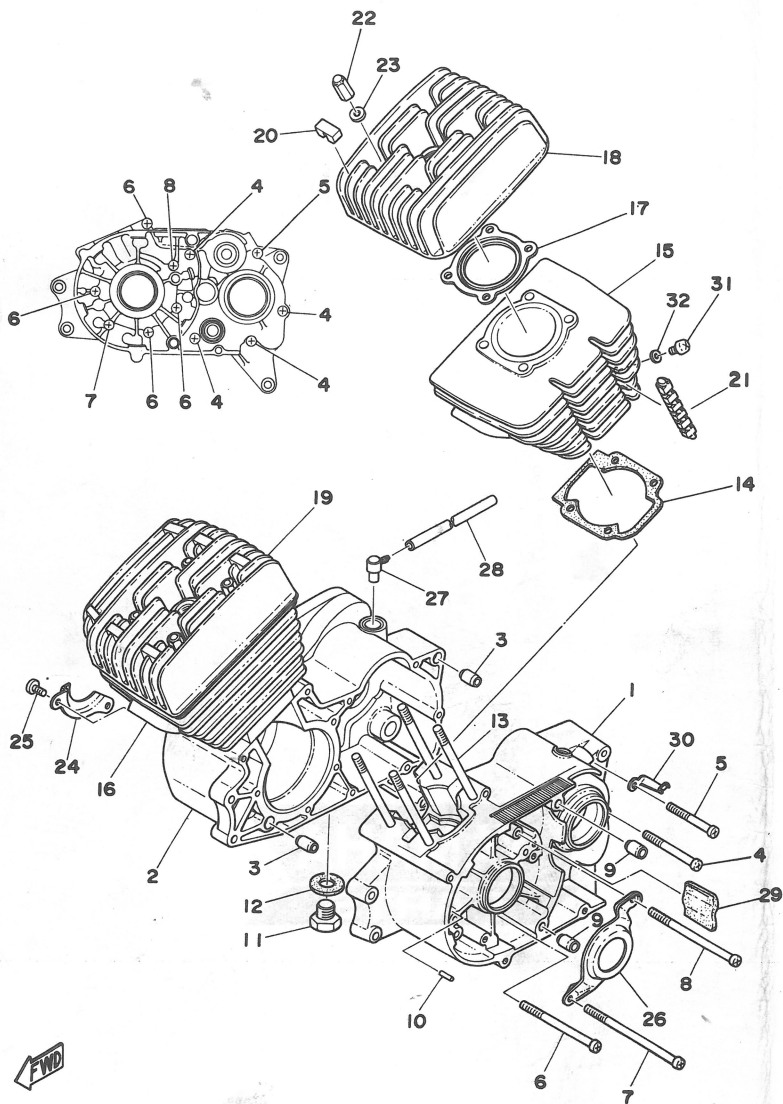
Fig. 28	Seat	79
Fig. 29	Front Wheel (England)	81
Fig. 30	Front Wheel	85
Fig. 31	Disk Brake · Caliper	89
Fig. 32	Rear Wheel	91
Fig. 33	Head Lamp	97
Fig. 34	Head Lamp (England)	99
Fig. 35	Speedometer · Tachometer	101
Fig. 36	Tail Lamp	103
Fig. 37	Tail Lamp (England)	107
Fig. 38	Flasher Lamp	109
Fig. 39	Flasher Lamp (W. Germany)	111
Fig. 40	Electrical	113

NUMERICAL INDEX

ENGINE



Fig. 1 CRANKCASE · CYLINDER

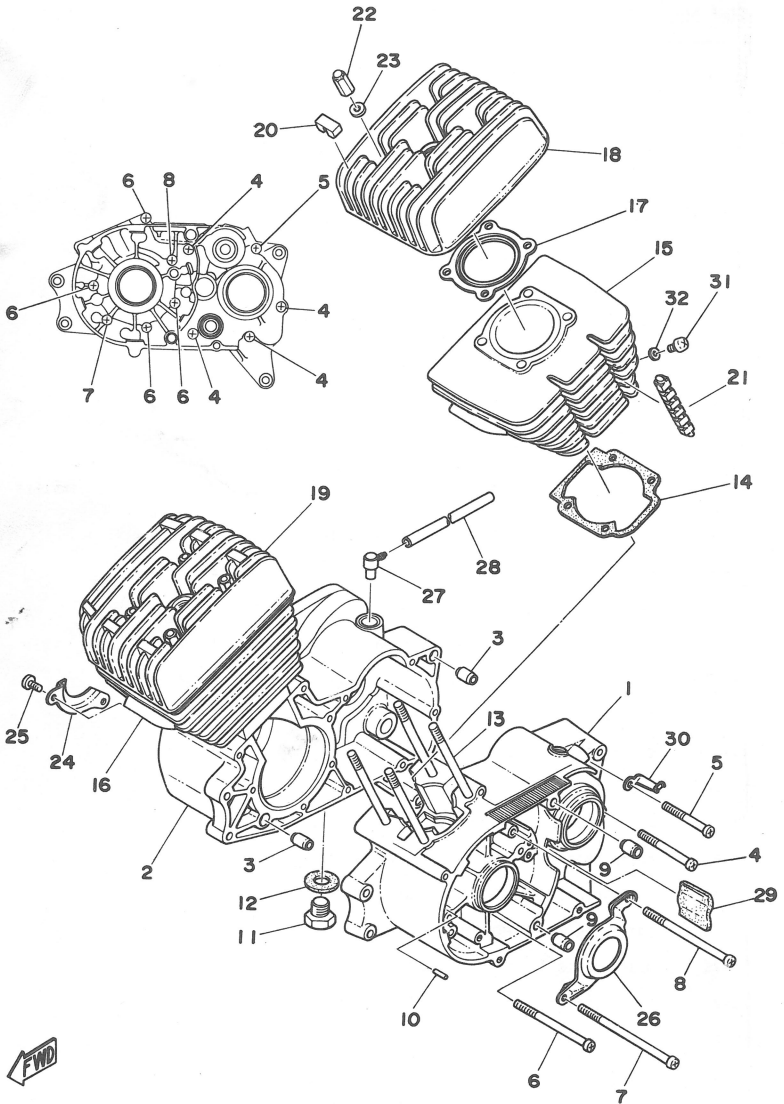


CRANKCASE · CYLINDER

Ref. No.	Parts No.	Description	Q'ty		Applicable Machine No.	Remarks
				200 200DX		
1- 1	397-15111-00	CASE, crank left	1	1		
1- 2	397-15121-00	CASE, crank right	1	1		
1- 3	91810-05016	PIN, dowel (8.4-12-16)	2	2		
1- 4	92501-06060	SCREW, panhead	4	4		
1- 5	92501-06050	SCREW, panhead	1	1		
1- 6	92501-06085	SCREW, panhead	4	4		
1- 7	92501-06110	SCREW, panhead	1	1		
1- 8	92501-06100	SCREW, panhead	1	1		
1- 9	91810-02015	PIN, dowel (6.4-10-15)	2	2		
1-10	93603-14026	PIN, dowel (3-17.8)	1	1		
1-11	90340-12005	PLUG, drain (132-15351-00)	1	1		
1-12	90430-12038	GASKET, drain plug (132-15353-00)	1	1		12.5-19-1.5
1-13	90116-07033	BOLT, stud (174-11361-00)	8	8		
1-14	397-11351-00	GASKET, cylinder	2	2		
1-15	397-11311-02	CYLINDER, left	1	1		
1-16	397-11321-02	CYLINDER, right	1	1		
1-17	273-11181-00	GASKET, cylinder head	2	2		
1-18	417-11111-00	HEAD, cylinder left	1	1		
1-19	417-11121-00	HEAD, cylinder right	1	1		
1-20	416-11161-00	ABSORBER	16	16		
1-21	417-11162-01	ABSORBER	4	4		
1-22	90176-07003	NUT, cap (166-11171-60)	8	8		
1-23	90201-07077	WASHER, plate (131-11175-00)	8	8		
1-24	397-15118-00	HOLDER	1	1		
1-25	92501-06012	SCREW, panhead	2	2		
1-26	389-15128-00	HOLDER	1	1		
1-27	120-15371-00	BREATHER	1	1		
1-28	90446-06008	HOSE (248-15373-00 5-150)	1	1		



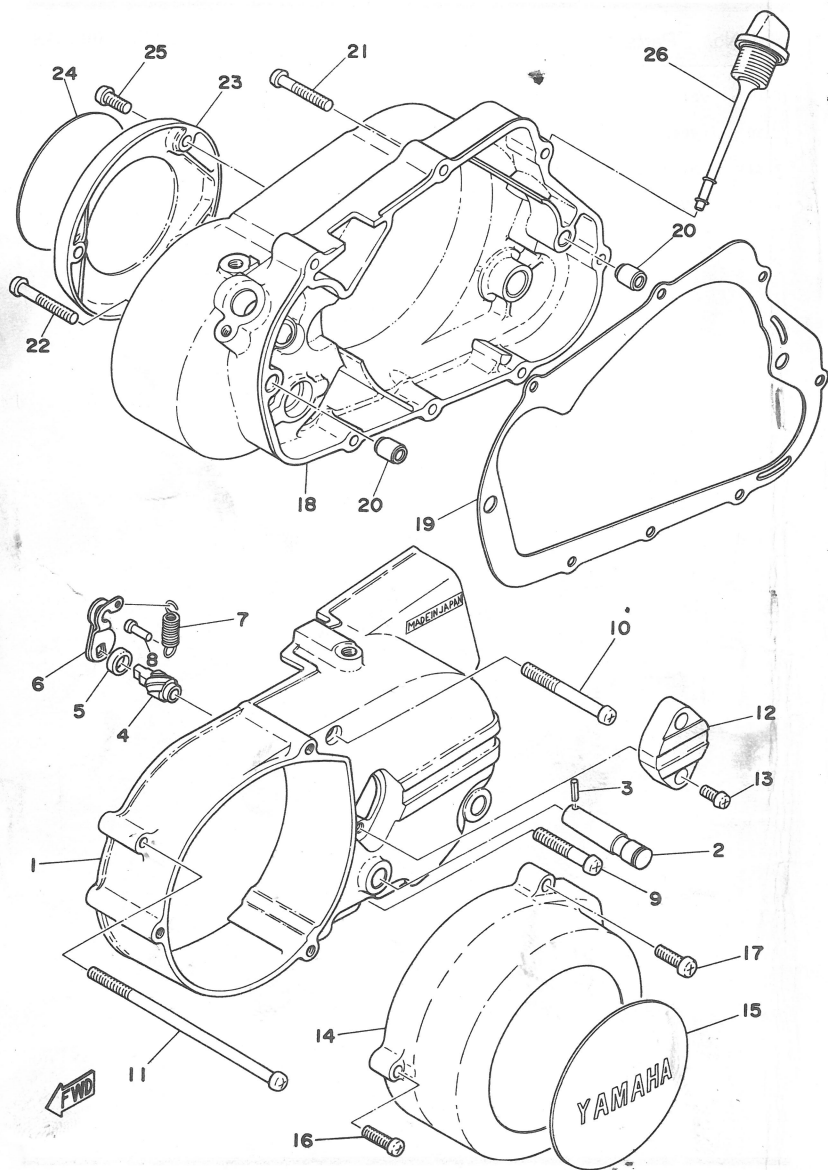
Fig. 1 CRANKCASE · CYLINDER



CRANKCASE · CYLINDER

Ref. No.	Parts No.	Description	Q'ty		Remarks
			200	200DX	
1-29	241-15357-00	GROMMET	1	1	
1-30	90465-08046	CLAMP (337-81328-00)	1	1	
1-31	92503-06008	SCREW, panhead	2	2	
1-32	90430-06011	GASKET (137-13167-00)	2	2	

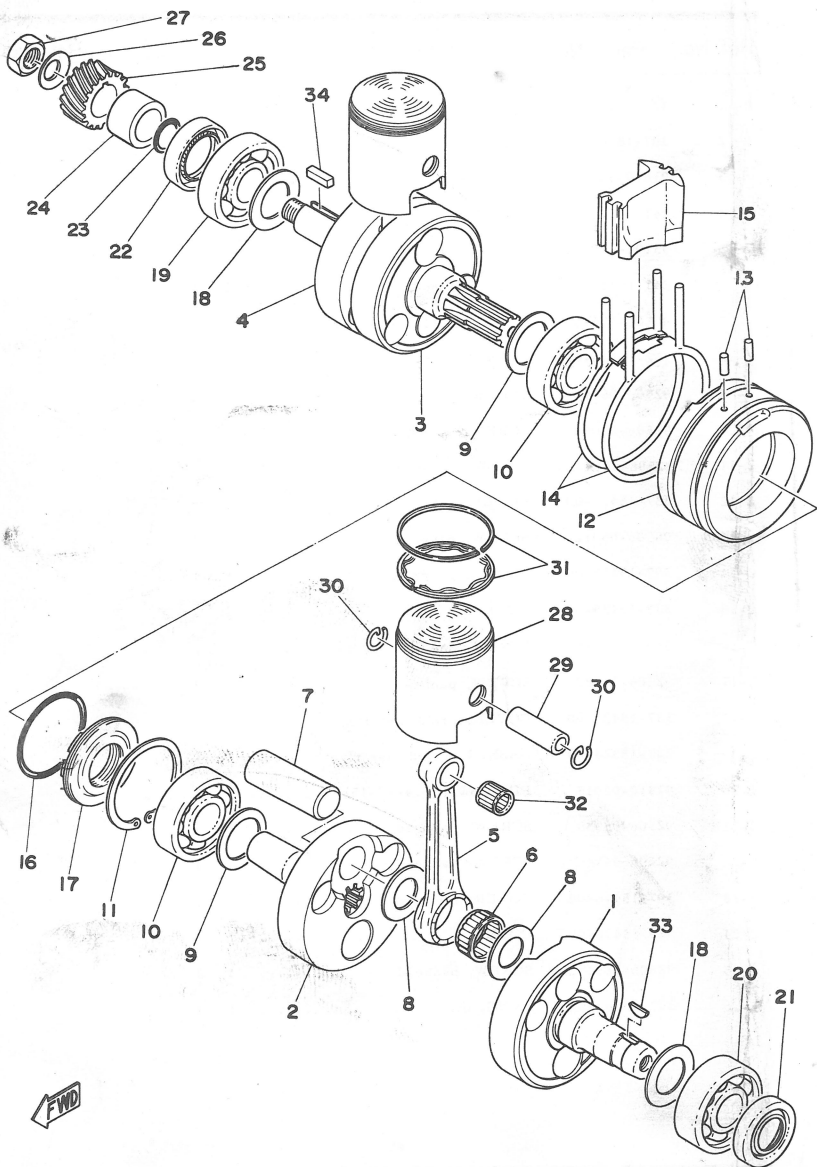
Fig. 2 CRANKCASE COVER



CRANKCASE COVER

Ref. No.	Parts No.	Description	Q'ty		Applicable Machine No.	Remarks
			200	200DX		
2- 1	337-15410-00	CRANKCASE COVER ASS'Y, left	1	1		
2- 2	307-18188-00	. SHAFT	1	1		
2- 3	91609-30022	. PIN, spring	1	1		
2- 4	241-16341-01	. SCREW, push	1	1		
2- 5	93104-11028	. OIL SEAL (SO-10.5-15-3)	1	1		
2- 6	241-16342-00	. LEVER, push	1	1		
2- 7	90506-10019	. SPRING (132-16345-00)	1	1		
2- 8	132-16346-00	. HOOK, spring	1	1		
2- 9	92506-06040	SCREW, panhead	2	2		
2-10	92506-06060	SCREW, panhead	1	1		
2-11	92506-06140	SCREW, panhead	1	1		
2-12	337-15417-00	COVER, cap	1	1		
2-13	98506-05012	SCREW, panhead	2	2		
2-14	397-15415-00	COVER, generator	1	1		
2-15	389-15425-00	COVER	1	1		
2-16	92506-06025	SCREW, panhead	1	1		
2-17	92506-06020	SCREW, panhead	2	2		
2-18	337-15421-00	COVER, crankcase right	1	1		
2-19	237-15324-00	GASKET, crankcase right	1	1		
2-20	91810-02015	PIN, dowel (6.4-10-15)	2	2		
2-21	92506-06035	SCREW, panhead	7	7		
2-22	92506-06040	SCREW, panhead	1	1		
2-23	397-15416-00	COVER, oil pump	1	1		
2-24	389-15426-00	COVER	1	1		
2-25	92506-06015	SCREW, panhead	3	3		
2-26	307-15363-00	PLUG, oil	1	1		

Fig. 3 CRANK · PISTON

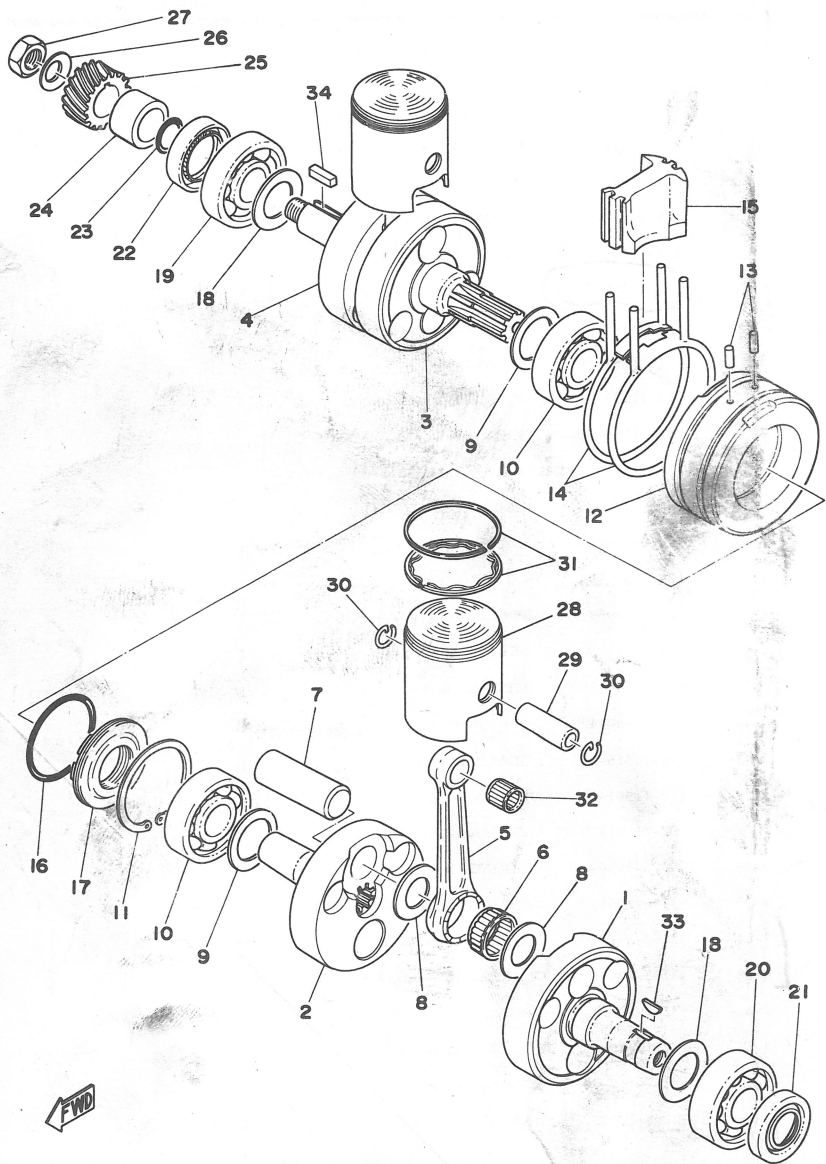


CRANK · PISTON

20219
Army

Ref. No.	Parts No.	Description	Q'ty 200 200DX	Applicable Machine No.	Remarks
3- 0-1	397-11400-01	CRANK ASS'Y	1	1	
3- 1	397-11412-00	. CRANK 1, left	1	1	
3- 2	174-11422-01	. CRANK 1, right	1	1	
3- 3	174-11432-01	. CRANK 2, left	1	1	
3- 4	397-11442-00	. CRANK 2, right	1	1	
3- 5	397-11651-00	. ROD, connecting	2	2	
3- 6	93310-42012	. BEARING	2	2	
3- 7	174-11681-00	. PIN, crank	2	2	
3- 8	174-11685-00	. WASHER, crank pin	4	4	
3- 9	132-11561-00-03	. SHIM, crank (25.5-35-0.3)	2	2	} U.R.U.R
	132-11561-00-05	. SHIM, crank (25.5-35-0.5)	2	2	
3-10	93306-20526	. BEARING (B6205C4)	2	2	
3-11	93450-52010	. CIRCLIP (52φ)	1	1	
3-12	174-11511-01	. COVER, crank	1	1	
3-13	93604-18058	. PIN, dowel (4-17.8)	2	2	
3-14	174-11512-02	. SEAL, crank cover	2	2	
3-15	397-11541-00	. METAL, filler	1	1	
3-16	93210-46044	. O-RING (3-46.2)	1	1	
3-17	174-11515-00	. SEAL, labyrinth	1	1	
3-18	132-11561-00-03	SHIM (25.5-35-0.3)	2	2	} U.R.U.R
	132-11561-00-05	SHIM (25.5-35-0.5)	2	2	
3-19	93306-30509	BEARING (B6305C3)	1	1	
3-20	93306-20517	BEARING (B6205C4)	1	1	
3-21	93102-20117	OIL SEAL (SD-20-40-8)	1	1	
3-22	93103-32031	OIL SEAL (SW-32-48-8)	1	1	
3-23	93210-18023	O-RING (1.2-17.6)	1	1	
3-24	174-11523-00	COLLAR, distance	1	1	
3-25	397-16111-00	GEAR, primary driven (16T)	1	1	
3-26	90208-12015	WASHER (164-16119-00)	1	1	

Fig. 3 CRANK · PISTON



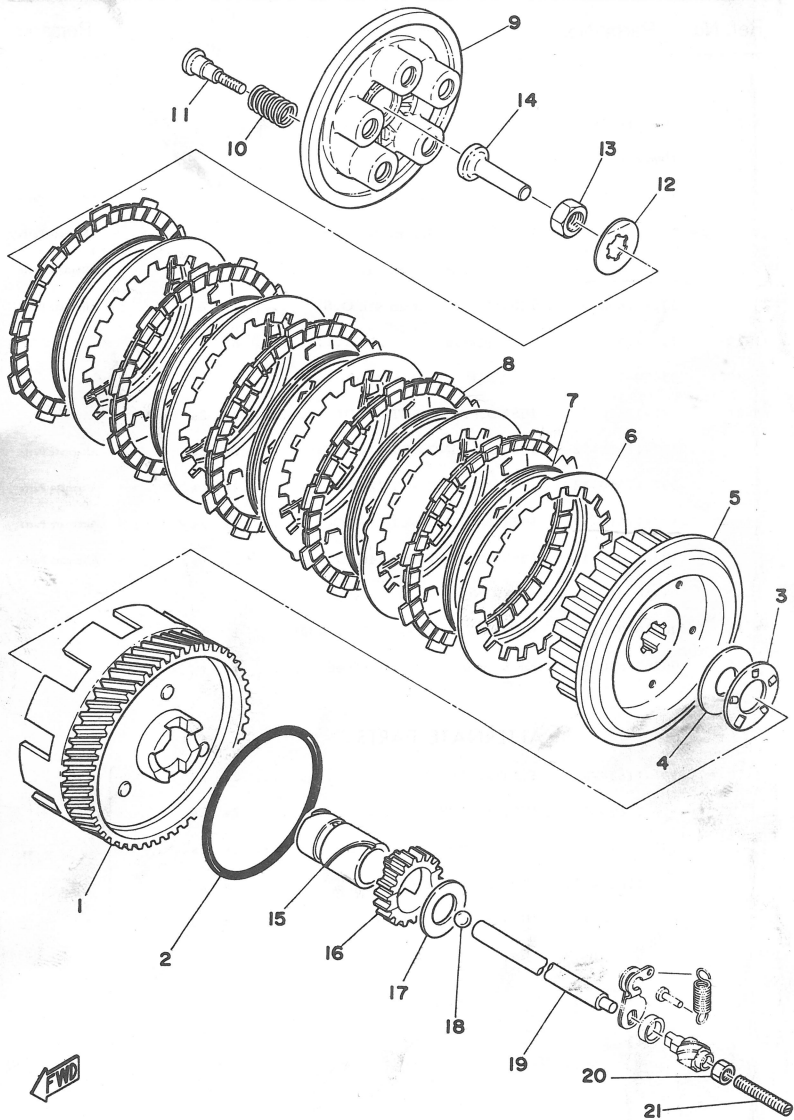
CRANK · PISTON

Ref. No.	Parts No.	Description	Q'ty		Applicable Machine No.	Remarks
				200 200DX		
3-27	90179-12044	NUT (353-16144-00)	1	1		
3-28	397-11631-00-96	PISTON (51.96mm STD)	} U. R. U. R.	2	2	
	397-11631-00-97	PISTON (51.97mm STD)				
	397-11635-00	PISTON (52.25mm 1st O.S)	2	2		Alternate Parts
	397-11636-00	PISTON (52.50mm 2nd O.S)	2	2		Alternate Parts
	397-11637-00	PISTON (52.75mm 3rd O.S)	2	2		Alternate Parts
	397-11638-00	PISTON (53.00mm 4th O.S)	2	2		Alternate Parts
3-29	131-11633-00	PIN, piston	2	2		
3-30	93450-15023	CIRCLIP (131-11634-00)	4	4		
3-31	397-11610-02	PISTON RING SET (STD)	2s	2s		
	397-11610-12	PISTON RING SET (1st O.S)	2s	2s		Alternate Parts
	397-11610-22	PISTON RING SET (2nd O.S)	2s	2s		Alternate Parts
	397-11610-32	PISTON RING SET (3rd O.S)	2s	2s		Alternate Parts
	397-11610-42	PISTON RING SET (4th O.S)	2s	2s		Alternate Parts
3-32	93310-21403	BEARING	2	2		
3-33	90280-03017	KEY, woodruff (146-11545-00) ...	1	1		
3-34	90282-05005	KEY, woodruff (353-11546-00) ...	1	1		

ALTERNATE PARTS

3-0-2	397-11630-00	PISTON ASS'Y (STD)	2s	2s	} Ref. No. 28, 29, 30, 31
	397-11630-10	PISTON ASS'Y (1st O.S)	2s	2s	
	397-11630-20	PISTON ASS'Y (2nd O.S)	2s	2s	
	397-11630-30	PISTON ASS'Y (3rd O.S)	2s	2s	
	397-11630-40	PISTON ASS'Y (4th O.S)	2s	2s	

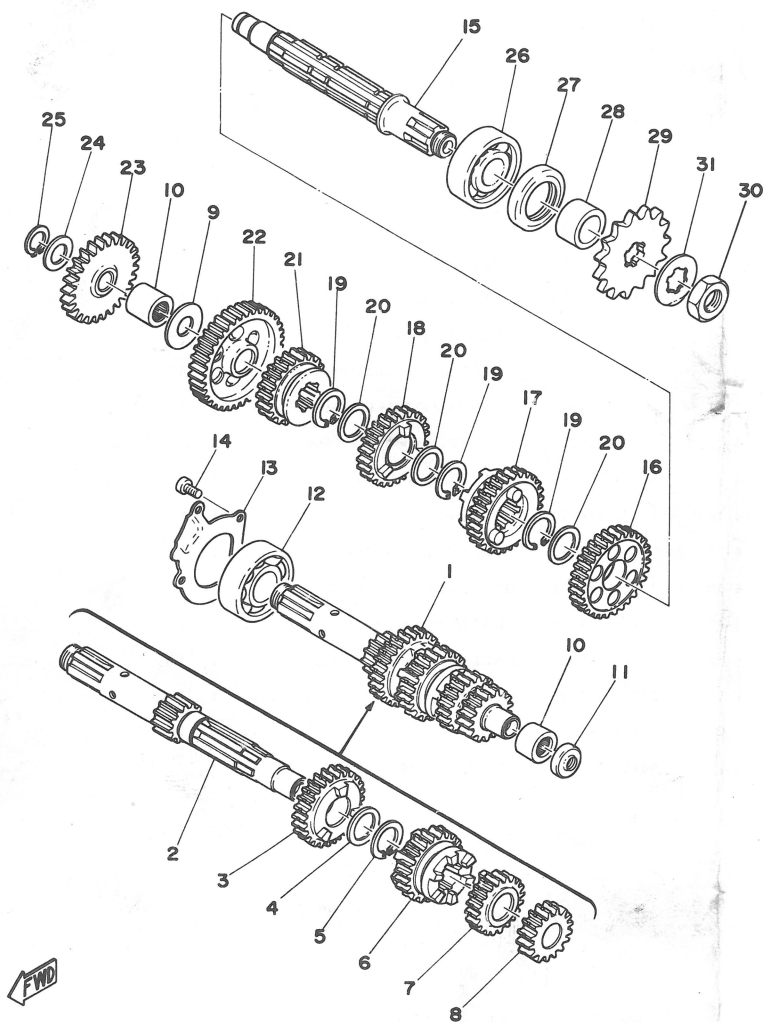
Fig. 4 CLUTCH



CLUTCH

Ref. No.	Parts No.	Description	Q'ty		Applicable Machine No.	Remarks
			200	200DX		
4- 0-1	174-16301-60	CLUTCH ASS'Y	1	1		
4- 1	174-16105-01	. PRIMARY DRIVEN GEAR COMP. (53T)	1	1		
4- 2	93210-85075	. O-RING	1	1		
4- 3	93341-22603	. BEARING, thrust	1	1		
4- 4	174-16154-00	. PLATE, thrust (20-38-2.0) ...	1	1		
4- 5	174-16371-01	. BOSS, clutch	1	1		
4- 6	336-16324-00	. PLATE, clutch	5	5		
4- 7	137-16367-00	. RING, cushion	5	5		
4- 8	132-16321-00	. PLATE, friction	5	5		
4- 9	132-16351-00	. PLATE, pressure	1	1		
4-10	90501-20122	. SPRING (137-16333-00)	5	5		
4-11	90149-05057	. SCREW (137-16337-01)	5	5		
4-12	90215-16020	WASHER, lock (102-17464-00) ..	1	1		
4-13	90179-16018	NUT (102-17463-00)	1	1		
4-14	174-16356-00	ROD, push 1	1	1		
4-15	90387-20439	COLLAR (443-16176-01)	1	1		
4-16	251-15631-01	GEAR, kick pinion (18T)	1	1		
4-17	174-16164-00	PLATE, thrust (20.2-31-2.0) ..	1	1		
4-18	93505-16006	BALL (5/16 inch)	1	1		
4-19	237-16357-01	ROD, push 2	1	1		
4-20	95303-06700	NUT	1	1		
4-21	90113-06013	BOLT, set (241-16343-00)	1	1		

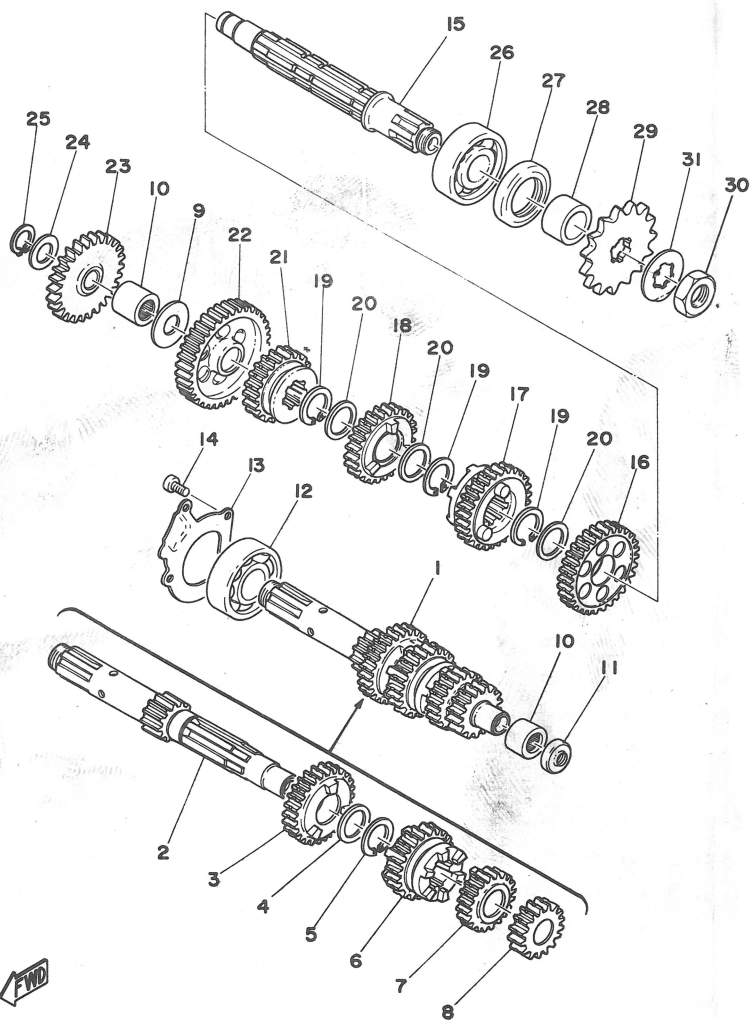
Fig. 5 TRANSMISSION



TRANSMISSION

Ref. No.	Parts No.	Description	Q'ty 200 200DX	Applicable Machine No.	Remarks
5- 1	397-17410-00	MAIN AXLE COMP.	1	1	
5- 2	397-17411-00	. AXLE, main (12T)	1	1	
5- 3	397-17151-00	. GEAR, 5th pinion (25T)	1	1	
5- 4	90201-20266	. WASHER, plate (132-17216-00)	1	1	
5- 5	93440-20043	. CIRCLIP (132-17414-00)	1	1	
5- 6	397-17141-00	. GEAR, 4th pinion (22T)	1	1	
5- 7	397-17131-00	. GEAR, 3rd pinion (19T)	1	1	
5- 8	397-17121-00	. GEAR, 2nd pinion (16T)	1	1	
5- 9	164-17427-00-08	SHIM, drive axle (15.2-30-0.8)	} U.R.U.R 2 2		
	164-17427-00-10	SHIM, drive axle (15.2-30-1.0)			
	164-17427-00-12	SHIM, drive axle (15.2-30-1.2)			
5-10	93315-31502	BEARING	2	2	
5-11	237-15389-00	SEAL, push rod	1	1	
5-12	93306-30408	BEARING (B6304Z)	1	1	
5-13	248-17471-01	PLATE, cover	1	1	
5-14	98501-05010	SCREW, panhead	3	3	
5-15	397-17421-00	AXLE, drive	1	1	
5-16	397-17221-00	GEAR, 2nd wheel (30T)	1	1	
5-17	397-17231-00	GEAR, 3rd wheel (27T)	1	1	
5-18	397-17241-00	GEAR, 4th wheel (23T)	1	1	
5-19	93440-20043	CIRCLIP (132-17414-00)	3	3	
5-20	90201-20266	WASHER, plate (132-17216-00) ..	3	3	
5-21	397-17251-00	GEAR, 5th wheel (21T)	1	1	
5-22	174-17211-00	GEAR, 1st wheel (34T)	1	1	
5-23	403-15651-00	GEAR, kick idle (26T)	1	1	
5-24	132-15653-00-10	WASHER, thrust (13.3-22-1.0)	} U.R.U.R 1 1		
	132-15653-00-12	WASHER, thrust (13.3-22-1.2)			
	132-15653-00-14	WASHER, thrust (13.3-22-1.4)			
5-25	93410-13004	CIRCLIP (S-13)	1	1	

Fig. 5 TRANSMISSION



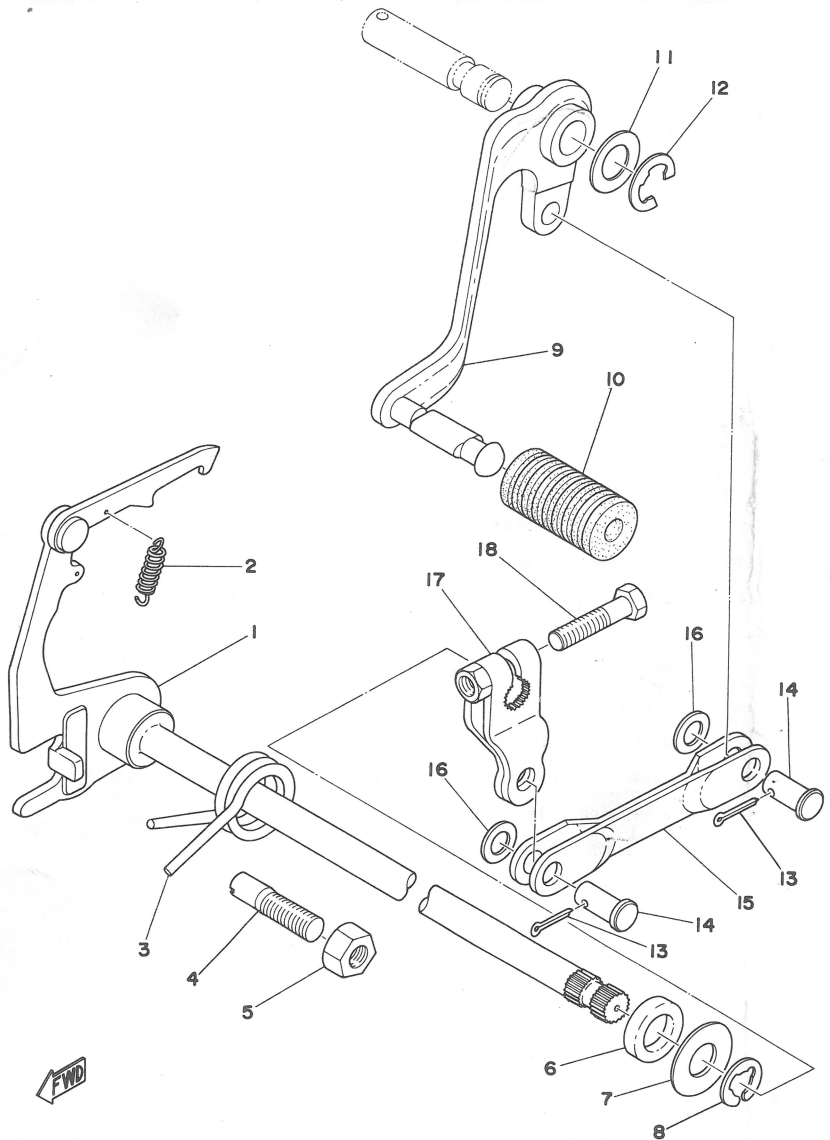
TRANSMISSION

Ref. No.	Parts No.	Description	Q'ty		Applicable Machine No.	Remarks
			200	200DX		
5-26	93306-30401	BEARING (B6304)	1	1		
5-27	93102-28021	OIL SEAL (SD-28-44-7)	1	1		
5-28	90387-20346	COLLAR (102-17462-00)	1	1		
5-29	174-17461-40	SPROCKET, drive (14T)	} U.R.U.R 1 1		STD
	174-17461-50	SPROCKET, drive (15T)			
	174-17461-60	SPROCKET, drive (16T)			
	174-17461-70	SPROCKET, drive (17T)			
5-30	90179-16018	NUT (102-17463-00)	1	1		
5-31	90215-16020	WASHER (107-17464-00)	1	1		

SHIFTER 1

Ref. No.	Parts No.	Description	Q'ty		Applicable Machine No.	Remarks
			200	200DX		
6- 0-1	174-18500-03	SHIFTER ASS'Y	1	1		
6- 1	174-18541-03	. CAM, shift	1	1		
6- 2	174-18511-00	. FORK, shift 1	1	1		
6- 3	90250-10020	. PIN (164-18552-01)	3	3		
6- 4	164-18551-00	. ROLLER, cam follower	3	3		
6- 5	91401-25020	. PIN, cotter	3	3		
6- 6	174-18512-00	. FORK, shift 2	1	1		
6- 7	174-18513-00	. FORK, shift 3	1	1		
6- 8	93604-22050	. PIN, dowel (4-21-8)	4	4		
6- 9	90249-04039	. PIN (174-18544-00)	1	1		
6-10	93430-03014	. CIRCLIP (E-2.5)	1	1		
6-11	164-18561-00	. PLATE, side	1	1		
6-12	98501-05012	. SCREW, panhead	1	1		
6-13	92901-05100	. WASHER, spring	1	1		
6-14	132-18140-01	STOPPER LEVER ASS'Y	1	1		
6-15	90109-06001	BOLT (132-18177-00)	1	1		
6-16	90506-09112	SPRING, stopper	1	1		
6-17	90201-12166	WASHER, plate (164-18572-00)	1	1		
6-18	164-18571-00	HOLDER, shift cam	2	2		
6-19	93440-15012	CIRCLIP	1	1		
6-20	307-18533-00	PLUG, blind	1	1		
6-21	93505-16006	BALL (5/16 inch)	1	1		
6-22	90501-12083	SPRING (174-18558-00)	1	1		
6-23	137-15353-00	GASKET (14.5-21-1.5)	1	1		
6-24	90109-14385	BOLT	1	1		

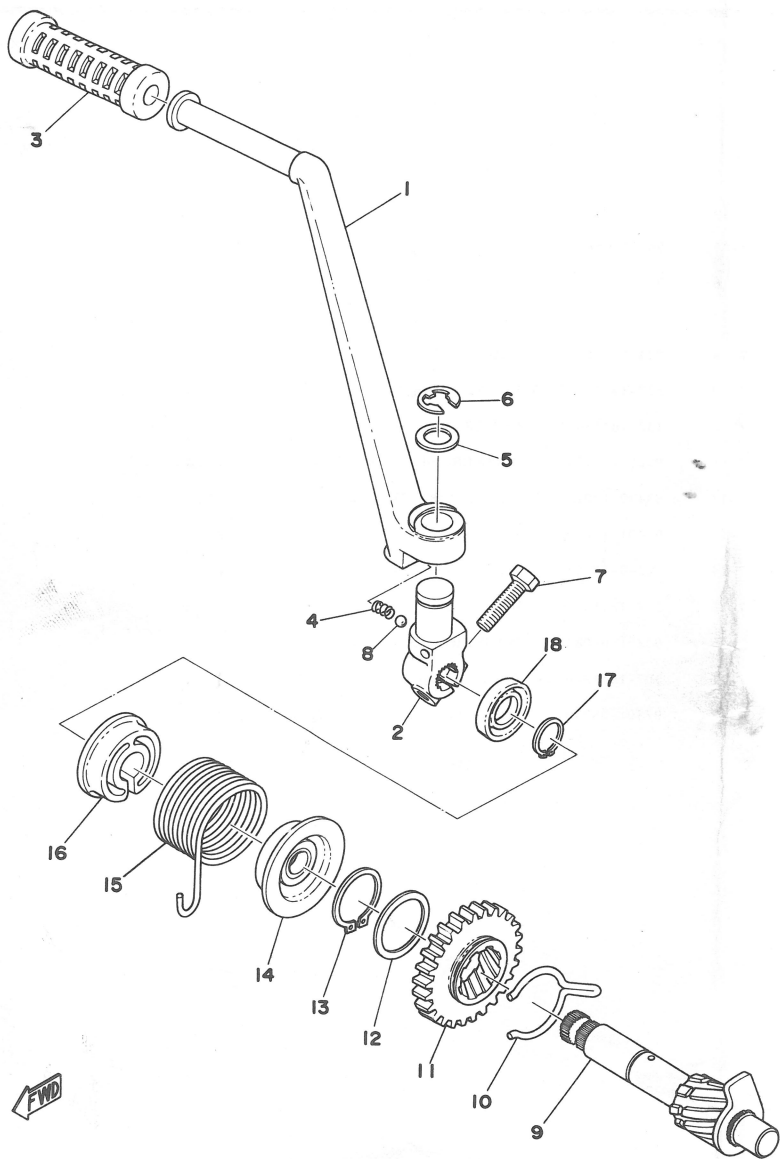
Fig. 7 SHIFTER 2



SHIFTER 2

Ref. No.	Parts No.	Description	Q'ty		Applicable Machine No.	Remarks
				200 200DX		
7- 1	174-18101-02	CHANGE SHAFT ASS'Y	1 1		
7- 2	90506-09009	SPRING (132-18123-00)	1 1		
7- 3	90508-32207	SPRING (132-18124-00)	1 1		
7- 4	90149-08094	SCREW, adjusting	1 1		
7- 5	95301-08600	NUT	1 1		
7- 6	93101-12004	OIL SEAL (S-12-22-5)	1 1		
7- 7	90201-12183	WASHER, plate (132-18137-00)	..	1 1		
7- 8	93430-10016	CIRCLIP (E-10)	1 1		
7- 9	337-18111-00-93	PEDAL, change	1 1		
7-10	132-18113-01	COVER, change pedal	1 1		
7-11	90201-12174	WASHER, plate (183-22142-10)	..	1 1		
7-12	93430-10016	CIRCLIP (E-10)	1 1		
7-13	91401-16012	PIN, cotter	2 2		
7-14	90240-08013	PIN (307-18118-00)	2 2		
7-15	337-18115-00	ROD, change	1 1		
7-16	90201-08085	WASHER, plate (141-18139-00)	..	2 2		
7-17	307-18112-00-93	ARM, change	1 1		
7-18	97301-06030	BOLT, hexagon	1 1		

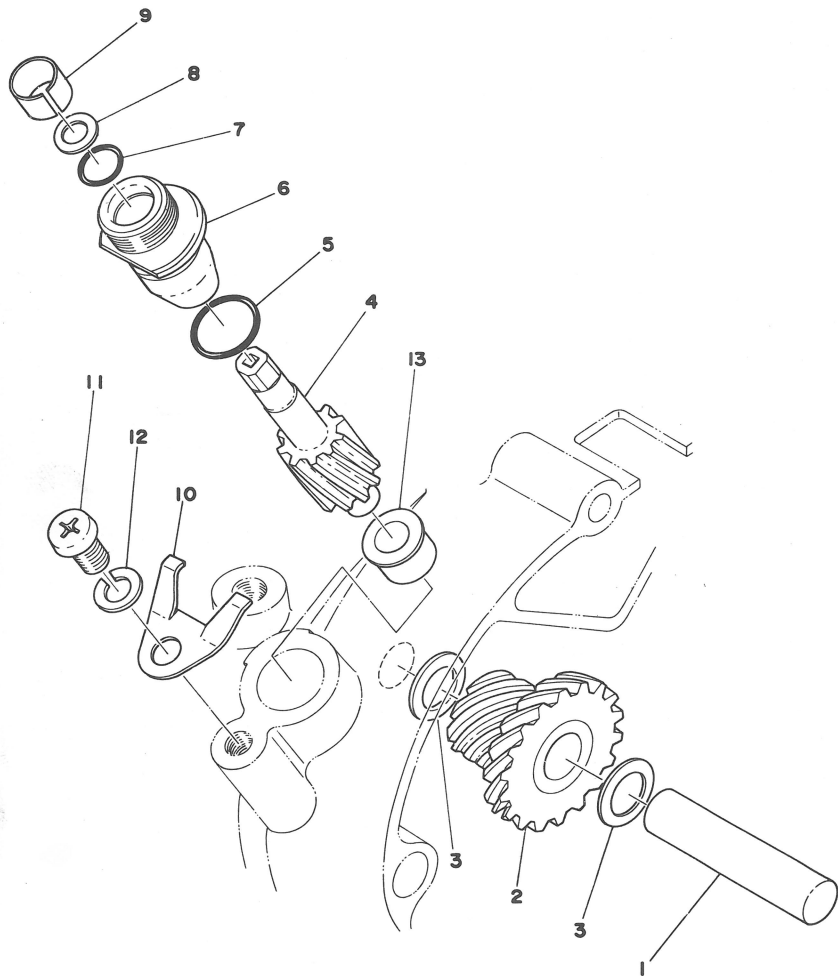
Fig. 8 KICK STARTER



KICK STARTER

Ref. No.	Parts No.	Description	Q'ty		Applicable Machine No.	Remarks
			200	200DX		
8- 1	278-15611-00-93	CRANK, kick	1	1		
8- 2	337-15621-01-91	BOSS, kick crank	1	1		
8- 3	156-15618-01	COVER, kick lever	1	1		
8- 4	90501-12081	SPRING (278-15622-00)	1	1		
8- 5	90201-15234	WASHER, plate (278-15613-00) ..	1	1		
8- 6	93430-10016	CIRCLIP (E-10)	1	1		
8- 7	97311-06025	BOLT	1	1		
8- 8	93507-32009	BALL (7/32 inch)	1	1		
8- 9	337-15660-00	KICK AXLE ASS'Y	1	1		
8-10	251-15687-00	CLIP, kick	1	1		
8-11	251-15641-01	GEAR, kick (26T)	1	1		
8-12	117-15644-00	SHIM (25.1-32-1.0)	1	1		
8-13	93410-25017	CIRCLIP (S-25)	1	1		
8-14	132-15664-00	GUIDE, kick spring	1	1		
8-15	90508-26136	SPRING (304-15665-00)	1	1		
8-16	132-15676-00	COVER, kick spring	1	1		
8-17	93410-15005	CIRCLIP (S-15)	1	1		
8-18	93109-15001	OIL SEAL (SDO-15-26-6)	1	1		

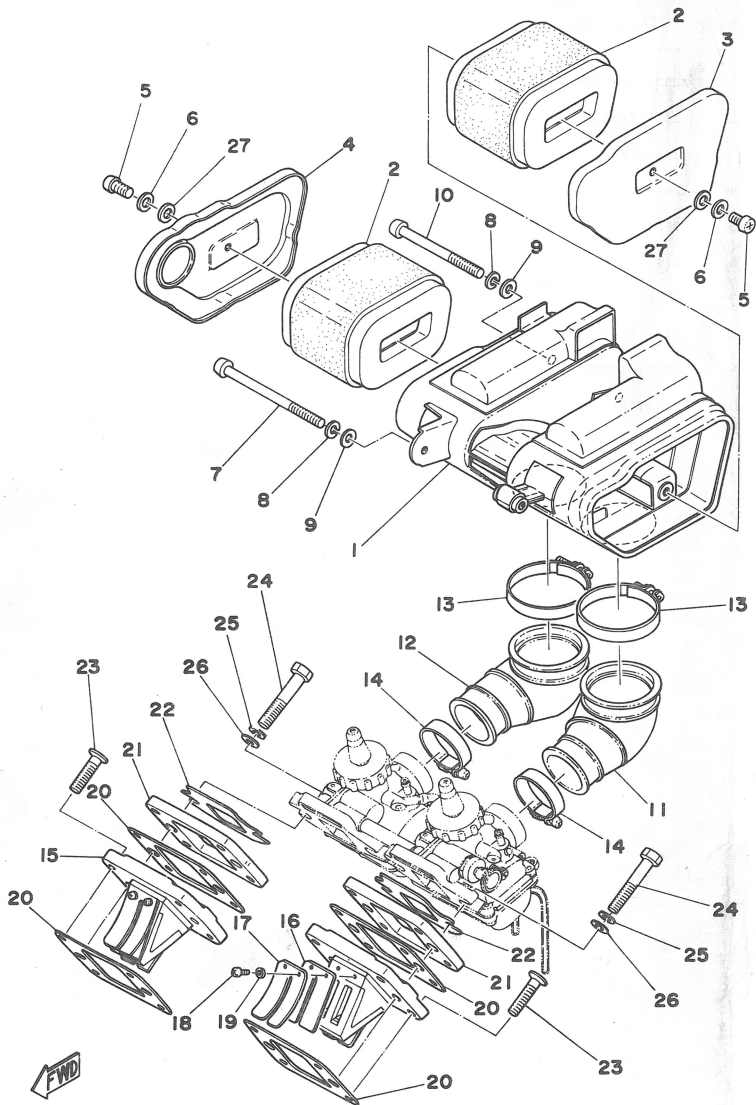
Fig. 9 TACHOMETER GEAR



TACHOMETER GEAR

Ref. No.	Parts No.	Description	Q'ty		Applicable Machine No.	Remarks
			200	200DX		
9- 1	237-17861-00	AXLE, drive gear	1	1		
9- 2	237-17831-00	GEAR, drive	1	1		
9- 3	248-17837-00	SHIM (10.2-16-1.0)	2	2		
9- 4	248-17841-00	GEAR, driven	1	1		
9- 5	93210-13016	O-RING (1.8-13)	1	1		
9- 6	214-17811-01	HOUSING	1	1		
9- 7	93210-07100	O-RING (2.2-7.2)	1	1		
9- 8	214-17847-00	SHIM (7.5-10.8-0.4)	1	1		
9- 9	90383-10005	BUSHING (214-17815-00)	1	1		
9-10	214-17812-00	STOPPER	1	1		
9-11	92501-06010	SCREW, panhead	1	1		
9-12	92901-06100	WASHER, spring	1	1		
9-13	214-17843-00	BUSHING	1	1		

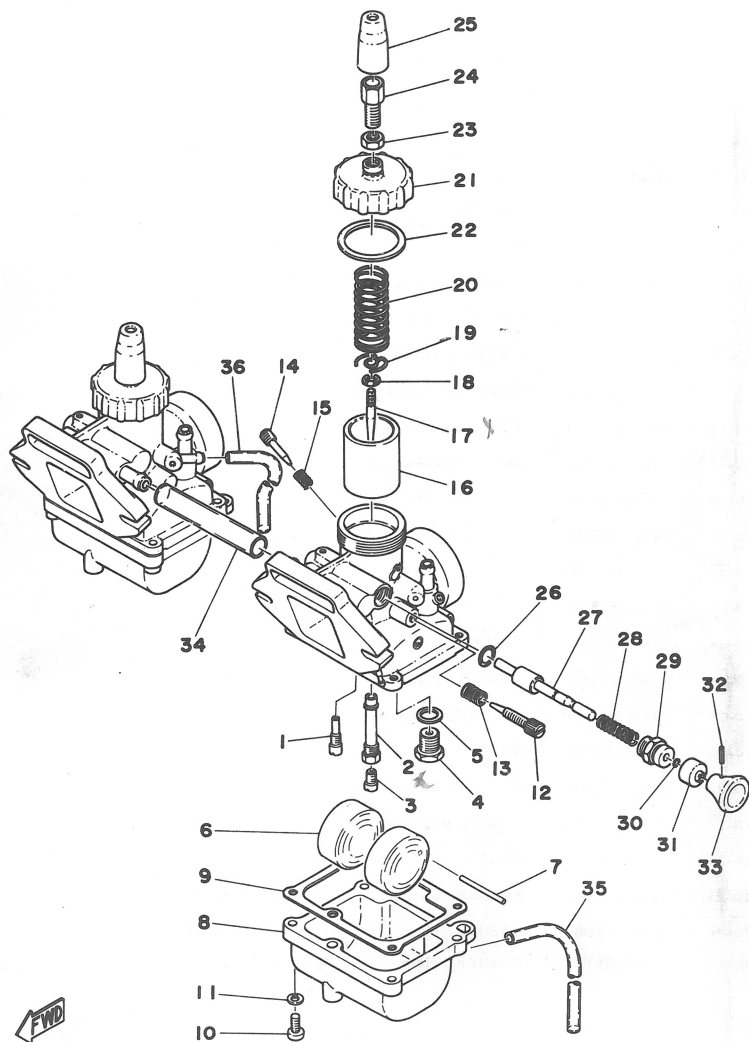
Fig. 10 INTAKE



INTAKE

Ref. No.	Parts No.	Description	Q'ty		Applicable Machine No.	Remarks
			200	200DX		
10- 1	397-14411-00	CASE, air cleaner	1	1		
10- 2	396-14451-01	ELEMENT, air cleaner	2	2		
10- 3	389-14412-01	CAP, cleaner case left	1	1		
10- 4	397-14422-00	CAP, cleaner case right	1	1		
10- 5	92501-06010	SCREW, panhead	2	2		
10- 6	92901-06200	WASHER, plain	2	2		
10- 7	92501-06080	SCREW, panhead	1	1		
10- 8	92901-06100	WASHER, spring	2	2		
10- 9	92901-06200	WASHER, plain	2	2		
10-10	92501-06070	SCREW, panhead	1	1		
10-11	397-14453-01	JOINT, air cleaner left	1	1		
10-12	397-14463-01	JOINT, air cleaner right	1	1		
10-13	90460-49058	BAND (278-14455-00)	2	2		
10-14	90460-39053	BAND (278-13575-00)	2	2		
10-15	389-13610-01	REED VALVE ASS'Y	2	2		
10-16	389-13613-00	. VALVE, reed	4	4		
10-17	389-13616-01	. STOPPER, reed valve	4	4		
10-18	98512-03008	. SCREW, panhead	8	8		
10-19	92901-03100	. WASHER, spring	8	8		
10-20	389-13621-00	PACKING, valve seat	4	4		
10-21	389-13555-00	JOINT	2	2		
10-22	389-13622-00	PACKING, carburetor	2	2		
10-23	92706-06025	SCREW, flat head	8	8		
10-24	91316-08040	BOLT	4	4		
10-25	92906-08100	WASHER, spring	4	4		
10-26	92906-08200	WASHER, plain	4	4		
10-27	90202-05057	WASHER, plate	2	2		

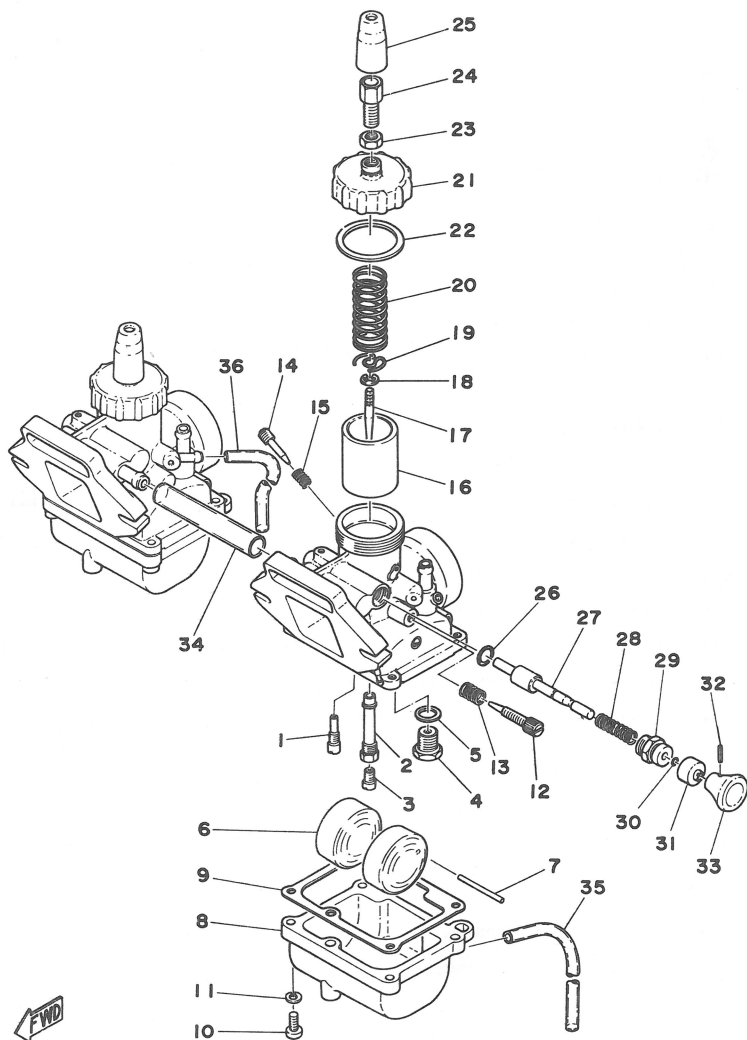
Fig. 11 CARBURETOR



CARBURETOR

Ref. No.	Parts No.	Description	Q'ty		Applicable Machine No.	Remarks
				200 200DX		
11- 0-1	417-14301-90	CARBURETOR ASS'Y, left	1	1		
11- 0-2	417-14302-90	CARBURETOR ASS'Y, right	1	1		
11- 1	367-14342-22	. JET, pilot (#44)	2	2		
11- 2	396-14341-00	. NOZZLE, main	2	2		
11- 3	396-14343-44	. JET, main (#88)	}	}	U. R. U. R. 2 2	STD
	396-14343-46	. JET, main (#92)				
	396-14343-47	. JET, main (#94)				
	396-14343-48	. JET, main (#96)				
	396-14343-50	. JET, main (#100)				
11- 4	396-14390-25	. VALVE SEAT ASS'Y (#2.5)	2	2		
11- 5	367-14195-00	. WASHER, valve seat	2	2		
11- 6	367-14385-00	. FLOAT	2	2		
11- 7	367-14386-00	. PIN, float	2	2		
11- 8	397-14181-00-33	. BODY, float chamber	2	2		Yamaha Black
11- 9	389-14384-00	. GASKET, float chamber	2	2		
11-10	98501-04010	. SCREW, panhead	8	8		
11-11	92901-04100	. WASHER, spring	8	8		
11-12	396-14211-00	. SCREW, pilot adjusting	2	2		
11-13	389-14212-00	. SPRING, pilot adjusting	2	2		
11-14	396-14323-00	. SCREW, air adjusting	2	2		
11-15	389-14333-00	. SPRING, air adjusting	2	2		
11-16	397-14312-25	. VALVE, throttle left	1	1		
	397-14313-25	. VALVE, throttle right	1	1		
11-17	397-14336-00	. NEEDLE (4F51-2)	2	2		
11-18	389-14137-00	. CLIP	2	2		
11-19	396-14136-00	. SPRING, seat	2	2		
11-20	396-14331-00	. SPRING, throttle valve	2	2		
11-21	389-14168-00-33	. CAF, mixing chamber	2	2		Yamaha Black
11-22	389-14126-00	. PACKING	2	2		
11-23	288-14161-00	. NUT, wire adjusting	2	2		

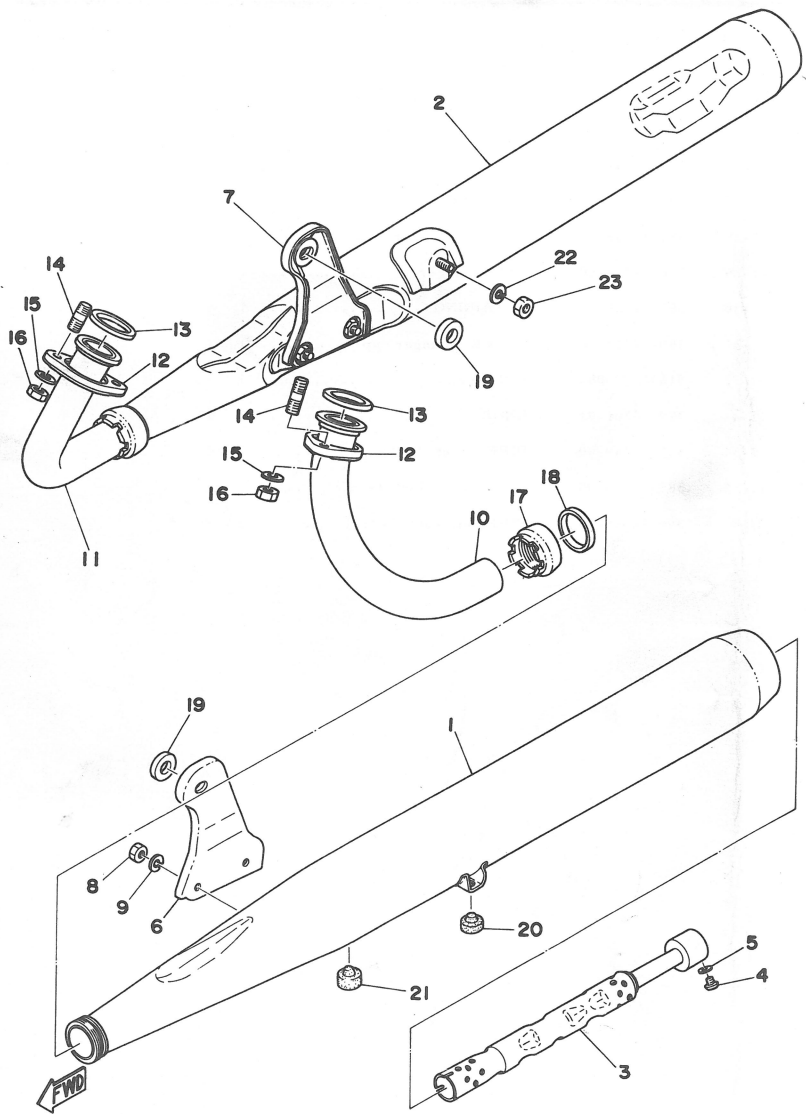
Fig. 11 CARBURETOR



CARBURETOR

Ref. No.	Parts No.	Description	Q'ty		Applicable Machine No.	Remarks
			200	200DX		
11-24	396-14124-00	. SCREW, wire adjusting 2	2		
11-25	367-14169-00	. CAP 2	2		
11-26	389-14147-00	. O-RING 1	1		
11-27	396-14371-00	. PLANGER, starter 1	1		
11-28	389-14335-00	. SPRING, plunger 1	1		
11-29	396-14374-00	. CAP, plunger 1	1		
11-30	389-14138-00	. RETAINING 1	1		
11-31	389-14373-00	. COVER, plunger cap 1	1		
11-32	91690-20008	. PIN, spring 1	1		
11-33	389-14261-01	. KNOB 1	1		
11-34	397-14349-00	. PIPE, joint 1	1		
11-35	389-14396-00	. PIPE, over flow (3-160) 2	2		
11-36	396-14348-00	. PIPE, air vent (3-220) 2	2		

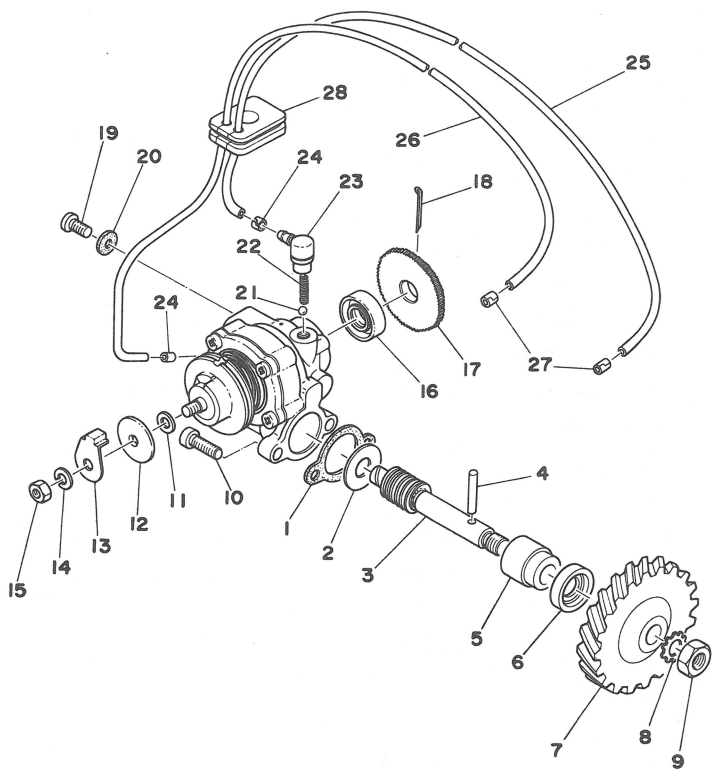
Fig. 12 EXHAUST



EXHAUST

Ref. No.	Parts No.	Description	Q'ty		Applicable Machine No.	Remarks
				200 200DX		
12- 1	397-14710-01	MUFFLER ASS'Y, left	1	1		
12- 2	397-14720-01	MUFFLER ASS'Y, right	1	1		
12- 3	397-14753-00	. SILENCER	2	2		
12- 4	98501-05010	. SCREW, panhead	2	2		
12- 5	92901-05100	. WASHER, spring	2	2		
12- 6	397-14771-00-33	. STAY, muffler left	1	1		Yamaha Black
12- 7	397-14781-00-33	. STAY, muffler right	1	1		Yamaha Black
12- 8	95301-08600	. NUT	4	4		
12- 9	92901-08100	. WASHER, spring	4	4		
12-10	397-14611-02	PIPE, exhaust left	1	1		
12-11	397-14621-02	PIPE, exhaust right	1	1		
12-12	307-14612-00	NUT, ring	2	2		
12-13	132-14613-00	GASKET, exhaust	2	2		
12-14	90116-08116	BOLT, stud	4	4		
12-15	92901-08100	WASHER, spring	4	4		
12-16	95303-08600	NUT	4	4		
12-17	132-14713-00	NUT, muffler joint	2	2		
12-18	132-14714-01	GASKET, muffler joint	2	2		
12-19	337-14779-00	COLLAR, distance (15-30-6.5)	2	2		
12-20	102-27114-00	STOPPER, main stand	1	1		
12-21	371-27114-00	STOPPER, main stand	1	1		
12-22	92901-08100	WASHER, spring	2	2		
12-23	95301-08600	NUT, hexagon	2	2		

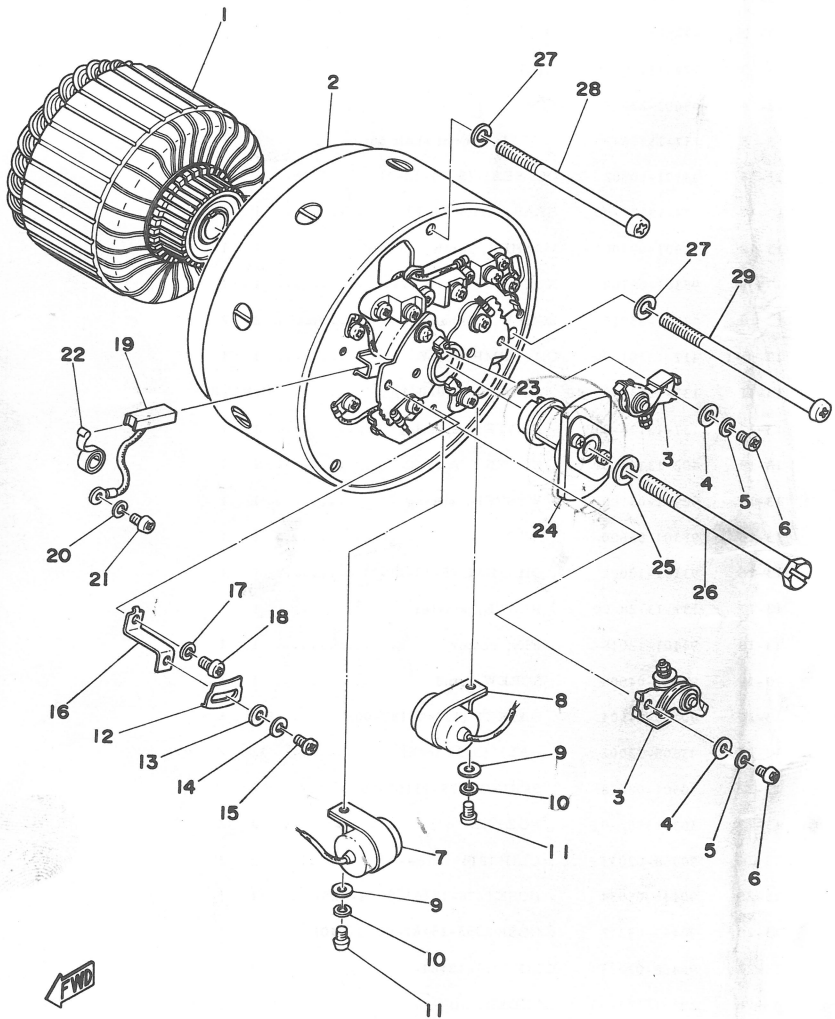
Fig.13 OIL PUMP



OIL PUMP

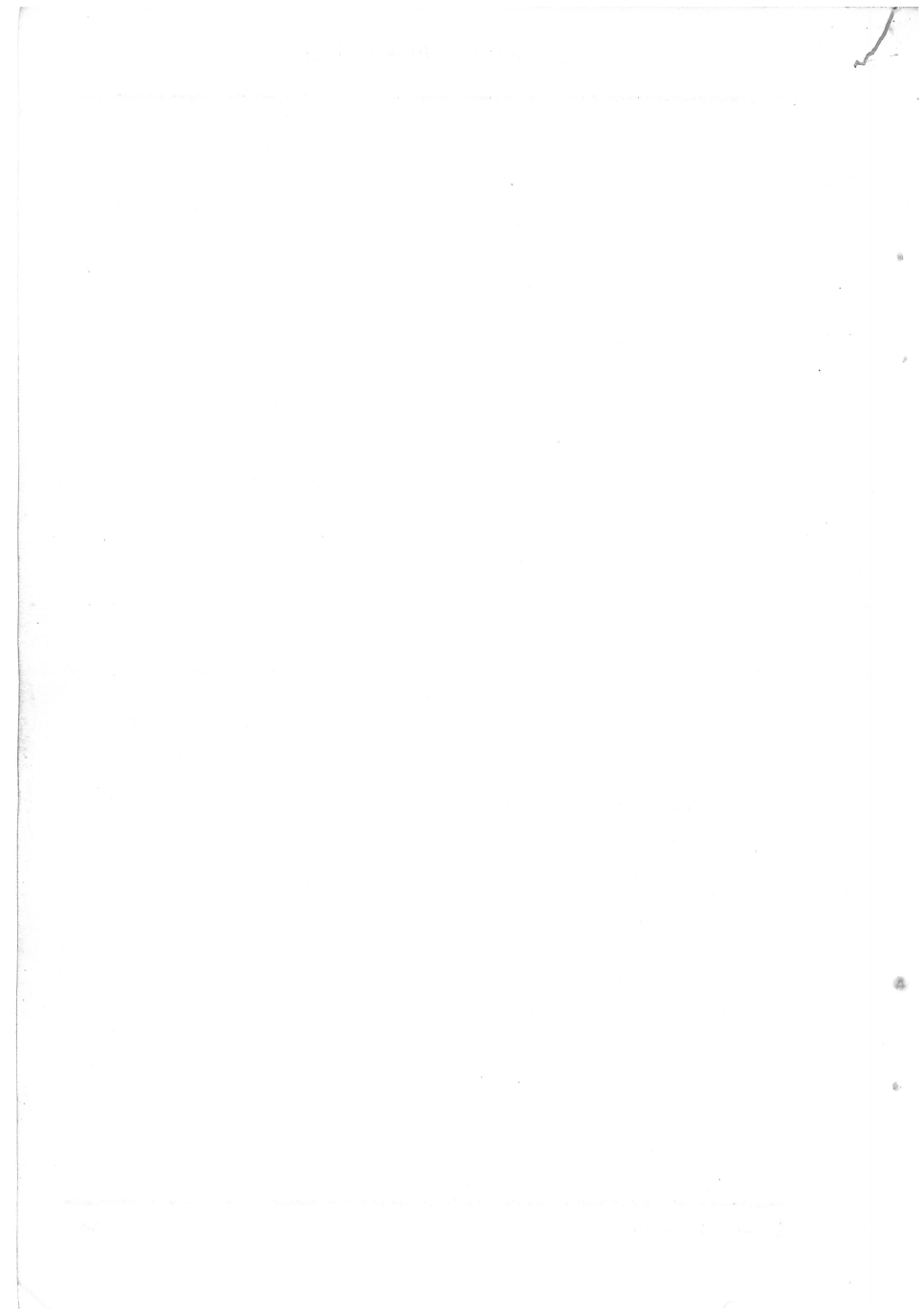
Ref. No.	Parts No.	Description	Q'ty		Applicable Machine No.	Remarks
			200	200DX		
13- 1	126-13116-00	GASKET, pump case	1	1		
13- 2	256-17837-00	SHIM	1	1		
13- 3	174-13175-00	SHAFT, worm	1	1		
13- 4	93603-22028	PIN, dowel (3-21.8)	1	1		
13- 5	137-13176-00	METAL, worm shaft outer	1	1		
13- 6	93101-10002	OIL SEAL (S-10-22-7)	1	1		
13- 7	174-13178-00	GEAR, drive (20T)	1	1		
13- 8	92901-08400	WASHER, tooth	1	1		
13- 9	95301-08700	NUT	1	1		
13-10	98501-05015	SCREW, panhead	2	2		
13- 0-1	417-13101-00	OIL PUMP ASS'Y	1	1		
13-11	137-13137-00-10	. SHIM (5.8-10-0.1)			U.R.U.R	
13-12	137-13138-01	. PLATE, adjusting	1	1		
13-13	402-13146-00	. COVER	1	1		
13-14	92901-05100	. WASHER, spring	1	1		
13-15	95301-05600	. NUT	1	1		
13-16	93101-10001	. OIL SEAL (S-10-21-5)	1	1		
13-17	137-13128-00	. PLATE, starter	1	1		
13-18	91401-12018	. PIN, cotter	1	1		
13-19	98901-04008	. SCREW, bind	1	1		
13-20	90430-04004	. GASKET (137-13187-00)	1	1		
13-21	93505-32002	. BALL (5/32 inch)	2	2		
13-22	90501-02018	. SPRING (278-13169-00)	2	2		
13-23	353-13552-01	. NOZZLE	2	2		
13-24	90468-02033	. CLIP (214-13164-00)	2	2		
13-25	90445-05034	. HOSE (278-13161-00 3-420)	1	1		
13-26	90445-05217	. HOSE (353-13161-00 3-240)	1	1		
13-27	90468-02033	CLIP (214-13164-00)	2	2		
13-28	293-13174-00	HOLDER, oil pipe	1	1		

Fig. 14 STARTER GENERATOR



STARTER GENERATOR

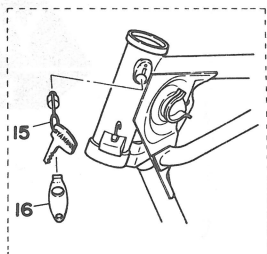
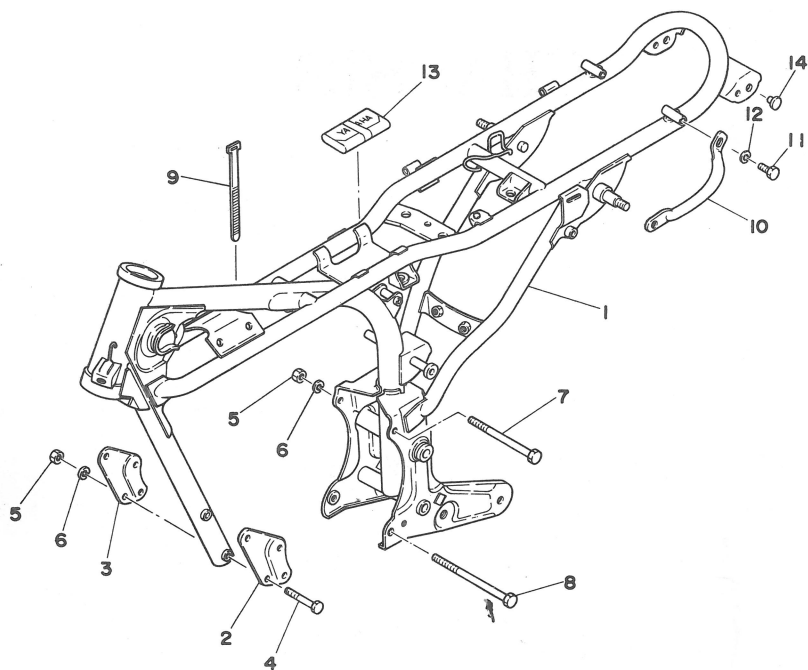
Ref. No.	Parts No.	Description	Q'ty		Applicable Machine No.	Remarks
				200 200DX		
14- 0-1	397-81100-10	STARTER GENERATOR ASS'Y	.. 1	1		
14- 1	397-81155-10	. ARMATURE	1	1		
14- 2	397-81110-10	. STATOR ASS'Y	1	1		
14- 3	183-81421-10	.. CONTACT BREAKER ASS'Y	2	2		
14- 4	92901-04200	.. WASHER, plain	2	2		
14- 5	92901-04100	.. WASHER, spring	2	2		
14- 6	165-81145-21	.. SCREW, cylinder head (4-8)	2	2		
14- 7	132-81226-10	.. CONDENSER, left	1	1		
14- 8	132-81225-10	.. CONDENSER, right	1	1		
14- 9	92901-04200	.. WASHER, plain	2	2		
14-10	92901-04100	.. WASHER, spring	2	2		
14-11	165-81145-21	.. SCREW, panhead	2	2		
14-12	133-81132-10	.. PLATE, timing	1	1		
14-13	92901-04200	.. WASHER, plain	1	1		
14-14	92901-04100	.. WASHER, spring	1	1		
14-15	164-81245-21	.. SCREW, panhead	1	1		
14-16	299-81133-10	.. FIXTURE, timing plate	1	1		
14-17	92901-04100	.. WASHER, spring	1	1		
14-18	164-81245-21	.. SCREW, panhead	1	1		
14-19	101-81111-10	.. BRUSH	4	4		
14-20	92901-04100	.. WASHER, spring	4	4		
14-21	98501-04008	.. SCREW, panhead	4	4		
14-22	141-81113-10	.. SPRING, brush	4	4		
14-23	207-81331-10	.. LUBRICATOR	2	2		
14-24	337-81153-10	.. GOVERNOR ASS'Y	1	1		
14-25	92901-08100	WASHER, spring	1	1		
14-26	90143-07016	SCREW (372-81152-10)	1	1		
14-27	92901-06100	WASHER, spring	3	3		
14-28	92501-06085	SCREW, panhead	1	1		
14-29	92501-06095	SCREW, panhead	2	2		



CHASSIS



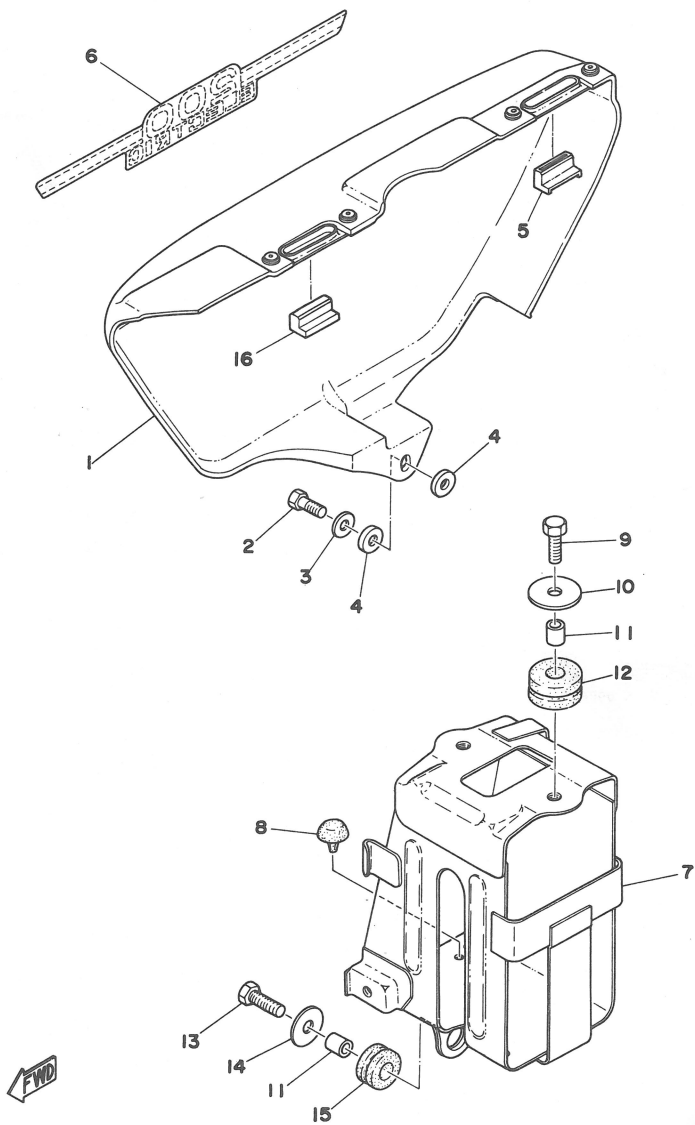
Fig. 15 FRAME



FRAME

Ref. No.	Parts No.	Description	Q'ty	200 200DX											Remarks
				FRANCE	HOLLAND	W. GERMANY	SWITZERLAND	BELGIUM	SWEDEN	FINLAND	DENMARK	NORWAY	AUSTRIA	ENGLAND	
15- 1	398-21110-01-33	FRAME COMP.	1	x							x	x			Yamaha Black
	397-21110-21-33	FRAME COMP.	1						x						Yamaha Black
	417-21110-40-33	FRAME COMP.	1		x										Yamaha Black
	417-21110-20-33	FRAME COMP.	1	x											Yamaha Black
15- 2	337-21315-00	STAY, engine front left	1 1	x	x	x	x	x		x	x	x			
15- 3	337-21316-00	STAY, engine front right	1 1	x	x	x	x	x		x	x	x			
15- 4	95821-08060	BOLT, hexagon	4 4	x	x	x	x	x		x	x	x			
15- 5	95301-08600	NUT, hexagon	6 6	x	x	x	x	x		x	x	x			
15- 6	92901-08100	WASHER, spring	6 6	x	x	x	x	x		x	x	x			
15- 7	95821-08115	BOLT, hexagon	1 1	x	x	x	x	x		x	x	x			
15- 8	90105-08028	BOLT	1 1	x	x	x	x	x		x	x	x			
15- 9	803-82591-00	BAND	2 2	x	x	x	x	x		x	x	x			
15-10	337-21165-00-93	HANDLE, standing	1 1	x	x	x	x	x		x	x	x			
15-11	97301-06020	BOLT	1		x										
15-12	92901-06100	WASHER, spring	1		x										
15-13	397-28100-11	TOOL ASS'Y	1 1	x	x	x	x	x		x	x	x			
15-14	90338-09060	PLUG	2			x									
15-15	169-23480-10	STEERING LOCK ASS'Y	1	x		x									*
15-16	134-23484-10	CAP, handle lock	1	x		x									*

Fig.16 SIDE COVER · BATTERY BOX



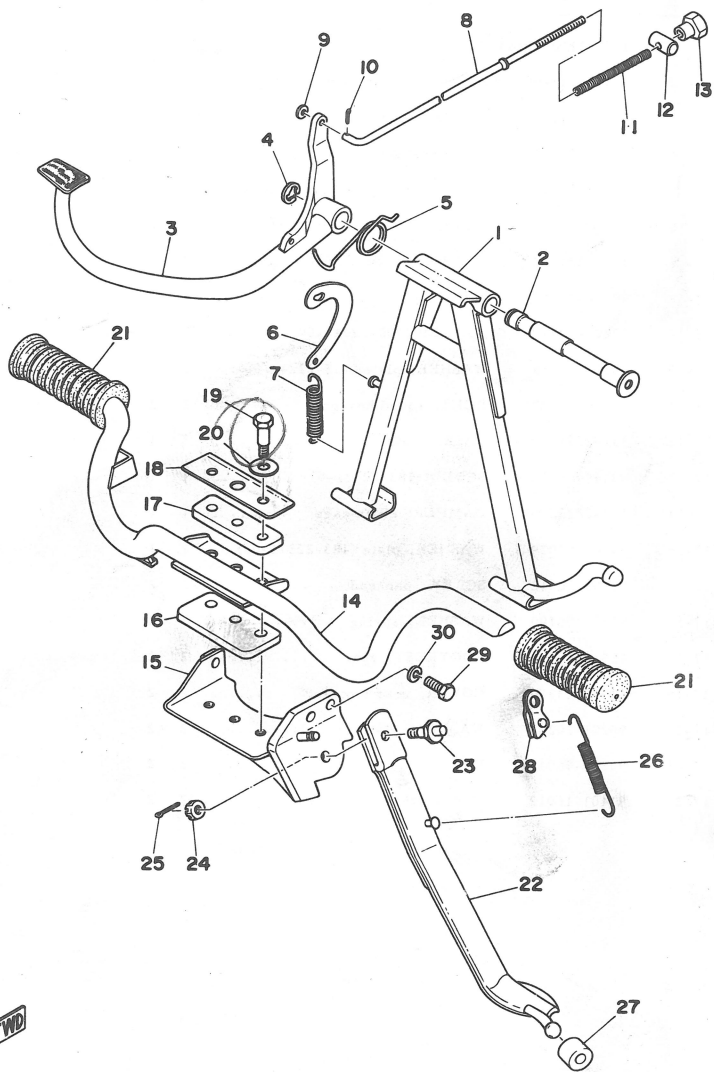
SIDE COVER - BATTERY BOX

Ref. No.	Parts No.	Description	Q'ty		Applicable Machine No.	Remarks
			200	200DX		
16- 1	417-21711-00-F7	COVER, side	1	1		High Sparkle Blue
16- 2	90109-06005	BOLT (337-84752-00)	1	1		
16- 3	90201-08100	WASHER, plate	1	1		
16- 4	360-21746-00	DAMPER, side cover 2	2	2		
16- 5	416-21717-00	DAMPER, side cover	1	1		
16- 6	417-21783-31	EMBLEM 200	1	1		
16- 7	397-21170-00	BATTERY BOX COMP.	1	1		
16- 8	141-21717-00	DAMPER, side cover	4	4		
16- 9	97301-06020	BOLT, hexagon	2	2		
16-10	90201-06074	WASHER, plate (248-21757-00)	2	2		
16-11	90387-07390	COLLAR	3	3		
16-12	248-21717-00	DAMPER, battery box	2	2		
16-13	97301-06025	BOLT, hexagon	1	1		
16-14	90201-06067	WASHER, plate	1	1		
16-15	90480-14102	GROMMET (214-21717-00)	1	1		
16-16	371-21737-00	DAMPER, side cover	1	1		

REAR ARM · REAR CUSHION · CHAIN CASE

Ref. No.	Parts No.	Description	Q'ty		Applicable Machine No.	Remarks
			200	200DX		
17- 1	417-22110-00-33	REAR ARM COMP.	1	1		Yamaha Black
17- 2	174-22123-00	BUSHING, rear arm	2	2		
17- 3	337-22141-00	SHAFT, pivot	1	1		
17- 4	90170-14163	NUT, hexagon	1	1		
17- 5	173-22151-00	SEAL, guard	1	1		
17- 6	164-22216-00	BUSHING, rear cushion	2	2		
17- 7	337-22210-20	REAR CUSHION ASS'Y	2	2		
17- 8	90176-10013	NUT, cap	2	2		
17- 9	90201-10140	WASHER (102-22243-00)	2	2		
17-10	90201-14218	WASHER, plate (135-22243-00) ..	2	2		
17-11	90106-08027	BOLT, round hexagon	2	2		
17-12	337-22311-00-93	CASE, chain	1	1		
17-13	90149-06012	SCREW (183-22331-01)	1	1		
17-14	183-22332-01	DAMPER, chain case	1	1		
17-15	90201-07079	WASHER, plate (183-22316-01) ..	1	1		
17-16	92501-06012	SCREW, panhead	2	2		
17-17	92901-06100	WASHER, spring	2	2		
17-18	465-27431-00	FOOTREST, rear	2	2		
17-19	120-27433-00	COVER, rear footrest	2	2		
17-20	90201-20279	WASHER, plate	2	2		
17-21	90240-06042	PIN	2	2		
17-22	91401-16012	PIN, cotter	2	2		

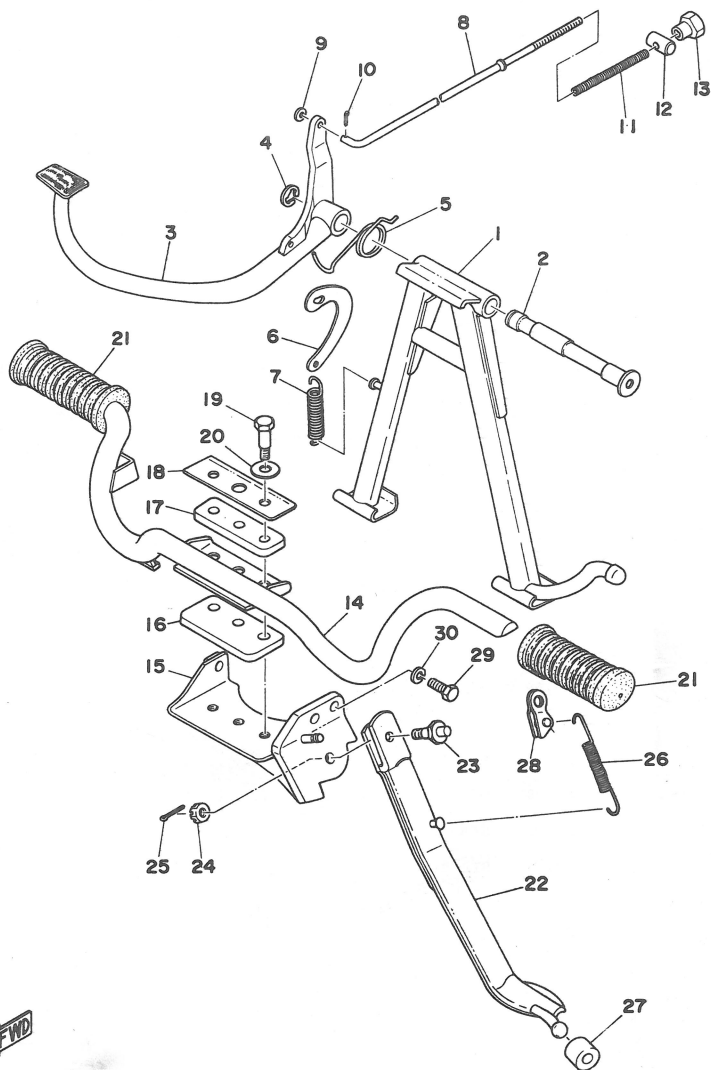
Fig. 18 STAND · FOOTREST · BRAKE PEDAL



STAND · FOOTREST · BRAKE PEDAL

Ref. No.	Parts No.	Description	Q'ty 200 200DX	Ap- pli- ca- ble Ma- chine No.	Remarks
18- 1	337-27111-00	STAND, main	1	1	
	417-27111-00	STAND, main	1		Destined for W. GERMANY
18- 2	122-27112-00	SHAFT, main stand	1	1	
18- 3	337-27211-00-93	PEDAL, brake	1	1	
18- 4	93430-12008	CIRCLIP (E-12)	1	1	
18- 5	90508-32056	SPRING (183-27216-00)	1	1	
18- 6	174-27115-00	LINK, main stand	1	1	
18- 7	90506-32056	SPRING, tension (174-27116-00)	1	1	
18- 8	337-27231-00	ROD, brake	1	1	
18- 9	92901-06600	WASHER, plate	1	1	
18-10	91401-20012	PIN, cotter	1	1	
18-11	90501-10245	SPRING, rod (180-27236-00)	1	1	
18-12	90249-12008	PIN (156-27237-00)	1	1	
18-13	90179-06176	NUT	1	1	
18-14	337-27411-00	FOOTREST	1	1	
18-15	337-27412-00	BRACKET, footrest	1	1	
18-16	132-27422-00	DAMPER, rubber 2	1	1	
18-17	132-27414-00	DAMPER, rubber 1	1	1	
18-18	132-27417-00	WASHER, special	1	1	
18-19	90109-08193	BOLT	3	3	
18-20	90201-10132	WASHER, plate	3	3	
18-21	156-27413-00	COVER, footrest	2	2	
18-22	507-27311-00	STAND, side	1	1	
	417-27311-00	STAND, side	1		Destined for W. GERMANY
18-23	90109-10399	BOLT	1	1	
18-24	90171-10012	NUT, castle	1	1	
18-25	91401-20025	PIN, cotter	1	1	
18-26	90507-29022	SPRING	1	1	
	90507-29009	SPRING	1		Destined for W. GERMANY

Fig. 18 STAND · FOOTREST · BRAKE PEDAL

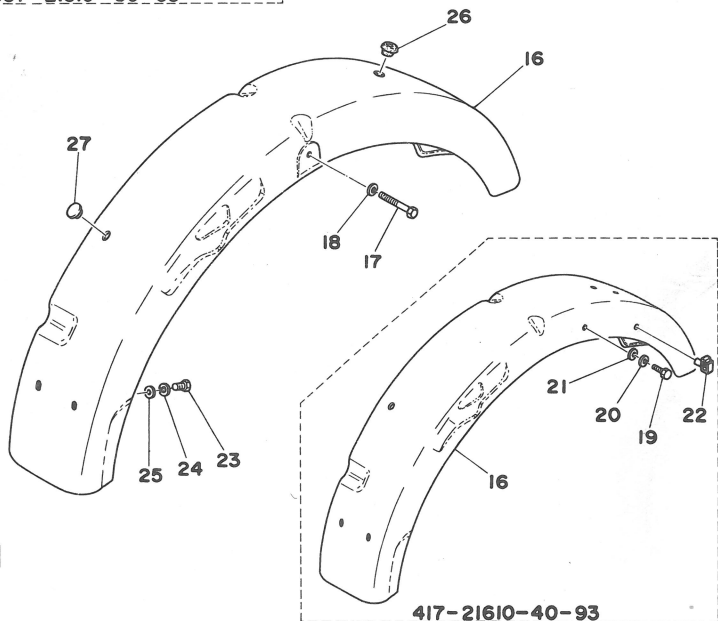
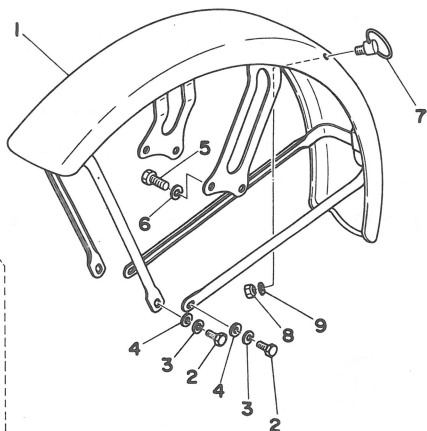
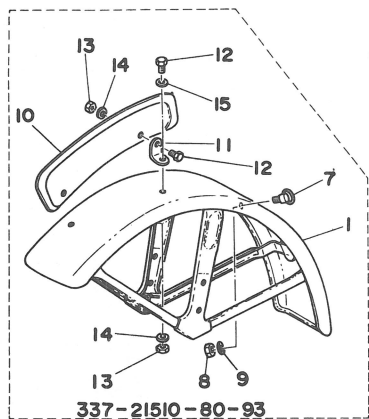


FWD

STAND · FOOTREST · BRAKE PEDAL

Ref. No.	Parts No.	Description	Q'ty		Applicable Machine No.	Remarks
			200	200DX		
18-27	278-27314-00	STOPER, side stand	1			Destined for W. GERMANY
18-28	507-27315-01	LINK, side stand	1	1		
	465-27315-00	LINK, side stand	1			Destined for W. GERMANY
18-29	97301-08020	BOLT	1	1		
18-30	92901-08100	WASHER, spring	1	1		

Fig. 19 FRONT FENDER · REAR FENDER



FRONT FENDER · REAR FENDER

Ref. No.	Parts No.	Description	Q'ty	200 200DX											Remarks			
				FRANCE	HOLLAND	W. GERMANY	SWITZERLAND	BELGIUM	SWEDEN	FINLAND	DENMARK	NORWAY	AUSTRIA	ITALY				
19- 1	337-21510-80-93	FRONT FENDER COMP.	1														x	
	404-21510-02-93	FRONT FENDER COMP.	1	x	x	x	x	x						x				
19- 2	97301-08012	BOLT	4														x	
	97303-06015	BOLT	4	x	x	x	x	x						x				
19- 3	92901-08100	WASHER, spring	4														x	
	92903-06100	WASHER, spring	4	x	x	x	x	x						x				
19- 4	92903-06600	WASHER, plain	4	x	x	x	x	x						x				
19- 5	90101-08281	BOLT	2	x	x	x	x	x						x				
19- 6	92901-08100	WASHER, spring	2	x	x	x	x	x						x				
19- 7	174-21518-00-93	HOLDER, wire	1	1	x	x	x	x						x			x	
19- 8	95301-06600	NUT, hexagon	1	1	x	x	x	x						x			x	
19- 9	92901-06100	WASHER, spring	1	1	x	x	x	x						x			x	
19-10	122-21582-81-33	PLATE, license	1														x	Yamaha Black
19-11	173-21581-80-93	PLATE, fitting	2														x	
19-12	97303-06012	BOLT	4														x	
19-13	95301-06600	NUT, hexagon	4														x	
19-14	92901-06100	WASHER, spring	4														x	
19-15	92903-06600	WASHER, plain	2														x	
19-16	337-21610-00-93	REAR FENDER COMP. ..	1	x	x													
	417-21610-40-93	REAR FENDER COMP. ..	1						x									
	397-21610-40-93	REAR FENDER COMP. ..	1														x	
	337-21610-30-93	REAR FENDER COMP. ..	1														x	
19-17	97301-06045	BOLT	2	2	x	x								x			x	
19-18	92901-06100	WASHER, spring	2	2	x	x								x			x	
19-19	97301-06015	BOLT, hexagon	2						x									
19-20	92901-06100	WASHER, spring	2						x									
19-21	92901-06600	WASHER, plate	2						x									
19-22	90464-04014	CLAMP (341-21637-00) ..	1						x								x	
19-23	97301-06012	BOLT	2	2	x	x	x	x						x			x	

Fig. 19 FRONT FENDER · REAR FENDER

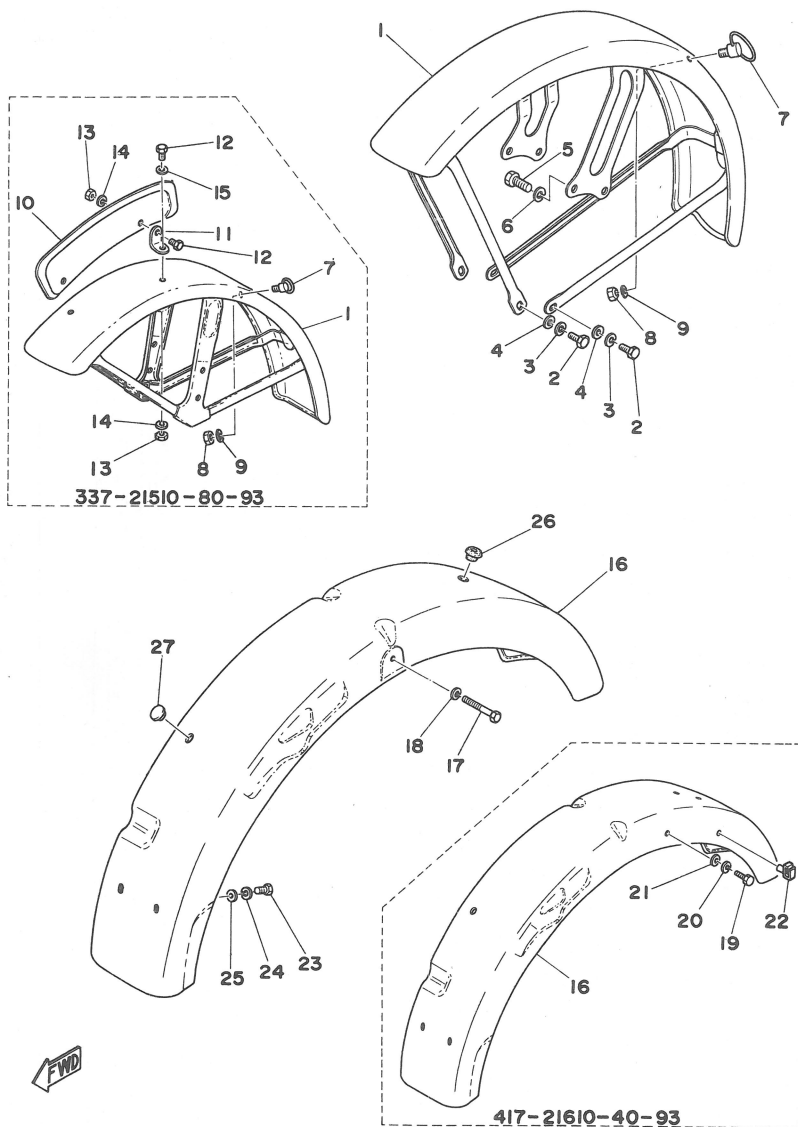
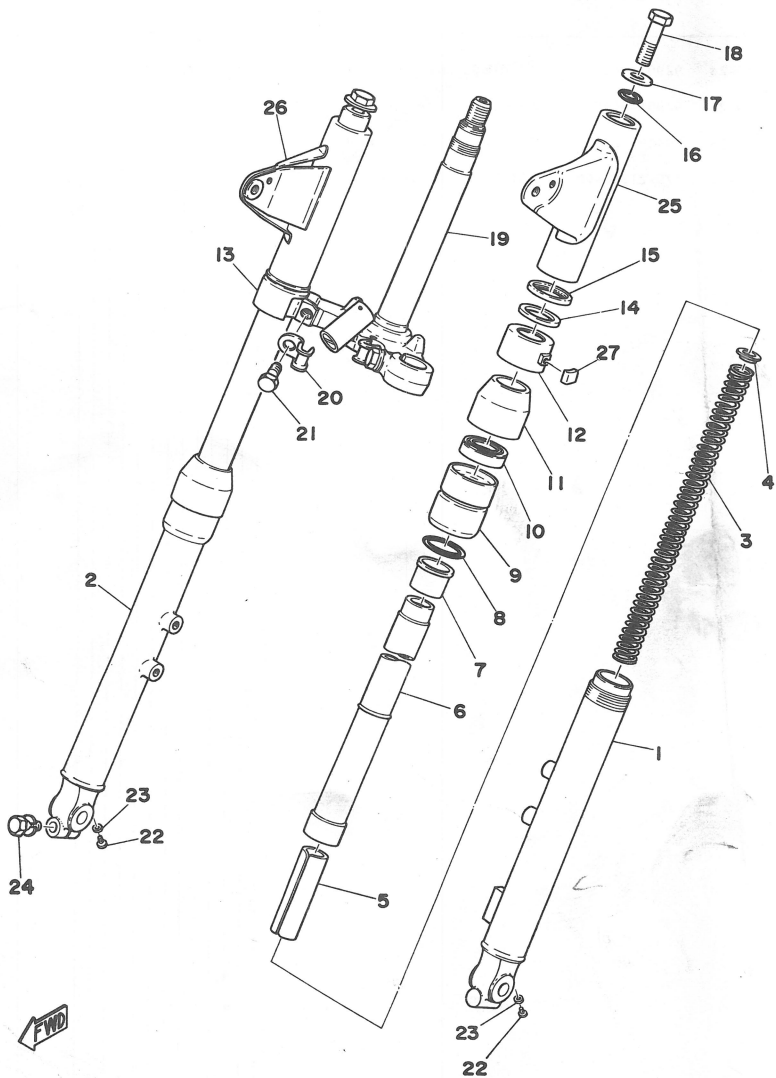


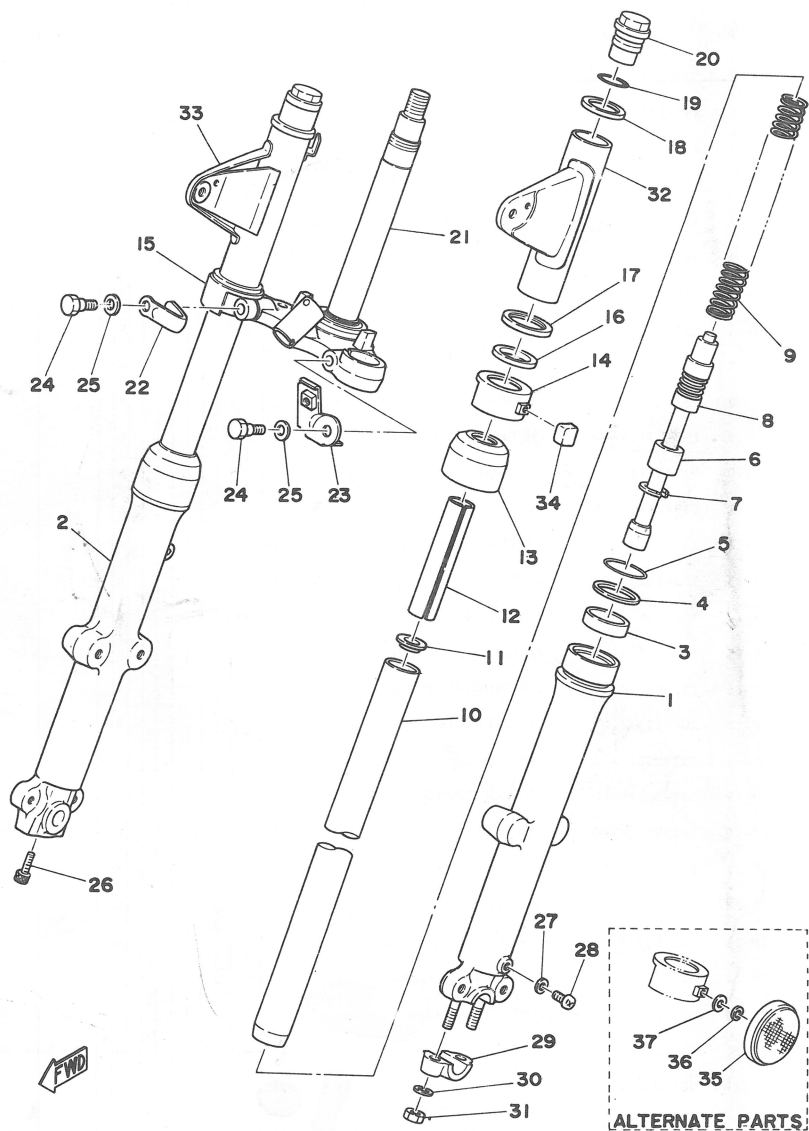
Fig. 20 FRONT FORK (ENGLAND)



FRONT FORK (ENGLAND)

Ref. No.	Parts No.	Description	Q'ty												Remarks
				200 200DX	HOLLAND	FRANCE	W. GERMANY	SWITZERLAND	BELGIUM	SWEDEN	FINLAND	DENMARK	NORWAY	AUSTRIA	
20- 0-1	337-23101-90	FRONT FORK ASS'Y 1											x	
20- 1	337-23126-60-93	. TUBE, outer left 1											x	
20- 2	337-23136-60-93	. TUBE, outer right	... 1											x	
20- 3	337-23141-60	. SPRING, fork 2											x	
20- 4	337-23142-60	. SEAT, spring upper	... 2											x	
20- 5	315-23118-50	. SPACER 2											x	
20- 6	337-23124-60	. TUBE, inner 2											x	
20- 7	137-23125-00	. METAL, side 2											x	
20- 8	137-23147-00	. O-RING 2											x	
20- 9	193-23150-40	. OUTER NUT COMP.	.. 2											x	
20-10	137-23145-01	. . OIL SEAL 2											x	
20-11	248-23144-00	. SEAL, dust 2											x	
20-12	337-23122-50	. COVER, outer left	... 1											x	
20-13	337-23132-50	. COVER, outer right	.. 1											x	
20-14	137-23163-00	. PACKING 2											x	
20-15	337-23116-60	. GUIDE, cover under	.. 2											x	
20-16	337-23114-60	. PACKING (O-RING)	.. 2											x	
20-17	207-23112-00	. WASHER, cap 2											x	
20-18	337-23111-60	. BOLT, cap 2											x	
20-19	337-23340-60-33	. UNDER BRACKET COMP.	1											x	Yamaha Black
20-20	183-23318-00	. HOLDER, wire 2											x	
20-21	122-23346-01	. BOLT, under bracket	2											x	
20-22	122-23119-01	. PLUG, drain 2											x	
20-23	122-23129-00	. GASKET, drain plug	.. 2											x	
20-24	90119-08010	. BOLT (122-23128-00)	.. 1											x	
20-25	337-23121-60-F7	COVER, upper left 1											x	High Sparkle Blue
20-26	337-23131-60-F7	COVER, upper right	... 1											x	High Sparkle Blue
20-27	90338-16061	PLUG (256-83329-00)	.. 2											x	

Fig. 21 FRONT FORK



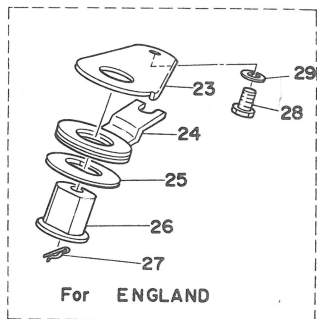
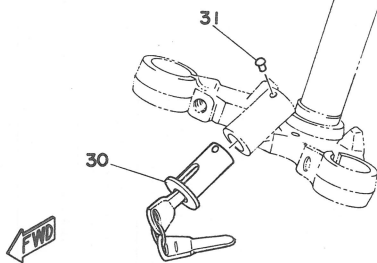
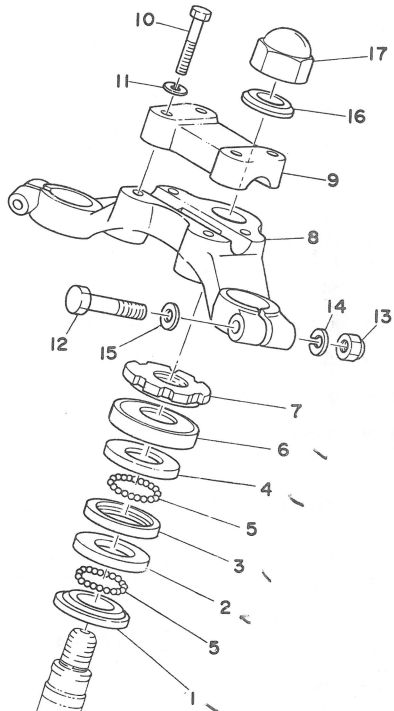
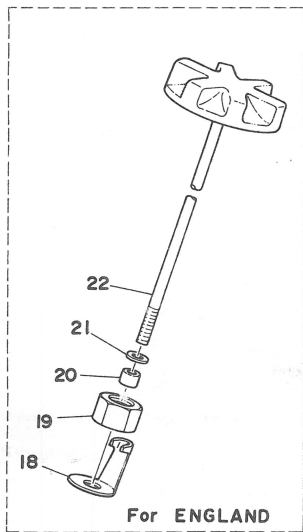
FRONT FORK

Ref. No.	Parts No.	Description	Q'ty	200 200DX											Remarks				
				FRANCE	HOLLAND	W. GERMANY	SWITZERLAND	BELGIUM	SWEDEN	FINLAND	DENMARK	NORWAY	AUSTRIA	ENGLAND		ITALY			
21- 0-1	535-23101-00	FRONT FORK ASS'Y ...	1						x				x						
	535-23101-E0	FRONT FORK ASS'Y ...	1	x															
	535-23101-30	FRONT FORK ASS'Y ...	1		x														
	535-23101-F0	FRONT FORK ASS'Y ...	1	x															
21- 1	535-23126-00	. TUBE, outer left	1	x	x	x		x		x									
21- 2	535-23136-00	. TUBE, outer right ...	1	x	x	x		x					x						
21- 3	137-23145-01	. . OIL SEAL	2	x	x	x		x					x						
21- 4	315-23146-50	. . WASHER, oil seal ..	2	x	x	x		x					x						
21- 5	315-23156-50	. . CLIP, oil seal	2	x	x	x		x					x						
21- 6	535-23171-00	. PISTON, front fork ...	2	x	x	x		x					x						
21- 7	535-23183-00	. CIRCLIP	2	x	x	x		x					x						
21- 8	535-23170-00	. CYLINDER COMP. front fork	2	x	x	x		x					x						
21- 9	337-23141-60	. SPRING, fork	2	x	x	x		x					x						
21-10	535-23124-00	. TUBE, inner	2	x	x	x		x					x						
21-11	337-23142-60	. SEAT, spring upper ..	2	x	x	x		x					x						
21-12	535-23118-00	. SPACER	2	x	x	x		x					x						
21-13	535-23144-00	. SEAL, dust	2	x	x	x		x					x						
21-14	535-23122-00	. COVER, outer left ...	1	x	x	x		x					x						
21-15	535-23132-00	. COVER, outer right ..	1	x	x	x		x					x						
21-16	137-23163-00	. PACKING	2	x	x	x		x					x						
21-17	337-23116-60	. GUIDE, cover under ..	2	x	x	x		x					x						
21-18	535-23116-00	. COVER, upper	2	x	x	x		x					x						
21-19	146-23114-00	. PACKING (O-RING) ...	2	x	x	x		x					x						
21-20	248-23111-01	. BOLT, cap	2	x	x	x		x					x						
21-21	535-23340-00-33	. UNDER BRACKET COMP.	1	x				x					x						Yamaha Black
	535-23340-F0-33	. UNDER BRACKET COMP.	1	x															Yamaha Black
	535-23340-30-33	. UNDER BRACKET COMP.	1		x														Yamaha Black

FRONT FORK

Ref. No.	Parts No.	Description	Q'ty	200 200DX										Remarks			
				FRANCE	HOLLAND	SWITZERLAND	W. GERMANY	BELGIUM	SWEDEN	FINLAND	DENMARK	NORWAY	AUSTRIA		ENGLAND	ITALY	
21-22	260-23318-40	. HOLDER, wire	2		x	x		x									
	260-23318-40	. HOLDER, wire	1	x	x												
21-23	360-21343-A0	. BRACKET, horn	1	x	x												
21-24	122-23346-01	. BOLT, under bracket . .	2	x	x	x		x		x							
21-25	214-23158-00	. PACKING	2	x	x	x		x		x							
21-26	91311-08020	. BOLT	2	x	x	x		x		x							
21-27	122-23129-00	. GASKET, drain plug . .	2	x	x	x		x		x							
21-28	122-23119-01	. PLUG, drain	2	x	x	x		x		x							
21-29	291-23167-60	. HOLDER, axle	1	x	x	x		x		x							
21-30	92901-08100	. WASHER, spring	2	x	x	x		x		x							
21-31	90170-08176	. NUT	2	x	x	x		x		x							
21-32	535-23121-00-F7	COVER, upper left	1	x	x	x		x		x							High Sparkle Blue
21-33	535-23131-00-F7	COVER, upper right	1	x	x	x		x		x							High Sparkle Blue
21-34	90338-16061	PLUG (256-83329-00) . . .	2	x	x	x		x		x							
ALTERNATE PARTS																	
21-35	341-85111-00	REFLECTOR	2	x	x	x		x		x							
21-36	92901-05100	WASHER, spring	2	x	x	x		x		x							
21-37	92901-05200	WASHER, plain	2	x	x	x		x		x							

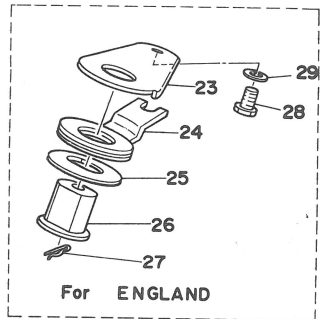
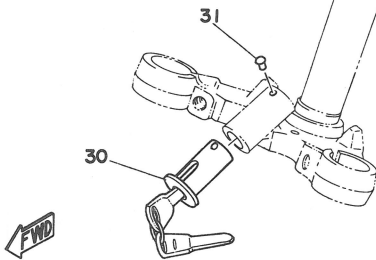
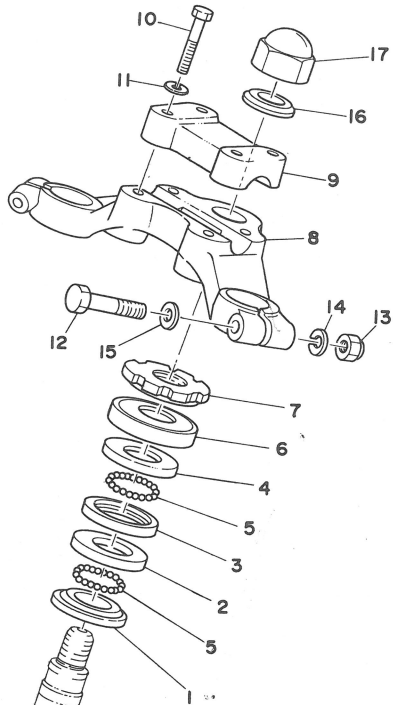
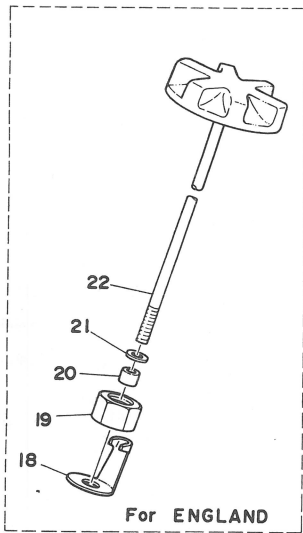
Fig. 22 STEERING



STEERING

Ref. No.	Parts No.	Description	Q'ty	FRANCE	HOLLAND	SWITZERLAND W. GERMANY	BELGIUM	SWEDEN	FINLAND	DENMARK	NORWAY	AUSTRIA	ENGLAND	ITALY	Remarks
22- 1	156-23411-00	RACE, ball 1	1 1	x	x	x	x			x					1 10
22- 2	156-23412-00	RACE, ball 2	1 1	x	x	x	x			x					1 10
22- 3	183-23412-00	RACE, ball 2	1 1	x	x	x	x			x					1 10
22- 4	183-23411-00	RACE, ball 1	1 1	x	x	x	x			x					1 10
22- 5	93501-04011	BALL (1/4 inch)	38 38	x	x	x	x			x					3
22- 6	136-23415-00	COVER, ball race	1 1	x	x	x	x			x					18
22- 7	90179-25033	NUT (137-23454-00)	1 1	x	x	x	x			x					
22- 8	535-23435-00-98	CROWN, handle	1	x	x	x	x			x					Frosting Black
	337-23435-00-98	CROWN, handle	1										x		Frosting Black
22- 9	164-23441-00-98	HOLDER, handle upper	1 1	x	x	x	x			x			x		Frosting Black
22-10	97304-08035	BOLT, hexagon	4 4	x	x	x	x			x			x		
22-11	92901-08100	WASHER, spring	4 4	x	x	x	x			x			x		
22-12	97303-08050	BOLT, hexagon	2	x	x	x	x			x					
22-13	95303-08800	NUT, crown	2	x	x	x	x			x					
22-14	92901-08100	WASHER, spring	2	x	x	x	x			x					
22-15	90201-08083	WASHER, plate	2	x	x	x	x			x					
22-16	90209-17057	WASHER (174-23443-00)	1 1	x	x	x	x			x			x		
22-17	90176-16016	NUT, cap	1 1	x	x	x	x			x			x		
22-18	246-23428-00	SPRING, damper	1										x		
22-19	90170-16164	NUT, hexagon	1										x		
22-20	90202-06008	WASHER, plate (141-23427-00)	1										x		
22-21	90201-06061	WASHER, plate (156-23418-00)	1										x		
22-22	307-23419-00	SHAFT, damper	1										x		
22-23	174-23421-00	PLATE, damper 1	1										x		
22-24	183-23422-00	PLATE, damper 2	1										x		
22-25	174-23425-00	DAMPER, friction	1										x		
22-26	90179-06032	NUT (174-23453-00)	1										x		

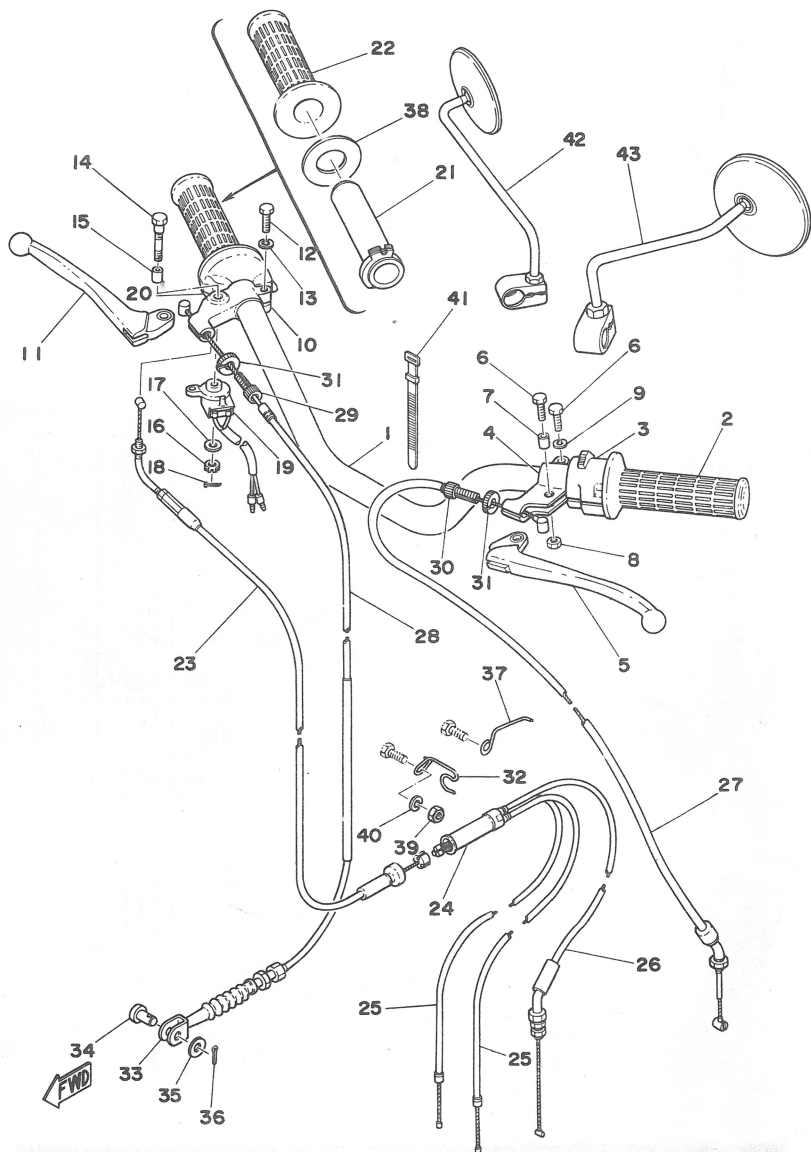
Fig. 22 STEERING



STEERING

Ref. No.	Parts No.	Description	Q'ty												Remarks				
				FRANCE	HOLLAND	W. GERMANY	SWITZERLAND	BELGIUM	SWEDEN	FINLAND	DENMARK	GERMANY	NORWAY	AUSTRIA		ENGLAND	ITALY		
22-27	156-83525-00	CLIP	1															x	
22-28	97301-06010	BOLT	1															x	
22-29	92901-06100	WASHER, spring	1															x	
22-30	122-23480-00	STEERING LOCK ASS'Y ..	1 1	x				x									x	x	
22-31	122-23483-00	RIVET, screw	1 1	x				x									x	x	

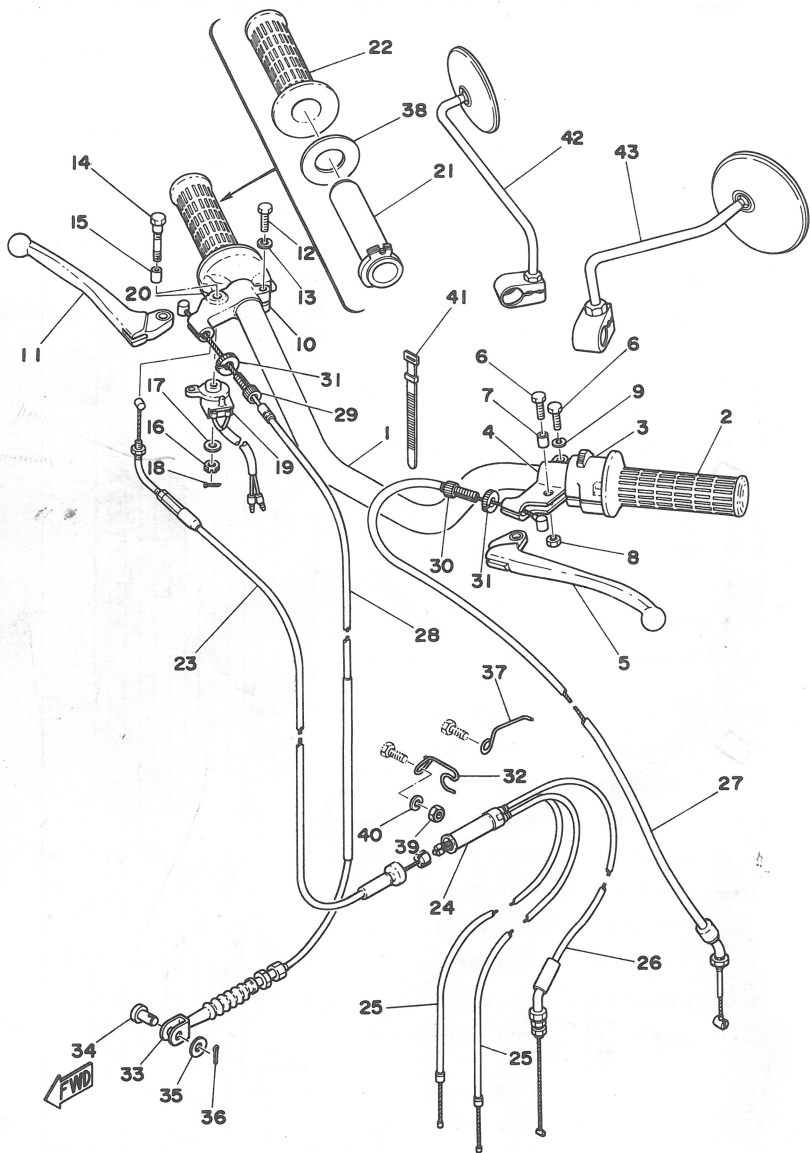
Fig. 23 HANDLE · WIRE (ENGLAND)



HANDLE · WIRE (ENGLAND)

Ref. No.	Parts No.	Description	Q'ty												Remarks		
				200 200DX	FRANCE	HOLLAND	WEST GERMANY	SWITZERLAND	BELGIUM	SWEDEN	FINLAND	DENMARK	NORWAY	AUSTRIA		ENGLAND	ITALY
23- 1	174-26111-00-93	HANDLE	1													x	STD
	337-26111-00	HANDLE	1													x	Up
	307-26111-20	HANDLE	1													x	Bar
	212-26111-00	HANDLE	1													x	Bridge
23- 2	235-26241-10	GRIP, left	1													x	
23- 3	237-83972-10	SWITCH, handle 4	1													x	STD · Up · Bridge
	237-83972-20	SWITCH, handle 4	1													x	Bar
23- 0-1	214-82910-02	LEVER HOLDER ASS'Y, left	1													x	
23- 4	214-82911-01	. HOLDER, lever left ...	1													x	
23- 5	214-83912-00	. LEVER, left	1													x	
23- 6	97303-06020	. BOLT	2													x	
23- 7	214-83913-00	. COLLAR, lever	1													x	
23- 8	95301-06600	. NUT	1													x	
23- 9	92901-06100	. WASHER, spring	1													x	
23- 0-2	233-82920-32	LEVER HOLDER ASS'Y, right	1													x	
23-10	233-82921-31	. HOLDER, lever right ..	1													x	
23-11	233-83922-30	. LEVER, right	1													x	
23-12	97303-06020	. BOLT	1													x	
23-13	92901-06100	. WASHER, spring	1													x	
23-14	90109-05197	. BOLT (233-83915-01) ..	1													x	
23-15	214-83913-00	. COLLAR, lever	1													x	
23-16	95301-05900	. NUT, slotted	1													x	
23-17	92901-05200	. WASHER, plain	1													x	
23-18	91401-12015	. PIN, cotter	1													x	
23-19	232-83980-30	FRONT STOP SWITCH ASS'Y	1													x	
23-20	237-83976-00	SWITCH, handle 1	1													x	
23-21	214-26243-00	TUBE, guide	1													x	

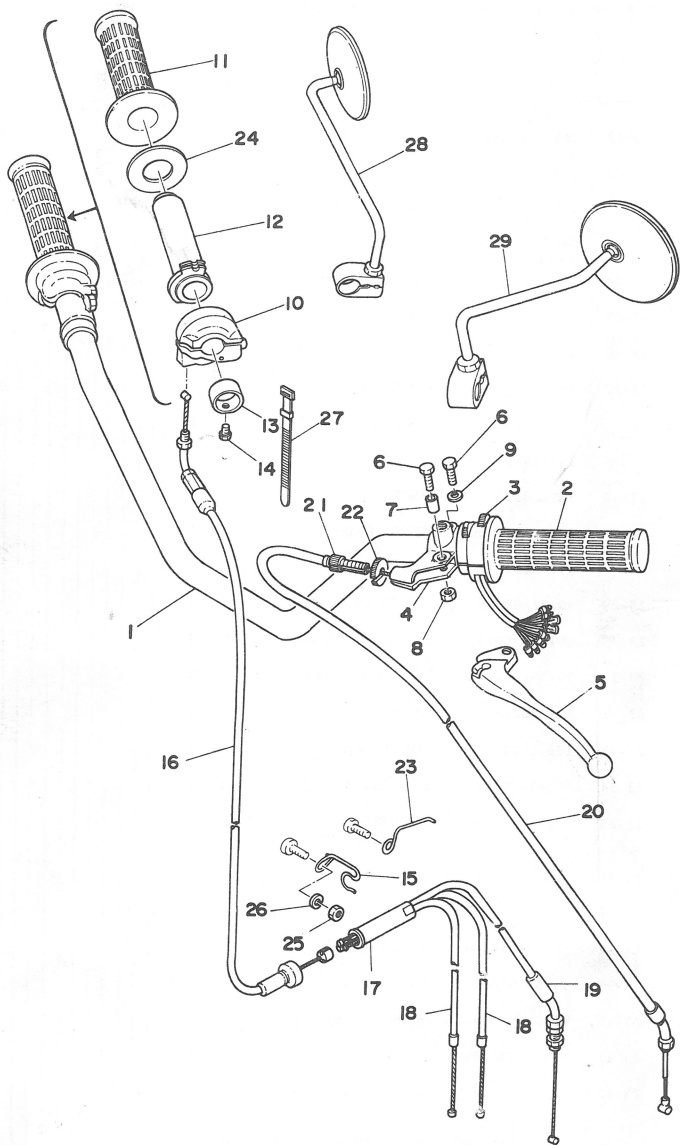
Fig. 23 HANDLE · WIRE (ENGLAND)



HANDLE · WIRE (ENGLAND)

Ref. No.	Parts No.	Description	Q'ty	200 200DX											Remarks	
				FRANCE	HOLLAND	W. GERMANY	SWITZERLAND	BELGIUM	SWEDEN	FINLAND	DENMARK	NORWAY	AUSTRIA	ENGLAND		ITALY
23-22	235-26242-10	GRIP, right	1												x	
23-23	397-26311-30	WIRE, throttle 1	1												x	STD
	397-26311-60	WIRE, throttle 1	1												x	Up · Bridge
	397-26311-20	WIRE, throttle 1	1												x	Bar
23-24	360-26261-01	CYLINDER, wire	1												x	
23-25	397-26312-01	WIRE, throttle 2	2												x	
23-26	397-26321-00	WIRE, pump	1												x	
23-27	397-26335-30	WIRE, clutch	1												x	STD
	397-26335-00	WIRE, clutch	1												x	Up · Bridge
	397-26335-20	WIRE, clutch	1												x	Bar
23-28	397-26341-30	WIRE, brake	1												x	STD
	397-26341-00	WIRE, brake	1												x	Up · Bridge
	397-26341-20	WIRE, brake	1												x	Bar
23-29	90123-08046	BOLT, wire adjusting ..	1												x	
23-30	90123-08013	BOLT (156-26346-00) ..	1												x	
23-31	90179-08148	NUT (168-26344-00) ...	2												x	
23-32	397-26278-00	CLIP, wire	1												x	
23-33	156-26347-00	JOINT, wire	1												x	
23-34	90240-08012	PIN (156-27229-00)	1												x	
23-35	90201-08083	WASHER, plate (156-27226-00)	1												x	
23-36	91401-20012	PIN, cotter	1												x	
23-37	326-26328-00	GUIDE, wire	1												x	
23-38	278-26249-00	RING, leaf	1												x	
23-39	95301-06600	NUT, hexagon	1												x	
23-40	92901-06100	WASHER, spring	1												x	
23-41	168-83936-01	BAND, switch cord ...	2												x	
23-42	407-26290-60	BACK MIRROR ASS'Y, right	1												x	
23-43	407-26290-50	BACK MIRROR ASS'Y, left	1												x	Optional Parts

Fig. 24 HANDLE · WIRE

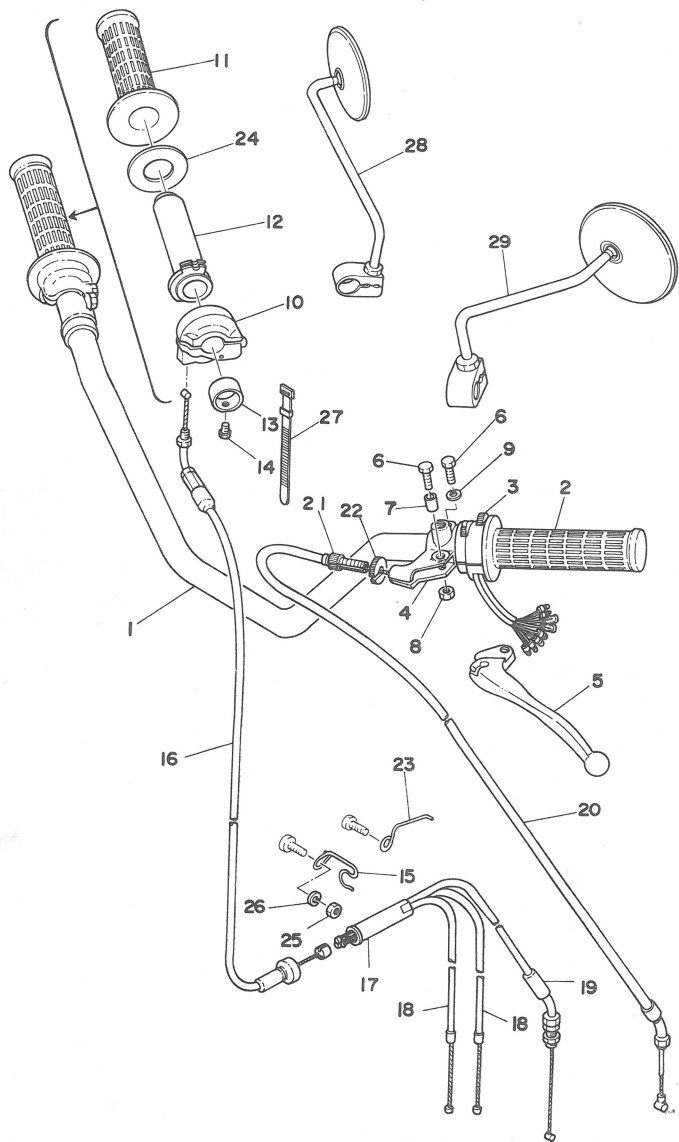


FWD

HANDLE · WIRE

Ref. No.	Parts No.	Description	Q'ty	200 200DX											Remarks		
				FRANCE	HOLLAND	W. GERMANY	SWITZERLAND	BRITAIN	SWEDEN	FINLAND	DENMARK	NORWAY	AUSTRIA	ENGLAND		ITALY	
24- 1	337-26111-00	HANDLE	1	x	x	x	x	x									Up
	416-26111-20	HANDLE	1	x	x	x	x	x									Bar
	212-26111-00	HANDLE	1	x	x	x	x	x									Bridge
24- 2	235-26241-10	GRIP, left	1	x	x	x	x	x									
24- 3	237-83972-10	SWITCH, handle 4	1	x	x	x	x	x									Up · Bridge
	237-83972-00	SWITCH, handle 4	1	x	x	x	x	x									Bar
24- 0-1	498-82910-10	LEVER HOLDER ASS'Y, left	1	x	x	x	x	x									
24- 4	498-82911-00	. HOLDER, lever left ...	1	x	x	x	x	x									
24- 5	214-83912-00	. LEVER, left	1	x	x	x	x	x									
24- 6	97303-06020	. BOLT	2	x	x	x	x	x									
24- 7	214-83913-00	. COLLAR, lever	1	x	x	x	x	x									
24- 8	95301-06600	. NUT	1	x	x	x	x	x									
24- 9	92901-06100	. WASHER, spring	1	x	x	x	x	x									
24-10	237-83976-00	SWITCH, handle 1	1	x	x	x	x	x									
24-11	235-26242-10	GRIP, right	1	x	x	x	x	x									
24-12	214-26243-00	TUBE, guide	1	x	x	x	x	x									
24-13	351-26259-00-98	COLLAR	1	x	x	x	x	x									Frosting Black
24-14	98501-05008	SCREW, panhead	1	x	x	x	x	x									
24-15	397-26278-00	CLIP, wire	1	x	x	x	x	x									
24-16	397-26311-60	WIRE, throttle 1	1	x	x	x	x	x									Up · Bridge
	397-26311-20	WIRE, throttle 1	1	x	x	x	x	x									Bar
24-17	360-26261-01	CYLINDER, wire	1	x	x	x	x	x									
24-18	397-26312-01	WIRE, throttle 2	2	x	x	x	x	x									
24-19	397-26321-00	WIRE, pump	1	x	x	x	x	x									
24-20	397-26335-00	WIRE, clutch	1	x	x	x	x	x									Up · Bridge
	397-26335-20	WIRE, clutch	1	x	x	x	x	x									Bar
24-21	90123-08046	BOLT (156-26346-00) ...	1	x	x	x	x	x									
24-22	90179-08148	NUT (168-26344-00)	1	x	x	x	x	x									

Fig. 24 HANDLE · WIRE

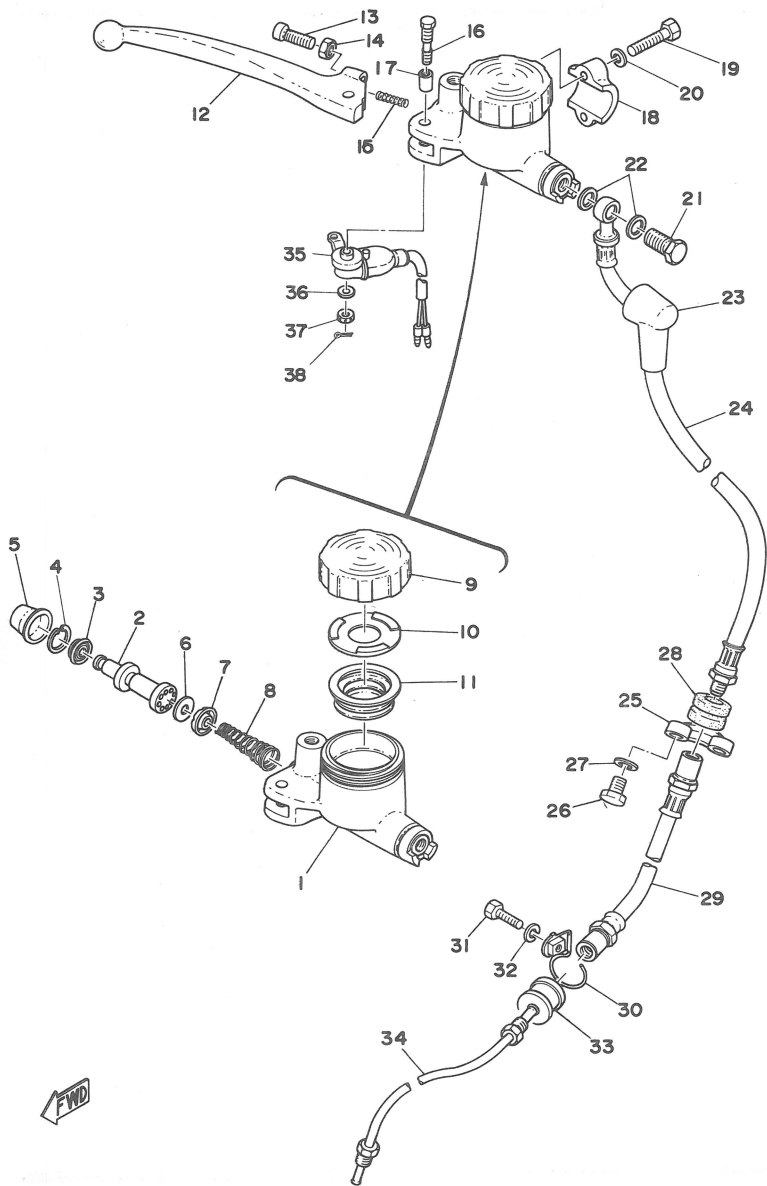


FWD

HANDLE · WIRE

Ref. No.	Parts No.	Description	Q'ty	200 200DX											Remarks		
				FRANCE	HOLLAND	W. GERMANY	SWITZERLAND	BELGIUM	SWEDEN	FINLAND	DENMARK	NORWAY	AUSTRIA	ENGLAND		ITALY	
24-23	326-26328-00	GUIDE, wire	1	x	x	x	x	x									
24-24	278-26249-00	RING, leaf	1	x	x	x	x	x									
24-25	95301-06600	NUT, hexagon	1	x	x	x	x	x									
24-26	92901-06100	WASHER, spring	1	x	x	x	x	x									
24-27	168-83936-01	BAND, switch cord	2	x	x	x	x	x									
24-28	407-26290-60	BACK MIRROR ASS'Y, right	1		x	x	x	x									
	341-26290-70	BACK MIRROR ASS'Y, right	1	x													
24-29	407-26290-50	BACK MIRROR ASS'Y, left	1		x	x	x	x									Optional Parts
	341-26290-20	BACK MIRROR ASS'Y, left	1	x													Optional Parts

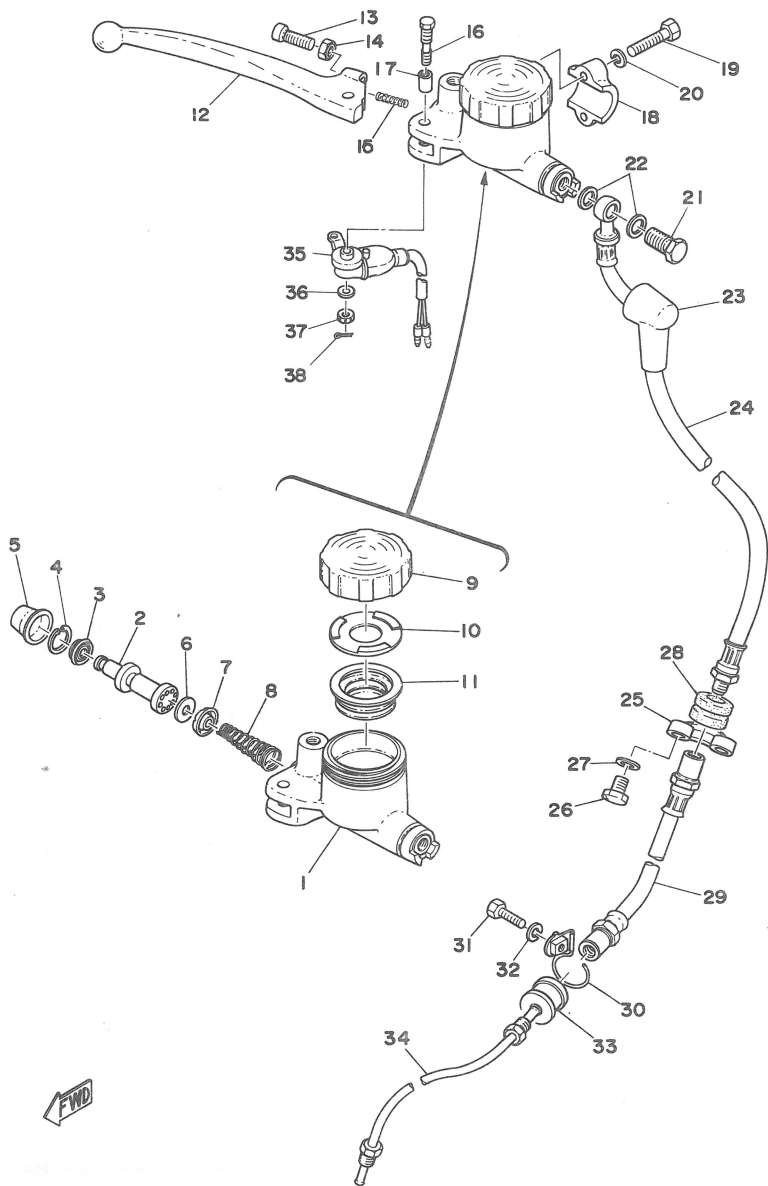
Fig. 25 MASTER CYLINDER · BRAKE HOSE



MASTER CYLINDER · BRAKE HOSE

Ref. No.	Parts No.	Description	Q'ty	200 200DX											Remarks			
				FRANCE	HOLLAND	W. GERMANY	SWITZERLAND	BELGIUM	SWEDEN	FINLAND	DENMARK	NORWAY	AUSTRIA	ENGLAND		ITALY		
25- 0-1	535-25850-60	MASTER CYLINDER ASS'Y	1	x	x	x	x	x										
25- 0-2	535-20000-60	. CYLINDER KIT, master (Ref. No. 2~9)	1	x	x	x	x	x	x									
25- 9	341-25852-00	. CAP, reservoir	1	x	x	x	x	x	x									
25-10	341-25855-30	. PLATE, diaphragm ..	1	x	x	x	x	x	x									
25-11	341-25854-00	. DIAPHRAGM, reservoir	1	x	x	x	x	x	x									
25-12	306-83922-01	LEVER, right	1	x	x	x	x	x	x									
25-13	90146-06005	SCREW (306-83928-01) ..	1	x	x	x	x	x	x									
25-14	90170-06010	NUT, hexagon (306-83927-00)	1	x	x	x	x	x	x									
25-15	90501-10312	SPRING (306-83924-00) ..	1	x	x	x	x	x	x									
25-16	90109-06103	BOLT (306-83925-00) ..	1	x	x	x	x	x	x									
25-17	90179-06171	NUT (306-83923-00) ...	1	x	x	x	x	x	x									
25-18	341-25867-00	BRACKET, master	1	x	x	x	x	x	x									
25-19	97321-06025	BOLT, hexagon	2	x	x	x	x	x	x									
25-20	92901-06100	WASHER, spring	2	x	x	x	x	x	x									
25-21	90401-10034	BOLT, union	1	x	x	x	x	x	x									
25-22	90201-10118	WASHER, plate (306-25878-00)	2	x	x	x	x	x	x									
25-23	306-25862-00	BOOT, master cylinder	1	x	x	x	x	x	x									
25-24	464-25872-00	HOSE, brake 1	1	x	x	x	x	x	x									
	416-25872-22	HOSE, brake 1	1	x	x	x	x	x	x									Alternate Parts Bar Handle
25-25	306-25875-00	HOLDER, brake hose 1	1	x	x	x	x	x	x									
25-26	97301-06020	BOLT, hexagon	2	x	x	x	x	x	x									
25-27	92901-06100	WASHER, spring	2	x	x	x	x	x	x									
25-28	341-25881-00	RUBBER, brake hose ..	1	x	x	x	x	x	x									
25-29	306-25873-03	HOSE, brake 2	1	x	x	x	x	x	x									
25-30	404-25876-00	HOLDER, brake hose 2	1	x	x	x	x	x	x									
25-31	97301-06025	BOLT, hexagon	1	x	x	x	x	x	x									
25-32	92901-06100	WASHER, spring	1	x	x	x	x	x	x									

Fig. 25 MASTER CYLINDER · BRAKE HOSE

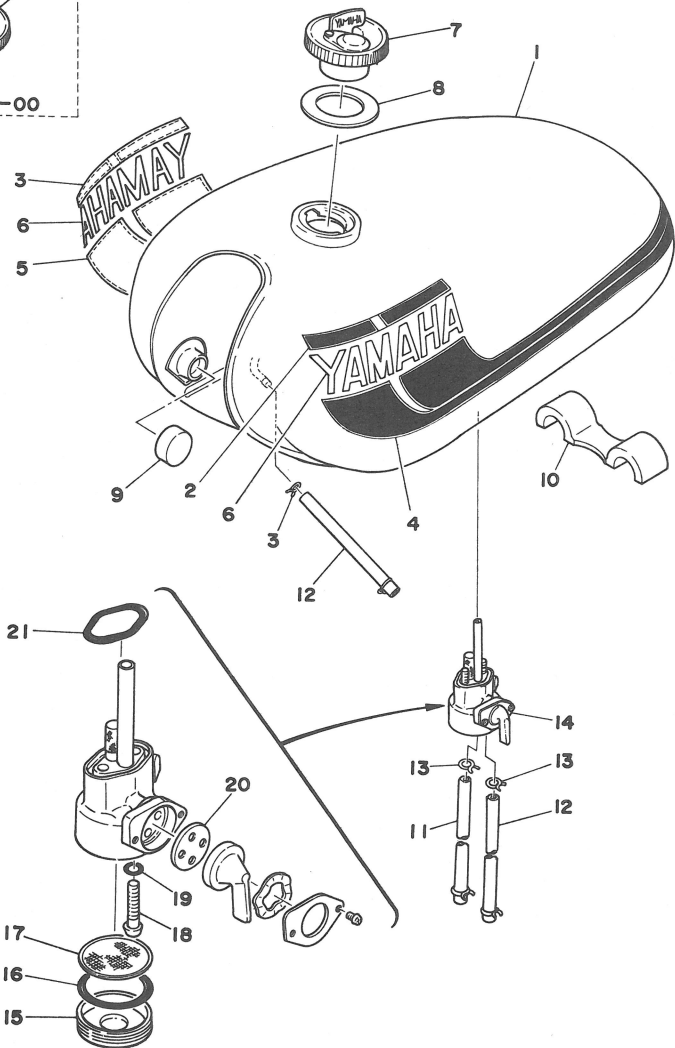
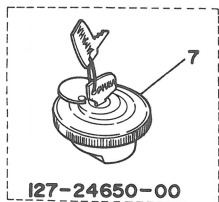


FWD

MASTER CYLINDER · BRAKE HOSE

Ref. No.	Parts No.	Description	Q'ty												Remarks			
				200	200DX	FRANCE	HOLLAND	W. GERMANY	SWITZERLAND	BELGIUM	SWEDEN	FINLAND	DENMARK	NORWAY		AUSTRIA	ENGLAND	ITALY
25-33	306-25881-00	RUBBER, brake hose ...	1		x	x	x	x					x					
25-34	404-25871-01	PIPE, brake	1	x	x	x	x	x					x					
25-35	404-83980-30	FRONT STOP SWITCH ASS'Y	1	x	x	x	x	x					x					
25-36	92901-05200	WASHER, plain	1	x	x	x	x	x					x					
25-37	95301-05900	NUT, slotted	1	x	x	x	x	x					x					
25-38	91401-12015	PIN, cotter	1	x	x	x	x	x					x					

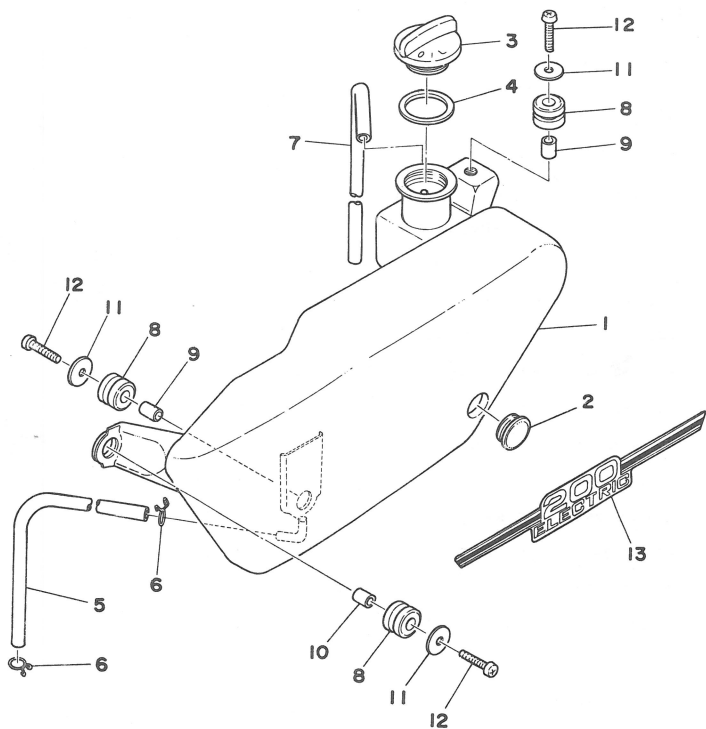
Fig. 26 FUEL TANK



FUEL TANK

Ref. No.	Parts No.	Description	Q'ty		Applicable Machine No.	Remarks
				200 200DX		
26- 1	398-24110-11-W5	FUEL TANK COMP.	1	1		High Sparkle Blue
26- 2	479-24244-00	. GRAPHIC, fuel tank upper left	1	1		
26- 3	479-24245-00	. GRAPHIC, fuel tank upper right	1	1		
26- 4	479-24246-00	. GRAPHIC, fuel tank under left	1	1		
26- 5	479-24247-00	. GRAPHIC, fuel tank under right	1	1		
26- 6	322-24161-00	. EMBLEM, fuel tank	2	2		
26- 7	417-24602-01	CAP ASS'Y	1	1		
	127-24650-00	CAP ASS'Y		1		Destined for W. GERMANY
26- 8	498-24612-00	. PACKING, cap	1	1		
26- 9	122-24181-00	DAMPER, locating	2	2		
26-10	307-24182-00	DAMPER, locating	1	1		
26-11	90445-09078	HOSE (132-24311-00 5-190)	1	1		
26-12	90445-09083	HOSE (137-24331-00 5-155)	2	2		
26-13	90467-08003	CLIP (101-24356-00)	6	6		
26-14	360-24500-00	FUEL COOK ASS'Y	1	1		
26-15	360-24521-00	. CUP, filter	1	1		
26-16	168-24522-00	. GASKET, filter	1	1		
26-17	360-24515-00	. NET, filter	1	1		
26-18	92501-06025	. SCREW, panhead	2	2		
26-19	360-24512-00	. GASKET	2	2		
26-20	137-24523-00	. VALVE	1	1		
26-21	168-24512-00	. GASKET, body	1	1		

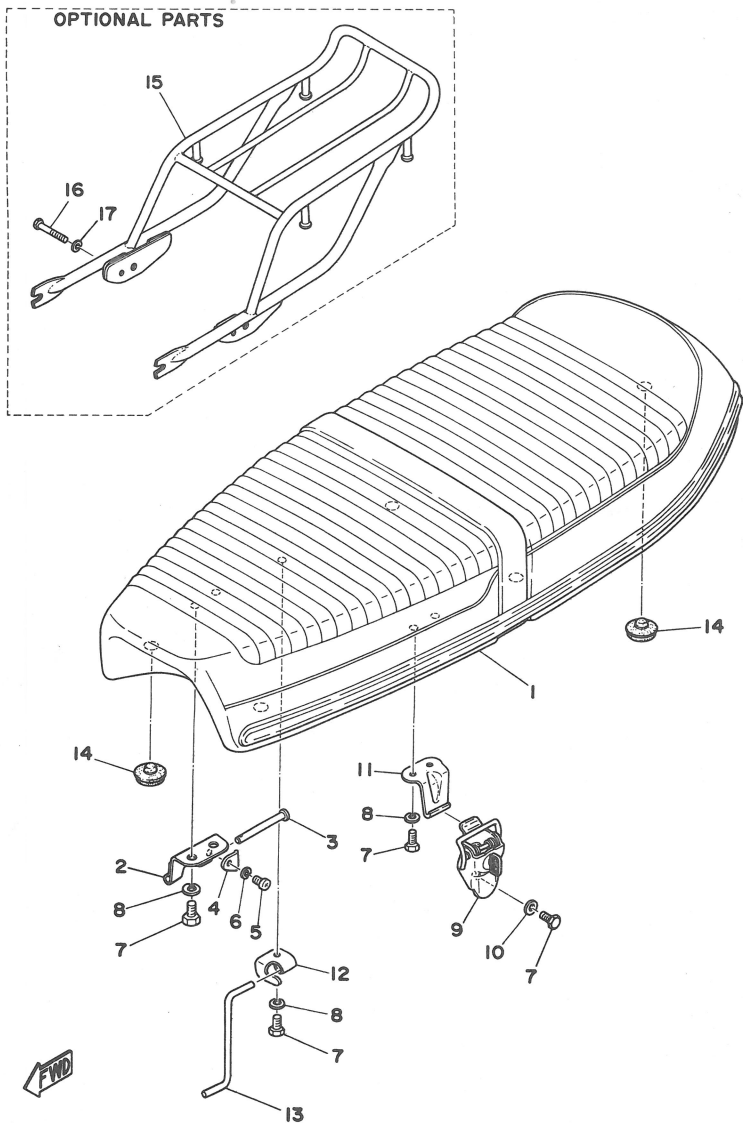
Fig. 27 OIL TANK



OIL TANK

Ref. No.	Parts No.	Description	Q'ty		Applicable Machine No.	Remarks
			200	200DX		
27- 1	417-21705-00-F7	OIL TANK COMP.	1	1		High Sparkle Blue
27- 2	360-21761-00	. GAUGE, level	1	1		
27- 3	214-21771-00	CAP, oil tank	1	1		
27- 4	90430-29114	GASKET (214-21772-00)	1	1		
27- 5	90445-09174	HOSE (248-21766-00 5-420) ...	1	1		
27- 6	90467-08003	CLIP (101-24356-00)	2	2		
27- 7	90445-08047	HOSE (168-82112-00 5-580) ...	1	1		
27- 8	90430-14102	GROMMET (214-21717-00)	3	3		
27- 9	90387-07390	COLLAR	2	2		
27-10	90387-06388	COLLAR (322-21544-00)	1	1		
27-11	90201-06067	WASHER, plate	3	3		
27-12	92501-06025	SCREW, panhead	3	3		
27-13	417-21783-31	EMBLEM 200	1	1		

Fig. 28 SEAT



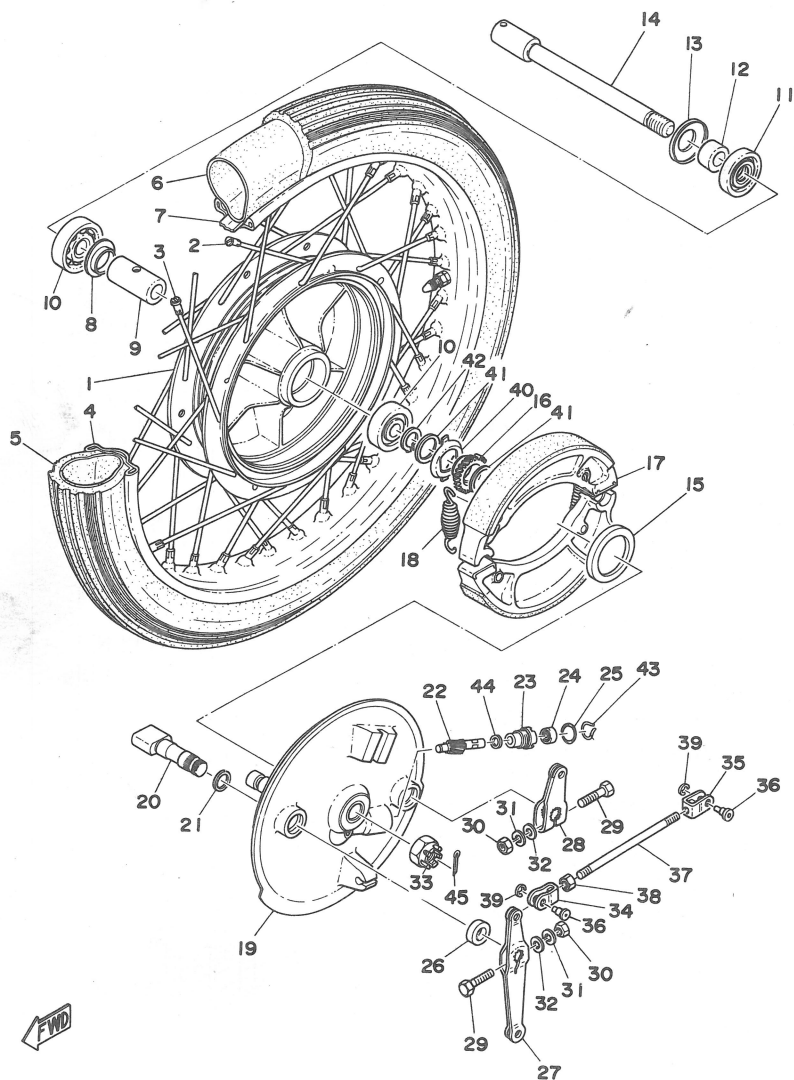
SEAT

Ref. No.	Parts No.	Description	Q'ty		Applicable Machine No.	Remarks
				200 200DX		
28- 1	398-24730-02	DOUBLE SEAT ASS'Y	1	1		
28- 1-1	398-24731-00	. COVER, double seat	1	1		
28- 2	389-24726-00	HINGE, seat	2	2		
28- 3	91501-05055	PIN, clevis	2	2		
28- 4	389-24756-00	STOPPER	2	2		
28- 5	92501-06008	SCREW, panhead	2	2		
28- 6	92901-06100	WASHER, spring	2	2		
28- 7	97301-06012	BOLT	8	8		
28- 8	92901-06100	WASHER, spring	7	7		
28- 9	353-24705-04	SEAT LEVER ASS'Y	1	1		
28-10	92901-06200	WASHER, plate	1	1		
28-11	278-24728-00	BRACKET, seat	1	1		
28-12	276-24748-00	BRACKET, seat stoper	1	1		
28-13	337-24768-00	STOPPER, seat	1	1		
28-14	174-24741-00	PAD, seat	5	5		

OPTIONAL PARTS

28-15	337-24830-00	SUB CARRIER ASS'Y	1	1		Except W. Germany
28-16	97301-06050	BOLT	2	2		
28-17	92901-06100	WASHER, spring	2	2		

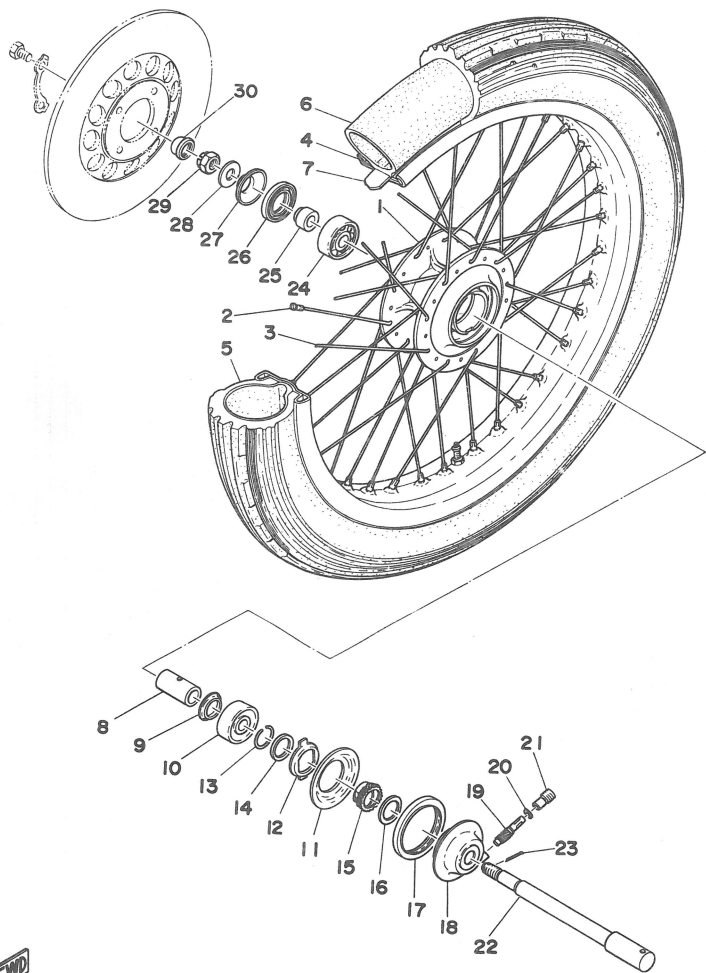
Fig. 29 FRONT WHEEL (ENGLAND)



FRONT WHEEL

Ref. No.	Parts No.	Description	Q'ty	200 200DX											Remarks		
				FRANCE	HOLLAND	W. GERMANY	SWITZERLAND	BELGIUM	SWEDEN	FINLAND	DENMARK	NORWAY	AUSTRIA	ENGLAND		ITALY	
30- 1	404-25111-00	HUB, front	1	x	x	x		x					x				
30- 0-1	404-25104-00	SPOKE SET	1s	x	x			x					x				
30- 2	404-25196-90	. SPOKE SET, inner (10PCS)	1s	x	x			x					x				
30- 3	404-25197-90	. SPOKE SET, outer (10PCS)	1s	x	x			x					x				
	416-25104-10	SPOKE SET	1s			x											
	416-25196-80	. SPOKE SET, inner (10PCS)	1s			x											
	416-25197-80	. SPOKE SET, inner (10PCS)	1s			x											
30- 4	94416-18094	RIM (1.60A-18)	1	x	x			x					x				
	94418-18084	RIM (1.85B-18)	1			x											
30- 5	94127-18024	TIRE (2.75-18-4PR)	1	x	x	x		x					x				
30- 6	94227-18009	TUBE (2.75-18)	1	x	x	x		x					x				
30- 7	94327-18008	BAND, rim (2.75-18)	1	x	x	x		x					x				
30- 8	404-25117-00	SPACER, bearing	1	x	x	x		x					x				
30- 9	148-25115-00	FLANGE, spacer	1	x	x	x		x					x				
30-10	93306-30203	BEARING (B6302Z)	1	x	x	x		x					x				
30-11	341-25846-00	RETAINER, clutch	1	x	x	x		x					x				
30-12	341-25149-00	CLUTCH, meter	1	x	x	x		x					x				
30-13	341-25137-00	RING, stop	1	x	x	x		x					x				
30-14	90201-25286	WASHER, plate (341-25147-00)	1	x	x	x		x					x				
30-15	404-25135-00	GEAR, drive	1	x	x	x		x					x				
30-16	90201-25490	WASHER (152-17226-00)	1	x	x	x		x					x				
30-17	93105-45017	OIL SEAL (SDD-45-56-6)	1	x	x	x		x					x				
30-18	404-25191-00	HOUSING, gear unit	1	x	x	x		x					x				
30-19	404-25138-00	GEAR, meter	1	x	x	x		x					x				
30-20	102-18416-00	WASHER	1	x	x	x		x					x				
30-21	306-25136-00	BUSHING	1	x	x	x		x					x				

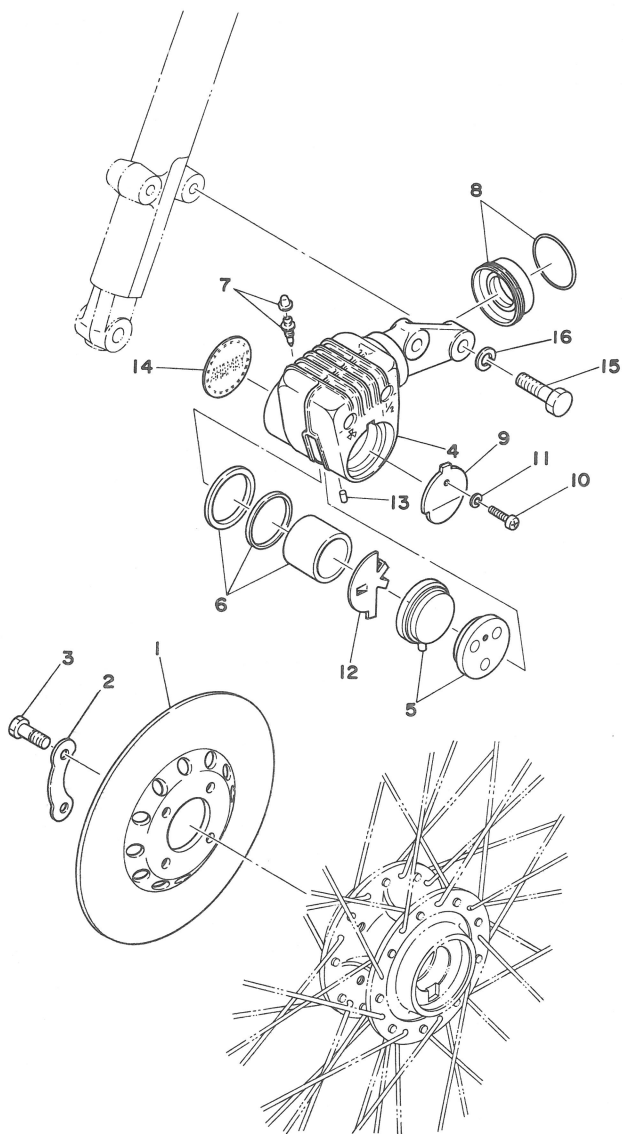
Fig. 30 FRONT WHEEL



FRONT WHEEL

Ref. No.	Parts No.	Description	Q'ty	200 200DX											Remarks		
				FRANCE	HOLLAND	W. GERMANY	SWITZERLAND	BELGIUM	FINLAND	DENMARK	NORWAY	AUSTRIA	ENGLAND	ITALY			
30-22	404-25181-00	SHAFT, wheel	1	x	x	x	x										
30-23	91401-30030	PIN, cotter	1	x	x	x	x										
30-24	93306-30203	BEARING (B6302Z)	1	x	x	x	x										
30-25	90387-15256	COLLAR (404-25183-00)	1	x	x	x	x										
30-26	93102-22014	OIL SEAL (SD-22-42-7)	1	x	x	x	x										
30-27	246-25118-00	COVER, hub dust	1	x	x	x	x										
30-28	92901-14200	WASHER, plate	1	x	x		x										
	90209-14136	WASHER	1		x												
30-29	90171-14006	NUT, castle (214-25182-09)	1	x	x	x	x										
30-30	521-25127-00	COVER, nut	1		x												

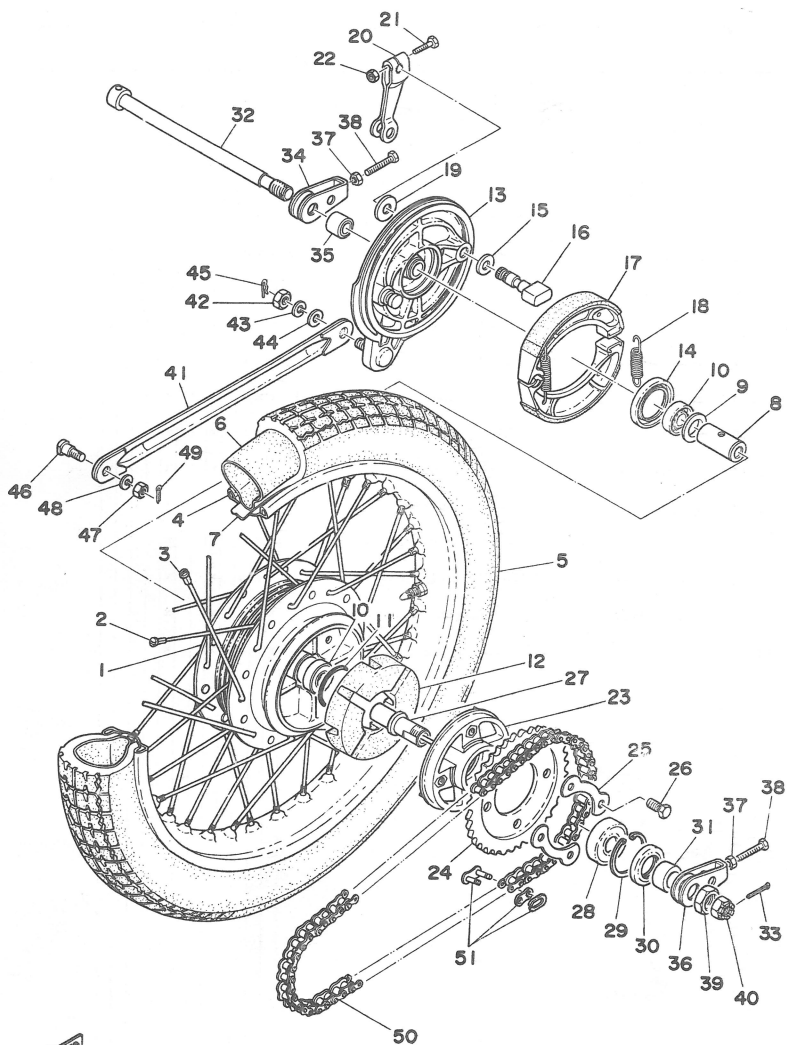
Fig. 31 DISK BRAKE · CALIPER



DISK BRAKE · CALIPER

Ref. No.	Parts No.	Description	Q'ty	200 200DX											Remarks		
				FRANCE	HOLLAND	W. GERMANY	SWITZERLAND	BELGIUM	SWEDEN	FINLAND	DENMARK	NORWAY	AUSTRIA	ENGLAND		ITALY	
31- 1	404-25831-00	DISK, brake	1	x	x	x	x										
31- 2	404-25412-00	WASHER, lock	2	x	x	x	x										
31- 3	90109-08367	BOLT	4	x	x	x	x										
31- 4	535-25810-00	CALIPER ASS'Y	1	x	x	x	x										
31- 5	404-20000-11	. PAD LINING ASS'Y ...	1s	x	x	x	x										
31- 6	404-20000-20	. PISTON ASS'Y, caliper	1s	x	x	x	x										
31- 7	404-20000-30	. BREED SCREW ASS'Y	1s	x	x	x	x										
31- 8	404-20000-41	. BOOT ASS'Y	1s	x	x	x	x										
31- 9	404-25919-00	. SUPPORT, pad	1	x	x	x	x										
31-10	98501-05012	. SCREW, panhead	1	x	x	x	x										
31-11	92901-05100	. WASHER, spring	1	x	x	x	x										
31-12	464-25827-00	. SHIM, anti squeak	1	x	x	x	x										
31-13	535-25915-00	. RUBBER, damping	1	x	x	x	x										
31-14	306-25829-00	. EMBLEM, caliper	1	x	x	x	x										
31-15	90101-08244	BOLT, hexagon	2	x	x	x	x										
31-16	92901-06100	WASHER, spring	2	x	x	x	x										

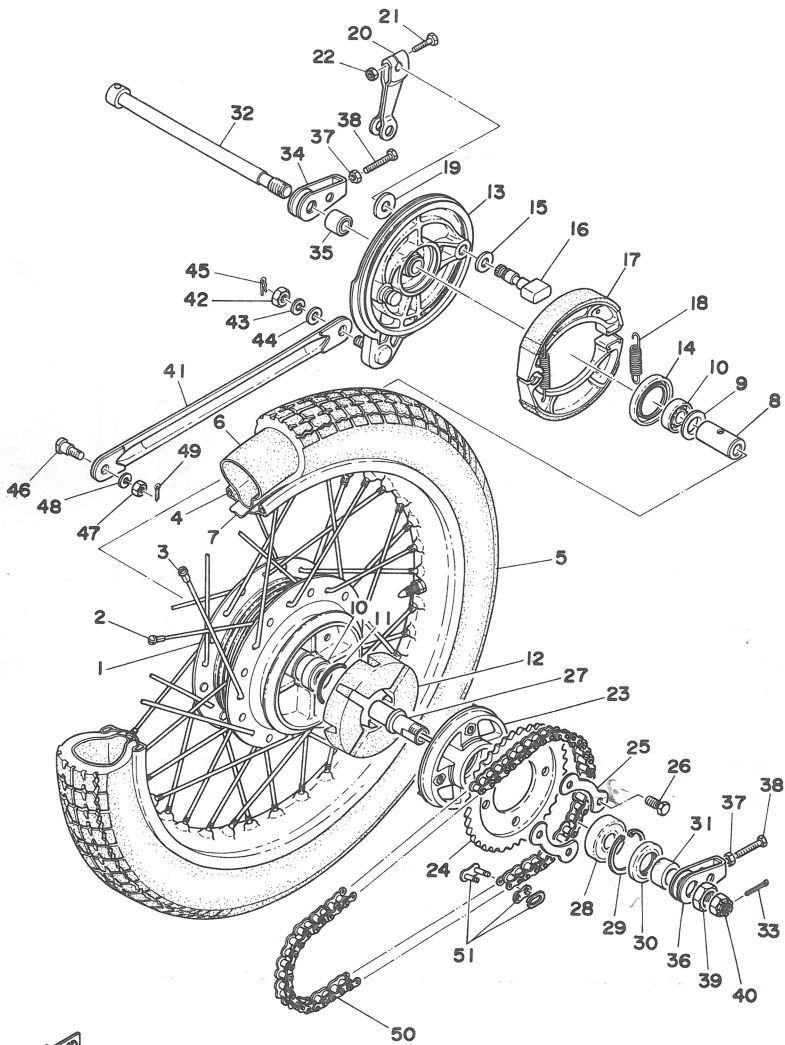
Fig. 32 REAR WHEEL



REAR WHEEL

Ref. No.	Parts No.	Description	Q'ty	200 200DX											Remarks		
				FRANCE	HOLLAND	WEST GERMANY	SWITZERLAND	BELGIUM	SWEDEN	FINLAND	DENMARK	NORWAY	AUSTRIA	ITALY			
32- 1	174-25311-00	HUB, rear	1 1	x	x	x	x	x		x		x					
32- 0-1	141-25304-00	SPOKE SET	1s 1s	x	x	x	x	x		x		x					
32- 2	141-25396-90	. SPOKE SET, inner (10PCS)	1s 1s	x	x	x	x	x		x		x					
32- 3	141-25397-90	. SPOKE SET, outer (10PCS)	1s 1s	x	x	x	x	x		x		x					
32- 4	94416-18016	RIM (1.60A-18)	1 1	x	x			x		x		x					
	94421-18152	RIM (2.15-18)	1					x									
32- 5	94130-18098	TIRE (3.00-18-4PR)	1 1	x	x			x		x		x					
	94132-18167	TIRE (3.25-18-6PR)	1					x									
32- 6	94230-18012	TUBE (3.00-18)	1 1	x	x			x		x		x					
	94232-18020	TUBE (3.25-18)	1					x									
32- 7	94327-18008	BAND, rim (2.75-18)	1 1	x	x	x		x		x		x					
32- 8	90560-15136	SPACER (136-25317-00)	1 1	x	x	x		x		x		x					
32- 9	136-25115-00	FLANGE, spacer	1 1	x	x	x		x		x		x					
32-10	93306-20204	BEARING (B6202Z)	2 2	x	x	x		x		x		x					
32-11	93210-43043	O-RING (42.5-3.0)	1 1	x	x	x		x		x		x					
32-12	174-25364-00	DAMPER, clutch	1 1	x	x	x		x		x		x					
32-13	136-25321-01	PLATE, brake shoe	1 1	x	x	x		x		x		x					
32-14	93101-42018	OIL SEAL (S-42-56-6)	1 1	x	x	x		x		x		x					
32-15	136-25153-00	SHIM, cam shaft	1 1	x	x	x		x		x		x					
32-16	136-25351-01	CAM SHAFT	1 1	x	x	x		x		x		x					
32-17	174-25330-00	BRAKE SHOE COMP.	2 2	x	x	x		x		x		x					
32-18	90506-18103	SPRING, tension (137-25133-00)	2 2	x	x	x		x		x		x					
32-19	137-25159-00	GEAL, cam shaft (12-17-2)	1 1	x	x	x		x		x		x					
32-20	337-25355-00	LEVER, cam shaft	1 1	x	x	x		x		x		x					
32-21	97303-06030	BOLT, hexagon	1 1	x	x	x		x		x		x					
32-22	95301-06600	NUT, hexagon	1 1	x	x			x		x		x					
	90185-06034	NUT U	1					x									

Fig. 32 REAR WHEEL

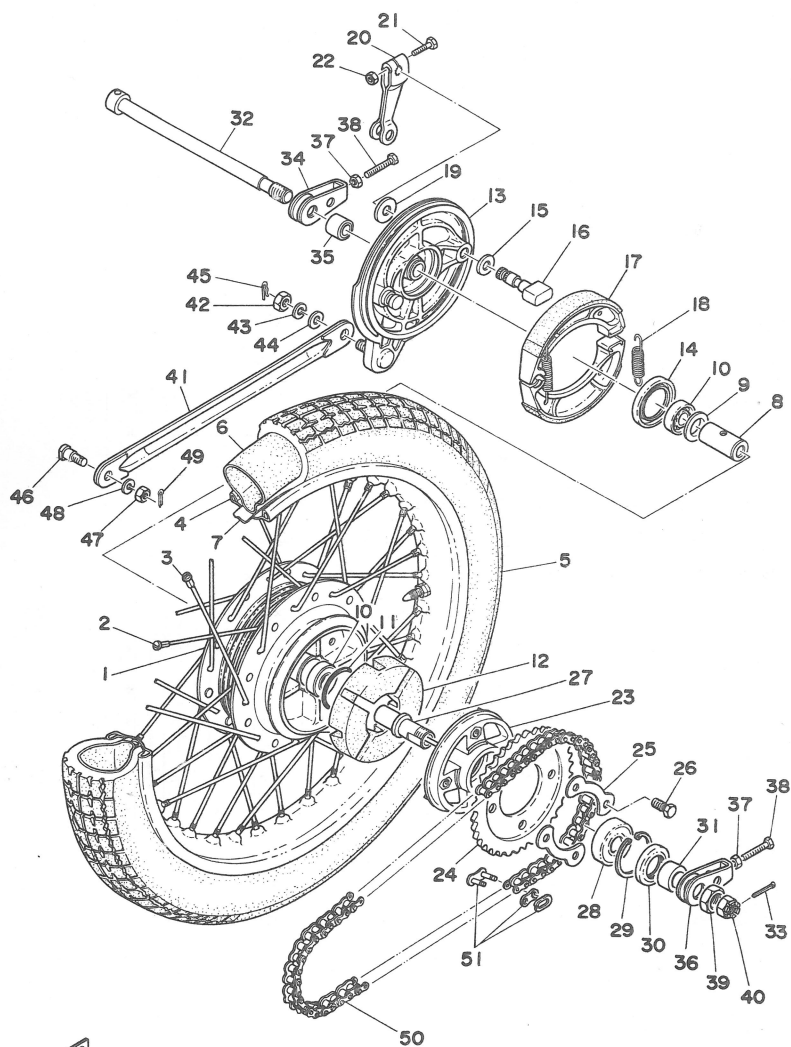


FWD

REAR WHEEL

Ref. No.	Parts No.	Description	Q'ty	200 200DX											Remarks				
				FRANCE	HOLLAND	W. GERMANY	SWITZERLAND	BELGIUM	SWEDEN	FINLAND	DENMARK	NORWAY	AUSTRIA	ENGLAND		ITALY			
32-23	174-25366-01	CLUTCH, hub	1 1	x	x	x	x	x											
32-24	174-25435-20	GEAR, sprocket wheel (35T)	} U.R.U.R. 1 1	x	x	x	x	x											
	174-25436-20	GEAR, sprocket wheel (36T)		x	x	x	x	x											STD
	174-25437-20	GEAR, sprocket wheel (37T)		x	x	x	x	x											
32-25	148-25412-00	WASHER, lock	2 2	x	x	x	x	x											
32-26	90105-10005	BOLT (141-25411-00)	4 4	x	x	x	x	x											
32-27	174-25387-00	SHAFT, sprocket wheel	1 1	x	x	x	x	x											
32-28	93306-20404	BEARING (B6204Z)	1 1	x	x	x	x	x											
32-29	93420-47008	CIRCLIP (R47)	1 1	x	x	x	x	x											
32-30	93106-30008	OIL SEAL (DD-30-47-5)	1 1	x	x	x	x	x											
32-31	90387-20160	COLLAR (174-25386-01)	1 1	x	x	x	x	x											
32-32	397-25381-00	SHAFT, wheel	1 1	x	x	x	x	x											
32-33	91401-30030	PIN, cotter	1 1	x	x	x	x	x											
32-34	174-25389-00	PULLER, chain right	1 1	x	x	x	x	x											
32-35	90387-26197	COLLAR (174-25383-00)	1 1	x	x	x	x	x											
32-36	174-25388-00	PULLER, chain left	1 1	x	x	x	x	x											
32-37	95301-06600	NUT, hexagon	2 2	x	x	x	x	x											
32-38	90101-06016	BOLT, hexagon (167-25379-00)	2 2	x	x	x	x	x											
32-39	90170-20167	NUT, hexagon	1 1	x	x	x	x	x											
32-40	90171-14006	NUT, castle (214-25182-01)	1 1	x	x	x	x	x											
32-41	256-25371-00	BAR, tension	1 1	x	x	x	x	x											
32-42	95301-10700	NUT, hexagon	1 1	x	x	x	x	x											
32-43	92901-12100	WASHER, spring	1 1	x	x	x	x	x											
32-44	92901-10600	WASHER, plate	1 1	x	x	x	x	x											
32-45	90468-12006	CLIP (136-25375-00)	1 1	x	x	x	x	x											
32-46	90109-08375	BOLT	1 1	x	x	x	x	x											
32-47	95301-08600	NUT, hexagon	1 1	x	x	x	x	x											

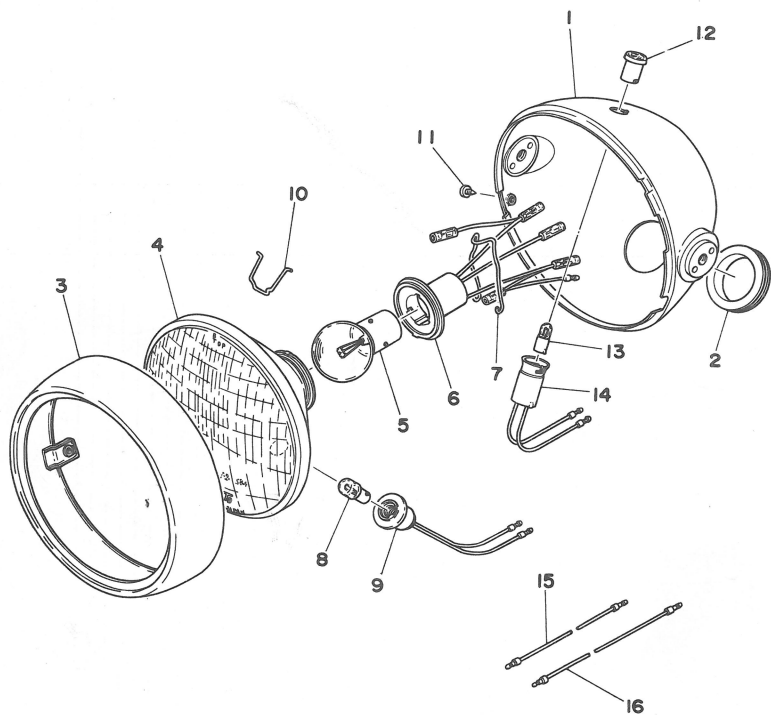
Fig. 32 REAR WHEEL



REAR WHEEL

Ref. No.	Parts No.	Description	Q'ty	200 200DX											Remarks	
				FRANCE	HOLLAND	W. GERMANY	SWITZERLAND	BEIGIUM	ENGLAND	DENMARK	SPAIN	ITALY	IRELAND	NETHERLANDS		
32-48	92901-08100	WASHER, spring	1 1	x	x	x	x	x	x	x	x	x	x	x	x	
32-49	91401-20012	PIN, cotter	1 1	x	x	x	x	x	x	x	x	x	x	x	x	
32-50	94514-28110	CHAIN (DK428T-110L)	1 1	x	x	x	x	x	x	x	x	x	x	x	x	
32-51	94614-28001	JOINT, chain	1 1	x	x	x	x	x	x	x	x	x	x	x	x	

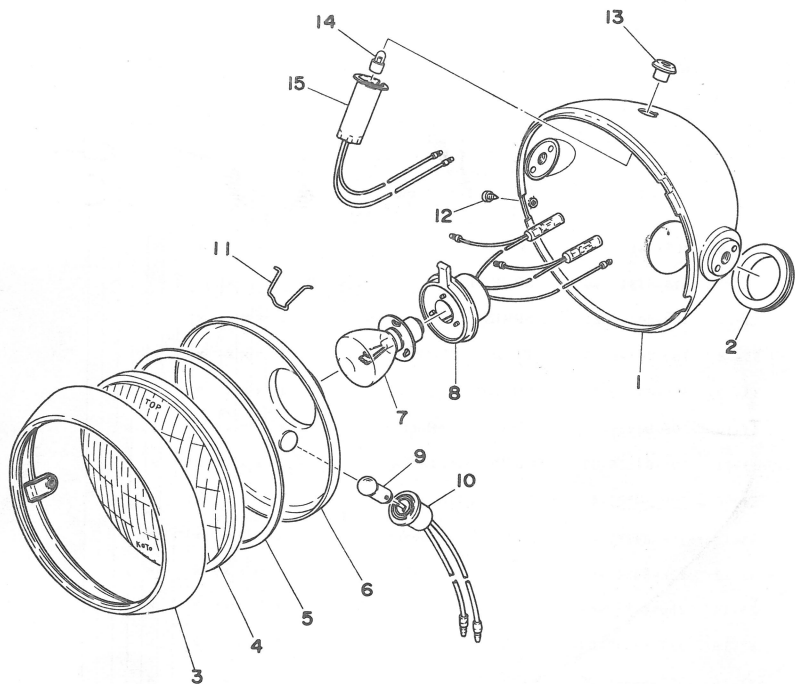
Fig. 33 HEAD LAMP



HEAD LAMP

Ref. No.	Parts No.	Description	Q'ty	200 200DX											Remarks		
				FRANCE	HOLLAND	WEST GERMANY	SWITZERLAND	BELGIUM	SPAIN	FINLAND	DENMARK	NORWAY	NETHERLANDS	ITALY			
33- 1	237-84330-60-F7	BODY ASS'Y	1	x	x	x	x	x									High Sparkle Blue
33- 2	214-84153-60	. GROMMET	1	x	x	x	x	x									
33- 0-1	307-84303-21	HEAD LAMP UNIT ASS'Y	1	x	x		x	x									
	416-84303-45	HEAD LAMP UNIT ASS'Y	1			x											
33- 3	308-84115-21	. RIM, head lamp	1	x	x	x	x	x									
33- 4	307-84320-21	. LENS ASS'Y	1	x	x		x	x									
	460-84320-45	. LENS ASS'Y	1			x											
33- 5	278-84314-21	. BULB, head lamp (12V-36/36W)	1	x	x		x	x									*
	169-84314-10	. BULB, head lamp (12V-35/35W)	1			x											*
33- 6	308-84112-21	. SOCKET	1	x	x		x	x									
	416-84312-40	. SOCKET	1			x											
33- 7	308-84135-21	. SPRING	1	x	x	x	x	x									
33- 8	169-84346-10	. BULB (12V-4W)	1	x	x	x	x	x									*
33- 9	306-84346-40	. SOCKET	1	x	x	x	x	x									
33-10	308-84124-20	. SPRING, reflector set	4	x	x	x	x	x									
33-11	195-84325-00	SCREW, rim fitting	1	x	x	x	x	x									
33- 0-2	306-84301-40	PILOT LAMP ASS'Y	1	x	x	x	x	x									
33-12	306-84357-40	. BODY, high beam	1	x	x	x	x	x									
33-13	256-84347-00	. BULB (12V-2W)	1	x	x	x	x	x									
33-14	256-84350-61	. SOCKET CORD ASS'Y	1	x	x	x	x	x									
33-15	337-84348-00	WIRE, lead 1	1	x	x	x	x	x									
33-16	337-84349-00	WIRE, lead 2	1	x	x	x	x	x									

Fig. 34 HEAD LAMP (ENGLAND)



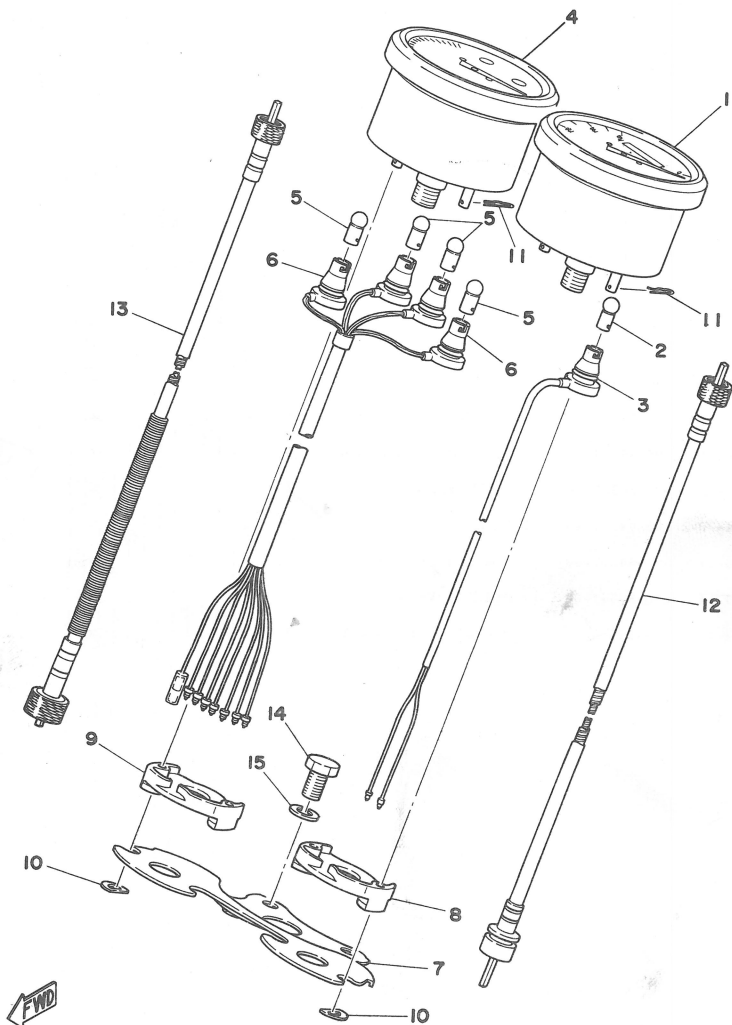
HEAD LAMP (ENGLAND)

Ref. No.	Parts No.	Description	Q'ty												Remarks	
				200	200DX	FRANCE	HOLLAND	SWITZERLAND	W. GERMANY	FINLAND	DENMARK	NORWAY	AUSTRIA	ENGLAND		ITALY
34- 1	237-84330-60-F7	BODY ASS'Y	1												x	High Sparkle Blue
34- 2	214-84153-60	. GROMMET	1												x	
34- 0-1	237-84310-30	HEAD LAMP UNIT ASS'Y	1												x	
34- 3	237-84315-30	. RIM, head lamp	1												x	
34- 4	136-84321-00	. LENS, head lamp	1												x	
34- 5	136-84322-00	. GASKET, lens	1												x	
34- 6	137-84323-30	. REFLECTOR	1												x	
34- 7	235-84314-00	. BULB, head lamp (12V-35/25W)	1												x	
34- 8	237-84312-30	. SOCKET	1												x	
34- 9	306-84347-30	. BULB (12V-3.4W)	1												x	
34-10	183-84345-30	. SOCKET, pilot lamp	1												x	
34-11	195-84324-00	. SPRING, reflector set	4												x	
34-12	195-84325-00	SCREW, rim fitting	1												x	
34- 0-2	306-84301-40	PILOT LAMP ASS'Y	1												x	
34-13	306-84357-40	. BODY, high beam	1												x	
34-14	256-84347-00	. BULB (12V-2W)	1												x	
34-15	256-84350-61	. SOCKET CORD ASS'Y	1												x	

85
 156

 241
 11

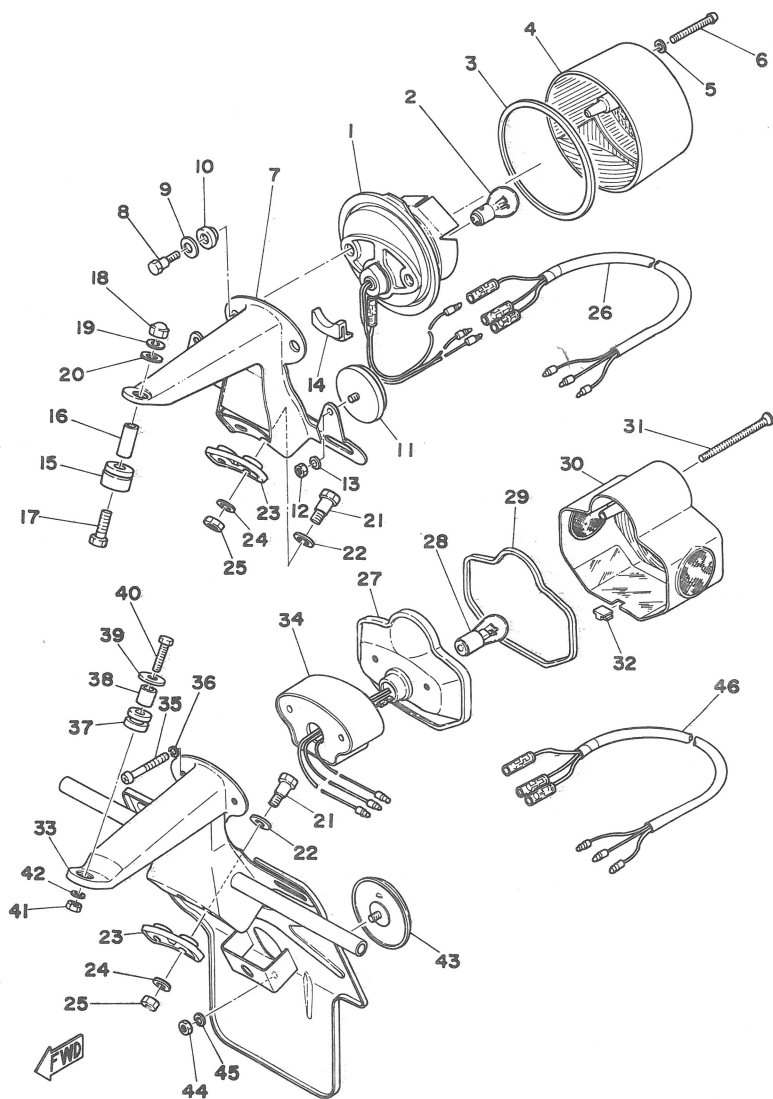
Fig. 35 SPEEDOMETER · TACHOMETER



SPEEDOMETER · TACHOMETER

Ref. No.	Parts No.	Description	Q'ty		Applicable Machine No.	Remarks
			200	200DX		
35- 1	396-83510-20	SPEEDOMETER ASS'Y	1		Km/h
	396-83510-40	SPEEDOMETER ASS'Y	1 1		Mile/h
35- 2	123-83516-20	. BULB (12V-3W)	1 1		
35- 3	235-83536-21	. SOCKET, meter	1 1		
35- 4	397-83540-00	TACHOMETER ASS'Y	1 1		
35- 5	123-83516-20	. BULB (12V-3W)	4 4		
35- 6	337-83520-00	. SOCKET ASS'Y	1 1		
35- 7	337-83519-00-33	BRACKET, meter	1 1		Yamaha Black
35- 8	214-83523-00	DAMPER	1 1		
35- 9	237-83523-00	DAMPER	1 1		
35-10	90209-05029	WASHER (214-83524-00)	4 4		
35-11	90468-10050	CLIP (156-83525-00)	4 4		
35-12	252-83550-00	SPEEDOMETER CABLE ASS'Y	..	1		
	351-83550-00	SPEEDOMETER CABLE ASS'Y	..	1		
35-13	252-83560-00	TACHOMETER CABLE ASS'Y	..	1 1		
35-14	97301-08015	BOLT	2 2		
35-15	92901-08100	WASHER, spring	2 2		

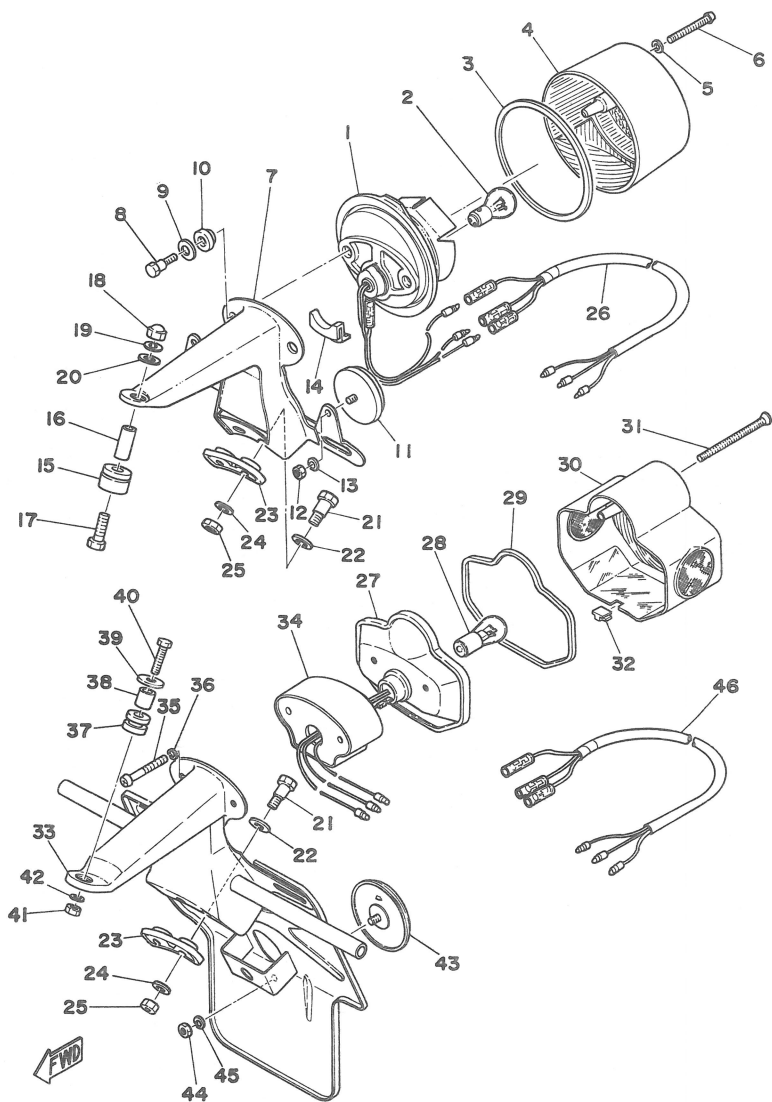
Fig. 36 TAIL LAMP



TAIL LAMP

Ref. No.	Parts No.	Description	Q'ty	200 200DX											Remarks		
				FRANCE	HOLLAND	WEST GERMANY	SWITZERLAND	BELGIUM	SWEDEN	FINLAND	DENMARK	NORWAY	AUSTRIA	ENGLAND		ITALY	
36- 0-1	460-84710-20	TAIL LAMP UNIT ASS'Y	1	x	x			x		x							
36- 1	460-84711-20	. BASE, tail lamp	1	x	x			x		x							
36- 2	306-84714-40	. BULB, tail lamp (12V-21/5W)	1	x	x			x		x							*
36- 3	275-84523-60	. GASKET, lens	1	x	x			x		x							
36- 4	456-84521-20	. LENS, tail lamp	1	x	x			x		x							
36- 5	341-84722-60	. WASHER	3	x	x			x		x							
36- 6	341-84724-60	. SCREW, lens fitting	3	x	x			x		x							
36- 7	479-84551-01-35	BRACKET, license	1	x	x			x		x							Silver
36- 8	479-84526-00	SCREW	2	x	x			x		x							
36- 9	437-84525-60	WASHER, special	2	x	x			x		x							
36-10	275-84527-60	DAMPER	2	x	x			x		x							
36-11	449-85131-00	REFLECTOR	2	x	x			x		x							
36-12	95303-05600	NUT	2	x	x			x		x							
36-13	92903-05100	WASHER, spring	2	x	x			x		x							
36-14	437-84527-60	DAMPER	1	x	x			x		x							
36-15	90480-14102	DAMPER (214-21717-00)	1	x	x	x		x		x							
36-16	90387-07390	COLLAR (214-21633-00)	1	x	x	x		x		x							
36-17	97303-06025	BOLT, hexagon	1	x	x	x		x		x							
36-18	95301-06600	NUT, hexagon	1	x	x	x		x		x							
36-19	92901-06100	WASHER, spring	1	x	x	x		x		x							
36-20	90209-06095	WASHER (102-28323-00)	1	x	x	x		x		x							
36-21	337-84752-00	BOLT, fitting	2	x	x	x		x		x							
36-22	92901-08600	WASHER, plain	2	x	x	x		x		x							
36-23	337-84753-00	DAMPER	1	x	x	x		x		x							
36-24	92901-06100	WASHER, spring	2	x	x	x		x		x							
36-25	95301-06600	NUT	2	x	x	x		x		x							
36-26	412-84517-00	CORD, tail lamp	1	x	x			x		x							
36- 0-2	278-84710-41	TAIL LAMP UNIT ASS'Y	1			x											

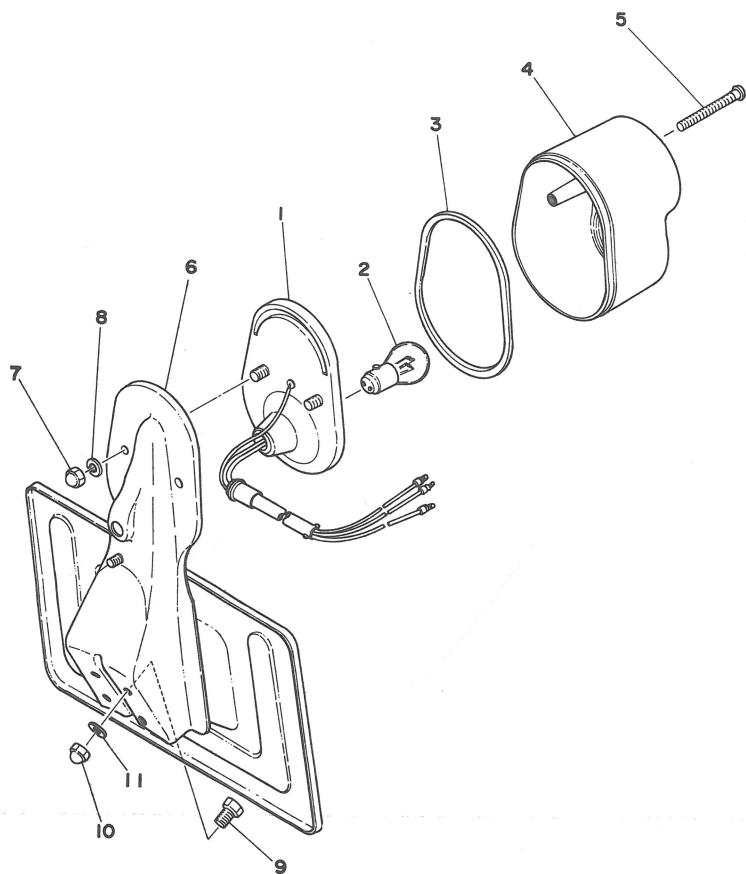
Fig. 36 TAIL LAMP



TAIL LAMP

Ref. No.	Parts No.	Description	Q'ty													Remarks		
				200	200DX	FRANCE	HOLLAND	SWITZERLAND	W. GERMANY	BELGIUM	SWEDEN	FINLAND	DENMARK	NORWAY	AUSTRIA		ENGLAND	ITALY
36-27	278-84711-41	. BASE, tail lamp	1		x													
36-28	306-84714-40	. BULB, tail lamp (12V-21/5W)	1		x													*
36-29	256-84723-60	. GASKET, lens	1		x													
36-30	306-84721-41	. LENS, tail lamp	1		x													
36-31	256-84724-60	. SCREW, lens fitting	2		x													
36-32	278-84718-40	. GROMMET	1		x													
36-33	306-84751-40-35	BRACKET, license	1		x													Silver
36-34	278-84729-40	SPACER	1		x													
36-35	92503-06045	SCREW, panhead	2		x													
36-36	92901-06100	WASHER, spring	2		x													
36-37	90480-14104	GROMMET (275-84559-00)	1		x													
36-38	90387-07004	COLLAR	1		x													
36-39	90209-06095	WASHER (102-28323-00)	1	x	x													
36-40	97303-06025	BOLT, hexagon	1	x	x													
36-41	95301-06600	NUT, hexagon	1	x	x													
36-42	92901-06100	WASHER, spring	1	x	x													
36-43	848-85131-01	REFLECTOR	1		x													
36-44	95301-05600	NUT	1		x													
36-45	92901-05100	WASHER, spring	1		x													
36-46	214-84517-00	CORD, tail lamp	1		x													

Fig. 37 TAIL LAMP (ENGLAND)

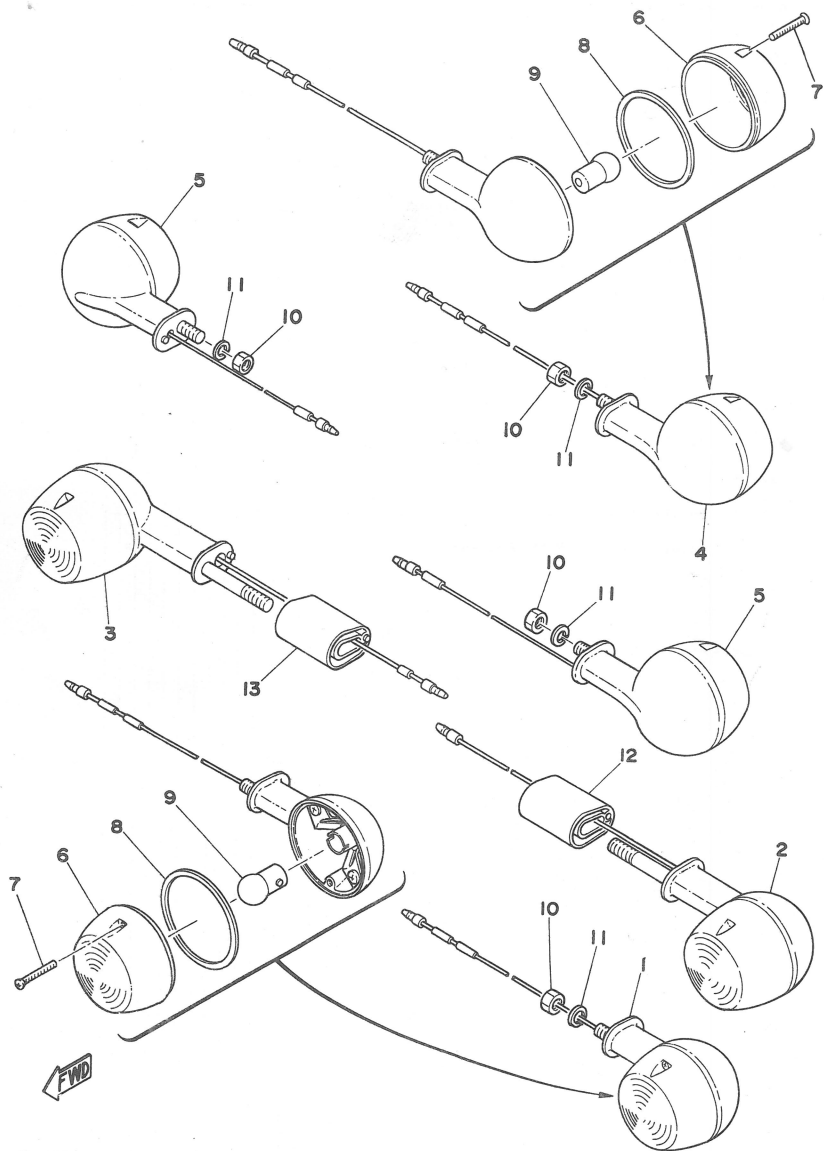


TAIL LAMP (ENGLAND)

Ref. No.	Parts No.	Description	Q'ty												Remarks		
				FRANCE	HOLLAND	W. GERMANY	SWITZERLAND	BELGIUM	SWEDEN	FINLAND	DENMARK	NORWAY	AUSTRIA	ENGLAND		ITALY	
			200 200DX														
37- 0-1	307-84710-30	TAIL LAMP UNIT ASS'Y	1														x
37- 1	307-84711-30	. BASE, tail lamp 1														x
37- 2	137-84714-61	. BULB, tail lamp (12V-23/8W) 1														x
37- 3	122-84523-30	. GASKET, tail lens 1														x
37- 4	127-84521-31	. LENS, tail lamp 1														x
37- 5	127-84524-30	. SCREW, lens fitting	.. 2														x
37- 6	168-84751-30-35	BRACKET, license 1														x
37- 7	95301-06800	NUT, crown 2														x
37- 8	92901-06100	WASHER, spring 2														x
37- 9	97301-06012	BOLT 4														x
37-10	95301-06600	NUT 4														x
37-11	92901-06100	WASHER, spring 4														x

Silver

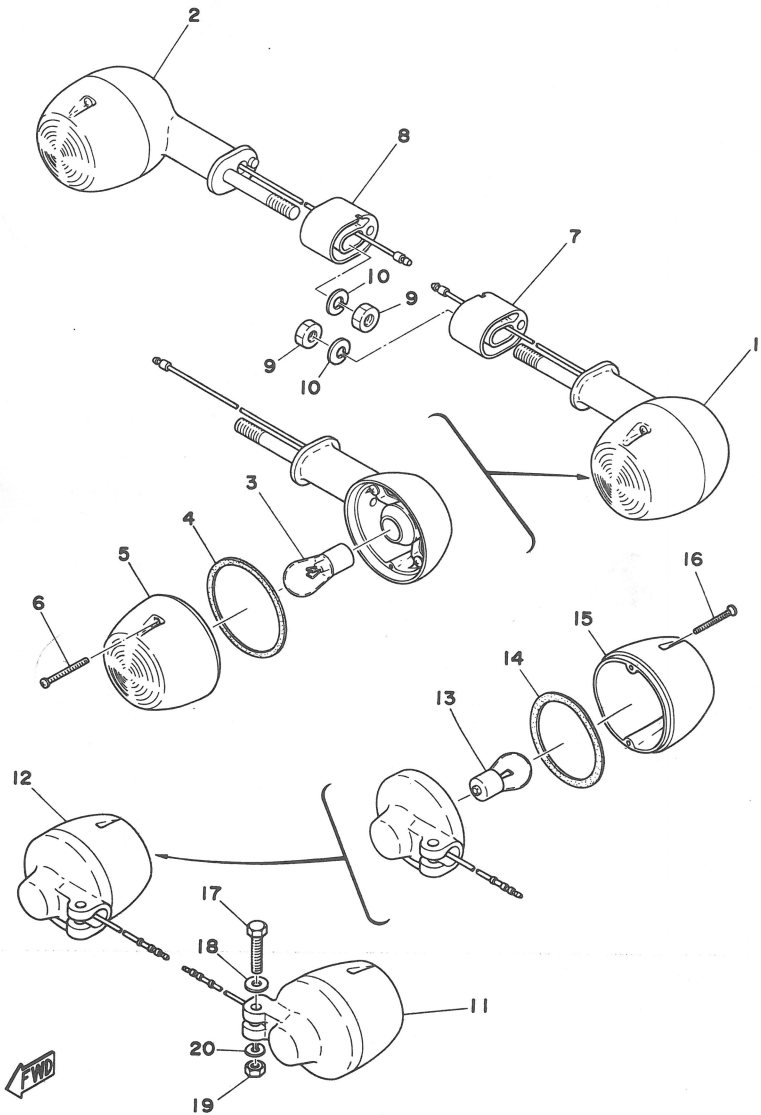
Fig. 38 FLASHER LAMP



FLASHER LAMP

Ref. No.	Parts No.	Description	Q'ty	200 200DX											Remarks
				FRANCE	HOLLAND	WEST GERMANY	SOUTH GERMANY	SWEDEN	FINLAND	DENMARK	NETHERLANDS	AUSTRIA	ENGLAND	ITALY	
38- 1	278-83310-45-93	FRONT FLASHER LAMP ASS'Y	2 2	x	x						x			x	
38- 2	416-83310-40-93	FRONT FLASHER LAMP ASS'Y, left	1						x						
38- 3	416-83320-40-93	FRONT FLASHER LAMP ASS'Y, right	1						x						
38- 4	337-83330-20-93	REAR FLASHER LAMP ASS'Y	2 2	x	x						x			x	
38- 5	235-83330-95-93	REAR FLASHER LAMP ASS'Y	2						x						
38- 6	183-83332-21	. LENS, flasher	4 4	x	x				x		x			x	
38- 7	183-83333-21	. SCREW, lens fitting	8 8	x	x				x		x			x	
38- 8	183-83313-70	. GASKET, flasher lens	4 4	x	x				x		x			x	
38- 9	136-83311-20	. BULB, flasher (12V-8W)	4 4	x	x				x		x			x	
38-10	95301-08600	NUT	4 4	x	x				x		x			x	
38-11	92901-08100	WASHER, spring	4 4	x	x				x		x			x	
38-12	260-83316-30	COLLAR, flasher 1	1						x						
38-13	260-83326-30	COLLAR, flasher 2	1						x						

Fig. 39 FLASHER LAMP (W. GERMANY)



FLASHER LAMP(W. GERMANY)

Ref. No.	Parts No.	Description	Q'ty												Remarks	
				HOLLAND	FRANCE	WEST GERMANY	SWITZERLAND	BELGIUM	SWEDEN	FINLAND	DENMARK	NORWAY	AUSTRIA	ENGLAND		ITALY
200 200DX																
39- 1	396-83310-40-93	FRONT FLASHER LAMP ASS'Y, left	1	x												
39- 2	396-83320-40-93	FRONT FLASHER LAMP ASS'Y, right	1	x												
39- 3	306-83311-40	. BULB, flasher (12V-21W)	2	x												*
39- 4	183-83313-70	. GASKET, flasher lens	2	x												
39- 5	183-83312-70	. LENS, flasher	2	x												
39- 6	183-83333-71	. SCREW, lens fitting ..	4	x												
39- 7	260-83316-30	COLLAR, flasher 1 ...	1	x												
39- 8	260-83326-30	COLLAR, flasher 2 ...	1	x												
39- 9	95301-08600	NUT	2	x												
39-10	92901-08100	WASHER, spring	2	x												
39-11	417-83330-40-93	REAR FLASHER LAMP ASS'Y, left	1	x												
39-12	417-83340-40-93	REAR FLASHER LAMP ASS'Y, right	1	x												
39-13	306-83311-40	. BULB, flasher (12V-21W)	2	x												*
39-14	306-83313-40	. GASKET, flasher lens	2	x												
39-15	306-83332-40	. LENS, flasher	2	x												
39-16	183-83333-71	. SCREW, lens fitting ...	4	x												
39-17	97303-06030	BOLT	4	x												
39-18	92903-06600	WASHER, plate	2	x												
39-19	95306-06600	NUT	2	x												
39-20	92903-06100	WASHER, spring	2	x												

Fig. 40 ELECTRICAL

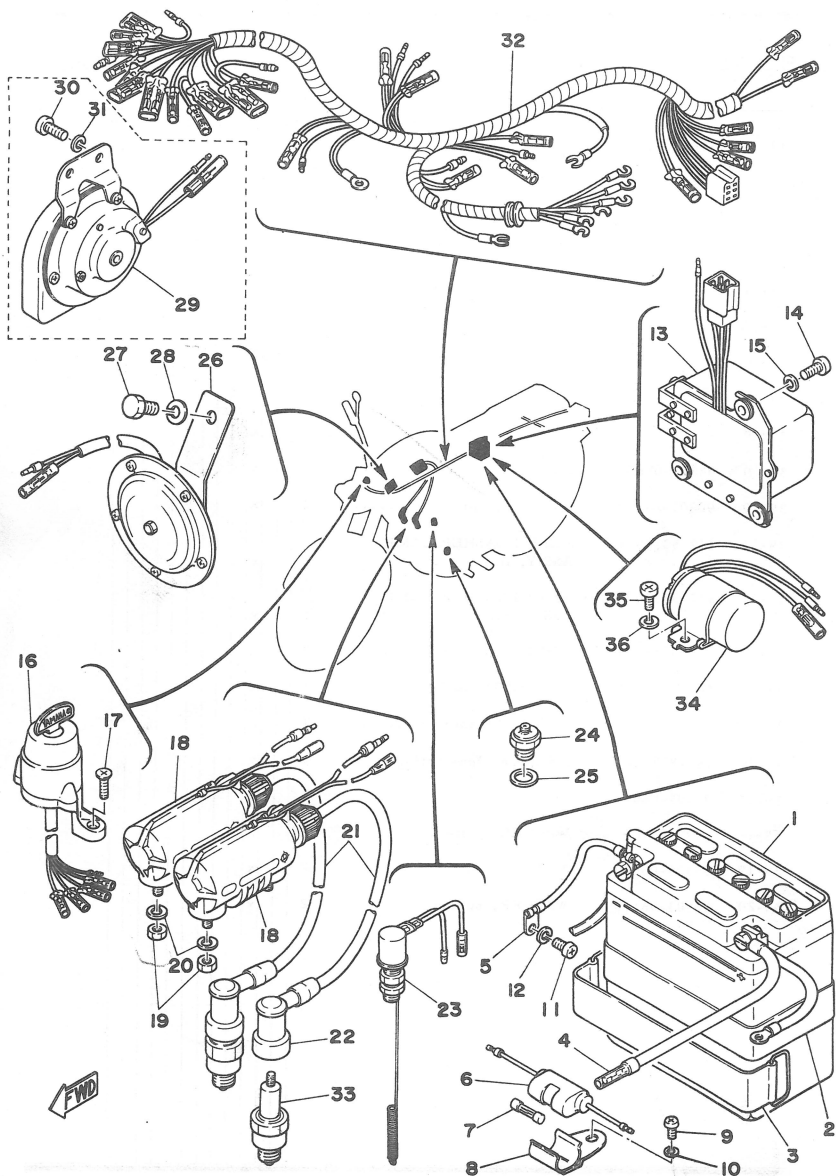
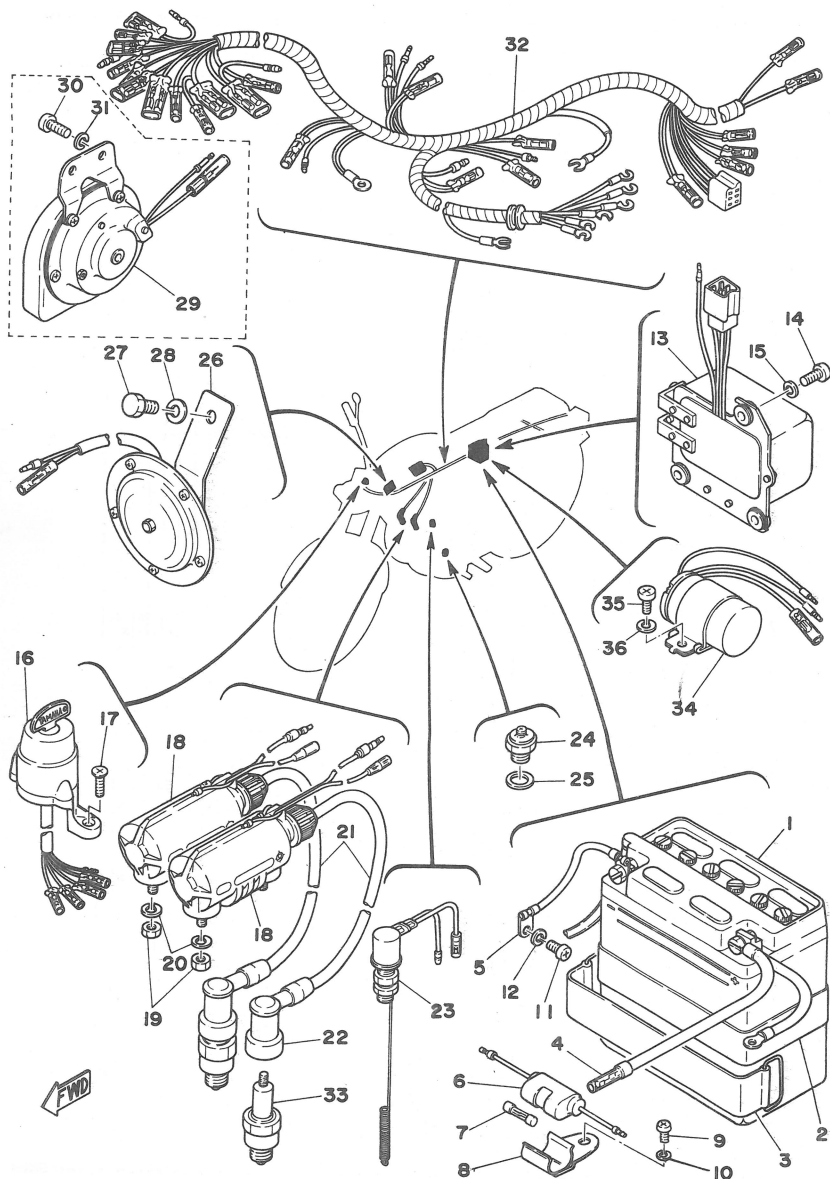


Fig. 40 ELECTRICAL



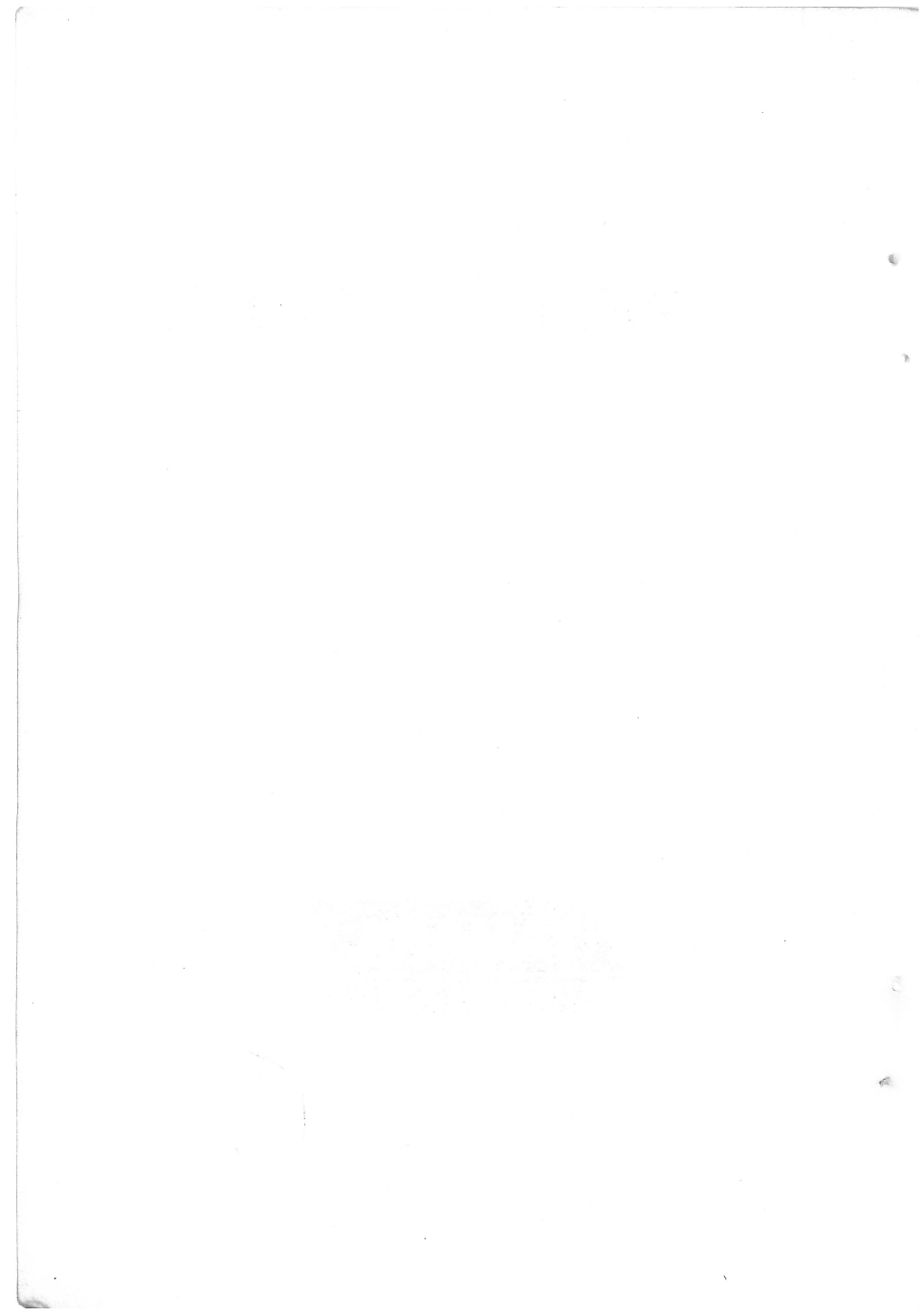
ELECTRICAL

Ref. No.	Parts No.	Description	Q'ty	200 200DX											Remarks		
				FRANCE	HOLLAND	W. GERMANY	SWITZERLAND	BELGIUM	SWEDEN	FINLAND	DENMARK	NORWAY	AUSTRIA	ITALY			
40-27	97301-08015	BOLT, hexagon	1	x	x												
40-28	92901-08100	WASHER, spring	1	x	x												
40-29	183-83371-21	HORN	1	1		x	x		x		x						
40-30	92501-06015	SCREW, panhead	2	2		x	x		x		x		x				
40-31	92901-06100	WASHER, spring	2	2		x	x		x		x			x			
40-32	397-82590-11	WIRE HARNESS ASS'Y ..	1	1	x	x	x		x		x		x				
40-33	94701-00045	PLUG, spark (B-8ES) ..	2	2	x	x	x		x		x		x				
40-34	397-83350-20	FLASHER RELAY ASS'Y	1	1	x	x		x		x		x					
	397-83350-41	FLASHER RELAY ASS'Y	1		x												
40-35	92501-06015	SCREW, panhead	1	x	x	x		x		x		x		x			
40-36	92901-06100	WASHER, spring	1	x	x	x		x		x		x		x			



NUMERICAL INDEX





NUMERICAL INDEX

Ref No.	Parts No.	Ref No.	Parts No.	Ref No.	Parts No.
14-19	101-81111-10	8-16	132-15676-00	32- 0-1	141-25304-00
30-20	102-18416-00	4- 8	132-16321-00	32- 2	141-25396-90
29-43	102-25137-00	2- 8	132-16346-00	32- 3	141-25397-90
12-20	102-27114-00	4- 9	132-16351-00	14-22	141-81113-10
40- 1-1	104-82111-20	7-10	132-18113-01	21-19	146-23114-00
29-23	109-25136-00	6-14	132-18140-01	29- 8	148-25115-00
8-12	117-15644-00	18-17	132-27414-00	30- 9	148-25115-00
1-27	120-15371-00	18-18	132-27417-00	29-21	148-25353-00
17-19	120-27433-00	18-16	132-27422-00	29-26	148-25359-00
19-10	122-21582-81-33	14- 8	132-81225-10	32-25	148-25412-00
20-22	122-23119-01	14- 7	132-81226-10	40- 7	148-82151-00
21-28	122-23119-01	14-12	133-81132-10	29-37	152-25161-00
20-23	122-23129-00	15-16	134-23484-10	29-34	152-25163-00
21-27	122-23129-00	22- 6	136-23415-00	29-35	152-25164-00
20-21	122-23346-01	32- 9	136-25115-00	8- 3	156-15618-01
21-24	122-23346-01	32-15	136-25153-00	22- 1	156-23411-00
22-30	122-23480-00	32-13	136-25321-01	22- 2	156-23412-00
22-31	122-23483-00	32-16	136-25351-01	23-33	156-26347-00
26- 9	122-24181-00	40-24	136-82540-00	18-21	156-27413-00
18- 2	122-27112-00	38- 9	136-83311-20	22-27	156-83525-00
37- 3	122-84523-30	34- 4	136-84321-00	5- 9	164-17427-00-08
35- 2	123-83516-20	34- 5	136-84322-00	5- 9	164-17427-00-10
35- 5	123-83516-20	13-17	137-13128-00	5- 9	164-17427-00-12
13- 1	126-13116-00	13-11	137-13137-00-10	6- 4	164-18551-00
26- 7	127-24650-00	13-12	137-13138-01	6-11	164-18561-00
37- 4	127-84521-31	13- 5	137-13176-00	6-18	164-18571-00
37- 5	127-84524-30	6-23	137-15353-00	17- 6	164-22216-00
3-29	131-11633-00	4- 7	137-16367-00	22- 9	164-23441-00-98
3- 9	132-11561-00-03	20- 7	137-23125-00	14-15	164-81245-21
3-18	132-11561-00-03	20-10	137-23145-01	14-18	164-81245-21
3- 9	132-11561-00-05	21- 3	137-23145-01	40- 6	164-82150-00
3-18	132-11561-00-05	20- 8	137-23147-00	14- 6	165-81145-21
12-13	132-14613-00	20-14	137-23163-00	14-11	165-81145-21
12-17	132-14713-00	21-16	137-23163-00	40- 2	165-82124-00
12-18	132-14714-01	26-20	137-24523-00	26-21	168-24512-00
5-24	132-15653-00-10	32-19	137-25159-00	26-16	168-24522-00
5-24	132-15653-00-12	34- 6	137-84323-30	29-17	168-25130-00
5-24	132-15653-00-14	37- 2	137-84714-61	23-41	168-83936-01
8-14	132-15664-00	16- 8	141-21717-00	24-27	168-83936-01

NUMERICAL INDEX

Ref No.	Parts No.	Ref No.	Parts No.	Ref No.	Parts No.
37- 6	168-84751-30-35	28-14	174-24741-00	24- 1	212-26111-00
15-15	169-23480-10	29- 0-1	174-25104-00	9- 6	214-17811-01
33- 5	169-84314-10	29- 2	174-25196-90	9-10	214-17812-00
33- 8	169-84346-10	29- 3	174-25197-90	9-13	214-17843-00
19-27	170-21746-00	32- 1	174-25311-00	9- 8	214-17847-00
19-11	173-21581-80-93	32-17	174-25330-00	27- 3	214-21771-00
17- 5	173-22151-00	32-12	174-25364-00	21-25	214-23158-00
40- 1	173-82110-70	32-23	174-25366-01	29-22	214-25138-00
3- 2	174-11422-01	32-27	174-25387-00	23-21	214-26243-00
3- 3	174-11432-01	32-36	174-25388-00	24-12	214-26243-00
3-12	174-11511-01	32-34	174-25389-00	23- 0-1	214-82910-02
3-14	174-11512-02	32-24	174-25435-20	23- 4	214-82911-01
3-17	174-11515-00	32-24	174-25436-20	35- 8	214-83523-00
3-24	174-11523-00	32-24	174-25437-20	23- 5	214-83912-00
3- 7	174-11681-00	23- 1	174-26111-00-93	24- 5	214-83912-00
3- 8	174-11685-00	18- 6	174-27115-00	23- 7	214-83913-00
13- 3	174-13175-00	17-14	183-22332-01	23-15	214-83913-00
13- 7	174-13178-00	20-20	183-23318-00	24- 7	214-83913-00
4- 1	174-16105-01	22- 4	183-23411-00	33- 2	214-84153-60
4- 4	174-16154-00	22- 3	183-23412-00	34- 2	214-84153-60
4-17	174-16164-00	22-24	183-23422-00	36-46	214-84517-00
4- 0-1	174-16301-60	14- 3	183-81421-10	23-19	232-83980-30
4-14	174-16356-00	40-21	183-82341-00	23- 0-2	233-82920-32
4- 5	174-16371-01	39- 5	183-83312-70	23-10	233-82921-31
5-22	174-17211-00	38- 8	183-83313-70	23-11	233-83922-30
5-29	174-17461-40	39- 4	183-83313-70	23- 2	235-26241-10
5-29	174-17461-50	38- 6	183-83332-21	24- 2	235-26241-10
5-29	174-17461-60	38- 7	183-83333-21	23-22	235-26242-10
5-29	174-17461-70	39- 6	183-83333-71	24-11	235-26242-10
7- 1	174-18101-02	39-16	183-83333-71	38- 5	235-83330-95-93
6- 0-1	174-18500-03	40-29	183-83371-21	35- 3	235-83536-21
6- 2	174-18511-00	34-10	183-84345-30	34- 7	235-84314-00
6- 6	174-18512-00	20- 9	193-23150-40	2-19	237-15324-00
6- 7	174-18513-00	34-11	195-84324-00	5-11	237-15389-00
6- 1	174-18541-03	33-11	195-84325-00	4-19	237-16357-01
19- 7	174-21518-00-93	34-12	195-84325-00	9- 2	237-17831-00
17- 2	174-22123-00	20-17	207-23112-00	9- 1	237-17861-00
22-23	174-23421-00	14-23	207-81331-10	35- 9	237-83523-00
22-25	174-23425-00	23- 1	212-26111-00		

NUMERICAL INDEX

Ref No.	Parts No.	Ref No.	Parts No.	Ref No.	Parts No.
23- 3	237-82972-10	34-15	256-84350-61	33- 0-2	306-84301-40
24- 3	237-83972-00	36-29	256-84723-60	34- 0-2	306-84301-40
23- 3	237-83972-10	36-31	256-84724-60	33- 9	306-84346-40
24- 3	237-83972-20	21-22	260-23318-40	34- 9	306-84347-30
23-20	237-83976-00	21-22	260-23318-40	33-12	306-84357-40
24-10	237-83976-00	38-12	260-83316-30	34-13	306-84357-40
34- 0-1	237-84310-30	39- 7	260-83316-30	36- 2	306-84714-40
34- 8	237-84312-30	38-13	260-83326-30	36-28	306-84714-40
34- 3	237-84315-30	39- 8	260-83326-30	36-30	306-84721-41
33- 1	237-84330-60-F7	1-17	273-11181-00	36-33	306-84751-40-35
34- 1	237-84330-60-F7	36- 3	275-84523-60	12-12	307-14612-00
1-29	241-15357-00	36-10	275-84527-60	2-26	307-15363-00
2- 4	241-16341-01	28-12	276-24748-00	7-17	307-18112-00-93
2- 6	241-16342-00	8- 1	278-15611-00-93	2- 2	307-18188-00
22-18	246-23428-00	28-11	278-24728-00	6-20	307-18533-00
29- 1	246-25111-00	23-38	278-26249-00	22-22	307-23419-00
29-13	246-25118-00	24-24	278-26249-00	26-10	307-24182-00
30-27	246-25118-00	18-27	278-27314-00	23- 1	307-26111-20
29-16	246-25135-00	38- 1	278-83310-45-93	40-23	307-82530-00
29-40	246-25149-00	33- 5	278-84314-21	33- 0-1	307-84303-21
29-20	246-25151-00	36- 0-2	278-84710-41	33- 4	307-84320-21
29-14	246-25181-00	36-27	278-84711-41	37- 0-1	307-84710-30
5-13	248-17471-01	36-32	278-84718-40	37- 1	307-84711-30
9- 3	248-17837-00	36-34	278-84729-40	33- 6	308-84112-21
9- 4	248-17841-00	11-23	288-14161-00	33- 3	308-84115-21
16-12	248-21717-00	21-29	291-23167-60	33-10	308-84124-20
21-20	248-23111-01	13-28	293-13174-00	33- 7	308-84135-21
20-11	248-23144-00	14-16	299-81133-10	20- 5	315-23118-50
4-16	251-15631-01	30-21	306-25136-00	21- 4	315-23146-50
8-11	251-15641-01	31-14	306-25829-00	21- 5	315-23156-50
8-10	251-15687-00	25-23	306-25862-00	26- 6	322-24161-00
35-12	252-83550-00	25-29	306-25873-03	23-37	326-26328-00
35-13	252-83560-00	25-25	306-25875-00	24-23	326-26328-00
40-18	254-82310-60	25-33	306-25881-00	4- 6	336-16324-00
13- 2	256-17837-00	39- 3	306-83311-40	12-19	337-14779-00
32-41	256-25371-00	39-13	306-83311-40	2- 1	337-15410-00
33-13	256-84347-00	39-14	306-83313-40	2-12	337-15417-00
34-14	256-84347-00	39-15	306-83332-40	2-18	337-15421-00
33-14	256-84350-61	25-12	306-83922-01	8- 2	337-15621-01-91

NUMERICAL INDEX

Ref No.	Parts No.	Ref No.	Parts No.	Ref No.	Parts No.
8- 9	337-15660-00	18- 3	337-27211-00-93	26-17	360-24515-00
7- 9	337-181111-00-93	18- 8	337-27231-00	26-15	360-24521-00
7-15	337-18115-00	18-14	337-27411-00	23-24	360-26261-01
15-10	337-21165-00-93	18-15	337-27412-00	24-17	360-26261-01
15- 2	337-21315-00	14-24	337-81153-10	11-25	367-14169-00
15- 3	337-21316-00	40-13	337-81910-10	11- 5	367-14195-00
19- 1	337-21510-80-93	40- 4	337-82115-00	11- 1	367-14342-22
19-16	337-21610-00-93	40- 5	337-82116-00	11- 6	367-14385-00
19-16	337-21610-30-93	40- 3	337-82131-00	11- 7	367-14386-00
17- 3	337-22141-00	40- 8	337-82152-00	16-16	371-21737-00
17- 7	337-22210-20	38- 4	337-83330-20-93	12-21	371-27114-00
17-12	337-22311-00-93	35- 7	337-83519-00-33	10-21	389-13555-00
20- 0-1	337-23101-90	35- 6	337-83520-00	10-15	389-13610-01
20-18	337-23111-60	33-15	337-84348-00	10-16	389-13613-00
20-16	337-23114-60	33-16	337-84349-00	10-17	389-13616-01
20-15	337-23116-60	36-21	337-84752-00	10-20	389-13621-00
21-17	337-23116-60	36-23	337-84753-00	10-22	389-13622-00
20-25	337-23121-60-F7	30-13	341-25137-00	11-22	389-14126-00
20-12	337-23122-50	30-12	341-25149-00	11-18	389-14137-00
20- 6	337-23124-60	30-11	341-25846-00	11-30	389-14138-00
20- 1	337-23126-60-93	25- 9	341-25852-00	11-26	389-14147-00
20-26	337-23131-60-F7	25-11	341-25854-00	11-21	389-14168-00-33
20-13	337-23132-50	25-10	341-25855-30	11-13	389-14212-00
20- 2	337-23136-60-93	25-18	341-25867-00	11-33	389-14261-01
20- 3	337-23141-60	25-28	341-25881-00	11-15	389-14333-00
21- 9	337-23141-60	24-29	341-26290-20	11-28	389-14335-00
20- 4	337-23142-60	24-28	341-26290-70	11-31	389-14373-00
21-11	337-23142-60	36- 5	341-84722-60	11- 9	389-14384-00
20-19	337-23340-60-33	36- 6	341-84724-60	11-35	389-14396-00
22- 8	337-23435-00-98	21-35	341-85111-00	10- 3	389-14412-01
28-13	337-24768-00	24-13	351-26259-00-98	1-26	389-15128-00
28-15	337-24830-00	35-15	351-83550-00	2-15	389-15425-00
29-19	337-25121-00	13-23	353-13552-01	2-24	389-15426-00
29-27	337-25155-00	28- 9	353-24705-04	28- 2	389-24726-00
29-28	337-25156-00	21-23	360-21343-A0	28- 4	389-24756-00
32-20	337-25355-00	16- 4	360-21746-00	11-24	396-14124-00
23- 1	337-26111-00	27- 2	360-21761-00	11-19	396-14136-00
24- 1	337-26111-00	26-14	360-24500-00	11-12	396-14211-00
18- 1	337-27111-00	26-19	360-24512-00	11-14	396-14323-00

NUMERICAL INDEX

Ref No.	Parts No.	Ref No.	Parts No.	Ref No.	Parts No.
11-20	396-14331-00	3-28	397-11638-00	23-32	397-26278-00
11- 2	396-14341-00	3- 5	397-11651-00	24-15	397-26278-00
11- 3	396-14343-44	11- 8	397-14181-00-33	23-23	397-26311-20
11- 3	396-14343-46	11-16	397-14312-25	24-21	397-26311-20
11- 3	396-14343-47	11-16	397-14313-25	23-23	397-26311-30
11- 3	396-14343-48	11-17	397-14336-00	23-23	397-26311-60
11- 3	396-14343-50	11-34	397-14349-00	24-16	397-26311-60
11-36	396-14348-00	10- 1	397-14411-00	23-25	397-26312-01
11-27	396-14371-00	10- 4	397-14422-00	24-18	397-26312-01
11-29	396-14374-00	10-11	397-14453-01	23-26	397-26321-00
11- 4	396-14390-25	10-12	397-14463-01	24-19	397-26321-00
10- 2	396-14451-01	12-10	397-14611-02	23-27	397-26335-00
39- 1	396-83310-40-93	12-11	397-14621-02	24-20	397-26335-00
39- 2	396-83320-40-93	12- 1	397-14710-01	23-27	397-26335-20
40-26	396-83371-50	12- 2	397-14720-01	24-20	397-26335-20
35- 1	396-83510-20	12- 3	397-14753-00	23-27	397-26335-30
35- 1	396-83510-40	12- 6	397-14771-00-33	23-28	397-26341-00
1-15	397-11311-02	12- 7	397-14781-00-33	23-28	397-26341-20
1-16	397-11321-02	1- 1	397-15111-00	23-28	397-26341-30
1-14	397-11351-00	1-24	397-15118-00	15-13	397-28100-11
3- 0-1	397-11400-01	1- 2	397-15121-00	14- 0-1	397-81100-10
3- 1	397-11412-00	2-14	397-15415-00	14- 2	397-81110-10
3- 4	397-11442-00	2-23	397-15416-00	14- 1	397-81155-10
3-15	397-11541-00	3-25	397-16111-00	40-16	397-82508-80
3-31	397-11610-02	5- 8	397-17121-00	40-32	397-82590-11
3-31	397-11610-12	5- 7	397-17131-00	40-34	397-83350-20
3-31	397-11610-22	5- 6	397-17141-00	40-34	397-83350-41
3-31	397-11610-32	5- 3	397-17151-00	35- 4	397-83540-00
3-31	397-11610-42	5-16	397-17221-00	15- 1	398-21110-01-33
3- 0-2	397-11630-00	5-17	397-17231-00	26- 1	398-24110-11-W5
3- 0-2	397-11630-10	5-18	397-17241-00	28- 1	398-24730-02
3- 0-2	397-11630-20	5-21	397-17251-00	28- 1-1	398-24731-00
3- 0-2	397-11630-30	5- 1	397-17410-00	13-13	402-13146-00
3- 0-2	397-11630-40	5- 2	397-17411-00	5-23	403-15651-00
3-28	397-11631-00-96	5-15	397-17421-00	31- 5	404-20000-11
3-28	397-11631-00-97	15- 1	397-21110-21-33	31- 6	404-20000-20
3-28	397-11635-00	16- 7	397-21170-00	31- 7	404-20000-30
3-28	397-11636-00	19-16	397-21610-40-93	31- 8	404-20000-41
3-28	397-11637-00	32-32	397-25381-00	19- 1	404-21510-02-93

NUMERICAL INDEX

Ref No.	Parts No.	Ref No.	Parts No.	Ref No.	Parts No.
30- 0-1	404-25104-00	19-16	417-21610-40-93	21- 0-1	535-23101-F0
30- 1	404-25111-00	27- 1	417-21705-00-F7	21-18	535-23116-00
30- 8	404-25117-00	16- 1	417-21711-00-F7	21-12	535-23118-00
30-15	404-25135-00	16- 6	417-21783-31	21-32	535-23121-00-F7
30-19	404-25138-00	27-13	417-21783-13	21-14	535-23122-00
30-22	404-25181-00	17- 1	417-22110-00-33	21-10	535-23124-00
30-18	404-25191-00	26- 7	417-24602-01	21- 1	535-23126-00
30- 2	404-25196-90	18- 1	417-27111-00	21-33	535-23131-00-F7
30- 3	404-25197-90	18-22	417-27311-00	21-15	535-23132-00
31- 2	404-25412-00	40-16	417-82508-45	21- 2	535-23136-00
31- 1	404-25831-00	39-11	417-83330-40-93	21-13	535-23144-00
25-34	404-25871-01	39-12	417-83340-40-93	21- 8	535-23170-00
25-30	404-25876-00	36- 9	437-84525-60	21- 6	535-23171-00
31- 9	404-25919-00	36-14	437-84527-60	21- 7	535-23183-00
25-35	404-83980-30	36-11	449-85131-00	21-21	535-23340-00-33
23-43	407-26290-50	36- 4	456-84521-20	21-21	535-23340-30-33
24-29	407-26290-50	33- 4	460-84320-45	21-21	535-23340-F0-33
23-42	407-26290-60	36- 0-1	460-84710-20	22- 8	535-23435-00-98
24-28	407-26290-60	36- 1	460-84711-20	31- 4	535-25810-00
36-26	412-84517-00	31-12	464-25827-00	31-13	535-25915-00
1-20	416-11161-00	25-24	464-25872-00	25- 0-1	535-25850-60
16- 5	416-21717-00	18-28	465-27315-00	15- 9	803-82591-00
30- 3	416-25104-10	17-18	465-27431-00	40-22	808-82370-10
30- 3	416-25196-80	26- 2	479-24244-00	36-43	848-85131-01
30- 3	416-25197-80	6- 3	479-24245-00	32-38	90101-06016
25-24	416-25872-22	26- 4	479-24246-00	31-15	90101-08244
24- 1	416-26111-20	26- 5	479-24247-00	19- 5	90101-08281
38- 2	416-83310-40-93	36- 8	479-84526-00	15- 8	90105-08028
38- 3	416-83320-40-93	36- 7	479-84551-01-35	32-26	90105-10005
33- 0-1	416-84303-45	26- 8	498-24612-00	17-11	90106-08027
33- 6	416-84312-40	24- 0-1	498-82910-10	23-14	90109-05197
1-18	417-11111-00	24- 4	498-82911-00	6-15	90109-06001
1-19	417-11121-00	18-22	507-27311-00	16- 2	90109-06005
1-21	417-11162-01	18-28	507-27315-01	25-16	90109-06103
13- 0-1	417-13101-00	30-30	521-25127-00	18-19	90109-08193
11- 0-1	417-14301-90	25- 0-2	535-20000-60	31- 3	90109-08367
11- 0-2	417-14302-90	21- 0-1	535-23101-00	32-46	90109-08375
15- 1	417-21110-20-33	21- 0-1	535-23101-30	18-23	90109-10399
15- 1	417-21110-40-33	21- 0-1	535-23101-E0	6-24	90109-14385

NUMERICAL INDEX

Ref No.	Parts No.	Ref No.	Parts No.	Ref No.	Parts No.
4-21	90113-06013	1-23	90201-07077	15-14	90338-09060
1-13	90116-07033	17-15	90201-07079	20-27	90338-16061
12-14	90116-08116	22-15	90201-08083	21-34	90338-16061
20-24	90119-08010	23-35	90201-08083	1-11	90340-12005
23-30	90123-08013	7-16	90201-08085	9- 9	90383-10005
23-29	90123-08046	16- 3	90201-08100	27-10	90387-06388
24-21	90123-08046	25-22	90201-10118	36-38	90387-07004
14-26	90143-07016	18-20	90201-10132	16-11	90387-07390
25-13	90146-06005	17- 9	90201-10140	27- 9	90387-07390
4-11	90149-05057	6-17	90201-12166	36-16	90387-07390
17-13	90149-06012	7-11	90201-12174	30-25	90387-15256
7- 4	90149-08094	7- 7	90201-12183	29-12	90387-15421
25-14	90170-06010	17-10	90201-14218	32-31	90387-20160
21-31	90170-08176	8- 5	90201-15234	5-28	90387-20346
17- 4	90170-14163	5- 4	90201-20266	4-15	90387-20439
22-19	90170-16164	5-20	90201-20266	32-35	90387-26197
32-39	90170-20167	17-20	90201-20279	25-21	90401-10034
18-24	90171-10012	29-41	90201-22283	13-20	90430-04004
29-33	90171-14006	30-14	90201-25286	1-32	90430-06011
30-29	90171-14006	30-16	90201-25490	40-25	90430-11034
32-40	90171-14006	10-27	90202-05057	1-12	90430-12038
1-22	90176-07003	22-20	90202-06008	27- 4	90430-29114
17- 8	90176-10013	3-26	90208-12015	13-25	90445-05034
22-17	90176-16016	35-10	90209-05029	13-26	90445-05217
22-26	90179-06032	36-20	90209-06095	27- 7	90445-08047
25-17	90179-06171	36-39	90209-06095	26-11	90445-09078
18-13	90179-06176	30-28	90209-14136	26-12	90445-09083
23-31	90179-08148	22-16	90209-17057	27- 5	90445-09174
24-22	90179-08148	4-12	90215-16020	1-28	90446-06008
3-27	90179-12044	5-31	90215-16020	10-14	90460-39053
4-13	90179-16018	23-34	90240-08012	10-13	90460-49058
5-30	90179-16018	7-14	90240-08013	19-22	90464-04014
22- 7	90179-25033	17-21	90240-06042	1-30	90465-08046
32-22	90185-06034	6- 9	90249-04039	26-13	90467-08003
22-21	90201-06061	29-36	90249-06095	27- 6	90467-08003
16-14	90201-06067	18-12	90249-12008	13-24	90468-02033
27-11	90201-06067	6- 3	90250-10020	13-27	90468-02033
16-10	90201-06074	3-33	90280-03017	35-11	90468-10050
29-44	90201-07076	3-34	90282-05005	32-45	90468-12006

NUMERICAL INDEX

Ref No.	Parts No.	Ref No.	Parts No.	Ref No.	Parts No.
19-26	90480-12013	28- 3	91501-05055	11-11	92901-04100
16-15	90480-14102	2- 3	91609-30022	14- 5	92901-04100
27- 8	90480-14102	11-32	91690-20008	14-10	92901-04100
36-15	90480-14102	1- 9	91810-02015	14-14	92901-04100
36-37	90480-14104	2-20	91810-02015	14-17	92901-04100
13-22	90501-02018	1- 3	91810-05016	14-20	92901-04100
18-11	90501-10245	28- 5	92501-06008	14- 4	92901-04200
25-15	90501-10312	9-11	92501-06010	14- 9	92901-04200
8- 4	90501-12081	10- 5	92501-06010	14-13	92901-04200
6-22	90501-12083	40- 9	92501-06010	6-13	92901-05100
4-10	90501-20122	40-11	92501-06010	12- 5	92901-05100
7- 2	90506-09009	1-25	92501-06012	13-14	92901-05100
6-16	90506-09112	17-16	92501-06012	21-36	92901-05100
2- 7	90506-10019	40-14	92501-06015	31-11	92901-05100
32-18	90506-18103	40-30	92501-06015	36-45	92901-05100
18- 7	90506-32056	40-35	92501-06015	21-37	92901-05200
29-18	90507-20002	26-18	92501-06025	23-17	92901-05200
18-26	90507-29009	27-12	92501-06025	25-36	92901-05200
18-26	90507-29022	1- 5	92501-06050	9-12	92901-06100
18- 5	90508-32056	1- 4	92501-06060	10- 8	92901-06100
7- 3	90508-32207	10-10	92501-06070	14-27	92901-06100
8-15	90508-26136	10- 7	92501-06080	15-12	92901-06100
29- 9	90560-15136	1- 6	92501-06085	17-17	92901-06100
32- 8	90560-15136	14-28	92501-06085	19-24	92901-06100
21-26	91311-08020	14-29	92501-06095	19- 9	92901-06100
10-24	91316-08040	1- 8	92501-06100	19-14	92901-06100
23-18	91401-12015	1- 7	92501-06110	19-18	92901-06100
25-38	91401-12015	1-31	92503-06008	19-20	92901-06100
13-18	91401-12018	36-35	92503-06045	22-29	92901-06100
7-13	91401-16012	2-25	92506-06015	23- 9	92901-06100
17-22	91401-16012	2-17	92506-06020	23-13	92901-06100
18-10	91401-20012	2-16	92506-06025	23-40	92901-06100
23-36	91401-20012	2-21	92506-06035	24- 9	92901-06100
32-49	91401-20012	2- 9	92506-06040	24-26	92901-06100
18-25	91401-20025	2-22	92506-06040	25-20	92901-06100
6- 5	91401-25020	2-10	92506-06060	25-27	92901-06100
29-45	91401-30030	2-11	92506-06140	25-32	92901-06100
30-23	91401-30030	10-23	92706-06025	28- 6	92901-06100
32-33	91401-30030	10-19	92901-03100	28- 8	92901-06100
				28-17	92901-06100

NUMERICAL INDEX

Ref No.	Parts No.	Ref No.	Parts No.	Ref No.	Parts No.
29-31	92901-06100	32-44	92901-10600	30-24	93306-30203
36-19	92901-06100	32-43	92901-12100	5-26	93306-30401
36-24	92901-06100	30-28	92901-14200	5-12	93306-30408
36-36	92901-06100	36-13	92903-05100	3-19	93306-30509
36-42	92901-06100	19- 3	92903-06100	3-32	93310-21403
37- 8	92901-06100	39-20	92903-06100	3- 6	93310-42012
37-11	92901-06100	19- 4	92903-06600	5-10	93315-31502
40-10	92901-06100	19-15	92903-06600	4- 3	93341-22603
40-12	92901-06100	39-18	92903-06600	5-25	93410-13004
40-15	92901-06100	10-25	92906-08100	8-17	93410-15005
40-20	92901-06100	10-26	92906-08200	29-42	93410-22014
40-31	92901-06100	13-16	93101-10001	8-13	93410-25017
40-36	92901-06100	13- 6	93101-10002	32-29	93420-47008
10- 6	92901-06200	7- 6	93101-12004	6-10	93430-03014
10- 9	92901-06200	32-14	93101-42018	29-39	93430-04003
28-10	92901-06200	3-21	93102-20117	7- 8	93430-10016
18- 9	92901-06600	29-11	93102-22014	7-12	93430-10016
19-21	92901-06600	30-26	93102-22014	8- 6	93430-10016
19-25	92901-06600	5-27	93102-28021	18- 4	93430-12008
29-32	92901-06600	3-22	93103-32031	6-19	93440-15012
12- 9	92901-08100	29-24	93104-07003	5- 5	93440-20043
12-15	92901-08100	2- 5	93104-11028	5-19	93440-20043
12-22	92901-08100	30-17	93105-45017	3-30	93450-15023
14-25	92901-08100	29-15	93105-53013	3-11	93450-52010
15- 6	92901-08100	32-30	93106-30008	4-18	93505-16006
18-30	92901-08100	8-18	93109-15001	6-21	93505-16006
19- 3	92901-08100	9- 7	93210-07100	13-21	93505-32002
19- 6	92901-08100	9- 5	93210-13016	8- 8	93507-32009
21-30	92901-08100	29-25	93210-14104	1-10	93603-14026
22-11	92901-08100	3-23	93210-18023	13- 4	93603-22028
22-14	92901-08100	32-11	93210-43043	3-13	93604-18058
31-16	92901-08100	3-16	93210-46044	6- 8	93604-22050
32-48	92901-08100	4- 2	93210-85075	29- 5	94127-18024
35-15	92901-08100	32-10	93306-20204	30- 5	94127-18024
38-11	92901-08100	32-28	93306-20404	32- 5	94130-18098
39-10	92901-08100	3-20	93306-20517	32- 5	94132-18167
40-28	92901-08100	3-10	93306-20526	29- 6	94227-18009
13- 8	92901-08400	29-10	93306-30203	30- 6	94227-18009
36-22	92901-08600	30-10	93306-30203	32- 6	94230-18012

NUMERICAL INDEX

Ref No.	Parts No.	Ref No.	Parts No.	Ref No.	Parts No.
32- 6	94232-18020	32-42	95301-10700	25-19	97321-06025
29- 7	94327-18008	36-12	95303-05600	14-21	98501-04008
30- 7	94327-18008	29-30	95303-06600	11-10	98501-04010
32- 7	94327-18008	39-19	95303-06600	24-14	98501-05008
29- 4	94416-18013	29-38	95303-06700	5-14	98501-05010
32- 4	94416-18016	12-16	95303-08600	12- 4	98501-05010
30- 4	94416-18094	22-13	95303-08800	6-12	98501-05012
30- 4	94418-18084	15- 4	95821-08060	31-10	98501-05012
32- 4	94421-18152	15- 7	95821-08115	13-10	98501-05015
32-50	94514-28110	22-28	97301-06010	2-13	98506-05012
32-51	94614-28001	19-23	97301-06012	10-18	98512-03008
40-33	94701-00045	28- 7	97301-06012	40-17	98701-05015
13-15	95301-05600	37- 9	97301-06012	13-19	98901-04008
36-44	95301-05600	19-19	97301-06015		
23-16	95301-05900	15-11	97301-06020		
25-37	95301-05900	16- 9	97301-06020		
19- 8	95301-06600	25-26	97301-06020		
19-13	95301-06600	16-13	97301-06025		
23- 8	95301-06600	25-31	97301-06025		
23-39	95301-06600	7-18	97301-06030		
24- 8	95301-06600	19-17	97301-06045		
24-25	95301-06600	28-16	97301-06050		
32-22	95301-06600	19- 2	97301-08012		
32-37	95301-06600	35-14	97301-08015		
36-18	95301-06600	40-27	97301-08015		
36-25	95301-06600	18-29	97301-08020		
36-41	95301-06600	19-12	97303-06012		
37-10	95301-06600	19- 2	97303-06015		
40-19	95301-06600	23- 6	97303-06020		
4-20	95301-06700	23-12	97303-06020		
37- 7	95301-06800	24- 3	97303-06020		
7- 5	95301-08600	36-17	97303-06025		
12- 8	95301-08600	36-40	97303-06025		
12-23	95301-06800	29-29	97303-06030		
15- 5	95301-08600	32-21	97303-06030		
32-47	95301-08600	39-17	97303-06030		
38-10	95301-08600	22-12	97303-08050		
39- 9	95301-08600	22-10	97304-08035		
13- 9	95301-08700	8- 7	97311-06025		

