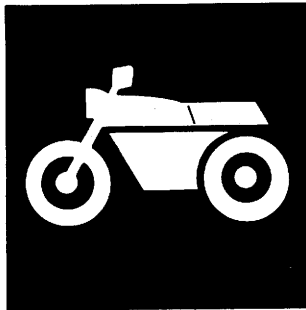


YAMAHA



**PARTS
CATALOGUE**

YZ250LC'93 (4EW1)

EUROPE

YZ250E (4EW2)

U.S.A., CANADA, OTHERS, S.AFRICA

YZ250 (4EW3)

JAPAN

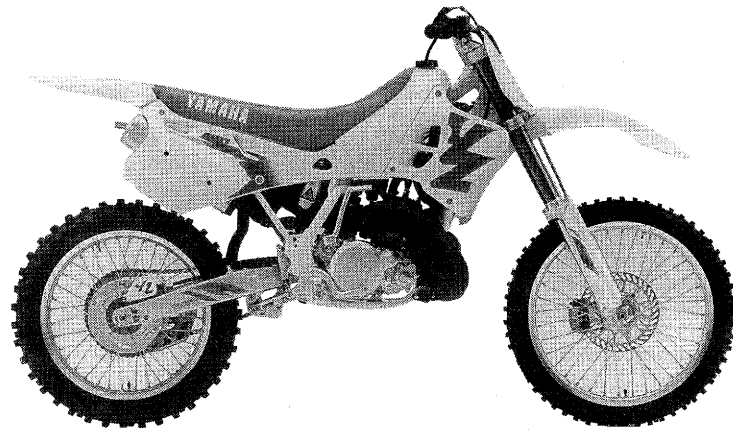
YZ250E (4EW4)

OCEANIA

YAMAHA
GENUINE
Parts & Accessories

www.legends-yamaha-enduros.com

134EW-100E1



www.legends-yamaha-enduros.com

A3



www.legends-yamaha-enduros.com



FOREWORD

This Parts Catalogue is related to the parts in use for the Yamaha YZ250LC'93(4EW1)/YZ250E(4EW2)/YZ250(4EW3)/YZ250E(4EW4). When you are ordering replacement parts for the YZ250LC'93(4EW1)/YZ250E(4EW2)/YZ250(4EW3)/YZ250E(4EW4), refer to this Parts Catalogue and quote both part numbers and part names correctly.

1. Modifications or additions which have been made after issue of the Parts Catalogue will be announced in the Yamaha Parts News.

It is advisable that according to the Yamaha Parts News you make necessary corrections to the Parts Catalogue on hand to keep it up-to-date.

2. Abbreviations

The following abbreviations are used in this Parts Catalogue.

- U.R. Use size (thickness) and/or number as required.
- U.N. Use as many as you need.
- A.P. Alternate Parts
- L.M. Local Made
- F# Frame No. (Applicable machine No.)

3. The parts marked with (*) in the parts number column of this Catalogue are not supplied with by Yamaha, those have to be found locally.

4. Parts, which are to be supplied in the form of assemblies, are listed with an indentation of one letter's space, and a dot (.) is put against the name of each part.

EXAMPLE CARBURETOR ASS'Y
 . JET, pilot
 . NOZZLE, main

5. Indication of No. of constituent parts for assembly

The numeral appearing to the right of each constituent part under the description indicates the quantity of such parts for each individual assembly unit.

EXAMPLE

Part No.	Description	Q'ty	Remarks
2F5-83310-60	FRONT FLASHER LIGHT ASS'Y	2	
115-83311-60	. BULB (6V-18W)	1	
1M1-83309-60	. REFLECTOR	1	

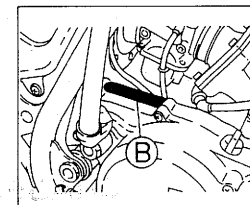
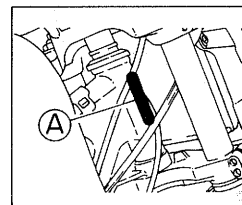
6. Initial Serial No. and Color Code

4EW1	(A) Frame Serial No.	4EW-000101 and following
	(B) Engine Serial No.	4EW-000101 and following

4EW2	(A) Frame Serial No.	4EW-009101 and following
	(B) Engine Serial No.	4EW-009101 and following

4EW3	(A) Frame Serial No.	4EW-019101 and following
	(B) Engine Serial No.	4EW

4EW4	(A) Frame Serial No.	4EW-021101 and following
	(B) Engine Serial No.	4EW-021101 and following



Color Code	Color Name	Abbreviate
0206	PURPLISH WHITE SOLID 1	PWS1

7. Applicable colors of graphics are represented in the "Remarks" column by the letter(s) appropriately picked out of the full word(s) showing such colors.

EXAMPLE

Part No.	Description	Q'ty	Remarks
2N4-24110-00-X5	FUEL TANK COMP.	1	MAXIM RED
3J1-24240-10	. GRAPHIC, fuel tank set	1	for MXR

CONTENTS

ENGINE

Cylinder Head	B2~B3
Governor	B4
Crankshaft, Piston	B5
Water Pump	B6
Radiator, Hose	B7
Intake	B8
Carburetor	B9~B10
Exhaust	B11
Crankcase	B12
Crankcase Cover 1	B13
Starter	B14
Clutch	B15
Transmission	C2~C3
Shift Cam, Fork	C4
Shifter	C5

CHASSIS

Frame	C6~C7
Fender	C8
Side Cover	C9
Rear Arm	C10~C11
Rear Suspension	C12
Steering	C13
Front Fork	C14~D2
Fuel Tank	D3
Seat	D4
Front Wheel	D5
Front Brake Caliper	D6
Rear Wheel	D7~D8

Rear Brake Caliper	D9
Steering Handle, Cable	D10
Front Master Cylinder	D11
Stand, Footrest	D12
Rear Master Cylinder	D13
Generator	D14
Handle Switch, Lever	D15
Electrical 1	E2

ALTERNATE PARTS

Alternate (Chassis)	E3
---------------------------	----

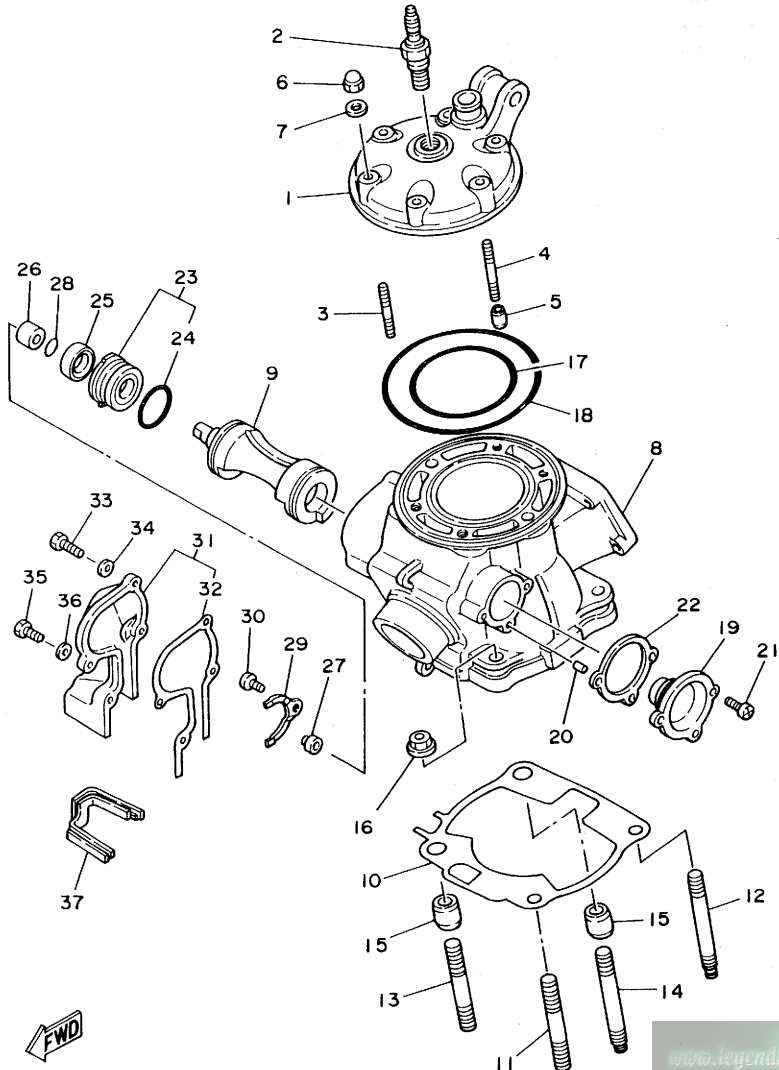
REPAIR KIT

Repair Kit	E4
------------------	----

INDEX

Numerical Index	M1~M3
-----------------------	-------

FIG. 1 CYLINDER HEAD

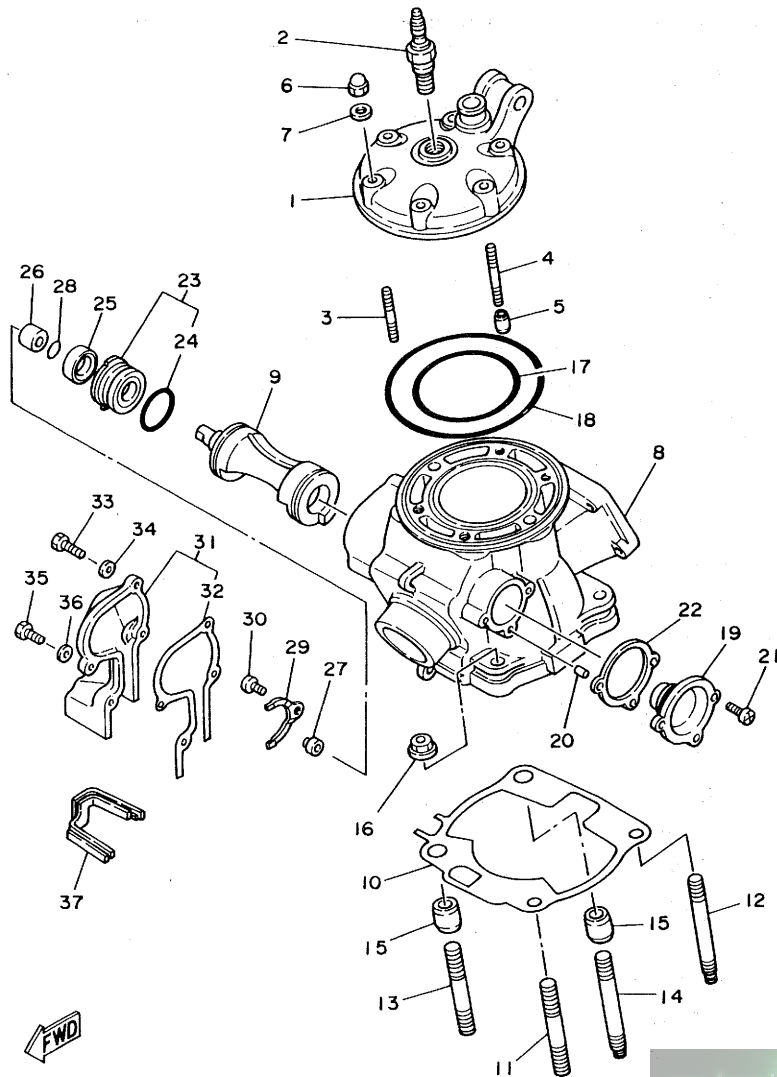


REF. NO.	PART NO.	DESCRIPTION	Q'TY	REMARKS
1	4EW-11111-00	HEAD, CYLINDER 1	1	
2	94702-00323	PLUG, SPARK (NGK B8EG)	1	UR
	94702-00326	PLUG, SPARK (NGK BR8EG)	1	UR FOR CANADA, S.AFRICA
	94703-00323	PLUG, SPARK (B8EG)	1	UR FOR JAPAN
3	90116-08394	BOLT, STUD	4	
4	90116-08392	BOLT, STUD	2	
5	99510-10114	PIN, DOWEL	2	
6	90176-08026	NUT, CROWN	6	
7	90201-08087	WASHER, PLATE	6	
8	4EW-11311-00	CYLINDER 1	1	
9	4EW-1131A-00	VALVE 1	1	
10	2VM-11351-10	GASKET, CYLINDER	1	
11	90116-10314	BOLT, STUD	1	
12	90116-10547	BOLT, STUD	1	
13	90116-10314	BOLT, STUD	1	
14	90116-10547	BOLT, STUD	1	
15	99530-14016	PIN, DOWEL	2	
16	95701-10500	NUT, FLANGE	4	
17	93210-77363	O-RING	1	
18	93211-11770	O-RING	1	
19	3JE-Y113E-00	HOLDER 1	1	
20	93604-08071	PIN, DOWEL	1	
21	98501-05012	SCREW, PAN HEAD	2	
22	3JE-1131N-10	GASKET, HOLDER	1	
23	5X4-Y113F-10	HOLDER 2 ASSY	1	
24	93210-270A8	O-RING	1	
25	93104-16074	OIL SEAL	1	
26	90387-102W0	COLLAR	1	



3SP1100-0010

FIG. 1 CYLINDER HEAD



REF. NO.	PART NO.	DESCRIPTION	Q'TY	REMARKS
27	3JE-11937-00	BOSS, LEVER	1	
28	93210-09192	O-RING	1	
29	1LX-11915-00	PLATE, THRUST 1	1	
30	98506-05008	SCREW, PAN HEAD	1	
31	3SP-11992-10	HOUSING 2	1	
32	3SP-11993-10	.GASKET	1	
33	97021-05020	BOLT	2	
34	92901-05600	WASHER, PLATE	2	
35	97001-05016	BOLT	2	
36	92901-05600	WASHER, PLATE	2	
37	2VM-11995-00	SEAL, HOUSING	1	

3SP1100-0010

www.legends-yamaha-enduros.com

B3

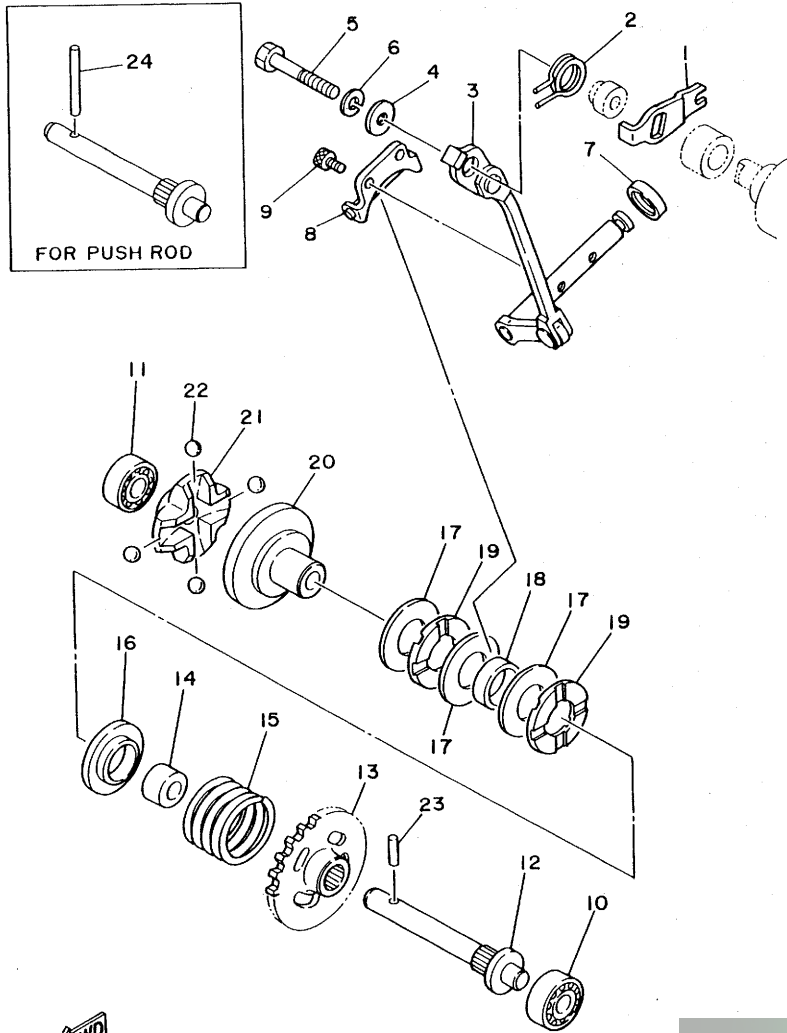


FIG. 2 GOVERNOR

REF. NO.	PART NO.	DESCRIPTION	Q'TY	REMARKS
1	3JE-11931-00	LEVER	1	
2	90508-14783	SPRING, TORSION	1	
3	3SP-11990-00	PUSH ROD ASSY	1	
4	90201-057H5	WASHER, PLATE	1	
5	97021-05030	BOLT	1	
6	92990-05100	WASHER, SPRING	1	
7	93104-08040	OIL SEAL	1	
8	3JE-11922-00	FORK, GOVERNOR	1	
9	91316-04006	BOLT	2	
10	93300-60814	BEARING (608M4ML01)	1	NMB
11	93300-60814	BEARING (608M4ML01)	1	NMB
12	5X4-11921-02	SHAFT, GOVERNOR	1	
13	24X-11953-01	GEAR, GOVERNOR	1	
14	90560-08213	SPACER	1	
15	90501-240F4	SPRING, COMPRESSION	1	
16	5X4-11952-00	PLATE	1	
17	90201-154E9	WASHER, PLATE	3	
18	90387-152F2	COLLAR	1	
19	93340-21505	BEARING, THRUST	2	
20	5X5-11912-01	RETAINER, WEIGHT	1	
21	5X5-11911-01	RETAINER	1	
22	93521-64032	BALL	4	
23	93603-14179	PIN, DOWEL	1	
24	93604-29184	PIN, DOWEL	1	AP FOR PUSH ROD



4EW1100-3020

www.legends-yamaha-enduros.com

B4

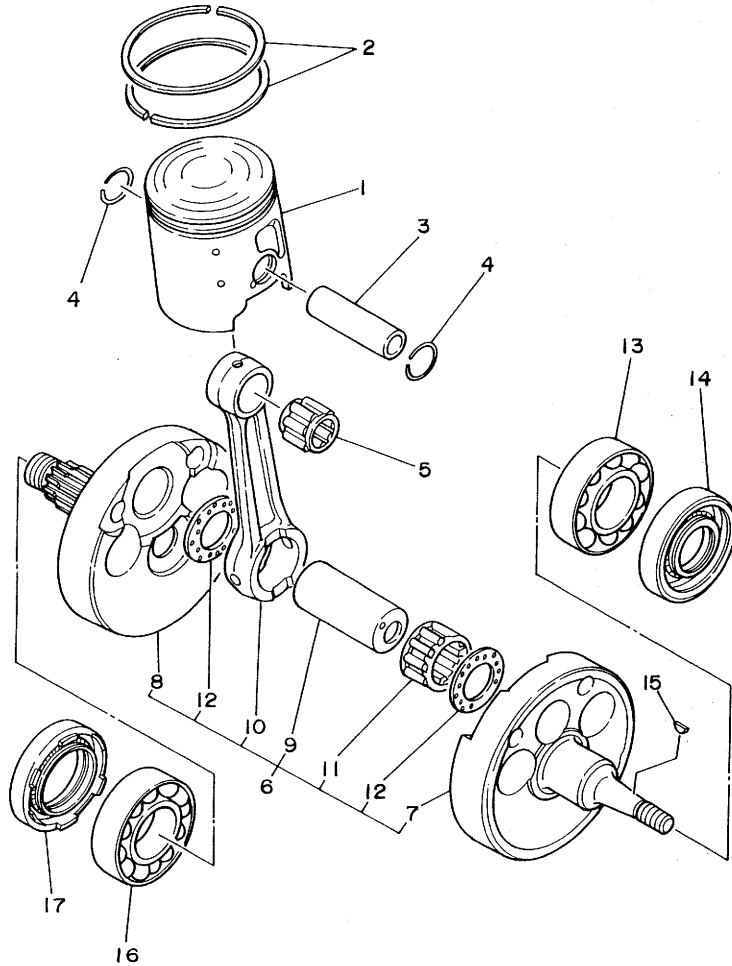


FIG. 3 CRANKSHAFT. PISTON

REF. NO.	PART NO.	DESCRIPTION	Q'TY	REMARKS
1	4EW-11631-00-A0	PISTON (STD)	1	UR RED
	4EW-11631-00-B0	PISTON (STD)	1	UR ORANGE
	4EW-11631-00-C0	PISTON (STD)	1	UR GREEN
	4EW-11631-00-D0	PISTON (STD)	1	UR PURPLE
2	4DA-11601-01	PISTON RING SET (STD)	1	
3	2VM-11633-01	PIN, PISTON	1	
4	93450-19052	CIRCLIP	2	
5	93310-418E9	BEARING, CYLINDRICAL	1	
6	3XK-11400-01	CRANKSHAFT ASSY	1	
7	3XK-11412-01	.CRANK 1	1	
8	3XK-11422-01	.CRANK 2	1	
9	3JE-11681-01	.PIN, CRANK 1	1	
10	5X5-11651-02	.ROD, CONNECTING	1	
11	93310-425T1	.BEARING, CYLINDRICAL	1	
12	90209-25085	.WASHER	2	
13	93306-37802	BEARING	1	
14	93102-22363	OIL SEAL	1	
15	90280-03017	KEY, WOODRUFF	1	
16	93306-37802	BEARING	1	
17	93103-40091	OIL SEAL	1	

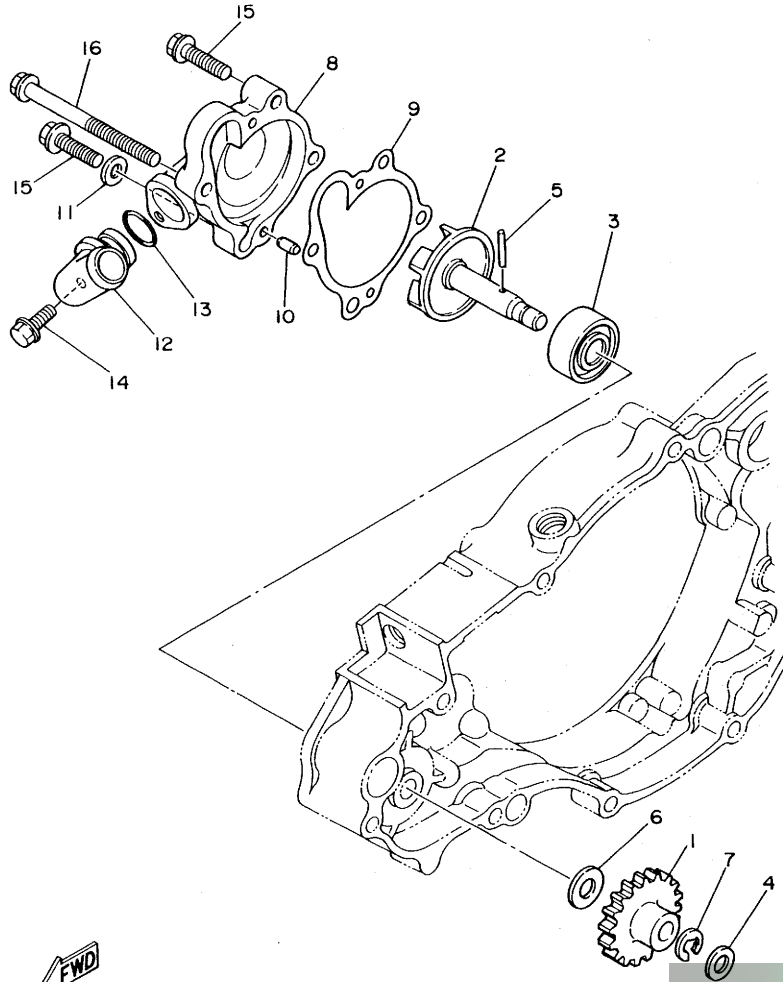


3SP1100-0030

www.legends-yamaha-enduros.com

B5

FIG. 4 WATER PUMP



REF. NO.	PART NO.	DESCRIPTION	Q'TY	REMARKS
1	2VM-12459-00	GEAR, IMPELLER SHAFT	1	
2	2VM-12450-00	IMPELLER SHAFT ASSY	1	
3	93103-10168	OIL SEAL	1	
4	90201-08759	WASHER, PLATE	1	
5	93603-22028	PIN, DOWEL	1	
6	90201-08784	WASHER, PLATE	1	
7	99009-06600	CIRCLIP	1	
8	3SP-12422-00	COVER, HOUSING	1	
9	2VM-12428-10	GASKET, HOUSING COVER 2	1	
10	93604-10011	PIN, DOWEL	2	
11	90430-06166	GASKET	1	
12	10V-12469-01	JOINT 1	1	
13	93210-16275	O-RING	1	
14	95023-06025	BOLT	1	
15	95023-06025	BOLT	3	
16	95021-06080	BOLT, FLANGE	1	

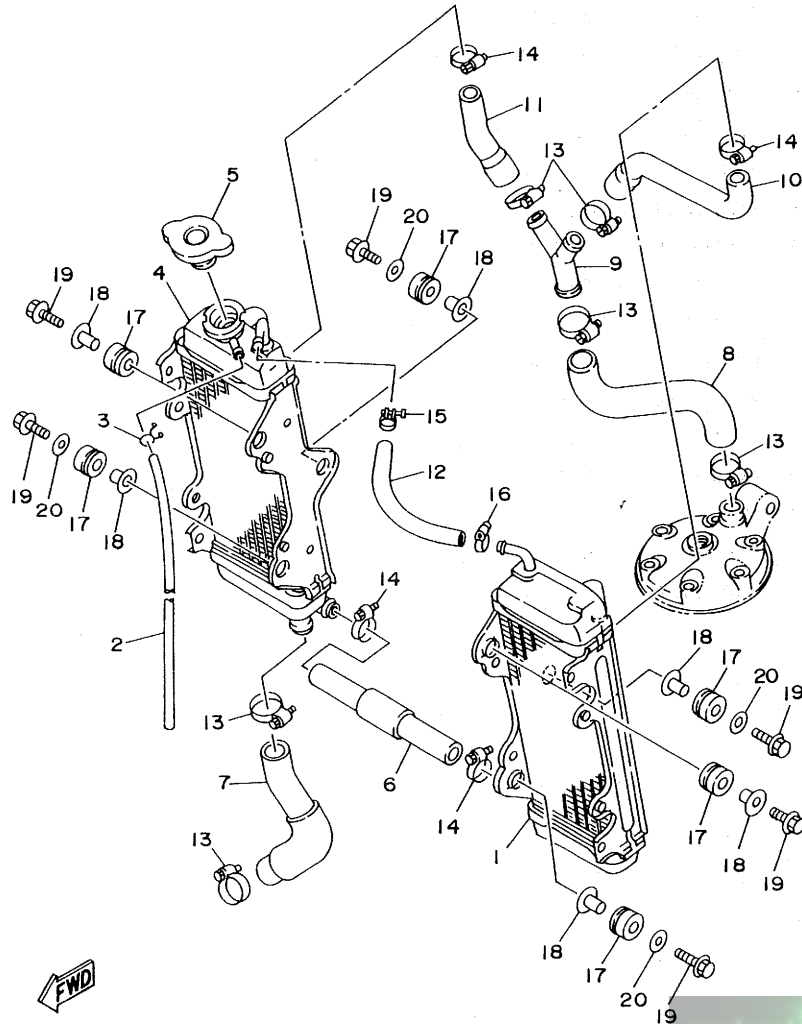


3SP1100-0040

www.legends-yamaha-enduros.com

B6

FIG. 5 RADIATOR. HOSE



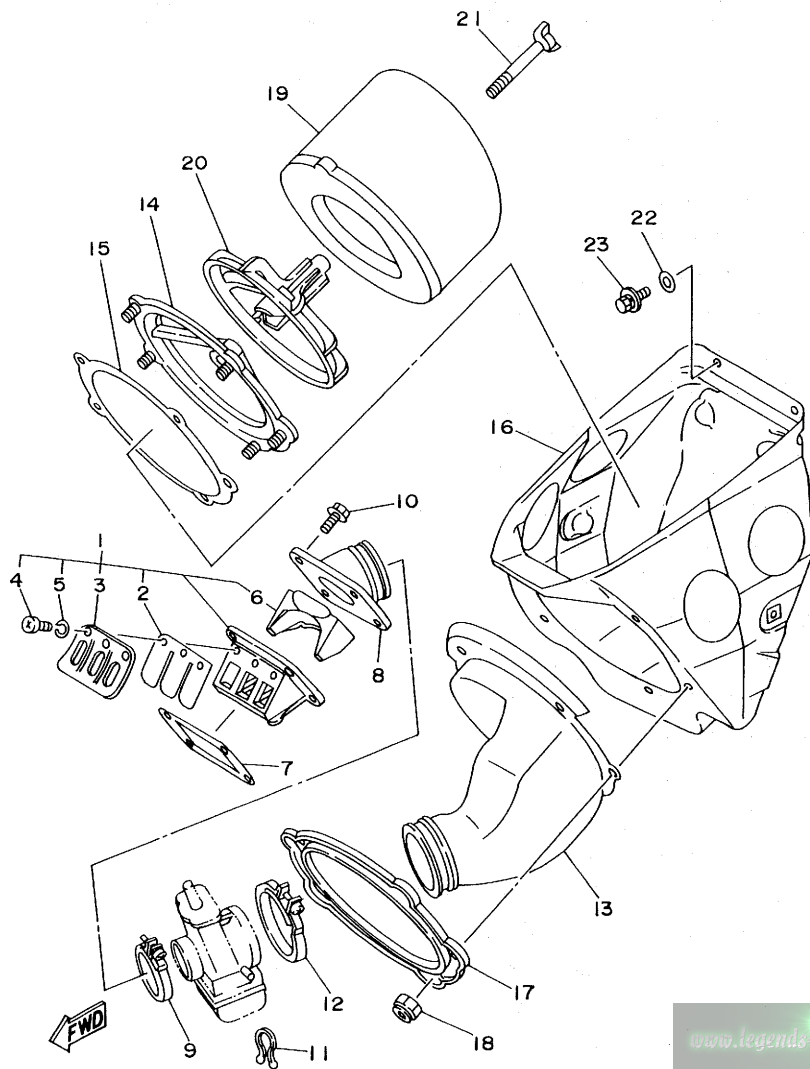
REF. NO.	PART NO.	DESCRIPTION	Q'TY	REMARKS
1	4EW-1240A-00	RADIATOR ASSY 2	1	
2	91A20-05065	TUBE, FLEXIBLE VINYL	1	
3	90467-09006	CLIP	1	
4	4EW-12461-00	RADIATOR ASSY	1	
5	22W-12462-00	CAP, RADIATOR	1	
6	4EW-12482-00	PIPE 2	1	
7	4EW-12483-00	PIPE 3	1	
8	4EW-12485-00	PIPE 5	1	
9	24X-12469-00	JOINT 1	1	
10	4EW-12476-00	PIPE 6	1	
11	4EW-12477-00	PIPE 7	1	
12	1LX-1248A-00	PIPE 8	1	
13	90450-28014	HOSE CLAMP ASSY	6	
14	90450-22052	HOSE CLAMP ASSY	4	
15	90450-15041	HOSE CLAMP ASSY	1	
16	90450-17036	HOSE CLAMP ASSY	1	
17	90480-15528	GROMMET	6	
18	90387-07006	COLLAR	6	
19	95023-06030	BOLT	6	
20	90201-06067	WASHER, PLATE	4	



4EW1100-3050

www.legends-yamaha-enduros.com

B7



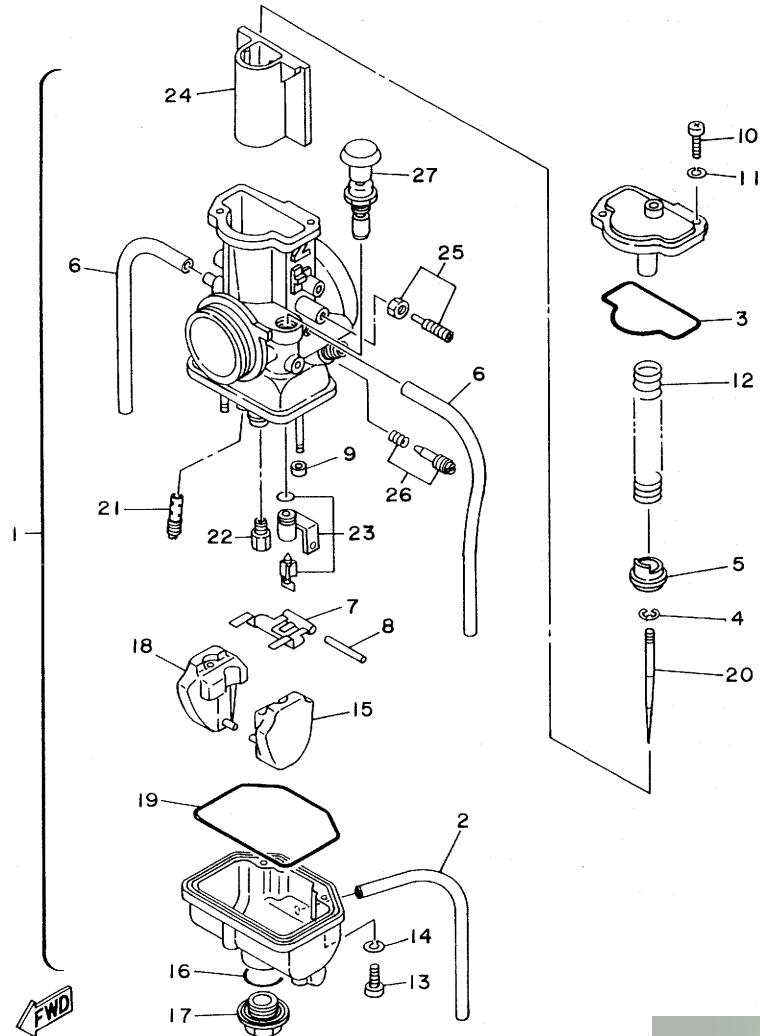
4EW1100-3060

FIG. 6 INTAKE

REF. NO.	PART NO.	DESCRIPTION	Q'TY	REMARKS
1	4DA-13610-00	REED VALVE ASSY	1	
2	3SP-13613-00	.REED, VALVE	2	
3	4DA-13616-00	.STOPPER, REED VALVE	2	
4	98580-03008	.SCREW, PAN HEAD	6	
5	92990-03100	.WASHER, SPRING	6	
6	4DA-13625-00	.SPACER, REED VALVE	1	
7	2K7-13621-10	GASKET, VALVE SEAT	1	
8	4DA-13565-00	JOINT, CARBURETOR	1	
9	90460-51109	CLAMP, HOSE	1	
10	95023-06020	BOLT	4	
11	90464-16039	CLAMP	1	
12	90460-68230	CLAMP, HOSE	1	
13	4EW-14453-00	JOINT, AIR CLEANER 1	1	
14	3JD-14459-00	HOLDER, GUIDE	1	
15	3JD-14462-00	SEAL	1	
16	4EW-14411-01	CASE, AIR CLEANER 1	1	
17	3JD-14477-00	PLATE	1	
18	95601-05100	NUT, U	5	
19	4EW-14451-00	ELEMENT, AIR CLEANER	1	
20	3JD-14458-00	GUIDE	1	
21	90122-06035	BOLT, WING	1	
22	90201-06571	WASHER, PLATE	2	
23	90105-06553	BOLT, WASHER BASED	2	

www.legends-yamaha-enduros.com

FIG. 7 CARBURETOR

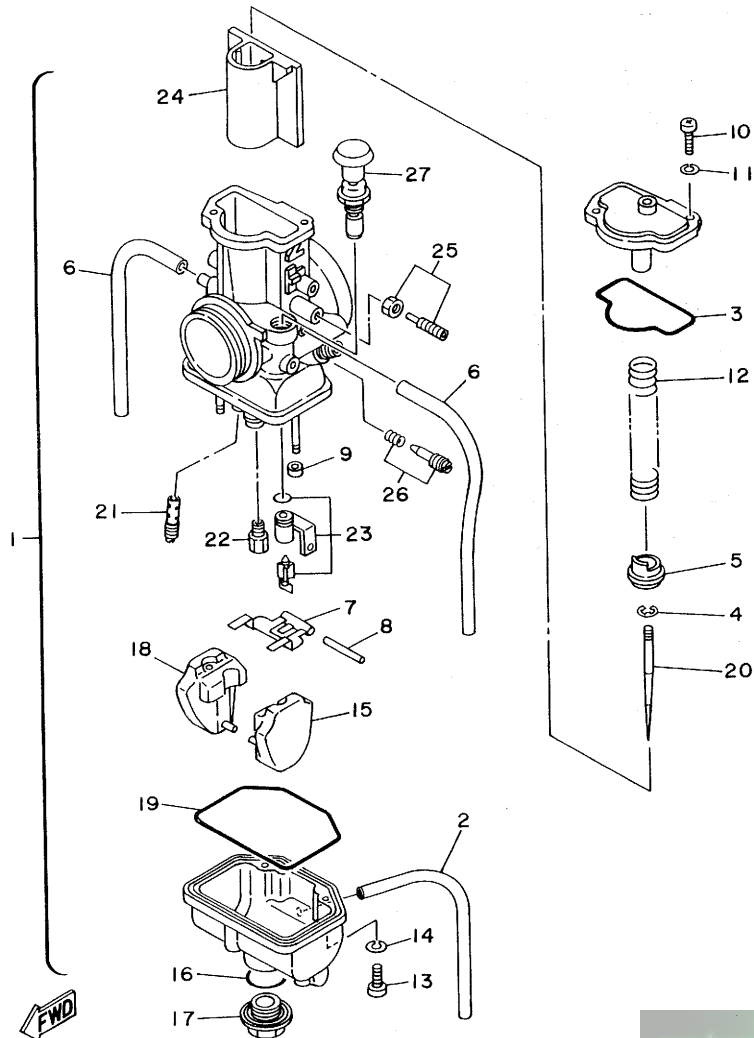


4EW1100-3070

REF. NO.	PART NO.	DESCRIPTION	Q'TY	REMARKS
1	4EW-14101-00	CARBURETOR ASSY 1	1	UR
	4EW-14101-10	CARBURETOR ASSY 1	1	UR FOR EUROPE, OCEANIA
2	3X3-14197-00	.PIPE	1	
3	3JD-14147-00	.O-RING	1	
4	256-14919-00	.CLIP	1	
5	3JD-14194-00	.RING	1	
6	3SP-14149-00	.PIPE	2	
7	363-14187-00	.ARM, FLOAT	1	
8	353-14186-00	.PIN, FLOAT	1	
9	214-14118-00	.CAP	2	
10	98511-04012	.SCREW, PAN HEAD	2	
11	92902-04100	.WASHER, SPRING	2	
12	3JD-14131-00	.SPRING, THROTTLE VALVE	1	
13	98580-03010	.SCREW, PAN HEAD	1	
14	92990-03100	.WASHER, SPRING	1	
15	3JD-14185-00	.FLOAT	1	
16	3JE-14561-00	.O-RING	1	
17	3XK-14115-00	.PLUG, SCREW	1	
18	3JE-14185-00	.FLOAT	1	
19	3JE-14147-00	.O-RING	1	
20	3JD-14116-F1	.NEEDLE (J8-6EJ33-61)	1	STD
	3JD-14116-F9	.NEEDLE (J8-6EJ33-59)	1	AP
	3JD-14116-F0	.NEEDLE (J8-6EJ33-60)	1	AP
	3JD-14116-F2	.NEEDLE (J8-6EJ33-62)	1	AP
	3JD-14116-F3	.NEEDLE (J8-6EJ33-63)	1	AP
21	3H1-14142-45	.JET, PILOT (# 45)	1	STD
	3H1-14142-35	.JET, PILOT (# 35)	1	AP
	3H1-14142-40	.JET, PILOT (# 40)	1	AP

B9

FIG. 7 CARBURETOR



REF. NO.	PART NO.	DESCRIPTION	Q'TY	REMARKS
21	3H1-14142-50	.JET, PILOT (# 50)	1	AP
	3H1-14142-55	.JET, PILOT (# 55)	1	AP
22	137-14143-70	.JET, MAIN (#350)	1	STD
	137-14143-66-A1	.JET, MAIN (#330)	1	AP
	137-14143-68	.JET, MAIN (#340)	1	AP
	137-14143-72	.JET, MAIN (#360)	1	AP
	137-14143-74	.JET, MAIN (#370)	1	STD FOR EUPORE, OCEANIA
	137-14143-76	.JET, MAIN (#380)	1	AP
	137-14143-78	.JET, MAIN (#390)	1	AP
23	3JD-14107-35	.NEEDLE VALVE SET	1	
24	3JD-14112-40	.VALVE, THROTTLE (C.A 4.0)	1	STD
	3JD-14112-30	.VALVE, THROTTLE (C.A 3.0)	1	AP
	3JD-14112-35	.VALVE, THROTTLE (C.A 3.5)	1	AP
	3JD-14112-45	.VALVE, THROTTLE (C.A 4.5)	1	AP
	3JD-14112-50	.VALVE, THROTTLE (C.A 5.0)	1	AP
25	3JD-14103-00	.THROTTLE SCREW SET	1	
26	3JD-14104-00	.AIR SCREW SET	1	
27	3JE-14171-00	.PLUNGER, STARTER	1	

4EW1100-3070

www.legends-yamaha-enduros.com

B10

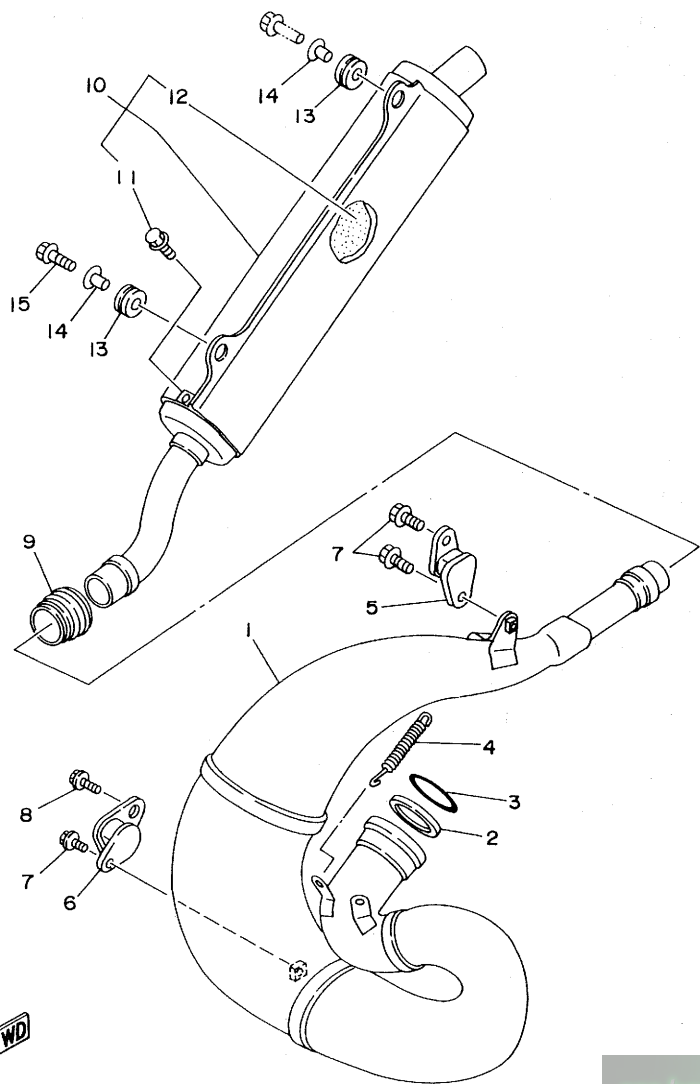


FIG. 8 EXHAUST

REF. NO.	PART NO.	DESCRIPTION	Q'TY	REMARKS
1	4EW-14610-00	EXHAUST PIPE ASSY 1	1	
2	3R4-14613-00	GASKET, EXHAUST PIPE	1	
3	93210-56743	O-RING	1	
4	90507-20030	SPRING, TENSION	3	
5	565-14771-00	STAY, MUFFLER 1	1	
6	483-14781-02	STAY, MUFFLER 2	1	
7	95023-06012	BOLT	3	
8	95023-08012	BOLT	1	
9	3JE-14615-01	JOINT, EXHAUST 1	1	
10	4EW-14753-00	SILENCER, EXHAUST	1	
11	95023-06008	.BOLT	2	
12	4EW-1469A-00	.FIBER	1	
13	90480-16561	GROMMET	2	
14	90387-06363	COLLAR	2	
15	95023-06025	BOLT	1	

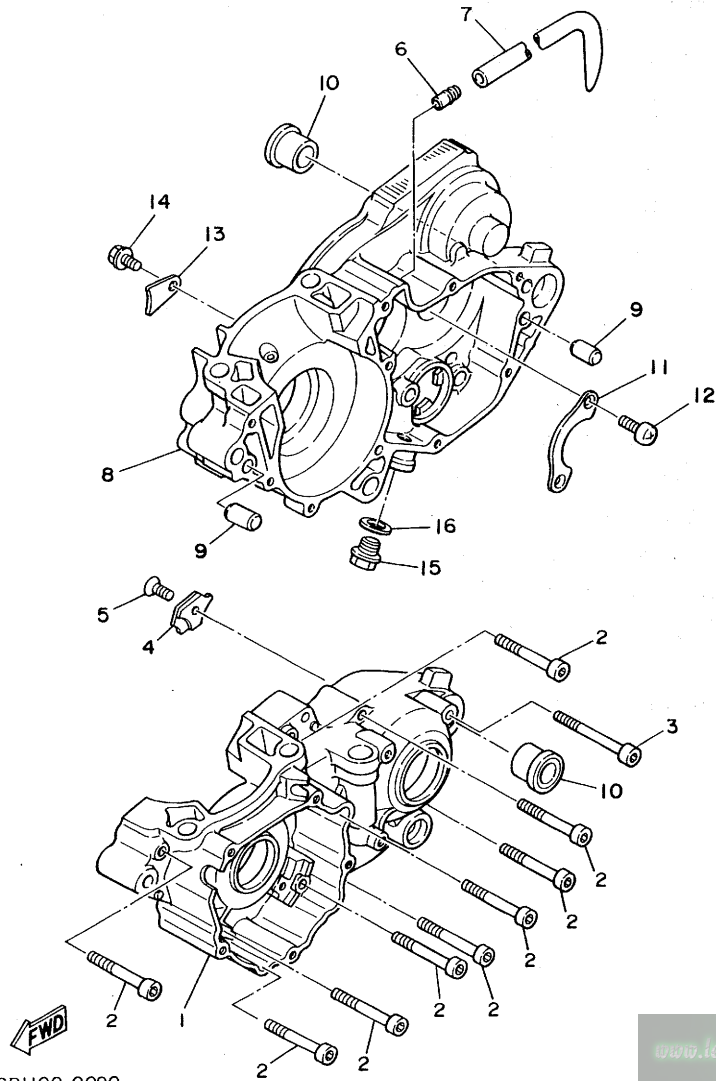
4EW1100-3080

www.legends-yamaha-enduros.com

B11

FIG. 9 CRANKCASE

REF. NO.	PART NO.	DESCRIPTION	Q'TY	REMARKS
1	2VM-15111-03	CRANKCASE 1	1	
2	91316-06050	BOLT	9	
3	91316-06070	BOLT	1	
4	3SP-15381-00	PLATE, BEARING COVER	1	
5	98701-06012	SCREW, FLAT HEAD	1	
6	353-13115-01	CONNECTOR, SUCTION PIPE	1	
7	90445-086A8	HOSE	1	
8	2VM-15121-01	CRANKCASE 2	1	
9	99510-12016	PIN, DOWEL	2	
10	90387-160H4	COLLAR	2	
11	4L0-17471-00	PLATE, COVER	1	
12	98511-06012	SCREW, PAN HEAD	2	
13	4V4-15118-00	HOLDER	1	
14	95811-06010	BOLT, FLANGE	1	
15	90340-12097	PLUG, STRAIGHT SCREW	1	
16	90430-12207	GASKET	1	



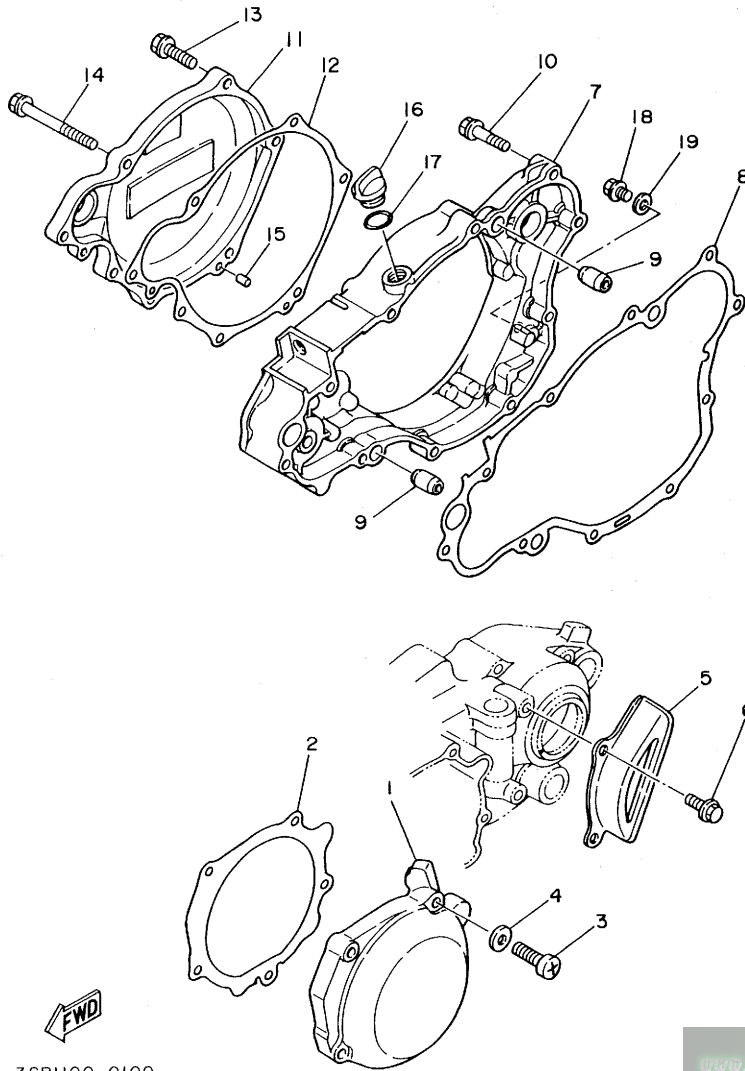
3SP1100-0090

www.legends-yamaha-enduros.com

B12

FIG. 10 CRANKCASE COVER 1

REF. NO.	PART NO.	DESCRIPTION	Q'TY	REMARKS
1	2VM-15411-00	COVER, CRANKCASE 1	1	
2	2VM-15451-10	GASKET, CRANKCASE COVER 1	1	
3	98580-06030	SCREW, PAN HEAD	5	
4	92901-06600	WASHER, PLATE	5	
5	2VM-15421-01	COVER, CRANKCASE 2	1	
6	95023-06012	BOLT	2	
7	3SP-Y1543-00	COVER, CRANKCASE 3	1	
8	2VM-15462-10	GASKET, CRANKCASE COVER 3	1	
9	99510-12016	PIN, DOWEL	2	
10	95023-06030	BOLT	7	
11	4EW-15415-00	COVER, GENERATOR	1	
12	3SP-15463-11	GASKET, CARBURETOR COVER 2	1	
13	95023-06025	BOLT	5	
14	95021-06070	BOLT, FLANGE	2	
15	93604-10011	PIN, DOWEL	2	
16	1G8-15362-00	PLUG, OIL LEVEL	1	
17	93210-14104	O-RING	1	
18	95023-06008	BOLT	1	
19	90430-06014	GASKET	1	

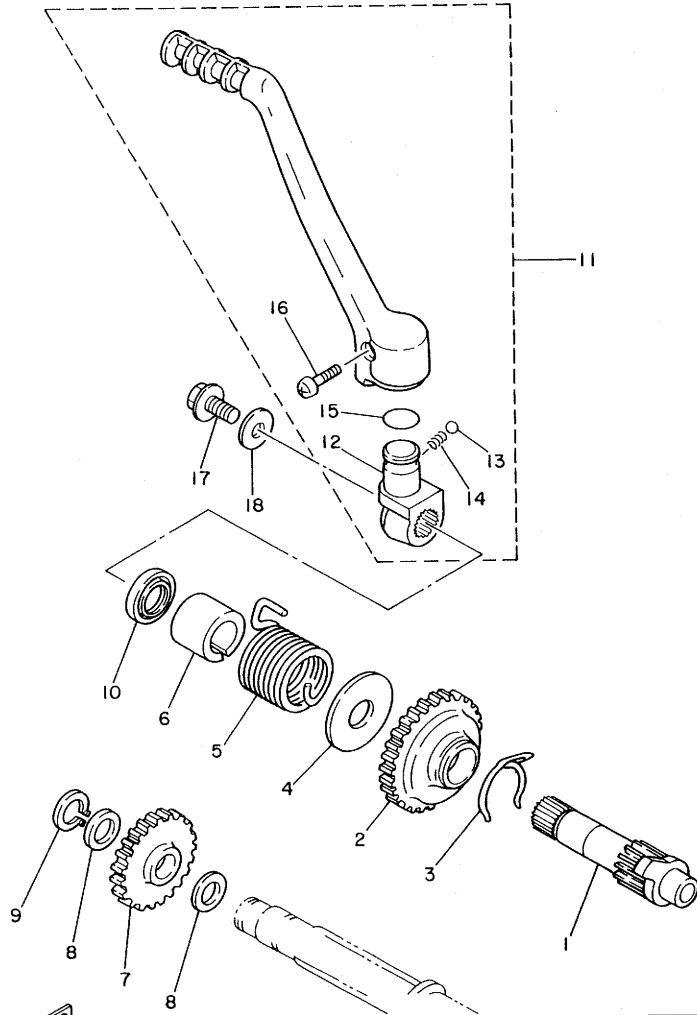


3SP1100-0100

www.legends-yamaha-enduros.com

B13

FIG. 11 STARTER



REF. NO.	PART NO.	DESCRIPTION	Q'TY	REMARKS
1	2VM-15661-01	AXLE, KICK	1	
2	3R4-15641-00	GEAR, KICK (26T)	1	
3	90468-26048	CLIP	1	
4	90201-20358	WASHER, PLATE	1	
5	90508-30743	SPRING, TORSION	1	
6	2VM-15664-00	GUIDE, SPRING	1	
7	38V-15651-00	GEAR, KICK IDLE (23T)	1	
8	90201-17545	WASHER, PLATE	2	
9	99009-17400	CIRCLIP	1	
10	93102-20309	OIL SEAL	1	
11	4EW-15620-00	KICK CRANK ASSY	1	
12	3SP-15621-01	.BOSS, KICK CRANK	1	
13	93501-04011	.BALL	1	
14	90501-13720	.SPRING, COMPRESSION	1	
15	93210-19216	.O-RING	1	
16	90157-06048	.SCREW, PAN HEAD	1	
17	95023-08020	BOLT	1	
18	90201-087A9	WASHER, PLATE	1	



3SP1100-0110

www.legends-yamaha-enduros.com

B14

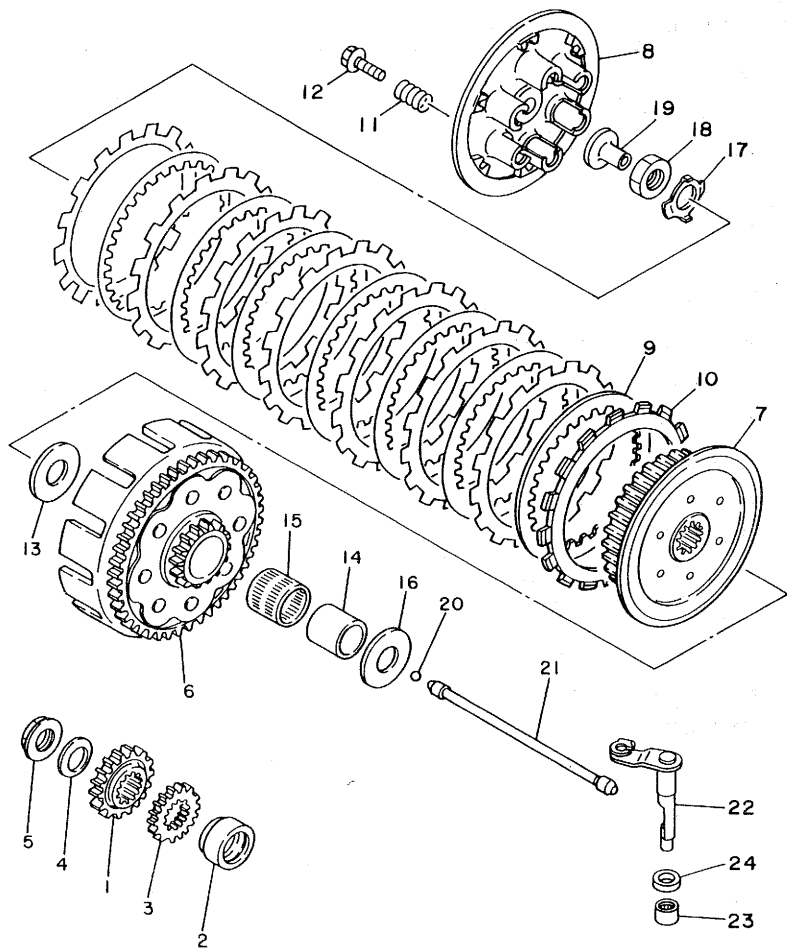


FIG. 12 CLUTCH

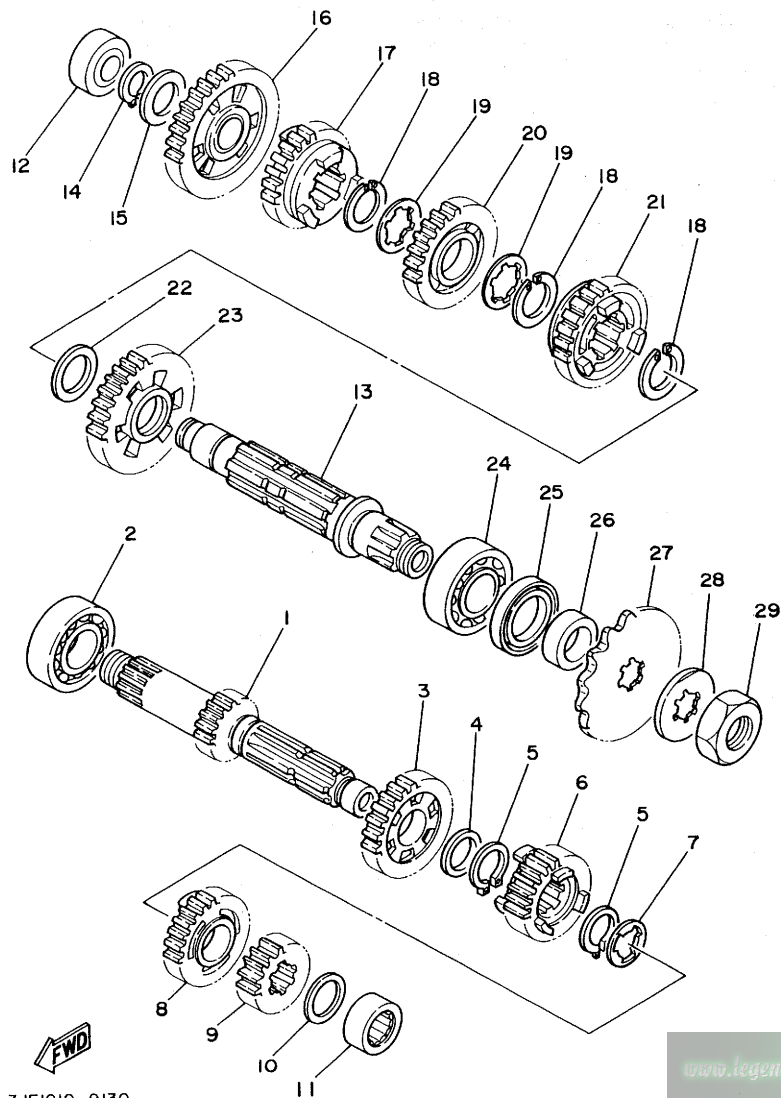
REF. NO.	PART NO.	DESCRIPTION	Q'TY	REMARKS
1	2VM-16111-00	GEAR, PRIMARY DRIVE	1	
2	90387-252F6	COLLAR	1	
3	3XK-11956-00	GEAR, GOVERNOR DRIVE	1	
4	90208-18025	WASHER, CONICAL SPRING	1	
5	90179-18172	NUT	1	
6	4EW-16150-00	PRIMARY DRIVEN GEAR COMP.	1	
7	4EW-16371-00	BOSS, CLUTCH	1	
8	4EW-16351-00	PLATE, PRESSURE 1	1	
9	3XK-16325-00	PLATE, CLUTCH 2	7	
10	3XK-16321-00	PLATE, FRICTION	8	
11	90501-23598	SPRING, COMPRESSION	6	
12	90159-06016	SCREW, WITH WASHER	6	
13	2K7-16154-00	PLATE, THRUST 1	1	
14	2VM-16181-00	SPACER 1	1	
15	93310-230T7	BEARING, CYLINDRICAL	1	
16	3SP-16154-00	PLATE, THRUST 1	1	
17	90215-20231	WASHER, LOCK	1	
18	90170-20255	NUT	1	
19	4EW-16356-00	ROD, PUSH 1	1	
20	93511-32027	BALL	1	
21	4EW-16357-00	ROD, PUSH 2	1	
22	4EW-16381-00	PUSH LEVER COMP.	1	
23	93315-11206	BEARING, CYLINDRICAL	1	
24	93102-12224	OIL SEAL	1	



4EW1100-3120

www.legends.yamaha-enduros.com

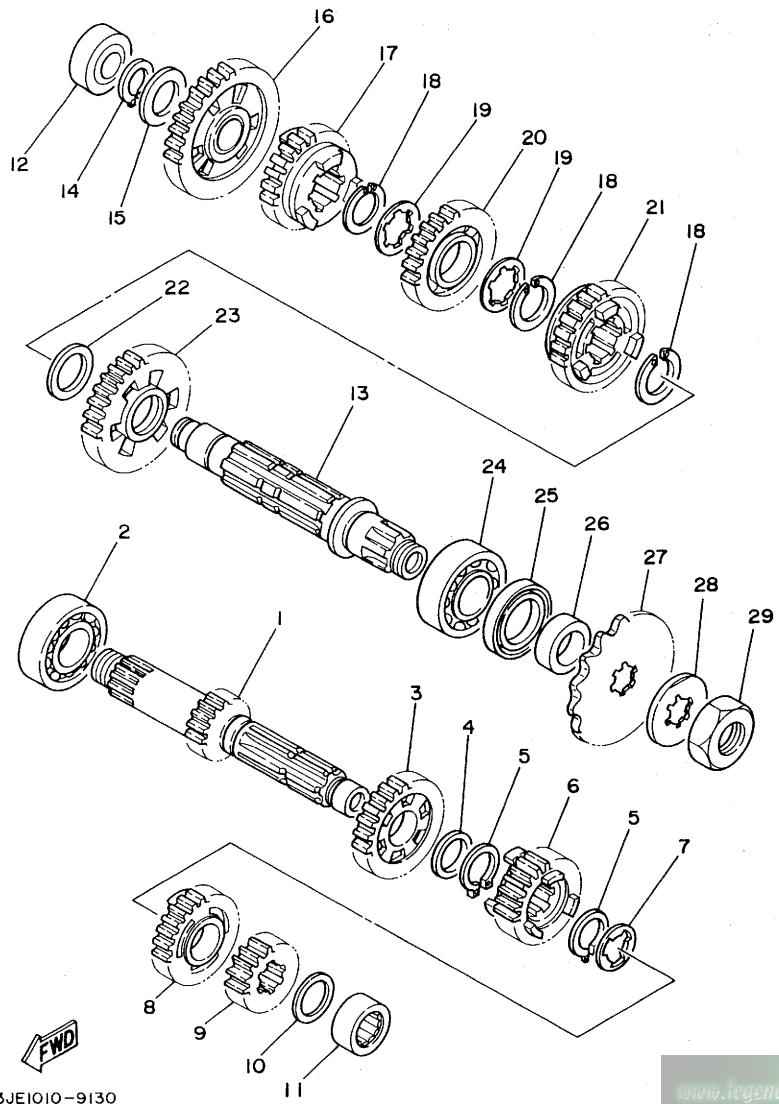
B15



3JE1010-9130

FIG. 13 TRANSMISSION

REF. NO.	PART NO.	DESCRIPTION	Q'TY	REMARKS
1	4EW-17411-00	AXLE, MAIN	1	
2	93306-20540	BEARING	1	
3	2VM-17151-00	GEAR, 5TH PINION (23T)	1	
4	90201-22555	WASHER, PLATE	1	
5	93410-22039	CIRCLIP	2	
6	2VM-17131-00	GEAR, 3RD PINION (16T)	1	
7	90209-18135	WASHER	1	
8	2VM-17141-00	GEAR, 4TH PINION (19T)	1	
9	2VM-17121-01	GEAR, 2ND PINION	1	
10	90209-17311	WASHER	1	
11	93311-41734	BEARING, CYLINDRICAL	1	
12	93311-62035	BEARING, CYLINDRICAL	1	
13	2VM-17421-00	AXLE, DRIVE	1	
14	93410-20038	CIRCLIP	1	
15	90201-20278	WASHER, PLATE	1	
16	2VM-17211-00	GEAR, 1ST WHEEL (31T)	1	
17	2VM-17251-01	GEAR, 5TH WHEEL (23T)	1	
18	93440-25084	CIRCLIP	3	
19	90209-22082	WASHER	2	
20	2VM-17231-00	GEAR, 3RD WHEEL (22T)	1	
21	2VM-17241-00	GEAR, 4TH WHEEL (22T)	1	
22	90201-253K0	WASHER, PLATE (T=1.0)	1	
23	2VM-17221-00	GEAR, 2ND WHEEL (29T)	1	
24	93306-20562	BEARING	1	
25	93102-32M07	OIL SEAL	1	
26	90387-25663	COLLAR	1	
	93834-14049	SPROCKET,DRIVE 14T (1W41746140)	1	STD
	93834-13030	SPROCKET,DRIVE 13T (23X1746130)	1	AP



3JE1010-9130

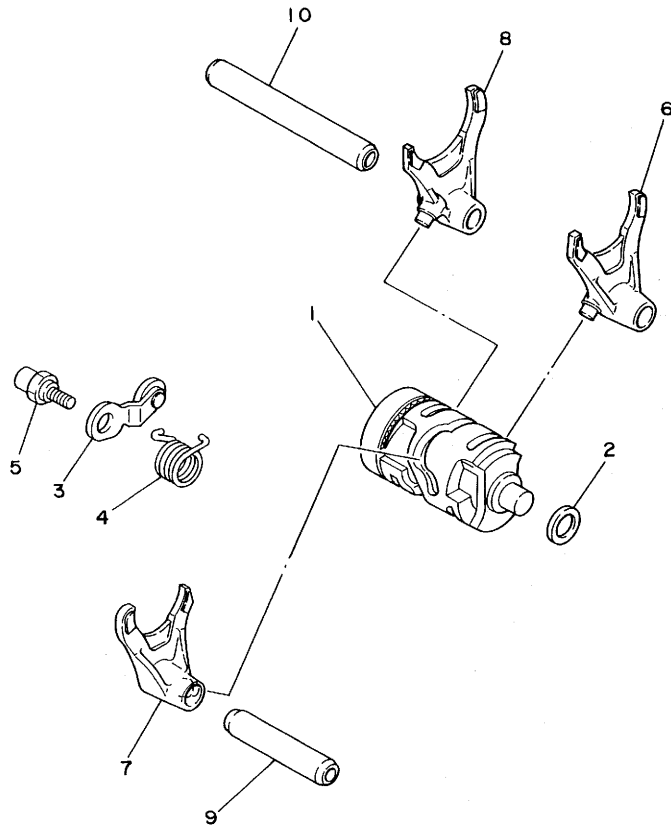
www.legends-yamaha-enduros.com

C3

FIG. 13 TRANSMISSION

REF. NO.	PART NO.	DESCRIPTION	Q'TY	REMARKS
27	93834-15075	SPROCKET,DRIVE 15T (1W41746150)	1	AP
28	90215-21239	WASHER, LOCK	1	
29	90179-20255	NUT	1	

FIG. 14 SHIFT CAM. FORK



REF. NO.	PART NO.	DESCRIPTION	Q'TY	REMARKS
1	3XK-18540-01	SHIFT CAM ASSY	1	
2	90201-12166	WASHER, PLATE	1	
3	3XK-18140-00	STOPPER LEVER ASSY	1	
4	90508-26561	SPRING, TORSION	1	
5	3XK-18177-00	BOLT, STOPPER	1	
6	2VM-18511-00	FORK, SHIFT 1	1	
7	2VM-18512-00	FORK, SHIFT 2	1	
8	2VM-18513-00	FORK, SHIFT 3	1	
9	4EX-18531-00	BAR, SHIFT FORK GUIDE 1	1	
10	3XV-18535-00	BAR, SHIFT FORK GUIDE 2	1	



3XK1100-1140

www.legends-yamaha-enduros.com

C4

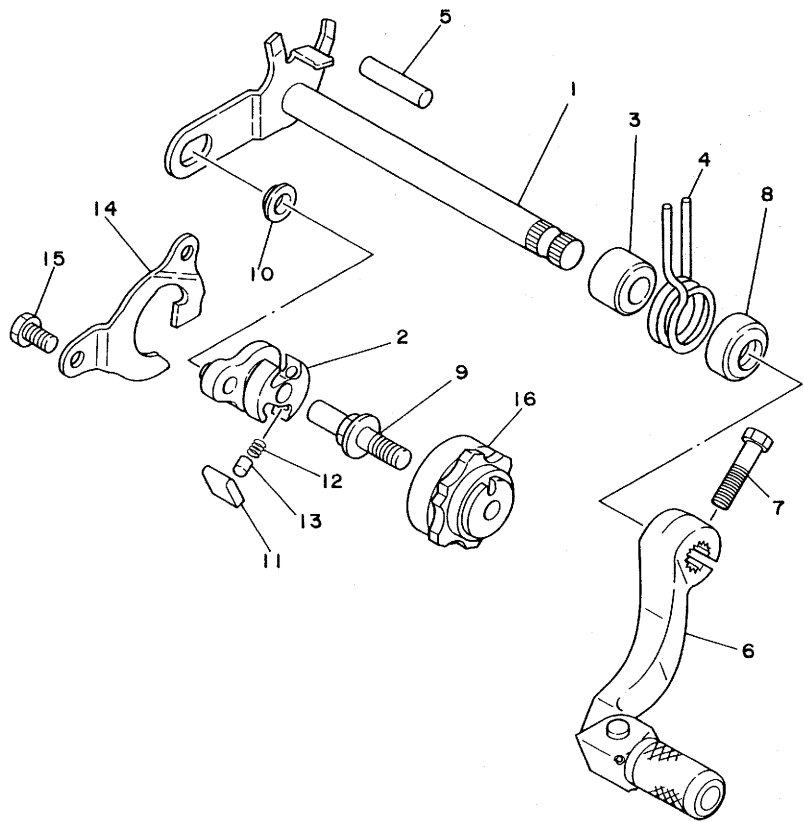


FIG. 15 SHIFTER

REF. NO.	PART NO.	DESCRIPTION	Q'TY	REMARKS
1	3XK-18101-01	SHIFT SHAFT ASSY	1	
2	3XK-18122-00	LEVER, SHIFT 2	1	
3	90560-12280	SPACER	1	
4	90508-291A8	SPRING, TORSION	1	
5	93608-33046	PIN, DOWEL	1	
6	2VM-18110-00	SHIFT PEDAL ASSY	1	
7	97011-06025	BOLT	1	
8	93102-12321	OIL SEAL	1	
9	3XJ-18173-00	PIN, SHIFT	1	
10	3XJ-18178-00	ROLLER, SHIFT LEVER	1	
11	3XJ-18182-00	PAWL, SHIFTER	2	
12	90501-052G5	SPRING, COMPRESSION	2	
13	3XJ-18184-00	PIN, PAWL	2	
14	4DA-18172-00	GUIDE, SHIFT	1	
15	90101-06664	BOLT	2	
16	4EW-18185-00	SEGMENT	1	

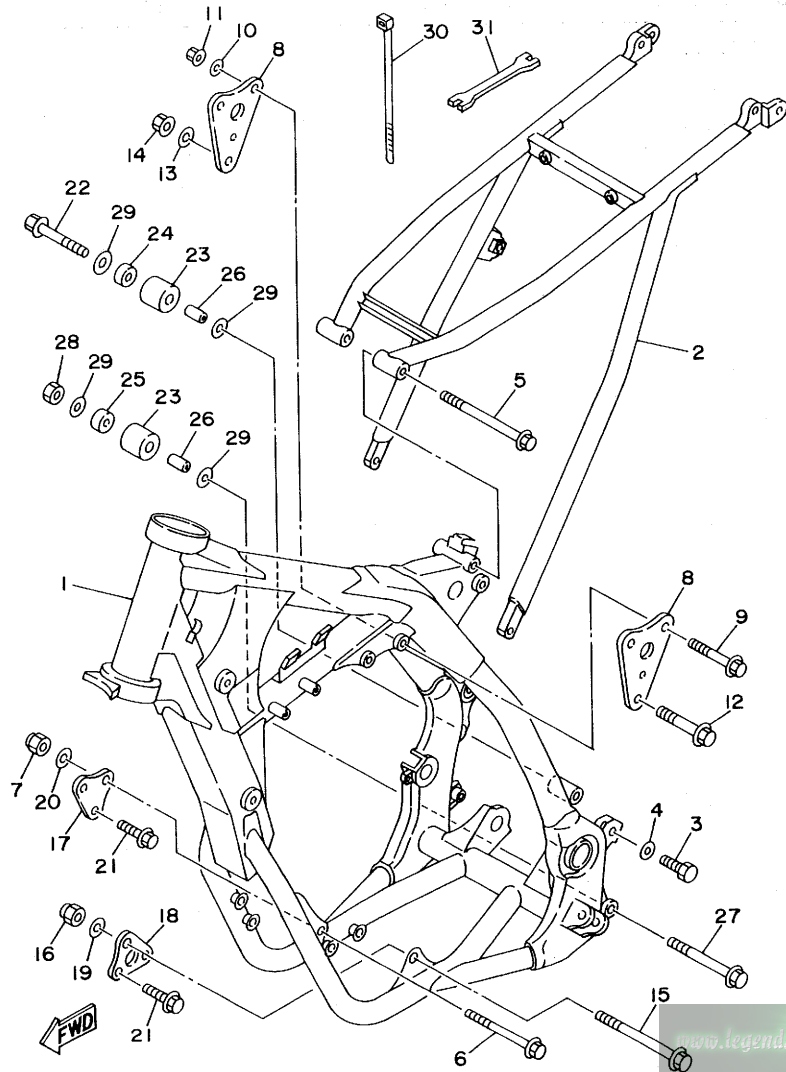


4DA2100-2150

www.legends-yamaha-enduros.com

C5

FIG. 16 FRAME



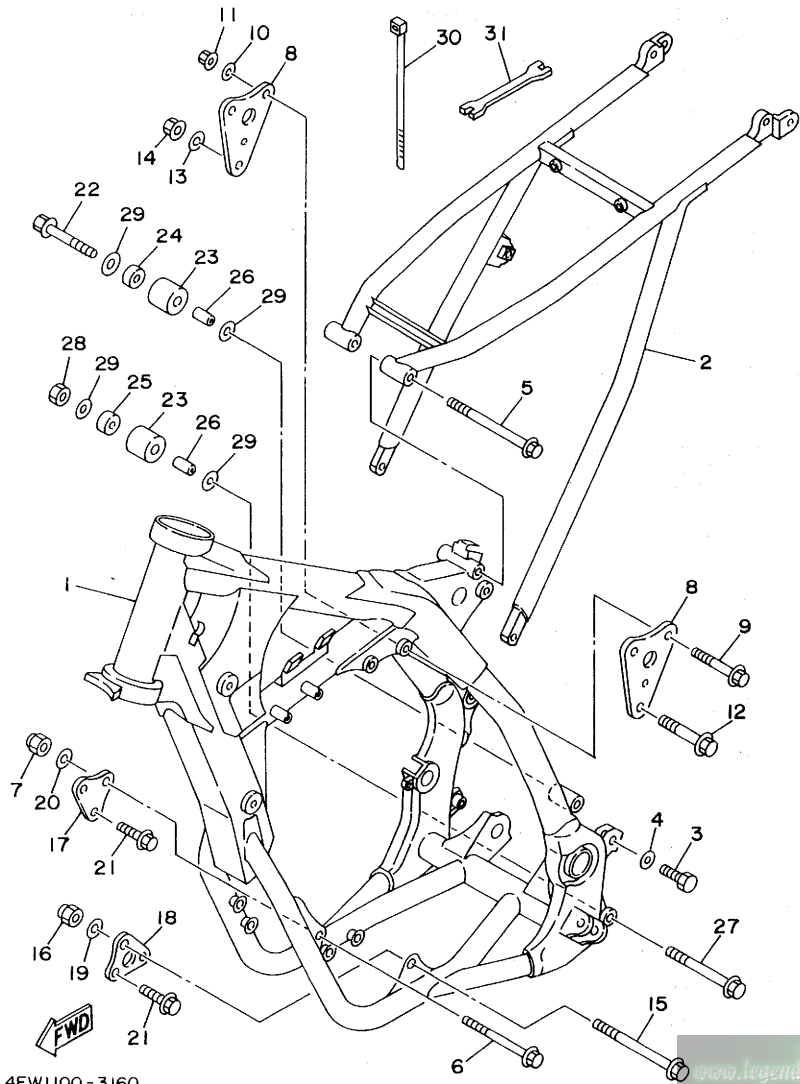
4EW1100-3160

REF. NO.	PART NO.	DESCRIPTION	Q'TY	REMARKS
1	4EW-21101-00-UJ	FRONT FRAME COMP.	1	RADICAL WHITE
2	4EW-21190-00-UJ	REAR FRAME COMP.	1	RADICAL WHITE
3	90106-08051	BOLT	2	
4	90201-080E2	WASHER, PLATE	2	
5	90105-08120	BOLT, WASHER BASED	1	
6	90105-08592	BOLT, WASHER BASED	1	
7	95611-08100	NUT, U	1	
8	4EW-21425-00	BRACKET, REAR UPPER 1	2	
9	95811-08050	BOLT, FLANGE	2	
10	90201-08730	WASHER, PLATE	2	
11	95601-08200	NUT, SELF-LOCKING	2	
12	91011-10055	BOLT, FLANGE	1	
13	92990-10200	WASHER, PLAIN	1	
14	95611-10100	NUT, U	1	
15	91011-10120	BOLT, FLANGE	1	
16	95611-10200	NUT, SELF-LOCKING	1	
17	4EW-21417-00	BRACKET, FRONT LOWER 1	1	
18	4EW-21427-00	BRACKET, REAR LOWER 1	1	
19	90201-08326	WASHER, PLATE	1	
20	90201-101J1	WASHER, PLATE	1	
21	95811-08035	BOLT, FLANGE	4	
22	95023-08040	BOLT	1	
23	3JD-22178-10	TENSIONER	1	
24	4EW-22178-00	TENSIONER	1	
25	93300-60804	BEARING	2	
26	90387-086N4	COLLAR	2	
27	95021-08065	BOLT, FLANGE	1	
28	90170-08158	NUT	1	

C6

FIG. 16 FRAME

REF. NO.	PART NO.	DESCRIPTION	Q'TY	REMARKS
29	90201-081A6	WASHER, PLATE	4	
30	12R-82591-00	BAND	1	
31	56A-28166-00	WRENCH, HEXAGON	1	

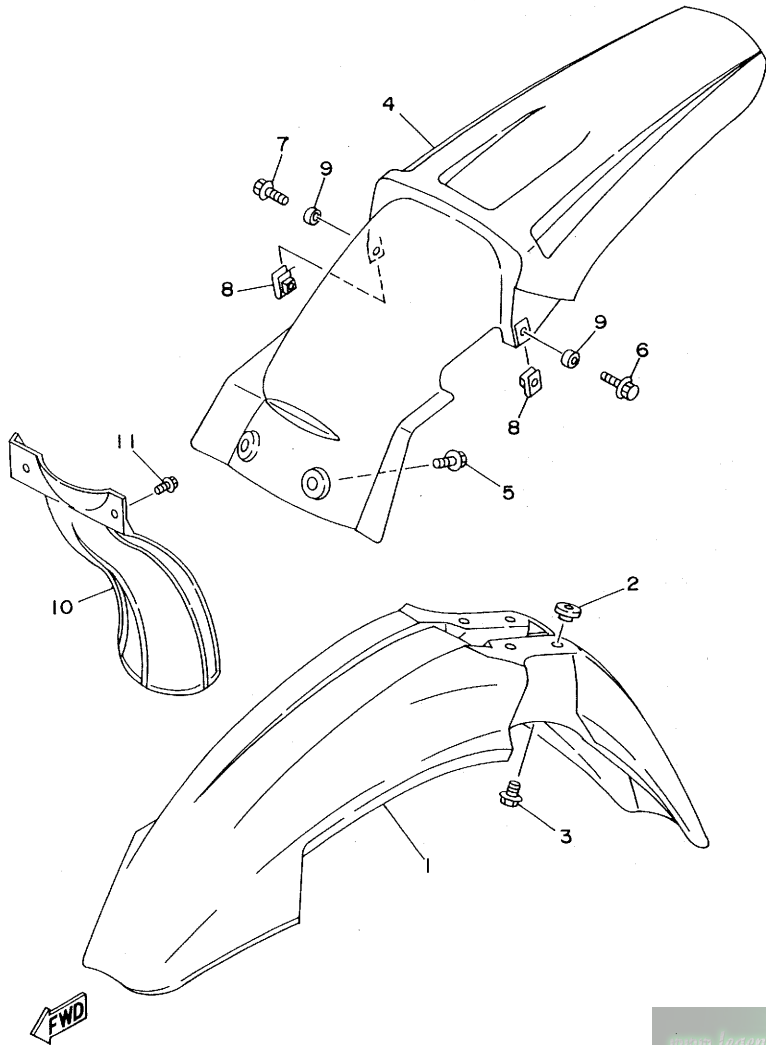


4EW1100-3160

www.legends-yamaha-enduros.com

C7

FIG. 17 FENDER



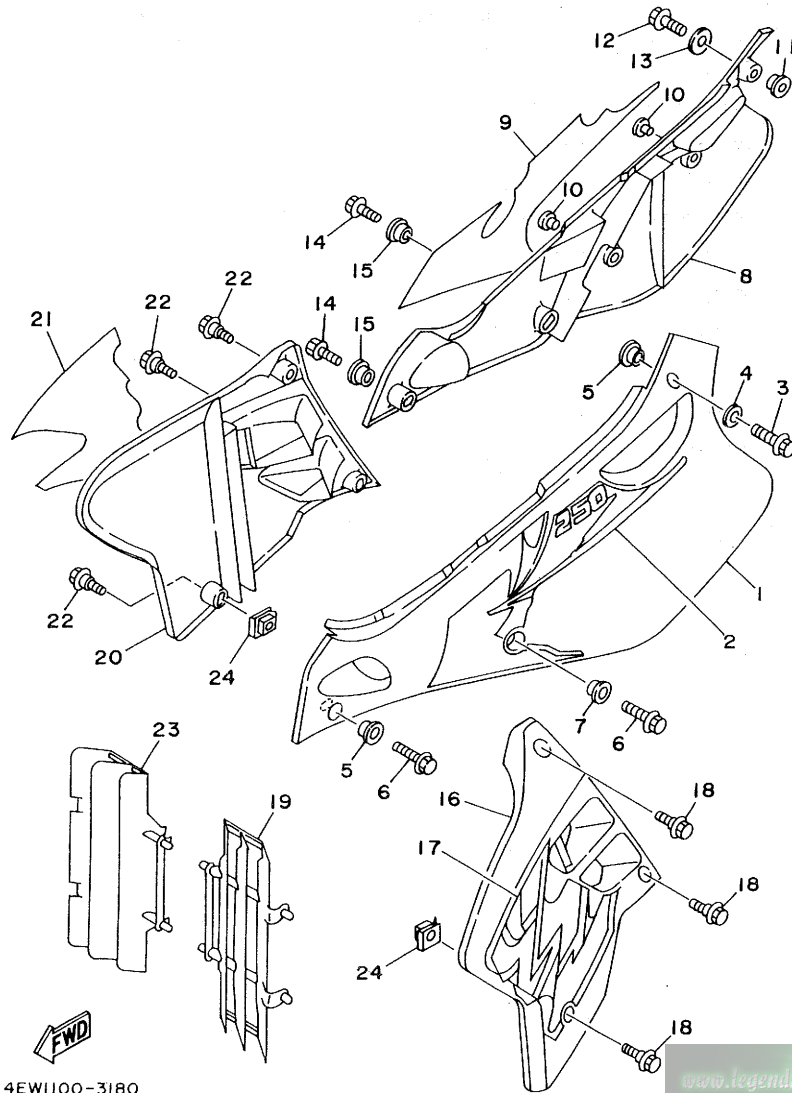
REF. NO.	PART NO.	DESCRIPTION	Q'TY	REMARKS
1	4DA-21511-00	FENDER, FRONT	1	
2	3JD-21748-00	COLLAR	4	
3	90119-06063	BOLT, WITH WASHER	4	
4	4EW-21611-00	FENDER, REAR	1	
5	90119-06185	BOLT, WITH WASHER	2	
6	95023-06016	BOLT	1	
7	95023-06030	BOLT	1	
8	90183-06023	NUT, SPRING	2	
9	90387-0701A	COLLAR	2	
10	39X-21642-00	GUARD, FLAP	1	
11	90119-06185	BOLT, WITH WASHER	2	

4EW1100-3170

www.legends-yamaha-enduros.com

C8

FIG. 18 SIDE COVER

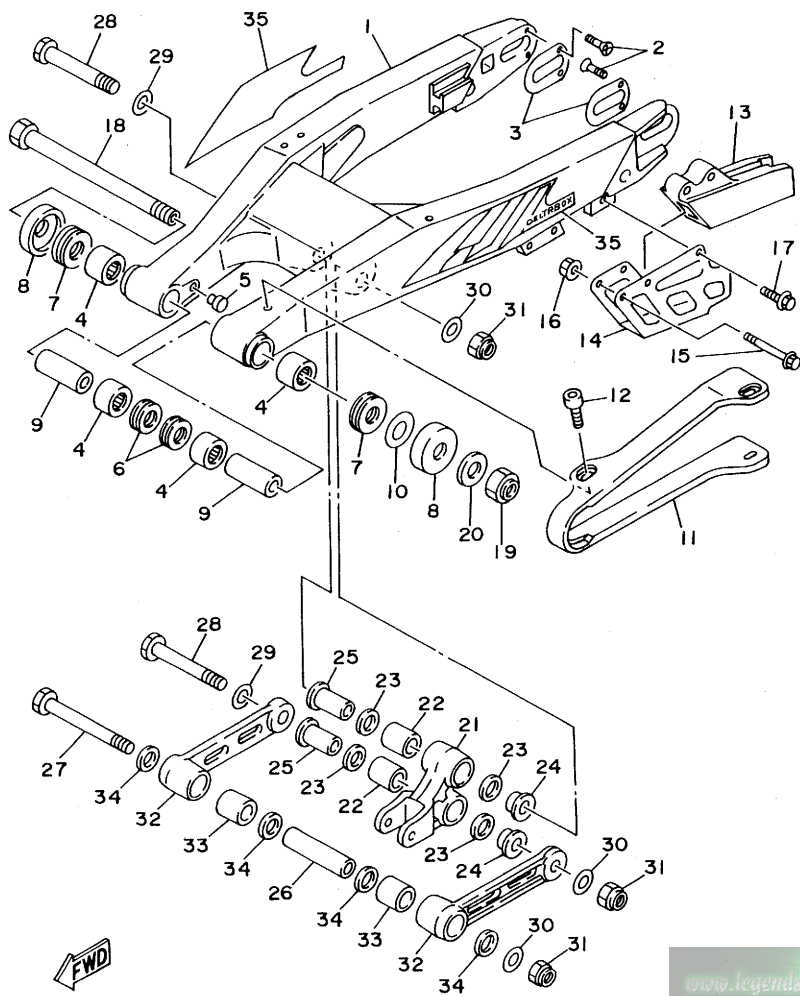


REF. NO.	PART NO.	DESCRIPTION	Q'TY	REMARKS
1	4EW-21711-00	COVER, SIDE 1	1	
2	4EW-2173E-01	GRAPHIC 1	1	
3	95023-06020	BOLT	1	
4	90201-06643	WASHER, PLATE	1	
5	90387-0600F	COLLAR	2	
6	95023-06012	BOLT	2	
7	90387-0600F	COLLAR	1	
8	4EW-21721-00	COVER, SIDE 2	1	
9	4EW-2173F-01	GRAPHIC 2	1	
10	22W-24181-00	DAMPER, LOCATING 1	2	
11	90387-0600F	COLLAR	1	
12	95023-06020	BOLT	1	
13	90201-06643	WASHER, PLATE	1	
14	95023-06012	BOLT	2	
15	90387-0600F	COLLAR	2	
16	4EW-21731-00	COVER, SIDE 3	1	
17	4EW-21783-01	EMBLEM 3	1	
18	90109-067F4	BOLT	3	
19	4EW-2172A-00	PANEL 1	1	
20	4EW-21741-00	COVER, SIDE 4	1	
21	4EW-21784-01	EMBLEM 4	1	
22	90109-067F4	BOLT	3	
23	4EW-2172A-00	PANEL 1	1	
24	90183-06069	NUT, SPRING	2	

4EW1100-3180

www.legends-yamaha-enduros.com

C9



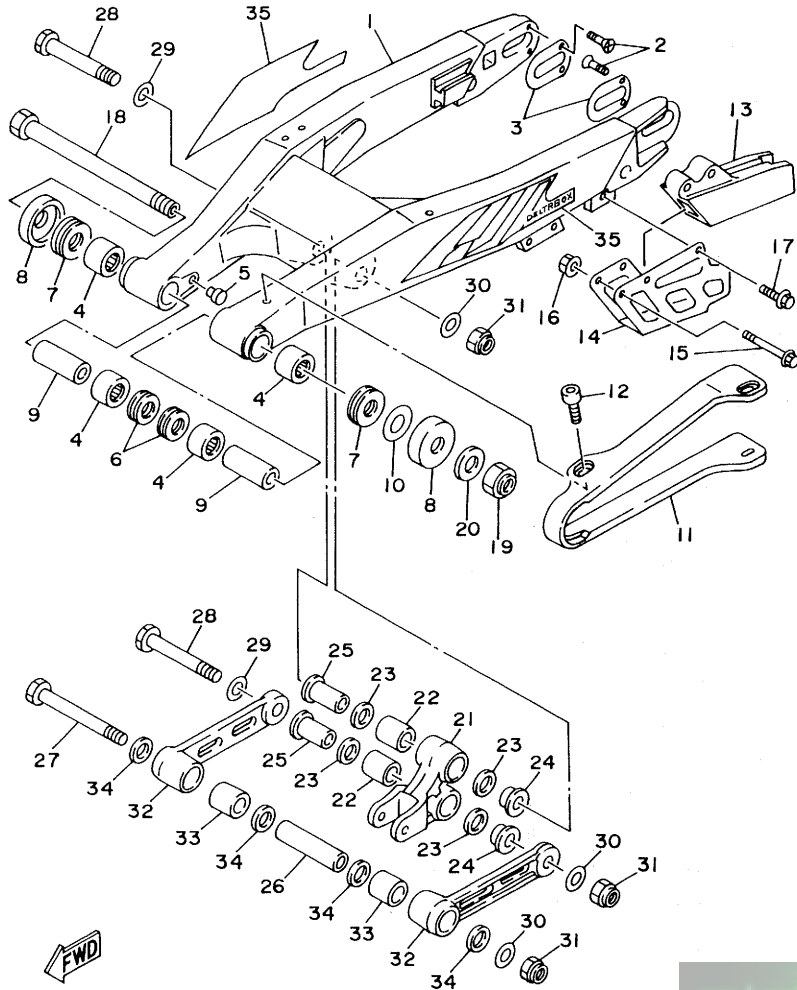
4EW1100-3190

FIG. 19 REAR ARM

REF. NO.	PART NO.	DESCRIPTION	Q'TY	REMARKS
1	4EW-22110-01	REAR ARM COMP.	1	
2	90151-04048	SCREW, COUNTERSUNK	4	
3	3XJ-22355-00	PATCH A	2	
4	93317-22262	BEARING, CYLINDRICAL	4	
5	90338-10150	PLUG	2	
6	93106-22019	OIL SEAL (DC 22-28-8)	2	
7	93342-22215	BEARING, THRUST	2	
8	4EW-22129-00	COVER, THRUST 2	2	
9	90380-16158	BUSH, SOLID	2	
10	156-22127-00	SHIM (0.3T)	1	
11	4EW-22151-00	SEAL, GUARD	1	
12	90110-05201	BOLT, HEXAGON SOCKET HEAD	3	
13	4EW-22199-00	SUPPORT, CHAIN	1	
14	4EW-22128-00	COVER, THRUST 1	1	
15	95021-06045	BOLT, FLANGE	2	
16	90179-06568	NUT	2	
17	95023-06010	BOLT	1	
18	1LX-22141-00	SHAFT, PIVOT	1	
19	90185-16127	NUT, SELF-LOCKING	1	
20	90201-164H4	WASHER, PLATE	1	
21	4EW-2217A-00	ARM, RELAY	1	
22	93315-22046	BEARING, CYLINDRICAL	2	
23	93109-20029	OIL SEAL	4	
24	90387-164N2	COLLAR	2	
25	90387-164N3	COLLAR	2	
26	90387-167Y9	COLLAR	1	
27	90109-147F2	BOLT	1	
28	90109-142F4	BOLT	2	

FIG. 19 REAR ARM

REF. NO.	PART NO.	DESCRIPTION	Q'TY	REMARKS
29	90201-164H4	WASHER, PLATE	2	
30	90201-14740	WASHER, PLATE	3	
31	90185-14070	NUT, SELF-LOCKING	3	
32	4EW-2217F-00	ROD, CONNECTING 1	2	
33	93315-22046	BEARING, CYLINDRICAL	2	
34	93109-20029	OIL SEAL	4	
35	4EW-22180-02	EMBLEM	1	

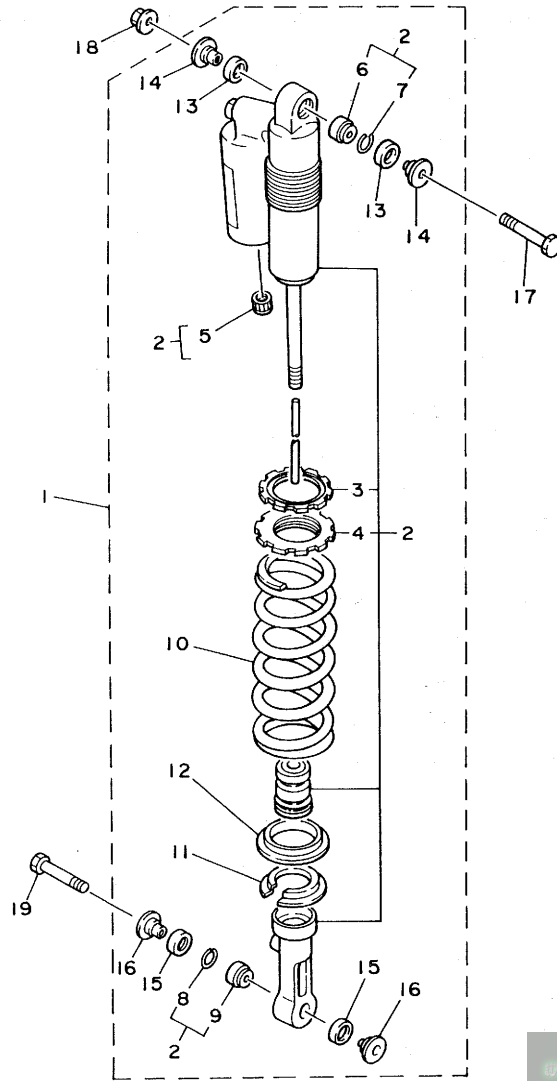


4EW1100-3190

www.legends.yamaha-enduros.com

C11

FIG. 20 REAR SUSPENSION



REF. NO.	PART NO.	DESCRIPTION	Q'TY	REMARKS
1	4EW-22210-10	SHOCK ABSORBER ASSY, REAR	1	UR FOR USA
	4EW-22210-00	SHOCK ABSORBER ASSY, REAR	1	UR FOR EUROPE
	4EW-22210-20	SHOCK ABSORBER ASSY, REAR	1	UR FOR JAPAN
	4EW-22210-30	SHOCK ABSORBER ASSY, REAR	1	UR FOR CANADA
	4EW-22210-40	SHOCK ABSORBER ASSY, REAR	1	UR FOR OCEANIA, S.AFRICA
2	4EW-22201-10	.DAMPER SUB ASSY	1	UR FOR USA
	4EW-22201-00	.DAMPER SUB ASSY	1	UR FOR EUROPE
	4EW-22201-20	.DAMPER SUB ASSY	1	UR FOR JAPAN
	4EW-22201-30	.DAMPER SUB ASSY	1	UR FOR CANADA
	4EW-22201-40	.DAMPER SUB ASSY	1	UR FOR OCEANIA, S.AFRICA
3	3SP-22234-00	..GUIDE, SPRING 3	1	
4	3SP-22213-00	..SEAT, SPRING UPPER	1	
5	24M-23184-00	..CAP, AIR VALVE	1	
6	3JD-22216-00	..BUSH, REAR SHOCK ABSORBER	1	
7	43M-22274-00	..RING, STOP	1	
8	3Y6-23183-00	..CIRCLIP	1	
9	93399-99935	..BEARING	1	
10	4DA-22212-70	.SPRING (K=5.0)	1	
11	3JD-22214-00	.GUIDE, SPRING 1	1	
12	3JD-22224-00	.GUIDE, SPRING 2	1	
13	3JD-22475-00	.SEAL, DUST	2	
14	3XJ-22253-00	.COLLAR, DISTANCE	2	
15	3JE-22475-00	.SEAL, DUST	2	
16	4EW-22253-00	.COLLAR, DISTANCE	2	
17	3SP-22241-00	BOLT 1	1	
18	95611-10200	NUT, SELF-LOCKING	1	
19	90105-10614	BOLT, WASHER BASED	1	

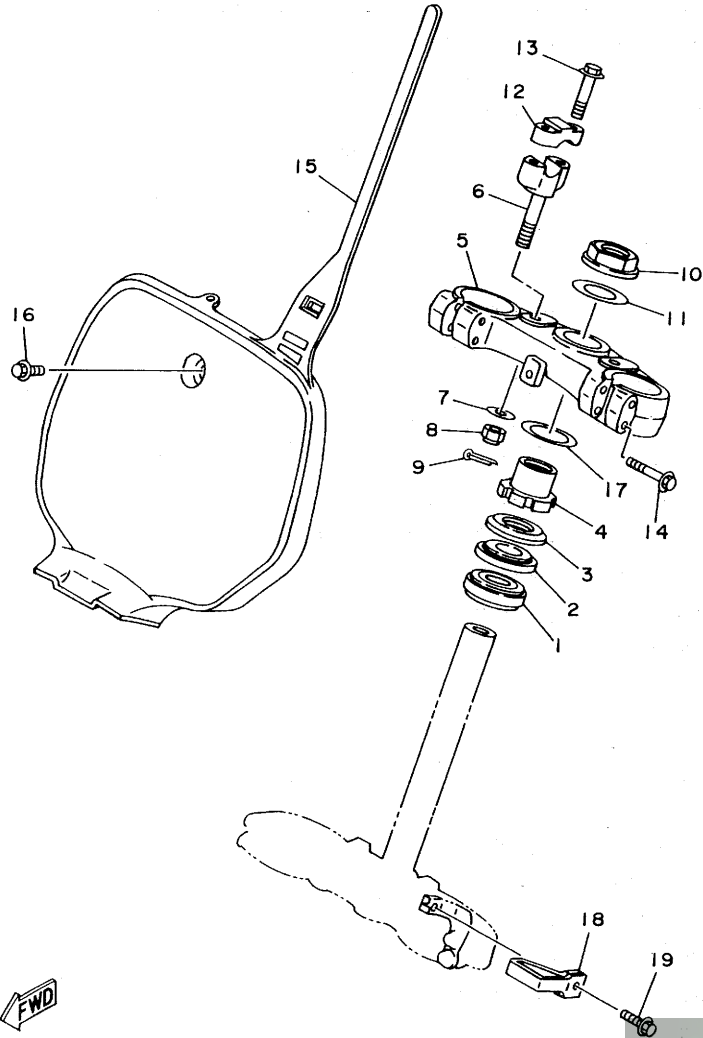


4EW100-3200

www.legends.yamaha.com

C12

FIG. 21 STEERING



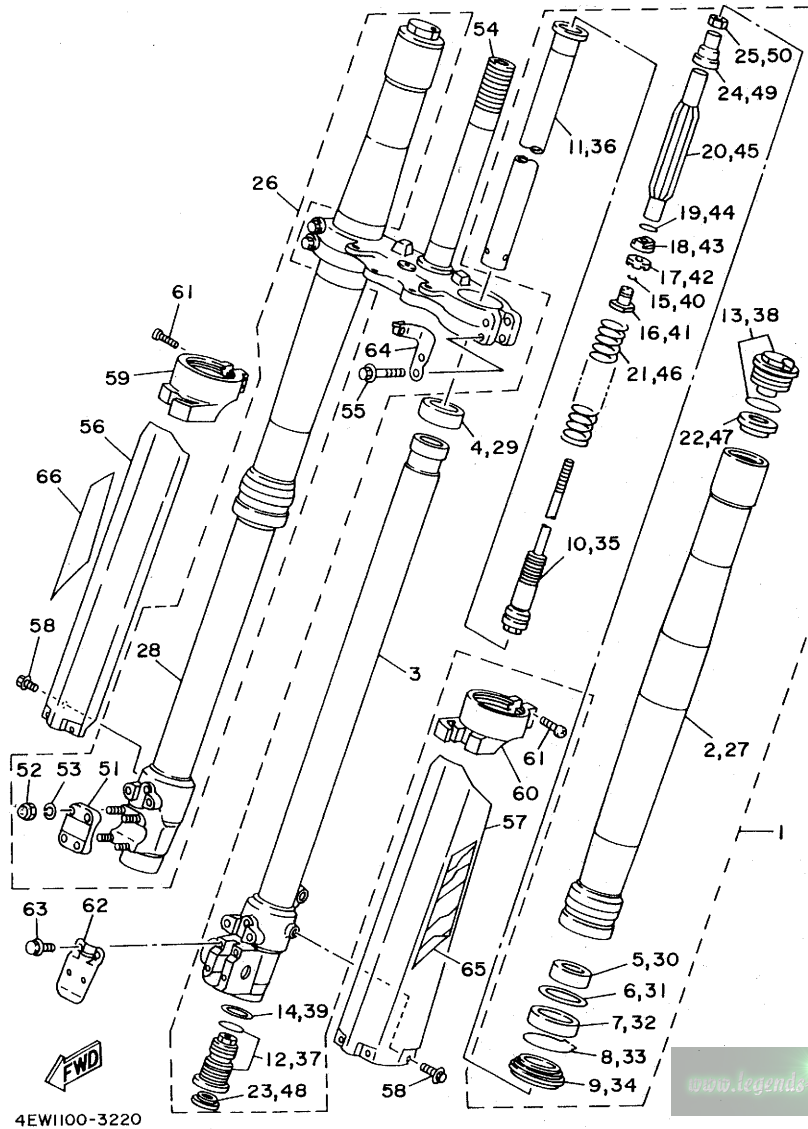
REF. NO.	PART NO.	DESCRIPTION	Q'TY	REMARKS
1	93332-00078	BEARING	1	
2	93332-00068	BEARING	1	
3	4EW-23416-00	COVER, BALL RACE 2	1	
4	4EW-23833-00	NUT 1	1	
5	4DA-23435-01	CROWN, HANDLE	1	
6	3SP-23442-00	HOLDER, HANDLE LOWER	2	
7	92990-12200	WASHER, PLAIN	2	
8	95611-12100	NUT, U	2	
9	91401-25020	PIN, COTTER	2	
10	4EW-23834-00	NUT 2	1	
11	4EW-23737-00	WASHER 1	1	
12	3SP-23441-00	HOLDER, HANDLE UPPER	2	
13	95023-08035	BOLT	4	
14	95023-08040	BOLT	4	
15	4DA-23485-01	PLATE, NUMBER	1	
16	90119-06185	BOLT, WITH WASHER	1	
17	4EW-23738-00	WASHER 2	1	
18	4DA-23389-00	GUIDE, CABLE	1	
19	90105-05361	BOLT, WASHER BASED	1	

4EW1100-3210

www.legends-yamaha-enduros.com

C13

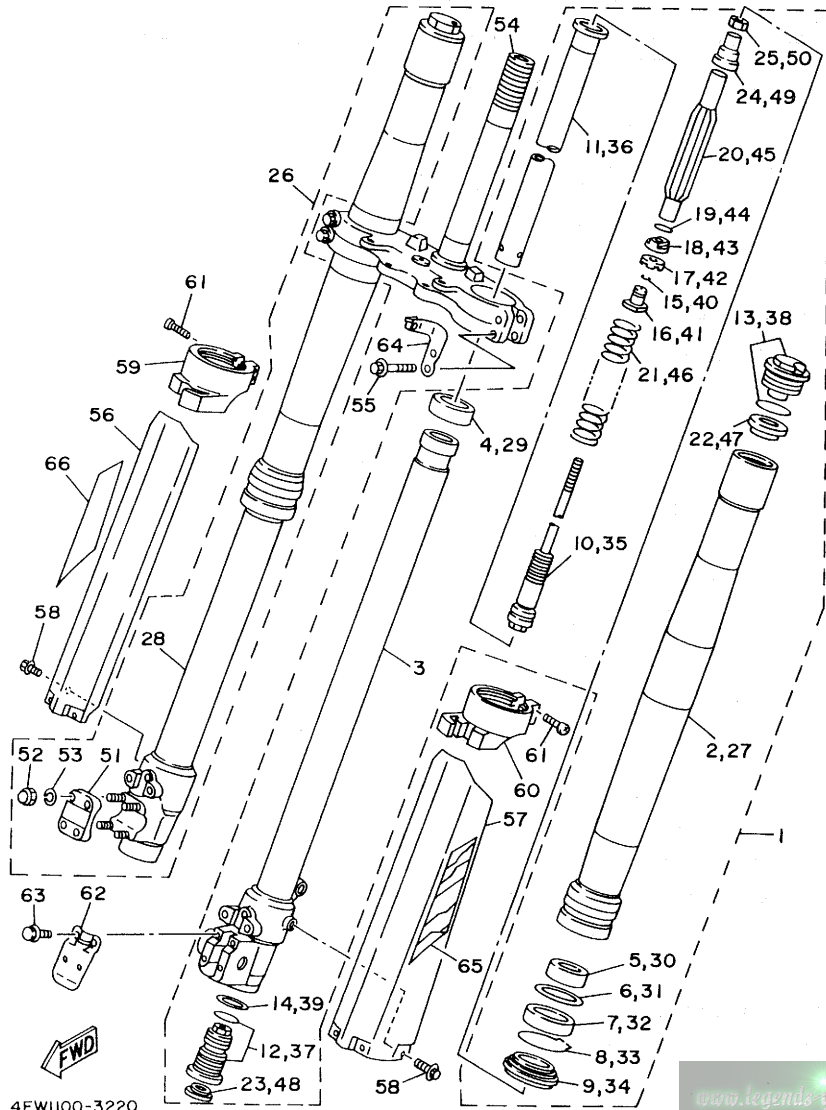
FIG. 22 FRONT FORK



4EW100-3220

REF. NO.	PART NO.	DESCRIPTION	Q'TY	REMARKS
1	4EW-23102-L0	FRONT FORK ASSY (L.H)	1	UR
	4EW-23102-M0	FRONT FORK ASSY (L.H)	1	UR FOR EUROPE
2	4DA-23136-L0	.TUBE, OUTER (RIGHT)	1	
3	4EW-23120-L0	.INNER TUBE COMP.2	1	
4	3XJ-23171-L0	.PISTON, FRONT FORK	1	
5	4EW-23125-L0	.METAL, SLIDE 1	1	
6	4V4-23146-L0	.WASHER, OIL SEAL	1	
7	4DA-23145-L0	.OIL SEAL	1	
8	4V4-23153-L0	.RING, SNAP	1	
9	4DA-23144-L0	.SEAL, DUST	1	
10	4EW-2314A-L0	.PISTON ROD ASSY	1	
11	4EW-23170-L0	.CYLINDER COMP., FRONT FORK	1	
12	4EW-2316A-L0	.VALVE COMP.	1	
13	4EW-23111-L0	.BOLT, CAP	1	
14	3JD-23158-L0	.GASKET	1	
15	3SP-23153-L0	.RING, SNAP	2	
16	3SP-23113-L0	.COLLAR	1	
17	3SP-23166-L0	.SPACER, OIL LOCK	1	
18	3SP-23393-L0	.NUT, SPECIAL	1	
19	3JD-23147-L0	.O-RING	1	
20	4EW-23142-L0	.SEAT, SPRING UPPER	1	
21	4EW-23141-L0	.SPRING, FRONT FORK (K=0.40)	1	
22	3XJ-23143-L0	.SEAT, SPRING LOWER	1	
23	3JD-23126-L0	.PLUG	1	
24	4EW-23363-L0	.COLLAR 1	1	
25	3SP-23357-L0	.NUT	1	
	4EW-23103-L0	FRONT FORK ASSY (R.H)	1	UR
	4EW-23103-M0	FRONT FORK ASSY (R.H)	1	UR FOR EUROPE

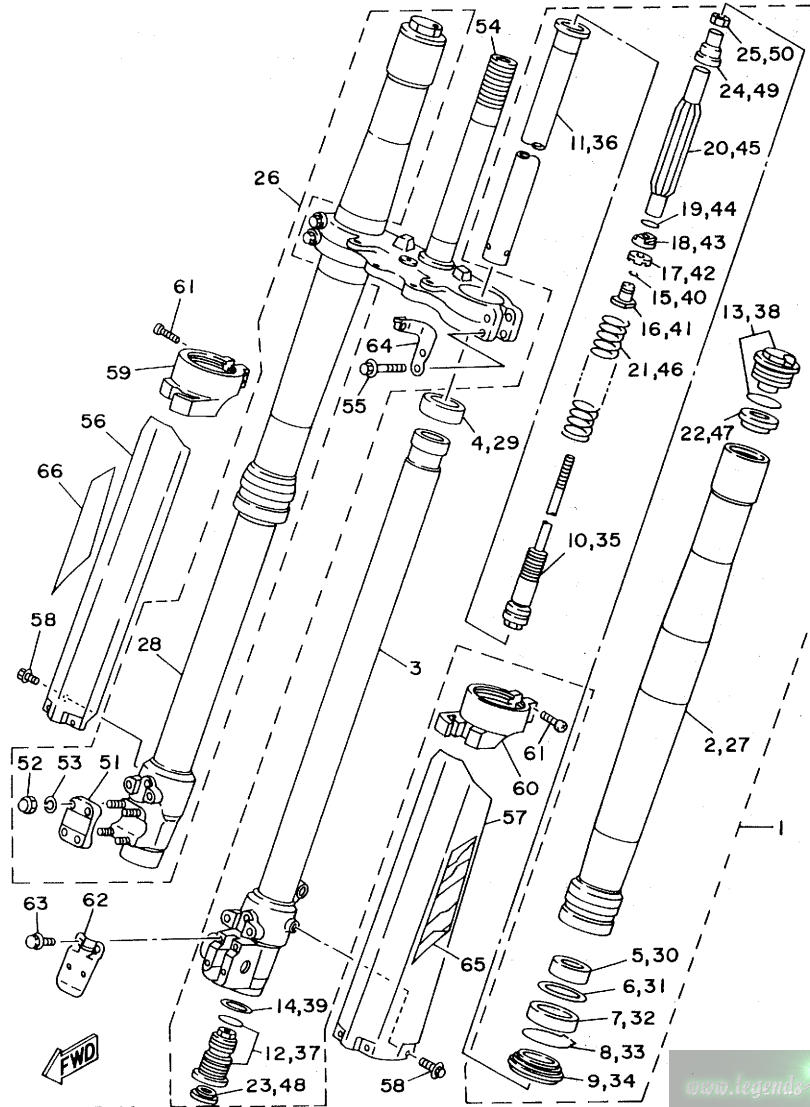
FIG. 22 FRONT FORK



REF. NO.	PART NO.	DESCRIPTION	Q'TY	REMARKS
27	4DA-23136-L0	.TUBE, OUTER (RIGHT)	1	
28	4EW-23110-L0	.INNER TUBE COMP.1	1	
29	3XJ-23171-L0	.PISTON, FRONT FORK	1	
30	4EW-23125-L0	.METAL, SLIDE 1	1	
31	4V4-23146-L0	.WASHER, OIL SEAL	1	
32	4DA-23145-L0	.OIL SEAL	1	
33	4V4-23153-L0	.RING, SNAP	1	
34	4DA-23144-L0	.SEAL, DUST	1	
35	4EW-2314A-L0	.PISTON ROD ASSY	1	
36	4EW-23170-L0	.CYLINDER COMP., FRONT FORK	1	
37	4EW-2316A-L0	.VALVE COMP.	1	
38	4EW-23111-L0	.BOLT, CAP	1	
39	3JD-23158-L0	.GASKET	1	
40	3SP-23153-L0	.RING, SNAP	2	
41	3SP-23113-L0	.COLLAR	1	
42	3SP-23166-L0	.SPACER, OIL LOCK	1	
43	3SP-23393-L0	.NUT, SPECIAL	1	
44	3JD-23147-L0	.O-RING	1	
45	4EW-23142-L0	.SEAT, SPRING UPPER	1	
46	4EW-23141-L0	.SPRING, FRONT FORK (K=0.40)	1	
47	3XJ-23143-L0	.SEAT, SPRING LOWER	1	
48	3JD-23126-L0	.PLUG	1	
49	4EW-23363-L0	.COLLAR 1	1	
50	3SP-23357-L0	.NUT	1	
51	4EW-23167-L0	.HOLDER, AXLE	1	
52	5Y3-23393-00	.NUT, SPECIAL	4	
53	92995-06100	.WASHER	4	
54	4DA-23340-L0	UNDER BRACKET COMP.	1	

C15

FIG. 22 FRONT FORK

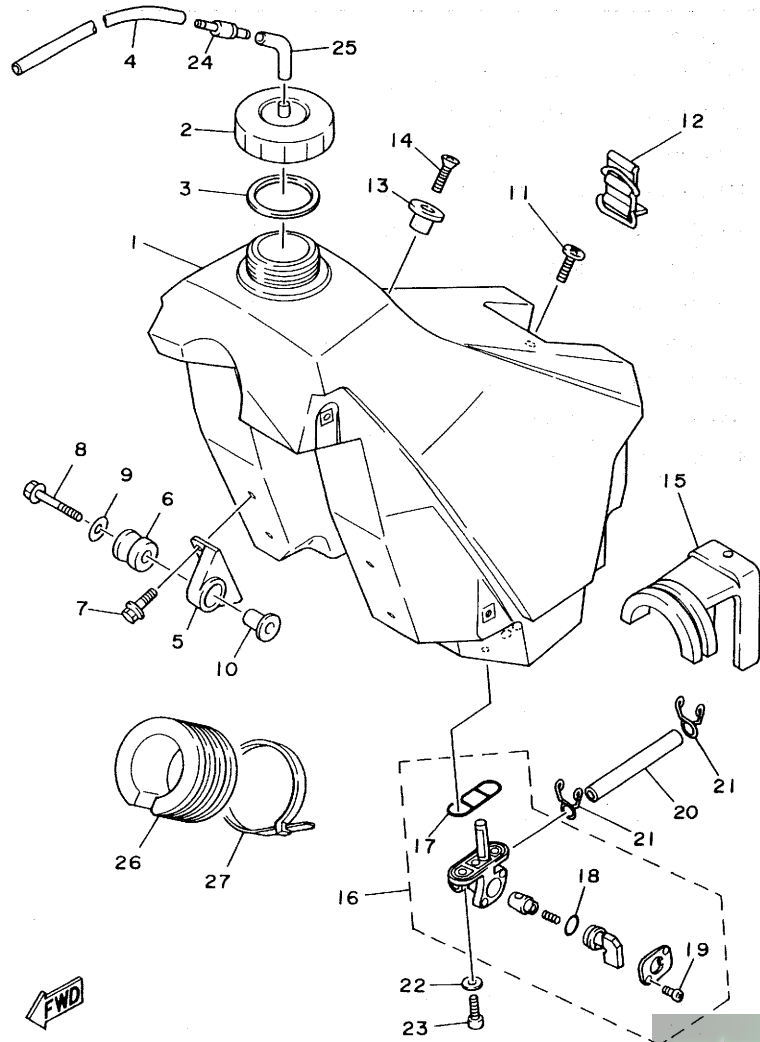


4EW1100-3220

REF. NO.	PART NO.	DESCRIPTION	Q'TY	REMARKS
55	95023-08040	BOLT	4	
56	4DA-2314J-L0	PROTECTOR COMP., 2	1	
57	4DA-2314H-L1	PROTECTOR COMP., 1	1	
58	3SP-23356-L0	BOLT 2	6	
59	4DA-2314G-L0	PROTECTOR GUIDE COMP., 2	1	
60	4DA-2314F-L0	PROTECTOR GUIDE COMP., 1	1	
61	4V4-23194-L0	SCREW, BOOT BAND	4	
62	4EW-2314E-L0	COVER, HOSE	1	
63	4DA-23346-L0	BOLT 1	4	
64	4EW-2331E-L0	GUIDE, CABLE	1	
65	4EW-2313B-01	EMBLEM1	1	
66	4EW-2313C-01	EMBLEM2	1	

www.legends-yamaha-enduros.com

FIG. 23 FUEL TANK



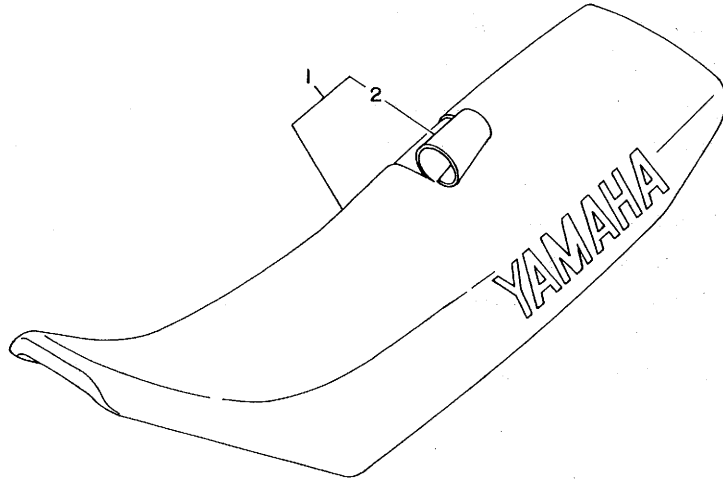
REF. NO.	PART NO.	DESCRIPTION	Q'TY	REMARKS
1	4EW-24110-00	FUEL TANK COMP.	1	
2	5X7-24611-01	BODY, CAP	1	
3	5X7-24612-00	GASKET, CAP	1	
4	90445-09100	HOSE	1	
5	24X-24144-00	HOLDER, DAMPER	2	
6	90480-18549	GROMMET	2	
7	95023-06016	BOLT	4	
8	95023-06035	BOLT	2	
9	90201-06697	WASHER, PLATE	2	
10	3JD-24186-00	WASHER, SPECIAL	2	
11	98980-06020	SCREW, BIND	1	
12	3SP-24173-00	BAND, TANK FITTING 1	1	
13	4EW-2412F-00	BRACKET, SEAT	1	
14	98701-06025	SCREW, FLAT HEAD	1	
15	4EW-24181-00	DAMPER, LOCATING 1	1	
16	3JD-24500-01	FUEL COCK ASSY 1	1	
17	4X8-24512-00	.O-RING	1	
18	3AJ-24534-00	.SEAL, COCK	1	
19	98580-03008	.SCREW, PAN HEAD	2	
20	90445-11452	HOSE	1	
21	90467-10008	CLIP	2	
22	90202-05193	WASHER, PLATE	2	
23	90149-06011	SCREW	2	
24	3XJ-24380-00	PIPE JOINT ASSY	1	
25	90445-09058	HOSE	1	
26	4EW-24182-00	DAMPER, LOCATING 2	1	
27	90464-14117	CLAMP	1	

4EW1100-3230

D3

FIG. 24 SEAT

REF. NO.	PART NO.	DESCRIPTION	Q'TY	REMARKS
1	4EW-24770-10	SEMI-DOUBLE SEAT ASSY	1	UR
	4EW-24770-00	SEMI-DOUBLE SEAT ASSY	1	UR FOR EUROPE
2	4EW-24731-10	.COVER, SEAT	1	UR
	4EW-24731-00	.COVER, SEAT	1	UR FOR EUROPE



4EW1100-3240

www.legends-yamaha-enduros.com

D4

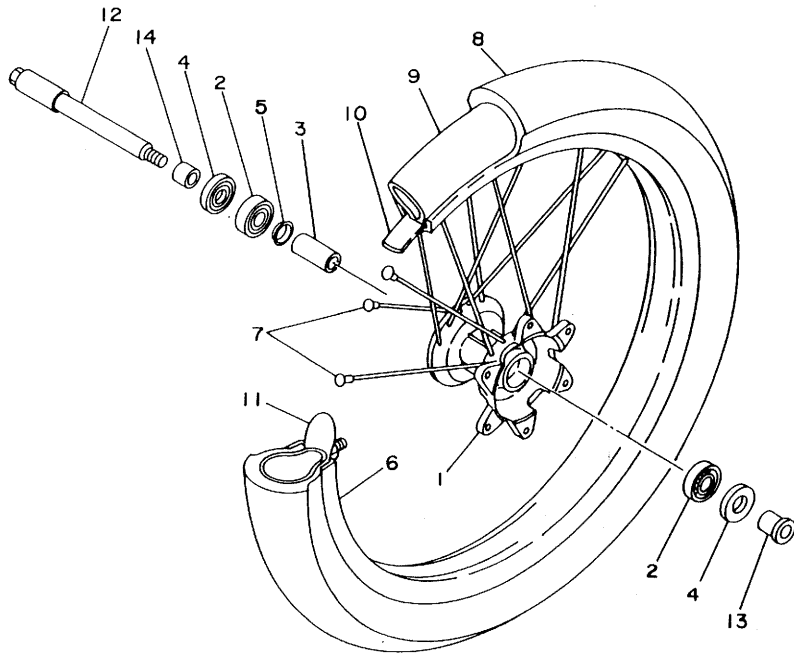


FIG. 25 FRONT WHEEL

REF. NO.	PART NO.	DESCRIPTION	Q'TY	REMARKS
1	4EW-25111-00	HUB, FRONT	1	
2	93306-00316	BEARING	2	
3	90560-17379	SPACER	1	
4	93106-22032	OIL SEAL	2	
5	146-25116-00	FLANGE, SPACER 2	1	
6	94416-21509	RIM (1.60-21)	1	
7	4DA-25104-00	SPOKE SET, FRONT	1	
8	94108-217X2	TIRE (80/100-21 K490)	1	UR DUNLOP
	94108-2100Y	TIRE (80/100-21 51M K990)	1	UR DUNLOP FOR EUROPE
9	94227-21123	TUBE (2.75-21)	1	BRIDGESTONE
10	94307-21145	BAND, RIM (70-80/100-21)	1	DUNLOP
11	5X2-25394-00	SPACER, BEAD	1	
12	4DA-25181-00	AXLE, WHEEL	1	
13	90387-173Y0	COLLAR	1	
14	90387-172Y9	COLLAR	1	



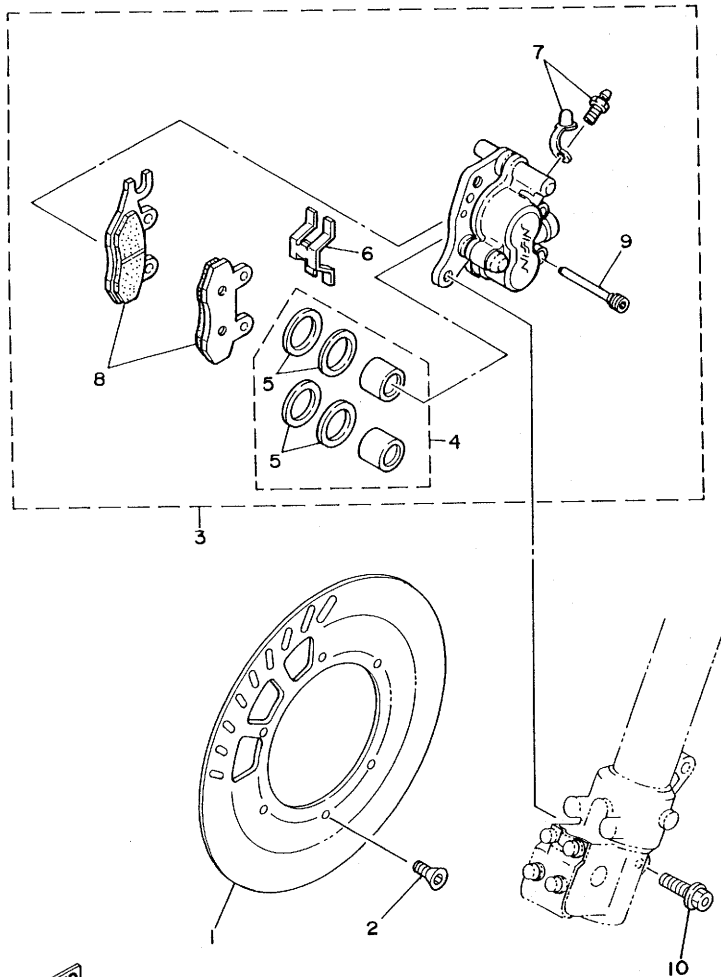
4EW1100-3250

www.legends-yamaha-enduros.com

D5

FIG. 26 FRONT BRAKE CALIPER

REF. NO.	PART NO.	DESCRIPTION	Q'TY	REMARKS
1	4EW-2582T-00	DISC, BRAKE	1	
2	90149-06272	SCREW	6	
3	4EW-2580T-00	CALIPER ASSY (LEFT)	1	
4	4EW-W0057-00	.PISTON ASSY, CALIPER	1	
5	3JD-W0047-00	..CALIPER SEAL KIT	1	
6	3SP-25919-00	.SUPPORT, PAD	1	
7	36Y-W0048-00	.BREED SCREW KIT	1	
8	4EW-W0045-00	.BRAKE PAD KIT	1	
9	3GD-25933-00	.PIN, PAD	2	
10	90105-08659	BOLT, WASHER BASED	2	

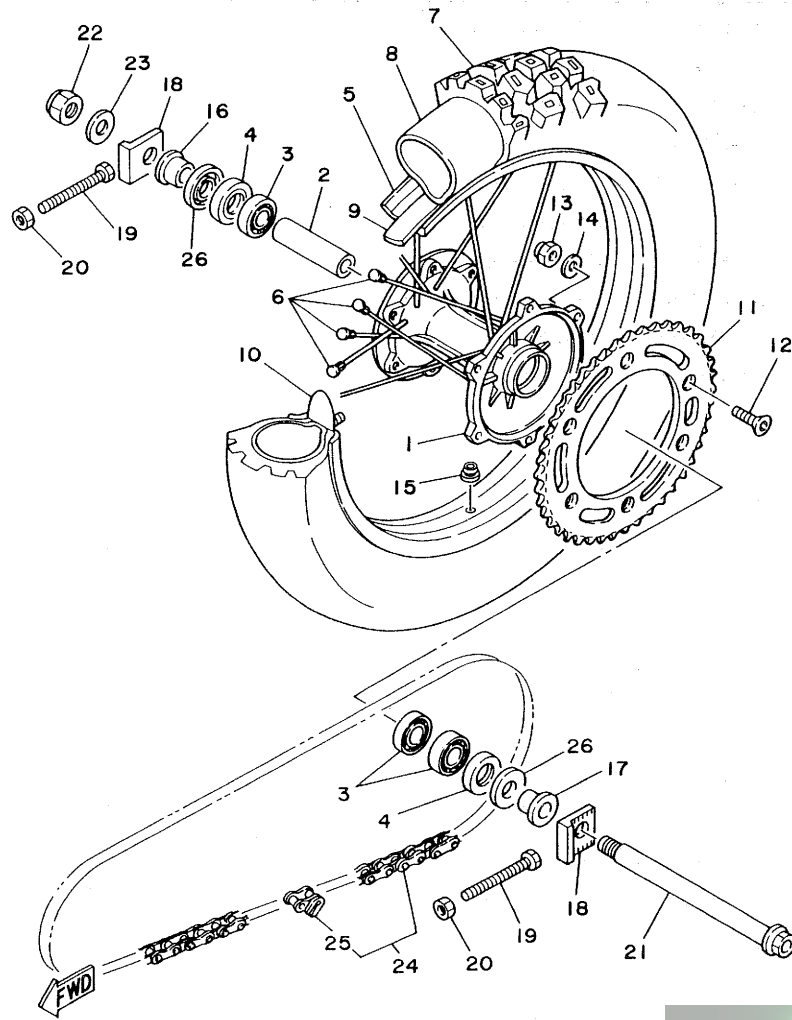


4DB2100-2260

www.legends-yamaha-enduros.com

D6

FIG. 27 REAR WHEEL



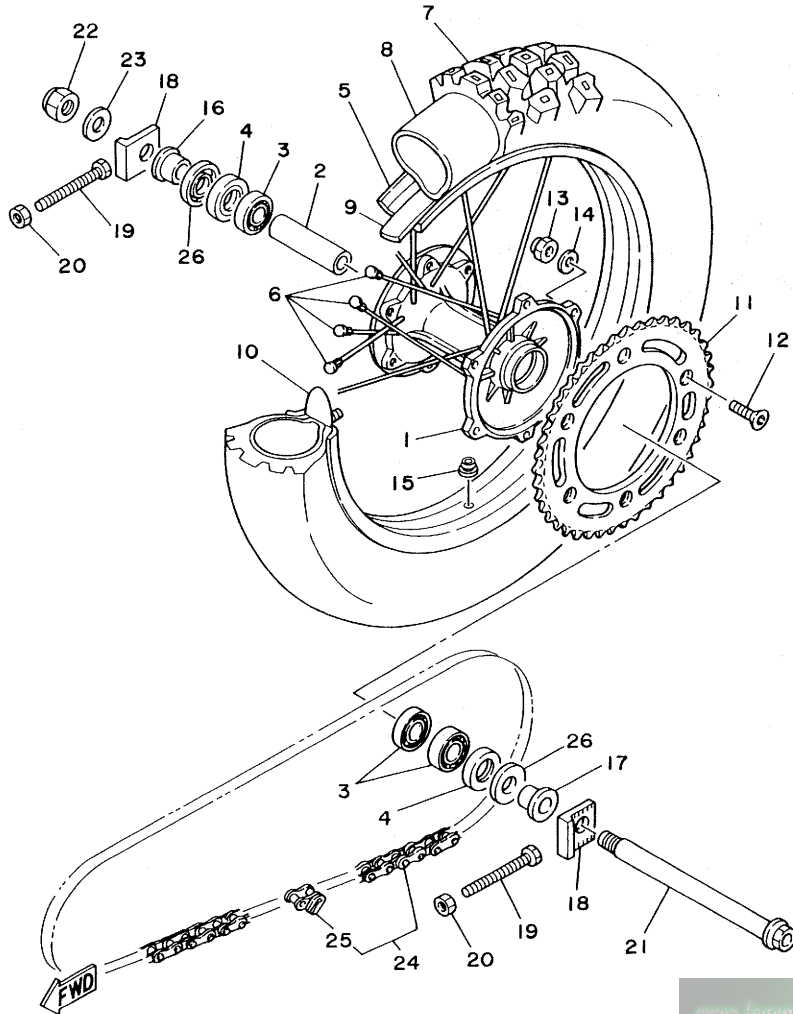
4EW1100-3270

www.legends-yamaha-enduros.com

REF. NO.	PART NO.	DESCRIPTION	Q'TY	REMARKS
1	4EW-25311-00	HUB, REAR	1	
2	4EW-25317-00	SPACER, BEARING	1	
3	93306-00418	BEARING	3	
4	93106-28023	OIL SEAL	2	
5	94421-19484	RIM (2.15-19)	1	
6	3JD-25304-00	SPOKE SET, REAR	1	
7	94111-1900U	TIRE (110/90-19 62M K695G)	1	UR DUNLOP
	94111-1900V	TIRE (110/90-19 62M K990)	1	UR DUNLOP FOR EUROPE
8	94211-19273	TUBE (110/90 110/100-19TR4)	1	DUNLOP
9	94311-19155	BAND, RIM (110/90 110/100-19)	1	DUNLOP
10	3JE-25394-00	SPACER, BEAD	1	
11	2HH-25449-00	SPROCKET, DRIVEN (49T)	1	STD
	3JD-25451-01	SPROCKET, DRIVEN (51T)	1	STD FOR EUROPE
	39W-25444-01	SPROCKET, DRIVEN (44T)	1	AP
	39W-25445-01	SPROCKET, DRIVEN (45T)	1	AP
	39W-25446-01	SPROCKET, DRIVEN (46T)	1	AP
	39W-25448-00	SPROCKET, DRIVEN (48T)	1	AP
	39W-25450-00	SPROCKET, DRIVEN (50T)	1	AP
	39W-25452-01	SPROCKET, DRIVEN (52T)	1	AP
12	90109-08792	BOLT	6	
13	95611-08100	NUT, U	6	
14	90201-081A6	WASHER, PLATE	6	
15	90480-10068	GROMMET	1	
16	90387-2000B	COLLAR	1	
17	90387-2000C	COLLAR	1	
18	3SP-25388-00	PULLER, CHAIN 1	2	
19	90101-08699	BOLT	2	
20	95701-08500	NUT, FLANGE	2	

D7

FIG. 27 REAR WHEEL



REF. NO.	PART NO.	DESCRIPTION	Q'TY	REMARKS
21	3JD-25381-01	AXLE, WHEEL	1	
22	90185-18104	NUT, SELF-LOCKING	1	
23	92990-18600	WASHER	1	
24	94581-44116	CHAIN	1	
25	94681-44001	JOINT, CHAIN	1	
26	4V4-25367-00	COVER, HUB DUST	2	

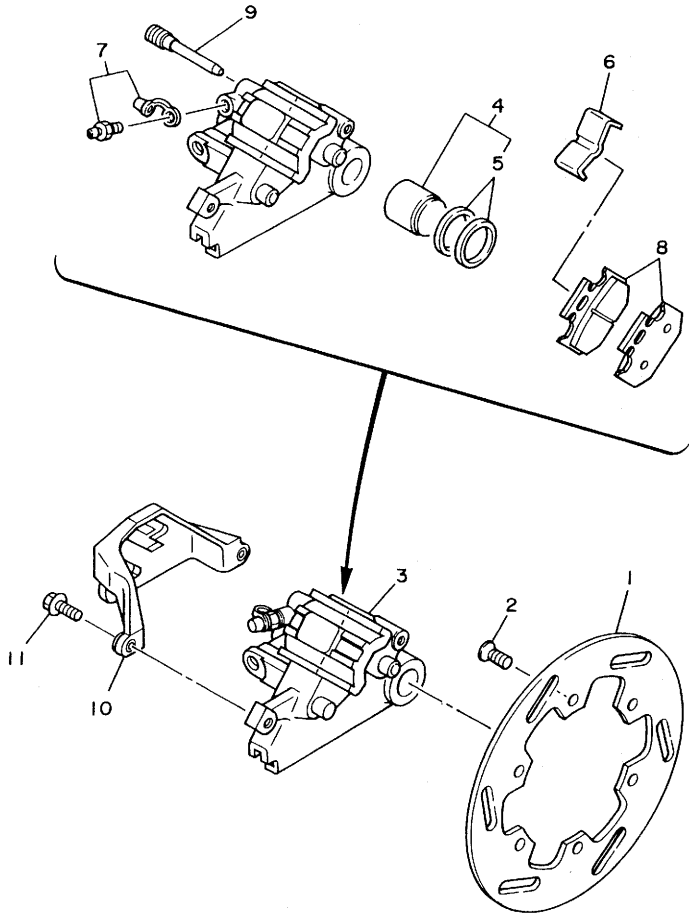
4EW1100-3270

www.legends-yamaha-enduros.com

D8

FIG. 28 REAR BRAKE CALIPER

REF. NO.	PART NO.	DESCRIPTION	Q'TY	REMARKS
1	4DA-2582W-00	DISC, REAR BRAKE 2	1	
2	90149-06272	SCREW	6	
3	4EW-2580W-00	CALIPER ASSY, REAR 2	1	
4	3SP-W0057-50	.PISTON ASSY, CALIPER	1	
5	3JD-W0047-50	..CALIPER SEAL KIT	1	
6	3SP-25919-51	.SUPPORT, PAD	1	
7	36Y-W0048-00	.BREED SCREW KIT	1	
8	4EW-W0046-00	.BRAKE PAD KIT, 2	1	
9	3SP-25924-51	.PIN, PAD	2	
10	4EW-27491-00	PROTECTOR	1	
11	95023-06016	BOLT	2	

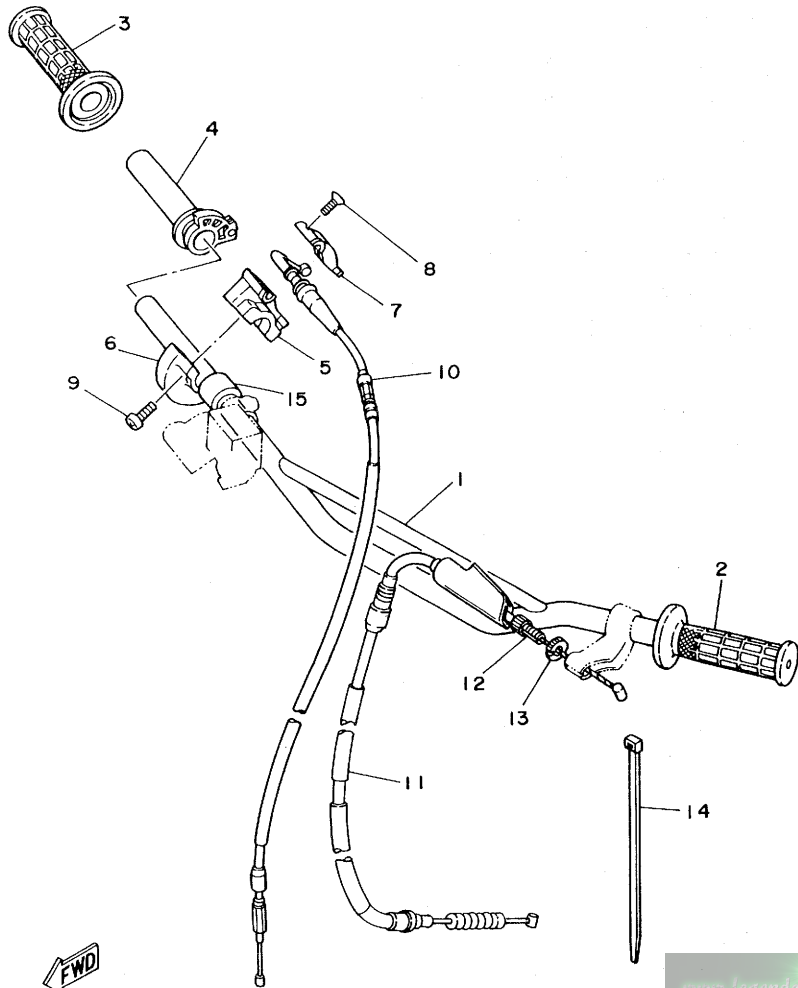


4EW1100-3280

www.legends-yamaha-enduros.com

D9

FIG. 29 STEERING HANDLE. CABLE



REF. NO.	PART NO.	DESCRIPTION	Q'TY	REMARKS
1	4EW-26111-00	HANDLEBAR	1	
2	1LX-26241-01	GRIP (LEFT)	1	
3	1LX-26242-01	GRIP (RIGHT)	1	
4	23X-26243-00	TUBE, THROTTLE GUIDE	1	
5	23X-26281-00	CAP, GRIP UPPER	1	
6	431-26282-02	CAP, GRIP LOWER	1	
7	5X2-2628H-01	CAP, WIRE	1	
8	98706-04012	SCREW, FLAT HEAD	2	
9	98586-05016	SCREW, PAN HEAD	2	
10	4EW-26311-00	CABLE, THROTTLE 1	1	
11	4EW-26335-00	CABLE, CLUTCH	1	
12	90123-08090	BOLT	1	
13	90179-08401	NUT	1	
14	90464-14117	CLAMP	1	
15	90560-22281	SPACER	1	

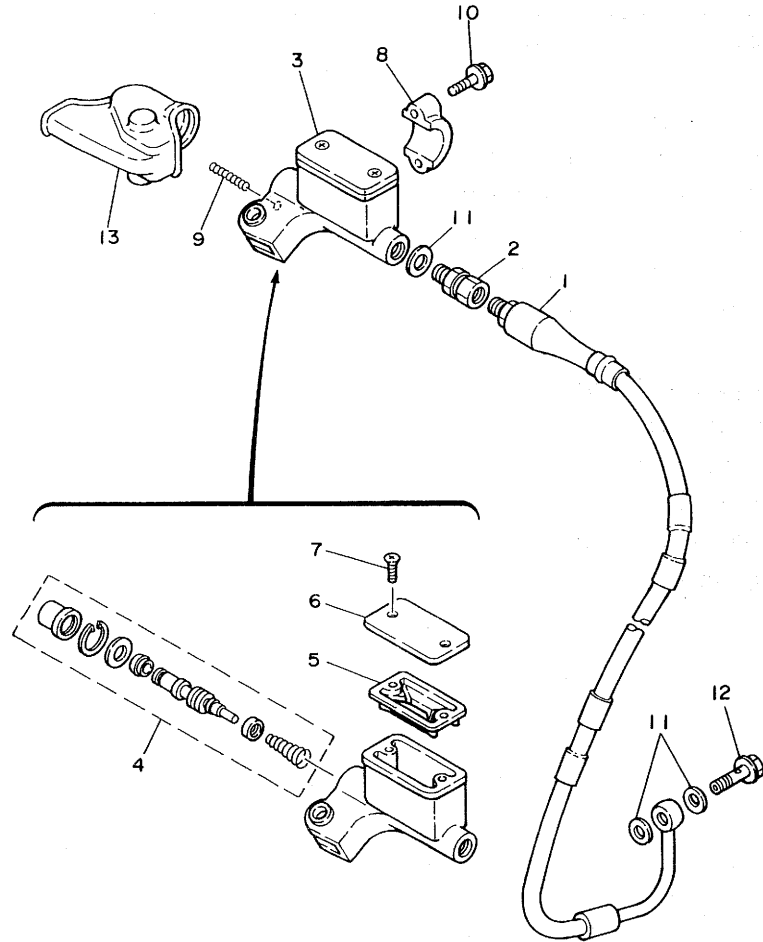


4DA2100-2290

www.legends-yamaha-enduros.com

D10

FIG. 30 FRONT MASTER CYLINDER



REF. NO.	PART NO.	DESCRIPTION	Q'TY	REMARKS
1	4DA-25872-00	HOSE, BRAKE 1	1	
2	3LC-25885-00	JOINT	1	
3	3SP-25870-01	MASTER CYLINDER SUB ASSY	1	
4	3SP-W0041-00	.CYLINDER KIT, MASTER	1	
5	56A-25854-00	.DIAPHRAGM, RESERVOIR	1	
6	2VN-25852-01	.CAP, RESERVOIR	1	
7	98706-04012	.SCREW, FLAT HEAD	2	
8	56A-25867-00	BRACKET, MASTER CYLINDER	1	
9	90501-061G2	SPRING, COMPRESSION	1	
10	95026-06025	BOLT, FLANGE	2	
11	90201-10118	WASHER, PLATE	3	
12	90401-10034	BOLT, UNION	1	
13	56A-26372-01	COVER, HANDLE LEVER 1	1	

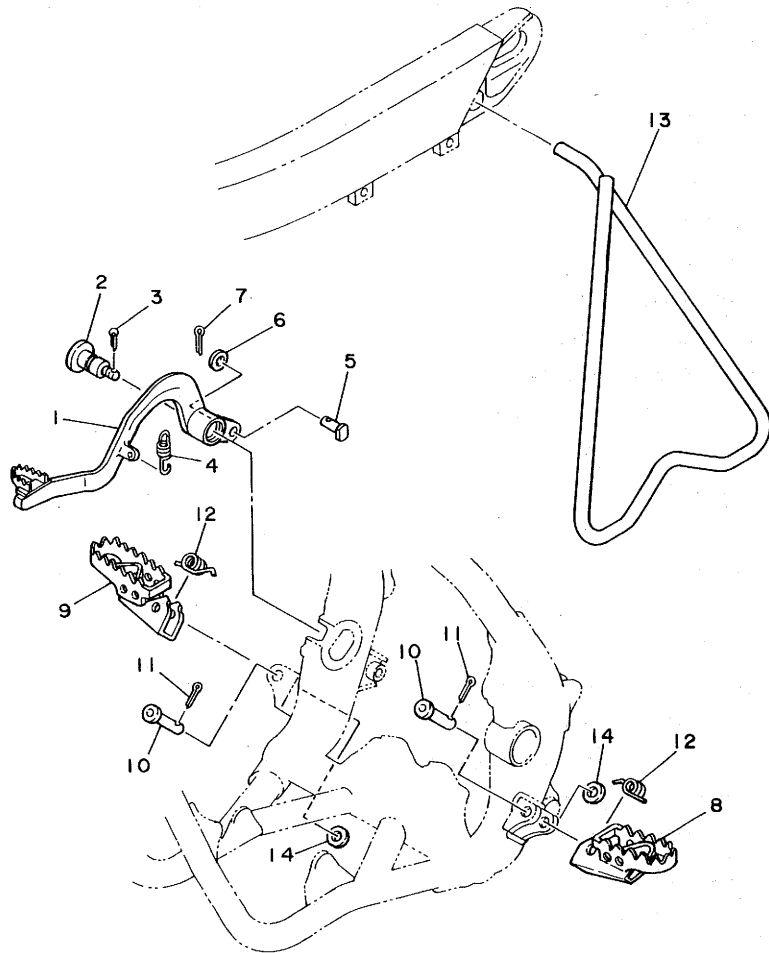


3SP1100-0300

www.legends-yamaha-enduros.com

D11

FIG. 31 STAND, FOOTREST



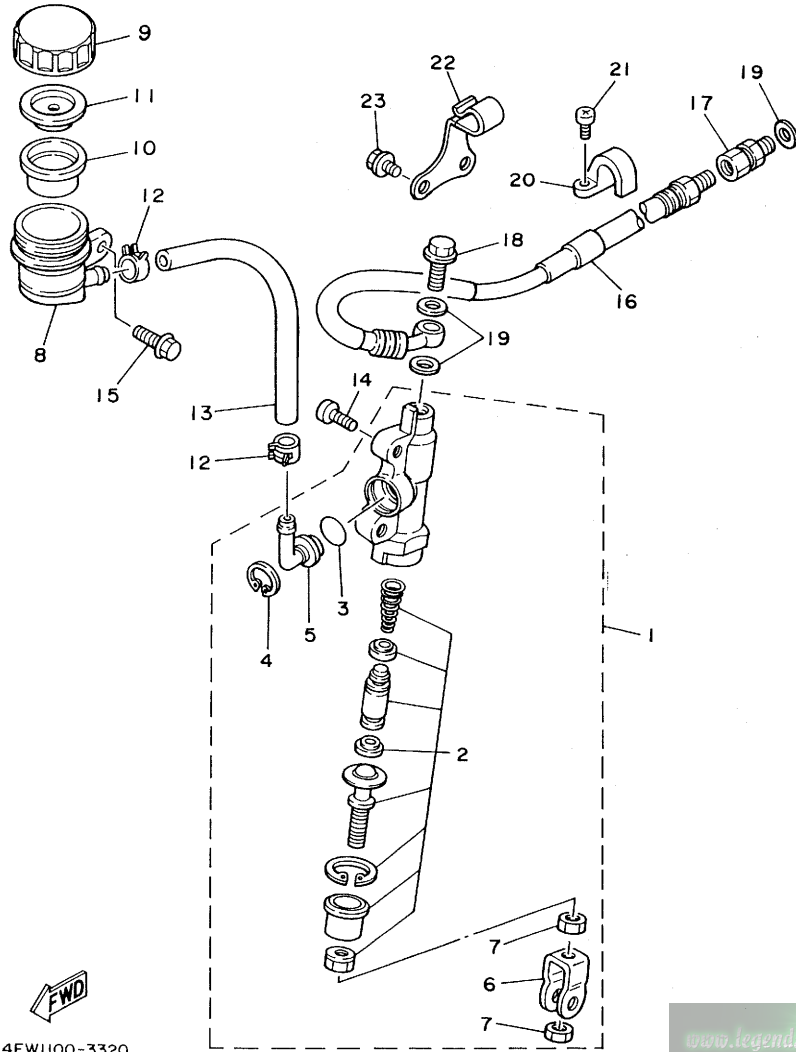
REF. NO.	PART NO.	DESCRIPTION	Q'TY	REMARKS
1	3SP-27200-00	PEDAL, BRAKE	1	
2	4AA-27217-00	BOLT	1	
3	91490-20020	PIN, COTTER	1	
4	90506-15480	SPRING, TENSION	1	
5	90240-08120	PIN, CLEVIS	1	
6	92901-08600	WASHER, PLATE	1	
7	91401-25020	PIN, COTTER	1	
8	4DA-27411-00	FOOTREST 1	1	
9	4DA-27421-00	FOOTREST 2	1	
10	90240-10117	PIN, CLEVIS	2	
11	91401-25020	PIN, COTTER	2	
12	90508-28777	SPRING, TORSION	2	
13	3SP-27311-00	STAND, SIDE	1	
14	90201-10119	WASHER, PLATE	2	



3XK1100-1310

www.legends-yamaha-enduros.com

D12



4EW1100-3320


FIG. 32 REAR MASTER CYLINDER

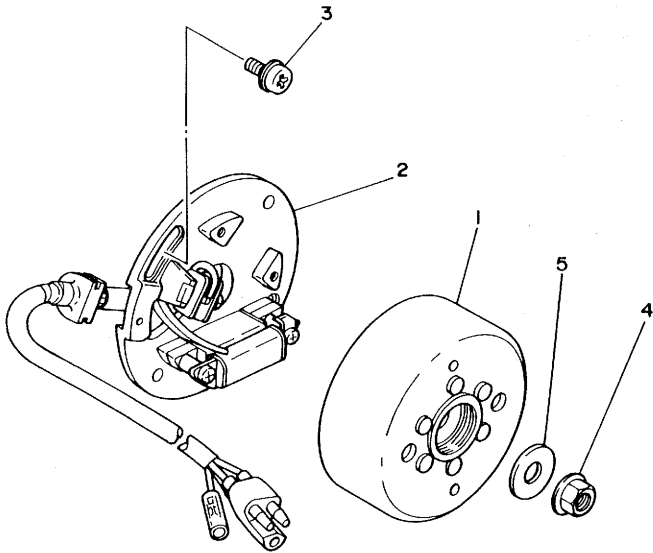
REF. NO.	PART NO.	DESCRIPTION	Q'TY	REMARKS
1	3SP-2583V-00	RR. MASTER CYLINDER ASSY.	1	
2	1FK-W0042-50	.CYLINDER KIT, MASTER	1	
3	93210-15620	.O-RING	1	
4	2VN-25866-00	.CIRCLIP	1	
5	2VN-2582A-50	.JOINT	1	
6	3SP-27222-00	.JOINT	1	
7	95333-08600	.NUT	2	
8	4EW-25894-00	TANK, RESERVOIR	1	
9	2VN-25852-50	CAP, RESERVOIR	1	
10	2VN-25854-00	DIAPHRAGM, RESERVOIR	1	
11	2VN-25855-00	BUSH, DIAPHRAGM	1	
12	90467-11044	CLIP	2	
13	90445-135H9	HOSE	1	
14	92013-06016	BOLT	2	
15	95023-06012	BOLT	1	
16	3SP-25873-00	HOSE, BRAKE 2	1	
17	3LC-25885-00	JOINT	1	
18	90401-10034	BOLT, UNION	1	
19	90201-10118	WASHER, PLATE	3	
20	2VM-25876-00	HOLDER, BRAKE HOSE 2	1	
21	97780-50110	SCREW, TAPPING	2	
22	90465-12362	CLAMP	1	
23	95023-06008	BOLT	2	

www.legends-yamaha-enduros.com

D13

FIG. 33 GENERATOR

REF. NO.	PART NO.	DESCRIPTION	Q'TY	REMARKS
1	3SP-85550-10	ROTOR ASSY	1	
2	3SP-85560-11	BASE ASSY	1	
3	90149-06011	SCREW	2	
4	90179-10394	NUT	1	
5	90201-10774	WASHER, PLATE	1	

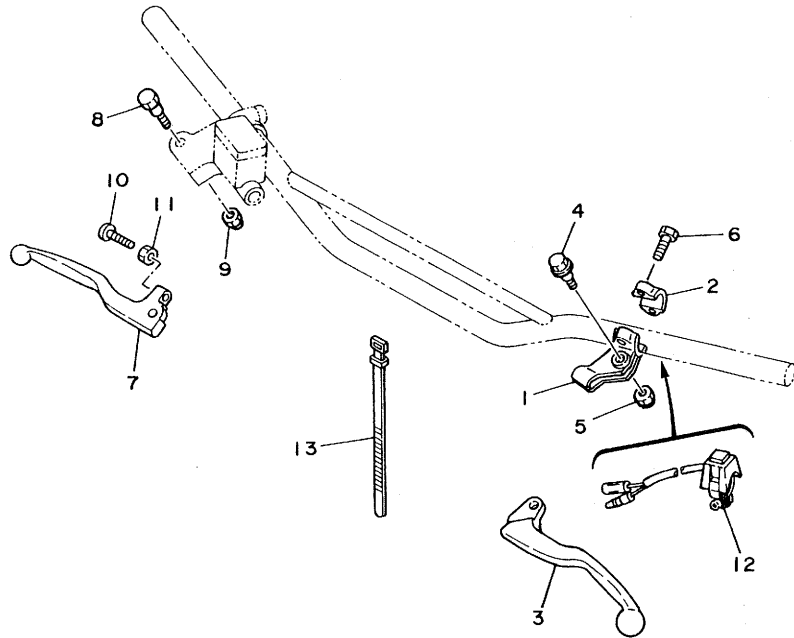


3SP1100-0330

www.legends-yamaha-enduros.com

D14

FIG. 34 HANDLE SWITCH. LEVER



REF. NO.	PART NO.	DESCRIPTION	Q'TY	REMARKS
1	38V-82911-00	HOLDER, LEVER 1	1	
2	38V-82913-00	HOLDER, LEVER LOWER 1	1	
3	23X-83912-00	LEVER 1	1	
4	90109-06799	BOLT	1	
5	95616-06100	NUT, U	1	
6	97006-05016	BOLT	2	
7	3SP-83922-00	LEVER 2	1	
8	90109-06577	BOLT	1	
9	95616-06100	NUT, U	1	
10	90143-06024	SCREW, HEXAGON	1	
11	90170-06010	NUT	1	
12	23X-83976-00	SWITCH, HANDLE 1	1	
13	437-83936-01	BAND, SWITCH CORD	2	

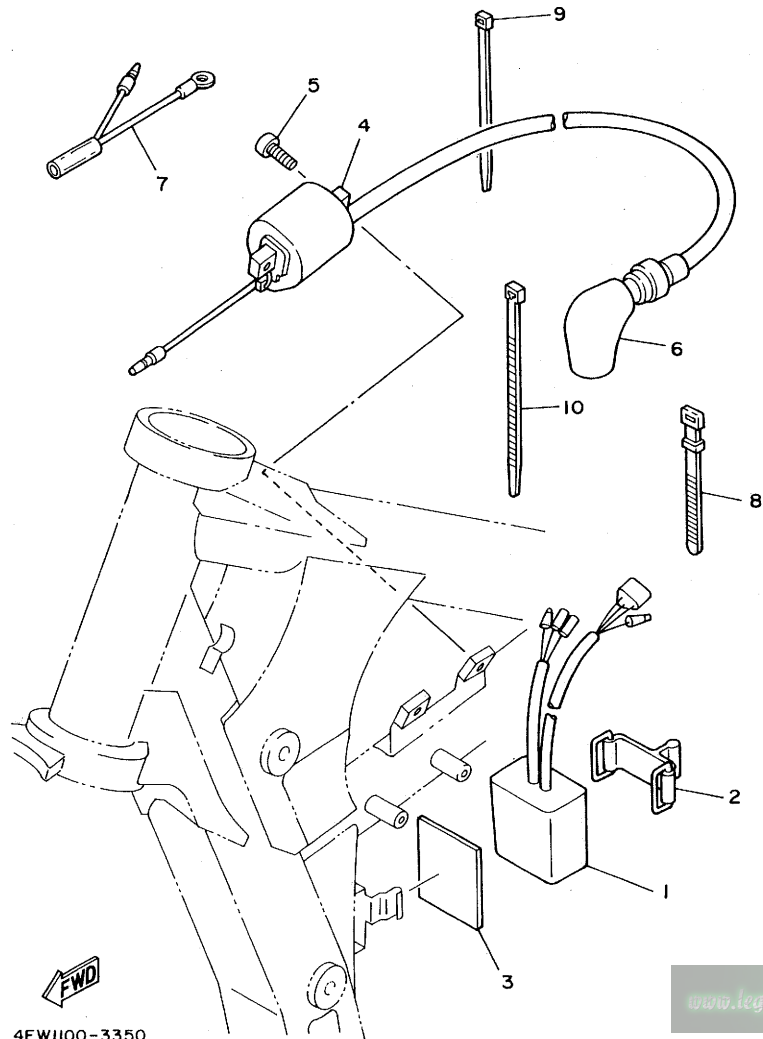


3SPI100-0340

www.legends-yamaha-enduros.com

D15

FIG. 35 ELECTRICAL 1



REF. NO.	PART NO.	DESCRIPTION	Q'TY	REMARKS
1	4EW-85540-00	C.D.I. UNIT ASSY	1	
2	5H9-21376-00	BAND, TOOL	1	
3	3RB-85547-01	DAMPER	1	
4	3SR-82310-10	IGNITION COIL ASSY	1	
5	97011-06016	BOLT	2	
6	2TV-82370-00	PLUG CAP ASSY	1	WITH NOISE SUPPRESSOR
7	5X1-82519-01	WIRE, EARTH LEAD	1	
8	25G-83936-01	BAND, SWITCH CORD	1	
9	12R-82591-00	BAND	1	
10	1UA-82591-00	BAND	1	



4EW1100-3350

www.legends-yamaha-enduros.com

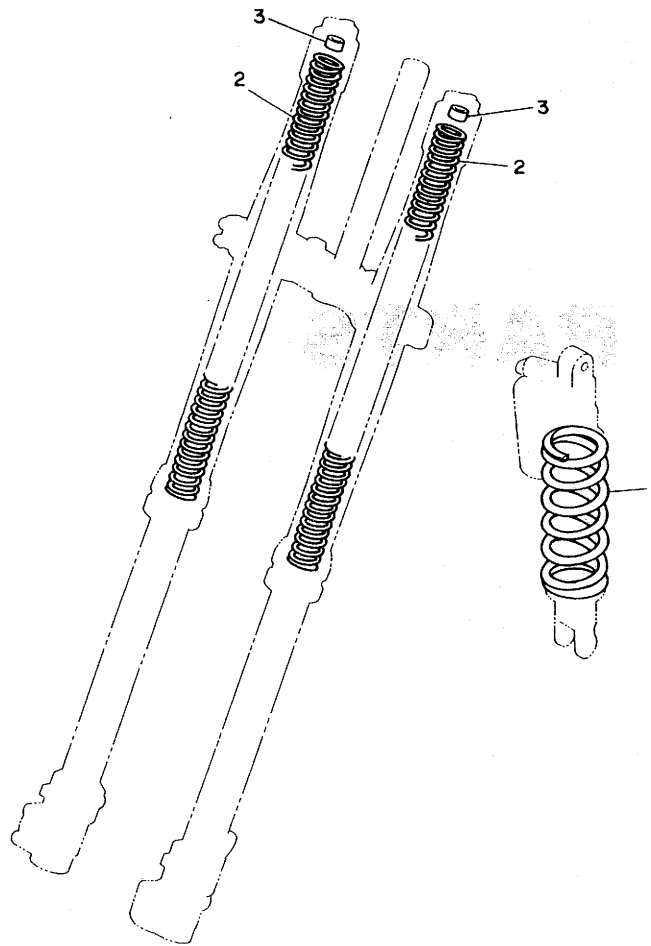
E2

www.legends-yamaha-enduros.com

ALTERNATE PARTS

www.legends-yamaha-enduros.com

FIG. 36 ALTERNATE (CHASSIS)



REF. NO.	PART NO.	DESCRIPTION	Q'TY	REMARKS
1	3XJ-22212-81	SPRING (K=4.4)	1	AP (SOFT)
	3XJ-22212-01	SPRING (K=4.6)	1	AP (SOFT)
	3XJ-22212-11	SPRING (K=4.8)	1	AP (SOFT)
	3XJ-22212-31	SPRING (K=5.2)	1	AP (HARD)
	3XJ-22212-40	SPRING (K=5.4)	1	AP (HARD)
2	4DA-23141-10	SPRING, FRONT FORK (K=0.350)	2	AP (SOFT)
	4DA-23141-20	SPRING, FRONT FORK (K=0.365)	2	AP (SOFT)
	4DA-23141-30	SPRING, FRONT FORK (K=0.380)	2	AP (SOFT)
	4DA-23141-40	SPRING, FRONT FORK (K=0.390)	2	AP (SOFT)
	4DA-23141-60	SPRING, FRONT FORK (K=0.410)	2	AP (HARD)
	4DA-23141-70	SPRING, FRONT FORK (K=0.420)	2	AP (HARD)
3	3XJ-23364-L0	COLLAR 2	1	UN



3XJ1100-1360

www.legends-yamaha-enduros.com

E3

REPAIR KIT

www.legends-yamaha-enduros.com

123

FIG. 37 REPAIR KIT

REF. NO.	PART NO.	DESCRIPTION	Q'TY	REMARKS
1	4EW-11630-00	PISTON ASSY (STD)	1	
2	4EW-11631-00-B0	.PISTON (STD)	1	
3	4DA-11601-01	.PISTON RING SET (STD)	1	
4	2VM-11633-01	.PIN, PISTON	1	
5	93450-19052	.CIRCLIP	2	
6	3SP-11650-02	CONNECTING ROD ASSY	1	
7	5X5-11651-02	.ROD, CONNECTING	1	
8	3JE-11681-01	.PIN, CRANK 1	1	
9	90209-25085	.WASHER	2	
10	93310-425T1	.BEARING, CYLINDRICAL	1	
11	93310-418E9	.BEARING, CYLINDRICAL	1	

www.legends-yamaha-enduros.com

E4

INDEX

www.legends-yamaha-enduros.com

NUMERICAL INDEX

PART NO.	GRID NO.	PART NO.	GRID NO.	PART NO.	GRID NO.	PART NO.	GRID NO.	PART NO.	GRID NO.	PART NO.	GRID NO.
3SP-W0041-00	D-11	3SP-11993-10	B- 3	137-14143-68	B-10	2VM-15664-00	B-14	4DA-21511-00	C- 8	3XJ-22253-00	C-12
1FK-W0042-50	D-13	2VM-11995-00	B- 3	137-14143-70	B-10	2VM-16111-00	B-15	4EW-21611-00	C- 8	4EW-22253-00	C-12
4EW-W0045-00	D- 6	4EW-1240A-00	B- 7	137-14143-72	B-10	4EW-16150-00	B-15	39X-21642-00	C- 8	43M-22274-00	C-12
4EW-W0046-00	D- 9	3SP-12422-00	B- 6	137-14143-74	B-10	2K7-16154-00	B-15	4EW-21711-00	C- 9	3XJ-22355-00	C-10
3JD-W0047-00	D- 6	2VM-12428-10	B- 6	137-14143-76	B-10	3SP-16154-00	B-15	4EW-2172A-00	C- 9	3JD-22475-00	C-12
3JD-W0047-50	D- 9	2VM-12450-00	B- 6	137-14143-78	B-10	2VM-16181-00	B-15		C- 9	3JE-22475-00	C-12
36Y-W0048-00	D- 6	2VM-12459-00	B- 6	3JD-14147-00	B- 9	3XK-16321-00	B-15	4EW-21721-00	C- 9	4EW-23102-L0	C-14
	D- 9	4EW-12461-00	B- 7	3JE-14147-00	B- 9	3XK-16325-00	B-15	4EW-2173E-01	C- 9	4EW-23102-M0	C-14
3SP-W0057-50	D- 9	22W-12462-00	B- 7	3SP-14149-00	B- 9	4EW-16351-00	B-15	4EW-2173F-01	C- 9	4EW-23103-L0	C-14
4EW-W0057-00	D- 6	10V-12469-01	B- 6	3JE-14171-00	B-10	4EW-16356-00	B-15	4EW-21731-00	C- 9	4EW-23103-M0	C-14
3JE-Y113E-00	B- 2	24X-12469-00	B- 7	3JD-14185-00	B- 9	4EW-16357-00	B-15	4EW-21741-00	C- 9	4EW-23110-L0	C-15
5X4-Y113F-10	B- 2	4EW-12476-00	B- 7	3JE-14185-00	B- 9	4EW-16371-00	B-15	3JD-21748-00	C- 8	4EW-23111-L0	C-14
3SP-Y1543-00	B-13	4EW-12477-00	B- 7	353-14186-00	B- 9	4EW-16381-00	B-15	4EW-21783-01	C- 9		C-15
4EW-11111-00	B- 2	1LX-1248A-00	B- 7	363-14187-00	B- 9	2VM-17121-01	C- 2	4EW-21784-01	C- 9	3SP-23113-L0	C-14
4EW-1131A-00	B- 2	4EW-12482-00	B- 7	3JD-14194-00	B- 9	2VM-17131-00	C- 2	4EW-22110-01	C-10		C-15
3JE-1131N-10	B- 2	4EW-12483-00	B- 7	3X3-14197-00	B- 9	2VM-17141-00	C- 2	156-22127-00	C-10	3JD-2312G-L0	C-14
4EW-11311-00	B- 2	4EW-12485-00	B- 7	4EW-14411-01	B- 8	2VM-17151-00	C- 2	4EW-22128-00	C-10		C-15
2VM-11351-10	B- 2	353-13115-01	B-12	4EW-14451-00	B- 8	2VM-17211-00	C- 2	4EW-22129-00	C-10	4EW-23120-L0	C-14
3XK-11400-01	B- 5	4DA-13565-00	B- 8	4EW-14453-00	B- 8	2VM-17221-00	C- 2	1LX-22141-00	C-10	4EW-23125-L0	C-14
3XK-11412-01	B- 5	4DA-13610-00	B- 8	3JD-14458-00	B- 8	2VM-17231-00	C- 2	4EW-22151-00	C-10		C-15
3XK-11422-01	B- 5	3SP-13613-00	B- 8	3JD-14459-00	B- 8	2VM-17241-00	C- 2	4EW-2217A-00	C-10	4EW-2313B-01	D- 2
4DA-11601-01	B- 5	4DA-13616-00	B- 8	3JD-14462-00	B- 8	2VM-17251-01	C- 2	4EW-2217F-00	C-11	4EW-2313C-01	D- 2
	E- 4	2K7-13621-10	B- 8	3JD-14477-00	B- 8	4EW-17411-00	C- 2	3JD-22178-10	C- 6	4DA-23136-L0	C-14
4EW-11630-00	E- 4	4DA-13625-00	B- 8	3JE-14561-00	B- 9	2VM-17421-00	C- 2	4EW-22178-00	C- 6		C-15
4EW-11631-00-A0	B- 5	4EW-14101-00	B- 9	4EW-14610-00	B-11	4LO-17471-00	B-12	4EW-22180-02	C-11	4EW-2314A-L0	C-14
4EW-11631-00-B0	B- 5	4EW-14101-10	B- 9	3R4-14613-00	B-11	3XK-18101-01	C- 5	4EW-22199-00	C-10		C-15
	E- 4	3JD-14103-00	B-10	3JE-14615-01	B-11	2VM-18110-00	C- 5	4EW-22201-00	C-12	4EW-2314E-L0	D- 2
4EW-11631-00-C0	B- 5	3JD-14104-00	B-10	4EW-1469A-00	B-11	3XK-18122-00	C- 5	4EW-22201-10	C-12	4DA-2314F-L0	D- 2
4EW-11631-00-D0	B- 5	3JD-14107-35	B-10	4EW-14753-00	B-11	3XK-18140-00	C- 4	4EW-22201-20	C-12	4DA-2314G-L0	D- 2
2VM-11633-01	B- 5	3JD-14112-30	B-10	565-14771-00	B-11	4DA-18172-00	C- 5	4EW-22201-30	C-12	4DA-2314H-L1	D- 2
	E- 4	3JD-14112-35	B-10	483-14781-02	B-11	3XJ-18173-00	C- 5	4EW-22201-40	C-12	4DA-2314J-L0	D- 2
3SP-11650-02	E- 4	3JD-14112-40	B-10	256-14919-00	B- 9	3XK-18177-00	C- 4	4EW-22210-00	C-12	4DA-23141-10	E- 3
5X5-11651-02	B- 5	3JD-14112-45	B-10	2VM-15111-03	B-12	3XJ-18178-00	C- 5	4EW-22210-10	C-12	4DA-23141-20	E- 3
	E- 4	3JD-14112-50	B-10	4V4-15118-00	B-12	3XJ-18182-00	C- 5	4EW-22210-20	C-12	4DA-23141-30	E- 3
3JE-11681-01	B- 5	3XK-14115-00	B- 9	2VM-15121-01	B-12	3XJ-18184-00	C- 5	4EW-22210-30	C-12	4DA-23141-40	E- 3
	E- 4	3JD-14116-F0	B- 9	1G8-15362-00	B-13	4EW-18185-00	C- 5	4EW-22210-40	C-12	4DA-23141-60	E- 3
5X5-11911-01	B- 4	3JD-14116-F1	B- 9	3SP-15381-00	B-12	2VM-18511-00	C- 4	3XJ-22212-01	E- 3	4DA-23141-70	E- 3
5X5-11912-01	B- 4	3JD-14116-F2	B- 9	2VM-15411-00	B-13	2VM-18512-00	C- 4	3XJ-22212-11	E- 3	4EW-23141-L0	C-14
1LX-11915-00	B- 3	3JD-14116-F3	B- 9	4EW-15415-00	B-13	2VM-18513-00	C- 4	3XJ-22212-31	E- 3		C-15
5X4-11921-02	B- 4	3JD-14116-F9	B- 9	2VM-15421-01	B-13	4EX-18531-00	C- 4	3XJ-22212-40	E- 3	4EW-23142-L0	C-14
3JE-11922-00	B- 4	214-14118-00	B- 9	2VM-15451-10	B-13	3XV-18535-00	C- 4	3XJ-22212-81	E- 3		C-15
3JE-11931-00	B- 4	3JD-14131-00	B- 9	2VM-15462-10	B-13	3XK-18540-01	C- 4	4DA-22212-70	C-12	3XJ-23143-L0	C-14
3JE-11937-00	B- 3	3H1-14142-35	B- 9	3SP-15463-11	B-13	4EW-21101-00-UJ	C- 6	3SP-22213-00	C-12		C-15
5X4-11952-00	B- 4	3H1-14142-40	B- 9	4EW-15620-00	B-14	4EW-21190-00-UJ	C- 6	3JD-22214-00	C-12	4DA-23144-L0	C-14
24X-11953-01	B- 4	3H1-14142-45	B- 9	3SP-15621-01	B-14	5H9-21376-00	E- 2	3JD-22216-00	C-12		C-15
3XK-11956-00	B-15	3H1-14142-50	B-10	3R4-15641-00	B-14	4EW-21417-00	C- 6	3JD-22224-00	C-12	4DA-23145-L0	C-14
3SP-11990-00	B- 4	3H1-14142-55	B-10	38V-15651-00	B-14	4EW-21425-00	C- 6	3SP-22234-00	C-12		C-15
3SP-11992-10	B- 3	137-14143-66-A1	B-10	2VM-15661-01	B-14	4EW-21427-00	C- 6	3SP-22241-00	C-12	4V4-23146-L0	C-14

NUMERICAL INDEX

PART NO.	GRID NO.	PART NO.	GRID NO.	PART NO.	GRID NO.	PART NO.	GRID NO.	PART NO.	GRID NO.	PART NO.	GRID NO.
4V4-23146-L0	C-15	4EW-24181-00	D- 3	3SP-25873-00	D-13	90105-08120	C- 6	90201-06067	B- 7	90387-06363	B-11
3JD-23147-L0	C-14	4EW-24182-00	D- 3	2VM-25876-00	D-13	90105-08592	C- 6	90201-06571	B- 8	90387-07006	B- 7
	C-15	3JD-24186-00	D- 3	3LC-25885-00	D-11	90105-08659	D- 6	90201-06643	C- 9	90387-0701A	C- 8
3SP-23153-L0	C-14	3XJ-24380-00	D- 3		D-13	90105-10614	C-12		C- 9	90387-086N4	C- 6
	C-15	3JD-24500-01	D- 3	4EW-25894-00	D-13	90106-08051	C- 6	90201-06697	D- 3	90387-102M0	B- 2
4V4-23153-L0	C-14	4X8-24512-00	D- 3	3SP-25919-00	D- 6	90109-06577	D-15	90201-080E2	C- 6	90387-152F2	B- 4
	C-15	3AJ-24534-00	D- 3	3SP-25919-51	D- 9	90109-067F4	C- 9	90201-08087	B- 2	90387-160H4	B-12
3JD-23158-L0	C-14	5X7-24611-01	D- 3	3SP-25924-51	D- 9		C- 9	90201-081A6	C- 7	90387-164N2	C-10
	C-15	5X7-24612-00	D- 3	3GD-25933-00	D- 6	90109-06799	D-15		D- 7	90387-164N3	C-10
4EW-2316A-L0	C-14	4EW-24731-00	D- 4	4EW-26111-00	D-10	90109-08792	D- 7	90201-08326	C- 6	90387-167Y9	C-10
	C-15	4EW-24731-10	D- 4	1LX-26241-01	D-10	90109-142F4	C-10	90201-087A9	B-14	90387-172Y9	D- 5
3SP-23166-L0	C-14	4EW-24770-00	D- 4	1LX-26242-01	D-10	90109-147F2	C-10	90201-08730	C- 6	90387-173Y0	D- 5
	C-15	4EW-24770-10	D- 4	23X-26243-00	D-10	90110-05201	C-10	90201-08759	B- 6	90387-20008	D- 7
4EW-23167-L0	C-15	4DA-25104-00	D- 5	5X2-2628H-01	D-10	90116-08392	B- 2	90201-08784	B- 6	90387-2000C	D- 7
4EW-23170-L0	C-14	4EW-25111-00	D- 5	23X-26281-00	D-10	90116-08394	B- 2	90201-101J1	C- 6	90387-252F6	B-15
	C-15	146-25116-00	D- 5	431-26282-02	D-10	90116-10314	B- 2	90201-10118	D-11	90387-25663	C- 2
3XJ-23171-L0	C-14	4DA-25181-00	D- 5	4EW-26311-00	D-10		B- 2		D-13	90401-10034	D-11
	C-15	3JD-25304-00	D- 7	4EW-26335-00	D-10	90116-10547	B- 2	90201-10119	D-12		D-13
3Y6-23183-00	C-12	4EW-25311-00	D- 7	56A-26372-01	D-11		B- 2	90201-10774	D-14	90430-06014	B-13
24M-23184-00	C-12	4EW-25317-00	D- 7	3SP-27200-00	D-12	90119-06063	C- 8	90201-12166	C- 4	90430-06166	B- 6
4V4-23194-L0	D- 2	4V4-25367-00	D- 8	4AA-27217-00	D-12	90119-06185	C- 8	90201-14740	C-11	90387-12207	B-12
4EW-2331E-L0	D- 2	3JD-25381-01	D- 8	3SP-27222-00	D-13		C- 8	90201-154E9	B- 4	90445-086A8	B-12
4DA-23340-L0	C-15	3SP-25388-00	D- 7	3SP-27311-00	D-12		C-13	90201-164H4	C-10	90445-09058	D- 3
4DA-23346-L0	D- 2	3JE-25394-00	D- 7	4DA-27411-00	D-12	90122-06035	B- 8		C-11	90445-09100	D- 3
3SP-23356-L0	D- 2	5X2-25394-00	D- 5	4DA-27421-00	D-12	90123-08090	D-10	90201-17545	B-14	90445-11452	D- 3
3SP-23357-L0	C-14	39W-25444-01	D- 7	4EW-27491-00	D- 9	90143-06024	D-15	90201-20278	C- 2	90445-135H9	D-13
	C-15	39W-25445-01	D- 7	56A-28166-00	C- 7	90149-06011	D- 3	90201-20358	B-14	90450-15041	B- 7
4EW-23363-L0	C-14	39W-25446-01	D- 7	3SR-82310-10	E- 2		D-14	90201-22555	C- 2	90450-17036	B- 7
	C-15	39W-25448-00	D- 7	2TV-82370-00	E- 2	90149-06272	D- 6	90201-253K0	C- 2	90450-22052	B- 7
3XJ-23364-L0	E- 3	2HH-25449-00	D- 7	5X1-82519-01	E- 2		D- 9	90202-05193	D- 3	90450-28014	B- 7
4DA-23389-00	C-13	39W-25450-00	D- 7	1UA-82591-00	E- 2	90151-04048	C-10	90208-18025	B-15	90460-51109	B- 8
3SP-23393-L0	C-14	3JD-25451-01	D- 7	12R-82591-00	C- 7	90157-06048	B-14	90209-17311	C- 2	90460-68230	B- 8
	C-15	39W-25452-01	D- 7		E- 2	90159-06016	B-15	90209-18135	C- 2	90464-14117	D- 3
5Y3-23393-00	C-15	4EW-2580T-00	D- 6	38V-82911-00	D-15	90170-06010	D-15	90209-22082	C- 2		D-10
4EW-23416-00	C-13	4EW-2580W-00	D- 9	38V-82913-00	D-15	90170-08158	C- 6	90209-25085	B- 5	90464-16039	B- 8
4DA-23435-01	C-13	2VN-2582A-50	D-13	23X-83912-00	D-15	90170-20255	B-15		E- 4	90465-12362	D-13
3SP-23441-00	C-13	4EW-2582T-00	D- 6	3SP-83922-00	D-15	90176-08026	B- 2	90215-20231	B-15	90467-09006	B- 7
3SP-23442-00	C-13	4DA-2582W-00	D- 9	25G-83936-01	E- 2	90179-06568	C-10	90215-21239	C- 3	90467-10008	D- 3
4DA-23485-01	C-13	3SP-2583V-00	D-13	437-83936-01	D-15	90179-08401	D-10	90240-08120	D-12	90467-11044	D-13
4EW-23737-00	C-13	2VN-25852-01	D-11	23X-83976-00	D-15	90179-10394	D-14	90240-10117	D-12	90468-26048	B-14
4EW-23738-00	C-13	2VN-25852-50	D-13	4EW-85540-00	E- 2	90179-18172	B-15	90280-03017	B- 5	90480-10068	D- 7
4EW-23833-00	C-13	2VN-25854-00	D-13	3RB-85547-01	E- 2	90179-20255	C- 3	90338-10150	C-10	90480-15528	B- 7
4EW-23834-00	C-13	56A-25854-00	D-11	3SP-85550-10	D-14	90183-06023	C- 8	90340-12097	B-12	90480-16561	B-11
4EW-24110-00	D- 3	2VN-25855-00	D-13	3SP-85560-11	D-14	90183-06069	C- 9	90380-16158	C-10	90480-18549	D- 3
4EW-2412F-00	D- 3	2VN-25866-00	D-13	90101-06664	C- 5	90185-14070	C-11	90387-0600F	C- 9	90501-05265	C- 5
24X-24144-00	D- 3	56A-25867-00	D-11	90101-08699	D- 7	90185-16127	C-10		C- 9	90501-06162	D-11
3SP-24173-00	D- 3	3SP-25870-01	D-11	90105-05361	C-13	90185-18104	D- 8		C- 9	90501-13720	B-14
22W-24181-00	C- 9	4DA-25872-00	D-11	90105-06553	B- 8	90201-057H5	B- 4		C- 9	90501-23598	B-15

www.legends.yamaha-enduros.com

M2

NUMERICAL INDEX

PART NO.	GRID NO.	PART NO.	GRID NO.	PART NO.	GRID NO.	PART NO.	GRID NO.	PART NO.	GRID NO.	PART NO.	GRID NO.
90501-240F4	B- 4	93109-20029	C-11	93604-29184	B- 4	95023-08020	B-14	99530-14016	B- 2		
90506-15480	D-12	93210-09192	B- 3	93608-33046	C- 5	95023-08035	C-13				
90507-20030	B-11	93210-14104	B-13	93834-13030	C- 2	95023-08040	C- 6				
90508-14783	B- 4	93210-15620	D-13	93834-14049	C- 2		C-13				
90508-26561	C- 4	93210-16275	B- 6	93834-15075	C- 3		D- 2				
90508-28777	D-12	93210-19216	B-14	94108-2100Y	D- 5	95026-06025	D-11				
90508-291A8	C- 5	93210-270A8	B- 2	94108-217X2	D- 5	95333-08600	D-13				
90508-30743	B-14	93210-56743	B-11	94111-1900U	D- 7	95601-05100	B- 8				
90560-08213	B- 4	93210-77363	B- 2	94111-1900V	D- 7	95601-08200	C- 6				
90560-12280	C- 5	93211-11770	B- 2	94211-19273	D- 7	95611-08100	C- 6				
90560-17379	D- 5	93300-60804	C- 6	94227-21123	D- 5		D- 7				
90560-22281	D-10	93300-60814	B- 4	94307-21145	D- 5	95611-10100	C- 6				
91A20-05065	B- 7		B- 4	94311-19155	D- 7	95611-10200	C- 6				
91011-10055	C- 6	93306-00316	D- 5	94416-21509	D- 5		C-12				
91011-10120	C- 6	93306-00418	D- 7	94421-19484	D- 7	95611-12100	C-13				
91316-04006	B- 4	93306-20540	C- 2	94581-44116	D- 8	95616-06100	D-15				
91316-06050	B-12	93306-20562	C- 2	94681-44001	D- 8		D-15				
91316-06070	B-12	93306-37802	B- 5	94702-00323	B- 2	95701-08500	D- 7				
91401-25020	C-13		B- 5	94702-00326	B- 2	95701-10500	B- 2				
	D-12	93310-23077	B-15	94703-00323	B- 2	95811-06010	B-12				
	D-12	93310-418E9	B- 5	95021-06045	C-10	95811-08035	C- 6				
91490-20020	D-12		E- 4	95021-06070	B-13	95811-08050	C- 6				
92013-06016	D-13	93310-425T1	B- 5	95021-06080	B- 6	97001-05016	B- 3				
92901-05600	B- 3		E- 4	95021-08065	C- 6	97006-05016	D-15				
	B- 3	93311-41734	C- 2	95023-06008	B-11	97011-06016	E- 2				
92901-06600	B-13	93311-62035	C- 2		B-13	97011-06025	C- 5				
92901-08600	D-12	93315-11206	B-15		D-13	97021-05020	B- 3				
92902-04100	B- 9	93315-22046	C-10	95023-06010	C-10	97021-05030	B- 4				
92990-03100	B- 8		C-11	95023-06012	B-11	97780-50110	D-13				
	B- 9	93317-22262	C-10		B-13	98501-05012	B- 2				
92990-05100	B- 4	93332-00068	C-13		C- 9	98506-05008	B- 3				
92990-10200	C- 6	93332-00078	C-13		C- 9	98511-04012	B- 9				
92990-12200	C-13	93340-21505	B- 4		D-13	98511-06012	B-12				
92990-18600	D- 8	93342-22215	C-10	95023-06016	C- 8	98580-03008	B- 8				
92995-06100	C-15	93399-99935	C-12		D- 3		D- 3				
93102-12224	B-15	93410-20038	C- 2		D- 9	98580-03010	B- 9				
93102-12321	C- 5	93410-22039	C- 2	95023-06020	B- 8	98580-06030	B-13				
93102-20309	B-14	93440-25084	C- 2		C- 9	98586-05016	D-10				
93102-22363	B- 5	93450-19052	B- 5		C- 9	98701-06012	B-12				
93102-32M07	C- 2		E- 4	95023-06025	B- 6	98701-06025	D- 3				
93103-10168	B- 6	93501-04011	B-14		B- 6	98706-04012	D-10				
93103-40091	B- 5	93511-32027	B-15		B-11		D-11				
93104-08040	B- 4	93521-64032	B- 4		B-13	98980-06020	D- 3				
93104-16074	B- 2	93603-14179	B- 4	95023-06030	B- 7	99009-06600	B- 6				
93106-22019	C-10	93603-22028	B- 6		B-13	99009-17400	B-14				
93106-22032	D- 5	93604-08071	B- 2		C- 8	99510-10114	B- 2				
93106-28023	D- 7	93604-10011	B- 6	95023-06035	D- 3	99510-12016	B-12				
93109-20029	C-10		B-13	95023-08012	B-11		B-13				



M3