



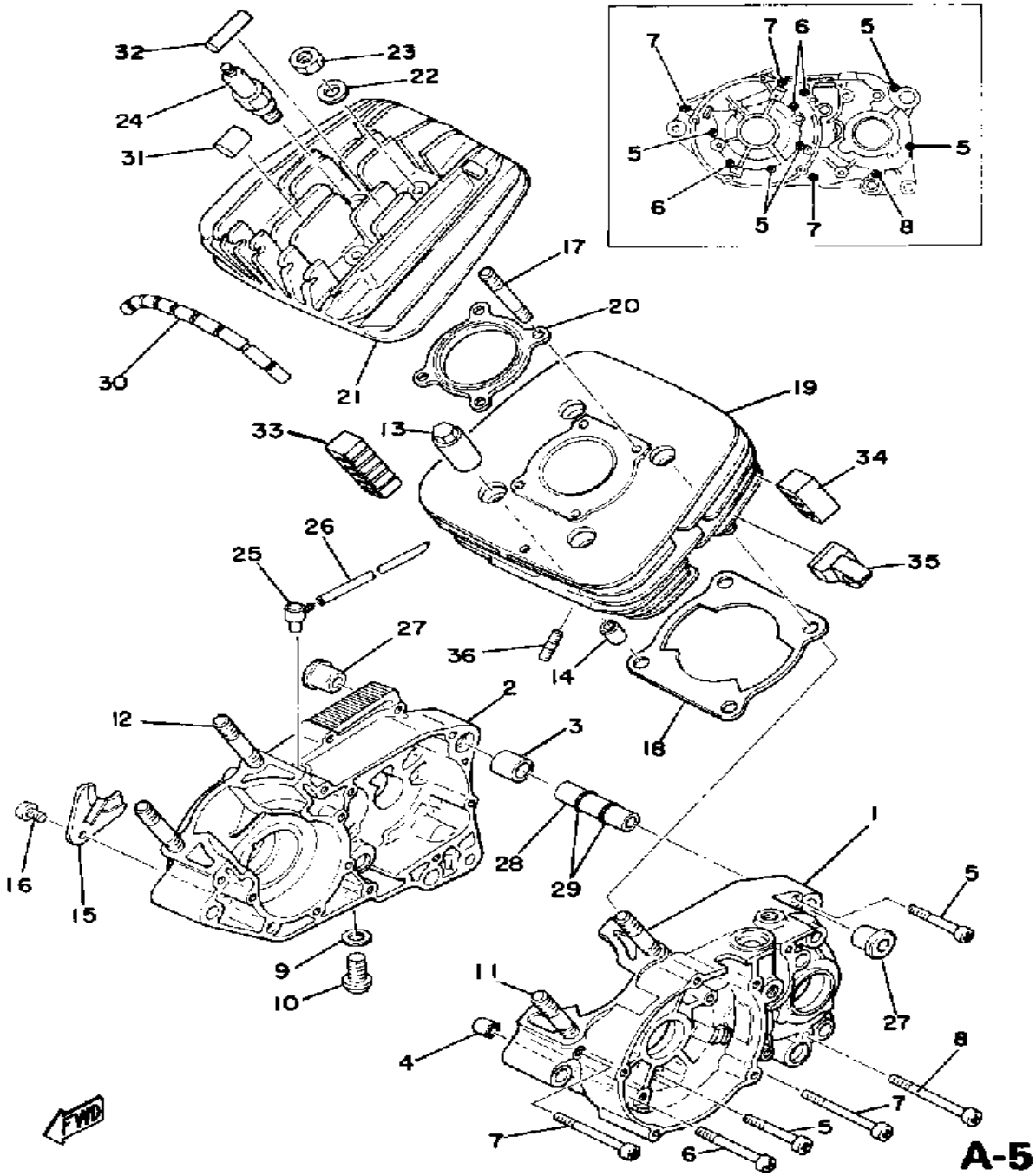
YAMAHA

GENUINE

PARTS CATALOGUE

MOTORCYCLE

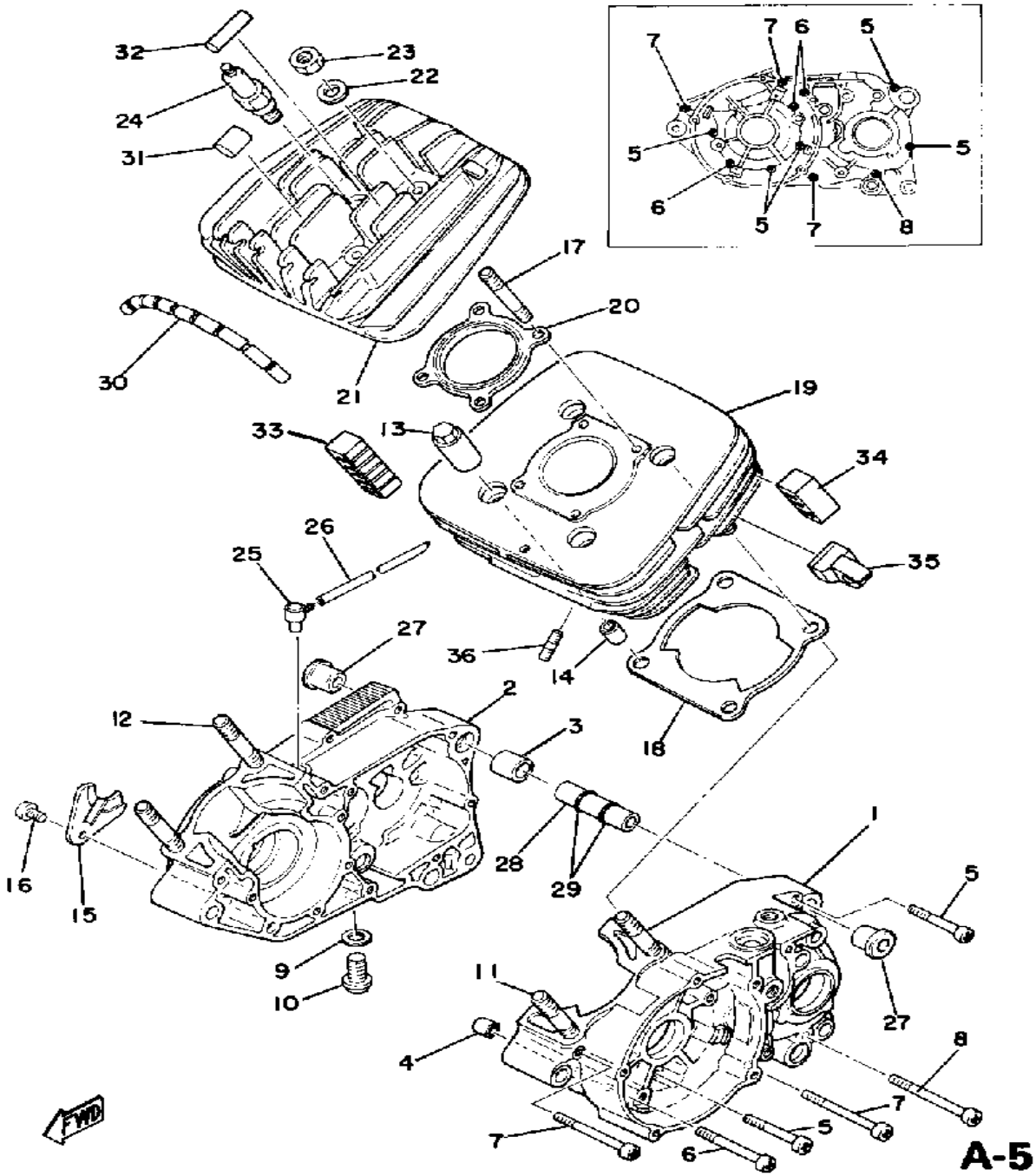
CYLINDER CRANKCASE



Ref. No.	Part Number	Description	Qty	Remarks
1	(2A6-15111-02-00)	CRANKCASE 1	1	
2	2A6-15121-01-00	CRANKCASE 2	1	
3	99510-20020-00	PIN, DOWEL	1	
4	99530-10014-00	PIN, DOWEL	1	
5	98580-06550-00	SCREW PAN HEAD (92503-06050)	5	
6	92580-06560-00	SCREW PAN HEAD	3	
7	98501-06070-00	SCREW, PAN HEAD	3	
8	98501-06075-00	SCREW, PAN HEAD	1	
9	90430-12207-00	GASKET	1	
10	90340-12005-00	PLUG, DRAIN	1	
11	95611-10630-00	BOLT, STUD	2	
12	95611-10640-00	BOLT, STUD	2	
13	90179-10201-00	NUT	4	
14	99530-14016-00	PIN, DOWEL	2	
15	304-15128-00-00	HOLDER	1	
16	92501-08010-00	SCREW, PAN HEAD	1	
17	90116-08104-00	BOLT, STUD	4	
18	18G-11351-01-00	GASKET, CYLINDER	1	
19	2A6-11311-00-00	CYLINDER 1	1	
20	2A6-11181-00-00	GASKET, CYLINDER HEAD 1	1	
21	(2A6-11111-00-00)	HEAD, CYLINDER 1	1	
22	90201-08100-00	WASHER, PLATE	4	
23	95333-08600-00	NUT	4	
24	NGK-B8ES0-00-00	PLUG, SPARK (NGK B8ES)	1	SEE M7-068
25	583-15371-00-00	BREATHER	1	
26	90445-07340-00	HOSE	1	
27	328-15316-00-00	DAMPER, ENG MOUNT 1 (328-15316-00)	2	

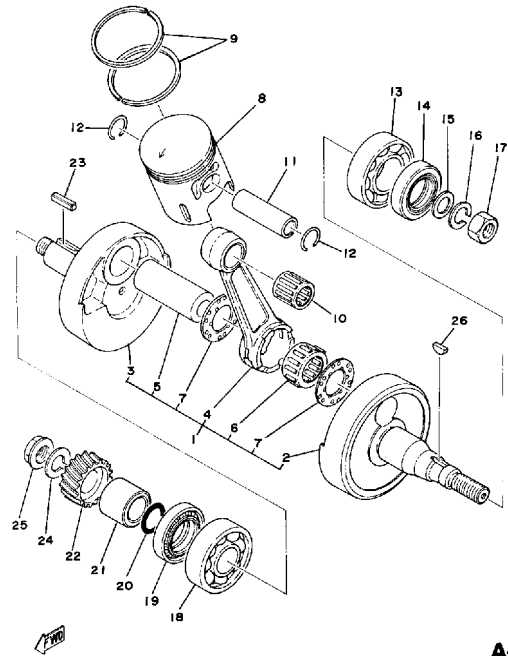
CONTINUED ON NEXT FRAME ►

CYLINDER CRANKCASE



Ref. No.	Part Number	Description	Qty	Remarks
28	401-15317-00-00	SPACER, ENG MOUNT	1	
29	93210-11073-00	O-RING	2	
30	2A6-11161-00-00	ABSORBER 1	1	
31	2A6-11162-00-00	ABSORBER 2	1	
32	3LN-2139U-00-00	ABSORBER 2	2	
33	2A6-11127-00-00	ABSORBER 3	2	
34	2A6-11127-00-00	ABSORBER 3	2	
35	2A6-11129-00-00	ABSORBER 5	1	
36	90116-06016-00	BOLT, STUD	2	
	NGK-B8ES0-00-00	PLUG, SPARK (NGK B8ES)	1	
	NGK-B9ES0-00-00	NGK B9ES 10PK	1	

CRANK-PISTON

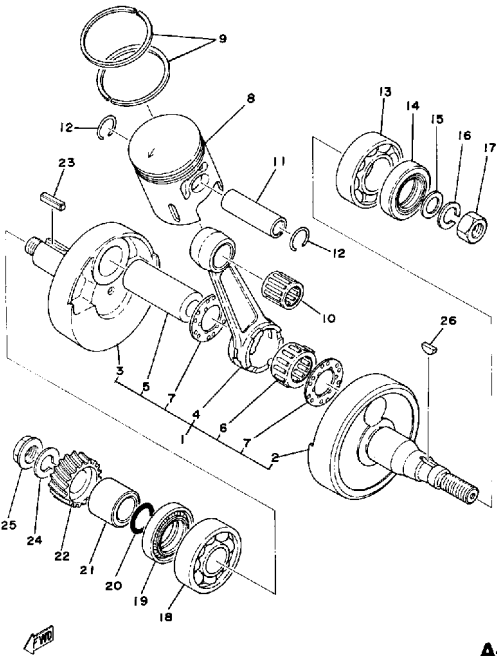


A-7

Ref. No.	Part Number	Description	Qty	Remarks
1	2N4-11400-00-00	CRANKSHAFT ASSEMBLY	1	
2	1W1-11412-01-00	. CRANK 1	1	
3	1W1-11422-01-00	. CRANK 2	1	
4	25V-11651-00-00	. ROD, CONNECTING 1	1	
5	3M5-11681-00-00	. PIN, CRANK 1	1	
6	93310-42277-00	. BEARING, CYLINDER.#10 (93310-42231)	1	
7	90209-22248-00	. WASHER	2	
8	2A6-11631-00-96	PISTON STD	1	
	2A6-11635-00-00	PISTON 1 O/S 0.5	1	ALTERNATE PART
	2A6-11636-00-00	PISTON 2 O/S 0.0	1	ALTERNATE PART
	2A6-11637-00-00	PISTON 3 O/S 0.5	1	ALTERNATE PART
	2A6-11638-00-00	PISTON 4 O/S 1.0	1	ALTERNATE PART
9	2N4-11610-00-00	PISTON RINGSET STD (STD) (2A6-11610-00)	1	
	2N4-11610-10-00	PISTON RINGSET 1ST (1ST O/S) (2A6-11610-10)	1	ALTERNATE PART
	2N4-11610-20-00	PISTON RINGSET 2ND (2ND O/S) (2A6-11610-20)	1	ALTERNATE PART
	2N4-11610-30-00	PISTON RINGSET 3RD (3RD O/S) (2A6-11610-30)	1	ALTERNATE PART
	2N4-11610-40-00	PISTON RINGSET 4TH (4TH O/S)	1	ALTERNATE PART
10	93310-216L2-00	BEARING, CYLINDRICAL	1	
11	137-11633-00-00	PIN, PISTON	1	
12	93450-17044-00	CIRCLIP	2	
13	93306-20529-00	BEARING (B6205C4)	1	
14	93102-25061-00	OIL SEAL, SD-TYPE	1	
15	90201-12593-00	WASHER, PLATE	1	
16	92901-12100-00	WASHER, SPRING	1	
17	90170-12347-00	NUT, HEXAGON	1	

CONTINUED ON NEXT FRAME ►

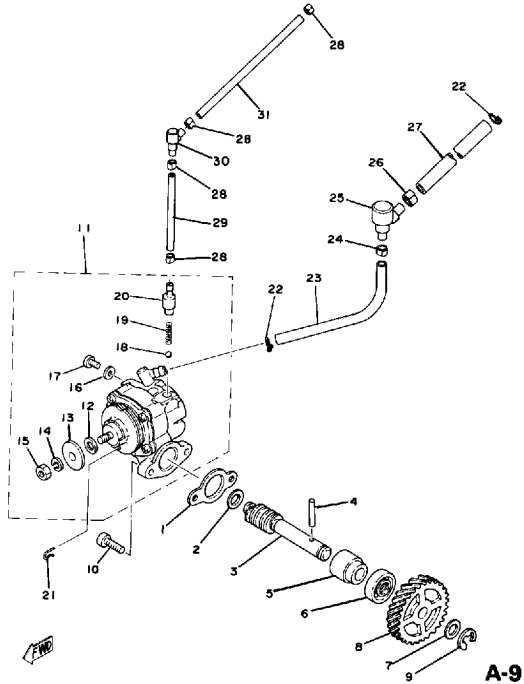
CRANK-PISTON



Ref. No.	Part Number	Description	Qty	Remarks
18	93306-30421-00	BEARING (B6304C3)	1	
19	93103-28011-00	OIL SEAL	1	
20	93210-180A6-00	O-RING	1	
21	90387-20488-00	COLLAR	1	
22	2A6-16111-00-00	GEAR, PRI DRIVE	1	
23	90282-05005-00	KEY, STRAIGHT	1	
24	90204-12007-00	WASHER, SPRING	1	
25	90179-12244-00	NUT, SPEC'L SHAPE	1	
26	90280-03017-00	KEY, WOODRUFF	1	

A-7

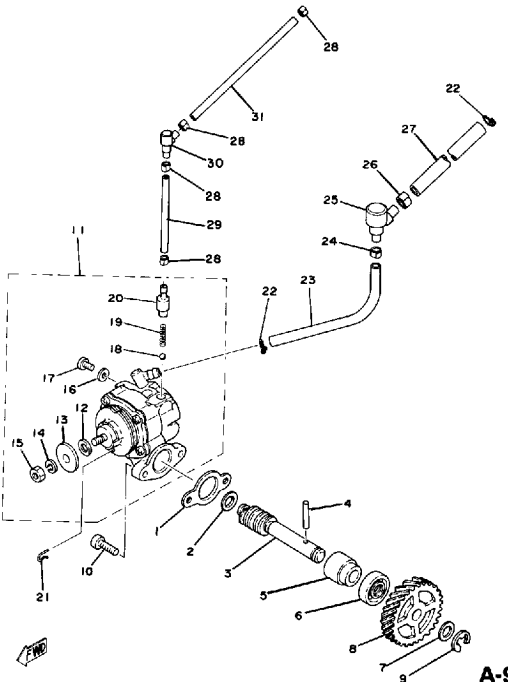
OIL PUMP



Ref. No.	Part Number	Description	Qty	Remarks
1	3MT-13116-00-00	GASKET, PUMP CASE (8Y0-13116-00)	1	
2	90201-08624-00	WASHER, PLATE	1	
3	(558-13175-00-00)	SHAFT, WORM	1	
4	93603-22028-00	PIN, DOWEL	1	
5	1E7-13176-00-00	METAL, WRM SHAF OTR	1	
6	93101-10002-00	OIL SEAL	1	
7	90201-105J4-00	WASHER, PLATE (90201-106H1)	1	
8	2A6-13178-00-00	GEAR, PUMP DRIVE	1	
9	99001-08600-00	CIRCLIP	1	
10	98580-05016-00	SCREW, PAN HEAD	2	
11	2A6-13101-00-00	OIL PUMP ASSEMBLY	1	
12	137-13137-00-03	. SHIM (0.3T)	1	U.R.
	137-13137-00-05	. SHIM (0.5T)	1	U.R.
	137-13137-00-10	. SHIM (1.0T)	1	U.R.
13	137-13138-01-00	. PLATE, ADJUSTING	1	
14	92990-05100-00	. WASHER, SPRING	1	
15	95380-05600-00	. NUT	1	
16	90430-04004-00	. GASKET	1	
17	98901-04008-00	. SCREW, BIND	1	
18	93505-32002-00	. BALL	1	
19	90501-02018-00	. SPRING, COMPRESSION	1	
20	402-13552-00-00	. NOZZLE	1	
21	363-13133-01-00	CLIP	1	
22	90467-08003-00	CLIP	2	
23	90445-07036-00	HOSE	1	
24	90468-02025-00	CLIP	1	
25	2A6-13115-01-00	CONNECTOR, SCTN PPE	1	

CONTINUED ON NEXT FRAME ►

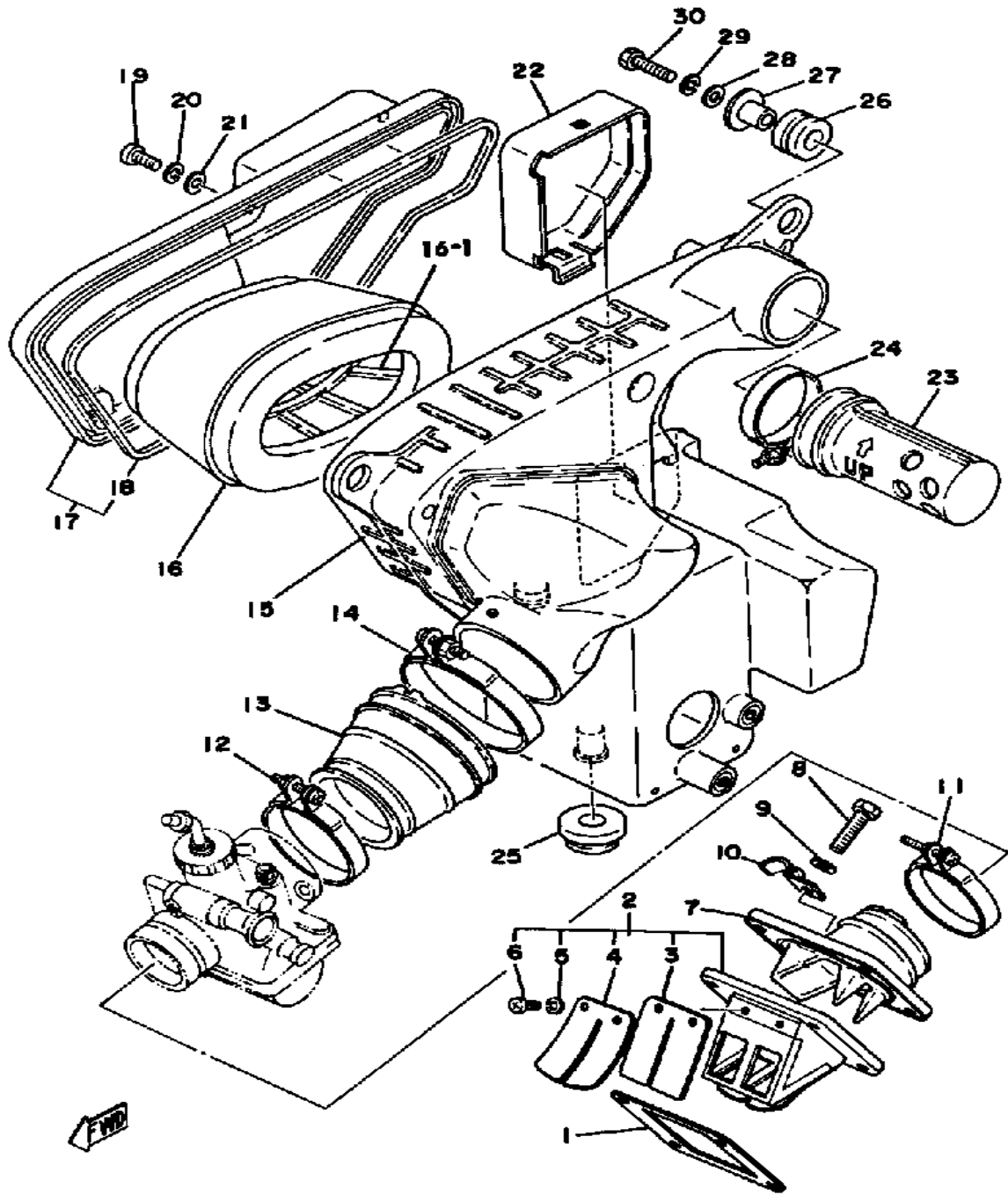
OIL PUMP



A-9

Ref. No.	Part Number	Description	Qty	Remarks
26	90468-02078-00	CLIP	1	
27	90445-09100-00	HOSE	1	
28	90468-02033-00	CLIP	4	
29	90445-05019-00	HOSE	1	
30	2A6-13164-01-00	CONCT, DELIVERY PPE	1	
31	90445-05024-00	HOSE (835-13171-00)	1	

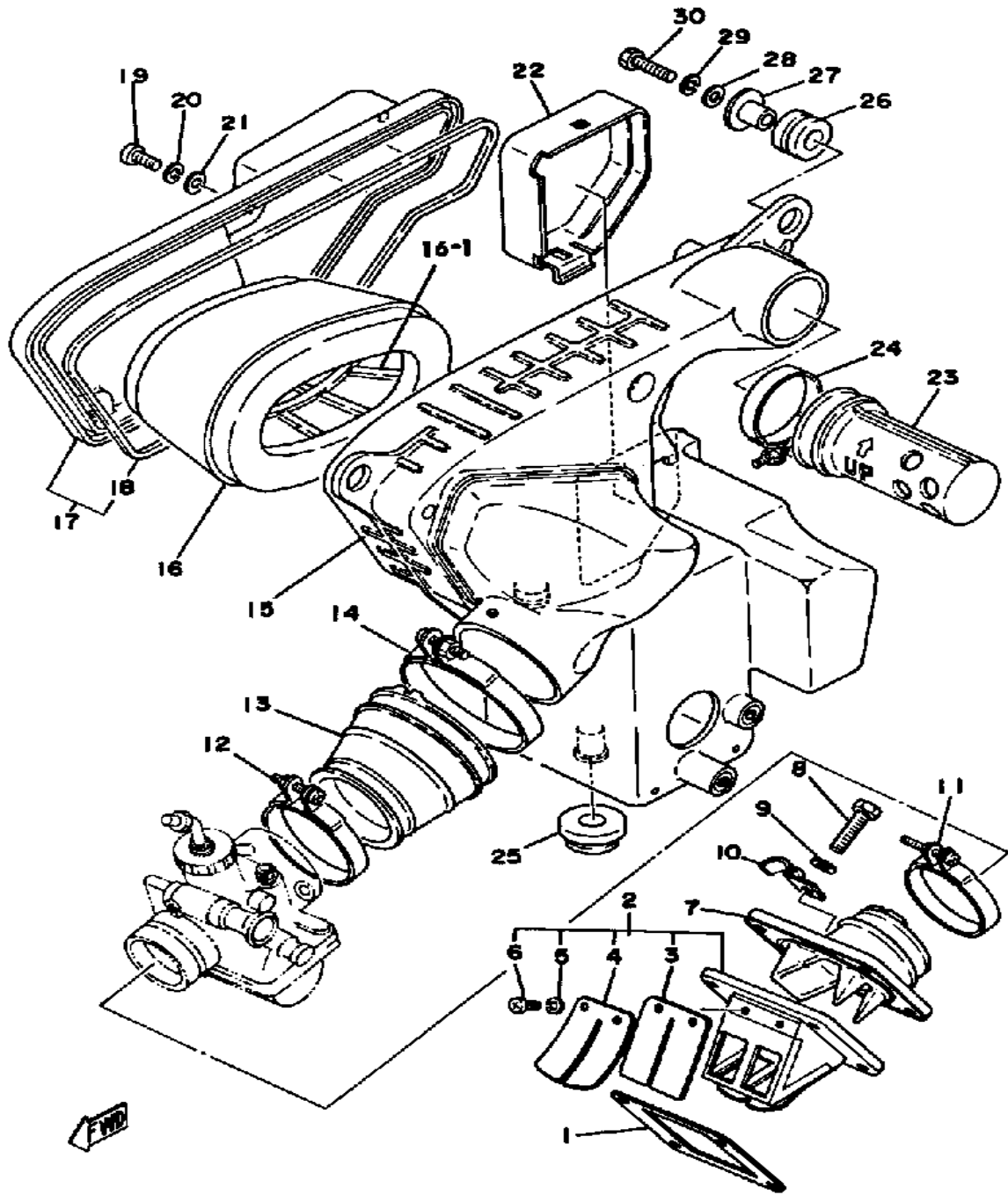
INTAKE



Ref. No.	Part Number	Description	Qty	Remarks
1	87A-13621-00-00	GASKET, VALVE SEAT	1	
2	558-13610-00-00	REED VALVE ASSEMBLY	1	
3	345-13613-70-00	. REED, VALVE	2	
4	345-13616-70-00	. STOPPER, REED VALVE	2	
5	92990-03100-00	. WASHER, SPRING (92901-03100)	4	
6	98580-03008-00	. SCREW, PAN HEAD	4	
7	401-13565-01-00	JOINT, CARBURETOR	1	
8	97011-06025-00	BOLT (97001-06025)	4	
9	92901-06600-00	WASHER	4	
10	90462-05005-00	CLAMP	1	
11	90460-43053-00	CLAMP, HOSE	1	
12	90460-49058-00	CLAMP, HOSE	1	
13	2A6-14453-00-00	JOINT, AIR CLNR 1	1	
14	90460-64065-00	CLAMP, HOSE	1	
15	2A6-14411-01-00	CASE, AIR CLEANER 1	1	
16	2A6-14451-00-00	ELEMENT, AIR CLNR	1	
17	2A6-14412-00-00	CAP, CLEANER CASE 1	1	
18	4L0-14457-01-00	. SEAL	1	
19	98580-05012-00	SCREW, PAN HEAD	5	
20	92990-05100-00	WASHER, SPRING	5	
21	92901-05600-00	WASHER, PLATE	5	
22	2A6-14417-00-00	COVER 1	1	
23	(2A6-14433-00-00)	PIPE, SUCTION 2	1	
24	90460-45040-00	CLAMP, HOSE	1	
25	90480-18171-00	GROMMET	1	
26	90480-14023-00	GROMMET	2	
27	90387-07391-00	COLLAR	2	
28	92901-06600-00	WASHER	2	

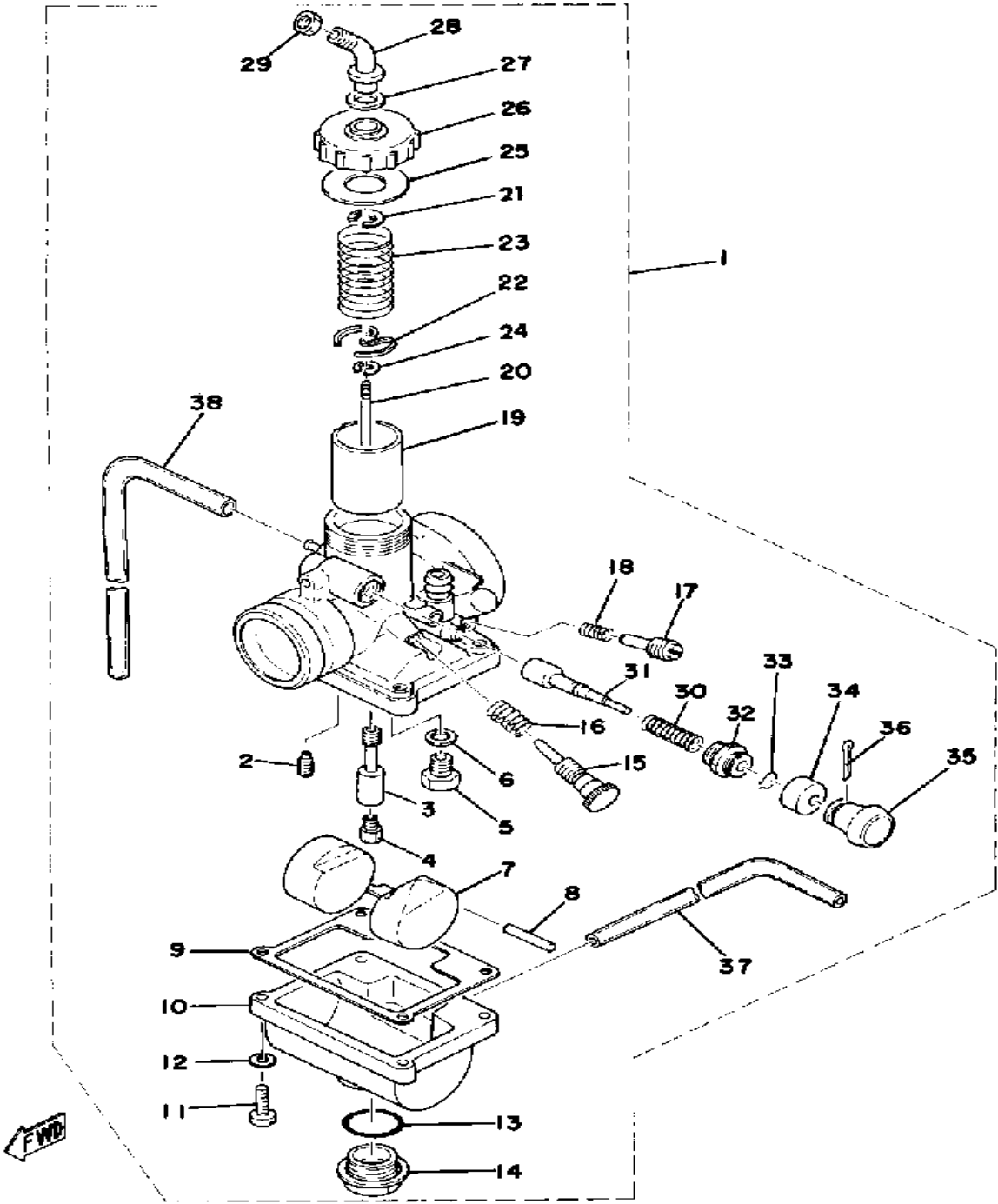
CONTINUED ON NEXT FRAME ►

INTAKE



Ref. No.	Part Number	Description	Qty	Remarks
29	92995-06100-00	WASHER, SPRING	2	
30	97011-06025-00	BOLT (97001-06025)	2	
16-1	2A6-14458-00-00	UNAVAILABLE IN PRICE BOOK	1	

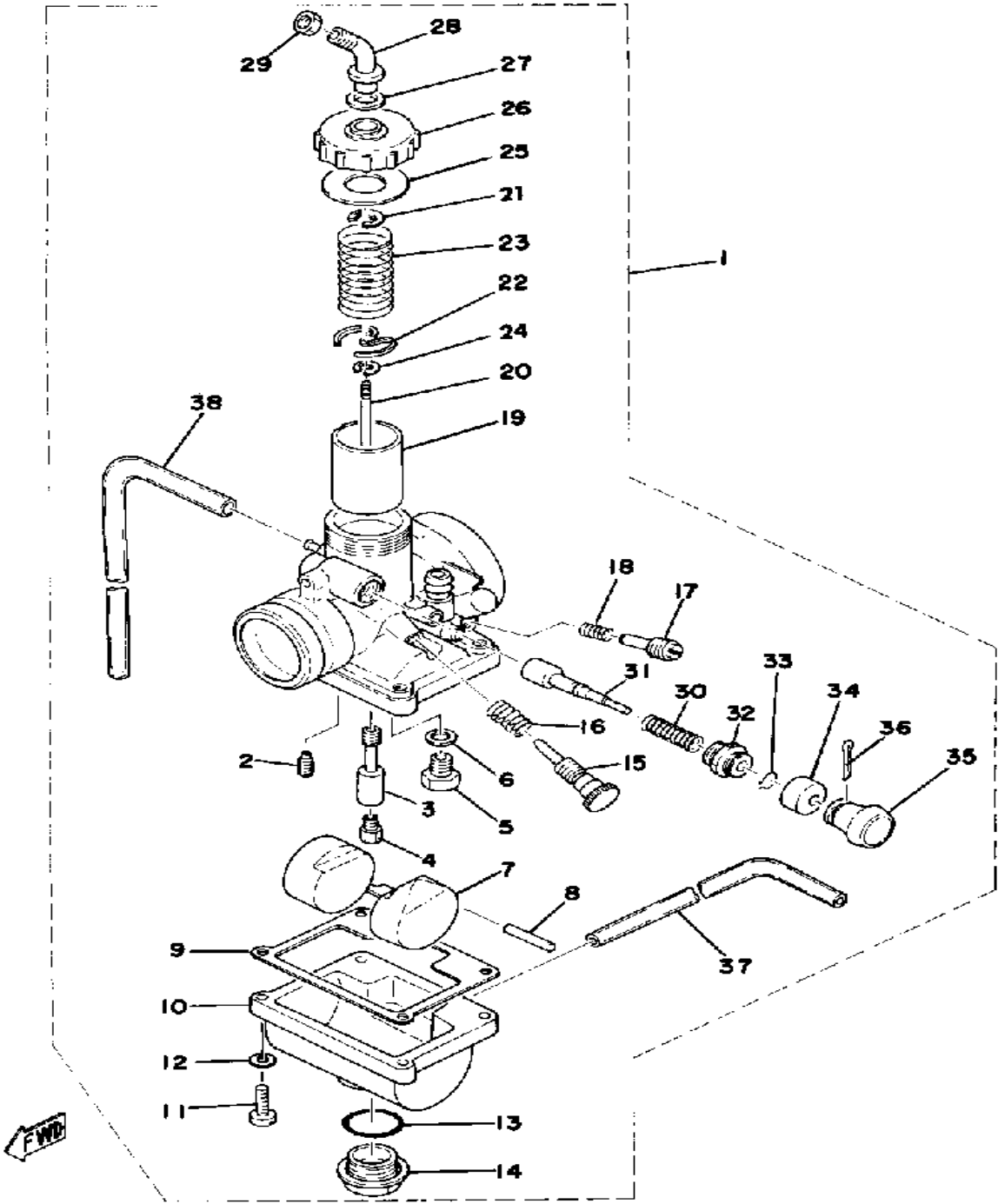
CARBURETOR



Ref. No.	Part Number	Description	Qty	Remarks
1	2A6-14101-00-00	CARBURETOR ASSEMBLY 1	1	
2	260-14142-22-A0	. JET, PILOT #22 5	1	
3	(558-14141-24-00)	NOZZLE, MAIN	1	
4	137-14143-23-A0	. JET, MAIN #1 5	1	U.R.
	137-14143-24-00	. JET, MAIN #120 (#120)	1	U.R. STD
	137-14143-25-A0	. JET, MAIN #1 5	1	U.R.
5	23L-14107-25-00	. NEEDLE VALVE SET	1	
6	214-14195-00-00	. WASHER, NEEDLE VALVE	1	
7	314-14185-00-00	. FLOAT	1	
8	127-14186-00-00	. PIN, FLOAT	1	
9	304-14184-00-00	. GASKET, FLOAT CHAMBER	1	
10	(539-14181-04-33)	BODY, FLOAT CHMBR 1	1	
11	98503-04014-00	. SCREW, PAN HEAD	4	
12	92901-04100-00	. WASHER, SPRING	4	
13	558-14147-00-00	. O-RING	1	
14	500-14115-00-00	. PLUG, SCREW	1	
15	493-14122-00-00	. SCREW, THROTTLE (443-14122-00)	1	
16	493-14133-00-00	. SPRING, THRTL STOP	1	
17	22K-14104-00-00	. AIR SCREW SET	1	
18	174-14134-00-00	. SPRING, AIR ADJUSTING	1	
19	314-14112-20-00	. VALVE, THROTTLE 1	1	
20	166-14116-13-00	. NEEDLE	1	
21	164-14137-00-00	. CLIP	1	
22	246-14132-00-00	. STOPPER, CABLE	1	
23	248-14131-00-00	. SPRING, THROTTLE VALVE	1	
24	363-14137-00-00	. CLIP	1	
25	246-14126-00-00	. GASKET	1	
26	401-14158-00-00	. TOP, MXXING CHAMBER	1	

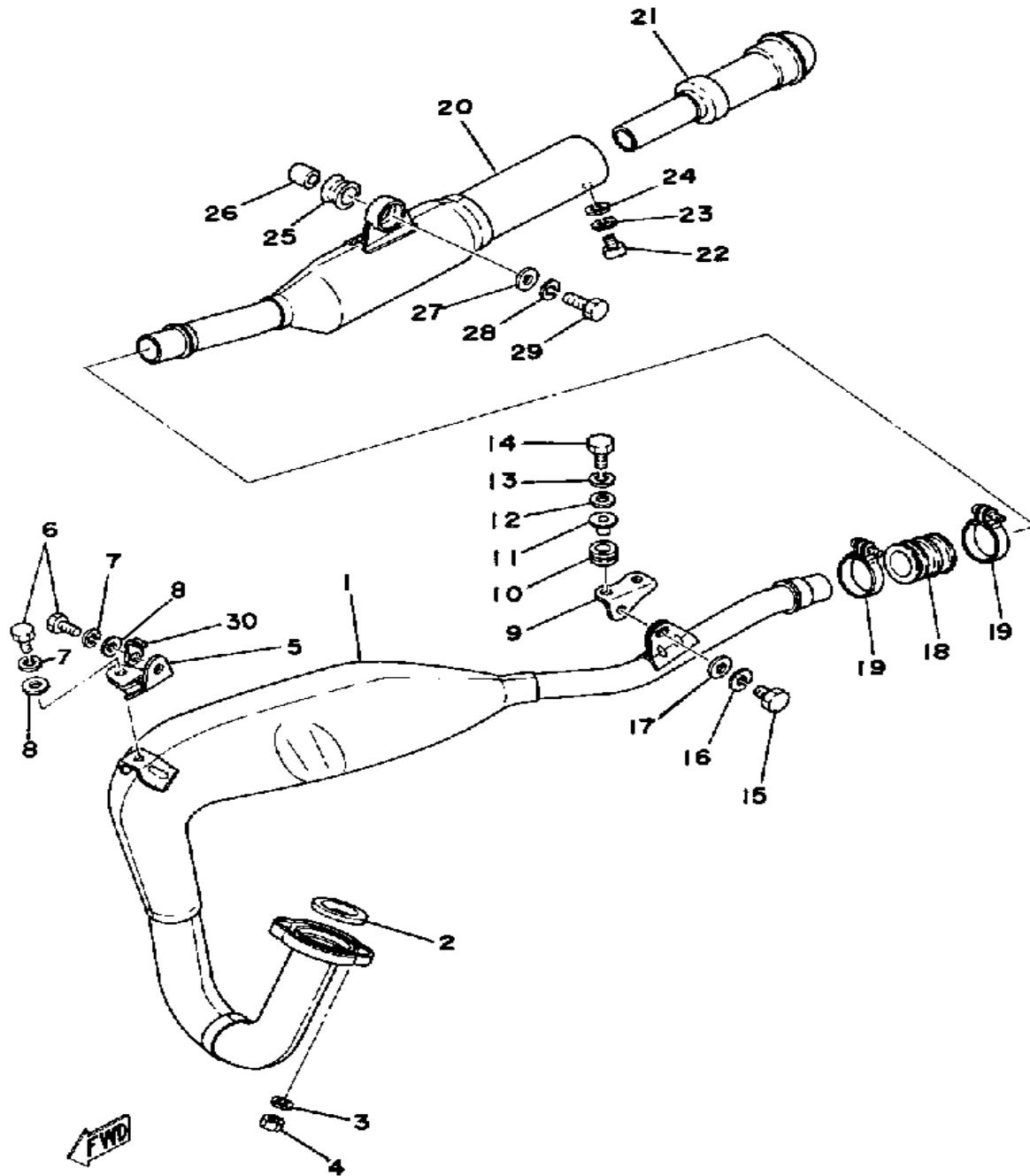
CONTINUED ON NEXT FRAME ►

CARBURETOR



Ref. No.	Part Number	Description	Qty	Remarks
27	363-14198-00-00	. GASKET	1	
28	363-14155-00-00	. GUIDE, CABLE	1	
29	127-14161-00-00	. NUT, CABLE ADJUSTING ...	1	
30	156-14135-00-00	. SPRING, PLUNGER	1	
31	304-14171-00-00	. PLUNGER, STARTER	1	
32	152-14174-00-00	. CAP, PLUNGER	1	
33	353-14138-00-00	. CLIP, PLUNGER	1	
34	132-14173-00-00	. COVER, PLUNGER CAP	1	
35	304-14261-00-00	. HOLDER	1	
36	91490-16020-00	. PIN, COTTER	1	
37	23F-14197-00-00	. PIPE, AIRVENT	1	
38	183-14197-01-00	. PIPE, AIRVENT	1	

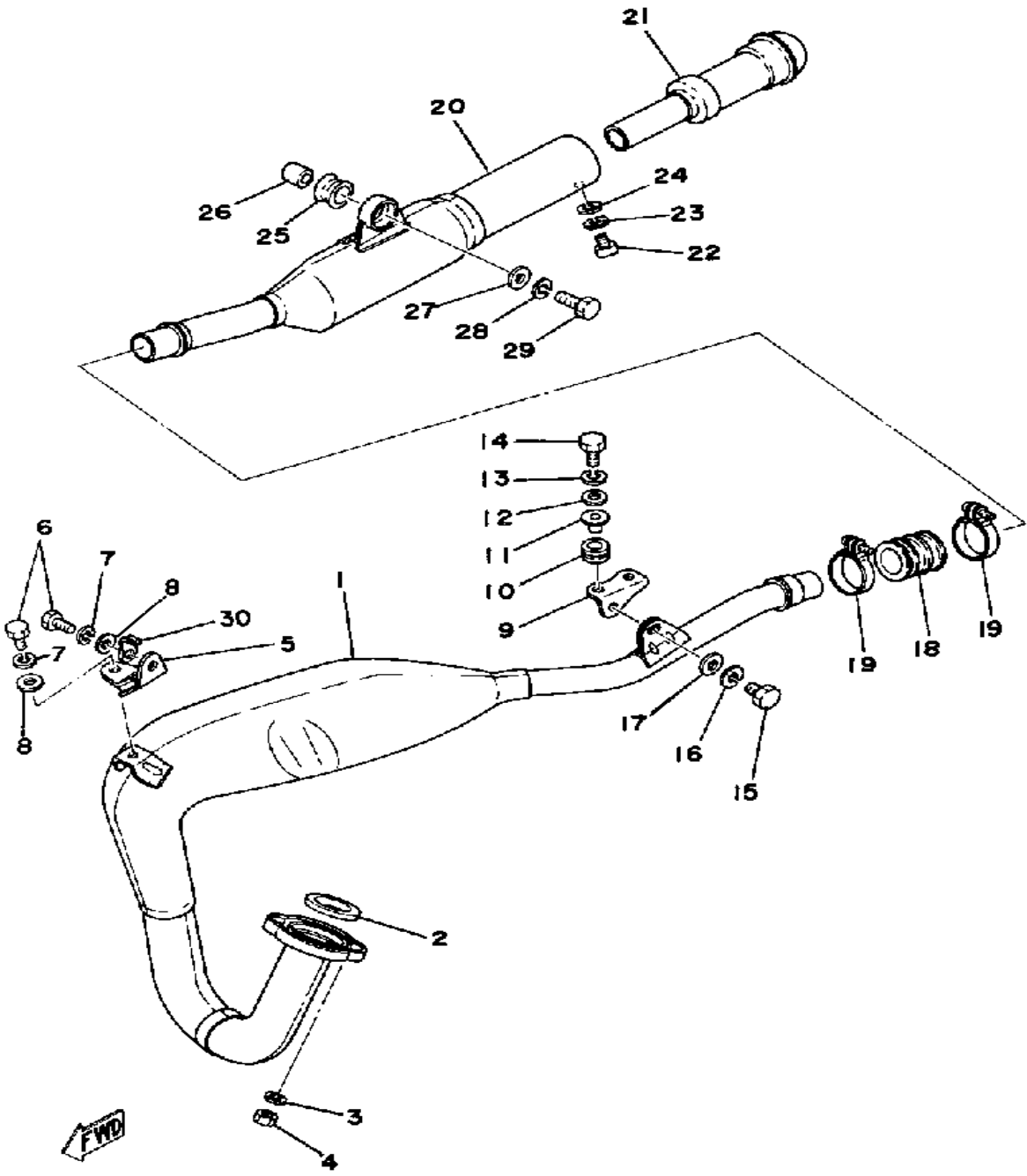
EXHAUST



Ref. No.	Part Number	Description	Qty	Remarks
1	2A8-14610-81-00	EXHAUST PIPE ASSEMBLY L (2A8-14610-00-00)	1	
2	152-14613-00-00	GASKET, EXST PIPE	1	
3	92995-06100-00	WASHER, SPRING	2	
4	95380-06600-00	NUT	2	
5	2A6-14772-00-00	STAY, MUFFLER 2	1	
6	97313-08018-00	BOLT, HEXAGON (97301-08016)	2	
7	92990-08100-00	WASHER	2	
8	92901-08600-00	WASHER	2	
9	5V7-14771-00-00	STAY, MUFFLER 1	1	
10	90480-14023-00	GROMMET	2	
11	90387-06388-00	COLLAR	2	
12	92901-06600-00	WASHER	2	
13	92995-06100-00	WASHER, SPRING	2	
14	97011-06025-00	BOLT (97001-06025)	2	
15	97313-08018-00	BOLT, HEXAGON (97301-08016)	1	
16	92990-08100-00	WASHER	1	
17	92901-08600-00	WASHER	1	
18	1W2-14714-00-00	GASKET, MUFFLER	1	
19	90460-37026-00	CLAMP, HOSE	2	
20	2A6-14753-00-00	SILENCER, EXHAUST	1	
21	1M1-14752-01-00	PIPE, OUTLET	1	
22	98580-06012-00	SCREW, PAN HEAD	1	
23	92995-06100-00	WASHER, SPRING	1	
24	92901-06600-00	WASHER	1	
25	565-14747-00-00	DAMPER, MUFFLER	1	
26	90387-08258-00	COLLAR	1	
27	90201-08753-00	WASHER, PLATE	1	
28	92990-08100-00	WASHER	1	

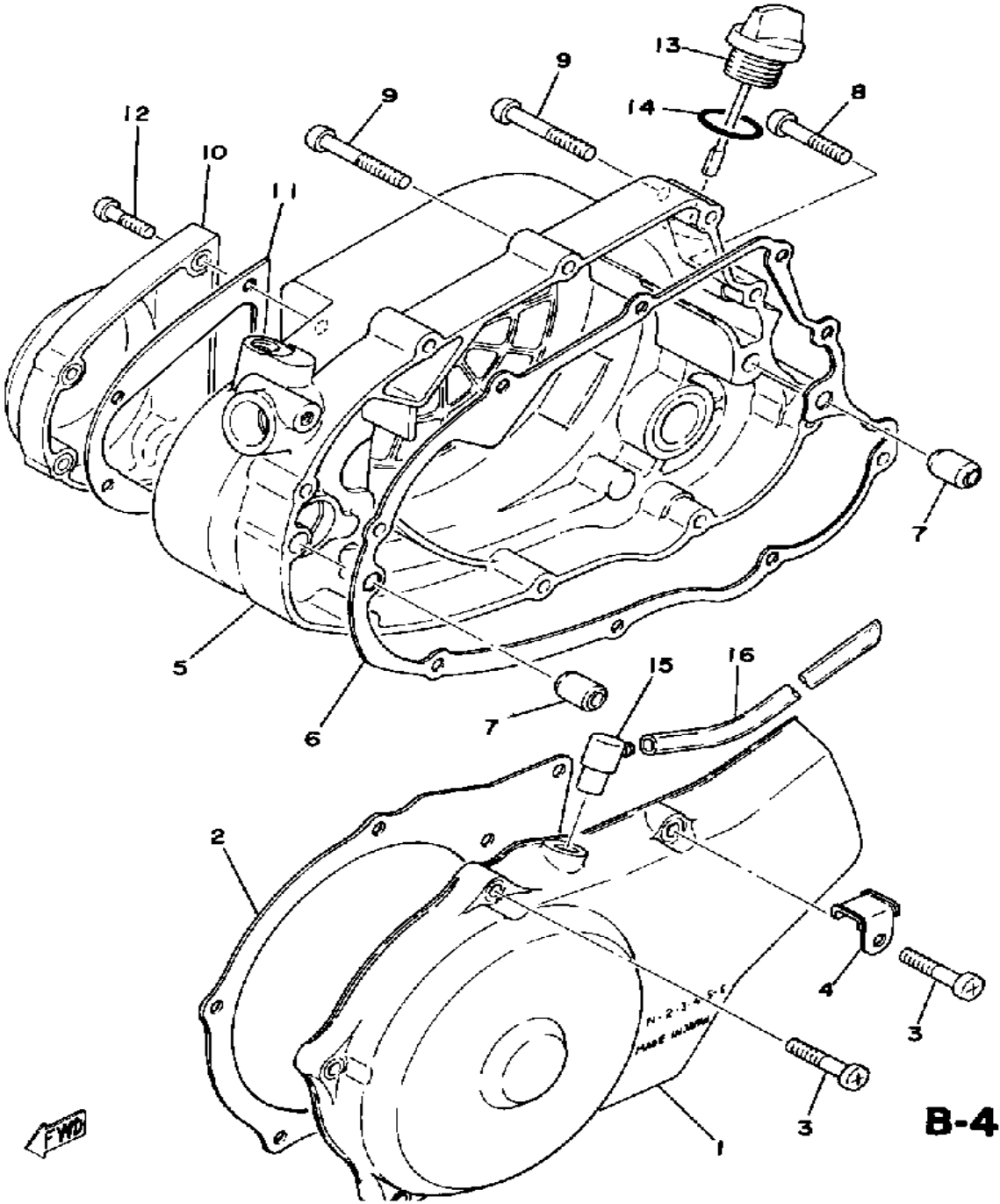
CONTINUED ON NEXT FRAME ►

EXHAUST



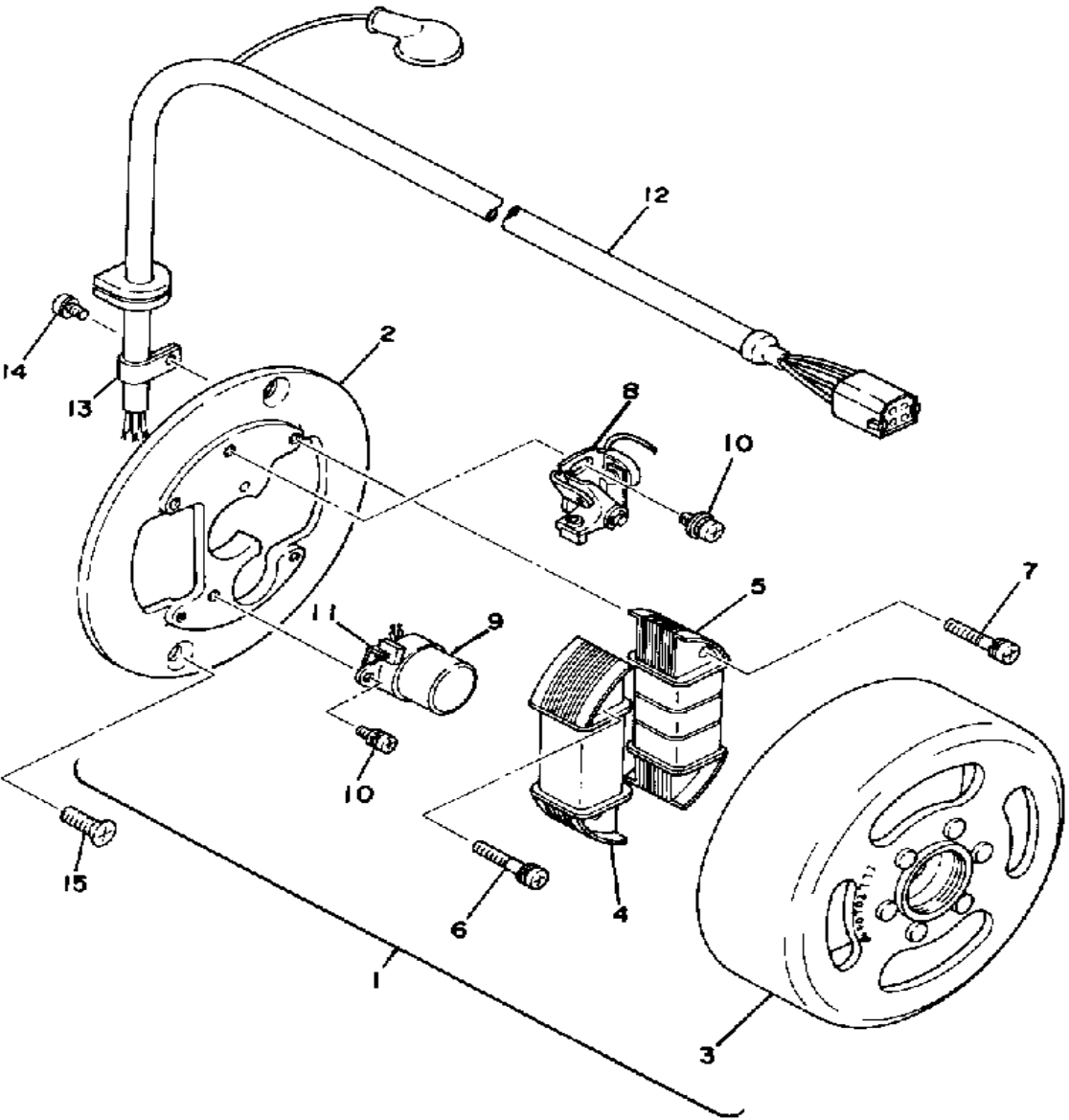
Ref. No.	Part Number	Description	Qty	Remarks
29	97313-08030-00	BOLT, HEXAGON	1	
30	2A6-83596-00-00	CLAMP	1	

CRANKCASE COVER



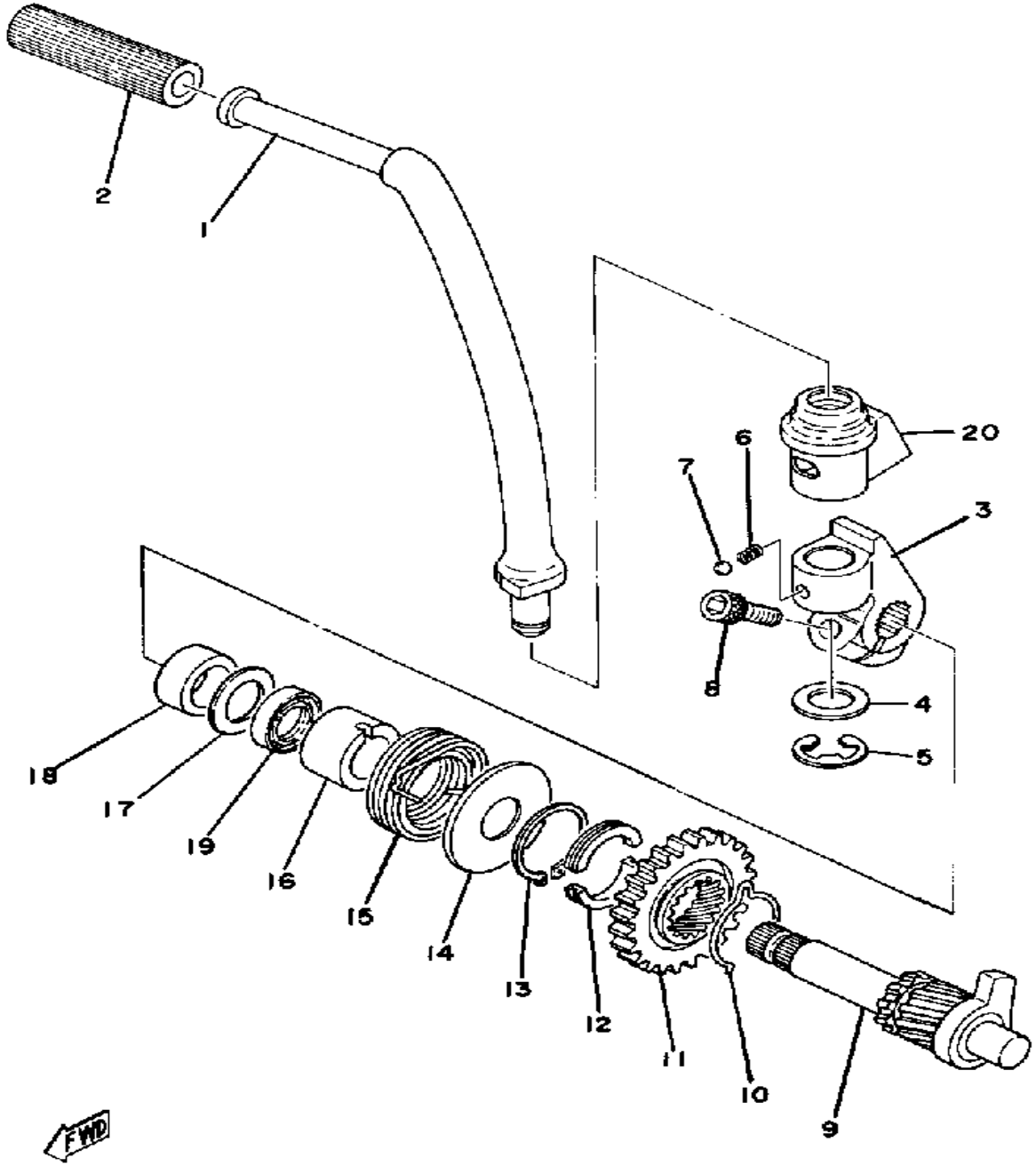
Ref. No.	Part Number	Description	Qty	Remarks
1	2A7-15411-01-00	COVER, CRANKCASE L	1	
2	2A6-15455-01-00	GASKET 1	1	
3	98511-06025-00	SCREW PAN HEAD (92501-06025)	6	
4	2A6-15484-01-00	CLAMP 2	1	
5	2A6-15431-00-00	COVER, CRANKCASE 3	1	
6	18G-15451-01-00	GASKET, CRCS. COVER	1	
7	99530-10014-00	PIN, DOWEL	2	
8	98580-06030-00	SCREW PAN HEAD	3	
9	98580-06040-00	SCREW, pan head (92501-06040-00)	6	
10	2A6-15416-00-00	COVER, OIL PUMP	1	
11	2A6-15456-00-00	GASKET, O/PMP CVR 1	1	
12	98511-06025-00	SCREW PAN HEAD (92501-06025)	4	
13	401-15362-00-00	PLUG, OIL LEVEL	1	
14	93210-19123-00	O-RING	1	
15	583-15371-00-00	BREATHER	1	
16	90445-07371-00	HOSE	1	

FLYWHEEL MAGNETO



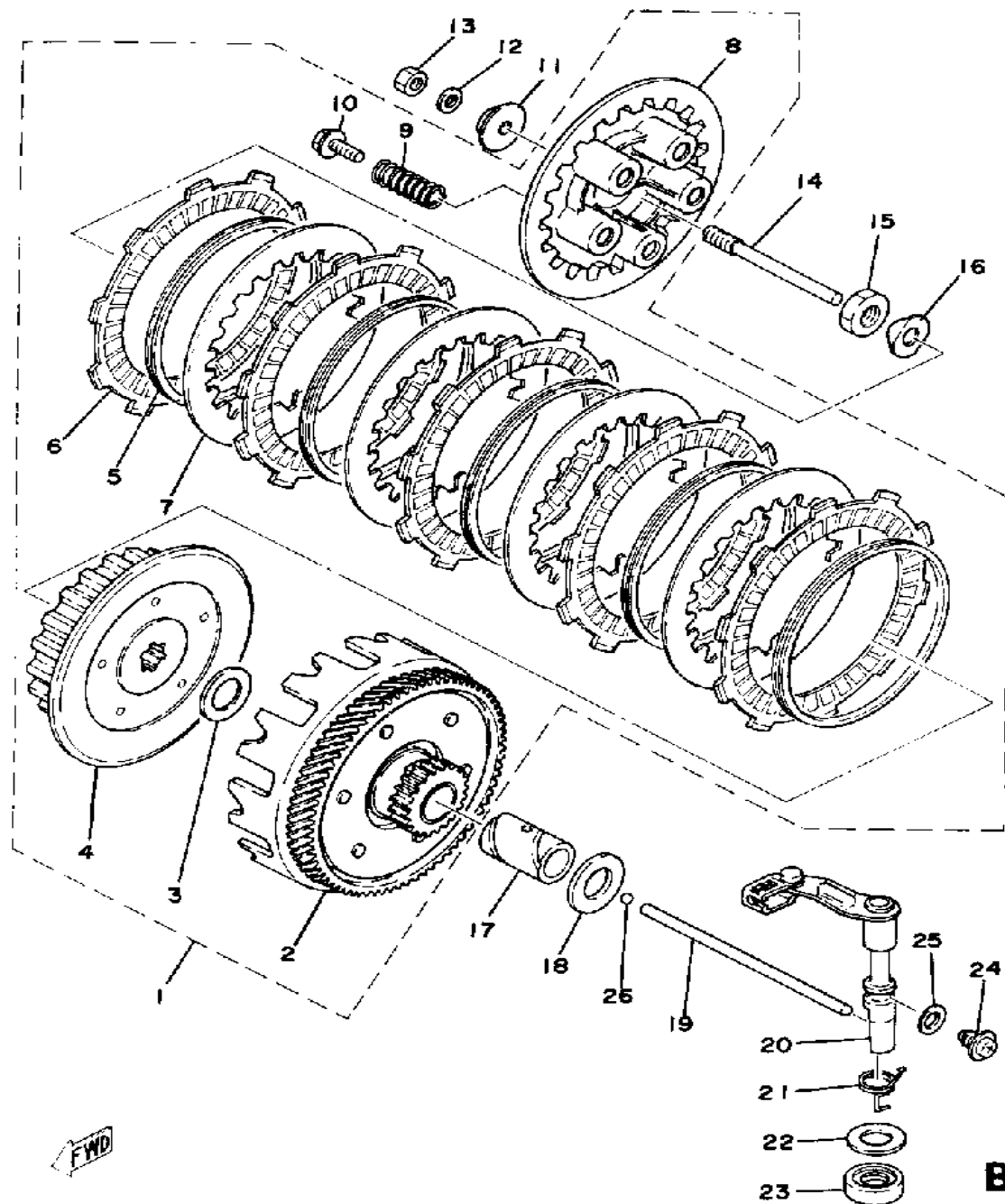
Ref. No.	Part Number	Description	Qty	Remarks
1	(2A6-81300-20-00)	FLYWHL MAGNETO ASSEMBLY	1	
2	2A6-81309-20-00	. BASE, MAGNETO	1	
3	2A6-81350-20-00	. ROTOR ASSEMBLY	1	
4	2A6-81312-20-00	. COIL, SOURCE	1	
5	2A6-81313-20-00	. COIL, LIGHTING 1 (2N4-81313-20)	1	
6	97602-04125-00	. SCREW, PN/HD.W/WSHR (4-25)	2	
7	(169-28121-00-00)	POINT GAUGE	1	
	(ACC-01100-40-01)	DT125E TUNE KIT	1	
	1K8-81325-20-00	. CONDENSER 1	1	
	2A6-81321-20-00	. CONTACT BRKR ASSEMBLY	1	
	98511-04030-00	. SCREW, PAN HEAD	2	
	NGK-B7HS0-00-00	. PLUG, SPARK (NGK B7HS)	1	
8	2A6-81321-20-00	. CONTACT BRKR ASSEMBLY	1	
9	1K8-81325-20-00	. CONDENSER 1	1	
10	110-81346-21-00	. SCREW, PAN HEAD	2	
11	116-81331-20-00	. LUBRICATOR	1	
12	2A6-81315-20-00	. LEAD WIRE ASSEMBLY	1	
13	104-81328-20-00	. CLAMP	1	
14	97601-04106-00	. SCREW, PN/HD.W/WSHR	1	
15	98603-06012-00	SCREW, OVAL HEAD (92701-06012)	2	

STARTER



Ref. No.	Part Number	Description	Qty	Remarks
1	2A6-15620-01-00	KICK CRANK ASSEMBLY	1	
2	156-15618-01-00	COVER, KICK LEVER	1	
3	1W1-15621-01-00	BOSS, KICK CRANK	1	
4	90201-12541-00	WASHER, PLATE	1	
5	93430-08007-00	CIRCLIP	1	
6	90501-10459-00	SPRING, COMPRESSION	1	
7	93503-16010-00	BALL	1	
8	91316-08025-00	BOLT, SOCKET HEAD	1	
9	2A6-15660-01-00	KICK AXLE ASSEMBLY	1	
10	90468-26048-00	CLIP	1	
11	1W1-15641-00-00	GEAR, KICK (27T)	1	
12	248-15654-00-00	HOLDER, KICK GEAR	2	
13	99009-30400-00	CIRCLIP	1	
14	401-15676-00-00	COVER, SPRING	1	
15	90508-26346-00	SPRING, TORSION	1	
16	1W1-15666-00-00	SPACER	1	
17	90201-17327-00	WASHER, PLATE	1	
18	90560-17032-00	SPACER	1	
19	93101-17062-00	OIL SEAL	1	
20	1W1-15618-01-00	COVER, KICK LEVER	1	

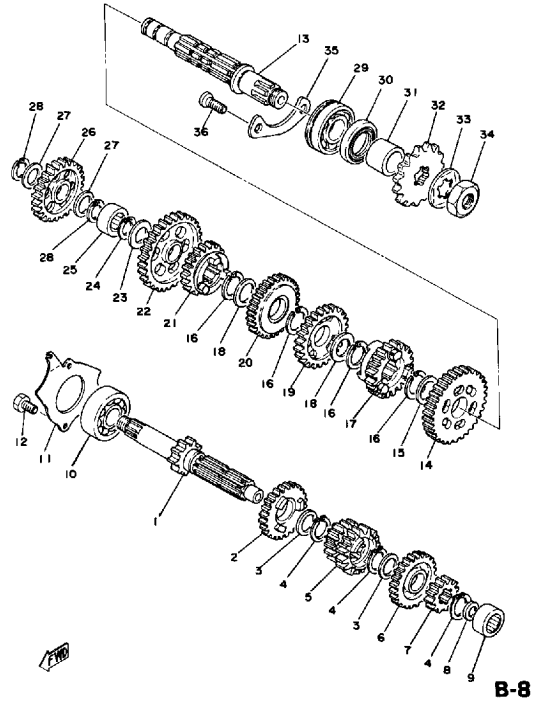
CLUTCH



Ref. No.	Part Number	Description	Qty	Remarks
1	(2A6-16300-01-00)	CLUTCH ASSEMBLY	1	
2	2A6-16150-00-00	. PRI DRVN GEAR	1	
3	90201-17543-00	. WASHER, PLATE	1	
4	1J4-16371-00-00	. BOSS, CLUTCH	1	
5	307-16367-00-00	. RING, CUSHION	5	
6	559-16321-01-00	. PLATE, FRICTION	5	
7	2A6-16324-00-00	. PLATE, CLUTCH 1	4	
8	2A6-16351-00-00	. PLATE, PRESSURE 1	1	
9	90501-20474-00	. SPRING, COMPRESSION	5	
10	90159-05011-00	. SCREW, WITH WASHER	5	
11	30X-16358-00-00	PLATE, PUSH	1	
12	92990-06200-00	WASHER	1	
13	95380-06600-00	NUT	1	
14	1W1-16356-02-00	ROD, PUSH 1	1	
15	90170-14171-00	NUT	1	
16	90215-14204-00	WASHER, LOCK	1	
17	90560-17147-00	SPACER	1	
18	90201-174E1-00	WASHER, PLATE	1	
19	1W1-16357-00-00	ROD, PUSH 2	1	
20	(1W1-16380-00-00)	PUSH LEVER ASSEMBLY	1	
21	90508-20345-00	SPRING, TORSION	1	
22	90201-14217-00	WASHER, PLATE	1	
23	93104-14059-00	OIL SEAL, SO-TYPE	1	
24	90149-08108-00	SCREW, SPEC'L SHAPE	1	
25	90430-08069-00	GASKET	1	
26	93503-16010-00	BALL	1	

B-7

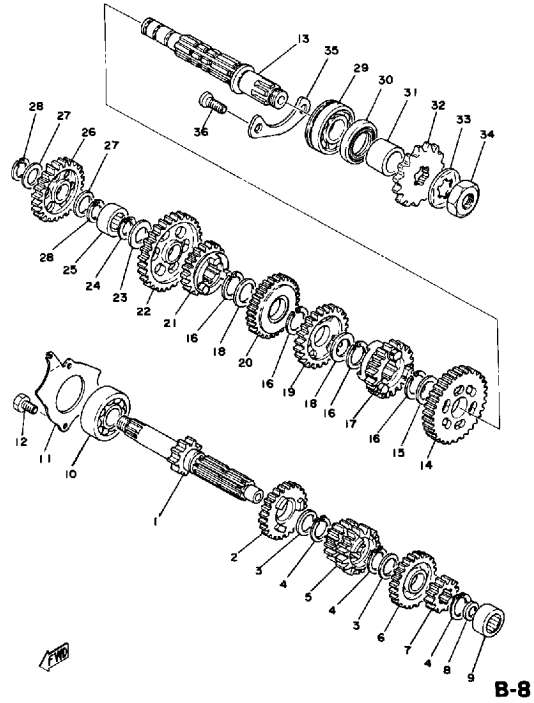
TRANSMISSION



Ref. No.	Part Number	Description	Qty	Remarks
1	2A6-17411-00-00	AXLE, MAIN	1	
2	1W2-17151-00-00	GEAR, 5TH PINION	1	
3	90201-20266-00	WASHER, PLATE (1.0T)	2	
4	93410-20038-00	CIRCLIP	3	
5	2A6-17131-00-00	GEAR, 3RD PINION	1	
6	1W2-17161-00-00	GEAR, 6TH PINION	1	
7	2A6-17121-00-00	GEAR, 2ND PINION	1	
8	90201-15701-00	WASHER, PLATE (1.0T)	1	
9	93311-41530-00	BEARING	1	
10	93306-30309-00	BEARING	1	
11	1W1-17471-01-00	PLATE, COVER	1	
12	97013-06012-00	BOLT	2	
13	2A6-17421-00-00	AXLE, DRIVE	1	
14	2A6-17221-01-00	GEAR, 2ND WHEEL (2A6-17221-00)	1	
15	90201-22555-00	WASHER, PLATE	1	
16	93410-22039-00	CIRCLIP	4	
17	2A6-17261-00-00	GEAR, 6TH WHEEL	1	
18	90209-18135-00	WASHER	2	
19	1W2-17241-00-00	GEAR, 4TH WHEEL	1	
20	2A6-17231-00-00	GEAR, 3RD WHEEL	1	
21	2A6-17251-00-00	GEAR, 5TH WHEEL	1	
22	2A6-17211-01-00	GEAR, 1ST WHEEL (2A6-17211-00)	1	
23	90201-15701-00	WASHER, PLATE (1.0T)	1	
24	93440-15012-00	CIRCLIP	1	
25	93311-31567-00	BEARING, CYLINDRICAL	1	
26	525-15651-00-00	GEAR, KICK IDLE (25T)	1	
27	137-17417-00-05	SHIM 1 (0.5T)	2	

CONTINUED ON NEXT FRAME ►

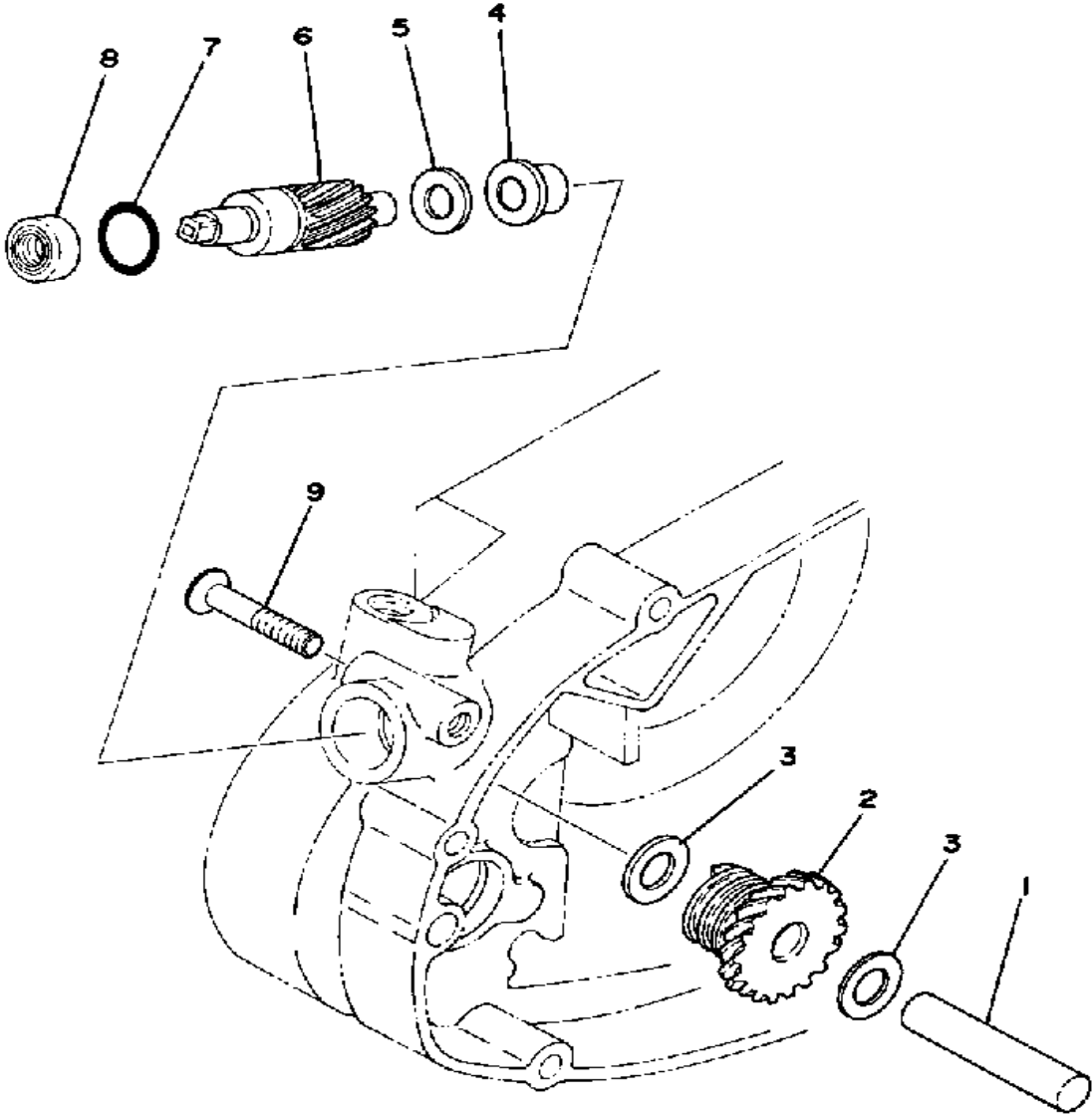
TRANSMISSION



Ref. No.	Part Number	Description	Qty	Remarks
28	93440-15012-00	CIRCLIP	2	
29	93306-30411-00	BEARING (B6304)	1	
30	93102-26042-00	OIL SEAL	1	
31	90387-202A0-00	COLLAR	1	
32	93822-15065-00	SPROCKET, DRIVE 15T (1741746150)	1	
33	90215-16127-00	WASHER, LOCK	1	
34	90179-16226-00	NUT	1	
35	1W1-15381-00-00	PLATE, BRNG COVER	1	
36	98603-06012-00	SCREW, OVAL HEAD (92701-06012)	2	

B-8

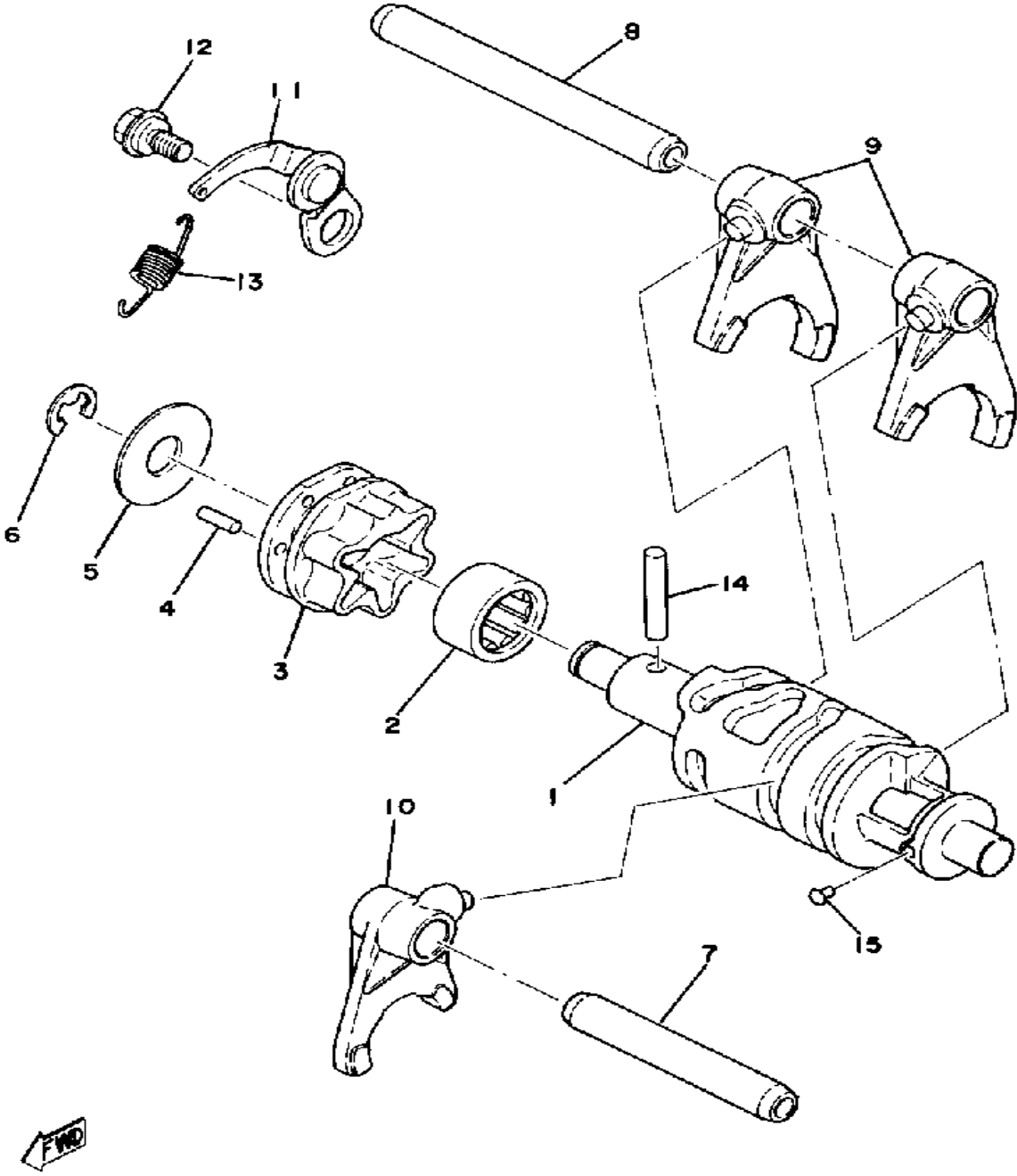
TACHOMETER GEAR



Ref. No.	Part Number	Description	Qty	Remarks
1	(248-17861-00-00)	AXLE, DRIVE GEAR	1	
2	2A6-17831-00-00	GEAR, DRIVE	1	
3	90201-10123-00	WASHER, PLATE (10.5-18-1.6) (256-21715-00) 0 2	2	
4	90381-08002-00	BUSHING (214-17843-00)	1	
5	92990-08200-00	WASHER, PLAIN	1	
6	(2A6-17841-00-00)	GEAR, DRIVEN	1	
7	93210-14104-00	O-RING	1	
8	93102-08307-00	OIL SEAL	1	
9	98780-06030-00	SCREW, FLAT HEAD	1	



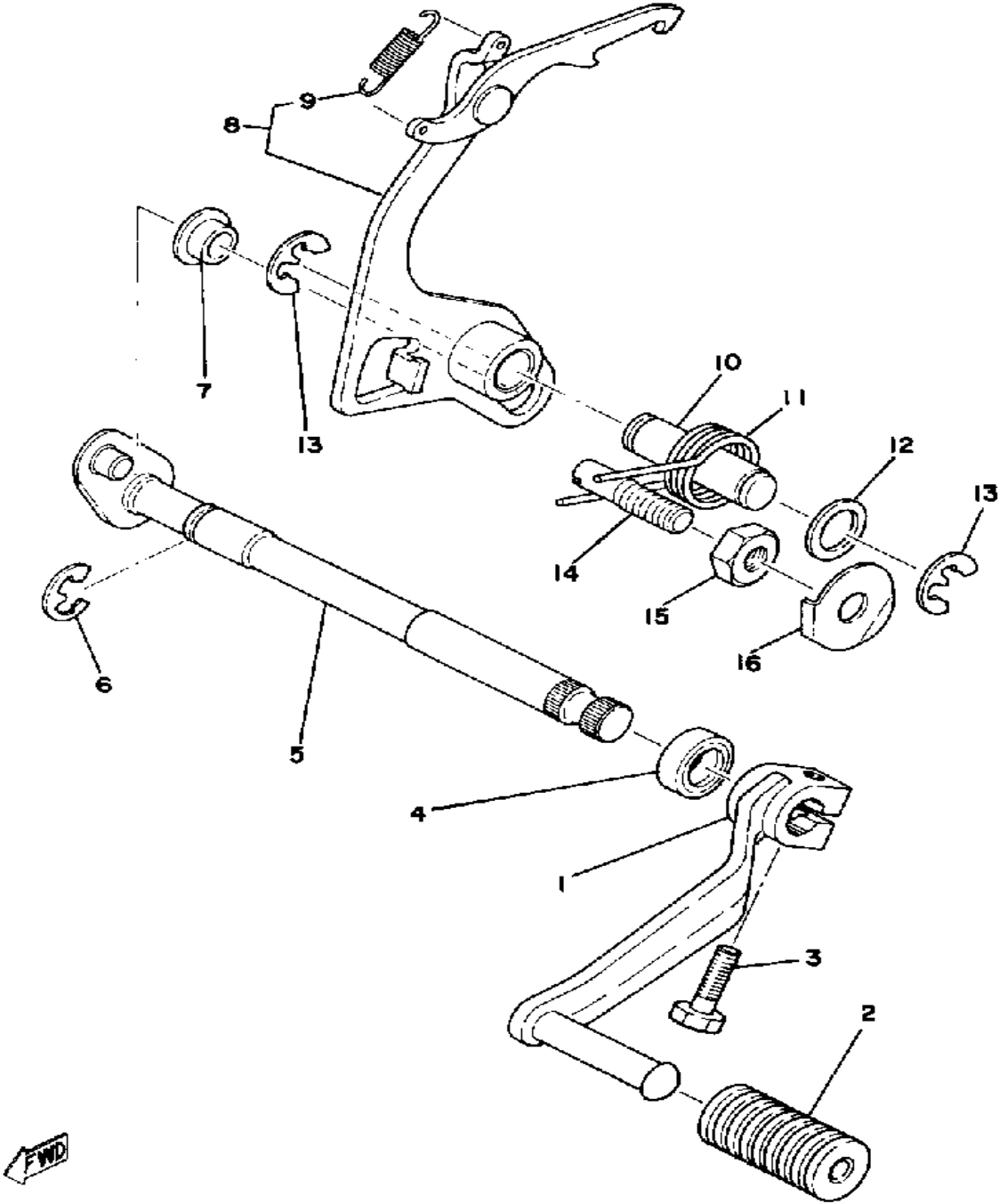
SHIFT CAM-FORK



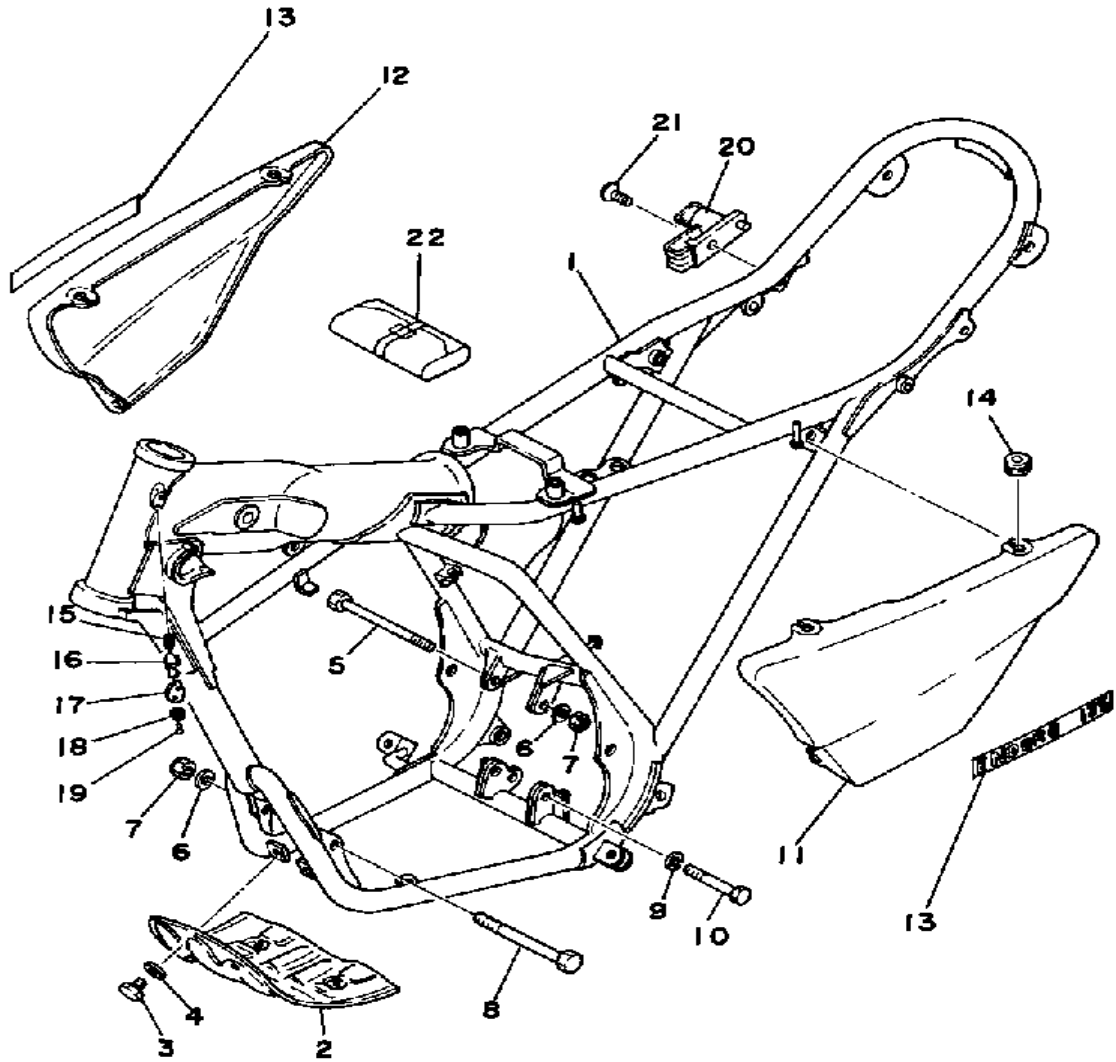
Ref. No.	Part Number	Description	Qty	Remarks
1	1W1-18540-00-00	SHIFT CAM ASSEMBLY	1	
2	93315-21813-00	BEARING	1	
3	1W1-18185-00-00	SEGMENT	1	
4	93604-12037-00	PIN, DOWEL	6	
5	1W1-18561-00-00	PLATE, SIDE 1	1	
6	99001-08600-00	CIRCLIP	1	
7	2A6-18531-00-00	BAR, SHIFT FORK GUIDE 1	1	
8	2A6-18535-00-00	BAR, SHIF FRK GDE 2	1	
9	2A6-18511-00-00	FORK, SHIFT 1	2	
10	2A6-18512-00-00	FORK, SHIFT 2	1	
11	1W1-18140-00-00	STOPPER LEVER ASSEMBLY	1	
12	50W-21631-00-00	BOLT 1	1	
13	90506-09156-00	SPRING, TENSION	1	
14	93604-30018-00	PIN, DOWEL	1	
15	136-18542-00-00	POINT, NEUTRAL	1	

SHIFT SHAFT-PEDAL

Ref. No.	Part Number	Description	Qty	Remarks
1	2A6-18111-00-00	PEDAL, SHIFT	1	
2	132-18113-01-00	COVER, SHIFT PEDAL	1	
3	97011-06020-00	BOLT	1	
4	93101-12060-00	OIL SEAL	1	
5	99999-01086-00	CHANGE SHAFT1W101 (1W1-18101-01)	1	
6	1W1-18136-00-00	CLIP, SHIFT SHAFT	1	
7	401-18178-00-00	ROLLER, SHIFT LEVER	1	
8	4F2-18120-00-00	SHIFT LEVER ASSEMBLY (2A6-18120-00)	2	
9	90506-08155-00	. SPRING, TENSION	1	
10	1W1-18197-01-00	SHAFT	1	
11	90508-32349-00	SPRING, TORSION	1	
12	90201-12M34-00	WASHER, PLATE	1	
13	99006-10600-00	CIRCLIP	2	
14	90149-08111-00	SCREW, SPEC'L SHAPE	1	
15	90170-08029-00	NUT	1	
16	90215-08014-00	WASHER, LOCK	1	



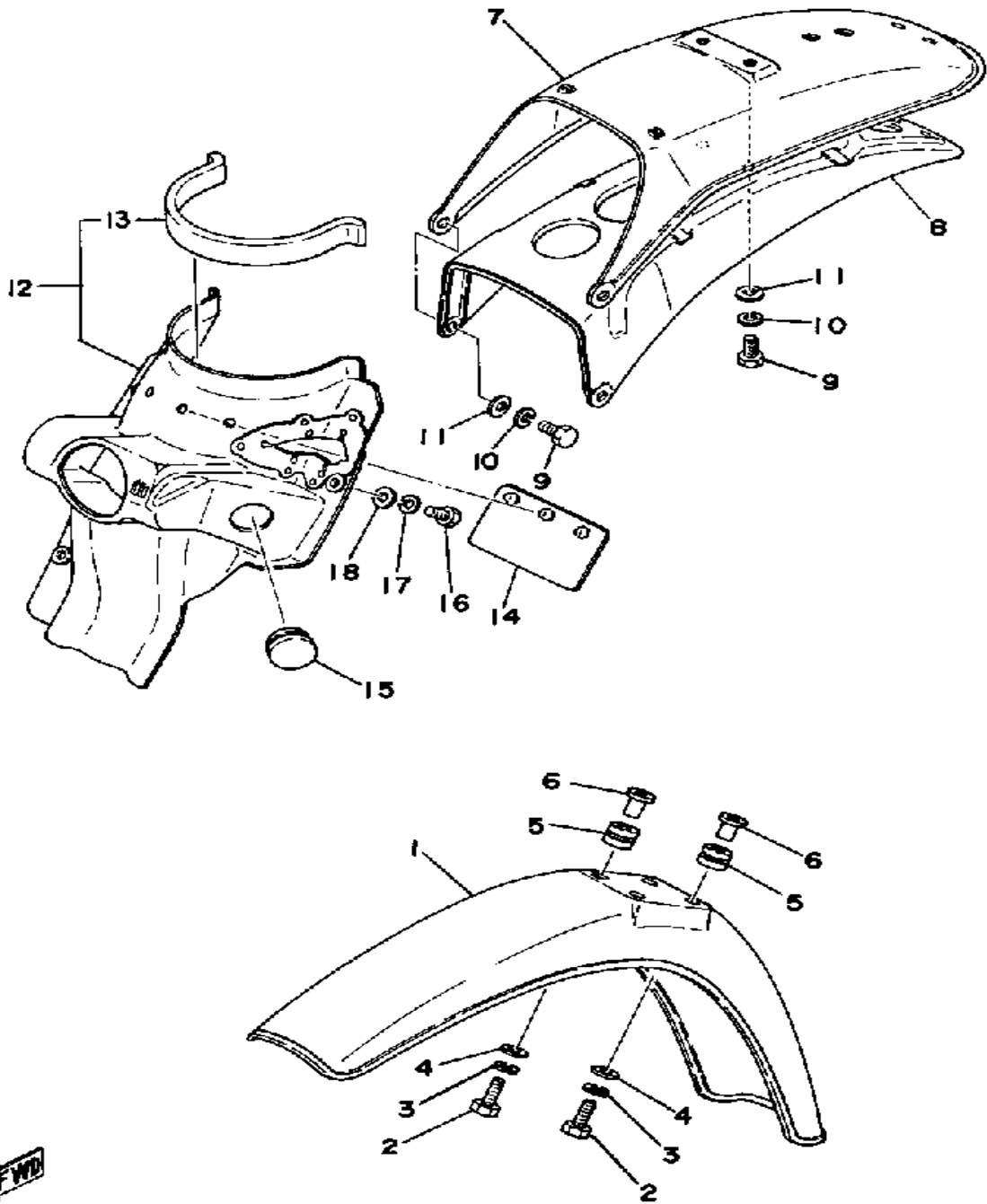
FRAME-SIDE COVER



Ref. No.	Part Number	Description	Qty	Remarks
1	(2A6-21110-00-33)	FRAME	1	YAMAHA BLACK
2	(2A6-21471-00-90)	PROTECTOR, ENGINE	1	YAMAHA BLACK
3	97013-06012-00	BOLT	4	
4	92901-06600-00	WASHER	4	
5	90105-08120-00	BOLT, WASHER BASED	1	
6	92990-08200-00	WASHER, PLAIN	2	
7	90185-08089-00	NUT, SELF-LOCKING	2	
8	90105-08099-00	BOLT, WASHER BASED	1	
9	92990-10100-00	WASHER, SPRING	1	
10	90105-10037-00	BOLT, WASHER BASED	1	
11	2A6-21711-00-01	COVER, SIDE 1	1	LEAVES GREEN/ LOW GLOSS BLACK
	2A6-21711-10-01	COVER, SIDE 1	1	COMP. YELLOW
12	2A6-21721-00-01	COVER, SIDE 2	1	LEAVES GREEN/ LOW GLOSS BLACK
	2A6-21721-10-01	COVER, SIDE 2	1	COMP. YELLOW
13	2A6-21786-00-00	EMBLEM 6	2	
14	90480-12053-00	GROMMET	6	
15	90502-09024-00	SPRING, CONICAL	1	
16	2A6-23408-00-00	STEERING LOCK ASSEMBLY .	1	
17	3DM-23484-00-00	CAP, HANDLE LOCK	1	
18	90206-04003-00	WASHER, WAVE (214-23488-00)	1	
19	90269-04003-00	RIVET	1	
20	55E-21308-00-00	HELMET HANGER ASSEMBLY	1	
21	98603-06018-00	SCREW, OVAL HEAD	1	
22	2A6-W2810-00-00	TOOL KIT	1	



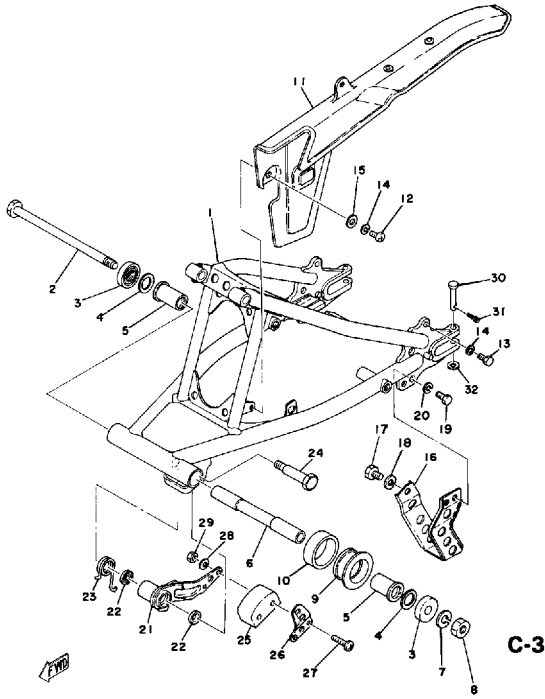
FRONT FENDER-REAR FENDER



Ref. No.	Part Number	Description	Qty	Remarks
1	2A6-21511-00-00	FENDER, FRONT	1	LEAVES GREEN
	453-21511-01-00	FENDER, FRONT	1	COMP. YELLOW
2	97011-06025-00	BOLT (97001-06025)	4	
3	92995-06100-00	WASHER, SPRING	4	
4	90201-06067-00	WASHER, PLATE	4	
5	90480-14198-00	GROMMET	4	
6	90387-06388-00	COLLAR	4	
7	2A8-21611-80-00	FENDER, REAR	1	COMP. YELLOW
	2A8-21611-80-00	FENDER, REAR	1	LEAVES GREEN
8	2A6-21617-01-00	BRACKET, FENDER (2A6-21617-00)	1	
9	97313-06016-00	BOLT, HEXAGON	4	
10	92995-06100-00	WASHER, SPRING	4	
11	92901-06600-00	WASHER	4	
12	(99999-01151-00)	GUARD, MUD	1	
13	2A6-21639-00-00	. DAMPER 2	1	
14	1M1-21621-00-00	FLAP	1	
15	90480-30167-00	GROMMET	2	
16	97313-06016-00	BOLT, HEXAGON	3	
17	92995-06100-00	WASHER, SPRING	3	
18	90201-06067-00	WASHER, PLATE	3	

FWD

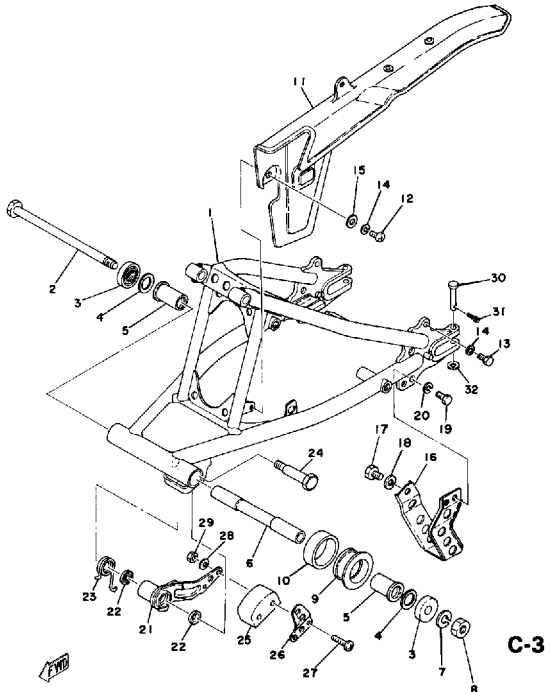
REAR ARM-CHAIN CASE



Ref. No.	Part Number	Description	Qty	Remarks
1	(2A6-22110-01-33)	REAR ARM	1	YAMAHA BLACK
2	537-22141-01-00	SHAFT, PIVOT	1	
3	401-22128-01-00	SEAL, GUARD	2	
4	401-22127-00-00	SHIM	1	
5	90386-18028-00	BUSH	2	
6	18G-22124-00-00	BUSH 2	1	
7	92901-12100-00	WASHER, SPRING	1	
8	90185-12046-00	NUT, SELF-LOCKING	1	
9	2A6-22151-00-00	SEAL, GUARD	1	
10	2A6-22152-00-00	SEAL, GUARD	1	
11	2A6-22311-01-00	. CASE, CHAIN	1	
	3J0-22131-00-00	. STAY, CHAIN CASE 1	1	
	3J0-22147-00-00	. PORTECTOR, CHAIN	1	
	90387-05682-00	. COLLAR	2	
	92901-05600-00	. WASHER, PLATE	2	
	97313-05016-00	. BOLT, HEXAGON	2	
	99999-01094-00	CASE, CHAINCASE, CHAIN (2A6-22311-00-98)	1	
12	98580-05016-00	SCREW, PAN HEAD	2	
13	97313-05012-00	BOLT, HEXAGON	1	
14	92990-05100-00	WASHER, SPRING	3	
15	90201-05036-00	WASHER, PLATE	2	
16	2A6-22318-00-00	GUARD, CHAIN	1	
17	97313-08012-00	BOLT	1	
18	92990-08100-00	WASHER	1	
19	97313-06016-00	BOLT, HEXAGON	2	
20	92995-06100-00	WASHER, SPRING	2	
21	2A6-22179-00-00	ARM, TENSIONER	1	
22	93104-14044-00	OIL SEAL	2	

CONTINUED ON NEXT FRAME ►

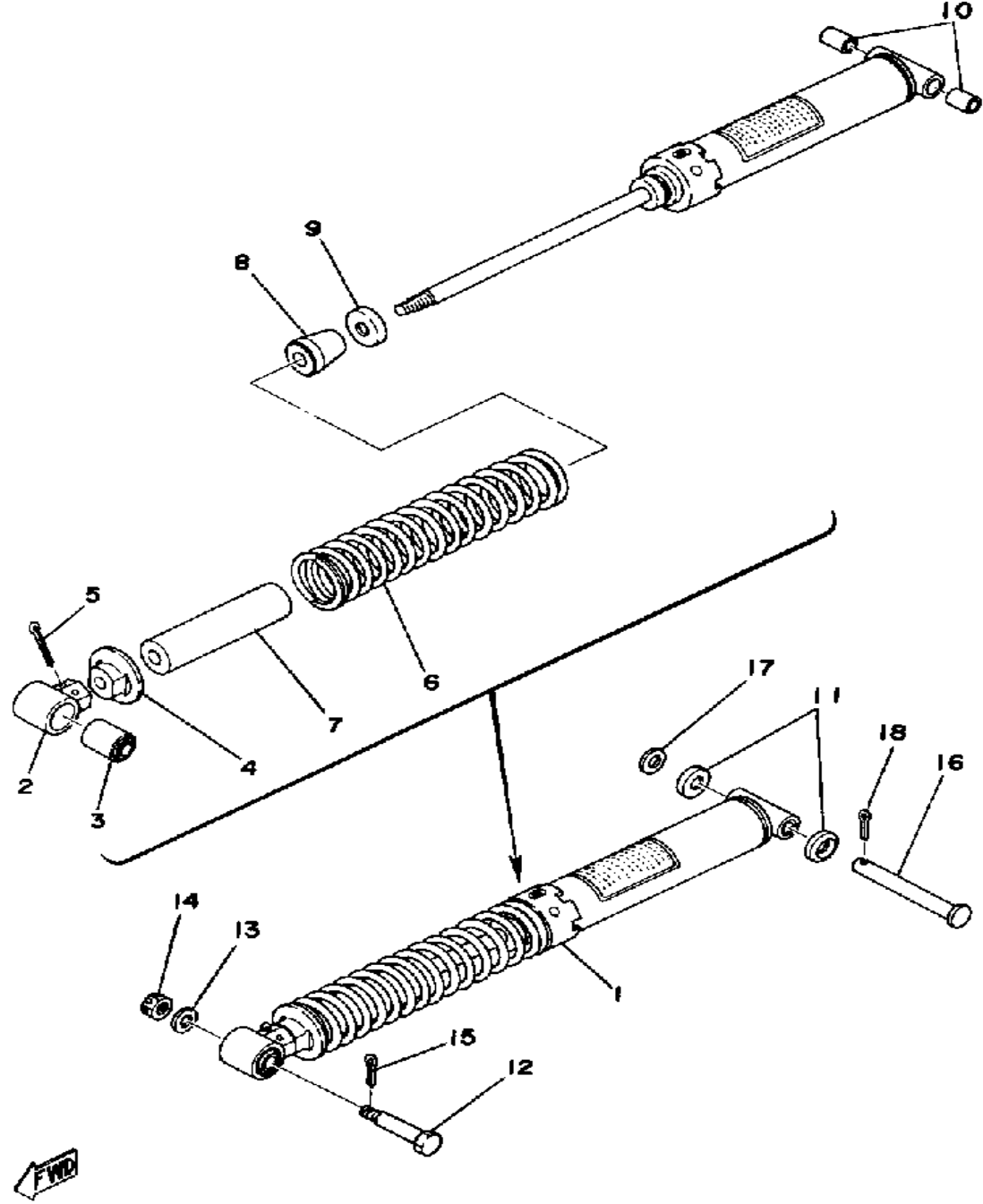
REAR ARM-CHAIN CASE



C-3

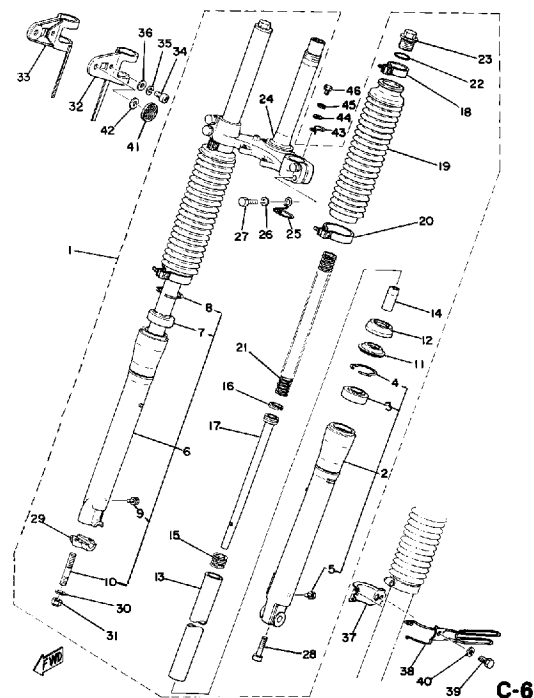
Ref. No.	Part Number	Description	Qty	Remarks
23	90508-35350-00	SPRING, TORSION	1	
24	90109-10483-00	BOLT (90109-10533-00)	1	
25	ACC-11130-00-25	TENSIONER (2N0-22178-00-00)	1	
26	1W1-22187-00-00	GUIDE, CHAIN	1	
27	98501-05040-00	SCREW, PAN HEAD (98502-05040)	2	
28	92990-05100-00	WASHER, SPRING	2	
29	95311-05700-00	NUT	2	
30	91701-06042-00	PIN, CLEVIS	2	
31	91490-20020-00	PIN, COTTER	2	
32	92901-06600-00	WASHER	2	

REAR CUSHION



Ref. No.	Part Number	Description	Qty	Remarks
1	(2N4-22210-01-00)	SHK/ABS ASSEMBLY, REAR	1	
2	(1M1-22219-01-00)	BRACKET, UPPER	1	
3	1M1-22216-00-00	BUSH, REAR SHOCK ABSORBER	1	
4	(1M1-22213-01-00)	SEAT, SPRING UPPER	1	
5	91401-30040-00	PIN, COTTER	1	
6	(90501-90484-00)	SPRING, COMPRESSION	1	
7	(1M1-22496-02-00)	SLEEVE, ROD	1	
8	(2A6-22493-00-00)	BUMP, STOP	1	
9	(1M1-22482-00-00)	STOPPER	1	
10	90380-12051-00	BUSH, SOLID	2	
11	483-22128-00-00	COVER, THRUST 1	2	
12	90109-10550-00	BOLT (90109-10453-00)	1	
13	92990-10200-00	WASHER, PLAIN	1	
14	95303-10900-00	NUT, SLOTTED	1	
15	91490-20025-00	PIN, SPLIT	1	
16	90240-12059-00	PIN, CLEVIS	1	
17	92990-12600-00	WASHER, PLATE	1	
18	91401-30030-00	PIN, COTTER	1	

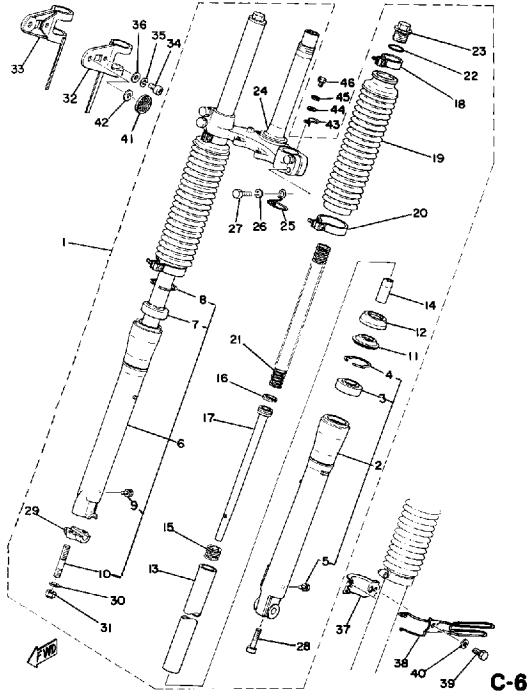
FRONT FORK



Ref. No.	Part Number	Description	Qty	Remarks
1	2A8-23101-40-00	FRONT FORK ASSEMBLY	1	
2	(2A6-23126-00-38)	TUBE, OUTER 1	1	
3	2A6-23145-00-00	.. OIL SEAL	1	
4	2A6-23156-00-00	.. CLIP, OIL SEAL	1	
5	2A6-23119-00-00	.. PLUG, DRAIN	1	
6	(2A6-23136-00-38)	TUBE, OUTER 2	1	
7	2A6-23145-00-00	.. OIL SEAL	1	
8	2A6-23156-00-00	.. CLIP, OIL SEAL	1	
9	2A6-23119-00-00	.. PLUG, DRAIN	1	
10	90116-08260-00	.. BOLT, STUD	2	
11	2A6-23144-00-00	. SEAL, DUST	2	
12	2A6-23193-00-00	. GUIDE, BOOT	2	
13	2A6-23124-00-00	. TUBE, INNER 1	2	
14	1L9-23166-00-00	. SPACER, OIL LOCK	2	
15	(2A6-23151-00-00)	SPRING, REBOUND	2	
16	2A6-23157-00-00	. RING, PISTON FRTRFK	2	
17	(2A6-23170-00-00)	CYLINDER, FRTRFK	2	
18	2A6-23192-01-00	. BAND	2	
19	2A6-23191-00-00	. BOOT, FRONT FORK	2	
20	2A6-23489-01-00	. BAND	2	
21	2A6-23141-00-00	. SPRING, FRONT FORK	2	
22	(2A6-23147-00-00)	O-RING	2	
23	(2A6-23111-00-00)	BOLT, CAP	2	
24	2A6-23340-00-90	. UNDER BRACKET (2A6-23340-00-33)	1	YAMAHA BLACK
25	2A6-23317-00-00	. HOLDER, CABLE	1	
26	92990-08100-00	. WASHER	4	
27	2A6-23346-00-00	. BOLT 1	4	
28	3M7-23181-00-00	. BOLT, HEX SCKT HEAD	2	

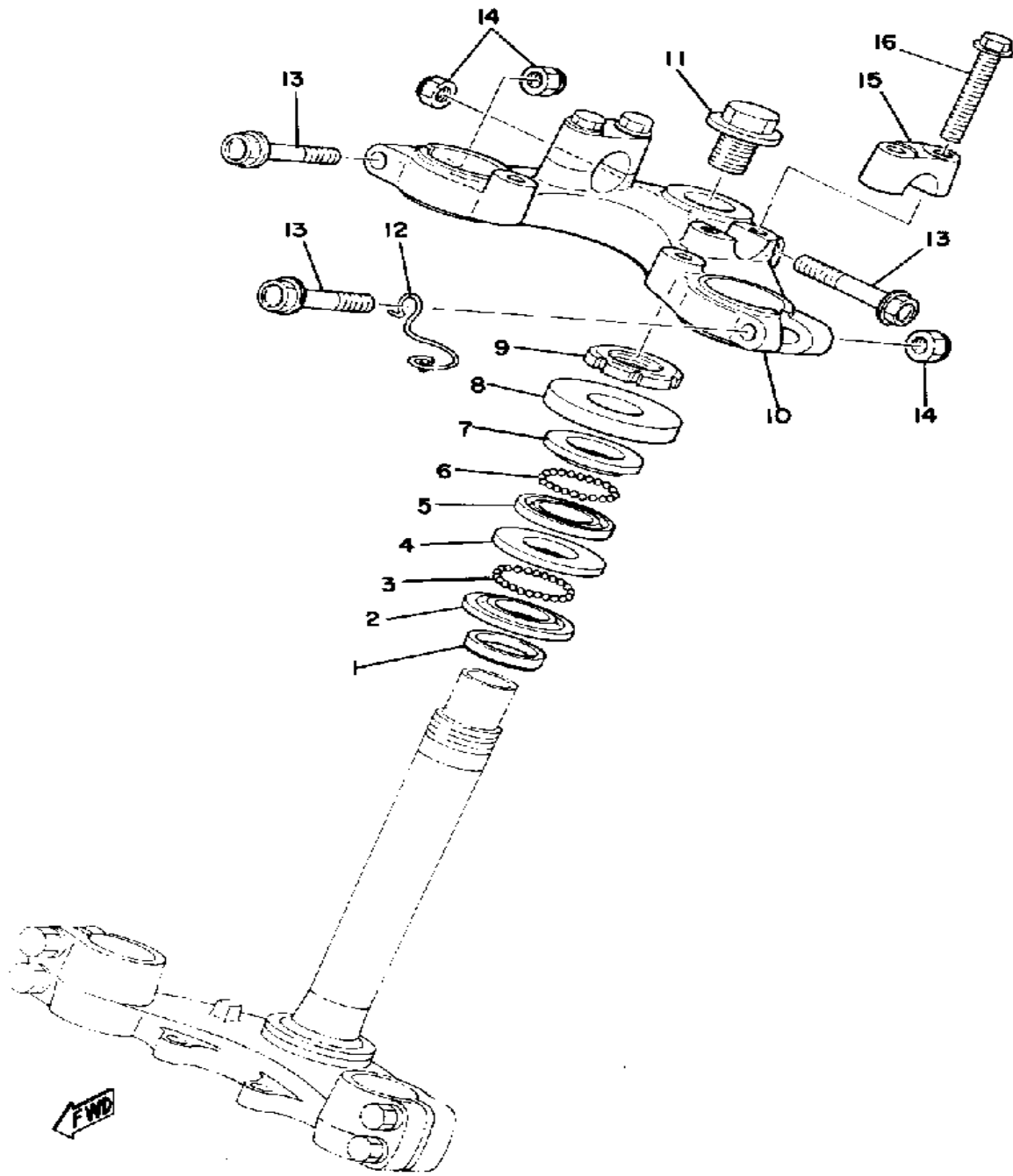
CONTINUED ON NEXT FRAME ►

FRONT FORK



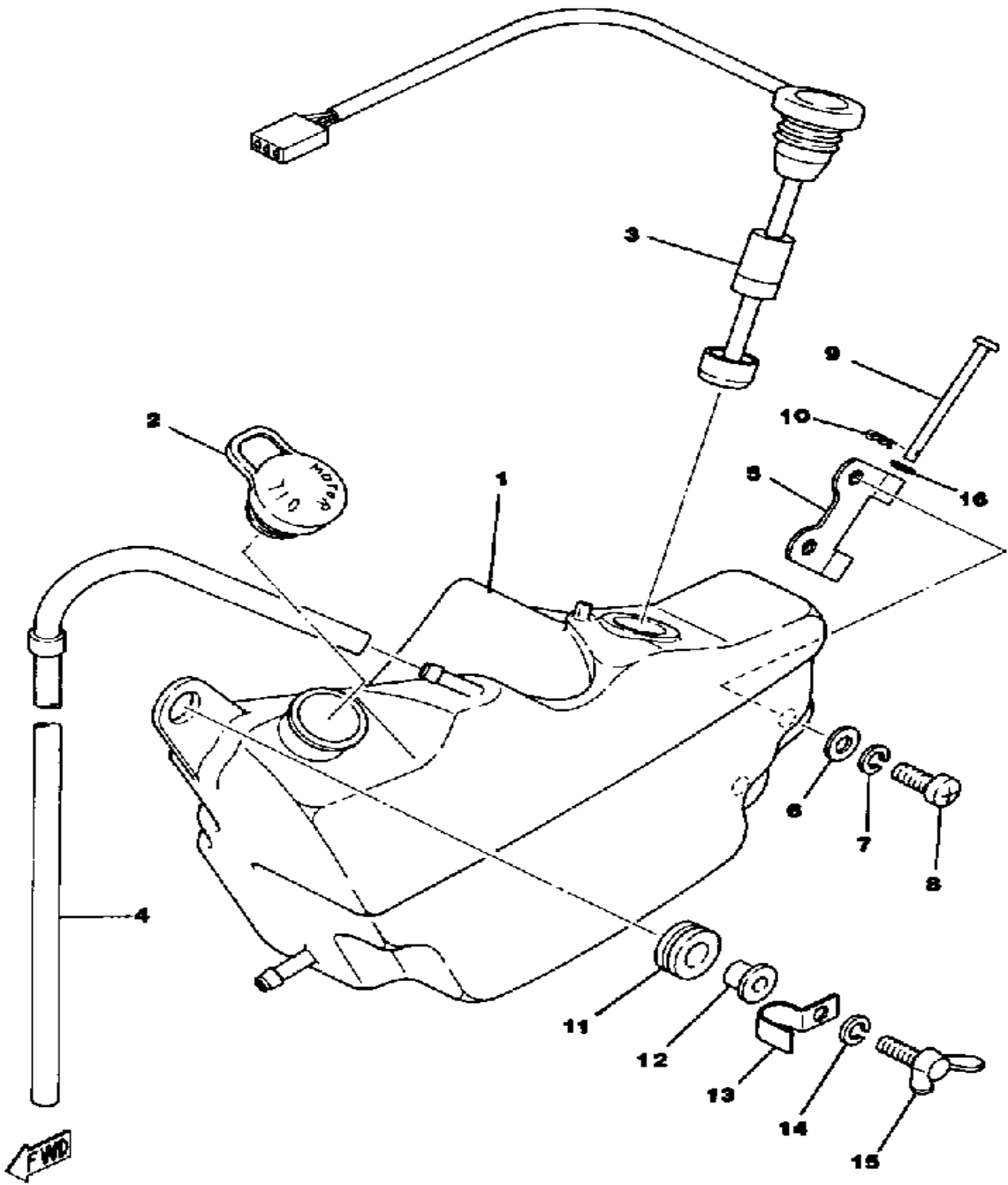
Ref. No.	Part Number	Description	Qty	Remarks
29	(2A6-23167-01-00)	HOLDER, AXLE	1	
30	92901-08600-00	. WASHER	2	
31	90185-08089-00	. NUT, SELF-LOCKING	2	
32	2A6-84118-00-00	STAY, HEADLIGHT 1	1	
33	2A6-84119-00-00	STAY, HEADLIGHT 2	1	
34	98580-06020-00	SCREW	2	
35	92995-06100-00	WASHER, SPRING	2	
36	92990-06200-00	WASHER	2	
37	2A6-23319-00-00	HOLDER, CABLE 2	1	
38	2A6-23318-00-00	HOLDER, CABLE 1	1	
39	97011-06020-00	BOLT	1	
40	92995-06100-00	WASHER, SPRING	1	
41	355-85111-01-00	REFLECTOR, FRONT 1	2	
42	90430-06012-00	GASKET	2	
43	(2A6-83595-00-00)	CLAMP	1	
44	92901-06600-00	WASHER	1	
45	92995-06100-00	WASHER, SPRING	1	
46	97013-06012-00	BOLT	1	

STEERING



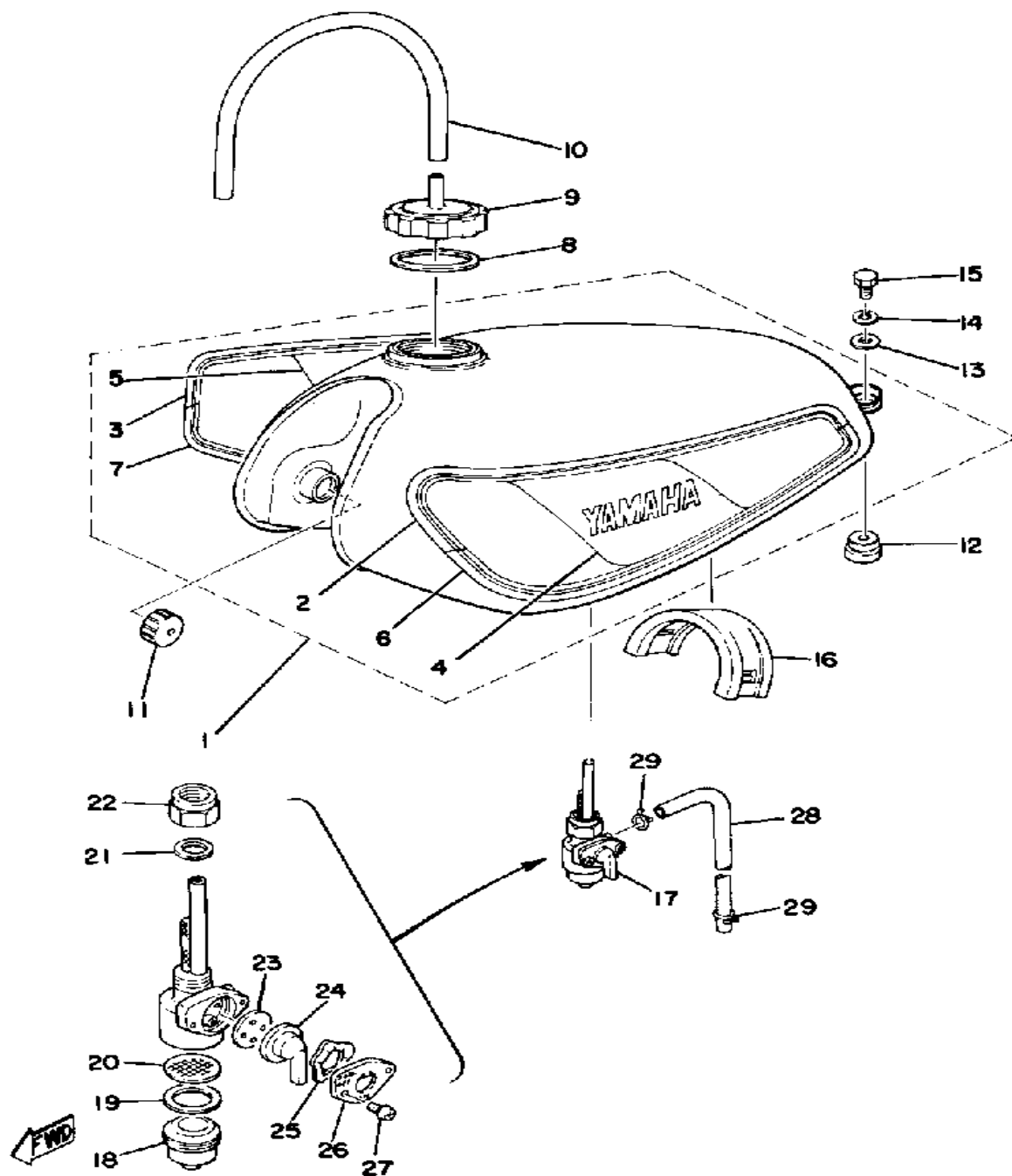
Ref. No.	Part Number	Description	Qty	Remarks
1	164-23462-00-00	SEAL, STEERING	1	
2	156-23411-00-00	RACE, BALL 1	1	
3	93501-04011-00	BALL	19	
4	156-23412-00-00	RACE, BALL 2	1	
5	22F-23412-01-00	RACE, BALL 2	1	
6	93503-16010-00	BALL	22	
7	22F-23411-01-00	RACE, BALL 1	1	
8	10V-23416-01-00	COVER, BALL RACE 2	1	
9	90179-25033-00	NUT	1	
10	(2A6-23435-00-98)	CROWN, HANDLE	1	LOW GLOSS BLK
11	90105-14136-00	BOLT, WASHER BASED	
12	90468-20082-00	CLIP	1	
13	95811-08055-00	BOLT, FLANGE	3	
14	90185-08089-00	NUT, SELF-LOCKING	3	
15	1E6-23441-00-00	HOLDER, HANDLE UPR	2	
16	95811-08035-00	BOLT, FLANGE (95821-08035)	4	

OIL TANK



Ref. No.	Part Number	Description	Qty	Remarks
1	2A6-21751-00-00	TANK, OIL	1	
2	1T9-21771-00-00	BODY, CAP	1	
3	4L0-85720-00-00	OIL LVL GUAGE ASSEMBLY ..	1	
4	90445-09361-00	HOSE	1	
5	2A6-21796-00-00	HINGE	1	
6	90201-06067-00	WASHER, PLATE	2	
7	92995-06100-00	WASHER, SPRING	2	
8	98503-06014-00	SCREW, PAN HEAD (92502-06016)	2	
9	91701-05050-00	PIN, CLEVIS	1	
10	90468-10050-00	CLIP	1	
11	90480-14023-00	GROMMET	1	
12	90387-07391-00	COLLAR	1	
13	90462-05005-00	CLAMP	1	
14	90179-06013-00	NUT, SPEC'L SHAPE	1	
15	90122-06021-00	BOLT, WING (38W)	1	
16	93210-04122-00	O-RING	1	

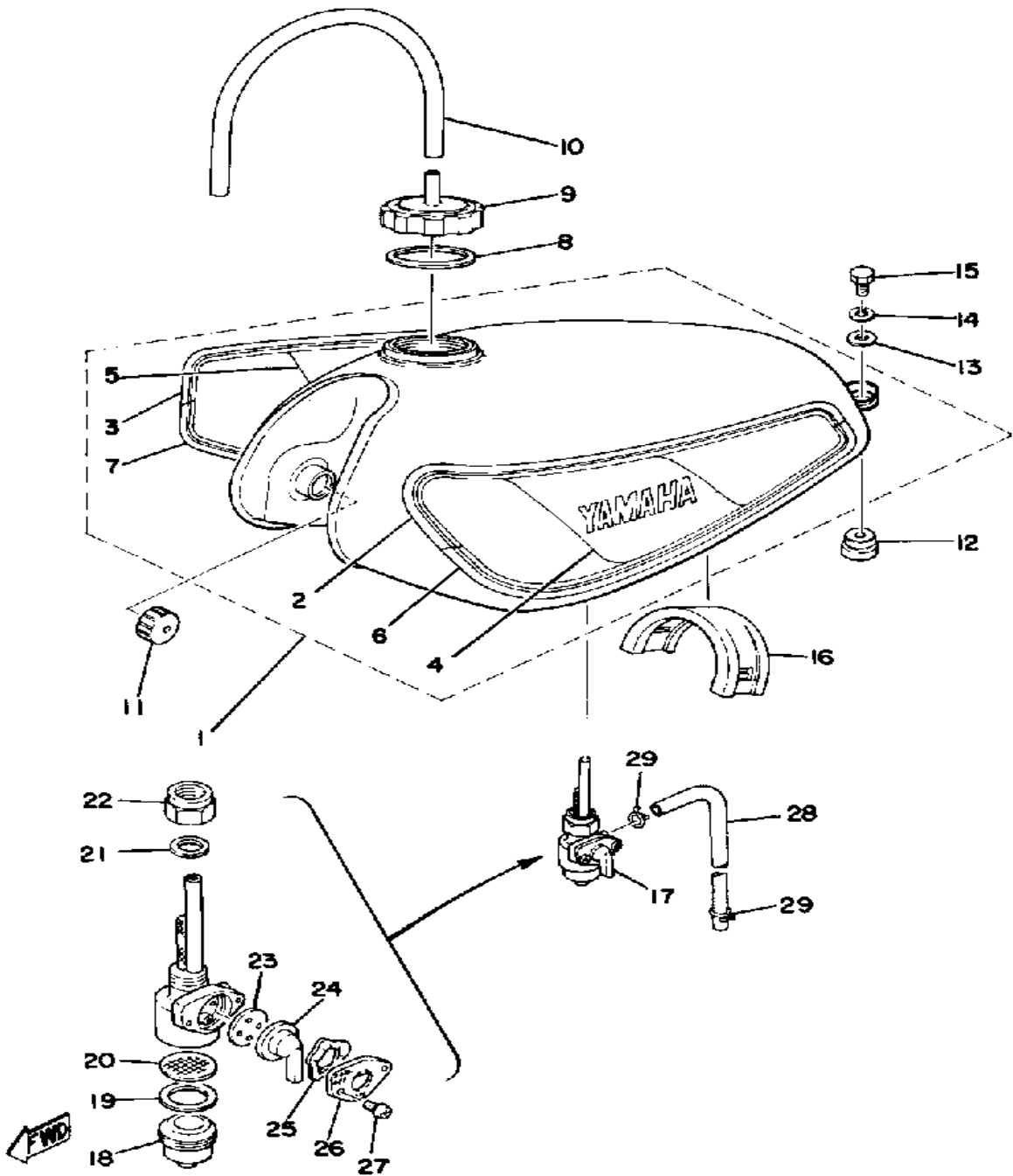
FUEL TANK



Ref. No.	Part Number	Description	Qty	Remarks
1	(2A6-24110-00-05)	FUEL TANK	1	COMP. YELLOW
	(2A6-24110-00-X2)	FUEL TANK	1	LEAVES GREEN
2	(2A6-24244-00-00)	GRAPHIC, FUEL TNK 1	1	
3	2A6-24245-00-00	. GRAPHIC, FUEL TNK 2	1	
4	(2A6-24246-10-00)	GRAPHIC, FUEL TNK 3	1	
	2A6-24246-00-00	. GRAPHIC, FUEL TNK 3	1	
5	2A6-24247-00-00	. GRAPHIC, FUEL TNK 4	1	
	2A6-24247-10-00	. GRAPHIC, FUEL TNK 4	1	
6	2A6-24248-00-00	. GRAPHIC, FUEL TNK 5	1	
7	(2A6-24249-00-00)	GRAPHIC, FUEL TNK 6	1	
8	1W1-24612-00-00	GASKET, CAP	1	
9	2A6-24611-00-00	BODY, CAP	1	
10	90445-09115-00	HOSE	1	
11	278-24181-00-00	DAMPER, LOCATING 1	2	
12	2A6-24181-00-00	DAMPER, LOCATING 1	2	
13	90201-06067-00	WASHER, PLATE	2	
14	92995-06100-00	WASHER, SPRING	2	
15	97013-06012-00	BOLT	2	
16	2A6-24182-00-00	DAMPER, LOCATING 2	1	
17	304-24500-12-00	FUEL COCK ASSEMBLY 1 ...	1	
18	1A0-24521-01-00	. CUP, FILTER	1	
19	132-24522-00-00	. GASKET	1	
20	304-24515-00-00	. NET, FILTER 2	1	
21	434-24532-00-00	. GASKET	1	
22	132-24531-00-00	. NUT	1	
23	137-24523-00-00	. GASKET	1	
24	447-24524-00-00	. LEVER, COCK	1	
25	132-24518-00-00	. WASHER, WAVE	1	
26	447-24525-00-00	. PLATE, LEVER FITTING	1	

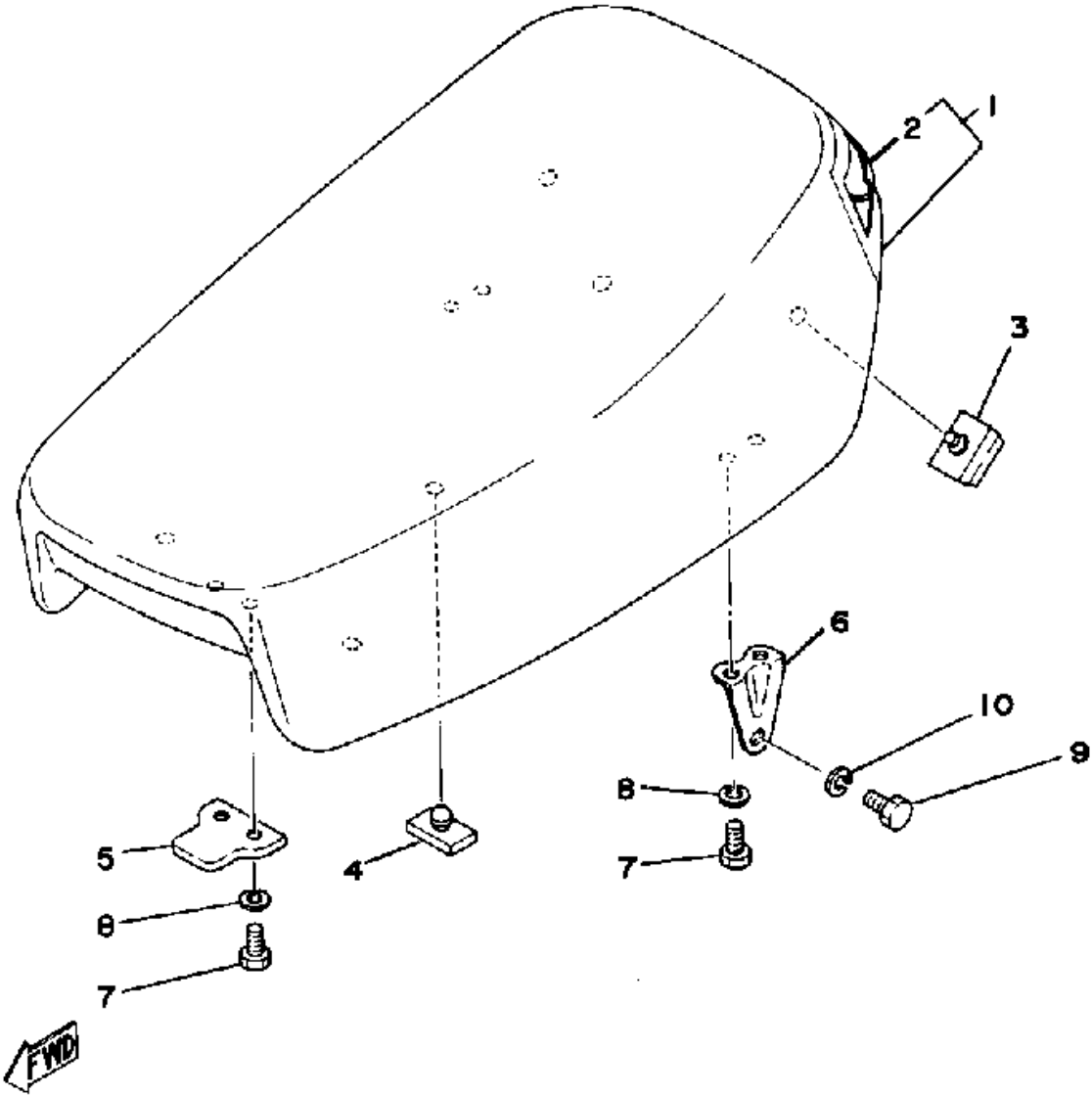
CONTINUED ON NEXT FRAME ►

FUEL TANK



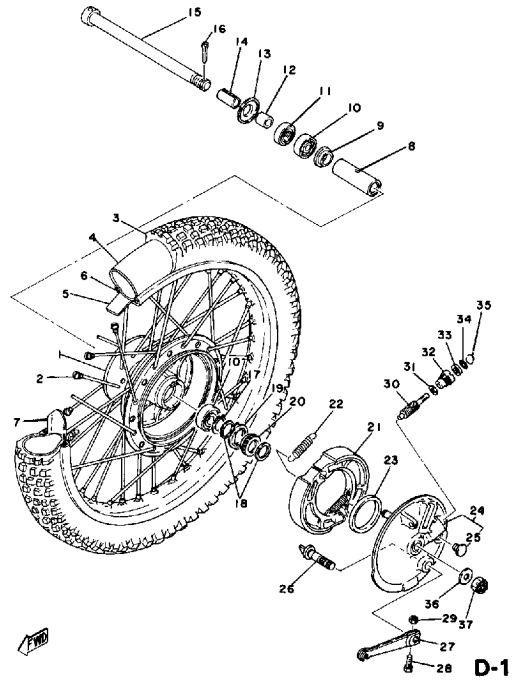
Ref. No.	Part Number	Description	Qty	Remarks
27	98580-03008-00	. SCREW, PAN HEAD	2	
28	90445-09089-00	HOSE	1	
29	90467-08003-00	CLIP	2	

SEAT



Ref. No.	Part Number	Description	Qty	Remarks
1	2A6-W2473-00-00	SEMI-DBL-SEAT ASSEMBLY (2A6-24770-90)	1	
2	2A6-24771-00-00	. COVER, SM-DBL SEAT	1	
3	509-24724-00-00	DAMPER, SEAT	4	
4	214-24724-00-00	DAMPER, SEAT	2	
5	1M1-24748-00-00	BRACKET, SEAT	1	
6	2A6-24738-00-00	BRACKET, SEAT	2	
7	97013-06012-00	BOLT	6	
8	92995-06100-00	WASHER, SPRING	6	
9	97313-08012-00	BOLT	2	
10	92990-08100-00	WASHER	2	

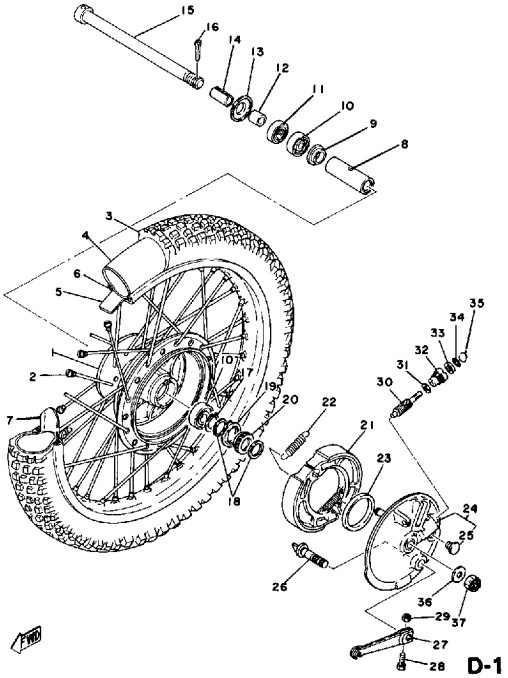
FRONT WHEEL



Ref. No.	Part Number	Description	Qty	Remarks
1	2A6-25111-00-98	HUB, FRONT	1	LOW GLOSS BLK
2	2A6-25104-00-00	SPOKE SET, FRONT	1	
3	94127-212X0-00	TIRE (2.75-21)	1	
4	94227-21123-00	TUBE (2.75-21)	1	
5	94330-21084-00	BAND, RIM (3.00-21)	1	
6	94416-21206-00	RIM 1.60X21 (1.60-21) (94416-21312, B, +", F,)	1	
7	1T1-25194-00-00	SPACER, BEAD	1	
8	90560-12261-00	SPACER	1	
9	109-25315-00-00	FLANGE, SPACER	1	
10	93306-30103-00	BEARING (B6301Z)	2	
11	93102-18008-00	OIL SEAL	1	
12	90387-12095-00	COLLAR	1	
13	2K5-25118-00-00	COVER, HUB DUST	1	
14	90387-12100-00	COLLAR	1	
15	401-25181-01-00	AXLE, WHEEL	1	
16	91401-30030-00	PIN, COTTER	1	
17	99009-20400-00	CIRCLIP	1	
18	90201-20269-00	WASHER, PLATE	2	
19	183-25149-00-00	CLUTCH, METER	1	
20	37A-25135-00-00	GEAR, DRIVE	1	
21	437-W2536-00-00	BRAKESHOE SET-2PCS	2	
22	90506-17328-00	SPRING, TENSION	2	
23	93105-47007-00	OIL SEAL	1	
24	2A6-25016-00-98	BRAKE SHOE PLT ASSEMBLY (2A6-25120-00-98)	1	LOW GLOSS BLK
25	90480-10068-00	. GROMMET	1	
26	2RH-25351-00-00	CAMSHAFT	1	
27	2N6-25155-00-00	LEVER, CAMSHAFT 1	1	

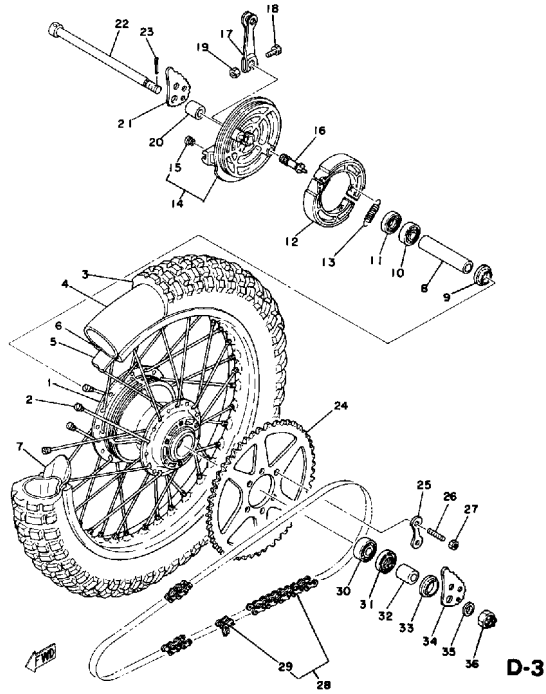
CONTINUED ON NEXT FRAME ►

FRONT WHEEL



Ref. No.	Part Number	Description	Qty	Remarks
28	90101-06278-00	BOLT	1	
29	95380-06600-00	NUT	1	
30	37A-25138-00-00	GEAR, METER	1	
31	90201-07076-00	WASHER, PLATE	1	
32	109-25136-00-00	BUSH	1	
33	93104-07003-00	OIL SEAL	1	
34	93210-14104-00	O-RING	1	
35	102-25137-00-00	RING, STOP	1	
36	92990-12200-00	WASHER, PLAIN	1	
37	90171-12005-00	NUT, CASTLE	1	

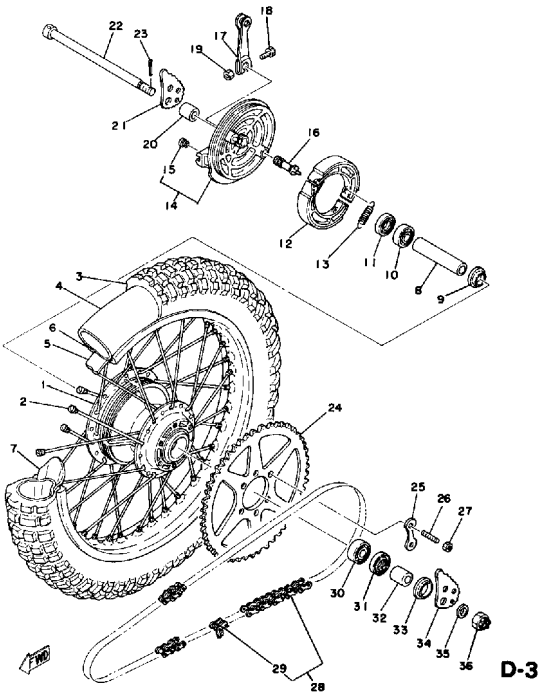
REAR WHEEL



Ref. No.	Part Number	Description	Qty	Remarks
1	1W1-25311-00-98	HUB, REAR	1	LOW GLOSS BLK
2	401-25304-20-00	COMPLETE REAR WHEEL SPOKE SET	1	
3	(94135-18378-00)	BS 350X18 T 5	1	
4	94230-18084-00	TUBE	1	
5	94345-18081-00	BAND, RIM (4.50-18)	1	
6	94418-18171-00	RIM 1.85X 8	1	
7	1T2-25394-00-00	SPACER, BEAD	1	
8	90560-15313-00	SPACER	1	
9	146-25115-00-00	FLANGE, SPACER 1	1	
10	93306-20226-00	BEARING	1	
11	93104-22018-00	OIL SEAL	1	
12	437-W2536-00-00	BRAKESHOE SET-2PCS	2	
13	90506-17328-00	SPRING, TENSION	2	
14	99999-02024-00	BRAKE SHOE PLT ASSEMBLY (2A6-25026-00-98)BRAKE SHOE PLAT	1	LOW GLOSS BLK
15	90480-10068-00	. GROMMET	1	
16	2RH-25351-00-00	CAMSHAFT	1	
17	1E2-25155-00-00	LEVER, CAMSHAFT 1	1	
18	90101-06278-00	BOLT	1	
19	95380-06600-00	NUT	1	
20	90387-15524-00	COLLAR	1	
21	1W2-25389-01-00	PULLER, CHAIN 2	1	
22	5X3-25381-00-00	AXLE, WHEEL (2A6-25381-00-00)	1	
23	91401-30030-00	PIN, COTTER	1	
24	18L-25449-20-00	SPROCKET, DRVN 49T	1	
25	1G8-25412-00-00	WASHER	3	
26	90116-10221-00	BOLT, STUD	6	

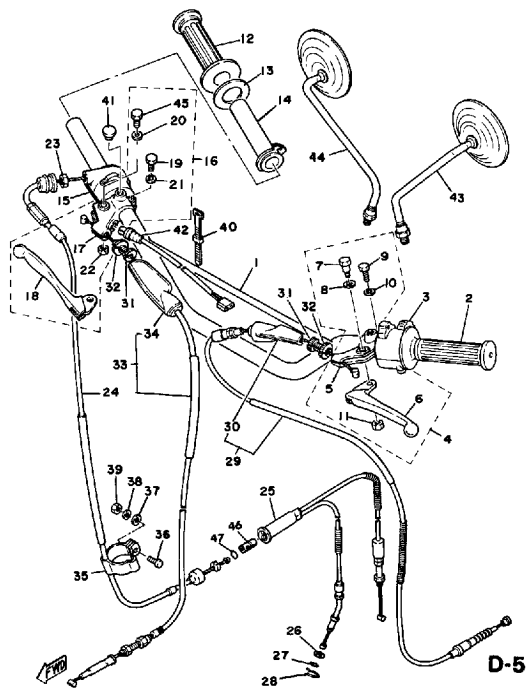
CONTINUED ON NEXT FRAME ►

REAR WHEEL



Ref. No.	Part Number	Description	Qty	Remarks
27	95701-10500-00	NUT, FLANGE (95702-10500)	6	
28	94580-33118-00	DID428DS-118L (94580-15118)	1	
29	94680-30001-00	. CHAIN JOINT	1	
30	93306-30202-00	BEARING	1	
31	93106-26005-00	OIL SEAL	1	
32	90387-15524-00	COLLAR	1	
33	401-25367-00-00	COVER, HUB DUST	1	
34	1W2-25388-01-00	PULLER, CHAIN 1	1	
35	90201-15238-00	WASHER, PLATE	1	
36	90171-14020-00	NUT, CASTLE	1	

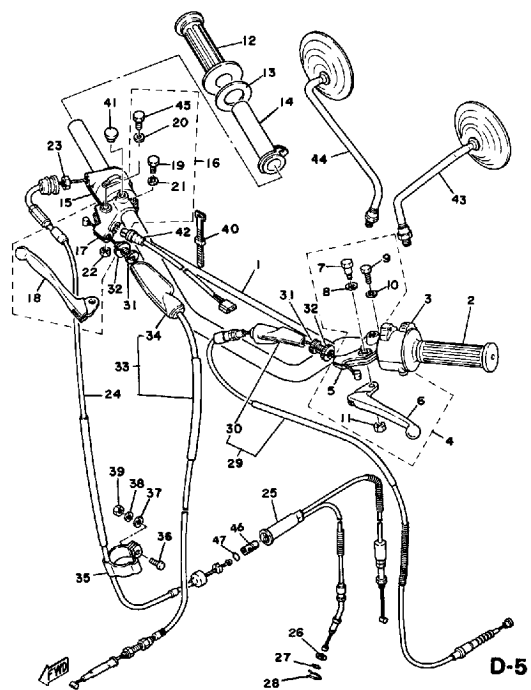
HANDLE-WIRE



Ref. No.	Part Number	Description	Qty	Remarks
1	2A8-26111-00-00	HANDLEBAR	1	
2	1E6-26241-00-00	GRIP LH	1	
3	1M1-83973-50-00	SWITCH, HANDLE 3	1	7605 FOR DAYLIGHT USE
	1R6-83972-00-00	SWITCH, HANDLE 4 0 1	1	2759
4	498-82910-20-00	LEVER HOLDER ASSEMBLY 1	1	
5	3Y6-82911-00-00	. HOLDER, LEVER 1	1	
6	1J3-83912-20-00	. LEVER L	1	
7	90109-06797-00	. BOLT	1	
8	90201-08083-00	. WASHER, PLATE	1	
9	97003-06022-00	. BOLT, HEXAGON (97301-06022)	1	
10	92995-06100-00	. WASHER, SPRING	1	
11	95601-06100-00	. NUT, U	1	
12	1A0-26242-01-00	GRIP (RIGHT)	1	
13	1M1-26249-01-00	RING, LEAF	1	
14	434-26243-00-00	TUBE, THROTTLE GUIDE	1	
15	1R6-83976-01-00	SWITCH, HANDLE 1	1	
16	2A6-W8292-01-00	LEVER HOLDER ASSEMBLY R (2A6-82920-90)	1	
17	361-82920-93-00	HOLDER, LEVER 2 (36182-92131-00)	1	
18	2A6-83922-00-00	. LEVER R	1	
19	97003-06022-00	. BOLT, HEXAGON (97301-06022)	1	
20	90201-08083-00	. WASHER, PLATE	1	
21	92995-06100-00	. WASHER, SPRING	1	
22	95601-06100-00	. NUT, U	1	
23	90170-10038-00	NUT, HEXAGON	1	
24	2A6-26311-00-00	CABLE, THROTTLE 1	1	

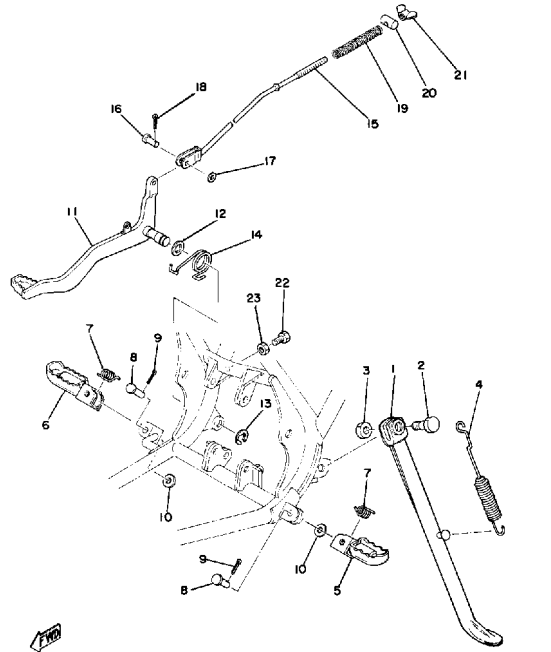
CONTINUED ON NEXT FRAME ➤

HANDLE-WIRE



Ref. No.	Part Number	Description	Qty	Remarks
25	2A6-26312-00-00	CABLE, THROTTLE 2	1	
26	92901-08600-00	WASHER	1	
27	93210-07100-00	O-RING	1	
28	90468-08086-00	CLIP	1	
29	2A6-26335-01-00	CABLE, CLUTCH	1	
30	382-26372-01-00	. COVER, HANDLE LEVER	1	
31	90123-08046-00	BOLT	2	
32	90179-08148-00	NUT	2	
33	2A6-26341-01-00	CABLE, BRAKE	1	
34	498-26372-00-00	. COVER, HANDLE LEVER 1	1	
35	2A6-26397-00-00	CLAMP	1	
36	98501-05018-00	SCREW, PAN HEAD	1	
37	92901-05600-00	WASHER, PLATE	1	
38	92990-05100-00	WASHER, SPRING	1	
39	95380-05600-00	NUT	1	
40	437-83936-01-00	BAND, SWITCH CORD	4	
41	90338-09012-00	PLUG	1	
42	1M1-83980-30-00	STOP SWITCH ASSEMBLY	1	
43	1Y1-26290-10-00	MIRROR ASSEMBLY LH	1	CONVEX MIRROR
44	1Y1-26290-00-00	MIRROR ASSEMBLY RH	1	OPTIONAL PART CONVEX MIRROR
45	90109-06797-00	BOLT	1	
46	1M1-26263-00-00	PIECE, CONNECTING	1	
47	93210-10118-00	O-RING	1	

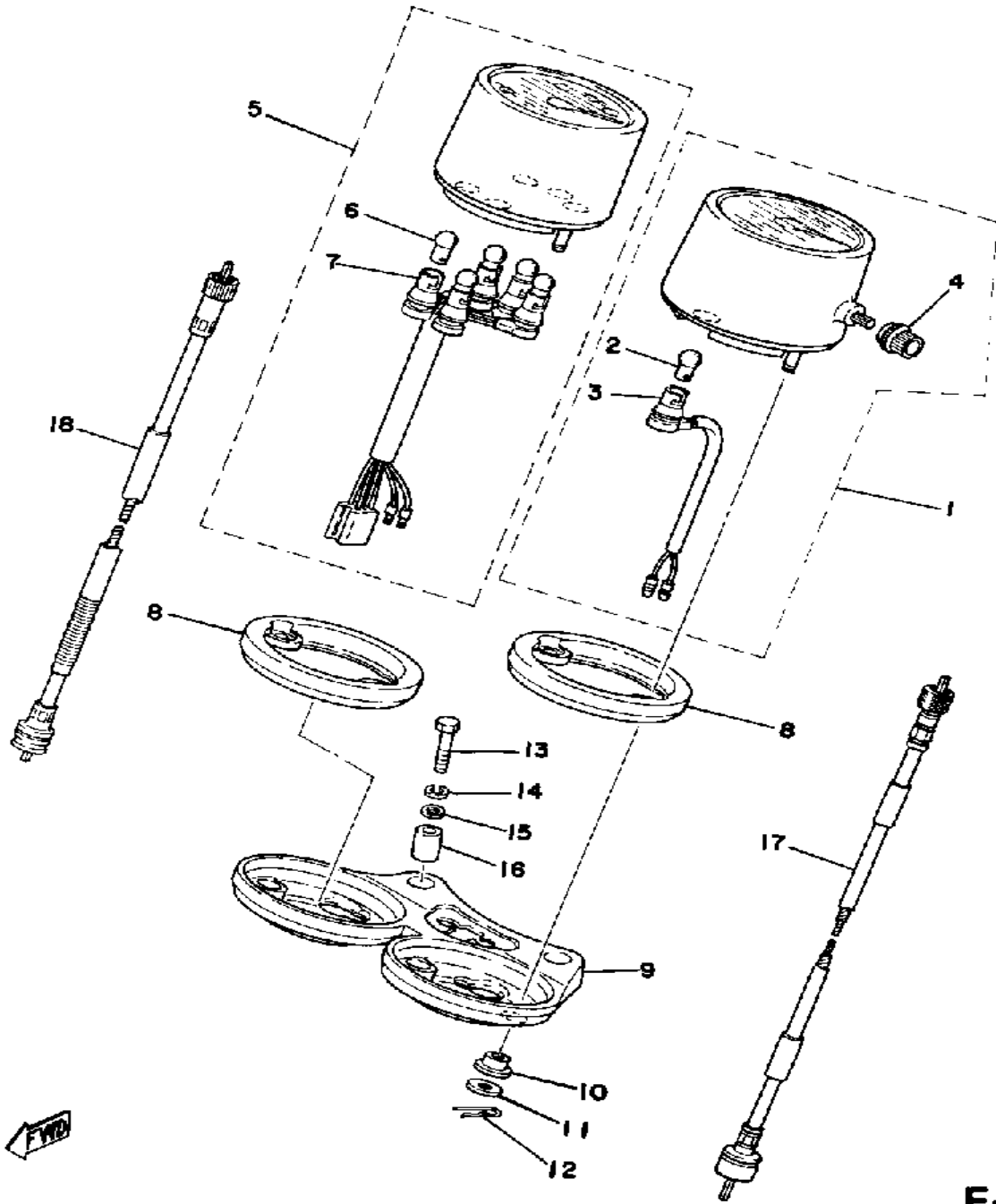
STAND-FOOTREST-BRAKE PEDAL



D-7

Ref. No.	Part Number	Description	Qty	Remarks
1	1W1-27311-10-00	STAND, SIDE	1	
2	90109-103A1-00	BOLT	1	
3	90185-10037-00	NUT, SELF-LOCKING	1	
4	90507-29008-00	SPRING, TENSION	1	
5	22W-27411-01-90	FOOTREST 1	1	
	22W-27411-01-90	FOOTREST 1	1	YAMAHA BLACK
6	22W-27421-01-90	FOOTREST 2	1	YAMAHA BLACK
7	90508-20023-00	SPRING, TORSION	2	
8	91701-08038-00	PIN, CLEVIS	2	
9	91401-25020-00	PIN, COTTER	2	
10	92901-08600-00	WASHER	2	
11	2A6-27211-00-00	PEDAL, BRAKE	1	YAMAHA BLACK
12	90201-14212-00	WASHER, PLATE	1	
13	93430-10015-00	CIRCLIP, E-TYPE	1	
14	90508-32354-00	SPRING, TORSION	1	
15	322-27231-00-00	ROD, BRAKE	1	
16	90240-06006-00	PIN, CLEVIS	1	
17	92990-06200-00	WASHER	1	
18	91401-25020-00	PIN, COTTER	1	
19	90501-10245-00	SPRING, COMPRESSION	1	
20	90249-12008-00	PIN	1	
21	90179-06411-00	NUT	1	
22	97011-06020-00	BOLT	1	
23	95380-06700-00	NUT	1	

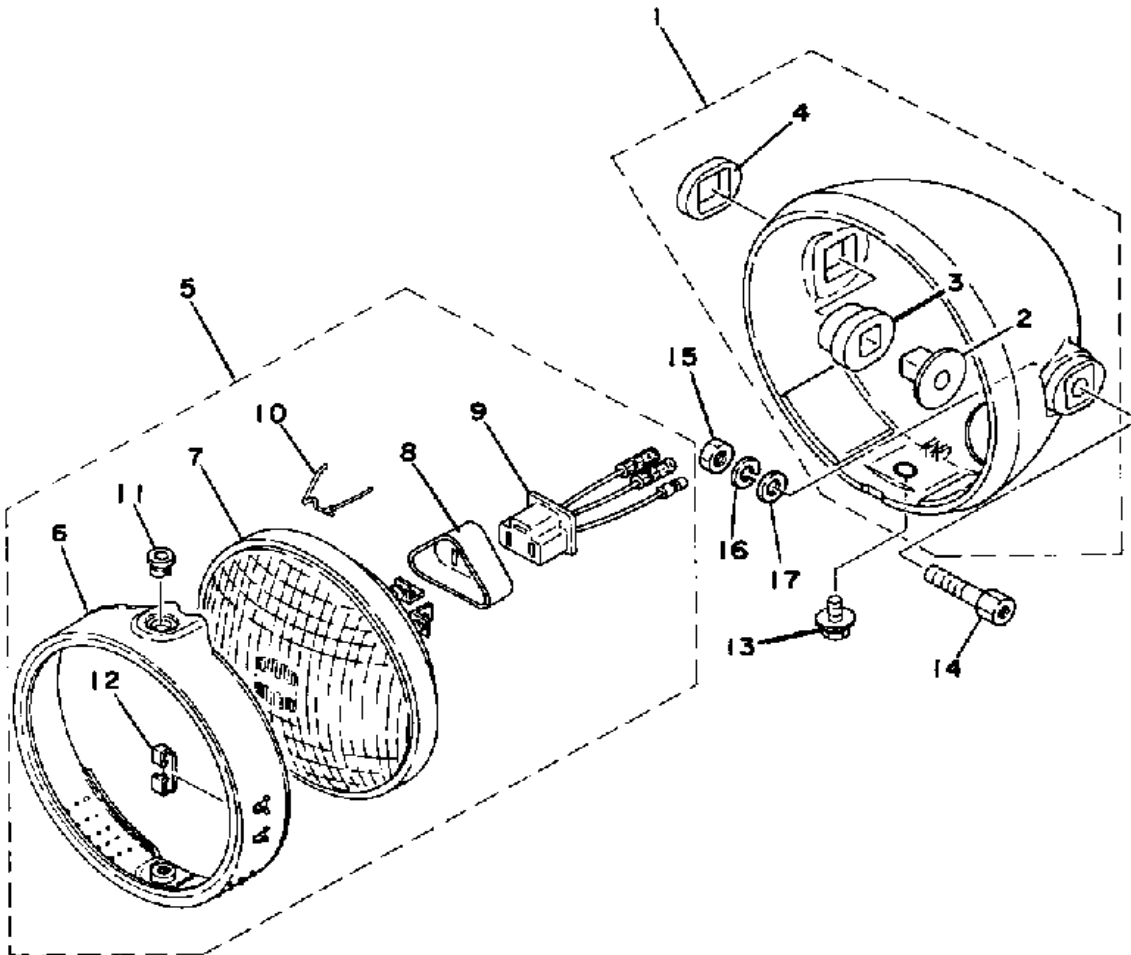
METER



Ref. No.	Part Number	Description	Qty	Remarks
1	3Y3-83570-G0-00	SPEEDOMETER ASSEMBLY ..	1	MILE/H
2	122-83516-10-00	. BULB (122-83516-10)	1	
3	(1M1-83536-00-00)	SOCKET, METER	1	
4	1E6-83578-10-00	. KNOB, TRIP METER	1	
5	2A6-83540-00-00	TACHOMETER ASSEMBLY ...	1	
6	122-83516-10-00	. BULB (122-83516-10)	5	
7	(2A6-83520-00-00)	SOCKET CORD ASSEMBLY ..	1	
8	2A6-83513-00-00	DAMPER	2	
9	2A6-83519-00-00	BRACKET, METER	1	
10	1M1-83526-00-00	DAMPER 2	4	
11	90201-052E2-00	WASHER, PLATE	4	
12	90468-10050-00	CLIP	4	
13	97021-06030-00	BOLT	2	
14	92995-06100-00	WASHER, SPRING	2	
15	92990-06600-00	WASHER, PLATE	2	
16	90385-06001-00	BUSH, SPEC'L RUBBER (214-83528-00)	2	
17	1JN-83550-01-00	SPEEDOMETER CABLE ASSEMBLY (3R9-83550-00-00) .		
18	2A6-83560-00-00	TACHOMETER CABLE	1	

E-1

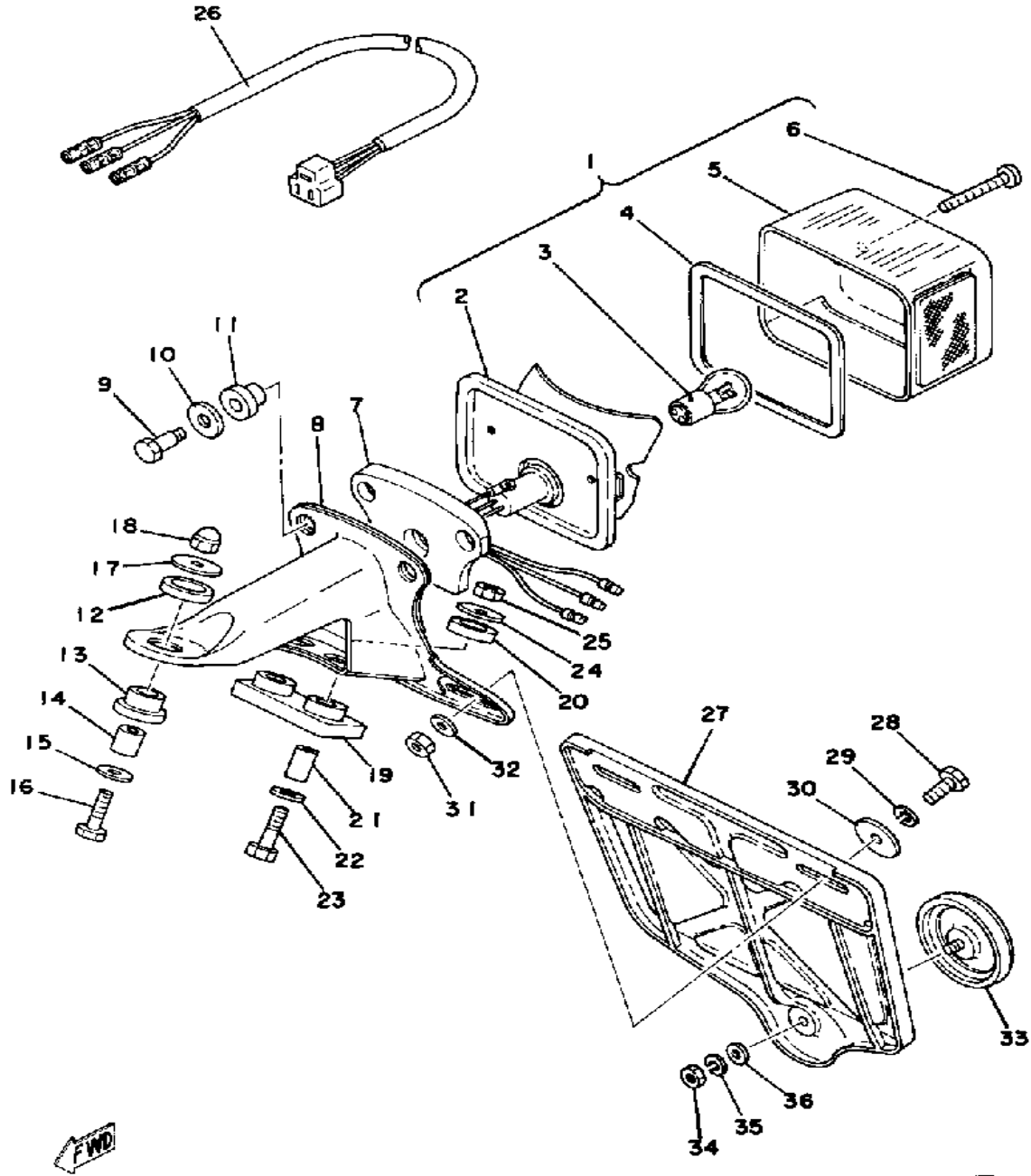
HEADLIGHT



Ref. No.	Part Number	Description	Qty	Remarks
1	1M1-84130-60-00	BODY ASSEMBLY, HEADLIGHT (1M1-84130-60-98)	1	YAMAHA BLACK
2	498-84145-60-00	. COLLAR, BODY FITTING	2	
3	498-84163-60-00	. DAMPER	2	
4	1M1-84164-60-00	. DAMPER	2	
5	(2A6-84110-60-00)	UNAVAILABLE IN PRICE BOOK	1	
6	1M1-84195-61-00	. RING, RETAINING	1	
7	2A6-84120-60-00	. LENS ASSEMBLY	1	
8	341-84397-61-00	. COVER, SOCKET	1	
9	371-84312-60-00	. SOCKET	1	
10	1M1-84124-60-00	. SPRING, SET	3	
11	1M1-84133-60-00	. COLLAR, SCREW	1	
12	498-84128-60-00	. SPACER	1	
13	1M1-84137-60-00	BOLT, SPECIAL	1	
14	90109-08448-00	BOLT	2	
15	95333-08600-00	NUT	2	
16	92990-08100-00	WASHER	2	
17	92990-08200-00	WASHER, PLAIN	2	



TAILLIGHT

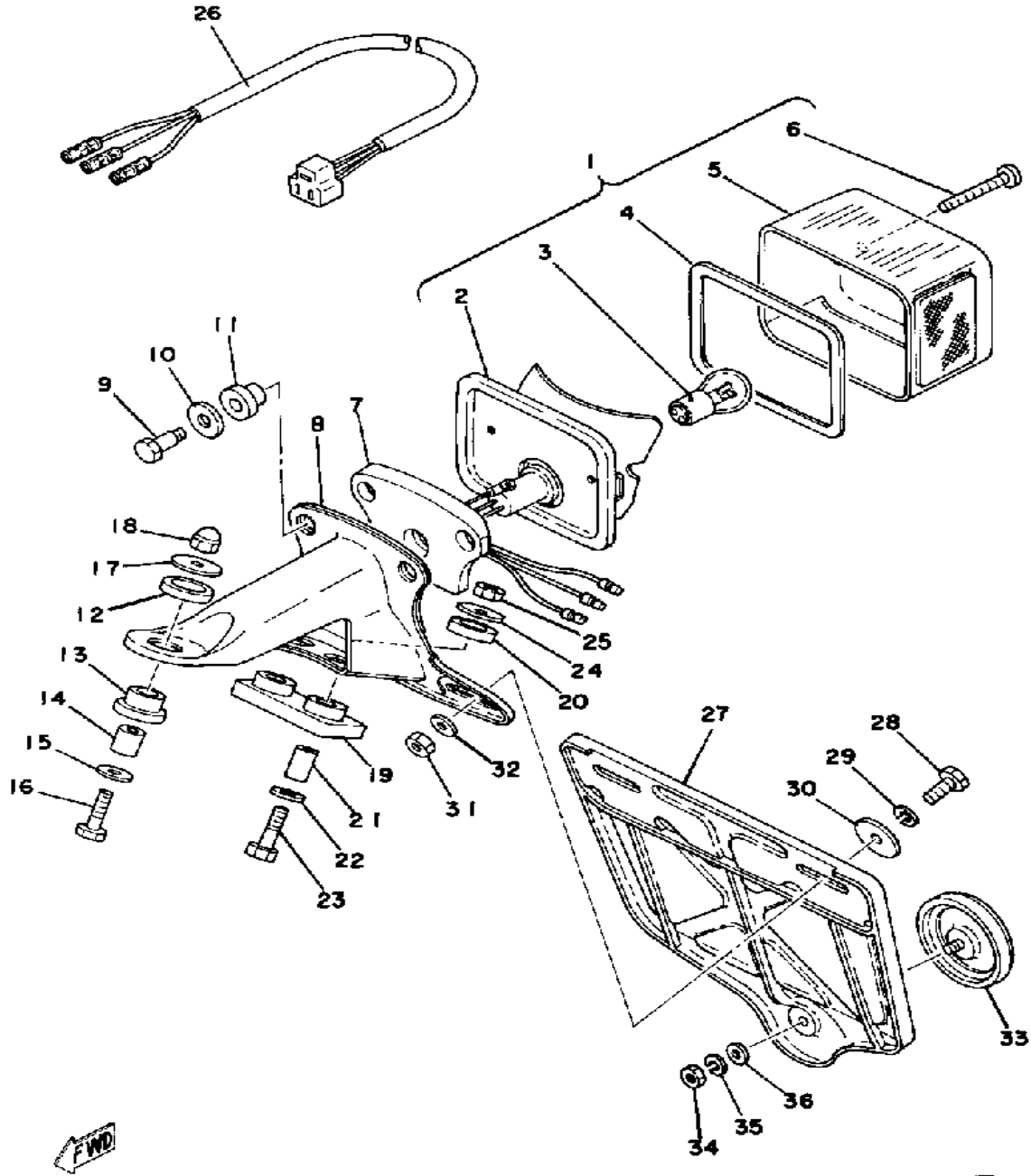


E-3

Ref. No.	Part Number	Description	Qty	Remarks
1	1M1-84510-60-00	TAILLIGHT UNIT ASSEMBLY ..	1	
2	1M1-84511-60-00	. BASE, TAILLIGHT	1	
3	1M1-84514-60-00	. BULB	1	
4	1M1-84523-60-00	. GASKET, LENS	1	
5	1M1-84521-60-00	. LENS, TAILLIGHT	1	
6	1M1-84524-60-00	. SCREW, LENS FITTING	2	
7	1M1-84512-60-00	SEAT, BASE	1	
8	2A6-84551-60-33	BRACKET, LICENCE	1	YAMAHA BLACK
9	1M1-84526-60-00	SCREW	2	
10	2H7-84754-00-00	WASHER, SPECIAL	2	
11	1M1-84527-60-00	DAMPER	2	
12	1M1-84553-10-00	DAMPER	1	
13	1M1-84553-20-00	DAMPER	1	
14	90387-06553-00	COLLAR	1	
15	92901-06600-00	WASHER	1	
16	97011-06025-00	BOLT (97001-06025)	1	
17	90201-06074-00	WASHER, PLATE	1	
18	95303-06800-00	NUT (CROWN)	1	
19	1M1-84553-00-00	DAMPER	1	
20	1M1-84553-10-00	DAMPER	2	
21	90387-06554-00	COLLAR	2	
22	92901-06600-00	WASHER	2	
23	97013-06035-00	BOLT	2	
24	90201-06074-00	WASHER, PLATE	2	
25	95380-06600-00	NUT	2	
26	1M1-84517-00-00	CORD, TAILLIGHT	1	
27	1M1-85132-62-00	BRACKET, REFLECT 1	1	
28	97313-06016-00	BOLT, HEXAGON	2	
29	92995-06100-00	WASHER, SPRING	2	

CONTINUED ON NEXT FRAME ►

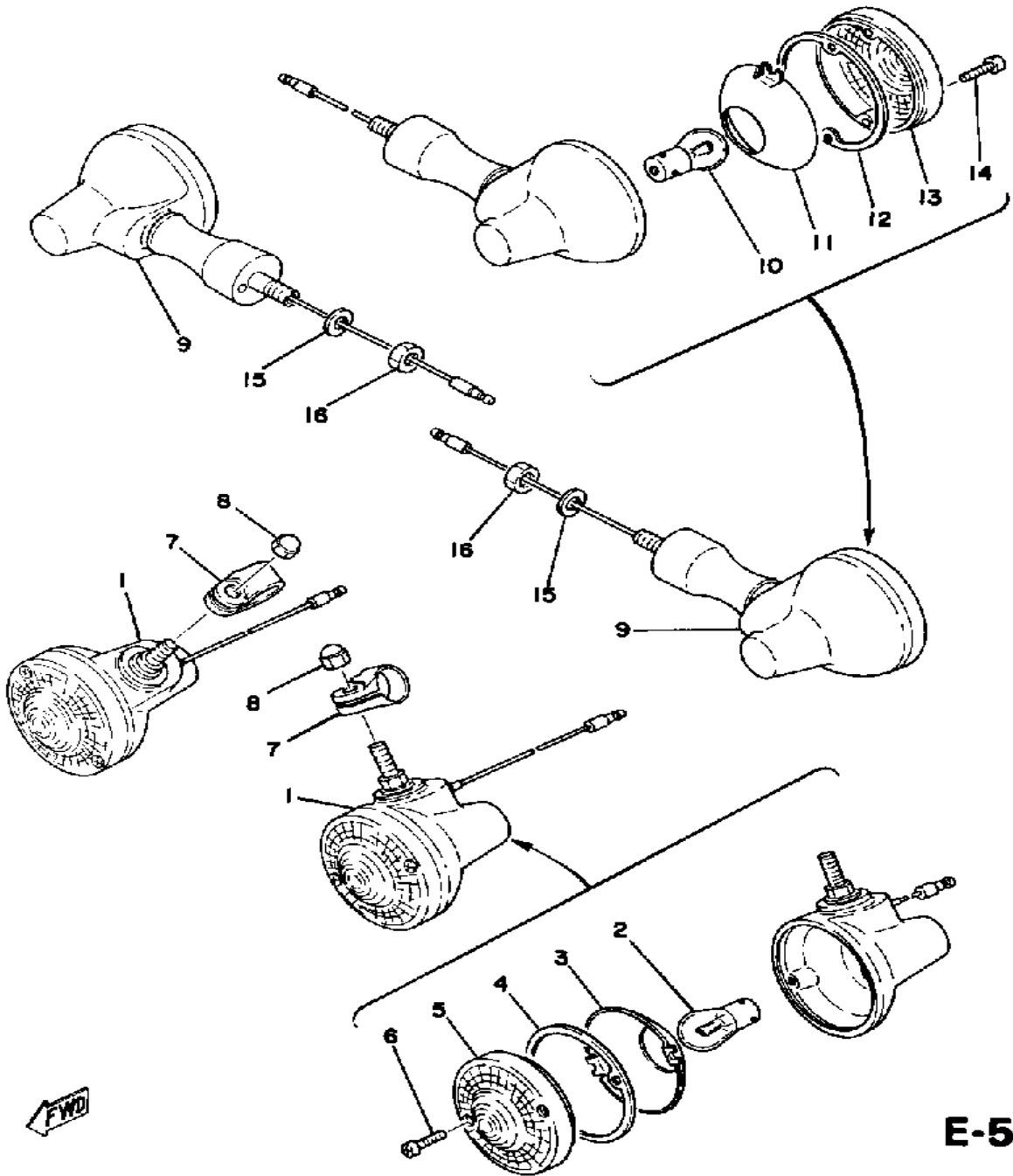
TAILLIGHT



Ref. No.	Part Number	Description	Qty	Remarks
30	90201-06075-00	WASHER, PLATE	2	
31	95380-06600-00	NUT	2	
32	92901-06600-00	WASHER	2	
33	1M1-85131-10-00	REFLECTOR, REAR 1	1	
34	95380-05600-00	NUT	1	
35	92990-05100-00	WASHER, SPRING	1	
36	92990-05200-00	WASHER, PLAIN	1	

E-3

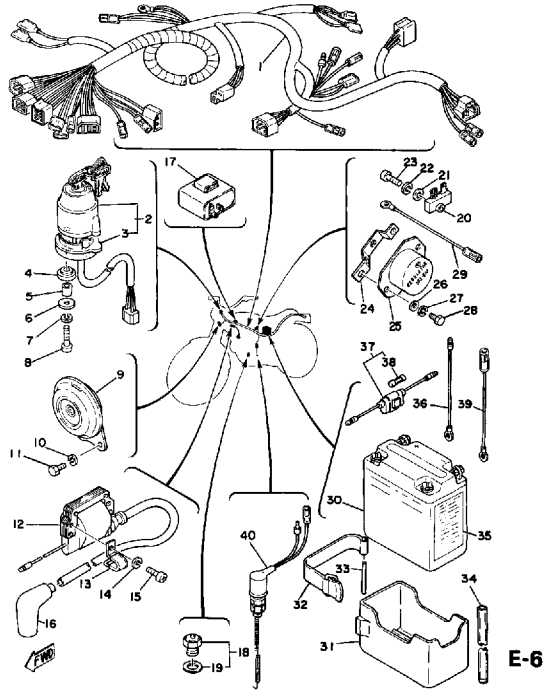
FLASHER LIGHT



Ref. No.	Part Number	Description	Qty	Remarks
1	1M1-83310-60-00	FRT FLSHR LITE ASSEMBLY ASS'Y 1	2	
2	115-83311-60-00	. BULB, FLASHER	2	
3	1M1-83309-60-00	. REFLECTOR	2	
4	1M1-83313-60-00	. GASKET, FLSHR LENS	2	
5	341-83312-70-00	. LENS, FLASHER	2	
6	97780-30120-00	. SCREW, PANHEAD TAP	4	
7	1M1-83318-00-00	STAY, FLASHER 1	2	
8	95303-08800-00	NUT (CROWN) (95301-08800)	2	
9	1T9-83330-60-00	R FLSHR LITE ASSEMBLY	2	
10	115-83311-60-00	. BULB, FLASHER	2	
11	1M1-83309-60-00	. REFLECTOR	2	
12	1M1-83313-60-00	. GASKET, FLSHR LENS	2	
13	341-83312-70-00	. LENS, FLASHER	2	
14	97780-30120-00	. SCREW, PANHEAD TAP	4	
15	92990-10100-00	WASHER, SPRING	2	
16	95303-10600-00	NUT (95301-10600)	2	

E-5

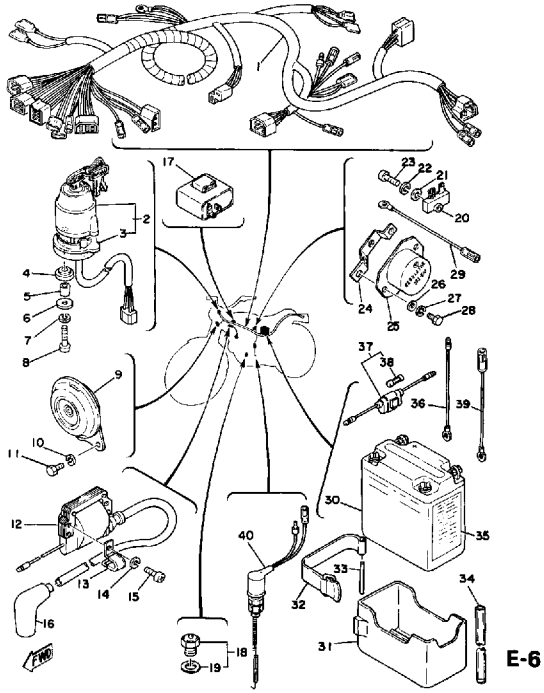
ELECTRICAL



Ref. No.	Part Number	Description	Qty	Remarks
1	(2N4-82590-50-00)	WIRE HARNESS ASSEMBLY ..	1	7605 FOR DAYLIGHT USE
	2A6-82590-20-00	UNAVAILABLE IN PRICE BOOK		
	0 1	1	2759
2	443-82508-21-00	MAIN SWITCH ASSEMBLY ...	1	
3	1M1-82555-00-00	. DAMPER, MAIN SWCH 1	1	
4	1M1-82556-00-00	DAMPER, STOPPER	2	
5	437-82516-00-00	COLLAR, MAIN SWITCH	2	
6	90201-05033-00	WASHER, PLATE	2	
7	92990-05100-00	WASHER, SPRING	2	
8	98503-05025-00	SCREW, PAN HEAD (98501-05025)	2	
9	260-83371-12-00	HORN	1	
10	92995-06100-00	WASHER, SPRING	2	
11	97013-06012-00	BOLT	2	
12	1Y8-82310-40-00	IGNITION COIL ASSEMBLY ...	1	
13	90462-05005-00	CLAMP	1	
14	92995-06100-00	WASHER, SPRING	2	
15	98580-06020-00	SCREW	2	
16	56J-82370-00-00	PLUG CAP ASSEMBLY	1	
17	3BK-83350-00-00	FLASHER RELAY ASSEMBLY .	1	
18	136-82540-00-00	NEUTRAL SWITCH ASSEMBLY	1	
19	37R-82543-00-00	. GASKET	1	
20	1M1-81970-60-00	RECTIFIER ASSEMBLY	1	
21	92901-05600-00	WASHER, PLATE	1	
22	92990-05100-00	WASHER, SPRING	1	
23	98580-05020-00	SCREW, PAN HEAD	1	
24	2A6-81915-00-00	PLATE, REG FITTING	1	
25	443-81910-62-00	VOLTAGE REG ASSEMBLY (498-81910-23)	1	U.R.

CONTINUED ON NEXT FRAME ►

ELECTRICAL



E-6

Ref. No.	Part Number	Description	Qty	Remarks
25	498-81910-23-00	VOLTAGE REG ASSEMBLY (498-81910-23)	1	U.R.
26	92901-05600-00	WASHER, PLATE	3	
27	92990-05100-00	WASHER, SPRING	3	
28	97313-05012-00	BOLT, HEXAGON	3	
29	1H2-83346-00-00	CORD (1M1-82519-00)	1	
30	BTY-6N63B-10-00	YUASA 6N6-3B-1 (1E6-82110-29)	1	
31	(2A6-82122-00-00)	SEAT, BATTERY	1	
32	2A6-82131-00-00	BAND, BATTERY	1	
33	91401-30040-00	PIN, COTTER	1	
34	(90445-08357-00)	HOSE	1	
35	118-82141-09-00	LABEL, BATTERY	1	
36	J42-82318-00-00	WIRE, SUB-LEAD	1	
37	55K-82150-01-00	FUSE HOLDER ASS'Y (55K-82150-00-00)	1	
38	116-82151-00-00	. FUSE (10A)	1	
39	1H2-83346-00-00	CORD (1M1-82519-00)	1	
40	371-82530-03-00	STOP SWITCH ASSEMBLY	1	

MOTORCYCLE
M6-056

DT100D
1977 SERVICE DATA

MODEL - IBM I.D. NUMBER	DT100D	1T9
Starting Engine and Frame Number	1T9-000101	1T9-000101
Basic Color (fuel tank)	Competition Yellow	
Net Weight	176 lbs.	
ENGINE (type, induction system)	2-stroke, 7-port, Single, Air-cooled	
Bore x Stroke x Cylinder(s) Displacement	52 x 45.6mm x 1	97cc (5.92 CID)
Compression Ratio (pressure)	7.4:1	
Piston Skirt Clearance (new/max.)	.035 ~ .040mm (.0014 ~ .0016") / 0.1mm (.004")	
Ring End Gap (top/2nd/3rd)	0.3 ~ 0.5mm (.012 ~ .020") / Same / ϕ	
Ring Groove Clearance (top/2nd/3rd)	.04mm (.0016") / Same / ϕ	
Valve Clearance (eng. cold) Intake/Exhaust	ϕ	
AUTOLUBE - Minimum Pump Stroke/Color Code	0.20 0.25mm (.008 .010") / Green	
CARBURETOR (mfr.) (type) (I.D. number)	Mikuni/VM22ss/1T960	
Main Jet	No. 130	
Needle Jet	0-4	
Jet Needle/Clip Position	4J13-4	
Cutaway	2.0	
Pilot Jet	No. 17.5	
Air Jet	2.5	
Starter Jet	No. 30	
Air Screw (turns out) (idle speed)	2	
Float Level	26 ± 1.0mm	
Air Filter (type x quantity)	Oiled Foam Rubber x 1	
DRIVE - Primary (type) (teeth) (ratio)	Helical Gear	74/19 3.894
Secondary (type) (teeth) (ratio)	DK428	45/14 3.214
Transmission Ratios 1st (teeth) (ratio) (O.A.)	35/11	3.181 39.832
2nd	30/15	2.000 25.037
3rd	26/19	1.368 17.130
4th	23/23	1.000 12.518
5th	20/25	0.800 10.015
6th	ϕ	
CAPACITIES - Transmission	650cc (22.0 oz.) Yamalube 4-cycle* or SAE 10W/30 Oil	
Oil Tank or Engine Sump	1.1 qts. Yamalube 2-cycle*	
Fuel Tank	1.2 gals. Low lead or Unleaded (Regular)	
Front Forks	116cc (3.9 oz.) 10, 20 or 30 wt. Fork Oil*	
Rear Shocks	ϕ	
Tires (size/normal pressure)	Front: 2.50 - 18/23psi / Rear: 3.00 16/28psi	
ELECTRICAL - Charging System (mfr.) (type)	Mitsubishi / Flywheel Magneto	
No Load Voltage Adj. (AC & DC generators)	ϕ	
Max. Generator (Magneto) Output	ϕ	
Field Coil (and/or) Charging Coil Resistance	Yellow - 0.36 Ω / Green - .09 Ω / Green-Red - 0.36 Ω	
Battery (mfr.) (model) (rating) (charge rate)	G.S. or F.B. / 6N4 - 2A-2 / 0.4A x 10 hours	
Headlight/Taillight Ratings	6V30W / 30W / 6V5.3W	
Ign. Coil Min. Spark Gap/Pri. Res./Sec. Res.	10mm / 1.0 Ω / 6.0K Ω	
Source Coil Res./Pulse Coil Res.	1.7 Ω	
Condenser Capacity	0.25 μ F	
Point Gap/Spark Plug (type/gap)	0.35 ± .05mm / NGK B-8ES / 0.5 0.6mm	
Timing (advanced) (retarded)	1.8 ± 0.15mm B.T.D.C.	

N/A = Information Not Available *Available from Yamaha Parts Distributors, Inc.
 ϕ = Does Not Apply To This Model

MOTORCYCLE
M6-056

DT100D
1977 SERVICE DATA

MODEL - IBM I.D. NUMBER	DT100D	1T9
Starting Engine and Frame Number	1T9-000101	1T9-000101
Basic Color (fuel tank)	Competition Yellow	
Net Weight	176 lbs.	
ENGINE (type, induction system)	2-stroke, 7-port, Single, Air-cooled	
Bore x Stroke x Cylinder(s) Displacement	52 x 45.6mm x 1	97cc (5.92 CID)
Compression Ratio (pressure)	7.4:1	
Piston Skirt Clearance (new/max.)	.035 ~ .040mm (.0014 ~ .0016") / 0.1mm (.004")	
Ring End Gap (top/2nd/3rd)	0.3 ~ 0.5mm (.012 ~ .020") / Same / ϕ	
Ring Groove Clearance (top/2nd/3rd)	.04mm (.0016") / Same / ϕ	
Valve Clearance (eng. cold) Intake/Exhaust	ϕ	
AUTOLUBE - Minimum Pump Stroke/Color Code	0.20 0.25mm (.008 .010") / Green	
CARBURETOR (mfr.) (type) (I.D. number)	Mikuni/VM22ss/1T960	
Main Jet	No. 130	
Needle Jet	0-4	
Jet Needle/Clip Position	4J13-4	
Cutaway	2.0	
Pilot Jet	No. 17.5	
Air Jet	2.5	
Starter Jet	No. 30	
Air Screw (turns out) (idle speed)	2	
Float Level	26 ± 1.0mm	
Air Filter (type x quantity)	Oiled Foam Rubber x 1	
DRIVE - Primary (type) (teeth) (ratio)	Helical Gear	74/19 3.894
Secondary (type) (teeth) (ratio)	DK428	45/14 3.214
Transmission Ratios 1st (teeth) (ratio) (O.A.)	35/11	3.181 39.832
2nd	30/15	2.000 25.037
3rd	26/19	1.368 17.130
4th	23/23	1.000 12.518
5th	20/25	0.800 10.015
6th	ϕ	
CAPACITIES - Transmission	650cc (22.0 oz.) Yamalube 4-cycle* or SAE 10W/30 Oil	
Oil Tank or Engine Sump	1.1 qts. Yamalube 2-cycle*	
Fuel Tank	1.2 gals. Low lead or Unleaded (Regular)	
Front Forks	116cc (3.9 oz.) 10, 20 or 30 wt. Fork Oil*	
Rear Shocks	ϕ	
Tires (size/normal pressure)	Front: 2.50 - 18/23psi / Rear: 3.00 16/28psi	
ELECTRICAL - Charging System (mfr.) (type)	Mitsubishi / Flywheel Magneto	
No Load Voltage Adj. (AC & DC generators)	ϕ	
Max. Generator (Magneto) Output	ϕ	
Field Coil (and/or) Charging Coil Resistance	Yellow - 0.36 Ω / Green - .09 Ω / Green-Red - 0.36 Ω	
Battery (mfr.) (model) (rating) (charge rate)	G.S. or F.B. / 6N4 - 2A-2 / 0.4A x 10 hours	
Headlight/Taillight Ratings	6V30W / 30W / 6V5.3W	
Ign. Coil Min. Spark Gap/Pri. Res./Sec. Res.	10mm / 1.0 Ω / 6.0K Ω	
Source Coil Res./Pulse Coil Res.	1.7 Ω	
Condenser Capacity	0.25 μ F	
Point Gap/Spark Plug (type/gap)	0.35 ± .05mm / NGK B-8ES / 0.5 0.6mm	
Timing (advanced) (retarded)	1.8 ± 0.15mm B.T.D.C.	

N/A = Information Not Available *Available from Yamaha Parts Distributors, Inc.
 ϕ = Does Not Apply To This Model



TECHNICAL BULLETIN