

MODEL GT1B

MODEL GTMXB

www.legends-yamaha-enduros.com

NOTICE

ALL PART NUMBERS CONTAINED IN THIS CATALOGUE ARE COMPRISED OF TEN DIGITS. WHEN ORDERING, PLEASE ADD TWO ZEROS TO THE END OF EACH PART NUMBER REQUIRED TO CONVERT THE TEN DIGITS INTO THE NEW TWELVE DIGIT NUMBERS.

This Parts List is for the exclusive parts for the GT1B & GTMXB. Please refer to GT1A & GTMXA Parts List for the parts not listed in this publication.

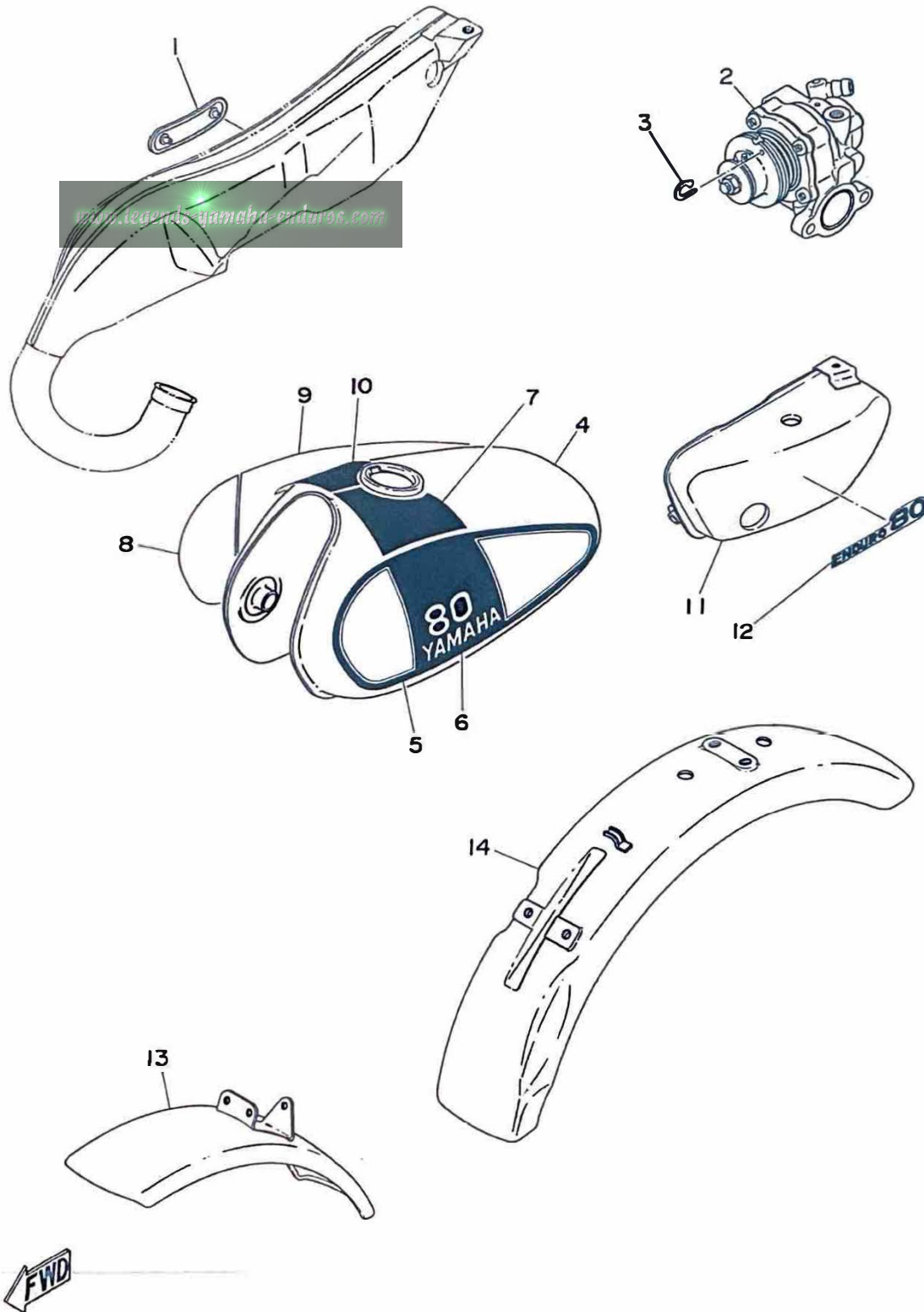
CONTENTS

Fig. 1	Fuel Tank · Oil Tank · Fender	1
Fig. 2	Handle · Wire · Speedometer	3

www.legends-yamaha-enduros.com

NUMERICAL INDEX

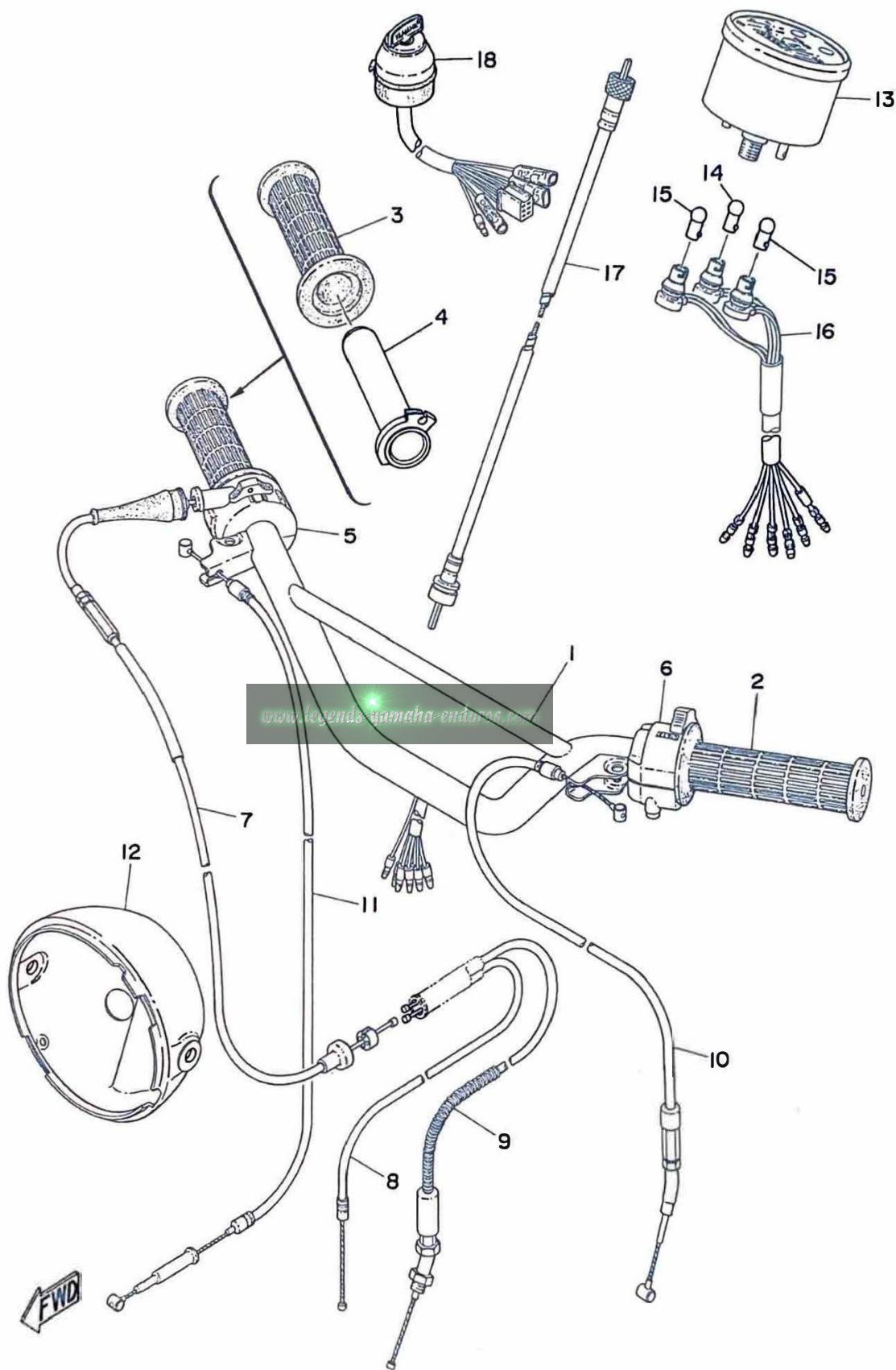
Fig. 1 FUEL TANK · OIL TANK · FENDER



FUEL TANK · OIL TANK · FENDER

Ref. No.	Part No.	Description	Q'ty GT1B MXB	Applicable Machine No.	Remarks
1- 1	393-14729-30	EMBLEM, protector	1		
	367-14729-31	EMBLEM, protector	1		
1- 2	353-13101-01	OIL PUMP ASS'Y	1	1	
1- 3	367-13146-01	. COVER, adjust pulley	1	1	
1- 4	367-24110-00-X3	FUEL TANK COMP.	1		Competition Yellow
	367-24110-00-X4	FUEL TANK COMP.	1		White
1- 5	393-24244-20	. GRAPHIC, fuel tank left 1	1		
	367-24244-20	. GRAPHIC, fuel tank left 1	1		
1- 6	393-24245-20	. GRAPHIC, fuel tank left 2	1		
	367-24245-20	. GRAPHIC, fuel tank left 2	1		
1- 7	393-24246-20	. GRAPHIC, fuel tank left 3	1		
	367-24246-20	. GRAPHIC, fuel tank left 3	1		
1- 8	393-24247-20	. GRAPHIC, fuel tank right 1	1		
	367-24247-20	. GRAPHIC, fuel tank right 1	1		
1- 9	393-24248-20	. GRAPHIC, fuel tank right 2	1		
	367-24248-20	. GRAPHIC, fuel tank right 2	1		
1-10	393-24249-20	. GRAPHIC, fuel tank right 3	1		
	367-24249-20	. GRAPHIC, fuel tank right 3	1		
1-11	367-21705-00-26	OIL TANK ASS'Y	1		Competition Yellow
	367-21705-00-36	OIL TANK ASS'Y	1		White
1-12	393-21787-10	EMBLEM, oil tank	1		
1-13	288-21510-01-20	FRONT FENDER COMP.	1		Crystal Silver
	288-21510-01-36	FRONT FENDER COMP.	1		White
1-14	367-21610-00-20	REAR FENDER COMP.	1		Crystal Silver
	367-21610-00-36	REAR FENDER COMP.	1		White

Fig. 2 HANDLE · WIRE · SPEEDOMETER



HANDLE · WIRE · SPEEDOMETER

Ref. No.	Part No.	Description	Q'ty GTIB MXB	Applicable Machine No.	Remarks
2- 1	367-26111-02	HANDLE	1	1	
2- 2	462-26241-00	GRIP, left	1	1	
2- 3	462-26242-00	GRIP, right	1	1	
2- 4	434-26243-10	TUBE, guide	1	1	
2- 5	462-83976-00	SWITCH, handle 1	1	1	
2- 6	393-83973-00	SWITCH, handle 3	1		
2- 7	462-26311-00	WIRE, throttle 1	1	1	
2- 8	367-26312-01	WIRE, throttle 2	1	1	
2- 9	367-26321-02	WIRE, pump	1	1	
2-10	367-26335-02	WIRE, clutch	1	1	
2-11	367-26341-01	WIRE, brake	1	1	
2-12	393-84130-60-20	BODY ASS'Y	1		Crystal Silver
2-13	393-83510-30	SPEEDOMETER ASS'Y	1		MPH
2-14	188-83517-10	. BULB (6V-1.5W)	1		
2-15	122-83516-10	. BULB (6V-3W)	2		
2-16	393-83520-00	. SOCKET ASS'Y	1		
2-17	207-83550-00	SPEEDOMETER CABLE ASS'Y ..	1		
2-18	393-82508-21	MAIN SWITCH ASS'Y	1		

NUMERICAL INDEX

Ref No.	Parts No.	Ref No.	Parts No.	Ref No.	Parts No.
2-15	122-83516-10	2- 4	434-26243-10		
2-14	188-83517-10	2- 2	462-26241-00		
2-17	207-83550-00	2- 3	462-26242-00		
1-13	288-21510-01-20	2- 7	462-26311-00		
1-13	288-21510-01-36	2- 5	462-83976-00		
1- 2	352-13101-01				
1- 3	367-13146-01				
1- 1	367-14729-31				
1-14	367-21610-00-20				
1-14	367-21610-00-36				
1-11	367-21705-00-26				
1-11	367-21705-00-36				
1- 4	367-24110-00-X3				
1- 4	367-24110-00-X4				
1- 5	367-24244-20				
1- 6	367-24245-20				
1- 7	367-24246-20				
1- 8	367-24247-20				
1- 9	367-24248-20				
1-10	367-24249-20				
2- 1	367-26111-02				
2- 8	367-26312-01				
2- 9	367-26321-02				
2-10	367-26335-02				
2-11	367-26341-01				
1- 1	393-14729-30				
1-12	393-21787-10				
1- 5	393-24244-20				
1- 6	393-24245-20				
1- 7	393-24246-20				
1- 8	393-24247-20				
1- 9	393-24248-20				
1-10	393-24249-20				
2-18	393-82508-21				
2-13	393-83510-30				
2-16	393-83520-00				
2- 6	393-83973-00				
2-12	393-84130-60-20				

www.regenda-yamaha.com