



YAMAHA

PARTS LIST

MODEL DT1-S

www.legends-yamaha-enduros.com

YAMAHA MOTOR CO.,LTD.

CONTENTS

ENGINE

Fig. 1	Transmission Gear	1
--------	-------------------------	---

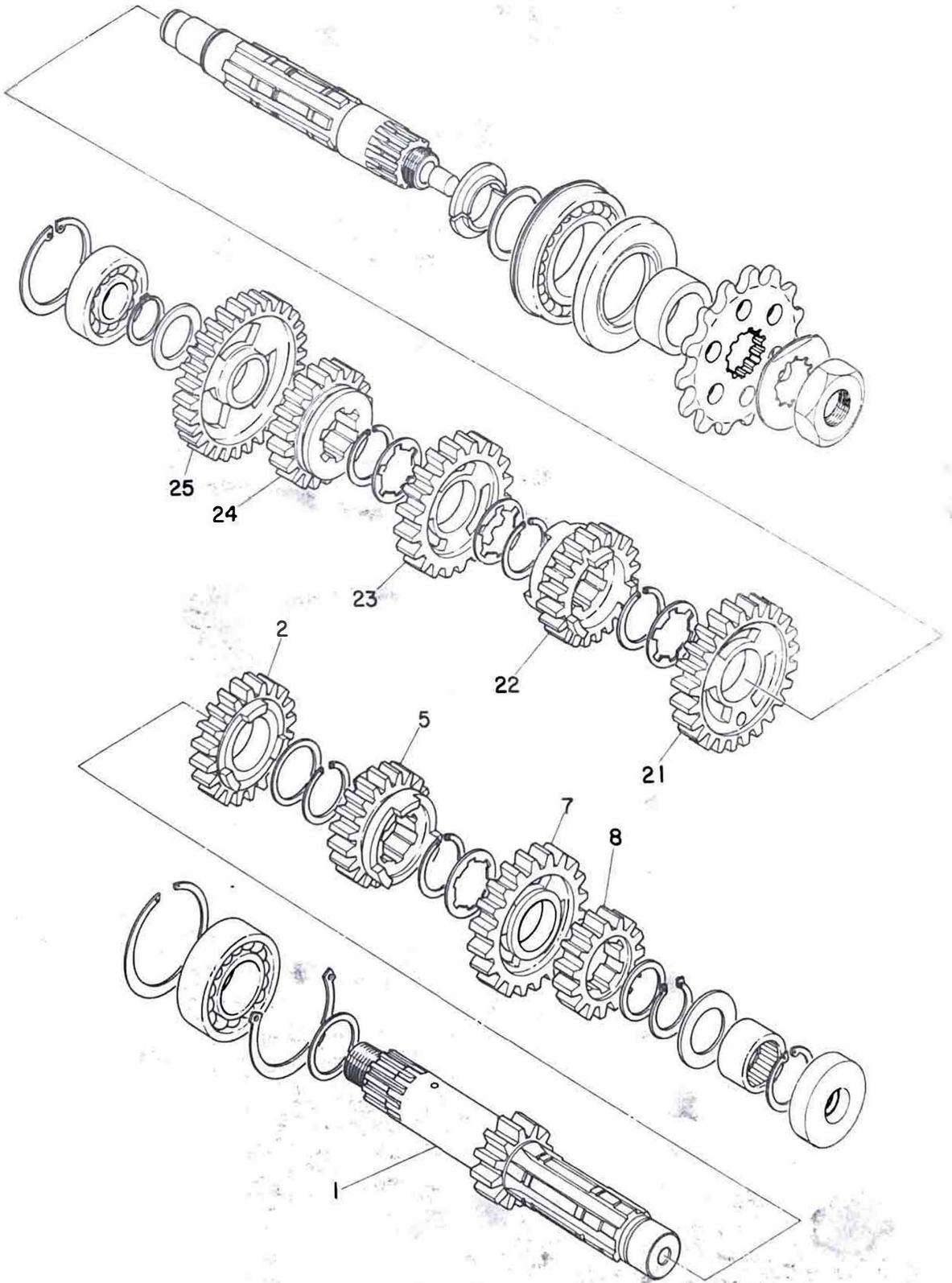
CHASSIS

Fig. 2	Front Fork	3
Fig. 3	Fuel Tank	7
Fig. 4	Oil Tank	9
Fig. 5	Front Wheel	11

DT1-S

1. This Parts List is only shown the exclusive parts for DT1-S model in illustration.
2. Please refer to DT1-B Parts List for the parts not shown in this List.

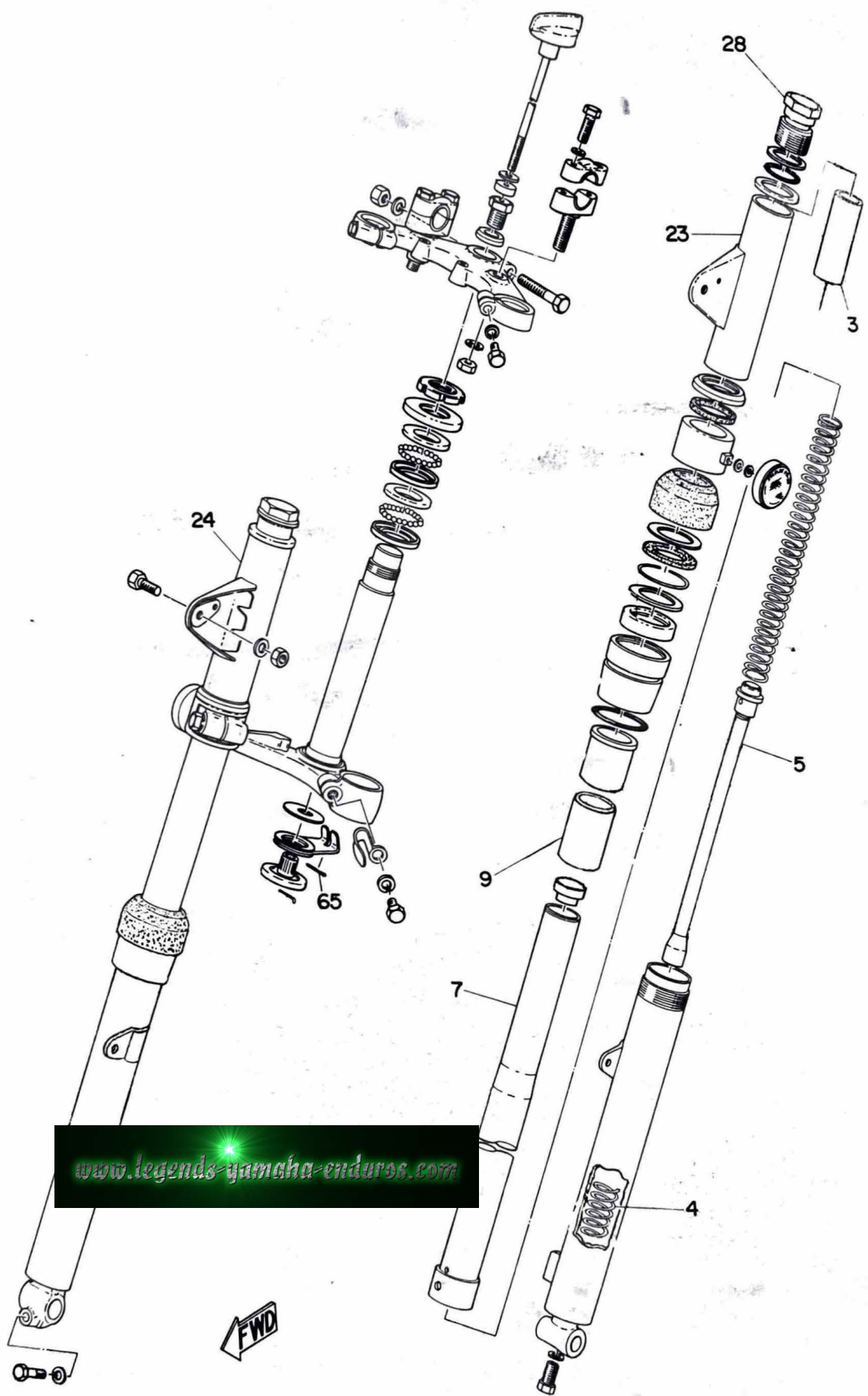
Fig. 1 TRANSMISSION GEAR



TRANSMISSION GEAR

Ref No.	Parts No.	Parts Name	Description	Q'ty	S·R	Remarks
1- 0-1	214-17401-00	MAIN AXLE ASS'Y		1		
1- 1	214-17411-10	. AXLE, main	14T	1		
1- 2	214-17141-10	. GEAR, 4th pinion	26T	1		
1- 3	152-17226-00	. WASHER, gear hold		1		
1- 4	93440-25008	. CIRCLIP	25φ	2		
1- 5	214-17131-10	. GEAR, 3rd pinion	23T	1		
1- 6	214-17216-00	. WASHER, gear hold		1		
1- 7	214-17151-10	. GEAR, 5th pinion	29T	1		
1- 8	214-17121-10	. GEAR, 2nd pinion	19T	1		
1- 9	132-17216-00	. WASHER, gear hold	20-25-1	1		
1-10	93410-19015	. CIRCLIP	S-19	1		
1-11	137-17427-00	SHIM	20.2-33-1	1		
1-12	93315-22004	BEARING	20-26-16	1		
1-13	93420-26024	CIRCLIP		1		
1-14	93104-07022	OIL SEAL	SO-68-26-1	1		
1-15	156-17417-00	SHIM, main axle	25.1-31-0.2 0.1 0.3	UR		
1-16	214-17474-00	CIRCLIP		1		
1-17	93306-20508	BEARING	6205Z	1		
1-18	93450-52005	CIRCLIP	52φ	1		
1- 0-2	214-17402-00	DRIVE AXLE ASS'Y		1		
1-19	214-17421-00	. AXLE, drive		1		
1-20	214-17481-00	. PLUG, blind		1		
1-21	214-17221-10	. GEAR, 2nd wheel	34T	1		
1-22	214-17251-10	. GEAR, 5th wheel	24T	1		
1-23	214-17231-10	. GEAR, 3rd wheel	30T	1		
1-24	214-17241-10	. GEAR, 4th wheel	26T	1		
1-25	214-17211-10	. GEAR, 1st wheel	38T	1		
1-26	168-17116-00	. WASHER, gear hold	20-30-1.5	1		
1-27	93410-19015	. CIRCLIP	S19	1		
1-28	93440-25008	. CIRCLIP	25φ	3		
1-29	214-17216-00	. WASHER, gear hold		3		
1-30	156-17429-00	SPACER, drive axle		2		
1-31	168-17428-01	SHIM, drive axle	25-34- ^{0.3} _{0.5}	UR		
1-32	93306-30506	BEARING	6305NR	1		☆
1-33	93102-35054	OIL SEAL	SD-35-62-6	1		
1-34	214-17462-00	COLLAR, distance	25-35-15.5	1		
1-35	214-17461-30	SPROCKET, drive	13T	1		

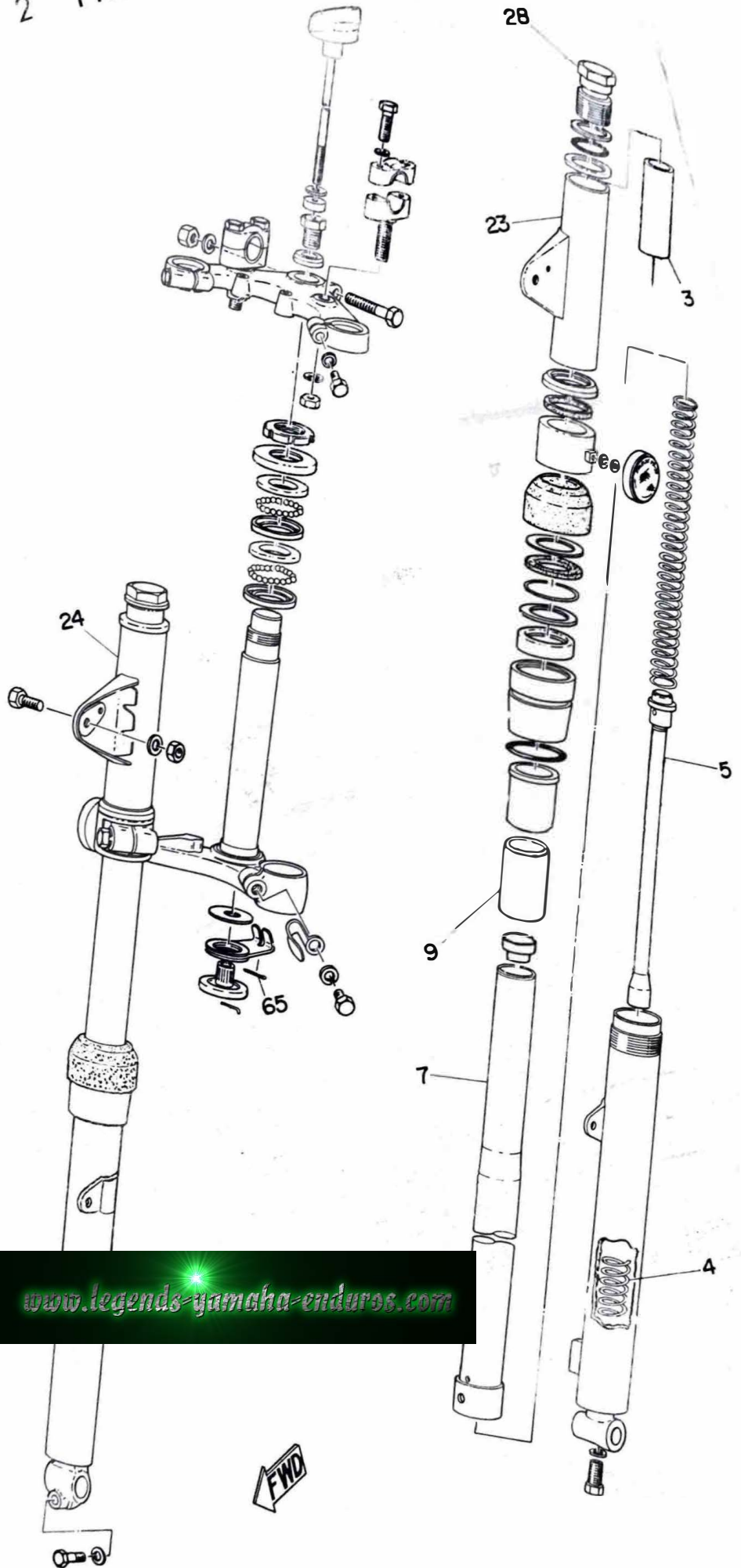
Fig. 2 FRONT FORK



FRONT FORK

Ref No.	Parts No.	Parts Name	Description	Q'ty	S·R	Remarks
2-0-1	264-23100-60-52	FRONT FORK ASS'Y	ISO	1		CANDY ORANGE
2-1	214-23126-00-35	. TUBE, outer (L.H)	ISO	1		
2-2	214-23136-00-35	. TUBE, outer (R.H)	ISO	1		
2-3	264-23118-60	. SPACER		2		
2-4	264-23152-60	. SPRING		2		
2-5	264-23170-60	. CYLINDER COMP.		2		
2-6	214-23141-00	. SPRING, fork		2		
2-7	264-23124-60	. TUBE, inner		2		
2-8	214-23142-00	. SEAT, spring upper		2		
2-9	264-23166-60	. SPACER		2		
2-10	264-23166-60 168-23125-01	. METAL, slide		2		
2-11	168-23147-00	. O-RING		2		
2-12	214-23127-00	. NUT, outer		2		
2-13	168-23145-00	. . OIL SEAL		2		
2-14	214-23146-00	. WASHER, oil seal		2		
2-15	214-23156-00	. CLIP, oil seal		2		
2-16	214-23155-00	. RING, felt		2		
2-17	214-23165-00	. WASHER, felt ring		2		
2-18	214-23144-01	. SEAL, dust		1		
2-19	233-23122-00	. COVER, outer (L.H)	ISO	1		
2-20	233-23122-00	. COVER, outer (R.H)	ISO	1		
2-21	214-23163-00	. PACKING (lamp stay)		2		
2-22	214-23116-00	. GUIDE, cover under		2		
2-23	214-23121-01-52	. COVER, upper (L.H)		1		CANDY ORANGE
2-24	214-23131-01-52	. COVER, upper (R.H)		1		CANDY ORANGE
2-25	214-23115-00	. GUIDE, cover upper		2		
2-26	214-23114-00	. PACKING, (O-RING)		2		
2-27	214-23112-00	. WASHER, cap		2		
2-28	264-23111-60	. BOLT, cap		1		
2-29	214-23340-00-33	. UNDER BRACKET COMP.		2		
2-30	122-23346-00	. BOLT, under bracket		2		
2-31	92901-10100	. WASHER, spring		1		
2-32	214-23318-00	. HOLDER, wire		2		
2-33	91311-08020	. BOLT		2		
2-34	214-23158-00	. PACKING		2		
2-35	97201-08030	. BOLT	ISO	1		
2-36	92901-08100	. WASHER, spring		1		
2-37	164-23462-00	SEAL, dust		1		

Fig. 2 FRONT FORK



www.legends-yamaha-enduros.com

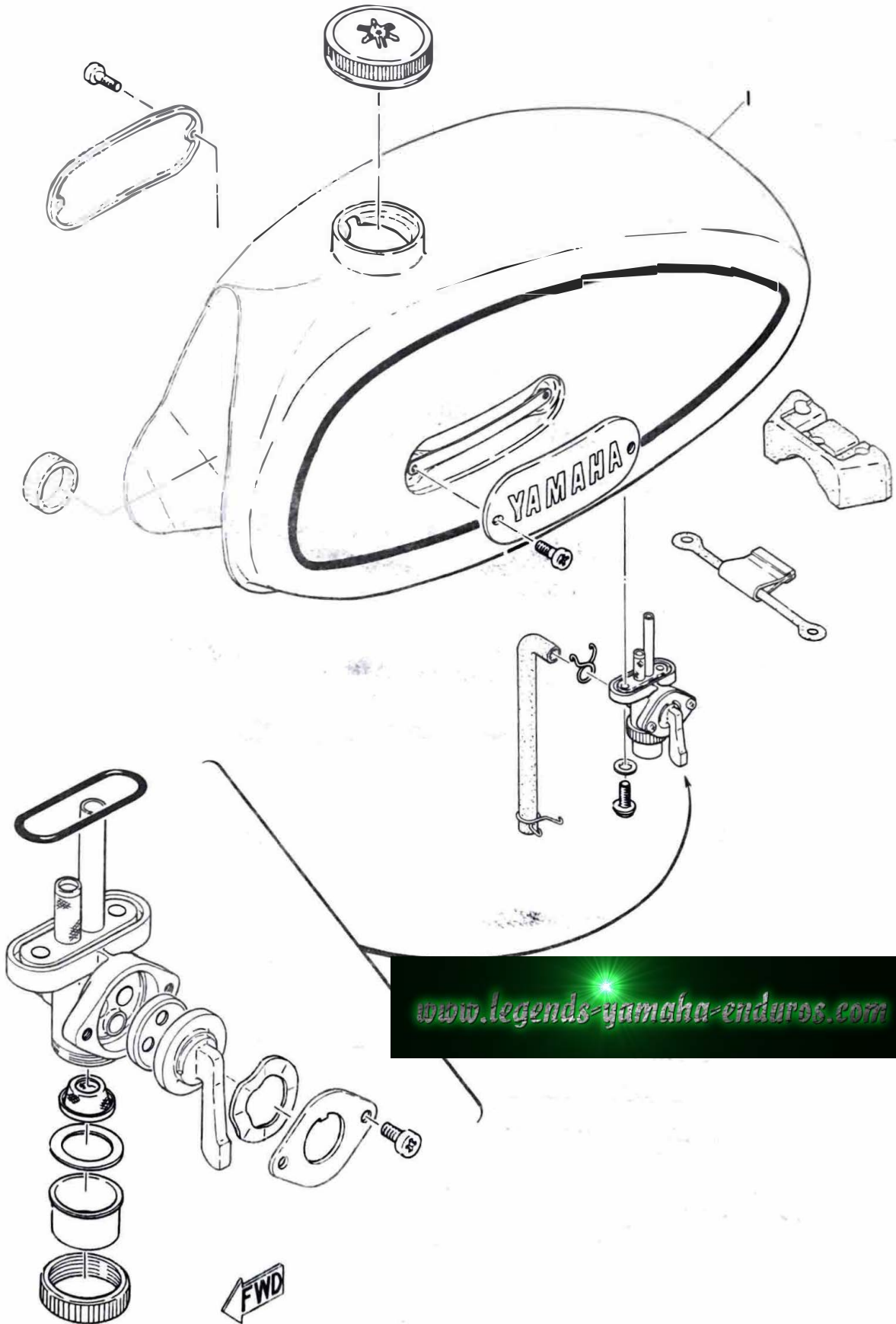


FRONT FORK

Ref No.	Parts No.	Parts Name	Description	Q'ty	S-R	Remarks
2-38	156-23411-00	RACE, ball		1		
2-39	156-23412-00	RACE, ball 2		1		
2-40	93501-04011	BALL	1/4"	19		
2-41	122-23411-00	RACE, ball 1		1		
2-42	122-23412-00	RACE, ball 2		1		
2-43	93503-16003	BALL	3/16"	22		
2-44	122-23416-00	COVER, ball race		1		
2-45	137-23454-00	NUT, fitting		1		
2-46	214-23435-02	CROWN, handle		1		
2-47	97103-08045	BOLT	ISO	1		
2-48	98803-08700	NUT, crown	ISO	1		
2-49	92901-08100	WASHER, spring		7		
2-50	97103-08030	BOLT	ISO	2		
2-51	214-23443-00	WASHER, crown		1		
2-52	214-23451-00	BOLT, steering fitting		1		
2-53	141-23427-00	WASHER		1		
2-54	156-23418-00	WASHER, special		1		
2-55	214-23419-01	SHAFT, damper		1		
2-56	214-23441-00	HOLDER, handle upper		2		
2-57	214-23442-02	HOLDER, handle under		2		
2-58	92802-10100	NUT		2		
2-59	92902-10100	WASHER, spring		2		
2-60	97103-08030	BOLT	ISO	4		
2-61	214-23422-01	PLATE, damper		1		
2-62	214-23421-02	PLATE, damper		1		
2-63	214-23423-00	PLATE, daper 3		1		
2-64	156-83525-00	CLIP		1		
2-65	91401-20015	PIN, cotter		1		
2-01	264-23100-60-46	FRONT FORK ASS'Y	ISO	1		PEARL
2-23	214-23121-01-46	COVER, upper (L.H)		1		WHITE
2-24	214-23131-01-46	COVER, upper (R.H)		1		PEARL
						WHITE



Fig. 3 FUEL TANK

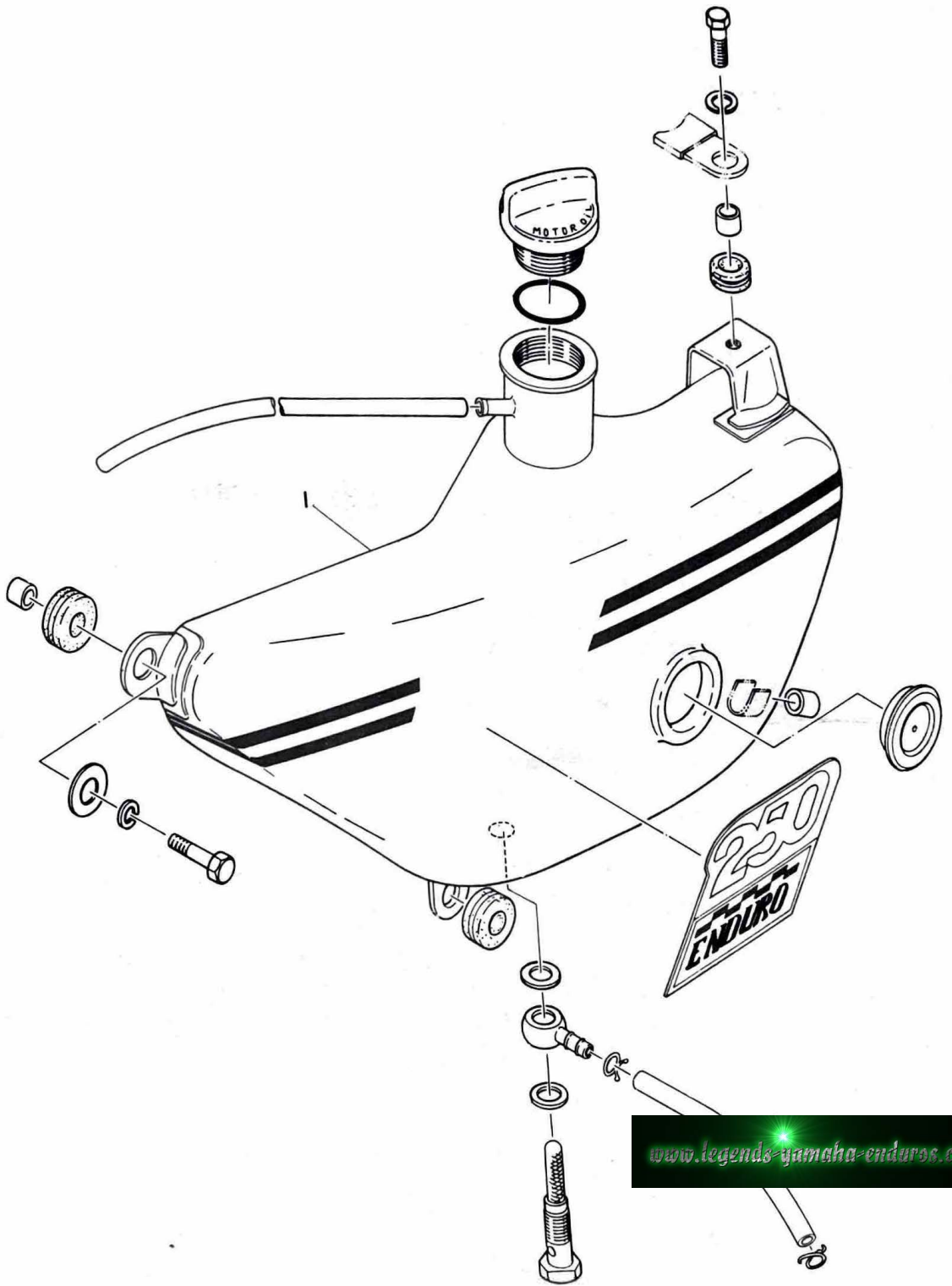


FUEL TANK

Ref No.	Parts No.	Parts Name	Description	Q'ty	S·R	Remarks
3-1	214-24110-03-01	FUEL TANK COMP.		1		CANDY ORANGE
3-2	122-24610-01	CAP ASS'Y		1		
3-3	214-24500-00	FUEL COCK ASS'Y		1		
3-4	214-24523-00	. VALVE		1		
3-5	214-24515-00	. NET, filter		1		
3-6	214-24522-00	. GASKET, filter		1		
3-7	214-24521-00	. CUP, filter		1		
3-8	214-24542-00	. NUT, ring		1		
3-9	214-24512-00	. GASKET, body		1		
3-10	214-24524-00	. LEVER, cock		1		
3-11	137-24518-00	. WASHER, wave		1		
3-12	214-24525-00	. PLATE, lever fitting		2		
3-13	214-24535-00	. SCREW, lever fitting		2		
3-14	214-24143-00	BOLT, cock fitting		2		
3-15	137-24513-00	GASKET, cock fitting		1		
3-16	214-24311-00	PIPE, fuel		2		
3-17	143-24356-00	CLIP, pipe		2		
3-18	156-24181-00	DAMPER, tank locating		1		
3-19	214-24184-00	DAMPER, locating 4		2		
3-20	211-24161-00	EMBLEM, fuel tank		4		
3-21	98501-04008	SCREW, pan head		1		
3-22	214-24173-00	BAND, tank fitting		1		
3-23	143-24199-00	BAND, tank fitting		1		PEARL WHITE
3-1	214-24110-03-02	FUEL TANK COMP.				



Fig. 4 OIL TANK



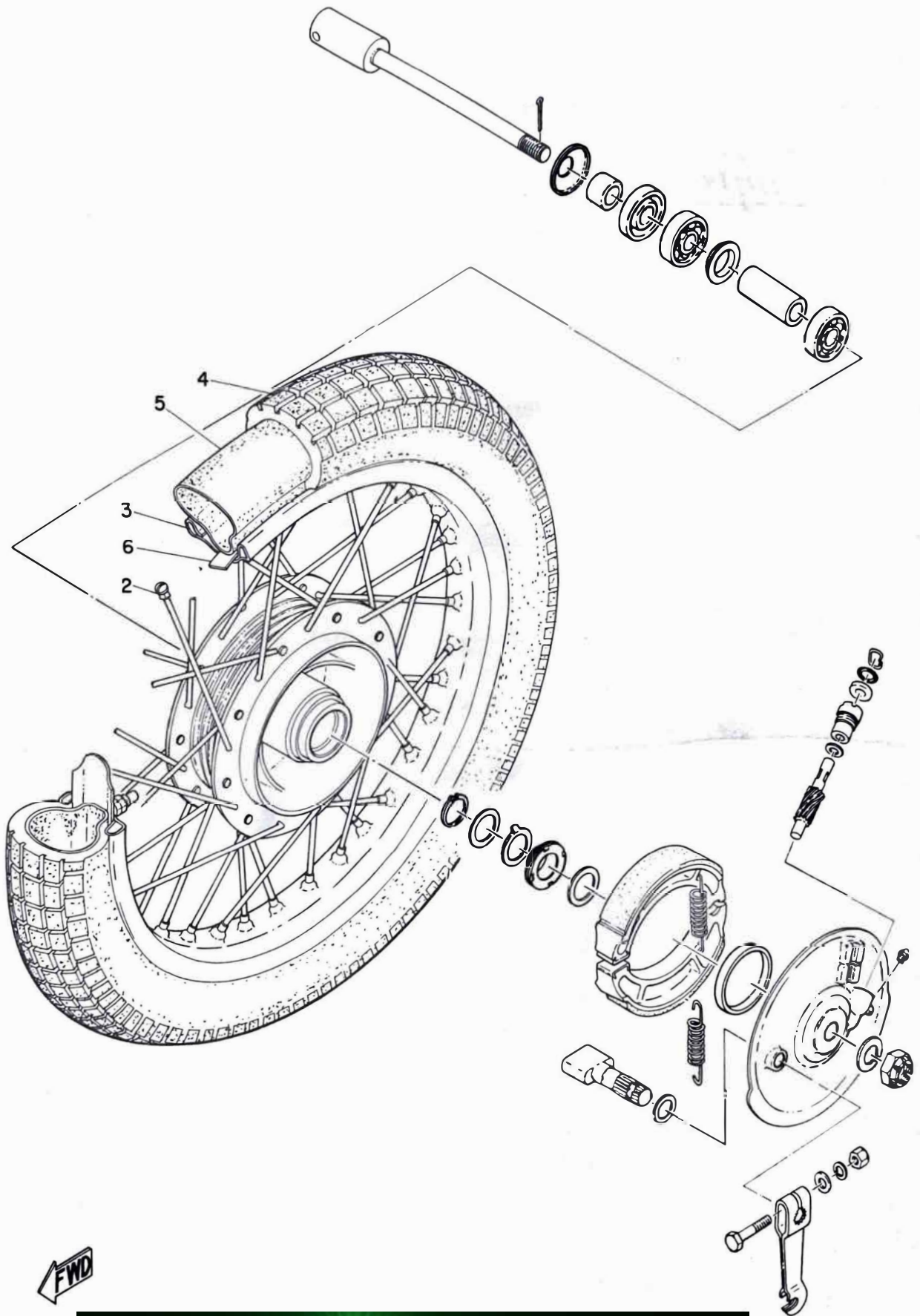
FWD

OIL TANK

Ref No.	Parts No.	Parts Name	Description	Q'ty	S·R	Remarks
4-1	214-21705-00-01	OIL TANK ASS'Y		1		CANDY ORANGE
4-2	214-21761-00	. GAUGE, level		1		
4-3	214-21771-00	CAP, tank		1		
4-3-1	214-21772-00 214-21772-00	GASKET, cap		1		
4-4	214-21638-00	DAMPER, fender mount 1		1		
4-5	214-21633-00	COLLAR, fender mount 1	7-10-7	2		
4-6	91201-06025	BOLT		2		
4-7	92901-06100	WASHER, spring		2		
4-8	116-28324-00	WASHER, leg shield 2	6.5-20-1.6	1		
4-9	214-21717-00	DAMPER, battery box 1		1		
4-10	214-21746-00	DAMPER, tool box		1		
4-11	214-21779-00	DAMPER, oil tank 2		1		
4-12	214-21768-00	SCREW, union		1		
4-13	137-21767-00	GASKET, union	10.2-15-1.5	2		
4-14	214-21769-00	COLLAR, union screw		1		
4-15	214-21766-00	PIPE, oil		1		
4-16	101-24356-00	CLIP, pipe		2		
4-17	214-21745-00	PIPE, oil tank breather		1		
4-18	214-21787-00	EMBLEM, enduro		1		
4-1	214-21705-00-02	OIL TANK ASS'Y		1		PEARL WHITE

www.legends-yamaha-enduros.com

Fig. 5 FRONT WHEEL



FRONT WHEEL

Ref No.	Parts No.	Parts Name	Description	Q'ty	S·R	Remarks
5- 1	214-25111-00	HUB		1		
5- 2	214-25104-10 94416-21038	SPOKE SET		1s		
5- 3	94416-21038	RIM	1.60A-21	1		
5- 4	94127-21071	TIRE, front	2.75-21- 4PR	1		
5- 5	94227-21031	TUBE	2.75-21	1		
5- 6	94327-21024	BAND, rim	2.75-21	1		
5- 7	214-25117-00	SPACER, bearing		1		
5- 8	136-25115-00	FLANGE, spacer		1		
5- 9	93306-20201	BEARING	6202	1		☆
5-10	93102-20009	OIL SEAL	SD-20-35-7	1		
5-11	93306-20203	BEARING	6202RS	1		☆
5-12	93410-22014	CIRCLIP	S22	1		
5-13	214-25147-00	WASHER, thrust 2	22.5-29-1	2		
5-14	214-25149-00	CLUTCH, meter		1		
5-15	214-25135-00	GEAR, drive		1		
5-16	214-25121-00	PLATE, brake shoe		1		
5-17	214-25151-00	CAM, shaft		1		
5-18	137-25153-00	SHIM, cam shaft	12.2-22-0.5	1		
5-19	93105-50010	OIL SEAL		1		
5-20	214-25130-00	BRAKE SHOE COMP.		2		
5-21	137-25133-00	SPRING, brake shoe return		2		
5-22	214-25155-00	LEVER, cam shaft		1		
5-23	91201-06030	BOLT		1		
5-24	92801-06100	NUT		1		
5-25	92901-06100	WASHER, spring		1		
5-26	92901-06200	WASHER, plain		1		
5-27	214-25138-00	GEAR, meter		1		
5-28	183-25146-00	WASHER, thrust 1	7-12-0.8	1		
5-29	109-25136-00	BUSH		1		
5-30	93104-07003	OIL SEAL	SO-7-14-4	1		
5-31	93210-13017	O-RING	2.4-13.4	1		
5-32	102-25137-00	RING, stop	18φ	1		
5-33	214-25181-01	SHAFT, wheel		1		
5-34	214-25118-00	COVER, hub dust		1		
5-35	136-25183-00	COLLAR, wheel shaft	15-20-12.4	1		
5-36	214-25182-01	NUT, shaft		1		
5-37	136-25384-00	WASHER, special	15-26-2.6	1		
5-38	91401-30028	PIN, cotter		1		

www.legends-yamaha-enduros.com

DT1-S PARTS LIST

First edition, FEB '69



YAMAHA MOTOR CO., LTD.

HAMAMATSU, JAPAN

www.legends-yamaha-enduros.com



YAMAHA MOTOR CO.,LTD.

PRINTED IN JAPAN